

1997 Sportster Models Parts Catalog

Alphabetical List

Parts

Hardware List

New Parts List

Numerical Index

Component Types and Introduction Dates

Common Service Parts

READER'S COMMENTS

The Harley-Davidson Service Communications Department maintains a continuous effort to improve the quality and usefulness of its publications. To do this effectively, we need user feedback - your critical evaluation of this manual.

Please comment on the completeness, accuracy, organization, usability, and readability of this manual.

Please list the page, item, and part number(s) of any errors you find in this manual.

Please tell us how we can improve this manual.

Name	Document 99451-97B
Occupation	Dealership

GENERAL INFORMATION

THIS IS NOT AN ASSEMBLY MANUAL AND SHOULD NOT BE USED AS SUCH.

About this manual

This Parts Catalog has been prepared to make it easier for you to order parts for your motorcycles. The numbers shown in the illustrations correspond to the numbers in the "INDEX NO." column in the parts lists. Consult the illustrations when ordering parts to make sure that you receive all the required parts. The number in parentheses following the part description is the quantity needed for complete assembly. If there is no number in parentheses, only one is used. Prices of parts in this catalog are published separately.

When ordering parts, the following instructions should be followed carefully.

- Make sure to specify the correct part number for each item. The part numbers appear under the "PART NO." column in the parts lists.
- Orders may be placed via your computer for all parts. Review your system documentation on placing orders electronically. All non-warranty replacement crankcase orders require return of the complete left crankcase half with vehicle identification number (VIN). All non-warranty replacement frame orders require return of the steering neck with vehicle identification number (VIN). Non-compliance will result in a fine. See non-warranty frame and crankcase policy or contact Dealer Services.
- The sale or use of these parts or accessories does not grant the purchaser a license or other right under any Harley-Davidson patent.
- For all 2008 and later painted parts, refer to the Service Section of h-dnet.com which features a listing of painted part numbers, except CVO (Custom Vehicle Operations) models which are located in their own respective catalogs.
- All parts that were added for the new model year will have the entire line shaded on the parts list page. This can be used to identify any new parts that are unique to a specific model, and help distinguish new and previous model year parts.
- Parts marked "**RESTRICTED SALE PART**" are limited edition items and can only be ordered as direct replacements.
- Orientation symbols are used when the illustration is not in the standard "Right-Front" orientation. The

symbol is a motorcycle with an arrow in the front indicating the direction of view. The symbol is at the bottom left or right side of the illustration page.

- To request a missing or loose part, simply submit a Return Material Authorization (RMA) claim on h-dnet.com with code "T-part not included with vehicle" for all vehicle missing parts claims. Then place an order for the missing item on your next Parts and Accessories order. Upon filing the RMA claim, your dealership will be credited for the dealer net cost of the part. The Vehicle Identification Number must be included on the RMA claim in order for you to receive credit. This process is to be used for vehicles manufactured at all plants.

To the best knowledge of Harley-Davidson Motor Company, the material contained herein is accurate as of the date this publication was approved for printing. Harley-Davidson Motor Company reserves the right to change specifications, equipment or designs at any time without notice and without incurring obligation.

2018 TPD

GENERAL INFORMATION

LOOSE PARTS

The Loose Parts section is located at the back of this parts catalog. This section lists the parts which are shipped unfastened with the vehicles covered in this catalog.

HARDWARE LIST

The Hardware List is located at the back of this parts catalog. This section contains the information for each piece of hardware found in each parts list.

NEW PARTS LIST

The New Parts List is located at the back of this parts catalog. This list serves as a summary of new parts.

NUMERICAL INDEX

The Numerical Index is located at the back of this parts catalog. This index includes all part numbers used in this catalog and the page numbers of where they can be found.

COMPONENT TYPES AND INTRODUCTION DATES

The Component Types and Introduction Dates section is located at the back of this parts catalog. This section contains a list of component part numbers and year of introduction.

COMMON SERVICE PARTS

The Common Service Parts section is located at the back of this parts catalog. This section contains the most commonly ordered parts for service on vehicles covered in this catalog. These parts are ordered through the normal ordering process.

IF (SERVICE INFORMATION PORTAL)

For the latest updates to these manuals, see the Service Information Portal.

VEHICLE IDENTIFICATION NUMBER

See Figure 1. A unique 17-digit serial, or vehicle identification number (VIN), is assigned to each motorcycle. For a description of each digit in the vehicle identification number (VIN), refer to Table 1.

For all models except V-Rod the full 17-digit serial, or vehicle identification number (VIN), is stamped on the right side of the frame backbone at the rear of the steering head. The vehicle identification number (VIN) is also printed on a label on the right front downtube. An abbreviated vehicle identification number (VIN) is stamped on the left side crankcase between the front and rear cylinders.

For V-Rod models only the full 17-digit serial, or vehicle identification number (VIN), is stamped on the right side of the steering head. The vehicle identification number (VIN) is also printed on a label on the left frame tube above the front engine cylinder. An abbreviated vehicle identification number (VIN) is stamped on the left side crankcase below the rear cylinder head.

Always give the full 17-digit vehicle identification number (VIN) when ordering parts or making any inquiry about your motorcycle.

997 XLH MODELS

VIN MODEL CODES

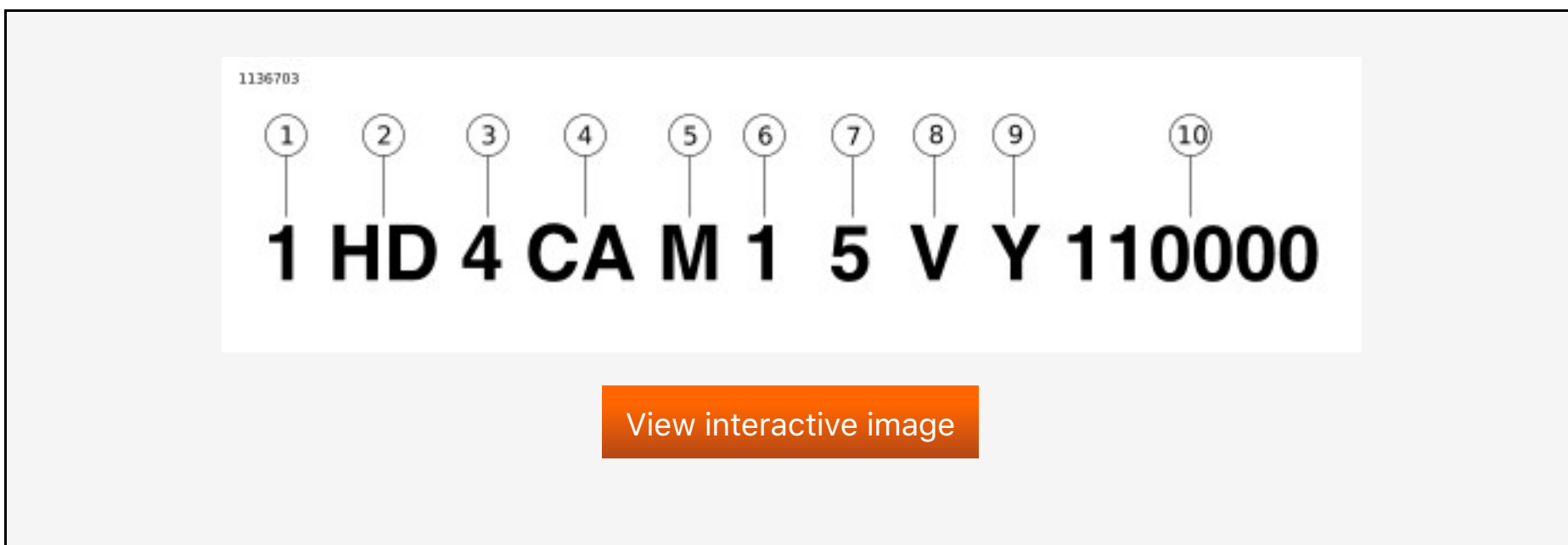


Figure 1. Typical Harley-Davidson VIN

Table 1. Harley-Davidson VIN Breakdown

POSITION	DESCRIPTION	POSSIBLE VALUES
1	Market designation	1=Domestic 5=International
2	Manufacturer	HD=Harley-Davidson
3	Motorcycle type	1=Heavyweight motorcycle (901cc and larger) 4=Middleweight motorcycle (351-900cc)
4	Model	See model table
5	Engine type	M=XLH 883cc P=XLH 1200cc
6	Introduction date	1=Regular 2=Mid-year 3=California 4=Special Edition 5=Special Edition Cal. Only

7	V.I.N. check digit	Can be 0-9 or X
8	Model year	V=1997
9	Assembly plant	Y=York, PA
10	Sequential number	varies

Table 2. VIN Model Codes

CODE	MODEL NAME
CA	XLH 883
CA	XLH 1200
CE	XLH 883 Hugger
CG	XLH 1200 Custom
CH	XLH 1200 Sport

NOTES

ACCESS DOOR & PRIMARY COVER
 AIR CLEANER & ENRICHENER
 ALTERNATOR & REGULATOR
 AXLE, REAR - CAST
 BATTERY
 BELT GUARD KIT
 BELTS & SPROCKETS
 BRACKET, HORN
 BRACKET, LICENSE PLATE
 BRACKET, LOWER STEERING HEAD
 BRAKE DISC, FRONT CAST
 BRAKE DISC, FRONT LACED
 BRAKE DISC, REAR CAST
 BRAKE DISC, REAR LACED
 BRAKE LINE, REAR
 BRAKE LINES, FRONT
 CABLE, CLUTCH CONTROL
 CALIFORNIA EVAPORATIVE EMISSIONS KIT
 CALIPER, FRONT
 CALIPER, REAR
 CAM GEARS (1 OF 3)
 CAM GEARS (2 OF 3)
 CAM GEARS (3 OF 3)
 CARBURETOR (1 OF 2)
 CARBURETOR (2 OF 2)

CHAIN, PRIMARY
CLUTCH
CLUTCH CONTROL
CRANKCASE
CYLINDER, HEAD & VALVES - V2™ EVOLUTION (1 OF 2)
CYLINDER, HEAD & VALVES - V2™ EVOLUTION (2 OF 2)
DEBRIS COLLECTOR
ELECTRONIC IGNITION SYSTEM
EXHAUST SYSTEM
FILTER, OIL
FOOTRESTS
FRAME, REAR FORK & JIFFY STAND
FRONT BRAKE CALIPER
FRONT BRAKE CONTROL
FRONT FENDER
FRONT FORK
FRONT FORK - 1200 SPORT
FRONT WHEEL - CAST
FRONT WHEEL - LACED
FUEL TANK & TRIM
GASKET KIT, ENGINE OVERHAUL
GASKET KIT, ROCKER COVERS
GASKET KIT, TOP END
GEARCASE & COVER
HAND LEVER, CLUTCH CONTROL
HANDLEBAR & THROTTLE CONTROL
HANDLEBAR & THROTTLE CONTROL - 1200 CUSTOM
HANDLEBAR SWITCHES
HEADLAMP & MIRROR (1 OF 2)
HEADLAMP & MIRROR (2 OF 2)
HORN
MAIN WIRING HARNESS (1 OF 2)
MAIN WIRING HARNESS (2 OF 2)
MAIN WIRING HARNESS - 1200 CUSTOM (1 OF 2)
MAIN WIRING HARNESS - 1200 CUSTOM (2 OF 2)
MASTER CYLINDER W/ HAND LEVER, FRONT
MASTER CYLINDER, W/ BRAKE PEDAL (REAR)
OIL PUMP
OIL TANK & FILTER
PISTONS, CONNECTING RODS & FLYWHEELS
REAR BRAKE CALIPER
REAR BRAKE CONTROL
REAR FENDER & BELT GUARDS
REAR WHEEL - CAST
REAR WHEEL - LACED
ROCKER ARMS, COVERS & PUSHRODS
SEATS
SHIFTER
SHOCK ABSORBERS
SPARK PLUGS
SPEEDOMETER & TACHOMETER

SPEEDOMETER - 1200 CUSTOM

STARTER MOTOR

STEERING HEAD BRACKET ASSEMBLY

SWITCHES & CIRCUIT BREAKERS

TAIL LAMP

TIMER COVER

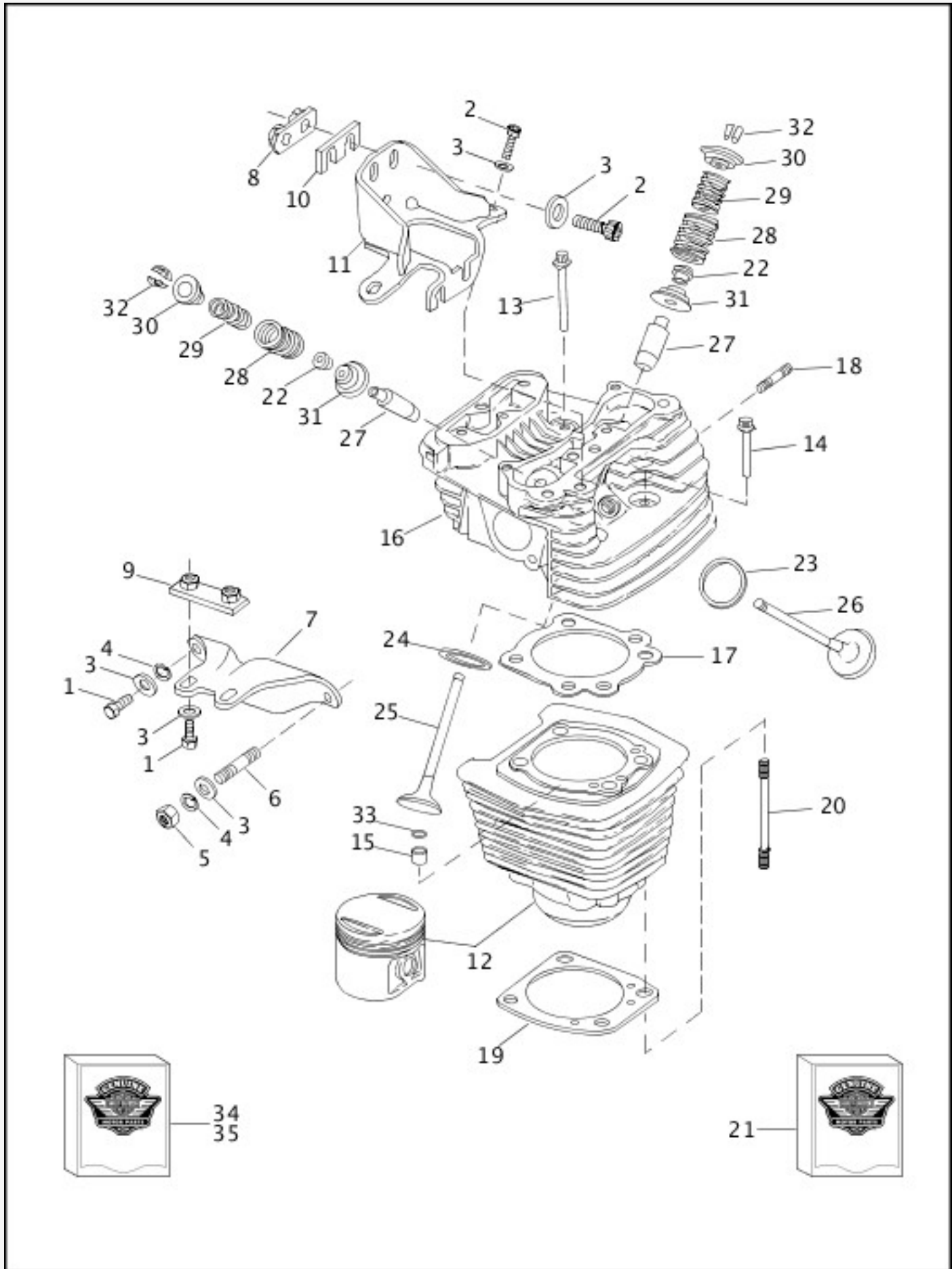
TRANSMISSION GEARS

TRAY, BATTERY

TURN SIGNALS

Parts

CYLINDER, HEAD & VALVES - V2™ EVOLUTION (1 OF 2)



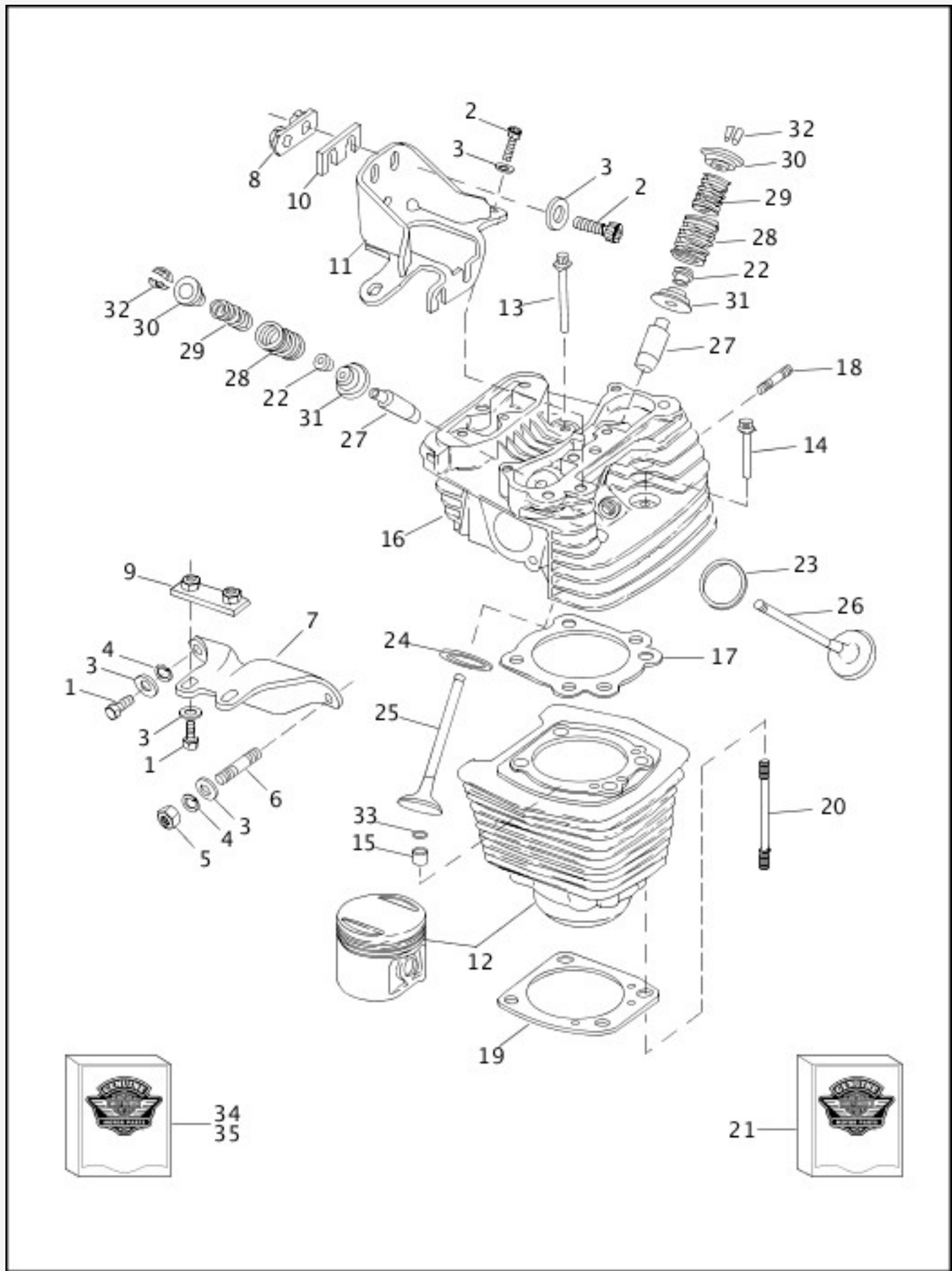
[View interactive image](#)

[View interactive table](#)

INDEX NO.	PART NO.	DESCRIPTION	MODEL(S)
1	4716W	SCREW (3)	ALL
2	4748	SCREW (4)	ALL
3	6701	WASHER (8)	ALL

4	7038	LOCKWASHER (2)	ALL
5	7861	NUT	ALL
6	11727A	STUD, left front	ALL
7	16214-86	BRACKET, upper front	XL1200, XL1200C, XL1200S
	16222-86	BRACKET, upper front	XL883, XL883HUG
8	16226-94	NUT PLATE	ALL
9	16228-86A	NUT PLATE	ALL
10	16233-86	SHIM, 0.030 (as required)	ALL
11	16278-95B	BRACKET, center engine mount	ALL
12	16446-86B	CYLINDER W/ PISTON (883 cc) (2)	XL883, XL883HUG
	16447-88A	CYLINDER W/ PISTON (1200 cc) (2)	XL1200, XL1200C, XL1200S
13	16478-85A	SCREW, internal thread (4)	ALL
14	16480-92A	SCREW, internal thread (4)	ALL
15	16573-83A	INSERT, cylinder stud (4)	ALL
16	16660-89B	HEAD, rear cylinder, w/ valve guides & seats	XL883, XL883HUG
	16661-89B	HEAD, front cylinder, w/ valve guides & seats	XL883, XL883HUG
	16688-90A	HEAD, front cylinder, w/ valve guides & seats	XL1200, XL1200C, XL1200S
	16698-90A	HEAD, rear cylinder, w/ valve guides & seats	XL1200, XL1200C, XL1200S
17	16664-86D	GASKET, cylinder head (2)	XL883, XL883HUG
	16770-84F	GASKET, cylinder head (2)	XL1200, XL1200C, XL1200S
18	16715-83	STUD, exhaust port (4)	ALL
19	16774-86D	GASKET, cylinder base (2)	ALL
20	16832-86C	STUD, cylinder base (8)	ALL

CYLINDER, HEAD & VALVES - V2™ EVOLUTION (2 OF 2)



[View interactive image](#)

[View interactive table](#)

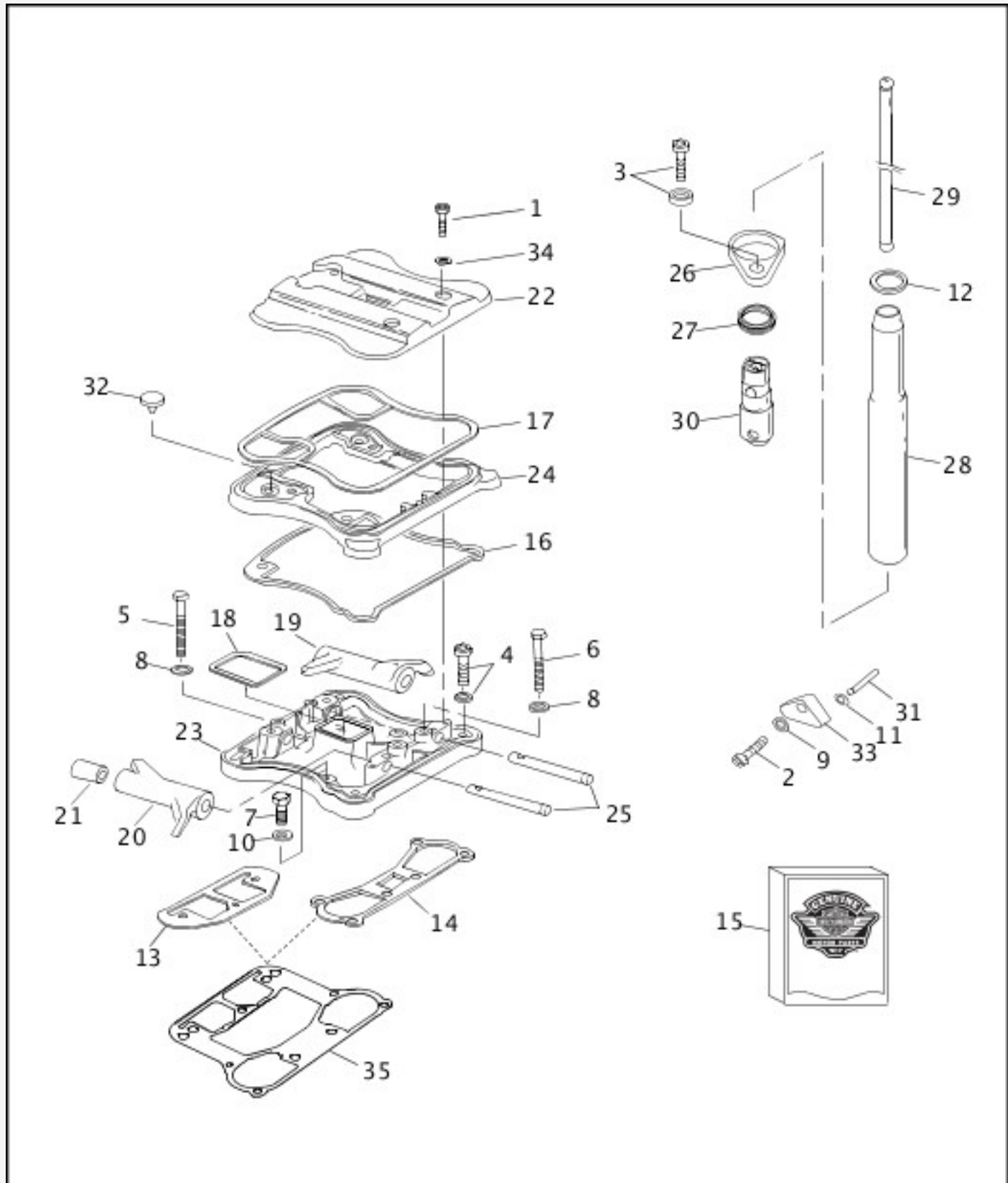
INDEX NO.	PART NO.	DESCRIPTION	MODEL(S)
21	17026-91D	GASKET KIT, engine overhaul	ALL
	17032-91	GASKET KIT, top end	ALL
	17036-91A	GASKET KIT, rocker covers	ALL

22	18001-83B	SEAL, valve (4)	ALL
23	18011-87A	INSERT, exhaust valve seat (2)	XL1200, XL1200C, XL1200S
	18012-87A	INSERT, exhaust valve seat (2)	XL883, XL883HUG
24	18020-87A	INSERT, intake valve seat (2)	XL1200, XL1200C, XL1200S
	18021-87A	INSERT, intake valve seat (2)	XL883, XL883HUG
25	18023-87A	INTAKE VALVE (2)	XL1200, XL1200C, XL1200S
	18031-86B	INTAKE VALVE (2)	XL883, XL883HUG
26	18024-87A	EXHAUST VALVE (2)	XL1200, XL1200C, XL1200S
	18030-86B	EXHAUST VALVE (2)	XL883, XL883HUG
27	18101-83D	VALVE GUIDE, intake & exhaust (4)	ALL
	18130-83D	VALVE GUIDE, intake & exhaust, 0.001 O.S. (4)	ALL
	18131-83D	VALVE GUIDE, intake & exhaust, 0.003 O.S. (4)	ALL
	18133-83B	VALVE GUIDE, intake & exhaust, 0.002 O.S. (4)	ALL
28	18201-83	VALVE SPRING, outer (4)	ALL
29	18202-83	VALVE SPRING, inner (4)	ALL
30	18219-83A	COLLAR, valve spring, upper (4)	ALL
31	18222-83A	COLLAR, valve spring, lower (4)	ALL
32	18229-83A	RETAINER, valve collar (8)	ALL
33	26432-76A	O-RING, cylinder stud insert (4)	ALL
34	16051-97	ENGINE ASSEMBLY, complete (1200cc)	XL1200
	16052-97	ENGINE ASSEMBLY, complete (883cc)	XL883
	16054-97	ENGINE ASSEMBLY, complete (1200cc) (California)	XL1200
	16055-97	ENGINE ASSEMBLY, complete (1200cc) (California)	XL883
	16061-97	ENGINE ASSEMBLY, complete (883cc)	XL883HUG
	16062-97	ENGINE ASSEMBLY, complete (883cc) (California)	XL883HUG
	16068-97	ENGINE ASSEMBLY, complete (1200cc)	XL1200C
	16069-97	ENGINE ASSEMBLY, complete (1200cc) (California)	XL1200C
	16074-97	ENGINE ASSEMBLY, complete (1200cc)	XL1200S
	16075-97	ENGINE ASSEMBLY, complete (1200cc) (California)	XL1200S

INTERNATIONAL MODELS ONLY

35	16063-97	ENGINE ASSEMBLY, complete (1200cc) (HDI)	XL1200
	16064-97	ENGINE ASSEMBLY, complete (883cc) (HDI)	XL883
	16066-97	ENGINE ASSEMBLY, complete (883cc) (HDI)	XL883HUG
	16071-97	ENGINE ASSEMBLY, complete (1200cc) (HDI)	XL1200C
	16076-97	ENGINE ASSEMBLY, complete (1200cc) (Swiss)	XL1200S

ROCKER ARMS, COVERS & PUSHRODS

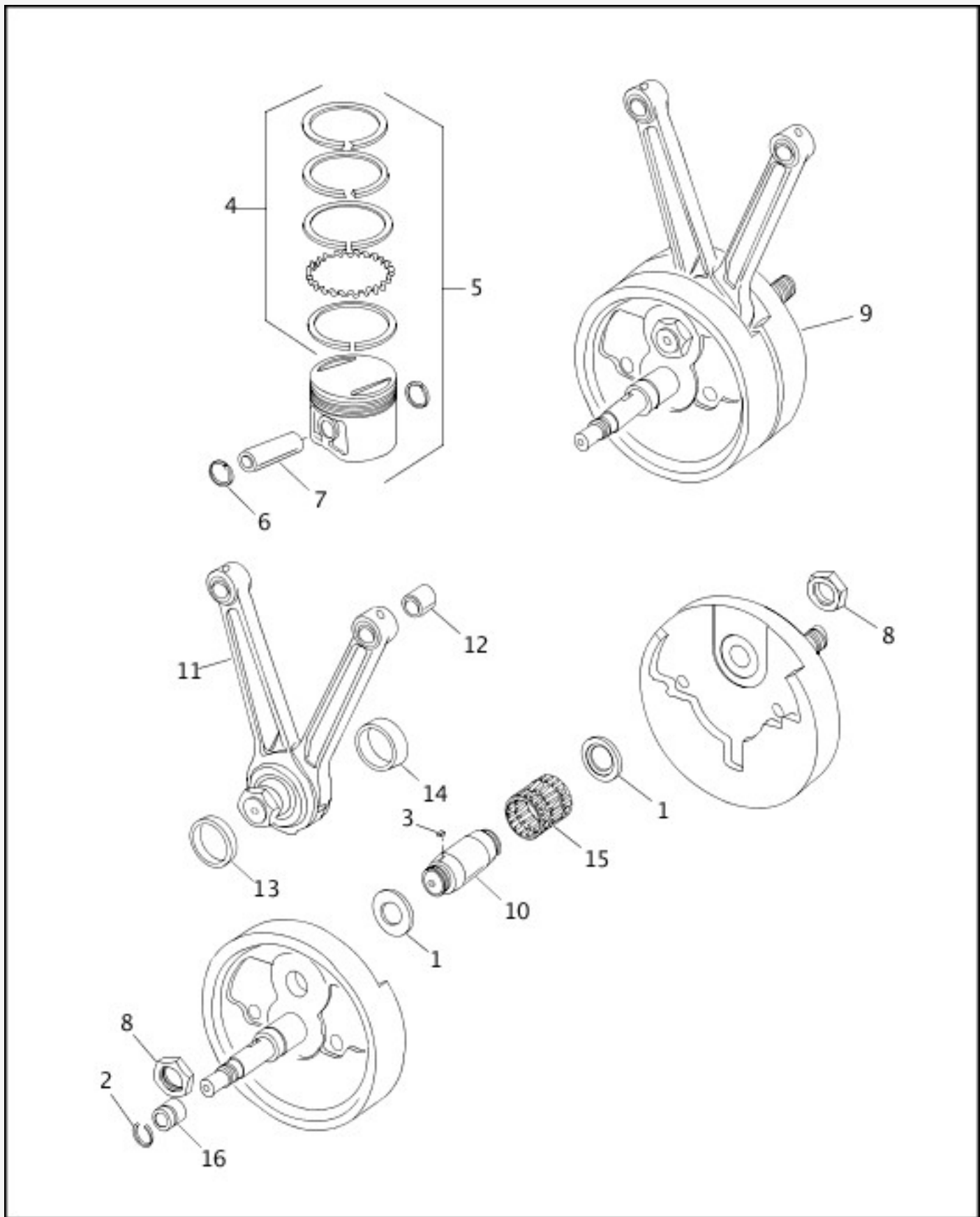


[View interactive image](#)

INDEX NO.	PART NO.	DESCRIPTION	MODEL(S)
1	882	SCREW (8)	ALL
2	94313-91TS	SCREW (2)	ALL
3	3228A	SCREW, w/ washer (4)	ALL
4	4718A	SCREW, w/ washer (4)	ALL
5	3500A	BOLT (4)	ALL
6	3501A	BOLT (4)	ALL
7	3849	SCREW (6)	ALL
8	6016	WASHER (8)	ALL
9	6099	WASHER (2)	ALL
10	6736	WASHER (6)	ALL
11	11176	O-RING (4)	ALL
12	11190	O-RING, pushrod cover, upper (4)	ALL
13	16778-84A	GASKET, cylinder head, right (use 16800-84A) (2)	ALL
14	16779-84B	GASKET, cylinder head, left (use 16800-84A) (2)	ALL
15	17036-91A	GASKET KIT, rocker covers, w/ 16, 17, 18 & 35	ALL
16	17353-89C	GASKET, rocker cover, lower (2)	ALL
17	17354-89	GASKET, rocker cover, upper (2)	ALL
18	17358-84B	GASKET, rocker cover, inner (2)	ALL
19	17360-83A	ROCKER ARM, front intake & rear exhaust (2)	ALL
20	17375-83A	ROCKER ARM, front exhaust & rear intake (2)	ALL
21	17429-91	BEARING, rocker arm (8)	ALL
22	17501-86B	ROCKER COVER, outer (2)	XL1200, XL1200S, XL883, XL883HUG

	17551-96	ROCKER COVER, outer (2)	XL1200C
23	17532-86E	ROCKER COVER, inner (2)	XL1200, XL1200S, XL883, XL883HUG
	17537-96C	ROCKER COVER, inner (2)	XL1200C
24	17533-90A	SPACER, rocker cover (2)	XL1200, XL1200S, XL883, XL883HUG
	17538-96	SPACER, rocker cover (2)	XL1200C
25	17611-83	SHAFT, rocker arm (4)	ALL
26	17952-91	RETAINER, pushrod, front intake & rear exhaust (2)	ALL
	17953-91	RETAINER, pushrod, front exhaust & rear intake (2)	ALL
27	17944-89	SEAL, pushrod cover (4)	ALL
28	17946-89	COVER, pushrod (4)	ALL
29	17897-89A	PUSHROD, intake (2)	ALL
	17904-89A	PUSHROD, exhaust (2)	ALL
30	18526-89A	TAPPET, w/ roller (4)	ALL
31	18532-89	PIN, anti-rotation (2)	ALL
32	26856-89A	VALVE, umbrella (2)	ALL
33	36804-89	PIN PLATE (2)	ALL
34	63858-49	GASKET (8)	ALL
35	16800-84A	GASKET, rocker cover/cylinder head, valve & pushrod sides (replaces 16778-84A & 167779-84B) (8)	ALL

PISTONS, CONNECTING RODS & FLYWHEELS



[View interactive image](#)

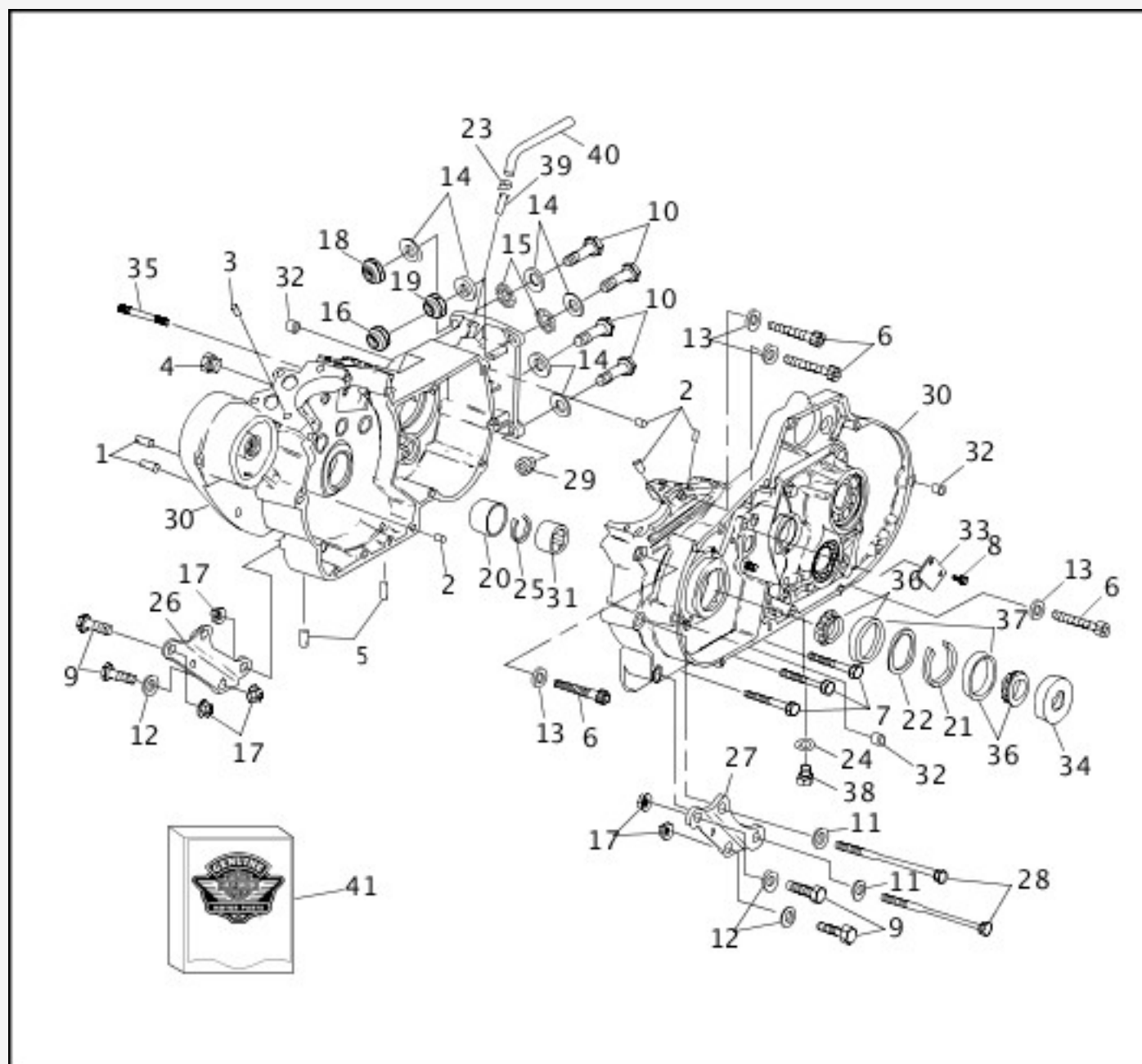
[View interactive table](#)

INDEX NO.	PART NO.	DESCRIPTION	MODEL(S)
1	6508	WASHER, crank pin boss (2)	ALL
2	11177A	RETAINING RING	ALL
3	11218	KEY, crank pin	ALL
4	21920-83	PISTON RING SET, standard (2)	XL1200, XL1200C, XL1200S
	21921-83	PISTON RING SET, 0.005 O.S. (2)	XL1200, XL1200C, XL1200S

	21922-83	PISTON RING SET, 0.010 O.S. (2)	XL1200, XL1200C, XL1200S
	21923-83	PISTON RING SET, 0.020 O.S. (2)	XL1200, XL1200C, XL1200S
	21924-83	PISTON RING SET, 0.030 O.S. (2)	XL1200, XL1200C, XL1200S
	22266-86	PISTON RING SET, standard (2)	XL883, XL883HUG
	22261-86	PISTON RING SET, 0.010 O.S. (2)	XL883, XL883HUG
	22262-86	PISTON RING SET, 0.020 O.S. (2)	XL883, XL883HUG
	22263-86	PISTON RING SET, 0.030 O.S. (2)	XL883, XL883HUG
	22271-86	PISTON RING SET, 0.005 O.S. (2)	XL883, XL883HUG
5	22242-86A	PISTON & RINGS ASSEMBLY, standard (2)	XL883, XL883HUG
	22201-86A	PISTON & RINGS ASSEMBLY, 0.005 O.S. (2)	XL883, XL883HUG
	22253-86A	PISTON & RINGS ASSEMBLY, 0.010 O.S. (2)	XL883, XL883HUG
	22254-86A	PISTON & RINGS ASSEMBLY, 0.020 O.S. (2)	XL883, XL883HUG
	22255-86A	PISTON & RINGS ASSEMBLY, 0.030 O.S. (2)	XL883, XL883HUG
	22243-88A	PISTON & RINGS ASSEMBLY, standard (2)	XL1200, XL1200C, XL1200S
	22205-88A	PISTON & RINGS ASSEMBLY, 0.005 O.S. (2)	XL1200, XL1200C, XL1200S
	22216-88A	PISTON & RINGS ASSEMBLY, 0.010 O.S. (2)	XL1200, XL1200C, XL1200S
	22220-88A	PISTON & RINGS ASSEMBLY, 0.020 O.S. (2)	XL1200, XL1200C, XL1200S
	22225-88A	PISTON & RINGS ASSEMBLY, 0.030 O.S. (2)	XL1200, XL1200C, XL1200S
6	22589-83B	LOCK RING, piston pin (4)	ALL
7	22719-85	PISTON PIN (2)	XL883, XL883HUG
	22765-88	PISTON PIN (2)	XL1200, XL1200C, XL1200S
8	23980-98	NUT, crank pin (2)	ALL
9	23905-89A	SET OF FLYWHEELS & SHAFTS W/ RODS	ALL
10	23960-80A	CRANK PIN, standard	ALL
	23948-87	CRANK PIN, 0.001 O.S.	ALL
	23949-87	CRANK PIN, 0.002 O.S.	ALL
11	24275-86A	SET OF CONN. RODS, w/ bearings, crank pin & nuts	ALL
12	24331-36	BUSHING, piston pin, .002 O.S. (2)	ALL
	24332-36	BUSHING, piston pin, 0.01 O.S. (2)	ALL

13	24341-52A	BEARING RACE, rear conn. rod, lower (2)	ALL
14	24352-52A	BEARING RACE, front conn. rod, lower (2)	ALL
15	24354-87A	BEARING SET, conn. rods	ALL
16	24658-87	INNER RING	ALL

CRANKCASE



[View interactive image](#)

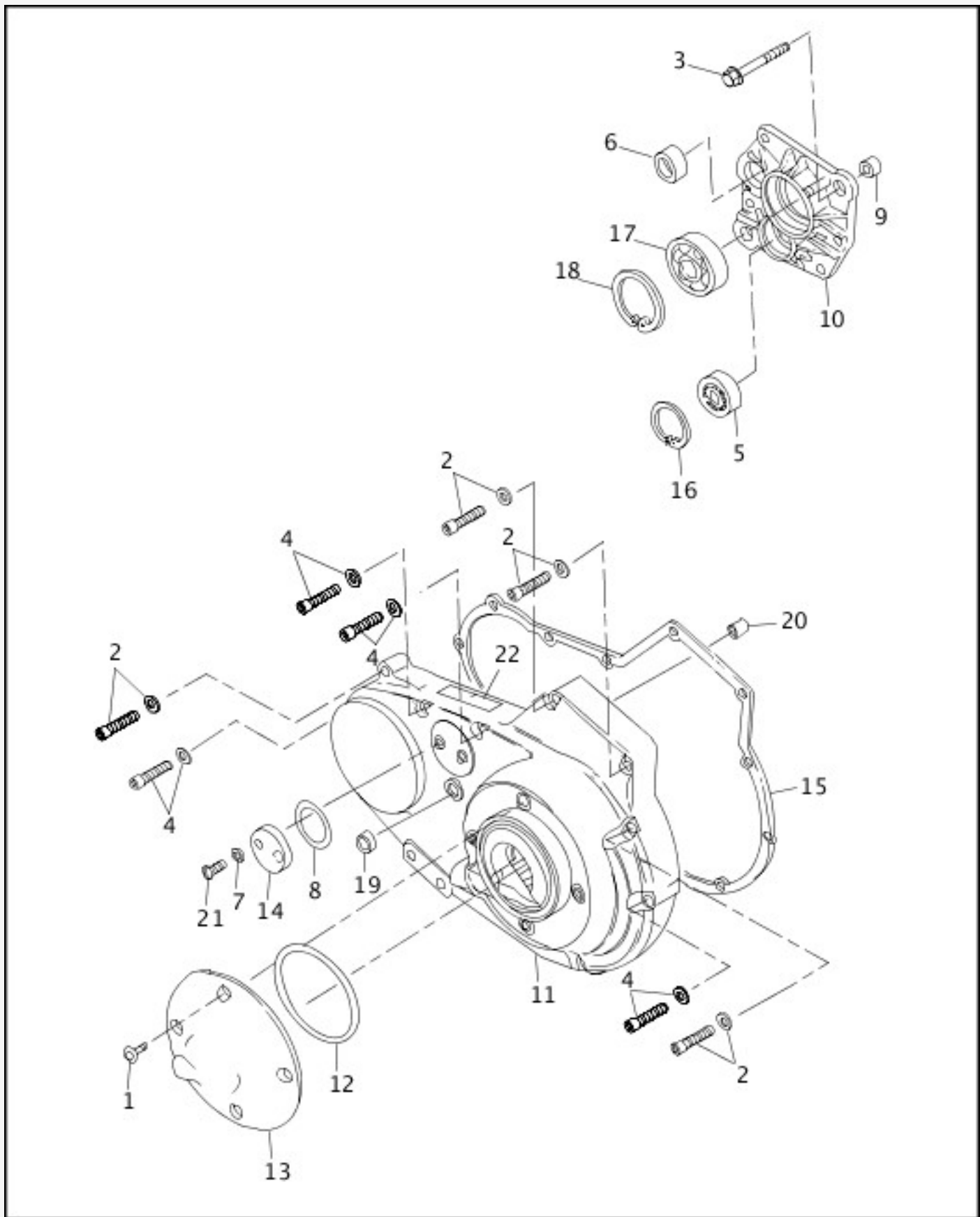
[View interactive table](#)

INDEX NO.	PART NO.	DESCRIPTION	MODEL(S)
1	215	DOWEL PIN (2)	ALL
2	358	DOWEL PIN (4)	ALL
3	604	ROLL PIN (4)	ALL

4	720	PLUG, timing	ALL
5	727	PLUG (2)	ALL
6	1028	SCREW (4)	ALL
7	3787	BOLT (3)	ALL
8	4091	SCREW (2)	ALL
9	4319	BOLT (4)	ALL
10	4435W	BOLT (4)	ALL
11	6019	WASHER (2)	ALL
12	6026	WASHER (4)	ALL
13	6314W	WASHER (4)	ALL
14	6701	WASHER (6)	ALL
15	7145W	LOCKWASHER, star (2)	ALL
16	7775	LOCKNUT	ALL
17	7780	LOCKNUT (5)	ALL
18	7789	LOCKNUT	ALL
19	7861	NUT	ALL
20	8881	BEARING RACE	ALL
21	9119A	RETAINING RING	ALL
22	9142	SHIM, roller bearing, 0.100	ALL
	9143	SHIM, roller bearing, 0.102	ALL
	9144	SHIM, roller bearing, 0.104	ALL
	9145	SHIM, roller bearing, 0.106	ALL
	9146	SHIM, roller bearing, 0.108	ALL
	9147	SHIM, roller bearing, 0.110	ALL
	9148	SHIM, roller bearing, 0.112	ALL
	9149	SHIM, roller bearing, 0.114	ALL
	9155	SHIM, roller bearing, 0.098	ALL
23	10080	CLAMP	ALL
24	11105	O-RING	ALL
25	11177A	RETAINING RING	ALL

26	16210-84A	MOUNTING PLATE, lower right, front	ALL
27	16212-84	MOUNTING PLATE, lower left, front	ALL
28	16235-52A	BOLT (2)	ALL
29	16240-82	BUSHING (2)	ALL
30	24470-91E	CRANKCASE SET, w/ bearings	XL1200, XL1200S, XL883, XL883HUG
	24466-96A	CRANKCASE SET, w/ bearings (black)	XL1200C
31	24647-87	BEARING, gear shaft (blue)	ALL
	24650-87	BEARING, gear shaft (red)	ALL
	24659-87	BEARING, gear shaft (white/gray)	ALL
	24660-87	BEARING, gear shaft (green)	ALL
32	24754-75A	DOWEL PIN (3)	ALL
33	29950-91	COVER, stator wires	ALL
34	35151-74A	OIL SEAL	ALL
35	42449-80A	STUD	ALL
36	48348-70	BEARING, complete (2)	ALL
37	48315-60	BEARING CUP (2)	ALL
38	60348-65B	DRAIN PLUG KIT, w/ o-ring	ALL
39	63547-89	BREATHER TUBE	ALL
NOTE: Hose or insulator is sold in bulk length under the following part numbers. Cut to length.			
40	63500-68	HOSE, 3/8 I.D. x 5/8 O.D. rubber (25 ft.)	ALL
41	24729-74	BEARING ASSEMBLY KIT	ALL

ACCESS DOOR & PRIMARY COVER



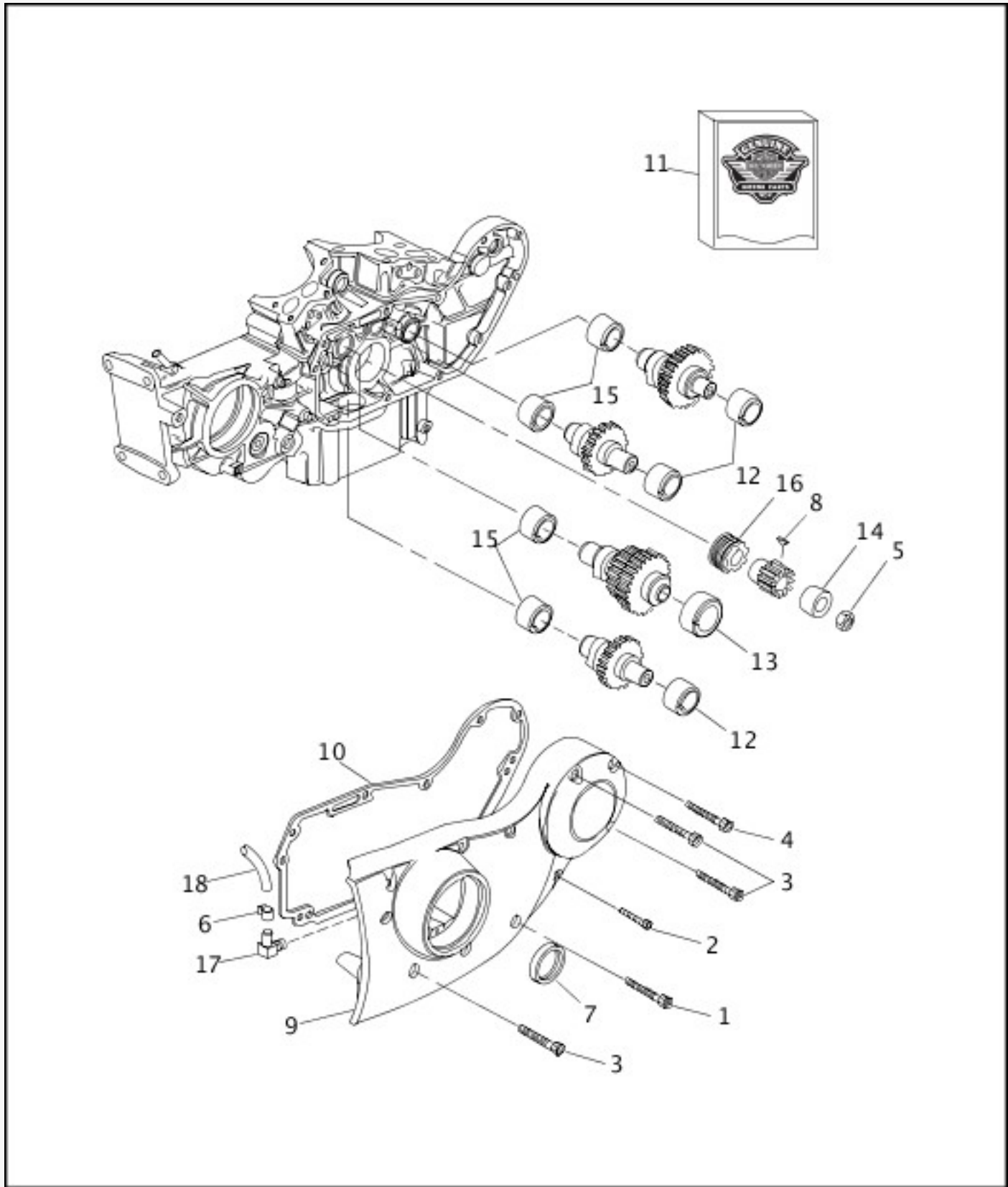
[View interactive image](#)

[View interactive table](#)

INDEX NO.	PART NO.	DESCRIPTION	MODEL(S)
1	943	SCREW, SEMS	ALL
2	3480A	SCREW, SEMS (7)	ALL
3	3610	SCREW, flange (5)	ALL
4	4717A	SCREW, SEMS (4)	ALL

5	8998	BEARING	ALL
6	9187	BUSHING	ALL
7	11171	O-RING, inspection cover screws (2)	ALL
8	11188	O-RING, chain inspection cover	ALL
9	16573-83A	INSERT, access door (2)	ALL
10	25238-94	ACCESS DOOR ASSEMBLY, transmission, w/ 5, 6, 16, 17 & 18	ALL
11	25430-94A	PRIMARY COVER (polished)	XL1200, XL1200S, XL883, XL883HUG
	25460-94	PRIMARY COVER (chrome)	XL1200C
12	25463-94A	GASKET, clutch cover	ALL
13	34992-94	INSPECTION COVER, clutch	XL1200, XL1200S, XL883, XL883HUG
	34760-94	INSPECTION COVER, clutch (chrome)	XL1200C
14	34993-90	INSPECTION COVER, chain	XL1200, XL1200S, XL883, XL883HUG
	34761-94	INSPECTION COVER, chain (chrome)	XL1200C
15	34955-89B	GASKET, primary cover	ALL
16	35021-89	RETAINING RING	ALL
17	35030-89A	BEARING	ALL
18	35038-89A	RETAINING RING	ALL
19	37101-84B	OIL SEAL	ALL
20	40520-63	BUSHING	ALL
21	41191-74A	SCREW, inspection covers (2)	ALL
INTERNATIONAL MODELS ONLY			
22	14270-92	DECAL, shift pattern (Japan)	ALL

GEARCASE & COVER



[View interactive image](#)

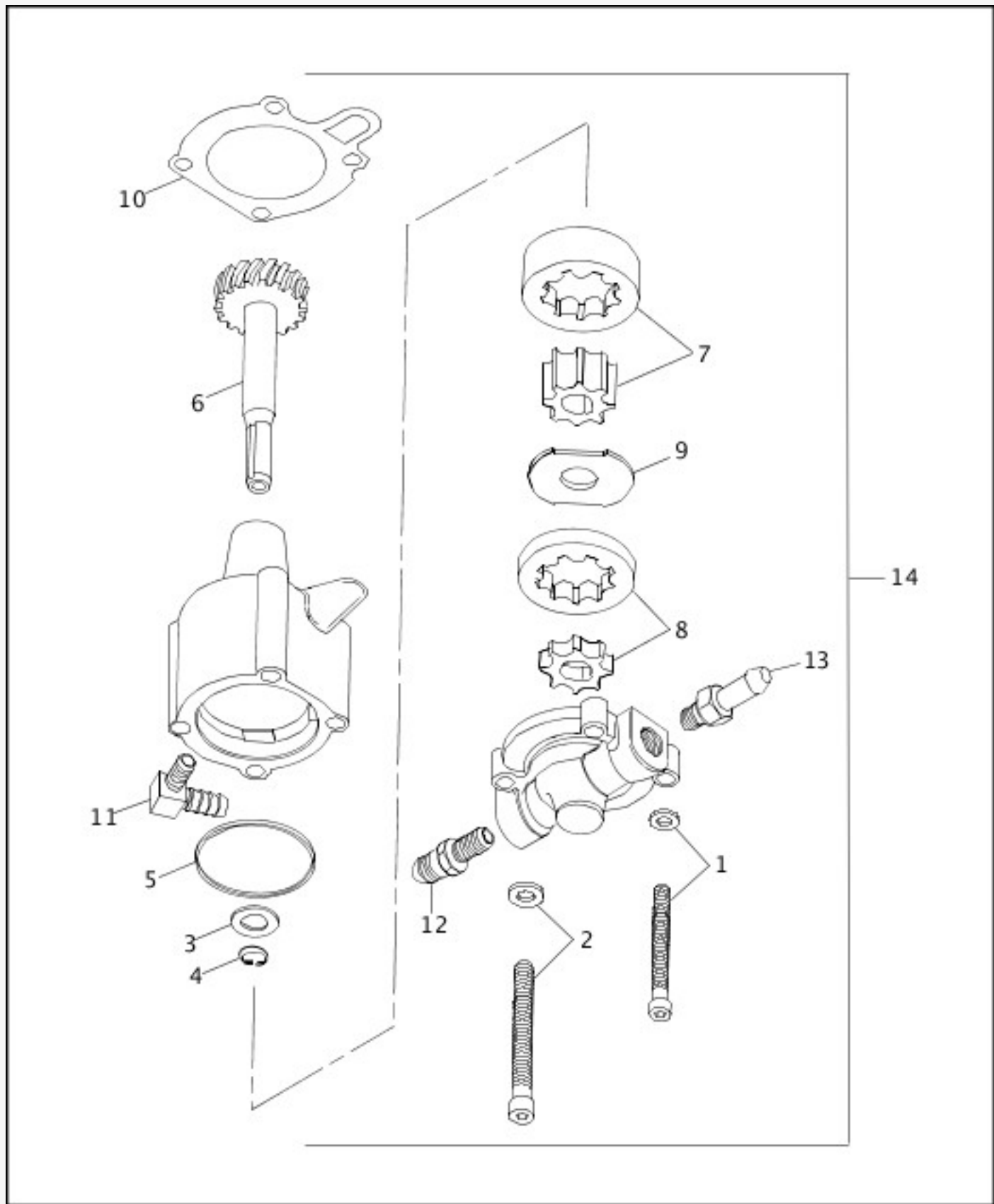
[View interactive table](#)

INDEX NO.	PART NO.	DESCRIPTION	MODEL(S)
1	3480A	SCREW, SEMS (3)	ALL
2	4740A	SCREW, SEMS	ALL
3	4717A	SCREW, SEMS (5)	ALL
4	4820A	SCREW, SEMS (2)	ALL
5	7916A	JAMNUT	ALL

6	10117	CLAMP	ALL
7	11124	SEAL	ALL
8	11219	T-KEY	ALL
9	25219-91C	COVER ASSEMBLY, gearcase, w/ 7, 17 & bushings (polished)	XL1200, XL1200S, XL883, XL883HUG
	25213-96B	COVER ASSEMBLY, gearcase, w/ 7, 17 & bushings (chrome)	XL1200C
10	25263-90D	GASKET, gearcase cover	ALL
11	25488-89C	COVER W/ CAM GEAR SET, matched	XL1200, XL1200S, XL883, XL883HUG
	25483-96	COVER W/ CAM GEAR SET, matched (use 25213-96B) (chrome)	XL1200C
12	25586-37	OUTER BUSHING, cam gear shafts (3)	ALL
13	25588-91	BUSHING, rear intake cam gear shaft	ALL
14	25593-74	BUSHING, flywheel gear shaft	ALL
15	25598-91	INNER BUSHING, camshaft gear (4)	ALL
16	26318-88A	DRIVE GEAR, oil pump	ALL
17	62375-57A	FITTING, oil vent hose	ALL
NOTE: Hose or insulator is sold in bulk length under the following part numbers. Cut to length.			
18	63501-68B	HOSE, 1/4 I.D. x 1/2 O.D. (rubber)	ALL

Refer to the CAM GEARS pages for complete list arranged by color code.

OIL PUMP



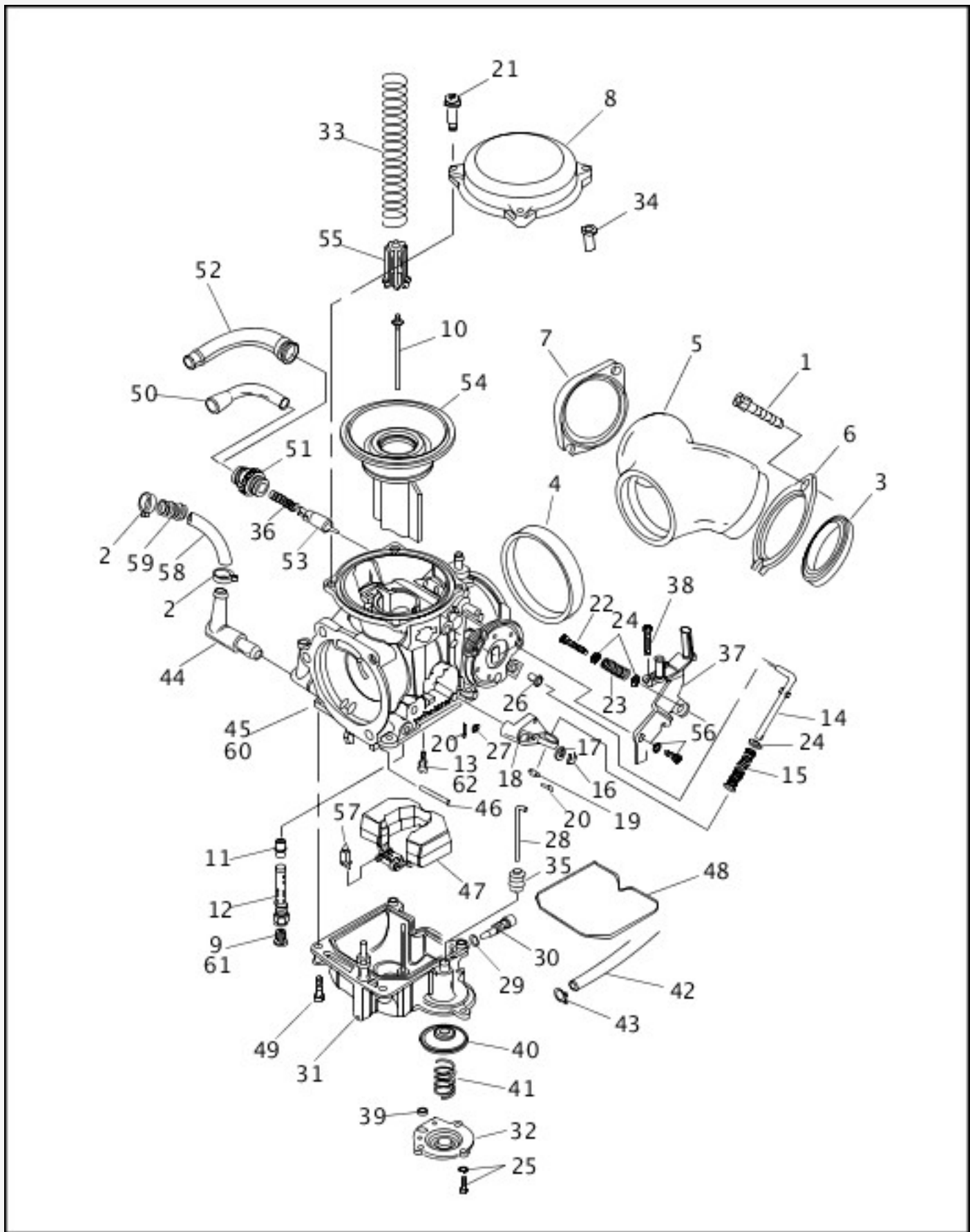
[View interactive image](#)

[View interactive table](#)

INDEX NO.	PART NO.	DESCRIPTION	MODEL(S)
1	4740A	SCREW, w/ washer (2)	ALL
2	4753	SCREW, w/ washer (2)	ALL
3	6157	WASHER	ALL
4	11002	RETAINING RING	ALL
5	26434-91	O-RING	ALL

6	26488-91	GEAR SHAFT	ALL
7	26491-91	GEROTOR SET, return (use 26204-91A)	ALL
8	26492-91	GEROTOR SET, feed	ALL
9	26493-91	SEPARATOR PLATE	ALL
10	26495-89B	GASKET, pump mounting	ALL
11	26496-75A	FITTING, 90 degree	ALL
12	62601-91A	FITTING, connector, front	ALL
13	63533-41A	FITTING, connector, rear	ALL
14	26204-91A	OIL PUMP, complete	ALL

CARBURETOR (1 OF 2)



[View interactive image](#)

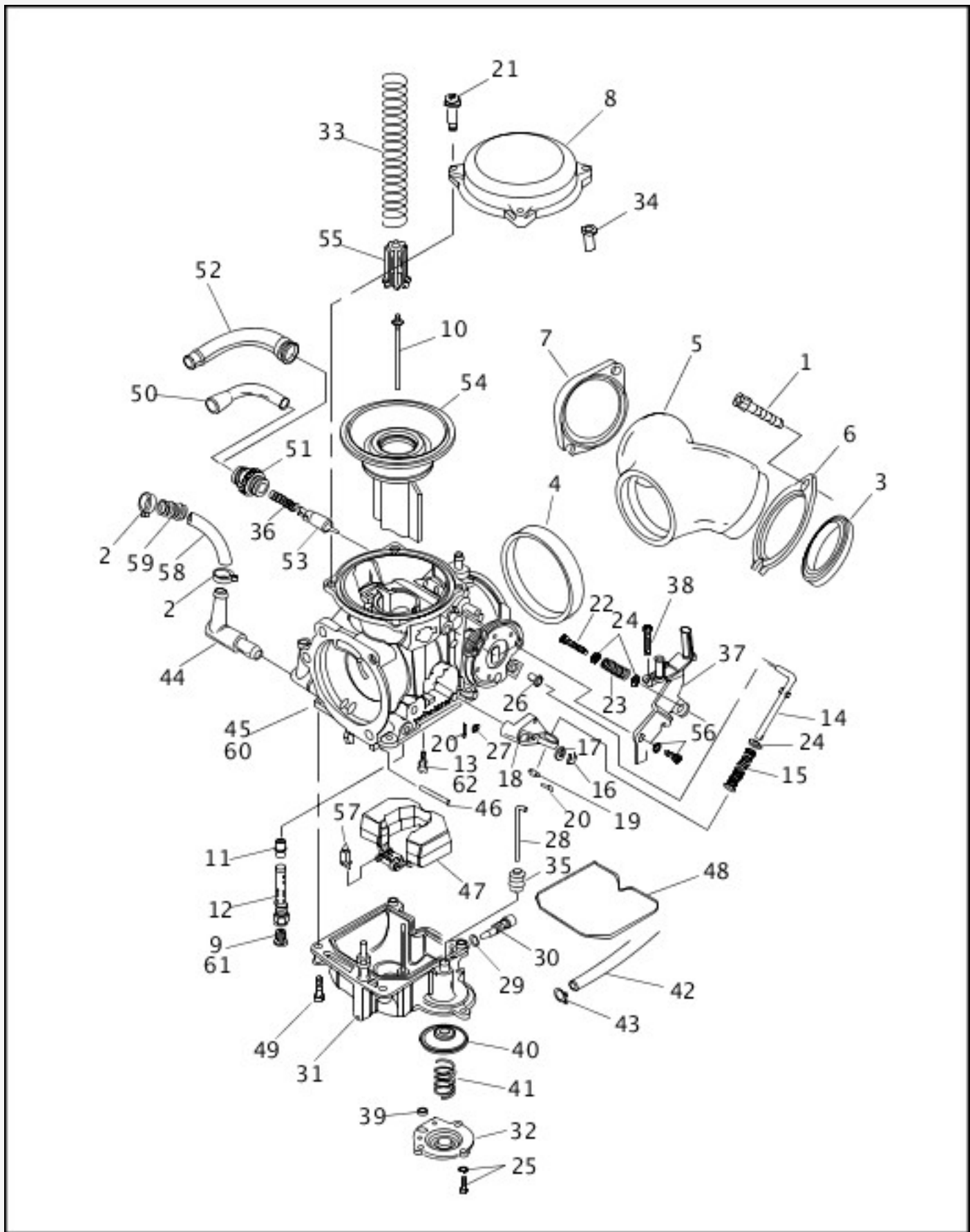
[View interactive table](#)

INDEX NO.	PART NO.	DESCRIPTION	MODEL(S)
1	3275	SCREW (4)	ALL
2	10014	CLAMP	ALL
3	26995-86B	SEAL, intake manifold (2)	ALL
4	27002-89	SEAL RING, carburetor	ALL

5	27004-88A	INTAKE MANIFOLD KIT, w/ 3 & 4	ALL
6	27009-86A	MOUNTING FLANGE, front	ALL
7	27010-86A	MOUNTING FLANGE, rear	ALL
8	27261-96	TOP, carburetor	ALL
9	27115-88	MAIN JET	XL1200, XL1200C, XL1200S
	27115-88	MAIN JET (California)	XL883, XL883HUG
	27152-89	MAIN JET	XL883, XL883HUG
	27185-90	MAIN JET (California)	XL1200, XL1200C, XL1200S
10	27241-95	JET, needle	ALL
	27279-93	JET, needle (California)	XL1200, XL1200C, XL1200S
11	27100-88	NEEDLE JET	ALL
12	27101-88	NEEDLE JET HOLDER	ALL
13	27171-89	SLOW JET	ALL
14	27122-89	ROD	ALL
15	27123-89A	SPRING	ALL
16	27124-89	E-CLIP	ALL
17	27125-89	WASHER	ALL
18	27126-89	LEVER	ALL
19	27127-89	WASHER	ALL
20	27128-89	PIN (2)	ALL
21	27262-96	SCREW, top (3)	ALL
22	27130-90	IDLE SCREW	ALL
23	27136-90A	SPRING	ALL
24	27137-81	WASHER (3)	ALL
25	27146-89	SCREW, w/ washer (3)	ALL
26	27147-89	COLLAR	ALL
27	27148-89	WASHER	ALL
28	27156-89	ROD	ALL
29	27157-89	O-RING	ALL
30	27158-89	DRAIN SCREW	ALL

31	27159-92	FLOAT CHAMBER ASSEMBLY	ALL
32	27160-89	PUMP HOUSING	ALL
33	27162-89	SPRING	ALL
34	27263-96	COLLAR	ALL
35	27311-76	CAP, accelerator pump (rubber)	ALL

CARBURETOR (2 OF 2)



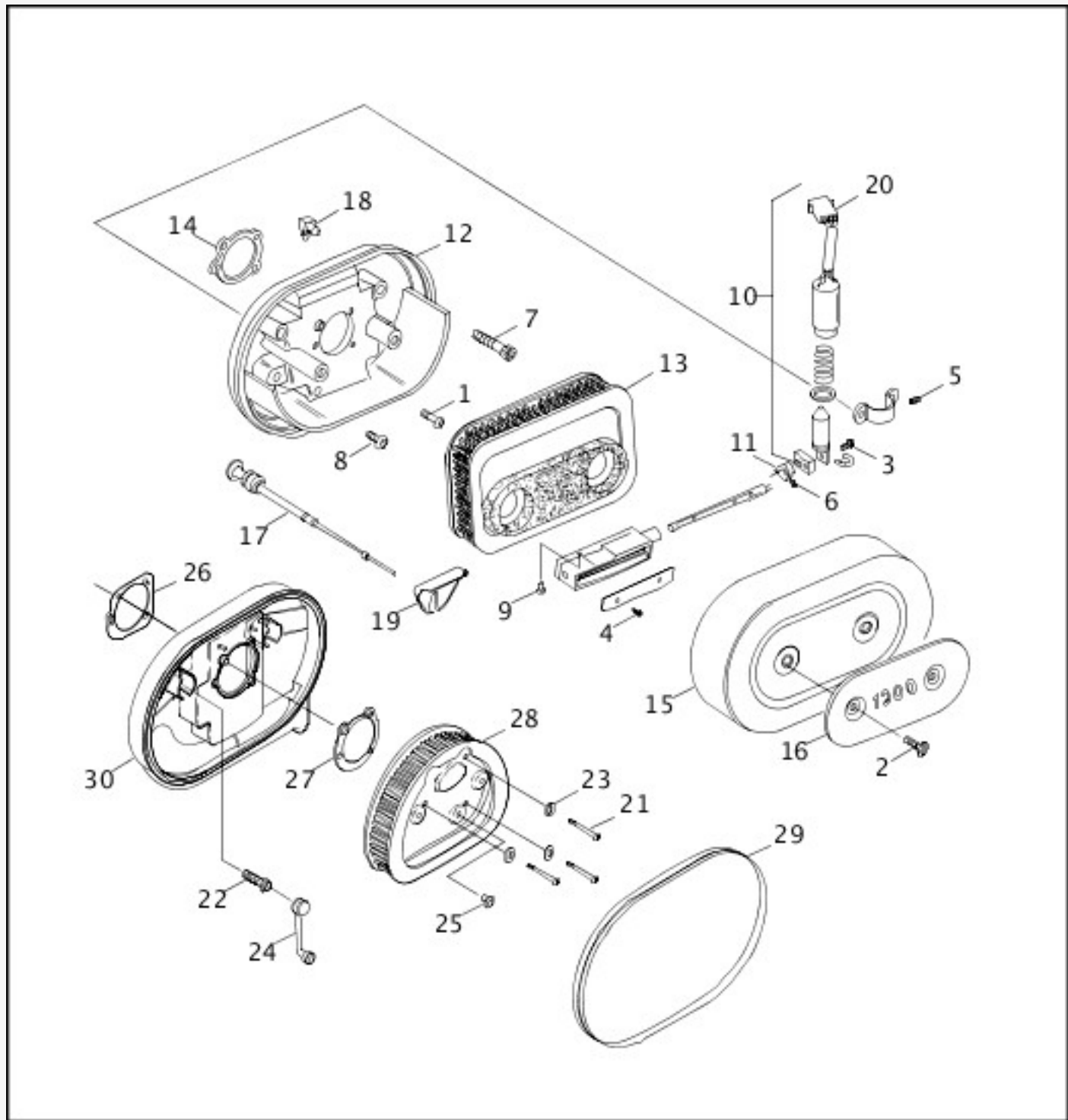
[View interactive image](#)

[View interactive table](#)

INDEX NO.	PART NO.	DESCRIPTION	MODEL(S)
36	27315-88A	SPRING	ALL
37	27316-88	BRACKET	ALL
38	27317-88	SCREW	ALL
39	27360-76	O-RING	ALL

40	27361-76A	DIAPHRAGM, accelerator pump	ALL
41	27362-76	SPRING, diaphragm	ALL
42	27369-76	HOSE, overflow, w/ clip	ALL
43	27368-76	CLIP, overflow hose	ALL
44	27371-76A	FITTING	ALL
45	27498-96A	CARBURETOR (California)	XL1200, XL1200C, XL1200S
	27480-97A	CARBURETOR	XL1200, XL1200C, XL1200S
	27495-96A	CARBURETOR (California)	XL883, XL883HUG
	27490-96A	CARBURETOR	XL883, XL883HUG
46	27575-88A	PIN	ALL
47	27576-92	FLOAT	ALL
48	27577-92	O-RING	ALL
49	27579-88A	SCREW (4)	ALL
50	27580-88	CABLE GUIDE	ALL
51	27581-88	STARTER CAP	ALL
52	27582-88	CABLE SEALING CAP	ALL
53	27583-88	STARTER VALVE	ALL
54	27585-88	VACUUM PISTON	ALL
55	27586-88	SPRING SEAT	ALL
56	27587-88	SCREW	ALL
57	27886-78A	VALVE, w/ clip	ALL
NOTE: Hose or insulator is sold in bulk length under the following part numbers. Cut to length.			
58	63501-68B	HOSE, 1/4 I.D. x 1/2 O.D. (rubber) (25 ft. long)	ALL
59	62555-95	INSULATOR, 1/2 I.D. nylon (8 ft. long)	ALL
INTERNATIONAL MODELS ONLY			
60	27076-95A	CARBURETOR (HDI)	XL1200, XL1200C, XL1200S
	27031-95A	CARBURETOR (HDI)	XL883, XL883HUG
61	27243-95	MAIN JET (HDI)	ALL
62	27171-89	SLOW JET (HDI)	ALL

AIR CLEANER & ENRICHENER



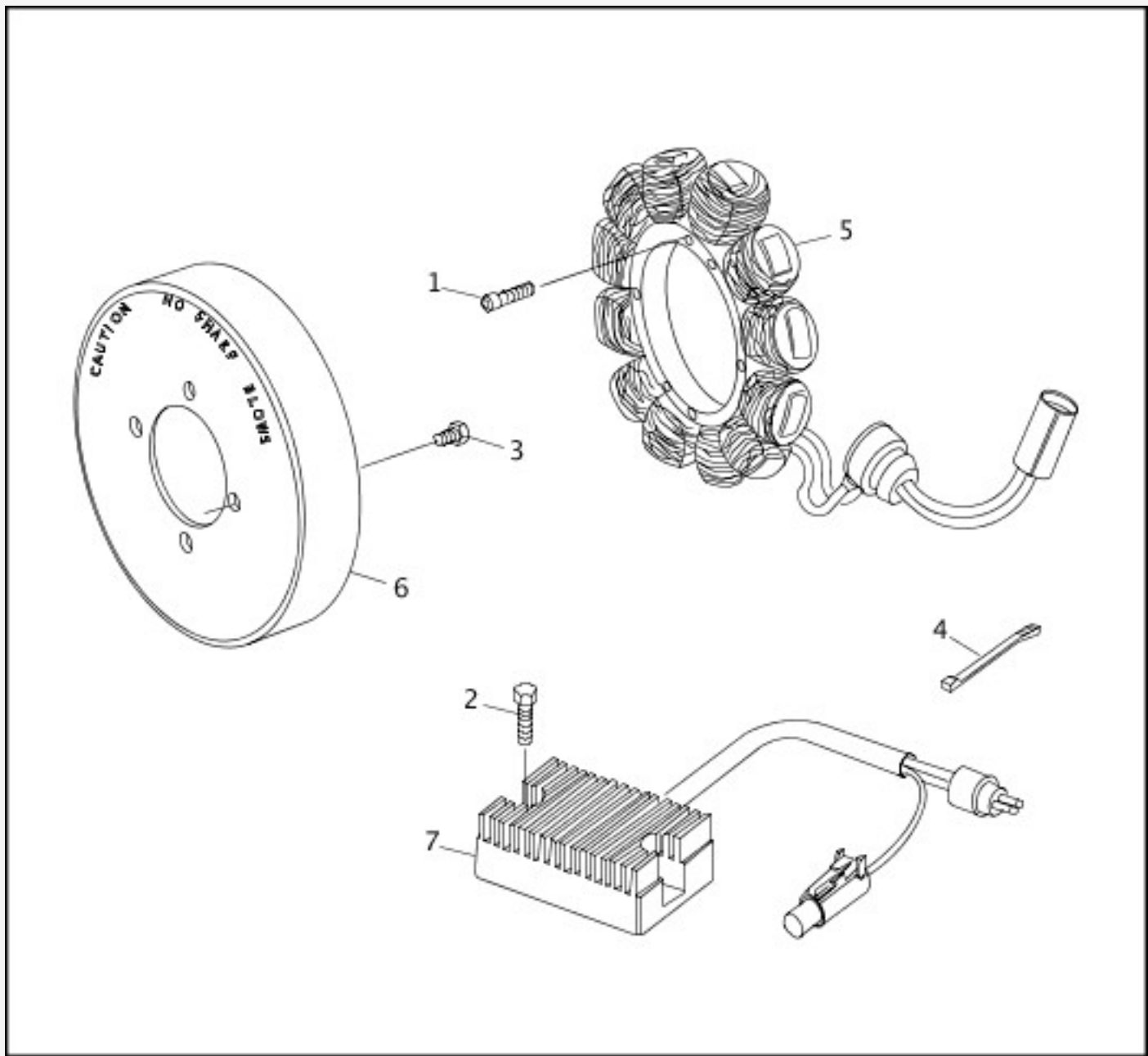
[View interactive image](#)

[View interactive table](#)

INDEX NO.	PART NO.	DESCRIPTION	MODEL(S)
1	869	SCREW (3)	ALL
2	2405A	SCREW (2)	ALL
3	2711	SCREW (California)	ALL
4	2737	SCREW (California) (2)	ALL
5	3206B	SCREW (California)	ALL
6	3221	SCREW (California)	ALL
7	3534B	SCREW, breather (2)	ALL

8	3652	SCREW (California) (2)	ALL
9	8535	RIVET (California) (2)	ALL
10	28827-96A	SOLENOID (California)	ALL
11	28842-89	LINK (California)	ALL
12	29367-97A	BACKPLATE, air cleaner	ALL
	29018-97	BACKPLATE, air cleaner (California)	ALL
13	29331-96	FILTER ELEMENT	ALL
14	29059-88A	GASKET, carburetor intake	ALL
15	29084-73	COVER, air cleaner	ALL
16	29111-88	TRIM, air cleaner	XL1200, XL1200S
	29100-96	TRIM, air cleaner	XL1200C
17	29229-88D	CABLE, enrichment	ALL
18	61107-92	FITTING (California)	ALL
19	69037-95A	COVER, enrichment cable	XL883, XL883HUG
20	73153-96BK	HOUSING, 3 pin socket (California)	ALL
INTERNATIONAL MODELS ONLY			
21	946	SCREW (HDI) (3)	ALL
22	3577	SCREW, breather (HDI) (2)	ALL
23	6410	WASHER (HDI) (3)	ALL
24	24922-93	BREATHER CONNECTOR (HDI) (2)	ALL
25	24925-95	PLUG, threaded (HDI)	ALL
26	29062-95B	GASKET, carburetor intake (HDI)	ALL
27	29313-95	GASKET, filter element (HDI)	ALL
28	29325-95A	FILTER ELEMENT, w/ 25 & 27 (HDI)	ALL
29	29315-95	MOLDING, air cleaner cover (HDI)	ALL
30	29316-95C	BACKPLATE ASSEMBLY (HDI)	ALL

ALTERNATOR & REGULATOR

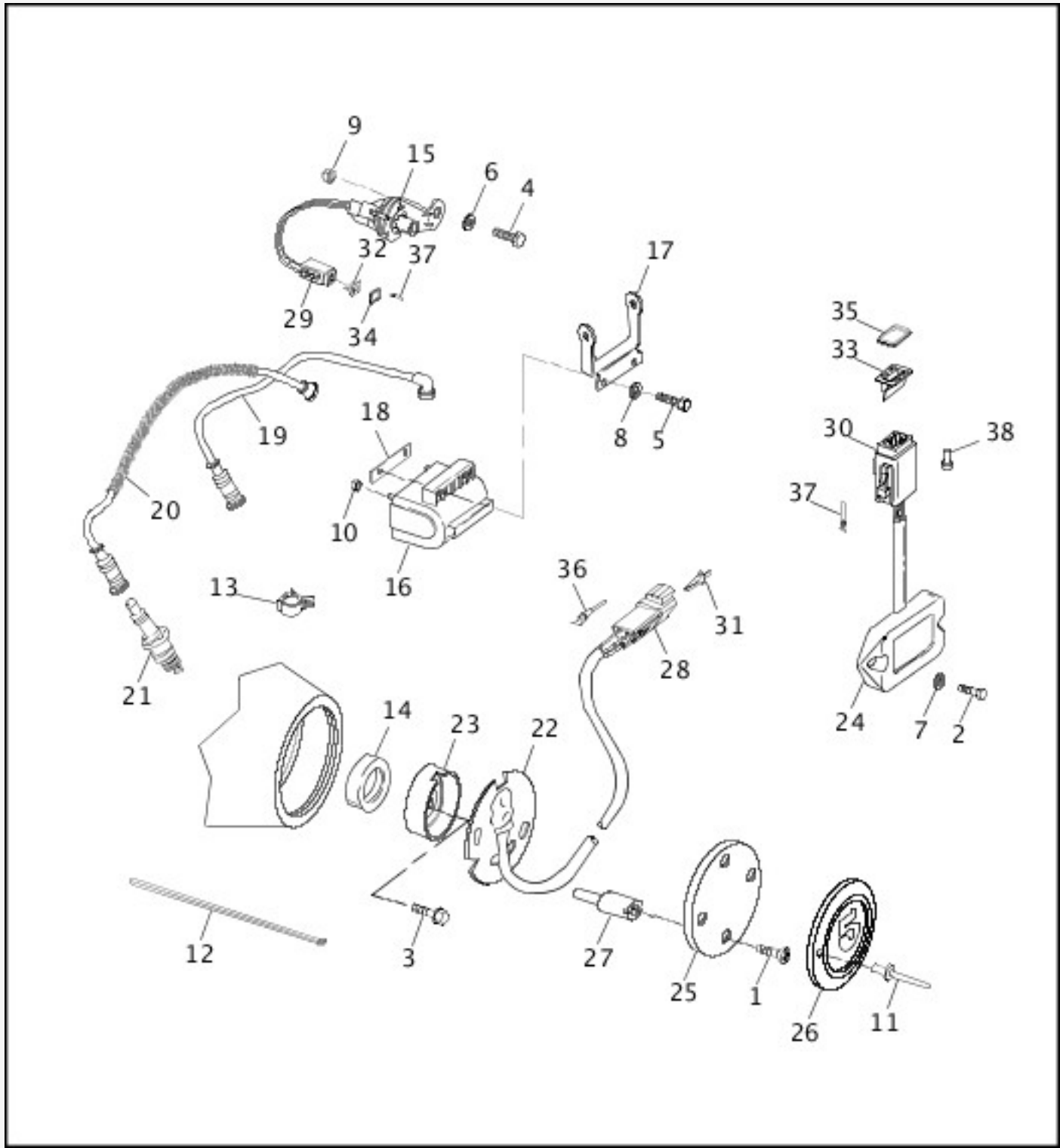


[View interactive image](#)

[View interactive table](#)

INDEX NO.	PART NO.	DESCRIPTION	MODEL(S)
1	2720	SCREW (4)	ALL
2	4329	SCREW (2)	ALL
3	4751	SCREW (4)	ALL
4	10065	STRAP, cable	ALL
5	29967-89C	STATOR	ALL
6	32413-92C	ROTOR, w/ 4751	ALL
7	74523-94A	REGULATOR	ALL

ELECTRONIC IGNITION SYSTEM



[View interactive image](#)

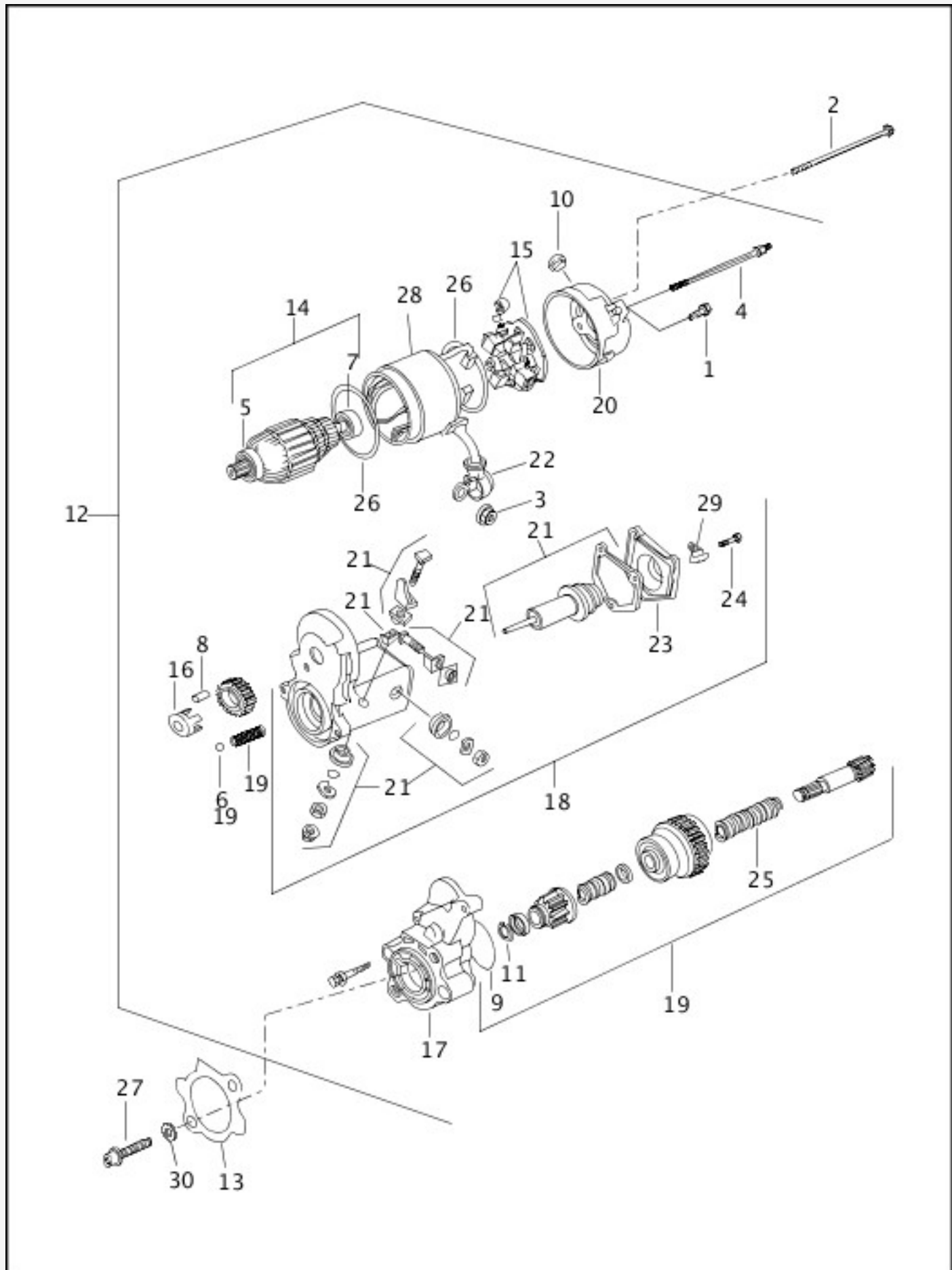
[View interactive table](#)

INDEX NO.	PART NO.	DESCRIPTION	MODEL(S)
1	1601	SCREW (2)	ALL
2	2362	SCREW (2)	ALL
3	2611C	BOLT	ALL
4	3987	BOLT	ALL
5	3993	BOLT (2)	ALL
6	6702	WASHER	ALL
7	6716	WASHER (2)	ALL

8	7036	WASHER (2)	ALL
9	7531	LOCKNUT	ALL
10	7629	NUT (2)	ALL
11	8699	POP RIVET (2)	ALL
12	10039	CABLE STRAP	ALL
13	10108	CLIP	ALL
14	11124	SEAL	ALL
15	26558-94A	VACUUM SWITCH, w/ electrical connector assembly	ALL
16	31614-83A	IGNITION COIL	ALL
17	31723-95	BRACKET, ignition coil mounting	ALL
18	31727-85	PLATE, ignition coil mounting	ALL
19	31986-86A	CABLE, spark plug, 6 1/2 inch	ALL
20	31996-86B	CABLE, spark plug, 20 inch (front)	ALL
21	32362-04	SPARK PLUG, No. 6R12 w/ conduit (rear)	ALL
22	32400-94A	SENSOR ASSEMBLY, w/ 35	ALL
23	32402-83	TRIGGER ROTOR	ALL
24	32465-95B	IGNITION MODULE, w/ 30, 33, 35, 37 & 38	XL1200, XL1200C, XL1200S
	32466-95A	IGNITION MODULE, w/ 30, 33, 35, 37 & 38	XL883, XL883HUG
25	32504-80A	INNER COVER	ALL
26	32506-90	COVER, timer	ALL
27	32606-82	STUD, timer plate (2)	ALL
28	72103-94BK	RECEPTACLE, three pin (black)	ALL
29	72112-94BK	PLUG, 2-way (black) (2)	ALL
30	72118-94BK	PLUG, 8-way (black)	ALL
31	72143-94	SECONDARY LOCK, three pin receptacle (black)	ALL
32	72152-94	SECONDARY LOCK, two-way plug (2)	ALL
33	72158-94	LOCK, plug (8-way)	ALL
34	72172-94	SEAL, front (2-way plug)	ALL
35	72178-94	SEAL, front (8-way plug)	ALL
36	72190-94	TERMINAL, pin (3)	ALL

37	72191-94	TERMINAL, socket (9)	ALL
38	72195-94	PIN SEAL	ALL

STARTER MOTOR

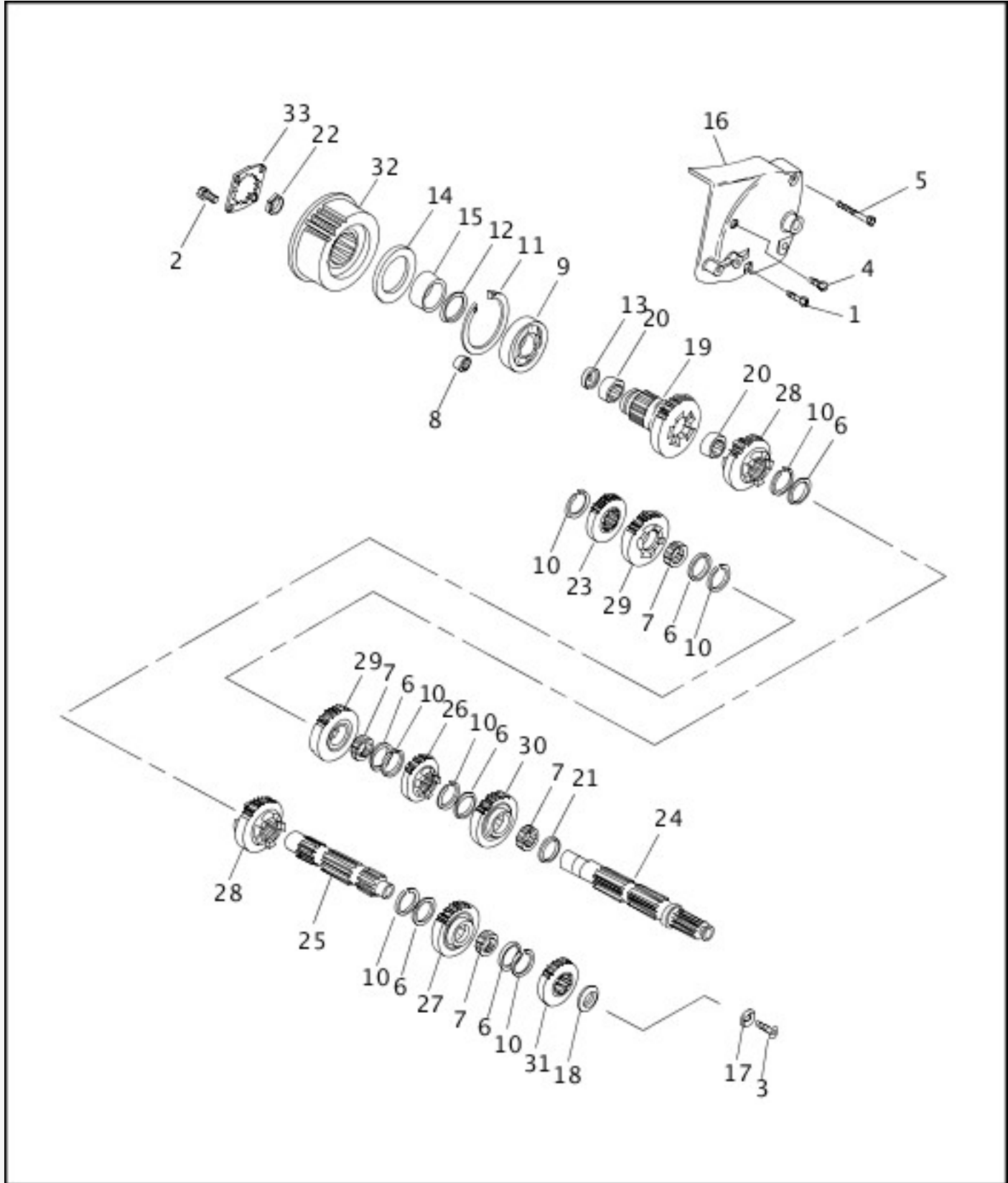


[View interactive image](#)

INDEX NO.	PART NO.	DESCRIPTION	MODEL(S)
1	929A	SCREW (2)	ALL
2	3350	BOLT, through	ALL
3	3403	LOCKNUT	ALL
4	3559	BOLT, through	ALL
5	8871	BALL BEARING	ALL
6	8879	BALL	ALL
7	8883	BALL BEARING	ALL
8	9077	CLUTCH ROLLER (5)	ALL
9	10957	O-RING	ALL
10	31322-91	COVER	ALL
11	31328-91	RING, snap	ALL
12	31390-91A	STARTER MOTOR, complete	ALL
13	31488-81C	GASKET, starter motor	ALL
14	31515-90	ARMATURE ASSEMBLY, w/ 8871 & 8883	ALL
15	31518-90	HOLDER ASSEMBLY, starter brush	ALL
16	31530-90	RETAINER, idler	ALL
17	31539-91	HOUSING ASSEMBLY	ALL
18	31540-91	SWITCH ASSEMBLY, magnetic	ALL
19	31556-91D	CLUTCH SUB-ASSEMBLY, w/ 8879, 10957, 31328-91 & 31692-90	ALL
20	31599-91	FRAME, starter end	ALL
21	31603-91	REPAIR KIT, starter solenoid	ALL
22	31555-90	CAP TERMINAL (rubber)	ALL
23	31688-90	COVER, solenoid	ALL
24	31689-90	BOLT, w/ washer (3)	ALL
25	31330-91	SPRING	ALL
26	31695-90	O-RING, yoke (2)	ALL
27	45902-00	SCREW (2)	ALL
28	31514-90	YOKE ASSEMBLY	ALL

29	31693-90	CLIP, cord	ALL
30	6812	WASHER (2)	ALL

TRANSMISSION GEARS



[View interactive image](#)

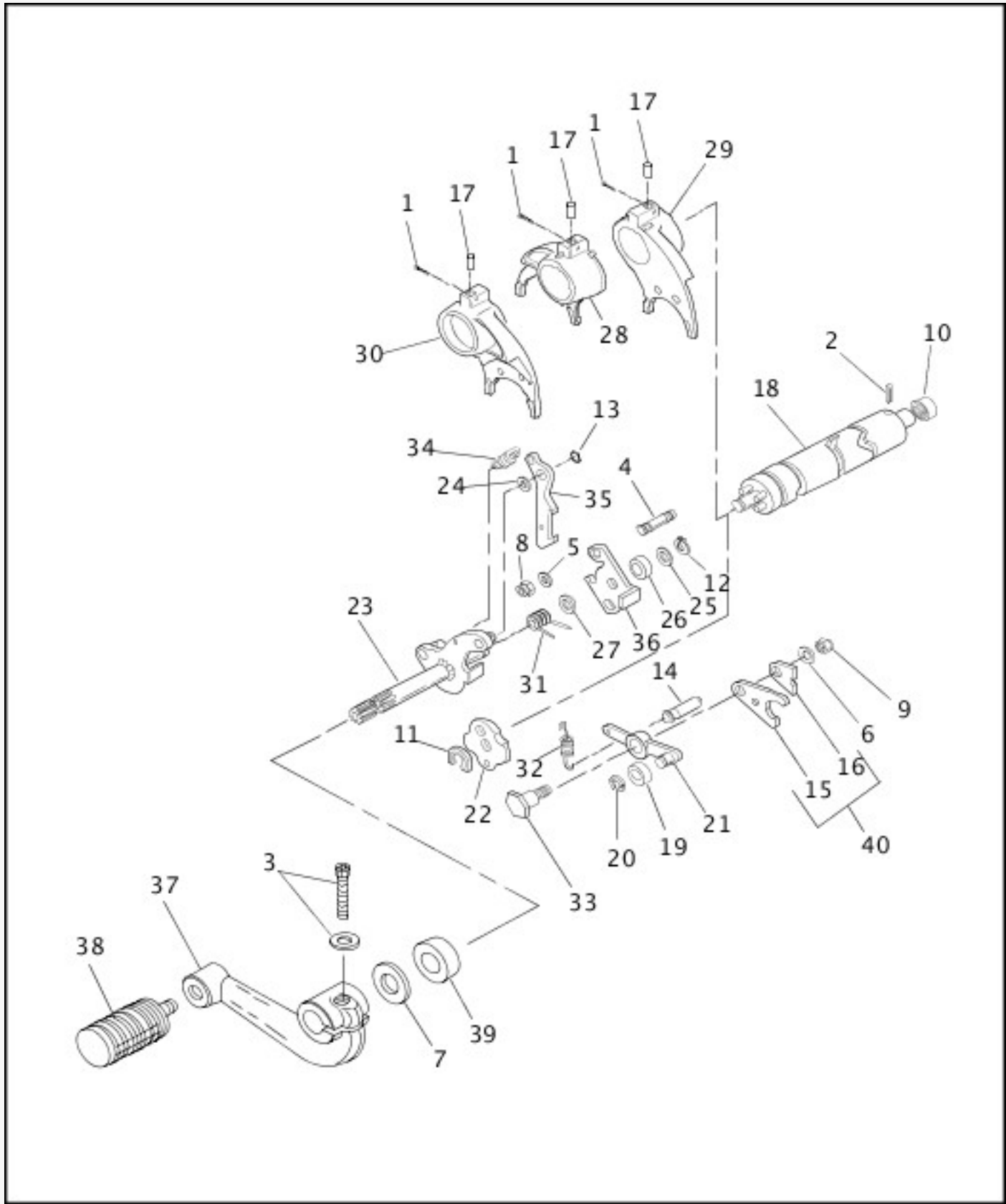
[View interactive table](#)

INDEX NO.	PART NO.	DESCRIPTION	MODEL(S)
1	3480A	SCREW, SEMS	ALL

2	3594	SCREW (2)	ALL
3	3675	SCREW	ALL
4	4820A	SCREW	ALL
5	4826	SCREW	ALL
6	6003	WASHER (6)	ALL
7	8876A	BEARING (4)	ALL
8	8977	BEARING, closed end	ALL
9	8996A	BEARING, ball	ALL
10	11067	RETAINING RING (7)	ALL
11	11161	RETAINING RING	ALL
12	11165	QUAD SEAL	ALL
13	12030	OIL SEAL	ALL
14	12067B	OIL SEAL	ALL
15	33344-94	SPACER	ALL
16	34911-91A	SPROCKET COVER	XL1200, XL1200S, XL883, XL883HUG
	34932-96	SPROCKET COVER	XL1200C
17	35020-89	RETAINER, countershaft	ALL
18	35022-89A	SPACER	ALL
19	35034-94	GEAR ASSEMBLY, w/ 13 & 20, fifth-mainshaft	ALL
20	35051-89A	BEARING, needle (2)	ALL
21	35063-89	SPACER	ALL
22	35211-91B	NUT, sprocket	ALL
23	35633-94	GEAR, fifth-countershaft	ALL
24	35640-89	MAINSHAFT	ALL
25	35641-89	COUNTERSHAFT	ALL
26	35762-89A	GEAR, first-mainshaft	ALL
27	35763-89A	GEAR, first-countershaft	ALL
28	35771-94	GEAR, second-mainshaft, third-countershaft (2)	ALL
29	35772-94	GEAR, third-mainshaft, second-countershaft (2)	ALL
30	35773-94	GEAR, fourth-mainshaft	ALL

31	35775-94	GEAR, fourth-countershaft	ALL
32	40202-91B	SPROCKET KIT, 29T (belt) w/ 2, 14, 15, 16, 22 & 33	XL1200, XL1200C, XL1200S
	40285-91B	SPROCKET KIT, 27T (belt) w/ 2, 14, 15, 16, 22 & 33	XL883, XL883HUG
	40205-95	SPROCKET, 29T (belt) (used w/ 40202-91B)	XL1200, XL1200C, XL1200S
	40288-95	SPROCKET, 27T (belt) (used w/ 40285-91B)	XL883, XL883HUG
33	40251-92A	RETENTION PLATE	ALL

SHIFTER



[View interactive image](#)

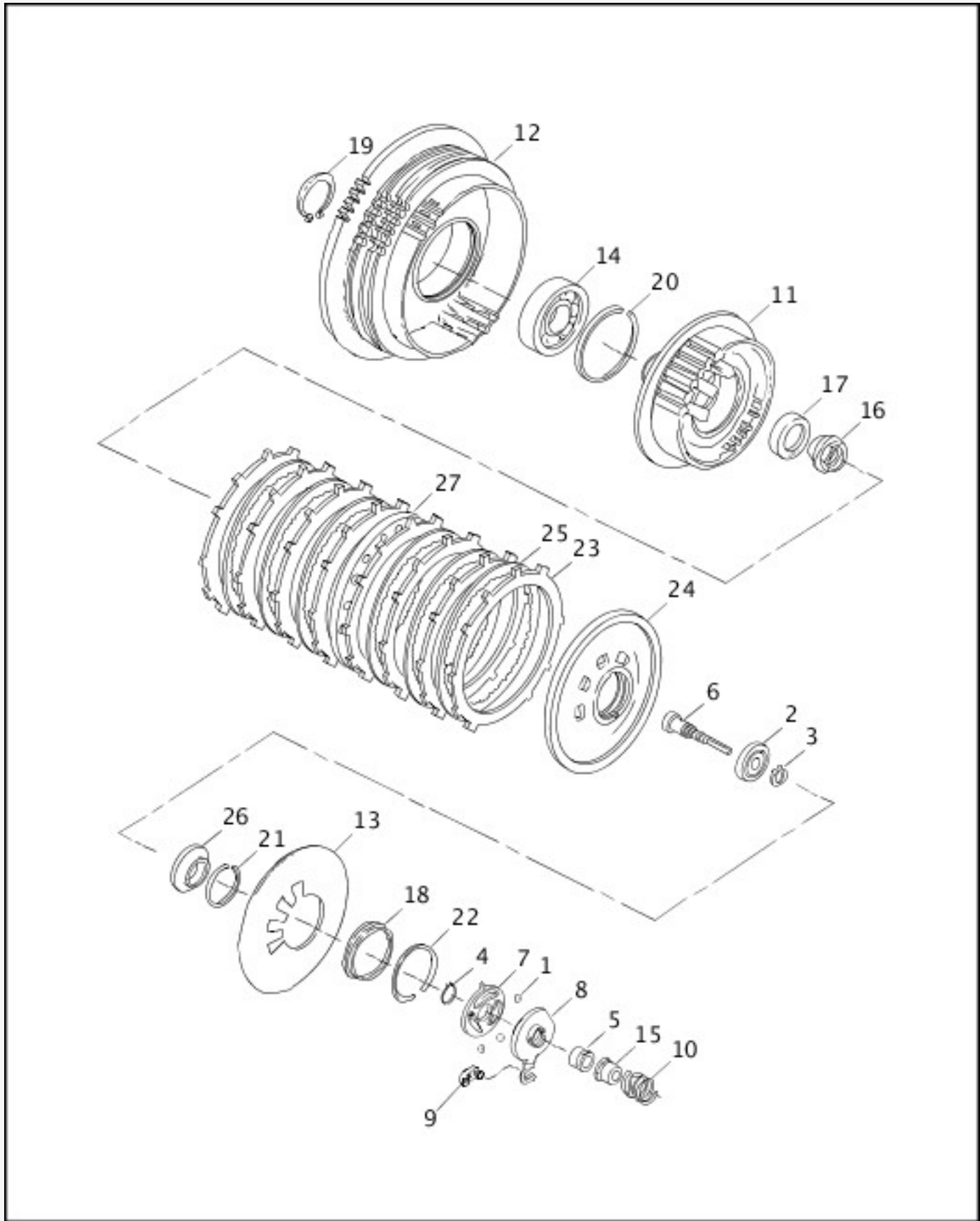
[View interactive table](#)

INDEX NO.	PART NO.	DESCRIPTION	MODEL(S)
1	515	COTTER PIN (3)	ALL
2	601	ROLL PIN	ALL
3	4741A	SCREW, w/ washer	ALL
4	5226B	STUD (2)	ALL
5	6016	WASHER	ALL

6	6099	WASHER (3)	ALL
7	7019	WASHER (rubber)	ALL
8	7683	LOCKNUT (2)	ALL
9	7739	LOCKNUT, detent arm	ALL
10	9151	BEARING, closed end	ALL
11	11019	RETAINING RING	ALL
12	11031	RETAINING RING	ALL
13	11185	RETAINING RING	ALL
14	24530-90	PIN, spring	ALL
15	33178-90A	PLATE, shift drum (use 33178-90B)	ALL
16	33204-91	PLATE, shift drum (use 33178-90B)	ALL
17	33319-90	ROLLER (3)	ALL
18	33634-91A	SHIFTER DRUM ASSEMBLY, w/ 601	ALL
19	33652-90	ROLLER, detent	ALL
20	33653-90	RETAINING RING	ALL
21	33655-90	DETENT ARM	ALL
22	33656-90A	PLATE, detent	ALL
23	34015-91	SHIFTER SHAFT	ALL
24	34073-91	SPACER, pawl	ALL
25	34075-89	WASHER	ALL
26	34076-89	BUSHING	ALL
27	34077-91	WASHER	ALL
28	34142-89C	SHIFTER FORK, first & second	ALL
29	34144-89C	SHIFTER FORK, third & fifth	ALL
30	34147-89C	SHIFTER FORK, fourth	ALL
31	34481-91A	SPRING	ALL
32	34483-90	SPRING	ALL
33	34486-90	SCREW, detent arm	ALL
34	34491-91	SPRING	ALL
35	34492-91	SHIFTER PAWL	ALL

36	34560-91	BASEPLATE	ALL
37	34615-94	SHIFT LEVER, foot (chrome)	ALL
38	34611-65A	SHIFTER PEG	ALL
39	37101-84B	OIL SEAL	ALL
40	33178-90B	SHIFTER PLATE KIT, w/ 33178-90A & 33204-91)	ALL

CLUTCH



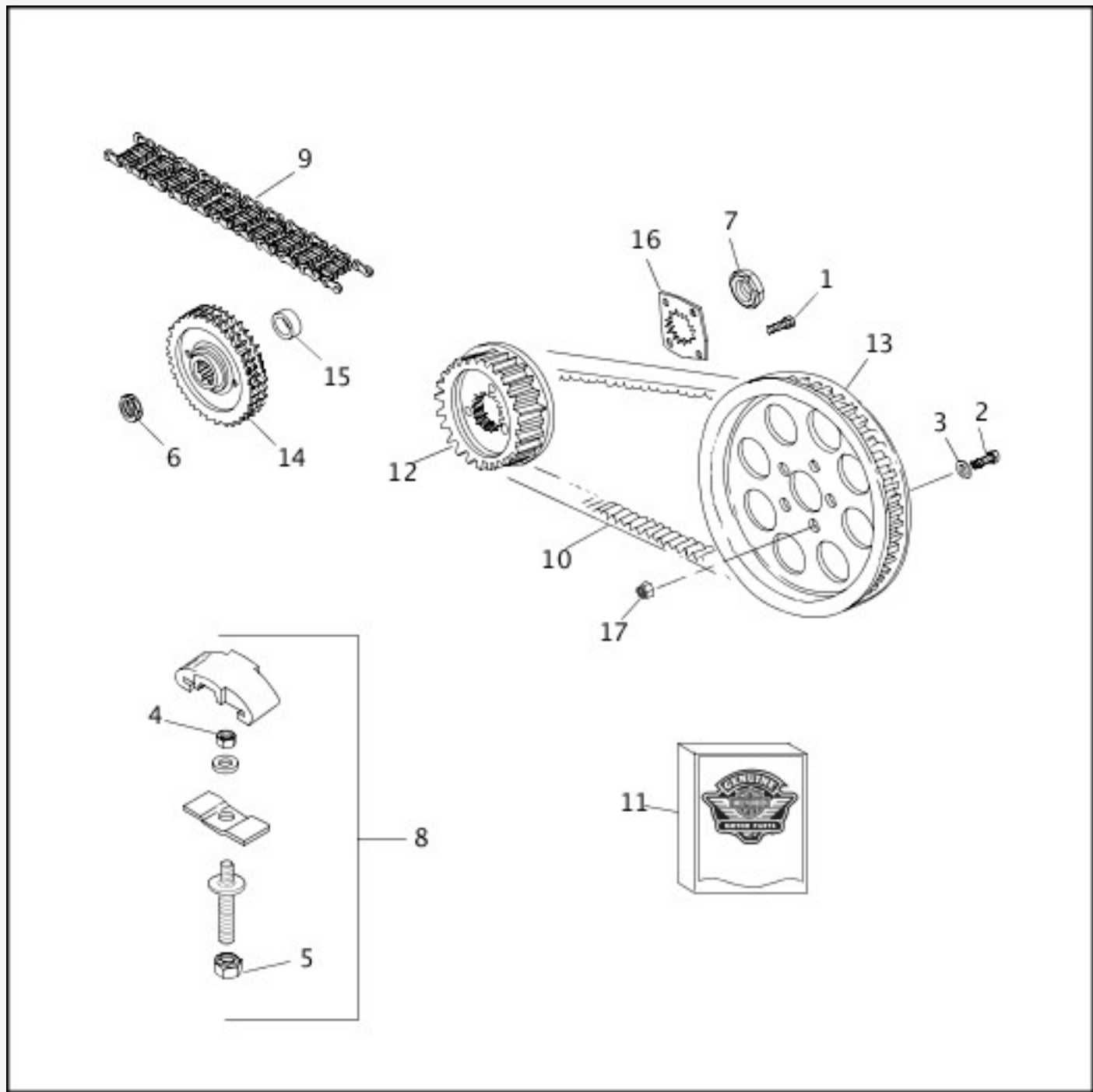
[View interactive image](#)

[View interactive table](#)

INDEX NO.	PART NO.	DESCRIPTION	MODEL(S)
1	8873	BALL (3)	ALL
2	8885	BEARING	ALL
3	11046	RETAINING RING	ALL
4	11250	RETAINING RING	ALL

5	11730A	WELL NUT	ALL
6	11752	ADJUSTMENT SCREW	ALL
7	25453-87A	RAMP, inner	ALL
8	25409-94B	RAMP, outer	ALL
9	34920-86A	COUPLING, clutch cable	ALL
10	36715-94	SPRING, clutch adjustment	ALL
11	36785-91	CLUTCH HUB	ALL
12	36790-91	CLUTCH SHELL & SPROCKET, w/ 36799-91 & 37905-90	ALL
13	36792-91	SPRING, diaphragm	ALL
14	36799-91	BALL BEARING	ALL
15	36802-84B	LOCKPLATE, well type	ALL
16	37495-91	NUT, main shaft	ALL
17	37870-91	SPRING WASHER	ALL
18	37872-90	SEAT, spring, inner	ALL
19	37904-90	RETAINING RING	ALL
20	37905-90	RETAINING RING	ALL
21	37909-90	RETAINING RING	ALL
22	37908-90	RETAINING RING	ALL
23	37911-90	FRICTION PLATE (paper) (8)	ALL
24	37912-91	PRESSURE PLATE	ALL
25	37913-90	STEEL PLATE (6)	ALL
26	36731-91	RELEASE PLATE	ALL
27	37977-90	SPRING PLATE	ALL

BELTS & SPROCKETS



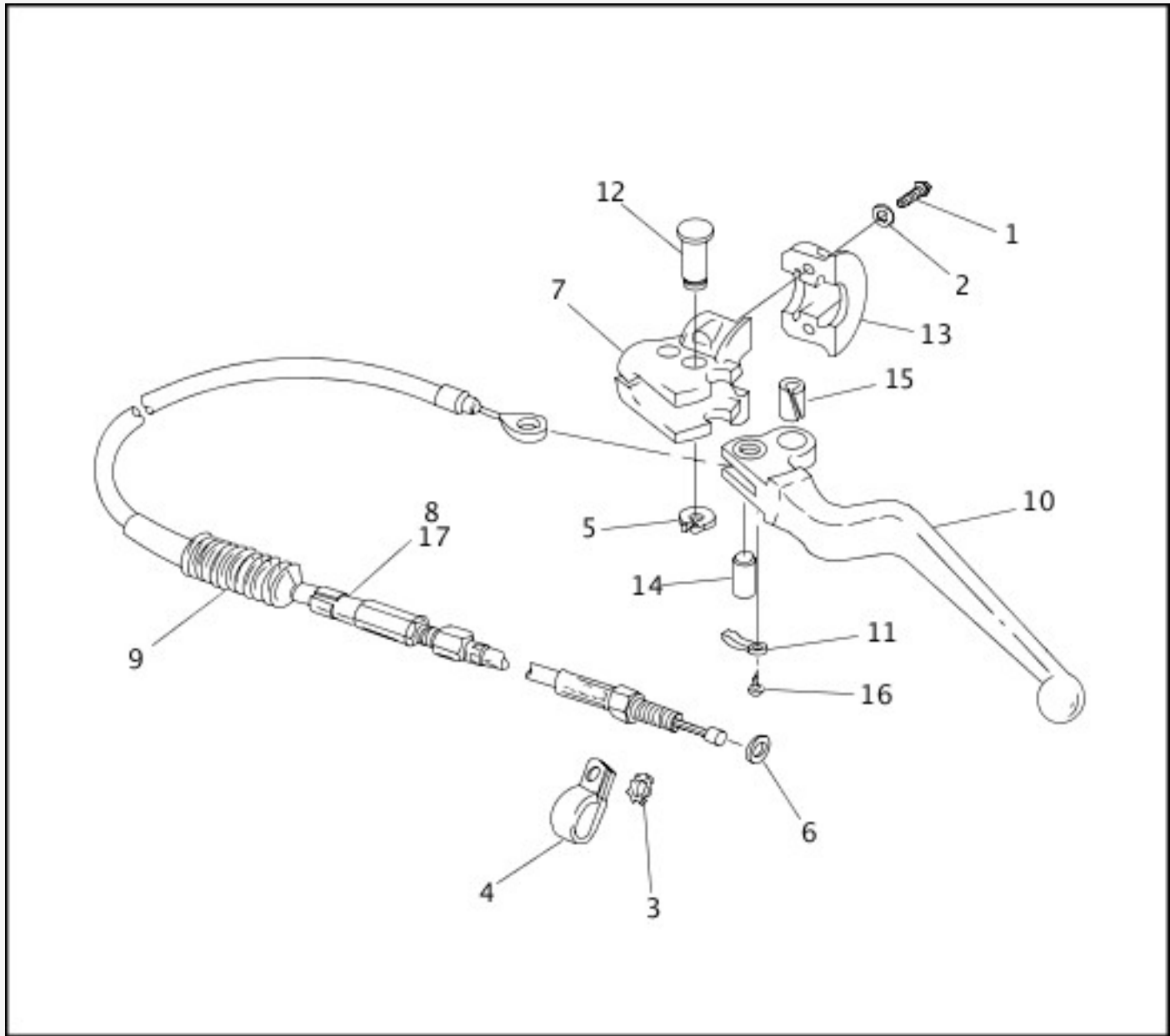
[View interactive image](#)

[View interactive table](#)

INDEX NO.	PART NO.	DESCRIPTION	MODEL(S)
1	3594	SCREW (2)	ALL
2	3730A	BOLT (5)	ALL
3	6516HW	WASHER (5)	ALL
4	7667	NUT	ALL
5	7804	LOCKNUT, sealing	ALL
6	7839	NUT, engine sprocket	ALL
7	35211-91B	NUT, transmission sprocket	ALL
8	39975-90A	CHAIN ADJUSTER ASSEMBLY	ALL

9	40005-57B	PRIMARY CHAIN	ALL
10	40022-91	BELT, 128T.	ALL
11	40202-91B	SPROCKET KIT, transmission, 29T (belt) w/ 2, 10, 18, seal & spacer	XL1200, XL1200C, XL1200S
	40285-91B	SPROCKET KIT, transmission, 27T (belt) w/ 2, 10, 18, seal & spacer	XL883, XL883HUG
12	40205-95	SPROCKET, transmission, 29T (used w/ 40202-91B)	XL1200, XL1200C, XL1200S
	40288-95	SPROCKET, transmission, 27T (used w/ 40285-91B)	XL883, XL883HUG
13	40213-91	SPROCKET, rear wheel, 61T (belt) (black)	ALL
	40227-93	SPROCKET, rear wheel, 61T (belt) (silver)	XL883, XL883HUG
14	40235-89B	ENGINE SPROCKET, 35T	ALL
15	40240-89	SPACER, sprocket	ALL
16	40251-92A	LOCK PLATE	ALL
17	7827W	LOCKNUT, laced wheel (5)	ALL

CLUTCH CONTROL



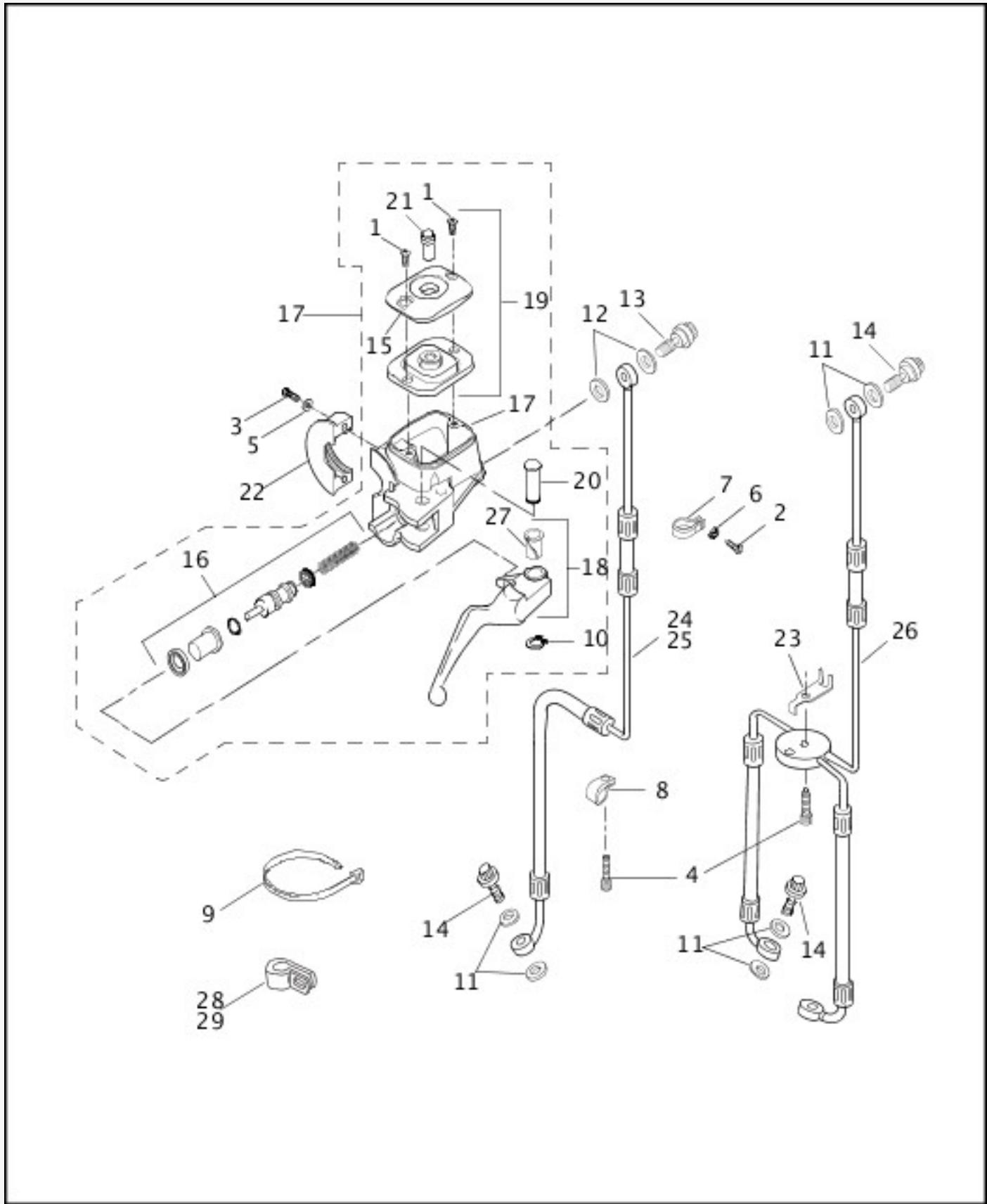
[View interactive image](#)

[View interactive table](#)

INDEX NO.	PART NO.	DESCRIPTION	MODEL(S)
1	4132	SCREW (2)	ALL
2	6101	WASHER (2)	ALL
3	7145W	LOCKWASHER	ALL
4	10123	CLIP	ALL
5	11143	RETAINING RING	ALL
6	11179	O-RING	ALL
7	38608-96	BRACKET, clutch lever	ALL
8	38619-86A	CABLE ASSEMBLY, w/ 9, 14 & 17	XL1200S, XL883
	38620-96	CABLE ASSEMBLY, w/ 9, 14 & 17	XL1200, XL1200C, XL883HUG
9	38630-88	BOOT, clutch cable	ALL

10	45015-96	HAND LEVER, w/ 11, 15 & 16	ALL
11	45021-86	SPRING, anti-rattle	ALL
12	45032-82	PIVOT PIN	ALL
13	45044-96A	CLAMP, clutch control	ALL
14	45036-88	PIN, clutch cable	ALL
15	45423-92	BUSHING	ALL
16	90770-79	SCREW, spring, clutch lever	ALL
17	25437-86	WASHER	ALL

FRONT BRAKE CONTROL



[View interactive image](#)

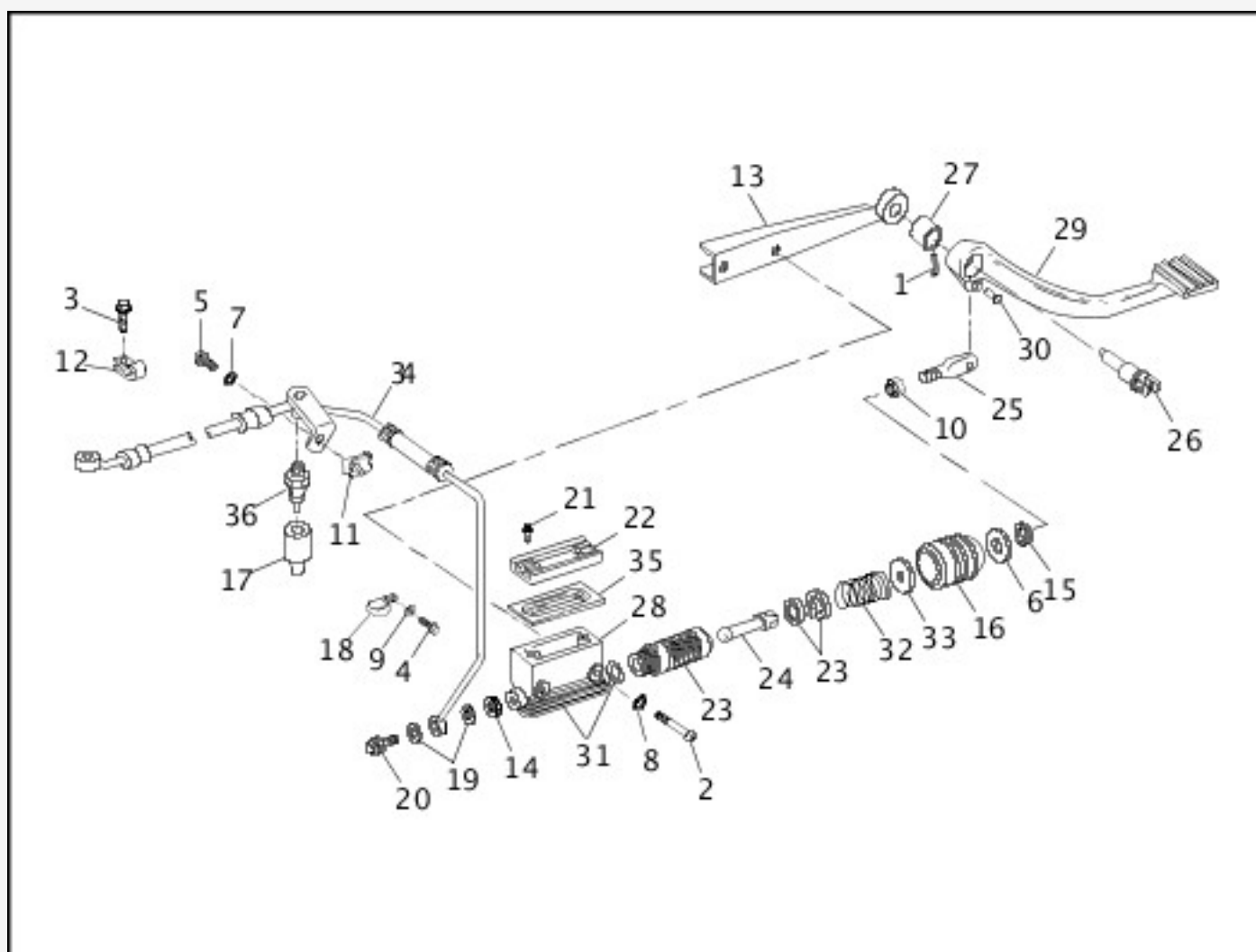
[View interactive table](#)

INDEX NO.	PART NO.	DESCRIPTION	MODEL(S)
1	2579A	SCREW (2)	ALL
2	4240	SCREW	ALL
3	4132	SCREW (2)	ALL
4	4741A	SCREW	ALL

5	6101	WASHER (2)	ALL
6	7220	LOCKWASHER	ALL
7	10031	CLAMP	ALL
8	10053	CLAMP	XL1200, XL1200C, XL883, XL883HUG
9	10065	CABLE STRAP (3)	ALL
10	11143	RETAINING RING, external	ALL
11	41731-88A	GASKET, brake line (2)	XL1200, XL1200C, XL883, XL883HUG
11	41731-88A	GASKET, brake line (6)	XL1200S
12	41733-88	GASKET, master cylinder top (2)	XL1200, XL1200C, XL883, XL883HUG
13	41739-84A	BOLT, master cylinder top	XL1200, XL1200C, XL883, XL883HUG
14	41747-82A	BOLT, brake line	XL1200, XL1200C, XL883, XL883HUG
14	41747-82A	BOLT, brake line (3)	XL1200S
15	45004-96A	COVER, master cylinder	ALL
16	45006-96C	REPAIR KIT, master cylinder	XL1200, XL1200C, XL883, XL883HUG
	45072-96C	REPAIR KIT, master cylinder	XL1200S
17	45013-96D	MASTER CYLINDER ASSEMBLY	XL1200S
	45019-96D	MASTER CYLINDER ASSEMBLY	XL1200, XL1200C, XL883, XL883HUG
18	45016-96	LEVER ASSEMBLY, brake	ALL
19	45030-03C	COVER KIT, reservoir, w/ 2579A	ALL
20	45032-82	PIN, hand lever	ALL
21	45042-96	SIGHT GLASS	ALL
22	45044-96A	CLAMP, master cylinder	ALL
23	45074-95	GUIDE, anti-rotation	XL1200S

24	45121-96	BRAKE LINE, front (use 45121-96A)	XL1200, XL883HUG
	45143-88B	BRAKE LINE, front (use 45121-96A)	XL1200C, XL883
25	45121-96A	BRAKE LINE KIT, front, w/ 10065, 41733-88, 68562-84 & 71795-63A	XL1200, XL1200C, XL883, XL883HUG
26	45148-96A	BRAKE LINE KIT, front, w/ 10065 & 71795-63A	XL1200S
27	45423-96	BUSHING, pivot lever	ALL
28	68562-84	CLAMP	XL1200, XL1200C, XL883, XL883HUG
29	71795-63A	CLAMP	XL1200S

REAR BRAKE CONTROL



[View interactive image](#)

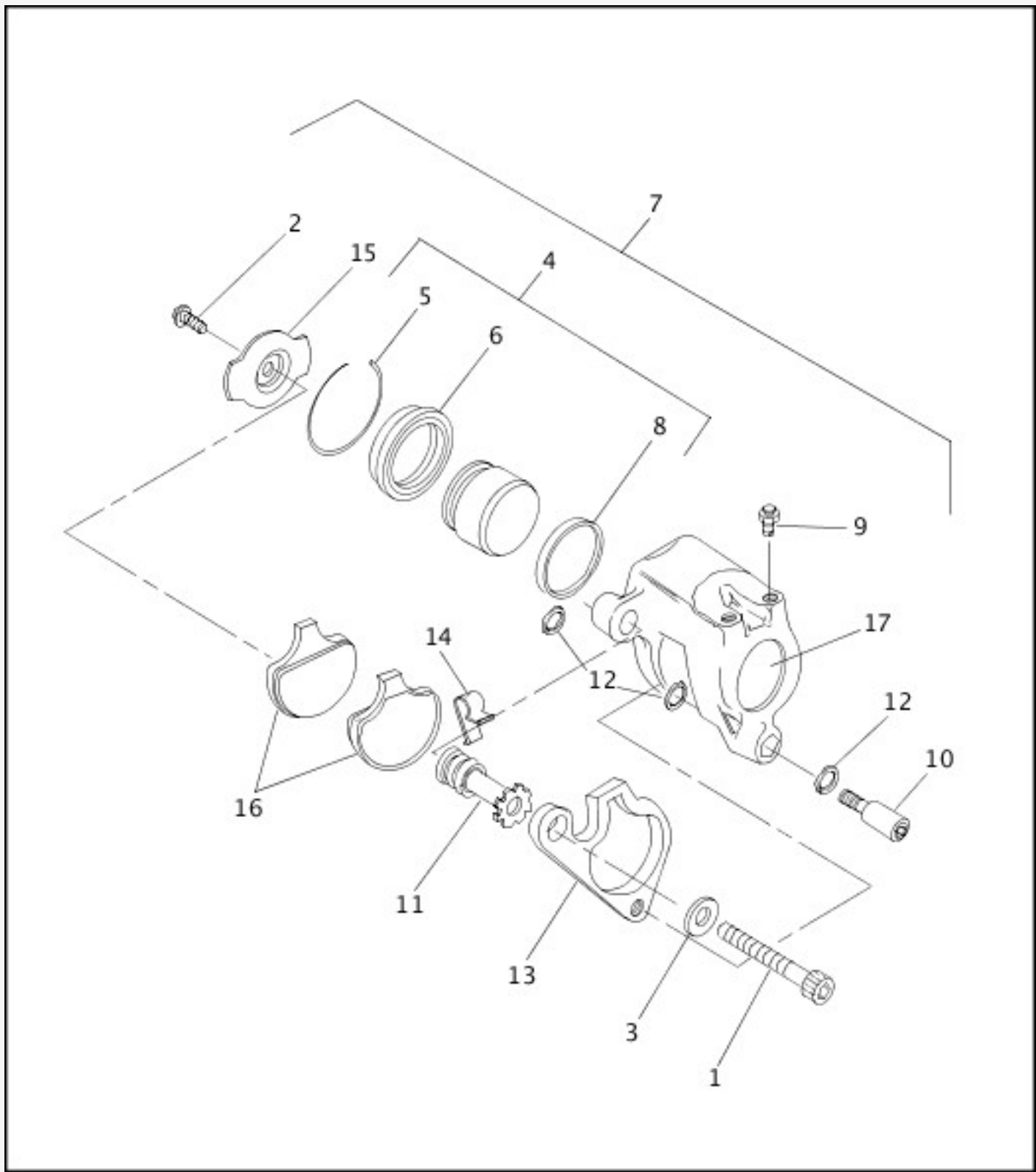
[View interactive table](#)

INDEX NO.	PART NO.	DESCRIPTION	MODEL(S)
1	515	COTTER PIN	ALL

2	853A	SCREW (2)	ALL
3	2523	SCREW (2)	ALL
4	4240	SCREW	ALL
5	3201WA	SCREW	ALL
6	6366	WASHER	ALL
7	6702	WASHER	ALL
8	7042	LOCKWASHER (2)	ALL
9	7220	LOCKWASHER	ALL
10	7744	JAMNUT	ALL
11	8144	LOCKNUT	ALL
12	10031	CLAMP (2)	ALL
13	34909-90	STIFFENER, master cylinder	XL1200, XL1200S, XL883, XL883HUG
	34933-96	STIFFENER, master cylinder	XL1200C
14	35078-79	NUT	ALL
15	40903-87	RETAINING RING	ALL
16	40922-87A	BOOT, pushrod	ALL
17	41642-82	BOOT, brake switch	ALL
18	41713-86	CLAMP	ALL
19	41731-88A	GASKET (4)	ALL
20	41747-82A	BOLT (2)	ALL
21	42375-87	BOLT (2)	ALL
22	42381-87	COVER, master cylinder (2)	ALL
23	42382-87C	REPAIR KIT, master cylinder	ALL
24	42436-87	PUSHROD	ALL
25	42437-87	ROD END	ALL
26	42441-90A	CLEVIS, footrest mounting	ALL
27	42443-80A	BUSHING	ALL
28	42456-87C	MASTER CYLINDER	ALL
29	42447-96	PEDAL ASSEMBLY, w/ 1, 25, 27 & 30	ALL
30	42460-80B	CLEVIS PIN	ALL

31	42472-87	REPAIR KIT, master cylinder body	ALL
32	42479-90	SPRING	ALL
33	44126-87	RETAINER, spring	ALL
34	44438-87C	HOSE, rear brake	ALL
35	45005-85	GASKET, master cylinder cover	ALL
35	45042-82	REPAIR KIT, sight glass	ALL
36	72023-51E	STOPLIGHT SWITCH	ALL

FRONT BRAKE CALIPER



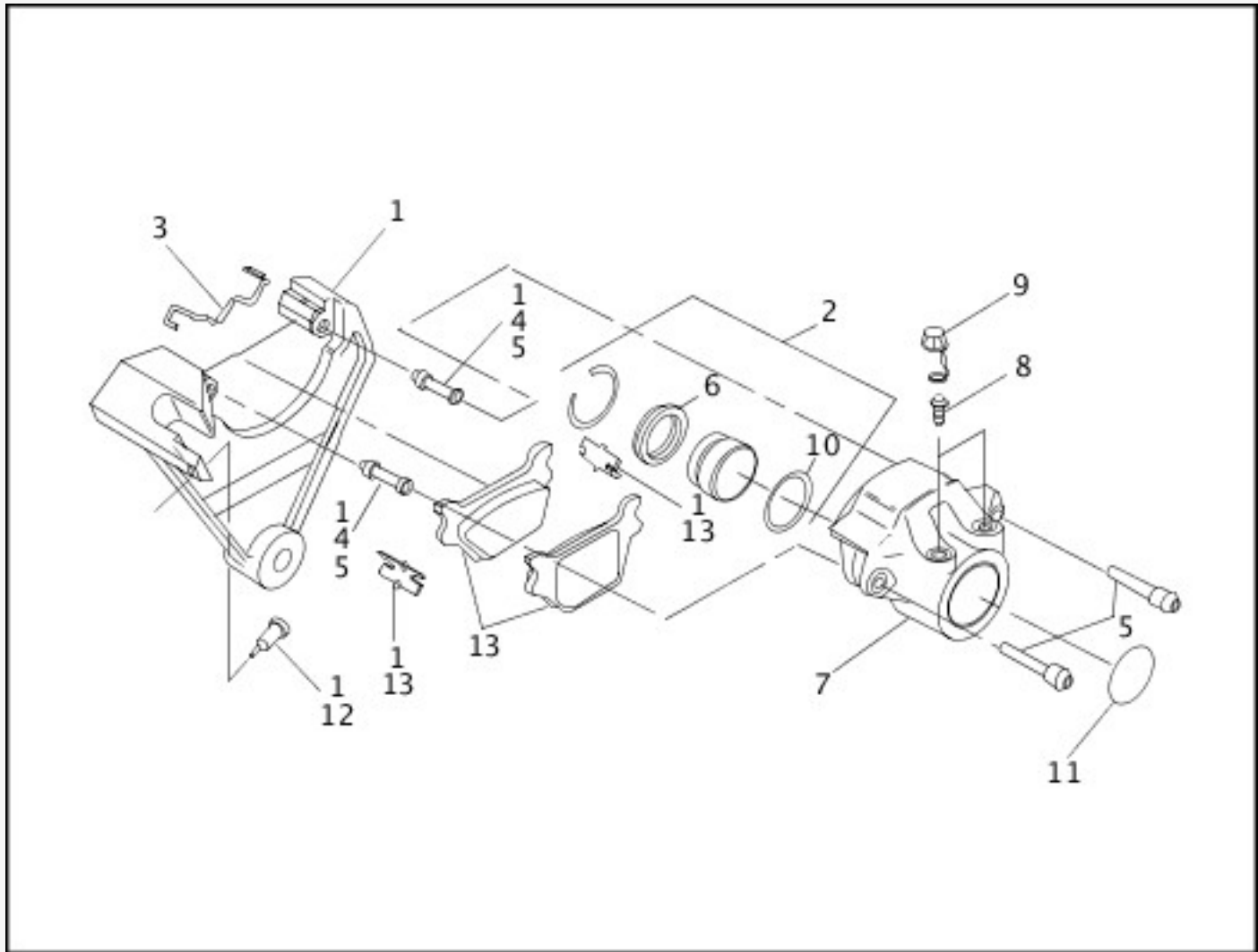
[View interactive image](#)

[View interactive table](#)

INDEX NO.	PART NO.	DESCRIPTION	MODEL(S)
1	855B	SCREW	XL1200, XL1200C, XL883, XL883HUG
1	855B	SCREW (2)	XL1200S
2	3562	SCREW	XL1200, XL1200C, XL883, XL883HUG
2	3562	SCREW (2)	XL1200S
3	6019	WASHER	XL1200, XL1200C, XL883, XL883HUG
3	6019	WASHER (2)	XL1200S

4	44020-83A	PISTON REBUILD KIT, w/ 5, 6 & 8	XL1200, XL1200C, XL883, XL883HUG
4	44020-83A	PISTON REBUILD KIT, w/ 5, 6 & 8 (2)	XL1200S
5	44021-83	RETAINING RING, piston	XL1200, XL1200C, XL883, XL883HUG
5	44021-83	RETAINING RING, piston (2)	XL1200S
6	44022-83	DUST BOOT, piston	XL1200, XL1200C, XL883, XL883HUG
6	44022-83	DUST BOOT, piston (2)	XL1200S
7	44046-84C	CALIPER ASSEMBLY, left	ALL
7	44023-83C	CALIPER ASSEMBLY, right	XL1200S
8	44047-83	SEAL, piston	XL1200, XL1200C, XL883, XL883HUG
8	44047-83	SEAL, piston (2)	XL1200S
9	44048-83	BLEEDER FITTING	XL1200, XL1200C, XL883, XL883HUG
9	44048-83	BLEEDER FITTING (2)	XL1200S
10	44053-92A	GUIDE PIN KIT, w/ 11, 12 & pins	XL1200, XL1200C, XL883, XL883HUG
10	44053-92A	GUIDE PIN KIT, w/ 11, 12 & pins (2)	XL1200S
11	44054-83	PIN BOOT	XL1200, XL1200C, XL883, XL883HUG
11	44054-83	PIN BOOT (2)	XL1200S
12	44059-83	O-RING (3)	XL1200, XL1200C, XL883, XL883HUG
12	44059-83	O-RING (2)	XL1200S
13	44072-92A	BRACKET, caliper mounting left	ALL
13	44073-92A	BRACKET, caliper mounting right	XL1200S
14	44061-83	SPRING CLIP	XL1200, XL1200C, XL883, XL883HUG
14	44061-83	SPRING CLIP (2)	XL1200S
15	44062-83	RETAINING PAD	XL1200, XL1200C, XL883, XL883HUG
15	44062-83	RETAINING PAD (2)	XL1200S
16	44063-83C	PAD SET, w/ 2	XL1200, XL1200C, XL883, XL883HUG
16	44063-83C	PAD SET, w/ 2 (2)	XL1200S
17	44197-77	LABEL	XL1200, XL1200C, XL883, XL883HUG
17	44197-77	LABEL (2)	XL1200S

REAR BRAKE CALIPER

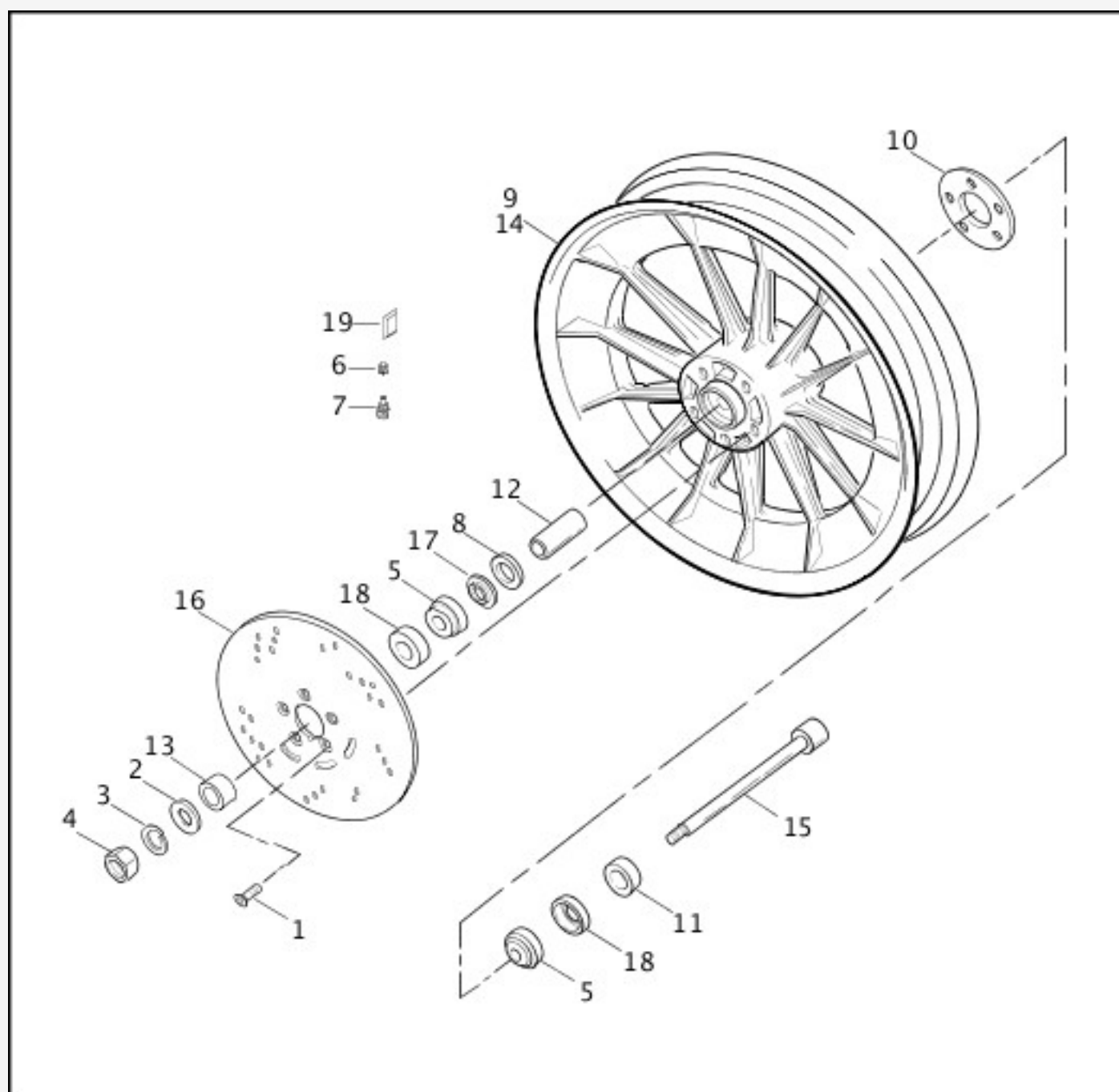


[View interactive image](#)

[View interactive table](#)

INDEX NO.	PART NO.	DESCRIPTION	MODEL(S)
1	40929-87	MOUNTING BRACKET, w/ 4, 12 & shims	ALL
2	43946-86A	PISTON REPAIR KIT	ALL
3	43960-86	RETAINER	ALL
4	44035-86A	BUSHING (2)	ALL
5	44039-86	MOUNTING KIT, w/ guide pins & bushings	ALL
6	44045-87A	SEAL & BOOT KIT	ALL
7	44050-87	CALIPER ASSEMBLY (black)	ALL
8	44048-83	BLEEDER FITTING	ALL
9	44147-87A	CAP, bleeder screw	ALL
10	44152-77	SEAL, piston	ALL
11	44198-87	LABEL	ALL
12	44199-79	BUMPER, mounting bracket	ALL

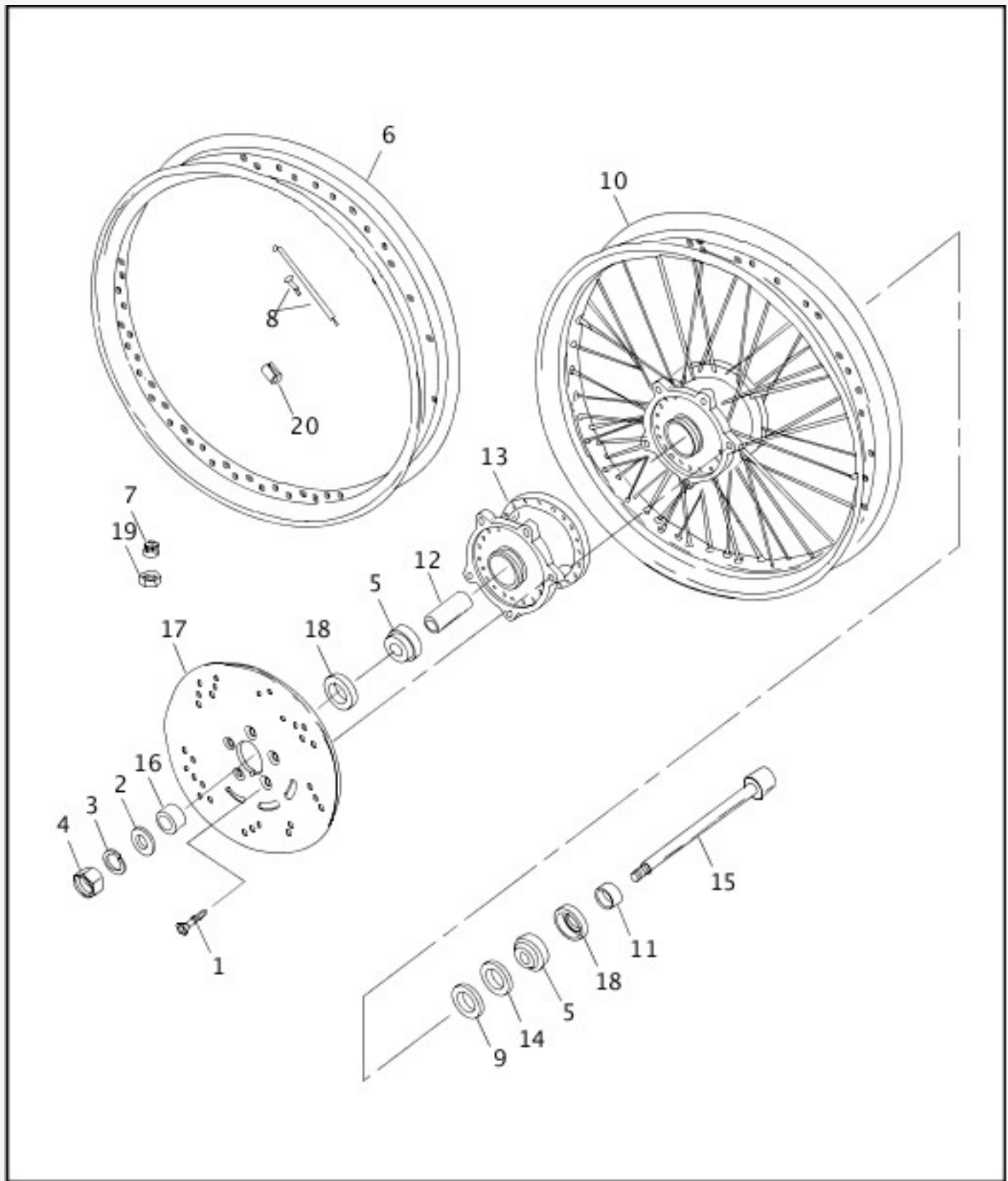
FRONT WHEEL - CAST


[View interactive image](#)
[View interactive table](#)

INDEX NO.	PART NO.	DESCRIPTION	MODEL(S)
1	3655A	SCREW (10)	ALL
2	6590HW	WASHER	ALL
3	7068	LOCKWASHER	ALL
4	7845	NUT	ALL
5	9052	ROLLER BEARING (2)	ALL
6	41123-79	VALVE CAP	ALL

7	43150-83	VALVE STEM, tubeless tire	ALL
8	43290-82	SPACER, 0.032 thk.	ALL
	43291-82	SPACER, 0.016 thk.	ALL
	43292-82	SPACER, 0.008 thk.	ALL
	43293-82	SPACER, 0.004 thk.	ALL
	43294-82	SPACER, 0.002 thk.	ALL
9	43594-96	WHEEL ASSEMBLY, 19 inch (13 spoke) (silver)	XL1200S, XL883, XL883HUG
10	43355-84	HUB PLATE (use 43359-84) (black)	XL1200
	43359-84	HUB PLATE (replaces 43355-84) (silver)	XL883, XL883HUG
11	43358-83A	SPACER, bearing	ALL
12	43613-92	SPACER, hub	ALL
13	43617-95	SPACER	ALL
14	43499-96	WHEEL ASSEMBLY, 19 inch (13 spoke) (black)	XL1200
15	43895-87B	FRONT AXLE	ALL
16	44136-92	DISC, brake	ALL
17	43650-82	SPACER WASHER	ALL
18	47519-83A	OIL SEAL (2)	ALL
19	95594-84A	WHEEL WEIGHT, 5 grams (black)	XL1200, XL1200C
	95595-84A	WHEEL WEIGHT, 5 grams (silver)	XL1200S, XL883, XL883HUG
20	43157-83A	VALVE STEM ASSEMBLY (not illustrated)	XL1200, XL1200S, XL883, XL883HUG

FRONT WHEEL - LACED



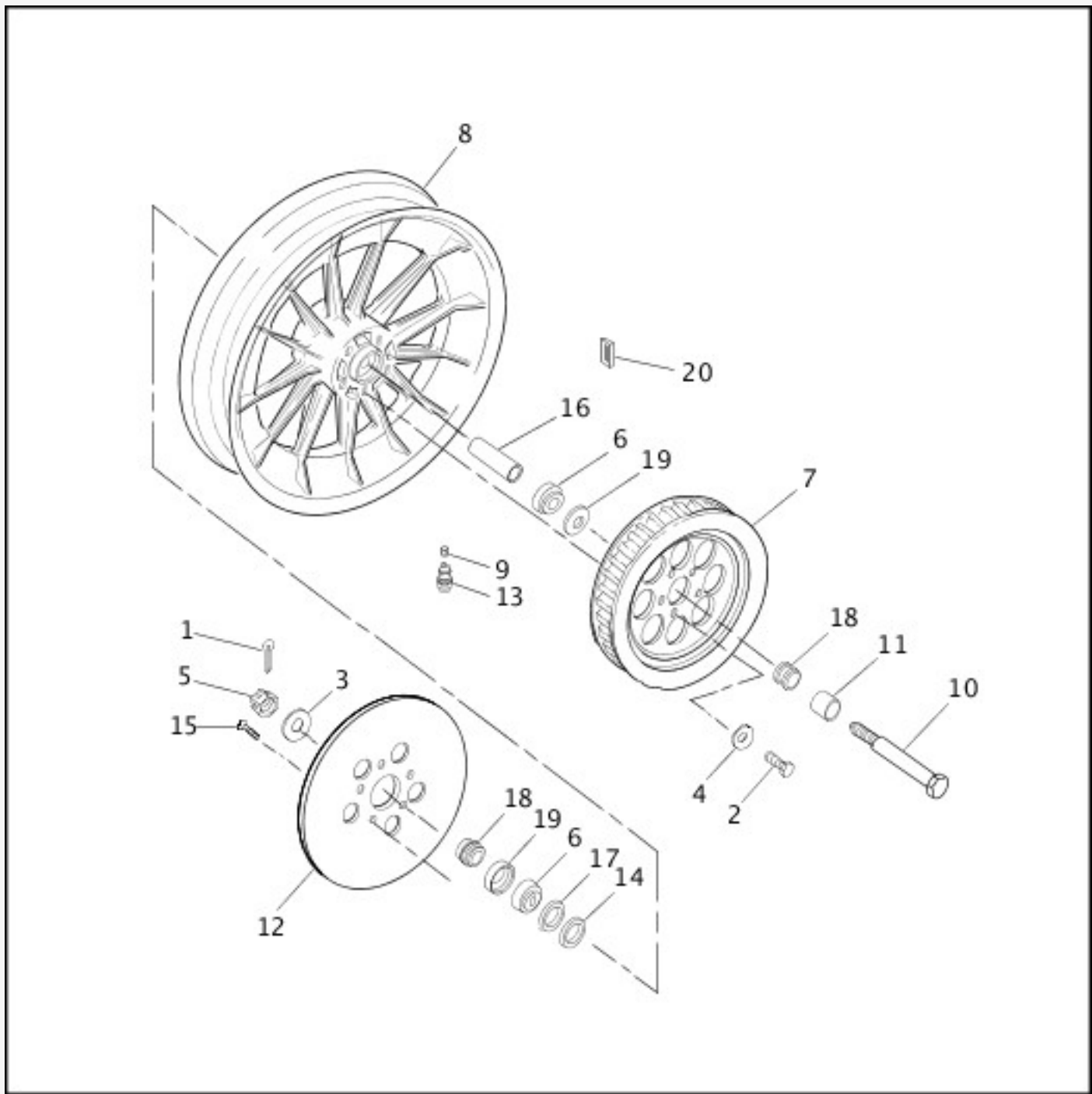
[View interactive image](#)

[View interactive table](#)

INDEX NO.	PART NO.	DESCRIPTION	MODEL(S)
1	3655A	SCREW (5)	ALL
2	6590HW	WASHER	ALL
3	7068	LOCKWASHER	ALL
4	7845	NUT	ALL
5	9052	ROLLER BEARING (2)	ALL
6	43001-06	RIM, 19 inch chrome	XL1200, XL883, XL883HUG

6	43662-80B	RIM, 21 inch chrome	XL1200C
7	41123-79	VALVE CAP	ALL
8	40761-05	SPOKE & NIPPLE, 19 inch rim, short (20)	XL1200, XL883, XL883HUG
	43025-73B	SPOKE & NIPPLE, 19 inch rim, long (20)	XL1200, XL883, XL883HUG
	40760-05	SPOKE & NIPPLE, 21 inch rim, short (20)	XL1200C
	40759-05	SPOKE & NIPPLE, 21 inch rim, long (20)	XL1200C
9	43290-82	SPACER, 0.032 thick	ALL
	43291-82	SPACER, 0.016 thick	ALL
	43292-82	SPACER, 0.008 thick	ALL
	43293-82	SPACER, 0.004 thick	ALL
	43294-82	SPACER, 0.002 thick	ALL
10	43312-84B	WHEEL ASSEMBLY, 19 inch	XL1200, XL883, XL883HUG
	43557-87B	WHEEL ASSEMBLY, 21 inch	XL1200C
11	43358-83A	SPACER, left bearing	ALL
12	43613-92	SPACER, hub	ALL
13	43619-84	WHEEL HUB ASSEMBLY	XL1200, XL883, XL883HUG
	43610-87	WHEEL HUB ASSEMBLY	XL1200C
14	43650-82	SPACER WASHER	ALL
15	43895-87B	FRONT AXLE	ALL
16	43617-95	SPACER	ALL
17	44136-92	DISC, brake	XL1200, XL883, XL883HUG
	44101-95A	DISC, brake	XL1200C, XL1200S
18	47519-83A	SEAL (2)	ALL
19	54321-85	NUT, valve stem	ALL
20	95578-41	WHEEL WEIGHT, 1/2 oz.	ALL
	95581-47	WHEEL WEIGHT, 3/4 oz.	ALL
	95582-47	WHEEL WEIGHT, 1 oz.	ALL
21	41814-76A	SPACER, disc brake (not illustrated)	XL1200C

REAR WHEEL - CAST



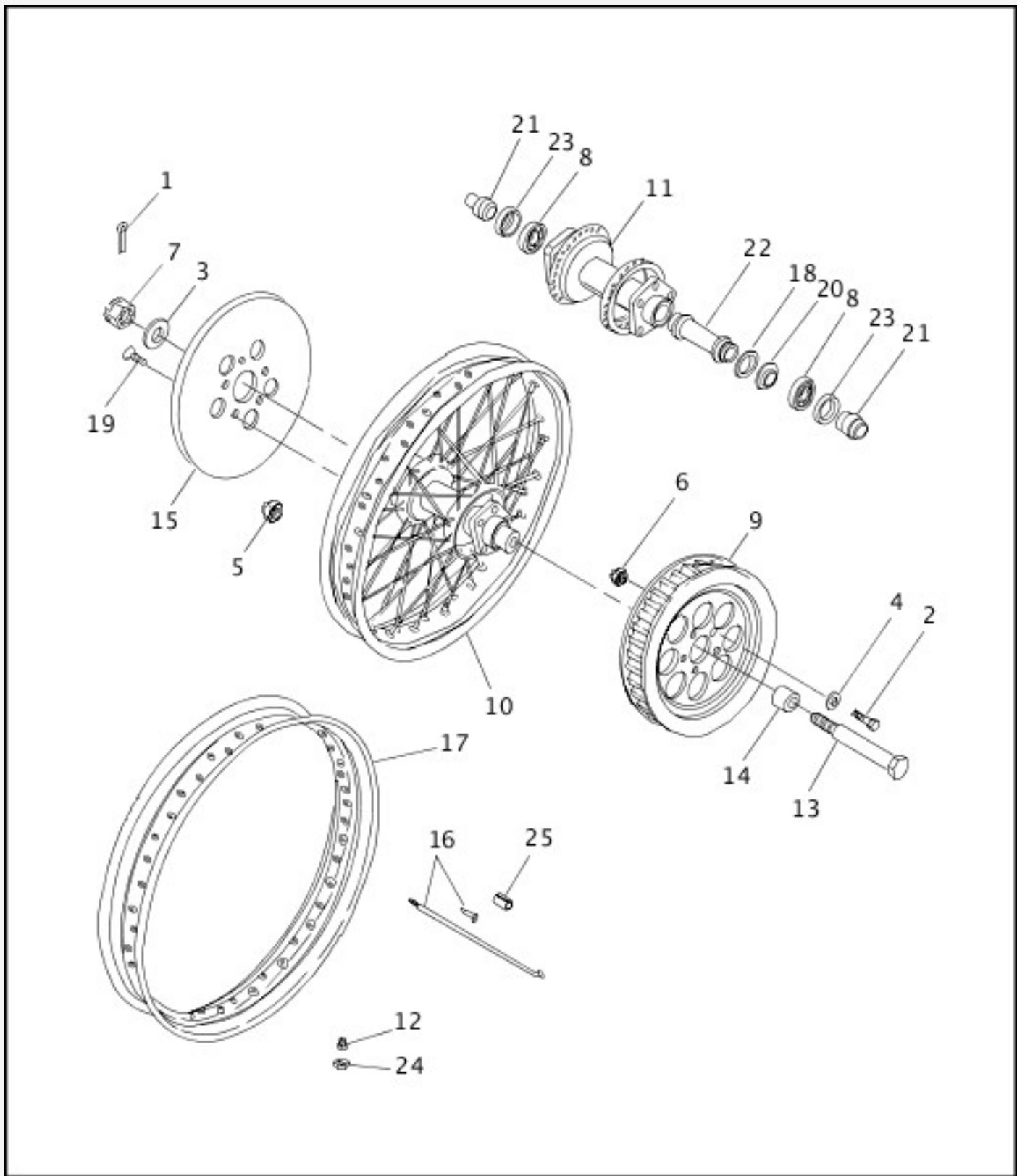
[View interactive image](#)

[View interactive table](#)

INDEX NO.	PART NO.	DESCRIPTION	MODEL(S)
1	511	COTTER PIN	ALL
2	3730A	BOLT (5)	ALL
3	5756	WASHER	ALL
4	6516HW	WASHER (5)	ALL
5	7987	NUT	ALL
6	9052	ROLLER BEARING (2)	ALL
7	40213-91	SPROCKET, 61T (belt) (black)	ALL
	40227-93	SPROCKET, 61T (belt) (silver)	XL883, XL883HUG

8	40992-96	WHEEL ASSEMBLY, 16 inch (13 spoke) (silver)	XL1200S, XL883, XL883HUG
	41012-96	WHEEL ASSEMBLY, 16 inch (13 spoke) (black)	XL1200
	41013-95	WHEEL ASSEMBLY, solid, w/ slots (not illustrated)	XL1200C
9	41123-79	VALVE CAP	ALL
10	41563-77A	AXLE ASSEMBLY, w/ 1, 3 & 5	ALL
11	41594-73	SPACER	ALL
12	41789-92	BRAKE DISC KIT, w/ 15	XL1200, XL883, XL883HUG
	44108-95A	BRAKE DISC, floating	XL1200C, XL1200S
13	43157-83A	VALVE STEM	ALL
14	43290-82	SPACER, 0.032 thick	ALL
	43291-82	SPACER, 0.016 thick	ALL
	43292-82	SPACER, 0.008 thick	ALL
	43293-82	SPACER, 0.004 thick	ALL
	43294-82	SPACER, 0.002 thick	ALL
15	43567-92	SCREW, brake disc (5)	ALL
16	43608-82	SPACER	ALL
17	43650-82	SPACER WASHER	ALL
18	43654-86A	SPACER (2)	ALL
19	47519-83A	SEAL (2)	ALL
20	95594-84A	WHEEL WEIGHT, 5 grams (black)	XL1200, XL1200C
	95595-84A	WHEEL WEIGHT, 5 grams (silver)	XL1200S, XL883, XL883HUG

REAR WHEEL - LACED



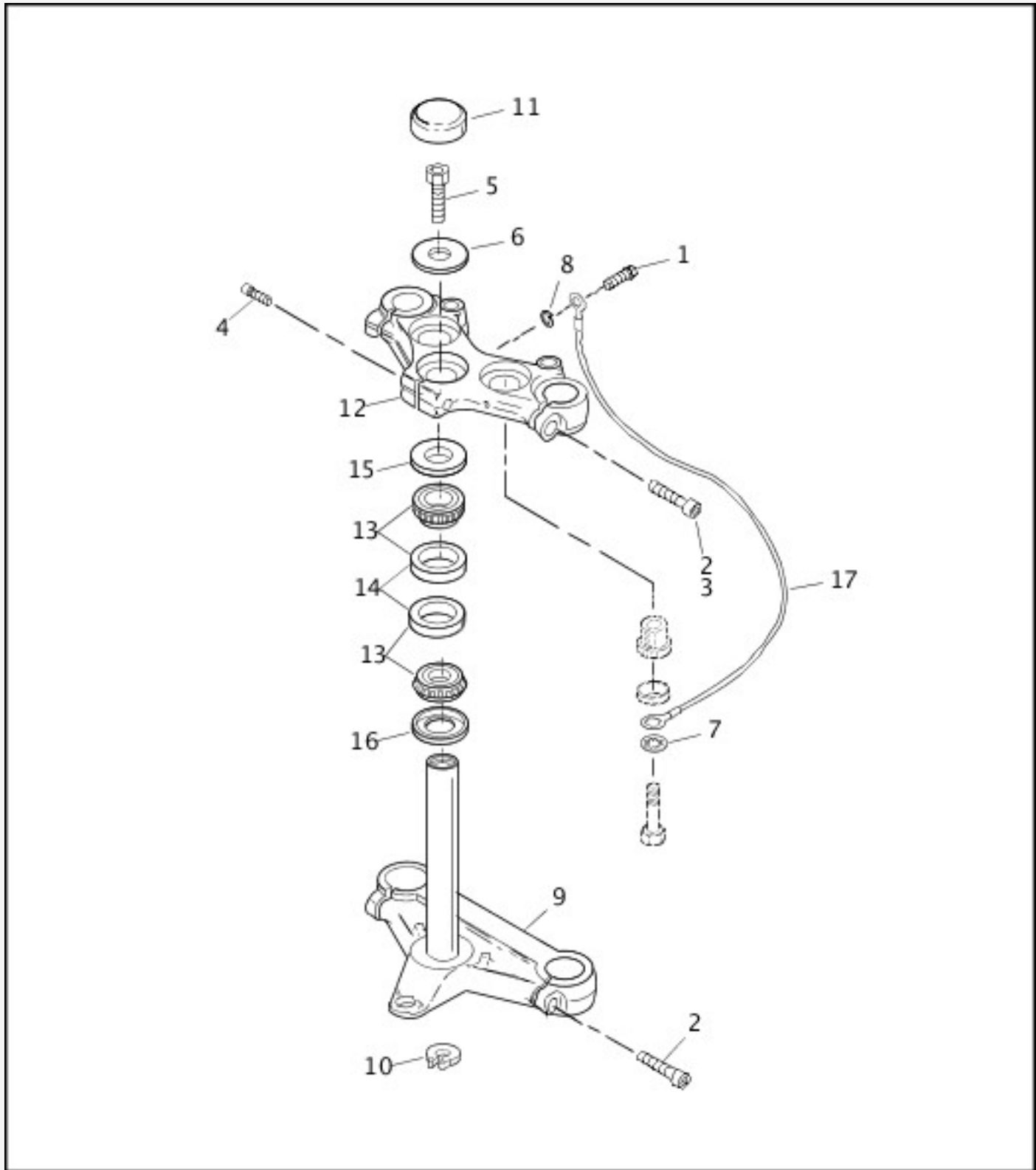
[View interactive image](#)

[View interactive table](#)

INDEX NO.	PART NO.	DESCRIPTION	MODEL(S)
1	511	COTTER PIN	ALL
2	3769	BOLT (5)	ALL
3	5756	WASHER	ALL
4	6516HW	WASHER (5)	ALL
5	7778	LOCKNUT (5)	ALL
6	7827W	LOCKNUT (5)	ALL

7	7987	NUT	ALL
8	9052	ROLLER BEARING (2)	ALL
9	40213-91	SPROCKET, 61T (belt) (black)	ALL
10	40975-86C	WHEEL ASSEMBLY, 16 inch (chrome)	ALL
11	40976-86A	HUB ASSEMBLY, rear, 16 inch	ALL
12	41123-79	VALVE CAP	ALL
13	41563-77A	AXLE ASSEMBLY, w/ 1, 3 & 7	ALL
14	41594-73	SPACER	ALL
15	41789-92	BRAKE DISC KIT, w/ 19	ALL
16	43241-05	SPOKE & NIPPLE, 16 inch rim (40)	ALL
17	43085-97	RIM, 16 inch (chrome)	ALL
18	43290-82	SPACER, 0.032 thick	ALL
	43291-82	SPACER, 0.016 thick	ALL
	43292-82	SPACER, 0.008 thick	ALL
	43293-82	SPACER, 0.004 thick	ALL
	43294-82	SPACER, 0.002 thick	ALL
19	43567-92	SCREW, brake disc (5)	ALL
20	43650-82	SPACER WASHER	ALL
21	43654-86A	SPACER (2)	ALL
22	43668-82	SPACER	ALL
23	47519-83A	SEAL (2)	ALL
24	54321-85	NUT, valve stem	ALL
25	95578-41	WHEEL WEIGHT, 1/2 oz.	ALL
	95581-47	WHEEL WEIGHT, 3/4 oz.	ALL
	95582-47	WHEEL WEIGHT, 1 oz.	ALL

STEERING HEAD BRACKET ASSEMBLY



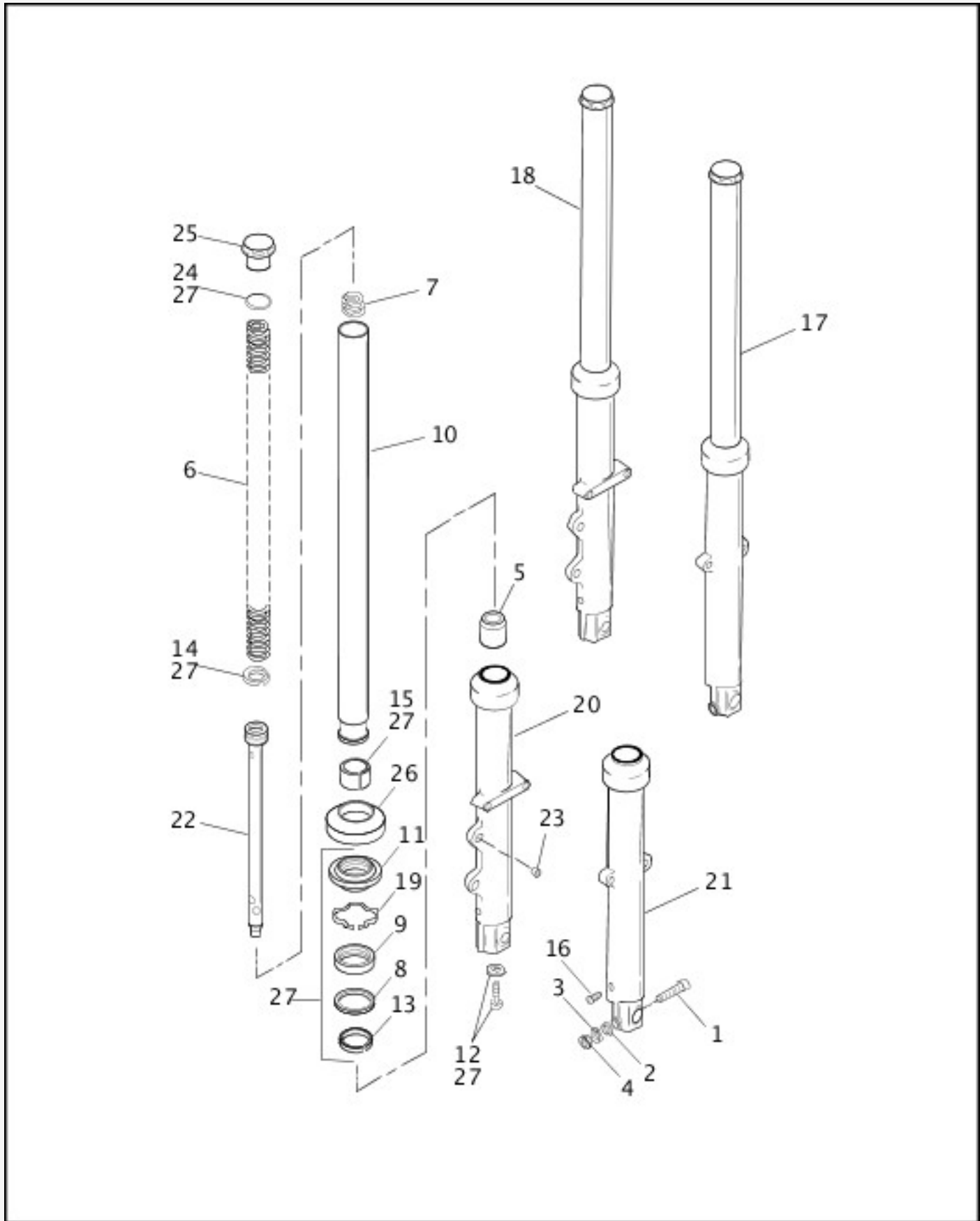
[View interactive image](#)

[View interactive table](#)

INDEX NO.	PART NO.	DESCRIPTION	MODEL(S)
1	4240	SCREW (2)	ALL
2	4351	SCREW, upper (2)	XL1200, XL1200C, XL883HUG
	4351	SCREW, lower (2)	ALL
3	4047	SCREW, upper (2)	XL1200S, XL883
4	4352	SCREW	ALL
5	4453	BOLT, tapped	XL1200, XL1200S

	4460	BOLT	XL1200C, XL883, XL883HUG
6	6655	WASHER	ALL
7	7129	LOCKWASHER	ALL
8	7220	LOCKWASHER	ALL
9	45563-87	BRACKET, lower, w/ stem	XL1200, XL1200S, XL883, XL883HUG
	45561-87	BRACKET, lower, w/ stem	XL1200C
10	45611-86	RETAINING RING	ALL
11	45668-90	CAP, fork stem	XL1200, XL1200S
12	45739-87	BRACKET, upper	ALL
13	48300-60	ROLLER BEARING, w/ cup (2)	ALL
14	48315-60	BEARING CUP (2)	ALL
15	48361-80	DUST SHIELD, upper	ALL
16	48365-48A	DUST SHIELD, lower	ALL
17	70191-73A	GROUND WIRE	ALL
INTERNATIONAL MODELS ONLY			
18	48140-84A	STEERING HEAD LOCK ASSEMBLY (HDI) (not illustrated)	XL1200C, XL1200S, XL883, XL883HUG

FRONT FORK



[View interactive image](#)

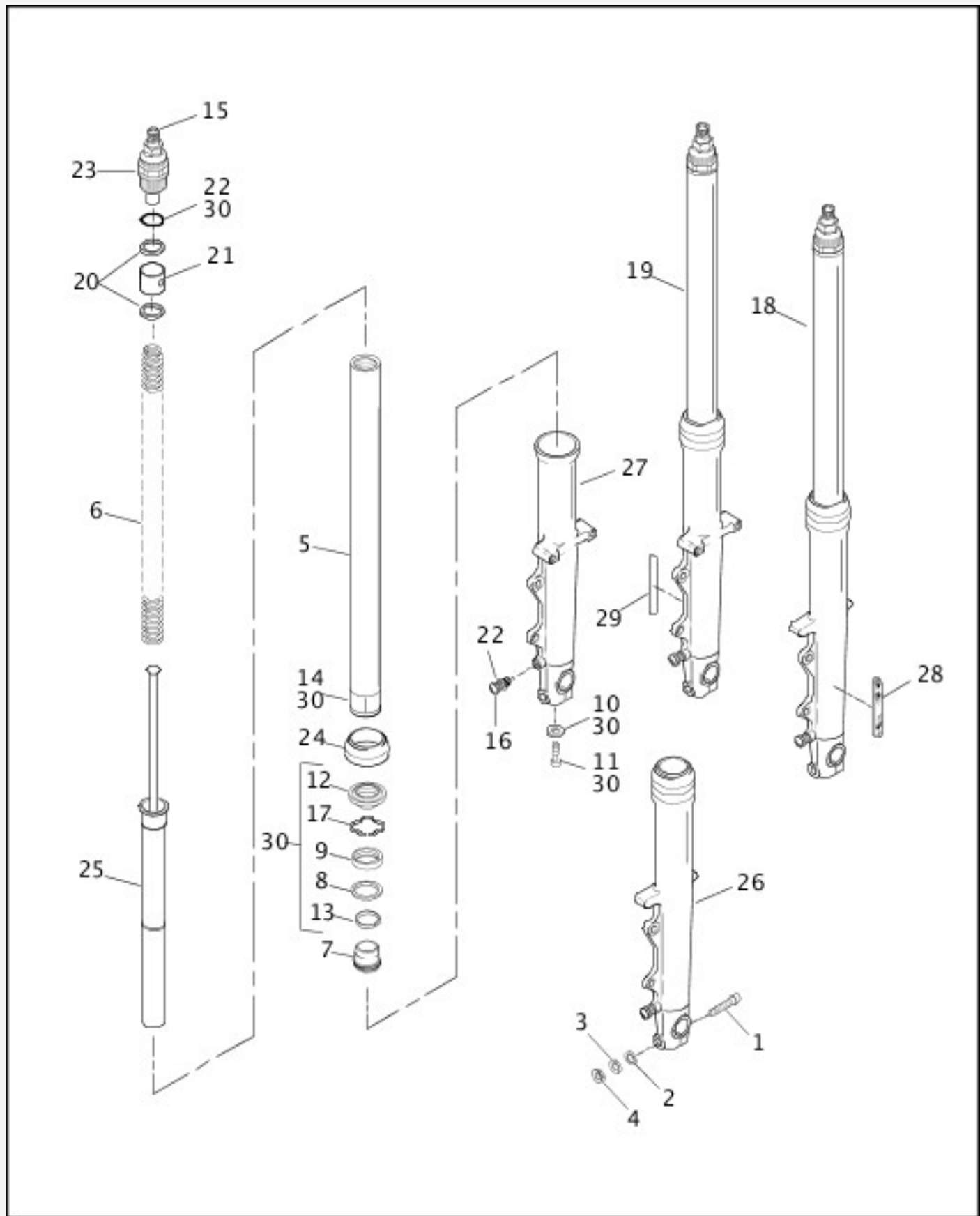
[View interactive table](#)

INDEX NO.	PART NO.	DESCRIPTION	MODEL(S)
1	4029A	SCREW	XL1200, XL1200C, XL883, XL883HUG
2	6701	WASHER	XL1200, XL1200C, XL883, XL883HUG
3	7038	LOCKWASHER	XL1200, XL1200C, XL883,

			XL883HUG
4	7783	NUT	XL1200, XL1200C, XL883, XL883HUG
5	45361-90	LOWER STOP (2)	XL1200C, XL883HUG
	45463-87	LOWER STOP (2)	XL1200, XL883
6	45372-92	SPRING (2)	XL1200C, XL883HUG
	45376-97	SPRING (2)	XL1200, XL883
7	45374-87	SPRING, slider (2)	XL1200, XL1200C, XL883, XL883HUG
8	45377-87	SPACER, oil seal (2)	XL1200, XL1200C, XL883, XL883HUG
9	45378-87	OIL SEAL (2)	XL1200, XL1200C, XL883, XL883HUG
10	45395-97	SLIDER TUBE (2)	XL1200, XL1200C, XL883, XL883HUG
11	45401-87	SEAL, dust (2)	XL1200, XL1200C, XL883, XL883HUG
12	45405-75A	SCREW (2)	XL1200, XL1200C, XL883, XL883HUG
13	45461-87	BUSHING, upper (2)	XL1200, XL1200C, XL883, XL883HUG
14	45460-90	RING, damper tube (2)	XL1200, XL1200C, XL883, XL883HUG
15	45465-87	BUSHING, slider tube (2)	XL1200, XL1200C, XL883, XL883HUG
16	45790-80	DRAIN SCREW, w/ washer (2)	XL1200, XL1200C, XL883, XL883HUG
17	45900-97	FORK SLIDER & TUBE ASSEMBLY, right	XL1200, XL883
	45928-92	FORK SLIDER & TUBE ASSEMBLY, right	XL1200C, XL883HUG
18	45901-97	FORK SLIDER & TUBE ASSEMBLY, left	XL1200, XL883
	45929-92	FORK SLIDER & TUBE ASSEMBLY, left	XL1200C, XL883HUG
19	45905-87	RETAINING RING, oil seal (2)	XL1200, XL1200C, XL883, XL883HUG
20	45921-87	SLIDER ASSEMBLY, left	XL1200, XL1200C, XL883, XL883HUG
21	45923-87	SLIDER ASSEMBLY, right	XL1200, XL1200C, XL883, XL883HUG

22	45925-97	DAMPER TUBE (2)	XL1200, XL883
	45938-92	DAMPER TUBE, w/ 45460-90 (2)	XL1200C, XL883HUG
23	45934-86	BUSHING, brake caliper	XL1200, XL1200C, XL883, XL883HUG
24	45984-87	O-RING (2)	XL1200, XL1200C, XL883, XL883HUG
25	45996-87	CAP, slider tube (2)	XL1200, XL1200C, XL883, XL883HUG
26	46002-87	COVER, slider (2)	XL1200, XL1200C, XL883, XL883HUG
27	49378-09	FORK REBUILD KIT, w/ 8, 9, 11, 12, 13, 14, 15, 19 & 24 (2)	XL1200, XL1200C, XL883, XL883HUG

FRONT FORK - 1200 SPORT



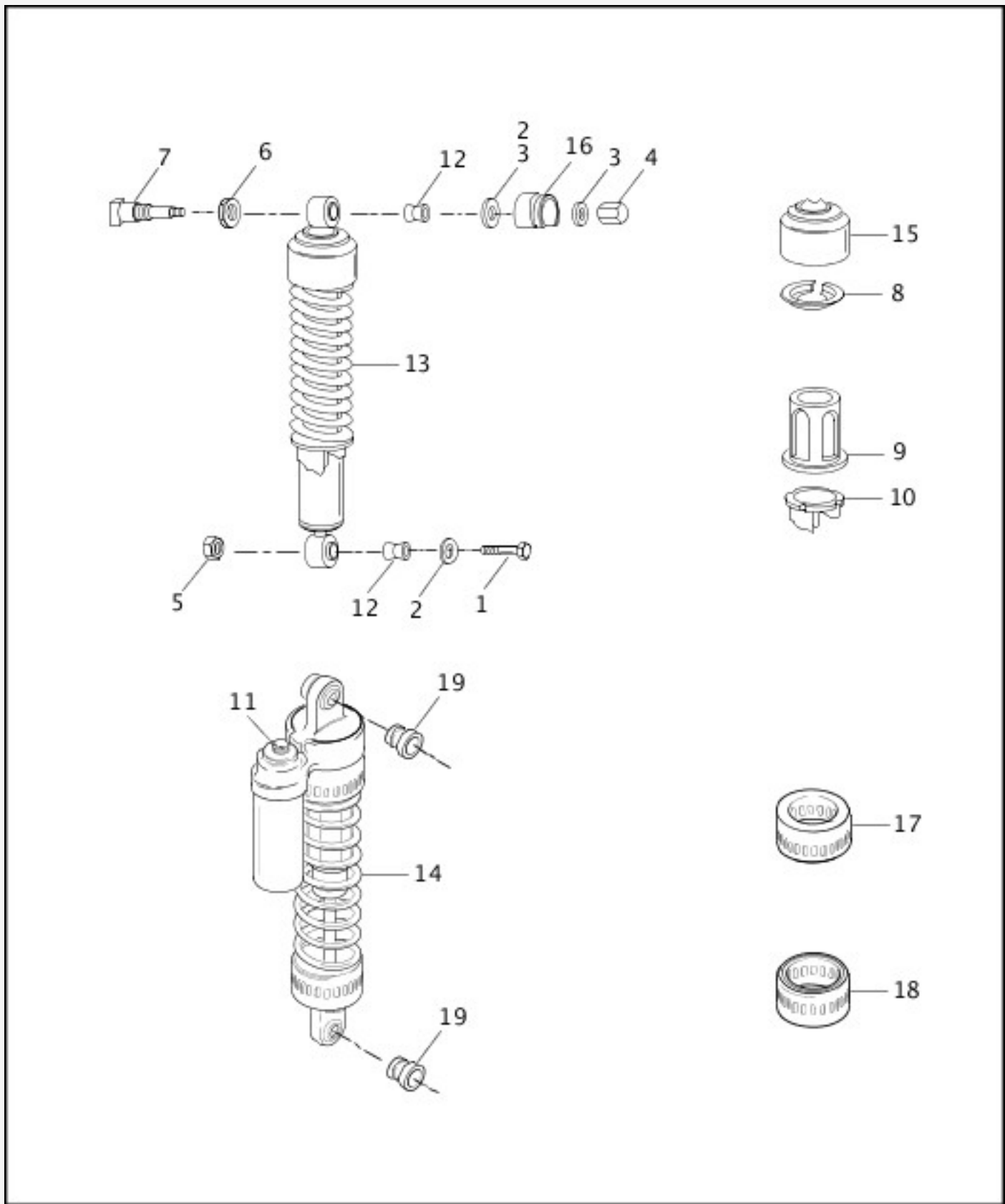
[View interactive image](#)

[View interactive table](#)

INDEX NO.	PART NO.	DESCRIPTION	MODEL(S)
1	4029A	SCREW	XL1200S
2	6701	WASHER	XL1200S
3	7038	LOCKWASHER	XL1200S
4	7783	NUT	XL1200S
5	45366-96	SLIDER TUBE ASSEMBLY (2)	XL1200S

6	45367-96	SPRING (2)	XL1200S
7	45368-96	LOWER STOP (2)	XL1200S
8	45377-87	SPACER, oil seal (2)	XL1200S
9	45378-87	OIL SEAL (2)	XL1200S
10	45398-96	WASHER (2)	XL1200S
11	45399-96	SCREW (2)	XL1200S
12	45401-87	SEAL, dust (2)	XL1200S
13	45461-87	BUSHING, upper (2)	XL1200S
14	45465-87	SLIDE BUSHING (2)	XL1200S
15	45723-96	KNOB ADJUSTER (2)	XL1200S
16	45726-96	PLUG BOLT (2)	XL1200S
17	45905-87	RETAINING RING, oil seal (2)	XL1200S
18	45943-96	FORK SLIDER & TUBE ASSEMBLY, right	XL1200S
19	45944-96	FORK SLIDER & TUBE ASSEMBLY, left	XL1200S
20	45980-96	SPACER (4)	XL1200S
21	45981-96	SPRING COLLAR (2)	XL1200S
22	45985-96	O-RING KIT (2)	XL1200S
23	45986-96	CAP ADJUSTABLE, slider tube (2)	XL1200S
24	46002-87	COVER, slider (2)	XL1200S
25	46024-96	DAMPER TUBE (2)	XL1200S
26	46022-96	SLIDER ASSEMBLY, right	XL1200S
27	46023-96	SLIDER ASSEMBLY, left	XL1200S
28	59481-00	REFLECTOR, amber, right	XL1200S
29	59482-00	REFLECTOR, amber, left	XL1200S
30	49381-09	FORK REBUILD KIT, w/ 8, 9, 10, 11, 12, 13, 14, 17 & 22 (2)	XL1200S

SHOCK ABSORBERS



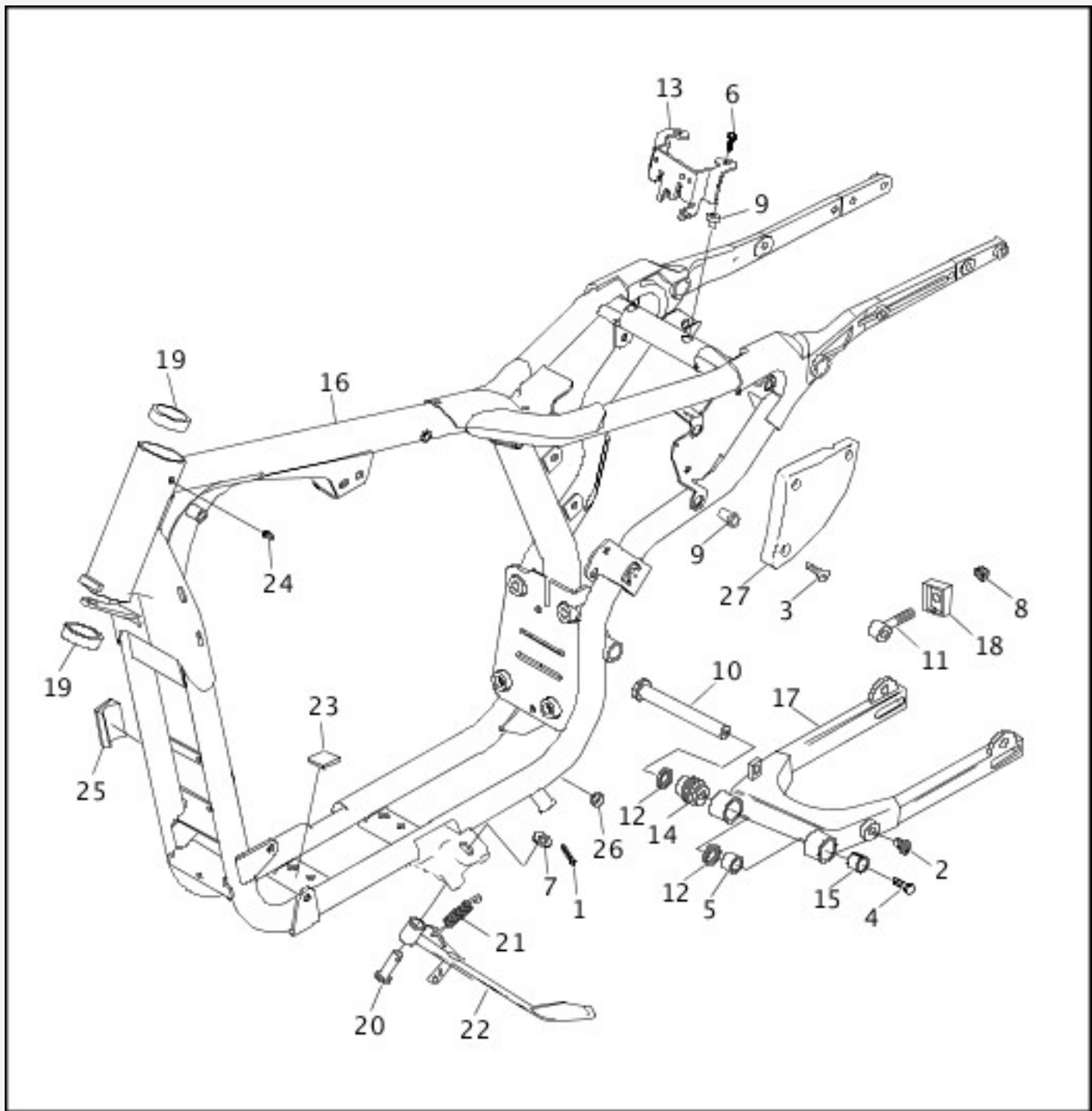
[View interactive image](#)

[View interactive table](#)

INDEX NO.	PART NO.	DESCRIPTION	MODEL(S)
1	3958	BOLT, left	ALL
	4743	BOLT, right	ALL
2	6012	WASHER (4)	XL1200, XL1200C, XL883, XL883HUG
2	6012	WASHER, upper (2)	XL1200S
3	6701	WASHER, upper shock mount (4)	XL1200, XL1200C, XL883, XL883HUG

4	7655	ACORN NUT (2)	ALL
5	7824	LOCKNUT (2)	ALL
6	35078-79	NUT (2)	ALL
7	47384-94	BOLT, shock mount (upper) (2)	ALL
8	54473-79	SEAT, spring, upper (2)	XL1200, XL1200C, XL883, XL883HUG
9	54475-79	SPRING GUIDE, lower (2)	XL1200, XL1200C, XL883, XL883HUG
10	54476-82	ADJUSTER, spring (2)	XL1200, XL883
	54474-79	ADJUSTER, spring (2)	XL1200C, XL883HUG
11	54481-96	KNOB, rear shock (2)	XL1200S
12	54556-84	BUSHING, damper (4)	XL1200, XL1200C, XL883, XL883HUG
13	54566-97	SHOCK ABSORBER, complete (2)	XL1200, XL883
	54568-92	SHOCK ABSORBER, complete (2)	XL1200C, XL883HUG
14	54552-96A	SHOCK ABSORBER, complete, right	XL1200S
	54542-96A	SHOCK ABSORBER, complete, left	XL1200S
15	54701-82	COVER, shock absorber (2)	XL1200, XL1200C, XL883, XL883HUG
16	54705-94	COVER, shock absorber stud (2)	XL1200, XL1200C, XL883, XL883HUG
17	54713-96	COVER, upper (2)	XL1200S
18	54714-96	COVER, lower (2)	XL1200S
19	54715-96	BUSHING, damper (4)	XL1200S

FRAME, REAR FORK & JIFFY STAND



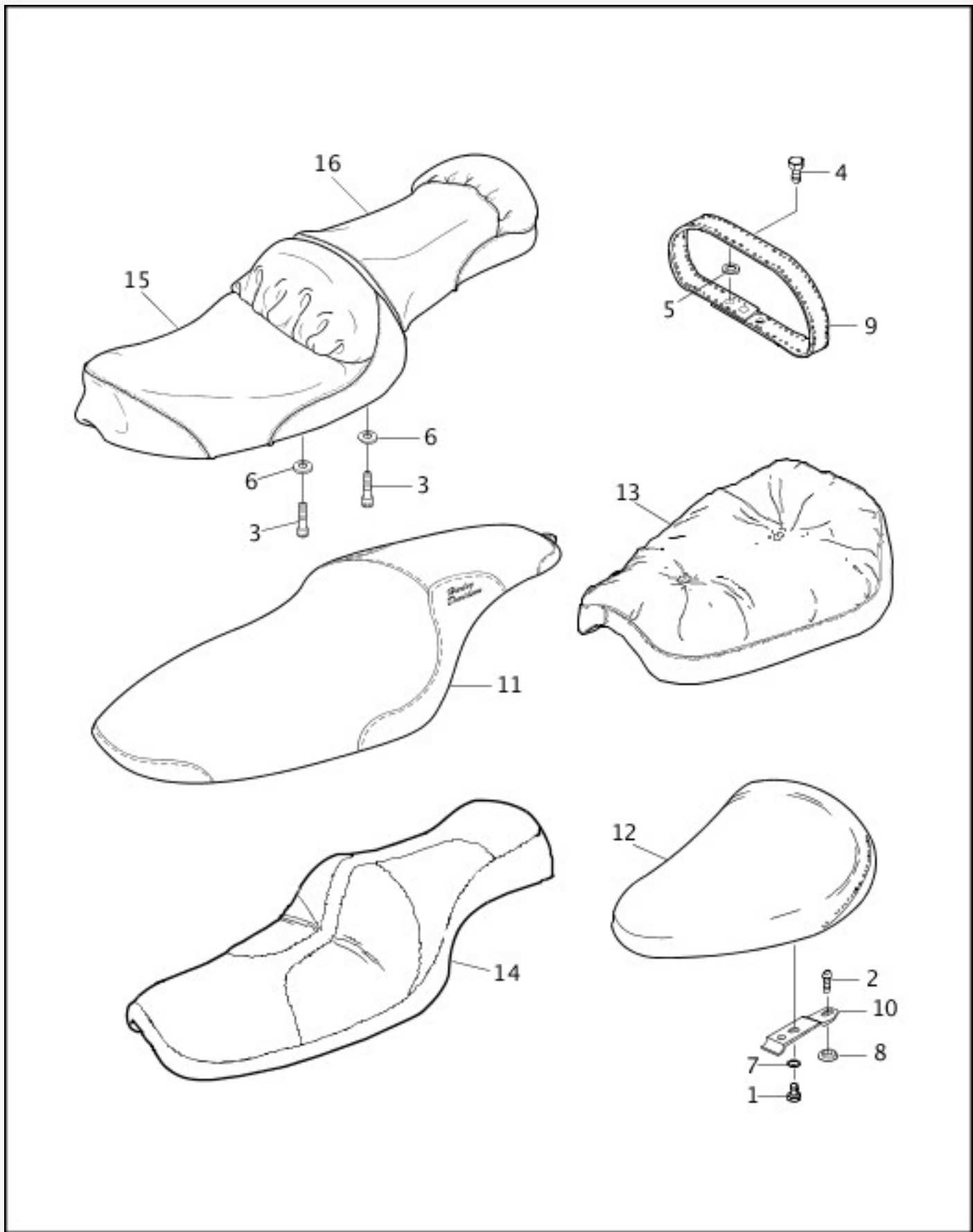
[View interactive image](#)

[View interactive table](#)

INDEX NO.	PART NO.	DESCRIPTION	MODEL(S)
1	554A	COTTER PIN	ALL
2	761	HOLE PLUG (2)	XL883, XL883HUG
3	1357W	SCREW (3)	ALL
4	2925A	SCREW	ALL
5	5741	SPACER, pivot bolt	ALL
6	3802W	BOLT (2)	ALL
7	6701	WASHER	ALL
8	7778	LOCKNUT (2)	ALL

9	8099	WELL NUT (5)	ALL
10	41568-81B	PIVOT BOLT, rear fork, w/ 4 & 5	ALL
11	41573-97	ADJUSTER, rear axle (2)	ALL
12	41579-81	DUST SHIELD, bearing (2)	ALL
13	46988-94A	BRACKET ASSEMBLY, electrical, w/ circuit breaker clip	ALL
14	47082-81	BEARING, rear fork, right	ALL
15	47083-81A	BUSHING	ALL
16	47150-94A	FRAME	ALL
17	47547-87B	REAR FORK, w/ bearings	ALL
18	47554-73A	END COVER, rear fork (2)	ALL
19	48315-60	BEARING CUP, steering head (2)	ALL
20	50003-89B	PIN, clevis	ALL
21	50005-85A	SPRING, jiffy stand	ALL
22	50006-89	JIFFY STAND	XL1200, XL1200S, XL883
22	50072-92	JIFFY STAND	XL1200C, XL883HUG
23	50101-91	DECKING BUMPER	ALL
24	50972-75	FITTING, lubrication	ALL
25	59273-91	REFLECTOR (amber) (2)	ALL
26	62122-89A	BUMPER	ALL
27	66325-82	SIDE COVER, ignition module (black)	ALL
INTERNATIONAL MODELS ONLY			
16	47209-94A	FRAME (HDI)	ALL

SEATS



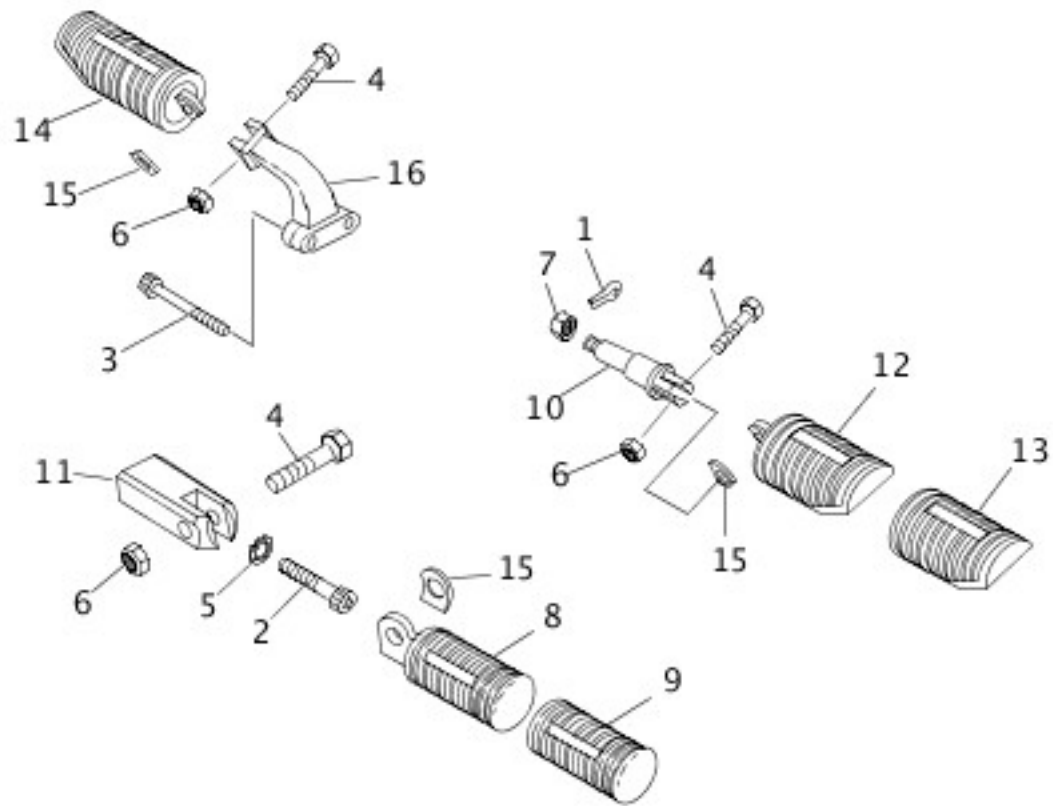
[View interactive image](#)

[View interactive table](#)

INDEX NO.	PART NO.	DESCRIPTION	MODEL(S)
1	923	SCREW (2)	ALL
2	2952A	SCREW, seat mounting	ALL
3	3594	SCREW (2)	XL1200
4	3767B	BOLT	XL1200, XL1200C, XL1200S

5	6036	WASHER	XL1200, XL1200C, XL1200S
6	6703	WASHER (2)	XL1200
7	7124	LOCKWASHER (2)	ALL
8	7487	WASHER, guide	ALL
9	51187-94A	PASSENGER STRAP	XL1200, XL1200C, XL1200S
10	51652-83B	BRACKET, seat mounting	ALL
11	52102-96	SEAT, two-up	XL1200S
12	52129-92C	SEAT, solo	XL883
13	52132-94A	SEAT, solo, ruffle	XL883HUG
14	52577-96	SEAT, two up (smooth cover)	XL1200C
15	52357-97	SEAT, solo (front)	XL1200
16	52358-97	SEAT, pillow (rear)	XL1200

FOOTRESTS



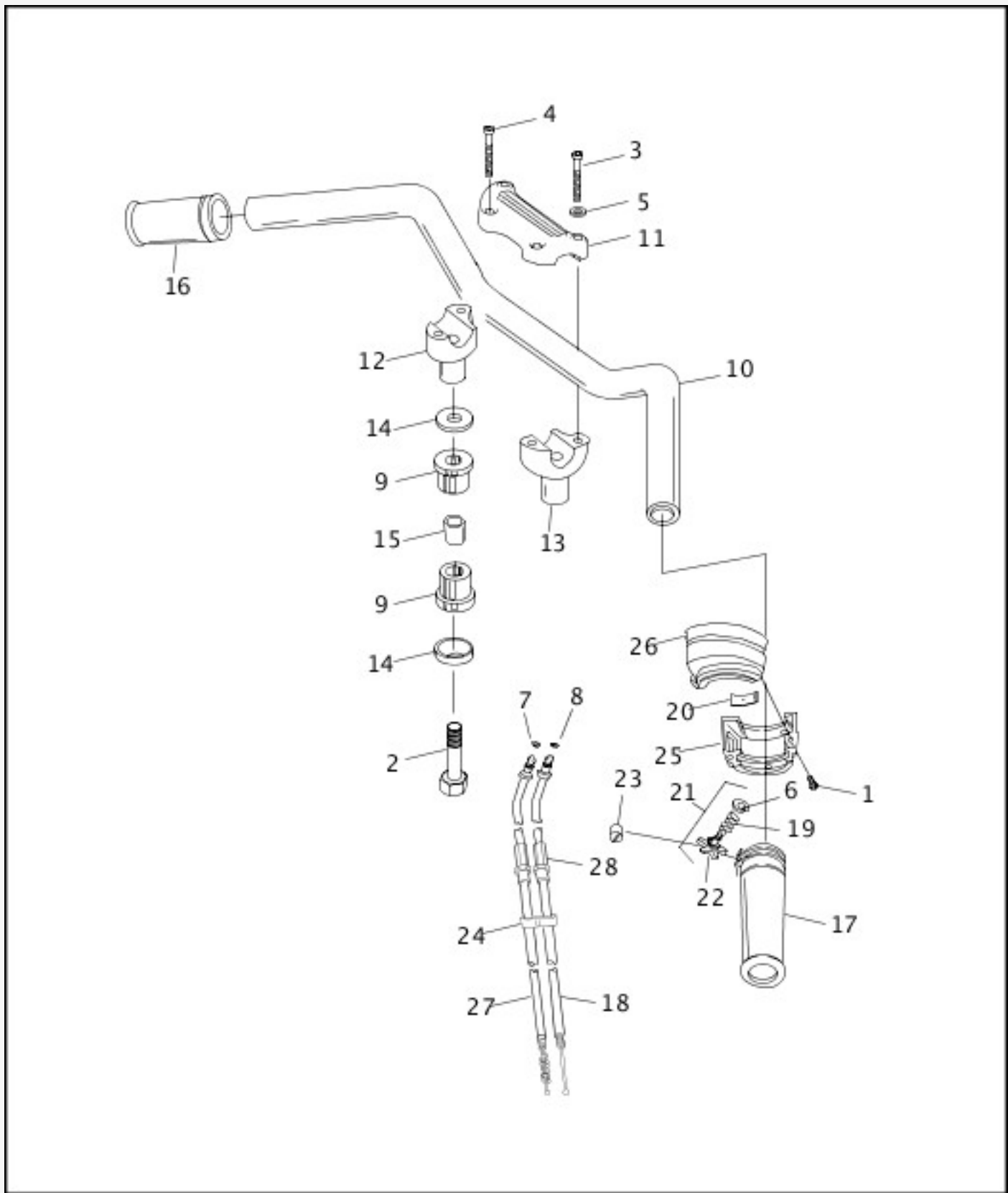
[View interactive image](#)

[View interactive table](#)

INDEX NO.	PART NO.	DESCRIPTION	MODEL(S)
1	534	COTTER PIN	ALL
2	855B	SCREW (2)	XL1200, XL1200C, XL1200S
3	879A	SCREW (2)	ALL
4	4721	BOLT (2)	XL883, XL883HUG
	4721	BOLT (4)	XL1200, XL1200C, XL1200S
5	7045	LOCKWASHER (2)	XL1200, XL1200C, XL1200S
6	7778	LOCKNUT (2)	XL883, XL883HUG
	7778	LOCKNUT (4)	XL1200, XL1200C, XL1200S
7	7824	LOCKNUT	ALL
8	33048-72	FOOTREST, w/ cover (2)	XL1200, XL1200C, XL1200S

9	33189-63	COVER, footrest (2)	XL1200, XL1200C, XL1200S
10	42441-90A	CLEVIS, footrest mounting, right	ALL
11	50615-83	FOOTREST SUPPORT (2)	XL1200, XL1200C, XL1200S
12	50643-82	FOOTREST, w/ cover, right	ALL
13	50646-82	COVER, footrest (2)	ALL
14	50647-82	FOOTREST, w/ cover, left	ALL
15	50912-72	SPRING WASHER (2)	XL883, XL883HUG
	50912-72	SPRING WASHER (4)	XL1200, XL1200C, XL1200S
16	50951-90	FOOTREST SUPPORT, left	ALL

HANDLEBAR & THROTTLE CONTROL



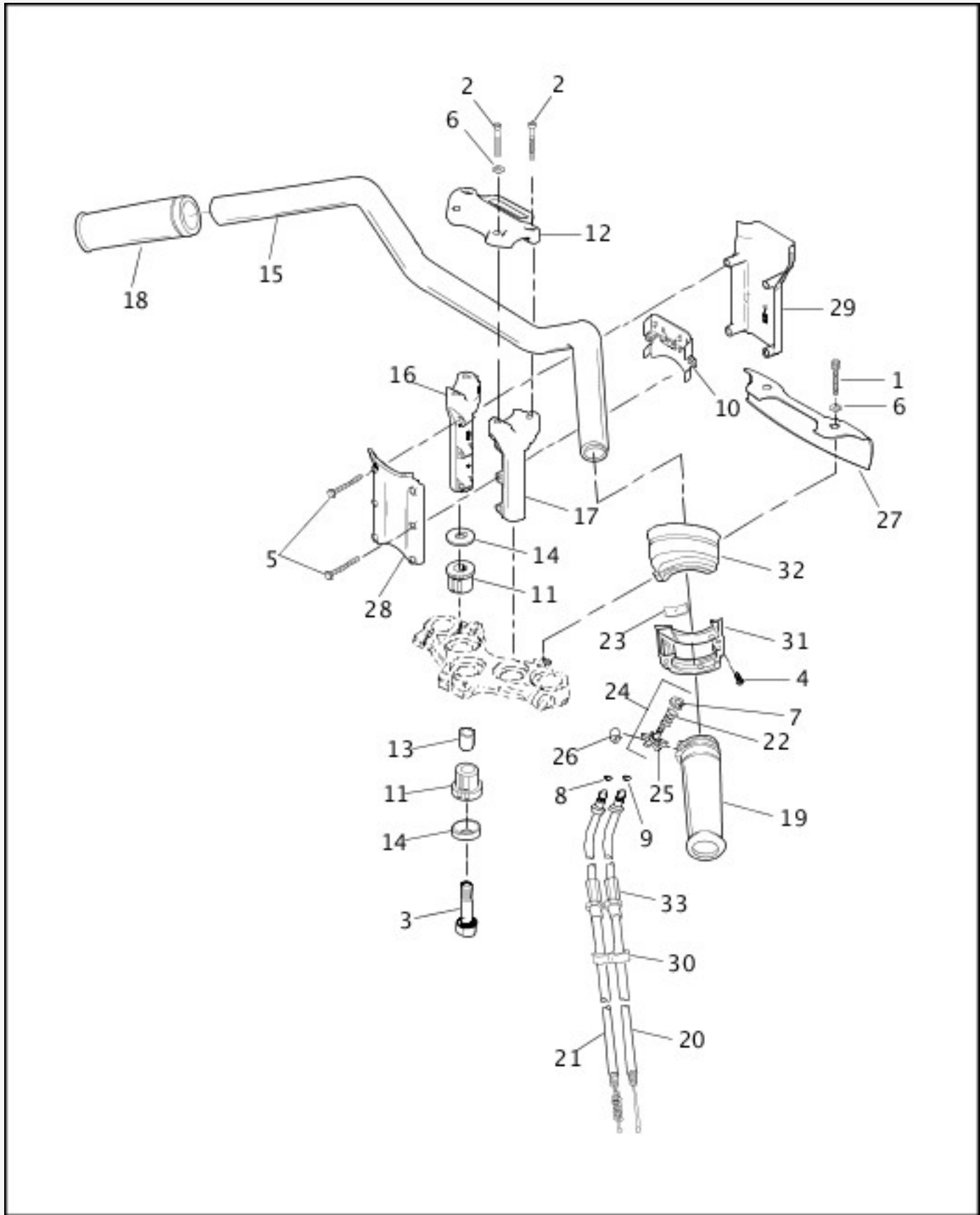
[View interactive image](#)

[View interactive table](#)

INDEX NO.	PART NO.	DESCRIPTION	MODEL(S)
1	3658	SCREW (2)	XL1200S, XL883, XL883HUG
2	3498	SCREW (2)	XL1200, XL1200S, XL883, XL883HUG
3	4326A	SCREW (2)	XL1200, XL1200S, XL883, XL883HUG
4	4816A	SCREW (2)	XL1200, XL1200S, XL883, XL883HUG
5	6702	WASHER (2)	XL1200, XL1200S, XL883, XL883HUG
6	11155	RETAINING RING	XL1200, XL1200S, XL883, XL883HUG

7	11271	RING, retainer, idle	XL1200, XL1200S, XL883, XL883HUG
8	11272	RING, retainer, throttle	XL1200, XL1200S, XL883, XL883HUG
9	53156-86	RUBBER BUSHING, handlebar mounting (4)	XL1200, XL1200S, XL883, XL883HUG
10	56081-82A	HANDLEBAR	XL1200, XL883HUG
	56082-83	HANDLEBAR	XL1200S, XL883
11	56115-95	CLAMP, handlebar, upper	XL1200, XL1200S, XL883, XL883HUG
12	56116-82A	CLAMP, handlebar, lower left	XL1200, XL1200S, XL883, XL883HUG
13	56117-82A	CLAMP, handlebar, lower right	XL1200, XL1200S, XL883, XL883HUG
14	56159-73	CUP WASHER, handlebar mounting (4)	XL1200, XL1200S, XL883, XL883HUG
15	56153-73	SPACER (2)	XL1200, XL1200S, XL883, XL883HUG
16	56206-96	HANDLEBAR GRIP	XL1200, XL1200S, XL883, XL883HUG
17	56220-94A	GRIP & SLEEVE, throttle	XL1200, XL1200S, XL883, XL883HUG
18	56308-96	THROTTLE CONTROL ASSEMBLY, w/ 8, 23 & 28	XL1200, XL883HUG
	56400-96	THROTTLE CONTROL ASSEMBLY, w/ 8, 23 & 28	XL1200S, XL883
19	56394-74	SPRING, adjusting screw	XL1200, XL1200S, XL883, XL883HUG
20	56396-74A	FRICTION SPRING, throttle grip	XL1200, XL1200S, XL883, XL883HUG
21	56397-74C	KIT, throttle adjusting screw, w/ 6, 19 & 22	XL1200, XL1200S, XL883, XL883HUG
22	56402-83A	ADJUSTING SCREW, throttle	XL1200, XL1200S, XL883, XL883HUG
23	56508-76	FERRULE (2)	XL1200, XL1200S, XL883, XL883HUG
24	70504-81	CLIP, throttle cables	XL1200, XL1200S, XL883, XL883HUG
25	71563-96	HOUSING, switches & throttle control, lower	XL1200, XL1200S, XL883, XL883HUG
26	71564-96	HOUSING, switches & throttle control, upper	XL1200, XL1200S, XL883, XL883HUG
27	56309-96	IDLE CONTROL ASSEMBLY, w/ 7 & 23	XL1200, XL883HUG
	56401-96	IDLE CONTROL ASSEMBLY, w/ 7 & 23	XL1200S, XL883
28	38653-01	BOOT, throttle cable	XL1200, XL1200S, XL883, XL883HUG

HANDLEBAR & THROTTLE CONTROL - 1200 CUSTOM



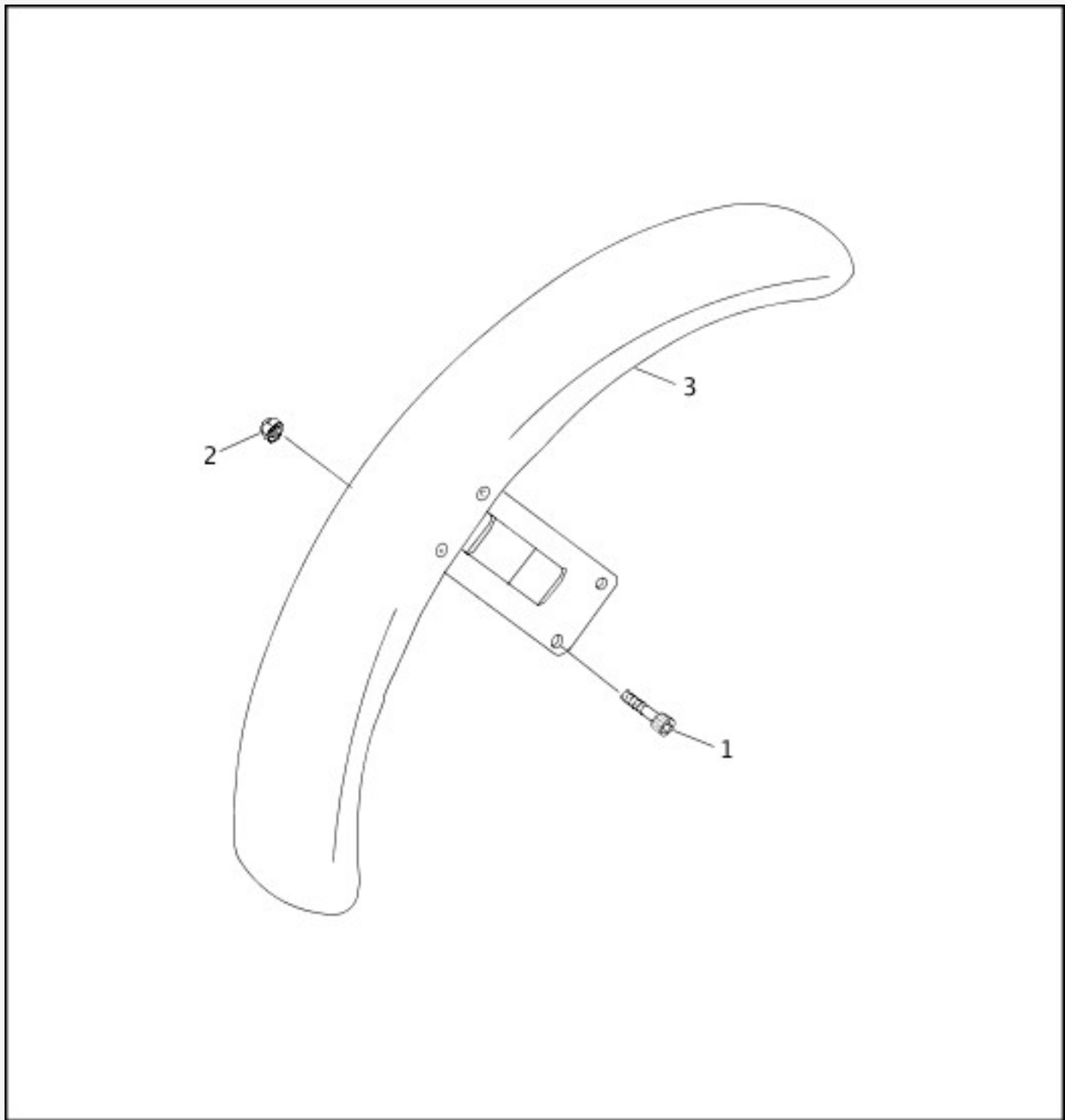
[View interactive image](#)

[View interactive table](#)

INDEX NO.	PART NO.	DESCRIPTION	MODEL(S)
1	3201WA	SCREW	XL1200C
2	3210A	SCREW (4)	XL1200C
3	3498	SCREW	XL1200C
4	3658	SCREW (2)	XL1200C
5	3666A	SCREW (6)	XL1200C

6	6702	WASHER (4)	XL1200C
7	11155	RETAINING RING	XL1200C
8	11271	RING RETAINER (idle)	XL1200C
9	11272	RING RETAINER (throttle)	XL1200C
10	46991-96	PANEL ELECTRICAL BRACKET	XL1200C
11	53156-86	RUBBER BUSHING, handlebar mounting (4)	XL1200C
12	56074-96	CLAMP, handlebar, upper (chrome)	XL1200C
13	56153-73	SPACER (2)	XL1200C
14	56159-73	CUP WASHER, handlebar mounting (4)	XL1200C
15	56164-96	HANDLEBAR	XL1200C
16	56167-96	CLAMP, handlebar, lower left	XL1200C
17	56168-96	CLAMP, handlebar, lower right	XL1200C
18	56206-96	HANDLEBAR GRIP	XL1200C
19	56220-94A	GRIP & SLEEVE, throttle	XL1200C
20	56381-96	THROTTLE CONTROL ASSEMBLY, w/ 9, 26 & 33	XL1200C
21	56382-96	IDLE CONTROL ASSEMBLY, w/ 8 & 26	XL1200C
22	56394-74	SPRING, adjusting screw	XL1200C
23	56396-74A	FRICTION SPRING, throttle grip	XL1200C
24	56397-74C	KIT, throttle adjusting screw, w/ 7, 22 & 25	XL1200C
25	56402-83A	ADJUSTING SCREW, throttle	XL1200C
26	56508-76	FERRULE (2)	XL1200C
27	67861-96	COVER, bracket upper	XL1200C
28	67902-96A	COVER, rear	XL1200C
29	68030-96	COVER, front	XL1200C
30	70504-81	CLIP, throttle cables	XL1200C
31	71563-96	HOUSING, switches & throttle control, lower	XL1200C
32	71564-96	HOUSING, switches & throttle control, upper	XL1200C
33	38653-01	BOOT, throttle cable	XL1200C

FRONT FENDER

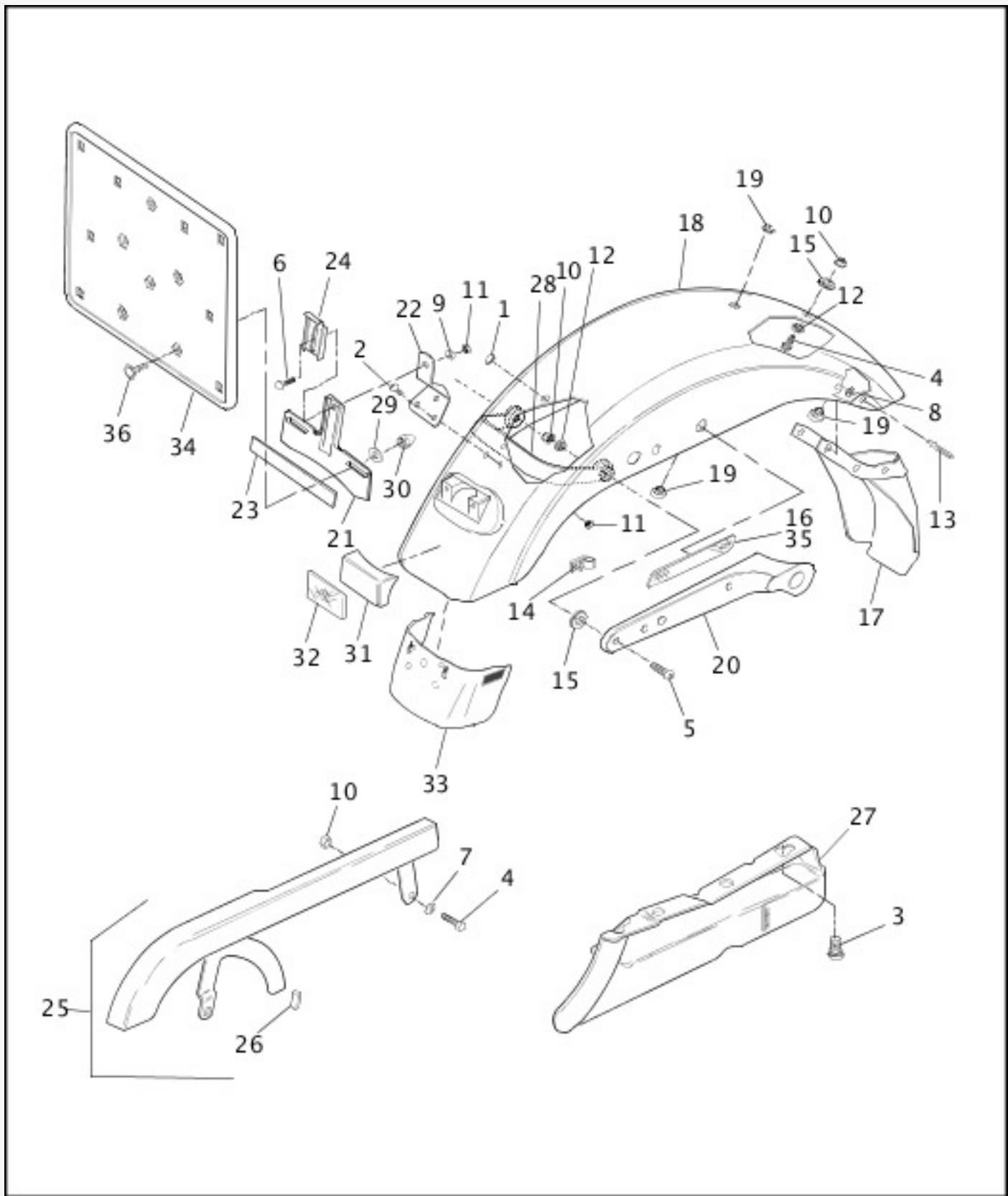


[View interactive image](#)

[View interactive table](#)

INDEX NO.	PART NO.	DESCRIPTION	MODEL(S)
1	3210A	SCREW (4)	ALL
2	7531	LOCKNUT (4)	ALL
3	58998-83E	FRONT FENDER, prime	ALL

REAR FENDER & BELT GUARDS



[View interactive image](#)

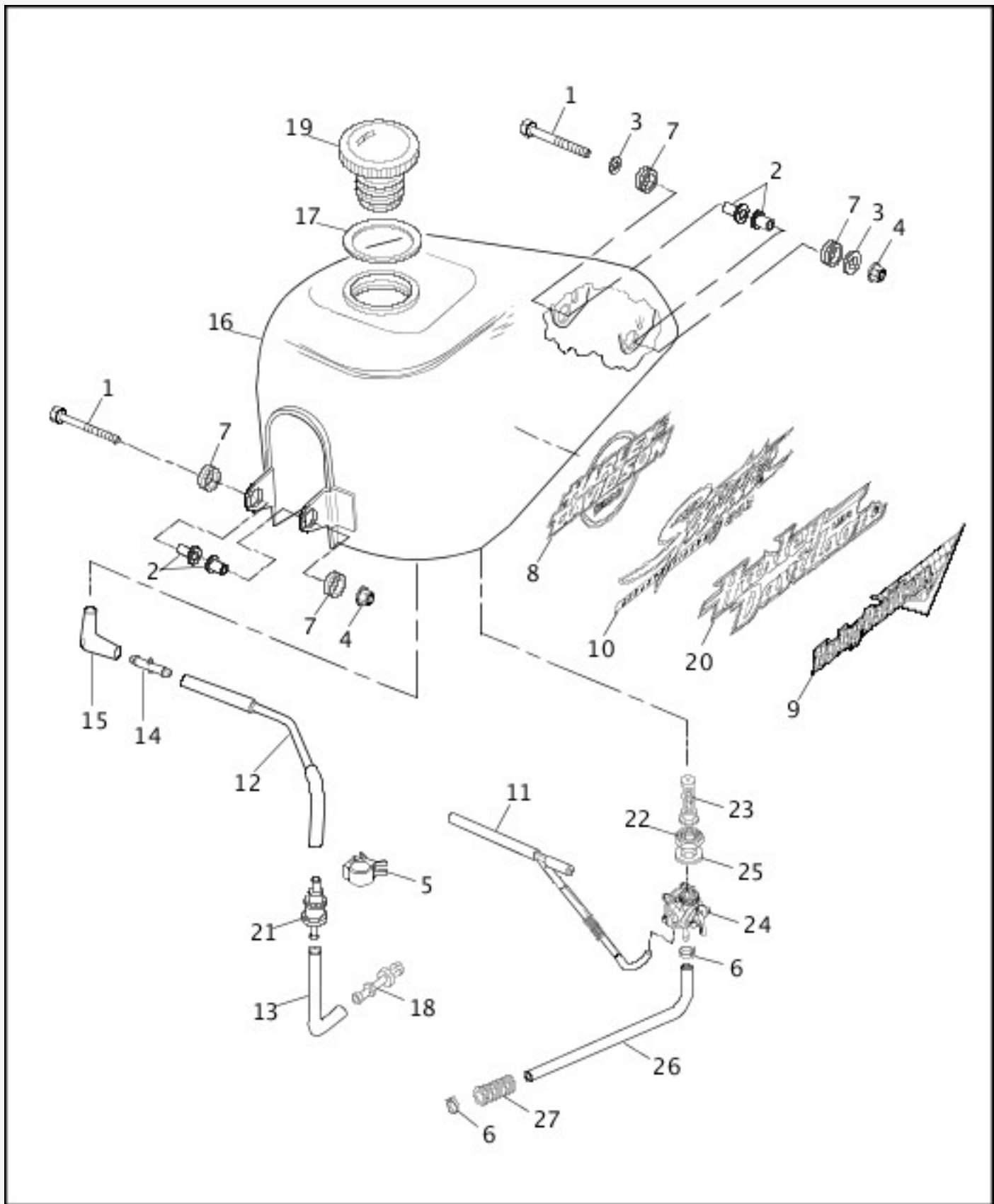
[View interactive table](#)

INDEX NO.	PART NO.	DESCRIPTION	MODEL(S)
NOTE: Refer to Painted Parts Book for painted part numbers.			
1	761	PLUG, black	XL883, XL883HUG
2	2773	SCREW (3)	ALL
3	3579A	SCREW (3)	ALL
4	3987	BOLT (2)	ALL

5	4007	SCREW (4)	ALL
6	5403B	BOLT	ALL
7	6109	WASHER	ALL
8	6192	WASHER (4)	ALL
9	6703	WASHER	ALL
10	7531	LOCKNUT (7)	ALL
11	7792	NUT, keps (4)	ALL
12	7882	TEE SPACER (7)	ALL
13	8692	RIVET (4)	ALL
14	10114	CLIP (6)	ALL
15	11474	GROMMET (7)	ALL
16	59287-92	REFLECTOR, right (red)	ALL
	59288-92	REFLECTOR, left (red)	ALL
17	59594-82C	REAR FENDER EXTENSION	ALL
18	59756-97	REAR FENDER (prime)	ALL
19	59768-97	KIT FENDER SEAT NUT ASSEMBLY	ALL
20	59896-94	COVER, rear fender support, right	ALL
	59897-94	COVER, rear fender support, left	ALL
21	59984-73	BRACKET, license plate	ALL
22	59986-75	SUPPORT, license plate bracket	ALL
23	59988-72A	REFLECTOR, license plate bracket	ALL
24	60001-55	CLAMP, license plate bracket	ALL
25	60381-91	BELT GUARD KIT, w/ 60419-91	ALL
26	60419-91	BUMPER	ALL
27	60436-91	DEBRIS DEFLECTOR	ALL
28	59671-98	FENDER BRACKET KIT, includes brace, washers & bolt	ALL
INTERNATIONAL MODELS ONLY			
29	6703	WASHER, license plate (HDI) (3)	XL1200C, XL1200S, XL883
30	31589-80	NUT ACORN, license plate (HDI) (3)	XL1200C, XL1200S, XL883
31	59251-90	REFLECTOR ASSEMBLY, w/ 26 (red) (HDI)	ALL

32	59259-90	REFLECTOR (red) (HDI)	ALL
33	59669-97	REAR FENDER EXTENSION (HDI)	XL1200C, XL1200S, XL883
34	60026-97	LICENSE PLATE BRACKET (HDI)	XL1200C, XL1200S, XL883
35	59289-92	REFLECTOR, left (amber) (HDI)	ALL
	59290-92	REFLECTOR, right (amber) (HDI)	ALL
36	3689	BOLT, license plate (HDI) (3)	XL1200C, XL1200S, XL883

FUEL TANK & TRIM



[View interactive image](#)

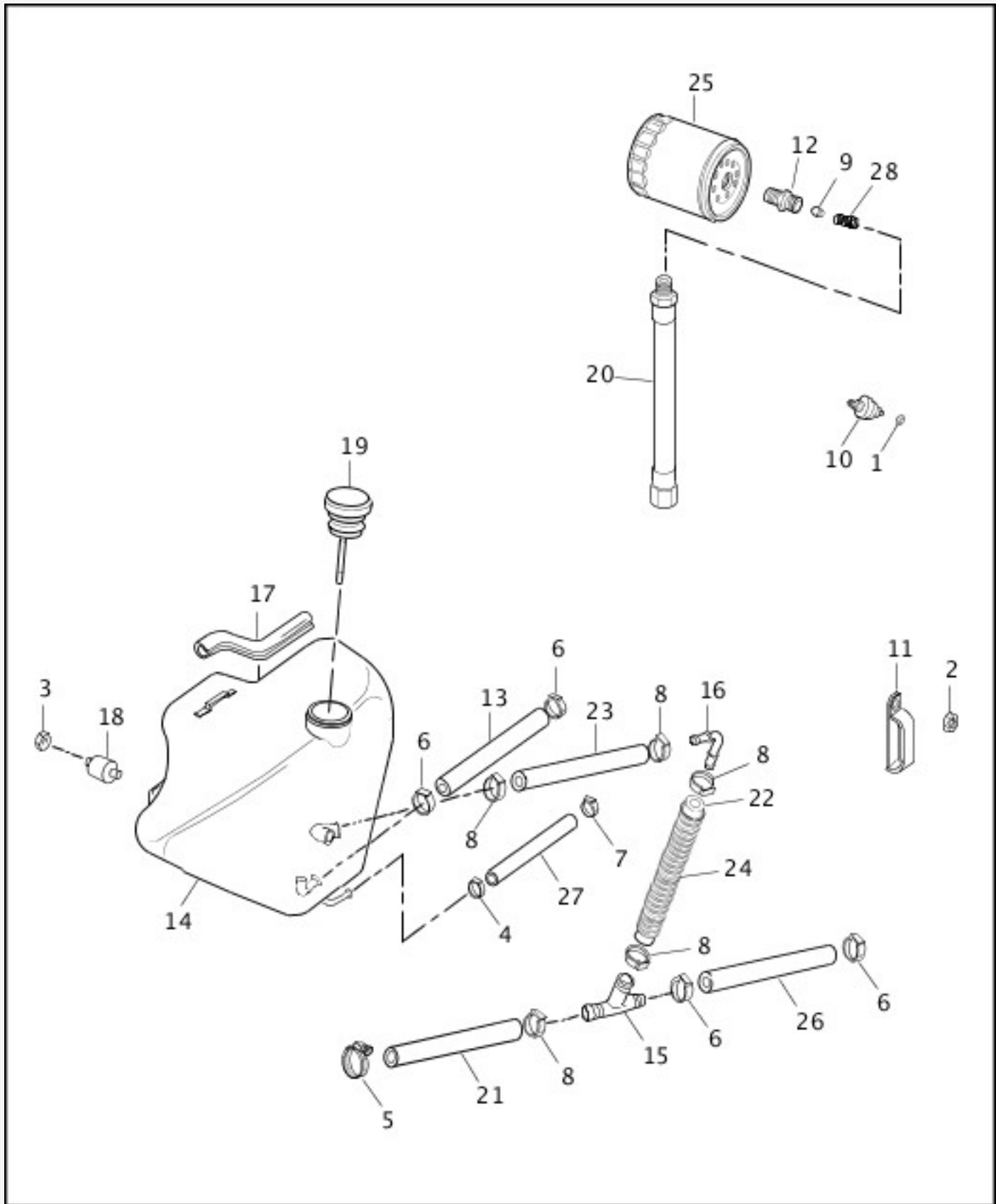
[View interactive table](#)

INDEX NO.	PART NO.	DESCRIPTION	MODEL(S)
NOTE: Refer to Painted Parts Book for painted part numbers.			
1	4758A	SCREW (4)	ALL
2	5787	WASHER (2)	ALL
3	6333	WASHER (2)	ALL
4	7531	LOCKNUT, vapor valve	ALL

5	10108	CLIP, cable (2)	ALL
6	10014	CLAMP, fuel hose (2)	ALL
7	11473	GROMMET (4)	ALL
8	14515-96	DECAL, red (2)	XL1200
	14516-96	DECAL, sky blue (2)	XL1200
9	14517-96	DECAL, left (pale gold, burgundy)	XL1200S
	14518-96	DECAL, right (pale gold, burgundy)	XL1200S
	14519-96	DECAL, left (pale gold, dark blue)	XL1200S
	14520-96	DECAL, right (pale gold, dark blue)	XL1200S
10	14638-97	DECAL (pale gold, dark platinum victory red)	XL883, XL883HUG
	14639-97	DECAL (silver, dark states blue)	XL883, XL883HUG
11	26559-95	HOSE ASSEMBLY, vacuum	ALL
12	27067-96A	TUBE, tank to valve, w/ 27249-96 & 27250-96B	ALL
13	27096-94	TUBE, valve to atmosphere	ALL
14	27249-96	CONNECTOR, straight	ALL
15	27250-96B	CONNECTOR, elbow 90 degree	ALL
16	61618-96C	FUEL TANK ASSEMBLY (prime)	ALL
17	61109-85D	GASKET	ALL
18	61131-92	VENT LINE CONNECTOR	ALL
19	61272-92C	FILLER CAP	ALL
20	61799-96	MEDALLION, left (red)	XL1200C
	61800-96	MEDALLION, right (red)	XL1200C
	61801-96	MEDALLION, left (blue)	XL1200C
	61802-96	MEDALLION, right (blue)	XL1200C
21	62150-85	VAPOR VALVE	ALL
22	62161-02	NUT, fuel valve	ALL
23	62166-81A	FILTER, fuel valve	ALL
24	62169-95C	FUEL VALVE, w/ gasket	ALL
25	62172-02	GASKET, fuel valve	ALL
26	62347-95	HOSE, fuel	ALL

NOTE: Hose or insulator is sold in bulk length under the following part numbers. Cut to length.			
27	62555-95	INSULATOR, 1/2 I.D. (nylon) (8 ft.)	ALL
INTERNATIONAL MODELS ONLY			
28	61450-95	FUEL INLET RESTRICTOR KIT (Swiss) (not illustrated)	XL883, XL883HUG

OIL TANK & FILTER



[View interactive image](#)

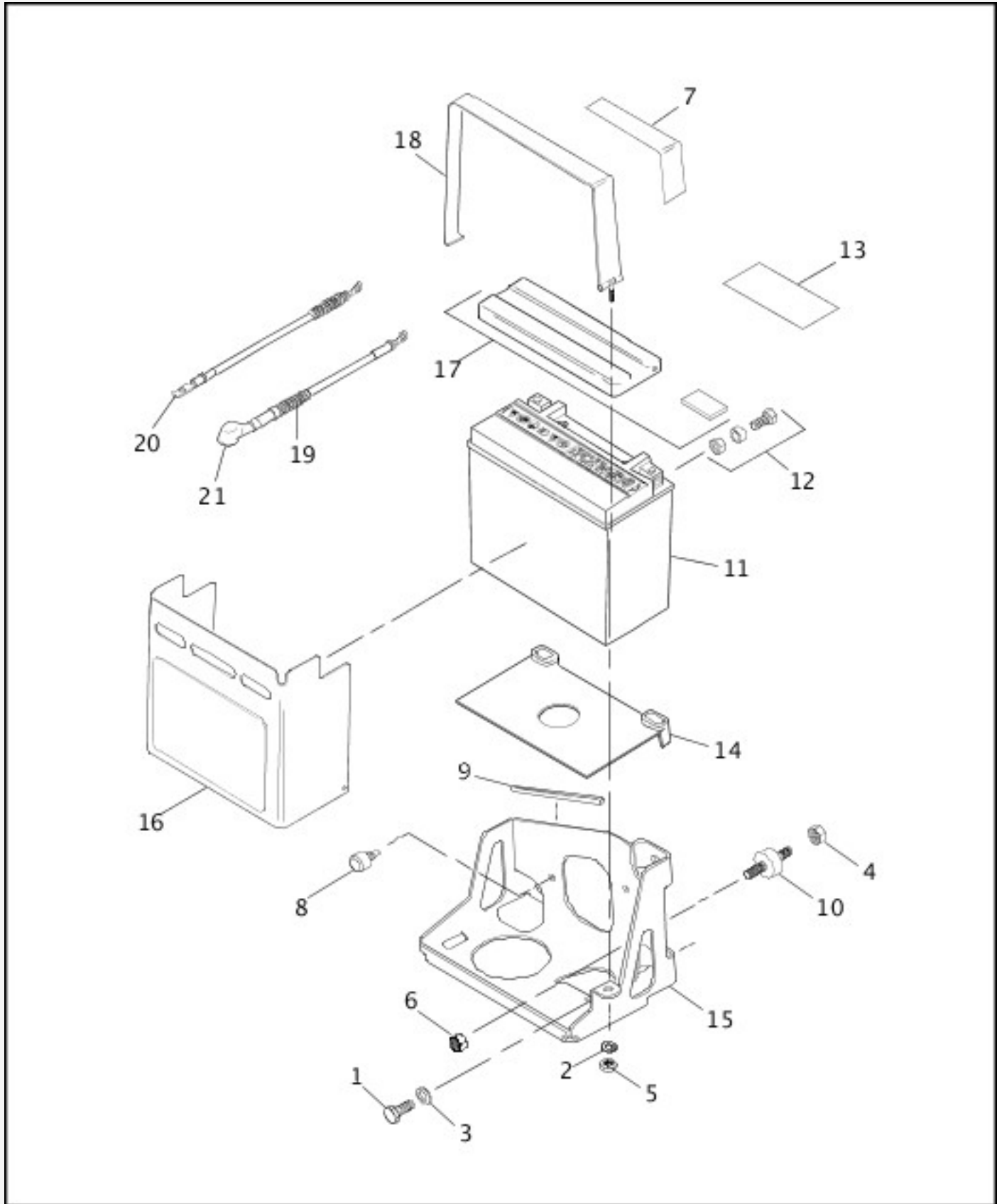
INDEX NO.	PART NO.	DESCRIPTION	MODEL(S)
1	7629	NUT	ALL
2	7624	LOCKNUT	ALL
3	7686	LOCKNUT (3)	ALL
4	10014	CLAMP, crankcase vent hose	ALL
5	9969	CLAMP, oil drain hose	ALL
6	10080	CLAMP, oil hose (4)	ALL
7	10117	CLAMP, crankcase vent hose	ALL
8	10142	CLAMP, oil hose (5)	ALL
9	26437-86B	BALL	ALL
10	26554-77B	SWITCH, oil pressure indicator	ALL
11	31532-94	CLIP	ALL
12	33117-91A	ADAPTOR, oil filter	ALL
13	62361-94	HOSE, oil return to tank	ALL
14	62475-97A	OIL TANK ASSEMBLY	ALL
15	62493-89	TEE, oil hose	ALL
16	62494-94B	ELBOW, 90 degree	ALL
17	62540-83	TRIM STRIP (3)	ALL
18	62563-65	MOUNT, oil tank (3)	ALL
19	62634-84A	FILLER CAP, w/ dipstick	ALL
20	62631-91	HOSE, oil pump to filter	ALL
21	63504-94	HOSE, oil drain	ALL
22	63542-94A	HOSE, oil drain/feed	ALL
23	63564-94	HOSE, oil drain/feed (use 63542-94A)	ALL
24	63576-95	SHIELD, hose 1 inch conv. tubing	ALL
25	63805-80A	OIL FILTER (black)	XL1200, XL1200S, XL883, XL883HUG
	63796-77A	OIL FILTER (chrome)	XL1200C

NOTE: Hose or insulator is sold in bulk length under the following part numbers. Cut to length.

26	63500-68	HOSE, 3/8 I.D. x 5/8 O.D. (rubber) (25 ft. long)	ALL
----	----------	--	-----

27	63501-68B	HOSE, 1/4 I.D. x 1/2 O.D. (rubber) (25 ft. long)	ALL
28	26436-90A	SPRING	ALL

BATTERY



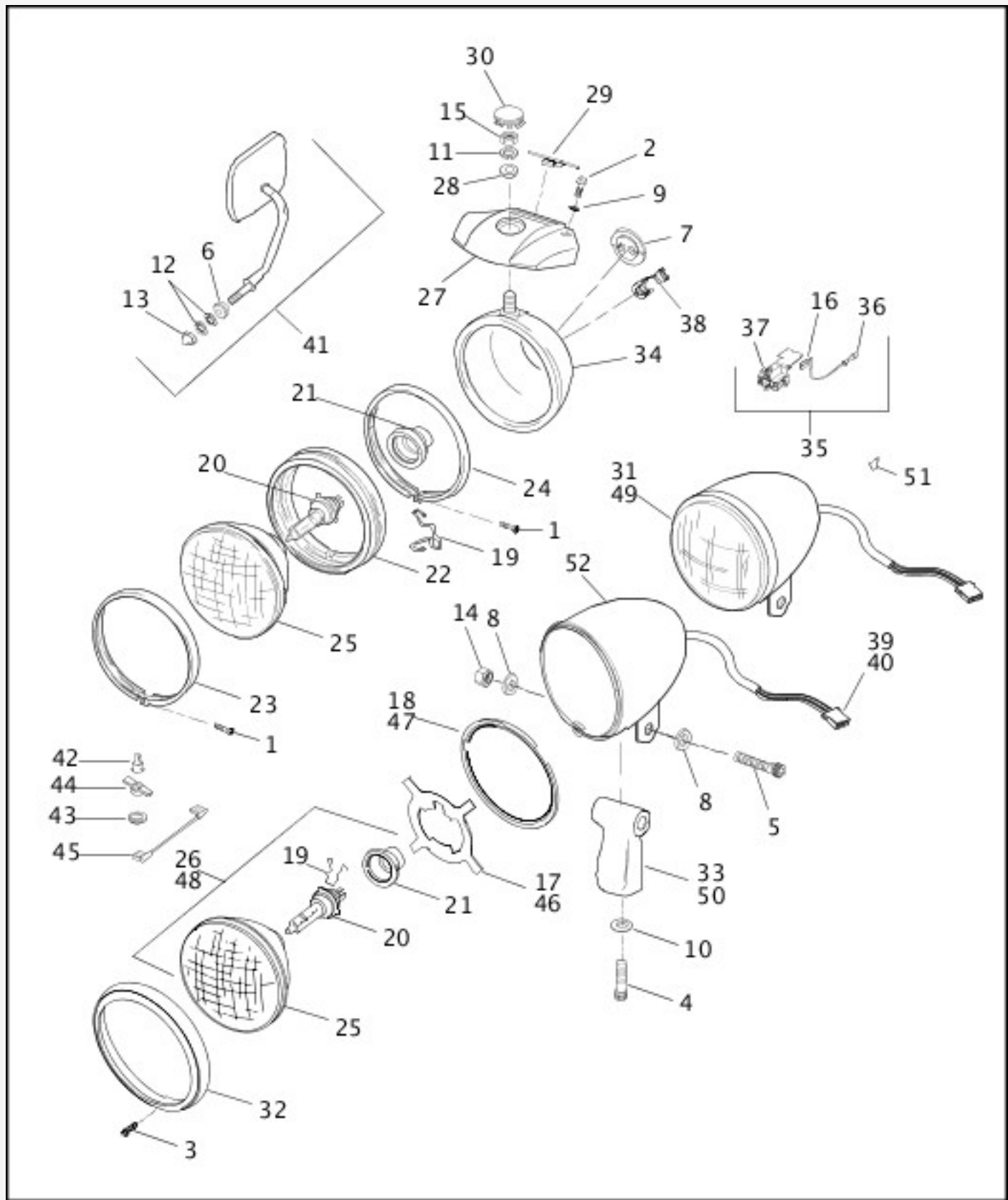
[View interactive image](#)

[View interactive table](#)

INDEX NO.	PART NO.	DESCRIPTION	MODEL(S)
1	3930A	SCREW (3)	ALL

2	6220W	WASHER	ALL
3	6702	WASHER (3)	ALL
4	7686	LOCKNUT	ALL
5	7688	NUT	ALL
6	7739	LOCKNUT	ALL
7	29112-83	WARNING LABEL	ALL
8	60429-97	BUMPER	ALL
9	62540-83	TRIM STRIP (2)	ALL
10	62569-94	MOUNT, battery tray	ALL
11	65989-97C	BATTERY	ALL
12	66020-97	BATTERY TERMINAL KIT	ALL
13	15368-01A	LABEL, warning, disconnect battery etc.	ALL
14	66214-97	PAD, battery	ALL
15	66194-94A	TRAY, battery	ALL
16	66346-91	COVER, battery front (black)	XL1200C
17	66359-97	COVER, battery, top assy (black)	XL1200C, XL883, XL883HUG
	66367-97	COVER, battery, top assy (chrome)	XL1200, XL1200S
18	66476-73A	STRAP, battery	ALL
19	70076-97	CABLE BATTERY, positive w/ boot	ALL
20	70097-97	CABLE BATTERY, negative	ALL
21	70578-89	BOOT, insulating	ALL

HEADLAMP & MIRROR (1 OF 2)



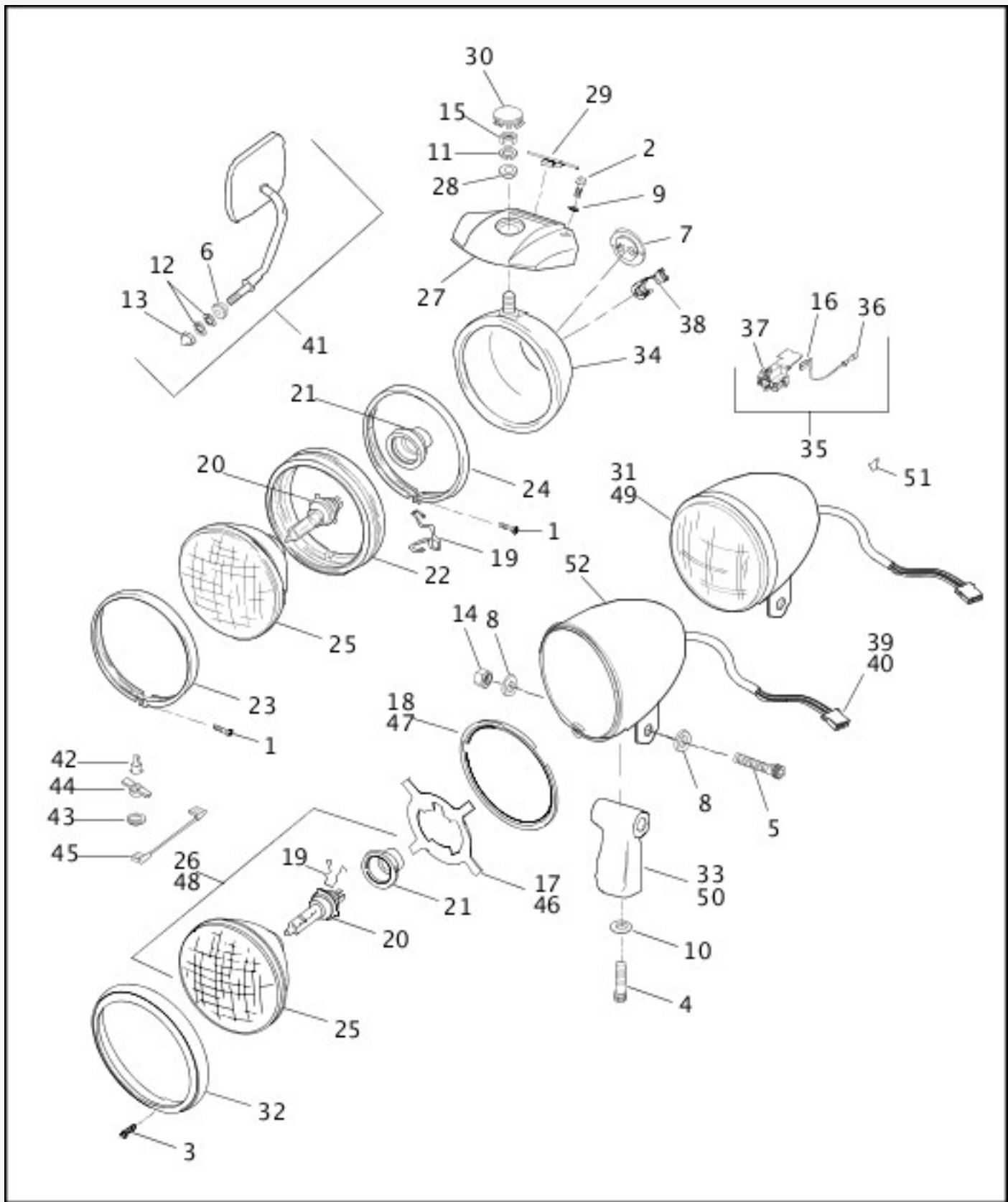
[View interactive image](#)

[View interactive table](#)

INDEX NO.	PART NO.	DESCRIPTION	MODEL(S)
1	1203	SCREW (2)	XL1200, XL1200S, XL883, XL883HUG
2	2708A	SCREW (2)	XL1200, XL1200S, XL883, XL883HUG
3	3514	SCREW	XL1200C
4	4350A	SCREW	XL1200C
5	4420	SCREW	XL1200C

6	5774	SPACER (2)	ALL
7	6272	GROMMET	XL1200, XL1200S, XL883, XL883HUG
8	6701	WASHER (2)	XL1200C
9	6702	WASHER (2)	XL1200, XL1200S, XL883, XL883HUG
10	7045	LOCKWASHER	XL1200C
11	7068	LOCKWASHER	XL1200, XL1200S, XL883, XL883HUG
12	7127	LOCKWASHER (2)	ALL
13	7736	ACORN NUT	XL1200, XL1200C, XL883HUG
13	7736	ACORN NUT (2)	XL1200S, XL883
14	7778	LOCKNUT	XL1200C
15	7880	NUT	XL1200, XL1200S, XL883, XL883HUG
16	9847	WIRE TERMINAL, female spade, R.H.	ALL
	9848	WIRE TERMINAL, female spade, L.H. (2)	ALL
17	67601-94A	GASKET, headlamp	XL1200C
18	67603-94A	ADAPTER RING	XL1200C
19	67685-92	CLIP, bulb	ALL
20	68329-03	BULB, halogen	ALL
21	67705-92	BOOT, headlamp	ALL
22	67719-63	MOUNTING RING (rubber)	XL1200, XL1200S, XL883, XL883HUG
23	67725-63	MOLDING RING, outer	XL1200, XL1200S, XL883, XL883HUG
24	67744-75	MOLDING RING, inner	XL1200, XL1200S, XL883, XL883HUG
25	67757-92	LENS, headlamp, w/ 19	ALL
26	67698-81D	LENS ASSEMBLY, w/ 19, 20, 21 & 25	ALL
27	67805-92	BRACKET, headlamp	XL1200, XL1200S, XL883, XL883HUG
28	67815-59A	WASHER, headlamp mounting	XL1200, XL1200S, XL883, XL883HUG
29	67834-83	DECAL, TRIM	XL1200, XL1200S, XL883, XL883HUG
30	67865-89	PLUG, headlamp bracket	XL1200, XL1200S, XL883, XL883HUG

HEADLAMP & MIRROR (2 OF 2)



[View interactive image](#)

[View interactive table](#)

INDEX NO.	PART NO.	DESCRIPTION	MODEL(S)
31	67881-96B	HEADLIGHT ASSEMBLY	XL1200C
32	67894-93A	TRIM RING (chrome)	XL1200C
33	67919-96	HEADLAMP MOUNTING	XL1200C

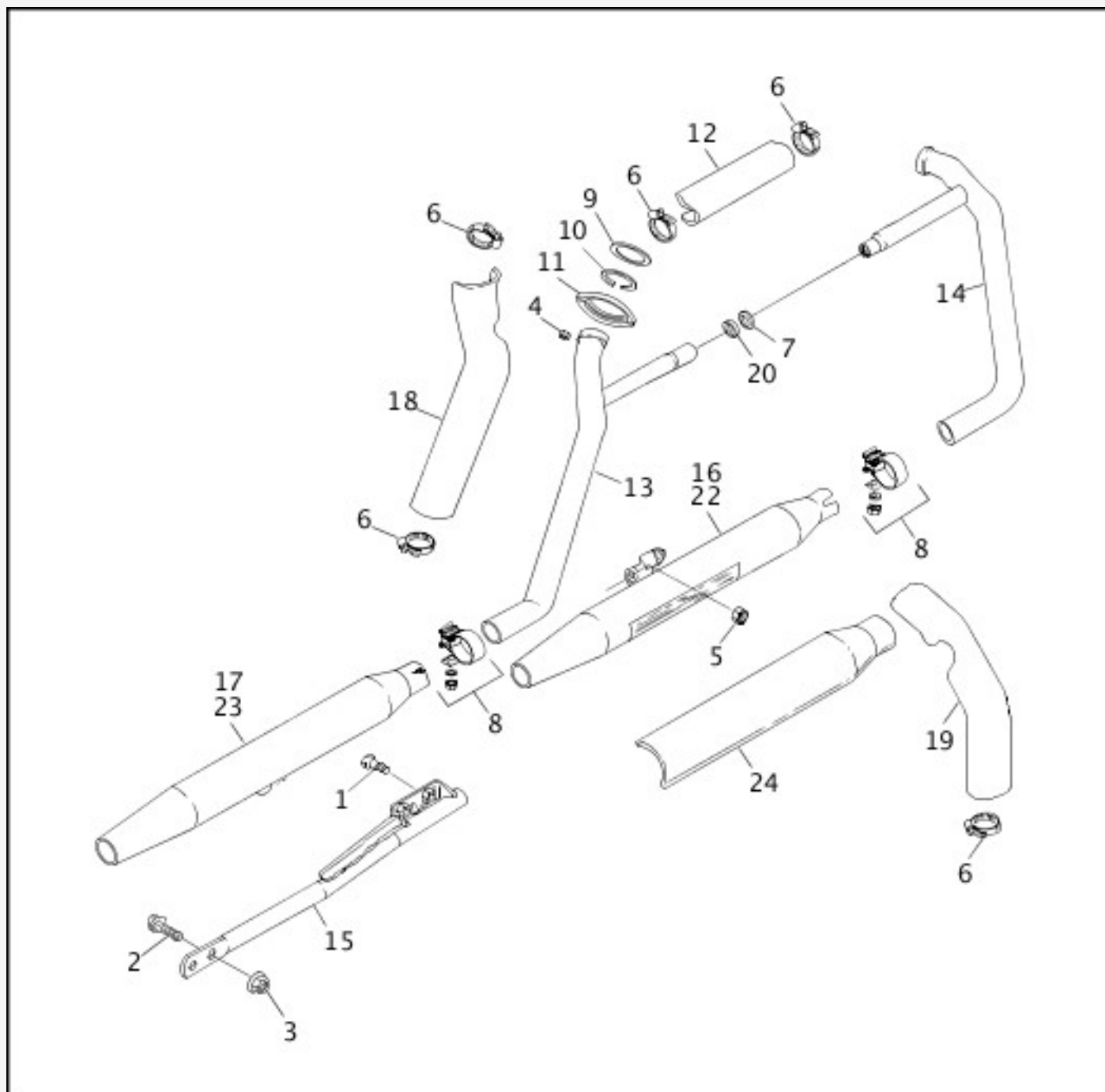
34	68061-94B	HOUSING, headlamp	XL1200, XL1200S, XL883, XL883HUG
35	68705-93A	CONNECTOR ASSEMBLY, headlamp, w/ wires, terminals & splice connector	ALL
36	70583-93	CONNECTOR, butt splice, 16-22 gauge (4) (4)	ALL
37	72056-92	CONNECTOR, spade terminal (three-way)	ALL
38	72507-94	GROMMET	XL1200, XL1200S, XL883, XL883HUG
39	73154-96BK	SOCKET HOUSING, 4-position	XL1200C
40	73191-96	CONTACT SOCKET (16-20 gauge)	XL1200C
41	91875-88A	MIRROR KIT, right, short	XL1200, XL883HUG
	91892-88A	MIRROR KIT, left, short	XL1200, XL883HUG
	91902-88A	MIRROR KIT, left, long	XL1200, XL1200S, XL883, XL883HUG
	91904-88A	MIRROR KIT, right, long	XL1200, XL1200S, XL883, XL883HUG

INTERNATIONAL MODELS ONLY

42	53438-92	BULB, position lamp (HDI)	ALL
43	67691-92	GROMMET (HDI)	XL1200, XL1200S, XL883, XL883HUG
44	68650-92	SOCKET, bulb (HDI)	ALL
45	70048-92	WIRE, position lamp (HDI)	ALL
46	67602-94	GASKET, headlight (HDI)	XL1200C
47	67604-94	RETAINING RING, headlight (HDI)	XL1200C
48	67763-92A	LENS ASSEMBLY, w/ 19, 20, 21 & 25, right dip (HDI)	XL1200, XL1200S, XL883, XL883HUG
	67781-92A	LENS ASSEMBLY, w/ 19, 20, 21 & 25, left dip (HDI)	XL1200, XL1200S, XL883, XL883HUG

49	67882-96A	HEADLIGHT ASSEMBLY, left dip (HDI) (order 67771-08 & headlamp assembly components)	XL1200C
	67901-96A	HEADLIGHT ASSEMBLY, right dip (HDI)	XL1200C
50	67850-96	HEADLAMP MOUNTING (HDI)	XL1200C
51	9898	TERMINAL, female flag, #14-16 wire (HDI)	ALL
52	67771-08	SHELL, headlamp (HDI, Australia, England, Japan)	XL1200C

EXHAUST SYSTEM



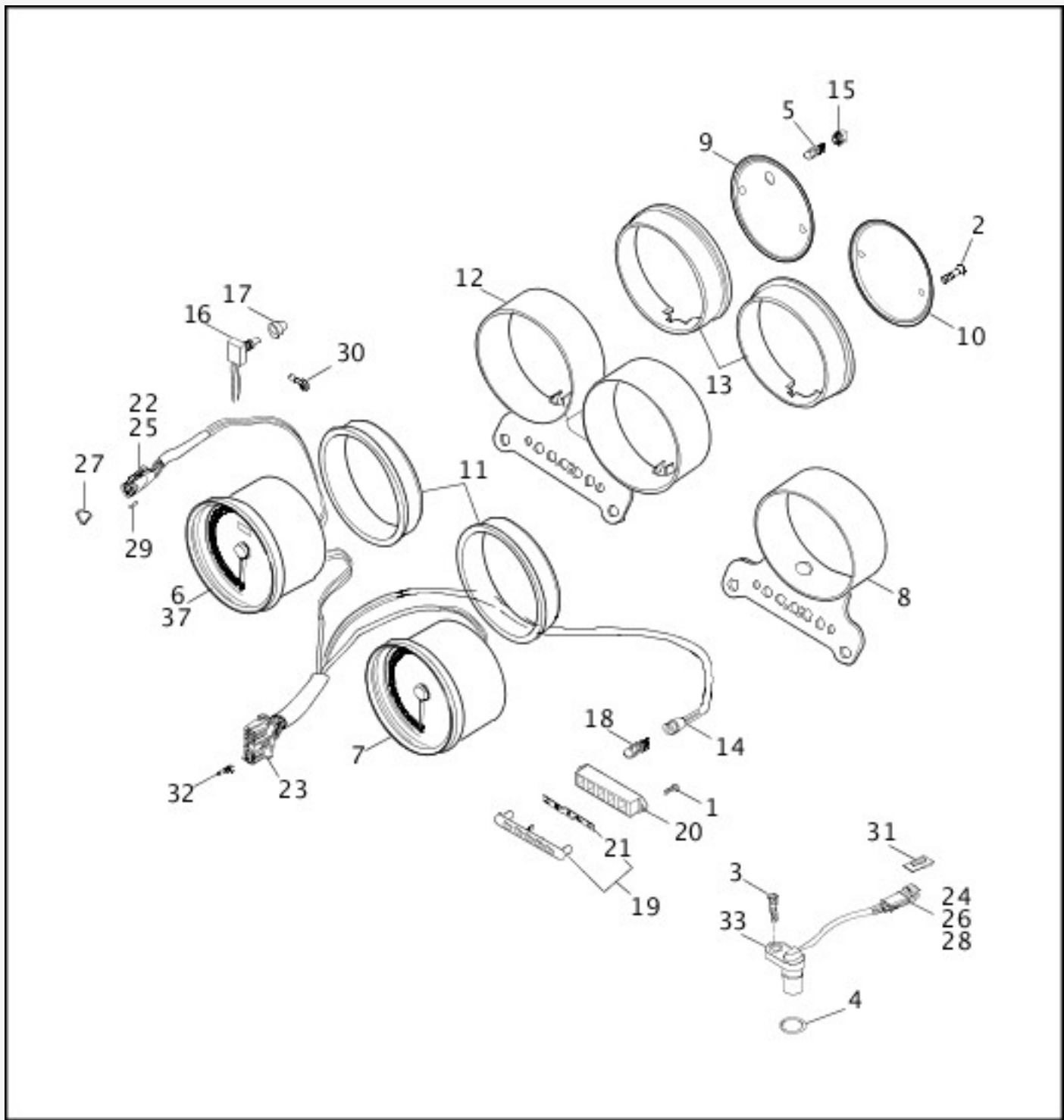
[View interactive image](#)

[View interactive table](#)

INDEX NO.	PART NO.	DESCRIPTION	MODEL(S)
-----------	----------	-------------	----------

1	4377	SCREW (2)	ALL
2	5440	BOLT	ALL
3	7531	LOCKNUT	ALL
4	7593	NUT (4)	ALL
5	7844	LOCKNUT	ALL
6	9955	CLAMP, heat shield (4)	ALL
7	65782-82	WASHER	ALL
8	65296-95A	CLAMP, muffler (2)	ALL
9	65324-83B	GASKET, exhaust port (2)	ALL
10	65325-83A	RETAINING RING, exhaust gasket (2)	ALL
11	65328-83A	CLAMP, exhaust pipe to manifold	ALL
12	65419-86	HEAT SHIELD, crossover pipe (chrome)	ALL
13	65568-86A	EXHAUST PIPE, rear (chrome)	ALL
14	65569-86A	EXHAUST PIPE, front (chrome)	ALL
15	65599-80D	SUPPORT KIT, rear muffler, w/ 1 & 2	ALL
16	65605-97	MUFFLER, front (chrome)	ALL
17	65613-97	MUFFLER, rear (chrome)	ALL
18	65712-95	HEAT SHIELD, rear (chrome)	ALL
19	65719-95	HEAT SHIELD, front (chrome)	ALL
20	65781-82	GASKET	ALL
INTERNATIONAL MODELS ONLY			
21	10074	CLAMP, heat shield (Swiss) (not illustrated) (4)	ALL
22	65766-97	MUFFLER, front (chrome) (HDI)	ALL
	65860-97	MUFFLER, front (Swiss)	ALL
23	65769-97	MUFFLER, rear (chrome) (HDI)	ALL
	65861-97	MUFFLER, rear (Swiss)	ALL
24	65813-95	HEAT SHIELD (Swiss)	ALL

SPEEDOMETER & TACHOMETER



[View interactive image](#)

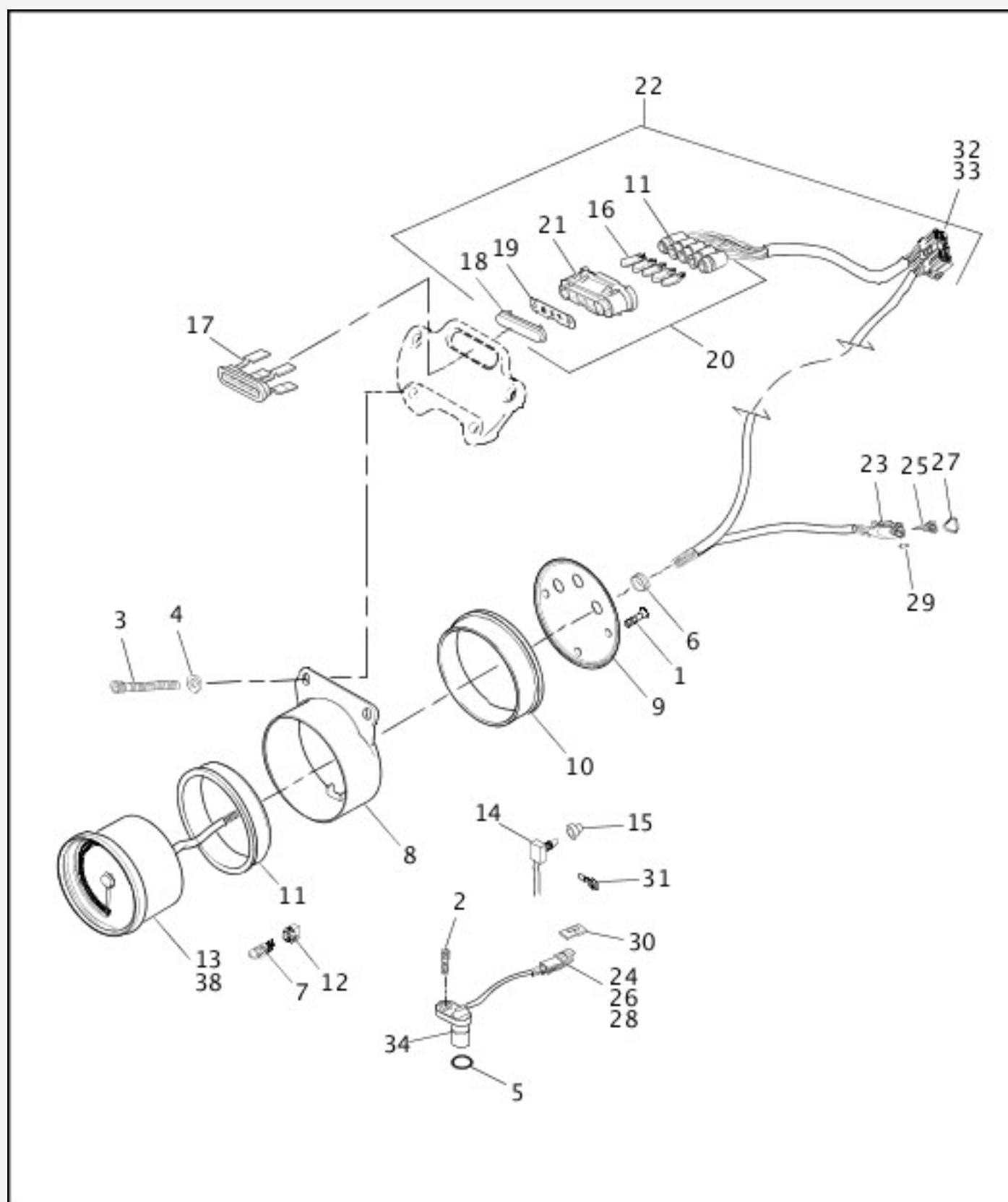
[View interactive table](#)

INDEX NO.	PART NO.	DESCRIPTION	MODEL(S)
1	2325	SCREW (2)	XL1200, XL1200S, XL883, XL883HUG
2	2361	SCREW (2)	XL883, XL883HUG
2	2361	SCREW (4)	XL1200, XL1200S
3	3594	SCREW	XL1200, XL1200S, XL883, XL883HUG
4	11140	O-RING	XL1200, XL1200S, XL883, XL883HUG
5	67136-85	BULB, odometer	XL1200, XL1200S, XL883,

			XL883HUG
	53439-79	BULB, speedometer	XL1200, XL1200S, XL883, XL883HUG
	52441-95	BULB, tachometer	XL1200, XL1200S
6	67037-96D	SPEEDOMETER, mph, w/ bulbs, reset switch & 3-way plug	XL883, XL883HUG
	67283-96C	SPEEDOMETER, mph, w/ bulbs, reset switch & 3-way plug	XL1200, XL1200S
7	67152-95B	TACHOMETER, w/ bulb	XL1200, XL1200S
8	67053-95	BRACKET, speedometer	XL883, XL883HUG
9	67085-95	COVER, speedometer back (chrome rim)	XL1200, XL1200S
	67320-95	COVER, speedometer back (black)	XL883, XL883HUG
10	67103-95	COVER, tachometer back (chrome rim)	XL1200, XL1200S
11	67104-95	CUSHION, front	XL883, XL883HUG
11	67104-95	CUSHION, front (2)	XL1200, XL1200S
12	67338-97	BRACKET, speedometer & tachometer	XL1200, XL1200S
13	67121-95A	CUSHION, rear	XL883, XL883HUG
13	67121-95A	CUSHION, rear (2)	XL1200, XL1200S
14	67184-94	SOCKET, indicator lamps (5)	XL1200, XL1200S, XL883, XL883HUG
15	67191-94	SOCKET, speedometer & tachometer (2)	XL883, XL883HUG
15	67191-94	SOCKET, speedometer & tachometer (3)	XL1200, XL1200S
16	67854-98	SWITCH, reset	XL1200, XL1200S, XL883, XL883HUG
17	67880-94	BOOT, reset switch	XL1200, XL1200S, XL883, XL883HUG
18	68024-94	BULB, indicator lamps (5)	XL1200, XL1200S, XL883, XL883HUG
19	68513-95A	TRIM PLATE, indicator lamps	XL1200, XL1200S, XL883, XL883HUG
20	68516-95	HOUSING, indicator lamps	XL1200, XL1200S, XL883, XL883HUG
21	68551-95	LENS, indicator lamps	XL1200, XL1200S, XL883,

			XL883HUG
22	72113-94BK	PLUG, 3-way socket	XL1200, XL1200S, XL883, XL883HUG
23	73162-96BK	PLUG, 12-way (black)	XL1200, XL1200S, XL883, XL883HUG
24	72143-94	SECONDARY LOCK, 3-way receptacle	XL1200, XL1200S, XL883, XL883HUG
25	72153-94	SOCKET LOCK, secondary, 3-way	XL1200, XL1200S, XL883, XL883HUG
26	72163-94BK	RECEPTACLE, 3-way pin	XL1200, XL1200S, XL883, XL883HUG
27	72173-94	SEAL, front (3-way plug)	XL1200, XL1200S, XL883, XL883HUG
28	72190-94	TERMINAL, pin	XL1200, XL1200S, XL883, XL883HUG
29	72191-94	TERMINAL, socket (as required)	XL1200, XL1200S, XL883, XL883HUG
30	72241-94A	TERMINAL, ring type, #10 hole, 18-20 gauge (6)	XL1200, XL1200S, XL883, XL883HUG
31	72199-94	ATTACHMENT CLIP	XL1200, XL1200S, XL883, XL883HUG
32	73191-96	TERMINAL, socket (12)	XL1200, XL1200S, XL883, XL883HUG
33	74402-95B	SENSOR, speed	ALL
34	7069	LOCKWASHER, speedo/tach (as required) (not illustrated)	XL1200, XL1200S, XL883, XL883HUG
35	7634	NUT, speedo/tach (as required) (not illustrated)	XL1200, XL1200S, XL883, XL883HUG
36	70585-93	CONNECTOR, reset switch (not illustrated) (2)	XL1200, XL1200S, XL883, XL883HUG
INTERNATIONAL MODELS ONLY			
37	67041-95D	SPEEDOMETER, kph, w/ bulbs, reset switch & 3-way plug (HDI)	XL883, XL883HUG
	67285-95C	SPEEDOMETER, kph, w/ bulbs, reset switch & 3-way plug (HDI)	XL1200, XL1200S
	67290-95D	SPEEDOMETER, mph, w/ bulbs, reset switch & 3-way plug (Great Britain)	XL883, XL883HUG
	67284-	SPEEDOMETER, mph, w/ bulbs, reset switch & 3-way plug	XL1200, XL1200S

SPEEDOMETER - 1200 CUSTOM

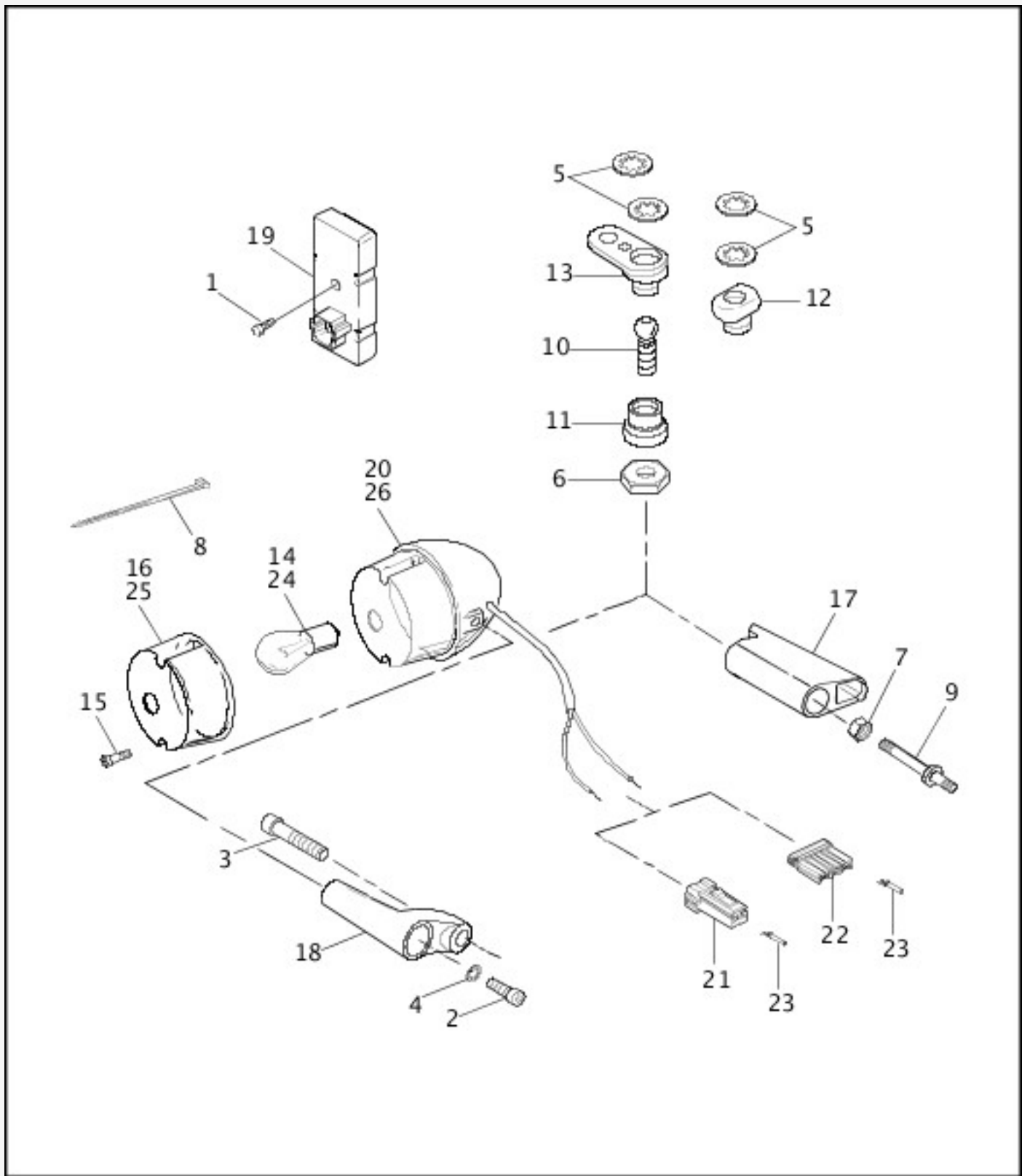

[View interactive image](#)
[View interactive table](#)

INDEX NO.	PART NO.	DESCRIPTION	MODEL(S)
1	2548	SCREW (2)	XL1200C
2	3594	SCREW	XL1200C

3	3210A	SCREW (2)	XL1200C
4	6702	WASHER (2)	XL1200C
5	11140	O-RING	XL1200C
6	11496	GROMMET	XL1200C
7	53439-79	BULB, speedometer	XL1200C
7	67136-85	BULB, odometer	XL1200C
8	67084-96	BRACKET, speedometer	XL1200C
9	67088-96	COVER, speedometer back	XL1200C
10	67121-95A	CUSHION, front & rear (2)	XL1200C
11	67184-94	SOCKET, indicator lamps (5)	XL1200C
12	67191-94	SOCKET, speedometer (2)	XL1200C
13	67283-96C	SPEEDOMETER, mph, w/ bulbs, reset switch & 3-way plug	XL1200C
14	67854-98	SWITCH, reset	XL1200C
15	67880-94	BOOT, reset switch	XL1200C
16	68024-94	BULB, indicator lamps (5)	XL1200C
17	68382-96	BEZEL, indicator lamp	XL1200C
18	68415-96	LENS, indicator lamp (use 68382-96)	XL1200C
19	68423-96	JEWEL, indicator lamp (use 68382-96)	XL1200C
20	68715-96	INDICATOR LAMP ASSEMBLY	XL1200C
21	68792-96	HOUSING, indicator lamp	XL1200C
22	68814-96	HARNES, warning light assembly	XL1200C
23	72113-94BK	PLUG, 3-way socket	XL1200C
24	72143-94	SECONDARY LOCK, 3-way receptacle	XL1200C
25	72153-94	SECONDARY LOCK, 3-way socket	XL1200C
26	72163-94BK	RECEPTACLE, 3-way plug	XL1200C
27	72173-94	SEAL, front, 3-way plug	XL1200C
28	72190-94	TERMINAL, pin (3)	XL1200C
29	72191-94	TERMINAL, socket (13)	XL1200C
30	72199-94	ATTACHMENT CLIP	XL1200C

31	72241-94A	TERMINAL, ring type, #10 hole, 18-20 gauge (5)	XL1200C
32	73162-96BK	PLUG, 12-way (black)	XL1200C
33	73191-96	TERMINAL, socket (10)	XL1200C
34	74402-95B	SENSOR, speed	XL1200C
35	7069	LOCKWASHER, speedometer (as required) (not illustrated)	XL1200C
36	7634	NUT, speedometer (as required) (not illustrated)	XL1200C
37	70585-93	CONNECTOR (switch reset) (not illustrated)	XL1200C
INTERNATIONAL MODELS ONLY			
38	67285-95C	SPEEDOMETER, kph, w/ bulbs, reset switch & 3-way plug (HDI)	XL1200C
	67284-95C	SPEEDOMETER, mph/ kph, w/ bulbs, reset switch & 3-way plug (Great Britain)	XL1200C

TURN SIGNALS



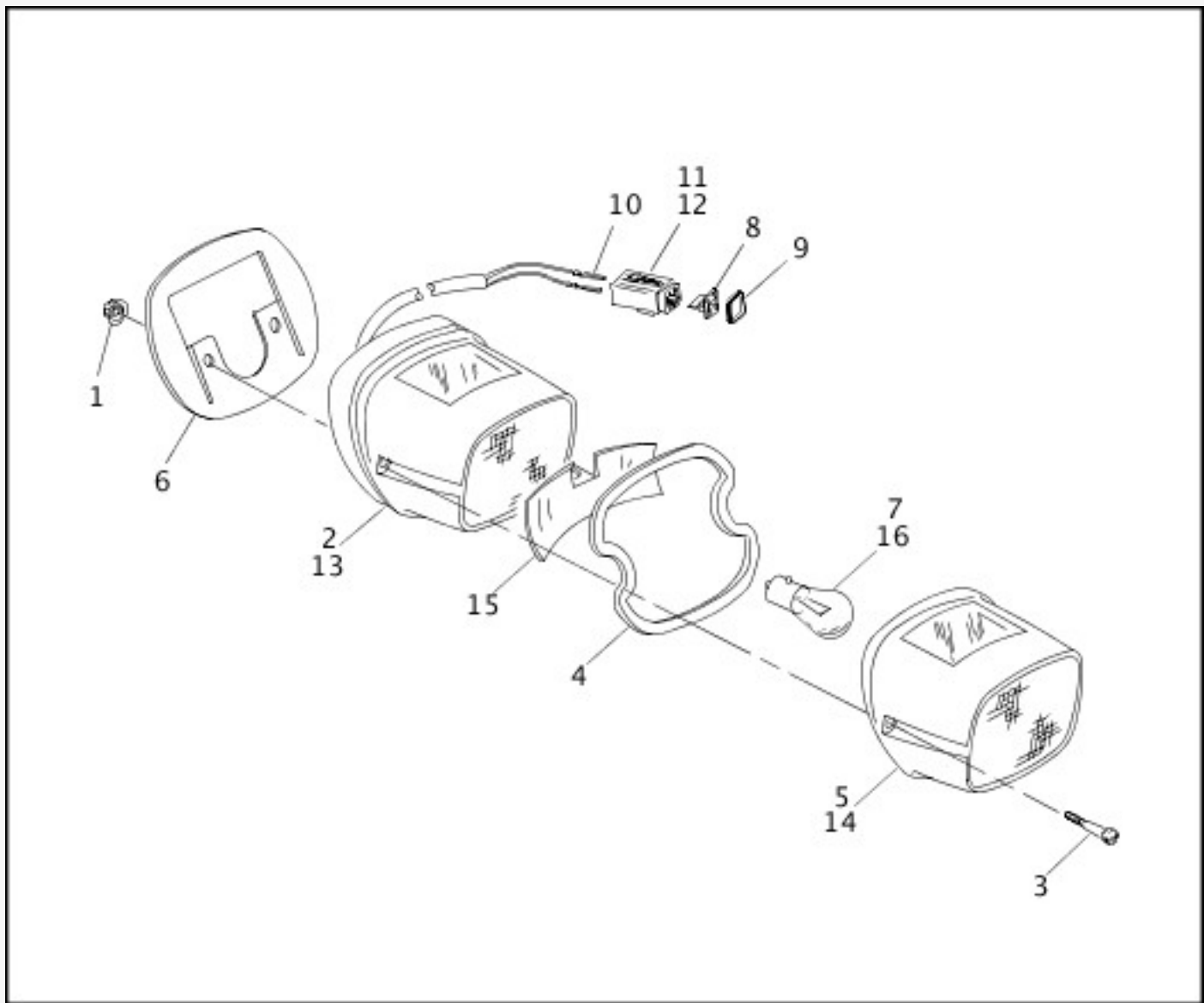
[View interactive image](#)

[View interactive table](#)

INDEX NO.	PART NO.	DESCRIPTION	MODEL(S)
1	2576	SCREW	ALL
2	2698A	SCREW (2)	XL1200S, XL883
3	4047	SCREW (2)	XL1200S, XL883
4	7042	LOCKWASHER (2)	XL1200S, XL883
5	7127	LOCKWASHER (4)	ALL
6	7744	JAMNUT (2)	XL1200, XL1200C, XL883HUG

7	7531	LOCKNUT (2)	ALL
8	10065	CABLE STRAP (2)	ALL
9	56104-94A	STUD, rear turn signal (2)	ALL
10	67822-88	BALL STUD (2)	XL1200, XL1200C, XL883HUG
11	67827-88A	CLAMP, ball stud (2)	XL1200, XL1200C, XL883HUG
12	67828-88A	RETAINER, right	XL1200, XL1200C, XL883HUG
13	67829-88	BALL RECEPTACLE, left	XL1200, XL1200C, XL883HUG
14	68168-89A	BULB, front turn signal (2)	ALL
	68572-64B	BULB, rear turn signal (2)	ALL
15	68452-86	SCREW (8)	ALL
16	68457-86	LENS (amber) (4)	ALL
17	68480-93A	SUPPORT, rear turn signal (2)	ALL
18	68555-87	SUPPORT, front turn signal (2)	XL1200S, XL883
19	68540-96	TURN SIGNAL CANCELLER, w/ connector assembly	ALL
20	68760-94	LAMP W/ WIRE, rear (amber) w/ 13, 14 & 15 (2)	ALL
	68709-94	LAMP W/ WIRE, front (amber) w/ 13, 14 & 15 (2)	ALL
21	73152-96BK	PLUG, 2-way (black) (right rear)	ALL
	73152-96WE	PLUG, 2-way (white) (left rear)	ALL
22	73156-96BK	PLUG, 6-way (left & right turn signals) (front)	ALL
23	73191-96	PIN, #16 (20 gauge) (left & right turn signals) (as required)	ALL
INTERNATIONAL MODELS ONLY			
24	68163-84	BULB, turn signal (HDI) (4)	ALL
25	68507-90	LENS, rear (amber) (HDI) (2)	ALL
	68566-90	LENS, front (amber) (HDI) (2)	ALL
26	68763-94	LAMP W/ WIRE, rear (amber) (HDI) w/ 13, 14 & 15 (2)	ALL
	68710-94	LAMP W/ WIRE, front (amber) (HDI) w/ 13, 14 & 15 (2)	ALL

TAIL LAMP



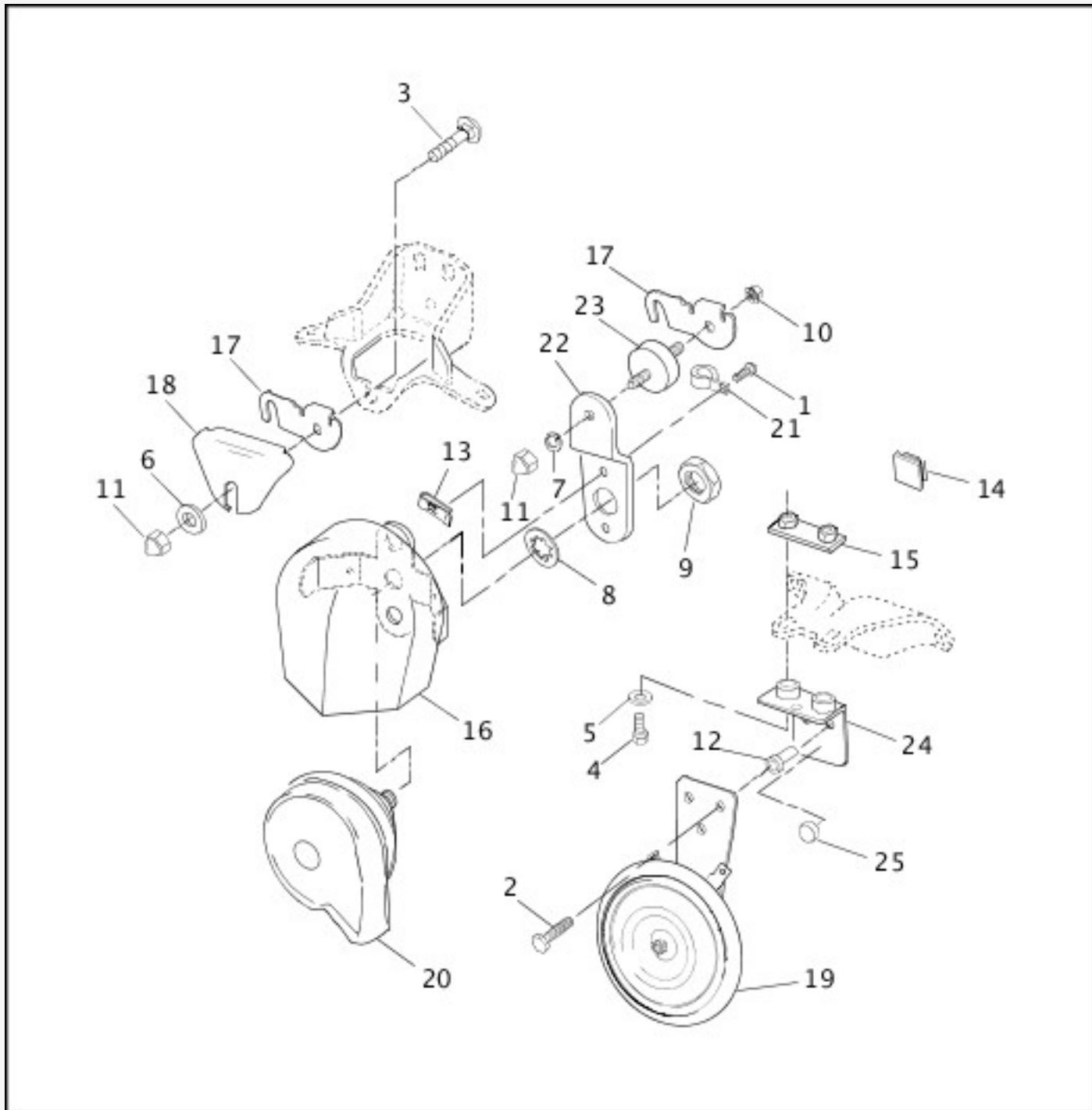
[View interactive image](#)

[View interactive table](#)

INDEX NO.	PART NO.	DESCRIPTION	MODEL(S)
1	7501	SPEED NUT (2)	ALL
2	68048-93B	TAIL LAMP ASSEMBLY, w/ 3, 4, 5 & 7	ALL
3	68026-73	SCREW, lens (2)	ALL
4	68027-90	GASKET, lens	ALL
5	68033-90	LENS, tail lamp (red)	ALL
6	68123-73	GASKET, tail lamp mounting	ALL
7	68168-89A	BULB, tail lamp	ALL
8	72154-94	SECONDARY LOCK, four-way	ALL
9	72172-94	SEAL, front	ALL
10	72191-94	TERMINAL, socket (3)	ALL
11	73154-96BK	TERMINAL, socket (3)	ALL

12	73191-96	SOCKET CONTACT, 16-20 ga	ALL
INTERNATIONAL MODELS ONLY			
13	68049-93B	TAIL LAMP ASSEMBLY (HDI) w/ 3, 4, 5, 6 & 7	ALL
14	68032-90	LENS, tail lamp (red) (HDI)	ALL
15	68036-91	REFLECTOR, tail lamp (HDI)	ALL
16	68169-90A	BULB, tail lamp (HDI)	ALL

HORN



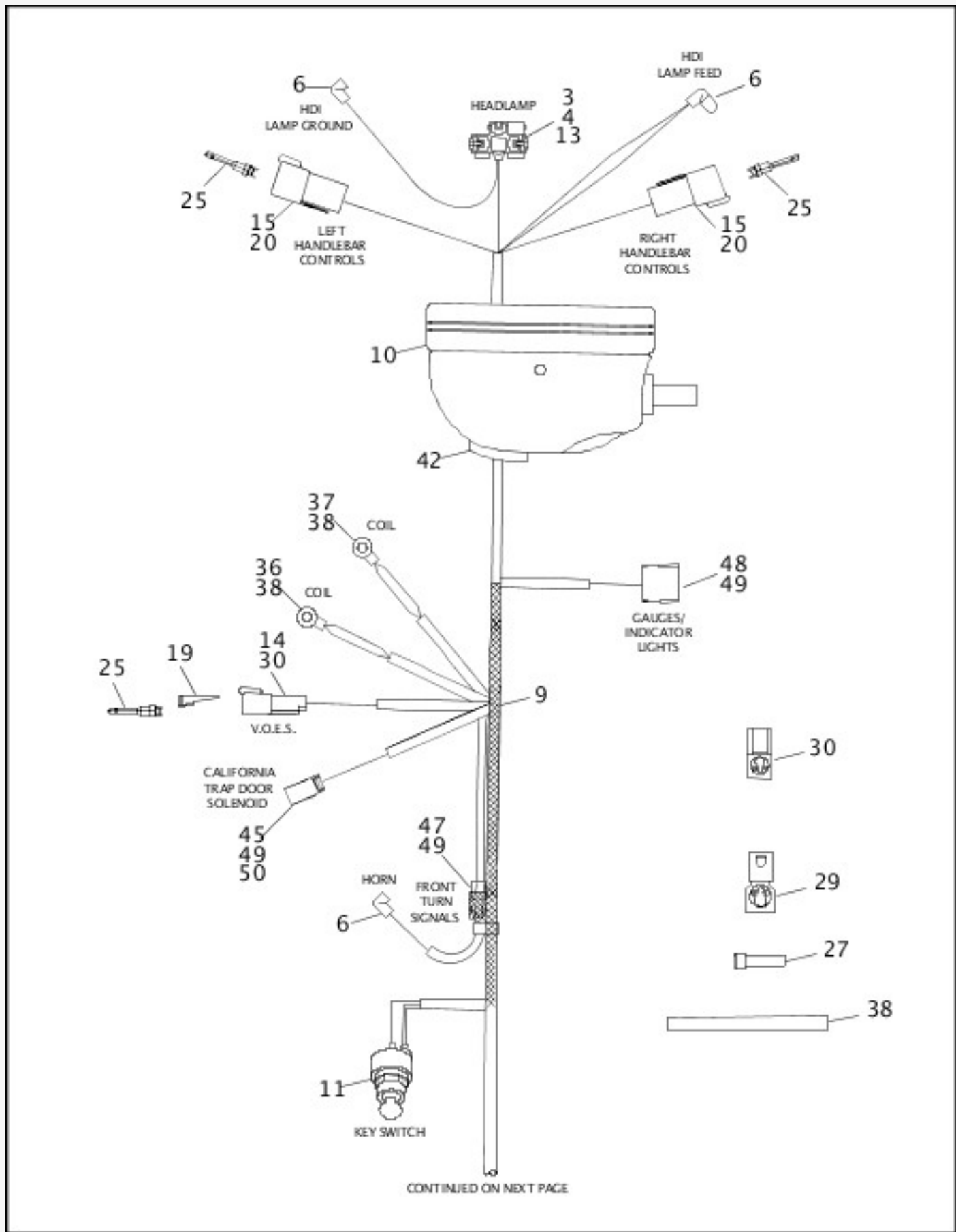
[View interactive image](#)

[View interactive table](#)

INDEX NO.	PART NO.	DESCRIPTION	MODEL(S)

1	3588	SCREW (2)	XL1200, XL1200C, XL1200S
2	3606	SCREW (2)	XL883, XL883HUG
3	3987	BOLT	XL883, XL883HUG
4	4716W	SCREW (2)	ALL
5	6701	WASHER (2)	ALL
6	6702	WASHER	XL883, XL883HUG
7	7041	LOCKWASHER	XL1200, XL1200C, XL1200S
8	7127	LOCKWASHER	XL1200, XL1200C, XL1200S
9	7495	NUT	XL1200, XL1200C, XL1200S
10	7531	LOCKNUT	ALL
11	7549A	ACORN NUT	ALL
12	8098	NUT, well (2)	XL883, XL883HUG
13	8108	SPEEDNUT (2)	XL1200, XL1200C, XL1200S
14	10120	CLIP	XL883, XL883HUG
15	16228-86A	NUT PLATE	ALL
16	69012-93A	COVER, horn (chrome)	XL1200, XL1200C, XL1200S
17	69035-95	SUPPORT BRACKET	ALL
18	69037-95A	COVER, enrichment cable	XL883, XL883HUG
19	69000014	HORN, complete, w/ bracket	XL883, XL883HUG
20	69060-90G	HORN	XL1200, XL1200C, XL1200S
21	69062-91A	CLAMP, horn wire	XL1200, XL1200C, XL1200S
22	69120-91	HORN BRACKET	XL1200, XL1200C, XL1200S
23	69123-92A	RUBBER MOUNT	XL1200, XL1200C, XL1200S
24	69135-96A	HORN BRACKET	XL883, XL883HUG
25	75101-82	BUMPER	XL883, XL883HUG

MAIN WIRING HARNESS (1 OF 2)



[View interactive image](#)

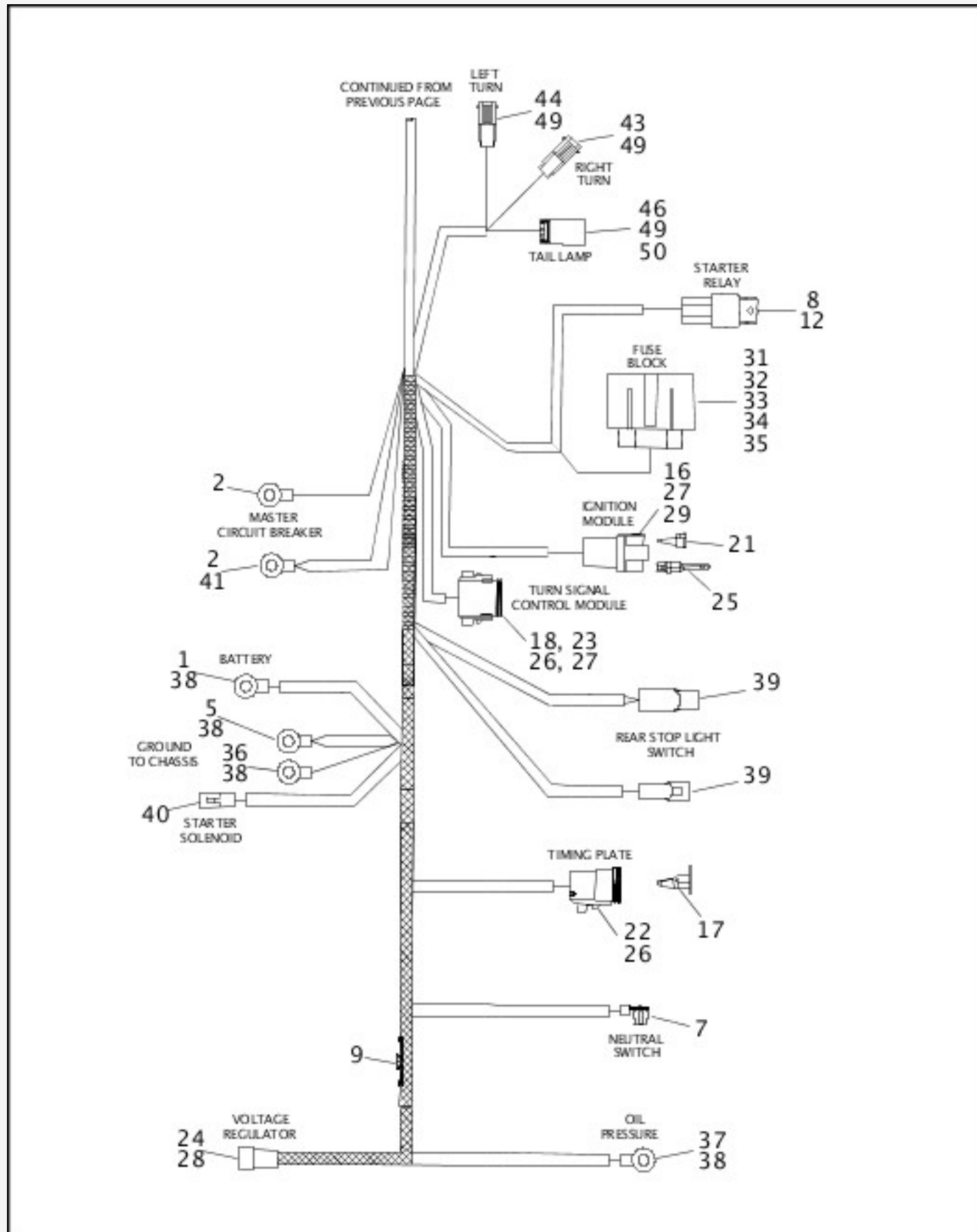
[View interactive table](#)

INDEX NO.	PART NO.	DESCRIPTION	MODEL(S)
	70135-97	MAIN WIRING HARNESS	XL1200, XL1200S, XL883, XL883HUG
NOTE: Includes the following parts.			
1	9842	TERMINAL, ring, 5/16 stud (10-12 gauge)	XL1200, XL1200S, XL883, XL883HUG
2	9843	TERMINAL, ring, #10 (10-12 gauge) (2)	XL1200, XL1200S, XL883, XL883HUG

3	9847	TERMINAL, female spade, R.H. (2)	XL1200, XL1200S, XL883, XL883HUG
4	9848	TERMINAL, female spade, L.H.	XL1200, XL1200S, XL883, XL883HUG
5	9869	TERMINAL, ring, 3/8 (12 gauge)	XL1200, XL1200S, XL883, XL883HUG
6	9898	TERMINAL, female, 1/4 (3)	XL1200, XL1200S, XL883, XL883HUG
7	9905	TERMINAL, cap type, 1/4' dia.	XL1200, XL1200S, XL883, XL883HUG
8	9937	TERMINAL, female spade type, 1/4 slot (4)	XL1200, XL1200S, XL883, XL883HUG
9	10136	ANCHOR, T-stud (2)	XL1200, XL1200S, XL883, XL883HUG
10	67719-63	MOUNTING RING (rubber)	XL1200, XL1200S, XL883, XL883HUG
11	71441-94	IGNITION & LIGHT SWITCH ASSEMBLY	XL1200, XL1200S, XL883, XL883HUG
12	72046-79	SOCKET HOUSING, 5-way	XL1200, XL1200S, XL883, XL883HUG
13	72056-92	CONNECTOR, spade terminal (3-way)	XL1200, XL1200S, XL883, XL883HUG
14	72102-94BK	RECEPTACLE, 2-way (black)	XL1200, XL1200S, XL883, XL883HUG
15	72106-94BK	CONNECTOR, 6-way (black) (2)	XL1200, XL1200S, XL883, XL883HUG
16	72108-94BK	RECEPTACLE, 8-way (black)	XL1200, XL1200S, XL883, XL883HUG
17	72113-94BK	PLUG, 3-way (black)	XL1200, XL1200S, XL883, XL883HUG
18	72138-94GY	SOCKET HOUSING, 8-way (gray)	XL1200, XL1200S, XL883, XL883HUG
19	72142-94	SECONDARY LOCK, 2-way receptacle	XL1200, XL1200S, XL883, XL883HUG
20	72146-94	SECONDARY LOCK, 6-way pin (3)	XL1200, XL1200S, XL883, XL883HUG
21	72148-94	SECONDARY LOCK, 8-way receptacle (2)	XL1200, XL1200S, XL883, XL883HUG
22	72153-94	SECONDARY LOCK, 3-way plug	XL1200, XL1200S, XL883, XL883HUG
23	72158-94	SECONDARY LOCK, 8-way	XL1200, XL1200S, XL883, XL883HUG
24	72180-94	RECEPTACLE, 1 pin	XL1200, XL1200S, XL883, XL883HUG
25	72190-94	TERMINAL, pin (21)	XL1200, XL1200S, XL883, XL883HUG
26	72191-94	TERMINAL, socket (10)	XL1200, XL1200S, XL883, XL883HUG
27	72195-94	SEAL PIN (2)	XL1200, XL1200S, XL883, XL883HUG
28	72196-94	TERMINAL, pin	XL1200, XL1200S, XL883, XL883HUG
29	72198-94	ATTACHMENT CLIP, 8-way receptacle (2)	XL1200, XL1200S, XL883, XL883HUG
30	72199-94	ATTACHMENT CLIP	XL1200, XL1200S, XL883, XL883HUG
31	72216-94	FUSE BLOCK	XL1200, XL1200S, XL883, XL883HUG

32	72217-94	TERMINAL, auto fuse (18-20 gauge)	XL1200, XL1200S, XL883, XL883HUG
33	72218-94	TERMINAL, auto fuse (14-16 gauge) (2)	XL1200, XL1200S, XL883, XL883HUG

MAIN WIRING HARNESS (2 OF 2)



[View interactive image](#)

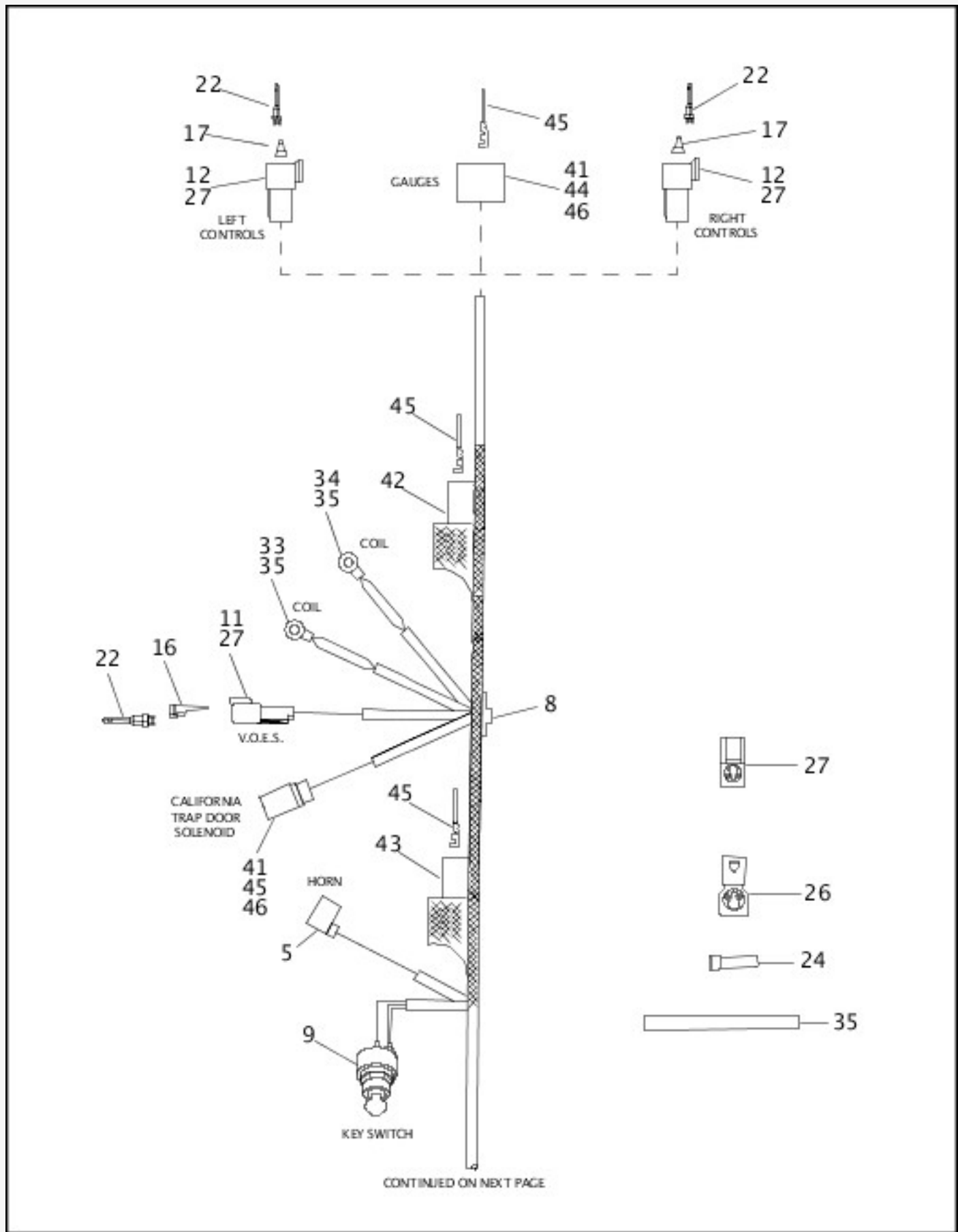
[View interactive table](#)

INDEX NO.	PART NO.	DESCRIPTION	MODEL(S)

	70135-97	MAIN WIRING HARNESS	XL1200, XL1200S, XL883, XL883HUG
NOTE: Includes the following parts.			
34	72219-94	TERMINAL, auto fuse (18 gauge) (3)	XL1200, XL1200S, XL883, XL883HUG
35	72220-94	TERMINAL, auto fuse (14-16 gauge) (2)	XL1200, XL1200S, XL883, XL883HUG
36	72240-94	TERMINAL, ring, #10 (18-20 gauge) (use 72241-94A) (2)	XL1200, XL1200S, XL883, XL883HUG
37	72241-94A	TERMINAL, ring (18-20 gauge) (2)	XL1200, XL1200S, XL883, XL883HUG
38	72249-94	HEAT SHRINK TUBING, 0.3 X 1 inch (6)	XL1200, XL1200S, XL883, XL883HUG
39	72290-94	TERMINAL, female (18 gauge) (2)	XL1200, XL1200S, XL883, XL883HUG
40	72291-94	TERMINAL, female spade (14-16 gauge)	XL1200, XL1200S, XL883, XL883HUG
41	72366-95	HEAT SHRINK TUBING, yellow	XL1200, XL1200S, XL883, XL883HUG
42	72507-94	GROMMET	XL1200, XL1200S, XL883, XL883HUG
43	73102-96BK	PIN HOUSING, 2-way (black)	XL1200, XL1200S, XL883, XL883HUG
44	73102-96WE	PIN HOUSING, 2-way (white)	XL1200, XL1200S, XL883, XL883HUG
45	73103-96BK	CONNECTOR, 3-way (black)	XL1200, XL1200S, XL883, XL883HUG
46	73104-96BK	CONNECTOR, 4-way (black)	XL1200, XL1200S, XL883, XL883HUG
47	73106-96BK	CONNECTOR, 6-way (black)	XL1200, XL1200S, XL883, XL883HUG
48	73112-96BK	CONNECTOR, 12-way (black)	XL1200, XL1200S, XL883, XL883HUG
49	73190-96	TERMINAL, pin (20-16 gauge) (29)	XL1200, XL1200S, XL883, XL883HUG
50	73199-96	CONNECTOR ANCHOR (2)	XL1200, XL1200S, XL883, XL883HUG
51	70551-69	CONDUIT, 1/8 I.D. x 10 ft. (black vinyl) (high temp) (not illustrated)	XL1200, XL1200S, XL883, XL883HUG

	70552-69	CONDUIT, 3/8 I.D. x 10 ft. lg. (black vinyl) (not illustrated)	XL1200, XL1200S, XL883, XL883HUG
	70553-69	CONDUIT, 7/16 I.D. x 10 ft. lg. (black vinyl) (not illustrated)	XL1200, XL1200S, XL883, XL883HUG
	70554-69	CONDUIT, 1/4 I.D. x 10 ft. lg. (black vinyl) (not illustrated)	XL1200, XL1200S, XL883, XL883HUG
	70555-69	CONDUIT, 1/4 I.D. x 10 ft. lg. (black vinyl) (not illustrated)	XL1200, XL1200S, XL883, XL883HUG
	70556-71	CONDUIT, 5/16 I.D. x 10 ft. lg. (black vinyl) (not illustrated)	XL1200, XL1200S, XL883, XL883HUG
	70558-71	CONDUIT, 1/2 I.D. x 10 ft. lg. (black vinyl) (not illustrated)	XL1200, XL1200S, XL883, XL883HUG
	70559-71	CONDUIT, 1/8 I.D. x 10 ft. lg. (black vinyl) (not illustrated)	XL1200, XL1200S, XL883, XL883HUG

MAIN WIRING HARNESS - 1200 CUSTOM (1 OF 2)

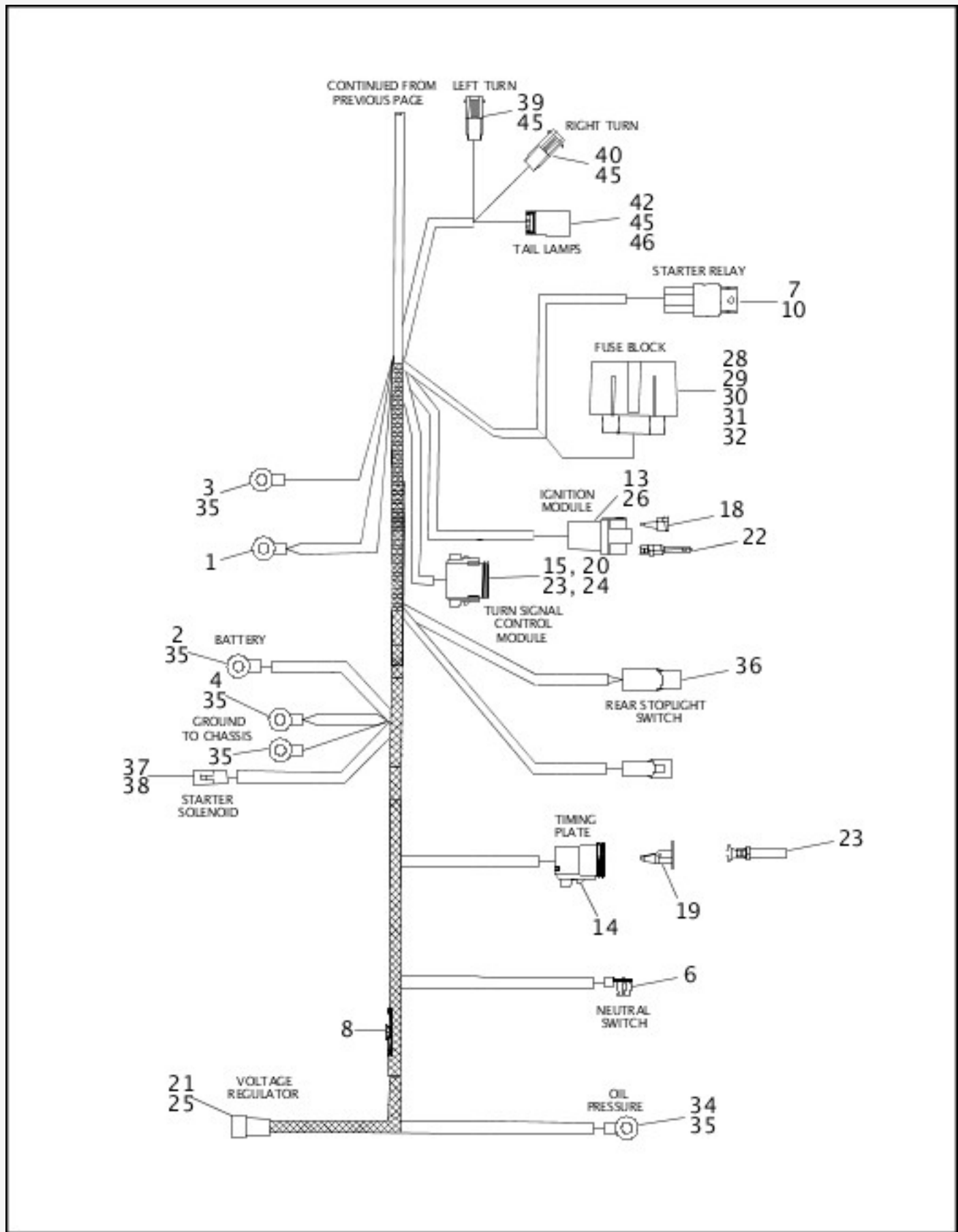


View interactive image

View interactive table

INDEX NO.	PART NO.	DESCRIPTION	MODEL(S)
	70153-97	MAIN WIRING HARNESS - 1200 CUSTOM	XL1200C
NOTE: Includes the following parts.			
1	9840	TERMINAL, ring	XL1200C
2	9842	TERMINAL, ring, 5/16 stud (10-12 gauge)	XL1200C

3	9843	TERMINAL, ring, #10 (10-12 gauge)	XL1200C
4	9869	TERMINAL, ring, 3/8 (12 gauge)	XL1200C
5	9898	TERMINAL, flag	XL1200C
6	9905	TERMINAL, cap type, 1/4 dia.	XL1200C
7	9937	TERMINAL, female spade type, 1/4 slot (4)	XL1200C
8	10136	ANCHOR, T-stud (2)	XL1200C
9	71441-94	IGNITION & LIGHT SWITCH ASSEMBLY	XL1200C
10	72046-79	SOCKET HOUSING, 5-way	XL1200C
11	72102-94BK	RECEPTACLE, 2-way (black) (2)	XL1200C
12	72106-94BK	RECEPTACLE, 6-way (black) (2)	XL1200C
13	72108-94BK	RECEPTACLE, 8-way (black)	XL1200C
14	72113-94BK	PLUG, 3-way (black)	XL1200C
15	72138-94GY	SOCKET HOUSING, 8-way	XL1200C
16	72142-94	SECONDARY LOCK, 2-way receptacle	XL1200C
17	72146-94	SECONDARY LOCK, 6-way (2)	XL1200C
18	72148-94	SECONDARY LOCK, 8-way receptacle (2)	XL1200C
19	72153-94	SECONDARY LOCK, 3-way plug	XL1200C
20	72158-94	SECONDARY LOCK, 8-way	XL1200C
21	72180-94	RECEPTACLE, 1 pin	XL1200C
22	72190-94	PIN (21)	XL1200C
23	72191-94	TERMINAL, socket (10)	XL1200C
24	72195-94	SEAL PIN (2)	XL1200C
25	72196-94	CONTACT PIN	XL1200C
26	72198-94	ATTACHMENT CLIP, 8-way receptacle	XL1200C
27	72199-94	ATTACHMENT CLIP (3)	XL1200C
28	72216-94	FUSE BLOCK	XL1200C
29	72217-94	TERMINAL, auto fuse (18-20 gauge)	XL1200C
30	72218-94	TERMINAL, auto fuse (14-16 gauge) (2)	XL1200C



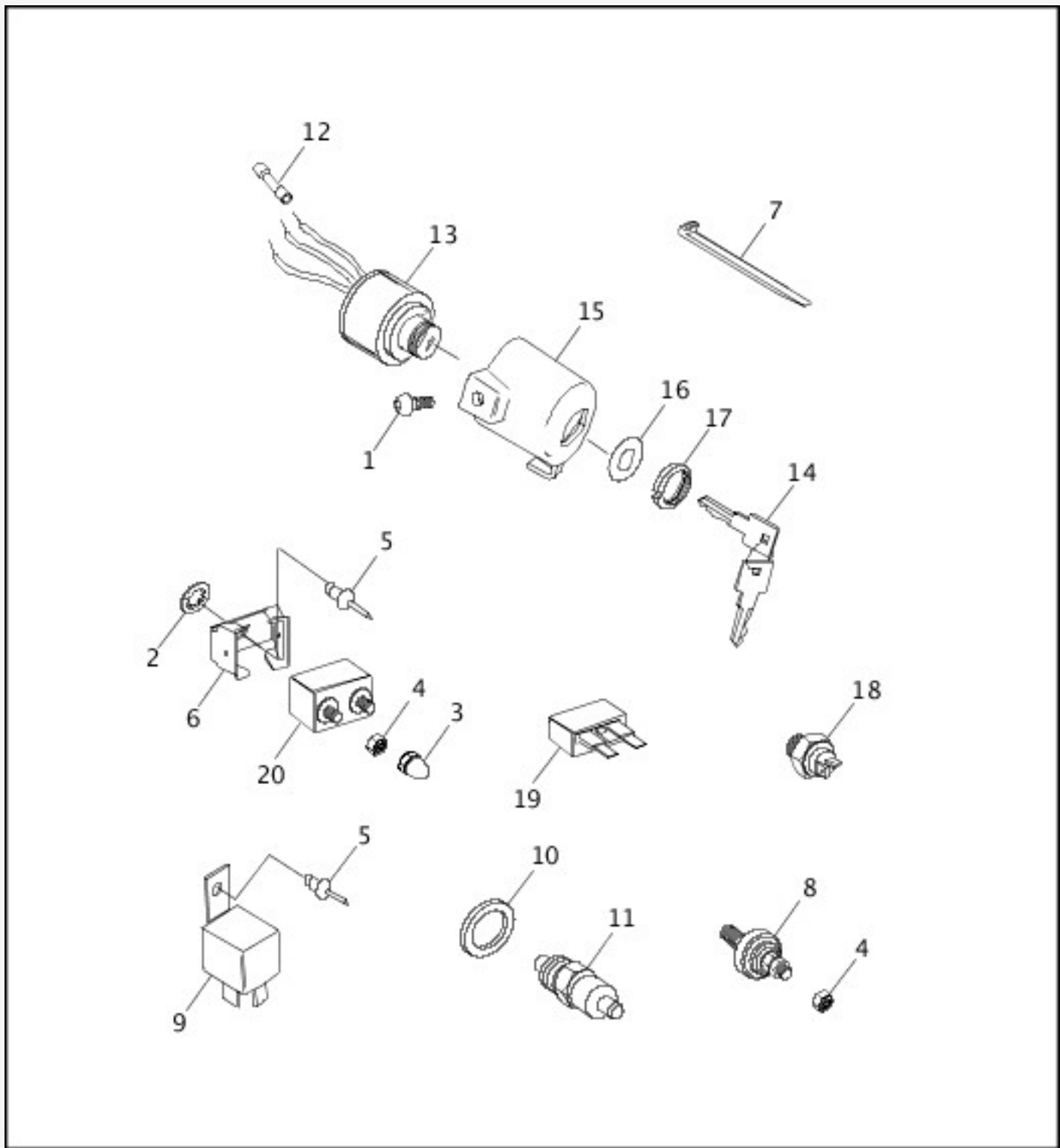
[View interactive image](#)

[View interactive table](#)

INDEX NO.	PART NO.	DESCRIPTION	MODEL(S)
	70153-97	MAIN WIRING HARNESS - 1200 CUSTOM	XL1200C
NOTE: Includes the following parts.			
31	72219-94	TERMINAL, auto fuse (18 gauge) (3)	XL1200C
32	72220-94	TERMINAL, auto fuse (14-16 gauge) (2)	XL1200C

33	72240-94	TERMINAL, ring, #10 (18-20 gauge) (use 72241-94A)	XL1200C
34	72241-94A	TERMINAL, ring (18-20 gauge) (2)	XL1200C
35	72249-94	HEAT SHRINK TUBING, 0.3 X 1 inch (7)	XL1200C
36	72290-94	TERMINAL, insulated	XL1200C
37	72291-94	TERMINAL, female spade (14-16 gauge)	XL1200C
38	72295-94	HOUSING, starter connector	XL1200C
39	73102-96BK	PIN HOUSING, 2-way (black)	XL1200C
40	73102-96WE	PIN HOUSING, 2-way (white)	XL1200C
41	73103-96BK	PIN HOUSING, 3-way (black)	XL1200C
42	73104-96BK	TAB HOUSING, 4-way (black) (2)	XL1200C
43	73106-96BK	TAB HOUSING, 6-way (black)	XL1200C
44	73112-96BK	TAB HOUSING, 12-way (black)	XL1200C
45	73190-96	PIN, #16 (20 gauge) (33)	XL1200C
46	73199-96	CONNECTOR ANCHOR (3)	XL1200C
47	70553-69	CONDUIT, 7/16 I.D. x 10 ft. lg. (black vinyl) (not illustrated)	XL1200C
	70554-69	CONDUIT, 1/4 I.D. x 10 ft. lg. (black vinyl) (not illustrated)	XL1200C
	70555-69	CONDUIT, 1/4 I.D. x 10 ft. lg. (black vinyl) (not illustrated)	XL1200C
	70558-71	CONDUIT, 1/2 I.D. x 10 ft. lg. (black vinyl) (not illustrated)	XL1200C
	70559-71	CONDUIT, 1/8 I.D. x 10 ft. lg. (black vinyl) (not illustrated)	XL1200C

SWITCHES & CIRCUIT BREAKERS



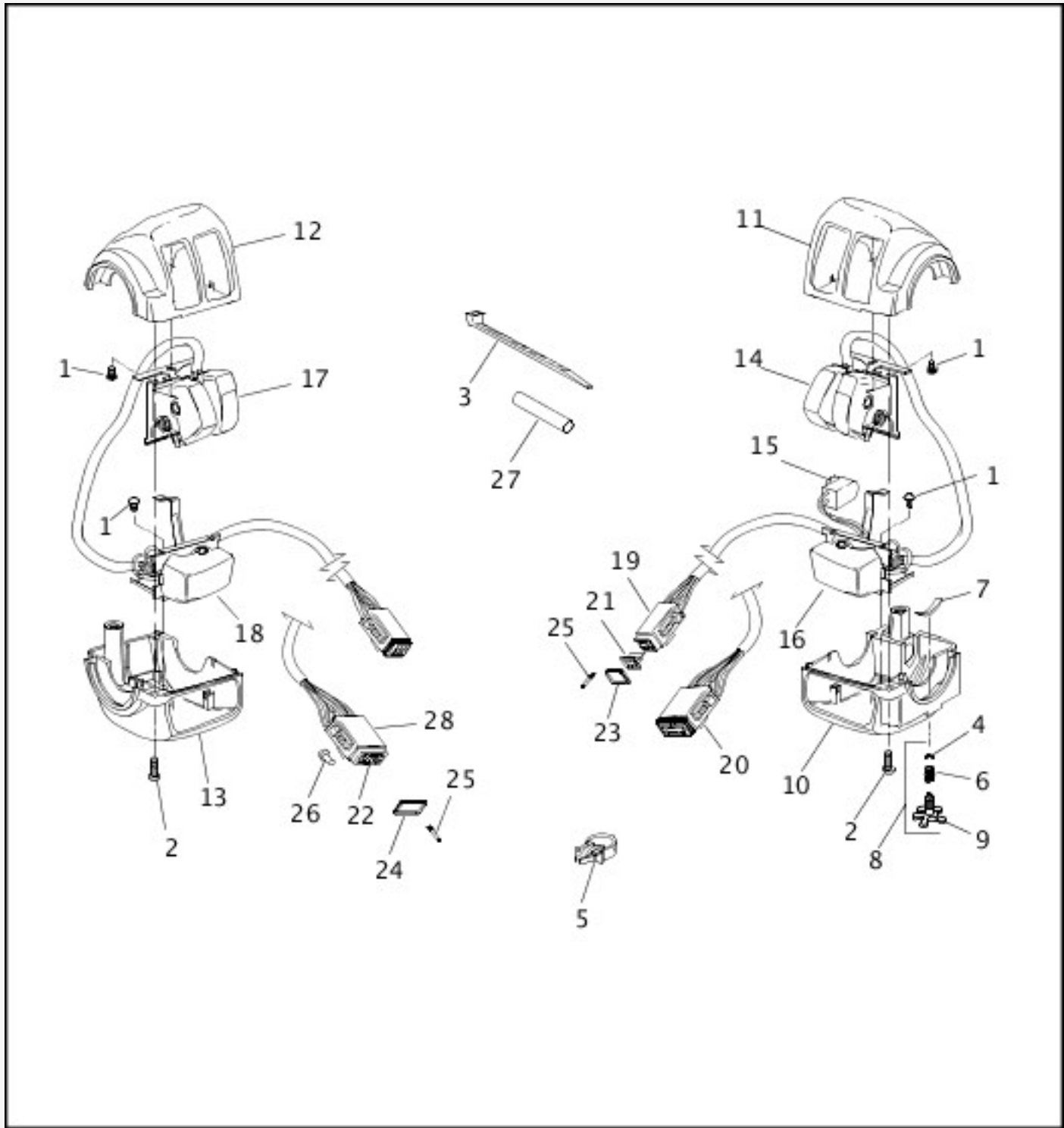
[View interactive image](#)

[View interactive table](#)

INDEX NO.	PART NO.	DESCRIPTION	MODEL(S)
1	2528	SCREW	ALL
2	7127	LOCKWASHER, internal tooth	ALL
3	7602	ACORN NUT, nylon (2)	ALL
4	7629	NUT, keps (2)	ALL
5	8483A	POP RIVET, circuit breaker clip (2)	ALL
6	9952	CLIP, circuit breaker	ALL
7	10039	CABLE STRAP	ALL

8	26554-77B	SWITCH, oil pressure indicator	ALL
9	31504-91B	STARTER RELAY	ALL
10	33043-80	WASHER	ALL
11	33900-59C	SWITCH, neutral indicator, w/ washer	ALL
12	70586-93	CONNECTOR, butt splice (3)	ALL
13	71441-94	LOCK SET, w/ 7, 12, 17 & keys	ALL
14	71451-94A	KEY SET, ignition switch (specify key code) (use 71499-94)	ALL
14	71499-94	KEY SET, ignition switch (code S key)	ALL
15	71510-95	COVER, ignition switch	ALL
16	71550-94	LABEL, ignition switch	ALL
17	71552-94	FACE NUT, ignition switch	ALL
18	72023-51E	STOPLIGHT SWITCH, rear brake	ALL
19	74587-94	CIRCUIT BREAKER, 15 amp. (2)	ALL
19	74588-94	CIRCUIT BREAKER, 10 amp. (2)	ALL
20	74599-77B	CIRCUIT BREAKER, 30 amp.	ALL

HANDLEBAR SWITCHES



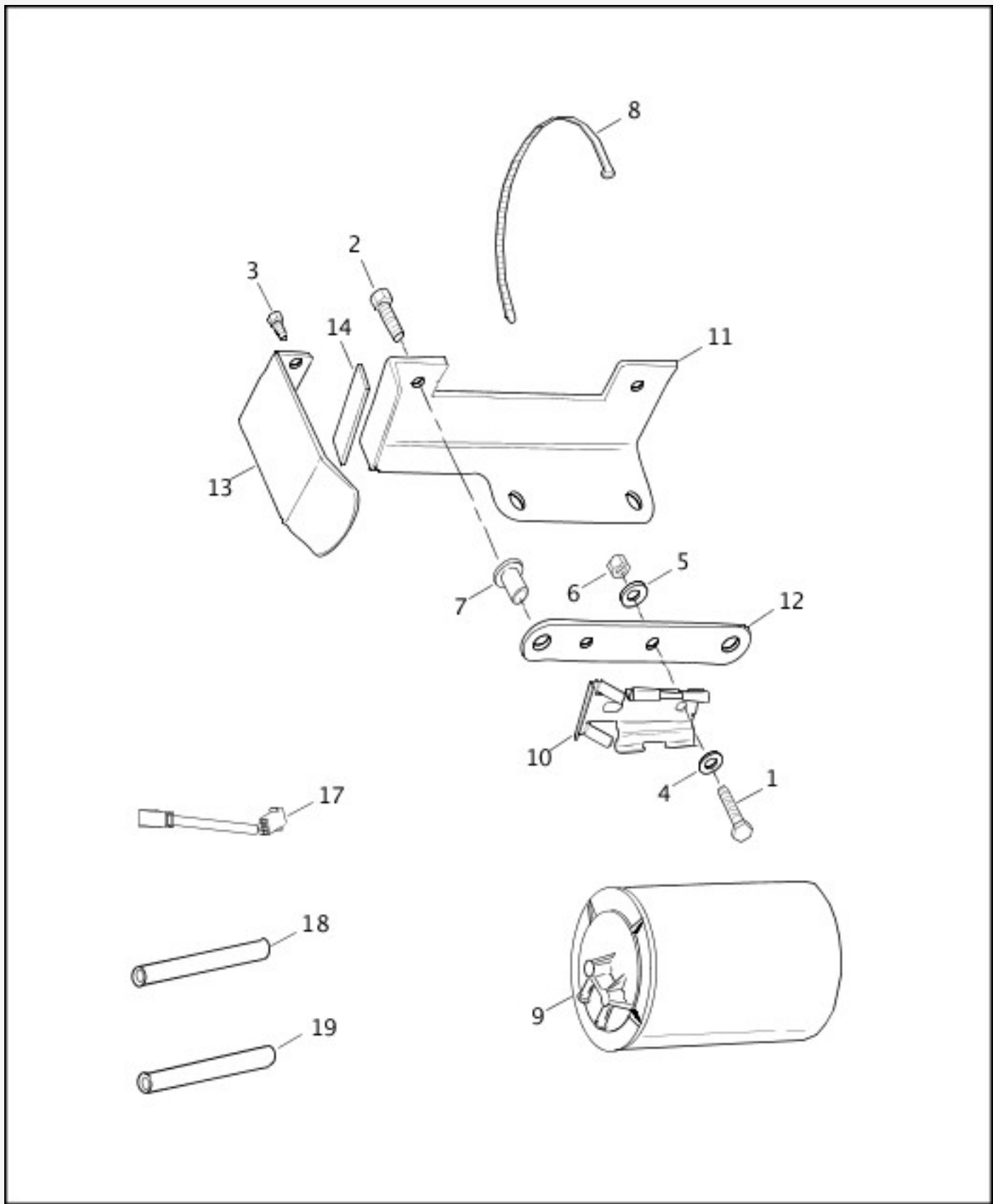
[View interactive image](#)

[View interactive table](#)

INDEX NO.	PART NO.	DESCRIPTION	MODEL(S)
1	2558	SCREW (4)	ALL
2	3658	SCREW (4)	ALL
3	10181	CABLE TIE (as required)	ALL
4	11155	RETAINING RING	ALL
5	56073-83	RETAINER, wiring harness (4)	XL1200S, XL883
5	70345-84	RETAINER, wiring harness (4)	XL1200, XL1200C, XL883HUG
6	56394-74	SPRING, throttle adjusting screw	ALL

7	56396-74A	PAD, throttle adjusting	ALL
8	56397-74C	KIT, throttle adjusting screw, w/ 4, 6 & 9	ALL
9	56402-83A	ADJUSTING SCREW	ALL
10	71563-96	HOUSING, lower right	ALL
11	71564-96	HOUSING, upper right	ALL
12	71567-96	HOUSING, upper left	ALL
13	71568-96A	HOUSING, lower left	ALL
14	71684-06A	SWITCH ASSEMBLY, engine stop & start, w/ 3 & 27	ALL
15	71621-08	STOPLIGHT SWITCH	ALL
16	71591-96A	SWITCH ASSEMBLY, right directional, w/ 3 & 27	ALL
17	71682-06A	SWITCH ASSEMBLY, dimmer & horn, w/ 3 & 27	ALL
18	71598-96A	SWITCH ASSEMBLY, left directional, w/ 3 & 27	ALL
19	72116-94BK	PLUG, 6-way (black) (2)	XL1200C
20	72119-94BK	PLUG, 12-way (right) (black)	XL1200, XL1200S, XL883, XL883HUG
21	72156-94	SECONDARY LOCK, 6-way (2)	XL1200C
22	72159-94	SECONDARY LOCK, 12-way plug (2)	XL1200, XL1200S, XL883, XL883HUG
23	72176-94	SEAL, front (6-way plug) (2)	XL1200C
24	72179-94	SEAL, front (12-way plug) (2)	XL1200, XL1200S, XL883, XL883HUG
25	72191-94	TERMINAL, socket (as required)	ALL
26	72195-94	SEAL PIN (as required)	XL1200, XL1200S, XL883, XL883HUG
27	72266-94	SHRINK TUBE	ALL
28	72139-94GY	PLUG, 12-way (left) (gray)	XL1200, XL1200S, XL883, XL883HUG

CALIFORNIA EVAPORATIVE EMISSIONS KIT



[View interactive image](#)

[View interactive table](#)

INDEX NO.	PART NO.	DESCRIPTION	MODEL(S)
NOTE: These parts are required for motorcycles sold in the state of California.			
1	3767B	BOLT, mounting bracket (2)	ALL
2	3802W	BOLT, bracket to plate (2)	ALL
3	4091	SCREW (2)	ALL
4	6099	WASHER (2)	XL1200C, XL1200S, XL883, XL883HUG

4	6099	WASHER (4)	XL1200
5	6703	WASHER (2)	ALL
6	7686	LOCKNUT (2)	ALL
7	8099	WELL NUT (2)	ALL
8	10006	CABLE STRAP (6)	ALL
9	27042-84A	CANISTER	ALL
10	27047-84B	BRACKET, canister mounting	ALL
11	28857-90	BRACKET, canister	ALL
12	28859-90	PLATE, canister mounting	ALL
13	28860-89	GUARD, evaporative canister	ALL
14	67067-76	PAD (vinyl foam)	ALL
15	10039	CLAMP (not illustrated)	ALL
16	27018-85	CLAMP (not illustrated)	ALL
17	32440-97	WIRING HARNESS, solenoid (not illustrated)	ALL
18	28875-95	HOSE, canister	ALL
NOTE: Hose or insulator is sold in bulk length under the following part numbers. Cut to length.			
19	27138-90	HOSE 3/16 INCH I.D. (10 ft. lg.) (black)	ALL

CAM GEARS (1 OF 3)



[View interactive image](#)

[View interactive table](#)

INDEX NO.	PART NO.	DESCRIPTION	MODEL(S)
1	25660-91	CAM GEAR, front exhaust (1 brown dot)	ALL
	25661-91	CAM GEAR, front exhaust (1 blue dot)	ALL
	25662-91	CAM GEAR, front exhaust (1 red dot)	ALL
	25663-91	CAM GEAR, front exhaust (1 white dot)	ALL
	25664-91	CAM GEAR, front exhaust (1 green dot)	ALL
	25665-91	CAM GEAR, front exhaust (1 yellow dot)	ALL
	25666-91	CAM GEAR, front exhaust (1 black dot)	ALL
	25640-91	CAM GEAR, front intake (1 brown dot)	ALL
	25641-91	CAM GEAR, front intake (1 blue dot)	ALL

	25642-91	CAM GEAR, front intake (1 red dot)	ALL
	25643-91	CAM GEAR, front intake (1 white dot)	ALL
	25644-91	CAM GEAR, front intake (1 green dot)	ALL
	25645-91	CAM GEAR, front intake (1 yellow dot)	ALL
	25646-91	CAM GEAR, front intake (1 black dot)	ALL
	24055-91	PINION GEAR (1 brown dot)	ALL
	24056-91	PINION GEAR (1 blue dot)	ALL
	24057-91	PINION GEAR (1 red dot)	ALL
	24058-91	PINION GEAR (1 white dot),	ALL
	24059-91	PINION GEAR (1 green dot)	ALL
	24060-91	PINION GEAR (1 yellow dot)	ALL
	24061-91	PINION GEAR (1 black dot),	ALL
	25804-91	CAM GEAR, rear intake (cam gear 1 black dot - drive gear 1 brown dot)	ALL
	25808-91	CAM GEAR, rear intake (cam gear 1 yellow dot - drive gear 1 brown dot)	ALL
	25812-91	CAM GEAR, rear intake (cam gear 1 green dot - drive gear 1 brown dot)	ALL
	25816-91	CAM GEAR, rear intake (cam gear 1 white dot - drive gear 1 brown dot)	ALL
	25820-91	CAM GEAR, rear intake (cam gear 1 red dot - drive gear 1 brown dot)	ALL
	25824-91	CAM GEAR, rear intake (cam gear 1 blue dot - drive gear 1 brown dot)	ALL
	25828-91	CAM GEAR, rear intake (cam gear 1 brown dot - drive gear 1 brown dot)	ALL
	25832-91	CAM GEAR, rear intake (cam gear 1 black dot - drive gear 1 blue dot)	ALL
	25836-91	CAM GEAR, rear intake (cam gear 1 yellow dot - drive gear 1 blue dot)	ALL
	25840-91	CAM GEAR, rear intake (cam gear 1 green dot - drive gear 1 blue dot)	ALL
	25844-91	CAM GEAR, rear intake (cam gear 1 white dot - drive gear 1 blue dot)	ALL
	25848-91	CAM GEAR, rear intake (cam gear 1 red dot - drive gear 1 blue dot)	ALL

CAM GEARS (2 OF 3)



[View interactive image](#)

[View interactive table](#)

INDEX NO.	PART NO.	DESCRIPTION	MODEL(S)
1	25852-91	CAM GEAR, rear intake (cam gear 1 blue dot - drive gear 1 blue dot)	ALL
	25856-91	CAM GEAR, rear intake (cam gear 1 brown dot - drive gear 1 blue dot)	ALL
	25860-91	CAM GEAR, rear intake (cam gear 1 black dot - drive gear 1 red dot)	ALL
	25864-91	CAM GEAR, rear intake (cam gear 1 yellow dot - drive gear 1 red dot)	ALL
	25868-91	CAM GEAR, rear intake (cam gear 1 green dot - drive gear 1 red dot)	ALL
	25872-91	CAM GEAR, rear intake (cam gear 1 white dot - drive gear 1 red dot)	ALL
	25876-91	CAM GEAR, rear intake (cam gear 1 red dot - drive gear 1 red dot)	ALL
	25880-91	CAM GEAR, rear intake (cam gear 1 blue dot - drive gear 1 red dot)	ALL
	25884-91	CAM GEAR, rear intake (cam gear 1 brown dot - drive gear 1 red dot)	ALL

	25888-91	CAM GEAR, rear intake (cam gear 1 black dot - drive gear 1 white dot)	ALL
	25892-91	CAM GEAR, rear intake (cam gear 1 yellow dot - drive gear 1 white dot)	ALL
	25896-91	CAM GEAR, rear intake (cam gear 1 green dot - drive gear 1 white dot)	ALL
	25900-91	CAM GEAR, rear intake (cam gear 1 white dot - drive gear 1 white dot)	ALL
	25904-91	CAM GEAR, rear intake (cam gear 1 red dot - drive gear 1 white dot)	ALL
	25908-91	CAM GEAR, rear intake (cam gear 1 blue dot - drive gear 1 white dot)	ALL
	25912-91	CAM GEAR, rear intake (cam gear 1 brown dot - drive gear 1 white dot)	ALL
	25916-91	CAM GEAR, rear intake (cam gear 1 black dot - drive gear 1 green dot)	ALL
	25920-91	CAM GEAR, rear intake (cam gear 1 yellow dot - drive gear 1 green dot)	ALL
	25924-91	CAM GEAR, rear intake (cam gear 1 green dot - drive gear 1 green dot)	ALL
	25928-91	CAM GEAR, rear intake (cam gear 1 white dot - drive gear 1 green dot)	ALL
	25932-91	CAM GEAR, rear intake (cam gear 1 red dot - drive gear 1 green dot)	ALL
	25936-91	CAM GEAR, rear intake (cam gear 1 blue dot - drive gear 1 green dot)	ALL

CAM GEARS (3 OF 3)



[View interactive image](#)

[View interactive table](#)

INDEX NO.	PART NO.	DESCRIPTION	MODEL(S)
1	25940-91	CAM GEAR, rear intake (cam gear 1 brown dot - drive gear 1 green dot)	ALL
	25944-91	CAM GEAR, rear intake (cam gear 1 black dot - drive gear 1 yellow dot)	ALL
	25948-91	CAM GEAR, rear intake (cam gear 1 yellow dot - drive gear 1 yellow dot)	ALL
	25952-91	CAM GEAR, rear intake (cam gear 1 green dot - drive gear 1 yellow dot)	ALL
	25956-91	CAM GEAR, rear intake (cam gear 1 white dot - drive gear 1 yellow dot)	ALL
	25960-91	CAM GEAR, rear intake (cam gear 1 red dot - drive gear 1 yellow dot)	ALL
	25964-91	CAM GEAR, rear intake (cam gear 1 blue dot - drive gear 1 yellow dot)	ALL
	25968-91	CAM GEAR, rear intake (cam gear 1 brown dot - drive gear 1 yellow dot)	ALL
	25972-91	CAM GEAR, rear intake (cam gear 1 black dot - drive gear 1 black dot)	ALL

	25976-91	CAM GEAR, rear intake (cam gear 1 yellow dot - drive gear 1 black dot)	ALL
	25980-91	CAM GEAR, rear intake (cam gear 1 green dot - drive gear 1 black dot)	ALL
	25984-91	CAM GEAR, rear intake (cam gear 1 white dot - drive gear 1 black dot)	ALL
	25988-91	CAM GEAR, rear intake (cam gear 1 red dot - drive gear 1 black dot)	ALL
	25992-91	CAM GEAR, rear intake (cam gear 1 blue dot - drive gear 1 black dot)	ALL
	25996-91	CAM GEAR, rear intake (cam gear 1 brown dot - drive gear 1 black dot)	ALL
	25650-91	CAM GEAR, rear exhaust (1 brown dot)	ALL
	25651-91	CAM GEAR, rear exhaust (1 blue dot)	ALL
	25652-91	CAM GEAR, rear exhaust (1 red dot)	ALL
	25653-91	CAM GEAR, rear exhaust (1 white dot)	ALL
	25654-91	CAM GEAR, rear exhaust (1 green dot)	ALL
	25655-91	CAM GEAR, rear exhaust (1 yellow dot)	ALL
	25656-91	CAM GEAR, rear exhaust (1 black dot)	ALL

Hardware List

[View interactive table](#)

PART NO.	DESCRIPTION
1028	SCREW 5/16-18 X 2-1/2 SEMS socket head, with lockpatch
1203	SCREW No. 8-32 X 7/8 Pozidriv fillister head (Grade 2)
1357W	SCREW 1/4-20 X 1 Phillips oval countersink head (stainless)
1601	SCREW No. 8-32 X 1/2 Pozidriv flat countersink head (Grade 2)
2325	SCREW No. 6 X 3/4 cross recess pan head, self-tapping
2361	SCREW No. 8-32 X 3/8 socket countersink head, with lockpatch
2362	SCREW No. 10 X 3/4 hex head, self-tapping
2405A	SCREW 5/16-18 X 3/4 Phillips oval head (chrome)
2523	SCREW No. 8-32 X 1/2 hex head, self-tapping
2528	SCREW No. 10-24 X 1/2 socket button head
25437-86	WASHER 23/64 X 41/64 X 1/16
2548	SCREW No.8-32 X 3/4 socket head, with lockpatch
2558	SCREW No. 6-32 X 3/16 pan head
2576	SCREW No. 10-32 X 3/4 pan head (Grade 2)

2579A	SCREW No. 8-32 X 5/16 Pozidriv oval head
2611C	BOLT No. 10-32 X 3/4 hex head, with washer (Grade 5)
2698A	SCREW 5/16-18 X 9/16 socket fillister head
2708A	SCREW 5/16-18 X 1 socket head
2711	SCREW No. 4-40 X 3/8 pan head, self-tapping
2720	SCREW 10-24 X 1.0 TORX head, with lockpatch
2737	SCREW No. 4-40 X 1/4 Pozidriv pan head (Grade 2)
2773	SCREW 1/4-20 X 1/2 Pozidriv pan head (Grade 2)
2925A	SCREW 7/16-20 X 1 socket head (Grade 8)
2952A	SCREW 1/4-20 X 1/2 SEMS truss head
31689-90	BOLT M4 X 0.7 X 12 hex head
3201WA	SCREW 5/16-18 X 1-1/4 knurled head
3206B	SCREW No. 8-32 X 1-7/8
3210A	SCREW 5/16-18 X 1-1/4 knurled head
3221	SCREW No. 4-16 X 3/16 (Grade 8)
3228A	SCREW 5/16-18 X 3/4 socket head with washer (Grade 8)
3275	SCREW 5/16-18 X 3/4 socket head (Grade 8)
3350	BOLT M5 X 0.87 X 115mm hex flange head
3403	LOCKNUT M8-1.25 X 12mm flange (zinc)
34075-89	WASHER 3/64 X 11/16 X 1/16
3480A	SCREW 1/4-20 X 1-3/4 knurled head (Grade 8)
3498	SCREW 1/2-13 X 3 hex head, with lockpatch (Grade 5)
3500A	BOLT 5/16-18 X 2-3/4 hex head (Grade 8)
3501A	BOLT 5/16-18 X 2-1/2 hex head (Grade 8)
35078-79	NUT 3/4-16 X .391 X 1
3514	SCREW No. 8-32 X 1 fillister head (Grade 5)
35211-91B	NUT 1-1/2-24 X .350 X 1-7/8 hex head
3534B	SCREW 1/2-13 X 2-1/2 socket head (Grade 8)
3562	SCREW No. 12 X 1/2 hex head, with washer, self-tapping
3579A	SCREW 1/4-28 X 1/4 SEMS hex head, self-tapping (Grade 2)

3588	SCREW 1/4-20 X 1/2 hex flange head
3594	SCREW 1/4-20 X 5/8 knurled head (Grade 8)
3606	SCREW No. 10-24 X 7/8 hex head
3610	SCREW 5/16-18 X 3-3/4 hex flange head (Grade 5)
3652	SCREW 1/4-20 X 3/8 button head (Grade 8)
3655A	SCREW 5/16-18 X 7/8 TORX pan head, with lockpatch (Grade 8)
3658	SCREW No. 10-24 X 1/2 TORX head (Grade 5)
3666A	SCREW No. 10-24 X 1.500 TORX recessed head, with washer
3675	SCREW 5/16-18 X 1 TORX head, with lockpatch (Grade 8)
3689	BOLT 1/4-20 X 5/8 (Grade 2)
3730A	BOLT 7/16-14 X 1-3/4 hex head (Grade 8)
3767B	BOLT 1/4-20 X 5/8 hex head (Grade 5)
3769	BOLT 7/16-14 X 1-1/2 hex head (Grade 5)
3787	BOLT 1/4-20 X 3/4 hex head (Grade 5)
3802W	BOLT 1/4-20 X 7/8 hex head (Grade 5)
3849	SCREW 1/4-20 X 1-1/4 SEMS hex head (Grade 8)
3930A	SCREW 5/16-18 X 3/4 hex head, with washer, self-tapping
3958	BOLT 1/2-20 X 2-1/4 hex head (Grade 5)
3987	BOLT 5/16-18 X 3/4 hex head (Grade 5)
3993	BOLT 1/4-20 X 1-1/4 hex head (Grade 5)
4007	SCREW 5/16-18 X 1-1/4 socket button head
4029A	SCREW 3/8-16 X 2-1/4 socket head (black)
4047	SCREW 3/8 X 2 TORX button head, self-tapping
4091	SCREW No. 10-24 X 1/2 hex head, with washer, self-tapping (zinc)
41191-74A	SCREW 1/2-20 X 5/8 hex socket flat head, with lockpatch
4132	SCREW 1/4-20 X 1-1/8 TORX button head (Grade 5) (black)
4240	SCREW No. 10-24 X 3/16 hex head, with washer
4319	BOLT 3/8-24 X 1 hex head (Grade 5)
4326A	SCREW 5/16-18 X 2 socket head
4329	SCREW 1/4-20 X 3/4 hex head with washer, self-tapping
4350A	SCREW 3/8-16 X 1-1/2 socket head

4351	SCREW 3/8-16 X 1-1/2 TORX head, self-tapping (Grade 8)
4352	SCREW 3/8-16 X 1-1/2 TORX, self-tapping (Grade 8)
43567-92	SCREW 3/8-16 X 1 TORX pan head, with lockpatch
4377	SCREW 3/8-16 X 2.0 hex head, with washer, self-tapping
4420	SCREW 3/8-16 X 2.75 hex head (Grade 5)
4435W	BOLT 3/8-24 X 3-1/2 hex head (Grade 5)
4453	BOLT 1/4-20 X 7/8 hex head SPECIAL WITH TAPPED HOLE
4460	BOLT 5/8-18 X 1 hex head (Grade 5)
45405-75A	SCREW M8 X 1.25 x 27 hex socket head
4716W	SCREW 3/8-16 X 1-1/4 hex head (Grade 5)
4717A	SCREW 1/4-20 X 2-1/4 knurled head, with lockpatch
4718A	SCREW 1/4-20 X 1-1/2 knurled head, with lockpatch
4721	BOLT 3/8-16 X 1-1/2 hex head (Grade 5)
4740A	SCREW 1/4-20 X 1-1/4 knurled head, with lockpatch (Grade 8)
4741A	SCREW 1/4-20 X 1 socket head, with lockpatch
4743	BOLT 1/2-20 X 2-3/8 hex head (Grade 5)
4748	SCREW 3/8-16 X 1-1/8 socket head (Grade 8)
4751	SCREW 1/4-20 X 3/4 hex head, with lockpatch (Grade 8) (zinc)
4753	SCREW 1/4-20 X 3/8 socket head, with lockpatch (Grade 8)
4758A	SCREW 5/16-18 X 3.48 socket head (Grade 8)
4816A	SCREW 5/16-18 X 1-1/2 socket head
4820A	SCREW 1/4-20 X 2 socket head
4826	SCREW 1/4-20 X 2-1/2 socket head, with washer
5403B	BOLT 1/4-20 X 3/8 carriage
54321-85	NUT No. 8-32 X 1/2 X 1/8 (brass)
5440	BOLT 5/16-18 X 3/4 carriage
5756	WASHER 21/32 X 1-5/16 X 5/8
6003	WASHER 1-3/16 X 1-3/8 X 11/16
6012	WASHER 1/2 X 1-3/16 X 1/16
6016	WASHER 11/32 X 11/16 X 1/16

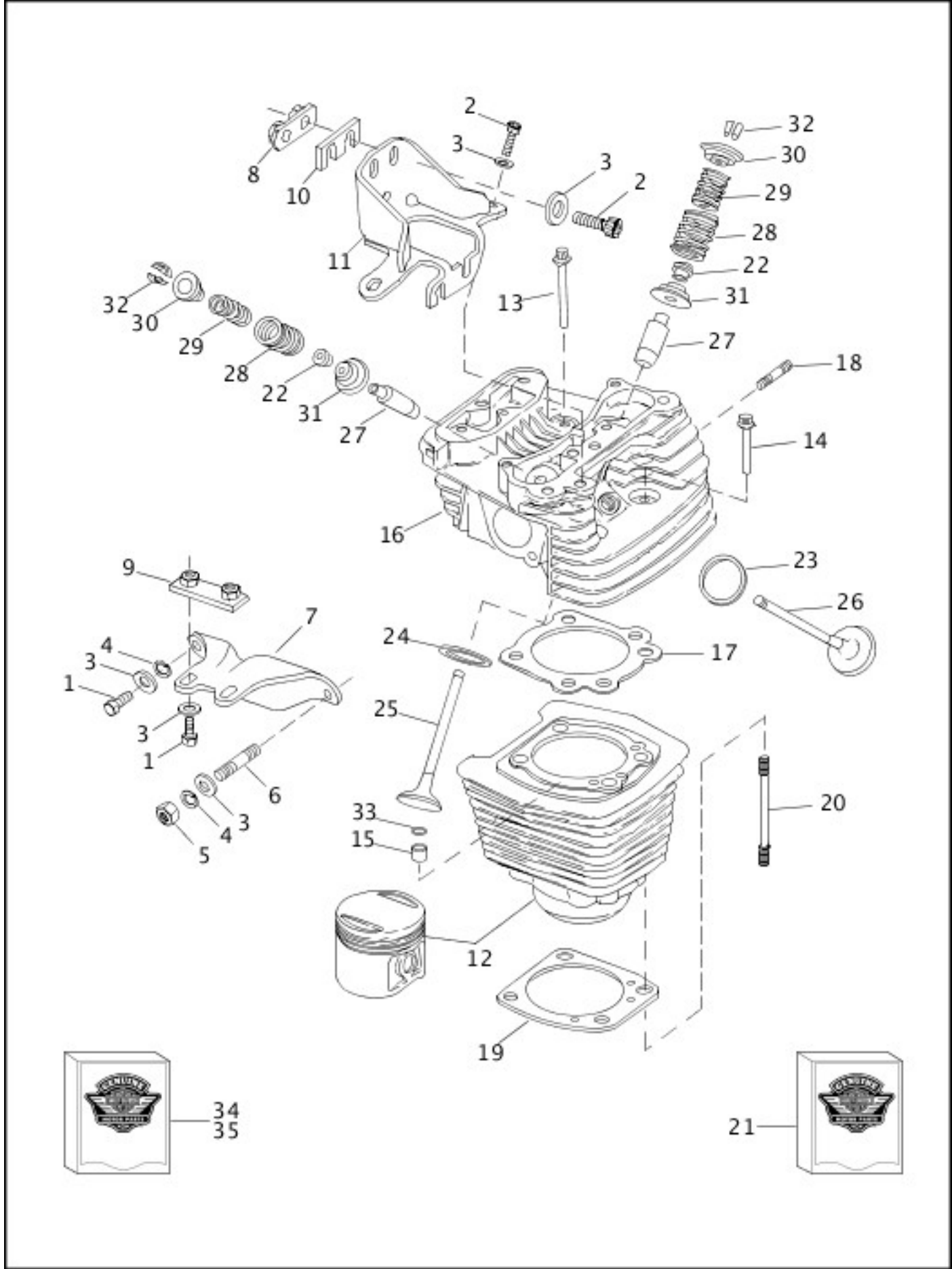
6019	WASHER 3/8 X 29/32 X 1/16
6026	WASHER 3/8 X 7/8 X 7/64
6036	WASHER 17/64 X 1 X 1/16
6099	WASHER 1/4 X 7/16 X 1/16
6101	WASHER 17/64 X 27/64 X 1/16
6109	WASHER 5/16 X 11/16 X 1/8
6157	WASHER 27/64 X 5/8 X 1/64 heat treated
6192	WASHER No. 8 X 7/16 X 3/64
6220W	WASHER 1/4 X 7/16 X 1/32
6314W	WASHER 21/64 X 9/16 X 1/8 (zinc)
6333	WASHER 5/16 X 7/8 X 5/64
6366	WASHER 1/2 X 1-1/4 X 3/32
6410	WASHER 1/4 X 9/16 X 1/16 nylon
6516HW	WASHER 7/16 X 1-1/8 X 1/8
6590HW	WASHER 1/2 X 1-1/8 X 3/32
6655	WASHER 5/8 X 1-1/2 X 7/64
6701	WASHER 3/8 X 13/16 X 1/16
6702	WASHER 5/16 X 11/16 X 1/16
6703	WASHER 1/4 X 5/8 X 1/16
6716	WASHER No. 10 X 1/2 X 3/64
6736	WASHER 9/32 X 5/8 X 1/16
6812	WASHER 13/32 X 11/16 X 1/16
7019	WASHER 1/2 X 3/4 X 1/4 rubber
7036	WASHER 1/4 X 31/64 X 1/16
7038	LOCKWASHER 3/8
7041	LOCKWASHER 5/16
7042	LOCKWASHER 5/16 high collar
7045	LOCKWASHER 3/8 high collar
7068	LOCKWASHER 1/2
7069	LOCKWASHER No. 10
7124	LOCKWASHER 1/4 internal tooth

7127	LOCKWASHER 5/16 internal tooth
7129	LOCKWASHER 1/2 internal tooth
7145W	LOCKWASHER 3/8 external tooth
7220	LOCKWASHER No. 10 external tooth
7495	NUT M6 flange
7531	LOCKNUT 5/16-18 X 9/32 X 1/2 flange
7549A	ACORN NUT 5/16-18 X 9/16 X 1/2
7593	NUT 5/16-24 flange
7602	ACORN NUT No. 10-32 nylon
7624	LOCKNUT No. 10-24 X 1/4 X 3/8
7629	NUT No. 10-32 X 3/8 keps
7634	NUT No. 10-32 X 1/8 X 5/16 (brass)
7655	ACORN NUT 3/8-16 (chrome)
7667	NUT 3/8-16 X 9/32 X 9/16 nylon insert
7683	LOCKNUT 1/4-28 X 5/16 X 7/16
7686	LOCKNUT 1/4-20 X 5/16 X 7/16
7688	NUT 1/4-20 X 7/32 X 7/16 (Grade 2)
7736	ACORN NUT 5/16-24 X 19/32 X 1/2 (Grade 2) (chrome)
7739	LOCKNUT 5/16-18 X 11/32 X 1/2
7744	JAMNUT 5/16-24 X 3/16 X 1/2 (Grade 2)
7775	LOCKNUT 3/8-24 X 7/16 X 9/16
7778	LOCKNUT 3/8-16 X 7/16 X 9/16
7780	LOCKNUT 3/8-24 X 13/32 X 11/16 flange
7783	NUT 3/8-16 X 5/16 X 9/16 (Grade 2)
7789	LOCKNUT 3/8-24
7792	NUT 1/4-20 X 1/4 (Grade 2)
7804	LOCKNUT 1/2-13 X 15/32 X 7/8 self-sealing
7824	LOCKNUT 1/2-20 X 1/4 (Grade 2)
7827W	LOCKNUT 7/16-14
7839	NUT 3/4-16 X 21/32 flange (Grade 2)

7844	LOCKNUT 1/2-13 X 5/16 X 3/4
7845	NUT 1/2-20 X 7/16 X 3/4 (Grade 2)
7861	NUT 3/8-24
7880	NUT 1/2-13 X 7/16 X 3/4 (Grade 2)
7916A	JAMNUT 5/8-18
7987	NUT 5/8-18 X 15/16 slotted (Grade 8)
8108	SPEEDNUT 1/4-20
8144	NUT CLIP 5/16-18
853A	SCREW 5/16-18 X 2-1/4 knurled head
855B	SCREW 3/8-16 X 2 knurled head
869	SCREW 1/4-20 X 1-1/4 socket button head (Grade 8)
879A	SCREW 5/16-18 X 3-1/2 knurled head (Grade 8)
882	SCREW 1/4-20 X 7/8 knurled head, with washer (Grade 8)
90770-79	SCREW No. 8-32 X 3/8 Pozidriv head, self-tapping
923	SCREW 1/4-20 X 3/4 socket pan head
929A	SCREW M4 X 0.7 X 11.8 flange head
943	SCREW 1/4-20 X 5/8 socket button head
94313-91TS	SCREW 1/4-20 X 7/8 socket head
946	SCREW 1/4-20 X 2-1/4 socket button head, with lockpatch (Grade 8)

New Parts List

CYLINDER, HEAD & VALVES - V2™ EVOLUTION (2 OF 2)

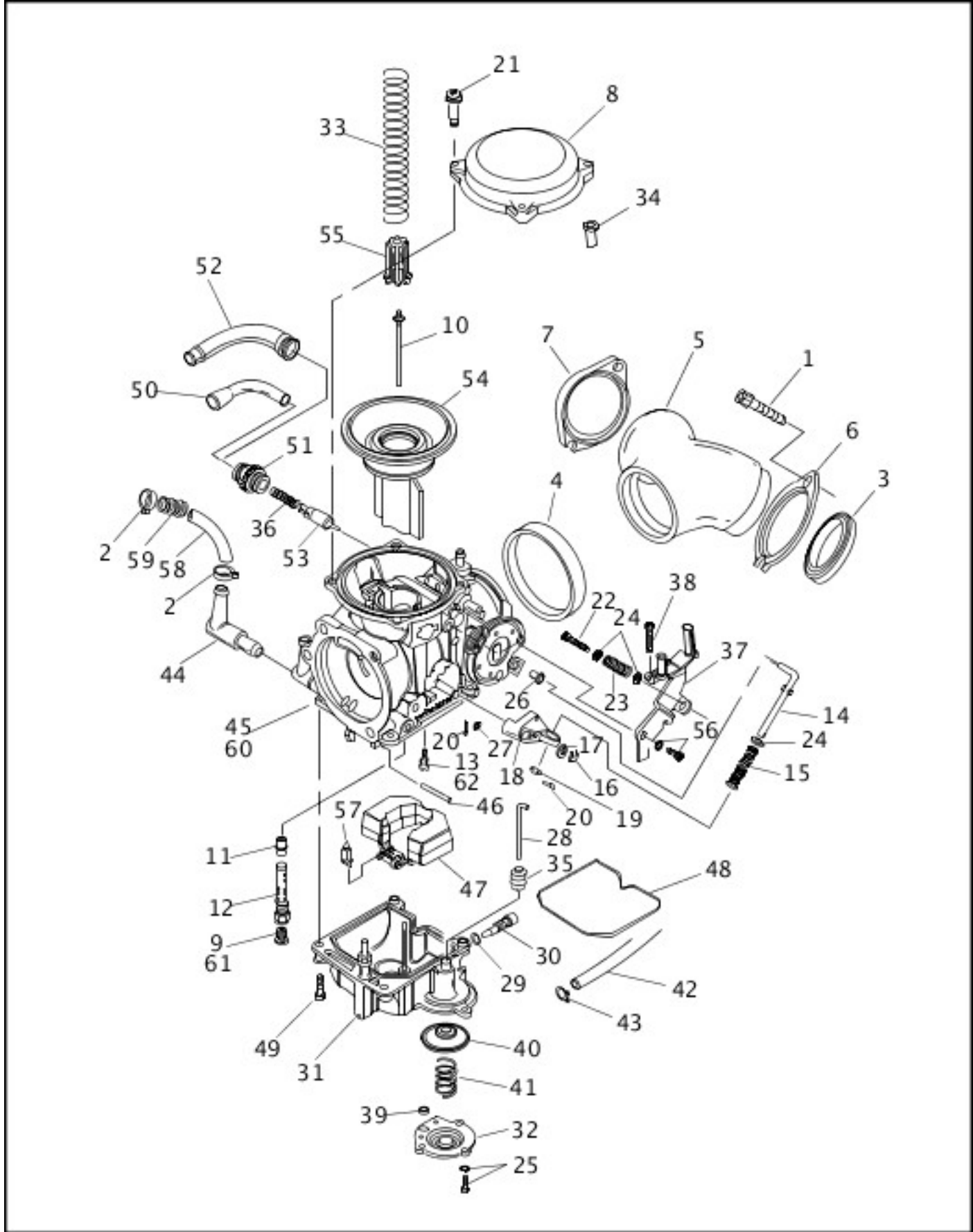


[View interactive table](#)

INDEX NO.	PART NO.	DESCRIPTION	MODEL(S)
34	16051-97	ENGINE ASSEMBLY, complete (1200cc)	XL1200
	16052-97	ENGINE ASSEMBLY, complete (883cc)	XL883
	16054-97	ENGINE ASSEMBLY, complete (1200cc) (California)	XL1200
	16055-97	ENGINE ASSEMBLY, complete (1200cc) (California)	XL883
	16061-97	ENGINE ASSEMBLY, complete (883cc)	XL883HUG

	16062-97	ENGINE ASSEMBLY, complete (883cc) (California)	XL883HUG
	16068-97	ENGINE ASSEMBLY, complete (1200cc)	XL1200C
	16069-97	ENGINE ASSEMBLY, complete (1200cc) (California)	XL1200C
	16074-97	ENGINE ASSEMBLY, complete (1200cc)	XL1200S
	16075-97	ENGINE ASSEMBLY, complete (1200cc) (California)	XL1200S
35	16063-97	ENGINE ASSEMBLY, complete (1200cc) (HDI)	XL1200
	16064-97	ENGINE ASSEMBLY, complete (883cc) (HDI)	XL883
	16066-97	ENGINE ASSEMBLY, complete (883cc) (HDI)	XL883HUG
	16071-97	ENGINE ASSEMBLY, complete (1200cc) (HDI)	XL1200C
	16076-97	ENGINE ASSEMBLY, complete (1200cc) (Swiss)	XL1200S

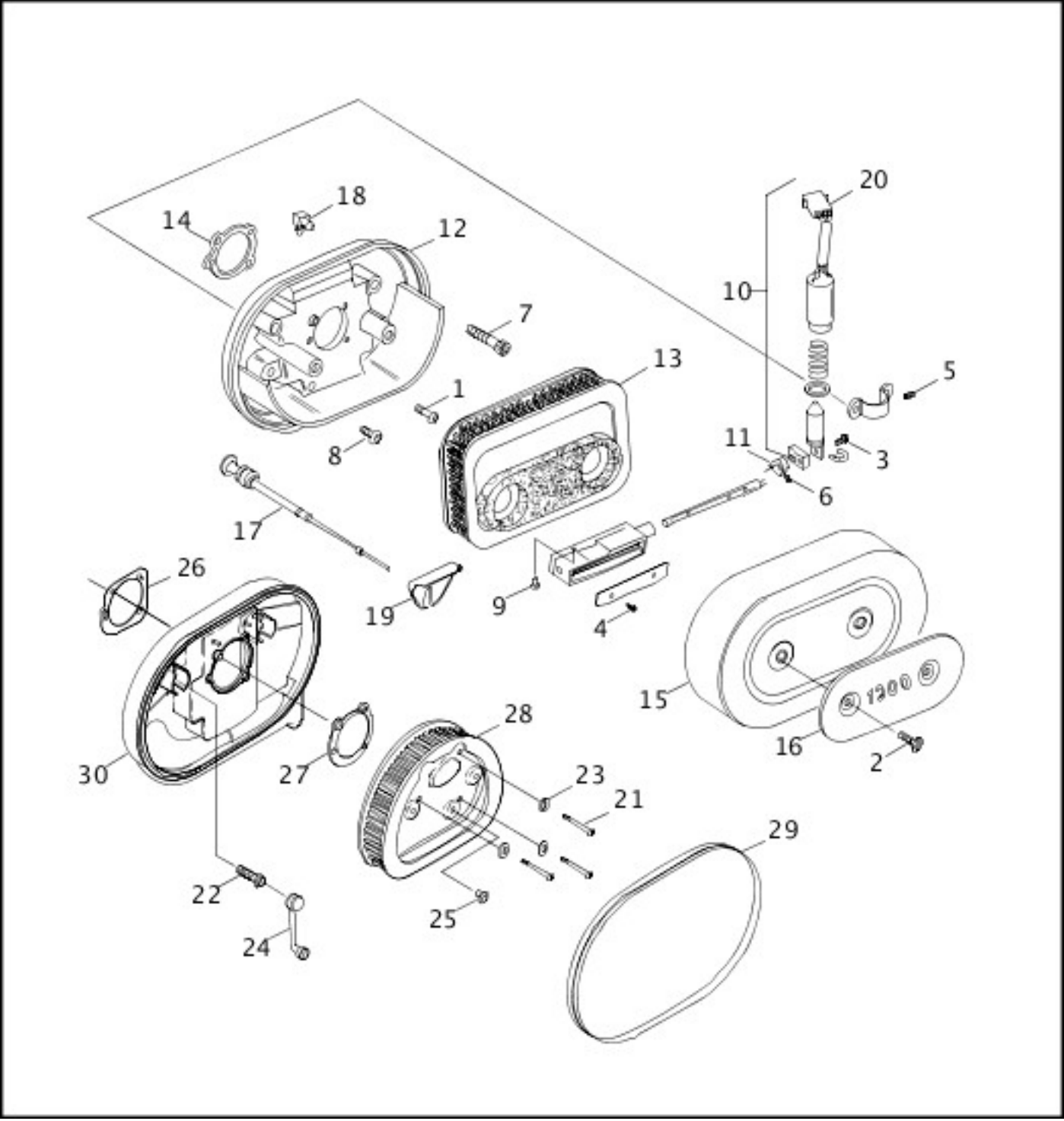
CARBURETOR (2 OF 2)



[View interactive table](#)

INDEX NO.	PART NO.	DESCRIPTION	MODEL(S)
	27480-97A	CARBURETOR	XL1200, XL1200C, XL1200S
	27495-96A	CARBURETOR (California)	XL883, XL883HUG

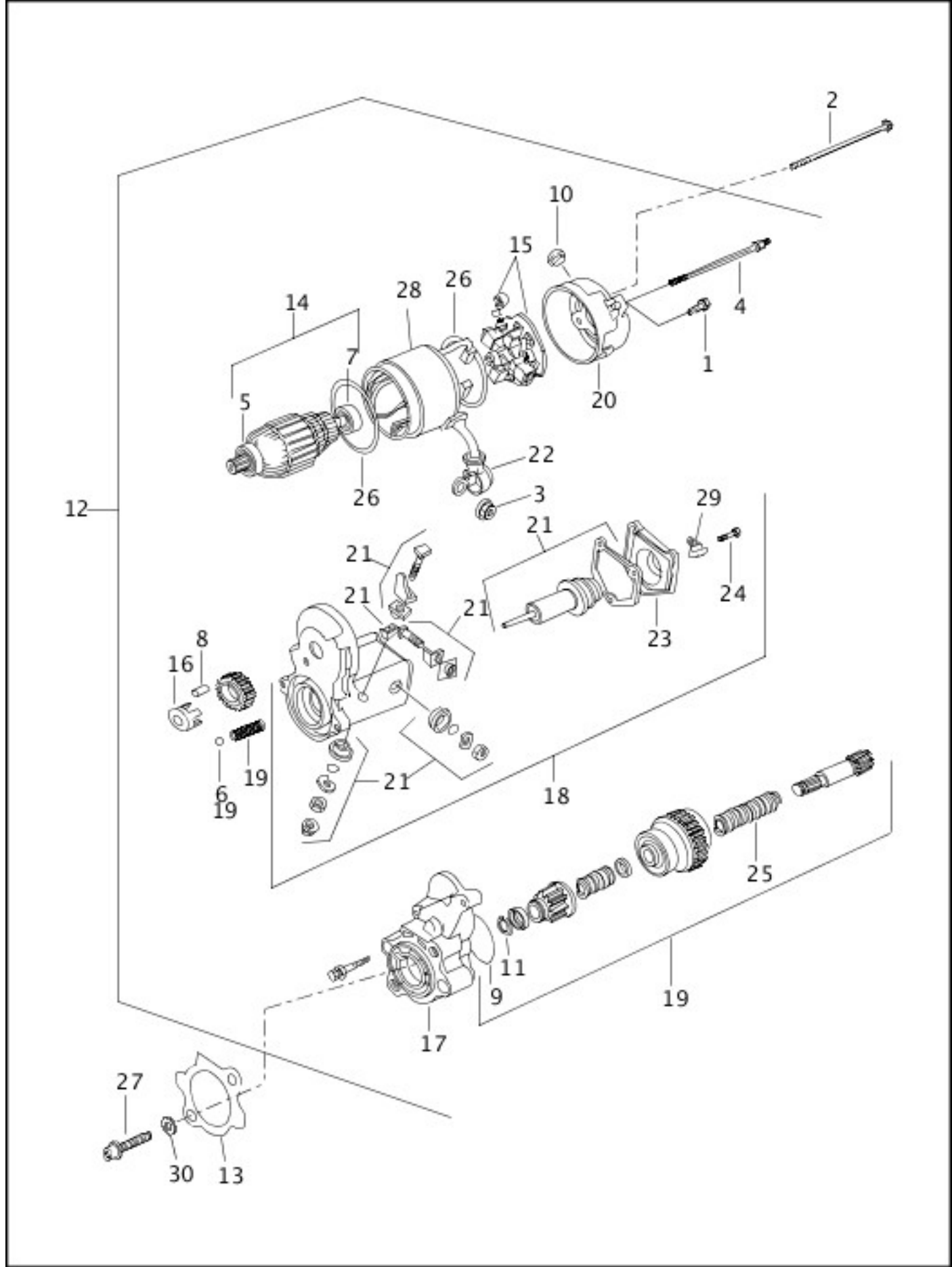
AIR CLEANER & ENRICHENER



[View interactive table](#)

INDEX NO.	PART NO.	DESCRIPTION	MODEL(S)
12	29367-97A	BACKPLATE, air cleaner	ALL
	29018-97	BACKPLATE, air cleaner (California)	ALL

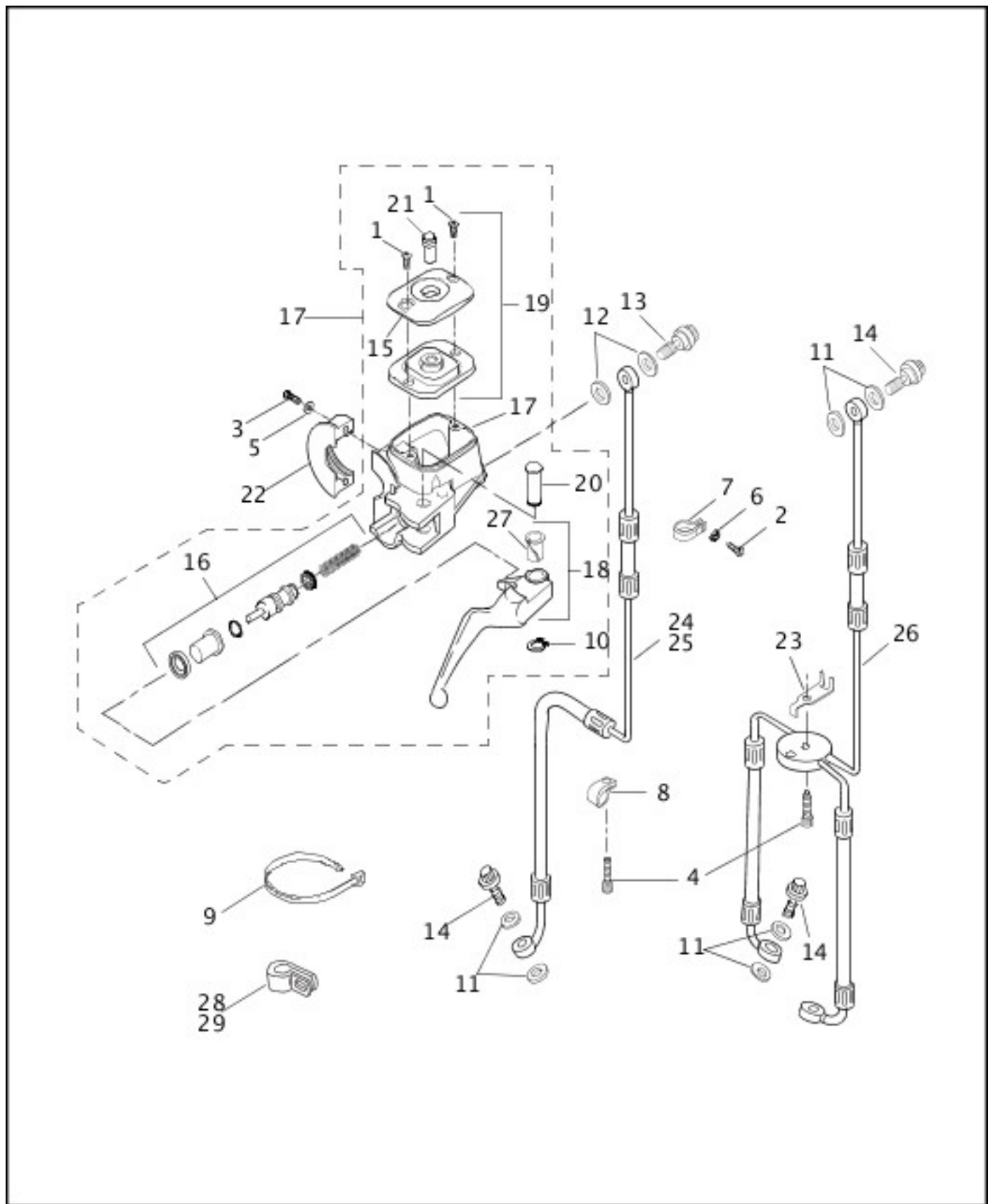
STARTER MOTOR



[View interactive table](#)

INDEX NO.	PART NO.	DESCRIPTION	MODEL(S)
9	10957	O-RING	ALL
12	31390-91A	STARTER MOTOR, complete	ALL
13	31488-81C	GASKET, starter motor	ALL
18	31540-91	SWITCH ASSEMBLY, magnetic	ALL
19	31556-91D	CLUTCH SUB-ASSEMBLY, w/ 8879, 10957, 31328-91 & 31692-90	ALL

FRONT BRAKE CONTROL

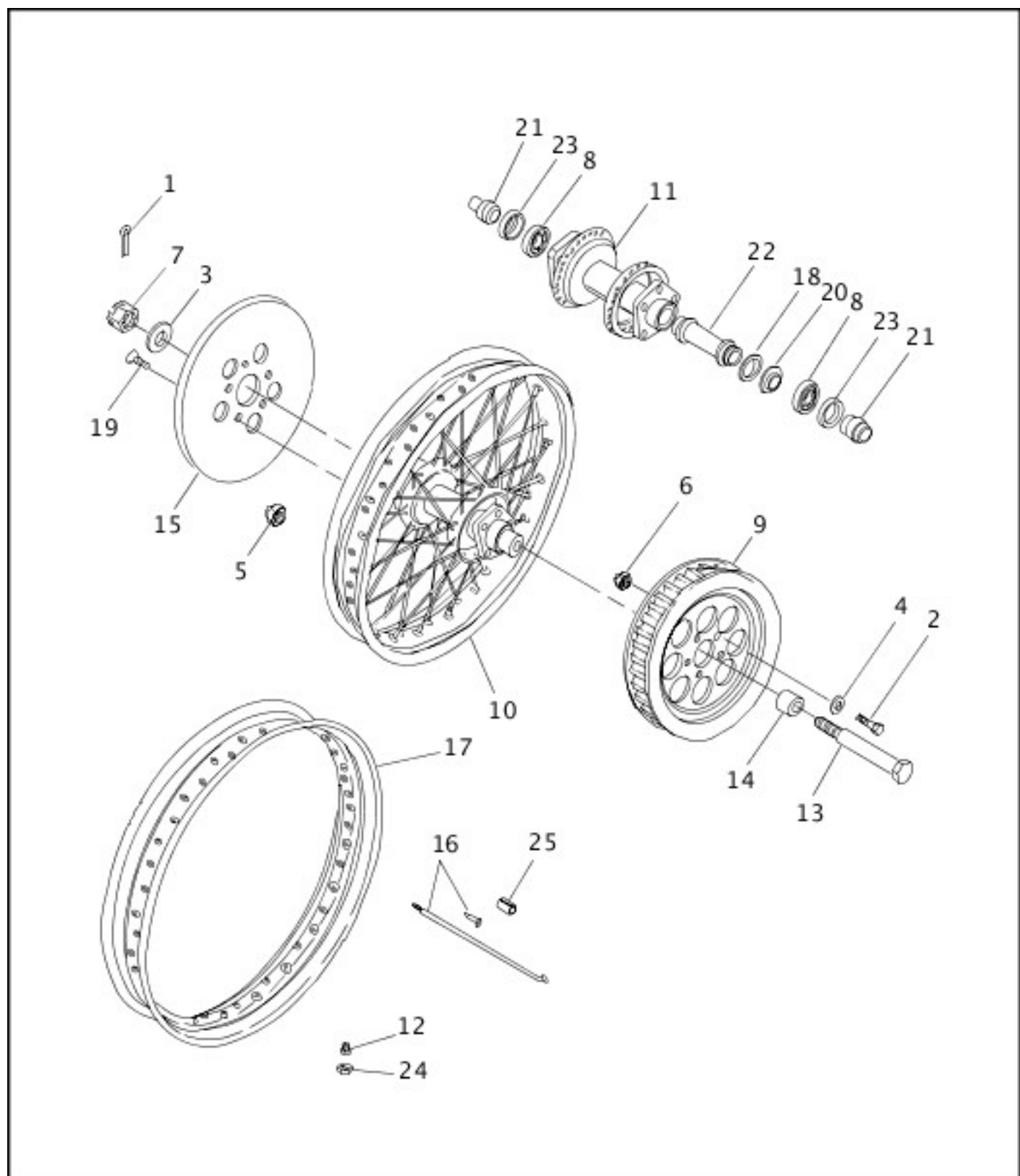


[View interactive table](#)

INDEX NO.	PART NO.	DESCRIPTION	MODEL(S)
15	45004-96A	COVER, master cylinder	ALL
17	45013-96D	MASTER CYLINDER ASSEMBLY	XL1200S
	45019-96D	MASTER CYLINDER ASSEMBLY	XL1200, XL1200C, XL883, XL883HUG

19	45030-03C	COVER KIT, reservoir, w/ 2579A	ALL
22	45044-96A	CLAMP, master cylinder	ALL
25	45121-96A	BRAKE LINE KIT, front, w/ 10065, 41733-88, 68562-84 & 71795-63A	XL1200, XL1200C, XL883, XL883HUG
26	45148-96A	BRAKE LINE KIT, front, w/ 10065 & 71795-63A	XL1200S
28	68562-84	CLAMP	XL1200, XL1200C, XL883, XL883HUG
29	71795-63A	CLAMP	XL1200S

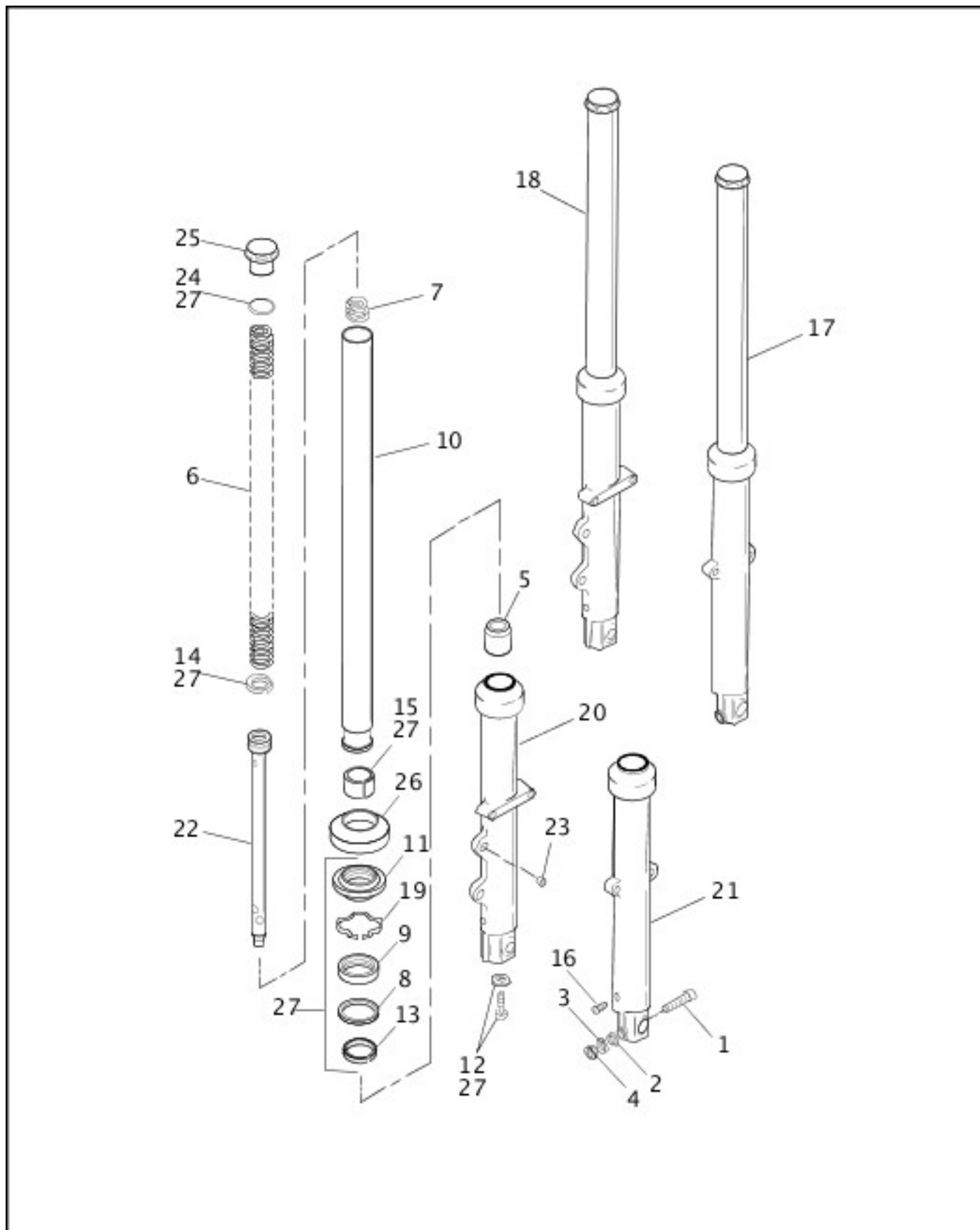
REAR WHEEL - LACED



View interactive table

INDEX NO.	PART NO.	DESCRIPTION	MODEL(S)
17	43085-97	RIM, 16 inch (chrome)	ALL

FRONT FORK

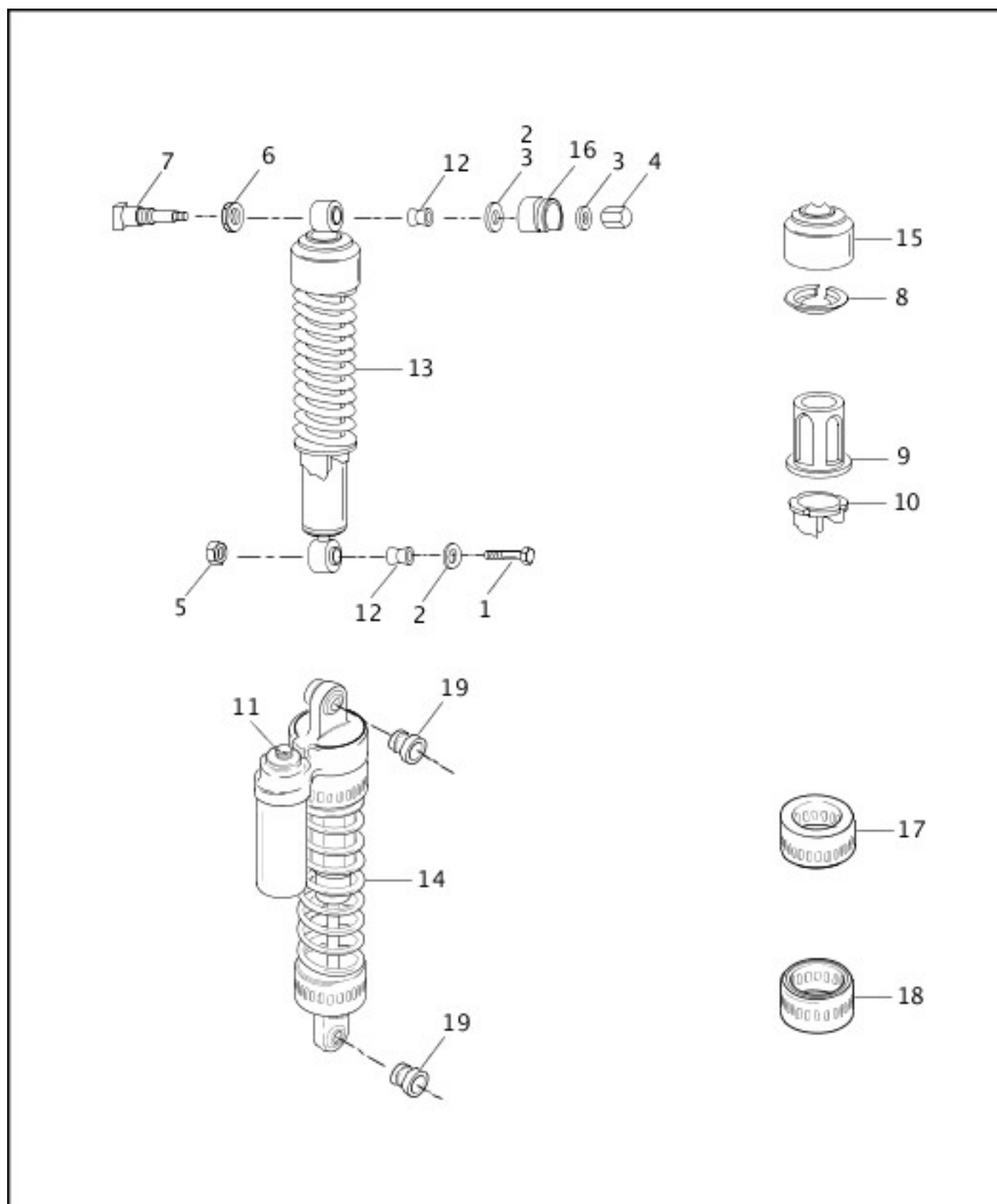


View interactive table

INDEX NO.	PART NO.	DESCRIPTION	MODEL(S)
	45376-97	SPRING (2)	XL1200, XL883

10	45395-97	SLIDER TUBE (2)	XL1200, XL1200C, XL883, XL883HUG
17	45900-97	FORK SLIDER & TUBE ASSEMBLY, right	XL1200, XL883
18	45901-97	FORK SLIDER & TUBE ASSEMBLY, left	XL1200, XL883
22	45925-97	DAMPER TUBE (2)	XL1200, XL883

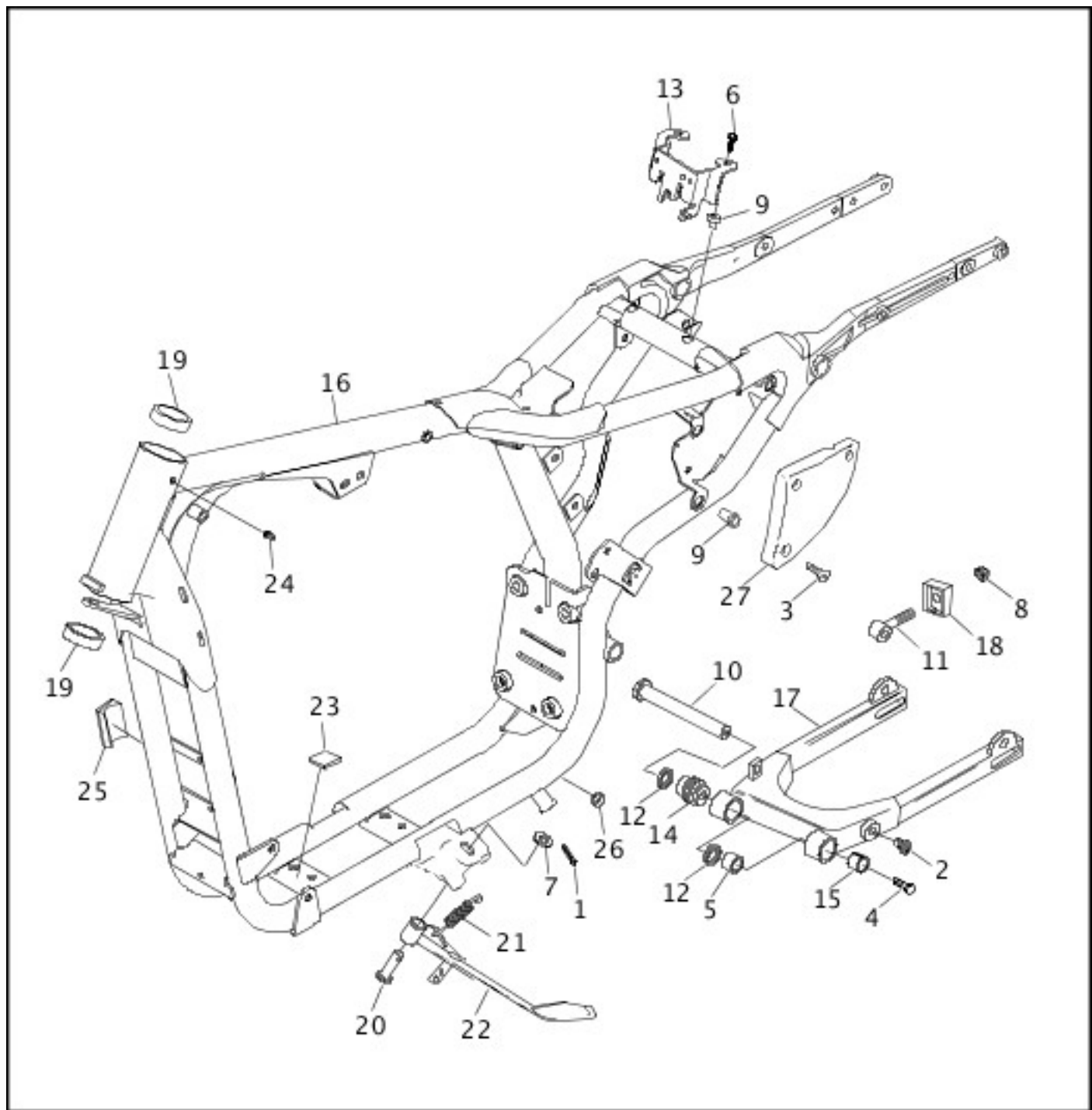
SHOCK ABSORBERS



[View interactive table](#)

INDEX NO.	PART NO.	DESCRIPTION	MODEL(S)
13	54566-97	SHOCK ABSORBER, complete (2)	XL1200, XL883

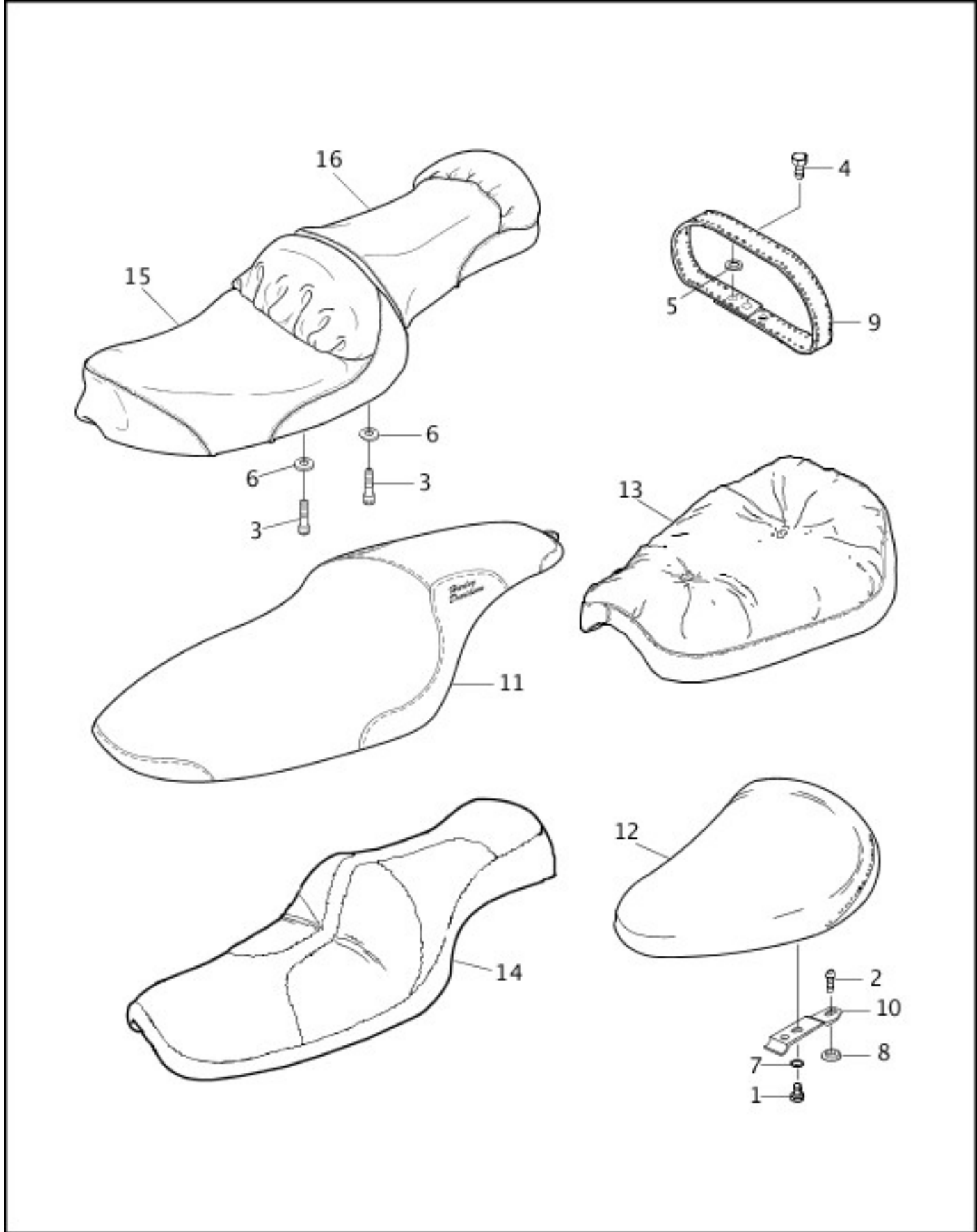
FRAME, REAR FORK & JIFFY STAND



[View interactive table](#)

INDEX NO.	PART NO.	DESCRIPTION	MODEL(S)
11	41573-97	ADJUSTER, rear axle (2)	ALL

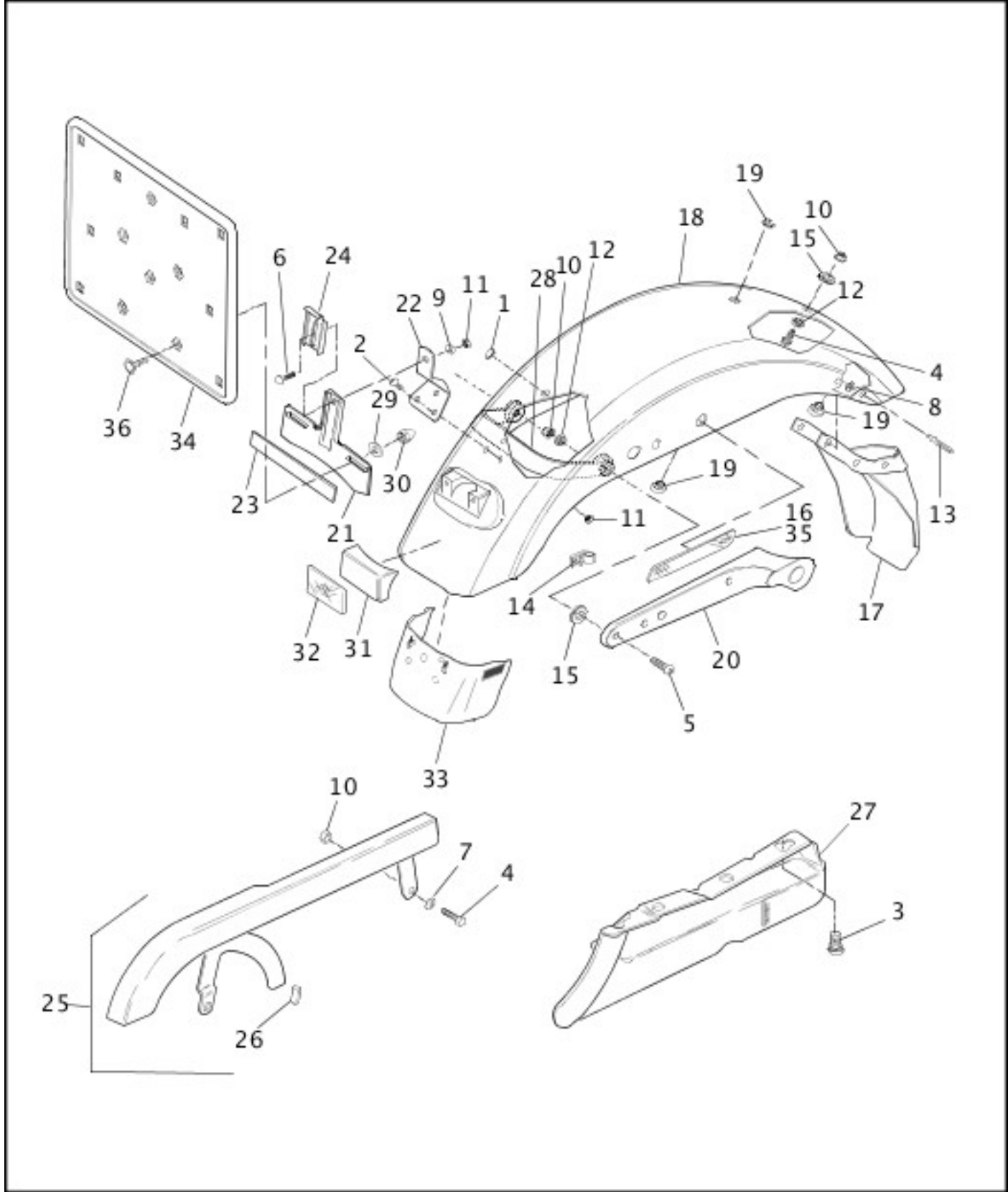
SEATS



[View interactive table](#)

INDEX NO.	PART NO.	DESCRIPTION	MODEL(S)
15	52357-97	SEAT, solo (front)	XL1200
16	52358-97	SEAT, pillow (rear)	XL1200

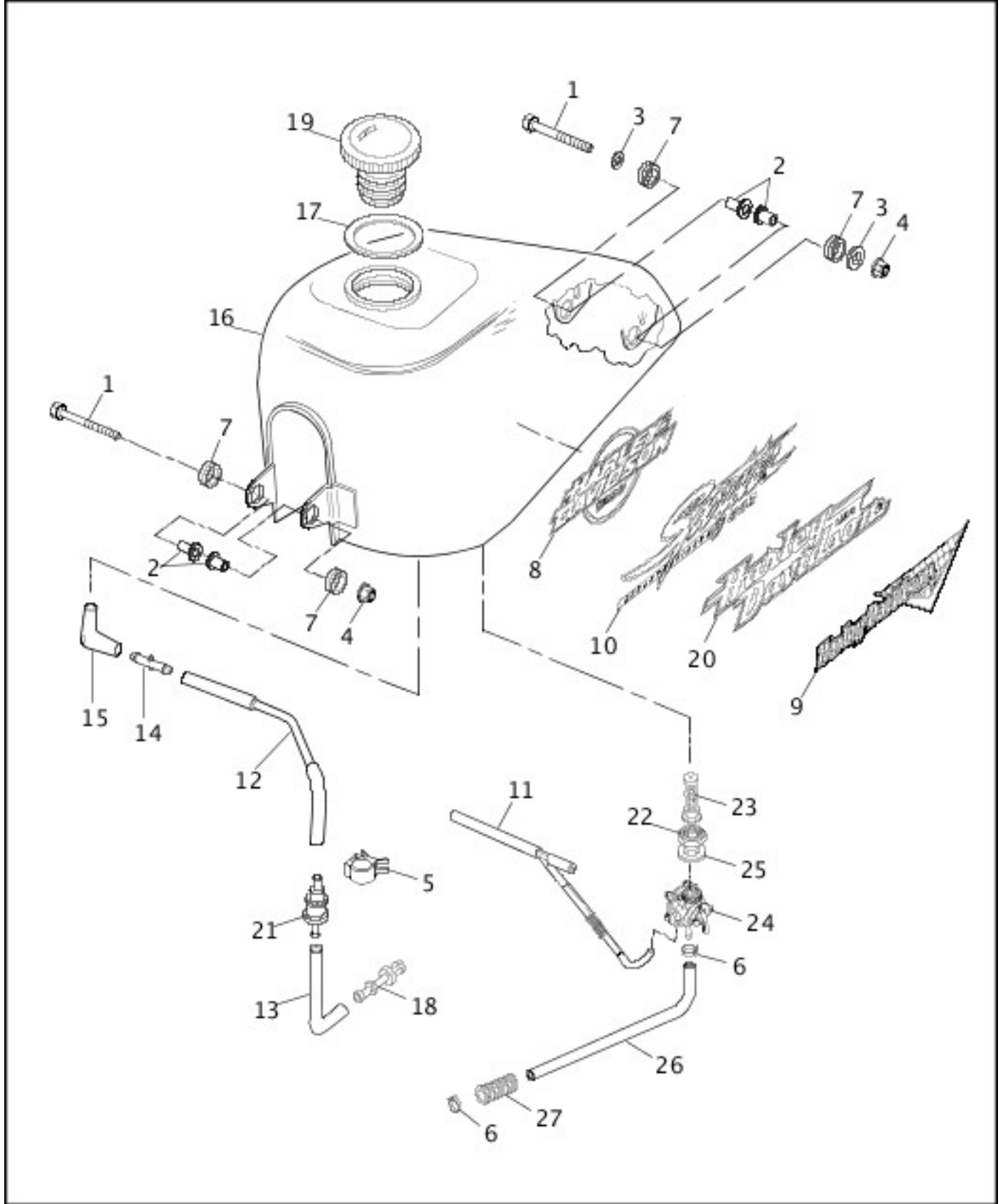
REAR FENDER & BELT GUARDS



[View interactive table](#)

INDEX NO.	PART NO.	DESCRIPTION	MODEL(S)
18	59756-97	REAR FENDER (prime)	ALL
19	59768-97	KIT FENDER SEAT NUT ASSEMBLY	ALL
33	59669-97	REAR FENDER EXTENSION (HDI)	XL1200C, XL1200S, XL883
34	60026-97	LICENSE PLATE BRACKET (HDI)	XL1200C, XL1200S, XL883

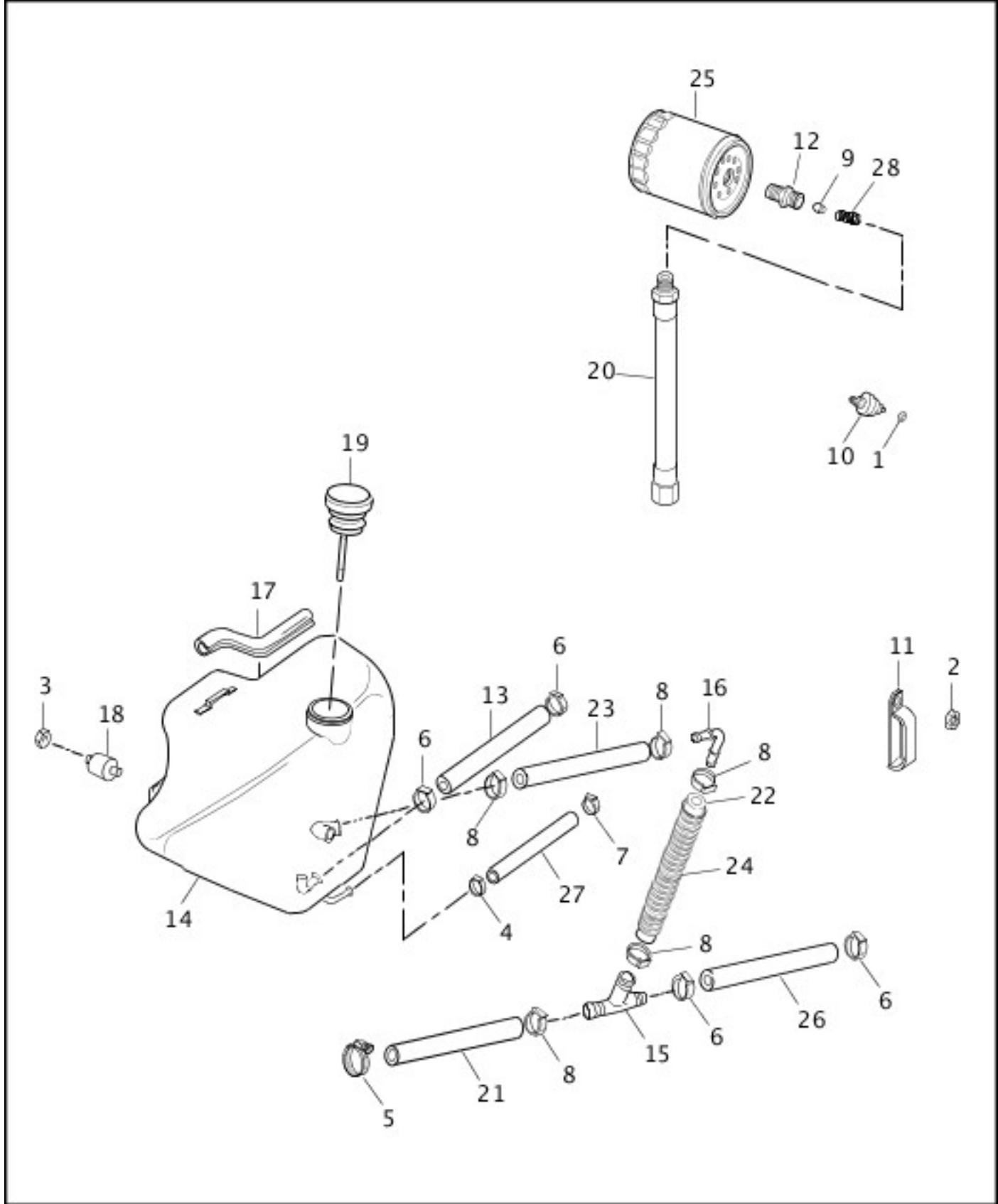
FUEL TANK & TRIM



[View interactive table](#)

INDEX NO.	PART NO.	DESCRIPTION	MODEL(S)
10	14638-97	DECAL (pale gold, dark platinum victory red)	XL883, XL883HUG
	14639-97	DECAL (silver, dark states blue)	XL883, XL883HUG

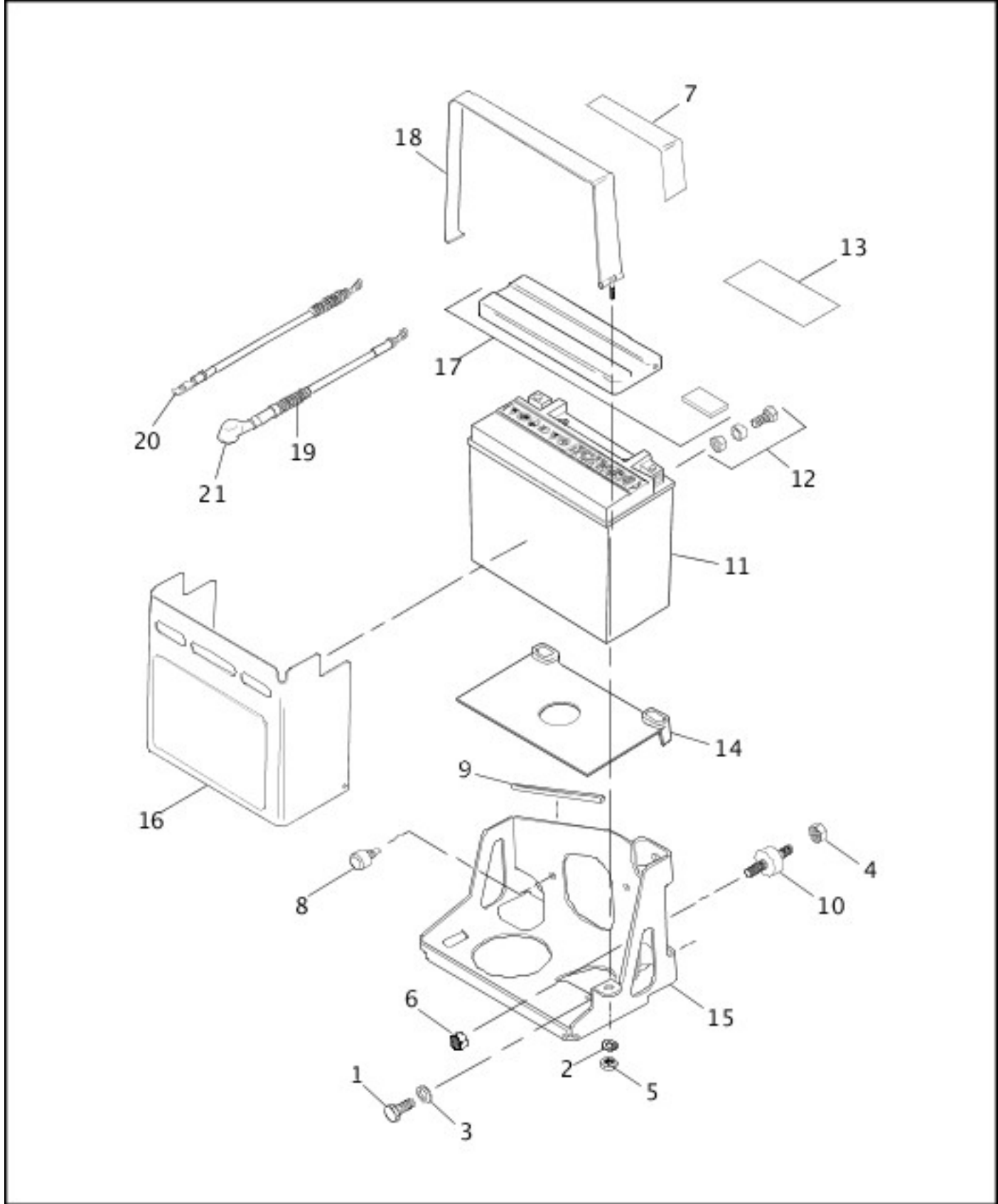
OIL TANK & FILTER



[View interactive table](#)

INDEX NO.	PART NO.	DESCRIPTION	MODEL(S)
14	62475-97A	OIL TANK ASSEMBLY	ALL

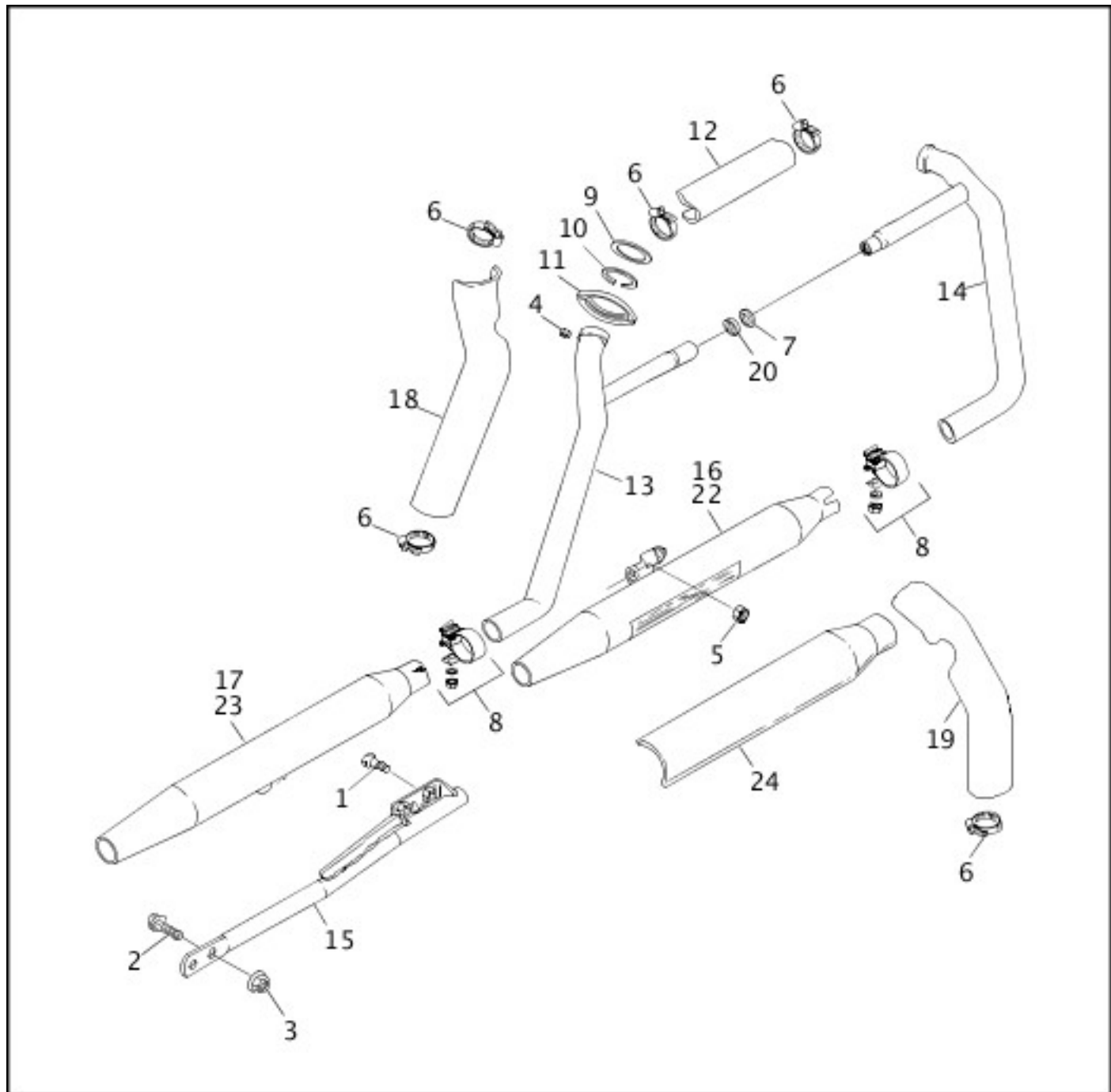
BATTERY



[View interactive table](#)

INDEX NO.	PART NO.	DESCRIPTION	MODEL(S)
8	60429-97	BUMPER	ALL
11	65989-97C	BATTERY	ALL
12	66020-97	BATTERY TERMINAL KIT	ALL
14	66214-97	PAD, battery	ALL
17	66359-97	COVER, battery, top assy (black)	XL1200C, XL883, XL883HUG
	66367-97	COVER, battery, top assy (chrome)	XL1200, XL1200S
19	70076-97	CABLE BATTERY, positive w/ boot	ALL

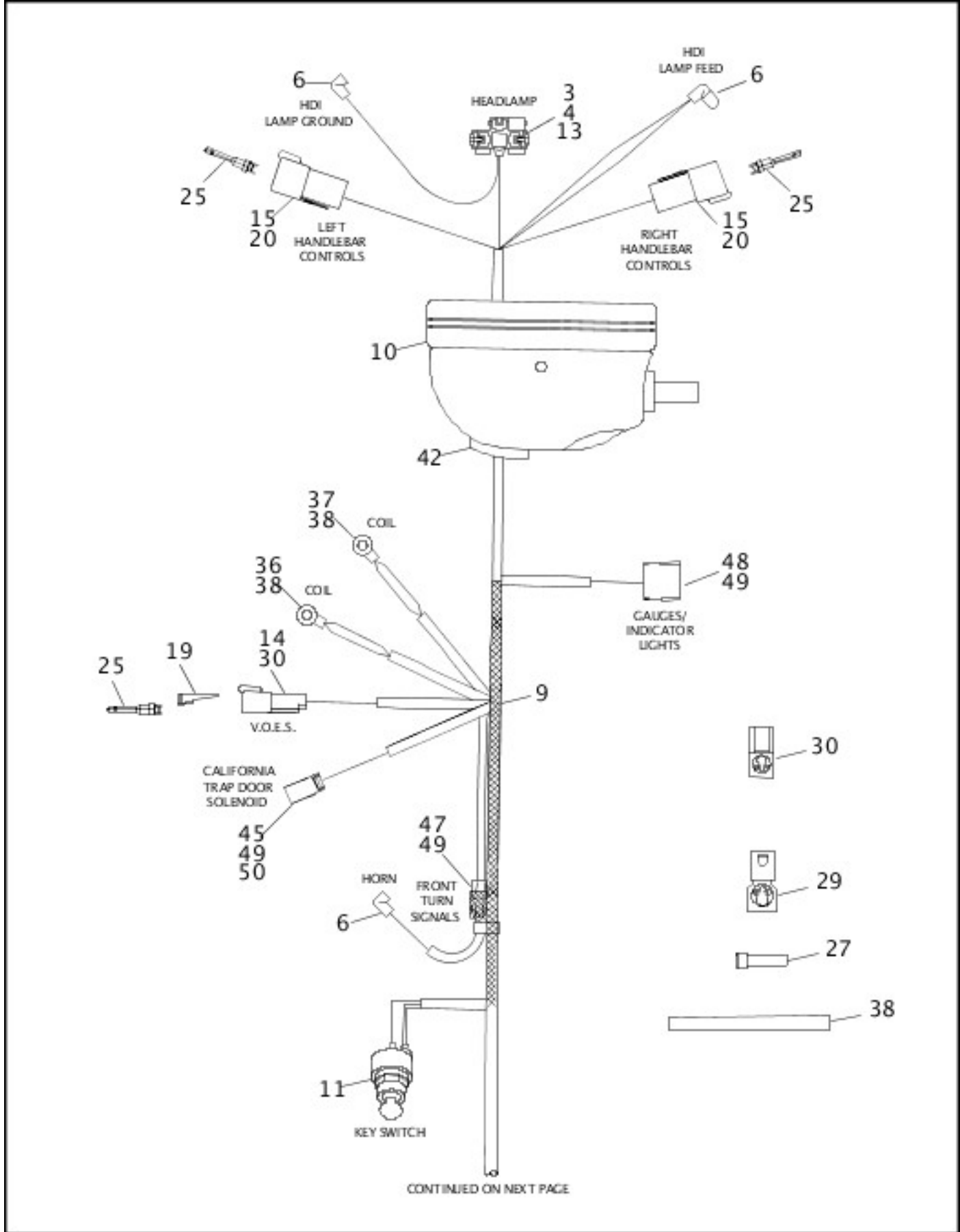
EXHAUST SYSTEM



[View interactive table](#)

INDEX NO.	PART NO.	DESCRIPTION	MODEL(S)
16	65605-97	MUFFLER, front (chrome)	ALL
17	65613-97	MUFFLER, rear (chrome)	ALL
22	65766-97	MUFFLER, front (chrome) (HDI)	ALL
	65860-97	MUFFLER, front (Swiss)	ALL
23	65769-97	MUFFLER, rear (chrome) (HDI)	ALL
	65861-97	MUFFLER, rear (Swiss)	ALL

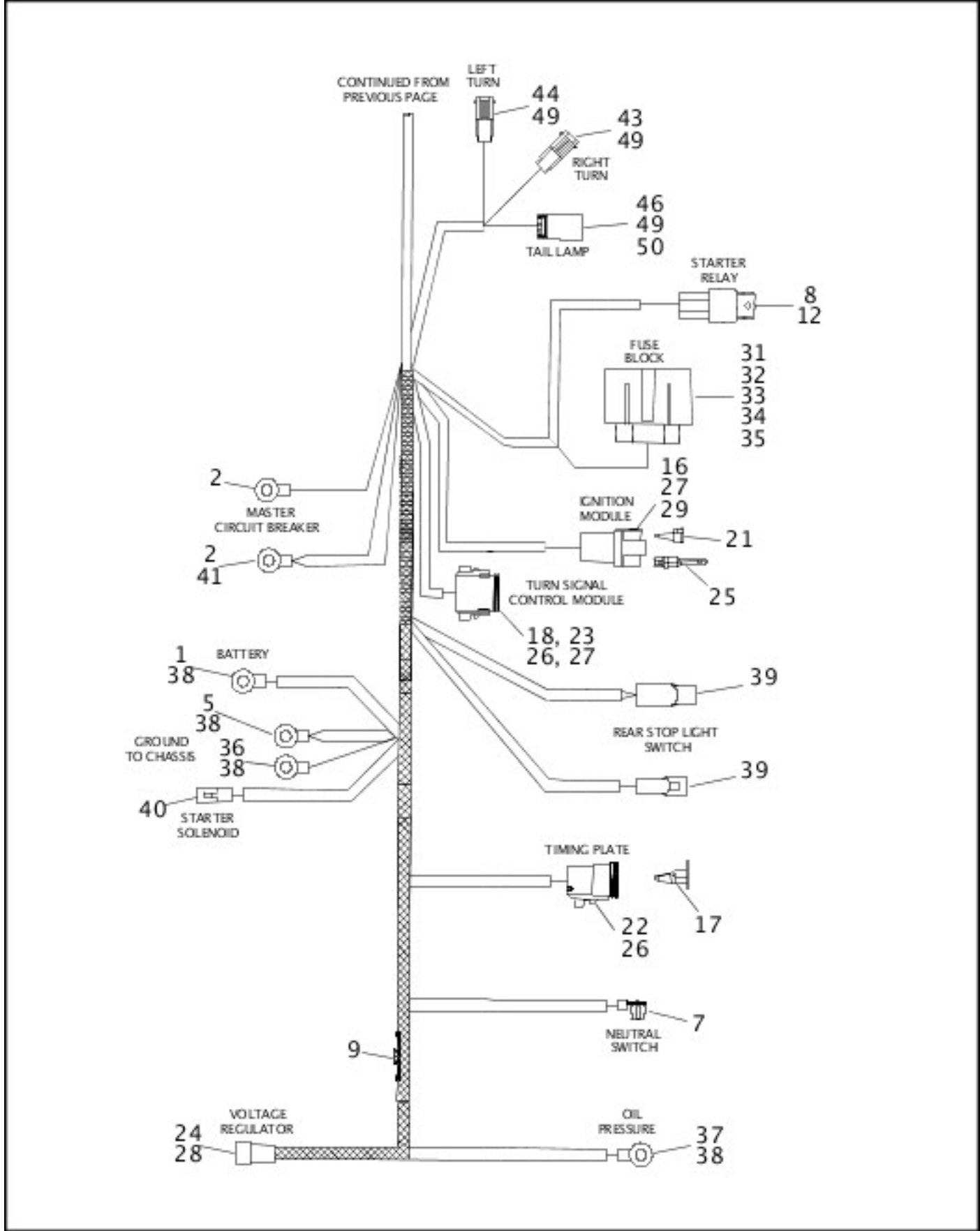
MAIN WIRING HARNESS (1 OF 2)



[View interactive table](#)

INDEX NO.	PART NO.	DESCRIPTION	MODEL(S)
	70135-97	MAIN WIRING HARNESS	XL1200, XL1200S, XL883, XL883HUG

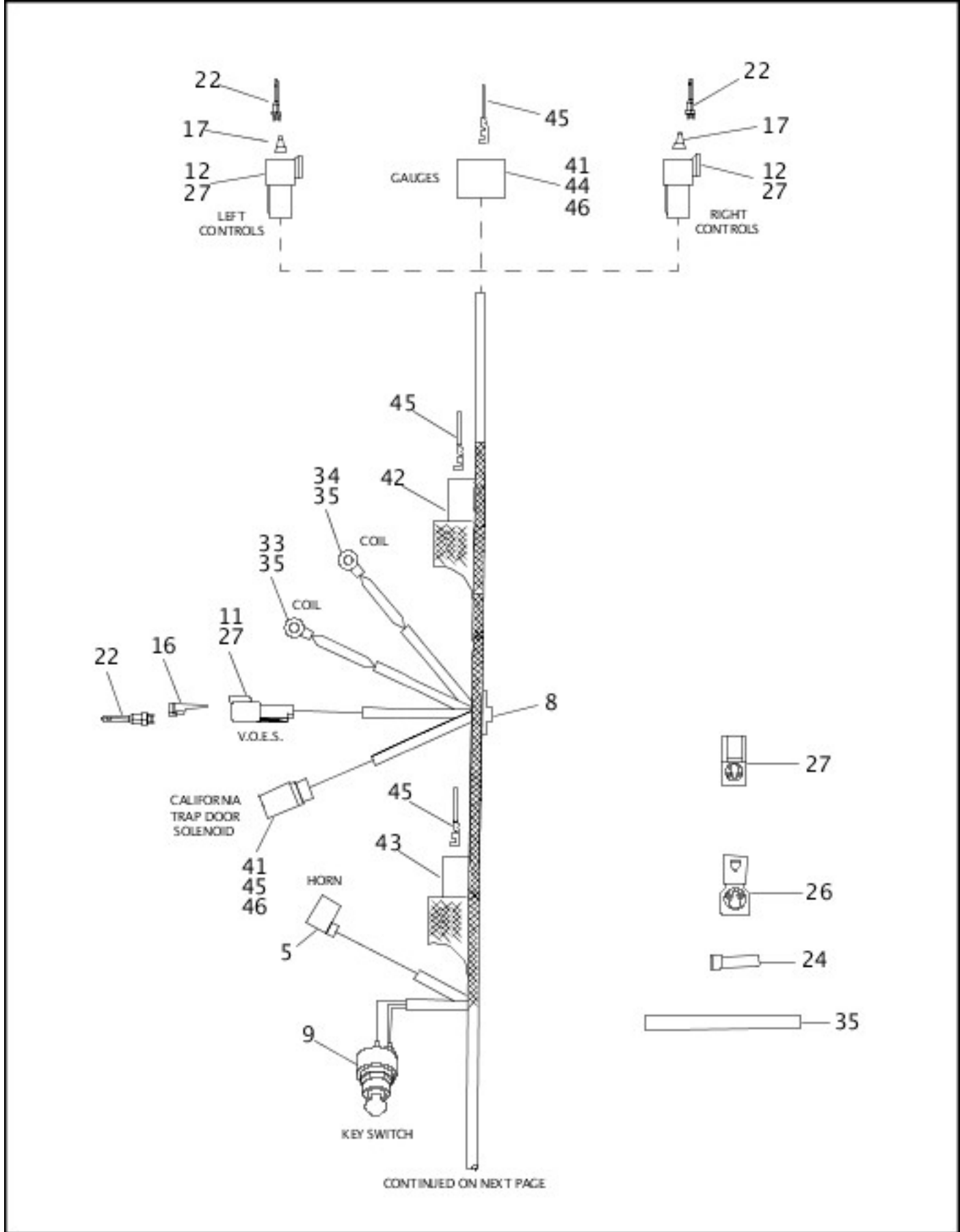
[MAIN WIRING HARNESS \(2 OF 2\)](#)



[View interactive table](#)

INDEX NO.	PART NO.	DESCRIPTION	MODEL(S)
	70135-97	MAIN WIRING HARNESS	XL1200, XL1200S, XL883, XL883HUG

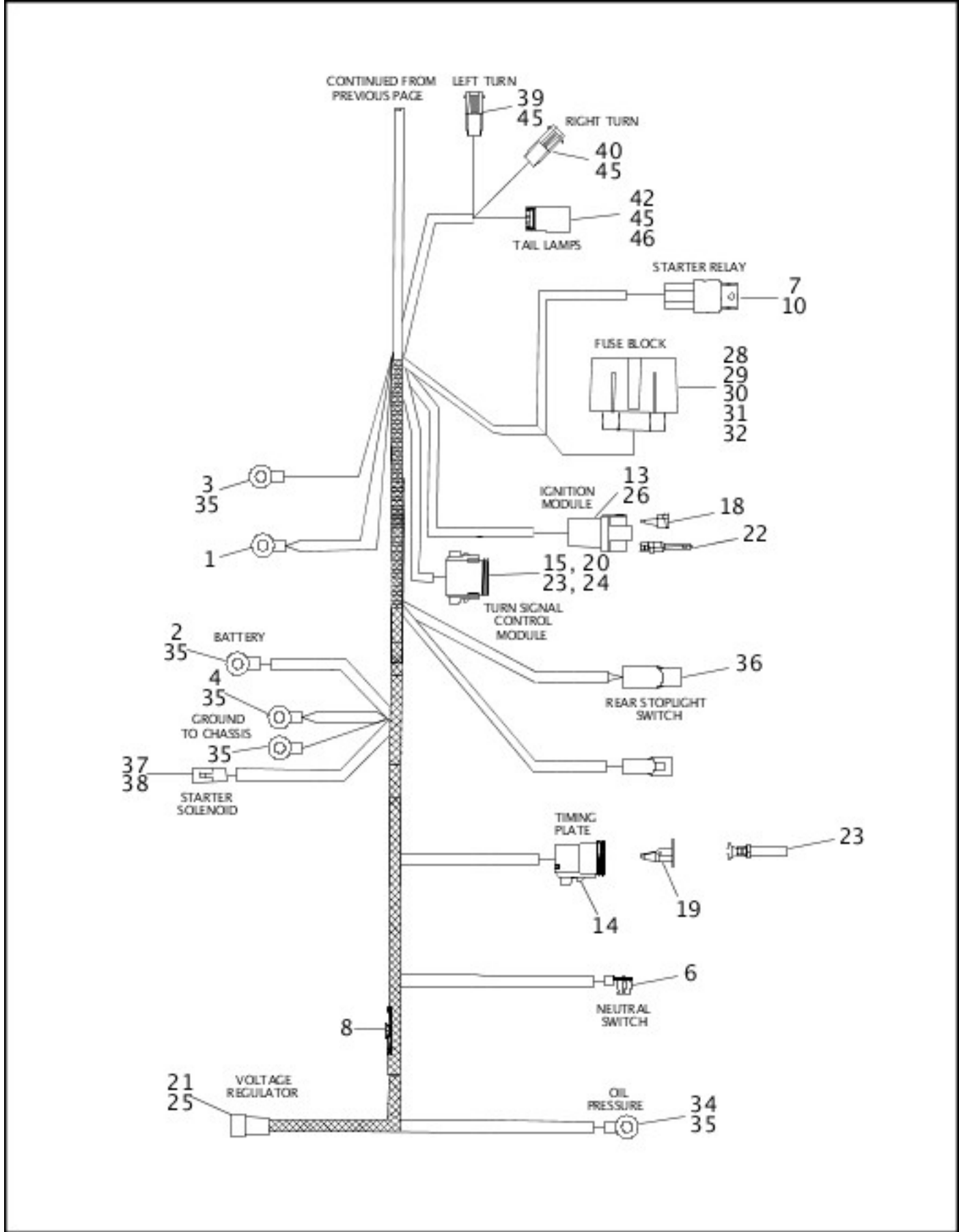
MAIN WIRING HARNESS - 1200 CUSTOM (1 OF 2)



[View interactive table](#)

INDEX NO.	PART NO.	DESCRIPTION	MODEL(S)
	70153-97	MAIN WIRING HARNESS - 1200 CUSTOM	XL1200C

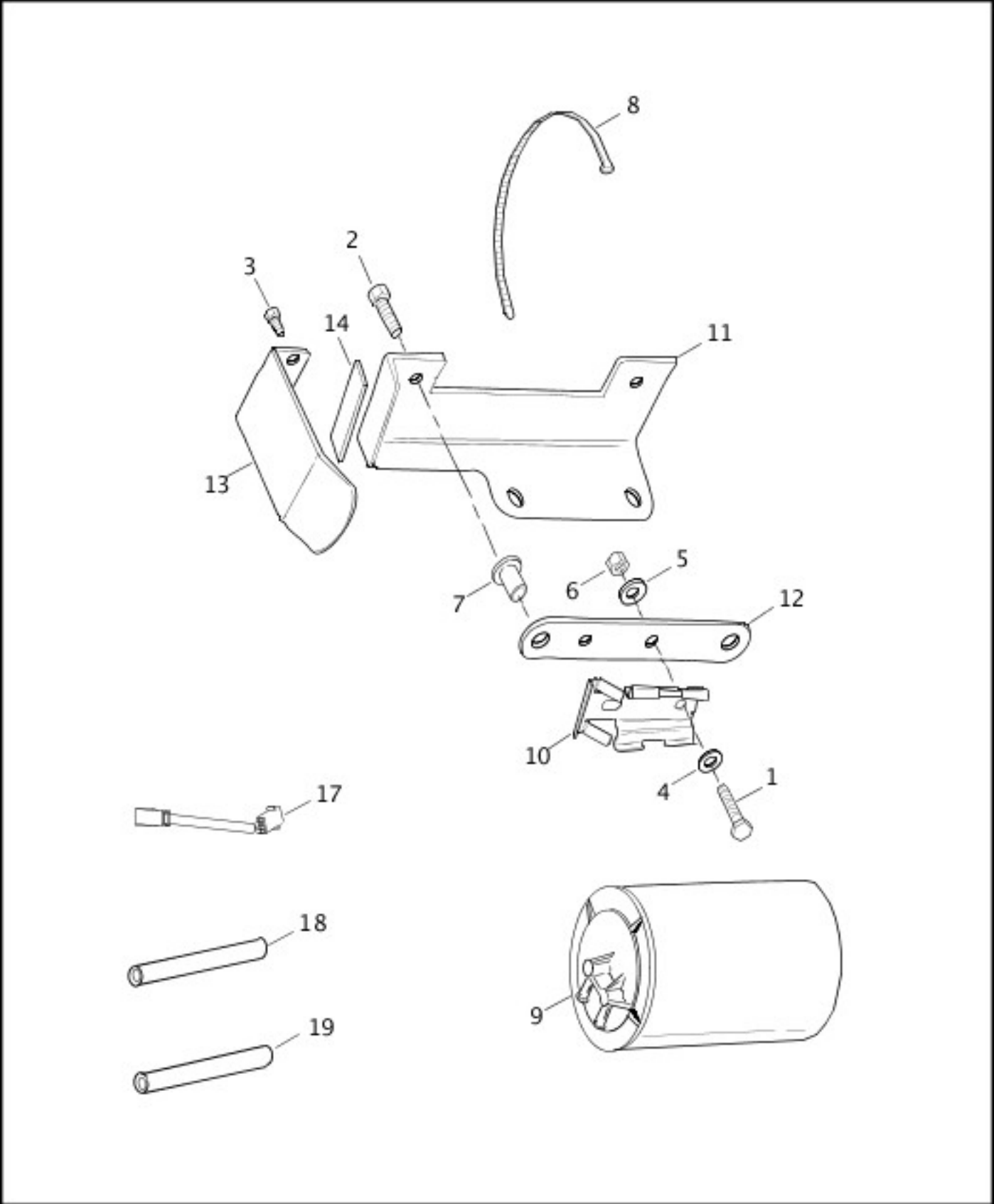
[MAIN WIRING HARNESS - 1200 CUSTOM \(2 OF 2\)](#)



[View interactive table](#)

INDEX NO.	PART NO.	DESCRIPTION	MODEL(S)
	70153-97	MAIN WIRING HARNESS - 1200 CUSTOM	XL1200C

CALIFORNIA EVAPORATIVE EMISSIONS KIT



[View interactive table](#)

INDEX NO.	PART NO.	DESCRIPTION	MODEL(S)
17	32440-97	WIRING HARNESS, solenoid (not illustrated)	ALL

Numerical Index

[View interactive table](#)

10006	CALIFORNIA EVAPORATIVE EMISSIONS KIT
10014	CARBURETOR (1 OF 2) FUEL TANK & TRIM OIL TANK & FILTER
10031	FRONT BRAKE CONTROL

	<u>REAR BRAKE CONTROL</u>
10039	<u>ELECTRONIC IGNITION SYSTEM</u> <u>SWITCHES & CIRCUIT BREAKERS</u> <u>CALIFORNIA EVAPORATIVE EMISSIONS KIT</u>
10053	<u>FRONT BRAKE CONTROL</u>
10065	<u>ALTERNATOR & REGULATOR</u> <u>FRONT BRAKE CONTROL</u> <u>TURN SIGNALS</u>
10074	<u>EXHAUST SYSTEM</u>
10080	<u>CRANKCASE</u> <u>OIL TANK & FILTER</u>
10108	<u>ELECTRONIC IGNITION SYSTEM</u> <u>FUEL TANK & TRIM</u>
10114	<u>REAR FENDER & BELT GUARDS</u>
10117	<u>GEARCASE & COVER</u> <u>OIL TANK & FILTER</u>
10120	<u>HORN</u>
10123	<u>CLUTCH CONTROL</u>
10136	<u>MAIN WIRING HARNESS (1 OF 2)</u> <u>MAIN WIRING HARNESS - 1200 CUSTOM (1 OF 2)</u>
10142	<u>OIL TANK & FILTER</u>
10181	<u>HANDLEBAR SWITCHES</u>
1028	<u>CRANKCASE</u>
10957	<u>STARTER MOTOR</u>
11002	<u>OIL PUMP</u>
11019	<u>SHIFTER</u>
11031	<u>SHIFTER</u>
11046	<u>CLUTCH</u>
11067	<u>TRANSMISSION GEARS</u>
11105	<u>CRANKCASE</u>
11124	<u>GEARCASE & COVER</u> <u>ELECTRONIC IGNITION SYSTEM</u>
11140	<u>SPEEDOMETER & TACHOMETER</u> <u>SPEEDOMETER - 1200 CUSTOM</u>
11143	<u>CLUTCH CONTROL</u>

	<u>FRONT BRAKE CONTROL</u>
11155	<u>HANDLEBAR & THROTTLE CONTROL</u> <u>HANDLEBAR & THROTTLE CONTROL - 1200 CUSTOM</u> <u>HANDLEBAR SWITCHES</u>
11161	<u>TRANSMISSION GEARS</u>
11165	<u>TRANSMISSION GEARS</u>
11171	<u>ACCESS DOOR & PRIMARY COVER</u>
11176	<u>ROCKER ARMS, COVERS & PUSHRODS</u>
11177A	<u>PISTONS, CONNECTING RODS & FLYWHEELS</u> <u>CRANKCASE</u>
11179	<u>CLUTCH CONTROL</u>
11185	<u>SHIFTER</u>
11188	<u>ACCESS DOOR & PRIMARY COVER</u>
11190	<u>ROCKER ARMS, COVERS & PUSHRODS</u>
11218	<u>PISTONS, CONNECTING RODS & FLYWHEELS</u>
11219	<u>GEARCASE & COVER</u>
11250	<u>CLUTCH</u>
11271	<u>HANDLEBAR & THROTTLE CONTROL</u> <u>HANDLEBAR & THROTTLE CONTROL - 1200 CUSTOM</u>
11272	<u>HANDLEBAR & THROTTLE CONTROL</u> <u>HANDLEBAR & THROTTLE CONTROL - 1200 CUSTOM</u>
11473	<u>FUEL TANK & TRIM</u>
11474	<u>REAR FENDER & BELT GUARDS</u>
11496	<u>SPEEDOMETER - 1200 CUSTOM</u>
11727A	<u>CYLINDER, HEAD & VALVES - V2™ EVOLUTION (1 OF 2)</u>
11730A	<u>CLUTCH</u>
11752	<u>CLUTCH</u>
1203	<u>HEADLAMP & MIRROR (1 OF 2)</u>
12030	<u>TRANSMISSION GEARS</u>
12067B	<u>TRANSMISSION GEARS</u>
1357W	<u>FRAME, REAR FORK & JIFFY STAND</u>
14270-92	<u>ACCESS DOOR & PRIMARY COVER</u>

14515-96	FUEL TANK & TRIM
14516-96	FUEL TANK & TRIM
14517-96	FUEL TANK & TRIM
14518-96	FUEL TANK & TRIM
14519-96	FUEL TANK & TRIM
14520-96	FUEL TANK & TRIM
14638-97	FUEL TANK & TRIM
14639-97	FUEL TANK & TRIM
15368-01A	BATTERY
1601	ELECTRONIC IGNITION SYSTEM
16051-97	CYLINDER, HEAD & VALVES - V2™ EVOLUTION (2 OF 2)
16052-97	CYLINDER, HEAD & VALVES - V2™ EVOLUTION (2 OF 2)
16054-97	CYLINDER, HEAD & VALVES - V2™ EVOLUTION (2 OF 2)
16055-97	CYLINDER, HEAD & VALVES - V2™ EVOLUTION (2 OF 2)
16061-97	CYLINDER, HEAD & VALVES - V2™ EVOLUTION (2 OF 2)
16062-97	CYLINDER, HEAD & VALVES - V2™ EVOLUTION (2 OF 2)
16063-97	CYLINDER, HEAD & VALVES - V2™ EVOLUTION (2 OF 2)
16064-97	CYLINDER, HEAD & VALVES - V2™ EVOLUTION (2 OF 2)
16066-97	CYLINDER, HEAD & VALVES - V2™ EVOLUTION (2 OF 2)
16068-97	CYLINDER, HEAD & VALVES - V2™ EVOLUTION (2 OF 2)
16069-97	CYLINDER, HEAD & VALVES - V2™ EVOLUTION (2 OF 2)
16071-97	CYLINDER, HEAD & VALVES - V2™ EVOLUTION (2 OF 2)
16074-97	CYLINDER, HEAD & VALVES - V2™ EVOLUTION (2 OF 2)
16075-97	CYLINDER, HEAD & VALVES - V2™ EVOLUTION (2 OF 2)
16076-97	CYLINDER, HEAD & VALVES - V2™ EVOLUTION (2 OF 2)
16210-84A	CRANKCASE
16212-84	CRANKCASE
16214-86	CYLINDER, HEAD & VALVES - V2™ EVOLUTION (1 OF 2)
16222-86	CYLINDER, HEAD & VALVES - V2™ EVOLUTION (1 OF 2)
16226-94	CYLINDER, HEAD & VALVES - V2™ EVOLUTION (1 OF 2)

16228-86A	<u>CYLINDER, HEAD & VALVES - V2™ EVOLUTION (1 OF 2) HORN</u>
16233-86	<u>CYLINDER, HEAD & VALVES - V2™ EVOLUTION (1 OF 2)</u>
16235-52A	<u>CRANKCASE</u>
16240-82	<u>CRANKCASE</u>
16278-95B	<u>CYLINDER, HEAD & VALVES - V2™ EVOLUTION (1 OF 2)</u>
16446-86B	<u>CYLINDER, HEAD & VALVES - V2™ EVOLUTION (1 OF 2)</u>
16447-88A	<u>CYLINDER, HEAD & VALVES - V2™ EVOLUTION (1 OF 2)</u>
16478-85A	<u>CYLINDER, HEAD & VALVES - V2™ EVOLUTION (1 OF 2)</u>
16480-92A	<u>CYLINDER, HEAD & VALVES - V2™ EVOLUTION (1 OF 2)</u>
16573-83A	<u>CYLINDER, HEAD & VALVES - V2™ EVOLUTION (1 OF 2) ACCESS DOOR & PRIMARY COVER</u>
16660-89B	<u>CYLINDER, HEAD & VALVES - V2™ EVOLUTION (1 OF 2)</u>
16661-89B	<u>CYLINDER, HEAD & VALVES - V2™ EVOLUTION (1 OF 2)</u>
16664-86D	<u>CYLINDER, HEAD & VALVES - V2™ EVOLUTION (1 OF 2)</u>
16688-90A	<u>CYLINDER, HEAD & VALVES - V2™ EVOLUTION (1 OF 2)</u>
16698-90A	<u>CYLINDER, HEAD & VALVES - V2™ EVOLUTION (1 OF 2)</u>
16715-83	<u>CYLINDER, HEAD & VALVES - V2™ EVOLUTION (1 OF 2)</u>
16770-84F	<u>CYLINDER, HEAD & VALVES - V2™ EVOLUTION (1 OF 2)</u>
16774-86D	<u>CYLINDER, HEAD & VALVES - V2™ EVOLUTION (1 OF 2)</u>
16778-84A	<u>ROCKER ARMS, COVERS & PUSHRODS</u>
16779-84B	<u>ROCKER ARMS, COVERS & PUSHRODS</u>
16800-84A	<u>ROCKER ARMS, COVERS & PUSHRODS</u>
16832-86C	<u>CYLINDER, HEAD & VALVES - V2™ EVOLUTION (1 OF 2)</u>
17026-91D	<u>CYLINDER, HEAD & VALVES - V2™ EVOLUTION (2 OF 2)</u>
17032-91	<u>CYLINDER, HEAD & VALVES - V2™ EVOLUTION (2 OF 2)</u>
17036-91A	<u>CYLINDER, HEAD & VALVES - V2™ EVOLUTION (2 OF 2) ROCKER ARMS, COVERS & PUSHRODS</u>
17353-89C	<u>ROCKER ARMS, COVERS & PUSHRODS</u>
17354-89	<u>ROCKER ARMS, COVERS & PUSHRODS</u>
17358-84B	<u>ROCKER ARMS, COVERS & PUSHRODS</u>

17360-83A	<u>ROCKER ARMS, COVERS & PUSHRODS</u>
17375-83A	<u>ROCKER ARMS, COVERS & PUSHRODS</u>
17429-91	<u>ROCKER ARMS, COVERS & PUSHRODS</u>
17501-86B	<u>ROCKER ARMS, COVERS & PUSHRODS</u>
17532-86E	<u>ROCKER ARMS, COVERS & PUSHRODS</u>
17533-90A	<u>ROCKER ARMS, COVERS & PUSHRODS</u>
17537-96C	<u>ROCKER ARMS, COVERS & PUSHRODS</u>
17538-96	<u>ROCKER ARMS, COVERS & PUSHRODS</u>
17551-96	<u>ROCKER ARMS, COVERS & PUSHRODS</u>
17611-83	<u>ROCKER ARMS, COVERS & PUSHRODS</u>
17897-89A	<u>ROCKER ARMS, COVERS & PUSHRODS</u>
17904-89A	<u>ROCKER ARMS, COVERS & PUSHRODS</u>
17944-89	<u>ROCKER ARMS, COVERS & PUSHRODS</u>
17946-89	<u>ROCKER ARMS, COVERS & PUSHRODS</u>
17952-91	<u>ROCKER ARMS, COVERS & PUSHRODS</u>
17953-91	<u>ROCKER ARMS, COVERS & PUSHRODS</u>
18001-83B	<u>CYLINDER, HEAD & VALVES - V2™ EVOLUTION (2 OF 2)</u>
18011-87A	<u>CYLINDER, HEAD & VALVES - V2™ EVOLUTION (2 OF 2)</u>
18012-87A	<u>CYLINDER, HEAD & VALVES - V2™ EVOLUTION (2 OF 2)</u>
18020-87A	<u>CYLINDER, HEAD & VALVES - V2™ EVOLUTION (2 OF 2)</u>
18021-87A	<u>CYLINDER, HEAD & VALVES - V2™ EVOLUTION (2 OF 2)</u>
18023-87A	<u>CYLINDER, HEAD & VALVES - V2™ EVOLUTION (2 OF 2)</u>
18024-87A	<u>CYLINDER, HEAD & VALVES - V2™ EVOLUTION (2 OF 2)</u>
18030-86B	<u>CYLINDER, HEAD & VALVES - V2™ EVOLUTION (2 OF 2)</u>
18031-86B	<u>CYLINDER, HEAD & VALVES - V2™ EVOLUTION (2 OF 2)</u>
18101-83D	<u>CYLINDER, HEAD & VALVES - V2™ EVOLUTION (2 OF 2)</u>
18130-83D	<u>CYLINDER, HEAD & VALVES - V2™ EVOLUTION (2 OF 2)</u>
18131-83D	<u>CYLINDER, HEAD & VALVES - V2™ EVOLUTION (2 OF 2)</u>
18133-83B	<u>CYLINDER, HEAD & VALVES - V2™ EVOLUTION (2 OF 2)</u>

18201-83	<u>CYLINDER, HEAD & VALVES - V2™ EVOLUTION (2 OF 2)</u>
18202-83	<u>CYLINDER, HEAD & VALVES - V2™ EVOLUTION (2 OF 2)</u>
18219-83A	<u>CYLINDER, HEAD & VALVES - V2™ EVOLUTION (2 OF 2)</u>
18222-83A	<u>CYLINDER, HEAD & VALVES - V2™ EVOLUTION (2 OF 2)</u>
18229-83A	<u>CYLINDER, HEAD & VALVES - V2™ EVOLUTION (2 OF 2)</u>
18526-89A	<u>ROCKER ARMS, COVERS & PUSHRODS</u>
18532-89	<u>ROCKER ARMS, COVERS & PUSHRODS</u>
215	<u>CRANKCASE</u>
21920-83	<u>PISTONS, CONNECTING RODS & FLYWHEELS</u>
21921-83	<u>PISTONS, CONNECTING RODS & FLYWHEELS</u>
21922-83	<u>PISTONS, CONNECTING RODS & FLYWHEELS</u>
21923-83	<u>PISTONS, CONNECTING RODS & FLYWHEELS</u>
21924-83	<u>PISTONS, CONNECTING RODS & FLYWHEELS</u>
22201-86A	<u>PISTONS, CONNECTING RODS & FLYWHEELS</u>
22205-88A	<u>PISTONS, CONNECTING RODS & FLYWHEELS</u>
22216-88A	<u>PISTONS, CONNECTING RODS & FLYWHEELS</u>
22220-88A	<u>PISTONS, CONNECTING RODS & FLYWHEELS</u>
22225-88A	<u>PISTONS, CONNECTING RODS & FLYWHEELS</u>
22242-86A	<u>PISTONS, CONNECTING RODS & FLYWHEELS</u>
22243-88A	<u>PISTONS, CONNECTING RODS & FLYWHEELS</u>
22253-86A	<u>PISTONS, CONNECTING RODS & FLYWHEELS</u>
22254-86A	<u>PISTONS, CONNECTING RODS & FLYWHEELS</u>
22255-86A	<u>PISTONS, CONNECTING RODS & FLYWHEELS</u>
22261-86	<u>PISTONS, CONNECTING RODS & FLYWHEELS</u>
22262-86	<u>PISTONS, CONNECTING RODS & FLYWHEELS</u>
22263-86	<u>PISTONS, CONNECTING RODS & FLYWHEELS</u>
22266-86	<u>PISTONS, CONNECTING RODS & FLYWHEELS</u>
22271-86	<u>PISTONS, CONNECTING RODS & FLYWHEELS</u>
22589-83B	<u>PISTONS, CONNECTING RODS & FLYWHEELS</u>

22719-85	<u>PISTONS, CONNECTING RODS & FLYWHEELS</u>
22765-88	<u>PISTONS, CONNECTING RODS & FLYWHEELS</u>
2325	<u>SPEEDOMETER & TACHOMETER</u>
2361	<u>SPEEDOMETER & TACHOMETER</u> <u>SPEEDOMETER & TACHOMETER</u>
2362	<u>ELECTRONIC IGNITION SYSTEM</u>
23905-89A	<u>PISTONS, CONNECTING RODS & FLYWHEELS</u>
23948-87	<u>PISTONS, CONNECTING RODS & FLYWHEELS</u>
23949-87	<u>PISTONS, CONNECTING RODS & FLYWHEELS</u>
23960-80A	<u>PISTONS, CONNECTING RODS & FLYWHEELS</u>
23980-98	<u>PISTONS, CONNECTING RODS & FLYWHEELS</u>
24055-91	<u>CAM GEARS (1 OF 3)</u>
24056-91	<u>CAM GEARS (1 OF 3)</u>
24057-91	<u>CAM GEARS (1 OF 3)</u>
24058-91	<u>CAM GEARS (1 OF 3)</u>
24059-91	<u>CAM GEARS (1 OF 3)</u>
2405A	<u>AIR CLEANER & ENRICHENER</u>
24060-91	<u>CAM GEARS (1 OF 3)</u>
24061-91	<u>CAM GEARS (1 OF 3)</u>
24275-86A	<u>PISTONS, CONNECTING RODS & FLYWHEELS</u>
24331-36	<u>PISTONS, CONNECTING RODS & FLYWHEELS</u>
24332-36	<u>PISTONS, CONNECTING RODS & FLYWHEELS</u>
24341-52A	<u>PISTONS, CONNECTING RODS & FLYWHEELS</u>
24352-52A	<u>PISTONS, CONNECTING RODS & FLYWHEELS</u>
24354-87A	<u>PISTONS, CONNECTING RODS & FLYWHEELS</u>
24466-96A	<u>CRANKCASE</u>
24470-91E	<u>CRANKCASE</u>
24530-90	<u>SHIFTER</u>
24647-87	<u>CRANKCASE</u>
24650-87	<u>CRANKCASE</u>

24658-87	<u>PISTONS, CONNECTING RODS & FLYWHEELS</u>
24659-87	<u>CRANKCASE</u>
24660-87	<u>CRANKCASE</u>
24729-74	<u>CRANKCASE</u>
24754-75A	<u>CRANKCASE</u>
24922-93	<u>AIR CLEANER & ENRICHENER</u>
24925-95	<u>AIR CLEANER & ENRICHENER</u>
25213-96B	<u>GEARCASE & COVER</u>
25219-91C	<u>GEARCASE & COVER</u>
2523	<u>REAR BRAKE CONTROL</u>
25238-94	<u>ACCESS DOOR & PRIMARY COVER</u>
25263-90D	<u>GEARCASE & COVER</u>
2528	<u>SWITCHES & CIRCUIT BREAKERS</u>
25409-94B	<u>CLUTCH</u>
25430-94A	<u>ACCESS DOOR & PRIMARY COVER</u>
25437-86	<u>CLUTCH CONTROL</u>
25453-87A	<u>CLUTCH</u>
25460-94	<u>ACCESS DOOR & PRIMARY COVER</u>
25463-94A	<u>ACCESS DOOR & PRIMARY COVER</u>
2548	<u>SPEEDOMETER - 1200 CUSTOM</u>
25483-96	<u>GEARCASE & COVER</u>
25488-89C	<u>GEARCASE & COVER</u>
2558	<u>HANDLEBAR SWITCHES</u>
25586-37	<u>GEARCASE & COVER</u>
25588-91	<u>GEARCASE & COVER</u>
25593-74	<u>GEARCASE & COVER</u>
25598-91	<u>GEARCASE & COVER</u>
25640-91	<u>CAM GEARS (1 OF 3)</u>
25641-91	<u>CAM GEARS (1 OF 3)</u>

25642-91	CAM GEARS (1 OF 3)
25643-91	CAM GEARS (1 OF 3)
25644-91	CAM GEARS (1 OF 3)
25645-91	CAM GEARS (1 OF 3)
25646-91	CAM GEARS (1 OF 3)
25650-91	CAM GEARS (3 OF 3)
25651-91	CAM GEARS (3 OF 3)
25652-91	CAM GEARS (3 OF 3)
25653-91	CAM GEARS (3 OF 3)
25654-91	CAM GEARS (3 OF 3)
25655-91	CAM GEARS (3 OF 3)
25656-91	CAM GEARS (3 OF 3)
25660-91	CAM GEARS (1 OF 3)
25661-91	CAM GEARS (1 OF 3)
25662-91	CAM GEARS (1 OF 3)
25663-91	CAM GEARS (1 OF 3)
25664-91	CAM GEARS (1 OF 3)
25665-91	CAM GEARS (1 OF 3)
25666-91	CAM GEARS (1 OF 3)
2576	TURN SIGNALS
2579A	FRONT BRAKE CONTROL
25804-91	CAM GEARS (1 OF 3)
25808-91	CAM GEARS (1 OF 3)
25812-91	CAM GEARS (1 OF 3)
25816-91	CAM GEARS (1 OF 3)
25820-91	CAM GEARS (1 OF 3)
25824-91	CAM GEARS (1 OF 3)
25828-91	CAM GEARS (1 OF 3)
25832-91	CAM GEARS (1 OF 3)

25836-91	CAM GEARS (1 OF 3)
25840-91	CAM GEARS (1 OF 3)
25844-91	CAM GEARS (1 OF 3)
25848-91	CAM GEARS (1 OF 3)
25852-91	CAM GEARS (2 OF 3)
25856-91	CAM GEARS (2 OF 3)
25860-91	CAM GEARS (2 OF 3)
25864-91	CAM GEARS (2 OF 3)
25868-91	CAM GEARS (2 OF 3)
25872-91	CAM GEARS (2 OF 3)
25876-91	CAM GEARS (2 OF 3)
25880-91	CAM GEARS (2 OF 3)
25884-91	CAM GEARS (2 OF 3)
25888-91	CAM GEARS (2 OF 3)
25892-91	CAM GEARS (2 OF 3)
25896-91	CAM GEARS (2 OF 3)
25900-91	CAM GEARS (2 OF 3)
25904-91	CAM GEARS (2 OF 3)
25908-91	CAM GEARS (2 OF 3)
25912-91	CAM GEARS (2 OF 3)
25916-91	CAM GEARS (2 OF 3)
25920-91	CAM GEARS (2 OF 3)
25924-91	CAM GEARS (2 OF 3)
25928-91	CAM GEARS (2 OF 3)
25932-91	CAM GEARS (2 OF 3)
25936-91	CAM GEARS (2 OF 3)
25940-91	CAM GEARS (3 OF 3)
25944-91	CAM GEARS (3 OF 3)
25948-91	CAM GEARS (3 OF 3)
25952-91	CAM GEARS (3 OF 3)

25956-91	CAM GEARS (3 OF 3)
25960-91	CAM GEARS (3 OF 3)
25964-91	CAM GEARS (3 OF 3)
25968-91	CAM GEARS (3 OF 3)
25972-91	CAM GEARS (3 OF 3)
25976-91	CAM GEARS (3 OF 3)
25980-91	CAM GEARS (3 OF 3)
25984-91	CAM GEARS (3 OF 3)
25988-91	CAM GEARS (3 OF 3)
25992-91	CAM GEARS (3 OF 3)
25996-91	CAM GEARS (3 OF 3)
2611C	ELECTRONIC IGNITION SYSTEM
26204-91A	OIL PUMP
26318-88A	GEARCASE & COVER
26432-76A	CYLINDER, HEAD & VALVES - V2™ EVOLUTION (2 OF 2)
26434-91	OIL PUMP
26436-90A	OIL TANK & FILTER
26437-86B	OIL TANK & FILTER
26488-91	OIL PUMP
26491-91	OIL PUMP
26492-91	OIL PUMP
26493-91	OIL PUMP
26495-89B	OIL PUMP
26496-75A	OIL PUMP
26554-77B	OIL TANK & FILTER SWITCHES & CIRCUIT BREAKERS
26558-94A	ELECTRONIC IGNITION SYSTEM
26559-95	FUEL TANK & TRIM
26856-89A	ROCKER ARMS, COVERS & PUSHRODS
2698A	TURN SIGNALS

26995-86B	CARBURETOR (1 OF 2)
27002-89	CARBURETOR (1 OF 2)
27004-88A	CARBURETOR (1 OF 2)
27009-86A	CARBURETOR (1 OF 2)
27010-86A	CARBURETOR (1 OF 2)
27018-85	CALIFORNIA EVAPORATIVE EMISSIONS KIT
27031-95A	CARBURETOR (2 OF 2)
27042-84A	CALIFORNIA EVAPORATIVE EMISSIONS KIT
27047-84B	CALIFORNIA EVAPORATIVE EMISSIONS KIT
27067-96A	FUEL TANK & TRIM
27076-95A	CARBURETOR (2 OF 2)
2708A	HEADLAMP & MIRROR (1 OF 2)
27096-94	FUEL TANK & TRIM
27100-88	CARBURETOR (1 OF 2)
27101-88	CARBURETOR (1 OF 2)
2711	AIR CLEANER & ENRICHENER
27115-88	CARBURETOR (1 OF 2) CARBURETOR (1 OF 2)
27122-89	CARBURETOR (1 OF 2)
27123-89A	CARBURETOR (1 OF 2)
27124-89	CARBURETOR (1 OF 2)
27125-89	CARBURETOR (1 OF 2)
27126-89	CARBURETOR (1 OF 2)
27127-89	CARBURETOR (1 OF 2)
27128-89	CARBURETOR (1 OF 2)
27130-90	CARBURETOR (1 OF 2)
27136-90A	CARBURETOR (1 OF 2)
27137-81	CARBURETOR (1 OF 2)
27138-90	CALIFORNIA EVAPORATIVE EMISSIONS KIT

27146-89	CARBURETOR (1 OF 2)
27147-89	CARBURETOR (1 OF 2)
27148-89	CARBURETOR (1 OF 2)
27152-89	CARBURETOR (1 OF 2)
27156-89	CARBURETOR (1 OF 2)
27157-89	CARBURETOR (1 OF 2)
27158-89	CARBURETOR (1 OF 2)
27159-92	CARBURETOR (1 OF 2)
27160-89	CARBURETOR (1 OF 2)
27162-89	CARBURETOR (1 OF 2)
27171-89	CARBURETOR (1 OF 2) CARBURETOR (2 OF 2)
27185-90	CARBURETOR (1 OF 2)
2720	ALTERNATOR & REGULATOR
27241-95	CARBURETOR (1 OF 2)
27243-95	CARBURETOR (2 OF 2)
27249-96	FUEL TANK & TRIM
27250-96B	FUEL TANK & TRIM
27261-96	CARBURETOR (1 OF 2)
27262-96	CARBURETOR (1 OF 2)
27263-96	CARBURETOR (1 OF 2)
27279-93	CARBURETOR (1 OF 2)
27311-76	CARBURETOR (1 OF 2)
27315-88A	CARBURETOR (2 OF 2)
27316-88	CARBURETOR (2 OF 2)
27317-88	CARBURETOR (2 OF 2)
27360-76	CARBURETOR (2 OF 2)
27361-76A	CARBURETOR (2 OF 2)
27362-76	CARBURETOR (2 OF 2)
27368-76	CARBURETOR (2 OF 2)

27369-76	CARBURETOR (2 OF 2)
2737	AIR CLEANER & ENRICHENER
27371-76A	CARBURETOR (2 OF 2)
27480-97A	CARBURETOR (2 OF 2)
27490-96A	CARBURETOR (2 OF 2)
27495-96A	CARBURETOR (2 OF 2)
27498-96A	CARBURETOR (2 OF 2)
27575-88A	CARBURETOR (2 OF 2)
27576-92	CARBURETOR (2 OF 2)
27577-92	CARBURETOR (2 OF 2)
27579-88A	CARBURETOR (2 OF 2)
27580-88	CARBURETOR (2 OF 2)
27581-88	CARBURETOR (2 OF 2)
27582-88	CARBURETOR (2 OF 2)
27583-88	CARBURETOR (2 OF 2)
27585-88	CARBURETOR (2 OF 2)
27586-88	CARBURETOR (2 OF 2)
27587-88	CARBURETOR (2 OF 2)
2773	REAR FENDER & BELT GUARDS
27886-78A	CARBURETOR (2 OF 2)
28827-96A	AIR CLEANER & ENRICHENER
28842-89	AIR CLEANER & ENRICHENER
28857-90	CALIFORNIA EVAPORATIVE EMISSIONS KIT
28859-90	CALIFORNIA EVAPORATIVE EMISSIONS KIT
28860-89	CALIFORNIA EVAPORATIVE EMISSIONS KIT
28875-95	CALIFORNIA EVAPORATIVE EMISSIONS KIT
29018-97	AIR CLEANER & ENRICHENER
29059-88A	AIR CLEANER & ENRICHENER
29062-95B	AIR CLEANER & ENRICHENER
29084-73	AIR CLEANER & ENRICHENER

29100-96	<u>AIR CLEANER & ENRICHENER</u>
29111-88	<u>AIR CLEANER & ENRICHENER</u>
29112-83	<u>BATTERY</u>
29229-88D	<u>AIR CLEANER & ENRICHENER</u>
2925A	<u>FRAME, REAR FORK & JIFFY STAND</u>
29313-95	<u>AIR CLEANER & ENRICHENER</u>
29315-95	<u>AIR CLEANER & ENRICHENER</u>
29316-95C	<u>AIR CLEANER & ENRICHENER</u>
29325-95A	<u>AIR CLEANER & ENRICHENER</u>
29331-96	<u>AIR CLEANER & ENRICHENER</u>
29367-97A	<u>AIR CLEANER & ENRICHENER</u>
2952A	<u>SEATS</u>
29950-91	<u>CRANKCASE</u>
29967-89C	<u>ALTERNATOR & REGULATOR</u>
31322-91	<u>STARTER MOTOR</u>
31328-91	<u>STARTER MOTOR</u>
31330-91	<u>STARTER MOTOR</u>
31390-91A	<u>STARTER MOTOR</u>
31488-81C	<u>STARTER MOTOR</u>
31504-91B	<u>SWITCHES & CIRCUIT BREAKERS</u>
31514-90	<u>STARTER MOTOR</u>
31515-90	<u>STARTER MOTOR</u>
31518-90	<u>STARTER MOTOR</u>
31530-90	<u>STARTER MOTOR</u>
31532-94	<u>OIL TANK & FILTER</u>
31539-91	<u>STARTER MOTOR</u>
31540-91	<u>STARTER MOTOR</u>
31555-90	<u>STARTER MOTOR</u>
31556-91D	<u>STARTER MOTOR</u>

31589-80	<u>REAR FENDER & BELT GUARDS</u>
31599-91	<u>STARTER MOTOR</u>
31603-91	<u>STARTER MOTOR</u>
31614-83A	<u>ELECTRONIC IGNITION SYSTEM</u>
31688-90	<u>STARTER MOTOR</u>
31689-90	<u>STARTER MOTOR</u>
31693-90	<u>STARTER MOTOR</u>
31695-90	<u>STARTER MOTOR</u>
31723-95	<u>ELECTRONIC IGNITION SYSTEM</u>
31727-85	<u>ELECTRONIC IGNITION SYSTEM</u>
31986-86A	<u>ELECTRONIC IGNITION SYSTEM</u>
31996-86B	<u>ELECTRONIC IGNITION SYSTEM</u>
3201WA	<u>REAR BRAKE CONTROL HANDLEBAR & THROTTLE CONTROL - 1200 CUSTOM</u>
3206B	<u>AIR CLEANER & ENRICHENER</u>
3210A	<u>HANDLEBAR & THROTTLE CONTROL - 1200 CUSTOM FRONT FENDER SPEEDOMETER - 1200 CUSTOM</u>
3221	<u>AIR CLEANER & ENRICHENER</u>
3228A	<u>ROCKER ARMS, COVERS & PUSHRODS</u>
32362-04	<u>ELECTRONIC IGNITION SYSTEM</u>
32400-94A	<u>ELECTRONIC IGNITION SYSTEM</u>
32402-83	<u>ELECTRONIC IGNITION SYSTEM</u>
32413-92C	<u>ALTERNATOR & REGULATOR</u>
32440-97	<u>CALIFORNIA EVAPORATIVE EMISSIONS KIT</u>
32465-95B	<u>ELECTRONIC IGNITION SYSTEM</u>
32466-95A	<u>ELECTRONIC IGNITION SYSTEM</u>
32504-80A	<u>ELECTRONIC IGNITION SYSTEM</u>
32506-90	<u>ELECTRONIC IGNITION SYSTEM</u>
32606-82	<u>ELECTRONIC IGNITION SYSTEM</u>
3275	<u>CARBURETOR (1 OF 2)</u>

33043-80	<u>SWITCHES & CIRCUIT BREAKERS</u>
33048-72	<u>FOOTRESTS</u>
33117-91A	<u>OIL TANK & FILTER</u>
33178-90A	<u>SHIFTER</u>
33178-90B	<u>SHIFTER</u>
33189-63	<u>FOOTRESTS</u>
33204-91	<u>SHIFTER</u>
33319-90	<u>SHIFTER</u>
33344-94	<u>TRANSMISSION GEARS</u>
3350	<u>STARTER MOTOR</u>
33634-91A	<u>SHIFTER</u>
33652-90	<u>SHIFTER</u>
33653-90	<u>SHIFTER</u>
33655-90	<u>SHIFTER</u>
33656-90A	<u>SHIFTER</u>
33900-59C	<u>SWITCHES & CIRCUIT BREAKERS</u>
34015-91	<u>SHIFTER</u>
3403	<u>STARTER MOTOR</u>
34073-91	<u>SHIFTER</u>
34075-89	<u>SHIFTER</u>
34076-89	<u>SHIFTER</u>
34077-91	<u>SHIFTER</u>
34142-89C	<u>SHIFTER</u>
34144-89C	<u>SHIFTER</u>
34147-89C	<u>SHIFTER</u>
34481-91A	<u>SHIFTER</u>
34483-90	<u>SHIFTER</u>
34486-90	<u>SHIFTER</u>
34491-91	<u>SHIFTER</u>
34492-91	<u>SHIFTER</u>

34560-91	<u>SHIFTER</u>
34611-65A	<u>SHIFTER</u>
34615-94	<u>SHIFTER</u>
34760-94	<u>ACCESS DOOR & PRIMARY COVER</u>
34761-94	<u>ACCESS DOOR & PRIMARY COVER</u>
3480A	<u>ACCESS DOOR & PRIMARY COVER</u> <u>GEARCASE & COVER</u> <u>TRANSMISSION GEARS</u>
34909-90	<u>REAR BRAKE CONTROL</u>
34911-91A	<u>TRANSMISSION GEARS</u>
34920-86A	<u>CLUTCH</u>
34932-96	<u>TRANSMISSION GEARS</u>
34933-96	<u>REAR BRAKE CONTROL</u>
34955-89B	<u>ACCESS DOOR & PRIMARY COVER</u>
3498	<u>HANDLEBAR & THROTTLE CONTROL</u> <u>HANDLEBAR & THROTTLE CONTROL - 1200 CUSTOM</u>
34992-94	<u>ACCESS DOOR & PRIMARY COVER</u>
34993-90	<u>ACCESS DOOR & PRIMARY COVER</u>
3500A	<u>ROCKER ARMS, COVERS & PUSHRODS</u>
3501A	<u>ROCKER ARMS, COVERS & PUSHRODS</u>
35020-89	<u>TRANSMISSION GEARS</u>
35021-89	<u>ACCESS DOOR & PRIMARY COVER</u>
35022-89A	<u>TRANSMISSION GEARS</u>
35030-89A	<u>ACCESS DOOR & PRIMARY COVER</u>
35034-94	<u>TRANSMISSION GEARS</u>
35038-89A	<u>ACCESS DOOR & PRIMARY COVER</u>
35051-89A	<u>TRANSMISSION GEARS</u>
35063-89	<u>TRANSMISSION GEARS</u>
35078-79	<u>REAR BRAKE CONTROL</u> <u>SHOCK ABSORBERS</u>
3514	<u>HEADLAMP & MIRROR (1 OF 2)</u>

35151-74A	<u>CRANKCASE</u>
35211-91B	<u>TRANSMISSION GEARS</u> <u>BELTS & SPROCKETS</u>
3534B	<u>AIR CLEANER & ENRICHENER</u>
3559	<u>STARTER MOTOR</u>
3562	<u>FRONT BRAKE CALIPER</u> <u>FRONT BRAKE CALIPER</u>
35633-94	<u>TRANSMISSION GEARS</u>
35640-89	<u>TRANSMISSION GEARS</u>
35641-89	<u>TRANSMISSION GEARS</u>
35762-89A	<u>TRANSMISSION GEARS</u>
35763-89A	<u>TRANSMISSION GEARS</u>
3577	<u>AIR CLEANER & ENRICHENER</u>
35771-94	<u>TRANSMISSION GEARS</u>
35772-94	<u>TRANSMISSION GEARS</u>
35773-94	<u>TRANSMISSION GEARS</u>
35775-94	<u>TRANSMISSION GEARS</u>
3579A	<u>REAR FENDER & BELT GUARDS</u>
358	<u>CRANKCASE</u>
3588	<u>HORN</u>
3594	<u>TRANSMISSION GEARS</u> <u>BELTS & SPROCKETS</u> <u>SEATS</u> <u>SPEEDOMETER & TACHOMETER</u> <u>SPEEDOMETER - 1200 CUSTOM</u>
3606	<u>HORN</u>
3610	<u>ACCESS DOOR & PRIMARY COVER</u>
3652	<u>AIR CLEANER & ENRICHENER</u>
3655A	<u>FRONT WHEEL - CAST</u> <u>FRONT WHEEL - LACED</u>
3658	<u>HANDLEBAR & THROTTLE CONTROL</u> <u>HANDLEBAR & THROTTLE CONTROL - 1200 CUSTOM</u> <u>HANDLEBAR SWITCHES</u>
3666A	<u>HANDLEBAR & THROTTLE CONTROL - 1200 CUSTOM</u>

36715-94	CLUTCH
36731-91	CLUTCH
3675	TRANSMISSION GEARS
36785-91	CLUTCH
36790-91	CLUTCH
36792-91	CLUTCH
36799-91	CLUTCH
36802-84B	CLUTCH
36804-89	ROCKER ARMS, COVERS & PUSHRODS
3689	REAR FENDER & BELT GUARDS
37101-84B	ACCESS DOOR & PRIMARY COVER SHIFTER
3730A	BELTS & SPROCKETS REAR WHEEL - CAST
37495-91	CLUTCH
3767B	SEATS CALIFORNIA EVAPORATIVE EMISSIONS KIT
3769	REAR WHEEL - LACED
3787	CRANKCASE
37870-91	CLUTCH
37872-90	CLUTCH
37904-90	CLUTCH
37905-90	CLUTCH
37908-90	CLUTCH
37909-90	CLUTCH
37911-90	CLUTCH
37912-91	CLUTCH
37913-90	CLUTCH
37977-90	CLUTCH
3802W	FRAME, REAR FORK & JIFFY STAND CALIFORNIA EVAPORATIVE EMISSIONS KIT
3849	ROCKER ARMS, COVERS & PUSHRODS

38608-96	<u>CLUTCH CONTROL</u>
38619-86A	<u>CLUTCH CONTROL</u>
38620-96	<u>CLUTCH CONTROL</u>
38630-88	<u>CLUTCH CONTROL</u>
38653-01	<u>HANDLEBAR & THROTTLE CONTROL</u> <u>HANDLEBAR & THROTTLE CONTROL - 1200 CUSTOM</u>
3930A	<u>BATTERY</u>
3958	<u>SHOCK ABSORBERS</u>
3987	<u>ELECTRONIC IGNITION SYSTEM</u> <u>REAR FENDER & BELT GUARDS</u> <u>HORN</u>
3993	<u>ELECTRONIC IGNITION SYSTEM</u>
39975-90A	<u>BELTS & SPROCKETS</u>
40005-57B	<u>BELTS & SPROCKETS</u>
40022-91	<u>BELTS & SPROCKETS</u>
4007	<u>REAR FENDER & BELT GUARDS</u>
40202-91B	<u>TRANSMISSION GEARS</u> <u>BELTS & SPROCKETS</u>
40205-95	<u>TRANSMISSION GEARS</u> <u>BELTS & SPROCKETS</u>
40213-91	<u>BELTS & SPROCKETS</u> <u>REAR WHEEL - CAST</u> <u>REAR WHEEL - LACED</u>
40227-93	<u>BELTS & SPROCKETS</u> <u>REAR WHEEL - CAST</u>
40235-89B	<u>BELTS & SPROCKETS</u>
40240-89	<u>BELTS & SPROCKETS</u>
40251-92A	<u>TRANSMISSION GEARS</u> <u>BELTS & SPROCKETS</u>
40285-91B	<u>TRANSMISSION GEARS</u> <u>BELTS & SPROCKETS</u>
40288-95	<u>TRANSMISSION GEARS</u> <u>BELTS & SPROCKETS</u>
4029A	<u>FRONT FORK</u> <u>FRONT FORK - 1200 SPORT</u>

4047	<u>STEERING HEAD BRACKET ASSEMBLY</u> <u>TURN SIGNALS</u>
40520-63	<u>ACCESS DOOR & PRIMARY COVER</u>
40759-05	<u>FRONT WHEEL - LACED</u>
40760-05	<u>FRONT WHEEL - LACED</u>
40761-05	<u>FRONT WHEEL - LACED</u>
40903-87	<u>REAR BRAKE CONTROL</u>
4091	<u>CRANKCASE</u> <u>CALIFORNIA EVAPORATIVE EMISSIONS KIT</u>
40922-87A	<u>REAR BRAKE CONTROL</u>
40929-87	<u>REAR BRAKE CALIPER</u>
40975-86C	<u>REAR WHEEL - LACED</u>
40976-86A	<u>REAR WHEEL - LACED</u>
40992-96	<u>REAR WHEEL - CAST</u>
41012-96	<u>REAR WHEEL - CAST</u>
41013-95	<u>REAR WHEEL - CAST</u>
41123-79	<u>FRONT WHEEL - CAST</u> <u>FRONT WHEEL - LACED</u> <u>REAR WHEEL - CAST</u> <u>REAR WHEEL - LACED</u>
41191-74A	<u>ACCESS DOOR & PRIMARY COVER</u>
4132	<u>CLUTCH CONTROL</u> <u>FRONT BRAKE CONTROL</u>
41563-77A	<u>REAR WHEEL - CAST</u> <u>REAR WHEEL - LACED</u>
41568-81B	<u>FRAME, REAR FORK & JIFFY STAND</u>
41573-97	<u>FRAME, REAR FORK & JIFFY STAND</u>
41579-81	<u>FRAME, REAR FORK & JIFFY STAND</u>
41594-73	<u>REAR WHEEL - CAST</u> <u>REAR WHEEL - LACED</u>
41642-82	<u>REAR BRAKE CONTROL</u>
41713-86	<u>REAR BRAKE CONTROL</u>
41731-88A	<u>FRONT BRAKE CONTROL</u> <u>FRONT BRAKE CONTROL</u>

	<u>REAR BRAKE CONTROL</u>
41733-88	<u>FRONT BRAKE CONTROL</u>
41739-84A	<u>FRONT BRAKE CONTROL</u>
41747-82A	<u>FRONT BRAKE CONTROL</u> <u>FRONT BRAKE CONTROL</u> <u>REAR BRAKE CONTROL</u>
41789-92	<u>REAR WHEEL - CAST</u> <u>REAR WHEEL - LACED</u>
41814-76A	<u>FRONT WHEEL - LACED</u>
42375-87	<u>REAR BRAKE CONTROL</u>
42381-87	<u>REAR BRAKE CONTROL</u>
42382-87C	<u>REAR BRAKE CONTROL</u>
4240	<u>FRONT BRAKE CONTROL</u> <u>REAR BRAKE CONTROL</u> <u>STEERING HEAD BRACKET ASSEMBLY</u>
42436-87	<u>REAR BRAKE CONTROL</u>
42437-87	<u>REAR BRAKE CONTROL</u>
42441-90A	<u>REAR BRAKE CONTROL</u> <u>FOOTRESTS</u>
42443-80A	<u>REAR BRAKE CONTROL</u>
42447-96	<u>REAR BRAKE CONTROL</u>
42449-80A	<u>CRANKCASE</u>
42456-87C	<u>REAR BRAKE CONTROL</u>
42460-80B	<u>REAR BRAKE CONTROL</u>
42472-87	<u>REAR BRAKE CONTROL</u>
42479-90	<u>REAR BRAKE CONTROL</u>
43001-06	<u>FRONT WHEEL - LACED</u>
43025-73B	<u>FRONT WHEEL - LACED</u>
43085-97	<u>REAR WHEEL - LACED</u>
43150-83	<u>FRONT WHEEL - CAST</u>
43157-83A	<u>FRONT WHEEL - CAST</u> <u>REAR WHEEL - CAST</u>
4319	<u>CRANKCASE</u>

43241-05	<u>REAR WHEEL - LACED</u>
4326A	<u>HANDLEBAR & THROTTLE CONTROL</u>
4329	<u>ALTERNATOR & REGULATOR</u>
43290-82	<u>FRONT WHEEL - CAST</u> <u>FRONT WHEEL - LACED</u> <u>REAR WHEEL - CAST</u> <u>REAR WHEEL - LACED</u>
43291-82	<u>FRONT WHEEL - CAST</u> <u>FRONT WHEEL - LACED</u> <u>REAR WHEEL - CAST</u> <u>REAR WHEEL - LACED</u>
43292-82	<u>FRONT WHEEL - CAST</u> <u>FRONT WHEEL - LACED</u> <u>REAR WHEEL - CAST</u> <u>REAR WHEEL - LACED</u>
43293-82	<u>FRONT WHEEL - CAST</u> <u>FRONT WHEEL - LACED</u> <u>REAR WHEEL - CAST</u> <u>REAR WHEEL - LACED</u>
43294-82	<u>FRONT WHEEL - CAST</u> <u>FRONT WHEEL - LACED</u> <u>REAR WHEEL - CAST</u> <u>REAR WHEEL - LACED</u>
43312-84B	<u>FRONT WHEEL - LACED</u>
43355-84	<u>FRONT WHEEL - CAST</u>
43358-83A	<u>FRONT WHEEL - CAST</u> <u>FRONT WHEEL - LACED</u>
43359-84	<u>FRONT WHEEL - CAST</u>
43499-96	<u>FRONT WHEEL - CAST</u>
4350A	<u>HEADLAMP & MIRROR (1 OF 2)</u>
4351	<u>STEERING HEAD BRACKET ASSEMBLY</u> <u>STEERING HEAD BRACKET ASSEMBLY</u>
4352	<u>STEERING HEAD BRACKET ASSEMBLY</u>
43557-87B	<u>FRONT WHEEL - LACED</u>
43567-92	<u>REAR WHEEL - CAST</u> <u>REAR WHEEL - LACED</u>
43594-96	<u>FRONT WHEEL - CAST</u>
43608-82	<u>REAR WHEEL - CAST</u>
43610-87	<u>FRONT WHEEL - LACED</u>

43613-92	<u>FRONT WHEEL - CAST</u> <u>FRONT WHEEL - LACED</u>
43617-95	<u>FRONT WHEEL - CAST</u> <u>FRONT WHEEL - LACED</u>
43619-84	<u>FRONT WHEEL - LACED</u>
43650-82	<u>FRONT WHEEL - CAST</u> <u>FRONT WHEEL - LACED</u> <u>REAR WHEEL - CAST</u> <u>REAR WHEEL - LACED</u>
43654-86A	<u>REAR WHEEL - CAST</u> <u>REAR WHEEL - LACED</u>
43662-80B	<u>FRONT WHEEL - LACED</u>
43668-82	<u>REAR WHEEL - LACED</u>
4377	<u>EXHAUST SYSTEM</u>
43895-87B	<u>FRONT WHEEL - CAST</u> <u>FRONT WHEEL - LACED</u>
43946-86A	<u>REAR BRAKE CALIPER</u>
43960-86	<u>REAR BRAKE CALIPER</u>
44020-83A	<u>FRONT BRAKE CALIPER</u> <u>FRONT BRAKE CALIPER</u>
44021-83	<u>FRONT BRAKE CALIPER</u> <u>FRONT BRAKE CALIPER</u>
44022-83	<u>FRONT BRAKE CALIPER</u> <u>FRONT BRAKE CALIPER</u>
44023-83C	<u>FRONT BRAKE CALIPER</u>
44035-86A	<u>REAR BRAKE CALIPER</u>
44039-86	<u>REAR BRAKE CALIPER</u>
44045-87A	<u>REAR BRAKE CALIPER</u>
44046-84C	<u>FRONT BRAKE CALIPER</u>
44047-83	<u>FRONT BRAKE CALIPER</u> <u>FRONT BRAKE CALIPER</u>
44048-83	<u>FRONT BRAKE CALIPER</u> <u>FRONT BRAKE CALIPER</u> <u>REAR BRAKE CALIPER</u>
44050-87	<u>REAR BRAKE CALIPER</u>
44053-92A	<u>FRONT BRAKE CALIPER</u> <u>FRONT BRAKE CALIPER</u>

44054-83	<u>FRONT BRAKE CALIPER</u> <u>FRONT BRAKE CALIPER</u>
44059-83	<u>FRONT BRAKE CALIPER</u> <u>FRONT BRAKE CALIPER</u>
44061-83	<u>FRONT BRAKE CALIPER</u> <u>FRONT BRAKE CALIPER</u>
44062-83	<u>FRONT BRAKE CALIPER</u> <u>FRONT BRAKE CALIPER</u>
44063-83C	<u>FRONT BRAKE CALIPER</u> <u>FRONT BRAKE CALIPER</u>
44072-92A	<u>FRONT BRAKE CALIPER</u>
44073-92A	<u>FRONT BRAKE CALIPER</u>
44101-95A	<u>FRONT WHEEL - LACED</u>
44108-95A	<u>REAR WHEEL - CAST</u>
44126-87	<u>REAR BRAKE CONTROL</u>
44136-92	<u>FRONT WHEEL - CAST</u> <u>FRONT WHEEL - LACED</u>
44147-87A	<u>REAR BRAKE CALIPER</u>
44152-77	<u>REAR BRAKE CALIPER</u>
44197-77	<u>FRONT BRAKE CALIPER</u> <u>FRONT BRAKE CALIPER</u>
44198-87	<u>REAR BRAKE CALIPER</u>
44199-79	<u>REAR BRAKE CALIPER</u>
4420	<u>HEADLAMP & MIRROR (1 OF 2)</u>
44209-87C	<u>REAR BRAKE CALIPER</u>
4435W	<u>CRANKCASE</u>
44438-87C	<u>REAR BRAKE CONTROL</u>
4453	<u>STEERING HEAD BRACKET ASSEMBLY</u>
4460	<u>STEERING HEAD BRACKET ASSEMBLY</u>
45004-96A	<u>FRONT BRAKE CONTROL</u>
45005-85	<u>REAR BRAKE CONTROL</u>
45006-96C	<u>FRONT BRAKE CONTROL</u>
45013-96D	<u>FRONT BRAKE CONTROL</u>

45015-96	<u>CLUTCH CONTROL</u>
45016-96	<u>FRONT BRAKE CONTROL</u>
45019-96D	<u>FRONT BRAKE CONTROL</u>
45021-86	<u>CLUTCH CONTROL</u>
45030-03C	<u>FRONT BRAKE CONTROL</u>
45032-82	<u>CLUTCH CONTROL</u> <u>FRONT BRAKE CONTROL</u>
45036-88	<u>CLUTCH CONTROL</u>
45042-82	<u>REAR BRAKE CONTROL</u>
45042-96	<u>FRONT BRAKE CONTROL</u>
45044-96A	<u>CLUTCH CONTROL</u> <u>FRONT BRAKE CONTROL</u>
45072-96C	<u>FRONT BRAKE CONTROL</u>
45074-95	<u>FRONT BRAKE CONTROL</u>
45121-96	<u>FRONT BRAKE CONTROL</u>
45121-96A	<u>FRONT BRAKE CONTROL</u>
45143-88B	<u>FRONT BRAKE CONTROL</u>
45148-96A	<u>FRONT BRAKE CONTROL</u>
45361-90	<u>FRONT FORK</u>
45366-96	<u>FRONT FORK - 1200 SPORT</u>
45367-96	<u>FRONT FORK - 1200 SPORT</u>
45368-96	<u>FRONT FORK - 1200 SPORT</u>
45372-92	<u>FRONT FORK</u>
45374-87	<u>FRONT FORK</u>
45376-97	<u>FRONT FORK</u>
45377-87	<u>FRONT FORK</u> <u>FRONT FORK - 1200 SPORT</u>
45378-87	<u>FRONT FORK</u> <u>FRONT FORK - 1200 SPORT</u>
45395-97	<u>FRONT FORK</u>
45398-96	<u>FRONT FORK - 1200 SPORT</u>

45399-96	FRONT FORK - 1200 SPORT
45401-87	FRONT FORK FRONT FORK - 1200 SPORT
45405-75A	FRONT FORK
45423-92	CLUTCH CONTROL
45423-96	FRONT BRAKE CONTROL
45460-90	FRONT FORK
45461-87	FRONT FORK FRONT FORK - 1200 SPORT
45463-87	FRONT FORK
45465-87	FRONT FORK FRONT FORK - 1200 SPORT
45561-87	STEERING HEAD BRACKET ASSEMBLY
45563-87	STEERING HEAD BRACKET ASSEMBLY
45611-86	STEERING HEAD BRACKET ASSEMBLY
45668-90	STEERING HEAD BRACKET ASSEMBLY
45723-96	FRONT FORK - 1200 SPORT
45726-96	FRONT FORK - 1200 SPORT
45739-87	STEERING HEAD BRACKET ASSEMBLY
45790-80	FRONT FORK
45900-97	FRONT FORK
45901-97	FRONT FORK
45902-00	STARTER MOTOR
45905-87	FRONT FORK FRONT FORK - 1200 SPORT
45921-87	FRONT FORK
45923-87	FRONT FORK
45925-97	FRONT FORK
45928-92	FRONT FORK
45929-92	FRONT FORK
45934-86	FRONT FORK
45938-92	FRONT FORK

45943-96	<u>FRONT FORK - 1200 SPORT</u>
45944-96	<u>FRONT FORK - 1200 SPORT</u>
45980-96	<u>FRONT FORK - 1200 SPORT</u>
45981-96	<u>FRONT FORK - 1200 SPORT</u>
45984-87	<u>FRONT FORK</u>
45985-96	<u>FRONT FORK - 1200 SPORT</u>
45986-96	<u>FRONT FORK - 1200 SPORT</u>
45996-87	<u>FRONT FORK</u>
46002-87	<u>FRONT FORK</u> <u>FRONT FORK - 1200 SPORT</u>
46022-96	<u>FRONT FORK - 1200 SPORT</u>
46023-96	<u>FRONT FORK - 1200 SPORT</u>
46024-96	<u>FRONT FORK - 1200 SPORT</u>
46988-94A	<u>FRAME, REAR FORK & JIFFY STAND</u>
46991-96	<u>HANDLEBAR & THROTTLE CONTROL - 1200 CUSTOM</u>
47082-81	<u>FRAME, REAR FORK & JIFFY STAND</u>
47083-81A	<u>FRAME, REAR FORK & JIFFY STAND</u>
47150-94A	<u>FRAME, REAR FORK & JIFFY STAND</u>
4716W	<u>CYLINDER, HEAD & VALVES - V2™ EVOLUTION (1 OF 2)</u> <u>HORN</u>
4717A	<u>ACCESS DOOR & PRIMARY COVER</u> <u>GEARCASE & COVER</u>
4718A	<u>ROCKER ARMS, COVERS & PUSHRODS</u>
47209-94A	<u>FRAME, REAR FORK & JIFFY STAND</u>
4721	<u>FOOTRESTS</u> <u>FOOTRESTS</u>
47384-94	<u>SHOCK ABSORBERS</u>
4740A	<u>GEARCASE & COVER</u> <u>OIL PUMP</u>
4741A	<u>SHIFTER</u> <u>FRONT BRAKE CONTROL</u>
4743	<u>SHOCK ABSORBERS</u>

4748	<u>CYLINDER, HEAD & VALVES - V2™ EVOLUTION (1 OF 2)</u>
4751	<u>ALTERNATOR & REGULATOR</u>
47519-83A	<u>FRONT WHEEL - CAST</u> <u>FRONT WHEEL - LACED</u> <u>REAR WHEEL - CAST</u> <u>REAR WHEEL - LACED</u>
4753	<u>OIL PUMP</u>
47547-87B	<u>FRAME, REAR FORK & JIFFY STAND</u>
47554-73A	<u>FRAME, REAR FORK & JIFFY STAND</u>
4758A	<u>FUEL TANK & TRIM</u>
48140-84A	<u>STEERING HEAD BRACKET ASSEMBLY</u>
4816A	<u>HANDLEBAR & THROTTLE CONTROL</u>
4820A	<u>GEARCASE & COVER</u> <u>TRANSMISSION GEARS</u>
4826	<u>TRANSMISSION GEARS</u>
48300-60	<u>STEERING HEAD BRACKET ASSEMBLY</u>
48315-60	<u>CRANKCASE</u> <u>STEERING HEAD BRACKET ASSEMBLY</u> <u>FRAME, REAR FORK & JIFFY STAND</u>
48348-70	<u>CRANKCASE</u>
48361-80	<u>STEERING HEAD BRACKET ASSEMBLY</u>
48365-48A	<u>STEERING HEAD BRACKET ASSEMBLY</u>
49378-09	<u>FRONT FORK</u>
49381-09	<u>FRONT FORK - 1200 SPORT</u>
50003-89B	<u>FRAME, REAR FORK & JIFFY STAND</u>
50005-85A	<u>FRAME, REAR FORK & JIFFY STAND</u>
50006-89	<u>FRAME, REAR FORK & JIFFY STAND</u>
50072-92	<u>FRAME, REAR FORK & JIFFY STAND</u>
50101-91	<u>FRAME, REAR FORK & JIFFY STAND</u>
50615-83	<u>FOOTRESTS</u>
50643-82	<u>FOOTRESTS</u>
50646-82	<u>FOOTRESTS</u>
50647-82	<u>FOOTRESTS</u>

50912-72	FOOTRESTS FOOTRESTS
50951-90	FOOTRESTS
50972-75	FRAME, REAR FORK & JIFFY STAND
511	REAR WHEEL - CAST REAR WHEEL - LACED
51187-94A	SEATS
515	SHIFTER REAR BRAKE CONTROL
51652-83B	SEATS
52102-96	SEATS
52129-92C	SEATS
52132-94A	SEATS
5226B	SHIFTER
52357-97	SEATS
52358-97	SEATS
52441-95	SPEEDOMETER & TACHOMETER
52577-96	SEATS
53156-86	HANDLEBAR & THROTTLE CONTROL HANDLEBAR & THROTTLE CONTROL - 1200 CUSTOM
534	FOOTRESTS
53438-92	HEADLAMP & MIRROR (2 OF 2)
53439-79	SPEEDOMETER & TACHOMETER SPEEDOMETER - 1200 CUSTOM
5403B	REAR FENDER & BELT GUARDS
54321-85	FRONT WHEEL - LACED REAR WHEEL - LACED
5440	EXHAUST SYSTEM
54473-79	SHOCK ABSORBERS
54474-79	SHOCK ABSORBERS
54475-79	SHOCK ABSORBERS
54476-82	SHOCK ABSORBERS

54481-96	<u>SHOCK ABSORBERS</u>
54542-96A	<u>SHOCK ABSORBERS</u>
54552-96A	<u>SHOCK ABSORBERS</u>
54556-84	<u>SHOCK ABSORBERS</u>
54566-97	<u>SHOCK ABSORBERS</u>
54568-92	<u>SHOCK ABSORBERS</u>
54701-82	<u>SHOCK ABSORBERS</u>
54705-94	<u>SHOCK ABSORBERS</u>
54713-96	<u>SHOCK ABSORBERS</u>
54714-96	<u>SHOCK ABSORBERS</u>
54715-96	<u>SHOCK ABSORBERS</u>
554A	<u>FRAME, REAR FORK & JIFFY STAND</u>
56073-83	<u>HANDLEBAR SWITCHES</u>
56074-96	<u>HANDLEBAR & THROTTLE CONTROL - 1200 CUSTOM</u>
56081-82A	<u>HANDLEBAR & THROTTLE CONTROL</u>
56082-83	<u>HANDLEBAR & THROTTLE CONTROL</u>
56104-94A	<u>TURN SIGNALS</u>
56115-95	<u>HANDLEBAR & THROTTLE CONTROL</u>
56116-82A	<u>HANDLEBAR & THROTTLE CONTROL</u>
56117-82A	<u>HANDLEBAR & THROTTLE CONTROL</u>
56153-73	<u>HANDLEBAR & THROTTLE CONTROL</u> <u>HANDLEBAR & THROTTLE CONTROL - 1200 CUSTOM</u>
56159-73	<u>HANDLEBAR & THROTTLE CONTROL</u> <u>HANDLEBAR & THROTTLE CONTROL - 1200 CUSTOM</u>
56164-96	<u>HANDLEBAR & THROTTLE CONTROL - 1200 CUSTOM</u>
56167-96	<u>HANDLEBAR & THROTTLE CONTROL - 1200 CUSTOM</u>
56168-96	<u>HANDLEBAR & THROTTLE CONTROL - 1200 CUSTOM</u>
56206-96	<u>HANDLEBAR & THROTTLE CONTROL</u> <u>HANDLEBAR & THROTTLE CONTROL - 1200 CUSTOM</u>
56220-94A	<u>HANDLEBAR & THROTTLE CONTROL</u> <u>HANDLEBAR & THROTTLE CONTROL - 1200 CUSTOM</u>
56308-96	<u>HANDLEBAR & THROTTLE CONTROL</u>

56309-96	<u>HANDLEBAR & THROTTLE CONTROL</u>
56381-96	<u>HANDLEBAR & THROTTLE CONTROL - 1200 CUSTOM</u>
56382-96	<u>HANDLEBAR & THROTTLE CONTROL - 1200 CUSTOM</u>
56394-74	<u>HANDLEBAR & THROTTLE CONTROL</u> <u>HANDLEBAR & THROTTLE CONTROL - 1200 CUSTOM</u> <u>HANDLEBAR SWITCHES</u>
56396-74A	<u>HANDLEBAR & THROTTLE CONTROL</u> <u>HANDLEBAR & THROTTLE CONTROL - 1200 CUSTOM</u> <u>HANDLEBAR SWITCHES</u>
56397-74C	<u>HANDLEBAR & THROTTLE CONTROL</u> <u>HANDLEBAR & THROTTLE CONTROL - 1200 CUSTOM</u> <u>HANDLEBAR SWITCHES</u>
56400-96	<u>HANDLEBAR & THROTTLE CONTROL</u>
56401-96	<u>HANDLEBAR & THROTTLE CONTROL</u>
56402-83A	<u>HANDLEBAR & THROTTLE CONTROL</u> <u>HANDLEBAR & THROTTLE CONTROL - 1200 CUSTOM</u> <u>HANDLEBAR SWITCHES</u>
56508-76	<u>HANDLEBAR & THROTTLE CONTROL</u> <u>HANDLEBAR & THROTTLE CONTROL - 1200 CUSTOM</u>
5741	<u>FRAME, REAR FORK & JIFFY STAND</u>
5756	<u>REAR WHEEL - CAST</u> <u>REAR WHEEL - LACED</u>
5774	<u>HEADLAMP & MIRROR (1 OF 2)</u>
5787	<u>FUEL TANK & TRIM</u>
58998-83E	<u>FRONT FENDER</u>
59251-90	<u>REAR FENDER & BELT GUARDS</u>
59259-90	<u>REAR FENDER & BELT GUARDS</u>
59273-91	<u>FRAME, REAR FORK & JIFFY STAND</u>
59287-92	<u>REAR FENDER & BELT GUARDS</u>
59288-92	<u>REAR FENDER & BELT GUARDS</u>
59289-92	<u>REAR FENDER & BELT GUARDS</u>
59290-92	<u>REAR FENDER & BELT GUARDS</u>
59481-00	<u>FRONT FORK - 1200 SPORT</u>
59482-00	<u>FRONT FORK - 1200 SPORT</u>

59594-82C	REAR FENDER & BELT GUARDS
59669-97	REAR FENDER & BELT GUARDS
59671-98	REAR FENDER & BELT GUARDS
59756-97	REAR FENDER & BELT GUARDS
59768-97	REAR FENDER & BELT GUARDS
59896-94	REAR FENDER & BELT GUARDS
59897-94	REAR FENDER & BELT GUARDS
59984-73	REAR FENDER & BELT GUARDS
59986-75	REAR FENDER & BELT GUARDS
59988-72A	REAR FENDER & BELT GUARDS
60001-55	REAR FENDER & BELT GUARDS
60026-97	REAR FENDER & BELT GUARDS
6003	TRANSMISSION GEARS
601	SHIFTER
6012	SHOCK ABSORBERS SHOCK ABSORBERS
6016	ROCKER ARMS, COVERS & PUSHRODS SHIFTER
6019	CRANKCASE FRONT BRAKE CALIPER FRONT BRAKE CALIPER
6026	CRANKCASE
60348-65B	CRANKCASE
6036	SEATS
60381-91	REAR FENDER & BELT GUARDS
604	CRANKCASE
60419-91	REAR FENDER & BELT GUARDS
60429-97	BATTERY
60436-91	REAR FENDER & BELT GUARDS
6099	ROCKER ARMS, COVERS & PUSHRODS SHIFTER CALIFORNIA EVAPORATIVE EMISSIONS KIT CALIFORNIA EVAPORATIVE EMISSIONS KIT

6101	<u>CLUTCH CONTROL FRONT BRAKE CONTROL</u>
6109	<u>REAR FENDER & BELT GUARDS</u>
61107-92	<u>AIR CLEANER & ENRICHENER</u>
61109-85D	<u>FUEL TANK & TRIM</u>
61131-92	<u>FUEL TANK & TRIM</u>
61272-92C	<u>FUEL TANK & TRIM</u>
61450-95	<u>FUEL TANK & TRIM</u>
6157	<u>OIL PUMP</u>
61618-96C	<u>FUEL TANK & TRIM</u>
61799-96	<u>FUEL TANK & TRIM</u>
61800-96	<u>FUEL TANK & TRIM</u>
61801-96	<u>FUEL TANK & TRIM</u>
61802-96	<u>FUEL TANK & TRIM</u>
6192	<u>REAR FENDER & BELT GUARDS</u>
62122-89A	<u>FRAME, REAR FORK & JIFFY STAND</u>
62150-85	<u>FUEL TANK & TRIM</u>
62161-02	<u>FUEL TANK & TRIM</u>
62166-81A	<u>FUEL TANK & TRIM</u>
62169-95C	<u>FUEL TANK & TRIM</u>
62172-02	<u>FUEL TANK & TRIM</u>
6220W	<u>BATTERY</u>
62347-95	<u>FUEL TANK & TRIM</u>
62361-94	<u>OIL TANK & FILTER</u>
62375-57A	<u>GEARCASE & COVER</u>
62475-97A	<u>OIL TANK & FILTER</u>
62493-89	<u>OIL TANK & FILTER</u>
62494-94B	<u>OIL TANK & FILTER</u>
62540-83	<u>OIL TANK & FILTER BATTERY</u>
62555-95	<u>CARBURETOR (2 OF 2)</u>

	<u>FUEL TANK & TRIM</u>
62563-65	<u>OIL TANK & FILTER</u>
62569-94	<u>BATTERY</u>
62601-91A	<u>OIL PUMP</u>
62631-91	<u>OIL TANK & FILTER</u>
62634-84A	<u>OIL TANK & FILTER</u>
6272	<u>HEADLAMP & MIRROR (1 OF 2)</u>
6314W	<u>CRANKCASE</u>
6333	<u>FUEL TANK & TRIM</u>
63500-68	<u>CRANKCASE</u> <u>OIL TANK & FILTER</u>
63501-68B	<u>GEARCASE & COVER</u> <u>CARBURETOR (2 OF 2)</u> <u>OIL TANK & FILTER</u>
63504-94	<u>OIL TANK & FILTER</u>
63533-41A	<u>OIL PUMP</u>
63542-94A	<u>OIL TANK & FILTER</u>
63547-89	<u>CRANKCASE</u>
63564-94	<u>OIL TANK & FILTER</u>
63576-95	<u>OIL TANK & FILTER</u>
6366	<u>REAR BRAKE CONTROL</u>
63796-77A	<u>OIL TANK & FILTER</u>
63805-80A	<u>OIL TANK & FILTER</u>
63858-49	<u>ROCKER ARMS, COVERS & PUSHRODS</u>
6410	<u>AIR CLEANER & ENRICHENER</u>
6508	<u>PISTONS, CONNECTING RODS & FLYWHEELS</u>
6516HW	<u>BELTS & SPROCKETS</u> <u>REAR WHEEL - CAST</u> <u>REAR WHEEL - LACED</u>
65296-95A	<u>EXHAUST SYSTEM</u>
65324-83B	<u>EXHAUST SYSTEM</u>
65325-83A	<u>EXHAUST SYSTEM</u>

65328-83A	EXHAUST SYSTEM
65419-86	EXHAUST SYSTEM
65568-86A	EXHAUST SYSTEM
65569-86A	EXHAUST SYSTEM
65599-80D	EXHAUST SYSTEM
65605-97	EXHAUST SYSTEM
65613-97	EXHAUST SYSTEM
65712-95	EXHAUST SYSTEM
65719-95	EXHAUST SYSTEM
65766-97	EXHAUST SYSTEM
65769-97	EXHAUST SYSTEM
65781-82	EXHAUST SYSTEM
65782-82	EXHAUST SYSTEM
65813-95	EXHAUST SYSTEM
65860-97	EXHAUST SYSTEM
65861-97	EXHAUST SYSTEM
6590HW	FRONT WHEEL - CAST FRONT WHEEL - LACED
65989-97C	BATTERY
66020-97	BATTERY
66194-94A	BATTERY
66214-97	BATTERY
66325-82	FRAME, REAR FORK & JIFFY STAND
66346-91	BATTERY
66359-97	BATTERY
66367-97	BATTERY
66476-73A	BATTERY
6655	STEERING HEAD BRACKET ASSEMBLY
6701	CYLINDER, HEAD & VALVES - V2™ EVOLUTION (1 OF 2) CRANKCASE FRONT FORK FRONT FORK - 1200 SPORT

	<u>SHOCK ABSORBERS</u> <u>FRAME, REAR FORK & JIFFY STAND</u> <u>HEADLAMP & MIRROR (1 OF 2)</u> <u>HORN</u>
6702	<u>ELECTRONIC IGNITION SYSTEM</u> <u>REAR BRAKE CONTROL</u> <u>HANDLEBAR & THROTTLE CONTROL</u> <u>HANDLEBAR & THROTTLE CONTROL - 1200 CUSTOM</u> <u>BATTERY</u> <u>HEADLAMP & MIRROR (1 OF 2)</u> <u>SPEEDOMETER - 1200 CUSTOM</u> <u>HORN</u>
6703	<u>SEATS</u> <u>REAR FENDER & BELT GUARDS</u> <u>REAR FENDER & BELT GUARDS</u> <u>CALIFORNIA EVAPORATIVE EMISSIONS KIT</u>
67037-96D	<u>SPEEDOMETER & TACHOMETER</u>
67041-95D	<u>SPEEDOMETER & TACHOMETER</u>
67053-95	<u>SPEEDOMETER & TACHOMETER</u>
67067-76	<u>CALIFORNIA EVAPORATIVE EMISSIONS KIT</u>
67084-96	<u>SPEEDOMETER - 1200 CUSTOM</u>
67085-95	<u>SPEEDOMETER & TACHOMETER</u>
67088-96	<u>SPEEDOMETER - 1200 CUSTOM</u>
67103-95	<u>SPEEDOMETER & TACHOMETER</u>
67104-95	<u>SPEEDOMETER & TACHOMETER</u> <u>SPEEDOMETER & TACHOMETER</u>
67121-95A	<u>SPEEDOMETER & TACHOMETER</u> <u>SPEEDOMETER & TACHOMETER</u> <u>SPEEDOMETER - 1200 CUSTOM</u>
67136-85	<u>SPEEDOMETER & TACHOMETER</u> <u>SPEEDOMETER - 1200 CUSTOM</u>
67152-95B	<u>SPEEDOMETER & TACHOMETER</u>
6716	<u>ELECTRONIC IGNITION SYSTEM</u>
67184-94	<u>SPEEDOMETER & TACHOMETER</u> <u>SPEEDOMETER - 1200 CUSTOM</u>
67191-94	<u>SPEEDOMETER & TACHOMETER</u> <u>SPEEDOMETER & TACHOMETER</u> <u>SPEEDOMETER - 1200 CUSTOM</u>
67283-96C	<u>SPEEDOMETER & TACHOMETER</u> <u>SPEEDOMETER - 1200 CUSTOM</u>

67284-95C	<u>SPEEDOMETER & TACHOMETER SPEEDOMETER - 1200 CUSTOM</u>
67285-95C	<u>SPEEDOMETER & TACHOMETER SPEEDOMETER - 1200 CUSTOM</u>
67290-95D	<u>SPEEDOMETER & TACHOMETER</u>
67320-95	<u>SPEEDOMETER & TACHOMETER</u>
67338-97	<u>SPEEDOMETER & TACHOMETER</u>
6736	<u>ROCKER ARMS, COVERS & PUSHRODS</u>
67601-94A	<u>HEADLAMP & MIRROR (1 OF 2)</u>
67602-94	<u>HEADLAMP & MIRROR (2 OF 2)</u>
67603-94A	<u>HEADLAMP & MIRROR (1 OF 2)</u>
67604-94	<u>HEADLAMP & MIRROR (2 OF 2)</u>
67685-92	<u>HEADLAMP & MIRROR (1 OF 2)</u>
67691-92	<u>HEADLAMP & MIRROR (2 OF 2)</u>
67698-81D	<u>HEADLAMP & MIRROR (1 OF 2)</u>
67705-92	<u>HEADLAMP & MIRROR (1 OF 2)</u>
67719-63	<u>HEADLAMP & MIRROR (1 OF 2) MAIN WIRING HARNESS (1 OF 2)</u>
67725-63	<u>HEADLAMP & MIRROR (1 OF 2)</u>
67744-75	<u>HEADLAMP & MIRROR (1 OF 2)</u>
67757-92	<u>HEADLAMP & MIRROR (1 OF 2)</u>
67763-92A	<u>HEADLAMP & MIRROR (2 OF 2)</u>
67771-08	<u>HEADLAMP & MIRROR (2 OF 2)</u>
67781-92A	<u>HEADLAMP & MIRROR (2 OF 2)</u>
67805-92	<u>HEADLAMP & MIRROR (1 OF 2)</u>
67815-59A	<u>HEADLAMP & MIRROR (1 OF 2)</u>
67822-88	<u>TURN SIGNALS</u>
67827-88A	<u>TURN SIGNALS</u>
67828-88A	<u>TURN SIGNALS</u>
67829-88	<u>TURN SIGNALS</u>

67834-83	HEADLAMP & MIRROR (1 OF 2)
67850-96	HEADLAMP & MIRROR (2 OF 2)
67854-98	SPEEDOMETER & TACHOMETER SPEEDOMETER - 1200 CUSTOM
67861-96	HANDLEBAR & THROTTLE CONTROL - 1200 CUSTOM
67865-89	HEADLAMP & MIRROR (1 OF 2)
67880-94	SPEEDOMETER & TACHOMETER SPEEDOMETER - 1200 CUSTOM
67881-96B	HEADLAMP & MIRROR (2 OF 2)
67882-96A	HEADLAMP & MIRROR (2 OF 2)
67894-93A	HEADLAMP & MIRROR (2 OF 2)
67901-96A	HEADLAMP & MIRROR (2 OF 2)
67902-96A	HANDLEBAR & THROTTLE CONTROL - 1200 CUSTOM
67919-96	HEADLAMP & MIRROR (2 OF 2)
68024-94	SPEEDOMETER & TACHOMETER SPEEDOMETER - 1200 CUSTOM
68026-73	TAIL LAMP
68027-90	TAIL LAMP
68030-96	HANDLEBAR & THROTTLE CONTROL - 1200 CUSTOM
68032-90	TAIL LAMP
68033-90	TAIL LAMP
68036-91	TAIL LAMP
68048-93B	TAIL LAMP
68049-93B	TAIL LAMP
68061-94B	HEADLAMP & MIRROR (2 OF 2)
6812	STARTER MOTOR
68123-73	TAIL LAMP
68163-84	TURN SIGNALS
68168-89A	TURN SIGNALS TAIL LAMP
68169-90A	TAIL LAMP

68329-03	<u>HEADLAMP & MIRROR (1 OF 2)</u>
68382-96	<u>SPEEDOMETER - 1200 CUSTOM</u>
68415-96	<u>SPEEDOMETER - 1200 CUSTOM</u>
68423-96	<u>SPEEDOMETER - 1200 CUSTOM</u>
68452-86	<u>TURN SIGNALS</u>
68457-86	<u>TURN SIGNALS</u>
68480-93A	<u>TURN SIGNALS</u>
68507-90	<u>TURN SIGNALS</u>
68513-95A	<u>SPEEDOMETER & TACHOMETER</u>
68516-95	<u>SPEEDOMETER & TACHOMETER</u>
68540-96	<u>TURN SIGNALS</u>
68551-95	<u>SPEEDOMETER & TACHOMETER</u>
68555-87	<u>TURN SIGNALS</u>
68562-84	<u>FRONT BRAKE CONTROL</u>
68566-90	<u>TURN SIGNALS</u>
68572-64B	<u>TURN SIGNALS</u>
68650-92	<u>HEADLAMP & MIRROR (2 OF 2)</u>
68705-93A	<u>HEADLAMP & MIRROR (2 OF 2)</u>
68709-94	<u>TURN SIGNALS</u>
68710-94	<u>TURN SIGNALS</u>
68715-96	<u>SPEEDOMETER - 1200 CUSTOM</u>
68760-94	<u>TURN SIGNALS</u>
68763-94	<u>TURN SIGNALS</u>
68792-96	<u>SPEEDOMETER - 1200 CUSTOM</u>
68814-96	<u>SPEEDOMETER - 1200 CUSTOM</u>
69000014	<u>HORN</u>
69012-93A	<u>HORN</u>
69035-95	<u>HORN</u>
69037-95A	<u>AIR CLEANER & ENRICHENER</u> <u>HORN</u>

69060-90G	<u>HORN</u>
69062-91A	<u>HORN</u>
69120-91	<u>HORN</u>
69123-92A	<u>HORN</u>
69135-96A	<u>HORN</u>
70048-92	<u>HEADLAMP & MIRROR (2 OF 2)</u>
70076-97	<u>BATTERY</u>
70097-97	<u>BATTERY</u>
70135-97	<u>MAIN WIRING HARNESS (1 OF 2)</u> <u>MAIN WIRING HARNESS (2 OF 2)</u>
70153-97	<u>MAIN WIRING HARNESS - 1200 CUSTOM (1 OF 2)</u> <u>MAIN WIRING HARNESS - 1200 CUSTOM (2 OF 2)</u>
7019	<u>SHIFTER</u>
70191-73A	<u>STEERING HEAD BRACKET ASSEMBLY</u>
70345-84	<u>HANDLEBAR SWITCHES</u>
7036	<u>ELECTRONIC IGNITION SYSTEM</u>
7038	<u>CYLINDER, HEAD & VALVES - V2™ EVOLUTION (1 OF 2)</u> <u>FRONT FORK</u> <u>FRONT FORK - 1200 SPORT</u>
7041	<u>HORN</u>
7042	<u>REAR BRAKE CONTROL</u> <u>TURN SIGNALS</u>
7045	<u>FOOTRESTS</u> <u>HEADLAMP & MIRROR (1 OF 2)</u>
70504-81	<u>HANDLEBAR & THROTTLE CONTROL</u> <u>HANDLEBAR & THROTTLE CONTROL - 1200 CUSTOM</u>
70551-69	<u>MAIN WIRING HARNESS (2 OF 2)</u>
70552-69	<u>MAIN WIRING HARNESS (2 OF 2)</u>
70553-69	<u>MAIN WIRING HARNESS (2 OF 2)</u> <u>MAIN WIRING HARNESS - 1200 CUSTOM (2 OF 2)</u>
70554-69	<u>MAIN WIRING HARNESS (2 OF 2)</u> <u>MAIN WIRING HARNESS - 1200 CUSTOM (2 OF 2)</u>
70555-69	<u>MAIN WIRING HARNESS (2 OF 2)</u> <u>MAIN WIRING HARNESS - 1200 CUSTOM (2 OF 2)</u>
70556-71	<u>MAIN WIRING HARNESS (2 OF 2)</u>

70558-71	MAIN WIRING HARNESS (2 OF 2) MAIN WIRING HARNESS - 1200 CUSTOM (2 OF 2)
70559-71	MAIN WIRING HARNESS (2 OF 2) MAIN WIRING HARNESS - 1200 CUSTOM (2 OF 2)
70578-89	BATTERY
70583-93	HEADLAMP & MIRROR (2 OF 2)
70585-93	SPEEDOMETER & TACHOMETER SPEEDOMETER - 1200 CUSTOM
70586-93	SWITCHES & CIRCUIT BREAKERS
7068	FRONT WHEEL - CAST FRONT WHEEL - LACED HEADLAMP & MIRROR (1 OF 2)
7069	SPEEDOMETER & TACHOMETER SPEEDOMETER - 1200 CUSTOM
7124	SEATS
7127	HEADLAMP & MIRROR (1 OF 2) TURN SIGNALS HORN SWITCHES & CIRCUIT BREAKERS
7129	STEERING HEAD BRACKET ASSEMBLY
71441-94	MAIN WIRING HARNESS (1 OF 2) MAIN WIRING HARNESS - 1200 CUSTOM (1 OF 2) SWITCHES & CIRCUIT BREAKERS
71451-94A	SWITCHES & CIRCUIT BREAKERS
7145W	CRANKCASE CLUTCH CONTROL
71499-94	SWITCHES & CIRCUIT BREAKERS
71510-95	SWITCHES & CIRCUIT BREAKERS
71550-94	SWITCHES & CIRCUIT BREAKERS
71552-94	SWITCHES & CIRCUIT BREAKERS
71563-96	HANDLEBAR & THROTTLE CONTROL HANDLEBAR & THROTTLE CONTROL - 1200 CUSTOM HANDLEBAR SWITCHES
71564-96	HANDLEBAR & THROTTLE CONTROL HANDLEBAR & THROTTLE CONTROL - 1200 CUSTOM HANDLEBAR SWITCHES
71567-96	HANDLEBAR SWITCHES
71568-96A	HANDLEBAR SWITCHES

71591-96A	<u>HANDLEBAR SWITCHES</u>
71598-96A	<u>HANDLEBAR SWITCHES</u>
71621-08	<u>HANDLEBAR SWITCHES</u>
71682-06A	<u>HANDLEBAR SWITCHES</u>
71684-06A	<u>HANDLEBAR SWITCHES</u>
71795-63A	<u>FRONT BRAKE CONTROL</u>
720	<u>CRANKCASE</u>
72023-51E	<u>REAR BRAKE CONTROL SWITCHES & CIRCUIT BREAKERS</u>
72046-79	<u>MAIN WIRING HARNESS (1 OF 2)</u> <u>MAIN WIRING HARNESS - 1200 CUSTOM (1 OF 2)</u>
72056-92	<u>HEADLAMP & MIRROR (2 OF 2)</u> <u>MAIN WIRING HARNESS (1 OF 2)</u>
72102-94BK	<u>MAIN WIRING HARNESS (1 OF 2)</u> <u>MAIN WIRING HARNESS - 1200 CUSTOM (1 OF 2)</u>
72103-94BK	<u>ELECTRONIC IGNITION SYSTEM</u>
72106-94BK	<u>MAIN WIRING HARNESS (1 OF 2)</u> <u>MAIN WIRING HARNESS - 1200 CUSTOM (1 OF 2)</u>
72108-94BK	<u>MAIN WIRING HARNESS (1 OF 2)</u> <u>MAIN WIRING HARNESS - 1200 CUSTOM (1 OF 2)</u>
72112-94BK	<u>ELECTRONIC IGNITION SYSTEM</u>
72113-94BK	<u>SPEEDOMETER & TACHOMETER</u> <u>SPEEDOMETER - 1200 CUSTOM</u> <u>MAIN WIRING HARNESS (1 OF 2)</u> <u>MAIN WIRING HARNESS - 1200 CUSTOM (1 OF 2)</u>
72116-94BK	<u>HANDLEBAR SWITCHES</u>
72118-94BK	<u>ELECTRONIC IGNITION SYSTEM</u>
72119-94BK	<u>HANDLEBAR SWITCHES</u>
72138-94GY	<u>MAIN WIRING HARNESS (1 OF 2)</u> <u>MAIN WIRING HARNESS - 1200 CUSTOM (1 OF 2)</u>
72139-94GY	<u>HANDLEBAR SWITCHES</u>
72142-94	<u>MAIN WIRING HARNESS (1 OF 2)</u> <u>MAIN WIRING HARNESS - 1200 CUSTOM (1 OF 2)</u>
72143-94	<u>ELECTRONIC IGNITION SYSTEM</u> <u>SPEEDOMETER & TACHOMETER</u> <u>SPEEDOMETER - 1200 CUSTOM</u>

72146-94	<u>MAIN WIRING HARNESS (1 OF 2)</u> <u>MAIN WIRING HARNESS - 1200 CUSTOM (1 OF 2)</u>
72148-94	<u>MAIN WIRING HARNESS (1 OF 2)</u> <u>MAIN WIRING HARNESS - 1200 CUSTOM (1 OF 2)</u>
72152-94	<u>ELECTRONIC IGNITION SYSTEM</u>
72153-94	<u>SPEEDOMETER & TACHOMETER</u> <u>SPEEDOMETER - 1200 CUSTOM</u> <u>MAIN WIRING HARNESS (1 OF 2)</u> <u>MAIN WIRING HARNESS - 1200 CUSTOM (1 OF 2)</u>
72154-94	<u>TAIL LAMP</u>
72156-94	<u>HANDLEBAR SWITCHES</u>
72158-94	<u>ELECTRONIC IGNITION SYSTEM</u> <u>MAIN WIRING HARNESS (1 OF 2)</u> <u>MAIN WIRING HARNESS - 1200 CUSTOM (1 OF 2)</u>
72159-94	<u>HANDLEBAR SWITCHES</u>
72163-94BK	<u>SPEEDOMETER & TACHOMETER</u> <u>SPEEDOMETER - 1200 CUSTOM</u>
72172-94	<u>ELECTRONIC IGNITION SYSTEM</u> <u>TAIL LAMP</u>
72173-94	<u>SPEEDOMETER & TACHOMETER</u> <u>SPEEDOMETER - 1200 CUSTOM</u>
72176-94	<u>HANDLEBAR SWITCHES</u>
72178-94	<u>ELECTRONIC IGNITION SYSTEM</u>
72179-94	<u>HANDLEBAR SWITCHES</u>
72180-94	<u>MAIN WIRING HARNESS (1 OF 2)</u> <u>MAIN WIRING HARNESS - 1200 CUSTOM (1 OF 2)</u>
72190-94	<u>ELECTRONIC IGNITION SYSTEM</u> <u>SPEEDOMETER & TACHOMETER</u> <u>SPEEDOMETER - 1200 CUSTOM</u> <u>MAIN WIRING HARNESS (1 OF 2)</u> <u>MAIN WIRING HARNESS - 1200 CUSTOM (1 OF 2)</u>
72191-94	<u>ELECTRONIC IGNITION SYSTEM</u> <u>SPEEDOMETER & TACHOMETER</u> <u>SPEEDOMETER - 1200 CUSTOM</u> <u>TAIL LAMP</u> <u>MAIN WIRING HARNESS (1 OF 2)</u> <u>MAIN WIRING HARNESS - 1200 CUSTOM (1 OF 2)</u> <u>HANDLEBAR SWITCHES</u>
72195-94	<u>ELECTRONIC IGNITION SYSTEM</u> <u>MAIN WIRING HARNESS (1 OF 2)</u> <u>MAIN WIRING HARNESS - 1200 CUSTOM (1 OF 2)</u>

	<u>HANDLEBAR SWITCHES</u>
72196-94	<u>MAIN WIRING HARNESS (1 OF 2)</u> <u>MAIN WIRING HARNESS - 1200 CUSTOM (1 OF 2)</u>
72198-94	<u>MAIN WIRING HARNESS (1 OF 2)</u> <u>MAIN WIRING HARNESS - 1200 CUSTOM (1 OF 2)</u>
72199-94	<u>SPEEDOMETER & TACHOMETER</u> <u>SPEEDOMETER - 1200 CUSTOM</u> <u>MAIN WIRING HARNESS (1 OF 2)</u> <u>MAIN WIRING HARNESS - 1200 CUSTOM (1 OF 2)</u>
7220	<u>FRONT BRAKE CONTROL</u> <u>REAR BRAKE CONTROL</u> <u>STEERING HEAD BRACKET ASSEMBLY</u>
72216-94	<u>MAIN WIRING HARNESS (1 OF 2)</u> <u>MAIN WIRING HARNESS - 1200 CUSTOM (1 OF 2)</u>
72217-94	<u>MAIN WIRING HARNESS (1 OF 2)</u> <u>MAIN WIRING HARNESS - 1200 CUSTOM (1 OF 2)</u>
72218-94	<u>MAIN WIRING HARNESS (1 OF 2)</u> <u>MAIN WIRING HARNESS - 1200 CUSTOM (1 OF 2)</u>
72219-94	<u>MAIN WIRING HARNESS (2 OF 2)</u> <u>MAIN WIRING HARNESS - 1200 CUSTOM (2 OF 2)</u>
72220-94	<u>MAIN WIRING HARNESS (2 OF 2)</u> <u>MAIN WIRING HARNESS - 1200 CUSTOM (2 OF 2)</u>
72240-94	<u>MAIN WIRING HARNESS (2 OF 2)</u> <u>MAIN WIRING HARNESS - 1200 CUSTOM (2 OF 2)</u>
72241-94A	<u>SPEEDOMETER & TACHOMETER</u> <u>SPEEDOMETER - 1200 CUSTOM</u> <u>MAIN WIRING HARNESS (2 OF 2)</u> <u>MAIN WIRING HARNESS - 1200 CUSTOM (2 OF 2)</u>
72249-94	<u>MAIN WIRING HARNESS (2 OF 2)</u> <u>MAIN WIRING HARNESS - 1200 CUSTOM (2 OF 2)</u>
72266-94	<u>HANDLEBAR SWITCHES</u>
72290-94	<u>MAIN WIRING HARNESS (2 OF 2)</u> <u>MAIN WIRING HARNESS - 1200 CUSTOM (2 OF 2)</u>
72291-94	<u>MAIN WIRING HARNESS (2 OF 2)</u> <u>MAIN WIRING HARNESS - 1200 CUSTOM (2 OF 2)</u>
72295-94	<u>MAIN WIRING HARNESS - 1200 CUSTOM (2 OF 2)</u>
72366-95	<u>MAIN WIRING HARNESS (2 OF 2)</u>
72507-94	<u>HEADLAMP & MIRROR (2 OF 2)</u> <u>MAIN WIRING HARNESS (2 OF 2)</u>
727	<u>CRANKCASE</u>

73102-96BK	<u>MAIN WIRING HARNESS (2 OF 2)</u> <u>MAIN WIRING HARNESS - 1200 CUSTOM (2 OF 2)</u>
73102-96WE	<u>MAIN WIRING HARNESS (2 OF 2)</u> <u>MAIN WIRING HARNESS - 1200 CUSTOM (2 OF 2)</u>
73103-96BK	<u>MAIN WIRING HARNESS (2 OF 2)</u> <u>MAIN WIRING HARNESS - 1200 CUSTOM (2 OF 2)</u>
73104-96BK	<u>MAIN WIRING HARNESS (2 OF 2)</u> <u>MAIN WIRING HARNESS - 1200 CUSTOM (2 OF 2)</u>
73106-96BK	<u>MAIN WIRING HARNESS (2 OF 2)</u> <u>MAIN WIRING HARNESS - 1200 CUSTOM (2 OF 2)</u>
73112-96BK	<u>MAIN WIRING HARNESS (2 OF 2)</u> <u>MAIN WIRING HARNESS - 1200 CUSTOM (2 OF 2)</u>
73152-96BK	<u>TURN SIGNALS</u>
73152-96WE	<u>TURN SIGNALS</u>
73153-96BK	<u>AIR CLEANER & ENRICHENER</u>
73154-96BK	<u>HEADLAMP & MIRROR (2 OF 2)</u> <u>TAIL LAMP</u>
73156-96BK	<u>TURN SIGNALS</u>
73162-96BK	<u>SPEEDOMETER & TACHOMETER</u> <u>SPEEDOMETER - 1200 CUSTOM</u>
73190-96	<u>MAIN WIRING HARNESS (2 OF 2)</u> <u>MAIN WIRING HARNESS - 1200 CUSTOM (2 OF 2)</u>
73191-96	<u>HEADLAMP & MIRROR (2 OF 2)</u> <u>SPEEDOMETER & TACHOMETER</u> <u>SPEEDOMETER - 1200 CUSTOM</u> <u>TURN SIGNALS</u> <u>TAIL LAMP</u>
73199-96	<u>MAIN WIRING HARNESS (2 OF 2)</u> <u>MAIN WIRING HARNESS - 1200 CUSTOM (2 OF 2)</u>
74402-95B	<u>SPEEDOMETER & TACHOMETER</u> <u>SPEEDOMETER - 1200 CUSTOM</u>
74523-94A	<u>ALTERNATOR & REGULATOR</u>
74587-94	<u>SWITCHES & CIRCUIT BREAKERS</u>
74588-94	<u>SWITCHES & CIRCUIT BREAKERS</u>
74599-77B	<u>SWITCHES & CIRCUIT BREAKERS</u>
7487	<u>SEATS</u>
7495	<u>HORN</u>

7501	<u>TAIL LAMP</u>
75101-82	<u>HORN</u>
7531	<u>ELECTRONIC IGNITION SYSTEM</u> <u>FRONT FENDER</u> <u>REAR FENDER & BELT GUARDS</u> <u>FUEL TANK & TRIM</u> <u>EXHAUST SYSTEM</u> <u>TURN SIGNALS</u> <u>HORN</u>
7549A	<u>HORN</u>
7593	<u>EXHAUST SYSTEM</u>
7602	<u>SWITCHES & CIRCUIT BREAKERS</u>
761	<u>FRAME, REAR FORK & JIFFY STAND</u> <u>REAR FENDER & BELT GUARDS</u>
7624	<u>OIL TANK & FILTER</u>
7629	<u>ELECTRONIC IGNITION SYSTEM</u> <u>OIL TANK & FILTER</u> <u>SWITCHES & CIRCUIT BREAKERS</u>
7634	<u>SPEEDOMETER & TACHOMETER</u> <u>SPEEDOMETER - 1200 CUSTOM</u>
7655	<u>SHOCK ABSORBERS</u>
7667	<u>BELTS & SPROCKETS</u>
7683	<u>SHIFTER</u>
7686	<u>OIL TANK & FILTER</u> <u>BATTERY</u> <u>CALIFORNIA EVAPORATIVE EMISSIONS KIT</u>
7688	<u>BATTERY</u>
7736	<u>HEADLAMP & MIRROR (1 OF 2)</u> <u>HEADLAMP & MIRROR (1 OF 2)</u>
7739	<u>SHIFTER</u> <u>BATTERY</u>
7744	<u>REAR BRAKE CONTROL</u> <u>TURN SIGNALS</u>
7775	<u>CRANKCASE</u>
7778	<u>REAR WHEEL - LACED</u> <u>FRAME, REAR FORK & JIFFY STAND</u> <u>FOOTRESTS</u> <u>FOOTRESTS</u> <u>HEADLAMP & MIRROR (1 OF 2)</u>

7780	<u>CRANKCASE</u>
7783	<u>FRONT FORK</u> <u>FRONT FORK - 1200 SPORT</u>
7789	<u>CRANKCASE</u>
7792	<u>REAR FENDER & BELT GUARDS</u>
7804	<u>BELTS & SPROCKETS</u>
7824	<u>SHOCK ABSORBERS</u> <u>FOOTRESTS</u>
7827W	<u>BELTS & SPROCKETS</u> <u>REAR WHEEL - LACED</u>
7839	<u>BELTS & SPROCKETS</u>
7844	<u>EXHAUST SYSTEM</u>
7845	<u>FRONT WHEEL - CAST</u> <u>FRONT WHEEL - LACED</u>
7861	<u>CYLINDER, HEAD & VALVES - V2™ EVOLUTION (1 OF 2)</u> <u>CRANKCASE</u>
7880	<u>HEADLAMP & MIRROR (1 OF 2)</u>
7882	<u>REAR FENDER & BELT GUARDS</u>
7916A	<u>GEARCASE & COVER</u>
7987	<u>REAR WHEEL - CAST</u> <u>REAR WHEEL - LACED</u>
8098	<u>HORN</u>
8099	<u>FRAME, REAR FORK & JIFFY STAND</u> <u>CALIFORNIA EVAPORATIVE EMISSIONS KIT</u>
8108	<u>HORN</u>
8144	<u>REAR BRAKE CONTROL</u>
8483A	<u>SWITCHES & CIRCUIT BREAKERS</u>
8535	<u>AIR CLEANER & ENRICHENER</u>
853A	<u>REAR BRAKE CONTROL</u>
855B	<u>FRONT BRAKE CALIPER</u> <u>FRONT BRAKE CALIPER</u> <u>FOOTRESTS</u>
869	<u>AIR CLEANER & ENRICHENER</u>
8692	<u>REAR FENDER & BELT GUARDS</u>

8699	<u>ELECTRONIC IGNITION SYSTEM</u>
879A	<u>FOOTRESTS</u>
882	<u>ROCKER ARMS, COVERS & PUSHRODS</u>
8871	<u>STARTER MOTOR</u>
8873	<u>CLUTCH</u>
8876A	<u>TRANSMISSION GEARS</u>
8879	<u>STARTER MOTOR</u>
8881	<u>CRANKCASE</u>
8883	<u>STARTER MOTOR</u>
8885	<u>CLUTCH</u>
8977	<u>TRANSMISSION GEARS</u>
8996A	<u>TRANSMISSION GEARS</u>
8998	<u>ACCESS DOOR & PRIMARY COVER</u>
9052	<u>FRONT WHEEL - CAST</u> <u>FRONT WHEEL - LACED</u> <u>REAR WHEEL - CAST</u> <u>REAR WHEEL - LACED</u>
9077	<u>STARTER MOTOR</u>
90770-79	<u>CLUTCH CONTROL</u>
9119A	<u>CRANKCASE</u>
9142	<u>CRANKCASE</u>
9143	<u>CRANKCASE</u>
9144	<u>CRANKCASE</u>
9145	<u>CRANKCASE</u>
9146	<u>CRANKCASE</u>
9147	<u>CRANKCASE</u>
9148	<u>CRANKCASE</u>
9149	<u>CRANKCASE</u>
9151	<u>SHIFTER</u>
9155	<u>CRANKCASE</u>
9187	<u>ACCESS DOOR & PRIMARY COVER</u>

91875-88A	HEADLAMP & MIRROR (2 OF 2)
91892-88A	HEADLAMP & MIRROR (2 OF 2)
91902-88A	HEADLAMP & MIRROR (2 OF 2)
91904-88A	HEADLAMP & MIRROR (2 OF 2)
923	SEATS
929A	STARTER MOTOR
943	ACCESS DOOR & PRIMARY COVER
94313-91TS	ROCKER ARMS, COVERS & PUSHRODS
946	AIR CLEANER & ENRICHENER
95578-41	FRONT WHEEL - LACED REAR WHEEL - LACED
95581-47	FRONT WHEEL - LACED REAR WHEEL - LACED
95582-47	FRONT WHEEL - LACED REAR WHEEL - LACED
95594-84A	FRONT WHEEL - CAST REAR WHEEL - CAST
95595-84A	FRONT WHEEL - CAST REAR WHEEL - CAST
9840	MAIN WIRING HARNESS - 1200 CUSTOM (1 OF 2)
9842	MAIN WIRING HARNESS (1 OF 2) MAIN WIRING HARNESS - 1200 CUSTOM (1 OF 2)
9843	MAIN WIRING HARNESS (1 OF 2) MAIN WIRING HARNESS - 1200 CUSTOM (1 OF 2)
9847	HEADLAMP & MIRROR (1 OF 2) MAIN WIRING HARNESS (1 OF 2)
9848	HEADLAMP & MIRROR (1 OF 2) MAIN WIRING HARNESS (1 OF 2)
9869	MAIN WIRING HARNESS (1 OF 2) MAIN WIRING HARNESS - 1200 CUSTOM (1 OF 2)
9898	HEADLAMP & MIRROR (2 OF 2) MAIN WIRING HARNESS (1 OF 2) MAIN WIRING HARNESS - 1200 CUSTOM (1 OF 2)
9905	MAIN WIRING HARNESS (1 OF 2) MAIN WIRING HARNESS - 1200 CUSTOM (1 OF 2)
9937	MAIN WIRING HARNESS (1 OF 2) MAIN WIRING HARNESS - 1200 CUSTOM (1 OF 2)

9952	SWITCHES & CIRCUIT BREAKERS
9955	EXHAUST SYSTEM
9969	OIL TANK & FILTER

Component Types and Introduction Dates

[View interactive table](#)

101A1 - Generic Nuts	
7736	1949
7739	Unknown
8144	Unknown
7845	Unknown
7844	2013
7839	Unknown
7624	Unknown
7629	1990
7792	2012
7655	1990
7780	1973
7778	Unknown
7775	Unknown
7634	1937
7916A	Unknown
7501	2010
23980-98	1998
7827W	1976
7824	Unknown
3403	Unknown
7683	Unknown
11730A	Unknown
35078-79	1979
7987	Unknown

7495	1994
8099	Unknown
7880	Unknown
37495-91	1991
8108	Unknown
7744	1943
7593	1991
31589-80	1980
7549A	Unknown
7602	Unknown
102A1 - Generic Screws	
3958	1993
3802W	2009
3730A	Unknown
3579A	Unknown
2576	1990
882	2000
94313-91TS	1991
3987	Unknown
4460	Unknown
42375-87	1987
4826	Unknown
4753	Unknown
3849	Unknown
2579A	Unknown
1203	1974
4741A	1994
3350	2003
3655A	Unknown
4718A	1994

43567-92	1992
2558	2000
2925A	Unknown
3514	Unknown
2698A	Unknown
3201WA	Unknown
56104-94A	1994
2405A	Unknown
4350A	Unknown
4319	2009
4743	1999
4047	Unknown
4748	2009
943	Unknown
3610	1984
4091	Unknown
3275	2002
4326A	1990
2325	Unknown
2773	Unknown
2548	Unknown
4751	Unknown
68452-86	1986
4132	Unknown
4740A	1994
3658	Unknown
45405-75A	1975
4240	Unknown
3652	Unknown
3606	Unknown

2952A	2003
90770-79	1979
4721	2009
3577	1996
2711	Unknown
45996-87	1987
3594	1992
2708A	Unknown
45399-96	1996
923	Unknown
4816A	Unknown
4377	1980
3993	Unknown
4029A	1990
869	Unknown
4420	2009
2720	2012
2528	1994
45902-00	2000
3588	1990
3562	Unknown
929A	Unknown
1028	Unknown
4435W	1993
2737	1986
3534B	1999
4351	Unknown
3210A	Unknown
4820A	Unknown
2611C	Unknown
3559	Unknown

4352	Unknown
56402-83A	1983
27317-88	1988
2361	Unknown
3666A	1997
2362	Unknown
27146-89	1989
3480A	Unknown
4007	Unknown
1601	1999
4717A	Unknown
3767B	2009
11752	1993
946	Unknown
855B	2014
4758A	Unknown
879A	Unknown
1357W	Unknown
3787	Unknown
3501A	Unknown
4716W	2009
3206B	Unknown
16478-85A	1985
3675	Unknown
34486-90	1990
56397-74C	1974
3500A	Unknown
5403B	Unknown
4329	Unknown
3769	1978

5440	Unknown
3498	Unknown
4453	1986
3228A	2000
45790-80	1980
16480-92A	1992
103A1 - Generic Washers	
6019	Unknown
6026	Unknown
6314W	1964
6157	Unknown
34077-91	1991
45398-96	1996
6016	2013
6012	Unknown
56159-73	1973
27125-89	1989
36802-84B	1984
43650-82	1982
27148-89	1989
25437-86	1986
6220W	Unknown
7145W	Unknown
6366	1987
45980-96	1996
6333	Unknown
6099	2011
27127-89	1989
6109	1980
6101	2011

6508	1989
67815-59A	1959
7129	Unknown
31689-90	1990
6590HW	Unknown
6516HW	Unknown
6036	Unknown
6812	Unknown
65782-82	1982
7220	Unknown
27137-81	1981
7068	Unknown
7019	Unknown
7038	1998
6410	Unknown
6736	Unknown
6192	Unknown
7042	Unknown
6655	1979
7041	1958
6703	1970
6701	Unknown
6702	Unknown
33043-80	1980
7045	Unknown
6716	Unknown
104A1 - Custom Nuts	
7789	1989
7861	1993
54321-85	1985

105A1 - Custom Screws

27158-89 1989

3930A Unknown

16235-52A 1953

41191-74A 1974

2523 2004

853A Unknown

27130-90 1990

27262-96 1996

106A1 - Custom Washers

6003 2010

7124 Unknown

108A1 - Hose Clamps

10053 2010

10031 2010

27018-85 1985

10014 Unknown

9955 Unknown

10080 Unknown

10117 Unknown

10074 Unknown

45044-96A 1996

108B1 - P Clamps

71795-63A 1965

10142 Unknown

109A1 - Studs

5226B Unknown

42449-80A 1980

16715-83 1983

16832-86C 1986

10136 Unknown

11727A	1995
110B1 - Plain Bushings	
25586-37	1937
16240-82	1982
47083-81A	1981
35030-89A	1989
34076-89	1989
8996A	1996
17429-91	1991
54556-84	1984
25598-91	1991
53156-86	1986
8998	1996
25593-74	1974
24647-87	1987
45465-87	1987
8876A	Unknown
45934-86	1986
40520-63	1963
8883	Unknown
8885	Unknown
25588-91	1991
8879	Unknown
44035-86A	1986
47082-81	1981
9151	Unknown
42443-80A	1980
110C1 - Radial Shaft Seals	
37101-84B	1984
11124	1971

67104-95	1995
12067B	2002
110D1 - Rolling Element Bearings	
9187	2000
8977	Unknown
24650-87	1987
24729-74	1974
8871	Unknown
9052	Unknown
24659-87	1987
24660-87	1987
111A1 - Adhesive	
72196-94	1994
72240-94	1994
116A1 - Banjo Bolts	
41739-84A	1984
41747-82A	1982
117A1 - Coil Springs	
56396-74A	1974
54473-79	1979
27162-89	1989
119A1 - O-Rings	
11165	Unknown
26432-76A	1976
11105	Unknown
10957	2006
27577-92	1992
11140	1982
11190	Unknown
44059-83	1983

45984-87	1987
31695-90	1990
11188	Unknown
45985-96	1996
26434-91	1991
11171	Unknown
11176	Unknown
11179	1986
27157-89	1989
120A1 - Pins	
601	Unknown
604	Unknown
215	Unknown
16573-83A	1983
534	Unknown
42460-80B	1980
50003-89B	1989
511	Unknown
515	Unknown
24754-75A	1975
358	Unknown
121A1 - Grommets	
72507-94	1994
11474	Unknown
67067-76	1976
6272	2001
121B1 - Press-Fit Plugs	
67865-89	1989
761	1996
121C1 - Threaded Plugs	

24925-95	1995
727	Unknown
720	2013
122A1 - Retaining Rings	
11271	Unknown
10123	1992
11272	Unknown
10120	1992
41713-86	1986
9119A	1994
31328-91	1991
11019	Unknown
45021-86	1986
44021-83	1983
11002	Unknown
65325-83A	1983
45611-86	1986
11031	Unknown
27368-76	1976
10108	Unknown
11155	Unknown
68562-84	1984
31530-90	1990
11143	Unknown
11046	Unknown
11177A	1996
35020-89	1989
33653-90	1990
11067	Unknown
11185	Unknown
27124-89	1989

35021-89	1989
11250	1992
35038-89A	1989
67604-94	1994
11161	Unknown
10114	Unknown
9952	1973
123A1 - Sealing Washers	
26436-90A	1990
123B1 - Spring Washers	
7127	Unknown
7069	Unknown
124A1 - Spacers	
43290-82	1982
35063-89	1989
75101-82	1982
34073-91	1991
33344-94	1994
43294-82	1982
5741	1999
5756	Unknown
43293-82	1982
5774	Unknown
45377-87	1987
35022-89A	1989
7882	Unknown
125A1 - Tie Straps	
10065	1985
70191-73A	1975
10039	1981

10181	1996
10006	1960
126A1 - Miscellaneous Hardware	
42479-90	1990
50972-75	1975
45981-96	1996
54481-96	1996
44126-87	1987
27136-90A	1990
42472-87	1987
12030	Unknown
62493-89	1989
11219	Unknown
11218	Unknown
54476-82	1982
44045-87A	2013
56394-74	1974
8873	1984
44061-83	1983
54474-79	1979
126B1 - Rivets Fasteners	
8535	Unknown
8699	1980
8692	Unknown
8483A	Unknown
127B1 - Generic Mounting Bracket	
45561-87	1987
45563-87	1987
28857-90	1990
51652-83B	1983

140A1 - Battery Warning Label

15368-01A 2001

140A2 - General Warning Label

29112-83 1983

44197-77 1977

141A1 - Medallion

61802-96 1996

61800-96 1996

14518-96 1996

71550-94 1994

14638-97 1997

61801-96 1996

14515-96 1996

14270-92 1992

14520-96 1996

14519-96 1996

14516-96 1996

14517-96 1996

61799-96 1996

14639-97 1997

162D1 - Engine Assembly

16061-97 1997

16069-97 1997

16064-97 1997

16071-97 1997

16066-97 1997

16074-97 1997

16068-97 1997

16055-97 1997

16054-97 1997

16063-97	1997
16076-97	1997
16075-97	1997
16062-97	1997
16051-97	1997
16052-97	1997
163A1 - Engine Isolator	
16278-95B	1995
163B1 - Engine Isolator Mount	
16222-86	1986
164A1 - Engine Mount Bracket	
16214-86	1986
38608-96	1996
164B1 - Engine Mount Bracket sub-component	
16228-86A	1995
7783	Unknown
7531	1980
7804	Unknown
16226-94	1994
7667	Unknown
7688	2000
7686	Unknown
8098	Unknown
16212-84	1984
165A1 - Cylinder Head	
16661-89B	1996
16688-90A	1990
16698-90A	1990
16660-89B	2002
165B1 - Cylinder Head and Base Gaskets	

16664-86D	1986
16774-86D	1986
16770-84F	1984
16778-84A	1984
16779-84B	1984
167A1 - PT Assembly Miscellaneous Component	
36731-91	1991
16210-84A	1984
168A1 - Cylinder	
16447-88A	1988
179B1 - Push Rod	
18526-89A	1989
17897-89A	1989
17904-89A	1989
179C1 - Lifter Anti-Rotation Device	
18532-89	1989
180A1 - Valves	
18020-87A	1987
18101-83D	1999
18030-86B	1988
18031-86B	1988
18023-87A	1988
18021-87A	1987
18011-87A	1989
181B1 - Valve Seals	
18133-83B	1983
18012-87A	1987
17953-91	1991
18130-83D	1983
17952-91	1991

18219-83A	1983
-----------	------

18131-83D	1983
-----------	------

18001-83B	1983
-----------	------

181C1 - Valve Collars	
-----------------------	--

18229-83A	1984
-----------	------

184A1 - PT Camdrive and Valvetrain Miscellaneous Component	
--	--

17358-84B	2010
-----------	------

219A1 - Piston	
----------------	--

22216-88A	1988
-----------	------

22225-88A	1988
-----------	------

22205-88A	1988
-----------	------

22243-88A	1988
-----------	------

22220-88A	1988
-----------	------

16446-86B	1986
-----------	------

22255-86A	1986
-----------	------

220A1 - Piston Ring	
---------------------	--

22266-86	1986
----------	------

22262-86	1986
----------	------

21921-83	1983
----------	------

21923-83	1983
----------	------

22263-86	1986
----------	------

22242-86A	1987
-----------	------

22201-86A	1995
-----------	------

22261-86	1986
----------	------

21924-83	1983
----------	------

22271-86	1986
----------	------

21920-83	1983
----------	------

22254-86A	1986
-----------	------

21922-83	1983
----------	------

22253-86A	1986
-----------	------

221A1 - Piston Pin	
--------------------	--

22589-83B	1983
22765-88	1988
22719-85	1985
237A1 - Connecting Rod	
24275-86A	1986
23949-87	1987
237B1 - Connecting Rod sub-component	
24354-87A	1987
24341-52A	1952
24332-36	1936
239A1 - PT Lower End Miscellaneous Component	
24352-52A	1952
24331-36	1936
24658-87	1987
48365-48A	1981
241A1 - Flywheel	
23905-89A	1990
23948-87	1987
23960-80A	1982
244A1 - Crankcase	
24466-96A	1998
24470-91E	1998
244D1 - Crankcase sub-component	
24055-91	1991
24060-91	1991
24061-91	1991
24056-91	1991
24058-91	1991
8881	Unknown
24530-90	1990

254B1 - Camshaft

25996-91	1991
----------	------

25655-91	1991
----------	------

25888-91	1991
----------	------

25876-91	1991
----------	------

25860-91	1991
----------	------

25988-91	1991
----------	------

25848-91	1991
----------	------

25944-91	1991
----------	------

25664-91	1991
----------	------

25646-91	1991
----------	------

25960-91	1991
----------	------

25880-91	1991
----------	------

25948-91	1991
----------	------

25904-91	1991
----------	------

25656-91	1991
----------	------

25936-91	1991
----------	------

25956-91	1991
----------	------

25852-91	1991
----------	------

25808-91	1991
----------	------

25650-91	1991
----------	------

25824-91	1991
----------	------

25932-91	1991
----------	------

25804-91	1991
----------	------

25912-91	1991
----------	------

25972-91	1991
----------	------

25832-91	1991
----------	------

25666-91	1991
----------	------

25654-91	1991
----------	------

25992-91	1991
----------	------

25976-91	1991
----------	------

25820-91	1991
25651-91	1991
25864-91	1991
25660-91	1991
25665-91	1991
25812-91	1991
25968-91	1991
25868-91	1991
25884-91	1991
25640-91	1991
25940-91	1991
25908-91	1991
25828-91	1991
25642-91	1991
25856-91	1991
25964-91	1991
25952-91	1991
25924-91	1991
25896-91	1991
25920-91	1991
25653-91	1991
25916-91	1991
25643-91	1991
25644-91	1991
25892-91	1991
25652-91	1991
25641-91	1991
25816-91	1991
25662-91	1991
25840-91	1991

25900-91	1991
25844-91	1991
25872-91	1991
25645-91	1991
25836-91	1991
25980-91	1991
25928-91	1991
25661-91	1991
25663-91	1991
25984-91	1991
255C1 - Camdrive Chain Tensioner	
39975-90A	1990
256A1 - Timer Cover	
32506-90	1990
257B1 - Clutch Cover	
34760-94	1994
257D1 - Clutch Inspection Cover	
34992-94	1994
34761-94	1994
34993-90	1990
257E1 - Cover Gaskets	
67121-95A	1995
17032-91	1991
65324-83B	2009
67602-94	1994
35151-74A	1974
16800-84A	1984
61109-85D	1985
17036-91A	1991
25463-94A	1994

67601-94A	1994
34955-89B	1989
41733-88	1988
29313-95	1995
29062-95B	1995
45005-85	1985
17944-89	1989
17026-91D	1991
45378-87	1987
63858-49	1949
41731-88A	1988
47519-83A	1983
17353-89C	1989
25263-90D	1990
17354-89	1989
257L1 - Primary Cover	
25430-94A	1994
25219-91C	1991
25460-94	1994
25483-96	1996
25213-96B	1998
25488-89C	1989
257M1 - Push Rod Cover	
17946-89	1989
257N1 - Rocker-Arm / Valve Cover	
17375-83A	1983
17532-86E	1986
17537-96C	1996
17501-86B	1988
17611-83	1983

17551-96	1996
17360-83A	1983
17533-90A	1990
17538-96	1996
258A1 - PT Covers Miscellaneous Component	
69037-95A	1995
25238-94	1994
265A1 - Vent / Breather Line	
27067-96A	1997
270A1 - Carburetor	
27361-76A	1976
27360-76	1976
27362-76	1976
27147-89	1989
27159-92	1992
27583-88	1988
27152-89	1989
27171-89	1989
27156-89	1989
27261-96	1996
27241-95	1995
27498-96A	1998
27369-76	1976
29059-88A	1988
69035-95	1995
27115-88	1988
62169-95C	1995
27243-95	1995
27371-76A	1976
27582-88	1988
27587-88	1988

27490-96A	1996
27311-76	1976
27101-88	1988
27031-95A	1995
27585-88	1988
27586-88	1988
27480-97A	1997
27185-90	1990
27575-88A	1988
27100-88	1988
27128-89	1989
27495-96A	1998
27126-89	1989
27076-95A	1998
27315-88A	1988
27263-96	1996
27576-92	1992
271C1 - Intercooler Gasket	
65781-82	1982
273A1 - Intake Manifold	
27004-88A	1988
273K1 - Throttle Body to Manifold Seal	
26995-86B	1986
273N1 - Throttle Cable Retention Bracket	
56508-76	1976
290A1 - Airbox Baseplate	
29367-97A	1997
29316-95C	2001
290C1 - Airbox Baseplate sub-component	
29100-96	1996

294A1 - Air Filter Element	
29331-96	1996
29325-95A	1996
294G1 - Air Cleaner	
27010-86A	1986
27009-86A	1986
295A1 - Intake Miscellaneous Component	
27579-88A	1988
27002-89	1989
27886-78A	1978
28842-89	1989
29315-95	1995
29111-88	1988
29229-88D	1988
299C1 - Charging Rotor	
32402-83	1983
32413-92C	2008
299F1 - Stator Assembly	
29967-89C	2006
314E1 - Starter Friction Clutch	
31556-91D	2010
9077	Unknown
314F1 - Starter Motor	
31514-90	1990
31518-90	1990
31390-91A	1991
31515-90	1990
314G1 - Starter Motor sub-component	
31727-85	1985
27581-88	1988
31688-90	1990

31539-91	1991
31488-81C	2008
314H1 - Starter Solenoid	
31603-91	1991
28827-96A	1996
314L1 - Starter Motor Drive	
33189-63	1963
315B1 - Exhaust Valve Actuator	
18024-87A	1987
316A1 - Ignition Coil	
31614-83A	1983
316B1 - Spark Plug Cable	
31986-86A	1986
31996-86B	1986
316C1 - Spark Plug	
32362-04	2004
327C1 - Pressure Sensor	
26554-77B	1977
327D1 - Proximity Sensor	
74402-95B	1995
336A1 - Shift Linkage Rod Assembly	
34615-94	1994
336C1 - Shift Linkage Rod End	
42437-87	1987
336F1 - Toepeg	
34611-65A	1965
339C1 - Shifter Drum	
33634-91A	2009
339D1 - Shifter Fork	
34147-89C	1989

34144-89C	1989
34142-89C	1989
339F1 - Shifter Index Lever	
34015-91	1991
34560-91	1991
339H1 - Shifter Mechanism Components (internal)	
33178-90B	1992
34481-91A	1991
33655-90	1990
34491-91	1991
33652-90	1990
33204-91	1991
33656-90A	1990
33319-90	1990
34483-90	1990
33178-90A	1990
339K1 - Shifter Pawl	
34492-91	1991
348A1 - Transmission Output Sprocket Cover	
34932-96	1996
34911-91A	1991
350A1 - Transmission Output Sprocket	
40288-95	1995
40202-91B	1991
40205-95	1995
40285-91B	1991
350F1 - Transmission Mainshaft	
35034-94	1994
35773-94	1994
35640-89	1989
35762-89A	1991

35771-94	1994
350G1 - Transmission Shim / Spacer	
16233-86	1986
9142	1994
9143	1994
9148	1994
9149	1994
9144	1994
9145	1994
9146	Unknown
9147	1994
9155	1996
356A1 - Transmission Countershaft	
35633-94	1994
35772-94	1994
35641-89	1989
35763-89A	1991
35775-94	1994
363A1 - PT Driveline Miscellaneous Component	
34909-90	1990
35051-89A	1989
35211-91B	1991
36804-89	1989
365A1 - Primary Chain	
40005-57B	1957
365C1 - Primary Drive Assembly	
40235-89B	2007
40240-89	1989
40251-92A	1992
367A1 - Clutch Lever	

45015-96	1996
----------	------

367H1 - Clutch Lever sub-component

34920-86A	1986
-----------	------

37904-90	1990
----------	------

37870-91	1991
----------	------

36715-94	1994
----------	------

36792-91	1991
----------	------

38630-88	1988
----------	------

37872-90	1990
----------	------

37905-90	1990
----------	------

37909-90	1990
----------	------

36799-91	1991
----------	------

37977-90	1990
----------	------

37908-90	1990
----------	------

370A1 - Clutch Assembly

45036-88	1988
----------	------

370B1 - Clutch Friction Plate

37911-90	1990
----------	------

370C1 - Clutch Hub

36785-91	1991
----------	------

370F1 - Clutch Pressure Plate

37912-91	1991
----------	------

37913-90	1990
----------	------

370G1 - Clutch Shell

36790-91	1991
----------	------

372D1 - Clutch Cable

38620-96	1996
----------	------

38619-86A	1988
-----------	------

372K2 - Clutch Ramp

25453-87A	1987
-----------	------

25409-94B	1994
400A1 - Drive-Belt	
40022-91	1991
409A1 - Rear Wheel	
41012-96	1996
40992-96	1996
410D1 - Electronic Control Module (ECM)	
32504-80A	1982
32466-95A	1995
32465-95B	2009
32400-94A	1994
32606-82	1982
413A1 - Brake Caliper	
44023-83C	1983
44053-92A	1995
44046-84C	1984
44073-92A	1995
44050-87	1987
413B1 - Brake Bleeder Screw	
44048-83	1983
413C1 - Brake Caliper sub-component	
40929-87	1987
44054-83	1983
44147-87A	1987
44022-83	1983
45401-87	1987
41579-81	1981
48361-80	1980
413D1 - Brake Pad	
43960-86	1986
413G1 - Brake Caliper Piston Set	

44020-83A	2013
43946-86A	2013
415B1 - Brake Rotor	
41814-76A	1977
44136-92	1992
41789-92	1992
416A1 - Brakes Miscellaneous Component	
40903-87	1987
44108-95A	2011
72023-51E	2012
44101-95A	2011
416B1 - Brake Mounting Bracket	
44072-92A	1995
417A1 - Brake Master Cylinder Assembly	
45030-03C	2003
42456-87C	1987
34933-96	1996
417B1 - Brake Master Cylinder	
45013-96D	1996
45019-96D	1996
417C1 - Brake Master Cylinder Piston Set	
42382-87C	2000
44152-77	1977
45072-96C	2000
417D1 - Brake Master Cylinder sub-Component	
45004-96A	1996
45006-96C	1996
44199-79	1979
44047-83	1983
40922-87A	1987

45032-82	1982
41642-82	1982
45423-92	1992
45423-96	1996
42381-87	1987
42436-87	1987
45042-82	1982
44198-87	1987
44039-86	1986
417G1 - Front Brake Lever	
45016-96	1996
418B1 - Brake Line	
45143-88B	1988
45074-95	1995
44438-87C	1990
45121-96A	1997
45121-96	1996
45148-96A	2008
420A1 - Wheel Rim	
43662-80B	1983
43001-06	2006
43085-97	1997
43025-73B	1973
421A1 - Wheel Spoke with Nipple	
40760-05	2005
40761-05	2005
43241-05	2005
40759-05	2005
422A1 - Wheel Sprocket Cover	
59669-97	1997

422B1 - Wheel Sprocket	
40213-91	1991
40227-93	1993
423G1 - Valve Stem	
43157-83A	1983
43150-83	1983
423H1 - Valve Stem Cap	
41123-79	1979
423K1 - Wheel Weights	
95578-41	1941
95595-84A	2010
95581-47	1947
95582-47	1947
95594-84A	2010
424A1 - Wheels, Tires and Final Drive Miscellaneous Component	
44062-83	1983
40975-86C	1986
425A1 - Wheel sub-component	
43668-82	1982
430B1 - Rear Axle Carrier / Adjuster	
41573-97	1997
47554-73A	1973
430D1 - Front Axle	
43895-87B	1987
430E1 - Rear Axle	
41563-77A	1977
433A1 - Front Wheel	
40976-86A	1986
433B1 - Front Wheel Bearing Spacer	
43358-83A	1983
41594-73	1973

43557-87B	1987
43312-84B	1984
43608-82	1982
43617-95	1995
43613-92	1992
43291-82	1982
43654-86A	1986
43292-82	1982
56153-73	1973
433C1 - Front Wheel Hub	
43619-84	1984
43610-87	1987
43359-84	1984
454A1 - Front Telescopic Fork	
45929-92	1992
49378-09	2009
49381-09	2009
45928-92	1992
45944-96	1996
45901-97	1997
454B1 - Springer Fork	
45900-97	1997
455A1 - Front Telescopic Fork Slider	
46022-96	1996
46023-96	1996
45921-87	1987
45923-87	1987
45943-96	1996
455B1 - Front Telescopic Fork Spring	
45372-92	1992

45367-96	1996
45376-97	1997
455C1 - Front Telescopic Fork sub-component	
45374-87	1987
45986-96	1996
45366-96	1996
45461-87	1987
45739-87	1987
45361-90	1990
45460-90	1990
46002-87	1987
45395-97	1997
45463-87	1987
45938-92	1992
45368-96	1996
45905-87	1987
45723-96	1996
457E1 - Steering Stem Bearing Insert Cup	
48140-84A	1993
48315-60	1960
48300-60	1960
458A1 - Front Suspension and Steering Miscellaneous Component	
45668-90	1990
45726-96	1996
459A1 - Upper Triple Clamp	
67861-96	1996
470A1 - Frame	
47150-94A	1994
31599-91	1991
47209-94A	1994

472A1 - Frame sub-component	
34075-89	1989
7036	Unknown
7487	Unknown
472D2 - Chassis Structure Mounting Bracket	
59671-98	1998
62563-65	1965
59896-94	1994
59897-94	1994
474C1 - Swingarm	
47547-87B	1998
475B1 - Swingarm Pivot Shaft	
41568-81B	1989
500D1 - Sidestand Leg	
50072-92	1992
50006-89	1989
500E1 - Sidestand Leg sub-component	
62122-89A	1989
50005-85A	1985
500F1 - Sidestand Pivot Pin	
554A	2002
505A1 - Footboard	
50643-82	1982
42441-90A	1990
50647-82	1982
505B1 - Footpeg Mount Bracket	
50951-90	1990
33048-72	1972
505D1 - Passenger Footpeg	
50615-83	1983
505K1 - Footpeg Wear Peg	

50646-82	1982
506A1 - Brake Pedal	
50912-72	1972
42447-96	1996
507A1 - Rider Interface Miscellaneous Component	
56168-96	1996
56167-96	1996
520A1 - Rider Seat or Full Seat	
52577-96	1996
52102-96	1996
52132-94A	1995
52129-92C	1995
52357-97	1997
521C1 - Seat Suspension Damper	
45925-97	1997
54715-96	1996
46024-96	1996
524A1 - Passenger Grab Handle	
51187-94A	1994
524B1 - Passenger Seat	
52358-97	1997
540B1 - Rear Shock	
54568-92	1992
54566-97	1997
54542-96A	1997
54552-96A	1997
54705-94	1994
540E1 - Rear Shock sub-component	
54701-82	1982
54714-96	1996

54713-96	1996
54475-79	1979
47384-94	1994
540L2 - Rear Suspension Mounting Bracket	
44063-83C	1983
44209-87C	1987
558A1 - Handlebar	
56082-83	1983
56164-96	1996
56081-82A	1983
559D1 - Lower Handlebar Clamp	
67902-96A	1996
56117-82A	1982
68030-96	1996
56116-82A	1982
559E1 - Upper Handlebar Clamp	
56074-96	1996
56115-95	1995
560A1 - Mirror	
91875-88A	1989
91892-88A	1989
91904-88A	1988
91902-88A	1989
561A1 - Throttle Cable	
56308-96	1996
56401-96	1996
56309-96	1996
56381-96	1996
56400-96	1996
56382-96	1996

561B1 - Left Hand Grip	
56206-96	1996
561D1 - Throttle Assembly sub-component	
38653-01	2001
561E1 - Throttle Grip	
56220-94A	1994
571D1 - Debris Deflector	
60436-91	1991
572E1 - Side Cover	
66325-82	1982
573B1 - Bodywork Mounting Bracket	
59594-82C	1982
589A1 - Front Fender	
58998-83E	2008
595D1 - Rear Fender	
59756-97	1997
59768-97	1997
596B1 - Fender Tip	
60419-91	1991
50101-91	1991
603B1 - Belt / Chain Guard	
60381-91	1991
608A1 - Carbon Canister	
28860-89	1989
28859-90	1990
27042-84A	1995
608B1 - Carbon Canister Hose	
28875-95	1995
27096-94	1994
609A1 - Fuel Miscellaneous Component	

11473	Unknown
61618-96C	1996
5787	Unknown
63576-95	1995
27047-84B	1984
610A1 - Fuel Tank	
61450-95	1995
611B1 - Fuel Cap	
61272-92C	1992
611F1 - Fuel Tank Vapor Vent Hose	
63504-94	1994
27138-90	1990
63500-68	1968
62555-95	1995
63501-68B	1968
612B2 - Fuel Valve	
62166-81A	1981
62161-02	2002
62172-02	2002
62150-85	1985
612C1 - Fuel Line	
62347-95	1995
613B1 - Horn Cover	
69012-93A	1993
613B2 - Battery Cover	
66346-91	1991
613K1 - Airbox Cover	
29084-73	1973
614C1 - Trim	
62540-83	1983
624A1 - Oil Pump Assembly	

26204-91A	1991
624B1 - Oil Pump Assembly sub-component	
62601-91A	1991
26488-91	1991
62631-91	1991
26493-91	1991
31532-94	1994
26495-89B	1989
26437-86B	1986
33117-91A	1991
26492-91	1991
26491-91	1991
624D1 - Oil Pump Drive Gear	
26318-88A	1988
625B1 - Oil Tank	
62475-97A	1999
627B1 - Oil Drain Plug	
60348-65B	1965
627E1 - Oil Filler Plug / Dipstick	
62634-84A	1984
627E2 - Sight Glass	
45042-96	1996
627F1 - Oil Filter	
63796-77A	1977
63805-80A	1980
627H1 - Oil Line	
63564-94	1994
63542-94A	1995
9969	Unknown
62361-94	1994

627K1 - Oil Line Fitting	
26496-75A	1975
62375-57A	1957
62494-94B	1996
63533-41A	1941
627M1 - Oil Pressure Regulator Valve	
26856-89A	1989
628A1 - PT Lubrication and Cooling Miscellaneous Component	
61131-92	1992
648K1 - Exhaust Miscellaneous Component	
65569-86A	1998
65568-86A	1998
649A1 - Muffler	
65605-97	1997
65613-97	1997
65766-97	1997
654A1 - Exhaust Shield	
65419-86	1986
65719-95	1995
65813-95	1995
65712-95	1995
655C1 - Exhaust Mounting Bracket	
65599-80D	1985
658A1 - Exhaust Catalyst	
65769-97	1997
65861-97	1997
65860-97	1997
659A1 - Exhaust Clamp	
65296-95A	1995
659B1 - Exhaust Flange	

65328-83A	2010
660A1 - Battery	
66359-97	1997
65989-97C	1997
660B1 - Battery Pad	
62569-94	1994
660C1 - Battery Pan	
66194-94A	1994
660D1 - Battery Strap	
66476-73A	1973
660F1 - Negative Battery Cable	
70097-97	1997
660G1 - Positive Battery Cable	
70076-97	1997
660H1 - Positive Battery Cable Boot	
31555-90	1990
660K1 - Battery Vent Hose	
66020-97	1997
670A1 - Tachometer	
67152-95B	1998
677A1 - Headlight	
67850-96	1996
68705-93A	1993
67757-92	1992
67603-94A	1994
67894-93A	1993
67763-92A	1993
67919-96	1996
68061-94B	1994
67834-83	1983

67725-63	1963
67901-96A	1996
67781-92A	1993
67705-92	1992
67882-96A	1996
67698-81D	2001
67685-92	1992
67881-96B	1996
67771-08	2008
677B1 - Headlight sub-component	
67744-75	1975
67880-94	1994
67719-63	1963
677C1 - Headlight Support Bracket	
67805-92	1992
678A1 - Taillight	
68049-93B	1993
68033-90	1990
68792-96	1996
68123-73	1973
68048-93B	1995
68026-73	1973
68032-90	1990
68457-86	1986
68027-90	1990
68036-91	1991
678B1 - Taillight Housing	
68513-95A	2010
678D1 - Turnsignal	
67822-88	1988

68709-94	1994
67828-88A	1988
68555-87	1987
67827-88A	1988
68763-94	1994
68480-93A	1993
67829-88	1988
68540-96	1996
68760-94	1994
68710-94	1994
68516-95	1995
678E1 - Turnsignal Lens	
68566-90	1990
68507-90	1990
679B1 - Reflector	
59287-92	1992
59259-90	1990
59482-00	2000
59481-00	2000
59290-92	1992
59273-91	1991
59289-92	1992
59288-92	1992
59988-72A	1972
59251-90	1990
679D1 - License Plate Bracket	
60026-97	1997
60001-55	1955
59986-75	1975
59984-73	1973

680B1 - Emergency Light	
67691-92	1992
680C1 - Incandescent Bulb	
67136-85	1985
68572-64B	1964
68169-90A	1990
68168-89A	1989
68024-94	1994
68163-84	1984
53439-79	1979
68329-03	2003
52441-95	1995
53438-92	1992
690C1 - Horn	
69000014	2011
69060-90G	2014
690D1 - Horn Bracket	
69135-96A	1997
692C1 - Electrical Miscellaneous Component	
68382-96	1996
68715-96	1996
68423-96	1996
46991-96	1996
71552-94	1994
72180-94	1994
72176-94	1994
33900-59C	1959
692C2 - Electrical Mounting Bracket	
69123-92A	1992
66214-97	1997
67084-96	1996

67085-95	1995
67053-95	1995
69120-91	1991
31723-95	1995
67103-95	1995
67320-95	1995
60429-97	1997
66367-97	1997
67338-97	1997
46988-94A	1994
67088-96	1996
69062-91A	1991
692D1 - Fuse	
74587-94	1994
74599-77B	1977
74588-94	1994
692E1 - Fuse / Relay Block	
72216-94	1994
692F1 - Wire Harness	
68814-96	1996
32440-97	1997
72152-94	1994
26559-95	1995
70135-97	1997
70153-97	1997
692G1 - Conduit / Sheathing / Sleeving	
70558-71	1971
72366-95	1995
70556-71	1971
70555-69	1969

72249-94	1994
72266-94	1994
70554-69	1969
70552-69	1969
70551-69	1969
70553-69	1969
692G2 - Wire Guide	
29950-91	1991
27580-88	1988
692H1 - Connector	
73152-96BK	1996
70586-93	1993
72119-94BK	1994
27249-96	1996
72159-94	1994
72178-94	1994
72116-94BK	1994
72138-94GY	1994
73199-96	1996
72108-94BK	1994
24922-93	1993
72179-94	1994
27250-96B	1996
72118-94BK	1994
9848	Unknown
9847	Unknown
72113-94BK	1994
67184-94	1994
72102-94BK	1994
72156-94	1994

72139-94GY	1994
68650-92	1992
72172-94	1994
70583-93	1993
72148-94	1994
72199-94	1994
72198-94	1994
72153-94	1994
692H2 - Terminal	
9869	1999
9898	Unknown
9905	Unknown
72290-94	1994
72218-94	1994
72291-94	1994
9840	Unknown
9843	Unknown
9842	Unknown
9937	Unknown
72241-94A	1994
72220-94	1994
72217-94	1994
692K1 - Connector / Terminal Seal	
72142-94	1994
72173-94	1994
72112-94BK	1994
72154-94	1994
67191-94	1994
692L1 - Wire Harness sub-component	
73162-96BK	1996
70345-84	1984

72195-94	1994
70585-93	1993
70504-81	1981
73190-96	1996
73103-96BK	1996
73156-96BK	1996
73106-96BK	1996
73152-96WE	1996
73112-96BK	1996
73153-96BK	1996
72143-94	1994
73102-96WE	1996
70048-92	1992
72106-94BK	1994
72103-94BK	1994
72163-94BK	1994
73191-96	1996
72146-94	1994
72190-94	1994
56073-83	1983
73104-96BK	1996
73102-96BK	1996
72056-92	1992
72295-94	1994
70578-89	1989
72191-94	1994
72046-79	1979
72158-94	1994
73154-96BK	1996
709B1 - Instrument Cluster or Speedometer	

67037-96D	2001
67041-95D	1995
67285-95C	2000
67284-95C	2000
67290-95D	2000
67283-96C	2001
714A1 - Ignition Switch	
71441-94	1994
714B1 - Mechanical Switch	
26558-94A	1994
31540-91	1991
714D1 - Relay	
31504-91B	2000
715A1 - Hand Control	
71684-06A	2006
67854-98	1998
71564-96	1996
71563-96	1996
71568-96A	1996
71598-96A	2010
71682-06A	2006
71591-96A	2010
71510-95	1995
71567-96	1996
71621-08	2008
747A1 - Voltage Regulator	
74523-94A	1994
903B1 - Key or Key-set	
71451-94A	1994
71499-94	1994

936B1 - Cleaner	
43594-96	1996
41013-95	1995
43499-96	1996

Common Service Parts

AUDIO & INSTRUMENTATION

[View interactive table](#)

PART NO.	DESCRIPTION	PART AND MODEL(S)
67880-94	BOOT	<p><i>SPEEDOMETER & TACHOMETER:</i></p> <p>XL883</p> <p>XL1200</p> <p>XL883HUG</p> <p>XL1200S</p> <p><i>SPEEDOMETER - 1200 CUSTOM:</i></p> <p>XL1200C</p>

BEARINGS, SEALS & HARDWARE

[View interactive table](#)

PART NO.	DESCRIPTION	PART AND MODEL(S)
10014	CLAMP	<p>CARBURETOR (1 OF 2): All Models</p> <p>FUEL TANK & TRIM: All Models</p> <p>OIL TANK & FILTER: All Models</p>
10080	CLAMP	<p>CRANKCASE: All Models</p> <p>OIL TANK & FILTER: All Models</p>
11105	O-RING	CRANKCASE: All Models
11143	RETAINING RING	<p>CLUTCH CONTROL: All Models</p> <p>FRONT BRAKE CONTROL: All Models</p>
11165	QUAD SEAL	TRANSMISSION GEARS: All Models
11171	O-RING	ACCESS DOOR & PRIMARY COVER: All Models
12067B	OIL SEAL	TRANSMISSION GEARS: All Models
16715-83	STUD	CYLINDER, HEAD & VALVES - V2™ EVOLUTION (1 OF 2): All Models
16800-84A	GASKET, rocker cover/cylinder head, valve & pushrod sides (replaces 16778-84A & 167779-84B)	ROCKER ARMS, COVERS & PUSHRODS: All Models
17358-84B	GASKET	ROCKER ARMS, COVERS & PUSHRODS: All Models

25463-94A	GASKET	<u>ACCESS DOOR & PRIMARY COVER: All Models</u>
26995-86B	SEAL	<u>CARBURETOR (1 OF 2): All Models</u>
2720	SCREW	<u>ALTERNATOR & REGULATOR: All Models</u>
2952A	SCREW	<u>SEATS: All Models</u>
3275	SCREW	<u>CARBURETOR (1 OF 2): All Models</u>
3655A	SCREW	<u>FRONT WHEEL - CAST: All Models</u> <u>FRONT WHEEL - LACED: All Models</u>
3658	SCREW	HANDLEBAR & THROTTLE CONTROL: <u>XL883</u> <u>XL883HUG</u> <u>XL1200S</u> HANDLEBAR & THROTTLE CONTROL - 1200 CUSTOM: <u>XL1200C</u> <u>HANDLEBAR SWITCHES: All Models</u>
4132	SCREW	<u>CLUTCH CONTROL: All Models</u> <u>FRONT BRAKE CONTROL: All Models</u>
41731-88A	GASKET	FRONT BRAKE CONTROL: <u>XL883</u> <u>XL1200</u> <u>XL883HUG</u> <u>XL1200C</u> FRONT BRAKE CONTROL: <u>XL1200S</u> <u>REAR BRAKE CONTROL: All Models</u>
41733-88	GASKET	FRONT BRAKE CONTROL: <u>XL883</u> <u>XL1200</u> <u>XL883HUG</u> <u>XL1200C</u>
43567-92	SCREW	<u>REAR WHEEL - CAST: All Models</u> <u>REAR WHEEL - LACED: All Models</u>
45378-87	OIL SEAL	FRONT FORK: <u>XL883</u> <u>XL1200</u> <u>XL883HUG</u> <u>XL1200C</u> FRONT FORK - 1200 SPORT: <u>XL1200S</u>
45405-75A	SCREW	FRONT FORK: <u>XL883</u> <u>XL1200</u> <u>XL883HUG</u> <u>XL1200C</u>
4740A	SCREW	<u>GEARCASE & COVER: All Models</u> <u>OIL PUMP: All Models</u>
47519-83A	OIL SEAL	<u>FRONT WHEEL - CAST: All Models</u> <u>FRONT WHEEL - LACED: All Models</u>

[REAR WHEEL - CAST: All Models](#)
[REAR WHEEL - LACED: All Models](#)

48300-60	ROLLER BEARING	STEERING HEAD BRACKET ASSEMBLY: All Models
53156-86	RUBBER BUSHING	<i>HANDLEBAR & THROTTLE CONTROL:</i> XL883 XL1200 XL883HUG XL1200S <i>HANDLEBAR & THROTTLE CONTROL - 1200 CUSTOM:</i> XL1200C
59768-97	KIT FENDER SEAT NUT ASSEMBLY	REAR FENDER & BELT GUARDS: All Models
63858-49	GASKET	ROCKER ARMS, COVERS & PUSHRODS: All Models
6516HW	WASHER	BELTS & SPROCKETS: All Models REAR WHEEL - CAST: All Models REAR WHEEL - LACED: All Models
65324-83B	GASKET	EXHAUST SYSTEM: All Models
65325-83A	RETAINING RING	EXHAUST SYSTEM: All Models
6702	WASHER	ELECTRONIC IGNITION SYSTEM: All Models REAR BRAKE CONTROL: All Models <i>HANDLEBAR & THROTTLE CONTROL:</i> XL883 XL1200 XL883HUG XL1200S <i>HANDLEBAR & THROTTLE CONTROL - 1200 CUSTOM:</i> XL1200C BATTERY: All Models <i>HEADLAMP & MIRROR (1 OF 2):</i> XL883 XL1200 XL883HUG XL1200S <i>SPEEDOMETER - 1200 CUSTOM:</i> XL1200C <i>HORN:</i> XL883 XL883HUG
7041	LOCKWASHER	<i>HORN:</i> XL1200 XL1200C XL1200S
7593	NUT	EXHAUST SYSTEM: All Models
8692	RIVET	REAR FENDER & BELT GUARDS: All Models
9052	ROLLER BEARING	FRONT WHEEL - CAST: All Models FRONT WHEEL - LACED: All Models REAR WHEEL - CAST: All Models REAR WHEEL - LACED: All Models

943	SCREW	ACCESS DOOR & PRIMARY COVER: All Models
9955	CLAMP	EXHAUST SYSTEM: All Models

BRAKING & SUSPENSION

View interactive table

PART NO.	DESCRIPTION	PART AND MODEL(S)
44063-83C	PAD SET	FRONT BRAKE CALIPER: XL883 XL1200 XL883HUG XL1200C FRONT BRAKE CALIPER: XL1200S

CHASSIS & COMPONENTS

View interactive table

PART NO.	DESCRIPTION	PART AND MODEL(S)
50005-85A	SPRING	FRAME, REAR FORK & JIFFY STAND: All Models

ELECTRICAL

View interactive table

PART NO.	DESCRIPTION	PART AND MODEL(S)
70345-84	RETAINER	HANDLEBAR SWITCHES: XL1200 XL883HUG XL1200C
71621-08	STOPLIGHT SWITCH	HANDLEBAR SWITCHES: All Models
72023-51E	STOPLIGHT SWITCH	REAR BRAKE CONTROL: All Models SWITCHES & CIRCUIT BREAKERS: All Models

ENGINE, TRANSMISSION & PRIMARY

View interactive table

PART NO.	DESCRIPTION	PART AND MODEL(S)
37909-90	RETAINING RING	CLUTCH: All Models
37911-90	FRICTION PLATE	CLUTCH: All Models

FOOT CONTROLS

[View interactive table](#)

PART NO.	DESCRIPTION	PART AND MODEL(S)
34611-65A	SHIFTER PEG	SHIFTER: All Models

INTAKE, EXHAUST & FUEL MGMT

[View interactive table](#)

PART NO.	DESCRIPTION	PART AND MODEL(S)
27002-89	SEAL RING	CARBURETOR (1 OF 2): All Models
27361-76A	DIAPHRAGM	CARBURETOR (2 OF 2): All Models
29229-88D	CABLE	AIR CLEANER & ENRICHENER: All Models
65296-95A	CLAMP	EXHAUST SYSTEM: All Models

LIGHTING

[View interactive table](#)

PART NO.	DESCRIPTION	PART AND MODEL(S)
68168-89A	BULB	TURN SIGNALS: All Models TAIL LAMP: All Models
68329-03	BULB	HEADLAMP & MIRROR (1 OF 2): All Models
68572-64B	BULB	TURN SIGNALS: All Models

MAINTENANCE & TOOLS

[View interactive table](#)

PART NO.	DESCRIPTION	PART AND MODEL(S)
32362-04	SPARK PLUG	ELECTRONIC IGNITION SYSTEM: All Models
63796-77A	OIL FILTER	OIL TANK & FILTER: XL1200C
63805-80A	OIL FILTER	OIL TANK & FILTER: XL883 XL1200 XL883HUG XL1200S
65989-97C	BATTERY	BATTERY: All Models
95582-47	WHEEL WEIGHT	FRONT WHEEL - LACED: All Models REAR WHEEL - LACED: All Models
95594-84A	WHEEL WEIGHT	FRONT WHEEL - CAST:

		XL1200 XL1200C <i>REAR WHEEL - CAST:</i> XL1200 XL1200C
95595-84A	WHEEL WEIGHT	<i>FRONT WHEEL - CAST:</i> XL883 XL883HUG XL1200S <i>REAR WHEEL - CAST:</i> XL883 XL883HUG XL1200S

TIRES

View interactive table

PART NO.	DESCRIPTION	PART AND MODEL(S)
43157-83A	VALVE STEM ASSEMBLY	<i>FRONT WHEEL - CAST:</i> XL883 XL1200 XL883HUG XL1200S <i>REAR WHEEL - CAST: All Models</i>