

1995-1996 XLH Models Parts Catalog

Alphabetical List

Parts

Hardware List

New Parts List

Numerical Index

Component Types and Introduction Dates

Common Service Parts

READER'S COMMENTS

The Harley-Davidson Service Communications Department maintains a continuous effort to improve the quality and usefulness of its publications. To do this effectively, we need user feedback - your critical evaluation of this manual.

Please comment on the completeness, accuracy, organization, usability, and readability of this manual.

Please list the page, item, and part number(s) of any errors you find in this manual.

Please tell us how we can improve this manual.

Name	Document 99451-96B
Occupation	Dealership

GENERAL INFORMATION

THIS IS NOT AN ASSEMBLY MANUAL AND SHOULD NOT BE USED AS SUCH.

About this manual

This Parts Catalog has been prepared to make it easier for you to order parts for your motorcycles. The numbers shown in the illustrations correspond to the numbers in the "INDEX NO." column in the parts lists. Consult the illustrations when ordering parts to make sure that you receive all the required parts. The number in parentheses following the part description is the quantity needed for complete assembly. If there is no number in parentheses, only one is used. Prices of parts in this catalog are published separately.

When ordering parts, the following instructions should be followed carefully.

- Make sure to specify the correct part number for each item. The part numbers appear under the "PART NO." column in the parts lists.
- Orders may be placed via your computer for all parts. Review your system documentation on placing orders electronically. All non-warranty replacement crankcase orders require return of the complete left crankcase half with vehicle identification number (VIN). All non-warranty replacement frame orders require return of the steering neck with vehicle identification number (VIN). Non-compliance will result in a fine. See non-warranty frame and crankcase policy or contact Dealer Services.
- The sale or use of these parts or accessories does not grant the purchaser a license or other right under any Harley-Davidson patent.
- For all 2008 and later painted parts, refer to the Service Section of h-dnet.com which features a listing of painted part numbers, except CVO (Custom Vehicle Operations) models which are located in their own respective catalogs.
- All parts that were added for the new model year will have the entire line shaded on the parts list page. This can be used to identify any new parts that are unique to a specific model, and help distinguish new and previous model year parts.
- Parts marked "**RESTRICTED SALE PART**" are limited edition items and can only be ordered as direct replacements.
- Orientation symbols are used when the illustration is not in the standard "Right-Front" orientation. The

symbol is a motorcycle with an arrow in the front indicating the direction of view. The symbol is at the bottom left or right side of the illustration page.

- To request a missing or loose part, simply submit a Return Material Authorization (RMA) claim on h-dnet.com with code "T-part not included with vehicle" for all vehicle missing parts claims. Then place an order for the missing item on your next Parts and Accessories order. Upon filing the RMA claim, your dealership will be credited for the dealer net cost of the part. The Vehicle Identification Number must be included on the RMA claim in order for you to receive credit. This process is to be used for vehicles manufactured at all plants.

To the best knowledge of Harley-Davidson Motor Company, the material contained herein is accurate as of the date this publication was approved for printing. Harley-Davidson Motor Company reserves the right to change specifications, equipment or designs at any time without notice and without incurring obligation.

2018 TPD

GENERAL INFORMATION

LOOSE PARTS

The Loose Parts section is located at the back of this parts catalog. This section lists the parts which are shipped unfastened with the vehicles covered in this catalog.

HARDWARE LIST

The Hardware List is located at the back of this parts catalog. This section contains the information for each piece of hardware found in each parts list.

NEW PARTS LIST

The New Parts List is located at the back of this parts catalog. This list serves as a summary of new parts.

NUMERICAL INDEX

The Numerical Index is located at the back of this parts catalog. This index includes all part numbers used in this catalog and the page numbers of where they can be found.

COMPONENT TYPES AND INTRODUCTION DATES

The Component Types and Introduction Dates section is located at the back of this parts catalog. This section contains a list of component part numbers and year of introduction.

COMMON SERVICE PARTS

The Common Service Parts section is located at the back of this parts catalog. This section contains the most commonly ordered parts for service on vehicles covered in this catalog. These parts are ordered through the normal ordering process.

IF (SERVICE INFORMATION PORTAL)

For the latest updates to these manuals, see the Service Information Portal.

VEHICLE IDENTIFICATION NUMBER

See Figure 1. A unique 17-digit serial, or vehicle identification number (VIN), is assigned to each motorcycle. For a description of each digit in the vehicle identification number (VIN), refer to Table 1.

For all models except V-Rod the full 17-digit serial, or vehicle identification number (VIN), is stamped on the right side of the frame backbone at the rear of the steering head. The vehicle identification number (VIN) is also printed on a label on the right front downtube. An abbreviated vehicle identification number (VIN) is stamped on the left side crankcase between the front and rear cylinders.

For V-Rod models only the full 17-digit serial, or vehicle identification number (VIN), is stamped on the right side of the steering head. The vehicle identification number (VIN) is also printed on a label on the left frame tube above the front engine cylinder. An abbreviated vehicle identification number (VIN) is stamped on the left side crankcase below the rear cylinder head.

Always give the full 17-digit vehicle identification number (VIN) when ordering parts or making any inquiry about your motorcycle.

995 & 1996 XLH MODELS

VIN MODEL CODES

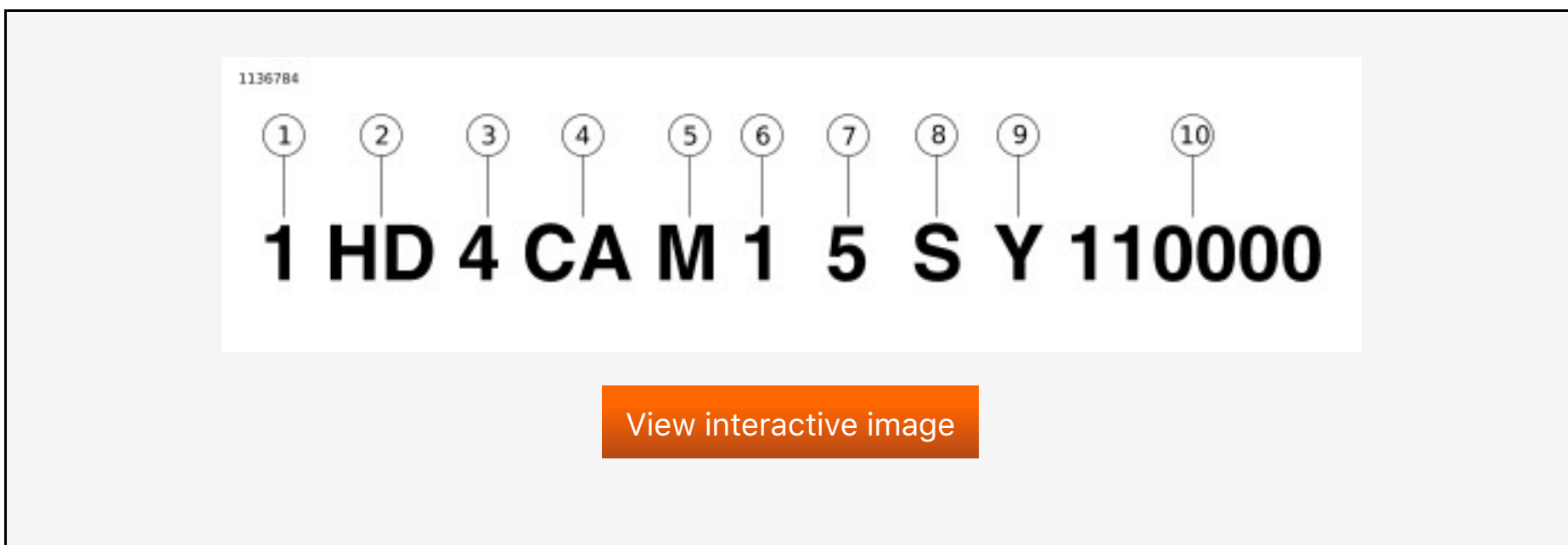


Figure 1. Typical Harley-Davidson VIN

Table 1. Harley-Davidson VIN Breakdown

POSITION	DESCRIPTION	POSSIBLE VALUES
1	Market designation	1=Domestic 5=International
2	Manufacturer	HD=Harley-Davidson
3	Motorcycle type	1=Heavyweight motorcycle (901cc and larger) 4=Middleweight motorcycle (351-900cc)
4	Model	See model table
5	Engine type	M=XLH 883cc P=XLH 1200cc
6	Introduction date	1=Regular 2=Mid-year 3=California 4=Special Edition 5=Special Edition Cal. Only

7	V.I.N. check digit	Can be 0-9 or X
8	Model year	S=1995 T=1996
9	Assembly plant	Y=York, PA
10	Sequential number	varies

Table 2. VIN Model Codes

CODE	MODEL NAME
CA	XLH 883
CA	XLH 1200
CE	XLH 883 Hugger
CF	XLH 883 Deluxe
CG	XLH 1200 Custom
CH	XLH 1200 Sport

NOTES

ACCESS DOOR & PRIMARY COVER
 AIR CLEANER & ENRICHENER
 ALTERNATOR & REGULATOR
 BATTERY
 BELTS & SPROCKETS
 BRACKET, HORN
 BRACKET, LICENSE PLATE
 BRACKET, LOWER STEERING HEAD
 CABLE, CLUTCH CONTROL
 CALIFORNIA EVAPORATIVE EMISSIONS KIT
 CAM GEARS (1 OF 3)
 CAM GEARS (2 OF 3)
 CAM GEARS (3 OF 3)
 CARBURETOR (1 OF 2)
 CARBURETOR (2 OF 2)
 CHAIN, PRIMARY
 CLUTCH
 CLUTCH CONTROL
 CRANKCASE (1 OF 2)
 CRANKCASE (2 OF 2)
 CYLINDER, HEAD & VALVES - V²TM EVOLUTION (1 OF 2)
 CYLINDER, HEAD & VALVES - V²TM EVOLUTION (2 OF 2)
 ELECTRONIC IGNITION SYSTEM

EXHAUST SYSTEM
FILTER, OIL
FOOTRESTS
FRAME, REAR FORK & JIFFY STAND
FRONT BRAKE CALIPER (1 OF 2)
FRONT BRAKE CALIPER (2 OF 2)
FRONT BRAKE CONTROL - 1995
FRONT BRAKE CONTROL - 1996
FRONT FENDER
FRONT FORK (1 OF 2)
FRONT FORK (2 OF 2)
FRONT FORK - 1200 SPORT
FRONT WHEEL - CAST
FRONT WHEEL - LACED
FUEL TANK & TRIM (1 OF 2)
FUEL TANK & TRIM (2 OF 2)
GASKET KIT, ENGINE OVERHAUL
GASKET KIT, ROCKER COVERS
GASKET KIT, TOP END
GEARCASE & COVER
HAND LEVER, CLUTCH CONTROL
HANDLEBAR & THROTTLE CONTROL (1 OF 2)
HANDLEBAR & THROTTLE CONTROL (2 OF 2)
HANDLEBAR & THROTTLE CONTROL - 1200 CUSTOM
HANDLEBAR SWITCHES - 1995
HANDLEBAR SWITCHES - 1996
HEADLAMP & MIRROR (1 OF 2)
HEADLAMP & MIRROR (2 OF 2)
HORN
MAIN WIRING HARNESS (1 OF 3)
MAIN WIRING HARNESS (2 OF 3)
MAIN WIRING HARNESS (3 OF 3)
MAIN WIRING HARNESS - 1200 CUSTOM (1 OF 2)
MAIN WIRING HARNESS - 1200 CUSTOM (2 OF 2)
MASTER CYLINDER, W/ HAND LEVER, FRONT
OIL PUMP
OIL TANK & FILTER
PISTONS, CONNECTING RODS & FLYWHEELS
REAR BRAKE CALIPER
REAR BRAKE CONTROL
REAR FENDER & BELT GUARDS
REAR WHEEL - CAST
REAR WHEEL - LACED
ROCKER ARMS, COVERS & PUSHRODS
SEATS
SHIFTER
SHOCK ABSORBERS
SPARK PLUGS
SPEEDOMETER & TACHOMETER (1 OF 3)
SPEEDOMETER & TACHOMETER (2 OF 3)
SPEEDOMETER & TACHOMETER (3 OF 3)

SPEEDOMETER - 1200 CUSTOM

STARTER MOTOR

STEERING HEAD BRACKET ASSEMBLY

SWITCHES & CIRCUIT BREAKERS

TAIL LAMP

TIMER COVER

TRANSMISSION GEARS (1 OF 2)

TRANSMISSION GEARS (2 OF 2)

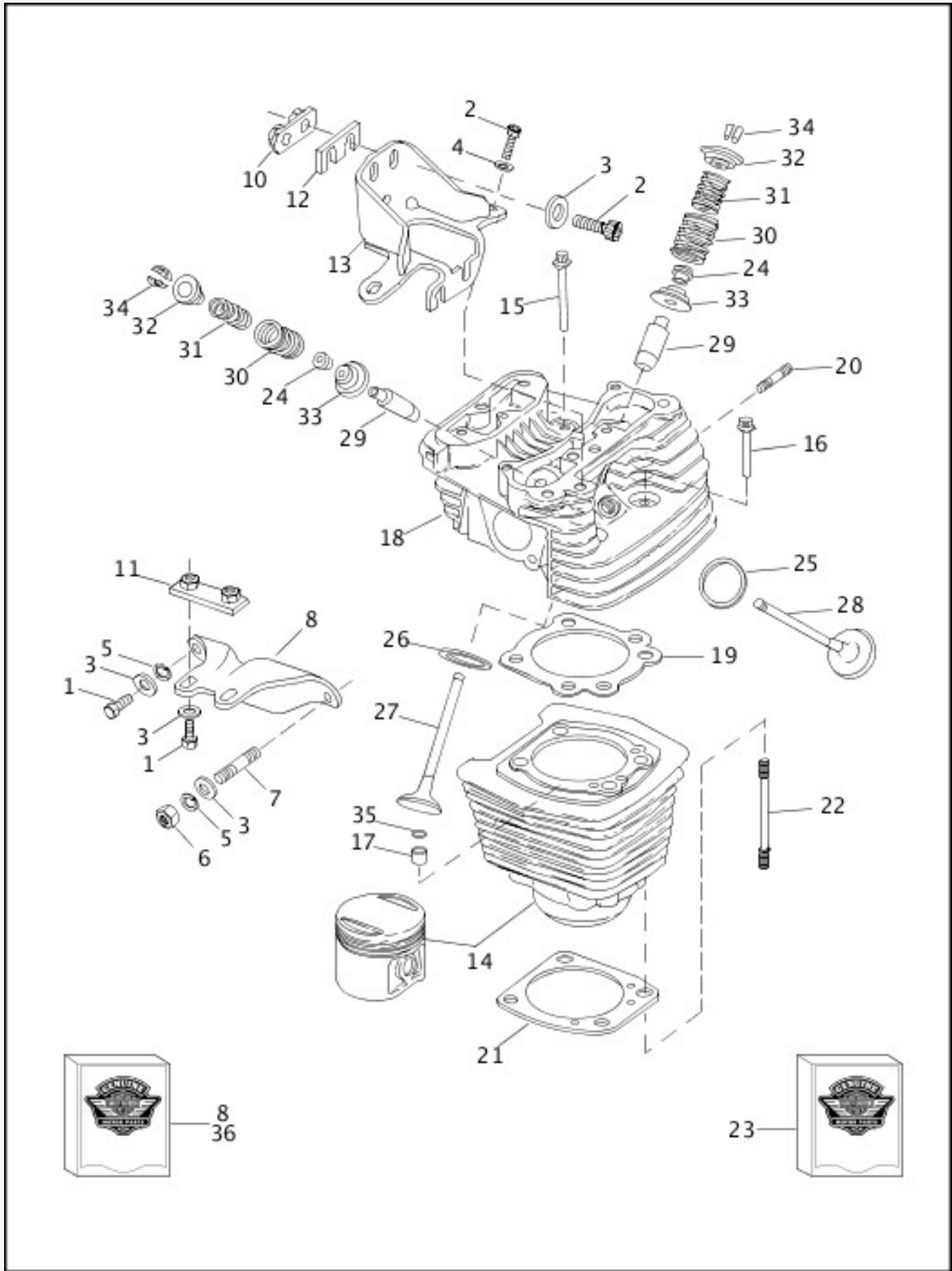
TRAY, BATTERY

TURN SIGNALS (1 OF 2)

TURN SIGNALS (2 OF 2)

Parts

CYLINDER, HEAD & VALVES - V²™ EVOLUTION (1 OF 2)



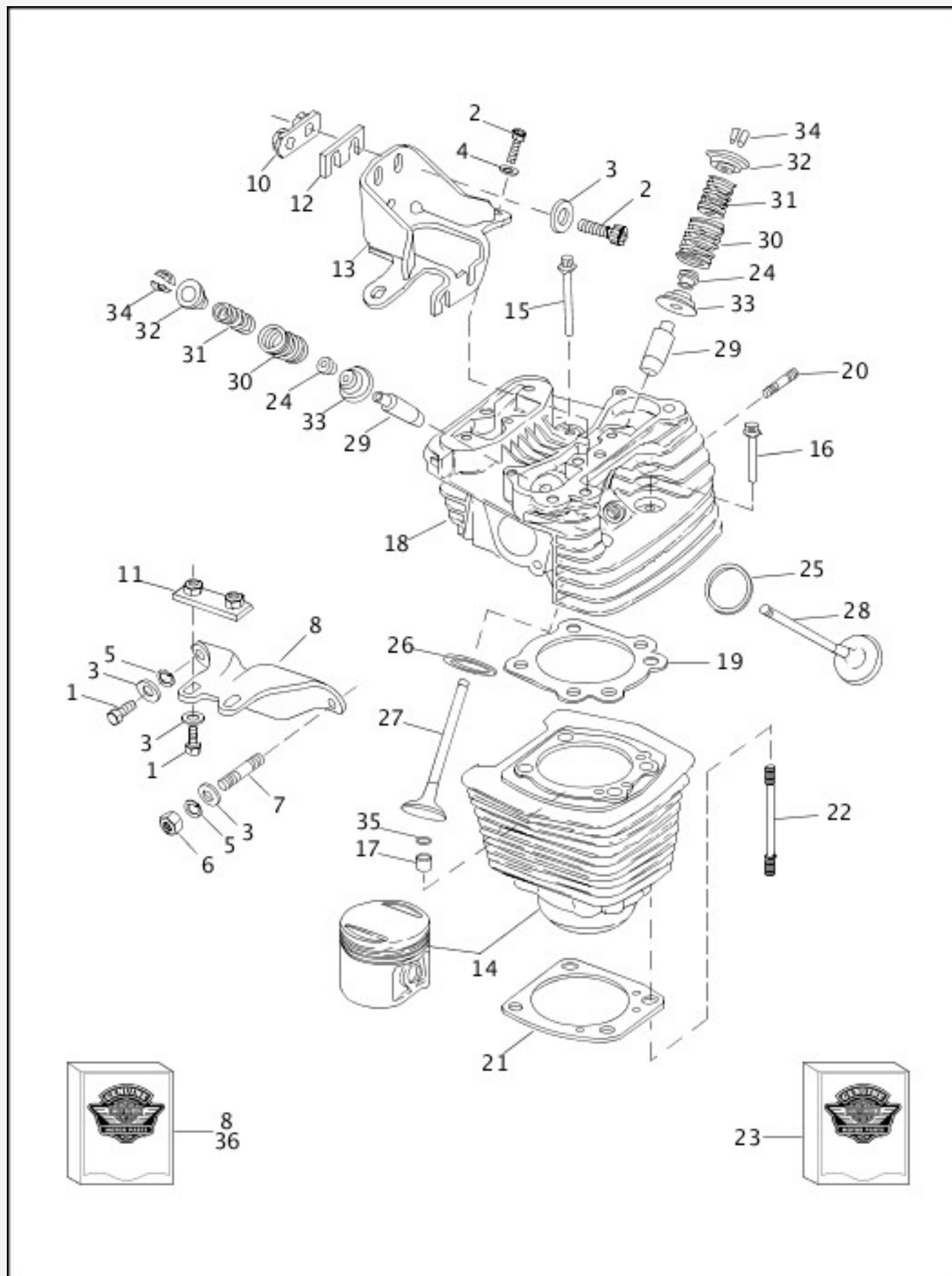
[View interactive image](#)

[View interactive table](#)

INDEX NO.	PART NO.	DESCRIPTION	MODEL(S)
1	4716W	SCREW (3)	ALL
2	4748	SCREW (4)	ALL
3	6701	WASHER (6)	ALL

4	6812	WASHER (2)	ALL
5	7038	LOCKWASHER (2)	ALL
6	7861	NUT	ALL
7	11727A	STUD, left front	ALL
8	16051-95	ENGINE ASSEMBLY, complete (1200cc)	XL1200 1995
	16051-96	ENGINE ASSEMBLY, complete (1200cc)	XL1200 1996
	16052-95	ENGINE ASSEMBLY, complete (883cc)	XL883 1995
	16052-96	ENGINE ASSEMBLY, complete (883cc)	XL883 1996
	16054-95	ENGINE ASSEMBLY, complete (1200cc) (California)	XL1200 1995
	16054-96	ENGINE ASSEMBLY, complete (1200cc) (California)	XL1200 1996
	16055-95	ENGINE ASSEMBLY, complete (883cc) (California)	XL883 1995
	16055-96	ENGINE ASSEMBLY, complete (883cc) (California)	XL883 1996
	16061-95	ENGINE ASSEMBLY, complete (883cc)	XL883DLX, XL883HUG 1995
	16061-96	ENGINE ASSEMBLY, complete (883cc)	XL883HUG 1996
	16062-95	ENGINE ASSEMBLY, complete (883cc) (California)	XL883DLX, XL883HUG 1995
	16062-96	ENGINE ASSEMBLY, complete (883cc) (California)	XL883HUG 1996
	16068-96	ENGINE ASSEMBLY, complete (1200cc)	XL1200C
	16069-96	ENGINE ASSEMBLY, complete (1200cc) (California)	XL1200C
	16074-96	ENGINE ASSEMBLY, complete (1200cc)	XL1200S
	16075-96	ENGINE ASSEMBLY, complete (1200cc) (California)	XL1200S
9	16214-86	BRACKET, upper front	XL1200 1995, XL1200 1996, XL1200C, XL1200S

	16222-86	BRACKET, upper front	XL883 1995, XL883 1996, XL883DLX, XL883HUG 1995, XL883HUG 1996
10	16226-94	NUT PLATE	ALL
11	16228-86A	NUT PLATE	ALL
12	16233-86	SHIM, 0.030 (as required)	ALL
13	16278-95B	BRACKET, center engine mount	ALL
14	16446-86B	CYLINDER W/ PISTON (883cc) (2)	XL883 1995, XL883 1996, XL883DLX, XL883HUG 1995, XL883HUG 1996
	16447-88A	CYLINDER W/ PISTON (1200cc) (2)	XL1200 1995, XL1200 1996, XL1200C, XL1200S
15	16478-85A	SCREW, internal thread (4)	ALL
16	16480-92A	SCREW, internal thread (4)	ALL
17	16573-83A	INSERT, cylinder stud (4)	ALL
18	16660-89B	HEAD, rear cylinder, w/ valve guides & seats	XL883 1995, XL883 1996, XL883DLX, XL883HUG 1995, XL883HUG 1996
	16661-89B	HEAD, front cylinder, w/ valve guides & seats	XL883 1995, XL883 1996, XL883DLX, XL883HUG 1995, XL883HUG 1996
	16688-90A	HEAD, front cylinder, w/ valve guides & seats	XL1200 1995, XL1200 1996, XL1200C, XL1200S
	16698-90A	HEAD, rear cylinder, w/ valve guides & seats	XL1200 1995, XL1200 1996, XL1200C, XL1200S
19	16664-86D	GASKET, cylinder head (2)	XL883 1995, XL883 1996, XL883DLX, XL883HUG 1995, XL883HUG 1996
	16770-84F	GASKET, cylinder head (2)	XL1200 1995, XL1200 1996, XL1200C, XL1200S
20	16715-83	STUD, exhaust port (4)	ALL
21	16774-86D	GASKET, cylinder base (2)	ALL
22	16832-86C	STUD, cylinder base (8)	ALL



[View interactive image](#)

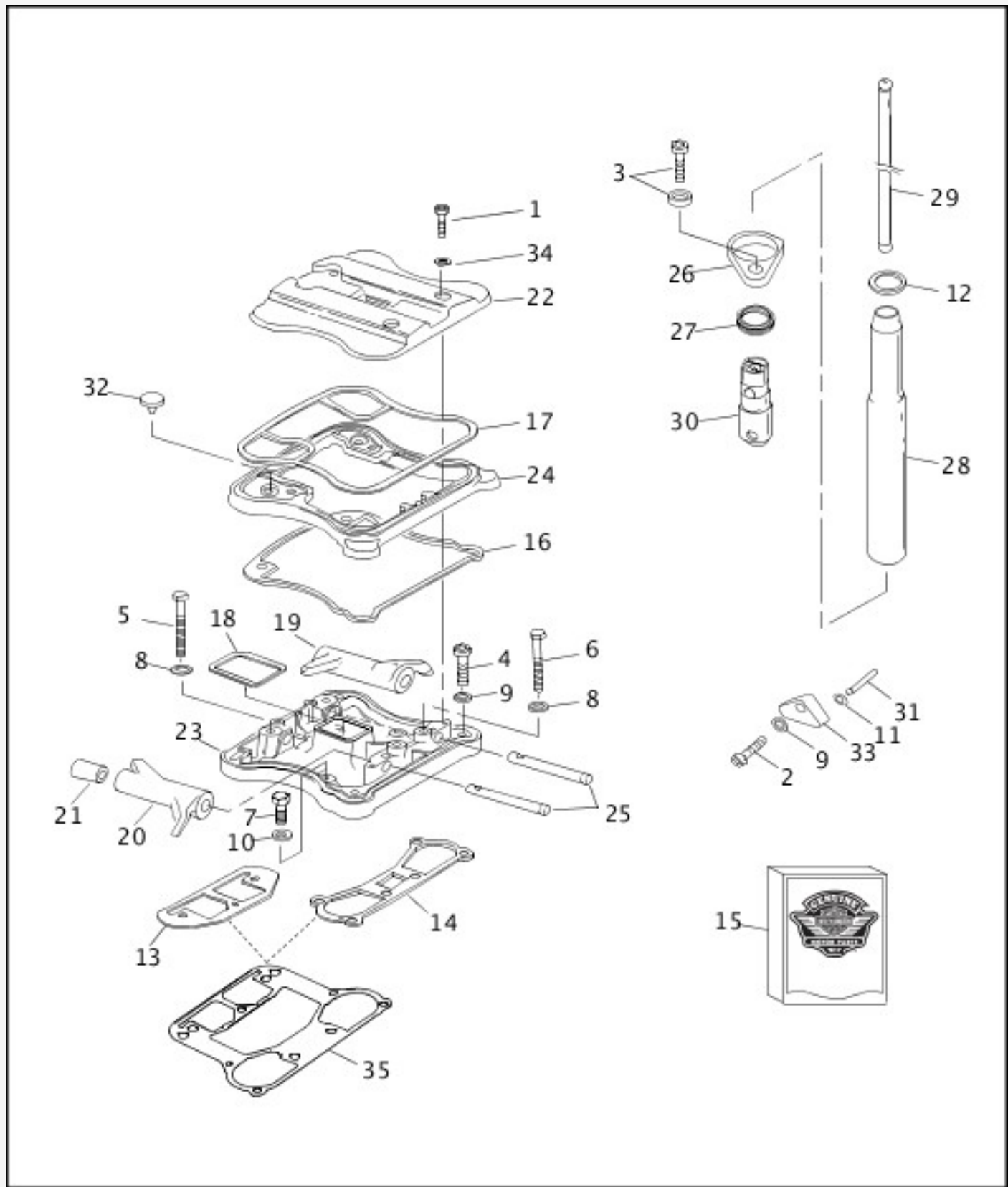
[View interactive table](#)

INDEX NO.	PART NO.	DESCRIPTION	MODEL(S)
23	17026-91D	GASKET KIT, engine overhaul	ALL

	17032-91	GASKET KIT, top end	ALL
	17036-91A	GASKET KIT, rocker covers	ALL
24	18001-83B	SEAL, valve (2)	ALL
25	18011-87A	INSERT, exhaust valve seat (2)	XL1200 1995, XL1200 1996, XL1200C, XL1200S
	18012-87A	INSERT, exhaust valve seat (2)	XL883 1995, XL883 1996, XL883DLX, XL883HUG 1995, XL883HUG 1996
26	18020-87A	INSERT, intake valve seat (2)	XL1200 1995, XL1200 1996, XL1200C, XL1200S
	18021-87A	INSERT, intake valve seat (2)	XL883 1995, XL883 1996, XL883DLX, XL883HUG 1995, XL883HUG 1996
27	18023-87A	INTAKE VALVE (2)	XL1200 1995, XL1200 1996, XL1200C, XL1200S
	18031-86B	INTAKE VALVE (2)	XL883 1995, XL883 1996, XL883DLX, XL883HUG 1995, XL883HUG 1996
28	18024-87A	EXHAUST VALVE (2)	XL1200 1995, XL1200 1996, XL1200C, XL1200S
	18030-86B	EXHAUST VALVE (2)	XL883 1995, XL883 1996, XL883DLX, XL883HUG 1995, XL883HUG 1996
29	18101-83D	VALVE GUIDE, intake & exhaust (4)	ALL
	18130-83D	VALVE GUIDE, intake & exhaust, 0.001 O.S. (4)	ALL
	18131-83D	VALVE GUIDE, intake & exhaust, 0.003 O.S. (4)	ALL
	18133-83B	VALVE GUIDE, intake & exhaust, 0.002 O.S. (4)	ALL
30	18201-83	VALVE SPRING, outer (4)	ALL
31	18202-83	VALVE SPRING, inner (4)	ALL
32	18219-83A	COLLAR, valve spring, upper (4)	ALL
33	18222-83A	COLLAR, valve spring, lower (4)	ALL
34	18229-83A	RETAINER, valve collar (8)	ALL

35	26432-76A	O-RING, cylinder stud insert (4)	ALL
INTERNATIONAL MODELS ONLY			
36	16047-95	ENGINE ASSEMBLY, complete (1200cc) (Swiss)	XL1200 1995, XL1200 1996
	16048-95	ENGINE ASSEMBLY, complete (883cc) (Swiss)	XL883 1995, XL883 1996
	16049-95	ENGINE ASSEMBLY, complete (883cc) (Swiss)	XL883DLX, XL883HUG 1995, XL883HUG 1996
	16063-95	ENGINE ASSEMBLY, complete (1200cc) (HDI)	XL1200 1995
	16063-96	ENGINE ASSEMBLY, complete (1200cc) (HDI)	XL1200 1996
	16064-95	ENGINE ASSEMBLY, complete (883cc) (HDI)	XL883 1995
	16064-96	ENGINE ASSEMBLY, complete (883cc) (HDI)	XL1200 1996, XL883 1996
	16066-95	ENGINE ASSEMBLY, complete (883cc) (HDI)	XL883DLX, XL883HUG 1995
	16066-96	ENGINE ASSEMBLY, complete (883cc) (HDI)	XL883HUG 1996
	16071-96	ENGINE ASSEMBLY, complete (1200cc) (HDI)	XL1200C
	16076-96	ENGINE ASSEMBLY, complete (1200cc) (Swiss)	XL1200S

ROCKER ARMS, COVERS & PUSHRODS



[View interactive image](#)

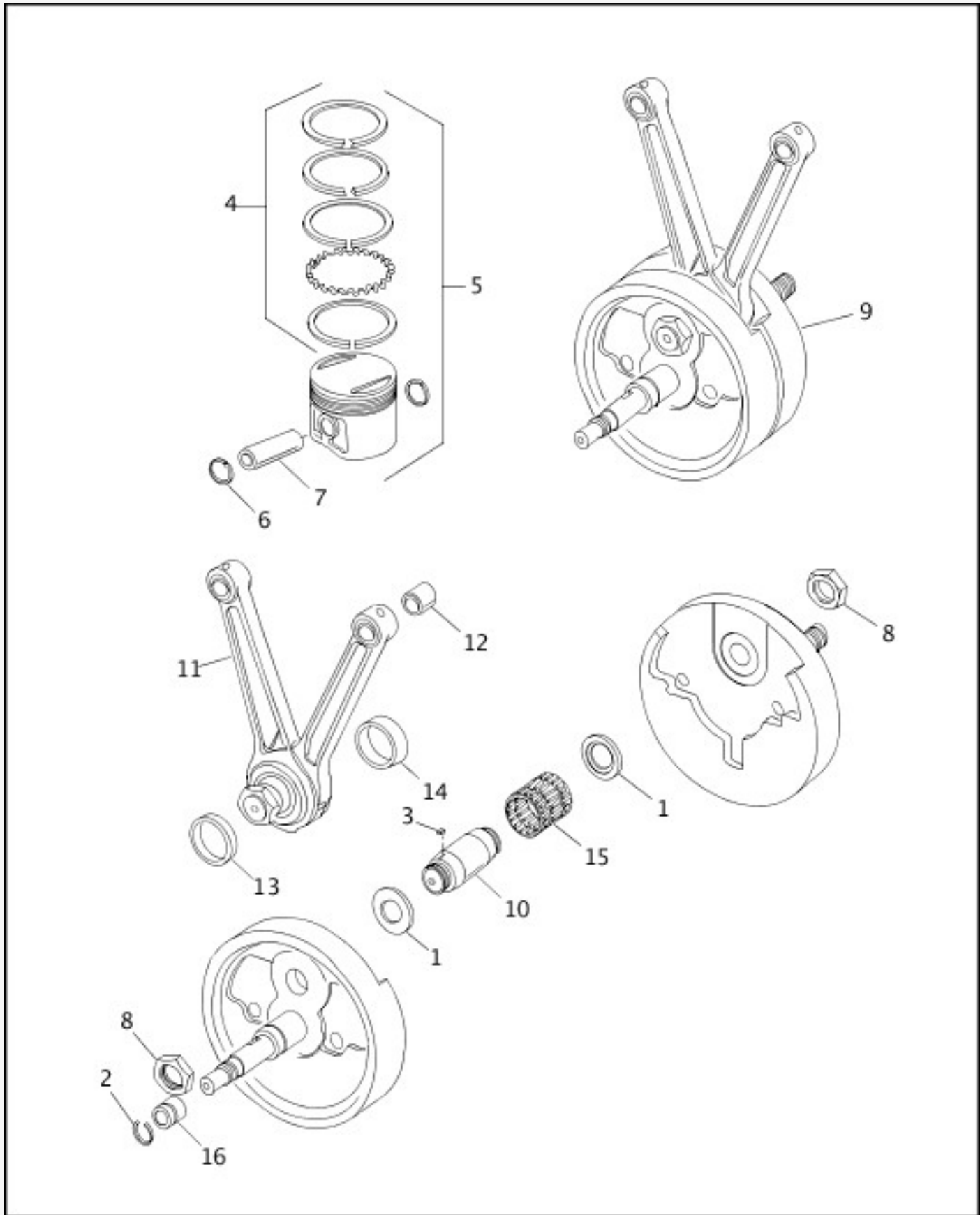
[View interactive table](#)

INDEX NO.	PART NO.	DESCRIPTION	MODEL(S)
1	882	SCREW (8)	ALL
2	94313-91TS	SCREW (2)	ALL
3	3228A	SCREW, w/ washer (4)	ALL
4	891	SCREW (4)	ALL
5	3500A	BOLT (4)	ALL

6	3501A	BOLT (4)	ALL
7	3849	SCREW (6)	ALL
8	6016	WASHER (8)	ALL
9	6099	WASHER (6)	ALL
10	6736	WASHER (6)	ALL
11	11176	O-RING (4)	ALL
12	11190	O-RING, pushrod cover, upper (4)	ALL
13	16778-84A	GASKET, cylinder head, right (use 16800-84A) (2)	ALL
14	16779-84B	GASKET, cylinder head, left (use 16800-84A) (2)	ALL
15	17036-91A	GASKET KIT, rocker covers, w/ 13, 14, 16, 17, 18, 32 & 34	ALL
16	17353-89C	GASKET, rocker cover, lower (2)	ALL
17	17354-89	GASKET, rocker cover, upper (2)	ALL
18	17358-84B	GASKET, rocker cover, inner (2)	ALL
19	17360-83A	ROCKER ARM, front intake & rear exhaust (2)	ALL
20	17375-83A	ROCKER ARM, front exhaust & rear intake (2)	ALL
21	17429-91	BEARING, rocker arm (8)	ALL
22	17501-86B	ROCKER COVER, outer (2)	XL1200 1995, XL1200 1996, XL1200S, XL883 1995, XL883 1996, XL883DLX, XL883HUG 1995, XL883HUG 1996
	17551-96	ROCKER COVER, outer (2)	XL1200C
23	17532-86E	ROCKER COVER, inner (2)	XL1200 1995, XL1200 1996, XL1200S, XL883 1995, XL883 1996, XL883DLX, XL883HUG 1995, XL883HUG 1996
	17537-96C	ROCKER COVER, inner (2)	XL1200C
24	17533-90A	SPACER, rocker cover (2)	XL1200 1995, XL1200 1996, XL1200S, XL883 1995, XL883 1996, XL883DLX, XL883HUG 1995, XL883HUG 1996

	17538-96	SPACER, rocker cover (2)	XL1200C
25	17611-83	SHAFT, rocker arm (4)	ALL
26	17952-91	RETAINER, pushrod, front intake & rear exhaust (2)	ALL
	17953-91	RETAINER, pushrod, front exhaust & rear intake (2)	ALL
27	17944-89	SEAL, pushrod cover (4)	ALL
28	17946-89	COVER, pushrod (4)	ALL
29	17897-89A	PUSHROD, intake (2)	ALL
	17904-89A	PUSHROD, exhaust (2)	ALL
30	18526-89A	TAPPET, w/ roller (4)	ALL
31	18532-89	PIN, anti-rotation (2)	ALL
32	26856-89A	VALVE, umbrella (2)	ALL
33	36804-89	PIN PLATE (2)	ALL
34	63858-49	GASKET (8)	ALL
35	16800-84A	GASKET, rocker cover/cylinder head, valve & pushrod sides (replaces 16778-84A & 16779-84B)	ALL

PISTONS, CONNECTING RODS & FLYWHEELS



[View interactive image](#)

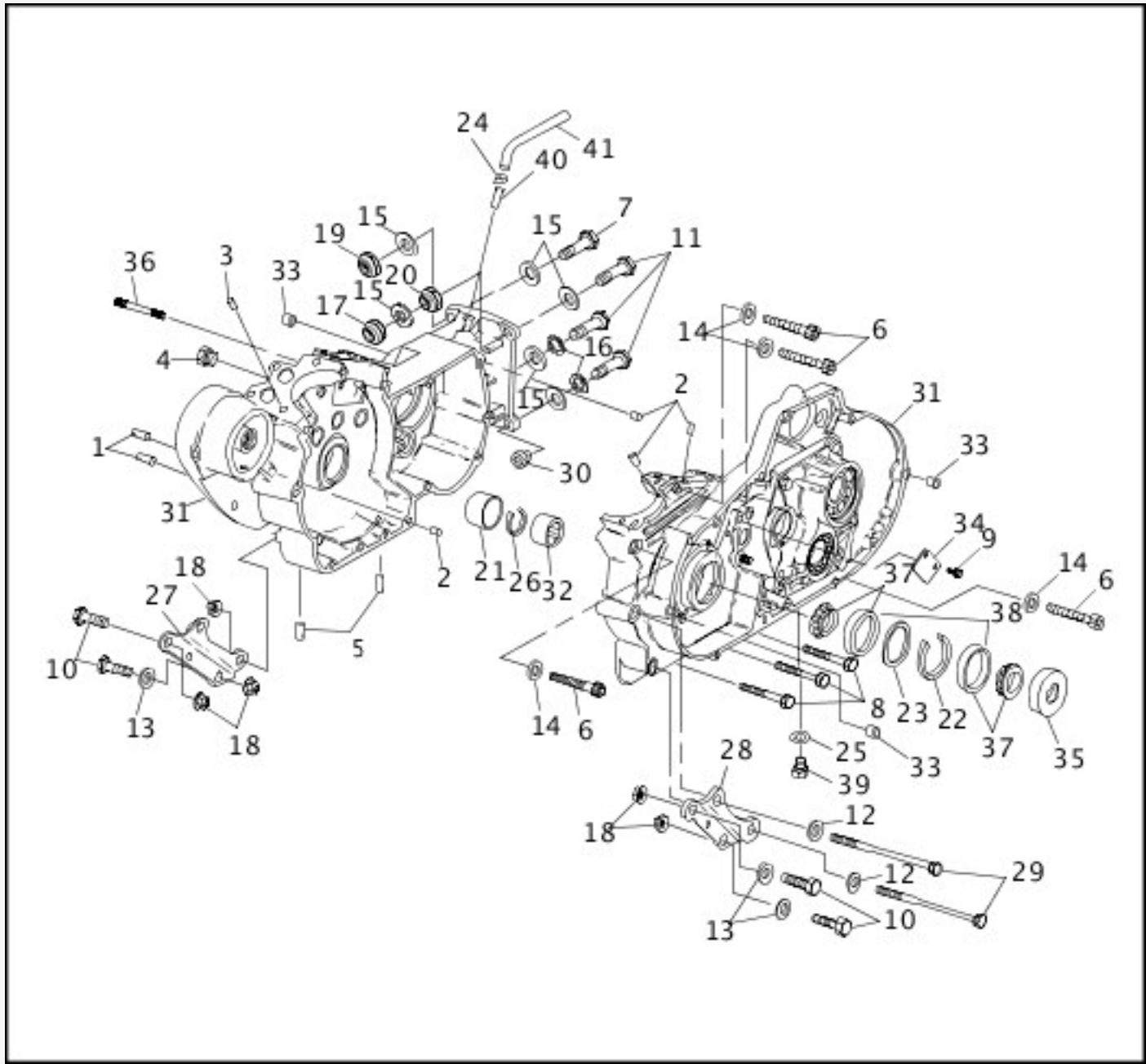
[View interactive table](#)

INDEX NO.	PART NO.	DESCRIPTION	MODEL(S)
1	6508	WASHER, crank pin boss (2)	ALL
2	11177A	RETAINING RING	ALL
3	11218	KEY, crank pin	ALL
4	21920-83	PISTON RING SET, standard (2)	XL1200 1995, XL1200 1996, XL1200C, XL1200S

	21921-83	PISTON RING SET, 0.005 O.S. (2)	XL1200 1995, XL1200 1996, XL1200C, XL1200S
	21922-83	PISTON RING SET, 0.010 O.S. (2)	XL1200 1995, XL1200 1996, XL1200C, XL1200S
	21923-83	PISTON RING SET, 0.020 O.S. (2)	XL1200 1995, XL1200 1996, XL1200C, XL1200S
	21924-83	PISTON RING SET, 0.030 O.S. (2)	XL1200 1995, XL1200 1996, XL1200C, XL1200S
	22266-86	PISTON RING SET, standard (2)	XL883 1995, XL883 1996, XL883DLX, XL883HUG 1995, XL883HUG 1996
	22261-86	PISTON RING SET, 0.010 O.S. (2)	XL883 1995, XL883 1996, XL883DLX, XL883HUG 1995, XL883HUG 1996
	22262-86	PISTON RING SET, 0.020 O.S. (2)	XL883 1995, XL883 1996, XL883DLX, XL883HUG 1995, XL883HUG 1996
	22263-86	PISTON RING SET, 0.030 O.S. (2)	XL883 1995, XL883 1996, XL883DLX, XL883HUG 1995, XL883HUG 1996
	22271-86	PISTON RING SET, 0.005 O.S. (2)	XL883 1995, XL883 1996, XL883DLX, XL883HUG 1995, XL883HUG 1996
5	22242-86A	PISTON & RINGS ASSEMBLY, standard (2)	XL883 1995, XL883 1996, XL883DLX, XL883HUG 1995, XL883HUG 1996
	22201-86A	PISTON & RINGS ASSEMBLY, 0.005 O.S. (2)	XL883 1995, XL883 1996, XL883DLX, XL883HUG 1995, XL883HUG 1996
	22253-86A	PISTON & RINGS ASSEMBLY, 0.010 O.S. (2)	XL883 1995, XL883 1996, XL883DLX, XL883HUG 1995, XL883HUG 1996
	22254-86A	PISTON & RINGS ASSEMBLY, 0.020 O.S. (2)	XL883 1995, XL883 1996, XL883DLX, XL883HUG 1995, XL883HUG 1996
	22255-86A	PISTON & RINGS ASSEMBLY, 0.030 O.S. (2)	XL883 1995, XL883 1996, XL883DLX, XL883HUG 1995, XL883HUG 1996
	22243-88A	PISTON & RINGS ASSEMBLY, standard (2)	XL1200 1995, XL1200 1996, XL1200C, XL1200S
	22205-88A	PISTON & RINGS ASSEMBLY, 0.005 O.S. (2)	XL1200 1995, XL1200 1996, XL1200C, XL1200S
	22216-88A	PISTON & RINGS ASSEMBLY, 0.010 O.S. (2)	XL1200 1995, XL1200 1996, XL1200C, XL1200S
	22220-88A	PISTON & RINGS ASSEMBLY, 0.020 O.S. (2)	XL1200 1995, XL1200 1996, XL1200C, XL1200S
	22225-88A	PISTON & RINGS ASSEMBLY, 0.030 O.S. (2)	XL1200 1995, XL1200 1996, XL1200C, XL1200S
6	22589-	LOCK RING, piston pin (4)	ALL

	83B		
7	22719-85	PISTON PIN (2)	XL883 1995, XL883 1996, XL883DLX, XL883HUG 1995, XL883HUG 1996
	22765-88	PISTON PIN (2)	XL1200 1995, XL1200 1996, XL1200C, XL1200S
8	23980-98	NUT, crank pin (2)	ALL
9	23905-89A	SET OF FLYWHEELS & SHAFTS W/ RODS	ALL
10	23960-80A	CRANK PIN, standard	ALL
	23948-87	CRANK PIN, 0.001 O.S.	ALL
	23949-87	CRANK PIN, 0.002 O.S.	ALL
11	24275-86A	SET OF CONNECTING RODS, w/ bearings, crank pin & nuts	ALL
12	24331-36	BUSHING, piston pin, 0.002 O.S. (2)	ALL
	24332-36	BUSHING, 0.01 O.S. piston pin (2)	ALL
13	24341-52A	BEARING RACE, rear connecting rod, lower (2)	ALL
14	24352-52A	BEARING RACE, front connecting rod, lower (2)	ALL
15	24354-87A	BEARING SET, connecting rods	ALL
16	24658-87	INNER RING	ALL

CRANKCASE (1 OF 2)



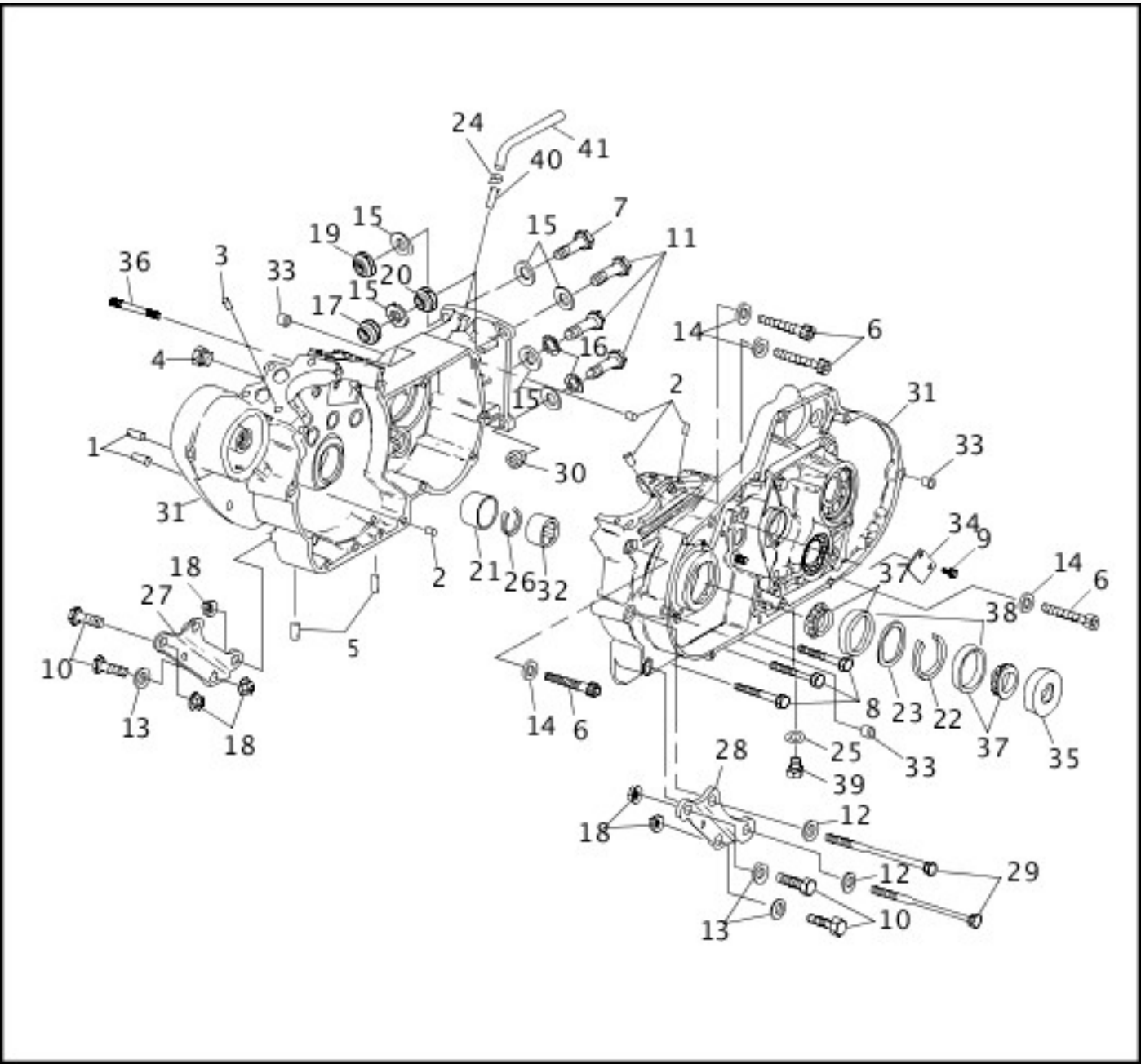
[View interactive image](#)

[View interactive table](#)

INDEX NO.	PART NO.	DESCRIPTION	MODEL(S)
1	215	DOWEL PIN (2)	ALL
2	358	DOWEL PIN (4)	ALL
3	604	ROLL PIN (4)	ALL
4	720	PLUG, timing	ALL
5	727	PLUG (2)	ALL
6	1028	SCREW (4)	ALL
7	3512	BOLT	ALL
8	3787	BOLT (3)	ALL
9	4091	SCREW (2)	ALL
10	4319	BOLT (4)	ALL

11	4435W	BOLT (3)	ALL
12	6019	WASHER (2)	ALL
13	6026	WASHER (4)	ALL
14	6314W	WASHER (4)	ALL
15	6701	WASHER (6)	ALL
16	7038	LOCKWASHER (2)	ALL
17	7775	LOCKNUT	ALL
18	7780	LOCKNUT (5)	ALL
19	7789	LOCKNUT	ALL
20	7861	NUT	ALL

CRANKCASE (2 OF 2)



[View interactive image](#)

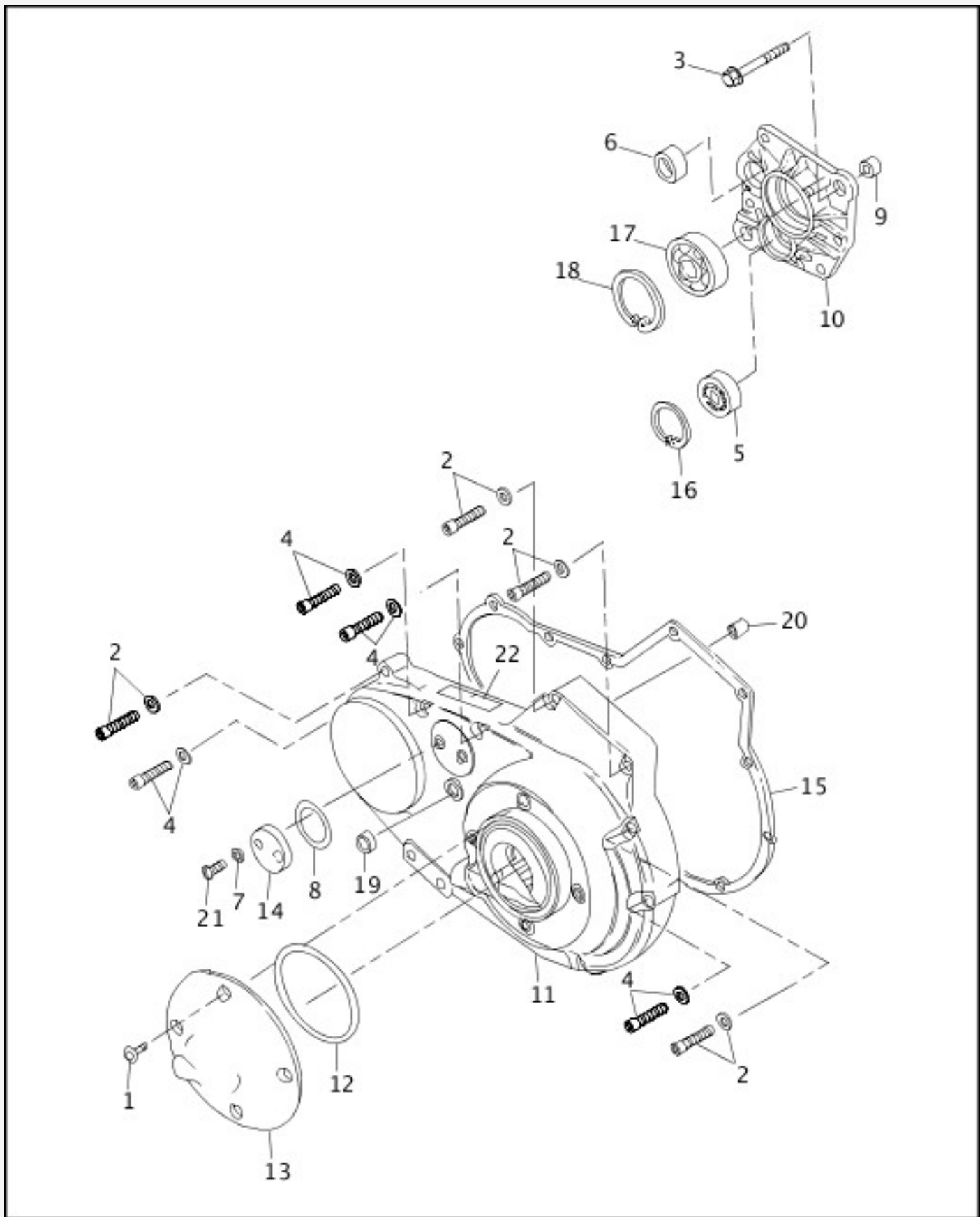
[View interactive table](#)

INDEX NO.	PART NO.	DESCRIPTION	MODEL(S)
21	8881	BEARING RACE	ALL
22	9119A	RETAINING RING	ALL
23	9142	SHIM, roller bearing, 0.100	ALL
	9143	SHIM, roller bearing, 0.102	ALL
	9144	SHIM, roller bearing, 0.104	ALL
	9145	SHIM, roller bearing, 0.106	ALL
	9146	SHIM, roller bearing, 0.108	ALL
	9147	SHIM, roller bearing, 0.110	ALL
	9148	SHIM, roller bearing, 0.112	ALL

	9149	SHIM, roller bearing, 0.114	ALL
	9155	SHIM, roller bearing, 0.098	ALL
24	10080	CLAMP	ALL
25	11105	O-RING	ALL
26	11177A	RETAINING RING	ALL
27	16210-84A	MOUNTING PLATE, lower right, front	ALL
28	16212-84	MOUNTING PLATE, lower left, front	ALL
29	16235-52A	BOLT (2)	ALL
30	16240-82	BUSHING (2)	ALL
31	24470-91E	CRANKCASE SET, w/ bearings	XL1200 1995, XL1200 1996, XL1200S, XL883 1995, XL883 1996, XL883DLX, XL883HUG 1995, XL883HUG 1996
	24466-96A	CRANKCASE SET, w/ bearings (black)	XL1200C
32	24647-87	BEARING, gear shaft (blue)	ALL
	24650-87	BEARING, gear shaft (red)	ALL
	24659-87	BEARING, gear shaft (white/gray)	ALL
	24660-87	BEARING, gear shaft (green)	ALL
33	24754-75A	DOWEL PIN (3)	ALL
34	29950-91	COVER, stator wires	ALL
35	35151-74A	OIL SEAL	ALL
36	42449-80A	STUD	ALL
37	48302-85	BEARING, complete (2)	ALL
38	48315-60	BEARING CUP (2)	ALL
39	60348-	DRAIN PLUG KIT, w/ o-ring	ALL

	65B		
40	63547-89	BREATHER TUBE	ALL
NOTE: Hose or insulator is sold in bulk length under the following part numbers. Cut to length.			
41	63500-68	HOSE, 3/8 I.D. x 5/8 O.D. rubber (25 ft. lg.)	ALL

ACCESS DOOR & PRIMARY COVER



[View interactive image](#)

[View interactive table](#)

INDEX NO.	PART NO.	DESCRIPTION	MODEL(S)
1	943	SCREW, SEMS (4)	ALL
2	3480A	SCREW, SEMS (7)	ALL
3	3610	SCREW, flange (5)	ALL
4	4717A	SCREW, SEMS (4)	ALL

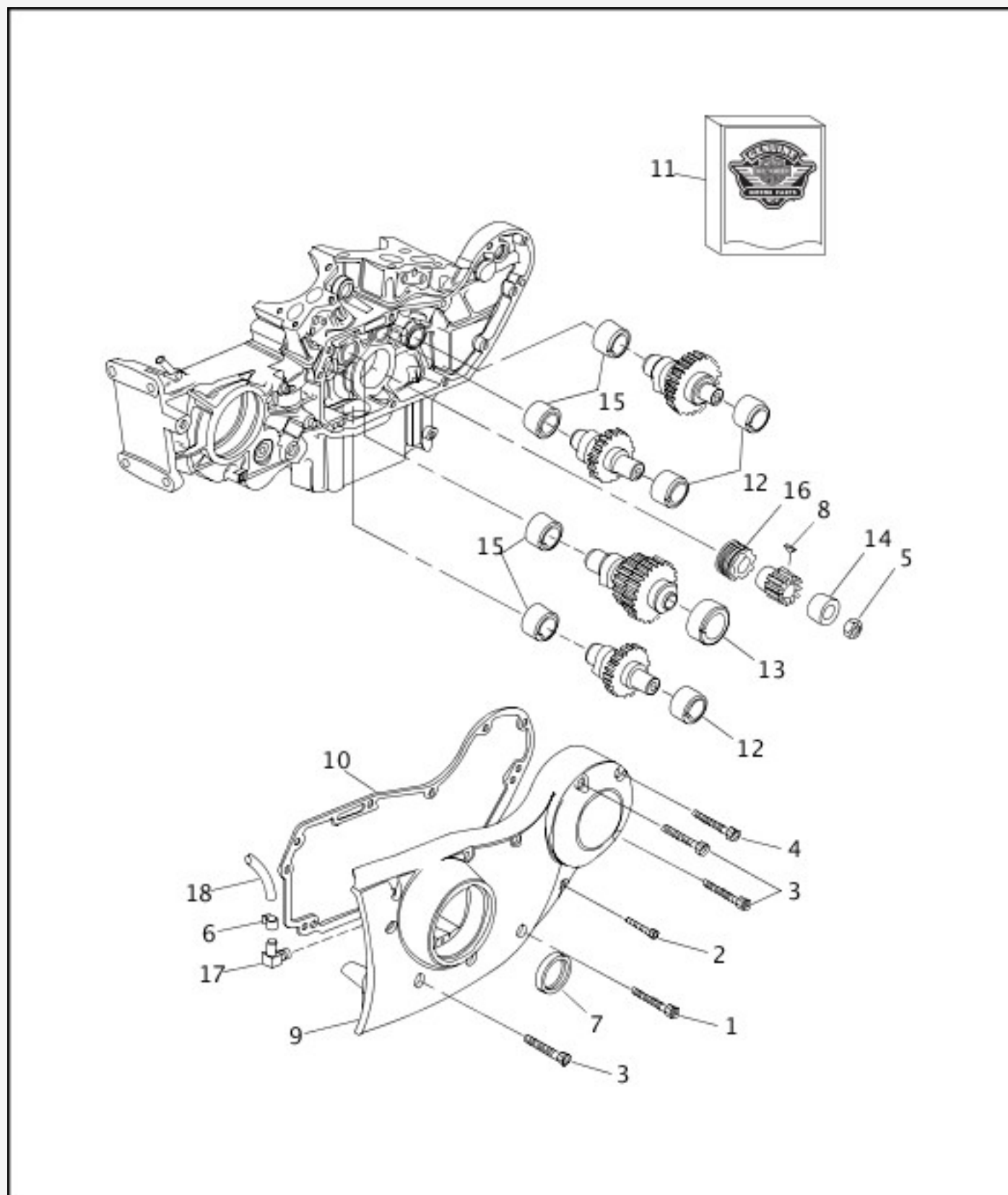
5	8998	BEARING	ALL
6	9187	BUSHING	ALL
7	11171	O-RING, inspection cover screws (2)	ALL
8	11188	O-RING, chain insp. cover	ALL
9	16573-83A	INSERT, access door (2)	ALL
10	25238-94	ACCESS DOOR ASSEMBLY, transmission, w/ 5, 6, 16, 17 & 18	ALL
11	25430-94A	PRIMARY COVER (polished)	XL1200 1995, XL1200 1996, XL1200S, XL883 1995, XL883 1996, XL883DLX, XL883HUG 1995, XL883HUG 1996
	25460-94	PRIMARY COVER (chrome)	XL1200C
12	25463-94A	GASKET, clutch cover	ALL
13	34992-94	INSPECTION COVER, clutch	XL1200 1995, XL1200 1996, XL1200S, XL883 1995, XL883 1996, XL883DLX, XL883HUG 1995, XL883HUG 1996
	34760-94	INSPECTION COVER, clutch (chrome)	XL1200C
14	34993-90	INSPECTION COVER, chain	XL1200 1995, XL1200 1996, XL1200S, XL883 1995, XL883 1996, XL883DLX, XL883HUG 1995, XL883HUG 1996
	34761-94	INSPECTION COVER, chain (chrome)	XL1200C
15	34955-89B	GASKET, primary cover	ALL
16	35021-89	RETAINING RING	ALL
17	35030-89A	BEARING	ALL
18	35038-89A	RETAINING RING	ALL
19	37101-84B	OIL SEAL	ALL
20	40520-63	BUSHING	ALL
21	41191-74A	SCREW, inspection covers (2)	ALL

INTERNATIONAL MODELS ONLY

--	--	--	--

22	14270-92	DECAL, shift pattern (Japan)	ALL
----	----------	------------------------------	-----

GEARCASE & COVER



[View interactive image](#)

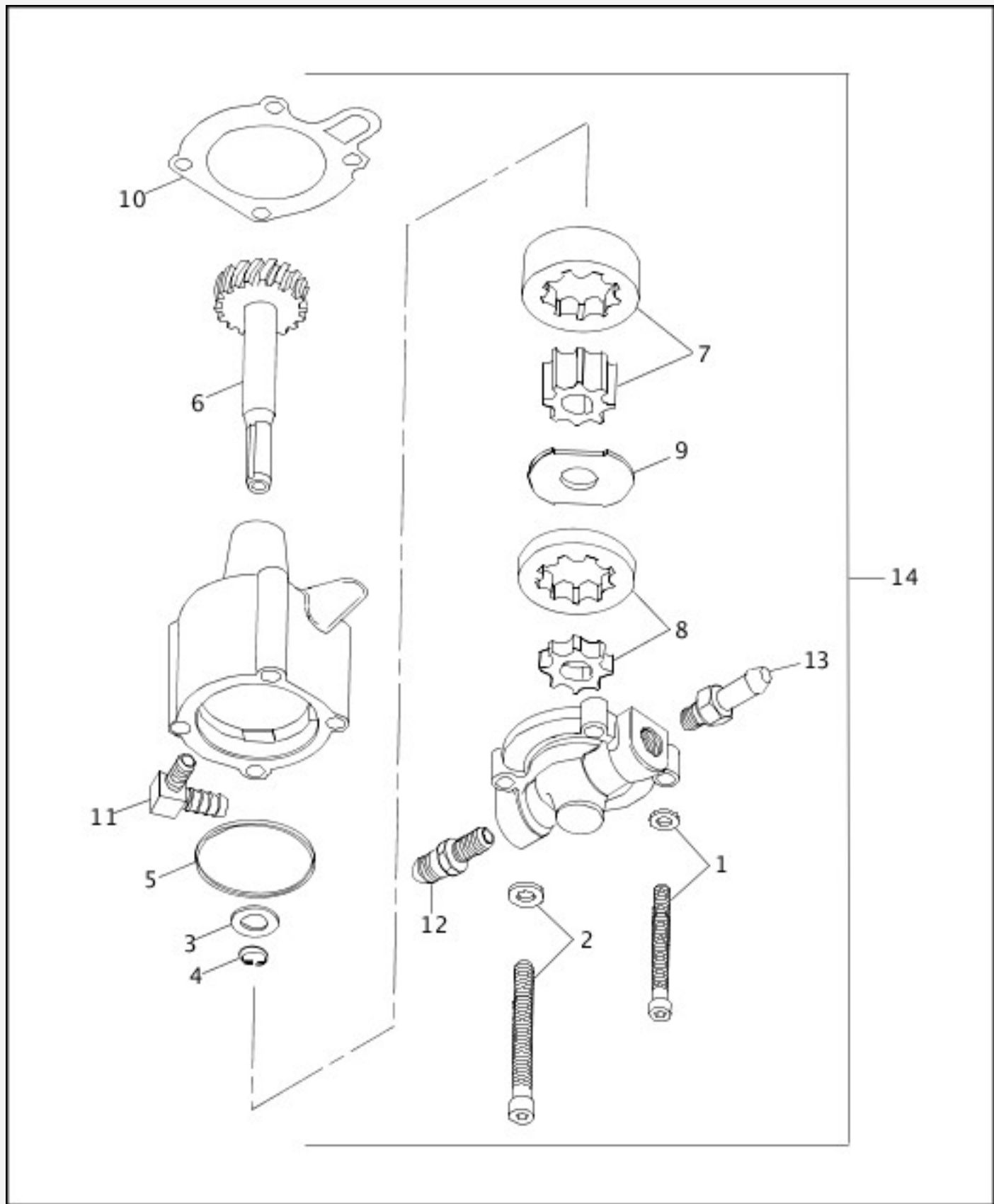
[View interactive table](#)

INDEX NO.	PART NO.	DESCRIPTION	MODEL(S)
1	3480A	SCREW, SEMS (3)	ALL
2	4740A	SCREW, SEMS	ALL

3	4717A	SCREW, SEMS (5)	ALL
4	4820A	SCREW, SEMS (2)	ALL
5	7916A	JAMNUT	ALL
6	10117	CLAMP	ALL
7	11124	SEAL	ALL
8	11219	T-KEY	ALL
9	25219-91C	COVER ASSEMBLY, gearcase (polished) w/ 7, 17 & bushings	XL1200 1995, XL1200 1996, XL1200S, XL883 1995, XL883 1996, XL883DLX, XL883HUG 1995, XL883HUG 1996
	25213-96B	COVER ASSEMBLY, gearcase (chrome) w/ 7, 17 & bushings	XL1200C
10	25263-90D	GASKET, gearcase cover	ALL
11	25488-89C	COVER W/ CAM GEAR SET, matched	XL1200 1995, XL1200 1996, XL1200S, XL883 1995, XL883 1996, XL883DLX, XL883HUG 1995, XL883HUG 1996
	25483-96	COVER W/ CAM GEAR SET, matched (chrome) (use 25213-96B)	XL1200C
12	25586-37	OUTER BUSHING, cam gear shafts (3)	ALL
13	25588-91	BUSHING, rear intake cam gear shaft	ALL
14	25593-74	BUSHING, flywheel gear shaft	ALL
15	25598-91	INNER BUSHING, camshaft gear (4)	ALL
16	26318-88A	DRIVE GEAR, oil pump	ALL
17	62375-57A	FITTING, oil vent hose	ALL
NOTE: Hose or insulator is sold in bulk length under the following part numbers. Cut to length.			
18	63501-68B	HOSE, 1/4 I.D. x 1/2 O.D. (rubber)	ALL

Refer to the CAM GEARS pages for complete list arranged by color code.

OIL PUMP



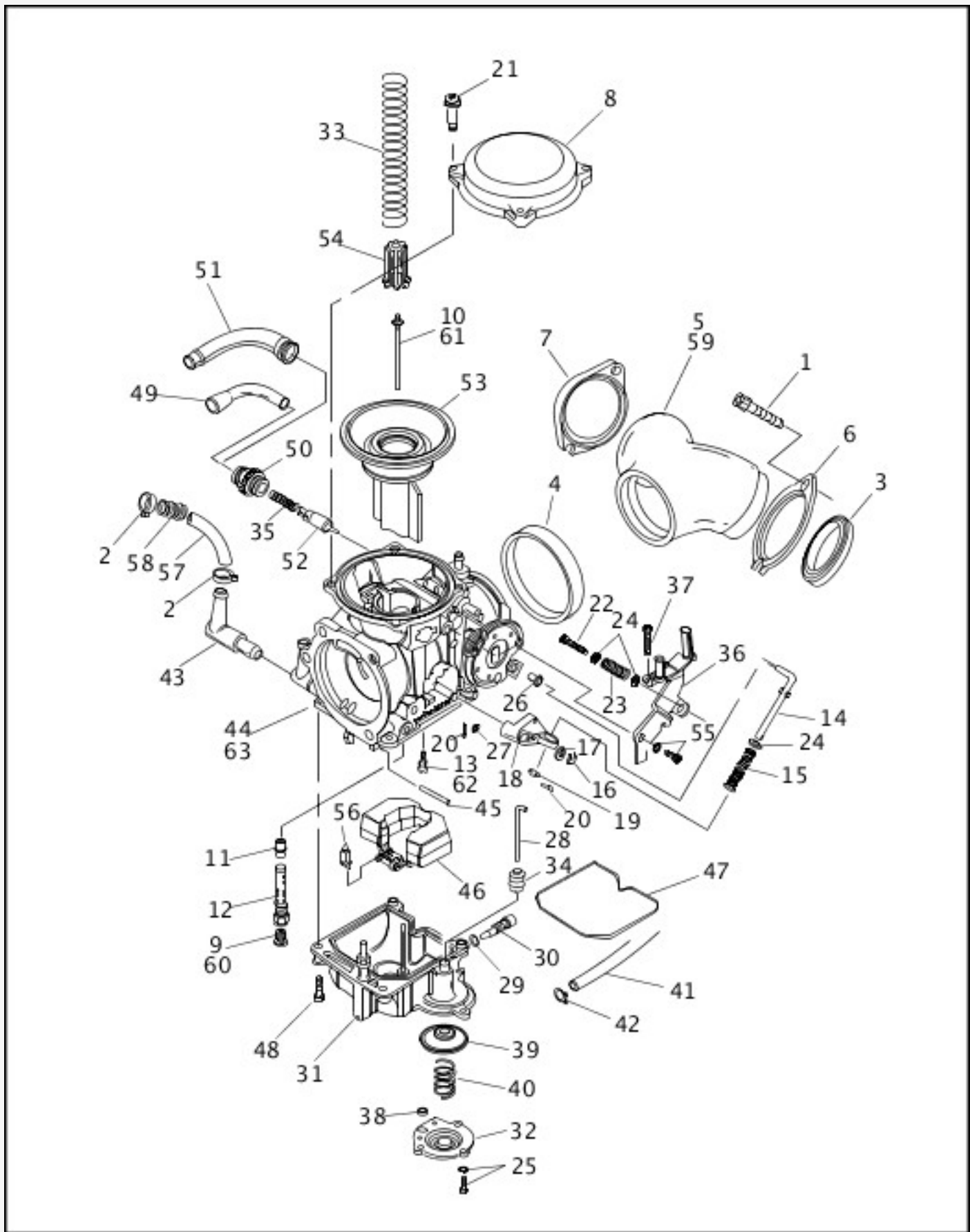
[View interactive image](#)

[View interactive table](#)

INDEX NO.	PART NO.	DESCRIPTION	MODEL(S)
1	4740A	SCREW, w/ washer (2)	ALL
2	4753	SCREW, w/ washer (2)	ALL
3	6157	WASHER	ALL
4	11002	RETAINING RING	ALL
5	26434-91	O-RING	ALL

6	26488-91	GEAR SHAFT	ALL
7	26491-91	GEROTOR SET, return (use 26204-91A)	ALL
8	26492-91	GEROTOR SET, feed	ALL
9	26493-91	SEPARATOR PLATE	ALL
10	26495-89B	GASKET, pump mounting	ALL
11	26496-75A	FITTING, 90 degree	ALL
12	62601-91A	FITTING, connector, front	ALL
13	63533-41A	FITTING, connector, rear	ALL
14	26204-91A	OIL PUMP, complete	ALL

CARBURETOR (1 OF 2)



[View interactive image](#)

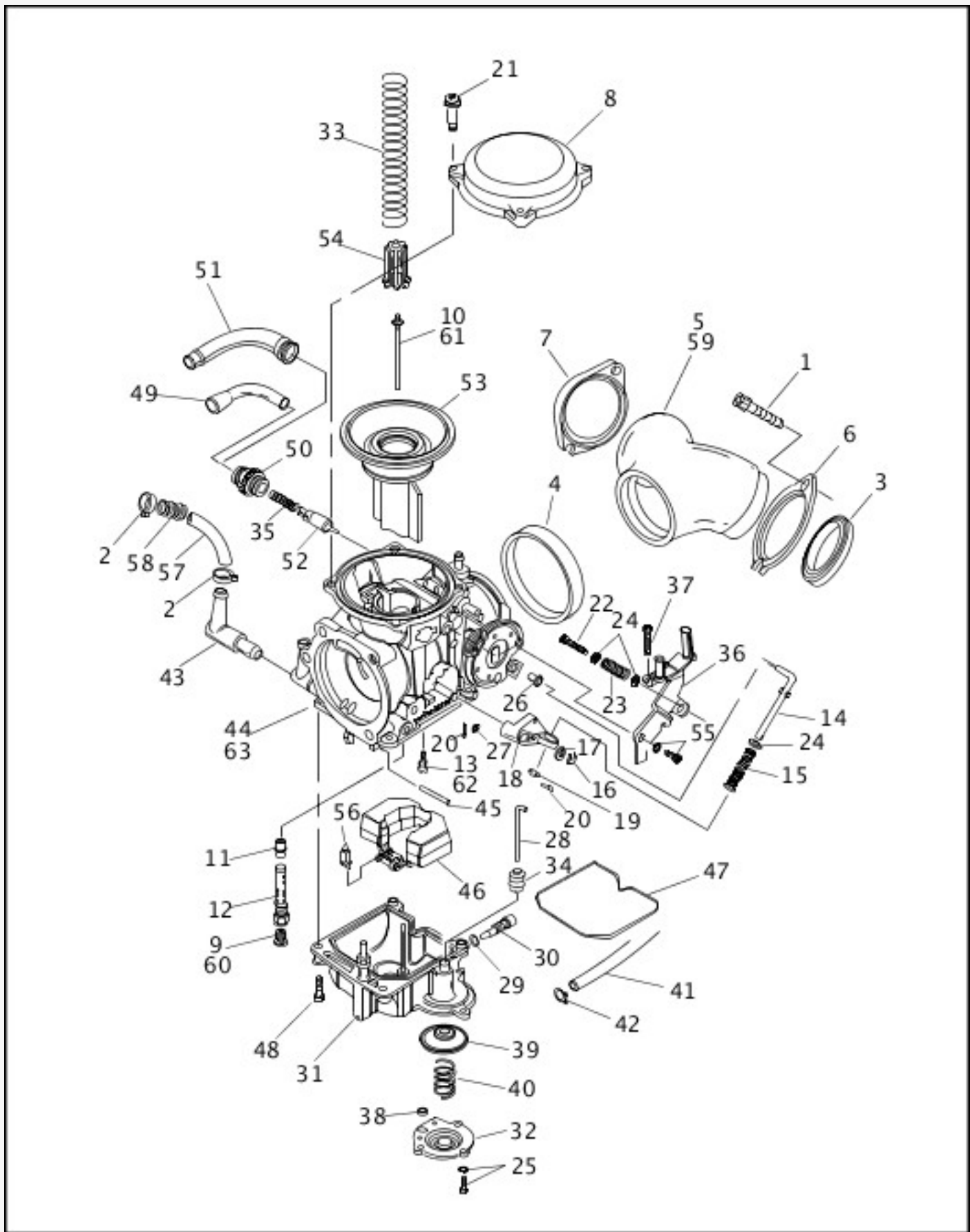
[View interactive table](#)

INDEX NO.	PART NO.	DESCRIPTION	MODEL(S)
1	3275	SCREW (4)	ALL
2	10014	CLAMP	ALL
3	26995-86B	SEAL, intake manifold (2)	ALL
4	27002-89	SEAL RING, carburetor	ALL

5	27004-88A	INTAKE MANIFOLD KIT, w/ 3 & 4	ALL
6	27009-86A	MOUNTING FLANGE, front	ALL
7	27010-86A	MOUNTING FLANGE, rear	ALL
8	27261-96	TOP, carburetor	ALL
9	27115-88	MAIN JET (California)	XL883 1995, XL883DLX, XL883HUG 1995
	27115-88	MAIN JET (California)	XL1200 1996, XL1200C, XL1200S
	27152-89	MAIN JET	XL1200 1995, XL883 1995, XL883DLX, XL883HUG 1995
	27152-89	MAIN JET	XL1200 1996, XL883 1996, XL883HUG 1996
	27185-90	MAIN JET (California)	XL1200 1995
	27185-90	MAIN JET (California)	XL1200 1996, XL1200C, XL1200S
10	27183-92	JET, needle	XL883 1995, XL883DLX, XL883HUG 1995
	27241-95	JET, needle (California)	XL1200 1996, XL883 1996, XL883HUG 1996
	27278-93	JET, needle (California)	XL883 1995, XL883DLX, XL883HUG 1995
	27279-93	JET, needle (California)	XL1200 1995
	27279-93	JET, needle (California)	XL1200 1996, XL1200C, XL1200S
	27280-92	JET, needle	XL1200 1995
11	27100-88	NEEDLE JET	ALL
12	27101-88	NEEDLE JET HOLDER	ALL
13	27281-92	SLOW JET	XL1200 1995, XL883 1995, XL883DLX, XL883HUG 1995
	27171-89	SLOW JET	XL1200 1996, XL1200C, XL1200S, XL883 1996, XL883HUG 1996
14	27122-89	ROD	ALL
15	27123-89A	SPRING	ALL
16	27124-89	E-CLIP	ALL
17	27125-89	WASHER	ALL
18	27126-89	LEVER	ALL
19	27127-89	WASHER	ALL
20	27128-89	PIN (2)	ALL
21	27262-96	SCREW, top (3)	ALL

22	27130-90	IDLE SCREW	ALL
23	27136-90A	SPRING	ALL
24	27137-81	WASHER (3)	ALL
25	27146-89	SCREW, w/washer (3)	ALL
26	27263-96	COLLAR	ALL
27	27148-89	WASHER	ALL
28	27156-89	ROD	ALL
29	27157-89	O-RING	ALL
30	27158-89	DRAIN SCREW	ALL
31	27159-92	FLOAT CHAMBER ASSEMBLY	ALL
32	27160-89	PUMP HOUSING	ALL
33	27162-89	SPRING	ALL
34	27311-76	CAP, accelerator pump (rubber)	ALL
35	27315-88A	SPRING	ALL
36	27316-88	BRACKET	ALL

CARBURETOR (2 OF 2)



[View interactive image](#)

[View interactive table](#)

INDEX NO.	PART NO.	DESCRIPTION	MODEL(S)
37	27317-88	SCREW	ALL
38	27360-76	O-RING	ALL
39	27361-	DIAPHRAGM, accelerator pump	ALL

	76A		
40	27362-76	SPRING, diaphragm	ALL
41	27369-76	HOSE, overflow, w/ clip	ALL
42	27368-76	CLIP, overflow hose	ALL
43	27371-76A	FITTING	ALL
44	27486-92B	CARBURETOR (California)	XL1200 1995
	27498-96A	CARBURETOR (California)	XL1200 1996, XL1200C, XL1200S
	27487-92A	CARBURETOR	XL1200 1995
	27491-96	CARBURETOR	XL1200 1996, XL1200C, XL1200S
	27488-92B	CARBURETOR (California)	XL883 1995, XL883DLX, XL883HUG 1995
	27495-96A	CARBURETOR (California)	XL1200 1996, XL883 1996, XL883HUG 1996
	27489-92A	CARBURETOR	XL883 1995, XL883DLX, XL883HUG 1995
	27490-96A	CARBURETOR	XL1200 1996, XL883 1996, XL883HUG 1996
45	27575-88A	PIN	ALL
46	27576-92	FLOAT	ALL
47	27577-92	O-RING	ALL
48	27579-88A	SCREW (4)	ALL
49	27580-88	CABLE GUIDE	ALL
50	27581-88	STARTER CAP	ALL
51	27582-88	CABLE SEALING CAP	ALL

52	27583-88	STARTER VALVE	ALL
53	27585-88	VACUUM PISTON	ALL
54	27586-88	SPRING SEAT	ALL
55	27587-88	SCREW	ALL
56	27886-78A	VALVE, w/ clip	ALL

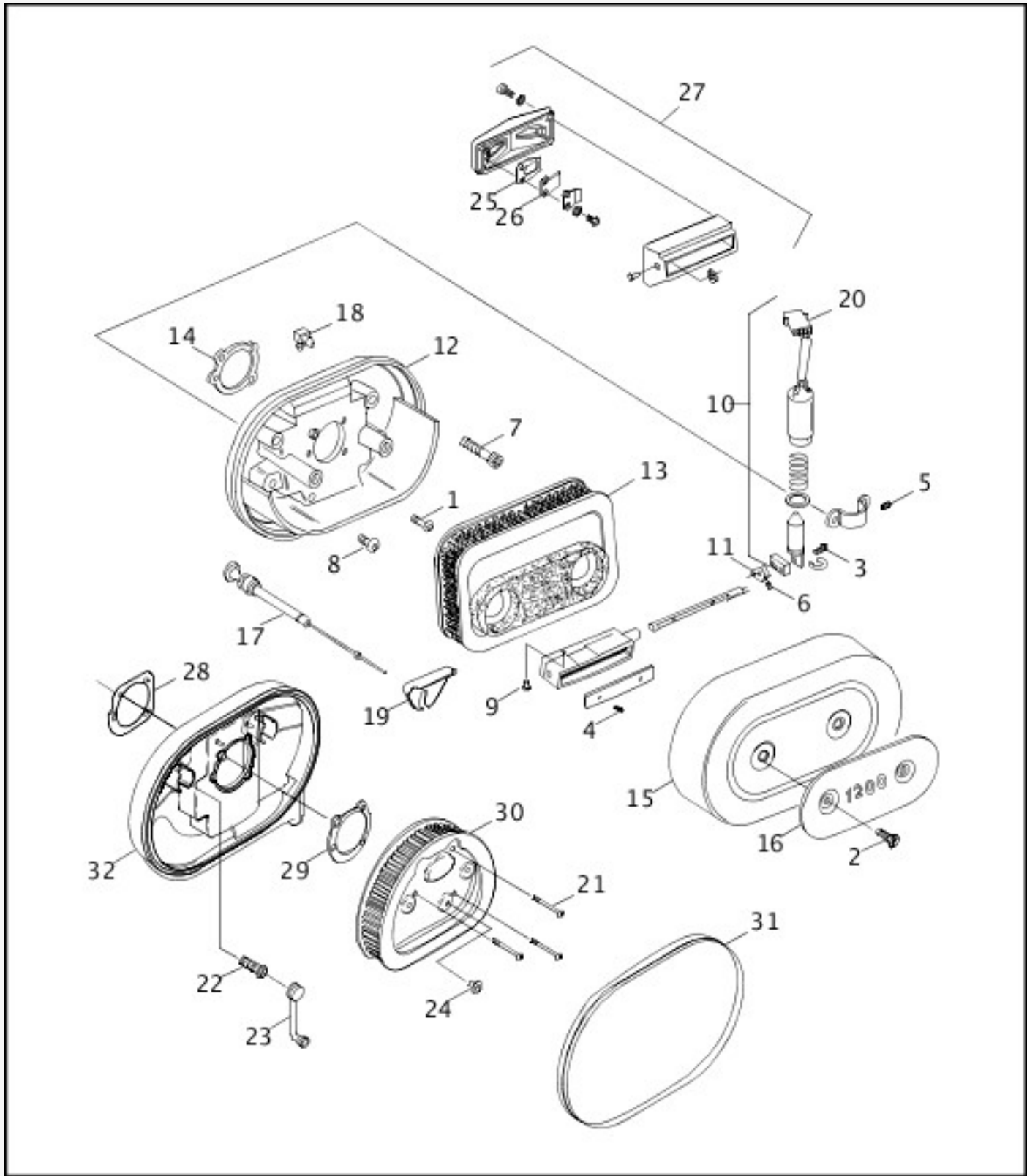
NOTE: Hose or insulator is sold in bulk length under the following part numbers. Cut to length.

57	63501-68B	HOSE, 1/4 I.D. x 1/2 O.D. (rubber) (25 ft. long)	ALL
58	62555-95	INSULATOR, 1/2 I.D. nylon (8 ft. long)	ALL

INTERNATIONAL MODELS ONLY

59	26990-91	INTAKE MANIFOLD (Swiss)	XL1200 1995, XL883 1995, XL883DLX, XL883HUG 1995
60	27152-89	MAIN JET (Swiss)	XL1200 1995, XL883 1995, XL883DLX, XL883HUG 1995
	27243-95	MAIN JET (HDI)	ALL
61	27187-93	JET, needle (Swiss)	ALL
62	27171-89	SLOW JET (HDI)	ALL
	27281-92	SLOW JET (Swiss)	XL1200 1995, XL883 1995, XL883DLX, XL883HUG 1995
63	27503-92	CARBURETOR (Swiss)	XL1200 1995, XL883 1995, XL883DLX, XL883HUG 1995
	27076-95A	CARBURETOR (HDI)	XL1200 1995, XL1200 1996, XL1200C, XL1200S
	27031-95A	CARBURETOR (HDI)	XL1200 1996, XL883 1995, XL883 1996, XL883DLX, XL883HUG 1995, XL883HUG 1996

AIR CLEANER & ENRICHENER



[View interactive image](#)

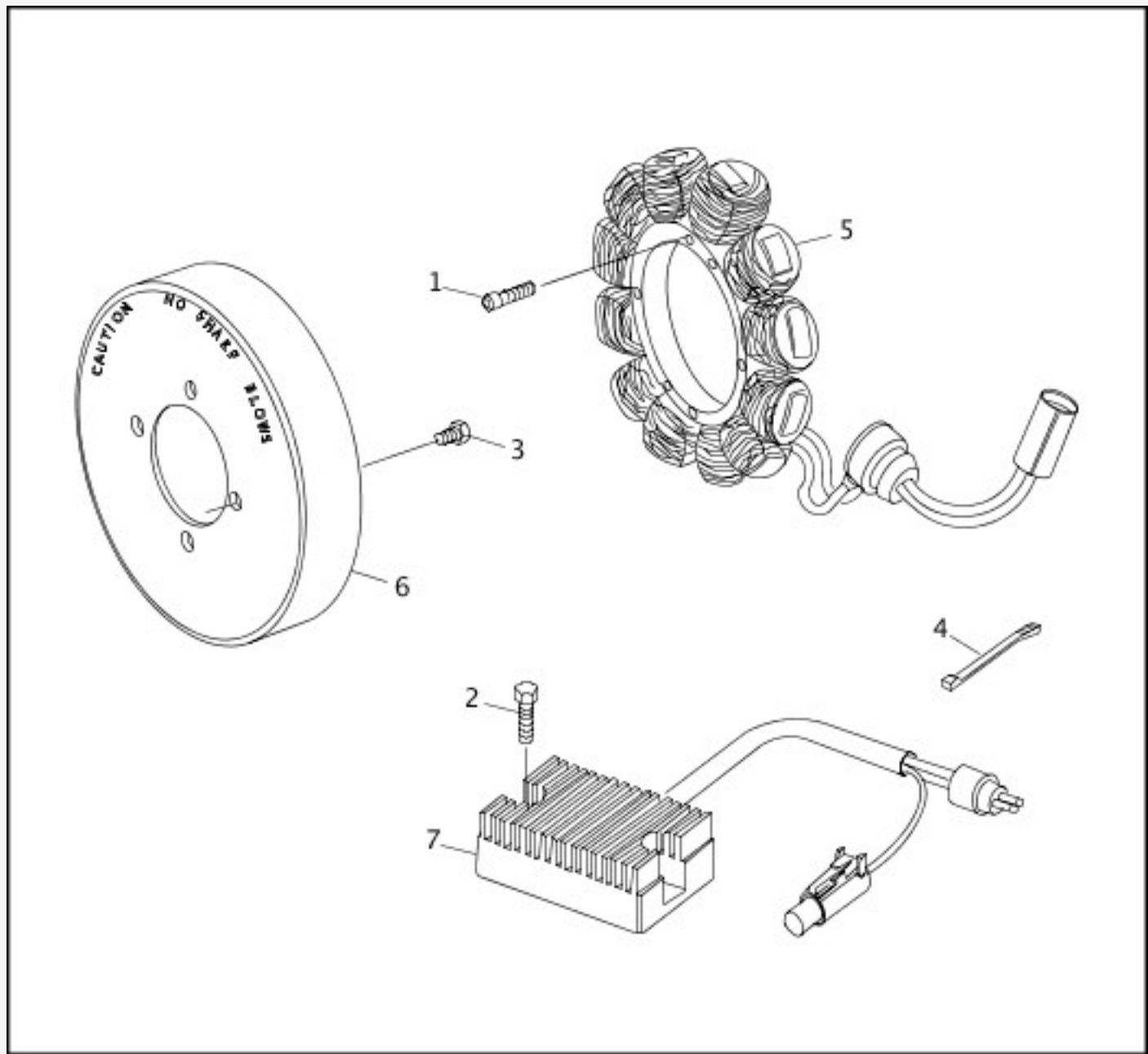
[View interactive table](#)

INDEX NO.	PART NO.	DESCRIPTION	MODEL(S)
1	869	SCREW (3)	ALL
2	2405A	SCREW (2)	ALL
3	2711	SCREW (California)	ALL
4	2737	SCREW (California) (2)	ALL
5	3206B	SCREW (California)	ALL
6	3221	SCREW (California)	ALL

7	3534B	SCREW, breather (2)	ALL
8	3652	SCREW (California) (2)	ALL
9	8535	RIVET (California) (2)	ALL
10	28841-89	SOLENOID (California)	ALL
11	28842-89	LINK (California)	ALL
12	29009-89B	BACKPLATE, air cleaner	ALL
	29018-92	BACKPLATE ASSEMBLY, carburetor intake (California)	ALL
13	29331-96	FILTER ELEMENT	ALL
14	29059-88A	GASKET	ALL
15	29084-73	COVER, air cleaner	ALL
16	29111-88	TRIM, air cleaner	XL1200 1995, XL1200 1996, XL1200S
	29100-96	TRIM, air cleaner	XL1200C
17	29229-88D	CABLE, enrichment	ALL
18	61107-92	FITTING (California)	ALL
19	69037-95A	COVER, enrichment cable	ALL
20	70291-89	HOUSING, 4 pin (California)	ALL
INTERNATIONAL MODELS ONLY			
21	946	SCREW (HDI except Swiss) (3)	ALL
22	3577	SCREW, breather (HDI except Swiss) (2)	ALL
23	24922-93	BREATHER CONNECTOR (HDI except Swiss) (2)	ALL
24	24925-95	PLUG, threaded (HDI except Swiss)	ALL
25	28820-86	REED BOTTOM (Swiss) (2)	ALL
26	28821-86	REED TOP (Swiss) (2)	ALL
27	28826-86A	REED SUPPORT ASSEMBLY (Swiss)	ALL
28	29062-95B	GASKET, carburetor intake (HDI except Swiss)	ALL
29	29313-95	GASKET, filter element (HDI except Swiss)	ALL
30	29325-95A	FILTER ELEMENT, w/ 24 & 29 (HDI except Swiss)	ALL
31	29315-95	MOLDING, air cleaner cover (HDI except Swiss)	ALL

32	29316-95C	BACKPLATE ASSEMBLY (HDI except Swiss)	ALL
	29078-91	BACKPLATE ASSEMBLY (Swiss) (not illustrated)	ALL

ALTERNATOR & REGULATOR

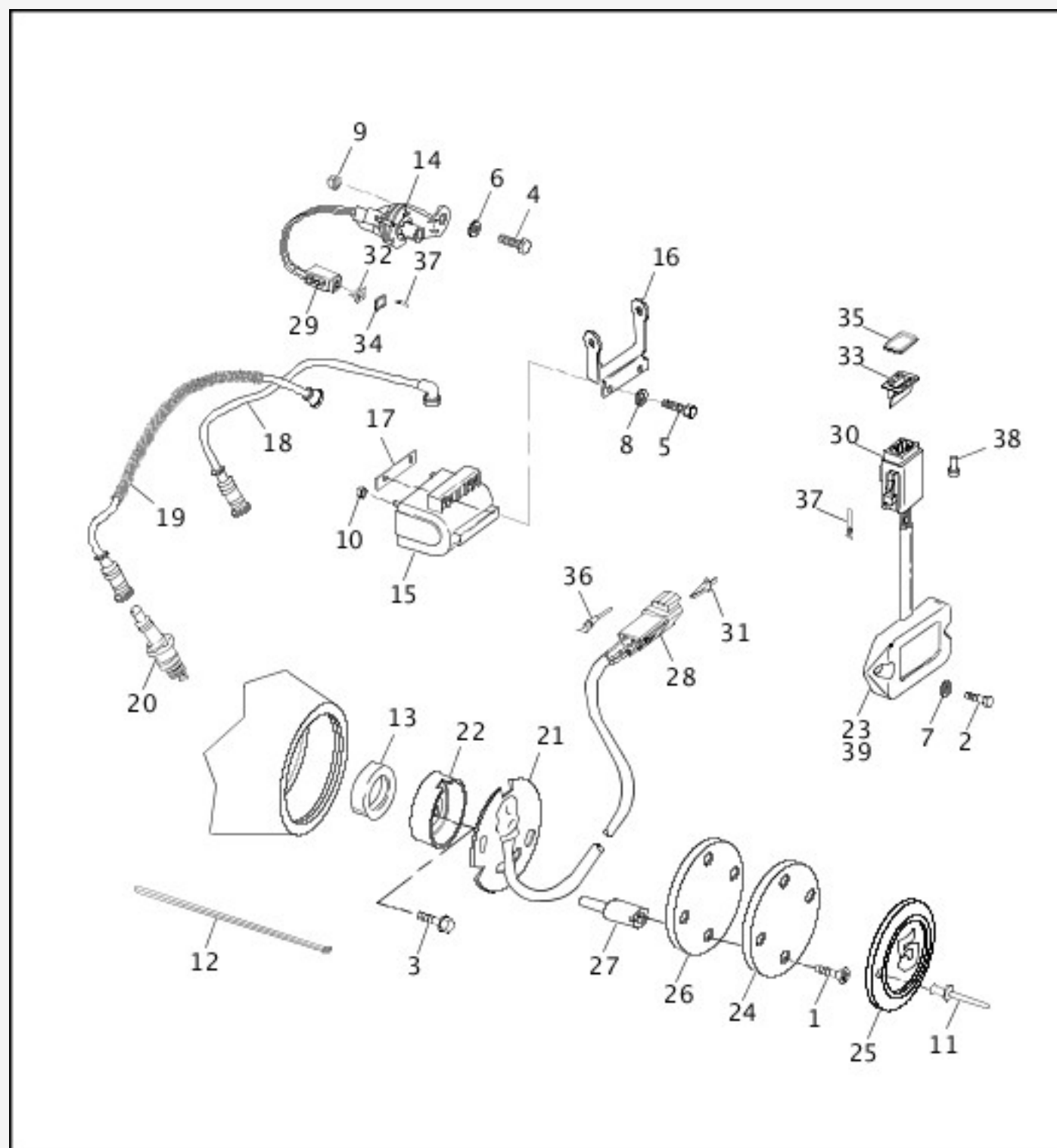


[View interactive image](#)

[View interactive table](#)

INDEX NO.	PART NO.	DESCRIPTION	MODEL(S)
1	2720	SCREW (4)	ALL
2	4329	SCREW (2)	ALL
3	4751	SCREW (4)	ALL
4	10065	STRAP, cable	ALL
5	29967-89C	STATOR	ALL
6	32413-92C	ROTOR, w/ 4751	ALL

ELECTRONIC IGNITION SYSTEM



[View interactive image](#)

[View interactive table](#)

INDEX NO.	PART NO.	DESCRIPTION	MODEL(S)
1	1601	SCREW (2)	ALL
2	2339	BOLT (2)	ALL
3	2611C	BOLT	ALL
4	3987	BOLT	ALL

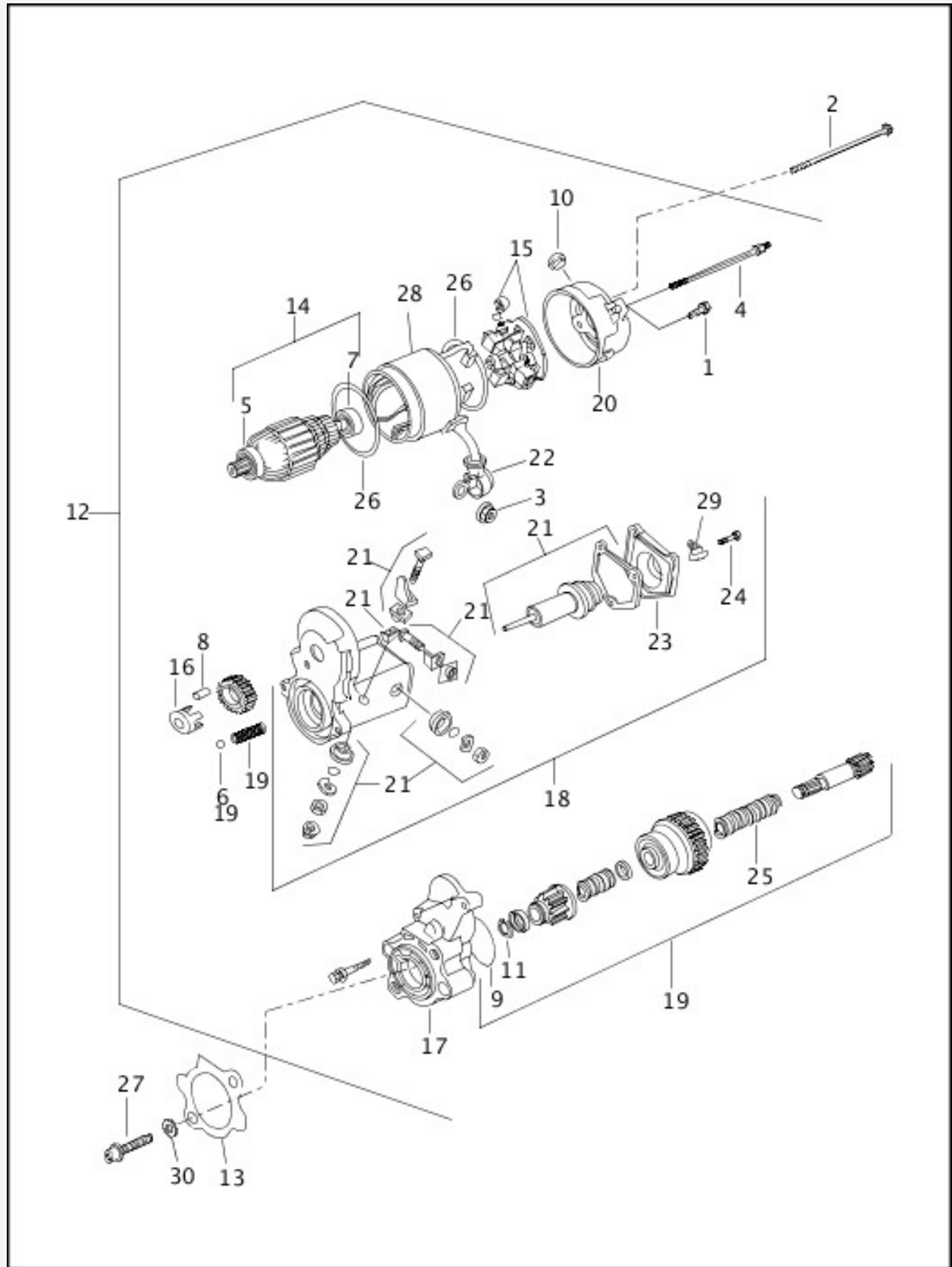
5	3993	BOLT (2)	ALL
6	6702	WASHER	ALL
7	6716	WASHER (2)	ALL
8	7036	WASHER (2)	ALL
9	7531	LOCKNUT	ALL
10	7629	NUT (2)	ALL
11	8699	POP RIVET (2)	ALL
12	10006	CABLE STRAP	ALL
	10039	CABLE STRAP	ALL
13	11124	SEAL	ALL
14	26558-94A	VACUUM SWITCH, w/ electrical connector assembly	ALL
15	31614-83A	IGNITION COIL	ALL
16	31723-95	BRACKET, ignition coil mounting	ALL
17	31727-85	PLATE, ignition coil mounting	ALL
18	31986-86A	CABLE, spark plug, 6 1/2 inch	ALL
19	31996-86B	CABLE, spark plug, 20 inch	ALL
20	32362-04	SPARK PLUG, No. 6R12 (2)	ALL
21	32400-94A	SENSOR ASSEMBLY, w/ 36	ALL
22	32402-83	TRIGGER ROTOR	ALL
23	32433-94	IGNITION MODULE, w/ 30, 33, 35, 37 & 38	XL1200 1995
	32465-95B	IGNITION MODULE, w/ 30, 33, 35, 37 & 38	XL1200 1996, XL1200C, XL1200S
	32410-94A	IGNITION MODULE, w/ 30, 33, 35, 37 & 38	XL883 1995, XL883DLX, XL883HUG 1995
	32466-95A	IGNITION MODULE, w/ 30, 33, 35, 37 & 38	XL883 1996, XL883HUG 1996

24	32504-80A	INNER COVER	ALL
25	32506-90	COVER, timer	ALL
26	32591-80	GASKET, ignition	ALL
27	32606-82	STUD, timer plate (2)	ALL
28	72103-94BK	RECEPTACLE, 3 pin (black)	ALL
29	72112-94BK	PLUG, 2-way (black) (2)	ALL
30	72118-94BK	PLUG, 8-way (black)	ALL
31	72143-94	SECONDARY LOCK, 3 pin receptacle (black)	ALL
32	72152-94	SECONDARY LOCK, 2-way plug (2)	ALL
33	72158-94	LOCK, plug (8-way)	ALL
34	72172-94	SEAL, front (2-way plug)	ALL
35	72178-94	SEAL, front (8-way plug)	ALL
36	72190-94	TERMINAL, pin (3)	ALL
37	72191-94	TERMINAL, socket (9)	ALL
38	72195-94	PIN SEAL	ALL

INTERNATIONAL MODELS ONLY

39	32465-95B	IGNITION MODULE, w/ 30, 33, 35, 37 & 38	XL1200 1995, XL1200 1996
	32465-95B	IGNITION MODULE (Swiss) w/ 30, 33, 35, 37 & 38	XL883 1996, XL883HUG 1996
	32466-95A	IGNITION MODULE, w/ 30, 33, 35, 37 & 38	XL883 1995, XL883 1996, XL883DLX, XL883HUG 1995, XL883HUG 1996
	32433-94	IGNITION MODULE (Swiss) w/ 30, 33, 35, 37 & 38	XL1200 1995, XL883 1995, XL883DLX, XL883HUG 1995

STARTER MOTOR



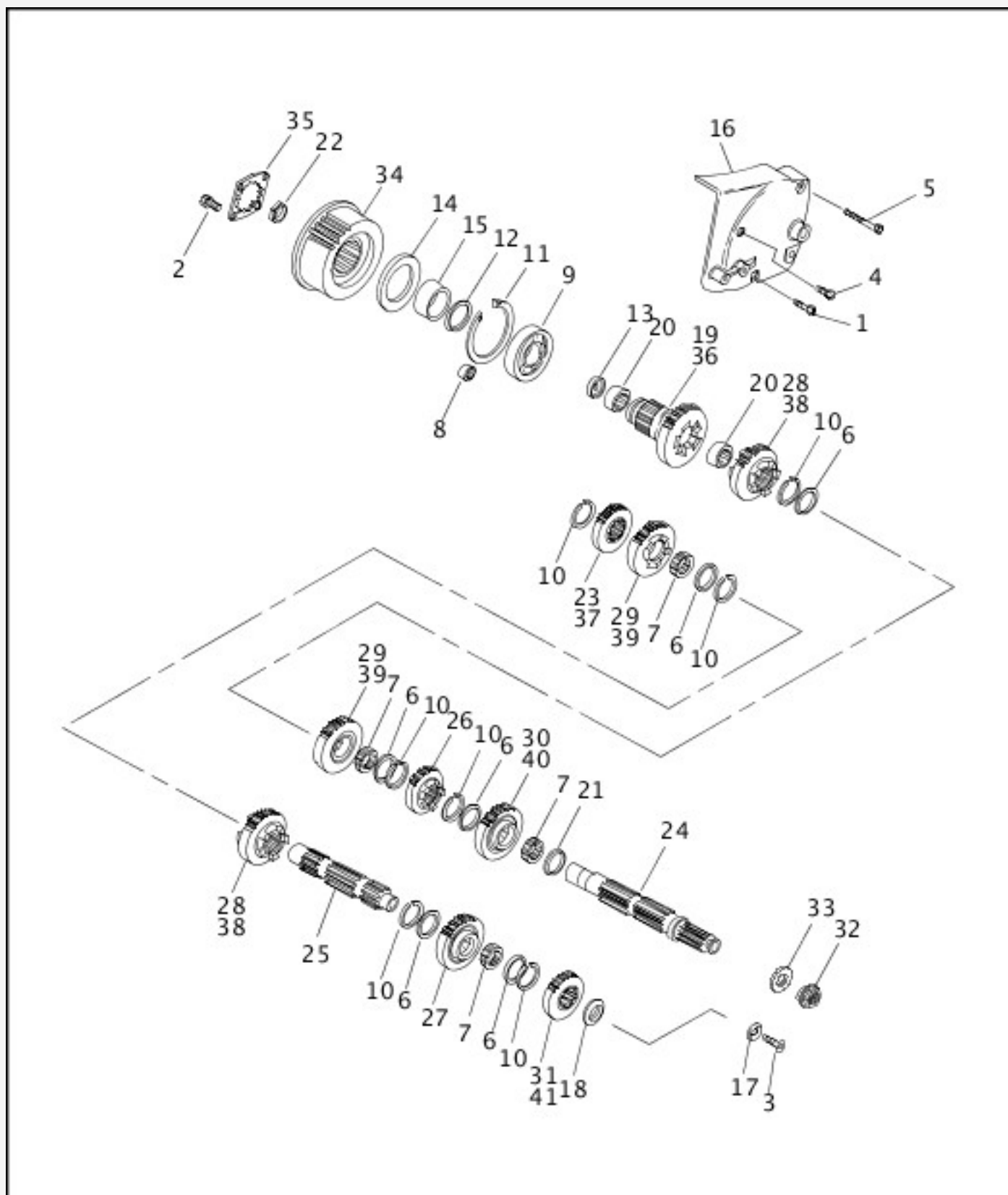
[View interactive image](#)

[View interactive table](#)

INDEX NO.	PART NO.	DESCRIPTION	MODEL(S)
-----------	----------	-------------	----------

1	929A	SCREW (2)	ALL
2	3350	BOLT, through	ALL
3	3403	LOCKNUT	ALL
4	3559	BOLT, through	ALL
5	8871	BALL BEARING	ALL
6	8879	BALL	ALL
7	8883	BALL BEARING	ALL
8	9077	CLUTCH ROLLER (5)	ALL
9	10957	O-RING	ALL
10	31322-91	COVER	ALL
11	31328-91	RING, snap	ALL
12	31390-91A	STARTER MOTOR, complete	ALL
13	31488-81C	GASKET, starter motor	ALL
14	31515-90	ARMATURE ASSEMBLY, w/ 8871 & 8883	ALL
15	31518-90	HOLDER ASSEMBLY, starter brush	ALL
16	31530-90	RETAINER, idler	ALL
17	31539-91	HOUSING ASSEMBLY	ALL
18	31540-91	SWITCH ASSEMBLY, magnetic	ALL
19	31556-91D	CLUTCH SUB-ASSEMBLY, w/ 8879, 10957, 31328-91 & 31692-90	ALL
20	31599-91	FRAME, starter end	ALL
21	31603-91	REPAIR KIT, starter solenoid	ALL
22	31555-90	CAP TERMINAL (rubber)	ALL
23	31688-90	COVER, solenoid	ALL
24	31689-90	BOLT, w/ washer (3)	ALL
25	31330-91	SPRING	ALL
26	31695-90	O-RING, yoke (2)	ALL
27	45902-00	SCREW (2)	ALL
28	31514-90	YOKE ASSEMBLY	ALL
29	31693-90	CLIP, cord	ALL

TRANSMISSION GEARS (1 OF 2)

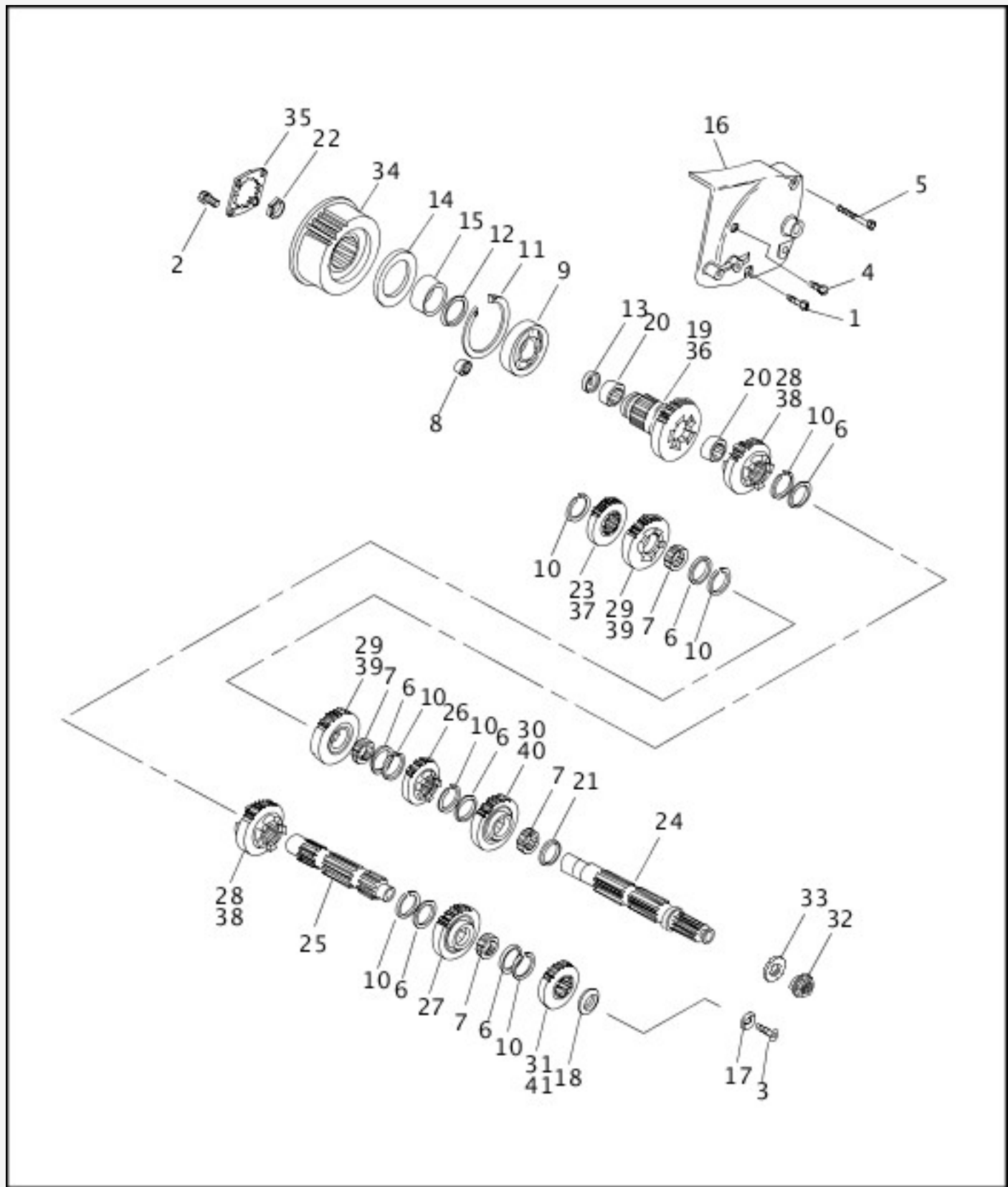

[View interactive image](#)
[View interactive table](#)

INDEX NO.	PART NO.	DESCRIPTION	MODEL(S)
1	3480A	SCREW, SEMS	ALL
2	3594	SCREW, SEMS (2)	ALL

3	3675	SCREW	ALL
4	4820A	SCREW, SEMS	ALL
5	4826	SCREW, SEMS	ALL
6	6003	WASHER (6)	ALL
7	8876A	BEARING (4)	ALL
8	8977	BEARING, closed end	ALL
9	8996A	BEARING, ball	ALL
10	11067	RETAINING RING (7)	ALL
11	11161	RETAINING RING	ALL
12	11165	QUAD SEAL	ALL
13	12030	OIL SEAL	ALL
14	12067B	OIL SEAL	ALL
15	33344-94	SPACER	ALL
16	34911-91A	SPROCKET COVER	XL1200 1995, XL1200 1996, XL1200S, XL883 1995, XL883 1996, XL883DLX, XL883HUG 1995, XL883HUG 1996
	34932-96	SPROCKET COVER	XL1200C
17	35020-89	RETAINER, countershaft	ALL
18	35022-89A	SPACER	ALL
19	35034-89A	GEAR ASSEMBLY, w/ 13 & 20, fifth-mainshaft	XL1200 1995, XL883 1995, XL883DLX, XL883HUG 1995
	35034-94	GEAR ASSEMBLY, w/ 13 & 20, fifth-mainshaft	XL1200 1996, XL1200C, XL1200S, XL883 1996, XL883HUG 1996
20	35051-89A	BEARING, needle (2)	ALL
21	35063-89	SPACER	ALL
22	35211-91B	NUT, sprocket	ALL
23	35633-89A	GEAR, fifth-countershaft	XL1200 1995, XL883 1995, XL883DLX, XL883HUG 1995
	35633-94	GEAR, fifth-countershaft	XL1200 1996, XL1200C, XL1200S, XL883 1996, XL883HUG 1996

24	35640-89	MAINSHAFT	ALL
25	35641-89	COUNTERSHAFT	ALL

TRANSMISSION GEARS (2 OF 2)



[View interactive image](#)

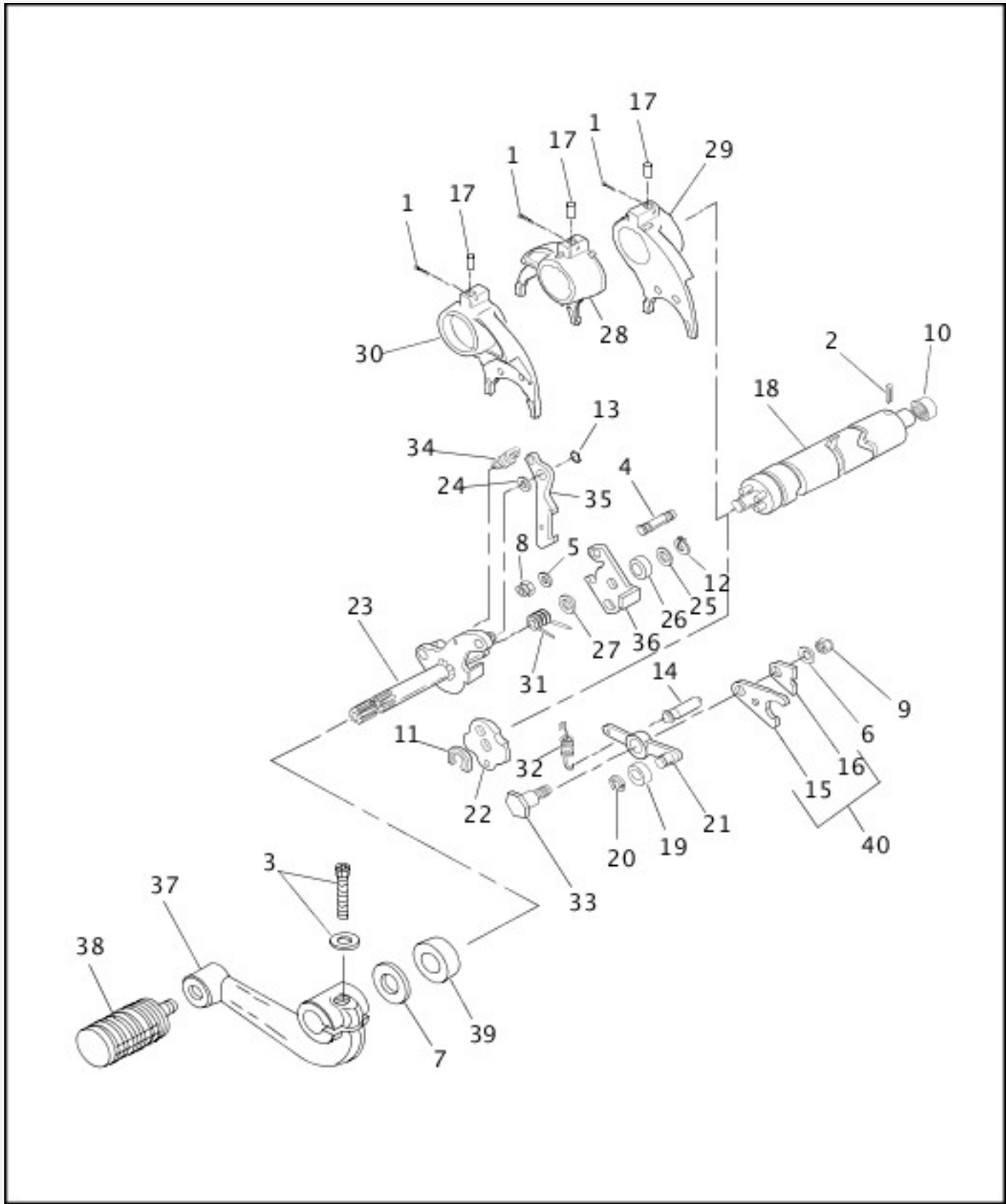
[View interactive table](#)

INDEX NO.	PART NO.	DESCRIPTION	MODEL(S)

26	35762-89A	GEAR, first-mainshaft	ALL
27	35763-89A	GEAR, first-countershaft	ALL
28	35771-89A	GEAR, second-mainshaft, third-countershaft (2)	XL1200 1995, XL883 1995, XL883DLX, XL883HUG 1995
	35771-94	GEAR, second-mainshaft, third-countershaft (2)	XL1200 1996, XL1200C, XL1200S, XL883 1996, XL883HUG 1996
29	35772-89A	GEAR, third-mainshaft, second-countershaft (2)	XL1200 1995, XL883 1995, XL883DLX, XL883HUG 1995
	35772-94	GEAR, third-mainshaft, second-countershaft (2)	XL1200 1996, XL1200C, XL1200S, XL883 1996, XL883HUG 1996
30	35773-89A	GEAR, fourth-mainshaft	XL1200 1995, XL883 1995, XL883DLX, XL883HUG 1995
	35773-94	GEAR, fourth-mainshaft	XL1200 1996, XL1200C, XL1200S, XL883 1996, XL883HUG 1996
31	35775-89A	GEAR, fourth-countershaft	XL1200 1995, XL883 1995, XL883DLX, XL883HUG 1995
	35775-94	GEAR, fourth-countershaft	XL1200 1996, XL1200C, XL1200S, XL883 1996, XL883HUG 1996
32	37495-91	NUT, mainshaft	ALL
33	37870-91	SPRING WASHER	ALL
34	40202-91B	SPROCKET KIT, 29T (belt) w/ 2, 14, 15, 16, 22 & 35	XL1200 1995, XL1200 1996, XL1200C, XL1200S
	40285-91B	SPROCKET KIT, 27T (belt) w/ 2, 14, 15, 16, 22 & 35	XL883 1995, XL883 1996, XL883DLX, XL883HUG 1995, XL883HUG 1996
	40205-95	SPROCKET, 29T (belt) (used w/ 40202-91B)	XL1200 1995, XL1200 1996, XL1200C, XL1200S
	40288-95	SPROCKET, 27T (belt) (used w/ 40285-91B)	XL883 1995, XL883 1996, XL883DLX, XL883HUG 1995, XL883HUG 1996
35	40251-92A	RETENTION PLATE	ALL
INTERNATIONAL MODELS ONLY			
36	35034-94	GEAR ASSEMBLY, w/ 13 & 20, fifth-mainshaft (HDI except Japan, Swiss)	ALL
37	35633-94	GEAR, fifth-countershaft (HDI except Japan, Swiss)	ALL

38	35771-94	GEAR, second-mainshaft, third-countershaft (HDI except Japan, Swiss) (2)	ALL
39	35772-94	GEAR, third-mainshaft, second-countershaft (HDI except Japan, Swiss) (2)	ALL
40	35773-94	GEAR, fourth-mainshaft (HDI except Japan, Swiss)	ALL
41	35775-94	GEAR, fourth-countershaft (HDI except Japan, Swiss)	ALL

SHIFTER



[View interactive image](#)

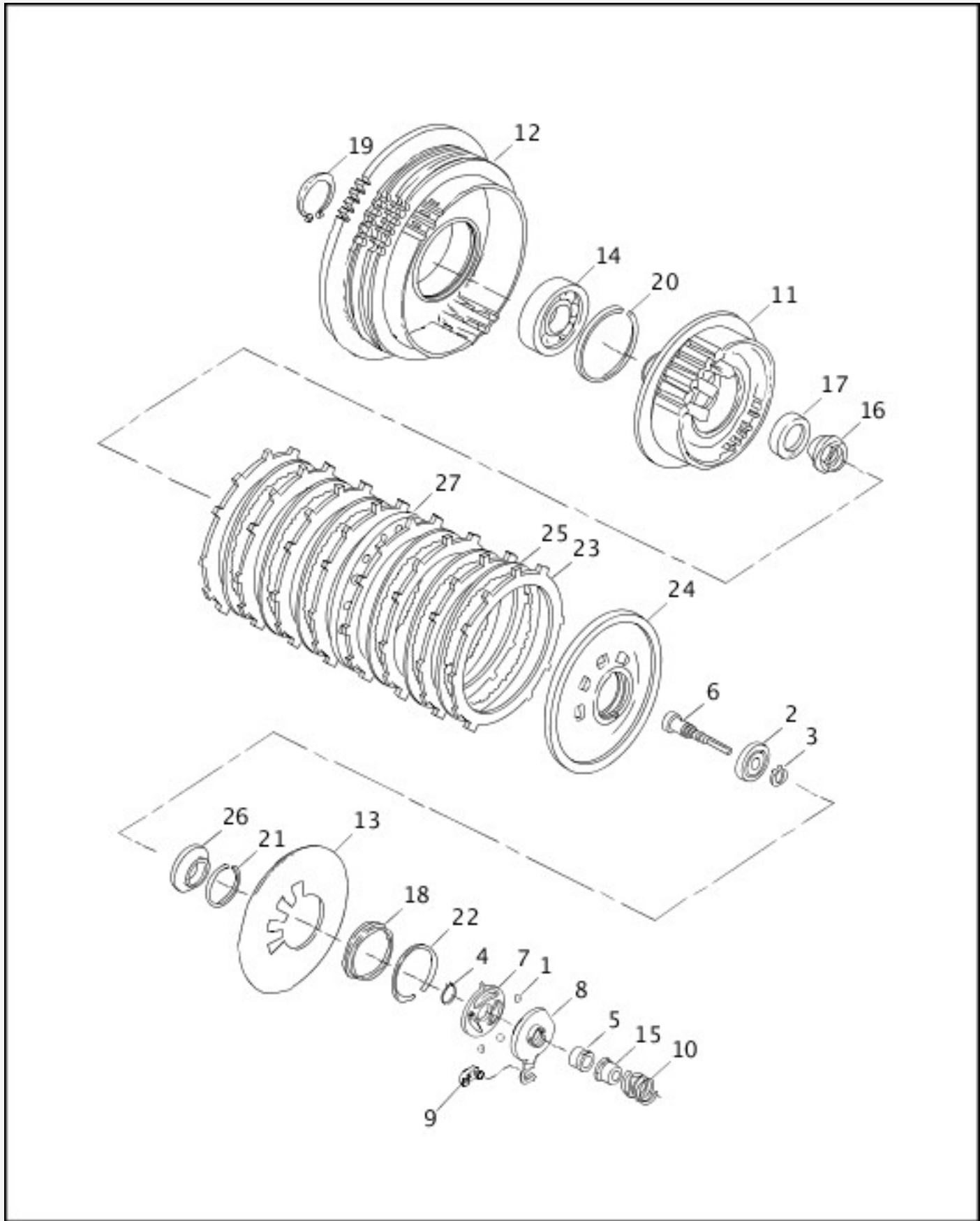
[View interactive table](#)

INDEX NO.	PART NO.	DESCRIPTION	MODEL(S)
1	515	COTTER PIN (3)	ALL
2	601	ROLL PIN	ALL
3	4741A	SCREW, w/ washer	ALL
4	5226B	STUD (2)	ALL
5	6016	WASHER (2)	ALL

6	6099	WASHER (3)	ALL
7	7019	WASHER (rubber)	ALL
8	7683	LOCKNUT (2)	ALL
9	7710W	LOCKNUT, detent arm	ALL
10	9151	BEARING, closed end	ALL
11	11019	RETAINING RING	ALL
12	11031	RETAINING RING	ALL
13	11185	RETAINING RING	ALL
14	24530-90	PIN, spring	ALL
15	33178-90A	PLATE, shift drum (use 33178-90B)	ALL
16	33204-91	PLATE, shift drum (use 33178-90B)	ALL
17	33319-90	ROLLER (3)	ALL
18	33634-91A	SHIFTER DRUM ASSEMBLY, w/ 601	ALL
19	33652-90	ROLLER, detent	ALL
20	33653-90	RETAINING RING	ALL
21	33655-90	DETENT ARM	ALL
22	33656-90A	PLATE, detent	ALL
23	34015-91	SHIFTER SHAFT	ALL
24	34073-91	SPACER, pawl	ALL
25	34075-89	WASHER	ALL
26	34076-89	BUSHING	ALL
27	34077-91	WASHER	ALL
28	34142-89C	SHIFTER FORK, first & second	ALL
29	34144-89C	SHIFTER FORK, third & fifth	ALL
30	34147-89C	SHIFTER FORK, fourth	ALL
31	34481-91A	SPRING	ALL
32	34483-90	SPRING	ALL
33	34486-90	SCREW, detent arm	ALL
34	34491-91	SPRING	ALL
35	34492-91	SHIFTER PAWL	ALL

36	34560-91	BASEPLATE	ALL
37	34615-94	SHIFT LEVER, foot (chrome)	ALL
38	34611-65A	SHIFTER PEG	ALL
39	11000101	OIL SEAL	ALL
40	33178-90B	SHIFTER PLATE KIT, w/ 33178-90A & 33204-91	ALL

CLUTCH



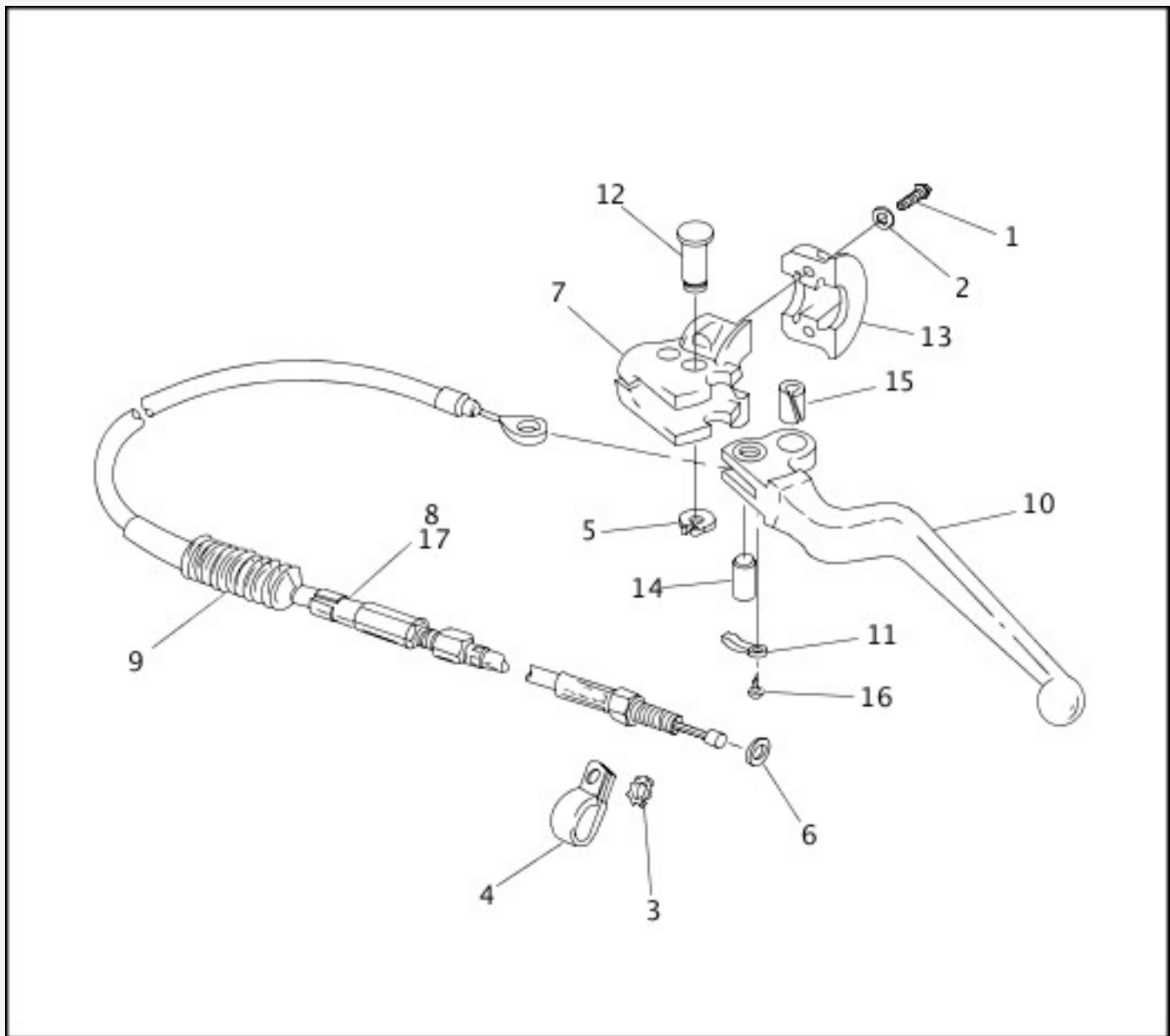
[View interactive image](#)

[View interactive table](#)

INDEX NO.	PART NO.	DESCRIPTION	MODEL(S)
1	8873	BALL (3)	ALL
2	8885	BEARING	ALL
3	11046	RETAINING RING	ALL
4	11250	RETAINING RING	ALL

5	11730A	WELL NUT	ALL
6	11752	ADJUSTMENT SCREW	ALL
7	25453-87A	RAMP, inner	ALL
8	25409-94B	RAMP, outer	ALL
9	34920-86A	COUPLING, clutch cable	ALL
10	36715-94	SPRING, clutch adjustment	ALL
11	36785-91	CLUTCH HUB	ALL
12	36790-91	CLUTCH SHELL & SPROCKET, w / 36799-91 & 37905-90	ALL
13	36792-91	SPRING, diaphragm	ALL
14	36799-91	BALL BEARING	ALL
15	36802-84B	LOCKPLATE, well type	ALL
16	37495-91	NUT, main shaft	ALL
17	37870-91	SPRING WASHER	ALL
18	37872-90	SEAT, spring, inner	ALL
19	37904-90	RETAINING RING	ALL
20	37905-90	RETAINING RING	ALL
21	37908-90	RETAINING RING	ALL
22	37909-90	RETAINING RING	ALL
23	37911-90	FRICTION PLATE (paper) (8)	ALL
24	37912-91	PRESSURE PLATE	ALL
25	37913-90	STEEL PLATE (6)	ALL
26	36731-91	RELEASE PLATE	ALL
27	37977-90	SPRING PLATE	ALL

CLUTCH CONTROL



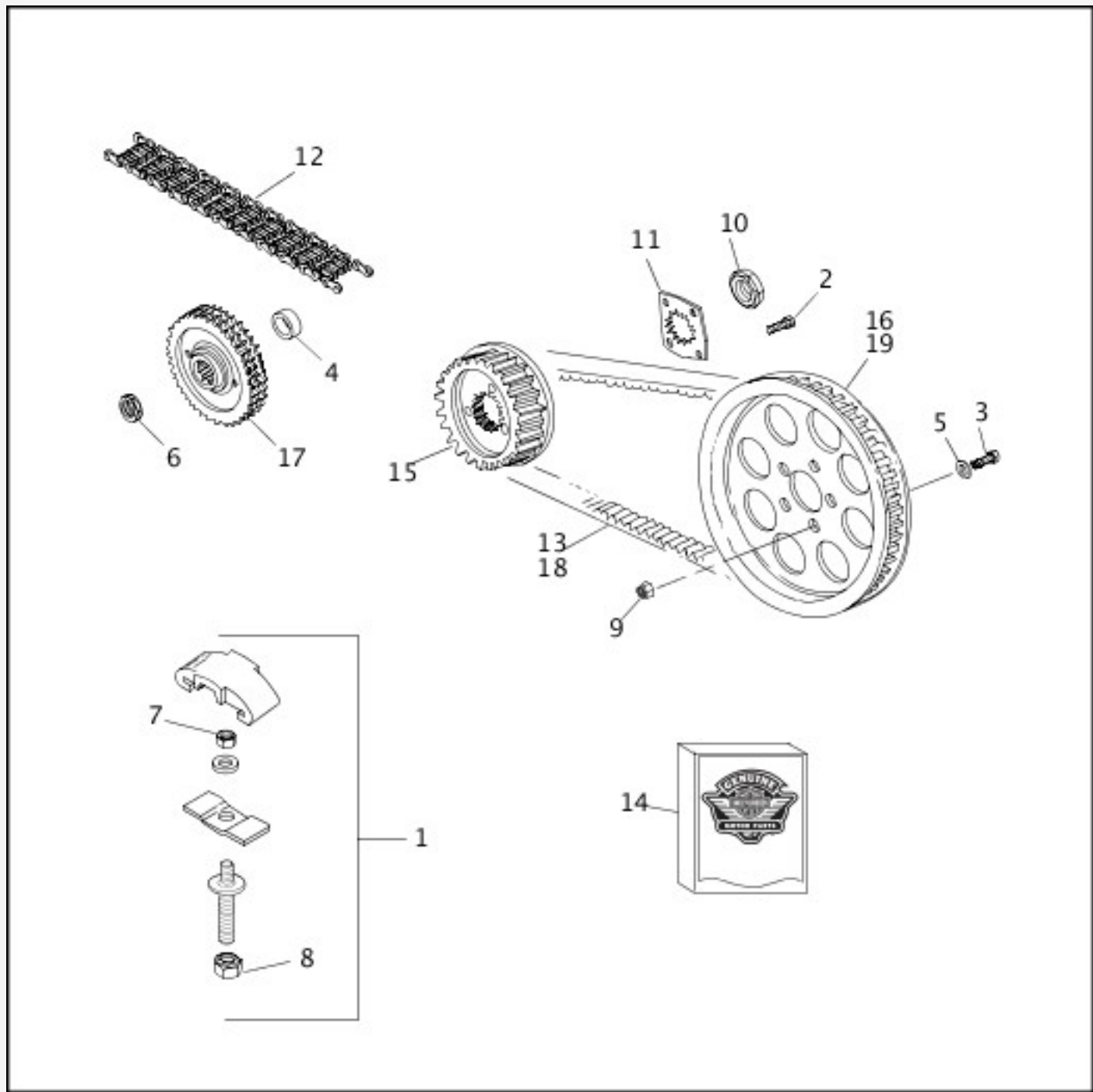
[View interactive image](#)

[View interactive table](#)

INDEX NO.	PART NO.	DESCRIPTION	MODEL(S)
1	4015	SCREW (2)	XL1200 1995, XL883 1995, XL883DLX, XL883HUG 1995
	4132	SCREW (2)	XL1200 1996, XL1200C, XL1200S, XL883 1996, XL883HUG 1996
2	6099	WASHER (2)	XL1200 1995, XL883 1995, XL883DLX, XL883HUG 1995
	6101	WASHER (2)	XL1200 1996, XL1200C, XL1200S, XL883 1996, XL883HUG 1996
3	7145W	LOCKWASHER	ALL
4	10123	CLIP	ALL
5	11143	RETAINING RING	ALL
6	11179	O-RING	ALL
7	38608-82B	BRACKET, clutch lever	XL1200 1995, XL883 1995, XL883DLX, XL883HUG 1995

	38608-96	BRACKET, clutch lever	XL1200 1996, XL1200C, XL1200S, XL883 1996, XL883HUG 1996
8	38619-86A	CABLE ASSEMBLY, w/ 9, 14 & 17	XL1200 1995, XL1200 1996, XL1200S, XL883 1995, XL883 1996
	38621-86A	CABLE ASSEMBLY, w/ 9, 14 & 17	XL1200 1995, XL883DLX, XL883HUG 1995
	38620-96	CABLE ASSEMBLY, w/ 9, 14 & 17	XL1200 1996, XL1200C, XL883HUG 1996
9	38630-88	BOOT, clutch cable	ALL
10	45015-96	HAND LEVER, w/ 11, 15 & 16	ALL
11	45021-86	SPRING, anti-rattle	ALL
12	45032-82	PIVOT PIN	ALL
13	45044-82	CLAMP, clutch control	XL1200 1995, XL883 1995, XL883DLX, XL883HUG 1995
	45044-96A	CLAMP, clutch control	XL1200 1996, XL1200C, XL1200S, XL883 1996, XL883HUG 1996
14	45036-88	PIN, clutch cable	ALL
15	45423-92	BUSHING	ALL
16	90770-79	SCREW, spring, clutch lever	ALL
17	25437-86	WASHER	ALL

BELTS & SPROCKETS



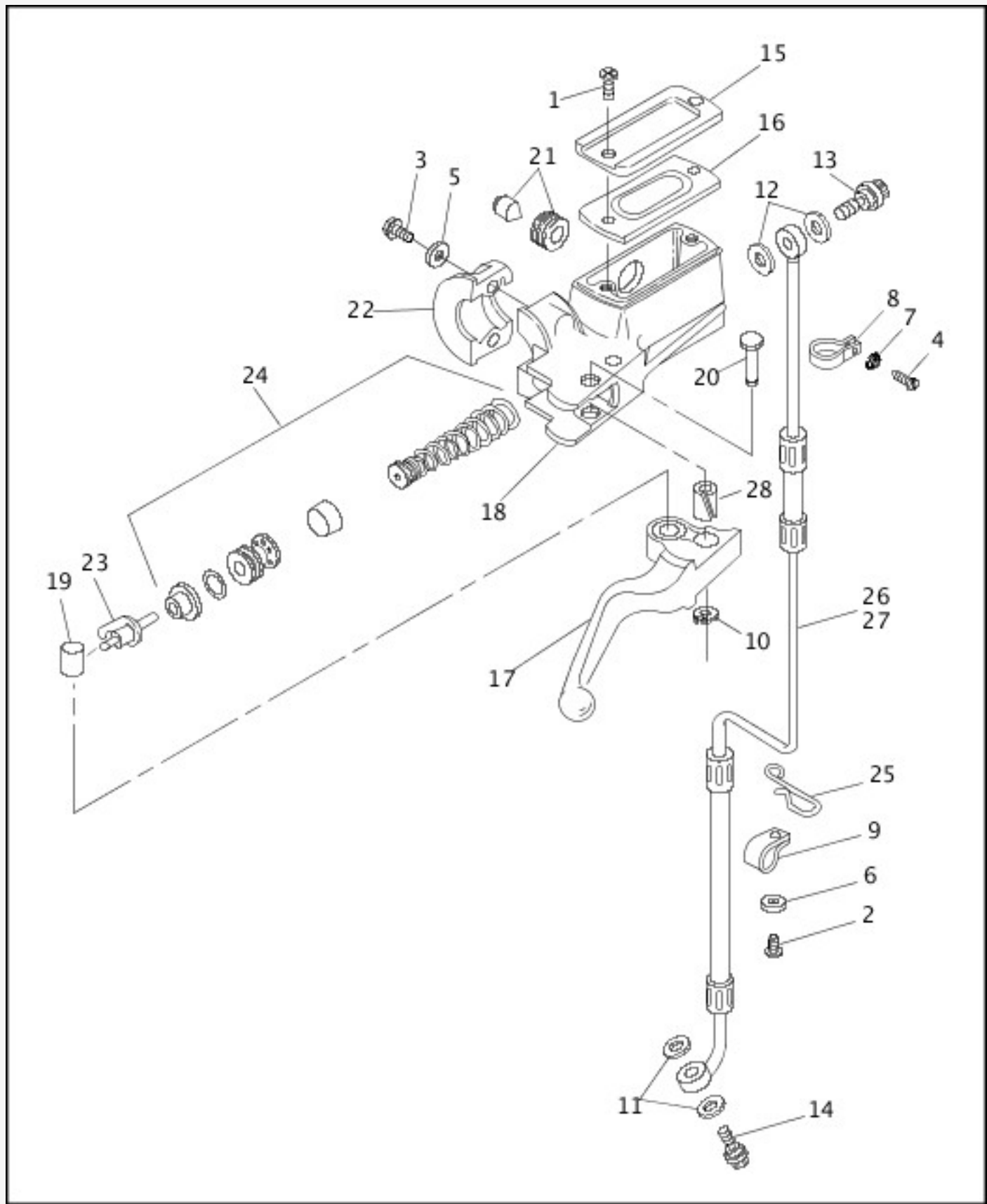
[View interactive image](#)

[View interactive table](#)

INDEX NO.	PART NO.	DESCRIPTION	MODEL(S)
1	39975-90A	CHAIN ADJUSTER ASSEMBLY	ALL
2	3594	SCREW (2)	ALL
3	3769	BOLT (5)	ALL
4	40240-89	SPACER, sprocket	ALL
5	6516HW	WASHER (5)	ALL
6	7839	NUT, engine sprocket	ALL
7	7667	NUT	ALL

8	7804	LOCKNUT, sealing	ALL
9	7827W	LOCKNUT, laced wheel (5)	ALL
10	35211-91B	NUT, transmission sprocket	ALL
11	40251-92A	LOCK PLATE	ALL
12	40005-57B	PRIMARY CHAIN	ALL
13	40022-91	BELT, 128T	ALL
14	40202-91B	SPROCKET KIT, transmission, 29T (belt) w/ 2, 10, 18, seal & spacer	XL1200 1995, XL1200 1996, XL1200C, XL1200S
	40285-91B	SPROCKET KIT, transmission, 27T (belt) w/ 2, 10, 18, seal & spacer	XL883 1995, XL883 1996, XL883DLX, XL883HUG 1995, XL883HUG 1996
15	40205-95	SPROCKET, transmission, 29T (used w/ 40202-91B)	XL1200 1995, XL1200 1996, XL1200C, XL1200S
	40288-95	SPROCKET, transmission, 27T (used w/ 40285-91B)	XL883 1995, XL883 1996, XL883DLX, XL883HUG 1995, XL883HUG 1996
16	40213-91	SPROCKET, rear wheel, 61T (belt) (black)	ALL
	40227-93	SPROCKET, rear wheel, 61T (belt) (silver)	XL1200 1995, XL1200 1996, XL883 1995, XL883 1996, XL883HUG 1995, XL883HUG 1996
17	40235-89B	ENGINE SPROCKET, 35T	ALL
INTERNATIONAL MODELS ONLY			
18	40022-91	BELT, 128T	XL883 1995, XL883 1996, XL883DLX, XL883HUG 1995, XL883HUG 1996
	40038-91	BELT, 125T (Swiss)	ALL
19	40252-91	SPROCKET, rear wheel, 55T (belt) (883 Swiss; 1200 HDI) (black)	ALL

FRONT BRAKE CONTROL - 1995



[View interactive image](#)

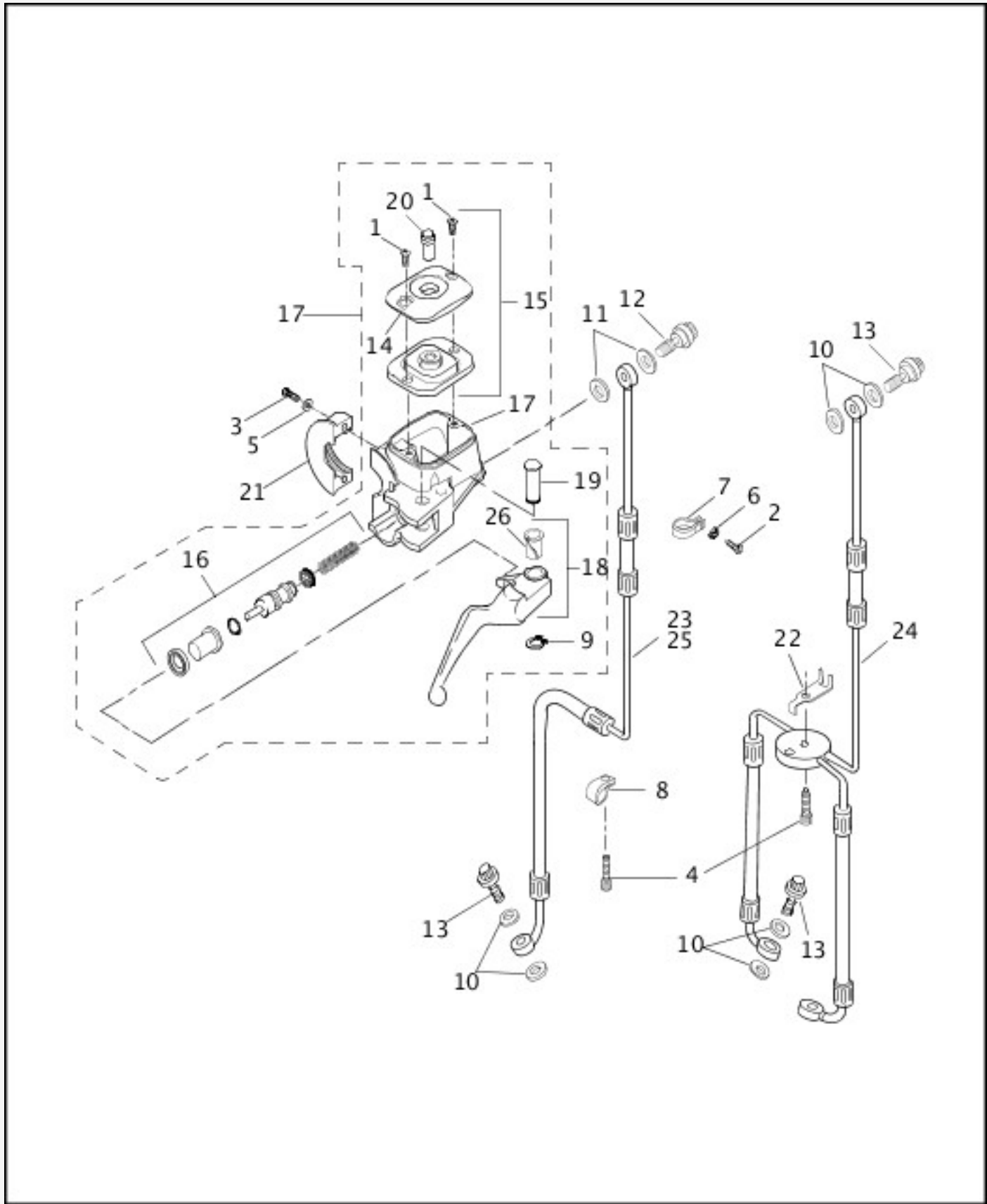
[View interactive table](#)

INDEX NO.	PART NO.	DESCRIPTION	MODEL(S)
1	2579A	SCREW (2)	XL1200 1995, XL883 1995, XL883DLX, XL883HUG 1995
2	3594	SCREW	XL1200 1995, XL883 1995, XL883DLX, XL883HUG 1995
3	4015	SCREW (2)	XL1200 1995, XL883 1995, XL883DLX, XL883HUG 1995

4	4240	SCREW	XL1200 1995, XL883 1995, XL883DLX, XL883HUG 1995
5	6099	WASHER (2)	XL1200 1995, XL883 1995, XL883DLX, XL883HUG 1995
6	6703	WASHER	XL1200 1995, XL883 1995, XL883DLX, XL883HUG 1995
7	7220	LOCKWASHER	XL1200 1995, XL883 1995, XL883DLX, XL883HUG 1995
8	10031	CLAMP	XL1200 1995, XL883 1995, XL883DLX, XL883HUG 1995
9	10053	CLAMP	XL1200 1995, XL883 1995, XL883DLX, XL883HUG 1995
10	11143	RETAINING RING, external	XL1200 1995, XL883 1995, XL883DLX, XL883HUG 1995
11	41731-88A	GASKET, caliper (2)	XL1200 1995, XL883 1995, XL883DLX, XL883HUG 1995
12	41733-88	GASKET, master cylinder (2)	XL1200 1995, XL883 1995, XL883DLX, XL883HUG 1995
13	41739-84A	BOLT, master cylinder	XL1200 1995, XL883 1995, XL883DLX, XL883HUG 1995
14	41747-82A	BOLT, caliper	XL1200 1995, XL883 1995, XL883DLX, XL883HUG 1995
15	45004-85	COVER, master cylinder	XL1200 1995, XL883 1995, XL883DLX, XL883HUG 1995
16	45005-85	GASKET, master cylinder cover	XL1200 1995, XL883 1995, XL883DLX, XL883HUG 1995
17	45016-93	HAND LEVER, w/ 28	XL1200 1995, XL883 1995, XL883DLX, XL883HUG 1995
18	45019-93	MASTER CYLINDER ASSEMBLY, w/ hand lever	XL1200 1995, XL883 1995, XL883DLX, XL883HUG 1995
19	45031-82A	PIN, stoplight switch & pushrod	XL1200 1995, XL883 1995, XL883DLX, XL883HUG 1995
20	45032-82	PIN, hand lever	XL1200 1995, XL883 1995, XL883DLX, XL883HUG 1995
21	45042-82	FLUID LEVEL WINDOW KIT	XL1200 1995, XL883 1995, XL883DLX, XL883HUG 1995
22	45044-82	CLAMP, master cylinder	XL1200 1995, XL883 1995, XL883DLX, XL883HUG 1995
23	45051-82	PUSHROD, stoplight switch & master cylinder	XL1200 1995, XL883 1995, XL883DLX, XL883HUG 1995

24	45072-87	REPAIR KIT, master cylinder	XL1200 1995, XL883 1995, XL883DLX, XL883HUG 1995
25	45092-66A	CLAMP, clutch & speedometer cables	XL1200 1995, XL883 1995, XL883DLX, XL883HUG 1995
26	45121-88C	BRAKE LINE, front	XL1200 1995, XL883DLX, XL883HUG 1995
	45143-88B	BRAKE LINE, front (use 45121-96A)	XL883 1995
27	45121-96A	BRAKE LINE KIT, front, w/ 10065, 41733-88, 68562-84 & 71795-63A	XL883 1995
28	45423-92	BUSHING, pivot pin	XL1200 1995, XL883 1995, XL883DLX, XL883HUG 1995

FRONT BRAKE CONTROL - 1996



[View interactive image](#)

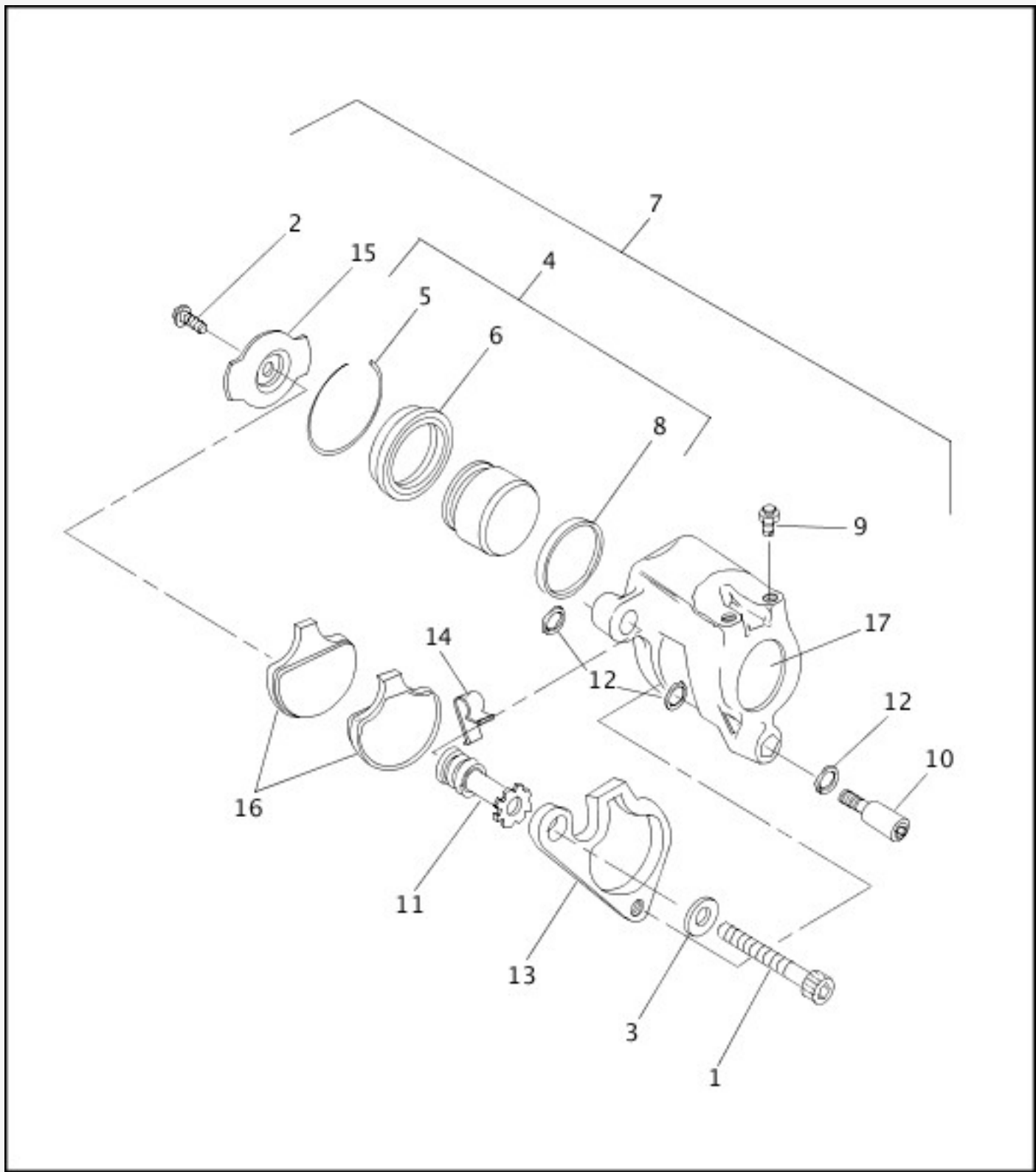
[View interactive table](#)

INDEX NO.	PART NO.	DESCRIPTION	MODEL(S)
1	2579A	SCREW (2)	XL1200 1996, XL1200C, XL1200S, XL883 1996, XL883HUG 1996
2	4240	SCREW	XL1200 1996, XL1200C, XL1200S, XL883 1996, XL883HUG 1996
3	4132	SCREW (2)	XL1200 1996, XL1200C, XL1200S, XL883 1996, XL883HUG 1996

4	4741A	SCREW	XL1200 1996, XL1200C, XL1200S, XL883 1996, XL883HUG 1996
5	6101	WASHER (2)	XL1200 1996, XL1200C, XL1200S, XL883 1996, XL883HUG 1996
6	7220	LOCKWASHER	XL1200 1996, XL1200C, XL1200S, XL883 1996, XL883HUG 1996
7	10031	CLAMP	XL1200 1996, XL1200C, XL1200S, XL883 1996, XL883HUG 1996
8	10053	CLAMP	XL1200 1996, XL1200C, XL883 1996, XL883HUG 1996
9	11143	RETAINING RING	XL1200 1996, XL1200C, XL1200S, XL883 1996, XL883HUG 1996
10	41731-88A	GASKET, brake line (2)	XL1200 1996, XL1200C, XL883 1996, XL883HUG 1996
10	41731-88A	GASKET, brake line (6)	XL1200S
11	41733-88	GASKET, master cylinder top (2)	XL1200 1996, XL1200C, XL883 1996, XL883HUG 1996
12	41739-84A	BOLT, master cylinder top	XL1200 1996, XL1200C, XL883 1996, XL883HUG 1996
13	41747-82A	BOLT, brake line	XL1200 1996, XL1200C, XL883 1996, XL883HUG 1996
13	41747-82A	BOLT, brake line (3)	XL1200S
14	45004-96A	COVER, master cylinder	XL1200 1996, XL1200C, XL1200S, XL883 1996, XL883HUG 1996
15	45030-03C	COVER KIT, reservoir, w/ 2579A	XL1200 1996, XL1200C, XL1200S, XL883 1996, XL883HUG 1996
16	45006-96C	REPAIR KIT, master cylinder	XL1200 1996, XL1200C, XL883 1996, XL883HUG 1996
	45072-96C	REPAIR KIT, master cylinder	XL1200S
17	45013-96D	MASTER CYLINDER ASSEMBLY	XL1200S
	45019-96D	MASTER CYLINDER ASSEMBLY	XL1200 1996, XL1200C, XL883 1996, XL883HUG 1996
18	45016-96	LEVER ASSEMBLY, brake	XL1200 1996, XL1200C, XL1200S, XL883 1996, XL883HUG 1996
19	45032-82	PIN, hand lever	XL1200 1996, XL1200C, XL1200S, XL883 1996, XL883HUG 1996

20	45042-96	SIGHT GLASS	XL1200 1996, XL1200C, XL1200S, XL883 1996, XL883HUG 1996
21	45044-96A	CLAMP, master cylinder	XL1200 1996, XL1200C, XL1200S, XL883 1996, XL883HUG 1996
22	45074-95	GUIDE, anti rotation	XL1200S
23	45084-96	BRAKE LINE, front	XL1200C
	45121-96	BRAKE LINE, front (use 45121-96A)	XL1200 1996, XL883HUG 1996
	45143-88B	BRAKE LINE, front (use 45121-96A)	XL883 1996
24	45148-96A	BRAKE LINE, front	XL1200S
25	45121-96A	BRAKE LINE KIT, front, w/ 10065, 41733-88, 68562-84 & 71795-63A	XL1200 1996, XL1200C, XL1200S, XL883 1996, XL883HUG 1996
26	45423-96	BUSHING, pivot lever	XL1200 1996, XL1200C, XL1200S, XL883 1996, XL883HUG 1996

FRONT BRAKE CALIPER (1 OF 2)



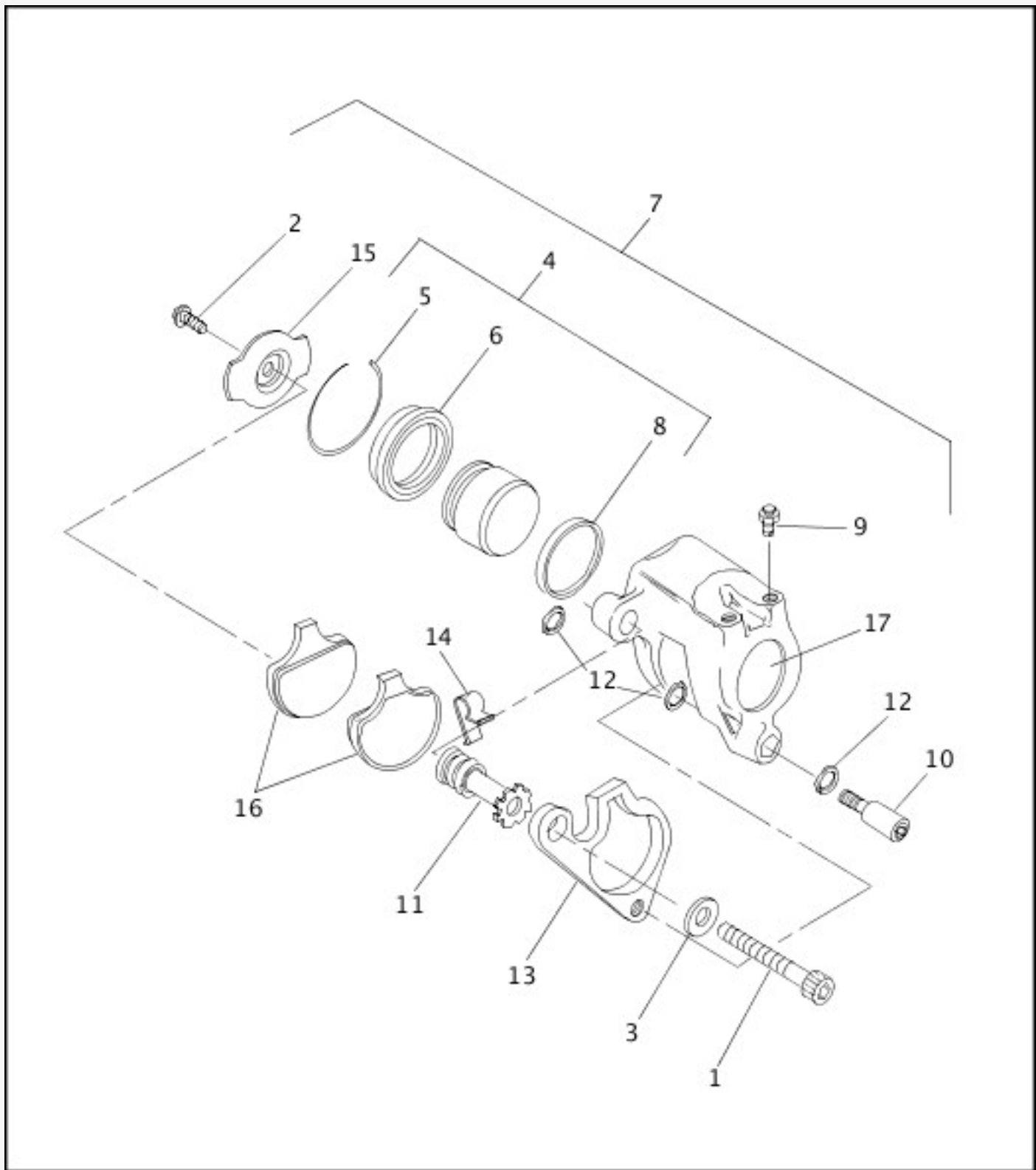
[View interactive image](#)

[View interactive table](#)

INDEX NO.	PART NO.	DESCRIPTION	MODEL(S)
1	855B	SCREW	XL1200 1995, XL1200 1996, XL1200C, XL883 1995, XL883 1996, XL883DLX, XL883HUG 1995, XL883HUG 1996
1	855B	SCREW (2)	XL1200S
2	3562	SCREW	XL1200 1995, XL1200 1996, XL1200C, XL883 1995, XL883 1996, XL883DLX, XL883HUG 1995, XL883HUG 1996
2	3562	SCREW (2)	XL1200S
3	6019	WASHER	XL1200 1995, XL1200 1996, XL1200C, XL883 1995, XL883 1996, XL883DLX,

			XL883HUG 1995, XL883HUG 1996
3	6019	WASHER (2)	XL1200S
4	44020-83A	PISTON REBUILD KIT, w/ 5, 6 & 8	XL1200 1995, XL1200 1996, XL1200C, XL883 1995, XL883 1996, XL883DLX, XL883HUG 1995, XL883HUG 1996
4	44020-83A	PISTON REBUILD KIT, w/ 5, 6 & 8 (2)	XL1200S
5	44021-83	RETAINING RING, piston	XL1200 1995, XL1200 1996, XL1200C, XL883 1995, XL883 1996, XL883DLX, XL883HUG 1995, XL883HUG 1996
5	44021-83	RETAINING RING, piston (2)	XL1200S
6	44022-83	DUST BOOT, piston	XL1200 1995, XL1200 1996, XL1200C, XL883 1995, XL883 1996, XL883DLX, XL883HUG 1995, XL883HUG 1996
6	44022-83	DUST BOOT, piston (2)	XL1200S
7	44046-84C	CALIPER ASSEMBLY, left	ALL
	44023-83C	CALIPER ASSEMBLY, right	XL1200S
8	44047-83	SEAL, piston	XL1200 1995, XL1200 1996, XL1200C, XL883 1995, XL883 1996, XL883DLX, XL883HUG 1995, XL883HUG 1996
8	44047-83	SEAL, piston (2)	XL1200S
9	44048-83	BLEEDER FITTING	XL1200 1995, XL1200 1996, XL1200C, XL883 1995, XL883 1996, XL883DLX, XL883HUG 1995, XL883HUG 1996
9	44048-83	BLEEDER FITTING (2)	XL1200S

FRONT BRAKE CALIPER (2 OF 2)



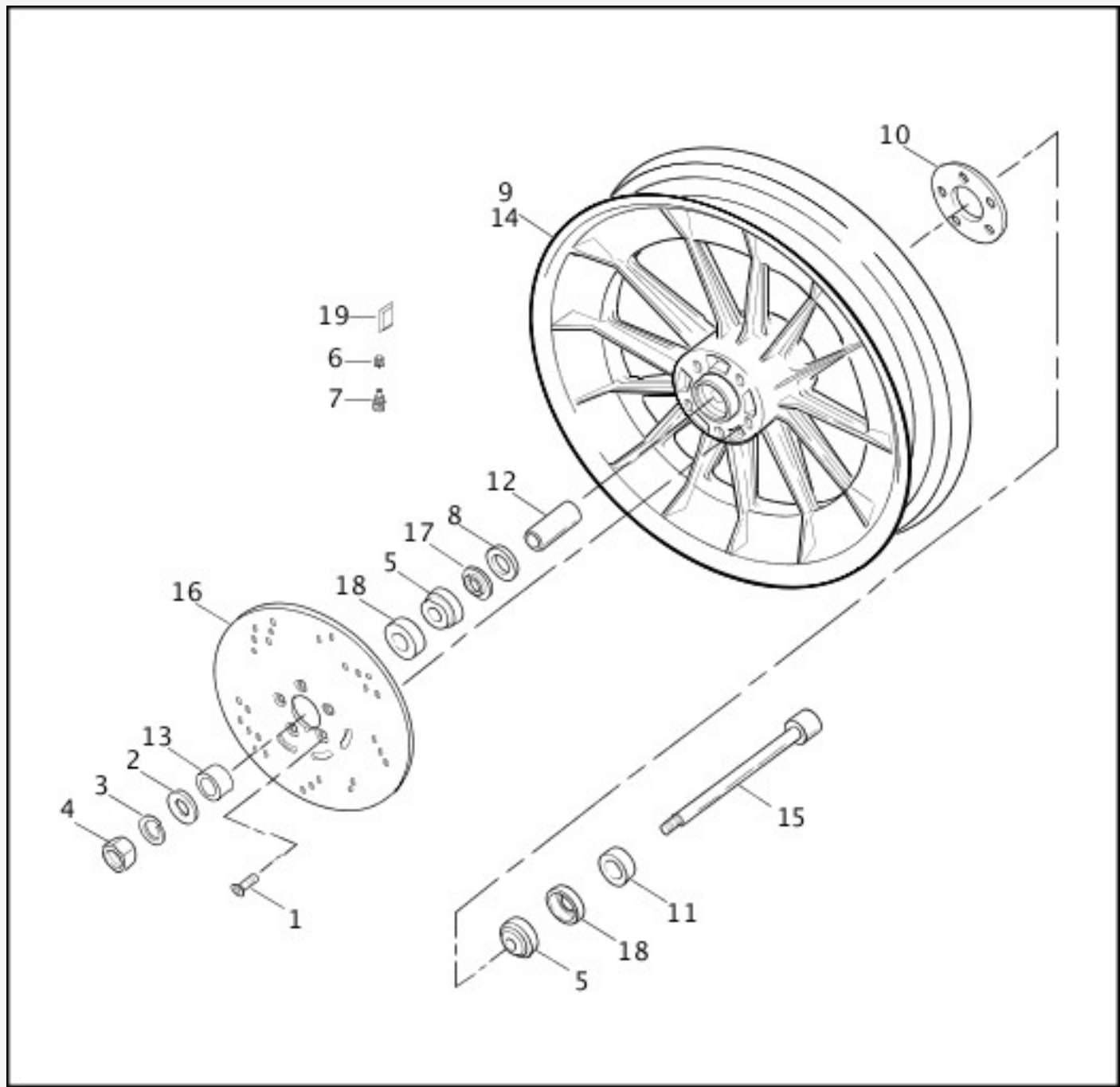
[View interactive image](#)

[View interactive table](#)

INDEX NO.	PART NO.	DESCRIPTION	MODEL(S)
10	44053-92A	GUIDE PIN KIT, w/ 11, 12 & pins	XL1200 1995, XL1200 1996, XL1200C, XL883 1995, XL883 1996, XL883DLX, XL883HUG 1995, XL883HUG 1996
10	44053-92A	GUIDE PIN KIT, w/ 11, 12 & pins (2)	XL1200S
11	44054-83	PIN BOOT	XL1200 1995, XL1200 1996, XL1200C, XL883 1995, XL883 1996, XL883DLX, XL883HUG 1995, XL883HUG 1996
11	44054-83	PIN BOOT (2)	XL1200S

12	44059-83	O-RING (3)	XL1200 1995, XL1200 1996, XL1200C, XL883 1995, XL883 1996, XL883DLX, XL883HUG 1995, XL883HUG 1996
12	44059-83	O-RING (6)	XL1200S
13	44072-92A	BRACKET, caliper mounting left	ALL
13	44072-92A	BRACKET, caliper mounting right	XL1200S
14	44061-83	SPRING CLIP	XL1200 1995, XL1200 1996, XL1200C, XL883 1995, XL883 1996, XL883DLX, XL883HUG 1995, XL883HUG 1996
14	44061-83	SPRING CLIP (2)	XL1200S
15	44062-83	RETAINING PAD	XL1200 1995, XL1200 1996, XL1200C, XL883 1995, XL883 1996, XL883DLX, XL883HUG 1995, XL883HUG 1996
15	44062-83	RETAINING PAD (2)	XL1200S
16	44063-83C	PAD SET, w/ 2	XL1200 1995, XL1200 1996, XL1200C, XL883 1995, XL883 1996, XL883DLX, XL883HUG 1995, XL883HUG 1996
16	44063-83C	PAD SET, w/ 2 (2)	XL1200S
17	44197-77	LABEL	XL1200 1995, XL1200 1996, XL1200C, XL883 1995, XL883 1996, XL883DLX, XL883HUG 1995, XL883HUG 1996
17	44197-77	LABEL (2)	XL1200S

FRONT WHEEL - CAST



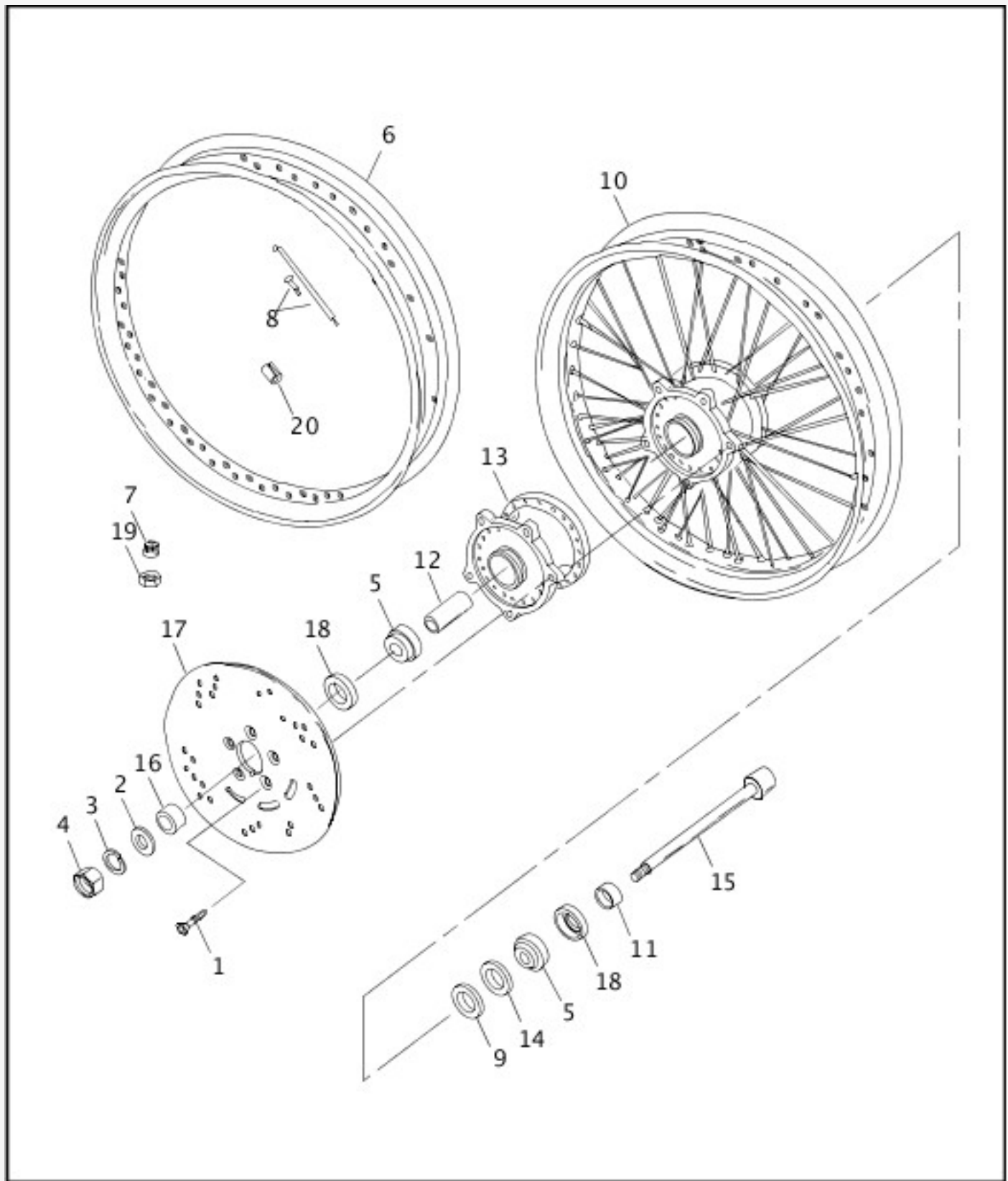
[View interactive image](#)

[View interactive table](#)

INDEX NO.	PART NO.	DESCRIPTION	MODEL(S)
1	3655A	SCREW (10)	ALL
2	6590HW	WASHER	ALL
3	7068	LOCKWASHER	ALL
4	7845	NUT	ALL
5	9052	ROLLER BEARING (2)	ALL
6	41123-79	VALVE CAP	ALL
7	43150-83	VALVE STEM, tubeless tire	ALL

8	43290-82	SPACER, 0.032 thick	ALL
	43291-82	SPACER, 0.016 thick	ALL
	43292-82	SPACER, 0.008 thick	ALL
	43293-82	SPACER, 0.004 thick	ALL
	43294-82	SPACER, 0.002 thick	ALL
9	43499-84	WHEEL ASSEMBLY, 19 inch (9 spoke), w/o bearings (black)	XL1200 1995, XL883 1995, XL883DLX, XL883HUG 1995
	43594-96	WHEEL ASSEMBLY, 19 inch (13 spoke), w/o bearings (silver)	XL1200 1996, XL1200S, XL883 1996, XL883HUG 1996
10	43355-84	HUB PLATE (black) (use 43359-84)	XL1200 1995, XL1200 1996
	43359-84	HUB PLATE (silver) (replaces 43355-84)	XL883 1995, XL883 1996, XL883DLX, XL883HUG 1995, XL883HUG 1996
11	43358-83A	SPACER, bearing	ALL
12	43613-92	SPACER, hub	ALL
13	43617-95	SPACER	ALL
14	43499-96	WHEEL ASSEMBLY, 19 inch (13 spoke), w/o bearings (black)	XL1200 1996
15	43895-87B	FRONT AXLE	ALL
16	44136-92	DISC, brake	ALL
17	43650-82	SPACER WASHER	ALL
18	47519-83A	OIL SEAL (2)	ALL
19	95594-84A	WHEEL WEIGHT, 5 grams (black)	XL1200 1995, XL1200 1996
	95595-84A	WHEEL WEIGHT, 5 grams (silver)	XL883 1995, XL883 1996, XL883DLX, XL883HUG 1995, XL883HUG 1996

FRONT WHEEL - LACED



[View interactive image](#)

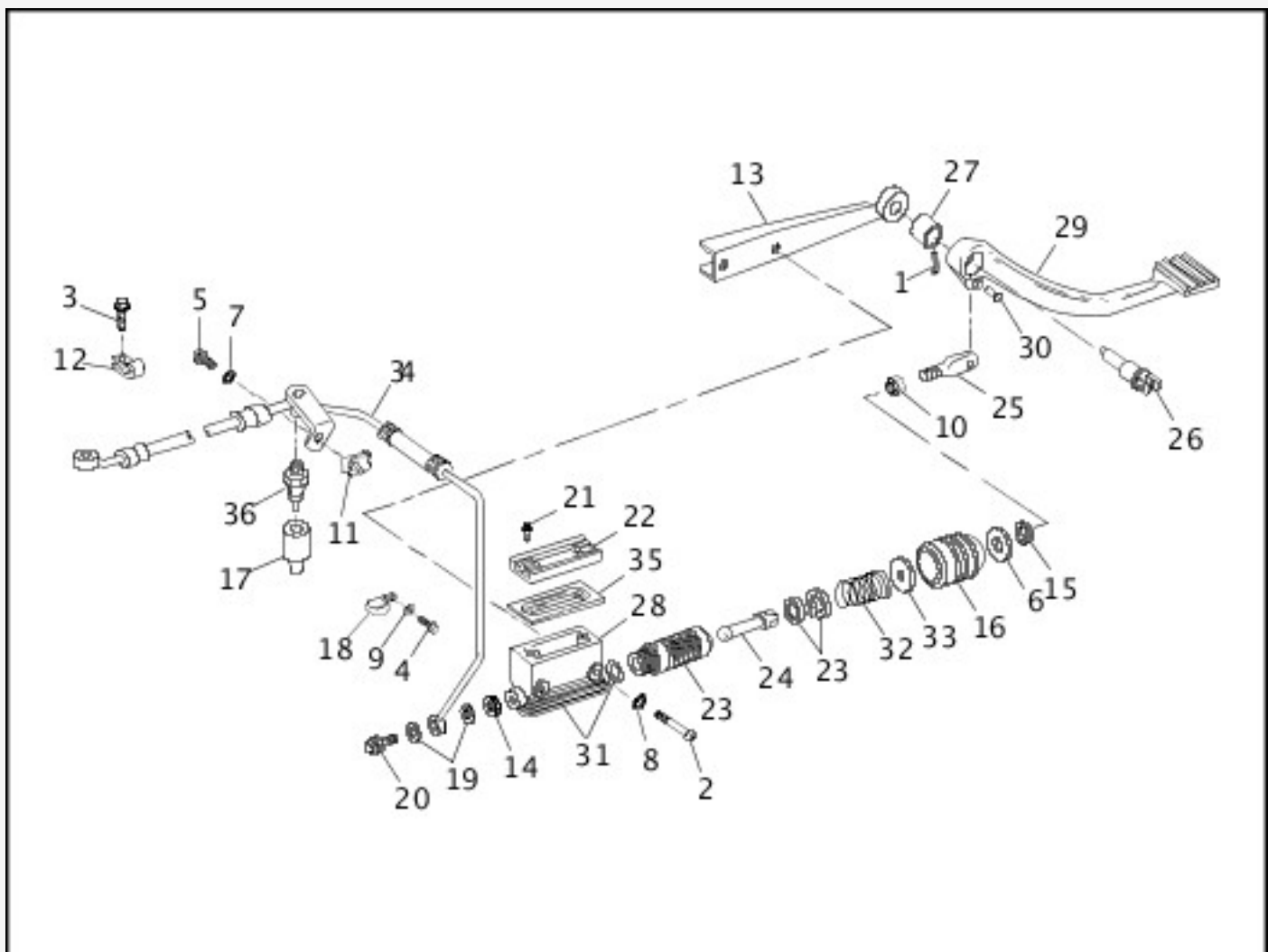
[View interactive table](#)

INDEX NO.	PART NO.	DESCRIPTION	MODEL(S)
1	3655A	SCREW (5)	ALL
2	6590HW	WASHER	ALL
3	7068	LOCKWASHER	ALL
4	7845	NUT	ALL
5	9052	ROLLER BEARING (2)	ALL

6	43001-06	RIM, 19 inch chrome	XL1200 1995, XL1200 1996, XL883 1995, XL883 1996, XL883DLX, XL883HUG 1995, XL883HUG 1996
	43662-80B	RIM, 21 inch chrome	XL1200C
7	41123-79	VALVE CAP	ALL
8	40761-05	SPOKE & NIPPLE, 19 inch rim, short (20)	XL1200 1995, XL1200 1996, XL883 1995, XL883 1996, XL883DLX, XL883HUG 1995, XL883HUG 1996
	43025-73B	SPOKE & NIPPLE, 19 inch rim, long (20)	XL1200 1995, XL1200 1996, XL883 1995, XL883 1996, XL883DLX, XL883HUG 1995, XL883HUG 1996
	40760-05	SPOKE & NIPPLE, 21 inch rim, short (20)	XL1200C
	40759-05	SPOKE & NIPPLE, 21 inch rim, long (20)	XL1200C
9	43290-82	SPACER, 0.032 thick	ALL
	43291-82	SPACER, 0.016 thick	ALL
	43292-82	SPACER, 0.008 thick	ALL
	43293-82	SPACER, 0.004 thick	ALL
	43294-82	SPACER, 0.002 thick	ALL
10	43312-84B	WHEEL ASSEMBLY, 19 inch	XL1200 1995, XL1200 1996, XL883 1995, XL883 1996, XL883DLX, XL883HUG 1995, XL883HUG 1996
	43557-87B	WHEEL ASSEMBLY, 21 inch	XL1200C
11	43358-83A	SPACER, left bearing	ALL
12	43613-92	SPACER, hub	ALL
13	43619-84	WHEEL HUB ASSEMBLY	XL1200 1995, XL1200 1996, XL883 1995, XL883 1996, XL883DLX, XL883HUG 1995, XL883HUG 1996
	43610-87	WHEEL HUB ASSEMBLY	XL1200C
14	43650-82	SPACER WASHER	ALL
15	43895-87B	FRONT AXLE	ALL

16	43617-95	SPACER	ALL
17	44136-92	DISC, brake	XL1200 1995, XL1200 1996, XL1200S, XL883 1995, XL883 1996, XL883DLX, XL883HUG 1995, XL883HUG 1996
	44101-95A	DISC, brake	XL1200C
18	47519-83A	SEAL (2)	ALL
19	54321-85	NUT, valve stem	ALL
20	95578-41	WHEEL WEIGHT, 1/2 oz.	ALL
	95581-47	WHEEL WEIGHT, 3/4 oz.	ALL
	95582-47	WHEEL WEIGHT, 1 oz.	ALL

REAR BRAKE CONTROL

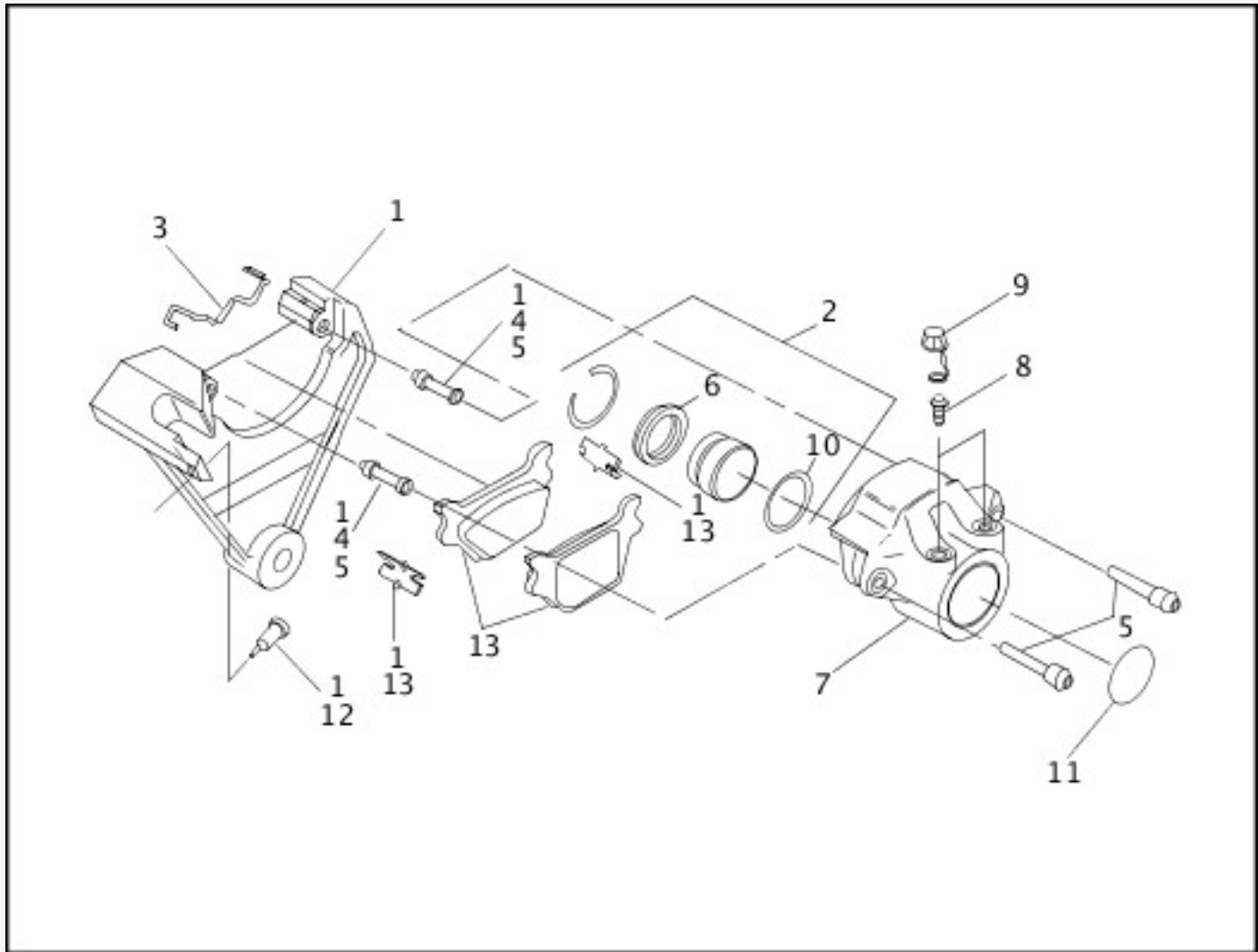


[View interactive image](#)

INDEX NO.	PART NO.	DESCRIPTION	MODEL(S)
1	515	COTTER PIN	ALL
2	853A	SCREW (2)	ALL
3	2523	SCREW (2)	ALL
4	4240	SCREW	ALL
5	4128	SCREW	ALL
	3201WA	SCREW (early model year)	XL1200 1995, XL1200 1996, XL1200C, XL1200S, XL883 1995, XL883 1996, XL883DLX, XL883HUG 1995, XL883HUG 1996
6	6366	WASHER	ALL
7	7041	LOCKWASHER	ALL
	6702	WASHER (early model year)	XL1200 1996, XL1200C, XL1200S, XL883 1996, XL883HUG 1996
8	7042	LOCKWASHER (2)	ALL
9	7220	LOCKWASHER	ALL
10	7744	JAMNUT	ALL
11	8144	LOCKNUT (early model year)	XL1200 1995, XL1200 1996, XL1200C, XL1200S, XL883 1995, XL883 1996, XL883DLX, XL883HUG 1995, XL883HUG 1996
12	10031	CLAMP (2)	ALL
13	34909-90	STIFFENER, master cylinder	XL1200 1995, XL1200 1996, XL1200S, XL883 1995, XL883 1996, XL883DLX, XL883HUG 1995, XL883HUG 1996
	34933-96	STIFFENER, master cylinder	XL1200C
14	35078-79	NUT	ALL
15	40903-87	RETAINING RING	ALL
16	40922-87A	BOOT, pushrod	ALL
17	41642-82	BOOT, brake switch	ALL
18	41713-86	CLAMP	ALL
19	41731-88A	GASKET (4)	ALL

20	41747-82A	BOLT (2)	ALL
21	42375-87	BOLT (2)	ALL
22	42381-87	COVER, master cylinder (2)	ALL
23	42382-87C	REPAIR KIT, master cylinder	ALL
24	42436-87	PUSHROD	ALL
25	42437-87	ROD END	ALL
26	42441-90A	CLEVIS, footrest mounting	ALL
27	42443-80A	BUSHING	ALL
28	42456-87C	MASTER CYLINDER	ALL
29	42447-96	PEDAL ASSEMBLY, w/ 1, 25, 27 & 30	ALL
30	42460-80B	CLEVIS PIN	ALL
31	42472-87	REPAIR KIT, master cylinder body	ALL
32	42479-90	SPRING	ALL
33	44126-87	RETAINER, spring	ALL
34	44438-87C	HOSE, rear brake	ALL
35	45005-85	GASKET, master cylinder cover	ALL
36	72023-51E	SWITCH KIT, stoplight	ALL
37	45042-82	REPAIR KIT, sight glass (not illustrated)	ALL

REAR BRAKE CALIPER

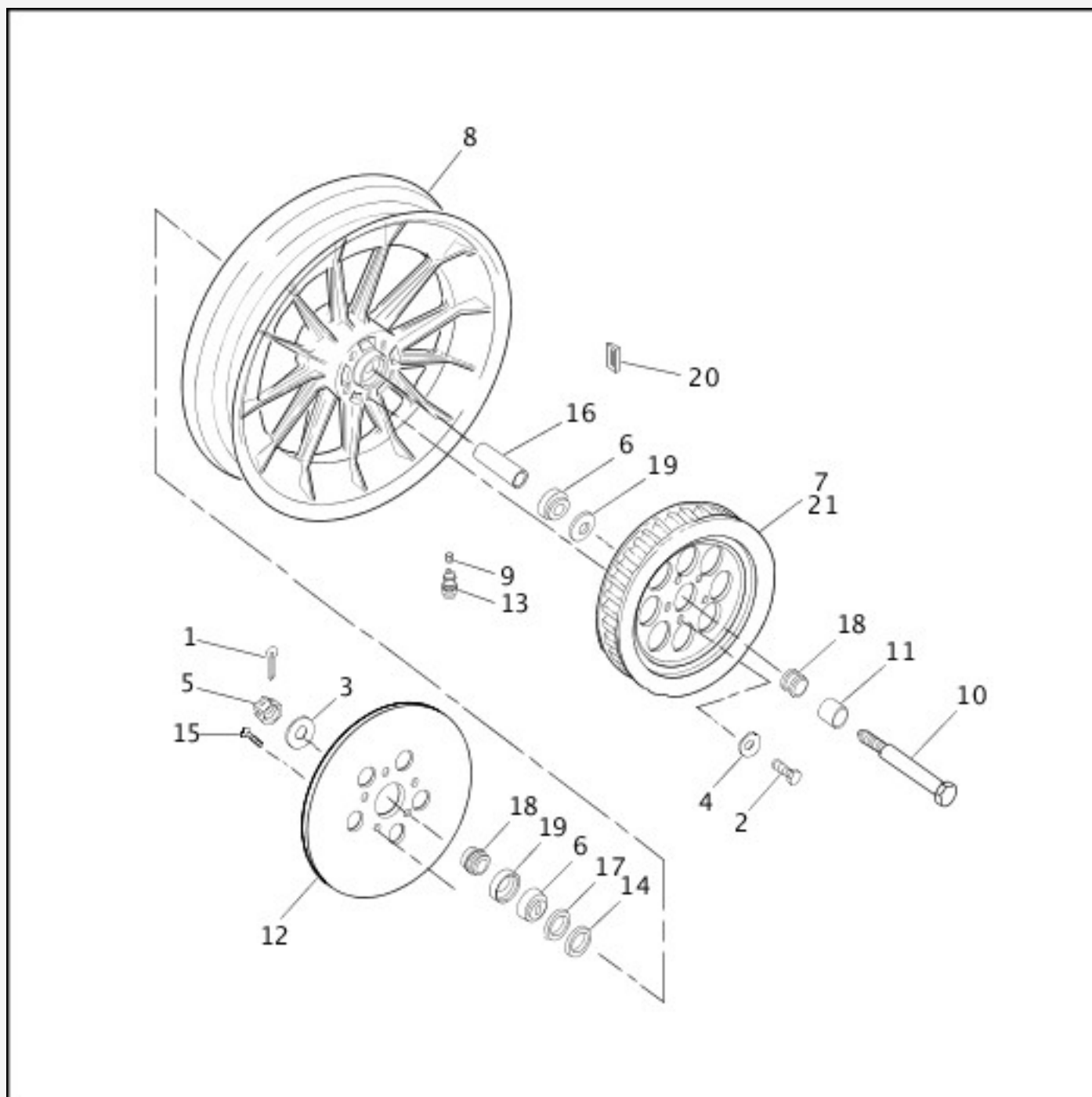


[View interactive image](#)

[View interactive table](#)

INDEX NO.	PART NO.	DESCRIPTION	MODEL(S)
1	40929-87	MOUNTING BRACKET, w/ 4, 12 & shims	ALL
2	43946-86A	PISTON REPAIR KIT	ALL
3	43960-86	RETAINER	ALL
4	44035-86A	BUSHING (2)	ALL
5	44039-86	MOUNTING KIT, w/ guide pins & bushings	ALL
6	44045-87A	SEAL & BOOT KIT	ALL
7	44050-87	CALIPER ASSEMBLY (black)	ALL
8	44048-83	BLEEDER FITTING	ALL
9	44147-87A	CAP, bleeder screw	ALL
10	44152-77	SEAL, piston	ALL
11	44198-87	LABEL	ALL
12	44199-79	BUMPER, mounting bracket	ALL

REAR WHEEL - CAST



[View interactive image](#)

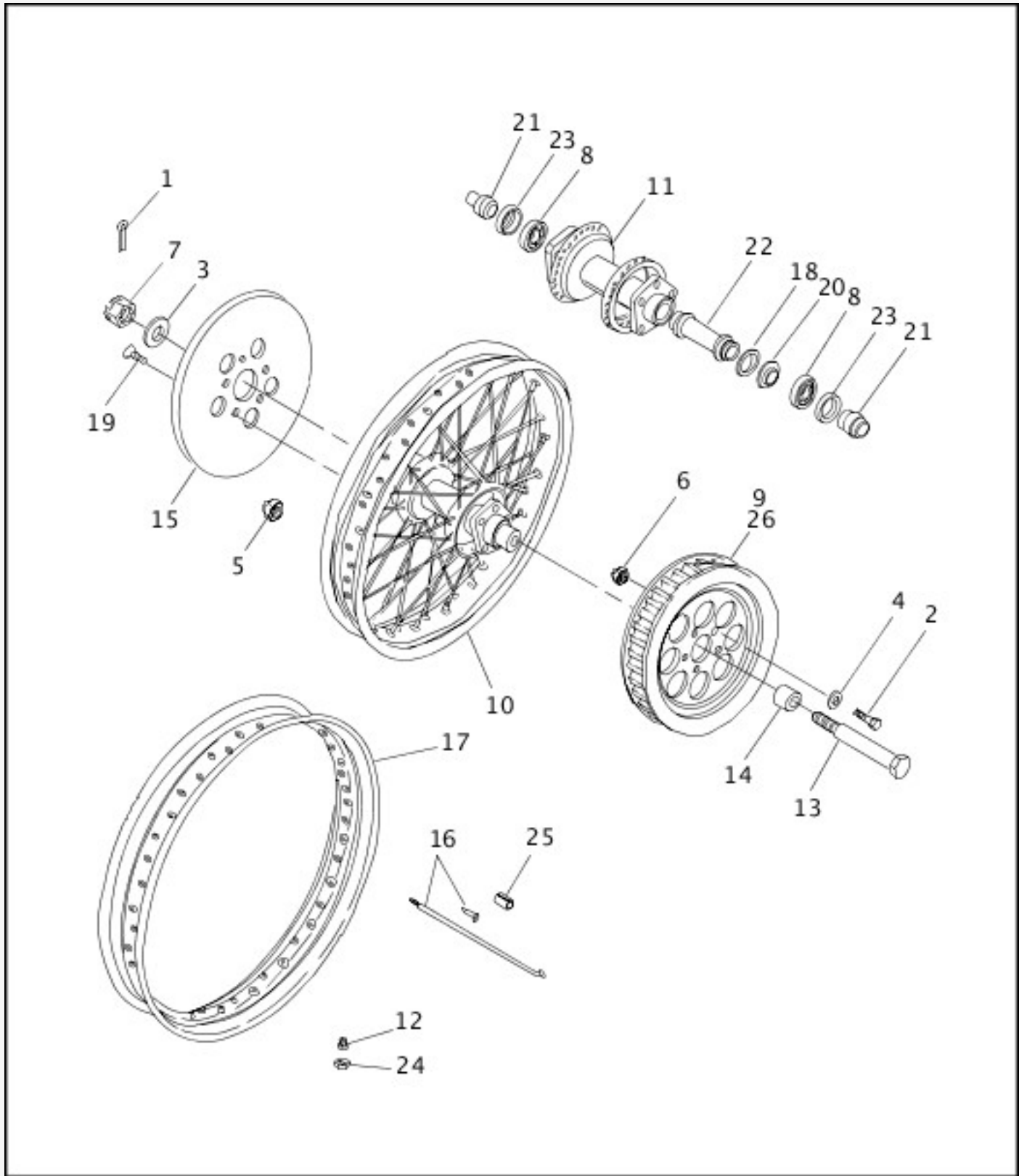
[View interactive table](#)

INDEX NO.	PART NO.	DESCRIPTION	MODEL(S)
1	511	COTTER PIN	ALL
2	3730A	BOLT (5)	ALL
3	5756	WASHER	ALL
4	6516HW	WASHER (5)	ALL
5	7987	NUT	ALL

6	9052	ROLLER BEARING (2)	ALL
7	40213-91	SPROCKET, 61T (belt) (black)	ALL
	40227-93	SPROCKET, 61T (belt) (silver)	XL1200 1995, XL1200 1996, XL883 1995, XL883 1996, XL883HUG 1995, XL883HUG 1996
8	41015-86	WHEEL ASSEMBLY, 16 inch (9 spoke) (black)	XL883 1995, XL883DLX, XL883HUG 1995
	40992-96	WHEEL ASSEMBLY, 16 inch (13 spoke), w/o bearings (silver)	XL1200 1996, XL1200S, XL883 1996, XL883HUG 1996
	41015-86	WHEEL ASSEMBLY, 16 inch (9 spoke) (black)	XL1200 1995
	41012-96	WHEEL ASSEMBLY, 16 inch (13 spoke), w/o bearings (black)	XL1200 1996
	41013-95	WHEEL ASSEMBLY, solid, w/ slots, w/o bearings (not illustrated)	XL1200C
9	41123-79	VALVE CAP	ALL
10	41563-77A	AXLE ASSEMBLY, w/ 1, 3 & 5	ALL
11	41594-73	SPACER	ALL
12	41789-92	BRAKE DISC KIT, w/ 15	XL1200 1995, XL1200 1996, XL883 1995, XL883 1996, XL883DLX, XL883HUG 1995, XL883HUG 1996
	44108-95A	BRAKE DISC, floating	XL1200C, XL1200S
13	43157-83A	VALVE STEM	ALL
14	43290-82	SPACER, 0.032 thick	ALL
	43291-82	SPACER, 0.016 thick	ALL
	43292-82	SPACER, 0.008 thick	ALL
	43293-82	SPACER, 0.004 thick	ALL
	43294-82	SPACER, 0.002 thick	ALL
15	43567-92	SCREW, brake disc (5)	ALL

16	43608-82	SPACER	ALL
17	43650-82	SPACER WASHER	ALL
18	43654-86A	SPACER (2)	ALL
19	47519-83A	SEAL (2)	ALL
20	95594-84A	WHEEL WEIGHT, 5 grams (black)	XL1200 1995, XL1200 1996
	95595-84A	WHEEL WEIGHT, 5 grams (silver)	XL883 1995, XL883 1996, XL883DLX, XL883HUG 1995, XL883HUG 1996
INTERNATIONAL MODELS ONLY			
21	40252-91	SPROCKET, 55T (belt) (883-Swiss;1200-HDI) (black)	ALL

REAR WHEEL - LACED



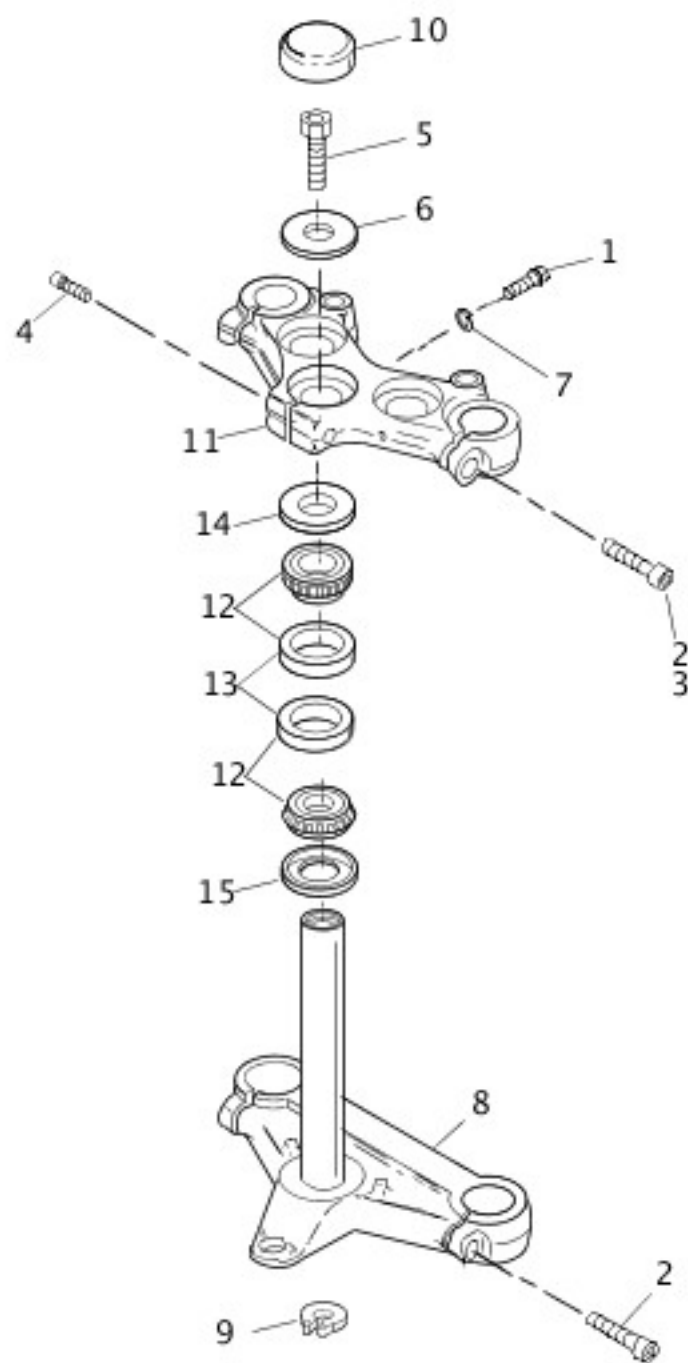
[View interactive image](#)

[View interactive table](#)

INDEX NO.	PART NO.	DESCRIPTION	MODEL(S)
1	511	COTTER PIN	ALL
2	3769	BOLT (5)	ALL
3	5756	WASHER	ALL
4	6516HW	WASHER (5)	ALL
5	7778	LOCKNUT (5)	ALL
6	7827W	LOCKNUT (5)	ALL

7	7987	NUT	ALL
8	9052	ROLLER BEARING (2)	ALL
9	40213-91	SPROCKET, 61T (belt) (black)	ALL
10	40975-86	WHEEL ASSEMBLY, 16 inch (chrome)	ALL
11	40976-86A	HUB ASSEMBLY, rear, 16 inch	ALL
12	41123-79	VALVE CAP	ALL
13	41563-77A	AXLE ASSEMBLY, w/ 1, 3 & 7	ALL
14	41594-73	SPACER	ALL
15	41789-92	BRAKE DISC KIT, w/ 43567-92	ALL
16	43241-05	SPOKE & NIPPLE, 16 inch rim	ALL
17	43085-81	RIM, 16 inch (chrome)	ALL
18	43290-82	SPACER, 0.032 thick	ALL
	43291-82	SPACER, 0.016 thick	ALL
	43292-82	SPACER, 0.008 thick	ALL
	43293-82	SPACER, 0.004 thick	ALL
	43294-82	SPACER, 0.002 thick	ALL
19	43567-92	SCREW, brake disc (5)	ALL
20	43650-82	SPACER WASHER	ALL
21	43654-86A	SPACER (2)	ALL
22	43668-82	SPACER	ALL
23	47519-83A	SEAL (2)	ALL
24	54321-85	NUT, valve stem	ALL
25	95578-41	WHEEL WEIGHT, 1/2 oz.	ALL
	95581-47	WHEEL WEIGHT, 3/4 oz.	ALL
	95582-47	WHEEL WEIGHT, 1 oz.	ALL
INTERNATIONAL MODELS ONLY			
26	40252-91	SPROCKET, 55T- (belt) (883-Swiss;1200-HDI) (black)	ALL

STEERING HEAD BRACKET ASSEMBLY



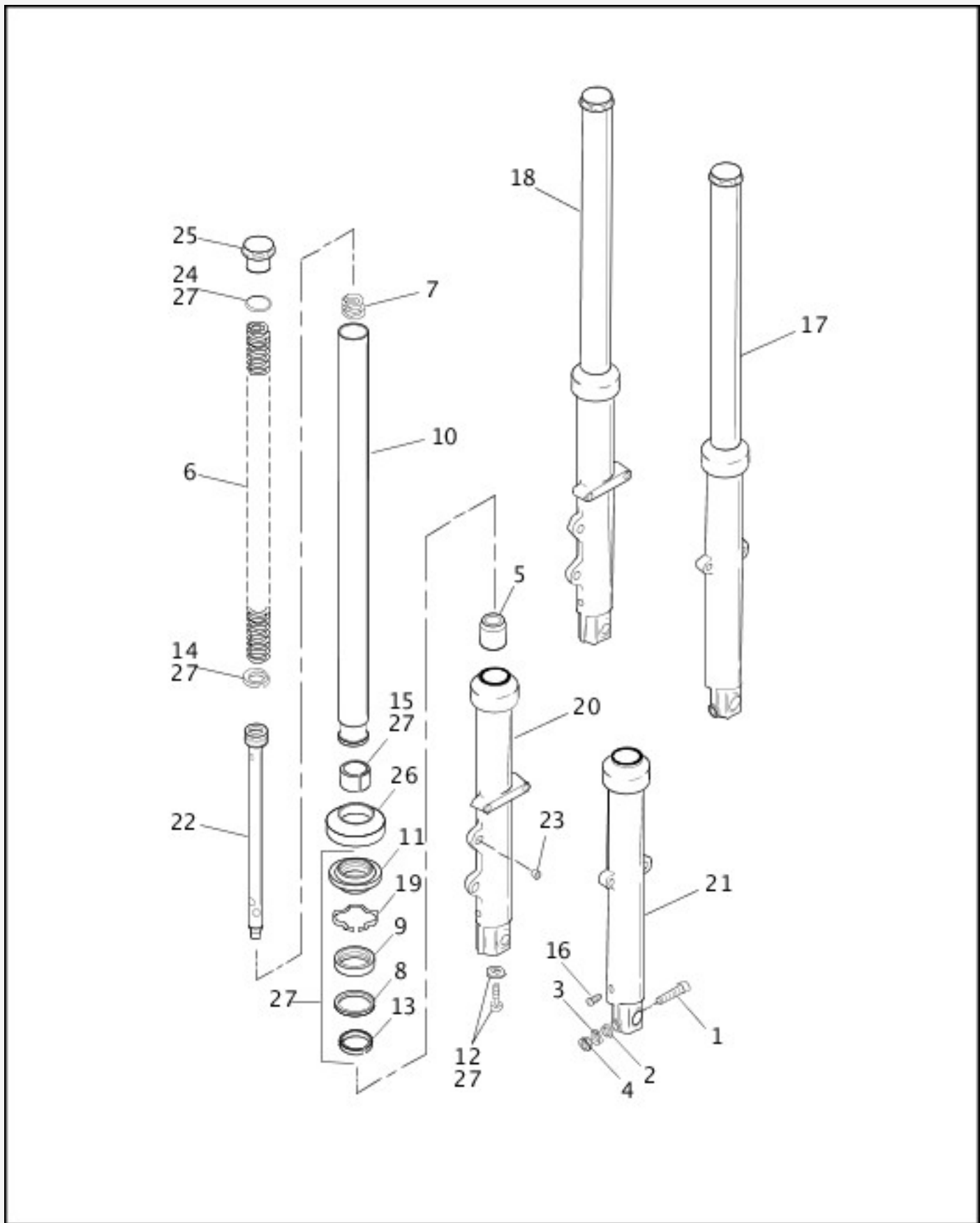
[View interactive image](#)

[View interactive table](#)

INDEX NO.	PART NO.	DESCRIPTION	MODEL(S)
1	4240	SCREW (2)	ALL
2	4351	SCREW (4)	XL1200C, XL883DLX, XL883HUG 1995, XL883HUG 1996
2	4351	SCREW (2)	XL1200 1995, XL883 1995
3	4047	SCREW, upper (2)	XL1200 1996, XL1200S, XL883 1996
4	4352	SCREW	ALL
5	4453	BOLT, tapped	XL1200 1995, XL1200 1996, XL1200S

	4460	BOLT	XL1200 1995, XL1200 1996, XL1200C, XL883 1995, XL883 1996, XL883DLX, XL883HUG 1995, XL883HUG 1996
6	6655	WASHER	ALL
7	7220	LOCKWASHER	ALL
8	45563-87	BRACKET, lower, w/ stem	XL1200 1995, XL1200 1996, XL1200S, XL883 1995, XL883 1996, XL883DLX, XL883HUG 1995, XL883HUG 1996
	45561-87	BRACKET, lower, w/ stem	XL1200C
9	45611-86	RETAINING RING	ALL
10	45668-90	CAP, fork stem	XL1200 1995, XL1200 1996, XL1200S
11	45739-87	BRACKET, upper	ALL
12	48300-60	ROLLER BEARING, w/ cup (2)	ALL
13	48315-60	BEARING CUP (2)	ALL
14	48361-80	DUST SHIELD, upper	ALL
15	48365-48A	DUST SHIELD, lower	ALL
INTERNATIONAL MODELS ONLY			
16	48140-84A	STEERING HEAD LOCK ASSEMBLY (HDI) (not illustrated)	ALL

FRONT FORK (1 OF 2)



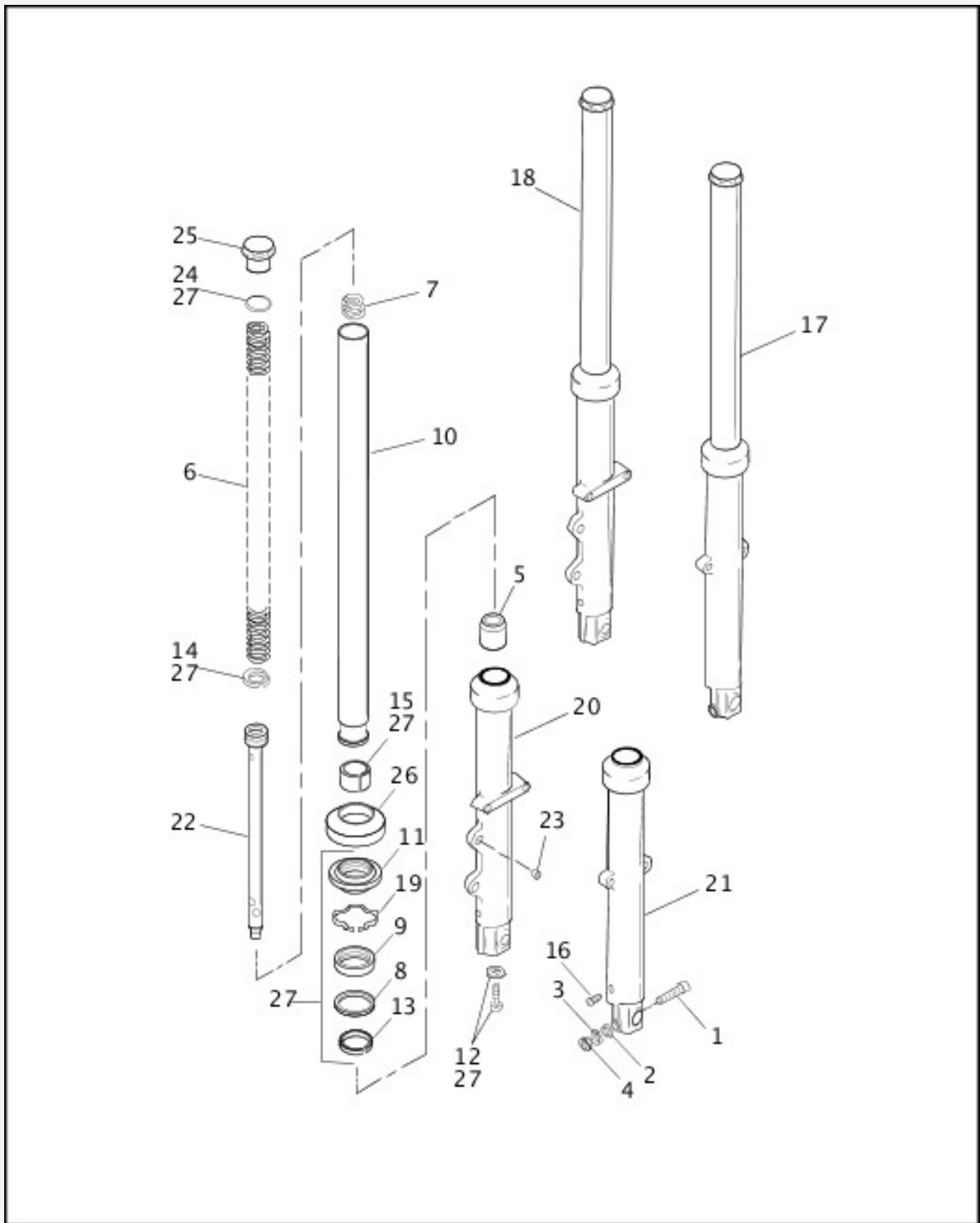
[View interactive image](#)

[View interactive table](#)

INDEX NO.	PART NO.	DESCRIPTION	MODEL(S)
1	4029A	SCREW	XL1200 1995, XL1200 1996, XL1200C, XL883 1995, XL883 1996, XL883DLX, XL883HUG 1995, XL883HUG 1996
2	6701	WASHER	XL1200 1995, XL1200 1996, XL1200C, XL883 1995, XL883 1996, XL883DLX, XL883HUG 1995, XL883HUG 1996
3	7038	LOCKWASHER	XL1200 1995, XL1200 1996, XL1200C, XL883 1995, XL883 1996, XL883DLX,

			XL883HUG 1995, XL883HUG 1996
4	7783	NUT	XL1200 1995, XL1200 1996, XL1200C, XL883 1995, XL883 1996, XL883DLX, XL883HUG 1995, XL883HUG 1996
5	45361-90	LOWER STOP (2)	XL1200C, XL883HUG 1995, XL883HUG 1996
	45463-87	LOWER STOP (2)	XL1200 1995, XL1200 1996, XL883 1995, XL883 1996, XL883DLX
6	45372-92	SPRING (2)	XL1200C, XL883HUG 1995, XL883HUG 1996
	45376-94	SPRING (2)	XL1200 1995, XL1200 1996, XL883 1995, XL883DLX
7	45374-87	SPRING, slider (2)	XL1200 1995, XL1200 1996, XL1200C, XL883 1995, XL883 1996, XL883DLX, XL883HUG 1995, XL883HUG 1996
8	45377-87	SPACER, oil seal (2)	XL1200 1995, XL1200 1996, XL1200C, XL883 1995, XL883 1996, XL883DLX, XL883HUG 1995, XL883HUG 1996
9	45378-87	OIL SEAL (2)	XL1200 1995, XL1200 1996, XL1200C, XL883 1995, XL883 1996, XL883DLX, XL883HUG 1995, XL883HUG 1996
10	45395-92	SLIDER TUBE (2)	XL1200 1995, XL1200 1996, XL1200C, XL883 1995, XL883 1996, XL883DLX, XL883HUG 1995, XL883HUG 1996
11	45401-87	SEAL, dust (2)	XL1200 1995, XL1200 1996, XL1200C, XL883 1995, XL883 1996, XL883DLX, XL883HUG 1995, XL883HUG 1996
12	45405-75A	SCREW (2)	XL1200 1995, XL1200 1996, XL1200C, XL883 1995, XL883 1996, XL883DLX, XL883HUG 1995, XL883HUG 1996
13	45461-87	BUSHING, upper (2)	XL1200 1995, XL1200 1996, XL1200C, XL883 1995, XL883 1996, XL883DLX, XL883HUG 1995, XL883HUG 1996
14	45460-90	RING, damper tube (2)	XL1200 1995, XL1200 1996, XL1200C, XL883 1995, XL883 1996, XL883DLX, XL883HUG 1995, XL883HUG 1996

FRONT FORK (2 OF 2)



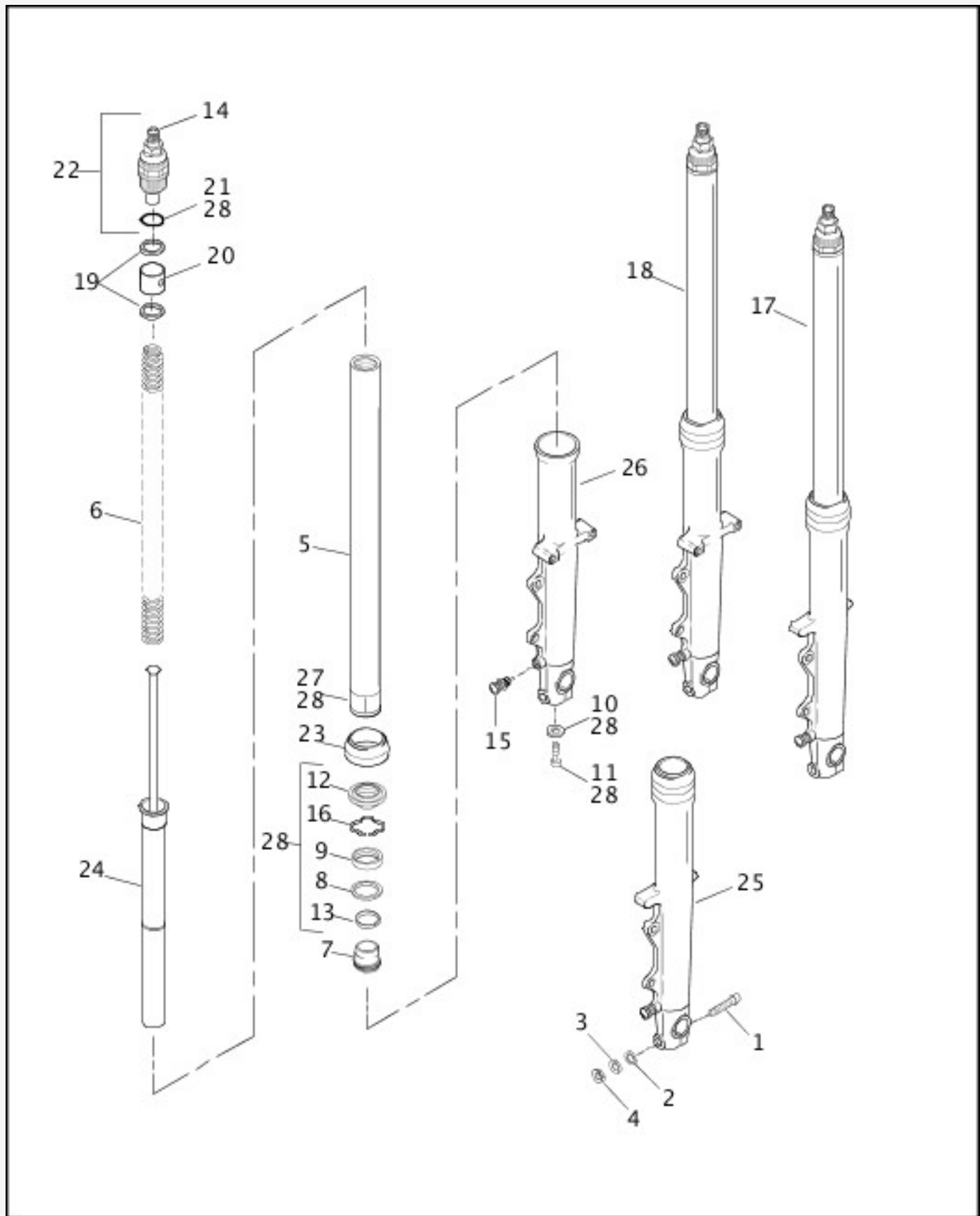
[View interactive image](#)

[View interactive table](#)

INDEX NO.	PART NO.	DESCRIPTION	MODEL(S)
15	45465-87	BUSHING, slider tube (2)	XL1200 1995, XL1200 1996, XL1200C, XL883 1995, XL883 1996, XL883DLX, XL883HUG 1995, XL883HUG 1996
16	45790-80	DRAIN SCREW, w/washer (2)	XL1200 1995, XL1200 1996, XL1200C, XL883 1995, XL883 1996, XL883DLX, XL883HUG 1995, XL883HUG 1996
17	45900-	FORK SLIDER & TUBE	XL1200 1995, XL1200 1996, XL883 1995, XL883DLX

	94	ASSEMBLY, right	
	45928-92	FORK SLIDER & TUBE ASSEMBLY, right	XL1200C, XL883HUG 1995, XL883HUG 1996
18	45901-94	FORK SLIDER & TUBE ASSEMBLY, left	XL1200 1995, XL1200 1996, XL1200C, XL883 1995, XL883DLX
	45929-92	FORK SLIDER & TUBE ASSEMBLY, left	XL1200C, XL883HUG 1995, XL883HUG 1996
19	45905-87	RETAINING RING, oil seal (2)	XL1200 1995, XL1200 1996, XL1200C, XL883 1995, XL883 1996, XL883DLX, XL883HUG 1995, XL883HUG 1996
20	45921-87	SLIDER ASSEMBLY, left	XL1200 1995, XL1200 1996, XL1200C, XL883 1995, XL883 1996, XL883DLX, XL883HUG 1995, XL883HUG 1996
21	45923-87	SLIDER ASSEMBLY, right	XL1200 1995, XL1200 1996, XL1200C, XL883 1995, XL883 1996, XL883DLX, XL883HUG 1995, XL883HUG 1996
22	45925-94	DAMPER TUBE (2)	XL1200 1995, XL1200 1996, XL883 1995, XL883 1996, XL883DLX
	45938-92	DAMPER TUBE, w/45460-90 (2)	XL1200C, XL883HUG 1995, XL883HUG 1996
23	45934-86	BUSHING, brake caliper	XL1200 1995, XL1200 1996, XL1200C, XL883 1995, XL883 1996, XL883DLX, XL883HUG 1995, XL883HUG 1996
24	45984-87	O-RING (2)	XL1200 1995, XL1200 1996, XL1200C, XL883 1995, XL883 1996, XL883DLX, XL883HUG 1995, XL883HUG 1996
25	45996-87	CAP, slider tube (2)	XL1200 1995, XL1200 1996, XL1200C, XL883 1995, XL883 1996, XL883DLX, XL883HUG 1995, XL883HUG 1996
26	46002-87	COVER, slider (2)	XL1200 1995, XL1200 1996, XL1200C, XL883 1995, XL883 1996, XL883DLX, XL883HUG 1995, XL883HUG 1996
27	49378-09	FORK REBUILD KIT, w/ 8, 9, 11, 12, 13, 14, 15, 19 & 24 (2)	XL1200 1995, XL1200 1996, XL1200C, XL883 1995, XL883 1996, XL883DLX, XL883HUG 1995, XL883HUG 1996

FRONT FORK - 1200 SPORT



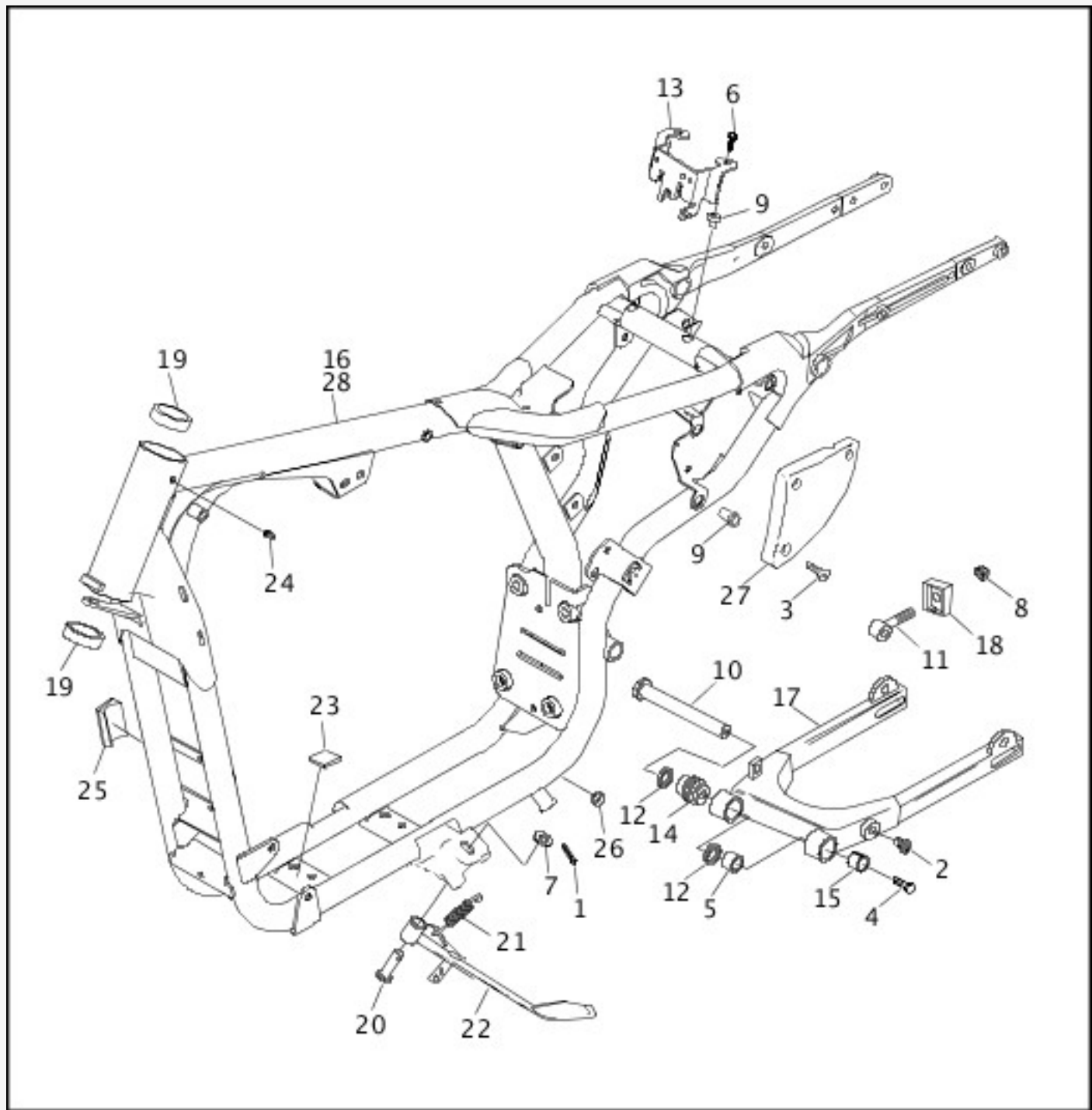
[View interactive image](#)

[View interactive table](#)

INDEX NO.	PART NO.	DESCRIPTION	MODEL(S)
1	4029A	SCREW	XL1200S
2	6701	WASHER	XL1200S
3	7038	LOCKWASHER	XL1200S
4	7783	NUT	XL1200S
5	45366-96	SLIDER TUBE ASSEMBLY (2)	XL1200S

6	45367-96	SPRING (2)	XL1200S
7	45368-96	LOWER STOP (2)	XL1200S
8	45377-87	SPACER, oil seal (2)	XL1200S
9	45378-87	OIL SEAL (2)	XL1200S
10	45398-96	WASHER (2)	XL1200S
11	45399-96	SCREW (2)	XL1200S
12	45401-87	SEAL, dust (2)	XL1200S
13	45461-87	BUSHING, upper (2)	XL1200S
14	45723-96	KNOB ADJUSTER (2)	XL1200S
15	45726-96	PLUG BOLT (2)	XL1200S
16	45905-87	RETAINING RING, oil seal (2)	XL1200S
17	45943-96	FORK SLIDER & TUBE ASSEMBLY, right	XL1200S
18	45944-96	FORK SLIDER & TUBE ASSEMBLY, left	XL1200S
19	45980-96	SPACER (4)	XL1200S
20	45981-96	SPRING COLLAR (3)	XL1200S
21	45985-96	O-RING KIT (2)	XL1200S
22	45986-96	CAP ADJUSTABLE, slider tube (2)	XL1200S
23	46002-87	COVER, slider (2)	XL1200S
24	46024-96	DAMPER TUBE (2)	XL1200S
25	46022-96	SLIDER ASSEMBLY, right	XL1200S
26	46023-96	SLIDER ASSEMBLY, left	XL1200S
27	45465-87	SLIDE BUSHING (2)	XL1200S
28	49381-09	FORK REBUILD KIT, w/ 8, 9, 10, 11, 12, 13, 16, 21 & 27 (2)	XL1200S

FRAME, REAR FORK & JIFFY STAND



[View interactive image](#)

[View interactive table](#)

INDEX NO.	PART NO.	DESCRIPTION	MODEL(S)
1	554A	COTTER PIN	ALL
2	740	HOLE PLUG (2)	XL1200 1995, XL1200 1996, XL883 1995, XL883 1996, XL883HUG 1995, XL883HUG 1996
3	1357W	SCREW (3)	ALL
4	2925A	SCREW	ALL
5	5741	SPACER, pivot bolt	ALL
6	3802W	BOLT (2)	ALL
7	6701	WASHER	ALL

8	7725	LOCKNUT (2)	ALL
9	8099	WELL NUT (5)	ALL
10	41568-81B	PIVOT BOLT, rear fork, w/ 4 & 5	ALL
11	41570-77	ADJUSTER, rear axle (2)	ALL
12	41579-81	DUST SHIELD, bearing (2)	ALL
13	46988-94A	BRACKET ASSEMBLY, electrical, w/ circuit breaker clip	ALL
14	47082-81	BEARING, rear fork, right	ALL
15	47083-81A	BEARING, rear fork, left	ALL
16	47150-94A	FRAME	ALL
17	47547-87B	REAR FORK, w/ bearings	ALL
18	47554-73A	END COVER, rear fork (2)	ALL
19	48315-60	BEARING CUP, steering head (2)	ALL
20	50003-89B	PIN, clevis	ALL
21	50005-85A	SPRING, jiffy stand	ALL
22	50006-89	JIFFY STAND	XL1200 1995, XL1200 1996, XL883 1995, XL883 1996, XL883DLX
	50072-92	JIFFY STAND	XL883HUG 1995, XL883HUG 1996
23	50101-91	DECKING BUMPER	ALL
24	50972-75	FITTING, lubrication	ALL
25	59273-91	REFLECTOR (amber) (2)	ALL
26	62122-89A	BUMPER	ALL
27	66325-	SIDE COVER, ignition module (black)	ALL

INTERNATIONAL MODELS ONLY

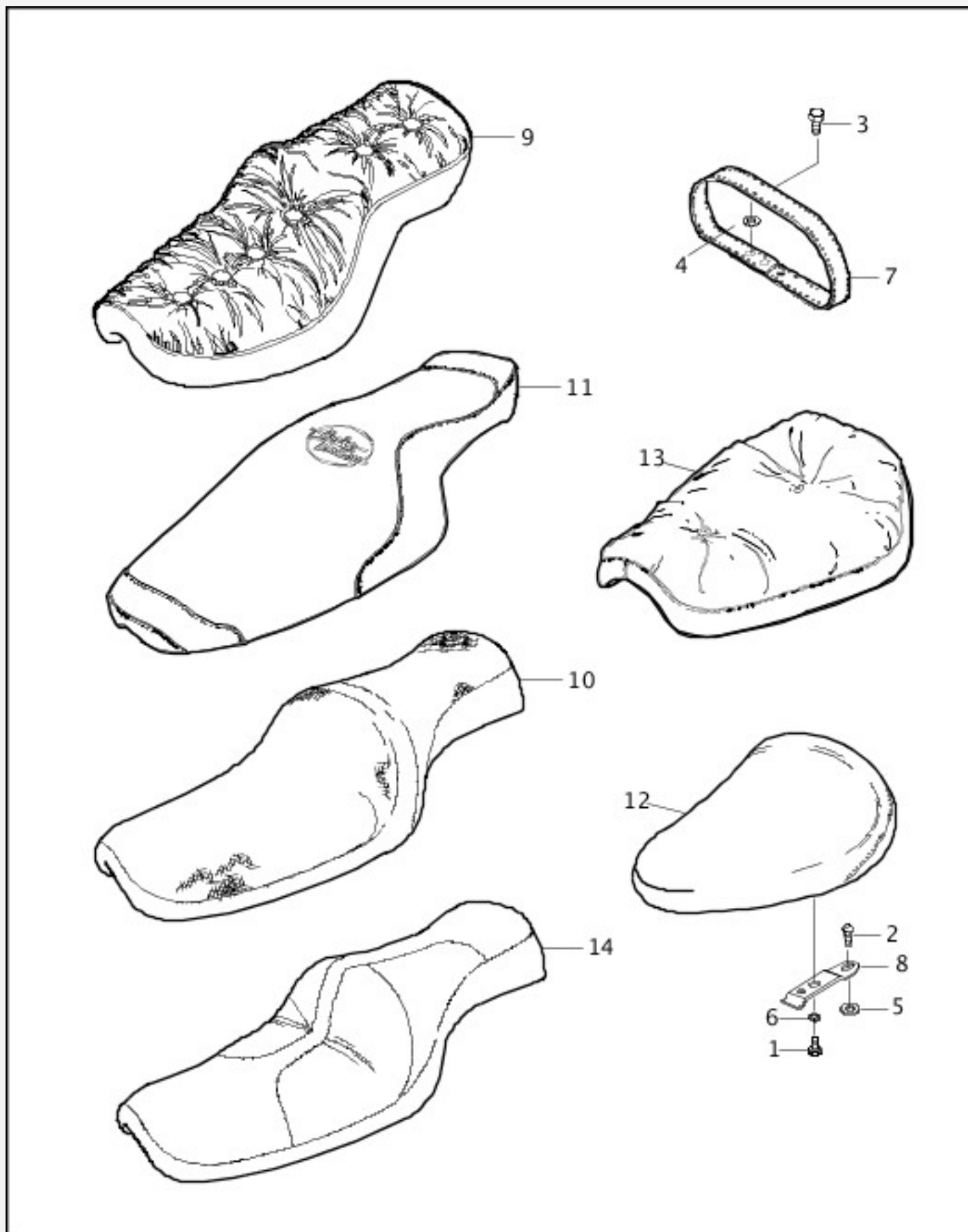
28

47209-94A

FRAME (HDI)

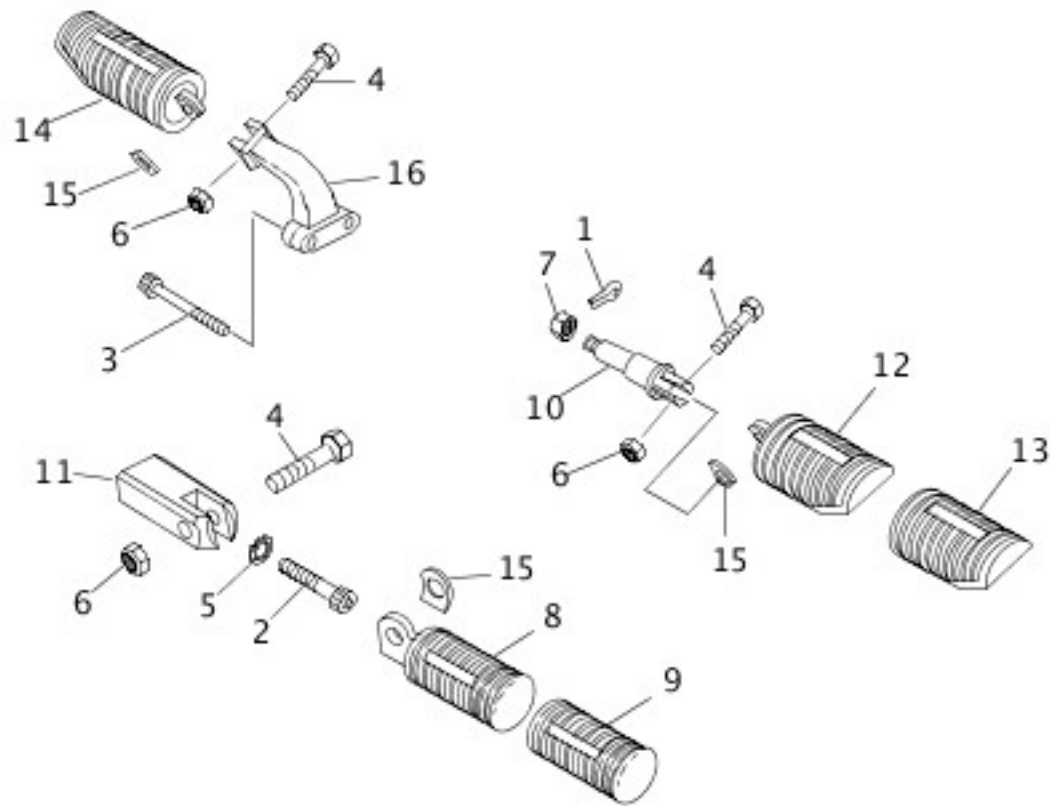
ALL

SEATS


[View interactive image](#)

INDEX NO.	PART NO.	DESCRIPTION	MODEL(S)
1	923	SCREW (2)	ALL
2	2739	SCREW, seat mounting	XL1200 1995, XL883 1995, XL883DLX, XL883HUG 1995
	2952A	SCREW, seat mounting	XL1200 1996, XL1200C, XL1200S, XL883 1996, XL883HUG 1996
	2953	SCREW, fender plug	XL1200 1996, XL883 1996, XL883HUG 1996
3	3765	BOLT	XL1200 1995, XL883DLX
	3767B	BOLT	XL1200 1996, XL1200C, XL1200S
4	6036	WASHER	XL1200 1995, XL1200 1996, XL883DLX
5	6410	WASHER (2)	ALL
6	7036	WASHER (2)	XL1200 1995, XL1200 1996, XL883DLX
	7124	LOCKWASHER (2)	ALL
7	51187-94A	PASSENGER STRAP	XL1200 1995, XL1200 1996, XL1200C, XL1200S, XL883DLX
8	51652-83B	BRACKET, seat mounting	ALL
9	52004-94B	SEAT ASSEMBLY, two-up, pillow	XL1200 1995, XL1200 1996
10	52102-96	SEAT, two-up	XL1200S
11	52101-92C	SEAT, two-up	XL883DLX
12	52129-92C	SEAT, solo	XL1200 1995, XL1200 1996, XL883 1995, XL883 1996
13	52132-94	SEAT, solo, ruffle	XL883HUG 1995, XL883HUG 1996
14	52577-96	SEAT, two up (smooth cover)	XL1200C

FOOTRESTS



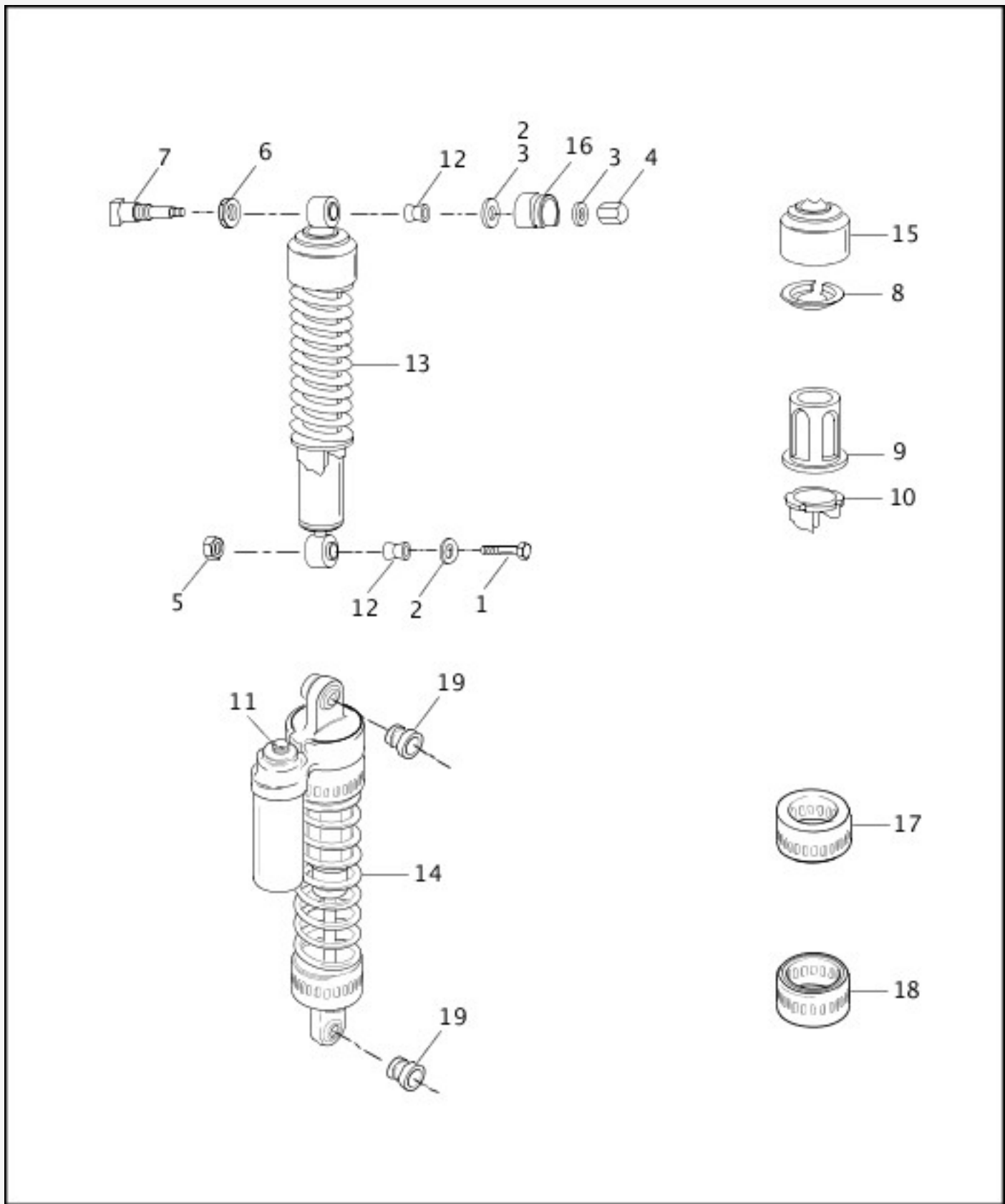
[View interactive image](#)

[View interactive table](#)

INDEX NO.	PART NO.	DESCRIPTION	MODEL(S)
1	534	COTTER PIN	ALL
2	855B	SCREW (2)	XL1200 1995, XL1200 1996, XL1200C, XL1200S, XL883DLX
3	879A	SCREW (2)	ALL
4	4721	BOLT (2)	XL883 1995, XL883 1996, XL883HUG 1995, XL883HUG 1996
	4721	BOLT (4)	XL1200 1995, XL1200 1996, XL1200C, XL1200S, XL883DLX
5	7045	LOCKWASHER (2)	XL1200 1995, XL1200 1996, XL1200C, XL1200S, XL883DLX
6	7778	LOCKNUT (2)	XL883 1995, XL883 1996, XL883HUG 1995, XL883HUG 1996
	7778	LOCKNUT (4)	XL1200 1995, XL1200 1996, XL1200C, XL1200S, XL883DLX
7	7824	LOCKNUT	ALL

8	33048-72	FOOTREST, w/ cover (2)	XL1200 1995, XL1200 1996, XL1200C, XL1200S, XL883DLX
9	33189-63	COVER, footrest (2)	XL1200 1995, XL1200 1996, XL1200C, XL1200S, XL883DLX
10	42441-90A	CLEVIS, footrest mounting, right	ALL
11	50615-83	FOOTREST SUPPORT (2)	XL1200 1995, XL1200 1996, XL1200C, XL1200S, XL883DLX
12	50643-82	FOOTREST, w/ cover, right	ALL
13	50646-82	COVER, footrest (2)	ALL
14	50647-82	FOOTREST, w/ cover, left	ALL
15	50912-72	SPRING WASHER (2)	XL883 1995, XL883 1996, XL883HUG 1995, XL883HUG 1996
	50912-72	SPRING WASHER (4)	XL1200 1995, XL1200 1996, XL1200C, XL1200S, XL883DLX
16	50951-90	FOOTREST SUPPORT, left	ALL

SHOCK ABSORBERS



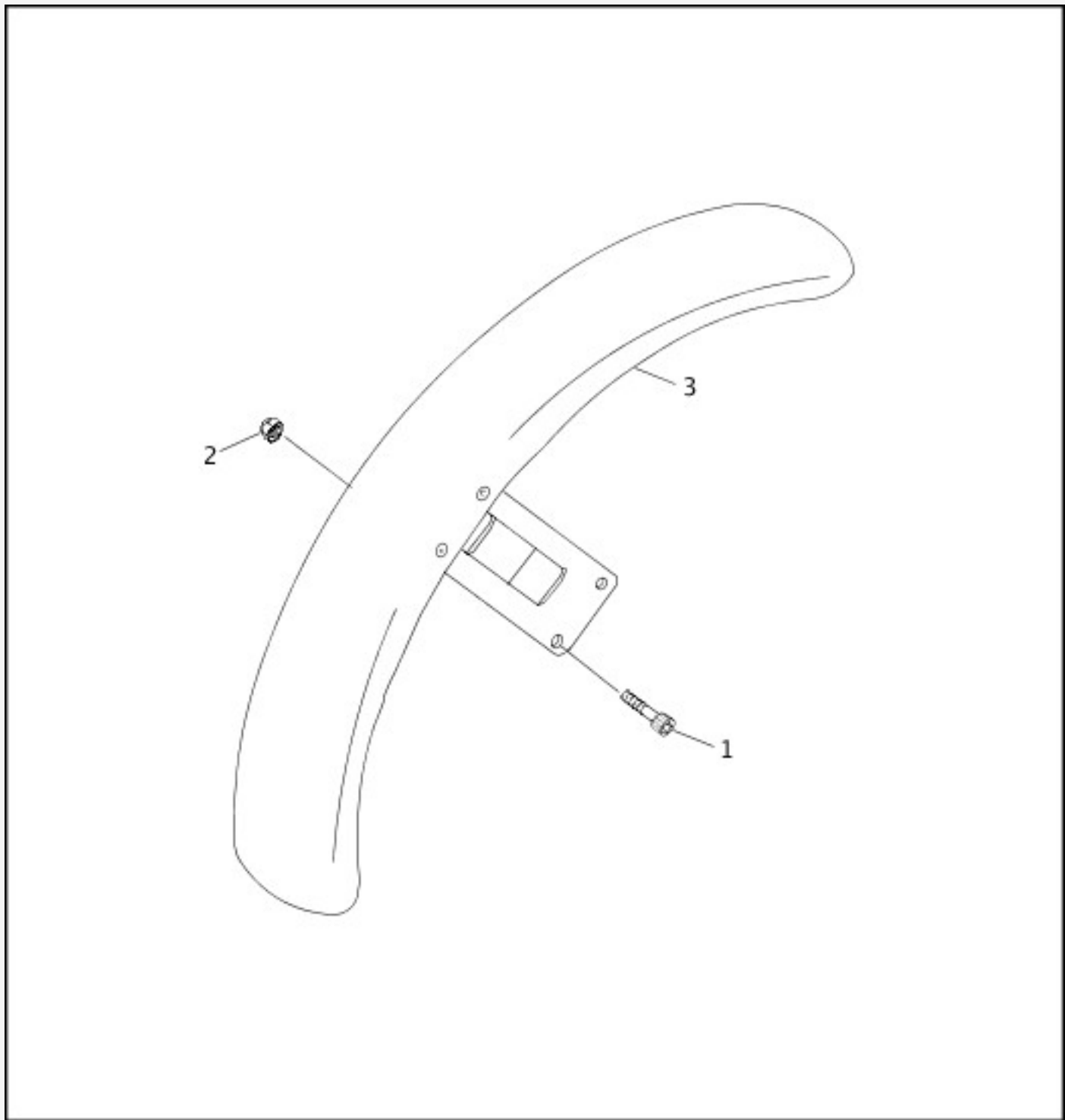
[View interactive image](#)

[View interactive table](#)

INDEX NO.	PART NO.	DESCRIPTION	MODEL(S)
1	3958	BOLT, left	ALL
	4743	BOLT, right	ALL
2	6012	WASHER (4)	XL1200 1995, XL1200 1996, XL1200C, XL883 1995, XL883 1996, XL883DLX, XL883HUG 1995, XL883HUG 1996
2	6012	WASHER, upper 1200S (2)	XL1200S

3	6701	WASHER, upper shock mount (4)	XL1200 1995, XL1200 1996, XL1200C, XL883 1995, XL883 1996, XL883DLX, XL883HUG 1995, XL883HUG 1996
4	7655	ACORN NUT (2)	ALL
5	7824	LOCKNUT (2)	ALL
6	35078-79	NUT (2)	ALL
7	47384-94	BOLT, shock mount (upper) (2)	ALL
8	54473-79	SEAT, spring, upper (2)	XL1200 1995, XL1200 1996, XL1200C, XL883 1995, XL883 1996, XL883DLX, XL883HUG 1995, XL883HUG 1996
9	54475-79	SPRING GUIDE, lower (2)	XL1200 1995, XL1200 1996, XL1200C, XL883 1995, XL883 1996, XL883DLX, XL883HUG 1995, XL883HUG 1996
10	54476-82	ADJUSTER, spring (2)	XL1200 1995, XL1200 1996, XL883 1995, XL883 1996, XL883DLX
	54474-79	ADJUSTER, spring (2)	XL1200C, XL883HUG 1995, XL883HUG 1996
11	54481-96	KNOB, rear shock (2)	XL1200S
12	54556-84	BUSHING, damper (4)	XL1200 1995, XL1200 1996, XL1200C, XL883 1995, XL883 1996, XL883DLX, XL883HUG 1995, XL883HUG 1996
13	54566-94	SHOCK ABSORBER, complete (2)	XL1200 1995, XL1200 1996, XL883 1995, XL883 1996, XL883DLX
	54568-92	SHOCK ABSORBER, complete (2)	XL1200 1995, XL1200C, XL883HUG 1995, XL883HUG 1996
14	54552-96A	SHOCK ABSORBER, complete, right	XL1200S
	54542-96A	SHOCK ABSORBER, complete, left	XL1200S
15	54701-82	COVER, shock absorber (2)	XL1200 1995, XL1200 1996, XL1200C, XL883 1995, XL883 1996, XL883DLX, XL883HUG 1995, XL883HUG 1996
16	54705-94	COVER, shock absorber stud (2)	XL1200 1995, XL1200 1996, XL1200C, XL883 1995, XL883 1996, XL883DLX, XL883HUG 1995, XL883HUG 1996
17	54713-96	COVER, upper (2)	XL1200S
18	54714-96	COVER, lower (2)	XL1200S
19	54715-96	BUSHING, damper (4)	XL1200S

FRONT FENDER

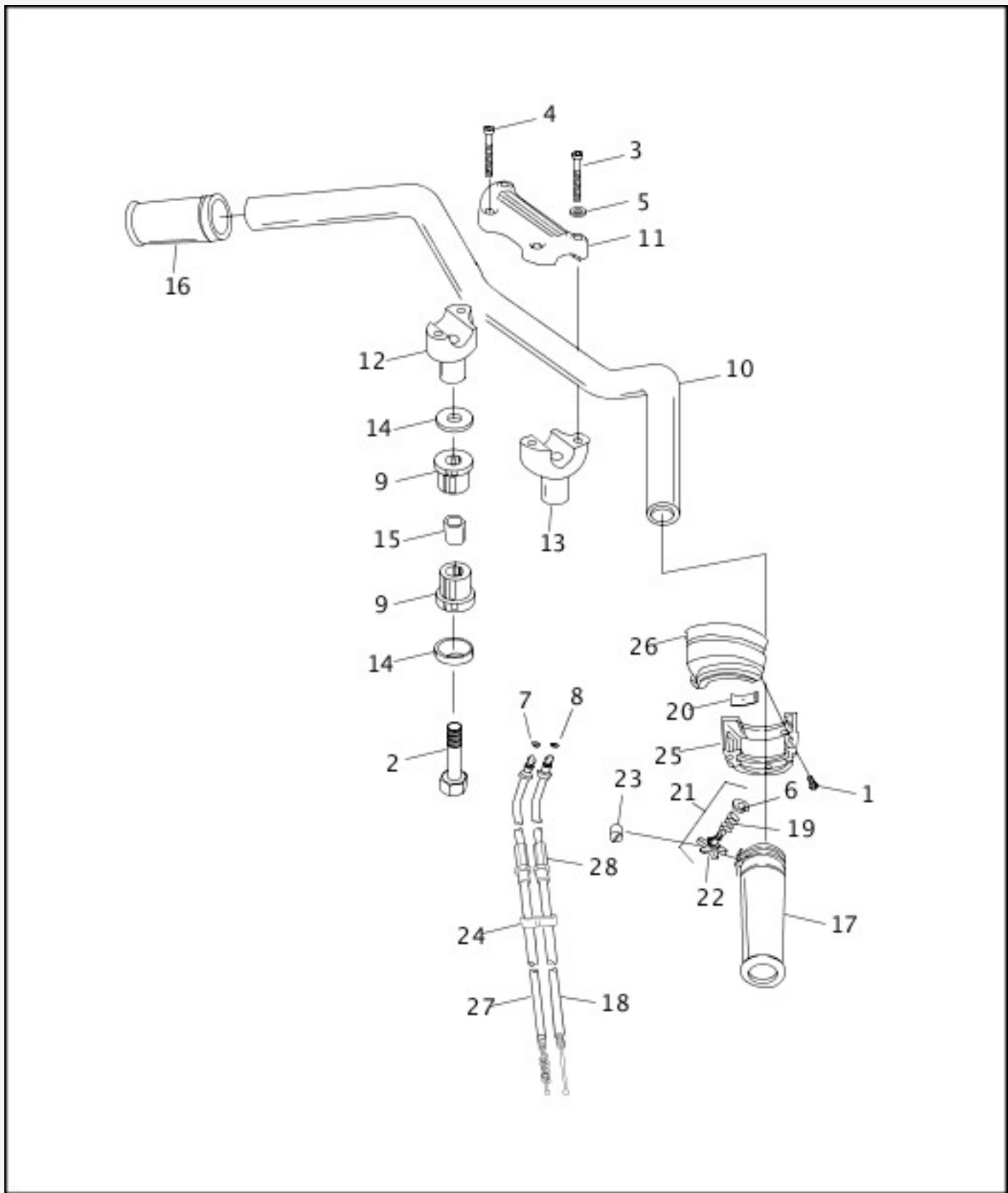


[View interactive image](#)

[View interactive table](#)

INDEX NO.	PART NO.	DESCRIPTION	MODEL(S)
NOTE: Refer to Painted Parts Book for painted part numbers.			
1	3210A	SCREW (4)	ALL
2	7531	LOCKNUT (4)	ALL
3	58998-83E	FRONT FENDER, prime	ALL

HANDLEBAR & THROTTLE CONTROL (1 OF 2)



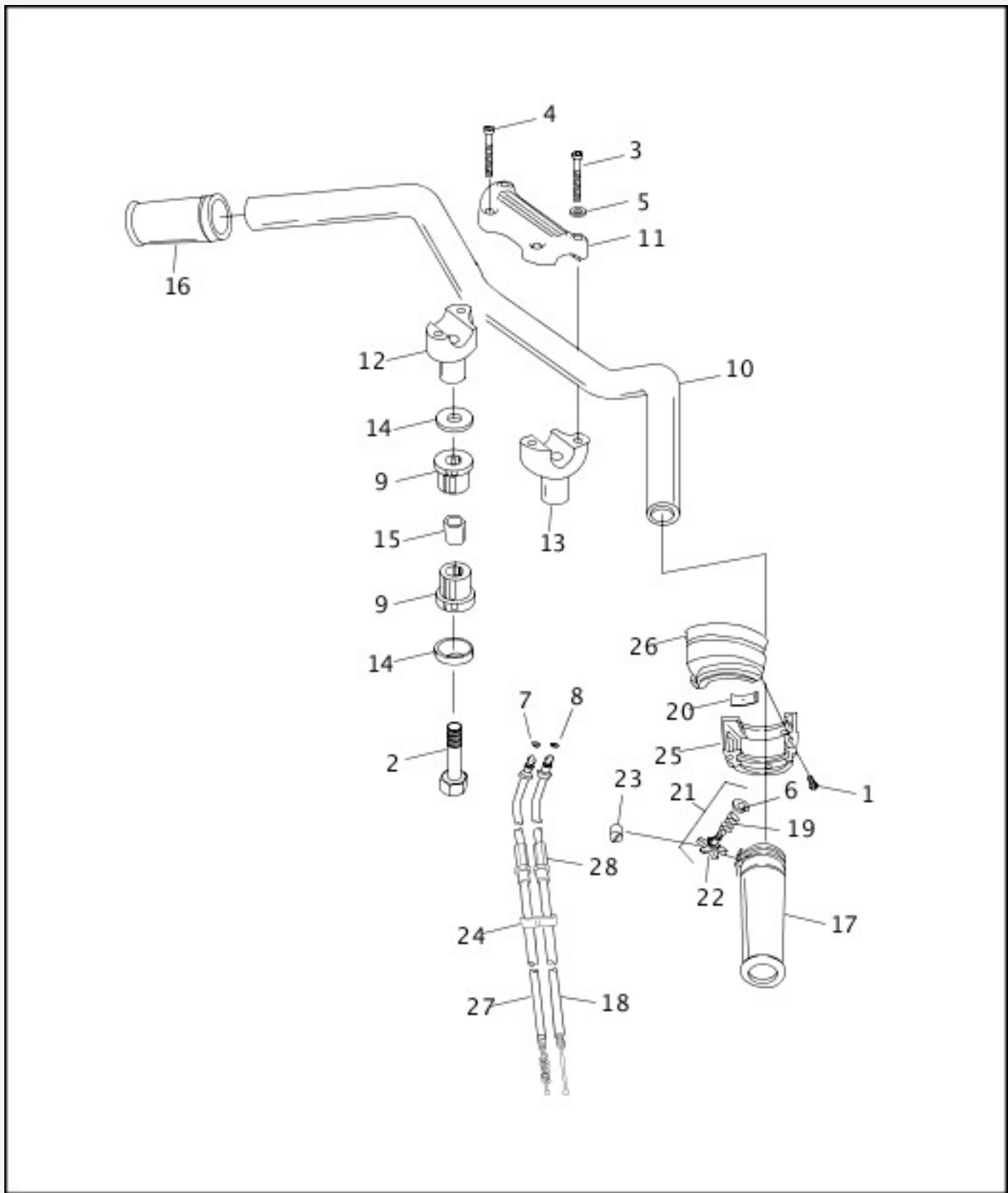
[View interactive image](#)

[View interactive table](#)

INDEX NO.	PART NO.	DESCRIPTION	MODEL(S)
1	2508	SCREW (2)	XL1200 1995, XL883 1995, XL883DLX, XL883HUG 1995
	3658	SCREW (2)	XL1200 1996, XL1200S, XL883 1996, XL883HUG 1996
2	3498	SCREW (2)	XL1200 1995, XL1200 1996, XL1200S, XL883 1995, XL883 1996, XL883DLX, XL883HUG 1995, XL883HUG 1996
3	4326A	SCREW (2)	XL1200 1995, XL1200 1996, XL1200S, XL883 1995, XL883 1996, XL883DLX, XL883HUG 1995, XL883HUG 1996

4	4816A	SCREW (2)	XL1200 1995, XL1200 1996, XL1200S, XL883 1995, XL883 1996, XL883DLX, XL883HUG 1995, XL883HUG 1996
5	6702	WASHER (2)	XL1200 1995, XL1200 1996, XL1200S, XL883 1995, XL883 1996, XL883DLX, XL883HUG 1995, XL883HUG 1996
6	11155	RETAINING RING	XL1200 1995, XL1200 1996, XL1200S, XL883 1995, XL883 1996, XL883DLX, XL883HUG 1995, XL883HUG 1996
7	11271	RING, retainer, idle	XL1200 1996, XL1200S, XL883 1996, XL883HUG 1996
8	11272	RING, retainer, throttle	XL1200 1996, XL1200S, XL883 1996, XL883HUG 1996
9	53156-86	RUBBER BUSHING, handlebar mounting (4)	XL1200 1995, XL1200 1996, XL1200S, XL883 1995, XL883 1996, XL883DLX, XL883HUG 1995, XL883HUG 1996
10	56081-82A	HANDLEBAR	XL1200 1995, XL1200 1996, XL883DLX, XL883HUG 1995, XL883HUG 1996
	56082-83	HANDLEBAR	XL1200S, XL883 1995, XL883 1996
11	56115-95	CLAMP, handlebar, upper	XL1200 1995, XL1200 1996, XL1200S, XL883 1995, XL883 1996, XL883DLX, XL883HUG 1995, XL883HUG 1996
12	56116-82A	CLAMP, handlebar, lower left	XL1200 1995, XL1200 1996, XL1200S, XL883 1995, XL883 1996, XL883DLX, XL883HUG 1995, XL883HUG 1996
13	56117-82A	CLAMP, handlebar, lower right	XL1200 1995, XL1200 1996, XL1200S, XL883 1995, XL883 1996, XL883DLX, XL883HUG 1995, XL883HUG 1996
14	56159-73	CUP WASHER, handlebar mounting (4)	XL1200 1995, XL1200 1996, XL1200S, XL883 1995, XL883 1996, XL883DLX, XL883HUG 1995, XL883HUG 1996
15	56153-73	SPACER (2)	XL1200 1995, XL1200 1996, XL1200S, XL883 1995, XL883 1996, XL883DLX, XL883HUG 1995, XL883HUG 1996

HANDLEBAR & THROTTLE CONTROL (2 OF 2)



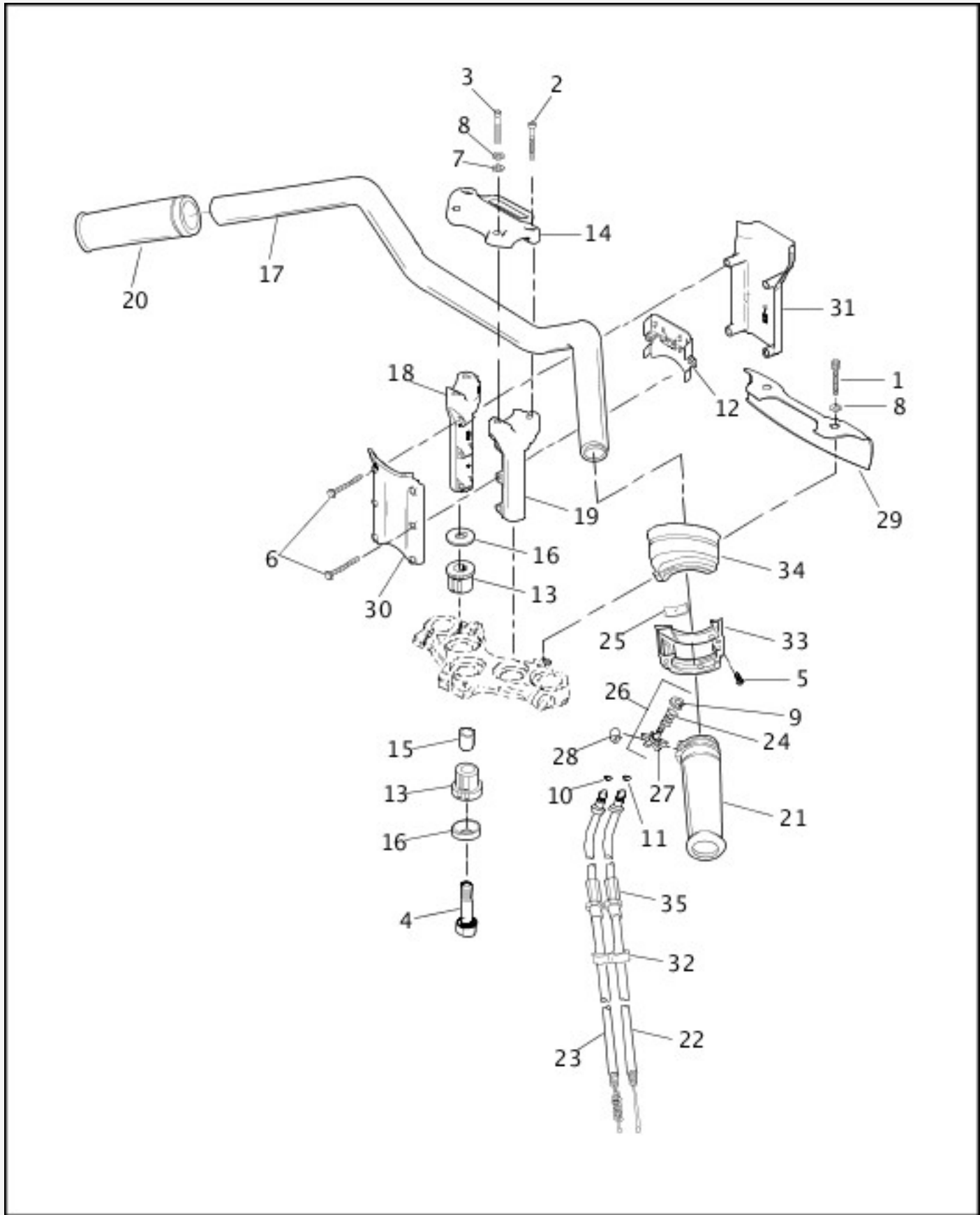
[View interactive image](#)

[View interactive table](#)

INDEX NO.	PART NO.	DESCRIPTION	MODEL(S)
16	56206-94A	HANDLEBAR GRIP	XL1200 1995, XL883 1995, XL883DLX, XL883HUG 1995
	56206-96	HANDLEBAR GRIP	XL1200 1996, XL1200S, XL883 1996, XL883HUG 1996
17	56220-94A	GRIP & SLEEVE, throttle	XL1200 1995, XL1200 1996, XL1200S, XL883 1995, XL883 1996, XL883DLX, XL883HUG 1995, XL883HUG 1996
18	56308-	THROTTLE CONTROL	XL1200 1995, XL883 1995, XL883DLX, XL883HUG 1995

	88	ASSEMBLY, w/ 23	
	56308-96	THROTTLE CONTROL ASSEMBLY, w/ 8, 23 & 28	XL1200 1996, XL883HUG 1996
	56400-96	THROTTLE CONTROL ASSEMBLY, w/ 8, 23 & 28	XL1200 1996, XL1200S, XL883 1996
19	56394-74	SPRING, adjusting screw	XL1200 1995, XL1200 1996, XL1200S, XL883 1995, XL883 1996, XL883DLX, XL883HUG 1995, XL883HUG 1996
20	56396-74A	FRICITION SPRING, throttle grip	XL1200 1995, XL1200 1996, XL1200S, XL883 1995, XL883 1996, XL883DLX, XL883HUG 1995, XL883HUG 1996
21	56397-74C	KIT, throttle adjusting screw, w/ 6, 19 & 22	XL1200 1995, XL1200 1996, XL1200S, XL883 1995, XL883 1996, XL883DLX, XL883HUG 1995, XL883HUG 1996
22	56402-83A	ADJUSTING SCREW, throttle	XL1200 1995, XL1200 1996, XL1200S, XL883 1995, XL883 1996, XL883DLX, XL883HUG 1995, XL883HUG 1996
23	56508-76	FERRULE (2)	XL1200 1995, XL1200 1996, XL1200S, XL883 1995, XL883 1996, XL883DLX, XL883HUG 1995, XL883HUG 1996
24	70504-81	CLIP, throttle cables	XL1200 1995, XL1200 1996, XL1200S, XL883 1995, XL883 1996, XL883DLX, XL883HUG 1995, XL883HUG 1996
25	71563-82A	HOUSING, switches & throttle control, lower	XL1200 1995, XL883 1995, XL883DLX, XL883HUG 1995
	71563-96	HOUSING, switches & throttle control, lower	XL1200 1996, XL1200S, XL883 1996, XL883HUG 1996
26	71564-82A	HOUSING, switches & throttle control, upper	XL1200 1995, XL883 1995, XL883DLX, XL883HUG 1995
	71564-96	HOUSING, switches & throttle control, upper	XL1200 1996, XL1200S, XL883 1996, XL883HUG 1996
27	56309-88	IDLE CONTROL ASSEMBLY	XL1200 1995, XL883 1995, XL883DLX, XL883HUG 1995
	56309-96	IDLE CONTROL ASSEMBLY, w/ 7 & 23	XL1200 1996, XL883HUG 1996
	56401-96	IDLE CONTROL ASSEMBLY, w/ 7 & 23	XL1200 1996, XL1200S, XL883 1996
28	38653-01	BOOT, throttle cable	XL1200 1996, XL1200S, XL883 1996, XL883HUG 1996

HANDLEBAR & THROTTLE CONTROL - 1200 CUSTOM



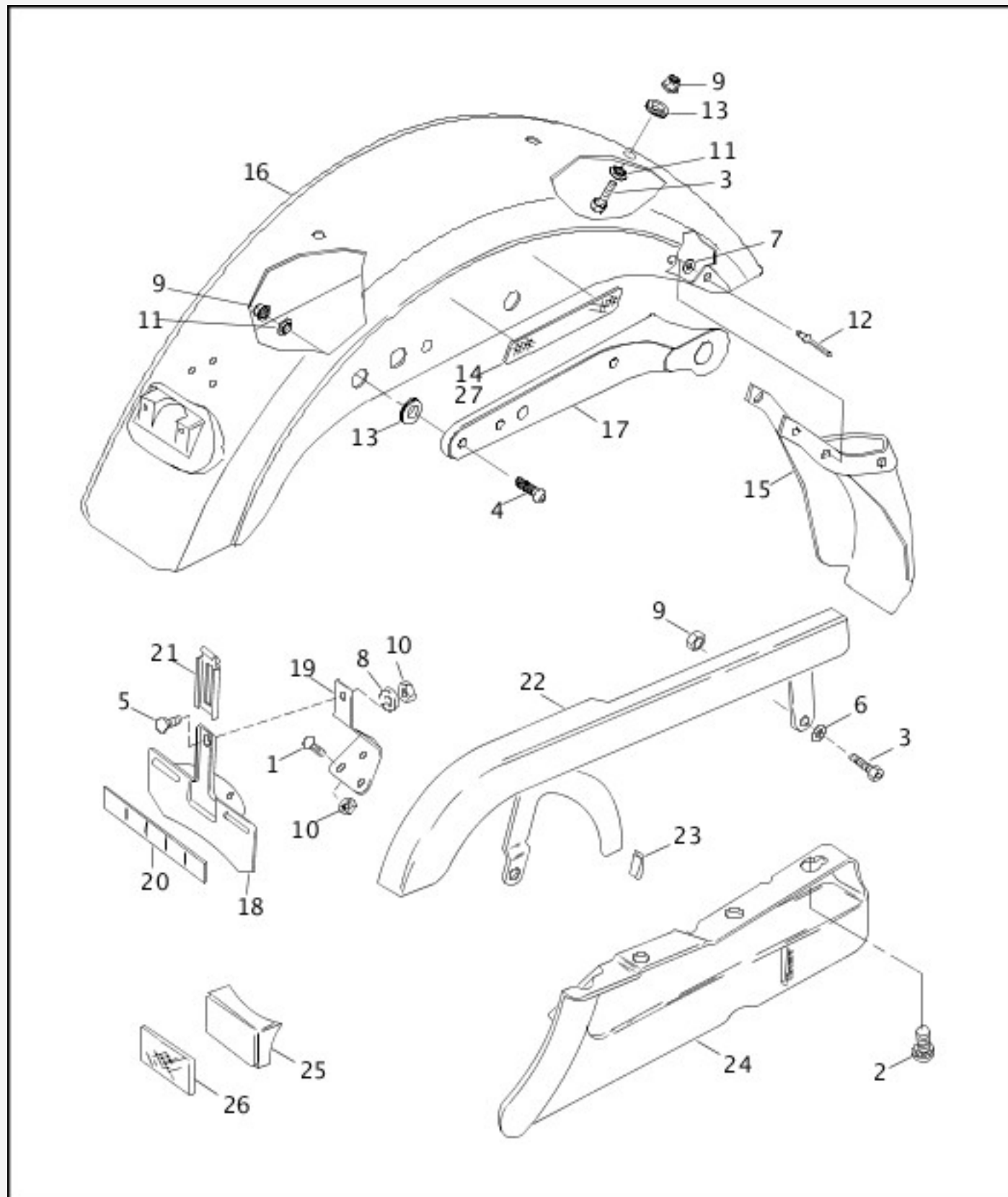
[View interactive image](#)

[View interactive table](#)

INDEX NO.	PART NO.	DESCRIPTION	MODEL(S)
1	3201WA	SCREW	XL1200C
2	3210A	SCREW (2)	XL1200C
3	4816A	SCREW (2)	XL1200C
4	3498	SCREW	XL1200C
5	3658	SCREW (2)	XL1200C

6	3666A	SCREW (6)	XL1200C
7	6109	WASHER (under speedometer bracket) (2)	XL1200C
8	6702	WASHER (4)	XL1200C
9	11155	RETAINING RING	XL1200C
10	11271	RING RETAINER (idle)	XL1200C
11	11272	RING RETAINER (throttle)	XL1200C
12	46991-96	PANEL ELECTRICAL BRACKET	XL1200C
13	53156-86	RUBBER BUSHING, handlebar mounting (4)	XL1200C
14	56074-96	CLAMP, handlebar, upper (chrome)	XL1200C
15	56153-73	SPACER (2)	XL1200C
16	56159-73	CUP WASHER, handlebar mounting (4)	XL1200C
17	56164-96	HANDLEBAR	XL1200C
18	56167-96	CLAMP, handlebar, lower left	XL1200C
19	56168-96	CLAMP, handlebar, lower right	XL1200C
20	56206-96	HANDLEBAR GRIP	XL1200C
21	56220-94A	GRIP & SLEEVE, throttle	XL1200C
22	56381-96	THROTTLE CONTROL ASSEMBLY, w/ 11, 28 & 35	XL1200C
23	56382-96	IDLE CONTROL ASSEMBLY	XL1200C
24	56394-74	SPRING, adjusting screw	XL1200C
25	56396-74A	FRICTION SPRING, throttle grip	XL1200C
26	56397-74C	KIT, throttle adjusting screw, w/ 9, 24 & 27	XL1200C
27	56402-83A	ADJUSTING SCREW, throttle	XL1200C
28	56508-76	FERRULE (2)	XL1200C
29	67861-96	COVER, bracket upper	XL1200C
30	67902-96A	COVER, rear	XL1200C
31	68030-96	COVER, front	XL1200C
32	70504-81	CLIP, throttle cables	XL1200C
33	71563-96	HOUSING, switches & throttle control, lower	XL1200C
34	71564-96	HOUSING, switches & throttle control, upper	XL1200C

REAR FENDER & BELT GUARDS



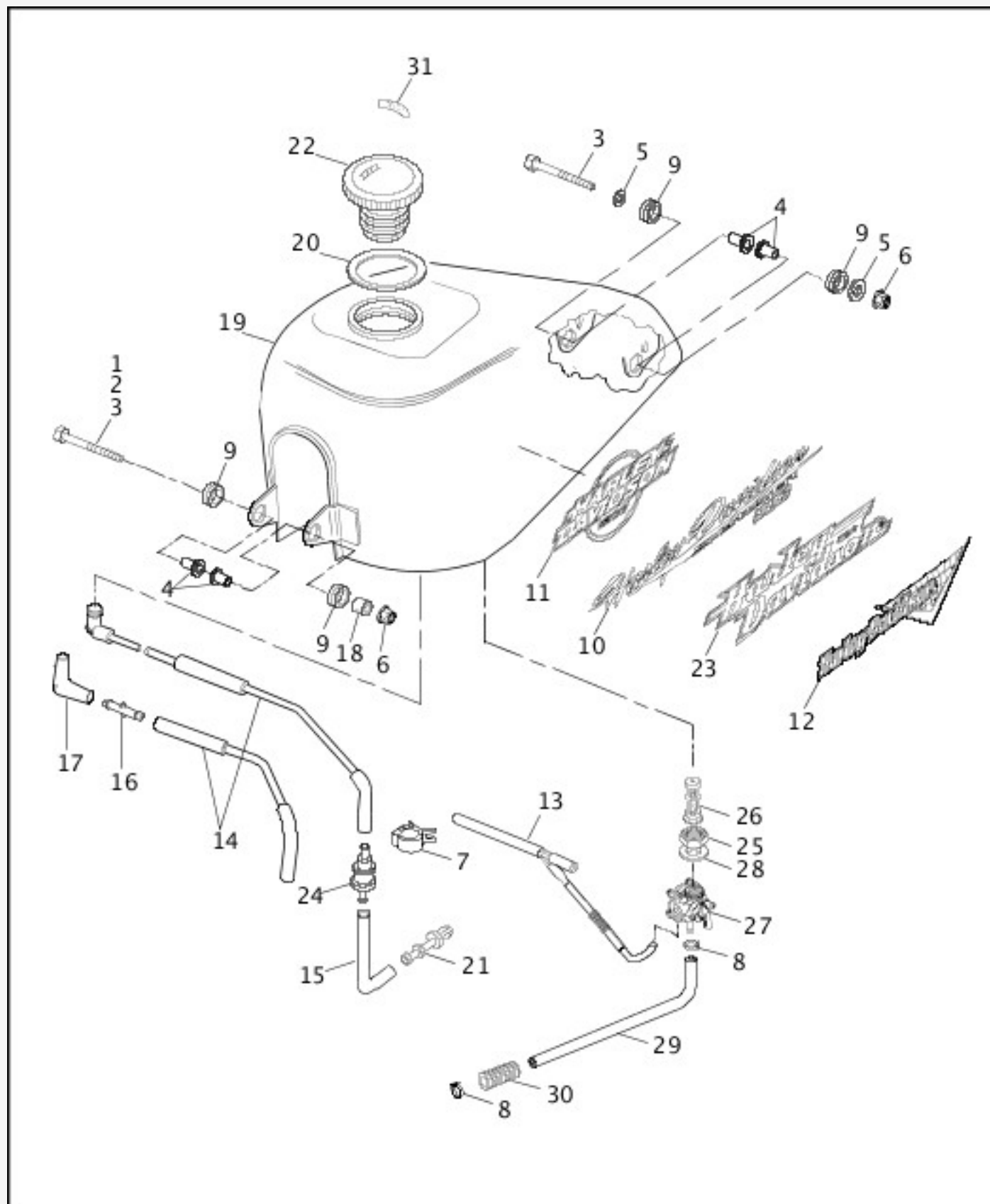
[View interactive image](#)

[View interactive table](#)

INDEX NO.	PART NO.	DESCRIPTION	MODEL(S)
NOTE: Refer to Painted Parts Book for painted part numbers.			
1	2773	SCREW (3)	ALL
2	3579A	SCREW (3)	ALL

3	3987	BOLT (2)	ALL
4	4007	SCREW (4)	ALL
5	5403B	BOLT	ALL
6	6109	WASHER	ALL
7	6192	WASHER (4)	ALL
8	6703	WASHER	ALL
9	7531	LOCKNUT (7)	ALL
10	7792	NUT, keps (4)	ALL
11	7882	TEE SPACER (7)	ALL
12	8692	RIVET (4)	ALL
13	11474	GROMMET (7)	ALL
14	59287-92	REFLECTOR, right (red)	ALL
	59288-92	REFLECTOR, left (red)	ALL
15	59594-82C	REAR FENDER EXTENSION	ALL
16	59674-94B	REAR FENDER (prime)	ALL
17	59896-94	COVER, rear fender support, right	ALL
	59897-94	COVER, rear fender support, left	ALL
18	59984-73	BRACKET, license plate	ALL
19	59986-75	SUPPORT, license plate bracket	ALL
20	59988-72A	REFLECTOR, license plate bracket	ALL
21	60001-55	CLAMP, license plate bracket	ALL
22	60381-91	BELT GUARD KIT, w/ 60419-91	ALL
23	60419-91	BUMPER	ALL
24	60436-91	DEBRIS DEFLECTOR	ALL
INTERNATIONAL MODELS ONLY			
25	59251-90	REFLECTOR ASSEMBLY, w/ 26 (red) (HDI)	ALL
26	59259-90	REFLECTOR (red) (HDI)	ALL
27	59289-92	REFLECTOR, right (amber) (HDI)	ALL
	59290-92	REFLECTOR, left (amber) (HDI)	ALL

FUEL TANK & TRIM (1 OF 2)

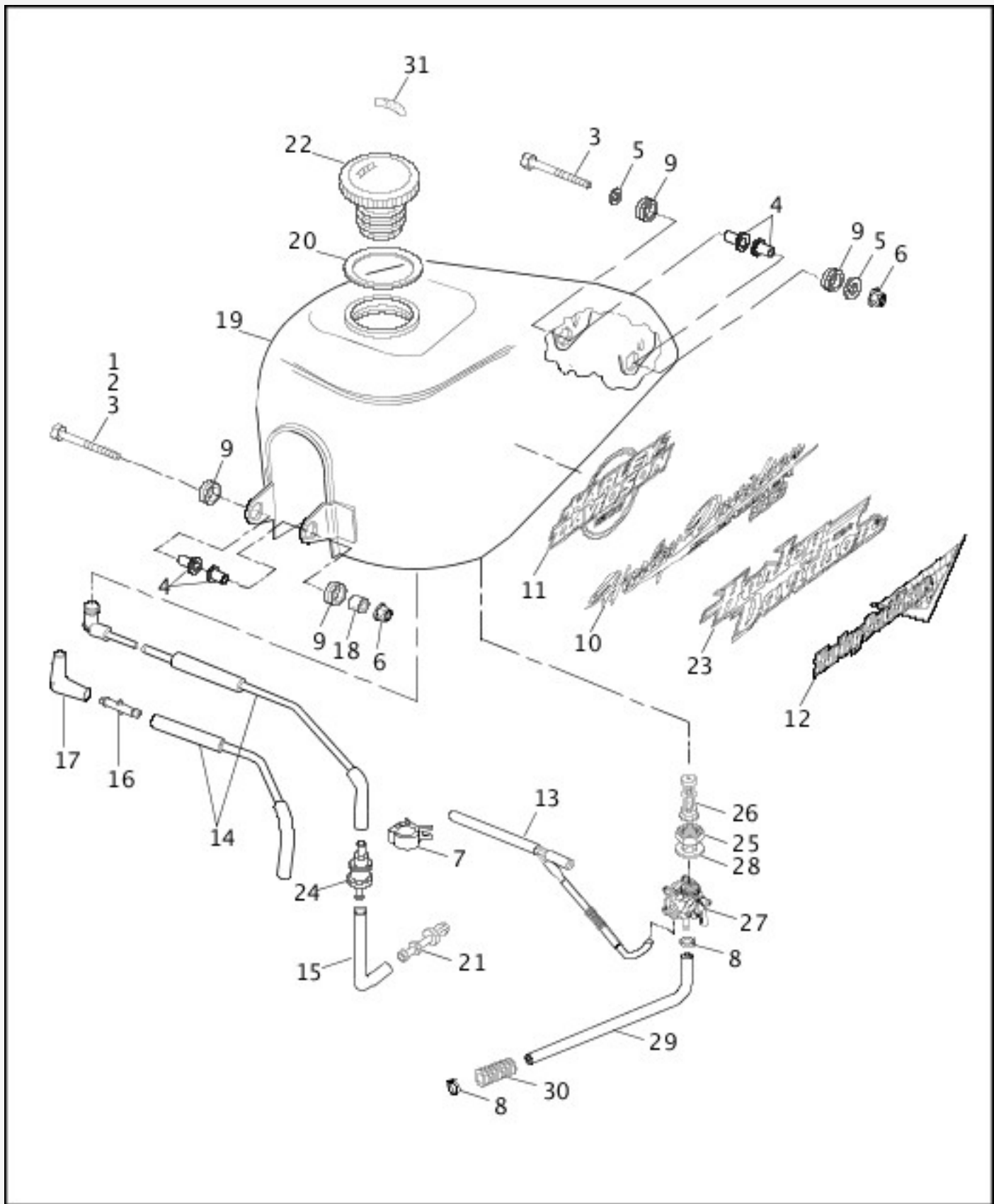


[View interactive image](#)

[View interactive table](#)

INDEX NO.	PART NO.	DESCRIPTION	MODEL(S)
NOTE: Refer to Painted Parts Book for painted part numbers.			
1	4067	BOLT	XL883 1995, XL883DLX, XL883HUG 1995
2	4016	SCREW	XL1200 1995

3	4117	SCREW	XL1200 1995, XL883 1995, XL883DLX, XL883HUG 1995
	4758A	SCREW (2)	XL1200 1996, XL1200C, XL1200S, XL883 1996, XL883HUG 1996
4	5787	T-SPACER (4)	ALL
5	6788	WASHER (2)	XL1200 1995, XL883 1995, XL883DLX, XL883HUG 1995
	6333	WASHER (2)	XL1200 1996, XL1200C, XL1200S, XL883 1996, XL883HUG 1996
6	7531	LOCKNUT (2)	ALL
7	10108	CLIP, vapor valve	ALL
8	10014	CLAMP, fuel hose (2)	ALL
9	11473	GROMMET (4)	ALL
10	14431-95	DECAL, orange (2)	XL883 1995, XL883DLX, XL883HUG 1995
	14480-95	DECAL, sky blue (2)	XL883 1995, XL883DLX, XL883HUG 1995
	14514-96	DECAL, emerald green (2)	XL1200 1996, XL883 1996, XL883HUG 1996
11	14432-95	DECAL, orange (2)	XL1200 1995
	14433-95	DECAL, sky blue (2)	XL1200 1995
	14515-96	DECAL, red (2)	XL1200 1996
	14516-96	DECAL, sky blue (2)	XL1200 1996
12	14517-96	DECAL, left (pale gold, burgundy)	XL1200S
	14518-96	DECAL, right (pale gold, burgundy)	XL1200S
	14519-96	DECAL, left (pale gold, dark blue)	XL1200S
	14520-96	DECAL, right (pale gold, dark blue)	XL1200S
13	26559-95	HOSE ASSEMBLY, vacuum	ALL
14	63501-68B	TUBE, tank to valve	XL1200 1995, XL883 1995, XL883DLX, XL883HUG 1995, XL883HUG 1996
	27067-96A	TUBE, tank to valve, w/ 16 & 17	XL1200 1996, XL1200C, XL1200S
15	27096-94	TUBE, valve to atmosphere	ALL



[View interactive image](#)

[View interactive table](#)

INDEX NO.	PART NO.	DESCRIPTION	MODEL(S)
NOTE: Refer to Painted Parts Book for painted part numbers.			
16	27249-96	CONNECTOR, straight	XL1200 1996, XL1200C, XL1200S, XL883 1996, XL883HUG 1996
17	27250-96B	CONNECTOR, elbow 90 degree	XL1200 1996, XL1200C, XL1200S, XL883 1996, XL883HUG 1996
18	42520-	SPACER, fuel tank-front	XL883 1995, XL883DLX, XL883HUG 1995

	80A		
19	61023-95	FUEL TANK (prime)	XL883 1995, XL883 1996, XL883DLX, XL883HUG 1995, XL883HUG 1996
	61618-96C	FUEL TANK, 3.25 gallon (prime)	XL1200 1995, XL1200 1996, XL1200C, XL1200S
20	61109-85D	GASKET	ALL
21	61131-92	VENT LINE CONNECTOR	ALL
22	61272-92C	FILLER CAP	ALL
23	61799-96	MEDALLION, left (red)	XL1200C
	61800-96	MEDALLION, right (red)	XL1200C
	61801-96	MEDALLION, left (blue)	XL1200C
	61802-96	MEDALLION, right (blue)	XL1200C
24	62150-85	VAPOR VALVE	ALL
25	62161-02	NUT, fuel valve	ALL
26	62166-81A	FILTER, fuel valve	ALL
27	62169-95C	FUEL VALVE, w/ gasket	ALL
28	62172-02	GASKET, fuel valve	ALL
29	62347-95	HOSE, fuel	ALL

NOTE: Hose or insulator is sold in bulk length under the following part numbers. Cut to length.

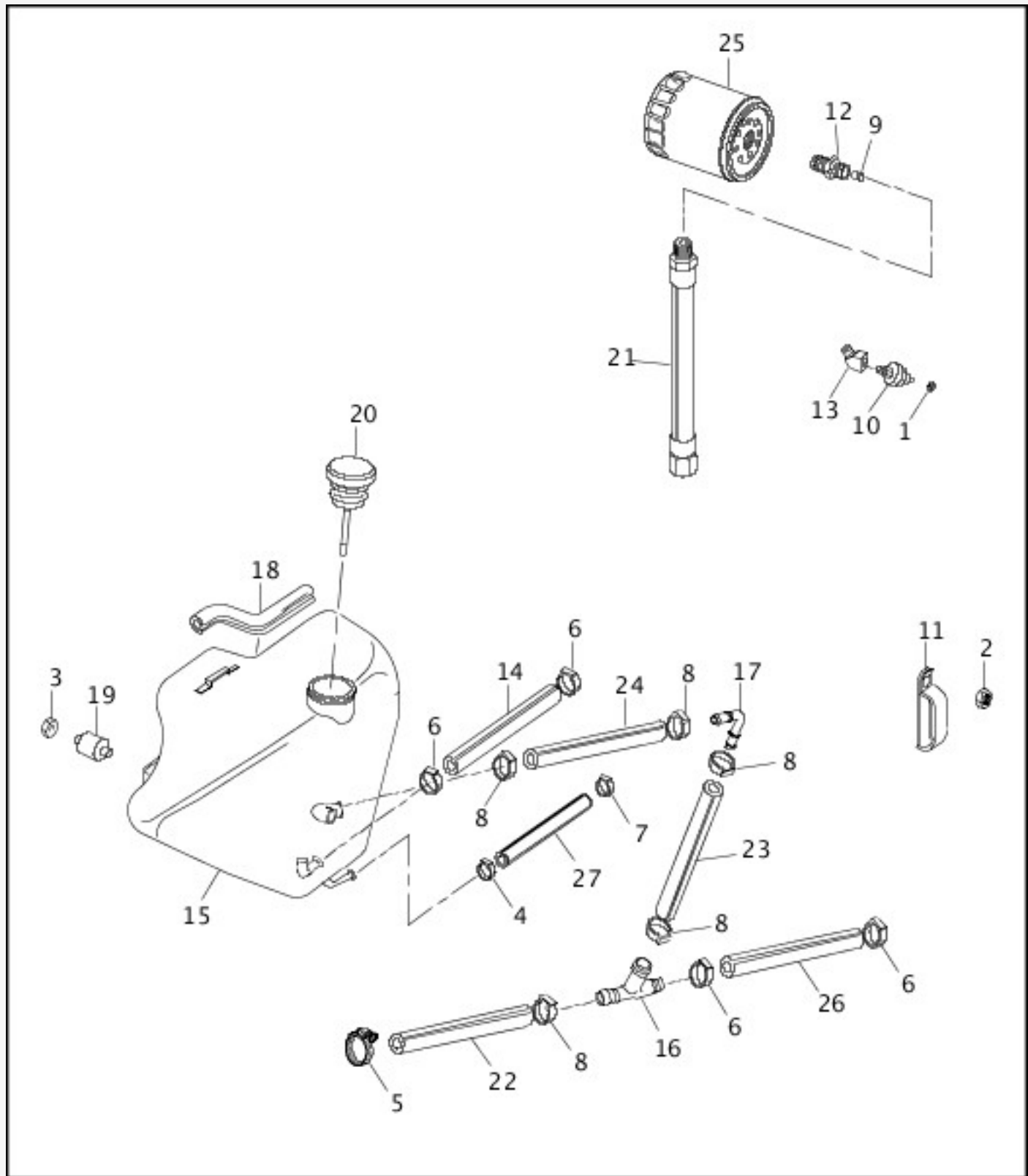
30	62555-95	INSULATOR, 1/2 I.D. (nylon) (8 ft. lg.)	ALL
----	----------	---	-----

INTERNATIONAL MODELS ONLY

31	14456-95	DECAL, unleaded fuel (HDI)	XL1200 1995, XL883 1995, XL883DLX, XL883HUG 1995
----	----------	----------------------------	--

32	61450-95	FUEL INLET RESTRICTOR KIT (Swiss) (not illustrated)	ALL
----	----------	---	-----

OIL TANK & FILTER



[View interactive image](#)

[View interactive table](#)

INDEX NO.	PART NO.	DESCRIPTION	MODEL(S)
1	7629	NUT	ALL
2	7624	LOCKNUT	ALL
3	7686	LOCKNUT (3)	ALL
4	10014	CLAMP, crankcase vent hose	ALL

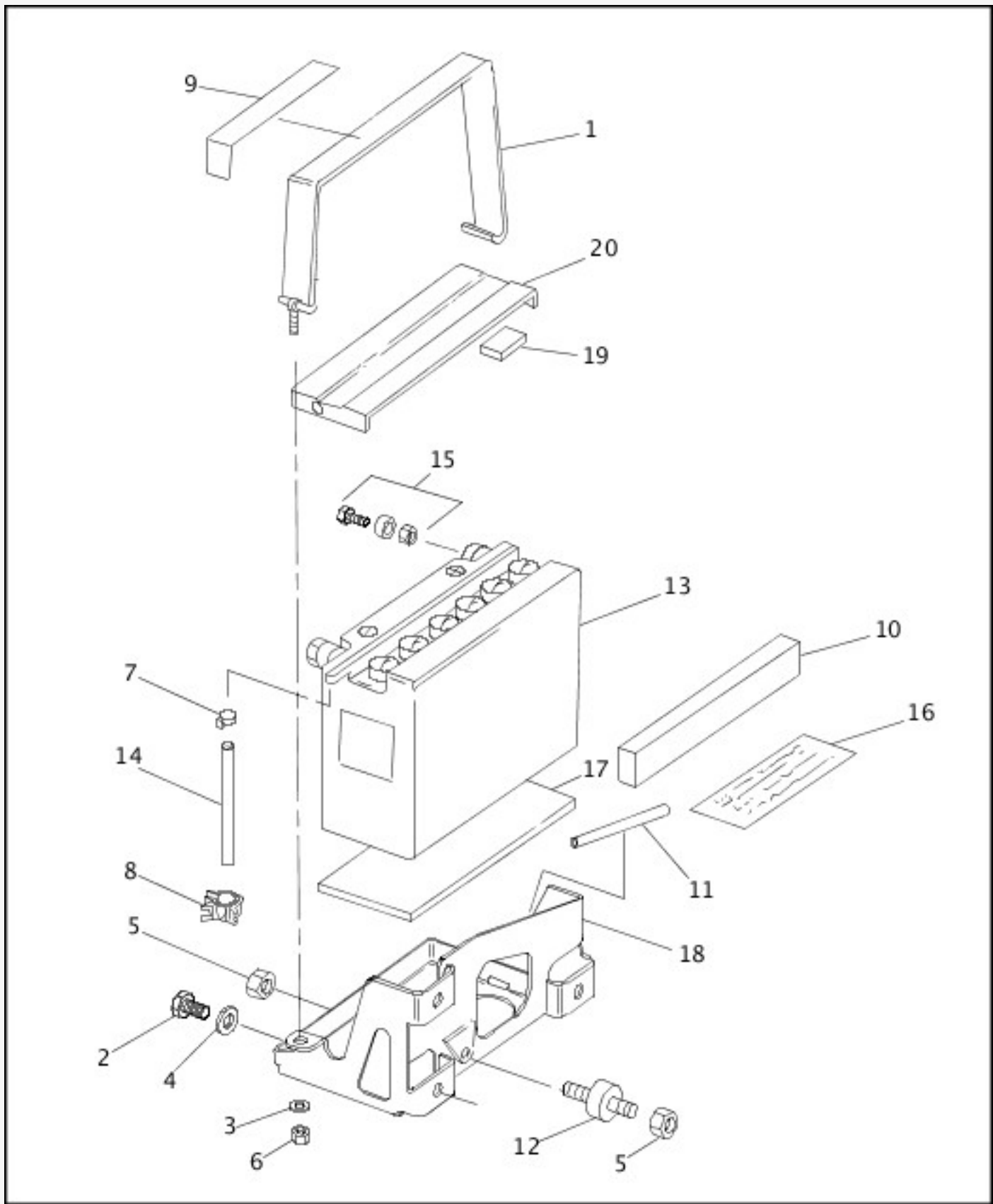
5	9969	CLAMP, oil drain hose	ALL
6	10080	CLAMP, oil hose (4)	ALL
7	10117	CLAMP, crankcase vent hose	ALL
8	10142	CLAMP, oil hose (5)	ALL
9	26437-86B	BALL	ALL
10	26554-77B	SWITCH, oil pressure indicator	ALL
11	31532-94	CLIP	ALL
12	33117-91A	ADAPTOR, oil filter	ALL
13	60618-91	STREET ELBOW (early model year)	XL1200 1995, XL1200 1996, XL1200C, XL1200S, XL883 1995, XL883 1996, XL883DLX, XL883HUG 1995, XL883HUG 1996
14	62361-94	HOSE, oil return to tank	ALL
15	62475-94A	OIL TANK ASSEMBLY	ALL
16	62493-89	TEE, oil hose	ALL
17	62494-94B	ELBOW, 90 degree	ALL
18	62540-83	TRIM STRIP (3)	ALL
19	62563-65	MOUNT, oil tank (3)	ALL
20	62634-84A	FILLER CAP, w/ dipstick	ALL
21	62631-91	HOSE, oil pump to filter	ALL
22	63504-94	HOSE, oil drain	ALL
23	63542-94A	HOSE, oil drain/feed	ALL
24	63564-94	HOSE, oil drain/feed (use 63542-94A)	ALL
25	63805-80A	OIL FILTER (black)	ALL

	63796-77A	OIL FILTER (chrome)	ALL
--	-----------	---------------------	-----

NOTE: Hose or insulator is sold in bulk length under the following part numbers. Cut to length.

26	63500-68	HOSE (rubber) (25 ft. long.), 3/8 I.D. x 5/8 O.D.	ALL
27	63501-68B	HOSE (rubber) (25 ft. long.), 1/4 I.D. x 1/2 O.D.	ALL

BATTERY



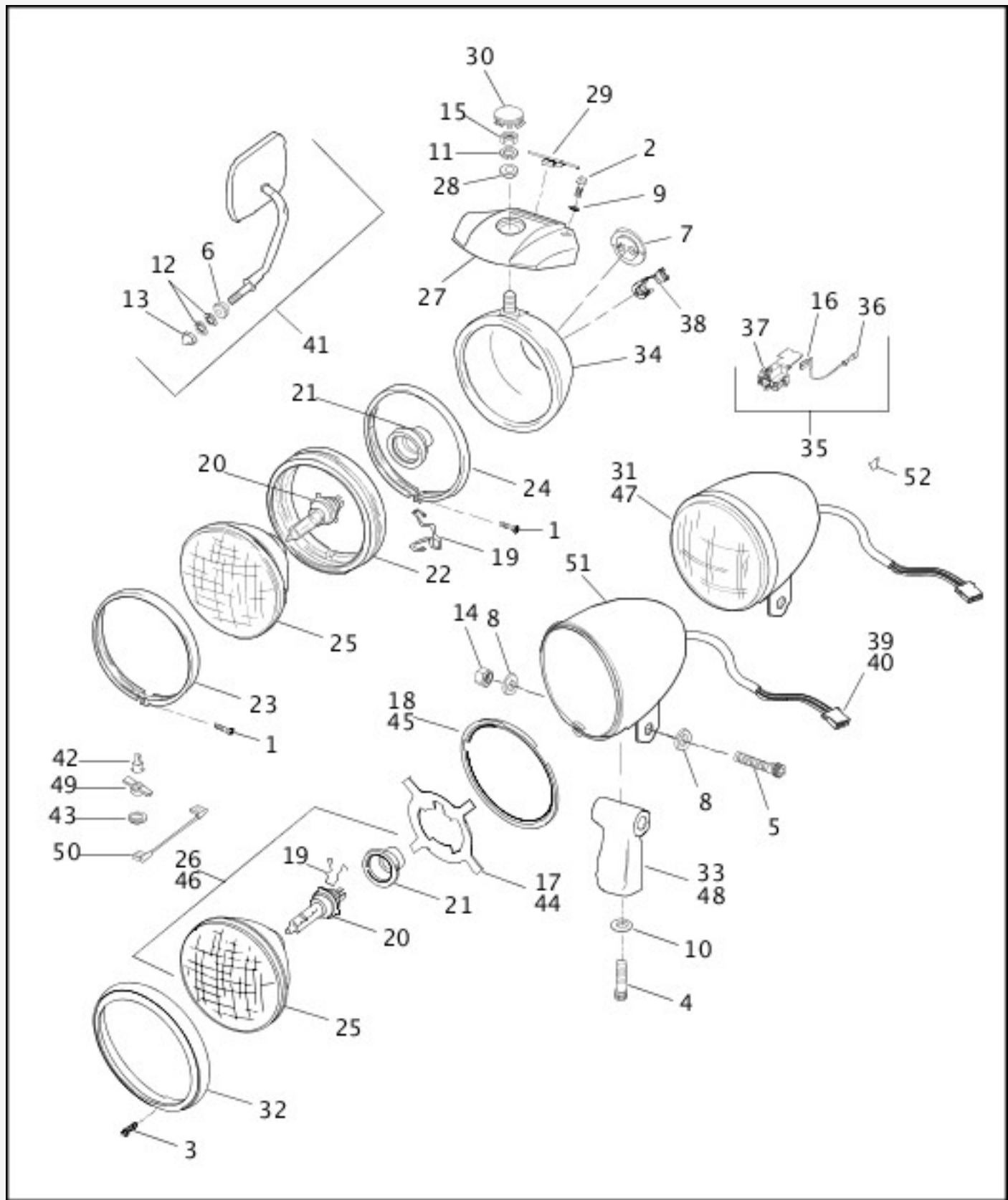
[View interactive image](#)

[View interactive table](#)

INDEX NO.	PART NO.	DESCRIPTION	MODEL(S)
1	3930A	SCREW (3)	ALL
2	6220W	WASHER	ALL
3	6702	WASHER	ALL
4	7686	LOCKNUT (3)	ALL
5	7688	NUT	ALL

6	7739	LOCKNUT	ALL
7	10067	CLAMP, vent hose	ALL
8	10110	CLIP	ALL
9	11412	GROMMET	ALL
10	29112-83	WARNING LABEL	ALL
11	47403-75A	PAD, battery tray side (2)	ALL
12	62540-83	TRIM STRIP	ALL
13	62569-94	MOUNT, battery tray	ALL
14	65991-82B	BATTERY	ALL
15	65995-88A	VENT TUBE	ALL
16	66000-80	BATTERY TERMINAL KIT	ALL
17	66032-91	FILLER CAP, battery (6)	ALL
18	15368-01A	LABEL, warning, disconnect battery etc.	ALL
19	66103-74A	PAD, battery	ALL
20	66194-94A	TRAY, battery	ALL
21	66346-91	COVER, battery front (black)	XL1200C
22	66352-65	PAD, battery cover (2)	ALL
23	66367-73	COVER, battery, top (chrome)	ALL
24	66476-73A	STRAP, battery	ALL
25	70079-94	CABLE ASSEMBLY, battery positive & negative, w/ 9 & 26	ALL
26	70578-89	BOOT, insulating	ALL

HEADLAMP & MIRROR (1 OF 2)



[View interactive image](#)

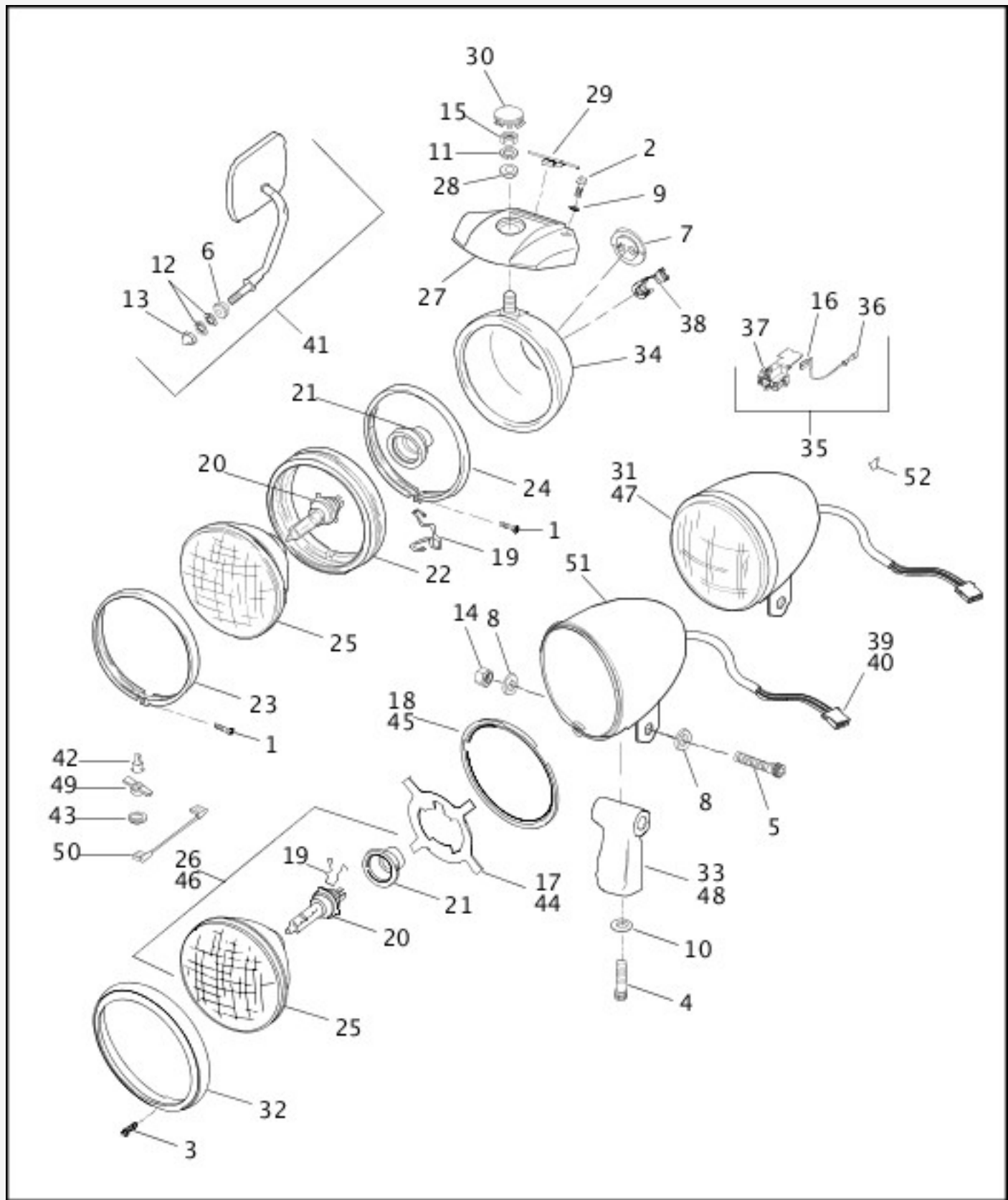
[View interactive table](#)

INDEX NO.	PART NO.	DESCRIPTION	MODEL(S)
1	1203	SCREW (2)	XL1200 1995, XL1200 1996, XL1200S, XL883 1995, XL883 1996, XL883DLX, XL883HUG 1995, XL883HUG 1996
2	2708A	SCREW (2)	XL1200 1995, XL1200 1996, XL1200S, XL883 1995, XL883 1996, XL883DLX, XL883HUG 1995, XL883HUG 1996
3	3514	SCREW	XL1200C
4	4350A	SCREW	XL1200C

5	4420	SCREW	XL1200C
6	5774	SPACER (2)	ALL
7	6272	GROMMET	XL1200 1995, XL1200 1996, XL1200S, XL883 1995, XL883 1996, XL883DLX, XL883HUG 1995, XL883HUG 1996
8	6701	WASHER (2)	XL1200C
9	6702	WASHER (2)	XL1200 1995, XL1200 1996, XL1200S, XL883 1995, XL883 1996, XL883DLX, XL883HUG 1995, XL883HUG 1996
10	7045	LOCKWASHER	XL1200C
11	7068	LOCKWASHER	XL1200 1995, XL1200 1996, XL1200S, XL883 1995, XL883 1996, XL883DLX, XL883HUG 1995, XL883HUG 1996
12	7127	LOCKWASHER (2)	ALL
13	7736	ACORN NUT	XL1200C, XL883DLX, XL883HUG 1995, XL883HUG 1996
13	7736	ACORN NUT (2)	XL1200 1995, XL1200 1996, XL1200S, XL883 1995, XL883 1996
14	7778	LOCKNUT	XL1200C
15	7880	NUT	XL1200 1995, XL1200 1996, XL1200S, XL883 1995, XL883 1996, XL883DLX, XL883HUG 1995, XL883HUG 1996
16	9847	WIRE TERMINAL, female spade-R.H.	ALL
	9848	WIRE TERMINAL, female spade-L.H. (2)	ALL
17	67601-94A	GASKET, headlamp	XL1200C
18	67603-94A	ADAPTER RING	XL1200C
19	67685-92	CLIP, bulb	ALL
20	68329-03	BULB, halogen	ALL
21	67705-92	BOOT, headlamp	ALL
22	67719-63	MOUNTING RING (rubber)	XL1200 1995, XL1200 1996, XL1200S, XL883 1995, XL883 1996, XL883DLX, XL883HUG 1995, XL883HUG 1996
23	67725-63	MOLDING RING, outer	XL1200 1995, XL1200 1996, XL1200S, XL883 1995, XL883 1996, XL883DLX, XL883HUG 1995, XL883HUG 1996
24	67744-75	MOLDING RING, inner	XL1200 1995, XL1200 1996, XL1200S, XL883 1995, XL883 1996, XL883DLX, XL883HUG 1995, XL883HUG 1996
25	67757-	LENS, headlamp, w/ 19	ALL

	92		
26	67698-81D	LENS ASSEMBLY, w/ 19, 20, 21 & 25	ALL
27	67805-92	BRACKET, headlamp	XL1200 1995, XL1200 1996, XL1200S, XL883 1995, XL883 1996, XL883DLX, XL883HUG 1995, XL883HUG 1996
28	67815-59A	WASHER, headlamp mounting	XL1200 1995, XL1200 1996, XL1200S, XL883 1995, XL883 1996, XL883DLX, XL883HUG 1995, XL883HUG 1996
29	67834-83	DECAL, TRIM	XL1200 1995, XL1200 1996, XL1200S, XL883 1995, XL883 1996, XL883DLX, XL883HUG 1995, XL883HUG 1996

HEADLAMP & MIRROR (2 OF 2)



[View interactive image](#)

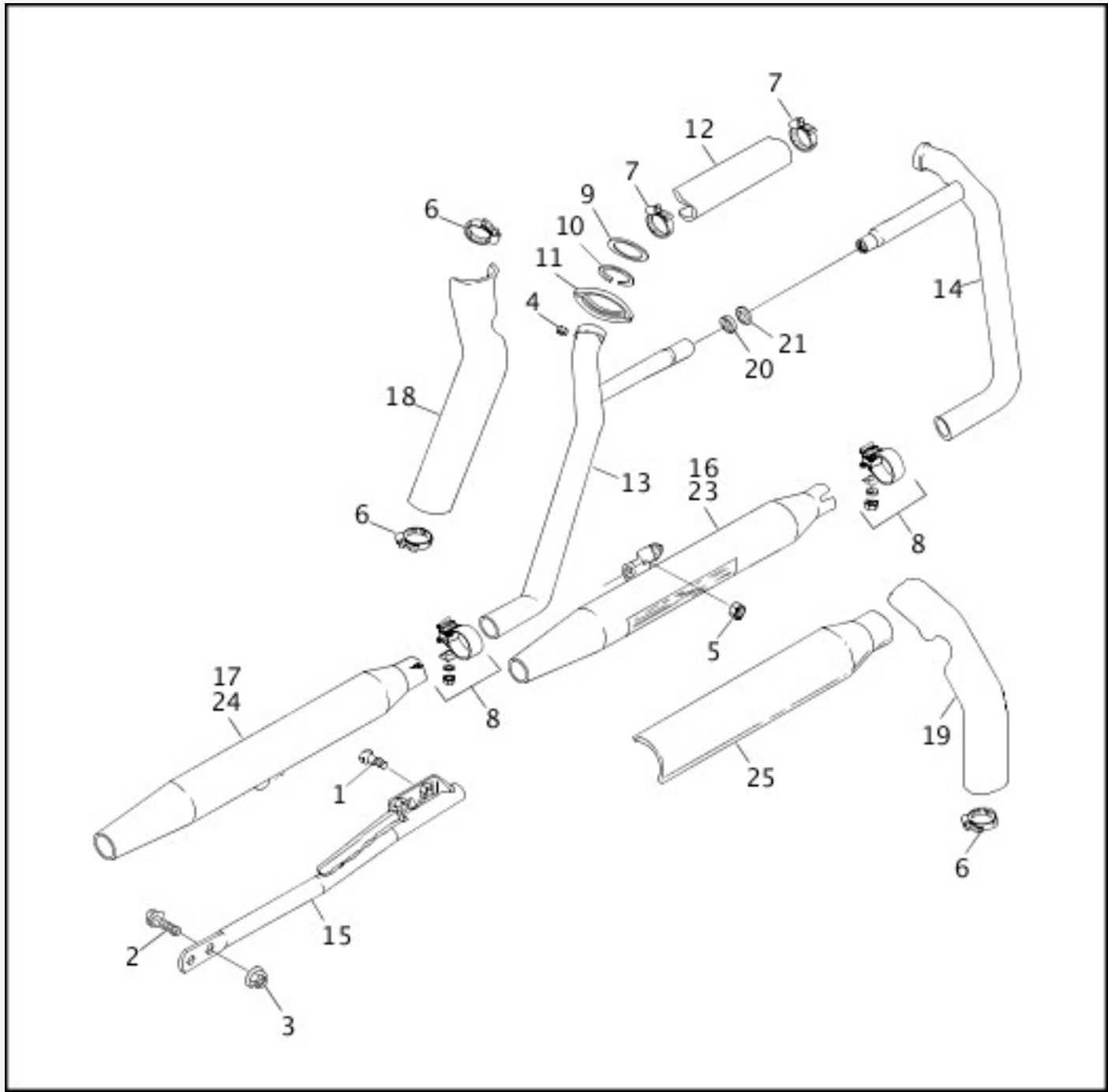
[View interactive table](#)

INDEX NO.	PART NO.	DESCRIPTION	MODEL(S)
30	67865-89	PLUG, headlamp bracket	XL1200 1995, XL1200 1996, XL1200S, XL883 1995, XL883 1996, XL883DLX, XL883HUG 1995, XL883HUG 1996
31	67881-96B	HEADLIGHT ASSEMBLY	XL1200C
32	67894-93A	TRIM RING (chrome)	XL1200C

33	67919-96	HEADLAMP MOUNTING	XL1200C
34	68061-94B	HOUSING, headlamp	XL1200 1995, XL1200 1996, XL1200S, XL883 1995, XL883 1996, XL883DLX, XL883HUG 1995, XL883HUG 1996
35	68705-93A	CONNECTOR ASSEMBLY, headlamp, w/ wires, terminals & splice conn.	ALL
36	70583-93	CONNECTOR, butt splice, 16-22 gauge (4)	ALL
37	72056-92	CONNECTOR, spade terminal (3-way)	ALL
38	72507-94	GROMMET	XL1200 1995, XL1200 1996, XL1200S, XL883 1995, XL883 1996, XL883DLX, XL883HUG 1995, XL883HUG 1996
39	73154-96BK	SOCKET HOUSING, 4-position	XL1200C
40	73191-96	CONTACT SOCKET (16-20 gauge)	XL1200C
41	91875-88A	MIRROR KIT, right, short	XL1200 1995, XL1200C, XL883DLX, XL883HUG 1995, XL883HUG 1996
	91892-88A	MIRROR KIT, left, short	XL1200 1995, XL1200C, XL883DLX, XL883HUG 1995, XL883HUG 1996
	91902-88A	MIRROR KIT, left, long	XL1200 1996, XL1200S, XL883 1995, XL883 1996
	91904-88A	MIRROR KIT, right, long	XL1200 1996, XL1200S, XL883 1995, XL883 1996
INTERNATIONAL MODELS ONLY			
42	53438-92	BULB, position lamp (HDI)	ALL
43	67691-92	GROMMET (HDI)	XL1200 1995, XL1200 1996, XL1200S, XL883 1995, XL883 1996, XL883DLX, XL883HUG 1995, XL883HUG 1996
44	67602-94	GASKET, headlight (HDI)	XL1200C
45	67604-94	RETAINING RING, headlight (HDI)	XL1200C
46	67763-92A	LENS ASSEMBLY, w/ 19, 20, 21 & 25, right dip (HDI)	XL1200 1995, XL1200 1996, XL1200S, XL883 1995, XL883 1996, XL883DLX, XL883HUG 1995, XL883HUG 1996
	67781-92A	LENS ASSEMBLY, w/ 19, 20, 21 & 25, left dip (HDI)	XL1200 1995, XL1200 1996, XL1200S, XL883 1995, XL883 1996, XL883DLX, XL883HUG 1995, XL883HUG 1996

			1996
47	67882-96A	HEADLIGHT ASSEMBLY, left dip (HDI) (order 67771-08 & headlamp assembly components)	XL1200C
	67901-96A	HEADLIGHT ASSEMBLY, right dip (HDI) (order 67771-08 & headlamp assembly components)	XL1200C
48	67850-96	HEADLAMP MOUNTING (HDI)	XL1200C
49	68650-92	SOCKET, bulb, (HDI)	ALL
50	70048-92	WIRE, position lamp, (HDI)	ALL
51	67771-08	SHELL, headlamp (HDI, Australia, England, Japan)	XL1200C
52	9898	TERMINAL, female flag, 14-16 wire (HDI)	ALL

EXHAUST SYSTEM



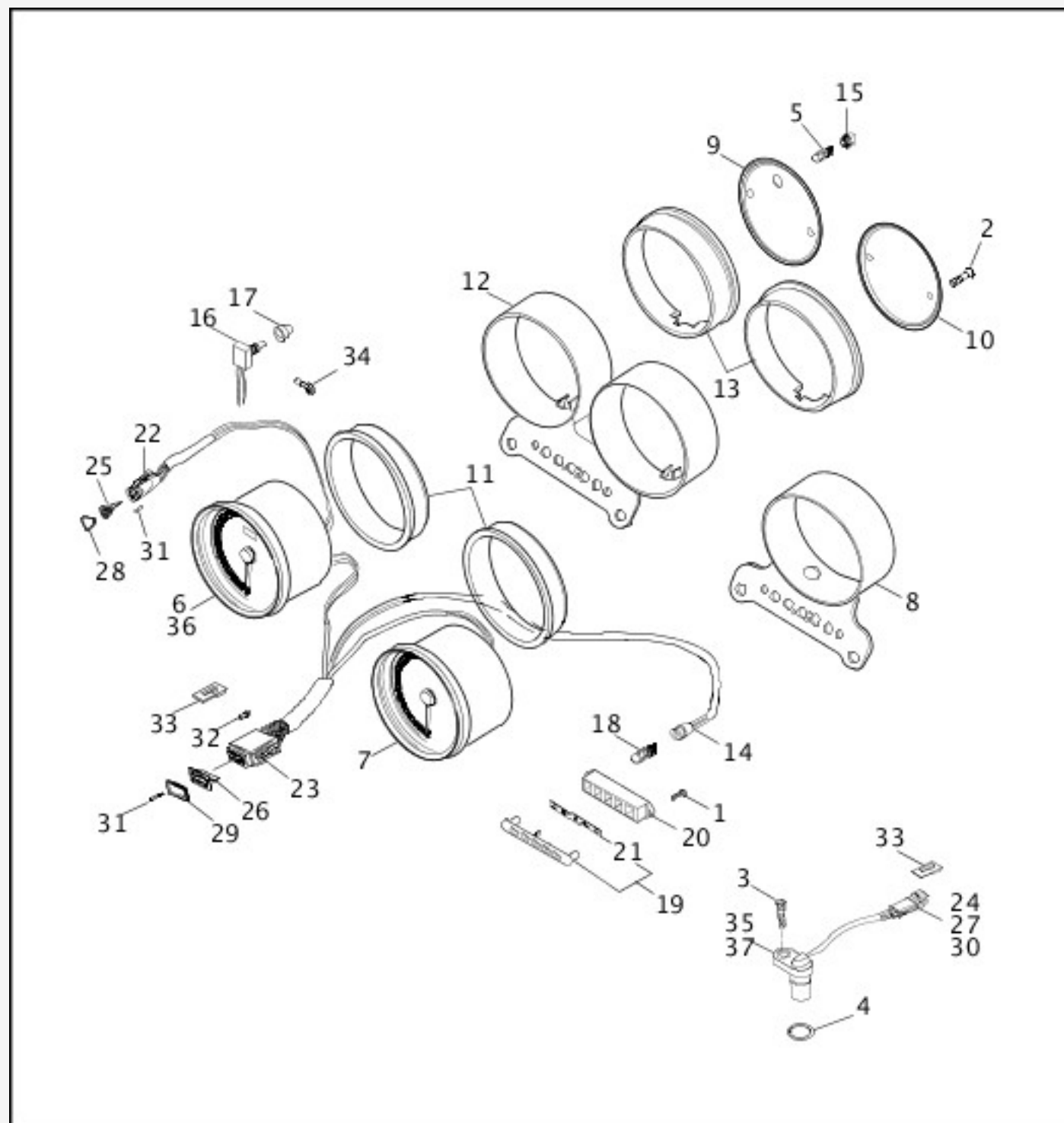
[View interactive image](#)

[View interactive table](#)

INDEX NO.	PART NO.	DESCRIPTION	MODEL(S)
1	4377	SCREW (2)	ALL
2	5440	BOLT	ALL
3	7531	LOCKNUT	ALL
4	7593	NUT (4)	ALL
5	7844	LOCKNUT	ALL
6	9955	CLAMP, heat shield (4)	ALL
7	10048	CLAMP, crossover pipe shield (use 9955) (2)	ALL
8	65296-	CLAMP, muffler (2)	ALL

	95A		
9	65324-83B	GASKET, exhaust port (2)	ALL
10	65325-83A	RETAINING RING, exhaust gasket (2)	ALL
11	65328-83A	CLAMP, exhaust pipe to manifold	ALL
12	65419-86	HEAT SHIELD, crossover pipe (chrome)	ALL
13	65568-86A	EXHAUST PIPE, rear (chrome)	ALL
14	65569-86A	EXHAUST PIPE, front (chrome)	ALL
15	65599-80D	SUPPORT KIT, rear muffler w/ 1 & 2	ALL
16	65605-87B	MUFFLER & CLAMP KIT, front (chrome)	ALL
17	65613-86B	MUFFLER & CLAMP KIT, rear (chrome)	ALL
18	65712-95	HEAT SHIELD, rear (chrome)	ALL
19	65719-95	HEAT SHIELD, front (chrome)	ALL
20	65781-82	GASKET	ALL
21	65782-82	WASHER	ALL
INTERNATIONAL MODELS ONLY			
22	10074	CLAMP, heat shield (Swiss) (not illustrated) (4)	ALL
23	65766-89E	MUFFLER & CLAMP KIT, front (chrome) (HDI)	ALL
	65860-91A	MUFFLER & CLAMP KIT, front (catalytic) (Swiss)	XL1200 1995, XL883 1995, XL883DLX, XL883HUG 1995
	65860-94A	MUFFLER, front (Swiss)	XL1200 1996, XL1200C, XL1200S, XL883 1996, XL883HUG 1996
24	65769-89E	MUFFLER & CLAMP KIT, rear (chrome) (HDI)	ALL
	65861-91A	MUFFLER & CLAMP KIT, rear (catalytic) (Swiss)	XL1200 1995, XL883 1995, XL883DLX, XL883HUG 1995
	65861-94A	MUFFLER, rear (Swiss)	XL1200 1996, XL1200C, XL1200S, XL883 1996, XL883HUG 1996

SPEEDOMETER & TACHOMETER (1 OF 3)



[View interactive image](#)

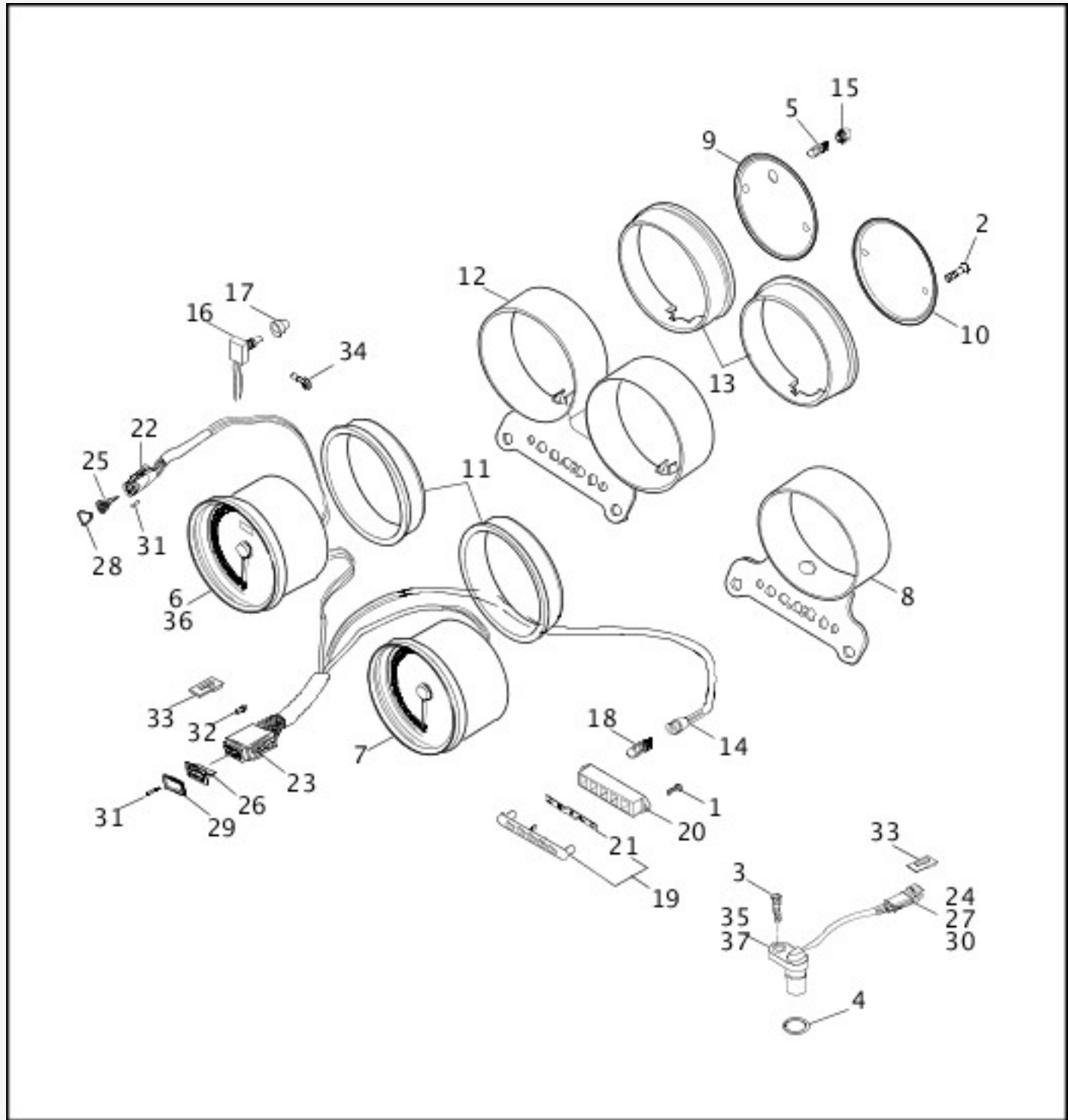
[View interactive table](#)

INDEX NO.	PART NO.	DESCRIPTION	MODEL(S)
1	2325	SCREW (2)	XL1200 1995, XL1200 1996, XL1200S, XL883 1995, XL883 1996, XL883DLX, XL883HUG 1995, XL883HUG 1996
2	2361	SCREW (2)	XL883 1995, XL883 1996, XL883DLX, XL883HUG 1995, XL883HUG 1996
2	2361	SCREW (4)	XL1200 1995, XL1200 1996, XL1200S

3	3594	SCREW	XL1200 1995, XL1200 1996, XL1200S, XL883 1995, XL883 1996, XL883DLX, XL883HUG 1995, XL883HUG 1996
4	11140	O-RING	XL1200 1995, XL1200 1996, XL1200S, XL883 1995, XL883 1996, XL883DLX, XL883HUG 1995, XL883HUG 1996
5	67136-85	BULB, odometer	XL1200 1995, XL1200 1996, XL1200S, XL883 1995, XL883 1996, XL883DLX, XL883HUG 1995, XL883HUG 1996
5	53439-79	BULB, speedometer	XL1200 1995, XL1200 1996, XL1200S, XL883 1995, XL883 1996, XL883DLX, XL883HUG 1995, XL883HUG 1996
	52441-95	BULB, tachometer	XL1200 1995, XL1200 1996, XL1200S
6	67037-95D	SPEEDOMETER, mph, w/ bulbs, reset switch & 3-way plug	XL883 1995, XL883DLX, XL883HUG 1995
	67037-96D	SPEEDOMETER, mph, w/ bulbs, reset switch & 3-way plug	XL1200 1996, XL883 1996, XL883HUG 1996
	67283-95C	SPEEDOMETER, mph, w/ bulbs, reset switch & 3-way plug	XL1200 1995
	67283-96C	SPEEDOMETER, mph, w/ bulbs, reset switch & 3-way plug	XL1200 1996, XL1200S
7	67152-95B	TACHOMETER, w/ bulb	XL1200 1995, XL1200S
8	67053-95	BRACKET, speedometer	XL883 1995, XL883 1996, XL883DLX, XL883HUG 1995, XL883HUG 1996
9	67085-95	COVER, speedometer back (chrome rim)	XL1200 1995, XL1200 1996, XL1200S
	67320-95	COVER, speedometer back (black)	XL883 1995, XL883 1996, XL883DLX, XL883HUG 1995, XL883HUG 1996
10	67103-95	COVER, tachometer back (chrome rim)	XL1200 1995, XL1200 1996, XL1200S
11	67104-95	CUSHION, front	XL883 1995, XL883 1996, XL883DLX, XL883HUG 1995, XL883HUG 1996
	67104-95	CUSHION, front (2)	XL1200 1995, XL1200 1996, XL1200S
12	67338-97	BRACKET, speedo & tach	XL1200 1995, XL1200 1996, XL1200S
13	67121-95A	CUSHION, rear	XL883 1995, XL883 1996, XL883DLX, XL883HUG 1995, XL883HUG 1996
13	67121-95A	CUSHION, rear (2)	XL1200 1995, XL1200 1996, XL1200S
14	67184-94	SOCKET, indicator lamps (5)	XL1200 1995, XL1200 1996, XL1200S, XL883 1995, XL883 1996, XL883DLX, XL883HUG 1995, XL883HUG 1996

15	67191-94	SOCKET (2)	XL883 1995, XL883 1996, XL883DLX, XL883HUG 1995, XL883HUG 1996
15	67191-94	SOCKET (3)	XL1200 1995, XL1200 1996, XL1200S

SPEEDOMETER & TACHOMETER (2 OF 3)



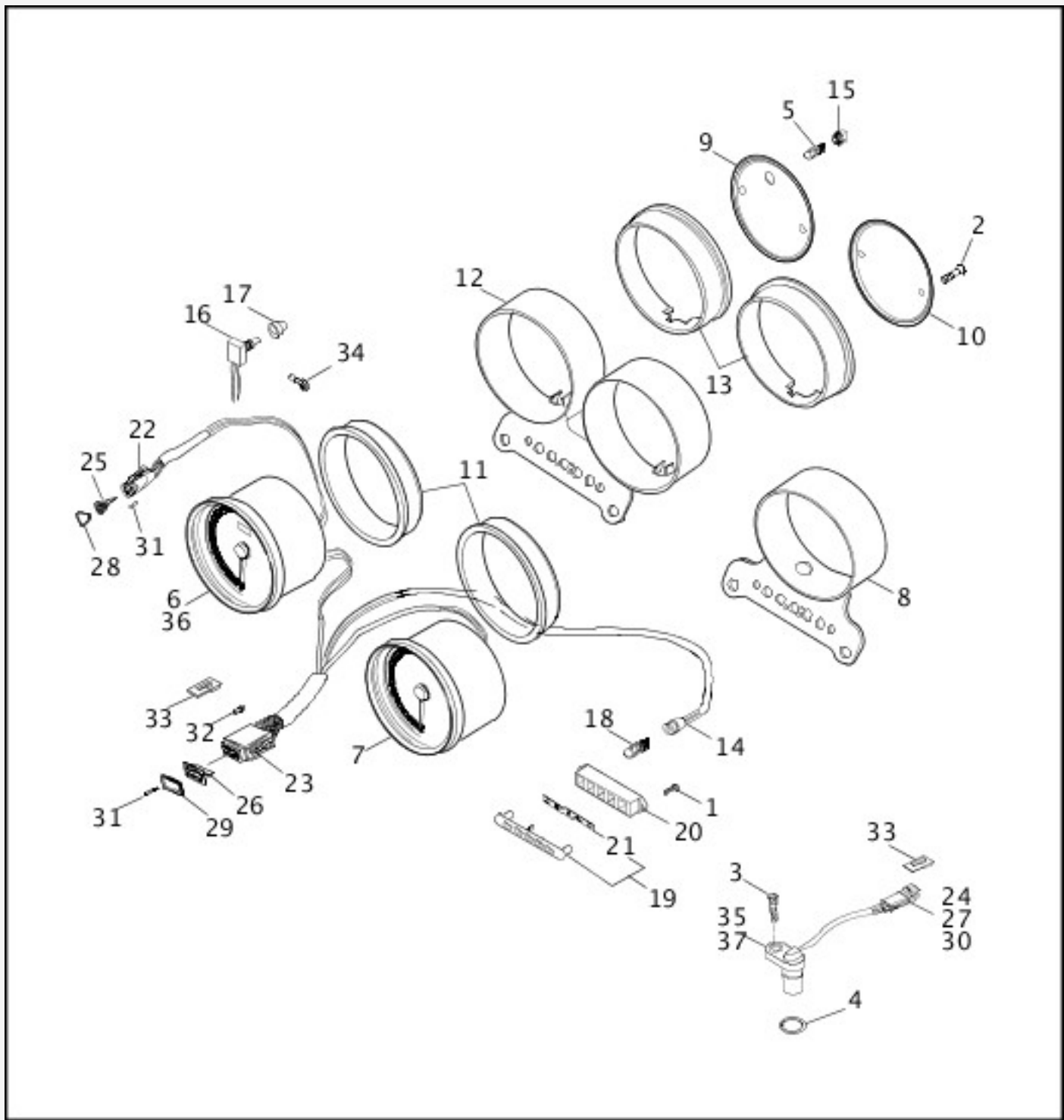
[View interactive image](#)

[View interactive table](#)

INDEX NO.	PART NO.	DESCRIPTION	MODEL(S)
16	67854-98	SWITCH, reset	XL1200 1995, XL1200 1996, XL1200S, XL883 1995, XL883 1996, XL883DLX, XL883HUG 1995, XL883HUG 1996
17	67880-	BOOT, reset switch	XL1200 1995, XL1200 1996, XL1200S, XL883 1995, XL883 1996,

	94		XL883DLX, XL883HUG 1995, XL883HUG 1996
18	68024-94	BULB, indicator lamps (5)	XL1200 1995, XL1200 1996, XL1200S, XL883 1995, XL883 1996, XL883DLX, XL883HUG 1995, XL883HUG 1996
19	68513-95	TRIM PLATE, indicator lamps	XL1200 1995, XL1200 1996, XL1200S, XL883 1995, XL883 1996, XL883DLX, XL883HUG 1995, XL883HUG 1996
20	68516-95	HOUSING, indicator lamps	XL1200 1995, XL1200 1996, XL1200S, XL883 1995, XL883 1996, XL883DLX, XL883HUG 1995, XL883HUG 1996
21	68551-95	LENS, indicator lamps	XL1200 1995, XL1200 1996, XL1200S, XL883 1995, XL883 1996, XL883DLX, XL883HUG 1995, XL883HUG 1996
22	72113-94BK	PLUG, 3-way socket	XL1200 1995, XL1200 1996, XL1200S, XL883 1995, XL883 1996, XL883DLX, XL883HUG 1995, XL883HUG 1996
23	72119-94BK	PLUG, 12-way (black)	XL1200 1995, XL1200 1996, XL1200S, XL883 1995, XL883 1996, XL883DLX, XL883HUG 1995, XL883HUG 1996
24	72143-94	SECONDARY LOCK, 3-way receptacle	XL1200 1995, XL1200 1996, XL1200S, XL883 1995, XL883 1996, XL883DLX, XL883HUG 1995, XL883HUG 1996
25	72153-94	SOCKET LOCK, sec. 3-way	XL1200 1995, XL1200 1996, XL1200S, XL883 1995, XL883 1996, XL883DLX, XL883HUG 1995, XL883HUG 1996
26	72159-94	SECONDARY LOCK, 12-way plug	XL1200 1995, XL1200 1996, XL1200S, XL883 1995, XL883 1996, XL883DLX, XL883HUG 1995, XL883HUG 1996
27	72163-94BK	RECEPTACLE, 3-way pin	XL1200 1995, XL1200 1996, XL1200S, XL883 1995, XL883 1996, XL883DLX, XL883HUG 1995, XL883HUG 1996
28	72173-94	SEAL, front (3-way plug)	XL1200 1995, XL1200 1996, XL1200S, XL883 1995, XL883 1996, XL883DLX, XL883HUG 1995, XL883HUG 1996
29	72179-94	SEAL, front (12-way plug)	XL1200 1995, XL1200 1996, XL1200S, XL883 1995, XL883 1996, XL883DLX, XL883HUG 1995, XL883HUG 1996
30	72190-94	TERMINAL, pin (3)	XL1200 1995, XL1200 1996, XL1200S, XL883 1995, XL883 1996, XL883DLX, XL883HUG 1995, XL883HUG 1996

SPEEDOMETER & TACHOMETER (3 OF 3)



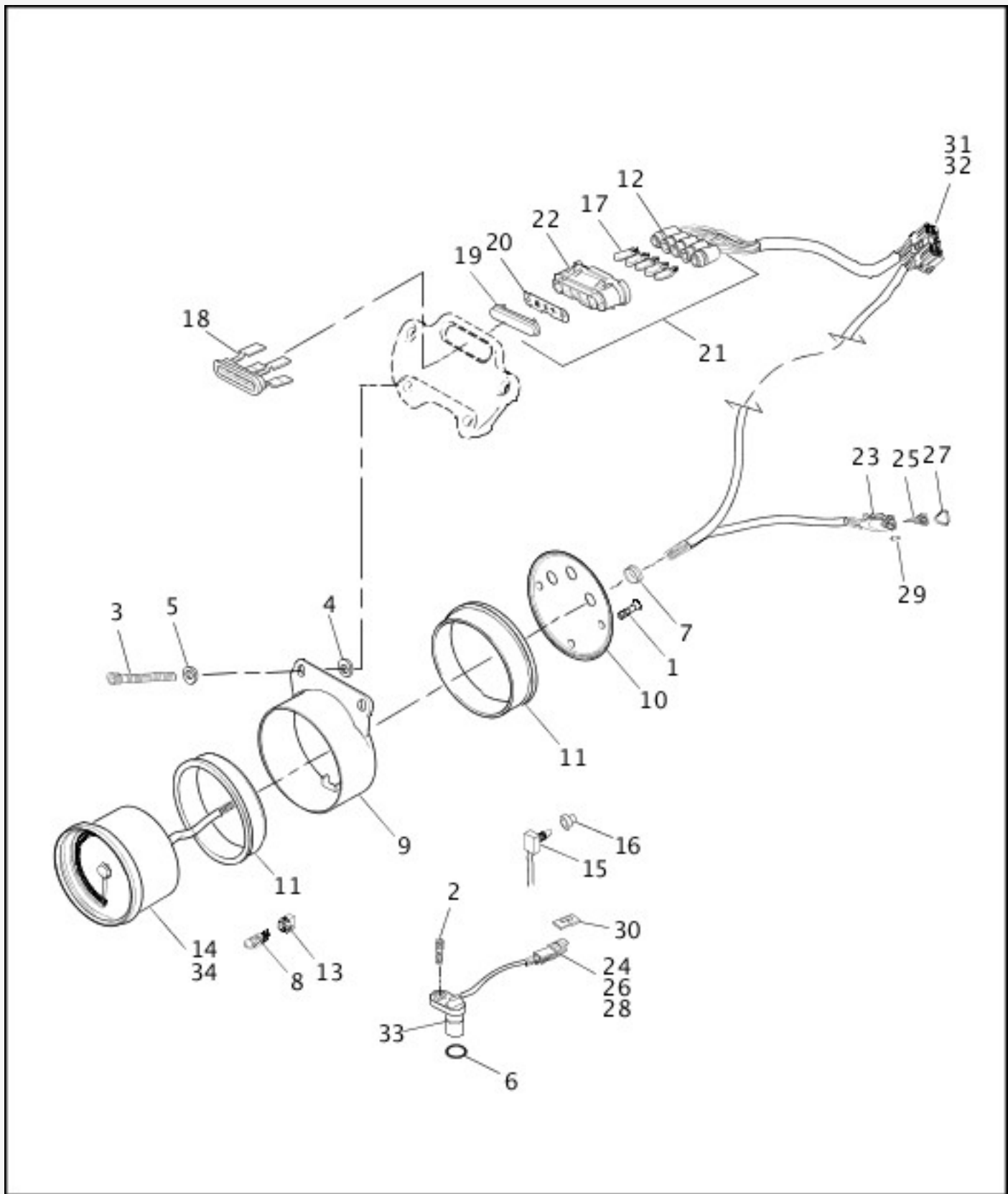
[View interactive image](#)

[View interactive table](#)

INDEX NO.	PART NO.	DESCRIPTION	MODEL(S)
31	72191-94	TERMINAL, socket (15)	XL1200 1995, XL1200 1996, XL1200S, XL883 1995, XL883 1996, XL883DLX, XL883HUG 1995, XL883HUG 1996
32	72195-94	SEAL PIN (as required)	XL1200 1995, XL1200 1996, XL1200S, XL883 1995, XL883 1996, XL883DLX, XL883HUG 1995, XL883HUG 1996
33	72199-94	ATTACHMENT CLIP (2)	XL1200 1995, XL1200 1996, XL1200S, XL883 1995, XL883 1996, XL883DLX, XL883HUG 1995, XL883HUG 1996
34	72241-94	TERMINAL, ring type, #10 hole, 18-20 gauge (3)	XL1200 1995, XL1200 1996, XL1200S, XL883 1995, XL883 1996, XL883DLX, XL883HUG 1995, XL883HUG 1996
35	74421-95	SENSOR, speed	XL1200 1995, XL1200S, XL883 1995, XL883DLX, XL883HUG 1995

	74402-95B	SENSOR, speed	XL1200 1996, XL1200C, XL1200S, XL883 1996, XL883HUG 1996
INTERNATIONAL MODELS ONLY			
36	67041-95D	SPEEDOMETER, kph, w/ bulbs, reset switch & 3-way plug (HDI)	XL883 1995, XL883 1996, XL883DLX, XL883HUG 1995, XL883HUG 1996
	67285-95C	SPEEDOMETER, kph, w/ bulbs, reset switch & 3-way plug (HDI)	XL1200 1995, XL1200 1996, XL1200S
	67290-95D	SPEEDOMETER, mph, w/ bulbs, reset switch & 3-way plug (Great Britain)	XL883 1995, XL883 1996, XL883DLX, XL883HUG 1995, XL883HUG 1996
	67284-95C	SPEEDOMETER, mph, w/ bulbs, reset switch & 3-way plug (Great Britain)	XL1200 1995, XL1200 1996, XL1200S
	67292-95D	SPEEDOMETER, kph, w/ bulbs, reset switch & 3-way plug (Swiss)	XL883 1995, XL883DLX, XL883HUG 1995
	67292-96D	SPEEDOMETER, kph, w/ bulbs, reset switch & 3-way plug (Swiss)	XL1200 1996, XL883 1996, XL883HUG 1996
	67303-95C	SPEEDOMETER, kph, w/ bulbs, reset switch & 3-way plug (Swiss)	XL1200 1995
	67303-96C	SPEEDOMETER, kph, w/ bulbs, reset switch & 3-way plug (Swiss)	XL1200 1996, XL1200S
	67289-95D	SPEEDOMETER, kph, w/ bulbs, reset switch & 3-way plug (Japan & Canada)	XL883 1995, XL883DLX, XL883HUG 1995
	67383-98B	SPEEDOMETER, kph, w/ bulbs, reset switch & 3-way plug (Japan & Canada)	XL883 1996, XL883HUG 1996
	67286-95C	SPEEDOMETER, kph, w/ bulbs, reset switch & 3-way plug (Japan & Canada)	XL1200 1995
37	74402-95B	SENSOR, speed	XL1200 1995, XL1200 1996, XL1200S, XL883 1995, XL883 1996, XL883DLX, XL883HUG 1995, XL883HUG 1996

SPEEDOMETER - 1200 CUSTOM



[View interactive image](#)

[View interactive table](#)

INDEX NO.	PART NO.	DESCRIPTION	MODEL(S)
1	2548	SCREW (2)	XL1200C
2	3594	SCREW	XL1200C
3	4816A	SCREW (2)	XL1200C
4	6109	WASHER (2)	XL1200C
5	6702	WASHER (2)	XL1200C

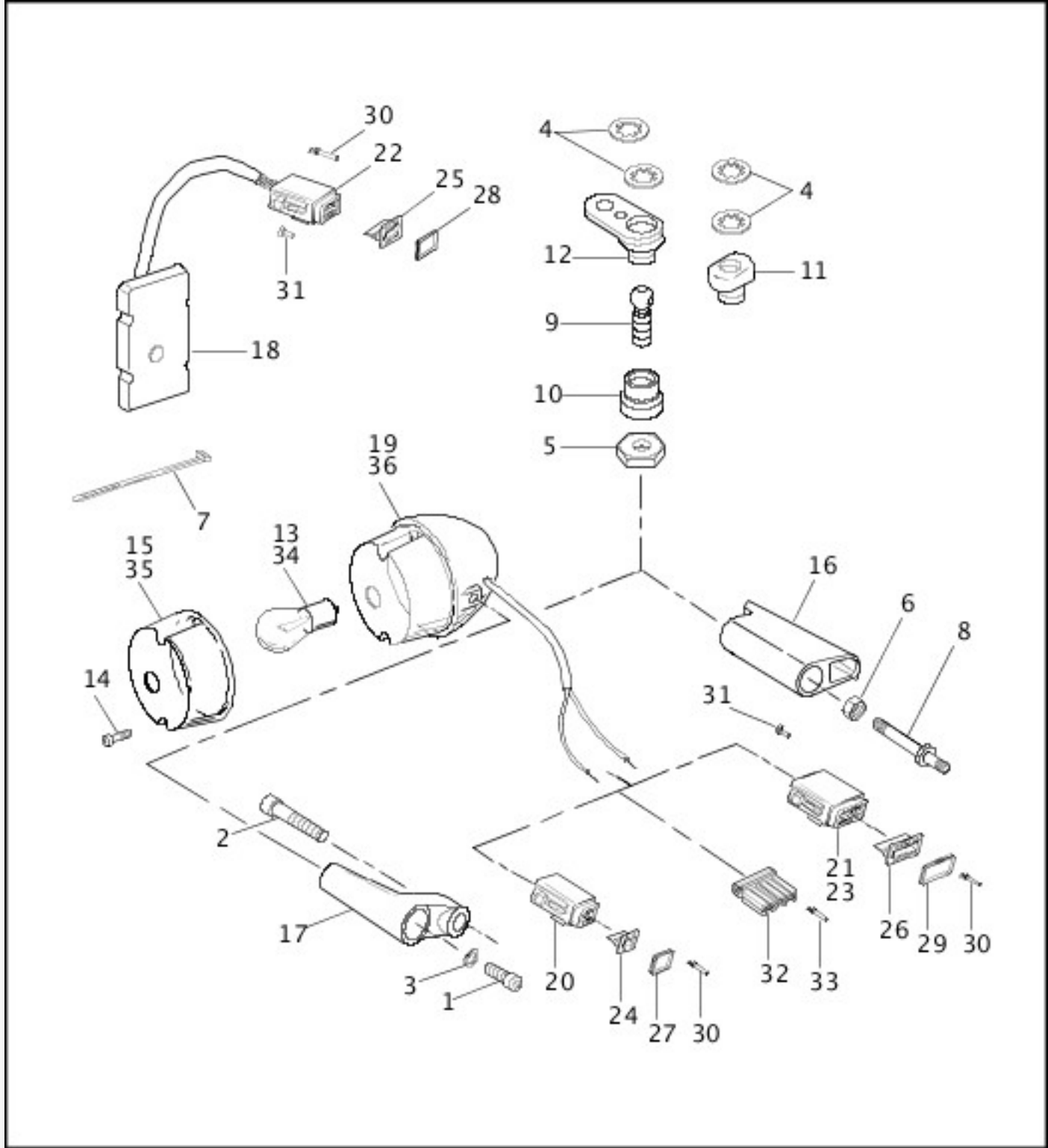
6	11140	O-RING	XL1200C
7	11496	GROMMET	XL1200C
8	53439-79	BULB, speedometer	XL1200C
8	67136-85	BULB, odometer	XL1200C
9	67084-96	BRACKET, speedometer	XL1200C
10	67088-96	COVER, speedometer back	XL1200C
11	67121-95A	CUSHION, front & rear (2)	XL1200C
12	67184-94	SOCKET, indicator lamps (5)	XL1200C
13	67191-94	SOCKET, speedometer (2)	XL1200C
14	67283-96C	SPEEDOMETER, mph, w/ bulbs, reset switch & 3-way plug	XL1200C
15	67854-98	SWITCH, reset (2)	XL1200C
16	67880-94	BOOT, reset switch (2)	XL1200C
17	68024-94	BULB, indicator lamps (5)	XL1200C
18	68382-96	BEZEL, indicator lamp	XL1200C
19	68415-96	LENS, indicator lamp (use 68382-96)	XL1200C
20	68423-96	JEWEL, indicator lamp (use 68382-96)	XL1200C
21	68715-96	INDICATOR LAMP ASSEMBLY	XL1200C
22	68792-96	HOUSING, indicator lamp	XL1200C
23	72113-94BK	PLUG, 3-way socket	XL1200C
24	72143-94	SECONDARY LOCK, 3-way receptacle	XL1200C
25	72153-94	SOCKET LOCK, sec. 3-way	XL1200C
26	72163-94BK	RECEPTACLE, 3-way plug	XL1200C
27	72173-94	SEAL, front (3-way plug)	XL1200C
28	72190-94	TERMINAL, pin (3)	XL1200C
29	72191-94	TERMINAL, socket (13)	XL1200C
30	72199-94	ATTACHMENT CLIP	XL1200C
31	73162-96BK	PLUG, 12-way (black)	XL1200C
32	73191-96	TERMINAL, socket (10)	XL1200C

33	74402-95B	SENSOR, engine speed	XL1200C
----	-----------	----------------------	---------

INTERNATIONAL MODELS ONLY

34	67285-95C	SPEEDOMETER, kph, w/ bulbs, reset switch & 3-way plug (HDI)	XL1200C
	67303-96C	SPEEDOMETER, kph, w/ bulbs, reset switch & 3-way plug (Swiss)	XL1200C
	67284-95C	SPEEDOMETER, mph/ kph, w/ bulbs, reset switch & 3-way plug (Great Britain)	XL1200C

TURN SIGNALS (1 OF 2)



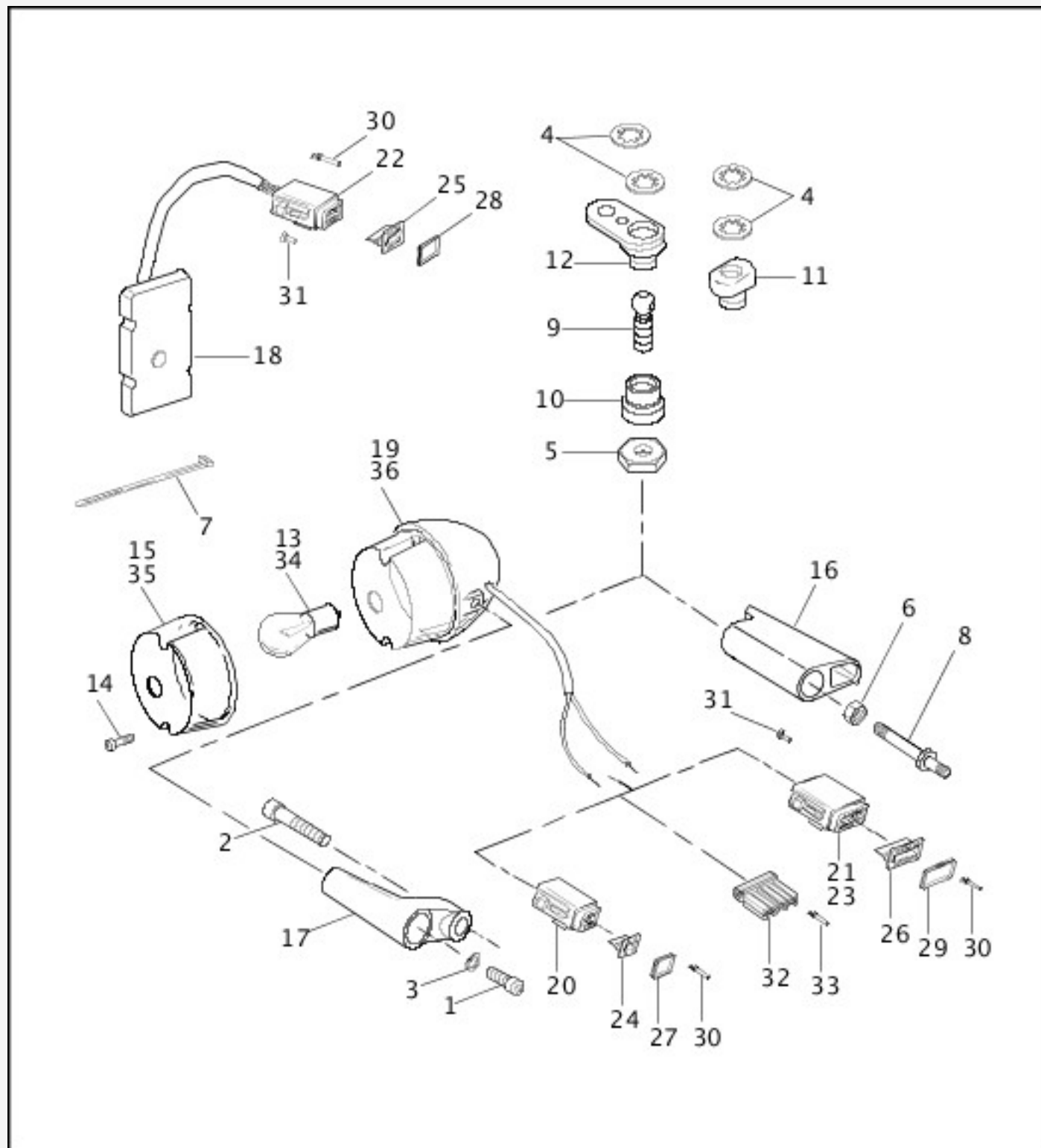
[View interactive image](#)

[View interactive table](#)

INDEX	PART	DESCRIPTION	MODEL(S)
-------	------	-------------	----------

NO.	NO.		
1	2698A	SCREW (2)	XL1200 1995, XL1200 1996, XL1200S, XL883 1995, XL883 1996
2	4047	SCREW (2)	XL1200 1995, XL1200 1996, XL1200S, XL883 1995, XL883 1996
3	7042	LOCKWASHER (2)	XL1200 1995, XL1200 1996, XL1200S, XL883 1995, XL883 1996
4	7127	LOCKWASHER (4)	ALL
5	7744	JAMNUT (2)	XL1200 1995, XL1200 1996, XL1200C, XL883DLX, XL883HUG 1995, XL883HUG 1996
6	7531	LOCKNUT (2)	ALL
7	10065	CABLE STRAP (2)	ALL
8	56104-94A	STUD, rear turn signal (2)	ALL
9	67822-88	BALL STUD (2)	XL1200 1995, XL1200 1996, XL1200C, XL883DLX, XL883HUG 1995, XL883HUG 1996
10	67827-88A	CLAMP, ball stud (2)	XL1200 1995, XL1200 1996, XL1200C, XL883DLX, XL883HUG 1995, XL883HUG 1996
11	67828-88A	RETAINER, right	XL1200 1995, XL1200 1996, XL1200C, XL883DLX, XL883HUG 1995, XL883HUG 1996
12	67829-88	BALL RECEPTACLE, left	XL1200 1995, XL1200 1996, XL1200C, XL883DLX, XL883HUG 1995, XL883HUG 1996
13	68168-89A	BULB, front turn signal (2)	ALL
	68572-64B	BULB, rear turn signal (2)	ALL
14	68452-86	SCREW (8)	ALL
15	68457-86	LENS (amber) (4)	ALL
16	68480-93A	SUPPORT, rear turn signal (2)	ALL
17	68555-87	SUPPORT, front turn signal (2)	XL1200 1995, XL1200 1996, XL1200S, XL883 1995, XL883 1996
18	68570-94B	TURN SIGNAL CANCELLER, w/ connector assembly	ALL
19	68760-94	LAMP W/ WIRE, rear (amber) w/ 13, 14, & 15 (2)	ALL

TURN SIGNALS (2 OF 2)


[View interactive image](#)
[View interactive table](#)

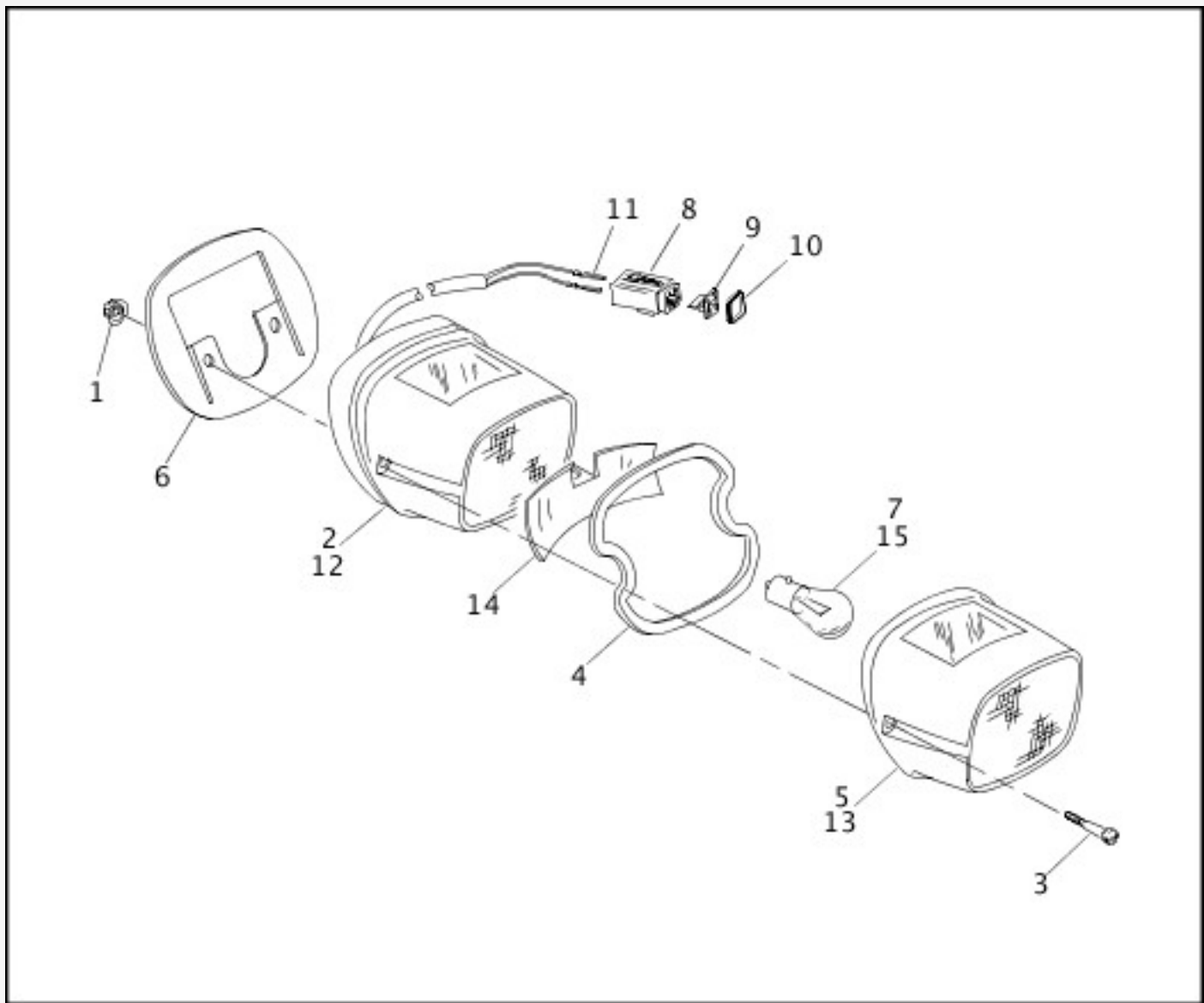
INDEX NO.	PART NO.	DESCRIPTION	MODEL(S)
20	72112-94BK	PLUG, 2-way (rear) (black) (2)	ALL
21	72119-94BK	PLUG, 12-way (right front lamp) (black)	XL1200 1995, XL1200 1996, XL1200S, XL883 1995, XL883 1996, XL883DLX, XL883HUG 1995, XL883HUG 1996

22	72138-94GY	PLUG, 8-way (gray)	ALL
23	72139-94GY	PLUG, 12-way (left front lamp) (gray)	XL1200 1995, XL1200 1996, XL1200S, XL883 1995, XL883 1996, XL883DLX, XL883HUG 1995, XL883HUG 1996
24	72152-94	SECONDARY LOCK, 2-way plug (2)	ALL
25	72158-94	SECONDARY LOCK, 8-way plug	ALL
26	72159-94	SECONDARY LOCK, 12-way plug (2)	XL1200 1995, XL1200 1996, XL1200S, XL883 1995, XL883 1996, XL883DLX, XL883HUG 1995, XL883HUG 1996
27	72172-94	SEAL, front (2-way plug)	ALL
28	72178-94	SEAL, front (8-way plug)	ALL
29	72179-94	SEAL, front (12-way plug) (2)	XL1200 1995, XL1200 1996, XL1200S, XL883 1995, XL883 1996, XL883DLX, XL883HUG 1995, XL883HUG 1996
30	72191-94	TERMINAL, socket (as required)	ALL
31	72195-94	SEAL PIN (as required)	ALL
32	73156-96BK	PLUG, 6-way (left & right turn signals)	XL1200C
33	73191-96	PIN, #16 (20 gauge) (left & right turn signals) (6)	XL1200C

INTERNATIONAL MODELS ONLY

34	68163-84	BULB, turn signal (HDI) (4)	ALL
35	68507-90	LENS, rear (amber) (HDI) (2)	ALL
	68566-90	LENS, front (amber) (HDI) (2)	ALL
36	68763-94	LAMP W/WIRE, rear (amber) (HDI) w/ 13, 14 & 15 (2)	ALL
	68710-94	LAMP W/WIRE, front (amber) (HDI) w/ 13, 14 & 15 (2)	ALL

TAIL LAMP



[View interactive image](#)

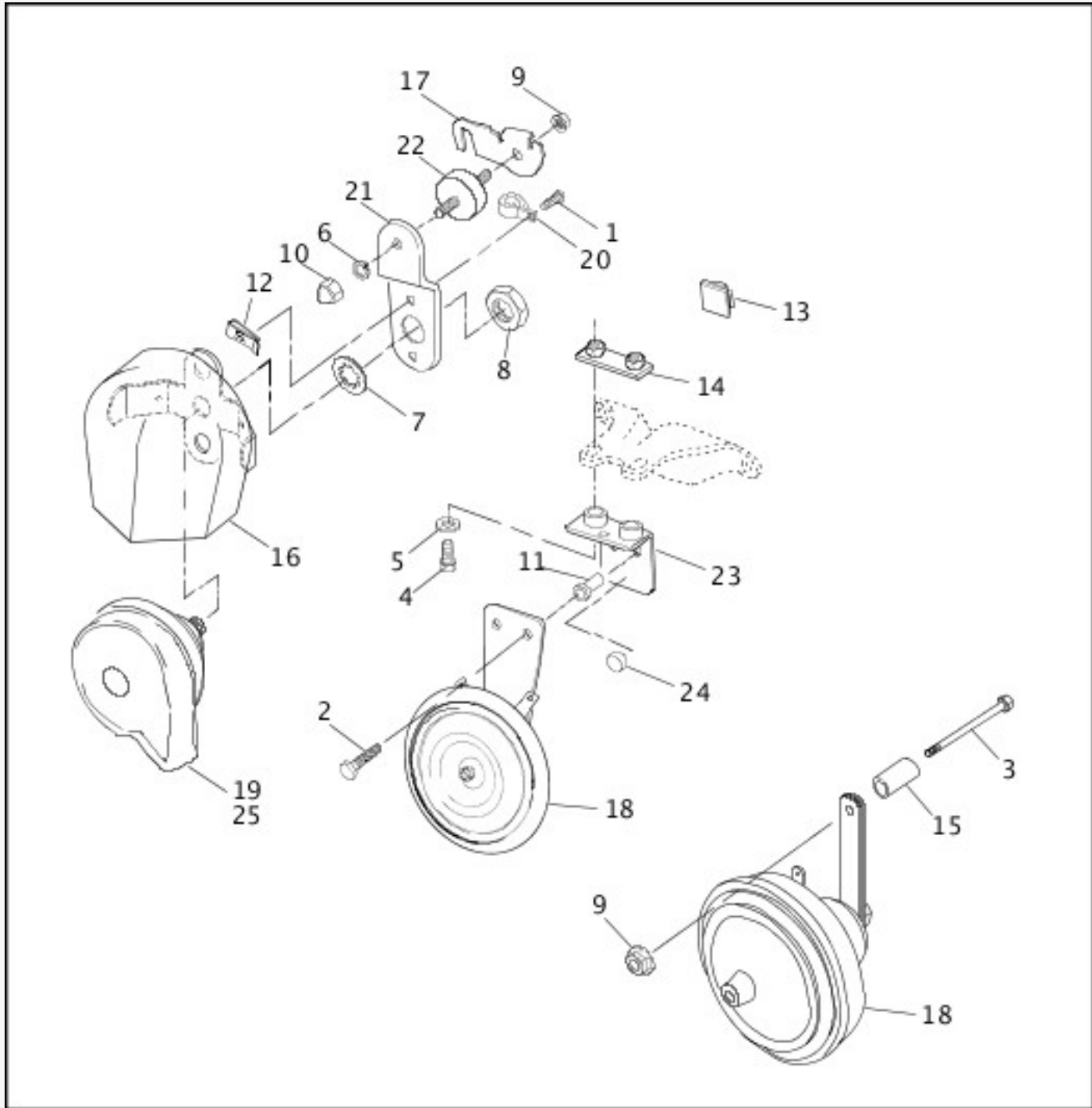
[View interactive table](#)

INDEX NO.	PART NO.	DESCRIPTION	MODEL(S)
1	7501	SPEED NUT (2)	ALL
2	68048-93B	TAIL LAMP ASSEMBLY, w/ 3, 4, 5 & 7	ALL
3	68026-73	SCREW, lens (2)	ALL
4	68027-90	GASKET, lens	ALL
5	68033-90	LENS, tail lamp (red)	ALL
6	68123-73	GASKET, tail lamp mounting	ALL
7	68168-89A	BULB, tail lamp	ALL
8	72114-94BK	SOCKET HOUSING, 4-way	ALL
9	72154-94	SECONDARY LOCK, 4-way	ALL
10	72172-94	SEAL, front	ALL
11	72191-94	TERMINAL, socket (3)	ALL

INTERNATIONAL MODELS ONLY

12	68049-93B	TAIL LAMP ASSEMBLY (HDI) w/ 3, 4, 5, 6 & 7	ALL
13	68032-90	LENS, tail lamp (red) (HDI)	ALL
14	68036-91	REFLECTOR, tail lamp (HDI)	ALL
15	68169-90A	BULB, tail lamp (HDI)	ALL

HORN



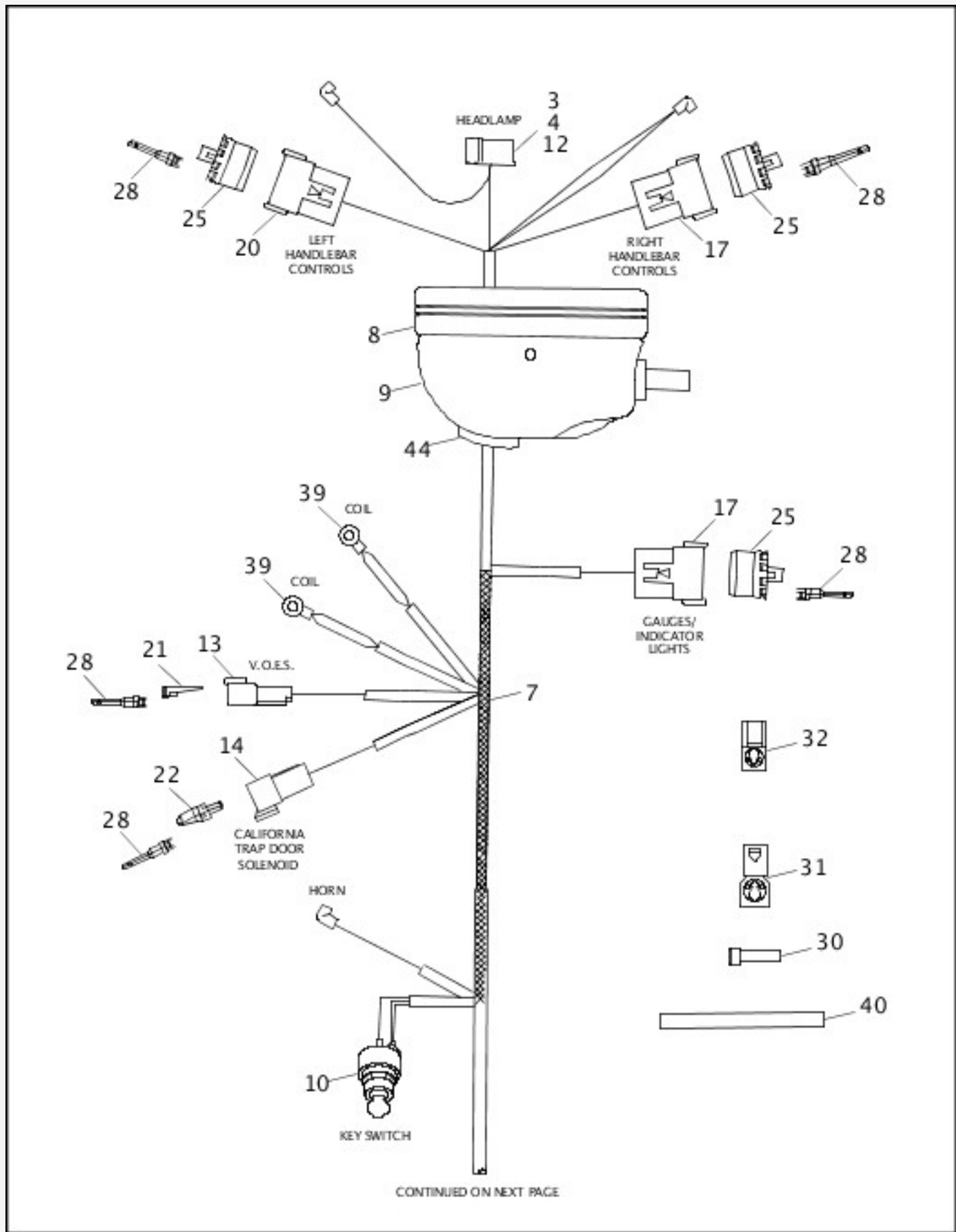
[View interactive image](#)

[View interactive table](#)

INDEX NO.	PART NO.	DESCRIPTION	MODEL(S)
1	3588	SCREW (2)	XL1200 1995, XL1200 1996, XL1200C, XL1200S

2	3606	SCREW (2)	XL883 1996, XL883HUG 1996
3	4067	BOLT	XL883 1995, XL883DLX, XL883HUG 1995
4	4716W	SCREW (2)	ALL
5	6701	WASHER (2)	ALL
6	7041	LOCKWASHER	XL1200 1995, XL1200 1996, XL1200C, XL1200S
7	7127	LOCKWASHER	XL1200 1995, XL1200 1996, XL1200C, XL1200S
8	7495	NUT	XL1200 1995, XL1200 1996, XL1200C, XL1200S
9	7531	LOCKNUT	ALL
10	7527	ACORN NUT	XL1200 1995, XL1200 1996, XL1200C, XL1200S
11	8098	NUT, well (2)	XL883 1996, XL883HUG 1996
12	8108	SPEEDNUT (2)	XL1200 1995, XL1200 1996, XL1200C, XL1200S
13	10120	CLIP	XL883 1996, XL883HUG 1996
14	16228-94	NUT PLATE	ALL
15	42520-80A	SPACER	XL883 1995, XL883DLX, XL883HUG 1995
16	69012-93A	COVER, horn (chrome)	XL1200 1995, XL1200 1996, XL1200C, XL1200S
17	69035-95	SUPPORT BRACKET	XL1200 1995, XL1200 1996, XL1200C, XL1200S
18	69043-91D	HORN, complete w/ bracket	XL883 1995, XL883DLX, XL883HUG 1995
	69000014	HORN, complete, w/ bracket	XL883 1996, XL883HUG 1996
19	69060-90H	HORN	XL1200 1995, XL1200 1996, XL1200C, XL1200S
20	69062-91A	CLAMP, horn wire	XL1200 1995, XL1200 1996, XL1200C, XL1200S
21	69120-91	HORN BRACKET	XL1200 1995, XL1200 1996, XL1200C, XL1200S
22	69123-92A	RUBBER MOUNT	XL1200 1995, XL1200 1996, XL1200C, XL1200S
23	69135-96A	HORN BRACKET	XL883 1996, XL883HUG 1996
24	75101-82	BUMPER	XL883 1996, XL883HUG 1996
INTERNATIONAL MODELS ONLY			
25	69060-90H	HORN	XL1200 1995, XL1200 1996

MAIN WIRING HARNESS (1 OF 3)



[View interactive image](#)

[View interactive table](#)

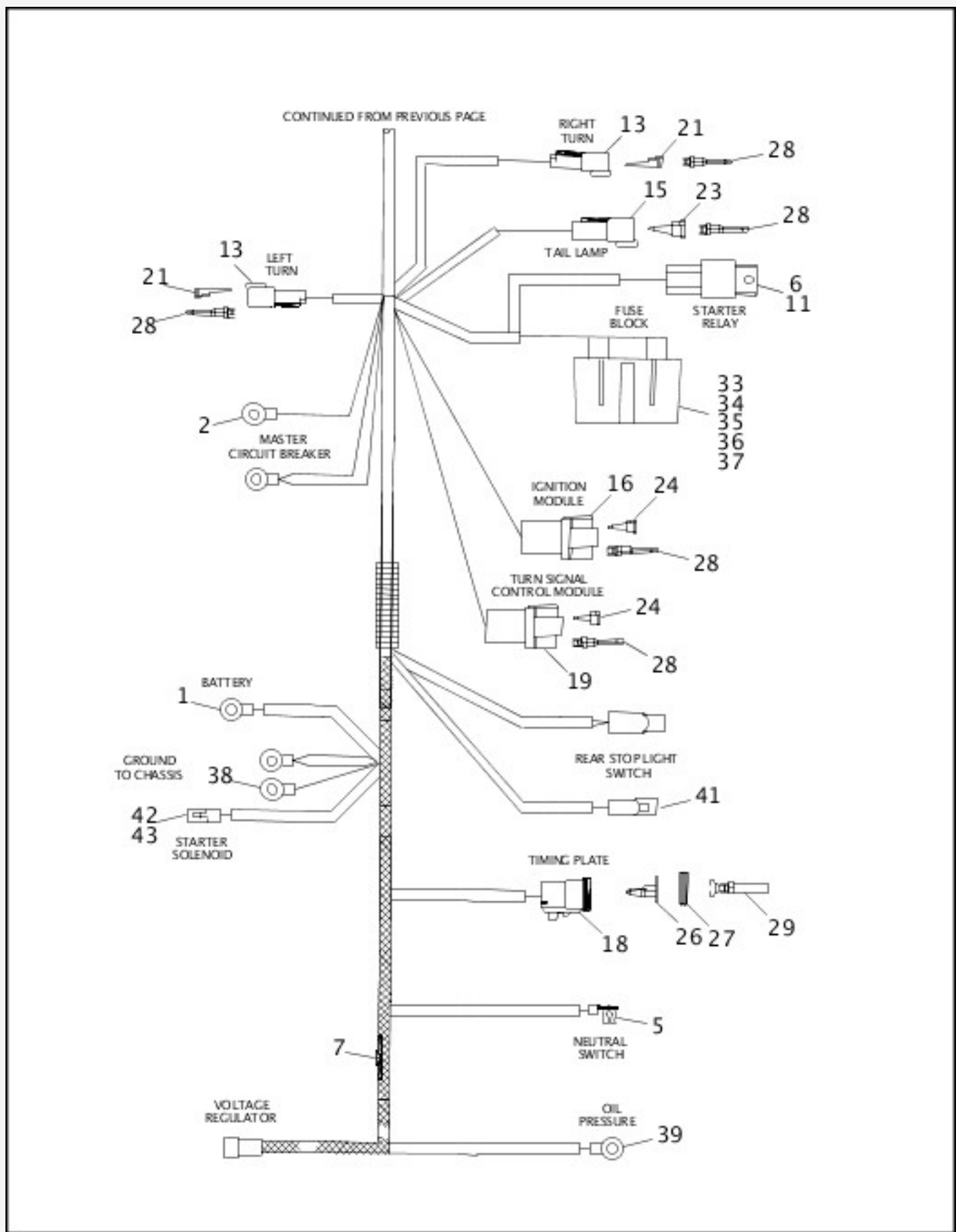
INDEX NO.	PART NO.	DESCRIPTION	MODEL(S)
	70135-95A	MAIN WIRING HARNESS	XL1200 1995, XL1200 1996, XL1200S, XL883 1995, XL883 1996, XL883DLX, XL883HUG 1995, XL883HUG 1996

NOTE: Includes the following parts.

1	9842	TERMINAL, ring, 5/16 stud	XL1200 1995, XL1200 1996, XL1200S, XL883 1995, XL883 1996,
---	------	---------------------------	--

		(10-12 gauge)	XL883DLX, XL883HUG 1995, XL883HUG 1996
2	9843	TERMINAL, ring, #10 (10-12 gauge)	XL1200 1995, XL1200 1996, XL1200S, XL883 1995, XL883 1996, XL883DLX, XL883HUG 1995, XL883HUG 1996
3	9847	TERMINAL, female spade, R.H. (2)	XL1200 1995, XL1200 1996, XL1200S, XL883 1995, XL883 1996, XL883DLX, XL883HUG 1995, XL883HUG 1996
4	9848	TERMINAL, female spade, L.H.	XL1200 1995, XL1200 1996, XL1200S, XL883 1995, XL883 1996, XL883DLX, XL883HUG 1995, XL883HUG 1996
5	9905	TERMINAL, cap type, 1/4' diameter	XL1200 1995, XL1200 1996, XL1200S, XL883 1995, XL883 1996, XL883DLX, XL883HUG 1995, XL883HUG 1996
6	9937	TERMINAL, female spade type, 1/4 slot (4)	XL1200 1995, XL1200 1996, XL1200S, XL883 1995, XL883 1996, XL883DLX, XL883HUG 1995, XL883HUG 1996
7	10136	ANCHOR, T-stud	XL1200 1995, XL1200 1996, XL1200S, XL883 1995, XL883 1996, XL883DLX, XL883HUG 1995, XL883HUG 1996
8	67719-63	MOUNTING RING	XL1200 1995, XL1200 1996, XL1200S, XL883 1995, XL883 1996, XL883DLX, XL883HUG 1995, XL883HUG 1996
9	68061-94B	HOUSING, headlamp	XL1200 1995, XL1200 1996, XL1200S, XL883 1995, XL883 1996, XL883DLX, XL883HUG 1995, XL883HUG 1996
10	71441-94	IGNITION & LIGHT SWITCH ASSEMBLY	XL1200 1995, XL1200 1996, XL1200S, XL883 1995, XL883 1996, XL883DLX, XL883HUG 1995, XL883HUG 1996
11	72046-79	SOCKET HOUSING, 5-way	XL1200 1995, XL1200 1996, XL1200S, XL883 1995, XL883 1996, XL883DLX, XL883HUG 1995, XL883HUG 1996
12	72056-92	CONNECTOR, spade terminal (3-way)	XL1200 1995, XL1200 1996, XL1200S, XL883 1995, XL883 1996, XL883DLX, XL883HUG 1995, XL883HUG 1996
13	72102-94BK	RECEPTACLE, 2-way (black) (3)	XL1200 1995, XL1200 1996, XL1200S, XL883 1995, XL883 1996, XL883DLX, XL883HUG 1995, XL883HUG 1996
14	72103-94BK	RECEPTACLE, 3-way (black)	XL1200 1995, XL1200 1996, XL1200S, XL883 1995, XL883 1996, XL883DLX, XL883HUG 1995, XL883HUG 1996
15	72104-94BK	RECEPTACLE, 4-way (black)	XL1200 1995, XL1200 1996, XL1200S, XL883 1995, XL883 1996, XL883DLX, XL883HUG 1995, XL883HUG 1996
16	72108-94BK	RECEPTACLE, 8-way (black)	XL1200 1995, XL1200 1996, XL1200S, XL883 1995, XL883 1996, XL883DLX, XL883HUG 1995, XL883HUG 1996

MAIN WIRING HARNESS (2 OF 3)



View interactive image

[View interactive table](#)

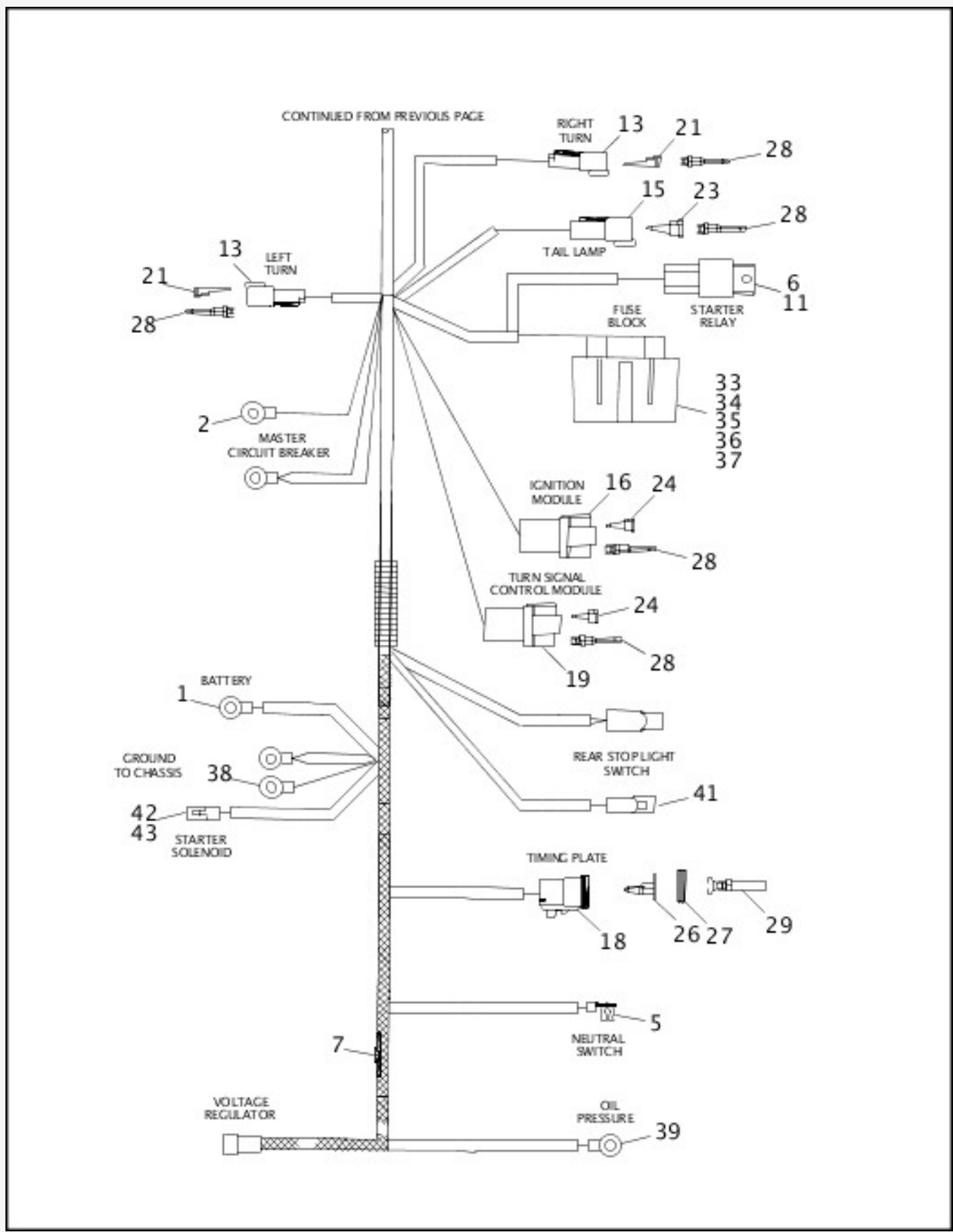
INDEX NO.	PART NO.	DESCRIPTION	MODEL(S)
	70135-95A	MAIN WIRING HARNESS	XL1200 1995, XL1200 1996, XL1200S, XL883 1995, XL883 1996, XL883DLX, XL883HUG 1995, XL883HUG 1996

NOTE: Includes the following parts.

17	72109-	RECEPTACLE, 12-way (2)	XL1200 1995, XL1200 1996, XL1200S, XL883 1995, XL883 1996,
----	--------	------------------------	--

	94BK		XL883DLX, XL883HUG 1995, XL883HUG 1996
18	72113-94BK	PLUG, 3-way (black)	XL1200 1995, XL1200 1996, XL1200S, XL883 1995, XL883 1996, XL883DLX, XL883HUG 1995, XL883HUG 1996
19	72128-94GY	RECEPTACLE, 8-way (gray)	XL1200 1995, XL1200 1996, XL1200S, XL883 1995, XL883 1996, XL883DLX, XL883HUG 1995, XL883HUG 1996
20	72129-94GY	RECEPTACLE, 12-way (gray)	XL1200 1995, XL1200 1996, XL1200S, XL883 1995, XL883 1996, XL883DLX, XL883HUG 1995, XL883HUG 1996
21	72142-94	SECONDARY LOCK, 2-way receptacle (3)	XL1200 1995, XL1200 1996, XL1200S, XL883 1995, XL883 1996, XL883DLX, XL883HUG 1995, XL883HUG 1996
22	72143-94	SECONDARY LOCK, 3-way receptacle	XL1200 1995, XL1200 1996, XL1200S, XL883 1995, XL883 1996, XL883DLX, XL883HUG 1995, XL883HUG 1996
23	72144-94	SECONDARY LOCK, 4-way receptacle	XL1200 1995, XL1200 1996, XL1200S, XL883 1995, XL883 1996, XL883DLX, XL883HUG 1995, XL883HUG 1996
24	72148-94	SECONDARY LOCK, 8-way receptacle (2)	XL1200 1995, XL1200 1996, XL1200S, XL883 1995, XL883 1996, XL883DLX, XL883HUG 1995, XL883HUG 1996
25	72149-94	SECONDARY LOCK, 12-way receptacle (3)	XL1200 1995, XL1200 1996, XL1200S, XL883 1995, XL883 1996, XL883DLX, XL883HUG 1995, XL883HUG 1996
26	72153-94	SECONDARY LOCK, 3-way plug	XL1200 1995, XL1200 1996, XL1200S, XL883 1995, XL883 1996, XL883DLX, XL883HUG 1995, XL883HUG 1996
27	72173-94	SEAL, front (3-way plug)	XL1200 1995, XL1200 1996, XL1200S, XL883 1995, XL883 1996, XL883DLX, XL883HUG 1995, XL883HUG 1996
28	72190-94	TERMINAL, pin (53)	XL1200 1995, XL1200 1996, XL1200S, XL883 1995, XL883 1996, XL883DLX, XL883HUG 1995, XL883HUG 1996
29	72191-94	TERMINAL, socket (3)	XL1200 1995, XL1200 1996, XL1200S, XL883 1995, XL883 1996, XL883DLX, XL883HUG 1995, XL883HUG 1996
30	72195-94	SEAL PIN (8)	XL1200 1995, XL1200 1996, XL1200S, XL883 1995, XL883 1996, XL883DLX, XL883HUG 1995, XL883HUG 1996
31	72198-94	ATTACHMENT CLIP, 8-way receptacle (2)	XL1200 1995, XL1200 1996, XL1200S, XL883 1995, XL883 1996, XL883DLX, XL883HUG 1995, XL883HUG 1996
32	72199-94	ATTACHMENT CLIP, 2, 3, 4, 6 & 12-way receptacle (5)	XL1200 1995, XL1200 1996, XL1200S, XL883 1995, XL883 1996, XL883DLX, XL883HUG 1995, XL883HUG 1996
33	72216-94	FUSE BLOCK	XL1200 1995, XL1200 1996, XL1200S, XL883 1995, XL883 1996, XL883DLX, XL883HUG 1995, XL883HUG 1996
34	72217-94	TERMINAL, auto fuse (18-20 gauge)	XL1200 1995, XL1200 1996, XL1200S, XL883 1995, XL883 1996, XL883DLX, XL883HUG 1995, XL883HUG 1996

MAIN WIRING HARNESS (3 OF 3)



View interactive image

[View interactive table](#)

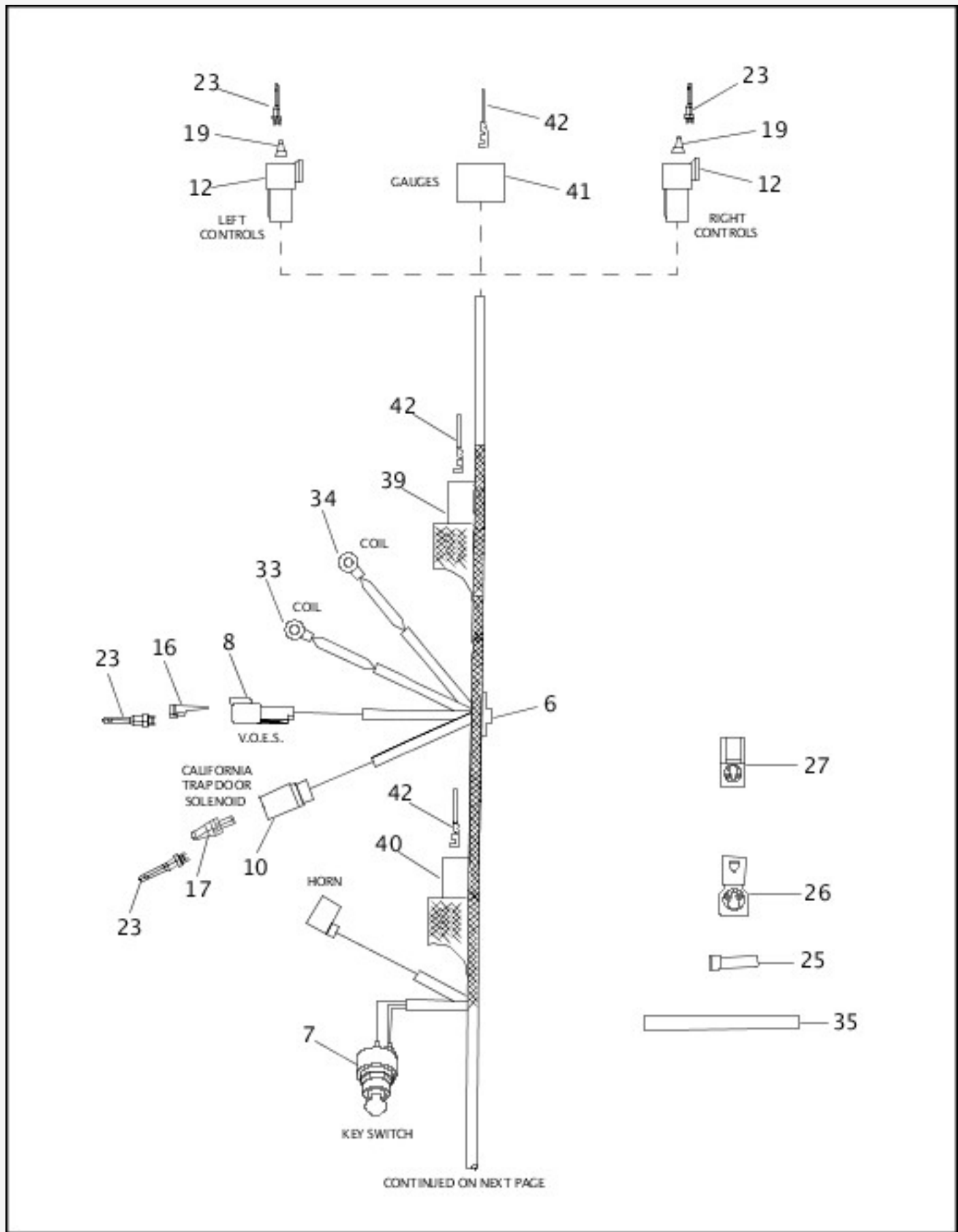
INDEX NO.	PART NO.	DESCRIPTION	MODEL(S)
	70135-95A	MAIN WIRING HARNESS	XL1200 1995, XL1200 1996, XL1200S, XL883 1995, XL883 1996, XL883DLX, XL883HUG 1995, XL883HUG 1996

NOTE: Includes the following parts.

35	72218-	TERMINAL, auto fuse (14-16 gauge)	XL1200 1995, XL1200 1996, XL1200S, XL883 1995, XL883 1996,
----	--------	-----------------------------------	--

	94	(2)	XL883DLX, XL883HUG 1995, XL883HUG 1996
36	72219-94	TERMINAL, auto fuse (18 gauge) (3)	XL1200 1995, XL1200 1996, XL1200S, XL883 1995, XL883 1996, XL883DLX, XL883HUG 1995, XL883HUG 1996
37	72220-94	TERMINAL, auto fuse (14-16 gauge) (2)	XL1200 1995, XL1200 1996, XL1200S, XL883 1995, XL883 1996, XL883DLX, XL883HUG 1995, XL883HUG 1996
38	72240-94	TERMINAL, ring, #10 (18-20 gauge) (use 72241-94A) (2)	XL1200 1995, XL1200 1996, XL1200S, XL883 1995, XL883 1996, XL883DLX, XL883HUG 1995, XL883HUG 1996
39	72241-94A	TERMINAL, ring (18-20 gauge) (2)	XL1200 1995, XL1200 1996, XL1200S, XL883 1995, XL883 1996, XL883DLX, XL883HUG 1995, XL883HUG 1996
40	72249-94	HEAT SHRINK TUBING, 0.3 X 1 inch (7)	XL1200 1995, XL1200 1996, XL1200S, XL883 1995, XL883 1996, XL883DLX, XL883HUG 1995, XL883HUG 1996
41	72259-94	TERMINAL, 0.32 inch female (16-20 gauge)	XL1200 1995, XL1200 1996, XL1200S, XL883 1995, XL883 1996, XL883DLX, XL883HUG 1995, XL883HUG 1996
42	72291-94	TERMINAL, female spade (14-16 gauge)	XL1200 1995, XL1200 1996, XL1200S, XL883 1995, XL883 1996, XL883DLX, XL883HUG 1995, XL883HUG 1996
43	72295-94	HOUSING, starter connector	XL1200 1995, XL1200 1996, XL1200S, XL883 1995, XL883 1996, XL883DLX, XL883HUG 1995, XL883HUG 1996
44	72507-94	GROMMET	XL1200 1995, XL1200 1996, XL1200S, XL883 1995, XL883 1996, XL883DLX, XL883HUG 1995, XL883HUG 1996
45	70551-69	CONDUIT, 1/8 I.D. x 10 ft. (black vinyl) (high temp) (not illustrated)	XL1200 1995, XL1200 1996, XL1200S, XL883 1995, XL883 1996, XL883DLX, XL883HUG 1995, XL883HUG 1996
	70552-69	CONDUIT, 3/8 I.D. x 10 ft. lg. (black vinyl) (not illustrated)	XL1200 1995, XL1200 1996, XL1200S, XL883 1995, XL883 1996, XL883DLX, XL883HUG 1995, XL883HUG 1996
	70553-69	CONDUIT, 7/16 I.D. x 10 ft. lg. (black vinyl) (not illustrated)	XL1200 1995, XL1200 1996, XL1200S, XL883 1995, XL883 1996, XL883DLX, XL883HUG 1995, XL883HUG 1996
	70554-69	CONDUIT, 1/4 I.D. x 10 ft. lg. (black vinyl) (not illustrated)	XL1200 1995, XL1200 1996, XL1200S, XL883 1995, XL883 1996, XL883DLX, XL883HUG 1995, XL883HUG 1996
	70555-69	CONDUIT, 1/4 I.D. x 10 ft. lg. (black vinyl) (not illustrated)	XL1200 1995, XL1200 1996, XL1200S, XL883 1995, XL883 1996, XL883DLX, XL883HUG 1995, XL883HUG 1996
	70556-71	CONDUIT, 5/16 I.D. x 10 ft. lg. (black vinyl) (not illustrated)	XL1200 1995, XL1200 1996, XL1200S, XL883 1995, XL883 1996, XL883DLX, XL883HUG 1995, XL883HUG 1996
	70558-71	CONDUIT, 1/2 I.D. x 10 ft. lg. (black vinyl) (not illustrated)	XL1200 1995, XL1200 1996, XL1200S, XL883 1995, XL883 1996, XL883DLX, XL883HUG 1995, XL883HUG 1996
	70559-71	CONDUIT, 1/8 I.D. x 10 ft. lg. (black vinyl) (not illustrated)	XL1200 1995, XL1200 1996, XL1200S, XL883 1995, XL883 1996, XL883DLX, XL883HUG 1995, XL883HUG 1996

MAIN WIRING HARNESS - 1200 CUSTOM (1 OF 2)



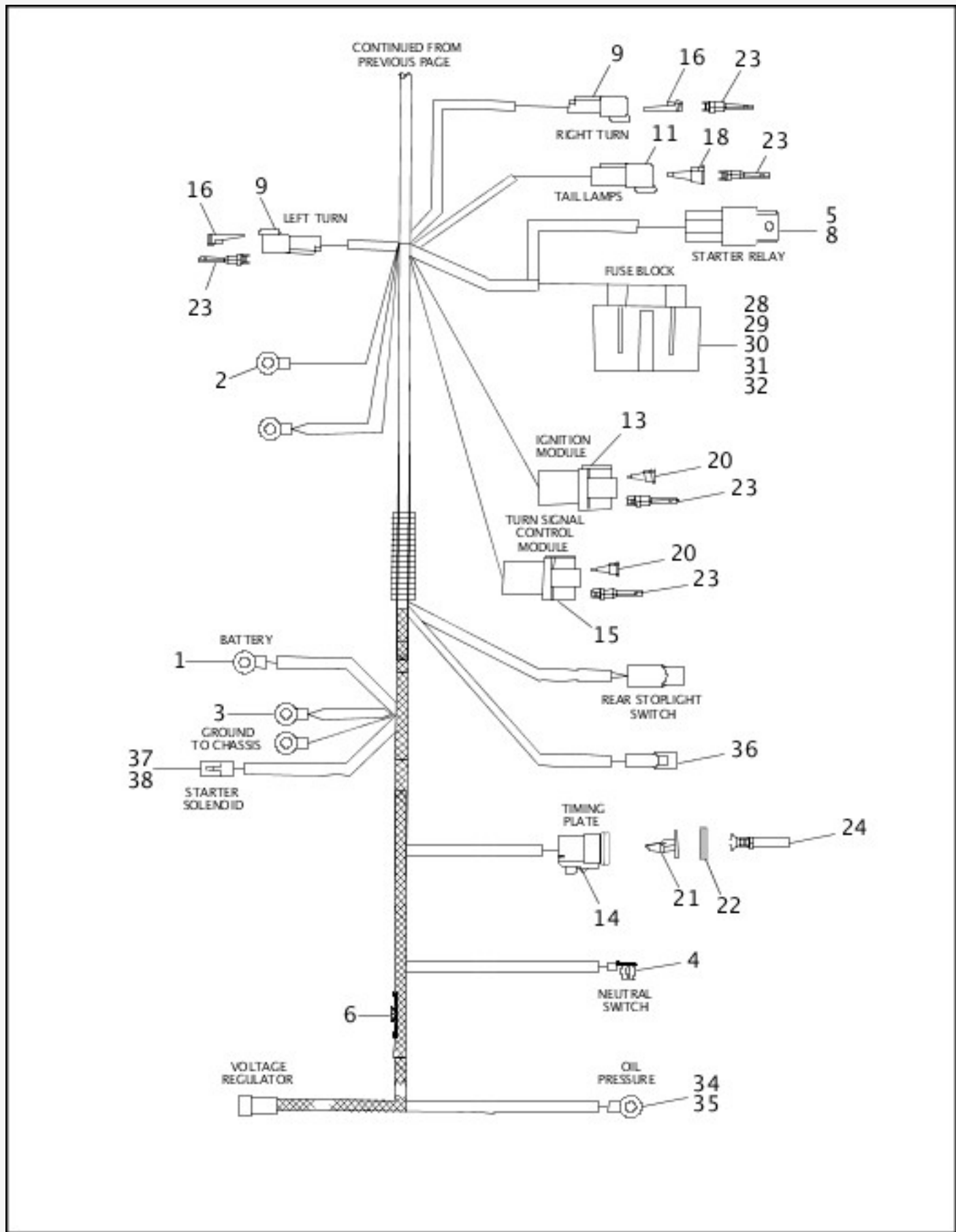
View interactive image

View interactive table

INDEX NO.	PART NO.	DESCRIPTION	MODEL(S)
	70153-96	MAIN WIRING HARNESS 1200 CUSTOM	XL1200C
NOTE: Includes the following parts.			
1	9842	TERMINAL, ring, 5/16 stud (10-12 gauge)	XL1200C
2	9843	TERMINAL, ring, #10 (10-12 gauge)	XL1200C

3	9869	TERMINAL, ring, 3/8 (12 gauge)	XL1200C
4	9905	TERMINAL, cap type, 1/4 diameter	XL1200C
5	9937	TERMINAL, female spade type, 1/4 slot (4)	XL1200C
6	10136	ANCHOR, T-stud (2)	XL1200C
7	71441-94	IGNITION & LIGHT SWITCH ASSEMBLY	XL1200C
8	72046-79	SOCKET HOUSING, 5-way	XL1200C
9	72102-94BK	RECEPTACLE, 2-way (black) (2)	XL1200C
10	72103-94BK	RECEPTACLE, 3-way (black)	XL1200C
11	72104-94BK	RECEPTACLE, 4-way (black)	XL1200C
12	72106-94BK	RECEPTACLE, 6-way (black) (2)	XL1200C
13	72108-94BK	RECEPTACLE, 8-way (black)	XL1200C
14	72113-94BK	PLUG, 3-way (black)	XL1200C
15	72128-94GY	RECEPTACLE, 8-way (gray)	XL1200C
16	72142-94	SECONDARY LOCK, 2-way receptacle (3)	XL1200C
17	72143-94	SECONDARY LOCK, 3-way receptacle	XL1200C
18	72144-94	SECONDARY LOCK, 4-way receptacle	XL1200C
19	72146-94	SECONDARY LOCK, 6-way (2)	XL1200C
20	72148-94	SECONDARY LOCK, 8-way receptacle (2)	XL1200C
21	72153-94	SECONDARY LOCK, 3-way plug	XL1200C
22	72173-94	SEAL, front (3-way plug)	XL1200C
23	72190-94	PIN (39)	XL1200C
24	72191-94	TERMINAL, socket (3)	XL1200C

MAIN WIRING HARNESS - 1200 CUSTOM (2 OF 2)



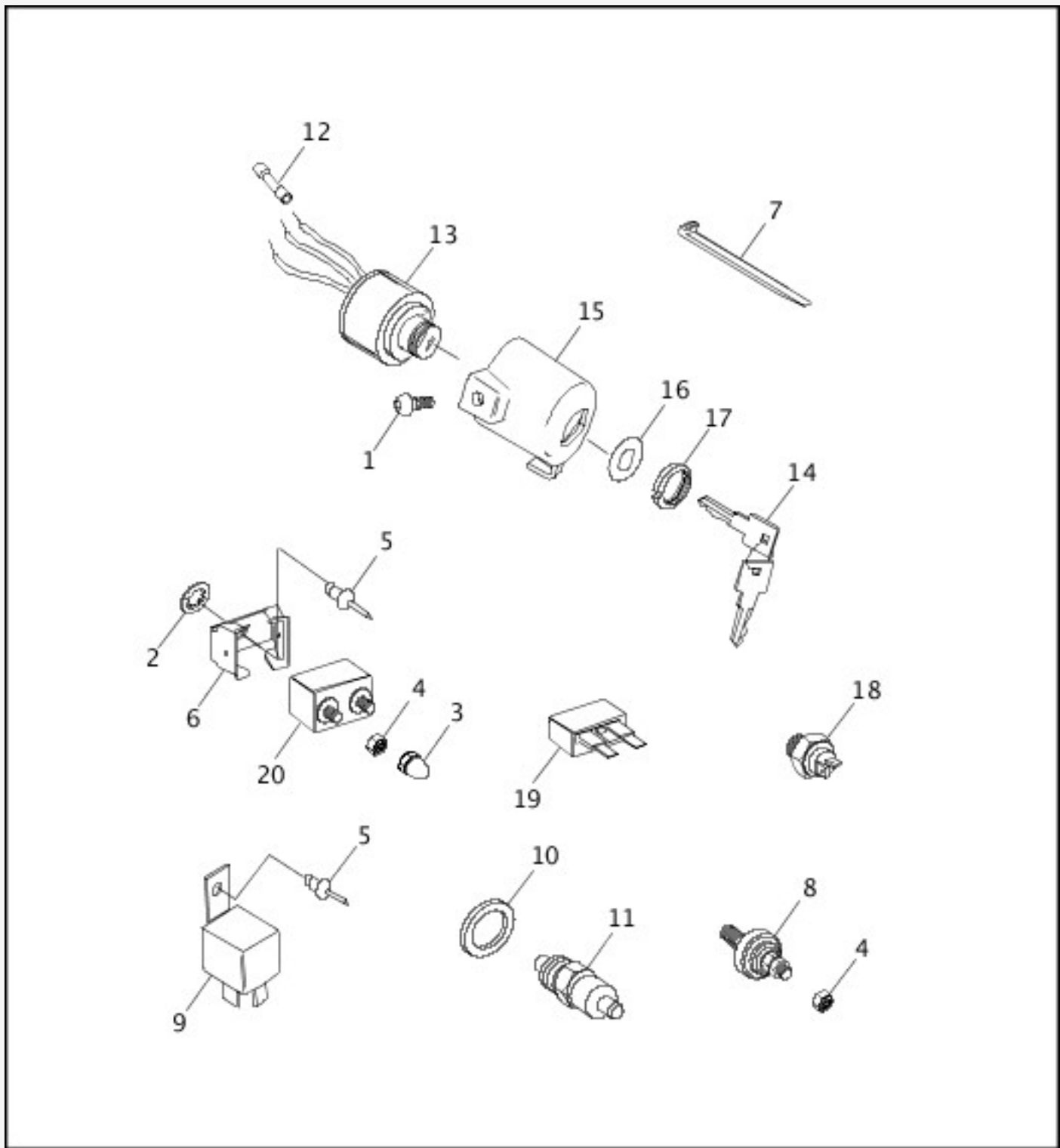
[View interactive image](#)

[View interactive table](#)

INDEX NO.	PART NO.	DESCRIPTION	MODEL(S)
	70153-96	MAIN WIRING HARNESS 1200 CUSTOM	XL1200C
NOTE: Includes the following parts.			
25	72195-94	SEAL PIN (2)	XL1200C
26	72198-94	ATTACHMENT CLIP, 8-way receptacle (2)	XL1200C

27	72199-94	ATTACHMENT CLIP, 2, 3 ,4, 8 & 12-way receptacle (5)	XL1200C
28	72216-94	FUSE BLOCK	XL1200C
29	72217-94	TERMINAL, auto fuse (18-20 gauge)	XL1200C
30	72218-94	TERMINAL, auto fuse (14-16 gauge) (2)	XL1200C
31	72219-94	TERMINAL, auto fuse (18 gauge) (3)	XL1200C
32	72220-94	TERMINAL, auto fuse (14-16 gauge) (2)	XL1200C
33	72240-94	TERMINAL, ring, #10 (18-20 gauge) (use 72241-94A)	XL1200C
34	72241-94A	TERMINAL, ring (18-20 gauge) (2)	XL1200C
35	72249-94	HEAT SHRINK TUBING, 0.3 X 1 inch (7)	XL1200C
36	72259-94	TERMINAL, 0.32 inch female (16-20 gauge)	XL1200C
37	72291-94	TERMINAL, female spade (14-16 gauge)	XL1200C
38	72295-94	HOUSING, starter connector	XL1200C
39	73104-96BK	TAB HOUSING, 4-way (black)	XL1200C
40	73106-96BK	TAB HOUSING, 6-way (black)	XL1200C
41	73112-96BK	TAB HOUSING, 12-way (black)	XL1200C
42	73190-96	PIN #16 (20 gauge) (22)	XL1200C
43	70553-69	CONDUIT, 7/16 I.D. x 10 ft. lg. (black vinyl) (not illustrated)	XL1200C
	70554-69	CONDUIT, 1/4 I.D. x 10 ft. lg. (black vinyl) (not illustrated)	XL1200C
	70555-69	CONDUIT, 1/4 I.D. x 10 ft. lg. (black vinyl) (not illustrated)	XL1200C
	70558-71	CONDUIT, 1/2 I.D. x 10 ft. lg. (black vinyl) (not illustrated)	XL1200C
	70559-71	CONDUIT, 1/8 I.D. x 10 ft. lg. (black vinyl) (not illustrated)	XL1200C

SWITCHES & CIRCUIT BREAKERS



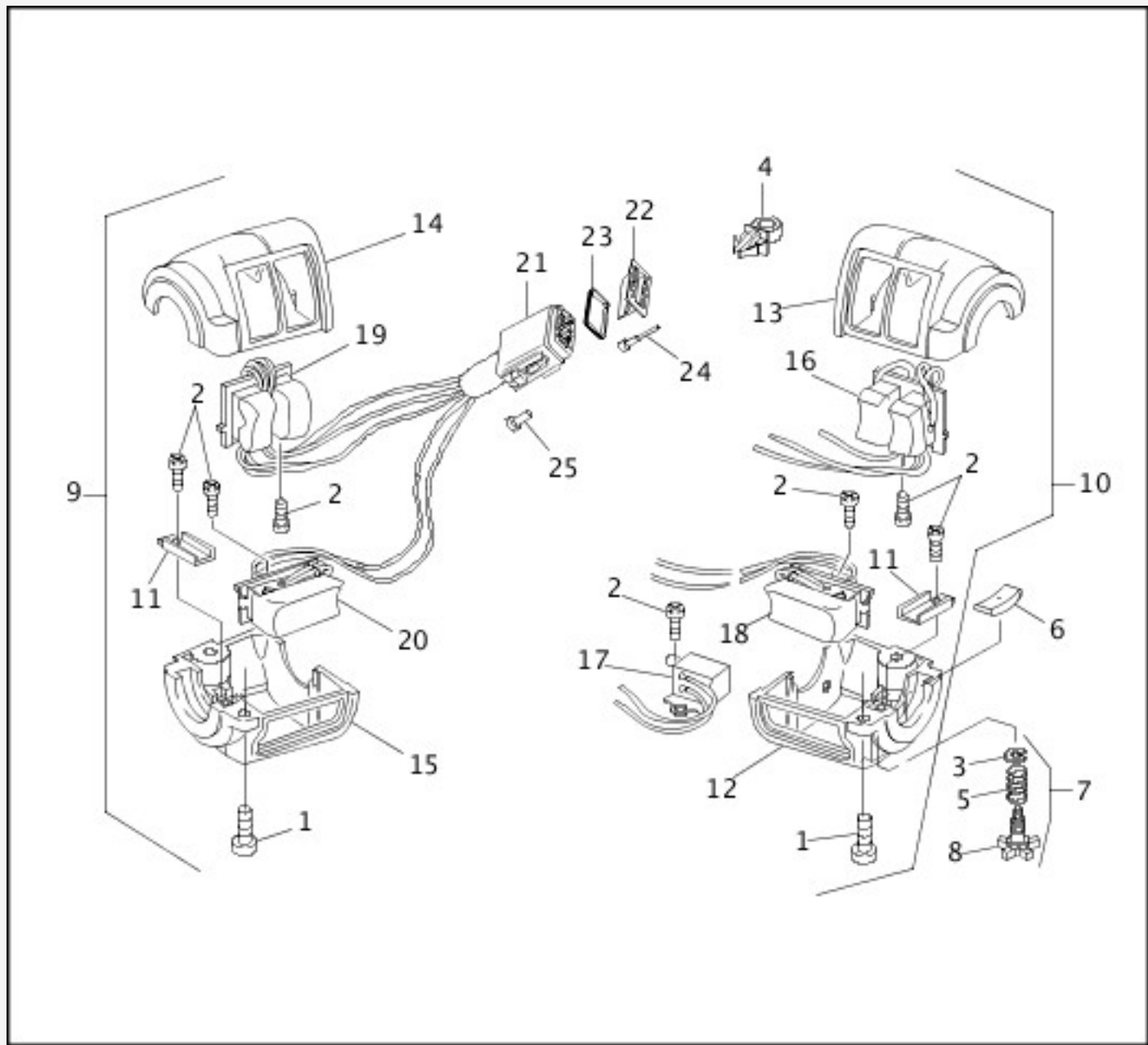
[View interactive image](#)

[View interactive table](#)

INDEX NO.	PART NO.	DESCRIPTION	MODEL(S)
1	2528	SCREW	ALL
2	7127	LOCKWASHER, internal tooth	ALL
3	7602	ACORN NUT, nylon (2)	ALL
4	7629	NUT, keps (2)	ALL
5	8483A	POP RIVET, circuit breaker clip (2)	ALL
6	9952	CLIP, circuit breaker	ALL
7	10039	CABLE STRAP	ALL

8	26554-77B	SWITCH, oil pressure indicator	ALL
9	31504-91B	STARTER RELAY	ALL
10	33043-80	WASHER	ALL
11	33900-59C	SWITCH, neutral indicator, w/ washer	ALL
12	70586-93	CONNECTOR, butt splice (3)	ALL
13	71441-94	IGNITION & LIGHT SWITCH, w/ 7, 12, 17 & keys	ALL
14	71451-94A	KEY SET, ignition switch (specify key code)	ALL
15	71510-95	COVER, ignition switch	ALL
16	71550-94	LABEL, ignition switch	ALL
17	71552-94	FACE NUT, ignition switch	ALL
18	72023-51E	STOPLIGHT SWITCH, rear brake	ALL
19	74587-94	CIRCUIT BREAKER, 15 amp (2)	ALL
	74588-94	CIRCUIT BREAKER, 10 amp (2)	ALL
20	74600-94	CIRCUIT BREAKER, 50 amp	ALL

HANDLEBAR SWITCHES - 1995



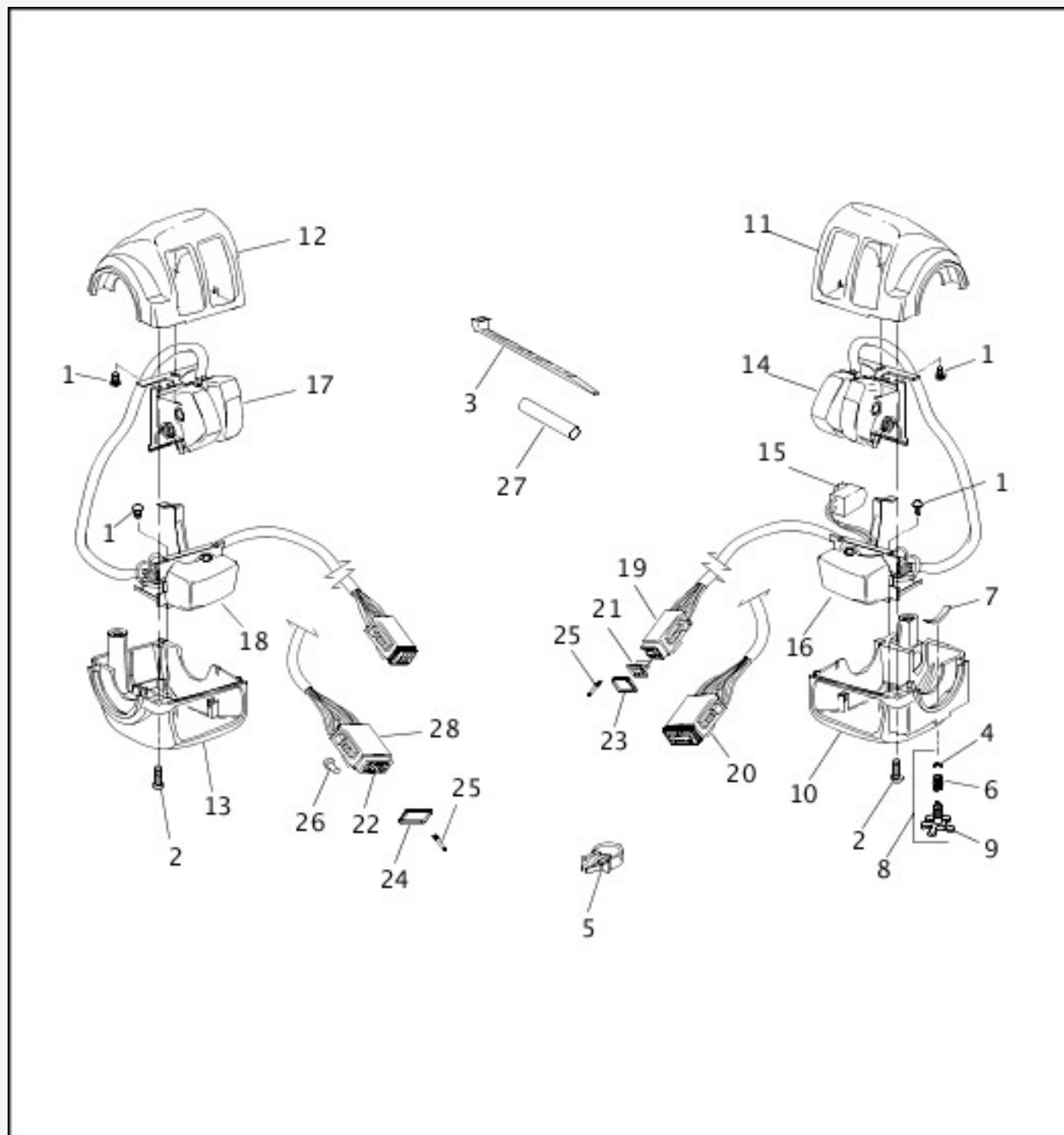
[View interactive image](#)

[View interactive table](#)

INDEX NO.	PART NO.	DESCRIPTION	MODEL(S)
1	2508	SCREW (4)	XL1200 1995, XL883 1995, XL883DLX, XL883HUG 1995
2	2907	SCREW (8)	XL1200 1995, XL883 1995, XL883DLX, XL883HUG 1995
3	11155	RETAINING RING	XL1200 1995, XL883 1995, XL883DLX, XL883HUG 1995
4	56073-83	RETAINER, wiring harness (4)	XL883 1995
	70345-84	RETAINER, wiring harness (4)	XL1200 1995, XL883DLX, XL883HUG 1995
5	56394-74	SPRING, throttle adjusting screw	XL1200 1995, XL883 1995, XL883DLX, XL883HUG 1995
6	56396-74A	PAD, throttle adjusting	XL1200 1995, XL883 1995, XL883DLX, XL883HUG 1995

7	56397-74C	KIT, throttle adjusting screw, w/ 3, 5 & 8	XL1200 1995, XL883 1995, XL883DLX, XL883HUG 1995
8	56402-83A	ADJUSTING SCREW	XL1200 1995, XL883 1995, XL883DLX, XL883HUG 1995
9	70218-87A	SWITCH KIT, complete left	XL1200 1995, XL883 1995, XL883DLX, XL883HUG 1995
10	70219-87	SWITCH KIT, complete right	XL1200 1995, XL883 1995, XL883DLX, XL883HUG 1995
11	71557-93	PLATE, switch (2)	XL1200 1995, XL883 1995, XL883DLX, XL883HUG 1995
12	71563-82A	HOUSING, lower right	XL1200 1995, XL883 1995, XL883DLX, XL883HUG 1995
13	71564-82A	HOUSING, upper right	XL1200 1995, XL883 1995, XL883DLX, XL883HUG 1995
14	71567-82	HOUSING, upper left	XL1200 1995, XL883 1995, XL883DLX, XL883HUG 1995
15	71568-82A	HOUSING, lower left	XL1200 1995, XL883 1995, XL883DLX, XL883HUG 1995
16	71589-92	SWITCH KIT, engine stop & start	XL1200 1995, XL883 1995, XL883DLX, XL883HUG 1995
17	71590-92A	SWITCH KIT, stoplight	XL1200 1995, XL883 1995, XL883DLX, XL883HUG 1995
18	71591-92	SWITCH ASSEMBLY, right directional	XL1200 1995, XL883 1995, XL883DLX, XL883HUG 1995
19	71597-92	SWITCH KIT, dimmer & horn	XL1200 1995, XL883 1995, XL883DLX, XL883HUG 1995
20	71598-92	SWITCH ASSEMBLY, left directional	XL1200 1995, XL883 1995, XL883DLX, XL883HUG 1995
21	72119-94BK	PLUG, 12-way (right) (black)	XL1200 1995, XL883 1995, XL883DLX, XL883HUG 1995
	72139-94GY	PLUG, 12-way (left) (gray)	XL1200 1995, XL883 1995, XL883DLX, XL883HUG 1995
22	72159-94	SECONDARY LOCK, 12-way plug (2)	XL1200 1995, XL883 1995, XL883DLX, XL883HUG 1995
23	72179-94	SEAL, front (12-way plug) (2)	XL1200 1995, XL883 1995, XL883DLX, XL883HUG 1995
24	72191-94	TERMINAL, socket (as required)	XL1200 1995, XL883 1995, XL883DLX, XL883HUG 1995
25	72195-94	SEAL PIN (as required)	XL1200 1995, XL883 1995, XL883DLX, XL883HUG 1995

HANDLEBAR SWITCHES - 1996



[View interactive image](#)

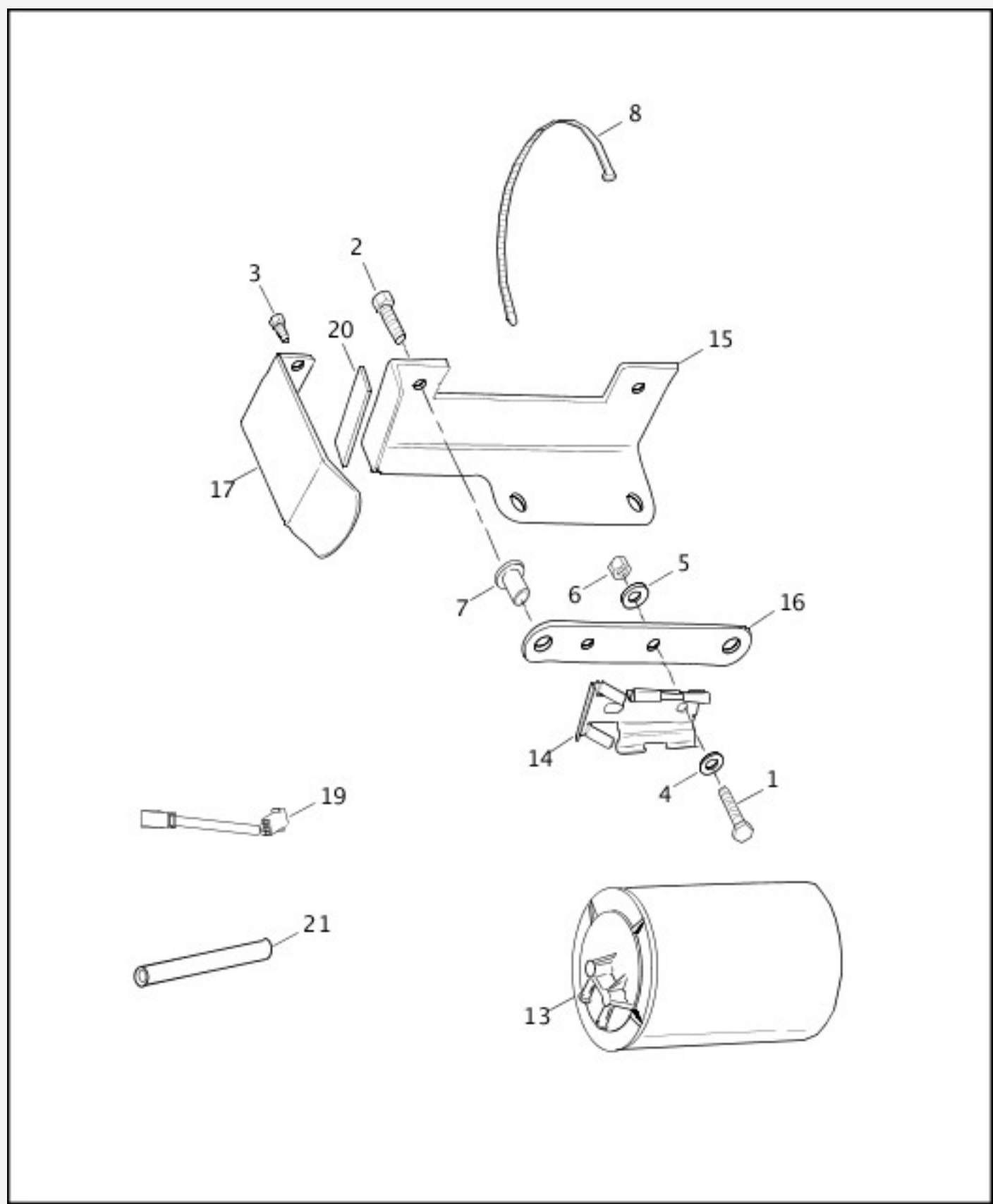
[View interactive table](#)

INDEX NO.	PART NO.	DESCRIPTION	MODEL(S)
1	2955	SCREW (4)	XL1200 1996, XL1200C, XL1200S, XL883 1996, XL883HUG 1996
2	3658	SCREW (4)	XL1200 1996, XL1200C, XL1200S, XL883 1996, XL883HUG 1996
3	10181	CABLE TIE (as required)	XL1200 1996, XL1200C, XL1200S, XL883 1996, XL883HUG 1996
4	11155	RETAINING RING	XL1200 1996, XL1200C, XL1200S, XL883 1996, XL883HUG 1996

5	56073-83	RETAINER, wiring harness (4)	XL1200 1996, XL1200S, XL883 1996
	70345-84	RETAINER, wiring harness (4)	XL1200 1996, XL1200C, XL883HUG 1996
6	56394-94	SPRING, throttle adjusting screw	XL1200 1996, XL1200C, XL1200S, XL883 1996, XL883HUG 1996
7	56396-74A	PAD, throttle adjusting	XL1200 1996, XL1200C, XL1200S, XL883 1996, XL883HUG 1996
8	56397-74C	KIT, throttle adjusting screw, w/ 4, 6 & 9	XL1200 1996, XL1200C, XL1200S, XL883 1996, XL883HUG 1996
9	56402-83A	ADJUSTING SCREW	XL1200 1996, XL1200C, XL1200S, XL883 1996, XL883HUG 1996
10	71563-96	HOUSING, lower right	XL1200 1996, XL1200C, XL1200S, XL883 1996, XL883HUG 1996
11	71564-96	HOUSING, upper right	XL1200 1996, XL1200C, XL1200S, XL883 1996, XL883HUG 1996
12	71567-96	HOUSING, upper left	XL1200 1996, XL1200C, XL1200S, XL883 1996, XL883HUG 1996
13	71568-96A	HOUSING, lower left	XL1200 1996, XL1200C, XL1200S, XL883 1996, XL883HUG 1996
14	71684-06A	SWITCH KIT, engine stop & start, w/ 3 & 27	XL1200 1996, XL1200C, XL1200S, XL883 1996, XL883HUG 1996
15	71621-08	SWITCH KIT, stoplight	XL1200 1996, XL1200C, XL1200S, XL883 1996, XL883HUG 1996
16	71591-96A	SWITCH ASSEMBLY, right directional, w/ 3 & 27	XL1200 1996, XL1200C, XL1200S, XL883 1996, XL883HUG 1996
17	71682-06A	SWITCH KIT, dimmer & horn, w/ 3 & 27	XL1200 1996, XL1200C, XL1200S, XL883 1996, XL883HUG 1996
18	71598-96A	SWITCH ASSEMBLY, w/ 3 & 27, left directional	XL1200 1996, XL1200C, XL1200S, XL883 1996, XL883HUG 1996
19	72116-94BK	PLUG, 6-way (black) (2)	XL1200C
20	72119-94BK	PLUG, 12-way (right) (black)	XL1200 1996, XL1200S, XL883 1996, XL883HUG 1996
21	72156-94	SECONDARY LOCK, 6-way (2)	XL1200C
22	72159-94	SECONDARY LOCK, 12-way plug (2)	XL1200 1996, XL1200S, XL883 1996, XL883HUG 1996
23	72176-94	SEAL, front (6-way plug) (2)	XL1200C
24	72179-94	SEAL, front (12-way plug) (2)	XL1200 1996, XL1200S, XL883 1996, XL883HUG 1996
25	72191-94	TERMINAL, socket (as required)	XL1200 1996, XL1200C, XL1200S, XL883 1996, XL883HUG 1996

26	72195-94	SEAL PIN (as required)	XL1200 1996, XL1200S, XL883 1996, XL883HUG 1996
27	72266-94	SHRINK TUBE	XL1200 1996, XL1200C, XL1200S, XL883 1996, XL883HUG 1996
28	72139-94GY	PLUG, 12-way (left) (gray)	XL1200 1996, XL1200S, XL883 1996, XL883HUG 1996

CALIFORNIA EVAPORATIVE EMISSIONS KIT



[View interactive image](#)

INDEX NO.	PART NO.	DESCRIPTION	MODEL(S)
1	3767B	BOLT, mounting bracket (2)	ALL
2	3802W	BOLT, bracket to plate (2)	ALL
3	4091	SCREW (2)	ALL
4	6099	WASHER (2)	XL1200C, XL1200S, XL883 1995, XL883 1996, XL883DLX, XL883HUG 1995, XL883HUG 1996
4	6099	WASHER (4)	XL1200 1995, XL1200 1996
5	6703	WASHER (2)	ALL
6	7686	LOCKNUT (2)	ALL
7	8099	WELL NUT (2)	ALL
8	10006	CABLE STRAP (6)	ALL
9	10039	CLAMP (Not illustrated)	ALL
10	10108	CLAMP, battery vent hose (not illustrated)	ALL
11	10110	CLIP, vent hose (not illustrated)	ALL
12	27018-85	CLAMP (not illustrated)	ALL
13	27042-84A	CANISTER	ALL
14	27047-84B	BRACKET, canister mounting	ALL
15	28857-90	BRACKET, canister	ALL
16	28859-90	PLATE, canister mounting	ALL
17	28860-89	GUARD, evaporative canister	ALL
18	28865-89C	HOSE, canister (not illustrated) (early models)	XL1200 1995, XL883 1995, XL883DLX, XL883HUG 1995
	28875-95	HOSE, canister (not illustrated) (early models)	XL1200 1995, XL1200 1996, XL1200C, XL1200S, XL883 1995, XL883 1996, XL883DLX, XL883HUG 1995, XL883HUG 1996
19	32440-94	WIRING HARNESS, solenoid	ALL
20	66352-	PAD (vinyl foam)	ALL

NOTE: Hose or insulator is sold in bulk length under the following part numbers. Cut to length.

21	26571-89	HOSE, 7/32 inch I.D. (10 ft. lg.) (black)	ALL
	27138-90	HOSE, 3/16 inch I.D. (10 ft. lg.) (black)	ALL

These parts are for 1995 and later XLH model motorcycles sold for use in the state of California.

CAM GEARS (1 OF 3)



[View interactive image](#)

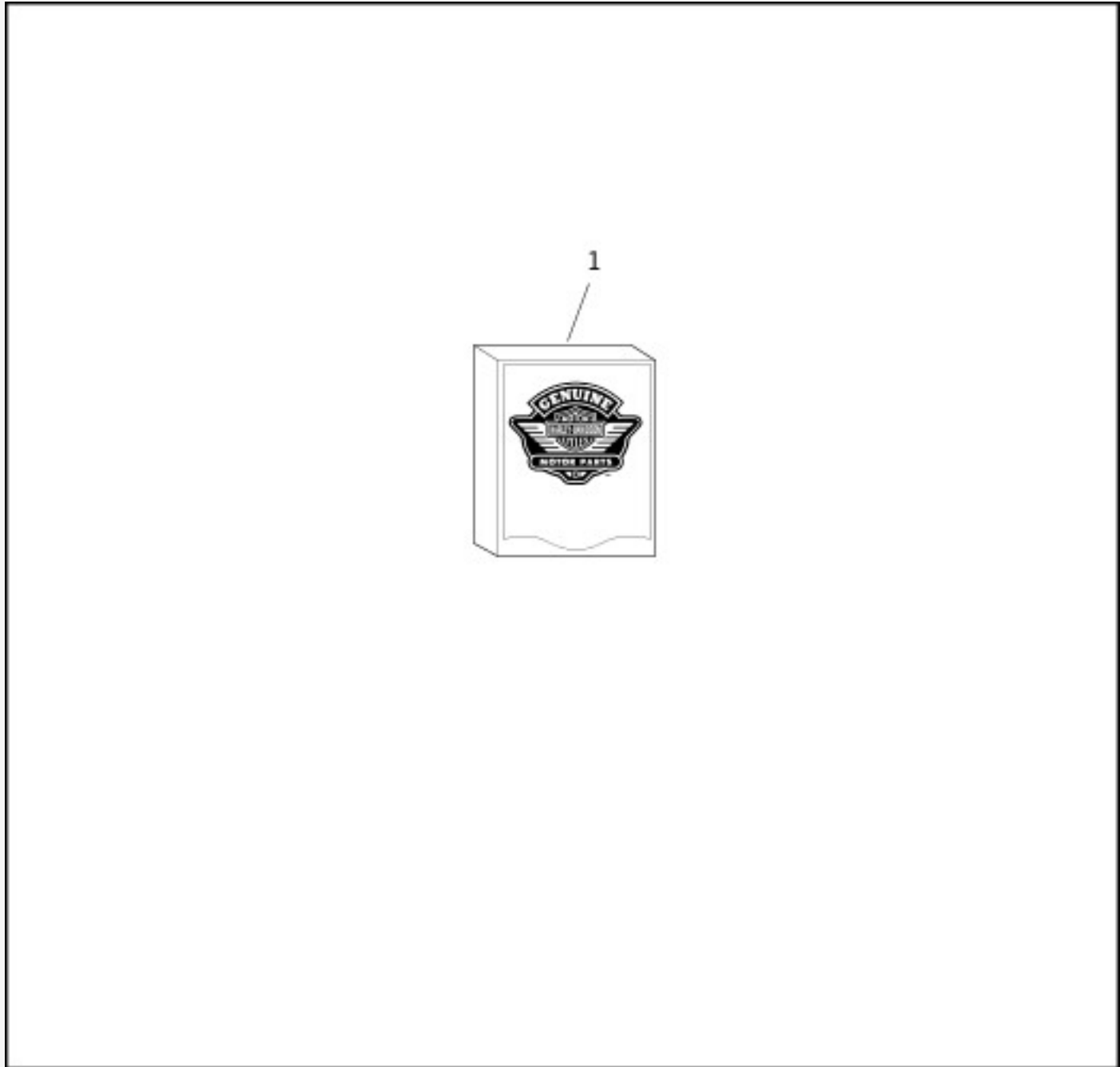
[View interactive table](#)

INDEX NO.	PART NO.	DESCRIPTION	MODEL(S)
1	25660-91	CAM GEAR, front exhaust (1 brown dot)	ALL
	25661-91	CAM GEAR, front exhaust (1 blue dot)	ALL

	25662-91	CAM GEAR, front exhaust (1 red dot)	ALL
	25663-91	CAM GEAR, front exhaust (1 white dot)	ALL
	25664-91	CAM GEAR, front exhaust (1 green dot)	ALL
	25665-91	CAM GEAR, front exhaust (1yellow dot)	ALL
	25666-91	CAM GEAR, front exhaust (1 black dot)	ALL
	25640-91	CAM GEAR, front intake (1 brown dot)	ALL
	25641-91	CAM GEAR, front intake (1 blue dot)	ALL
	25642-91	CAM GEAR, front intake (1 red dot)	ALL
	25643-91	CAM GEAR, front intake (1 white dot)	ALL
	25644-91	CAM GEAR, front intake (1 green dot)	ALL
	25645-91	CAM GEAR, front intake (1 yellow dot)	ALL
	25646-91	CAM GEAR, front intake (1 black dot)	ALL
	24055-91	PINION GEAR (1 brown dot)	ALL
	24056-91	PINION GEAR (1 blue dot)	ALL
	24057-91	PINION GEAR (1 red dot)	ALL
	24058-91	PINION GEAR (1 white dot)	ALL
	24059-91	PINION GEAR (1green dot)	ALL
	24060-91	PINION GEAR (1 yellow dot)	ALL
	24061-91	PINION GEAR (1 black dot)	ALL
	25804-91	CAM GEAR, rear intake (cam gear 1 black dot- drive gear 1 brown dot)	ALL
	25808-91	CAM GEAR, rear intake (cam gear 1 yellow dot, drive gear 1 brown dot)	ALL
	25812-91	CAM GEAR, rear intake (cam gear 1 green dot, drive gear 1 brown dot)	ALL
	25816-91	CAM GEAR, rear intake (cam gear 1 white dot, drive gear 1 brown dot)	ALL
	25820-91	CAM GEAR, rear intake (cam gear 1 red dot, drive gear 1 brown dot)	ALL
	25824-91	CAM GEAR, rear intake (cam gear 1 blue dot, drive gear 1 brown dot)	ALL
	25828-91	CAM GEAR, rear intake (cam gear 1brown dot, drive gear 1 brown dot)	ALL
	25832-91	CAM GEAR, rear intake (cam gear 1 black dot, drive gear 1 blue dot)	ALL
	25836-91	CAM GEAR, rear intake (cam gear 1 yellow dot, drive gear 1 blue dot)	ALL
	25840-91	CAM GEAR, rear intake (cam gear 1 green dot, drive gear 1 blue dot)	ALL

	25844-91	CAM GEAR, rear intake (cam gear 1 white dot, drive gear 1 blue dot)	ALL
	25848-91	CAM GEAR, rear intake (cam gear 1 red dot, drive gear 1 blue dot)	ALL

CAM GEARS (2 OF 3)



[View interactive image](#)

[View interactive table](#)

INDEX NO.	PART NO.	DESCRIPTION	MODEL(S)
1	25852-91	CAM GEAR, rear intake (cam gear 1 blue dot, drive gear 1 blue dot)	ALL
	25856-91	CAM GEAR, rear intake (cam gear 1 brown dot, drive gear 1 blue dot)	ALL
	25860-91	CAM GEAR, rear intake (cam gear 1 black dot, drive gear 1 red dot)	ALL
	25864-91	CAM GEAR, rear intake (cam gear 1 yellow dot, drive gear 1 red dot)	ALL
	25868-91	CAM GEAR, rear intake (cam gear 1 green dot, drive gear 1 red dot)	ALL

	25872-91	CAM GEAR, rear intake (cam gear 1 white dot, drive gear 1 red dot)	ALL
	25876-91	CAM GEAR, rear intake (cam gear 1 red dot, drive gear 1 red dot)	ALL
	25880-91	CAM GEAR, rear intake (cam gear 1 blue dot, drive gear 1 red dot)	ALL
	25884-91	CAM GEAR, rear intake (cam gear 1 brown dot, drive gear 1 red dot)	ALL
	25888-91	CAM GEAR, rear intake (cam gear 1 black dot, drive gear 1 white dot)	ALL
	25892-91	CAM GEAR, rear intake (cam gear 1 yellow dot, drive gear 1 white dot)	ALL
	25896-91	CAM GEAR, rear intake (cam gear 1 green dot, drive gear 1 white dot)	ALL
	25900-91	CAM GEAR, rear intake (cam gear 1 white dot, drive gear 1 white dot)	ALL
	25904-91	CAM GEAR, rear intake (cam gear 1 red dot, drive gear 1 white dot)	ALL
	25908-91	CAM GEAR, rear intake (cam gear 1 blue dot, drive gear 1 white dot)	ALL
	25912-91	CAM GEAR, rear intake (cam gear 1 brown dot, drive gear 1 white dot)	ALL
	25916-91	CAM GEAR, rear intake (cam gear 1 black dot, drive gear 1 green dot)	ALL
	25920-91	CAM GEAR, rear intake (cam gear 1 yellow dot, drive gear 1 green dot)	ALL
	25924-91	CAM GEAR, rear intake (cam gear 1 green dot, drive gear 1 green dot)	ALL
	25928-91	CAM GEAR, rear intake (cam gear 1 white dot -drive gear 1 green dot)	ALL
	25932-91	CAM GEAR, rear intake (cam gear 1 red dot, drive gear 1 green dot)	ALL

CAM GEARS (3 OF 3)



[View interactive image](#)

[View interactive table](#)

INDEX NO.	PART NO.	DESCRIPTION	MODEL(S)
1	25936-91	CAM GEAR, rear intake (cam gear 1 blue dot, drive gear 1 green dot)	ALL
	25940-91	CAM GEAR, rear intake (cam gear 1 brown dot, drive gear 1 green dot)	ALL
	25944-91	CAM GEAR, rear intake (cam gear 1 black dot, drive gear 1 yellow dot)	ALL
	25948-91	CAM GEAR, rear intake (cam gear 1 yellow dot, drive gear 1 yellow dot)	ALL
	25952-91	CAM GEAR, rear intake (cam gear 1 green dot, drive gear 1 yellow dot)	ALL
	25956-91	CAM GEAR, rear intake (cam gear 1 white dot, drive gear 1 yellow dot)	ALL
	25960-91	CAM GEAR, rear intake (cam gear 1 red dot, drive gear 1 yellow dot)	ALL
	25964-91	CAM GEAR, rear intake (cam gear 1 blue dot, drive gear 1 yellow dot)	ALL
	25968-91	CAM GEAR, rear intake (cam gear 1 brown dot, drive gear 1 yellow dot)	ALL

	25972-91	CAM GEAR, rear intake (cam gear 1 black dot, drive gear 1 black dot)	ALL
	25976-91	CAM GEAR, rear intake (cam gear 1 yellow dot, drive gear 1 black dot)	ALL
	25980-91	CAM GEAR, rear intake (cam gear 1 green dot, drive gear 1 black dot)	ALL
	25984-91	CAM GEAR, rear intake (cam gear 1 white dot, drive gear 1 black dot)	ALL
	25988-91	CAM GEAR, rear intake (cam gear 1 red dot, drive gear 1 black dot)	ALL
	25992-91	CAM GEAR, rear intake (cam gear 1 blue dot, drive gear 1 black dot)	ALL
	25996-91	CAM GEAR, rear intake (cam gear 1 brown dot, drive gear 1 black dot)	ALL
	25650-91	CAM GEAR, rear exhaust (1 brown dot)	ALL
	25651-91	CAM GEAR, rear exhaust (1 blue dot)	ALL
	25652-91	CAM GEAR, rear exhaust (1 red dot)	ALL
	25653-91	CAM GEAR, rear exhaust (1 white dot)	ALL
	25654-91	CAM GEAR, rear exhaust (1 green dot)	ALL
	25655-91	CAM GEAR, rear exhaust (1 yellow dot)	ALL
	25656-91	CAM GEAR, rear exhaust (1 black dot)	ALL

Hardware List

[View interactive table](#)

PART NO.	DESCRIPTION
1028	SCREW 5/16-18 X 2-1/2 SEMS socket head, with lockpatch
1203	SCREW No. 8-32 X 7/8 Pozidriv fillister head (Grade 2)
1357W	SCREW 1/4-20 X 1 Phillips oval countersink head (stainless)
1601	SCREW No. 8-32 X 1/2 Pozidriv flat countersink head (Grade 2)
2325	SCREW No. 6 X 3/4 cross recess pan head, self-tapping
2339	BOLT No. 10-24 X 3/4 hex head (Grade 2)
2361	SCREW No. 8-32 X 3/8 socket countersink head, with lockpatch
2405A	SCREW 5/16-18 X 3/4 Phillips oval head (chrome)
2508	SCREW No. 10-32 X 1/2 socket head
2523	SCREW No. 8-32 X 1/2 hex head, self-tapping
2528	SCREW No. 10-24 X 1/2 socket button head
25437-86	WASHER 23/64 X 41/64 X 1/16
2548	SCREW No.8-32 X 3/4 socket head, with lockpatch

2579A	SCREW No. 8-32 X 5/16 Pozidriv oval head
2611C	BOLT No. 10-32 X 3/4 hex head, with washer (Grade 5)
2698A	SCREW 5/16-18 X 9/16 socket fillister head
2708A	SCREW 5/16-18 X 1 socket head
2711	SCREW No. 4-40 X 3/8 pan head, self-tapping
2720	SCREW 10-24 X 1.0 TORX head, with lockpatch
2737	SCREW No. 4-40 X 1/4 Pozidriv pan head (Grade 2)
2739	SCREW 1/4-28 X 1/2 Phillips truss head, with lockwasher (chrome)
2773	SCREW 1/4-20 X 1/2 Pozidriv pan head (Grade 2)
2907	SCREW M3 X .05 X 8mm cross recess pan head, self-tapping
2925A	SCREW 7/16-20 X 1 socket head (Grade 8)
2952A	SCREW 1/4-20 X 1/2 SEMS truss head
2955	SCREW No. 6-32 X 1/4 Phillips pan head, with lockwasher
31689-90	BOLT M4 X 0.7 X 12 hex head
3201WA	SCREW 5/16-18 X 1-1/4 knurled head
3206B	SCREW No. 8-32 X 1-7/8
3210A	SCREW 5/16-18 X 1-1/4 knurled head
3221	SCREW No. 4-16 X 3/16 (Grade 8)
3228A	SCREW 5/16-18 X 3/4 socket head with washer (Grade 8)
3275	SCREW 5/16-18 X 3/4 socket head (Grade 8)
3350	BOLT M5 X 0.87 X 115mm hex flange head
3403	LOCKNUT M8-1.25 X 12mm flange (zinc)
34075-89	WASHER 3/64 X 11/16 X 1/16
3480A	SCREW 1/4-20 X 1-3/4 knurled head (Grade 8)
3498	SCREW 1/2-13 X 3 hex head, with lockpatch (Grade 5)
3500A	BOLT 5/16-18 X 2-3/4 hex head (Grade 8)
3501A	BOLT 5/16-18 X 2-1/2 hex head (Grade 8)
35078-79	NUT 3/4-16 X .391 X 1
3512	BOLT 3/8-24 X 3-1/4 hex head (chrome)
3514	SCREW No. 8-32 X 1 fillister head (Grade 5)

35211-91B	NUT 1-1/2-24 X .350 X 1-7/8 hex head
3534B	SCREW 1/2-13 X 2-1/2 socket head (Grade 8)
3562	SCREW No. 12 X 1/2 hex head, with washer, self-tapping
3579A	SCREW 1/4-28 X 1/4 SEMS hex head, self-tapping (Grade 2)
3588	SCREW 1/4-20 X 1/2 hex flange head
3594	SCREW 1/4-20 X 5/8 knurled head (Grade 8)
3606	SCREW No. 10-24 X 7/8 hex head
3610	SCREW 5/16-18 X 3-3/4 hex flange head (Grade 5)
3652	SCREW 1/4-20 X 3/8 button head (Grade 8)
3655A	SCREW 5/16-18 X 7/8 TORX pan head, with lockpatch (Grade 8)
3658	SCREW No. 10-24 X 1/2 TORX head (Grade 5)
3666A	SCREW No. 10-24 X 1.500 TORX recessed head, with washer
3675	SCREW 5/16-18 X 1 TORX head, with lockpatch (Grade 8)
3730A	BOLT 7/16-14 X 1-3/4 hex head (Grade 8)
3765	BOLT 1/4-28 X 5/8 hex head (Grade 5)
3767B	BOLT 1/4-20 X 5/8 hex head (Grade 5)
3769	BOLT 7/16-14 X 1-1/2 hex head (Grade 5)
3787	BOLT 1/4-20 X 3/4 hex head (Grade 5)
3802W	BOLT 1/4-20 X 7/8 hex head (Grade 5)
3849	SCREW 1/4-20 X 1-1/4 SEMS hex head (Grade 8)
3930A	SCREW 5/16-18 X 3/4 hex head, with washer, self-tapping
3958	BOLT 1/2-20 X 2-1/4 hex head (Grade 5)
3987	BOLT 5/16-18 X 3/4 hex head (Grade 5)
3993	BOLT 1/4-20 X 1-1/4 hex head (Grade 5)
4007	SCREW 5/16-18 X 1-1/4 socket button head
4015	SCREW 1/4-20 X 7/8 socket button head (Grade 8)
4016	SCREW 5/16-18 X 1.0 socket button head
4029A	SCREW 3/8-16 X 2-1/4 socket head (black)
4047	SCREW 3/8 X 2 TORX button head, self-tapping
4067	BOLT 5/16-18 X 4-1/2 hex head (Grade 5)
4091	SCREW No. 10-24 X 1/2 hex head, with washer, self-tapping (zinc)

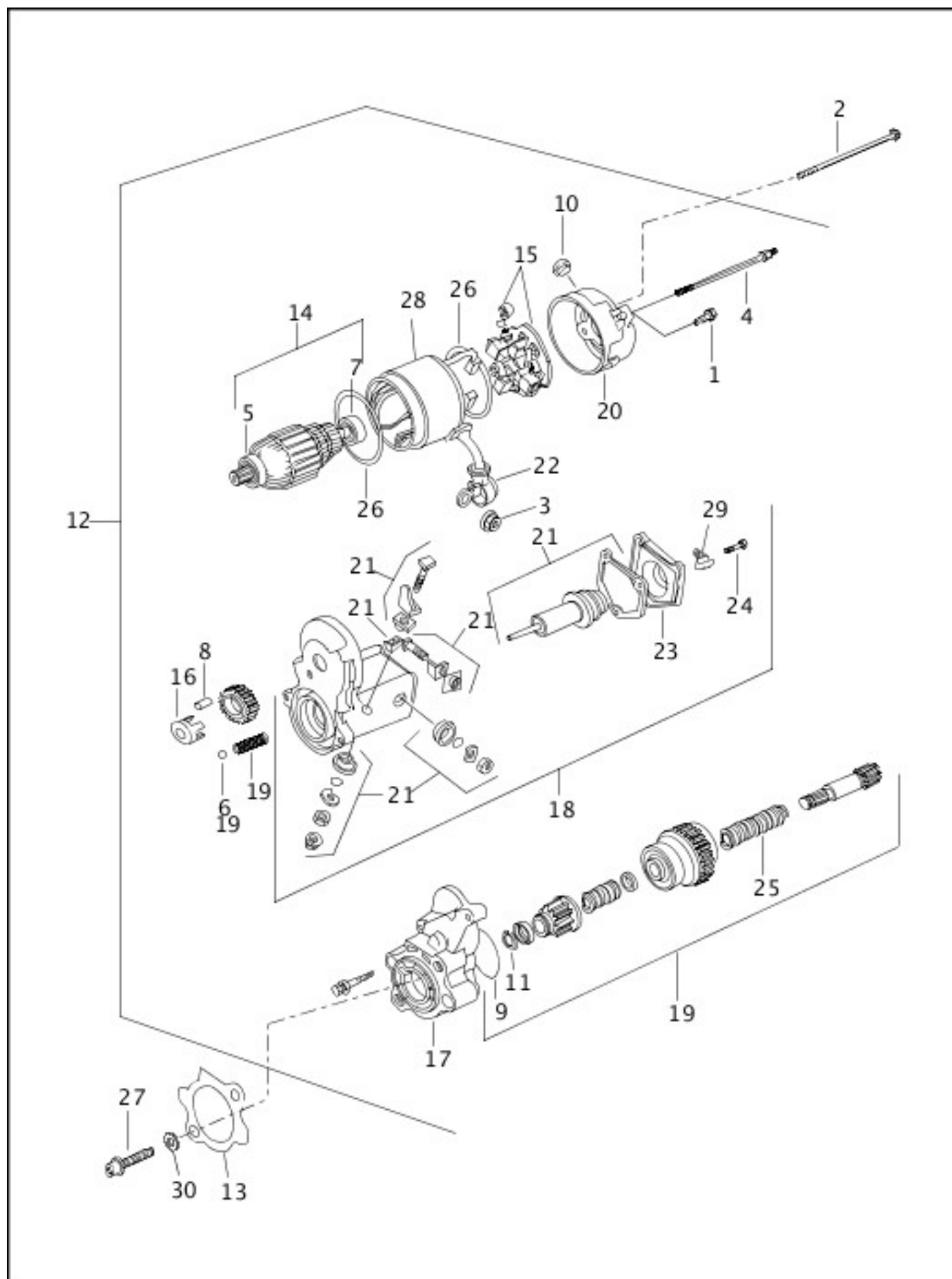
4117	SCREW 5/16-18 X 3-1/8 hex head (Grade 5)
41191-74A	SCREW 1/2-20 X 5/8 hex socket flat head, with lockpatch
4128	SCREW 5/16-18 X 3/4 socket button head
4132	SCREW 1/4-20 X 1-1/8 TORX button head (Grade 5) (black)
4240	SCREW No. 10-24 X 3/16 hex head, with washer
4319	BOLT 3/8-24 X 1 hex head (Grade 5)
4326A	SCREW 5/16-18 X 2 socket head
4329	SCREW 1/4-20 X 3/4 hex head with washer, self-tapping
4350A	SCREW 3/8-16 X 1-1/2 socket head
4351	SCREW 3/8-16 X 1-1/2 TORX head, self-tapping (Grade 8)
4352	SCREW 3/8-16 X 1-1/2 TORX, self-tapping (Grade 8)
43567-92	SCREW 3/8-16 X 1 TORX pan head, with lockpatch
4377	SCREW 3/8-16 X 2.0 hex head, with washer, self-tapping
4420	SCREW 3/8-16 X 2.75 hex head (Grade 5)
4435W	BOLT 3/8-24 X 3-1/2 hex head (Grade 5)
4453	BOLT 1/4-20 X 7/8 hex head SPECIAL WITH TAPPED HOLE
4460	BOLT 5/8-18 X 1 hex head (Grade 5)
45405-75A	SCREW M8 X 1.25 x 27 hex socket head
4716W	SCREW 3/8-16 X 1-1/4 hex head (Grade 5)
4717A	SCREW 1/4-20 X 2-1/4 knurled head, with lockpatch
4721	BOLT 3/8-16 X 1-1/2 hex head (Grade 5)
4740A	SCREW 1/4-20 X 1-1/4 knurled head, with lockpatch (Grade 8)
4741A	SCREW 1/4-20 X 1 socket head, with lockpatch
4743	BOLT 1/2-20 X 2-3/8 hex head (Grade 5)
4748	SCREW 3/8-16 X 1-1/8 socket head (Grade 8)
4751	SCREW 1/4-20 X 3/4 hex head, with lockpatch (Grade 8) (zinc)
4753	SCREW 1/4-20 X 3/8 socket head, with lockpatch (Grade 8)
4758A	SCREW 5/16-18 X 3.48 socket head (Grade 8)
4816A	SCREW 5/16-18 X 1-1/2 socket head
4820A	SCREW 1/4-20 X 2 socket head

4826	SCREW 1/4-20 X 2-1/2 socket head, with washer
5403B	BOLT 1/4-20 X 3/8 carriage
54321-85	NUT No. 8-32 X 1/2 X 1/8 (brass)
5440	BOLT 5/16-18 X 3/4 carriage
5756	WASHER 21/32 X 1-5/16 X 5/8
6003	WASHER 1-3/16 X 1-3/8 X 11/16
6012	WASHER 1/2 X 1-3/16 X 1/16
6016	WASHER 11/32 X 11/16 X 1/16
6019	WASHER 3/8 X 29/32 X 1/16
6026	WASHER 3/8 X 7/8 X 7/64
6036	WASHER 17/64 X 1 X 1/16
6099	WASHER 1/4 X 7/16 X 1/16
6101	WASHER 17/64 X 27/64 X 1/16
6109	WASHER 5/16 X 11/16 X 1/8
6157	WASHER 27/64 X 5/8 X 1/64 heat treated
6192	WASHER No. 8 X 7/16 X 3/64
6220W	WASHER 1/4 X 7/16 X 1/32
6314W	WASHER 21/64 X 9/16 X 1/8 (zinc)
6333	WASHER 5/16 X 7/8 X 5/64
6366	WASHER 1/2 X 1-1/4 X 3/32
6410	WASHER 1/4 X 9/16 X 1/16 nylon
6516HW	WASHER 7/16 X 1-1/8 X 1/8
6590HW	WASHER 1/2 X 1-1/8 X 3/32
6655	WASHER 5/8 X 1-1/2 X 7/64
6701	WASHER 3/8 X 13/16 X 1/16
6702	WASHER 5/16 X 11/16 X 1/16
6703	WASHER 1/4 X 5/8 X 1/16
6716	WASHER No. 10 X 1/2 X 3/64
6736	WASHER 9/32 X 5/8 X 1/16
6788	WASHER 21/6 X 1/2 X 1/16

6812	WASHER 13/32 X 11/16 X 1/16
7019	WASHER 1/2 X 3/4 X 1/4 rubber
7036	WASHER 1/4 X 31/64 X 1/16
7038	LOCKWASHER 3/8
7041	LOCKWASHER 5/16
7042	LOCKWASHER 5/16 high collar
7045	LOCKWASHER 3/8 high collar
7068	LOCKWASHER 1/2
7124	LOCKWASHER 1/4 internal tooth
7127	LOCKWASHER 5/16 internal tooth
7145W	LOCKWASHER 3/8 external tooth
7220	LOCKWASHER No. 10 external tooth
7495	NUT M6 flange
7527	ACORN NUT 5/16-18 X 11/16 X 1/2
7531	LOCKNUT 5/16-18 X 9/32 X 1/2 flange
7593	NUT 5/16-24 flange
7602	ACORN NUT No. 10-32 nylon
7624	LOCKNUT No. 10-24 X 1/4 X 3/8
7629	NUT No. 10-32 X 3/8 keps
7655	ACORN NUT 3/8-16 (chrome)
7667	NUT 3/8-16 X 9/32 X 9/16 nylon insert
7683	LOCKNUT 1/4-28 X 5/16 X 7/16
7686	LOCKNUT 1/4-20 X 5/16 X 7/16
7688	NUT 1/4-20 X 7/32 X 7/16 (Grade 2)
7710W	LOCKNUT 5/16-18
7725	LOCKNUT 5/16-24 X 11/32 X 1/2
7736	ACORN NUT 5/16-24 X 19/32 X 1/2 (Grade 2) (chrome)
7739	LOCKNUT 5/16-18 X 11/32 X 1/2
7744	JAMNUT 5/16-24 X 3/16 X 1/2 (Grade 2)
7775	LOCKNUT 3/8-24 X 7/16 X 9/16
7778	LOCKNUT 3/8-16 X 7/16 X 9/16

7780	LOCKNUT 3/8-24 X 13/32 X 11/16 flange
7783	NUT 3/8-16 X 5/16 X 9/16 (Grade 2)
7789	LOCKNUT 3/8-24
7792	NUT 1/4-20 X 1/4 (Grade 2)
7804	LOCKNUT 1/2-13 X 15/32 X 7/8 self-sealing
7824	LOCKNUT 1/2-20 X 1/4 (Grade 2)
7827W	LOCKNUT 7/16-14
7839	NUT 3/4-16 X 21/32 flange (Grade 2)
7844	LOCKNUT 1/2-13 X 5/16 X 3/4
7845	NUT 1/2-20 X 7/16 X 3/4 (Grade 2)
7861	NUT 3/8-24
7880	NUT 1/2-13 X 7/16 X 3/4 (Grade 2)
7916A	JAMNUT 5/8-18
7987	NUT 5/8-18 X 15/16 slotted (Grade 8)
8108	SPEEDNUT 1/4-20
8144	NUT CLIP 5/16-18
853A	SCREW 5/16-18 X 2-1/4 knurled head
855B	SCREW 3/8-16 X 2 knurled head
869	SCREW 1/4-20 X 1-1/4 socket button head (Grade 8)
879A	SCREW 5/16-18 X 3-1/2 knurled head (Grade 8)
882	SCREW 1/4-20 X 7/8 knurled head, with washer (Grade 8)
891	SCREW 1/4-20 X 1-3/4 socket head (Grade 8)
90770-79	SCREW No. 8-32 X 3/8 Pozidriv head, self-tapping
923	SCREW 1/4-20 X 3/4 socket pan head
929A	SCREW M4 X 0.7 X 11.8 flange head
943	SCREW 1/4-20 X 5/8 socket button head
94313-91TS	SCREW 1/4-20 X 7/8 socket head
946	SCREW 1/4-20 X 2-1/4 socket button head, with lockpatch (Grade 8)

STARTER MOTOR

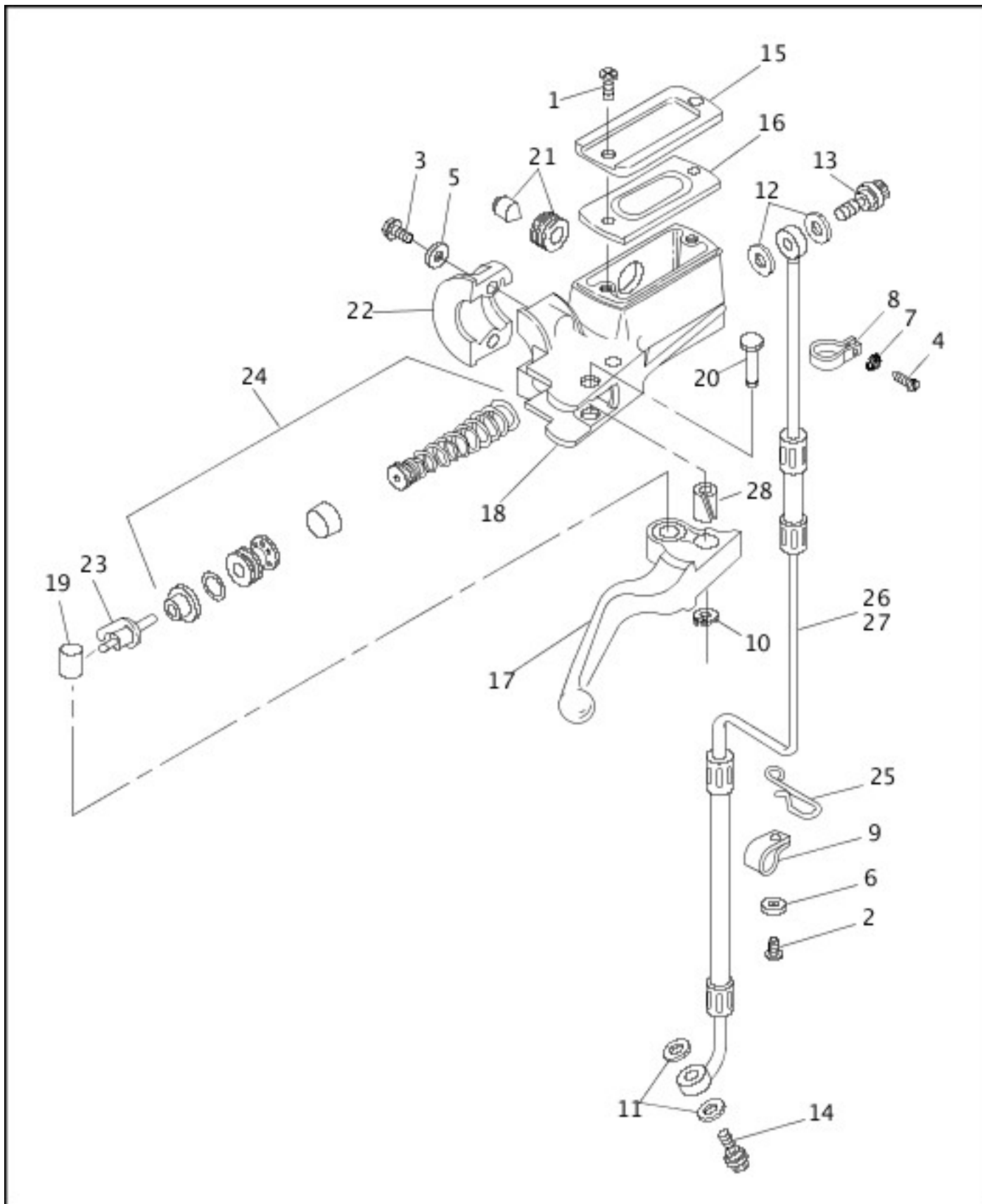


[View interactive table](#)

INDEX NO.	PART NO.	DESCRIPTION	MODEL(S)
9	10957	O-RING	ALL
12	31390-91A	STARTER MOTOR, complete	ALL
13	31488-81C	GASKET, starter motor	ALL
18	31540-91	SWITCH ASSEMBLY, magnetic	ALL

19	31556-91D	CLUTCH SUB-ASSEMBLY, w/ 8879, 10957, 31328-91 & 31692-90	ALL
----	-----------	--	-----

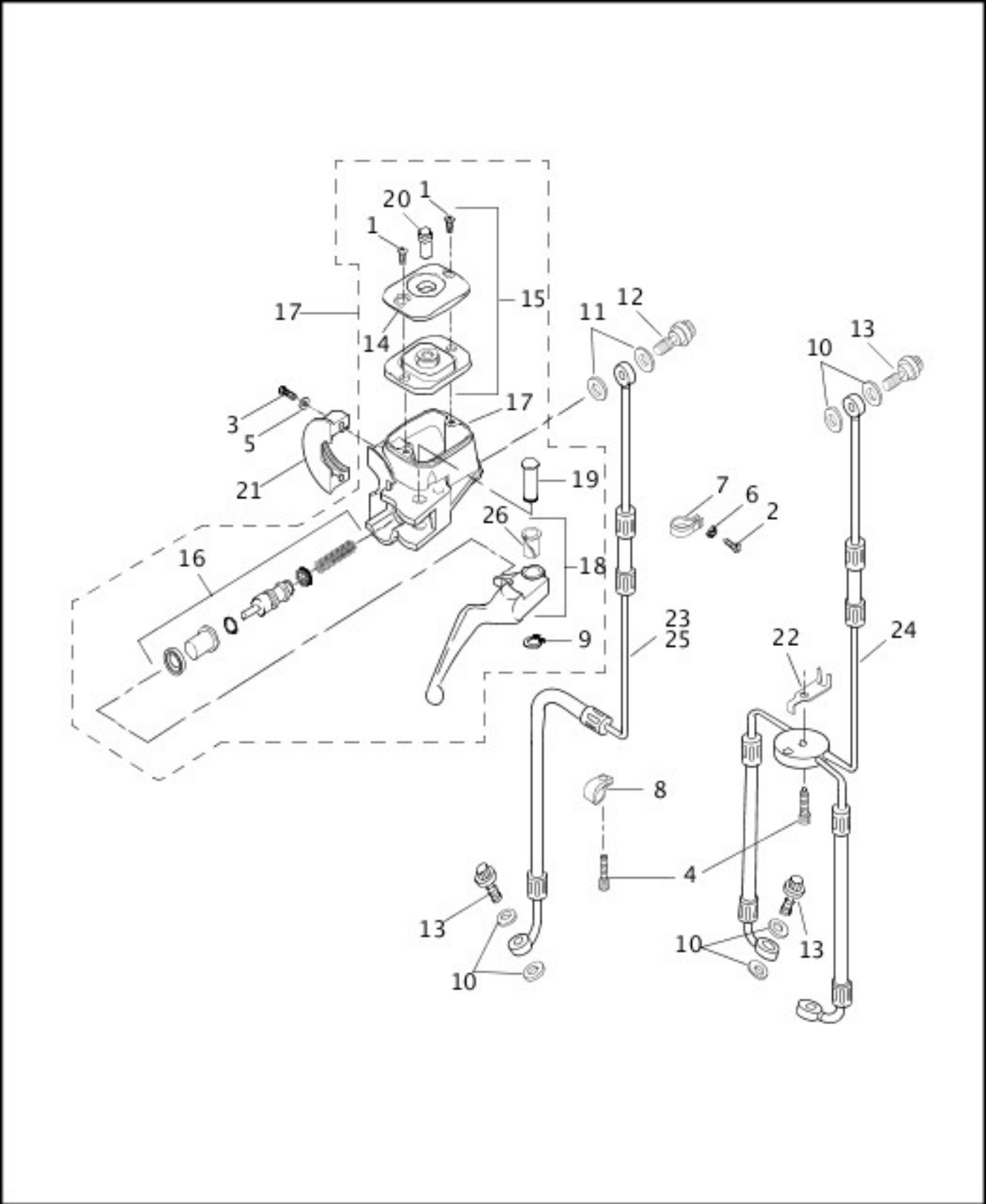
FRONT BRAKE CONTROL - 1995



[View interactive table](#)

INDEX NO.	PART NO.	DESCRIPTION	MODEL(S)
27	45121-96A	BRAKE LINE KIT, front, w/ 10065, 41733-88, 68562-84 & 71795-63A	XL883 1995

FRONT BRAKE CONTROL - 1996



[View interactive table](#)

INDEX NO.	PART NO.	DESCRIPTION	MODEL(S)
15	45030-03C	COVER KIT, reservoir, w/ 2579A	XL1200 1996, XL1200C, XL1200S, XL883 1996, XL883HUG 1996
25	45121-96A	BRAKE LINE KIT, front, w/ 10065, 41733-88, 68562-84 & 71795-63A	XL1200 1996, XL1200C, XL1200S, XL883 1996, XL883HUG 1996

Numerical Index

[View interactive table](#)

10006	ELECTRONIC IGNITION SYSTEM CALIFORNIA EVAPORATIVE EMISSIONS KIT
-------	--

10014	<u>CARBURETOR (1 OF 2)</u> <u>FUEL TANK & TRIM (1 OF 2)</u> <u>OIL TANK & FILTER</u>
10031	<u>FRONT BRAKE CONTROL - 1995</u> <u>FRONT BRAKE CONTROL - 1996</u> <u>REAR BRAKE CONTROL</u>
10039	<u>ELECTRONIC IGNITION SYSTEM</u> <u>SWITCHES & CIRCUIT BREAKERS</u> <u>CALIFORNIA EVAPORATIVE EMISSIONS KIT</u>
10048	<u>EXHAUST SYSTEM</u>
10053	<u>FRONT BRAKE CONTROL - 1995</u> <u>FRONT BRAKE CONTROL - 1996</u>
10065	<u>ALTERNATOR & REGULATOR</u> <u>TURN SIGNALS (1 OF 2)</u>
10067	<u>BATTERY</u>
10074	<u>EXHAUST SYSTEM</u>
10080	<u>CRANKCASE (2 OF 2)</u> <u>OIL TANK & FILTER</u>
10108	<u>FUEL TANK & TRIM (1 OF 2)</u> <u>CALIFORNIA EVAPORATIVE EMISSIONS KIT</u>
10110	<u>BATTERY</u> <u>CALIFORNIA EVAPORATIVE EMISSIONS KIT</u>
10117	<u>GEARCASE & COVER</u> <u>OIL TANK & FILTER</u>
10120	<u>HORN</u>
10123	<u>CLUTCH CONTROL</u>
10136	<u>MAIN WIRING HARNESS (1 OF 3)</u> <u>MAIN WIRING HARNESS - 1200 CUSTOM (1 OF 2)</u>
10142	<u>OIL TANK & FILTER</u>
10181	<u>HANDLEBAR SWITCHES - 1996</u>
1028	<u>CRANKCASE (1 OF 2)</u>
10957	<u>STARTER MOTOR</u>
11000101	<u>SHIFTER</u>
11002	<u>OIL PUMP</u>
11019	<u>SHIFTER</u>
11031	<u>SHIFTER</u>

11046	<u>CLUTCH</u>
11067	<u>TRANSMISSION GEARS (1 OF 2)</u>
11105	<u>CRANKCASE (2 OF 2)</u>
11124	<u>GEARCASE & COVER</u> <u>ELECTRONIC IGNITION SYSTEM</u>
11140	<u>SPEEDOMETER & TACHOMETER (1 OF 3)</u> <u>SPEEDOMETER - 1200 CUSTOM</u>
11143	<u>CLUTCH CONTROL</u> <u>FRONT BRAKE CONTROL - 1995</u> <u>FRONT BRAKE CONTROL - 1996</u>
11155	<u>HANDLEBAR & THROTTLE CONTROL (1 OF 2)</u> <u>HANDLEBAR & THROTTLE CONTROL - 1200 CUSTOM</u> <u>HANDLEBAR SWITCHES - 1995</u> <u>HANDLEBAR SWITCHES - 1996</u>
11161	<u>TRANSMISSION GEARS (1 OF 2)</u>
11165	<u>TRANSMISSION GEARS (1 OF 2)</u>
11171	<u>ACCESS DOOR & PRIMARY COVER</u>
11176	<u>ROCKER ARMS, COVERS & PUSHRODS</u>
11177A	<u>PISTONS, CONNECTING RODS & FLYWHEELS</u> <u>CRANKCASE (2 OF 2)</u>
11179	<u>CLUTCH CONTROL</u>
11185	<u>SHIFTER</u>
11188	<u>ACCESS DOOR & PRIMARY COVER</u>
11190	<u>ROCKER ARMS, COVERS & PUSHRODS</u>
11218	<u>PISTONS, CONNECTING RODS & FLYWHEELS</u>
11219	<u>GEARCASE & COVER</u>
11250	<u>CLUTCH</u>
11271	<u>HANDLEBAR & THROTTLE CONTROL (1 OF 2)</u> <u>HANDLEBAR & THROTTLE CONTROL - 1200 CUSTOM</u>
11272	<u>HANDLEBAR & THROTTLE CONTROL (1 OF 2)</u> <u>HANDLEBAR & THROTTLE CONTROL - 1200 CUSTOM</u>
11412	<u>BATTERY</u>
11473	<u>FUEL TANK & TRIM (1 OF 2)</u>
11474	<u>REAR FENDER & BELT GUARDS</u>
11496	<u>SPEEDOMETER - 1200 CUSTOM</u>

11727A	<u>CYLINDER, HEAD & VALVES - V²™ EVOLUTION (1 OF 2)</u>
11730A	<u>CLUTCH</u>
11752	<u>CLUTCH</u>
1203	<u>HEADLAMP & MIRROR (1 OF 2)</u>
12030	<u>TRANSMISSION GEARS (1 OF 2)</u>
12067B	<u>TRANSMISSION GEARS (1 OF 2)</u>
1357W	<u>FRAME, REAR FORK & JIFFY STAND</u>
14270-92	<u>ACCESS DOOR & PRIMARY COVER</u>
14431-95	<u>FUEL TANK & TRIM (1 OF 2)</u>
14432-95	<u>FUEL TANK & TRIM (1 OF 2)</u>
14433-95	<u>FUEL TANK & TRIM (1 OF 2)</u>
14456-95	<u>FUEL TANK & TRIM (2 OF 2)</u>
14480-95	<u>FUEL TANK & TRIM (1 OF 2)</u>
14514-96	<u>FUEL TANK & TRIM (1 OF 2)</u>
14515-96	<u>FUEL TANK & TRIM (1 OF 2)</u>
14516-96	<u>FUEL TANK & TRIM (1 OF 2)</u>
14517-96	<u>FUEL TANK & TRIM (1 OF 2)</u>
14518-96	<u>FUEL TANK & TRIM (1 OF 2)</u>
14519-96	<u>FUEL TANK & TRIM (1 OF 2)</u>
14520-96	<u>FUEL TANK & TRIM (1 OF 2)</u>
15368-01A	<u>BATTERY</u>
1601	<u>ELECTRONIC IGNITION SYSTEM</u>
16047-95	<u>CYLINDER, HEAD & VALVES - V²™ EVOLUTION (2 OF 2)</u>
16048-95	<u>CYLINDER, HEAD & VALVES - V²™ EVOLUTION (2 OF 2)</u>
16049-95	<u>CYLINDER, HEAD & VALVES - V²™ EVOLUTION (2 OF 2)</u>
16051-95	<u>CYLINDER, HEAD & VALVES - V²™ EVOLUTION (1 OF 2)</u>
16051-96	<u>CYLINDER, HEAD & VALVES - V²™ EVOLUTION (1 OF 2)</u>
16052-95	<u>CYLINDER, HEAD & VALVES - V²™ EVOLUTION (1 OF 2)</u>
16052-96	<u>CYLINDER, HEAD & VALVES - V²™ EVOLUTION (1 OF 2)</u>

16054-95	CYLINDER, HEAD & VALVES - V²™ EVOLUTION (1 OF 2)
16054-96	CYLINDER, HEAD & VALVES - V²™ EVOLUTION (1 OF 2)
16055-95	CYLINDER, HEAD & VALVES - V²™ EVOLUTION (1 OF 2)
16055-96	CYLINDER, HEAD & VALVES - V²™ EVOLUTION (1 OF 2)
16061-95	CYLINDER, HEAD & VALVES - V²™ EVOLUTION (1 OF 2)
16061-96	CYLINDER, HEAD & VALVES - V²™ EVOLUTION (1 OF 2)
16062-95	CYLINDER, HEAD & VALVES - V²™ EVOLUTION (1 OF 2)
16062-96	CYLINDER, HEAD & VALVES - V²™ EVOLUTION (1 OF 2)
16063-95	CYLINDER, HEAD & VALVES - V²™ EVOLUTION (2 OF 2)
16063-96	CYLINDER, HEAD & VALVES - V²™ EVOLUTION (2 OF 2)
16064-95	CYLINDER, HEAD & VALVES - V²™ EVOLUTION (2 OF 2)
16064-96	CYLINDER, HEAD & VALVES - V²™ EVOLUTION (2 OF 2)
16066-95	CYLINDER, HEAD & VALVES - V²™ EVOLUTION (2 OF 2)
16066-96	CYLINDER, HEAD & VALVES - V²™ EVOLUTION (2 OF 2)
16068-96	CYLINDER, HEAD & VALVES - V²™ EVOLUTION (1 OF 2)
16069-96	CYLINDER, HEAD & VALVES - V²™ EVOLUTION (1 OF 2)
16071-96	CYLINDER, HEAD & VALVES - V²™ EVOLUTION (2 OF 2)
16074-96	CYLINDER, HEAD & VALVES - V²™ EVOLUTION (1 OF 2)
16075-96	CYLINDER, HEAD & VALVES - V²™ EVOLUTION (1 OF 2)
16076-96	CYLINDER, HEAD & VALVES - V²™ EVOLUTION (2 OF 2)
16210-84A	CRANKCASE (2 OF 2)
16212-84	CRANKCASE (2 OF 2)
16214-86	CYLINDER, HEAD & VALVES - V²™ EVOLUTION (1 OF 2)
16222-86	CYLINDER, HEAD & VALVES - V²™ EVOLUTION (1 OF 2)
16226-94	CYLINDER, HEAD & VALVES - V²™ EVOLUTION (1 OF 2)
16228-86A	CYLINDER, HEAD & VALVES - V²™ EVOLUTION (1 OF 2)
16228-94	HORN
16233-86	CYLINDER, HEAD & VALVES - V²™ EVOLUTION (1 OF 2)
16235-52A	CRANKCASE (2 OF 2)

16240-82	<u>CRANKCASE (2 OF 2)</u>
16278-95B	<u>CYLINDER, HEAD & VALVES - V²™ EVOLUTION (1 OF 2)</u>
16446-86B	<u>CYLINDER, HEAD & VALVES - V²™ EVOLUTION (1 OF 2)</u>
16447-88A	<u>CYLINDER, HEAD & VALVES - V²™ EVOLUTION (1 OF 2)</u>
16478-85A	<u>CYLINDER, HEAD & VALVES - V²™ EVOLUTION (1 OF 2)</u>
16480-92A	<u>CYLINDER, HEAD & VALVES - V²™ EVOLUTION (1 OF 2)</u>
16573-83A	<u>CYLINDER, HEAD & VALVES - V²™ EVOLUTION (1 OF 2)</u> <u>ACCESS DOOR & PRIMARY COVER</u>
16660-89B	<u>CYLINDER, HEAD & VALVES - V²™ EVOLUTION (1 OF 2)</u>
16661-89B	<u>CYLINDER, HEAD & VALVES - V²™ EVOLUTION (1 OF 2)</u>
16664-86D	<u>CYLINDER, HEAD & VALVES - V²™ EVOLUTION (1 OF 2)</u>
16688-90A	<u>CYLINDER, HEAD & VALVES - V²™ EVOLUTION (1 OF 2)</u>
16698-90A	<u>CYLINDER, HEAD & VALVES - V²™ EVOLUTION (1 OF 2)</u>
16715-83	<u>CYLINDER, HEAD & VALVES - V²™ EVOLUTION (1 OF 2)</u>
16770-84F	<u>CYLINDER, HEAD & VALVES - V²™ EVOLUTION (1 OF 2)</u>
16774-86D	<u>CYLINDER, HEAD & VALVES - V²™ EVOLUTION (1 OF 2)</u>
16778-84A	<u>ROCKER ARMS, COVERS & PUSHRODS</u>
16779-84B	<u>ROCKER ARMS, COVERS & PUSHRODS</u>
16800-84A	<u>ROCKER ARMS, COVERS & PUSHRODS</u>
16832-86C	<u>CYLINDER, HEAD & VALVES - V²™ EVOLUTION (1 OF 2)</u>
17026-91D	<u>CYLINDER, HEAD & VALVES - V²™ EVOLUTION (2 OF 2)</u>
17032-91	<u>CYLINDER, HEAD & VALVES - V²™ EVOLUTION (2 OF 2)</u>
17036-91A	<u>CYLINDER, HEAD & VALVES - V²™ EVOLUTION (2 OF 2)</u> <u>ROCKER ARMS, COVERS & PUSHRODS</u>
17353-89C	<u>ROCKER ARMS, COVERS & PUSHRODS</u>
17354-89	<u>ROCKER ARMS, COVERS & PUSHRODS</u>
17358-84B	<u>ROCKER ARMS, COVERS & PUSHRODS</u>
17360-83A	<u>ROCKER ARMS, COVERS & PUSHRODS</u>
17375-83A	<u>ROCKER ARMS, COVERS & PUSHRODS</u>
17429-91	<u>ROCKER ARMS, COVERS & PUSHRODS</u>
17501-86B	<u>ROCKER ARMS, COVERS & PUSHRODS</u>

17532-86E	<u>ROCKER ARMS, COVERS & PUSHRODS</u>
17533-90A	<u>ROCKER ARMS, COVERS & PUSHRODS</u>
17537-96C	<u>ROCKER ARMS, COVERS & PUSHRODS</u>
17538-96	<u>ROCKER ARMS, COVERS & PUSHRODS</u>
17551-96	<u>ROCKER ARMS, COVERS & PUSHRODS</u>
17611-83	<u>ROCKER ARMS, COVERS & PUSHRODS</u>
17897-89A	<u>ROCKER ARMS, COVERS & PUSHRODS</u>
17904-89A	<u>ROCKER ARMS, COVERS & PUSHRODS</u>
17944-89	<u>ROCKER ARMS, COVERS & PUSHRODS</u>
17946-89	<u>ROCKER ARMS, COVERS & PUSHRODS</u>
17952-91	<u>ROCKER ARMS, COVERS & PUSHRODS</u>
17953-91	<u>ROCKER ARMS, COVERS & PUSHRODS</u>
18001-83B	<u>CYLINDER, HEAD & VALVES - V²™ EVOLUTION (2 OF 2)</u>
18011-87A	<u>CYLINDER, HEAD & VALVES - V²™ EVOLUTION (2 OF 2)</u>
18012-87A	<u>CYLINDER, HEAD & VALVES - V²™ EVOLUTION (2 OF 2)</u>
18020-87A	<u>CYLINDER, HEAD & VALVES - V²™ EVOLUTION (2 OF 2)</u>
18021-87A	<u>CYLINDER, HEAD & VALVES - V²™ EVOLUTION (2 OF 2)</u>
18023-87A	<u>CYLINDER, HEAD & VALVES - V²™ EVOLUTION (2 OF 2)</u>
18024-87A	<u>CYLINDER, HEAD & VALVES - V²™ EVOLUTION (2 OF 2)</u>
18030-86B	<u>CYLINDER, HEAD & VALVES - V²™ EVOLUTION (2 OF 2)</u>
18031-86B	<u>CYLINDER, HEAD & VALVES - V²™ EVOLUTION (2 OF 2)</u>
18101-83D	<u>CYLINDER, HEAD & VALVES - V²™ EVOLUTION (2 OF 2)</u>
18130-83D	<u>CYLINDER, HEAD & VALVES - V²™ EVOLUTION (2 OF 2)</u>
18131-83D	<u>CYLINDER, HEAD & VALVES - V²™ EVOLUTION (2 OF 2)</u>
18133-83B	<u>CYLINDER, HEAD & VALVES - V²™ EVOLUTION (2 OF 2)</u>
18201-83	<u>CYLINDER, HEAD & VALVES - V²™ EVOLUTION (2 OF 2)</u>
18202-83	<u>CYLINDER, HEAD & VALVES - V²™ EVOLUTION (2 OF 2)</u>
18219-83A	<u>CYLINDER, HEAD & VALVES - V²™ EVOLUTION (2 OF 2)</u>
18222-83A	<u>CYLINDER, HEAD & VALVES - V²™ EVOLUTION (2 OF 2)</u>

18229-83A	<u>CYLINDER, HEAD & VALVES - V²™ EVOLUTION (2 OF 2)</u>
18526-89A	<u>ROCKER ARMS, COVERS & PUSHRODS</u>
18532-89	<u>ROCKER ARMS, COVERS & PUSHRODS</u>
215	<u>CRANKCASE (1 OF 2)</u>
21920-83	<u>PISTONS, CONNECTING RODS & FLYWHEELS</u>
21921-83	<u>PISTONS, CONNECTING RODS & FLYWHEELS</u>
21922-83	<u>PISTONS, CONNECTING RODS & FLYWHEELS</u>
21923-83	<u>PISTONS, CONNECTING RODS & FLYWHEELS</u>
21924-83	<u>PISTONS, CONNECTING RODS & FLYWHEELS</u>
22201-86A	<u>PISTONS, CONNECTING RODS & FLYWHEELS</u>
22205-88A	<u>PISTONS, CONNECTING RODS & FLYWHEELS</u>
22216-88A	<u>PISTONS, CONNECTING RODS & FLYWHEELS</u>
22220-88A	<u>PISTONS, CONNECTING RODS & FLYWHEELS</u>
22225-88A	<u>PISTONS, CONNECTING RODS & FLYWHEELS</u>
22242-86A	<u>PISTONS, CONNECTING RODS & FLYWHEELS</u>
22243-88A	<u>PISTONS, CONNECTING RODS & FLYWHEELS</u>
22253-86A	<u>PISTONS, CONNECTING RODS & FLYWHEELS</u>
22254-86A	<u>PISTONS, CONNECTING RODS & FLYWHEELS</u>
22255-86A	<u>PISTONS, CONNECTING RODS & FLYWHEELS</u>
22261-86	<u>PISTONS, CONNECTING RODS & FLYWHEELS</u>
22262-86	<u>PISTONS, CONNECTING RODS & FLYWHEELS</u>
22263-86	<u>PISTONS, CONNECTING RODS & FLYWHEELS</u>
22266-86	<u>PISTONS, CONNECTING RODS & FLYWHEELS</u>
22271-86	<u>PISTONS, CONNECTING RODS & FLYWHEELS</u>
22589-83B	<u>PISTONS, CONNECTING RODS & FLYWHEELS</u>
22719-85	<u>PISTONS, CONNECTING RODS & FLYWHEELS</u>
22765-88	<u>PISTONS, CONNECTING RODS & FLYWHEELS</u>
2325	<u>SPEEDOMETER & TACHOMETER (1 OF 3)</u>
2339	<u>ELECTRONIC IGNITION SYSTEM</u>

2361	<u>SPEEDOMETER & TACHOMETER (1 OF 3)</u> <u>SPEEDOMETER & TACHOMETER (1 OF 3)</u>
23905-89A	<u>PISTONS, CONNECTING RODS & FLYWHEELS</u>
23948-87	<u>PISTONS, CONNECTING RODS & FLYWHEELS</u>
23949-87	<u>PISTONS, CONNECTING RODS & FLYWHEELS</u>
23960-80A	<u>PISTONS, CONNECTING RODS & FLYWHEELS</u>
23980-98	<u>PISTONS, CONNECTING RODS & FLYWHEELS</u>
24055-91	<u>CAM GEARS (1 OF 3)</u>
24056-91	<u>CAM GEARS (1 OF 3)</u>
24057-91	<u>CAM GEARS (1 OF 3)</u>
24058-91	<u>CAM GEARS (1 OF 3)</u>
24059-91	<u>CAM GEARS (1 OF 3)</u>
2405A	<u>AIR CLEANER & ENRICHENER</u>
24060-91	<u>CAM GEARS (1 OF 3)</u>
24061-91	<u>CAM GEARS (1 OF 3)</u>
24275-86A	<u>PISTONS, CONNECTING RODS & FLYWHEELS</u>
24331-36	<u>PISTONS, CONNECTING RODS & FLYWHEELS</u>
24332-36	<u>PISTONS, CONNECTING RODS & FLYWHEELS</u>
24341-52A	<u>PISTONS, CONNECTING RODS & FLYWHEELS</u>
24352-52A	<u>PISTONS, CONNECTING RODS & FLYWHEELS</u>
24354-87A	<u>PISTONS, CONNECTING RODS & FLYWHEELS</u>
24466-96A	<u>CRANKCASE (2 OF 2)</u>
24470-91E	<u>CRANKCASE (2 OF 2)</u>
24530-90	<u>SHIFTER</u>
24647-87	<u>CRANKCASE (2 OF 2)</u>
24650-87	<u>CRANKCASE (2 OF 2)</u>
24658-87	<u>PISTONS, CONNECTING RODS & FLYWHEELS</u>
24659-87	<u>CRANKCASE (2 OF 2)</u>
24660-87	<u>CRANKCASE (2 OF 2)</u>
24754-75A	<u>CRANKCASE (2 OF 2)</u>

24922-93	<u>AIR CLEANER & ENRICHENER</u>
24925-95	<u>AIR CLEANER & ENRICHENER</u>
2508	<u>HANDLEBAR & THROTTLE CONTROL (1 OF 2)</u> <u>HANDLEBAR SWITCHES - 1995</u>
25213-96B	<u>GEARCASE & COVER</u>
25219-91C	<u>GEARCASE & COVER</u>
2523	<u>REAR BRAKE CONTROL</u>
25238-94	<u>ACCESS DOOR & PRIMARY COVER</u>
25263-90D	<u>GEARCASE & COVER</u>
2528	<u>SWITCHES & CIRCUIT BREAKERS</u>
25409-94B	<u>CLUTCH</u>
25430-94A	<u>ACCESS DOOR & PRIMARY COVER</u>
25437-86	<u>CLUTCH CONTROL</u>
25453-87A	<u>CLUTCH</u>
25460-94	<u>ACCESS DOOR & PRIMARY COVER</u>
25463-94A	<u>ACCESS DOOR & PRIMARY COVER</u>
2548	<u>SPEEDOMETER - 1200 CUSTOM</u>
25483-96	<u>GEARCASE & COVER</u>
25488-89C	<u>GEARCASE & COVER</u>
25586-37	<u>GEARCASE & COVER</u>
25588-91	<u>GEARCASE & COVER</u>
25593-74	<u>GEARCASE & COVER</u>
25598-91	<u>GEARCASE & COVER</u>
25640-91	<u>CAM GEARS (1 OF 3)</u>
25641-91	<u>CAM GEARS (1 OF 3)</u>
25642-91	<u>CAM GEARS (1 OF 3)</u>
25643-91	<u>CAM GEARS (1 OF 3)</u>
25644-91	<u>CAM GEARS (1 OF 3)</u>
25645-91	<u>CAM GEARS (1 OF 3)</u>
25646-91	<u>CAM GEARS (1 OF 3)</u>

25650-91	CAM GEARS (3 OF 3)
25651-91	CAM GEARS (3 OF 3)
25652-91	CAM GEARS (3 OF 3)
25653-91	CAM GEARS (3 OF 3)
25654-91	CAM GEARS (3 OF 3)
25655-91	CAM GEARS (3 OF 3)
25656-91	CAM GEARS (3 OF 3)
25660-91	CAM GEARS (1 OF 3)
25661-91	CAM GEARS (1 OF 3)
25662-91	CAM GEARS (1 OF 3)
25663-91	CAM GEARS (1 OF 3)
25664-91	CAM GEARS (1 OF 3)
25665-91	CAM GEARS (1 OF 3)
25666-91	CAM GEARS (1 OF 3)
2579A	FRONT BRAKE CONTROL - 1995 FRONT BRAKE CONTROL - 1996
25804-91	CAM GEARS (1 OF 3)
25808-91	CAM GEARS (1 OF 3)
25812-91	CAM GEARS (1 OF 3)
25816-91	CAM GEARS (1 OF 3)
25820-91	CAM GEARS (1 OF 3)
25824-91	CAM GEARS (1 OF 3)
25828-91	CAM GEARS (1 OF 3)
25832-91	CAM GEARS (1 OF 3)
25836-91	CAM GEARS (1 OF 3)
25840-91	CAM GEARS (1 OF 3)
25844-91	CAM GEARS (1 OF 3)
25848-91	CAM GEARS (1 OF 3)
25852-91	CAM GEARS (2 OF 3)
25856-91	CAM GEARS (2 OF 3)

25860-91	CAM GEARS (2 OF 3)
25864-91	CAM GEARS (2 OF 3)
25868-91	CAM GEARS (2 OF 3)
25872-91	CAM GEARS (2 OF 3)
25876-91	CAM GEARS (2 OF 3)
25880-91	CAM GEARS (2 OF 3)
25884-91	CAM GEARS (2 OF 3)
25888-91	CAM GEARS (2 OF 3)
25892-91	CAM GEARS (2 OF 3)
25896-91	CAM GEARS (2 OF 3)
25900-91	CAM GEARS (2 OF 3)
25904-91	CAM GEARS (2 OF 3)
25908-91	CAM GEARS (2 OF 3)
25912-91	CAM GEARS (2 OF 3)
25916-91	CAM GEARS (2 OF 3)
25920-91	CAM GEARS (2 OF 3)
25924-91	CAM GEARS (2 OF 3)
25928-91	CAM GEARS (2 OF 3)
25932-91	CAM GEARS (2 OF 3)
25936-91	CAM GEARS (3 OF 3)
25940-91	CAM GEARS (3 OF 3)
25944-91	CAM GEARS (3 OF 3)
25948-91	CAM GEARS (3 OF 3)
25952-91	CAM GEARS (3 OF 3)
25956-91	CAM GEARS (3 OF 3)
25960-91	CAM GEARS (3 OF 3)
25964-91	CAM GEARS (3 OF 3)
25968-91	CAM GEARS (3 OF 3)
25972-91	CAM GEARS (3 OF 3)
25976-91	CAM GEARS (3 OF 3)

25980-91	<u>CAM GEARS (3 OF 3)</u>
25984-91	<u>CAM GEARS (3 OF 3)</u>
25988-91	<u>CAM GEARS (3 OF 3)</u>
25992-91	<u>CAM GEARS (3 OF 3)</u>
25996-91	<u>CAM GEARS (3 OF 3)</u>
2611C	<u>ELECTRONIC IGNITION SYSTEM</u>
26204-91A	<u>OIL PUMP</u>
26318-88A	<u>GEARCASE & COVER</u>
26432-76A	<u>CYLINDER, HEAD & VALVES - V²™ EVOLUTION (2 OF 2)</u>
26434-91	<u>OIL PUMP</u>
26437-86B	<u>OIL TANK & FILTER</u>
26488-91	<u>OIL PUMP</u>
26491-91	<u>OIL PUMP</u>
26492-91	<u>OIL PUMP</u>
26493-91	<u>OIL PUMP</u>
26495-89B	<u>OIL PUMP</u>
26496-75A	<u>OIL PUMP</u>
26554-77B	<u>OIL TANK & FILTER</u> <u>SWITCHES & CIRCUIT BREAKERS</u>
26558-94A	<u>ELECTRONIC IGNITION SYSTEM</u>
26559-95	<u>FUEL TANK & TRIM (1 OF 2)</u>
26571-89	<u>CALIFORNIA EVAPORATIVE EMISSIONS KIT</u>
26856-89A	<u>ROCKER ARMS, COVERS & PUSHRODS</u>
2698A	<u>TURN SIGNALS (1 OF 2)</u>
26990-91	<u>CARBURETOR (2 OF 2)</u>
26995-86B	<u>CARBURETOR (1 OF 2)</u>
27002-89	<u>CARBURETOR (1 OF 2)</u>
27004-88A	<u>CARBURETOR (1 OF 2)</u>
27009-86A	<u>CARBURETOR (1 OF 2)</u>

27010-86A	CARBURETOR (1 OF 2)
27018-85	CALIFORNIA EVAPORATIVE EMISSIONS KIT
27031-95A	CARBURETOR (2 OF 2)
27042-84A	CALIFORNIA EVAPORATIVE EMISSIONS KIT
27047-84B	CALIFORNIA EVAPORATIVE EMISSIONS KIT
27067-96A	FUEL TANK & TRIM (1 OF 2)
27076-95A	CARBURETOR (2 OF 2)
2708A	HEADLAMP & MIRROR (1 OF 2)
27096-94	FUEL TANK & TRIM (1 OF 2)
27100-88	CARBURETOR (1 OF 2)
27101-88	CARBURETOR (1 OF 2)
2711	AIR CLEANER & ENRICHENER
27115-88	CARBURETOR (1 OF 2) CARBURETOR (1 OF 2)
27122-89	CARBURETOR (1 OF 2)
27123-89A	CARBURETOR (1 OF 2)
27124-89	CARBURETOR (1 OF 2)
27125-89	CARBURETOR (1 OF 2)
27126-89	CARBURETOR (1 OF 2)
27127-89	CARBURETOR (1 OF 2)
27128-89	CARBURETOR (1 OF 2)
27130-90	CARBURETOR (1 OF 2)
27136-90A	CARBURETOR (1 OF 2)
27137-81	CARBURETOR (1 OF 2)
27138-90	CALIFORNIA EVAPORATIVE EMISSIONS KIT
27146-89	CARBURETOR (1 OF 2)
27148-89	CARBURETOR (1 OF 2)
27152-89	CARBURETOR (1 OF 2) CARBURETOR (1 OF 2) CARBURETOR (2 OF 2)
27156-89	CARBURETOR (1 OF 2)

27157-89	CARBURETOR (1 OF 2)
27158-89	CARBURETOR (1 OF 2)
27159-92	CARBURETOR (1 OF 2)
27160-89	CARBURETOR (1 OF 2)
27162-89	CARBURETOR (1 OF 2)
27171-89	CARBURETOR (1 OF 2) CARBURETOR (2 OF 2)
27183-92	CARBURETOR (1 OF 2)
27185-90	CARBURETOR (1 OF 2) CARBURETOR (1 OF 2)
27187-93	CARBURETOR (2 OF 2)
2720	ALTERNATOR & REGULATOR
27241-95	CARBURETOR (1 OF 2)
27243-95	CARBURETOR (2 OF 2)
27249-96	FUEL TANK & TRIM (2 OF 2)
27250-96B	FUEL TANK & TRIM (2 OF 2)
27261-96	CARBURETOR (1 OF 2)
27262-96	CARBURETOR (1 OF 2)
27263-96	CARBURETOR (1 OF 2)
27278-93	CARBURETOR (1 OF 2)
27279-93	CARBURETOR (1 OF 2) CARBURETOR (1 OF 2)
27280-92	CARBURETOR (1 OF 2)
27281-92	CARBURETOR (1 OF 2) CARBURETOR (2 OF 2)
27311-76	CARBURETOR (1 OF 2)
27315-88A	CARBURETOR (1 OF 2)
27316-88	CARBURETOR (1 OF 2)
27317-88	CARBURETOR (2 OF 2)
27360-76	CARBURETOR (2 OF 2)
27361-76A	CARBURETOR (2 OF 2)
27362-76	CARBURETOR (2 OF 2)

27368-76	<u>CARBURETOR (2 OF 2)</u>
27369-76	<u>CARBURETOR (2 OF 2)</u>
2737	<u>AIR CLEANER & ENRICHENER</u>
27371-76A	<u>CARBURETOR (2 OF 2)</u>
2739	<u>SEATS</u>
27486-92B	<u>CARBURETOR (2 OF 2)</u>
27487-92A	<u>CARBURETOR (2 OF 2)</u>
27488-92B	<u>CARBURETOR (2 OF 2)</u>
27489-92A	<u>CARBURETOR (2 OF 2)</u>
27490-96A	<u>CARBURETOR (2 OF 2)</u>
27491-96	<u>CARBURETOR (2 OF 2)</u>
27495-96A	<u>CARBURETOR (2 OF 2)</u>
27498-96A	<u>CARBURETOR (2 OF 2)</u>
27503-92	<u>CARBURETOR (2 OF 2)</u>
27575-88A	<u>CARBURETOR (2 OF 2)</u>
27576-92	<u>CARBURETOR (2 OF 2)</u>
27577-92	<u>CARBURETOR (2 OF 2)</u>
27579-88A	<u>CARBURETOR (2 OF 2)</u>
27580-88	<u>CARBURETOR (2 OF 2)</u>
27581-88	<u>CARBURETOR (2 OF 2)</u>
27582-88	<u>CARBURETOR (2 OF 2)</u>
27583-88	<u>CARBURETOR (2 OF 2)</u>
27585-88	<u>CARBURETOR (2 OF 2)</u>
27586-88	<u>CARBURETOR (2 OF 2)</u>
27587-88	<u>CARBURETOR (2 OF 2)</u>
2773	<u>REAR FENDER & BELT GUARDS</u>
27886-78A	<u>CARBURETOR (2 OF 2)</u>
28820-86	<u>AIR CLEANER & ENRICHENER</u>
28821-86	<u>AIR CLEANER & ENRICHENER</u>

28826-86A	<u>AIR CLEANER & ENRICHENER</u>
28841-89	<u>AIR CLEANER & ENRICHENER</u>
28842-89	<u>AIR CLEANER & ENRICHENER</u>
28857-90	<u>CALIFORNIA EVAPORATIVE EMISSIONS KIT</u>
28859-90	<u>CALIFORNIA EVAPORATIVE EMISSIONS KIT</u>
28860-89	<u>CALIFORNIA EVAPORATIVE EMISSIONS KIT</u>
28865-89C	<u>CALIFORNIA EVAPORATIVE EMISSIONS KIT</u>
28875-95	<u>CALIFORNIA EVAPORATIVE EMISSIONS KIT</u>
29009-89B	<u>AIR CLEANER & ENRICHENER</u>
29018-92	<u>AIR CLEANER & ENRICHENER</u>
29059-88A	<u>AIR CLEANER & ENRICHENER</u>
29062-95B	<u>AIR CLEANER & ENRICHENER</u>
2907	<u>HANDLEBAR SWITCHES - 1995</u>
29078-91	<u>AIR CLEANER & ENRICHENER</u>
29084-73	<u>AIR CLEANER & ENRICHENER</u>
29100-96	<u>AIR CLEANER & ENRICHENER</u>
29111-88	<u>AIR CLEANER & ENRICHENER</u>
29112-83	<u>BATTERY</u>
29229-88D	<u>AIR CLEANER & ENRICHENER</u>
2925A	<u>FRAME, REAR FORK & JIFFY STAND</u>
29313-95	<u>AIR CLEANER & ENRICHENER</u>
29315-95	<u>AIR CLEANER & ENRICHENER</u>
29316-95C	<u>AIR CLEANER & ENRICHENER</u>
29325-95A	<u>AIR CLEANER & ENRICHENER</u>
29331-96	<u>AIR CLEANER & ENRICHENER</u>
2952A	<u>SEATS</u>
2953	<u>SEATS</u>
2955	<u>HANDLEBAR SWITCHES - 1996</u>
29950-91	<u>CRANKCASE (2 OF 2)</u>
29967-89C	<u>ALTERNATOR & REGULATOR</u>

31322-91	<u>STARTER MOTOR</u>
31328-91	<u>STARTER MOTOR</u>
31330-91	<u>STARTER MOTOR</u>
31390-91A	<u>STARTER MOTOR</u>
31488-81C	<u>STARTER MOTOR</u>
31504-91B	<u>SWITCHES & CIRCUIT BREAKERS</u>
31514-90	<u>STARTER MOTOR</u>
31515-90	<u>STARTER MOTOR</u>
31518-90	<u>STARTER MOTOR</u>
31530-90	<u>STARTER MOTOR</u>
31532-94	<u>OIL TANK & FILTER</u>
31539-91	<u>STARTER MOTOR</u>
31540-91	<u>STARTER MOTOR</u>
31555-90	<u>STARTER MOTOR</u>
31556-91D	<u>STARTER MOTOR</u>
31599-91	<u>STARTER MOTOR</u>
31603-91	<u>STARTER MOTOR</u>
31614-83A	<u>ELECTRONIC IGNITION SYSTEM</u>
31688-90	<u>STARTER MOTOR</u>
31689-90	<u>STARTER MOTOR</u>
31693-90	<u>STARTER MOTOR</u>
31695-90	<u>STARTER MOTOR</u>
31723-95	<u>ELECTRONIC IGNITION SYSTEM</u>
31727-85	<u>ELECTRONIC IGNITION SYSTEM</u>
31986-86A	<u>ELECTRONIC IGNITION SYSTEM</u>
31996-86B	<u>ELECTRONIC IGNITION SYSTEM</u>
3201WA	<u>REAR BRAKE CONTROL</u> <u>HANDLEBAR & THROTTLE CONTROL - 1200 CUSTOM</u>
3206B	<u>AIR CLEANER & ENRICHENER</u>

3210A	<u>FRONT FENDER HANDLEBAR & THROTTLE CONTROL - 1200 CUSTOM</u>
3221	<u>AIR CLEANER & ENRICHENER</u>
3228A	<u>ROCKER ARMS, COVERS & PUSHRODS</u>
32362-04	<u>ELECTRONIC IGNITION SYSTEM</u>
32400-94A	<u>ELECTRONIC IGNITION SYSTEM</u>
32402-83	<u>ELECTRONIC IGNITION SYSTEM</u>
32410-94A	<u>ELECTRONIC IGNITION SYSTEM</u>
32413-92C	<u>ALTERNATOR & REGULATOR</u>
32433-94	<u>ELECTRONIC IGNITION SYSTEM</u> <u>ELECTRONIC IGNITION SYSTEM</u>
32440-94	<u>CALIFORNIA EVAPORATIVE EMISSIONS KIT</u>
32465-95B	<u>ELECTRONIC IGNITION SYSTEM</u> <u>ELECTRONIC IGNITION SYSTEM</u> <u>ELECTRONIC IGNITION SYSTEM</u>
32466-95A	<u>ELECTRONIC IGNITION SYSTEM</u> <u>ELECTRONIC IGNITION SYSTEM</u>
32485-96	<u>ELECTRONIC IGNITION SYSTEM</u>
32504-80A	<u>ELECTRONIC IGNITION SYSTEM</u>
32506-90	<u>ELECTRONIC IGNITION SYSTEM</u>
32591-80	<u>ELECTRONIC IGNITION SYSTEM</u>
32606-82	<u>ELECTRONIC IGNITION SYSTEM</u>
3275	<u>CARBURETOR (1 OF 2)</u>
33043-80	<u>SWITCHES & CIRCUIT BREAKERS</u>
33048-72	<u>FOOTRESTS</u>
33117-91A	<u>OIL TANK & FILTER</u>
33178-90A	<u>SHIFTER</u>
33178-90B	<u>SHIFTER</u>
33189-63	<u>FOOTRESTS</u>
33204-91	<u>SHIFTER</u>
33319-90	<u>SHIFTER</u>

33344-94	<u>TRANSMISSION GEARS (1 OF 2)</u>
3350	<u>STARTER MOTOR</u>
33634-91A	<u>SHIFTER</u>
33652-90	<u>SHIFTER</u>
33653-90	<u>SHIFTER</u>
33655-90	<u>SHIFTER</u>
33656-90A	<u>SHIFTER</u>
33900-59C	<u>SWITCHES & CIRCUIT BREAKERS</u>
34015-91	<u>SHIFTER</u>
3403	<u>STARTER MOTOR</u>
34073-91	<u>SHIFTER</u>
34075-89	<u>SHIFTER</u>
34076-89	<u>SHIFTER</u>
34077-91	<u>SHIFTER</u>
34142-89C	<u>SHIFTER</u>
34144-89C	<u>SHIFTER</u>
34147-89C	<u>SHIFTER</u>
34481-91A	<u>SHIFTER</u>
34483-90	<u>SHIFTER</u>
34486-90	<u>SHIFTER</u>
34491-91	<u>SHIFTER</u>
34492-91	<u>SHIFTER</u>
34560-91	<u>SHIFTER</u>
34611-65A	<u>SHIFTER</u>
34615-94	<u>SHIFTER</u>
34760-94	<u>ACCESS DOOR & PRIMARY COVER</u>
34761-94	<u>ACCESS DOOR & PRIMARY COVER</u>
3480A	<u>ACCESS DOOR & PRIMARY COVER</u> <u>GEARCASE & COVER</u> <u>TRANSMISSION GEARS (1 OF 2)</u>
34909-90	<u>REAR BRAKE CONTROL</u>

34911-91A	<u>TRANSMISSION GEARS (1 OF 2)</u>
34920-86A	<u>CLUTCH</u>
34932-96	<u>TRANSMISSION GEARS (1 OF 2)</u>
34933-96	<u>REAR BRAKE CONTROL</u>
34955-89B	<u>ACCESS DOOR & PRIMARY COVER</u>
3498	<u>HANDLEBAR & THROTTLE CONTROL (1 OF 2)</u> <u>HANDLEBAR & THROTTLE CONTROL - 1200 CUSTOM</u>
34992-94	<u>ACCESS DOOR & PRIMARY COVER</u>
34993-90	<u>ACCESS DOOR & PRIMARY COVER</u>
3500A	<u>ROCKER ARMS, COVERS & PUSHRODS</u>
3501A	<u>ROCKER ARMS, COVERS & PUSHRODS</u>
35020-89	<u>TRANSMISSION GEARS (1 OF 2)</u>
35021-89	<u>ACCESS DOOR & PRIMARY COVER</u>
35022-89A	<u>TRANSMISSION GEARS (1 OF 2)</u>
35030-89A	<u>ACCESS DOOR & PRIMARY COVER</u>
35034-89A	<u>TRANSMISSION GEARS (1 OF 2)</u>
35034-94	<u>TRANSMISSION GEARS (1 OF 2)</u> <u>TRANSMISSION GEARS (2 OF 2)</u>
35038-89A	<u>ACCESS DOOR & PRIMARY COVER</u>
35051-89A	<u>TRANSMISSION GEARS (1 OF 2)</u>
35063-89	<u>TRANSMISSION GEARS (1 OF 2)</u>
35078-79	<u>REAR BRAKE CONTROL</u> <u>SHOCK ABSORBERS</u>
3512	<u>CRANKCASE (1 OF 2)</u>
3514	<u>HEADLAMP & MIRROR (1 OF 2)</u>
35151-74A	<u>CRANKCASE (2 OF 2)</u>
35211-91B	<u>TRANSMISSION GEARS (1 OF 2)</u> <u>BELTS & SPROCKETS</u>
3534B	<u>AIR CLEANER & ENRICHENER</u>
3559	<u>STARTER MOTOR</u>
3562	<u>FRONT BRAKE CALIPER (1 OF 2)</u> <u>FRONT BRAKE CALIPER (1 OF 2)</u>

35633-89A	TRANSMISSION GEARS (1 OF 2)
35633-94	TRANSMISSION GEARS (1 OF 2) TRANSMISSION GEARS (2 OF 2)
35640-89	TRANSMISSION GEARS (1 OF 2)
35641-89	TRANSMISSION GEARS (1 OF 2)
35762-89A	TRANSMISSION GEARS (2 OF 2)
35763-89A	TRANSMISSION GEARS (2 OF 2)
3577	AIR CLEANER & ENRICHENER
35771-89A	TRANSMISSION GEARS (2 OF 2)
35771-94	TRANSMISSION GEARS (2 OF 2) TRANSMISSION GEARS (2 OF 2)
35772-89A	TRANSMISSION GEARS (2 OF 2)
35772-94	TRANSMISSION GEARS (2 OF 2) TRANSMISSION GEARS (2 OF 2)
35773-89A	TRANSMISSION GEARS (2 OF 2)
35773-94	TRANSMISSION GEARS (2 OF 2) TRANSMISSION GEARS (2 OF 2)
35775-89A	TRANSMISSION GEARS (2 OF 2)
35775-94	TRANSMISSION GEARS (2 OF 2) TRANSMISSION GEARS (2 OF 2)
3579A	REAR FENDER & BELT GUARDS
358	CRANKCASE (1 OF 2)
3588	HORN
3594	TRANSMISSION GEARS (1 OF 2) BELTS & SPROCKETS FRONT BRAKE CONTROL - 1995 SPEEDOMETER & TACHOMETER (1 OF 3) SPEEDOMETER - 1200 CUSTOM
3606	HORN
3610	ACCESS DOOR & PRIMARY COVER
3652	AIR CLEANER & ENRICHENER
3655A	FRONT WHEEL - CAST FRONT WHEEL - LACED
3658	HANDLEBAR & THROTTLE CONTROL (1 OF 2) HANDLEBAR & THROTTLE CONTROL - 1200 CUSTOM

	<u>HANDLEBAR SWITCHES - 1996</u>
3666A	<u>HANDLEBAR & THROTTLE CONTROL - 1200 CUSTOM</u>
36715-94	<u>CLUTCH</u>
36731-91	<u>CLUTCH</u>
3675	<u>TRANSMISSION GEARS (1 OF 2)</u>
36785-91	<u>CLUTCH</u>
36790-91	<u>CLUTCH</u>
36792-91	<u>CLUTCH</u>
36799-91	<u>CLUTCH</u>
36802-84B	<u>CLUTCH</u>
36804-89	<u>ROCKER ARMS, COVERS & PUSHRODS</u>
37101-84B	<u>ACCESS DOOR & PRIMARY COVER</u>
3730A	<u>REAR WHEEL - CAST</u>
37495-91	<u>TRANSMISSION GEARS (2 OF 2)</u> <u>CLUTCH</u>
3765	<u>SEATS</u>
3767B	<u>SEATS</u> <u>CALIFORNIA EVAPORATIVE EMISSIONS KIT</u>
3769	<u>BELTS & SPROCKETS</u> <u>REAR WHEEL - LACED</u>
3787	<u>CRANKCASE (1 OF 2)</u>
37870-91	<u>TRANSMISSION GEARS (2 OF 2)</u> <u>CLUTCH</u>
37872-90	<u>CLUTCH</u>
37904-90	<u>CLUTCH</u>
37905-90	<u>CLUTCH</u>
37908-90	<u>CLUTCH</u>
37909-90	<u>CLUTCH</u>
37911-90	<u>CLUTCH</u>
37912-91	<u>CLUTCH</u>
37913-90	<u>CLUTCH</u>

37977-90	<u>CLUTCH</u>
3802W	<u>FRAME, REAR FORK & JIFFY STAND</u> <u>CALIFORNIA EVAPORATIVE EMISSIONS KIT</u>
3849	<u>ROCKER ARMS, COVERS & PUSHRODS</u>
38608-82B	<u>CLUTCH CONTROL</u>
38608-96	<u>CLUTCH CONTROL</u>
38619-86A	<u>CLUTCH CONTROL</u>
38620-96	<u>CLUTCH CONTROL</u>
38621-86A	<u>CLUTCH CONTROL</u>
38630-88	<u>CLUTCH CONTROL</u>
38653-01	<u>HANDLEBAR & THROTTLE CONTROL (2 OF 2)</u> <u>HANDLEBAR & THROTTLE CONTROL - 1200 CUSTOM</u>
3930A	<u>BATTERY</u>
3958	<u>SHOCK ABSORBERS</u>
3987	<u>ELECTRONIC IGNITION SYSTEM</u> <u>REAR FENDER & BELT GUARDS</u>
3993	<u>ELECTRONIC IGNITION SYSTEM</u>
39975-90A	<u>BELTS & SPROCKETS</u>
40005-57B	<u>BELTS & SPROCKETS</u>
40022-91	<u>BELTS & SPROCKETS</u> <u>BELTS & SPROCKETS</u>
40038-91	<u>BELTS & SPROCKETS</u>
4007	<u>REAR FENDER & BELT GUARDS</u>
4015	<u>CLUTCH CONTROL</u> <u>FRONT BRAKE CONTROL - 1995</u>
4016	<u>FUEL TANK & TRIM (1 OF 2)</u>
40202-91B	<u>TRANSMISSION GEARS (2 OF 2)</u> <u>BELTS & SPROCKETS</u>
40205-95	<u>TRANSMISSION GEARS (2 OF 2)</u> <u>BELTS & SPROCKETS</u>
40213-91	<u>BELTS & SPROCKETS</u> <u>REAR WHEEL - CAST</u> <u>REAR WHEEL - LACED</u>
40227-93	<u>BELTS & SPROCKETS</u> <u>REAR WHEEL - CAST</u>

40235-89B	<u>BELTS & SPROCKETS</u>
40240-89	<u>BELTS & SPROCKETS</u>
40251-92A	<u>TRANSMISSION GEARS (2 OF 2)</u> <u>BELTS & SPROCKETS</u>
40252-91	<u>BELTS & SPROCKETS</u> <u>REAR WHEEL - CAST</u> <u>REAR WHEEL - LACED</u>
40285-91B	<u>TRANSMISSION GEARS (2 OF 2)</u> <u>BELTS & SPROCKETS</u>
40288-95	<u>TRANSMISSION GEARS (2 OF 2)</u> <u>BELTS & SPROCKETS</u>
4029A	<u>FRONT FORK (1 OF 2)</u> <u>FRONT FORK - 1200 SPORT</u>
4047	<u>STEERING HEAD BRACKET ASSEMBLY</u> <u>TURN SIGNALS (1 OF 2)</u>
40520-63	<u>ACCESS DOOR & PRIMARY COVER</u>
4067	<u>FUEL TANK & TRIM (1 OF 2)</u> <u>HORN</u>
40759-05	<u>FRONT WHEEL - LACED</u>
40760-05	<u>FRONT WHEEL - LACED</u>
40761-05	<u>FRONT WHEEL - LACED</u>
40903-87	<u>REAR BRAKE CONTROL</u>
4091	<u>CRANKCASE (1 OF 2)</u> <u>CALIFORNIA EVAPORATIVE EMISSIONS KIT</u>
40922-87A	<u>REAR BRAKE CONTROL</u>
40929-87	<u>REAR BRAKE CALIPER</u>
40975-86	<u>REAR WHEEL - LACED</u>
40976-86A	<u>REAR WHEEL - LACED</u>
40992-96	<u>REAR WHEEL - CAST</u>
41012-96	<u>REAR WHEEL - CAST</u>
41013-95	<u>REAR WHEEL - CAST</u>
41015-86	<u>REAR WHEEL - CAST</u> <u>REAR WHEEL - CAST</u>
41123-79	<u>FRONT WHEEL - CAST</u> <u>FRONT WHEEL - LACED</u> <u>REAR WHEEL - CAST</u>

	<u>REAR WHEEL - LACED</u>
4117	<u>FUEL TANK & TRIM (1 OF 2)</u>
41191-74A	<u>ACCESS DOOR & PRIMARY COVER</u>
4128	<u>REAR BRAKE CONTROL</u>
4132	<u>CLUTCH CONTROL</u> <u>FRONT BRAKE CONTROL - 1996</u>
41563-77A	<u>REAR WHEEL - CAST</u> <u>REAR WHEEL - LACED</u>
41568-81B	<u>FRAME, REAR FORK & JIFFY STAND</u>
41570-77	<u>FRAME, REAR FORK & JIFFY STAND</u>
41579-81	<u>FRAME, REAR FORK & JIFFY STAND</u>
41594-73	<u>REAR WHEEL - CAST</u> <u>REAR WHEEL - LACED</u>
41642-82	<u>REAR BRAKE CONTROL</u>
41713-86	<u>REAR BRAKE CONTROL</u>
41731-88A	<u>FRONT BRAKE CONTROL - 1995</u> <u>FRONT BRAKE CONTROL - 1996</u> <u>FRONT BRAKE CONTROL - 1996</u> <u>REAR BRAKE CONTROL</u>
41733-88	<u>FRONT BRAKE CONTROL - 1995</u> <u>FRONT BRAKE CONTROL - 1996</u>
41739-84A	<u>FRONT BRAKE CONTROL - 1995</u> <u>FRONT BRAKE CONTROL - 1996</u>
41747-82A	<u>FRONT BRAKE CONTROL - 1995</u> <u>FRONT BRAKE CONTROL - 1996</u> <u>FRONT BRAKE CONTROL - 1996</u> <u>REAR BRAKE CONTROL</u>
41789-92	<u>REAR WHEEL - CAST</u> <u>REAR WHEEL - LACED</u>
42375-87	<u>REAR BRAKE CONTROL</u>
42381-87	<u>REAR BRAKE CONTROL</u>
42382-87C	<u>REAR BRAKE CONTROL</u>
4240	<u>FRONT BRAKE CONTROL - 1995</u> <u>FRONT BRAKE CONTROL - 1996</u> <u>REAR BRAKE CONTROL</u> <u>STEERING HEAD BRACKET ASSEMBLY</u>
42436-87	<u>REAR BRAKE CONTROL</u>

42437-87	<u>REAR BRAKE CONTROL</u>
42441-90A	<u>REAR BRAKE CONTROL</u> <u>FOOTRESTS</u>
42443-80A	<u>REAR BRAKE CONTROL</u>
42447-96	<u>REAR BRAKE CONTROL</u>
42449-80A	<u>CRANKCASE (2 OF 2)</u>
42456-87C	<u>REAR BRAKE CONTROL</u>
42460-80B	<u>REAR BRAKE CONTROL</u>
42472-87	<u>REAR BRAKE CONTROL</u>
42479-90	<u>REAR BRAKE CONTROL</u>
42520-80A	<u>FUEL TANK & TRIM (2 OF 2)</u> <u>HORN</u>
43001-06	<u>FRONT WHEEL - LACED</u>
43025-73B	<u>FRONT WHEEL - LACED</u>
43085-81	<u>REAR WHEEL - LACED</u>
43150-83	<u>FRONT WHEEL - CAST</u>
43157-83A	<u>REAR WHEEL - CAST</u>
4319	<u>CRANKCASE (1 OF 2)</u>
43241-05	<u>REAR WHEEL - LACED</u>
4326A	<u>HANDLEBAR & THROTTLE CONTROL (1 OF 2)</u>
4329	<u>ALTERNATOR & REGULATOR</u>
43290-82	<u>FRONT WHEEL - CAST</u> <u>FRONT WHEEL - LACED</u> <u>REAR WHEEL - CAST</u> <u>REAR WHEEL - LACED</u>
43291-82	<u>FRONT WHEEL - CAST</u> <u>FRONT WHEEL - LACED</u> <u>REAR WHEEL - CAST</u> <u>REAR WHEEL - LACED</u>
43292-82	<u>FRONT WHEEL - CAST</u> <u>FRONT WHEEL - LACED</u> <u>REAR WHEEL - CAST</u> <u>REAR WHEEL - LACED</u>
43293-82	<u>FRONT WHEEL - CAST</u> <u>FRONT WHEEL - LACED</u> <u>REAR WHEEL - CAST</u> <u>REAR WHEEL - LACED</u>

43294-82	<u>FRONT WHEEL - CAST</u> <u>FRONT WHEEL - LACED</u> <u>REAR WHEEL - CAST</u> <u>REAR WHEEL - LACED</u>
43312-84B	<u>FRONT WHEEL - LACED</u>
43355-84	<u>FRONT WHEEL - CAST</u>
43358-83A	<u>FRONT WHEEL - CAST</u> <u>FRONT WHEEL - LACED</u>
43359-84	<u>FRONT WHEEL - CAST</u>
43499-84	<u>FRONT WHEEL - CAST</u>
43499-96	<u>FRONT WHEEL - CAST</u>
4350A	<u>HEADLAMP & MIRROR (1 OF 2)</u>
4351	<u>STEERING HEAD BRACKET ASSEMBLY</u> <u>STEERING HEAD BRACKET ASSEMBLY</u>
4352	<u>STEERING HEAD BRACKET ASSEMBLY</u>
43557-87B	<u>FRONT WHEEL - LACED</u>
43567-92	<u>REAR WHEEL - CAST</u> <u>REAR WHEEL - LACED</u>
43594-96	<u>FRONT WHEEL - CAST</u>
43608-82	<u>REAR WHEEL - CAST</u>
43610-87	<u>FRONT WHEEL - LACED</u>
43613-92	<u>FRONT WHEEL - CAST</u> <u>FRONT WHEEL - LACED</u>
43617-95	<u>FRONT WHEEL - CAST</u> <u>FRONT WHEEL - LACED</u>
43619-84	<u>FRONT WHEEL - LACED</u>
43650-82	<u>FRONT WHEEL - CAST</u> <u>FRONT WHEEL - LACED</u> <u>REAR WHEEL - CAST</u> <u>REAR WHEEL - LACED</u>
43654-86A	<u>REAR WHEEL - CAST</u> <u>REAR WHEEL - LACED</u>
43662-80B	<u>FRONT WHEEL - LACED</u>
43668-82	<u>REAR WHEEL - LACED</u>
4377	<u>EXHAUST SYSTEM</u>
43895-87B	<u>FRONT WHEEL - CAST</u>

	<u>FRONT WHEEL - LACED</u>
43946-86A	<u>REAR BRAKE CALIPER</u>
43960-86	<u>REAR BRAKE CALIPER</u>
44020-83A	<u>FRONT BRAKE CALIPER (1 OF 2)</u> <u>FRONT BRAKE CALIPER (1 OF 2)</u>
44021-83	<u>FRONT BRAKE CALIPER (1 OF 2)</u> <u>FRONT BRAKE CALIPER (1 OF 2)</u>
44022-83	<u>FRONT BRAKE CALIPER (1 OF 2)</u> <u>FRONT BRAKE CALIPER (1 OF 2)</u>
44023-83C	<u>FRONT BRAKE CALIPER (1 OF 2)</u>
44035-86A	<u>REAR BRAKE CALIPER</u>
44039-86	<u>REAR BRAKE CALIPER</u>
44045-87A	<u>REAR BRAKE CALIPER</u>
44046-84C	<u>FRONT BRAKE CALIPER (1 OF 2)</u>
44047-83	<u>FRONT BRAKE CALIPER (1 OF 2)</u> <u>FRONT BRAKE CALIPER (1 OF 2)</u>
44048-83	<u>FRONT BRAKE CALIPER (1 OF 2)</u> <u>FRONT BRAKE CALIPER (1 OF 2)</u> <u>REAR BRAKE CALIPER</u>
44050-87	<u>REAR BRAKE CALIPER</u>
44053-92A	<u>FRONT BRAKE CALIPER (2 OF 2)</u> <u>FRONT BRAKE CALIPER (2 OF 2)</u>
44054-83	<u>FRONT BRAKE CALIPER (2 OF 2)</u> <u>FRONT BRAKE CALIPER (2 OF 2)</u>
44059-83	<u>FRONT BRAKE CALIPER (2 OF 2)</u> <u>FRONT BRAKE CALIPER (2 OF 2)</u>
44061-83	<u>FRONT BRAKE CALIPER (2 OF 2)</u> <u>FRONT BRAKE CALIPER (2 OF 2)</u>
44062-83	<u>FRONT BRAKE CALIPER (2 OF 2)</u> <u>FRONT BRAKE CALIPER (2 OF 2)</u>
44063-83C	<u>FRONT BRAKE CALIPER (2 OF 2)</u> <u>FRONT BRAKE CALIPER (2 OF 2)</u>
44072-92A	<u>FRONT BRAKE CALIPER (2 OF 2)</u> <u>FRONT BRAKE CALIPER (2 OF 2)</u>
44101-95A	<u>FRONT WHEEL - LACED</u>
44108-95A	<u>REAR WHEEL - CAST</u>

44126-87	<u>REAR BRAKE CONTROL</u>
44136-92	<u>FRONT WHEEL - CAST</u> <u>FRONT WHEEL - LACED</u>
44147-87A	<u>REAR BRAKE CALIPER</u>
44152-77	<u>REAR BRAKE CALIPER</u>
44197-77	<u>FRONT BRAKE CALIPER (2 OF 2)</u> <u>FRONT BRAKE CALIPER (2 OF 2)</u>
44198-87	<u>REAR BRAKE CALIPER</u>
44199-79	<u>REAR BRAKE CALIPER</u>
4420	<u>HEADLAMP & MIRROR (1 OF 2)</u>
44209-87C	<u>REAR BRAKE CALIPER</u>
4435W	<u>CRANKCASE (1 OF 2)</u>
44438-87C	<u>REAR BRAKE CONTROL</u>
4453	<u>STEERING HEAD BRACKET ASSEMBLY</u>
4460	<u>STEERING HEAD BRACKET ASSEMBLY</u>
45004-85	<u>FRONT BRAKE CONTROL - 1995</u>
45004-96A	<u>FRONT BRAKE CONTROL - 1996</u>
45005-85	<u>FRONT BRAKE CONTROL - 1995</u> <u>REAR BRAKE CONTROL</u>
45006-96C	<u>FRONT BRAKE CONTROL - 1996</u>
45013-96D	<u>FRONT BRAKE CONTROL - 1996</u>
45015-96	<u>CLUTCH CONTROL</u>
45016-93	<u>FRONT BRAKE CONTROL - 1995</u>
45016-96	<u>FRONT BRAKE CONTROL - 1996</u>
45019-93	<u>FRONT BRAKE CONTROL - 1995</u>
45019-96D	<u>FRONT BRAKE CONTROL - 1996</u>
45021-86	<u>CLUTCH CONTROL</u>
45030-03C	<u>FRONT BRAKE CONTROL - 1996</u>
45031-82A	<u>FRONT BRAKE CONTROL - 1995</u>
45032-82	<u>CLUTCH CONTROL</u> <u>FRONT BRAKE CONTROL - 1995</u> <u>FRONT BRAKE CONTROL - 1996</u>

45036-88	<u>CLUTCH CONTROL</u>
45042-82	<u>FRONT BRAKE CONTROL - 1995</u> <u>REAR BRAKE CONTROL</u>
45042-96	<u>FRONT BRAKE CONTROL - 1996</u>
45044-82	<u>CLUTCH CONTROL</u> <u>FRONT BRAKE CONTROL - 1995</u>
45044-96A	<u>CLUTCH CONTROL</u> <u>FRONT BRAKE CONTROL - 1996</u>
45051-82	<u>FRONT BRAKE CONTROL - 1995</u>
45072-87	<u>FRONT BRAKE CONTROL - 1995</u>
45072-96C	<u>FRONT BRAKE CONTROL - 1996</u>
45074-95	<u>FRONT BRAKE CONTROL - 1996</u>
45084-96	<u>FRONT BRAKE CONTROL - 1996</u>
45092-66A	<u>FRONT BRAKE CONTROL - 1995</u>
45121-88C	<u>FRONT BRAKE CONTROL - 1995</u>
45121-96	<u>FRONT BRAKE CONTROL - 1996</u>
45121-96A	<u>FRONT BRAKE CONTROL - 1995</u> <u>FRONT BRAKE CONTROL - 1996</u>
45143-88B	<u>FRONT BRAKE CONTROL - 1995</u> <u>FRONT BRAKE CONTROL - 1996</u>
45148-96A	<u>FRONT BRAKE CONTROL - 1996</u>
45361-90	<u>FRONT FORK (1 OF 2)</u>
45366-96	<u>FRONT FORK - 1200 SPORT</u>
45367-96	<u>FRONT FORK - 1200 SPORT</u>
45368-96	<u>FRONT FORK - 1200 SPORT</u>
45372-92	<u>FRONT FORK (1 OF 2)</u>
45374-87	<u>FRONT FORK (1 OF 2)</u>
45376-94	<u>FRONT FORK (1 OF 2)</u>
45377-87	<u>FRONT FORK (1 OF 2)</u> <u>FRONT FORK - 1200 SPORT</u>
45378-87	<u>FRONT FORK (1 OF 2)</u> <u>FRONT FORK - 1200 SPORT</u>
45395-92	<u>FRONT FORK (1 OF 2)</u>

45398-96	<u>FRONT FORK - 1200 SPORT</u>
45399-96	<u>FRONT FORK - 1200 SPORT</u>
45401-87	<u>FRONT FORK (1 OF 2)</u> <u>FRONT FORK - 1200 SPORT</u>
45405-75A	<u>FRONT FORK (1 OF 2)</u>
45423-92	<u>CLUTCH CONTROL</u> <u>FRONT BRAKE CONTROL - 1995</u>
45423-96	<u>FRONT BRAKE CONTROL - 1996</u>
45460-90	<u>FRONT FORK (1 OF 2)</u>
45461-87	<u>FRONT FORK (1 OF 2)</u> <u>FRONT FORK - 1200 SPORT</u>
45463-87	<u>FRONT FORK (1 OF 2)</u>
45465-87	<u>FRONT FORK (2 OF 2)</u> <u>FRONT FORK - 1200 SPORT</u>
45561-87	<u>STEERING HEAD BRACKET ASSEMBLY</u>
45563-87	<u>STEERING HEAD BRACKET ASSEMBLY</u>
45611-86	<u>STEERING HEAD BRACKET ASSEMBLY</u>
45668-90	<u>STEERING HEAD BRACKET ASSEMBLY</u>
45723-96	<u>FRONT FORK - 1200 SPORT</u>
45726-96	<u>FRONT FORK - 1200 SPORT</u>
45739-87	<u>STEERING HEAD BRACKET ASSEMBLY</u>
45790-80	<u>FRONT FORK (2 OF 2)</u>
45900-94	<u>FRONT FORK (2 OF 2)</u>
45901-94	<u>FRONT FORK (2 OF 2)</u>
45902-00	<u>STARTER MOTOR</u>
45905-87	<u>FRONT FORK (2 OF 2)</u> <u>FRONT FORK - 1200 SPORT</u>
45921-87	<u>FRONT FORK (2 OF 2)</u>
45923-87	<u>FRONT FORK (2 OF 2)</u>
45925-94	<u>FRONT FORK (2 OF 2)</u>
45928-92	<u>FRONT FORK (2 OF 2)</u>
45929-92	<u>FRONT FORK (2 OF 2)</u>

45934-86	<u>FRONT FORK (2 OF 2)</u>
45938-92	<u>FRONT FORK (2 OF 2)</u>
45943-96	<u>FRONT FORK - 1200 SPORT</u>
45944-96	<u>FRONT FORK - 1200 SPORT</u>
45980-96	<u>FRONT FORK - 1200 SPORT</u>
45981-96	<u>FRONT FORK - 1200 SPORT</u>
45984-87	<u>FRONT FORK (2 OF 2)</u>
45985-96	<u>FRONT FORK - 1200 SPORT</u>
45986-96	<u>FRONT FORK - 1200 SPORT</u>
45996-87	<u>FRONT FORK (2 OF 2)</u>
46002-87	<u>FRONT FORK (2 OF 2)</u> <u>FRONT FORK - 1200 SPORT</u>
46022-96	<u>FRONT FORK - 1200 SPORT</u>
46023-96	<u>FRONT FORK - 1200 SPORT</u>
46024-96	<u>FRONT FORK - 1200 SPORT</u>
46988-94A	<u>FRAME, REAR FORK & JIFFY STAND</u>
46991-96	<u>HANDLEBAR & THROTTLE CONTROL - 1200 CUSTOM</u>
47082-81	<u>FRAME, REAR FORK & JIFFY STAND</u>
47083-81A	<u>FRAME, REAR FORK & JIFFY STAND</u>
47150-94A	<u>FRAME, REAR FORK & JIFFY STAND</u>
4716W	<u>CYLINDER, HEAD & VALVES - V²™ EVOLUTION (1 OF 2)</u> <u>HORN</u>
4717A	<u>ACCESS DOOR & PRIMARY COVER</u> <u>GEARCASE & COVER</u>
47209-94A	<u>FRAME, REAR FORK & JIFFY STAND</u>
4721	<u>FOOTRESTS</u> <u>FOOTRESTS</u>
47384-94	<u>SHOCK ABSORBERS</u>
47403-75A	<u>BATTERY</u>
4740A	<u>GEARCASE & COVER</u> <u>OIL PUMP</u>
4741A	<u>SHIFTER</u> <u>FRONT BRAKE CONTROL - 1996</u>

4743	<u>SHOCK ABSORBERS</u>
4748	<u>CYLINDER, HEAD & VALVES - V²™ EVOLUTION (1 OF 2)</u>
4751	<u>ALTERNATOR & REGULATOR</u>
47519-83A	<u>FRONT WHEEL - CAST</u> <u>FRONT WHEEL - LACED</u> <u>REAR WHEEL - CAST</u> <u>REAR WHEEL - LACED</u>
4753	<u>OIL PUMP</u>
47547-87B	<u>FRAME, REAR FORK & JIFFY STAND</u>
47554-73A	<u>FRAME, REAR FORK & JIFFY STAND</u>
4758A	<u>FUEL TANK & TRIM (1 OF 2)</u>
48140-84A	<u>STEERING HEAD BRACKET ASSEMBLY</u>
4816A	<u>HANDLEBAR & THROTTLE CONTROL (1 OF 2)</u> <u>HANDLEBAR & THROTTLE CONTROL - 1200 CUSTOM</u> <u>SPEEDOMETER - 1200 CUSTOM</u>
4820A	<u>GEARCASE & COVER</u> <u>TRANSMISSION GEARS (1 OF 2)</u>
4826	<u>TRANSMISSION GEARS (1 OF 2)</u>
48300-60	<u>STEERING HEAD BRACKET ASSEMBLY</u>
48302-85	<u>CRANKCASE (2 OF 2)</u>
48315-60	<u>CRANKCASE (2 OF 2)</u> <u>STEERING HEAD BRACKET ASSEMBLY</u> <u>FRAME, REAR FORK & JIFFY STAND</u>
48361-80	<u>STEERING HEAD BRACKET ASSEMBLY</u>
48365-48A	<u>STEERING HEAD BRACKET ASSEMBLY</u>
49378-09	<u>FRONT FORK (2 OF 2)</u>
49381-09	<u>FRONT FORK - 1200 SPORT</u>
50003-89B	<u>FRAME, REAR FORK & JIFFY STAND</u>
50005-85A	<u>FRAME, REAR FORK & JIFFY STAND</u>
50006-89	<u>FRAME, REAR FORK & JIFFY STAND</u>
50072-92	<u>FRAME, REAR FORK & JIFFY STAND</u>
50101-91	<u>FRAME, REAR FORK & JIFFY STAND</u>
50615-83	<u>FOOTRESTS</u>

50643-82	FOOTRESTS
50646-82	FOOTRESTS
50647-82	FOOTRESTS
50912-72	FOOTRESTS FOOTRESTS
50951-90	FOOTRESTS
50972-75	FRAME, REAR FORK & JIFFY STAND
511	REAR WHEEL - CAST REAR WHEEL - LACED
51187-94A	SEATS
515	SHIFTER REAR BRAKE CONTROL
51652-83B	SEATS
52004-94B	SEATS
52101-92C	SEATS
52102-96	SEATS
52129-92C	SEATS
52132-94	SEATS
5226B	SHIFTER
52441-95	SPEEDOMETER & TACHOMETER (1 OF 3)
52577-96	SEATS
53156-86	HANDLEBAR & THROTTLE CONTROL (1 OF 2) HANDLEBAR & THROTTLE CONTROL - 1200 CUSTOM
534	FOOTRESTS
53438-92	HEADLAMP & MIRROR (2 OF 2)
53439-79	SPEEDOMETER & TACHOMETER (1 OF 3) SPEEDOMETER - 1200 CUSTOM
5403B	REAR FENDER & BELT GUARDS
54321-85	FRONT WHEEL - LACED REAR WHEEL - LACED
5440	EXHAUST SYSTEM
54473-79	SHOCK ABSORBERS
54474-79	SHOCK ABSORBERS

54475-79	<u>SHOCK ABSORBERS</u>
54476-82	<u>SHOCK ABSORBERS</u>
54481-96	<u>SHOCK ABSORBERS</u>
54542-96A	<u>SHOCK ABSORBERS</u>
54552-96A	<u>SHOCK ABSORBERS</u>
54556-84	<u>SHOCK ABSORBERS</u>
54566-94	<u>SHOCK ABSORBERS</u>
54568-92	<u>SHOCK ABSORBERS</u>
54701-82	<u>SHOCK ABSORBERS</u>
54705-94	<u>SHOCK ABSORBERS</u>
54713-96	<u>SHOCK ABSORBERS</u>
54714-96	<u>SHOCK ABSORBERS</u>
54715-96	<u>SHOCK ABSORBERS</u>
554A	<u>FRAME, REAR FORK & JIFFY STAND</u>
56073-83	<u>HANDLEBAR SWITCHES - 1995</u> <u>HANDLEBAR SWITCHES - 1996</u>
56074-96	<u>HANDLEBAR & THROTTLE CONTROL - 1200 CUSTOM</u>
56081-82A	<u>HANDLEBAR & THROTTLE CONTROL (1 OF 2)</u>
56082-83	<u>HANDLEBAR & THROTTLE CONTROL (1 OF 2)</u>
56104-94A	<u>TURN SIGNALS (1 OF 2)</u>
56115-95	<u>HANDLEBAR & THROTTLE CONTROL (1 OF 2)</u>
56116-82A	<u>HANDLEBAR & THROTTLE CONTROL (1 OF 2)</u>
56117-82A	<u>HANDLEBAR & THROTTLE CONTROL (1 OF 2)</u>
56153-73	<u>HANDLEBAR & THROTTLE CONTROL (1 OF 2)</u> <u>HANDLEBAR & THROTTLE CONTROL - 1200 CUSTOM</u>
56159-73	<u>HANDLEBAR & THROTTLE CONTROL (1 OF 2)</u> <u>HANDLEBAR & THROTTLE CONTROL - 1200 CUSTOM</u>
56164-96	<u>HANDLEBAR & THROTTLE CONTROL - 1200 CUSTOM</u>
56167-96	<u>HANDLEBAR & THROTTLE CONTROL - 1200 CUSTOM</u>
56168-96	<u>HANDLEBAR & THROTTLE CONTROL - 1200 CUSTOM</u>

56206-94A	HANDLEBAR & THROTTLE CONTROL (2 OF 2)
56206-96	HANDLEBAR & THROTTLE CONTROL (2 OF 2) HANDLEBAR & THROTTLE CONTROL - 1200 CUSTOM
56220-94A	HANDLEBAR & THROTTLE CONTROL (2 OF 2) HANDLEBAR & THROTTLE CONTROL - 1200 CUSTOM
56308-88	HANDLEBAR & THROTTLE CONTROL (2 OF 2)
56308-96	HANDLEBAR & THROTTLE CONTROL (2 OF 2)
56309-88	HANDLEBAR & THROTTLE CONTROL (2 OF 2)
56309-96	HANDLEBAR & THROTTLE CONTROL (2 OF 2)
56381-96	HANDLEBAR & THROTTLE CONTROL - 1200 CUSTOM
56382-96	HANDLEBAR & THROTTLE CONTROL - 1200 CUSTOM
56394-74	HANDLEBAR & THROTTLE CONTROL (2 OF 2) HANDLEBAR & THROTTLE CONTROL - 1200 CUSTOM HANDLEBAR SWITCHES - 1995
56394-94	HANDLEBAR SWITCHES - 1996
56396-74A	HANDLEBAR & THROTTLE CONTROL (2 OF 2) HANDLEBAR & THROTTLE CONTROL - 1200 CUSTOM HANDLEBAR SWITCHES - 1995 HANDLEBAR SWITCHES - 1996
56397-74C	HANDLEBAR & THROTTLE CONTROL (2 OF 2) HANDLEBAR & THROTTLE CONTROL - 1200 CUSTOM HANDLEBAR SWITCHES - 1995 HANDLEBAR SWITCHES - 1996
56400-96	HANDLEBAR & THROTTLE CONTROL (2 OF 2)
56401-96	HANDLEBAR & THROTTLE CONTROL (2 OF 2)
56402-83A	HANDLEBAR & THROTTLE CONTROL (2 OF 2) HANDLEBAR & THROTTLE CONTROL - 1200 CUSTOM HANDLEBAR SWITCHES - 1995 HANDLEBAR SWITCHES - 1996
56508-76	HANDLEBAR & THROTTLE CONTROL (2 OF 2) HANDLEBAR & THROTTLE CONTROL - 1200 CUSTOM
5741	FRAME, REAR FORK & JIFFY STAND
5756	REAR WHEEL - CAST REAR WHEEL - LACED
5774	HEADLAMP & MIRROR (1 OF 2)
5787	FUEL TANK & TRIM (1 OF 2)
58998-83E	FRONT FENDER

59251-90	<u>REAR FENDER & BELT GUARDS</u>
59259-90	<u>REAR FENDER & BELT GUARDS</u>
59273-91	<u>FRAME, REAR FORK & JIFFY STAND</u>
59287-92	<u>REAR FENDER & BELT GUARDS</u>
59288-92	<u>REAR FENDER & BELT GUARDS</u>
59289-92	<u>REAR FENDER & BELT GUARDS</u>
59290-92	<u>REAR FENDER & BELT GUARDS</u>
59594-82C	<u>REAR FENDER & BELT GUARDS</u>
59674-94B	<u>REAR FENDER & BELT GUARDS</u>
59896-94	<u>REAR FENDER & BELT GUARDS</u>
59897-94	<u>REAR FENDER & BELT GUARDS</u>
59984-73	<u>REAR FENDER & BELT GUARDS</u>
59986-75	<u>REAR FENDER & BELT GUARDS</u>
59988-72A	<u>REAR FENDER & BELT GUARDS</u>
60001-55	<u>REAR FENDER & BELT GUARDS</u>
6003	<u>TRANSMISSION GEARS (1 OF 2)</u>
601	<u>SHIFTER</u>
6012	<u>SHOCK ABSORBERS</u> <u>SHOCK ABSORBERS</u>
6016	<u>ROCKER ARMS, COVERS & PUSHRODS</u> <u>SHIFTER</u>
6019	<u>CRANKCASE (1 OF 2)</u> <u>FRONT BRAKE CALIPER (1 OF 2)</u> <u>FRONT BRAKE CALIPER (1 OF 2)</u>
6026	<u>CRANKCASE (1 OF 2)</u>
60348-65B	<u>CRANKCASE (2 OF 2)</u>
6036	<u>SEATS</u>
60381-91	<u>REAR FENDER & BELT GUARDS</u>
604	<u>CRANKCASE (1 OF 2)</u>
60419-91	<u>REAR FENDER & BELT GUARDS</u>
60436-91	<u>REAR FENDER & BELT GUARDS</u>
60618-91	<u>OIL TANK & FILTER</u>

6099	<u>ROCKER ARMS, COVERS & PUSHRODS</u> <u>SHIFTER</u> <u>CLUTCH CONTROL</u> <u>FRONT BRAKE CONTROL - 1995</u> <u>CALIFORNIA EVAPORATIVE EMISSIONS KIT</u> <u>CALIFORNIA EVAPORATIVE EMISSIONS KIT</u>
6101	<u>CLUTCH CONTROL</u> <u>FRONT BRAKE CONTROL - 1996</u>
61023-95	<u>FUEL TANK & TRIM (2 OF 2)</u>
6109	<u>HANDLEBAR & THROTTLE CONTROL - 1200 CUSTOM</u> <u>REAR FENDER & BELT GUARDS</u> <u>SPEEDOMETER - 1200 CUSTOM</u>
61107-92	<u>AIR CLEANER & ENRICHENER</u>
61109-85D	<u>FUEL TANK & TRIM (2 OF 2)</u>
61131-92	<u>FUEL TANK & TRIM (2 OF 2)</u>
61272-92C	<u>FUEL TANK & TRIM (2 OF 2)</u>
61450-95	<u>FUEL TANK & TRIM (2 OF 2)</u>
6157	<u>OIL PUMP</u>
61618-96C	<u>FUEL TANK & TRIM (2 OF 2)</u>
61799-96	<u>FUEL TANK & TRIM (2 OF 2)</u>
61800-96	<u>FUEL TANK & TRIM (2 OF 2)</u>
61801-96	<u>FUEL TANK & TRIM (2 OF 2)</u>
61802-96	<u>FUEL TANK & TRIM (2 OF 2)</u>
6192	<u>REAR FENDER & BELT GUARDS</u>
62122-89A	<u>FRAME, REAR FORK & JIFFY STAND</u>
62150-85	<u>FUEL TANK & TRIM (2 OF 2)</u>
62161-02	<u>FUEL TANK & TRIM (2 OF 2)</u>
62166-81A	<u>FUEL TANK & TRIM (2 OF 2)</u>
62169-95C	<u>FUEL TANK & TRIM (2 OF 2)</u>
62172-02	<u>FUEL TANK & TRIM (2 OF 2)</u>
6220W	<u>BATTERY</u>
62347-95	<u>FUEL TANK & TRIM (2 OF 2)</u>
62361-94	<u>OIL TANK & FILTER</u>

62375-57A	<u>GEARCASE & COVER</u>
62475-94A	<u>OIL TANK & FILTER</u>
62493-89	<u>OIL TANK & FILTER</u>
62494-94B	<u>OIL TANK & FILTER</u>
62540-83	<u>OIL TANK & FILTER</u> <u>BATTERY</u>
62555-95	<u>CARBURETOR (2 OF 2)</u> <u>FUEL TANK & TRIM (2 OF 2)</u>
62563-65	<u>OIL TANK & FILTER</u>
62569-94	<u>BATTERY</u>
62601-91A	<u>OIL PUMP</u>
62631-91	<u>OIL TANK & FILTER</u>
62634-84A	<u>OIL TANK & FILTER</u>
6272	<u>HEADLAMP & MIRROR (1 OF 2)</u>
6314W	<u>CRANKCASE (1 OF 2)</u>
6333	<u>FUEL TANK & TRIM (1 OF 2)</u>
63500-68	<u>CRANKCASE (2 OF 2)</u> <u>OIL TANK & FILTER</u>
63501-68B	<u>GEARCASE & COVER</u> <u>CARBURETOR (2 OF 2)</u> <u>FUEL TANK & TRIM (1 OF 2)</u> <u>OIL TANK & FILTER</u>
63504-94	<u>OIL TANK & FILTER</u>
63533-41A	<u>OIL PUMP</u>
63542-94A	<u>OIL TANK & FILTER</u>
63547-89	<u>CRANKCASE (2 OF 2)</u>
63564-94	<u>OIL TANK & FILTER</u>
6366	<u>REAR BRAKE CONTROL</u>
63796-77A	<u>OIL TANK & FILTER</u>
63805-80A	<u>OIL TANK & FILTER</u>
63858-49	<u>ROCKER ARMS, COVERS & PUSHRODS</u>
6410	<u>SEATS</u>

6508	<u>PISTONS, CONNECTING RODS & FLYWHEELS</u>
6516HW	<u>BELTS & SPROCKETS</u> <u>REAR WHEEL - CAST</u> <u>REAR WHEEL - LACED</u>
65296-95A	<u>EXHAUST SYSTEM</u>
65324-83B	<u>EXHAUST SYSTEM</u>
65325-83A	<u>EXHAUST SYSTEM</u>
65328-83A	<u>EXHAUST SYSTEM</u>
65419-86	<u>EXHAUST SYSTEM</u>
65568-86A	<u>EXHAUST SYSTEM</u>
65569-86A	<u>EXHAUST SYSTEM</u>
65599-80D	<u>EXHAUST SYSTEM</u>
65605-87B	<u>EXHAUST SYSTEM</u>
65613-86B	<u>EXHAUST SYSTEM</u>
65712-95	<u>EXHAUST SYSTEM</u>
65719-95	<u>EXHAUST SYSTEM</u>
65766-89E	<u>EXHAUST SYSTEM</u>
65769-89E	<u>EXHAUST SYSTEM</u>
65781-82	<u>EXHAUST SYSTEM</u>
65782-82	<u>EXHAUST SYSTEM</u>
65813-95	<u>EXHAUST SYSTEM</u>
65860-91A	<u>EXHAUST SYSTEM</u>
65860-94A	<u>EXHAUST SYSTEM</u>
65861-91A	<u>EXHAUST SYSTEM</u>
65861-94A	<u>EXHAUST SYSTEM</u>
6590HW	<u>FRONT WHEEL - CAST</u> <u>FRONT WHEEL - LACED</u>
65991-82B	<u>BATTERY</u>
65995-88A	<u>BATTERY</u>
66000-80	<u>BATTERY</u>
66032-91	<u>BATTERY</u>

66103-74A	<u>BATTERY</u>
66194-94A	<u>BATTERY</u>
66325-82	<u>FRAME, REAR FORK & JIFFY STAND</u>
66346-91	<u>BATTERY</u>
66352-65	<u>BATTERY</u> <u>CALIFORNIA EVAPORATIVE EMISSIONS KIT</u>
66367-73	<u>BATTERY</u>
66476-73A	<u>BATTERY</u>
6655	<u>STEERING HEAD BRACKET ASSEMBLY</u>
6701	<u>CYLINDER, HEAD & VALVES - V²™ EVOLUTION (1 OF 2)</u> <u>CRANKCASE (1 OF 2)</u> <u>FRONT FORK (1 OF 2)</u> <u>FRONT FORK - 1200 SPORT</u> <u>FRAME, REAR FORK & JIFFY STAND</u> <u>SHOCK ABSORBERS</u> <u>HEADLAMP & MIRROR (1 OF 2)</u> <u>HORN</u>
6702	<u>ELECTRONIC IGNITION SYSTEM</u> <u>REAR BRAKE CONTROL</u> <u>HANDLEBAR & THROTTLE CONTROL (1 OF 2)</u> <u>HANDLEBAR & THROTTLE CONTROL - 1200 CUSTOM</u> <u>BATTERY</u> <u>HEADLAMP & MIRROR (1 OF 2)</u> <u>SPEEDOMETER - 1200 CUSTOM</u>
6703	<u>FRONT BRAKE CONTROL - 1995</u> <u>REAR FENDER & BELT GUARDS</u> <u>CALIFORNIA EVAPORATIVE EMISSIONS KIT</u>
67037-95D	<u>SPEEDOMETER & TACHOMETER (1 OF 3)</u>
67037-96D	<u>SPEEDOMETER & TACHOMETER (1 OF 3)</u>
67041-95D	<u>SPEEDOMETER & TACHOMETER (3 OF 3)</u>
67053-95	<u>SPEEDOMETER & TACHOMETER (1 OF 3)</u>
67084-96	<u>SPEEDOMETER - 1200 CUSTOM</u>
67085-95	<u>SPEEDOMETER & TACHOMETER (1 OF 3)</u>
67088-96	<u>SPEEDOMETER - 1200 CUSTOM</u>
67103-95	<u>SPEEDOMETER & TACHOMETER (1 OF 3)</u>
67104-95	<u>SPEEDOMETER & TACHOMETER (1 OF 3)</u> <u>SPEEDOMETER & TACHOMETER (1 OF 3)</u>
67121-95A	<u>SPEEDOMETER & TACHOMETER (1 OF 3)</u> <u>SPEEDOMETER & TACHOMETER (1 OF 3)</u>

	<u>SPEEDOMETER - 1200 CUSTOM</u>
67136-85	<u>SPEEDOMETER & TACHOMETER (1 OF 3)</u> <u>SPEEDOMETER - 1200 CUSTOM</u>
67152-95B	<u>SPEEDOMETER & TACHOMETER (1 OF 3)</u>
6716	<u>ELECTRONIC IGNITION SYSTEM</u>
67184-94	<u>SPEEDOMETER & TACHOMETER (1 OF 3)</u> <u>SPEEDOMETER - 1200 CUSTOM</u>
67191-94	<u>SPEEDOMETER & TACHOMETER (1 OF 3)</u> <u>SPEEDOMETER & TACHOMETER (1 OF 3)</u> <u>SPEEDOMETER - 1200 CUSTOM</u>
67283-95C	<u>SPEEDOMETER & TACHOMETER (1 OF 3)</u>
67283-96C	<u>SPEEDOMETER & TACHOMETER (1 OF 3)</u> <u>SPEEDOMETER - 1200 CUSTOM</u>
67284-95C	<u>SPEEDOMETER & TACHOMETER (3 OF 3)</u> <u>SPEEDOMETER - 1200 CUSTOM</u>
67285-95C	<u>SPEEDOMETER & TACHOMETER (3 OF 3)</u> <u>SPEEDOMETER - 1200 CUSTOM</u>
67286-95C	<u>SPEEDOMETER & TACHOMETER (3 OF 3)</u>
67289-95D	<u>SPEEDOMETER & TACHOMETER (3 OF 3)</u>
67290-95D	<u>SPEEDOMETER & TACHOMETER (3 OF 3)</u>
67292-95D	<u>SPEEDOMETER & TACHOMETER (3 OF 3)</u>
67292-96D	<u>SPEEDOMETER & TACHOMETER (3 OF 3)</u>
67303-95C	<u>SPEEDOMETER & TACHOMETER (3 OF 3)</u>
67303-96C	<u>SPEEDOMETER & TACHOMETER (3 OF 3)</u> <u>SPEEDOMETER - 1200 CUSTOM</u>
67320-95	<u>SPEEDOMETER & TACHOMETER (1 OF 3)</u>
67338-97	<u>SPEEDOMETER & TACHOMETER (1 OF 3)</u>
6736	<u>ROCKER ARMS, COVERS & PUSHRODS</u>
67383-98B	<u>SPEEDOMETER & TACHOMETER (3 OF 3)</u>
67601-94A	<u>HEADLAMP & MIRROR (1 OF 2)</u>
67602-94	<u>HEADLAMP & MIRROR (2 OF 2)</u>
67603-94A	<u>HEADLAMP & MIRROR (1 OF 2)</u>
67604-94	<u>HEADLAMP & MIRROR (2 OF 2)</u>
67685-92	<u>HEADLAMP & MIRROR (1 OF 2)</u>

67691-92	<u>HEADLAMP & MIRROR (2 OF 2)</u>
67698-81D	<u>HEADLAMP & MIRROR (1 OF 2)</u>
67705-92	<u>HEADLAMP & MIRROR (1 OF 2)</u>
67719-63	<u>HEADLAMP & MIRROR (1 OF 2)</u> <u>MAIN WIRING HARNESS (1 OF 3)</u>
67725-63	<u>HEADLAMP & MIRROR (1 OF 2)</u>
67744-75	<u>HEADLAMP & MIRROR (1 OF 2)</u>
67757-92	<u>HEADLAMP & MIRROR (1 OF 2)</u>
67763-92A	<u>HEADLAMP & MIRROR (2 OF 2)</u>
67771-08	<u>HEADLAMP & MIRROR (2 OF 2)</u>
67781-92A	<u>HEADLAMP & MIRROR (2 OF 2)</u>
67805-92	<u>HEADLAMP & MIRROR (1 OF 2)</u>
67815-59A	<u>HEADLAMP & MIRROR (1 OF 2)</u>
67822-88	<u>TURN SIGNALS (1 OF 2)</u>
67827-88A	<u>TURN SIGNALS (1 OF 2)</u>
67828-88A	<u>TURN SIGNALS (1 OF 2)</u>
67829-88	<u>TURN SIGNALS (1 OF 2)</u>
67834-83	<u>HEADLAMP & MIRROR (1 OF 2)</u>
67850-96	<u>HEADLAMP & MIRROR (2 OF 2)</u>
67854-98	<u>SPEEDOMETER & TACHOMETER (2 OF 3)</u> <u>SPEEDOMETER - 1200 CUSTOM</u>
67861-96	<u>HANDLEBAR & THROTTLE CONTROL - 1200 CUSTOM</u>
67865-89	<u>HEADLAMP & MIRROR (2 OF 2)</u>
6788	<u>FUEL TANK & TRIM (1 OF 2)</u>
67880-94	<u>SPEEDOMETER & TACHOMETER (2 OF 3)</u> <u>SPEEDOMETER - 1200 CUSTOM</u>
67881-96B	<u>HEADLAMP & MIRROR (2 OF 2)</u>
67882-96A	<u>HEADLAMP & MIRROR (2 OF 2)</u>
67894-93A	<u>HEADLAMP & MIRROR (2 OF 2)</u>
67901-96A	<u>HEADLAMP & MIRROR (2 OF 2)</u>
67902-96A	<u>HANDLEBAR & THROTTLE CONTROL - 1200 CUSTOM</u>

67919-96	HEADLAMP & MIRROR (2 OF 2)
68024-94	SPEEDOMETER & TACHOMETER (2 OF 3) SPEEDOMETER - 1200 CUSTOM
68026-73	TAIL LAMP
68027-90	TAIL LAMP
68030-96	HANDLEBAR & THROTTLE CONTROL - 1200 CUSTOM
68032-90	TAIL LAMP
68033-90	TAIL LAMP
68036-91	TAIL LAMP
68048-93B	TAIL LAMP
68049-93B	TAIL LAMP
68061-94B	HEADLAMP & MIRROR (2 OF 2) MAIN WIRING HARNESS (1 OF 3)
6812	CYLINDER, HEAD & VALVES - V²™ EVOLUTION (1 OF 2) STARTER MOTOR
68123-73	TAIL LAMP
68163-84	TURN SIGNALS (2 OF 2)
68168-89A	TURN SIGNALS (1 OF 2) TAIL LAMP
68169-90A	TAIL LAMP
68329-03	HEADLAMP & MIRROR (1 OF 2)
68382-96	SPEEDOMETER - 1200 CUSTOM
68415-96	SPEEDOMETER - 1200 CUSTOM
68423-96	SPEEDOMETER - 1200 CUSTOM
68452-86	TURN SIGNALS (1 OF 2)
68457-86	TURN SIGNALS (1 OF 2)
68480-93A	TURN SIGNALS (1 OF 2)
68507-90	TURN SIGNALS (2 OF 2)
68513-95	SPEEDOMETER & TACHOMETER (2 OF 3)
68516-95	SPEEDOMETER & TACHOMETER (2 OF 3)
68551-95	SPEEDOMETER & TACHOMETER (2 OF 3)
68555-87	TURN SIGNALS (1 OF 2)

68566-90	TURN SIGNALS (2 OF 2)
68570-94B	TURN SIGNALS (1 OF 2)
68572-64B	TURN SIGNALS (1 OF 2)
68650-92	HEADLAMP & MIRROR (2 OF 2)
68705-93A	HEADLAMP & MIRROR (2 OF 2)
68709-94	TURN SIGNALS (1 OF 2)
68710-94	TURN SIGNALS (2 OF 2)
68715-96	SPEEDOMETER - 1200 CUSTOM
68760-94	TURN SIGNALS (1 OF 2)
68763-94	TURN SIGNALS (2 OF 2)
68792-96	SPEEDOMETER - 1200 CUSTOM
69000014	HORN
69012-93A	HORN
69035-95	HORN
69037-95A	AIR CLEANER & ENRICHENER
69043-91D	HORN
69060-90H	HORN HORN
69062-91A	HORN
69120-91	HORN
69123-92A	HORN
69135-96A	HORN
70048-92	HEADLAMP & MIRROR (2 OF 2)
70079-94	BATTERY
70135-95A	MAIN WIRING HARNESS (1 OF 3) MAIN WIRING HARNESS (2 OF 3) MAIN WIRING HARNESS (3 OF 3)
70153-96	MAIN WIRING HARNESS - 1200 CUSTOM (1 OF 2) MAIN WIRING HARNESS - 1200 CUSTOM (2 OF 2)
7019	SHIFTER
70218-87A	HANDLEBAR SWITCHES - 1995

70219-87	<u>HANDLEBAR SWITCHES - 1995</u>
70291-89	<u>AIR CLEANER & ENRICHENER</u>
70345-84	<u>HANDLEBAR SWITCHES - 1995</u> <u>HANDLEBAR SWITCHES - 1996</u>
7036	<u>ELECTRONIC IGNITION SYSTEM</u> <u>SEATS</u>
7038	<u>CYLINDER, HEAD & VALVES - V²™ EVOLUTION (1 OF 2)</u> <u>CRANKCASE (1 OF 2)</u> <u>FRONT FORK (1 OF 2)</u> <u>FRONT FORK - 1200 SPORT</u>
7041	<u>REAR BRAKE CONTROL</u> <u>HORN</u>
7042	<u>REAR BRAKE CONTROL</u> <u>TURN SIGNALS (1 OF 2)</u>
7045	<u>FOOTRESTS</u> <u>HEADLAMP & MIRROR (1 OF 2)</u>
70504-81	<u>HANDLEBAR & THROTTLE CONTROL (2 OF 2)</u> <u>HANDLEBAR & THROTTLE CONTROL - 1200 CUSTOM</u>
70551-69	<u>MAIN WIRING HARNESS (3 OF 3)</u>
70552-69	<u>MAIN WIRING HARNESS (3 OF 3)</u>
70553-69	<u>MAIN WIRING HARNESS (3 OF 3)</u> <u>MAIN WIRING HARNESS - 1200 CUSTOM (2 OF 2)</u>
70554-69	<u>MAIN WIRING HARNESS (3 OF 3)</u> <u>MAIN WIRING HARNESS - 1200 CUSTOM (2 OF 2)</u>
70555-69	<u>MAIN WIRING HARNESS (3 OF 3)</u> <u>MAIN WIRING HARNESS - 1200 CUSTOM (2 OF 2)</u>
70556-71	<u>MAIN WIRING HARNESS (3 OF 3)</u>
70558-71	<u>MAIN WIRING HARNESS (3 OF 3)</u> <u>MAIN WIRING HARNESS - 1200 CUSTOM (2 OF 2)</u>
70559-71	<u>MAIN WIRING HARNESS (3 OF 3)</u> <u>MAIN WIRING HARNESS - 1200 CUSTOM (2 OF 2)</u>
70578-89	<u>BATTERY</u>
70583-93	<u>HEADLAMP & MIRROR (2 OF 2)</u>
70586-93	<u>SWITCHES & CIRCUIT BREAKERS</u>
7068	<u>FRONT WHEEL - CAST</u> <u>FRONT WHEEL - LACED</u> <u>HEADLAMP & MIRROR (1 OF 2)</u>
7124	<u>SEATS</u>

7127	HEADLAMP & MIRROR (1 OF 2) TURN SIGNALS (1 OF 2) HORN SWITCHES & CIRCUIT BREAKERS
71441-94	MAIN WIRING HARNESS (1 OF 3) MAIN WIRING HARNESS - 1200 CUSTOM (1 OF 2) SWITCHES & CIRCUIT BREAKERS
71451-94A	SWITCHES & CIRCUIT BREAKERS
7145W	CLUTCH CONTROL
71510-95	SWITCHES & CIRCUIT BREAKERS
71550-94	SWITCHES & CIRCUIT BREAKERS
71552-94	SWITCHES & CIRCUIT BREAKERS
71557-93	HANDLEBAR SWITCHES - 1995
71563-82A	HANDLEBAR & THROTTLE CONTROL (2 OF 2) HANDLEBAR SWITCHES - 1995
71563-96	HANDLEBAR & THROTTLE CONTROL (2 OF 2) HANDLEBAR & THROTTLE CONTROL - 1200 CUSTOM HANDLEBAR SWITCHES - 1996
71564-82A	HANDLEBAR & THROTTLE CONTROL (2 OF 2) HANDLEBAR SWITCHES - 1995
71564-96	HANDLEBAR & THROTTLE CONTROL (2 OF 2) HANDLEBAR & THROTTLE CONTROL - 1200 CUSTOM HANDLEBAR SWITCHES - 1996
71567-82	HANDLEBAR SWITCHES - 1995
71567-96	HANDLEBAR SWITCHES - 1996
71568-82A	HANDLEBAR SWITCHES - 1995
71568-96A	HANDLEBAR SWITCHES - 1996
71589-92	HANDLEBAR SWITCHES - 1995
71590-92A	HANDLEBAR SWITCHES - 1995
71591-92	HANDLEBAR SWITCHES - 1995
71591-96A	HANDLEBAR SWITCHES - 1996
71597-92	HANDLEBAR SWITCHES - 1995
71598-92	HANDLEBAR SWITCHES - 1995
71598-96A	HANDLEBAR SWITCHES - 1996
71621-08	HANDLEBAR SWITCHES - 1996

71682-06A	<u>HANDLEBAR SWITCHES - 1996</u>
71684-06A	<u>HANDLEBAR SWITCHES - 1996</u>
720	<u>CRANKCASE (1 OF 2)</u>
72023-51E	<u>REAR BRAKE CONTROL SWITCHES & CIRCUIT BREAKERS</u>
72046-79	<u>MAIN WIRING HARNESS (1 OF 3)</u> <u>MAIN WIRING HARNESS - 1200 CUSTOM (1 OF 2)</u>
72056-92	<u>HEADLAMP & MIRROR (2 OF 2)</u> <u>MAIN WIRING HARNESS (1 OF 3)</u>
72102-94BK	<u>MAIN WIRING HARNESS (1 OF 3)</u> <u>MAIN WIRING HARNESS - 1200 CUSTOM (1 OF 2)</u>
72103-94BK	<u>ELECTRONIC IGNITION SYSTEM</u> <u>MAIN WIRING HARNESS (1 OF 3)</u> <u>MAIN WIRING HARNESS - 1200 CUSTOM (1 OF 2)</u>
72104-94BK	<u>MAIN WIRING HARNESS (1 OF 3)</u> <u>MAIN WIRING HARNESS - 1200 CUSTOM (1 OF 2)</u>
72106-94BK	<u>MAIN WIRING HARNESS - 1200 CUSTOM (1 OF 2)</u>
72108-94BK	<u>MAIN WIRING HARNESS (1 OF 3)</u> <u>MAIN WIRING HARNESS - 1200 CUSTOM (1 OF 2)</u>
72109-94BK	<u>MAIN WIRING HARNESS (2 OF 3)</u>
72112-94BK	<u>ELECTRONIC IGNITION SYSTEM</u> <u>TURN SIGNALS (2 OF 2)</u>
72113-94BK	<u>SPEEDOMETER & TACHOMETER (2 OF 3)</u> <u>SPEEDOMETER - 1200 CUSTOM</u> <u>MAIN WIRING HARNESS (2 OF 3)</u> <u>MAIN WIRING HARNESS - 1200 CUSTOM (1 OF 2)</u>
72114-94BK	<u>TAIL LAMP</u>
72116-94BK	<u>HANDLEBAR SWITCHES - 1996</u>
72118-94BK	<u>ELECTRONIC IGNITION SYSTEM</u>
72119-94BK	<u>SPEEDOMETER & TACHOMETER (2 OF 3)</u> <u>TURN SIGNALS (2 OF 2)</u> <u>HANDLEBAR SWITCHES - 1995</u> <u>HANDLEBAR SWITCHES - 1996</u>
72128-94GY	<u>MAIN WIRING HARNESS (2 OF 3)</u> <u>MAIN WIRING HARNESS - 1200 CUSTOM (1 OF 2)</u>
72129-94GY	<u>MAIN WIRING HARNESS (2 OF 3)</u>
72138-94GY	<u>TURN SIGNALS (2 OF 2)</u>
72139-94GY	<u>TURN SIGNALS (2 OF 2)</u>

	<u>HANDLEBAR SWITCHES - 1995</u> <u>HANDLEBAR SWITCHES - 1996</u>
72142-94	<u>MAIN WIRING HARNESS (2 OF 3)</u> <u>MAIN WIRING HARNESS - 1200 CUSTOM (1 OF 2)</u>
72143-94	<u>ELECTRONIC IGNITION SYSTEM</u> <u>SPEEDOMETER & TACHOMETER (2 OF 3)</u> <u>SPEEDOMETER - 1200 CUSTOM</u> <u>MAIN WIRING HARNESS (2 OF 3)</u> <u>MAIN WIRING HARNESS - 1200 CUSTOM (1 OF 2)</u>
72144-94	<u>MAIN WIRING HARNESS (2 OF 3)</u> <u>MAIN WIRING HARNESS - 1200 CUSTOM (1 OF 2)</u>
72146-94	<u>MAIN WIRING HARNESS - 1200 CUSTOM (1 OF 2)</u>
72148-94	<u>MAIN WIRING HARNESS (2 OF 3)</u> <u>MAIN WIRING HARNESS - 1200 CUSTOM (1 OF 2)</u>
72149-94	<u>MAIN WIRING HARNESS (2 OF 3)</u>
72152-94	<u>ELECTRONIC IGNITION SYSTEM</u> <u>TURN SIGNALS (2 OF 2)</u>
72153-94	<u>SPEEDOMETER & TACHOMETER (2 OF 3)</u> <u>SPEEDOMETER - 1200 CUSTOM</u> <u>MAIN WIRING HARNESS (2 OF 3)</u> <u>MAIN WIRING HARNESS - 1200 CUSTOM (1 OF 2)</u>
72154-94	<u>TAIL LAMP</u>
72156-94	<u>HANDLEBAR SWITCHES - 1996</u>
72158-94	<u>ELECTRONIC IGNITION SYSTEM</u> <u>TURN SIGNALS (2 OF 2)</u>
72159-94	<u>SPEEDOMETER & TACHOMETER (2 OF 3)</u> <u>TURN SIGNALS (2 OF 2)</u> <u>HANDLEBAR SWITCHES - 1995</u> <u>HANDLEBAR SWITCHES - 1996</u>
72163-94BK	<u>SPEEDOMETER & TACHOMETER (2 OF 3)</u> <u>SPEEDOMETER - 1200 CUSTOM</u>
72172-94	<u>ELECTRONIC IGNITION SYSTEM</u> <u>TURN SIGNALS (2 OF 2)</u> <u>TAIL LAMP</u>
72173-94	<u>SPEEDOMETER & TACHOMETER (2 OF 3)</u> <u>SPEEDOMETER - 1200 CUSTOM</u> <u>MAIN WIRING HARNESS (2 OF 3)</u> <u>MAIN WIRING HARNESS - 1200 CUSTOM (1 OF 2)</u>
72176-94	<u>HANDLEBAR SWITCHES - 1996</u>
72178-94	<u>ELECTRONIC IGNITION SYSTEM</u> <u>TURN SIGNALS (2 OF 2)</u>

72179-94	SPEEDOMETER & TACHOMETER (2 OF 3) TURN SIGNALS (2 OF 2) HANDLEBAR SWITCHES - 1995 HANDLEBAR SWITCHES - 1996
72190-94	ELECTRONIC IGNITION SYSTEM SPEEDOMETER & TACHOMETER (2 OF 3) SPEEDOMETER - 1200 CUSTOM MAIN WIRING HARNESS (2 OF 3) MAIN WIRING HARNESS - 1200 CUSTOM (1 OF 2)
72191-94	ELECTRONIC IGNITION SYSTEM SPEEDOMETER & TACHOMETER (3 OF 3) SPEEDOMETER - 1200 CUSTOM TURN SIGNALS (2 OF 2) TAIL LAMP MAIN WIRING HARNESS (2 OF 3) MAIN WIRING HARNESS - 1200 CUSTOM (1 OF 2) HANDLEBAR SWITCHES - 1995 HANDLEBAR SWITCHES - 1996
72195-94	ELECTRONIC IGNITION SYSTEM SPEEDOMETER & TACHOMETER (3 OF 3) TURN SIGNALS (2 OF 2) MAIN WIRING HARNESS (2 OF 3) MAIN WIRING HARNESS - 1200 CUSTOM (2 OF 2) HANDLEBAR SWITCHES - 1995 HANDLEBAR SWITCHES - 1996
72198-94	MAIN WIRING HARNESS (2 OF 3) MAIN WIRING HARNESS - 1200 CUSTOM (2 OF 2)
72199-94	SPEEDOMETER & TACHOMETER (3 OF 3) SPEEDOMETER - 1200 CUSTOM MAIN WIRING HARNESS (2 OF 3) MAIN WIRING HARNESS - 1200 CUSTOM (2 OF 2)
7220	FRONT BRAKE CONTROL - 1995 FRONT BRAKE CONTROL - 1996 REAR BRAKE CONTROL STEERING HEAD BRACKET ASSEMBLY
72216-94	MAIN WIRING HARNESS (2 OF 3) MAIN WIRING HARNESS - 1200 CUSTOM (2 OF 2)
72217-94	MAIN WIRING HARNESS (2 OF 3) MAIN WIRING HARNESS - 1200 CUSTOM (2 OF 2)
72218-94	MAIN WIRING HARNESS (3 OF 3) MAIN WIRING HARNESS - 1200 CUSTOM (2 OF 2)
72219-94	MAIN WIRING HARNESS (3 OF 3) MAIN WIRING HARNESS - 1200 CUSTOM (2 OF 2)
72220-94	MAIN WIRING HARNESS (3 OF 3) MAIN WIRING HARNESS - 1200 CUSTOM (2 OF 2)
72240-94	MAIN WIRING HARNESS (3 OF 3) MAIN WIRING HARNESS - 1200 CUSTOM (2 OF 2)

72241-94	<u>SPEEDOMETER & TACHOMETER (3 OF 3)</u>
72241-94A	<u>MAIN WIRING HARNESS (3 OF 3)</u> <u>MAIN WIRING HARNESS - 1200 CUSTOM (2 OF 2)</u>
72249-94	<u>MAIN WIRING HARNESS (3 OF 3)</u> <u>MAIN WIRING HARNESS - 1200 CUSTOM (2 OF 2)</u>
72259-94	<u>MAIN WIRING HARNESS (3 OF 3)</u> <u>MAIN WIRING HARNESS - 1200 CUSTOM (2 OF 2)</u>
72266-94	<u>HANDLEBAR SWITCHES - 1996</u>
72291-94	<u>MAIN WIRING HARNESS (3 OF 3)</u> <u>MAIN WIRING HARNESS - 1200 CUSTOM (2 OF 2)</u>
72295-94	<u>MAIN WIRING HARNESS (3 OF 3)</u> <u>MAIN WIRING HARNESS - 1200 CUSTOM (2 OF 2)</u>
72507-94	<u>HEADLAMP & MIRROR (2 OF 2)</u> <u>MAIN WIRING HARNESS (3 OF 3)</u>
727	<u>CRANKCASE (1 OF 2)</u>
73104-96BK	<u>MAIN WIRING HARNESS - 1200 CUSTOM (2 OF 2)</u>
73106-96BK	<u>MAIN WIRING HARNESS - 1200 CUSTOM (2 OF 2)</u>
73112-96BK	<u>MAIN WIRING HARNESS - 1200 CUSTOM (2 OF 2)</u>
73154-96BK	<u>HEADLAMP & MIRROR (2 OF 2)</u>
73156-96BK	<u>TURN SIGNALS (2 OF 2)</u>
73162-96BK	<u>SPEEDOMETER - 1200 CUSTOM</u>
73190-96	<u>MAIN WIRING HARNESS - 1200 CUSTOM (2 OF 2)</u>
73191-96	<u>HEADLAMP & MIRROR (2 OF 2)</u> <u>SPEEDOMETER - 1200 CUSTOM</u> <u>TURN SIGNALS (2 OF 2)</u>
740	<u>FRAME, REAR FORK & JIFFY STAND</u>
74402-95B	<u>SPEEDOMETER & TACHOMETER (3 OF 3)</u> <u>SPEEDOMETER & TACHOMETER (3 OF 3)</u> <u>SPEEDOMETER - 1200 CUSTOM</u>
74421-95	<u>SPEEDOMETER & TACHOMETER (3 OF 3)</u>
74523-94A	<u>ALTERNATOR & REGULATOR</u>
74587-94	<u>SWITCHES & CIRCUIT BREAKERS</u>
74588-94	<u>SWITCHES & CIRCUIT BREAKERS</u>
74600-94	<u>SWITCHES & CIRCUIT BREAKERS</u>
7495	<u>HORN</u>

7501	<u>TAIL LAMP</u>
75101-82	<u>HORN</u>
7527	<u>HORN</u>
7531	<u>ELECTRONIC IGNITION SYSTEM</u> <u>FRONT FENDER</u> <u>REAR FENDER & BELT GUARDS</u> <u>FUEL TANK & TRIM (1 OF 2)</u> <u>EXHAUST SYSTEM</u> <u>TURN SIGNALS (1 OF 2)</u> <u>HORN</u>
7593	<u>EXHAUST SYSTEM</u>
7602	<u>SWITCHES & CIRCUIT BREAKERS</u>
7624	<u>OIL TANK & FILTER</u>
7629	<u>ELECTRONIC IGNITION SYSTEM</u> <u>OIL TANK & FILTER</u> <u>SWITCHES & CIRCUIT BREAKERS</u>
7655	<u>SHOCK ABSORBERS</u>
7667	<u>BELTS & SPROCKETS</u>
7683	<u>SHIFTER</u>
7686	<u>OIL TANK & FILTER</u> <u>BATTERY</u> <u>CALIFORNIA EVAPORATIVE EMISSIONS KIT</u>
7688	<u>BATTERY</u>
7710W	<u>SHIFTER</u>
7725	<u>FRAME, REAR FORK & JIFFY STAND</u>
7736	<u>HEADLAMP & MIRROR (1 OF 2)</u> <u>HEADLAMP & MIRROR (1 OF 2)</u>
7739	<u>BATTERY</u>
7744	<u>REAR BRAKE CONTROL</u> <u>TURN SIGNALS (1 OF 2)</u>
7775	<u>CRANKCASE (1 OF 2)</u>
7778	<u>REAR WHEEL - LACED</u> <u>FOOTRESTS</u> <u>FOOTRESTS</u> <u>HEADLAMP & MIRROR (1 OF 2)</u>
7780	<u>CRANKCASE (1 OF 2)</u>
7783	<u>FRONT FORK (1 OF 2)</u> <u>FRONT FORK - 1200 SPORT</u>

7789	<u>CRANKCASE (1 OF 2)</u>
7792	<u>REAR FENDER & BELT GUARDS</u>
7804	<u>BELTS & SPROCKETS</u>
7824	<u>FOOTRESTS</u> <u>SHOCK ABSORBERS</u>
7827W	<u>BELTS & SPROCKETS</u> <u>REAR WHEEL - LACED</u>
7839	<u>BELTS & SPROCKETS</u>
7844	<u>EXHAUST SYSTEM</u>
7845	<u>FRONT WHEEL - CAST</u> <u>FRONT WHEEL - LACED</u>
7861	<u>CYLINDER, HEAD & VALVES - V²™ EVOLUTION (1 OF 2)</u> <u>CRANKCASE (1 OF 2)</u>
7880	<u>HEADLAMP & MIRROR (1 OF 2)</u>
7882	<u>REAR FENDER & BELT GUARDS</u>
7916A	<u>GEARCASE & COVER</u>
7987	<u>REAR WHEEL - CAST</u> <u>REAR WHEEL - LACED</u>
8098	<u>HORN</u>
8099	<u>FRAME, REAR FORK & JIFFY STAND</u> <u>CALIFORNIA EVAPORATIVE EMISSIONS KIT</u>
8108	<u>HORN</u>
8144	<u>REAR BRAKE CONTROL</u>
8483A	<u>SWITCHES & CIRCUIT BREAKERS</u>
8535	<u>AIR CLEANER & ENRICHENER</u>
853A	<u>REAR BRAKE CONTROL</u>
855B	<u>FRONT BRAKE CALIPER (1 OF 2)</u> <u>FRONT BRAKE CALIPER (1 OF 2)</u> <u>FOOTRESTS</u>
869	<u>AIR CLEANER & ENRICHENER</u>
8692	<u>REAR FENDER & BELT GUARDS</u>
8699	<u>ELECTRONIC IGNITION SYSTEM</u>
879A	<u>FOOTRESTS</u>

882	<u>ROCKER ARMS, COVERS & PUSHRODS</u>
8871	<u>STARTER MOTOR</u>
8873	<u>CLUTCH</u>
8876A	<u>TRANSMISSION GEARS (1 OF 2)</u>
8879	<u>STARTER MOTOR</u>
8881	<u>CRANKCASE (2 OF 2)</u>
8883	<u>STARTER MOTOR</u>
8885	<u>CLUTCH</u>
891	<u>ROCKER ARMS, COVERS & PUSHRODS</u>
8977	<u>TRANSMISSION GEARS (1 OF 2)</u>
8996A	<u>TRANSMISSION GEARS (1 OF 2)</u>
8998	<u>ACCESS DOOR & PRIMARY COVER</u>
9052	<u>FRONT WHEEL - CAST</u> <u>FRONT WHEEL - LACED</u> <u>REAR WHEEL - CAST</u> <u>REAR WHEEL - LACED</u>
9077	<u>STARTER MOTOR</u>
90770-79	<u>CLUTCH CONTROL</u>
9119A	<u>CRANKCASE (2 OF 2)</u>
9142	<u>CRANKCASE (2 OF 2)</u>
9143	<u>CRANKCASE (2 OF 2)</u>
9144	<u>CRANKCASE (2 OF 2)</u>
9145	<u>CRANKCASE (2 OF 2)</u>
9146	<u>CRANKCASE (2 OF 2)</u>
9147	<u>CRANKCASE (2 OF 2)</u>
9148	<u>CRANKCASE (2 OF 2)</u>
9149	<u>CRANKCASE (2 OF 2)</u>
9151	<u>SHIFTER</u>
9155	<u>CRANKCASE (2 OF 2)</u>
9187	<u>ACCESS DOOR & PRIMARY COVER</u>
91875-88A	<u>HEADLAMP & MIRROR (2 OF 2)</u>

91892-88A	<u>HEADLAMP & MIRROR (2 OF 2)</u>
91902-88A	<u>HEADLAMP & MIRROR (2 OF 2)</u>
91904-88A	<u>HEADLAMP & MIRROR (2 OF 2)</u>
923	<u>SEATS</u>
929A	<u>STARTER MOTOR</u>
943	<u>ACCESS DOOR & PRIMARY COVER</u>
94313-91TS	<u>ROCKER ARMS, COVERS & PUSHRODS</u>
946	<u>AIR CLEANER & ENRICHENER</u>
95578-41	<u>FRONT WHEEL - LACED</u> <u>REAR WHEEL - LACED</u>
95581-47	<u>FRONT WHEEL - LACED</u> <u>REAR WHEEL - LACED</u>
95582-47	<u>FRONT WHEEL - LACED</u> <u>REAR WHEEL - LACED</u>
95594-84A	<u>FRONT WHEEL - CAST</u> <u>REAR WHEEL - CAST</u>
95595-84A	<u>FRONT WHEEL - CAST</u> <u>REAR WHEEL - CAST</u>
9842	<u>MAIN WIRING HARNESS (1 OF 3)</u> <u>MAIN WIRING HARNESS - 1200 CUSTOM (1 OF 2)</u>
9843	<u>MAIN WIRING HARNESS (1 OF 3)</u> <u>MAIN WIRING HARNESS - 1200 CUSTOM (1 OF 2)</u>
9847	<u>HEADLAMP & MIRROR (1 OF 2)</u> <u>MAIN WIRING HARNESS (1 OF 3)</u>
9848	<u>HEADLAMP & MIRROR (1 OF 2)</u> <u>MAIN WIRING HARNESS (1 OF 3)</u>
9869	<u>MAIN WIRING HARNESS - 1200 CUSTOM (1 OF 2)</u>
9898	<u>HEADLAMP & MIRROR (2 OF 2)</u>
9905	<u>MAIN WIRING HARNESS (1 OF 3)</u> <u>MAIN WIRING HARNESS - 1200 CUSTOM (1 OF 2)</u>
9937	<u>MAIN WIRING HARNESS (1 OF 3)</u> <u>MAIN WIRING HARNESS - 1200 CUSTOM (1 OF 2)</u>
9952	<u>SWITCHES & CIRCUIT BREAKERS</u>
9955	<u>EXHAUST SYSTEM</u>
9969	<u>OIL TANK & FILTER</u>

Component Types and Introduction Dates

[View interactive table](#)

101A1 - Generic Nuts	
7736	1949
7739	Unknown
8144	Unknown
7845	Unknown
7844	2013
7725	Unknown
7839	Unknown
7624	Unknown
7629	1990
7792	2012
7655	1990
7780	1973
7527	Unknown
7778	Unknown
7775	Unknown
7916A	Unknown
7501	2010
23980-98	1998
7827W	1976
7824	Unknown
3403	Unknown
7683	Unknown
7710W	Unknown
11730A	Unknown
35078-79	1979
7987	Unknown
7495	1994
8099	Unknown

7880	Unknown
37495-91	1991
8108	Unknown
7744	1943
7593	1991
7602	Unknown
102A1 - Generic Screws	
3958	1993
3802W	2009
3730A	Unknown
3579A	Unknown
882	2000
94313-91TS	1991
3987	Unknown
4460	Unknown
42375-87	1987
4826	Unknown
2907	Unknown
4753	Unknown
3849	Unknown
2579A	Unknown
1203	1974
4741A	1994
3350	2003
3655A	Unknown
2953	Unknown
2955	1996
3512	Unknown
43567-92	1992
2339	1999

2925A	Unknown
3514	Unknown
2698A	Unknown
4128	Unknown
3201WA	Unknown
56104-94A	1994
2405A	Unknown
4350A	Unknown
4319	2009
4743	1999
4047	Unknown
4748	2009
943	Unknown
3610	1984
4091	Unknown
891	2013
3275	2002
4326A	1990
2325	Unknown
2773	Unknown
2548	Unknown
4751	Unknown
68452-86	1986
4132	Unknown
4740A	1994
3658	Unknown
45405-75A	1975
4240	Unknown
2508	Unknown
3652	Unknown

3606	Unknown
2952A	2003
90770-79	1979
4721	2009
3577	1996
2711	Unknown
45996-87	1987
3594	1992
2708A	Unknown
45399-96	1996
923	Unknown
4816A	Unknown
4377	1980
3993	Unknown
4029A	1990
869	Unknown
4420	2009
2720	2012
2528	1994
45902-00	2000
3588	1990
3562	Unknown
929A	Unknown
4015	Unknown
1028	Unknown
4016	Unknown
4435W	1993
2737	1986
3534B	1999
2739	Unknown

4351	Unknown
3210A	Unknown
4820A	Unknown
2611C	Unknown
3559	Unknown
4352	Unknown
56402-83A	1983
27317-88	1988
2361	Unknown
3666A	1997
27146-89	1989
3480A	Unknown
4007	Unknown
1601	1999
4717A	Unknown
3767B	2009
11752	1993
946	Unknown
855B	2014
4758A	Unknown
879A	Unknown
1357W	Unknown
4067	2009
3787	Unknown
3501A	Unknown
4716W	2009
3206B	Unknown
16478-85A	1985
3675	Unknown
34486-90	1990
56397-74C	1974

3500A	Unknown
3765	1947
5403B	Unknown
4329	Unknown
4117	Unknown
3769	1978
5440	Unknown
3498	Unknown
4453	1986
3228A	2000
45790-80	1980
16480-92A	1992
103A1 - Generic Washers	
6019	Unknown
6026	Unknown
6314W	1964
6157	Unknown
34077-91	1991
45398-96	1996
6016	2013
6012	Unknown
56159-73	1973
27125-89	1989
36802-84B	1984
43650-82	1982
27148-89	1989
25437-86	1986
6220W	Unknown
7145W	Unknown
6366	1987

6788	Unknown
45980-96	1996
6333	Unknown
6099	2011
27127-89	1989
6109	1980
6101	2011
6508	1989
67815-59A	1959
31689-90	1990
6590HW	Unknown
6516HW	Unknown
6036	Unknown
6812	Unknown
65782-82	1982
7220	Unknown
27137-81	1981
7068	Unknown
7019	Unknown
7038	1998
6410	Unknown
6736	Unknown
6192	Unknown
7042	Unknown
6655	1979
7041	1958
6703	1970
6701	Unknown
6702	Unknown
33043-80	1980

7045	Unknown
6716	Unknown
104A1 - Custom Nuts	
7789	1989
7861	1993
54321-85	1985
105A1 - Custom Screws	
27158-89	1989
3930A	Unknown
16235-52A	1953
41191-74A	1974
2523	2004
853A	Unknown
27130-90	1990
27262-96	1996
106A1 - Custom Washers	
6003	2010
7124	Unknown
108A1 - Hose Clamps	
10067	2006
10053	2010
10048	2001
10031	2010
27018-85	1985
10014	Unknown
9955	Unknown
10080	Unknown
10117	Unknown
10074	Unknown
45044-96A	1996
108B1 - P Clamps	

10142	Unknown
10110	Unknown
109A1 - Studs	
5226B	Unknown
42449-80A	1980
16715-83	1983
16832-86C	1986
10136	Unknown
11727A	1995
110B1 - Plain Bushings	
25586-37	1937
16240-82	1982
47083-81A	1981
35030-89A	1989
34076-89	1989
8996A	1996
17429-91	1991
48302-85	1985
54556-84	1984
25598-91	1991
53156-86	1986
8998	1996
25593-74	1974
24647-87	1987
45465-87	1987
8876A	Unknown
45934-86	1986
40520-63	1963
8883	Unknown
8885	Unknown

25588-91	1991
8879	Unknown
44035-86A	1986
47082-81	1981
9151	Unknown
42443-80A	1980
110C1 - Radial Shaft Seals	
37101-84B	1984
11000101	2013
11124	1971
67104-95	1995
12067B	2002
110D1 - Rolling Element Bearings	
9187	2000
8977	Unknown
24650-87	1987
8871	Unknown
9052	Unknown
24659-87	1987
24660-87	1987
111A1 - Adhesive	
72240-94	1994
116A1 - Banjo Bolts	
41739-84A	1984
41747-82A	1982
117A1 - Coil Springs	
56396-74A	1974
54473-79	1979
27162-89	1989
119A1 - O-Rings	

11165	Unknown
26432-76A	1976
11105	Unknown
10957	2006
27577-92	1992
11140	1982
11190	Unknown
44059-83	1983
45984-87	1987
31695-90	1990
11188	Unknown
45985-96	1996
26434-91	1991
11171	Unknown
11176	Unknown
11179	1986
27157-89	1989
120A1 - Pins	
601	Unknown
604	Unknown
215	Unknown
16573-83A	1983
534	Unknown
42460-80B	1980
50003-89B	1989
511	Unknown
515	Unknown
24754-75A	1975
358	Unknown
121A1 - Grommets	
72507-94	1994

11474	Unknown
6272	2001
11412	Unknown
121B1 - Press-Fit Plugs	
67865-89	1989
740	Unknown
121C1 - Threaded Plugs	
24925-95	1995
727	Unknown
720	2013
122A1 - Retaining Rings	
11271	Unknown
10123	1992
11272	Unknown
10120	1992
41713-86	1986
9119A	1994
31328-91	1991
11019	Unknown
45021-86	1986
44021-83	1983
11002	Unknown
65325-83A	1983
45611-86	1986
11031	Unknown
27368-76	1976
10108	Unknown
11155	Unknown
31530-90	1990
11143	Unknown

11046	Unknown
11177A	1996
35020-89	1989
33653-90	1990
11067	Unknown
11185	Unknown
27124-89	1989
35021-89	1989
11250	1992
35038-89A	1989
67604-94	1994
11161	Unknown
9952	1973
123B1 - Spring Washers	
7127	Unknown
124A1 - Spacers	
43290-82	1982
35063-89	1989
75101-82	1982
34073-91	1991
33344-94	1994
43294-82	1982
5741	1999
42520-80A	1980
5756	Unknown
43293-82	1982
5774	Unknown
45377-87	1987
35022-89A	1989
7882	Unknown
125A1 - Tie Straps	

10065	1985
10039	1981
10181	1996
10006	1960
126A1 - Miscellaneous Hardware	
42479-90	1990
50972-75	1975
45981-96	1996
54481-96	1996
44126-87	1987
27136-90A	1990
42472-87	1987
12030	Unknown
62493-89	1989
11219	Unknown
11218	Unknown
54476-82	1982
44045-87A	2013
56394-74	1974
8873	1984
44061-83	1983
54474-79	1979
126B1 - Rivets Fasteners	
70291-89	1989
8535	Unknown
8699	1980
8692	Unknown
8483A	Unknown
127B1 - Generic Mounting Bracket	
45561-87	1987

45563-87	1987
28857-90	1990
51652-83B	1983
38608-82B	1982
140A1 - Battery Warning Label	
15368-01A	2001
140A2 - General Warning Label	
29112-83	1983
44197-77	1977
141A1 - Medallion	
61802-96	1996
14431-95	1995
61800-96	1996
14518-96	1996
71550-94	1994
61801-96	1996
14515-96	1996
14270-92	1992
14433-95	1995
14520-96	1996
14519-96	1996
14514-96	1996
14516-96	1996
14432-95	1995
14517-96	1996
14480-95	1995
61799-96	1996
14456-95	1995
162D1 - Engine Assembly	
16061-96	1996

16066-96	1996
16066-95	1995
16069-96	1996
16064-96	1996
16064-95	1995
16071-96	1996
16074-96	1996
16068-96	1996
16047-95	1995
16055-95	1995
16055-96	1996
16054-95	1995
16054-96	1996
16076-96	1996
16063-96	1996
16075-96	1996
16062-95	1995
16063-95	1995
16062-96	1996
16049-95	1995
16051-96	1996
16051-95	1995
16048-95	1995
16052-95	1995
163A1 - Engine Isolator	
16278-95B	1995
163B1 - Engine Isolator Mount	
16222-86	1986
164A1 - Engine Mount Bracket	
16214-86	1986

38608-96	1996
164B1 - Engine Mount Bracket sub-component	
16228-86A	1995
7783	Unknown
7531	1980
7804	Unknown
16226-94	1994
7667	Unknown
7688	2000
7686	Unknown
16228-94	1994
8098	Unknown
16212-84	1984
165A1 - Cylinder Head	
16661-89B	1996
16688-90A	1990
16698-90A	1990
16660-89B	2002
165B1 - Cylinder Head and Base Gaskets	
16664-86D	1986
16774-86D	1986
16770-84F	1984
16778-84A	1984
16779-84B	1984
167A1 - PT Assembly Miscellaneous Component	
36731-91	1991
16210-84A	1984
168A1 - Cylinder	
16447-88A	1988
179B1 - Push Rod	

18526-89A	1989
17897-89A	1989
17904-89A	1989
179C1 - Lifter Anti-Rotation Device	
18532-89	1989
180A1 - Valves	
18020-87A	1987
18101-83D	1999
18030-86B	1988
18031-86B	1988
18023-87A	1988
18021-87A	1987
18011-87A	1989
181B1 - Valve Seals	
18133-83B	1983
18012-87A	1987
17953-91	1991
18130-83D	1983
17952-91	1991
18219-83A	1983
18131-83D	1983
18001-83B	1983
181C1 - Valve Collars	
18229-83A	1984
184A1 - PT Camdrive and Valvetrain Miscellaneous Component	
17358-84B	2010
219A1 - Piston	
22216-88A	1988
22225-88A	1988
22205-88A	1988
22243-88A	1988

22220-88A	1988
16446-86B	1986
22255-86A	1986
220A1 - Piston Ring	
22266-86	1986
22262-86	1986
21921-83	1983
21923-83	1983
22263-86	1986
22242-86A	1987
22201-86A	1995
22261-86	1986
21924-83	1983
22271-86	1986
21920-83	1983
22254-86A	1986
21922-83	1983
22253-86A	1986
221A1 - Piston Pin	
22589-83B	1983
22765-88	1988
22719-85	1985
237A1 - Connecting Rod	
24275-86A	1986
23949-87	1987
237B1 - Connecting Rod sub-component	
24354-87A	1987
24341-52A	1952
24332-36	1936

239A1 - PT Lower End Miscellaneous Component

24352-52A 1952

24331-36 1936

24658-87 1987

48365-48A 1981

241A1 - Flywheel

23905-89A 1990

23948-87 1987

23960-80A 1982

244A1 - Crankcase

24466-96A 1998

24470-91E 1998

244D1 - Crankcase sub-component

24055-91 1991

24060-91 1991

24061-91 1991

24056-91 1991

24058-91 1991

8881 Unknown

24530-90 1990

254B1 - Camshaft

25996-91 1991

25655-91 1991

25888-91 1991

25876-91 1991

25860-91 1991

25988-91 1991

25848-91 1991

25944-91 1991

25664-91 1991

25646-91	1991
25960-91	1991
25880-91	1991
25948-91	1991
25904-91	1991
25656-91	1991
25936-91	1991
25956-91	1991
25852-91	1991
25808-91	1991
25650-91	1991
25824-91	1991
25932-91	1991
25804-91	1991
25912-91	1991
25972-91	1991
25832-91	1991
25666-91	1991
25654-91	1991
25992-91	1991
25976-91	1991
25820-91	1991
25651-91	1991
25864-91	1991
25660-91	1991
25665-91	1991
25812-91	1991
25968-91	1991
25868-91	1991
25884-91	1991
25640-91	1991

25940-91	1991
25908-91	1991
25828-91	1991
25642-91	1991
25856-91	1991
25964-91	1991
25952-91	1991
25924-91	1991
25896-91	1991
25920-91	1991
25653-91	1991
25916-91	1991
25643-91	1991
25644-91	1991
25892-91	1991
25652-91	1991
25641-91	1991
25816-91	1991
25662-91	1991
25840-91	1991
25900-91	1991
25844-91	1991
25872-91	1991
25645-91	1991
25836-91	1991
25980-91	1991
25928-91	1991
25661-91	1991
25663-91	1991
25984-91	1991

255C1 - Camdrive Chain Tensioner

39975-90A 1990

256A1 - Timer Cover

32506-90 1990

257B1 - Clutch Cover

34760-94 1994

257D1 - Clutch Inspection Cover

34992-94 1994

34761-94 1994

34993-90 1990

257E1 - Cover Gaskets

67121-95A 1995

17032-91 1991

65324-83B 2009

67602-94 1994

35151-74A 1974

16800-84A 1984

61109-85D 1985

17036-91A 1991

25463-94A 1994

67601-94A 1994

34955-89B 1989

41733-88 1988

29313-95 1995

29062-95B 1995

45005-85 1985

17944-89 1989

17026-91D 1991

45378-87 1987

63858-49 1949

41731-88A 1988

32591-80	1980
47519-83A	1983
17353-89C	1989
25263-90D	1990
17354-89	1989
257L1 - Primary Cover	
25430-94A	1994
25219-91C	1991
25460-94	1994
25483-96	1996
25213-96B	1998
25488-89C	1989
257M1 - Push Rod Cover	
17946-89	1989
257N1 - Rocker-Arm / Valve Cover	
17375-83A	1983
17532-86E	1986
17537-96C	1996
17501-86B	1988
17611-83	1983
17551-96	1996
17360-83A	1983
17533-90A	1990
17538-96	1996
258A1 - PT Covers Miscellaneous Component	
69037-95A	1995
25238-94	1994
265A1 - Vent / Breather Line	
27067-96A	1997
270A1 - Carburetor	

27280-92	1992
27361-76A	1976
27491-96	1996
27360-76	1976
27362-76	1976
27159-92	1992
27583-88	1988
27152-89	1989
27171-89	1989
27156-89	1989
27261-96	1996
27241-95	1995
27498-96A	1998
27369-76	1976
29059-88A	1988
69035-95	1995
27115-88	1988
62169-95C	1995
27243-95	1995
27371-76A	1976
27582-88	1988
27587-88	1988
27490-96A	1996
27183-92	1992
27487-92A	1992
27311-76	1976
27488-92B	1992
27101-88	1988
27187-93	1993
27031-95A	1995
27585-88	1988

27586-88	1988
27489-92A	1992
27185-90	1990
27278-93	1993
27281-92	1992
27575-88A	1988
27503-92	1992
27486-92B	1992
27100-88	1988
27128-89	1989
27495-96A	1998
27126-89	1989
27076-95A	1998
27315-88A	1988
27263-96	1996
27576-92	1992
271C1 - Intercooler Gasket	
65781-82	1982
272B1 - Throttle Body / Intake Manifold	
26990-91	1991
273A1 - Intake Manifold	
27004-88A	1988
273K1 - Throttle Body to Manifold Seal	
26995-86B	1986
273N1 - Throttle Cable Retention Bracket	
56508-76	1976
290A1 - Airbox Baseplate	
29009-89B	1989
29018-92	1992
29078-91	1991

29316-95C	2001
290C1 - Airbox Baseplate sub-component	
29100-96	1996
294A1 - Air Filter Element	
29331-96	1996
29325-95A	1996
294G1 - Air Cleaner	
27010-86A	1986
27009-86A	1986
295A1 - Intake Miscellaneous Component	
27579-88A	1988
27002-89	1989
28820-86	1986
27886-78A	1978
28821-86	1986
28842-89	1989
29315-95	1995
28826-86A	1986
29111-88	1988
29229-88D	1988
299C1 - Charging Rotor	
32402-83	1983
32413-92C	2008
299F1 - Stator Assembly	
29967-89C	2006
314E1 - Starter Friction Clutch	
31556-91D	2010
9077	Unknown
314F1 - Starter Motor	
31514-90	1990
31518-90	1990

31390-91A	1991
31515-90	1990
314G1 - Starter Motor sub-component	
31727-85	1985
27581-88	1988
31688-90	1990
31539-91	1991
31488-81C	2008
314H1 - Starter Solenoid	
28841-89	1989
31603-91	1991
314L1 - Starter Motor Drive	
33189-63	1963
315B1 - Exhaust Valve Actuator	
18024-87A	1987
316A1 - Ignition Coil	
32485-96	1996
31614-83A	1983
316B1 - Spark Plug Cable	
31986-86A	1986
31996-86B	1986
316C1 - Spark Plug	
32362-04	2004
327C1 - Pressure Sensor	
74421-95	1995
26554-77B	1977
327D1 - Proximity Sensor	
74402-95B	1995
336A1 - Shift Linkage Rod Assembly	
34615-94	1994

336C1 - Shift Linkage Rod End	
42437-87	1987
336F1 - Toepeg	
34611-65A	1965
339C1 - Shifter Drum	
33634-91A	2009
339D1 - Shifter Fork	
34147-89C	1989
34144-89C	1989
34142-89C	1989
339F1 - Shifter Index Lever	
34015-91	1991
34560-91	1991
339H1 - Shifter Mechanism Components (internal)	
33178-90B	1992
34481-91A	1991
33655-90	1990
34491-91	1991
33652-90	1990
33204-91	1991
33656-90A	1990
33319-90	1990
34483-90	1990
33178-90A	1990
339K1 - Shifter Pawl	
34492-91	1991
348A1 - Transmission Output Sprocket Cover	
34932-96	1996
34911-91A	1991
350A1 - Transmission Output Sprocket	
40288-95	1995

40202-91B	1991
40205-95	1995
40285-91B	1991
350F1 - Transmission Mainshaft	
35771-89A	1989
35034-94	1994
35772-89A	1989
35034-89A	2005
35773-94	1994
35773-89A	1989
35640-89	1989
35762-89A	1991
35771-94	1994
350G1 - Transmission Shim / Spacer	
16233-86	1986
9142	1994
9143	1994
9148	1994
9149	1994
9144	1994
9145	1994
9146	Unknown
9147	1994
9155	1996
356A1 - Transmission Countershaft	
35633-94	1994
35772-94	1994
35633-89A	1989
35641-89	1989
35763-89A	1991

35775-94	1994
----------	------

35775-89A	1989
-----------	------

363A1 - PT Driveline Miscellaneous Component	
--	--

34909-90	1990
----------	------

35051-89A	1989
-----------	------

35211-91B	1991
-----------	------

36804-89	1989
----------	------

365A1 - Primary Chain	
-----------------------	--

40005-57B	1957
-----------	------

365C1 - Primary Drive Assembly	
--------------------------------	--

40235-89B	2007
-----------	------

40240-89	1989
----------	------

40251-92A	1992
-----------	------

367A1 - Clutch Lever	
----------------------	--

45015-96	1996
----------	------

367H1 - Clutch Lever sub-component	
------------------------------------	--

34920-86A	1986
-----------	------

37904-90	1990
----------	------

37870-91	1991
----------	------

36715-94	1994
----------	------

36792-91	1991
----------	------

38630-88	1988
----------	------

37872-90	1990
----------	------

37905-90	1990
----------	------

37909-90	1990
----------	------

36799-91	1991
----------	------

37977-90	1990
----------	------

37908-90	1990
----------	------

370A1 - Clutch Assembly	
-------------------------	--

45036-88	1988
----------	------

370B1 - Clutch Friction Plate	
-------------------------------	--

37911-90	1990
370C1 - Clutch Hub	
36785-91	1991
370F1 - Clutch Pressure Plate	
37912-91	1991
37913-90	1990
370G1 - Clutch Shell	
36790-91	1991
372D1 - Clutch Cable	
38620-96	1996
38619-86A	1988
38621-86A	1987
372K2 - Clutch Ramp	
25453-87A	1987
25409-94B	1994
400A1 - Drive-Belt	
40022-91	1991
40038-91	1991
409A1 - Rear Wheel	
41012-96	1996
41015-86	1986
40992-96	1996
40975-86	1986
410D1 - Electronic Control Module (ECM)	
32504-80A	1982
32433-94	1994
32466-95A	1995
32465-95B	2009
32400-94A	1994
32606-82	1982

32410-94A	2009
413A1 - Brake Caliper	
44023-83C	1983
44053-92A	1995
44046-84C	1984
44050-87	1987
413B1 - Brake Bleeder Screw	
44048-83	1983
413C1 - Brake Caliper sub-component	
40929-87	1987
44054-83	1983
44147-87A	1987
44022-83	1983
45401-87	1987
41579-81	1981
48361-80	1980
413D1 - Brake Pad	
43960-86	1986
413G1 - Brake Caliper Piston Set	
44020-83A	2013
43946-86A	2013
415B1 - Brake Rotor	
44136-92	1992
41789-92	1992
416A1 - Brakes Miscellaneous Component	
45031-82A	1982
40903-87	1987
44108-95A	2011
72023-51E	2012
44101-95A	2011
416B1 - Brake Mounting Bracket	

44072-92A	1995
417A1 - Brake Master Cylinder Assembly	
45030-03C	2003
42456-87C	1987
34933-96	1996
417B1 - Brake Master Cylinder	
45013-96D	1996
45019-93	1993
45044-82	1982
45019-96D	1996
417C1 - Brake Master Cylinder Piston Set	
42382-87C	2000
44152-77	1977
45072-87	1987
45072-96C	2000
417D1 - Brake Master Cylinder sub-Component	
45004-96A	1996
45006-96C	1996
44199-79	1979
44047-83	1983
45004-85	1985
40922-87A	1987
45032-82	1982
41642-82	1982
45423-92	1992
45423-96	1996
42381-87	1987
42436-87	1987
45042-82	1982
44198-87	1987

44039-86	1986
417G1 - Front Brake Lever	
45016-96	1996
45016-93	1993
418B1 - Brake Line	
45121-88C	2010
45143-88B	1988
45074-95	1995
44438-87C	1990
45121-96A	1997
45121-96	1996
45148-96A	2008
45084-96	1996
420A1 - Wheel Rim	
43662-80B	1983
43001-06	2006
43085-81	1981
43025-73B	1973
421A1 - Wheel Spoke with Nipple	
40760-05	2005
40761-05	2005
43241-05	2005
40759-05	2005
422B1 - Wheel Sprocket	
40213-91	1991
40227-93	1993
40252-91	1991
423G1 - Valve Stem	
43157-83A	1983
43150-83	1983

423H1 - Valve Stem Cap

41123-79 1979

423K1 - Wheel Weights

95578-41 1941

95595-84A 2010

95581-47 1947

95582-47 1947

95594-84A 2010

424A1 - Wheels, Tires and Final Drive Miscellaneous Component

44062-83 1983

425A1 - Wheel sub-component

43668-82 1982

430B1 - Rear Axle Carrier / Adjuster

47554-73A 1973

41570-77 1977

430D1 - Front Axle

43895-87B 1987

430E1 - Rear Axle

41563-77A 1977

433A1 - Front Wheel

40976-86A 1986

43499-84 1984

433B1 - Front Wheel Bearing Spacer

43358-83A 1983

41594-73 1973

43557-87B 1987

43312-84B 1984

43608-82 1982

43617-95 1995

43613-92 1992

43291-82	1982
43654-86A	1986
43292-82	1982
56153-73	1973
433C1 - Front Wheel Hub	
43619-84	1984
43610-87	1987
43359-84	1984
454A1 - Front Telescopic Fork	
45929-92	1992
49378-09	2009
49381-09	2009
45928-92	1992
45944-96	1996
45901-94	1994
454B1 - Springer Fork	
45900-94	1994
455A1 - Front Telescopic Fork Slider	
46022-96	1996
46023-96	1996
45921-87	1987
45395-92	1992
45923-87	1987
45943-96	1996
455B1 - Front Telescopic Fork Spring	
45372-92	1992
45367-96	1996
45376-94	1994
455C1 - Front Telescopic Fork sub-component	
45925-94	1994

45374-87	1987
45986-96	1996
45366-96	1996
45461-87	1987
45739-87	1987
45361-90	1990
45460-90	1990
46002-87	1987
45463-87	1987
45938-92	1992
45368-96	1996
45905-87	1987
45723-96	1996
457E1 - Steering Stem Bearing Insert Cup	
48140-84A	1993
48315-60	1960
48300-60	1960
458A1 - Front Suspension and Steering Miscellaneous Component	
45668-90	1990
45726-96	1996
459A1 - Upper Triple Clamp	
67861-96	1996
470A1 - Frame	
47150-94A	1994
31599-91	1991
47209-94A	1994
472A1 - Frame sub-component	
34075-89	1989
7036	Unknown
472D1 - Chassis Structure Miscellaneous Component	

47403-75A	1977
472D2 - Chassis Structure Mounting Bracket	
62563-65	1965
59896-94	1994
59897-94	1994
474C1 - Swingarm	
47547-87B	1998
475B1 - Swingarm Pivot Shaft	
41568-81B	1989
500D1 - Sidestand Leg	
50072-92	1992
50006-89	1989
500E1 - Sidestand Leg sub-component	
62122-89A	1989
50005-85A	1985
500F1 - Sidestand Pivot Pin	
554A	2002
505A1 - Footboard	
50643-82	1982
42441-90A	1990
50647-82	1982
505B1 - Footpeg Mount Bracket	
50951-90	1990
33048-72	1972
505D1 - Passenger Footpeg	
50615-83	1983
505K1 - Footpeg Wear Peg	
50646-82	1982
506A1 - Brake Pedal	
45051-82	1982
50912-72	1972

42447-96	1996
507A1 - Rider Interface Miscellaneous Component	
56168-96	1996
56167-96	1996
520A1 - Rider Seat or Full Seat	
52577-96	1996
52102-96	1996
52004-94B	1994
52132-94	1994
52129-92C	1995
52101-92C	1992
521C1 - Seat Suspension Damper	
54715-96	1996
46024-96	1996
524A1 - Passenger Grab Handle	
51187-94A	1994
540B1 - Rear Shock	
54568-92	1992
54566-94	1994
54542-96A	1997
54552-96A	1997
54705-94	1994
540E1 - Rear Shock sub-component	
54701-82	1982
54714-96	1996
54713-96	1996
54475-79	1979
47384-94	1994
540L2 - Rear Suspension Mounting Bracket	
44063-83C	1983

44209-87C	1987
558A1 - Handlebar	
56082-83	1983
56164-96	1996
56081-82A	1983
559D1 - Lower Handlebar Clamp	
67902-96A	1996
56117-82A	1982
68030-96	1996
56116-82A	1982
559E1 - Upper Handlebar Clamp	
56074-96	1996
56115-95	1995
560A1 - Mirror	
91875-88A	1989
91892-88A	1989
91904-88A	1988
91902-88A	1989
561A1 - Throttle Cable	
56308-96	1996
56401-96	1996
56308-88	1988
56309-96	1996
56309-88	1988
56381-96	1996
56400-96	1996
56382-96	1996
561B1 - Left Hand Grip	
56206-94A	1994
56206-96	1996

561D1 - Throttle Assembly sub-component

38653-01 2001

561E1 - Throttle Grip

56220-94A 1994

571D1 - Debris Deflector

60436-91 1991

572E1 - Side Cover

66325-82 1982

573B1 - Bodywork Mounting Bracket

59594-82C 1982

589A1 - Front Fender

58998-83E 2008

595D1 - Rear Fender

59674-94B 1994

596B1 - Fender Tip

60419-91 1991

50101-91 1991

603B1 - Belt / Chain Guard

60381-91 1991

608A1 - Carbon Canister

28860-89 1989

28859-90 1990

27042-84A 1995

608B1 - Carbon Canister Hose

28875-95 1995

28865-89C 1989

27096-94 1994

609A1 - Fuel Miscellaneous Component

11473 Unknown

61618-96C 1996

5787	Unknown
27047-84B	1984
610A1 - Fuel Tank	
61023-95	1995
61450-95	1995
611B1 - Fuel Cap	
66032-91	1991
61272-92C	1992
611F1 - Fuel Tank Vapor Vent Hose	
63504-94	1994
27138-90	1990
63500-68	1968
62555-95	1995
63501-68B	1968
612B2 - Fuel Valve	
62166-81A	1981
62161-02	2002
62172-02	2002
62150-85	1985
612C1 - Fuel Line	
62347-95	1995
613B1 - Horn Cover	
69012-93A	1993
613B2 - Battery Cover	
66346-91	1991
613K1 - Airbox Cover	
29084-73	1973
614C1 - Trim	
45092-66A	1966
62540-83	1983
624A1 - Oil Pump Assembly	

26204-91A	1991
624B1 - Oil Pump Assembly sub-component	
62601-91A	1991
26488-91	1991
62631-91	1991
26493-91	1991
31532-94	1994
26495-89B	1989
26437-86B	1986
33117-91A	1991
26492-91	1991
26491-91	1991
624D1 - Oil Pump Drive Gear	
26318-88A	1988
625B1 - Oil Tank	
62475-94A	1994
627B1 - Oil Drain Plug	
60348-65B	1965
627E1 - Oil Filler Plug / Dipstick	
62634-84A	1984
627E2 - Sight Glass	
45042-96	1996
627F1 - Oil Filter	
63796-77A	1977
63805-80A	1980
627H1 - Oil Line	
63564-94	1994
63542-94A	1995
26571-89	1989
9969	Unknown

62361-94	1994
627K1 - Oil Line Fitting	
26496-75A	1975
60618-91	1991
62375-57A	1957
62494-94B	1996
63533-41A	1941
627M1 - Oil Pressure Regulator Valve	
26856-89A	1989
628A1 - PT Lubrication and Cooling Miscellaneous Component	
61131-92	1992
648K1 - Exhaust Miscellaneous Component	
65569-86A	1998
65568-86A	1998
649A1 - Muffler	
65613-86B	1986
65605-87B	1987
65766-89E	1989
649C1 - Muffler Tailpipe / Outlet	
65769-89E	1989
654A1 - Exhaust Shield	
65419-86	1986
65719-95	1995
65813-95	1995
65712-95	1995
655C1 - Exhaust Mounting Bracket	
65599-80D	1985
658A1 - Exhaust Catalyst	
65861-91A	1991
65860-91A	1991

659A1 - Exhaust Clamp	
65296-95A	1995
659B1 - Exhaust Flange	
65328-83A	2010
660A1 - Battery	
65991-82B	1982
660B1 - Battery Pad	
62569-94	1994
660C1 - Battery Pan	
66194-94A	1994
660D1 - Battery Strap	
66476-73A	1973
660G1 - Positive Battery Cable	
70079-94	1994
660H1 - Positive Battery Cable Boot	
31555-90	1990
660K1 - Battery Vent Hose	
65995-88A	1988
670A1 - Tachometer	
67152-95B	1998
677A1 - Headlight	
67850-96	1996
68705-93A	1993
67757-92	1992
67603-94A	1994
67894-93A	1993
67763-92A	1993
67919-96	1996
68061-94B	1994
67834-83	1983

67725-63	1963
67901-96A	1996
67781-92A	1993
67705-92	1992
67882-96A	1996
67698-81D	2001
67685-92	1992
67881-96B	1996
67771-08	2008
677B1 - Headlight sub-component	
67744-75	1975
67880-94	1994
67719-63	1963
677C1 - Headlight Support Bracket	
67805-92	1992
678A1 - Taillight	
68049-93B	1993
68033-90	1990
68792-96	1996
68123-73	1973
68048-93B	1995
68026-73	1973
68032-90	1990
68457-86	1986
68027-90	1990
68036-91	1991
678D1 - Turnsignal	
67822-88	1988
68570-94B	1994
68709-94	1994

67828-88A	1988
68555-87	1987
67827-88A	1988
68763-94	1994
68480-93A	1993
67829-88	1988
68760-94	1994
71591-92	1992
68710-94	1994
68516-95	1995
678E1 - Turnsignal Lens	
68566-90	1990
68507-90	1990
679B1 - Reflector	
59287-92	1992
59259-90	1990
59290-92	1992
59273-91	1991
59289-92	1992
59288-92	1992
59988-72A	1972
59251-90	1990
679D1 - License Plate Bracket	
60001-55	1955
59986-75	1975
59984-73	1973
680B1 - Emergency Light	
67691-92	1992
680C1 - Incandescent Bulb	
67136-85	1985

68572-64B	1964
68169-90A	1990
68168-89A	1989
68024-94	1994
68163-84	1984
53439-79	1979
68329-03	2003
52441-95	1995
53438-92	1992
690C1 - Horn	
69000014	2011
69043-91D	1991
69060-90H	2014
690D1 - Horn Bracket	
69135-96A	1997
692C1 - Electrical Miscellaneous Component	
68382-96	1996
68715-96	1996
68423-96	1996
46991-96	1996
71552-94	1994
72176-94	1994
33900-59C	1959
68513-95	1995
692C2 - Electrical Mounting Bracket	
66367-73	1973
69123-92A	1992
67084-96	1996
67085-95	1995
67053-95	1995

69120-91	1991
66103-74A	1974
31723-95	1995
67103-95	1995
66352-65	1965
67320-95	1995
67338-97	1997
46988-94A	1994
67088-96	1996
69062-91A	1991
692D1 - Fuse	
74600-94	1994
74587-94	1994
74588-94	1994
692E1 - Fuse / Relay Block	
72216-94	1994
692F1 - Wire Harness	
32440-94	1994
72152-94	1994
26559-95	1995
70135-95A	1995
70153-96	1996
692G1 - Conduit / Sheathing / Sleeving	
70558-71	1971
70556-71	1971
70555-69	1969
72249-94	1994
72266-94	1994
70554-69	1969
70552-69	1969
70551-69	1969

70553-69	1969
692G2 - Wire Guide	
29950-91	1991
27580-88	1988
692H1 - Connector	
70586-93	1993
72119-94BK	1994
72109-94BK	1994
72114-94BK	1994
27249-96	1996
72159-94	1994
72178-94	1994
72116-94BK	1994
72129-94GY	1994
72144-94	1994
72138-94GY	1994
72108-94BK	1994
24922-93	1993
72179-94	1994
27250-96B	1996
72118-94BK	1994
9848	Unknown
9847	Unknown
72113-94BK	1994
67184-94	1994
72102-94BK	1994
72156-94	1994
72139-94GY	1994
68650-92	1992
72172-94	1994

72128-94GY	1994
70583-93	1993
72148-94	1994
72199-94	1994
72198-94	1994
72153-94	1994
692H2 - Terminal	
9869	1999
9898	Unknown
9905	Unknown
72218-94	1994
66000-80	1980
72291-94	1994
9843	Unknown
9842	Unknown
9937	Unknown
72241-94A	1994
72241-94	1994
72220-94	1994
72217-94	1994
692K1 - Connector / Terminal Seal	
72142-94	1994
72173-94	1994
72112-94BK	1994
72154-94	1994
72104-94BK	1994
67191-94	1994
72149-94	1994
692L1 - Wire Harness sub-component	
73162-96BK	1996

70345-84	1984
72195-94	1994
70504-81	1981
73190-96	1996
73156-96BK	1996
73106-96BK	1996
73112-96BK	1996
72143-94	1994
70048-92	1992
72106-94BK	1994
72103-94BK	1994
72163-94BK	1994
73191-96	1996
72146-94	1994
72190-94	1994
56073-83	1983
73104-96BK	1996
72056-92	1992
72295-94	1994
70578-89	1989
72191-94	1994
72046-79	1979
72158-94	1994
73154-96BK	1996
709B1 - Instrument Cluster or Speedometer	
67383-98B	2000
67283-95C	2000
67292-96D	2000
67303-95C	1995
67292-95D	1995

67037-96D	2001
67037-95D	2001
67041-95D	1995
67303-96C	2000
67285-95C	2000
67284-95C	2000
67289-95D	2001
67286-95C	2000
67290-95D	2000
67283-96C	2001
714A1 - Ignition Switch	
71441-94	1994
714B1 - Mechanical Switch	
26558-94A	1994
31540-91	1991
714D1 - Relay	
31504-91B	2000
715A1 - Hand Control	
71684-06A	2006
71590-92A	1992
71598-92	1992
67854-98	1998
70218-87A	1987
71597-92	1992
71568-82A	1982
71557-93	1993
71564-82A	1982
70219-87	1987
71563-82A	1982
71564-96	1996
71563-96	1996

71568-96A	1996
71598-96A	2010
71682-06A	2006
71591-96A	2010
71510-95	1995
71567-96	1996
71621-08	2008
71567-82	1982
71589-92	1992
747A1 - Voltage Regulator	
74523-94A	1994
903B1 - Key or Key-set	
71451-94A	1994
936B1 - Cleaner	
43594-96	1996
41013-95	1995
43499-96	1996

Common Service Parts

AUDIO & INSTRUMENTATION

[View interactive table](#)

PART NO.	DESCRIPTION	PART AND MODEL(S)
67880-94	BOOT	SPEEDOMETER & TACHOMETER (2 OF 3): XL883 XL1200 XL883HUG XL883DLX XL883 XL1200 XL883HUG XL1200S SPEEDOMETER - 1200 CUSTOM: XL1200C

BEARINGS, SEALS & HARDWARE

PART NO.	DESCRIPTION	PART AND MODEL(S)
10014	CLAMP	CARBURETOR (1 OF 2): All Models FUEL TANK & TRIM (1 OF 2): All Models OIL TANK & FILTER: All Models
10080	CLAMP	CRANKCASE (2 OF 2): All Models OIL TANK & FILTER: All Models
11000101	OIL SEAL	SHIFTER: All Models
11105	O-RING	CRANKCASE (2 OF 2): All Models
11143	RETAINING RING	CLUTCH CONTROL: All Models FRONT BRAKE CONTROL - 1995: XL883 XL1200 XL883HUG XL883DLX FRONT BRAKE CONTROL - 1996: XL883 XL1200 XL883HUG XL1200C XL1200S
11165	QUAD SEAL	TRANSMISSION GEARS (1 OF 2): All Models
11171	O-RING	ACCESS DOOR & PRIMARY COVER: All Models
12067B	OIL SEAL	TRANSMISSION GEARS (1 OF 2): All Models
16715-83	STUD	CYLINDER, HEAD & VALVES - V²™ EVOLUTION (1 OF 2): All Models
16800-84A	GASKET	ROCKER ARMS, COVERS & PUSHRODS: All Models
17358-84B	GASKET	ROCKER ARMS, COVERS & PUSHRODS: All Models
25463-94A	GASKET	ACCESS DOOR & PRIMARY COVER: All Models
26995-86B	SEAL	CARBURETOR (1 OF 2): All Models
2720	SCREW	ALTERNATOR & REGULATOR: All Models
2952A	SCREW	SEATS: XL883 XL1200 XL883HUG XL1200C XL1200S
3275	SCREW	CARBURETOR (1 OF 2): All Models
3655A	SCREW	FRONT WHEEL - CAST: All Models FRONT WHEEL - LACED: All Models
3658	SCREW	HANDLEBAR & THROTTLE CONTROL (1 OF 2):

[XL883](#)
[XL1200](#)
[XL883HUG](#)
[XL1200S](#)

HANDLEBAR & THROTTLE CONTROL - 1200 CUSTOM:

[XL1200C](#)

HANDLEBAR SWITCHES - 1996:

[XL883](#)
[XL1200](#)
[XL883HUG](#)
[XL1200C](#)
[XL1200S](#)

4132 SCREW

CLUTCH CONTROL:

[XL883](#)
[XL1200](#)
[XL883HUG](#)
[XL1200C](#)
[XL1200S](#)

FRONT BRAKE CONTROL - 1996:

[XL883](#)
[XL1200](#)
[XL883HUG](#)
[XL1200C](#)
[XL1200S](#)

41731-88A GASKET

FRONT BRAKE CONTROL - 1995:

[XL883](#)
[XL1200](#)
[XL883HUG](#)
[XL883DLX](#)

FRONT BRAKE CONTROL - 1996:

[XL883](#)
[XL1200](#)
[XL883HUG](#)
[XL1200C](#)

FRONT BRAKE CONTROL - 1996:

[XL1200S](#)
[REAR BRAKE CONTROL: All Models](#)

41733-88 GASKET

FRONT BRAKE CONTROL - 1995:

[XL883](#)
[XL1200](#)
[XL883HUG](#)
[XL883DLX](#)

FRONT BRAKE CONTROL - 1996:

[XL883](#)
[XL1200](#)
[XL883HUG](#)
[XL1200C](#)

43567-92 SCREW

[REAR WHEEL - CAST: All Models](#)
[REAR WHEEL - LACED: All Models](#)

45378-87 OIL SEAL

FRONT FORK (1 OF 2):

[XL883](#)
[XL1200](#)
[XL883HUG](#)
[XL883DLX](#)
[XL883](#)
[XL1200](#)

[XL883HUG](#)

[XL1200C](#)

FRONT FORK - 1200 SPORT:

[XL1200S](#)

45405-75A	SCREW	FRONT FORK (1 OF 2): XL883 XL1200 XL883HUG XL883DLX XL883 XL1200 XL883HUG XL1200C
4740A	SCREW	GEARCASE & COVER: All Models OIL PUMP: All Models
47519-83A	OIL SEAL	FRONT WHEEL - CAST: All Models FRONT WHEEL - LACED: All Models REAR WHEEL - CAST: All Models REAR WHEEL - LACED: All Models
48300-60	ROLLER BEARING	STEERING HEAD BRACKET ASSEMBLY: All Models
53156-86	RUBBER BUSHING	HANDLEBAR & THROTTLE CONTROL (1 OF 2): XL883 XL1200 XL883HUG XL883DLX XL883 XL1200 XL883HUG XL1200S HANDLEBAR & THROTTLE CONTROL - 1200 CUSTOM: XL1200C
63858-49	GASKET	ROCKER ARMS, COVERS & PUSHRODS: All Models
6516HW	WASHER	BELTS & SPROCKETS: All Models REAR WHEEL - CAST: All Models REAR WHEEL - LACED: All Models
65324-83B	GASKET	EXHAUST SYSTEM: All Models
65325-83A	RETAINING RING	EXHAUST SYSTEM: All Models
6702	WASHER	ELECTRONIC IGNITION SYSTEM: All Models REAR BRAKE CONTROL: XL883 XL1200 XL883HUG XL1200C XL1200S HANDLEBAR & THROTTLE CONTROL (1 OF 2): XL883 XL1200 XL883HUG XL883DLX XL883

[XL1200](#)

[XL883HUG](#)

[XL1200S](#)

HANDLEBAR & THROTTLE CONTROL - 1200 CUSTOM:

[XL1200C](#)

[BATTERY: All Models](#)

HEADLAMP & MIRROR (1 OF 2):

[XL883](#)

[XL1200](#)

[XL883HUG](#)

[XL883DLX](#)

[XL883](#)

[XL1200](#)

[XL883HUG](#)

[XL1200S](#)

SPEEDOMETER - 1200 CUSTOM:

[XL1200C](#)

7041	LOCKWASHER	REAR BRAKE CONTROL: All Models HORN: XL1200 XL1200 XL1200C XL1200S
7593	NUT	EXHAUST SYSTEM: All Models
8692	RIVET	REAR FENDER & BELT GUARDS: All Models
9052	ROLLER BEARING	FRONT WHEEL - CAST: All Models FRONT WHEEL - LACED: All Models REAR WHEEL - CAST: All Models REAR WHEEL - LACED: All Models
943	SCREW	ACCESS DOOR & PRIMARY COVER: All Models
9955	CLAMP	EXHAUST SYSTEM: All Models

BRAKING & SUSPENSION

View interactive table

PART NO.	DESCRIPTION	PART AND MODEL(S)
44063-83C	PAD SET	FRONT BRAKE CALIPER (2 OF 2): XL883 XL1200 XL883HUG XL883DLX XL883 XL1200 XL883HUG XL1200C FRONT BRAKE CALIPER (2 OF 2): XL1200S

CHASSIS & COMPONENTS

View interactive table

PART NO.	DESCRIPTION	PART AND MODEL(S)
50005-85A	SPRING	FRAME, REAR FORK & JIFFY STAND: All Models

ELECTRICAL

View interactive table

PART NO.	DESCRIPTION	PART AND MODEL(S)
70345-84	RETAINER	<i>HANDLEBAR SWITCHES - 1995:</i> XL1200 XL883HUG XL883DLX <i>HANDLEBAR SWITCHES - 1996:</i> XL1200 XL883HUG XL1200C
71621-08	SWITCH KIT	<i>HANDLEBAR SWITCHES - 1996:</i> XL883 XL1200 XL883HUG XL1200C XL1200S
72023-51E	SWITCH KIT	REAR BRAKE CONTROL: All Models SWITCHES & CIRCUIT BREAKERS: All Models

ENGINE, TRANSMISSION & PRIMARY

View interactive table

PART NO.	DESCRIPTION	PART AND MODEL(S)
37909-90	RETAINING RING	CLUTCH: All Models
37911-90	FRICTION PLATE	CLUTCH: All Models

FOOT CONTROLS

View interactive table

PART NO.	DESCRIPTION	PART AND MODEL(S)
34611-65A	SHIFTER PEG	SHIFTER: All Models

INTAKE, EXHAUST & FUEL MGMT

View interactive table

PART NO.	DESCRIPTION	PART AND MODEL(S)
----------	-------------	-------------------

27002-89	SEAL RING	CARBURETOR (1 OF 2): All Models
27361-76A	DIAPHRAGM	CARBURETOR (2 OF 2): All Models
29229-88D	CABLE	AIR CLEANER & ENRICHENER: All Models
65296-95A	CLAMP	EXHAUST SYSTEM: All Models

LIGHTING

[View interactive table](#)

PART NO.	DESCRIPTION	PART AND MODEL(S)
68168-89A	BULB	TURN SIGNALS (1 OF 2): All Models TAIL LAMP: All Models
68329-03	BULB	HEADLAMP & MIRROR (1 OF 2): All Models
68572-64B	BULB	TURN SIGNALS (1 OF 2): All Models

MAINTENANCE & TOOLS

[View interactive table](#)

PART NO.	DESCRIPTION	PART AND MODEL(S)
32362-04	SPARK PLUG	ELECTRONIC IGNITION SYSTEM: All Models
63796-77A	OIL FILTER	OIL TANK & FILTER: All Models
63805-80A	OIL FILTER	OIL TANK & FILTER: All Models
65991-82B	BATTERY	BATTERY: All Models
95582-47	WHEEL WEIGHT	FRONT WHEEL - LACED: All Models REAR WHEEL - LACED: All Models
95594-84A	WHEEL WEIGHT	FRONT WHEEL - CAST: XL1200 XL1200 REAR WHEEL - CAST: XL1200 XL1200
95595-84A	WHEEL WEIGHT	FRONT WHEEL - CAST: XL883 XL883HUG XL883DLX XL883 XL883HUG REAR WHEEL - CAST: XL883 XL883HUG XL883DLX XL883 XL883HUG

TIRES

View interactive table

PART NO.	DESCRIPTION	PART AND MODEL(S)
43157-83A	VALVE STEM	REAR WHEEL - CAST: All Models