

1993-1994 XLH Sportster Models Parts Catalog

Alphabetical List

Parts

Hardware List

New Parts List

Numerical Index

Component Types and Introduction Dates

Common Service Parts

READER'S COMMENTS

The Harley-Davidson Service Communications Department maintains a continuous effort to improve the quality and usefulness of its publications. To do this effectively, we need user feedback - your critical evaluation of this manual.

Please comment on the completeness, accuracy, organization, usability, and readability of this manual.

Please list the page, item, and part number(s) of any errors you find in this manual.

Please tell us how we can improve this manual.

Name	Document 99451-94A
Occupation	Dealership

GENERAL INFORMATION

THIS IS NOT AN ASSEMBLY MANUAL AND SHOULD NOT BE USED AS SUCH.

About this manual

This Parts Catalog has been prepared to make it easier for you to order parts for your motorcycles. The numbers shown in the illustrations correspond to the numbers in the "INDEX NO." column in the parts lists. Consult the illustrations when ordering parts to make sure that you receive all the required parts. The number in parentheses following the part description is the quantity needed for complete assembly. If there is no number in parentheses, only one is used. Prices of parts in this catalog are published separately.

When ordering parts, the following instructions should be followed carefully.

- Make sure to specify the correct part number for each item. The part numbers appear under the "PART NO." column in the parts lists.
- Orders may be placed via your computer for all parts. Review your system documentation on placing orders electronically. All non-warranty replacement crankcase orders require return of the complete left crankcase half with vehicle identification number (VIN). All non-warranty replacement frame orders require return of the steering neck with vehicle identification number (VIN). Non-compliance will result in a fine. See non-warranty frame and crankcase policy or contact Dealer Services.
- The sale or use of these parts or accessories does not grant the purchaser a license or other right under any Harley-Davidson patent.
- For all 2008 and later painted parts, refer to the Service Section of h-dnet.com which features a listing of painted part numbers, except CVO (Custom Vehicle Operations) models which are located in their own respective catalogs.
- All parts that were added for the new model year will have the entire line shaded on the parts list page. This can be used to identify any new parts that are unique to a specific model, and help distinguish new and previous model year parts.
- Parts marked "**RESTRICTED SALE PART**" are limited edition items and can only be ordered as direct replacements.
- Orientation symbols are used when the illustration is not in the standard "Right-Front" orientation. The

symbol is a motorcycle with an arrow in the front indicating the direction of view. The symbol is at the bottom left or right side of the illustration page.

- To request a missing or loose part, simply submit a Return Material Authorization (RMA) claim on h-dnet.com with code "T-part not included with vehicle" for all vehicle missing parts claims. Then place an order for the missing item on your next Parts and Accessories order. Upon filing the RMA claim, your dealership will be credited for the dealer net cost of the part. The Vehicle Identification Number must be included on the RMA claim in order for you to receive credit. This process is to be used for vehicles manufactured at all plants.

To the best knowledge of Harley-Davidson Motor Company, the material contained herein is accurate as of the date this publication was approved for printing. Harley-Davidson Motor Company reserves the right to change specifications, equipment or designs at any time without notice and without incurring obligation.

2018 TFD

GENERAL INFORMATION

LOOSE PARTS

The Loose Parts section is located at the back of this parts catalog. This section lists the parts which are shipped unfastened with the vehicles covered in this catalog.

HARDWARE LIST

The Hardware List is located at the back of this parts catalog. This section contains the information for each piece of hardware found in each parts list.

NEW PARTS LIST

The New Parts List is located at the back of this parts catalog. This list serves as a summary of new parts.

NUMERICAL INDEX

The Numerical Index is located at the back of this parts catalog. This index includes all part numbers used in this catalog and the page numbers of where they can be found.

COMPONENT TYPES AND INTRODUCTION DATES

The Component Types and Introduction Dates section is located at the back of this parts catalog. This section contains a list of component part numbers and year of introduction.

COMMON SERVICE PARTS

The Common Service Parts section is located at the back of this parts catalog. This section contains the most commonly ordered parts for service on vehicles covered in this catalog. These parts are ordered through the normal ordering process.

IF (SERVICE INFORMATION PORTAL)

For the latest updates to these manuals, see the Service Information Portal.

VEHICLE IDENTIFICATION NUMBER

See Figure 1. A unique 17-digit serial, or vehicle identification number (VIN), is assigned to each motorcycle. For a description of each digit in the vehicle identification number (VIN), refer to Table 1.

For all models except V-Rod the full 17-digit serial, or vehicle identification number (VIN), is stamped on the right side of the frame backbone at the rear of the steering head. The vehicle identification number (VIN) is also printed on a label on the right front downtube. An abbreviated vehicle identification number (VIN) is stamped on the left side crankcase between the front and rear cylinders.

For V-Rod models only the full 17-digit serial, or vehicle identification number (VIN), is stamped on the right side of the steering head. The vehicle identification number (VIN) is also printed on a label on the left frame tube above the front engine cylinder. An abbreviated vehicle identification number (VIN) is stamped on the left side crankcase below the rear cylinder head.

Always give the full 17-digit vehicle identification number (VIN) when ordering parts or making any inquiry about your motorcycle.

993 & 1994 XLH MODELS

VIN MODEL CODES

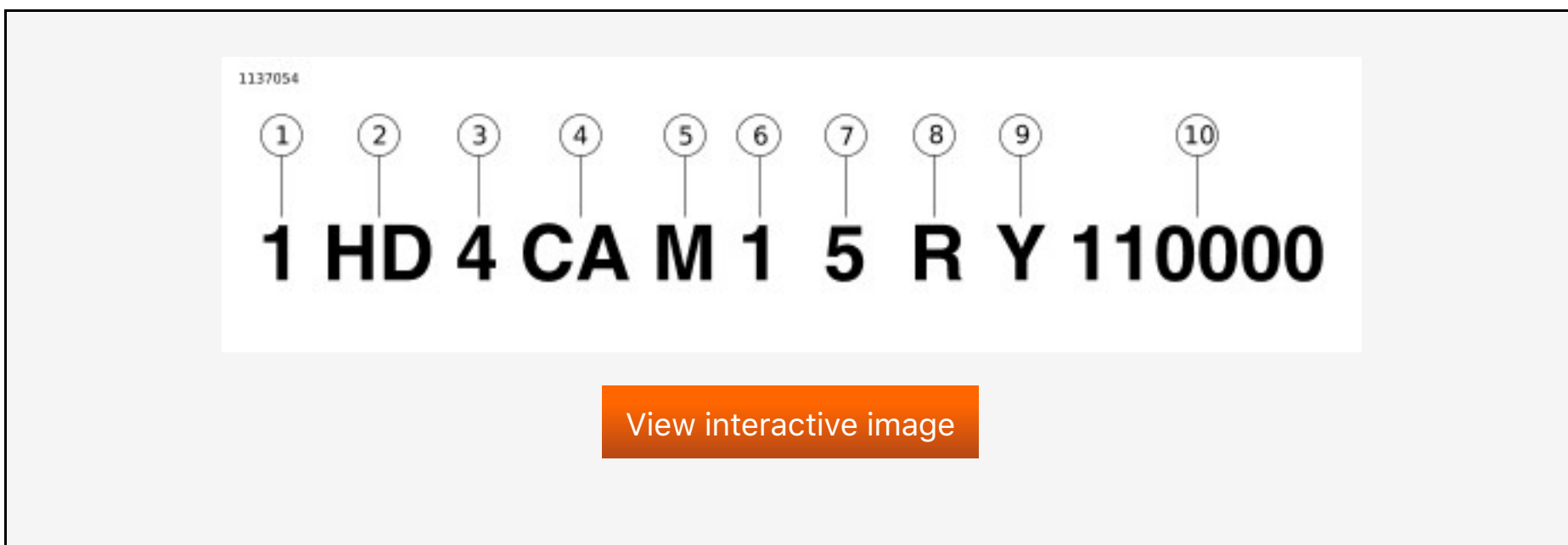


Figure 1. Typical Harley-Davidson VIN

Table 1. Harley-Davidson VIN Breakdown

POSITION	DESCRIPTION	POSSIBLE VALUES
1	Market designation	1=Domestic 5=International
2	Manufacturer	HD=Harley-Davidson
3	Motorcycle type	1=Heavyweight motorcycle (901cc and larger) 4=Middleweight motorcycle (351-900cc)
4	Model	See model table
5	Engine type	M=XLH 883cc P=XLH 1200cc
6	Introduction date	1=Regular 2=Mid-year 3=California 4=Special Edition 5=Special Edition Cal. Only

7	V.I.N. check digit	Can be 0-9 or X
8	Model year	P=1993 R=1994
9	Assembly plant	Y=York, PA
10	Sequential number	varies

Table 2. VIN Model Codes

CODE	MODEL NAME
CA	XLH 883
CA	XLH 1200
CE	XLH 883 Hugger
CF	XLH 883 Deluxe

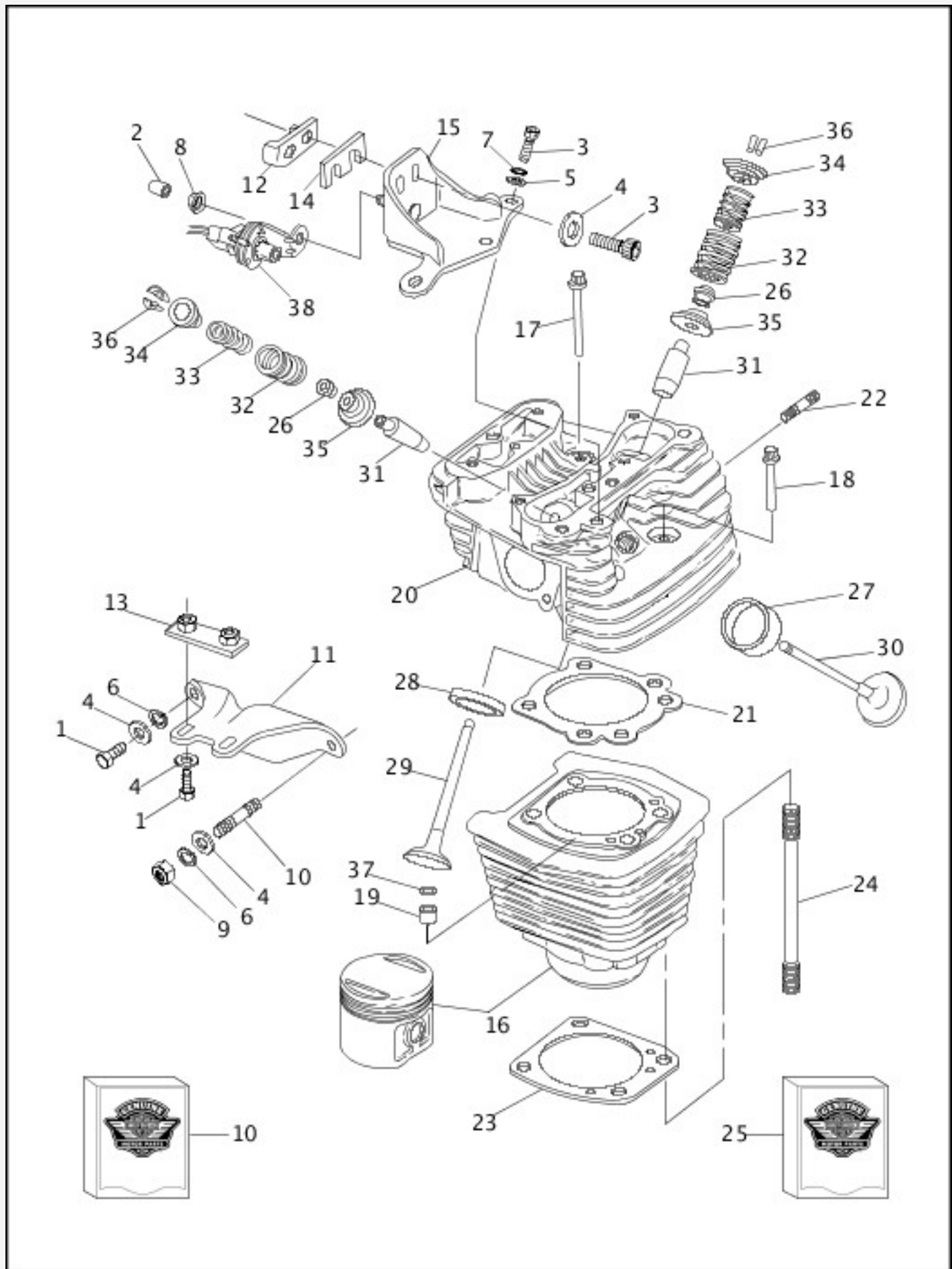
NOTES

ACCESS DOOR & PRIMARY COVER
 AIR CLEANER & ENRICHENER
 ALTERNATOR & REGULATOR
 BATTERY
 BELTS & SPROCKETS
 BRACKET, HORN
 BRACKET, LICENSE PLATE
 CABLE, CLUTCH CONTROL
 CALIFORNIA EVAPORATIVE EMISSIONS KIT
 CAM GEARS (1 OF 3)
 CAM GEARS (2 OF 3)
 CAM GEARS (3 OF 3)
 CARBURETOR (1 OF 2)
 CARBURETOR (2 OF 2)
 CHAIN, PRIMARY
 CLUTCH
 CLUTCH CONTROL
 CRANKCASE (1 OF 2)
 CRANKCASE (2 OF 2)
 CYLINDER, HEAD & VALVES - V2™ EVOLUTION (1 OF 2)
 CYLINDER, HEAD & VALVES - V2™ EVOLUTION (2 OF 2)
 ELECTRONIC IGNITION SYSTEM
 EXHAUST SYSTEM
 FILTER, OIL
 FOOTRESTS
 FRAME, REAR FORK & JIFFY STAND

FRONT BRAKE CALIPER
FRONT BRAKE CONTROL
FRONT FENDER
FRONT FORK (1 OF 2)
FRONT FORK (2 OF 2)
FRONT WHEEL - CAST
FRONT WHEEL - LACED
FUEL TANK & TRIM
GASKET KIT - ENGINE OVERHAUL
GASKET KIT - ROCKER COVERS
GASKET KIT - TOP END
GEARCASE & COVER
HAND LEVER, CLUTCH CONTROL
HANDLEBAR & THROTTLE CONTROL
HANDLEBAR SWITCHES - 1993
HANDLEBAR SWITCHES - 1994
HEADLAMP & MIRROR
HORN
MAIN WIRING HARNESS - 1994 (1 OF 2)
MAIN WIRING HARNESS - 1994 (2 OF 2)
OIL PUMP
OIL TANK & FILTER
PISTONS, CONNECTING RODS & FLYWHEELS
REAR BRAKE CALIPER
REAR BRAKE CONTROL
REAR FENDER & BELT GUARDS
REAR FENDER - 1994
REAR WHEEL - CAST
REAR WHEEL - LACED
ROCKER ARMS, COVERS & PUSHRODS - V2™ EVOLUTION
SEATS
SHIFTER
SHOCK ABSORBERS
SPEEDOMETER & TACHOMETER - 1993
SPEEDOMETER & TACHOMETER - 1994
STARTER MOTOR - 1200 MODEL
STARTER MOTOR - 883 MODELS (1 OF 2)
STARTER MOTOR - 883 MODELS (2 OF 2)
SWITCHES & CIRCUIT BREAKERS
TAIL LAMP
TIMER COVER
TRANSMISSION GEARS
TRAY, BATTERY
TURN SIGNALS - 1993
TURN SIGNALS - 1994
WIRING & MISCELLANEOUS ELECTRICAL (1 OF 2)
WIRING & MISCELLANEOUS ELECTRICAL (2 OF 2)

Parts

CYLINDER, HEAD & VALVES - V2™ EVOLUTION (1 OF 2)



[View interactive image](#)

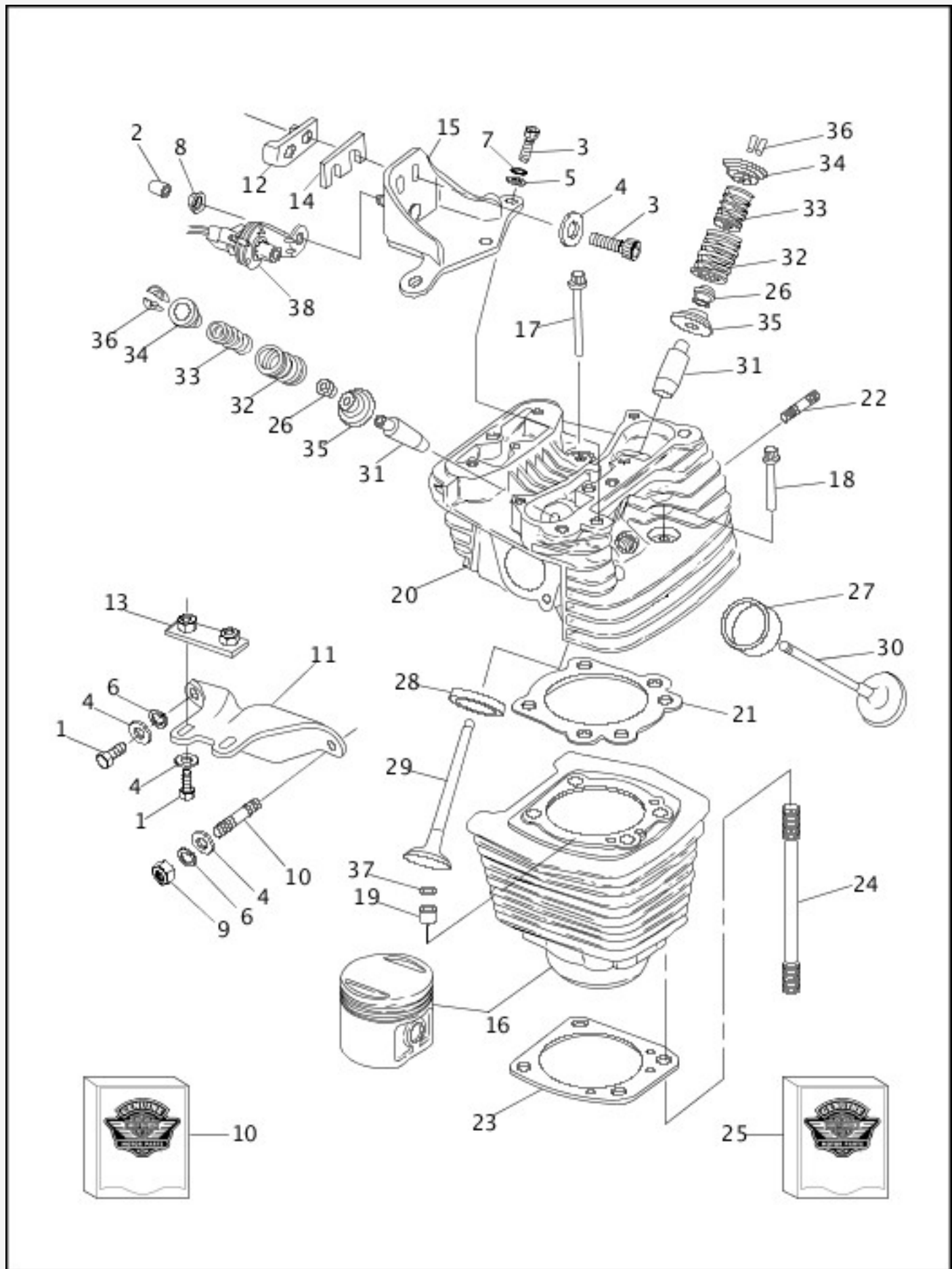
[View interactive table](#)

INDEX NO.	PART NO.	DESCRIPTION	MODEL(S)
1	4716W	SCREW (2)	XL1200 1993, XL1200 1994, XL883 1993, XL883 1994, XL883DLX 1993, XL883DLX 1994, XL883HUG 1993, XL883HUG 1994
2	89579-91	CAP, protective	ALL

3	4748	SCREW (4)	ALL
4	6701	WASHER (6)	ALL
5	6812	WASHER (2)	XL1200 1993, XL1200 1994, XL883 1993, XL883 1994, XL883DLX 1993, XL883DLX 1994, XL883HUG 1993, XL883HUG 1994
6	7038	LOCKWASHER (2)	ALL
7	7145W	LOCKWASHER (2)	XL1200 1993, XL883 1993, XL883DLX 1993, XL883HUG 1993
8	7531	LOCKNUT	ALL
9	7861	NUT	ALL
10	11727A	STUD, left front	ALL
	16047-93	ENGINE ASSEMBLY, complete (1200cc) (Swiss)	XL1200 1993
	16047-94	ENGINE ASSEMBLY, complete (1200cc) (Swiss)	XL1200 1994
	16048-93	ENGINE ASSEMBLY, complete (883cc) (Swiss)	XL883 1993
	16048-94	ENGINE ASSEMBLY, complete (883cc Swiss)	XL883 1994
	16049-93	ENGINE ASSEMBLY, complete (883cc) (Swiss)	XL883DLX 1993, XL883HUG 1993
	16049-94	ENGINE ASSEMBLY, complete (883cc) (Swiss)	XL883DLX 1994, XL883HUG 1994
	16051-93	ENGINE ASSEMBLY, complete (1200cc)	XL1200 1993, XL1200 1994
	16051-94	ENGINE ASSEMBLY, complete (1200cc)	XL1200 1993, XL1200 1994
	16052-93	ENGINE ASSEMBLY, complete (883cc)	XL883 1993
	16052-94	ENGINE ASSEMBLY, complete (883cc)	XL1200 1994, XL883 1994
	16054-93	ENGINE ASSEMBLY, complete (1200cc) (California)	XL1200 1993
	16054-94	ENGINE ASSEMBLY, complete (1200cc) (California)	XL1200 1994
	16055-93	ENGINE ASSEMBLY, complete (883cc) (California)	XL883 1993

	16055-94	ENGINE ASSEMBLY, complete (883cc) (California)	XL883 1994
	16061-93	ENGINE ASSEMBLY, complete (883cc)	XL883DLX 1993, XL883HUG 1993
	16061-94	ENGINE ASSEMBLY, complete (883cc)	XL883DLX 1994, XL883HUG 1994
	16062-93	ENGINE ASSEMBLY, complete (883cc) (California)	XL883DLX 1993, XL883HUG 1993
	16062-94	ENGINE ASSEMBLY, complete (883cc) (California)	XL883DLX 1994, XL883HUG 1994
	16063-93	ENGINE ASSEMBLY, complete (1200cc) (HDI)	XL1200 1993
	16063-94	ENGINE ASSEMBLY, complete (1200cc) (HDI)	XL1200 1994
	16064-93	ENGINE ASSEMBLY, complete (883cc) (HDI)	XL883 1993
	16064-94	ENGINE ASSEMBLY, complete (883cc) (HDI)	XL1200 1994, XL883 1994
	16066-93	ENGINE ASSEMBLY, complete (883cc) (HDI)	XL883DLX 1993, XL883HUG 1993
	16066-94	ENGINE ASSEMBLY, complete (883cc) (HDI)	XL883DLX 1994, XL883HUG 1994
11	16214-86	BRACKET, upper front	XL1200 1993, XL1200 1994
	16222-86	BRACKET, upper front	XL883 1993, XL883 1994, XL883DLX 1993, XL883DLX 1994, XL883HUG 1993, XL883HUG 1994
12	16226-94	NUT PLATE	ALL
13	16228-86A	NUT PLATE, w/ 4716W	ALL
14	16231-86	SHIM, 0.06	ALL
	16232-86	SHIM, 0.09	ALL
	16233-86	SHIM, 0.03	ALL
15	16278-86B	BRACKET, center engine mount	ALL

CYLINDER, HEAD & VALVES - V2™ EVOLUTION (2 OF 2)



[View interactive image](#)

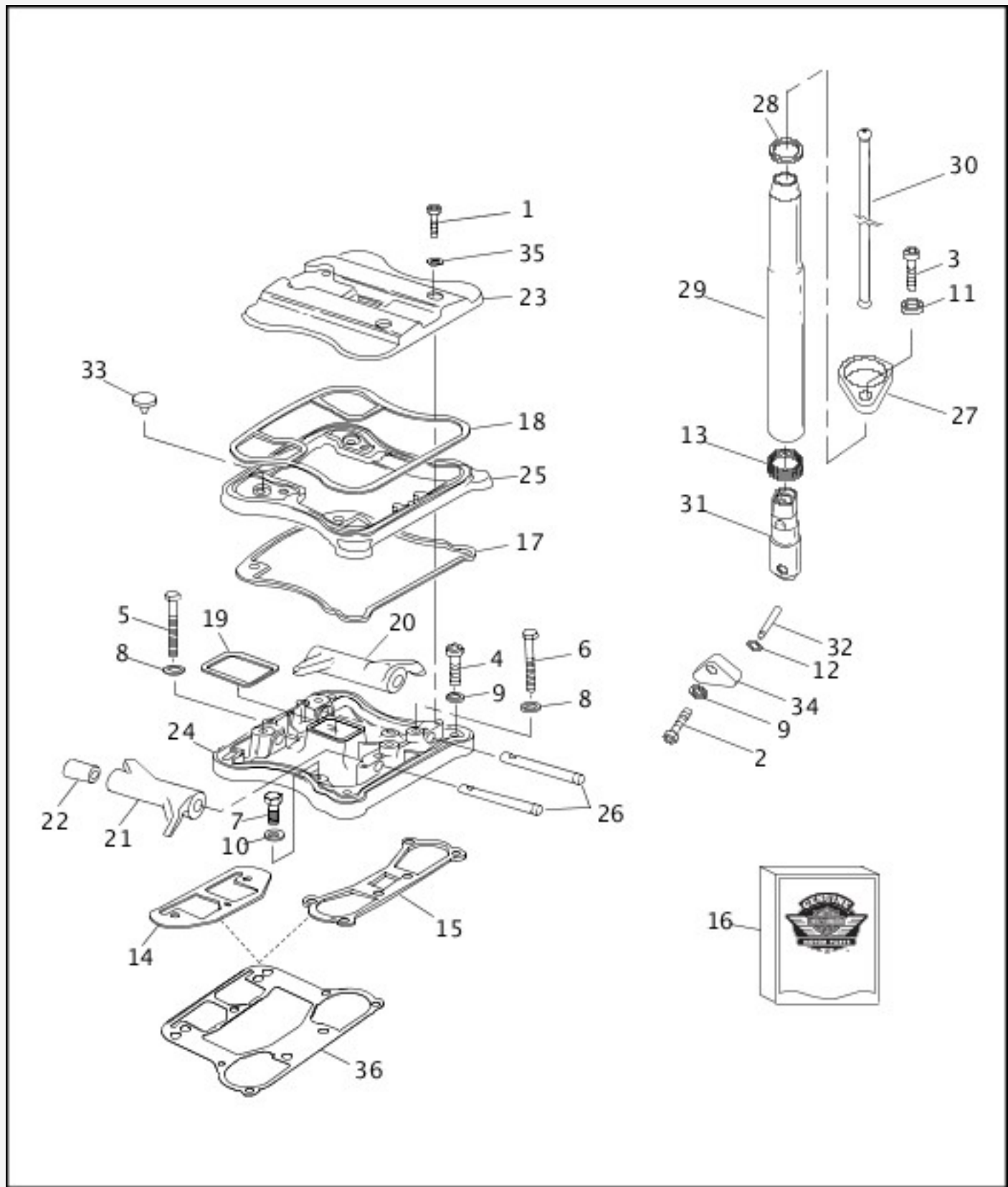
[View interactive table](#)

INDEX NO.	PART NO.	DESCRIPTION	MODEL(S)
16	16446-86B	CYLINDER, w/ piston (883 cc) (2)	XL883 1993, XL883 1994, XL883DLX 1993, XL883DLX 1994, XL883HUG 1993, XL883HUG 1994
	16447-88A	CYLINDER W/ PISTON (1200 cc) (2)	XL1200 1993, XL1200 1994

17	16478-85A	SCREW, internal thread (4)	ALL
18	16480-92A	SCREW, internal thread (4)	ALL
19	16573-83A	INSERT, cylinder stud (4)	ALL
20	16660-89B	HEAD, rear cylinder, w/ valve guides & seats	XL883 1993, XL883 1994, XL883DLX 1993, XL883DLX 1994, XL883HUG 1993, XL883HUG 1994
	16661-89B	HEAD, front cylinder, w/ valve guides & seats	XL883 1993, XL883 1994, XL883DLX 1993, XL883DLX 1994, XL883HUG 1993, XL883HUG 1994
	16688-90A	HEAD, front cylinder, w/ valve guides & seats	XL1200 1993, XL1200 1994
	16698-90A	HEAD, rear cylinder, w/ valve guides & seats	XL1200 1993, XL1200 1994
21	16664-86D	GASKET, cylinder head (2)	XL883 1993, XL883 1994, XL883DLX 1993, XL883DLX 1994, XL883HUG 1993, XL883HUG 1994
	16770-84D	GASKET, cylinder head (2)	XL1200 1993, XL1200 1994
22	16715-83	STUD, exhaust port (4)	ALL
23	16774-86D	GASKET, cylinder base (2)	ALL
24	16832-86C	STUD, cylinder base (8)	ALL
25	17026-91D	GASKET KIT, engine overhaul	ALL
	17032-91	GASKET KIT, top end	ALL
	17036-91A	GASKET KIT, rocker covers	ALL
26	18001-83B	SEAL, valve (4)	ALL
27	18011-87A	INSERT, exhaust valve seat (2)	XL1200 1993, XL1200 1994
	18012-87A	INSERT, exhaust valve seat (2)	XL883 1993, XL883 1994, XL883DLX 1993, XL883DLX 1994, XL883HUG 1993, XL883HUG 1994
28	18020-87A	INSERT, intake valve seat (2)	XL1200 1993, XL1200 1994
	18021-	INSERT, intake valve seat (2)	XL883 1993, XL883 1994, XL883DLX 1993, XL883DLX 1994,

	87A		XL883HUG 1993, XL883HUG 1994
29	18023-87A	INTAKE VALVE (2)	XL1200 1993, XL1200 1994
	18031-86B	INTAKE VALVE (2)	XL883 1993, XL883 1994, XL883DLX 1993, XL883DLX 1994, XL883HUG 1993, XL883HUG 1994
30	18024-87A	EXHAUST VALVE (2)	XL1200 1993, XL1200 1994
	18030-86B	EXHAUST VALVE (2)	XL883 1993, XL883 1994, XL883DLX 1993, XL883DLX 1994, XL883HUG 1993, XL883HUG 1994
31	18101-83D	VALVE GUIDE, intake & exhaust (4)	ALL
	18130-83D	VALVE GUIDE, intake & exhaust, 0.001 O.S. (4)	ALL
	18131-83D	VALVE GUIDE, intake & exhaust, 0.003 O.S. (4)	ALL
	18133-83B	VALVE GUIDE, intake & exhaust, 0.002 O.S. (4)	ALL
32	18201-83	VALVE SPRING, outer (4)	ALL
33	18202-83	VALVE SPRING, inner (4)	ALL
34	18219-83A	COLLAR, valve spring, upper (4)	ALL
35	18222-83A	COLLAR, valve spring, lower (4)	ALL
36	18229-83A	RETAINER, valve collar (8)	ALL
37	26432-76A	O-RING, cylinder stud insert (4)	ALL
38	26558-84	VACUUM SWITCH, carburetor	XL1200 1993, XL883 1993, XL883DLX 1993, XL883HUG 1993
	26558-94A	VACUUM SWITCH, carburetor (w/ connector assembly)	XL1200 1994, XL883 1994, XL883DLX 1994, XL883HUG 1994

ROCKER ARMS, COVERS & PUSHRODS - V2™ EVOLUTION



[View interactive image](#)

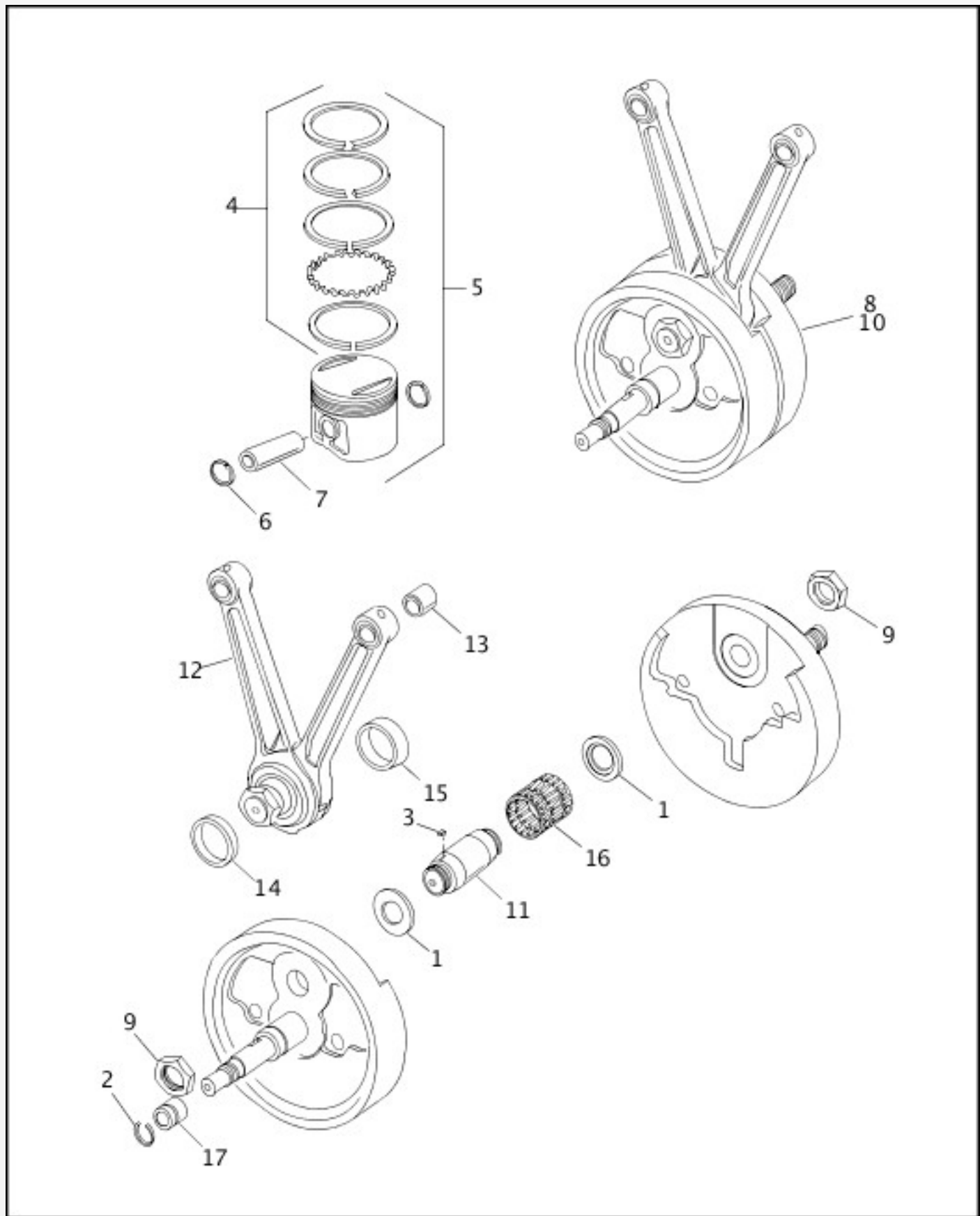
[View interactive table](#)

INDEX NO.	PART NO.	DESCRIPTION	MODEL(S)
1	882	SCREW (8)	ALL
2	94313-91TS	SCREW (2)	ALL
3	3228A	SCREW (4)	ALL
4	891	SCREW (4)	ALL
5	3500A	BOLT (4)	ALL

6	3501A	BOLT (4)	ALL
7	3849	SCREW (6)	ALL
8	6016	WASHER (8)	ALL
9	6099	WASHER (6)	ALL
10	6736	WASHER (6)	ALL
11	6771A	WASHER (4)	ALL
12	11176	O-RING (4)	ALL
13	11190	O-RING, pushrod cover, upper (4)	ALL
14	16778-84A	GASKET, cylinder head, right (use 16800-84B) (2)	ALL
15	16779-84A	GASKET, cylinder head, left (use 16800-84B) (2)	ALL
16	17036-91A	GASKET KIT, rocker covers, w/ 14, 15, 17, 18, 19, 33 & 35	ALL
17	17353-89C	GASKET, rocker cover, lower (2)	ALL
18	17354-89	GASKET, rocker cover, upper (2)	ALL
19	17358-84B	GASKET, rocker cover, inner (2)	ALL
20	17360-83A	ROCKER ARM, front intake & rear exhaust (2)	ALL
21	17375-83A	ROCKER ARM, front exhaust & rear intake (2)	ALL
22	17429-91	BEARING, rocker arm (8)	ALL
23	17501-86B	ROCKER COVER, outer (2)	ALL
24	17532-86E	ROCKER COVER, inner (2)	ALL
25	17533-90A	SPACER, rocker cover (2)	ALL
26	17611-83	SHAFT, rocker arm (4)	ALL
27	17952-91	RETAINER, pushrod, front intake & rear exhaust (2)	ALL
	17953-91	RETAINER, pushrod, front exhaust & rear intake (2)	ALL
28	17944-89	SEAL, pushrod cover (4)	ALL

29	17946-89	COVER, pushrod (4)	ALL
30	17897-89A	PUSHROD, intake (2)	ALL
	17904-89A	PUSHROD, exhaust (2)	ALL
31	18526-89A	TAPPET, w/ roller (4)	ALL
32	18532-89	PIN, anti-rotation (2)	ALL
33	26856-89A	VALVE, umbrella (2)	ALL
34	36804-89	PIN PLATE (2)	ALL
35	63858-49	GASKET (8)	ALL
36	16800-84B	GASKET, rocker cover/cylinder head, valve & pushrod sides (replaces 16778-84A & 16779-84A)	ALL

PISTONS, CONNECTING RODS & FLYWHEELS



[View interactive image](#)

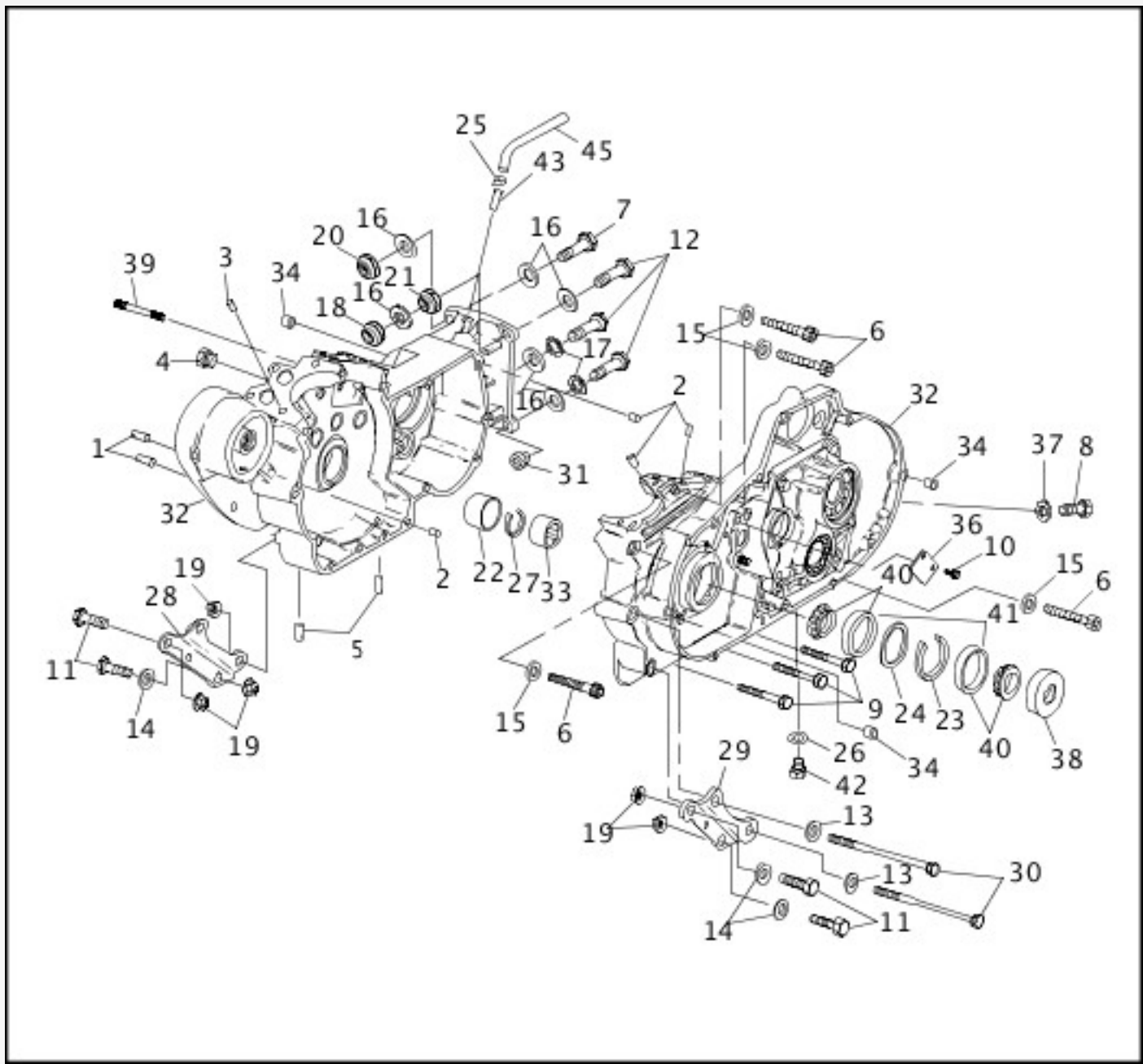
[View interactive table](#)

INDEX NO.	PART NO.	DESCRIPTION	MODEL(S)
1	6508	WASHER, crank pin boss (2)	ALL
2	11177A	RETAINING RING	ALL
3	11218	KEY, crank pin	ALL
4	21920-83	PISTON RING SET, standard (2)	XL1200 1993, XL1200 1994

	21921-83	PISTON RING SET, 0.005 O.S. (2)	XL1200 1993, XL1200 1994
	21922-83	PISTON RING SET, 0.010 O.S. (2)	XL1200 1993, XL1200 1994
	21923-83	PISTON RING SET, 0.020 O.S. (2)	XL1200 1993, XL1200 1994
	21924-83	PISTON RING SET, 0.030 O.S. (2)	XL1200 1993, XL1200 1994
	22266-86	PISTON RING SET, standard (2)	XL883 1993, XL883 1994, XL883DLX 1993, XL883DLX 1994, XL883HUG 1993, XL883HUG 1994
	22261-86	PISTON RING SET, 0.010 O.S. (2)	XL883 1993, XL883 1994, XL883DLX 1993, XL883DLX 1994, XL883HUG 1993, XL883HUG 1994
	22262-86	PISTON RING SET, 0.020 O.S. (2)	XL883 1993, XL883 1994, XL883DLX 1993, XL883DLX 1994, XL883HUG 1993, XL883HUG 1994
	22263-86	PISTON RING SET, 0.030 O.S. (2)	XL883 1993, XL883 1994, XL883DLX 1993, XL883DLX 1994, XL883HUG 1993, XL883HUG 1994
	22271-86	PISTON RING SET, 0.005 O.S. (2)	XL883 1993, XL883 1994, XL883DLX 1993, XL883DLX 1994, XL883HUG 1993, XL883HUG 1994
5	22242-86A	PISTON & RINGS ASSEMBLY, standard (2)	XL883 1993, XL883 1994, XL883DLX 1993, XL883DLX 1994, XL883HUG 1993, XL883HUG 1994
	22201-86A	PISTON & RINGS ASSEMBLY, 0.005 O.S. (2)	XL883 1993, XL883 1994, XL883DLX 1993, XL883DLX 1994, XL883HUG 1993, XL883HUG 1994
	22253-86A	PISTON & RINGS ASSEMBLY, 0.010 O.S. (2)	XL883 1993, XL883 1994, XL883DLX 1993, XL883DLX 1994, XL883HUG 1993, XL883HUG 1994
	22254-86A	PISTON & RINGS ASSEMBLY, 0.020 O.S. (2)	XL883 1993, XL883 1994, XL883DLX 1993, XL883DLX 1994, XL883HUG 1993, XL883HUG 1994
	22255-86A	PISTON & RINGS ASSEMBLY, 0.030 O.S. (2)	XL883 1993, XL883 1994, XL883DLX 1993, XL883DLX 1994, XL883HUG 1993, XL883HUG 1994
	22243-88A	PISTON & RINGS ASSEMBLY, standard (2)	XL1200 1993, XL1200 1994
	22205-88A	PISTON & RINGS ASSEMBLY, 0.005 O.S. (2)	XL1200 1993, XL1200 1994
	22216-88A	PISTON & RINGS ASSEMBLY, 0.010 O.S. (2)	XL1200 1993, XL1200 1994
	22220-88A	PISTON & RINGS ASSEMBLY, 0.020 O.S. (2)	XL1200 1993, XL1200 1994
	22225-88A	PISTON & RINGS ASSEMBLY, 0.030 O.S. (2)	XL1200 1993, XL1200 1994
6	22589-	LOCK RING, piston pin (4)	ALL

	83B		
7	22719-85	PISTON PIN (2)	XL883 1993, XL883 1994, XL883DLX 1993, XL883DLX 1994, XL883HUG 1993, XL883HUG 1994
	22765-88	PISTON PIN (2)	XL1200 1993, XL1200 1994
8	23900-90	SET OF FLYWHEELS & SHAFTS, w/ rods (use 23905-89A)	XL1200 1993, XL1200 1994
9	23980-98	NUT, crank pin (2)	ALL
10	23905-89A	SET OF FLYWHEELS & SHAFTS, w/ rods (replaces 23900-90)	ALL
11	23960-80A	CRANK PIN, standard	ALL
	23948-87	CRANK PIN, 0.001 O.S.	ALL
	23949-87	CRANK PIN, 0.002 O.S.	ALL
12	24275-86A	SET OF CONN. RODS, w/ bearings, crank pin & nuts	ALL
13	24331-36	BUSHING, piston pin, 0.002 O.S. (2)	ALL
	24332-36	BUSHING, piston pin, 0.01 O.S. (2)	ALL
14	24341-52A	BEARING RACE, rear connecting rod, lower (2)	ALL
15	24352-52A	BEARING RACE, front connecting rod, lower (2)	ALL
16	24354-87A	BEARING SET, connecting rods	ALL
17	24658-87	INNER RING	ALL

CRANKCASE (1 OF 2)



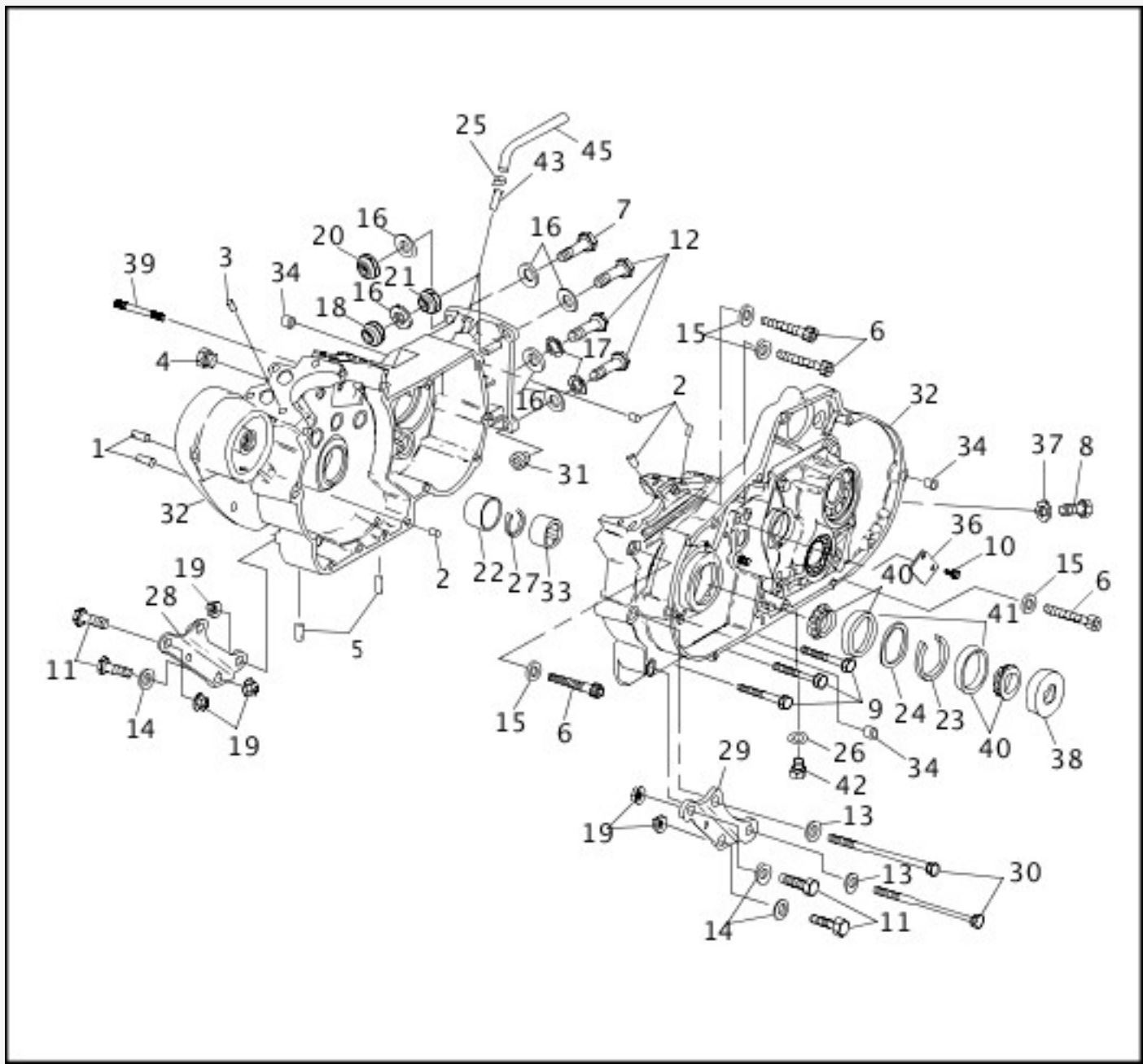
[View interactive image](#)

[View interactive table](#)

INDEX NO.	PART NO.	DESCRIPTION	MODEL(S)
1	215	DOWEL PIN (2)	ALL
2	358	DOWEL PIN (4)	ALL
3	604	ROLL PIN (4)	ALL
4	720	PLUG, timing	ALL
5	727	PLUG (2)	ALL
6	1028	SCREW (4)	ALL
7	3512	BOLT	ALL
8	3728	SCREW, overflow plug	XL1200 1993, XL883 1993, XL883DLX 1993, XL883HUG 1993
9	3787	BOLT (3)	ALL
10	4091	SCREW (2)	ALL

11	4319	BOLT (4)	ALL
12	4435W	BOLT (3)	ALL
13	6019	WASHER (2)	ALL
14	6026	WASHER (4)	ALL
15	6314W	WASHER (4)	ALL
16	6701	WASHER (6)	ALL
17	7038	LOCKWASHER (2)	ALL
18	7775	LOCKNUT	ALL
19	7780	LOCKNUT (5)	ALL
20	7789	LOCKNUT	ALL
21	7861	NUT	ALL
22	8881	BEARING RACE	ALL
23	9119A	RETAINING RING	ALL
24	9142	SHIM, roller bearing, 0.100	ALL
	9143	SHIM, roller bearing, 0.102	ALL
	9144	SHIM, roller bearing, 0.104	ALL
	9145	SHIM, roller bearing, 0.106	ALL
	9146	SHIM, roller bearing, 0.108	ALL
	9147	SHIM, roller bearing, 0.110	ALL
	9148	SHIM, roller bearing, 0.112	ALL
	9149	SHIM, roller bearing, 0.114	ALL
	9155	SHIM, roller bearing, 0.098	ALL
25	10080	CLAMP	ALL

CRANKCASE (2 OF 2)



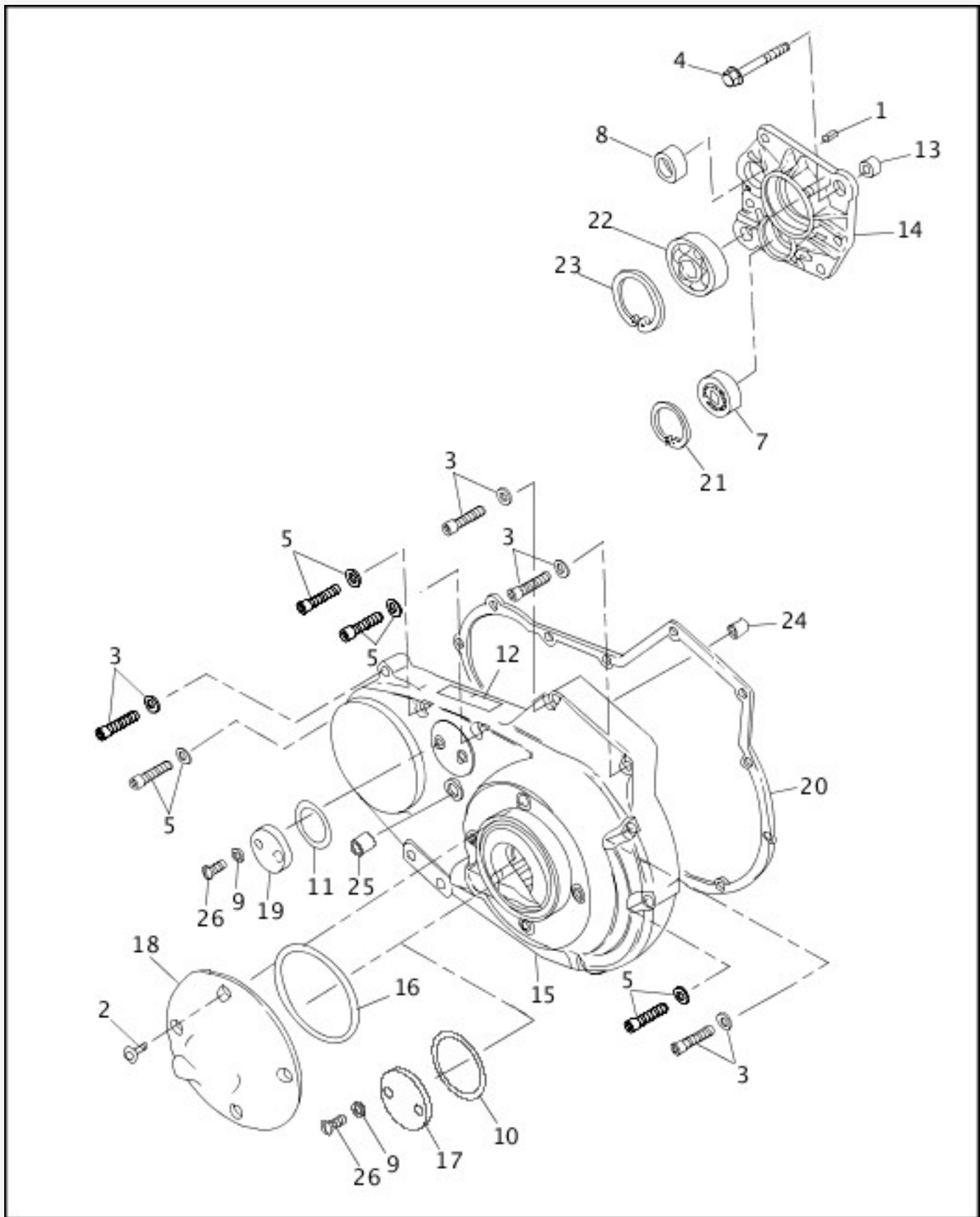
[View interactive image](#)

[View interactive table](#)

INDEX NO.	PART NO.	DESCRIPTION	MODEL(S)
26	11105	O-RING	ALL
27	11177A	RETAINING RING	ALL
28	16210-84A	MOUNTING PLATE, lower right, front	ALL
29	16212-84	MOUNTING PLATE, lower left, front	ALL
30	16235-52A	BOLT (2)	ALL
31	16240-82	BUSHING (2)	ALL
32	24470-91E	CRANKCASE SET, w/ bearings	ALL

33	24647-87	BEARING, gear shaft (blue)	ALL
	24650-87	BEARING, gear shaft (red)	ALL
	24659-87	BEARING, gear shaft (white/gray)	ALL
	24660-87	BEARING, gear shaft (green)	ALL
34	25598-91	DOWEL PIN (2)	ALL
35	25598-91	BUSHING, camshaft gear (not shown)	ALL
36	29950-91	COVER, stator wires	ALL
37	31433-84A	OIL SEAL	XL1200 1993, XL883 1993, XL883DLX 1993, XL883HUG 1993
38	35151-74A	OIL SEAL	ALL
39	42449-80A	STUD	ALL
40	48302-85	BEARING, complete (2)	ALL
41	48315-60	BEARING CUP (2)	ALL
42	60348-65B	DRAIN PLUG KIT, w/ 26	ALL
43	63547-89	BREATHER TUBE	ALL
44	24729-74	BEARING KIT ASSEMBLY, w/ 23, 24, 40 & 41 (not shown)	ALL
NOTE: Hose or insulator is sold in bulk length under the following part numbers. Cut to length.			
45	63500-68	HOSE, 3/8 I.D. x 5/8 O.D. rubber (25 ft. long)	ALL

ACCESS DOOR & PRIMARY COVER



[View interactive image](#)

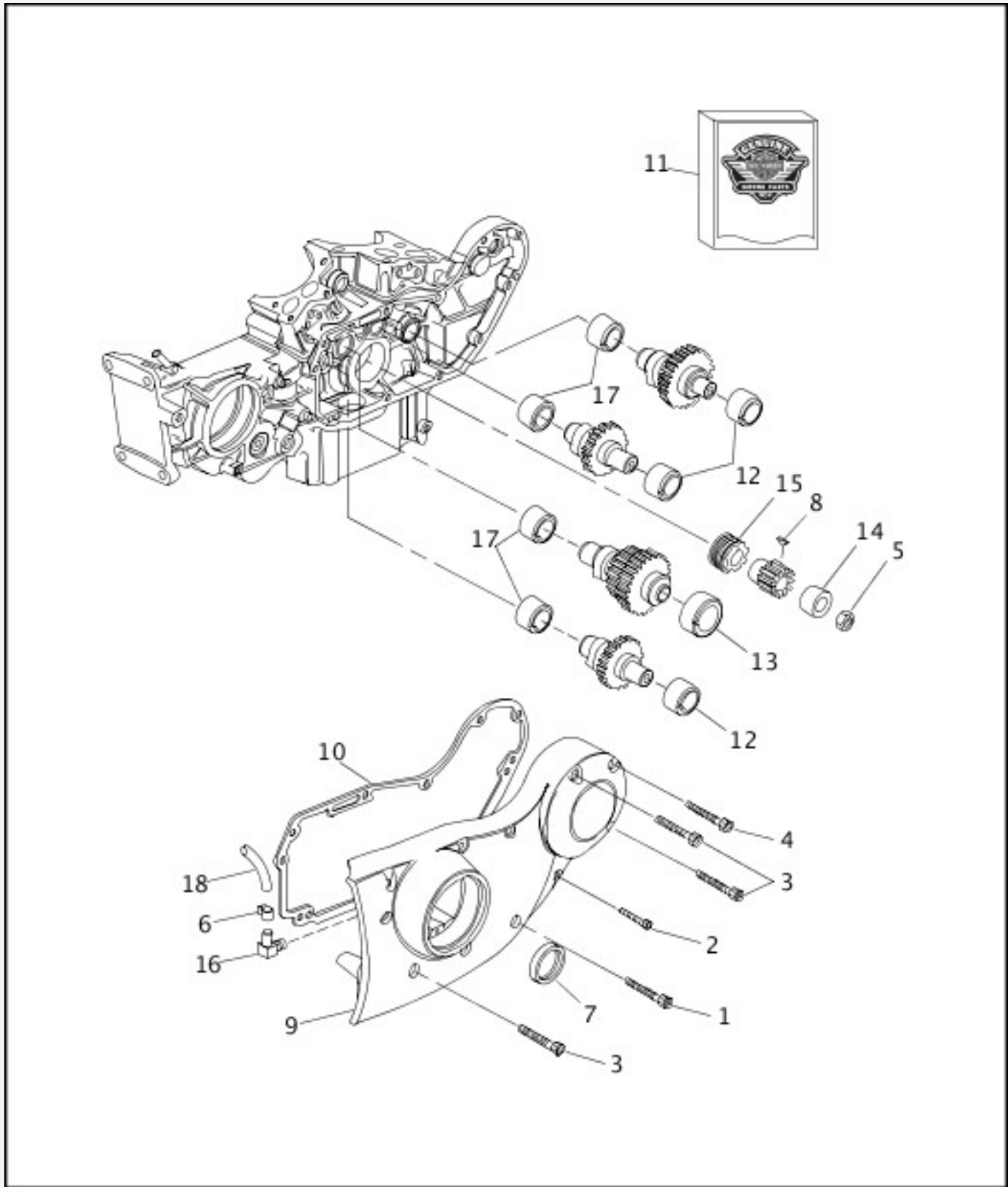
[View interactive table](#)

INDEX NO.	PART NO.	DESCRIPTION	MODEL(S)
1	600	PIN (CAM94, CAP94, CE94, CF94 - early model year)	XL1200 1993, XL1200 1994, XL883 1993, XL883 1994, XL883DLX 1993, XL883DLX 1994, XL883HUG 1993, XL883HUG 1994
2	943	SCREW, SEMS	XL1200 1994, XL883 1994, XL883DLX 1994, XL883HUG 1994
3	3480A	SCREW, SEMS (7)	ALL

4	3610	SCREW (5)	ALL
5	4717A	SCREW, SEMS (4)	ALL
6	6109	WASHER (not illustrated) (5)	ALL
7	8998	BEARING	ALL
8	9187	BUSHING	ALL
9	11171	O-RING, inspection cover screws (4)	XL1200 1993, XL883 1993, XL883DLX 1993, XL883HUG 1993
	11171	O-RING, inspection cover screws (2)	XL1200 1994, XL883 1994, XL883DLX 1994, XL883HUG 1994
10	111187	O-RING, clutch insp. cover	XL1200 1993, XL883 1993, XL883DLX 1993, XL883HUG 1993
11	11188	O-RING, chain insp. cover	ALL
12	14270-92	DECAL, shift pattern (Japan)	ALL
13	16573-83A	INSERT, access door (2)	ALL
14	25238-90	ACCESS DOOR ASSEMBLY, transmission, w/ 1,7,8, 21 & 22 (CAM94, CAP94, CE94, CF94 - early model year)	XL1200 1993, XL1200 1994, XL883 1993, XL883 1994, XL883DLX 1993, XL883DLX 1994, XL883HUG 1993, XL883HUG 1994
	25238-94	ACCESS DOOR ASSEMBLY, transmission, w/ 7,8, 21 & 22 (late model year)	XL1200 1994, XL883 1994, XL883DLX 1994, XL883HUG 1994
15	25430-89A	PRIMARY COVER (polished)	XL1200 1993, XL883 1993, XL883DLX 1993, XL883HUG 1993
	25430-94A	PRIMARY COVER (polished)	XL1200 1994, XL883 1994, XL883DLX 1994, XL883HUG 1994
16	25463-94A	GASKET, clutch cover	XL1200 1994, XL883 1994, XL883DLX 1994, XL883HUG 1994
17	34742-90	INSPECTION COVER, clutch	XL1200 1993, XL883 1993, XL883DLX 1993, XL883HUG 1993
18	34992-94	INSPECTION COVER, clutch	XL1200 1994, XL883 1994, XL883DLX 1994, XL883HUG 1994
19	34993-90	INSPECTION COVER, chain	ALL
20	34955-89B	GASKET, primary cover	ALL
21	35021-89	RETAINING RING	ALL
22	35030-89A	BEARING	ALL

23	35038-89A	RETAINING RING	ALL
24	11000101	OIL SEAL	ALL
25	40520-63	BUSHING	ALL
26	41191-74A	SCREW, inspection covers (4)	XL1200 1993, XL883 1993, XL883DLX 1993, XL883HUG 1993
	41191-74A	SCREW, inspection covers (2)	XL1200 1994, XL883 1994, XL883DLX 1994, XL883HUG 1994

GEARCASE & COVER



[View interactive image](#)

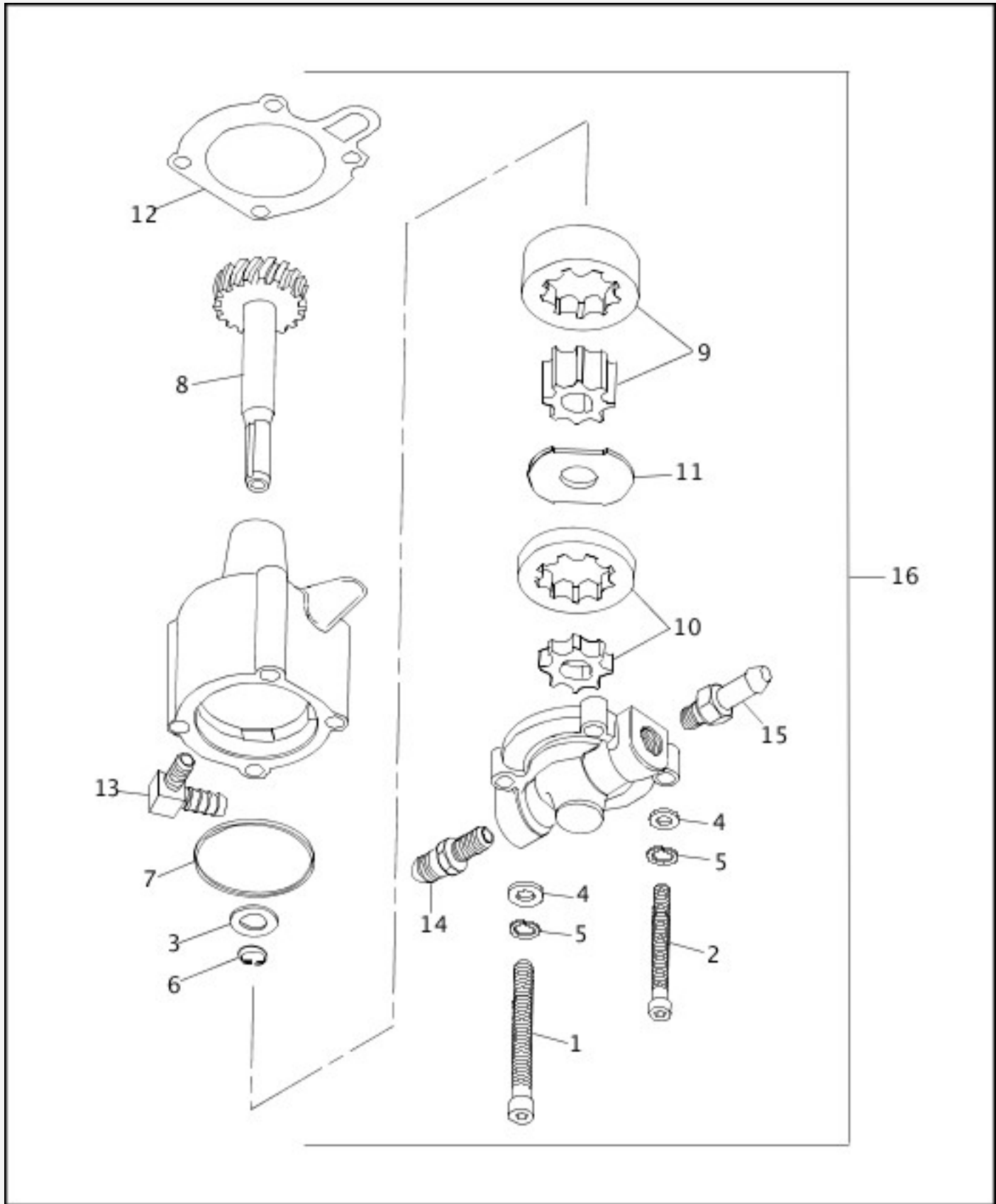
[View interactive table](#)

INDEX NO.	PART NO.	DESCRIPTION	MODEL(S)
1	3480A	SCREW, SEMS (3)	ALL
2	4740A	SCREW	ALL
3	4717A	SCREW (5)	ALL
4	4820A	SCREW (2)	ALL
5	7916A	JAMNUT	ALL

6	10117	CLAMP	ALL
7	11124	SEAL	ALL
8	11219	T-KEY	ALL
9	25219-91C	COVER ASSEMBLY, gearcase (polished) w/ 7, 16 & bushings	ALL
10	25263-90D	GASKET, gearcase cover	ALL
11	25488-89C	COVER W/ CAM GEAR SET, matched	XL1200 1993, XL883 1993, XL883DLX 1993, XL883HUG 1993
	25488-94	COVER W/ CAM GEAR SET, matched	XL1200 1994, XL883 1994, XL883DLX 1994, XL883HUG 1994
12	25586-37	BUSHING, cam gear shafts (3)	ALL
13	25588-91	BUSHING, rear intake cam gear shaft	ALL
14	25593-74	BUSHING, flywheel gear shaft	ALL
15	26318-88A	DRIVE GEAR, oil pump	ALL
16	62375-57A	FITTING, oil vent hose	ALL
17	25598-91	INNER BUSHING, cam gear shafts (4)	ALL
NOTE: Hose or insulator is sold in bulk length under the following part numbers. Cut to length.			
18	63501-68B	HOSE, 1/4 I.D. x 1/2 O.D. (rubber)	ALL

Refer to the CAM GEARS pages for complete list arranged by color code.

OIL PUMP



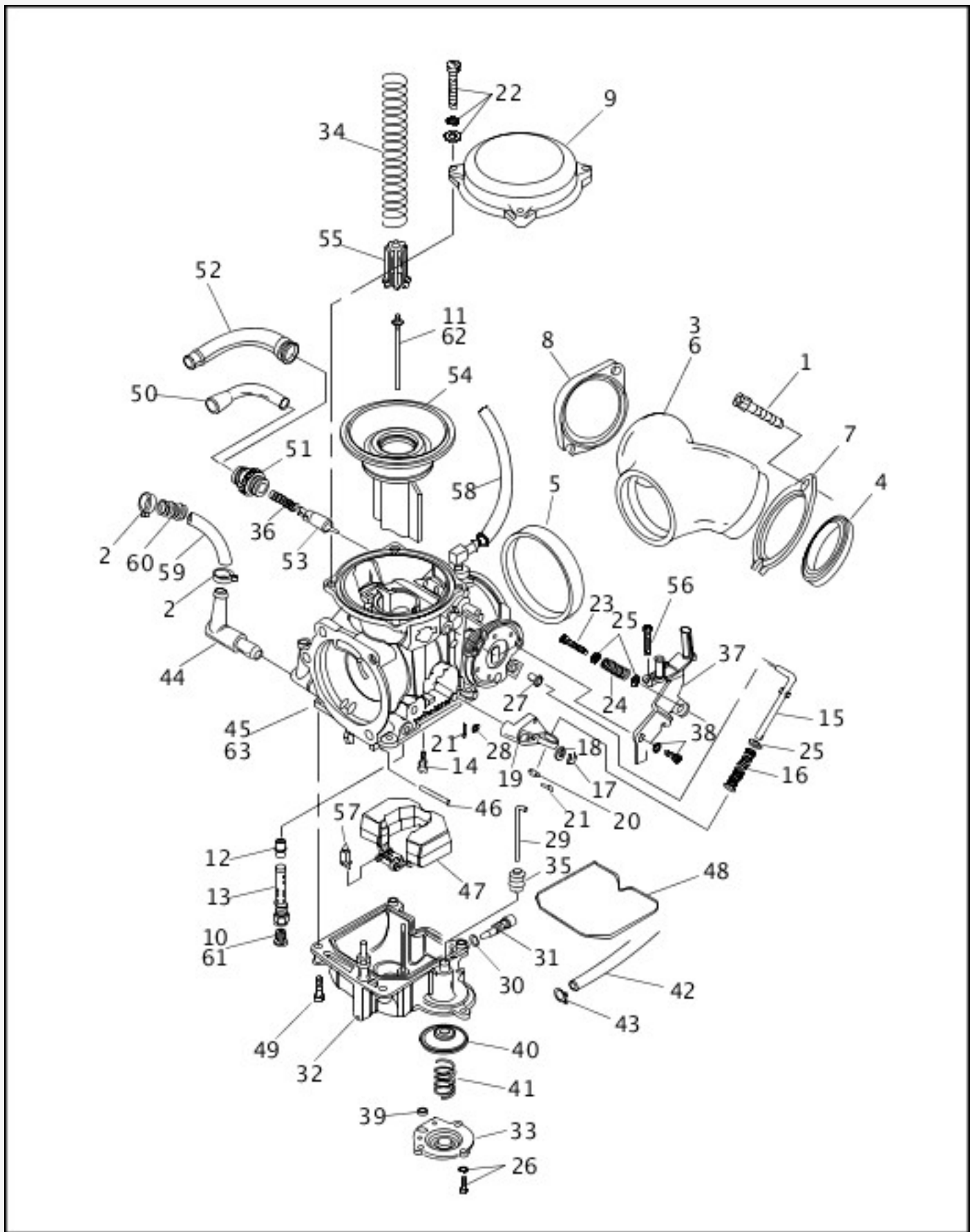
[View interactive image](#)

[View interactive table](#)

INDEX NO.	PART NO.	DESCRIPTION	MODEL(S)
1	3478A	SCREW (2)	ALL
2	3482A	SCREW (2)	ALL
3	6157	WASHER	ALL
4	6242W	WASHER (4)	ALL
5	7036	WASHER (4)	ALL

6	11002	RETAINING RING	ALL
7	26434-91	O-RING	ALL
8	26488-91	GEAR SHAFT	ALL
9	26491-91	GEROTOR SET, return (use 26204-91A)	ALL
10	26492-91	GEROTOR SET, feed	ALL
11	26493-91	SEPARATOR PLATE	ALL
12	26495-89B	GASKET, pump mounting	ALL
13	26496-75A	FITTING, 90 degree	ALL
14	62601-91A	FITTING, connector, front	ALL
15	63533-41A	FITTING, connector, rear	ALL
16	26204-91A	OIL PUMP, complete	ALL

CARBURETOR (1 OF 2)



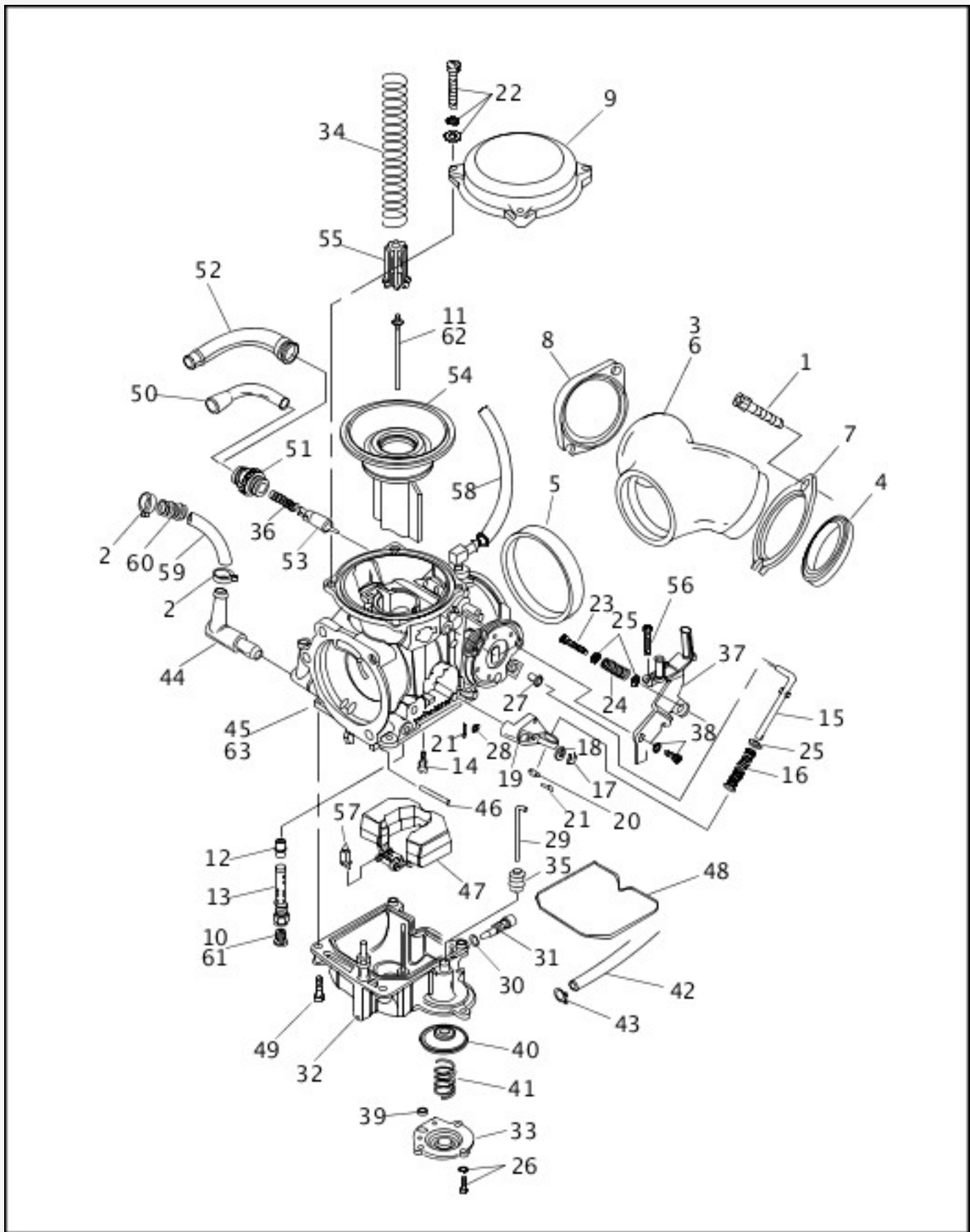
[View interactive image](#)

[View interactive table](#)

INDEX NO.	PART NO.	DESCRIPTION	MODEL(S)
1	3201WA	SCREW (4)	ALL
2	10014	CLAMP	ALL
3	26990-91	INTAKE MANIFOLD (Swiss)	ALL

4	26995-86B	SEAL, intake manifold (2)	ALL
5	27002-89	SEAL RING, carburetor	ALL
6	27004-88A	INTAKE MANIFOLD KIT, w/ 26995-86B & 27002-89	ALL
7	27009-86A	MOUNTING FLANGE, front	ALL
8	27010-86A	MOUNTING FLANGE, rear	ALL
9	27040-88	TOP, carburetor	ALL
10	27115-88	MAIN JET	XL1200 1993, XL1200 1994
	27152-89	MAIN JET	XL883 1993, XL883 1994, XL883DLX 1993, XL883DLX 1994, XL883HUG 1993, XL883HUG 1994
	27185-90	MAIN JET (California) (early model)	XL1200 1993, XL1200 1994
11	27183-92	JET, needle	XL883 1993, XL883 1994, XL883DLX 1993, XL883DLX 1994, XL883HUG 1993, XL883HUG 1994
	27278-93	JET, needle (California) (early model)	XL883 1993, XL883 1994, XL883DLX 1993, XL883DLX 1994, XL883HUG 1993, XL883HUG 1994
	27279-93	JET, needle (California) (early model)	XL1200 1993, XL1200 1994
	27280-92	JET, needle	XL1200 1993, XL1200 1994
12	27100-88	NEEDLE JET	ALL
13	27101-88	NEEDLE JET HOLDER	ALL
14	27281-92	SLOW JET	ALL
15	27122-89	ROD	ALL
16	27123-89A	SPRING	ALL
17	27124-89	E-CLIP	ALL
18	27125-89	WASHER	ALL

19	27126-89	LEVER	ALL
20	27127-89	WASHER	ALL
21	27128-89	PIN (2)	ALL
22	27129-88	SCREW, top (3)	ALL
23	27130-90	IDLE SCREW	ALL
24	27136-90A	SPRING	ALL
25	27137-81	WASHER (3)	ALL
26	27146-89	SCREW, w/ washer (3)	ALL
27	27147-89	COLLAR	ALL
28	27148-89	WASHER	ALL
29	27156-89	ROD	ALL
30	27157-89	O-RING	ALL
31	27158-89	DRAIN SCREW	ALL
32	27159-92	FLOAT CHAMBER ASSEMBLY	ALL
33	27160-89	PUMP HOUSING	ALL
34	27162-89	SPRING	ALL
35	27311-76	CAP, accelerator pump (rubber)	ALL
36	27315-88A	SPRING	ALL
37	27316-88	BRACKET	ALL



[View interactive image](#)

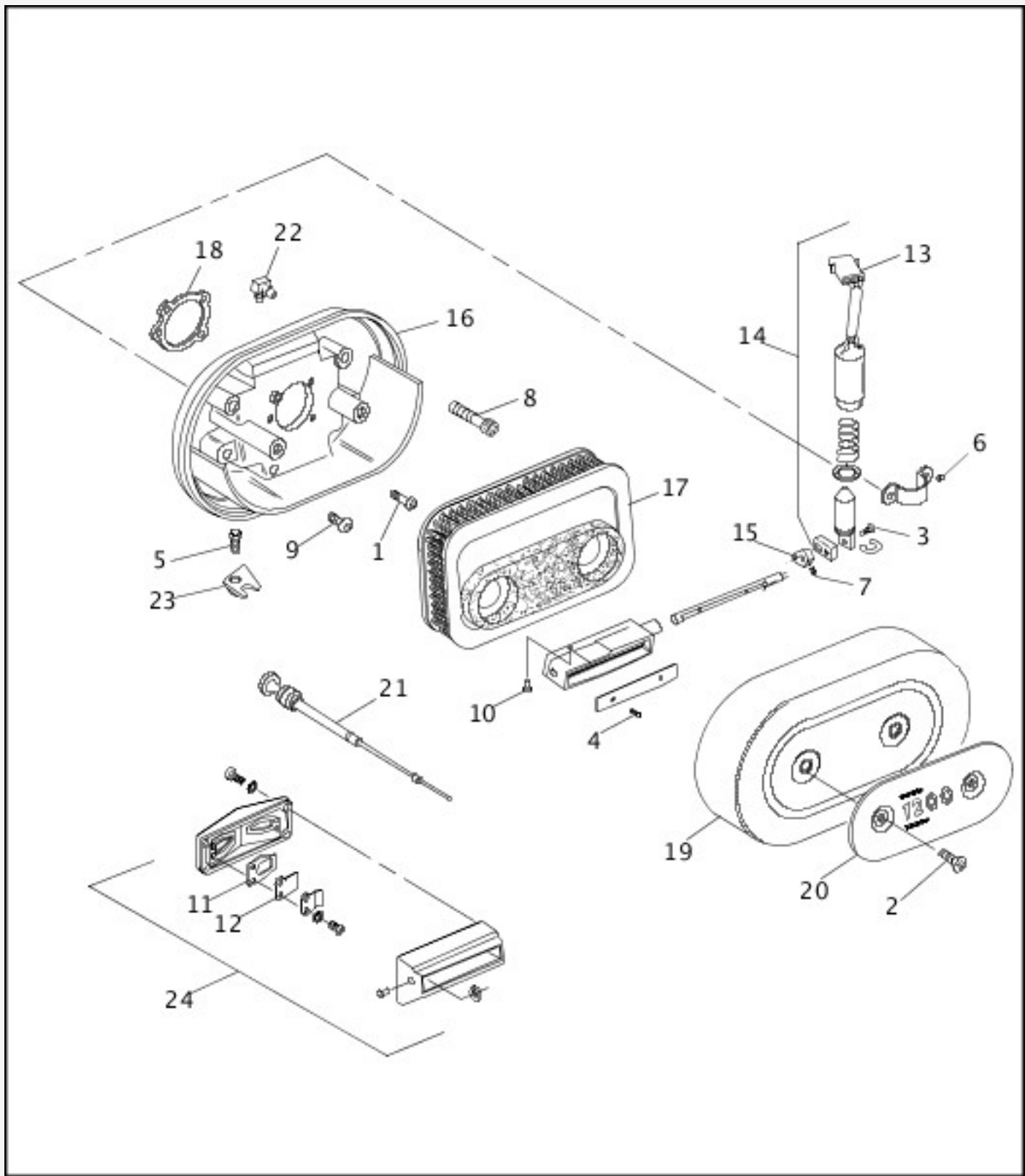
[View interactive table](#)

INDEX NO.	PART NO.	DESCRIPTION	MODEL(S)
38	27317-88	SCREW	ALL
39	27360-76	O-RING	ALL
40	27361-	DIAPHRAGM, accelerator pump	ALL

	76A		
41	27362-76	SPRING, diaphragm	ALL
42	27369-76	HOSE, overflow, w/ 27368-76	ALL
43	27368-76	CLIP, overflow hose	ALL
44	27371-76A	FITTING	ALL
45	27486-92A	CARBURETOR (California)	XL1200 1993, XL1200 1994
	27487-92	CARBURETOR	XL1200 1993, XL1200 1994
	27488-92A	CARBURETOR (California)	XL883 1993, XL883 1994, XL883DLX 1993, XL883DLX 1994, XL883HUG 1993, XL883HUG 1994
	27489-92	CARBURETOR	XL883 1993, XL883 1994, XL883DLX 1993, XL883DLX 1994, XL883HUG 1993, XL883HUG 1994
46	27575-88A	PIN	ALL
47	27576-92	FLOAT	ALL
48	27577-92	O-RING	ALL
49	27579-88A	SCREW (4)	ALL
50	27580-88	CABLE GUIDE	ALL
51	27581-88	STARTER CAP	ALL
52	27582-88	CABLE SEALING CAP	ALL
53	27583-88	STARTER VALVE	ALL
54	27585-88	VACUUM PISTON	ALL
55	27586-88	SPRING SEAT	ALL
56	27587-88	SCREW	ALL

57	27886-78A	VALVE, w/ clip	ALL
NOTE: Hose or insulator is sold in bulk length under the following part numbers. Cut to length.			
58	26570-84	HOSE, 3/16 I.D. x 3/8 O.D. (rubber) (10 ft. long)	ALL
59	63501-68B	HOSE, 1/4 I.D. x 1/2 O.D. (rubber) (25 ft. long)	ALL
60	62555-95	INSULATOR, 1/2 I.D. nylon (8 ft. long)	ALL
INTERNATIONAL MODELS ONLY			
61	27152-89	MAIN JET	ALL
62	27187-93	JET, needle (HDI & Swiss)	XL883 1993, XL883 1994, XL883DLX 1993, XL883DLX 1994, XL883HUG 1993, XL883HUG 1994
63	27503-92A	CARBURETOR (HDI & Swiss)	ALL

AIR CLEANER & ENRICHENER



[View interactive image](#)

[View interactive table](#)

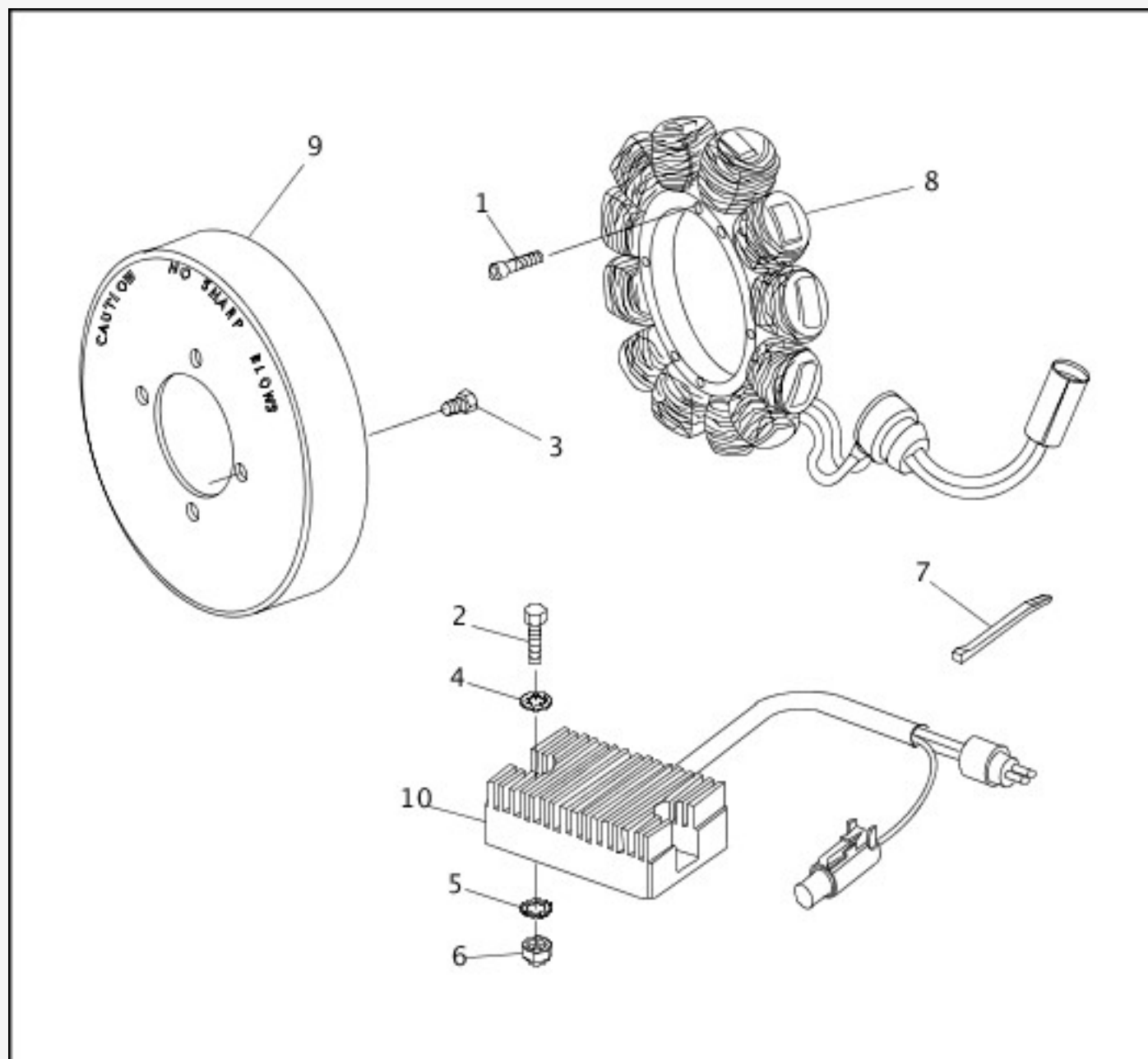
INDEX NO.	PART NO.	DESCRIPTION	MODEL(S)
1	869	SCREW (3)	ALL
2	2405A	SCREW (2)	ALL
3	2711	SCREW (California)	ALL
4	2737	SCREW (California) (2)	ALL
5	2916	SCREW	ALL
6	3206B	SCREW (California)	ALL

7	3221	SCREW (California)	ALL
8	3534B	SCREW, breather (2)	ALL
9	3652	SCREW (California) (2)	ALL
10	8535	RIVET (California) (2)	ALL
11	28820-86	REED BOTTOM (HDI) (2)	ALL
12	28821-86	REED TOP (HDI) (2)	ALL
13	70291-89	HOUSING, 4 pin (California)	ALL
14	28841-89	SOLENOID (California)	ALL
15	28842-89	LINK (California)	ALL
16	29009-89B	BACKPLATE, air cleaner	ALL
	29018-92	BACKPLATE ASSEMBLY (California)	ALL
17	29331-96	FILTER ELEMENT	ALL
18	29059-88A	GASKET	ALL
19	29084-73	COVER, air cleaner	ALL
20	29111-88	TRIM, air cleaner	XL1200 1993, XL1200 1994
21	29229-88D	CABLE, enrichment	ALL
22	61107-92	FITTING (California)	ALL
23	69027-92	BRACKET, enrichment cable	XL1200 1993, XL1200 1994
	71516-92	BRACKET, enrichment cable	XL883 1993, XL883 1994, XL883DLX 1993, XL883DLX 1994, XL883HUG 1993, XL883HUG 1994

INTERNATIONAL MODELS ONLY

24	28826-86A	REED SUPPORT ASSEMBLY (HDI) w/ 28820-86 & 28821-86	ALL

ALTERNATOR & REGULATOR



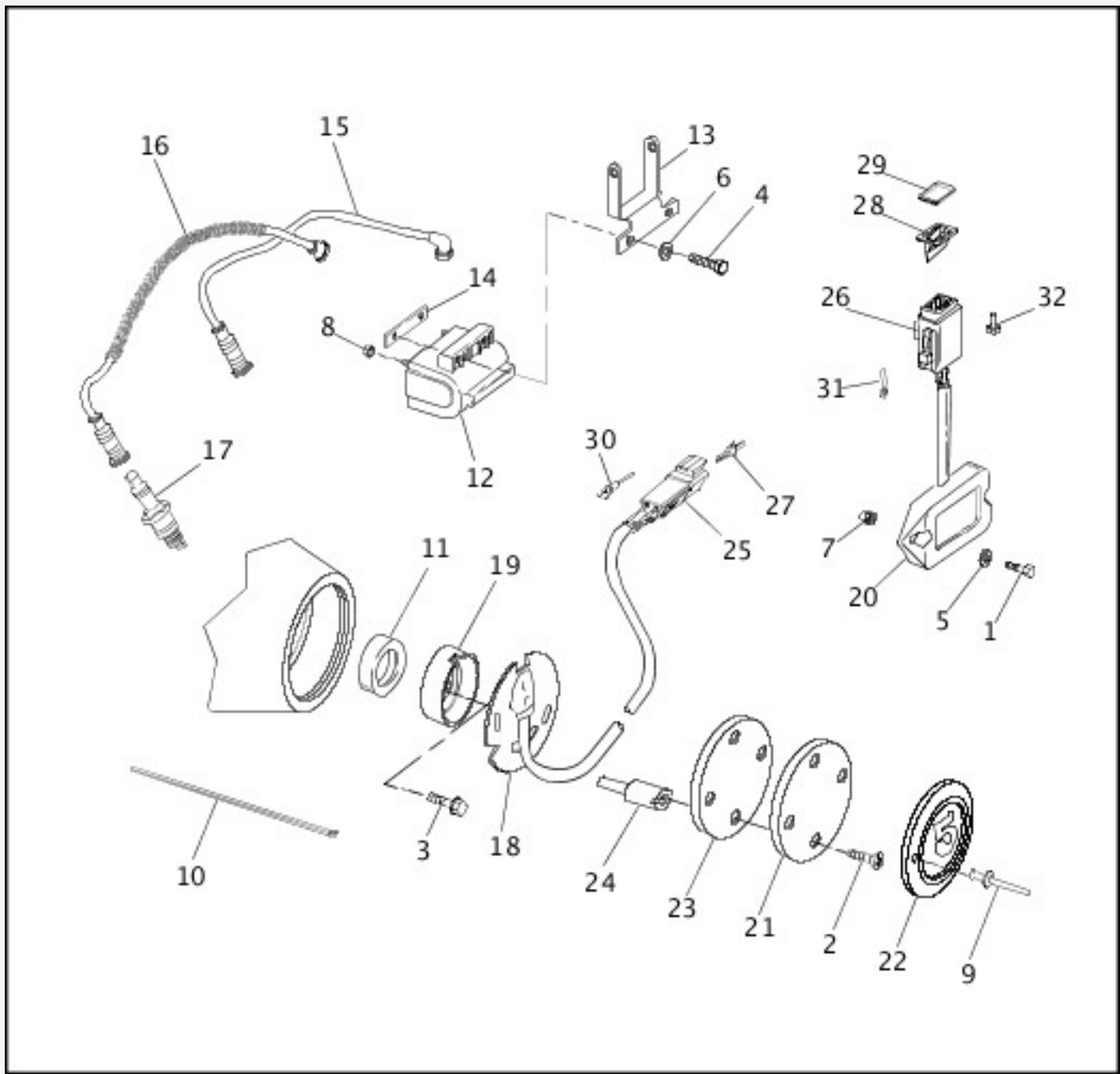
[View interactive image](#)

[View interactive table](#)

INDEX NO.	PART NO.	DESCRIPTION	MODEL(S)
1	2720	SCREW (4)	ALL
2	3787	BOLT (early model year) (2)	XL1200 1993, XL883 1993, XL883DLX 1993, XL883HUG 1993
	4329	SCREW (late model year) (2)	XL1200 1994, XL883 1994, XL883DLX 1994, XL883HUG 1994
3	4751	SCREW (4)	ALL
4	7124	LOCKWASHER (late model year)	ALL

		(2)	
5	7229W	LOCKWASHER (late model year) (2)	ALL
6	7688	NUT (late model year) (2)	ALL
7	10065	STRAP, cable	ALL
8	29967-89C	STATOR	ALL
9	32413-92C	ROTOR, w/ 4751	ALL
10	74523-92A	REGULATOR	XL1200 1993, XL883 1993, XL883DLX 1993, XL883HUG 1993
	74523-94A	REGULATOR	XL1200 1994, XL883 1994, XL883DLX 1994, XL883HUG 1994

ELECTRONIC IGNITION SYSTEM



[View interactive image](#)

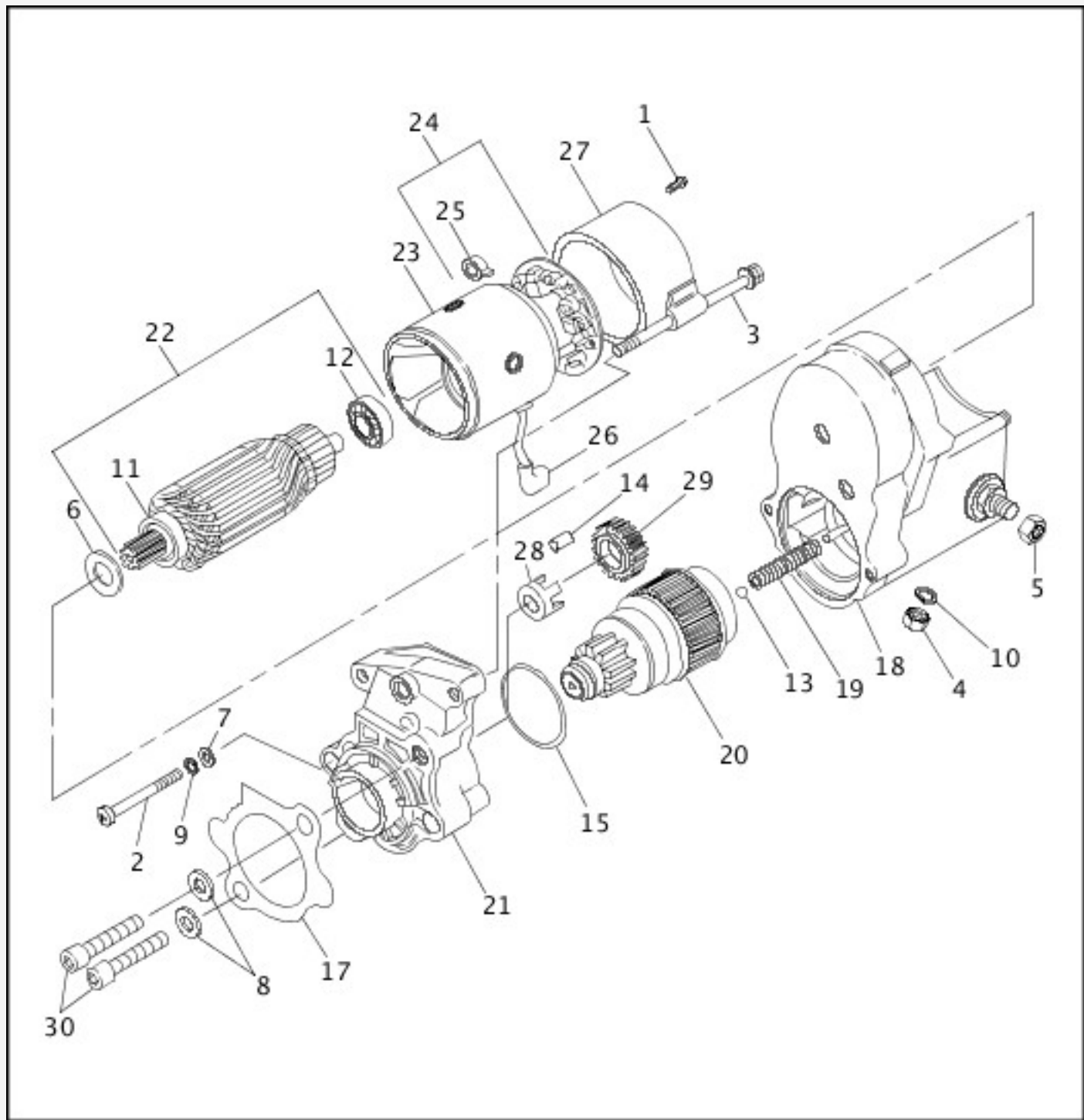
[View interactive table](#)

INDEX NO.	PART NO.	DESCRIPTION	MODEL(S)
1	2339	BOLT (2)	ALL
2	1601	SCREW (2)	ALL
3	2611C	BOLT	ALL
4	3993	BOLT (2)	XL883 1993, XL883 1994, XL883DLX 1993, XL883DLX 1994, XL883HUG 1993, XL883HUG 1994
5	6716	WASHER (2)	ALL
6	7036	WASHER (2)	ALL
7	7624	LOCKNUT (2)	ALL
8	7629	NUT (2)	ALL

9	8699	POP RIVET (2)	ALL
10	10006	CABLE STRAP	ALL
	10039	CABLE STRAP	ALL
11	11124	SEAL	ALL
12	31614-83A	SPARK COIL	ALL
13	31723-71B	BRACKET, spark coil mounting	ALL
14	31727-85	PLATE, spark coil mounting	ALL
15	31986-86A	CABLE, spark plug, 6 1/2 inch	ALL
16	31996-86B	CABLE, spark plug, 20 inch	ALL
17	32362-04	SPARK PLUG, No. 6R12 (0.040 gap) (2)	ALL
18	32400-80B	SENSOR ASSEMBLY	XL1200 1993, XL883 1993, XL883DLX 1993, XL883HUG 1993
	32400-94A	SENSOR ASSEMBLY, w/ 72190-94	XL1200 1994, XL883 1994, XL883DLX 1994, XL883HUG 1994
19	32402-83	TRIGGER ROTOR	ALL
20	32410-91B	IGNITION MODULE	XL883 1993, XL883DLX 1993, XL883HUG 1993
	32410-94A	IGNITION MODULE, w/ 26, 28, 29, 31 & 32	XL883 1994, XL883DLX 1994, XL883HUG 1994
	32433-91A	IGNITION MODULE (883 Swiss)	XL1200 1993
	32433-94	IGNITION MODULE (883 Swiss), w/ 26, 28, 29, 31 & 32	XL1200 1994
21	32504-80A	INNER COVER	ALL
22	32506-90	COVER, timer	ALL
23	32591-80	GASKET, ignition	ALL
24	32606-82	STUD, timer plate (2)	ALL

25	72103-94BK	RECEPTACLE, 3-pin (black)	XL1200 1994, XL883 1994, XL883DLX 1994, XL883HUG 1994
26	72118-94BK	PLUG, 8-way (black)	XL1200 1994, XL883 1994, XL883DLX 1994, XL883HUG 1994
27	72143-94	SECONDARY LOCK, 3-pin receptacle (black)	XL1200 1994, XL883 1994, XL883DLX 1994, XL883HUG 1994
28	72158-94	LOCK, plug (8-way)	XL1200 1994, XL883 1994, XL883DLX 1994, XL883HUG 1994
29	72178-94	SEAL, front (8-way plug)	XL1200 1994, XL883 1994, XL883DLX 1994, XL883HUG 1994
30	72190-94	TERMINAL, pin (3)	XL1200 1994, XL883 1994, XL883DLX 1994, XL883HUG 1994
31	72191-94	TERMINAL, socket (7)	XL1200 1994, XL883 1994, XL883DLX 1994, XL883HUG 1994
32	72195-94	PIN SEAL	XL1200 1994, XL883 1994, XL883DLX 1994, XL883HUG 1994
33	74536-77A	PIN, ignition module (not illustrated) (7)	XL1200 1993, XL883 1993, XL883DLX 1993, XL883HUG 1993
	74539-83A	PIN, ignition sensor (not illustrated) (3)	XL1200 1993, XL883 1993, XL883DLX 1993, XL883HUG 1993

STARTER MOTOR - 883 MODELS (1 OF 2)



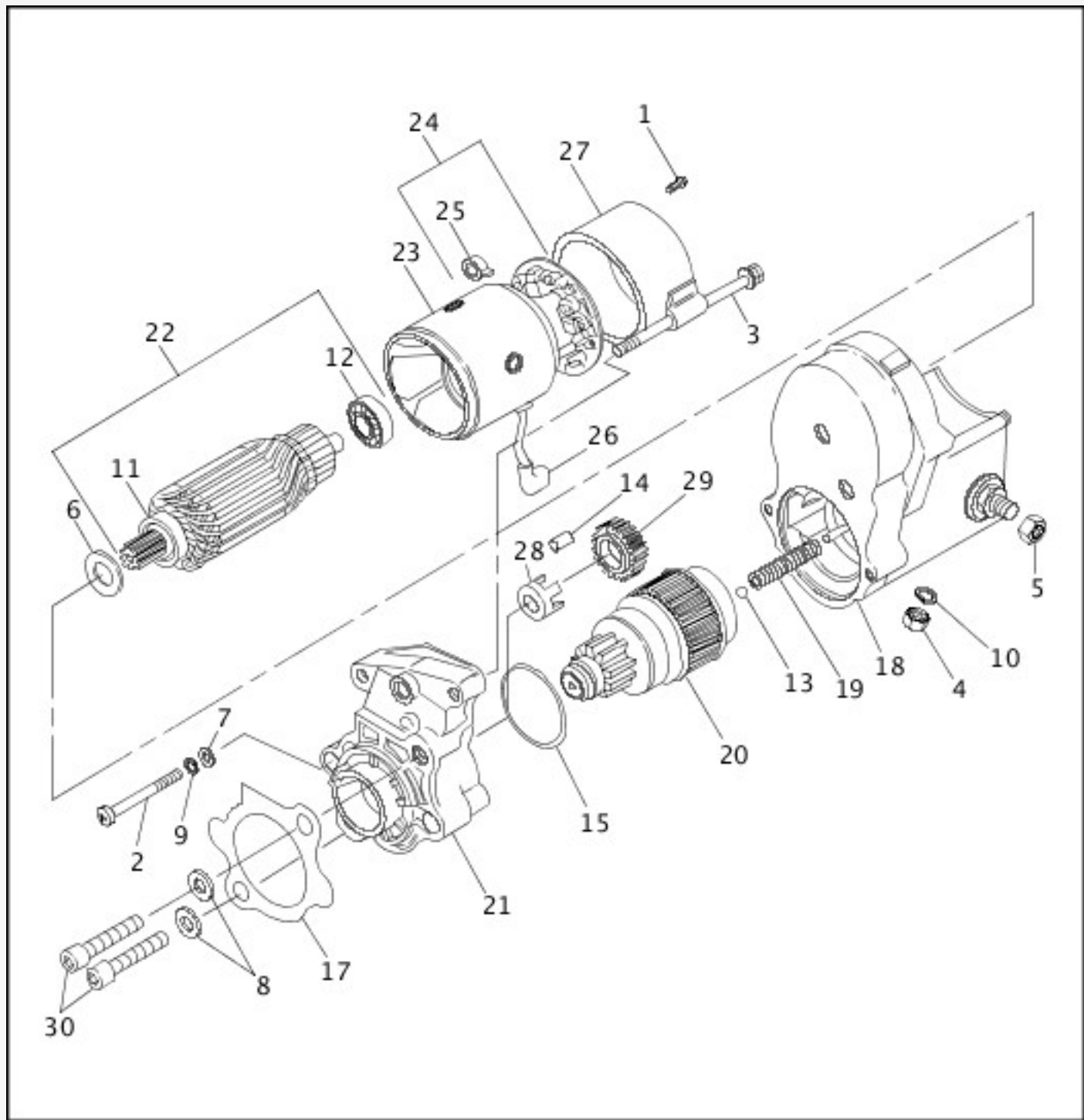
[View interactive image](#)

[View interactive table](#)

INDEX NO.	PART NO.	DESCRIPTION	MODEL(S)
1	910	SCREW (2)	XL883 1993, XL883 1994, XL883DLX 1993, XL883DLX 1994, XL883HUG 1993, XL883HUG 1994
2	917	SCREW (2)	XL883 1993, XL883 1994, XL883DLX 1993, XL883DLX 1994, XL883HUG 1993, XL883HUG 1994
3	3401	BOLT (2)	XL883 1993, XL883 1994, XL883DLX 1993, XL883DLX 1994, XL883HUG 1993, XL883HUG 1994
4	3402	NUT	XL883 1993, XL883 1994, XL883DLX 1993, XL883DLX 1994, XL883HUG 1993, XL883HUG 1994
5	3403	LOCKNUT	XL883 1993, XL883 1994, XL883DLX 1993, XL883DLX 1994, XL883HUG 1993, XL883HUG 1994

6	6005	WASHER (felt)	XL883 1993, XL883 1994, XL883DLX 1993, XL883DLX 1994, XL883HUG 1993, XL883HUG 1994
7	6239	WASHER (2)	XL883 1993, XL883 1994, XL883DLX 1993, XL883DLX 1994, XL883HUG 1993, XL883HUG 1994
8	6812	WASHER (2)	XL883 1993, XL883 1994, XL883DLX 1993, XL883DLX 1994, XL883HUG 1993, XL883HUG 1994
9	7036	WASHER (2)	XL883 1993, XL883 1994, XL883DLX 1993, XL883DLX 1994, XL883HUG 1993, XL883HUG 1994
10	7041	LOCKWASHER	XL883 1993, XL883 1994, XL883DLX 1993, XL883DLX 1994, XL883HUG 1993, XL883HUG 1994
11	8877	BALL BEARING	XL883 1993, XL883 1994, XL883DLX 1993, XL883DLX 1994, XL883HUG 1993, XL883HUG 1994
12	8878	BALL BEARING	XL883 1993, XL883 1994, XL883DLX 1993, XL883DLX 1994, XL883HUG 1993, XL883HUG 1994
13	8879	BALL	XL883 1993, XL883 1994, XL883DLX 1993, XL883DLX 1994, XL883HUG 1993, XL883HUG 1994
14	9077	ROLLER, bearing (5)	XL883 1993, XL883 1994, XL883DLX 1993, XL883DLX 1994, XL883HUG 1993, XL883HUG 1994
15	10957	O-RING, starter housing	XL883 1993, XL883 1994, XL883DLX 1993, XL883DLX 1994, XL883HUG 1993, XL883HUG 1994
16	31605-90	STARTER REPAIR KIT (not illustrated) (2)	XL883 1993, XL883 1994, XL883DLX 1993, XL883DLX 1994, XL883HUG 1993, XL883HUG 1994

STARTER MOTOR - 883 MODELS (2 OF 2)



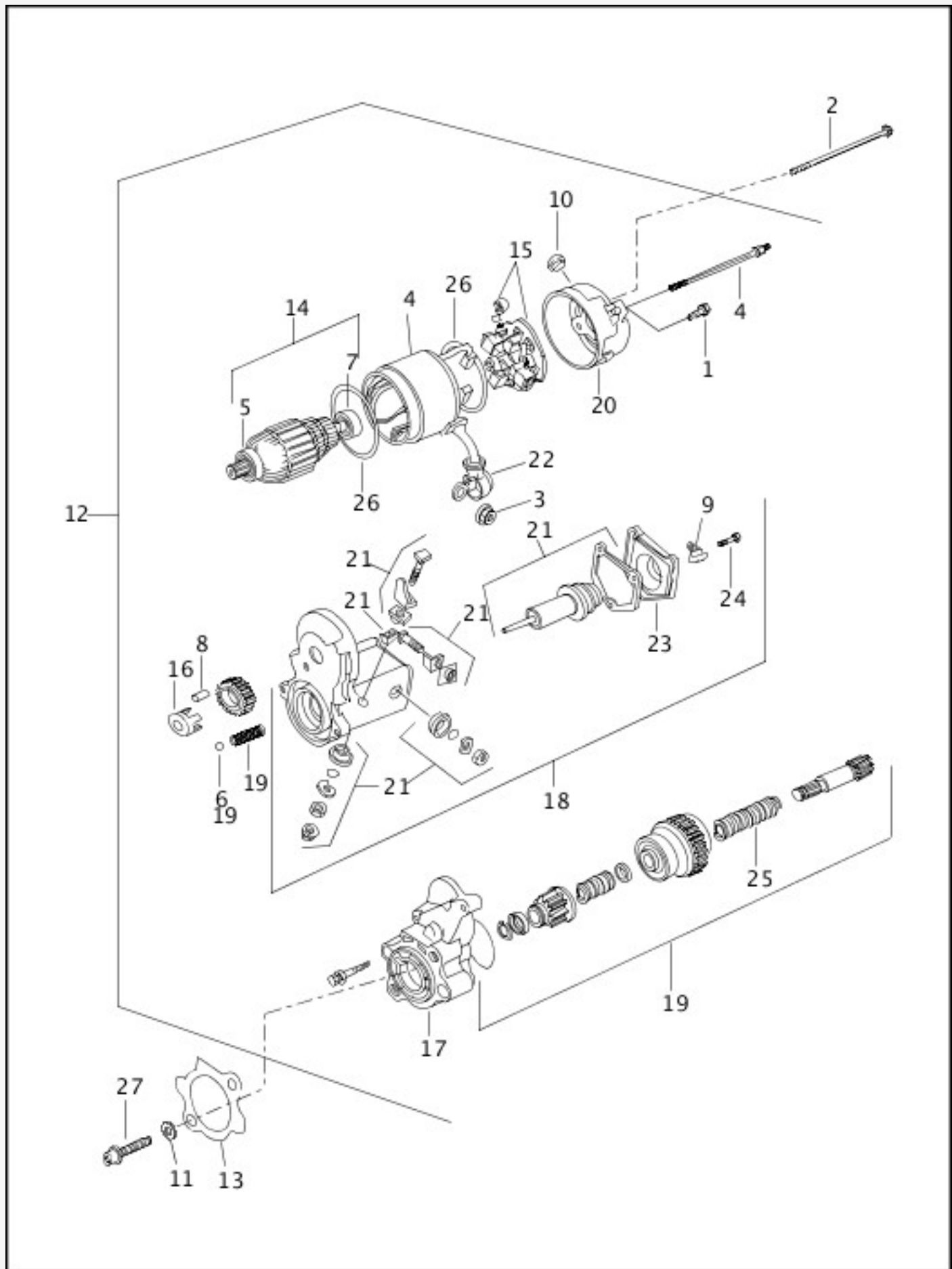
[View interactive image](#)

[View interactive table](#)

INDEX NO.	PART NO.	DESCRIPTION	MODEL(S)
17	31488-81C	GASKET, starter motor	XL883 1993, XL883 1994, XL883DLX 1993, XL883DLX 1994, XL883HUG 1993, XL883HUG 1994
18	31546-81	SWITCH ASSEMBLY, magnetic	XL883 1993, XL883 1994, XL883DLX 1993, XL883DLX 1994, XL883HUG 1993, XL883HUG 1994
19	31557-81	SPRING, compression	XL883 1993, XL883 1994, XL883DLX 1993, XL883DLX 1994, XL883HUG 1993, XL883HUG 1994
20	31567-81	CLUTCH ASSEMBLY, starter	XL883 1993, XL883 1994, XL883DLX 1993, XL883DLX 1994, XL883HUG 1993, XL883HUG 1994
21	31574-81	HOUSING, starter	XL883 1993, XL883 1994, XL883DLX 1993, XL883DLX 1994, XL883HUG 1993, XL883HUG 1994

22	31590-81	ARMATURE ASSEMBLY	XL883 1993, XL883 1994, XL883DLX 1993, XL883DLX 1994, XL883HUG 1993, XL883HUG 1994
23	31591-81	YOKE ASSEMBLY, starter	XL883 1993, XL883 1994, XL883DLX 1993, XL883DLX 1994, XL883HUG 1993, XL883HUG 1994
24	31592-81	BRUSH HOLDER ASSEMBLY	XL883 1993, XL883 1994, XL883DLX 1993, XL883DLX 1994, XL883HUG 1993, XL883HUG 1994
25	31593-81	SPRING, brush (4)	XL883 1993, XL883 1994, XL883DLX 1993, XL883DLX 1994, XL883HUG 1993, XL883HUG 1994
26	31594-81	CAP, starter terminal (rubber)	XL883 1993, XL883 1994, XL883DLX 1993, XL883DLX 1994, XL883HUG 1993, XL883HUG 1994
27	31595-81	FRAME, starter end	XL883 1993, XL883 1994, XL883DLX 1993, XL883DLX 1994, XL883HUG 1993, XL883HUG 1994
28	31597-81	RETAINER, roller	XL883 1993, XL883 1994, XL883DLX 1993, XL883DLX 1994, XL883HUG 1993, XL883HUG 1994
29	31598-89	PINION	XL883 1993, XL883 1994, XL883DLX 1993, XL883DLX 1994, XL883HUG 1993, XL883HUG 1994
30	45902-00	SCREW, starter mounting (2)	XL883 1993, XL883 1994, XL883DLX 1993, XL883DLX 1994, XL883HUG 1993, XL883HUG 1994
31	31596-85	BRUSHES, set (not illustrated)	XL883 1993, XL883 1994, XL883DLX 1993, XL883DLX 1994, XL883HUG 1993, XL883HUG 1994

STARTER MOTOR - 1200 MODEL



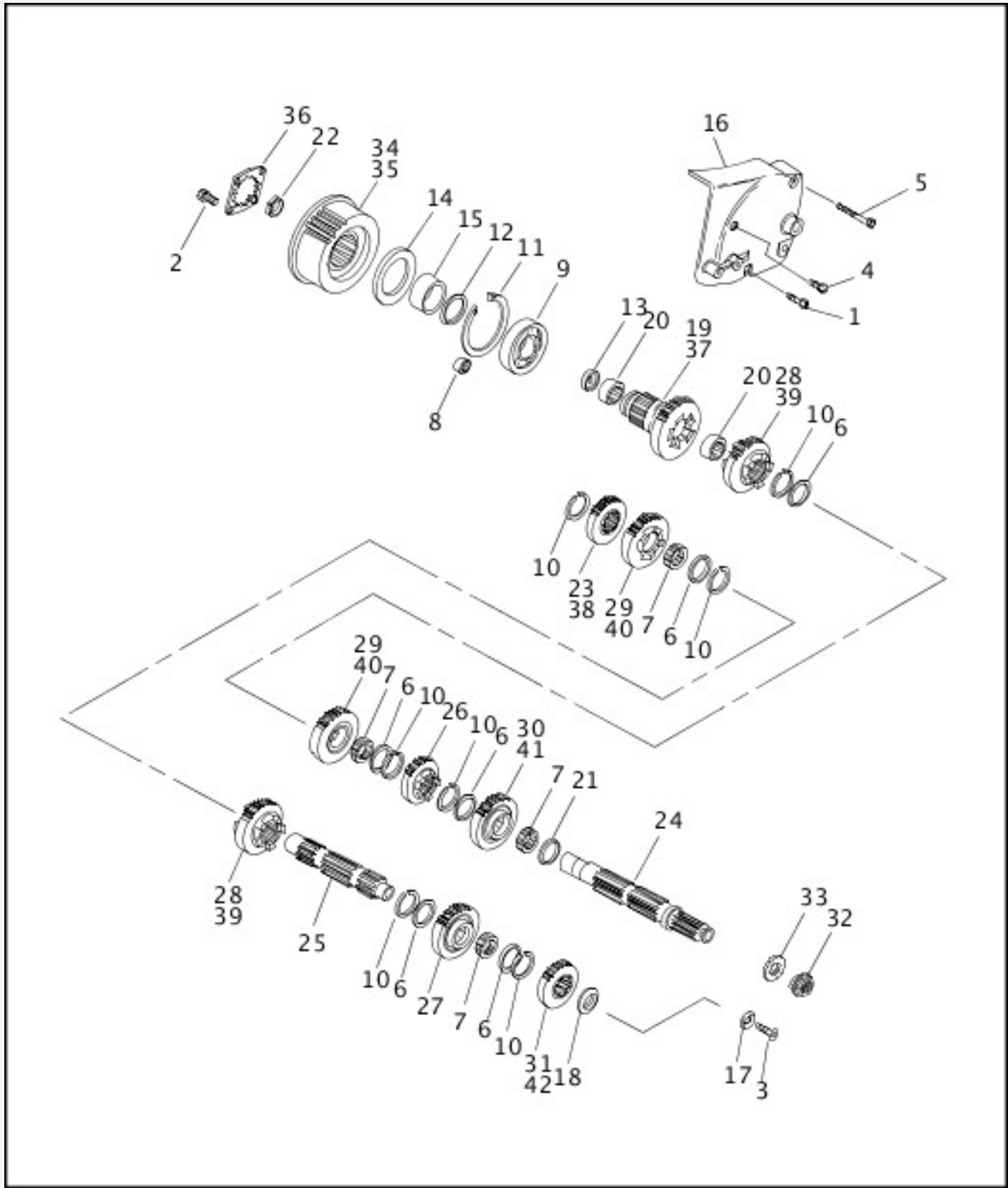
[View interactive image](#)

[View interactive table](#)

INDEX NO.	PART NO.	DESCRIPTION	MODEL(S)
1	929A	SCREW (2)	XL1200 1993, XL1200 1994
2	3350	BOLT, through	XL1200 1993, XL1200 1994
3	3403	LOCKNUT	XL1200 1993, XL1200 1994

4	31514-90	YOKE ASSEMBLY	XL1200 1993, XL1200 1994
5	8871	BALL BEARING	XL1200 1993, XL1200 1994
6	8879	BALL	XL1200 1993, XL1200 1994
7	8883	BALL BEARING	XL1200 1993, XL1200 1994
8	9077	CLUTCH ROLLER (5)	XL1200 1993, XL1200 1994
9	31693-90	CLIP, cord	XL1200 1993, XL1200 1994
10	31322-91	COVER	XL1200 1993, XL1200 1994
11	6812	WASHER (2)	XL1200 1993, XL1200 1994
12	31390-91A	STARTER MOTOR, complete	XL1200 1993, XL1200 1994
13	31488-81C	GASKET, starter motor	XL1200 1993, XL1200 1994
14	31515-90	ARMATURE ASSEMBLY, w/ 8871 & 8883	XL1200 1993, XL1200 1994
15	31518-90	HOLDER ASSEMBLY, starter brush	XL1200 1993, XL1200 1994
16	31530-90	RETAINER, idler	XL1200 1993, XL1200 1994
17	31539-91	HOUSING ASSEMBLY	XL1200 1993, XL1200 1994
18	31540-91	SWITCH ASSEMBLY, magnetic	XL1200 1993, XL1200 1994
19	31556-91D	CLUTCH SUB-ASSEMBLY	XL1200 1993, XL1200 1994
20	31599-91	FRAME, starter end	XL1200 1993, XL1200 1994
21	31603-91	REPAIR KIT, starter solenoid	XL1200 1993, XL1200 1994
22	31555-90	CAP TERMINAL (rubber)	XL1200 1993, XL1200 1994
23	31688-90	COVER, solenoid	XL1200 1993, XL1200 1994
24	31689-90	BOLT, w/ washer (3)	XL1200 1993, XL1200 1994
25	31330-91	SPRING	XL1200 1993, XL1200 1994
26	31695-90	O-RING, yoke (2)	XL1200 1993, XL1200 1994
27	45902-00	SCREW (2)	XL1200 1993, XL1200 1994

TRANSMISSION GEARS



[View interactive image](#)

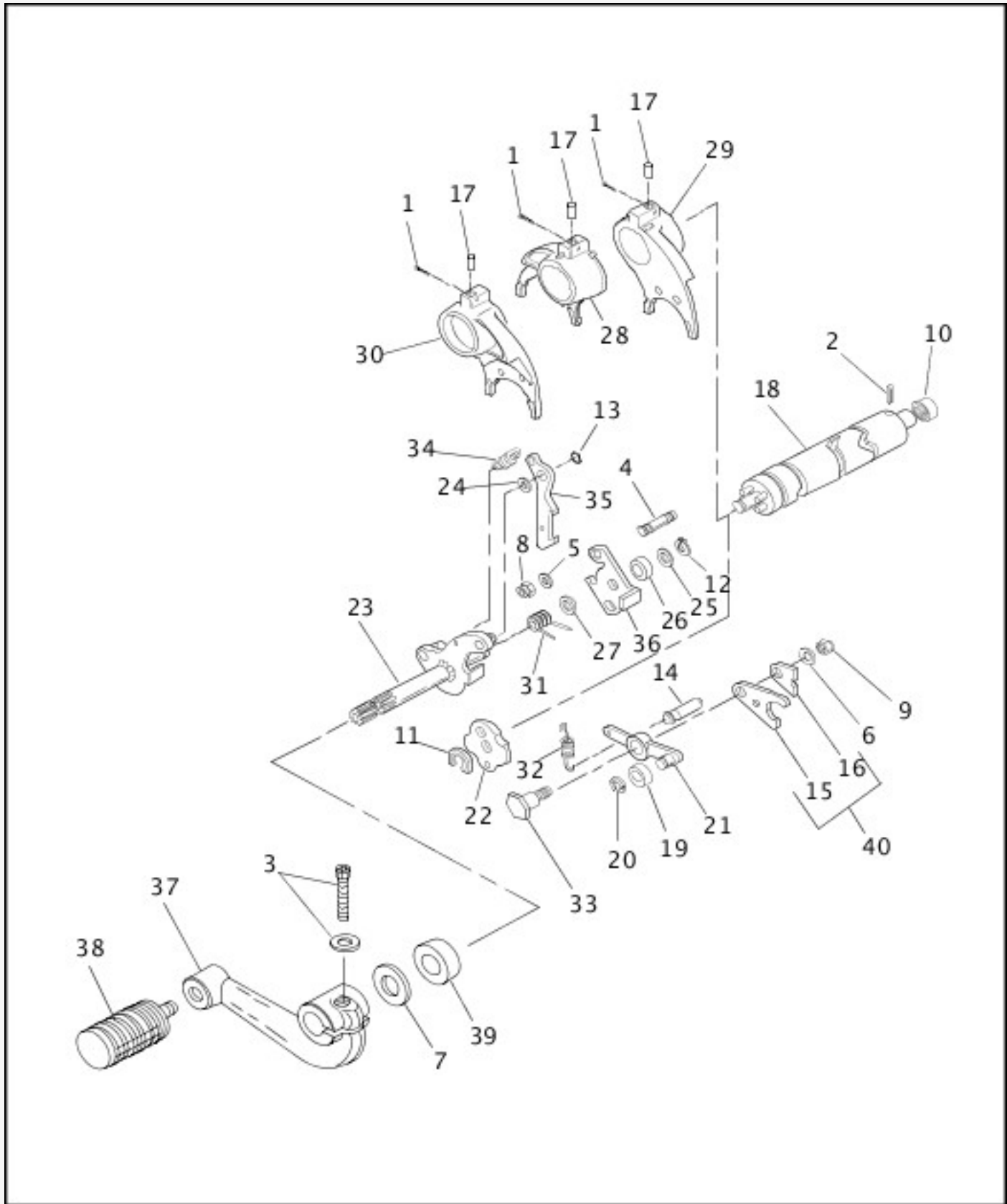
[View interactive table](#)

INDEX NO.	PART NO.	DESCRIPTION	MODEL(S)
1	3480A	SCREW, SEMS	ALL
2	3594	SCREW (2)	ALL
3	3675	SCREW	ALL
4	4820A	SCREW, SEMS	ALL
5	4826	SCREW, SEMS	ALL

6	6003	WASHER (6)	ALL
7	8876A	BEARING (4)	ALL
8	8977	BEARING, closed end	ALL
9	8996A	BEARING, ball	ALL
10	111067	RETAINING RING (7)	ALL
11	11161	RETAINING RING	ALL
12	11165	QUAD SEAL	ALL
13	12030	OIL SEAL	ALL
14	12050	OIL SEAL (early model year)	XL1200 1993, XL883 1993, XL883DLX 1993, XL883HUG 1993
	12067B	OIL SEAL (late model year)	XL1200 1994, XL883 1994, XL883DLX 1994, XL883HUG 1994
15	33334-85	SPACER (early model year)	XL1200 1993, XL883 1993, XL883DLX 1993, XL883HUG 1993
	33334-94	SPACER (late model year)	XL1200 1994, XL883 1994, XL883DLX 1994, XL883HUG 1994
16	34911-91A	SPROCKET COVER	ALL
17	35020-89	RETAINER, countershaft	ALL
18	35022-89A	SPACER	ALL
19	35034-89A	GEAR ASSEMBLY, w/ 13 & 20, fifth-mainshaft	ALL
20	35051-89A	BEARING, needle (2)	ALL
21	35063-89	SPACER	ALL
22	35211-91B	NUT, sprocket	ALL
23	35633-89A	GEAR, fifth-countershaft	ALL
24	35640-89	MAINSHAFT	ALL
25	35641-89	COUNTERSHAFT	ALL
26	35762-	GEAR, first-mainshaft	ALL

	89A		
27	35763-89A	GEAR, first-countershaft	ALL
28	35771-89A	GEAR, second-mainshaft, third-countershaft (2)	ALL
29	35772-89A	GEAR, third-mainshaft, second-countershaft (2)	ALL
30	35773-89A	GEAR, fourth-mainshaft	ALL
31	35775-89A	GEAR, fourth-countershaft	ALL
32	37495-91	NUT, mainshaft	ALL
33	37870-91	SPRING WASHER	ALL
34	40202-91B	SPROCKET KIT, 29T (belt) w/ 2, 22, 35, oil seal & spacer	XL1200 1993, XL1200 1994
	40285-91B	SPROCKET KIT, 27T (belt) w/ 2, 22, 35, oil seal & spacer	XL883 1993, XL883 1994, XL883DLX 1993, XL883DLX 1994, XL883HUG 1993, XL883HUG 1994
35	40205-95	SPROCKET, 29T (belt) (used w/ 40202-91B)	XL1200 1993, XL1200 1994
	40288-95	SPROCKET, 27T (belt) (used w/ 40285-91B)	XL883 1993, XL883 1994, XL883DLX 1993, XL883DLX 1994, XL883HUG 1993, XL883HUG 1994
36	40251-92A	RETENTION PLATE	ALL
INTERNATIONAL MODELS ONLY			
37	35034-94	GEAR ASSEMBLY, w/ 13 & 20, fifth-mainshaft (HDI except Japan & Swiss)	XL1200 1994, XL883 1994, XL883DLX 1994, XL883HUG 1994
38	35633-94	GEAR, fifth-countershaft (HDI except Japan & Swiss)	XL1200 1994, XL883 1994, XL883DLX 1994, XL883HUG 1994
39	35771-94	GEAR, second-mainshaft, third-countershaft (HDI except Japan & Swiss) (2)	XL1200 1994, XL883 1994, XL883DLX 1994, XL883HUG 1994
40	35772-94	GEAR, third-mainshaft, second-countershaft (HDI except Japan & Swiss) (2)	XL1200 1994, XL883 1994, XL883DLX 1994, XL883HUG 1994
41	35773-94	GEAR, fourth-mainshaft (HDI except Japan & Swiss)	XL1200 1994, XL883 1994, XL883DLX 1994, XL883HUG 1994
42	35775-94	GEAR, fourth-countershaft (HDI except Japan & Swiss)	XL1200 1994, XL883 1994, XL883DLX 1994, XL883HUG 1994

SHIFTER



[View interactive image](#)

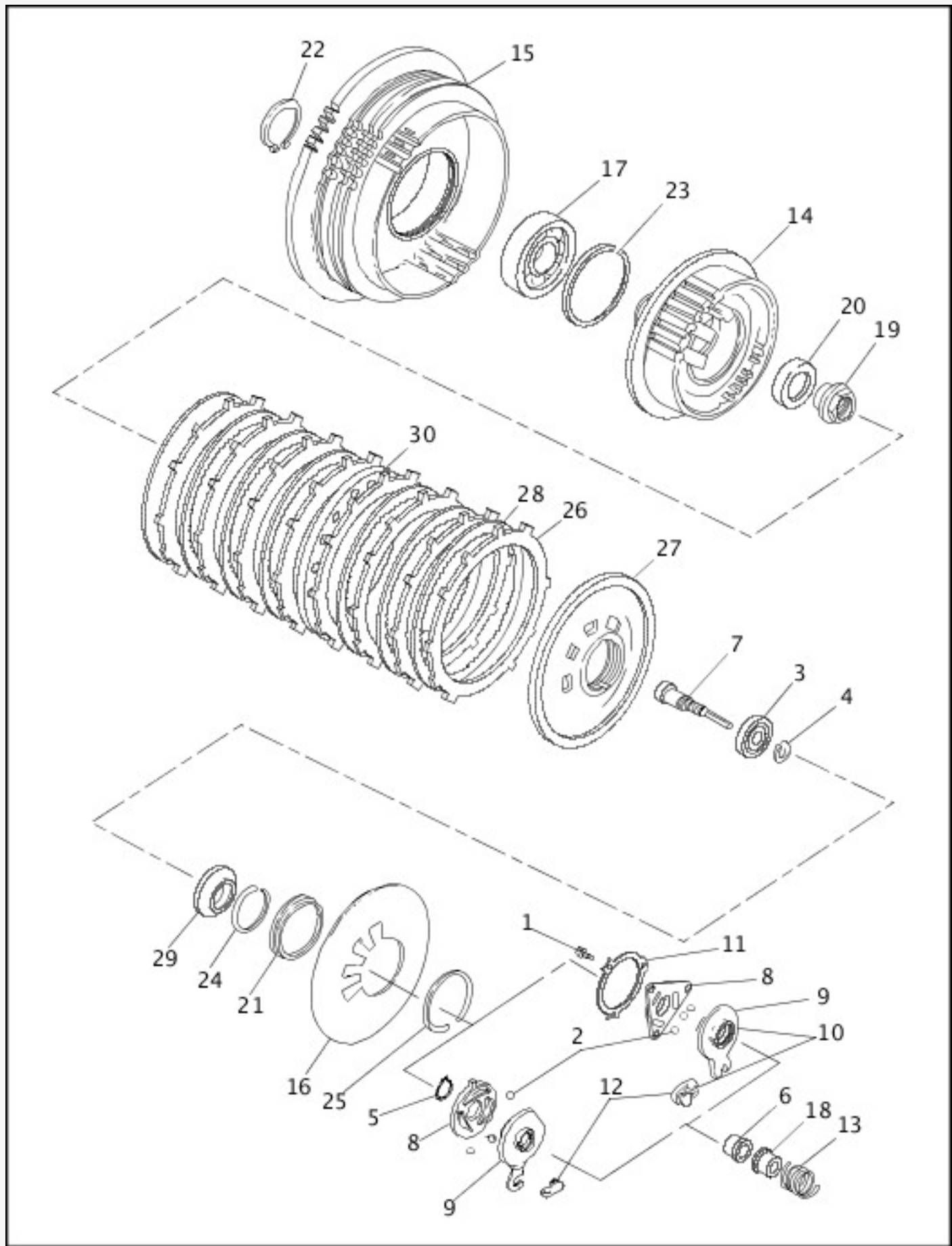
[View interactive table](#)

INDEX NO.	PART NO.	DESCRIPTION	MODEL(S)
1	515	COTTER PIN (3)	ALL
2	601	ROLL PIN	ALL
3	4741A	SCREW, w/ washer	ALL
4	5226B	STUD (2)	ALL

5	6016	WASHER, detent arm (2)	ALL
6	6099	WASHER, lever (3)	ALL
7	7019	WASHER (rubber)	ALL
8	7683	LOCKNUT (2)	ALL
9	7710W	LOCKNUT, detent arm	ALL
10	9151	BEARING, closed end	ALL
11	11019	RETAINING RING	ALL
12	11031	RETAINING RING	ALL
13	11185	RETAINING RING	ALL
14	24530-90	PIN, spring	ALL
15	33178-90A	PLATE, shift drum	ALL
16	33204-91	PLATE, shift drum	ALL
17	33319-90	ROLLER (3)	ALL
18	33634-91A	SHIFTER DRUM ASSEMBLY, w/ 601	ALL
19	33652-90	ROLLER, detent	ALL
20	33653-90	RETAINING RING	ALL
21	33655-90	DETENT ARM	ALL
22	33656-90A	PLATE, detent	ALL
23	34015-91	SHIFTER SHAFT	ALL
24	34073-91	SPACER, pawl	ALL
25	34075-89	WASHER	ALL
26	34076-89	BUSHING	ALL
27	34077-91	WASHER	ALL
28	34142-89C	SHIFTER FORK, first & second	ALL
29	34144-89C	SHIFTER FORK, third & fifth	ALL
30	34147-89C	SHIFTER FORK, fourth	ALL
31	34481-91A	SPRING	ALL
32	34483-90	SPRING	ALL
33	34486-90	SCREW, detent arm	ALL
34	34491-91	SPRING	ALL

35	34492-91	SHIFTER PAWL	ALL
36	34560-91	BASEPLATE	ALL
37	34615-94	SHIFT LEVER, foot (chrome)	ALL
38	34611-65A	SHIFTER PEG	ALL
39	11000101	OIL SEAL	ALL
40	33178-90B	SHIFTER PLATE KIT, w/ 33178-90A & 33204-91	ALL

CLUTCH



[View interactive image](#)

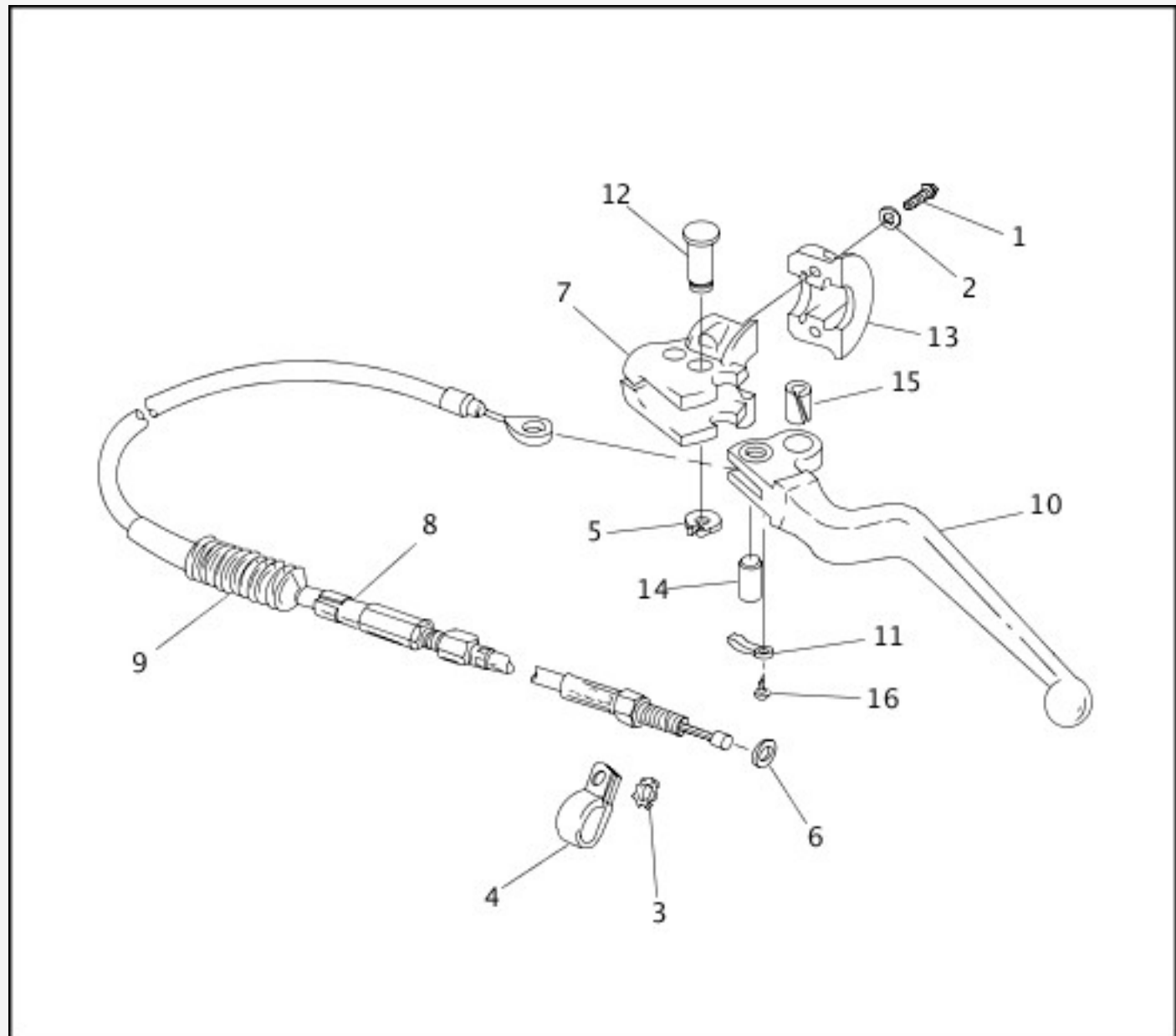
[View interactive table](#)

INDEX NO.	PART NO.	DESCRIPTION	MODEL(S)
1	3583	SCREW (3)	XL1200 1993, XL883 1993, XL883DLX 1993, XL883HUG 1993
2	8873	BALL (3)	ALL

3	8885	BEARING	ALL
4	11046	RETAINING RING	ALL
5	11250	RETAINING RING	ALL
6	11730A	WELL NUT	ALL
7	11735B	ADJUSTMENT SCREW	XL1200 1993, XL883 1993, XL883DLX 1993, XL883HUG 1993
	11752	ADJUSTMENT SCREW	XL1200 1994, XL883 1994, XL883DLX 1994, XL883HUG 1994
8	25408-84	RAMP, inner	XL1200 1993, XL883 1993, XL883DLX 1993, XL883HUG 1993
	25453-87A	RAMP, inner	XL1200 1994, XL883 1994, XL883DLX 1994, XL883HUG 1994
9	25409-86A	RAMP, outer	XL1200 1993, XL883 1993, XL883DLX 1993, XL883HUG 1993
	25409-94B	RAMP, outer	XL1200 1994, XL883 1994, XL883DLX 1994, XL883HUG 1994
10	25409-84A	RAMP & COUPLING KIT	XL1200 1993, XL883 1993, XL883DLX 1993, XL883HUG 1993
11	25448-84	LOCKPLATE	XL1200 1993, XL883 1993, XL883DLX 1993, XL883HUG 1993
12	34920-86A	COUPLING, clutch cable	ALL
13	36715-84	SPRING, clutch adjustment	XL1200 1993, XL883 1993, XL883DLX 1993, XL883HUG 1993
	36715-94	SPRING, clutch adjustment	XL1200 1994, XL883 1994, XL883DLX 1994, XL883HUG 1994
14	36785-91	CLUTCH HUB	ALL
15	36790-91	CLUTCH SHELL AND SPROCKET, w/ 17 & 23	ALL
16	36792-91	SPRING, diaphragm	ALL
17	36799-91	BALL BEARING	ALL
18	36802-84B	LOCKPLATE, well type	ALL
19	37495-91	NUT, main shaft	ALL
20	37870-91	SPRING WASHER	ALL
21	37872-90	SEAT, spring, inner	ALL

22	37904-90	RETAINING RING	ALL
23	37905-90	RETAINING RING	ALL
24	37908-90	RETAINING RING	ALL
25	37909-90	RETAINING RING	ALL
26	37911-90	FRICITION PLATE (paper) (8)	ALL
27	37912-91	PRESSURE PLATE	ALL
28	37913-90	STEEL PLATE (6)	ALL
29	36731-91	RELEASE PLATE	ALL
30	37977-90	SPRING PLATE	ALL

CLUTCH CONTROL

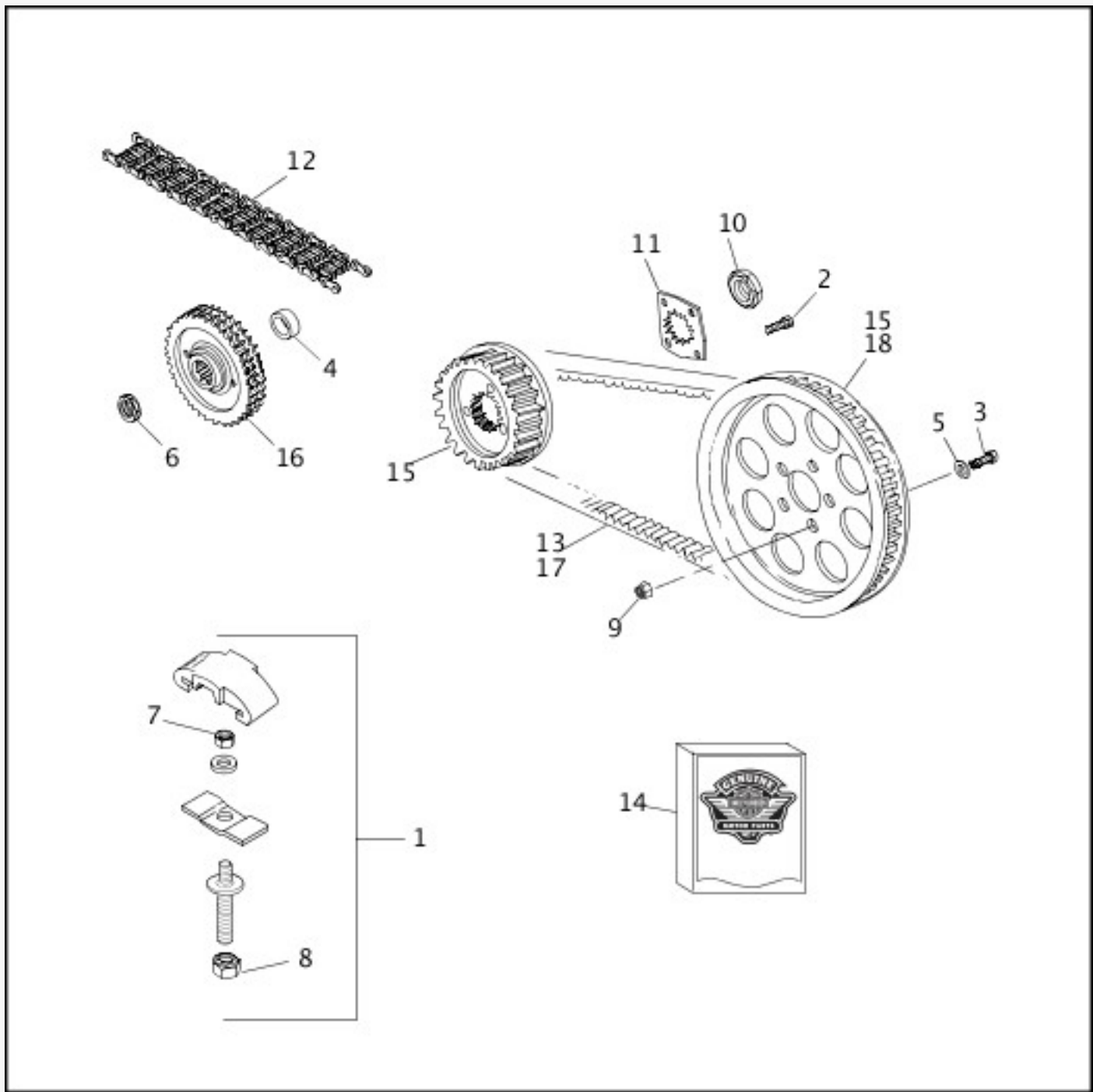


[View interactive image](#)

[View interactive table](#)

INDEX NO.	PART NO.	DESCRIPTION	MODEL(S)
1	4015	SCREW (2)	ALL
2	6099	WASHER (2)	ALL
3	7145W	LOCKWASHER	ALL
4	10123	CLIP	ALL
5	11143	RETAINING RING	ALL
6	11179	O-RING	ALL
7	38608-82B	BRACKET, clutch lever	ALL
8	38619-86A	CABLE ASSEMBLY, w/ 9 & 14	XL1200 1993, XL1200 1994, XL883 1993, XL883 1994
	38621-86A	CABLE ASSEMBLY, w/ 9 & 14	XL1200 1993, XL1200 1994, XL883DLX 1993, XL883DLX 1994, XL883HUG 1993, XL883HUG 1994
9	38630-88	BOOT, clutch cable	ALL
10	45015-96	HAND LEVER, w/ 11, 15, & 16	ALL
11	45021-86	SPRING, anti-rattle	ALL
12	45032-82	PIVOT PIN	ALL
13	45044-82	CLAMP, clutch control	ALL
14	45036-88	PIN, clutch cable	ALL
15	45423-92	BUSHING	ALL
16	90770-79	SCREW, spring, clutch lever	ALL

BELTS & SPROCKETS



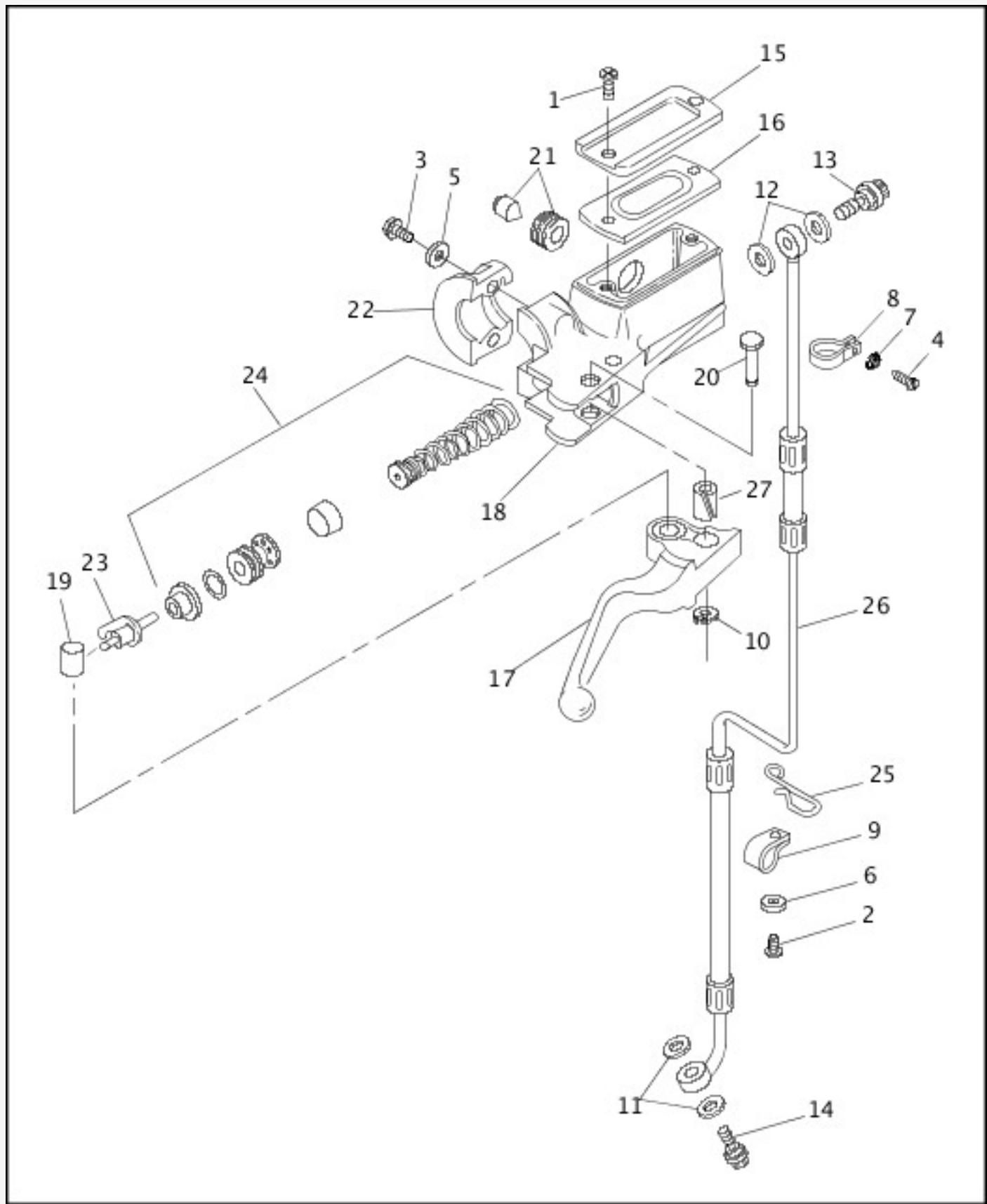
[View interactive image](#)

[View interactive table](#)

INDEX NO.	PART NO.	DESCRIPTION	MODEL(S)
1	39975-90A	SCREW, adjuster	ALL
2	3594	SCREW (2)	ALL
3	3769	BOLT (5)	ALL
4	40240-89	SPACER, sprocket	ALL
5	6516HW	WASHER (5)	ALL
6	7839	NUT, engine sprocket	ALL
7	7667	NUT	ALL

8	7804	LOCKNUT, sealing	ALL
9	7827W	LOCKNUT, laced wheel (5)	ALL
10	35211-91B	NUT, transmission sprocket	ALL
11	40251-92A	LOCK PLATE	ALL
12	40005-57B	PRIMARY CHAIN	ALL
13	40022-91	BELT, 128T	ALL
14	40205-95	SPROCKET KIT, transmission, 29T (belt) w/ 2, 10, 18, oil seal & spacer	XL1200 1993, XL1200 1994
	40285-91B	SPROCKET KIT, transmission, 27T (belt) w/ 2, 10, 18, oil seal & spacer	XL883 1993, XL883 1994, XL883DLX 1993, XL883DLX 1994, XL883HUG 1993, XL883HUG 1994
15	40213-91	SPROCKET, rear wheel, 61T (belt) (black)	ALL
	40227-93	SPROCKET, rear wheel, 61T (belt) (silver)	XL1200 1993, XL1200 1994, XL883 1993, XL883 1994, XL883HUG 1993, XL883HUG 1994
16	40235-89B	ENGINE SPROCKET, 35T	ALL
INTERNATIONAL MODELS ONLY			
17	40038-91	BELT, 125T (883 Swiss; 1200 HDI)	ALL
18	40252-91A	SPROCKET, rear wheel, 55T (belt) (883 Swiss; 1200 HDI) (black)	ALL

FRONT BRAKE CONTROL



[View interactive image](#)

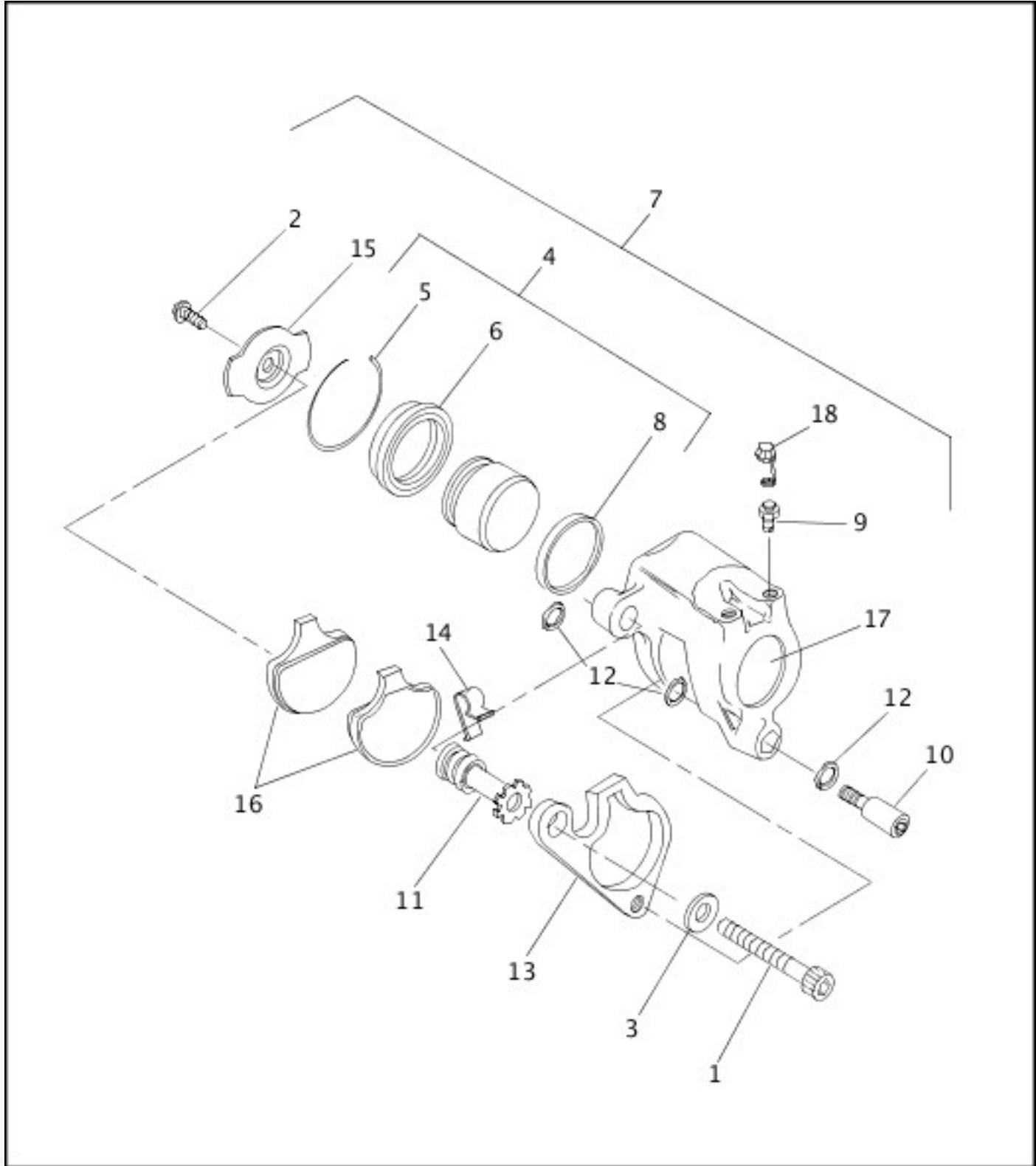
[View interactive table](#)

INDEX NO.	PART NO.	DESCRIPTION	MODEL(S)
1	2579A	SCREW (2)	ALL
2	3594	SCREW	ALL
3	4015	SCREW (2)	ALL
4	4240	SCREW	ALL

5	6099	WASHER (2)	ALL
6	6703	WASHER	ALL
7	7220	LOCKWASHER	ALL
8	10031	CLAMP	ALL
9	10053	CLAMP	ALL
10	11143	RETAINING RING, external	ALL
11	41731-88A	GASKET, caliper (2)	ALL
12	41733-88	GASKET, master cylinder (2)	ALL
13	41739-84A	BOLT, master cylinder	ALL
14	41747-82A	BOLT, caliper	ALL
15	45004-85	COVER, master cylinder	ALL
16	45005-85	GASKET, master cylinder cover	ALL
17	45016-93	HAND LEVER, w/ 27	ALL
18	45019-93	MASTER CYLINDER ASSEMBLY, w/ hand lever	ALL
19	45031-82A	PIN, stoplight switch & pushrod	ALL
20	45032-82	PIN, handlever	ALL
21	45042-82	FLUID LEVEL WINDOW KIT	ALL
22	45044-82	CLAMP, master cylinder	ALL
23	45051-82	PUSHROD, stoplight switch & master cylinder	ALL
24	45072-87	REPAIR KIT, master cylinder	ALL
25	45092-66A	CLAMP, clutch & speedometer cables	ALL
26	45121-88C	BRAKE LINE, front	XL1200 1993, XL1200 1994, XL883DLX 1993, XL883DLX 1994, XL883HUG 1993, XL883HUG 1994

	45143-96A	BRAKE LINE, front	XL1200 1993, XL1200 1994, XL883 1993, XL883 1994
27	45423-92	BUSHING, pivot pin	ALL

FRONT BRAKE CALIPER



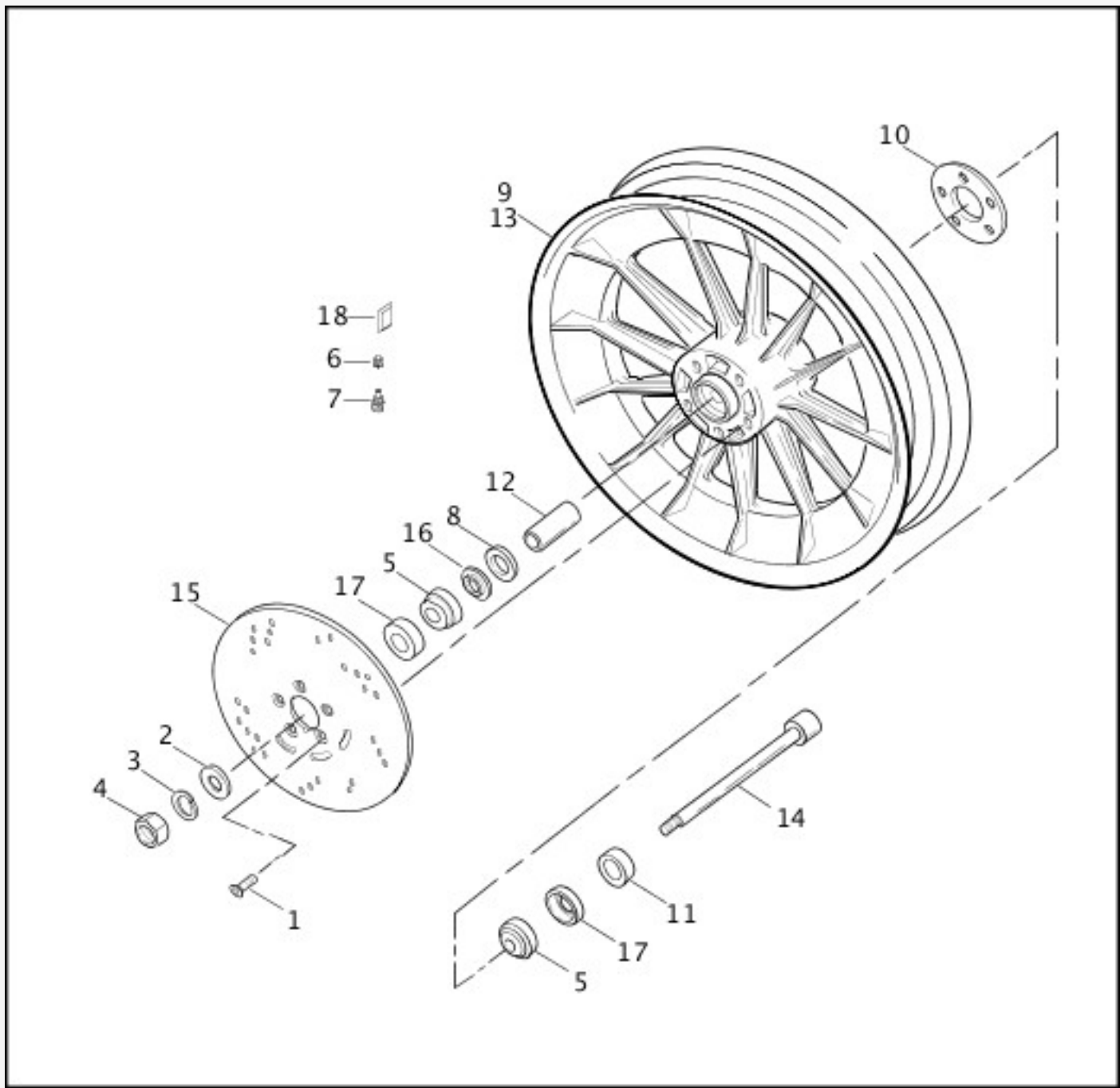
[View interactive image](#)

[View interactive table](#)

INDEX NO.	PART NO.	DESCRIPTION	MODEL(S)
1	855B	SCREW	ALL

2	3562	SCREW	ALL
3	6019	WASHER	ALL
4	44020-83A	PISTON REBUILD KIT, w/ 5, 6 & 8	ALL
5	44021-83	RETAINING RING, piston	ALL
6	44022-83	DUST BOOT, piston	ALL
7	44046-84C	CALIPER ASSEMBLY, left	ALL
8	44047-83	SEAL, piston	ALL
9	44048-83	BLEEDER FITTING	ALL
10	44053-92A	GUIDE PIN KIT, w/ 11, 12 & pins	ALL
11	44054-83	PIN BOOT	ALL
12	44059-83	O-RING (3)	ALL
13	44072-92A	BRACKET, caliper mounting	ALL
14	44061-83	SPRING CLIP	ALL
15	44062-83	RETAINING PAD	ALL
16	44063-83C	PAD SET, w/ 3562	ALL
17	44197-77	LABEL	ALL
18	44147-87A	CAP, bleeder screw	ALL

FRONT WHEEL - CAST



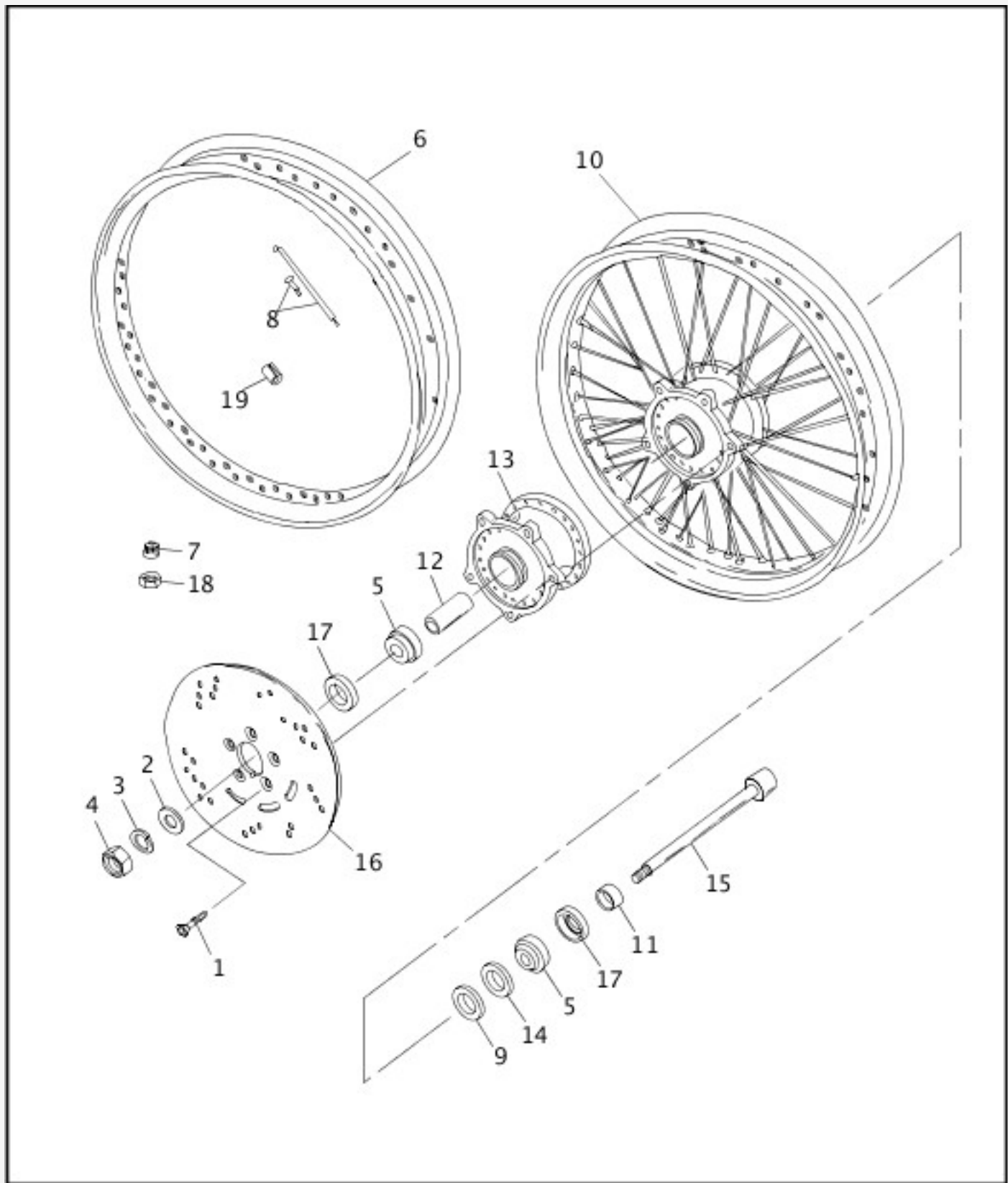
[View interactive image](#)

[View interactive table](#)

INDEX NO.	PART NO.	DESCRIPTION	MODEL(S)
1	3655A	SCREW (10)	ALL
2	6590HW	WASHER	ALL
3	7068	LOCKWASHER	ALL
4	7845	NUT	ALL
5	9052	ROLLER BEARING (2)	ALL
6	41123-79	VALVE CAP	ALL
7	43150-83	VALVE STEM, tubeless tire	ALL

8	43290-82	SPACER, 0.032 thick	ALL
	43291-82	SPACER, 0.016 thick	ALL
	43292-82	SPACER, 0.008 thick	ALL
	43293-82	SPACER, 0.004 thick	ALL
	43294-82	SPACER, 0.002 thick	ALL
9	43338-83	WHEEL ASSEMBLY, 19 inch (9 spoke) (silver)	ALL
10	43355-84	HUB PLATE (black) (use 43359-84)	XL1200 1993, XL1200 1994
	43359-84	HUB PLATE (silver) (replaces 43355-84)	XL883 1993, XL883 1994, XL883DLX 1993, XL883DLX 1994, XL883HUG 1993, XL883HUG 1994
11	43358-83A	SPACER, bearing	ALL
12	43613-92	SPACER	ALL
13	43499-84	WHEEL ASSEMBLY, 19 inch (9 spoke) (black)	XL1200 1993, XL1200 1994
14	43895-87B	FRONT AXLE	ALL
15	44136-92	DISC, brake	ALL
16	43650-82	SPACER WASHER	ALL
17	47519-83A	OIL SEAL (2)	ALL
18	95594-84B	WHEEL WEIGHT, 5 grams (black)	XL1200 1993, XL1200 1994
	95595-84B	WHEEL WEIGHT, 5 grams (silver)	XL883 1993, XL883 1994, XL883DLX 1993, XL883DLX 1994, XL883HUG 1993, XL883HUG 1994

FRONT WHEEL - LACED



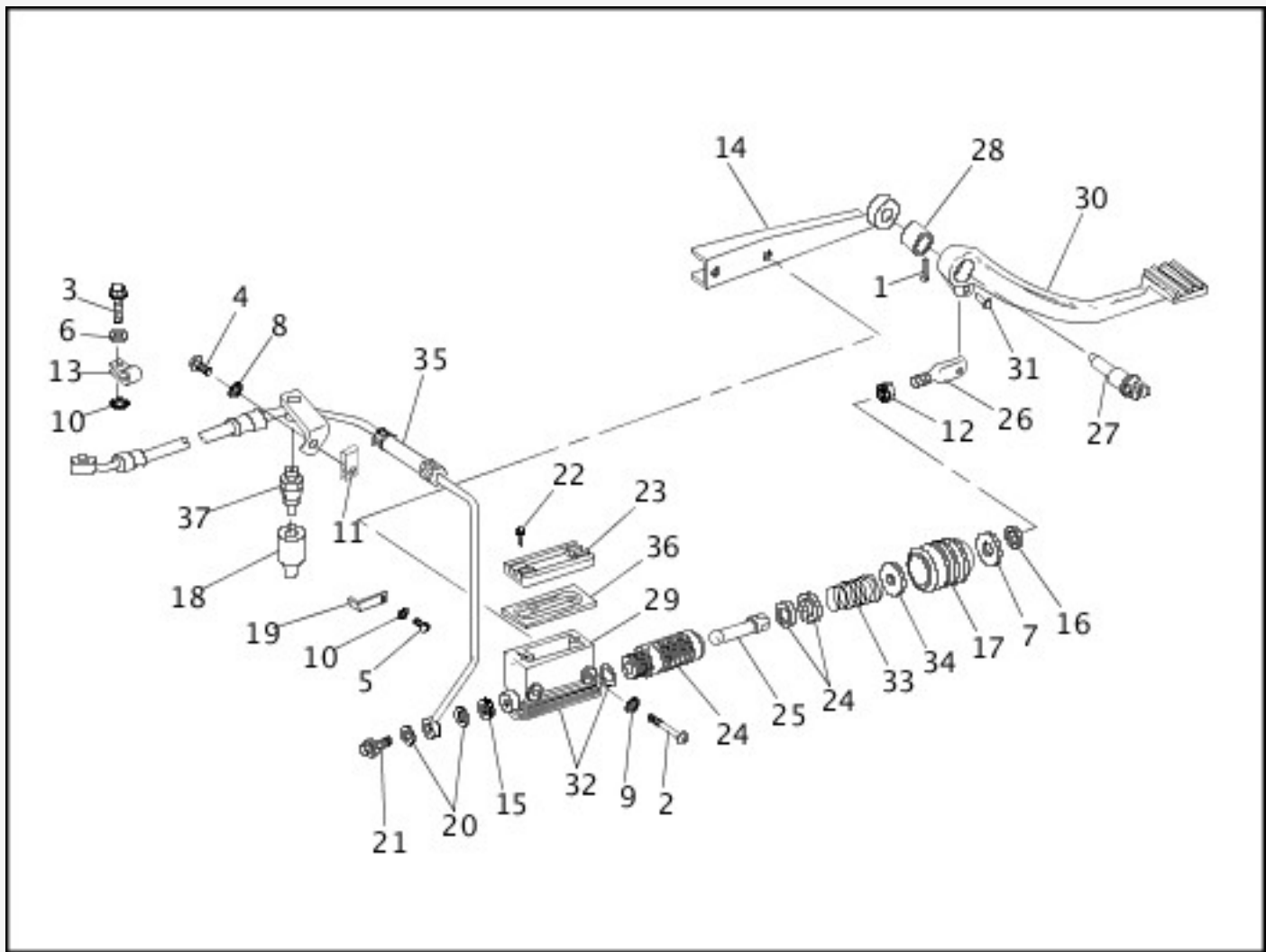
[View interactive image](#)

[View interactive table](#)

INDEX NO.	PART NO.	DESCRIPTION	MODEL(S)
1	3655A	SCREW (5)	ALL
2	6590HW	WASHER	ALL
3	7068	LOCKWASHER	ALL
4	7845	NUT	ALL
5	9052	ROLLER BEARING (2)	ALL
6	43001-06	RIM, 19 inch chrome	ALL

7	41123-79	VALVE CAP	ALL
8	40761-05	SPOKE & NIPPLE, 19 inch rim, short (20)	ALL
	43025-73B	SPOKE & NIPPLE, 19 inch rim, long (20)	ALL
9	43290-82	SPACER, 0.032 thick	ALL
	43291-82	SPACER, 0.016 thick	ALL
	43292-82	SPACER, 0.008 thick	ALL
	43293-82	SPACER, 0.004 thick	ALL
	43294-82	SPACER, 0.002 thick	ALL
10	43312-84B	WHEEL ASSEMBLY, 19 inch	ALL
11	43358-83A	SPACER, left bearing	ALL
12	43613-92	SPACER	ALL
13	43619-84	WHEEL HUB ASSEMBLY	ALL
14	43650-82	SPACER WASHER	ALL
15	43895-87B	FRONT AXLE	ALL
16	44136-92	DISC, brake	ALL
17	47519-83A	SEAL (2)	ALL
18	54321-85	NUT, valve stem	ALL
19	95578-41	WHEEL WEIGHT, 1/2 oz.	ALL
	95581-47	WHEEL WEIGHT, 3/4 oz.	ALL
	95582-47	WHEEL WEIGHT, 1 oz.	ALL

REAR BRAKE CONTROL



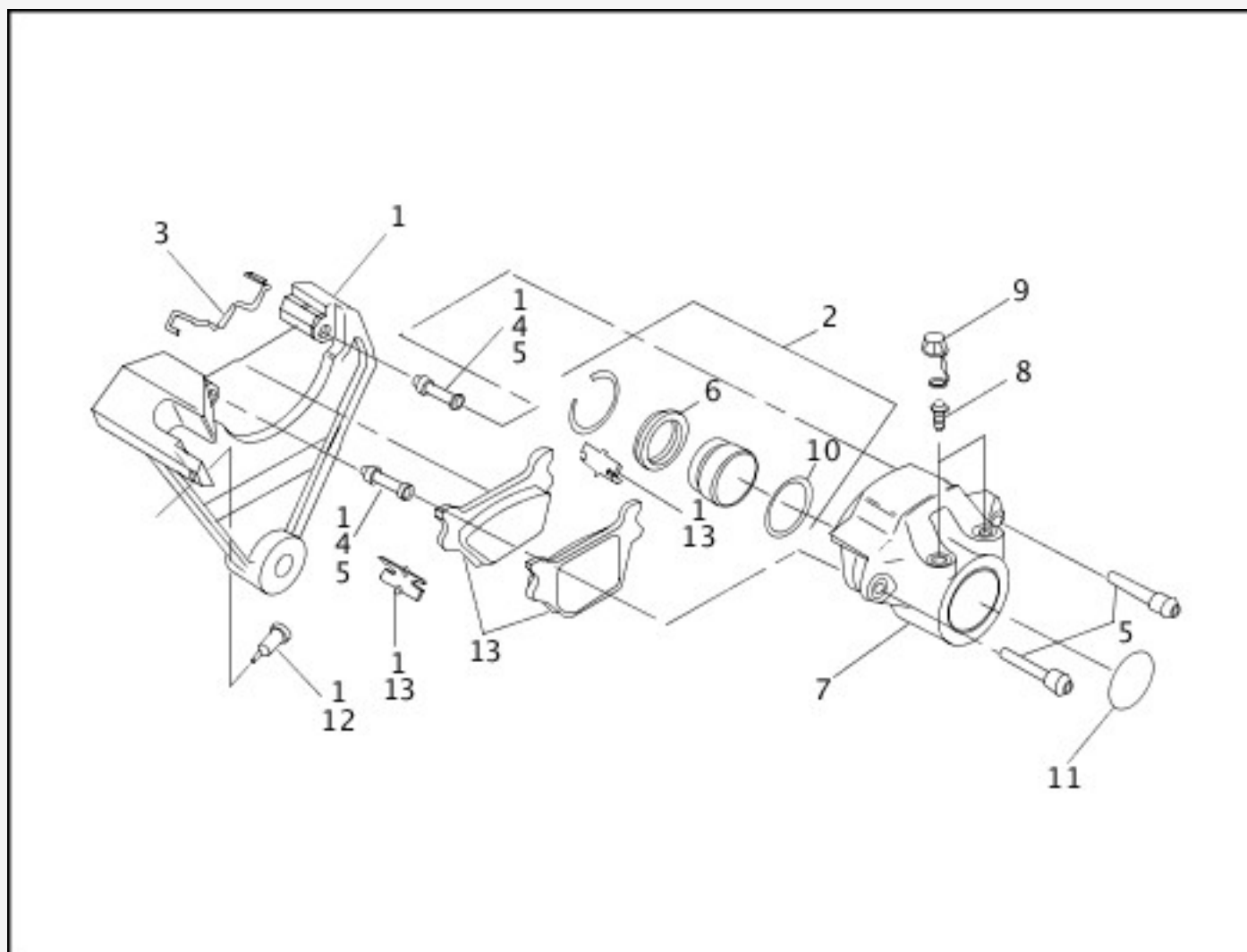
[View interactive image](#)

[View interactive table](#)

INDEX NO.	PART NO.	DESCRIPTION	MODEL(S)
1	515	COTTER PIN	ALL
2	853A	SCREW (2)	ALL
3	2523	SCREW (2)	ALL
4	4092	SCREW (black)	ALL
5	4240	SCREW	ALL
6	6192	WASHER	ALL
7	6366	WASHER	ALL
8	7041	LOCKWASHER	ALL
9	7042	LOCKWASHER (2)	ALL
10	7220	LOCKWASHER	ALL
11	7669	NUT	XL1200 1993, XL883 1993, XL883DLX 1993, XL883HUG 1993

	8102	SPEEDNUT (shown)	XL1200 1994, XL883 1994, XL883DLX 1994, XL883HUG 1994
12	7744	JAMNUT	ALL
13	10031	CLAMP (2)	ALL
14	34909-90	STIFFENER, master cylinder	ALL
15	35078-79	NUT	ALL
16	40903-87	RETAINING RING	ALL
17	40922-87A	BOOT, pushrod	ALL
18	41642-82	BOOT, brake switch	ALL
19	41713-86	CLAMP	ALL
20	41731-88A	GASKET	ALL
21	41747-82A	BOLT (2)	ALL
22	42375-87	BOLT (2)	ALL
23	42381-87	COVER, master cylinder (2)	ALL
24	42382-87C	REPAIR KIT, master cylinder	ALL
25	42436-87	PUSHROD	ALL
26	42437-87	ROD END	ALL
27	42441-90A	CLEVIS, footrest mounting	ALL
28	42443-80A	BUSHING	ALL
29	42456-87C	MASTER CYLINDER	ALL
30	42447-96	PEDAL ASSEMBLY, w/ 1, 26, 28 & 31	ALL
31	42460-80B	CLEVIS PIN	ALL
32	42472-87	REPAIR KIT, master cylinder body	ALL
33	42479-90	SPRING	ALL
34	44126-87	RETAINER, spring	ALL
35	44438-87B	HOSE, rear brake w/ 4240 & 7041	ALL
36	45005-85	GASKET, master cylinder cover	ALL
37	72023-51E	STOPLIGHT SWITCH	ALL
38	45042-82	REPAIR KIT, sight glass (not	ALL

REAR BRAKE CALIPER



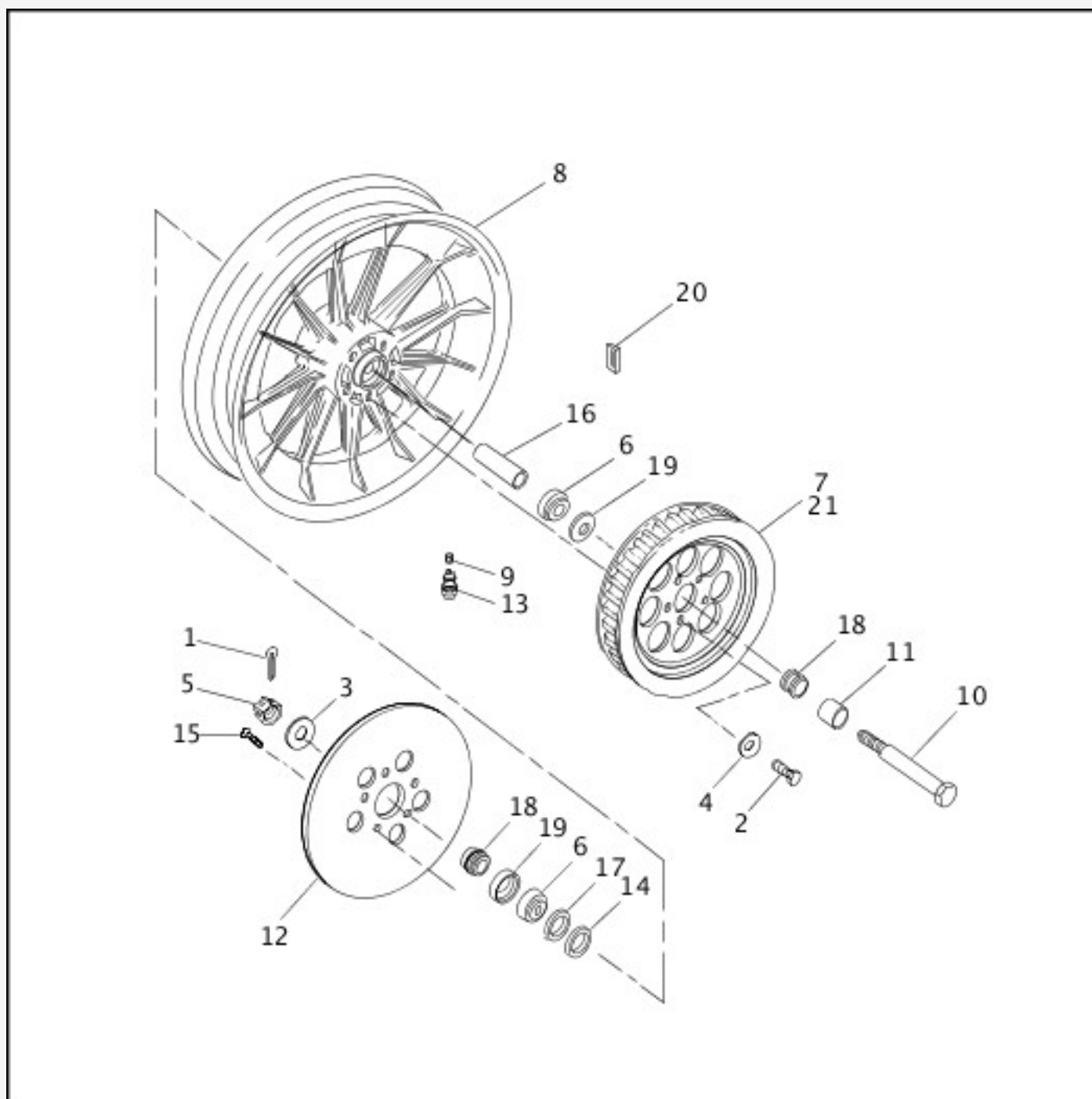
[View interactive image](#)

[View interactive table](#)

INDEX NO.	PART NO.	DESCRIPTION	MODEL(S)
1	40929-87	MOUNTING BRACKET, w/ 4, 12 & shims	ALL
2	43946-86A	PISTON REPAIR KIT	ALL
3	43960-86	RETAINER	ALL
4	44035-86A	BUSHING (2)	ALL
5	44039-86	MOUNTING KIT, w/ guide pins & bushings	ALL
6	44045-87A	SEAL & BOOT KIT	ALL
7	44050-87	CALIPER ASSEMBLY (black)	ALL
8	44048-83	BLEEDER FITTING	ALL
9	44147-87A	CAP, bleeder screw	ALL

10	44152-77	SEAL, piston	ALL
11	44198-87	LABEL	ALL
12	44199-79	BUMPER, mounting bracket	ALL
13	44209-87C	PAD SET, w/ shims	ALL

REAR WHEEL - CAST



[View interactive image](#)

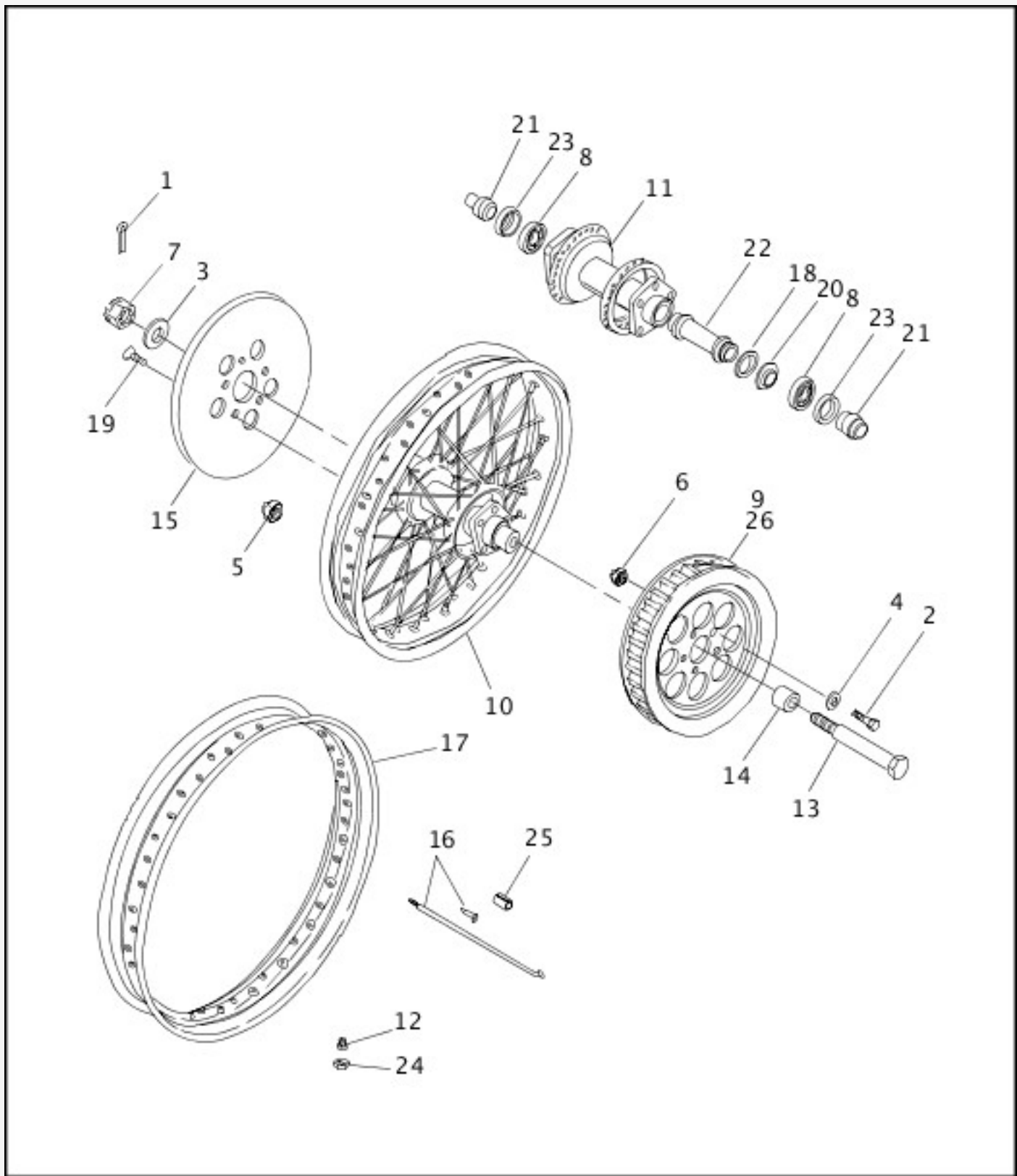
[View interactive table](#)

INDEX NO.	PART NO.	DESCRIPTION	MODEL(S)
1	511	COTTER PIN	ALL
2	3730A	BOLT (5)	ALL

3	5756	WASHER	ALL
4	6516HW	WASHER (5)	ALL
5	7987	NUT	ALL
6	9052	ROLLER BEARING (2)	ALL
7	40213-91	SPROCKET, 61T (belt) (black)	ALL
	40227-93	SPROCKET, 61T (belt) (silver)	XL1200 1993, XL1200 1994, XL883 1993, XL883 1994, XL883HUG 1993, XL883HUG 1994
8	40983-86	WHEEL ASSEMBLY, 16 inch (9 spoke) (silver) (use 41015-86)	XL883 1993, XL883 1994, XL883DLX 1993, XL883DLX 1994, XL883HUG 1993, XL883HUG 1994
	41015-86	WHEEL ASSEMBLY, 16 inch (9 spoke) (black) (replaces 40983-86)	ALL
9	41123-79	VALVE CAP	ALL
10	41563-77A	AXLE ASSEMBLY, w/ 1, 3 & 5	ALL
11	41594-73	SPACER	ALL
12	41789-92	BRAKE DISC KIT, w/ 15	ALL
13	43157-83A	VALVE STEM	ALL
14	43290-82	SPACER, 0.032 thick	ALL
	43291-82	SPACER, 0.016 thick	ALL
	43292-82	SPACER, 0.008 thick	ALL
	43293-82	SPACER, 0.004 thick	ALL
	43294-82	SPACER, 0.002 thick	ALL
15	43567-92	SCREW, brake disc	ALL
16	43608-82	SPACER	ALL
17	43650-82	SPACER WASHER	ALL

18	43654-86A	SPACER (2)	ALL
19	47519-83A	SEAL (2)	ALL
20	95594-84B	WHEEL WEIGHT, 5 grams (black)	XL1200 1993, XL1200 1994
	95595-84B	WHEEL WEIGHT, 5 grams (silver)	XL883 1993, XL883 1994, XL883DLX 1993, XL883DLX 1994, XL883HUG 1993, XL883HUG 1994
INTERNATIONAL MODELS ONLY			
21	40252-91	SPROCKET, 55T (belt) (883-Swiss;1200-HDI) (black)	ALL

REAR WHEEL - LACED

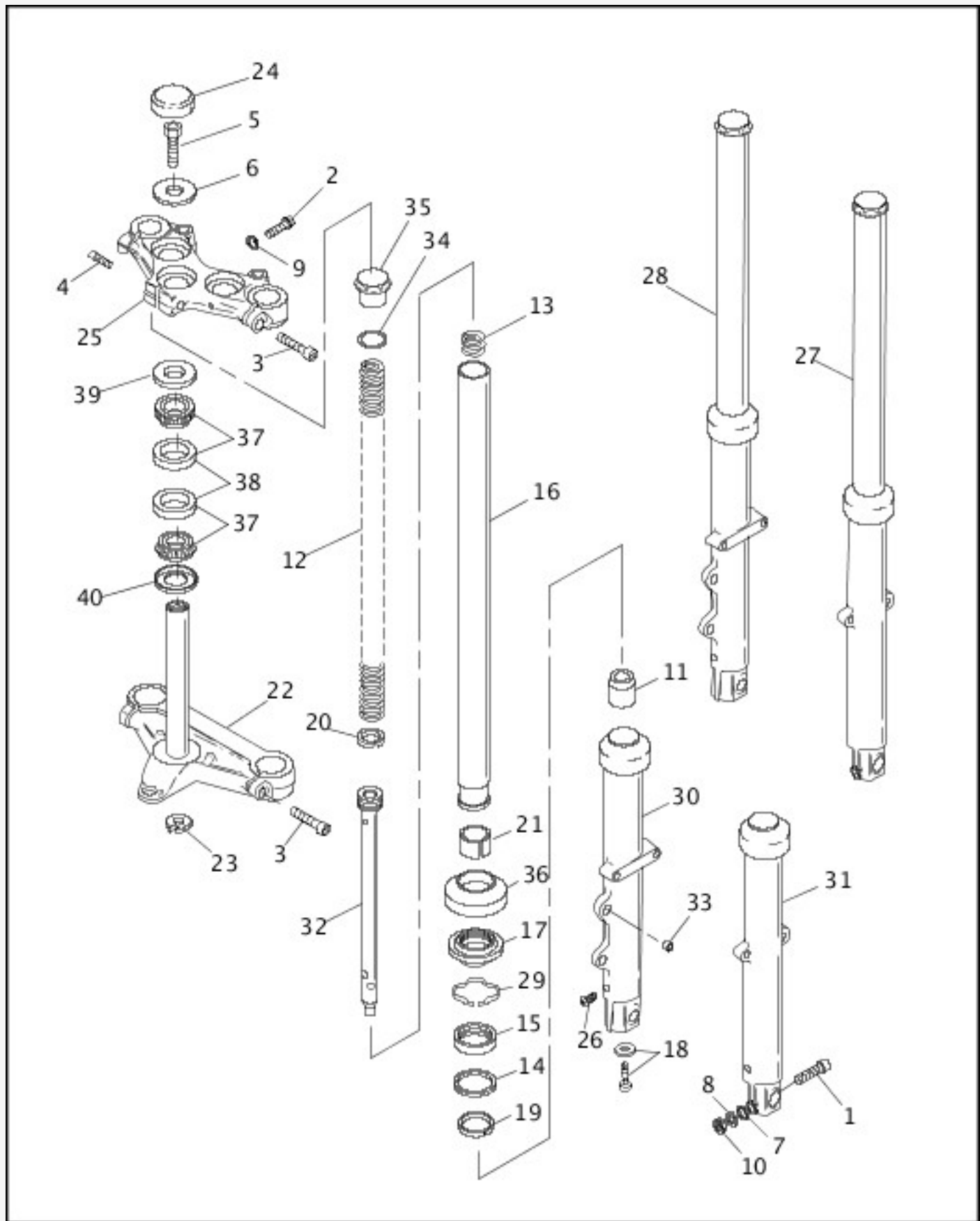


[View interactive image](#)

[View interactive table](#)

INDEX NO.	PART NO.	DESCRIPTION	MODEL(S)
1	511	COTTER PIN	ALL
2	3769	BOLT (5)	ALL
3	5756	WASHER	ALL
4	6516HW	WASHER (5)	ALL
5	7778	LOCKNUT (5)	ALL
6	7827W	LOCKNUT (5)	ALL

7	7987	NUT	ALL
8	9052	ROLLER BEARING (2)	ALL
9	40213-91	SPROCKET, 61T (belt) (black)	ALL
10	40975-86	WHEEL ASSEMBLY, 16 inch (chrome)	ALL
11	40976-86A	HUB ASSEMBLY, rear, 16 inch	ALL
12	41123-79	VALVE CAP	ALL
13	41563-77A	AXLE ASSEMBLY, w/ 1, 3 & 7	ALL
14	41594-73	SPACER	ALL
15	41789-92	BRAKE DISC KIT, w/ 43567-92	ALL
16	43241-05	SPOKE & NIPPLE, 16 inch rim (40)	ALL
17	43085-81	RIM, 16 inch (chrome)	ALL
18	43290-82	SPACER, 0.032 thick	ALL
	43291-82	SPACER, 0.016 thick	ALL
	43292-82	SPACER, 0.008 thick	ALL
	43293-82	SPACER, 0.004 thick	ALL
	43294-82	SPACER, 0.002 thick	ALL
19	43567-92	SCREW, brake disc (5)	ALL
20	43650-82	SPACER WASHER	ALL
21	43654-86A	SPACER (2)	ALL
22	43668-82	SPACER	ALL
23	47519-83A	SEAL (2)	ALL
24	54321-85	NUT, valve stem	ALL
25	95578-41	WHEEL WEIGHT, 1/2 oz	ALL
	95581-47	WHEEL WEIGHT, 3/4 oz.	ALL
	95582-47	WHEEL WEIGHT, 1 oz.	ALL
INTERNATIONAL MODELS ONLY			
26	40252-91	SPROCKET, 55T (belt) (883-Swiss; 1200- HDI) (black)	ALL



[View interactive image](#)

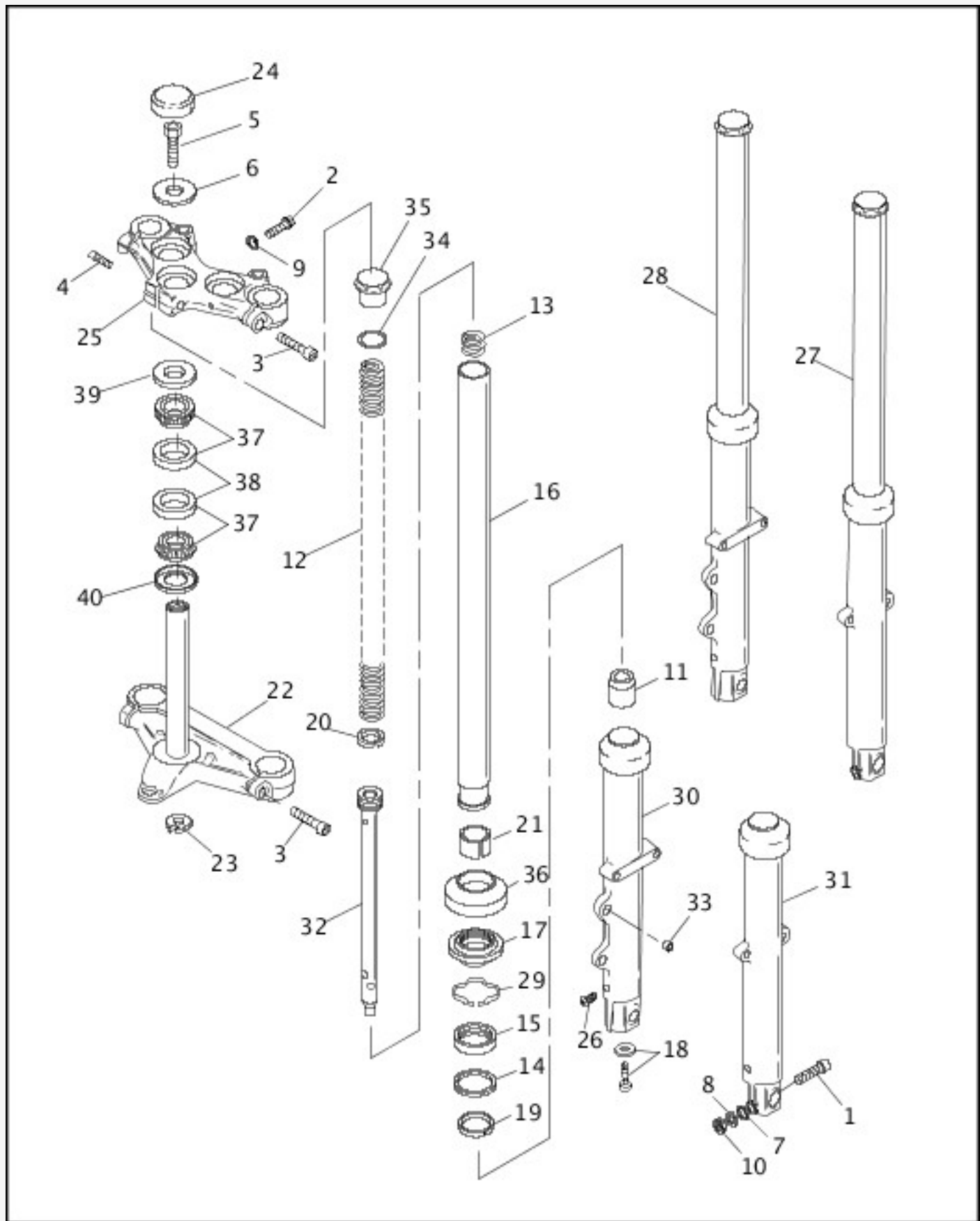
[View interactive table](#)

INDEX NO.	PART NO.	DESCRIPTION	MODEL(S)
1	4029A	SCREW	ALL
2	4240	SCREW (2)	ALL
3	4351	SCREW (4)	ALL
3	4351	SCREW (2)	XL1200 1993, XL1200 1994, XL883 1993, XL883 1994

4	4352	SCREW	ALL
5	4453	BOLT, tapped	XL1200 1993, XL1200 1994
5	4460	BOLT	XL883 1993, XL883 1994, XL883DLX 1993, XL883DLX 1994, XL883HUG 1993, XL883HUG 1994
6	6655	WASHER	ALL
7	6701	WASHER	ALL
8	7038	LOCKWASHER	ALL
9	7220	LOCKWASHER (2)	ALL
10	7783	NUT	ALL
11	45361-90	LOWER STOP (2)	XL883HUG 1993, XL883HUG 1994
	45463-87	LOWER STOP (2)	XL1200 1993, XL1200 1994, XL883 1993, XL883 1994, XL883DLX 1993, XL883DLX 1994
12	45372-92	SPRING (2)	XL883HUG 1993, XL883HUG 1994
13	45376-87	SPRING (2)	XL1200 1993, XL883 1993, XL883DLX 1993
	45376-94	SPRING (2)	XL1200 1993, XL1200 1994, XL883 1993, XL883 1994, XL883DLX 1993, XL883DLX 1994
	45374-87	SPRING, slider (2)	ALL
14	45377-87	SPACER, oil seal (2)	ALL
15	45378-87	OIL SEAL (2)	ALL
16	45381-87	SLIDER TUBE (2)	XL1200 1993, XL883 1993, XL883DLX 1993
	45395-92	SLIDER TUBE (2)	ALL
17	45401-87	SEAL, dust (2)	ALL
18	45405-75A	SCREW, w/ washer (2)	ALL
19	45461-87	BUSHING, upper (2)	ALL
20	45460-90	RING, damper tube (2)	XL883HUG 1993, XL883HUG 1994

	45462-87	RING, damper tube (2)	XL883HUG 1993
	45462-87	RING, damper tube (4)	XL1200 1993, XL883 1993, XL883DLX 1993
21	45465-87	BUSHING, slider tube (2)	ALL
22	45549-88	BRACKET, lower, w/ stem	XL883 1993, XL883DLX 1993, XL883HUG 1993
	45563-87	BRACKET, lower, w/ stem	XL1200 1993, XL1200 1994
	45563-87	BRACKET, lower, w/ stem	XL1200 1994, XL883 1994, XL883DLX 1994, XL883HUG 1994

FRONT FORK (2 OF 2)



[View interactive image](#)

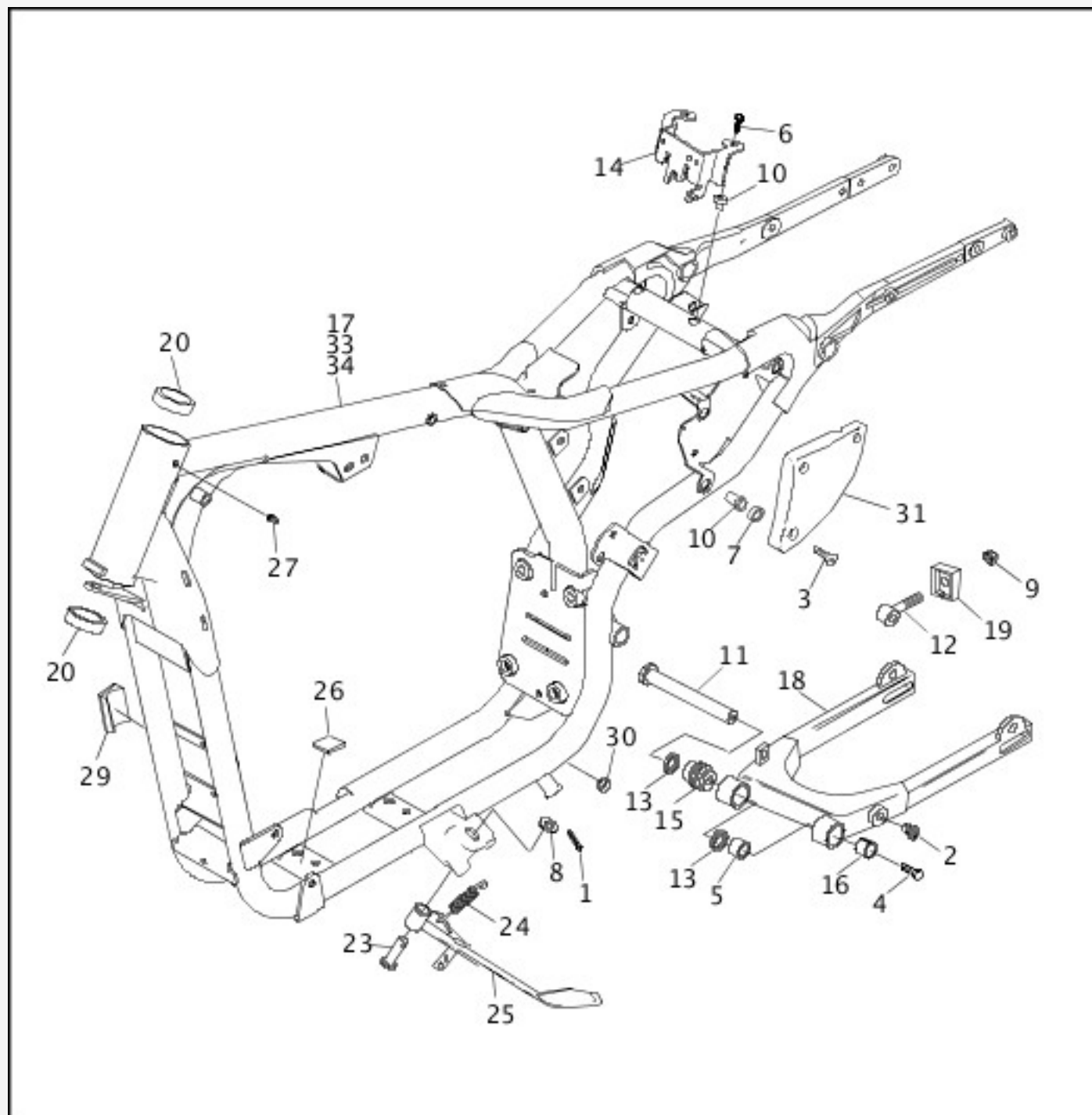
[View interactive table](#)

INDEX NO.	PART NO.	DESCRIPTION	MODEL(S)
23	45611-86	RETAINING RING	ALL
24	45668-90	CAP, fork stem	XL1200 1993, XL1200 1994
25	45739-	BRACKET, upper	ALL

	87		
26	45790-80	DRAIN SCREW, w/ washer (2)	ALL
27	45900-88	FORK SLIDER & TUBE ASSEMBLY, right	XL1200 1993, XL883 1993, XL883DLX 1993
	45900-94	FORK SLIDER & TUBE ASSEMBLY, right	XL1200 1994, XL883 1994, XL883DLX 1994
	45928-92	FORK SLIDER & TUBE ASSEMBLY, right	XL883HUG 1993, XL883HUG 1994
28	45901-88	FORK SLIDER & TUBE ASSEMBLY, left	XL1200 1993, XL883 1993, XL883DLX 1993
	45901-94	FORK SLIDER & TUBE ASSEMBLY, left	XL1200 1993, XL1200 1994, XL883 1993, XL883 1994, XL883DLX 1993, XL883DLX 1994
	45929-92	FORK SLIDER & TUBE ASSEMBLY, left	XL883HUG 1993, XL883HUG 1994
29	45905-87	RETAINING RING, oil seal	ALL
30	45921-87	SLIDER ASSEMBLY, left	XL1200 1993, XL1200 1994, XL883 1993, XL883DLX 1993
31	45923-87	SLIDER ASSEMBLY, right	ALL
32	45925-88	DAMPER TUBE (2)	XL1200 1993, XL883 1993, XL883DLX 1993
	45925-94	DAMPER TUBE (2)	XL1200 1994, XL883 1994, XL883DLX 1994
	45938-92	DAMPER TUBE, w/ 45460-90 (2)	XL883HUG 1993, XL883HUG 1994
33	45934-86	BUSHING, brake caliper	ALL
34	45984-87	O-RING (2)	ALL
35	45996-87	CAP, slider tube (2)	ALL
36	46002-87	COVER, slider (2)	ALL
37	48300-60	ROLLER BEARING, w/ cup (2)	ALL
38	48315-60	BEARING CUP (2)	ALL

39	48361-80	DUST SHIELD, upper	ALL
40	48365-48A	DUST SHIELD, lower	ALL
INTERNATIONAL MODELS ONLY			
41	48140-84A	STEERING HEAD LOCK ASSEMBLY (HDI) (not illustrated)	ALL

FRAME, REAR FORK & JIFFY STAND



[View interactive image](#)

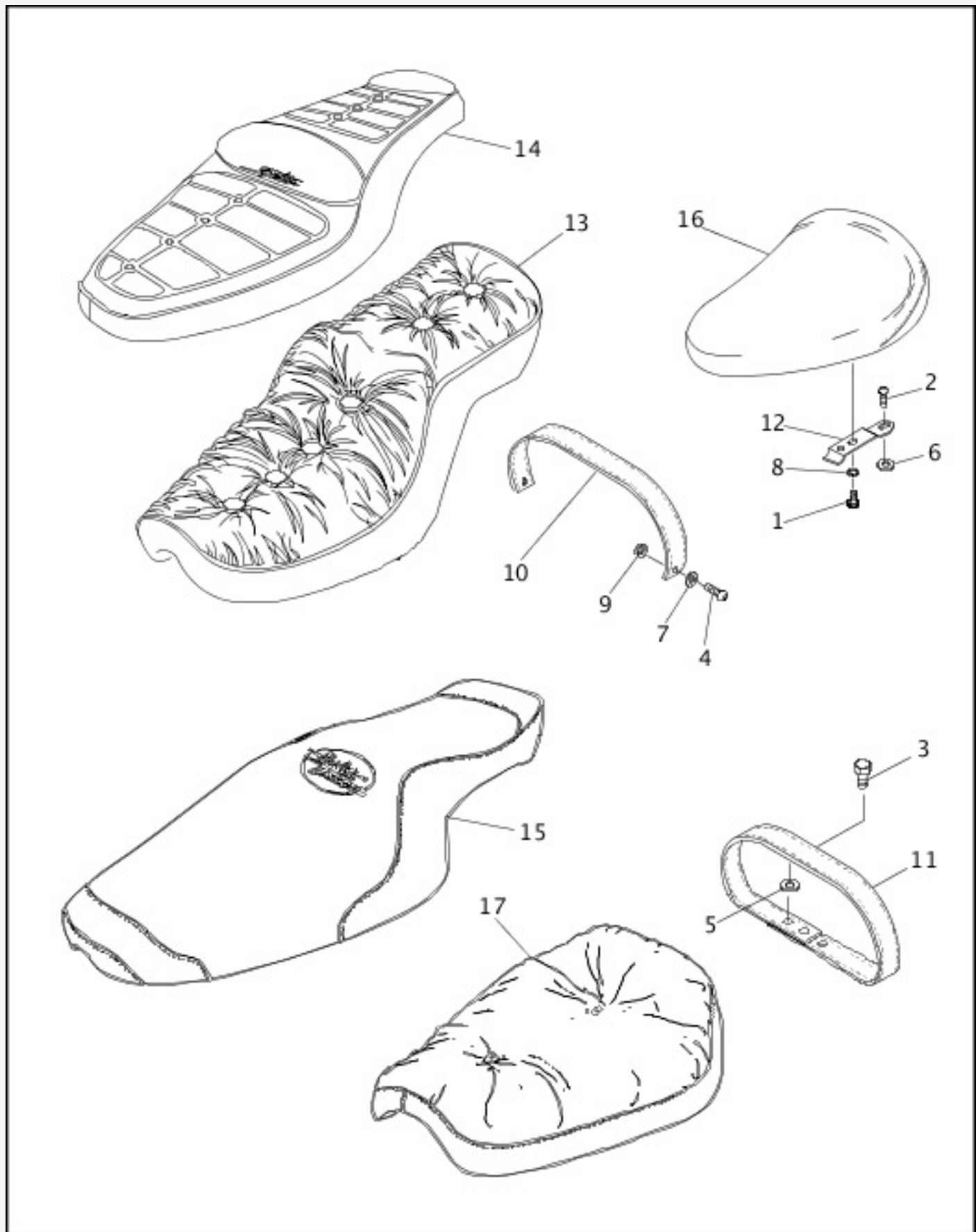
[View interactive table](#)

INDEX NO.	PART NO.	DESCRIPTION	MODEL(S)

1	554A	COTTER PIN	ALL
2	740	HOLE PLUG (2)	XL1200 1993, XL1200 1994, XL883 1993, XL883 1994, XL883HUG 1993, XL883HUG 1994
3	1357W	SCREW (3)	ALL
4	2925A	SCREW	ALL
5	5741	SPACER, pivot bolt	ALL
6	3802W	BOLT (2)	XL1200 1994, XL883 1994, XL883DLX 1994, XL883HUG 1994
7	6073	SPACER (3)	XL1200 1994, XL883 1994, XL883DLX 1994, XL883HUG 1994
8	6701	WASHER	ALL
9	7725	LOCKNUT (2)	ALL
10	8099	WELL NUT (5)	ALL
11	41568-81B	PIVOT BOLT, rear fork w/ 4 & 5	ALL
12	41570-77	ADJUSTER, rear axle (2)	ALL
13	41579-81	DUST SHIELD, bearing (2)	ALL
14	46988-94A	BRACKET ASSEMBLY, electrical, w/ circuit breaker clip	XL1200 1994, XL883 1994, XL883DLX 1994, XL883HUG 1994
15	47082-81	BEARING, rear fork, right	ALL
16	47083-81A	BEARING, rear fork, left	ALL
17	47150-91B	FRAME	XL1200 1993, XL883 1993, XL883DLX 1993, XL883HUG 1993
	47150-94A	FRAME	XL1200 1994, XL883 1994, XL883DLX 1994, XL883HUG 1994
18	47547-87B	REAR FORK, w/ bearings	ALL
19	47554-73A	END COVER, rear fork (2)	ALL
20	48315-60	BEARING CUP, steering head (2)	ALL
21	48361-80	DUST SHIELD, steering head bearing (not illustrated)	ALL
22	48365-48A	DUST SHIELD, steering head bearing (not illustrated)	ALL

23	50003-89B	PIN, clevis	ALL
24	50005-85A	SPRING, jiffy stand	ALL
25	50006-89	JIFFY STAND	XL1200 1993, XL1200 1994, XL883 1993, XL883 1994, XL883DLX 1993, XL883DLX 1994
25	50072-92	JIFFY STAND	XL883HUG 1993, XL883HUG 1994
26	50101-91	DECKING BUMPER	ALL
27	50972-75	FITTING, lubrication	ALL
28	53487-87	PAD, protective (not illustrated)	ALL
29	59273-91	REFLECTOR (amber) (2)	ALL
30	62122-89A	BUMPER	ALL
31	66325-82	SIDE COVER, ignition module (black)	ALL
32	48300-60	BEARING, steering head, complete (not illustrated) (2)	ALL
INTERNATIONAL MODELS ONLY			
33	47209-91B	FRAME (HDI)	XL1200 1993, XL883 1993, XL883DLX 1993, XL883HUG 1993
34	47209-94A	FRAME (HDI)	XL1200 1994, XL883 1994, XL883DLX 1994, XL883HUG 1994

SEATS



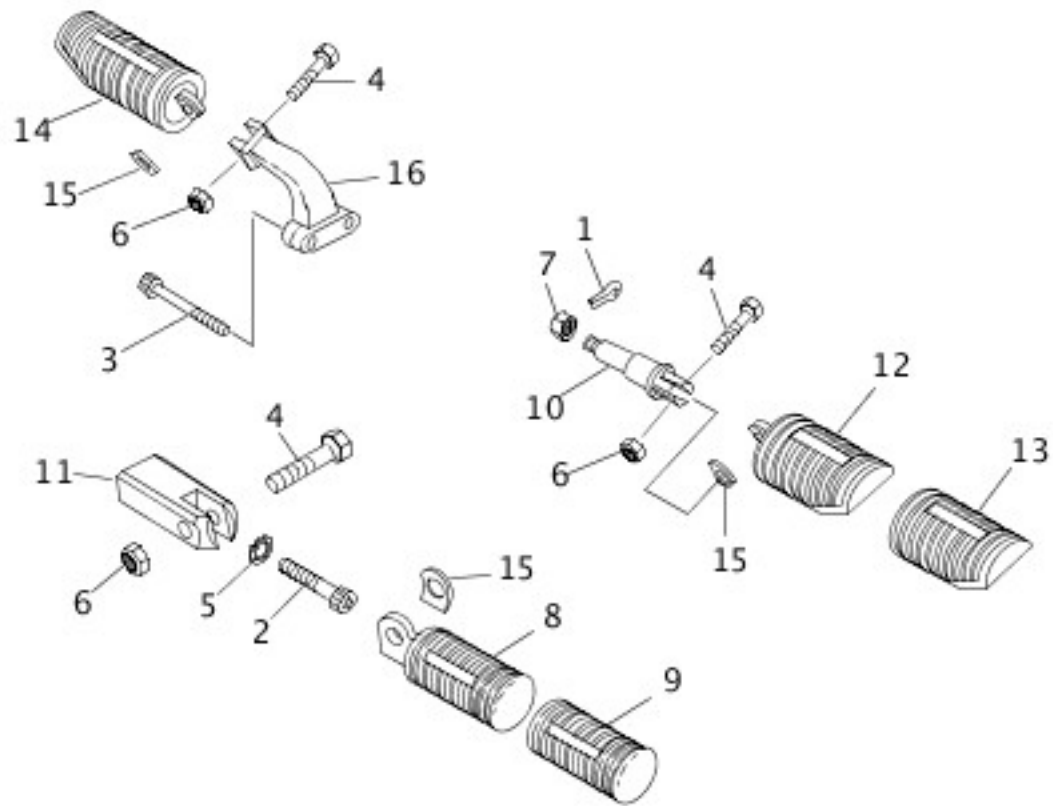
[View interactive image](#)

[View interactive table](#)

INDEX NO.	PART NO.	DESCRIPTION	MODEL(S)
1	924	SCREW (2)	ALL
2	2739	SCREW, seat mounting	ALL
3	3765	BOLT	XL1200 1994, XL883DLX 1994
4	4092	SCREW (2)	XL1200 1993, XL883DLX 1993

5	6036	WASHER	XL1200 1994, XL883DLX 1994
6	6410	WASHER (2)	ALL
7	6702	WASHER (2)	XL1200 1993, XL883DLX 1993
8	7036	WASHER (2)	XL1200 1993, XL1200 1994, XL883DLX 1994
	7124	LOCKWASHER (2)	ALL
9	7531	LOCKNUT (2)	XL1200 1993, XL883DLX 1993
10	51187-86	PASSENGER STRAP	XL1200 1993
	51191-83	PASSENGER STRAP	XL883DLX 1993
11	51187-94A	PASSENGER STRAP	XL1200 1994, XL883DLX 1994
12	51652-83B	BRACKET, seat mounting	ALL
13	52004-84D	SEAT	XL1200 1993
	52004-94B	SEAT ASSEMBLY, two-up, pillow w/ 3, 5 & 11	XL1200 1994
14	52101-92C	SEAT, two-up	XL883DLX 1993
15	52101-92C	SEAT, two-up	XL883DLX 1994
16	52129-92C	SEAT, solo	XL1200 1994, XL883 1994, XL883HUG 1993
16	52131-83B	SEAT, solo	XL883 1993
17	52132-94	SEAT, solo, ruffle	XL883HUG 1994

FOOTRESTS



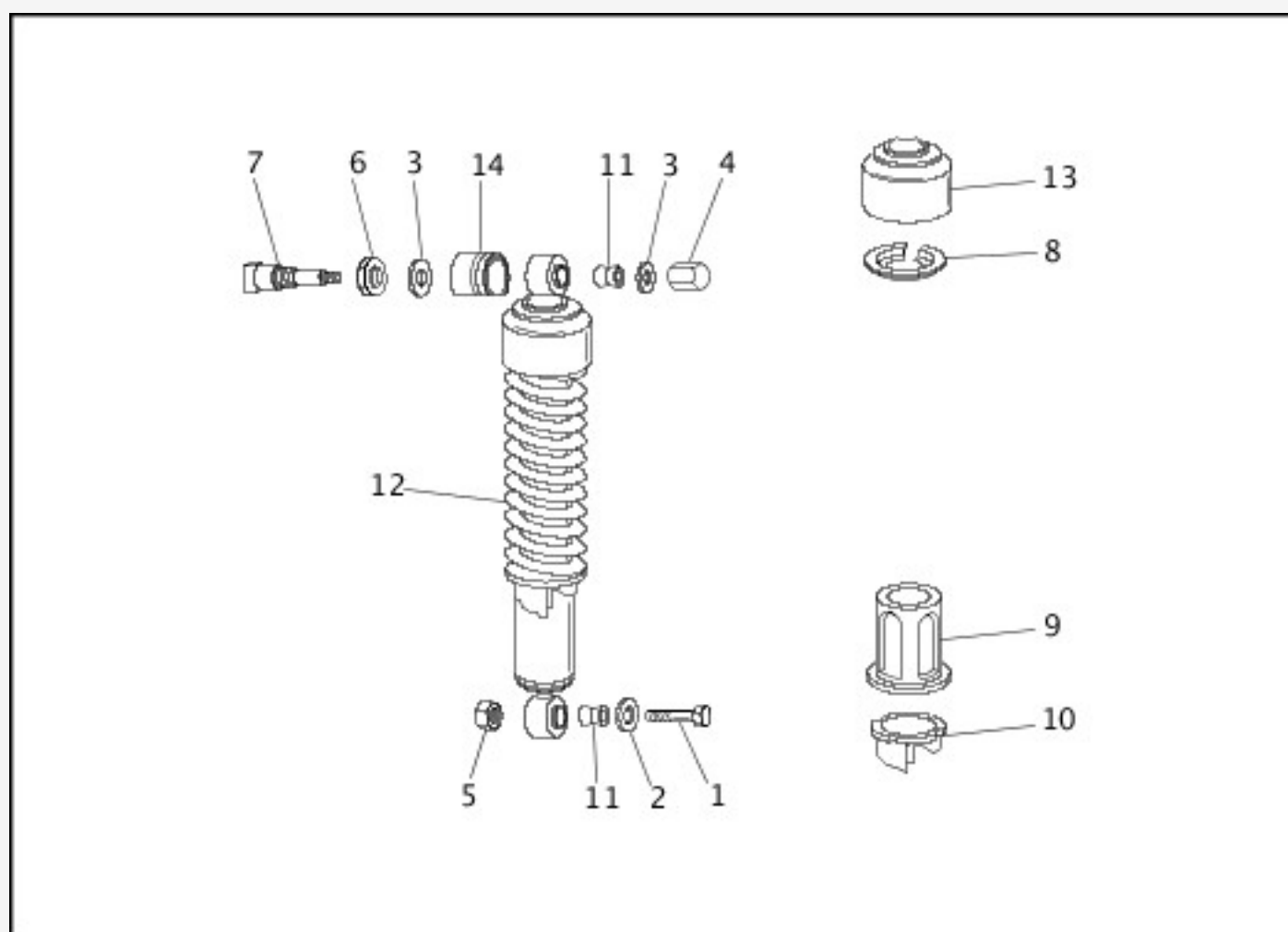
[View interactive image](#)

[View interactive table](#)

INDEX NO.	PART NO.	DESCRIPTION	MODEL(S)
1	534	COTTER PIN	ALL
2	855B	SCREW (2)	ALL
3	879A	SCREW (2)	ALL
4	4721	BOLT (2)	ALL
4	4721	BOLT (4)	ALL
5	7045	LOCKWASHER (2)	XL1200 1993, XL883DLX 1993
6	7778	LOCKNUT	ALL
7	7824	LOCKNUT	ALL
8	33048-72	FOOTREST, w/ cover (2)	XL1200 1993, XL1200 1994, XL883DLX 1993, XL883DLX 1994

9	33189-63	COVER, footrest (2)	XL1200 1993, XL1200 1994, XL883DLX 1993, XL883DLX 1994
10	42441-90A	CLEVIS, footrest mounting, right	ALL
11	50615-83	FOOTREST SUPPORT (2)	XL1200 1993, XL1200 1994, XL883DLX 1993, XL883DLX 1994
12	50643-82	FOOTREST, w/ cover, right	ALL
13	50646-82	COVER, footrest (2)	ALL
14	50647-82	FOOTREST, w/ cover, left	ALL
15	50912-72	SPRING WASHER (2)	ALL
15	50912-72	SPRING WASHER (4)	ALL
16	50951-90	FOOTREST SUPPORT, left	ALL

SHOCK ABSORBERS



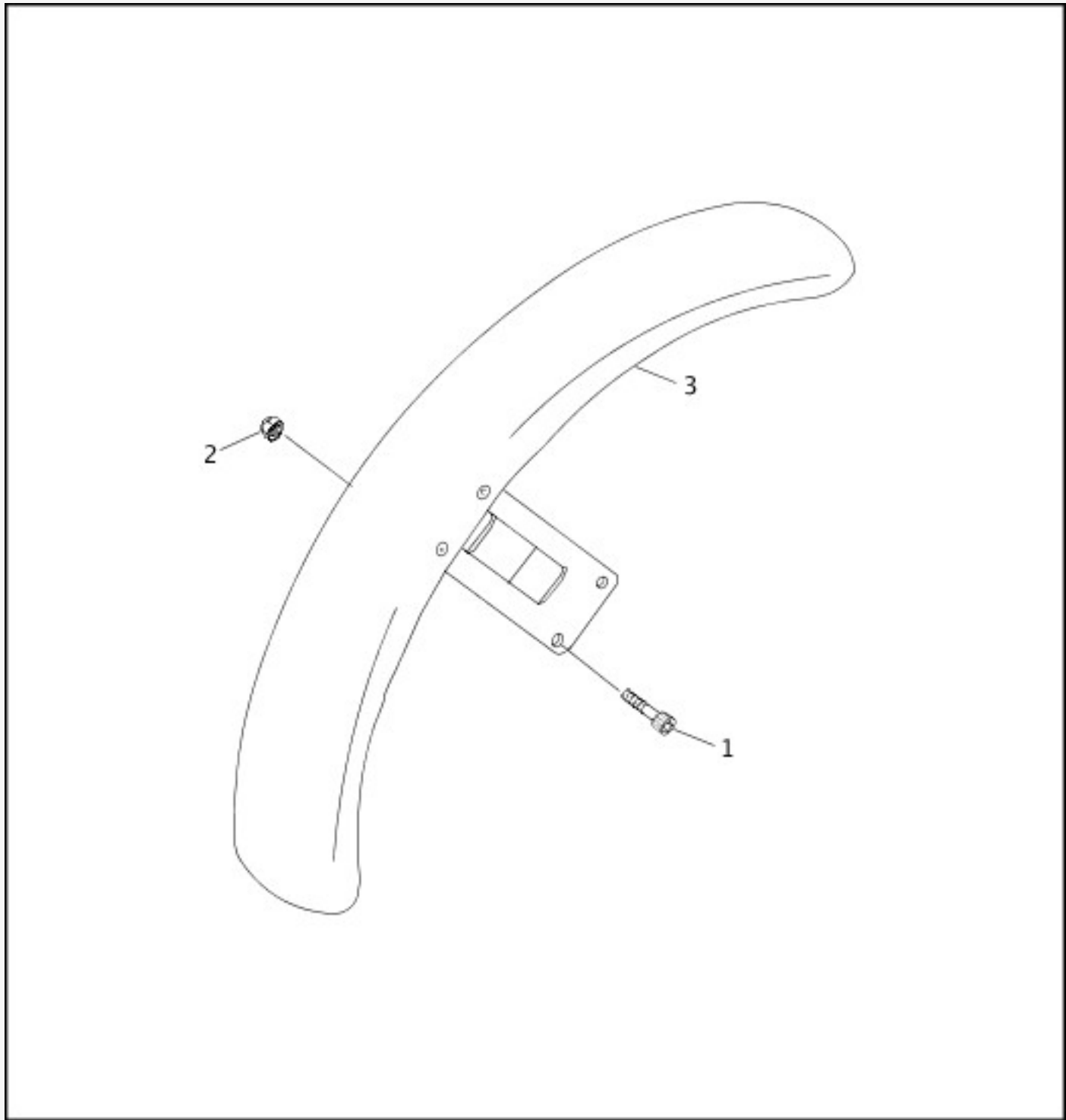
[View interactive image](#)

[View interactive table](#)

INDEX NO.	PART NO.	DESCRIPTION	MODEL(S)
-----------	----------	-------------	----------

1	3958	BOLT, left	ALL
	4743	BOLT, right	ALL
2	6012	WASHER (2)	ALL
3	6701	WASHER (4)	ALL
4	7655	ACORN NUT (2)	ALL
5	7824	LOCKNUT (2)	ALL
6	35078-79	NUT (2)	ALL
7	47384-91	BOLT, shock mount (upper) (2)	ALL
	47384-94	BOLT, shock mount (upper) (2)	XL1200 1994, XL883 1994, XL883DLX 1994, XL883HUG 1994
8	54473-79	SEAT, spring, upper (2)	ALL
9	54475-79	SPRING GUIDE, lower (2)	ALL
10	54476-82	ADJUSTER, spring (2)	ALL
11	54556-84	BUSHING, damper (4)	ALL
12	54566-91	SHOCK ABSORBER, complete (2)	XL1200 1994, XL883 1993, XL883DLX 1993
	54566-94	SHOCK ABSORBER, complete (2)	XL1200 1994, XL883 1994, XL883DLX 1994
	54568-92	SHOCK ABSORBER, complete (2)	XL883HUG 1993, XL883HUG 1994
13	54701-82	COVER, shock absorber (2)	ALL
14	54705-91	COVER, shock absorber stud (2)	XL1200 1993, XL883 1993, XL883DLX 1993, XL883HUG 1993
	54705-94	COVER, shock absorber stud (2)	XL1200 1994, XL883 1994, XL883DLX 1994, XL883HUG 1994

FRONT FENDER

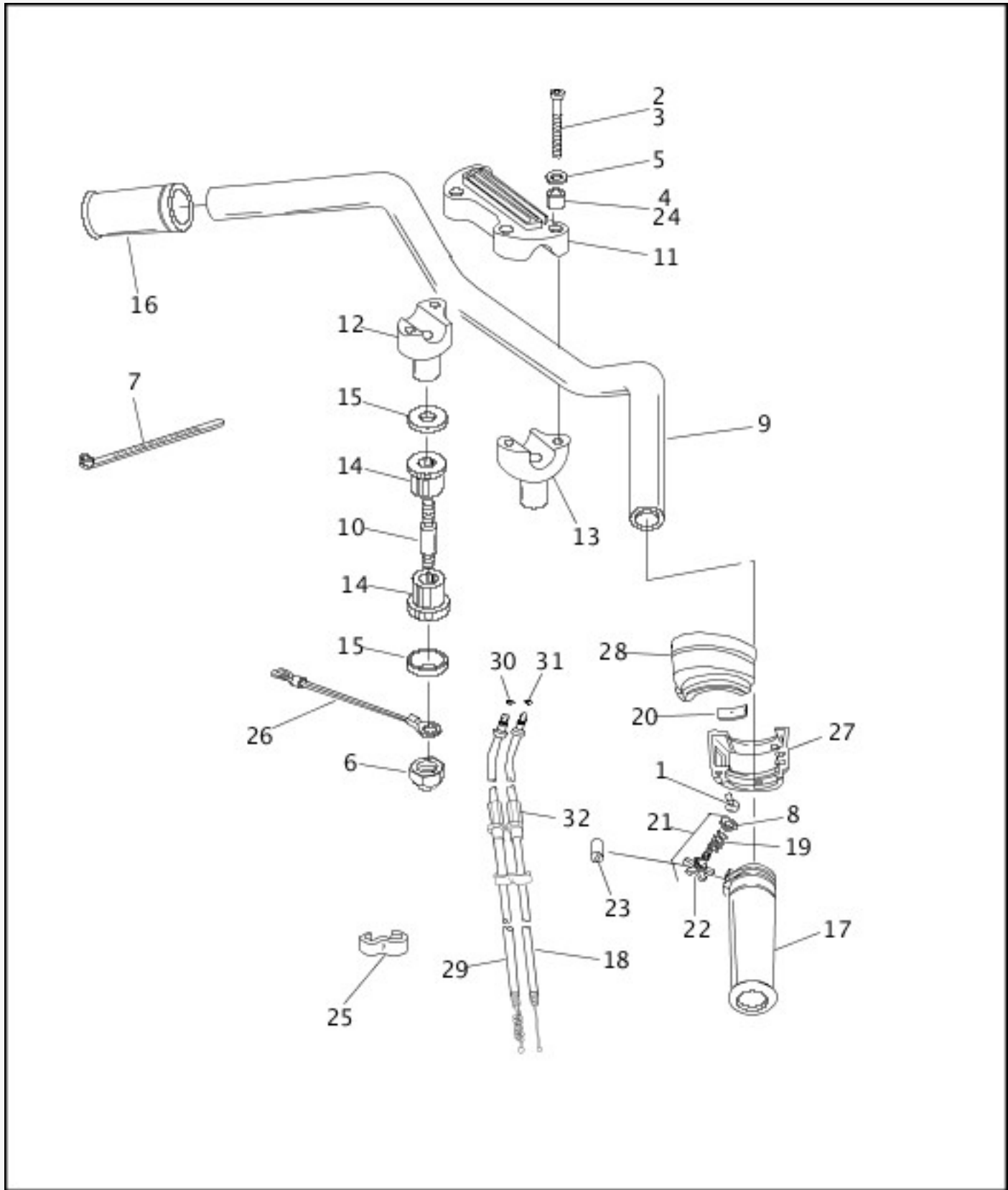


[View interactive image](#)

[View interactive table](#)

INDEX NO.	PART NO.	DESCRIPTION	MODEL(S)
1	3210A	SCREW (4)	ALL
2	7531	LOCKNUT (4)	ALL
3	58998-83E	FRONT FENDER, prime	ALL

HANDLEBAR & THROTTLE CONTROL



[View interactive image](#)

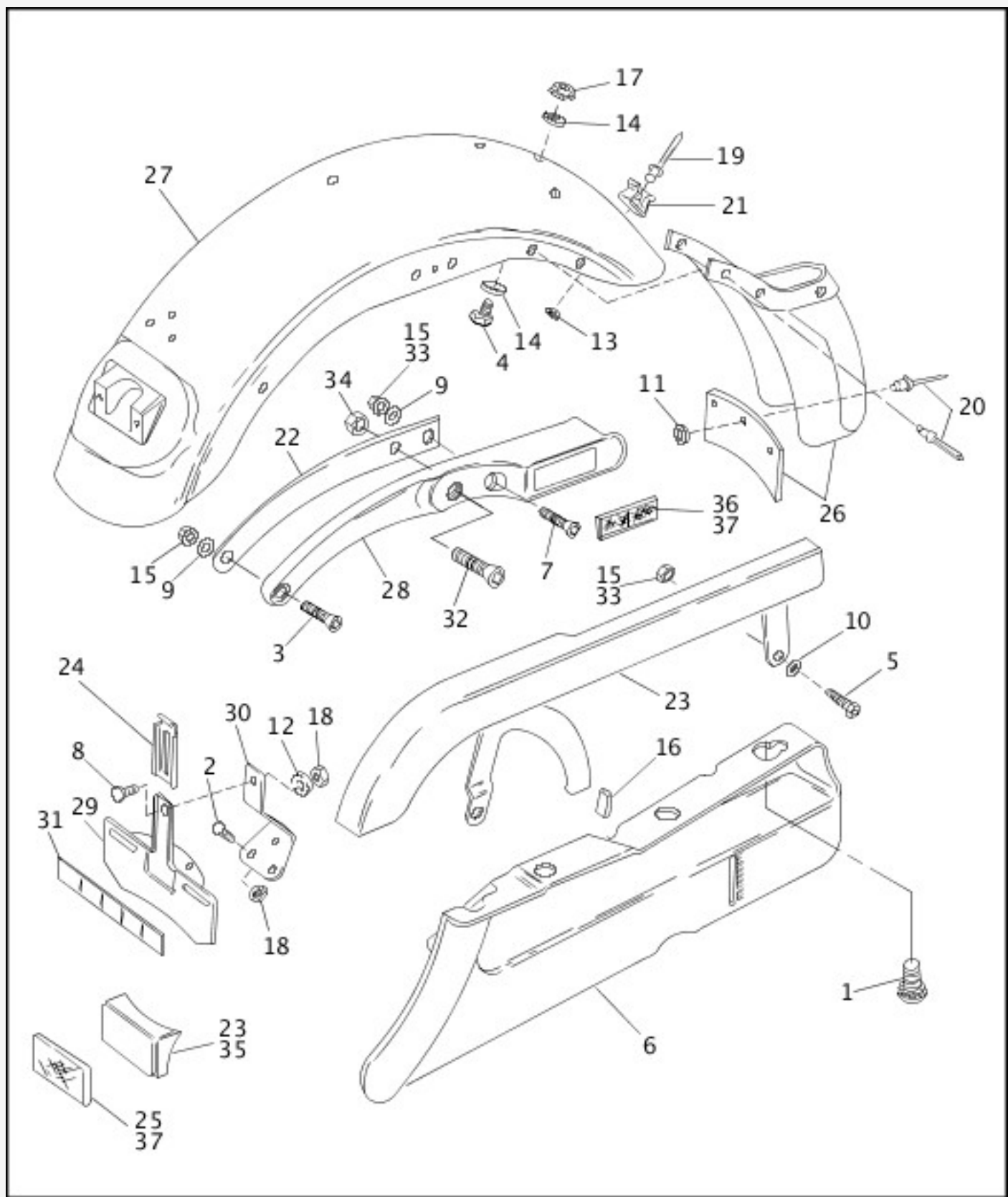
[View interactive table](#)

INDEX NO.	PART NO.	DESCRIPTION	MODEL(S)
1	2508	SCREW (2)	ALL
2	4326A	SCREW (2)	ALL
3	4816A	SCREW (2)	ALL
4	5736	SPACER, handlebar mounting (2)	XL1200 1993, XL1200 1994

5	6702	WASHER (2)	ALL
6	7768W	LOCKNUT (2)	ALL
7	10065	CABLE STRAP (2)	ALL
8	11155	RETAINING RING	ALL
9	56081-82A	HANDLEBAR	XL1200 1993, XL1200 1994, XL883DLX 1993, XL883DLX 1994, XL883HUG 1993, XL883HUG 1994
	56082-83	HANDLEBAR	XL1200 1993, XL1200 1994, XL883 1993, XL883 1994
10	56105-84	STUD, handlebar (2)	ALL
11	56115-79B	CLAMP, handlebar, upper	ALL
12	56116-82A	CLAMP, handlebar, lower left	ALL
13	56117-82A	CLAMP, handlebar, lower right	ALL
14	56158-73	RUBBER BUSHING, handlebar mounting (4)	ALL
15	56159-73	CUP WASHER, handlebar mounting (4)	ALL
16	56206-94A	HANDLEBAR GRIP	ALL
17	56220-94A	GRIP & SLEEVE, throttle	ALL
18	56308-88	THROTTLE CONTROL ASSEMBLY	ALL
19	56394-74	SPRING, adjusting screw	ALL
20	56396-74A	FRICTION SPRING, throttle grip	ALL
21	56397-74C	KIT, throttle adjusting screw, w/ 8, 19 & 22	ALL
22	56402-83A	ADJUSTING SCREW, throttle	ALL
23	56508-76	FERRULE (2)	ALL
24	67009-72	SPACER, handlebar mounting (2)	XL883 1993, XL883 1994, XL883DLX 1993, XL883DLX 1994, XL883HUG 1993, XL883HUG 1994

25	70504-81	CLIP, throttle cables	ALL
26	70191-73A	GROUND WIRE	XL1200 1993, XL883 1993, XL883DLX 1993, XL883HUG 1993
27	71563-82A	HOUSING, switches & throttle control, lower	ALL
28	71564-82A	HOUSING, switches & throttle control, upper	ALL
29	56309-88	IDLE CONTROL ASSEMBLY	ALL
30	11271	RING, retainer, idle	ALL
31	11272	RING, retainer, throttle	ALL
32	38653-01	BOOT, throttle cable	ALL

REAR FENDER & BELT GUARDS



[View interactive image](#)

[View interactive table](#)

INDEX NO.	PART NO.	DESCRIPTION	MODEL(S)
1	3537	SCREW (3)	ALL
2	2773	SCREW (3)	ALL
3	3670	SCREW (2)	XL1200 1993, XL883 1993, XL883DLX 1993, XL883HUG 1993
4	3767B	BOLT	XL1200 1993, XL883 1993, XL883DLX 1993, XL883HUG 1993

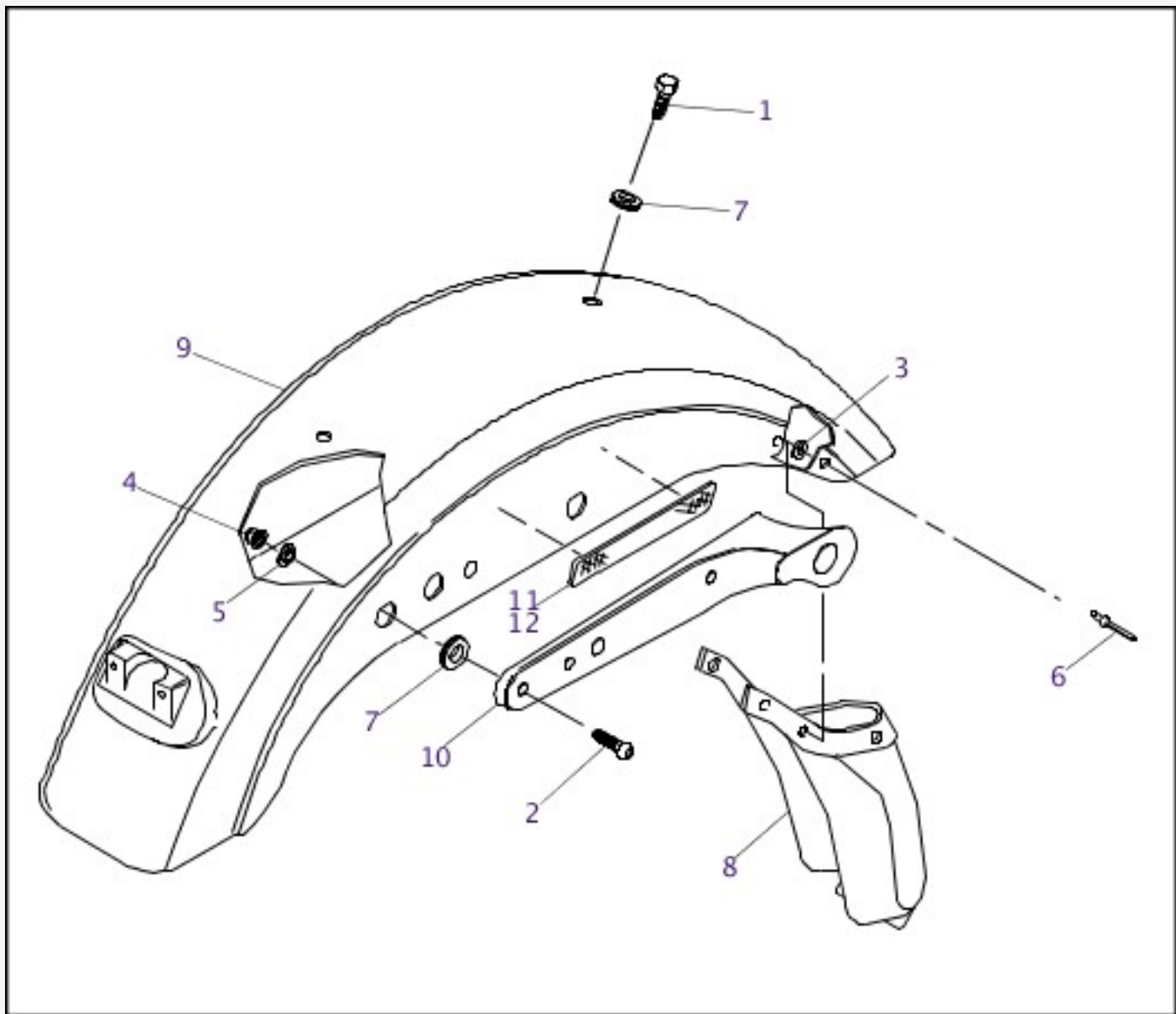
5	3987	BOLT	ALL
6	60436-91	DEBRIS DEFLECTOR	ALL
7	4816A	SCREW (2)	XL1200 1993, XL883 1993, XL883DLX 1993, XL883HUG 1993
8	5403B	BOLT	ALL
9	6056	CUP WASHER (4)	XL1200 1993, XL883 1993, XL883DLX 1993, XL883HUG 1993
10	6109	WASHER	ALL
11	6192	WASHER (7)	XL1200 1993, XL883 1993, XL883DLX 1993, XL883HUG 1993
12	6703	WASHER	ALL
13	6717	WASHER (4)	XL1200 1993, XL883 1993, XL883DLX 1993, XL883HUG 1993
14	7124	LOCKWASHER (2)	XL1200 1993, XL883 1993, XL883DLX 1993, XL883HUG 1993
15	7531	LOCKNUT (4)	ALL
16	60419-91	BUMPER	ALL
17	7686	LOCKNUT	ALL
18	7792	NUT, keps (4)	ALL
19	8483A	RIVET (4)	XL1200 1993, XL883 1993, XL883DLX 1993, XL883HUG 1993
20	8692	RIVET (7)	XL1200 1993, XL883 1993, XL883DLX 1993, XL883HUG 1993
21	9952	CLIP (4)	XL1200 1993, XL883 1993, XL883DLX 1993, XL883HUG 1993
22	59242-90	MOUNTING PLATE (2)	XL1200 1993, XL883 1993, XL883DLX 1993, XL883HUG 1993
23	60381-91	BELT GUARD KIT, w/ 16	ALL
24	60001-55	CLAMP, license plate bracket	ALL
25	59259-90	REFLECTOR (red) (3)	ALL
26	59594-82C	FENDER EXTENSION ASSEMBLY, w/ 11, 13 & 20	XL1200 1993, XL883 1993, XL883DLX 1993, XL883HUG 1993
27	59674-81C	REAR FENDER (prime)	XL1200 1993, XL883 1993, XL883DLX 1993, XL883HUG 1993
28	59950-89	SUPPORT, rear fender, left	XL1200 1993, XL883 1993, XL883DLX 1993, XL883HUG 1993

	59951-89	SUPPORT, rear fender, right	XL1200 1993, XL883 1993, XL883DLX 1993, XL883HUG 1993
29	59984-73	BRACKET, license plate	ALL
30	59986-75	SUPPORT, license plate bracket	ALL
31	59988-72A	REFLECTOR, license plate bracket	ALL

INTERNATIONAL MODELS ONLY

32	4044	SCREW (HDI) (2)	XL1200 1993, XL883 1993, XL883DLX 1993, XL883HUG 1993
33	7531	LOCKNUT (HDI) (2)	ALL
34	7667	NUT (HDI) (2)	XL1200 1993, XL883 1993, XL883DLX 1993, XL883HUG 1993
35	59251-90	REFLECTOR (red) w/ 37 (HDI)	XL1200 1993, XL883 1993, XL883DLX 1993, XL883HUG 1993
36	59256-84A	REFLECTOR (amber) (HDI) (2)	XL1200 1993, XL883 1993, XL883DLX 1993, XL883HUG 1993
37	59259-90	REFLECTOR (red) (HDI)	XL1200 1994, XL883 1994, XL883DLX 1994, XL883HUG 1994

REAR FENDER - 1994



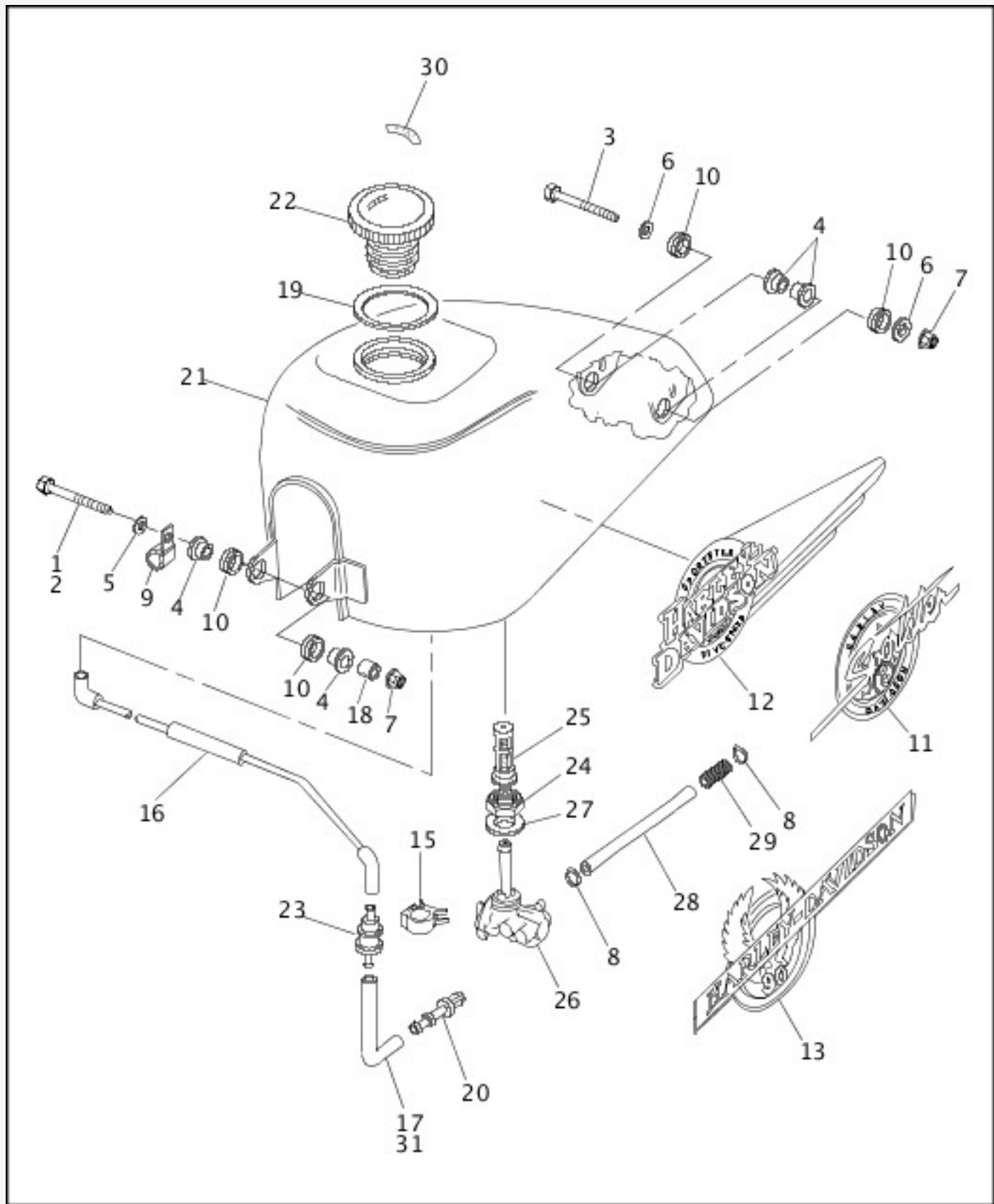
[View interactive image](#)

[View interactive table](#)

INDEX NO.	PART NO.	DESCRIPTION	MODEL(S)
1	3987	BOLT	XL1200 1994, XL883 1994, XL883DLX 1994, XL883HUG 1994
2	4007	SCREW (4)	XL1200 1994, XL883 1994, XL883DLX 1994, XL883HUG 1994
3	6192	WASHER (4)	XL1200 1994, XL883 1994, XL883DLX 1994, XL883HUG 1994
4	7531	LOCKNUT (7)	XL1200 1994, XL883 1994, XL883DLX 1994, XL883HUG 1994
5	7882	TEE SPACER (7)	XL1200 1994, XL883 1994, XL883DLX 1994, XL883HUG 1994
6	8692	RIVET (4)	XL1200 1994, XL883 1994, XL883DLX 1994, XL883HUG 1994
7	11474	GROMMET (7)	XL1200 1994, XL883 1994, XL883DLX 1994, XL883HUG 1994

8	59594-82C	REAR FENDER EXTENSION	XL1200 1994, XL883 1994, XL883DLX 1994, XL883HUG 1994
9	59674-94B	REAR FENDER (prime)	XL1200 1994, XL883 1994, XL883DLX 1994, XL883HUG 1994
10	59896-94	COVER, rear fender support, right	XL1200 1994, XL883 1994, XL883DLX 1994, XL883HUG 1994
	59897-94	COVER, rear fender support, left	XL1200 1994, XL883 1994, XL883DLX 1994, XL883HUG 1994
11	59287-92	REFLECTOR, right (red)	XL1200 1994, XL883 1994, XL883DLX 1994, XL883HUG 1994
	59288-92	REFLECTOR, left (red)	XL1200 1994, XL883 1994, XL883DLX 1994, XL883HUG 1994
INTERNATIONAL MODELS ONLY			
12	59289-92	REFLECTOR, right (amber) (HDI)	XL1200 1994, XL883 1994, XL883DLX 1994, XL883HUG 1994
	59290-92	REFLECTOR, left (amber) (HDI)	XL1200 1994, XL883 1994, XL883DLX 1994, XL883HUG 1994

FUEL TANK & TRIM



[View interactive image](#)

[View interactive table](#)

INDEX NO.	PART NO.	DESCRIPTION	MODEL(S)
1	4067	BOLT	XL883 1993, XL883 1994, XL883DLX 1993, XL883DLX 1994, XL883HUG 1993, XL883HUG 1994
2	4116	SCREW	XL1200 1993, XL1200 1994
3	4117	SCREW	ALL
4	5787	T-SPACER (4)	ALL

5	6702	WASHER	ALL
6	6788	WASHER (2)	ALL
7	7531	LOCKNUT (2)	ALL
8	10014	CLAMP, fuel hose (2)	ALL
9	10083	CLIP, cable	ALL
10	11473	GROMMET (4)	ALL
11	14343-92	DECAL (black & orange) (2)	XL883 1993, XL883 1994, XL883DLX 1993, XL883DLX 1994, XL883HUG 1993, XL883HUG 1994
	14232-91	DECAL (blue) (2)	XL883 1993, XL883DLX 1993, XL883HUG 1993
12	14235-91	DECAL, left (blue)	XL1200 1993, XL1200 1994
	14238-91	DECAL, right (blue)	XL1200 1993, XL1200 1994
	14346-92	DECAL, left (wineberry)	XL1200 1993, XL1200 1994
	14347-92	DECAL, right (wineberry)	XL1200 1993, XL1200 1994
13	14276-93	TRIM, 90th anniversary, right	XL1200 1993
	14277-93	TRIM, 90th anniversary, left	XL1200 1993
14	10108	CLIP, vapor valve (not illustrated)	XL1200 1994, XL883 1994, XL883DLX 1994, XL883HUG 1994
15	27018-85	CLAMP	XL1200 1993, XL883 1993, XL883DLX 1993, XL883HUG 1993
16	63501-68B	TUBE, tank to valve	XL1200 1994, XL883 1994, XL883DLX 1994, XL883HUG 1994
17	27096-94	TUBE, valve to atmosphere	XL1200 1994, XL883 1994, XL883DLX 1994, XL883HUG 1994
18	42520-80A	SPACER, fuel tank, front	XL883 1993, XL883 1994, XL883DLX 1993, XL883DLX 1994, XL883HUG 1993, XL883HUG 1994
19	61109-85D	GASKET	ALL
20	61131-92	VENT LINE CONNECTOR	ALL
21	61023-93	FUEL TANK (prime)	ALL

22	61272-92C	FILLER CAP	ALL
23	62150-85	VAPOR VALVE	ALL
24	62161-02	NUT, fuel valve	ALL
25	62166-81A	FILTER, fuel valve	ALL
26	62169-81	FUEL VALVE	ALL
27	62172-02	GASKET, fuel valve	ALL

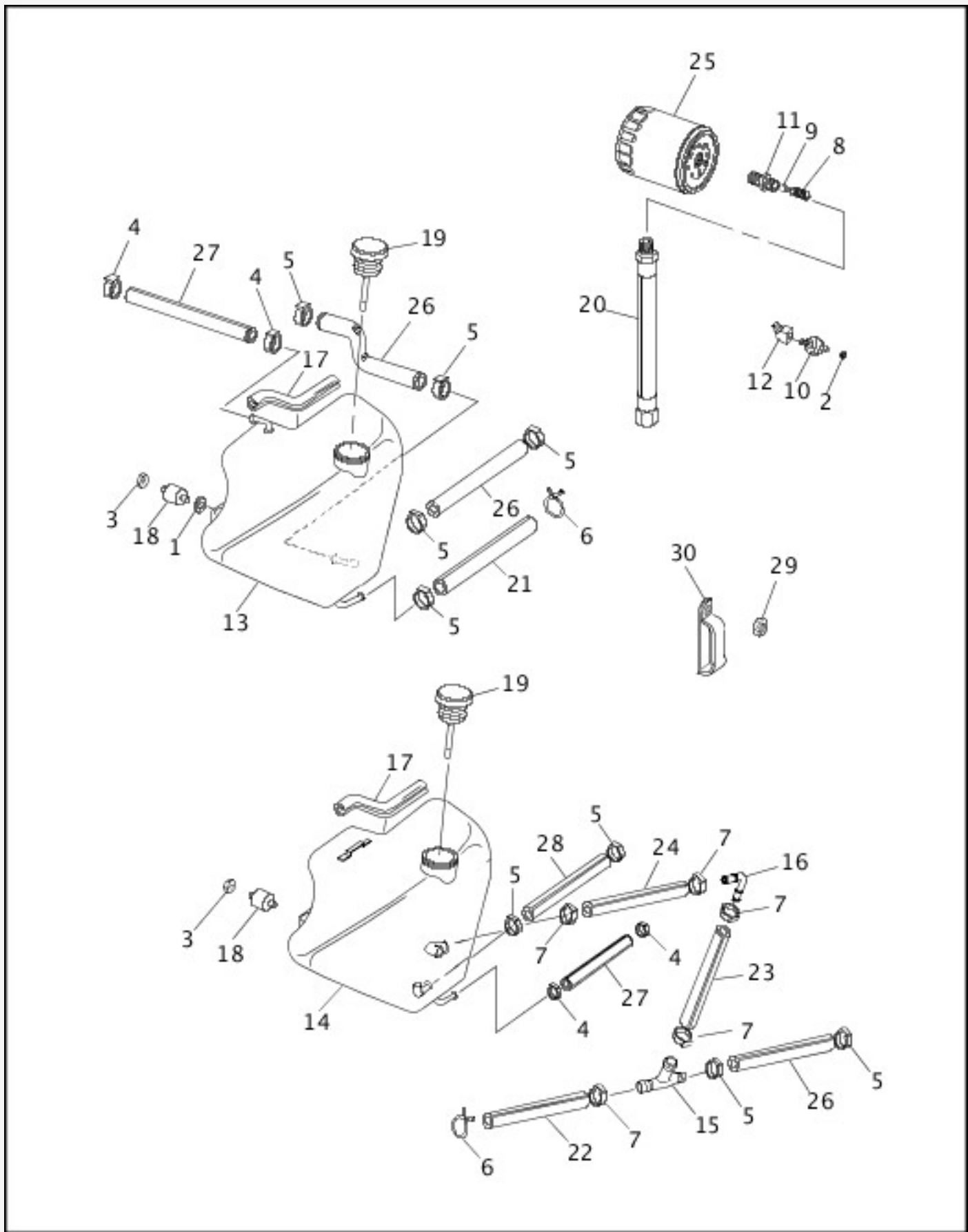
NOTE: Hose or insulator is sold in bulk length under the following part numbers. Cut to length.

28	63501-68B	HOSE, 1/4 I.D. x 1/2 O.D. (rubber) (25 ft. long)	ALL
29	62555-95	INSULATOR, 1/2 I.D. (nylon) (8 ft. long)	ALL

INTERNATIONAL MODELS ONLY

30	14260-91	DECAL, unleaded fuel (Swiss)	ALL
31	27097-92	TUBE, valve to atmosphere (HDI)	XL1200 1993, XL883 1993, XL883DLX 1993, XL883HUG 1993

OIL TANK & FILTER



[View interactive image](#)

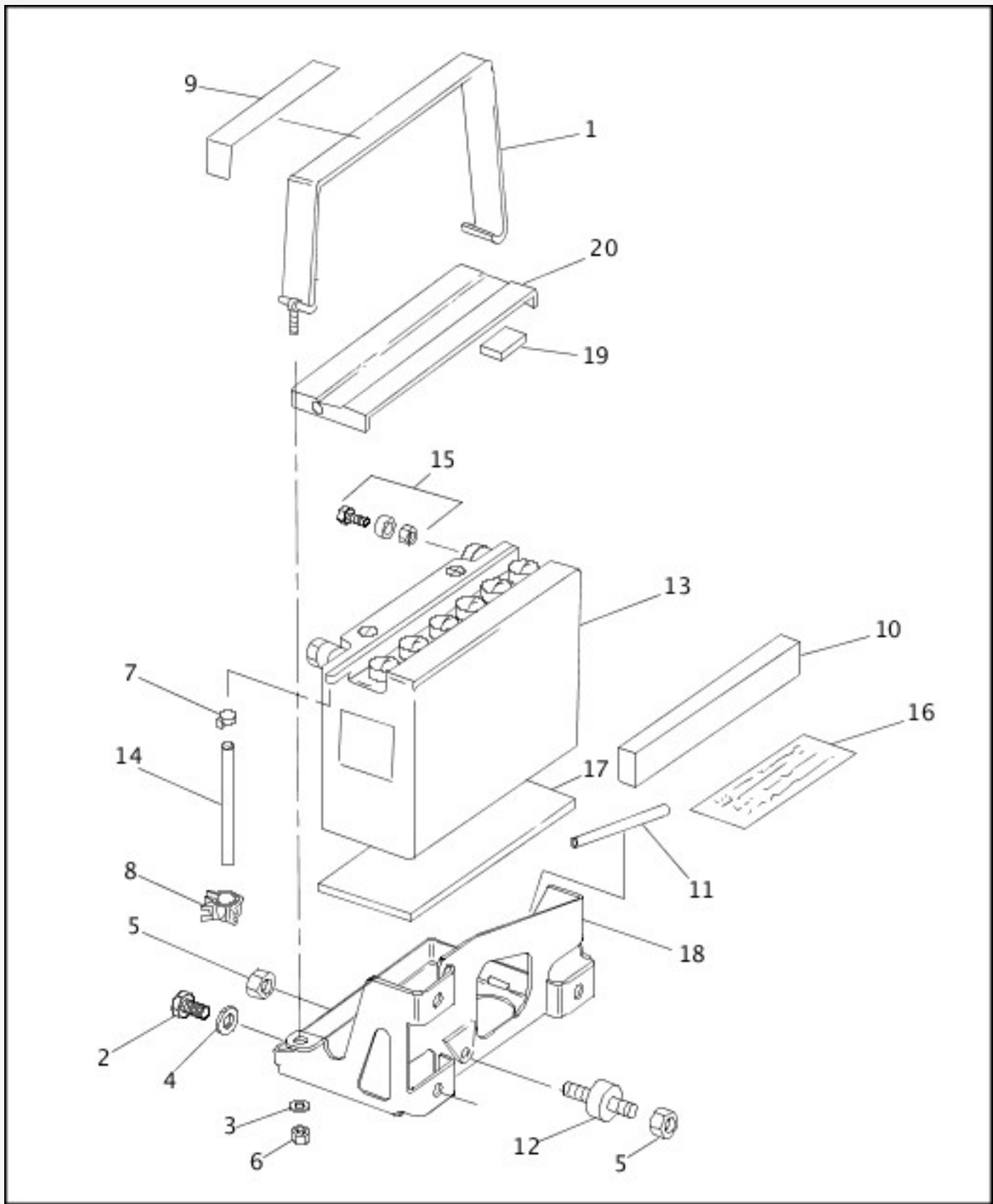
[View interactive table](#)

INDEX NO.	PART NO.	DESCRIPTION	MODEL(S)
1	6703	WASHER (2)	XL1200 1993, XL883 1993, XL883DLX 1993, XL883HUG 1993
2	7629	NUT	ALL
3	7686	LOCKNUT (3)	ALL

4	10014	CLAMP, crankcase vent hose (2)	ALL
5	10080	CLAMP, oil hose (as required)	ALL
6	10049	CLAMP, oil drain hose	ALL
7	10142	CLAMP, oil hose (5)	ALL
8	26436-90A	SPRING	ALL
9	26437-86B	BALL	ALL
10	26554-77B	SWITCH, oil pressure indicator	ALL
11	33117-91A	ADAPTOR, oil filter	ALL
12	60618-91	STREET ELBOW	ALL
13	62472-93A	OIL TANK ASSEMBLY	XL1200 1993, XL883 1993, XL883DLX 1993, XL883HUG 1993
14	62475-94A	OIL TANK ASSEMBLY	XL1200 1994, XL883 1994, XL883DLX 1994, XL883HUG 1994
15	62493-89	TEE, oil hose	XL1200 1994, XL883 1994, XL883DLX 1994, XL883HUG 1994
16	62494-94B	ELBOW, 90 degree	XL1200 1994, XL883 1994, XL883DLX 1994, XL883HUG 1994
17	62540-83	TRIM STRIP (2)	XL1200 1994, XL883 1994, XL883DLX 1994, XL883HUG 1994
	62540-83	TRIM STRIP (3)	XL1200 1994, XL883 1994, XL883HUG 1994
18	62563-65	MOUNT, oil tank (3)	ALL
19	62634-84A	FILLER CAP, w/ dipstick	ALL
20	62631-91	HOSE, oil pump to filter	ALL
21	63504-84	HOSE, oil drain	XL1200 1993, XL883 1993, XL883DLX 1993, XL883HUG 1993
22	63504-94	HOSE, oil drain	XL1200 1994, XL883 1994, XL883DLX 1994, XL883HUG 1994
23	63542-94A	HOSE, oil drain/feed	XL1200 1994, XL883 1994, XL883DLX 1994, XL883HUG 1994
24	63564-94	HOSE, oil drain/feed (use 63542-94A)	XL1200 1994, XL883 1994, XL883DLX 1994, XL883HUG 1994
25	63805-	OIL FILTER	XL1200 1993, XL883 1993, XL883DLX 1993,

	80A		XL883HUG 1993
NOTE: Hose or insulator is sold in bulk length under the following part numbers. Cut to length.			
26	63500-68	HOSE, 3/8 I.D. x 5/8 O.D. (rubber) (25 ft. long)	ALL
27	63501-68B	HOSE, 1/4 I.D. x 1/2 O.D. (rubber) (25 ft. long)	ALL
28	62361-94	HOSE, oil return to tank	XL1200 1994, XL883 1994, XL883DLX 1994, XL883HUG 1994
29	7624	LOCKNUT	XL1200 1994, XL883 1994, XL883DLX 1994, XL883HUG 1994
30	31532-94	CLIP	XL1200 1994, XL883 1994, XL883DLX 1994, XL883HUG 1994

BATTERY



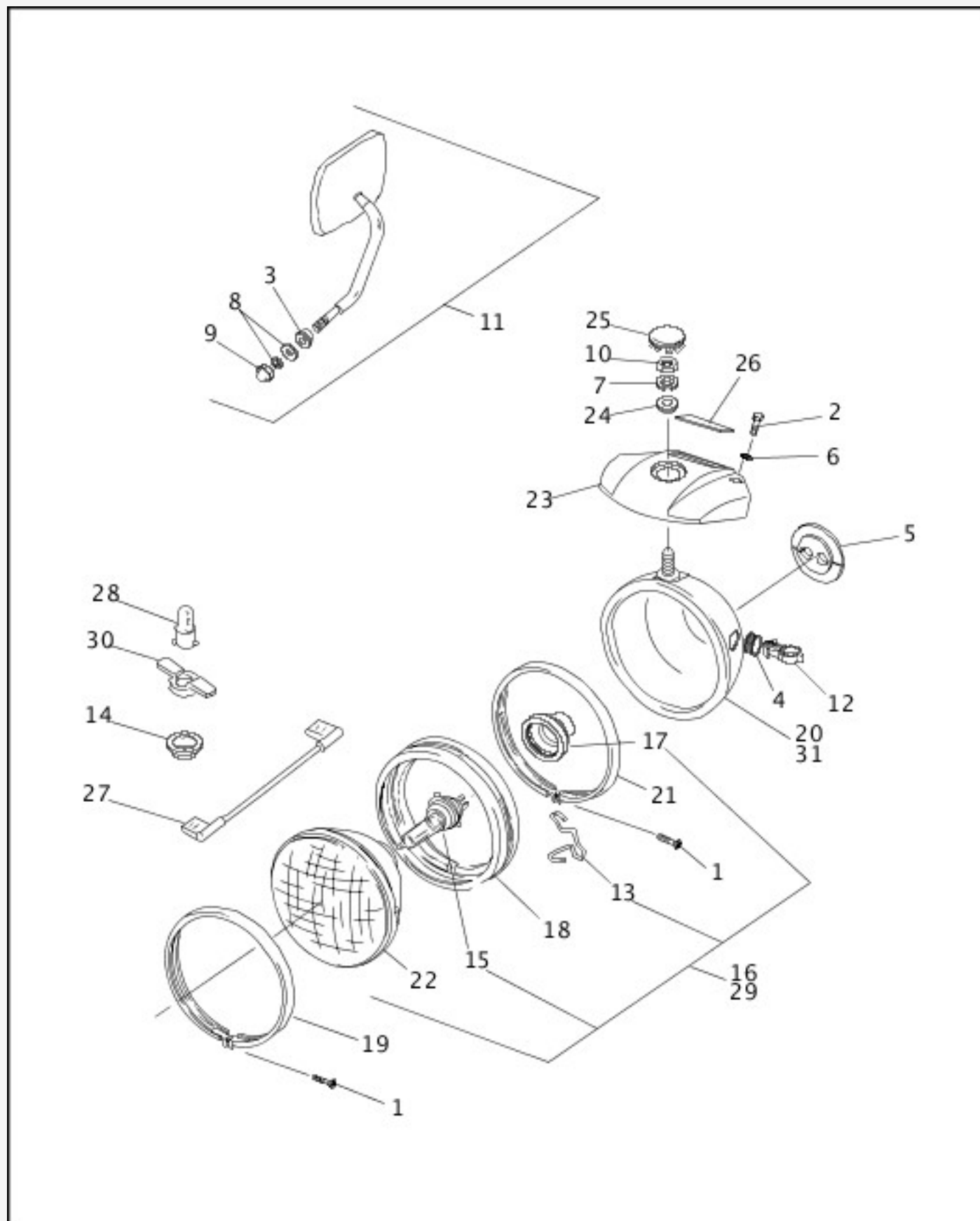
[View interactive image](#)

[View interactive table](#)

INDEX NO.	PART NO.	DESCRIPTION	MODEL(S)
1	66476-73A	STRAP, battery	ALL
2	3974HW	BOLT (2)	XL1200 1993, XL883 1993, XL883DLX 1993, XL883HUG 1993
	3930A	SCREW (3)	XL1200 1994, XL883 1994, XL883DLX 1994, XL883HUG 1994
3	6220W	WASHER	ALL

4	6702	WASHER (2)	XL1200 1993, XL883 1993, XL883DLX 1993, XL883HUG 1993
4	6702	WASHER (3)	XL1200 1994, XL883 1994, XL883DLX 1994, XL883HUG 1994
5	7686	LOCKNUT (2)	XL1200 1993, XL883 1993, XL883DLX 1993, XL883HUG 1993
	7739	LOCKNUT (2)	XL1200 1994, XL883 1994, XL883DLX 1994, XL883HUG 1994
6	7688	NUT	ALL
7	10067	CLAMP, vent hose	ALL
8	10108	CLIP, vapor valve	ALL
9	29112-83	WARNING LABEL	ALL
10	47403-75A	PAD, rear	XL1200 1993, XL883 1993, XL883DLX 1993, XL883HUG 1993
11	62540-83	TRIM STRIP	XL1200 1994, XL883 1994, XL883DLX 1994, XL883HUG 1994
12	62563-65	MOUNT, battery tray	XL1200 1993, XL883 1993, XL883DLX 1993, XL883HUG 1993
	62569-94	MOUNT, battery tray	XL1200 1994, XL883 1994, XL883DLX 1994, XL883HUG 1994
13	65991-82B	BATTERY	ALL
14	65995-88A	VENT TUBE	ALL
15	66000-80	BATTERY TERMINAL KIT, w/ 1	ALL
16	15368-01A	LABEL, warning, disconnect battery etc.	ALL
17	66103-74A	PAD, battery	ALL
18	66191-83	TRAY, battery	XL1200 1993, XL883 1993, XL883DLX 1993, XL883HUG 1993
	66194-94A	TRAY, battery	XL1200 1994, XL883 1994, XL883DLX 1994, XL883HUG 1994
19	66352-65	PAD, battery cover (2)	ALL
20	66359-80	COVER, battery, top (black) (use 66367-73)	XL883 1993, XL883 1994, XL883DLX 1993, XL883DLX 1994, XL883HUG 1993, XL883HUG 1994
	66367-73	COVER, battery, top (chrome) (replaces 66359-80)	ALL

HEADLAMP & MIRROR



[View interactive image](#)

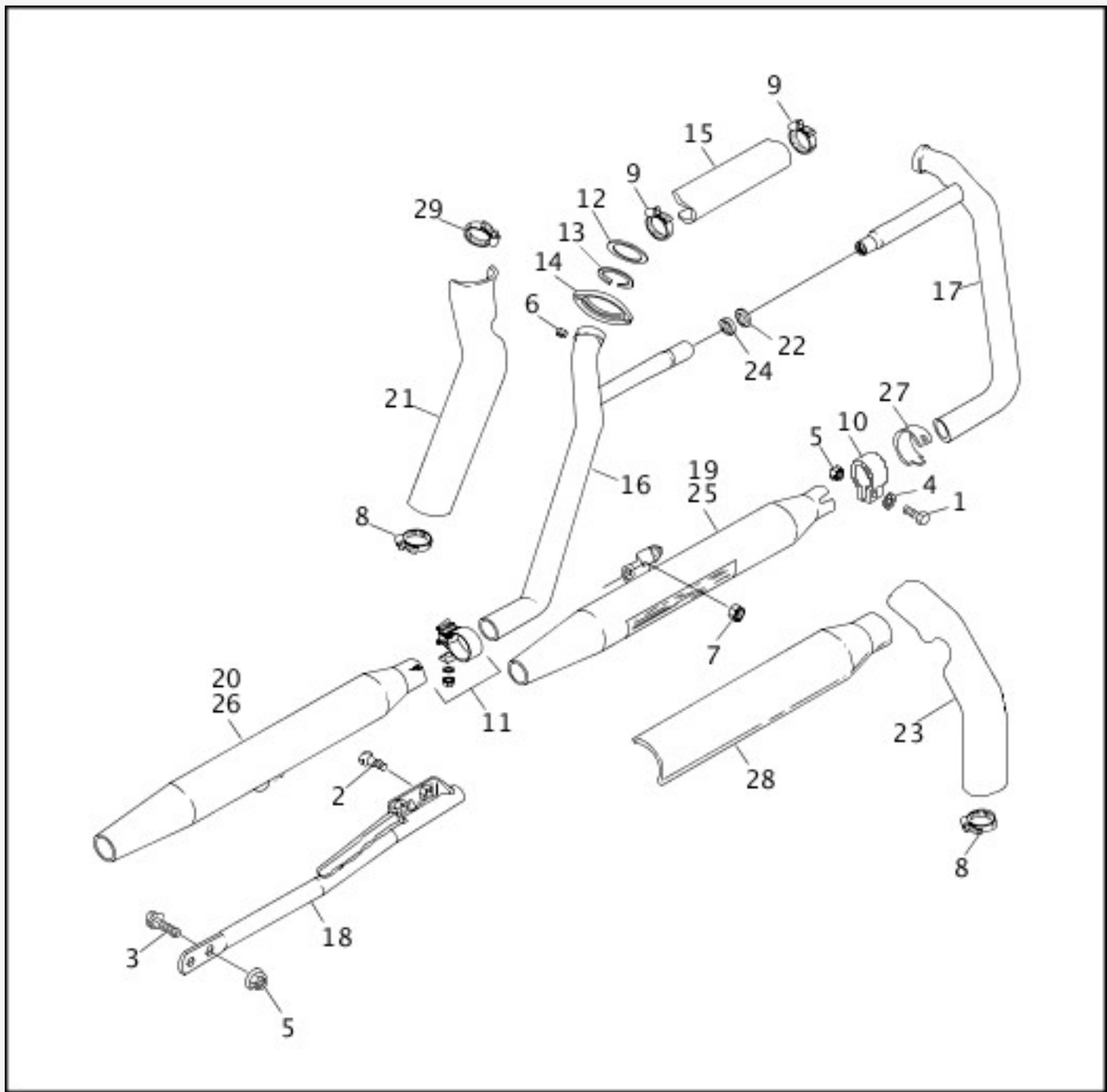
[View interactive table](#)

INDEX NO.	PART NO.	DESCRIPTION	MODEL(S)
1	1203	SCREW (2)	ALL
2	4017	BOLT (2)	ALL
3	5774	SPACER (2)	ALL

4	6265	WASHER (rubber)	ALL
5	72507-94	GROMMET	XL1200 1994, XL883 1994, XL883DLX 1994, XL883HUG 1994
6	7041	LOCKWASHER (2)	XL1200 1993, XL1200 1994, XL883 1993, XL883 1994, XL883DLX 1993, XL883DLX 1994
7	7068	LOCKWASHER	ALL
8	7127	LOCKWASHER (2)	ALL
9	7736	ACORN NUT	XL883DLX 1993, XL883DLX 1994, XL883HUG 1993, XL883HUG 1994
9	7736	ACORN NUT (2)	XL1200 1993, XL1200 1994, XL883 1993, XL883 1994
10	7880	NUT	ALL
11	91875-88A	MIRROR KIT, right, short	XL1200 1993, XL1200 1994, XL883DLX 1993, XL883DLX 1994, XL883HUG 1993, XL883HUG 1994
	91892-88A	MIRROR KIT, left, short	XL1200 1993, XL1200 1994, XL883DLX 1993, XL883DLX 1994, XL883HUG 1993, XL883HUG 1994
	91902-88A	MIRROR KIT, left, long	XL1200 1994, XL1200 1994, XL883 1994, XL883 1994
	91904-88A	MIRROR KIT, right, long	XL1200 1994, XL1200 1994, XL883 1994, XL883 1994
12	56073-83	RETAINER, speedometer cable	ALL
13	67685-92	CLIP, bulb	ALL
14	67691-92	GROMMET (HDI)	ALL
15	68329-03	BULB, halogen	ALL
16	67698-81D	LENS ASSEMBLY, w/ 13, 15, 17 & 22	ALL
17	67705-92	BOOT, headlamp	ALL
18	67719-63	MOUNTING RING (rubber)	ALL
19	67725-63	MOLDING RING, outer	ALL
20	67743-75	HOUSING, headlamp	XL1200 1993, XL883 1993, XL883DLX 1993, XL883HUG 1993
21	67744-	MOLDING RING, inner	ALL

	75		
22	67757-92	LENS, headlamp w/ 67685-92	ALL
23	67805-92	BRACKET, headlamp	ALL
24	67815-59A	WASHER, headlamp mounting	ALL
25	67865-89	PLUG, headlamp bracket	ALL
26	67834-83	TRIM, headlamp bracket	ALL
27	70048-92	WIRE, position lamp (HDI)	ALL
INTERNATIONAL MODELS ONLY			
28	53438-92	BULB, position lamp (HDI)	ALL
29	67763-92A	LENS ASSEMBLY, w/ 13, 15, 17 & 22, right dip (HDI)	ALL
	67781-92A	LENS ASSEMBLY, w/ 13, 15, 17 & 22, left dip (HDI, Japan, UK & Australia)	ALL
30	68650-92	SOCKET, bulb (HDI)	ALL
31	68061-94B	HOUSING KIT, headlamp, w/ 72507-94	XL1200 1994, XL883 1994, XL883DLX 1994, XL883HUG 1994

EXHAUST SYSTEM



[View interactive image](#)

[View interactive table](#)

INDEX NO.	PART NO.	DESCRIPTION	MODEL(S)
1	2818	BOLT (2)	XL1200 1993, XL883 1993, XL883DLX 1993, XL883HUG 1993
2	4377	SCREW (2)	ALL
3	5440	BOLT	ALL
4	6702	WASHER (2)	XL1200 1993, XL883 1993, XL883DLX 1993, XL883HUG 1993
5	7531	LOCKNUT (3)	XL1200 1993, XL883 1993, XL883DLX 1993, XL883HUG 1993
5	7531	LOCKNUT	XL1200 1994, XL883 1994, XL883DLX 1994, XL883HUG 1994

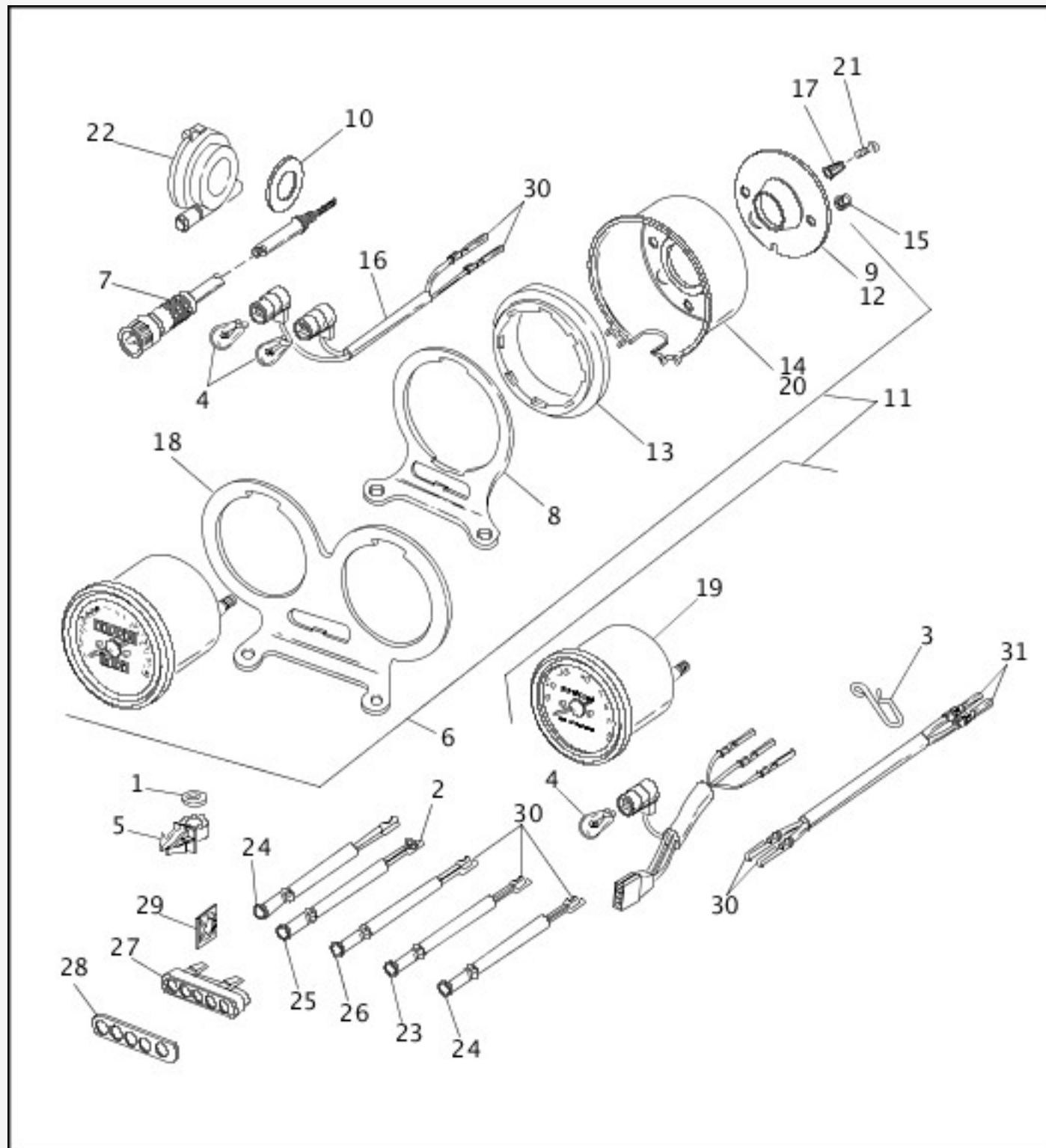
6	7593	NUT (4)	ALL
7	7844	LOCKNUT	ALL
8	9955	CLAMP, heat shield (6)	ALL
9	9955	CLAMP, crossover pipe shield (2)	ALL
10	65276-62	CLAMP, muffler (chrome) (2)	XL1200 1993, XL883 1993, XL883DLX 1993, XL883HUG 1993
11	65296-95A	CLAMP, muffler (chrome) (2)	XL1200 1994, XL883 1994, XL883DLX 1994, XL883HUG 1994
12	65324-83B	GASKET, exhaust port (2)	ALL
13	65325-83A	RETAINING RING, exhaust gasket (2)	ALL
14	65328-83A	CLAMP, exhaust pipe to manifold	ALL
15	65419-86	HEAT SHIELD, crossover pipe (chrome)	ALL
16	65568-86A	EXHAUST PIPE, rear (chrome)	ALL
17	65569-86A	EXHAUST PIPE, front (chrome)	ALL
18	65599-80D	SUPPORT KIT, rear muffler w/ 2 & 3	ALL
19	65605-87B	MUFFLER & CLAMP KIT, front (chrome)	ALL
20	65613-86B	MUFFLER & CLAMP KIT, rear (chrome)	ALL
21	65712-86	HEAT SHIELD, rear (chrome)	ALL
22	65782-82	WASHER	ALL
23	65719-86	HEAT SHIELD	ALL
24	65781-82	GASKET	ALL

INTERNATIONAL MODELS ONLY

25	65766-89E	MUFFLER & CLAMP KIT, front (chrome) (HDI)	ALL
	65860-91A	MUFFLER & CLAMP KIT, front (catalytic) (Swiss)	ALL
26	65769-89E	MUFFLER & CLAMP KIT, rear (chrome) (HDI)	ALL

	65861-91A	MUFFLER & CLAMP KIT, rear (catalytic) (Swiss)	ALL
27	65716-91	TAPE, catalytic muffler (Swiss) (2)	XL1200 1993, XL883 1993, XL883DLX 1993, XL883HUG 1993
28	65813-91	HEAT SHIELD (Swiss) (2)	ALL
29	10074	CLAMP, heat shield (Swiss) (4)	ALL

SPEEDOMETER & TACHOMETER - 1993



[View interactive image](#)

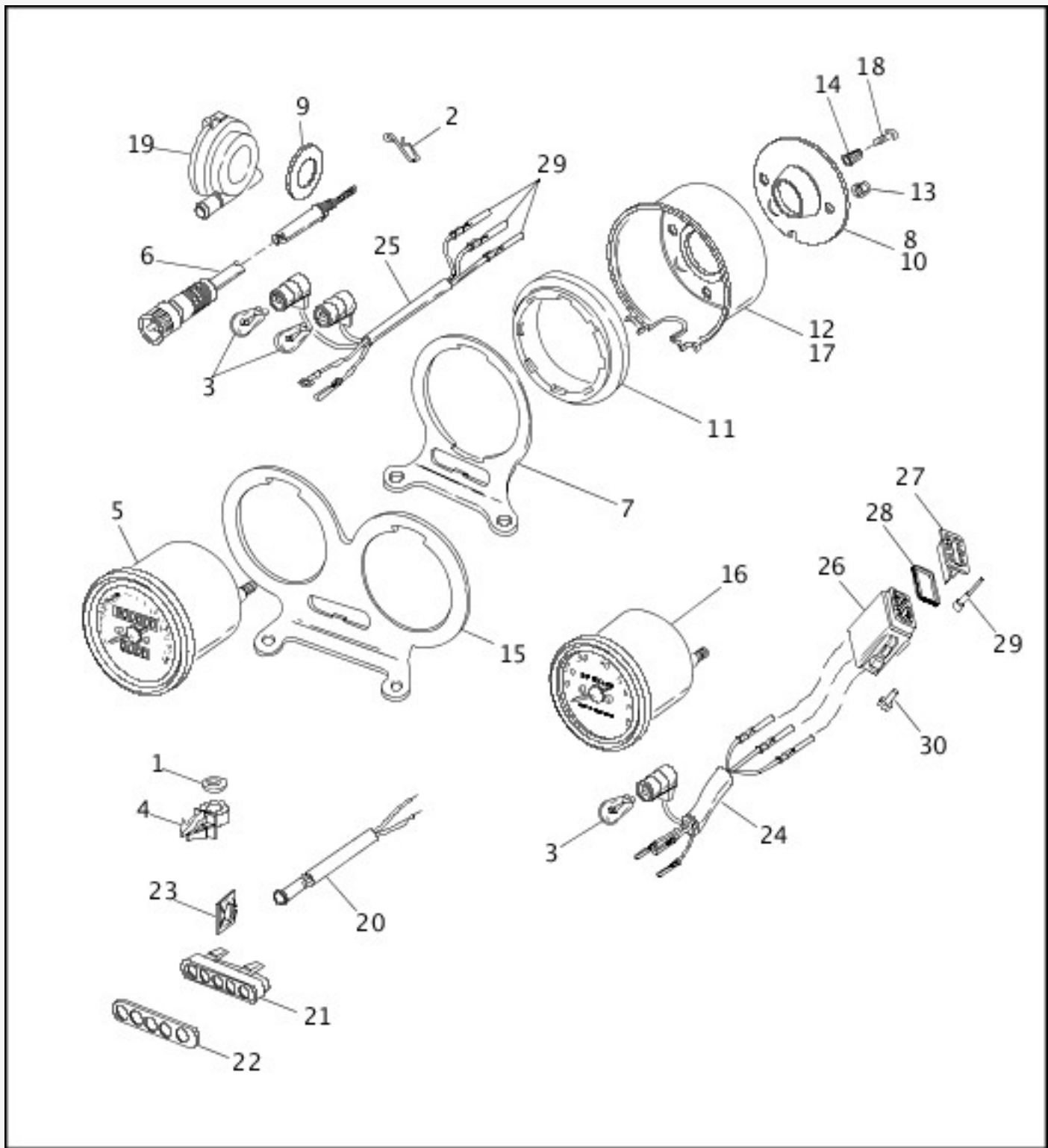
[View interactive table](#)

INDEX	PART	DESCRIPTION	MODEL(S)
-------	------	-------------	----------

NO.	NO.		
1	6265	WASHER (rubber)	XL1200 1993, XL883 1993, XL883DLX 1993, XL883HUG 1993
2	9857	WIRE TERMINAL, ring type, No. 10 hole	XL1200 1993, XL883 1993, XL883DLX 1993, XL883HUG 1993
3	45092-66A	GUIDE, speedometer cable	XL1200 1993, XL883 1993, XL883DLX 1993, XL883HUG 1993
4	53439-79	BULB, as required	XL1200 1993, XL883 1993, XL883DLX 1993, XL883HUG 1993
5	56073-83	RETAINER, speedometer	XL1200 1993, XL883 1993, XL883DLX 1993, XL883HUG 1993
6	67016-92	SPEEDOMETER, mph, complete (use 67037-91)	XL883 1993, XL883DLX 1993, XL883HUG 1993
	67037-91	SPEEDOMETER, mph, w/ wiring (replaces 67016-92)	XL1200 1993, XL883 1993, XL883DLX 1993, XL883HUG 1993
	67041-91	SPEEDOMETER, kph, w/ wiring	XL1200 1993, XL883 1993, XL883DLX 1993, XL883HUG 1993
7	67063-89	CABLE ASSEMBLY, speedometer	XL1200 1993, XL883 1993, XL883DLX 1993, XL883HUG 1993
8	67053-92	BRACKET, speedometer	XL1200 1993, XL883 1993, XL883DLX 1993, XL883HUG 1993
9	67085-83	TRIM, tachometer	XL1200 1993, XL1200 1994
10	67098-87	SEAL, speedometer drive	XL1200 1993, XL883 1993, XL883DLX 1993, XL883HUG 1993
11	67099-92	SPEEDOMETER & TACHOMETER, mph	XL1200 1993
12	67103-91	TRIM, speedometer	XL1200 1993, XL883 1993, XL883DLX 1993, XL883HUG 1993
13	67121-92	CUSHION (rubber) (2)	XL1200 1993, XL1200 1994
13	67121-92	CUSHION (rubber)	XL883 1993, XL883 1994, XL883DLX 1993, XL883DLX 1994, XL883HUG 1993, XL883HUG 1994
14	67105-91A	COVER, speedometer, lower (black)	XL883 1993, XL883DLX 1993, XL883HUG 1993
15	67106-83	ACORN NUT (chrome) (2)	XL1200 1993, XL883 1993, XL883DLX 1993, XL883HUG 1993
15	67106-83	ACORN NUT (chrome) (4)	XL1200 1993, XL1200 1994
16	67107-	BULB & SOCKET, w/ terminals,	XL1200 1993, XL883 1993, XL883DLX 1993, XL883HUG 1993

	91	speedometer	
17	67108-83	KNOB, odometer reset (chrome)	XL1200 1993, XL883 1993, XL883DLX 1993, XL883HUG 1993
18	67110-92	BRACKET, instrument support	XL1200 1993
19	67111-85	TACHOMETER	XL1200 1993
20	67112-83	COVER, tachometer, lower (black)	XL1200 1993
21	67117-85	SCREW, odometer reset knob	XL1200 1993, XL883 1993, XL883DLX 1993, XL883HUG 1993
22	67127-84A	DRIVE UNIT, speedometer	XL1200 1993, XL883 1993, XL883DLX 1993, XL883HUG 1993
23	68020-92A	INDICATOR LAMP, oil pressure (red) w/ 29 & 30	XL1200 1993, XL883 1993, XL883DLX 1993, XL883HUG 1993
24	68021-92A	INDICATOR LAMP, turn signal (green) w/ 2, 29 & 30 (2)	XL1200 1993, XL883 1993, XL883DLX 1993, XL883HUG 1993
25	68023-92A	INDICATOR LAMP, high beam (blue), w/ 2, 29 & 30	XL1200 1993, XL883 1993, XL883DLX 1993, XL883HUG 1993
26	68024-92A	INDICATOR LAMP, neutral (green) w/ 29 & 30	XL1200 1993, XL883 1993, XL883DLX 1993, XL883HUG 1993
27	68513-92	BEZEL, indicator lamps	XL1200 1993, XL883 1993, XL883DLX 1993, XL883HUG 1993
28	68516-92	TRIM, indicator lamps	XL1200 1993, XL883 1993, XL883DLX 1993, XL883HUG 1993
29	68608-83	SPEED NUT (5)	XL1200 1993, XL883 1993, XL883DLX 1993, XL883HUG 1993
30	72038-71A	SOCKET, single pin (8)	XL1200 1993, XL883 1993, XL883DLX 1993, XL883HUG 1993
31	72039-71A	PIN, single socket (2)	XL1200 1993, XL883 1993, XL883DLX 1993, XL883HUG 1993

SPEEDOMETER & TACHOMETER - 1994



[View interactive image](#)

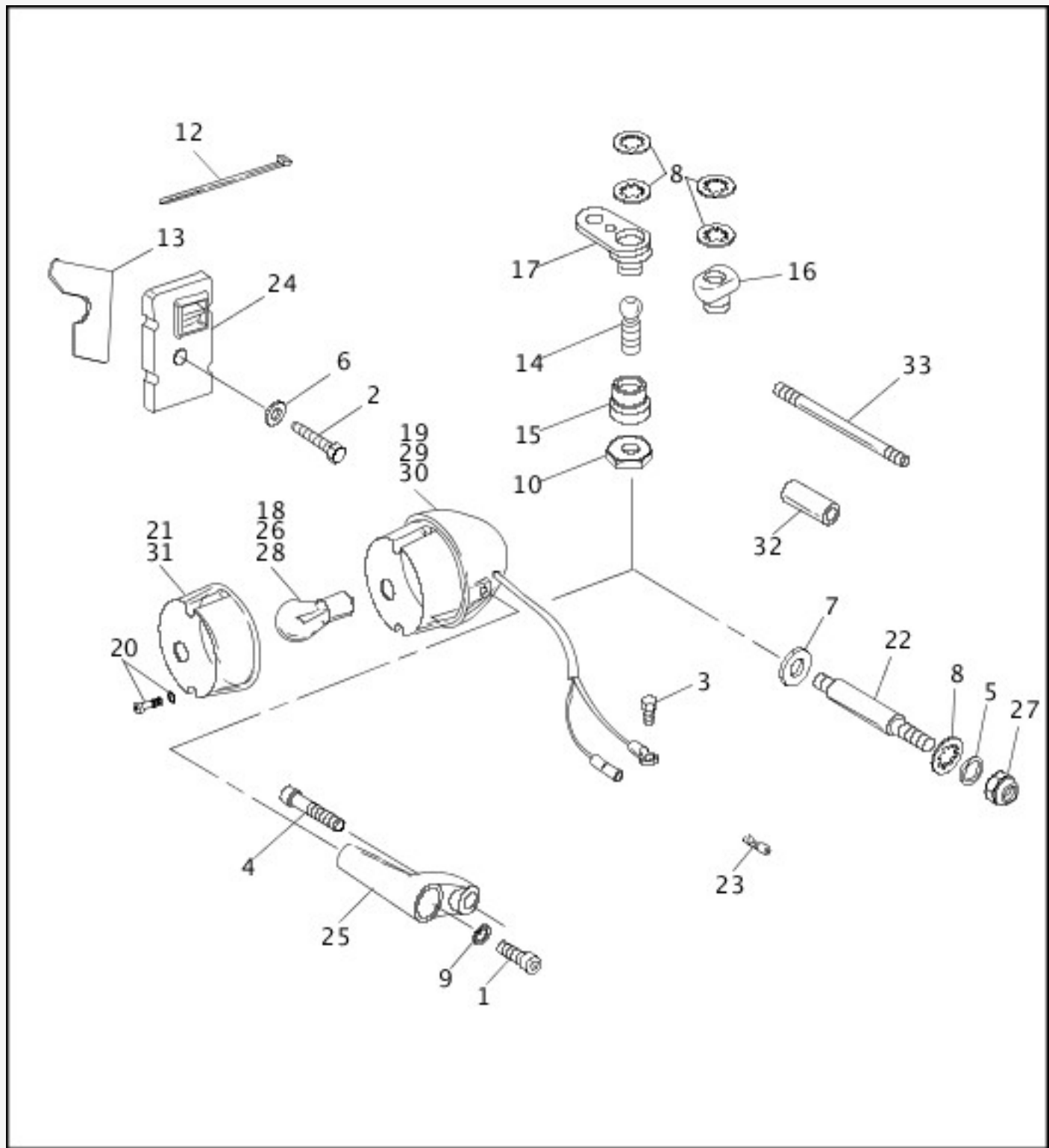
[View interactive table](#)

INDEX NO.	PART NO.	DESCRIPTION	MODEL(S)
1	6265	WASHER (rubber)	XL1200 1994, XL883 1994, XL883DLX 1994, XL883HUG 1994
2	45092-66A	GUIDE, speedometer cable	XL1200 1994, XL883 1994, XL883DLX 1994, XL883HUG 1994
3	53439-79	BULB, as required	XL1200 1994, XL883 1994, XL883DLX 1994, XL883HUG 1994
4	56073-83	RETAINER, speedometer	XL1200 1994, XL883 1994, XL883DLX 1994, XL883HUG 1994

5	67165-94	SPEEDOMETER, mph, w/ 14, 18 & 25	XL1200 1994, XL883 1994, XL883DLX 1994, XL883HUG 1994
	67240-94	SPEEDOMETER, kph w/ 3, 14, 18 & 25	XL1200 1994, XL883 1994, XL883DLX 1994, XL883HUG 1994
6	67063-89	CABLE ASSEMBLY, speedometer	XL1200 1994, XL883 1994, XL883DLX 1994, XL883HUG 1994
7	67053-92	BRACKET, speedometer	XL1200 1994, XL883 1994, XL883DLX 1994, XL883HUG 1994
8	67085-83	TRIM, tachometer	XL1200 1994
9	67098-87	SEAL, speedometer drive	XL1200 1994, XL883 1994, XL883DLX 1994, XL883HUG 1994
10	67103-91	TRIM, speedometer	XL1200 1994, XL883 1994, XL883DLX 1994, XL883HUG 1994
11	67121-92	CUSHION (rubber)	XL883 1994, XL883DLX 1993, XL883DLX 1994, XL883HUG 1994
11	67121-92	CUSHION (rubber) (2)	XL1200 1994
12	67105-91A	COVER, speedometer, lower (black)	XL883 1994, XL883DLX 1994, XL883HUG 1994
13	67106-83	ACORN NUT (chrome) (2)	XL883 1994, XL883DLX 1993, XL883DLX 1994, XL883HUG 1994
13	67106-83	ACORN NUT (chrome) (4)	XL1200 1994
14	67108-83	KNOB, odometer reset (chrome)	XL1200 1994, XL883 1994, XL883DLX 1994, XL883HUG 1994
15	67110-92	BRACKET, instrument support	XL1200 1994
16	67259-94	TACHOMETER, w/ 67262-94	XL1200 1994
17	67112-83	COVER, tachometer, lower (black)	XL1200 1994
18	67117-85	SCREW, odometer reset knob	XL1200 1994, XL883 1994, XL883DLX 1993, XL883DLX 1994, XL883HUG 1994
19	67127-84A	DRIVE UNIT, speedometer	XL1200 1994, XL883 1994, XL883DLX 1993, XL883DLX 1994, XL883HUG 1994
20	68020-92A	INDICATOR LAMP, oil pressure (red)	XL1200 1994, XL883 1994, XL883DLX 1993, XL883DLX 1994, XL883HUG 1994
	68021-92A	INDICATOR LAMP, turn signal (green) (2)	XL1200 1994, XL883 1994, XL883DLX 1993, XL883DLX 1994, XL883HUG 1994

	68023-92A	INDICATOR LAMP, high beam (blue)	XL1200 1994, XL883 1994, XL883DLX 1993, XL883DLX 1994, XL883HUG 1994
	68024-92A	INDICATOR LAMP, neutral (green)	XL1200 1994, XL883 1994, XL883DLX 1993, XL883DLX 1994, XL883HUG 1994
21	68513-92	BEZEL, indicator lamps	XL1200 1994, XL883 1994, XL883DLX 1993, XL883DLX 1994, XL883HUG 1994
22	68516-92	TRIM, indicator lamps	XL1200 1994, XL883 1994, XL883DLX 1993, XL883DLX 1994, XL883HUG 1994
23	68608-83	SPEED NUT (5)	XL1200 1994, XL883 1994, XL883DLX 1993, XL883DLX 1994, XL883HUG 1994
24	67262-94	WIRE HARNESS (tachometer) w/ bulb	XL1200 1994, XL883 1994, XL883DLX 1993, XL883DLX 1994, XL883HUG 1994
25	67263-94	WIRE HARNESS (speedometer) w/ 72191-94 & bulb	XL1200 1994, XL883 1994, XL883DLX 1993, XL883DLX 1994, XL883HUG 1994
26	72119-94BK	PLUG, 12-way (black)	XL1200 1994, XL883 1994, XL883DLX 1993, XL883DLX 1994, XL883HUG 1994
27	72159-94	SECONDARY LOCK, 12-way plug	XL1200 1994, XL883 1994, XL883DLX 1993, XL883DLX 1994, XL883HUG 1994
28	72179-94	SEAL, front (12-way plug)	XL1200 1994, XL883 1994, XL883DLX 1993, XL883DLX 1994, XL883HUG 1994
29	72191-94	TERMINAL, socket (as required)	XL1200 1994, XL883 1994, XL883DLX 1993, XL883DLX 1994, XL883HUG 1994
30	72195-94	SEAL PIN (as required)	XL1200 1994, XL883 1994, XL883DLX 1993, XL883DLX 1994, XL883HUG 1994

TURN SIGNALS - 1993



[View interactive image](#)

[View interactive table](#)

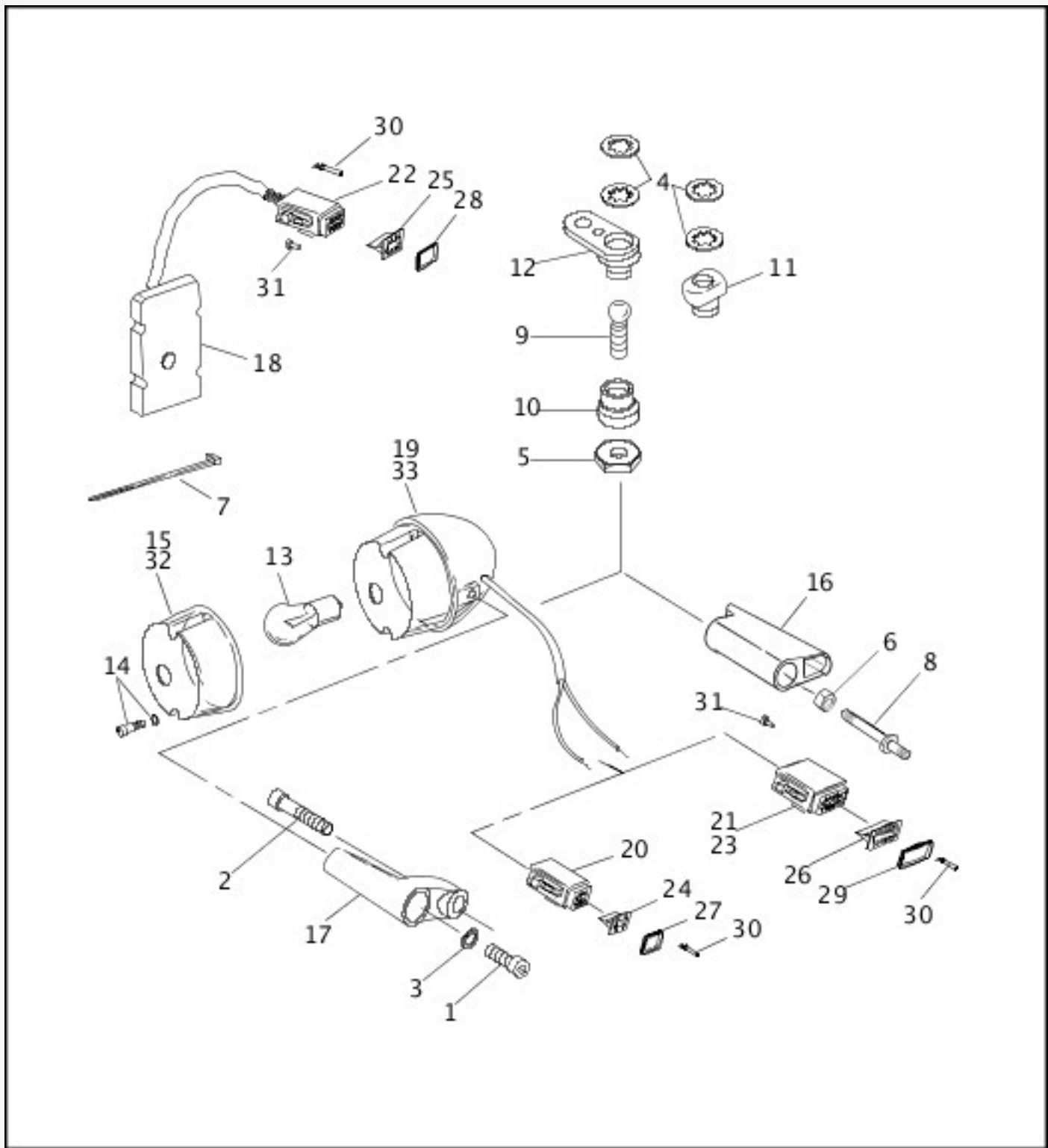
INDEX NO.	PART NO.	DESCRIPTION	MODEL(S)
1	2698A	SCREW (2)	XL1200 1993, XL883 1993
2	3572B	SCREW	XL1200 1993, XL883 1993, XL883DLX 1993, XL883HUG 1993
3	3767B	BOLT	XL1200 1993, XL883 1993, XL883DLX 1993, XL883HUG 1993
4	4047	SCREW (2)	XL1200 1993, XL883 1993
5	6056	CUP WASHER (2)	XL1200 1993, XL883 1993, XL883DLX 1993, XL883HUG 1993

6	6195A	WASHER (rubber)	XL1200 1993, XL883 1993, XL883DLX 1993, XL883HUG 1993
7	6333	WASHER (2)	XL1200 1993, XL883 1993, XL883DLX 1993, XL883HUG 1993
8	7127	LOCKWASHER (4)	XL1200 1993, XL883 1993, XL883DLX 1993, XL883HUG 1993
9	7042	LOCKWASHER (2)	XL1200 1993, XL883 1993
10	7744	JAMNUT (2)	XL1200 1993, XL883DLX 1993, XL883HUG 1993
11	7789	LOCKNUT (2)	XL1200 1993, XL883 1993, XL883DLX 1993, XL883HUG 1993
12	10065	CABLE STRAP (2)	XL1200 1993, XL883 1993, XL883DLX 1993, XL883HUG 1993
13	66107-91	PAD, canceller	XL1200 1993, XL883 1993, XL883DLX 1993, XL883HUG 1993
14	67822-88	BALL STUD (2)	XL1200 1993, XL883DLX 1993, XL883HUG 1993
15	67827-88A	CLAMP, ball stud (2)	XL1200 1993, XL883DLX 1993, XL883HUG 1993
16	67828-88A	RETAINER, right	XL1200 1993, XL883DLX 1993, XL883HUG 1993
17	67829-88	BALL RECEPTACLE, left	XL1200 1993, XL883DLX 1993, XL883HUG 1993
18	68168-89A	BULB, front turn signal (2)	XL1200 1993, XL883 1993, XL883DLX 1993, XL883HUG 1993
19	68406-86C	LAMP, w/ wire, front (amber) (2)	XL1200 1993, XL883 1993, XL883DLX 1993, XL883HUG 1993
	68410-87B	LAMP, w/ wire, rear (amber) (2)	XL1200 1993, XL883 1993, XL883DLX 1993, XL883HUG 1993
20	68452-86	SCREW, w/ o-ring (8)	XL1200 1993, XL883 1993, XL883DLX 1993, XL883HUG 1993
21	68457-86	LENS (amber) (4)	XL1200 1993, XL883 1993, XL883DLX 1993, XL883HUG 1993
22	68493-90	STUD, rear turn signal (2)	XL1200 1993, XL883 1993, XL883DLX 1993, XL883HUG 1993
23	72039-71A	PIN, single socket	XL1200 1993, XL883 1993, XL883DLX 1993, XL883HUG 1993
24	68537-89G	TURN SIGNAL CANCELLER	XL1200 1993, XL883 1993, XL883DLX 1993, XL883HUG 1993
25	68555-87	SUPPORT, front turn signal (2)	XL1200 1993, XL883 1993
26	68572-64B	BULB, rear turn signal (2)	XL1200 1993, XL883 1993, XL883DLX 1993, XL883HUG 1993

INTERNATIONAL MODELS ONLY

27	7725	LOCKNUT, w/ washer (HDI) (2)	XL1200 1993, XL883 1993, XL883DLX 1993, XL883HUG 1993
28	68163-84	BULB, turn signal (HDI) (4)	XL1200 1993, XL883 1993, XL883DLX 1993, XL883HUG 1993
29	68403-86A	LAMP, w/ wire, rear (amber) (HDI) (2)	XL1200 1993, XL883 1993, XL883DLX 1993, XL883HUG 1993
30	68408-86D	LAMP, w/ wire, front (amber) (HDI)	XL1200 1993, XL883 1993, XL883DLX 1993, XL883HUG 1993
31	68507-90	LENS, rear, (amber) (HDI) (2)	XL1200 1993, XL883 1993, XL883DLX 1993, XL883HUG 1993
	68566-90	LENS, front, (amber) (HDI) (2)	XL1200 1993, XL883 1993, XL883DLX 1993, XL883HUG 1993
32	68559-87	SPACER, rear turn signal (HDI) (2)	XL1200 1993, XL883 1993, XL883DLX 1993, XL883HUG 1993
33	68578-84A	STUD, rear turn signal (HDI) (2)	XL1200 1993, XL883 1993, XL883DLX 1993, XL883HUG 1993

TURN SIGNALS - 1994



[View interactive image](#)

[View interactive table](#)

INDEX NO.	PART NO.	DESCRIPTION	MODEL(S)
1	2698A	SCREW (2)	XL1200 1994, XL883 1994
2	4047	SCREW (2)	XL1200 1994, XL883 1994
3	7042	LOCKWASHER (2)	XL1200 1994, XL883 1994
4	7127	LOCKWASHER (4)	XL1200 1994, XL883 1994, XL883DLX 1994, XL883HUG 1994
5	7744	JAMNUT (2)	XL1200 1994, XL883DLX 1994, XL883HUG 1994
6	7531	LOCKNUT (2)	XL1200 1994, XL883 1994, XL883DLX 1994,

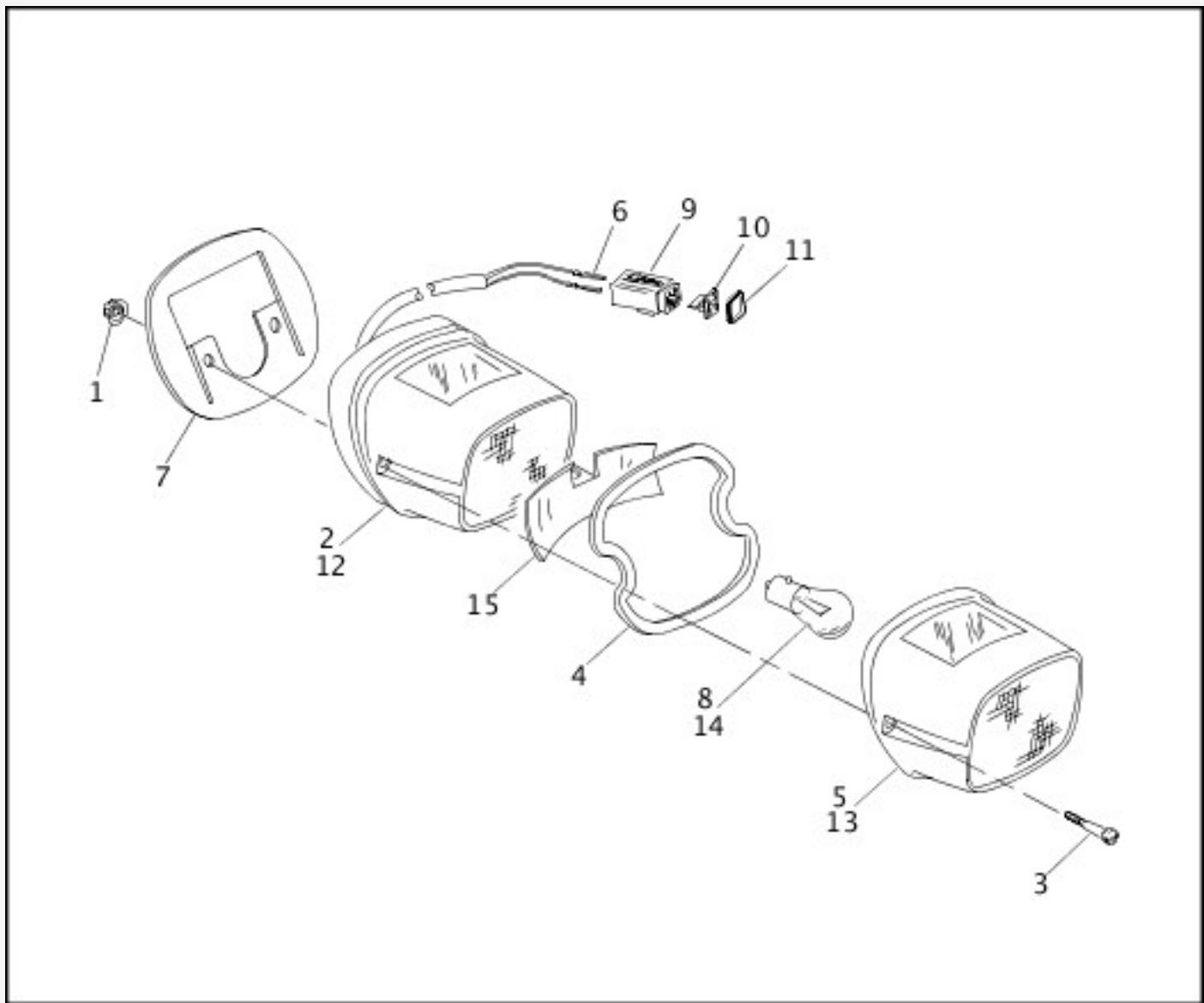
			XL883HUG 1994
7	10065	CABLE STRAP (2)	XL1200 1994, XL883 1994, XL883DLX 1994, XL883HUG 1994
8	56104-94A	STUD, rear turn signal (2)	XL1200 1994, XL883 1994, XL883DLX 1994, XL883HUG 1994
9	67822-88	BALL STUD (2)	XL1200 1994, XL883DLX 1994, XL883HUG 1994
10	67827-88A	CLAMP, ball stud (2)	XL1200 1994, XL883DLX 1994, XL883HUG 1994
11	67828-88A	RETAINER, right	XL1200 1994, XL883DLX 1994, XL883HUG 1994
12	67829-88	BALL RECEPTACLE, left	XL1200 1994, XL883DLX 1994, XL883HUG 1994
13	68163-84	BULB, turn signal (4)	XL1200 1994, XL883 1994, XL883DLX 1994, XL883HUG 1994
	68168-89	BULB, front turn signal (2)	XL1200 1994, XL883 1994, XL883DLX 1994, XL883HUG 1994
	68572-64B	BULB, rear turn signal (2)	XL1200 1994, XL883 1994, XL883DLX 1994, XL883HUG 1994
14	68452-86	SCREW (8)	XL1200 1994, XL883 1994, XL883DLX 1994, XL883HUG 1994
15	68457-86	LENS (amber) (4)	XL1200 1994, XL883 1994, XL883DLX 1994, XL883HUG 1994
16	68480-93A	SUPPORT, rear turn signal (2)	XL1200 1994, XL883 1994, XL883DLX 1994, XL883HUG 1994
17	68555-87	SUPPORT, front turn signal (2)	XL1200 1994, XL883 1994
18	68570-94A	TURN SIGNAL CANCELLER, w/ 7, 22, 25, 27, 29 & 30	XL1200 1994, XL883 1994, XL883DLX 1994, XL883HUG 1994
19	68760-94	LAMP, w/ wire, rear (amber) w/ 13, 14 & 15 (2)	XL1200 1994, XL883 1994, XL883DLX 1994, XL883HUG 1994
	68709-94	LAMP, w/ wire, front (amber) w/ 13, 14 & 15 (2)	XL1200 1994, XL883 1994, XL883DLX 1994, XL883HUG 1994
20	72112-94BK	PLUG, 2-way (black) (2)	XL1200 1994, XL883 1994, XL883DLX 1994, XL883HUG 1994
21	72119-94BK	PLUG, 12-way (right front lamp) (black)	XL1200 1994, XL883 1994, XL883DLX 1994, XL883HUG 1994
22	72138-94GY	PLUG, 8-way (gray)	XL1200 1994, XL883 1994, XL883DLX 1994, XL883HUG 1994
23	72139-94GY	PLUG, 12-way (left front lamp) (gray)	XL1200 1994, XL883 1994, XL883DLX 1994, XL883HUG 1994

24	72152-94	SECONDARY LOCK, 2-way plug (2)	XL1200 1994, XL883 1994, XL883DLX 1994, XL883HUG 1994
25	72158-94	SECONDARY LOCK, 8-way plug	XL1200 1994, XL883 1994, XL883DLX 1994, XL883HUG 1994
26	72159-94	SECONDARY LOCK, 12-way plug (2)	XL1200 1994, XL883 1994, XL883DLX 1994, XL883HUG 1994
27	72172-94	SEAL, front (2-way plug)	XL1200 1994, XL883 1994, XL883DLX 1994, XL883HUG 1994
28	72178-94	SEAL, front (8-way plug)	XL1200 1994, XL883 1994, XL883DLX 1994, XL883HUG 1994
29	72179-94	SEAL, front (12-way plug) (2)	XL1200 1994, XL883 1994, XL883DLX 1994, XL883HUG 1994
30	72191-94	TERMINAL, socket (as required)	XL1200 1994, XL883 1994, XL883DLX 1994, XL883HUG 1994
31	72195-94	SEAL PIN (as required)	XL1200 1994, XL883 1994, XL883DLX 1994, XL883HUG 1994

INTERNATIONAL MODELS ONLY

32	68507-90	LENS, rear (amber) (HDI) (2)	XL1200 1994, XL883 1994, XL883DLX 1994, XL883HUG 1994
	68566-90	LENS, front (amber) (HDI) (2)	XL1200 1994, XL883 1994, XL883DLX 1994, XL883HUG 1994
33	68763-94	LAMP, w/ wire, rear (amber) (HDI) w/ 13, 14 & 15 (2)	XL1200 1994, XL883 1994, XL883DLX 1994, XL883HUG 1994
	68710-94	LAMP, w/ wire, front (amber) (HDI) w/ 13, 14 & 15 (2)	XL1200 1994, XL883 1994, XL883DLX 1994, XL883HUG 1994

TAIL LAMP



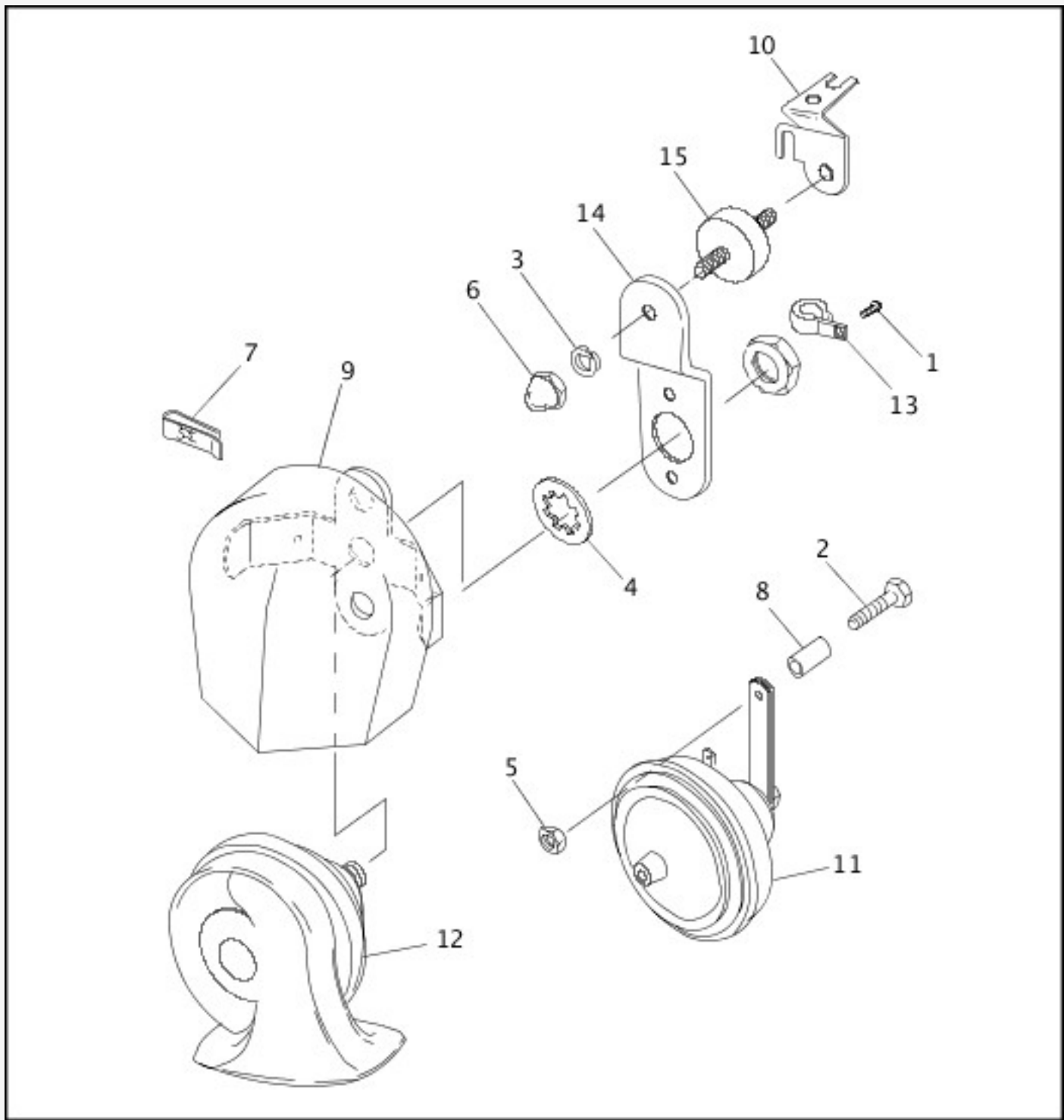
[View interactive image](#)

[View interactive table](#)

INDEX NO.	PART NO.	DESCRIPTION	MODEL(S)
1	7501	SPEED NUT (2)	ALL
2	68008-73B	TAIL LAMP ASSEMBLY, w/ 3, 4, 5 & 8	XL1200 1993, XL883 1993, XL883DLX 1993, XL883HUG 1993
	68048-93B	TAIL LAMP ASSEMBLY, w/ 3, 4, 5 & 8	XL1200 1994, XL883 1994, XL883DLX 1994, XL883HUG 1994
3	68026-73	SCREW, lens (2)	ALL
4	68027-90	GASKET, lens	ALL
5	68033-90	LENS, tail lamp (red)	ALL
6	72191-94	TERMINAL, socket (3)	XL1200 1994, XL883 1994, XL883DLX 1994, XL883HUG 1994
7	68123-73	GASKET, tail lamp mounting	ALL
8	68168-89A	BULB, tail lamp	ALL

9	72114-94BK	SOCKET HOUSING, 4-way	XL1200 1994, XL883 1994, XL883DLX 1994, XL883HUG 1994
10	72154-94	SECONDARY LOCK, four-way	XL1200 1994, XL883 1994, XL883DLX 1994, XL883HUG 1994
11	72172-94	SEAL, front	XL1200 1994, XL883 1994, XL883DLX 1994, XL883HUG 1994
INTERNATIONAL MODELS ONLY			
12	68010-90	TAIL LAMP ASSEMBLY (HDI) w/ 3, 4, 5, 6 & 8	XL1200 1993, XL883 1993, XL883DLX 1993, XL883HUG 1993
	68049-93B	TAIL LAMP ASSEMBLY (HDI) w/ 3, 4, 5, 6 & 8	XL1200 1994, XL883 1994, XL883DLX 1994, XL883HUG 1994
13	68032-90	LENS, tail lamp (red) (HDI)	ALL
14	68169-90A	BULB, tail lamp (HDI)	ALL
15	68036-91	REFLECTOR, tail lamp (HDI)	ALL

HORN



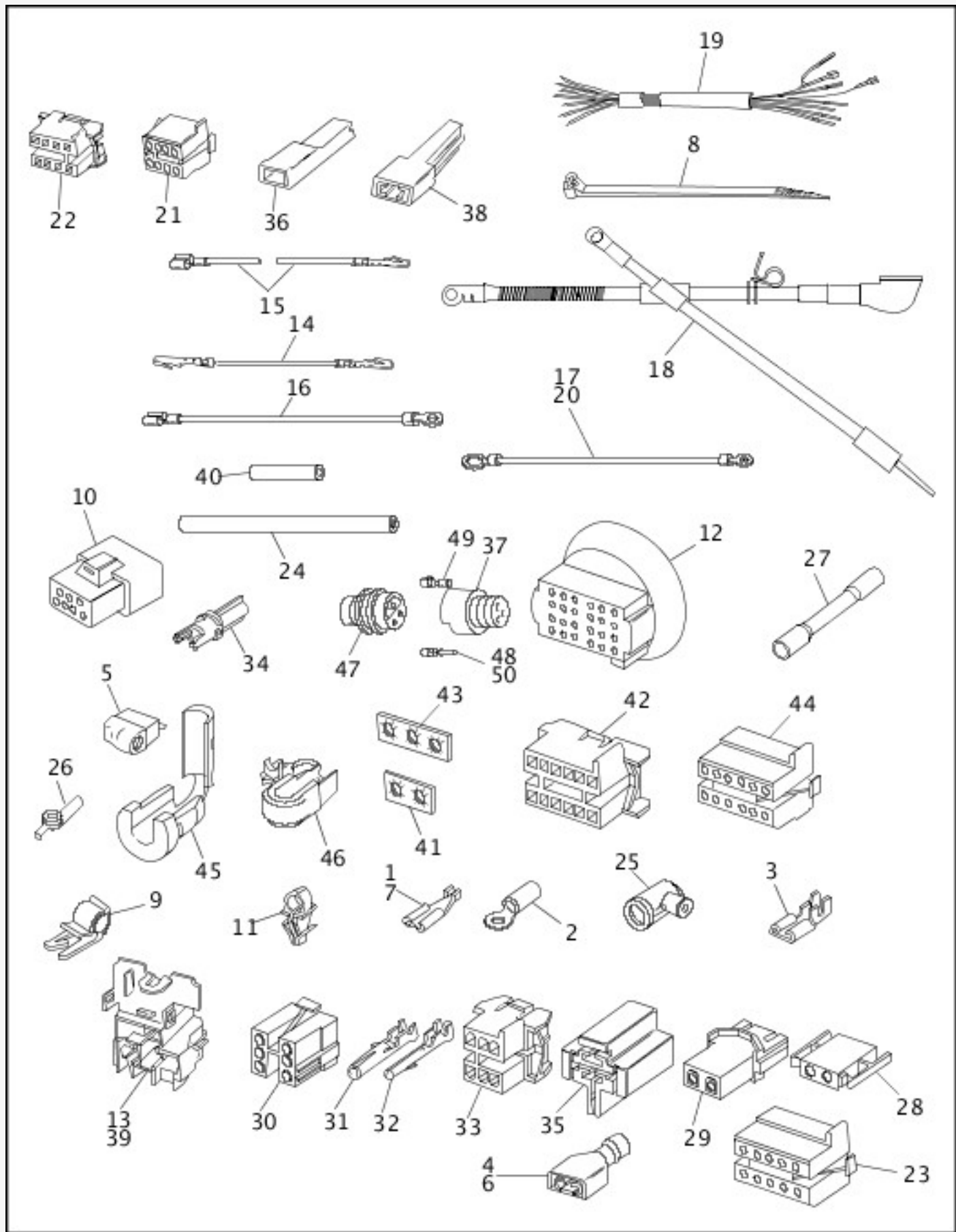
[View interactive image](#)

[View interactive table](#)

INDEX NO.	PART NO.	DESCRIPTION	MODEL(S)
1	3588	SCREW (2)	XL1200 1993, XL1200 1994
2	4067	BOLT	XL883 1993, XL883 1994, XL883DLX 1993, XL883DLX 1994, XL883HUG 1993, XL883HUG 1994
3	7041	LOCKWASHER	XL1200 1993, XL1200 1994
4	7127	LOCKWASHER	XL1200 1993, XL1200 1994
5	7531	LOCKNUT	XL883 1993, XL883 1994, XL883DLX 1993, XL883DLX 1994, XL883HUG 1993, XL883HUG 1994
6	7527	ACORN NUT	XL1200 1993, XL1200 1994

7	8108	SPEEDNUT (2)	XL1200 1993, XL1200 1994
8	42520-80A	SPACER	XL883 1993, XL883 1994, XL883DLX 1993, XL883DLX 1994, XL883HUG 1993, XL883HUG 1994
9	69012-93A	COVER, horn (chrome)	XL1200 1993, XL1200 1994
10	69027-92	SUPPORT BRACKET	XL1200 1993, XL1200 1994
11	69043-91D	HORN, complete w/ bracket	XL883 1993, XL883 1994, XL883DLX 1993, XL883DLX 1994, XL883HUG 1993, XL883HUG 1994
12	69060-90H	HORN	XL1200 1993, XL1200 1994
13	69062-91	CLAMP, horn wire	XL1200 1993, XL1200 1994
14	69120-91	HORN BRACKET	XL1200 1993, XL1200 1994
15	69123-92A	RUBBER MOUNT	XL1200 1993, XL1200 1994

WIRING & MISCELLANEOUS ELECTRICAL (1 OF 2)



[View interactive image](#)

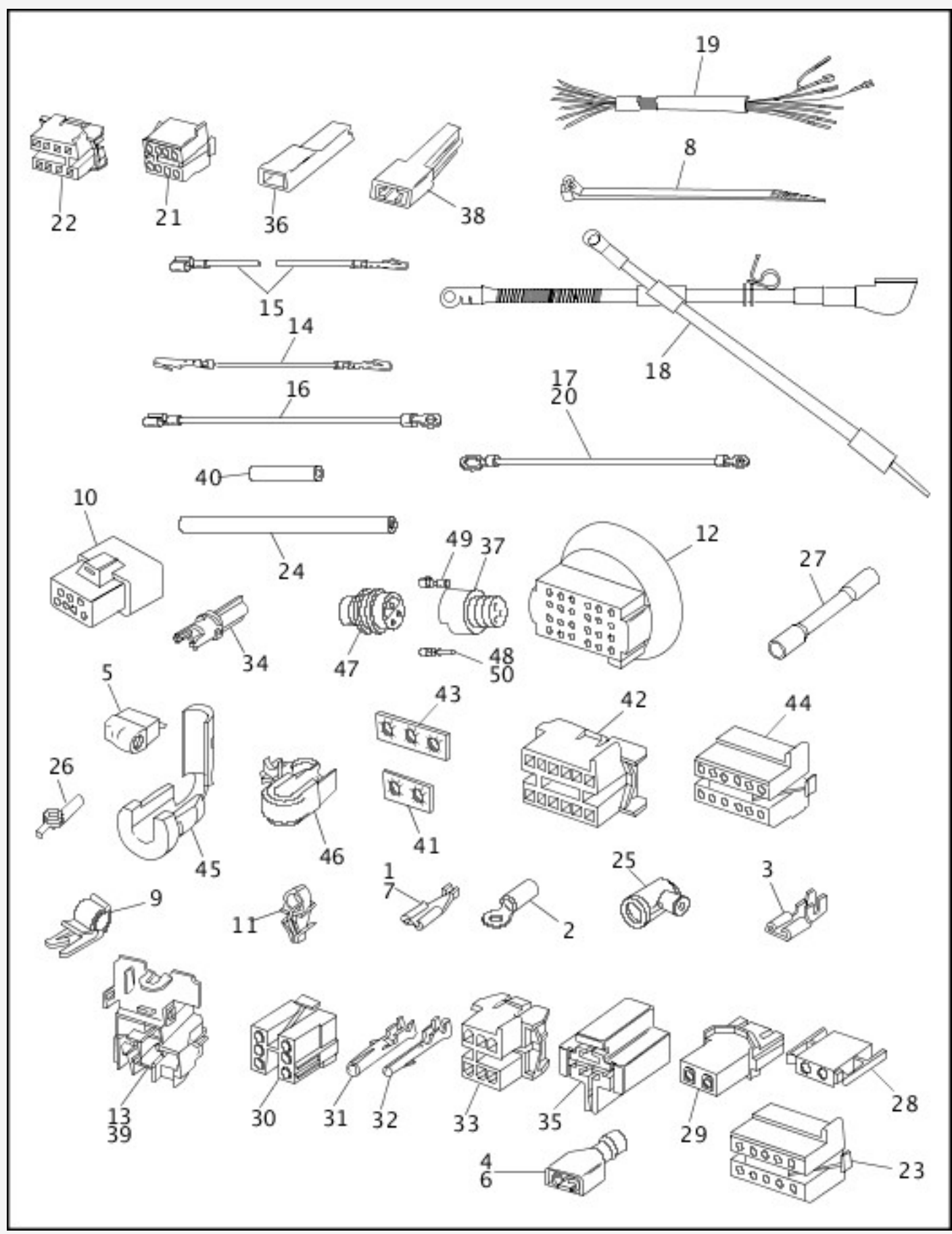
[View interactive table](#)

INDEX NO.	PART NO.	DESCRIPTION	MODEL(S)
1	9847	WIRE TERMINAL, female spade-R.H.	ALL
	9848	WIRE TERMINAL, female spade-L.H.	ALL
	9849	WIRE TERMINAL, female spade type	XL1200 1993, XL883 1993, XL883DLX 1993, XL883HUG 1993

2	9857	WIRE TERMINAL, ring type, No. 10 hole	XL1200 1993, XL883 1993, XL883DLX 1993, XL883HUG 1993
	9858	WIRE TERMINAL, ring type, 1/4 dia. Hole	XL1200 1993, XL883 1993, XL883DLX 1993, XL883HUG 1993
	9862	WIRE TERMINAL, ring type, No. 10 hole	XL1200 1993, XL883 1993, XL883DLX 1993, XL883HUG 1993
	9863	WIRE TERMINAL, ring type, 1/4 dia. Hole	XL1200 1993, XL883 1993, XL883DLX 1993, XL883HUG 1993
3	39875	WIRE TERMINAL, female spade type, 5/16 slot	XL1200 1993, XL883 1993, XL883DLX 1993, XL883HUG 1993
4	9885	WIRE TERMINAL, female spade type, 13/64 slot	XL1200 1993, XL883 1993, XL883DLX 1993, XL883HUG 1993
5	9898	WIRE TERMINAL, female spade type, 1/4 slot	XL1200 1993, XL883 1993, XL883DLX 1993, XL883HUG 1993
6	9900	WIRE TERMINAL, female spade type, 3/16 slot	XL1200 1993, XL883 1993, XL883DLX 1993, XL883HUG 1993
7	9930	WIRE TERMINAL, female spade type, 3/16 slot	XL1200 1993, XL883 1993, XL883DLX 1993, XL883HUG 1993
	9937	WIRE TERMINAL, female spade type, 1/4 slot	ALL
8	10006	CABLE STRAP	ALL
	10039	CABLE STRAP, 15 inch	ALL
	10073	CABLE STRAP	ALL
	10081	CABLE STRAP (double loop)	ALL
9	10110	CLIP, T-stud	XL1200 1993, XL883 1993, XL883DLX 1993, XL883HUG 1993
	10116	CLIP, T-stud	XL1200 1993, XL883 1993, XL883DLX 1993, XL883HUG 1993
10	31998-91A	INSULATOR, receptacle housing (Mod. conn.)	XL1200 1993, XL883 1993, XL883DLX 1993, XL883HUG 1993
11	56073-83	CLIP, handlebar wires (4)	ALL
12	67839-74	BOOT, headlamp connector	XL1200 1993, XL883 1993, XL883DLX 1993, XL883HUG 1993
13	68705-93A	CONNECTOR ASSEMBLY, headlamp, w/ wires, terminals & splice connectors	ALL
14	70022-83	WIRE, to front left handlebar switch (violet)	XL1200 1993, XL883 1993, XL883DLX 1993, XL883HUG 1993
	70027-	WIRE, to front right handlebar switch (brown)	XL1200 1993, XL883 1993, XL883DLX 1993,

	83		XL883HUG 1993
15	70049-83	WIRE, indicator lamp connection (orange)	XL1200 1993, XL883 1993, XL883DLX 1993, XL883HUG 1993
16	70050-92	WIRE, headlamp ground	XL1200 1993, XL883 1993, XL883DLX 1993, XL883HUG 1993
17	70076-89A	CABLE, battery positive to solenoid	XL1200 1993, XL883 1993, XL883DLX 1993, XL883HUG 1993
18	70079-94	CABLE ASSEMBLY, battery positive & negative, w/ 25 & grommet	XL1200 1994, XL883 1994, XL883DLX 1994, XL883HUG 1994
	70097-75B	CABLE, battery negative ground	XL1200 1993, XL883 1993, XL883DLX 1993, XL883HUG 1993
	70129-79A	WIRE, battery positive to circuit breaker	XL1200 1993, XL883 1993, XL883DLX 1993, XL883HUG 1993
19	70135-92A	MAIN WIRING HARNESS	XL1200 1993, XL883 1993, XL883DLX 1993, XL883HUG 1993
	70157-92	BREAKER HARNESS	XL1200 1993, XL883 1993, XL883DLX 1993, XL883HUG 1993
20	70191-73A	WIRE, handlebar ground	XL1200 1993, XL883 1993, XL883DLX 1993, XL883HUG 1993
21	70287-81A	CONNECTOR, 8 socket	XL1200 1993, XL883 1993, XL883DLX 1993, XL883HUG 1993
22	70288-81	CONNECTOR, 8 pin	XL1200 1993, XL883 1993, XL883DLX 1993, XL883HUG 1993
23	70293-87A	CONNECTOR, 10 socket	XL1200 1993, XL883 1993, XL883DLX 1993, XL883HUG 1993
24	70551-69	CONDUIT, 1/8 ID x 10 ft (black vinyl) (high temp)	XL1200 1993, XL883 1993, XL883DLX 1993, XL883HUG 1993
	70552-69	CONDUIT, 3/8 I.D. x 10 ft. long (black vinyl)	XL1200 1993, XL883 1993, XL883DLX 1993, XL883HUG 1993
	70553-69	CONDUIT, 7/16 I.D. x 10 ft. long (black vinyl)	XL1200 1993, XL883 1993, XL883DLX 1993, XL883HUG 1993
	70554-69	CONDUIT, 1/4 I.D. x 10 ft. long (black vinyl)	XL1200 1993, XL883 1993, XL883DLX 1993, XL883HUG 1993
	70555-69	CONDUIT, 1/4 I.D. x 10 ft. long (black vinyl)	XL1200 1993, XL883 1993, XL883DLX 1993, XL883HUG 1993
	70556-71	CONDUIT, 5/16 I.D. x 10 ft. lg. (black vinyl)	XL1200 1993, XL883 1993, XL883DLX 1993, XL883HUG 1993
	70558-71	CONDUIT, 1/2 I.D. x 10 ft. lg. (black vinyl)	XL1200 1993, XL883 1993, XL883DLX 1993, XL883HUG 1993

WIRING & MISCELLANEOUS ELECTRICAL (2 OF 2)



[View interactive image](#)

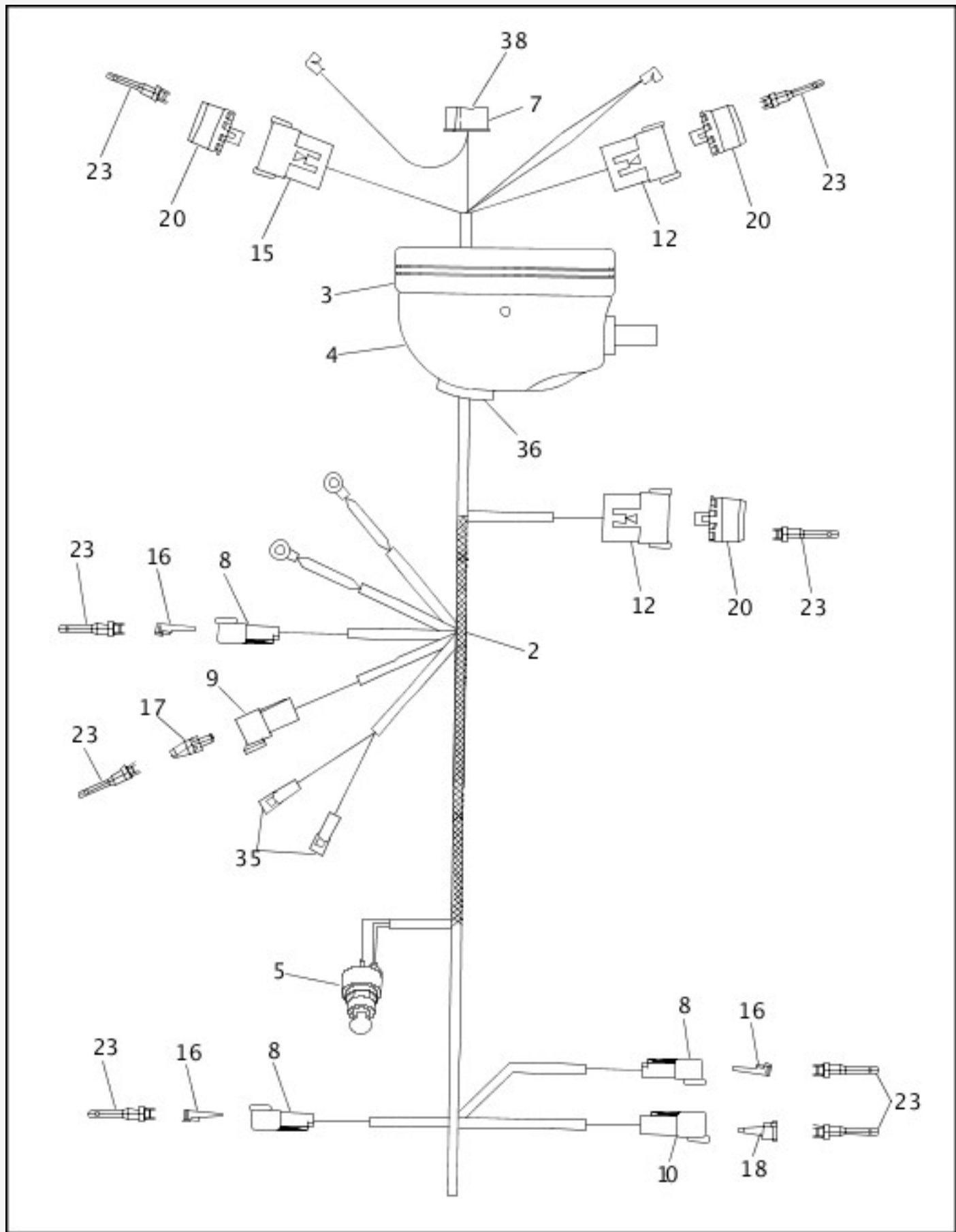
[View interactive table](#)

INDEX NO.	PART NO.	DESCRIPTION	MODEL(S)

25	70578-89	BOOT, insulating	ALL
26	70580-89	BOOT, circuit breaker	XL1200 1993, XL883 1993, XL883DLX 1993, XL883HUG 1993
27	70585-93	CONNECTOR, butt splice, 18-22 gauge	XL1200 1994, XL883 1994, XL883DLX 1994, XL883HUG 1994
	70586-93	CONNECTOR, butt splice, 14-16 gauge	XL1200 1994, XL883 1994, XL883DLX 1994, XL883HUG 1994
	70587-93	CONNECTOR, butt splice, 10-12 gauge	XL1200 1994, XL883 1994, XL883DLX 1994, XL883HUG 1994
28	72034-71	CONNECTOR, double socket	XL1200 1993, XL883 1993, XL883DLX 1993, XL883HUG 1993
29	72035-71	CONNECTOR, double pin	XL1200 1993, XL883 1993, XL883DLX 1993, XL883HUG 1993
30	72037-71	CONNECTOR, six socket	XL1200 1993, XL883 1993, XL883DLX 1993, XL883HUG 1993
31	72038-71A	SOCKET, single pin	ALL
32	72039-71A	PIN, single socket	XL1200 1993, XL883 1993, XL883DLX 1993, XL883HUG 1993
33	72041-71	CONNECTOR, six pin	XL1200 1993, XL883 1993, XL883DLX 1993, XL883HUG 1993
34	72043-71A	CONNECTOR, single pin	XL1200 1993, XL883 1993, XL883DLX 1993, XL883HUG 1993
35	72046-79	HOUSING SOCKET, starter relay	ALL
36	72049-92	HOUSING, female	XL1200 1993, XL883 1993, XL883DLX 1993, XL883HUG 1993
37	72051-77A	RECEPTACLE, regulator plug	XL1200 1993, XL883 1993, XL883DLX 1993, XL883HUG 1993
38	72053-92	HOUSING, male	XL1200 1993, XL883 1993, XL883DLX 1993, XL883HUG 1993
39	72056-92	INSULATOR, spade terminal (3-way)	ALL
40	72266-94	HEAT SHRINK TUBE, encapsulating, 0.3 X 2 inch	XL1200 1994, XL883 1994, XL883DLX 1994, XL883HUG 1994
41	72275-74	CONNECTOR TAB, two terminal (4)	XL1200 1993, XL883 1993, XL883DLX 1993, XL883HUG 1993
42	72276-74	HOUSING, pin terminal (2)	XL1200 1993, XL883 1993, XL883DLX 1993, XL883HUG 1993
43	72277-74	CONNECTOR TAB, three terminal (2)	XL1200 1993, XL883 1993, XL883DLX 1993, XL883HUG 1993

44	72278-74A	HOUSING, socket terminal (2)	XL1200 1993, XL883 1993, XL883DLX 1993, XL883HUG 1993
45	72501-74	BUSHING, straight	XL1200 1993, XL883 1993, XL883DLX 1993, XL883HUG 1993
46	72502-74	BUSHING, right angle (2)	XL1200 1993, XL883 1993, XL883DLX 1993, XL883HUG 1993
47	74521-77A	PLUG, stator wiring harness	XL1200 1993, XL883 1993, XL883DLX 1993, XL883HUG 1993
48	74536-77A	PIN, stator connector (2)	XL1200 1993, XL883 1993, XL883DLX 1993, XL883HUG 1993
49	74539-77A	SOCKET, stator connector (9)	XL1200 1993, XL883 1993, XL883DLX 1993, XL883HUG 1993
50	74539-83A	PIN, ignition sensor (3)	XL1200 1993, XL883 1993, XL883DLX 1993, XL883HUG 1993

MAIN WIRING HARNESS - 1994 (1 OF 2)



[View interactive image](#)

[View interactive table](#)

INDEX NO.	PART NO.	DESCRIPTION	MODEL(S)
	70135-94	MAIN WIRING HARNESS	XL1200 1994, XL883 1994, XL883DLX 1994, XL883HUG 1994

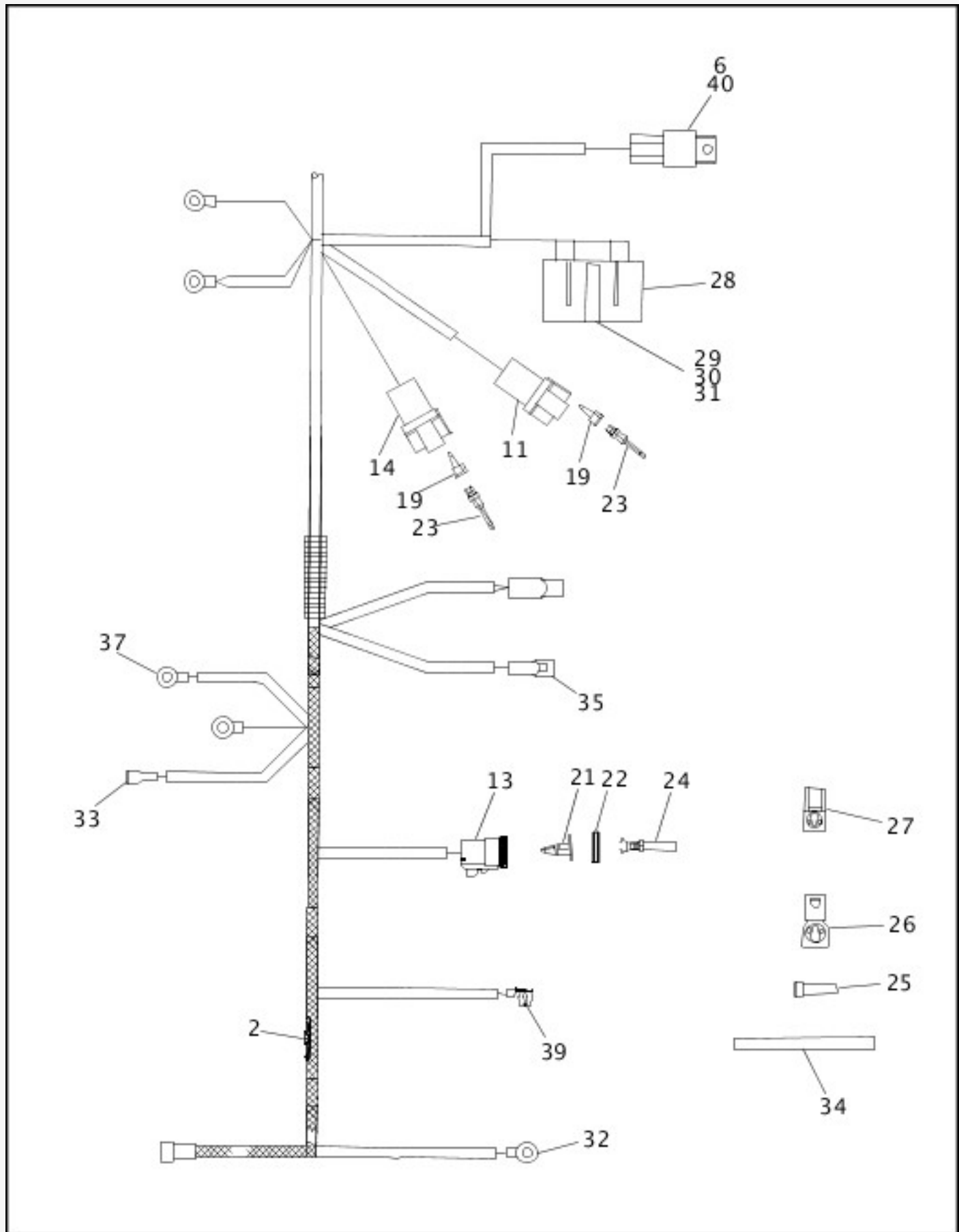
NOTE: Includes the following parts.

1	72241-	TERMINAL RING, 14-16 gauge (not	XL1200 1994, XL883 1994, XL883DLX 1994,
---	--------	---------------------------------	---

	94A	illustrated)	XL883HUG 1994
2	10136	ANCHOR T-STUD	XL1200 1994, XL883 1994, XL883DLX 1994, XL883HUG 1994
3	67719-63	MOUNTING RING (rubber)	XL1200 1994, XL883 1994, XL883DLX 1994, XL883HUG 1994
4	68061-94B	HOUSING KIT, headlamp	XL1200 1994, XL883 1994, XL883DLX 1994, XL883HUG 1994
5	71441-94	IGNITION & LIGHT SWITCH ASSEMBLY	XL1200 1994, XL883 1994, XL883DLX 1994, XL883HUG 1994
6	72046-79	SOCKET HOUSING, 5-way	XL1200 1994, XL883 1994, XL883DLX 1994, XL883HUG 1994
7	72056-92	HOUSING, 3-way	XL1200 1994, XL883 1994, XL883DLX 1994, XL883HUG 1994
8	72102-94BK	RECEPTACLE, 2-way (black) (3)	XL1200 1994, XL883 1994, XL883DLX 1994, XL883HUG 1994
9	72103-94BK	RECEPTACLE, 3-way (black)	XL1200 1994, XL883 1994, XL883DLX 1994, XL883HUG 1994
10	72104-94BK	RECEPTACLE, 4-way (black)	XL1200 1994, XL883 1994, XL883DLX 1994, XL883HUG 1994
11	72108-94BK	RECEPTACLE, 8-way (black)	XL1200 1994, XL883 1994, XL883DLX 1994, XL883HUG 1994
12	72109-94BK	RECEPTACLE, 12-way (2)	XL1200 1994, XL883 1994, XL883DLX 1994, XL883HUG 1994
13	72113-94BK	PLUG, 3-way (black)	XL1200 1994, XL883 1994, XL883DLX 1994, XL883HUG 1994
14	72128-94GY	RECEPTACLE, 8-way (gray)	XL1200 1994, XL883 1994, XL883DLX 1994, XL883HUG 1994
15	72129-94GY	RECEPTACLE, 12-way (gray)	XL1200 1994, XL883 1994, XL883DLX 1994, XL883HUG 1994
16	72142-94	SECONDARY LOCK, 2-way receptacle (3)	XL1200 1994, XL883 1994, XL883DLX 1994, XL883HUG 1994
17	72143-94	SECONDARY LOCK, 3-way receptacle	XL1200 1994, XL883 1994, XL883DLX 1994, XL883HUG 1994
18	72144-94	SECONDARY LOCK, 4-way receptacle	XL1200 1994, XL883 1994, XL883DLX 1994, XL883HUG 1994
19	72148-94	SECONDARY LOCK, 8-way receptacle (2)	XL1200 1994, XL883 1994, XL883DLX 1994, XL883HUG 1994
20	72149-94	SECONDARY LOCK, 12-way receptacle (3)	XL1200 1994, XL883 1994, XL883DLX 1994, XL883HUG 1994

21	72153-94	SECONDARY LOCK, 3-way plug	XL1200 1994, XL883 1994, XL883DLX 1994, XL883HUG 1994
----	----------	----------------------------	---

MAIN WIRING HARNESS - 1994 (2 OF 2)



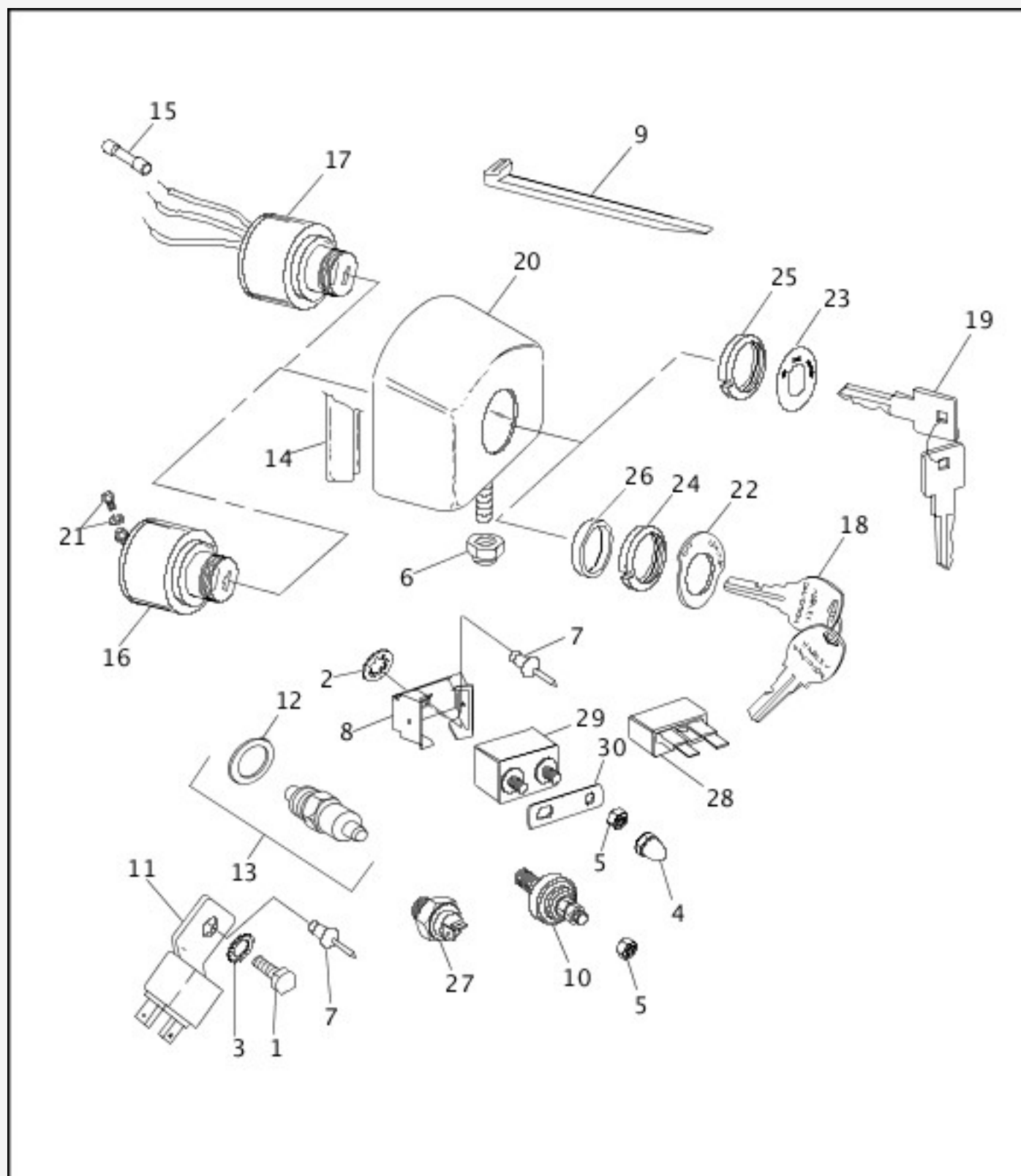
[View interactive image](#)

[View interactive table](#)

INDEX NO.	PART NO.	DESCRIPTION	MODEL(S)

22	72173-94	SEAL, front (3-way plug)	XL1200 1994, XL883 1994, XL883DLX 1994, XL883HUG 1994
23	72190-94	TERMINAL, pin (53)	XL1200 1994, XL883 1994, XL883DLX 1994, XL883HUG 1994
24	72191-94	TERMINAL, socket (3)	XL1200 1994, XL883 1994, XL883DLX 1994, XL883HUG 1994
25	72195-94	SEAL PIN (8)	XL1200 1994, XL883 1994, XL883DLX 1994, XL883HUG 1994
26	72198-94	ATTACHMENT CLIP, 8-way receptacle (2)	XL1200 1994, XL883 1994, XL883DLX 1994, XL883HUG 1994
27	72199-94	ATTACHMENT CLIP, 2, 3, 4, 6 & 12-way receptacle (6)	XL1200 1994, XL883 1994, XL883DLX 1994, XL883HUG 1994
28	72216-94	FUSE BLOCK	XL1200 1994, XL883 1994, XL883DLX 1994, XL883HUG 1994
29	72217-94	TERMINAL, auto fuse (18-20 gauge) (2)	XL1200 1994, XL883 1994, XL883DLX 1994, XL883HUG 1994
30	72218-94	TERMINAL, auto fuse (14-16 gauge) (4)	XL1200 1994, XL883 1994, XL883DLX 1994, XL883HUG 1994
31	72219-94	TERMINAL, auto fuse (18 gauge) (4)	XL1200 1994, XL883 1994, XL883DLX 1994, XL883HUG 1994
32	72241-94A	TERMINAL, ring (18-20 gauge) (4)	XL1200 1994, XL883 1994, XL883DLX 1994, XL883HUG 1994
33	72243-94	TERMINAL, 1/4 inch female (14-18 gauge)	XL1200 1994, XL883 1994, XL883DLX 1994, XL883HUG 1994
34	72249-94	HEAT SHRINK TUBING, 0.3 X 1 inch (8)	XL1200 1994, XL883 1994, XL883DLX 1994, XL883HUG 1994
35	72259-94	TERMINAL, 0.32 inch female (16-20 gauge) (3)	XL1200 1994, XL883 1994, XL883DLX 1994, XL883HUG 1994
36	72507-94	GROMMET	XL1200 1994, XL883 1994, XL883DLX 1994, XL883HUG 1994
37	9842	TERMINAL, ring, 5/16 stud (10-12 gauge)	XL1200 1994, XL883 1994, XL883DLX 1994, XL883HUG 1994
38	9847	TERMINAL, female spade, R.H.	XL1200 1994, XL883 1994, XL883DLX 1994, XL883HUG 1994
39	9905	TERMINAL, cap type, 1/4' diameter	XL1200 1994, XL883 1994, XL883DLX 1994, XL883HUG 1994
40	9937	TERMINAL, female spade type, 1/4 slot	XL1200 1994, XL883 1994, XL883DLX 1994, XL883HUG 1994
41	72295-94	HOUSING, starter connector (not illustrated)	XL1200 1994, XL883 1994, XL883DLX 1994, XL883HUG 1994

SWITCHES & CIRCUIT BREAKERS



[View interactive image](#)

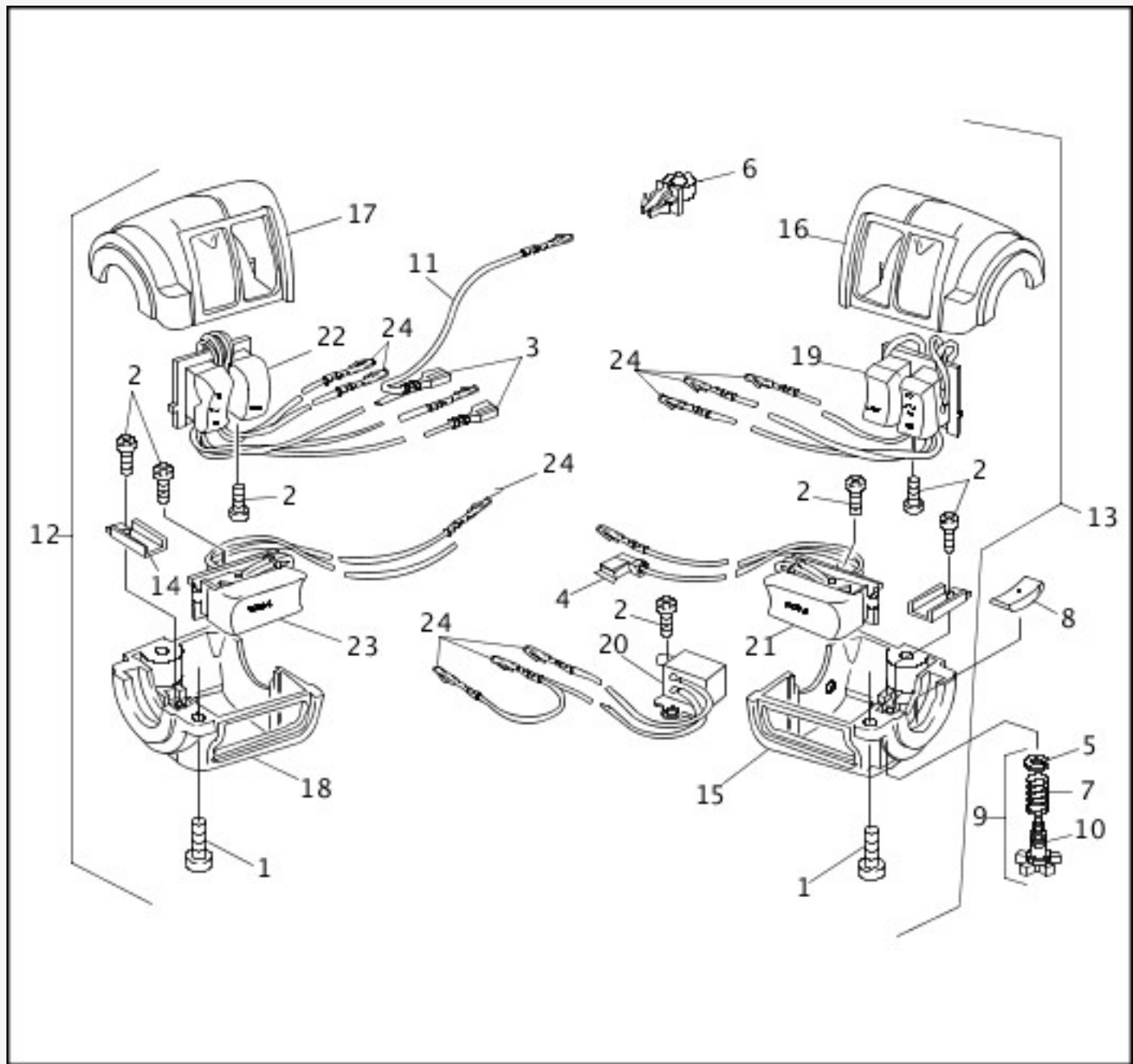
[View interactive table](#)

INDEX NO.	PART NO.	DESCRIPTION	MODEL(S)
1	3581	BOLT	XL1200 1993, XL883 1993, XL883DLX 1993, XL883HUG 1993
2	7127	LOCKWASHER, internal tooth	ALL
3	7220	LOCKWASHER	XL1200 1993, XL883 1993, XL883DLX 1993, XL883HUG 1993

4	7602	ACORN NUT (2)	XL1200 1994, XL883 1994, XL883DLX 1994, XL883HUG 1994
5	7629	NUT, keps (8)	XL1200 1993, XL883 1993, XL883DLX 1993, XL883DLX 1994, XL883HUG 1993
5	7629	NUT, keps (2)	XL1200 1994, XL883 1994, XL883HUG 1994
6	7686	LOCKNUT	ALL
7	8483A	POP RIVET, circuit breaker clip (4)	XL1200 1993, XL883 1993, XL883DLX 1993, XL883DLX 1994, XL883HUG 1993
7	8483A	POP RIVET, circuit breaker clip	XL1200 1994, XL883 1994, XL883HUG 1994
8	9952	CLIP, circuit breaker (4)	XL1200 1993, XL883 1993, XL883DLX 1993, XL883DLX 1994, XL883HUG 1993
8	9952	CLIP, circuit breaker	XL1200 1994, XL883 1994, XL883HUG 1994
9	10039	CABLE STRAP	XL1200 1994, XL883 1994, XL883DLX 1994, XL883HUG 1994
10	26554-77C	SWITCH, oil pressure indicator	ALL
11	31504-91B	STARTER RELAY (late model year)	XL1200 1993, XL883 1993, XL883DLX 1993, XL883HUG 1993
11	31504-91B	STARTER RELAY	XL1200 1994, XL883 1994, XL883DLX 1994, XL883HUG 1994
	31506-79B	STARTER RELAY (early model year)	XL1200 1993, XL883 1993, XL883DLX 1993, XL883HUG 1993
12	33043-80	WASHER	ALL
13	33900-59C	SWITCH, neutral indicator	ALL
14	62540-83	TRIM STRIP	ALL
15	70586-93	CONNECTOR, butt splice (3)	XL1200 1994, XL883 1994, XL883DLX 1994, XL883HUG 1994
16	71425-77	IGNITION & LIGHT SWITCH, w/ keys (use 71441-94)	XL1200 1993, XL883 1993, XL883DLX 1993, XL883HUG 1993
17	71441-94	IGNITION & LIGHT SWITCH, w/ 9, 15, 25 & keys (replaces 71425-77)	ALL
18	71451-78	KEY SET, ignition switch (specify key #)	XL1200 1993, XL883 1993, XL883DLX 1993, XL883HUG 1993
19	71451-94A	KEY SET, ignition switch (specify key #)	XL1200 1994, XL883 1994, XL883DLX 1994, XL883HUG 1994

20	71510-92	COVER, ignition switch	XL1200 1993, XL883 1993, XL883DLX 1993, XL883HUG 1993
	71510-94	COVER, ignition switch	XL1200 1994, XL883 1994, XL883DLX 1994, XL883HUG 1994
21	45790-80	SCREW, w/ washer (3)	XL1200 1993, XL883 1993, XL883DLX 1993, XL883HUG 1993
22	71550-75	LABEL, ignition switch	XL1200 1993, XL883 1993, XL883DLX 1993, XL883HUG 1993
23	71550-94	LABEL, ignition switch	XL1200 1994, XL883 1994, XL883DLX 1994, XL883HUG 1994
24	71552-75	FACE NUT, ignition switch	XL1200 1993, XL883 1993, XL883DLX 1993, XL883HUG 1993
25	71552-94	FACE NUT, ignition switch	XL1200 1994, XL883 1994, XL883DLX 1994, XL883HUG 1994
26	71554-75	WASHER, ignition switch	XL1200 1993, XL883 1993, XL883DLX 1993, XL883HUG 1993
27	72023-51E	STOPLIGHT SWITCH, rear brake	ALL
28	74587-94	CIRCUIT BREAKER, 15 amp. (2)	XL1200 1994, XL883 1994, XL883DLX 1994, XL883HUG 1994
	74588-94	CIRCUIT BREAKER, 10 amp. (2)	XL1200 1994, XL883 1994, XL883DLX 1994, XL883HUG 1994
29	74589-73	CIRCUIT BREAKER, 15 amp. (3)	XL1200 1993, XL883 1993, XL883DLX 1993, XL883HUG 1993
	74599-77B	CIRCUIT BREAKER, 30 amp.	XL1200 1993, XL883 1993, XL883DLX 1993, XL883HUG 1993
	74600-94	CIRCUIT BREAKER, 50 amp.	XL1200 1994, XL883 1994, XL883DLX 1994, XL883HUG 1994
30	74598-73	CONNECTOR BAR, circuit breaker (2)	XL1200 1993, XL883 1993, XL883DLX 1993, XL883HUG 1993

HANDLEBAR SWITCHES - 1993



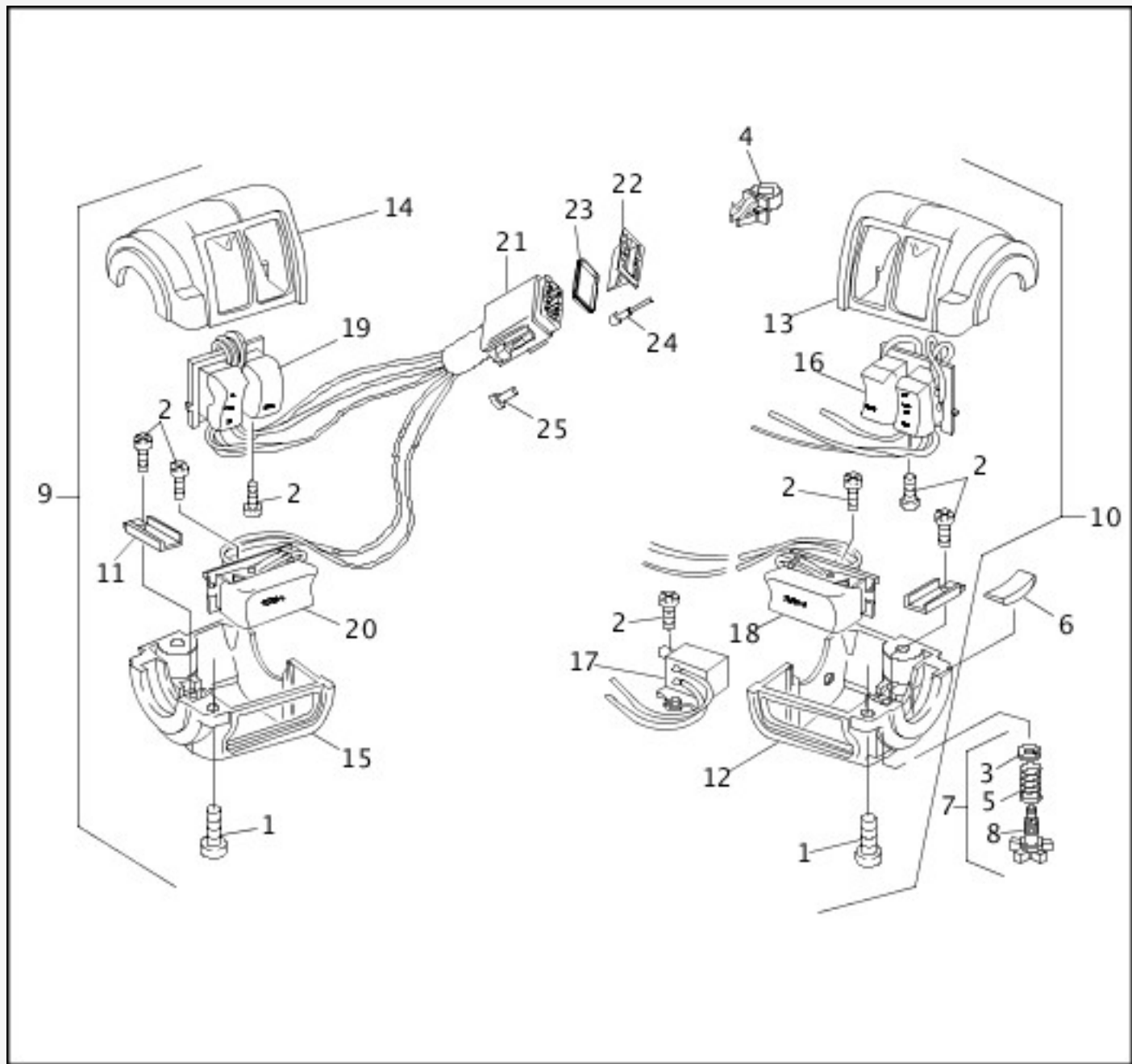
[View interactive image](#)

[View interactive table](#)

INDEX NO.	PART NO.	DESCRIPTION	MODEL(S)
1	2508	SCREW (4)	ALL
2	2907	SCREW (8)	ALL
3	9875	WIRE TERMINAL, female (2)	XL1200 1993, XL883 1993, XL883DLX 1993, XL883HUG 1993
4	9898	WIRE TERMINAL, female, insulated	XL1200 1993, XL883 1993, XL883DLX 1993, XL883HUG 1993
5	11155	RETAINING RING	ALL
6	56073-83	RETAINER, wiring harness (4)	ALL
7	56394-74	SPRING, throttle adjusting screw	ALL
8	56396-	PAD, throttle adjusting	ALL

	74A		
9	56397-74C	KIT, throttle adjusting screw, w/ 5, 7, & 10	ALL
10	56402-83A	ADJUSTING SCREW	ALL
11	70047-82	WIRE ASSEMBLY, 5 inch (white)	ALL
12	70218-87A	SWITCH KIT, complete left	ALL
13	70219-87	SWITCH KIT, complete right	ALL
14	71557-93	PLATE, switch (2)	ALL
15	71563-82A	HOUSING, lower right	ALL
16	71564-82A	HOUSING, upper right	ALL
17	71567-82	HOUSING, upper left	ALL
18	71568-82A	HOUSING, lower left	ALL
19	71589-92	SWITCH ASSEMBLY, engine stop & start	ALL
20	71590-92A	STOPLIGHT SWITCH	ALL
21	71591-92	SWITCH ASSEMBLY, right directional	ALL
22	71597-92	SWITCH ASSEMBLY, dimmer & horn	ALL
23	71598-92	SWITCH ASSEMBLY, left directional	ALL
24	72039-71A	PIN, single socket (12)	XL1200 1993, XL883 1993, XL883DLX 1993, XL883HUG 1993

HANDLEBAR SWITCHES - 1994



[View interactive image](#)

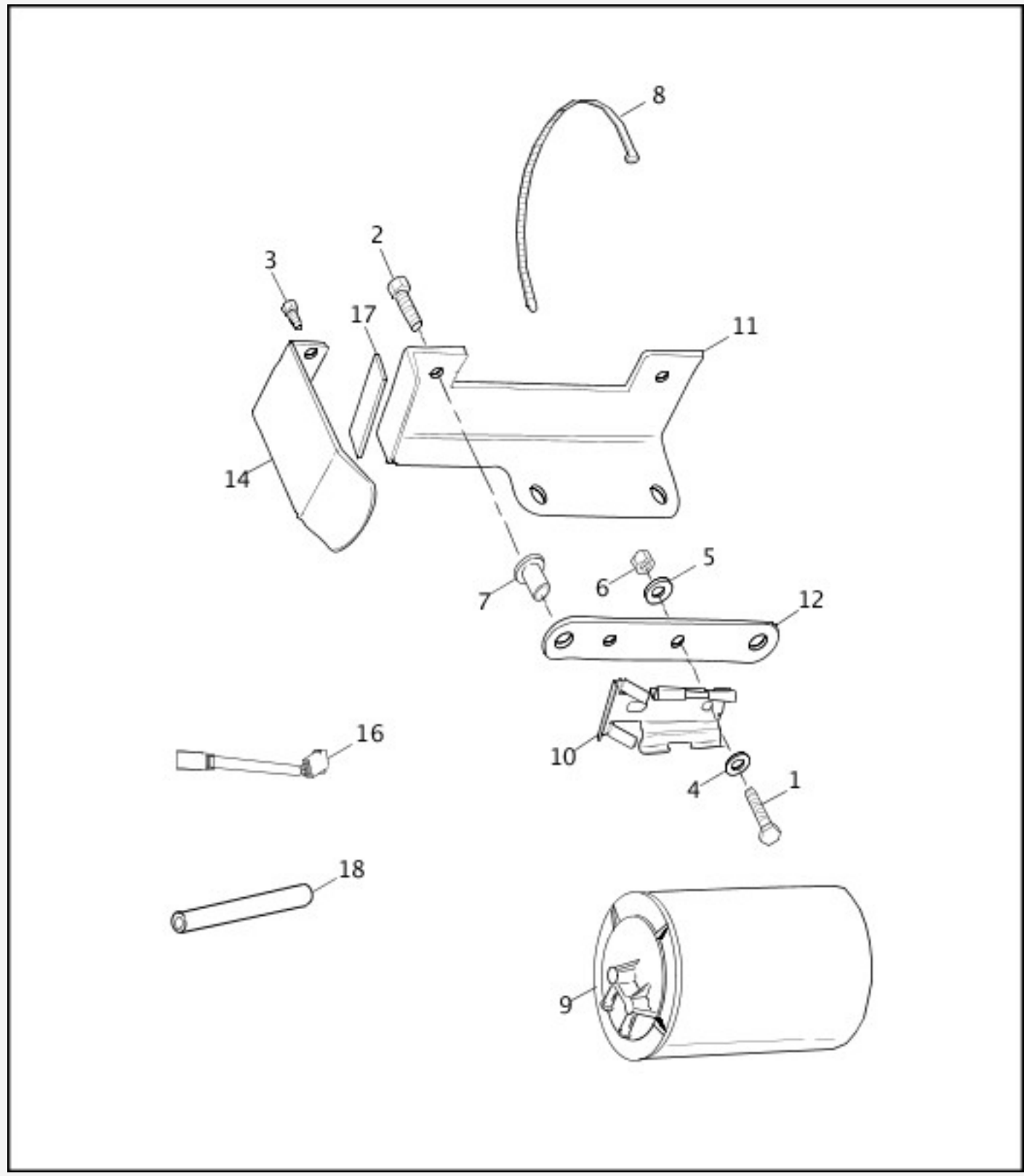
[View interactive table](#)

INDEX NO.	PART NO.	DESCRIPTION	MODEL(S)
1	2508	SCREW (4)	XL1200 1994, XL883 1994, XL883DLX 1994, XL883HUG 1994
2	2907	SCREW (8)	XL1200 1994, XL883 1994, XL883DLX 1994, XL883HUG 1994
3	11155	RETAINING RING	XL1200 1994, XL883 1994, XL883DLX 1994, XL883HUG 1994
4	56073-83	RETAINER, wiring harness (4)	XL1200 1994, XL883 1994
	70345-84	RETAINER, wiring harness (4)	XL1200 1994, XL883DLX 1994, XL883HUG 1994
5	56394-74	SPRING, throttle adjusting screw	XL1200 1994, XL883 1994, XL883DLX 1994, XL883HUG 1994
6	56396-74A	PAD, throttle adjusting	XL1200 1994, XL883 1994, XL883DLX 1994, XL883HUG 1994

			1994
7	56397-74C	KIT, throttle adjusting screw, w/ 3, 5 & 8	XL1200 1994, XL883 1994, XL883DLX 1994, XL883HUG 1994
8	56402-83A	ADJUSTING SCREW	XL1200 1994, XL883 1994, XL883DLX 1994, XL883HUG 1994
9	70218-87A	SWITCH KIT, complete left	XL1200 1994, XL883 1994, XL883DLX 1994, XL883HUG 1994
10	70219-87	SWITCH KIT, complete right	XL1200 1994, XL883 1994, XL883DLX 1994, XL883HUG 1994
11	71557-93	PLATE, switch (2)	XL1200 1994, XL883 1994, XL883DLX 1994, XL883HUG 1994
12	71563-82A	HOUSING, lower right	XL1200 1994, XL883 1994, XL883DLX 1994, XL883HUG 1994
13	71564-82A	HOUSING, upper right	XL1200 1994, XL883 1994, XL883DLX 1994, XL883HUG 1994
14	71567-82	HOUSING, upper left	XL1200 1994, XL883 1994, XL883DLX 1994, XL883HUG 1994
15	71568-82A	HOUSING, lower left	XL1200 1994, XL883 1994, XL883DLX 1994, XL883HUG 1994
16	71589-92	SWITCH ASSEMBLY, engine stop & start	XL1200 1994, XL883 1994, XL883DLX 1994, XL883HUG 1994
17	71590-92A	STOPLIGHT SWITCH	XL1200 1994, XL883 1994, XL883DLX 1994, XL883HUG 1994
18	71591-92	SWITCH ASSEMBLY, right directional	XL1200 1994, XL883 1994, XL883DLX 1994, XL883HUG 1994
19	71597-92	SWITCH ASSEMBLY, dimmer & horn	XL1200 1994, XL883 1994, XL883DLX 1994, XL883HUG 1994
20	71598-92	SWITCH ASSEMBLY, left directional	XL1200 1994, XL883 1994, XL883DLX 1994, XL883HUG 1994
21	72119-94BK	PLUG, 12-way (right) (black)	XL1200 1994, XL883 1994, XL883DLX 1994, XL883HUG 1994
	72139-94GY	PLUG, 12-way (left) (gray)	XL1200 1994, XL883 1994, XL883DLX 1994, XL883HUG 1994
22	72159-94	SECONDARY LOCK, 12-way plug (2)	XL1200 1994, XL883 1994, XL883DLX 1994, XL883HUG 1994
23	72179-94	SEAL, front (12-way plug) (2)	XL1200 1994, XL883 1994, XL883DLX 1994, XL883HUG 1994
24	72191-94	TERMINAL, socket (as required)	XL1200 1994, XL883 1994, XL883DLX 1994, XL883HUG 1994

25	72195-94	SEAL PIN (as required)	XL1200 1994, XL883 1994, XL883DLX 1994, XL883HUG 1994
----	----------	------------------------	---

CALIFORNIA EVAPORATIVE EMISSIONS KIT

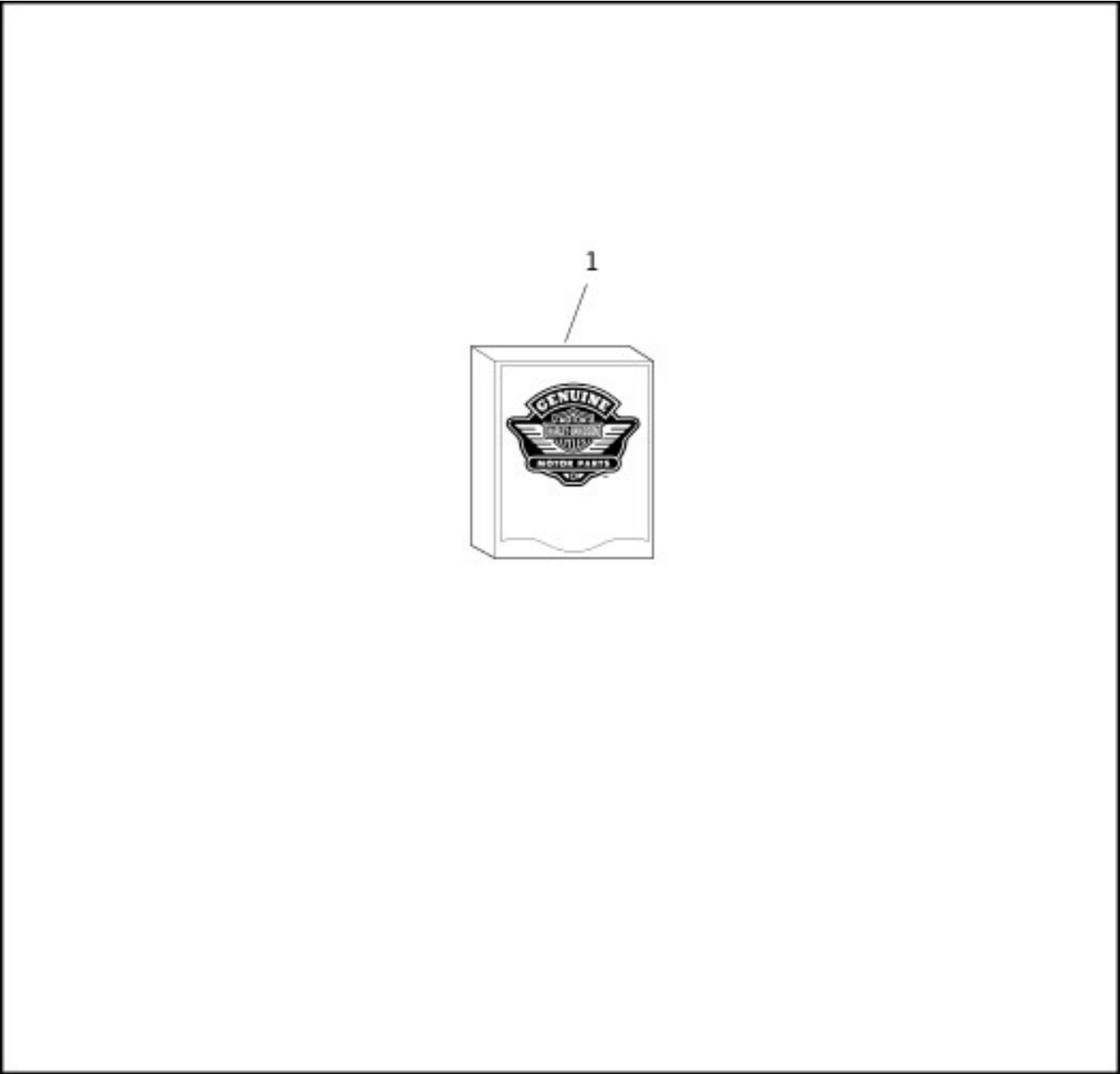


[View interactive image](#)

[View interactive table](#)

INDEX NO.	PART NO.	DESCRIPTION	MODEL(S)
1	3767B	BOLT, mounting bracket (2)	ALL
2	3802W	BOLT, bracket to plate (2)	ALL

3	4091	SCREW (2)	ALL
4	6099	WASHER (2)	XL883 1993, XL883 1994, XL883DLX 1993, XL883DLX 1994, XL883HUG 1993, XL883HUG 1994
4	6099	WASHER (4)	XL1200 1993, XL1200 1994
5	6703	WASHER (2)	ALL
6	7686	LOCKNUT (2)	ALL
7	8099	WELL NUT (2)	ALL
8	10006	CABLE STRAP (6)	ALL
9	27042-84A	CANISTER	ALL
10	27047-84B	BRACKET, canister mounting	ALL
11	28857-90	BRACKET, canister	ALL
12	28859-90	PLATE, canister mounting	ALL
13	10039	CLAMP (not illustrated)	ALL
	10108	CLAMP, battery vent hose (not illustrated)	ALL
	27018-85	CLAMP (not illustrated)	ALL
14	28860-89	GUARD, evaporative canister	ALL
15	28865-89C	HOSE, canister (not illustrated)	ALL
16	32440-94	WIRING HARNESS, solenoid	XL1200 1994, XL883 1994, XL883DLX 1994, XL883HUG 1994
	70148-92	WIRING HARNESS, solenoid	XL1200 1993, XL883 1993, XL883DLX 1993, XL883HUG 1993
17	66352-65	PAD (vinyl foam)	ALL
NOTE: Hose or insulator is sold in bulk length under the following part numbers. Cut to length.			
18	26571-89	HOSE 7/32 inch, I.D. (10 ft. long) (black)	ALL
	27138-90	HOSE 3/16 inch, I.D. (10 ft. long) (black)	ALL



[View interactive image](#)

[View interactive table](#)

INDEX NO.	PART NO.	DESCRIPTION	MODEL(S)
1	25660-91	CAM GEAR, front exhaust (1 brown dot)	ALL
	25661-91	CAM GEAR, front exhaust (1 blue dot)	ALL
	25662-91	CAM GEAR, front exhaust (1 red dot)	ALL
	25663-91	CAM GEAR, front exhaust (1 white dot)	ALL
	25664-91	CAM GEAR, front exhaust (1 green dot)	ALL
	25665-91	CAM GEAR, front exhaust (1yellow dot)	ALL
	25666-91	CAM GEAR, front exhaust (1 black dot)	ALL
	25640-91	CAM GEAR, front intake (1 brown dot)	ALL

	25641-91	CAM GEAR, front intake (1 blue dot)	ALL
	25642-91	CAM GEAR, front intake (1 red dot)	ALL
	25643-91	CAM GEAR, front intake (1 white dot)	ALL
	25644-91	CAM GEAR, front intake (1 green dot)	ALL
	25645-91	CAM GEAR, front intake (1 yellow dot)	ALL
	25646-91	CAM GEAR, front intake (1 black dot)	ALL
	24055-91	PINION GEAR (1 brown dot)	ALL
	24056-91	PINION GEAR (1 blue dot)	ALL
	24057-91	PINION GEAR (1 red dot)	ALL
	24058-91	PINION GEAR (1 white dot)	ALL
	24059-91	PINION GEAR (1green dot)	ALL
	24060-91	PINION GEAR (1 yellow dot)	ALL
	24061-91	PINION GEAR (1 black dot)	ALL
	25804-91	CAM GEAR, rear intake (cam gear 1 black dot, drive gear 1 brown dot)	ALL
	25808-91	CAM GEAR, rear intake (cam gear 1 yellow dot, drive gear 1 brown dot)	ALL
	25812-91	CAM GEAR, rear intake (cam gear 1 green dot, drive gear 1 brown dot)	ALL
	25816-91	CAM GEAR, rear intake (cam gear 1 white dot, drive gear 1 brown dot)	ALL
	25820-91	CAM GEAR, rear intake (cam gear 1 red dot, drive gear 1 brown dot)	ALL
	25824-91	CAM GEAR, rear intake (cam gear 1 blue dot, drive gear 1 brown dot)	ALL
	25828-91	CAM GEAR, rear intake (cam gear 1brown dot, drive gear 1 brown dot)	ALL
	25832-91	CAM GEAR, rear intake (cam gear 1 black dot, drive gear 1 blue dot)	ALL
	25836-91	CAM GEAR, rear intake (cam gear 1 yellow dot, drive gear 1 blue dot)	ALL
	25840-91	CAM GEAR, rear intake (cam gear 1 green dot, drive gear 1 blue dot)	ALL
	25844-91	CAM GEAR, rear intake (cam gear 1 white dot, drive gear 1 blue dot)	ALL
	25848-91	CAM GEAR, rear intake (cam gear 1 red dot, drive gear 1 blue dot)	ALL

CAM GEARS (2 OF 3)



[View interactive image](#)

[View interactive table](#)

INDEX NO.	PART NO.	DESCRIPTION	MODEL(S)
1	25852-91	CAM GEAR, rear intake (cam gear 1 blue dot, drive gear 1 blue dot)	ALL
	25856-91	CAM GEAR, rear intake (cam gear 1 brown dot, drive gear 1 blue dot)	ALL
	25860-91	CAM GEAR, rear intake (cam gear 1 black dot, drive gear 1 red dot)	ALL
	25864-91	CAM GEAR, rear intake (cam gear 1 yellow dot, drive gear 1 red dot)	ALL
	25868-91	CAM GEAR, rear intake (cam gear 1 green dot, drive gear 1 red dot)	ALL
	25872-91	CAM GEAR, rear intake (cam gear 1 white dot, drive gear 1 red dot)	ALL
	25876-91	CAM GEAR, rear intake (cam gear 1 red dot, drive gear 1 red dot)	ALL
	25880-91	CAM GEAR, rear intake (cam gear 1 blue dot, drive gear 1 red dot)	ALL
	25884-91	CAM GEAR, rear intake (cam gear 1 brown dot, drive gear 1 red dot)	ALL

	25888-91	CAM GEAR, rear intake (cam gear 1 black dot, drive gear 1 white dot)	ALL
	25892-91	CAM GEAR, rear intake (cam gear 1 yellow dot, drive gear 1 white dot)	ALL
	25896-91	CAM GEAR, rear intake (cam gear 1 green dot, drive gear 1 white dot)	ALL
	25900-91	CAM GEAR, rear intake (cam gear 1 white dot, drive gear 1 white dot)	ALL
	25904-91	CAM GEAR, rear intake (cam gear 1 red dot, drive gear 1 white dot)	ALL
	25908-91	CAM GEAR, rear intake (cam gear 1 blue dot, drive gear 1 white dot)	ALL
	25912-91	CAM GEAR, rear intake (cam gear 1 brown dot, drive gear 1 white dot)	ALL
	25916-91	CAM GEAR, rear intake (cam gear 1 black dot, drive gear 1 green dot)	ALL
	25920-91	CAM GEAR, rear intake (cam gear 1 yellow dot, drive gear 1 green dot)	ALL
	25924-91	CAM GEAR, rear intake (cam gear 1 green dot, drive gear 1 green dot)	ALL
	25928-91	CAM GEAR, rear intake (cam gear 1 white dot, drive gear 1 green dot)	ALL
	25932-91	CAM GEAR, rear intake (cam gear 1 red dot, drive gear 1 green dot)	ALL

CAM GEARS (3 OF 3)



[View interactive image](#)

[View interactive table](#)

INDEX NO.	PART NO.	DESCRIPTION	MODEL(S)
1	25936-91	CAM GEAR, rear intake (cam gear 1 blue dot, drive gear 1 green dot)	ALL
	25940-91	CAM GEAR, rear intake (cam gear 1 brown dot, drive gear 1 green dot)	ALL
	25944-91	CAM GEAR, rear intake (cam gear 1 black dot, drive gear 1 yellow dot)	ALL
	25948-91	CAM GEAR, rear intake (cam gear 1 yellow dot, drive gear 1 yellow dot)	ALL
	25952-91	CAM GEAR, rear intake (cam gear 1 green dot, drive gear 1 yellow dot)	ALL
	25956-91	CAM GEAR, rear intake (cam gear 1 white dot, drive gear 1 yellow dot)	ALL
	25960-91	CAM GEAR, rear intake (cam gear 1 red dot, drive gear 1 yellow dot)	ALL
	25964-91	CAM GEAR, rear intake (cam gear 1 blue dot, drive gear 1 yellow dot)	ALL
	25968-91	CAM GEAR, rear intake (cam gear 1 brown dot, drive gear 1 yellow dot)	ALL

	25972-91	CAM GEAR, rear intake (cam gear 1 black dot, drive gear 1 black dot)	ALL
	25976-91	CAM GEAR, rear intake (cam gear 1 yellow dot, drive gear 1 black dot)	ALL
	25980-91	CAM GEAR, rear intake (cam gear 1 green dot, drive gear 1 black dot)	ALL
	25984-91	CAM GEAR, rear intake (cam gear 1 white dot, drive gear 1 black dot)	ALL
	25988-91	CAM GEAR, rear intake (cam gear 1 red dot, drive gear 1 black dot)	ALL
	25992-91	CAM GEAR, rear intake (cam gear 1 blue dot, drive gear 1 black dot)	ALL
	25996-91	CAM GEAR, rear intake (cam gear 1 brown dot, drive gear 1 black dot)	ALL
	25650-91	CAM GEAR, rear exhaust (1 brown dot)	ALL
	25651-91	CAM GEAR, rear exhaust (1 blue dot)	ALL
	25652-91	CAM GEAR, rear exhaust (1 red dot)	ALL
	25653-91	CAM GEAR, rear exhaust (1 white dot)	ALL
	25654-91	CAM GEAR, rear exhaust (1 green dot)	ALL
	25655-91	CAM GEAR, rear exhaust (1 yellow dot)	ALL
	25656-91	CAM GEAR, rear exhaust (1 black dot)	ALL

Hardware List

[View interactive table](#)

PART NO.	DESCRIPTION
1028	SCREW 5/16-18 X 2-1/2 SEMS socket head, with lockpatch
1203	SCREW No. 8-32 X 7/8 Pozidriv fillister head (Grade 2)
1357W	SCREW 1/4-20 X 1 Phillips oval countersink head (stainless)
1601	SCREW No. 8-32 X 1/2 Pozidriv flat countersink head (Grade 2)
2339	BOLT No. 10-24 X 3/4 hex head (Grade 2)
2405A	SCREW 5/16-18 X 3/4 Phillips oval head (chrome)
2508	SCREW No. 10-32 X 1/2 socket head
2523	SCREW No. 8-32 X 1/2 hex head, self-tapping
2579A	SCREW No. 8-32 X 5/16 Pozidriv oval head
2611C	BOLT No. 10-32 X 3/4 hex head, with washer (Grade 5)
2698A	SCREW 5/16-18 X 9/16 socket fillister head
2711	SCREW No. 4-40 X 3/8 pan head, self-tapping
2720	SCREW 10-24 X 1.0 TORX head, with lockpatch

2737	SCREW No. 4-40 X 1/4 Pozidriv pan head (Grade 2)
2739	SCREW 1/4-28 X 1/2 Phillips truss head, with lockwasher (chrome)
2773	SCREW 1/4-20 X 1/2 Pozidriv pan head (Grade 2)
2818	BOLT 5/16-18 X 1-1/2 hex head (Grade 5)
2907	SCREW M3 X .05 X 8mm cross recess pan head, self-tapping
2916	SCREW 3/8-16 X 5/8 socket button head (Grade 8)
2925A	SCREW 7/16-20 X 1 socket head (Grade 8)
31689-90	BOLT M4 X 0.7 X 12 hex head
3201WA	SCREW 5/16-18 X 1-1/4 knurled head
3206B	SCREW No. 8-32 X 1-7/8
3210A	SCREW 5/16-18 X 1-1/4 knurled head
3221	SCREW No. 4-16 X 3/16 (Grade 8)
3228A	SCREW 5/16-18 X 3/4 socket head with washer (Grade 8)
3350	BOLT M5 X 0.87 X 115mm hex flange head
3403	LOCKNUT M8-1.25 X 12mm flange (zinc)
34075-89	WASHER 3/64 X 11/16 X 1/16
3478A	SCREW 1/4-20 X 2-1/2 hex socket head
3480A	SCREW 1/4-20 X 1-3/4 knurled head (Grade 8)
3482A	SCREW 1/4-20 X 1-1/4 knurled head (Grade 8)
3500A	BOLT 5/16-18 X 2-3/4 hex head (Grade 8)
3501A	BOLT 5/16-18 X 2-1/2 hex head (Grade 8)
35078-79	NUT 3/4-16 X .391 X 1
3512	BOLT 3/8-24 X 3-1/4 hex head (chrome)
35211-91B	NUT 1-1/2-24 X .350 X 1-7/8 hex head
3534B	SCREW 1/2-13 X 2-1/2 socket head (Grade 8)
3537	SCREW 1/4-28 X 1/2 flange head, with lockpatch
3562	SCREW No. 12 X 1/2 hex head, with washer, self-tapping
3581	BOLT No. 10-24 X 3/8 hex head (Grade 2)
3583	SCREW No. 10-24 X 5/8 hex head, with washer.
3588	SCREW 1/4-20 X 1/2 hex flange head

3594	SCREW 1/4-20 X 5/8 knurled head (Grade 8)
3610	SCREW 5/16-18 X 3-3/4 hex flange head (Grade 5)
3652	SCREW 1/4-20 X 3/8 button head (Grade 8)
3655A	SCREW 5/16-18 X 7/8 TORX pan head, with lockpatch (Grade 8)
3675	SCREW 5/16-18 X 1 TORX head, with lockpatch (Grade 8)
3728	SCREW 1/4-20 X 1/2 hex head
3730A	BOLT 7/16-14 X 1-3/4 hex head (Grade 8)
3765	BOLT 1/4-28 X 5/8 hex head (Grade 5)
3767B	BOLT 1/4-20 X 5/8 hex head (Grade 5)
3769	BOLT 7/16-14 X 1-1/2 hex head (Grade 5)
3787	BOLT 1/4-20 X 3/4 hex head (Grade 5)
3802W	BOLT 1/4-20 X 7/8 hex head (Grade 5)
3849	SCREW 1/4-20 X 1-1/4 SEMS hex head (Grade 8)
3930A	SCREW 5/16-18 X 3/4 hex head, with washer, self-tapping
3958	BOLT 1/2-20 X 2-1/4 hex head (Grade 5)
3974HW	BOLT 5/16-24 X 3/4 hex head (Grade 5)
3987	BOLT 5/16-18 X 3/4 hex head (Grade 5)
3993	BOLT 1/4-20 X 1-1/4 hex head (Grade 5)
4007	SCREW 5/16-18 X 1-1/4 socket button head
4015	SCREW 1/4-20 X 7/8 socket button head (Grade 8)
4017	BOLT 5/16-18 X 1 hex head (Grade 5)
4029A	SCREW 3/8-16 X 2-1/4 socket head (black)
4044	SCREW 3/8-16 X 1-1/4 socket button head
4047	SCREW 3/8 X 2 TORX button head, self-tapping
4067	BOLT 5/16-18 X 4-1/2 hex head (Grade 5)
4091	SCREW No. 10-24 X 1/2 hex head, with washer, self-tapping (zinc)
4092	SCREW 5/16-18 X 3/4 socket button head
4116	SCREW 5/16-18 X 3-5/8 hex head
4117	SCREW 5/16-18 X 3-1/8 hex head (Grade 5)
41191-74A	SCREW 1/2-20 X 5/8 hex socket flat head, with lockpatch
4240	SCREW No. 10-24 X 3/16 hex head, with washer

4319	BOLT 3/8-24 X 1 hex head (Grade 5)
4326A	SCREW 5/16-18 X 2 socket head
4329	SCREW 1/4-20 X 3/4 hex head with washer, self-tapping
4351	SCREW 3/8-16 X 1-1/2 TORX head, self-tapping (Grade 8)
4352	SCREW 3/8-16 X 1-1/2 TORX, self-tapping (Grade 8)
43567-92	SCREW 3/8-16 X 1 TORX pan head, with lockpatch
4377	SCREW 3/8-16 X 2.0 hex head, with washer, self-tapping
4435W	BOLT 3/8-24 X 3-1/2 hex head (Grade 5)
4453	BOLT 1/4-20 X 7/8 hex head SPECIAL WITH TAPPED HOLE
4460	BOLT 5/8-18 X 1 hex head (Grade 5)
45405-75A	SCREW M8 X 1.25 x 27 hex socket head
4716W	SCREW 3/8-16 X 1-1/4 hex head (Grade 5)
4717A	SCREW 1/4-20 X 2-1/4 knurled head, with lockpatch
4721	BOLT 3/8-16 X 1-1/2 hex head (Grade 5)
4740A	SCREW 1/4-20 X 1-1/4 knurled head, with lockpatch (Grade 8)
4741A	SCREW 1/4-20 X 1 socket head, with lockpatch
4743	BOLT 1/2-20 X 2-3/8 hex head (Grade 5)
4748	SCREW 3/8-16 X 1-1/8 socket head (Grade 8)
4751	SCREW 1/4-20 X 3/4 hex head, with lockpatch (Grade 8) (zinc)
4816A	SCREW 5/16-18 X 1-1/2 socket head
4820A	SCREW 1/4-20 X 2 socket head
4826	SCREW 1/4-20 X 2-1/2 socket head, with washer
5403B	BOLT 1/4-20 X 3/8 carriage
54321-85	NUT No. 8-32 X 1/2 X 1/8 (brass)
5440	BOLT 5/16-18 X 3/4 carriage
5756	WASHER 21/32 X 1-5/16 X 5/8
6003	WASHER 1-3/16 X 1-3/8 X 11/16
6012	WASHER 1/2 X 1-3/16 X 1/16
6016	WASHER 11/32 X 11/16 X 1/16
6019	WASHER 3/8 X 29/32 X 1/16

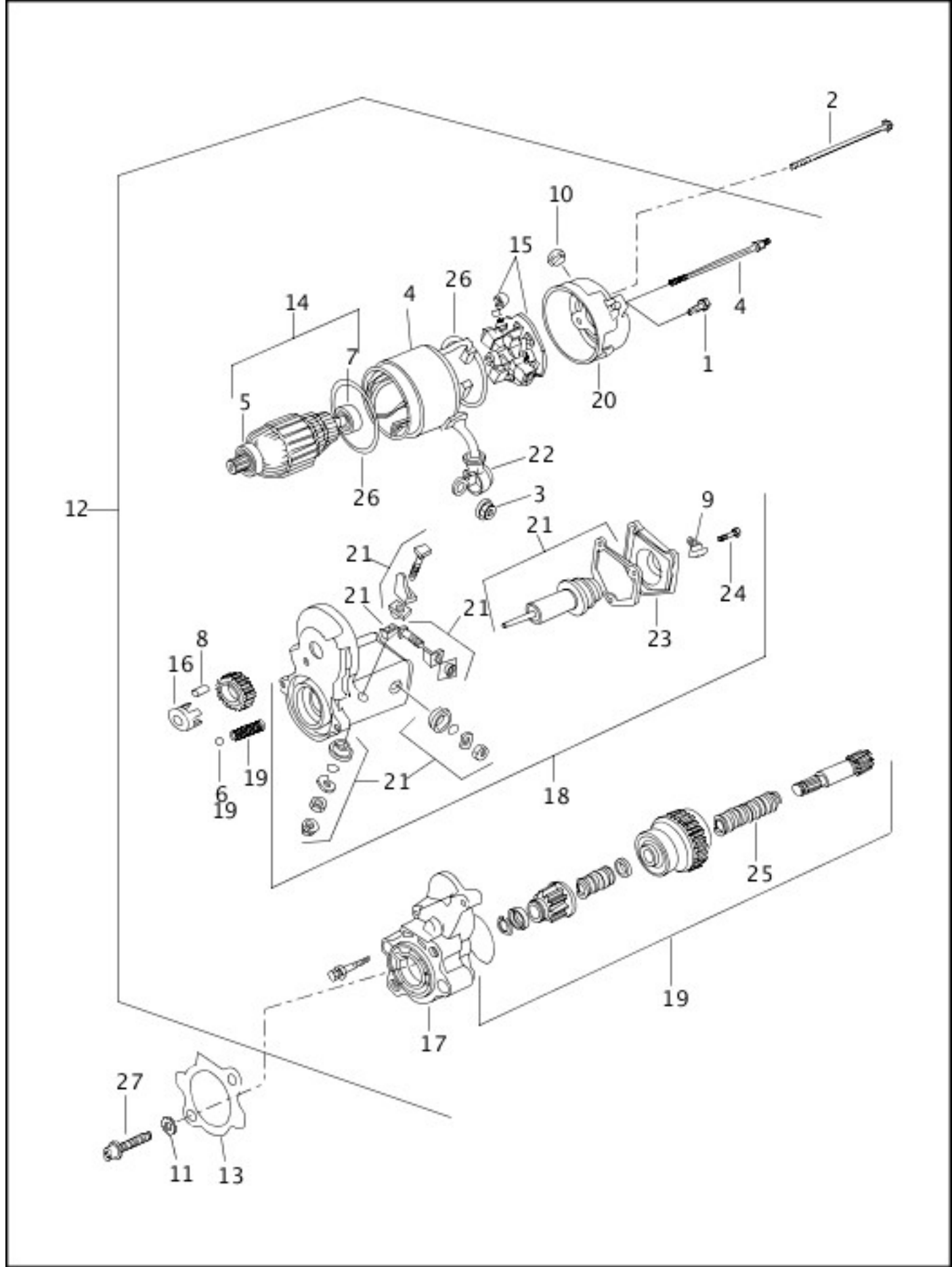
6026	WASHER 3/8 X 7/8 X 7/64
6036	WASHER 17/64 X 1 X 1/16
6099	WASHER 1/4 X 7/16 X 1/16
6109	WASHER 5/16 X 11/16 X 1/8
6157	WASHER 27/64 X 5/8 X 1/64 heat treated
6192	WASHER No. 8 X 7/16 X 3/64
6220W	WASHER 1/4 X 7/16 X 1/32
6239	WASHER 1/4 X 1/2 X 3/32
6242W	WASHER 1/4 X 9/16 X 1/32
6265	WASHER 1/4 X 3/4 X 3/64 plastic
6314W	WASHER 21/64 X 9/16 X 1/8 (zinc)
6333	WASHER 5/16 X 7/8 X 5/64
6366	WASHER 1/2 X 1-1/4 X 3/32
6410	WASHER 1/4 X 9/16 X 1/16 nylon
6516HW	WASHER 7/16 X 1-1/8 X 1/8
6590HW	WASHER 1/2 X 1-1/8 X 3/32
6655	WASHER 5/8 X 1-1/2 X 7/64
6701	WASHER 3/8 X 13/16 X 1/16
6702	WASHER 5/16 X 11/16 X 1/16
6703	WASHER 1/4 X 5/8 X 1/16
6716	WASHER No. 10 X 1/2 X 3/64
6717	WASHER No. 6 X 3/8 X 3/64
6736	WASHER 9/32 X 5/8 X 1/16
6771A	WASHER 5/16 X 1/2 X 1/16
6788	WASHER 21/6 X 1/2 X 1/16
6812	WASHER 13/32 X 11/16 X 1/16
7019	WASHER 1/2 X 3/4 X 1/4 rubber
7036	WASHER 1/4 X 31/64 X 1/16
7038	LOCKWASHER 3/8
7041	LOCKWASHER 5/16

7042	LOCKWASHER 5/16 high collar
7045	LOCKWASHER 3/8 high collar
7068	LOCKWASHER 1/2
7124	LOCKWASHER 1/4 internal tooth
7127	LOCKWASHER 5/16 internal tooth
7145W	LOCKWASHER 3/8 external tooth
7220	LOCKWASHER No. 10 external tooth
7229W	LOCKWASHER 1/4 internal/external tooth
7527	ACORN NUT 5/16-18 X 11/16 X 1/2
7531	LOCKNUT 5/16-18 X 9/32 X 1/2 flange
7593	NUT 5/16-24 flange
7602	ACORN NUT No. 10-32 nylon
7624	LOCKNUT No. 10-24 X 1/4 X 3/8
7629	NUT No. 10-32 X 3/8 keps
7655	ACORN NUT 3/8-16 (chrome)
7667	NUT 3/8-16 X 9/32 X 9/16 nylon insert
7669	NUT 5/16-18
7683	LOCKNUT 1/4-28 X 5/16 X 7/16
7686	LOCKNUT 1/4-20 X 5/16 X 7/16
7688	NUT 1/4-20 X 7/32 X 7/16 (Grade 2)
7710W	LOCKNUT 5/16-18
7725	LOCKNUT 5/16-24 X 11/32 X 1/2
7736	ACORN NUT 5/16-24 X 19/32 X 1/2 (Grade 2) (chrome)
7739	LOCKNUT 5/16-18 X 11/32 X 1/2
7744	JAMNUT 5/16-24 X 3/16 X 1/2 (Grade 2)
7768W	LOCKNUT 1/2-13 X 19/32 X 3/4
7775	LOCKNUT 3/8-24 X 7/16 X 9/16
7778	LOCKNUT 3/8-16 X 7/16 X 9/16
7780	LOCKNUT 3/8-24 X 13/32 X 11/16 flange
7783	NUT 3/8-16 X 5/16 X 9/16 (Grade 2)

7789	LOCKNUT 3/8-24
7792	NUT 1/4-20 X 1/4 (Grade 2)
7804	LOCKNUT 1/2-13 X 15/32 X 7/8 self-sealing
7824	LOCKNUT 1/2-20 X 1/4 (Grade 2)
7827W	LOCKNUT 7/16-14
7839	NUT 3/4-16 X 21/32 flange (Grade 2)
7844	LOCKNUT 1/2-13 X 5/16 X 3/4
7845	NUT 1/2-20 X 7/16 X 3/4 (Grade 2)
7861	NUT 3/8-24
7880	NUT 1/2-13 X 7/16 X 3/4 (Grade 2)
7916A	JAMNUT 5/8-18
7987	NUT 5/8-18 X 15/16 slotted (Grade 8)
8102	SPEEDNUT 5/16-18
8108	SPEEDNUT 1/4-20
853A	SCREW 5/16-18 X 2-1/4 knurled head
855B	SCREW 3/8-16 X 2 knurled head
869	SCREW 1/4-20 X 1-1/4 socket button head (Grade 8)
879A	SCREW 5/16-18 X 3-1/2 knurled head (Grade 8)
882	SCREW 1/4-20 X 7/8 knurled head, with washer (Grade 8)
891	SCREW 1/4-20 X 1-3/4 socket head (Grade 8)
90770-79	SCREW No. 8-32 X 3/8 Pozidriv head, self-tapping
910	SCREW M4 X 0.7 X 10mm SEMS cross recess pan head
917	SCREW M6 X 42mm pan head
924	SCREW 1/4-20 X 33/64 socket pan head
929A	SCREW M4 X 0.7 X 11.8 flange head
943	SCREW 1/4-20 X 5/8 socket button head
94313-91TS	SCREW 1/4-20 X 7/8 socket head

New Parts List

STARTER MOTOR - 1200 MODEL



[View interactive table](#)

INDEX NO.	PART NO.	DESCRIPTION	MODEL(S)
12	31390-91A	STARTER MOTOR, complete	XL1200 1993, XL1200 1994
13	31488-81C	GASKET, starter motor	XL1200 1993, XL1200 1994
18	31540-91	SWITCH ASSEMBLY, magnetic	XL1200 1993, XL1200 1994
19	31556-91D	CLUTCH SUB-ASSEMBLY	XL1200 1993, XL1200 1994

Numerical Index

View interactive table

10006	ELECTRONIC IGNITION SYSTEM WIRING & MISCELLANEOUS ELECTRICAL (1 OF 2) CALIFORNIA EVAPORATIVE EMISSIONS KIT
10014	CARBURETOR (1 OF 2) FUEL TANK & TRIM OIL TANK & FILTER
10031	FRONT BRAKE CONTROL REAR BRAKE CONTROL
10039	ELECTRONIC IGNITION SYSTEM WIRING & MISCELLANEOUS ELECTRICAL (1 OF 2) SWITCHES & CIRCUIT BREAKERS CALIFORNIA EVAPORATIVE EMISSIONS KIT
10049	OIL TANK & FILTER
10053	FRONT BRAKE CONTROL
10065	ALTERNATOR & REGULATOR HANDLEBAR & THROTTLE CONTROL TURN SIGNALS - 1993 TURN SIGNALS - 1994
10067	BATTERY
10073	WIRING & MISCELLANEOUS ELECTRICAL (1 OF 2)
10074	EXHAUST SYSTEM
10080	CRANKCASE (1 OF 2) OIL TANK & FILTER
10081	WIRING & MISCELLANEOUS ELECTRICAL (1 OF 2)
10083	FUEL TANK & TRIM
10108	FUEL TANK & TRIM BATTERY CALIFORNIA EVAPORATIVE EMISSIONS KIT
10110	WIRING & MISCELLANEOUS ELECTRICAL (1 OF 2)
10116	WIRING & MISCELLANEOUS ELECTRICAL (1 OF 2)
10117	GEARCASE & COVER
10123	CLUTCH CONTROL
10136	MAIN WIRING HARNESS - 1994 (1 OF 2)
10142	OIL TANK & FILTER
1028	CRANKCASE (1 OF 2)

10957	<u>STARTER MOTOR - 883 MODELS (1 OF 2)</u>
11000101	<u>ACCESS DOOR & PRIMARY COVER SHIFTER</u>
11002	<u>OIL PUMP</u>
11019	<u>SHIFTER</u>
11031	<u>SHIFTER</u>
11046	<u>CLUTCH</u>
11105	<u>CRANKCASE (2 OF 2)</u>
111067	<u>TRANSMISSION GEARS</u>
111187	<u>ACCESS DOOR & PRIMARY COVER</u>
11124	<u>GEARCASE & COVER ELECTRONIC IGNITION SYSTEM</u>
11143	<u>CLUTCH CONTROL FRONT BRAKE CONTROL</u>
11155	<u>HANDLEBAR & THROTTLE CONTROL HANDLEBAR SWITCHES - 1993 HANDLEBAR SWITCHES - 1994</u>
11161	<u>TRANSMISSION GEARS</u>
11165	<u>TRANSMISSION GEARS</u>
11171	<u>ACCESS DOOR & PRIMARY COVER ACCESS DOOR & PRIMARY COVER</u>
11176	<u>ROCKER ARMS, COVERS & PUSHRODS - V2™ EVOLUTION</u>
11177A	<u>PISTONS, CONNECTING RODS & FLYWHEELS CRANKCASE (2 OF 2)</u>
11179	<u>CLUTCH CONTROL</u>
11185	<u>SHIFTER</u>
11188	<u>ACCESS DOOR & PRIMARY COVER</u>
11190	<u>ROCKER ARMS, COVERS & PUSHRODS - V2™ EVOLUTION</u>
11218	<u>PISTONS, CONNECTING RODS & FLYWHEELS</u>
11219	<u>GEARCASE & COVER</u>
11250	<u>CLUTCH</u>
11271	<u>HANDLEBAR & THROTTLE CONTROL</u>
11272	<u>HANDLEBAR & THROTTLE CONTROL</u>

11473	<u>FUEL TANK & TRIM</u>
11474	<u>REAR FENDER - 1994</u>
11727A	<u>CYLINDER, HEAD & VALVES - V2™ EVOLUTION (1 OF 2)</u>
11730A	<u>CLUTCH</u>
11735B	<u>CLUTCH</u>
11752	<u>CLUTCH</u>
1203	<u>HEADLAMP & MIRROR</u>
12030	<u>TRANSMISSION GEARS</u>
12050	<u>TRANSMISSION GEARS</u>
12067B	<u>TRANSMISSION GEARS</u>
1357W	<u>FRAME, REAR FORK & JIFFY STAND</u>
14232-91	<u>FUEL TANK & TRIM</u>
14235-91	<u>FUEL TANK & TRIM</u>
14238-91	<u>FUEL TANK & TRIM</u>
14260-91	<u>FUEL TANK & TRIM</u>
14270-92	<u>ACCESS DOOR & PRIMARY COVER</u>
14276-93	<u>FUEL TANK & TRIM</u>
14277-93	<u>FUEL TANK & TRIM</u>
14343-92	<u>FUEL TANK & TRIM</u>
14346-92	<u>FUEL TANK & TRIM</u>
14347-92	<u>FUEL TANK & TRIM</u>
15368-01A	<u>BATTERY</u>
1601	<u>ELECTRONIC IGNITION SYSTEM</u>
16047-93	<u>CYLINDER, HEAD & VALVES - V2™ EVOLUTION (1 OF 2)</u>
16047-94	<u>CYLINDER, HEAD & VALVES - V2™ EVOLUTION (1 OF 2)</u>
16048-93	<u>CYLINDER, HEAD & VALVES - V2™ EVOLUTION (1 OF 2)</u>
16048-94	<u>CYLINDER, HEAD & VALVES - V2™ EVOLUTION (1 OF 2)</u>
16049-93	<u>CYLINDER, HEAD & VALVES - V2™ EVOLUTION (1 OF 2)</u>
16049-94	<u>CYLINDER, HEAD & VALVES - V2™ EVOLUTION (1 OF 2)</u>
16051-93	<u>CYLINDER, HEAD & VALVES - V2™ EVOLUTION (1 OF 2)</u>

16051-94	CYLINDER, HEAD & VALVES - V2™ EVOLUTION (1 OF 2)
16052-93	CYLINDER, HEAD & VALVES - V2™ EVOLUTION (1 OF 2)
16052-94	CYLINDER, HEAD & VALVES - V2™ EVOLUTION (1 OF 2)
16054-93	CYLINDER, HEAD & VALVES - V2™ EVOLUTION (1 OF 2)
16054-94	CYLINDER, HEAD & VALVES - V2™ EVOLUTION (1 OF 2)
16055-93	CYLINDER, HEAD & VALVES - V2™ EVOLUTION (1 OF 2)
16055-94	CYLINDER, HEAD & VALVES - V2™ EVOLUTION (1 OF 2)
16061-93	CYLINDER, HEAD & VALVES - V2™ EVOLUTION (1 OF 2)
16061-94	CYLINDER, HEAD & VALVES - V2™ EVOLUTION (1 OF 2)
16062-93	CYLINDER, HEAD & VALVES - V2™ EVOLUTION (1 OF 2)
16062-94	CYLINDER, HEAD & VALVES - V2™ EVOLUTION (1 OF 2)
16063-93	CYLINDER, HEAD & VALVES - V2™ EVOLUTION (1 OF 2)
16063-94	CYLINDER, HEAD & VALVES - V2™ EVOLUTION (1 OF 2)
16064-93	CYLINDER, HEAD & VALVES - V2™ EVOLUTION (1 OF 2)
16064-94	CYLINDER, HEAD & VALVES - V2™ EVOLUTION (1 OF 2)
16066-93	CYLINDER, HEAD & VALVES - V2™ EVOLUTION (1 OF 2)
16066-94	CYLINDER, HEAD & VALVES - V2™ EVOLUTION (1 OF 2)
16210-84A	CRANKCASE (2 OF 2)
16212-84	CRANKCASE (2 OF 2)
16214-86	CYLINDER, HEAD & VALVES - V2™ EVOLUTION (1 OF 2)
16222-86	CYLINDER, HEAD & VALVES - V2™ EVOLUTION (1 OF 2)
16226-94	CYLINDER, HEAD & VALVES - V2™ EVOLUTION (1 OF 2)
16228-86A	CYLINDER, HEAD & VALVES - V2™ EVOLUTION (1 OF 2)
16231-86	CYLINDER, HEAD & VALVES - V2™ EVOLUTION (1 OF 2)
16232-86	CYLINDER, HEAD & VALVES - V2™ EVOLUTION (1 OF 2)
16233-86	CYLINDER, HEAD & VALVES - V2™ EVOLUTION (1 OF 2)
16235-52A	CRANKCASE (2 OF 2)
16240-82	CRANKCASE (2 OF 2)
16278-86B	CYLINDER, HEAD & VALVES - V2™ EVOLUTION (1 OF 2)

16446-86B	<u>CYLINDER, HEAD & VALVES - V2™ EVOLUTION (2 OF 2)</u>
16447-88A	<u>CYLINDER, HEAD & VALVES - V2™ EVOLUTION (2 OF 2)</u>
16478-85A	<u>CYLINDER, HEAD & VALVES - V2™ EVOLUTION (2 OF 2)</u>
16480-92A	<u>CYLINDER, HEAD & VALVES - V2™ EVOLUTION (2 OF 2)</u>
16573-83A	<u>CYLINDER, HEAD & VALVES - V2™ EVOLUTION (2 OF 2)</u> <u>ACCESS DOOR & PRIMARY COVER</u>
16660-89B	<u>CYLINDER, HEAD & VALVES - V2™ EVOLUTION (2 OF 2)</u>
16661-89B	<u>CYLINDER, HEAD & VALVES - V2™ EVOLUTION (2 OF 2)</u>
16664-86D	<u>CYLINDER, HEAD & VALVES - V2™ EVOLUTION (2 OF 2)</u>
16688-90A	<u>CYLINDER, HEAD & VALVES - V2™ EVOLUTION (2 OF 2)</u>
16698-90A	<u>CYLINDER, HEAD & VALVES - V2™ EVOLUTION (2 OF 2)</u>
16715-83	<u>CYLINDER, HEAD & VALVES - V2™ EVOLUTION (2 OF 2)</u>
16770-84D	<u>CYLINDER, HEAD & VALVES - V2™ EVOLUTION (2 OF 2)</u>
16774-86D	<u>CYLINDER, HEAD & VALVES - V2™ EVOLUTION (2 OF 2)</u>
16778-84A	<u>ROCKER ARMS, COVERS & PUSHRODS - V2™ EVOLUTION</u>
16779-84A	<u>ROCKER ARMS, COVERS & PUSHRODS - V2™ EVOLUTION</u>
16800-84B	<u>ROCKER ARMS, COVERS & PUSHRODS - V2™ EVOLUTION</u>
16832-86C	<u>CYLINDER, HEAD & VALVES - V2™ EVOLUTION (2 OF 2)</u>
17026-91D	<u>CYLINDER, HEAD & VALVES - V2™ EVOLUTION (2 OF 2)</u>
17032-91	<u>CYLINDER, HEAD & VALVES - V2™ EVOLUTION (2 OF 2)</u>
17036-91A	<u>CYLINDER, HEAD & VALVES - V2™ EVOLUTION (2 OF 2)</u> <u>ROCKER ARMS, COVERS & PUSHRODS - V2™ EVOLUTION</u>
17353-89C	<u>ROCKER ARMS, COVERS & PUSHRODS - V2™ EVOLUTION</u>
17354-89	<u>ROCKER ARMS, COVERS & PUSHRODS - V2™ EVOLUTION</u>
17358-84B	<u>ROCKER ARMS, COVERS & PUSHRODS - V2™ EVOLUTION</u>
17360-83A	<u>ROCKER ARMS, COVERS & PUSHRODS - V2™ EVOLUTION</u>
17375-83A	<u>ROCKER ARMS, COVERS & PUSHRODS - V2™ EVOLUTION</u>
17429-91	<u>ROCKER ARMS, COVERS & PUSHRODS - V2™ EVOLUTION</u>
17501-86B	<u>ROCKER ARMS, COVERS & PUSHRODS - V2™ EVOLUTION</u>
17532-86E	<u>ROCKER ARMS, COVERS & PUSHRODS - V2™ EVOLUTION</u>
17533-90A	<u>ROCKER ARMS, COVERS & PUSHRODS - V2™ EVOLUTION</u>

17611-83	<u>ROCKER ARMS, COVERS & PUSHRODS - V2™ EVOLUTION</u>
17897-89A	<u>ROCKER ARMS, COVERS & PUSHRODS - V2™ EVOLUTION</u>
17904-89A	<u>ROCKER ARMS, COVERS & PUSHRODS - V2™ EVOLUTION</u>
17944-89	<u>ROCKER ARMS, COVERS & PUSHRODS - V2™ EVOLUTION</u>
17946-89	<u>ROCKER ARMS, COVERS & PUSHRODS - V2™ EVOLUTION</u>
17952-91	<u>ROCKER ARMS, COVERS & PUSHRODS - V2™ EVOLUTION</u>
17953-91	<u>ROCKER ARMS, COVERS & PUSHRODS - V2™ EVOLUTION</u>
18001-83B	<u>CYLINDER, HEAD & VALVES - V2™ EVOLUTION (2 OF 2)</u>
18011-87A	<u>CYLINDER, HEAD & VALVES - V2™ EVOLUTION (2 OF 2)</u>
18012-87A	<u>CYLINDER, HEAD & VALVES - V2™ EVOLUTION (2 OF 2)</u>
18020-87A	<u>CYLINDER, HEAD & VALVES - V2™ EVOLUTION (2 OF 2)</u>
18021-87A	<u>CYLINDER, HEAD & VALVES - V2™ EVOLUTION (2 OF 2)</u>
18023-87A	<u>CYLINDER, HEAD & VALVES - V2™ EVOLUTION (2 OF 2)</u>
18024-87A	<u>CYLINDER, HEAD & VALVES - V2™ EVOLUTION (2 OF 2)</u>
18030-86B	<u>CYLINDER, HEAD & VALVES - V2™ EVOLUTION (2 OF 2)</u>
18031-86B	<u>CYLINDER, HEAD & VALVES - V2™ EVOLUTION (2 OF 2)</u>
18101-83D	<u>CYLINDER, HEAD & VALVES - V2™ EVOLUTION (2 OF 2)</u>
18130-83D	<u>CYLINDER, HEAD & VALVES - V2™ EVOLUTION (2 OF 2)</u>
18131-83D	<u>CYLINDER, HEAD & VALVES - V2™ EVOLUTION (2 OF 2)</u>
18133-83B	<u>CYLINDER, HEAD & VALVES - V2™ EVOLUTION (2 OF 2)</u>
18201-83	<u>CYLINDER, HEAD & VALVES - V2™ EVOLUTION (2 OF 2)</u>
18202-83	<u>CYLINDER, HEAD & VALVES - V2™ EVOLUTION (2 OF 2)</u>
18219-83A	<u>CYLINDER, HEAD & VALVES - V2™ EVOLUTION (2 OF 2)</u>
18222-83A	<u>CYLINDER, HEAD & VALVES - V2™ EVOLUTION (2 OF 2)</u>
18229-83A	<u>CYLINDER, HEAD & VALVES - V2™ EVOLUTION (2 OF 2)</u>
18526-89A	<u>ROCKER ARMS, COVERS & PUSHRODS - V2™ EVOLUTION</u>
18532-89	<u>ROCKER ARMS, COVERS & PUSHRODS - V2™ EVOLUTION</u>
215	<u>CRANKCASE (1 OF 2)</u>
21920-83	<u>PISTONS, CONNECTING RODS & FLYWHEELS</u>

21921-83	<u>PISTONS, CONNECTING RODS & FLYWHEELS</u>
21922-83	<u>PISTONS, CONNECTING RODS & FLYWHEELS</u>
21923-83	<u>PISTONS, CONNECTING RODS & FLYWHEELS</u>
21924-83	<u>PISTONS, CONNECTING RODS & FLYWHEELS</u>
22201-86A	<u>PISTONS, CONNECTING RODS & FLYWHEELS</u>
22205-88A	<u>PISTONS, CONNECTING RODS & FLYWHEELS</u>
22216-88A	<u>PISTONS, CONNECTING RODS & FLYWHEELS</u>
22220-88A	<u>PISTONS, CONNECTING RODS & FLYWHEELS</u>
22225-88A	<u>PISTONS, CONNECTING RODS & FLYWHEELS</u>
22242-86A	<u>PISTONS, CONNECTING RODS & FLYWHEELS</u>
22243-88A	<u>PISTONS, CONNECTING RODS & FLYWHEELS</u>
22253-86A	<u>PISTONS, CONNECTING RODS & FLYWHEELS</u>
22254-86A	<u>PISTONS, CONNECTING RODS & FLYWHEELS</u>
22255-86A	<u>PISTONS, CONNECTING RODS & FLYWHEELS</u>
22261-86	<u>PISTONS, CONNECTING RODS & FLYWHEELS</u>
22262-86	<u>PISTONS, CONNECTING RODS & FLYWHEELS</u>
22263-86	<u>PISTONS, CONNECTING RODS & FLYWHEELS</u>
22266-86	<u>PISTONS, CONNECTING RODS & FLYWHEELS</u>
22271-86	<u>PISTONS, CONNECTING RODS & FLYWHEELS</u>
22589-83B	<u>PISTONS, CONNECTING RODS & FLYWHEELS</u>
22719-85	<u>PISTONS, CONNECTING RODS & FLYWHEELS</u>
22765-88	<u>PISTONS, CONNECTING RODS & FLYWHEELS</u>
2339	<u>ELECTRONIC IGNITION SYSTEM</u>
23900-90	<u>PISTONS, CONNECTING RODS & FLYWHEELS</u>
23905-89A	<u>PISTONS, CONNECTING RODS & FLYWHEELS</u>
23948-87	<u>PISTONS, CONNECTING RODS & FLYWHEELS</u>
23949-87	<u>PISTONS, CONNECTING RODS & FLYWHEELS</u>
23960-80A	<u>PISTONS, CONNECTING RODS & FLYWHEELS</u>
23980-98	<u>PISTONS, CONNECTING RODS & FLYWHEELS</u>
24055-91	<u>CAM GEARS (1 OF 3)</u>

24056-91	<u>CAM GEARS (1 OF 3)</u>
24057-91	<u>CAM GEARS (1 OF 3)</u>
24058-91	<u>CAM GEARS (1 OF 3)</u>
24059-91	<u>CAM GEARS (1 OF 3)</u>
2405A	<u>AIR CLEANER & ENRICHENER</u>
24060-91	<u>CAM GEARS (1 OF 3)</u>
24061-91	<u>CAM GEARS (1 OF 3)</u>
24275-86A	<u>PISTONS, CONNECTING RODS & FLYWHEELS</u>
24331-36	<u>PISTONS, CONNECTING RODS & FLYWHEELS</u>
24332-36	<u>PISTONS, CONNECTING RODS & FLYWHEELS</u>
24341-52A	<u>PISTONS, CONNECTING RODS & FLYWHEELS</u>
24352-52A	<u>PISTONS, CONNECTING RODS & FLYWHEELS</u>
24354-87A	<u>PISTONS, CONNECTING RODS & FLYWHEELS</u>
24470-91E	<u>CRANKCASE (2 OF 2)</u>
24530-90	<u>SHIFTER</u>
24647-87	<u>CRANKCASE (2 OF 2)</u>
24650-87	<u>CRANKCASE (2 OF 2)</u>
24658-87	<u>PISTONS, CONNECTING RODS & FLYWHEELS</u>
24659-87	<u>CRANKCASE (2 OF 2)</u>
24660-87	<u>CRANKCASE (2 OF 2)</u>
24729-74	<u>CRANKCASE (2 OF 2)</u>
2508	<u>HANDLEBAR & THROTTLE CONTROL</u> <u>HANDLEBAR SWITCHES - 1993</u> <u>HANDLEBAR SWITCHES - 1994</u>
25219-91C	<u>GEARCASE & COVER</u>
2523	<u>REAR BRAKE CONTROL</u>
25238-90	<u>ACCESS DOOR & PRIMARY COVER</u>
25238-94	<u>ACCESS DOOR & PRIMARY COVER</u>
25263-90D	<u>GEARCASE & COVER</u>
25408-84	<u>CLUTCH</u>

25409-84A	<u>CLUTCH</u>
25409-86A	<u>CLUTCH</u>
25409-94B	<u>CLUTCH</u>
25430-89A	<u>ACCESS DOOR & PRIMARY COVER</u>
25430-94A	<u>ACCESS DOOR & PRIMARY COVER</u>
25448-84	<u>CLUTCH</u>
25453-87A	<u>CLUTCH</u>
25463-94A	<u>ACCESS DOOR & PRIMARY COVER</u>
25488-89C	<u>GEARCASE & COVER</u>
25488-94	<u>GEARCASE & COVER</u>
25586-37	<u>GEARCASE & COVER</u>
25588-91	<u>GEARCASE & COVER</u>
25593-74	<u>GEARCASE & COVER</u>
25598-91	<u>CRANKCASE (2 OF 2)</u> <u>CRANKCASE (2 OF 2)</u> <u>GEARCASE & COVER</u>
25640-91	<u>CAM GEARS (1 OF 3)</u>
25641-91	<u>CAM GEARS (1 OF 3)</u>
25642-91	<u>CAM GEARS (1 OF 3)</u>
25643-91	<u>CAM GEARS (1 OF 3)</u>
25644-91	<u>CAM GEARS (1 OF 3)</u>
25645-91	<u>CAM GEARS (1 OF 3)</u>
25646-91	<u>CAM GEARS (1 OF 3)</u>
25650-91	<u>CAM GEARS (3 OF 3)</u>
25651-91	<u>CAM GEARS (3 OF 3)</u>
25652-91	<u>CAM GEARS (3 OF 3)</u>
25653-91	<u>CAM GEARS (3 OF 3)</u>
25654-91	<u>CAM GEARS (3 OF 3)</u>
25655-91	<u>CAM GEARS (3 OF 3)</u>
25656-91	<u>CAM GEARS (3 OF 3)</u>

25660-91	CAM GEARS (1 OF 3)
25661-91	CAM GEARS (1 OF 3)
25662-91	CAM GEARS (1 OF 3)
25663-91	CAM GEARS (1 OF 3)
25664-91	CAM GEARS (1 OF 3)
25665-91	CAM GEARS (1 OF 3)
25666-91	CAM GEARS (1 OF 3)
2579A	FRONT BRAKE CONTROL
25804-91	CAM GEARS (1 OF 3)
25808-91	CAM GEARS (1 OF 3)
25812-91	CAM GEARS (1 OF 3)
25816-91	CAM GEARS (1 OF 3)
25820-91	CAM GEARS (1 OF 3)
25824-91	CAM GEARS (1 OF 3)
25828-91	CAM GEARS (1 OF 3)
25832-91	CAM GEARS (1 OF 3)
25836-91	CAM GEARS (1 OF 3)
25840-91	CAM GEARS (1 OF 3)
25844-91	CAM GEARS (1 OF 3)
25848-91	CAM GEARS (1 OF 3)
25852-91	CAM GEARS (2 OF 3)
25856-91	CAM GEARS (2 OF 3)
25860-91	CAM GEARS (2 OF 3)
25864-91	CAM GEARS (2 OF 3)
25868-91	CAM GEARS (2 OF 3)
25872-91	CAM GEARS (2 OF 3)
25876-91	CAM GEARS (2 OF 3)
25880-91	CAM GEARS (2 OF 3)
25884-91	CAM GEARS (2 OF 3)
25888-91	CAM GEARS (2 OF 3)

25892-91	CAM GEARS (2 OF 3)
25896-91	CAM GEARS (2 OF 3)
25900-91	CAM GEARS (2 OF 3)
25904-91	CAM GEARS (2 OF 3)
25908-91	CAM GEARS (2 OF 3)
25912-91	CAM GEARS (2 OF 3)
25916-91	CAM GEARS (2 OF 3)
25920-91	CAM GEARS (2 OF 3)
25924-91	CAM GEARS (2 OF 3)
25928-91	CAM GEARS (2 OF 3)
25932-91	CAM GEARS (2 OF 3)
25936-91	CAM GEARS (3 OF 3)
25940-91	CAM GEARS (3 OF 3)
25944-91	CAM GEARS (3 OF 3)
25948-91	CAM GEARS (3 OF 3)
25952-91	CAM GEARS (3 OF 3)
25956-91	CAM GEARS (3 OF 3)
25960-91	CAM GEARS (3 OF 3)
25964-91	CAM GEARS (3 OF 3)
25968-91	CAM GEARS (3 OF 3)
25972-91	CAM GEARS (3 OF 3)
25976-91	CAM GEARS (3 OF 3)
25980-91	CAM GEARS (3 OF 3)
25984-91	CAM GEARS (3 OF 3)
25988-91	CAM GEARS (3 OF 3)
25992-91	CAM GEARS (3 OF 3)
25996-91	CAM GEARS (3 OF 3)
2611C	ELECTRONIC IGNITION SYSTEM
26204-91A	OIL PUMP

26318-88A	<u>GEARCASE & COVER</u>
26432-76A	<u>CYLINDER, HEAD & VALVES - V2™ EVOLUTION (2 OF 2)</u>
26434-91	<u>OIL PUMP</u>
26436-90A	<u>OIL TANK & FILTER</u>
26437-86B	<u>OIL TANK & FILTER</u>
26488-91	<u>OIL PUMP</u>
26491-91	<u>OIL PUMP</u>
26492-91	<u>OIL PUMP</u>
26493-91	<u>OIL PUMP</u>
26495-89B	<u>OIL PUMP</u>
26496-75A	<u>OIL PUMP</u>
26554-77B	<u>OIL TANK & FILTER</u>
26554-77C	<u>SWITCHES & CIRCUIT BREAKERS</u>
26558-84	<u>CYLINDER, HEAD & VALVES - V2™ EVOLUTION (2 OF 2)</u>
26558-94A	<u>CYLINDER, HEAD & VALVES - V2™ EVOLUTION (2 OF 2)</u>
26570-84	<u>CARBURETOR (2 OF 2)</u>
26571-89	<u>CALIFORNIA EVAPORATIVE EMISSIONS KIT</u>
26856-89A	<u>ROCKER ARMS, COVERS & PUSHRODS - V2™ EVOLUTION</u>
2698A	<u>TURN SIGNALS - 1993</u> <u>TURN SIGNALS - 1994</u>
26990-91	<u>CARBURETOR (1 OF 2)</u>
26995-86B	<u>CARBURETOR (1 OF 2)</u>
27002-89	<u>CARBURETOR (1 OF 2)</u>
27004-88A	<u>CARBURETOR (1 OF 2)</u>
27009-86A	<u>CARBURETOR (1 OF 2)</u>
27010-86A	<u>CARBURETOR (1 OF 2)</u>
27018-85	<u>FUEL TANK & TRIM</u> <u>CALIFORNIA EVAPORATIVE EMISSIONS KIT</u>
27040-88	<u>CARBURETOR (1 OF 2)</u>
27042-84A	<u>CALIFORNIA EVAPORATIVE EMISSIONS KIT</u>
27047-84B	<u>CALIFORNIA EVAPORATIVE EMISSIONS KIT</u>

27096-94	FUEL TANK & TRIM
27097-92	FUEL TANK & TRIM
27100-88	CARBURETOR (1 OF 2)
27101-88	CARBURETOR (1 OF 2)
2711	AIR CLEANER & ENRICHENER
27115-88	CARBURETOR (1 OF 2)
27122-89	CARBURETOR (1 OF 2)
27123-89A	CARBURETOR (1 OF 2)
27124-89	CARBURETOR (1 OF 2)
27125-89	CARBURETOR (1 OF 2)
27126-89	CARBURETOR (1 OF 2)
27127-89	CARBURETOR (1 OF 2)
27128-89	CARBURETOR (1 OF 2)
27129-88	CARBURETOR (1 OF 2)
27130-90	CARBURETOR (1 OF 2)
27136-90A	CARBURETOR (1 OF 2)
27137-81	CARBURETOR (1 OF 2)
27138-90	CALIFORNIA EVAPORATIVE EMISSIONS KIT
27146-89	CARBURETOR (1 OF 2)
27147-89	CARBURETOR (1 OF 2)
27148-89	CARBURETOR (1 OF 2)
27152-89	CARBURETOR (1 OF 2) CARBURETOR (2 OF 2)
27156-89	CARBURETOR (1 OF 2)
27157-89	CARBURETOR (1 OF 2)
27158-89	CARBURETOR (1 OF 2)
27159-92	CARBURETOR (1 OF 2)
27160-89	CARBURETOR (1 OF 2)
27162-89	CARBURETOR (1 OF 2)
27183-92	CARBURETOR (1 OF 2)

27185-90	<u>CARBURETOR (1 OF 2)</u>
27187-93	<u>CARBURETOR (2 OF 2)</u>
2720	<u>ALTERNATOR & REGULATOR</u>
27278-93	<u>CARBURETOR (1 OF 2)</u>
27279-93	<u>CARBURETOR (1 OF 2)</u>
27280-92	<u>CARBURETOR (1 OF 2)</u>
27281-92	<u>CARBURETOR (1 OF 2)</u>
27311-76	<u>CARBURETOR (1 OF 2)</u>
27315-88A	<u>CARBURETOR (1 OF 2)</u>
27316-88	<u>CARBURETOR (1 OF 2)</u>
27317-88	<u>CARBURETOR (2 OF 2)</u>
27360-76	<u>CARBURETOR (2 OF 2)</u>
27361-76A	<u>CARBURETOR (2 OF 2)</u>
27362-76	<u>CARBURETOR (2 OF 2)</u>
27368-76	<u>CARBURETOR (2 OF 2)</u>
27369-76	<u>CARBURETOR (2 OF 2)</u>
2737	<u>AIR CLEANER & ENRICHENER</u>
27371-76A	<u>CARBURETOR (2 OF 2)</u>
2739	<u>SEATS</u>
27486-92A	<u>CARBURETOR (2 OF 2)</u>
27487-92	<u>CARBURETOR (2 OF 2)</u>
27488-92A	<u>CARBURETOR (2 OF 2)</u>
27489-92	<u>CARBURETOR (2 OF 2)</u>
27503-92A	<u>CARBURETOR (2 OF 2)</u>
27575-88A	<u>CARBURETOR (2 OF 2)</u>
27576-92	<u>CARBURETOR (2 OF 2)</u>
27577-92	<u>CARBURETOR (2 OF 2)</u>
27579-88A	<u>CARBURETOR (2 OF 2)</u>
27580-88	<u>CARBURETOR (2 OF 2)</u>

27581-88	<u>CARBURETOR (2 OF 2)</u>
27582-88	<u>CARBURETOR (2 OF 2)</u>
27583-88	<u>CARBURETOR (2 OF 2)</u>
27585-88	<u>CARBURETOR (2 OF 2)</u>
27586-88	<u>CARBURETOR (2 OF 2)</u>
27587-88	<u>CARBURETOR (2 OF 2)</u>
2773	<u>REAR FENDER & BELT GUARDS</u>
27886-78A	<u>CARBURETOR (2 OF 2)</u>
2818	<u>EXHAUST SYSTEM</u>
28820-86	<u>AIR CLEANER & ENRICHENER</u>
28821-86	<u>AIR CLEANER & ENRICHENER</u>
28826-86A	<u>AIR CLEANER & ENRICHENER</u>
28841-89	<u>AIR CLEANER & ENRICHENER</u>
28842-89	<u>AIR CLEANER & ENRICHENER</u>
28857-90	<u>CALIFORNIA EVAPORATIVE EMISSIONS KIT</u>
28859-90	<u>CALIFORNIA EVAPORATIVE EMISSIONS KIT</u>
28860-89	<u>CALIFORNIA EVAPORATIVE EMISSIONS KIT</u>
28865-89C	<u>CALIFORNIA EVAPORATIVE EMISSIONS KIT</u>
29009-89B	<u>AIR CLEANER & ENRICHENER</u>
29018-92	<u>AIR CLEANER & ENRICHENER</u>
29059-88A	<u>AIR CLEANER & ENRICHENER</u>
2907	<u>HANDLEBAR SWITCHES - 1993</u> <u>HANDLEBAR SWITCHES - 1994</u>
29078-91	<u>AIR CLEANER & ENRICHENER</u>
29084-73	<u>AIR CLEANER & ENRICHENER</u>
29111-88	<u>AIR CLEANER & ENRICHENER</u>
29112-83	<u>BATTERY</u>
2916	<u>AIR CLEANER & ENRICHENER</u>
29229-88D	<u>AIR CLEANER & ENRICHENER</u>
2925A	<u>FRAME, REAR FORK & JIFFY STAND</u>

29331-96	<u>AIR CLEANER & ENRICHENER</u>
29950-91	<u>CRANKCASE (2 OF 2)</u>
29967-89C	<u>ALTERNATOR & REGULATOR</u>
31322-91	<u>STARTER MOTOR - 1200 MODEL</u>
31330-91	<u>STARTER MOTOR - 1200 MODEL</u>
31390-91A	<u>STARTER MOTOR - 1200 MODEL</u>
31433-84A	<u>CRANKCASE (2 OF 2)</u>
31488-81C	<u>STARTER MOTOR - 883 MODELS (2 OF 2)</u> <u>STARTER MOTOR - 1200 MODEL</u>
31504-91B	<u>SWITCHES & CIRCUIT BREAKERS</u> <u>SWITCHES & CIRCUIT BREAKERS</u>
31506-79B	<u>SWITCHES & CIRCUIT BREAKERS</u>
31514-90	<u>STARTER MOTOR - 1200 MODEL</u>
31515-90	<u>STARTER MOTOR - 1200 MODEL</u>
31518-90	<u>STARTER MOTOR - 1200 MODEL</u>
31530-90	<u>STARTER MOTOR - 1200 MODEL</u>
31532-94	<u>OIL TANK & FILTER</u>
31539-91	<u>STARTER MOTOR - 1200 MODEL</u>
31540-91	<u>STARTER MOTOR - 1200 MODEL</u>
31546-81	<u>STARTER MOTOR - 883 MODELS (2 OF 2)</u>
31555-90	<u>STARTER MOTOR - 1200 MODEL</u>
31556-91D	<u>STARTER MOTOR - 1200 MODEL</u>
31557-81	<u>STARTER MOTOR - 883 MODELS (2 OF 2)</u>
31567-81	<u>STARTER MOTOR - 883 MODELS (2 OF 2)</u>
31574-81	<u>STARTER MOTOR - 883 MODELS (2 OF 2)</u>
31590-81	<u>STARTER MOTOR - 883 MODELS (2 OF 2)</u>
31591-81	<u>STARTER MOTOR - 883 MODELS (2 OF 2)</u>
31592-81	<u>STARTER MOTOR - 883 MODELS (2 OF 2)</u>
31593-81	<u>STARTER MOTOR - 883 MODELS (2 OF 2)</u>
31594-81	<u>STARTER MOTOR - 883 MODELS (2 OF 2)</u>
31595-81	<u>STARTER MOTOR - 883 MODELS (2 OF 2)</u>

31596-85	<u>STARTER MOTOR - 883 MODELS (2 OF 2)</u>
31597-81	<u>STARTER MOTOR - 883 MODELS (2 OF 2)</u>
31598-89	<u>STARTER MOTOR - 883 MODELS (2 OF 2)</u>
31599-91	<u>STARTER MOTOR - 1200 MODEL</u>
31603-91	<u>STARTER MOTOR - 1200 MODEL</u>
31605-90	<u>STARTER MOTOR - 883 MODELS (1 OF 2)</u>
31614-83A	<u>ELECTRONIC IGNITION SYSTEM</u>
31688-90	<u>STARTER MOTOR - 1200 MODEL</u>
31689-90	<u>STARTER MOTOR - 1200 MODEL</u>
31693-90	<u>STARTER MOTOR - 1200 MODEL</u>
31695-90	<u>STARTER MOTOR - 1200 MODEL</u>
31723-71B	<u>ELECTRONIC IGNITION SYSTEM</u>
31727-85	<u>ELECTRONIC IGNITION SYSTEM</u>
31986-86A	<u>ELECTRONIC IGNITION SYSTEM</u>
31996-86B	<u>ELECTRONIC IGNITION SYSTEM</u>
31998-91A	<u>WIRING & MISCELLANEOUS ELECTRICAL (1 OF 2)</u>
3201WA	<u>CARBURETOR (1 OF 2)</u>
3206B	<u>AIR CLEANER & ENRICHENER</u>
3210A	<u>FRONT FENDER</u>
3221	<u>AIR CLEANER & ENRICHENER</u>
3228A	<u>ROCKER ARMS, COVERS & PUSHRODS - V2™ EVOLUTION</u>
32362-04	<u>ELECTRONIC IGNITION SYSTEM</u>
32400-80B	<u>ELECTRONIC IGNITION SYSTEM</u>
32400-94A	<u>ELECTRONIC IGNITION SYSTEM</u>
32402-83	<u>ELECTRONIC IGNITION SYSTEM</u>
32410-91B	<u>ELECTRONIC IGNITION SYSTEM</u>
32410-94A	<u>ELECTRONIC IGNITION SYSTEM</u>
32413-92C	<u>ALTERNATOR & REGULATOR</u>
32433-91A	<u>ELECTRONIC IGNITION SYSTEM</u>

32433-94	<u>ELECTRONIC IGNITION SYSTEM</u>
32440-94	<u>CALIFORNIA EVAPORATIVE EMISSIONS KIT</u>
32504-80A	<u>ELECTRONIC IGNITION SYSTEM</u>
32506-90	<u>ELECTRONIC IGNITION SYSTEM</u>
32591-80	<u>ELECTRONIC IGNITION SYSTEM</u>
32606-82	<u>ELECTRONIC IGNITION SYSTEM</u>
33043-80	<u>SWITCHES & CIRCUIT BREAKERS</u>
33048-72	<u>FOOTRESTS</u>
33117-91A	<u>OIL TANK & FILTER</u>
33178-90A	<u>SHIFTER</u>
33178-90B	<u>SHIFTER</u>
33189-63	<u>FOOTRESTS</u>
33204-91	<u>SHIFTER</u>
33319-90	<u>SHIFTER</u>
33334-85	<u>TRANSMISSION GEARS</u>
33334-94	<u>TRANSMISSION GEARS</u>
3350	<u>STARTER MOTOR - 1200 MODEL</u>
33634-91A	<u>SHIFTER</u>
33652-90	<u>SHIFTER</u>
33653-90	<u>SHIFTER</u>
33655-90	<u>SHIFTER</u>
33656-90A	<u>SHIFTER</u>
33900-59C	<u>SWITCHES & CIRCUIT BREAKERS</u>
3401	<u>STARTER MOTOR - 883 MODELS (1 OF 2)</u>
34015-91	<u>SHIFTER</u>
3402	<u>STARTER MOTOR - 883 MODELS (1 OF 2)</u>
3403	<u>STARTER MOTOR - 883 MODELS (1 OF 2)</u> <u>STARTER MOTOR - 1200 MODEL</u>
34073-91	<u>SHIFTER</u>
34075-89	<u>SHIFTER</u>

34076-89	<u>SHIFTER</u>
34077-91	<u>SHIFTER</u>
34142-89C	<u>SHIFTER</u>
34144-89C	<u>SHIFTER</u>
34147-89C	<u>SHIFTER</u>
34481-91A	<u>SHIFTER</u>
34483-90	<u>SHIFTER</u>
34486-90	<u>SHIFTER</u>
34491-91	<u>SHIFTER</u>
34492-91	<u>SHIFTER</u>
34560-91	<u>SHIFTER</u>
34611-65A	<u>SHIFTER</u>
34615-94	<u>SHIFTER</u>
34742-90	<u>ACCESS DOOR & PRIMARY COVER</u>
3478A	<u>OIL PUMP</u>
3480A	<u>ACCESS DOOR & PRIMARY COVER</u> <u>GEARCASE & COVER</u> <u>TRANSMISSION GEARS</u>
3482A	<u>OIL PUMP</u>
34909-90	<u>REAR BRAKE CONTROL</u>
34911-91A	<u>TRANSMISSION GEARS</u>
34920-86A	<u>CLUTCH</u>
34955-89B	<u>ACCESS DOOR & PRIMARY COVER</u>
34992-94	<u>ACCESS DOOR & PRIMARY COVER</u>
34993-90	<u>ACCESS DOOR & PRIMARY COVER</u>
3500A	<u>ROCKER ARMS, COVERS & PUSHRODS - V2™ EVOLUTION</u>
3501A	<u>ROCKER ARMS, COVERS & PUSHRODS - V2™ EVOLUTION</u>
35020-89	<u>TRANSMISSION GEARS</u>
35021-89	<u>ACCESS DOOR & PRIMARY COVER</u>
35022-89A	<u>TRANSMISSION GEARS</u>
35030-89A	<u>ACCESS DOOR & PRIMARY COVER</u>

35034-89A	<u>TRANSMISSION GEARS</u>
35034-94	<u>TRANSMISSION GEARS</u>
35038-89A	<u>ACCESS DOOR & PRIMARY COVER</u>
35051-89A	<u>TRANSMISSION GEARS</u>
35063-89	<u>TRANSMISSION GEARS</u>
35078-79	<u>REAR BRAKE CONTROL</u> <u>SHOCK ABSORBERS</u>
3512	<u>CRANKCASE (1 OF 2)</u>
35151-74A	<u>CRANKCASE (2 OF 2)</u>
35211-91B	<u>TRANSMISSION GEARS</u> <u>BELTS & SPROCKETS</u>
3534B	<u>AIR CLEANER & ENRICHENER</u>
3537	<u>REAR FENDER & BELT GUARDS</u>
3562	<u>FRONT BRAKE CALIPER</u>
35633-89A	<u>TRANSMISSION GEARS</u>
35633-94	<u>TRANSMISSION GEARS</u>
35640-89	<u>TRANSMISSION GEARS</u>
35641-89	<u>TRANSMISSION GEARS</u>
3572B	<u>TURN SIGNALS - 1993</u>
35762-89A	<u>TRANSMISSION GEARS</u>
35763-89A	<u>TRANSMISSION GEARS</u>
35771-89A	<u>TRANSMISSION GEARS</u>
35771-94	<u>TRANSMISSION GEARS</u>
35772-89A	<u>TRANSMISSION GEARS</u>
35772-94	<u>TRANSMISSION GEARS</u>
35773-89A	<u>TRANSMISSION GEARS</u>
35773-94	<u>TRANSMISSION GEARS</u>
35775-89A	<u>TRANSMISSION GEARS</u>
35775-94	<u>TRANSMISSION GEARS</u>
358	<u>CRANKCASE (1 OF 2)</u>

3581	<u>SWITCHES & CIRCUIT BREAKERS</u>
3583	<u>CLUTCH</u>
3588	<u>HORN</u>
3594	<u>TRANSMISSION GEARS</u> <u>BELTS & SPROCKETS</u> <u>FRONT BRAKE CONTROL</u>
3610	<u>ACCESS DOOR & PRIMARY COVER</u>
3652	<u>AIR CLEANER & ENRICHENER</u>
3655A	<u>FRONT WHEEL - CAST</u> <u>FRONT WHEEL - LACED</u>
3670	<u>REAR FENDER & BELT GUARDS</u>
36715-84	<u>CLUTCH</u>
36715-94	<u>CLUTCH</u>
36731-91	<u>CLUTCH</u>
3675	<u>TRANSMISSION GEARS</u>
36785-91	<u>CLUTCH</u>
36790-91	<u>CLUTCH</u>
36792-91	<u>CLUTCH</u>
36799-91	<u>CLUTCH</u>
36802-84B	<u>CLUTCH</u>
36804-89	<u>ROCKER ARMS, COVERS & PUSHRODS - V2™ EVOLUTION</u>
3728	<u>CRANKCASE (1 OF 2)</u>
3730A	<u>REAR WHEEL - CAST</u>
37495-91	<u>TRANSMISSION GEARS</u> <u>CLUTCH</u>
3765	<u>SEATS</u>
3767B	<u>REAR FENDER & BELT GUARDS</u> <u>TURN SIGNALS - 1993</u> <u>CALIFORNIA EVAPORATIVE EMISSIONS KIT</u>
3769	<u>BELTS & SPROCKETS</u> <u>REAR WHEEL - LACED</u>
3787	<u>CRANKCASE (1 OF 2)</u> <u>ALTERNATOR & REGULATOR</u>
37870-91	<u>TRANSMISSION GEARS</u>

	<u>CLUTCH</u>
37872-90	<u>CLUTCH</u>
37904-90	<u>CLUTCH</u>
37905-90	<u>CLUTCH</u>
37908-90	<u>CLUTCH</u>
37909-90	<u>CLUTCH</u>
37911-90	<u>CLUTCH</u>
37912-91	<u>CLUTCH</u>
37913-90	<u>CLUTCH</u>
37977-90	<u>CLUTCH</u>
3802W	<u>FRAME, REAR FORK & JIFFY STAND</u> <u>CALIFORNIA EVAPORATIVE EMISSIONS KIT</u>
3849	<u>ROCKER ARMS, COVERS & PUSHRODS - V2™ EVOLUTION</u>
38608-82B	<u>CLUTCH CONTROL</u>
38619-86A	<u>CLUTCH CONTROL</u>
38621-86A	<u>CLUTCH CONTROL</u>
38630-88	<u>CLUTCH CONTROL</u>
38653-01	<u>HANDLEBAR & THROTTLE CONTROL</u>
3930A	<u>BATTERY</u>
3958	<u>SHOCK ABSORBERS</u>
3974HW	<u>BATTERY</u>
3987	<u>REAR FENDER & BELT GUARDS</u> <u>REAR FENDER - 1994</u>
39875	<u>WIRING & MISCELLANEOUS ELECTRICAL (1 OF 2)</u>
3993	<u>ELECTRONIC IGNITION SYSTEM</u>
39975-90A	<u>BELTS & SPROCKETS</u>
40005-57B	<u>BELTS & SPROCKETS</u>
40022-91	<u>BELTS & SPROCKETS</u>
40038-91	<u>BELTS & SPROCKETS</u>
4007	<u>REAR FENDER - 1994</u>
4015	<u>CLUTCH CONTROL</u>

	<u>FRONT BRAKE CONTROL</u>
4017	<u>HEADLAMP & MIRROR</u>
40202-91B	<u>TRANSMISSION GEARS</u>
40205-95	<u>TRANSMISSION GEARS</u> <u>BELTS & SPROCKETS</u>
40213-91	<u>BELTS & SPROCKETS</u> <u>REAR WHEEL - CAST</u> <u>REAR WHEEL - LACED</u>
40227-93	<u>BELTS & SPROCKETS</u> <u>REAR WHEEL - CAST</u>
40235-89B	<u>BELTS & SPROCKETS</u>
40240-89	<u>BELTS & SPROCKETS</u>
40251-92A	<u>TRANSMISSION GEARS</u> <u>BELTS & SPROCKETS</u>
40252-91	<u>REAR WHEEL - CAST</u> <u>REAR WHEEL - LACED</u>
40252-91A	<u>BELTS & SPROCKETS</u>
40285-91B	<u>TRANSMISSION GEARS</u> <u>BELTS & SPROCKETS</u>
40288-95	<u>TRANSMISSION GEARS</u>
4029A	<u>FRONT FORK (1 OF 2)</u>
4044	<u>REAR FENDER & BELT GUARDS</u>
4047	<u>TURN SIGNALS - 1993</u> <u>TURN SIGNALS - 1994</u>
40520-63	<u>ACCESS DOOR & PRIMARY COVER</u>
4067	<u>FUEL TANK & TRIM</u> <u>HORN</u>
40761-05	<u>FRONT WHEEL - LACED</u>
40903-87	<u>REAR BRAKE CONTROL</u>
4091	<u>CRANKCASE (1 OF 2)</u> <u>CALIFORNIA EVAPORATIVE EMISSIONS KIT</u>
4092	<u>REAR BRAKE CONTROL</u> <u>SEATS</u>
40922-87A	<u>REAR BRAKE CONTROL</u>
40929-87	<u>REAR BRAKE CALIPER</u>

40975-86	<u>REAR WHEEL - LACED</u>
40976-86A	<u>REAR WHEEL - LACED</u>
40983-86	<u>REAR WHEEL - CAST</u>
41015-86	<u>REAR WHEEL - CAST</u>
41123-79	<u>FRONT WHEEL - CAST</u> <u>FRONT WHEEL - LACED</u> <u>REAR WHEEL - CAST</u> <u>REAR WHEEL - LACED</u>
4116	<u>FUEL TANK & TRIM</u>
4117	<u>FUEL TANK & TRIM</u>
41191-74A	<u>ACCESS DOOR & PRIMARY COVER</u> <u>ACCESS DOOR & PRIMARY COVER</u>
41563-77A	<u>REAR WHEEL - CAST</u> <u>REAR WHEEL - LACED</u>
41568-81B	<u>FRAME, REAR FORK & JIFFY STAND</u>
41570-77	<u>FRAME, REAR FORK & JIFFY STAND</u>
41579-81	<u>FRAME, REAR FORK & JIFFY STAND</u>
41594-73	<u>REAR WHEEL - CAST</u> <u>REAR WHEEL - LACED</u>
41642-82	<u>REAR BRAKE CONTROL</u>
41713-86	<u>REAR BRAKE CONTROL</u>
41731-88A	<u>FRONT BRAKE CONTROL</u> <u>REAR BRAKE CONTROL</u>
41733-88	<u>FRONT BRAKE CONTROL</u>
41739-84A	<u>FRONT BRAKE CONTROL</u>
41747-82A	<u>FRONT BRAKE CONTROL</u> <u>REAR BRAKE CONTROL</u>
41789-92	<u>REAR WHEEL - CAST</u> <u>REAR WHEEL - LACED</u>
42375-87	<u>REAR BRAKE CONTROL</u>
42381-87	<u>REAR BRAKE CONTROL</u>
42382-87C	<u>REAR BRAKE CONTROL</u>
4240	<u>FRONT BRAKE CONTROL</u> <u>REAR BRAKE CONTROL</u> <u>FRONT FORK (1 OF 2)</u>

42436-87	<u>REAR BRAKE CONTROL</u>
42437-87	<u>REAR BRAKE CONTROL</u>
42441-90A	<u>REAR BRAKE CONTROL</u> <u>FOOTRESTS</u>
42443-80A	<u>REAR BRAKE CONTROL</u>
42447-96	<u>REAR BRAKE CONTROL</u>
42449-80A	<u>CRANKCASE (2 OF 2)</u>
42456-87C	<u>REAR BRAKE CONTROL</u>
42460-80B	<u>REAR BRAKE CONTROL</u>
42472-87	<u>REAR BRAKE CONTROL</u>
42479-90	<u>REAR BRAKE CONTROL</u>
42520-80A	<u>FUEL TANK & TRIM</u> <u>HORN</u>
43001-06	<u>FRONT WHEEL - LACED</u>
43025-73B	<u>FRONT WHEEL - LACED</u>
43085-81	<u>REAR WHEEL - LACED</u>
43150-83	<u>FRONT WHEEL - CAST</u>
43157-83A	<u>REAR WHEEL - CAST</u>
4319	<u>CRANKCASE (1 OF 2)</u>
43241-05	<u>REAR WHEEL - LACED</u>
4326A	<u>HANDLEBAR & THROTTLE CONTROL</u>
4329	<u>ALTERNATOR & REGULATOR</u>
43290-82	<u>FRONT WHEEL - CAST</u> <u>FRONT WHEEL - LACED</u> <u>REAR WHEEL - CAST</u> <u>REAR WHEEL - LACED</u>
43291-82	<u>FRONT WHEEL - CAST</u> <u>FRONT WHEEL - LACED</u> <u>REAR WHEEL - CAST</u> <u>REAR WHEEL - LACED</u>
43292-82	<u>FRONT WHEEL - CAST</u> <u>FRONT WHEEL - LACED</u> <u>REAR WHEEL - CAST</u> <u>REAR WHEEL - LACED</u>
43293-82	<u>FRONT WHEEL - CAST</u> <u>FRONT WHEEL - LACED</u>

	<u>REAR WHEEL - CAST</u> <u>REAR WHEEL - LACED</u>
43294-82	<u>FRONT WHEEL - CAST</u> <u>FRONT WHEEL - LACED</u> <u>REAR WHEEL - CAST</u> <u>REAR WHEEL - LACED</u>
43312-84B	<u>FRONT WHEEL - LACED</u>
43338-83	<u>FRONT WHEEL - CAST</u>
43355-84	<u>FRONT WHEEL - CAST</u>
43358-83A	<u>FRONT WHEEL - CAST</u> <u>FRONT WHEEL - LACED</u>
43359-84	<u>FRONT WHEEL - CAST</u>
43499-84	<u>FRONT WHEEL - CAST</u>
4351	<u>FRONT FORK (1 OF 2)</u> <u>FRONT FORK (1 OF 2)</u>
4352	<u>FRONT FORK (1 OF 2)</u>
43567-92	<u>REAR WHEEL - CAST</u> <u>REAR WHEEL - LACED</u>
43608-82	<u>REAR WHEEL - CAST</u>
43613-92	<u>FRONT WHEEL - CAST</u> <u>FRONT WHEEL - LACED</u>
43619-84	<u>FRONT WHEEL - LACED</u>
43650-82	<u>FRONT WHEEL - CAST</u> <u>FRONT WHEEL - LACED</u> <u>REAR WHEEL - CAST</u> <u>REAR WHEEL - LACED</u>
43654-86A	<u>REAR WHEEL - CAST</u> <u>REAR WHEEL - LACED</u>
43668-82	<u>REAR WHEEL - LACED</u>
4377	<u>EXHAUST SYSTEM</u>
43895-87B	<u>FRONT WHEEL - CAST</u> <u>FRONT WHEEL - LACED</u>
43946-86A	<u>REAR BRAKE CALIPER</u>
43960-86	<u>REAR BRAKE CALIPER</u>
44020-83A	<u>FRONT BRAKE CALIPER</u>
44021-83	<u>FRONT BRAKE CALIPER</u>

44022-83	FRONT BRAKE CALIPER
44035-86A	REAR BRAKE CALIPER
44039-86	REAR BRAKE CALIPER
44045-87A	REAR BRAKE CALIPER
44046-84C	FRONT BRAKE CALIPER
44047-83	FRONT BRAKE CALIPER
44048-83	FRONT BRAKE CALIPER REAR BRAKE CALIPER
44050-87	REAR BRAKE CALIPER
44053-92A	FRONT BRAKE CALIPER
44054-83	FRONT BRAKE CALIPER
44059-83	FRONT BRAKE CALIPER
44061-83	FRONT BRAKE CALIPER
44062-83	FRONT BRAKE CALIPER
44063-83C	FRONT BRAKE CALIPER
44072-92A	FRONT BRAKE CALIPER
44126-87	REAR BRAKE CONTROL
44136-92	FRONT WHEEL - CAST FRONT WHEEL - LACED
44147-87A	FRONT BRAKE CALIPER REAR BRAKE CALIPER
44152-77	REAR BRAKE CALIPER
44197-77	FRONT BRAKE CALIPER
44198-87	REAR BRAKE CALIPER
44199-79	REAR BRAKE CALIPER
44209-87C	REAR BRAKE CALIPER
4435W	CRANKCASE (1 OF 2)
44438-87B	REAR BRAKE CONTROL
4453	FRONT FORK (1 OF 2)
4460	FRONT FORK (1 OF 2)
45004-85	FRONT BRAKE CONTROL

45005-85	<u>FRONT BRAKE CONTROL</u> <u>REAR BRAKE CONTROL</u>
45015-96	<u>CLUTCH CONTROL</u>
45016-93	<u>FRONT BRAKE CONTROL</u>
45019-93	<u>FRONT BRAKE CONTROL</u>
45021-86	<u>CLUTCH CONTROL</u>
45031-82A	<u>FRONT BRAKE CONTROL</u>
45032-82	<u>CLUTCH CONTROL</u> <u>FRONT BRAKE CONTROL</u>
45036-88	<u>CLUTCH CONTROL</u>
45042-82	<u>FRONT BRAKE CONTROL</u> <u>REAR BRAKE CONTROL</u>
45044-82	<u>CLUTCH CONTROL</u> <u>FRONT BRAKE CONTROL</u>
45051-82	<u>FRONT BRAKE CONTROL</u>
45072-87	<u>FRONT BRAKE CONTROL</u>
45092-66A	<u>FRONT BRAKE CONTROL</u> <u>SPEEDOMETER & TACHOMETER - 1993</u> <u>SPEEDOMETER & TACHOMETER - 1994</u>
45121-88C	<u>FRONT BRAKE CONTROL</u>
45143-96A	<u>FRONT BRAKE CONTROL</u>
45361-90	<u>FRONT FORK (1 OF 2)</u>
45372-92	<u>FRONT FORK (1 OF 2)</u>
45374-87	<u>FRONT FORK (1 OF 2)</u>
45376-87	<u>FRONT FORK (1 OF 2)</u>
45376-94	<u>FRONT FORK (1 OF 2)</u>
45377-87	<u>FRONT FORK (1 OF 2)</u>
45378-87	<u>FRONT FORK (1 OF 2)</u>
45381-87	<u>FRONT FORK (1 OF 2)</u>
45395-92	<u>FRONT FORK (1 OF 2)</u>
45401-87	<u>FRONT FORK (1 OF 2)</u>
45405-75A	<u>FRONT FORK (1 OF 2)</u>

45423-92	<u>CLUTCH CONTROL</u> <u>FRONT BRAKE CONTROL</u>
45460-90	<u>FRONT FORK (1 OF 2)</u>
45461-87	<u>FRONT FORK (1 OF 2)</u>
45462-87	<u>FRONT FORK (1 OF 2)</u> <u>FRONT FORK (1 OF 2)</u>
45463-87	<u>FRONT FORK (1 OF 2)</u>
45465-87	<u>FRONT FORK (1 OF 2)</u>
45549-88	<u>FRONT FORK (1 OF 2)</u>
45563-87	<u>FRONT FORK (1 OF 2)</u> <u>FRONT FORK (1 OF 2)</u>
45611-86	<u>FRONT FORK (2 OF 2)</u>
45668-90	<u>FRONT FORK (2 OF 2)</u>
45739-87	<u>FRONT FORK (2 OF 2)</u>
45790-80	<u>FRONT FORK (2 OF 2)</u> <u>SWITCHES & CIRCUIT BREAKERS</u>
45900-88	<u>FRONT FORK (2 OF 2)</u>
45900-94	<u>FRONT FORK (2 OF 2)</u>
45901-88	<u>FRONT FORK (2 OF 2)</u>
45901-94	<u>FRONT FORK (2 OF 2)</u>
45902-00	<u>STARTER MOTOR - 883 MODELS (2 OF 2)</u> <u>STARTER MOTOR - 1200 MODEL</u>
45905-87	<u>FRONT FORK (2 OF 2)</u>
45921-87	<u>FRONT FORK (2 OF 2)</u>
45923-87	<u>FRONT FORK (2 OF 2)</u>
45925-88	<u>FRONT FORK (2 OF 2)</u>
45925-94	<u>FRONT FORK (2 OF 2)</u>
45928-92	<u>FRONT FORK (2 OF 2)</u>
45929-92	<u>FRONT FORK (2 OF 2)</u>
45934-86	<u>FRONT FORK (2 OF 2)</u>
45938-92	<u>FRONT FORK (2 OF 2)</u>
45984-87	<u>FRONT FORK (2 OF 2)</u>

45996-87	<u>FRONT FORK (2 OF 2)</u>
46002-87	<u>FRONT FORK (2 OF 2)</u>
46988-94A	<u>FRAME, REAR FORK & JIFFY STAND</u>
47082-81	<u>FRAME, REAR FORK & JIFFY STAND</u>
47083-81A	<u>FRAME, REAR FORK & JIFFY STAND</u>
47150-91B	<u>FRAME, REAR FORK & JIFFY STAND</u>
47150-94A	<u>FRAME, REAR FORK & JIFFY STAND</u>
4716W	<u>CYLINDER, HEAD & VALVES - V2™ EVOLUTION (1 OF 2)</u>
4717A	<u>ACCESS DOOR & PRIMARY COVER</u> <u>GEARCASE & COVER</u>
47209-91B	<u>FRAME, REAR FORK & JIFFY STAND</u>
47209-94A	<u>FRAME, REAR FORK & JIFFY STAND</u>
4721	<u>FOOTRESTS</u> <u>FOOTRESTS</u>
47384-91	<u>SHOCK ABSORBERS</u>
47384-94	<u>SHOCK ABSORBERS</u>
47403-75A	<u>BATTERY</u>
4740A	<u>GEARCASE & COVER</u>
4741A	<u>SHIFTER</u>
4743	<u>SHOCK ABSORBERS</u>
4748	<u>CYLINDER, HEAD & VALVES - V2™ EVOLUTION (1 OF 2)</u>
4751	<u>ALTERNATOR & REGULATOR</u>
47519-83A	<u>FRONT WHEEL - CAST</u> <u>FRONT WHEEL - LACED</u> <u>REAR WHEEL - CAST</u> <u>REAR WHEEL - LACED</u>
47547-87B	<u>FRAME, REAR FORK & JIFFY STAND</u>
47554-73A	<u>FRAME, REAR FORK & JIFFY STAND</u>
48140-84A	<u>FRONT FORK (2 OF 2)</u>
4816A	<u>HANDLEBAR & THROTTLE CONTROL</u> <u>REAR FENDER & BELT GUARDS</u>
4820A	<u>GEARCASE & COVER</u> <u>TRANSMISSION GEARS</u>

4826	<u>TRANSMISSION GEARS</u>
48300-60	<u>FRONT FORK (2 OF 2)</u> <u>FRAME, REAR FORK & JIFFY STAND</u>
48302-85	<u>CRANKCASE (2 OF 2)</u>
48315-60	<u>CRANKCASE (2 OF 2)</u> <u>FRONT FORK (2 OF 2)</u> <u>FRAME, REAR FORK & JIFFY STAND</u>
48361-80	<u>FRONT FORK (2 OF 2)</u> <u>FRAME, REAR FORK & JIFFY STAND</u>
48365-48A	<u>FRONT FORK (2 OF 2)</u> <u>FRAME, REAR FORK & JIFFY STAND</u>
50003-89B	<u>FRAME, REAR FORK & JIFFY STAND</u>
50005-85A	<u>FRAME, REAR FORK & JIFFY STAND</u>
50006-89	<u>FRAME, REAR FORK & JIFFY STAND</u>
50072-92	<u>FRAME, REAR FORK & JIFFY STAND</u>
50101-91	<u>FRAME, REAR FORK & JIFFY STAND</u>
50615-83	<u>FOOTRESTS</u>
50643-82	<u>FOOTRESTS</u>
50646-82	<u>FOOTRESTS</u>
50647-82	<u>FOOTRESTS</u>
50912-72	<u>FOOTRESTS</u> <u>FOOTRESTS</u>
50951-90	<u>FOOTRESTS</u>
50972-75	<u>FRAME, REAR FORK & JIFFY STAND</u>
511	<u>REAR WHEEL - CAST</u> <u>REAR WHEEL - LACED</u>
51187-86	<u>SEATS</u>
51187-94A	<u>SEATS</u>
51191-83	<u>SEATS</u>
515	<u>SHIFTER</u> <u>REAR BRAKE CONTROL</u>
51652-83B	<u>SEATS</u>
52004-84D	<u>SEATS</u>
52004-94B	<u>SEATS</u>

52101-92C	<u>SEATS</u> <u>SEATS</u>
52129-92C	<u>SEATS</u>
52131-83B	<u>SEATS</u>
52132-94	<u>SEATS</u>
5226B	<u>SHIFTER</u>
534	<u>FOOTRESTS</u>
53438-92	<u>HEADLAMP & MIRROR</u>
53439-79	<u>SPEEDOMETER & TACHOMETER - 1993</u> <u>SPEEDOMETER & TACHOMETER - 1994</u>
53487-87	<u>FRAME, REAR FORK & JIFFY STAND</u>
5403B	<u>REAR FENDER & BELT GUARDS</u>
54321-85	<u>FRONT WHEEL - LACED</u> <u>REAR WHEEL - LACED</u>
5440	<u>EXHAUST SYSTEM</u>
54473-79	<u>SHOCK ABSORBERS</u>
54475-79	<u>SHOCK ABSORBERS</u>
54476-82	<u>SHOCK ABSORBERS</u>
54556-84	<u>SHOCK ABSORBERS</u>
54566-91	<u>SHOCK ABSORBERS</u>
54566-94	<u>SHOCK ABSORBERS</u>
54568-92	<u>SHOCK ABSORBERS</u>
54701-82	<u>SHOCK ABSORBERS</u>
54705-91	<u>SHOCK ABSORBERS</u>
54705-94	<u>SHOCK ABSORBERS</u>
554A	<u>FRAME, REAR FORK & JIFFY STAND</u>
56073-83	<u>HEADLAMP & MIRROR</u> <u>SPEEDOMETER & TACHOMETER - 1993</u> <u>SPEEDOMETER & TACHOMETER - 1994</u> <u>WIRING & MISCELLANEOUS ELECTRICAL (1 OF 2)</u> <u>HANDLEBAR SWITCHES - 1993</u> <u>HANDLEBAR SWITCHES - 1994</u>
56081-82A	<u>HANDLEBAR & THROTTLE CONTROL</u>

56082-83	<u>HANDLEBAR & THROTTLE CONTROL</u>
56104-94A	<u>TURN SIGNALS - 1994</u>
56105-84	<u>HANDLEBAR & THROTTLE CONTROL</u>
56115-79B	<u>HANDLEBAR & THROTTLE CONTROL</u>
56116-82A	<u>HANDLEBAR & THROTTLE CONTROL</u>
56117-82A	<u>HANDLEBAR & THROTTLE CONTROL</u>
56158-73	<u>HANDLEBAR & THROTTLE CONTROL</u>
56159-73	<u>HANDLEBAR & THROTTLE CONTROL</u>
56206-94A	<u>HANDLEBAR & THROTTLE CONTROL</u>
56220-94A	<u>HANDLEBAR & THROTTLE CONTROL</u>
56308-88	<u>HANDLEBAR & THROTTLE CONTROL</u>
56309-88	<u>HANDLEBAR & THROTTLE CONTROL</u>
56394-74	<u>HANDLEBAR & THROTTLE CONTROL</u> <u>HANDLEBAR SWITCHES - 1993</u> <u>HANDLEBAR SWITCHES - 1994</u>
56396-74A	<u>HANDLEBAR & THROTTLE CONTROL</u> <u>HANDLEBAR SWITCHES - 1993</u> <u>HANDLEBAR SWITCHES - 1994</u>
56397-74C	<u>HANDLEBAR & THROTTLE CONTROL</u> <u>HANDLEBAR SWITCHES - 1993</u> <u>HANDLEBAR SWITCHES - 1994</u>
56402-83A	<u>HANDLEBAR & THROTTLE CONTROL</u> <u>HANDLEBAR SWITCHES - 1993</u> <u>HANDLEBAR SWITCHES - 1994</u>
56508-76	<u>HANDLEBAR & THROTTLE CONTROL</u>
5736	<u>HANDLEBAR & THROTTLE CONTROL</u>
5741	<u>FRAME, REAR FORK & JIFFY STAND</u>
5756	<u>REAR WHEEL - CAST</u> <u>REAR WHEEL - LACED</u>
5774	<u>HEADLAMP & MIRROR</u>
5787	<u>FUEL TANK & TRIM</u>
58998-83E	<u>FRONT FENDER</u>
59242-90	<u>REAR FENDER & BELT GUARDS</u>
59251-90	<u>REAR FENDER & BELT GUARDS</u>

59256-84A	<u>REAR FENDER & BELT GUARDS</u>
59259-90	<u>REAR FENDER & BELT GUARDS</u> <u>REAR FENDER & BELT GUARDS</u>
59273-91	<u>FRAME, REAR FORK & JIFFY STAND</u>
59287-92	<u>REAR FENDER - 1994</u>
59288-92	<u>REAR FENDER - 1994</u>
59289-92	<u>REAR FENDER - 1994</u>
59290-92	<u>REAR FENDER - 1994</u>
59594-82C	<u>REAR FENDER & BELT GUARDS</u> <u>REAR FENDER - 1994</u>
59674-81C	<u>REAR FENDER & BELT GUARDS</u>
59674-94B	<u>REAR FENDER - 1994</u>
59896-94	<u>REAR FENDER - 1994</u>
59897-94	<u>REAR FENDER - 1994</u>
59950-89	<u>REAR FENDER & BELT GUARDS</u>
59951-89	<u>REAR FENDER & BELT GUARDS</u>
59984-73	<u>REAR FENDER & BELT GUARDS</u>
59986-75	<u>REAR FENDER & BELT GUARDS</u>
59988-72A	<u>REAR FENDER & BELT GUARDS</u>
600	<u>ACCESS DOOR & PRIMARY COVER</u>
60001-55	<u>REAR FENDER & BELT GUARDS</u>
6003	<u>TRANSMISSION GEARS</u>
6005	<u>STARTER MOTOR - 883 MODELS (1 OF 2)</u>
601	<u>SHIFTER</u>
6012	<u>SHOCK ABSORBERS</u>
6016	<u>ROCKER ARMS, COVERS & PUSHRODS - V2™ EVOLUTION</u> <u>SHIFTER</u>
6019	<u>CRANKCASE (1 OF 2)</u> <u>FRONT BRAKE CALIPER</u>
6026	<u>CRANKCASE (1 OF 2)</u>
60348-65B	<u>CRANKCASE (2 OF 2)</u>
6036	<u>SEATS</u>

60381-91	<u>REAR FENDER & BELT GUARDS</u>
604	<u>CRANKCASE (1 OF 2)</u>
60419-91	<u>REAR FENDER & BELT GUARDS</u>
60436-91	<u>REAR FENDER & BELT GUARDS</u>
6056	<u>REAR FENDER & BELT GUARDS</u> <u>TURN SIGNALS - 1993</u>
60618-91	<u>OIL TANK & FILTER</u>
6073	<u>FRAME, REAR FORK & JIFFY STAND</u>
6099	<u>ROCKER ARMS, COVERS & PUSHRODS - V2™ EVOLUTION</u> <u>SHIFTER</u> <u>CLUTCH CONTROL</u> <u>FRONT BRAKE CONTROL</u> <u>CALIFORNIA EVAPORATIVE EMISSIONS KIT</u> <u>CALIFORNIA EVAPORATIVE EMISSIONS KIT</u>
61023-93	<u>FUEL TANK & TRIM</u>
6109	<u>ACCESS DOOR & PRIMARY COVER</u> <u>REAR FENDER & BELT GUARDS</u>
61107-92	<u>AIR CLEANER & ENRICHENER</u>
61109-85D	<u>FUEL TANK & TRIM</u>
61131-92	<u>FUEL TANK & TRIM</u>
61272-92C	<u>FUEL TANK & TRIM</u>
6157	<u>OIL PUMP</u>
6192	<u>REAR BRAKE CONTROL</u> <u>REAR FENDER & BELT GUARDS</u> <u>REAR FENDER - 1994</u>
6195A	<u>TURN SIGNALS - 1993</u>
62122-89A	<u>FRAME, REAR FORK & JIFFY STAND</u>
62150-85	<u>FUEL TANK & TRIM</u>
62161-02	<u>FUEL TANK & TRIM</u>
62166-81A	<u>FUEL TANK & TRIM</u>
62169-81	<u>FUEL TANK & TRIM</u>
62172-02	<u>FUEL TANK & TRIM</u>
6220W	<u>BATTERY</u>
62361-94	<u>OIL TANK & FILTER</u>

62375-57A	<u>GEARCASE & COVER</u>
6239	<u>STARTER MOTOR - 883 MODELS (1 OF 2)</u>
6242W	<u>OIL PUMP</u>
62472-93A	<u>OIL TANK & FILTER</u>
62475-94A	<u>OIL TANK & FILTER</u>
62493-89	<u>OIL TANK & FILTER</u>
62494-94B	<u>OIL TANK & FILTER</u>
62540-83	<u>OIL TANK & FILTER</u> <u>OIL TANK & FILTER</u> <u>BATTERY</u> <u>SWITCHES & CIRCUIT BREAKERS</u>
62555-95	<u>CARBURETOR (2 OF 2)</u> <u>FUEL TANK & TRIM</u>
62563-65	<u>OIL TANK & FILTER</u> <u>BATTERY</u>
62569-94	<u>BATTERY</u>
62601-91A	<u>OIL PUMP</u>
62631-91	<u>OIL TANK & FILTER</u>
62634-84A	<u>OIL TANK & FILTER</u>
6265	<u>HEADLAMP & MIRROR</u> <u>SPEEDOMETER & TACHOMETER - 1993</u> <u>SPEEDOMETER & TACHOMETER - 1994</u>
6314W	<u>CRANKCASE (1 OF 2)</u>
6333	<u>TURN SIGNALS - 1993</u>
63500-68	<u>CRANKCASE (2 OF 2)</u> <u>OIL TANK & FILTER</u>
63501-68B	<u>GEARCASE & COVER</u> <u>CARBURETOR (2 OF 2)</u> <u>FUEL TANK & TRIM</u> <u>FUEL TANK & TRIM</u> <u>OIL TANK & FILTER</u>
63504-84	<u>OIL TANK & FILTER</u>
63504-94	<u>OIL TANK & FILTER</u>
63533-41A	<u>OIL PUMP</u>
63542-94A	<u>OIL TANK & FILTER</u>

63547-89	<u>CRANKCASE (2 OF 2)</u>
63564-94	<u>OIL TANK & FILTER</u>
6366	<u>REAR BRAKE CONTROL</u>
63805-80A	<u>OIL TANK & FILTER</u>
63858-49	<u>ROCKER ARMS, COVERS & PUSHRODS - V2™ EVOLUTION</u>
6410	<u>SEATS</u>
6508	<u>PISTONS, CONNECTING RODS & FLYWHEELS</u>
6516HW	<u>BELTS & SPROCKETS</u> <u>REAR WHEEL - CAST</u> <u>REAR WHEEL - LACED</u>
65276-62	<u>EXHAUST SYSTEM</u>
65296-95A	<u>EXHAUST SYSTEM</u>
65324-83B	<u>EXHAUST SYSTEM</u>
65325-83A	<u>EXHAUST SYSTEM</u>
65328-83A	<u>EXHAUST SYSTEM</u>
65419-86	<u>EXHAUST SYSTEM</u>
65568-86A	<u>EXHAUST SYSTEM</u>
65569-86A	<u>EXHAUST SYSTEM</u>
65599-80D	<u>EXHAUST SYSTEM</u>
65605-87B	<u>EXHAUST SYSTEM</u>
65613-86B	<u>EXHAUST SYSTEM</u>
65712-86	<u>EXHAUST SYSTEM</u>
65716-91	<u>EXHAUST SYSTEM</u>
65719-86	<u>EXHAUST SYSTEM</u>
65766-89E	<u>EXHAUST SYSTEM</u>
65769-89E	<u>EXHAUST SYSTEM</u>
65781-82	<u>EXHAUST SYSTEM</u>
65782-82	<u>EXHAUST SYSTEM</u>
65813-91	<u>EXHAUST SYSTEM</u>
65860-91A	<u>EXHAUST SYSTEM</u>
65861-91A	<u>EXHAUST SYSTEM</u>

6590HW	FRONT WHEEL - CAST FRONT WHEEL - LACED
65991-82B	BATTERY
65995-88A	BATTERY
66000-80	BATTERY
66103-74A	BATTERY
66107-91	TURN SIGNALS - 1993
66191-83	BATTERY
66194-94A	BATTERY
66325-82	FRAME, REAR FORK & JIFFY STAND
66352-65	BATTERY CALIFORNIA EVAPORATIVE EMISSIONS KIT
66359-80	BATTERY
66367-73	BATTERY
66476-73A	BATTERY
6655	FRONT FORK (1 OF 2)
67009-72	HANDLEBAR & THROTTLE CONTROL
6701	CYLINDER, HEAD & VALVES - V2™ EVOLUTION (1 OF 2) CRANKCASE (1 OF 2) FRONT FORK (1 OF 2) FRAME, REAR FORK & JIFFY STAND SHOCK ABSORBERS
67016-92	SPEEDOMETER & TACHOMETER - 1993
6702	SEATS HANDLEBAR & THROTTLE CONTROL FUEL TANK & TRIM BATTERY BATTERY EXHAUST SYSTEM
6703	FRONT BRAKE CONTROL REAR FENDER & BELT GUARDS OIL TANK & FILTER CALIFORNIA EVAPORATIVE EMISSIONS KIT
67037-91	SPEEDOMETER & TACHOMETER - 1993
67041-91	SPEEDOMETER & TACHOMETER - 1993
67053-92	SPEEDOMETER & TACHOMETER - 1993 SPEEDOMETER & TACHOMETER - 1994

67063-89	<u>SPEEDOMETER & TACHOMETER - 1993</u> <u>SPEEDOMETER & TACHOMETER - 1994</u>
67085-83	<u>SPEEDOMETER & TACHOMETER - 1993</u> <u>SPEEDOMETER & TACHOMETER - 1994</u>
67098-87	<u>SPEEDOMETER & TACHOMETER - 1993</u> <u>SPEEDOMETER & TACHOMETER - 1994</u>
67099-92	<u>SPEEDOMETER & TACHOMETER - 1993</u>
67103-91	<u>SPEEDOMETER & TACHOMETER - 1993</u> <u>SPEEDOMETER & TACHOMETER - 1994</u>
67105-91A	<u>SPEEDOMETER & TACHOMETER - 1993</u> <u>SPEEDOMETER & TACHOMETER - 1994</u>
67106-83	<u>SPEEDOMETER & TACHOMETER - 1993</u> <u>SPEEDOMETER & TACHOMETER - 1993</u> <u>SPEEDOMETER & TACHOMETER - 1994</u> <u>SPEEDOMETER & TACHOMETER - 1994</u>
67107-91	<u>SPEEDOMETER & TACHOMETER - 1993</u>
67108-83	<u>SPEEDOMETER & TACHOMETER - 1993</u> <u>SPEEDOMETER & TACHOMETER - 1994</u>
67110-92	<u>SPEEDOMETER & TACHOMETER - 1993</u> <u>SPEEDOMETER & TACHOMETER - 1994</u>
67111-85	<u>SPEEDOMETER & TACHOMETER - 1993</u>
67112-83	<u>SPEEDOMETER & TACHOMETER - 1993</u> <u>SPEEDOMETER & TACHOMETER - 1994</u>
67117-85	<u>SPEEDOMETER & TACHOMETER - 1993</u> <u>SPEEDOMETER & TACHOMETER - 1994</u>
67121-92	<u>SPEEDOMETER & TACHOMETER - 1993</u> <u>SPEEDOMETER & TACHOMETER - 1993</u> <u>SPEEDOMETER & TACHOMETER - 1994</u> <u>SPEEDOMETER & TACHOMETER - 1994</u>
67127-84A	<u>SPEEDOMETER & TACHOMETER - 1993</u> <u>SPEEDOMETER & TACHOMETER - 1994</u>
6716	<u>ELECTRONIC IGNITION SYSTEM</u>
67165-94	<u>SPEEDOMETER & TACHOMETER - 1994</u>
6717	<u>REAR FENDER & BELT GUARDS</u>
67240-94	<u>SPEEDOMETER & TACHOMETER - 1994</u>
67259-94	<u>SPEEDOMETER & TACHOMETER - 1994</u>
67262-94	<u>SPEEDOMETER & TACHOMETER - 1994</u>
67263-94	<u>SPEEDOMETER & TACHOMETER - 1994</u>

6736	ROCKER ARMS, COVERS & PUSHRODS - V2™ EVOLUTION
67685-92	HEADLAMP & MIRROR
67691-92	HEADLAMP & MIRROR
67698-81D	HEADLAMP & MIRROR
67705-92	HEADLAMP & MIRROR
67719-63	HEADLAMP & MIRROR MAIN WIRING HARNESS - 1994 (1 OF 2)
6771A	ROCKER ARMS, COVERS & PUSHRODS - V2™ EVOLUTION
67725-63	HEADLAMP & MIRROR
67743-75	HEADLAMP & MIRROR
67744-75	HEADLAMP & MIRROR
67757-92	HEADLAMP & MIRROR
67763-92A	HEADLAMP & MIRROR
67781-92A	HEADLAMP & MIRROR
67805-92	HEADLAMP & MIRROR
67815-59A	HEADLAMP & MIRROR
67822-88	TURN SIGNALS - 1993 TURN SIGNALS - 1994
67827-88A	TURN SIGNALS - 1993 TURN SIGNALS - 1994
67828-88A	TURN SIGNALS - 1993 TURN SIGNALS - 1994
67829-88	TURN SIGNALS - 1993 TURN SIGNALS - 1994
67834-83	HEADLAMP & MIRROR
67839-74	WIRING & MISCELLANEOUS ELECTRICAL (1 OF 2)
67865-89	HEADLAMP & MIRROR
6788	FUEL TANK & TRIM
68008-73B	TAIL LAMP
68010-90	TAIL LAMP
68020-92A	SPEEDOMETER & TACHOMETER - 1993 SPEEDOMETER & TACHOMETER - 1994

68021-92A	SPEEDOMETER & TACHOMETER - 1993 SPEEDOMETER & TACHOMETER - 1994
68023-92A	SPEEDOMETER & TACHOMETER - 1993 SPEEDOMETER & TACHOMETER - 1994
68024-92A	SPEEDOMETER & TACHOMETER - 1993 SPEEDOMETER & TACHOMETER - 1994
68026-73	TAIL LAMP
68027-90	TAIL LAMP
68032-90	TAIL LAMP
68033-90	TAIL LAMP
68036-91	TAIL LAMP
68048-93B	TAIL LAMP
68049-93B	TAIL LAMP
68061-94B	HEADLAMP & MIRROR MAIN WIRING HARNESS - 1994 (1 OF 2)
6812	CYLINDER, HEAD & VALVES - V2™ EVOLUTION (1 OF 2) STARTER MOTOR - 883 MODELS (1 OF 2) STARTER MOTOR - 1200 MODEL
68123-73	TAIL LAMP
68163-84	TURN SIGNALS - 1993 TURN SIGNALS - 1994
68168-89	TURN SIGNALS - 1994
68168-89A	TURN SIGNALS - 1993 TAIL LAMP
68169-90A	TAIL LAMP
68329-03	HEADLAMP & MIRROR
68403-86A	TURN SIGNALS - 1993
68406-86C	TURN SIGNALS - 1993
68408-86D	TURN SIGNALS - 1993
68410-87B	TURN SIGNALS - 1993
68452-86	TURN SIGNALS - 1993 TURN SIGNALS - 1994
68457-86	TURN SIGNALS - 1993 TURN SIGNALS - 1994
68480-93A	TURN SIGNALS - 1994

68493-90	<u>TURN SIGNALS - 1993</u>
68507-90	<u>TURN SIGNALS - 1993</u> <u>TURN SIGNALS - 1994</u>
68513-92	<u>SPEEDOMETER & TACHOMETER - 1993</u> <u>SPEEDOMETER & TACHOMETER - 1994</u>
68516-92	<u>SPEEDOMETER & TACHOMETER - 1993</u> <u>SPEEDOMETER & TACHOMETER - 1994</u>
68537-89G	<u>TURN SIGNALS - 1993</u>
68555-87	<u>TURN SIGNALS - 1993</u> <u>TURN SIGNALS - 1994</u>
68559-87	<u>TURN SIGNALS - 1993</u>
68566-90	<u>TURN SIGNALS - 1993</u> <u>TURN SIGNALS - 1994</u>
68570-94A	<u>TURN SIGNALS - 1994</u>
68572-64B	<u>TURN SIGNALS - 1993</u> <u>TURN SIGNALS - 1994</u>
68578-84A	<u>TURN SIGNALS - 1993</u>
68608-83	<u>SPEEDOMETER & TACHOMETER - 1993</u> <u>SPEEDOMETER & TACHOMETER - 1994</u>
68650-92	<u>HEADLAMP & MIRROR</u>
68705-93A	<u>WIRING & MISCELLANEOUS ELECTRICAL (1 OF 2)</u>
68709-94	<u>TURN SIGNALS - 1994</u>
68710-94	<u>TURN SIGNALS - 1994</u>
68760-94	<u>TURN SIGNALS - 1994</u>
68763-94	<u>TURN SIGNALS - 1994</u>
69012-93A	<u>HORN</u>
69027-92	<u>AIR CLEANER & ENRICHENER</u> <u>HORN</u>
69043-91D	<u>HORN</u>
69060-90H	<u>HORN</u>
69062-91	<u>HORN</u>
69120-91	<u>HORN</u>
69123-92A	<u>HORN</u>
70022-83	<u>WIRING & MISCELLANEOUS ELECTRICAL (1 OF 2)</u>

70027-83	WIRING & MISCELLANEOUS ELECTRICAL (1 OF 2)
70047-82	HANDLEBAR SWITCHES - 1993
70048-92	HEADLAMP & MIRROR
70049-83	WIRING & MISCELLANEOUS ELECTRICAL (1 OF 2)
70050-92	WIRING & MISCELLANEOUS ELECTRICAL (1 OF 2)
70076-89A	WIRING & MISCELLANEOUS ELECTRICAL (1 OF 2)
70079-94	WIRING & MISCELLANEOUS ELECTRICAL (1 OF 2)
70097-75B	WIRING & MISCELLANEOUS ELECTRICAL (1 OF 2)
70129-79A	WIRING & MISCELLANEOUS ELECTRICAL (1 OF 2)
70135-92A	WIRING & MISCELLANEOUS ELECTRICAL (1 OF 2)
70135-94	MAIN WIRING HARNESS - 1994 (1 OF 2)
70148-92	CALIFORNIA EVAPORATIVE EMISSIONS KIT
70157-92	WIRING & MISCELLANEOUS ELECTRICAL (1 OF 2)
7019	SHIFTER
70191-73A	HANDLEBAR & THROTTLE CONTROL WIRING & MISCELLANEOUS ELECTRICAL (1 OF 2)
70218-87A	HANDLEBAR SWITCHES - 1993 HANDLEBAR SWITCHES - 1994
70219-87	HANDLEBAR SWITCHES - 1993 HANDLEBAR SWITCHES - 1994
70287-81A	WIRING & MISCELLANEOUS ELECTRICAL (1 OF 2)
70288-81	WIRING & MISCELLANEOUS ELECTRICAL (1 OF 2)
70291-89	AIR CLEANER & ENRICHENER
70293-87A	WIRING & MISCELLANEOUS ELECTRICAL (1 OF 2)
70345-84	HANDLEBAR SWITCHES - 1994
7036	OIL PUMP ELECTRONIC IGNITION SYSTEM STARTER MOTOR - 883 MODELS (1 OF 2) SEATS
7038	CYLINDER, HEAD & VALVES - V2™ EVOLUTION (1 OF 2) CRANKCASE (1 OF 2) FRONT FORK (1 OF 2)
7041	STARTER MOTOR - 883 MODELS (1 OF 2) REAR BRAKE CONTROL

	<u>HEADLAMP & MIRROR HORN</u>
7042	<u>REAR BRAKE CONTROL TURN SIGNALS - 1993 TURN SIGNALS - 1994</u>
7045	<u>FOOTRESTS</u>
70504-81	<u>HANDLEBAR & THROTTLE CONTROL</u>
70551-69	<u>WIRING & MISCELLANEOUS ELECTRICAL (1 OF 2)</u>
70552-69	<u>WIRING & MISCELLANEOUS ELECTRICAL (1 OF 2)</u>
70553-69	<u>WIRING & MISCELLANEOUS ELECTRICAL (1 OF 2)</u>
70554-69	<u>WIRING & MISCELLANEOUS ELECTRICAL (1 OF 2)</u>
70555-69	<u>WIRING & MISCELLANEOUS ELECTRICAL (1 OF 2)</u>
70556-71	<u>WIRING & MISCELLANEOUS ELECTRICAL (1 OF 2)</u>
70558-71	<u>WIRING & MISCELLANEOUS ELECTRICAL (1 OF 2)</u>
70559-71	<u>WIRING & MISCELLANEOUS ELECTRICAL (1 OF 2)</u>
70578-89	<u>WIRING & MISCELLANEOUS ELECTRICAL (2 OF 2)</u>
70580-89	<u>WIRING & MISCELLANEOUS ELECTRICAL (2 OF 2)</u>
70585-93	<u>WIRING & MISCELLANEOUS ELECTRICAL (2 OF 2)</u>
70586-93	<u>WIRING & MISCELLANEOUS ELECTRICAL (2 OF 2) SWITCHES & CIRCUIT BREAKERS</u>
70587-93	<u>WIRING & MISCELLANEOUS ELECTRICAL (2 OF 2)</u>
7068	<u>FRONT WHEEL - CAST FRONT WHEEL - LACED HEADLAMP & MIRROR</u>
7124	<u>ALTERNATOR & REGULATOR SEATS REAR FENDER & BELT GUARDS</u>
7127	<u>HEADLAMP & MIRROR TURN SIGNALS - 1993 TURN SIGNALS - 1994 HORN SWITCHES & CIRCUIT BREAKERS</u>
71425-77	<u>SWITCHES & CIRCUIT BREAKERS</u>
71441-94	<u>MAIN WIRING HARNESS - 1994 (1 OF 2) SWITCHES & CIRCUIT BREAKERS</u>
71451-78	<u>SWITCHES & CIRCUIT BREAKERS</u>

71451-94A	<u>SWITCHES & CIRCUIT BREAKERS</u>
7145W	<u>CYLINDER, HEAD & VALVES - V2™ EVOLUTION (1 OF 2)</u> <u>CLUTCH CONTROL</u>
71510-92	<u>SWITCHES & CIRCUIT BREAKERS</u>
71510-94	<u>SWITCHES & CIRCUIT BREAKERS</u>
71516-92	<u>AIR CLEANER & ENRICHENER</u>
71550-75	<u>SWITCHES & CIRCUIT BREAKERS</u>
71550-94	<u>SWITCHES & CIRCUIT BREAKERS</u>
71552-75	<u>SWITCHES & CIRCUIT BREAKERS</u>
71552-94	<u>SWITCHES & CIRCUIT BREAKERS</u>
71554-75	<u>SWITCHES & CIRCUIT BREAKERS</u>
71557-93	<u>HANDLEBAR SWITCHES - 1993</u> <u>HANDLEBAR SWITCHES - 1994</u>
71563-82A	<u>HANDLEBAR & THROTTLE CONTROL</u> <u>HANDLEBAR SWITCHES - 1993</u> <u>HANDLEBAR SWITCHES - 1994</u>
71564-82A	<u>HANDLEBAR & THROTTLE CONTROL</u> <u>HANDLEBAR SWITCHES - 1993</u> <u>HANDLEBAR SWITCHES - 1994</u>
71567-82	<u>HANDLEBAR SWITCHES - 1993</u> <u>HANDLEBAR SWITCHES - 1994</u>
71568-82A	<u>HANDLEBAR SWITCHES - 1993</u> <u>HANDLEBAR SWITCHES - 1994</u>
71589-92	<u>HANDLEBAR SWITCHES - 1993</u> <u>HANDLEBAR SWITCHES - 1994</u>
71590-92A	<u>HANDLEBAR SWITCHES - 1993</u> <u>HANDLEBAR SWITCHES - 1994</u>
71591-92	<u>HANDLEBAR SWITCHES - 1993</u> <u>HANDLEBAR SWITCHES - 1994</u>
71597-92	<u>HANDLEBAR SWITCHES - 1993</u> <u>HANDLEBAR SWITCHES - 1994</u>
71598-92	<u>HANDLEBAR SWITCHES - 1993</u> <u>HANDLEBAR SWITCHES - 1994</u>
720	<u>CRANKCASE (1 OF 2)</u>
72023-51E	<u>REAR BRAKE CONTROL</u> <u>SWITCHES & CIRCUIT BREAKERS</u>

72034-71	<u>WIRING & MISCELLANEOUS ELECTRICAL (2 OF 2)</u>
72035-71	<u>WIRING & MISCELLANEOUS ELECTRICAL (2 OF 2)</u>
72037-71	<u>WIRING & MISCELLANEOUS ELECTRICAL (2 OF 2)</u>
72038-71A	<u>SPEEDOMETER & TACHOMETER - 1993</u> <u>WIRING & MISCELLANEOUS ELECTRICAL (2 OF 2)</u>
72039-71A	<u>SPEEDOMETER & TACHOMETER - 1993</u> <u>TURN SIGNALS - 1993</u> <u>WIRING & MISCELLANEOUS ELECTRICAL (2 OF 2)</u> <u>HANDLEBAR SWITCHES - 1993</u>
72041-71	<u>WIRING & MISCELLANEOUS ELECTRICAL (2 OF 2)</u>
72043-71A	<u>WIRING & MISCELLANEOUS ELECTRICAL (2 OF 2)</u>
72046-79	<u>WIRING & MISCELLANEOUS ELECTRICAL (2 OF 2)</u> <u>MAIN WIRING HARNESS - 1994 (1 OF 2)</u>
72049-92	<u>WIRING & MISCELLANEOUS ELECTRICAL (2 OF 2)</u>
72051-77A	<u>WIRING & MISCELLANEOUS ELECTRICAL (2 OF 2)</u>
72053-92	<u>WIRING & MISCELLANEOUS ELECTRICAL (2 OF 2)</u>
72056-92	<u>WIRING & MISCELLANEOUS ELECTRICAL (2 OF 2)</u> <u>MAIN WIRING HARNESS - 1994 (1 OF 2)</u>
72102-94BK	<u>MAIN WIRING HARNESS - 1994 (1 OF 2)</u>
72103-94BK	<u>ELECTRONIC IGNITION SYSTEM</u> <u>MAIN WIRING HARNESS - 1994 (1 OF 2)</u>
72104-94BK	<u>MAIN WIRING HARNESS - 1994 (1 OF 2)</u>
72108-94BK	<u>MAIN WIRING HARNESS - 1994 (1 OF 2)</u>
72109-94BK	<u>MAIN WIRING HARNESS - 1994 (1 OF 2)</u>
72112-94BK	<u>TURN SIGNALS - 1994</u>
72113-94BK	<u>MAIN WIRING HARNESS - 1994 (1 OF 2)</u>
72114-94BK	<u>TAIL LAMP</u>
72118-94BK	<u>ELECTRONIC IGNITION SYSTEM</u>
72119-94BK	<u>SPEEDOMETER & TACHOMETER - 1994</u> <u>TURN SIGNALS - 1994</u> <u>HANDLEBAR SWITCHES - 1994</u>
72128-94GY	<u>MAIN WIRING HARNESS - 1994 (1 OF 2)</u>
72129-94GY	<u>MAIN WIRING HARNESS - 1994 (1 OF 2)</u>
72138-94GY	<u>TURN SIGNALS - 1994</u>

72139-94GY	TURN SIGNALS - 1994 HANDLEBAR SWITCHES - 1994
72142-94	MAIN WIRING HARNESS - 1994 (1 OF 2)
72143-94	ELECTRONIC IGNITION SYSTEM MAIN WIRING HARNESS - 1994 (1 OF 2)
72144-94	MAIN WIRING HARNESS - 1994 (1 OF 2)
72148-94	MAIN WIRING HARNESS - 1994 (1 OF 2)
72149-94	MAIN WIRING HARNESS - 1994 (1 OF 2)
72152-94	TURN SIGNALS - 1994
72153-94	MAIN WIRING HARNESS - 1994 (1 OF 2)
72154-94	TAIL LAMP
72158-94	ELECTRONIC IGNITION SYSTEM TURN SIGNALS - 1994
72159-94	SPEEDOMETER & TACHOMETER - 1994 TURN SIGNALS - 1994 HANDLEBAR SWITCHES - 1994
72172-94	TURN SIGNALS - 1994 TAIL LAMP
72173-94	MAIN WIRING HARNESS - 1994 (2 OF 2)
72178-94	ELECTRONIC IGNITION SYSTEM TURN SIGNALS - 1994
72179-94	SPEEDOMETER & TACHOMETER - 1994 TURN SIGNALS - 1994 HANDLEBAR SWITCHES - 1994
72190-94	ELECTRONIC IGNITION SYSTEM MAIN WIRING HARNESS - 1994 (2 OF 2)
72191-94	ELECTRONIC IGNITION SYSTEM SPEEDOMETER & TACHOMETER - 1994 TURN SIGNALS - 1994 TAIL LAMP MAIN WIRING HARNESS - 1994 (2 OF 2) HANDLEBAR SWITCHES - 1994
72195-94	ELECTRONIC IGNITION SYSTEM SPEEDOMETER & TACHOMETER - 1994 TURN SIGNALS - 1994 MAIN WIRING HARNESS - 1994 (2 OF 2) HANDLEBAR SWITCHES - 1994
72198-94	MAIN WIRING HARNESS - 1994 (2 OF 2)
72199-94	MAIN WIRING HARNESS - 1994 (2 OF 2)

7220	<u>FRONT BRAKE CONTROL</u> <u>REAR BRAKE CONTROL</u> <u>FRONT FORK (1 OF 2)</u> <u>SWITCHES & CIRCUIT BREAKERS</u>
72216-94	<u>MAIN WIRING HARNESS - 1994 (2 OF 2)</u>
72217-94	<u>MAIN WIRING HARNESS - 1994 (2 OF 2)</u>
72218-94	<u>MAIN WIRING HARNESS - 1994 (2 OF 2)</u>
72219-94	<u>MAIN WIRING HARNESS - 1994 (2 OF 2)</u>
72241-94A	<u>MAIN WIRING HARNESS - 1994 (1 OF 2)</u> <u>MAIN WIRING HARNESS - 1994 (2 OF 2)</u>
72243-94	<u>MAIN WIRING HARNESS - 1994 (2 OF 2)</u>
72249-94	<u>MAIN WIRING HARNESS - 1994 (2 OF 2)</u>
72259-94	<u>MAIN WIRING HARNESS - 1994 (2 OF 2)</u>
72266-94	<u>WIRING & MISCELLANEOUS ELECTRICAL (2 OF 2)</u>
72275-74	<u>WIRING & MISCELLANEOUS ELECTRICAL (2 OF 2)</u>
72276-74	<u>WIRING & MISCELLANEOUS ELECTRICAL (2 OF 2)</u>
72277-74	<u>WIRING & MISCELLANEOUS ELECTRICAL (2 OF 2)</u>
72278-74A	<u>WIRING & MISCELLANEOUS ELECTRICAL (2 OF 2)</u>
72295-94	<u>MAIN WIRING HARNESS - 1994 (2 OF 2)</u>
7229W	<u>ALTERNATOR & REGULATOR</u>
72501-74	<u>WIRING & MISCELLANEOUS ELECTRICAL (2 OF 2)</u>
72502-74	<u>WIRING & MISCELLANEOUS ELECTRICAL (2 OF 2)</u>
72507-94	<u>HEADLAMP & MIRROR</u> <u>MAIN WIRING HARNESS - 1994 (2 OF 2)</u>
727	<u>CRANKCASE (1 OF 2)</u>
740	<u>FRAME, REAR FORK & JIFFY STAND</u>
74521-77A	<u>WIRING & MISCELLANEOUS ELECTRICAL (2 OF 2)</u>
74523-92A	<u>ALTERNATOR & REGULATOR</u>
74523-94A	<u>ALTERNATOR & REGULATOR</u>
74536-77A	<u>ELECTRONIC IGNITION SYSTEM</u> <u>WIRING & MISCELLANEOUS ELECTRICAL (2 OF 2)</u>
74539-77A	<u>WIRING & MISCELLANEOUS ELECTRICAL (2 OF 2)</u>

74539-83A	ELECTRONIC IGNITION SYSTEM WIRING & MISCELLANEOUS ELECTRICAL (2 OF 2)
74587-94	SWITCHES & CIRCUIT BREAKERS
74588-94	SWITCHES & CIRCUIT BREAKERS
74589-73	SWITCHES & CIRCUIT BREAKERS
74598-73	SWITCHES & CIRCUIT BREAKERS
74599-77B	SWITCHES & CIRCUIT BREAKERS
74600-94	SWITCHES & CIRCUIT BREAKERS
7501	TAIL LAMP
7527	HORN
7531	CYLINDER, HEAD & VALVES - V2™ EVOLUTION (1 OF 2) SEATS FRONT FENDER REAR FENDER & BELT GUARDS REAR FENDER & BELT GUARDS REAR FENDER - 1994 FUEL TANK & TRIM EXHAUST SYSTEM EXHAUST SYSTEM TURN SIGNALS - 1994 HORN
7593	EXHAUST SYSTEM
7602	SWITCHES & CIRCUIT BREAKERS
7624	ELECTRONIC IGNITION SYSTEM OIL TANK & FILTER
7629	ELECTRONIC IGNITION SYSTEM OIL TANK & FILTER SWITCHES & CIRCUIT BREAKERS SWITCHES & CIRCUIT BREAKERS
7655	SHOCK ABSORBERS
7667	BELTS & SPROCKETS REAR FENDER & BELT GUARDS
7669	REAR BRAKE CONTROL
7683	SHIFTER
7686	REAR FENDER & BELT GUARDS OIL TANK & FILTER BATTERY SWITCHES & CIRCUIT BREAKERS CALIFORNIA EVAPORATIVE EMISSIONS KIT
7688	ALTERNATOR & REGULATOR

	<u>BATTERY</u>
7710W	<u>SHIFTER</u>
7725	<u>FRAME, REAR FORK & JIFFY STAND</u> <u>TURN SIGNALS - 1993</u>
7736	<u>HEADLAMP & MIRROR</u> <u>HEADLAMP & MIRROR</u>
7739	<u>BATTERY</u>
7744	<u>REAR BRAKE CONTROL</u> <u>TURN SIGNALS - 1993</u> <u>TURN SIGNALS - 1994</u>
7768W	<u>HANDLEBAR & THROTTLE CONTROL</u>
7775	<u>CRANKCASE (1 OF 2)</u>
7778	<u>REAR WHEEL - LACED</u> <u>FOOTRESTS</u>
7780	<u>CRANKCASE (1 OF 2)</u>
7783	<u>FRONT FORK (1 OF 2)</u>
7789	<u>CRANKCASE (1 OF 2)</u> <u>TURN SIGNALS - 1993</u>
7792	<u>REAR FENDER & BELT GUARDS</u>
7804	<u>BELTS & SPROCKETS</u>
7824	<u>FOOTRESTS</u> <u>SHOCK ABSORBERS</u>
7827W	<u>BELTS & SPROCKETS</u> <u>REAR WHEEL - LACED</u>
7839	<u>BELTS & SPROCKETS</u>
7844	<u>EXHAUST SYSTEM</u>
7845	<u>FRONT WHEEL - CAST</u> <u>FRONT WHEEL - LACED</u>
7861	<u>CYLINDER, HEAD & VALVES - V2™ EVOLUTION (1 OF 2)</u> <u>CRANKCASE (1 OF 2)</u>
7880	<u>HEADLAMP & MIRROR</u>
7882	<u>REAR FENDER - 1994</u>
7916A	<u>GEARCASE & COVER</u>
7987	<u>REAR WHEEL - CAST</u> <u>REAR WHEEL - LACED</u>

8099	<u>FRAME, REAR FORK & JIFFY STAND CALIFORNIA EVAPORATIVE EMISSIONS KIT</u>
8102	<u>REAR BRAKE CONTROL</u>
8108	<u>HORN</u>
8483A	<u>REAR FENDER & BELT GUARDS SWITCHES & CIRCUIT BREAKERS SWITCHES & CIRCUIT BREAKERS</u>
8535	<u>AIR CLEANER & ENRICHENER</u>
853A	<u>REAR BRAKE CONTROL</u>
855B	<u>FRONT BRAKE CALIPER FOOTRESTS</u>
869	<u>AIR CLEANER & ENRICHENER</u>
8692	<u>REAR FENDER & BELT GUARDS REAR FENDER - 1994</u>
8699	<u>ELECTRONIC IGNITION SYSTEM</u>
879A	<u>FOOTRESTS</u>
882	<u>ROCKER ARMS, COVERS & PUSHRODS - V2™ EVOLUTION</u>
8871	<u>STARTER MOTOR - 1200 MODEL</u>
8873	<u>CLUTCH</u>
8876A	<u>TRANSMISSION GEARS</u>
8877	<u>STARTER MOTOR - 883 MODELS (1 OF 2)</u>
8878	<u>STARTER MOTOR - 883 MODELS (1 OF 2)</u>
8879	<u>STARTER MOTOR - 883 MODELS (1 OF 2) STARTER MOTOR - 1200 MODEL</u>
8881	<u>CRANKCASE (1 OF 2)</u>
8883	<u>STARTER MOTOR - 1200 MODEL</u>
8885	<u>CLUTCH</u>
891	<u>ROCKER ARMS, COVERS & PUSHRODS - V2™ EVOLUTION</u>
89579-91	<u>CYLINDER, HEAD & VALVES - V2™ EVOLUTION (1 OF 2)</u>
8977	<u>TRANSMISSION GEARS</u>
8996A	<u>TRANSMISSION GEARS</u>
8998	<u>ACCESS DOOR & PRIMARY COVER</u>
9052	<u>FRONT WHEEL - CAST</u>

	<u>FRONT WHEEL - LACED</u> <u>REAR WHEEL - CAST</u> <u>REAR WHEEL - LACED</u>
9077	<u>STARTER MOTOR - 883 MODELS (1 OF 2)</u> <u>STARTER MOTOR - 1200 MODEL</u>
90770-79	<u>CLUTCH CONTROL</u>
910	<u>STARTER MOTOR - 883 MODELS (1 OF 2)</u>
9119A	<u>CRANKCASE (1 OF 2)</u>
9142	<u>CRANKCASE (1 OF 2)</u>
9143	<u>CRANKCASE (1 OF 2)</u>
9144	<u>CRANKCASE (1 OF 2)</u>
9145	<u>CRANKCASE (1 OF 2)</u>
9146	<u>CRANKCASE (1 OF 2)</u>
9147	<u>CRANKCASE (1 OF 2)</u>
9148	<u>CRANKCASE (1 OF 2)</u>
9149	<u>CRANKCASE (1 OF 2)</u>
9151	<u>SHIFTER</u>
9155	<u>CRANKCASE (1 OF 2)</u>
917	<u>STARTER MOTOR - 883 MODELS (1 OF 2)</u>
9187	<u>ACCESS DOOR & PRIMARY COVER</u>
91875-88A	<u>HEADLAMP & MIRROR</u>
91892-88A	<u>HEADLAMP & MIRROR</u>
91902-88A	<u>HEADLAMP & MIRROR</u>
91904-88A	<u>HEADLAMP & MIRROR</u>
924	<u>SEATS</u>
929A	<u>STARTER MOTOR - 1200 MODEL</u>
943	<u>ACCESS DOOR & PRIMARY COVER</u>
94313-91TS	<u>ROCKER ARMS, COVERS & PUSHRODS - V2™ EVOLUTION</u>
95578-41	<u>FRONT WHEEL - LACED</u> <u>REAR WHEEL - LACED</u>
95581-47	<u>FRONT WHEEL - LACED</u> <u>REAR WHEEL - LACED</u>

95582-47	FRONT WHEEL - LACED REAR WHEEL - LACED
95594-84B	FRONT WHEEL - CAST REAR WHEEL - CAST
95595-84B	FRONT WHEEL - CAST REAR WHEEL - CAST
9842	MAIN WIRING HARNESS - 1994 (2 OF 2)
9847	WIRING & MISCELLANEOUS ELECTRICAL (1 OF 2) MAIN WIRING HARNESS - 1994 (2 OF 2)
9848	WIRING & MISCELLANEOUS ELECTRICAL (1 OF 2)
9849	WIRING & MISCELLANEOUS ELECTRICAL (1 OF 2)
9857	SPEEDOMETER & TACHOMETER - 1993 WIRING & MISCELLANEOUS ELECTRICAL (1 OF 2)
9858	WIRING & MISCELLANEOUS ELECTRICAL (1 OF 2)
9862	WIRING & MISCELLANEOUS ELECTRICAL (1 OF 2)
9863	WIRING & MISCELLANEOUS ELECTRICAL (1 OF 2)
9875	HANDLEBAR SWITCHES - 1993
9885	WIRING & MISCELLANEOUS ELECTRICAL (1 OF 2)
9898	WIRING & MISCELLANEOUS ELECTRICAL (1 OF 2) HANDLEBAR SWITCHES - 1993
9900	WIRING & MISCELLANEOUS ELECTRICAL (1 OF 2)
9905	MAIN WIRING HARNESS - 1994 (2 OF 2)
9930	WIRING & MISCELLANEOUS ELECTRICAL (1 OF 2)
9937	WIRING & MISCELLANEOUS ELECTRICAL (1 OF 2) MAIN WIRING HARNESS - 1994 (2 OF 2)
9952	REAR FENDER & BELT GUARDS SWITCHES & CIRCUIT BREAKERS SWITCHES & CIRCUIT BREAKERS
9955	EXHAUST SYSTEM EXHAUST SYSTEM

Component Types and Introduction Dates

[View interactive table](#)

101A1 - Generic Nuts	
7736	1949
7739	Unknown

7845	Unknown
7844	2013
7725	Unknown
68608-83	1983
7839	Unknown
7624	Unknown
7629	1990
7792	2012
7655	1990
7780	1973
7527	Unknown
7778	Unknown
7775	Unknown
7916A	Unknown
7501	2010
23980-98	1998
7827W	1976
3402	Unknown
7824	Unknown
3403	Unknown
7683	Unknown
7710W	Unknown
11730A	Unknown
7768W	Unknown
35078-79	1979
7987	Unknown
8099	Unknown
7880	Unknown
37495-91	1991
8108	Unknown

7744	1943
7593	1991
7602	Unknown
102A1 - Generic Screws	
2916	Unknown
3958	1993
3802W	2009
3730A	Unknown
882	2000
3478A	Unknown
94313-91TS	1991
3987	Unknown
4460	Unknown
42375-87	1987
4826	Unknown
2907	Unknown
3849	Unknown
2579A	Unknown
1203	1974
11735B	Unknown
4741A	1994
3350	2003
3655A	Unknown
3512	Unknown
43567-92	1992
2339	1999
2925A	Unknown
2698A	Unknown
3201WA	Unknown
56104-94A	1994

2405A	Unknown
4319	2009
4743	1999
4092	1982
4047	Unknown
4748	2009
943	Unknown
3610	1984
4044	Unknown
4091	Unknown
891	2013
4326A	1990
2773	Unknown
4751	Unknown
68452-86	1986
4740A	1994
45405-75A	1975
4240	Unknown
2508	Unknown
3652	Unknown
3583	1994
3581	Unknown
3670	Unknown
67117-85	1985
2818	2009
90770-79	1979
4721	2009
3401	Unknown
2711	Unknown
45996-87	1987
3594	1992

27129-88	1988
924	Unknown
4816A	Unknown
4377	1980
3728	2014
3993	Unknown
4029A	1990
869	Unknown
2720	2012
45902-00	2000
3588	1990
917	Unknown
4017	2009
3562	Unknown
929A	Unknown
4015	Unknown
1028	Unknown
4435W	1993
2737	1986
3534B	1999
2739	Unknown
4351	Unknown
3210A	Unknown
4820A	Unknown
2611C	Unknown
4352	Unknown
56402-83A	1983
27317-88	1988
27146-89	1989
3480A	Unknown

4007	Unknown
1601	1999
4717A	Unknown
3767B	2009
11752	1993
855B	2014
879A	Unknown
1357W	Unknown
4067	2009
3787	Unknown
3501A	Unknown
4716W	2009
3206B	Unknown
16478-85A	1985
3675	Unknown
34486-90	1990
56397-74C	1974
3500A	Unknown
3974HW	2009
3482A	Unknown
3765	1947
4116	2009
5403B	Unknown
4329	Unknown
4117	Unknown
3769	1978
3572B	Unknown
5440	Unknown
4453	1986
3228A	2000

45790-80	1980
16480-92A	1992
3537	Unknown
103A1 - Generic Washers	
6717	Unknown
6019	Unknown
6026	Unknown
6314W	1964
6157	Unknown
34077-91	1991
7229W	Unknown
6016	2013
6012	Unknown
56159-73	1973
27125-89	1989
6771A	Unknown
36802-84B	1984
43650-82	1982
27148-89	1989
6220W	Unknown
6005	Unknown
7145W	Unknown
6366	1987
71554-75	1975
6788	Unknown
6333	Unknown
6099	2011
27127-89	1989
6109	1980
6508	1989

67815-59A	1959
31689-90	1990
6590HW	Unknown
6516HW	Unknown
6265	1986
6036	Unknown
6242W	Unknown
6812	Unknown
65782-82	1982
7220	Unknown
27137-81	1981
7068	Unknown
7019	Unknown
7038	1998
6410	Unknown
6195A	Unknown
6736	Unknown
6192	Unknown
7042	Unknown
6655	1979
7041	1958
6703	1970
6701	Unknown
6702	Unknown
33043-80	1980
7045	Unknown
6716	Unknown
104A1 - Custom Nuts	
7789	1989
7861	1993
67106-83	1983

54321-85	1985
105A1 - Custom Screws	
27158-89	1989
3930A	Unknown
16235-52A	1953
41191-74A	1974
2523	2004
853A	Unknown
27130-90	1990
106A1 - Custom Washers	
6003	2010
7124	Unknown
108A1 - Hose Clamps	
10067	2006
10053	2010
10049	1993
10031	2010
27018-85	1985
65276-62	1962
10014	Unknown
9955	Unknown
10080	Unknown
10117	Unknown
10074	Unknown
108B1 - P Clamps	
10142	Unknown
10110	Unknown
109A1 - Studs	
10116	Unknown
5226B	Unknown

42449-80A	1980
16715-83	1983
56105-84	1984
16832-86C	1986
10136	Unknown
11727A	1995
110B1 - Plain Bushings	
25586-37	1937
16240-82	1982
47083-81A	1981
35030-89A	1989
56158-73	1973
34076-89	1989
8996A	1996
17429-91	1991
48302-85	1985
54556-84	1984
25598-91	1991
8998	1996
25593-74	1974
24647-87	1987
45465-87	1987
8876A	Unknown
72501-74	1974
72502-74	1974
45934-86	1986
40520-63	1963
8883	Unknown
8885	Unknown
8878	Unknown
8877	Unknown

25588-91	1991
8879	Unknown
44035-86A	1986
47082-81	1981
9151	Unknown
42443-80A	1980
110C1 - Radial Shaft Seals	
11000101	2013
12050	Unknown
67098-87	1987
11124	1971
12067B	2002
110D1 - Rolling Element Bearings	
9187	2000
8977	Unknown
24650-87	1987
24729-74	1974
8871	Unknown
9052	Unknown
24659-87	1987
24660-87	1987
111A1 - Adhesive	
9885	Unknown
74521-77A	1977
9862	Unknown
111F1 - Protective Tape	
65716-91	1991
116A1 - Banjo Bolts	
41739-84A	1984
41747-82A	1982

117A1 - Coil Springs

56396-74A	1974
-----------	------

54473-79	1979
----------	------

27162-89	1989
----------	------

119A1 - O-Rings

11165	Unknown
-------	---------

26432-76A	1976
-----------	------

11105	Unknown
-------	---------

10957	2006
-------	------

27577-92	1992
----------	------

11190	Unknown
-------	---------

44059-83	1983
----------	------

45984-87	1987
----------	------

31695-90	1990
----------	------

11188	Unknown
-------	---------

26434-91	1991
----------	------

11171	Unknown
-------	---------

11176	Unknown
-------	---------

11179	1986
-------	------

27157-89	1989
----------	------

120A1 - Pins

601	Unknown
-----	---------

600	1991
-----	------

604	Unknown
-----	---------

215	Unknown
-----	---------

16573-83A	1983
-----------	------

534	Unknown
-----	---------

42460-80B	1980
-----------	------

50003-89B	1989
-----------	------

511	Unknown
-----	---------

515	Unknown
358	Unknown
121A1 - Grommets	
72507-94	1994
11474	Unknown
121B1 - Press-Fit Plugs	
70287-81A	1981
67865-89	1989
740	Unknown
121C1 - Threaded Plugs	
727	Unknown
720	2013
122A1 - Retaining Rings	
8102	Unknown
11271	Unknown
10123	1992
11272	Unknown
41713-86	1986
9119A	1994
11019	Unknown
45021-86	1986
44021-83	1983
11002	Unknown
65325-83A	1983
45611-86	1986
11031	Unknown
27368-76	1976
10108	Unknown
11155	Unknown
31530-90	1990
11143	Unknown

11046	Unknown
11177A	1996
35020-89	1989
33653-90	1990
11185	Unknown
27124-89	1989
35021-89	1989
10083	2009
11250	1992
35038-89A	1989
11161	Unknown
9952	1973
123A1 - Sealing Washers	
26436-90A	1990
123B1 - Spring Washers	
7127	Unknown
124A1 - Spacers	
43290-82	1982
35063-89	1989
34073-91	1991
5736	1983
43294-82	1982
5741	1999
42520-80A	1980
5756	Unknown
6073	1989
43293-82	1982
5774	Unknown
45377-87	1987
33334-85	1985

67009-72	1972
35022-89A	1989
7882	Unknown
68559-87	1987
125A1 - Tie Straps	
10065	1985
70191-73A	1975
10039	1981
10006	1960
10081	1984
10073	1985
126A1 - Miscellaneous Hardware	
42479-90	1990
50972-75	1975
31593-81	1981
44126-87	1987
27136-90A	1990
42472-87	1987
12030	Unknown
31557-81	1981
62493-89	1989
11219	Unknown
11218	Unknown
54476-82	1982
27040-88	1988
44045-87A	2013
56394-74	1974
31594-81	1981
8873	1984
31592-81	1981
44061-83	1983

67121-92	1992
126B1 - Rivets Fasteners	
70291-89	1989
8535	Unknown
8699	1980
8692	Unknown
8483A	Unknown
127B1 - Generic Mounting Bracket	
59951-89	1989
68578-84A	1984
31591-81	1981
45563-87	1987
59950-89	1989
28857-90	1990
51652-83B	1983
38608-82B	1982
140A1 - Battery Warning Label	
15368-01A	2001
140A2 - General Warning Label	
29112-83	1983
44197-77	1977
140A3 - Other Special Warning Label	
71550-75	1975
141A1 - Medallion	
71550-94	1994
14238-91	1991
14276-93	1993
14270-92	1992
14260-91	1991
14232-91	1991

14235-91	1991
53487-87	1987
14277-93	1993
162D1 - Engine Assembly	
16066-94	1994
16066-93	1993
16061-93	1993
16061-94	1994
16052-93	1993
16064-93	1993
16064-94	1994
16047-94	1994
16047-93	1993
16055-93	1993
16055-94	1994
16054-93	1993
16054-94	1994
16063-93	1993
16062-93	1993
16062-94	1994
16063-94	1994
16049-94	1994
16051-94	1994
16051-93	1993
16049-93	1993
16048-93	1993
16048-94	1994
16052-94	1994
163B1 - Engine Isolator Mount	
16222-86	1986

16278-86B	1989
164A1 - Engine Mount Bracket	
16214-86	1986
164B1 - Engine Mount Bracket sub-component	
16231-86	1986
16232-86	1986
16228-86A	1995
7783	Unknown
7531	1980
7804	Unknown
16226-94	1994
7669	Unknown
7667	Unknown
7688	2000
7686	Unknown
16212-84	1984
71516-92	1992
165A1 - Cylinder Head	
16661-89B	1996
16688-90A	1990
16698-90A	1990
16660-89B	2002
165B1 - Cylinder Head and Base Gaskets	
16800-84B	2013
16664-86D	1986
16774-86D	1986
16770-84D	2006
16778-84A	1984
16779-84A	1984
167A1 - PT Assembly Miscellaneous Component	
36731-91	1991

16210-84A	1984
168A1 - Cylinder	
16447-88A	1988
179B1 - Push Rod	
18526-89A	1989
17897-89A	1989
17904-89A	1989
179C1 - Lifter Anti-Rotation Device	
18532-89	1989
180A1 - Valves	
18020-87A	1987
18101-83D	1999
18030-86B	1988
18031-86B	1988
18023-87A	1988
18021-87A	1987
18011-87A	1989
181B1 - Valve Seals	
18133-83B	1983
18012-87A	1987
17953-91	1991
18130-83D	1983
17952-91	1991
18219-83A	1983
18131-83D	1983
18001-83B	1983
181C1 - Valve Collars	
18229-83A	1984
184A1 - PT Camdrive and Valvetrain Miscellaneous Component	
17358-84B	2010

219A1 - Piston	
22216-88A	1988
22225-88A	1988
22205-88A	1988
22243-88A	1988
22220-88A	1988
16446-86B	1986
22255-86A	1986
220A1 - Piston Ring	
22266-86	1986
22262-86	1986
21921-83	1983
21923-83	1983
22263-86	1986
22242-86A	1987
22201-86A	1995
22261-86	1986
21924-83	1983
22271-86	1986
21920-83	1983
22254-86A	1986
21922-83	1983
22253-86A	1986
221A1 - Piston Pin	
22589-83B	1983
22765-88	1988
22719-85	1985
237A1 - Connecting Rod	
24275-86A	1986
23949-87	1987
237B1 - Connecting Rod sub-component	

24354-87A	1987
24341-52A	1952
24332-36	1936
239A1 - PT Lower End Miscellaneous Component	
24352-52A	1952
24331-36	1936
24658-87	1987
48365-48A	1981
241A1 - Flywheel	
23905-89A	1990
23948-87	1987
23900-90	1990
23960-80A	1982
244A1 - Crankcase	
24470-91E	1998
244D1 - Crankcase sub-component	
24055-91	1991
24060-91	1991
24061-91	1991
24056-91	1991
24058-91	1991
25488-94	1994
8881	Unknown
24530-90	1990
254B1 - Camshaft	
25996-91	1991
25655-91	1991
25888-91	1991
25876-91	1991
25860-91	1991

25988-91	1991
25848-91	1991
25944-91	1991
25664-91	1991
25646-91	1991
25960-91	1991
25880-91	1991
25948-91	1991
25904-91	1991
25656-91	1991
25936-91	1991
25956-91	1991
25852-91	1991
25808-91	1991
25650-91	1991
25824-91	1991
25932-91	1991
25804-91	1991
25912-91	1991
25972-91	1991
25832-91	1991
25666-91	1991
25654-91	1991
25992-91	1991
25976-91	1991
25820-91	1991
25651-91	1991
25864-91	1991
25660-91	1991
25665-91	1991
25812-91	1991

25968-91	1991
25868-91	1991
25884-91	1991
25640-91	1991
25940-91	1991
25908-91	1991
25828-91	1991
25642-91	1991
25856-91	1991
25964-91	1991
25952-91	1991
25924-91	1991
25896-91	1991
25920-91	1991
25653-91	1991
25916-91	1991
25643-91	1991
25644-91	1991
25892-91	1991
25652-91	1991
25641-91	1991
25816-91	1991
25662-91	1991
25840-91	1991
25900-91	1991
25844-91	1991
25872-91	1991
25645-91	1991
25836-91	1991
25980-91	1991

25928-91	1991
25661-91	1991
25663-91	1991
25984-91	1991
255C1 - Camdrive Chain Tensioner	
39975-90A	1990
256A1 - Timer Cover	
32506-90	1990
257D1 - Clutch Inspection Cover	
34992-94	1994
34993-90	1990
34742-90	1990
257E1 - Cover Gaskets	
17032-91	1991
65324-83B	2009
31433-84A	1984
35151-74A	1974
61109-85D	1985
17036-91A	1991
25463-94A	1994
34955-89B	1989
41733-88	1988
45005-85	1985
17944-89	1989
17026-91D	1991
45378-87	1987
63858-49	1949
41731-88A	1988
32591-80	1980
47519-83A	1983
17353-89C	1989

25263-90D	1990
17354-89	1989
257G1 - Ignition Cover	
71510-94	1994
257L1 - Primary Cover	
25430-89A	1990
25430-94A	1994
25219-91C	1991
25488-89C	1989
257M1 - Push Rod Cover	
17946-89	1989
257N1 - Rocker-Arm / Valve Cover	
17375-83A	1983
17532-86E	1986
17501-86B	1988
17611-83	1983
17360-83A	1983
17533-90A	1990
258A1 - PT Covers Miscellaneous Component	
25238-90	1990
25238-94	1994
270A1 - Carburetor	
27280-92	1992
27361-76A	1976
27360-76	1976
27362-76	1976
27147-89	1989
27159-92	1992
27583-88	1988
27152-89	1989

27156-89	1989
27369-76	1976
29059-88A	1988
27115-88	1988
27489-92	1992
27371-76A	1976
27487-92	1992
27582-88	1988
27587-88	1988
27183-92	1992
27311-76	1976
27488-92A	1992
27101-88	1988
27187-93	1993
27585-88	1988
27586-88	1988
27185-90	1990
27278-93	1993
27281-92	1992
27575-88A	1988
27100-88	1988
27486-92A	1992
27128-89	1989
27126-89	1989
27503-92A	1992
27315-88A	1988
27576-92	1992
271C1 - Intercooler Gasket	
65781-82	1982
272B1 - Throttle Body / Intake Manifold	

26990-91	1991
----------	------

273A1 - Intake Manifold	
-------------------------	--

27004-88A	1988
-----------	------

273K1 - Throttle Body to Manifold Seal	
--	--

26995-86B	1986
-----------	------

273N1 - Throttle Cable Retention Bracket	
--	--

56508-76	1976
----------	------

290A1 - Airbox Baseplate	
--------------------------	--

29009-89B	1989
-----------	------

29018-92	1992
----------	------

29078-91	1991
----------	------

294A1 - Air Filter Element	
----------------------------	--

29331-96	1996
----------	------

294G1 - Air Cleaner	
---------------------	--

27010-86A	1986
-----------	------

27009-86A	1986
-----------	------

295A1 - Intake Miscellaneous Component	
--	--

27579-88A	1988
-----------	------

27002-89	1989
----------	------

28820-86	1986
----------	------

27886-78A	1978
-----------	------

25448-84	1984
----------	------

28821-86	1986
----------	------

28842-89	1989
----------	------

28826-86A	1986
-----------	------

29111-88	1988
----------	------

29229-88D	1988
-----------	------

299C1 - Charging Rotor	
------------------------	--

32402-83	1983
----------	------

32413-92C	2008
-----------	------

299F1 - Stator Assembly	
-------------------------	--

29967-89C	2006
314E1 - Starter Friction Clutch	
31556-91D	2010
9077	Unknown
314F1 - Starter Motor	
31514-90	1990
31518-90	1990
31390-91A	1991
31506-79B	1979
31598-89	1989
31567-81	1981
31515-90	1990
31574-81	1981
314G1 - Starter Motor sub-component	
31727-85	1985
27581-88	1988
31590-81	1981
31688-90	1990
31539-91	1991
31488-81C	2008
314H1 - Starter Solenoid	
28841-89	1989
31603-91	1991
31605-90	1990
314L1 - Starter Motor Drive	
33189-63	1963
315B1 - Exhaust Valve Actuator	
18024-87A	1987
316A1 - Ignition Coil	
31614-83A	1983

316B1 - Spark Plug Cable	
31597-81	1981
31986-86A	1986
31996-86B	1986
316C1 - Spark Plug	
32362-04	2004
327C1 - Pressure Sensor	
26554-77B	1977
26554-77C	2015
336A1 - Shift Linkage Rod Assembly	
34615-94	1994
336C1 - Shift Linkage Rod End	
42437-87	1987
336F1 - Toepeg	
34611-65A	1965
339C1 - Shifter Drum	
33634-91A	2009
339D1 - Shifter Fork	
34147-89C	1989
34144-89C	1989
34142-89C	1989
339F1 - Shifter Index Lever	
34015-91	1991
34560-91	1991
339H1 - Shifter Mechanism Components (internal)	
33178-90B	1992
34481-91A	1991
33655-90	1990
34491-91	1991
33652-90	1990

33204-91	1991
33656-90A	1990
33319-90	1990
34483-90	1990
33178-90A	1990
339K1 - Shifter Pawl	
34492-91	1991
348A1 - Transmission Output Sprocket Cover	
34911-91A	1991
350A1 - Transmission Output Sprocket	
40288-95	1995
40202-91B	1991
40205-95	1995
40285-91B	1991
350F1 - Transmission Mainshaft	
35771-89A	1989
35034-94	1994
35772-89A	1989
35034-89A	2005
35773-94	1994
35773-89A	1989
35640-89	1989
35762-89A	1991
35771-94	1994
350G1 - Transmission Shim / Spacer	
16233-86	1986
9142	1994
9143	1994
9148	1994
9149	1994
9144	1994

9145	1994
9146	Unknown
9147	1994
9155	1996
356A1 - Transmission Countershaft	
35633-94	1994
35772-94	1994
35633-89A	1989
35641-89	1989
35763-89A	1991
35775-94	1994
35775-89A	1989
363A1 - PT Driveline Miscellaneous Component	
34909-90	1990
35051-89A	1989
35211-91B	1991
36804-89	1989
365A1 - Primary Chain	
40005-57B	1957
365C1 - Primary Drive Assembly	
40235-89B	2007
40240-89	1989
40251-92A	1992
367A1 - Clutch Lever	
45015-96	1996
367H1 - Clutch Lever sub-component	
34920-86A	1986
36715-84	1984
37904-90	1990
37870-91	1991

36715-94	1994
36792-91	1991
38630-88	1988
37872-90	1990
25409-84A	1985
37905-90	1990
37909-90	1990
36799-91	1991
37977-90	1990
37908-90	1990
370A1 - Clutch Assembly	
45036-88	1988
370B1 - Clutch Friction Plate	
37911-90	1990
370C1 - Clutch Hub	
36785-91	1991
370F1 - Clutch Pressure Plate	
37912-91	1991
37913-90	1990
370G1 - Clutch Shell	
36790-91	1991
372D1 - Clutch Cable	
38619-86A	1988
38621-86A	1987
372K2 - Clutch Ramp	
25408-84	1984
25453-87A	1987
25409-86A	1986
25409-94B	1994
372N1 - Clutch Vacuum Hose	

26570-84	1984
400A1 - Drive-Belt	
40022-91	1991
40038-91	1991
409A1 - Rear Wheel	
40983-86	1986
41015-86	1986
40975-86	1986
410D1 - Electronic Control Module (ECM)	
32400-80B	2010
32504-80A	1982
32410-91B	1991
32433-91A	1991
32433-94	1994
32400-94A	1994
32606-82	1982
32410-94A	2009
410E1 - Lighting / Siren Control Module	
68537-89G	1989
413A1 - Brake Caliper	
44053-92A	1995
44046-84C	1984
44050-87	1987
413B1 - Brake Bleeder Screw	
44048-83	1983
413C1 - Brake Caliper sub-component	
40929-87	1987
44054-83	1983
44147-87A	1987
44022-83	1983

45401-87	1987
41579-81	1981
48361-80	1980
413D1 - Brake Pad	
43960-86	1986
413G1 - Brake Caliper Piston Set	
44020-83A	2013
43946-86A	2013
415B1 - Brake Rotor	
44136-92	1992
41789-92	1992
416A1 - Brakes Miscellaneous Component	
45031-82A	1982
40903-87	1987
72023-51E	2012
416B1 - Brake Mounting Bracket	
74598-73	1973
44072-92A	1995
417A1 - Brake Master Cylinder Assembly	
42456-87C	1987
417B1 - Brake Master Cylinder	
45019-93	1993
45044-82	1982
417C1 - Brake Master Cylinder Piston Set	
42382-87C	2000
44152-77	1977
45072-87	1987
417D1 - Brake Master Cylinder sub-Component	
44199-79	1979
44047-83	1983

45004-85	1985
40922-87A	1987
45032-82	1982
41642-82	1982
45423-92	1992
42381-87	1987
42436-87	1987
45042-82	1982
44198-87	1987
44039-86	1986
417G1 - Front Brake Lever	
45016-93	1993
418B1 - Brake Line	
45121-88C	2010
44438-87B	1990
420A1 - Wheel Rim	
43001-06	2006
43085-81	1981
43025-73B	1973
421A1 - Wheel Spoke with Nipple	
40761-05	2005
43241-05	2005
422B1 - Wheel Sprocket	
40213-91	1991
40227-93	1993
40252-91	1991
423G1 - Valve Stem	
43157-83A	1983
43150-83	1983
423H1 - Valve Stem Cap	

41123-79	1979
423K1 - Wheel Weights	
95578-41	1941
95595-84B	2014
95581-47	1947
95582-47	1947
95594-84B	2014
424A1 - Wheels, Tires and Final Drive Miscellaneous Component	
44062-83	1983
425A1 - Wheel sub-component	
43668-82	1982
430B1 - Rear Axle Carrier / Adjuster	
47554-73A	1973
41570-77	1977
430D1 - Front Axle	
43895-87B	1987
430E1 - Rear Axle	
41563-77A	1977
433A1 - Front Wheel	
40976-86A	1986
43338-83	1983
43499-84	1984
433B1 - Front Wheel Bearing Spacer	
43358-83A	1983
41594-73	1973
43312-84B	1984
43608-82	1982
43613-92	1992
43291-82	1982
43654-86A	1986
43292-82	1982

433C1 - Front Wheel Hub

43619-84 1984

43359-84 1984

454A1 - Front Telescopic Fork

45929-92 1992

45928-92 1992

45901-88 1988

45901-94 1994

454B1 - Springer Fork

45900-94 1994

45900-88 1988

455A1 - Front Telescopic Fork Slider

45921-87 1987

45395-92 1992

45923-87 1987

45381-87 1987

455B1 - Front Telescopic Fork Spring

45372-92 1992

45376-87 1987

45376-94 1994

455C1 - Front Telescopic Fork sub-component

45925-94 1994

45374-87 1987

45462-87 1987

45461-87 1987

45739-87 1987

45361-90 1990

45460-90 1990

46002-87 1987

45463-87 1987

45938-92	1992
45925-88	1988
45905-87	1987
457E1 - Steering Stem Bearing Insert Cup	
48140-84A	1993
48315-60	1960
48300-60	1960
458A1 - Front Suspension and Steering Miscellaneous Component	
45549-88	1988
45668-90	1990
470A1 - Frame	
47150-91B	1991
47150-94A	1994
31599-91	1991
47209-91B	1991
47209-94A	1994
472A1 - Frame sub-component	
6056	1981
34075-89	1989
7036	Unknown
472D1 - Chassis Structure Miscellaneous Component	
47403-75A	1977
472D2 - Chassis Structure Mounting Bracket	
62563-65	1965
59896-94	1994
59897-94	1994
474C1 - Swingarm	
47547-87B	1998
475B1 - Swingarm Pivot Shaft	
41568-81B	1989

500D1 - Sidestand Leg	
50072-92	1992
50006-89	1989
500E1 - Sidestand Leg sub-component	
62122-89A	1989
50005-85A	1985
500F1 - Sidestand Pivot Pin	
554A	2002
505A1 - Footboard	
50643-82	1982
42441-90A	1990
50647-82	1982
505B1 - Footpeg Mount Bracket	
50951-90	1990
33048-72	1972
505D1 - Passenger Footpeg	
50615-83	1983
505K1 - Footpeg Wear Peg	
50646-82	1982
506A1 - Brake Pedal	
45051-82	1982
50912-72	1972
42447-96	1996
520A1 - Rider Seat or Full Seat	
52004-94B	1994
52132-94	1994
52131-83B	1983
52129-92C	1995
52101-92C	1992
524A1 - Passenger Grab Handle	

51187-94A	1994
51187-86	1986
51191-83	1983
540B1 - Rear Shock	
54568-92	1992
54566-94	1994
54566-91	1991
54705-94	1994
54705-91	1991
540E1 - Rear Shock sub-component	
54701-82	1982
54475-79	1979
47384-94	1994
47384-91	1991
540L2 - Rear Suspension Mounting Bracket	
44063-83C	1983
44209-87C	1987
558A1 - Handlebar	
56082-83	1983
56081-82A	1983
559D1 - Lower Handlebar Clamp	
56117-82A	1982
56116-82A	1982
559E1 - Upper Handlebar Clamp	
56115-79B	1979
560A1 - Mirror	
91875-88A	1989
91892-88A	1989
91904-88A	1988
91902-88A	1989

561A1 - Throttle Cable	
56308-88	1988
56309-88	1988
561B1 - Left Hand Grip	
56206-94A	1994
561D1 - Throttle Assembly sub-component	
38653-01	2001
561E1 - Throttle Grip	
56220-94A	1994
571D1 - Debris Deflector	
60436-91	1991
572E1 - Side Cover	
66325-82	1982
573B1 - Bodywork Mounting Bracket	
59242-90	1990
59594-82C	1982
589A1 - Front Fender	
58998-83E	2008
595D1 - Rear Fender	
59674-94B	1994
59674-81C	1991
596B1 - Fender Tip	
60419-91	1991
50101-91	1991
603B1 - Belt / Chain Guard	
60381-91	1991
608A1 - Carbon Canister	
28860-89	1989
28859-90	1990
27042-84A	1995

608B1 - Carbon Canister Hose	
27097-92	1992
28865-89C	1989
27096-94	1994
609A1 - Fuel Miscellaneous Component	
11473	Unknown
5787	Unknown
89579-91	1991
27047-84B	1984
610A1 - Fuel Tank	
61023-93	1993
611B1 - Fuel Cap	
61272-92C	1992
611F1 - Fuel Tank Vapor Vent Hose	
63504-94	1994
27138-90	1990
63500-68	1968
62555-95	1995
63501-68B	1968
612B2 - Fuel Valve	
62166-81A	1981
62161-02	2002
62172-02	2002
62169-81	1981
62150-85	1985
613B1 - Horn Cover	
69012-93A	1993
613K1 - Airbox Cover	
29084-73	1973
614C1 - Trim	
45092-66A	1966

62540-83	1983
68513-92	1992
624A1 - Oil Pump Assembly	
26204-91A	1991
624B1 - Oil Pump Assembly sub-component	
62601-91A	1991
26488-91	1991
62631-91	1991
26493-91	1991
31532-94	1994
26495-89B	1989
26437-86B	1986
33117-91A	1991
26492-91	1991
26491-91	1991
6239	Unknown
624D1 - Oil Pump Drive Gear	
26318-88A	1988
625B1 - Oil Tank	
62472-93A	1993
62475-94A	1994
627B1 - Oil Drain Plug	
60348-65B	1965
627E1 - Oil Filler Plug / Dipstick	
62634-84A	1984
627F1 - Oil Filter	
63805-80A	1980
627H1 - Oil Line	
63504-84	1984
63564-94	1994

63542-94A	1995
26571-89	1989
62361-94	1994
627K1 - Oil Line Fitting	
26496-75A	1975
60618-91	1991
62375-57A	1957
62494-94B	1996
63533-41A	1941
627M1 - Oil Pressure Regulator Valve	
26856-89A	1989
628A1 - PT Lubrication and Cooling Miscellaneous Component	
61131-92	1992
648K1 - Exhaust Miscellaneous Component	
65569-86A	1998
65568-86A	1998
649A1 - Muffler	
65613-86B	1986
65605-87B	1987
65766-89E	1989
649C1 - Muffler Tailpipe / Outlet	
65769-89E	1989
654A1 - Exhaust Shield	
65419-86	1986
65719-86	1986
65813-91	1991
65712-86	1986
655C1 - Exhaust Mounting Bracket	
65599-80D	1985
658A1 - Exhaust Catalyst	
65861-91A	1991

65860-91A	1991
659A1 - Exhaust Clamp	
65296-95A	1995
659B1 - Exhaust Flange	
65328-83A	2010
660A1 - Battery	
65991-82B	1982
660B1 - Battery Pad	
62569-94	1994
66107-91	1991
660C1 - Battery Pan	
66194-94A	1994
66191-83	1983
660D1 - Battery Strap	
66476-73A	1973
660F1 - Negative Battery Cable	
70129-79A	1979
660G1 - Positive Battery Cable	
70076-89A	1989
70079-94	1994
660H1 - Positive Battery Cable Boot	
31555-90	1990
660K1 - Battery Vent Hose	
65995-88A	1988
670A1 - Tachometer	
67111-85	1985
67085-83	1983
67259-94	1994
67112-83	1983
677A1 - Headlight	

68705-93A	1993
67757-92	1992
67743-75	1975
67763-92A	1993
68061-94B	1994
67834-83	1983
67725-63	1963
67781-92A	1993
67705-92	1992
67698-81D	2001
67685-92	1992
677B1 - Headlight sub-component	
67744-75	1975
67839-74	1974
67719-63	1963
677C1 - Headlight Support Bracket	
67805-92	1992
678A1 - Taillight	
68049-93B	1993
68033-90	1990
68123-73	1973
68048-93B	1995
68026-73	1973
68008-73B	1975
68032-90	1990
68457-86	1986
68010-90	1990
68027-90	1990
68036-91	1991
678D1 - Turnsignal	

67822-88	1988
68570-94A	1994
68410-87B	1987
68709-94	1994
68403-86A	1986
68408-86D	1986
67828-88A	1988
68555-87	1987
67827-88A	1988
68493-90	1990
68763-94	1994
68480-93A	1993
67829-88	1988
68406-86C	1986
68760-94	1994
71591-92	1992
68710-94	1994
678E1 - Turnsignal Lens	
68566-90	1990
68507-90	1990
68516-92	1992
679B1 - Reflector	
59287-92	1992
59259-90	1990
59256-84A	1984
59290-92	1992
59273-91	1991
59289-92	1992
59288-92	1992
59988-72A	1972

59251-90	1990
679D1 - License Plate Bracket	
60001-55	1955
59986-75	1975
59984-73	1973
680B1 - Emergency Light	
67691-92	1992
680C1 - Incandescent Bulb	
68572-64B	1964
68168-89	1989
68169-90A	1990
68168-89A	1989
68163-84	1984
53439-79	1979
68329-03	2003
53438-92	1992
690C1 - Horn	
69043-91D	1991
69060-90H	2014
690D1 - Horn Bracket	
69062-91	1991
69027-92	1992
692C1 - Electrical Miscellaneous Component	
70580-89	1989
68023-92A	1993
68024-92A	1993
71552-94	1994
70049-83	1983
68020-92A	1993
72051-77A	1977
74539-83A	1983

70027-83	1983
33900-59C	1959
68021-92A	1993
692C2 - Electrical Mounting Bracket	
66359-80	1980
66367-73	1973
69123-92A	1992
69120-91	1991
66103-74A	1974
66352-65	1965
46988-94A	1994
31998-91A	1992
31723-71B	1975
692D1 - Fuse	
74589-73	1973
74600-94	1994
74587-94	1994
74599-77B	1977
74588-94	1994
692E1 - Fuse / Relay Block	
72216-94	1994
692F1 - Wire Harness	
70148-92	1992
72041-71	1971
67262-94	1994
32440-94	1994
72152-94	1994
70157-92	1992
70097-75B	1975
70135-92A	1992

70135-94	1994
692G1 - Conduit / Sheathing / Sleeving	
70558-71	1971
70556-71	1971
70555-69	1969
72249-94	1994
72266-94	1994
70554-69	1969
70552-69	1969
70551-69	1969
70553-69	1969
692G2 - Wire Guide	
29950-91	1991
27580-88	1988
692H1 - Connector	
70586-93	1993
72119-94BK	1994
72109-94BK	1994
72114-94BK	1994
72159-94	1994
72178-94	1994
72129-94GY	1994
72144-94	1994
72138-94GY	1994
72108-94BK	1994
74536-77A	1977
72179-94	1994
72118-94BK	1994
9848	Unknown
9847	Unknown

9849	Unknown
72277-74	1974
72113-94BK	1994
70293-87A	1989
72102-94BK	1994
72276-74	1974
72049-92	1992
72139-94GY	1994
68650-92	1992
72172-94	1994
70288-81	1981
72128-94GY	1994
70587-93	1993
72148-94	1994
72035-71	1971
72199-94	1994
72275-74	1974
72198-94	1994
72153-94	1994
692H2 - Terminal	
9930	Unknown
9875	1985
9898	Unknown
9905	Unknown
72218-94	1994
66000-80	1980
9842	Unknown
9937	Unknown
9863	Unknown
9857	Unknown

9858	Unknown
72241-94A	1994
72217-94	1994
692K1 - Connector / Terminal Seal	
72142-94	1994
72173-94	1994
72112-94BK	1994
72039-71A	1971
72154-94	1994
72278-74A	1974
72104-94BK	1994
72149-94	1994
692L1 - Wire Harness sub-component	
72037-71	1971
70345-84	1984
72195-94	1994
74539-77A	1979
70585-93	1993
70504-81	1981
9900	Unknown
72038-71A	1971
72043-71A	1971
72143-94	1994
70048-92	1992
70050-92	1992
72034-71	1971
72053-92	1992
72103-94BK	1994
72190-94	1994
56073-83	1983

70022-83	1983
72056-92	1992
72295-94	1994
70578-89	1989
72191-94	1994
72046-79	1979
72158-94	1994
692M1 - Electrical Component / Wire Cover	
67107-91	1991
709B1 - Instrument Cluster or Speedometer	
67105-91A	1991
67127-84A	1984
67108-83	1983
67263-94	1994
67053-92	1992
67037-91	1991
67103-91	1991
67110-92	1992
67099-92	1992
67165-94	1994
67240-94	1994
67063-89	1989
67041-91	1991
714A1 - Ignition Switch	
71425-77	1977
71441-94	1994
714B1 - Mechanical Switch	
26558-94A	1994
31540-91	1991
26558-84	1984
31546-81	1981

714D1 - Relay	
31504-91B	2000
715A1 - Hand Control	
71590-92A	1992
71598-92	1992
70218-87A	1987
71597-92	1992
71568-82A	1982
71557-93	1993
71564-82A	1982
70219-87	1987
71563-82A	1982
71567-82	1982
71589-92	1992
747A1 - Voltage Regulator	
74523-92A	1992
74523-94A	1994
902E1 - Saddlebag Bottom	
71552-75	1975
903B1 - Key or Key-set	
71451-94A	1994
931A1 - Protective / Storage Cover	
71510-92	1992

Common Service Parts

BEARINGS, SEALS & HARDWARE

[View interactive table](#)

PART NO.	DESCRIPTION	PART AND MODEL(S)
10014	CLAMP	CARBURETOR (1 OF 2): All Models FUEL TANK & TRIM: All Models OIL TANK & FILTER: All Models

10080	CLAMP	CRANKCASE (1 OF 2): All Models OIL TANK & FILTER: All Models
11000101	OIL SEAL	ACCESS DOOR & PRIMARY COVER: All Models SHIFTER: All Models
11105	O-RING	CRANKCASE (2 OF 2): All Models
11143	RETAINING RING	CLUTCH CONTROL: All Models FRONT BRAKE CONTROL: All Models
11165	QUAD SEAL	TRANSMISSION GEARS: All Models
11171	O-RING	ACCESS DOOR & PRIMARY COVER: XL883 XL1200 XL883HUG XL883DLX ACCESS DOOR & PRIMARY COVER: XL883 XL1200 XL883HUG XL883DLX
12067B	OIL SEAL	TRANSMISSION GEARS: XL883 XL883HUG XL1200 XL883DLX
16715-83	STUD	CYLINDER, HEAD & VALVES - V2™ EVOLUTION (2 OF 2): All Models
17358-84B	GASKET	ROCKER ARMS, COVERS & PUSHRODS - V2™ EVOLUTION: All Models
25463-94A	GASKET	ACCESS DOOR & PRIMARY COVER: XL883 XL1200 XL883HUG XL883DLX
26995-86B	SEAL	CARBURETOR (1 OF 2): All Models
2720	SCREW	ALTERNATOR & REGULATOR: All Models
31433-84A	OIL SEAL	CRANKCASE (2 OF 2): XL883 XL1200 XL883HUG XL883DLX
3655A	SCREW	FRONT WHEEL - CAST: All Models FRONT WHEEL - LACED: All Models
41731-88A	GASKET	FRONT BRAKE CONTROL: All Models REAR BRAKE CONTROL: All Models
41733-88	GASKET	FRONT BRAKE CONTROL: All Models
43567-92	SCREW	REAR WHEEL - CAST: All Models

		<u>REAR WHEEL - LACED: All Models</u>
45378-87	OIL SEAL	<u>FRONT FORK (1 OF 2): All Models</u>
45405-75A	SCREW	<u>FRONT FORK (1 OF 2): All Models</u>
4740A	SCREW	<u>GEARCASE & COVER: All Models</u>
47519-83A	OIL SEAL	<u>FRONT WHEEL - CAST: All Models</u> <u>FRONT WHEEL - LACED: All Models</u> <u>REAR WHEEL - CAST: All Models</u> <u>REAR WHEEL - LACED: All Models</u>
48300-60	ROLLER BEARING	<u>FRONT FORK (2 OF 2): All Models</u> <u>FRAME, REAR FORK & JIFFY STAND: All Models</u>
63858-49	GASKET	<u>ROCKER ARMS, COVERS & PUSHRODS - V2™ EVOLUTION: All Models</u>
6516HW	WASHER	<u>BELTS & SPROCKETS: All Models</u> <u>REAR WHEEL - CAST: All Models</u> <u>REAR WHEEL - LACED: All Models</u>
65324-83B	GASKET	<u>EXHAUST SYSTEM: All Models</u>
65325-83A	RETAINING RING	<u>EXHAUST SYSTEM: All Models</u>
6702	WASHER	SEATS : <u>XL1200</u> <u>XL883DLX</u> <u>HANDLEBAR & THROTTLE CONTROL: All Models</u> <u>FUEL TANK & TRIM: All Models</u> BATTERY: <u>XL883</u> <u>XL1200</u> <u>XL883HUG</u> <u>XL883DLX</u> BATTERY: <u>XL883</u> <u>XL1200</u> <u>XL883HUG</u> <u>XL883DLX</u> EXHAUST SYSTEM: <u>XL883</u> <u>XL1200</u> <u>XL883HUG</u> <u>XL883DLX</u>
7041	LOCKWASHER	STARTER MOTOR - 883 MODELS (1 OF 2): <u>XL883</u> <u>XL883HUG</u> <u>XL883DLX</u> <u>XL883</u> <u>XL883HUG</u> <u>XL883DLX</u> <u>REAR BRAKE CONTROL: All Models</u> HEADLAMP & MIRROR: <u>XL883</u> <u>XL1200</u> <u>XL883DLX</u> <u>XL883</u>

[XL1200](#)

[XL883DLX](#)

HORN:

[XL1200](#)

[XL1200](#)

7593	NUT	EXHAUST SYSTEM: All Models
8692	RIVET	REAR FENDER & BELT GUARDS: XL883 XL1200 XL883HUG XL883DLX REAR FENDER - 1994: XL883 XL1200 XL883HUG XL883DLX
9052	ROLLER BEARING	FRONT WHEEL - CAST: All Models FRONT WHEEL - LACED: All Models REAR WHEEL - CAST: All Models REAR WHEEL - LACED: All Models
943	SCREW	ACCESS DOOR & PRIMARY COVER: XL883 XL1200 XL883HUG XL883DLX
9955	CLAMP	EXHAUST SYSTEM: All Models EXHAUST SYSTEM: All Models

BRAKING & SUSPENSION

[View interactive table](#)

PART NO.	DESCRIPTION	PART AND MODEL(S)
44063-83C	PAD SET	FRONT BRAKE CALIPER: All Models

CHASSIS & COMPONENTS

[View interactive table](#)

PART NO.	DESCRIPTION	PART AND MODEL(S)
50005-85A	SPRING	FRAME, REAR FORK & JIFFY STAND: All Models

ELECTRICAL

[View interactive table](#)

PART NO.	DESCRIPTION	PART AND MODEL(S)
70345-84	RETAINER	HANDLEBAR SWITCHES - 1994: XL1200

[XL883HUG](#)
[XL883DLX](#)

72023-51E STOPLIGHT SWITCH

[REAR BRAKE CONTROL: All Models](#)
[SWITCHES & CIRCUIT BREAKERS: All Models](#)

ENGINE, TRANSMISSION & PRIMARY

View interactive table

PART NO.	DESCRIPTION	PART AND MODEL(S)
37909-90	RETAINING RING	CLUTCH: All Models
37911-90	FRICTION PLATE	CLUTCH: All Models

FOOT CONTROLS

View interactive table

PART NO.	DESCRIPTION	PART AND MODEL(S)
34611-65A	SHIFTER PEG	SHIFTER: All Models

INTAKE, EXHAUST & FUEL MGMT

View interactive table

PART NO.	DESCRIPTION	PART AND MODEL(S)
27002-89	SEAL RING	CARBURETOR (1 OF 2): All Models
27361-76A	DIAPHRAGM	CARBURETOR (2 OF 2): All Models
29229-88D	CABLE	AIR CLEANER & ENRICHENER: All Models
65296-95A	CLAMP	EXHAUST SYSTEM: XL883 XL1200 XL883HUG XL883DLX

LIGHTING

View interactive table

PART NO.	DESCRIPTION	PART AND MODEL(S)
68168-89A	BULB	TURN SIGNALS - 1993: XL883 XL1200 XL883HUG XL883DLX TAIL LAMP: All Models

68329-03	BULB	HEADLAMP & MIRROR: All Models
68572-64B	BULB	<p>TURN SIGNALS - 1993:</p> <p>XL883</p> <p>XL1200</p> <p>XL883HUG</p> <p>XL883DLX</p> <p>TURN SIGNALS - 1994:</p> <p>XL883</p> <p>XL1200</p> <p>XL883HUG</p> <p>XL883DLX</p>

MAINTENANCE & TOOLS

View interactive table

PART NO.	DESCRIPTION	PART AND MODEL(S)
32362-04	SPARK PLUG	ELECTRONIC IGNITION SYSTEM: All Models
63805-80A	OIL FILTER	<p>OIL TANK & FILTER:</p> <p>XL883</p> <p>XL1200</p> <p>XL883HUG</p> <p>XL883DLX</p>
65991-82B	BATTERY	BATTERY: All Models
95582-47	WHEEL WEIGHT	<p>FRONT WHEEL - LACED: All Models</p> <p>REAR WHEEL - LACED: All Models</p>
95594-84B	WHEEL WEIGHT	<p>FRONT WHEEL - CAST:</p> <p>XL1200</p> <p>XL1200</p> <p>REAR WHEEL - CAST:</p> <p>XL1200</p> <p>XL1200</p>
95595-84B	WHEEL WEIGHT	<p>FRONT WHEEL - CAST:</p> <p>XL883</p> <p>XL883HUG</p> <p>XL883DLX</p> <p>XL883</p> <p>XL883HUG</p> <p>XL883DLX</p> <p>REAR WHEEL - CAST:</p> <p>XL883</p> <p>XL883HUG</p> <p>XL883DLX</p> <p>XL883</p> <p>XL883HUG</p> <p>XL883DLX</p>

TIRES

View interactive table

PART NO.	DESCRIPTION	PART AND MODEL(S)
43157-83A	VALVE STEM	<u>REAR WHEEL - CAST: All Models</u>