

1991-1992 XLH Models Parts Catalog

Alphabetical List

Parts

Hardware List

New Parts List

Numerical Index

Component Types and Introduction Dates

Common Service Parts

READER'S COMMENTS

The Harley-Davidson Service Communications Department maintains a continuous effort to improve the quality and usefulness of its publications. To do this effectively, we need user feedback - your critical evaluation of this manual.

Please comment on the completeness, accuracy, organization, usability, and readability of this manual.

Please list the page, item, and part number(s) of any errors you find in this manual.

Please tell us how we can improve this manual.

Name	Document 99451-92A
Occupation	Dealership

GENERAL INFORMATION

THIS IS NOT AN ASSEMBLY MANUAL AND SHOULD NOT BE USED AS SUCH.

About this manual

This Parts Catalog has been prepared to make it easier for you to order parts for your motorcycles. The numbers shown in the illustrations correspond to the numbers in the "INDEX NO." column in the parts lists. Consult the illustrations when ordering parts to make sure that you receive all the required parts. The number in parentheses following the part description is the quantity needed for complete assembly. If there is no number in parentheses, only one is used. Prices of parts in this catalog are published separately.

When ordering parts, the following instructions should be followed carefully.

- Make sure to specify the correct part number for each item. The part numbers appear under the "PART NO." column in the parts lists.
- Orders may be placed via your computer for all parts. Review your system documentation on placing orders electronically. All non-warranty replacement crankcase orders require return of the complete left crankcase half with vehicle identification number (VIN). All non-warranty replacement frame orders require return of the steering neck with vehicle identification number (VIN). Non-compliance will result in a fine. See non-warranty frame and crankcase policy or contact Dealer Services.
- The sale or use of these parts or accessories does not grant the purchaser a license or other right under any Harley-Davidson patent.
- For all 2008 and later painted parts, refer to the Service Section of h-dnet.com which features a listing of painted part numbers, except CVO (Custom Vehicle Operations) models which are located in their own respective catalogs.
- All parts that were added for the new model year will have the entire line shaded on the parts list page. This can be used to identify any new parts that are unique to a specific model, and help distinguish new and previous model year parts.
- Parts marked "**RESTRICTED SALE PART**" are limited edition items and can only be ordered as direct replacements.
- Orientation symbols are used when the illustration is not in the standard "Right-Front" orientation. The

symbol is a motorcycle with an arrow in the front indicating the direction of view. The symbol is at the bottom left or right side of the illustration page.

- To request a missing or loose part, simply submit a Return Material Authorization (RMA) claim on h-dnet.com with code "T-part not included with vehicle" for all vehicle missing parts claims. Then place an order for the missing item on your next Parts and Accessories order. Upon filing the RMA claim, your dealership will be credited for the dealer net cost of the part. The Vehicle Identification Number must be included on the RMA claim in order for you to receive credit. This process is to be used for vehicles manufactured at all plants.

To the best knowledge of Harley-Davidson Motor Company, the material contained herein is accurate as of the date this publication was approved for printing. Harley-Davidson Motor Company reserves the right to change specifications, equipment or designs at any time without notice and without incurring obligation.

2018 TFD.

GENERAL INFORMATION

LOOSE PARTS

The Loose Parts section is located at the back of this parts catalog. This section lists the parts which are shipped unfastened with the vehicles covered in this catalog.

HARDWARE LIST

The Hardware List is located at the back of this parts catalog. This section contains the information for each piece of hardware found in each parts list.

NEW PARTS LIST

The New Parts List is located at the back of this parts catalog. This list serves as a summary of new parts.

NUMERICAL INDEX

The Numerical Index is located at the back of this parts catalog. This index includes all part numbers used in this catalog and the page numbers of where they can be found.

COMPONENT TYPES AND INTRODUCTION DATES

The Component Types and Introduction Dates section is located at the back of this parts catalog. This section contains a list of component part numbers and year of introduction.

COMMON SERVICE PARTS

The Common Service Parts section is located at the back of this parts catalog. This section contains the most commonly ordered parts for service on vehicles covered in this catalog. These parts are ordered through the normal ordering process.

IF (SERVICE INFORMATION PORTAL)

For the latest updates to these manuals, see the Service Information Portal.

VEHICLE IDENTIFICATION NUMBER

See Figure 1. A unique 17-digit serial, or vehicle identification number (VIN), is assigned to each motorcycle. For a description of each digit in the vehicle identification number (VIN), refer to Table 1.

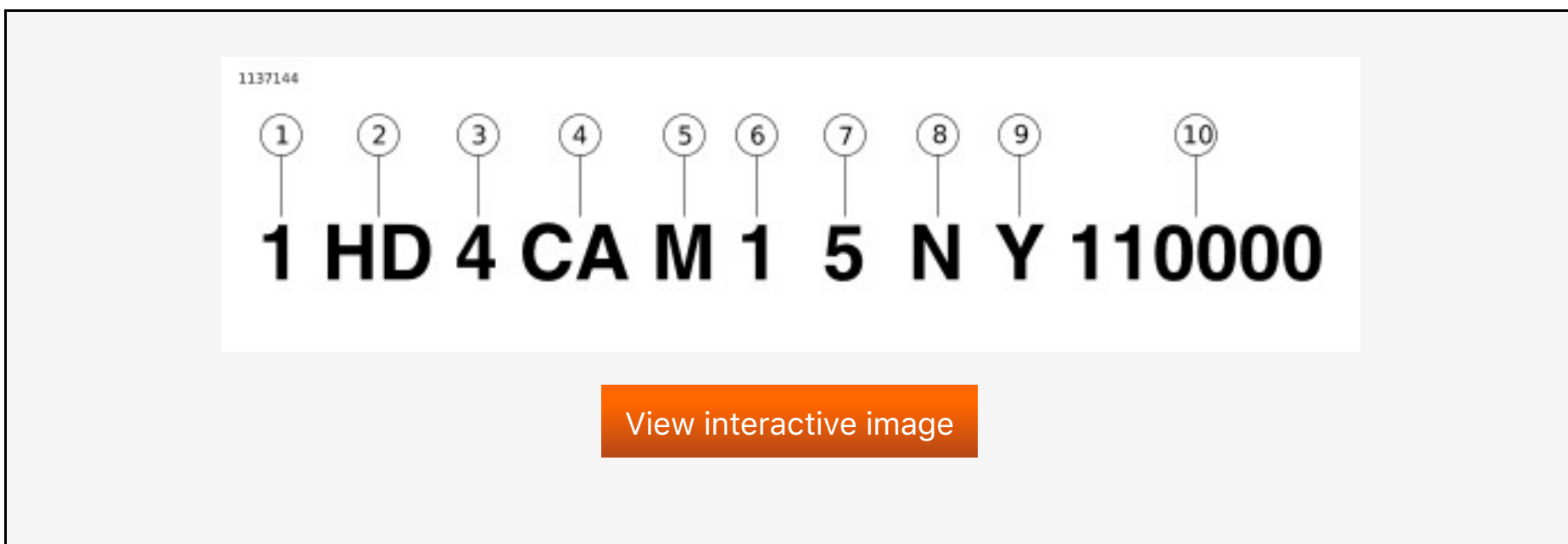
For all models except V-Rod the full 17-digit serial, or vehicle identification number (VIN), is stamped on the right side of the frame backbone at the rear of the steering head. The vehicle identification number (VIN) is also printed on a label on the right front downtube. An abbreviated vehicle identification number (VIN) is stamped on the left side crankcase between the front and rear cylinders.

For V-Rod models only the full 17-digit serial, or vehicle identification number (VIN), is stamped on the right side of the steering head. The vehicle identification number (VIN) is also printed on a label on the left frame tube above the front engine cylinder. An abbreviated vehicle identification number (VIN) is stamped on the left side crankcase below the rear cylinder head.

Always give the full 17-digit vehicle identification number (VIN) when ordering parts or making any inquiry about your motorcycle.

991 & 1992 XLH MODELS

VIN MODEL CODES



[View interactive image](#)

Figure 1. Typical Harley-Davidson VIN

Table 1. Harley-Davidson VIN Breakdown

POSITION	DESCRIPTION	POSSIBLE VALUES
1	Market designation	1=Domestic 5=International
2	Manufacturer	HD=Harley-Davidson
3	Motorcycle type	1=Heavyweight motorcycle (901cc and larger) 4=Middleweight motorcycle (351-900cc)
4	Model	See model table
5	Engine type	M=XLH 883cc P=XLH 1200cc
6	Introduction date	1=Regular 2=Mid-year 3=California 4=Special Edition 5=Special Edition Cal. Only

7	V.I.N. check digit	Can be 0-9 or X
8	Model year	M=1991 N=1992
9	Assembly plant	Y=York, PA
10	Sequential number	varies

Table 2. VIN Model Codes

CODE	MODEL NAME
CA	XLH 883
CA	XLH 1200
CE	XLH 883 Hugger
CF	XLH 883 Deluxe

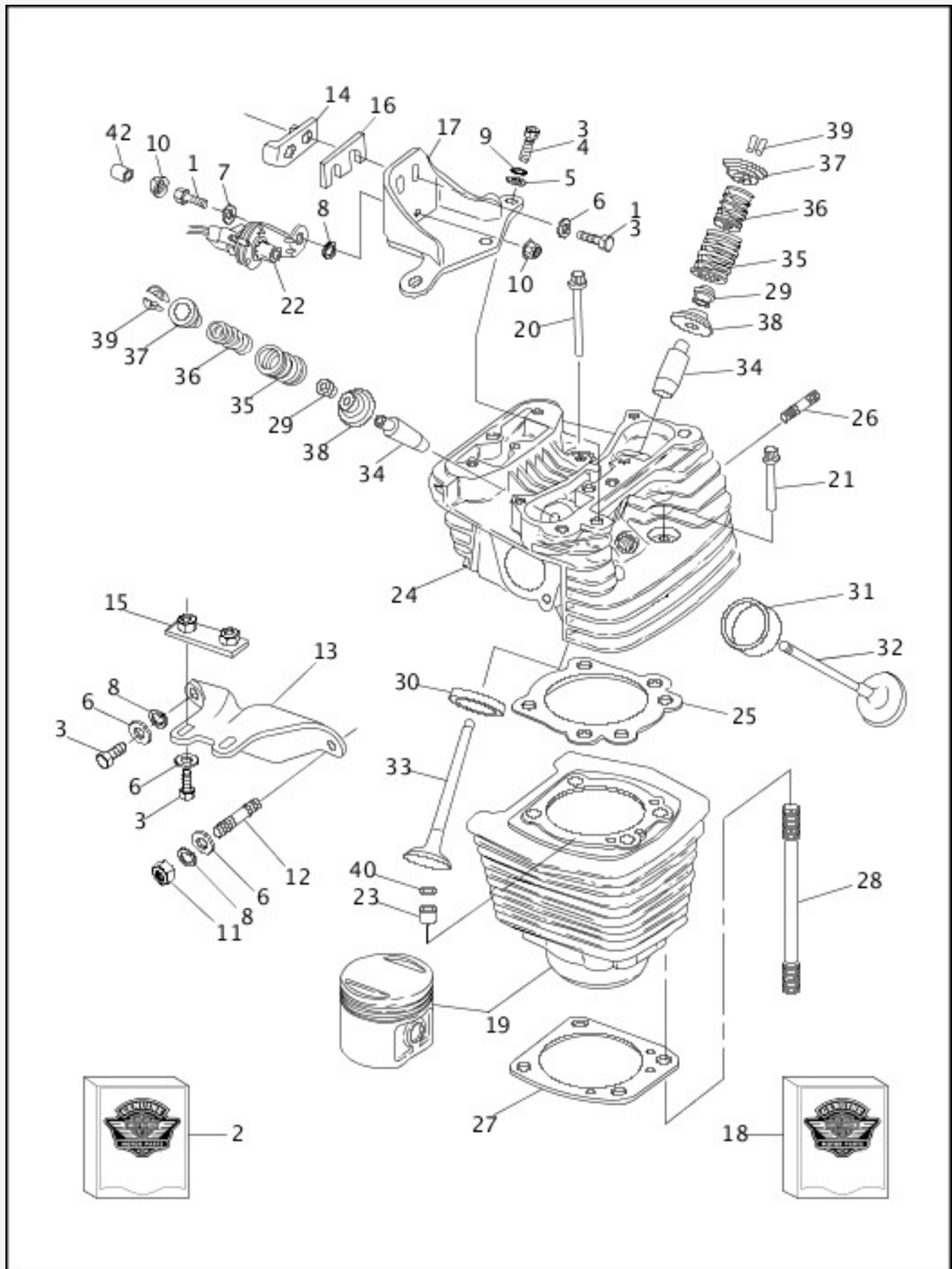
NOTES

ACCESS DOOR & PRIMARY COVER
 AIR CLEANER & ENRICHENER
 ALTERNATOR & REGULATOR
 BATTERY
 BELTS, CHAINS & SPROCKETS
 BRACKET, HORN
 BRACKET, LICENSE PLATE
 CALIFORNIA EVAPORATIVE EMISSIONS KIT
 CAM & PINION GEARS (1 OF 3)
 CAM & PINION GEARS (2 OF 3)
 CAM & PINION GEARS (3 OF 3)
 CARBURETOR (1 OF 2)
 CARBURETOR (2 OF 2)
 CLUTCH
 CLUTCH CONTROL
 CRANKCASE (1 OF 2)
 CRANKCASE (2 OF 2)
 CYLINDER, HEAD & VALVES - V2™ EVOLUTION (1 OF 2)
 CYLINDER, HEAD & VALVES - V2™ EVOLUTION (2 OF 2)
 ELECTRONIC IGNITION SYSTEM
 EXHAUST SYSTEM
 FOOTRESTS
 FRAME, REAR FORK & JIFFY STAND
 FRONT BRAKE CALIPER
 FRONT BRAKE CONTROL
 FRONT FENDER

FRONT FORK (1 OF 2)
FRONT FORK (2 OF 2)
FRONT WHEEL - CAST
FRONT WHEEL - LACED
FUEL TANK & TRIM
GEARCASE & COVER
HANDLEBAR SWITCHES
HANDLEBARS & THROTTLE CONTROL
HEADLAMP & MIRROR
HORN
OIL PUMP
OIL TANK & FILTER
PISTONS, CONNECTING RODS & FLYWHEELS
REAR BRAKE CALIPER
REAR BRAKE CONTROL
REAR FENDER, BELT & CHAIN GUARDS
REAR WHEEL - CAST
REAR WHEEL - LACED
ROCKER ARMS, COVER & PUSHROD - V2™
SEATS
SHIFTER
SHOCK ABSORBERS
SPEEDOMETER & TACHOMETER
STARTER MOTOR - 1200 MODEL
STARTER MOTOR - 883
SWITCHES & CIRCUIT BREAKERS
TAIL LAMP
TIMER COVER
TRANSMISSION GEARS
TURN SIGNALS
WIRING & MISCELLANEOUS ELECTRICAL (1 OF 2)
WIRING & MISCELLANEOUS ELECTRICAL (2 OF 2)

Parts

CYLINDER, HEAD & VALVES - V2™ EVOLUTION (1 OF 2)



[View interactive image](#)

[View interactive table](#)

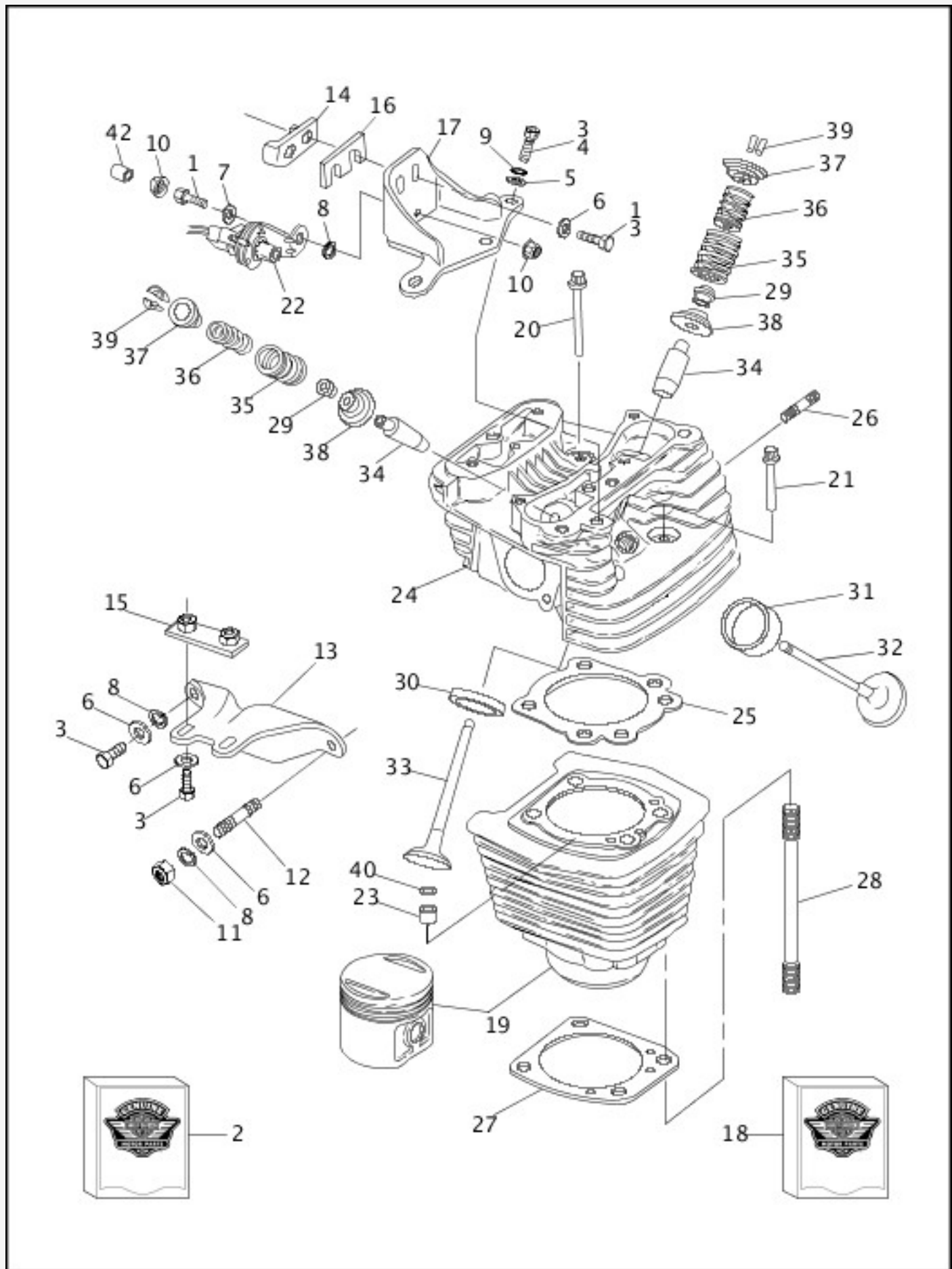
INDEX NO.	PART NO.	DESCRIPTION	MODEL(S)
1	861A	SCREW (2)	XL1200 1992, XL883 1992, XL883DLX 1992, XL883HUG 1992
	3987	BOLT	XL1200 1991, XL883 1991, XL883DLX 1991, XL883HUG 1991

	4319	BOLT (2)	XL1200 1992, XL883 1992, XL883DLX 1992, XL883HUG 1992
	4319	BOLT (4)	XL1200 1991, XL883 1991, XL883DLX 1991, XL883HUG 1991
2	16047-91	ENGINE ASSEMBLY, complete (1200cc) (Swiss)	XL1200 1991
	16047-92	ENGINE ASSEMBLY, complete (1200cc) (Swiss)	XL1200 1992
	16048-91	ENGINE ASSEMBLY, complete (883cc) (Swiss)	XL1200 1991, XL883 1991
	16048-92	ENGINE ASSEMBLY, complete (883cc) (Swiss)	XL1200 1992, XL883 1992
	16049-91	ENGINE ASSEMBLY, complete (883cc) (Swiss)	XL883DLX 1991
	16049-92	ENGINE ASSEMBLY, complete (883cc) (Swiss)	XL883DLX 1992
	16050-91	ENGINE ASSEMBLY, complete (883cc) (Swiss)	XL883HUG 1991
	16050-92	ENGINE ASSEMBLY, complete (883cc) (Swiss)	XL883HUG 1992
	16051-91	ENGINE ASSEMBLY, complete (1200cc)	XL1200 1991
	16051-92	ENGINE ASSEMBLY, complete (1200cc)	XL1200 1992
	16052-91	ENGINE ASSEMBLY, complete (883cc)	XL1200 1991, XL883 1991
	16052-92	ENGINE ASSEMBLY, complete (883cc)	XL1200 1992, XL883 1992
	16053-91	ENGINE ASSEMBLY, complete (883cc)	XL883HUG 1991
	16053-92	ENGINE ASSEMBLY, complete (883cc)	XL883HUG 1992
	16054-91	ENGINE ASSEMBLY, complete (1200cc) (California)	XL1200 1991
	16054-92	ENGINE ASSEMBLY, complete (1200cc) (California)	XL1200 1992
	16055-91	ENGINE ASSEMBLY, complete (883cc) (California)	XL1200 1991, XL883 1991
	16055-92	ENGINE ASSEMBLY, complete (883cc) (California)	XL1200 1992, XL883 1992
	16057-91	ENGINE ASSEMBLY, complete (883cc) (California)	XL883HUG 1991
	16057-92	ENGINE ASSEMBLY, complete (883cc)	XL883HUG 1992

		(California)	
	16061-91	ENGINE ASSEMBLY, complete (883cc)	XL883DLX 1991
	16061-92	ENGINE ASSEMBLY, complete (883cc)	XL883DLX 1992
	16062-91	ENGINE ASSEMBLY, complete (883cc) (California)	XL883DLX 1991
	16062-92	ENGINE ASSEMBLY, complete (883cc) (California)	XL883DLX 1992
	16063-92	ENGINE ASSEMBLY, complete (1200cc) (HDI)	XL1200 1992
	16064-92	ENGINE ASSEMBLY, complete (883cc) (HDI)	XL1200 1992, XL883 1992
	16066-92	ENGINE ASSEMBLY, complete (883cc) (HDI)	XL883DLX 1992
	16067-92	ENGINE ASSEMBLY, complete (883cc) (HDI)	XL883HUG 1992
3	4716W	SCREW (2)	XL1200 1992, XL883 1992, XL883DLX 1992, XL883HUG 1992
3	4716W	SCREW (3)	XL1200 1991, XL883 1991, XL883DLX 1991, XL883HUG 1991
4	4748	SCREW (2)	XL1200 1992, XL883 1992, XL883DLX 1992, XL883HUG 1992
5	6019	WASHER	XL1200 1992, XL883 1992, XL883DLX 1992, XL883HUG 1992
5	6019	WASHER (3)	XL1200 1991, XL883 1991, XL883DLX 1991, XL883HUG 1991
6	6701	WASHER (6)	ALL
7	6702	WASHER	ALL
8	7038	LOCKWASHER (2)	XL1200 1992, XL883 1992, XL883DLX 1992, XL883HUG 1992
8	7038	LOCKWASHER (3)	XL1200 1991, XL883 1991, XL883DLX 1991, XL883HUG 1991
9	7145W	LOCKWASHER (2)	ALL
10	7531	LOCKNUT	ALL
11	7800W	NUT	ALL
12	11727A	STUD, left front	ALL
13	16214-86	BRACKET, upper front	XL1200 1991, XL1200 1992

	16222-86	BRACKET, upper front	XL883 1991, XL883 1992
14	16226-86A	NUT PLATE	XL1200 1991, XL883 1991, XL883DLX 1991, XL883HUG 1991
	16226-92	NUT PLATE	XL1200 1992, XL883 1992, XL883DLX 1992, XL883HUG 1992
15	16228-86A	NUT PLATE	ALL

CYLINDER, HEAD & VALVES - V2™ EVOLUTION (2 OF 2)



[View interactive image](#)

[View interactive table](#)

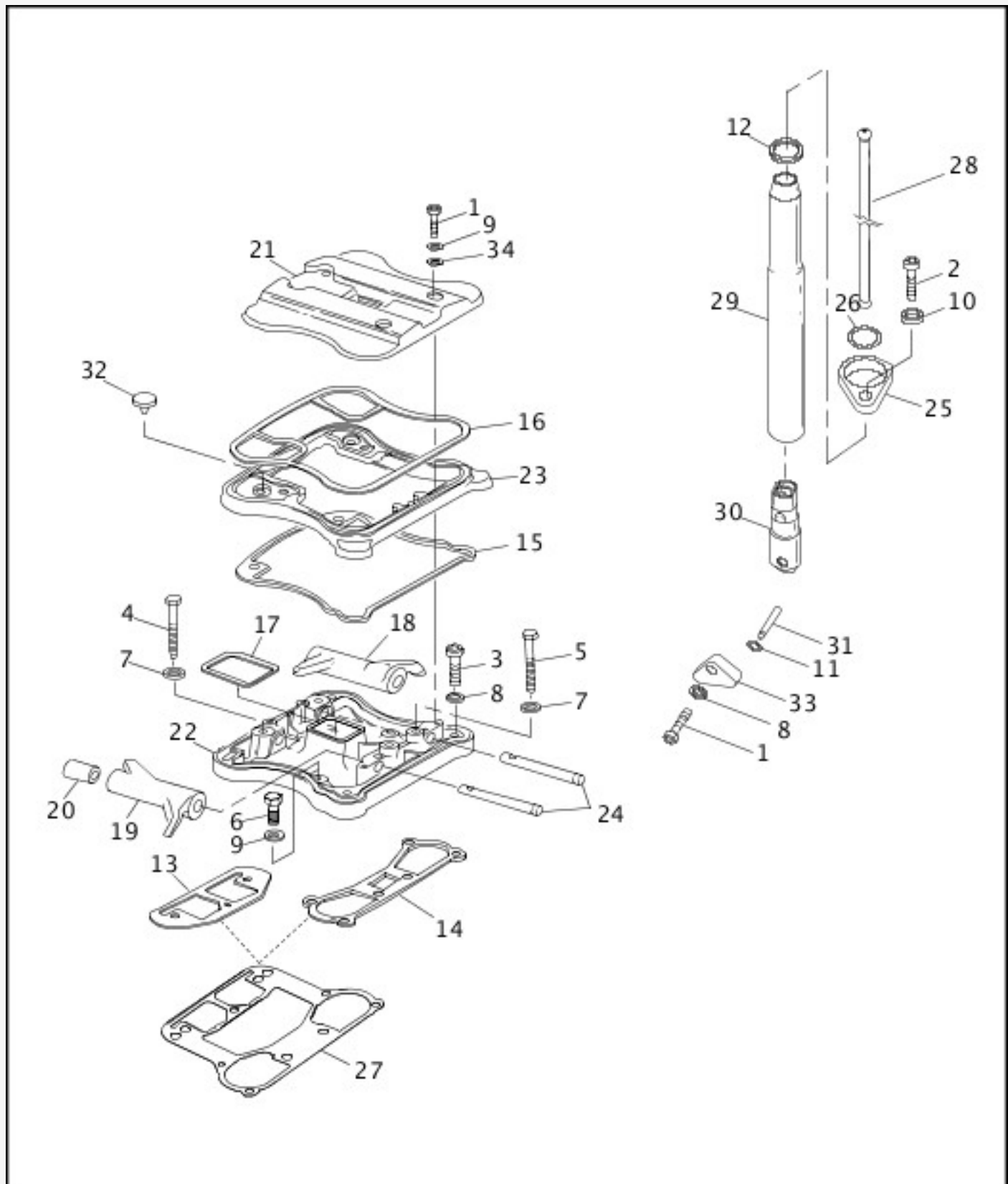
INDEX NO.	PART NO.	DESCRIPTION	MODEL(S)
16	16231-86	SHIM, 0.060	ALL
	16232-86	SHIM, 0.090	ALL

	16233-86	SHIM, 0.030	ALL
17	16277-86	BRACKET, center engine mount	XL883 1991
	16278-86B	BRACKET, center engine mount	XL1200 1991, XL1200 1992, XL883 1992, XL883DLX 1992, XL883HUG 1992
18	17026-91D	GASKET KIT, engine overhaul	ALL
	17032-86B	GASKET KIT, top end	ALL
	17039-90A	GASKET KIT, rocker covers	ALL
19	16446-86B	CYLINDER W/ PISTON (883 cc) (2)	XL883 1991, XL883 1992
	16447-88A	CYLINDER W/ PISTON (1200 cc) (2)	XL1200 1991, XL1200 1992
20	16478-85A	SCREW, internal thread (4)	ALL
21	16480-85A	SCREW, internal thread (4)	ALL
	16480-92A	SCREW, internal thread (4)	XL1200 1992, XL883 1992, XL883DLX 1992, XL883HUG 1992
22	26558-84	VACUUM SWITCH, carburetor	ALL
23	16573-83A	INSERT, cylinder stud (4)	ALL
24	16660-89B	HEAD, rear cylinder, w/ valve guides & seats	XL883 1991, XL883 1992
	16661-89B	HEAD, front cylinder, w/ valve guides & seats	XL883 1991, XL883 1992
	16667-07	HEAD, front cylinder, w/ valve guides & seats	XL1200 1991
	16688-92	HEAD, front cylinder, w/ valve guides & seats	XL1200 1992
	16666-07	HEAD, rear cylinder, w/ valve guides & seats	XL1200 1991
	16698-92	HEAD, rear cylinder, w/ valve guides & seats	XL1200 1992
25	16664-	GASKET, cylinder head (2)	XL883 1991, XL883 1992

	86D		
	16770-84F	GASKET, cylinder head (2)	XL1200 1991, XL1200 1992
26	16715-83	STUD, exhaust port (4)	ALL
27	16774-86D	GASKET, cylinder base (2)	ALL
28	16832-86C	STUD, cylinder base (8)	ALL
29	18001-83B	SEAL, valve (4)	ALL
30	18011-87A	INSERT, exhaust valve seat (2)	XL1200 1991, XL1200 1992
	18012-87A	INSERT, exhaust valve seat (2)	XL883 1991, XL883 1992
31	18020-87A	INSERT, intake valve seat (2)	XL1200 1991, XL1200 1992
	18021-87A	INSERT, intake valve seat (2)	XL883 1991, XL883 1992
32	18023-87A	INTAKE VALVE (2)	XL1200 1991, XL1200 1992
	18031-86B	INTAKE VALVE (2)	XL883 1991, XL883 1992
33	18024-87A	EXHAUST VALVE (2)	XL1200 1991, XL1200 1992
	18030-86B	EXHAUST VALVE (2)	XL883 1991, XL883 1992
34	18101-83D	VALVE GUIDE, intake & exhaust (4)	ALL
35	18201-83	VALVE SPRING, outer (4)	ALL
36	18202-83	VALVE SPRING, inner (4)	ALL
37	18219-83A	COLLAR, valve spring, upper (4)	ALL
38	18222-83A	COLLAR, valve spring, lower (4)	ALL
39	18229-83A	RETAINER, valve collar (8)	ALL

40	26432-76A	O-RING, cylinder stud insert (4)	ALL
41	18004-86	VALVE SEAL KIT, w/ installation tool (not illustrated)	ALL
42	89579-91	CAP, protective	XL1200 1992, XL883 1992, XL883DLX 1992, XL883HUG 1992

ROCKER ARMS, COVER & PUSHROD - V2™



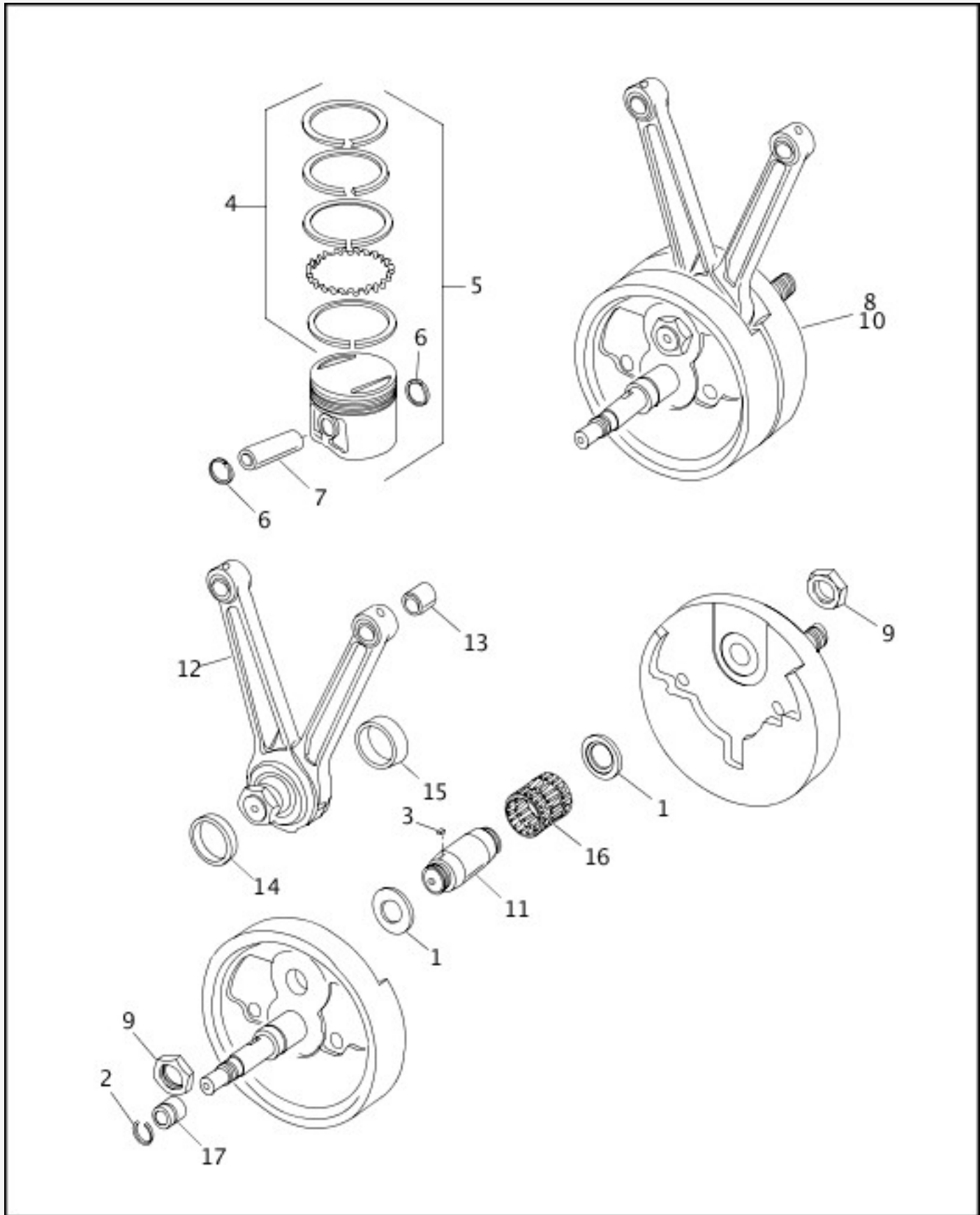
[View interactive image](#)

[View interactive table](#)

INDEX NO.	PART NO.	DESCRIPTION	MODEL(S)
1	94313-91TS	SCREW (10)	ALL
2	3201WA	SCREW (4)	ALL
3	891	SCREW (4)	ALL
4	3500A	BOLT (4)	ALL
5	3501A	BOLT (4)	ALL
6	3849	SCREW (6)	ALL
7	6016	WASHER (8)	ALL
8	6099	WASHER (6)	ALL
9	6736	WASHER (14)	ALL
10	6771A	WASHER (4)	ALL
11	11176	O-RING (4)	ALL
12	11190	O-RING, pushrod cover, upper (4)	ALL
13	16778-84A	GASKET, cylinder head, right (use 16800-84B) (2)	ALL
14	16779-84A	GASKET, cylinder head, left (use 16800-84B) (2)	ALL
15	17353-89C	GASKET, rocker cover, lower (2)	ALL
16	17354-89	GASKET, rocker cover, upper (2)	ALL
17	17358-84B	GASKET, rocker cover, inner (2)	ALL
18	17360-83A	ROCKER ARM, front intake & rear exhaust (2)	ALL
19	17375-83A	ROCKER ARM, front exhaust & rear intake (2)	ALL
20	17429-91	BEARING, rocker arm (8)	ALL
21	17501-86B	ROCKER COVER, outer (2)	ALL
22	17532-86E	ROCKER COVER, inner (2)	ALL
23	17533-90A	SPACER, rocker cover (2)	ALL

24	17611-83	SHAFT, rocker arm (4)	ALL
25	17952-91	RETAINER, pushrod, front intake & rear exhaust (2)	ALL
	17953-91	RETAINER, pushrod, front intake & rear exhaust (2)	ALL
26	17944-89	SEAL, pushrod cover (4)	ALL
27	16800-84B	GASKET, rocker cover/cylinder head, valve & pushrod sides (replaces 16778-84A & 16779-84A) (2)	ALL
28	17897-89A	PUSHROD, intake (2)	ALL
	17904-89A	PUSHROD, exhaust (2)	ALL
29	17946-89	COVER, pushrod (4)	ALL
30	18526-89A	TAPPET, w/ roller (4)	ALL
31	18532-89	PIN, anti-rotation (2)	ALL
32	26856-89A	VALVE, umbrella (2)	ALL
33	36804-89	PIN PLATE (2)	ALL
34	63858-49	GASKET (8)	ALL

PISTONS, CONNECTING RODS & FLYWHEELS



[View interactive image](#)

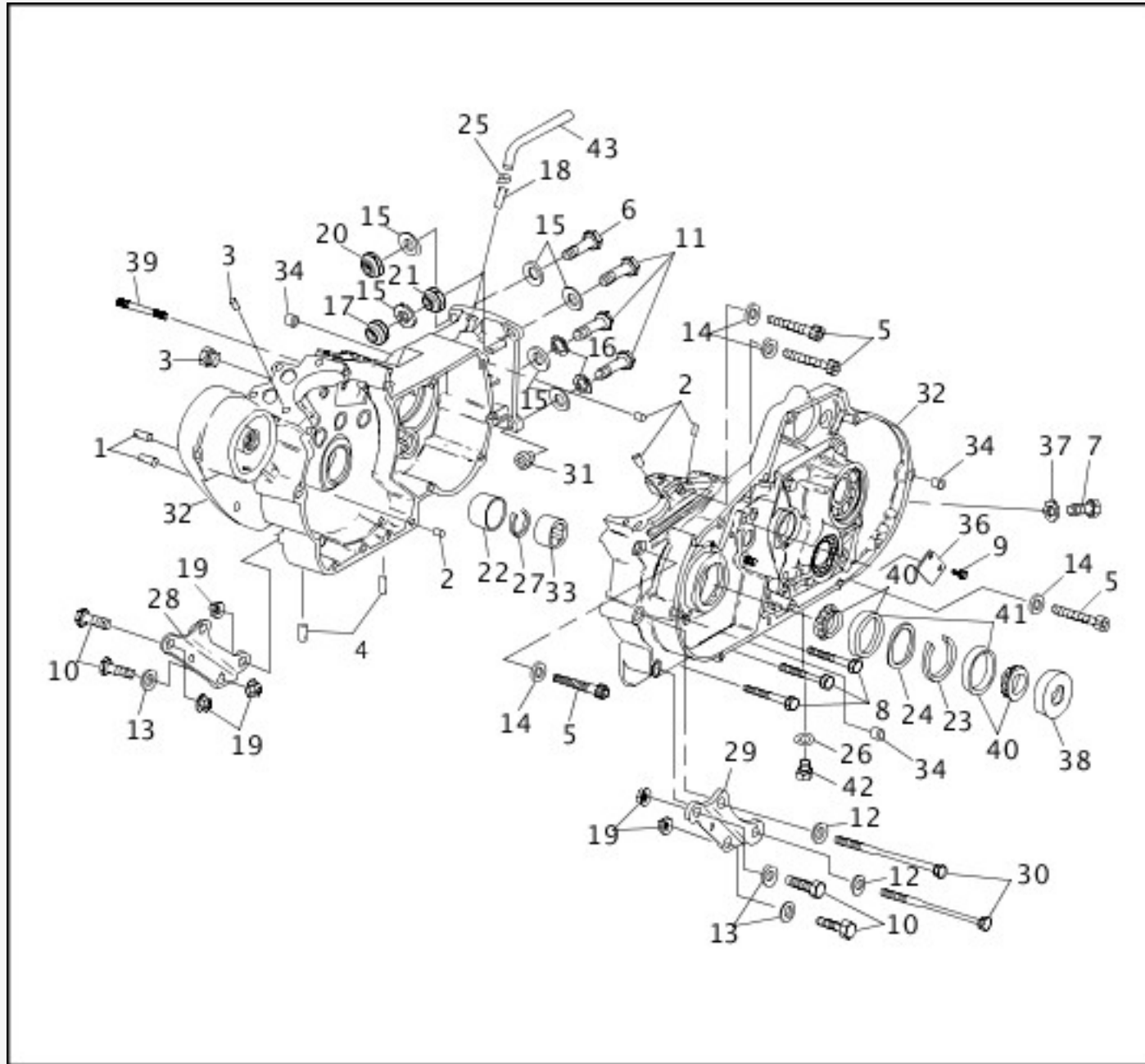
[View interactive table](#)

INDEX NO.	PART NO.	DESCRIPTION	MODEL(S)
1	6508	WASHER, crank pin boss (2)	ALL
2	11177A	RETAINING RING	ALL
3	11218	KEY, crank pin	ALL
4	21920-83	PISTON RING SET, standard (2)	XL1200 1991, XL1200 1992
	21921-83	PISTON RING SET, 0.005 (2)	XL1200 1991, XL1200 1992

	21922-83	PISTON RING SET, 0.010 (2)	XL1200 1991, XL1200 1992
	21923-83	PISTON RING SET, 0.020 (2)	XL1200 1991, XL1200 1992
	21924-83	PISTON RING SET, 0.030 (2)	XL1200 1991, XL1200 1992
	22266-86	PISTON RING SET, standard (2)	XL883 1991, XL883 1992
	22261-86	PISTON RING SET, 0.010 (2)	XL883 1991, XL883 1992
	22262-86	PISTON RING SET, 0.020 (2)	XL883 1991, XL883 1992
	22263-86	PISTON RING SET, 0.030 (2)	XL883 1991, XL883 1992
	22271-86	PISTON RING SET, 0.005 (2)	XL883 1991, XL883 1992
5	22242-86A	PISTON & RINGS ASSEMBLY, standard (2)	XL883 1991, XL883 1992
	22201-86A	PISTON & RINGS ASSEMBLY, 0.005 (2)	XL883 1991, XL883 1992
	22253-86A	PISTON & RINGS ASSEMBLY, 0.010 (2)	XL883 1991, XL883 1992
	22254-86A	PISTON & RINGS ASSEMBLY, 0.020 (2)	XL883 1991, XL883 1992
	22255-86A	PISTON & RINGS ASSEMBLY, 0.030 (2)	XL883 1991, XL883 1992
	22243-88A	PISTON & RINGS ASSEMBLY, standard (2)	XL1200 1991, XL1200 1992
	22205-88A	PISTON & RINGS ASSEMBLY, 0.005 (2)	XL1200 1991, XL1200 1992
	22216-88A	PISTON & RINGS ASSEMBLY, 0.010 (2)	XL1200 1991, XL1200 1992
	22220-88A	PISTON & RINGS ASSEMBLY, 0.020 (2)	XL1200 1991, XL1200 1992
	22225-88A	PISTON & RINGS ASSEMBLY, 0.030 (2)	XL1200 1991, XL1200 1992
6	22589-83B	LOCK RING, piston pin (4)	ALL
7	22719-85	PISTON PIN (2)	XL883 1991, XL883 1992
	22765-88	PISTON PIN (2)	XL1200 1991, XL1200 1992
8	23900-90	SET OF FLYWHEELS & SHAFTS, w/ rods (use 23905-89A)	XL1200 1991, XL1200 1992
9	23980-98	NUT, crank pin (2)	ALL
10	23905-89A	SET OF FLYWHEELS & SHAFTS, w/ rods (replaces 23900-90)	XL883 1991, XL883 1992
11	23960-80A	CRANK PIN, standard	ALL
	23948-87	CRANK PIN, 0.001 O.S.	ALL
	23949-87	CRANK PIN, 0.002 O.S.	ALL
12	24275-86A	SET OF CONNECTING RODS, w/ bearings, crank pin & nuts	ALL
13	24331-36	BUSHING, piston pin, 0.002 O.S. (2)	ALL

	24332-36	BUSHING, piston pin, 0.01 O.S. (2)	ALL
14	24341-52A	BEARING RACE, rear connecting rod, lower (2)	ALL
15	24352-52A	BEARING RACE, front connecting rod, lower (2)	ALL
16	24354-87A	BEARING SET, connecting rods	ALL
17	24658-87	BEARING RACE	ALL

CRANKCASE (1 OF 2)



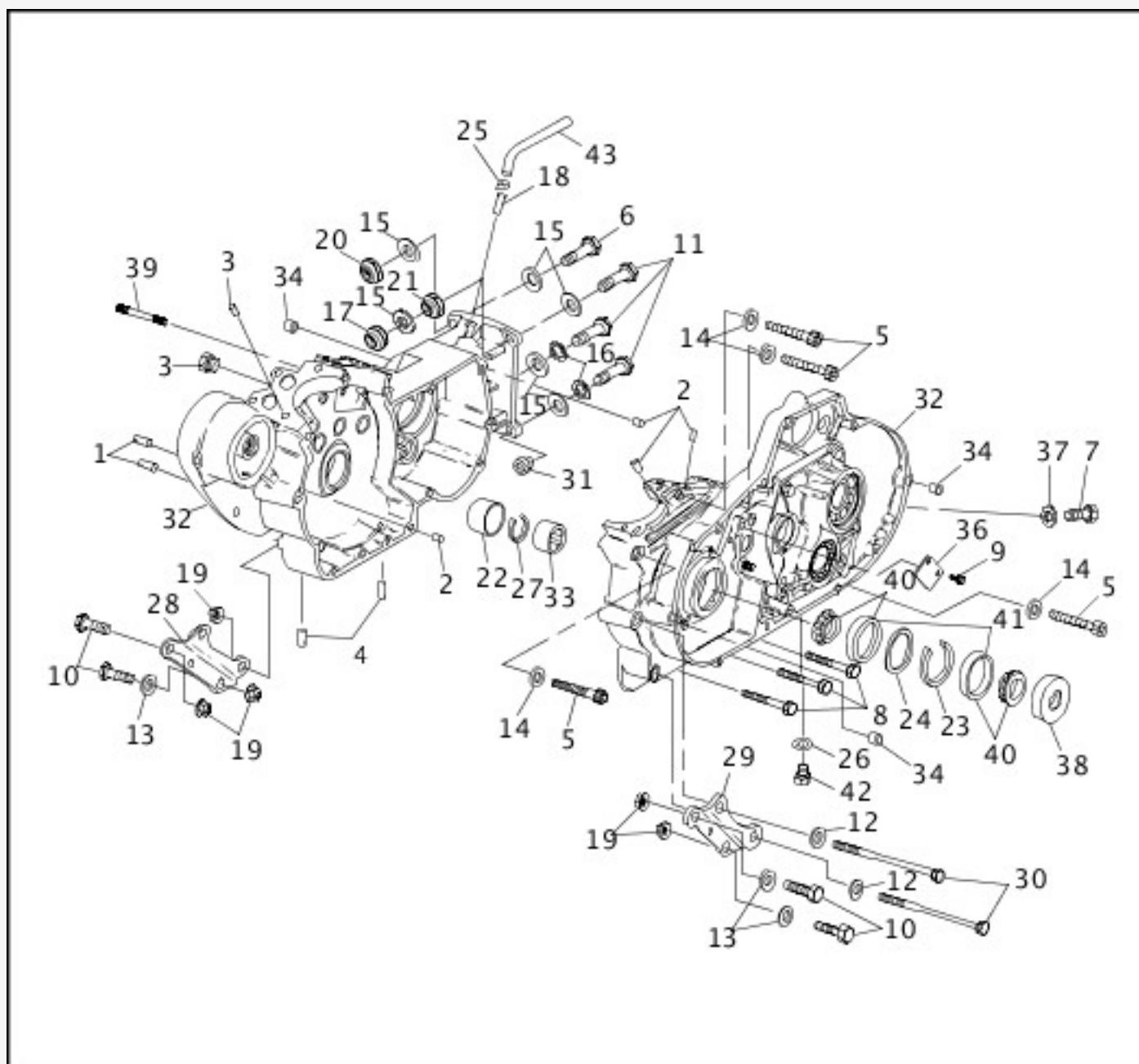
[View interactive image](#)

[View interactive table](#)

INDEX NO.	PART NO.	DESCRIPTION	MODEL(S)
1	215	DOWEL PIN (2)	ALL
2	358	DOWEL PIN (4)	ALL

3	720	PLUG, timing	ALL
4	727	PLUG (2)	ALL
5	1028	SCREW (4)	ALL
6	3512	BOLT	ALL
7	3728	SCREW, overflow plug	ALL
8	3787	BOLT (3)	ALL
9	4091	SCREW (2)	ALL
10	4319	BOLT (4)	ALL
11	4435W	BOLT (3)	ALL
12	6019	WASHER (2)	ALL
13	6026	WASHER (4)	ALL
14	6314W	WASHER (4)	ALL
15	6701	WASHER (6)	ALL
16	7038	LOCKWASHER (2)	ALL
17	7775	LOCKNUT	ALL
18	63547-89	BREATHER TUBE	ALL
19	7780	LOCKNUT (5)	ALL
20	7789	LOCKNUT	ALL
21	7800W	NUT	ALL
22	8881	BEARING RACE	ALL
23	9119A	RETAINING RING	ALL
24	9142	SHIM, roller bearing, 0.100	ALL
	9143	SHIM, roller bearing, 0.102	ALL
	9144	SHIM, roller bearing, 0.104	ALL
	9145	SHIM, roller bearing, 0.106	ALL
	9146	SHIM, roller bearing, 0.108	ALL
	9147	SHIM, roller bearing, 0.110	ALL
	9148	SHIM, roller bearing, 0.112	ALL
	9149	SHIM, roller bearing, 0.114	ALL
	9155	SHIM, roller bearing, 0.098	ALL

CRANKCASE (2 OF 2)



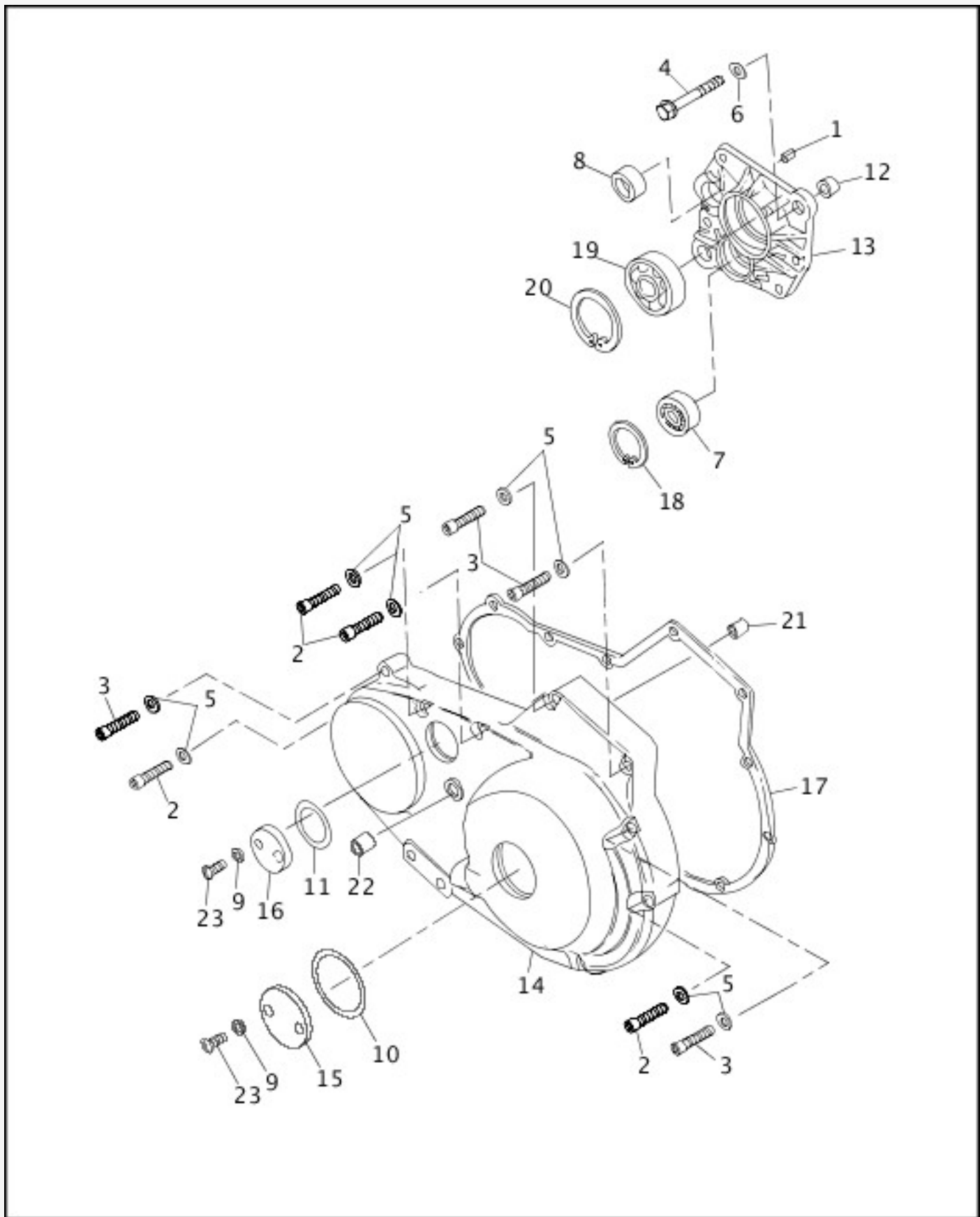
[View interactive image](#)

[View interactive table](#)

INDEX NO.	PART NO.	DESCRIPTION	MODEL(S)
25	10080	CLAMP	ALL
26	11105	O-RING	ALL
27	11177A	RETAINING RING	ALL
28	16210-84A	MOUNTING PLATE, lower right, front	ALL
29	16212-84	MOUNTING PLATE, lower left, front	ALL
30	16235-52A	BOLT (2)	ALL
31	16240-82	BUSHING (2)	ALL

32	24470-91E	CRANKCASE SET, w/ bearings	ALL
33	24647-87	BEARING, gear shaft (blue)	ALL
	24650-87	BEARING, gear shaft (red)	ALL
	24659-87	BEARING, gear shaft (white/gray)	ALL
	24660-87	BEARING, gear shaft (green)	ALL
34	24754-75A	BUSHING (3)	ALL
35	25598-91	BUSHING (not illustrated) (4)	ALL
36	29950-91	COVER, stator wires	ALL
37	31433-84A	OIL SEAL	ALL
38	35151-74A	OIL SEAL	ALL
39	42449-80A	STUD	ALL
40	48302-85	BEARING, complete (2)	ALL
41	48315-60	BEARING CUP (2)	ALL
42	60348-65B	DRAIN PLUG KIT, magnetic	ALL
NOTE: Hose or insulator is sold in bulk length under the following part numbers. Cut to length.			
43	63500-68	HOSE, 3/8 I.D. x 5/8 O.D. rubber (25 ft. long)	ALL

ACCESS DOOR & PRIMARY COVER



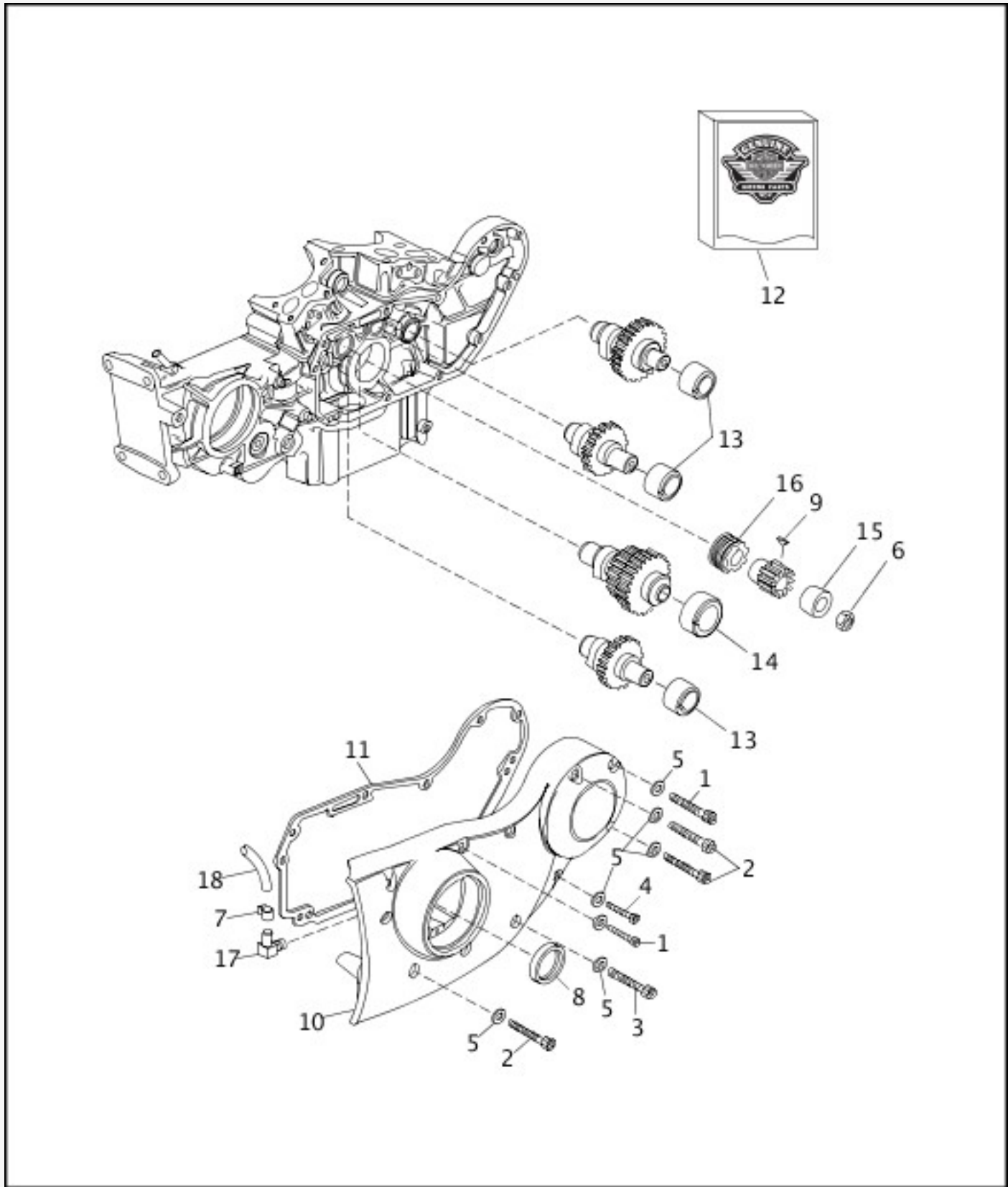
[View interactive image](#)

[View interactive table](#)

INDEX NO.	PART NO.	DESCRIPTION	MODEL(S)
1	600	PIN	ALL
2	4742A	SCREW (4)	ALL
3	3480A	SCREW (7)	ALL
4	3573	BOLT (5)	ALL
5	6099	WASHER (11)	ALL

6	6109	WASHER (5)	ALL
7	8998	BEARING	ALL
8	9187	BUSHING	ALL
9	11171	O-RING, inspection cover screws (4)	ALL
10	11187	O-RING, clutch inspection cover	ALL
11	11188	O-RING, chain inspection cover	ALL
12	16573-83A	INSERT, access door (2)	ALL
13	25238-90	ACCESS DOOR, transmission	ALL
14	25430-89A	CHAIN COVER (polished)	ALL
15	34742-90	INSPECTION COVER, clutch	ALL
16	34993-90	INSPECTION COVER, chain	ALL
17	34955-89B	GASKET, primary cover	ALL
18	35021-89	RETAINING RING	ALL
19	35030-89A	BEARING	ALL
20	35038-89A	RETAINING RING	ALL
21	11000101	OIL SEAL	ALL
22	40520-63	BUSHING	ALL
23	41191-74A	SCREW, inspection covers (4)	ALL

GEARCASE & COVER



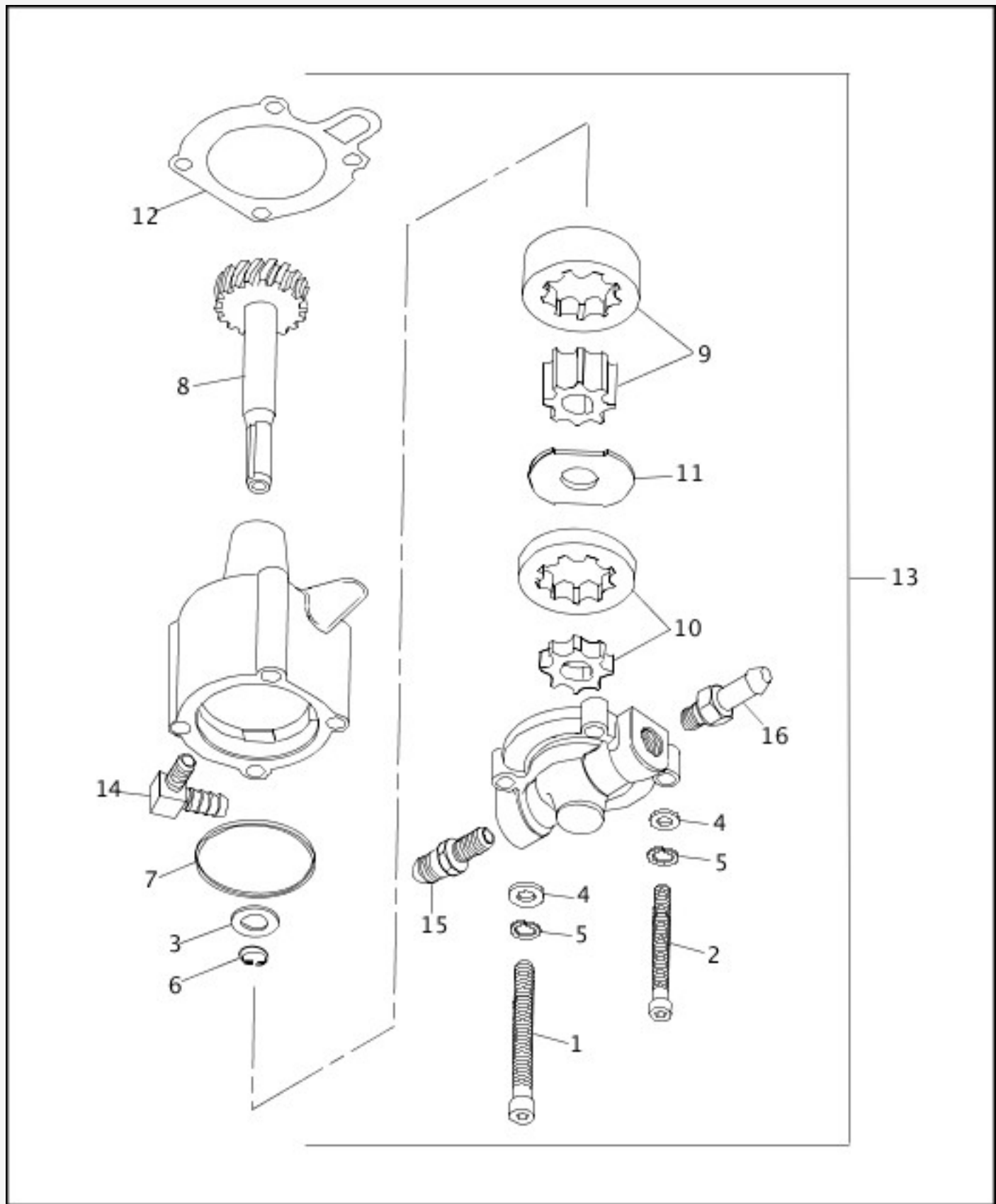
[View interactive image](#)

[View interactive table](#)

INDEX NO.	PART NO.	DESCRIPTION	MODEL(S)
1	4820A	SCREW (2)	ALL
2	4742A	SCREW (5)	ALL
3	3480A	SCREW (3)	ALL
4	3482A	SCREW	ALL
5	6099	WASHER (11)	ALL
6	7916A	JAMNUT	ALL

7	10014	CLAMP	ALL
8	11124	SEAL	ALL
9	11219	T-KEY	ALL
10	25219-91C	COVER, gearcase (polished)	ALL
11	25263-90D	GASKET, gearcase cover	ALL
12	25488-89C	COVER W/ CAM GEAR SET, matched	ALL
13	25586-37	BUSHING, cam gear shafts (3)	ALL
14	25588-91	BUSHING, rear intake cam gear shaft	ALL
15	25593-74	BUSHING, flywheel gear shaft	ALL
16	26318-88A	DRIVE GEAR, oil pump	ALL
17	62375-57A	FITTING, oil vent hose	ALL
NOTE: Hose or insulator is sold in bulk length under the following part numbers. Cut to length.			
18	63501-68B	HOSE, 1/4 I.D. x 1/2 O.D. (rubber)	ALL

OIL PUMP



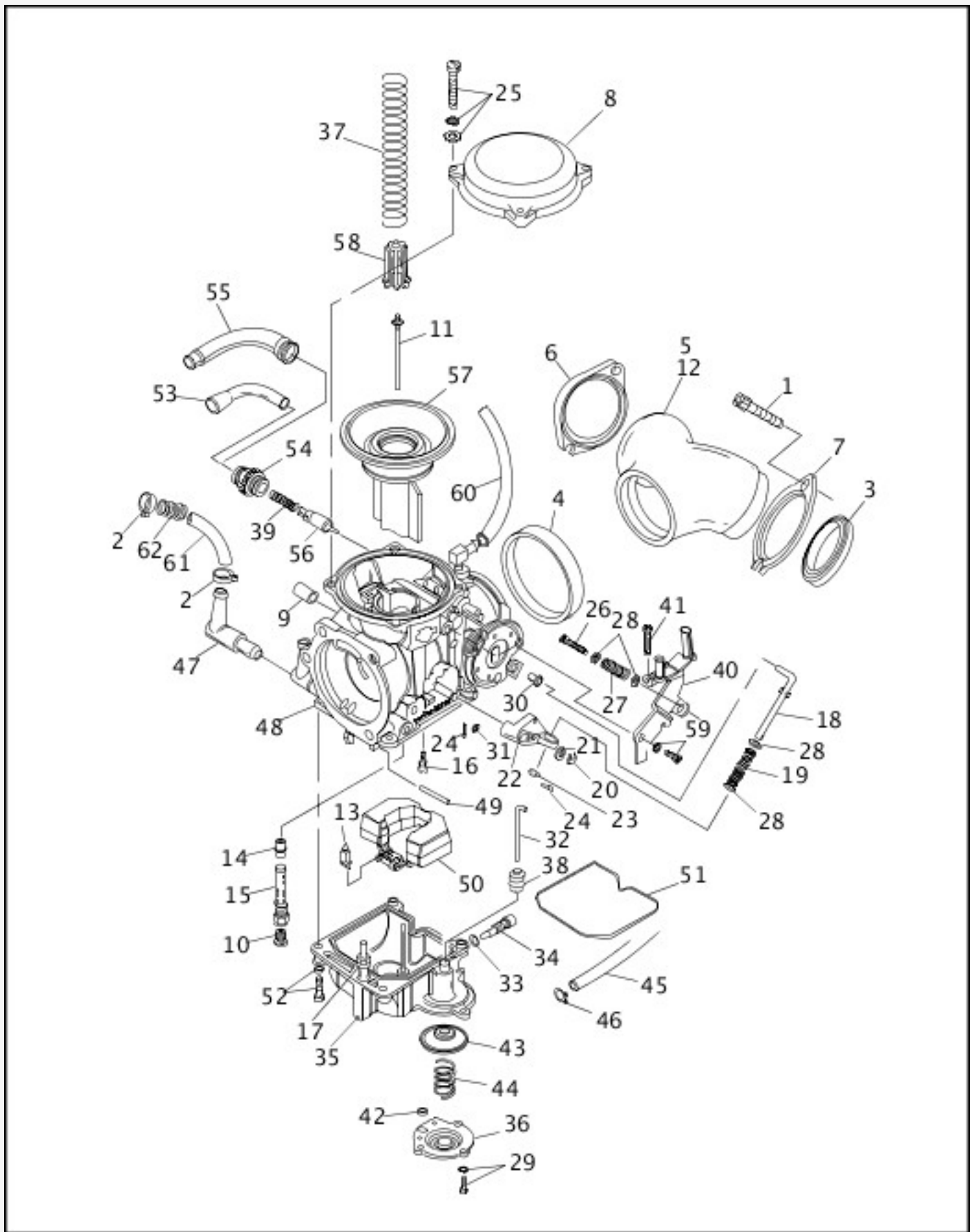
[View interactive image](#)

[View interactive table](#)

INDEX NO.	PART NO.	DESCRIPTION	MODEL(S)
1	3478A	SCREW (2)	ALL
2	3482A	SCREW (2)	ALL
3	6157	WASHER	ALL
4	6242W	WASHER (4)	ALL
5	7036	WASHER (4)	ALL

6	11002	RETAINING RING	ALL
7	26434-91	O-RING	ALL
8	26488-91	GEAR SHAFT	ALL
9	26491-91	GEROTOR SET, return (use 26204-91A)	ALL
10	26492-91	GEROTOR SET, feed	ALL
11	26493-91	SEPARATOR PLATE	ALL
12	26495-89B	GASKET, pump mounting	ALL
13	26204-91A	OIL PUMP, complete	ALL
14	26496-75A	FITTING, 90 degrees	ALL
15	62601-91A	FITTING, connector, front	ALL
16	63533-41A	FITTING, connector, rear	ALL

CARBURETOR (1 OF 2)



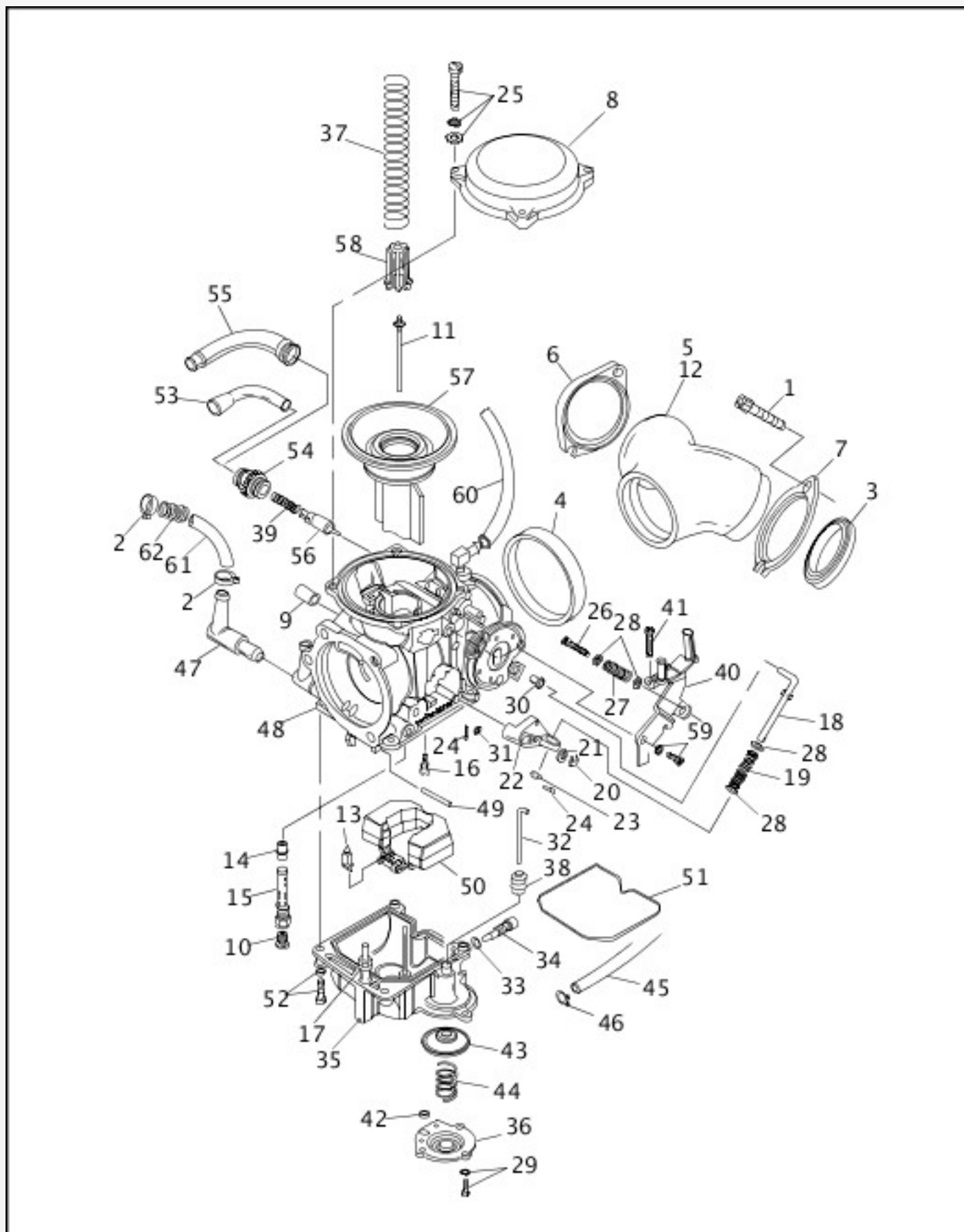
[View interactive image](#)

[View interactive table](#)

INDEX NO.	PART NO.	DESCRIPTION	MODEL(S)
1	3201WA	SCREW (4)	ALL
2	10014	CLAMP	ALL
3	26995-86B	SEAL, intake manifold (2)	ALL

4	27002-89	SEAL RING, carburetor	ALL
5	27004-88A	INTAKE MANIFOLD KIT, w/ 3 & 4	ALL
6	27009-86A	MOUNTING FLANGE, front	ALL
7	27010-86A	MOUNTING FLANGE, rear	ALL
8	27040-88	TOP, carburetor	ALL
9	27079-84	CAP, rubber (Swiss)	XL1200 1991, XL883 1991, XL883DLX 1991, XL883HUG 1991
10	27090-89	MAIN JET	XL1200 1991, XL883 1991, XL883DLX 1991, XL883HUG 1991
	27115-88	MAIN JET (DOM)	XL1200 1992
	27152-89	MAIN JET (California & Swiss)	XL1200 1991, XL883 1991, XL883DLX 1991, XL883HUG 1991
	27152-89	MAIN JET (HDI & Swiss)	XL1200 1992, XL883 1992, XL883DLX 1992, XL883HUG 1992
11	27166-89	JET, needle	XL1200 1991, XL883 1991, XL883DLX 1991, XL883HUG 1991
	27169-89	JET, needle (California & Swiss)	XL1200 1991, XL883 1991, XL883DLX 1991, XL883HUG 1991
	27169-89	JET, needle (HDI & Swiss)	XL1200 1992, XL883 1992, XL883DLX 1992, XL883HUG 1992
	27183-92	JET, needle (California & Swiss)	XL883 1992
	27280-92	JET, needle (DOM)	XL1200 1992, XL883 1992, XL883DLX 1992, XL883HUG 1992
12	26990-91	INTAKE MANIFOLD (Swiss)	ALL
13	27886-78A	VALVE, w/ clip	ALL
14	27100-88	NEEDLE JET	ALL
15	27101-88	NEEDLE JET HOLDER	ALL
16	27170-89	SLOW JET	XL1200 1991, XL883 1991, XL883DLX 1991, XL883HUG 1991
	27171-89	SLOW JET (California & Swiss)	XL1200 1991, XL883 1991, XL883DLX 1991, XL883HUG 1991
	27171-89	SLOW JET (HDI & Swiss)	XL1200 1992, XL883 1992, XL883DLX 1992, XL883HUG 1992

	27281-92	SLOW JET (DOM)	XL1200 1992, XL883 1992, XL883DLX 1992, XL883HUG 1992
17	27121-89	O-RING	ALL
18	27122-89	ROD	ALL
19	27123-89A	SPRING	ALL
20	27124-89	E-CLIP	ALL
21	27125-89	WASHER	ALL
22	27126-89	LEVER	ALL
23	27127-89	WASHER	ALL
24	27128-89	PIN (2)	ALL
25	27129-88	SCREW, top (3)	ALL
26	27130-81	IDLE SCREW	XL1200 1991, XL883 1991, XL883DLX 1991, XL883HUG 1991
	27130-90	IDLE SCREW	XL1200 1992, XL883 1992, XL883DLX 1992, XL883HUG 1992
27	27136-81	SPRING	ALL
	27136-90A	SPRING	XL1200 1992, XL883 1992, XL883DLX 1992, XL883HUG 1992
28	27137-81	WASHER (4)	ALL
29	27146-89	SCREW, w/ washer (3)	ALL
30	27147-89	COLLAR	ALL
31	27148-89	WASHER	ALL
32	27156-89	ROD	ALL
33	27157-89	O-RING	ALL
34	27158-89	DRAIN SCREW	ALL
35	27159-89A	FLOAT CHAMBER ASSEMBLY	XL1200 1991, XL883 1991, XL883DLX 1991, XL883HUG 1991
	27159-89A	FLOAT CHAMBER ASSEMBLY (HDI & Swiss)	XL1200 1992, XL883 1992, XL883DLX 1992, XL883HUG 1992
	27159-92	FLOAT CHAMBER ASSEMBLY	XL1200 1992, XL883 1992, XL883DLX 1992, XL883HUG 1992
36	27160-89	PUMP HOUSING	ALL



[View interactive image](#)

[View interactive table](#)

INDEX NO.	PART NO.	DESCRIPTION	MODEL(S)
37	27162-89	SPRING	ALL
38	27311-76	CAP, accelerator pump (rubber)	ALL

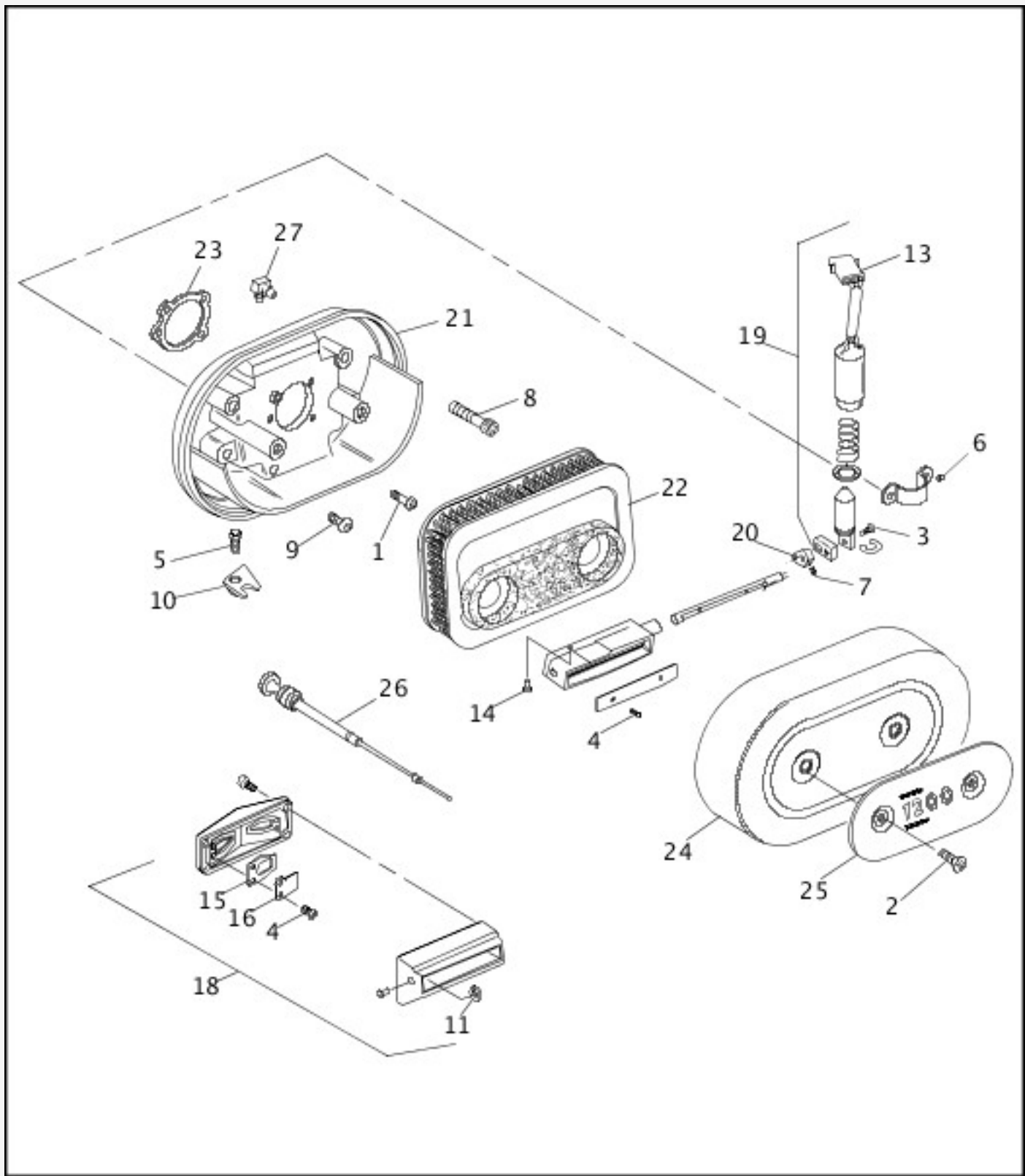
39	27315-88A	SPRING	ALL
40	27316-88	BRACKET	ALL
41	27317-88	SCREW	ALL
42	27360-76	O-RING	ALL
43	27361-76A	DIAPHRAGM, accelerator pump	ALL
44	27362-76	SPRING, diaphragm	ALL
45	27369-76	HOSE, overflow	ALL
46	27368-76	CLIP, overflow hose	ALL
47	27371-76A	FITTING	ALL
48	27486-92	CARBURETOR (California)	XL1200 1992
	27487-92	CARBURETOR (DOM)	XL1200 1992
	27488-92	CARBURETOR (California)	XL883 1992
	27489-92	CARBURETOR (DOM)	XL883 1992
	27501-89A	CARBURETOR (use 27489-92A)	XL1200 1991, XL883 1991, XL883DLX 1991, XL883HUG 1991
	27489-92A	CARBURETOR	XL1200 1991, XL883 1991, XL883DLX 1991, XL883HUG 1991
	27503-88B	CARBURETOR (California & Swiss)	XL1200 1991, XL883 1991, XL883DLX 1991, XL883HUG 1991
	27503-92	CARBURETOR (HDI & Swiss)	XL1200 1992, XL883 1992, XL883DLX 1992, XL883HUG 1992
49	27575-88A	PIN	ALL
50	27576-88	FLOAT	XL1200 1991, XL883 1991, XL883DLX 1991, XL883HUG 1991
	27576-88	FLOAT (HDI & Swiss)	XL1200 1992, XL883 1992, XL883DLX 1992, XL883HUG 1992
	27576-92	FLOAT	XL1200 1992, XL883 1992, XL883DLX 1992, XL883HUG 1992
51	27577-88	O-RING	XL1200 1991, XL883 1991, XL883DLX 1991, XL883HUG 1991
	27577-88	O-RING (HDI & Swiss)	XL1200 1992, XL883 1992, XL883DLX 1992, XL883HUG 1992

	27577-92	O-RING	XL1200 1992, XL883 1992, XL883DLX 1992, XL883HUG 1992
52	27579-88A	SCREW (4)	ALL
53	27580-88	CABLE GUIDE	ALL
54	27581-88	STARTER CAP	ALL
55	27582-88	CABLE SEALING CAP	ALL
56	27583-88	STARTER VALVE	ALL
57	27585-88	VACUUM PISTON	ALL
58	27586-88	SPRING SEAT	ALL
59	27587-88	SCREW	ALL

NOTE: Hose or insulator is sold in bulk length under the following part numbers. Cut to length.

60	26570-84	HOSE, 3/16 I.D. x 3/8 O.D. (rubber) (10 ft. long)	ALL
61	63501-68B	HOSE, 1/4 I.D. x 1/2 O.D. (rubber) (25 ft. long)	ALL
62	62555-95	INSULATOR, 1/2 I.D. nylon (8 ft. long)	ALL

AIR CLEANER & ENRICHENER



[View interactive image](#)

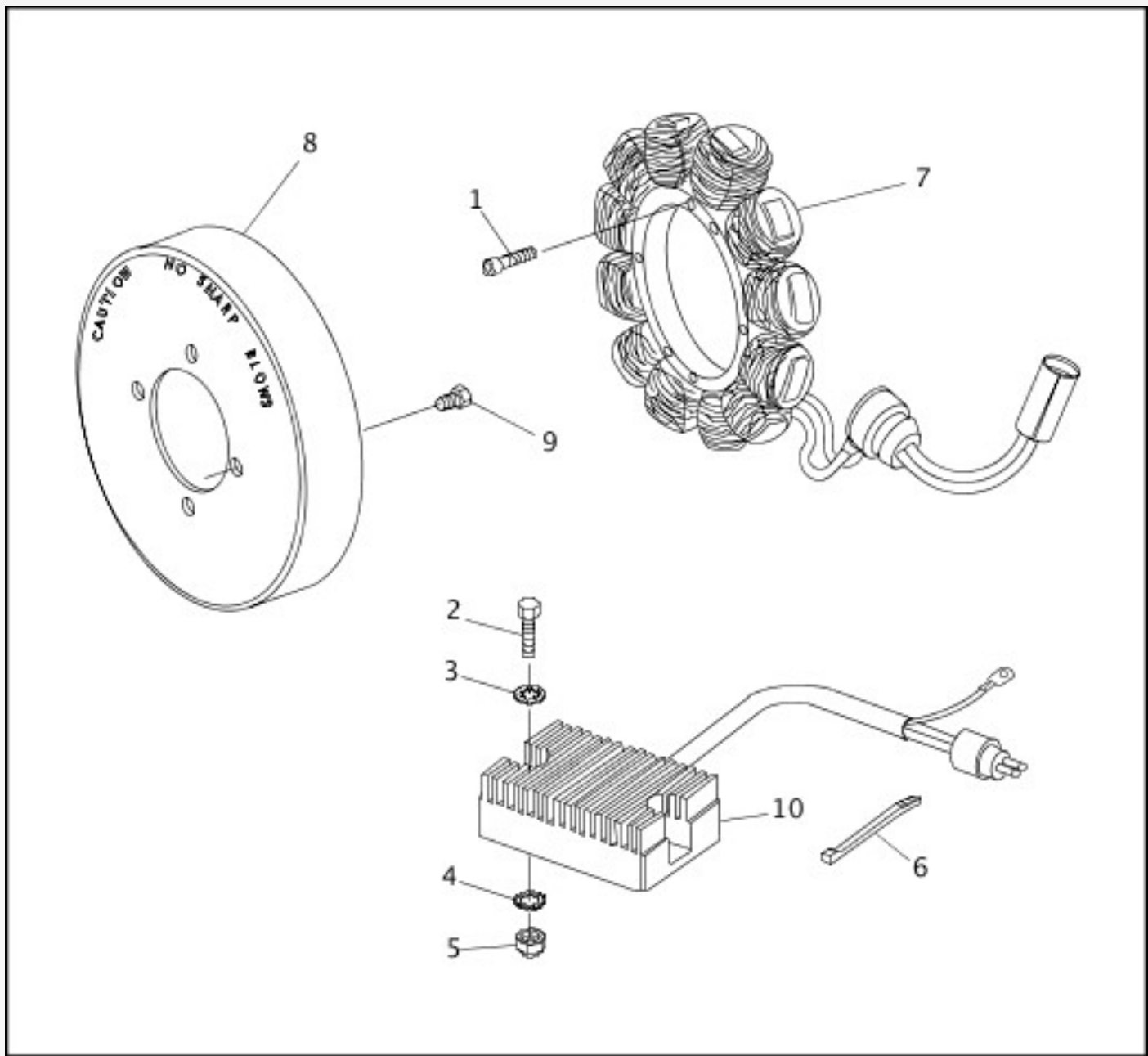
[View interactive table](#)

INDEX NO.	PART NO.	DESCRIPTION	MODEL(S)
1	869	SCREW (3)	ALL
2	2405A	SCREW (2)	ALL
3	2711	SCREW (California)	XL1200 1992, XL883 1992, XL883DLX 1992, XL883HUG 1992
4	2737	SCREW (California & Swiss) (2)	XL1200 1991, XL883 1991, XL883DLX 1991, XL883HUG 1991
4	2737	SCREW (California) (4)	XL1200 1992, XL883 1992, XL883DLX 1992,

			XL883HUG 1992
5	2916	SCREW	XL1200 1992, XL883 1992, XL883DLX 1992, XL883HUG 1992
6	3206B	SCREW (California)	XL1200 1992, XL883 1992, XL883DLX 1992, XL883HUG 1992
7	3221	SCREW (California)	XL1200 1992, XL883 1992, XL883DLX 1992, XL883HUG 1992
8	3534B	SCREW, breather (2)	ALL
9	3652	SCREW (California) (2)	XL1200 1992, XL883 1992, XL883DLX 1992, XL883HUG 1992
10	69027-92	BRACKET, enrichment cable	XL1200 1992, XL883 1992
	71516-92	BRACKET, enrichment cable	XL883 1992
11	6048W	WASHER (California) (2)	XL1200 1991, XL883 1991, XL883DLX 1991, XL883HUG 1991
11	6048W	WASHER (Swiss) (2)	ALL
12	6969	LOCKWASHER (California) (not illustrated) (8)	XL1200 1991, XL883 1991, XL883DLX 1991, XL883HUG 1991
12	6969	LOCKWASHER (Swiss) (not illustrated) (8)	ALL
13	70291-89	HOUSING, 4 pin (California)	XL1200 1992, XL883 1992, XL883DLX 1992, XL883HUG 1992
14	8535	RIVET (California) (2)	XL1200 1992, XL883 1992, XL883DLX 1992, XL883HUG 1992
15	28820-86	REED BOTTOM (California) (2)	XL1200 1991, XL883 1991, XL883DLX 1991, XL883HUG 1991
15	28820-86	REED BOTTOM (Swiss) (2)	ALL
16	28821-86	REED TOP (California) (2)	XL1200 1991, XL883 1991, XL883DLX 1991, XL883HUG 1991
16	28821-86	REED TOP (Swiss) (not illustrated) (2)	ALL
17	28822-86	REED STOP (California) (not illustrated) (2)	XL1200 1991, XL883 1991, XL883DLX 1991, XL883HUG 1991
17	28822-86	REED STOP (Swiss) (not illustrated) (2)	ALL
18	28826-86A	REED SUPPORT ASSEMBLY (California)	XL1200 1991, XL883 1991, XL883DLX 1991, XL883HUG 1991
18	28826-86A	REED SUPPORT ASSEMBLY (Swiss)	ALL
19	28841-89	SOLENOID (California)	XL1200 1992, XL883 1992, XL883DLX 1992,

			XL883HUG 1992
20	28842-89	LINK (California)	XL1200 1992, XL883 1992, XL883DLX 1992, XL883HUG 1992
21	29009-89B	BACKPLATE, air cleaner	ALL
	29078-91	BACKPLATE ASSEMBLY (Swiss)	ALL
	29018-88A	BACKPLATE, air cleaner (California)	XL1200 1991, XL883 1991, XL883DLX 1991, XL883HUG 1991
	29018-92	BACKPLATE ASSEMBLY (California)	XL1200 1992, XL883 1992, XL883DLX 1992, XL883HUG 1992
22	29331-96	FILTER ELEMENT	ALL
23	29059-88A	GASKET	ALL
24	29084-73	COVER, air cleaner	ALL
25	29111-88	TRIM, air cleaner	XL1200 1991, XL1200 1992
26	29229-88D	CABLE, enrichment	ALL
27	61107-92	FITTING (California)	XL1200 1992, XL883 1992, XL883DLX 1992, XL883HUG 1992

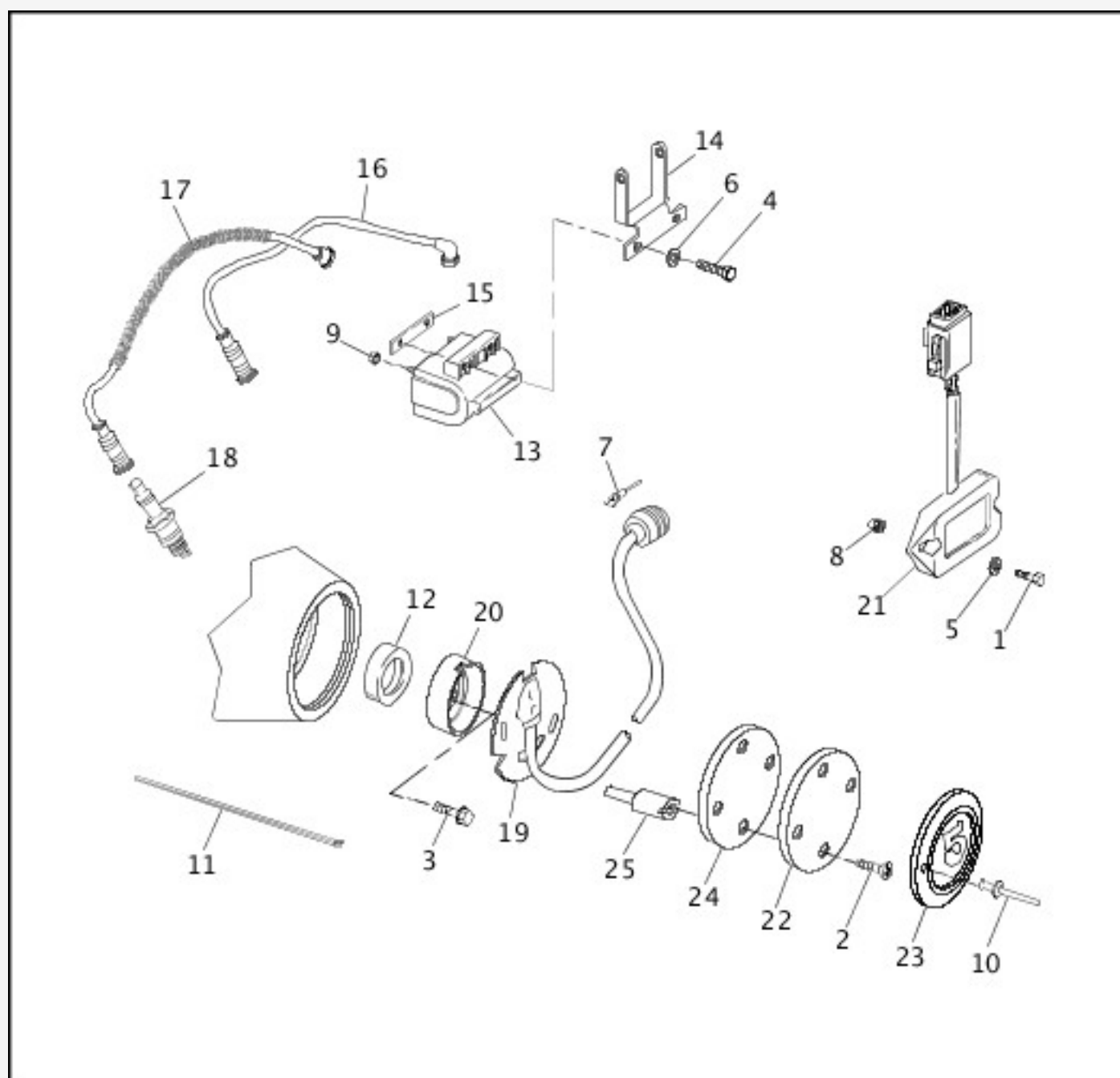
ALTERNATOR & REGULATOR



[View interactive image](#)

[View interactive table](#)

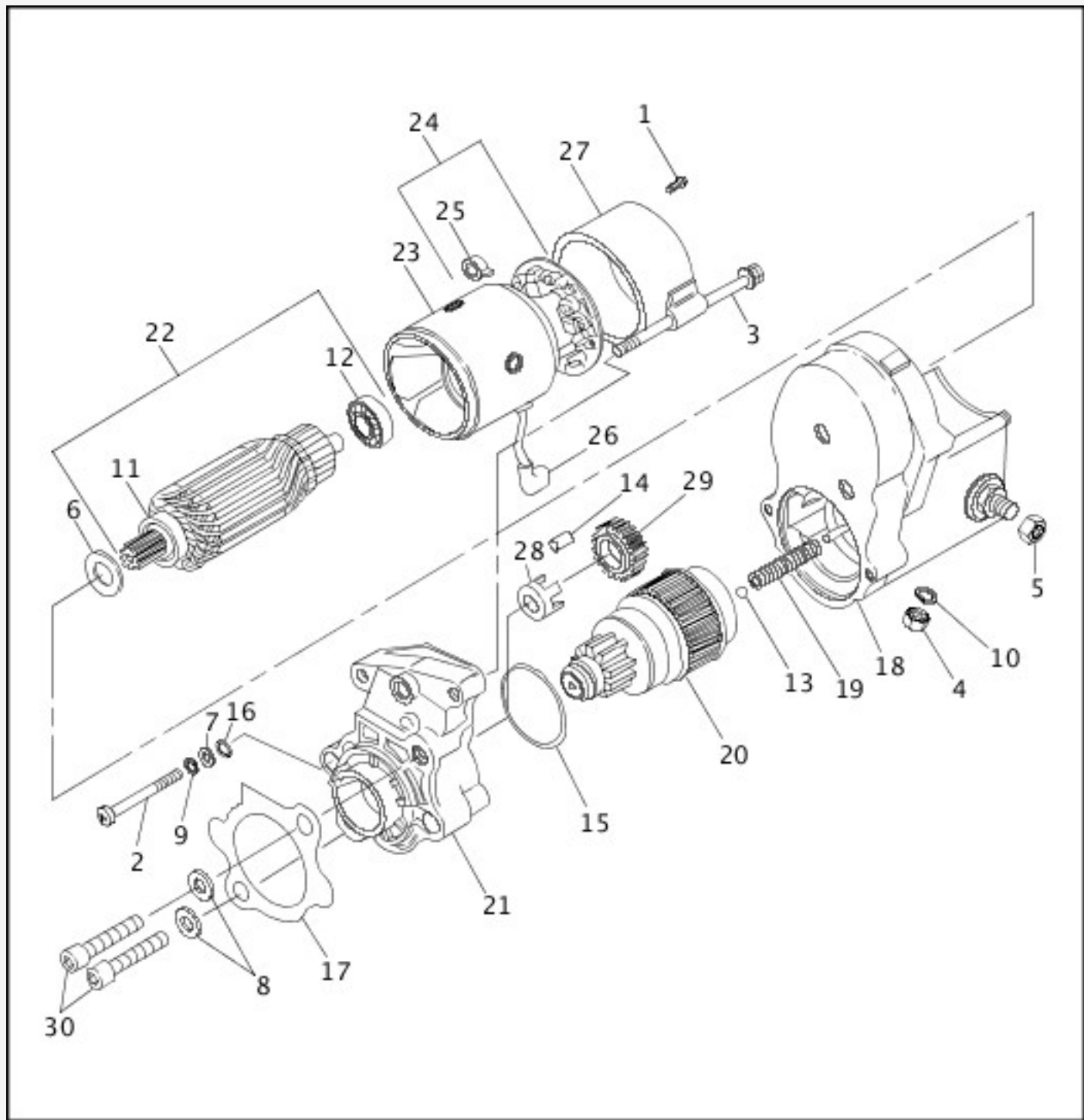
INDEX NO.	PART NO.	DESCRIPTION	MODEL(S)
1	2720	SCREW (4)	ALL
2	3787	BOLT (2)	ALL
3	7124	LOCKWASHER (2)	ALL
4	7229W	LOCKWASHER (2)	ALL
5	7688	NUT (2)	ALL
6	10065	STRAP, cable	ALL
7	29967-89C	STATOR	ALL
8	32413-92C	ROTOR	ALL
9	41191-74A	SCREW (4)	ALL
10	74523-91	REGULATOR	XL1200 1991, XL883 1991, XL883DLX 1991, XL883HUG 1991

ELECTRONIC IGNITION SYSTEM
[View interactive image](#)
[View interactive table](#)

INDEX NO.	PART NO.	DESCRIPTION	MODEL(S)
1	2339	BOLT (2)	ALL
2	1601	SCREW (2)	ALL
3	2611C	BOLT	ALL
4	3993	BOLT (2)	XL883 1991, XL883 1992
5	6716	WASHER (2)	ALL
6	7036	WASHER (2)	ALL

7	74536-77A	PIN, ignition module (7)	ALL
	74539-83A	PIN, ignition sensor (3)	ALL
8	7624	LOCKNUT (2)	ALL
9	7629	NUT (2)	ALL
10	8699	POP RIVET (2)	ALL
11	10006	CABLE STRAP	ALL
	10039	CABLE STRAP	ALL
12	11124	SEAL	ALL
13	31614-83A	SPARK COIL	ALL
14	31723-71B	BRACKET, spark coil mounting	ALL
15	31727-85	PLATE, spark coil mounting	ALL
16	31986-86A	CABLE, spark plug, 6 1/2 inches	ALL
17	31996-86B	CABLE, spark plug, 20 inches	ALL
18	32362-04A	SPARK PLUG, No. 6R12 (0.040 gap) (2)	ALL
19	32400-80B	SENSOR ASSEMBLY	ALL
20	32402-83	TRIGGER ROTOR	ALL
21	32410-91B	IGNITION MODULE	XL883 1991, XL883 1992
	32433-91A	IGNITION MODULE	XL1200 1991, XL1200 1992
	32433-91A	IGNITION MODULE (Swiss)	XL883 1991, XL883 1992
22	32504-80A	INNER COVER	ALL
23	32506-90	COVER, timer	ALL
24	32591-80	GASKET, ignition	ALL
25	32606-82	STUD, timer plate (2)	ALL

STARTER MOTOR - 883



[View interactive image](#)

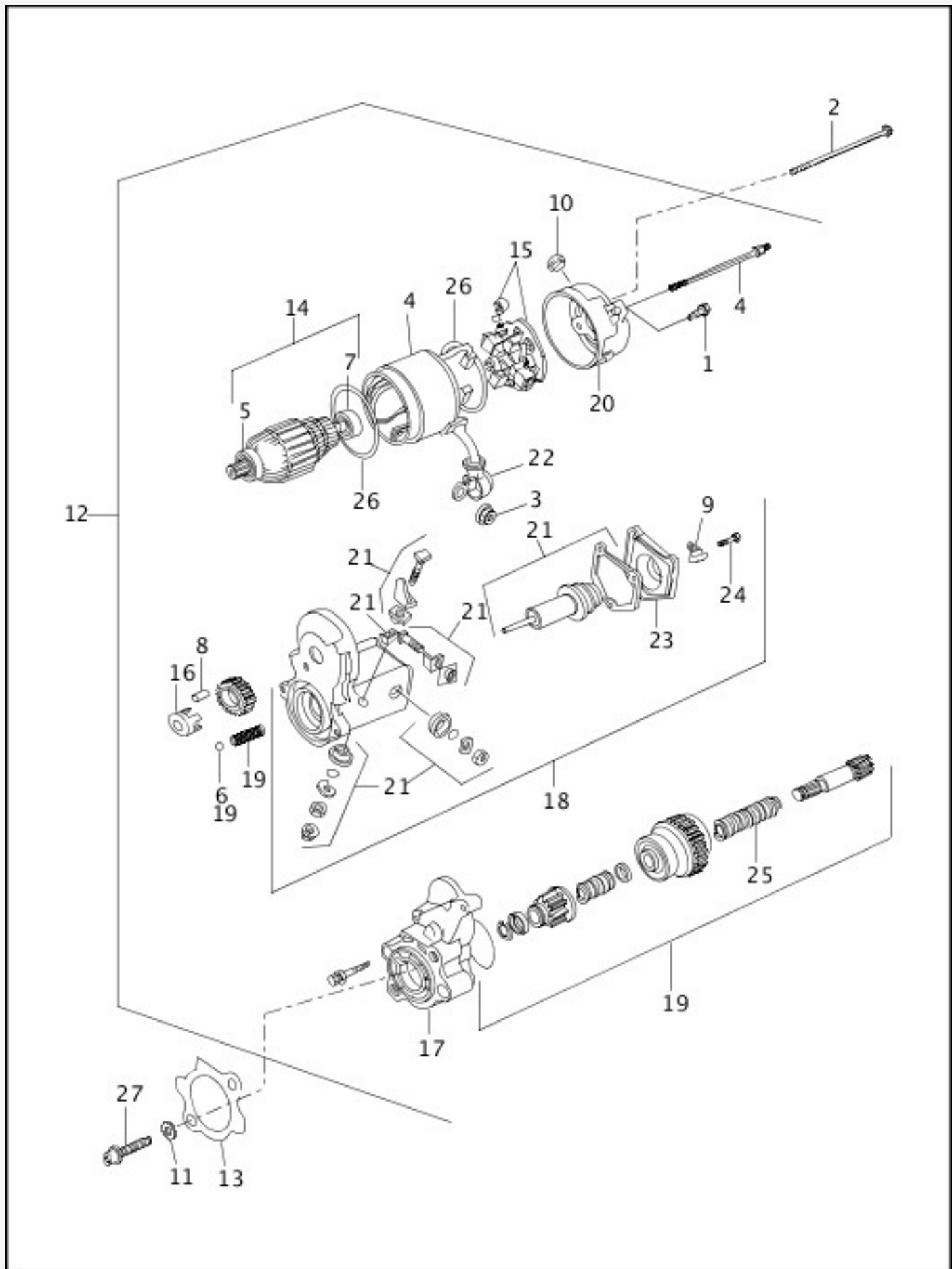
[View interactive table](#)

INDEX NO.	PART NO.	DESCRIPTION	MODEL(S)
1	910	SCREW (2)	XL883 1991, XL883 1992
2	917	SCREW (2)	XL883 1991, XL883 1992
3	3401	BOLT (2)	XL883 1991, XL883 1992
4	3402	NUT	XL883 1991, XL883 1992
5	3403	LOCKNUT	XL883 1991, XL883 1992
6	6005	WASHER, felt	XL883 1991, XL883 1992
7	6239	WASHER (2)	XL883 1991, XL883 1992
8	6812	WASHER (2)	XL883 1991, XL883 1992

9	7036	WASHER (2)	XL883 1991, XL883 1992
10	7041	LOCKWASHER	XL883 1991, XL883 1992
11	8877	BALL BEARING	XL883 1991, XL883 1992
12	8878	BALL BEARING	XL883 1991, XL883 1992
13	8879	BALL	XL883 1991, XL883 1992
14	9077	ROLLER, bearing (5)	XL883 1991, XL883 1992
15	10957	O-RING, starter housing	XL883 1991, XL883 1992
16	11171	O-RING (2)	XL883 1991, XL883 1992
17	31488-81C	GASKET, starter motor	XL883 1991, XL883 1992
18	31546-81	SWITCH ASSEMBLY, magnetic	XL883 1991, XL883 1992
19	31557-81	SPRING, compression	XL883 1991, XL883 1992
20	31567-81	CLUTCH ASSEMBLY, starter	XL883 1991, XL883 1992
21	31574-81	HOUSING, starter	XL883 1991, XL883 1992
22	31590-81	ARMATURE ASSEMBLY	XL883 1991, XL883 1992
23	31591-81	YOKE ASSEMBLY, starter	XL883 1991, XL883 1992
24	31592-81	BRUSH HOLDER ASSEMBLY	XL883 1991, XL883 1992
25	31593-81	SPRING, brush (4)	XL883 1991, XL883 1992
26	31594-81	CAP, starter terminal (rubber)	XL883 1991, XL883 1992
27	31595-81	FRAME, starter end	XL883 1991, XL883 1992
28	31597-81	RETAINER, roller	XL883 1991, XL883 1992
29	31598-89	PINION	XL883 1991, XL883 1992
30	45902-00	SCREW, starter mounting (2)	XL883 1991, XL883 1992
31	31596-85	BRUSHES, set (not illustrated)	XL883 1991, XL883 1992

FOR COMPLETE STARTER REPLACEMENT, USE 31390-91A

STARTER MOTOR - 1200 MODEL



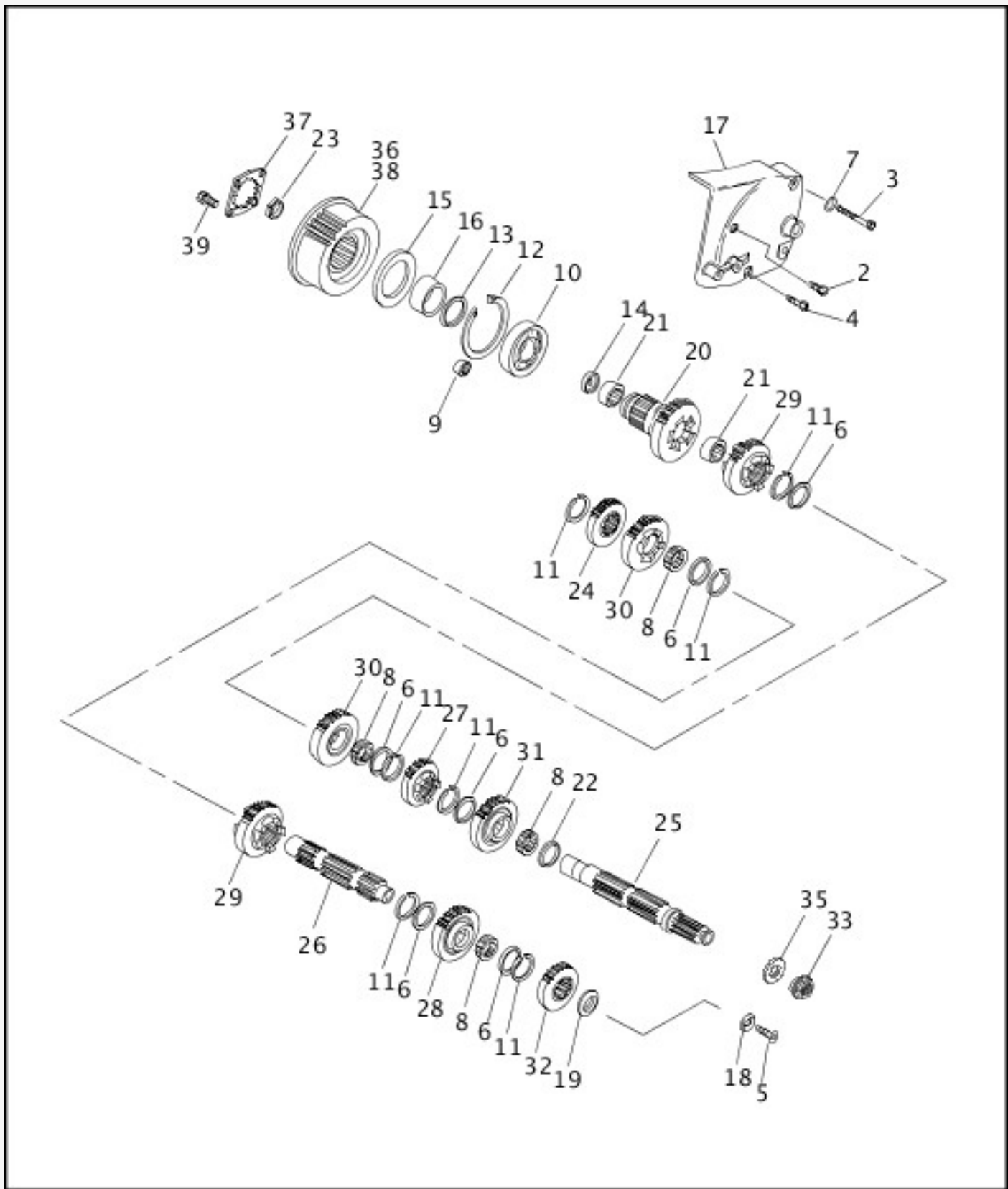
[View interactive image](#)

[View interactive table](#)

INDEX NO.	PART NO.	DESCRIPTION	MODEL(S)
1	929A	SCREW (2)	XL1200 1991, XL1200 1992
2	3350	BOLT, through	XL1200 1991, XL1200 1992
3	3403	LOCKNUT	XL1200 1991, XL1200 1992

4	31514-90	YOKE ASSEMBLY	XL1200 1991, XL1200 1992
5	8871	BALL BEARING	XL1200 1991, XL1200 1992
6	8879	BALL	XL1200 1991, XL1200 1992
7	8883	BALL BEARING	XL1200 1991, XL1200 1992
8	9077	CLUTCH ROLLER (5)	XL1200 1991, XL1200 1992
9	31693-90	CLIP, cord	XL1200 1991, XL1200 1992
10	31322-91	COVER	XL1200 1991, XL1200 1992
11	6812	WASHER (2)	XL1200 1991, XL1200 1992
12	31390-91A	STARTER MOTOR, complete	XL1200 1991, XL1200 1992
13	31488-81C	GASKET, starter motor	XL1200 1991, XL1200 1992
14	31515-90	ARMATURE ASSEMBLY, w/ 8871 & 8883	XL1200 1991, XL1200 1992
15	31518-90	HOLDER ASSEMBLY, starter brush	XL1200 1991, XL1200 1992
16	31530-90	RETAINER, idler	XL1200 1991, XL1200 1992
17	31539-91	HOUSING ASSEMBLY	XL1200 1991, XL1200 1992
18	31540-91	SWITCH ASSEMBLY, magnetic	XL1200 1991, XL1200 1992
19	31556-91D	CLUTCH SUB-ASSEMBLY	XL1200 1991, XL1200 1992
20	31599-91	FRAME, starter end	XL1200 1991, XL1200 1992
21	31603-91	REPAIR KIT, starter solenoid	XL1200 1991, XL1200 1992
22	31555-90	CAP TERMINAL (rubber)	XL1200 1991, XL1200 1992
23	31688-90	COVER, solenoid	XL1200 1991, XL1200 1992
24	31689-90	BOLT, w/ washer (3)	XL1200 1991, XL1200 1992
25	31330-91	SPRING	XL1200 1991, XL1200 1992
26	31695-90	O-RING, yoke (2)	XL1200 1991, XL1200 1992
27	45902-00	SCREW (2)	XL1200 1991, XL1200 1992

TRANSMISSION GEARS



[View interactive image](#)

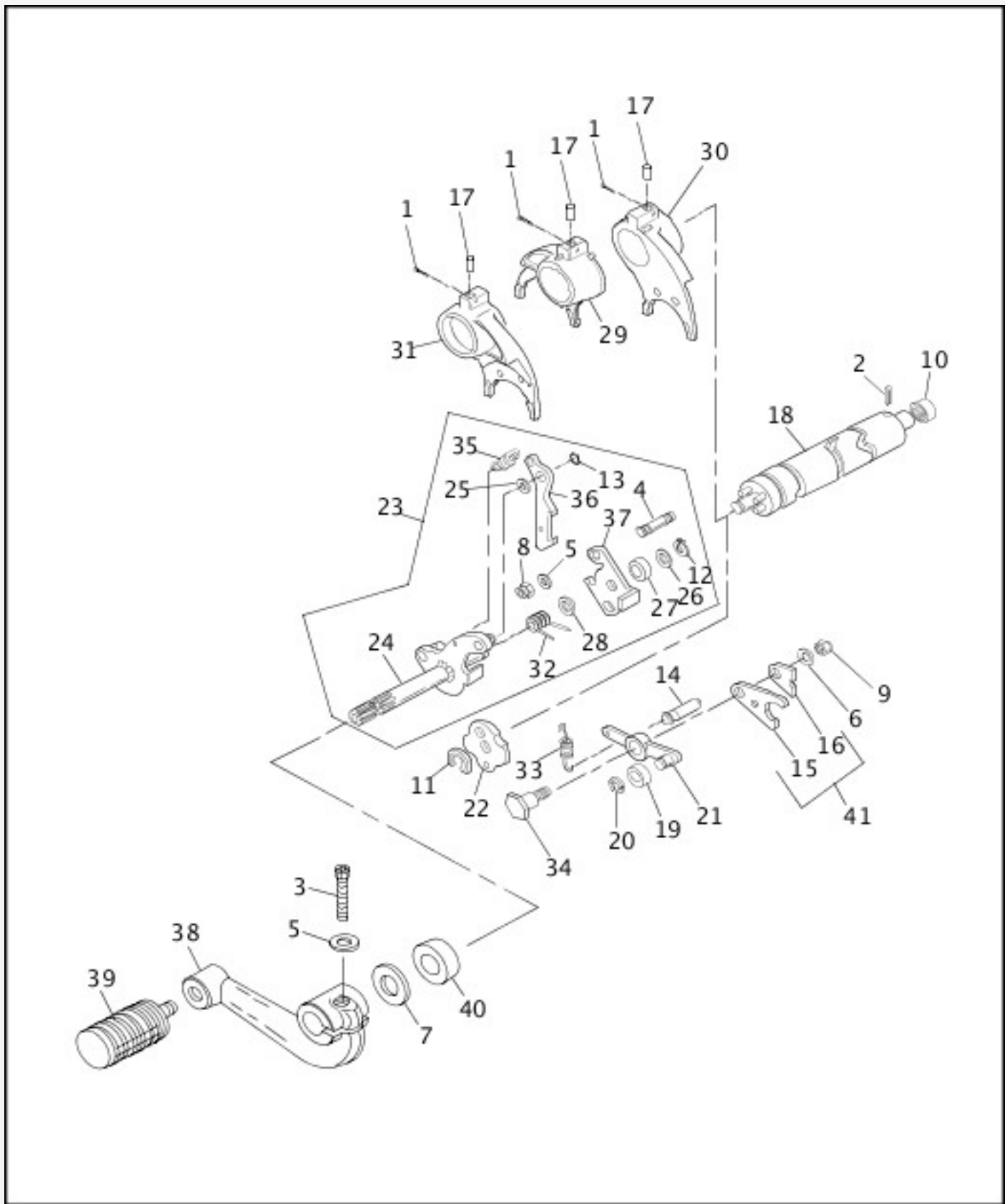
[View interactive table](#)

INDEX NO.	PART NO.	DESCRIPTION	MODEL(S)
1	857A	SCREW (not illustrated)	XL1200 1991, XL1200 1992, XL883 1991, XL883 1992, XL883DLX 1991, XL883HUG 1991, XL883HUG 1992
2	4820A	SCREW	ALL
3	3478A	SCREW	ALL
4	3480A	SCREW	ALL
5	3675	SCREW	ALL

6	6003	WASHER (6)	ALL
7	6099	WASHER (3)	ALL
8	8876A	BEARING (4)	ALL
9	8977	BEARING, closed end	ALL
10	8996A	BEARING, ball	ALL
11	11067	RETAINING RING (7)	ALL
12	11161	RETAINING RING	ALL
13	11165	QUAD SEAL	ALL
14	12030	OIL SEAL	ALL
15	12050	OIL SEAL	ALL
16	33334-85	SPACER	ALL
17	34911-91A	SPROCKET COVER	ALL
18	35020-89	RETAINER, countershaft	ALL
19	35022-89A	SPACER	ALL
20	35034-89A	GEAR ASSEMBLY, w/ 14 & 21, fifth-mainshaft	ALL
21	35051-89A	BEARING, needle (2)	ALL
22	35063-89	SPACER	ALL
23	35211-36	NUT, sprocket	XL1200 1991, XL883 1991, XL883DLX 1991, XL883HUG 1991
	35211-91B	NUT, sprocket	XL1200 1992, XL883 1992, XL883DLX 1992, XL883HUG 1992
24	35633-89A	GEAR, fifth-countershaft	ALL
25	35640-89	MAINSHAFT	ALL
26	35641-89	COUNTERSHAFT	ALL
27	35762-89A	GEAR, first-mainshaft	ALL

28	35763-89A	GEAR, first-countershaft	ALL
29	35771-89A	GEAR, second-mainshaft, third-countershaft (2)	ALL
30	35772-89A	GEAR, third-mainshaft, second-countershaft (2)	ALL
31	35773-89A	GEAR, fourth-mainshaft	ALL
32	35775-89A	GEAR, fourth-countershaft	ALL
33	37495-91	NUT, mainshaft	ALL
34	37709-89	SPROCKET, 21T (chain) (not illustrated)	XL1200 1991, XL1200 1992, XL883 1991, XL883 1992, XL883HUG 1991, XL883HUG 1992
35	37870-91	SPRING WASHER	ALL
36	40202-91B	SPROCKET KIT, 29T (belt) w/ 23, 38 & 39	XL1200 1991
	40205-92	SPROCKET KIT, 29T (belt) w/ 23, 38 & 39	XL1200 1992
37	40251-92A	LOCK PLATE	XL1200 1992, XL883DLX 1992
38	40285-91B	SPROCKET, 27T (belt)	XL883DLX 1991
	40288-92	SPROCKET, 27T (belt)	XL883DLX 1992
39	3594	SCREW (2)	XL1200 1992, XL883DLX 1992

SHIFTER



[View interactive image](#)

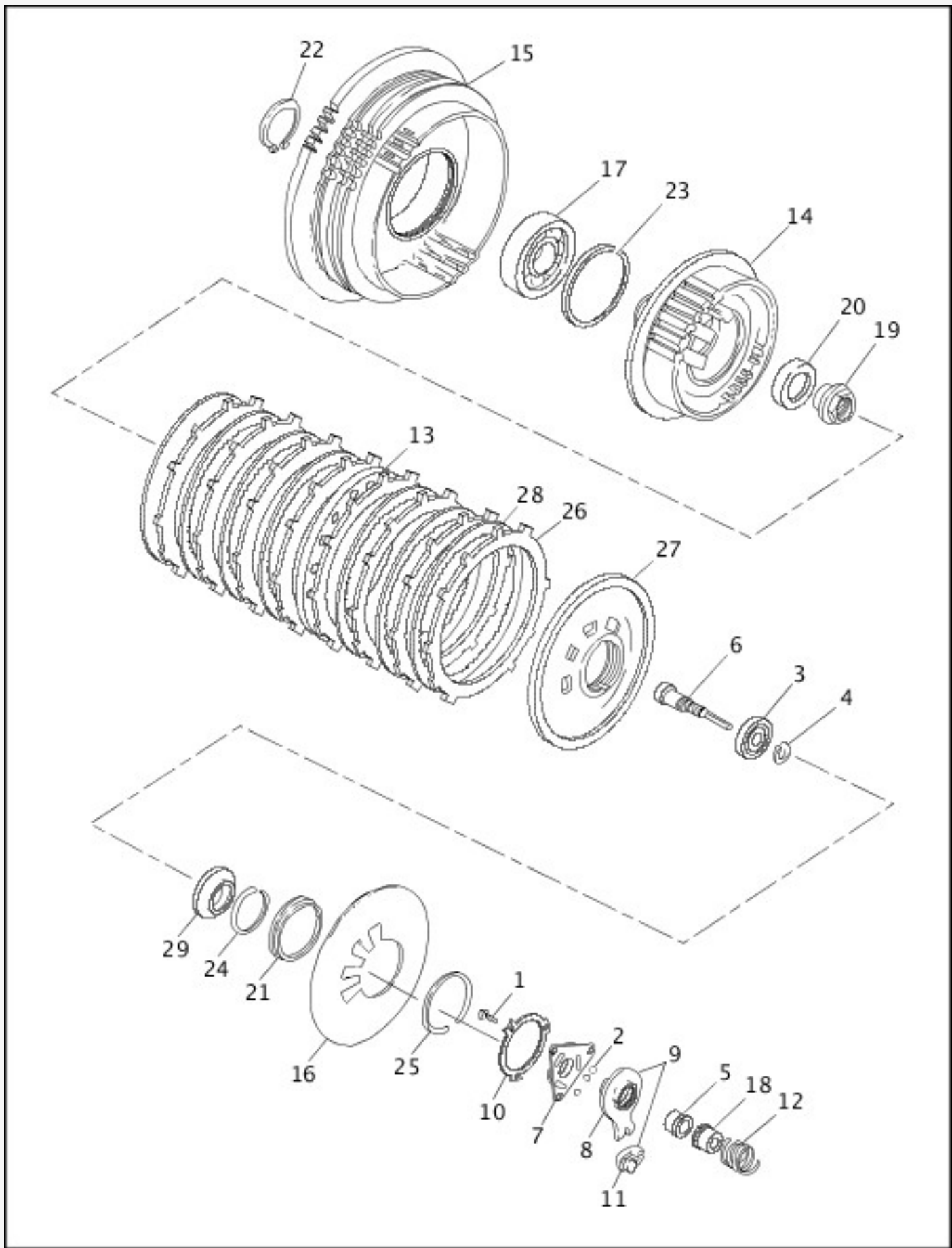
[View interactive table](#)

INDEX NO.	PART NO.	DESCRIPTION	MODEL(S)
1	515	COTTER PIN (3)	ALL
2	601	ROLL PIN	ALL
3	94313-91TS	SCREW	ALL
4	5226B	STUD (2)	ALL
5	6016	WASHER, detent arm (2)	ALL

6	6099	WASHER, lever (3)	ALL
7	7019	WASHER, rubber	ALL
8	7683	LOCKNUT (2)	ALL
9	7710W	LOCKNUT, detent arm	ALL
10	9151	BEARING, closed end	ALL
11	11019	RETAINING RING	ALL
12	11031	RETAINING RING	ALL
13	11185	RETAINING RING	ALL
14	24530-90	PIN, spring	ALL
15	33178-90B	PLATE, shift drum	ALL
16	33204-91	PLATE, shift drum	ALL
17	33319-90	ROLLER (3)	ALL
18	33634-91A	SHIFTER DRUM ASSEMBLY, w/ 601	ALL
19	33652-90	ROLLER, detent	ALL
20	33653-90	RETAINING RING	ALL
21	33655-90	DETENT ARM	ALL
22	33656-90A	PLATE, detent	ALL
23	34014-91	SHIFTER SHAFT ASSEMBLY, w/ 12, 13, 24-28, 32, 35-37	ALL
24	34015-91	SHIFTER SHAFT	ALL
25	34073-91	SPACER, pawl	ALL
26	34075-89	WASHER	ALL
27	34076-89	BUSHING	ALL
28	34077-91	WASHER	ALL
29	34142-89C	SHIFTER FORK, first & second	ALL
30	34144-89C	SHIFTER FORK, third & fifth	ALL
31	34147-89C	SHIFTER FORK, fourth	ALL
32	34481-91A	SPRING	ALL
33	34483-90	SPRING	ALL
34	34486-90	SCREW, detent arm	ALL
35	34491-91	SPRING	ALL

36	34492-91	SHIFTER PAWL	ALL
37	34560-91	BASEPLATE	ALL
38	34606-90	SHIFT LEVER, foot	ALL
39	34611-65A	SHIFTER PEG	ALL
40	11000101	OIL SEAL	ALL
41	33178-90B	SHIFTER PLATE KIT, w/ 33178-90B & 33204-91	ALL

CLUTCH



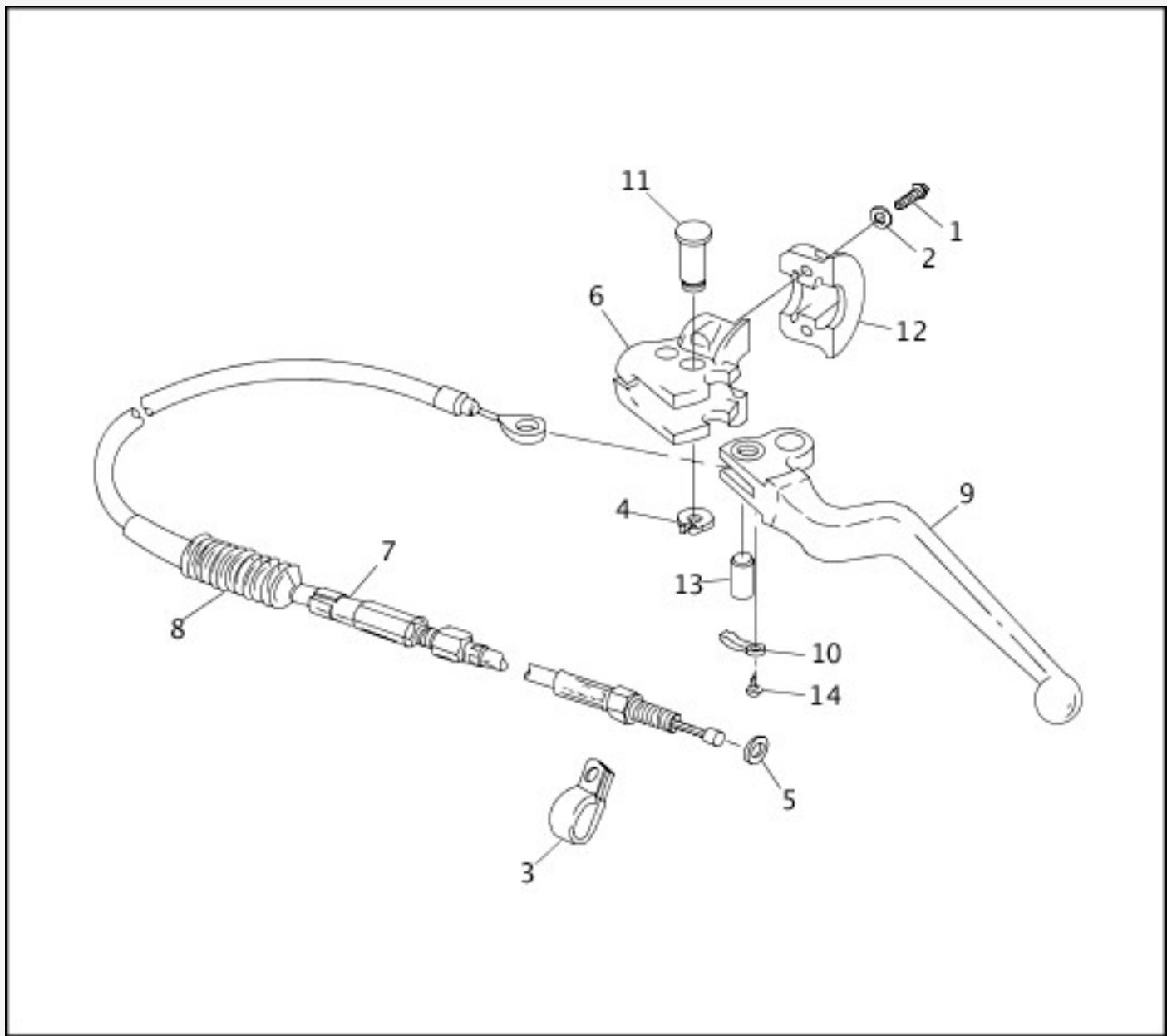
[View interactive image](#)

[View interactive table](#)

INDEX NO.	PART NO.	DESCRIPTION	MODEL(S)
1	3583	SCREW (3)	ALL
2	8873	BALL (3)	ALL
3	8885	BEARING	ALL

4	11046	RETAINING RING	ALL
5	11730A	WELL NUT	ALL
6	11735B	ADJUSTMENT SCREW	ALL
7	25408-84	RAMP, inner	ALL
8	25409-86A	RAMP, outer	ALL
9	25409-84A	RAMP & COUPLING KIT	ALL
10	25448-84	LOCKPLATE	ALL
11	34920-86A	COUPLING, clutch cable	ALL
12	36715-84	SPRING, clutch adjustment	ALL
13	37977-90	SPRING PLATE	ALL
14	36785-91	CLUTCH HUB	ALL
15	36790-91	CLUTCH SHELL & SPROCKET, w/ 17 & 23	ALL
16	36792-91	SPRING, diaphragm	ALL
17	36799-91	BALL BEARING	ALL
18	36802-84B	LOCKPLATE, well type	ALL
19	37495-91	NUT, main shaft	ALL
20	37870-91	SPRING WASHER	ALL
21	37872-90	SEAT, spring, inner	ALL
22	37904-90	RETAINING RING	ALL
23	37905-90	RETAINING RING	ALL
24	37908-90	RETAINING RING	ALL
25	37909-90	RETAINING RING	ALL
26	37911-90	FRICTION PLATE, paper (8)	ALL
27	37912-91	PRESSURE PLATE	ALL
28	37913-90	STEEL PLATE (6)	ALL
29	36731-91	RELEASE PLATE	ALL

CLUTCH CONTROL



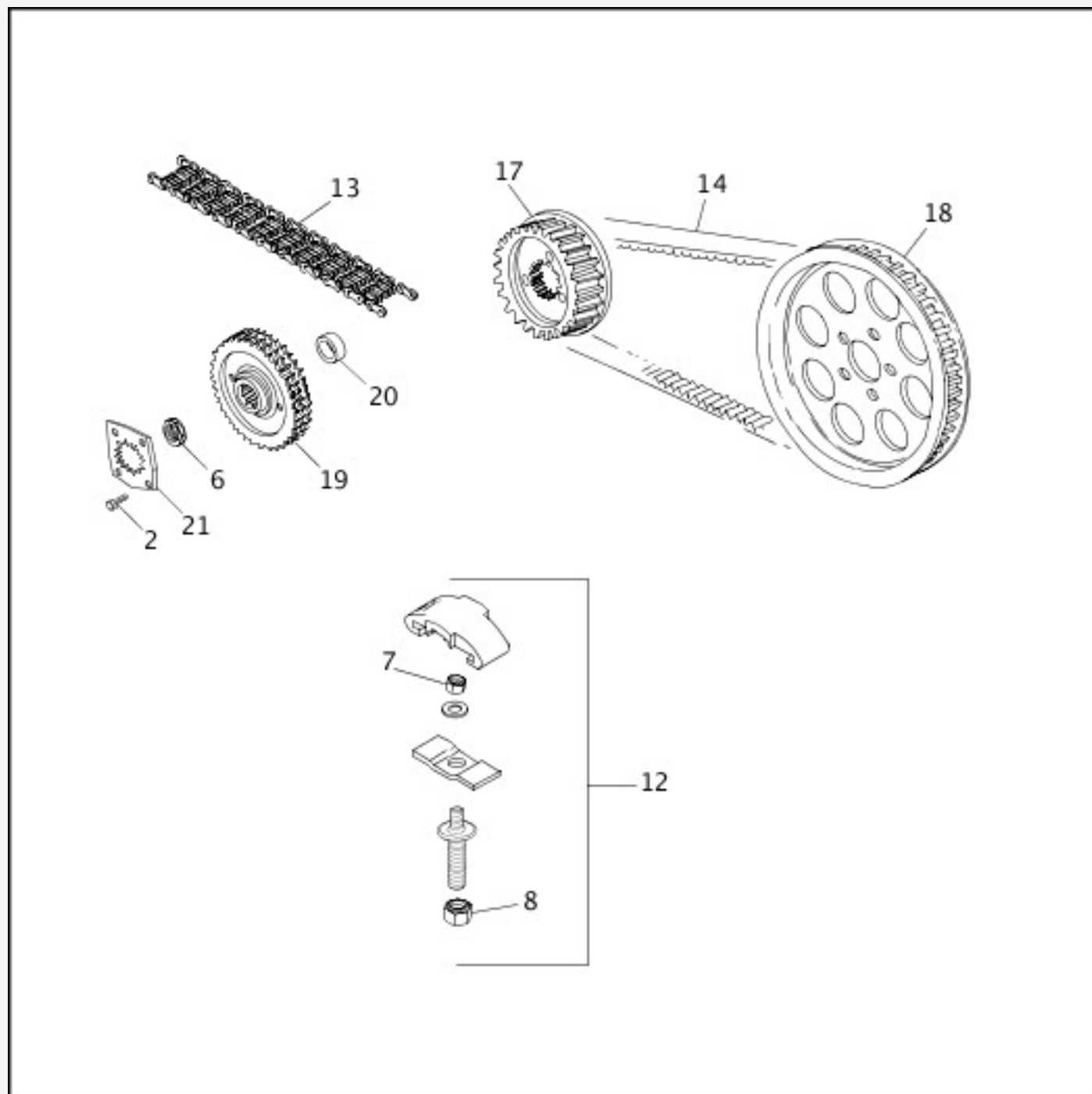
[View interactive image](#)

[View interactive table](#)

INDEX NO.	PART NO.	DESCRIPTION	MODEL(S)
1	4015	SCREW (2)	ALL
2	6099	WASHER (2)	ALL
3	10003	CLIP	ALL
4	11143	RETAINING RING	ALL
5	11179	O-RING	ALL
6	38608-82B	BRACKET, clutch lever	ALL
7	38619-86A	CABLE ASSEMBLY	XL1200 1991, XL1200 1992, XL883 1991, XL883 1992, XL883DLX 1991
	38621-86A	CABLE ASSEMBLY	XL1200 1991, XL1200 1992, XL883DLX 1992, XL883HUG 1991, XL883HUG 1992

8	38630-88	BOOT, clutch cable	ALL
9	45017-88A	HAND LEVER	ALL
10	45021-86	SPRING, anti-rattle	ALL
11	45032-82	PIVOT PIN	ALL
12	45044-82	CLAMP, clutch control	ALL
13	45036-88	PIN, clutch cable	ALL
14	90770-79	SCREW, spring, clutch lever	XL1200 1991, XL883 1991, XL883DLX 1991, XL883HUG 1991

BELTS, CHAINS & SPROCKETS

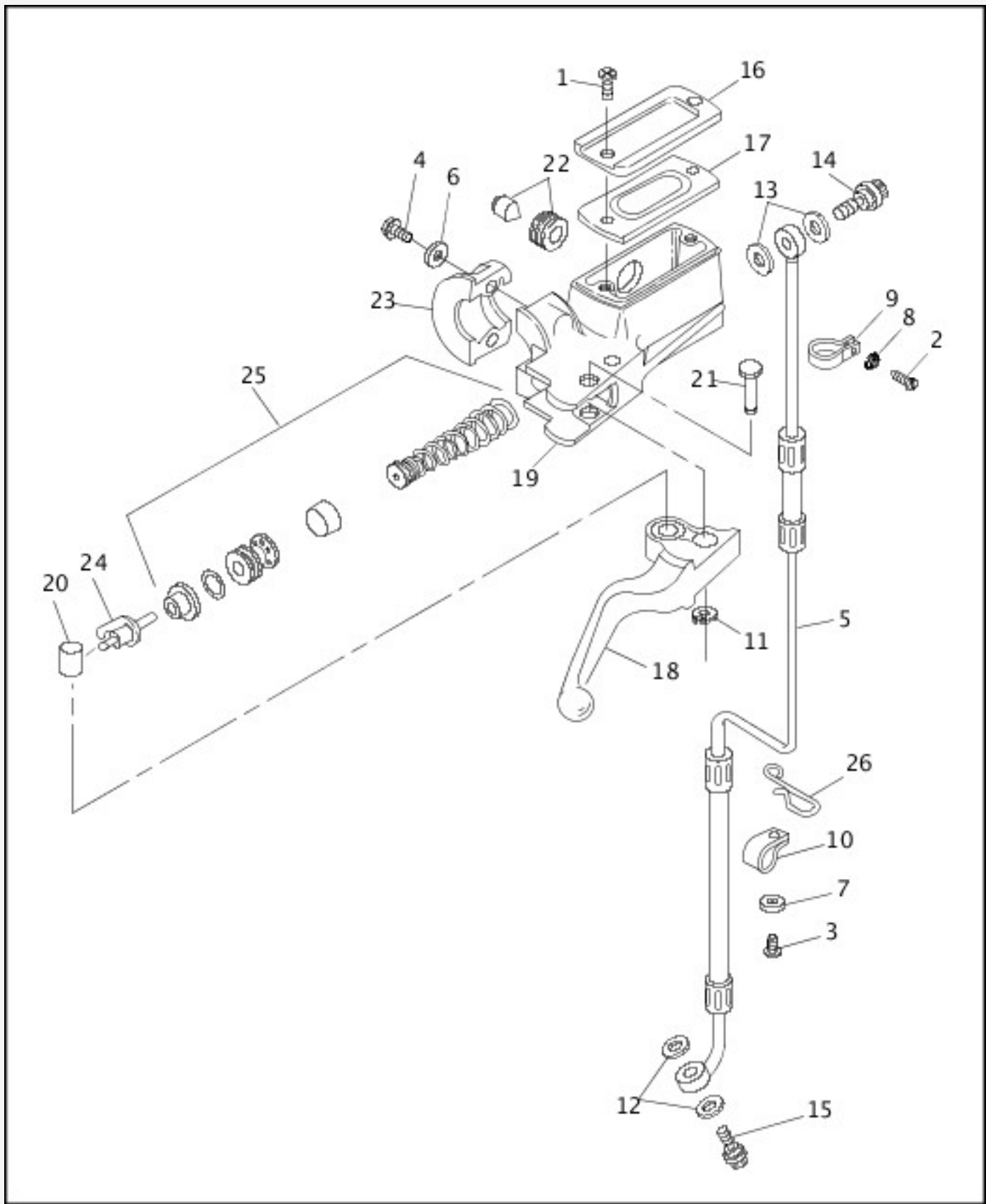


[View interactive image](#)

INDEX NO.	PART NO.	DESCRIPTION	MODEL(S)
1	857A	SCREW (not illustrated)	XL1200 1991, XL1200 1992, XL883 1991, XL883 1992, XL883DLX 1991, XL883HUG 1991, XL883HUG 1992
2	3494A	BOLT (2)	XL1200 1992, XL883DLX 1992
3	3769	BOLT (not illustrated) (5)	ALL
4	5784	SPACER (not illustrated)	ALL
5	6516HW	WASHER (not illustrated) (5)	XL1200 1991, XL1200 1992, XL883DLX 1991, XL883DLX 1992
6	7652	NUT, engine sprocket	ALL
7	7667	NUT	ALL
8	7804	LOCKNUT, sealing	ALL
9	7827W	LOCKNUT, laced wheel (not illustrated) (5)	ALL
10	35211-36	NUT, transmission sprocket (not illustrated)	XL1200 1991, XL883 1991, XL883DLX 1991, XL883HUG 1991
	36211-91	NUT, transmission sprocket (not illustrated)	XL1200 1992, XL883 1992, XL883DLX 1992, XL883HUG 1992
11	37709-89	SPROCKET, transmission, 21T (chain) (not illustrated)	XL1200 1991, XL1200 1992, XL883 1991, XL883 1992, XL883HUG 1991, XL883HUG 1992
12	39970-91	SHOE ASSEMBLY	ALL
13	40005-57B	PRIMARY CHAIN	ALL
14	40022-91	BELT, 128T	XL1200 1991, XL1200 1992, XL883DLX 1991, XL883DLX 1992
	40038-91	BELT, 125T (Swiss)	XL883DLX 1991, XL883DLX 1992
	40038-91	BELT, 125T (HDI & Swiss)	XL1200 1991, XL1200 1992
15	40024-89A	REAR CHAIN, O-RING (Swiss) (not illustrated)	XL1200 1991, XL1200 1992, XL883 1991, XL883 1992, XL883HUG 1991, XL883HUG 1992
	40032-91	REAR CHAIN, O-RING (HDI) (not illustrated)	XL1200 1991, XL1200 1992, XL883 1991, XL883 1992, XL883HUG 1991, XL883HUG 1992
	40028-15E	REAR CHAIN (Duckworth) 110 pitch (not illustrated)	XL1200 1991, XL883 1991, XL883HUG 1991
	40029-	REAR CHAIN (Diamond) 110 pitch	XL1200 1991, XL883 1991, XL883HUG 1991

	15E	(not illustrated)	
16	40020-84	CONNECTING LINK, rear chain (o-ring) (HDI) (not illustrated)	XL1200 1991, XL883 1991, XL883HUG 1991
16	40020-84	CONNECTING LINK, rear chain (not illustrated)	XL1200 1992, XL883 1992, XL883HUG 1992
	40052-65	CONNECTING LINK, rear chain (Diamond) (not illustrated)	XL1200 1991, XL883 1991, XL883HUG 1991
	40053-65	CONNECTING LINK, rear chain (Duckworth) (not illustrated)	XL1200 1991, XL883 1991, XL883HUG 1991
17	40205-95	SPROCKET KIT, transmission, 29T (belt)	XL1200 1991, XL1200 1992
	40285-91B	SPROCKET KIT, transmission, 27T (belt)	XL883DLX 1991
	40288-92	SPROCKET KIT, transmission, 27T (belt)	XL883DLX 1992
18	40213-91	SPROCKET, rear wheel, 61T (belt)	XL1200 1991, XL1200 1992, XL883DLX 1991, XL883DLX 1992
	40252-91	SPROCKET, rear wheel, 55T (belt) (Swiss)	XL883DLX 1991, XL883DLX 1992
	40252-91	SPROCKET, rear wheel, 55T (belt) (Swiss & HDI)	XL1200 1991, XL1200 1992
19	40235-89B	ENGINE SPROCKET, 35T	ALL
20	40240-89	SPACER, sprocket	ALL
21	40251-92A	LOCK PLATE	XL1200 1992, XL883DLX 1992
22	41470-86T	SPROCKET, rear wheel, 48T (chain) (not illustrated)	XL1200 1991, XL1200 1992, XL883 1991, XL883 1992, XL883HUG 1991, XL883HUG 1992
	41482-89	SPROCKET, rear wheel, 40T (chain) (Swiss) (not illustrated)	XL1200 1991, XL1200 1992, XL883 1991, XL883 1992, XL883HUG 1991, XL883HUG 1992

FRONT BRAKE CONTROL



[View interactive image](#)

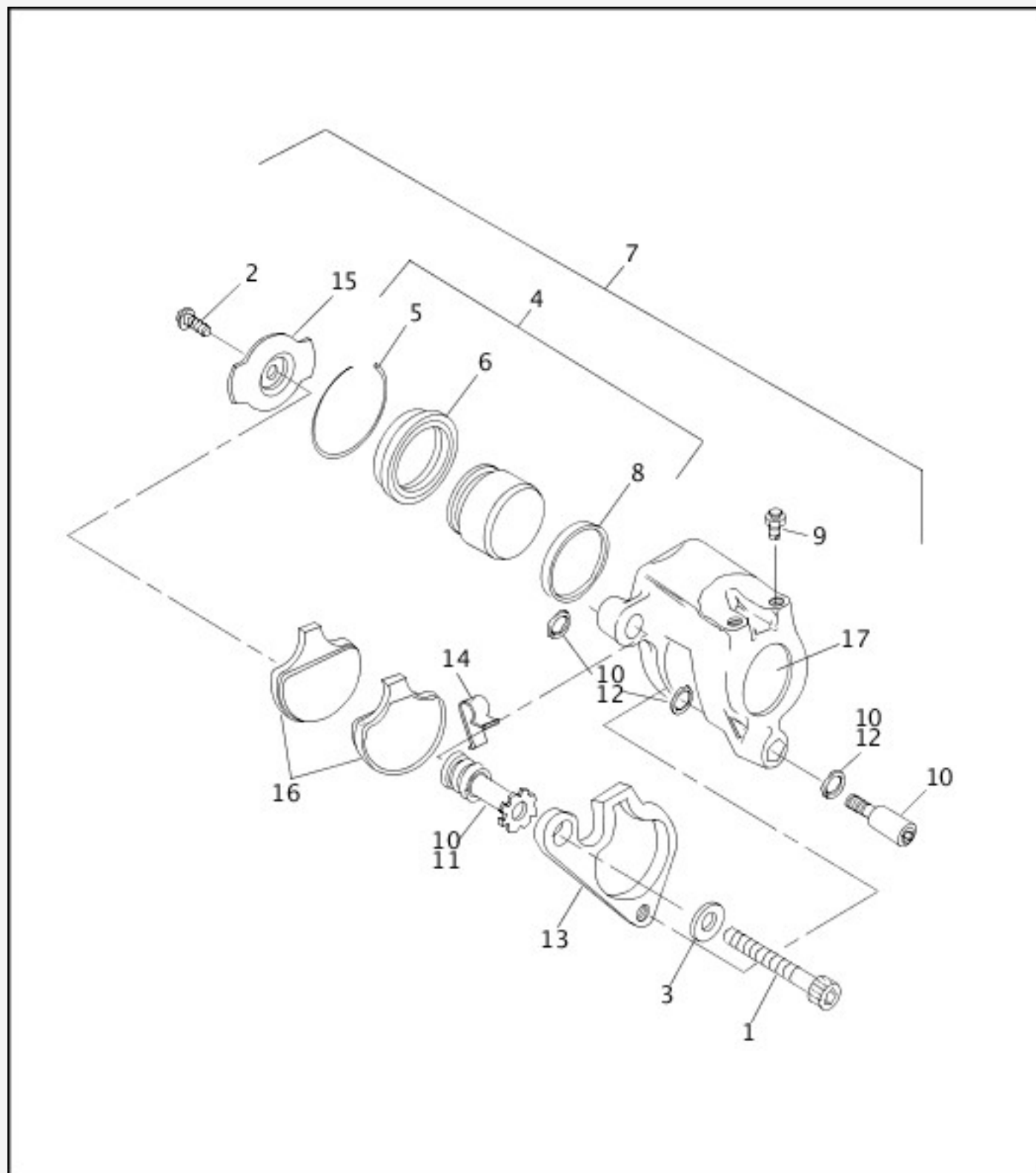
[View interactive table](#)

INDEX NO.	PART NO.	DESCRIPTION	MODEL(S)
1	2579A	SCREW (2)	ALL
2	2662W	SCREW	ALL
3	3594	SCREW	ALL
4	4015	SCREW (2)	ALL

5	45121-88C	BRAKE LINE, front	XL1200 1991, XL1200 1992, XL883DLX 1992, XL883HUG 1991, XL883HUG 1992
	45121-96A	BRAKE LINE, front	XL1200 1991, XL1200 1992, XL883 1991, XL883 1992, XL883DLX 1991
6	6099	WASHER (2)	ALL
7	6703	WASHER	ALL
8	7220	LOCKWASHER	ALL
9	10031	CLAMP	ALL
10	10053	CLAMP	ALL
11	11143	RETAINING RING, external	ALL
12	41731-88A	GASKET, caliper (2)	ALL
13	41733-88	GASKET, master cylinder (2)	ALL
14	41739-84A	BOLT, master cylinder	ALL
15	41747-82A	BOLT, caliper	ALL
16	45004-85	COVER, master cylinder	ALL
17	45005-85	GASKET, master cylinder cover	ALL
18	45016-82A	HAND LEVER	ALL
19	45019-85A	MASTER CYLINDER ASSEMBLY, w/ hand lever	ALL
20	45031-82A	PIN, stoplight switch & pushrod	ALL
21	45032-82	PIN, hand lever	ALL
22	45042-82	FLUID LEVEL WINDOW KIT	ALL
23	45044-82	CLAMP, master cylinder	ALL
24	45051-82	PUSHROD, stoplight switch & master cylinder	ALL
25	45072-87	REPAIR KIT, master cylinder	ALL

26	45092-66A	CLAMP, clutch & speedometer cables	ALL
----	-----------	------------------------------------	-----

FRONT BRAKE CALIPER



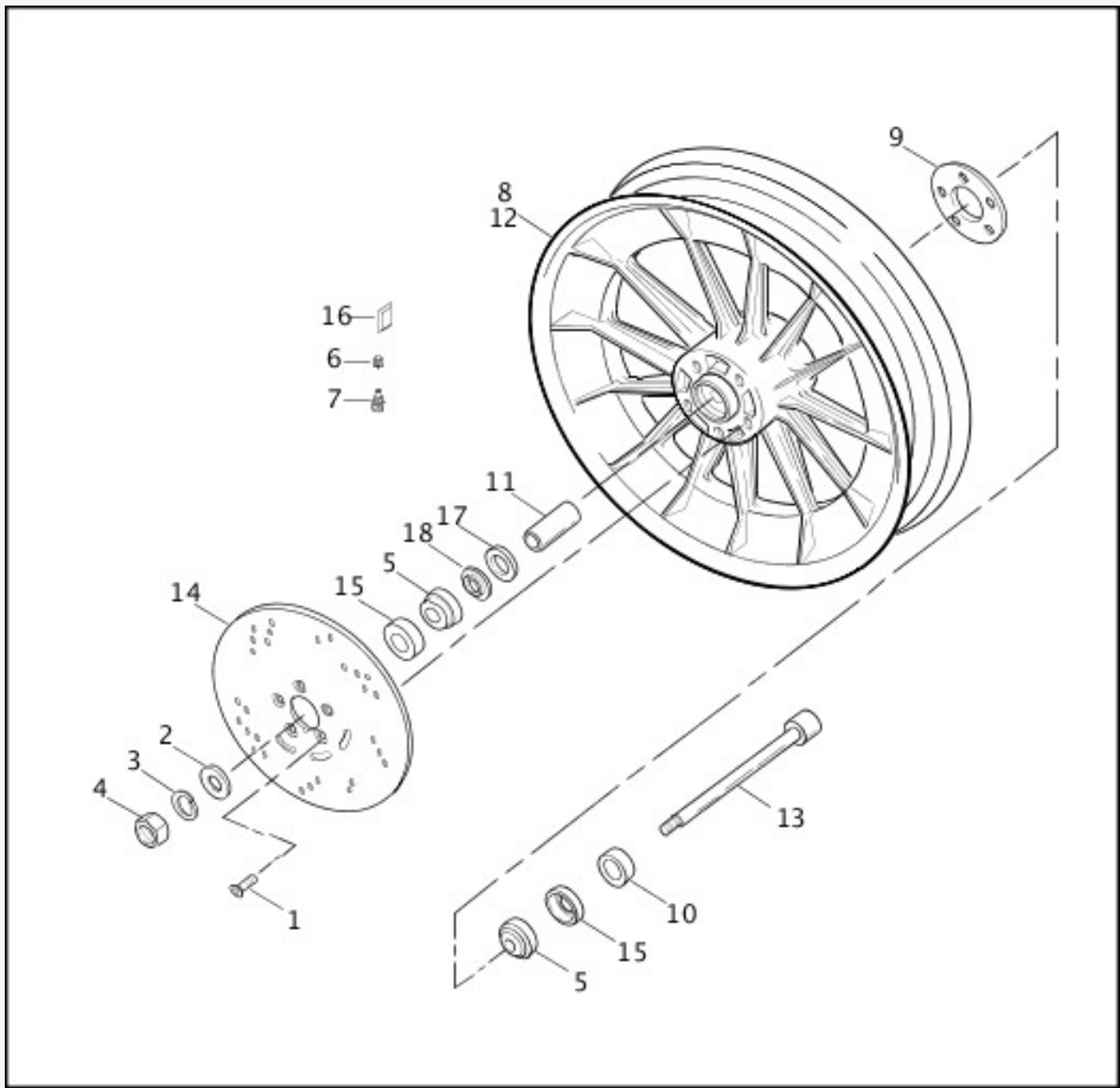
[View interactive image](#)

[View interactive table](#)

INDEX NO.	PART NO.	DESCRIPTION	MODEL(S)
1	855B	SCREW	ALL
2	3562	SCREW	ALL

3	6019	WASHER	ALL
4	44020-83A	PISTON REBUILD KIT, w/ 5, 6 & 8	ALL
5	44021-83	RETAINING RING, piston	ALL
6	44022-83	DUST BOOT, piston	ALL
7	44046-84C	CALIPER ASSEMBLY, left	ALL
8	44047-83	SEAL, piston	ALL
9	44048-83	BLEEDER FITTING	ALL
10	44053-83B	GUIDE PIN KIT, w/ 11, 12, & pins	XL1200 1991, XL883 1991, XL883DLX 1991, XL883HUG 1991
	44053-92A	GUIDE PIN KIT, w/ 11, 12, & pins	XL1200 1992, XL883 1992, XL883DLX 1992, XL883HUG 1992
11	44054-83	PIN BOOT	ALL
12	44059-83	O-RING (3)	ALL
13	44060-83A	BRACKET, caliper mounting	XL1200 1991, XL883 1991, XL883DLX 1991, XL883HUG 1991
	44072-92A	BRACKET, caliper mounting	XL1200 1992, XL883 1992, XL883DLX 1992, XL883HUG 1992
14	44061-83	SPRING CLIP	ALL
15	44062-83	RETAINING PAD	ALL
16	44063-83C	PAD SET, w/ 3562	ALL
17	44197-77	LABEL	ALL

FRONT WHEEL - CAST



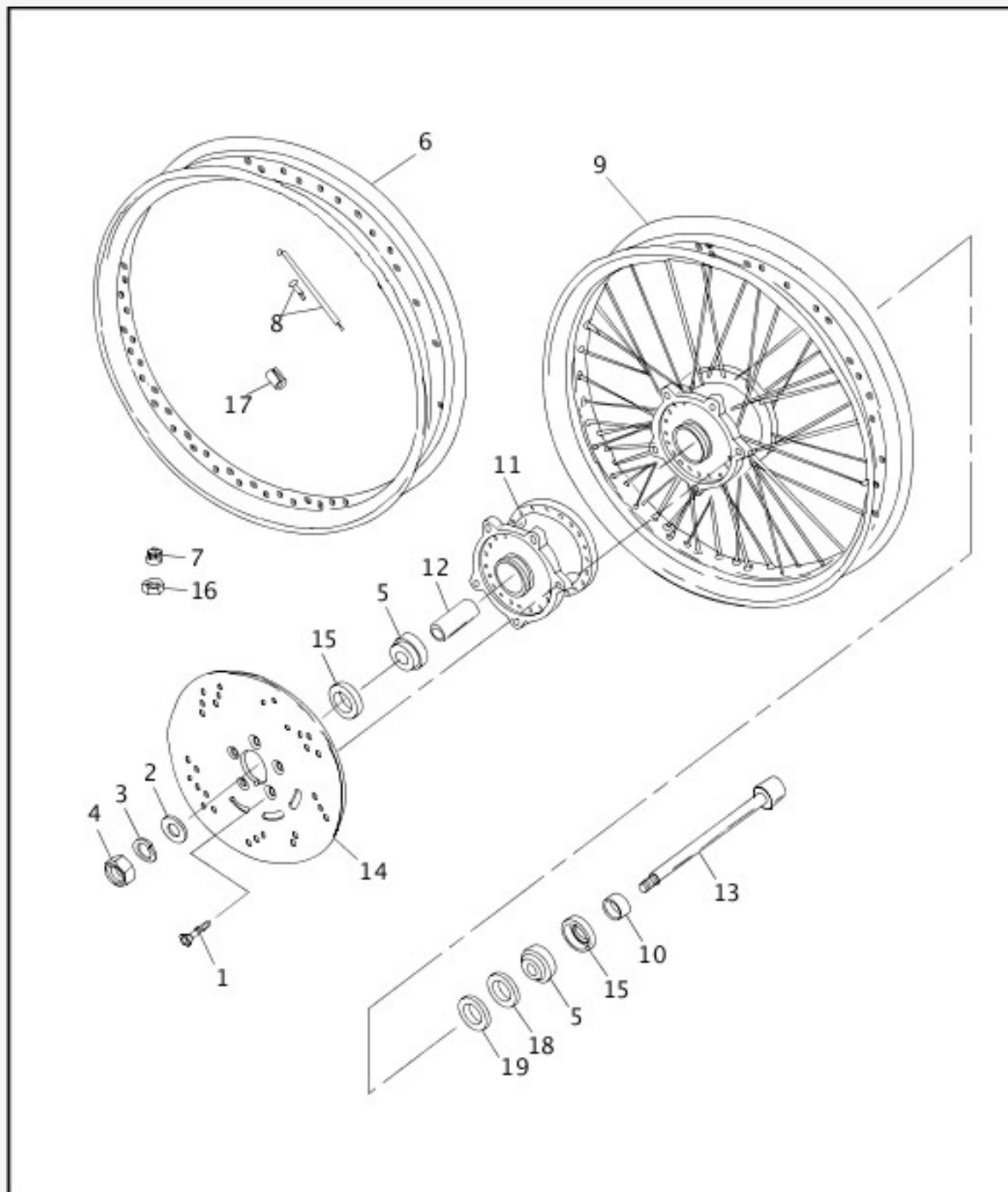
[View interactive image](#)

[View interactive table](#)

INDEX NO.	PART NO.	DESCRIPTION	MODEL(S)
1	3655A	SCREW (10)	ALL
2	6590HW	WASHER	ALL
3	7068	LOCKWASHER	ALL
4	7845	NUT	ALL
5	9052	ROLLER BEARING (2)	ALL
6	41123-79	VALVE CAP	ALL
7	43150-83	VALVE STEM, tubeless tire	ALL

8	43338-83	WHEEL ASSEMBLY, 19 inches (9 spoke) (silver)	XL883 1991, XL883 1992
9	43355-84	HUB PLATE (black) (use 43359-84)	XL1200 1991, XL1200 1992
	43359-84	HUB PLATE (silver) (replaces 43355-84)	XL883 1991, XL883 1992
10	43358-83A	SPACER, bearing	ALL
11	43613-92	SPACER	XL1200 1992, XL883 1992, XL883DLX 1992, XL883HUG 1992
	43623-78	SPACER, 2.564 inches (violet)	XL1200 1991, XL883 1991, XL883DLX 1991, XL883HUG 1991
	43624-78	SPACER, 2.550 inches (pink)	XL1200 1991, XL883 1991, XL883DLX 1991, XL883HUG 1991
	43625-78	SPACER, 2.536 inches (gold)	XL1200 1991, XL883 1991, XL883DLX 1991, XL883HUG 1991
12	43499-84	WHEEL ASSEMBLY, 19 inches (9 spoke) (black)	XL1200 1991, XL1200 1992
13	43895-87B	FRONT AXLE	ALL
14	44136-92	DISC, brake	XL1200 1991, XL1200 1992, XL883 1991, XL883 1992, XL883DLX 1991, XL883DLX 1992, XL883HUG 1991, XL883HUG 1992
15	47519-83A	OIL SEAL (2)	ALL
16	95594-84B	WHEEL WEIGHT, 5 grams (black)	XL1200 1991, XL1200 1992
	95595-84B	WHEEL WEIGHT, 5 grams (silver)	XL883 1991, XL883 1992
17	43290-82	SPACER, 0.032 thick	XL1200 1992, XL883 1992, XL883DLX 1992, XL883HUG 1992
	43291-82	SPACER, 0.016 thick	XL1200 1992, XL883 1992, XL883DLX 1992, XL883HUG 1992
	43292-82	SPACER, 0.008 thick	XL1200 1992, XL883 1992, XL883DLX 1992, XL883HUG 1992
	43293-82	SPACER, 0.004 thick	XL1200 1992, XL883 1992, XL883DLX 1992, XL883HUG 1992
	43294-82	SPACER, 0.002 thick	XL1200 1992, XL883 1992, XL883DLX 1992, XL883HUG 1992
18	43650-82	SPACER WASHER	XL1200 1992, XL883 1992, XL883DLX 1992, XL883HUG 1992

FRONT WHEEL - LACED



[View interactive image](#)

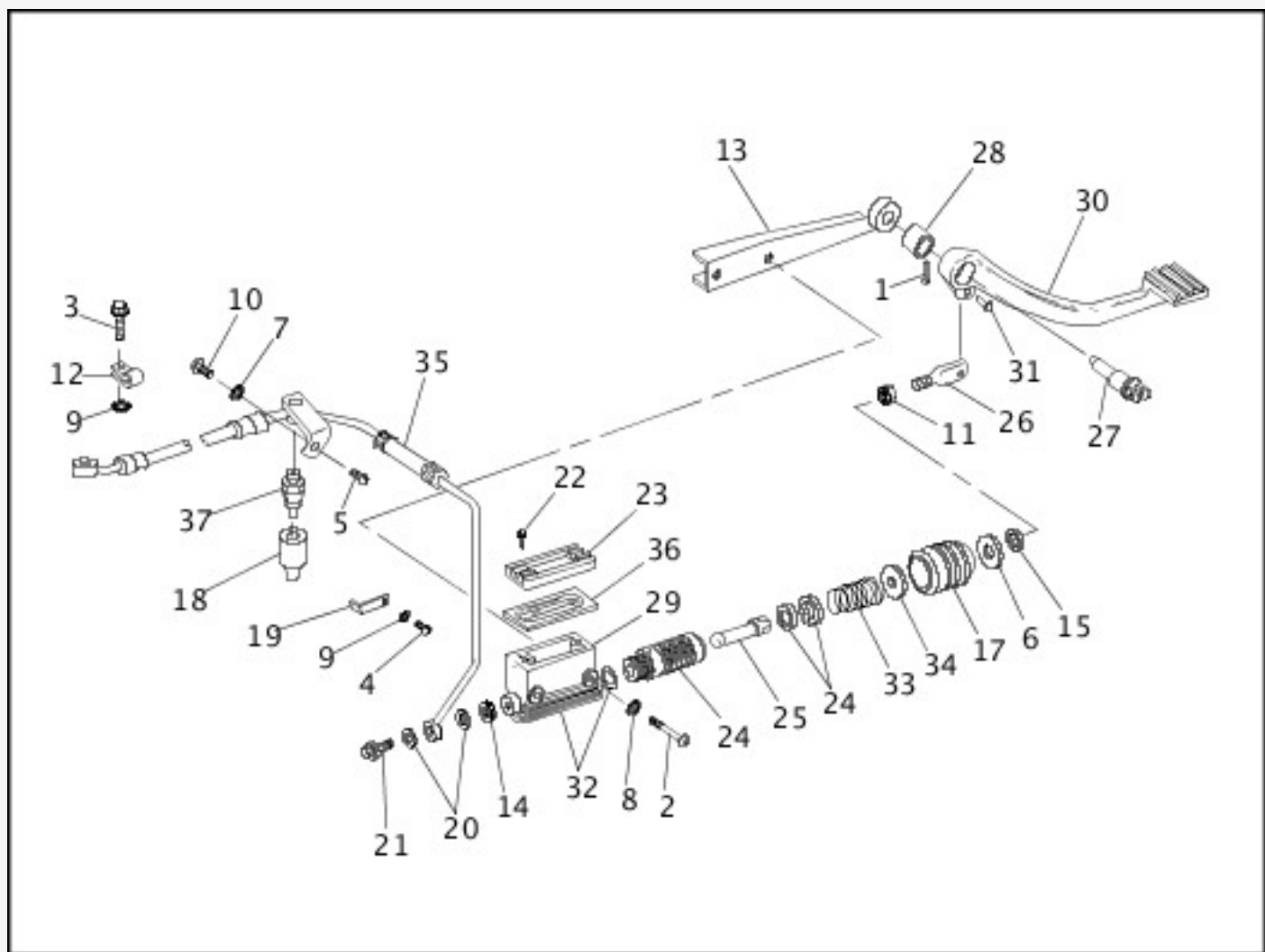
[View interactive table](#)

INDEX NO.	PART NO.	DESCRIPTION	MODEL(S)
1	3655A	SCREW (5)	ALL
2	6590HW	WASHER	ALL
3	7068	LOCKWASHER	ALL
4	7845	NUT	ALL

5	9052	ROLLER BEARING (2)	ALL
6	43001-06	RIM, 19 inches chrome	ALL
7	41123-79	VALVE CAP	ALL
8	40761-05	SPOKE & NIPPLE, 19 inches rim, short (20)	ALL
	43025-73B	SPOKE & NIPPLE, 19 inches rim, long (20)	ALL
9	43312-84B	WHEEL ASSEMBLY, 19 inches	ALL
10	43358-83A	SPACER, left bearing	ALL
11	43619-84	WHEEL HUB ASSEMBLY	ALL
12	43613-92	SPACER	XL1200 1992, XL883 1992, XL883DLX 1992, XL883HUG 1992
	43623-78	SPACER, 2.564 inches (violet)	XL1200 1991, XL883 1991, XL883DLX 1991, XL883HUG 1991
	43624-78	SPACER, 2.550 inches (pink)	XL1200 1991, XL883 1991, XL883DLX 1991, XL883HUG 1991
	43625-78	SPACER, 2.536 inches (gold)	XL1200 1991, XL883 1991, XL883DLX 1991, XL883HUG 1991
13	43895-87B	FRONT AXLE	ALL
14	44136-92	DISC, brake	XL1200 1991, XL1200 1992, XL883 1991, XL883 1992, XL883DLX 1991, XL883DLX 1992, XL883HUG 1991, XL883HUG 1992
15	47519-83A	SEAL (2)	ALL
16	54321-85	NUT, valve stem	ALL
17	95578-41	WHEEL WEIGHT, 1/2 oz.	ALL
	95581-47	WHEEL WEIGHT, 3/4 oz.	ALL
	95582-47	WHEEL WEIGHT, 1 oz.	ALL
18	43290-82	SPACER, 0.032 thick	XL1200 1992, XL883 1992, XL883DLX 1992, XL883HUG 1992

	43291-82	SPACER, 0.016 thick	XL1200 1992, XL883 1992, XL883DLX 1992, XL883HUG 1992
	43292-82	SPACER, 0.008 thick	XL1200 1992, XL883 1992, XL883DLX 1992, XL883HUG 1992
	43293-82	SPACER, 0.004 thick	XL1200 1992, XL883 1992, XL883DLX 1992, XL883HUG 1992
	43294-82	SPACER, 0.002 thick	XL1200 1992, XL883 1992, XL883DLX 1992, XL883HUG 1992
19	43650-82	SPACER WASHER	XL1200 1992, XL883 1992, XL883DLX 1992, XL883HUG 1992

REAR BRAKE CONTROL



[View interactive image](#)

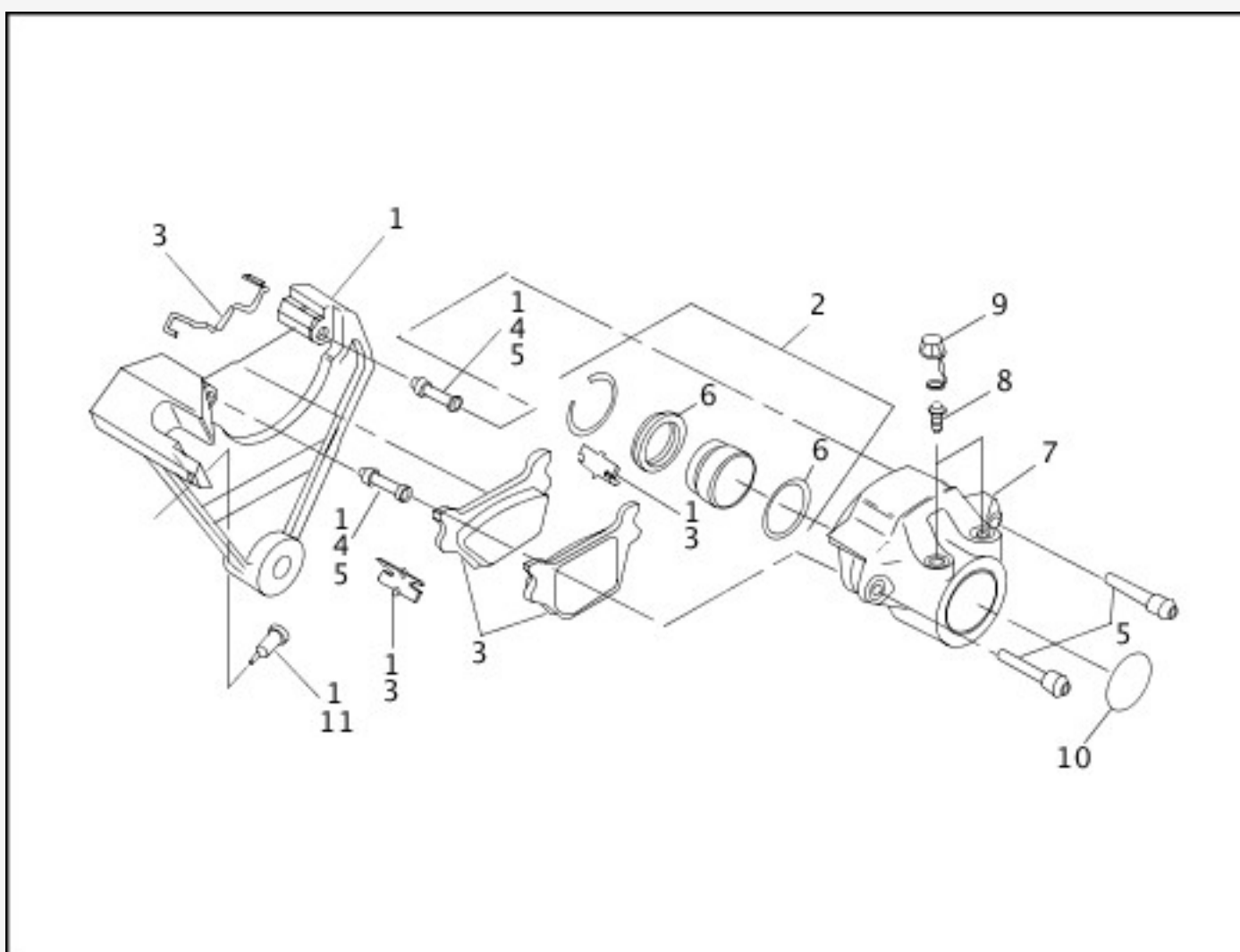
[View interactive table](#)

INDEX NO.	PART NO.	DESCRIPTION	MODEL(S)
1	515	COTTER PIN	ALL
2	853A	SCREW (2)	ALL
3	2523	SCREW (2)	ALL

4	2661W	SCREW	ALL
5	4092	SCREW (black)	ALL
6	6366	WASHER	ALL
7	7041	LOCKWASHER	ALL
8	7042	LOCKWASHER (2)	ALL
9	7220	LOCKWASHER	ALL
10	7669	NUT	ALL
11	7744	JAMNUT	ALL
12	10031	CLAMP (2)	ALL
13	34909-90	STIFFENER, master cylinder	ALL
14	35078-79	NUT	ALL
15	40903-87	RETAINING RING	ALL
16	45042-82	REPAIR KIT, sight glass (HDI) (not illustrated)	ALL
17	40922-87A	BOOT, pushrod	ALL
18	41642-82	BOOT, brake switch	ALL
19	41713-86	CLAMP	ALL
20	41731-88A	GASKET (4)	ALL
21	41747-82A	BOLT (2)	ALL
22	42375-87	BOLT (2)	ALL
23	42381-87	COVER, master cylinder (2)	ALL
24	42382-87E	REPAIR KIT, master cylinder	ALL
25	42436-87	PUSHROD	ALL
26	42437-87	ROD END	ALL
27	42441-90A	CLEVIS, footrest mounting	ALL
28	42443-80A	BUSHING	ALL
29	42456-87C	MASTER CYLINDER	ALL
30	42447-96	PEDAL ASSEMBLY, w/ 1, 26, 28, & 31	ALL
31	42460-80B	CLEVIS PIN	ALL
32	42472-87	REPAIR KIT, master cylinder body	ALL
33	42479-90	SPRING	ALL

34	44126-87	RETAINER, spring	ALL
35	44438-87C	HOSE, rear brake	ALL
36	45005-85	GASKET, master cylinder cover	ALL
37	72023-51E	STOPLIGHT SWITCH	ALL

REAR BRAKE CALIPER



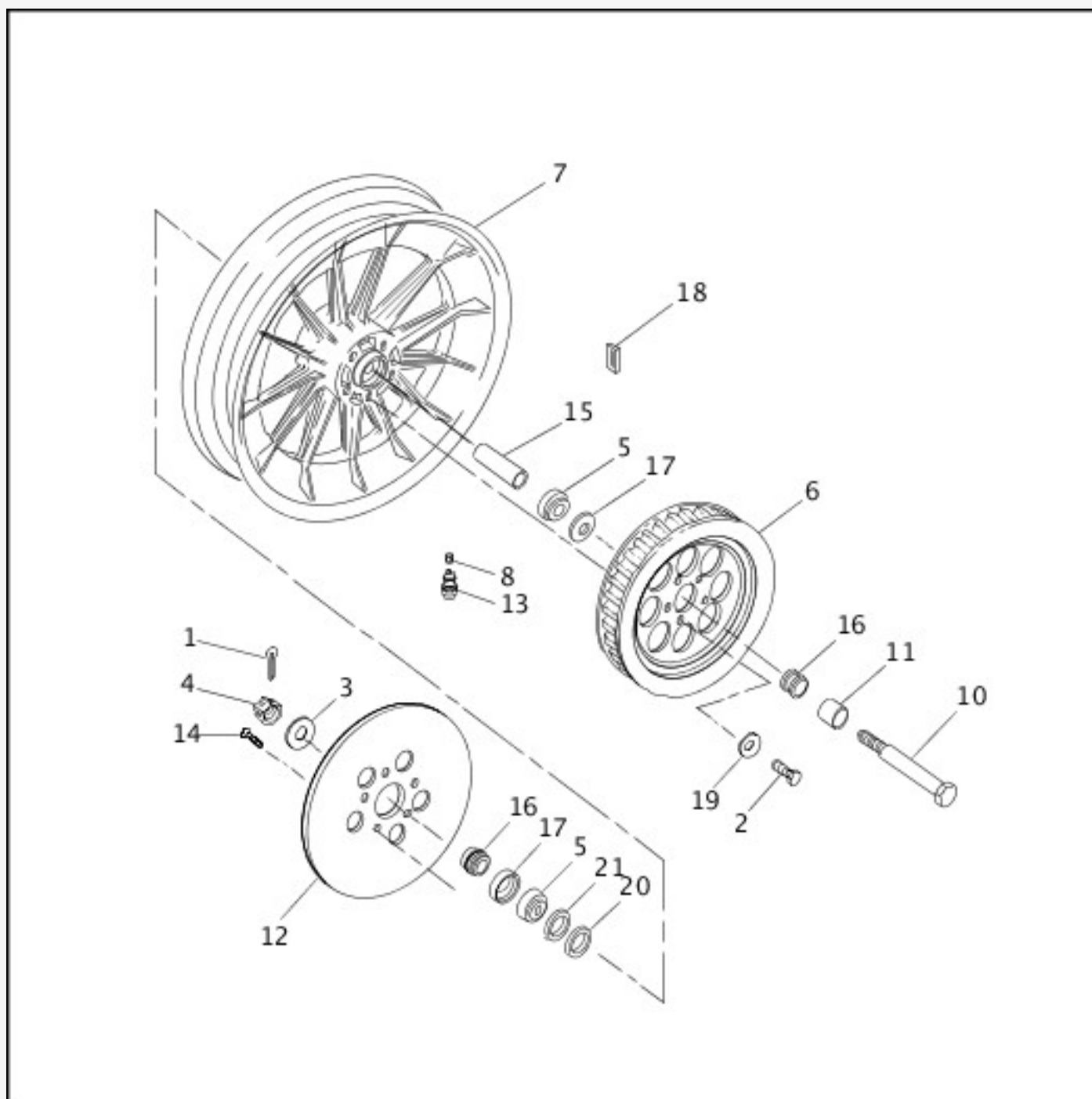
[View interactive image](#)

[View interactive table](#)

INDEX NO.	PART NO.	DESCRIPTION	MODEL(S)
1	40929-87	MOUNTING BRACKET, w/ 4, 11 & shims	ALL
2	43946-86A	PISTON REPAIR KIT	ALL
3	44209-87C	PAD SET, w/ shims	ALL
4	44035-86A	BUSHING (2)	ALL
5	44039-86	MOUNTING KIT, w/ guide pins & bushings	ALL
6	44045-87A	SEAL & BOOT KIT	ALL

7	44050-87	CALIPER ASSEMBLY (black)	ALL
8	44048-83	BLEEDER FITTING	ALL
9	44147-87A	CAP, bleeder screw	ALL
10	44198-87	LABEL	ALL
11	44199-79	BUMPER, mounting bracket	ALL

REAR WHEEL - CAST



[View interactive image](#)

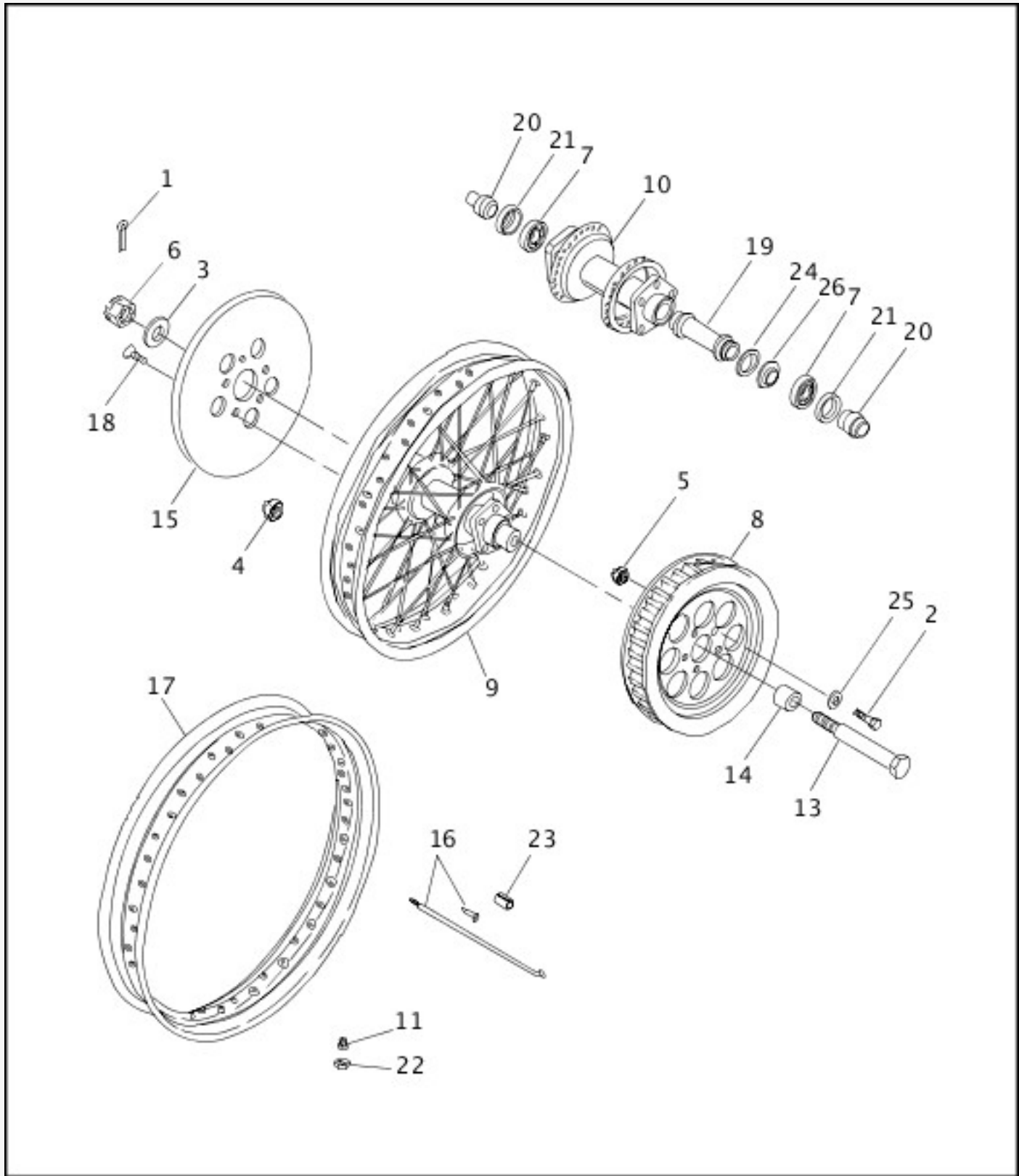
[View interactive table](#)

INDEX NO.	PART NO.	DESCRIPTION	MODEL(S)
1	511	COTTER PIN	ALL

2	3730A	BOLT (5)	ALL
3	5756	WASHER	ALL
4	7987	NUT	ALL
5	9052	ROLLER BEARING (2)	ALL
6	40213-91	SPROCKET, 61T (belt)	XL1200 1991, XL1200 1992, XL883DLX 1991, XL883DLX 1992
	40252-91	SPROCKET, 55T (belt) (Swiss)	XL883DLX 1991, XL883DLX 1992
	40252-91	SPROCKET, 55T (belt) (Swiss & HDI)	XL1200 1991, XL1200 1992
7	40983-86	WHEEL ASSEMBLY, 16 inches (9 spoke) (silver) (use 41015-86)	XL883 1991, XL883 1992
	41015-86	WHEEL ASSEMBLY, 16 inches (9 spoke) (black) (replaces 40983-86)	XL1200 1991, XL1200 1992
8	41123-79	VALVE CAP	ALL
9	41470-86T	SPROCKET, 48T (chrome) (not illustrated)	XL1200 1991, XL1200 1992, XL883 1991, XL883 1992, XL883HUG 1991, XL883HUG 1992
	41482-89	SPROCKET, 40T (chain) (Swiss) (not illustrated)	XL1200 1991, XL1200 1992, XL883 1991, XL883 1992, XL883HUG 1991, XL883HUG 1992
10	41563-77A	AXLE ASSEMBLY, w/ 1, 3 & 4	ALL
11	41594-73	SPACER	ALL
12	41789-92	BRAKE DISC KIT, w/ 14	ALL
13	43157-83A	VALVE STEM	ALL
14	43567-79	SCREW, brake disc (5)	XL1200 1991, XL883 1991, XL883DLX 1991, XL883HUG 1991
	43567-92	SCREW, brake disc (5)	XL1200 1992, XL883 1992, XL883DLX 1992, XL883HUG 1992
15	43604-78	SLEEVE, 4.420 inches (orange)	XL1200 1991, XL883 1991, XL883DLX 1991, XL883HUG 1991
	43605-78	SLEEVE, 4.434 inches (yellow)	XL1200 1991, XL883 1991, XL883DLX 1991, XL883HUG 1991
	43606-78	SLEEVE, 4.448 inches (white)	XL1200 1991, XL883 1991, XL883DLX 1991, XL883HUG 1991

	43608-82	SPACER	XL1200 1992, XL883 1992, XL883DLX 1992, XL883HUG 1992
16	43654-86A	SPACER (2)	ALL
17	47519-83A	SEAL (2)	ALL
18	95594-84B	WHEEL WEIGHT, 5 grams (black)	XL1200 1991, XL1200 1992
	95595-84B	WHEEL WEIGHT, 5 grams (silver)	XL883 1991, XL883 1992
19	6516HW	WASHER (5)	ALL
20	43290-82	SPACER, 0.032 thick	XL1200 1992, XL883 1992, XL883DLX 1992, XL883HUG 1992
	43291-82	SPACER, 0.016 thick	XL1200 1992, XL883 1992, XL883DLX 1992, XL883HUG 1992
	43292-82	SPACER, 0.008 thick	XL1200 1992, XL883 1992, XL883DLX 1992, XL883HUG 1992
	43293-82	SPACER, 0.004 thick	XL1200 1992, XL883 1992, XL883DLX 1992, XL883HUG 1992
	43294-82	SPACER, 0.002 thick	XL1200 1992, XL883 1992, XL883DLX 1992, XL883HUG 1992
21	43650-82	SPACER WASHER	XL1200 1992, XL883 1992, XL883DLX 1992, XL883HUG 1992

REAR WHEEL - LACED



[View interactive image](#)

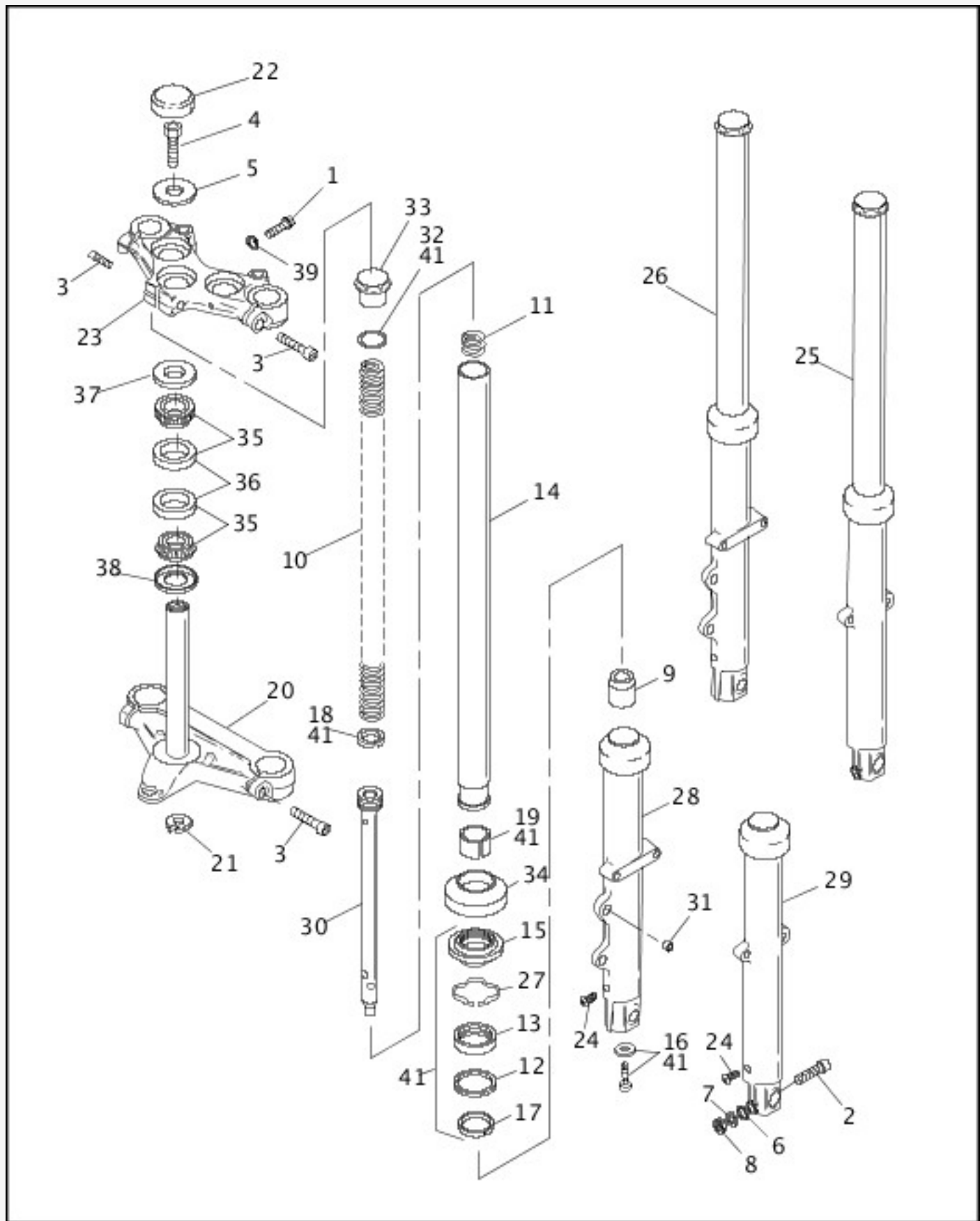
[View interactive table](#)

INDEX NO.	PART NO.	DESCRIPTION	MODEL(S)
1	511	COTTER PIN	ALL
2	3769	BOLT (5)	XL1200 1991, XL1200 1992, XL883DLX 1991, XL883DLX 1992
3	5756	WASHER	ALL
4	7778	LOCKNUT (5)	ALL
5	7827W	LOCKNUT (5)	ALL

6	7987	NUT	ALL
7	9052	ROLLER BEARING (2)	ALL
8	40213-91	SPROCKET, 61T (belt)	XL1200 1991, XL1200 1992, XL883DLX 1991, XL883DLX 1992
	40252-91	SPROCKET, 55T (belt) (Swiss)	XL883DLX 1991, XL883DLX 1992
	40252-91	SPROCKET, 55T (belt) (Swiss & HDI)	XL1200 1991, XL1200 1992
9	40975-86	WHEEL ASSEMBLY, 16 inches (chrome)	ALL
10	40976-86A	HUB ASSEMBLY, rear, 16 inches	ALL
11	41123-79	VALVE CAP	ALL
12	41470-86T	SPROCKET, 48T (chain) (not illustrated)	XL1200 1991, XL1200 1992, XL883 1991, XL883 1992, XL883HUG 1991, XL883HUG 1992
	41482-89	SPROCKET, 40T (chain) (Swiss) (not illustrated)	XL1200 1991, XL1200 1992, XL883 1991, XL883 1992, XL883HUG 1991, XL883HUG 1992
13	41563-77A	AXLE ASSEMBLY, w/ 1, 3 & 6	ALL
14	41594-73	SPACER	ALL
15	41789-92	BRAKE DISC KIT, w/ 18	ALL
16	43241-05	SPOKE & NIPPLE, 16 inches rim (40)	ALL
17	43085-81	RIM, 16 inches (chrome)	ALL
18	43567-79	SCREW, brake disc (5)	XL1200 1991, XL883 1991, XL883DLX 1991, XL883HUG 1991
	43567-92	SCREW, brake disc (5)	XL1200 1992, XL883 1992, XL883DLX 1992, XL883HUG 1992
19	43601-78A	SPACER, bearing (w/ flanges) 4.420 inches (orange)	XL1200 1991, XL883 1991, XL883DLX 1991, XL883HUG 1991
	43602-78A	SPACER, bearing (w/ flanges) 4.434 inches (yellow)	XL1200 1991, XL883 1991, XL883DLX 1991, XL883HUG 1991
	43603-78A	SPACER, bearing (w/ flanges) 4.448 inches (white)	XL1200 1991, XL883 1991, XL883DLX 1991, XL883HUG 1991
20	43654-	SPACER (2)	ALL

	86A		
21	47519-83A	SEAL (2)	ALL
22	54321-85	NUT, valve stem	ALL
23	95578-41	WHEEL WEIGHT, 1/2 oz.	ALL
	95581-47	WHEEL WEIGHT, 3/4 oz.	ALL
	95582-47	WHEEL WEIGHT, 1 oz.	ALL
24	43290-82	SPACER, 0.032 thick	XL1200 1992, XL883 1992, XL883DLX 1992, XL883HUG 1992
	43291-82	SPACER, 0.016 thick	XL1200 1992, XL883 1992, XL883DLX 1992, XL883HUG 1992
	43292-82	SPACER, 0.008 thick	XL1200 1992, XL883 1992, XL883DLX 1992, XL883HUG 1992
	43293-82	SPACER, 0.004 thick	XL1200 1992, XL883 1992, XL883DLX 1992, XL883HUG 1992
	43294-82	SPACER, 0.002 thick	XL1200 1992, XL883 1992, XL883DLX 1992, XL883HUG 1992
	43668-82	SPACER	XL1200 1992, XL883 1992, XL883DLX 1992, XL883HUG 1992
25	6516HW	WASHER	XL1200 1991, XL1200 1992, XL883DLX 1991, XL883DLX 1992
26	43650-82	SPACER WASHER	XL1200 1992, XL883 1992, XL883DLX 1992, XL883HUG 1992

FRONT FORK (1 OF 2)



[View interactive image](#)

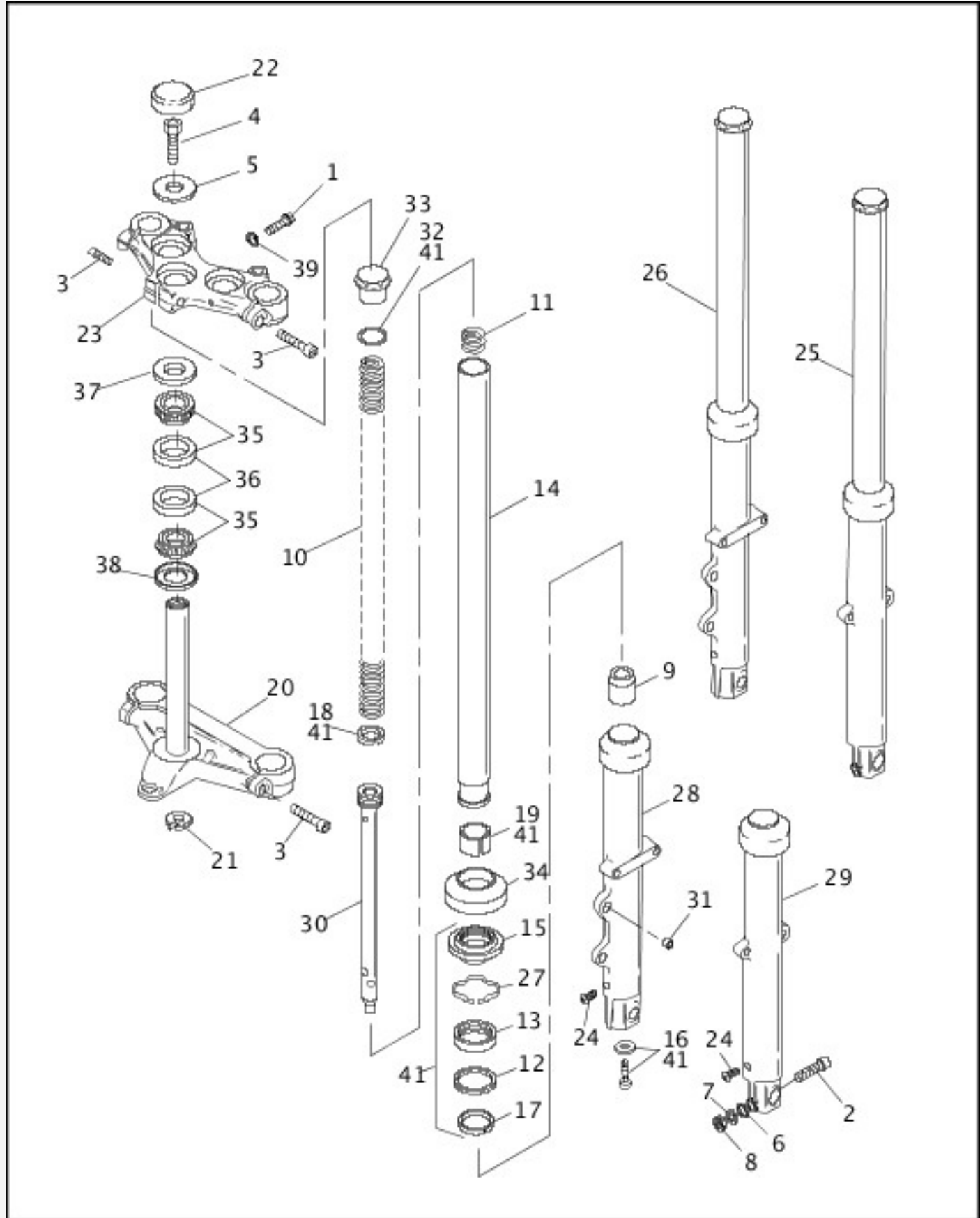
[View interactive table](#)

INDEX NO.	PART NO.	DESCRIPTION	MODEL(S)
1	2662W	SCREW (2)	ALL
	4091	SCREW	XL1200 1992, XL883 1992, XL883DLX 1992, XL883HUG 1992
2	4029A	SCREW	ALL
3	4350A	SCREW (3)	XL883 1991, XL883 1992

3	4350A	SCREW (5)	XL1200 1991, XL1200 1992, XL883DLX 1992, XL883HUG 1991, XL883HUG 1992
4	4453	BOLT, tapped	XL1200 1991, XL1200 1992
	4460	BOLT	XL883 1991, XL883 1992
5	6655	WASHER	ALL
6	6701	WASHER	ALL
7	7038	LOCKWASHER	ALL
8	7783	NUT	ALL
9	45361-90	LOWER STOP (2)	XL883HUG 1992
	45463-87	LOWER STOP (2)	XL1200 1991, XL1200 1992, XL883 1991, XL883 1992, XL883DLX 1991, XL883DLX 1992, XL883HUG 1991
10	45372-92	SPRING (2)	XL883HUG 1992
	45376-87	SPRING (2)	XL1200 1991, XL1200 1992, XL883 1991, XL883 1992, XL883DLX 1991, XL883DLX 1992, XL883HUG 1991
11	45374-87	SPRING, slider (2)	ALL
12	45377-87	SPACER, oil seal (2)	ALL
13	45378-87	OIL SEAL (2)	ALL
14	45381-87	SLIDER TUBE (2)	XL1200 1991, XL1200 1992, XL883 1991, XL883 1992, XL883DLX 1991, XL883DLX 1992, XL883HUG 1991
	45395-92	SLIDER TUBE (2)	XL883HUG 1992
15	45401-87	SEAL, dust (2)	ALL
16	45405-75A	SCREW, w/ washer (2)	ALL
17	45461-87	BUSHING, upper (2)	ALL
18	45460-90	RING, damper tube (2)	XL883HUG 1992
	45462-87	RING, damper tube (2)	XL1200 1991, XL883 1991, XL883DLX 1991, XL883HUG 1991
19	45465-87	BUSHING, slider tube (2)	XL1200 1991, XL1200 1992, XL883 1991, XL883 1992, XL883DLX 1991, XL883DLX 1992, XL883HUG 1991

20	45549-88	BRACKET, lower, w/ bearing & stem	XL883 1991, XL883 1992
	45563-87	BRACKET, lower, w/ bearing & stem	XL1200 1991, XL1200 1992

FRONT FORK (2 OF 2)

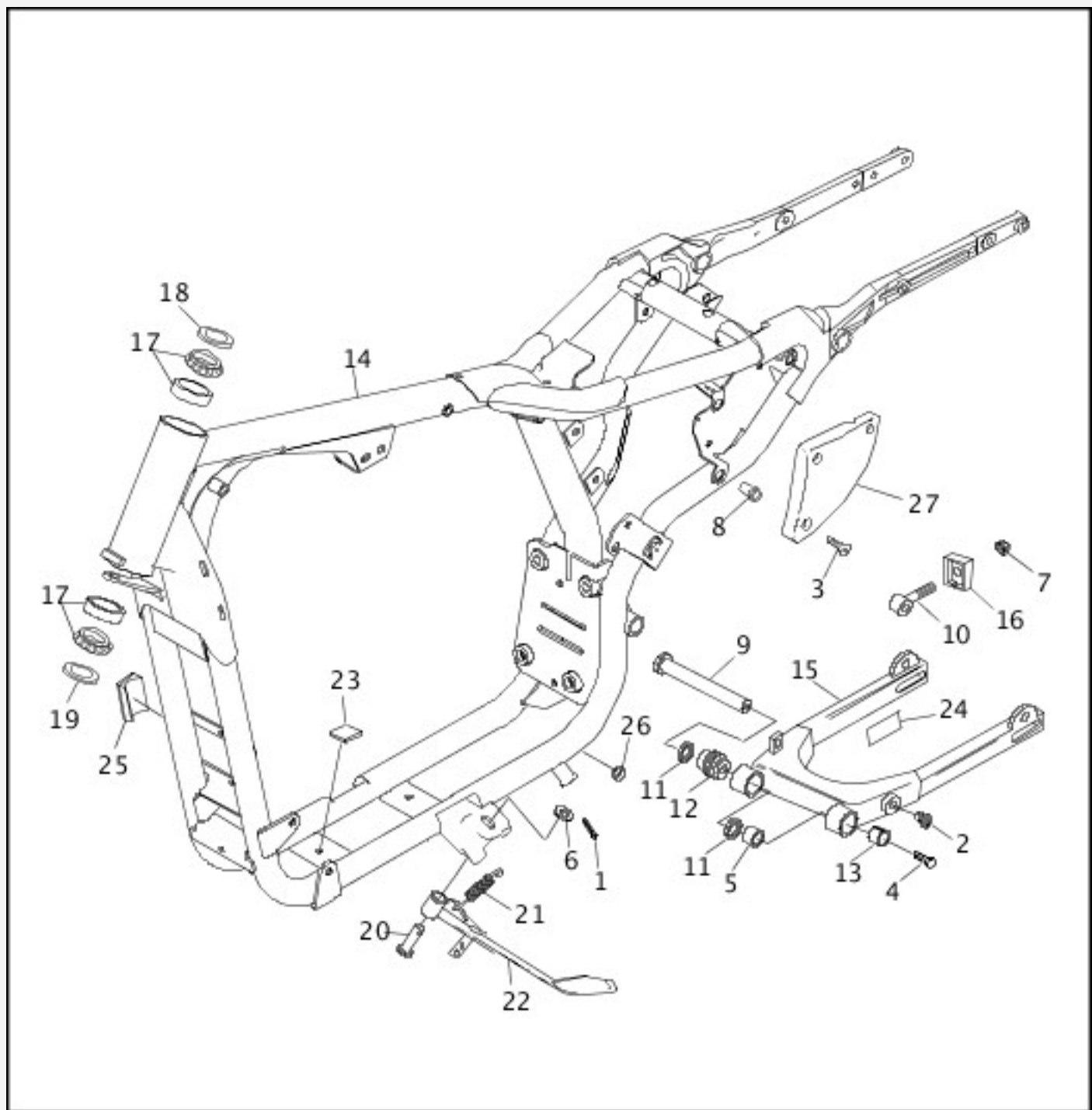


[View interactive image](#)

INDEX NO.	PART NO.	DESCRIPTION	MODEL(S)
21	45611-86	RETAINING RING	ALL
22	45668-90	CAP, fork stem	XL1200 1991, XL1200 1992
23	45739-87	BRACKET, upper	ALL
24	45790-80	DRAIN SCREW, w/ washer (2)	ALL
25	45900-88	FORK SLIDER & TUBE ASSEMBLY, right	XL1200 1991, XL1200 1992, XL883 1991, XL883 1992, XL883DLX 1991, XL883DLX 1992, XL883HUG 1991
	45928-92	FORK SLIDER & TUBE ASSEMBLY, right	XL883HUG 1992
26	45901-88	FORK SLIDER & TUBE ASSEMBLY, left	XL1200 1991, XL1200 1992, XL883 1991, XL883 1992, XL883DLX 1991, XL883DLX 1992, XL883HUG 1991
	45929-92	FORK SLIDER & TUBE ASSEMBLY, left	XL883HUG 1992
27	45905-87	RETAINING RING, oil seal	ALL
28	45921-87	SLIDER ASSEMBLY, left	XL1200 1991, XL883 1991, XL883DLX 1991, XL883HUG 1991
29	45923-87	SLIDER ASSEMBLY, right	ALL
30	45925-88	DAMPER TUBE (2)	XL1200 1991, XL1200 1992, XL883 1991, XL883 1992, XL883DLX 1991, XL883DLX 1992, XL883HUG 1991
	45938-92	DAMPER TUBE (2)	XL883HUG 1992
31	45934-86	BUSHING, brake caliper	ALL
32	45984-87	O-RING (2)	ALL
33	45996-87	CAP, slider tube (2)	ALL
34	46002-87	COVER, slider (2)	ALL
35	48300-60	ROLLER BEARING, w/ cup (2)	ALL
36	48315-60	BEARING CUP (2)	ALL

37	48361-80	DUST SHIELD, upper	ALL
38	48365-48A	DUST SHIELD, lower	ALL
39	7220	LOCKWASHER (2)	ALL
40	48140-84A	STEERING HEAD LOCK ASSEMBLY (HDI) (not illustrated)	ALL
41	49378-09	FORK REBUILD KIT, w/ 12, 13, 15-19, 27 & 32	ALL

FRAME, REAR FORK & JIFFY STAND

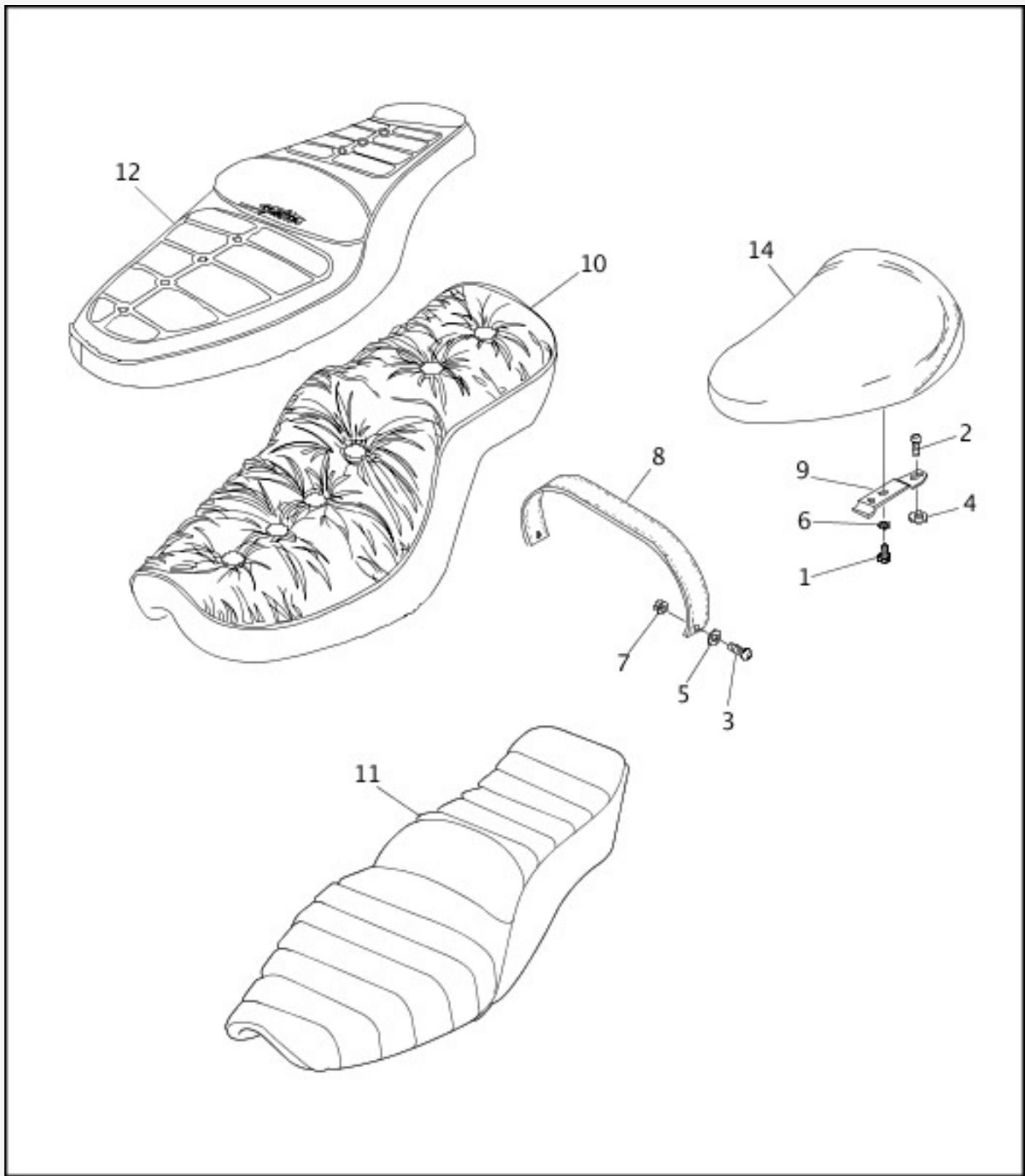


[View interactive image](#)

INDEX NO.	PART NO.	DESCRIPTION	MODEL(S)
1	554A	COTTER PIN	ALL
2	740	HOLE PLUG (2)	XL1200 1991, XL1200 1992, XL883 1991, XL883 1992, XL883HUG 1991, XL883HUG 1992
3	1357W	SCREW (2)	ALL
4	2925A	SCREW	ALL
5	5741	SPACER, pivot bolt	ALL
6	6701	WASHER	ALL
7	7725	LOCKNUT (2)	ALL
8	8099	WELL NUT (3)	ALL
9	41568-89A	PIVOT BOLT, rear fork	ALL
10	41570-77	ADJUSTER, rear axle (2)	ALL
11	41579-81	DUST SHIELD, bearing (2)	ALL
12	47082-81	BEARING, rear fork, right	ALL
13	47083-81A	BEARING, rear fork, left	ALL
14	47150-91B	FRAME	ALL
	47209-91B	FRAME (HDI)	ALL
15	47547-87B	REAR FORK, w/ bearings	ALL
16	47554-73A	END COVER, rear fork (2)	ALL
17	48315-60	BEARING CUP, steering head (2)	ALL
18	48361-80	DUST SHIELD, steering head bearing, upper	ALL
19	48365-48A	DUST SHIELD, steering head bearing, lower	ALL
20	50003-89B	PIN, clevis	ALL

21	50005-85A	SPRING, jiffy stand	ALL
22	50006-89	JIFFY STAND	XL1200 1991, XL1200 1992, XL883 1991, XL883 1992, XL883DLX 1991, XL883DLX 1992, XL883HUG 1991
	50072-92	JIFFY STAND	XL883HUG 1992
23	50101-91	DECKING BUMPER	ALL
24	53487-87	PAD, protective	ALL
25	59273-91	REFLECTOR, amber (2)	ALL
26	62122-89A	BUMPER	ALL
27	66325-82	SIDE COVER, ignition module (black)	ALL
28	48300-60	BEARING, steering head, complete (not illustrated) (2)	ALL

SEATS



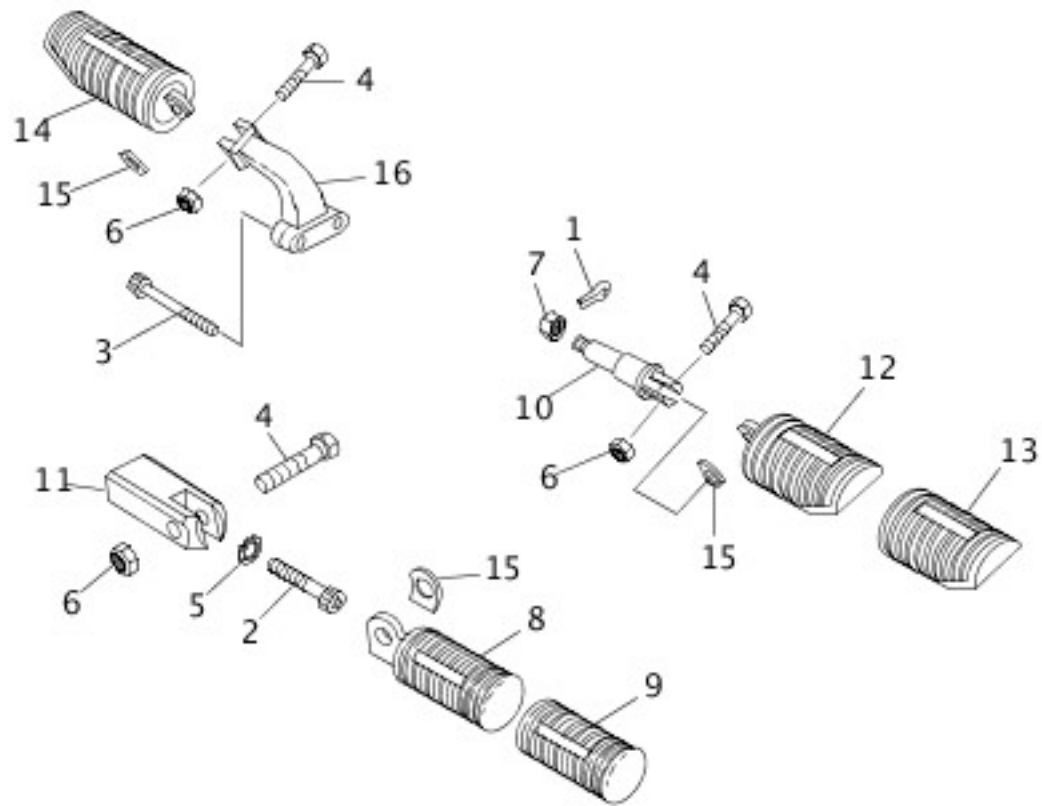
[View interactive image](#)

[View interactive table](#)

INDEX NO.	PART NO.	DESCRIPTION	MODEL(S)
1	924	SCREW (2)	XL1200 1991, XL1200 1992, XL883 1991, XL883 1992, XL883HUG 1991, XL883HUG 1992
	3767B	BOLT (2)	XL1200 1991, XL1200 1992, XL883DLX 1991, XL883DLX 1992
2	2739	SCREW, seat mounting	ALL
3	4092	SCREW (2)	XL1200 1991, XL1200 1992, XL883DLX 1991, XL883DLX 1992
4	6410	WASHER (2)	ALL

5	6702	WASHER (2)	XL1200 1991, XL1200 1992, XL883DLX 1991, XL883DLX 1992
6	7036	WASHER (2)	XL1200 1991, XL1200 1992, XL883DLX 1991, XL883DLX 1992
	7124	LOCKWASHER (2)	XL1200 1991, XL1200 1992, XL883 1991, XL883 1992, XL883HUG 1991, XL883HUG 1992
7	7531	LOCKNUT (2)	XL1200 1991, XL1200 1992, XL883DLX 1991, XL883DLX 1992
8	51187-86	PASSENGER STRAP	XL1200 1991, XL1200 1992
	51191-83	PASSENGER STRAP	XL883DLX 1991, XL883DLX 1992
9	51652-83B	BRACKET, seat mounting	ALL
10	52004-94B	SEAT	XL1200 1991, XL1200 1992
11	52101-82B	SEAT	XL883DLX 1991
12	52101-92C	SEAT	XL883DLX 1992
13	52129-87B	SEAT (not illustrated)	XL883HUG 1991
14	52129-92C	SEAT	XL883HUG 1992
	52131-83B	SEAT	XL1200 1991, XL1200 1992, XL883 1991, XL883 1992

FOOTRESTS



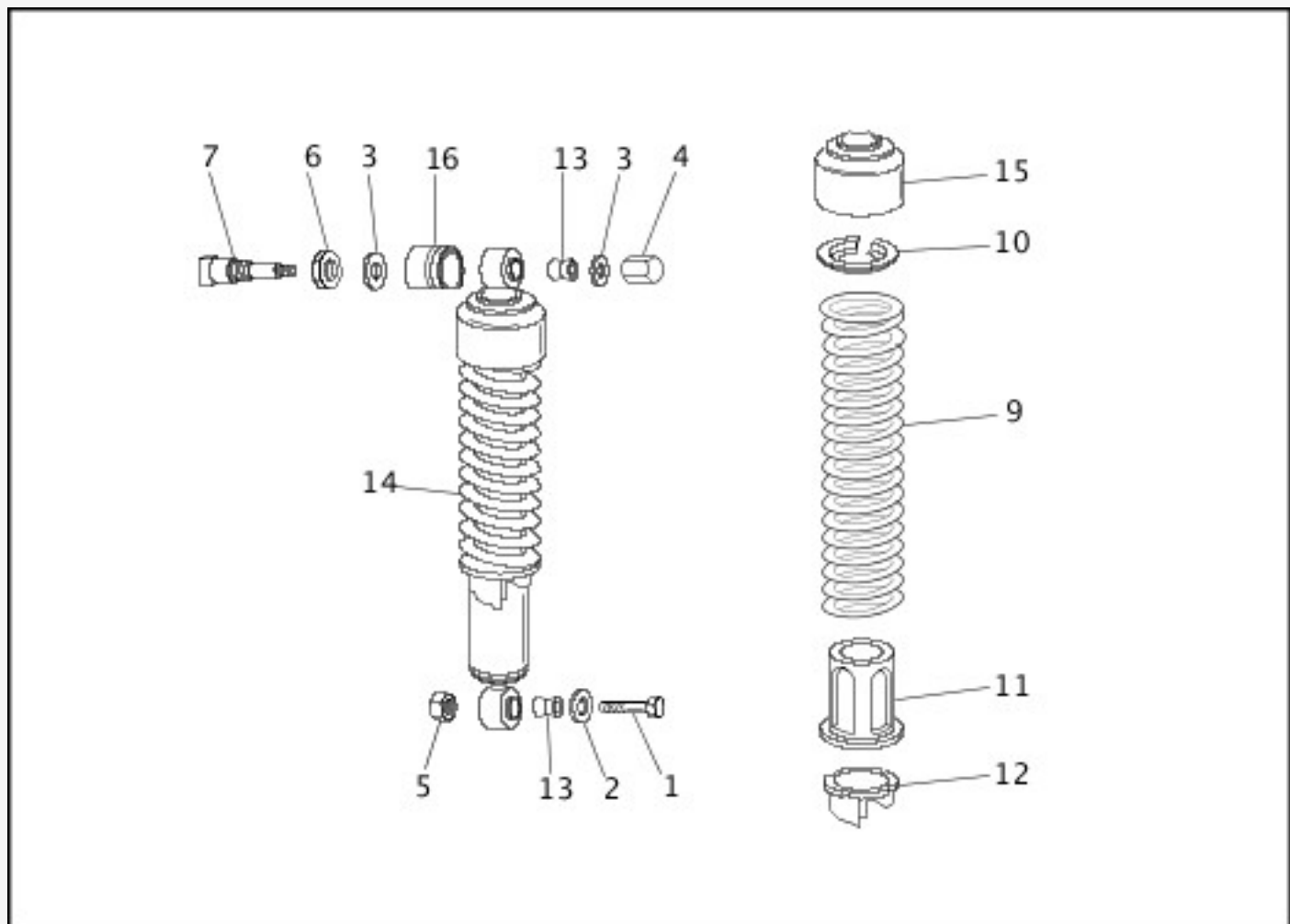
[View interactive image](#)

[View interactive table](#)

INDEX NO.	PART NO.	DESCRIPTION	MODEL(S)
1	534	COTTER PIN	ALL
2	855B	SCREW (2)	ALL
3	879A	SCREW (2)	ALL
4	4721	BOLT (2)	XL883 1991, XL883 1992, XL883HUG 1991, XL883HUG 1992
4	4721	BOLT (4)	XL1200 1991, XL1200 1992, XL883DLX 1991, XL883DLX 1992
5	7045	LOCKWASHER (2)	XL1200 1991, XL1200 1992, XL883DLX 1991, XL883DLX 1992
6	7778	LOCKNUT	ALL
7	7824	LOCKNUT	ALL

8	33048-72	FOOTREST, w/ cover (2)	XL1200 1991, XL1200 1992, XL883DLX 1991, XL883DLX 1992
9	33189-63	COVER, footrest (2)	XL1200 1991, XL1200 1992, XL883DLX 1991, XL883DLX 1992
10	42441-90A	CLEVIS, footrest mounting, right	ALL
11	50615-83	FOOTREST SUPPORT (2)	XL1200 1991, XL1200 1992, XL883DLX 1991, XL883DLX 1992
12	50643-82	FOOTREST, w/ cover, right	ALL
13	50646-82	COVER, footrest (2)	ALL
14	50647-82	FOOTREST, w/ cover, left	ALL
15	50912-72	SPRING WASHER (2)	XL883 1991, XL883 1992, XL883HUG 1991, XL883HUG 1992
15	50912-72	SPRING WASHER (4)	XL1200 1991, XL1200 1992, XL883DLX 1991, XL883DLX 1992
16	50951-90	FOOTREST SUPPORT, left	ALL

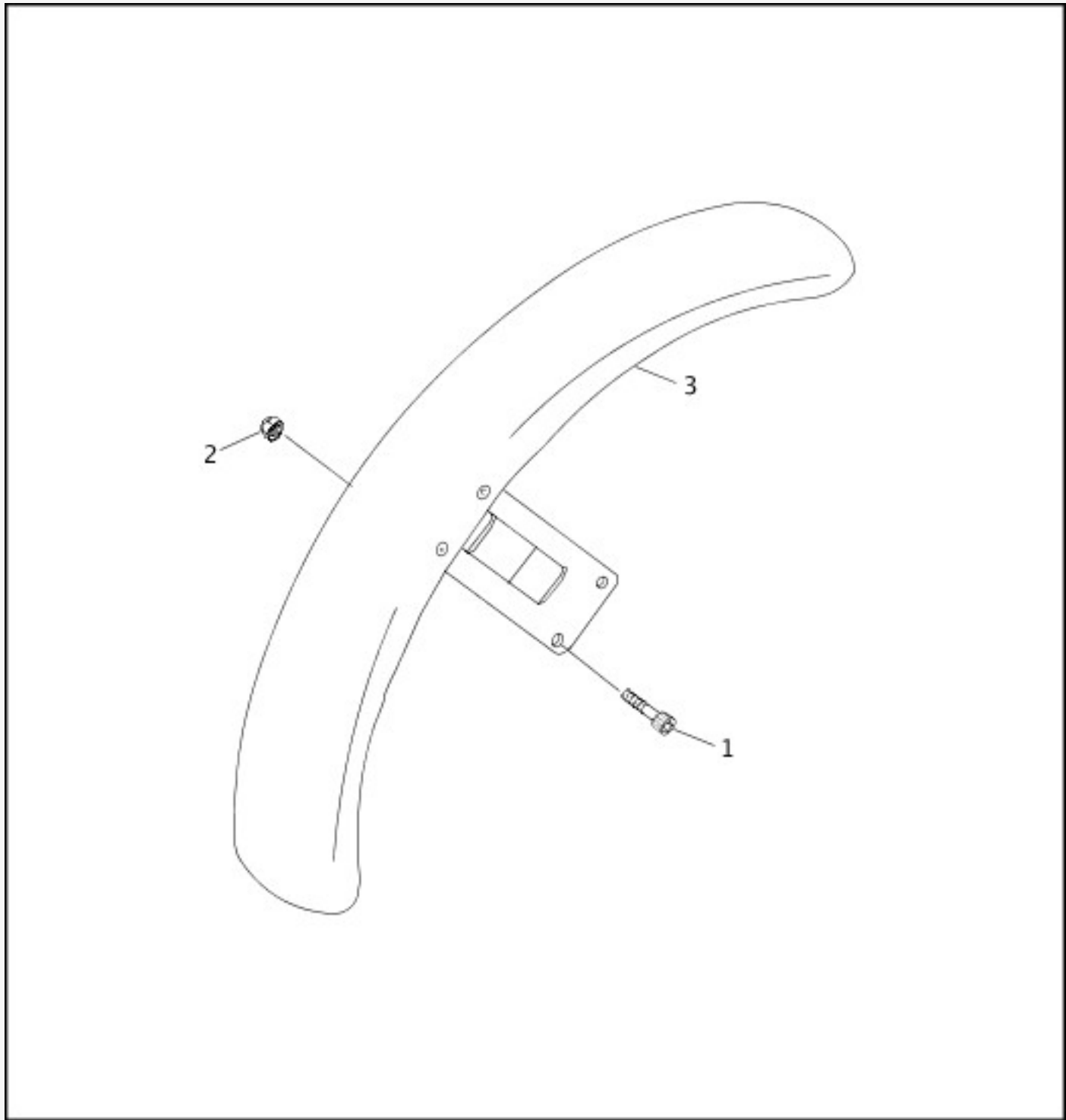
SHOCK ABSORBERS



[View interactive image](#)

INDEX NO.	PART NO.	DESCRIPTION	MODEL(S)
1	3958	BOLT, left	ALL
	4743	BOLT, right	ALL
2	6012	WASHER (2)	ALL
3	6701	WASHER (4)	ALL
4	7655	ACORN NUT (2)	ALL
5	7824	LOCKNUT (2)	ALL
6	35078-79	NUT (2)	ALL
7	47384-91	BOLT, shock mount (upper) (2)	ALL
8	54471-82	DAMPER (use 54568-92) (not illustrated) (2)	XL883HUG 1991, XL883HUG 1992
9	54472-82	SPRING (2)	XL883HUG 1991, XL883HUG 1992
10	54473-79	SEAT, spring, upper (use 54568-92) (2)	ALL
11	54475-79	SPRING GUIDE, lower (2)	ALL
12	54476-82	ADJUSTER, spring (2)	ALL
13	54556-84	BUSHING, damper (4)	ALL
14	54566-91	SHOCK ABSORBER, complete (2)	XL1200 1991, XL1200 1992, XL883 1991, XL883 1992, XL883DLX 1991, XL883DLX 1992
	54568-91	SHOCK ABSORBER, complete (2)	XL883HUG 1991
	54568-92	SHOCK ABSORBER, complete (2)	XL883HUG 1992
15	54701-82	COVER, shock absorber (2)	ALL
16	54705-91	COVER, shock absorber stud (2)	ALL

FRONT FENDER

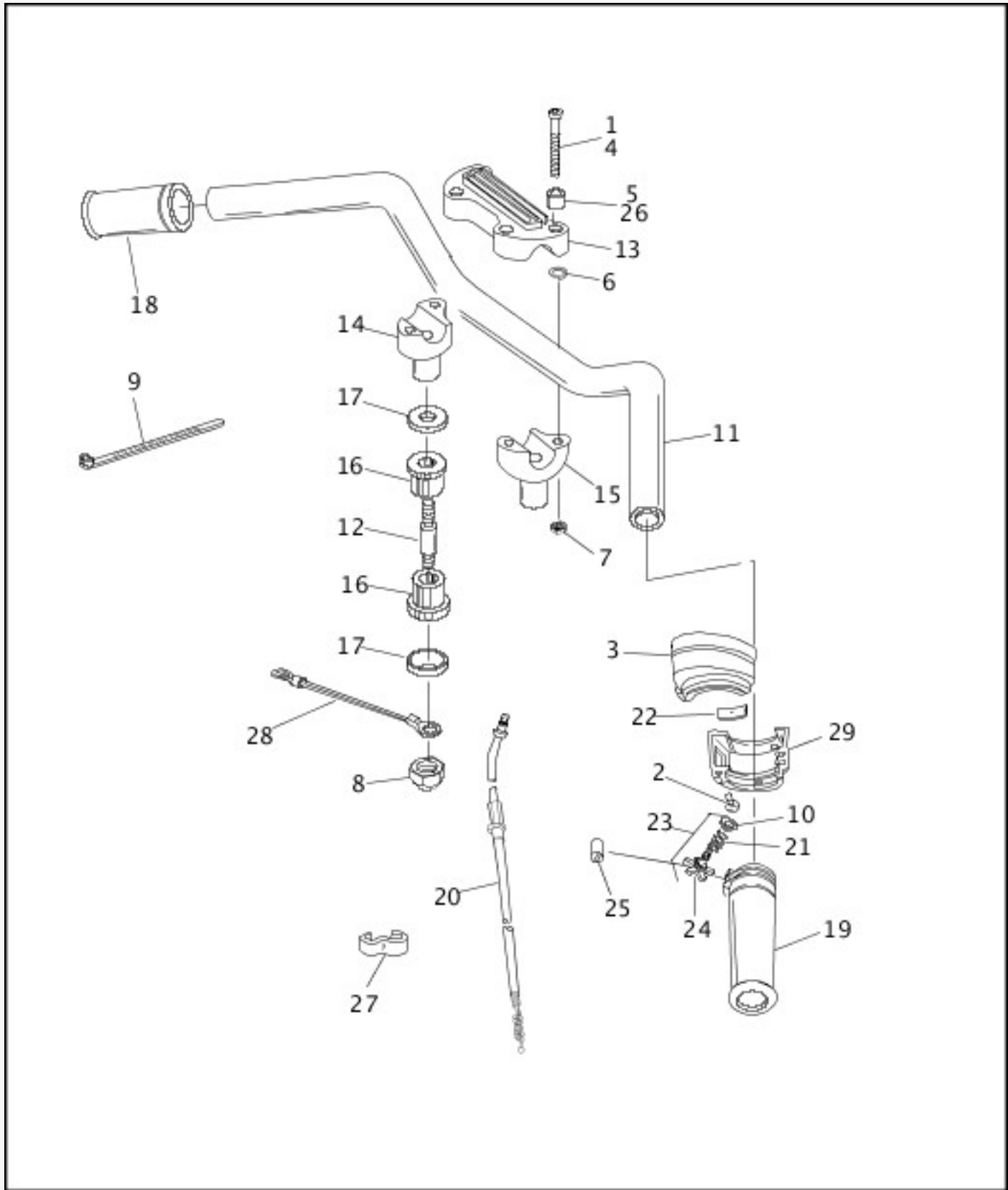


[View interactive image](#)

[View interactive table](#)

INDEX NO.	PART NO.	DESCRIPTION	MODEL(S)
1	3210A	SCREW (4)	ALL
2	7531	LOCKNUT (4)	ALL
3	58998-83E	FRONT FENDER, prime	ALL

HANDLEBARS & THROTTLE CONTROL



[View interactive image](#)

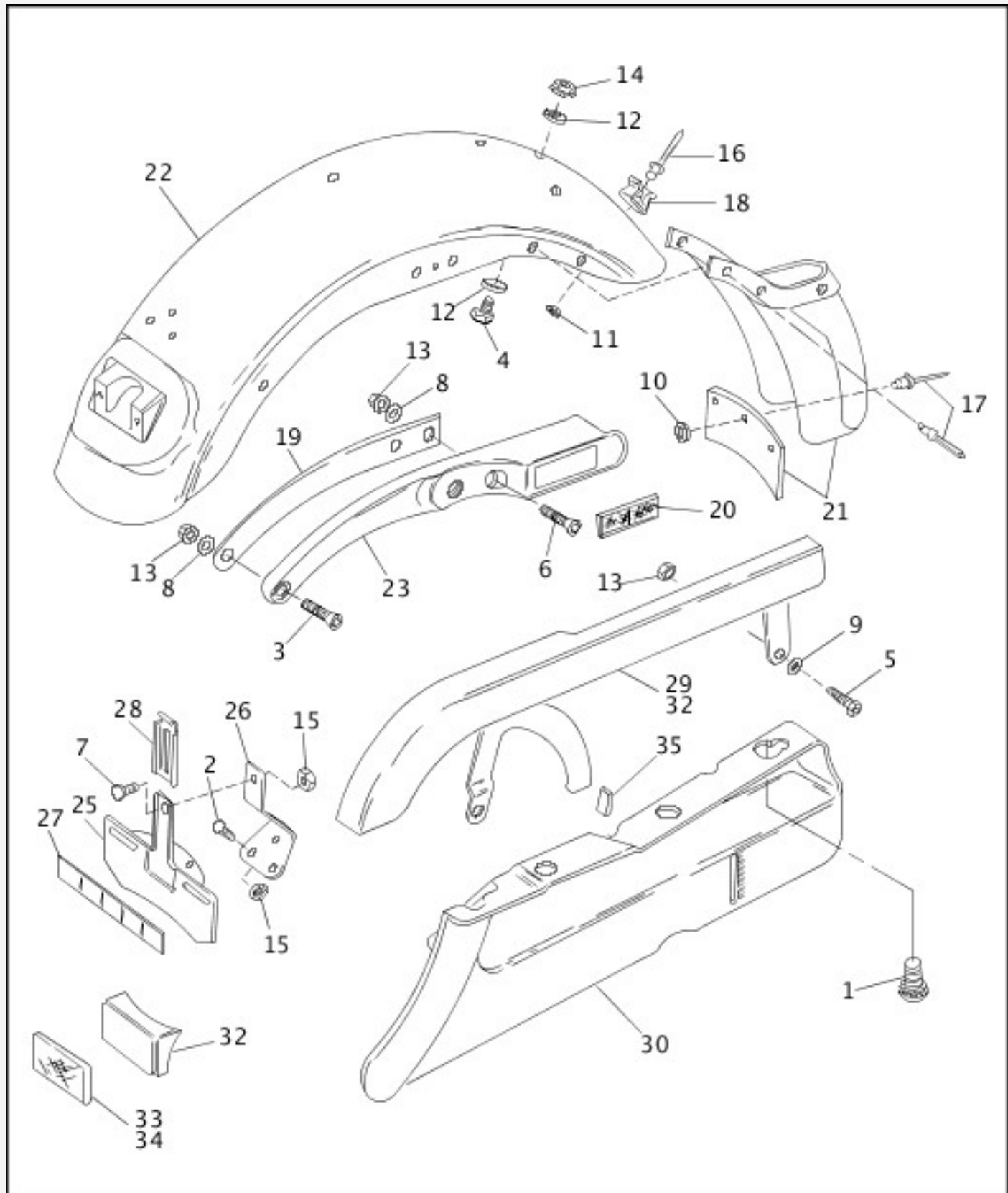
[View interactive table](#)

INDEX NO.	PART NO.	DESCRIPTION	MODEL(S)
1	2508	SCREW (2)	ALL
2	4326A	SCREW (2)	ALL
3	71564-82A	HOUSING, switches & throttle control, upper	ALL
4	4816A	SCREW (2)	ALL

5	5736	SPACER, handlebar mounting (2)	XL1200 1991, XL1200 1992
	6330	WASHER (not illustrated) (2)	XL1200 1992, XL883 1992, XL883DLX 1992, XL883HUG 1992
6	7042	LOCKWASHER (2)	ALL
7	7739	LOCKNUT (2)	ALL
8	7768W	LOCKNUT (2)	ALL
9	10065	CABLE STRAP (2)	ALL
10	11155	RETAINING RING	ALL
11	56081-82A	HANDLEBAR	XL1200 1991, XL1200 1992, XL883DLX 1992, XL883HUG 1991
	56082-83	HANDLEBAR	XL1200 1991, XL883 1991, XL883HUG 1991, XL883HUG 1992
12	56105-84	STUD, handlebar (2)	ALL
13	56115-79B	CLAMP, handlebar, upper	ALL
14	56116-82A	CLAMP, handlebar, lower left (riser)	ALL
15	56117-82A	CLAMP, handlebar, lower right (riser)	ALL
16	56158-73	RUBBER BUSHING, handlebar mounting (4)	ALL
17	56159-73	CUP WASHER, handlebar mounting (4)	ALL
18	56206-94A	HANDLEBAR GRIP, rubber	ALL
19	56220-94A	GRIP & SLEEVE, throttle	ALL
20	56308-88	THROTTLE CONTROL ASSEMBLY	ALL
	56309-88	IDLE CONTROL ASSEMBLY	ALL
21	56394-74	SPRING, adjusting screw	ALL
22	56396-74A	FRICTION SPRING, throttle grip	ALL
23	56397-74C	KIT, throttle adjusting screw, w/ 10, 21 & 24	ALL
24	56402-83A	ADJUSTING SCREW, throttle	ALL
25	56508-76	FERRULE (2)	ALL

26	67009-72	SPACER, handlebar mounting (2)	XL883 1991, XL883 1992
27	70504-81	CLIP, throttle cables	ALL
28	70191-73A	GROUND WIRE	ALL
29	71563-82A	HOUSING, switches & throttle control, lower	ALL

REAR FENDER, BELT & CHAIN GUARDS



[View interactive image](#)

INDEX NO.	PART NO.	DESCRIPTION	MODEL(S)
1	3737A	SCREW (3)	XL1200 1991, XL1200 1992, XL883DLX 1991, XL883DLX 1992
2	2773	SCREW (3)	ALL
3	3670	SCREW (2)	ALL
4	3767B	BOLT	ALL
5	3987	BOLT	ALL
6	4816A	SCREW (2)	ALL
7	5403B	BOLT	ALL
8	6056	CUP WASHER (4)	ALL
9	6109	WASHER	ALL
10	6192	WASHER (3)	ALL
	6333	WASHER, insert & spacer (HDI) (2)	ALL
11	6717	WASHER (4)	ALL
12	7124	LOCKWASHER (2)	ALL
13	7531	LOCKNUT (5)	ALL
	7667	NUT (HDI) (2)	ALL
14	7686	LOCKNUT	ALL
15	7792	NUT, keps (4)	ALL
16	8483A	RIVET (4)	ALL
17	8692	RIVET (4)	ALL
18	9952	CLIP (4)	ALL
19	59242-90	MOUNTING PLATE (2)	ALL
20	59256-84A	REFLECTOR, amber (HDI) (2)	ALL
21	59594-82C	FENDER EXTENSION	ALL
22	59674-81C	REAR FENDER (prime)	ALL
23	59950-	SUPPORT, rear fender, left	ALL

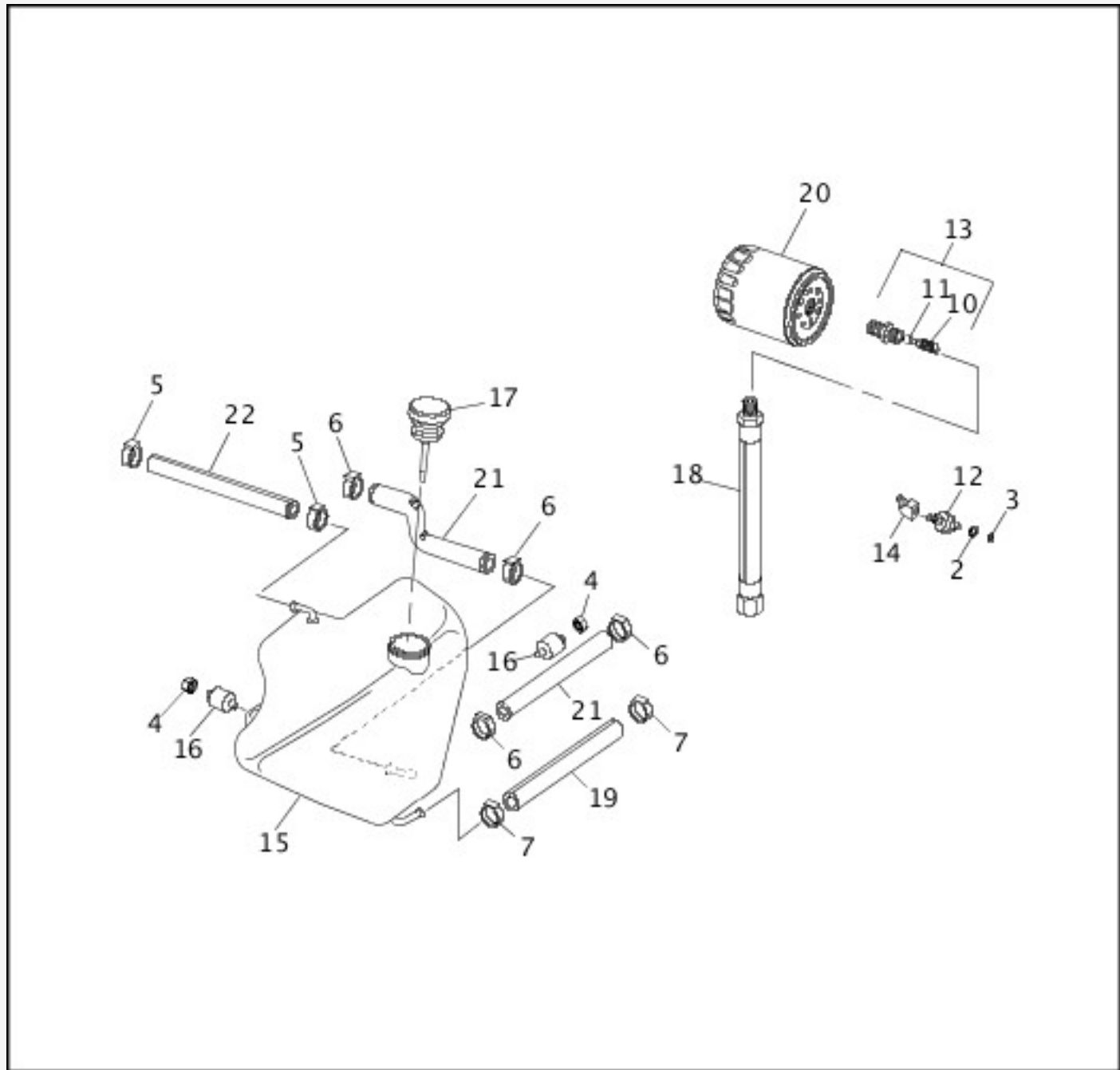
	89		
	59951-89	SUPPORT, rear fender, right	ALL
24	2708A	SCREW (HDI) (not illustrated) (2)	ALL
25	59984-73	BRACKET, license plate	ALL
26	59986-75	SUPPORT, license plate bracket	ALL
27	59988-72A	REFLECTOR, license plate bracket	ALL
28	60001-55	CLAMP, license plate bracket	ALL
29	60365-89	CHAIN GUARD	XL1200 1991, XL1200 1992, XL883 1991, XL883 1992, XL883HUG 1991, XL883HUG 1992
	60370-89	CHAIN GUARD (Swiss)	XL1200 1991, XL1200 1992, XL883 1991, XL883 1992, XL883HUG 1991, XL883HUG 1992
30	60436-91	DEBRIS DEFLECTOR	XL1200 1991, XL1200 1992, XL883DLX 1991, XL883DLX 1992
31	75101-82	SPACER, rubber (not illustrated)	XL1200 1991, XL1200 1992, XL883 1991, XL883 1992, XL883HUG 1991, XL883HUG 1992
32	60381-91	BELT GUARD	XL1200 1991, XL1200 1992, XL883DLX 1991, XL883DLX 1992
33	59251-90	REFLECTOR (red) (HDI)	ALL
34	59259-90	REFLECTOR (red) (2)	ALL
35	60419-91	BUMPER	ALL

FUEL TANK & TRIM

7	10014	CLAMP, fuel hose (2)	ALL
8	10083	CLIP, cable	ALL
9	62172-02	GASKET, fuel valve	ALL
10	14232-91	DECAL (blue & silver) (2)	XL883 1991, XL883 1992
	14233-91	DECAL (black & red) (2)	XL883 1991, XL883 1992
	14343-92	DECAL (black & orange) (2)	XL883 1992
11	14234-91	DECAL, left (orange)	XL1200 1991
	14235-91	DECAL, left (blue)	XL1200 1991, XL1200 1992
	14237-91	DECAL, right (orange)	XL1200 1991
	14238-91	DECAL, right (blue)	XL1200 1991, XL1200 1992
	14344-92	DECAL, left (turquoise)	XL1200 1992
	14345-92	DECAL, right (turquoise)	XL1200 1992
	14346-92	DECAL, left (wineberry)	XL1200 1992
	14347-92	DECAL, right (wineberry)	XL1200 1992
12	27018-85	CLAMP	XL1200 1992, XL883 1992, XL883DLX 1992, XL883HUG 1992
13	27068-92	TUBE, tank to valve	XL1200 1992, XL883 1992, XL883DLX 1992, XL883HUG 1992
14	42520-80A	SPACER, fuel tank, front	ALL
15	61023-83D	FUEL TANK (prime)	XL1200 1991, XL883 1991, XL883DLX 1991, XL883HUG 1991
	61023-93	FUEL TANK (prime)	XL1200 1992, XL883 1992, XL883DLX 1992, XL883HUG 1992
16	61102-83C	FILLER CAP	XL1200 1991, XL883 1991, XL883DLX 1991, XL883HUG 1991
	61272-92C	FILLER CAP	XL1200 1992, XL883 1992, XL883DLX 1992, XL883HUG 1992
17	61109-85D	GASKET	ALL
18	62150-85	VAPOR VALVE	XL1200 1992, XL883 1992, XL883DLX 1992, XL883HUG 1992
19	62161-02	NUT, fuel valve	ALL
20	62166-81A	FILTER, fuel valve	ALL

21	62169-81	FUEL VALVE	ALL
NOTE: Hose or insulator is sold in bulk length under the following part numbers. Cut to length.			
22	63501-68B	HOSE, 1/4 I.D. x 1/2 O.D. (rubber) (25 ft. long)	ALL
23	62555-95	INSULATOR, 1/2 I.D. (nylon) (8 ft. long)	ALL

OIL TANK & FILTER



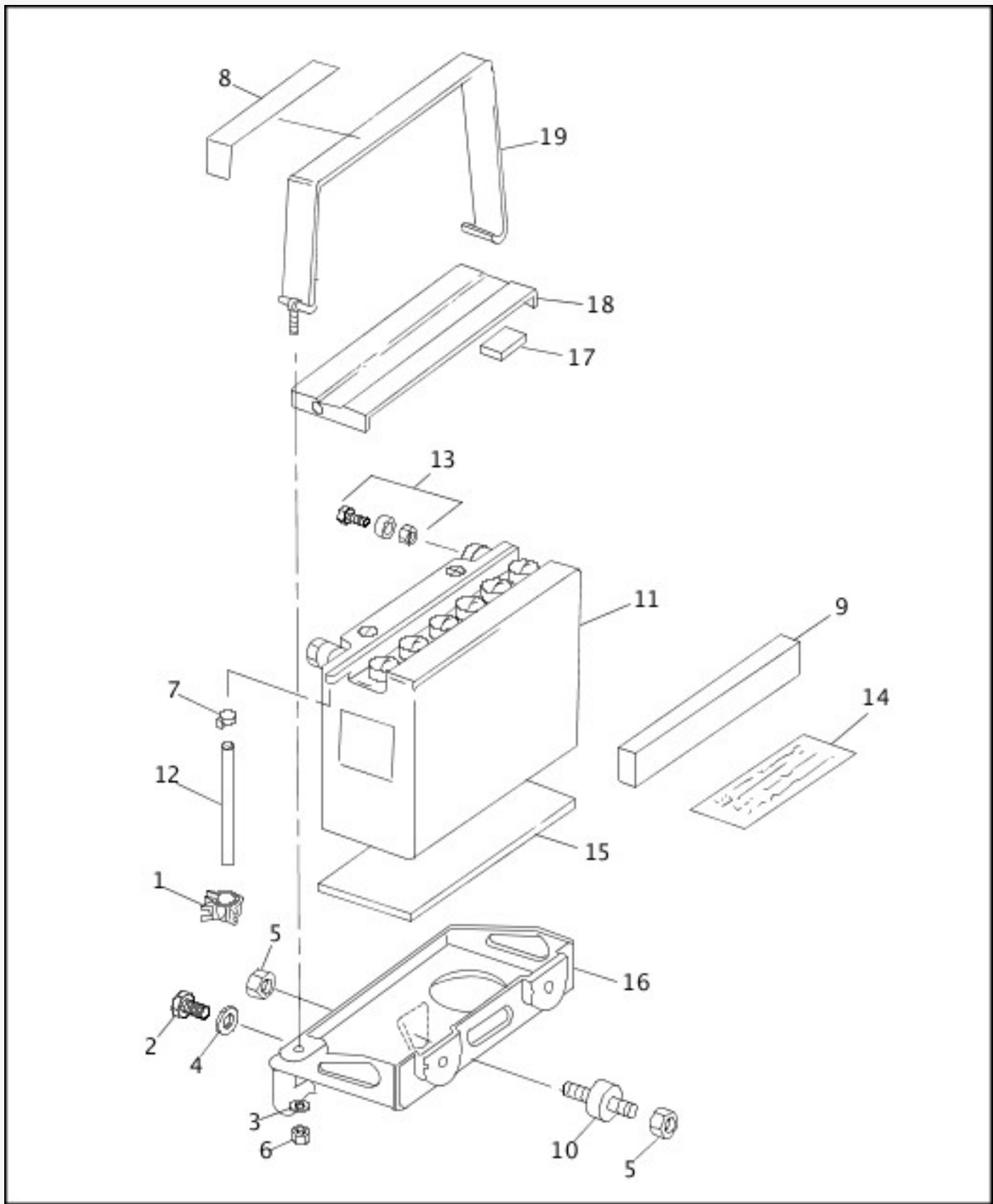
[View interactive image](#)

[View interactive table](#)

INDEX NO.	PART NO.	DESCRIPTION	MODEL(S)
1	742	PLUG (not illustrated)	ALL
2	7069	LOCKWASHER	ALL
3	7638	NUT	ALL

4	7686	LOCKNUT (3)	ALL
5	10014	CLAMP, crankcase vent hose (2)	ALL
6	10080	CLAMP, oil hose (4)	ALL
7	10049	CLAMP, oil drain hose (2)	ALL
8	26001-86	PLUNGER (not illustrated)	ALL
9	26002-86	SPRING (not illustrated)	ALL
10	26436-90A	SPRING	ALL
11	26437-86B	BALL	ALL
12	26554-77C	SWITCH, oil pressure indicator	ALL
13	33117-91A	ADAPTOR KIT, oil filter, w/ 10 & 11	ALL
14	60618-91	STREET ELBOW	ALL
15	62472-93A	OIL TANK ASSEMBLY	ALL
16	62563-65	MOUNT, oil tank (3)	ALL
17	62634-84A	FILLER CAP, w/ dipstick	ALL
18	62631-91	HOSE, oil pump to filter	ALL
19	63504-84	HOSE, oil drain	ALL
20	63805-80A	OIL FILTER	ALL
NOTE: Hose or insulator is sold in bulk length under the following part numbers. Cut to length.			
21	63500-68	HOSE, 3/8 I.D. x 5/8 O.D. (rubber) (25 ft. long)	ALL
22	63501-68B	HOSE, 1/4 I.D. x 1/2 O.D. (rubber) (25 ft. long)	ALL

BATTERY



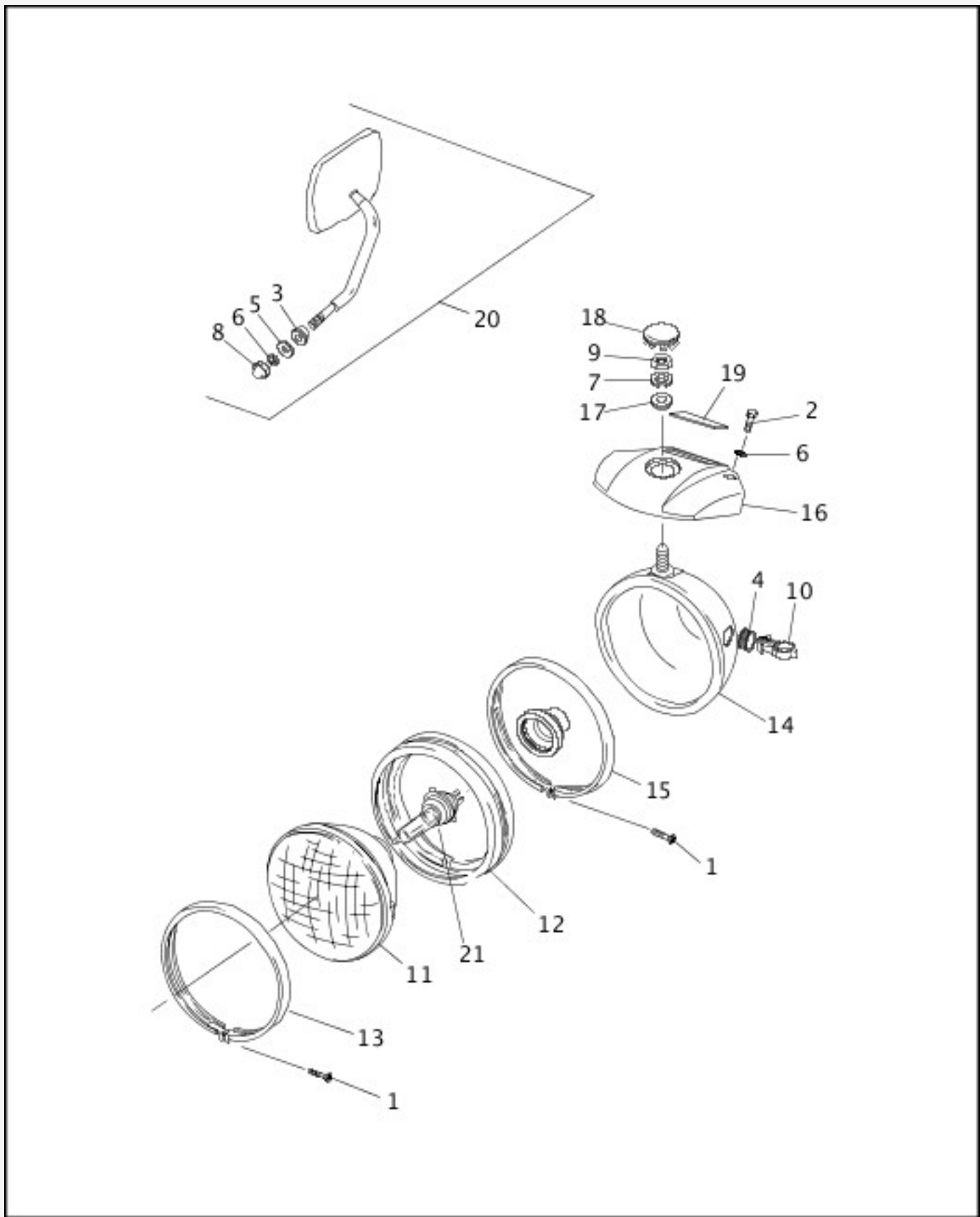
[View interactive image](#)

[View interactive table](#)

INDEX NO.	PART NO.	DESCRIPTION	MODEL(S)
1	10108	CLIP, vapor valve	XL1200 1992, XL883 1992, XL883DLX 1992, XL883HUG 1992
2	3974HW	BOLT (2)	ALL
3	6220W	WASHER	ALL
4	6702	WASHER (2)	ALL

5	7686	LOCKNUT (2)	ALL
6	7688	NUT	ALL
7	10067	CLAMP, vent hose	ALL
8	29112-83	WARNING LABEL	ALL
9	47403-75A	PAD, rear	ALL
10	62563-65	MOUNT, battery tray	ALL
11	65991-82B	BATTERY	ALL
12	65995-88A	VENT TUBE	ALL
13	66000-80	BATTERY TERMINAL KIT	ALL
14	15368-01A	LABEL, "warning, disconnect battery etc."	ALL
15	66103-74A	PAD, battery	ALL
16	66191-83	TRAY, battery	ALL
17	66352-65	PAD, battery cover (2)	ALL
18	66367-73	COVER, battery, top (chrome)	XL1200 1991, XL1200 1992, XL883 1991, XL883 1992
19	66476-73A	STRAP, battery	ALL

HEADLAMP & MIRROR



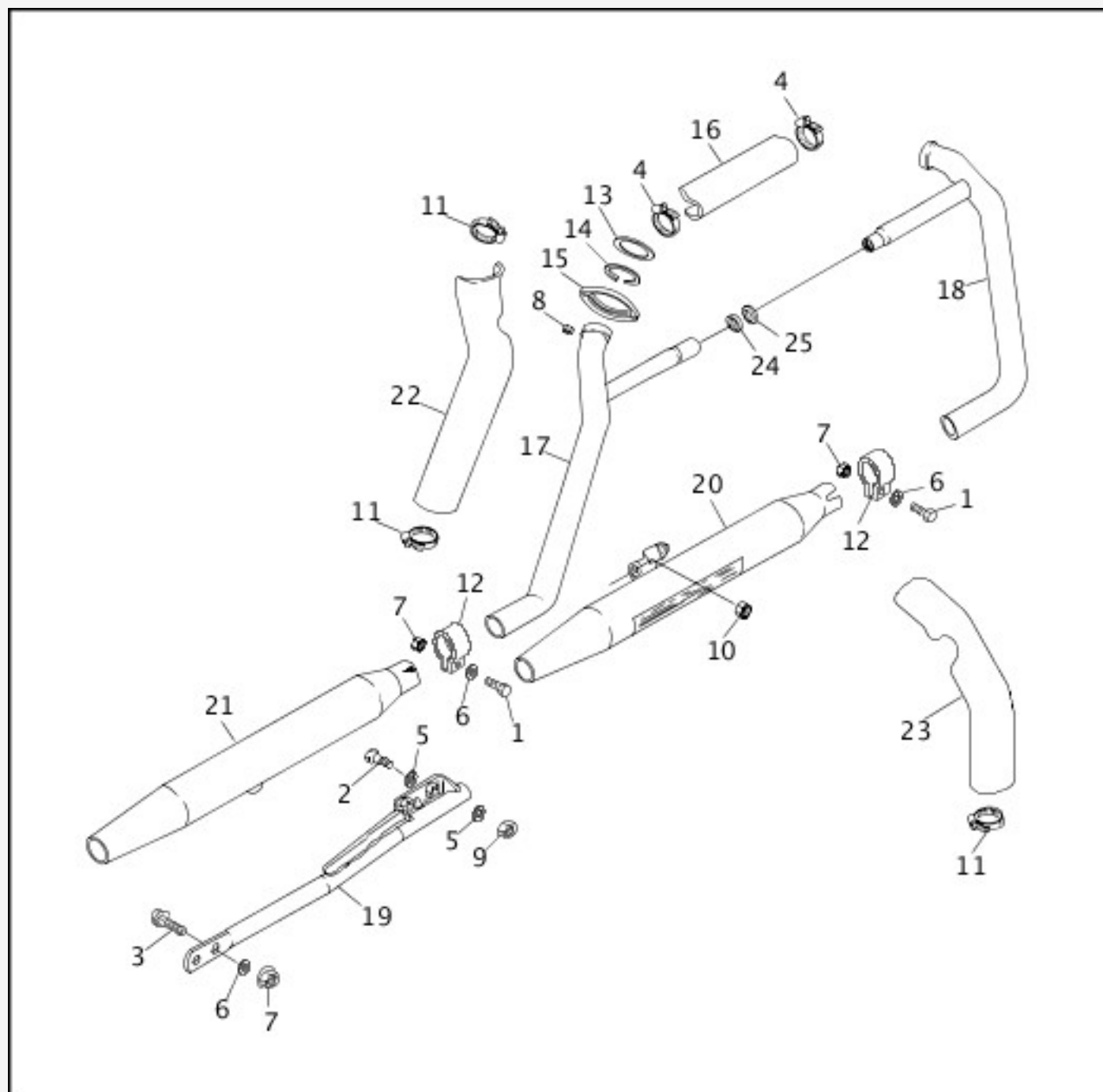
[View interactive image](#)

[View interactive table](#)

INDEX NO.	PART NO.	DESCRIPTION	MODEL(S)
1	1203	SCREW (2)	ALL
2	4017	BOLT (2)	ALL
3	5774	SPACER (2)	ALL
4	6265	WASHER, rubber	ALL

5	6781	WASHER (2)	XL1200 1991, XL1200 1992, XL883 1991, XL883 1992, XL883DLX 1991, XL883DLX 1992
6	7041	LOCKWASHER (4)	XL1200 1991, XL1200 1992, XL883 1991, XL883 1992, XL883DLX 1991, XL883DLX 1992
7	7068	LOCKWASHER	ALL
8	7736	ACORN NUT	XL1200 1992, XL883 1992, XL883DLX 1992, XL883HUG 1992
8	7736	ACORN NUT (2)	XL1200 1991, XL883 1991, XL883DLX 1991
9	7880	NUT	ALL
10	56073-83	RETAINER, speedometer cable	ALL
11	67698-81D	HEADLAMP ASSEMBLY, w/ bulb & boot, halogen	ALL
12	67719-63	MOUNTING RING, rubber	ALL
13	67725-63	MOLDING RING, outer	ALL
14	67743-75	HOUSING, headlamp	ALL
15	67744-75	MOLDING RING, inner	ALL
16	67805-86A	BRACKET, headlamp	XL1200 1991, XL883 1991, XL883DLX 1991, XL883HUG 1991
	67805-92	BRACKET, headlamp	XL1200 1992, XL883 1992, XL883DLX 1992, XL883HUG 1992
17	67815-59A	WASHER, headlamp mounting	ALL
18	67865-89	PLUG, headlamp bracket	ALL
19	67834-83	TRIM, headlamp bracket	ALL
20	91875-88A	MIRROR KIT, right, short	XL1200 1991, XL1200 1992, XL883DLX 1992, XL883HUG 1991, XL883HUG 1992
	91892-88A	MIRROR KIT, left, short	XL1200 1991, XL1200 1992, XL883DLX 1992, XL883HUG 1991, XL883HUG 1992
	91902-88A	MIRROR KIT, left, long	XL1200 1991, XL1200 1992, XL883 1991, XL883 1992, XL883DLX 1991
	91904-88A	MIRROR KIT, right, long	XL1200 1991, XL1200 1992, XL883 1991, XL883 1992, XL883DLX 1991

EXHAUST SYSTEM



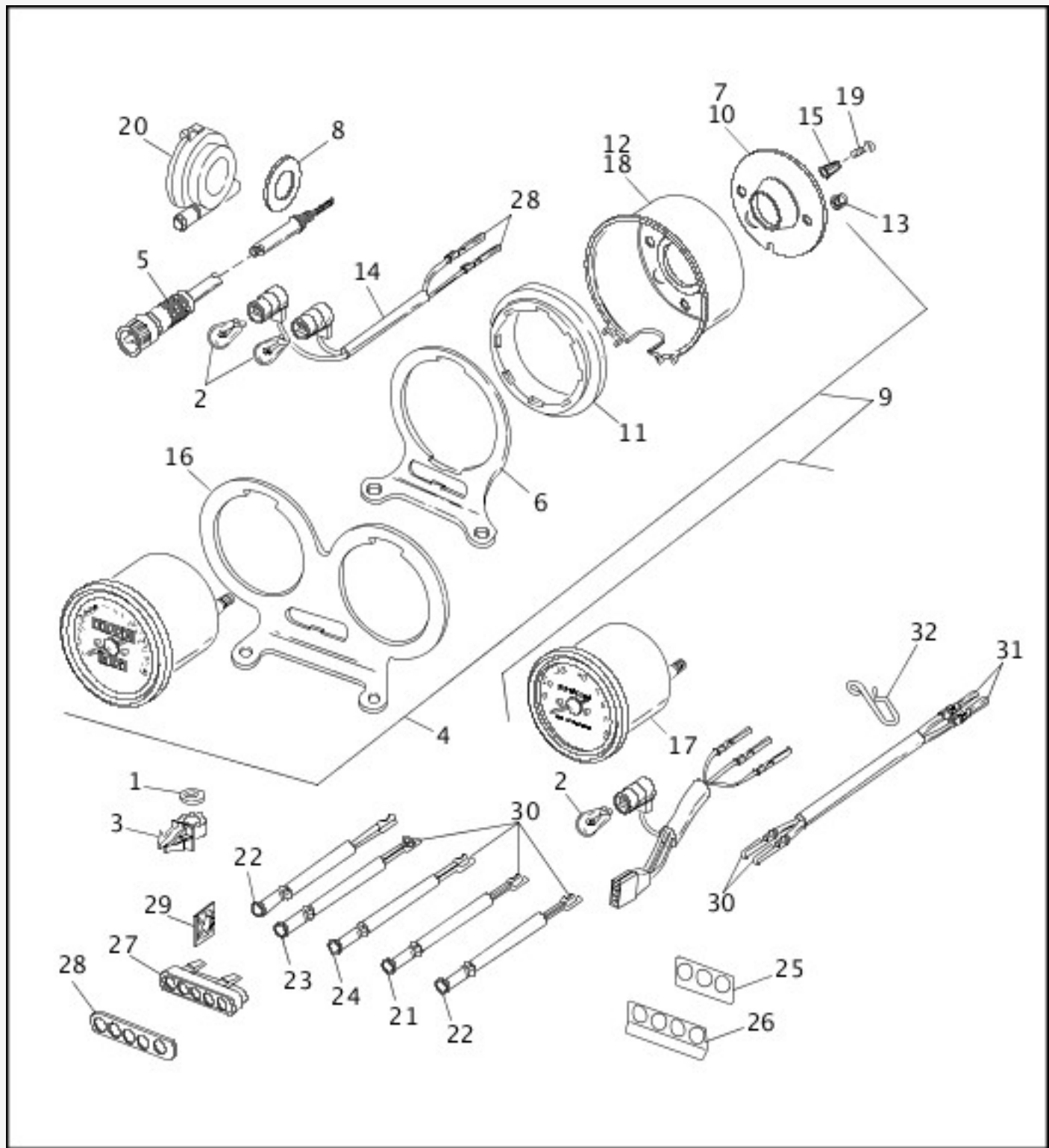
[View interactive image](#)

[View interactive table](#)

INDEX NO.	PART NO.	DESCRIPTION	MODEL(S)
1	2818	BOLT (2)	ALL
2	4380W	BOLT (2)	ALL
3	5440	BOLT	ALL
4	9955	CLAMP, crossover pipe (2)	ALL
5	6701	WASHER (4)	ALL

6	6702	WASHER (3)	ALL
7	7531	LOCKNUT (3)	ALL
8	7593	NUT (4)	ALL
9	7775	LOCKNUT (2)	ALL
10	7844	LOCKNUT	ALL
11	9955	CLAMP, heat shield (6)	ALL
	10074	CLAMP, heat shield (Swiss) (4)	ALL
12	65276-62	CLAMP, muffler (chrome) (2)	ALL
13	65324-83B	GASKET, exhaust port (2)	ALL
14	65325-83A	RETAINING RING, exhaust gasket (2)	ALL
15	65328-83A	CLAMP, exhaust pipe to manifold	ALL
16	65419-86	HEAT SHIELD, crossover pipe (chrome)	ALL
17	65568-86A	EXHAUST PIPE, rear (chrome)	ALL
18	65569-86A	EXHAUST PIPE, front (chrome)	ALL
19	65599-80D	SUPPORT, rear muffler	ALL
20	65605-87B	MUFFLER, front (chrome)	ALL
	65766-89E	MUFFLER, front (chrome) (HDI)	ALL
	65860-91A	MUFFLER, front (catalytic) (Swiss)	ALL
21	65613-86B	MUFFLER, rear (chrome)	ALL
	65769-89E	MUFFLER, rear (chrome)(HDI)	ALL
	65861-91	MUFFLER, rear (catalytic) (Swiss)	ALL
22	65712-86	HEAT SHIELD, rear (chrome)	ALL
	65716-91	HEAT SHIELD, muffler (Swiss) (2)	ALL
23	65719-86	HEAT SHIELD, front (chrome)	ALL
24	65781-82	GASKET	ALL
25	65782-82	WASHER	ALL

SPEEDOMETER & TACHOMETER



[View interactive image](#)

[View interactive table](#)

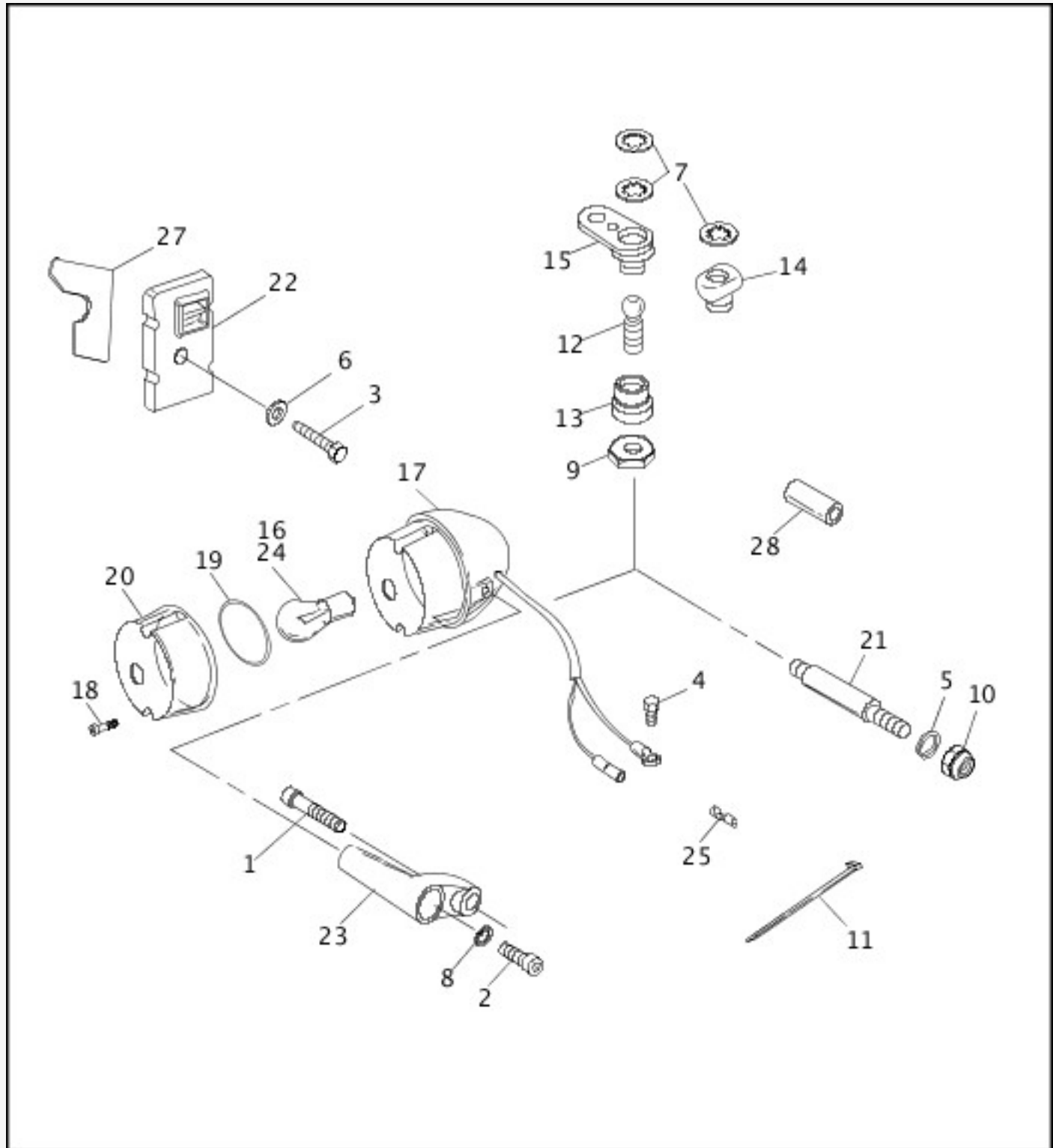
INDEX NO.	PART NO.	DESCRIPTION	MODEL(S)
1	6265	WASHER, rubber	ALL
2	53439-79	BULB (as required)	ALL
3	56073-83	RETAINER, speedometer	ALL
4	67016-86A	SPEEDOMETER, mph, complete (use 67037-91)	XL883 1991
	67016-	SPEEDOMETER, mph, complete	XL883 1992

	92	(replaces 67016-86A)	
	67037-91	SPEEDOMETER, mph, w/ wiring	ALL
	67041-91	SPEEDOMETER, kph, w/ wiring	ALL
5	67052-78B	CABLE ASSEMBLY, speedometer	XL1200 1991, XL1200 1992
	67063-89	CABLE ASSEMBLY, speedometer	XL883 1991, XL883 1992
6	67053-86	BRACKET, speedometer	XL883 1991
	67053-92	BRACKET, speedometer	XL883 1992
7	67085-83	TRIM, tachometer	XL1200 1991, XL1200 1992
8	67098-87	SEAL, speedometer drive	ALL
9	67099-86A	SPEEDOMETER & TACHOMETER, mph	XL1200 1991
	67099-92	SPEEDOMETER & TACHOMETER, mph	XL1200 1992
10	67103-91	TRIM, speedometer	ALL
11	67104-83	CUSHION, rubber	XL883 1991, XL883DLX 1991, XL883HUG 1991
11	67104-83	CUSHION, rubber (2)	XL1200 1991
	67121-92	CUSHION, rubber	XL883 1992, XL883DLX 1992, XL883HUG 1992
	67121-92	CUSHION, rubber (2)	XL1200 1992
12	67105-91A	COVER, speedometer, lower (black)	ALL
13	67106-83	ACORN NUT (chrome) (2)	XL883 1991, XL883 1992, XL883DLX 1991, XL883DLX 1992, XL883HUG 1991, XL883HUG 1992
13	67106-83	ACORN NUT (chrome) (4)	XL1200 1991, XL1200 1992
14	67107-91	BULB & SOCKET, w/ terminals, speedometer	ALL

15	67108-83	KNOB, odometer reset (chrome)	ALL
16	67110-86	BRACKET, instrument support	XL1200 1991
	67110-92	BRACKET, instrument support	XL1200 1992
17	67111-85	TACHOMETER	XL1200 1991, XL1200 1992
18	67112-83	COVER, tachometer, lower (black)	XL1200 1991, XL1200 1992
19	67117-85	SCREW, odometer reset knob	ALL
20	67127-84A	DRIVE UNIT, speedometer	ALL
21	68020-92A	INDICATOR LAMP, oil pressure (red)	XL1200 1992, XL883 1992, XL883DLX 1992, XL883HUG 1992
	68022-92A	INDICATOR LAMP, oil pressure (red)	XL1200 1991, XL883 1991, XL883DLX 1991, XL883HUG 1991
22	68021-92A	INDICATOR LAMP, turn signal (green) (2)	XL1200 1992, XL883 1992, XL883DLX 1992, XL883HUG 1992
	68740-91A	INDICATOR LAMP, turn signal (green)	XL1200 1991, XL883 1991, XL883DLX 1991, XL883HUG 1991
23	68023-92A	INDICATOR LAMP, high beam (blue)	ALL
24	68024-92A	INDICATOR LAMP, neutral (green)	ALL
25	68464-86	TRIM, indicator lamps	XL1200 1991
26	68491-86	TRIM, indicator lamps	XL883 1991
27	68513-92	BEZEL, indicator lamps	XL1200 1992, XL883 1992, XL883DLX 1992, XL883HUG 1992
28	68516-92	TRIM, indicator lamps	XL1200 1992, XL883 1992, XL883DLX 1992, XL883HUG 1992
29	68608-83	SPEED NUT (4)	XL1200 1991, XL883 1991, XL883DLX 1991, XL883HUG 1991
29	68608-83	SPEED NUT (5)	XL1200 1992, XL883 1992, XL883DLX 1992, XL883HUG 1992
30	72038-71A	SOCKET, single pin (8)	ALL

31	72039-71A	PIN, single socket (2)	ALL
32	45092-66A	GUIDE, speedometer cable	ALL

TURN SIGNALS



[View interactive image](#)

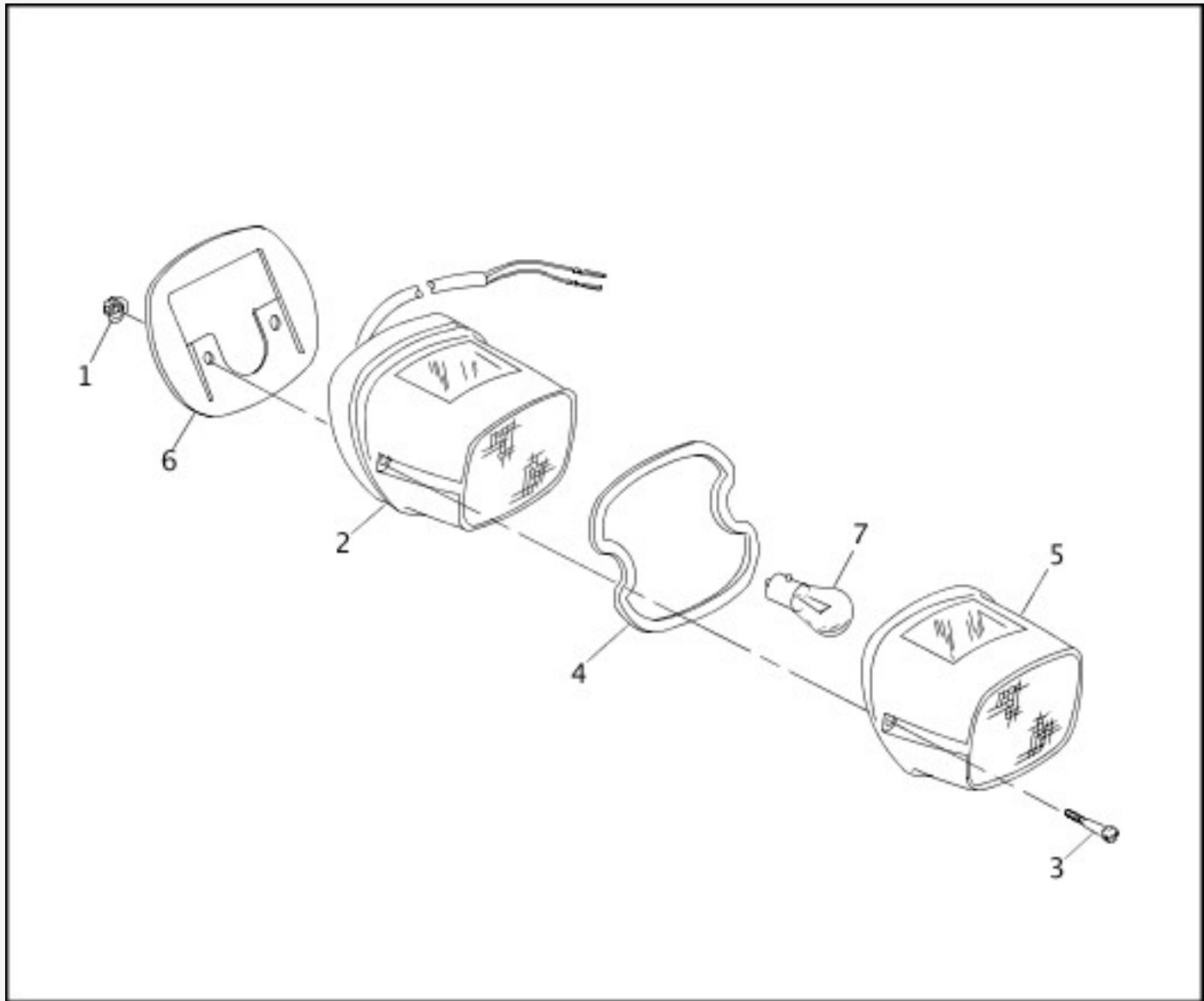
[View interactive table](#)

INDEX NO.	PART NO.	DESCRIPTION	MODEL(S)
1	855B	SCREW (2)	XL1200 1991, XL1200 1992, XL883 1991, XL883 1992, XL883DLX 1991

2	2698A	SCREW (2)	XL1200 1991, XL1200 1992, XL883 1991, XL883 1992, XL883DLX 1991
3	3572B	SCREW	ALL
4	3767B	BOLT	ALL
5	6056	CUP WASHER (2)	ALL
6	6195A	WASHER, rubber	ALL
7	7127	LOCKWASHER (3)	XL1200 1991, XL1200 1992, XL883DLX 1992, XL883HUG 1991, XL883HUG 1992
8	7042	LOCKWASHER (2)	XL1200 1991, XL1200 1992, XL883 1991, XL883 1992, XL883DLX 1991
9	7744	JAMNUT (2)	XL1200 1991, XL1200 1992, XL883 1992, XL883HUG 1991, XL883HUG 1992
10	7789	LOCKNUT (2)	ALL
11	10065	CABLE STRAP (2)	ALL
12	67822-88	BALL STUD (2)	XL1200 1991, XL1200 1992, XL883DLX 1992, XL883HUG 1991, XL883HUG 1992
13	67827-88A	CLAMP, ball stud (2)	XL1200 1991, XL1200 1992, XL883DLX 1992, XL883HUG 1991, XL883HUG 1992
14	67828-88A	RETAINER, right	XL1200 1991, XL1200 1992, XL883DLX 1992, XL883HUG 1991, XL883HUG 1992
15	67829-88	BALL RECEPTACLE, left	XL1200 1991, XL1200 1992, XL883DLX 1992, XL883HUG 1991, XL883HUG 1992
16	68163-84	BULB, turn signal (HDI) (4)	ALL
	68168-89A	BULB, front turn signal (2)	ALL
17	68403-86A	LAMP, w/ wire, rear (amber) (HDI) (2)	ALL
	68406-86C	LAMP, w/ wire, front (amber) (2)	ALL
	68408-86D	LAMP, w/ wire, front (amber) (HDI)	ALL
	68410-87B	LAMP, w/ wire, rear (amber) (2)	ALL
18	68452-86	SCREW, w/ o-ring (8)	ALL
19	68455-86	O-RING (4)	ALL

20	68457-86	LENS, amber (4)	ALL
	68507-90	LENS, rear (amber) (HDI) (2)	ALL
	68566-90	LENS, front (amber) (HDI) (2)	ALL
21	68493-90	SPACER, rear turn signal (2)	ALL
22	68537-89G	TURN SIGNAL CANCELLER	ALL
23	68555-87	SUPPORT, front turn signal (2)	XL1200 1991, XL1200 1992, XL883 1991, XL883 1992, XL883DLX 1991
24	68572-64B	BULB, rear turn signal (2)	ALL
25	72039-71A	PIN, single socket (as required)	ALL
26	7562	LOCKNUT, turn signal mounting (HDI) (not illustrated) (2)	ALL
27	66107-91	PAD, canceller	ALL
28	68578-84A	SPACER, rear turn signal (HDI) (2)	XL1200 1991, XL1200 1992
29	59710-84	INSERT, fender support (HDI) (not illustrated) (2)	ALL

TAIL LAMP



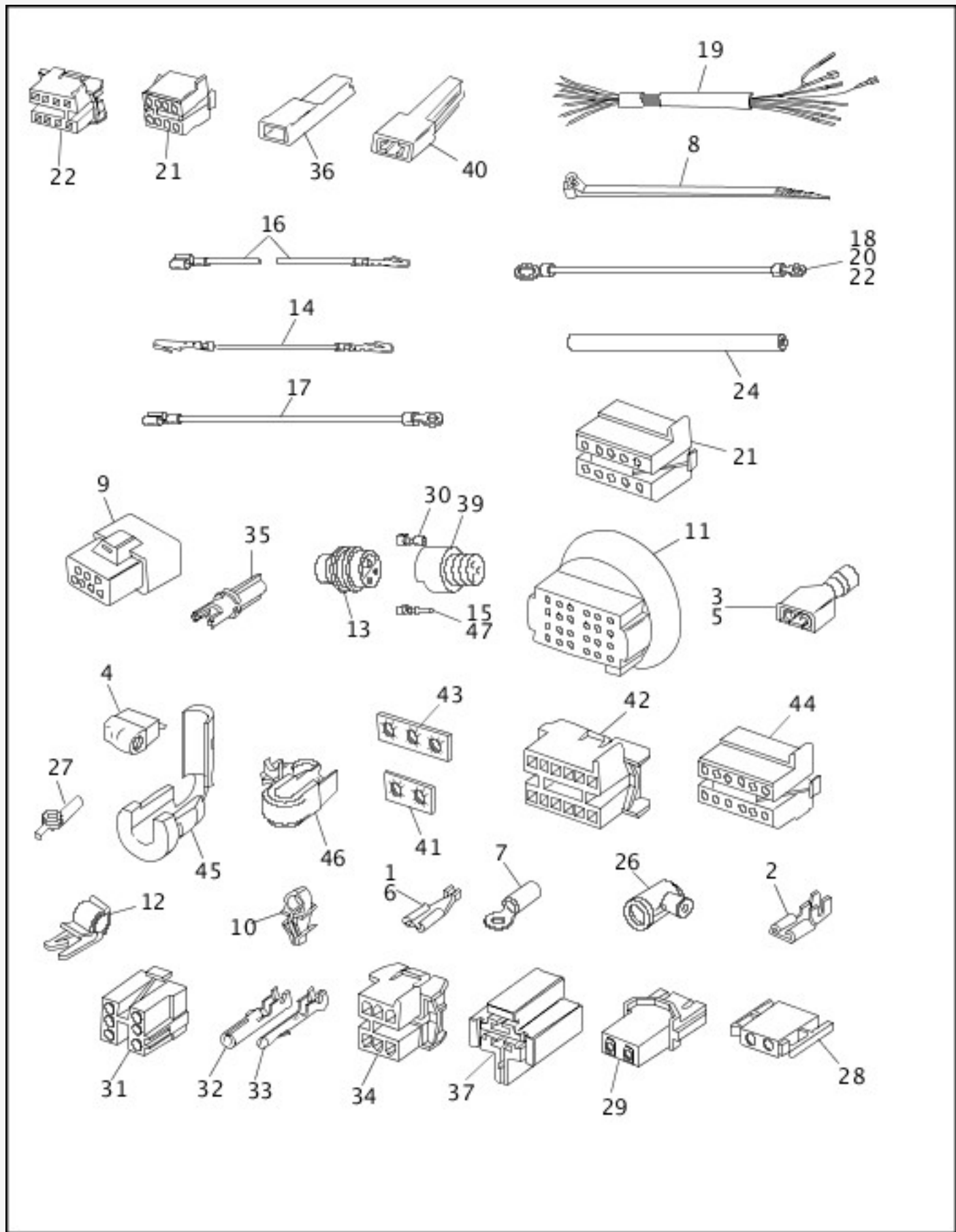
[View interactive image](#)

[View interactive table](#)

INDEX NO.	PART NO.	DESCRIPTION	MODEL(S)
1	7501	SPEED NUT (2)	ALL
2	68008-73B	TAIL LAMP ASSEMBLY	ALL
	68010-90	TAIL LAMP ASSEMBLY (HDI)	ALL
3	68026-73	SCREW, lens (2)	ALL
4	68027-90	GASKET, lens	ALL
5	68032-90	LENS, tail lamp red (HDI)	ALL
	68033-90	LENS, tail lamp (red)	ALL
6	68123-73	GASKET, tail lamp mounting	ALL
7	68168-89A	BULB, tail lamp	ALL
	68169-90A	BULB, tail lamp (HDI)	ALL
8	59251-90	REFLECTOR ASSEMBLY, red (HDI) (not illustrated)	ALL

6	7145W	LOCKWASHER	XL1200 1991
7	7232	LOCKWASHER	XL883 1991, XL883 1992
8	7549A	ACORN NUT	XL1200 1992
9	7782	LOCKNUT, flange	XL1200 1991
10	8099	WELL NUT (2)	XL1200 1991
11	8108	SPEEDNUT (2)	XL1200 1992
12	42520-80A	SPACER	XL883 1991, XL883 1992
13	69012-86A	COVER, horn (chrome)	XL1200 1991, XL1200 1992
14	69027-86	SUPPORT BRACKET	XL1200 1991
15	69027-92	SUPPORT BRACKET	XL1200 1992
16	69043-91D	HORN, complete, w/ bracket	XL883 1991, XL883 1992
17	69060-90H	HORN	XL1200 1991, XL1200 1992
18	69062-91	CLAMP, horn wire	XL1200 1992
19	69120-91	HORN BRACKET	XL1200 1992
20	69123-92A	RUBBER MOUNT	XL1200 1992

WIRING & MISCELLANEOUS ELECTRICAL (1 OF 2)



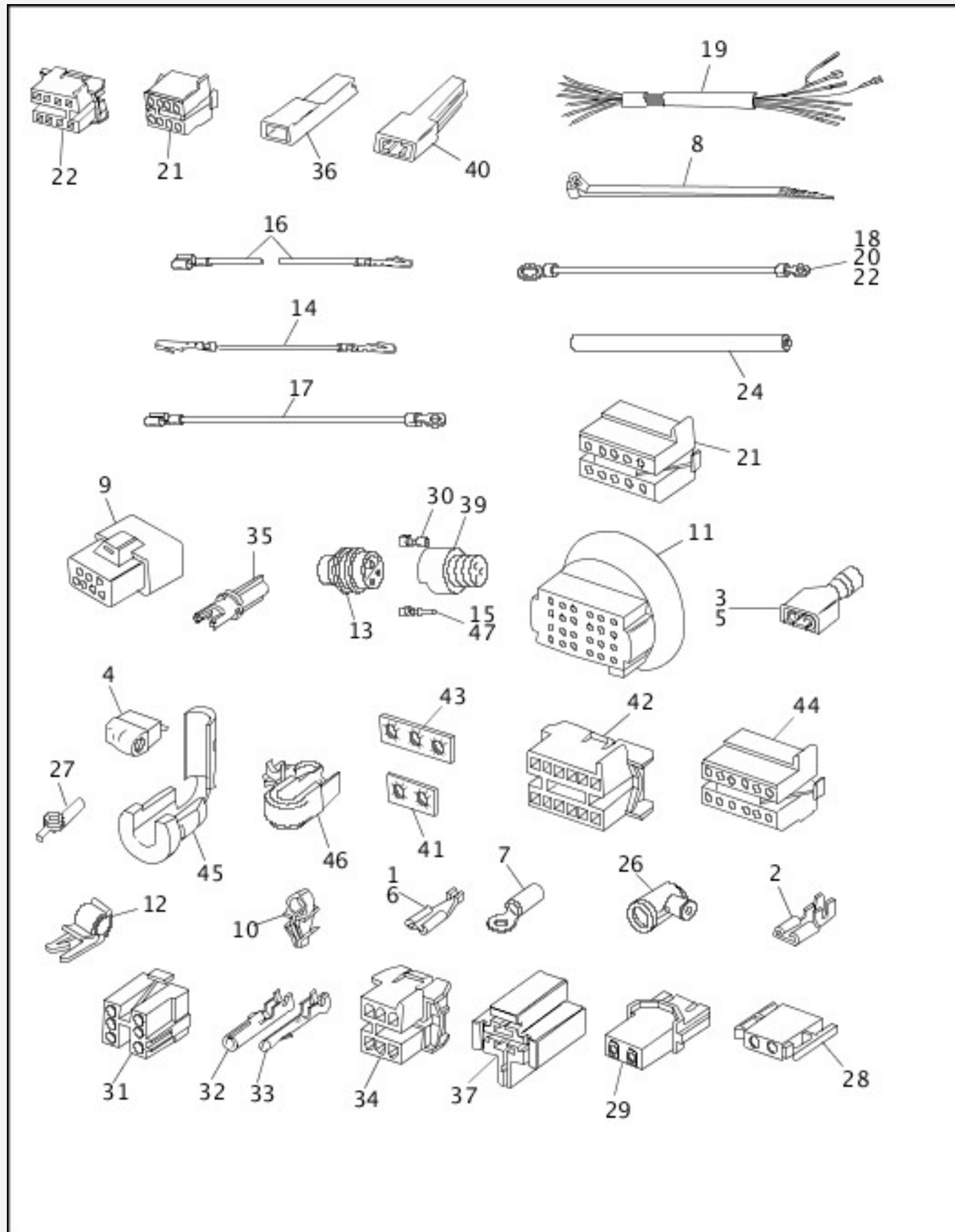
[View interactive image](#)

[View interactive table](#)

INDEX NO.	PART NO.	DESCRIPTION	MODEL(S)
1	9849	WIRE TERMINAL, female spade type	XL1200 1992, XL883 1992, XL883DLX 1992, XL883HUG 1992
2	9875	WIRE TERMINAL, female spade type, 5/16 slot	ALL

3	9885	WIRE TERMINAL, female spade type, 13/64 slot	ALL
4	9898	WIRE TERMINAL, female spade type, 1/4 slot	ALL
5	9900	WIRE TERMINAL, female spade type, 3/16 slot	ALL
6	9930	WIRE TERMINAL, female spade type, 3/16 slot	ALL
	9937	WIRE TERMINAL, female spade type, 1/4 slot	ALL
7	9857	WIRE TERMINAL, ring type, No. 10 hole	ALL
	9858	WIRE TERMINAL, ring type, 1/4 diameter hole	ALL
	9862	WIRE TERMINAL, ring type, No. 10 hole	ALL
	9863	WIRE TERMINAL, ring type, 1/4 diameter hole	ALL
	9866	WIRE TERMINAL, ring type, No. 10 hole	XL1200 1991, XL883 1991, XL883DLX 1991, XL883HUG 1991
8	10006	CABLE STRAP	ALL
	10073	CABLE STRAP	ALL
	10081	CABLE STRAP, double loop	ALL
9	31998-91A	INSULATOR, receptacle housing (Mod. conn.)	ALL
10	56073-83	CLIP, handlebar wires (4)	ALL
11	67839-74	BOOT, headlamp connector	ALL
12	10110	CLIP, "T"-stud	XL1200 1992, XL883 1992, XL883DLX 1992, XL883HUG 1992
	10116	CLIP, "T"-stud	XL1200 1992, XL883 1992, XL883DLX 1992, XL883HUG 1992
13	74521-77A	PLUG, regulator wiring harness	ALL
14	70022-83	WIRE, to front left handlebar switch (violet)	ALL
	70027-83	WIRE, to front right handlebar switch (brown)	ALL
15	74536-77A	PIN, regulator connector (2)	ALL

16	70049-83	WIRE, indicator lamp connection (orange)	ALL
17	70050-83A	WIRE, headlamp ground (black)	ALL
18	70076-89A	CABLE, battery positive to solenoid	ALL
	70097-75B	CABLE, battery negative ground	ALL
	70129-79A	WIRE, battery positive to circuit breaker	ALL
19	70135-91	MAIN WIRING HARNESS	ALL
	70135-92A	MAIN WIRING HARNESS	XL1200 1992, XL883 1992, XL883DLX 1992, XL883HUG 1992
	70157-92	BREAKER HARNESS	XL1200 1992, XL883 1992, XL883DLX 1992, XL883HUG 1992
20	70191-73A	WIRE, handlebar ground	ALL
21	70287-81A	CONNECTOR, 8 socket	XL1200 1992, XL883 1992, XL883DLX 1992, XL883HUG 1992
22	70288-81	CONNECTOR, 8 pin	XL1200 1992, XL883 1992, XL883DLX 1992, XL883HUG 1992
23	70293-87A	CONNECTOR, 10 socket (not illustrated)	ALL
24	70551-69	CONDUIT, 1/8 ID x 10 ft. (black vinyl) (high temp)	ALL
	70552-69	CONDUIT, 3/8 I.D. x 10 ft. long (black vinyl)	ALL
	70553-69	CONDUIT, 7/16 I.D. x 10 ft. long (black vinyl)	ALL
	70554-69	CONDUIT, 1/4 I.D. x 10 ft. long (black vinyl)	ALL
	70555-69	CONDUIT, 1/4 I.D. x 10 ft. long (black vinyl)	ALL
	70556-71	CONDUIT, 5/16 I.D. x 10 ft. long (black vinyl)	ALL
	70558-71	CONDUIT, 1/2 I.D. x 10 ft. long (black vinyl)	ALL
	70559-71	CONDUIT, 1/8 I.D. x 10 ft. long (black vinyl)	ALL



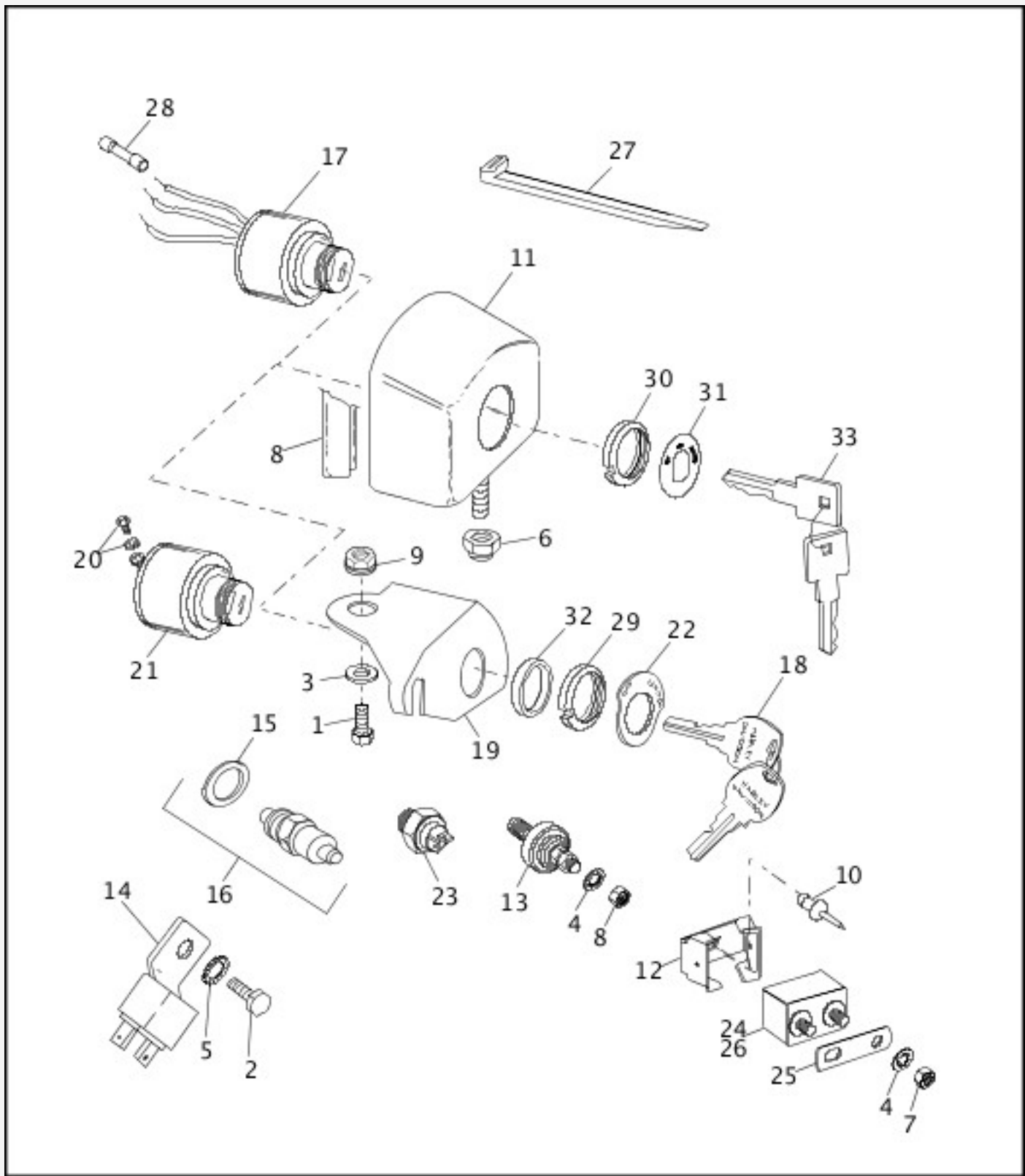
[View interactive image](#)

[View interactive table](#)

INDEX NO.	PART NO.	DESCRIPTION	MODEL(S)
25	70576-68	WIRE CONNECTOR (not illustrated)	ALL
26	70578-89	BOOT, insulating	ALL

27	70580-89	BOOT, circuit breaker	XL1200 1992, XL883 1992, XL883DLX 1992, XL883HUG 1992
28	72034-71	CONNECTOR, double socket	ALL
29	72035-71	CONNECTOR, double pin	ALL
30	74539-77A	SOCKET, regulator connector (9)	ALL
31	72037-71	CONNECTOR, six socket	ALL
32	72038-71A	SOCKET, single pin	ALL
33	72039-71A	PIN, single socket	ALL
34	72041-71	CONNECTOR, six pin	ALL
35	72043-71A	CONNECTOR, single pin	ALL
36	72049-92	HOUSING, female	XL1200 1992, XL883 1992, XL883DLX 1992, XL883HUG 1992
37	72046-79	HOUSING SOCKET, starter relay	ALL
38	72047-71	INSULATOR, spade terminal (not illustrated)	ALL
39	72051-77A	RECEPTACLE, regulator plug	ALL
40	72053-92	HOUSING, male	XL1200 1992, XL883 1992, XL883DLX 1992, XL883HUG 1992
41	72275-74	CONNECTOR TAB, two terminal (4)	ALL
42	72276-74	HOUSING, pin terminal (2)	ALL
43	72277-74	CONNECTOR TAB, three terminal (2)	ALL
44	72278-74A	HOUSING, socket terminal (2)	ALL
45	72501-74	BUSHING, straight	ALL
46	72502-74	BUSHING, right angle (2)	ALL
47	74539-83A	PIN, ignition sensor (3)	ALL

SWITCHES & CIRCUIT BREAKERS



[View interactive image](#)

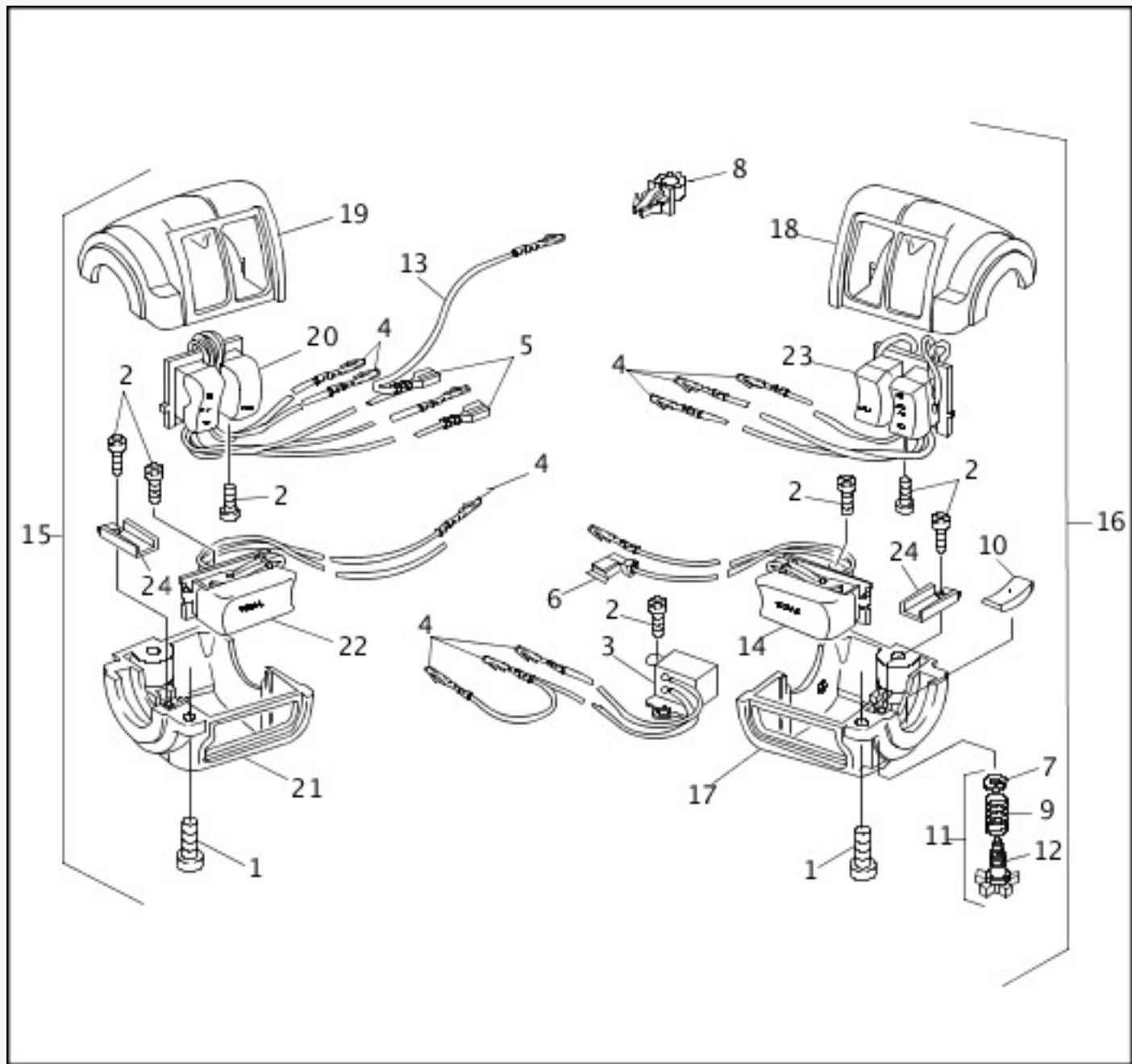
[View interactive table](#)

INDEX NO.	PART NO.	DESCRIPTION	MODEL(S)
1	2889	BOLT	XL883 1991
2	3581	BOLT	ALL
3	6701	WASHER	XL883 1991
4	7069	LOCKWASHER (8)	XL1200 1991, XL883 1991, XL883DLX 1991, XL883HUG 1991
5	7220	LOCKWASHER	ALL
6	7686	LOCKNUT	XL1200 1992, XL883 1992, XL883DLX 1992, XL883HUG 1992

7	7629	NUT, keps (8)	XL1200 1991, XL1200 1992, XL883 1991, XL883 1992, XL883DLX 1991, XL883DLX 1992, XL883HUG 1991, XL883HUG 1992
8	62540-83	TRIM STRIP	ALL
9	7782	LOCKNUT	ALL
10	8483A	POP RIVET, circuit breaker clip (4)	ALL
11	71510-92	COVER, ignition switch	XL1200 1992, XL883 1992, XL883DLX 1992, XL883HUG 1992
12	9952	CLIP, circuit breaker (4)	ALL
13	26554-77C	SWITCH, oil pressure indicator	ALL
14	31506-79B	STARTER RELAY	ALL
15	33043-80	WASHER	ALL
16	33900-59C	SWITCH, neutral indicator	ALL
17	71425-77	IGNITION & LIGHT SWITCH, w/ keys (use 71441-94)	ALL
18	71451-78	KEY SET, ignition switch (specify key no.) (used w/ 71425-77)	ALL
19	71510-88	COVER, ignition switch	XL1200 1991, XL883 1991, XL883DLX 1991, XL883HUG 1991
20	45790-80	SCREW, w/ washer (3)	ALL
21	71441-94	IGNITION & LIGHT SWITCH, w/ 27, 28, 29 & keys (replaces 71425-77)	ALL
22	71550-75	LABEL, ignition switch	ALL
23	72023-51E	STOPLIGHT SWITCH, rear brake	ALL
24	74589-73	CIRCUIT BREAKER (3)	ALL
25	74598-73	CONNECTOR BAR, circuit breaker (2)	ALL
26	74599-77B	CIRCUIT BREAKER, battery	ALL
27	74599-	CABLE STRAP (used w/ 71441-94)	ALL

	77B		
28	70586-93	CONNECTOR, butt splice (used w/ 71441-94) (3)	ALL
29	71552-75	FACE NUT, ignition switch (used w/ 71425-77)	ALL
30	71552-94	FACE NUT, ignition switch (used w/ 71441-94)	ALL
31	71550-75	LABEL, ignition switch (used w/ 71425-77)	ALL
	71550-94	LABEL, ignition switch (used w/ 71441-94)	ALL
32	71554-75	WASHER, ignition switch (used w/ 71425-77)	ALL
33	71451-94A	KEY SET, ignition switch (used w/ 71441-94)	ALL

HANDLEBAR SWITCHES



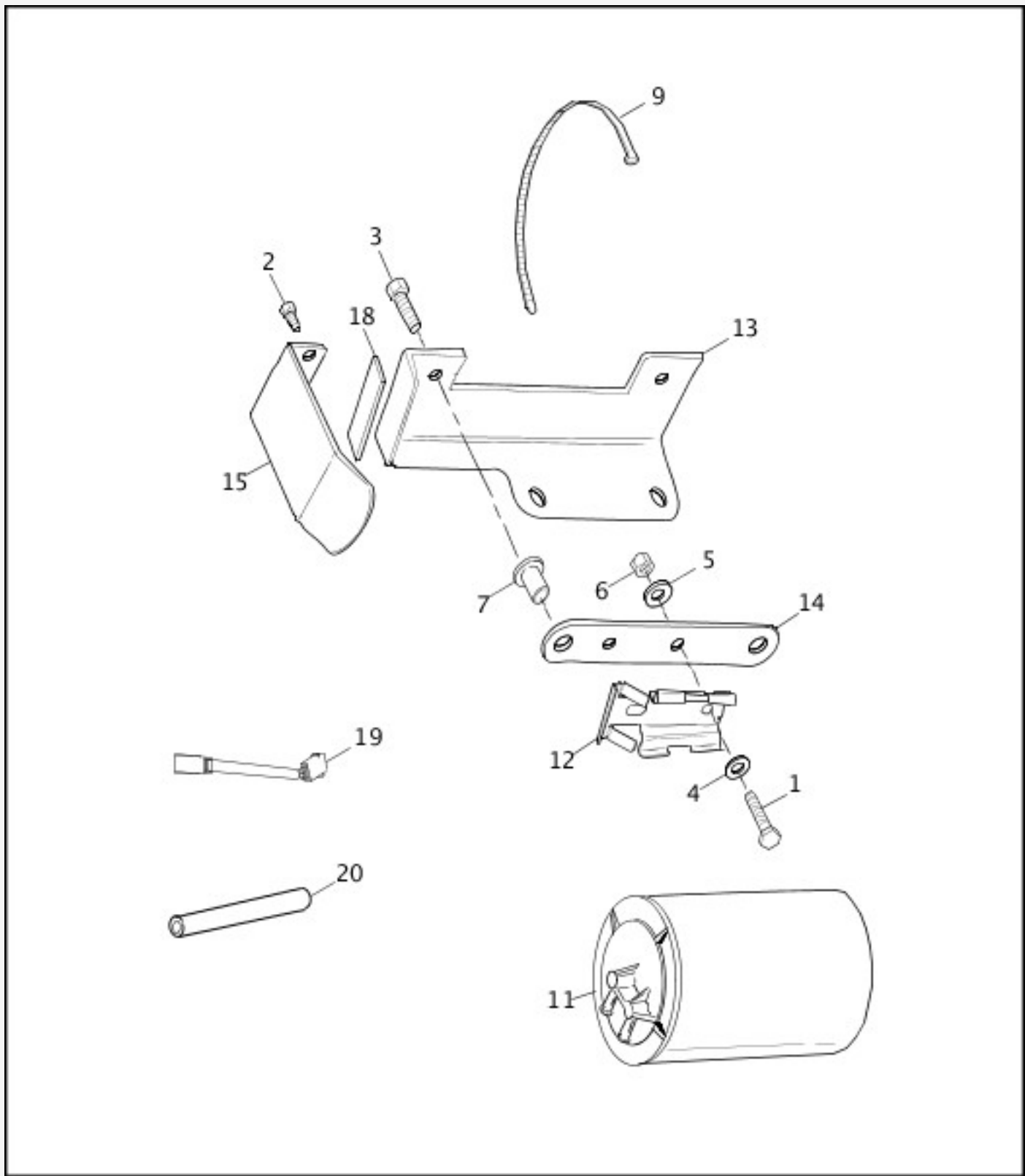
[View interactive image](#)

[View interactive table](#)

INDEX NO.	PART NO.	DESCRIPTION	MODEL(S)
1	2508	SCREW (4)	ALL
2	2907	SCREW (8)	ALL
3	71590-92A	SWITCH KIT, stoplight	ALL
4	72039-71A	PIN, single socket (12)	ALL
5	9875	WIRE TERMINAL, female (2)	ALL
6	9898	WIRE TERMINAL, female, insulated	ALL
7	11155	RETAINING RING	ALL
8	56073-83	RETAINER, wiring harness (4)	ALL
9	56394-74	SPRING, throttle adjusting screw	ALL

10	56396-74A	PAD, throttle adjusting	ALL
11	56397-74C	KIT, throttle adjusting screw, w/ 7, 9, & 12	ALL
12	56402-83A	ADJUSTING SCREW	ALL
13	70047-82	WIRE ASSEMBLY, 5 inches (white)	ALL
14	71591-92	SWITCH KIT, right directional	ALL
15	70218-87A	SWITCH KIT, complete left	ALL
16	70219-87	SWITCH KIT, complete right	ALL
17	71563-82A	HOUSING, lower right	ALL
18	71564-82A	HOUSING, upper right	ALL
19	71567-82	HOUSING, upper left	ALL
20	71597-92	SWITCH KIT, dimmer & horn	ALL
21	71568-82A	HOUSING, lower left	ALL
22	71598-92	SWITCH KIT, left directional	ALL
23	71589-92	SWITCH KIT, engine stop & start	ALL
24	71557-93	PLATE, switch (2)	ALL

CALIFORNIA EVAPORATIVE EMISSIONS KIT



[View interactive image](#)

[View interactive table](#)

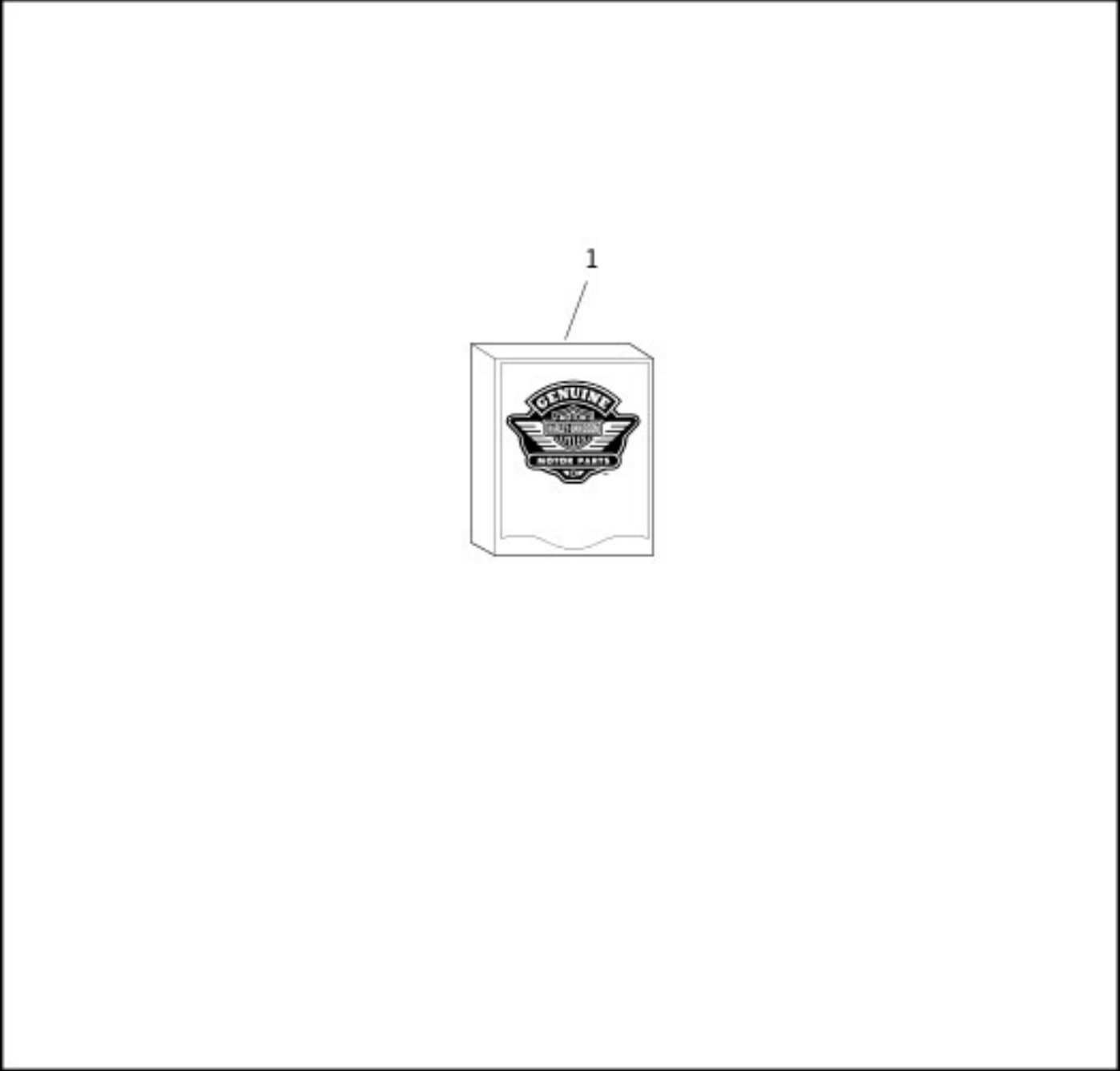
INDEX NO.	PART NO.	DESCRIPTION	MODEL(S)
1	2731W	SCREW, mounting bracket to frame (2)	ALL
2	3767B	BOLT, mounting bracket (2)	ALL
3	3802W	BOLT, bracket to plate (2)	ALL
4	6099	WASHER (2)	XL883 1991, XL883 1992, XL883DLX 1991, XL883DLX 1992, XL883HUG 1991, XL883HUG 1992
4	6099	WASHER (4)	XL1200 1991, XL1200 1992

5	6703	WASHER (2)	ALL
6	7686	LOCKNUT (2)	ALL
7	8099	WELL NUT (2)	ALL
8	10003	CLAMP, battery vent hose (not illustrated)	XL1200 1991, XL883 1991, XL883DLX 1991, XL883HUG 1991
9	10006	CABLE STRAP (6)	ALL
10	10039	CLAMP (not illustrated)	XL1200 1992, XL883 1992, XL883DLX 1992, XL883HUG 1992
	10108	CLAMP, battery vent hose (not illustrated)	XL1200 1992, XL883 1992, XL883DLX 1992, XL883HUG 1992
	27018-85	CLAMP (not illustrated)	ALL
11	27042-84A	CANISTER	ALL
12	27047-84B	BRACKET, canister mounting	ALL
13	28857-90	BRACKET, canister	ALL
14	28859-90	PLATE, canister mounting	ALL
15	28860-89	GUARD, evaporative canister	ALL
16	28865-89C	HOSE, canister (not illustrated)	ALL
17	62150-85	VAPOR VALVE (not illustrated)	XL1200 1991, XL883 1991, XL883DLX 1991, XL883HUG 1991
18	66352-65	PAD (vinyl foam)	ALL
19	70148-92	WIRING HARNESS, solenoid	XL1200 1992, XL883 1992, XL883DLX 1992, XL883HUG 1992

NOTE: Hose or insulator is sold in bulk length under the following part numbers. Cut to length.

20	26571-89	HOSE, 7/32 inch I.D. (10 ft. long) (black)	ALL
	27138-90	HOSE, 3/16 inch I.D. (10 ft. long) (black)	ALL
	27027-88	VENT VALVE TUBE ASSEMBLY, 3/16 inch I.D. (10 ft. long) (black)	XL1200 1991, XL883 1991, XL883DLX 1991, XL883HUG 1991

This kit is for 1991 and later XLH model motorcycles sold for use in the state of California.



[View interactive image](#)

[View interactive table](#)

INDEX NO.	PART NO.	DESCRIPTION	MODEL(S)
1	25660-91	CAM GEAR, front exhaust (1 brown dot)	ALL
	25661-91	CAM GEAR, front exhaust (1 blue dot)	ALL
	25662-91	CAM GEAR, front exhaust (1 red dot)	ALL
	25663-91	CAM GEAR, front exhaust (1 white dot)	ALL
	25664-91	CAM GEAR, front exhaust (1 green dot)	ALL
	25665-91	CAM GEAR, front exhaust (1 yellow dot)	ALL
	25666-91	CAM GEAR, front exhaust (1 black dot)	ALL
	25640-91	CAM GEAR, front intake (1 brown dot)	ALL

	25641-91	CAM GEAR, front intake (1 blue dot)	ALL
	25642-91	CAM GEAR, front intake (1 red dot)	ALL
	25643-91	CAM GEAR, front intake (1 white dot)	ALL
	25644-91	CAM GEAR, front intake (1 green dot)	ALL
	25645-91	CAM GEAR, front intake (1 yellow dot)	ALL
	25646-91	CAM GEAR, front intake (1 black dot)	ALL
	24055-91	PINION GEAR, 1 brown dot	ALL
	24056-91	PINION GEAR, 1 blue dot	ALL
	24057-91	PINION GEAR, 1 red dot	ALL
	24058-91	PINION GEAR, 1 white dot	ALL
	24059-91	PINION GEAR, 1 green dot	ALL
	24060-91	PINION GEAR, 1 yellow dot	ALL
	24061-91	PINION GEAR, 1 black dot	ALL
	25804-91	CAM GEAR, rear intake (cam gear 1 black dot-drive gear 1 brown dot)	ALL
	25808-91	CAM GEAR, rear intake (cam gear 1 yellow dot-drive gear 1 brown dot)	ALL
	25812-91	CAM GEAR, rear intake (cam gear 1 green dot-drive gear 1 brown dot)	ALL
	25816-91	CAM GEAR, rear intake (cam gear 1 white dot-drive gear 1 brown dot)	ALL
	25820-91	CAM GEAR, rear intake (cam gear 1 red dot-drive gear 1 brown dot)	ALL
	25824-91	CAM GEAR, rear intake (cam gear 1 blue dot-drive gear 1 brown dot)	ALL
	25828-91	CAM GEAR, rear intake (cam gear 1 brown dot-drive gear 1 brown dot)	ALL
	25832-91	CAM GEAR, rear intake (cam gear 1 black dot-drive gear 1 blue dot)	ALL
	25836-91	CAM GEAR, rear intake (cam gear 1 yellow dot-drive gear 1 blue dot)	ALL

CAM & PINION GEARS (2 OF 3)



[View interactive image](#)

[View interactive table](#)

INDEX NO.	PART NO.	DESCRIPTION	MODEL(S)
1	25840-91	CAM GEAR, rear intake (cam gear 1 green dot-drive gear 1 blue dot)	ALL
	25844-91	CAM GEAR, rear intake (cam gear 1 white dot-drive gear 1 blue dot)	ALL
	25848-91	CAM GEAR, rear intake (cam gear 1 red dot-drive gear 1 blue dot)	ALL
	25852-91	CAM GEAR, rear intake (cam gear 1 blue dot-drive gear 1 blue dot)	ALL
	25856-91	CAM GEAR, rear intake (cam gear 1 brown dot-drive gear 1 blue dot)	ALL
	25860-91	CAM GEAR, rear intake (cam gear 1 black dot-drive gear 1 red dot)	ALL
	25864-91	CAM GEAR, rear intake (cam gear 1 yellow dot-drive gear 1 red dot)	ALL
	25868-91	CAM GEAR, rear intake (cam gear 1 green dot-drive gear 1 red dot)	ALL
	25872-91	CAM GEAR, rear intake (cam gear 1 white dot-drive gear 1 red dot)	ALL

	25876-91	CAM GEAR, rear intake (cam gear 1 red dot-drive gear 1 red dot)	ALL
	25880-91	CAM GEAR, rear intake (cam gear 1 blue dot-drive gear 1 red dot)	ALL
	25884-91	CAM GEAR, rear intake (cam gear 1 brown dot-drive gear 1 red dot)	ALL
	25888-91	CAM GEAR, rear intake (cam gear 1 black dot-drive gear 1 white dot)	ALL
	25892-91	CAM GEAR, rear intake (cam gear 1 yellow dot-drive gear 1 white dot)	ALL
	25896-91	CAM GEAR, rear intake (cam gear 1 green dot-drive gear 1 white dot)	ALL
	25900-91	CAM GEAR, rear intake (cam gear 1 white dot-drive gear 1 white dot)	ALL
	25904-91	CAM GEAR, rear intake (cam gear 1 red dot-drive gear 1 white dot)	ALL
	25908-91	CAM GEAR, rear intake (cam gear 1 blue dot-drive gear 1 white dot)	ALL
	25912-91	CAM GEAR, rear intake (cam gear 1 brown dot-drive gear 1 white dot)	ALL
	25916-91	CAM GEAR, rear intake (cam gear 1 black dot-drive gear 1 green dot)	ALL
	25920-91	CAM GEAR, rear intake (cam gear 1 yellow dot-drive gear 1 green dot)	ALL
	25924-91	CAM GEAR, rear intake (cam gear 1 green dot-drive gear 1 green dot)	ALL
	25928-91	CAM GEAR, rear intake (cam gear 1 white dot-drive gear 1 green dot)	ALL
	25932-91	CAM GEAR, rear intake (cam gear 1 red dot-drive gear 1 green dot)	ALL
	25936-91	CAM GEAR, rear intake (cam gear 1 blue dot-drive gear 1 green dot)	ALL
	25940-91	CAM GEAR, rear intake (cam gear 1 brown dot-drive gear 1 green dot)	ALL
	25944-91	CAM GEAR, rear intake (cam gear 1 black dot-drive gear 1 yellow dot)	ALL
	25948-91	CAM GEAR, rear intake (cam gear 1 yellow dot-drive gear 1 yellow dot)	ALL
	25952-91	CAM GEAR, rear intake (cam gear 1 green dot-drive gear 1 yellow dot)	ALL
	25956-91	CAM GEAR, rear intake (cam gear 1 white dot-drive gear 1 yellow dot)	ALL

CAM & PINION GEARS (3 OF 3)



[View interactive image](#)

[View interactive table](#)

INDEX NO.	PART NO.	DESCRIPTION	MODEL(S)
1	25960-91	CAM GEAR, rear intake (cam gear 1 red dot-drive gear 1 yellow dot)	ALL
	25964-91	CAM GEAR, rear intake (cam gear 1 blue dot-drive gear 1 yellow dot)	ALL
	25968-91	CAM GEAR, rear intake (cam gear 1 brown dot-drive gear 1 yellow dot)	ALL
	25972-91	CAM GEAR, rear intake (cam gear 1 black dot-drive gear 1 black dot)	ALL
	25976-91	CAM GEAR, rear intake (cam gear 1 yellow dot-drive gear 1 black dot)	ALL
	25980-91	CAM GEAR, rear intake (cam gear 1 green dot-drive gear 1 black dot)	ALL
	25984-91	CAM GEAR, rear intake (cam gear 1 white dot-drive gear 1 black dot)	ALL
	25988-91	CAM GEAR, rear intake (cam gear 1 red dot-drive gear 1 black dot)	ALL
	25992-91	CAM GEAR, rear intake (cam gear 1 blue dot-drive gear 1 black dot)	ALL

	25996-91	CAM GEAR, rear intake (cam gear 1 brown dot-drive gear 1 black dot)	ALL
	25650-91	CAM GEAR, rear exhaust (1 brown dot)	ALL
	25651-91	CAM GEAR, rear exhaust (1 blue dot)	ALL
	25652-91	CAM GEAR, rear exhaust (1 red dot)	ALL
	25653-91	CAM GEAR, rear exhaust (1 white dot)	ALL
	25654-91	CAM GEAR, rear exhaust (1 green dot)	ALL
	25655-91	CAM GEAR, rear exhaust (1 yellow dot)	ALL
	25656-91	CAM GEAR, rear exhaust (1 black dot)	ALL

Hardware List

[View interactive table](#)

PART NO.	DESCRIPTION
1028	SCREW 5/16-18 X 2-1/2 SEMS socket head, with lockpatch
1203	SCREW No. 8-32 X 7/8 Pozidriv fillister head (Grade 2)
1357W	SCREW 1/4-20 X 1 Phillips oval countersink head (stainless)
1601	SCREW No. 8-32 X 1/2 Pozidriv flat countersink head (Grade 2)
2339	BOLT No. 10-24 X 3/4 hex head (Grade 2)
2405A	SCREW 5/16-18 X 3/4 Phillips oval head (chrome)
2508	SCREW No. 10-32 X 1/2 socket head
2523	SCREW No. 8-32 X 1/2 hex head, self-tapping
2579A	SCREW No. 8-32 X 5/16 Pozidriv oval head
2611C	BOLT No. 10-32 X 3/4 hex head, with washer (Grade 5)
2661W	SCREW No. 10-24 X 1/2 Phillips round head, self-tapping
2662W	SCREW No. 10-24 X 3/8 Phillips round head, self-tapping
2698A	SCREW 5/16-18 X 9/16 socket fillister head
2708A	SCREW 5/16-18 X 1 socket head
2711	SCREW No. 4-40 X 3/8 pan head, self-tapping
2720	SCREW 10-24 X 1.0 TORX head, with lockpatch
2731W	SCREW No. 10 X 3/8 Phillips truss head, self-tapping
2737	SCREW No. 4-40 X 1/4 Pozidriv pan head (Grade 2)
2739	SCREW 1/4-28 X 1/2 Phillips truss head, with lockwasher (chrome)

2773	SCREW 1/4-20 X 1/2 Pozidriv pan head (Grade 2)
2818	BOLT 5/16-18 X 1-1/2 hex head (Grade 5)
2889	BOLT 3/8-24 X 3/4 hex head (Grade 5)
2907	SCREW M3 X .05 X 8mm cross recess pan head, self-tapping
2916	SCREW 3/8-16 X 5/8 socket button head (Grade 8)
2925A	SCREW 7/16-20 X 1 socket head (Grade 8)
31689-90	BOLT M4 X 0.7 X 12 hex head
3201WA	SCREW 5/16-18 X 1-1/4 knurled head
3206B	SCREW No. 8-32 X 1-7/8
3210A	SCREW 5/16-18 X 1-1/4 knurled head
3221	SCREW No. 4-16 X 3/16 (Grade 8)
3350	BOLT M5 X 0.87 X 115mm hex flange head
3403	LOCKNUT M8-1.25 X 12mm flange (zinc)
34075-89	WASHER 3/64 X 11/16 X 1/16
3478A	SCREW 1/4-20 X 2-1/2 hex socket head
3480A	SCREW 1/4-20 X 1-3/4 knurled head (Grade 8)
3482A	SCREW 1/4-20 X 1-1/4 knurled head (Grade 8)
3494A	BOLT 5/16-18 X 7/8 hex head
3500A	BOLT 5/16-18 X 2-3/4 hex head (Grade 8)
3501A	BOLT 5/16-18 X 2-1/2 hex head (Grade 8)
35078-79	NUT 3/4-16 X .391 X 1
3512	BOLT 3/8-24 X 3-1/4 hex head (chrome)
35211-91B	NUT 1-1/2-24 X .350 X 1-7/8 hex head
3530	SCREW 5/16-18 X 3-3/4 hex head (Grade 5)
3534B	SCREW 1/2-13 X 2-1/2 socket head (Grade 8)
3562	SCREW No. 12 X 1/2 hex head, with washer, self-tapping
3563	SCREW 1/4-20 X 3/8 hex flange head (Grade 5)
3573	BOLT 5/16-18 X 3-3/4 hex head
3581	BOLT No. 10-24 X 3/8 hex head (Grade 2)
3583	SCREW No. 10-24 X 5/8 hex head, with washer.

3594	SCREW 1/4-20 X 5/8 knurled head (Grade 8)
3652	SCREW 1/4-20 X 3/8 button head (Grade 8)
3655A	SCREW 5/16-18 X 7/8 TORX pan head, with lockpatch (Grade 8)
3675	SCREW 5/16-18 X 1 TORX head, with lockpatch (Grade 8)
3728	SCREW 1/4-20 X 1/2 hex head
3730A	BOLT 7/16-14 X 1-3/4 hex head (Grade 8)
3737A	SCREW 7/16-14 X 2-1/4 hex head, with lockpatch (Grade 5)
3767B	BOLT 1/4-20 X 5/8 hex head (Grade 5)
3769	BOLT 7/16-14 X 1-1/2 hex head (Grade 5)
3787	BOLT 1/4-20 X 3/4 hex head (Grade 5)
3802W	BOLT 1/4-20 X 7/8 hex head (Grade 5)
3849	SCREW 1/4-20 X 1-1/4 SEMS hex head (Grade 8)
3958	BOLT 1/2-20 X 2-1/4 hex head (Grade 5)
3974HW	BOLT 5/16-24 X 3/4 hex head (Grade 5)
3987	BOLT 5/16-18 X 3/4 hex head (Grade 5)
3993	BOLT 1/4-20 X 1-1/4 hex head (Grade 5)
4015	SCREW 1/4-20 X 7/8 socket button head (Grade 8)
4017	BOLT 5/16-18 X 1 hex head (Grade 5)
4029A	SCREW 3/8-16 X 2-1/4 socket head (black)
4068A	BOLT 5/16-18 X 2-1/2 hex head (Grade 5)
4086A	BOLT 5/16-18 X 3 hex head (Grade 5)
4091	SCREW No. 10-24 X 1/2 hex head, with washer, self-tapping (zinc)
4092	SCREW 5/16-18 X 3/4 socket button head
41191-74A	SCREW 1/2-20 X 5/8 hex socket flat head, with lockpatch
4319	BOLT 3/8-24 X 1 hex head (Grade 5)
4326A	SCREW 5/16-18 X 2 socket head
4350A	SCREW 3/8-16 X 1-1/2 socket head
43567-92	SCREW 3/8-16 X 1 TORX pan head, with lockpatch
4380W	BOLT 3/8-24 X 2 hex head (Grade 5)
4435W	BOLT 3/8-24 X 3-1/2 hex head (Grade 5)
4453	BOLT 1/4-20 X 7/8 hex head SPECIAL WITH TAPPED HOLE

4460	BOLT 5/8-18 X 1 hex head (Grade 5)
45405-75A	SCREW M8 X 1.25 x 27 hex socket head
4716W	SCREW 3/8-16 X 1-1/4 hex head (Grade 5)
4721	BOLT 3/8-16 X 1-1/2 hex head (Grade 5)
4742A	SCREW 1/4-20 X 2-1/4 knurled head, with lockpatch
4743	BOLT 1/2-20 X 2-3/8 hex head (Grade 5)
4748	SCREW 3/8-16 X 1-1/8 socket head (Grade 8)
4816A	SCREW 5/16-18 X 1-1/2 socket head
4820A	SCREW 1/4-20 X 2 socket head
5403B	BOLT 1/4-20 X 3/8 carriage
54321-85	NUT No. 8-32 X 1/2 X 1/8 (brass)
5440	BOLT 5/16-18 X 3/4 carriage
5756	WASHER 21/32 X 1-5/16 X 5/8
6003	WASHER 1-3/16 X 1-3/8 X 11/16
6012	WASHER 1/2 X 1-3/16 X 1/16
6016	WASHER 11/32 X 11/16 X 1/16
6019	WASHER 3/8 X 29/32 X 1/16
6026	WASHER 3/8 X 7/8 X 7/64
6048W	WASHER 1/8 X 1/4 X 1/32
6099	WASHER 1/4 X 7/16 X 1/16
6109	WASHER 5/16 X 11/16 X 1/8
6157	WASHER 27/64 X 5/8 X 1/64 heat treated
6192	WASHER No. 8 X 7/16 X 3/64
6220W	WASHER 1/4 X 7/16 X 1/32
6239	WASHER 1/4 X 1/2 X 3/32
6242W	WASHER 1/4 X 9/16 X 1/32
6265	WASHER 1/4 X 3/4 X 3/64 plastic
6314W	WASHER 21/64 X 9/16 X 1/8 (zinc)
6330	WASHER 5/16 X 11/16 X 3/32
6333	WASHER 5/16 X 7/8 X 5/64

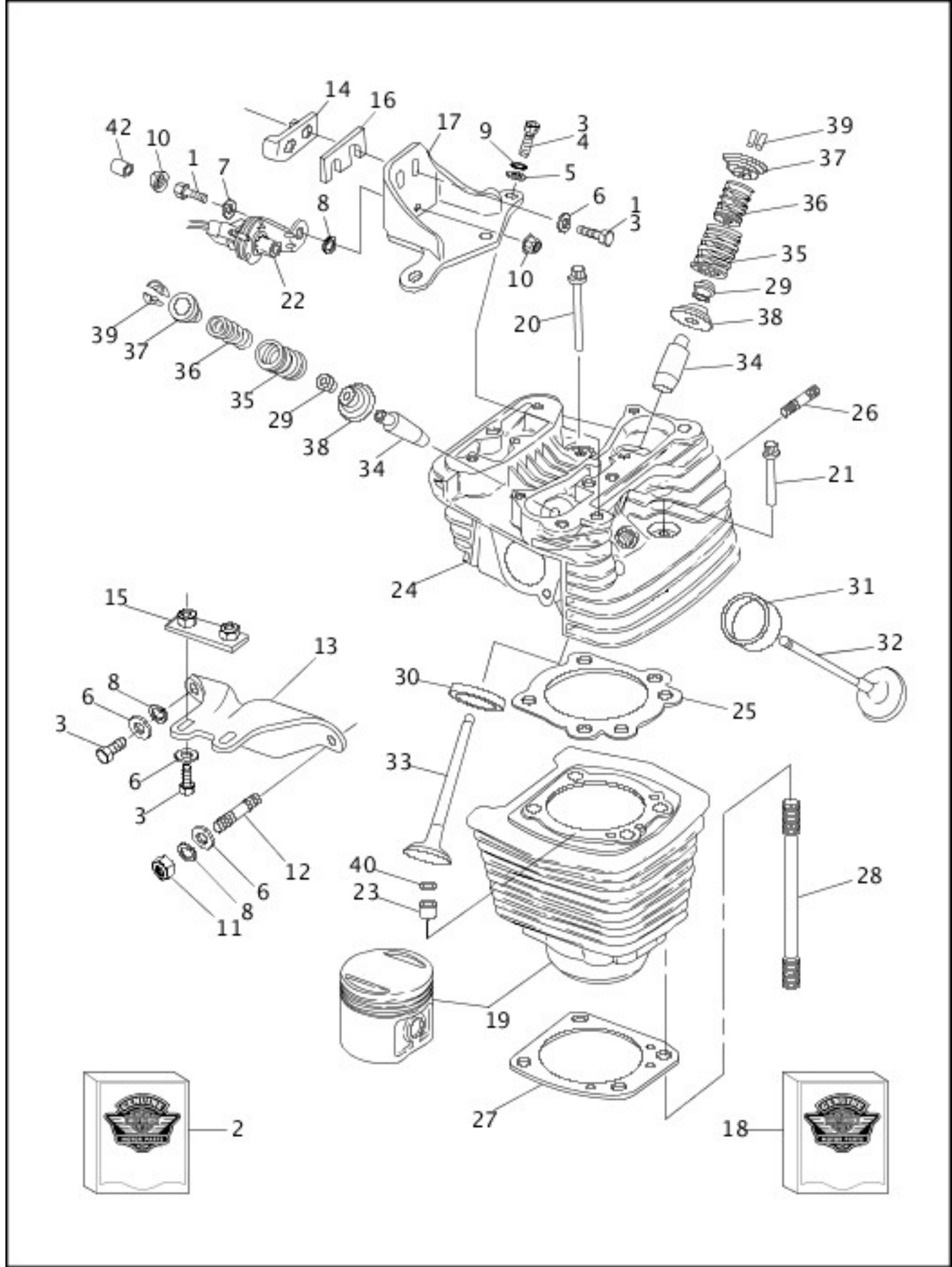
6366	WASHER 1/2 X 1-1/4 X 3/32
6410	WASHER 1/4 X 9/16 X 1/16 nylon
6516HW	WASHER 7/16 X 1-1/8 X 1/8
6590HW	WASHER 1/2 X 1-1/8 X 3/32
6655	WASHER 5/8 X 1-1/2 X 7/64
6701	WASHER 3/8 X 13/16 X 1/16
6702	WASHER 5/16 X 11/16 X 1/16
6703	WASHER 1/4 X 5/8 X 1/16
6716	WASHER No. 10 X 1/2 X 3/64
6717	WASHER No. 6 X 3/8 X 3/64
6736	WASHER 9/32 X 5/8 X 1/16
6771A	WASHER 5/16 X 1/2 X 1/16
6781	WASHER 5/16 X 37/64 X 5/64
6812	WASHER 13/32 X 11/16 X 1/16
6969	LOCKWASHER No. 4
7019	WASHER 1/2 X 3/4 X 1/4 rubber
7036	WASHER 1/4 X 31/64 X 1/16
7038	LOCKWASHER 3/8
7041	LOCKWASHER 5/16
7042	LOCKWASHER 5/16 high collar
7045	LOCKWASHER 3/8 high collar
7068	LOCKWASHER 1/2
7069	LOCKWASHER No. 10
7124	LOCKWASHER 1/4 internal tooth
7127	LOCKWASHER 5/16 internal tooth
7145W	LOCKWASHER 3/8 external tooth
7220	LOCKWASHER No. 10 external tooth
7229W	LOCKWASHER 1/4 internal/external tooth
7232	LOCKWASHER 5/16 internal tooth
7531	LOCKNUT 5/16-18 X 9/32 X 1/2 flange
7549A	ACORN NUT 5/16-18 X 9/16 X 1/2

7562	LOCKNUT 5/16-20 X 1/2
7593	NUT 5/16-24 flange
7624	LOCKNUT No. 10-24 X 1/4 X 3/8
7629	NUT No. 10-32 X 3/8 keps
7638	NUT No. 10-32 X 1/8 X 3/8 (Grade 2)
7652	NUT 3/4-16 X 1-1/8 (chrome)
7655	ACORN NUT 3/8-16 (chrome)
7667	NUT 3/8-16 X 9/32 X 9/16 nylon insert
7669	NUT 5/16-18
7683	LOCKNUT 1/4-28 X 5/16 X 7/16
7686	LOCKNUT 1/4-20 X 5/16 X 7/16
7688	NUT 1/4-20 X 7/32 X 7/16 (Grade 2)
7710W	LOCKNUT 5/16-18
7725	LOCKNUT 5/16-24 X 11/32 X 1/2
7736	ACORN NUT 5/16-24 X 19/32 X 1/2 (Grade 2) (chrome)
7739	LOCKNUT 5/16-18 X 11/32 X 1/2
7744	JAMNUT 5/16-24 X 3/16 X 1/2 (Grade 2)
7768W	LOCKNUT 1/2-13 X 19/32 X 3/4
7775	LOCKNUT 3/8-24 X 7/16 X 9/16
7778	LOCKNUT 3/8-16 X 7/16 X 9/16
7780	LOCKNUT 3/8-24 X 13/32 X 11/16 flange
7782	LOCKNUT 3/8-24 X 3/8 X 9/16 (Grade 8)
7783	NUT 3/8-16 X 5/16 X 9/16 (Grade 2)
7789	LOCKNUT 3/8-24
7792	NUT 1/4-20 X 1/4 (Grade 2)
7800W	NUT 3/8-24 X 5/16 X 9/16 (Grade 2)
7804	LOCKNUT 1/2-13 X 15/32 X 7/8 self-sealing
7824	LOCKNUT 1/2-20 X 1/4 (Grade 2)
7827W	LOCKNUT 7/16-14
7844	LOCKNUT 1/2-13 X 5/16 X 3/4

7845	NUT 1/2-20 X 7/16 X 3/4 (Grade 2)
7880	NUT 1/2-13 X 7/16 X 3/4 (Grade 2)
7916A	JAMNUT 5/8-18
7987	NUT 5/8-18 X 15/16 slotted (Grade 8)
8108	SPEEDNUT 1/4-20
853A	SCREW 5/16-18 X 2-1/4 knurled head
855B	SCREW 3/8-16 X 2 knurled head
857A	SCREW No. 10-24 X 3/8 knurled head (black)
861A	SCREW 3/8-16 X 1 knurled head (Grade 8)
869	SCREW 1/4-20 X 1-1/4 socket button head (Grade 8)
879A	SCREW 5/16-18 X 3-1/2 knurled head (Grade 8)
891	SCREW 1/4-20 X 1-3/4 socket head (Grade 8)
90770-79	SCREW No. 8-32 X 3/8 Pozidriv head, self-tapping
910	SCREW M4 X 0.7 X 10mm SEMS cross recess pan head
917	SCREW M6 X 42mm pan head
924	SCREW 1/4-20 X 33/64 socket pan head
929A	SCREW M4 X 0.7 X 11.8 flange head
94313-91TS	SCREW 1/4-20 X 7/8 socket head

New Parts List

[CYLINDER, HEAD & VALVES - V2™ EVOLUTION \(1 OF 2\)](#)



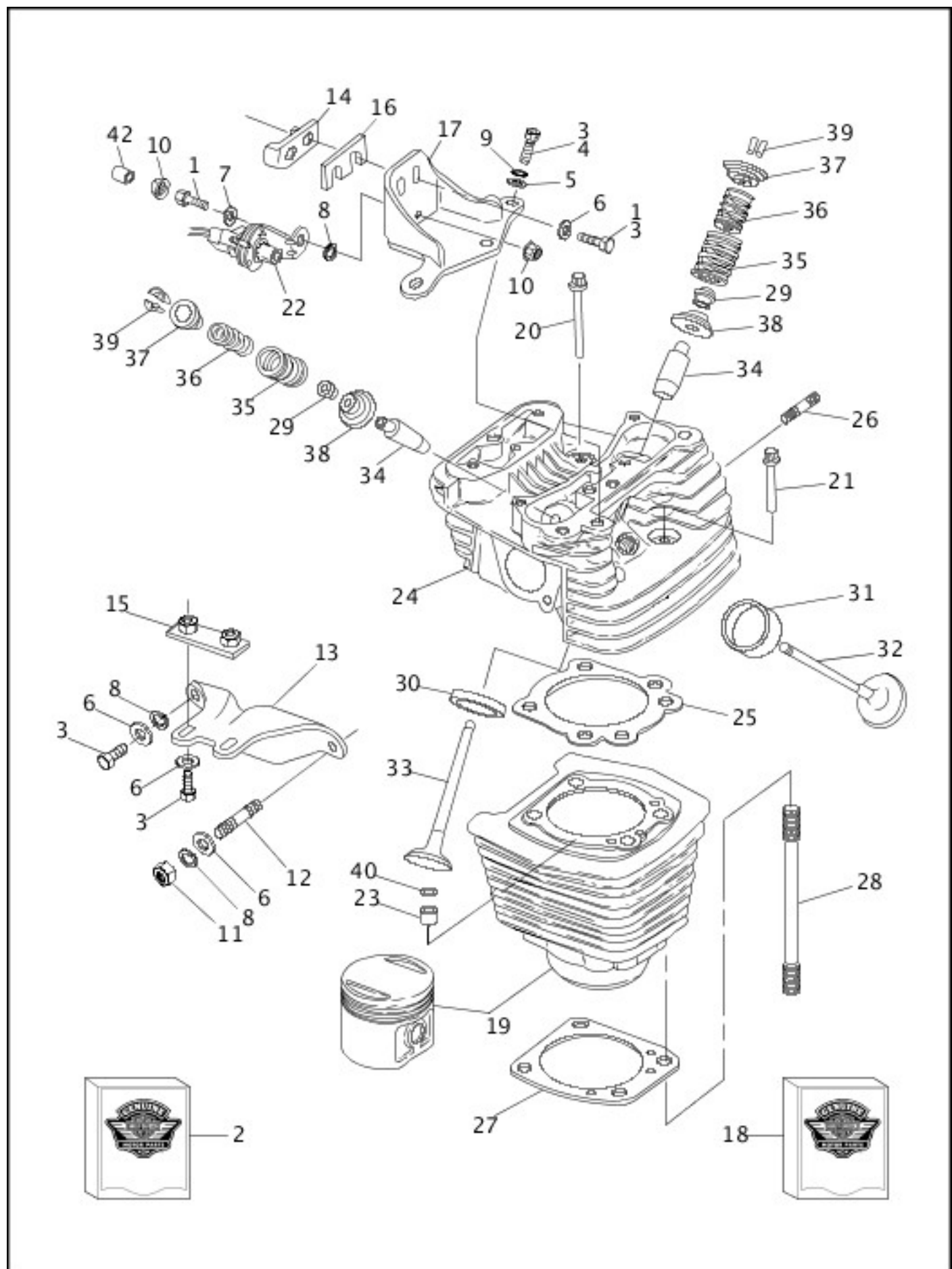
[View interactive table](#)

INDEX NO.	PART NO.	DESCRIPTION	MODEL(S)
2	16047-91	ENGINE ASSEMBLY, complete (1200cc) (Swiss)	XL1200 1991
	16047-92	ENGINE ASSEMBLY, complete (1200cc) (Swiss)	XL1200 1992
	16048-91	ENGINE ASSEMBLY, complete (883cc) (Swiss)	XL1200 1991, XL883 1991

	16048-92	ENGINE ASSEMBLY, complete (883cc) (Swiss)	XL1200 1992, XL883 1992
	16049-91	ENGINE ASSEMBLY, complete (883cc) (Swiss)	XL883DLX 1991
	16049-92	ENGINE ASSEMBLY, complete (883cc) (Swiss)	XL883DLX 1992
	16050-91	ENGINE ASSEMBLY, complete (883cc) (Swiss)	XL883HUG 1991
	16050-92	ENGINE ASSEMBLY, complete (883cc) (Swiss)	XL883HUG 1992
	16051-91	ENGINE ASSEMBLY, complete (1200cc)	XL1200 1991
	16051-92	ENGINE ASSEMBLY, complete (1200cc)	XL1200 1992
	16052-91	ENGINE ASSEMBLY, complete (883cc)	XL1200 1991, XL883 1991
	16052-92	ENGINE ASSEMBLY, complete (883cc)	XL1200 1992, XL883 1992
	16053-91	ENGINE ASSEMBLY, complete (883cc)	XL883HUG 1991
	16053-92	ENGINE ASSEMBLY, complete (883cc)	XL883HUG 1992
	16054-91	ENGINE ASSEMBLY, complete (1200cc) (California)	XL1200 1991
	16054-92	ENGINE ASSEMBLY, complete (1200cc) (California)	XL1200 1992
	16055-91	ENGINE ASSEMBLY, complete (883cc) (California)	XL1200 1991, XL883 1991
	16055-92	ENGINE ASSEMBLY, complete (883cc) (California)	XL1200 1992, XL883 1992
	16057-91	ENGINE ASSEMBLY, complete (883cc) (California)	XL883HUG 1991
	16057-92	ENGINE ASSEMBLY, complete (883cc) (California)	XL883HUG 1992
	16061-91	ENGINE ASSEMBLY, complete (883cc)	XL883DLX 1991
	16061-92	ENGINE ASSEMBLY, complete (883cc)	XL883DLX 1992
	16062-91	ENGINE ASSEMBLY, complete (883cc) (California)	XL883DLX 1991
	16062-92	ENGINE ASSEMBLY, complete (883cc) (California)	XL883DLX 1992
	16063-92	ENGINE ASSEMBLY, complete (1200cc) (HDI)	XL1200 1992
	16064-92	ENGINE ASSEMBLY, complete (883cc)	XL1200 1992, XL883 1992

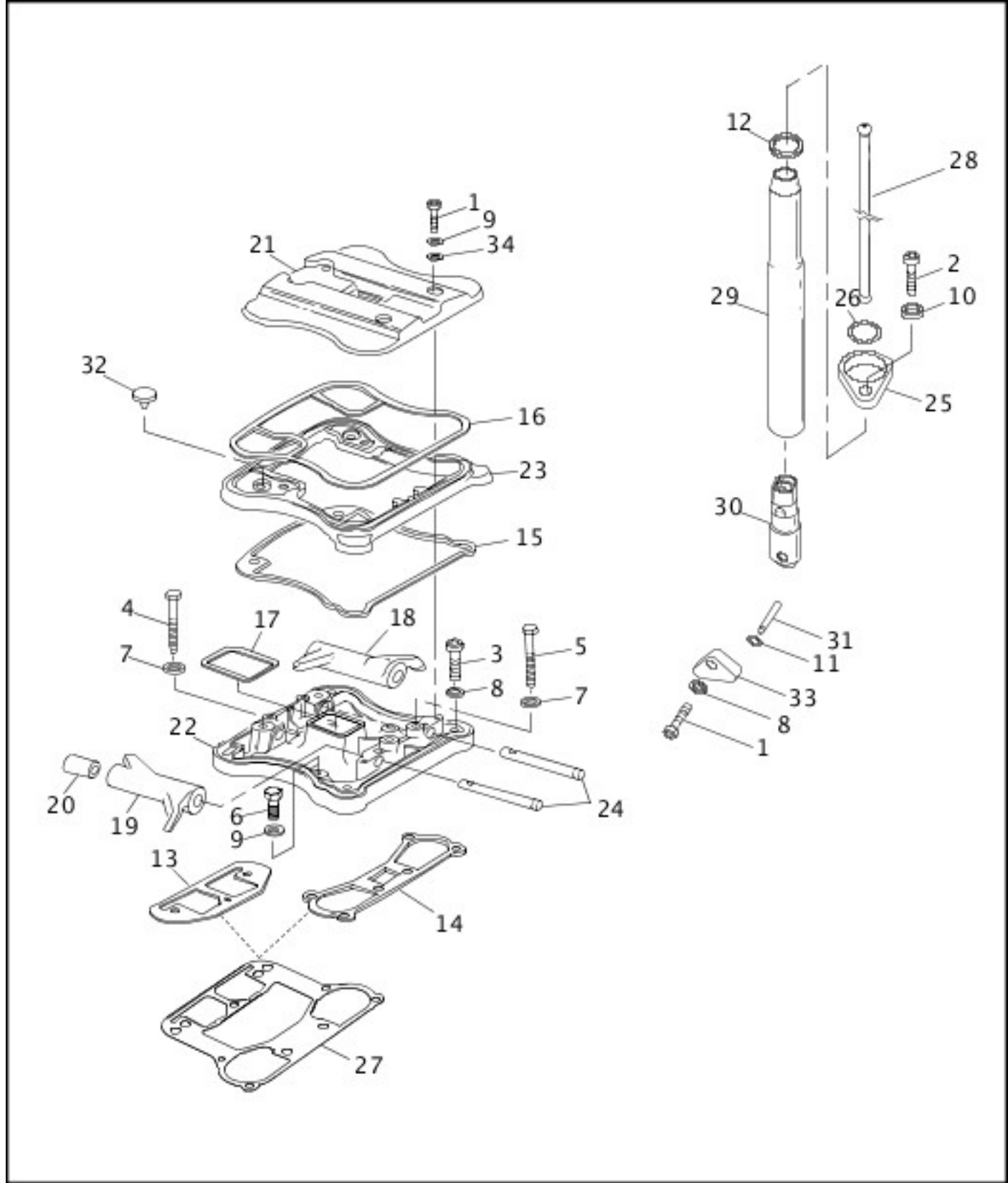
		(HDI)	
16066-92	ENGINE ASSEMBLY, complete (883cc) (HDI)		XL883DLX 1992
16067-92	ENGINE ASSEMBLY, complete (883cc) (HDI)		XL883HUG 1992
16226-92	NUT PLATE		XL1200 1992, XL883 1992, XL883DLX 1992, XL883HUG 1992

CYLINDER, HEAD & VALVES - V2™ EVOLUTION (2 OF 2)



INDEX NO.	PART NO.	DESCRIPTION	MODEL(S)
18	17026-91D	GASKET KIT, engine overhaul	ALL
	16480-92A	SCREW, internal thread (4)	XL1200 1992, XL883 1992, XL883DLX 1992, XL883HUG 1992
	16661-89B	HEAD, front cylinder, w/ valve guides & seats	XL883 1991, XL883 1992
	16688-92	HEAD, front cylinder, w/ valve guides & seats	XL1200 1992
	16698-92	HEAD, rear cylinder, w/ valve guides & seats	XL1200 1992
42	89579-91	CAP, protective	XL1200 1992, XL883 1992, XL883DLX 1992, XL883HUG 1992

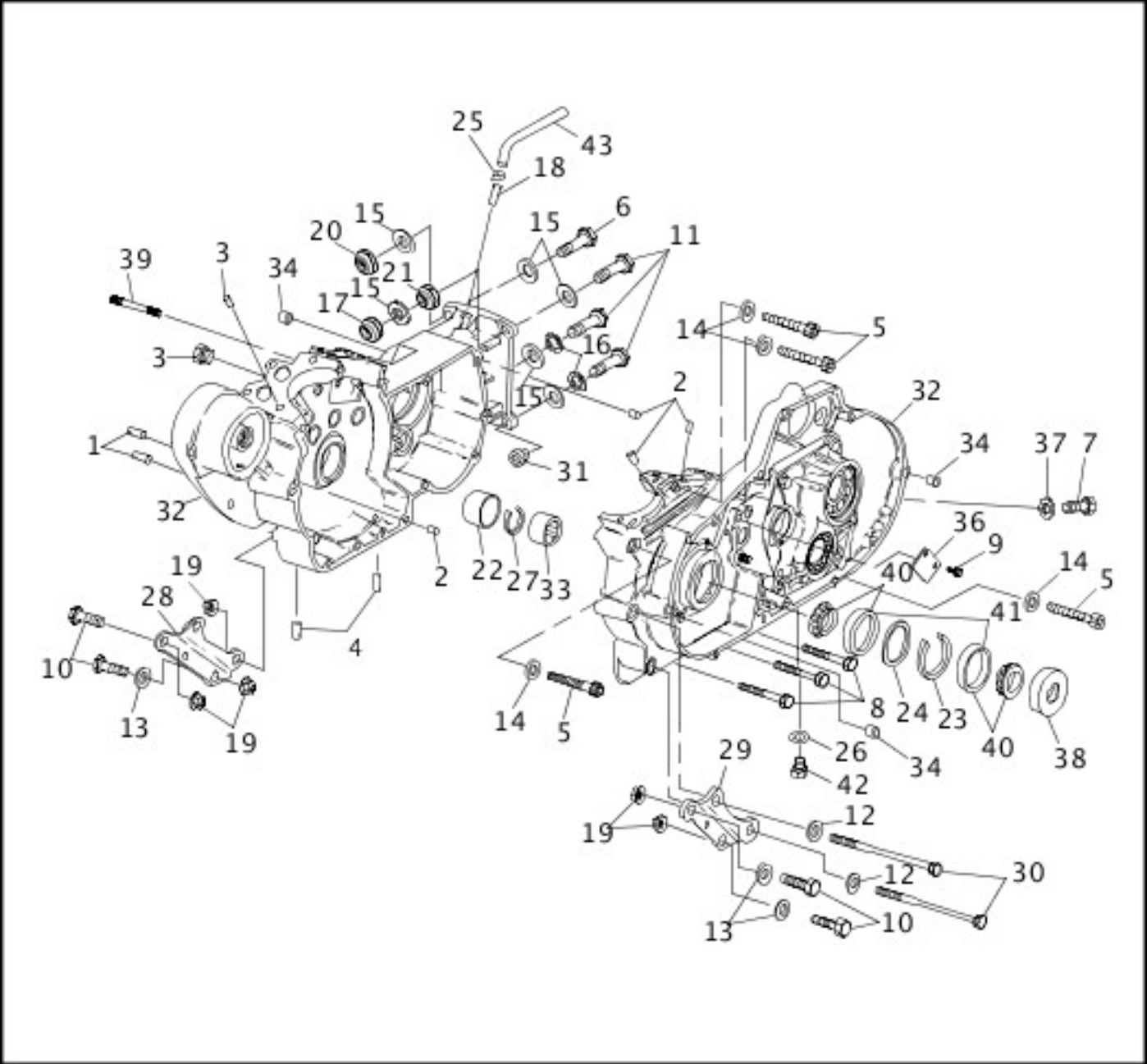
[ROCKER ARMS, COVER & PUSHROD - V2™](#)



[View interactive table](#)

INDEX NO.	PART NO.	DESCRIPTION	MODEL(S)
25	17952-91	RETAINER, pushrod, front intake & rear exhaust (2)	ALL
	17953-91	RETAINER, pushrod, front intake & rear exhaust (2)	ALL

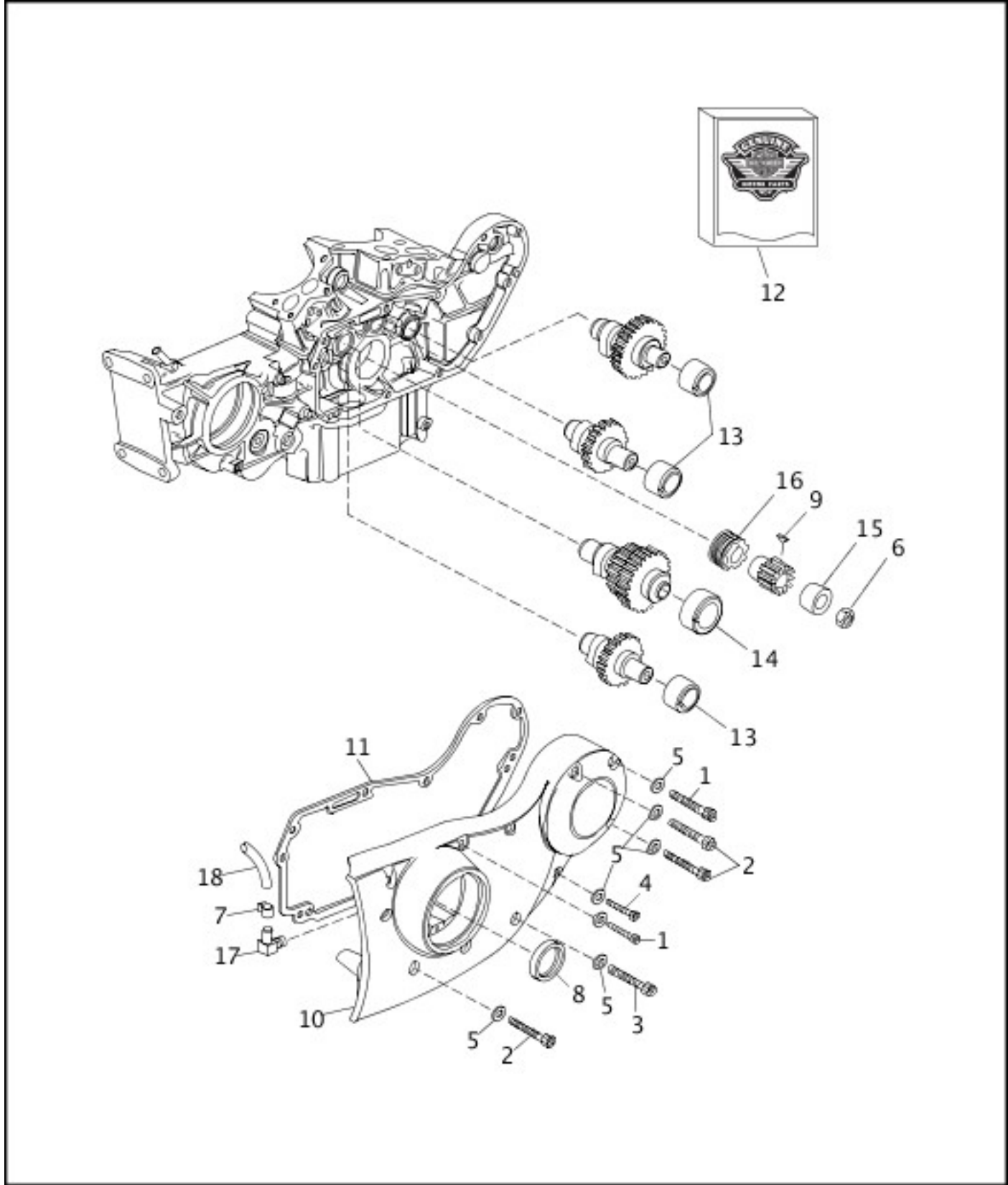
CRANKCASE (2 OF 2)



[View interactive table](#)

INDEX NO.	PART NO.	DESCRIPTION	MODEL(S)
36	29950-91	COVER, stator wires	ALL

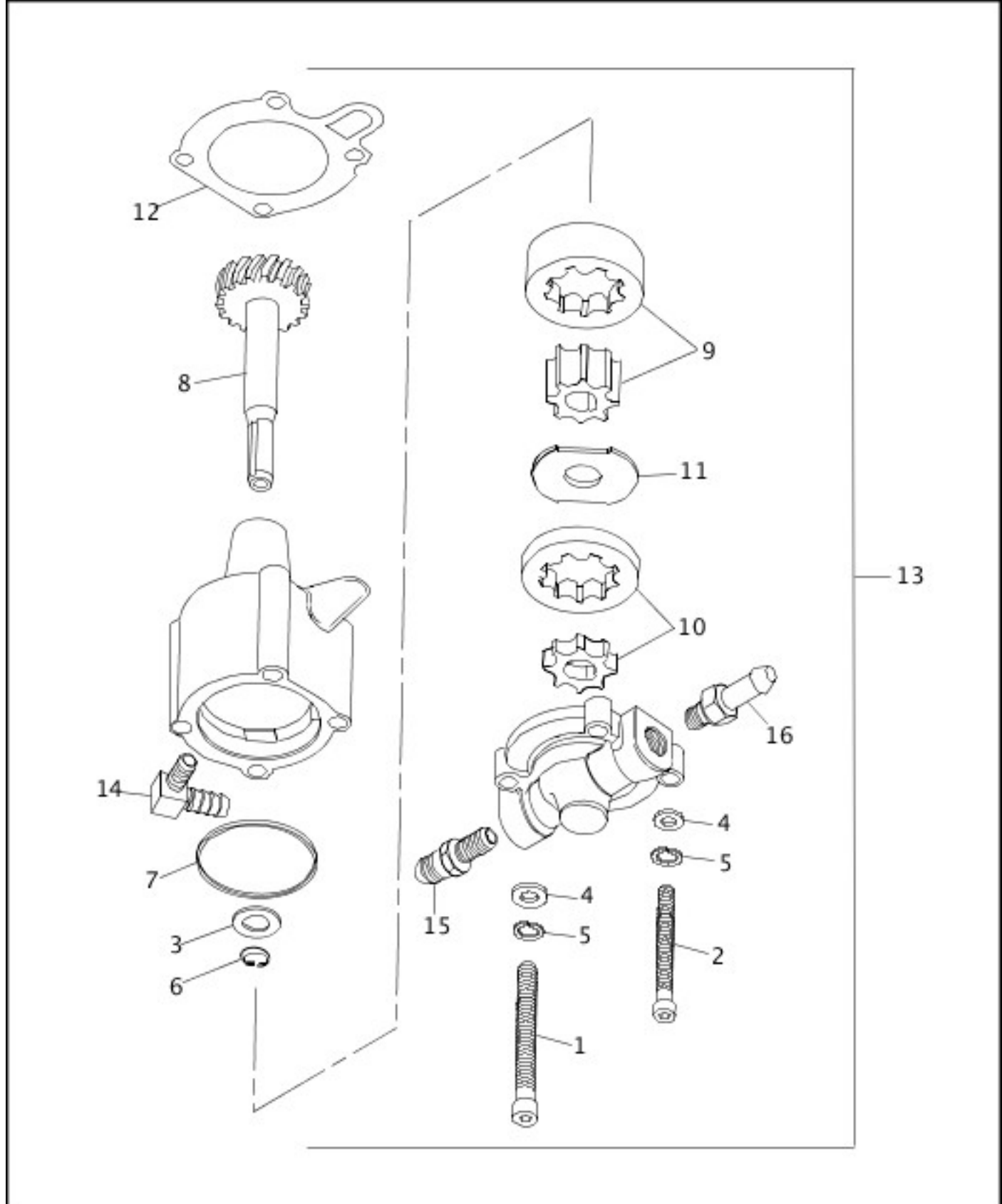
[GEARCASE & COVER](#)



[View interactive table](#)

INDEX NO.	PART NO.	DESCRIPTION	MODEL(S)
10	25219-91C	COVER, gearcase (polished)	ALL
14	25588-91	BUSHING, rear intake cam gear shaft	ALL

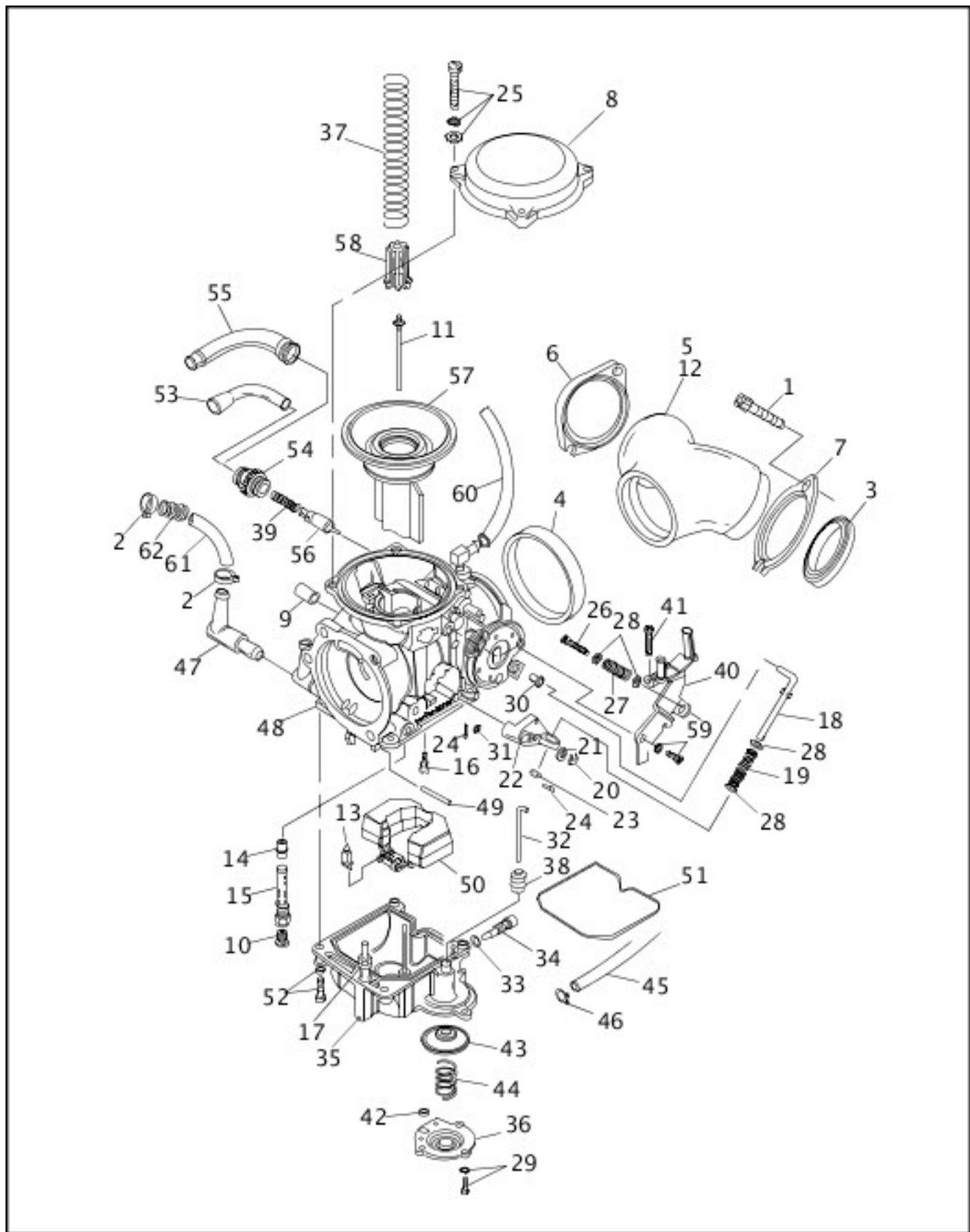
[OIL PUMP](#)



[View interactive table](#)

INDEX NO.	PART NO.	DESCRIPTION	MODEL(S)
7	26434-91	O-RING	ALL
8	26488-91	GEAR SHAFT	ALL
9	26491-91	GEROTOR SET, return (use 26204-91A)	ALL
10	26492-91	GEROTOR SET, feed	ALL
11	26493-91	SEPARATOR PLATE	ALL
13	26204-91A	OIL PUMP, complete	ALL
15	62601-91A	FITTING, connector, front	ALL

CARBURETOR (1 OF 2)

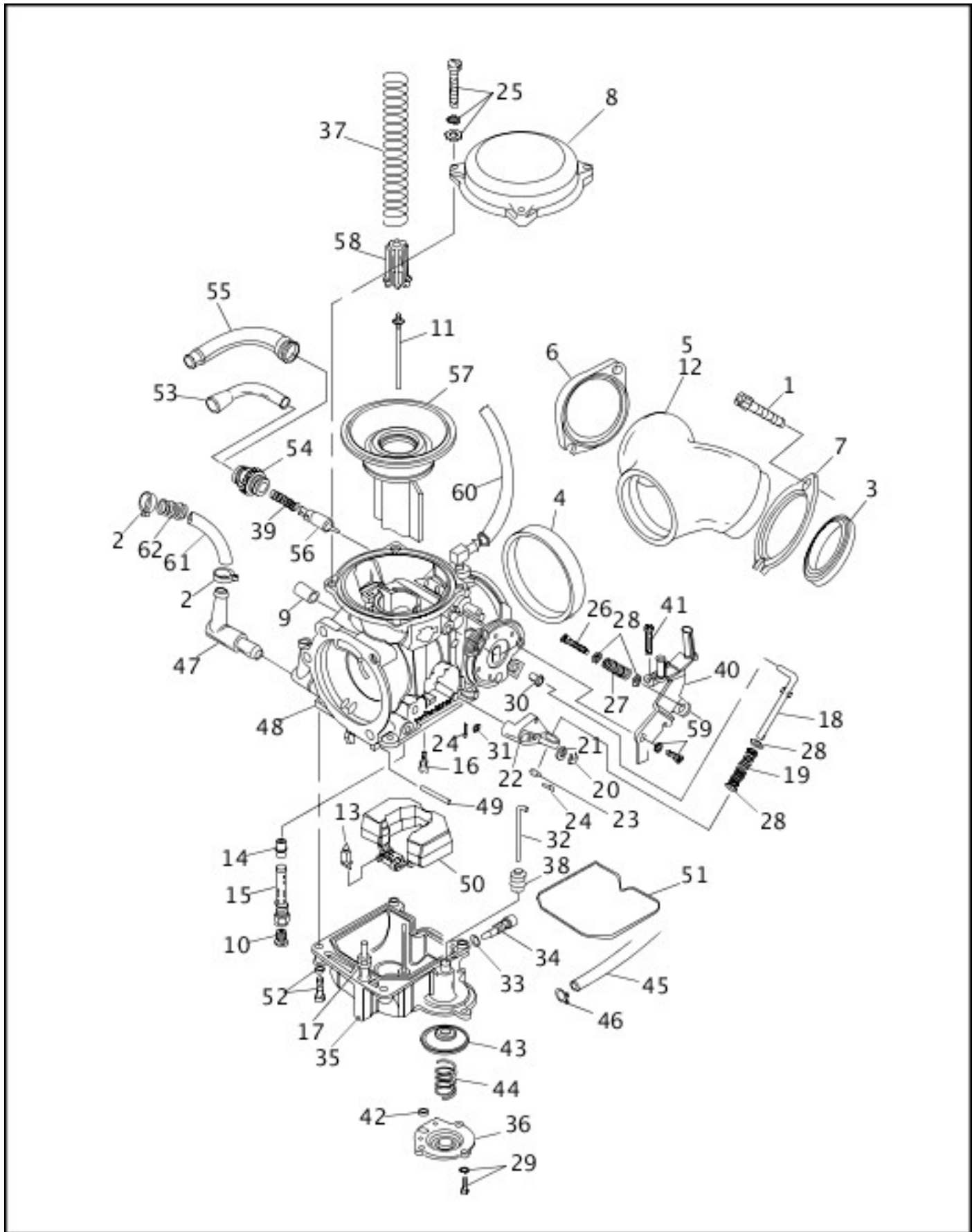


[View interactive table](#)

INDEX NO.	PART NO.	DESCRIPTION	MODEL(S)
	27183-92	JET, needle (California & Swiss)	XL883 1992
	27280-92	JET, needle (DOM)	XL1200 1992, XL883 1992, XL883DLX 1992, XL883HUG 1992
12	26990-91	INTAKE MANIFOLD (Swiss)	ALL

27281-92	SLOW JET (DOM)	XL1200 1992, XL883 1992, XL883DLX 1992, XL883HUG 1992
27159-92	FLOAT CHAMBER ASSEMBLY	XL1200 1992, XL883 1992, XL883DLX 1992, XL883HUG 1992

CARBURETOR (2 OF 2)

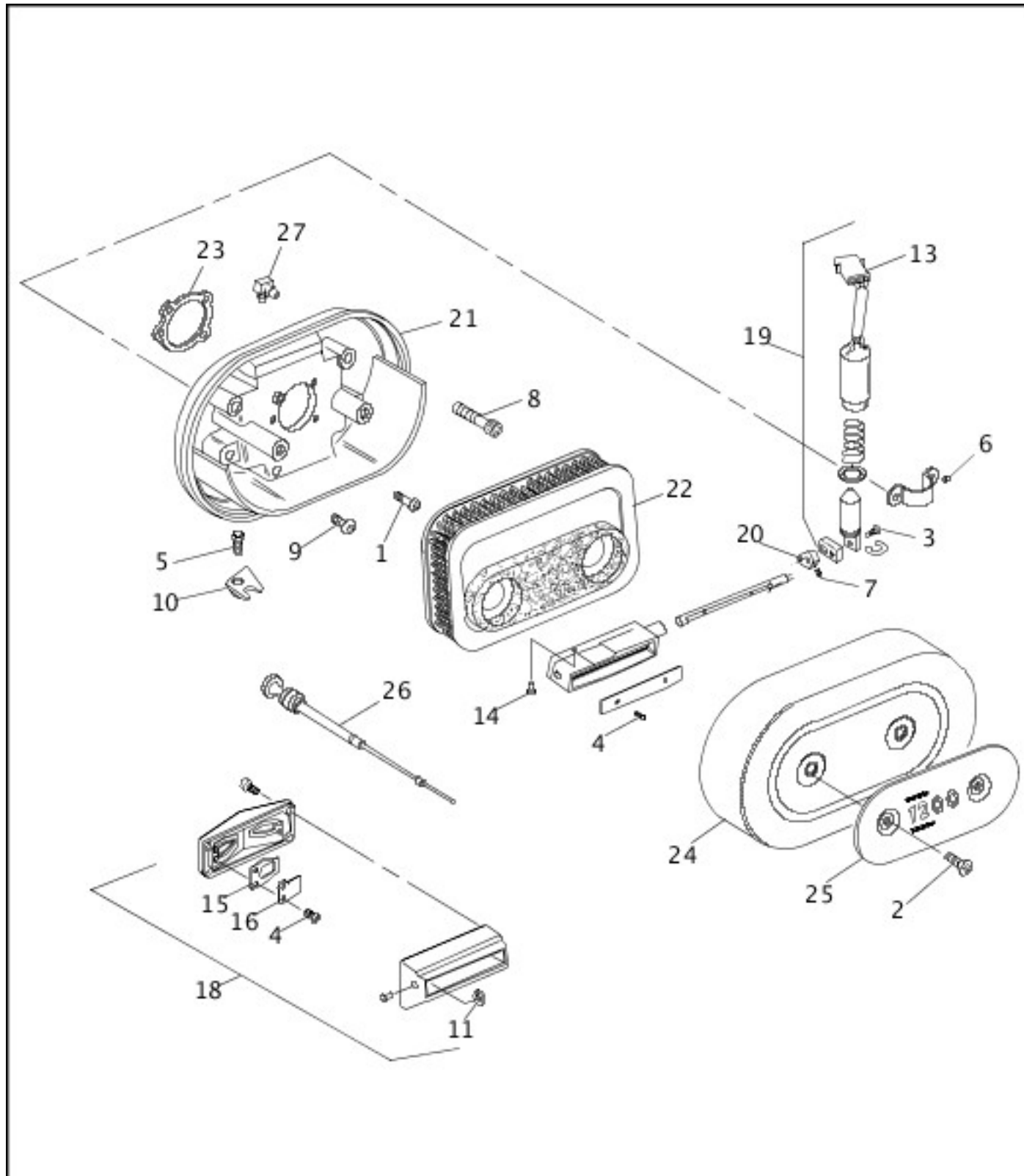


[View interactive table](#)

INDEX NO.	PART NO.	DESCRIPTION	MODEL(S)
48	27486-92	CARBURETOR (California)	XL1200 1992

	27487-92	CARBURETOR (DOM)	XL1200 1992
	27488-92	CARBURETOR (California)	XL883 1992
	27489-92	CARBURETOR (DOM)	XL883 1992
	27503-92	CARBURETOR (HDI & Swiss)	XL1200 1992, XL883 1992, XL883DLX 1992, XL883HUG 1992
	27576-92	FLOAT	XL1200 1992, XL883 1992, XL883DLX 1992, XL883HUG 1992
	27577-92	O-RING	XL1200 1992, XL883 1992, XL883DLX 1992, XL883HUG 1992

AIR CLEANER & ENRICHENER

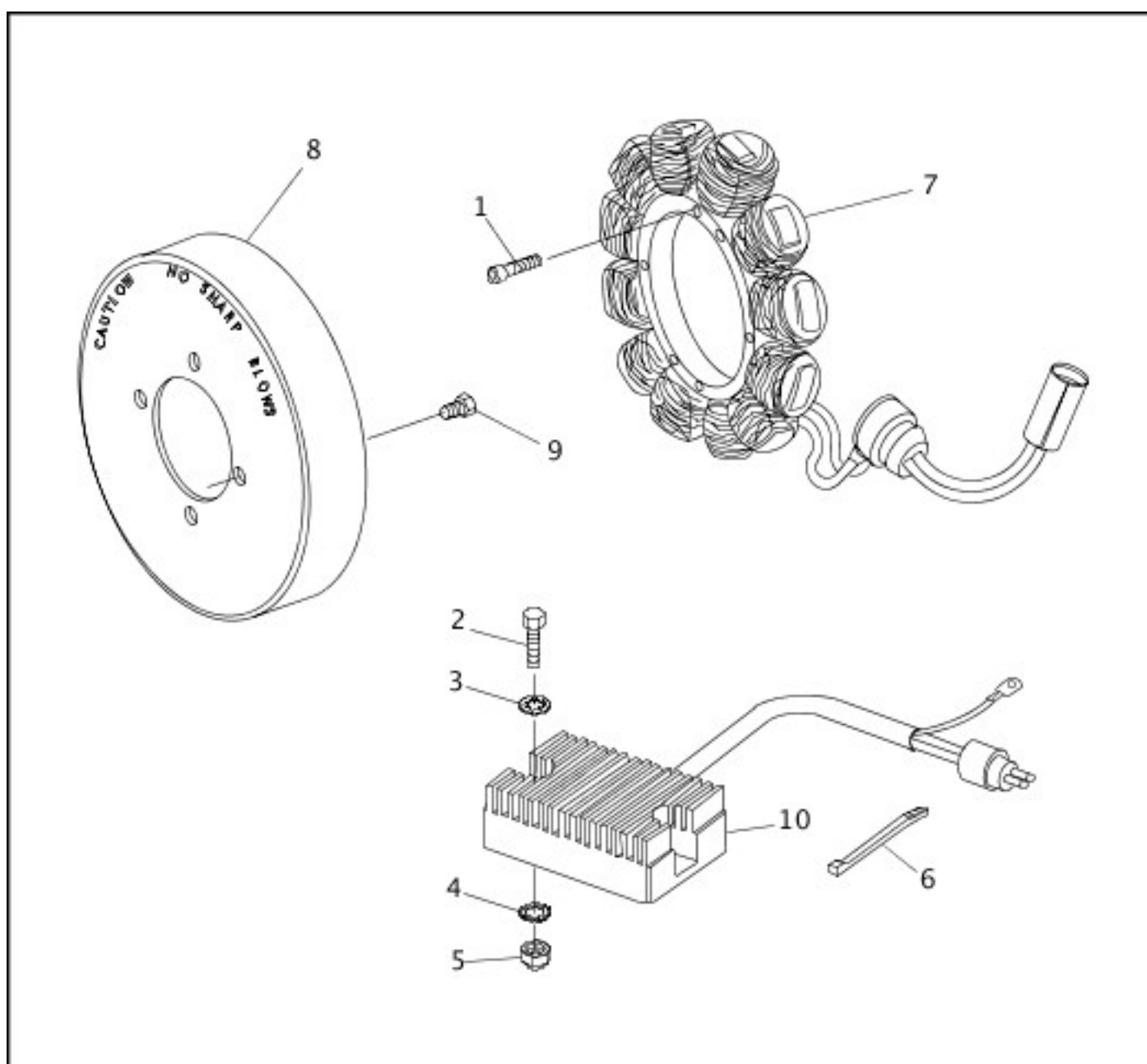


[View interactive table](#)

INDEX NO.	PART NO.	DESCRIPTION	MODEL(S)
-----------	----------	-------------	----------

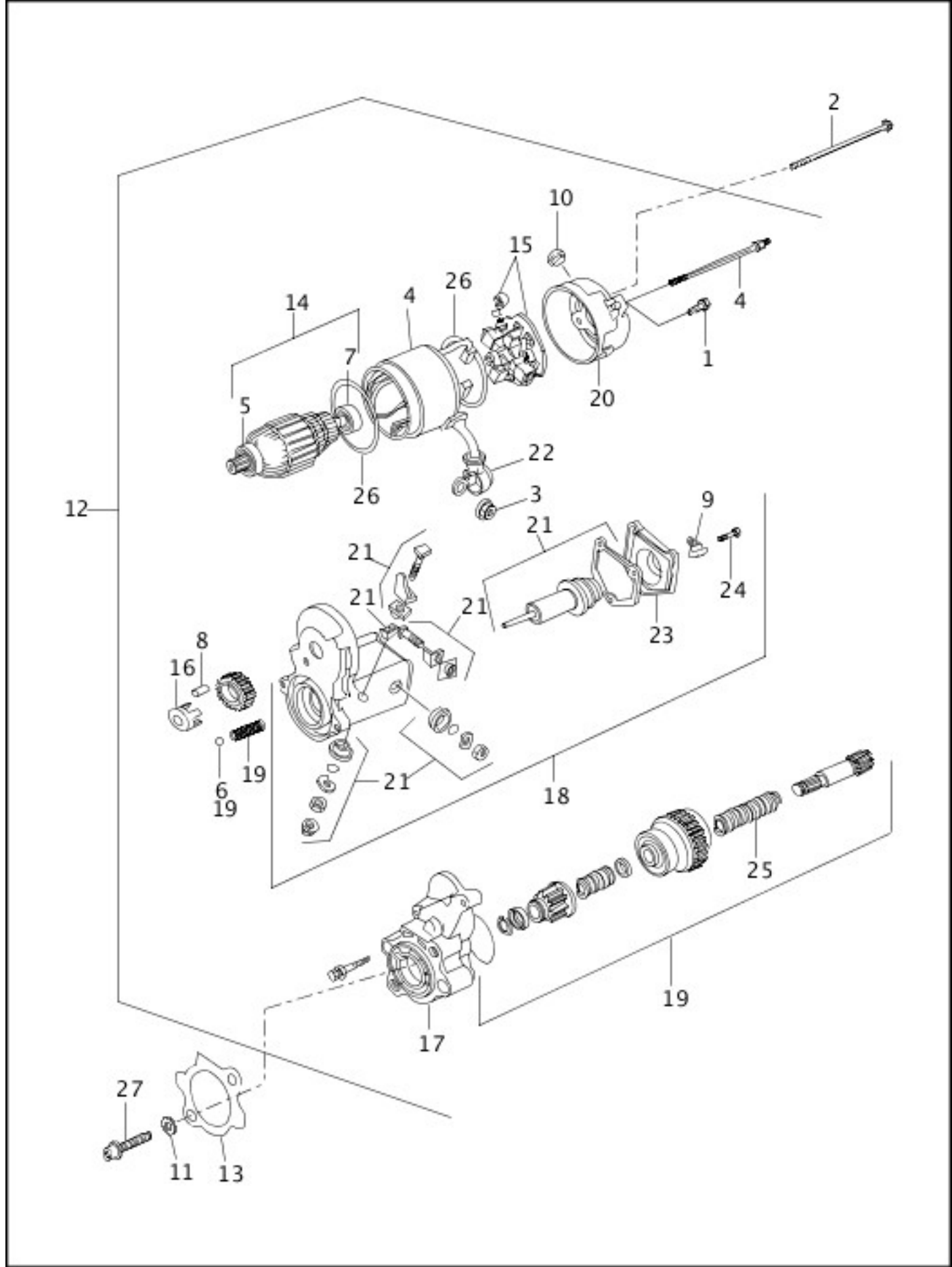
10	69027-92	BRACKET, enrichment cable	XL1200 1992, XL883 1992
	71516-92	BRACKET, enrichment cable	XL883 1992
	29078-91	BACKPLATE ASSEMBLY (Swiss)	ALL
	29018-92	BACKPLATE ASSEMBLY (California)	XL1200 1992, XL883 1992, XL883DLX 1992, XL883HUG 1992
27	61107-92	FITTING (California)	XL1200 1992, XL883 1992, XL883DLX 1992, XL883HUG 1992

ALTERNATOR & REGULATOR



[View interactive table](#)

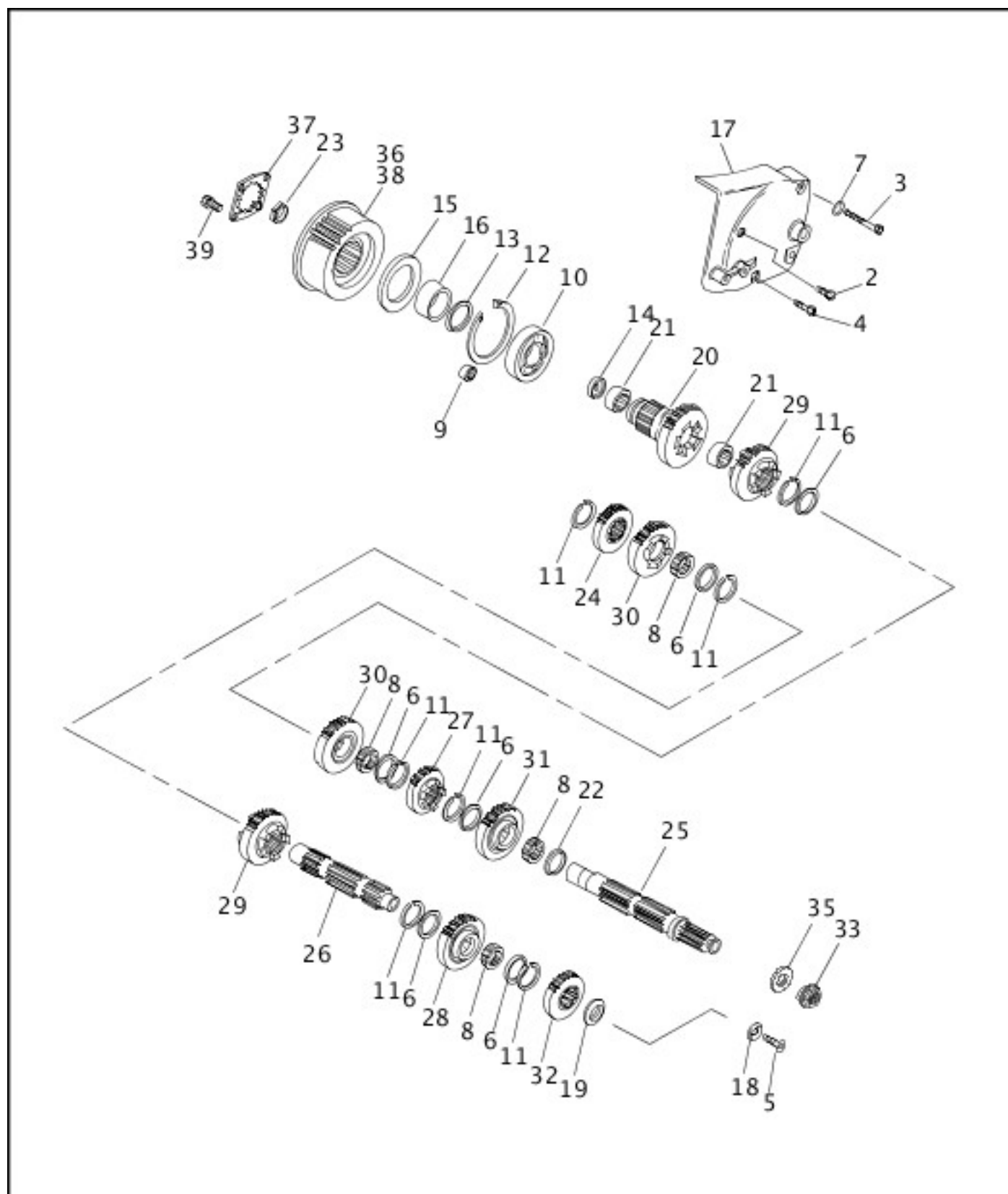
INDEX NO.	PART NO.	DESCRIPTION	MODEL(S)
10	74523-91	REGULATOR	XL1200 1991, XL883 1991, XL883DLX 1991, XL883HUG 1991
	74523-92A	REGULATOR	XL1200 1992, XL883 1992, XL883DLX 1992, XL883HUG 1992



[View interactive table](#)

INDEX NO.	PART NO.	DESCRIPTION	MODEL(S)
12	31390-91A	STARTER MOTOR, complete	XL1200 1991, XL1200 1992
13	31488-81C	GASKET, starter motor	XL1200 1991, XL1200 1992
18	31540-91	SWITCH ASSEMBLY, magnetic	XL1200 1991, XL1200 1992
19	31556-91D	CLUTCH SUB-ASSEMBLY	XL1200 1991, XL1200 1992

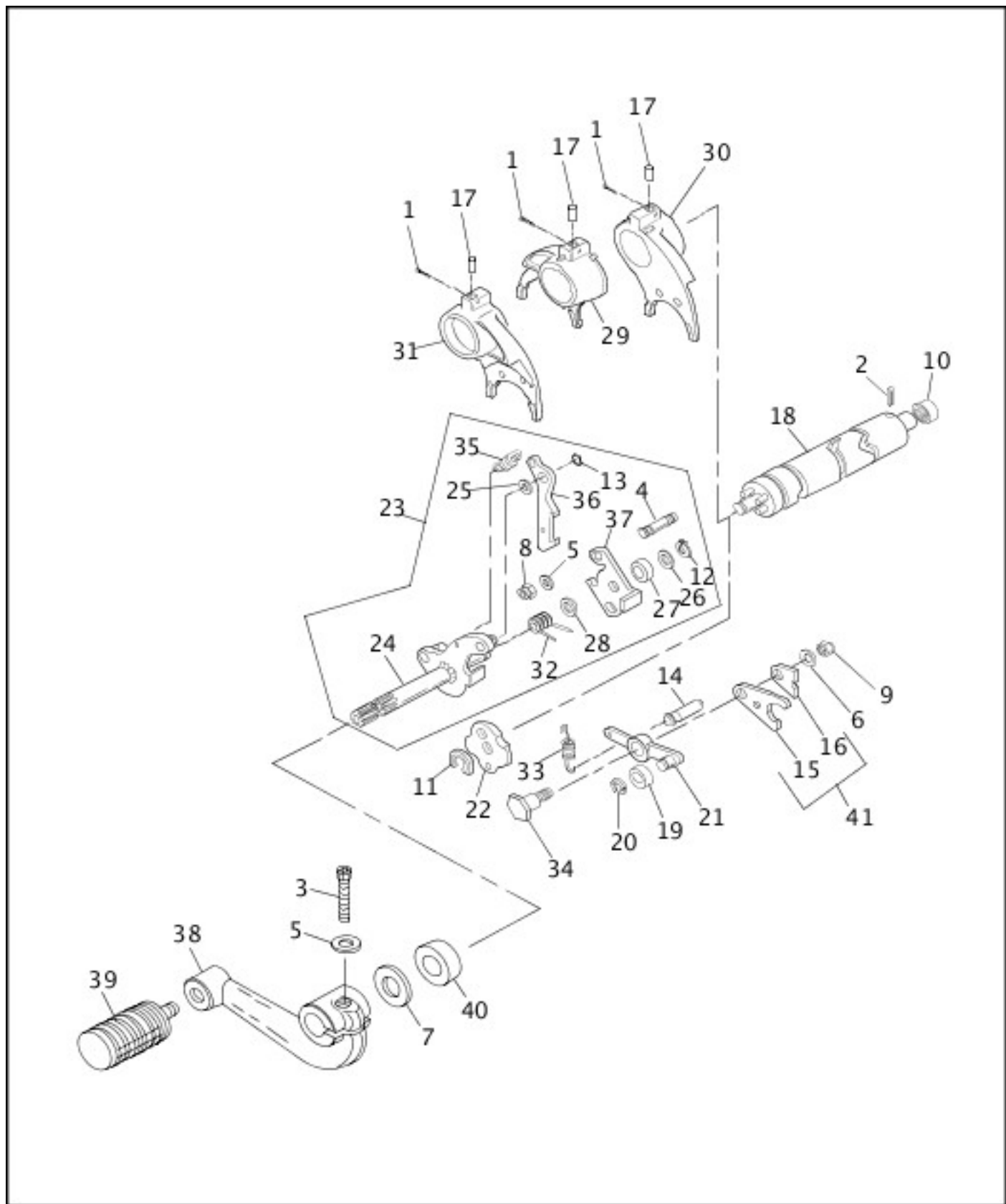
TRANSMISSION GEARS



[View interactive table](#)

INDEX NO.	PART NO.	DESCRIPTION	MODEL(S)
17	34911-91A	SPROCKET COVER	ALL
33	37495-91	NUT, mainshaft	ALL
35	37870-91	SPRING WASHER	ALL
	40205-92	SPROCKET KIT, 29T (belt) w/ 23, 38 & 39	XL1200 1992
37	40251-92A	LOCK PLATE	XL1200 1992, XL883DLX 1992
	40288-92	SPROCKET, 27T (belt)	XL883DLX 1992

SHIFTER

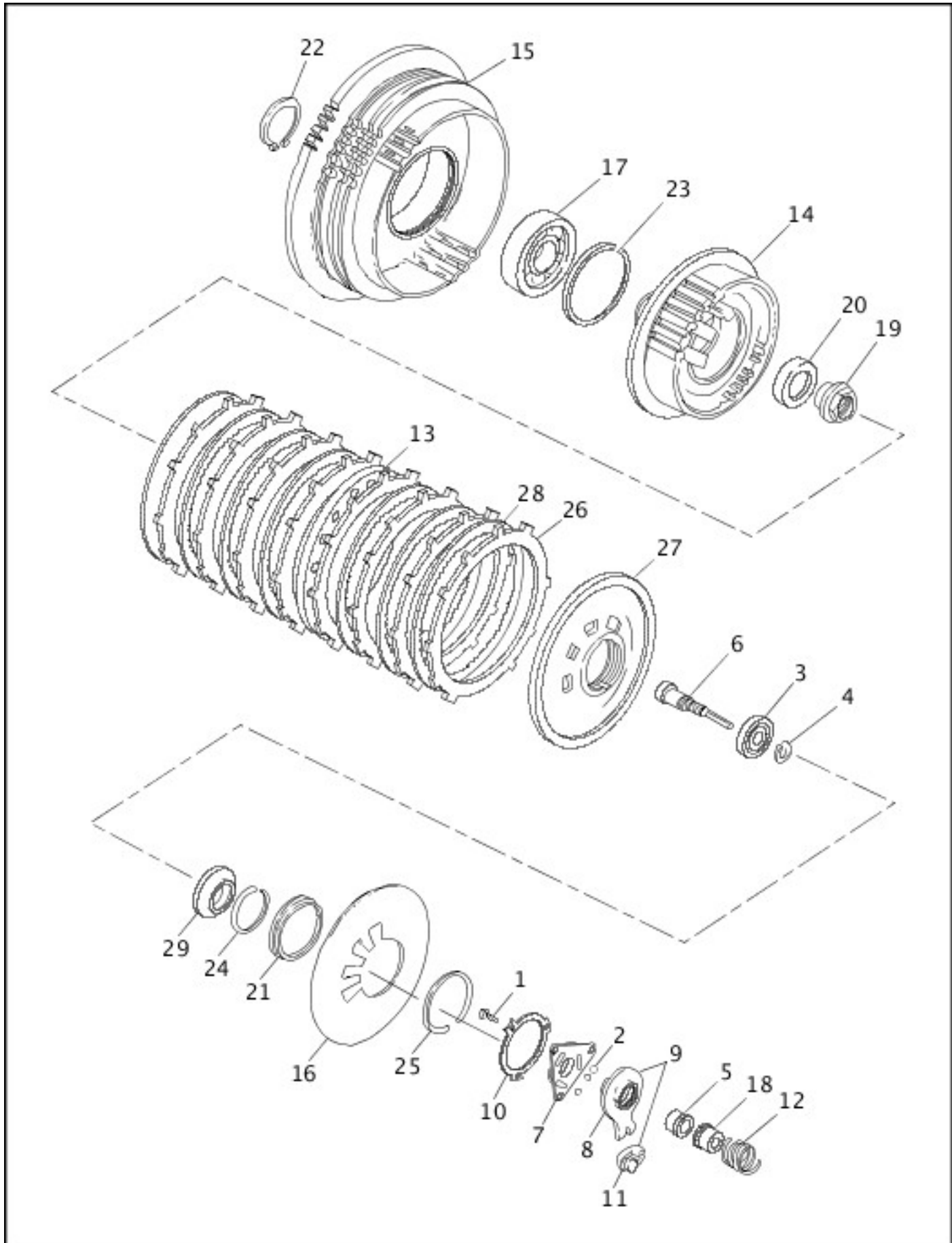


[View interactive table](#)

INDEX NO.	PART NO.	DESCRIPTION	MODEL(S)
16	33204-91	PLATE, shift drum	ALL
18	33634-91A	SHIFTER DRUM ASSEMBLY, w/ 601	ALL
23	34014-91	SHIFTER SHAFT ASSEMBLY, w/ 12, 13, 24-28, 32, 35-37	ALL
24	34015-91	SHIFTER SHAFT	ALL
25	34073-91	SPACER, pawl	ALL
28	34077-91	WASHER	ALL

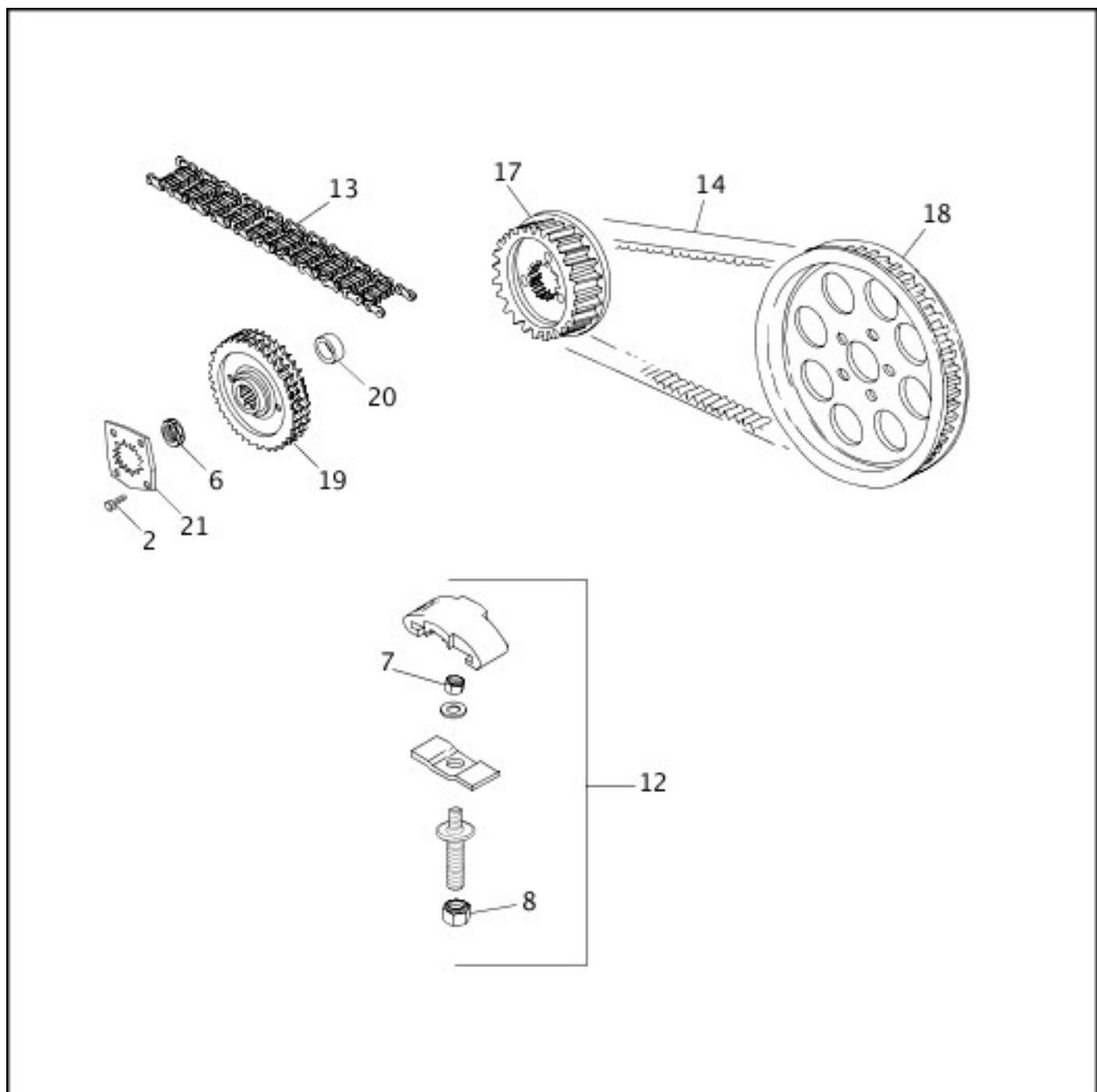
32	34481-91A	SPRING	ALL
35	34491-91	SPRING	ALL
36	34492-91	SHIFTER PAWL	ALL
37	34560-91	BASEPLATE	ALL

CLUTCH



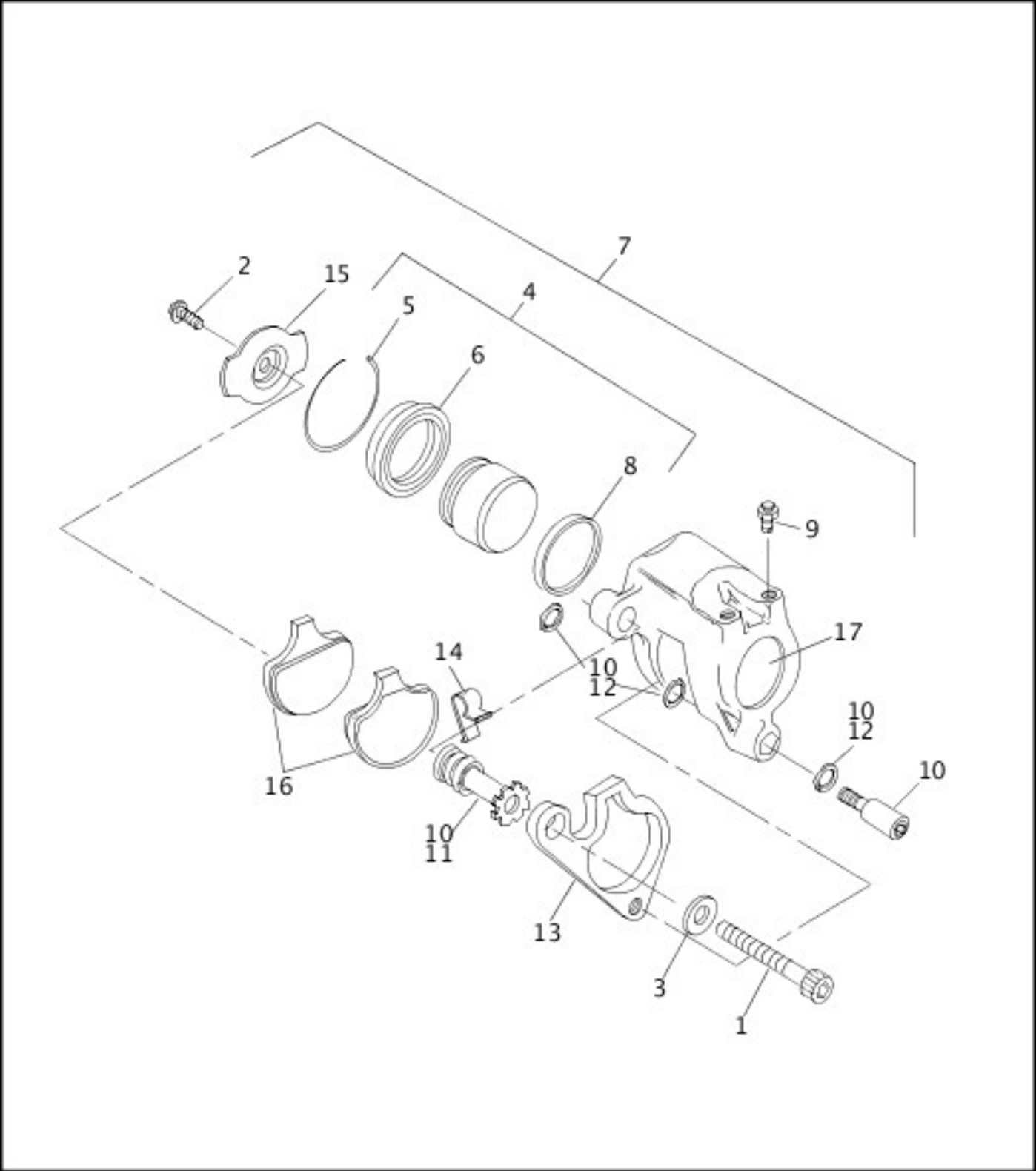
INDEX NO.	PART NO.	DESCRIPTION	MODEL(S)
14	36785-91	CLUTCH HUB	ALL
15	36790-91	CLUTCH SHELL & SPROCKET, w/ 17 & 23	ALL
16	36792-91	SPRING, diaphragm	ALL
17	36799-91	BALL BEARING	ALL
19	37495-91	NUT, main shaft	ALL
20	37870-91	SPRING WASHER	ALL
27	37912-91	PRESSURE PLATE	ALL
29	36731-91	RELEASE PLATE	ALL

BELTS, CHAINS & SPROCKETS



INDEX NO.	PART NO.	DESCRIPTION	MODEL(S)
	36211-91	NUT, transmission sprocket (not illustrated)	XL1200 1992, XL883 1992, XL883DLX 1992, XL883HUG 1992
12	39970-91	SHOE ASSEMBLY	ALL
14	40022-91	BELT, 128T	XL1200 1991, XL1200 1992, XL883DLX 1991, XL883DLX 1992
	40038-91	BELT, 125T (Swiss)	XL883DLX 1991, XL883DLX 1992
	40038-91	BELT, 125T (HDI & Swiss)	XL1200 1991, XL1200 1992
	40032-91	REAR CHAIN, O-RING (HDI) (not illustrated)	XL1200 1991, XL1200 1992, XL883 1991, XL883 1992, XL883HUG 1991, XL883HUG 1992
	40288-92	SPROCKET KIT, transmission, 27T (belt)	XL883DLX 1992
18	40213-91	SPROCKET, rear wheel, 61T (belt)	XL1200 1991, XL1200 1992, XL883DLX 1991, XL883DLX 1992
	40252-91	SPROCKET, rear wheel, 55T (belt) (Swiss)	XL883DLX 1991, XL883DLX 1992
	40252-91	SPROCKET, rear wheel, 55T (belt) (Swiss & HDI)	XL1200 1991, XL1200 1992
21	40251-92A	LOCK PLATE	XL1200 1992, XL883DLX 1992

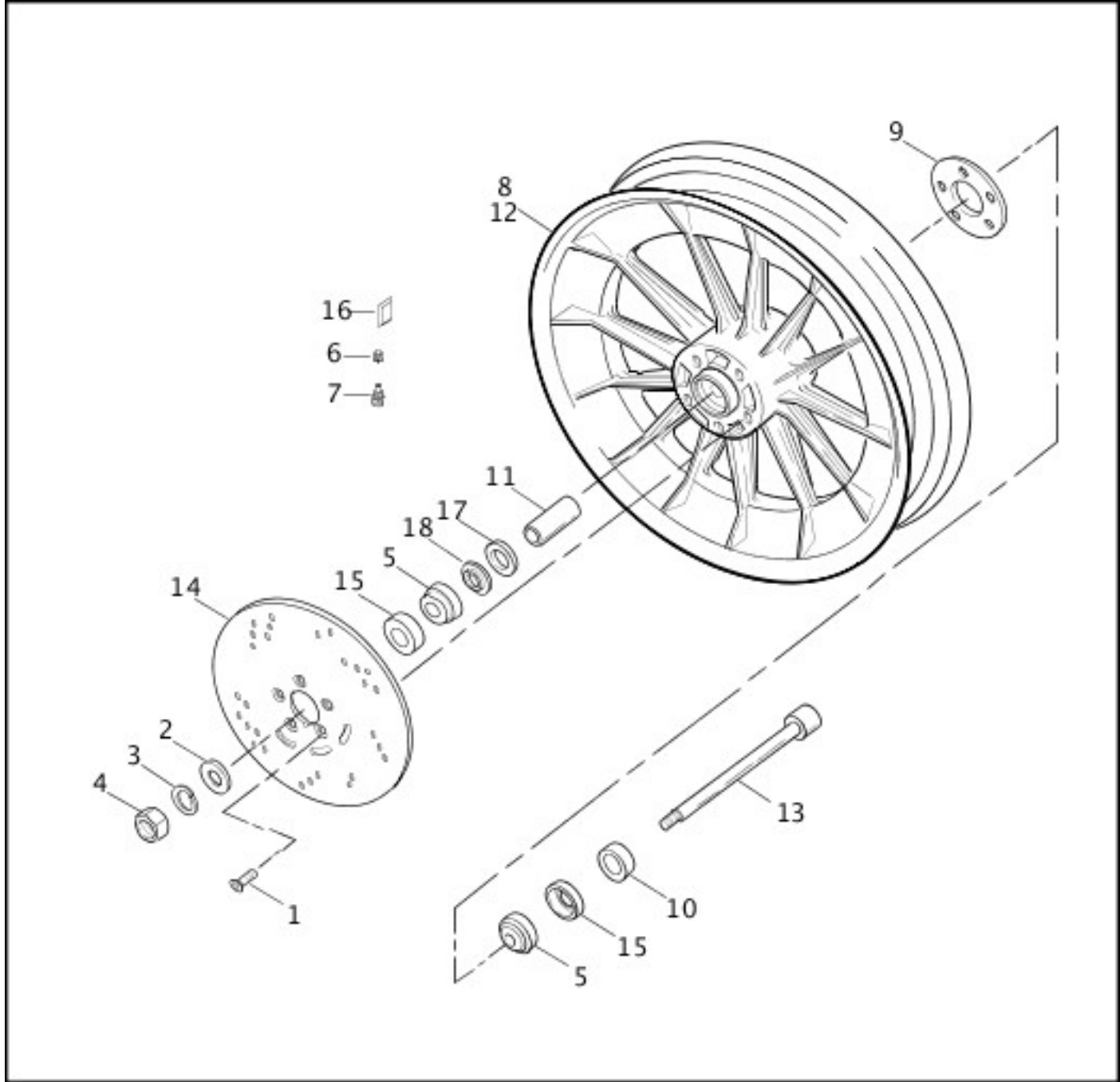
[FRONT BRAKE CALIPER](#)



[View interactive table](#)

INDEX NO.	PART NO.	DESCRIPTION	MODEL(S)
	44072-92A	BRACKET, caliper mounting	XL1200 1992, XL883 1992, XL883DLX 1992, XL883HUG 1992

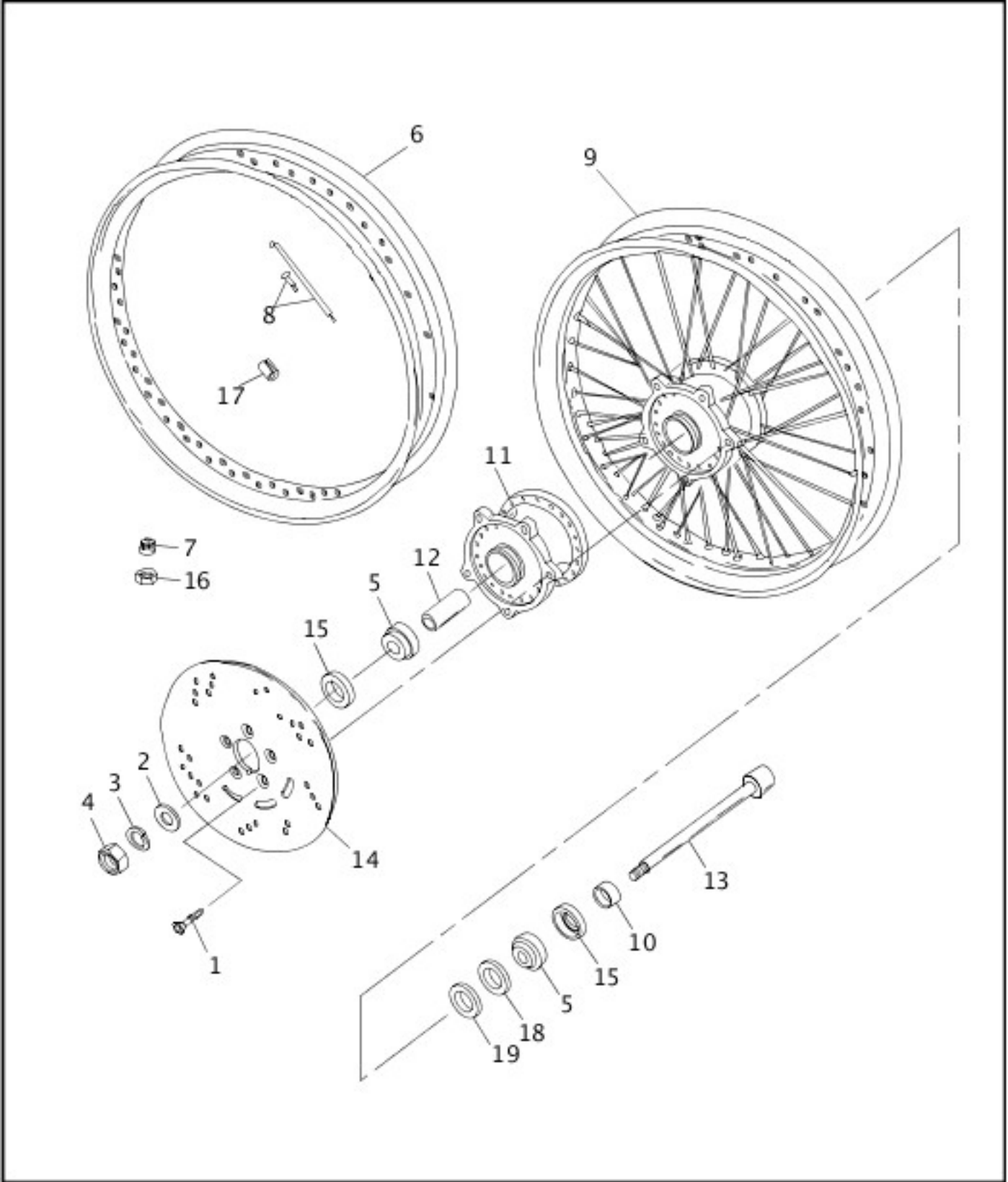
FRONT WHEEL - CAST



[View interactive table](#)

INDEX NO.	PART NO.	DESCRIPTION	MODEL(S)
11	43613-92	SPACER	XL1200 1992, XL883 1992, XL883DLX 1992, XL883HUG 1992
14	44136-92	DISC, brake	XL1200 1991, XL1200 1992, XL883 1991, XL883 1992, XL883DLX 1991, XL883DLX 1992, XL883HUG 1991, XL883HUG 1992

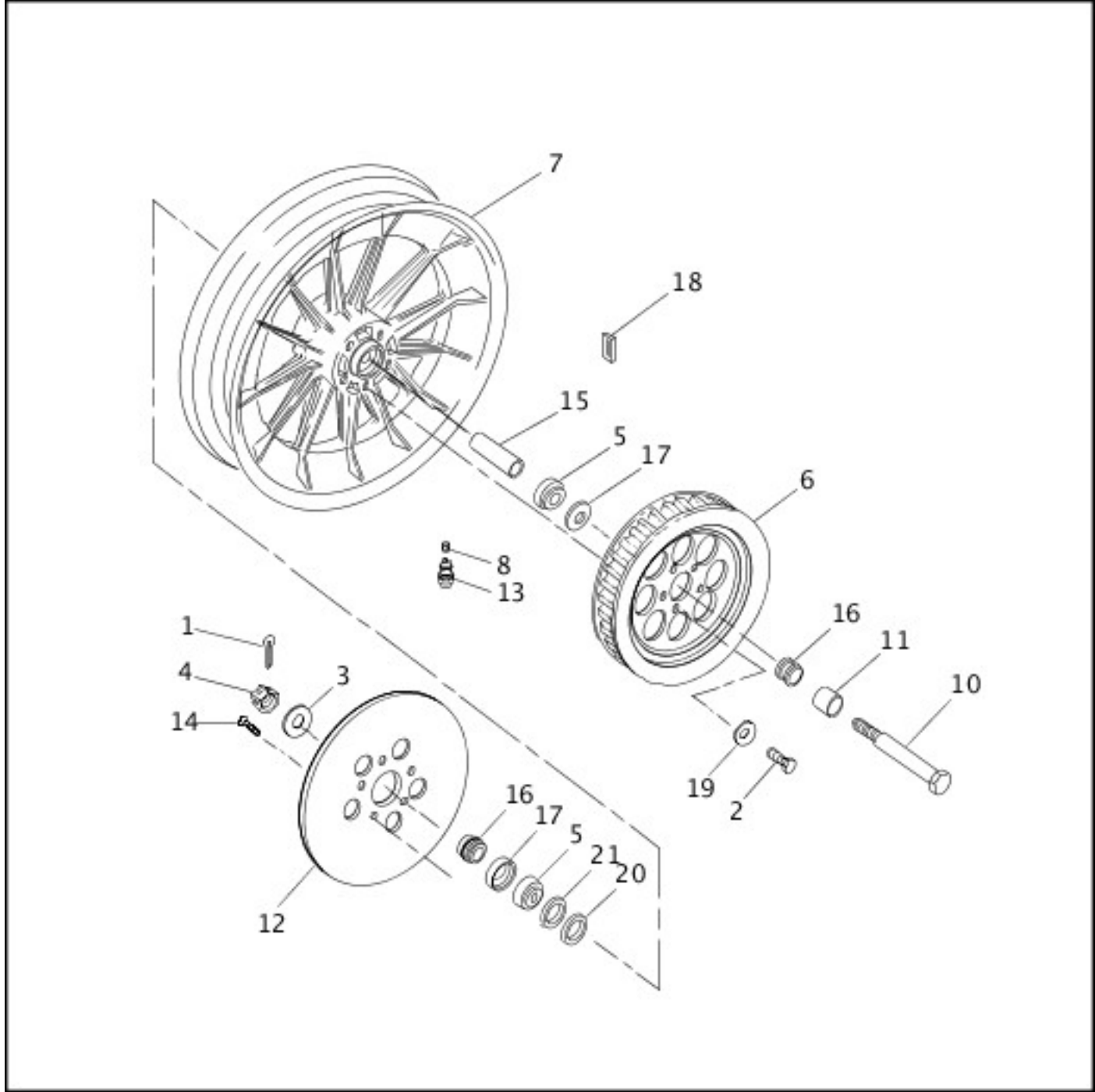
[FRONT WHEEL - LACED](#)



[View interactive table](#)

INDEX NO.	PART NO.	DESCRIPTION	MODEL(S)
12	43613-92	SPACER	XL1200 1992, XL883 1992, XL883DLX 1992, XL883HUG 1992
14	44136-92	DISC, brake	XL1200 1991, XL1200 1992, XL883 1991, XL883 1992, XL883DLX 1991, XL883DLX 1992, XL883HUG 1991, XL883HUG 1992

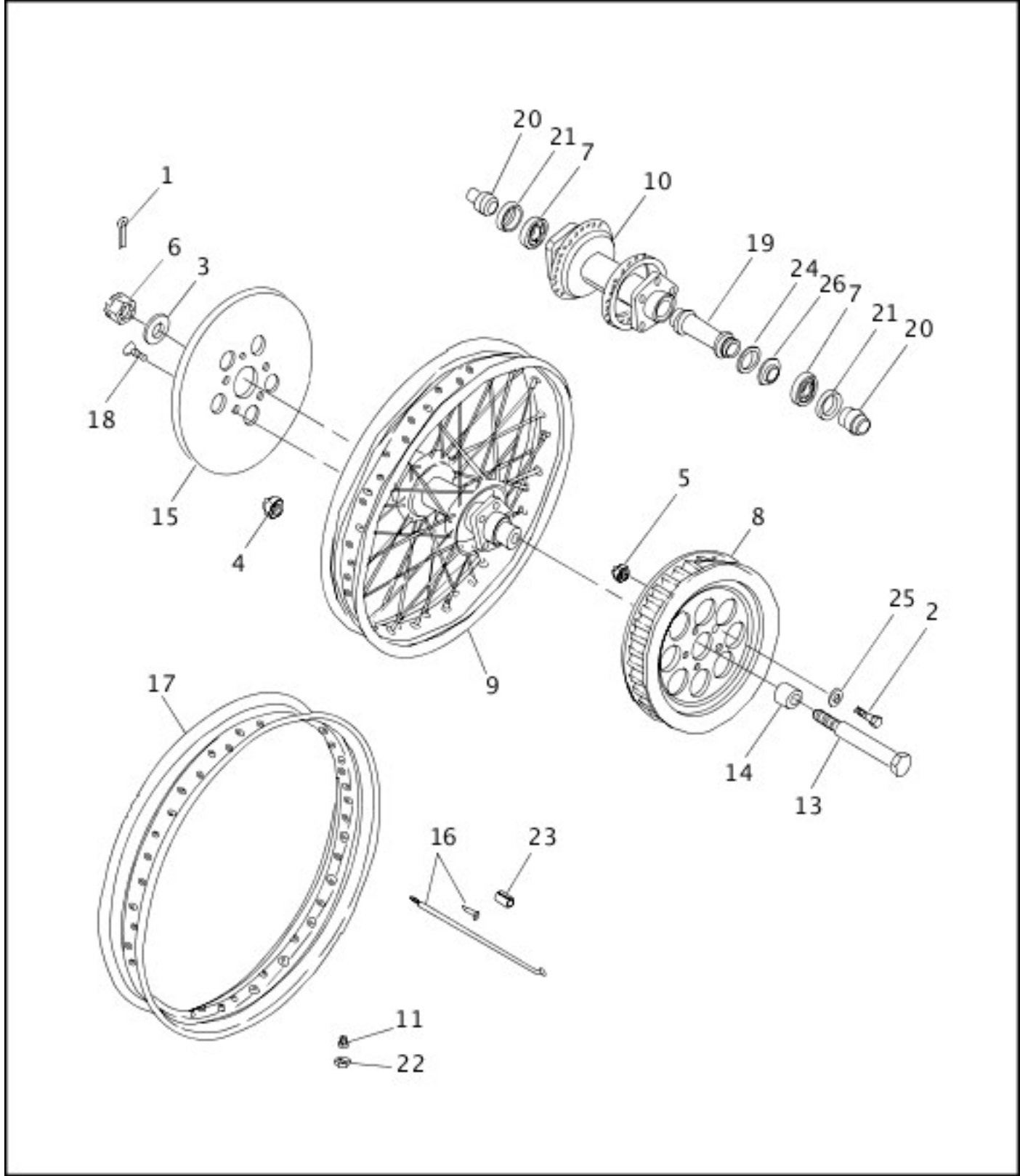
[REAR WHEEL - CAST](#)



[View interactive table](#)

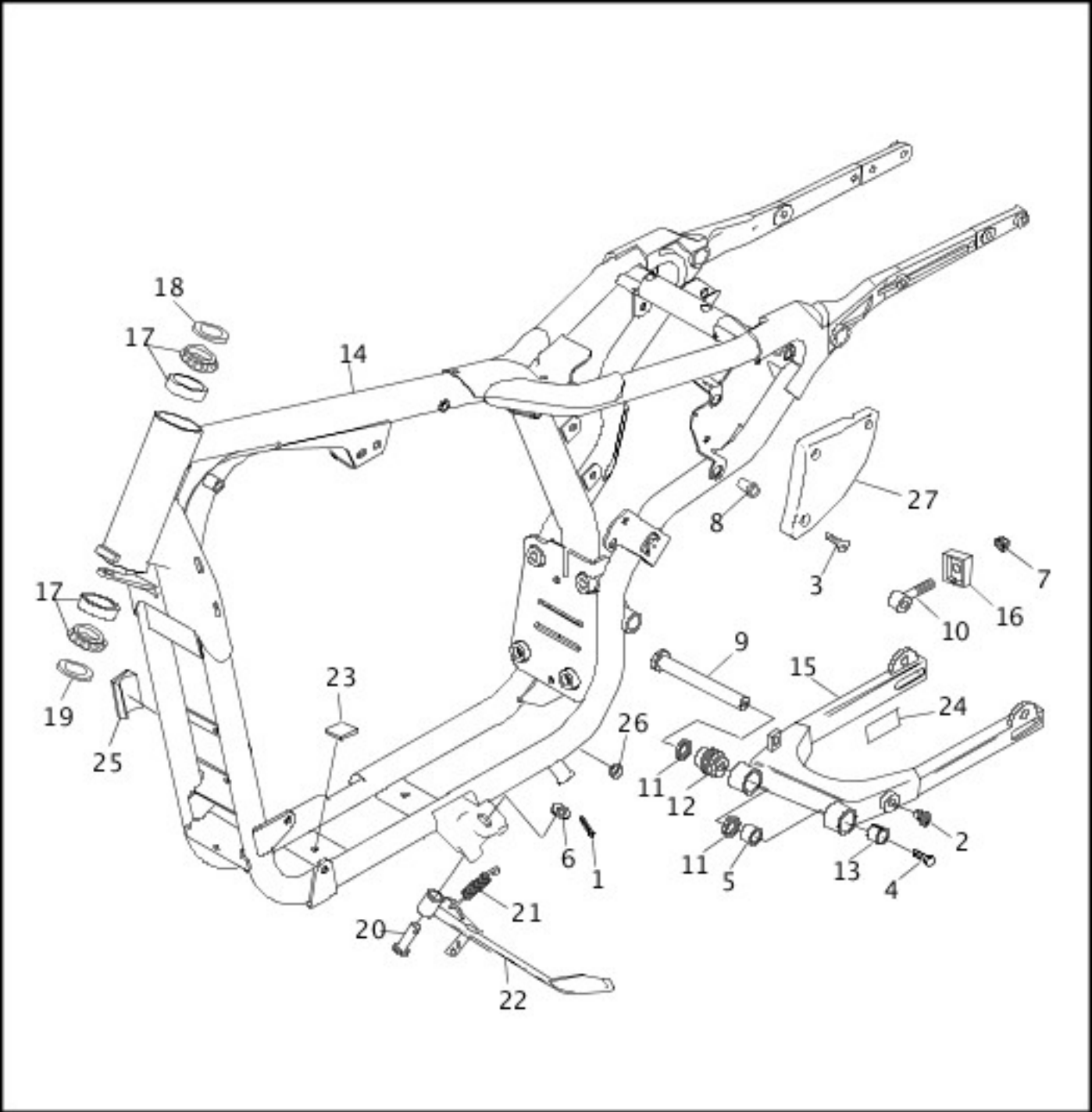
INDEX NO.	PART NO.	DESCRIPTION	MODEL(S)
6	40213-91	SPROCKET, 61T (belt)	XL1200 1991, XL1200 1992, XL883DLX 1991, XL883DLX 1992
	40252-91	SPROCKET, 55T (belt) (Swiss)	XL883DLX 1991, XL883DLX 1992
	40252-91	SPROCKET, 55T (belt) (Swiss & HDI)	XL1200 1991, XL1200 1992
12	41789-92	BRAKE DISC KIT, w/ 14	ALL
	43567-92	SCREW, brake disc (5)	XL1200 1992, XL883 1992, XL883DLX 1992, XL883HUG 1992

[REAR WHEEL - LACED](#)



[View interactive table](#)

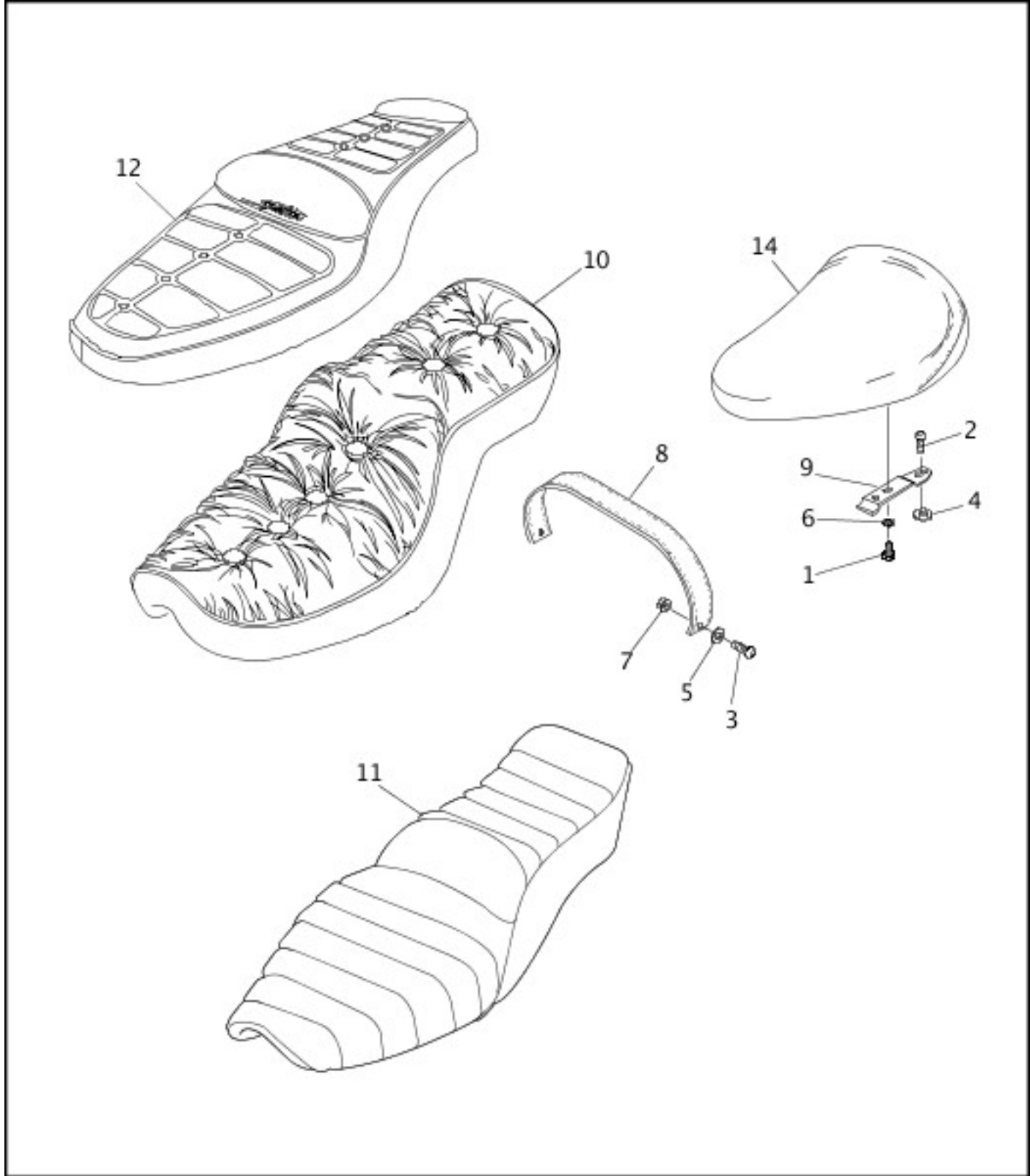
INDEX NO.	PART NO.	DESCRIPTION	MODEL(S)
8	40213-91	SPROCKET, 61T (belt)	XL1200 1991, XL1200 1992, XL883DLX 1991, XL883DLX 1992
	40252-91	SPROCKET, 55T (belt) (Swiss)	XL883DLX 1991, XL883DLX 1992
	40252-91	SPROCKET, 55T (belt) (Swiss & HDI)	XL1200 1991, XL1200 1992
15	41789-92	BRAKE DISC KIT, w/ 18	ALL
	43567-92	SCREW, brake disc (5)	XL1200 1992, XL883 1992, XL883DLX 1992, XL883HUG 1992



[View interactive table](#)

INDEX NO.	PART NO.	DESCRIPTION	MODEL(S)
14	47150-91B	FRAME	ALL
	47209-91B	FRAME (HDI)	ALL
	50072-92	JIFFY STAND	XL883HUG 1992
23	50101-91	DECKING BUMPER	ALL
25	59273-91	REFLECTOR, amber (2)	ALL

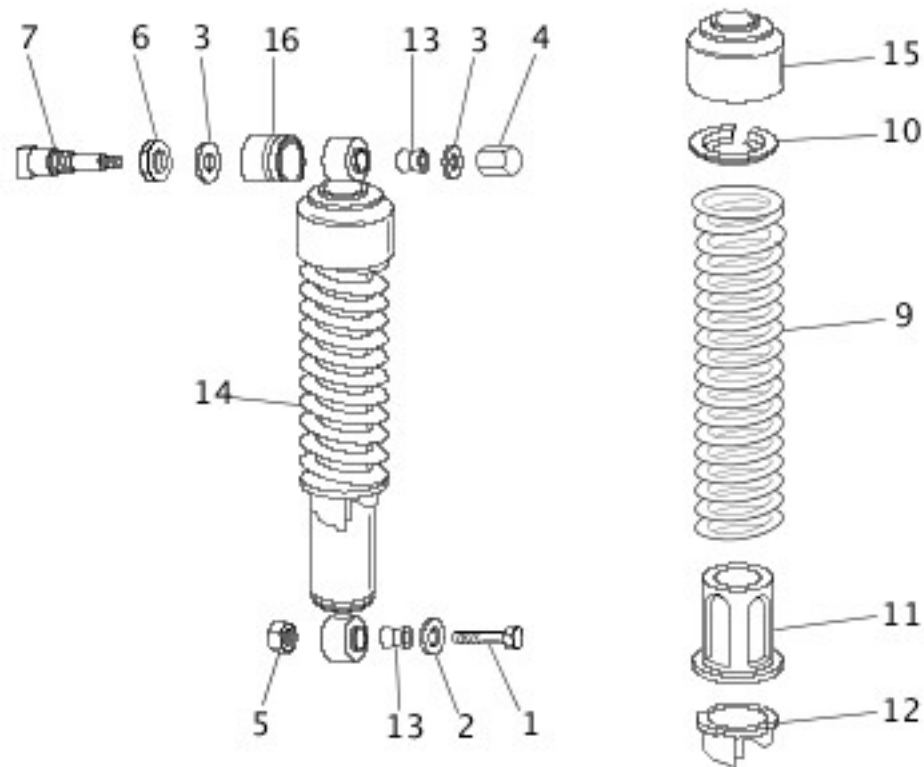
[SEATS](#)



[View interactive table](#)

INDEX NO.	PART NO.	DESCRIPTION	MODEL(S)
12	52101-92C	SEAT	XL883DLX 1992
14	52129-92C	SEAT	XL883HUG 1992

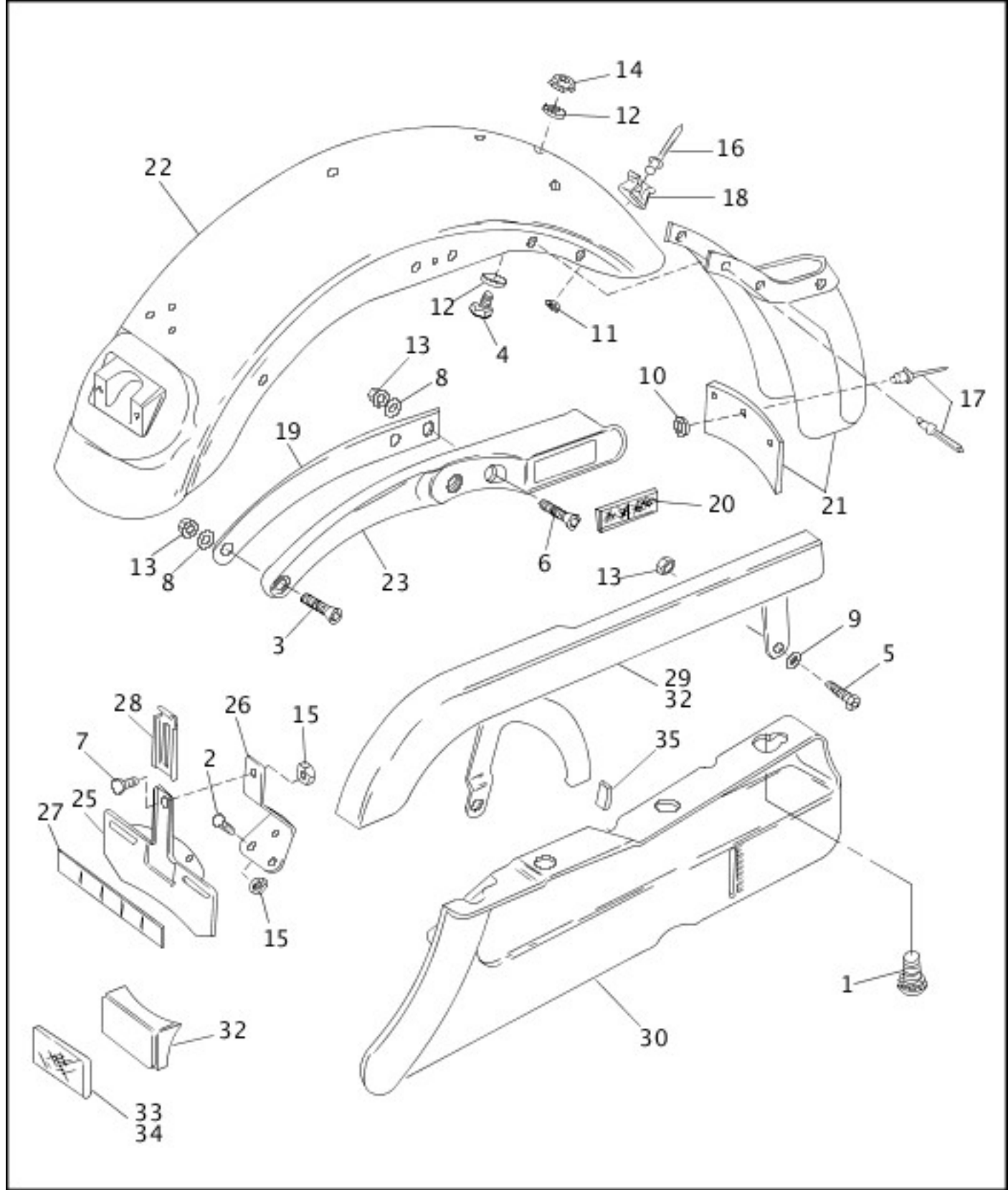
[SHOCK ABSORBERS](#)



[View interactive table](#)

INDEX NO.	PART NO.	DESCRIPTION	MODEL(S)
7	47384-91	BOLT, shock mount (upper) (2)	ALL
14	54566-91	SHOCK ABSORBER, complete (2)	XL1200 1991, XL1200 1992, XL883 1991, XL883 1992, XL883DLX 1991, XL883DLX 1992
	54568-91	SHOCK ABSORBER, complete (2)	XL883HUG 1991
	54568-92	SHOCK ABSORBER, complete (2)	XL883HUG 1992
16	54705-91	COVER, shock absorber stud (2)	ALL

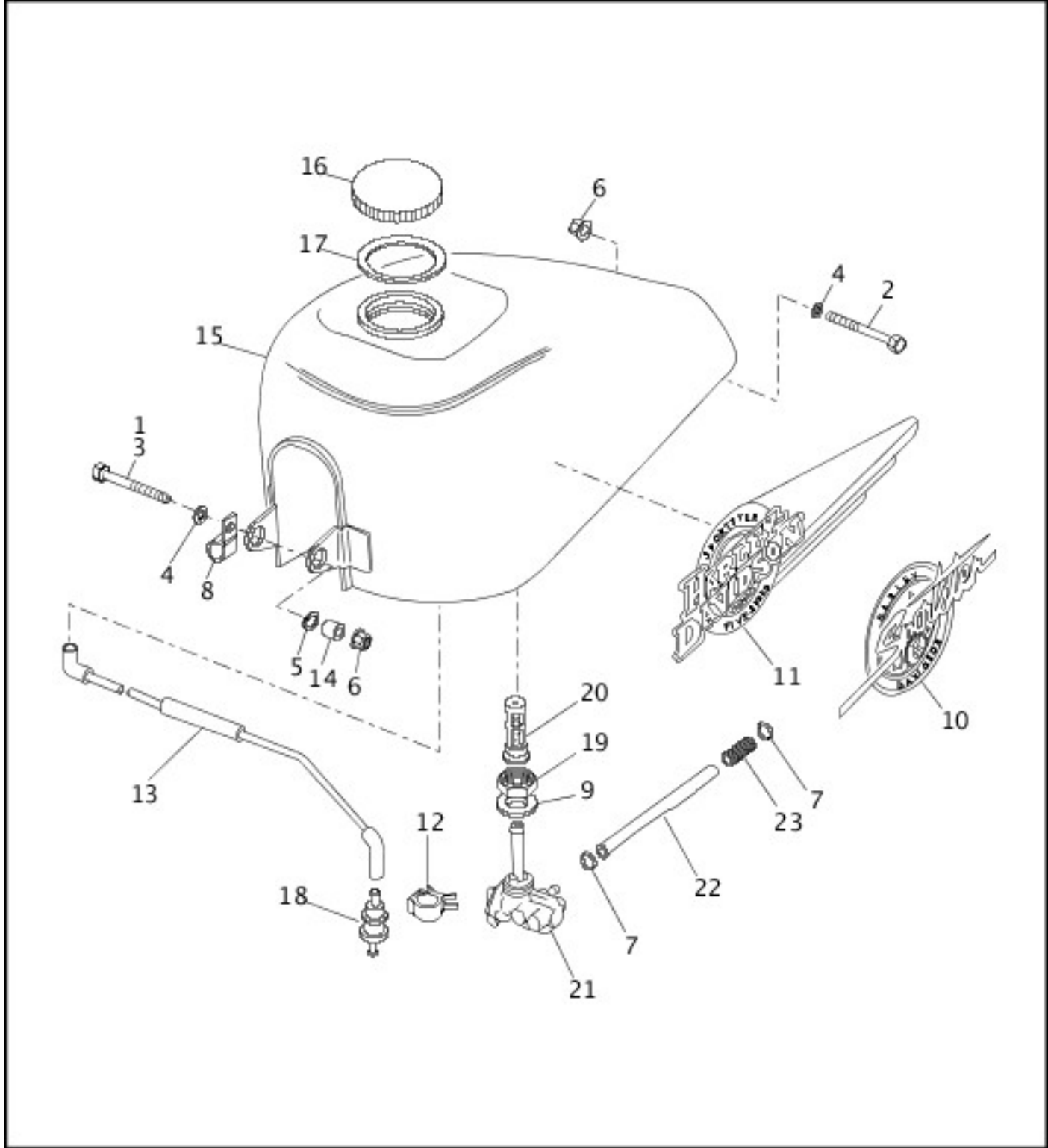
[REAR FENDER, BELT & CHAIN GUARDS](#)



[View interactive table](#)

INDEX NO.	PART NO.	DESCRIPTION	MODEL(S)
30	60436-91	DEBRIS DEFLECTOR	XL1200 1991, XL1200 1992, XL883DLX 1991, XL883DLX 1992
32	60381-91	BELT GUARD	XL1200 1991, XL1200 1992, XL883DLX 1991, XL883DLX 1992

[FUEL TANK & TRIM](#)

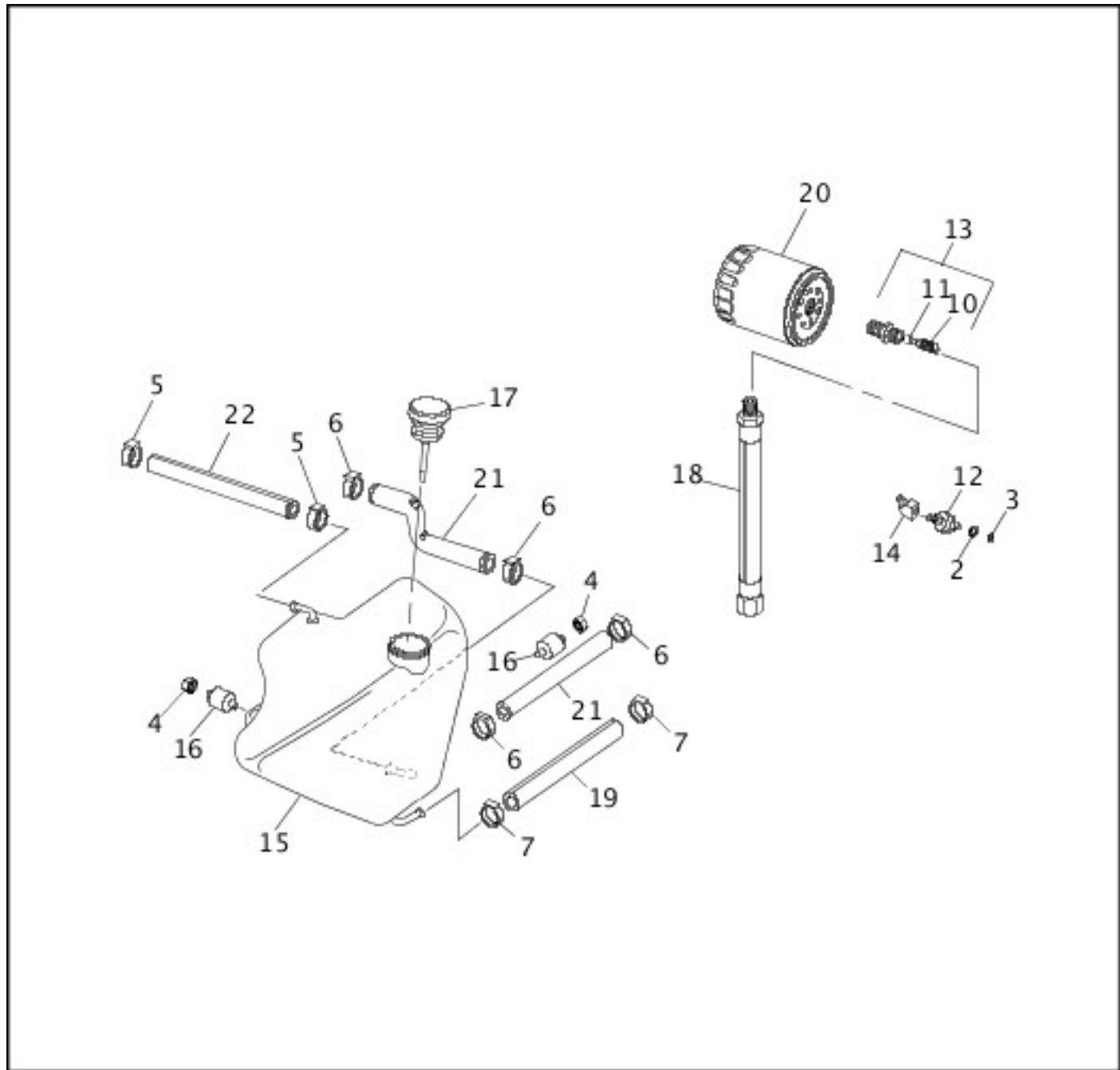


[View interactive table](#)

INDEX NO.	PART NO.	DESCRIPTION	MODEL(S)
10	14232-91	DECAL (blue & silver) (2)	XL883 1991, XL883 1992
	14233-91	DECAL (black & red) (2)	XL883 1991, XL883 1992
	14343-92	DECAL (black & orange) (2)	XL883 1992
11	14234-91	DECAL, left (orange)	XL1200 1991
	14235-91	DECAL, left (blue)	XL1200 1991, XL1200 1992
	14237-91	DECAL, right (orange)	XL1200 1991
	14238-91	DECAL, right (blue)	XL1200 1991, XL1200 1992
	14344-92	DECAL, left (turquoise)	XL1200 1992
	14345-92	DECAL, right (turquoise)	XL1200 1992

	14346-92	DECAL, left (wineberry)	XL1200 1992
	14347-92	DECAL, right (wineberry)	XL1200 1992
13	27068-92	TUBE, tank to valve	XL1200 1992, XL883 1992, XL883DLX 1992, XL883HUG 1992
	61023-93	FUEL TANK (prime)	XL1200 1992, XL883 1992, XL883DLX 1992, XL883HUG 1992
	61272-92C	FILLER CAP	XL1200 1992, XL883 1992, XL883DLX 1992, XL883HUG 1992

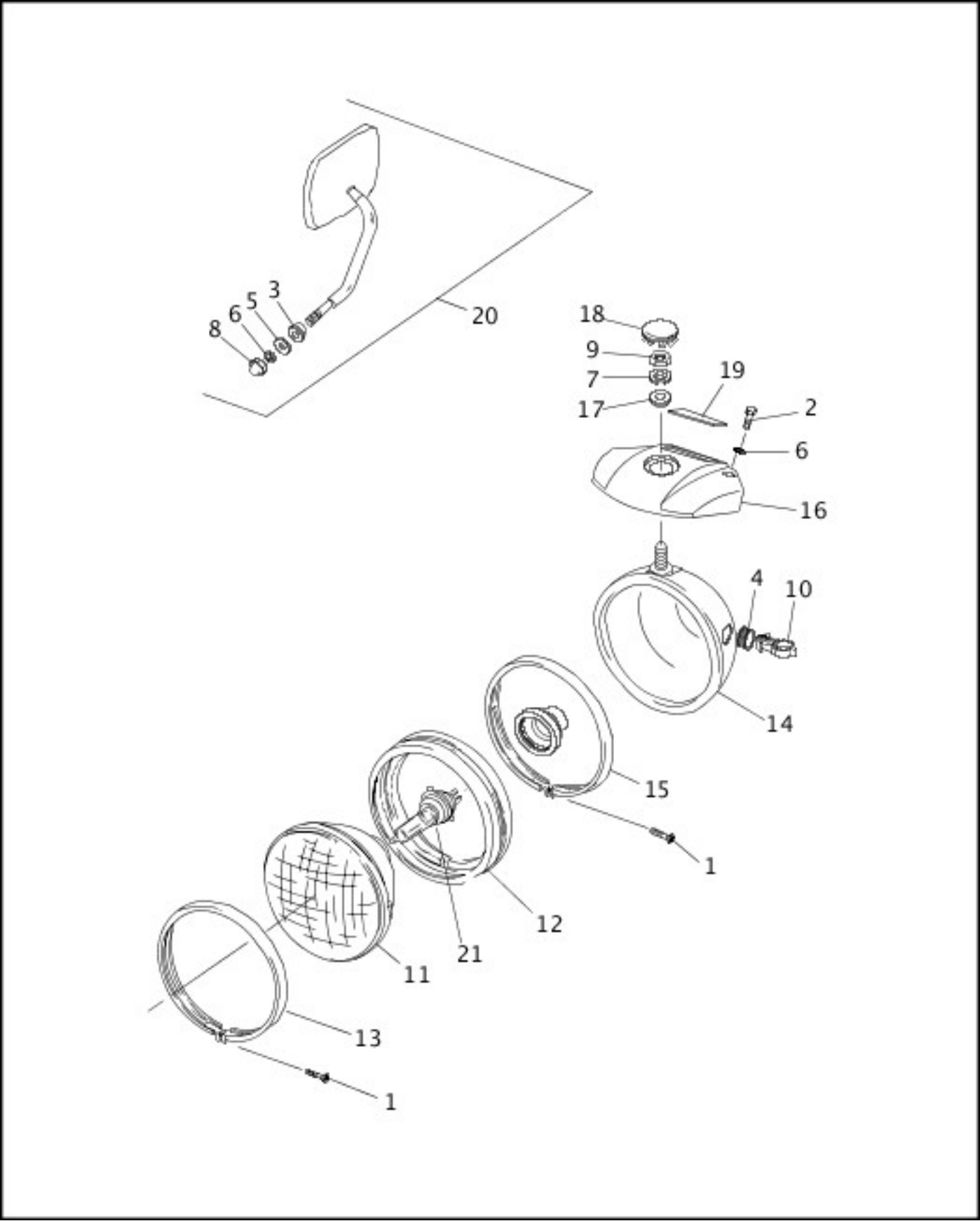
OIL TANK & FILTER



View interactive table

INDEX NO.	PART NO.	DESCRIPTION	MODEL(S)
14	60618-91	STREET ELBOW	ALL
18	62631-91	HOSE, oil pump to filter	ALL

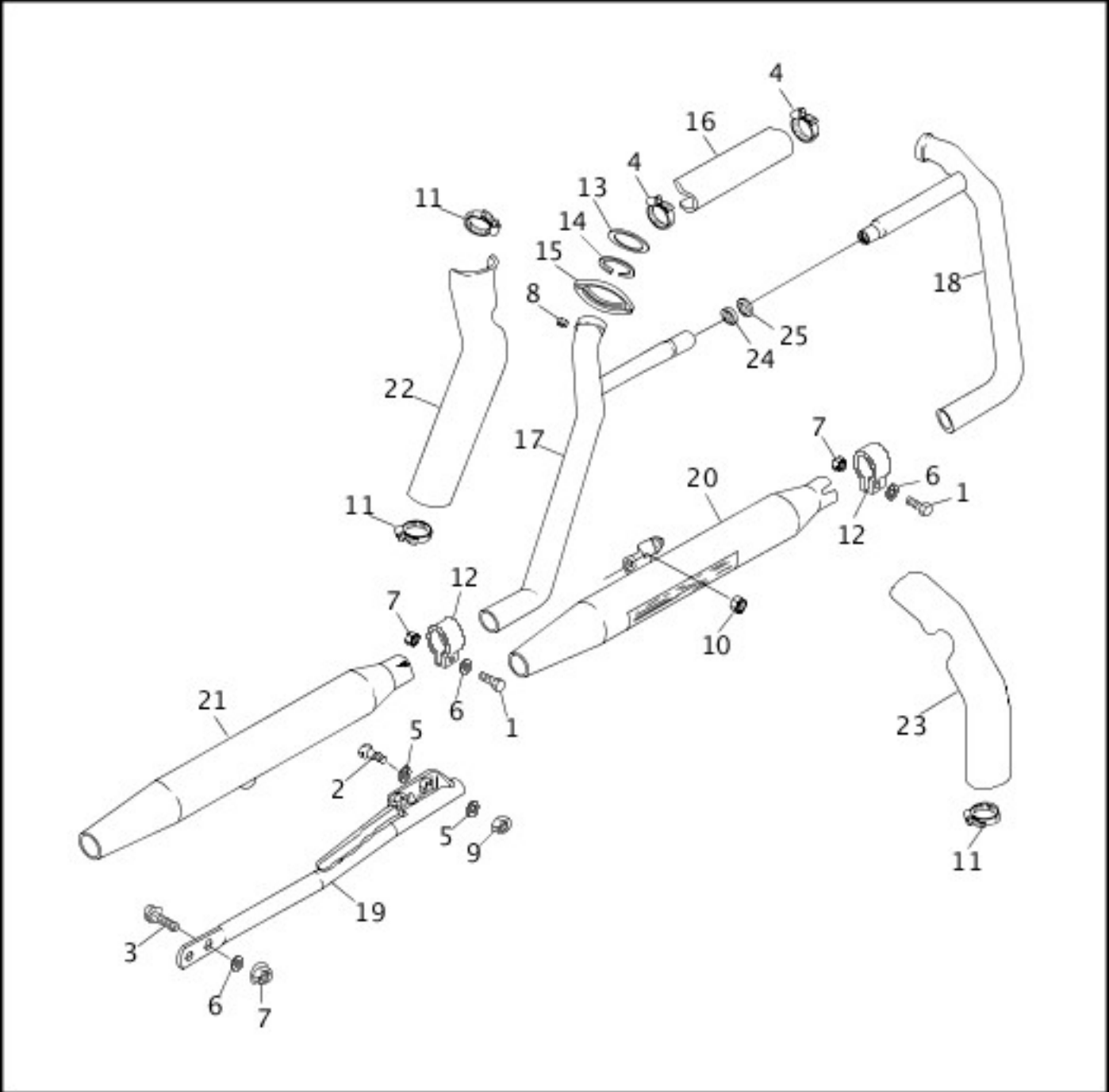
HEADLAMP & MIRROR



[View interactive table](#)

INDEX NO.	PART NO.	DESCRIPTION	MODEL(S)
	67805-92	BRACKET, headlamp	XL1200 1992, XL883 1992, XL883DLX 1992, XL883HUG 1992

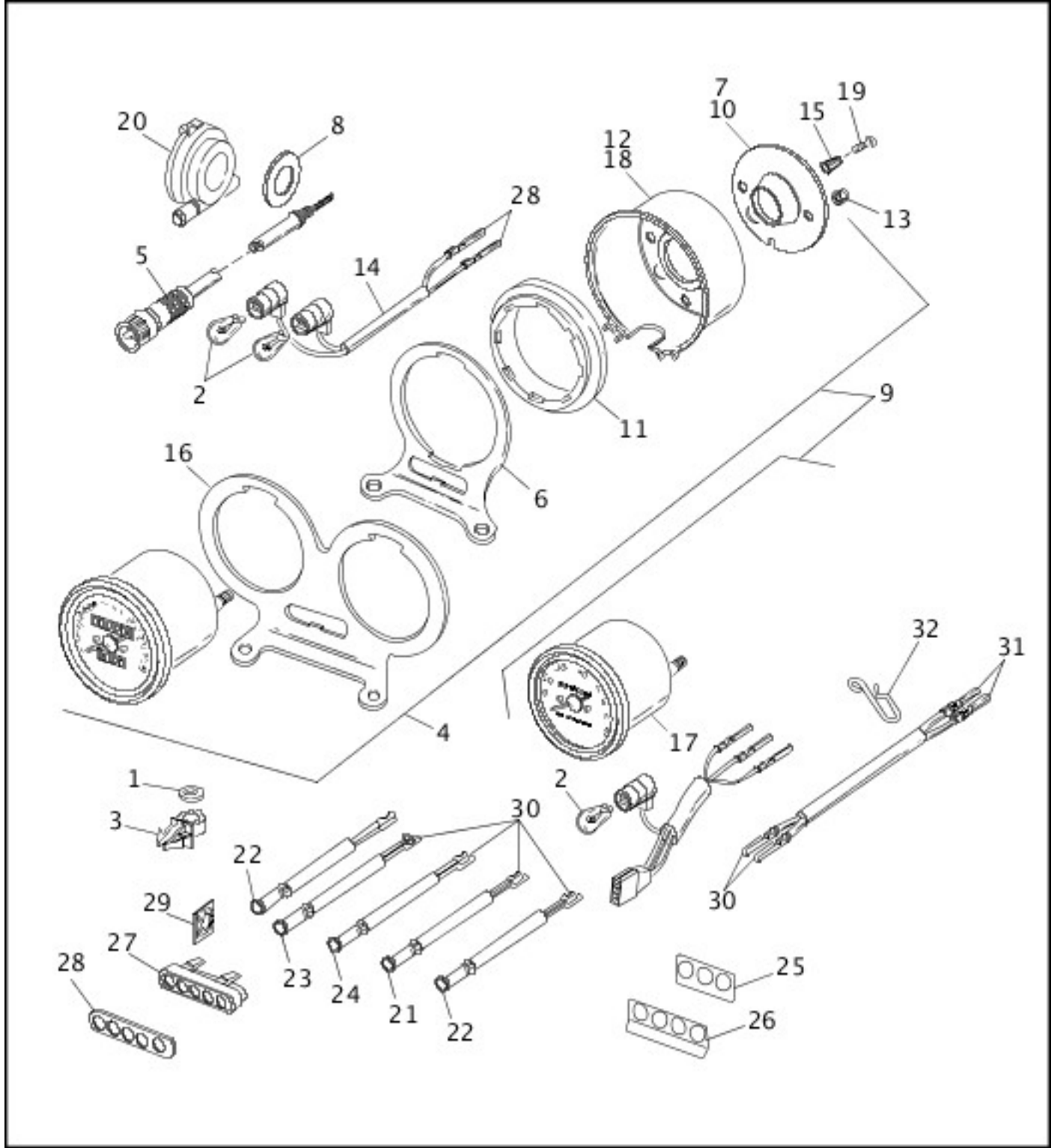
EXHAUST SYSTEM



[View interactive table](#)

INDEX NO.	PART NO.	DESCRIPTION	MODEL(S)
	65860-91A	MUFFLER, front (catalytic) (Swiss)	ALL
	65861-91	MUFFLER, rear (catalytic) (Swiss)	ALL
	65716-91	HEAT SHIELD, muffler (Swiss) (2)	ALL

[SPEEDOMETER & TACHOMETER](#)

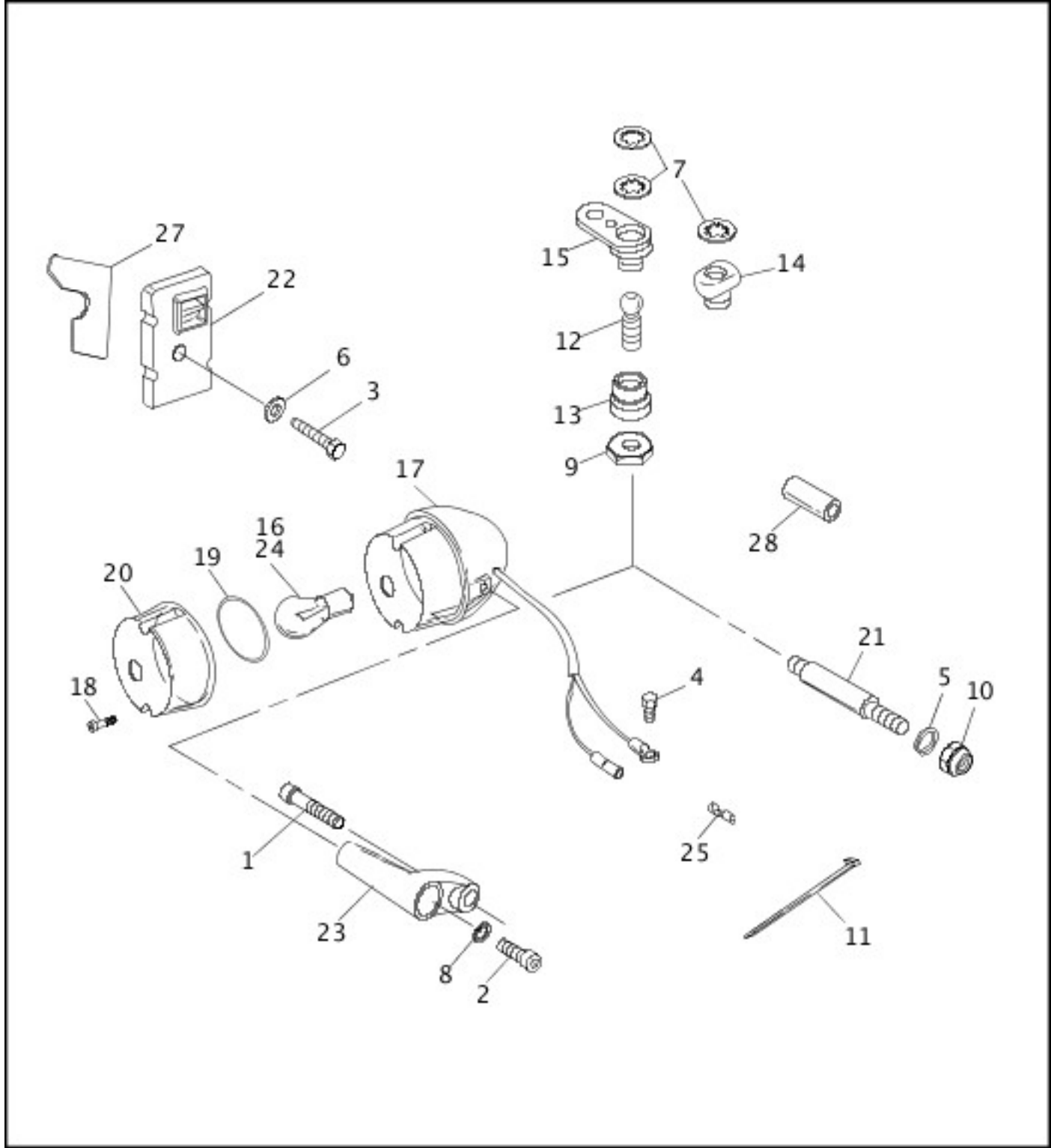


[View interactive table](#)

INDEX NO.	PART NO.	DESCRIPTION	MODEL(S)
	67016-92	SPEEDOMETER, mph, complete (replaces 67016-86A)	XL883 1992
	67037-91	SPEEDOMETER, mph, w/ wiring	ALL
	67041-91	SPEEDOMETER, kph, w/ wiring	ALL
	67053-92	BRACKET, speedometer	XL883 1992
	67099-92	SPEEDOMETER & TACHOMETER, mph	XL1200 1992
10	67103-91	TRIM, speedometer	ALL
	67121-92	CUSHION, rubber	XL883 1992, XL883DLX 1992, XL883HUG 1992
	67121-92	CUSHION, rubber (2)	XL1200 1992

14	67107-91	BULB & SOCKET, w/ terminals, speedometer	ALL
	67110-92	BRACKET, instrument support	XL1200 1992
21	68020-92A	INDICATOR LAMP, oil pressure (red)	XL1200 1992, XL883 1992, XL883DLX 1992, XL883HUG 1992
	68022-92A	INDICATOR LAMP, oil pressure (red)	XL1200 1991, XL883 1991, XL883DLX 1991, XL883HUG 1991
22	68021-92A	INDICATOR LAMP, turn signal (green) (2)	XL1200 1992, XL883 1992, XL883DLX 1992, XL883HUG 1992
	68740-91A	INDICATOR LAMP, turn signal (green)	XL1200 1991, XL883 1991, XL883DLX 1991, XL883HUG 1991
23	68023-92A	INDICATOR LAMP, high beam (blue)	ALL
24	68024-92A	INDICATOR LAMP, neutral (green)	ALL
27	68513-92	BEZEL, indicator lamps	XL1200 1992, XL883 1992, XL883DLX 1992, XL883HUG 1992
28	68516-92	TRIM, indicator lamps	XL1200 1992, XL883 1992, XL883DLX 1992, XL883HUG 1992

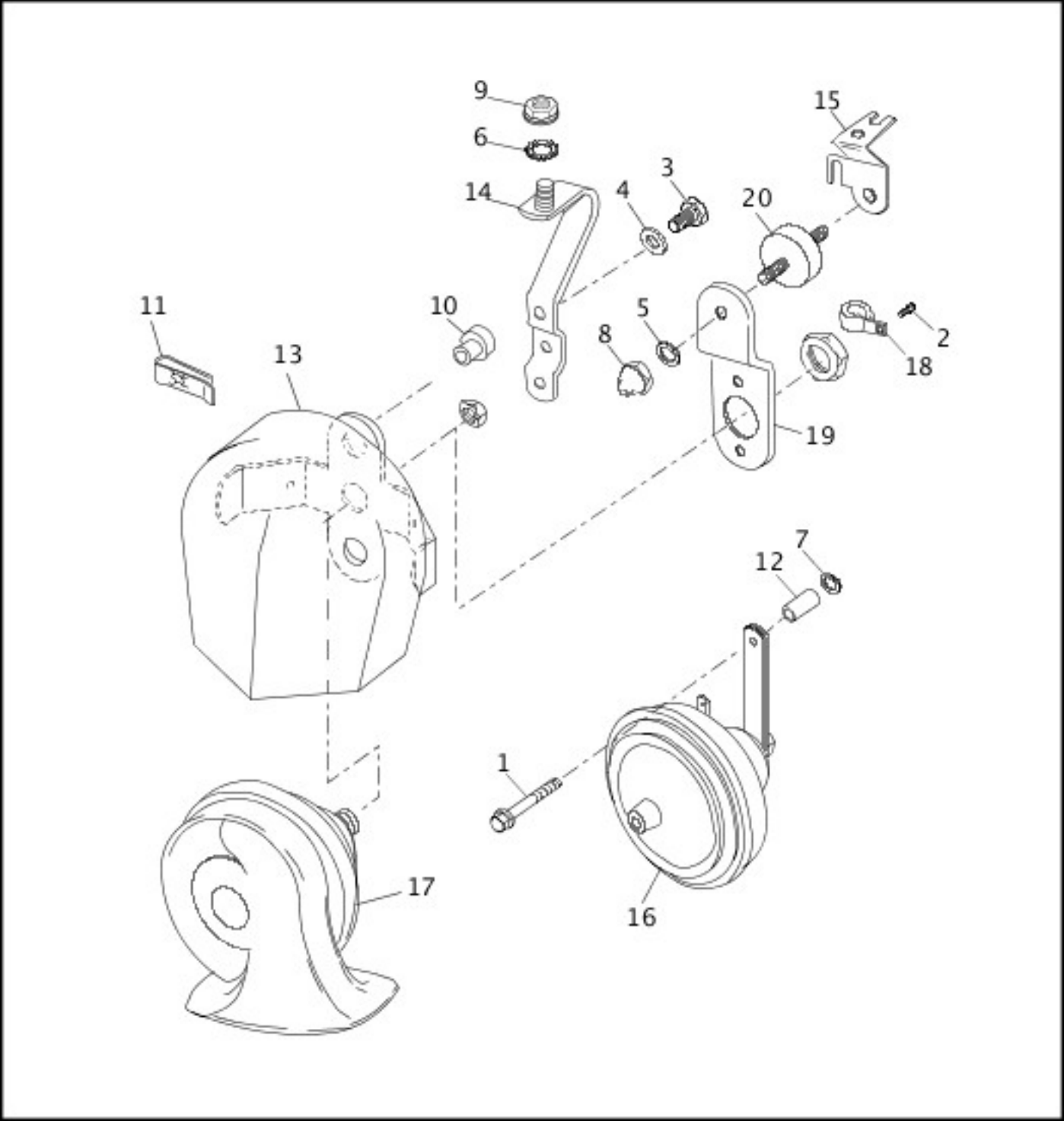
TURN SIGNALS



[View interactive table](#)

INDEX NO.	PART NO.	DESCRIPTION	MODEL(S)
27	66107-91	PAD, canceller	ALL

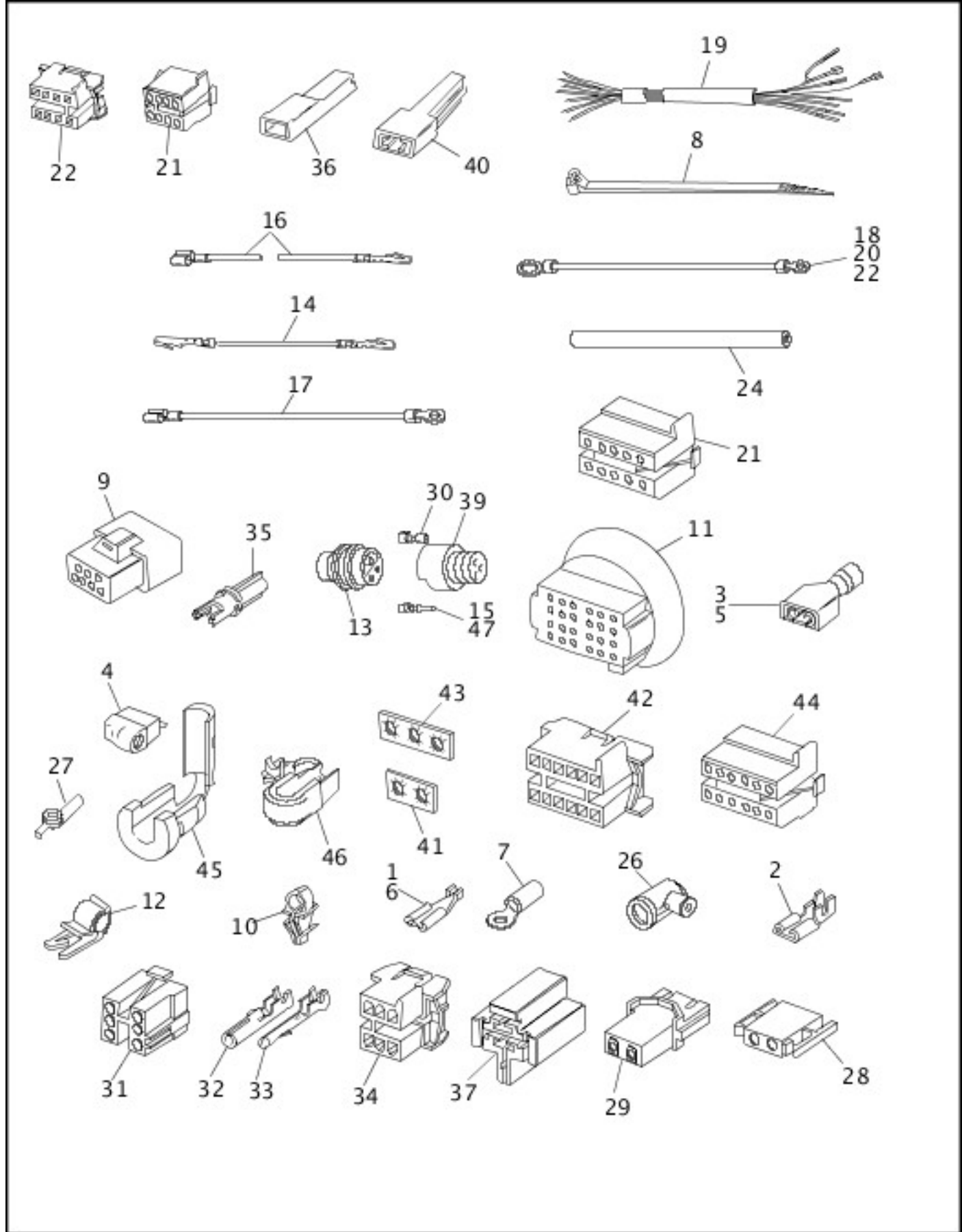
HORN



[View interactive table](#)

INDEX NO.	PART NO.	DESCRIPTION	MODEL(S)
15	69027-92	SUPPORT BRACKET	XL1200 1992
16	69043-91D	HORN, complete, w/ bracket	XL883 1991, XL883 1992
18	69062-91	CLAMP, horn wire	XL1200 1992
19	69120-91	HORN BRACKET	XL1200 1992
20	69123-92A	RUBBER MOUNT	XL1200 1992

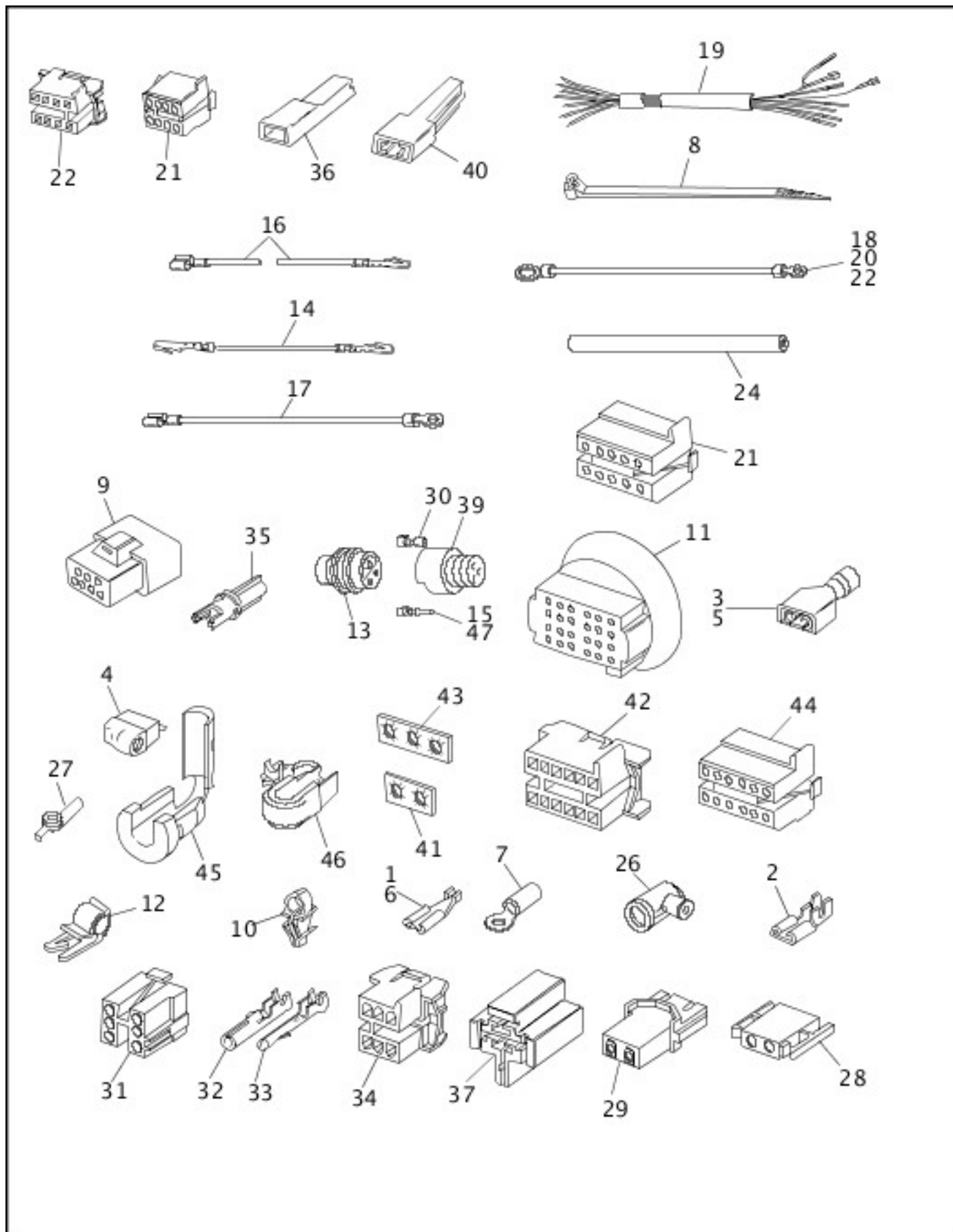
[WIRING & MISCELLANEOUS ELECTRICAL \(1 OF 2\)](#)



[View interactive table](#)

INDEX NO.	PART NO.	DESCRIPTION	MODEL(S)
9	31998-91A	INSULATOR, receptacle housing (Mod. conn.)	ALL
19	70135-91	MAIN WIRING HARNESS	ALL
	70135-92A	MAIN WIRING HARNESS	XL1200 1992, XL883 1992, XL883DLX 1992, XL883HUG 1992
	70157-92	BREAKER HARNESS	XL1200 1992, XL883 1992, XL883DLX 1992, XL883HUG 1992

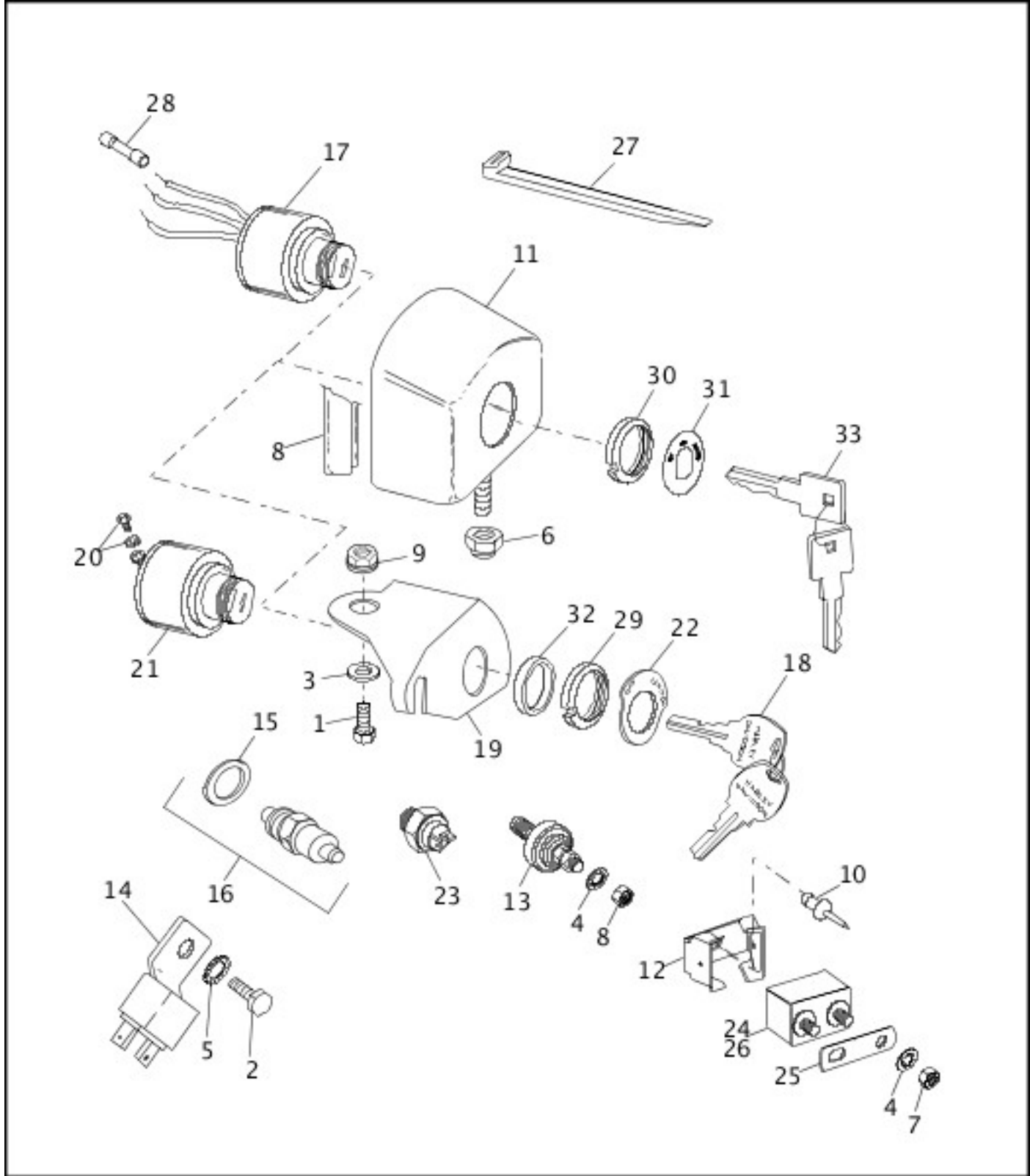
WIRING & MISCELLANEOUS ELECTRICAL (2 OF 2)



[View interactive table](#)

INDEX NO.	PART NO.	DESCRIPTION	MODEL(S)
36	72049-92	HOUSING, female	XL1200 1992, XL883 1992, XL883DLX 1992, XL883HUG 1992
40	72053-92	HOUSING, male	XL1200 1992, XL883 1992, XL883DLX 1992, XL883HUG 1992

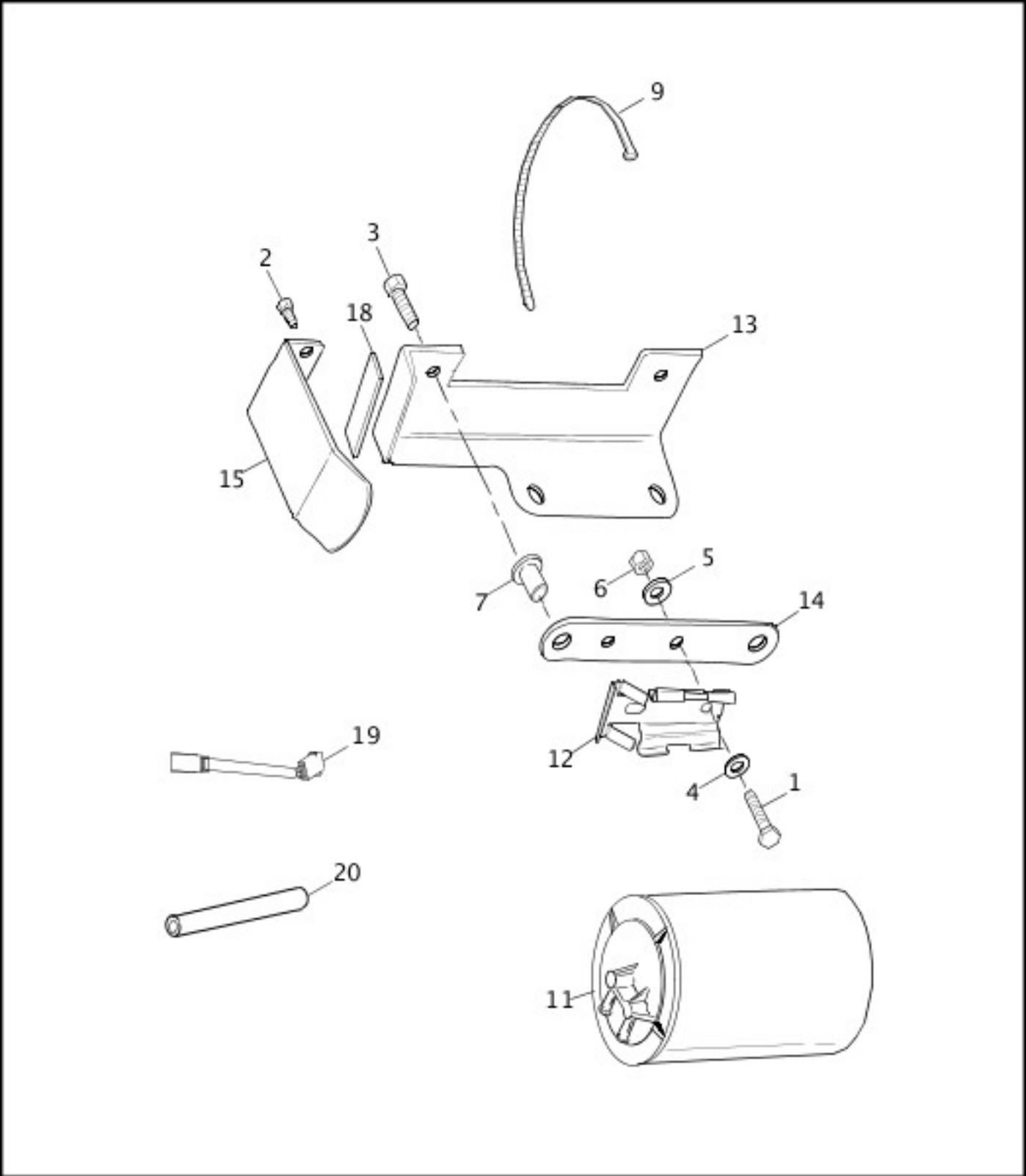
SWITCHES & CIRCUIT BREAKERS



[View interactive table](#)

INDEX NO.	PART NO.	DESCRIPTION	MODEL(S)
11	71510-92	COVER, ignition switch	XL1200 1992, XL883 1992, XL883DLX 1992, XL883HUG 1992

[CALIFORNIA EVAPORATIVE EMISSIONS KIT](#)



[View interactive table](#)

INDEX NO.	PART NO.	DESCRIPTION	MODEL(S)
19	70148-92	WIRING HARNESS, solenoid	XL1200 1992, XL883 1992, XL883DLX 1992, XL883HUG 1992

[CAM & PINION GEARS \(1 OF 3\)](#)



[View interactive table](#)

INDEX NO.	PART NO.	DESCRIPTION	MODEL(S)
1	25660-91	CAM GEAR, front exhaust (1 brown dot)	ALL
	25661-91	CAM GEAR, front exhaust (1 blue dot)	ALL
	25662-91	CAM GEAR, front exhaust (1 red dot)	ALL
	25663-91	CAM GEAR, front exhaust (1 white dot)	ALL
	25664-91	CAM GEAR, front exhaust (1 green dot)	ALL
	25665-91	CAM GEAR, front exhaust (1 yellow dot)	ALL
	25666-91	CAM GEAR, front exhaust (1 black dot)	ALL
	25640-91	CAM GEAR, front intake (1 brown dot)	ALL
	25641-91	CAM GEAR, front intake (1 blue dot)	ALL
	25642-91	CAM GEAR, front intake (1 red dot)	ALL
	25643-91	CAM GEAR, front intake (1 white dot)	ALL

	25644-91	CAM GEAR, front intake (1 green dot)	ALL
	25645-91	CAM GEAR, front intake (1 yellow dot)	ALL
	25646-91	CAM GEAR, front intake (1 black dot)	ALL
	24055-91	PINION GEAR, 1 brown dot	ALL
	24056-91	PINION GEAR, 1 blue dot	ALL
	24057-91	PINION GEAR, 1 red dot	ALL
	24058-91	PINION GEAR, 1 white dot	ALL
	24059-91	PINION GEAR, 1 green dot	ALL
	24060-91	PINION GEAR, 1 yellow dot	ALL
	24061-91	PINION GEAR, 1 black dot	ALL
	25804-91	CAM GEAR, rear intake (cam gear 1 black dot-drive gear 1 brown dot)	ALL
	25808-91	CAM GEAR, rear intake (cam gear 1 yellow dot-drive gear 1 brown dot)	ALL
	25812-91	CAM GEAR, rear intake (cam gear 1 green dot-drive gear 1 brown dot)	ALL
	25816-91	CAM GEAR, rear intake (cam gear 1 white dot-drive gear 1 brown dot)	ALL
	25820-91	CAM GEAR, rear intake (cam gear 1 red dot-drive gear 1 brown dot)	ALL
	25824-91	CAM GEAR, rear intake (cam gear 1 blue dot-drive gear 1 brown dot)	ALL
	25828-91	CAM GEAR, rear intake (cam gear 1 brown dot-drive gear 1 brown dot)	ALL
	25832-91	CAM GEAR, rear intake (cam gear 1 black dot-drive gear 1 blue dot)	ALL
	25836-91	CAM GEAR, rear intake (cam gear 1 yellow dot-drive gear 1 blue dot)	ALL

CAM & PINION GEARS (2 OF 3)



[View interactive table](#)

INDEX NO.	PART NO.	DESCRIPTION	MODEL(S)
1	25840-91	CAM GEAR, rear intake (cam gear 1 green dot-drive gear 1 blue dot)	ALL
	25844-91	CAM GEAR, rear intake (cam gear 1 white dot-drive gear 1 blue dot)	ALL
	25848-91	CAM GEAR, rear intake (cam gear 1 red dot-drive gear 1 blue dot)	ALL
	25852-91	CAM GEAR, rear intake (cam gear 1 blue dot-drive gear 1 blue dot)	ALL
	25856-91	CAM GEAR, rear intake (cam gear 1 brown dot-drive gear 1 blue dot)	ALL
	25860-91	CAM GEAR, rear intake (cam gear 1 black dot-drive gear 1 red dot)	ALL
	25864-91	CAM GEAR, rear intake (cam gear 1 yellow dot-drive gear 1 red dot)	ALL
	25868-91	CAM GEAR, rear intake (cam gear 1 green dot-drive gear 1 red dot)	ALL
	25872-91	CAM GEAR, rear intake (cam gear 1 white dot-drive gear 1 red dot)	ALL
	25876-91	CAM GEAR, rear intake (cam gear 1 red dot-drive gear 1 red dot)	ALL
	25880-91	CAM GEAR, rear intake (cam gear 1 blue dot-drive gear 1 red dot)	ALL

	25884-91	CAM GEAR, rear intake (cam gear 1 brown dot-drive gear 1 red dot)	ALL
	25888-91	CAM GEAR, rear intake (cam gear 1 black dot-drive gear 1 white dot)	ALL
	25892-91	CAM GEAR, rear intake (cam gear 1 yellow dot-drive gear 1 white dot)	ALL
	25896-91	CAM GEAR, rear intake (cam gear 1 green dot-drive gear 1 white dot)	ALL
	25900-91	CAM GEAR, rear intake (cam gear 1 white dot-drive gear 1 white dot)	ALL
	25904-91	CAM GEAR, rear intake (cam gear 1 red dot-drive gear 1 white dot)	ALL
	25908-91	CAM GEAR, rear intake (cam gear 1 blue dot-drive gear 1 white dot)	ALL
	25912-91	CAM GEAR, rear intake (cam gear 1 brown dot-drive gear 1 white dot)	ALL
	25916-91	CAM GEAR, rear intake (cam gear 1 black dot-drive gear 1 green dot)	ALL
	25920-91	CAM GEAR, rear intake (cam gear 1 yellow dot-drive gear 1 green dot)	ALL
	25924-91	CAM GEAR, rear intake (cam gear 1 green dot-drive gear 1 green dot)	ALL
	25928-91	CAM GEAR, rear intake (cam gear 1 white dot-drive gear 1 green dot)	ALL
	25932-91	CAM GEAR, rear intake (cam gear 1 red dot-drive gear 1 green dot)	ALL
	25936-91	CAM GEAR, rear intake (cam gear 1 blue dot-drive gear 1 green dot)	ALL
	25940-91	CAM GEAR, rear intake (cam gear 1 brown dot-drive gear 1 green dot)	ALL
	25944-91	CAM GEAR, rear intake (cam gear 1 black dot-drive gear 1 yellow dot)	ALL
	25948-91	CAM GEAR, rear intake (cam gear 1 yellow dot-drive gear 1 yellow dot)	ALL
	25952-91	CAM GEAR, rear intake (cam gear 1 green dot-drive gear 1 yellow dot)	ALL
	25956-91	CAM GEAR, rear intake (cam gear 1 white dot-drive gear 1 yellow dot)	ALL

CAM & PINION GEARS (3 OF 3)



[View interactive table](#)

INDEX NO.	PART NO.	DESCRIPTION	MODEL(S)
1	25960-91	CAM GEAR, rear intake (cam gear 1 red dot-drive gear 1 yellow dot)	ALL
	25964-91	CAM GEAR, rear intake (cam gear 1 blue dot-drive gear 1 yellow dot)	ALL
	25968-91	CAM GEAR, rear intake (cam gear 1 brown dot-drive gear 1 yellow dot)	ALL
	25972-91	CAM GEAR, rear intake (cam gear 1 black dot-drive gear 1 black dot)	ALL
	25976-91	CAM GEAR, rear intake (cam gear 1 yellow dot-drive gear 1 black dot)	ALL
	25980-91	CAM GEAR, rear intake (cam gear 1 green dot-drive gear 1 black dot)	ALL
	25984-91	CAM GEAR, rear intake (cam gear 1 white dot-drive gear 1 black dot)	ALL
	25988-91	CAM GEAR, rear intake (cam gear 1 red dot-drive gear 1 black dot)	ALL
	25992-91	CAM GEAR, rear intake (cam gear 1 blue dot-drive gear 1 black dot)	ALL
	25996-91	CAM GEAR, rear intake (cam gear 1 brown dot-drive gear 1 black dot)	ALL
	25650-91	CAM GEAR, rear exhaust (1 brown dot)	ALL

	25651-91	CAM GEAR, rear exhaust (1 blue dot)	ALL
	25652-91	CAM GEAR, rear exhaust (1 red dot)	ALL
	25653-91	CAM GEAR, rear exhaust (1 white dot)	ALL
	25654-91	CAM GEAR, rear exhaust (1 green dot)	ALL
	25655-91	CAM GEAR, rear exhaust (1 yellow dot)	ALL
	25656-91	CAM GEAR, rear exhaust (1 black dot)	ALL

Numerical Index

[View interactive table](#)

10003	CLUTCH CONTROL CALIFORNIA EVAPORATIVE EMISSIONS KIT
10006	ELECTRONIC IGNITION SYSTEM WIRING & MISCELLANEOUS ELECTRICAL (1 OF 2) CALIFORNIA EVAPORATIVE EMISSIONS KIT
10014	GEARCASE & COVER CARBURETOR (1 OF 2) FUEL TANK & TRIM OIL TANK & FILTER
10031	FRONT BRAKE CONTROL REAR BRAKE CONTROL
10039	ELECTRONIC IGNITION SYSTEM CALIFORNIA EVAPORATIVE EMISSIONS KIT
10049	OIL TANK & FILTER
10053	FRONT BRAKE CONTROL
10065	ALTERNATOR & REGULATOR HANDLEBARS & THROTTLE CONTROL TURN SIGNALS
10067	BATTERY
10073	WIRING & MISCELLANEOUS ELECTRICAL (1 OF 2)
10074	EXHAUST SYSTEM
10080	CRANKCASE (2 OF 2) OIL TANK & FILTER
10081	WIRING & MISCELLANEOUS ELECTRICAL (1 OF 2)
10083	FUEL TANK & TRIM
10108	BATTERY CALIFORNIA EVAPORATIVE EMISSIONS KIT
10110	WIRING & MISCELLANEOUS ELECTRICAL (1 OF 2)

10116	<u>WIRING & MISCELLANEOUS ELECTRICAL (1 OF 2)</u>
1028	<u>CRANKCASE (1 OF 2)</u>
10957	<u>STARTER MOTOR - 883</u>
11000101	<u>ACCESS DOOR & PRIMARY COVER SHIFTER</u>
11002	<u>OIL PUMP</u>
11019	<u>SHIFTER</u>
11031	<u>SHIFTER</u>
11046	<u>CLUTCH</u>
11067	<u>TRANSMISSION GEARS</u>
11105	<u>CRANKCASE (2 OF 2)</u>
11124	<u>GEARCASE & COVER ELECTRONIC IGNITION SYSTEM</u>
11143	<u>CLUTCH CONTROL FRONT BRAKE CONTROL</u>
11155	<u>HANDLEBARS & THROTTLE CONTROL HANDLEBAR SWITCHES</u>
11161	<u>TRANSMISSION GEARS</u>
11165	<u>TRANSMISSION GEARS</u>
11171	<u>ACCESS DOOR & PRIMARY COVER STARTER MOTOR - 883</u>
11176	<u>ROCKER ARMS, COVER & PUSHROD - V2™</u>
11177A	<u>PISTONS, CONNECTING RODS & FLYWHEELS CRANKCASE (2 OF 2)</u>
11179	<u>CLUTCH CONTROL</u>
11185	<u>SHIFTER</u>
11187	<u>ACCESS DOOR & PRIMARY COVER</u>
11188	<u>ACCESS DOOR & PRIMARY COVER</u>
11190	<u>ROCKER ARMS, COVER & PUSHROD - V2™</u>
11218	<u>PISTONS, CONNECTING RODS & FLYWHEELS</u>
11219	<u>GEARCASE & COVER</u>
11727A	<u>CYLINDER, HEAD & VALVES - V2™ EVOLUTION (1 OF 2)</u>

11730A	<u>CLUTCH</u>
11735B	<u>CLUTCH</u>
1203	<u>HEADLAMP & MIRROR</u>
12030	<u>TRANSMISSION GEARS</u>
12050	<u>TRANSMISSION GEARS</u>
1357W	<u>FRAME, REAR FORK & JIFFY STAND</u>
14232-91	<u>FUEL TANK & TRIM</u>
14233-91	<u>FUEL TANK & TRIM</u>
14234-91	<u>FUEL TANK & TRIM</u>
14235-91	<u>FUEL TANK & TRIM</u>
14237-91	<u>FUEL TANK & TRIM</u>
14238-91	<u>FUEL TANK & TRIM</u>
14343-92	<u>FUEL TANK & TRIM</u>
14344-92	<u>FUEL TANK & TRIM</u>
14345-92	<u>FUEL TANK & TRIM</u>
14346-92	<u>FUEL TANK & TRIM</u>
14347-92	<u>FUEL TANK & TRIM</u>
15368-01A	<u>BATTERY</u>
1601	<u>ELECTRONIC IGNITION SYSTEM</u>
16047-91	<u>CYLINDER, HEAD & VALVES - V2™ EVOLUTION (1 OF 2)</u>
16047-92	<u>CYLINDER, HEAD & VALVES - V2™ EVOLUTION (1 OF 2)</u>
16048-91	<u>CYLINDER, HEAD & VALVES - V2™ EVOLUTION (1 OF 2)</u>
16048-92	<u>CYLINDER, HEAD & VALVES - V2™ EVOLUTION (1 OF 2)</u>
16049-91	<u>CYLINDER, HEAD & VALVES - V2™ EVOLUTION (1 OF 2)</u>
16049-92	<u>CYLINDER, HEAD & VALVES - V2™ EVOLUTION (1 OF 2)</u>
16050-91	<u>CYLINDER, HEAD & VALVES - V2™ EVOLUTION (1 OF 2)</u>
16050-92	<u>CYLINDER, HEAD & VALVES - V2™ EVOLUTION (1 OF 2)</u>
16051-91	<u>CYLINDER, HEAD & VALVES - V2™ EVOLUTION (1 OF 2)</u>
16051-92	<u>CYLINDER, HEAD & VALVES - V2™ EVOLUTION (1 OF 2)</u>
16052-91	<u>CYLINDER, HEAD & VALVES - V2™ EVOLUTION (1 OF 2)</u>

16052-92	CYLINDER, HEAD & VALVES - V2™ EVOLUTION (1 OF 2)
16053-91	CYLINDER, HEAD & VALVES - V2™ EVOLUTION (1 OF 2)
16053-92	CYLINDER, HEAD & VALVES - V2™ EVOLUTION (1 OF 2)
16054-91	CYLINDER, HEAD & VALVES - V2™ EVOLUTION (1 OF 2)
16054-92	CYLINDER, HEAD & VALVES - V2™ EVOLUTION (1 OF 2)
16055-91	CYLINDER, HEAD & VALVES - V2™ EVOLUTION (1 OF 2)
16055-92	CYLINDER, HEAD & VALVES - V2™ EVOLUTION (1 OF 2)
16057-91	CYLINDER, HEAD & VALVES - V2™ EVOLUTION (1 OF 2)
16057-92	CYLINDER, HEAD & VALVES - V2™ EVOLUTION (1 OF 2)
16061-91	CYLINDER, HEAD & VALVES - V2™ EVOLUTION (1 OF 2)
16061-92	CYLINDER, HEAD & VALVES - V2™ EVOLUTION (1 OF 2)
16062-91	CYLINDER, HEAD & VALVES - V2™ EVOLUTION (1 OF 2)
16062-92	CYLINDER, HEAD & VALVES - V2™ EVOLUTION (1 OF 2)
16063-92	CYLINDER, HEAD & VALVES - V2™ EVOLUTION (1 OF 2)
16064-92	CYLINDER, HEAD & VALVES - V2™ EVOLUTION (1 OF 2)
16066-92	CYLINDER, HEAD & VALVES - V2™ EVOLUTION (1 OF 2)
16067-92	CYLINDER, HEAD & VALVES - V2™ EVOLUTION (1 OF 2)
16210-84A	CRANKCASE (2 OF 2)
16212-84	CRANKCASE (2 OF 2)
16214-86	CYLINDER, HEAD & VALVES - V2™ EVOLUTION (1 OF 2)
16222-86	CYLINDER, HEAD & VALVES - V2™ EVOLUTION (1 OF 2)
16226-86A	CYLINDER, HEAD & VALVES - V2™ EVOLUTION (1 OF 2)
16226-92	CYLINDER, HEAD & VALVES - V2™ EVOLUTION (1 OF 2)
16228-86A	CYLINDER, HEAD & VALVES - V2™ EVOLUTION (1 OF 2)
16231-86	CYLINDER, HEAD & VALVES - V2™ EVOLUTION (2 OF 2)
16232-86	CYLINDER, HEAD & VALVES - V2™ EVOLUTION (2 OF 2)
16233-86	CYLINDER, HEAD & VALVES - V2™ EVOLUTION (2 OF 2)
16235-52A	CRANKCASE (2 OF 2)
16240-82	CRANKCASE (2 OF 2)

16277-86	CYLINDER, HEAD & VALVES - V2™ EVOLUTION (2 OF 2)
16278-86B	CYLINDER, HEAD & VALVES - V2™ EVOLUTION (2 OF 2)
16446-86B	CYLINDER, HEAD & VALVES - V2™ EVOLUTION (2 OF 2)
16447-88A	CYLINDER, HEAD & VALVES - V2™ EVOLUTION (2 OF 2)
16478-85A	CYLINDER, HEAD & VALVES - V2™ EVOLUTION (2 OF 2)
16480-85A	CYLINDER, HEAD & VALVES - V2™ EVOLUTION (2 OF 2)
16480-92A	CYLINDER, HEAD & VALVES - V2™ EVOLUTION (2 OF 2)
16573-83A	CYLINDER, HEAD & VALVES - V2™ EVOLUTION (2 OF 2) ACCESS DOOR & PRIMARY COVER
16660-89B	CYLINDER, HEAD & VALVES - V2™ EVOLUTION (2 OF 2)
16661-89B	CYLINDER, HEAD & VALVES - V2™ EVOLUTION (2 OF 2)
16664-86D	CYLINDER, HEAD & VALVES - V2™ EVOLUTION (2 OF 2)
16666-07	CYLINDER, HEAD & VALVES - V2™ EVOLUTION (2 OF 2)
16667-07	CYLINDER, HEAD & VALVES - V2™ EVOLUTION (2 OF 2)
16688-92	CYLINDER, HEAD & VALVES - V2™ EVOLUTION (2 OF 2)
16698-92	CYLINDER, HEAD & VALVES - V2™ EVOLUTION (2 OF 2)
16715-83	CYLINDER, HEAD & VALVES - V2™ EVOLUTION (2 OF 2)
16770-84F	CYLINDER, HEAD & VALVES - V2™ EVOLUTION (2 OF 2)
16774-86D	CYLINDER, HEAD & VALVES - V2™ EVOLUTION (2 OF 2)
16778-84A	ROCKER ARMS, COVER & PUSHROD - V2™
16779-84A	ROCKER ARMS, COVER & PUSHROD - V2™
16800-84B	ROCKER ARMS, COVER & PUSHROD - V2™
16832-86C	CYLINDER, HEAD & VALVES - V2™ EVOLUTION (2 OF 2)
17026-91D	CYLINDER, HEAD & VALVES - V2™ EVOLUTION (2 OF 2)
17032-86B	CYLINDER, HEAD & VALVES - V2™ EVOLUTION (2 OF 2)
17039-90A	CYLINDER, HEAD & VALVES - V2™ EVOLUTION (2 OF 2)
17353-89C	ROCKER ARMS, COVER & PUSHROD - V2™
17354-89	ROCKER ARMS, COVER & PUSHROD - V2™
17358-84B	ROCKER ARMS, COVER & PUSHROD - V2™
17360-83A	ROCKER ARMS, COVER & PUSHROD - V2™

17375-83A	<u>ROCKER ARMS, COVER & PUSHROD - V2™</u>
17429-91	<u>ROCKER ARMS, COVER & PUSHROD - V2™</u>
17501-86B	<u>ROCKER ARMS, COVER & PUSHROD - V2™</u>
17532-86E	<u>ROCKER ARMS, COVER & PUSHROD - V2™</u>
17533-90A	<u>ROCKER ARMS, COVER & PUSHROD - V2™</u>
17611-83	<u>ROCKER ARMS, COVER & PUSHROD - V2™</u>
17897-89A	<u>ROCKER ARMS, COVER & PUSHROD - V2™</u>
17904-89A	<u>ROCKER ARMS, COVER & PUSHROD - V2™</u>
17944-89	<u>ROCKER ARMS, COVER & PUSHROD - V2™</u>
17946-89	<u>ROCKER ARMS, COVER & PUSHROD - V2™</u>
17952-91	<u>ROCKER ARMS, COVER & PUSHROD - V2™</u>
17953-91	<u>ROCKER ARMS, COVER & PUSHROD - V2™</u>
18001-83B	<u>CYLINDER, HEAD & VALVES - V2™ EVOLUTION (2 OF 2)</u>
18004-86	<u>CYLINDER, HEAD & VALVES - V2™ EVOLUTION (2 OF 2)</u>
18011-87A	<u>CYLINDER, HEAD & VALVES - V2™ EVOLUTION (2 OF 2)</u>
18012-87A	<u>CYLINDER, HEAD & VALVES - V2™ EVOLUTION (2 OF 2)</u>
18020-87A	<u>CYLINDER, HEAD & VALVES - V2™ EVOLUTION (2 OF 2)</u>
18021-87A	<u>CYLINDER, HEAD & VALVES - V2™ EVOLUTION (2 OF 2)</u>
18023-87A	<u>CYLINDER, HEAD & VALVES - V2™ EVOLUTION (2 OF 2)</u>
18024-87A	<u>CYLINDER, HEAD & VALVES - V2™ EVOLUTION (2 OF 2)</u>
18030-86B	<u>CYLINDER, HEAD & VALVES - V2™ EVOLUTION (2 OF 2)</u>
18031-86B	<u>CYLINDER, HEAD & VALVES - V2™ EVOLUTION (2 OF 2)</u>
18101-83D	<u>CYLINDER, HEAD & VALVES - V2™ EVOLUTION (2 OF 2)</u>
18201-83	<u>CYLINDER, HEAD & VALVES - V2™ EVOLUTION (2 OF 2)</u>
18202-83	<u>CYLINDER, HEAD & VALVES - V2™ EVOLUTION (2 OF 2)</u>
18219-83A	<u>CYLINDER, HEAD & VALVES - V2™ EVOLUTION (2 OF 2)</u>
18222-83A	<u>CYLINDER, HEAD & VALVES - V2™ EVOLUTION (2 OF 2)</u>
18229-83A	<u>CYLINDER, HEAD & VALVES - V2™ EVOLUTION (2 OF 2)</u>
18526-89A	<u>ROCKER ARMS, COVER & PUSHROD - V2™</u>

18532-89	<u>ROCKER ARMS, COVER & PUSHROD - V2™</u>
215	<u>CRANKCASE (1 OF 2)</u>
21920-83	<u>PISTONS, CONNECTING RODS & FLYWHEELS</u>
21921-83	<u>PISTONS, CONNECTING RODS & FLYWHEELS</u>
21922-83	<u>PISTONS, CONNECTING RODS & FLYWHEELS</u>
21923-83	<u>PISTONS, CONNECTING RODS & FLYWHEELS</u>
21924-83	<u>PISTONS, CONNECTING RODS & FLYWHEELS</u>
22201-86A	<u>PISTONS, CONNECTING RODS & FLYWHEELS</u>
22205-88A	<u>PISTONS, CONNECTING RODS & FLYWHEELS</u>
22216-88A	<u>PISTONS, CONNECTING RODS & FLYWHEELS</u>
22220-88A	<u>PISTONS, CONNECTING RODS & FLYWHEELS</u>
22225-88A	<u>PISTONS, CONNECTING RODS & FLYWHEELS</u>
22242-86A	<u>PISTONS, CONNECTING RODS & FLYWHEELS</u>
22243-88A	<u>PISTONS, CONNECTING RODS & FLYWHEELS</u>
22253-86A	<u>PISTONS, CONNECTING RODS & FLYWHEELS</u>
22254-86A	<u>PISTONS, CONNECTING RODS & FLYWHEELS</u>
22255-86A	<u>PISTONS, CONNECTING RODS & FLYWHEELS</u>
22261-86	<u>PISTONS, CONNECTING RODS & FLYWHEELS</u>
22262-86	<u>PISTONS, CONNECTING RODS & FLYWHEELS</u>
22263-86	<u>PISTONS, CONNECTING RODS & FLYWHEELS</u>
22266-86	<u>PISTONS, CONNECTING RODS & FLYWHEELS</u>
22271-86	<u>PISTONS, CONNECTING RODS & FLYWHEELS</u>
22589-83B	<u>PISTONS, CONNECTING RODS & FLYWHEELS</u>
22719-85	<u>PISTONS, CONNECTING RODS & FLYWHEELS</u>
22765-88	<u>PISTONS, CONNECTING RODS & FLYWHEELS</u>
2339	<u>ELECTRONIC IGNITION SYSTEM</u>
23900-90	<u>PISTONS, CONNECTING RODS & FLYWHEELS</u>
23905-89A	<u>PISTONS, CONNECTING RODS & FLYWHEELS</u>
23948-87	<u>PISTONS, CONNECTING RODS & FLYWHEELS</u>
23949-87	<u>PISTONS, CONNECTING RODS & FLYWHEELS</u>

23960-80A	<u>PISTONS, CONNECTING RODS & FLYWHEELS</u>
23980-98	<u>PISTONS, CONNECTING RODS & FLYWHEELS</u>
24055-91	<u>CAM & PINION GEARS (1 OF 3)</u>
24056-91	<u>CAM & PINION GEARS (1 OF 3)</u>
24057-91	<u>CAM & PINION GEARS (1 OF 3)</u>
24058-91	<u>CAM & PINION GEARS (1 OF 3)</u>
24059-91	<u>CAM & PINION GEARS (1 OF 3)</u>
2405A	<u>AIR CLEANER & ENRICHENER</u>
24060-91	<u>CAM & PINION GEARS (1 OF 3)</u>
24061-91	<u>CAM & PINION GEARS (1 OF 3)</u>
24275-86A	<u>PISTONS, CONNECTING RODS & FLYWHEELS</u>
24331-36	<u>PISTONS, CONNECTING RODS & FLYWHEELS</u>
24332-36	<u>PISTONS, CONNECTING RODS & FLYWHEELS</u>
24341-52A	<u>PISTONS, CONNECTING RODS & FLYWHEELS</u>
24352-52A	<u>PISTONS, CONNECTING RODS & FLYWHEELS</u>
24354-87A	<u>PISTONS, CONNECTING RODS & FLYWHEELS</u>
24470-91E	<u>CRANKCASE (2 OF 2)</u>
24530-90	<u>SHIFTER</u>
24647-87	<u>CRANKCASE (2 OF 2)</u>
24650-87	<u>CRANKCASE (2 OF 2)</u>
24658-87	<u>PISTONS, CONNECTING RODS & FLYWHEELS</u>
24659-87	<u>CRANKCASE (2 OF 2)</u>
24660-87	<u>CRANKCASE (2 OF 2)</u>
24754-75A	<u>CRANKCASE (2 OF 2)</u>
2508	<u>HANDLEBARS & THROTTLE CONTROL</u> <u>HANDLEBAR SWITCHES</u>
25219-91C	<u>GEARCASE & COVER</u>
2523	<u>REAR BRAKE CONTROL</u>
25238-90	<u>ACCESS DOOR & PRIMARY COVER</u>
25263-90D	<u>GEARCASE & COVER</u>

25408-84	<u>CLUTCH</u>
25409-84A	<u>CLUTCH</u>
25409-86A	<u>CLUTCH</u>
25430-89A	<u>ACCESS DOOR & PRIMARY COVER</u>
25448-84	<u>CLUTCH</u>
25488-89C	<u>GEARCASE & COVER</u>
25586-37	<u>GEARCASE & COVER</u>
25588-91	<u>GEARCASE & COVER</u>
25593-74	<u>GEARCASE & COVER</u>
25598-91	<u>CRANKCASE (2 OF 2)</u>
25640-91	<u>CAM & PINION GEARS (1 OF 3)</u>
25641-91	<u>CAM & PINION GEARS (1 OF 3)</u>
25642-91	<u>CAM & PINION GEARS (1 OF 3)</u>
25643-91	<u>CAM & PINION GEARS (1 OF 3)</u>
25644-91	<u>CAM & PINION GEARS (1 OF 3)</u>
25645-91	<u>CAM & PINION GEARS (1 OF 3)</u>
25646-91	<u>CAM & PINION GEARS (1 OF 3)</u>
25650-91	<u>CAM & PINION GEARS (3 OF 3)</u>
25651-91	<u>CAM & PINION GEARS (3 OF 3)</u>
25652-91	<u>CAM & PINION GEARS (3 OF 3)</u>
25653-91	<u>CAM & PINION GEARS (3 OF 3)</u>
25654-91	<u>CAM & PINION GEARS (3 OF 3)</u>
25655-91	<u>CAM & PINION GEARS (3 OF 3)</u>
25656-91	<u>CAM & PINION GEARS (3 OF 3)</u>
25660-91	<u>CAM & PINION GEARS (1 OF 3)</u>
25661-91	<u>CAM & PINION GEARS (1 OF 3)</u>
25662-91	<u>CAM & PINION GEARS (1 OF 3)</u>
25663-91	<u>CAM & PINION GEARS (1 OF 3)</u>
25664-91	<u>CAM & PINION GEARS (1 OF 3)</u>

25665-91	CAM & PINION GEARS (1 OF 3)
25666-91	CAM & PINION GEARS (1 OF 3)
2579A	FRONT BRAKE CONTROL
25804-91	CAM & PINION GEARS (1 OF 3)
25808-91	CAM & PINION GEARS (1 OF 3)
25812-91	CAM & PINION GEARS (1 OF 3)
25816-91	CAM & PINION GEARS (1 OF 3)
25820-91	CAM & PINION GEARS (1 OF 3)
25824-91	CAM & PINION GEARS (1 OF 3)
25828-91	CAM & PINION GEARS (1 OF 3)
25832-91	CAM & PINION GEARS (1 OF 3)
25836-91	CAM & PINION GEARS (1 OF 3)
25840-91	CAM & PINION GEARS (2 OF 3)
25844-91	CAM & PINION GEARS (2 OF 3)
25848-91	CAM & PINION GEARS (2 OF 3)
25852-91	CAM & PINION GEARS (2 OF 3)
25856-91	CAM & PINION GEARS (2 OF 3)
25860-91	CAM & PINION GEARS (2 OF 3)
25864-91	CAM & PINION GEARS (2 OF 3)
25868-91	CAM & PINION GEARS (2 OF 3)
25872-91	CAM & PINION GEARS (2 OF 3)
25876-91	CAM & PINION GEARS (2 OF 3)
25880-91	CAM & PINION GEARS (2 OF 3)
25884-91	CAM & PINION GEARS (2 OF 3)
25888-91	CAM & PINION GEARS (2 OF 3)
25892-91	CAM & PINION GEARS (2 OF 3)
25896-91	CAM & PINION GEARS (2 OF 3)
25900-91	CAM & PINION GEARS (2 OF 3)
25904-91	CAM & PINION GEARS (2 OF 3)
25908-91	CAM & PINION GEARS (2 OF 3)

25912-91	<u>CAM & PINION GEARS (2 OF 3)</u>
25916-91	<u>CAM & PINION GEARS (2 OF 3)</u>
25920-91	<u>CAM & PINION GEARS (2 OF 3)</u>
25924-91	<u>CAM & PINION GEARS (2 OF 3)</u>
25928-91	<u>CAM & PINION GEARS (2 OF 3)</u>
25932-91	<u>CAM & PINION GEARS (2 OF 3)</u>
25936-91	<u>CAM & PINION GEARS (2 OF 3)</u>
25940-91	<u>CAM & PINION GEARS (2 OF 3)</u>
25944-91	<u>CAM & PINION GEARS (2 OF 3)</u>
25948-91	<u>CAM & PINION GEARS (2 OF 3)</u>
25952-91	<u>CAM & PINION GEARS (2 OF 3)</u>
25956-91	<u>CAM & PINION GEARS (2 OF 3)</u>
25960-91	<u>CAM & PINION GEARS (3 OF 3)</u>
25964-91	<u>CAM & PINION GEARS (3 OF 3)</u>
25968-91	<u>CAM & PINION GEARS (3 OF 3)</u>
25972-91	<u>CAM & PINION GEARS (3 OF 3)</u>
25976-91	<u>CAM & PINION GEARS (3 OF 3)</u>
25980-91	<u>CAM & PINION GEARS (3 OF 3)</u>
25984-91	<u>CAM & PINION GEARS (3 OF 3)</u>
25988-91	<u>CAM & PINION GEARS (3 OF 3)</u>
25992-91	<u>CAM & PINION GEARS (3 OF 3)</u>
25996-91	<u>CAM & PINION GEARS (3 OF 3)</u>
26001-86	<u>OIL TANK & FILTER</u>
26002-86	<u>OIL TANK & FILTER</u>
2611C	<u>ELECTRONIC IGNITION SYSTEM</u>
26204-91A	<u>OIL PUMP</u>
26318-88A	<u>GEARCASE & COVER</u>
26432-76A	<u>CYLINDER, HEAD & VALVES - V2™ EVOLUTION (2 OF 2)</u>
26434-91	<u>OIL PUMP</u>

26436-90A	<u>OIL TANK & FILTER</u>
26437-86B	<u>OIL TANK & FILTER</u>
26488-91	<u>OIL PUMP</u>
26491-91	<u>OIL PUMP</u>
26492-91	<u>OIL PUMP</u>
26493-91	<u>OIL PUMP</u>
26495-89B	<u>OIL PUMP</u>
26496-75A	<u>OIL PUMP</u>
26554-77C	<u>OIL TANK & FILTER</u> <u>SWITCHES & CIRCUIT BREAKERS</u>
26558-84	<u>CYLINDER, HEAD & VALVES - V2™ EVOLUTION (2 OF 2)</u>
26570-84	<u>CARBURETOR (2 OF 2)</u>
26571-89	<u>CALIFORNIA EVAPORATIVE EMISSIONS KIT</u>
2661W	<u>REAR BRAKE CONTROL</u>
2662W	<u>FRONT BRAKE CONTROL</u> <u>FRONT FORK (1 OF 2)</u>
26856-89A	<u>ROCKER ARMS, COVER & PUSHROD - V2™</u>
2698A	<u>TURN SIGNALS</u>
26990-91	<u>CARBURETOR (1 OF 2)</u>
26995-86B	<u>CARBURETOR (1 OF 2)</u>
27002-89	<u>CARBURETOR (1 OF 2)</u>
27004-88A	<u>CARBURETOR (1 OF 2)</u>
27009-86A	<u>CARBURETOR (1 OF 2)</u>
27010-86A	<u>CARBURETOR (1 OF 2)</u>
27018-85	<u>FUEL TANK & TRIM</u> <u>CALIFORNIA EVAPORATIVE EMISSIONS KIT</u>
27027-88	<u>CALIFORNIA EVAPORATIVE EMISSIONS KIT</u>
27040-88	<u>CARBURETOR (1 OF 2)</u>
27042-84A	<u>CALIFORNIA EVAPORATIVE EMISSIONS KIT</u>
27047-84B	<u>CALIFORNIA EVAPORATIVE EMISSIONS KIT</u>
27068-92	<u>FUEL TANK & TRIM</u>

27079-84	<u>CARBURETOR (1 OF 2)</u>
2708A	<u>REAR FENDER, BELT & CHAIN GUARDS</u>
27090-89	<u>CARBURETOR (1 OF 2)</u>
27100-88	<u>CARBURETOR (1 OF 2)</u>
27101-88	<u>CARBURETOR (1 OF 2)</u>
2711	<u>AIR CLEANER & ENRICHENER</u>
27115-88	<u>CARBURETOR (1 OF 2)</u>
27121-89	<u>CARBURETOR (1 OF 2)</u>
27122-89	<u>CARBURETOR (1 OF 2)</u>
27123-89A	<u>CARBURETOR (1 OF 2)</u>
27124-89	<u>CARBURETOR (1 OF 2)</u>
27125-89	<u>CARBURETOR (1 OF 2)</u>
27126-89	<u>CARBURETOR (1 OF 2)</u>
27127-89	<u>CARBURETOR (1 OF 2)</u>
27128-89	<u>CARBURETOR (1 OF 2)</u>
27129-88	<u>CARBURETOR (1 OF 2)</u>
27130-81	<u>CARBURETOR (1 OF 2)</u>
27130-90	<u>CARBURETOR (1 OF 2)</u>
27136-81	<u>CARBURETOR (1 OF 2)</u>
27136-90A	<u>CARBURETOR (1 OF 2)</u>
27137-81	<u>CARBURETOR (1 OF 2)</u>
27138-90	<u>CALIFORNIA EVAPORATIVE EMISSIONS KIT</u>
27146-89	<u>CARBURETOR (1 OF 2)</u>
27147-89	<u>CARBURETOR (1 OF 2)</u>
27148-89	<u>CARBURETOR (1 OF 2)</u>
27152-89	<u>CARBURETOR (1 OF 2)</u> <u>CARBURETOR (1 OF 2)</u>
27156-89	<u>CARBURETOR (1 OF 2)</u>
27157-89	<u>CARBURETOR (1 OF 2)</u>
27158-89	<u>CARBURETOR (1 OF 2)</u>

27159-89A	CARBURETOR (1 OF 2) CARBURETOR (1 OF 2)
27159-92	CARBURETOR (1 OF 2)
27160-89	CARBURETOR (1 OF 2)
27162-89	CARBURETOR (2 OF 2)
27166-89	CARBURETOR (1 OF 2)
27169-89	CARBURETOR (1 OF 2) CARBURETOR (1 OF 2)
27170-89	CARBURETOR (1 OF 2)
27171-89	CARBURETOR (1 OF 2) CARBURETOR (1 OF 2)
27183-92	CARBURETOR (1 OF 2)
2720	ALTERNATOR & REGULATOR
27280-92	CARBURETOR (1 OF 2)
27281-92	CARBURETOR (1 OF 2)
27311-76	CARBURETOR (2 OF 2)
27315-88A	CARBURETOR (2 OF 2)
27316-88	CARBURETOR (2 OF 2)
27317-88	CARBURETOR (2 OF 2)
2731W	CALIFORNIA EVAPORATIVE EMISSIONS KIT
27360-76	CARBURETOR (2 OF 2)
27361-76A	CARBURETOR (2 OF 2)
27362-76	CARBURETOR (2 OF 2)
27368-76	CARBURETOR (2 OF 2)
27369-76	CARBURETOR (2 OF 2)
2737	AIR CLEANER & ENRICHENER AIR CLEANER & ENRICHENER
27371-76A	CARBURETOR (2 OF 2)
2739	SEATS
27486-92	CARBURETOR (2 OF 2)
27487-92	CARBURETOR (2 OF 2)
27488-92	CARBURETOR (2 OF 2)

27489-92	<u>CARBURETOR (2 OF 2)</u>
27489-92A	<u>CARBURETOR (2 OF 2)</u>
27501-89A	<u>CARBURETOR (2 OF 2)</u>
27503-88B	<u>CARBURETOR (2 OF 2)</u>
27503-92	<u>CARBURETOR (2 OF 2)</u>
27575-88A	<u>CARBURETOR (2 OF 2)</u>
27576-88	<u>CARBURETOR (2 OF 2)</u> <u>CARBURETOR (2 OF 2)</u>
27576-92	<u>CARBURETOR (2 OF 2)</u>
27577-88	<u>CARBURETOR (2 OF 2)</u> <u>CARBURETOR (2 OF 2)</u>
27577-92	<u>CARBURETOR (2 OF 2)</u>
27579-88A	<u>CARBURETOR (2 OF 2)</u>
27580-88	<u>CARBURETOR (2 OF 2)</u>
27581-88	<u>CARBURETOR (2 OF 2)</u>
27582-88	<u>CARBURETOR (2 OF 2)</u>
27583-88	<u>CARBURETOR (2 OF 2)</u>
27585-88	<u>CARBURETOR (2 OF 2)</u>
27586-88	<u>CARBURETOR (2 OF 2)</u>
27587-88	<u>CARBURETOR (2 OF 2)</u>
2773	<u>REAR FENDER, BELT & CHAIN GUARDS</u>
27886-78A	<u>CARBURETOR (1 OF 2)</u>
2818	<u>EXHAUST SYSTEM</u>
28820-86	<u>AIR CLEANER & ENRICHENER</u> <u>AIR CLEANER & ENRICHENER</u>
28821-86	<u>AIR CLEANER & ENRICHENER</u> <u>AIR CLEANER & ENRICHENER</u>
28822-86	<u>AIR CLEANER & ENRICHENER</u> <u>AIR CLEANER & ENRICHENER</u>
28826-86A	<u>AIR CLEANER & ENRICHENER</u> <u>AIR CLEANER & ENRICHENER</u>
28841-89	<u>AIR CLEANER & ENRICHENER</u>

28842-89	<u>AIR CLEANER & ENRICHENER</u>
28857-90	<u>CALIFORNIA EVAPORATIVE EMISSIONS KIT</u>
28859-90	<u>CALIFORNIA EVAPORATIVE EMISSIONS KIT</u>
28860-89	<u>CALIFORNIA EVAPORATIVE EMISSIONS KIT</u>
28865-89C	<u>CALIFORNIA EVAPORATIVE EMISSIONS KIT</u>
2889	<u>SWITCHES & CIRCUIT BREAKERS</u>
29009-89B	<u>AIR CLEANER & ENRICHENER</u>
29018-88A	<u>AIR CLEANER & ENRICHENER</u>
29018-92	<u>AIR CLEANER & ENRICHENER</u>
29059-88A	<u>AIR CLEANER & ENRICHENER</u>
2907	<u>HANDLEBAR SWITCHES</u>
29078-91	<u>AIR CLEANER & ENRICHENER</u>
29084-73	<u>AIR CLEANER & ENRICHENER</u>
29111-88	<u>AIR CLEANER & ENRICHENER</u>
29112-83	<u>BATTERY</u>
2916	<u>AIR CLEANER & ENRICHENER</u>
29229-88D	<u>AIR CLEANER & ENRICHENER</u>
2925A	<u>FRAME, REAR FORK & JIFFY STAND</u>
29331-96	<u>AIR CLEANER & ENRICHENER</u>
29950-91	<u>CRANKCASE (2 OF 2)</u>
29967-89C	<u>ALTERNATOR & REGULATOR</u>
31322-91	<u>STARTER MOTOR - 1200 MODEL</u>
31330-91	<u>STARTER MOTOR - 1200 MODEL</u>
31390-91A	<u>STARTER MOTOR - 1200 MODEL</u>
31433-84A	<u>CRANKCASE (2 OF 2)</u>
31488-81C	<u>STARTER MOTOR - 883</u> <u>STARTER MOTOR - 1200 MODEL</u>
31506-79B	<u>SWITCHES & CIRCUIT BREAKERS</u>
31514-90	<u>STARTER MOTOR - 1200 MODEL</u>
31515-90	<u>STARTER MOTOR - 1200 MODEL</u>

31518-90	<u>STARTER MOTOR - 1200 MODEL</u>
31530-90	<u>STARTER MOTOR - 1200 MODEL</u>
31539-91	<u>STARTER MOTOR - 1200 MODEL</u>
31540-91	<u>STARTER MOTOR - 1200 MODEL</u>
31546-81	<u>STARTER MOTOR - 883</u>
31555-90	<u>STARTER MOTOR - 1200 MODEL</u>
31556-91D	<u>STARTER MOTOR - 1200 MODEL</u>
31557-81	<u>STARTER MOTOR - 883</u>
31567-81	<u>STARTER MOTOR - 883</u>
31574-81	<u>STARTER MOTOR - 883</u>
31590-81	<u>STARTER MOTOR - 883</u>
31591-81	<u>STARTER MOTOR - 883</u>
31592-81	<u>STARTER MOTOR - 883</u>
31593-81	<u>STARTER MOTOR - 883</u>
31594-81	<u>STARTER MOTOR - 883</u>
31595-81	<u>STARTER MOTOR - 883</u>
31596-85	<u>STARTER MOTOR - 883</u>
31597-81	<u>STARTER MOTOR - 883</u>
31598-89	<u>STARTER MOTOR - 883</u>
31599-91	<u>STARTER MOTOR - 1200 MODEL</u>
31603-91	<u>STARTER MOTOR - 1200 MODEL</u>
31614-83A	<u>ELECTRONIC IGNITION SYSTEM</u>
31688-90	<u>STARTER MOTOR - 1200 MODEL</u>
31689-90	<u>STARTER MOTOR - 1200 MODEL</u>
31693-90	<u>STARTER MOTOR - 1200 MODEL</u>
31695-90	<u>STARTER MOTOR - 1200 MODEL</u>
31723-71B	<u>ELECTRONIC IGNITION SYSTEM</u>
31727-85	<u>ELECTRONIC IGNITION SYSTEM</u>
31986-86A	<u>ELECTRONIC IGNITION SYSTEM</u>
31996-86B	<u>ELECTRONIC IGNITION SYSTEM</u>

31998-91A	<u>WIRING & MISCELLANEOUS ELECTRICAL (1 OF 2)</u>
3201WA	<u>ROCKER ARMS, COVER & PUSHROD - V2™ CARBURETOR (1 OF 2)</u>
3206B	<u>AIR CLEANER & ENRICHENER</u>
3210A	<u>FRONT FENDER</u>
3221	<u>AIR CLEANER & ENRICHENER</u>
32362-04A	<u>ELECTRONIC IGNITION SYSTEM</u>
32400-80B	<u>ELECTRONIC IGNITION SYSTEM</u>
32402-83	<u>ELECTRONIC IGNITION SYSTEM</u>
32410-91B	<u>ELECTRONIC IGNITION SYSTEM</u>
32413-92C	<u>ALTERNATOR & REGULATOR</u>
32433-91A	<u>ELECTRONIC IGNITION SYSTEM ELECTRONIC IGNITION SYSTEM</u>
32504-80A	<u>ELECTRONIC IGNITION SYSTEM</u>
32506-90	<u>ELECTRONIC IGNITION SYSTEM</u>
32591-80	<u>ELECTRONIC IGNITION SYSTEM</u>
32606-82	<u>ELECTRONIC IGNITION SYSTEM</u>
33043-80	<u>SWITCHES & CIRCUIT BREAKERS</u>
33048-72	<u>FOOTRESTS</u>
33117-91A	<u>OIL TANK & FILTER</u>
33178-90B	<u>SHIFTER SHIFTER</u>
33189-63	<u>FOOTRESTS</u>
33204-91	<u>SHIFTER</u>
33319-90	<u>SHIFTER</u>
33334-85	<u>TRANSMISSION GEARS</u>
3350	<u>STARTER MOTOR - 1200 MODEL</u>
33634-91A	<u>SHIFTER</u>
33652-90	<u>SHIFTER</u>
33653-90	<u>SHIFTER</u>
33655-90	<u>SHIFTER</u>

33656-90A	<u>SHIFTER</u>
33900-59C	<u>SWITCHES & CIRCUIT BREAKERS</u>
3401	<u>STARTER MOTOR - 883</u>
34014-91	<u>SHIFTER</u>
34015-91	<u>SHIFTER</u>
3402	<u>STARTER MOTOR - 883</u>
3403	<u>STARTER MOTOR - 883</u> <u>STARTER MOTOR - 1200 MODEL</u>
34073-91	<u>SHIFTER</u>
34075-89	<u>SHIFTER</u>
34076-89	<u>SHIFTER</u>
34077-91	<u>SHIFTER</u>
34142-89C	<u>SHIFTER</u>
34144-89C	<u>SHIFTER</u>
34147-89C	<u>SHIFTER</u>
34481-91A	<u>SHIFTER</u>
34483-90	<u>SHIFTER</u>
34486-90	<u>SHIFTER</u>
34491-91	<u>SHIFTER</u>
34492-91	<u>SHIFTER</u>
34560-91	<u>SHIFTER</u>
34606-90	<u>SHIFTER</u>
34611-65A	<u>SHIFTER</u>
34742-90	<u>ACCESS DOOR & PRIMARY COVER</u>
3478A	<u>OIL PUMP</u> <u>TRANSMISSION GEARS</u>
3480A	<u>ACCESS DOOR & PRIMARY COVER</u> <u>GEARCASE & COVER</u> <u>TRANSMISSION GEARS</u>
3482A	<u>GEARCASE & COVER</u> <u>OIL PUMP</u>
34909-90	<u>REAR BRAKE CONTROL</u>

34911-91A	<u>TRANSMISSION GEARS</u>
34920-86A	<u>CLUTCH</u>
3494A	<u>BELTS, CHAINS & SPROCKETS</u>
34955-89B	<u>ACCESS DOOR & PRIMARY COVER</u>
34993-90	<u>ACCESS DOOR & PRIMARY COVER</u>
3500A	<u>ROCKER ARMS, COVER & PUSHROD - V2™</u>
3501A	<u>ROCKER ARMS, COVER & PUSHROD - V2™</u>
35020-89	<u>TRANSMISSION GEARS</u>
35021-89	<u>ACCESS DOOR & PRIMARY COVER</u>
35022-89A	<u>TRANSMISSION GEARS</u>
35030-89A	<u>ACCESS DOOR & PRIMARY COVER</u>
35034-89A	<u>TRANSMISSION GEARS</u>
35038-89A	<u>ACCESS DOOR & PRIMARY COVER</u>
35051-89A	<u>TRANSMISSION GEARS</u>
35063-89	<u>TRANSMISSION GEARS</u>
35078-79	<u>REAR BRAKE CONTROL</u> <u>SHOCK ABSORBERS</u>
3512	<u>CRANKCASE (1 OF 2)</u>
35151-74A	<u>CRANKCASE (2 OF 2)</u>
35211-36	<u>TRANSMISSION GEARS</u> <u>BELTS, CHAINS & SPROCKETS</u>
35211-91B	<u>TRANSMISSION GEARS</u>
3530	<u>FUEL TANK & TRIM</u> <u>HORN</u>
3534B	<u>AIR CLEANER & ENRICHENER</u>
3562	<u>FRONT BRAKE CALIPER</u>
3563	<u>HORN</u>
35633-89A	<u>TRANSMISSION GEARS</u>
35640-89	<u>TRANSMISSION GEARS</u>
35641-89	<u>TRANSMISSION GEARS</u>
3572B	<u>TURN SIGNALS</u>

3573	<u>ACCESS DOOR & PRIMARY COVER</u>
35762-89A	<u>TRANSMISSION GEARS</u>
35763-89A	<u>TRANSMISSION GEARS</u>
35771-89A	<u>TRANSMISSION GEARS</u>
35772-89A	<u>TRANSMISSION GEARS</u>
35773-89A	<u>TRANSMISSION GEARS</u>
35775-89A	<u>TRANSMISSION GEARS</u>
358	<u>CRANKCASE (1 OF 2)</u>
3581	<u>SWITCHES & CIRCUIT BREAKERS</u>
3583	<u>CLUTCH</u>
3594	<u>TRANSMISSION GEARS</u> <u>FRONT BRAKE CONTROL</u>
36211-91	<u>BELTS, CHAINS & SPROCKETS</u>
3652	<u>AIR CLEANER & ENRICHENER</u>
3655A	<u>FRONT WHEEL - CAST</u> <u>FRONT WHEEL - LACED</u>
3670	<u>REAR FENDER, BELT & CHAIN GUARDS</u>
36715-84	<u>CLUTCH</u>
36731-91	<u>CLUTCH</u>
3675	<u>TRANSMISSION GEARS</u>
36785-91	<u>CLUTCH</u>
36790-91	<u>CLUTCH</u>
36792-91	<u>CLUTCH</u>
36799-91	<u>CLUTCH</u>
36802-84B	<u>CLUTCH</u>
36804-89	<u>ROCKER ARMS, COVER & PUSHROD - V2™</u>
3728	<u>CRANKCASE (1 OF 2)</u>
3730A	<u>REAR WHEEL - CAST</u>
3737A	<u>REAR FENDER, BELT & CHAIN GUARDS</u>
37495-91	<u>TRANSMISSION GEARS</u> <u>CLUTCH</u>

3767B	<u>SEATS</u> <u>REAR FENDER, BELT & CHAIN GUARDS</u> <u>TURN SIGNALS</u> <u>CALIFORNIA EVAPORATIVE EMISSIONS KIT</u>
3769	<u>BELTS, CHAINS & SPROCKETS</u> <u>REAR WHEEL - LACED</u>
37709-89	<u>TRANSMISSION GEARS</u> <u>BELTS, CHAINS & SPROCKETS</u>
3787	<u>CRANKCASE (1 OF 2)</u> <u>ALTERNATOR & REGULATOR</u>
37870-91	<u>TRANSMISSION GEARS</u> <u>CLUTCH</u>
37872-90	<u>CLUTCH</u>
37904-90	<u>CLUTCH</u>
37905-90	<u>CLUTCH</u>
37908-90	<u>CLUTCH</u>
37909-90	<u>CLUTCH</u>
37911-90	<u>CLUTCH</u>
37912-91	<u>CLUTCH</u>
37913-90	<u>CLUTCH</u>
37977-90	<u>CLUTCH</u>
3802W	<u>HORN</u> <u>CALIFORNIA EVAPORATIVE EMISSIONS KIT</u>
3849	<u>ROCKER ARMS, COVER & PUSHROD - V2™</u>
38608-82B	<u>CLUTCH CONTROL</u>
38619-86A	<u>CLUTCH CONTROL</u>
38621-86A	<u>CLUTCH CONTROL</u>
38630-88	<u>CLUTCH CONTROL</u>
3958	<u>SHOCK ABSORBERS</u>
3974HW	<u>BATTERY</u>
3987	<u>CYLINDER, HEAD & VALVES - V2™ EVOLUTION (1 OF 2)</u> <u>REAR FENDER, BELT & CHAIN GUARDS</u>
3993	<u>ELECTRONIC IGNITION SYSTEM</u>
39970-91	<u>BELTS, CHAINS & SPROCKETS</u>

40005-57B	<u>BELTS, CHAINS & SPROCKETS</u>
40020-84	<u>BELTS, CHAINS & SPROCKETS</u> <u>BELTS, CHAINS & SPROCKETS</u>
40022-91	<u>BELTS, CHAINS & SPROCKETS</u>
40024-89A	<u>BELTS, CHAINS & SPROCKETS</u>
40028-15E	<u>BELTS, CHAINS & SPROCKETS</u>
40029-15E	<u>BELTS, CHAINS & SPROCKETS</u>
40032-91	<u>BELTS, CHAINS & SPROCKETS</u>
40038-91	<u>BELTS, CHAINS & SPROCKETS</u> <u>BELTS, CHAINS & SPROCKETS</u>
40052-65	<u>BELTS, CHAINS & SPROCKETS</u>
40053-65	<u>BELTS, CHAINS & SPROCKETS</u>
4015	<u>CLUTCH CONTROL</u> <u>FRONT BRAKE CONTROL</u>
4017	<u>HEADLAMP & MIRROR</u>
40202-91B	<u>TRANSMISSION GEARS</u>
40205-92	<u>TRANSMISSION GEARS</u>
40205-95	<u>BELTS, CHAINS & SPROCKETS</u>
40213-91	<u>BELTS, CHAINS & SPROCKETS</u> <u>REAR WHEEL - CAST</u> <u>REAR WHEEL - LACED</u>
40235-89B	<u>BELTS, CHAINS & SPROCKETS</u>
40240-89	<u>BELTS, CHAINS & SPROCKETS</u>
40251-92A	<u>TRANSMISSION GEARS</u> <u>BELTS, CHAINS & SPROCKETS</u>
40252-91	<u>BELTS, CHAINS & SPROCKETS</u> <u>BELTS, CHAINS & SPROCKETS</u> <u>REAR WHEEL - CAST</u> <u>REAR WHEEL - CAST</u> <u>REAR WHEEL - LACED</u> <u>REAR WHEEL - LACED</u>
40285-91B	<u>TRANSMISSION GEARS</u> <u>BELTS, CHAINS & SPROCKETS</u>
40288-92	<u>TRANSMISSION GEARS</u> <u>BELTS, CHAINS & SPROCKETS</u>
4029A	<u>FRONT FORK (1 OF 2)</u>

40520-63	<u>ACCESS DOOR & PRIMARY COVER</u>
4068A	<u>FUEL TANK & TRIM</u>
40761-05	<u>FRONT WHEEL - LACED</u>
4086A	<u>FUEL TANK & TRIM</u>
40903-87	<u>REAR BRAKE CONTROL</u>
4091	<u>CRANKCASE (1 OF 2)</u> <u>FRONT FORK (1 OF 2)</u>
4092	<u>REAR BRAKE CONTROL</u> <u>SEATS</u>
40922-87A	<u>REAR BRAKE CONTROL</u>
40929-87	<u>REAR BRAKE CALIPER</u>
40975-86	<u>REAR WHEEL - LACED</u>
40976-86A	<u>REAR WHEEL - LACED</u>
40983-86	<u>REAR WHEEL - CAST</u>
41015-86	<u>REAR WHEEL - CAST</u>
41123-79	<u>FRONT WHEEL - CAST</u> <u>FRONT WHEEL - LACED</u> <u>REAR WHEEL - CAST</u> <u>REAR WHEEL - LACED</u>
41191-74A	<u>ACCESS DOOR & PRIMARY COVER</u> <u>ALTERNATOR & REGULATOR</u>
41470-86T	<u>BELTS, CHAINS & SPROCKETS</u> <u>REAR WHEEL - CAST</u> <u>REAR WHEEL - LACED</u>
41482-89	<u>BELTS, CHAINS & SPROCKETS</u> <u>REAR WHEEL - CAST</u> <u>REAR WHEEL - LACED</u>
41563-77A	<u>REAR WHEEL - CAST</u> <u>REAR WHEEL - LACED</u>
41568-89A	<u>FRAME, REAR FORK & JIFFY STAND</u>
41570-77	<u>FRAME, REAR FORK & JIFFY STAND</u>
41579-81	<u>FRAME, REAR FORK & JIFFY STAND</u>
41594-73	<u>REAR WHEEL - CAST</u> <u>REAR WHEEL - LACED</u>
41642-82	<u>REAR BRAKE CONTROL</u>
41713-86	<u>REAR BRAKE CONTROL</u>

41731-88A	<u>FRONT BRAKE CONTROL</u> <u>REAR BRAKE CONTROL</u>
41733-88	<u>FRONT BRAKE CONTROL</u>
41739-84A	<u>FRONT BRAKE CONTROL</u>
41747-82A	<u>FRONT BRAKE CONTROL</u> <u>REAR BRAKE CONTROL</u>
41789-92	<u>REAR WHEEL - CAST</u> <u>REAR WHEEL - LACED</u>
42375-87	<u>REAR BRAKE CONTROL</u>
42381-87	<u>REAR BRAKE CONTROL</u>
42382-87E	<u>REAR BRAKE CONTROL</u>
42436-87	<u>REAR BRAKE CONTROL</u>
42437-87	<u>REAR BRAKE CONTROL</u>
42441-90A	<u>REAR BRAKE CONTROL</u> <u>FOOTRESTS</u>
42443-80A	<u>REAR BRAKE CONTROL</u>
42447-96	<u>REAR BRAKE CONTROL</u>
42449-80A	<u>CRANKCASE (2 OF 2)</u>
42456-87C	<u>REAR BRAKE CONTROL</u>
42460-80B	<u>REAR BRAKE CONTROL</u>
42472-87	<u>REAR BRAKE CONTROL</u>
42479-90	<u>REAR BRAKE CONTROL</u>
42520-80A	<u>FUEL TANK & TRIM</u> <u>HORN</u>
43001-06	<u>FRONT WHEEL - LACED</u>
43025-73B	<u>FRONT WHEEL - LACED</u>
43085-81	<u>REAR WHEEL - LACED</u>
43150-83	<u>FRONT WHEEL - CAST</u>
43157-83A	<u>REAR WHEEL - CAST</u>
4319	<u>CYLINDER, HEAD & VALVES - V2™ EVOLUTION (1 OF 2)</u> <u>CYLINDER, HEAD & VALVES - V2™ EVOLUTION (1 OF 2)</u> <u>CRANKCASE (1 OF 2)</u>
43241-05	<u>REAR WHEEL - LACED</u>

4326A	<u>HANDLEBARS & THROTTLE CONTROL</u>
43290-82	<u>FRONT WHEEL - CAST</u> <u>FRONT WHEEL - LACED</u> <u>REAR WHEEL - CAST</u> <u>REAR WHEEL - LACED</u>
43291-82	<u>FRONT WHEEL - CAST</u> <u>FRONT WHEEL - LACED</u> <u>REAR WHEEL - CAST</u> <u>REAR WHEEL - LACED</u>
43292-82	<u>FRONT WHEEL - CAST</u> <u>FRONT WHEEL - LACED</u> <u>REAR WHEEL - CAST</u> <u>REAR WHEEL - LACED</u>
43293-82	<u>FRONT WHEEL - CAST</u> <u>FRONT WHEEL - LACED</u> <u>REAR WHEEL - CAST</u> <u>REAR WHEEL - LACED</u>
43294-82	<u>FRONT WHEEL - CAST</u> <u>FRONT WHEEL - LACED</u> <u>REAR WHEEL - CAST</u> <u>REAR WHEEL - LACED</u>
43312-84B	<u>FRONT WHEEL - LACED</u>
43338-83	<u>FRONT WHEEL - CAST</u>
43355-84	<u>FRONT WHEEL - CAST</u>
43358-83A	<u>FRONT WHEEL - CAST</u> <u>FRONT WHEEL - LACED</u>
43359-84	<u>FRONT WHEEL - CAST</u>
43499-84	<u>FRONT WHEEL - CAST</u>
4350A	<u>FRONT FORK (1 OF 2)</u> <u>FRONT FORK (1 OF 2)</u>
43567-79	<u>REAR WHEEL - CAST</u> <u>REAR WHEEL - LACED</u>
43567-92	<u>REAR WHEEL - CAST</u> <u>REAR WHEEL - LACED</u>
43601-78A	<u>REAR WHEEL - LACED</u>
43602-78A	<u>REAR WHEEL - LACED</u>
43603-78A	<u>REAR WHEEL - LACED</u>
43604-78	<u>REAR WHEEL - CAST</u>
43605-78	<u>REAR WHEEL - CAST</u>

43606-78	<u>REAR WHEEL - CAST</u>
43608-82	<u>REAR WHEEL - CAST</u>
43613-92	<u>FRONT WHEEL - CAST</u> <u>FRONT WHEEL - LACED</u>
43619-84	<u>FRONT WHEEL - LACED</u>
43623-78	<u>FRONT WHEEL - CAST</u> <u>FRONT WHEEL - LACED</u>
43624-78	<u>FRONT WHEEL - CAST</u> <u>FRONT WHEEL - LACED</u>
43625-78	<u>FRONT WHEEL - CAST</u> <u>FRONT WHEEL - LACED</u>
43650-82	<u>FRONT WHEEL - CAST</u> <u>FRONT WHEEL - LACED</u> <u>REAR WHEEL - CAST</u> <u>REAR WHEEL - LACED</u>
43654-86A	<u>REAR WHEEL - CAST</u> <u>REAR WHEEL - LACED</u>
43668-82	<u>REAR WHEEL - LACED</u>
4380W	<u>EXHAUST SYSTEM</u>
43895-87B	<u>FRONT WHEEL - CAST</u> <u>FRONT WHEEL - LACED</u>
43946-86A	<u>REAR BRAKE CALIPER</u>
44020-83A	<u>FRONT BRAKE CALIPER</u>
44021-83	<u>FRONT BRAKE CALIPER</u>
44022-83	<u>FRONT BRAKE CALIPER</u>
44035-86A	<u>REAR BRAKE CALIPER</u>
44039-86	<u>REAR BRAKE CALIPER</u>
44045-87A	<u>REAR BRAKE CALIPER</u>
44046-84C	<u>FRONT BRAKE CALIPER</u>
44047-83	<u>FRONT BRAKE CALIPER</u>
44048-83	<u>FRONT BRAKE CALIPER</u> <u>REAR BRAKE CALIPER</u>
44050-87	<u>REAR BRAKE CALIPER</u>
44053-83B	<u>FRONT BRAKE CALIPER</u>
44053-92A	<u>FRONT BRAKE CALIPER</u>

44054-83	<u>FRONT BRAKE CALIPER</u>
44059-83	<u>FRONT BRAKE CALIPER</u>
44060-83A	<u>FRONT BRAKE CALIPER</u>
44061-83	<u>FRONT BRAKE CALIPER</u>
44062-83	<u>FRONT BRAKE CALIPER</u>
44063-83C	<u>FRONT BRAKE CALIPER</u>
44072-92A	<u>FRONT BRAKE CALIPER</u>
44126-87	<u>REAR BRAKE CONTROL</u>
44136-92	<u>FRONT WHEEL - CAST</u> <u>FRONT WHEEL - LACED</u>
44147-87A	<u>REAR BRAKE CALIPER</u>
44197-77	<u>FRONT BRAKE CALIPER</u>
44198-87	<u>REAR BRAKE CALIPER</u>
44199-79	<u>REAR BRAKE CALIPER</u>
44209-87C	<u>REAR BRAKE CALIPER</u>
4435W	<u>CRANKCASE (1 OF 2)</u>
44438-87C	<u>REAR BRAKE CONTROL</u>
4453	<u>FRONT FORK (1 OF 2)</u>
4460	<u>FRONT FORK (1 OF 2)</u>
45004-85	<u>FRONT BRAKE CONTROL</u>
45005-85	<u>FRONT BRAKE CONTROL</u> <u>REAR BRAKE CONTROL</u>
45016-82A	<u>FRONT BRAKE CONTROL</u>
45017-88A	<u>CLUTCH CONTROL</u>
45019-85A	<u>FRONT BRAKE CONTROL</u>
45021-86	<u>CLUTCH CONTROL</u>
45031-82A	<u>FRONT BRAKE CONTROL</u>
45032-82	<u>CLUTCH CONTROL</u> <u>FRONT BRAKE CONTROL</u>
45036-88	<u>CLUTCH CONTROL</u>
45042-82	<u>FRONT BRAKE CONTROL</u>

	<u>REAR BRAKE CONTROL</u>
45044-82	<u>CLUTCH CONTROL</u> <u>FRONT BRAKE CONTROL</u>
45051-82	<u>FRONT BRAKE CONTROL</u>
45072-87	<u>FRONT BRAKE CONTROL</u>
45092-66A	<u>FRONT BRAKE CONTROL</u> <u>SPEEDOMETER & TACHOMETER</u>
45121-88C	<u>FRONT BRAKE CONTROL</u>
45121-96A	<u>FRONT BRAKE CONTROL</u>
45361-90	<u>FRONT FORK (1 OF 2)</u>
45372-92	<u>FRONT FORK (1 OF 2)</u>
45374-87	<u>FRONT FORK (1 OF 2)</u>
45376-87	<u>FRONT FORK (1 OF 2)</u>
45377-87	<u>FRONT FORK (1 OF 2)</u>
45378-87	<u>FRONT FORK (1 OF 2)</u>
45381-87	<u>FRONT FORK (1 OF 2)</u>
45395-92	<u>FRONT FORK (1 OF 2)</u>
45401-87	<u>FRONT FORK (1 OF 2)</u>
45405-75A	<u>FRONT FORK (1 OF 2)</u>
45460-90	<u>FRONT FORK (1 OF 2)</u>
45461-87	<u>FRONT FORK (1 OF 2)</u>
45462-87	<u>FRONT FORK (1 OF 2)</u>
45463-87	<u>FRONT FORK (1 OF 2)</u>
45465-87	<u>FRONT FORK (1 OF 2)</u>
45549-88	<u>FRONT FORK (1 OF 2)</u>
45563-87	<u>FRONT FORK (1 OF 2)</u>
45611-86	<u>FRONT FORK (2 OF 2)</u>
45668-90	<u>FRONT FORK (2 OF 2)</u>
45739-87	<u>FRONT FORK (2 OF 2)</u>
45790-80	<u>FRONT FORK (2 OF 2)</u> <u>SWITCHES & CIRCUIT BREAKERS</u>

45900-88	<u>FRONT FORK (2 OF 2)</u>
45901-88	<u>FRONT FORK (2 OF 2)</u>
45902-00	<u>STARTER MOTOR - 883</u> <u>STARTER MOTOR - 1200 MODEL</u>
45905-87	<u>FRONT FORK (2 OF 2)</u>
45921-87	<u>FRONT FORK (2 OF 2)</u>
45923-87	<u>FRONT FORK (2 OF 2)</u>
45925-88	<u>FRONT FORK (2 OF 2)</u>
45928-92	<u>FRONT FORK (2 OF 2)</u>
45929-92	<u>FRONT FORK (2 OF 2)</u>
45934-86	<u>FRONT FORK (2 OF 2)</u>
45938-92	<u>FRONT FORK (2 OF 2)</u>
45984-87	<u>FRONT FORK (2 OF 2)</u>
45996-87	<u>FRONT FORK (2 OF 2)</u>
46002-87	<u>FRONT FORK (2 OF 2)</u>
47082-81	<u>FRAME, REAR FORK & JIFFY STAND</u>
47083-81A	<u>FRAME, REAR FORK & JIFFY STAND</u>
47150-91B	<u>FRAME, REAR FORK & JIFFY STAND</u>
4716W	<u>CYLINDER, HEAD & VALVES - V2™ EVOLUTION (1 OF 2)</u> <u>CYLINDER, HEAD & VALVES - V2™ EVOLUTION (1 OF 2)</u>
47209-91B	<u>FRAME, REAR FORK & JIFFY STAND</u>
4721	<u>FOOTRESTS</u> <u>FOOTRESTS</u>
47384-91	<u>SHOCK ABSORBERS</u>
47403-75A	<u>BATTERY</u>
4742A	<u>ACCESS DOOR & PRIMARY COVER</u> <u>GEARCASE & COVER</u>
4743	<u>SHOCK ABSORBERS</u>
4748	<u>CYLINDER, HEAD & VALVES - V2™ EVOLUTION (1 OF 2)</u>
47519-83A	<u>FRONT WHEEL - CAST</u> <u>FRONT WHEEL - LACED</u> <u>REAR WHEEL - CAST</u> <u>REAR WHEEL - LACED</u>

47547-87B	<u>FRAME, REAR FORK & JIFFY STAND</u>
47554-73A	<u>FRAME, REAR FORK & JIFFY STAND</u>
48140-84A	<u>FRONT FORK (2 OF 2)</u>
4816A	<u>HANDLEBARS & THROTTLE CONTROL</u> <u>REAR FENDER, BELT & CHAIN GUARDS</u>
4820A	<u>GEARCASE & COVER</u> <u>TRANSMISSION GEARS</u>
48300-60	<u>FRONT FORK (2 OF 2)</u> <u>FRAME, REAR FORK & JIFFY STAND</u>
48302-85	<u>CRANKCASE (2 OF 2)</u>
48315-60	<u>CRANKCASE (2 OF 2)</u> <u>FRONT FORK (2 OF 2)</u> <u>FRAME, REAR FORK & JIFFY STAND</u>
48361-80	<u>FRONT FORK (2 OF 2)</u> <u>FRAME, REAR FORK & JIFFY STAND</u>
48365-48A	<u>FRONT FORK (2 OF 2)</u> <u>FRAME, REAR FORK & JIFFY STAND</u>
49378-09	<u>FRONT FORK (2 OF 2)</u>
50003-89B	<u>FRAME, REAR FORK & JIFFY STAND</u>
50005-85A	<u>FRAME, REAR FORK & JIFFY STAND</u>
50006-89	<u>FRAME, REAR FORK & JIFFY STAND</u>
50072-92	<u>FRAME, REAR FORK & JIFFY STAND</u>
50101-91	<u>FRAME, REAR FORK & JIFFY STAND</u>
50615-83	<u>FOOTRESTS</u>
50643-82	<u>FOOTRESTS</u>
50646-82	<u>FOOTRESTS</u>
50647-82	<u>FOOTRESTS</u>
50912-72	<u>FOOTRESTS</u> <u>FOOTRESTS</u>
50951-90	<u>FOOTRESTS</u>
511	<u>REAR WHEEL - CAST</u> <u>REAR WHEEL - LACED</u>
51187-86	<u>SEATS</u>
51191-83	<u>SEATS</u>

515	<u>SHIFTER</u> <u>REAR BRAKE CONTROL</u>
51652-83B	<u>SEATS</u>
52004-94B	<u>SEATS</u>
52101-82B	<u>SEATS</u>
52101-92C	<u>SEATS</u>
52129-87B	<u>SEATS</u>
52129-92C	<u>SEATS</u>
52131-83B	<u>SEATS</u>
5226B	<u>SHIFTER</u>
534	<u>FOOTRESTS</u>
53439-79	<u>SPEEDOMETER & TACHOMETER</u>
53487-87	<u>FRAME, REAR FORK & JIFFY STAND</u>
5403B	<u>REAR FENDER, BELT & CHAIN GUARDS</u>
54321-85	<u>FRONT WHEEL - LACED</u> <u>REAR WHEEL - LACED</u>
5440	<u>EXHAUST SYSTEM</u>
54471-82	<u>SHOCK ABSORBERS</u>
54472-82	<u>SHOCK ABSORBERS</u>
54473-79	<u>SHOCK ABSORBERS</u>
54475-79	<u>SHOCK ABSORBERS</u>
54476-82	<u>SHOCK ABSORBERS</u>
54556-84	<u>SHOCK ABSORBERS</u>
54566-91	<u>SHOCK ABSORBERS</u>
54568-91	<u>SHOCK ABSORBERS</u>
54568-92	<u>SHOCK ABSORBERS</u>
54701-82	<u>SHOCK ABSORBERS</u>
54705-91	<u>SHOCK ABSORBERS</u>
554A	<u>FRAME, REAR FORK & JIFFY STAND</u>
56073-83	<u>HEADLAMP & MIRROR</u> <u>SPEEDOMETER & TACHOMETER</u> <u>WIRING & MISCELLANEOUS ELECTRICAL (1 OF 2)</u>

	<u>HANDLEBAR SWITCHES</u>
56081-82A	<u>HANDLEBARS & THROTTLE CONTROL</u>
56082-83	<u>HANDLEBARS & THROTTLE CONTROL</u>
56105-84	<u>HANDLEBARS & THROTTLE CONTROL</u>
56115-79B	<u>HANDLEBARS & THROTTLE CONTROL</u>
56116-82A	<u>HANDLEBARS & THROTTLE CONTROL</u>
56117-82A	<u>HANDLEBARS & THROTTLE CONTROL</u>
56158-73	<u>HANDLEBARS & THROTTLE CONTROL</u>
56159-73	<u>HANDLEBARS & THROTTLE CONTROL</u>
56206-94A	<u>HANDLEBARS & THROTTLE CONTROL</u>
56220-94A	<u>HANDLEBARS & THROTTLE CONTROL</u>
56308-88	<u>HANDLEBARS & THROTTLE CONTROL</u>
56309-88	<u>HANDLEBARS & THROTTLE CONTROL</u>
56394-74	<u>HANDLEBARS & THROTTLE CONTROL</u> <u>HANDLEBAR SWITCHES</u>
56396-74A	<u>HANDLEBARS & THROTTLE CONTROL</u> <u>HANDLEBAR SWITCHES</u>
56397-74C	<u>HANDLEBARS & THROTTLE CONTROL</u> <u>HANDLEBAR SWITCHES</u>
56402-83A	<u>HANDLEBARS & THROTTLE CONTROL</u> <u>HANDLEBAR SWITCHES</u>
56508-76	<u>HANDLEBARS & THROTTLE CONTROL</u>
5736	<u>HANDLEBARS & THROTTLE CONTROL</u>
5741	<u>FRAME, REAR FORK & JIFFY STAND</u>
5756	<u>REAR WHEEL - CAST</u> <u>REAR WHEEL - LACED</u>
5774	<u>HEADLAMP & MIRROR</u>
5784	<u>BELTS, CHAINS & SPROCKETS</u>
58998-83E	<u>FRONT FENDER</u>
59242-90	<u>REAR FENDER, BELT & CHAIN GUARDS</u>
59251-90	<u>REAR FENDER, BELT & CHAIN GUARDS</u> <u>TAIL LAMP</u>
59256-84A	<u>REAR FENDER, BELT & CHAIN GUARDS</u>

59259-90	<u>REAR FENDER, BELT & CHAIN GUARDS TAIL LAMP</u>
59273-91	<u>FRAME, REAR FORK & JIFFY STAND</u>
59594-82C	<u>REAR FENDER, BELT & CHAIN GUARDS</u>
59674-81C	<u>REAR FENDER, BELT & CHAIN GUARDS</u>
59710-84	<u>TURN SIGNALS</u>
59950-89	<u>REAR FENDER, BELT & CHAIN GUARDS</u>
59951-89	<u>REAR FENDER, BELT & CHAIN GUARDS</u>
59984-73	<u>REAR FENDER, BELT & CHAIN GUARDS</u>
59986-75	<u>REAR FENDER, BELT & CHAIN GUARDS</u>
59988-72A	<u>REAR FENDER, BELT & CHAIN GUARDS</u>
600	<u>ACCESS DOOR & PRIMARY COVER</u>
60001-55	<u>REAR FENDER, BELT & CHAIN GUARDS</u>
6003	<u>TRANSMISSION GEARS</u>
6005	<u>STARTER MOTOR - 883</u>
601	<u>SHIFTER</u>
6012	<u>SHOCK ABSORBERS</u>
6016	<u>ROCKER ARMS, COVER & PUSHROD - V2™ SHIFTER</u>
6019	<u>CYLINDER, HEAD & VALVES - V2™ EVOLUTION (1 OF 2)</u> <u>CYLINDER, HEAD & VALVES - V2™ EVOLUTION (1 OF 2)</u> <u>CRANKCASE (1 OF 2)</u> <u>FRONT BRAKE CALIPER</u>
6026	<u>CRANKCASE (1 OF 2)</u>
60348-65B	<u>CRANKCASE (2 OF 2)</u>
60365-89	<u>REAR FENDER, BELT & CHAIN GUARDS</u>
60370-89	<u>REAR FENDER, BELT & CHAIN GUARDS</u>
60381-91	<u>REAR FENDER, BELT & CHAIN GUARDS</u>
60419-91	<u>REAR FENDER, BELT & CHAIN GUARDS</u>
60436-91	<u>REAR FENDER, BELT & CHAIN GUARDS</u>
6048W	<u>AIR CLEANER & ENRICHENER</u> <u>AIR CLEANER & ENRICHENER</u>

6056	<u>REAR FENDER, BELT & CHAIN GUARDS</u> <u>TURN SIGNALS</u>
60618-91	<u>OIL TANK & FILTER</u>
6099	<u>ROCKER ARMS, COVER & PUSHROD - V2™</u> <u>ACCESS DOOR & PRIMARY COVER</u> <u>GEARCASE & COVER</u> <u>TRANSMISSION GEARS</u> <u>SHIFTER</u> <u>CLUTCH CONTROL</u> <u>FRONT BRAKE CONTROL</u> <u>CALIFORNIA EVAPORATIVE EMISSIONS KIT</u> <u>CALIFORNIA EVAPORATIVE EMISSIONS KIT</u>
61023-83D	<u>FUEL TANK & TRIM</u>
61023-93	<u>FUEL TANK & TRIM</u>
6109	<u>ACCESS DOOR & PRIMARY COVER</u> <u>REAR FENDER, BELT & CHAIN GUARDS</u>
61102-83C	<u>FUEL TANK & TRIM</u>
61107-92	<u>AIR CLEANER & ENRICHENER</u>
61109-85D	<u>FUEL TANK & TRIM</u>
61272-92C	<u>FUEL TANK & TRIM</u>
6157	<u>OIL PUMP</u>
6192	<u>REAR FENDER, BELT & CHAIN GUARDS</u>
6195A	<u>TURN SIGNALS</u>
62122-89A	<u>FRAME, REAR FORK & JIFFY STAND</u>
62150-85	<u>FUEL TANK & TRIM</u> <u>CALIFORNIA EVAPORATIVE EMISSIONS KIT</u>
62161-02	<u>FUEL TANK & TRIM</u>
62166-81A	<u>FUEL TANK & TRIM</u>
62169-81	<u>FUEL TANK & TRIM</u>
62172-02	<u>FUEL TANK & TRIM</u>
6220W	<u>BATTERY</u>
62375-57A	<u>GEARCASE & COVER</u>
6239	<u>STARTER MOTOR - 883</u>
6242W	<u>OIL PUMP</u>
62472-93A	<u>OIL TANK & FILTER</u>

62540-83	<u>SWITCHES & CIRCUIT BREAKERS</u>
62555-95	<u>CARBURETOR (2 OF 2)</u> <u>FUEL TANK & TRIM</u>
62563-65	<u>OIL TANK & FILTER</u> <u>BATTERY</u>
62601-91A	<u>OIL PUMP</u>
62631-91	<u>OIL TANK & FILTER</u>
62634-84A	<u>OIL TANK & FILTER</u>
6265	<u>HEADLAMP & MIRROR</u> <u>SPEEDOMETER & TACHOMETER</u>
6314W	<u>CRANKCASE (1 OF 2)</u>
6330	<u>HANDLEBARS & THROTTLE CONTROL</u>
6333	<u>REAR FENDER, BELT & CHAIN GUARDS</u>
63500-68	<u>CRANKCASE (2 OF 2)</u> <u>OIL TANK & FILTER</u>
63501-68B	<u>GEARCASE & COVER</u> <u>CARBURETOR (2 OF 2)</u> <u>FUEL TANK & TRIM</u> <u>OIL TANK & FILTER</u>
63504-84	<u>OIL TANK & FILTER</u>
63533-41A	<u>OIL PUMP</u>
63547-89	<u>CRANKCASE (1 OF 2)</u>
6366	<u>REAR BRAKE CONTROL</u>
63805-80A	<u>OIL TANK & FILTER</u>
63858-49	<u>ROCKER ARMS, COVER & PUSHROD - V2™</u>
6410	<u>SEATS</u>
6508	<u>PISTONS, CONNECTING RODS & FLYWHEELS</u>
6516HW	<u>BELTS, CHAINS & SPROCKETS</u> <u>REAR WHEEL - CAST</u> <u>REAR WHEEL - LACED</u>
65276-62	<u>EXHAUST SYSTEM</u>
65324-83B	<u>EXHAUST SYSTEM</u>
65325-83A	<u>EXHAUST SYSTEM</u>
65328-83A	<u>EXHAUST SYSTEM</u>

65419-86	EXHAUST SYSTEM
65568-86A	EXHAUST SYSTEM
65569-86A	EXHAUST SYSTEM
65599-80D	EXHAUST SYSTEM
65605-87B	EXHAUST SYSTEM
65613-86B	EXHAUST SYSTEM
65712-86	EXHAUST SYSTEM
65716-91	EXHAUST SYSTEM
65719-86	EXHAUST SYSTEM
65766-89E	EXHAUST SYSTEM
65769-89E	EXHAUST SYSTEM
65781-82	EXHAUST SYSTEM
65782-82	EXHAUST SYSTEM
65860-91A	EXHAUST SYSTEM
65861-91	EXHAUST SYSTEM
6590HW	FRONT WHEEL - CAST FRONT WHEEL - LACED
65991-82B	BATTERY
65995-88A	BATTERY
66000-80	BATTERY
66103-74A	BATTERY
66107-91	TURN SIGNALS
66191-83	BATTERY
66325-82	FRAME, REAR FORK & JIFFY STAND
66352-65	BATTERY CALIFORNIA EVAPORATIVE EMISSIONS KIT
66367-73	BATTERY
66476-73A	BATTERY
6655	FRONT FORK (1 OF 2)
67009-72	HANDLEBARS & THROTTLE CONTROL
6701	CYLINDER, HEAD & VALVES - V2™ EVOLUTION (1 OF 2)

	CRANKCASE (1 OF 2) FRONT FORK (1 OF 2) FRAME, REAR FORK & JIFFY STAND SHOCK ABSORBERS EXHAUST SYSTEM SWITCHES & CIRCUIT BREAKERS
67016-86A	SPEEDOMETER & TACHOMETER
67016-92	SPEEDOMETER & TACHOMETER
6702	CYLINDER, HEAD & VALVES - V2™ EVOLUTION (1 OF 2) SEATS FUEL TANK & TRIM BATTERY EXHAUST SYSTEM
6703	FRONT BRAKE CONTROL HORN CALIFORNIA EVAPORATIVE EMISSIONS KIT
67037-91	SPEEDOMETER & TACHOMETER
67041-91	SPEEDOMETER & TACHOMETER
67052-78B	SPEEDOMETER & TACHOMETER
67053-86	SPEEDOMETER & TACHOMETER
67053-92	SPEEDOMETER & TACHOMETER
67063-89	SPEEDOMETER & TACHOMETER
67085-83	SPEEDOMETER & TACHOMETER
67098-87	SPEEDOMETER & TACHOMETER
67099-86A	SPEEDOMETER & TACHOMETER
67099-92	SPEEDOMETER & TACHOMETER
67103-91	SPEEDOMETER & TACHOMETER
67104-83	SPEEDOMETER & TACHOMETER SPEEDOMETER & TACHOMETER
67105-91A	SPEEDOMETER & TACHOMETER
67106-83	SPEEDOMETER & TACHOMETER SPEEDOMETER & TACHOMETER
67107-91	SPEEDOMETER & TACHOMETER
67108-83	SPEEDOMETER & TACHOMETER
67110-86	SPEEDOMETER & TACHOMETER
67110-92	SPEEDOMETER & TACHOMETER

67111-85	SPEEDOMETER & TACHOMETER
67112-83	SPEEDOMETER & TACHOMETER
67117-85	SPEEDOMETER & TACHOMETER
67121-92	SPEEDOMETER & TACHOMETER SPEEDOMETER & TACHOMETER
67127-84A	SPEEDOMETER & TACHOMETER
6716	ELECTRONIC IGNITION SYSTEM
6717	REAR FENDER, BELT & CHAIN GUARDS
6736	ROCKER ARMS, COVER & PUSHROD - V2™
67698-81D	HEADLAMP & MIRROR
67719-63	HEADLAMP & MIRROR
6771A	ROCKER ARMS, COVER & PUSHROD - V2™
67725-63	HEADLAMP & MIRROR
67743-75	HEADLAMP & MIRROR
67744-75	HEADLAMP & MIRROR
67805-86A	HEADLAMP & MIRROR
67805-92	HEADLAMP & MIRROR
6781	HEADLAMP & MIRROR
67815-59A	HEADLAMP & MIRROR
67822-88	TURN SIGNALS
67827-88A	TURN SIGNALS
67828-88A	TURN SIGNALS
67829-88	TURN SIGNALS
67834-83	HEADLAMP & MIRROR
67839-74	WIRING & MISCELLANEOUS ELECTRICAL (1 OF 2)
67865-89	HEADLAMP & MIRROR
68008-73B	TAIL LAMP
68010-90	TAIL LAMP
68020-92A	SPEEDOMETER & TACHOMETER
68021-92A	SPEEDOMETER & TACHOMETER

68022-92A	<u>SPEEDOMETER & TACHOMETER</u>
68023-92A	<u>SPEEDOMETER & TACHOMETER</u>
68024-92A	<u>SPEEDOMETER & TACHOMETER</u>
68026-73	<u>TAIL LAMP</u>
68027-90	<u>TAIL LAMP</u>
68032-90	<u>TAIL LAMP</u>
68033-90	<u>TAIL LAMP</u>
6812	<u>STARTER MOTOR - 883</u> <u>STARTER MOTOR - 1200 MODEL</u>
68123-73	<u>TAIL LAMP</u>
68163-84	<u>TURN SIGNALS</u>
68168-89A	<u>TURN SIGNALS</u> <u>TAIL LAMP</u>
68169-90A	<u>TAIL LAMP</u>
68329-03	<u>HEADLAMP & MIRROR</u>
68403-86A	<u>TURN SIGNALS</u>
68406-86C	<u>TURN SIGNALS</u>
68408-86D	<u>TURN SIGNALS</u>
68410-87B	<u>TURN SIGNALS</u>
68452-86	<u>TURN SIGNALS</u>
68455-86	<u>TURN SIGNALS</u>
68457-86	<u>TURN SIGNALS</u>
68464-86	<u>SPEEDOMETER & TACHOMETER</u>
68491-86	<u>SPEEDOMETER & TACHOMETER</u>
68493-90	<u>TURN SIGNALS</u>
68507-90	<u>TURN SIGNALS</u>
68513-92	<u>SPEEDOMETER & TACHOMETER</u>
68516-92	<u>SPEEDOMETER & TACHOMETER</u>
68537-89G	<u>TURN SIGNALS</u>
68555-87	<u>TURN SIGNALS</u>

68566-90	TURN SIGNALS
68572-64B	TURN SIGNALS
68578-84A	TURN SIGNALS
68608-83	SPEEDOMETER & TACHOMETER SPEEDOMETER & TACHOMETER
68740-91A	SPEEDOMETER & TACHOMETER
69012-86A	HORN
69027-86	HORN
69027-92	AIR CLEANER & ENRICHENER HORN
69043-91D	HORN
69060-90H	HORN
69062-91	HORN
69120-91	HORN
69123-92A	HORN
6969	AIR CLEANER & ENRICHENER AIR CLEANER & ENRICHENER
70022-83	WIRING & MISCELLANEOUS ELECTRICAL (1 OF 2)
70027-83	WIRING & MISCELLANEOUS ELECTRICAL (1 OF 2)
70047-82	HANDLEBAR SWITCHES
70049-83	WIRING & MISCELLANEOUS ELECTRICAL (1 OF 2)
70050-83A	WIRING & MISCELLANEOUS ELECTRICAL (1 OF 2)
70076-89A	WIRING & MISCELLANEOUS ELECTRICAL (1 OF 2)
70097-75B	WIRING & MISCELLANEOUS ELECTRICAL (1 OF 2)
70129-79A	WIRING & MISCELLANEOUS ELECTRICAL (1 OF 2)
70135-91	WIRING & MISCELLANEOUS ELECTRICAL (1 OF 2)
70135-92A	WIRING & MISCELLANEOUS ELECTRICAL (1 OF 2)
70148-92	CALIFORNIA EVAPORATIVE EMISSIONS KIT
70157-92	WIRING & MISCELLANEOUS ELECTRICAL (1 OF 2)
7019	SHIFTER
70191-73A	HANDLEBARS & THROTTLE CONTROL

	<u>WIRING & MISCELLANEOUS ELECTRICAL (1 OF 2)</u>
70218-87A	<u>HANDLEBAR SWITCHES</u>
70219-87	<u>HANDLEBAR SWITCHES</u>
70287-81A	<u>WIRING & MISCELLANEOUS ELECTRICAL (1 OF 2)</u>
70288-81	<u>WIRING & MISCELLANEOUS ELECTRICAL (1 OF 2)</u>
70291-89	<u>AIR CLEANER & ENRICHENER</u>
70293-87A	<u>WIRING & MISCELLANEOUS ELECTRICAL (1 OF 2)</u>
7036	<u>OIL PUMP</u> <u>ELECTRONIC IGNITION SYSTEM</u> <u>STARTER MOTOR - 883</u> <u>SEATS</u>
7038	<u>CYLINDER, HEAD & VALVES - V2™ EVOLUTION (1 OF 2)</u> <u>CYLINDER, HEAD & VALVES - V2™ EVOLUTION (1 OF 2)</u> <u>CRANKCASE (1 OF 2)</u> <u>FRONT FORK (1 OF 2)</u>
7041	<u>STARTER MOTOR - 883</u> <u>REAR BRAKE CONTROL</u> <u>HEADLAMP & MIRROR</u> <u>HORN</u>
7042	<u>REAR BRAKE CONTROL</u> <u>HANDLEBARS & THROTTLE CONTROL</u> <u>TURN SIGNALS</u>
7045	<u>FOOTRESTS</u>
70504-81	<u>HANDLEBARS & THROTTLE CONTROL</u>
70551-69	<u>WIRING & MISCELLANEOUS ELECTRICAL (1 OF 2)</u>
70552-69	<u>WIRING & MISCELLANEOUS ELECTRICAL (1 OF 2)</u>
70553-69	<u>WIRING & MISCELLANEOUS ELECTRICAL (1 OF 2)</u>
70554-69	<u>WIRING & MISCELLANEOUS ELECTRICAL (1 OF 2)</u>
70555-69	<u>WIRING & MISCELLANEOUS ELECTRICAL (1 OF 2)</u>
70556-71	<u>WIRING & MISCELLANEOUS ELECTRICAL (1 OF 2)</u>
70558-71	<u>WIRING & MISCELLANEOUS ELECTRICAL (1 OF 2)</u>
70559-71	<u>WIRING & MISCELLANEOUS ELECTRICAL (1 OF 2)</u>
70576-68	<u>WIRING & MISCELLANEOUS ELECTRICAL (2 OF 2)</u>
70578-89	<u>WIRING & MISCELLANEOUS ELECTRICAL (2 OF 2)</u>
70580-89	<u>WIRING & MISCELLANEOUS ELECTRICAL (2 OF 2)</u>

70586-93	<u>SWITCHES & CIRCUIT BREAKERS</u>
7068	<u>FRONT WHEEL - CAST</u> <u>FRONT WHEEL - LACED</u> <u>HEADLAMP & MIRROR</u>
7069	<u>OIL TANK & FILTER</u> <u>SWITCHES & CIRCUIT BREAKERS</u>
7124	<u>ALTERNATOR & REGULATOR</u> <u>SEATS</u> <u>REAR FENDER, BELT & CHAIN GUARDS</u>
7127	<u>TURN SIGNALS</u>
71425-77	<u>SWITCHES & CIRCUIT BREAKERS</u>
71441-94	<u>SWITCHES & CIRCUIT BREAKERS</u>
71451-78	<u>SWITCHES & CIRCUIT BREAKERS</u>
71451-94A	<u>SWITCHES & CIRCUIT BREAKERS</u>
7145W	<u>CYLINDER, HEAD & VALVES - V2™ EVOLUTION (1 OF 2)</u> <u>HORN</u>
71510-88	<u>SWITCHES & CIRCUIT BREAKERS</u>
71510-92	<u>SWITCHES & CIRCUIT BREAKERS</u>
71516-92	<u>AIR CLEANER & ENRICHENER</u>
71550-75	<u>SWITCHES & CIRCUIT BREAKERS</u> <u>SWITCHES & CIRCUIT BREAKERS</u>
71550-94	<u>SWITCHES & CIRCUIT BREAKERS</u>
71552-75	<u>SWITCHES & CIRCUIT BREAKERS</u>
71552-94	<u>SWITCHES & CIRCUIT BREAKERS</u>
71554-75	<u>SWITCHES & CIRCUIT BREAKERS</u>
71557-93	<u>HANDLEBAR SWITCHES</u>
71563-82A	<u>HANDLEBARS & THROTTLE CONTROL</u> <u>HANDLEBAR SWITCHES</u>
71564-82A	<u>HANDLEBARS & THROTTLE CONTROL</u> <u>HANDLEBAR SWITCHES</u>
71567-82	<u>HANDLEBAR SWITCHES</u>
71568-82A	<u>HANDLEBAR SWITCHES</u>
71589-92	<u>HANDLEBAR SWITCHES</u>
71590-92A	<u>HANDLEBAR SWITCHES</u>

71591-92	<u>HANDLEBAR SWITCHES</u>
71597-92	<u>HANDLEBAR SWITCHES</u>
71598-92	<u>HANDLEBAR SWITCHES</u>
720	<u>CRANKCASE (1 OF 2)</u>
72023-51E	<u>REAR BRAKE CONTROL SWITCHES & CIRCUIT BREAKERS</u>
72034-71	<u>WIRING & MISCELLANEOUS ELECTRICAL (2 OF 2)</u>
72035-71	<u>WIRING & MISCELLANEOUS ELECTRICAL (2 OF 2)</u>
72037-71	<u>WIRING & MISCELLANEOUS ELECTRICAL (2 OF 2)</u>
72038-71A	<u>SPEEDOMETER & TACHOMETER WIRING & MISCELLANEOUS ELECTRICAL (2 OF 2)</u>
72039-71A	<u>SPEEDOMETER & TACHOMETER TURN SIGNALS WIRING & MISCELLANEOUS ELECTRICAL (2 OF 2) HANDLEBAR SWITCHES</u>
72041-71	<u>WIRING & MISCELLANEOUS ELECTRICAL (2 OF 2)</u>
72043-71A	<u>WIRING & MISCELLANEOUS ELECTRICAL (2 OF 2)</u>
72046-79	<u>WIRING & MISCELLANEOUS ELECTRICAL (2 OF 2)</u>
72047-71	<u>WIRING & MISCELLANEOUS ELECTRICAL (2 OF 2)</u>
72049-92	<u>WIRING & MISCELLANEOUS ELECTRICAL (2 OF 2)</u>
72051-77A	<u>WIRING & MISCELLANEOUS ELECTRICAL (2 OF 2)</u>
72053-92	<u>WIRING & MISCELLANEOUS ELECTRICAL (2 OF 2)</u>
7220	<u>FRONT BRAKE CONTROL REAR BRAKE CONTROL FRONT FORK (2 OF 2) SWITCHES & CIRCUIT BREAKERS</u>
72275-74	<u>WIRING & MISCELLANEOUS ELECTRICAL (2 OF 2)</u>
72276-74	<u>WIRING & MISCELLANEOUS ELECTRICAL (2 OF 2)</u>
72277-74	<u>WIRING & MISCELLANEOUS ELECTRICAL (2 OF 2)</u>
72278-74A	<u>WIRING & MISCELLANEOUS ELECTRICAL (2 OF 2)</u>
7229W	<u>ALTERNATOR & REGULATOR</u>
7232	<u>FUEL TANK & TRIM HORN</u>
72501-74	<u>WIRING & MISCELLANEOUS ELECTRICAL (2 OF 2)</u>

72502-74	<u>WIRING & MISCELLANEOUS ELECTRICAL (2 OF 2)</u>
727	<u>CRANKCASE (1 OF 2)</u>
740	<u>FRAME, REAR FORK & JIFFY STAND</u>
742	<u>OIL TANK & FILTER</u>
74521-77A	<u>WIRING & MISCELLANEOUS ELECTRICAL (1 OF 2)</u>
74523-91	<u>ALTERNATOR & REGULATOR</u>
74523-92A	<u>ALTERNATOR & REGULATOR</u>
74536-77A	<u>ELECTRONIC IGNITION SYSTEM</u> <u>WIRING & MISCELLANEOUS ELECTRICAL (1 OF 2)</u>
74539-77A	<u>WIRING & MISCELLANEOUS ELECTRICAL (2 OF 2)</u>
74539-83A	<u>ELECTRONIC IGNITION SYSTEM</u> <u>WIRING & MISCELLANEOUS ELECTRICAL (2 OF 2)</u>
74589-73	<u>SWITCHES & CIRCUIT BREAKERS</u>
74598-73	<u>SWITCHES & CIRCUIT BREAKERS</u>
74599-77B	<u>SWITCHES & CIRCUIT BREAKERS</u> <u>SWITCHES & CIRCUIT BREAKERS</u>
7501	<u>TAIL LAMP</u>
75101-82	<u>REAR FENDER, BELT & CHAIN GUARDS</u>
7531	<u>CYLINDER, HEAD & VALVES - V2™ EVOLUTION (1 OF 2)</u> <u>SEATS</u> <u>FRONT FENDER</u> <u>REAR FENDER, BELT & CHAIN GUARDS</u> <u>FUEL TANK & TRIM</u> <u>EXHAUST SYSTEM</u>
7549A	<u>HORN</u>
7562	<u>TURN SIGNALS</u>
7593	<u>EXHAUST SYSTEM</u>
7624	<u>ELECTRONIC IGNITION SYSTEM</u>
7629	<u>ELECTRONIC IGNITION SYSTEM</u> <u>SWITCHES & CIRCUIT BREAKERS</u>
7638	<u>OIL TANK & FILTER</u>
7652	<u>BELTS, CHAINS & SPROCKETS</u>
7655	<u>SHOCK ABSORBERS</u>
7667	<u>BELTS, CHAINS & SPROCKETS</u> <u>REAR FENDER, BELT & CHAIN GUARDS</u>

7669	<u>REAR BRAKE CONTROL</u>
7683	<u>SHIFTER</u>
7686	<u>REAR FENDER, BELT & CHAIN GUARDS</u> <u>OIL TANK & FILTER</u> <u>BATTERY</u> <u>SWITCHES & CIRCUIT BREAKERS</u> <u>CALIFORNIA EVAPORATIVE EMISSIONS KIT</u>
7688	<u>ALTERNATOR & REGULATOR</u> <u>BATTERY</u>
7710W	<u>SHIFTER</u>
7725	<u>FRAME, REAR FORK & JIFFY STAND</u>
7736	<u>HEADLAMP & MIRROR</u> <u>HEADLAMP & MIRROR</u>
7739	<u>HANDLEBARS & THROTTLE CONTROL</u>
7744	<u>REAR BRAKE CONTROL</u> <u>TURN SIGNALS</u>
7768W	<u>HANDLEBARS & THROTTLE CONTROL</u>
7775	<u>CRANKCASE (1 OF 2)</u> <u>EXHAUST SYSTEM</u>
7778	<u>REAR WHEEL - LACED</u> <u>FOOTRESTS</u>
7780	<u>CRANKCASE (1 OF 2)</u>
7782	<u>HORN</u> <u>SWITCHES & CIRCUIT BREAKERS</u>
7783	<u>FRONT FORK (1 OF 2)</u>
7789	<u>CRANKCASE (1 OF 2)</u> <u>TURN SIGNALS</u>
7792	<u>REAR FENDER, BELT & CHAIN GUARDS</u>
7800W	<u>CYLINDER, HEAD & VALVES - V2™ EVOLUTION (1 OF 2)</u> <u>CRANKCASE (1 OF 2)</u>
7804	<u>BELTS, CHAINS & SPROCKETS</u>
7824	<u>FOOTRESTS</u> <u>SHOCK ABSORBERS</u>
7827W	<u>BELTS, CHAINS & SPROCKETS</u> <u>REAR WHEEL - LACED</u>
7844	<u>EXHAUST SYSTEM</u>
7845	<u>FRONT WHEEL - CAST</u>

	<u>FRONT WHEEL - LACED</u>
7880	<u>HEADLAMP & MIRROR</u>
7916A	<u>GEARCASE & COVER</u>
7987	<u>REAR WHEEL - CAST</u> <u>REAR WHEEL - LACED</u>
8099	<u>FRAME, REAR FORK & JIFFY STAND</u> <u>HORN</u> <u>CALIFORNIA EVAPORATIVE EMISSIONS KIT</u>
8108	<u>HORN</u>
8483A	<u>REAR FENDER, BELT & CHAIN GUARDS</u> <u>SWITCHES & CIRCUIT BREAKERS</u>
8535	<u>AIR CLEANER & ENRICHENER</u>
853A	<u>REAR BRAKE CONTROL</u>
855B	<u>FRONT BRAKE CALIPER</u> <u>FOOTRESTS</u> <u>TURN SIGNALS</u>
857A	<u>TRANSMISSION GEARS</u> <u>BELTS, CHAINS & SPROCKETS</u>
861A	<u>CYLINDER, HEAD & VALVES - V2™ EVOLUTION (1 OF 2)</u>
869	<u>AIR CLEANER & ENRICHENER</u>
8692	<u>REAR FENDER, BELT & CHAIN GUARDS</u>
8699	<u>ELECTRONIC IGNITION SYSTEM</u>
879A	<u>FOOTRESTS</u>
8871	<u>STARTER MOTOR - 1200 MODEL</u>
8873	<u>CLUTCH</u>
8876A	<u>TRANSMISSION GEARS</u>
8877	<u>STARTER MOTOR - 883</u>
8878	<u>STARTER MOTOR - 883</u>
8879	<u>STARTER MOTOR - 883</u> <u>STARTER MOTOR - 1200 MODEL</u>
8881	<u>CRANKCASE (1 OF 2)</u>
8883	<u>STARTER MOTOR - 1200 MODEL</u>
8885	<u>CLUTCH</u>
891	<u>ROCKER ARMS, COVER & PUSHROD - V2™</u>

89579-91	<u>CYLINDER, HEAD & VALVES - V2™ EVOLUTION (2 OF 2)</u>
8977	<u>TRANSMISSION GEARS</u>
8996A	<u>TRANSMISSION GEARS</u>
8998	<u>ACCESS DOOR & PRIMARY COVER</u>
9052	<u>FRONT WHEEL - CAST</u> <u>FRONT WHEEL - LACED</u> <u>REAR WHEEL - CAST</u> <u>REAR WHEEL - LACED</u>
9077	<u>STARTER MOTOR - 883</u> <u>STARTER MOTOR - 1200 MODEL</u>
90770-79	<u>CLUTCH CONTROL</u>
910	<u>STARTER MOTOR - 883</u>
9119A	<u>CRANKCASE (1 OF 2)</u>
9142	<u>CRANKCASE (1 OF 2)</u>
9143	<u>CRANKCASE (1 OF 2)</u>
9144	<u>CRANKCASE (1 OF 2)</u>
9145	<u>CRANKCASE (1 OF 2)</u>
9146	<u>CRANKCASE (1 OF 2)</u>
9147	<u>CRANKCASE (1 OF 2)</u>
9148	<u>CRANKCASE (1 OF 2)</u>
9149	<u>CRANKCASE (1 OF 2)</u>
9151	<u>SHIFTER</u>
9155	<u>CRANKCASE (1 OF 2)</u>
917	<u>STARTER MOTOR - 883</u>
9187	<u>ACCESS DOOR & PRIMARY COVER</u>
91875-88A	<u>HEADLAMP & MIRROR</u>
91892-88A	<u>HEADLAMP & MIRROR</u>
91902-88A	<u>HEADLAMP & MIRROR</u>
91904-88A	<u>HEADLAMP & MIRROR</u>
924	<u>SEATS</u>
929A	<u>STARTER MOTOR - 1200 MODEL</u>

94313-91TS	ROCKER ARMS, COVER & PUSHROD - V2™ SHIFTER
95578-41	FRONT WHEEL - LACED REAR WHEEL - LACED
95581-47	FRONT WHEEL - LACED REAR WHEEL - LACED
95582-47	FRONT WHEEL - LACED REAR WHEEL - LACED
95594-84B	FRONT WHEEL - CAST REAR WHEEL - CAST
95595-84B	FRONT WHEEL - CAST REAR WHEEL - CAST
9849	WIRING & MISCELLANEOUS ELECTRICAL (1 OF 2)
9857	WIRING & MISCELLANEOUS ELECTRICAL (1 OF 2)
9858	WIRING & MISCELLANEOUS ELECTRICAL (1 OF 2)
9862	WIRING & MISCELLANEOUS ELECTRICAL (1 OF 2)
9863	WIRING & MISCELLANEOUS ELECTRICAL (1 OF 2)
9866	WIRING & MISCELLANEOUS ELECTRICAL (1 OF 2)
9875	WIRING & MISCELLANEOUS ELECTRICAL (1 OF 2) HANDLEBAR SWITCHES
9885	WIRING & MISCELLANEOUS ELECTRICAL (1 OF 2)
9898	WIRING & MISCELLANEOUS ELECTRICAL (1 OF 2) HANDLEBAR SWITCHES
9900	WIRING & MISCELLANEOUS ELECTRICAL (1 OF 2)
9930	WIRING & MISCELLANEOUS ELECTRICAL (1 OF 2)
9937	WIRING & MISCELLANEOUS ELECTRICAL (1 OF 2)
9952	REAR FENDER, BELT & CHAIN GUARDS SWITCHES & CIRCUIT BREAKERS
9955	EXHAUST SYSTEM EXHAUST SYSTEM

Component Types and Introduction Dates

[View interactive table](#)

101A1 - Generic Nuts	
7736	1949
7739	Unknown

7845	Unknown
7844	2013
7725	Unknown
68608-83	1983
7624	Unknown
7629	1990
7792	2012
7562	Unknown
7655	1990
7652	Unknown
7780	1973
7782	2013
7778	Unknown
7775	Unknown
7638	Unknown
7916A	Unknown
16226-86A	1986
7501	2010
23980-98	1998
7827W	1976
3402	Unknown
7824	Unknown
3403	Unknown
7683	Unknown
7710W	Unknown
11730A	Unknown
7768W	Unknown
35078-79	1979
7987	Unknown
8099	Unknown

7880	Unknown
37495-91	1991
8108	Unknown
7744	1943
7593	1991
7549A	Unknown
102A1 - Generic Screws	
2916	Unknown
3958	1993
3802W	2009
3730A	Unknown
3478A	Unknown
94313-91TS	1991
3987	Unknown
4460	Unknown
43567-79	1979
42375-87	1987
2907	Unknown
3849	Unknown
2579A	Unknown
1203	1974
16480-85A	1985
11735B	Unknown
2662W	2000
3350	2003
3655A	Unknown
3512	Unknown
4742A	Unknown
43567-92	1992
2339	1999
4380W	2012

2925A	Unknown
2698A	Unknown
3201WA	Unknown
2405A	Unknown
4350A	Unknown
4319	2009
4743	1999
4092	1982
4748	2009
4091	Unknown
891	2013
4326A	1990
2773	Unknown
3530	Unknown
68452-86	1986
45405-75A	1975
2508	Unknown
3652	Unknown
3583	1994
2731W	Unknown
3581	Unknown
3670	Unknown
67117-85	1985
2818	2009
90770-79	1979
4721	2009
3401	Unknown
2711	Unknown
45996-87	1987
3594	1992

27129-88	1988
2708A	Unknown
924	Unknown
861A	Unknown
4816A	Unknown
3728	2014
3993	Unknown
4029A	1990
869	Unknown
2720	2012
3494A	Unknown
45902-00	2000
3563	1999
917	Unknown
4017	2009
3562	Unknown
929A	Unknown
4015	Unknown
1028	Unknown
4435W	1993
2737	1986
3534B	1999
2739	Unknown
3210A	Unknown
4820A	Unknown
2611C	Unknown
56402-83A	1983
27317-88	1988
27146-89	1989
3480A	Unknown
1601	1999

3767B	2009
4086A	Unknown
3573	Unknown
855B	2014
27130-81	1981
879A	Unknown
1357W	Unknown
3787	Unknown
3501A	Unknown
4716W	2009
3206B	Unknown
16478-85A	1985
3675	Unknown
34486-90	1990
3737A	Unknown
56397-74C	1974
3500A	Unknown
857A	Unknown
3974HW	2009
3482A	Unknown
5403B	Unknown
3769	1978
3572B	Unknown
4068A	Unknown
5440	Unknown
4453	1986
45790-80	1980
2889	2009
16480-92A	1992
103A1 - Generic Washers	

6717	Unknown
6019	Unknown
6026	Unknown
6314W	1964
6157	Unknown
34077-91	1991
7229W	Unknown
6016	2013
6012	Unknown
56159-73	1973
27125-89	1989
6771A	Unknown
36802-84B	1984
43650-82	1982
27148-89	1989
6220W	Unknown
6005	Unknown
7145W	Unknown
6366	1987
71554-75	1975
6330	Unknown
6333	Unknown
6099	2011
27127-89	1989
6109	1980
6508	1989
67815-59A	1959
31689-90	1990
6048W	1975
6590HW	Unknown

7232	1954
6516HW	Unknown
6265	1986
6242W	Unknown
6812	Unknown
65782-82	1982
7220	Unknown
27137-81	1981
7068	Unknown
7019	Unknown
7038	1998
6410	Unknown
6781	Unknown
6195A	Unknown
6736	Unknown
6192	Unknown
7042	Unknown
6655	1979
7041	1958
6703	1970
6701	Unknown
6702	Unknown
33043-80	1980
7045	Unknown
6716	Unknown
104A1 - Custom Nuts	
7789	1989
67106-83	1983
54321-85	1985
105A1 - Custom Screws	

27158-89	1989
2661W	Unknown
16235-52A	1953
41191-74A	1974
2523	2004
853A	Unknown
27130-90	1990
106A1 - Custom Washers	
6003	2010
7124	Unknown
108A1 - Hose Clamps	
10067	2006
10053	2010
10049	1993
10031	2010
27018-85	1985
65276-62	1962
10014	Unknown
9955	Unknown
10080	Unknown
10074	Unknown
108B1 - P Clamps	
10003	2010
10110	Unknown
109A1 - Studs	
10116	Unknown
5226B	Unknown
42449-80A	1980
16715-83	1983
56105-84	1984
16832-86C	1986

11727A	1995
110B1 - Plain Bushings	
25586-37	1937
16240-82	1982
47083-81A	1981
35030-89A	1989
56158-73	1973
34076-89	1989
8996A	1996
17429-91	1991
48302-85	1985
54556-84	1984
25598-91	1991
8998	1996
25593-74	1974
24647-87	1987
45465-87	1987
8876A	Unknown
72501-74	1974
72502-74	1974
45934-86	1986
40520-63	1963
8883	Unknown
8885	Unknown
8878	Unknown
8877	Unknown
25588-91	1991
8879	Unknown
44035-86A	1986
47082-81	1981

9151	Unknown
42443-80A	1980
110C1 - Radial Shaft Seals	
11000101	2013
12050	Unknown
67098-87	1987
11124	1971
110D1 - Rolling Element Bearings	
9187	2000
8977	Unknown
24650-87	1987
8871	Unknown
9052	Unknown
24659-87	1987
24660-87	1987
111A1 - Adhesive	
9885	Unknown
74521-77A	1977
9862	Unknown
111F1 - Protective Tape	
65716-91	1991
116A1 - Banjo Bolts	
41739-84A	1984
41747-82A	1982
117A1 - Coil Springs	
56396-74A	1974
54473-79	1979
27162-89	1989
119A1 - O-Rings	
11165	Unknown
68455-86	1986

26432-76A	1976
11105	Unknown
40032-91	1991
27121-89	1989
10957	2006
40020-84	1984
27577-92	1992
11190	Unknown
44059-83	1983
27577-88	1988
45984-87	1987
31695-90	1990
11187	Unknown
11188	Unknown
26434-91	1991
11171	Unknown
11176	Unknown
11179	1986
27157-89	1989
120A1 - Pins	
601	Unknown
600	1991
215	Unknown
16573-83A	1983
534	Unknown
42460-80B	1980
50003-89B	1989
511	Unknown
515	Unknown
24754-75A	1975

358	Unknown
121B1 - Press-Fit Plugs	
70287-81A	1981
67865-89	1989
740	Unknown
121C1 - Threaded Plugs	
742	Unknown
727	Unknown
720	2013
122A1 - Retaining Rings	
41713-86	1986
9119A	1994
11019	Unknown
45021-86	1986
44021-83	1983
11002	Unknown
65325-83A	1983
45611-86	1986
11031	Unknown
27368-76	1976
10108	Unknown
11155	Unknown
31530-90	1990
11143	Unknown
11046	Unknown
11177A	1996
35020-89	1989
33653-90	1990
11067	Unknown
11185	Unknown
27124-89	1989

35021-89	1989
10083	2009
35038-89A	1989
11161	Unknown
9952	1973
123A1 - Sealing Washers	
26436-90A	1990
123B1 - Spring Washers	
7127	Unknown
7069	Unknown
124A1 - Spacers	
43290-82	1982
35063-89	1989
75101-82	1982
34073-91	1991
43623-78	1978
5784	Unknown
5736	1983
43625-78	1978
43294-82	1982
5741	1999
43605-78	1978
42520-80A	1980
5756	Unknown
43624-78	1978
43293-82	1982
5774	Unknown
43604-78	1978
45377-87	1987
33334-85	1985

67009-72	1972
35022-89A	1989
125A1 - Tie Straps	
10065	1985
70191-73A	1975
10039	1981
10006	1960
10081	1984
10073	1985
126A1 - Miscellaneous Hardware	
42479-90	1990
31593-81	1981
44126-87	1987
27136-90A	1990
42472-87	1987
12030	Unknown
31557-81	1981
27136-81	1981
59710-84	1984
11219	Unknown
11218	Unknown
54476-82	1982
27040-88	1988
44045-87A	2013
56394-74	1974
31594-81	1981
8873	1984
31592-81	1981
44061-83	1983
67121-92	1992
126B1 - Rivets Fasteners	

70291-89	1989
8535	Unknown
8699	1980
8692	Unknown
8483A	Unknown
127B1 - Generic Mounting Bracket	
59951-89	1989
68578-84A	1984
31591-81	1981
45563-87	1987
59950-89	1989
28857-90	1990
51652-83B	1983
38608-82B	1982
140A1 - Battery Warning Label	
15368-01A	2001
140A2 - General Warning Label	
29112-83	1983
44197-77	1977
140A3 - Other Special Warning Label	
71550-75	1975
141A1 - Medallion	
71550-94	1994
14238-91	1991
14344-92	1992
14233-91	1991
14234-91	1991
14345-92	1992
14232-91	1991
14235-91	1991

53487-87	1987
14237-91	1991
162D1 - Engine Assembly	
16061-92	1992
16066-92	1992
16050-91	1991
16050-92	1992
16052-92	1992
16064-92	1992
16052-91	1991
16062-91	1991
16062-92	1992
16047-92	1992
16047-91	1991
16055-91	1991
16055-92	1992
16054-92	1992
16054-91	1991
16063-92	1992
16053-92	1992
16053-91	1991
16051-91	1991
16051-92	1992
16049-91	1991
16049-92	1992
16067-92	1992
16048-91	1991
16048-92	1992
16057-92	1992
16057-91	1991

16061-91	1991
163B1 - Engine Isolator Mount	
16222-86	1986
16278-86B	1989
164A1 - Engine Mount Bracket	
16277-86	1986
16214-86	1986
164B1 - Engine Mount Bracket sub-component	
16231-86	1986
16232-86	1986
16228-86A	1995
7783	Unknown
7531	1980
7804	Unknown
7669	Unknown
16226-92	1992
7667	Unknown
7688	2000
7686	Unknown
7800W	Unknown
16212-84	1984
71516-92	1992
165A1 - Cylinder Head	
16698-92	1992
16688-92	1992
16667-07	2007
16661-89B	1996
16666-07	2007
16660-89B	2002
165B1 - Cylinder Head and Base Gaskets	

16800-84B	2013
16664-86D	1986
16774-86D	1986
16770-84F	1984
16778-84A	1984
16779-84A	1984
167A1 - PT Assembly Miscellaneous Component	
36731-91	1991
16210-84A	1984
168A1 - Cylinder	
16447-88A	1988
179B1 - Push Rod	
18526-89A	1989
17897-89A	1989
17904-89A	1989
179C1 - Lifter Anti-Rotation Device	
18532-89	1989
180A1 - Valves	
18020-87A	1987
18101-83D	1999
18030-86B	1988
18031-86B	1988
18023-87A	1988
18021-87A	1987
18011-87A	1989
181B1 - Valve Seals	
18012-87A	1987
17953-91	1991
17952-91	1991
18219-83A	1983
18001-83B	1983

181C1 - Valve Collars

18229-83A 1984

184A1 - PT Camdrive and Valvetrain Miscellaneous Component

17358-84B 2010

219A1 - Piston

22216-88A 1988

22225-88A 1988

22205-88A 1988

22243-88A 1988

22220-88A 1988

16446-86B 1986

22255-86A 1986

220A1 - Piston Ring

22266-86 1986

22262-86 1986

21921-83 1983

21923-83 1983

22263-86 1986

22242-86A 1987

22201-86A 1995

22261-86 1986

21924-83 1983

22271-86 1986

21920-83 1983

22254-86A 1986

21922-83 1983

22253-86A 1986

221A1 - Piston Pin

22589-83B 1983

22765-88 1988

22719-85	1985
237A1 - Connecting Rod	
24275-86A	1986
23949-87	1987
237B1 - Connecting Rod sub-component	
24354-87A	1987
24341-52A	1952
24332-36	1936
239A1 - PT Lower End Miscellaneous Component	
24352-52A	1952
24331-36	1936
24658-87	1987
48365-48A	1981
241A1 - Flywheel	
23905-89A	1990
23948-87	1987
23900-90	1990
23960-80A	1982
244A1 - Crankcase	
24470-91E	1998
244D1 - Crankcase sub-component	
24055-91	1991
24060-91	1991
24061-91	1991
24056-91	1991
24058-91	1991
8881	Unknown
24530-90	1990
254B1 - Camshaft	
25996-91	1991
25655-91	1991

25888-91	1991
25876-91	1991
25860-91	1991
25988-91	1991
25848-91	1991
25944-91	1991
25664-91	1991
25646-91	1991
25960-91	1991
25880-91	1991
25948-91	1991
25904-91	1991
25656-91	1991
25936-91	1991
25956-91	1991
25852-91	1991
25808-91	1991
25650-91	1991
25824-91	1991
25932-91	1991
25804-91	1991
25912-91	1991
25972-91	1991
25832-91	1991
25666-91	1991
25654-91	1991
25992-91	1991
25976-91	1991
25820-91	1991
25651-91	1991

25864-91	1991
25660-91	1991
25665-91	1991
25812-91	1991
25968-91	1991
25868-91	1991
25884-91	1991
25640-91	1991
25940-91	1991
25908-91	1991
25828-91	1991
25642-91	1991
25856-91	1991
25964-91	1991
25952-91	1991
25924-91	1991
25896-91	1991
25920-91	1991
25653-91	1991
25916-91	1991
25643-91	1991
25644-91	1991
25892-91	1991
25652-91	1991
25641-91	1991
25816-91	1991
25662-91	1991
25840-91	1991
25900-91	1991
25844-91	1991

25872-91	1991
25645-91	1991
25836-91	1991
25980-91	1991
25928-91	1991
25661-91	1991
25663-91	1991
25984-91	1991
255D1 - Camdrive Chain Tensioner sub-component	
39970-91	1991
256A1 - Timer Cover	
32506-90	1990
257D1 - Clutch Inspection Cover	
34993-90	1990
34742-90	1990
257E1 - Cover Gaskets	
65324-83B	2009
31433-84A	1984
35151-74A	1974
61109-85D	1985
34955-89B	1989
41733-88	1988
17032-86B	1986
45005-85	1985
17944-89	1989
17026-91D	1991
45378-87	1987
63858-49	1949
41731-88A	1988
17039-90A	1991

32591-80	1980
47519-83A	1983
17353-89C	1989
25263-90D	1990
17354-89	1989
257G1 - Ignition Cover	
71510-88	1988
257L1 - Primary Cover	
25430-89A	1990
25219-91C	1991
25488-89C	1989
257M1 - Push Rod Cover	
17946-89	1989
257N1 - Rocker-Arm / Valve Cover	
17375-83A	1983
17532-86E	1986
17501-86B	1988
17611-83	1983
17360-83A	1983
17533-90A	1990
258A1 - PT Covers Miscellaneous Component	
25238-90	1990
270A1 - Carburetor	
27280-92	1992
27361-76A	1976
27169-89	1989
27360-76	1976
27166-89	1989
27362-76	1976
27488-92	1992
27079-84	1984

27147-89	1989
27159-92	1992
27583-88	1988
27152-89	1989
27171-89	1989
27156-89	1989
27027-88	1988
27503-88B	1988
27501-89A	1989
27369-76	1976
29059-88A	1988
27115-88	1988
27489-92	1992
27371-76A	1976
27487-92	1992
27582-88	1988
27587-88	1988
27183-92	1992
27311-76	1976
27101-88	1988
27585-88	1988
27586-88	1988
27489-92A	1992
27281-92	1992
27575-88A	1988
27503-92	1992
27100-88	1988
27486-92	1992
27128-89	1989
27126-89	1989

27576-88	1988
27090-89	1989
27315-88A	1988
27576-92	1992
271C1 - Intercooler Gasket	
65781-82	1982
272B1 - Throttle Body / Intake Manifold	
26990-91	1991
273A1 - Intake Manifold	
27004-88A	1988
273K1 - Throttle Body to Manifold Seal	
26995-86B	1986
273N1 - Throttle Cable Retention Bracket	
56508-76	1976
290A1 - Airbox Baseplate	
29009-89B	1989
29018-92	1992
29018-88A	1988
29078-91	1991
294A1 - Air Filter Element	
29331-96	1996
294G1 - Air Cleaner	
27010-86A	1986
27009-86A	1986
295A1 - Intake Miscellaneous Component	
27579-88A	1988
27002-89	1989
28820-86	1986
27886-78A	1978
25448-84	1984
28821-86	1986

28842-89	1989
28822-86	1986
28826-86A	1986
29111-88	1988
29229-88D	1988
27170-89	1989
299C1 - Charging Rotor	
32402-83	1983
32413-92C	2008
299F1 - Stator Assembly	
29967-89C	2006
314E1 - Starter Friction Clutch	
31556-91D	2010
9077	Unknown
314F1 - Starter Motor	
31514-90	1990
31518-90	1990
31390-91A	1991
31506-79B	1979
31598-89	1989
31567-81	1981
31515-90	1990
31574-81	1981
314G1 - Starter Motor sub-component	
31727-85	1985
27581-88	1988
31590-81	1981
31688-90	1990
31539-91	1991
31488-81C	2008

314H1 - Starter Solenoid	
28841-89	1989
31603-91	1991
314L1 - Starter Motor Drive	
33189-63	1963
315B1 - Exhaust Valve Actuator	
18024-87A	1987
316A1 - Ignition Coil	
31614-83A	1983
316B1 - Spark Plug Cable	
31597-81	1981
31986-86A	1986
31996-86B	1986
316C1 - Spark Plug	
32362-04A	2015
327C1 - Pressure Sensor	
26554-77C	2015
336C1 - Shift Linkage Rod End	
42437-87	1987
336F1 - Toepeg	
34611-65A	1965
339C1 - Shifter Drum	
33634-91A	2009
339D1 - Shifter Fork	
34147-89C	1989
34144-89C	1989
34142-89C	1989
339F1 - Shifter Index Lever	
34014-91	1991
34015-91	1991

34560-91	1991
339H1 - Shifter Mechanism Components (internal)	
33178-90B	1992
34481-91A	1991
33655-90	1990
34491-91	1991
33652-90	1990
33204-91	1991
33656-90A	1990
33319-90	1990
34483-90	1990
339K1 - Shifter Pawl	
34492-91	1991
348A1 - Transmission Output Sprocket Cover	
34911-91A	1991
350A1 - Transmission Output Sprocket	
40202-91B	1991
40205-95	1995
40285-91B	1991
350B1 - Transmission Output Sprocket Compensating Cushion	
37709-89	1989
41470-86T	1986
41482-89	1989
350F1 - Transmission Mainshaft	
35771-89A	1989
35772-89A	1989
35034-89A	2005
35773-89A	1989
35640-89	1989
35762-89A	1991
350G1 - Transmission Shim / Spacer	

16233-86	1986
9142	1994
9143	1994
9148	1994
9149	1994
9144	1994
9145	1994
9146	Unknown
9147	1994
9155	1996
356A1 - Transmission Countershaft	
35633-89A	1989
35641-89	1989
35763-89A	1991
35775-89A	1989
363A1 - PT Driveline Miscellaneous Component	
34909-90	1990
35051-89A	1989
35211-91B	1991
35211-36	1936
36804-89	1989
365A1 - Primary Chain	
40005-57B	1957
365C1 - Primary Drive Assembly	
40235-89B	2007
40240-89	1989
40251-92A	1992
367A1 - Clutch Lever	
45017-88A	1988
367H1 - Clutch Lever sub-component	

34920-86A	1986
36715-84	1984
37904-90	1990
37870-91	1991
36792-91	1991
38630-88	1988
37872-90	1990
25409-84A	1985
37905-90	1990
37909-90	1990
36799-91	1991
37977-90	1990
37908-90	1990
370A1 - Clutch Assembly	
45036-88	1988
370B1 - Clutch Friction Plate	
37911-90	1990
370C1 - Clutch Hub	
36785-91	1991
370F1 - Clutch Pressure Plate	
37912-91	1991
37913-90	1990
370G1 - Clutch Shell	
36790-91	1991
372D1 - Clutch Cable	
38619-86A	1988
38621-86A	1987
372K2 - Clutch Ramp	
25408-84	1984
25409-86A	1986

372N1 - Clutch Vacuum Hose

26570-84	1984
----------	------

399D1 - Drive-Chain

40029-15E	1915
-----------	------

40028-15E	1915
-----------	------

400A1 - Drive-Belt

40022-91	1991
----------	------

40038-91	1991
----------	------

409A1 - Rear Wheel

40983-86	1986
----------	------

41015-86	1986
----------	------

40975-86	1986
----------	------

410D1 - Electronic Control Module (ECM)

32400-80B	2010
-----------	------

32504-80A	1982
-----------	------

32410-91B	1991
-----------	------

32433-91A	1991
-----------	------

32606-82	1982
----------	------

410E1 - Lighting / Siren Control Module

68537-89G	1989
-----------	------

413A1 - Brake Caliper

44053-92A	1995
-----------	------

44046-84C	1984
-----------	------

44050-87	1987
----------	------

44060-83A	1983
-----------	------

413B1 - Brake Bleeder Screw

44048-83	1983
----------	------

413C1 - Brake Caliper sub-component

40929-87	1987
----------	------

44054-83	1983
----------	------

44147-87A	1987
-----------	------

44022-83	1983
45401-87	1987
41579-81	1981
48361-80	1980
413E1 - Brake Pad Pin	
44053-83B	1983
413G1 - Brake Caliper Piston Set	
44020-83A	2013
43946-86A	2013
415B1 - Brake Rotor	
44136-92	1992
41789-92	1992
416A1 - Brakes Miscellaneous Component	
45031-82A	1982
40903-87	1987
72023-51E	2012
416B1 - Brake Mounting Bracket	
74598-73	1973
44072-92A	1995
417A1 - Brake Master Cylinder Assembly	
42456-87C	1987
417B1 - Brake Master Cylinder	
45019-85A	1985
45044-82	1982
417C1 - Brake Master Cylinder Piston Set	
42382-87E	2015
45072-87	1987
417D1 - Brake Master Cylinder sub-Component	
44199-79	1979
44047-83	1983

45004-85	1985
40922-87A	1987
45032-82	1982
41642-82	1982
42381-87	1987
42436-87	1987
45042-82	1982
44198-87	1987
44039-86	1986
417G1 - Front Brake Lever	
45016-82A	1982
418B1 - Brake Line	
45121-88C	2010
44438-87C	1990
45121-96A	1997
420A1 - Wheel Rim	
43001-06	2006
43085-81	1981
43025-73B	1973
421A1 - Wheel Spoke with Nipple	
40761-05	2005
43241-05	2005
422B1 - Wheel Sprocket	
40213-91	1991
40252-91	1991
423G1 - Valve Stem	
43157-83A	1983
43150-83	1983
423H1 - Valve Stem Cap	
41123-79	1979

423K1 - Wheel Weights	
95578-41	1941
95595-84B	2014
95581-47	1947
95582-47	1947
95594-84B	2014
424A1 - Wheels, Tires and Final Drive Miscellaneous Component	
44062-83	1983
425A1 - Wheel sub-component	
43668-82	1982
430B1 - Rear Axle Carrier / Adjuster	
47554-73A	1973
41570-77	1977
430D1 - Front Axle	
43895-87B	1987
430E1 - Rear Axle	
41563-77A	1977
433A1 - Front Wheel	
40976-86A	1986
43338-83	1983
43499-84	1984
433B1 - Front Wheel Bearing Spacer	
43358-83A	1983
43606-78	1978
41594-73	1973
43312-84B	1984
43608-82	1982
43613-92	1992
43291-82	1982
43654-86A	1986

43292-82	1982
433C1 - Front Wheel Hub	
43619-84	1984
43359-84	1984
454A1 - Front Telescopic Fork	
45929-92	1992
49378-09	2009
45928-92	1992
45901-88	1988
454B1 - Springer Fork	
45900-88	1988
455A1 - Front Telescopic Fork Slider	
45921-87	1987
45395-92	1992
45923-87	1987
45381-87	1987
455B1 - Front Telescopic Fork Spring	
45372-92	1992
45376-87	1987
455C1 - Front Telescopic Fork sub-component	
45374-87	1987
45462-87	1987
45461-87	1987
45739-87	1987
45361-90	1990
45460-90	1990
46002-87	1987
45463-87	1987
45938-92	1992
45925-88	1988

45905-87	1987
457E1 - Steering Stem Bearing Insert Cup	
48140-84A	1993
48315-60	1960
48300-60	1960
458A1 - Front Suspension and Steering Miscellaneous Component	
45549-88	1988
45668-90	1990
470A1 - Frame	
47150-91B	1991
31599-91	1991
47209-91B	1991
472A1 - Frame sub-component	
6056	1981
34075-89	1989
7036	Unknown
472D1 - Chassis Structure Miscellaneous Component	
47403-75A	1977
472D2 - Chassis Structure Mounting Bracket	
62563-65	1965
474C1 - Swingarm	
47547-87B	1998
500D1 - Sidestand Leg	
50072-92	1992
50006-89	1989
500E1 - Sidestand Leg sub-component	
62122-89A	1989
50005-85A	1985
500F1 - Sidestand Pivot Pin	
554A	2002
505A1 - Footboard	

50643-82	1982
42441-90A	1990
50647-82	1982
505B1 - Footpeg Mount Bracket	
50951-90	1990
33048-72	1972
505D1 - Passenger Footpeg	
50615-83	1983
505K1 - Footpeg Wear Peg	
50646-82	1982
506A1 - Brake Pedal	
45051-82	1982
50912-72	1972
42447-96	1996
520A1 - Rider Seat or Full Seat	
52129-87B	1987
52101-82B	1982
52004-94B	1994
52131-83B	1983
52129-92C	1995
52101-92C	1992
524A1 - Passenger Grab Handle	
51187-86	1986
51191-83	1983
540B1 - Rear Shock	
54568-92	1992
54568-91	1991
54566-91	1991
54705-91	1991
540E1 - Rear Shock sub-component	

54701-82	1982
54475-79	1979
47384-91	1991
540L2 - Rear Suspension Mounting Bracket	
44063-83C	1983
44209-87C	1987
558A1 - Handlebar	
56082-83	1983
56081-82A	1983
559D1 - Lower Handlebar Clamp	
56117-82A	1982
56116-82A	1982
559E1 - Upper Handlebar Clamp	
56115-79B	1979
560A1 - Mirror	
91875-88A	1989
91892-88A	1989
91904-88A	1988
91902-88A	1989
561A1 - Throttle Cable	
56308-88	1988
56309-88	1988
561B1 - Left Hand Grip	
56206-94A	1994
561E1 - Throttle Grip	
56220-94A	1994
571D1 - Debris Deflector	
60436-91	1991
572E1 - Side Cover	
66325-82	1982
573B1 - Bodywork Mounting Bracket	

59242-90	1990
59594-82C	1982
589A1 - Front Fender	
58998-83E	2008
595D1 - Rear Fender	
59674-81C	1991
596B1 - Fender Tip	
60419-91	1991
50101-91	1991
603B1 - Belt / Chain Guard	
60365-89	1989
60381-91	1991
60370-89	1989
608A1 - Carbon Canister	
28860-89	1989
28859-90	1990
27042-84A	1995
608B1 - Carbon Canister Hose	
28865-89C	1989
27068-92	1992
609A1 - Fuel Miscellaneous Component	
89579-91	1991
27047-84B	1984
610A1 - Fuel Tank	
61023-93	1993
61023-83D	1983
611B1 - Fuel Cap	
61102-83C	1983
61272-92C	1992
611F1 - Fuel Tank Vapor Vent Hose	

27138-90	1990
63500-68	1968
62555-95	1995
63501-68B	1968
612B2 - Fuel Valve	
62166-81A	1981
62161-02	2002
62172-02	2002
62169-81	1981
62150-85	1985
613B1 - Horn Cover	
69012-86A	1986
613K1 - Airbox Cover	
29084-73	1973
614C1 - Trim	
45092-66A	1966
68491-86	1986
62540-83	1983
68464-86	1986
68513-92	1992
624A1 - Oil Pump Assembly	
26204-91A	1991
624B1 - Oil Pump Assembly sub-component	
62601-91A	1991
26488-91	1991
62631-91	1991
26493-91	1991
26495-89B	1989
26437-86B	1986
26002-86	1986

33117-91A	1991
26492-91	1991
26001-86	1986
26491-91	1991
6239	Unknown
624D1 - Oil Pump Drive Gear	
26318-88A	1988
625B1 - Oil Tank	
62472-93A	1993
627B1 - Oil Drain Plug	
60348-65B	1965
627E1 - Oil Filler Plug / Dipstick	
62634-84A	1984
627F1 - Oil Filter	
63805-80A	1980
627H1 - Oil Line	
63504-84	1984
26571-89	1989
627K1 - Oil Line Fitting	
26496-75A	1975
60618-91	1991
62375-57A	1957
63533-41A	1941
627M1 - Oil Pressure Regulator Valve	
26856-89A	1989
648K1 - Exhaust Miscellaneous Component	
65569-86A	1998
65568-86A	1998
649A1 - Muffler	
65613-86B	1986
65605-87B	1987

65766-89E	1989
649C1 - Muffler Tailpipe / Outlet	
65769-89E	1989
654A1 - Exhaust Shield	
65419-86	1986
65719-86	1986
65712-86	1986
655C1 - Exhaust Mounting Bracket	
65599-80D	1985
658A1 - Exhaust Catalyst	
65860-91A	1991
65861-91	1991
659B1 - Exhaust Flange	
65328-83A	2010
660A1 - Battery	
65991-82B	1982
660B1 - Battery Pad	
66107-91	1991
660C1 - Battery Pan	
66191-83	1983
660D1 - Battery Strap	
66476-73A	1973
660F1 - Negative Battery Cable	
70129-79A	1979
660G1 - Positive Battery Cable	
70076-89A	1989
660H1 - Positive Battery Cable Boot	
31555-90	1990
660K1 - Battery Vent Hose	
65995-88A	1988

670A1 - Tachometer	
67111-85	1985
67085-83	1983
67112-83	1983
677A1 - Headlight	
67743-75	1975
67834-83	1983
67725-63	1963
67698-81D	2001
677B1 - Headlight sub-component	
67744-75	1975
67839-74	1974
67719-63	1963
677C1 - Headlight Support Bracket	
67805-92	1992
67805-86A	1991
678A1 - Taillight	
68033-90	1990
68123-73	1973
68026-73	1973
68008-73B	1975
68032-90	1990
68457-86	1986
68010-90	1990
68027-90	1990
678D1 - Turnsignal	
67822-88	1988
68410-87B	1987
68403-86A	1986
68408-86D	1986
67828-88A	1988

68555-87	1987
67827-88A	1988
68493-90	1990
67829-88	1988
68406-86C	1986
71591-92	1992
678E1 - Turnsignal Lens	
68566-90	1990
68507-90	1990
68516-92	1992
679B1 - Reflector	
59259-90	1990
59256-84A	1984
59273-91	1991
59988-72A	1972
59251-90	1990
679D1 - License Plate Bracket	
60001-55	1955
59986-75	1975
59984-73	1973
680B1 - Emergency Light	
68022-92A	1993
680C1 - Incandescent Bulb	
68572-64B	1964
68169-90A	1990
68168-89A	1989
68163-84	1984
53439-79	1979
68329-03	2003
690C1 - Horn	

69043-91D	1991
69060-90H	2014
690D1 - Horn Bracket	
69062-91	1991
69027-92	1992
69027-86	1986
692C1 - Electrical Miscellaneous Component	
70580-89	1989
68023-92A	1993
68024-92A	1993
71552-94	1994
67053-86	1986
70049-83	1983
68020-92A	1993
72051-77A	1977
74539-83A	1983
67110-86	1986
70027-83	1983
33900-59C	1959
68021-92A	1993
692C2 - Electrical Mounting Bracket	
66367-73	1973
69123-92A	1992
69120-91	1991
66103-74A	1974
66352-65	1965
31998-91A	1992
31723-71B	1975
692D1 - Fuse	
74589-73	1973
74599-77B	1977

692F1 - Wire Harness

70148-92	1992
----------	------

72041-71	1971
----------	------

70157-92	1992
----------	------

70097-75B	1975
-----------	------

70135-92A	1992
-----------	------

70135-91	1991
----------	------

692G1 - Conduit / Sheathing / Sleeving

70558-71	1971
----------	------

43603-78A	1978
-----------	------

70556-71	1971
----------	------

70555-69	1969
----------	------

70554-69	1969
----------	------

70552-69	1969
----------	------

43602-78A	1978
-----------	------

70551-69	1969
----------	------

43601-78A	1978
-----------	------

70553-69	1969
----------	------

692G2 - Wire Guide

29950-91	1991
----------	------

27580-88	1988
----------	------

692H1 - Connector

70586-93	1993
----------	------

74536-77A	1977
-----------	------

9849	Unknown
------	---------

72047-71	1971
----------	------

72277-74	1974
----------	------

70293-87A	1989
-----------	------

72276-74	1974
----------	------

72049-92	1992
----------	------

70288-81	1981
70576-68	1968
72035-71	1971
72275-74	1974
692H2 - Terminal	
9930	Unknown
9875	1985
9898	Unknown
66000-80	1980
9937	Unknown
9863	Unknown
9857	Unknown
9858	Unknown
9866	Unknown
692K1 - Connector / Terminal Seal	
72039-71A	1971
72278-74A	1974
692L1 - Wire Harness sub-component	
72037-71	1971
74539-77A	1979
70504-81	1981
9900	Unknown
72038-71A	1971
72043-71A	1971
72034-71	1971
72053-92	1992
56073-83	1983
70022-83	1983
70050-83A	1983
70578-89	1989

72046-79	1979
692M1 - Electrical Component / Wire Cover	
67107-91	1991
709B1 - Instrument Cluster or Speedometer	
67105-91A	1991
67127-84A	1984
67108-83	1983
67099-86A	1986
67053-92	1992
67037-91	1991
67103-91	1991
67110-92	1992
67099-92	1992
67052-78B	1980
67104-83	1983
67063-89	1989
67041-91	1991
67016-86A	1986
714A1 - Ignition Switch	
71425-77	1977
71441-94	1994
714B1 - Mechanical Switch	
68740-91A	1991
31540-91	1991
26558-84	1984
31546-81	1981
715A1 - Hand Control	
71590-92A	1992
71598-92	1992
70218-87A	1987

71597-92	1992
71568-82A	1982
71557-93	1993
71564-82A	1982
70219-87	1987
71563-82A	1982
71567-82	1982
71589-92	1992
747A1 - Voltage Regulator	
74523-92A	1992
74523-91	1991
902E1 - Saddlebag Bottom	
71552-75	1975
903B1 - Key or Key-set	
71451-94A	1994
931A1 - Protective / Storage Cover	
71510-92	1992

Common Service Parts

BEARINGS, SEALS & HARDWARE

View interactive table

PART NO.	DESCRIPTION	PART AND MODEL(S)
10014	CLAMP	GEARCASE & COVER: All Models CARBURETOR (1 OF 2): All Models FUEL TANK & TRIM: All Models OIL TANK & FILTER: All Models
10080	CLAMP	CRANKCASE (2 OF 2): All Models OIL TANK & FILTER: All Models
11000101	OIL SEAL	ACCESS DOOR & PRIMARY COVER: All Models SHIFTER: All Models
11105	O-RING	CRANKCASE (2 OF 2): All Models
11143	RETAINING RING	CLUTCH CONTROL: All Models FRONT BRAKE CONTROL: All Models
11165	QUAD SEAL	TRANSMISSION GEARS: All Models

11171	O-RING	<u>ACCESS DOOR & PRIMARY COVER: All Models</u> STARTER MOTOR - 883: <u>XL883</u> <u>XL883</u>
16715-83	STUD	<u>CYLINDER, HEAD & VALVES - V2™ EVOLUTION (2 OF 2): All Models</u>
17358-84B	GASKET	<u>ROCKER ARMS, COVER & PUSHROD - V2™: All Models</u>
26995-86B	SEAL	<u>CARBURETOR (1 OF 2): All Models</u>
2720	SCREW	<u>ALTERNATOR & REGULATOR: All Models</u>
31433-84A	OIL SEAL	<u>CRANKCASE (2 OF 2): All Models</u>
3655A	SCREW	<u>FRONT WHEEL - CAST: All Models</u> <u>FRONT WHEEL - LACED: All Models</u>
41731-88A	GASKET	<u>FRONT BRAKE CONTROL: All Models</u> <u>REAR BRAKE CONTROL: All Models</u>
41733-88	GASKET	<u>FRONT BRAKE CONTROL: All Models</u>
43567-92	SCREW	REAR WHEEL - CAST: <u>XL883</u> <u>XL1200</u> <u>XL883HUG</u> <u>XL883DLX</u> REAR WHEEL - LACED: <u>XL883</u> <u>XL1200</u> <u>XL883HUG</u> <u>XL883DLX</u>
45378-87	OIL SEAL	<u>FRONT FORK (1 OF 2): All Models</u>
45405-75A	SCREW	<u>FRONT FORK (1 OF 2): All Models</u>
47519-83A	OIL SEAL	<u>FRONT WHEEL - CAST: All Models</u> <u>FRONT WHEEL - LACED: All Models</u> <u>REAR WHEEL - CAST: All Models</u> <u>REAR WHEEL - LACED: All Models</u>
48300-60	ROLLER BEARING	<u>FRONT FORK (2 OF 2): All Models</u> <u>FRAME, REAR FORK & JIFFY STAND: All Models</u>
63858-49	GASKET	<u>ROCKER ARMS, COVER & PUSHROD - V2™: All Models</u>
6516HW	WASHER	BELTS, CHAINS & SPROCKETS: <u>XL1200</u> <u>XL883DLX</u> <u>XL1200</u> <u>XL883DLX</u> <u>REAR WHEEL - CAST: All Models</u> REAR WHEEL - LACED: <u>XL1200</u> <u>XL883DLX</u> <u>XL1200</u>

[XL883DLX](#)

65324-83B	GASKET	EXHAUST SYSTEM: All Models
65325-83A	RETAINING RING	EXHAUST SYSTEM: All Models
6702	WASHER	CYLINDER, HEAD & VALVES - V2™ EVOLUTION (1 OF 2): All Models SEATS: XL1200 XL883DLX XL1200 XL883DLX FUEL TANK & TRIM: All Models BATTERY: All Models EXHAUST SYSTEM: All Models
7041	LOCKWASHER	STARTER MOTOR - 883: XL883 XL883 REAR BRAKE CONTROL: All Models HEADLAMP & MIRROR: XL883 XL1200 XL883DLX XL883 XL1200 XL883DLX HORN: XL1200
7593	NUT	EXHAUST SYSTEM: All Models
8692	RIVET	REAR FENDER, BELT & CHAIN GUARDS: All Models
9052	ROLLER BEARING	FRONT WHEEL - CAST: All Models FRONT WHEEL - LACED: All Models REAR WHEEL - CAST: All Models REAR WHEEL - LACED: All Models
9955	CLAMP	EXHAUST SYSTEM: All Models EXHAUST SYSTEM: All Models

BRAKING & SUSPENSION

[View interactive table](#)

PART NO.	DESCRIPTION	PART AND MODEL(S)
44063-83C	PAD SET	FRONT BRAKE CALIPER: All Models

CHASSIS & COMPONENTS

[View interactive table](#)

PART NO.	DESCRIPTION	PART AND MODEL(S)
50005-85A	SPRING	FRAME, REAR FORK & JIFFY STAND: All Models

ELECTRICAL

View interactive table

PART NO.	DESCRIPTION	PART AND MODEL(S)
72023-51E	STOPLIGHT SWITCH	REAR BRAKE CONTROL: All Models SWITCHES & CIRCUIT BREAKERS: All Models

ENGINE, TRANSMISSION & PRIMARY

View interactive table

PART NO.	DESCRIPTION	PART AND MODEL(S)
37909-90	RETAINING RING	CLUTCH: All Models
37911-90	FRICTION PLATE	CLUTCH: All Models

FOOT CONTROLS

View interactive table

PART NO.	DESCRIPTION	PART AND MODEL(S)
34611-65A	SHIFTER PEG	SHIFTER: All Models

INTAKE, EXHAUST & FUEL MGMT

View interactive table

PART NO.	DESCRIPTION	PART AND MODEL(S)
27002-89	SEAL RING	CARBURETOR (1 OF 2): All Models
27361-76A	DIAPHRAGM	CARBURETOR (2 OF 2): All Models
29229-88D	CABLE	AIR CLEANER & ENRICHENER: All Models

LIGHTING

View interactive table

PART NO.	DESCRIPTION	PART AND MODEL(S)
68168-89A	BULB	TURN SIGNALS: All Models TAIL LAMP: All Models
68329-03	BULB	HEADLAMP & MIRROR: All Models
68572-64B	BULB	TURN SIGNALS: All Models

MAINTENANCE & TOOLS

View interactive table

PART NO.	DESCRIPTION	PART AND MODEL(S)
63805-80A	OIL FILTER	OIL TANK & FILTER: All Models
65991-82B	BATTERY	BATTERY: All Models
95582-47	WHEEL WEIGHT	FRONT WHEEL - LACED: All Models REAR WHEEL - LACED: All Models
95594-84B	WHEEL WEIGHT	FRONT WHEEL - CAST: XL1200 XL1200 REAR WHEEL - CAST: XL1200 XL1200
95595-84B	WHEEL WEIGHT	FRONT WHEEL - CAST: XL883 XL883 REAR WHEEL - CAST: XL883 XL883

TIRES

View interactive table

PART NO.	DESCRIPTION	PART AND MODEL(S)
43157-83A	VALVE STEM	REAR WHEEL - CAST: All Models