

2020 HARLEY-DAVIDSON® PARTS CATALOG: SPORTSTER® MODELS

Alphabetical List

Parts

Hardware List

New Parts List

Numerical Index

Component Types and Introduction Dates

Common Service Parts

READER'S COMMENTS

The Harley-Davidson Service Communications Department maintains a continuous effort to improve the quality and usefulness of its publications. To do this effectively, we need user feedback - your critical evaluation of this manual.

Please comment on the completeness, accuracy, organization, usability, and readability of this manual.

Please list the page, item, and part number(s) of any errors you find in this manual.

Please tell us how we can improve this manual.

Name	Document 94000717
Occupation	Dealership

GENERAL INFORMATION

THIS IS NOT AN ASSEMBLY MANUAL AND SHOULD NOT BE USED AS SUCH.

About this manual

This Parts Catalog has been prepared to make it easier for you to order parts for your motorcycles. The numbers shown in the illustrations correspond to the numbers in the "INDEX NO." column in the parts lists. Consult the illustrations when ordering parts to make sure that you receive all the required parts. The number in parentheses following the part description is the quantity needed for complete assembly. If there is no number in parentheses, only one is used. Prices of parts in this catalog are published separately.

When ordering parts, the following instructions should be followed carefully.

- Make sure to specify the correct part number for each item. The part numbers appear under the "PART NO." column in the parts lists.
- Orders may be placed via your computer for all parts. Review your system documentation on placing orders electronically. All non-warranty replacement crankcase orders require return of the complete left crankcase half with vehicle identification number (VIN). All non-warranty replacement frame orders require return of the steering neck with vehicle identification number (VIN). Non-compliance will result in a fine. See non-warranty frame and crankcase policy or contact Dealer Services.
- The sale or use of these parts or accessories does not grant the purchaser a license or other right under any Harley-Davidson patent.
- For all 2008 and later painted parts, refer to the Service Section of h-dnet.com which features a listing of painted part numbers, except CVO (Custom Vehicle Operations) models which are located in their own respective catalogs.
- All parts that were added for the new model year will have the entire line shaded on the parts list page. This can be used to identify any new parts that are unique to a specific model, and help distinguish new and previous model year parts.
- Parts marked "**RESTRICTED SALE PART**" are limited edition items and can only be ordered as direct replacements.
- Orientation symbols are used when the illustration is not in the standard "Right-Front" orientation. The

symbol is a motorcycle with an arrow in the front indicating the direction of view. The symbol is at the bottom left or right side of the illustration page.

- To request a missing or loose part, simply submit a Return Material Authorization (RMA) claim on h-dnet.com with code "T-part not included with vehicle" for all vehicle missing parts claims. Then place an order for the missing item on your next Parts and Accessories order. Upon filing the RMA claim, your dealership will be credited for the dealer net cost of the part. The Vehicle Identification Number must be included on the RMA claim in order for you to receive credit. This process is to be used for vehicles manufactured at all plants.

To the best knowledge of Harley-Davidson Motor Company, the material contained herein is accurate as of the date this publication was approved for printing. Harley-Davidson Motor Company reserves the right to change specifications, equipment or designs at any time without notice and without incurring obligation.

2019 TFD.

GENERAL INFORMATION

LOOSE PARTS

The Loose Parts section is located at the back of this parts catalog. This section lists the parts which are shipped unfastened with the vehicles covered in this catalog.

HARDWARE LIST

The Hardware List is located at the back of this parts catalog. This section contains the information for each piece of hardware found in each parts list.

NEW PARTS LIST

The New Parts List is located at the back of this parts catalog. This list serves as a summary of new parts.

NUMERICAL INDEX

The Numerical Index is located at the back of this parts catalog. This index includes all part numbers used in this catalog and the page numbers of where they can be found.

COMPONENT TYPES AND INTRODUCTION DATES

The Component Types and Introduction Dates section is located at the back of this parts catalog. This section contains a list of component part numbers and year of introduction.

COMMON SERVICE PARTS

The Common Service Parts section is located at the back of this parts catalog. This section contains the most commonly ordered parts for service on vehicles covered in this catalog. These parts are ordered through the normal ordering process.

IF (SERVICE INFORMATION PORTAL)

For the latest updates to these manuals, see the Service Information Portal.

VEHICLE IDENTIFICATION NUMBER

See Figure 1. A unique 17-digit serial, or vehicle identification number (VIN), is assigned to each motorcycle. For a description of each digit in the vehicle identification number (VIN), refer to Table 1.

The full 17-digit serial, or vehicle identification number (VIN), is stamped on the right side of the frame backbone at the rear of the steering head. The vehicle identification number (VIN) is also printed on a label on the right front downtube. An abbreviated vehicle identification number (VIN) is stamped on the left side crankcase between the front and rear cylinders.

Always give the full 17-digit vehicle identification number (VIN) when ordering parts or making any inquiry about your motorcycle.

020 SPORTSTER MODELS

VIN MODEL CODES

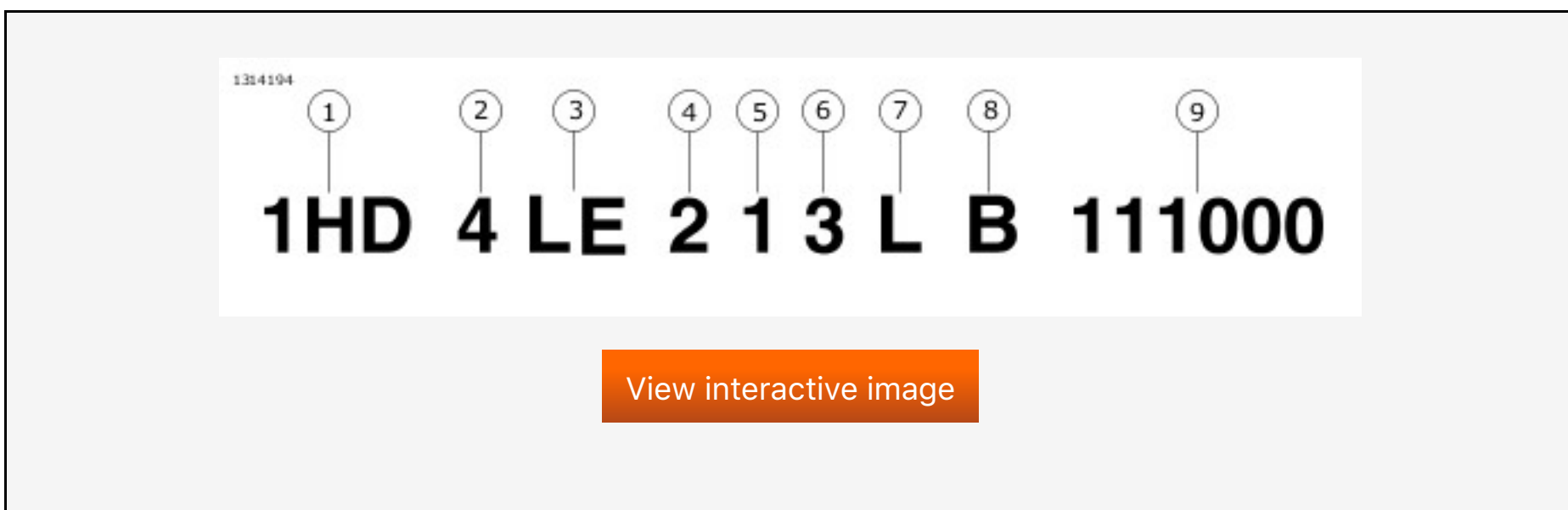


Figure 4. Typical Harley-Davidson VIN

Table 1. Harley-Davidson VIN Breakdown

POSITION	DESCRIPTION	POSSIBLE VALUES
1	World manufacturer identifier	1HD=Originally manufactured in the United States 5HD=Originally manufactured in the United States for sale outside of the United States 932=Originally manufactured in Brazil MEG=Originally manufactured in India MLY=Originally manufactured in Thailand
2	Motorcycle type	1=Heavyweight motorcycle (901 cm ³ or larger) 4=Middleweight motorcycle (351 cm ³ to 900 cm ³)
3	Model	See VIN model table
4	Engine type	2=Evolution [®] 883 cm ³ air-cooled, fuel-injected 3=Evolution [®] 1202 cm ³ air-cooled, fuel-injected
5	Configuration/calibration, introduction	1=Domestic (DOM) 2=California (CAL) 3=Canada (CAN) 4=HDI 5=Japan (JPN) 6=Australia (AUS) 7=Brazil (BRZ) 8=Asia Pacific (APC)

		9=India (IND) 0=ASEAN (AZN) A=China (CHN)
6	VIN check digit	Can be 0-9 or X
7	Model year	L=2020
8	Assembly plant	B=York, PA U.S.A. D=H-D Brazil-Manaus, Brazil (CKD) N=Haryana India (Bawal District Rewari) S=Tasit, Pluagdang, Rayong, Thailand
9	Sequential number	Varies

Table 2. VIN Model Codes

CODE	MODEL	CODE	MODEL
CR	XL883L SuperLow [®]	LL	XL1200T SuperLow [®] 1200T
CT	XL1200C 1200 Custom	LM	XL1200CX Roadster [™]
LC	XL1200X Forty-Eight [®]	LP	XL1200NS Iron 1200 [™]
LE	XL883N Iron 883 [™]	LR	XL1200XS Forty-Eight [®] Special

ABS MODULE
 AIR CLEANER
 AIR FILTER, ENGINE
 ALTERNATOR AND REGULATOR
 AXLE, FRONT
 AXLE, REAR
 AXLE, REAR
 AXLE, REAR
 AXLE, REAR
 BATTERY
 BATTERY CABLES
 BELT GUARD
 BELTS, CHAINS AND SPROCKETS
 BODY CONTROL MODULE (BCM)
 BRAKE CALIPER, FRONT
 BRAKE CALIPER, REAR
 BRAKE CONTROL, FRONT
 BRAKE CONTROL, REAR
 BRAKE DISC, FRONT
 BRAKE DISC, REAR
 BRAKE DISC, REAR
 BRAKE DISC, REAR
 BRAKE LEVER, FRONT
 BRAKE LINES, FRONT - ABS

BRAKE LINES, FRONT - NON-ABS
BRAKE LINES, REAR - ABS
BRAKE LINES, REAR - NON-ABS
BRAKE MASTER CYLINDER, FRONT
BRAKE MASTER CYLINDER, REAR
BRAKE MODULE, ABS
BRAKE PEDAL, REAR
BULB, FRONT TURN SIGNALS
BULB, FRONT TURN SIGNALS
BULB, HEADLAMP
BULB, HEADLAMP
BULB, HEADLAMP
BULB, HEADLAMP
BULB, LICENSE PLATE BRACKETS
BULB, REAR TURN SIGNALS
BULB, TAIL LAMPS
CALIPER, FRONT BRAKE
CALIPER, REAR BRAKE
CAMSHAFT COVER
CAMSHAFTS AND GEARCASE COVER
CARBON CANISTER
CHAIN, PRIMARY
CLUTCH
CLUTCH CABLE
CLUTCH CONTROL
CONNECTING ROD
COVER, PUSHRODS
CRANKCASE AND GEARCASE
CRANKCASE BEARINGS
CYLINDER HEADS
CYLINDERS, HEADS AND VALVES (1 OF 2)
CYLINDERS, HEADS AND VALVES (2 OF 2)
DEBRIS DEFLECTOR
DIPSTICK, OIL TANK
ELECTRONIC CONTROL MODULE (ECM)
ELECTRONIC IGNITION SYSTEM
ENGINE ASSEMBLY
ENGINE MOUNTS AND STABILIZER LINK
ENGINE SENSORS AND SWITCHES
EVAPORATIVE EMISSIONS COMPONENTS
EXHAUST SYSTEM - XL1200C, XL1200T
EXHAUST SYSTEM - XL1200CX
EXHAUST SYSTEM - XL1200NS
EXHAUST SYSTEM - XL883L, XL1200X, XL1200XS (1 OF 2)
EXHAUST SYSTEM - XL883L, XL1200X, XL1200XS (2 OF 2)
EXHAUST SYSTEM - XL883N
FENDERS, FRONT
FENDERS, REAR - XL1200C
FENDERS, REAR - XL1200CX (ALL EXCEPT DOMESTIC, CANADA)
FENDERS, REAR - XL1200CX (DOMESTIC, CANADA ONLY)
FENDERS, REAR - XL1200T

FENDERS, REAR - XL883L
FENDERS, REAR - XL883N, XL1200NS, XL1200X, XL1200XS (ALL EXCEPT DOMESTIC, CANADA)
FENDERS, REAR - XL883N, XL1200X, XL1200NS (DOMESTIC, CANADA ONLY)
FILTER, AIR CLEANER
FLYWHEEL ASSEMBLY
FOOTRESTS, PASSENGER
FOOTRESTS, RIDER, FORWARD-CONTROL
FOOTRESTS, RIDER, MID-CONTROL
FORK BRACKETS, FRONT
FORK, FRONT - XL1200CX
FORK, FRONT - XL1200T
FORK, FRONT - XL1200X, XL1200XS
FORK, FRONT - XL883L, XL1200C
FORK, FRONT - XL883N, XL1200NS
FORK, REAR, DEBRIS DEFLECTOR AND BELT GUARD
FRAME AND JIFFY STAND
FUEL CAP
FUEL FILTER
FUEL INJECTOR
FUEL PUMP
FUEL TANK
FUEL TANK TRIM
FUSES
GEARCASE COVER
GEARCASE
GEARS, TRANSMISSION
GUARDS, SAREE
HANDLEBAR AND THROTTLE CONTROL - XL1200C
HANDLEBAR AND THROTTLE CONTROL - XL1200CX
HANDLEBAR AND THROTTLE CONTROL - XL883L, XL1200X, XL1200XS
HANDLEBAR AND THROTTLE CONTROL - XL883N, XL1200NS, XL1200T
HEADLAMP - XL1200C
HEADLAMP - XL1200CX, XL1200X, XL1200XS
HEADLAMP - XL1200NS
HEADLAMP - XL883L, XL1200T
HEADLAMP - XL883N
HEADS, CYLINDER
HORN - 883L, 883N, XL1200CX, XL1200NS, XL1200X, XL1200XS
HORN - XL1200C, XL1200T
IGNITION COIL
INDUCTION MODULE, FUEL
INNER TUBE, FRONT
INNER TUBE, REAR
INSPECTION COVER AND PRIMARY COVER
INSTRUMENT MODULE - XL1200C
INSTRUMENT MODULE - XL1200CX, XL1200X, XL1200XS
INSTRUMENT MODULE - XL883L, XL883N, XL1200NS, XL1200T
JET, PISTON COOLING
JIFFY STAND
KEY SET
LABELS

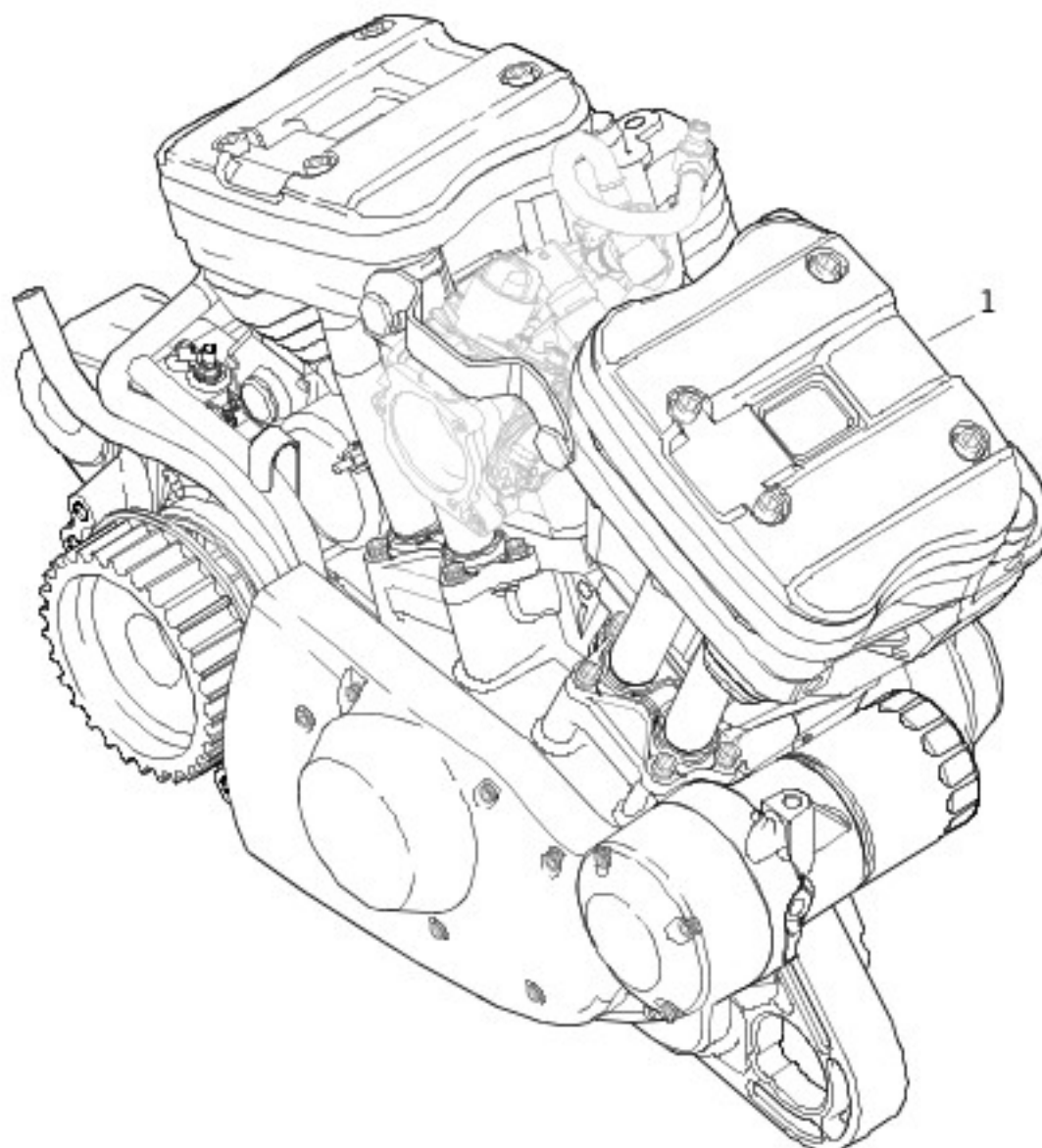
LICENSE PLATE BRACKETS - XL1200CX
LICENSE PLATE BRACKETS - XL883L, XL1200C, XL1200T
LICENSE PLATE BRACKETS - XL883N, XL1200NS, XL1200X, XL1200XS
LIFTER, HYDRAULIC
LOCKSET
LOOSE PARTS
MASTER CYLINDER, BRAKE, REAR
MIRRORS
MUFFLERS - 883N
MUFFLERS - XL1200C, XL1200T
MUFFLERS - XL1200CX
MUFFLERS - XL1200NS
OIL FILTER, ENGINE
OIL PUMP
OIL TANK AND LINES
PADS, FRONT BRAKE
PADS, REAR BRAKE
PISTON COOLING, JET
PISTONS AND FLYWHEEL ASSEMBLY
PRIMARY COVER
PUSHRODS
REAR FORK
REFLECTOR, FRONT FENDER - XL1200CX
REFLECTOR, FRONT FORK - XL1200T
REFLECTOR, FRONT FORK - XL1200X
REFLECTOR, FRONT FORK - XL883L, XL1200C, XL1200CB
REFLECTOR, FRONT FORK - XL883N
REFLECTOR, REAR FENDER - XL883L
REFLECTOR, REAR FENDER - XL1200C
REFLECTOR, REAR FENDER - XL1200CX (DOMESTIC, CANADA ONLY)
REFLECTOR, REAR FENDER - XL883N, XL1200X (HDI ONLY)
REFLECTOR, REAR FENDER - XL883N, XL1200X, XL1200NS (Domestic only)
REFLECTOR, SADDLEBAGS - 1200T
REGULATOR, VOLTAGE
REMOTE CONTROL FOB
ROCKER ARM ASSEMBLY AND PUSHRODS
SADDLEBAGS - 1200T
SAREE GUARDS
SEATS
SENSOR, CRANKSHAFT POSITION
SENSOR, ENGINE TEMPERATURE
SENSOR, FUEL LEVEL
SENSOR, SPEED
SENSOR, TEMPERATURE MANIFOLD ABSOLUTE PRESSURE (TMAP)
SENSOR, WHEEL SPEED, FRONT
SENSOR, WHEEL SPEED, REAR
SENSOR, WHEEL SPEED, REAR
SENSORS AND SWITCHES, ENGINE
SHIFTER CAM
SHIFTER FORK
SHIFTER LEVER

SHIFTER, GEAR
SHOCK ABSORBERS, REAR
SIDE COVER, OIL TANK
SOLENOID, PURGE
SPARK PLUGS
SPEEDOMETER
SPEEDOMETER
SPROCKET, BELT
SPROCKET, TRANSMISSION
STABILIZER LINK, ENGINE
STARTER MOTOR
STATOR
SWINGARM
SWITCH, BRAKE LIGHT
SWITCH, IGNITION
SWITCH, NEUTRAL INDICATOR
SWITCH, OIL PRESSURE
SWITCHES
SWITCHES, HANDLEBAR
TAIL LAMPS
TAIL LAMPS AND TURN SIGNALS, REAR - XL883N, XL1200NS, XL1200X, XL1200XS
THROTTLE CONTROL - XL883L, XL1200XS, XL1200X
THROTTLE CONTROL - XL883N, XL1200NS, XL1200T
TIRE, FRONT
TIRE, REAR
TIRE, REAR
TIRE, REAR
TRANSMISSION GEARS
TRIPLE CLAMP
TURN SIGNAL MODULE
TURN SIGNALS, FRONT
TURN SIGNALS, FRONT - 1200T
TURN SIGNALS, REAR - XL1200CX, XL1200T
TURN SIGNALS, REAR - XL883L and XL1200C
TURN SIGNALS, REAR
VALVES
WHEELS, FRONT, CAST - XL1200C (INDIA ONLY), XL883L, XL883N, XL1200CX, XL1200NS, XL1200T,
XL1200X, XL1200XS
WHEELS, FRONT, LACED - XL1200C
WHEELS, REAR, CAST - ABS ONLY - XL883L, XL883N, XL1200CX, XL1200NS, XL1200T, XL1200X, XL1200XS
WHEELS, REAR, CAST - NON-ABS - XL883L, XL883N, XL1200CX, XL1200NS, XL1200X, XL1200XS
WHEELS, REAR, CAST - XL1200C INDIA
WHEELS, REAR, LACED - XL1200C
WINDSHIELD - 1200T
WIRING HARNESS, ENGINE
WIRING HARNESS, MAIN, ABS (1 OF 4)
WIRING HARNESS, MAIN, ABS (2 OF 4)
WIRING HARNESS, MAIN, ABS (3 OF 4)
WIRING HARNESS, MAIN, ABS (4 OF 4)
WIRING HARNESS, MAIN, KEYLESS, ABS (1 OF 4)
WIRING HARNESS, MAIN, KEYLESS, ABS (2 OF 4)

WIRING HARNESS, MAIN, KEYLESS, ABS (3 OF 4)
WIRING HARNESS, MAIN, KEYLESS, ABS (4 OF 4)
WIRING HARNESS, MAIN, KEYLESS, NON-ABS (1 OF 4)
WIRING HARNESS, MAIN, KEYLESS, NON-ABS (2 OF 4)
WIRING HARNESS, MAIN, KEYLESS, NON-ABS (3 OF 4)
WIRING HARNESS, MAIN, KEYLESS, NON-ABS (4 OF 4)
WIRING HARNESS, MAIN, NON-ABS (1 OF 4)
WIRING HARNESS, MAIN, NON-ABS (2 OF 4)
WIRING HARNESS, MAIN, NON-ABS (3 OF 4)
WIRING HARNESS, MAIN, NON-ABS (4 OF 4)
WIRING HARNESS, ON BOARD DIAGNOSTICS (OBD) JUMPER (CHINA ONLY)
WIRING HARNESS, REAR BRAKELINE - ABS
WIRING HARNESS, REAR BRAKELINE - NON-ABS
WIRING HARNESS, REAR TURN SIGNALS
WIRING HARNESS, SPEEDOMETER
WIRING HARNESS, TAIL LAMPS

Parts

ENGINE ASSEMBLY



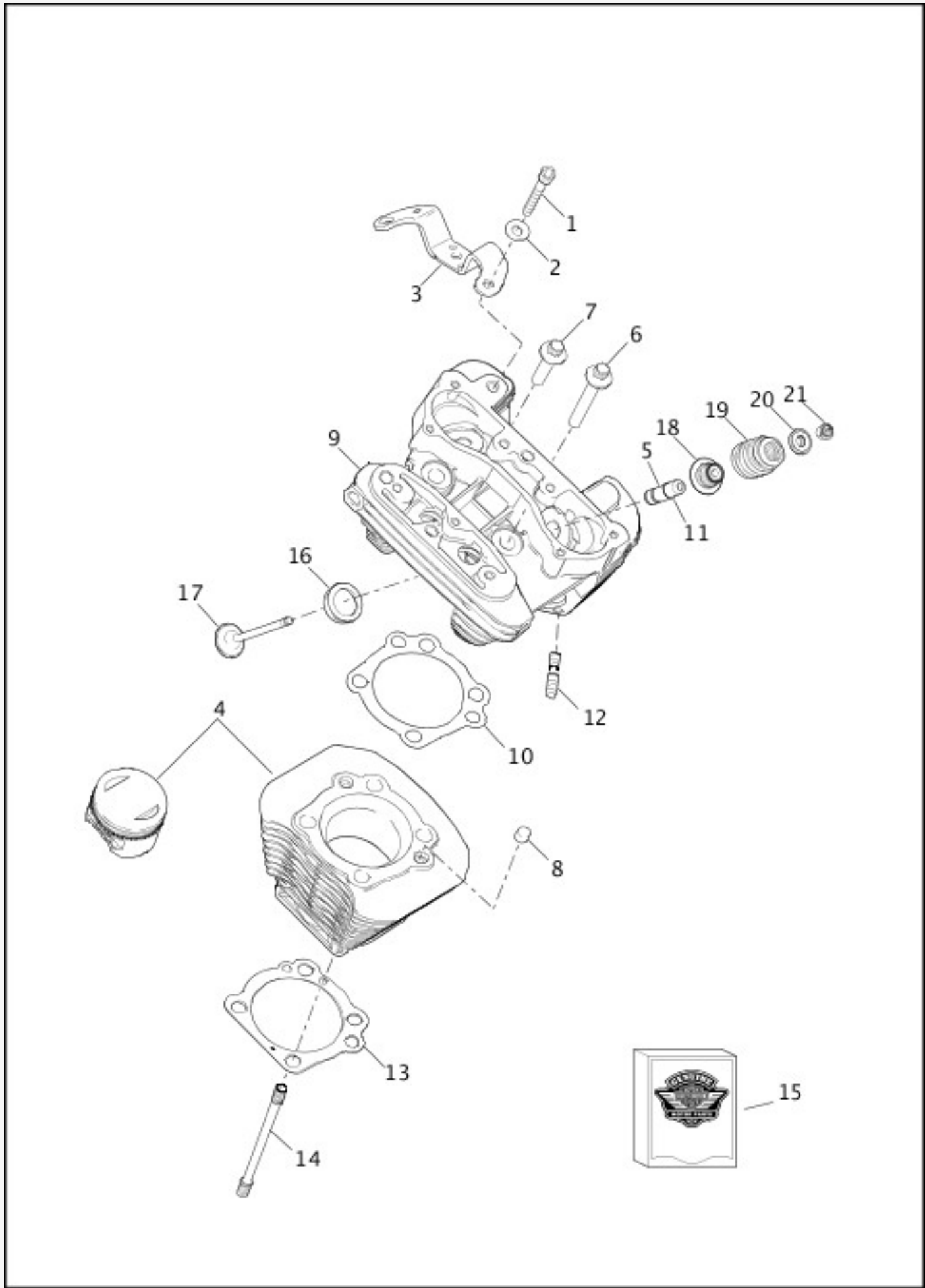
[View interactive image](#)

[View interactive table](#)

INDEX NO.	PART NO.	DESCRIPTION	MODEL(S)
1	16200499	ENGINE ASSEMBLY (883cc) (Asia-Pacific)	XL883L
1	16200500	ENGINE ASSEMBLY (883cc) (Australia, England, HDI, India, Japan)	XL883L

1	16200516	ENGINE ASSEMBLY (883cc) (ASEAN, HD4)	XL883L
1	16200573	ENGINE ASSEMBLY (883cc) (China)	XL883L
1	16200497	ENGINE ASSEMBLY (883cc) (Asia-Pacific, Brazil, Canada, Domestic)	XL883N
1	16200498	ENGINE ASSEMBLY (883cc) (Australia, England, HDI, India, Japan)	XL883N
1	16200513	ENGINE ASSEMBLY (883cc) (ASEAN, HD4)	XL883N
1	16200571	ENGINE ASSEMBLY (883cc) (China)	XL883N
1	16200505	ENGINE ASSEMBLY (1200cc) (Australia, Asia-Pacific, England, HDI, India, Japan)	XL1200C
1	16200518	ENGINE ASSEMBLY (1200cc) (ASEAN, HD4)	XL1200C
1	16200574	ENGINE ASSEMBLY (1200cc) (China)	XL1200C
1	16200496	ENGINE ASSEMBLY (1200cc) (Asia-Pacific, Canada, Domestic, England, HDI, India, Japan)	XL1200CX
1	16200512	ENGINE ASSEMBLY (1200cc) (ASEAN, HD4)	XL1200CX
1	16200570	ENGINE ASSEMBLY (1200cc) (China)	XL1200CX
1	16200514	ENGINE ASSEMBLY (1200cc) (Canada, Domestic)	XL1200NS
1	16200515	ENGINE ASSEMBLY (1200cc) (Australia, Asia-Pacific, Brazil, England, HDI, India, Japan)	XL1200NS
1	16200517	ENGINE ASSEMBLY (1200cc) (ASEAN, China, HD4)	XL1200NS
1	16200501	ENGINE ASSEMBLY (1200cc)	XL1200T
1	16200502	ENGINE ASSEMBLY (1200cc) (Canada, Domestic)	XL1200X
1	16200503	ENGINE ASSEMBLY (1200cc) (Australia, Asia-Pacific, England, HDI, India, Japan)	XL1200X
1	16200517	ENGINE ASSEMBLY (1200cc) (ASEAN, HD4)	XL1200X
1	16200557	ENGINE ASSEMBLY (1200cc) (China)	XL1200X
1	16200517	ENGINE ASSEMBLY (1200cc) (ASEAN, HD4)	XL1200XS
1	16200509	ENGINE ASSEMBLY (1200cc) (Asia-Pacific, Australia, England, HDI, India, Japan)	XL1200XS

CYLINDERS, HEADS AND VALVES (1 OF 2)



[View interactive image](#)

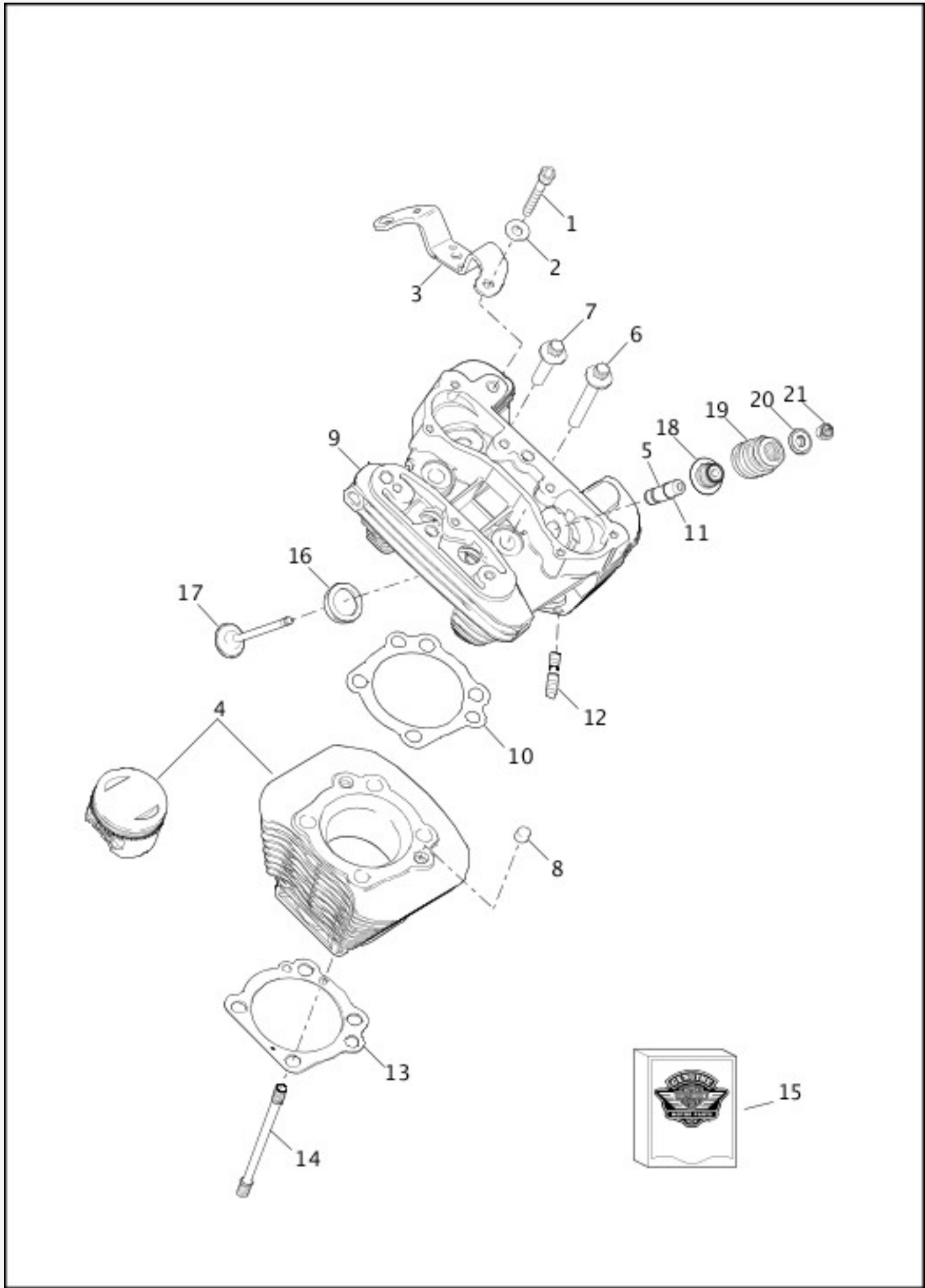
[View interactive table](#)

INDEX NO.	PART NO.	DESCRIPTION	MODEL(S)
1	4266A	SCREW (2)	XL1200CX, XL1200NS, XL1200X, XL1200XS, XL883L, XL883N

1	4266A	SCREW (India only) (2)	XL1200C
1	4748	SCREW (2)	XL1200C, XL1200T
2	6787	WASHER (2)	XL1200C, XL1200T
3	16353-04	BRACKET	XL1200C, XL1200T
4	16443-04	CYLINDER, with piston (883 cc) (silver) (2)	XL883L
4	16452-05	CYLINDER, with piston (883 cc) (black) (2)	XL883N
4	16463-04	CYLINDER, with piston (1200 cc) (black with fin highlights) (2)	XL1200C, XL1200T
4	16469-10	CYLINDER, with piston (1200 cc) (black without fin highlights) (2)	XL1200NS, XL1200X, XL1200XS
4	17496-07	CYLINDER, with piston (1200 cc) (gray without fin highlights) (2)	XL1200CX
5	16465-06	VALVE GUIDE, with 16699-06 (4)	ALL
6	16478-85A	SCREW (4)	ALL
7	16480-92A	SCREW (4)	ALL
8	16573-83A	DOWEL (4)	ALL
9	16660-07	HEAD, rear cylinder (883 cc) (silver), with valve guides and seats (except ASEAN, China)	XL883L
9	16500827	HEAD, rear cylinder (883 cc) (silver), with valve guides and seats (ASEAN, China only)	XL883L
9	16661-07	HEAD, front cylinder (883 cc) (silver), with valve guides and seats (except ASEAN, China)	XL883L
9	16500826	HEAD, front cylinder (883 cc) (silver), with valve guides and seats (ASEAN, China only)	XL883L
9	16865-07	HEAD, rear cylinder (883 cc) (black), with valve guides and seats (except ASEAN, China, HD3)	XL883N
9	16500823	HEAD, rear cylinder (883 cc) (black), with valve guides and seats (ASEAN, China, HD3 only)	XL883N
9	16867-07	HEAD, front cylinder (883 cc) (black), with valve guides and seats (except ASEAN, China, HD3)	XL883N
9	16500822	HEAD, front cylinder (883 cc) (black), with valve guides and seats (ASEAN, China, HD3 only)	XL883N
9	16666-07	HEAD, rear cylinder (1200 cc) (black with fin highlights), with valve guides and seats (except ASEAN, China)	XL1200C
9	16500819	HEAD, rear cylinder (1200 cc) (black with fin highlights), with valve guides and seats (ASEAN, China only)	XL1200C

9	16667-07	HEAD, front cylinder (1200 cc) (black with fin highlights), with valve guides and seats (except ASEAN, China)	XL1200C
9	16500818	HEAD, front cylinder (1200 cc) (black with fin highlights), with valve guides and seats (ASEAN, China only)	XL1200C
9	16666-07	HEAD, rear cylinder (1200 cc) (black with fin highlights), with valve guides and seats	XL1200T
9	16667-07	HEAD, front cylinder (1200 cc) (black with fin highlights), with valve guides and seats	XL1200T
9	17488-07	HEAD, rear cylinder (1200 cc) (black without fin highlights), with valve guides and seats (except ASEAN, China)	XL1200NS
9	16500821	HEAD, rear cylinder (1200 cc) (black without fin highlights), with valve guides and seats (ASEAN, China only)	XL1200NS
9	17485-07	HEAD, front cylinder (1200 cc) (black without fin highlights), with valve guides and seats (except ASEAN, China)	XL1200NS
9	16500820	HEAD, front cylinder (1200 cc) (black without fin highlights), with valve guides and seats (ASEAN, China only)	XL1200NS
9	17488-07	HEAD, rear cylinder (1200 cc) (black without fin highlights), with valve guides and seats (except ASEAN, China, HD3)	XL1200X
9	16500821	HEAD, rear cylinder (1200 cc) (black without fin highlights), with valve guides and seats (ASEAN, China, HD3 only)	XL1200X
9	17485-07	HEAD, front cylinder (1200 cc) (black without fin highlights), with valve guides and seats (except ASEAN, China, HD3)	XL1200X
9	16500820	HEAD, front cylinder (1200 cc) (black without fin highlights), with valve guides and seats (ASEAN, China, HD3 only)	XL1200X
9	17488-07	HEAD, rear cylinder (1200 cc) (black without fin highlights), with valve guides and seats	XL1200XS
9	17485-07	HEAD, front cylinder (1200 cc) (black without fin highlights), with valve guides and seats	XL1200XS
9	16500469	HEAD, rear cylinder (1200 cc) (gray), with valve guides and seats (except ASEAN, China)	XL1200CX
9	16500825	HEAD, rear cylinder (1200 cc) (gray), with valve guides and seats (ASEAN, China only)	XL1200CX
9	16500471	HEAD, front cylinder (1200 cc) (gray), with valve guides and seats (except ASEAN, China)	XL1200CX
9	16500824	HEAD, front cylinder (1200 cc) (gray), with valve guides and seats (ASEAN, China only)	XL1200CX

CYLINDERS, HEADS AND VALVES (2 OF 2)



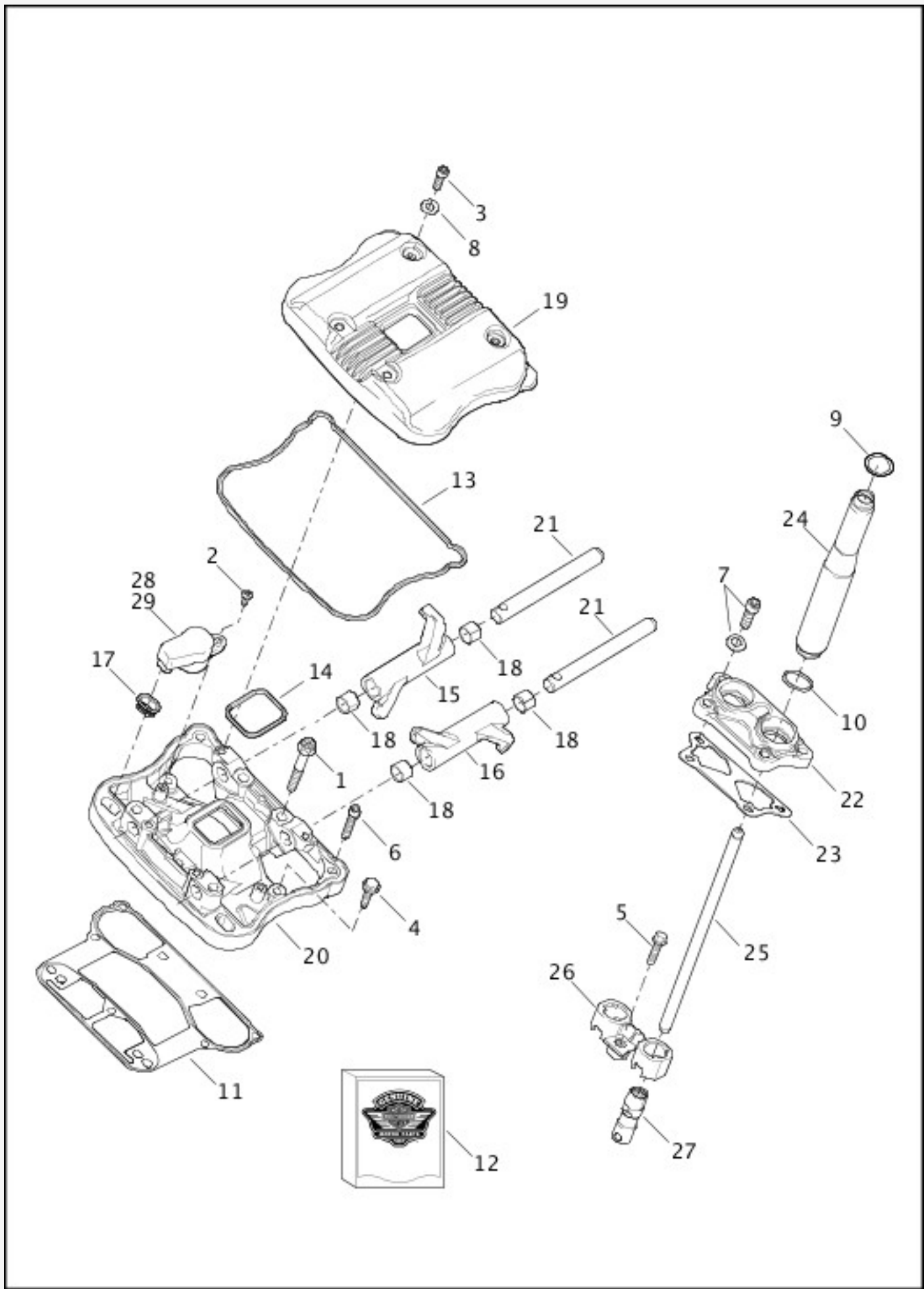
[View interactive image](#)

[View interactive table](#)

INDEX NO.	PART NO.	DESCRIPTION	MODEL(S)
10	16664-86D	GASKET, cylinder head (2)	XL883L, XL883N
10	16770-84F	GASKET, cylinder head (2)	XL1200C, XL1200CX, XL1200NS, XL1200T, XL1200X,

			XL1200XS
11	16699-06	SNAP RING (4)	ALL
12	16715-83	STUD, exhaust port (4)	ALL
13	16789-04	GASKET, cylinder base (2)	ALL
14	16832-86C	STUD, cylinder base (8)	ALL
15	17027-08	GASKET KIT, engine overhaul	ALL
15	17049-08	GASKET KIT, top overhaul	ALL
16	18011-86	INSERT, exhaust valve seat (2)	XL1200C, XL1200CX, XL1200NS, XL1200T, XL1200X, XL1200XS
16	18012-87A	INSERT, exhaust valve seat (2)	XL883L, XL883N
16	18020-07	INSERT, intake valve seat (2)	XL1200C, XL1200CX, XL1200NS, XL1200T, XL1200X, XL1200XS
16	18021-87A	INSERT, intake valve seat (2)	XL883L, XL883N
17	18053-04	INTAKE VALVE, 7mm (2)	XL883L, XL883N
17	18690-02	INTAKE VALVE, 7mm (2)	XL1200C, XL1200CX, XL1200NS, XL1200T, XL1200X, XL1200XS
17	18059-04	EXHAUST VALVE, 7mm (2)	XL883L, XL883N
17	18691-02	EXHAUST VALVE, 7mm (2)	XL1200C, XL1200CX, XL1200NS, XL1200T, XL1200X, XL1200XS
18	18094-02A	SEAL KIT, valve (set of 4)	ALL
19	18245-02	VALVE SPRING (4)	ALL
20	18258-02	COLLAR, valve spring - upper (4)	ALL
21	18260-02	KEEPER, valve collar (8)	ALL

ROCKER ARM ASSEMBLY AND PUSHRODS



[View interactive image](#)

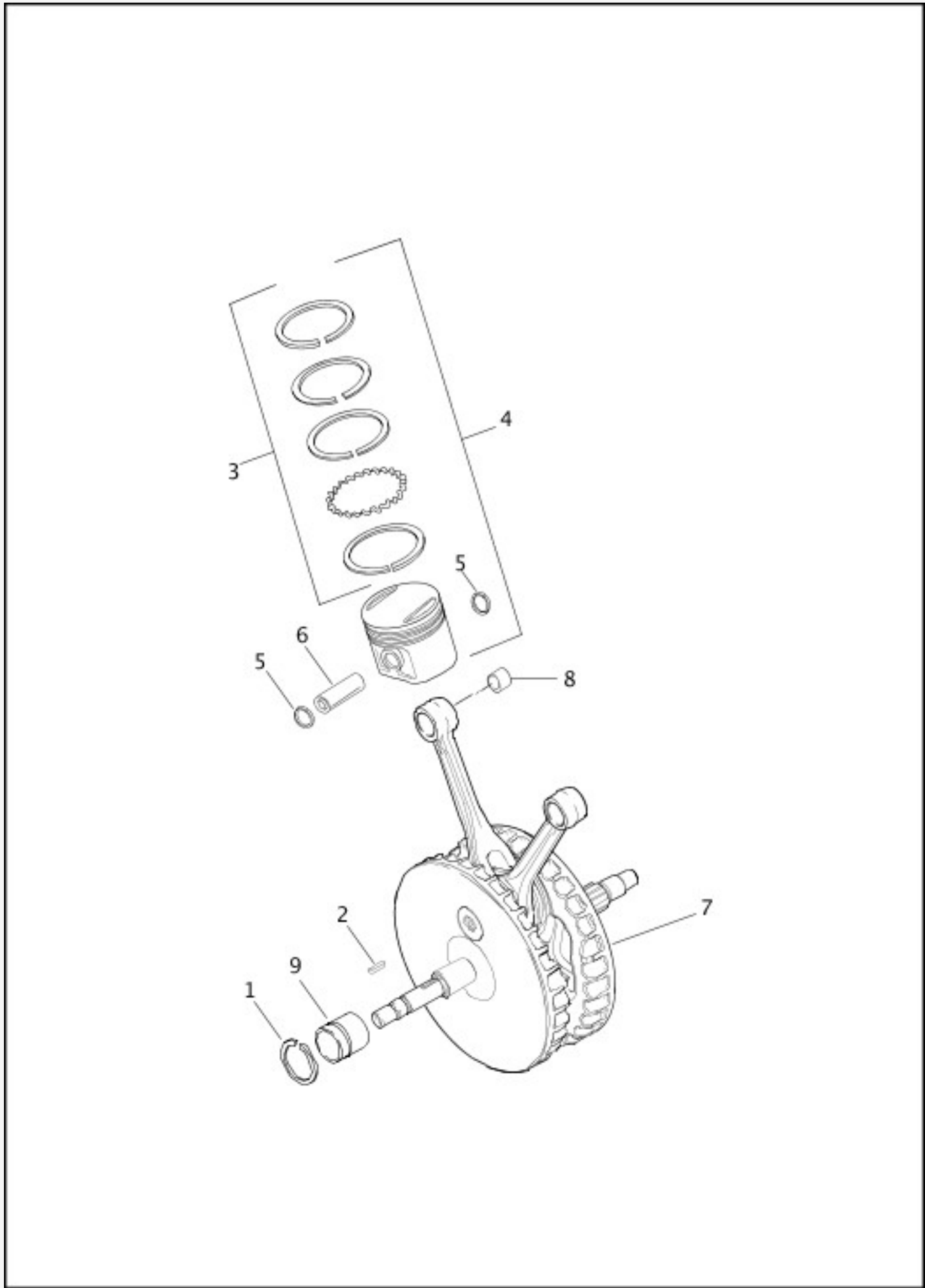
[View interactive table](#)

INDEX NO.	PART NO.	DESCRIPTION	MODEL(S)
1	1039	SCREW (8)	ALL
2	2441	SCREW (2)	ALL

3	2486	SCREW (8)	ALL
4	3849	SCREW (6)	ALL
5	3976	SCREW (2)	ALL
6	4718A	SCREW (4)	ALL
7	4741A	SCREW (8)	ALL
8	6589A	WASHER (8)	ALL
9	11190	O-RING (4)	ALL
10	11377	O-RING (4)	ALL
11	16800-84B	GASKET (2)	ALL
12	17036-08	GASKET KIT, rocker cover	ALL
13	17362-07C	GASKET, lower (2)	ALL
14	17695-07C	GASKET, inner (2)	ALL
15	17360-83B	ROCKER ARM, front intake and rear exhaust, with 11000127 (2)	ALL
16	17375-83B	ROCKER ARM, front exhaust and rear intake, with 11000127 (2)	ALL
17	17393-07	SEAL	ALL
18	11000127	BUSHING (8)	ALL
19	17501-04	ROCKER COVER, outer (polished) (2)	XL1200X, XL883L
19	17501-04	ROCKER COVER, outer (polished) (ASEAN, China only) (2)	XL1200NS
19	17551-04	ROCKER COVER, outer (chrome) (2)	XL1200T
19	17655-05	ROCKER COVER, outer (black) (2)	XL1200C, XL1200CX, XL1200NS, XL1200XS, XL883N
19	17655-05	ROCKER COVER, outer (black) (except ASEAN, China) (2)	XL1200NS
20	17532-07A	ROCKER COVER, inner (polished) (2)	XL1200CX, XL1200X, XL883L
20	17532-07A	ROCKER COVER, inner (polished) (ASEAN, China only) (2)	XL1200NS
20	17537-07A	ROCKER COVER, inner (chrome) (2)	XL1200C, XL1200T, XL1200XS

20	17598-07A	ROCKER COVER, inner (silver) (2)	XL883N
20	17645-07A	ROCKER COVER, inner (black)(All except ASEAN, China) (2)	XL1200NS
21	17611-83	SHAFT (4)	ALL
22	17972-04	TAPPET COVER, front	ALL
22	17981-04	TAPPET COVER, rear	ALL
23	17976-04	GASKET (2)	ALL
24	17946-04	COVER (chrome) (4)	ALL
25	17908-02	PUSHROD, exhaust (2)	ALL
25	17909-02	PUSHROD, intake (2)	ALL
26	18505-06	ANTI-ROTATION DEVICE (2)	ALL
27	18538-99C	TAPPET, with roller (4)	ALL
28	26012-07	BREATHER, front	ALL
28	26011-04	BREATHER, rear	ALL
29	26012-07	BREATHER, front with 17393-07 and 26010-04	ALL
29	26020-07	BREATHER, rear with 17393-07 and 26011-04	ALL

PISTONS AND FLYWHEEL ASSEMBLY



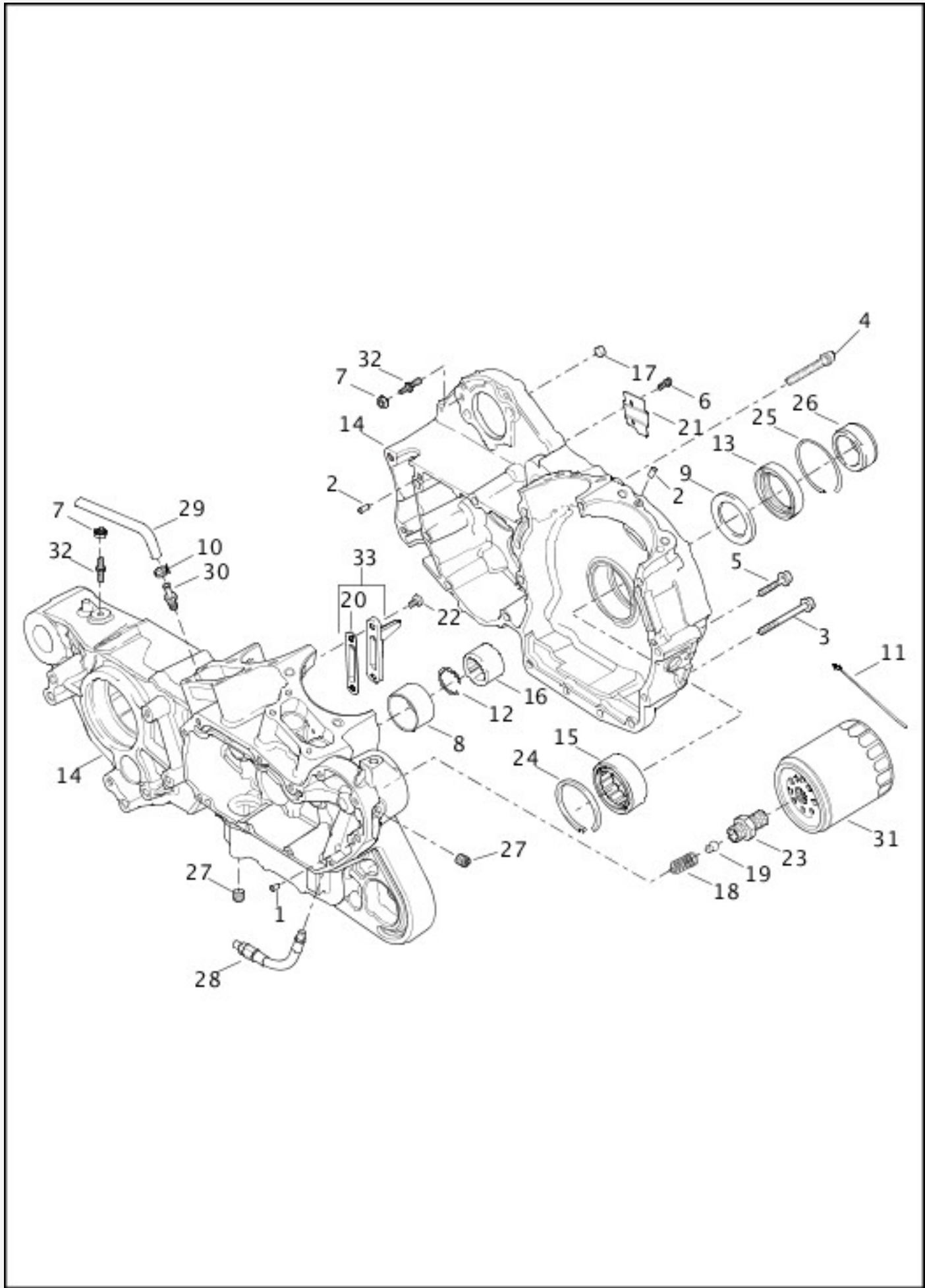
[View interactive image](#)

[View interactive table](#)

INDEX NO.	PART NO.	DESCRIPTION	MODEL(S)
1	11177A	RETAINING RING	ALL
2	11317	KEY	ALL

3	22266-86	PISTON RING SET, standard (2)	XL883L, XL883N
3	22261-86	PISTON RING SET, 0.010 oversize (2)	XL883L, XL883N
3	22271-86	PISTON RING SET, 0.005 oversize (2)	XL883L, XL883N
3	21948-02	PISTON RING SET, standard (2)	XL1200C, XL1200CX, XL1200NS, XL1200T, XL1200X, XL1200XS
3	22231-04	PISTON RING SET, 0.005 oversize (2)	XL1200C, XL1200CX, XL1200NS, XL1200T, XL1200X, XL1200XS
3	22238-04	PISTON RING SET, 0.010 oversize (2)	XL1200C, XL1200CX, XL1200NS, XL1200T, XL1200X, XL1200XS
4	22221-04	PISTON AND RINGS ASSEMBLY, standard (2)	XL883L, XL883N
4	22228-04	PISTON AND RINGS ASSEMBLY, 0.010 oversize (2)	XL883L, XL883N
4	22223-04	PISTON AND RINGS ASSEMBLY, standard (2)	XL1200C, XL1200CX, XL1200NS, XL1200T, XL1200X, XL1200XS
4	22227-04	PISTON AND RINGS ASSEMBLY, 0.005 oversize (2)	XL1200C, XL1200CX, XL1200NS, XL1200T, XL1200X, XL1200XS
4	22230-04	PISTON AND RINGS ASSEMBLY, 0.010 oversize (2)	XL1200C, XL1200CX, XL1200NS, XL1200T, XL1200X, XL1200XS
5	22589-83B	RETAINING RING (4)	ALL
6	22719-04	PISTON PIN (2)	XL883L, XL883N
6	22765-02	PISTON PIN (2)	XL1200C, XL1200CX, XL1200NS, XL1200T, XL1200X, XL1200XS
7	23905-04B	FLYWHEELS AND CONNECTING ROD ASSEMBLY, with 11317	ALL
8	24332-36	BUSHING, 0.01 oversize (2)	ALL
9	24658-87	INNER RING	ALL

CRANKCASE AND GEARCASE



[View interactive image](#)

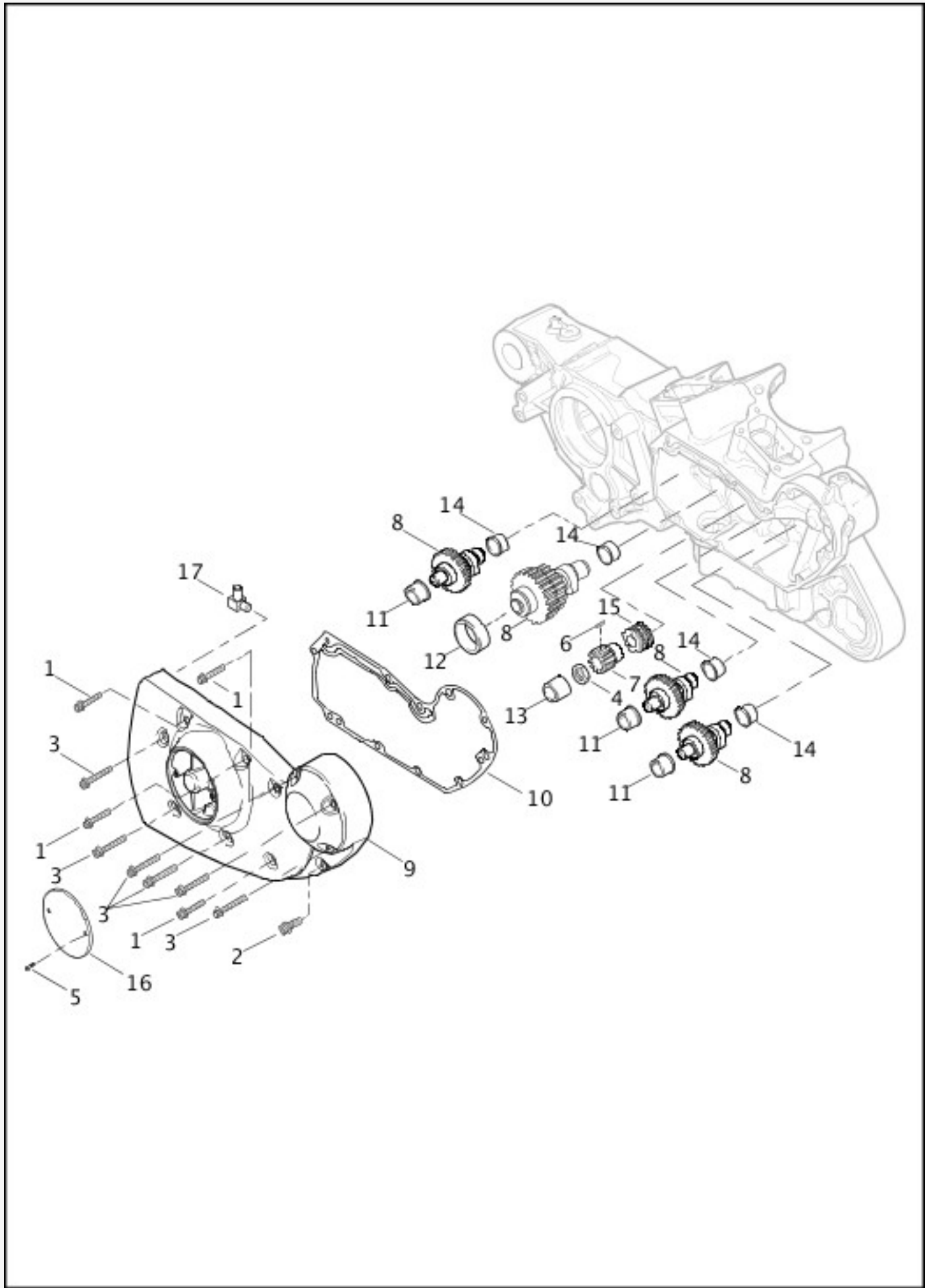
[View interactive table](#)

INDEX NO.	PART NO.	DESCRIPTION	MODEL(S)
1	215	PIN (2)	ALL
2	358	DOWEL PIN (4)	ALL

3	835	SCREW (13)	ALL
4	1028	SCREW	ALL
5	1048	SCREW (4)	ALL
6	4091	SCREW (2)	ALL
7	7792	NUT (2)	ALL
8	8881	BEARING RACE	ALL
9	8972	WASHER	ALL
10	10080	CLAMP	ALL
11	10177	CABLE STRAP	ALL
12	11177A	RETAINING RING	ALL
13	12068	OIL SEAL	ALL
14	24466-06B	CRANKCASE SET, with bearings (black)	XL1200T, XL1200XS
14	24466-06B	CRANKCASE SET, with bearings (black) (except ASEAN, China)	XL1200C, XL1200NS
14	24466-06B	CRANKCASE SET, with bearings (black) (except ASEAN, China, HD3)	XL1200X, XL883N
14	24400337	CRANKCASE SET, with bearings (black) (ASEAN, China, HD3 only)	XL1200X, XL883N
14	24400337	CRANKCASE SET, with bearings (black) (ASEAN, China only)	XL1200C, XL1200NS
14	24470-06B	CRANKCASE SET, with bearings (silver) (except ASEAN, China)	XL883L
14	24400338	CRANKCASE SET, with bearings (silver) (ASEAN, China only)	XL883L
14	24745-07A	CRANKCASE SET, with bearings (gray) (except ASEAN, China)	XL1200CX
14	24745-07A	CRANKCASE SET, with bearings (gray) (ASEAN, China only)	XL1200CX
15	24605-07	BEARING	ALL
16	24647-87	BEARING (blue)	ALL
16	24650-87	BEARING (red)	ALL
16	24659-87	BEARING (gray)	ALL
16	24660-87	BEARING (green)	ALL

17	24754-75A	DOWEL PIN (2)	ALL
18	26436-90A	SPRING	ALL
19	26437-86B	BALL	ALL
20	26638-00Y	GASKET (2)	ALL
21	29950-91A	COVER	ALL
22	68042-99	SCREW (4)	ALL
23	33117-91A	ADAPTER	ALL
24	35114-02	RETAINING RING	ALL
25	35118-03	RETAINING RING	ALL
26	40254-02	SPACER	ALL
27	45830-48	PLUG (2)	ALL
28	62651-04	LINE, oil pump	ALL
29	63508-04	HOSE, transmission vent	ALL
30	63533-41A	FITTING	ALL
31	63805-80A	OIL FILTER (black)	XL1200NS, XL1200X, XL1200XS, XL883L, XL883N
31	63796-77A	OIL FILTER (chrome)	XL1200C, XL1200CX, XL1200T
32	65088-04	STUD, ground (2)	ALL
33	62700014	OIL JET ASSEMBLY (2)	ALL

CAMSHAFTS AND GEARCASE COVER



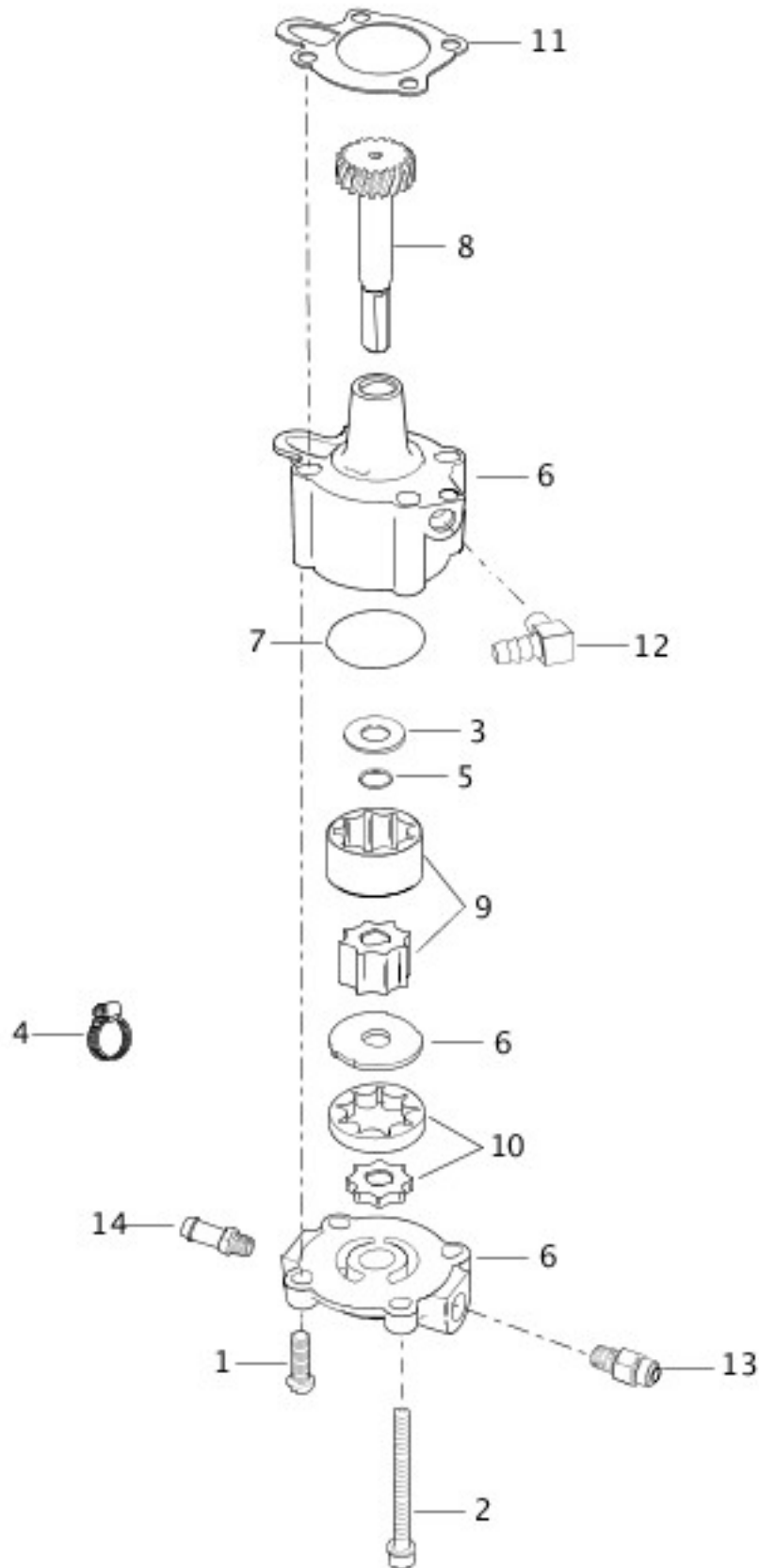
[View interactive image](#)

[View interactive table](#)

INDEX NO.	PART NO.	DESCRIPTION	MODEL(S)
1	3480A	SCREW (4)	ALL
2	4740A	SCREW	ALL

3	4717A	SCREW (6)	ALL
4	7916A	JAMNUT	ALL
5	68120-00	SCREW (2)	ALL
6	11317	KEY	ALL
7	24047-00	PINION GEAR	ALL
8	25194-06	CAM GEAR SET, complete, with pinion gear	ALL
9	25219-04	COVER ASSEMBLY (polished), with 62375-57A and bushings	XL883L
	25213-04	COVER ASSEMBLY (chrome), with 62375-57A and bushings	XL1200C, XL1200T, XL1200XS
	25486-05	COVER ASSEMBLY (black), with 62375-57A and bushings	XL1200CX, XL1200NS, XL1200X, XL883N
10	25263-90D	GASKET	ALL
11	25586-37	OUTER BUSHING, cam gear shafts (3)	ALL
12	25588-91	BUSHING, rear intake cam gear shaft	ALL
13	25593-74	BUSHING, flywheel gear shaft	ALL
14	25598-91	INNER BUSHING, camshaft gear (4)	ALL
15	26318-88A	DRIVE GEAR, oil pump	ALL
16	32506-90	TIMER COVER	XL883L
16	32514-04	TIMER COVER	XL883N
16	25600048	TIMER COVER	XL1200NS, XL1200X, XL1200XS
16	25600037	TIMER COVER	XL1200C, XL1200T
16	25600063	TIMER COVER	XL1200CX
17	62375-57A	FITTING, oil vent hose	ALL

OIL PUMP



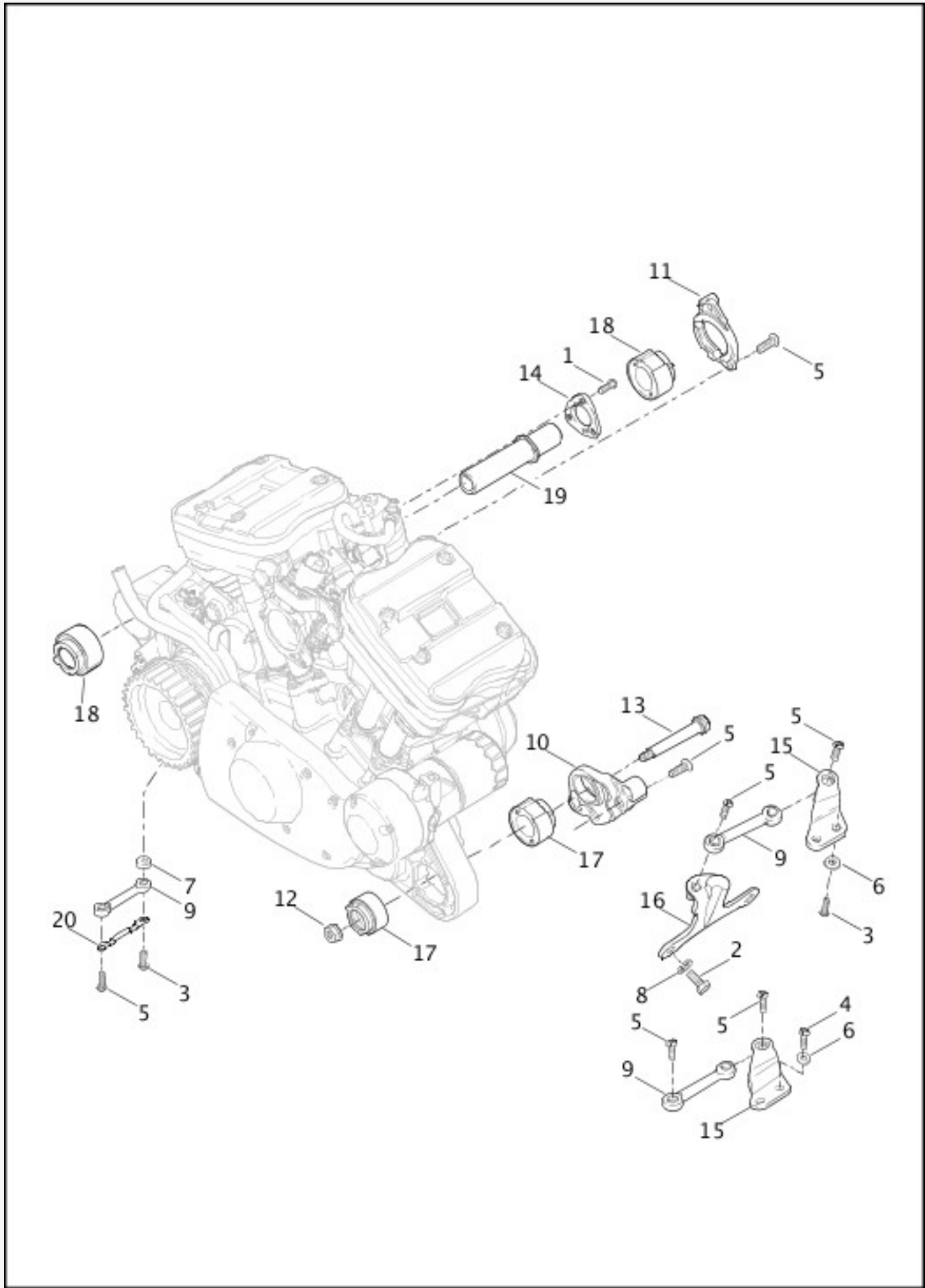
[View interactive image](#)

[View interactive table](#)

INDEX NO.	PART NO.	DESCRIPTION	MODEL(S)
1	4132	SCREW (2)	ALL
2	4765	SCREW (2)	ALL

3	6157	WASHER	ALL
4	9946	CLAMP (2)	ALL
5	11002	RETAINING RING	ALL
6	26204-91A	OIL PUMP, complete	ALL
7	26434-91	O-RING	ALL
8	26239-07	GEAR SHAFT	ALL
9	26502-07	GEROTOR SET, return	ALL
10	26503-07	GEROTOR SET, feed	ALL
11	26495-89B	GASKET	ALL
12	26496-75A	FITTING	ALL
13	62601-91A	FITTING, front	ALL
14	63533-41A	FITTING, rear	ALL

ENGINE MOUNTS AND STABILIZER LINK



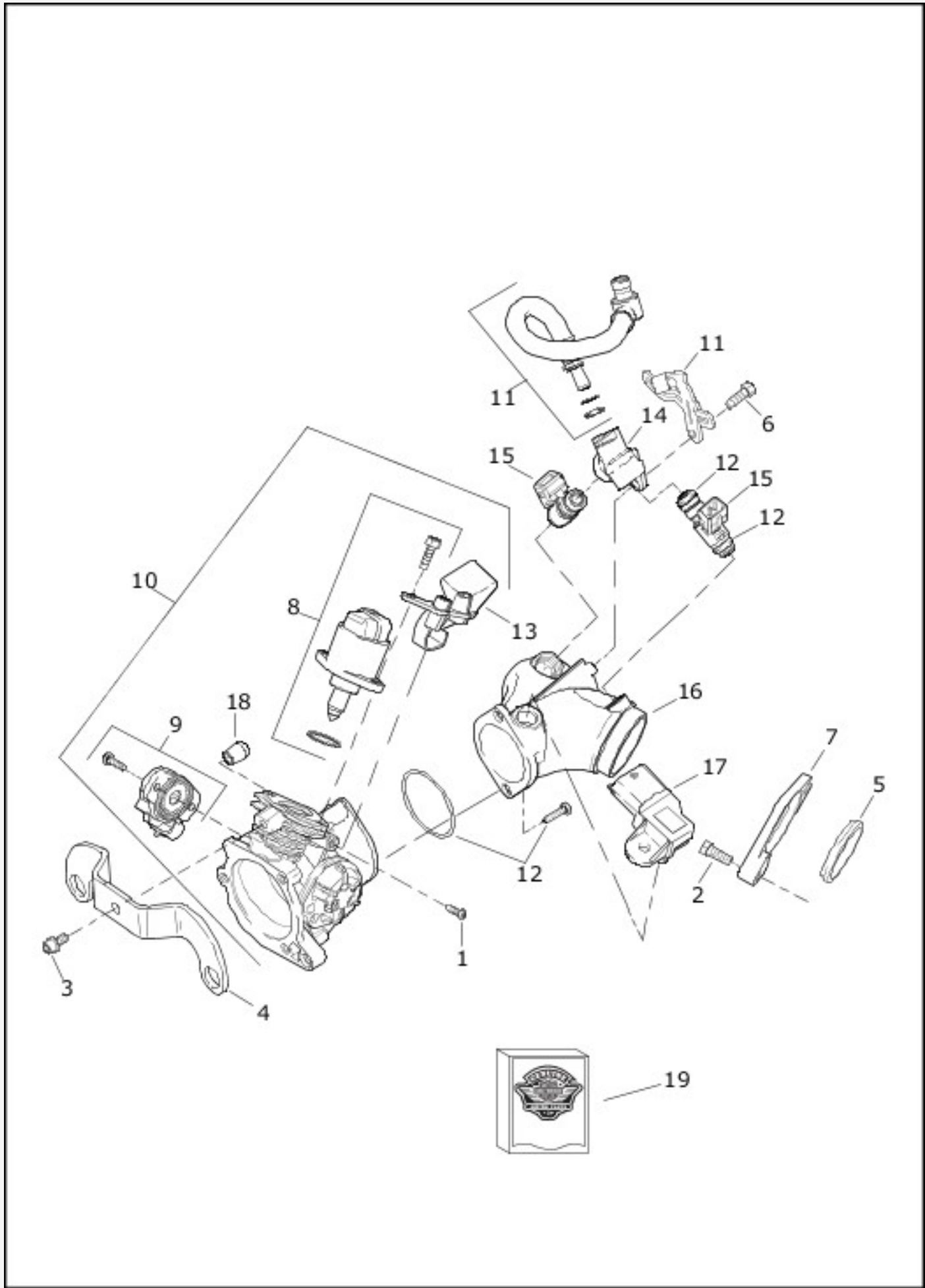
[View interactive image](#)

[View interactive table](#)

INDEX NO.	PART NO.	DESCRIPTION	MODEL(S)
1	940	SCREW (3)	ALL
2	3854	SCREW (2)	ALL

3	4180	SCREW (3)	ALL
4	4188	SCREW (2)	ALL
5	4290	SCREW (9)	ALL
6	6026	WASHER (4)	ALL
7	6152	SPACER	ALL
8	7039	LOCKWASHER (2)	ALL
9	16232-04B	STABILIZER LINK (3)	ALL
10	16287-04	MOUNT, front isolator	ALL
11	16291-04A	MOUNT, rear isolator	ALL
12	41561-04	NUT	ALL
13	41562-04	BOLT	ALL
14	41699-04	LOCKPLATE	ALL
15	47470-04	BRACKET (2)	ALL
16	47471-04A	BRACKET	ALL
17	48463-04A	ISOLATOR, front mount (2)	ALL
18	48492-04A	ISOLATOR, rear mount (2)	ALL
19	47500004	SHAFT, swing arm pivot	ALL
20	66000045	GROUND STRAP	ALL

INDUCTION MODULE, FUEL



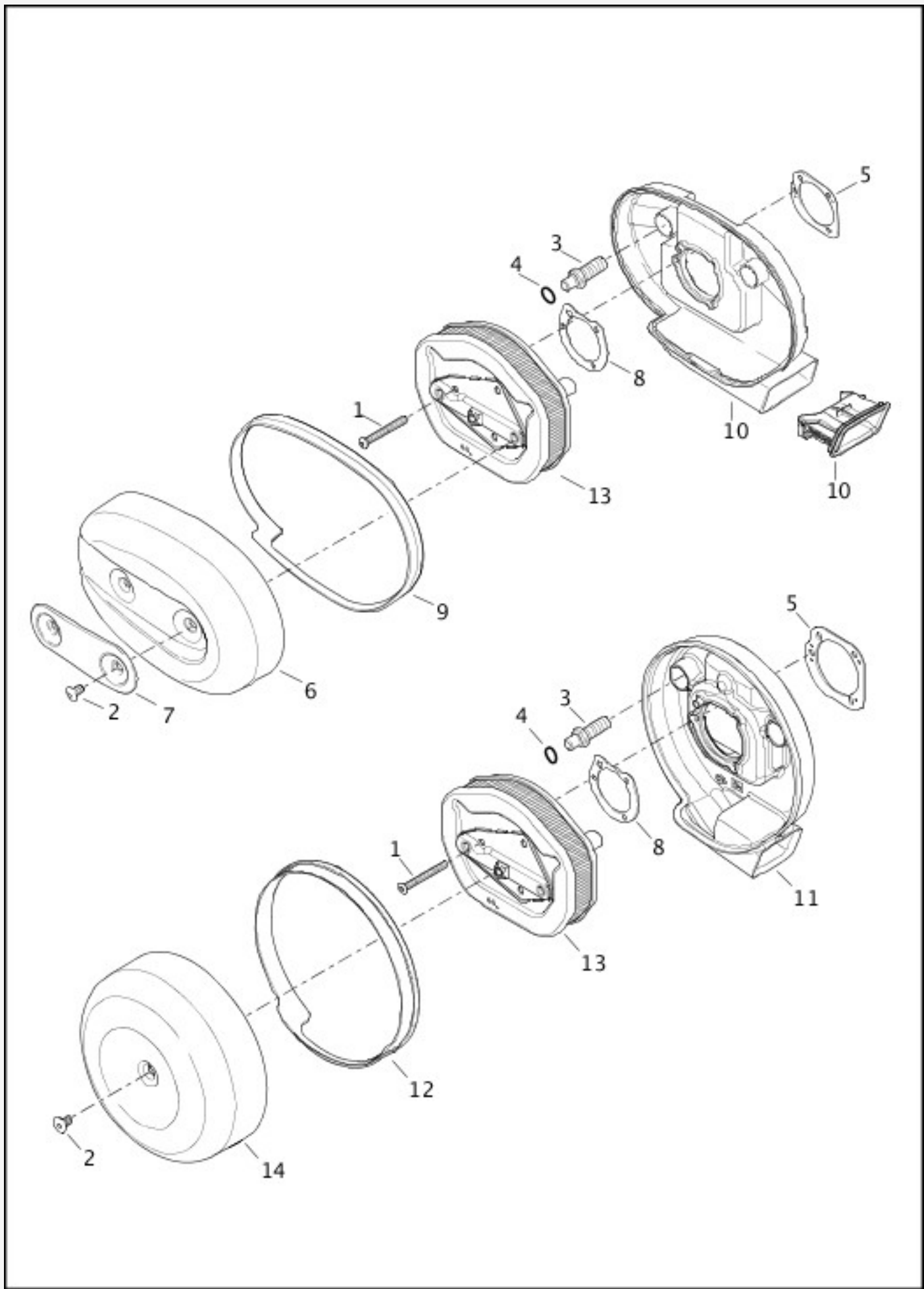
[View interactive image](#)

[View interactive table](#)

INDEX NO.	PART NO.	DESCRIPTION	MODEL(S)
1	2481M	SCREW	ALL
2	3987	BOLT (4)	ALL

3	4798	SCREW	ALL
4	16361-07	BRACKET	ALL
5	26995-86B	SEAL (2)	ALL
6	27216-95	SCREW	ALL
7	27327-07A	FLANGE (2)	ALL
8	27628-01A	KIT, idle air control (IAC) motor	ALL
9	27629-01A	KIT, throttle position sensor (TPS)	ALL
10	27200024	INDUCTION MODULE ASSEMBLY, with fuel rail, fuel injector, intake manifold, TMAP sensor, cap, IAC Kit, TPS Kit, hardware kit	ALL
11	27693-07	FUEL LINE KIT, with 27216-95 and bracket	XL1200C, XL1200CX, XL1200T, XL883L, XL883N
11	27829-10	FUEL LINE KIT, with 27216-95 and bracket	XL1200NS, XL1200X, XL1200XS
12	27700-07	KIT, hardware and O-rings	ALL
13	27701-07A	CABLE BRACKET	ALL
14	27704-07	FUEL RAIL	ALL
15	27706-07A	FUEL INJECTOR, with O-ring (2)	ALL
16	27707-07	INTAKE MANIFOLD	ALL
17	32319-07A	SENSOR, temperature manifold absolute pressure (TMAP)	ALL
18	90383-98	CAP	ALL
19	27300162	THROTTLE BODY INTAKE, restrictor plate (optional 35 kW applications, international models only)	XL883L, XL883N
19	27300163	THROTTLE BODY INTAKE, restrictor plate (optional 35 kW applications, international models only)	XL1200C, XL1200CX, XL1200NS, XL1200T, XL1200X, XL1200XS

AIR CLEANER



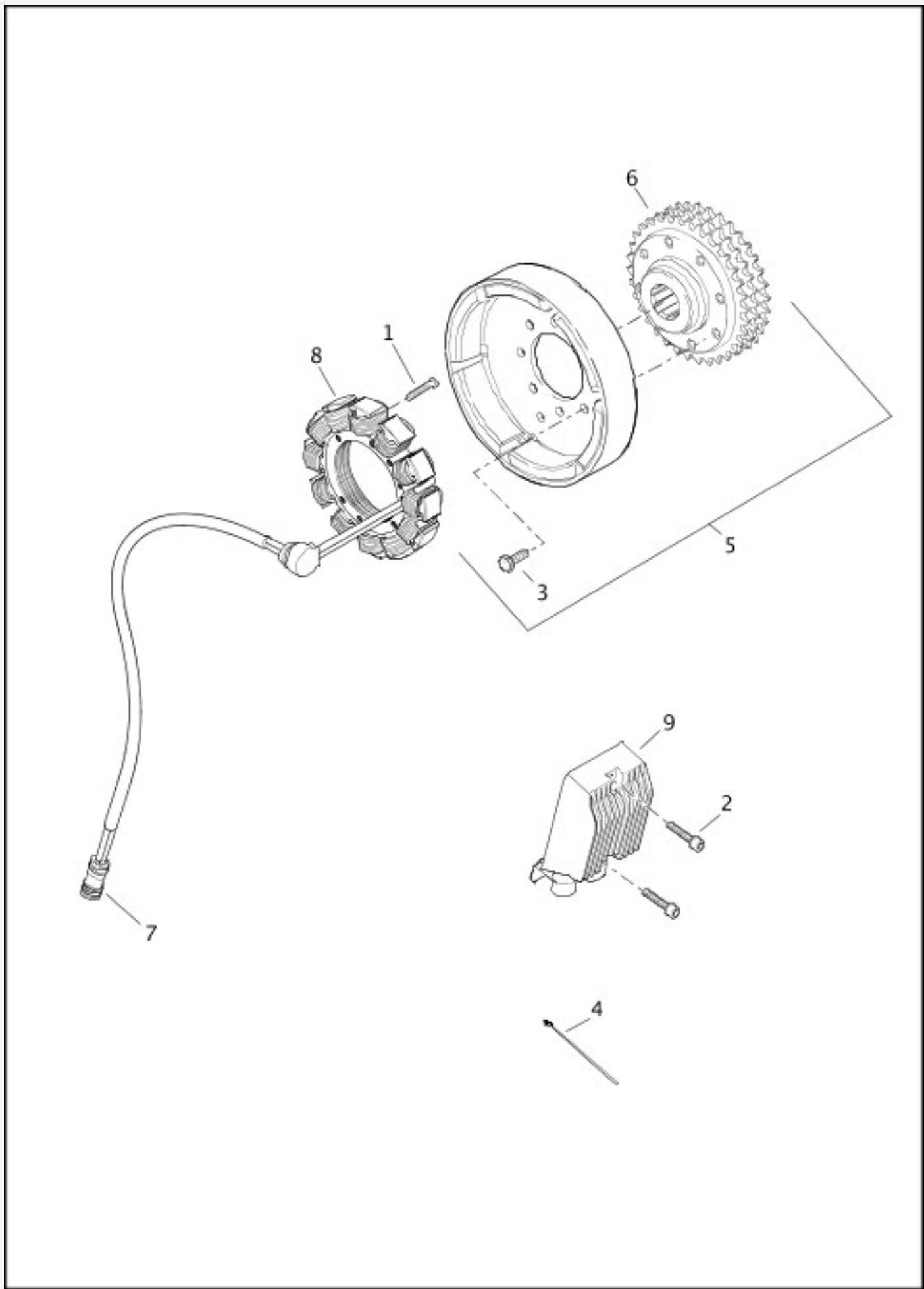
[View interactive image](#)

[View interactive table](#)

INDEX NO.	PART NO.	DESCRIPTION	MODEL(S)
1	946	SCREW (3)	ALL
2	2460	SCREW (2)	ALL

3	3565	SCREW, breather (2)	ALL
4	11202	O-RING (2)	ALL
5	29062-95B	GASKET	ALL
6	28792-10	COVER (chrome) with label (all except China)	XL1200T, XL1200X, XL883L
6	29000297	COVER (chrome) with label (China only)	XL883L
6	28793-10	COVER (gray) with label (all except China)	XL1200CX
6	29000296	COVER (gray) with label (China only)	XL1200CX
6	61301001	COVER (black) with label (all except China)	XL1200C
6	29000299	COVER (black) with label (China only)	XL1200C
7	29123-07	TRIM INSERT	XL883L
7	29346-07	TRIM INSERT	XL1200C
7	61300332	TRIM INSERT	XL1200T
7	61300562	TRIM INSERT	XL1200CX
8	29313-95	GASKET	ALL
9	29315-04	SEAL	XL1200C, XL1200CX, XL1200T, XL883L
10	29369-07B	BACKPLATE ASSEMBLY, with insert	XL1200C, XL1200CX, XL1200T, XL883L
11	29000015A	BACKPLATE ASSEMBLY	XL1200NS, XL1200X, XL1200XS, XL883N
12	29000016	SEAL	XL1200NS, XL1200X, XL1200XS, XL883N
13	29400015	FILTER ELEMENT, with 29313-95	ALL
14	61300541	COVER (black) with label	XL1200NS, XL883N
14	61300559	COVER (gloss black) with label	XL1200X, XL1200XS
14	29000298	COVER (black) with label (China only)	XL1200NS, XL883N
14	29000300	COVER (gloss black) with label (China only)	XL1200X

ALTERNATOR AND REGULATOR



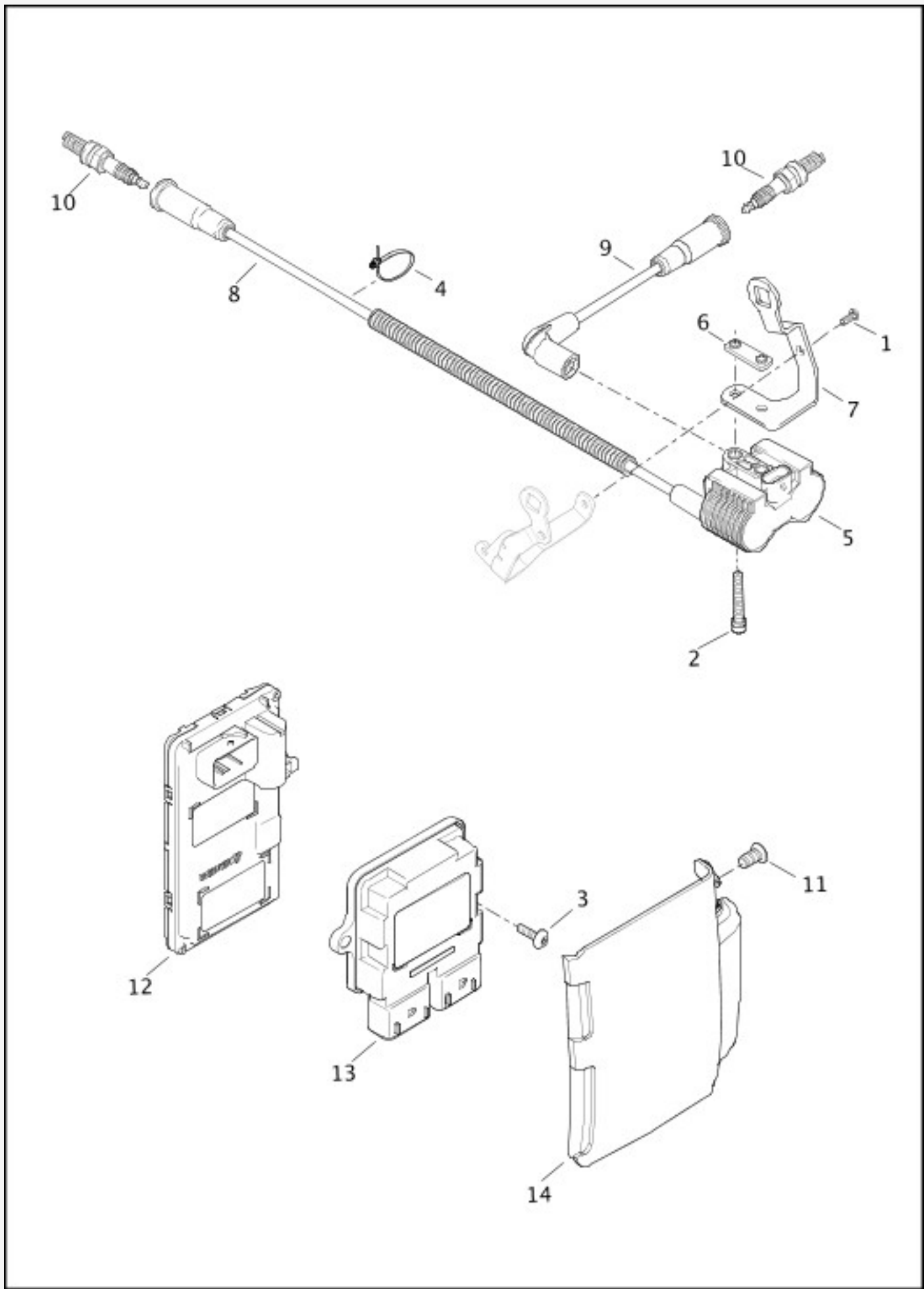
[View interactive image](#)

[View interactive table](#)

INDEX NO.	PART NO.	DESCRIPTION	MODEL(S)
1	3029	SCREW (4)	ALL
2	4740A	SCREW (2)	ALL

3	4751	SCREW (8)	ALL
4	10177	CABLE STRAP (3)	ALL
5	32493-02B	ROTOR SPROCKET ASSEMBLY (Asia-Pacific only), with 4751 and 40241-02A	XL883L
5	32493-02B	ROTOR SPROCKET ASSEMBLY (Asia-Pacific, Brazil, Canada, Domestic) with 4751 and 40241-02A	XL883N
5	32494-04B	ROTOR SPROCKET ASSEMBLY, with 4751 and 40290-04A	XL1200C, XL1200CX, XL1200NS, XL1200T, XL1200X, XL1200XS
5	32494-04B	ROTOR SPROCKET ASSEMBLY (all except Asia-Pacific, Brazil, Canada, Domestic), with 4751 and 40290-04A	XL883N
5	32494-04B	ROTOR SPROCKET ASSEMBLY (all except Asia-Pacific), with 4751 and 40290-04A	XL883L
6	40241-02A	SPROCKET (Domestic, Canada, Asia-Pacific, Brazil), triple row - 34 teeth	XL883N
6	40241-02A	SPROCKET (Asia-Pacific), triple row - 34 teeth	XL883L
6	40290-04A	SPROCKET, triple row - 38 teeth	XL1200C, XL1200CX, XL1200NS, XL1200T, XL1200X, XL1200XS
6	40290-04A	SPROCKET (All except Asia-Pacific), triple row - 38 teeth	XL883L
6	40290-04A	SPROCKET (All except Domestic, Canada, Asia-Pacific, Brazil), triple row - 38 teeth	XL883N
7	72195-94	SEAL, pin, four-way	ALL
8	29900068	STATOR, with 72195-94	ALL
9	74700012	REGULATOR	ALL

ELECTRONIC IGNITION SYSTEM



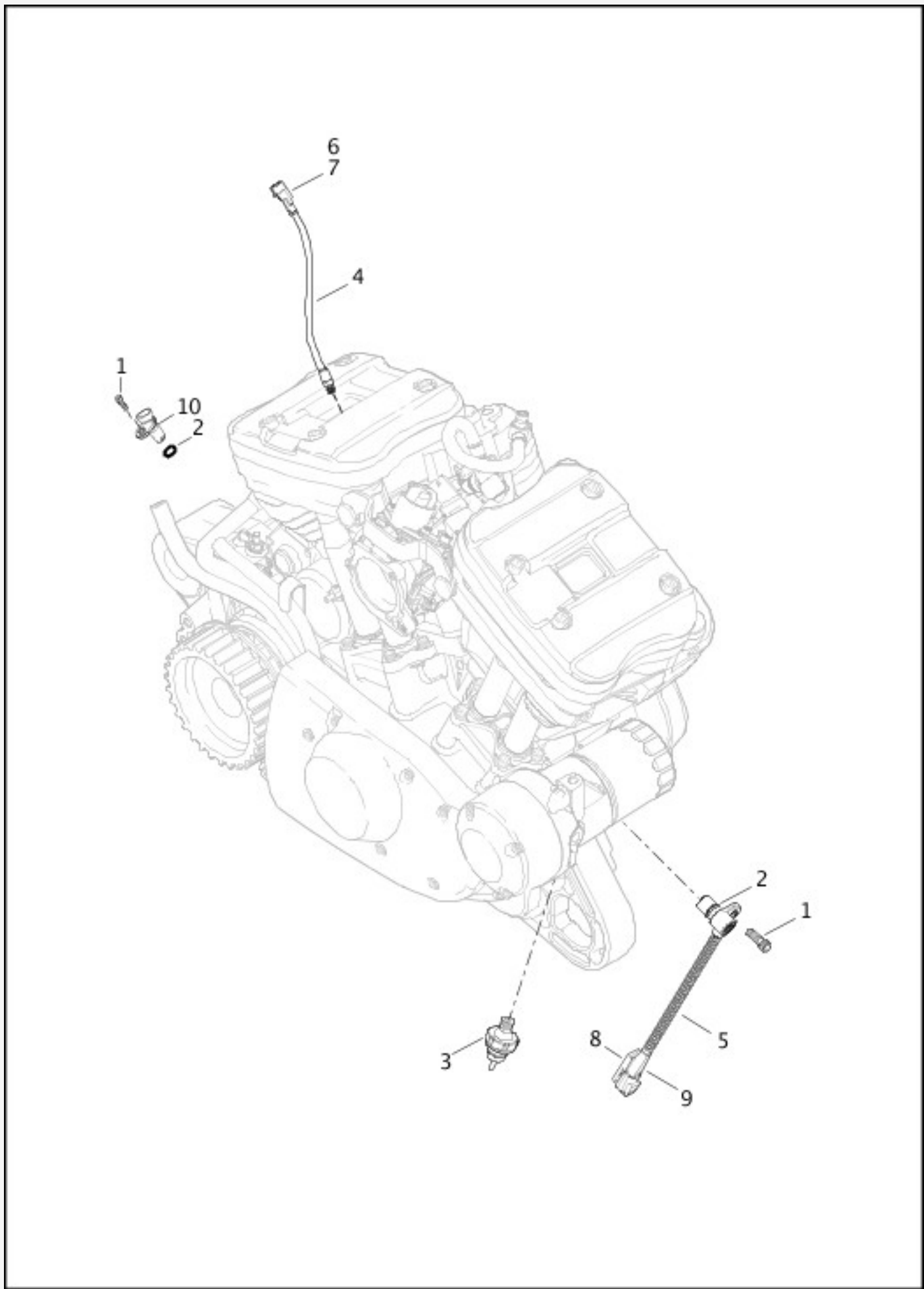
[View interactive image](#)

[View interactive table](#)

INDEX NO.	PART NO.	DESCRIPTION	MODEL(S)
1	3124	SCREW	ALL
2	3480A	SCREW (2)	ALL

3	3691	SCREW	ALL
4	10177	CABLE STRAP	ALL
5	31656-07	IGNITION COIL	ALL
6	31753-07	PLATE, nut	ALL
7	31807-07	BRACKET	ALL
8	32006-07	CABLE, spark plug, rear (long), with 10177	ALL
9	32003-07	CABLE, spark plug, front (short)	ALL
10	32362-04A	SPARK PLUG (2)	ALL
11	10200609	SCREW	ALL
12	41000351F	BODY CONTROL MODULE (BCM) (non-security)	ALL
12	41000341F	BODY CONTROL MODULE (BCM) (security) (except Japan)	ALL
12	41000342F	BODY CONTROL MODULE (BCM) (security) (Japan)	ALL
13	41000326A	ELECTRONIC CONTROL MODULE (ECM)	ALL
14	69201363	COVER	ALL

SENSORS AND SWITCHES, ENGINE



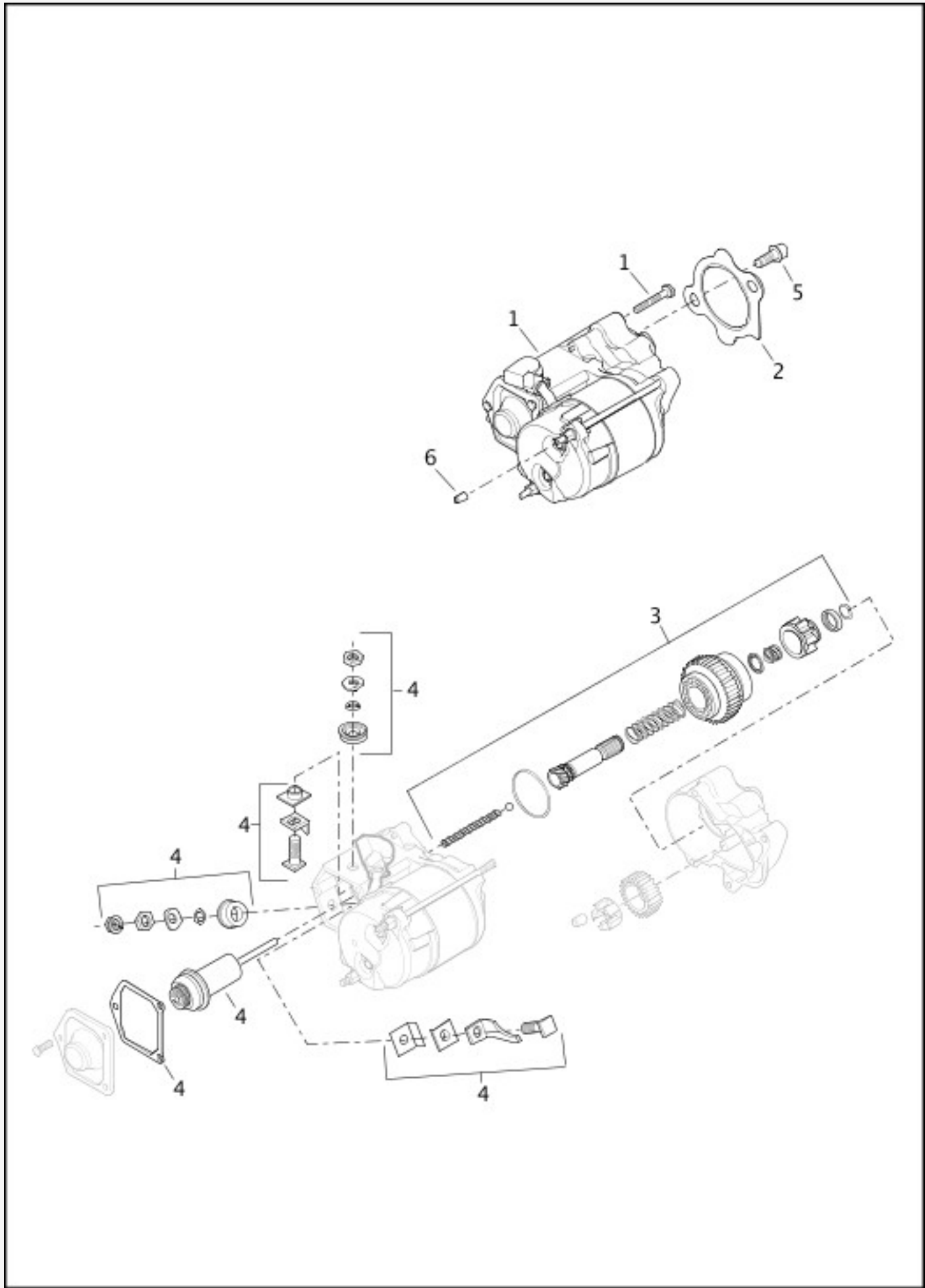
[View interactive image](#)

[View interactive table](#)

INDEX NO.	PART NO.	DESCRIPTION	MODEL(S)
1	4705	SCREW (2)	ALL
2	11289A	O-RING (2)	ALL

3	26554-77D	SWITCH, oil pressure	ALL
4	32472-10	SENSOR, engine temperature, with 72009-05, 72011-05 and cable strap	ALL
5	32707-01C	SENSOR, crank position, with 11289A, 72199-94, 74194-98	ALL
6	72009-05	HOUSING, two-way pin (black)	ALL
7	72011-05	WIRE SEAL, 16-20 AWG (yellow) (2)	ALL
8	72199-94	CONNECTOR ANCHOR	ALL
9	74194-98	TERMINAL, pin, 20-24 AWG	ALL
10	74402-05B	SENSOR, vehicle speed, with 11289A	ALL

STARTER MOTOR



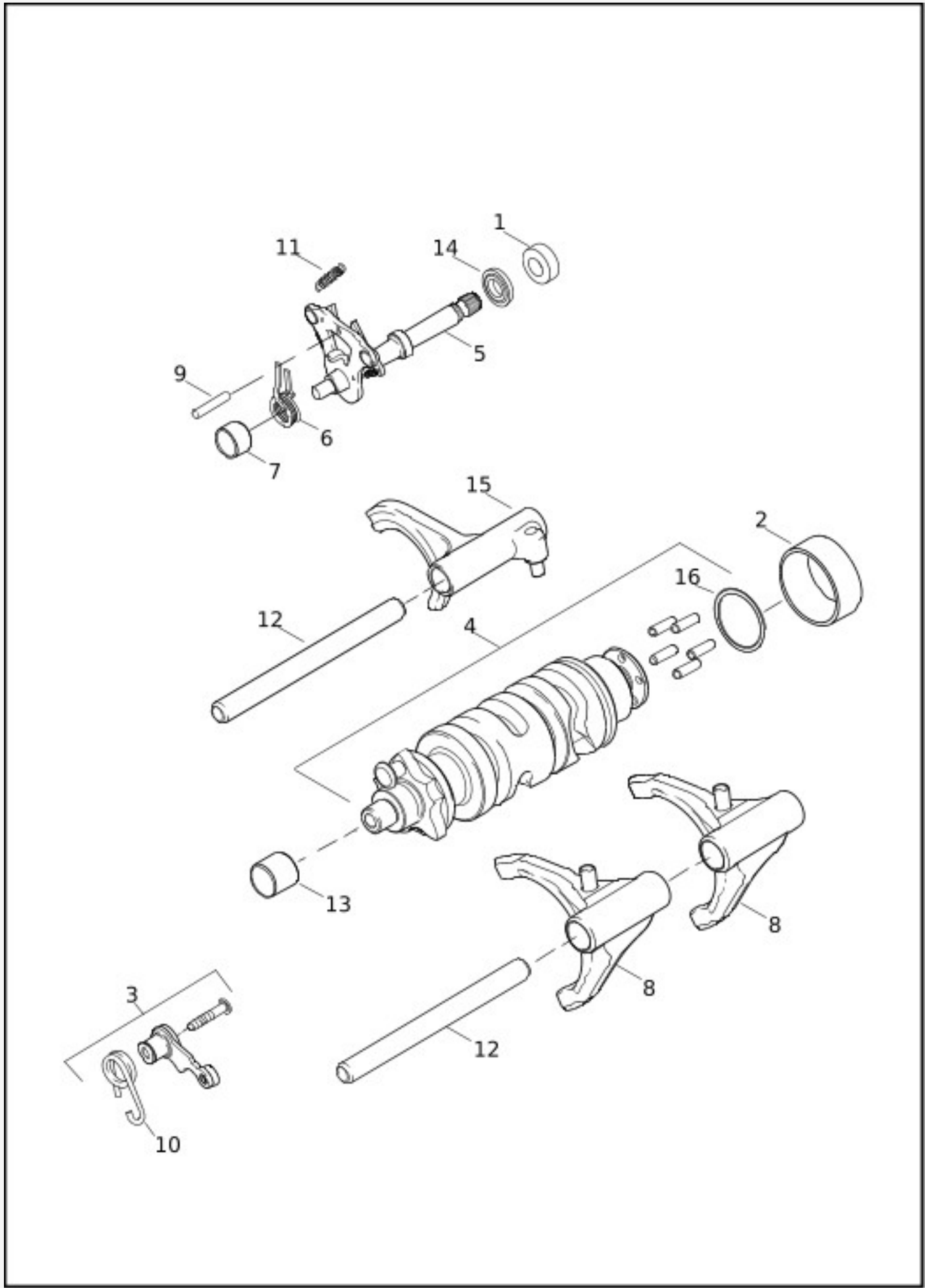
[View interactive image](#)

[View interactive table](#)

INDEX NO.	PART NO.	DESCRIPTION	MODEL(S)
1	31390-91F	STARTER MOTOR, complete	ALL
2	31488-81C	GASKET	ALL

3	31556-91D	CLUTCH SUB-ASSEMBLY KIT	ALL
4	31603-91	REPAIR KIT, starter solenoid	ALL
5	45902-00	SCREW (2)	ALL
6	89581-04A	CAP	ALL

SHIFTER, GEAR



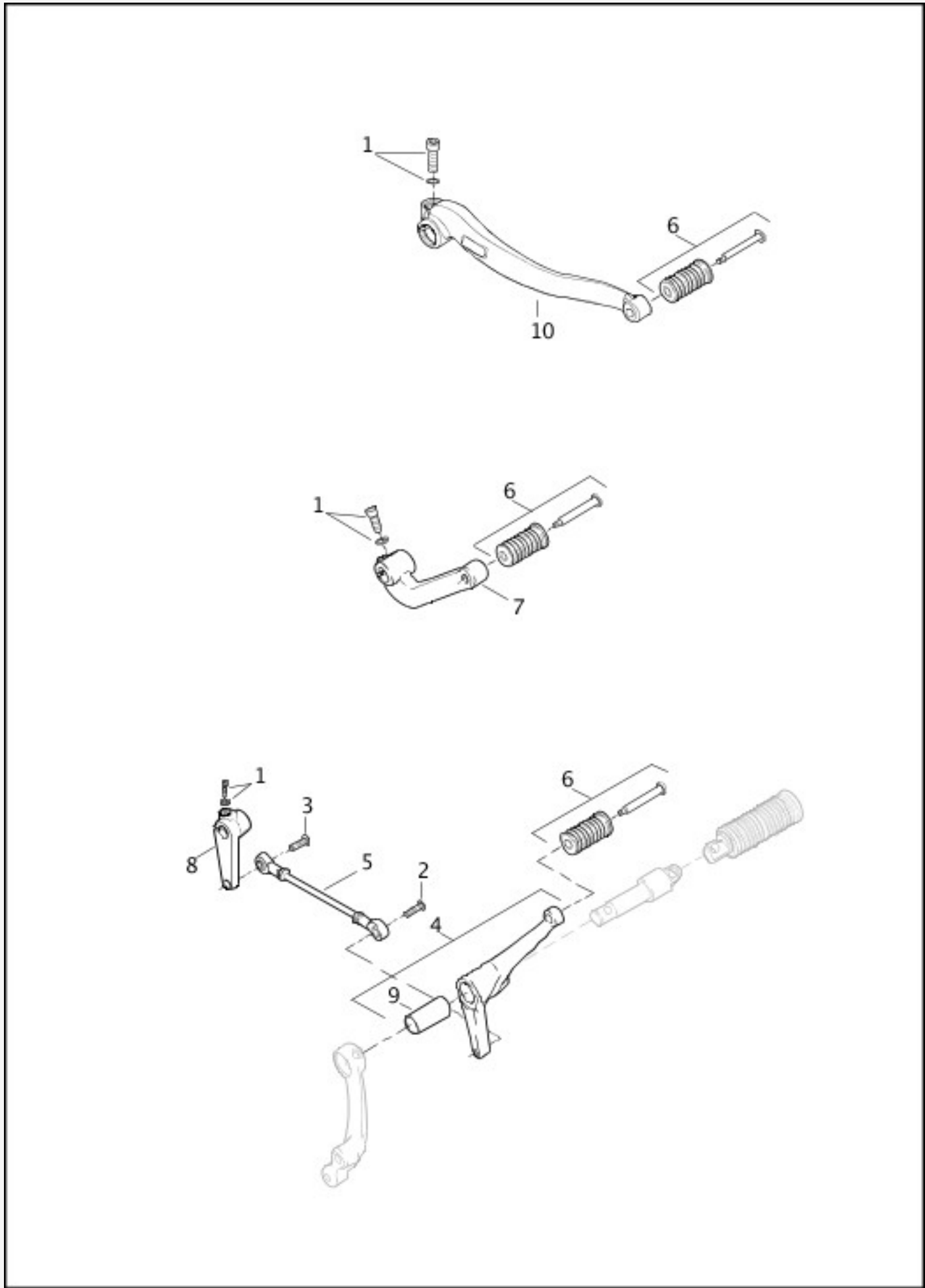
[View interactive image](#)

[View interactive table](#)

INDEX NO.	PART NO.	DESCRIPTION	MODEL(S)
1	7080	WASHER	ALL
2	9187A	BEARING	ALL

3	33540-06	SPRING SLEEVE ASSEMBLY, detent	ALL
4	33641-06	SHIFTER CAM ASSEMBLY, with 11360	ALL
5	34014-06A	SHIFTER LEVER ASSEMBLY, with 34064-00C and 34491-02A	ALL
6	34064-00C	SPRING, shifter return	ALL
7	34076-02A	BUSHING	ALL
8	34157-06	FORK ASSEMBLY, shifter (2)	ALL
9	34163-02	PIN, shifter stop	ALL
10	34483-06	SPRING, detent	ALL
11	34491-02A	SPRING, extension (2)	ALL
12	34981-02A	SHAFT, shifter forks (2)	ALL
13	34982-02A	BUSHING, right hand crankcase	ALL
14	37107-06	OIL SEAL	ALL
15	34162-06	FORK ASSEMBLY, shifter	ALL
16	11360	RING, retaining	ALL

SHIFTER LEVER



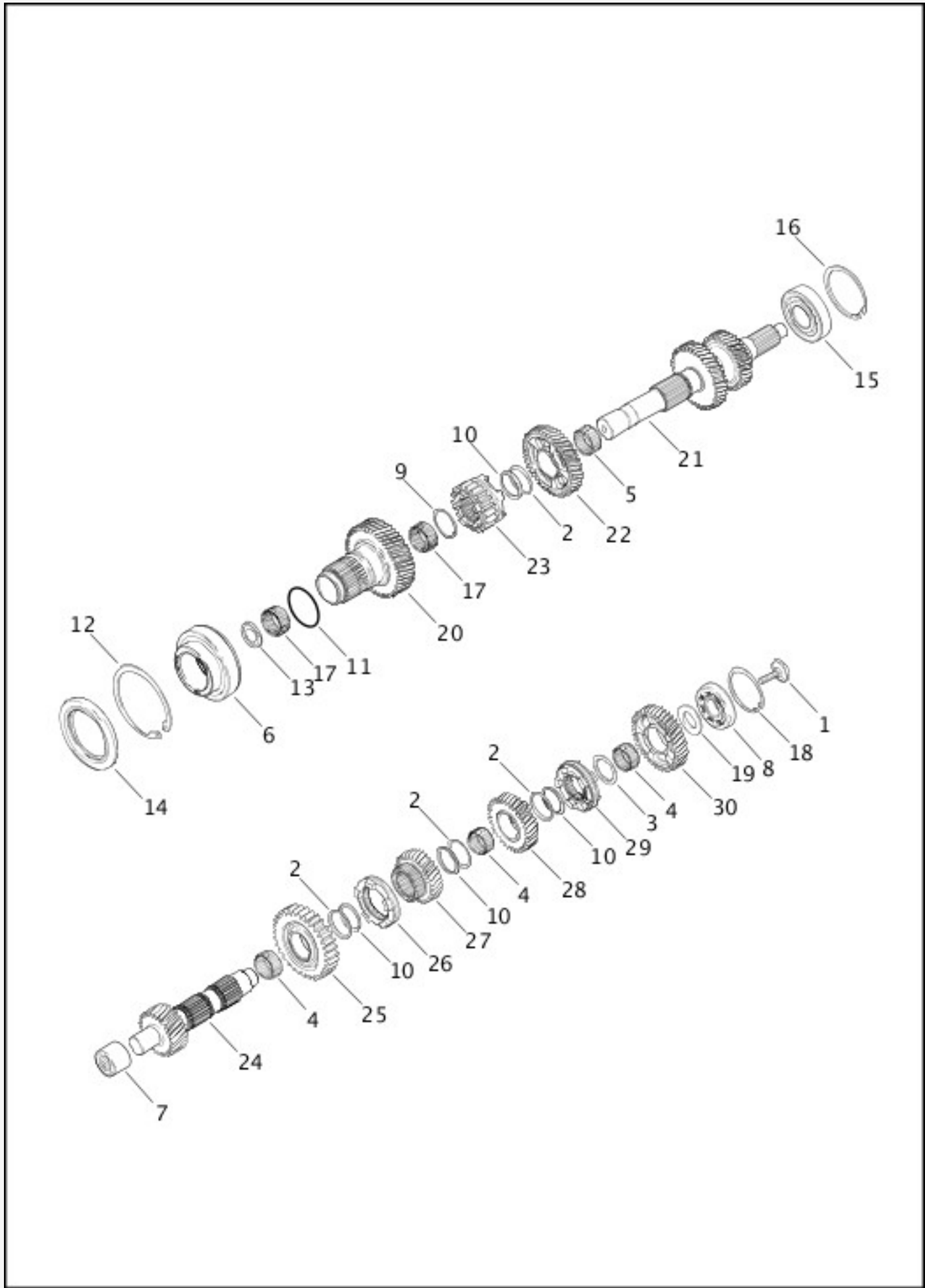
[View interactive image](#)

[View interactive table](#)

INDEX NO.	PART NO.	DESCRIPTION	MODEL(S)
1	2708A	SCREW	ALL
2	4016	SCREW	XL1200X, XL1200XS

3	4359	SCREW	XL1200X, XL1200XS
4	34723-10	LEVER ASSEMBLY, with 42569-03	XL1200X, XL1200XS
5	34663-10	SHIFTER ROD LINK	XL1200X, XL1200XS
6	34611-65A	TOE SHIFTER PEG KIT	ALL
7	34660-04A	SHIFT LEVER (chrome)	XL1200C, XL883L
7	34721-07	SHIFT LEVER (black)	XL1200CX, XL1200NS, XL883N
8	34724-10	SHIFT LEVER (gloss black)	XL1200X, XL1200XS
9	42569-03	BUSHING	XL1200X, XL1200XS
10	33900154	SHIFT LEVER	XL1200T

TRANSMISSION GEARS



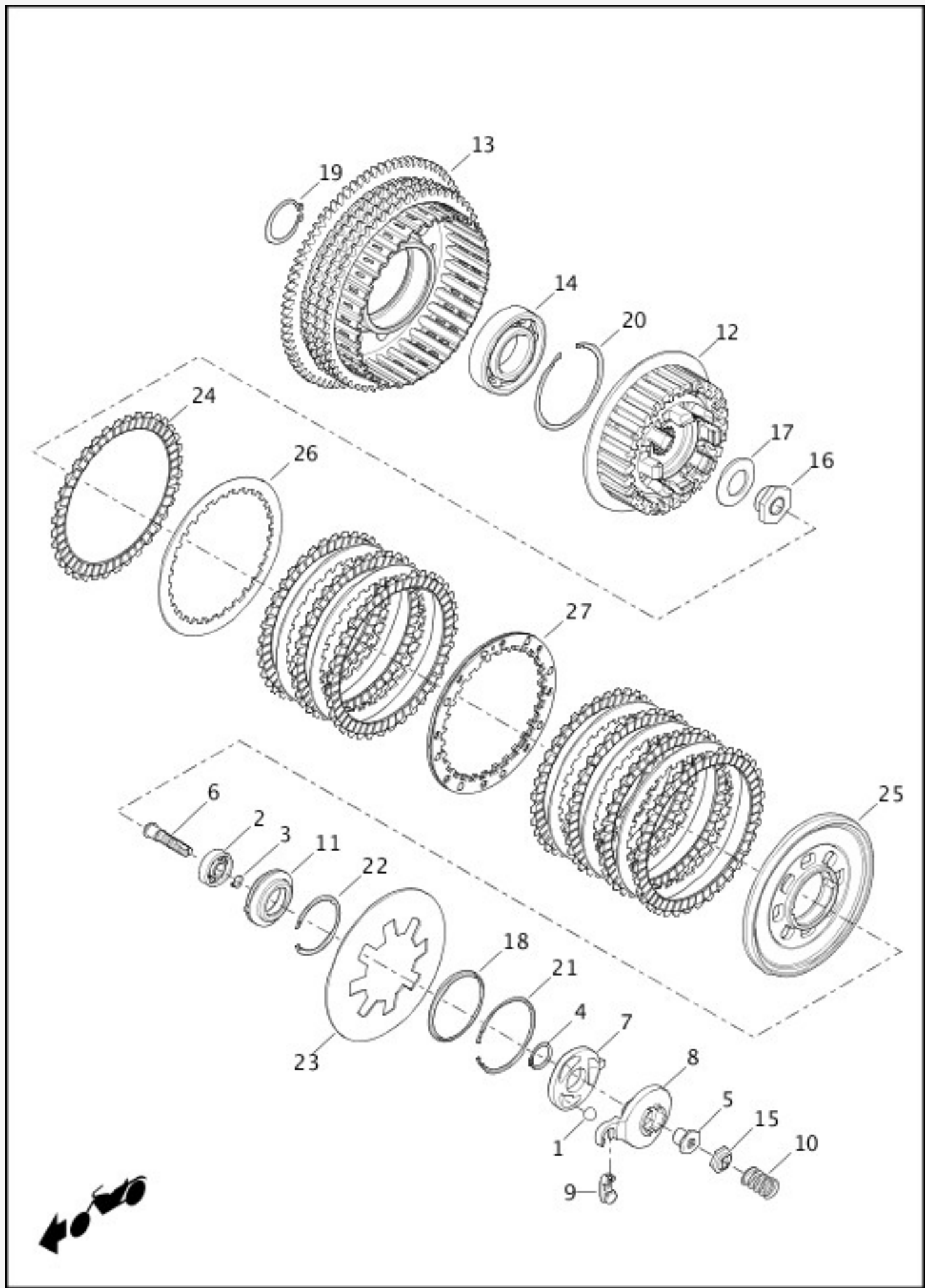
[View interactive image](#)

[View interactive table](#)

INDEX NO.	PART NO.	DESCRIPTION	MODEL(S)
1	3990	SCREW	ALL
2	6003	WASHER (4)	ALL

3	6021	SPACER	ALL
4	8862	BEARING (3)	ALL
5	8884	BEARING	ALL
6	8964	BALL BEARING	ALL
7	8966	BEARING, closed end	ALL
8	8970A	BALL BEARING	ALL
9	10984	SNAP RING	ALL
10	11067	RETAINING RING (4)	ALL
11	11113	O-RING	ALL
12	11161	RETAINING RING	ALL
13	12030	SEAL	ALL
14	12074	OIL SEAL	ALL
15	35030-89A	BEARING, mainshaft	ALL
16	35038-89A	RETAINING RING	ALL
17	35051-89A	NEEDLE BEARING (2)	ALL
18	35087-99A	RETAINING RING	ALL
19	35107-06	SPACER	ALL
20	35159-06	GEAR, mainshaft fifth	ALL
21	35163-06	MAINSHAFT	ALL
22	35165-06	GEAR, mainshaft fourth	ALL
23	35167-06	GEAR, mainshaft first	ALL
24	35172-06	COUNTERSHAFT	ALL
25	35174-06	GEAR, countershaft first	ALL
26	35190-06	DOG RING	ALL
27	35191-06	GEAR, countershaft fourth	ALL
28	35193-06	GEAR, countershaft third	ALL
29	35196-06	DOG RING	ALL
30	35197-06	GEAR, countershaft second	ALL

CLUTCH



[View interactive image](#)

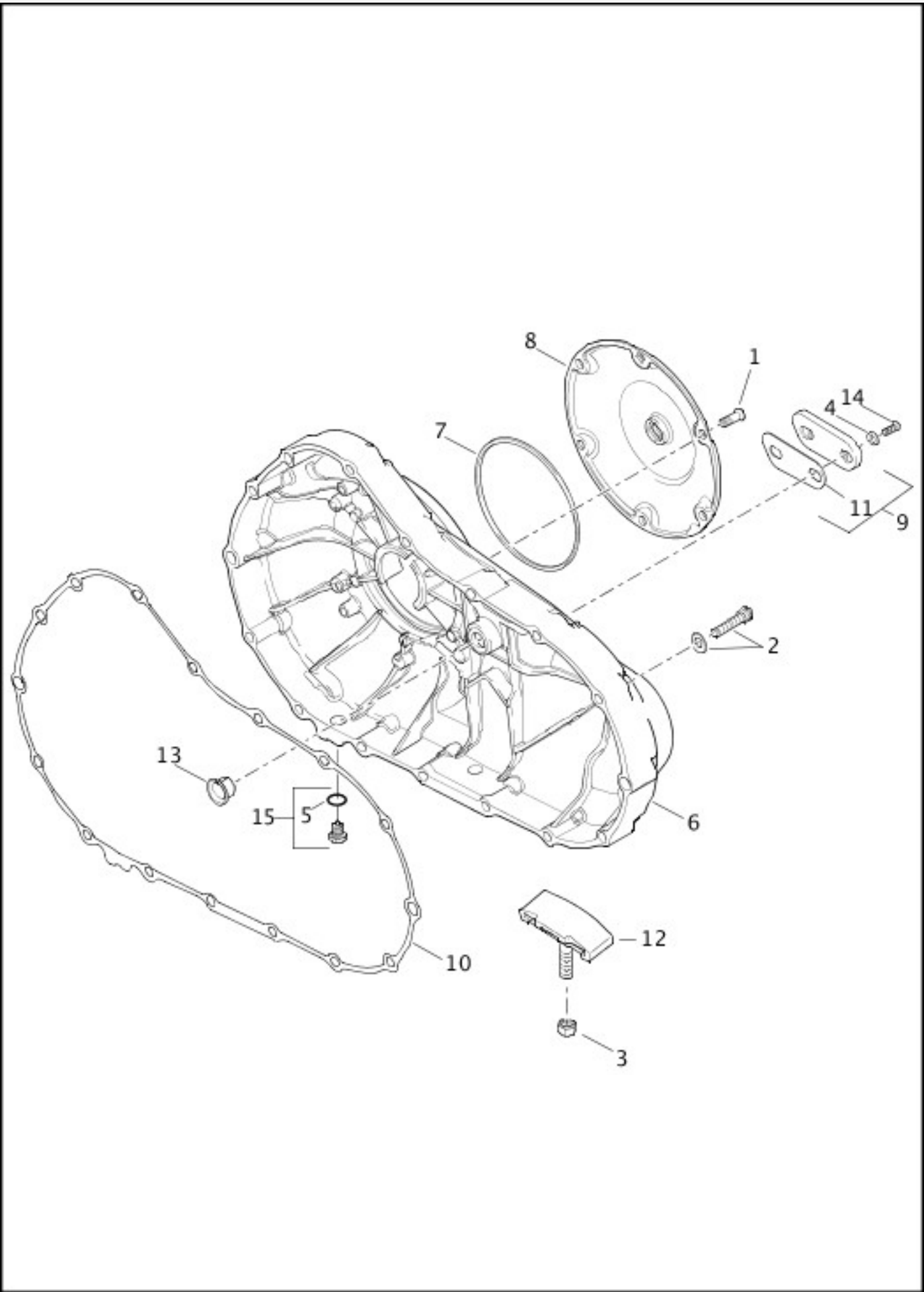
[View interactive table](#)

INDEX NO.	PART NO.	DESCRIPTION	MODEL(S)
1	8873	BALL (3)	ALL
2	8885	BEARING	ALL

3	11046	RETAINING RING	ALL
4	11250	RETAINING RING	ALL
5	11730A	WELL NUT	ALL
6	11765Y	ADJUSTMENT SCREW	ALL
7	25453-87A	RAMP, inner	ALL
8	25409-94B	RAMP, outer	ALL
9	34920-86A	COUPLING, clutch cable	ALL
10	36715-94	SPRING, clutch adjustment	ALL
11	36731-91	RELEASE PLATE, with 8885	ALL
12	36785-91	CLUTCH HUB	ALL
13	36790-04	CLUTCH SHELL AND SPROCKET, with 36799-91 and 37905-90	ALL
14	36799-91	BALL BEARING	ALL
15	36802-84B	LOCKPLATE, well type	ALL
16	37495-91	NUT, main shaft	ALL
17	37870-91	SPRING WASHER	ALL
18	37872-90	SEAT, spring-inner	ALL
19	37904-90	RETAINING RING	ALL
20	37905-90	RETAINING RING	ALL
21	37908-90	RETAINING RING	ALL
22	37909-90	RETAINING RING	ALL
23	37910-04B	SPRING, clutch plate	XL883L, XL883N

23	37924-04A	SPRING, clutch plate	XL1200C, XL1200CX, XL1200NS, XL1200T, XL1200X, XL1200XS
24	37911-90	FRICTION PLATE (paper) (8)	ALL
25	37912-91	PRESSURE PLATE	ALL
26	37913-90	STEEL PLATE (6)	ALL
27	37977-90	SPRING PLATE	ALL

INSPECTION COVER AND PRIMARY COVER



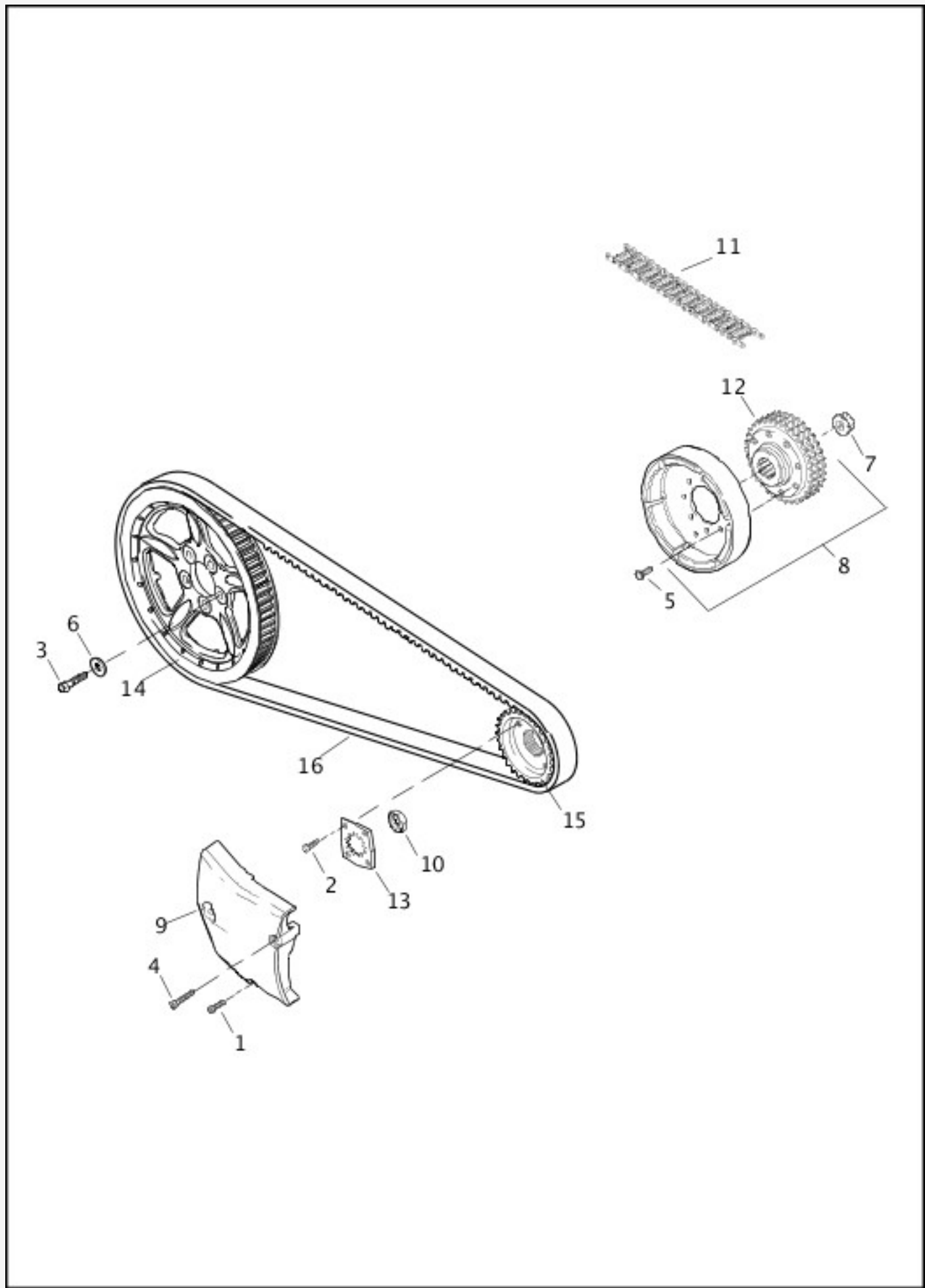
[View interactive image](#)

[View interactive table](#)

INDEX NO.	PART NO.	DESCRIPTION	MODEL(S)
1	943	SCREW (6)	ALL
2	4820A	SCREW (16)	ALL

3	7804	LOCKNUT	ALL
4	11171	O-RING (2)	ALL
5	11105	O-RING	ALL
6	25307-06	PRIMARY COVER (black) with 40574-06A	XL1200CX, XL1200NS, XL1200X, XL883N
6	25430-06	PRIMARY COVER (polished) with 40574-06A	XL883L
6	25460-06	PRIMARY COVER (chrome) with 40574-06A	XL1200C, XL1200T, XL1200XS
7	25463-94A	GASKET	ALL
8	34760-04	INSPECTION COVER, clutch (chrome)	XL1200T, XL1200XS
8	34992-04	INSPECTION COVER, clutch (polished)	XL1200CX, XL1200X, XL883L, XL883N
8	34992-04	INSPECTION COVER, clutch (polished) (ASEAN, China)	XL1200NS
8	37718-10	INSPECTION COVER, clutch (gloss black)	XL1200C
8	34790-05	INSPECTION COVER, clutch (black) (all except ASEAN, China)	XL1200NS
9	34993-04A	INSPECTION COVER, chain, with gasket (polished) (ASEAN, China)	XL1200NS
9	34993-04A	INSPECTION COVER, chain, with gasket (polished)	XL1200CX, XL1200X, XL883L, XL883N
9	34761-04A	INSPECTION COVER, chain, with gasket (chrome)	XL1200C, XL1200T, XL1200XS
9	34794-05A	INSPECTION COVER, chain, with gasket (black) (all except ASEAN, China)	XL1200NS
10	34955-04	GASKET	ALL
11	34990-08	GASKET	ALL
12	40039-02C	CHAIN ADJUSTER ASSEMBLY	ALL
13	40574-06A	BUSHING	ALL
14	41191-74A	SCREW (2)	ALL
15	60328-98B	OIL DRAIN PLUG ASSEMBLY, with 11105	ALL

BELTS, CHAINS AND SPROCKETS



[View interactive image](#)

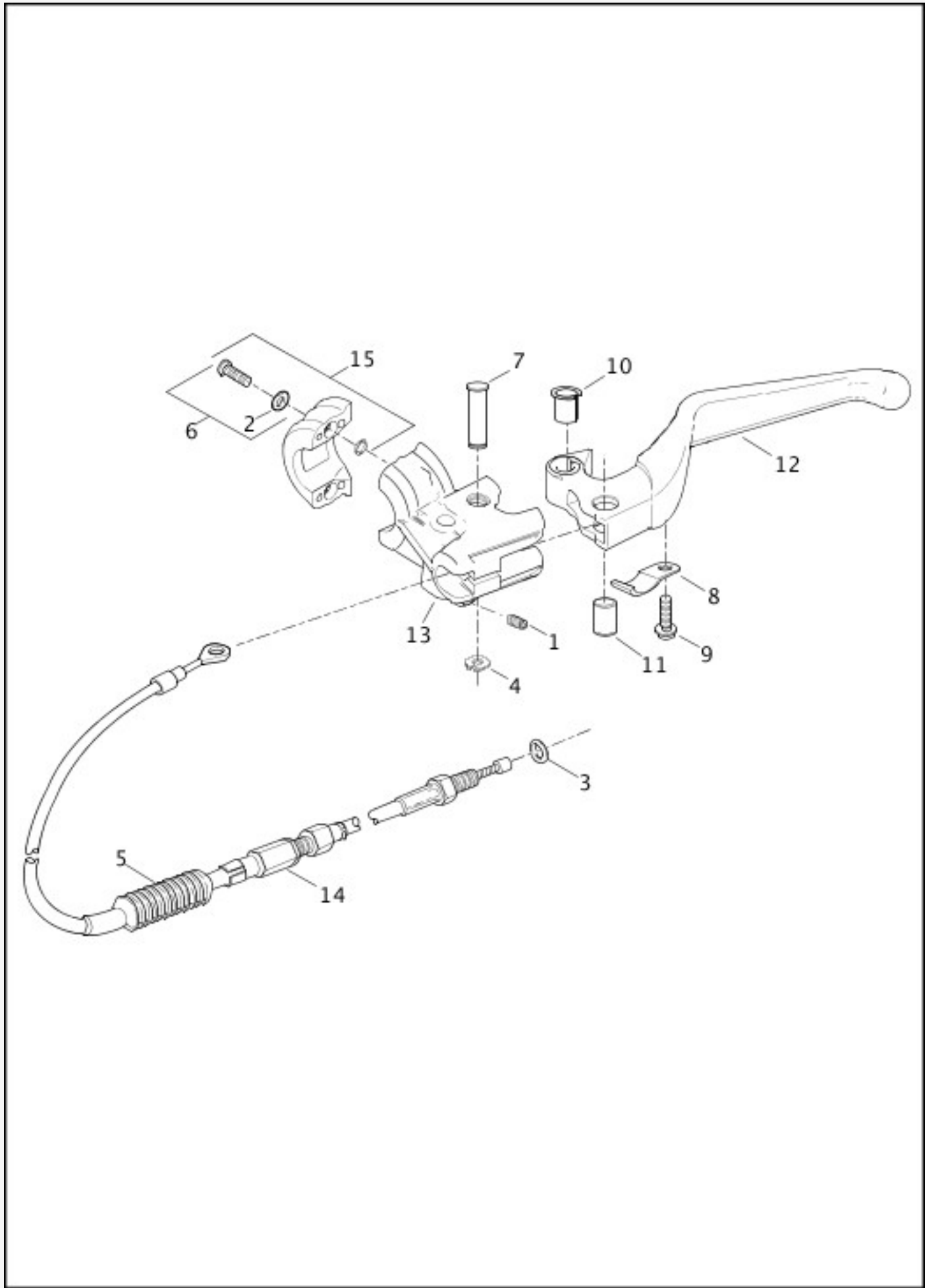
[View interactive table](#)

INDEX NO.	PART NO.	DESCRIPTION	MODEL(S)
1	3480A	SCREW	ALL
2	3594	SCREW (2)	ALL

3	3899	SCREW (5)	ALL
4	4717A	SCREW	ALL
5	4751	SCREW	ALL
6	6516HW	WASHER (5)	ALL
7	7839	NUT	ALL
8	32493-02B	ROTOR SPROCKET ASSEMBLY (Asia-Pacific only), with 4751 and 40241-02A	XL883L
8	32493-02B	ROTOR SPROCKET ASSEMBLY (Asia-Pacific, Brazil, Canada, Domestic) with 4751 and 40241-02A	XL883N
8	32494-04B	ROTOR SPROCKET ASSEMBLY, with 4751 and 40290-04A	XL1200C, XL1200CX, XL1200NS, XL1200T, XL1200X, XL1200XS
8	32494-04B	ROTOR SPROCKET ASSEMBLY (all except Asia-Pacific, Brazil, Canada, Domestic), with 4751 and 40290-04A	XL883N
8	32494-04B	ROTOR SPROCKET ASSEMBLY (all except Asia-Pacific), with 4751 and 40290-04A	XL883L
9	34911-04	SPROCKET COVER (polished)	XL883L
9	34932-04	SPROCKET COVER (chrome)	XL1200C, XL1200T, XL1200XS
9	34943-05	SPROCKET COVER (black)	XL1200CX, XL1200NS, XL1200X, XL883N
10	35211-91B	NUT	ALL
11	40005-57B	PRIMARY CHAIN (Domestic, Canada, Asia-Pacific, Brazil), 94 links	XL883N
11	40005-57B	PRIMARY CHAIN (Asia-Pacific only), 94 links	XL883L
11	40147-04	PRIMARY CHAIN, 96 links	XL1200C, XL1200CX, XL1200NS, XL1200T, XL1200X, XL1200XS
11	40147-04	PRIMARY CHAIN (all except Domestic, Canada, Asia-Pacific, Brazil), 96 links	XL883N
11	40147-04	PRIMARY CHAIN (all except Asia-Pacific), 96 links	XL883L
12	40241-02A	SPROCKET (Domestic, Canada, Asia-Pacific, Brazil), triple row - 34 teeth	XL883N
12	40241-02A	SPROCKET (Asia-Pacific), triple row - 34 teeth	XL883L
12	40290-04A	SPROCKET, triple row - 38 teeth	XL1200C, XL1200CX, XL1200NS, XL1200T, XL1200X, XL1200XS

12	40290-04A	SPROCKET (All except Asia-Pacific), triple row - 38 teeth	XL883L
12	40290-04A	SPROCKET (All except Domestic, Canada, Asia-Pacific, Brazil), triple row - 38 teeth	XL883N
13	40251-92A	RETENTION PLATE	ALL
14	40350-07	SPROCKET, belt - 68 teeth (black with highlights)	XL1200CX, XL1200T, XL883L
14	40444-07	SPROCKET, belt - 68 teeth (black)	XL1200C, XL1200NS, XL1200XS, XL883N
14	42200121	SPROCKET, belt - 68 teeth (black)	XL1200X
15	40380-04	SPROCKET, transmission - 30 teeth	XL1200C, XL1200T, XL1200XS
15	40380-04	SPROCKET, transmission - 30 teeth (All except Domestic and Canada)	XL1200NS, XL1200X
15	40409-04	SPROCKET, transmission - 30 teeth (All except India)	XL1200CX
15	40380-04	SPROCKET, transmission - 30 teeth (India only)	XL1200CX
15	40409-04	SPROCKET, transmission - 29 teeth	XL883L, XL883N
15	40409-04	SPROCKET, transmission - 29 teeth (Domestic, Canada only)	XL1200NS, XL1200X
16	40591-07	BELT, 137 teeth	ALL

CLUTCH CONTROL



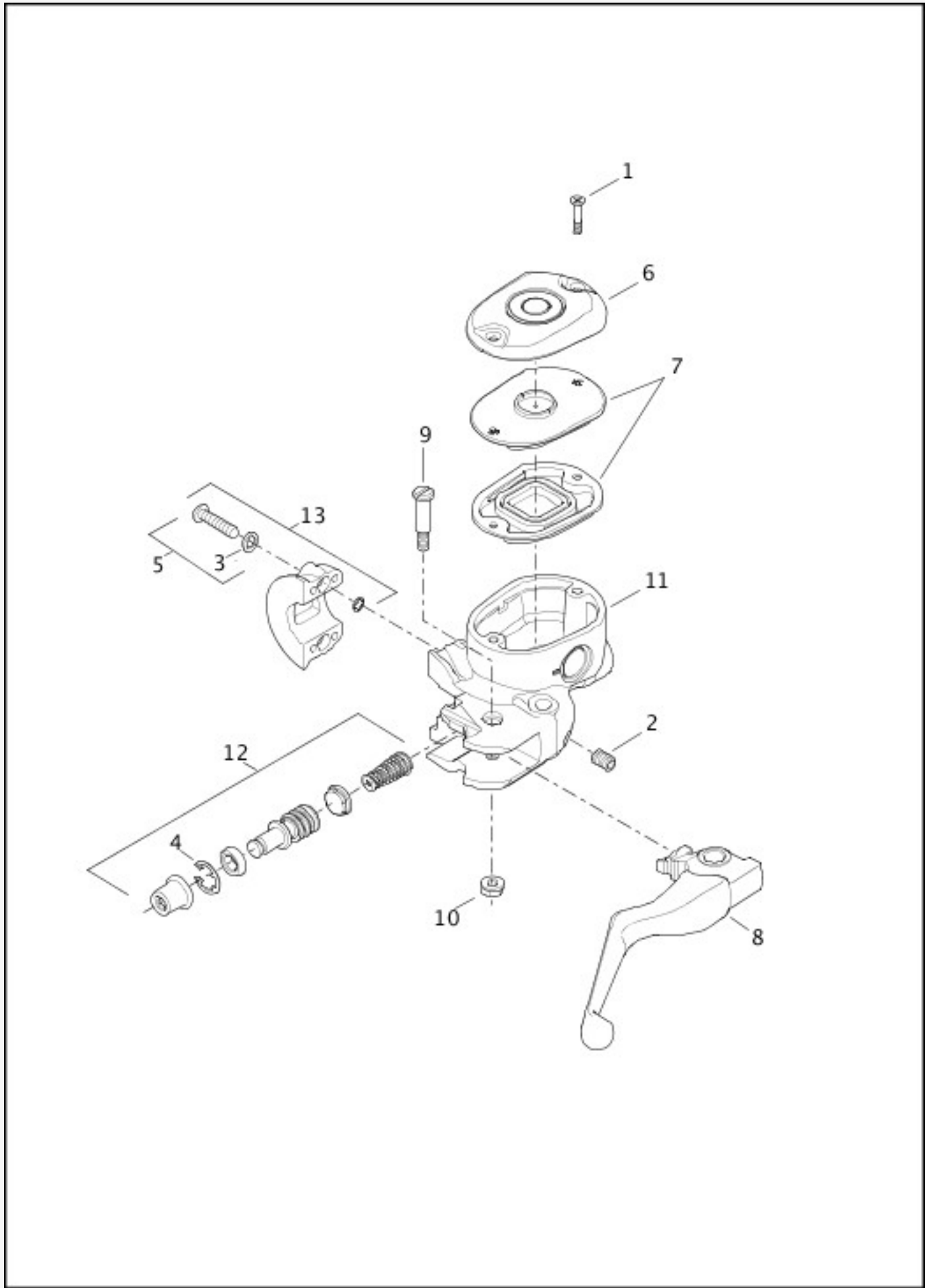
[View interactive image](#)

[View interactive table](#)

INDEX NO.	PART NO.	DESCRIPTION	MODEL(S)
1	3244	SCREW	ALL
2	6101	WASHER (2)	ALL

3	11179	O-RING	ALL
4	11379	RETAINING RING	ALL
5	38630-88	BOOT	ALL
6	42425-05	KIT, with 6101 (2) and screw (2)	ALL
7	42807-04	BOLT	ALL
8	45799-04	SPRING, anti-rattle	ALL
9	45800-04	SCREW	ALL
10	45801-04	BUSHING	ALL
11	46268-04	PIN	XL1200C, XL1200NS, XL1200T, XL1200X, XL1200XS, XL883L, XL883N
11	45036-88	PIN	XL1200CX
12	36700011	HAND LEVER, with 8, 9, 10 (black)	XL1200NS, XL1200X, XL1200XS, XL883N
12	36700012	HAND LEVER, with 8, 9, 10 (silver)	XL1200C, XL1200CX, XL1200T, XL883L
13	36700013	BRACKET, with 3244	ALL
14	38699-04D	CABLE ASSEMBLY, with 3, 4, 5, 11	XL1200C, XL1200T, XL1200X, XL883L, XL883N
14	37200172	CABLE ASSEMBLY, with 3, 5, 11	XL1200CX
14	37000041A	CABLE ASSEMBLY, with 3, 4, 5, 11	XL1200NS
14	38702-05C	CABLE ASSEMBLY, with 3, 4, 5, 11	XL1200XS
15	41700104	CLAMP	ALL

BRAKE CONTROL, FRONT



[View interactive image](#)

[View interactive table](#)

INDEX NO.	PART NO.	DESCRIPTION	MODEL(S)
1	2586A	SCREW (2)	ALL
2	3244	SCREW	ALL

3	6101	WASHER (2)	ALL
4	11142	RETAINING RING	ALL
5	42425-05	KIT, with 6101 (2) and screw (2)	ALL
6	42804-07	CAP, with decal	ALL
7	42805-04	GASKET KIT	ALL
8	41700004	LEVER (silver)	XL1200C, XL1200CX, XL1200T, XL883L
8	41700008	LEVER (black)	XL1200NS, XL1200X, XL1200XS, XL883N
9	41700042	BOLT	ALL
10	41700043	NUT	ALL
11	41700003	MASTER CYLINDER ASSEMBLY, single (silver), (ABS), with 1, 2, 6, 7, 8, 9, 10, 12	XL1200C, XL1200T, XL883L
11	41700099	MASTER CYLINDER ASSEMBLY, single (black), (Non-ABS), with 1, 2, 6, 7, 8, 9, 10, 12	XL1200NS, XL1200X, XL883N
11	41700007	MASTER CYLINDER ASSEMBLY, single (black), (ABS), with 1, 2, 6, 7, 8, 9, 10, 12	XL1200NS, XL1200X, XL1200XS, XL883N
11	41700086	MASTER CYLINDER ASSEMBLY, dual (polished), with 1, 2, 6, 7, 8, 9, 10, 12	XL1200CX
12	41700084	REBUILD KIT, single (ABS)	XL1200C, XL1200NS, XL1200T, XL1200X, XL1200XS, XL883L, XL883N
12	41700087	REBUILD KIT, single (Non-ABS)	XL1200NS, XL1200X, XL883N
12	41700088	REBUILD KIT, dual	XL1200CX
13	41700104	CLAMP	ALL

MIRRORS

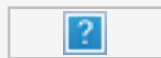


[View interactive table](#)

INDEX NO.	PART NO.	DESCRIPTION	MODEL(S)
1	7155	LOCKWASHER (2)	ALL
2	7357	BULLET NUT (2)	XL1200X
3	7725	LOCKNUT (2)	XL1200T, XL883L

4	7331	ACORN NUT	XL1200C, XL1200CX, XL1200NS, XL1200XS, XL883N
5	91982-03B	MIRROR KIT (right), short (black), with 7155, 7331	XL1200NS, XL1200XS, XL883N
5	91909-03B	MIRROR KIT (right), long (black), with 7155, 7331	XL1200C, XL1200CX
6	91983-03B	MIRROR KIT (left), short (black), with 7155, 7331	XL1200NS, XL1200XS, XL883N
6	91910-03B	MIRROR KIT (left), long (black), with 7155, 7331	XL1200C, XL1200CX
7	92401-09	MIRROR KIT (right), short (chrome), with 7155, 7725	XL1200T, XL883L
8	92402-09	MIRROR KIT (left), short (chrome), with 7155, 7725	XL1200T, XL883L
9	91960-10	MIRROR KIT (used on the left side), short (black), with 7155, 7357	XL1200X
10	91961-10	MIRROR KIT (used on the right side), short (black), with 7155, 7357	XL1200X

BRAKE LINES, FRONT - NON-ABS

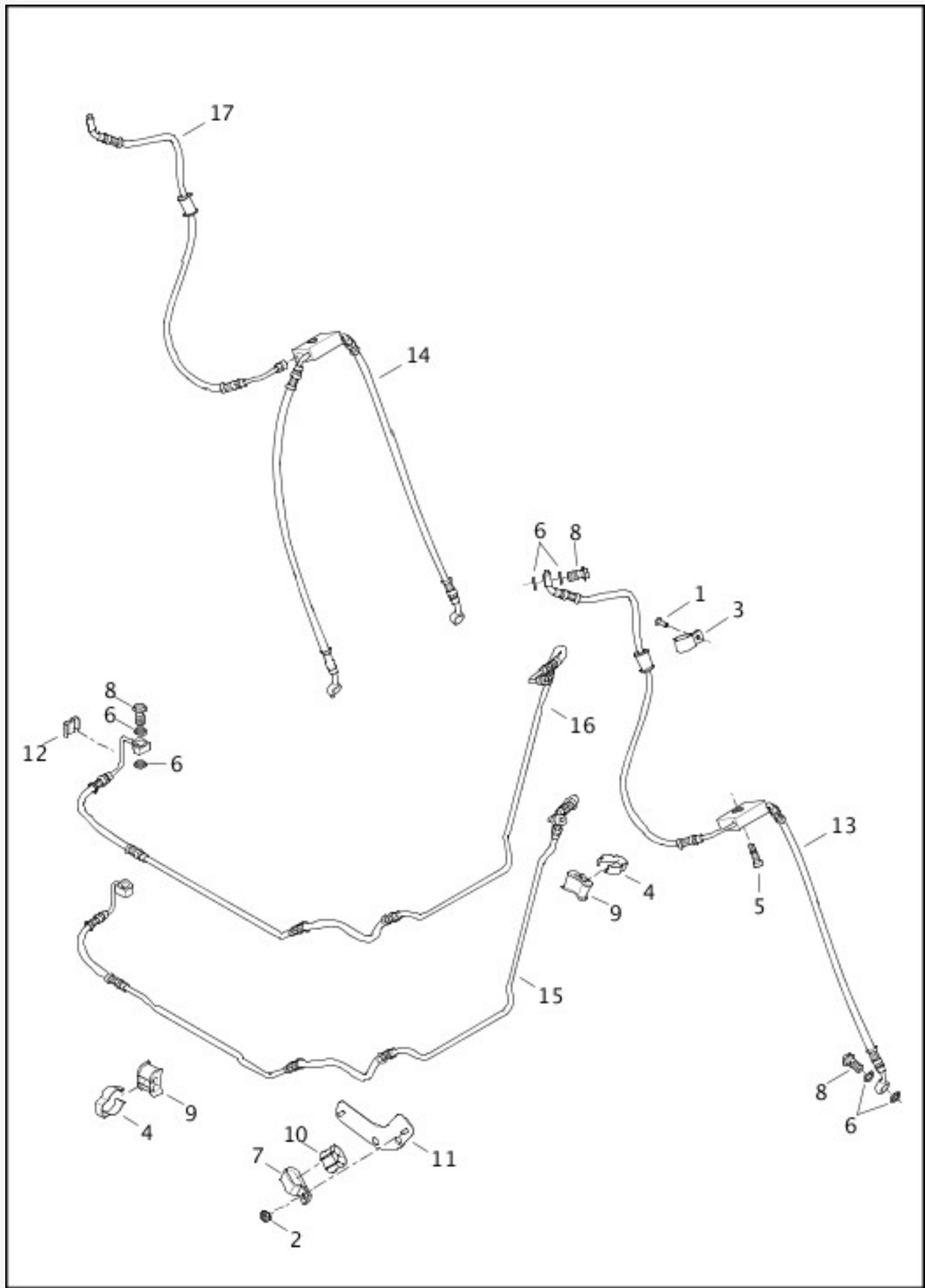


[View interactive table](#)

INDEX NO.	PART NO.	DESCRIPTION	MODEL(S)
1	2441	SCREW	ALL
2	4741A	SCREW	ALL
3	10031	CLAMP	ALL
4	10053	CLAMP	ALL
5	41756-08	GASKET (4)	XL1200C, XL1200NS, XL1200T, XL1200X, XL1200XS, XL883L, XL883N
5	41756-08	GASKET (6)	XL1200CX
6	11600001	BANJO BOLT (2)	XL1200C, XL1200NS, XL1200T, XL1200X, XL1200XS, XL883L, XL883N
6	11600001	BANJO BOLT (3)	XL1200CX
7	41800160	BRAKELINE, single	XL1200T, XL883L
7	41800166	BRAKELINE, single	XL1200C

7	41800171	BRAKELINE, single	XL1200X
7	41800172	BRAKELINE, single	XL883N
7	41800763	BRAKELINE, single	XL1200NS, XL1200XS
8	41800566	BRAKELINE, dual	XL1200CX
9	10006	CABLE STRAP	XL1200NS, XL1200XS

BRAKE LINES, FRONT - ABS



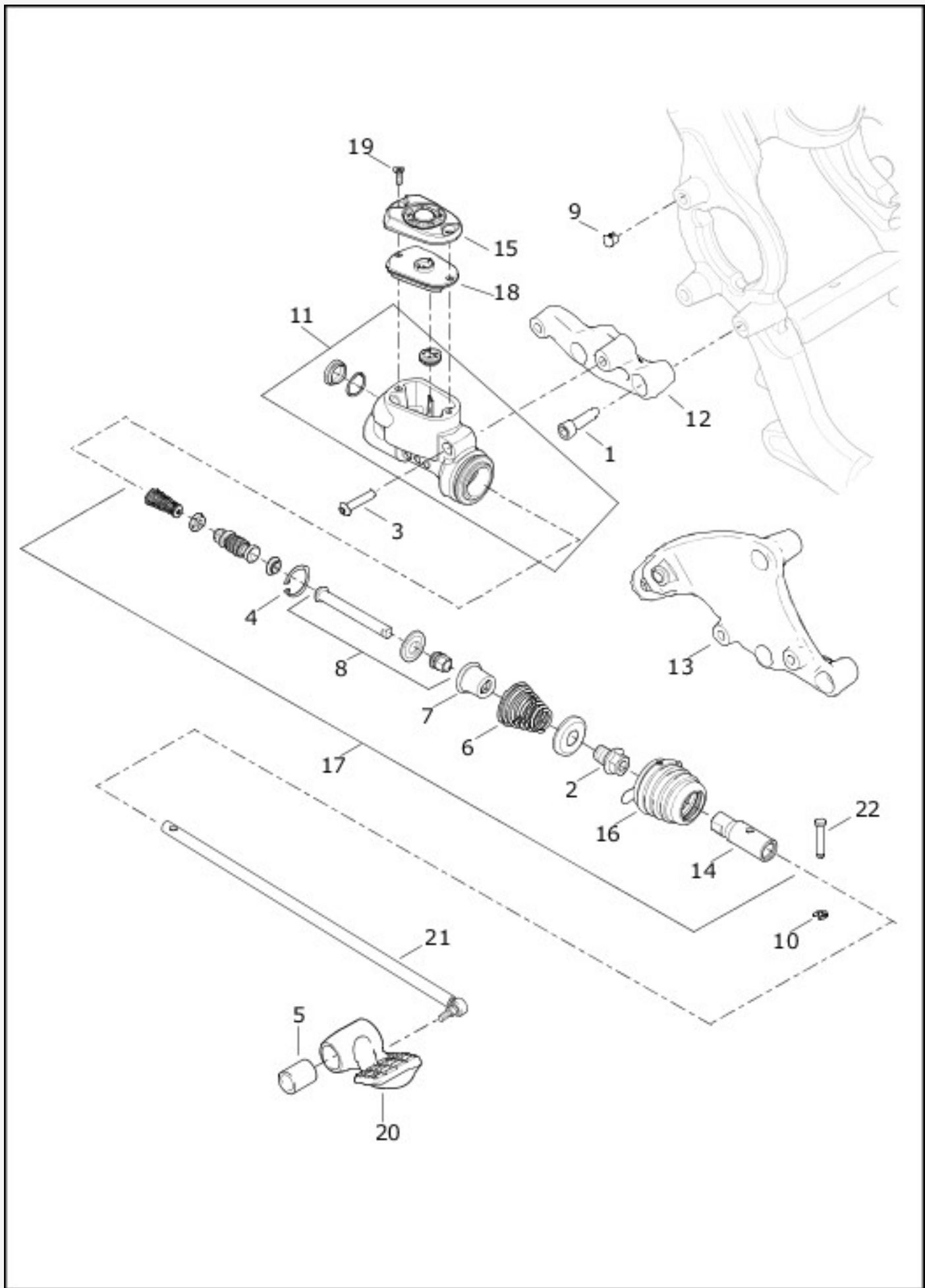
[View interactive image](#)

[View interactive table](#)

INDEX NO.	PART NO.	DESCRIPTION	MODEL(S)
1	2441	SCREW	ALL
2	7838	NUT (2)	ALL

3	10031	CLAMP	ALL
4	10289A	CLIP (4)	ALL
5	5004	BOLT	ALL
6	41756-08	GASKET (8)	ALL
7	10800074	P-CLAMP (2)	ALL
8	11600001	BANJO BOLT (4)	ALL
9	12100031	GROMMET (4)	ALL
10	12100049	GROMMET (2)	ALL
11	41600068	BRACKET	ALL
12	41600074	CLIP	ALL
13	41800143	BRAKELINE	XL1200X
13	41800145	BRAKELINE	XL1200C
13	41800150	BRAKELINE	XL1200T, XL883L
13	41800151	BRAKELINE	XL883N
13	41800762	BRAKELINE	XL1200NS, XL1200XS
14	41800154	BRAKELINE, dual	XL1200CX
15	41800161	BRAKELINE	ALL
16	41800162	BRAKELINE	ALL
17	41800567	BRAKELINE, dual, jumper	XL1200CX

BRAKE CONTROL, REAR



[View interactive image](#)

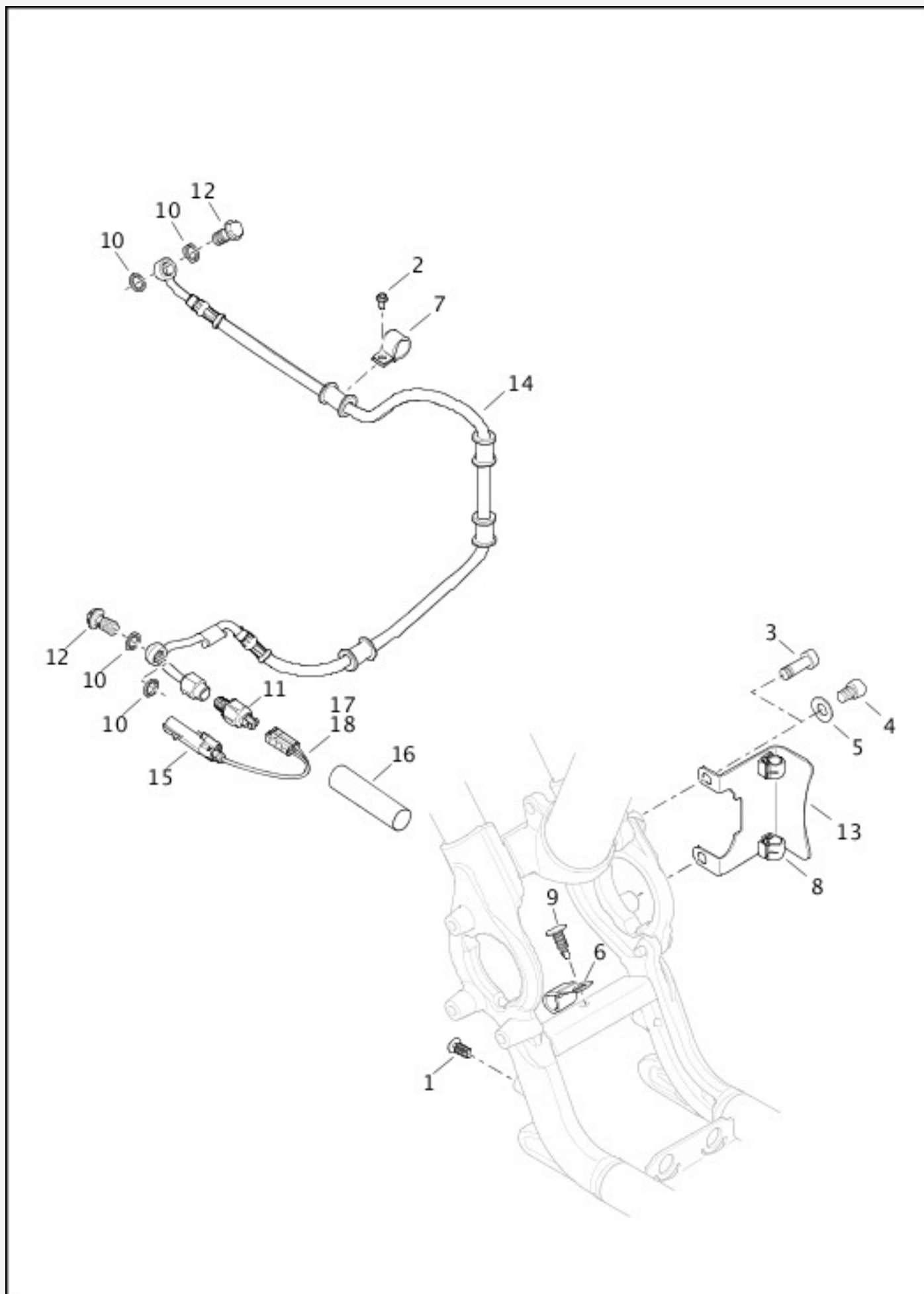
[View interactive table](#)

INDEX NO.	PART NO.	DESCRIPTION	MODEL(S)
1	3214	SCREW (2)	XL1200NS, XL1200X, XL1200XS, XL883L, XL883N

1	3214	SCREW (3)	XL1200C, XL1200CX, XL1200T
2	7477	NUT	ALL
3	8329	SCREW (2)	ALL
4	11121	RETAINING RING	ALL
5	42569-03	BUSHING	ALL
6	42593-04	SPRING	ALL
7	42811-04	BOOT	ALL
8	42812-04	PUSHROD	ALL
9	90493-83	HOLE PLUG	XL1200NS, XL1200X, XL1200XS, XL883L, XL883N
10	12600080	CLIP	ALL
11	41700025	MASTER CYLINDER, with 15, 17, 18, 19	ALL
12	41700092	BRACKET	XL1200NS, XL1200X, XL1200XS, XL883L, XL883N
13	50500233	BRACKET	XL1200C, XL1200CX, XL1200T
14	41700094	PUSHROD COLLAR	ALL
15	41700095	COVER, with decal	ALL
16	41700096	PUSHROD	ALL
17	41700097	KIT, master cylinder	ALL
18	41700098	KIT, gasket	ALL
19	41700102	SCREW (2)	ALL
20	50600020	BRAKE PEDAL, with 42569-03, mid control (polished)	XL1200C, XL883L
20	50600024	BRAKE PEDAL, with 42569-03, mid control (black)	XL1200CX, XL1200NS, XL883N
20	50600124	BRAKE PEDAL, with 42569-03, mid control (polished)	XL1200T
20	50600025	BRAKE PEDAL, with 42569-03, forward control (black)	XL1200X, XL1200XS
21	50600022	PUSHROD, mid control (polished)	XL1200C, XL883L
21	50600091	PUSHROD, mid control (black)	XL1200CX, XL1200NS, XL883N
21	50600125	PUSHROD, mid control (polished)	XL1200T
21	50600092	PUSHROD, forward control (black)	XL1200X, XL1200XS

22	50600101	PIN	ALL
----	----------	-----	-----

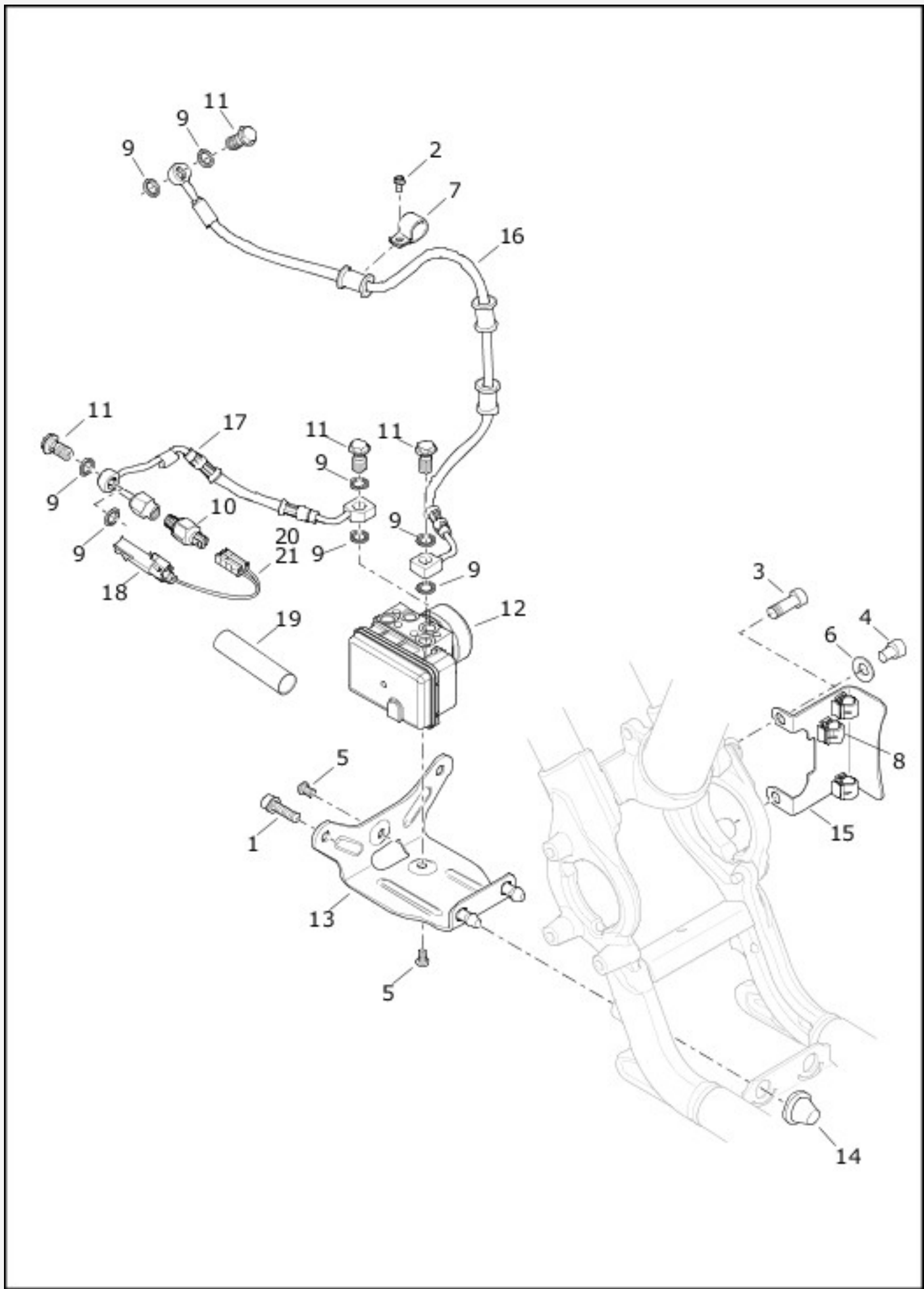
BRAKE LINES, REAR - NON-ABS



[View interactive image](#)

INDEX NO.	PART NO.	DESCRIPTION	MODEL(S)
1	11785	FASTENER (2)	ALL
2	2501A	SCREW	ALL
3	3214	SCREW (2)	XL1200C, XL1200CX, XL1200NS, XL1200T, XL1200XS
4	4190	SCREW (2)	XL1200NS, XL1200X, XL1200XS, XL883L, XL883N
5	6701	WASHER (2)	XL1200NS, XL1200X, XL1200XS, XL883L, XL883N
6	10003	CLAMP	ALL
7	10031	CLAMP	ALL
8	10108	CLIP (2)	ALL
9	11778	FASTENER	ALL
10	41756-08	GASKET (4)	ALL
11	72023-51E	SWITCH	ALL
12	11600001	BANJO BOLT (2)	ALL
13	41600069	BRACKET ASSEMBLY	ALL
14	41800318	BRAKELINE	ALL
15	69200272	CONNECTOR, two-way, pin	ALL
16	69200790	HEAT SHRINK	ALL
17	69200793	KIT, jumper switch, with 15, 16, 18	ALL
18	69200794	WIRE HARNESS, jumper switch	ALL

BRAKE LINES, REAR - ABS



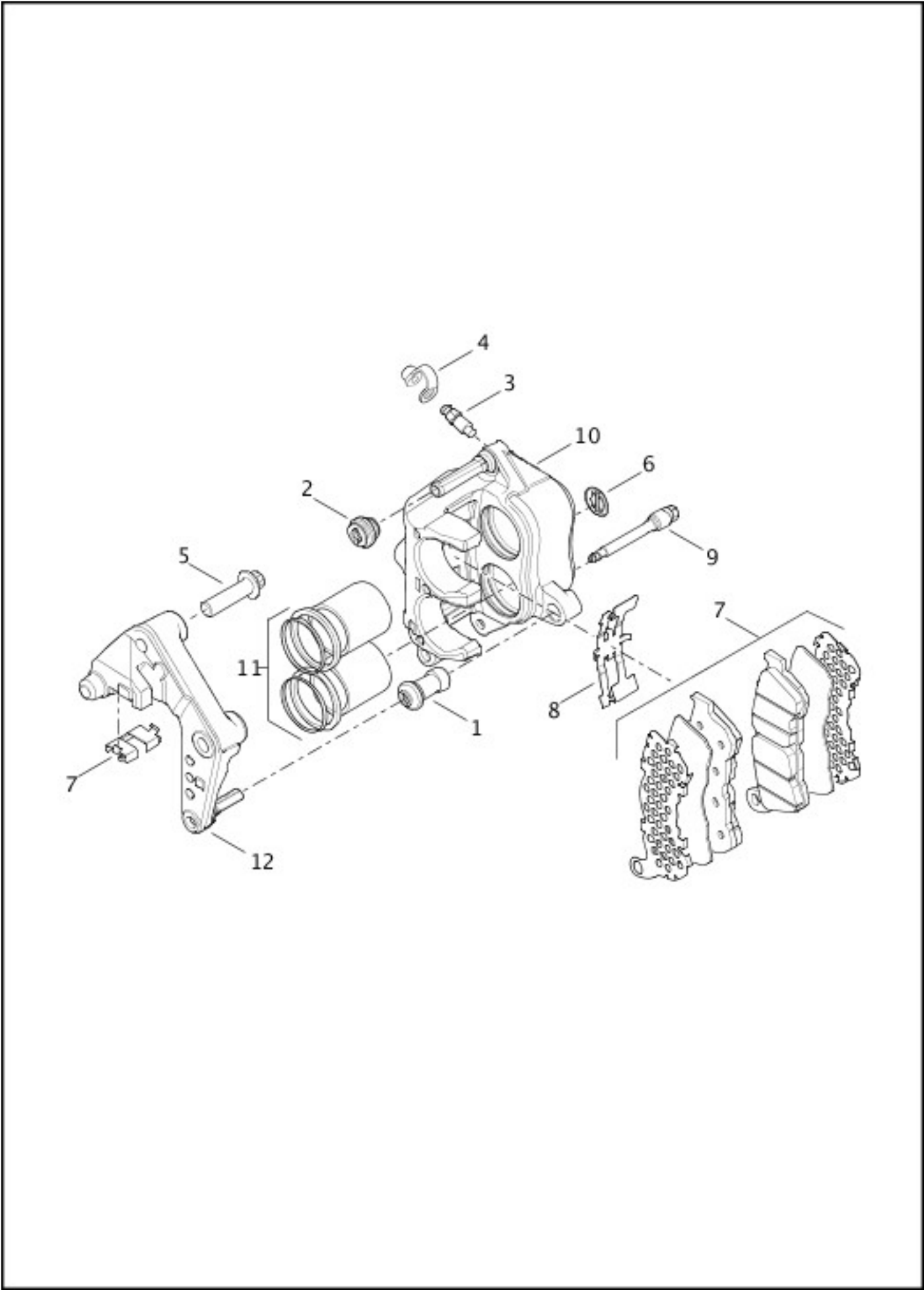
[View interactive image](#)

[View interactive table](#)

INDEX NO.	PART NO.	DESCRIPTION	MODEL(S)
1	2479	SCREW (2)	ALL
2	2501A	SCREW	ALL

3	3214	SCREW (2)	XL1200NS, XL1200X, XL1200XS, XL883L, XL883N
4	4190	SCREW (2)	XL1200NS, XL1200X, XL1200XS, XL883L, XL883N
5	4858M	SCREW (2)	ALL
6	6701	WASHER (2)	XL1200NS, XL1200X, XL1200XS, XL883L, XL883N
7	10031	CLAMP	ALL
8	10108	CLIP (3)	ALL
9	41756-08	GASKET (8)	XL1200C, XL1200NS, XL1200T, XL1200X, XL1200XS, XL883L, XL883N
9	41756-08	GASKET (10)	XL1200CX
10	72023-51E	SWITCH	ALL
11	11600001	BANJO BOLT (4)	XL1200C, XL1200NS, XL1200T, XL1200X, XL1200XS, XL883L, XL883N
11	11600001	BANJO BOLT (5)	XL1200CX
12	41100043C	ABS (ANTI-LOCK BRAKE SYSTEM) CONTROL UNIT	ALL
13	41100020A	BRACKET	ALL
14	41100022	GROMMET (2)	ALL
15	41600069	BRACKET ASSEMBLY	ALL
16	41800165	BRAKELINE	ALL
17	41800317	BRAKELINE	ALL
18	69200272	CONNECTOR, two-way, pin	ALL
19	69200790	HEAT SHRINK	ALL
20	69200793	KIT, jumper switch, with 18, 19, 21	ALL
21	69200794	WIRE HARNESS, jumper switch	ALL

BRAKE CALIPER, FRONT



[View interactive image](#)

[View interactive table](#)

INDEX NO.	PART NO.	DESCRIPTION	MODEL(S)
1	42823-04	BOOT, bushing	XL1200C, XL1200NS, XL1200T, XL1200X, XL1200XS, XL883L, XL883N

1	42823-04	BOOT, bushing (2)	XL1200CX
2	42824-04	BOOT, pin	XL1200C, XL1200NS, XL1200T, XL1200X, XL1200XS, XL883L, XL883N
2	42824-04	BOOT, pin (2)	XL1200CX
3	42827-04	BLEEDER SCREW	XL1200C, XL1200NS, XL1200T, XL1200X, XL1200XS, XL883L, XL883N
3	42827-04	BLEEDER SCREW (2)	XL1200CX
4	42828-04	BLEEDER CAP	XL1200C, XL1200NS, XL1200T, XL1200X, XL1200XS, XL883L, XL883N
4	42828-04	BLEEDER CAP (2)	XL1200CX
5	44160-00	BOLT (2)	XL1200C, XL1200NS, XL1200T, XL1200X, XL1200XS, XL883L, XL883N
5	44160-00	BOLT (6)	XL1200CX
6	14100381	DECAL	XL1200C, XL1200NS, XL1200T, XL1200X, XL1200XS, XL883L, XL883N
6	14100381	DECAL (2)	XL1200CX
7	41300004	PAD KIT, with retainer clip	XL1200C, XL1200NS, XL1200T, XL1200X, XL1200XS, XL883L, XL883N
7	41300004	PAD KIT, with retainer clip (2)	XL1200CX
8	41300005	SPRING	XL1200C, XL1200NS, XL1200T, XL1200X, XL1200XS, XL883L, XL883N
8	41300005	SPRING (2)	XL1200CX
9	41300009	PAD PIN	XL1200C, XL1200NS, XL1200T, XL1200X, XL1200XS, XL883L, XL883N
9	41300009	PAD PIN (2)	XL1200CX
10	41300003	CALIPER ASSEMBLY (left), with 1, 2, 3, 4, 6, 7, 8, 9, 11, 12 (silver)	XL1200C, XL1200T, XL883L
10	41300010	CALIPER ASSEMBLY (left), with 1, 2, 3, 4, 6, 7, 8, 9, 11, 12 (black)	XL1200CX, XL1200NS, XL1200X, XL1200XS, XL883N
10	41300032	CALIPER ASSEMBLY (right), with 1, 2, 3, 4, 6, 7, 8, 9, 11, 12 (black)	XL1200CX
11	41300006	PISTON KIT, set	XL1200C, XL1200NS, XL1200T, XL1200X, XL1200XS, XL883L, XL883N
11	41300006	PISTON KIT, set (2)	XL1200CX
12	41300007	CALIPER BRACKET (left) (silver)	XL1200C, XL1200T, XL883L
12	41300008	CALIPER BRACKET (left) (black)	XL1200CX, XL1200NS, XL1200X, XL1200XS,

XL883N

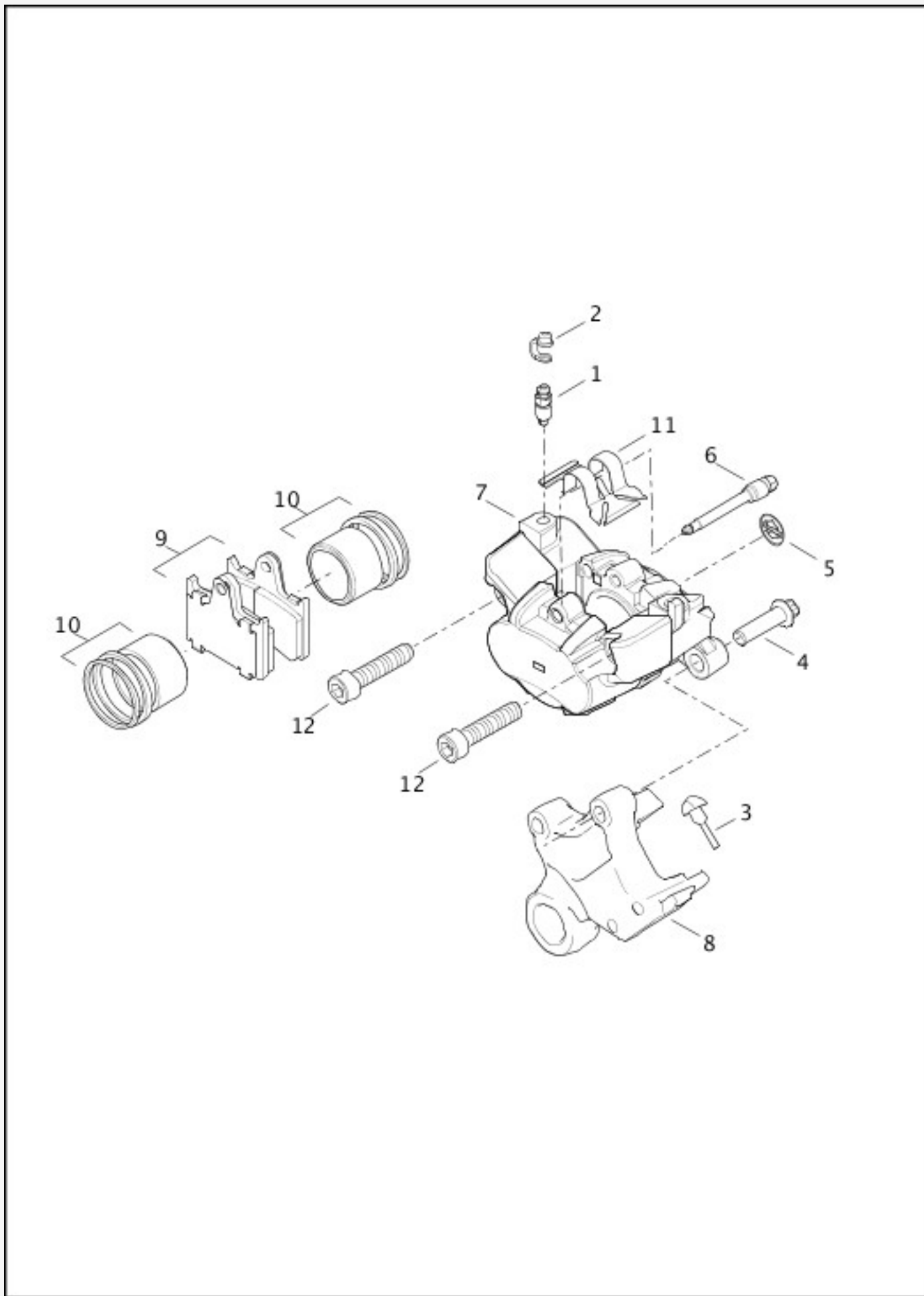
12

41300052

CALIPER BRACKET (right) (black)

XL1200CX

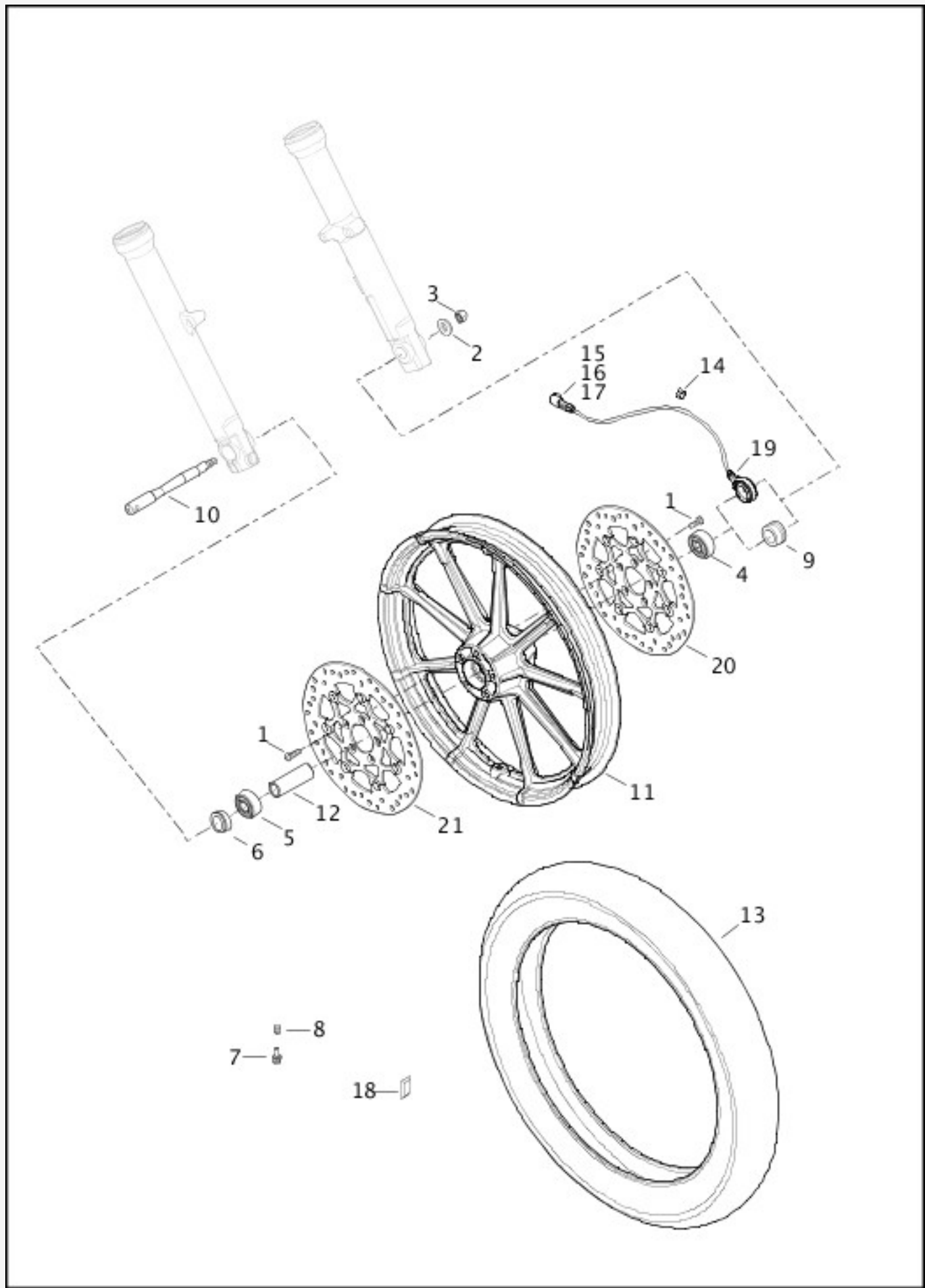
BRAKE CALIPER, REAR



[View interactive image](#)

INDEX NO.	PART NO.	DESCRIPTION	MODEL(S)
1	42827-04	BLEEDER SCREW	ALL
2	42828-04	BLEEDER CAP	ALL
3	42840-04	DAMPER	ALL
4	44160-00	BOLT (2)	ALL
5	14100381	DECAL	ALL
6	41300009	PAD PIN	ALL
7	41300038	CALIPER ASSEMBLY, with 1, 2, 5, 6, 9, 10, 11, 12 (silver)	XL1200C, XL1200T, XL883L
7	41300039	CALIPER ASSEMBLY, with 1, 2, 5, 6, 9, 10, 11, 12 (black)	XL1200CX, XL1200NS, XL1200X, XL1200XS, XL883N
8	41300049	BRACKET, with 42840-04	ALL
9	41300053	PAD KIT	ALL
10	41300054	PISTON KIT, set	ALL
11	41300055	SPRING	ALL
12	41300056	BOLT (2)	ALL

WHEELS, FRONT, CAST - XL1200C (INDIA ONLY), XL883L, XL883N, XL1200CX, XL1200NS, XL1200T, XL1200X, XL1200XS



[View interactive image](#)

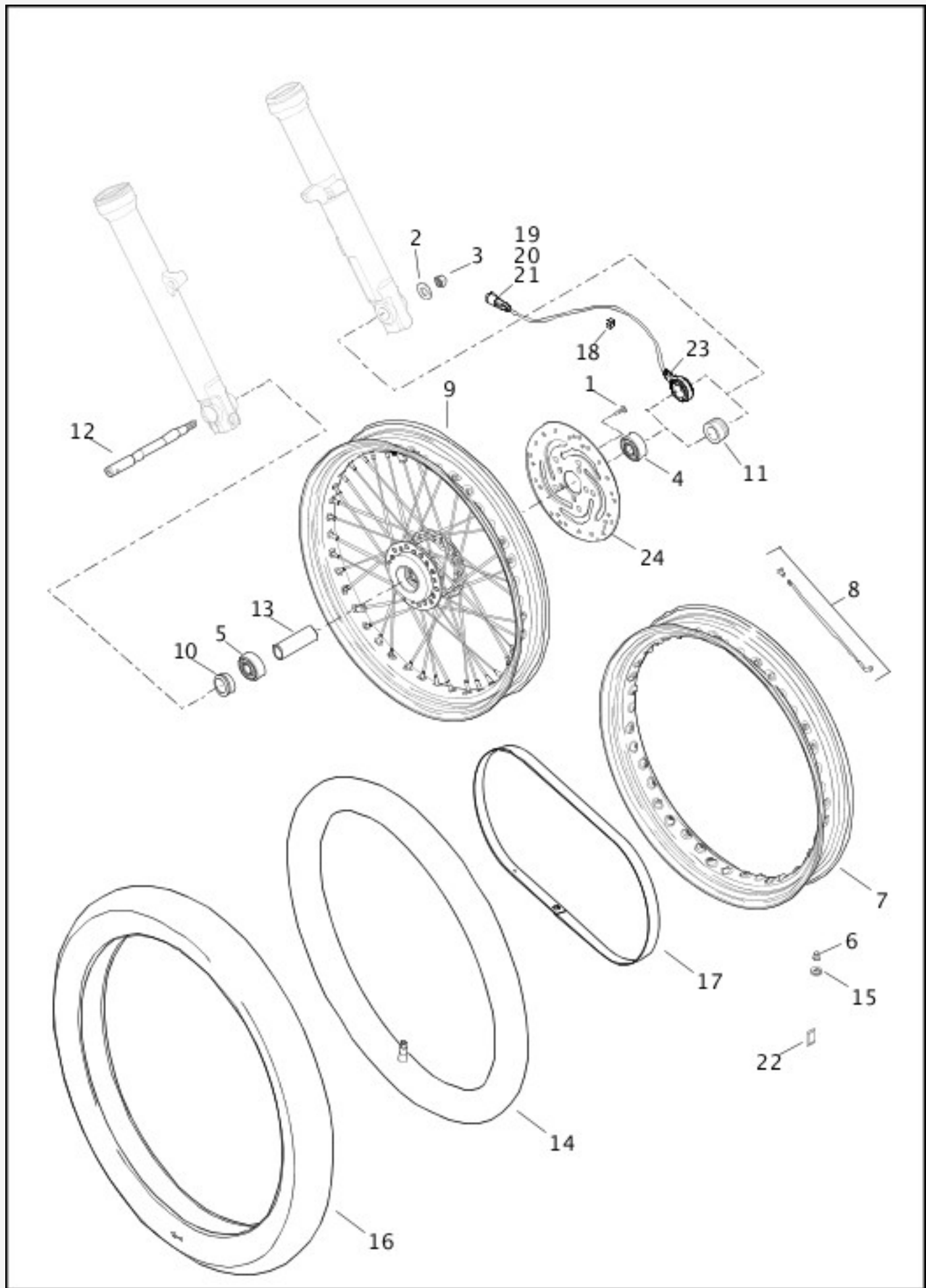
[View interactive table](#)

INDEX NO.	PART NO.	DESCRIPTION	MODEL(S)
1	3655A	SCREW (1200C India only) (5)	XL1200C, XL1200NS, XL1200T, XL1200X, XL1200XS, XL883L, XL883N

1	3655A	SCREW (10)	XL1200CX
2	6594	WASHER (1200C India only)	ALL
3	7813A	NUT (1200C India only)	ALL
4	9252A	BALL BEARING, 25 mm (ABS)(1200C India only)	ALL
4	9276B	BALL BEARING, 25 mm (Non-ABS) (2)	XL1200CX, XL1200NS, XL1200T, XL1200X, XL1200XS, XL883L, XL883N
5	9276B	BALL BEARING, 25 mm (ABS) (1200C India only)	ALL
6	11804	SPACER (right) (1200C India only)	XL1200C, XL1200T, XL1200X, XL1200XS, XL883L
6	43358-08	SPACER (right)	XL1200NS, XL883N
6	41242-08	SPACER (right)	XL1200CX
7	40999-87	VALVE STEM (1200C India only)	ALL
8	41123-79	VALVE CAP (1200C India only)	ALL
9	41242-08	SPACER (left) (Non-ABS)	XL1200CX, XL1200NS, XL1200T, XL1200X, XL1200XS, XL883L, XL883N
10	41628-08	AXLE	XL1200CX, XL1200T, XL1200X, XL1200XS, XL883L
10	43000001	AXLE	XL1200NS, XL883N
11	43689-11	WHEEL ASSEMBLY, 18 in (5 spoke) (black) (not shown)	XL883L
11	55018-11	WHEEL ASSEMBLY, 16 in (5 spoke) (chrome) (1200C India only) (not shown)	XL1200C
11	43300282	WHEEL ASSEMBLY, 18 in (5 spoke) (black) (not shown)	XL1200T
11	43300392	WHEEL ASSEMBLY, 16 in (9 spoke) (black)	XL1200X
11	43300394	WHEEL ASSEMBLY, 19 in (9 spoke) (black)	XL883N
11	43300416	WHEEL ASSEMBLY, 19 in (offset split 5 spoke) (black) (not shown)	XL1200CX
11	43300661	WHEEL ASSEMBLY, 19 in (9 spoke) (black)	XL1200NS
11	43300662	WHEEL ASSEMBLY, 16 in (9 spoke) (black)	XL1200XS
12	43906-08	SPACER	XL1200NS, XL883N
12	11888	SPACER (1200C India only)	XL1200C, XL1200CX, XL1200T, XL1200X, XL1200XS, XL883L
13	40879-11A	TIRE	XL883L

13	43258-07B	TIRE	XL1200NS, XL883N
13	55035-11A	TIRE (1200C India only)	XL1200C, XL1200X, XL1200XS
13	43100021A	TIRE	XL1200T
13	43100026	TIRE	XL1200CX
14	70631-08	CONDUIT CLIP (ABS) (1200C India only) (3)	ALL
15	74102-98BK	HOUSING, two-way pin (black)	XL1200CX, XL1200NS, XL1200T, XL1200X, XL1200XS, XL883L, XL883N
16	74142-98	SECONDARY LOCK, two-way pin	XL1200CX, XL1200NS, XL1200T, XL1200X, XL1200XS, XL883L, XL883N
17	74190-98	TERMINAL, pin, 16-20 AWG (2)	XL1200CX, XL1200NS, XL1200T, XL1200X, XL1200XS, XL883L, XL883N
18	95594-84C	WHEEL WEIGHT, 5 g (black)	XL1200CX, XL1200NS, XL1200X, XL1200XS, XL883N
18	95595-84C	WHEEL WEIGHT, 5 g (silver) (1200C India only)	XL1200C, XL1200T, XL883L
19	41100024	SENSOR RING (ABS) (1200C India only)	ALL
20	41500022	BRAKE DISC (left) (1200C India only)	XL1200C, XL1200T, XL883L
20	41500068	BRAKE DISC (left)	XL1200CX, XL1200NS, XL1200X, XL1200XS, XL883N
21	41500068	BRAKE DISC (right)	XL1200CX

WHEELS, FRONT, LACED - XL1200C



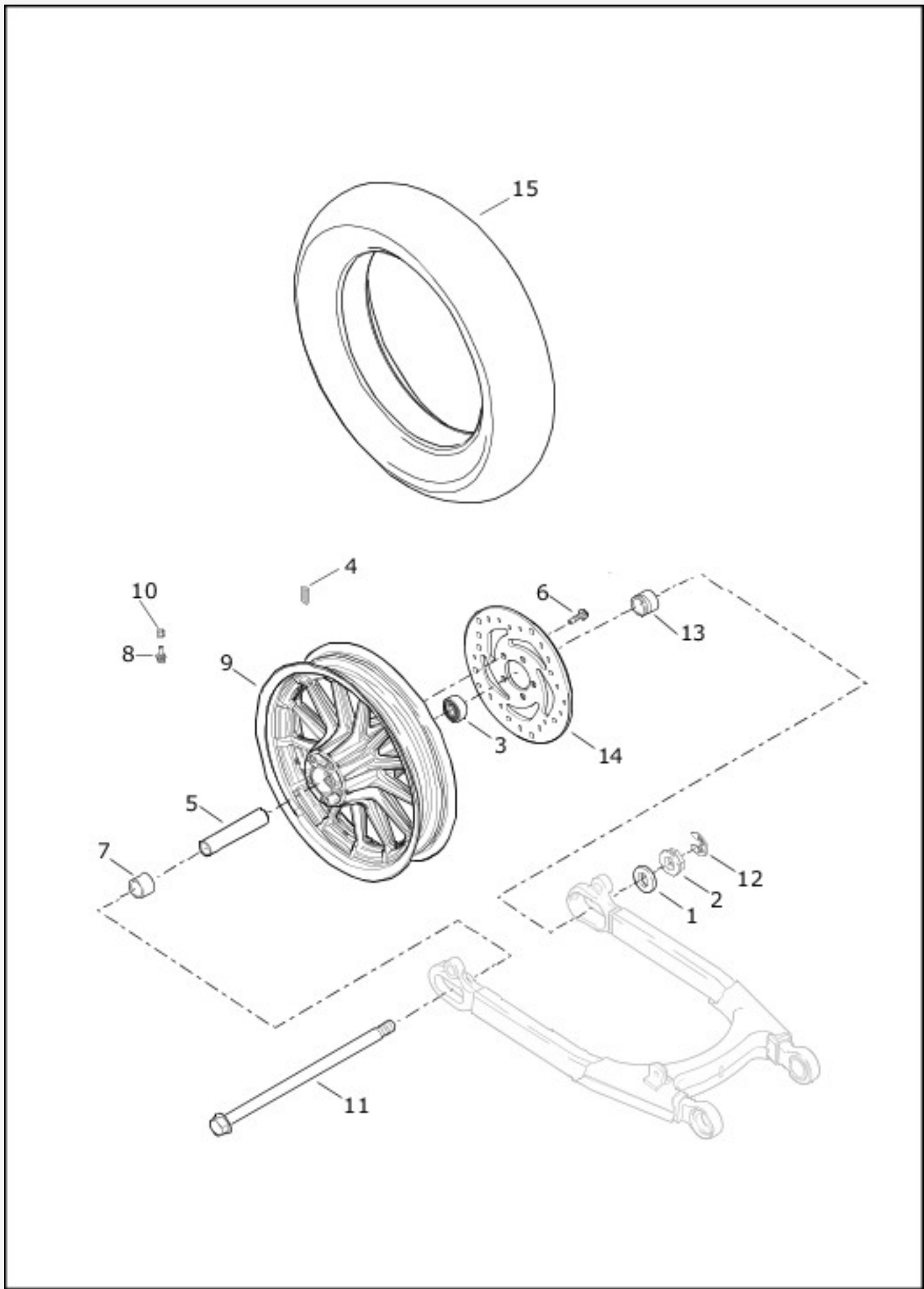
[View interactive image](#)

[View interactive table](#)

INDEX NO.	PART NO.	DESCRIPTION	MODEL(S)
1	3655A	SCREW (5)	XL1200C
2	6594	WASHER	XL1200C

3	7813A	NUT	XL1200C
4	9252A	BALL BEARING, 25 mm (ABS)	XL1200C
4	9276B	BALL BEARING, 25 mm (Non-ABS) (2)	XL1200C
5	9276B	BALL BEARING, 25 mm	XL1200C
6	41123-79	VALVE CAP	XL1200C
7	41389-10	RIM, 16 in (black)	XL1200C
8	47887-10	SPOKE AND NIPPLE KIT, 16 in rim (set of 32)	XL1200C
9	41388-10	WHEEL ASSEMBLY, 16 in (black)	XL1200C
10	11804	SPACER (right)	XL1200C
11	41242-08	SPACER (left) (Non-ABS)	XL1200C
12	41628-08	AXLE	XL1200C
13	11888	SPACER	XL1200C
14	40572-11	INNER TUBE	XL1200C
15	54321-85	NUT	XL1200C
16	55035-11A	TIRE	XL1200C
17	40875-11	RIM STRIP	XL1200C
18	70631-08	CONDUIT CLIP (ABS)	XL1200C
19	74102-98BK	HOUSING, two-way pin (black)	XL1200C
20	74142-98	SECONDARY LOCK, two-way pin	XL1200C
21	74190-98	TERMINAL, pin, 16-20 AWG (2)	XL1200C
22	95594-84C	WHEEL WEIGHT, 5 g (black)	XL1200C
23	41100024	SENSOR RING (ABS)	XL1200C
24	41500022	BRAKE DISC	XL1200C

WHEELS, REAR, CAST - NON-ABS - XL883L, XL883N, XL1200CX, XL1200NS, XL1200X, XL1200XS



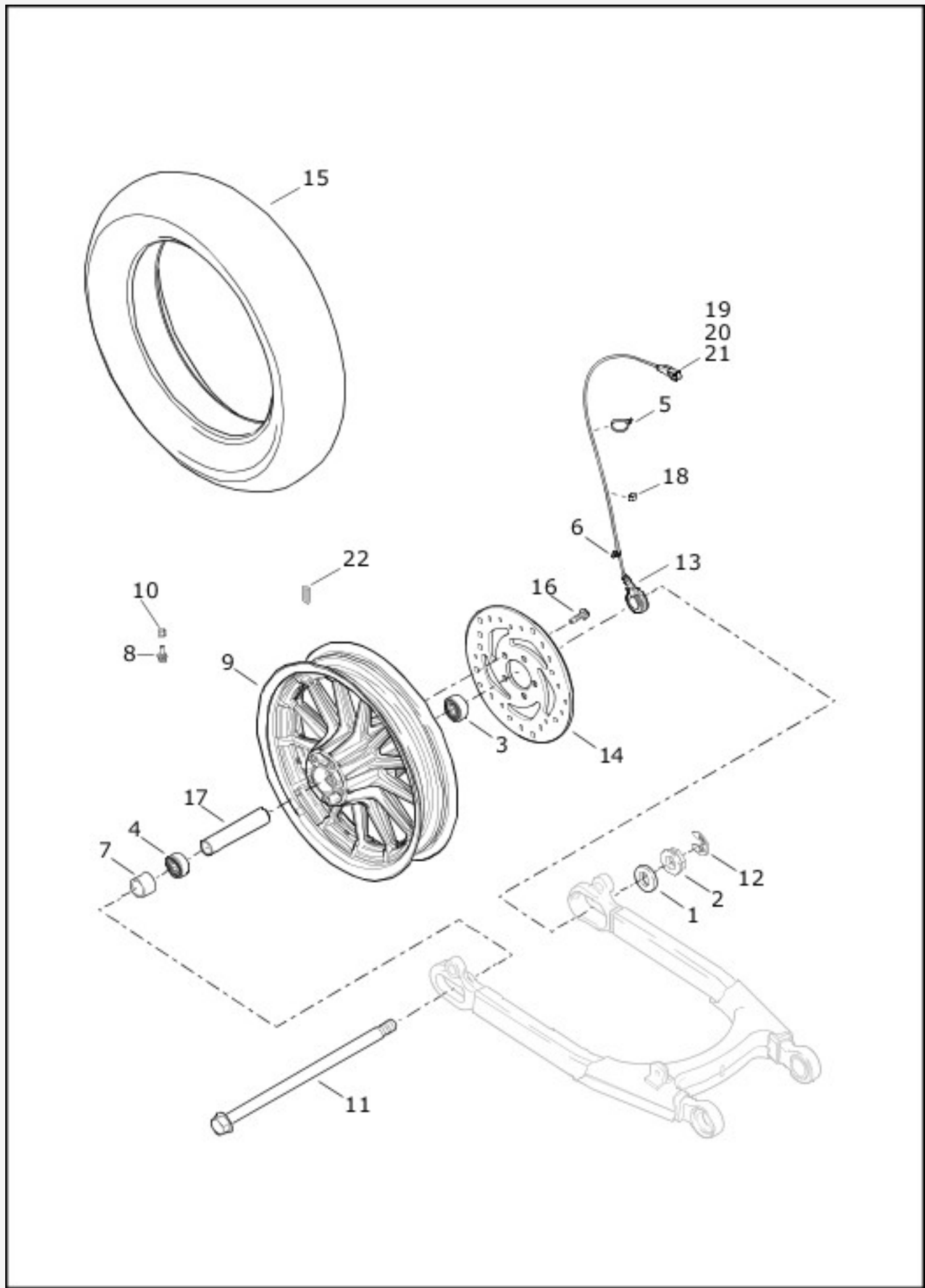
[View interactive image](#)

[View interactive table](#)

INDEX NO.	PART NO.	DESCRIPTION	MODEL(S)
1	6551	WASHER	ALL
2	8020	NUT	ALL

3	9276B	BALL BEARING, 25 mm (Non-ABS) (2)	ALL
4	95594-84C	WHEEL WEIGHT, 5 g (black)	XL1200CX, XL1200NS, XL1200X, XL1200XS, XL883N
4	95595-84C	WHEEL WEIGHT, 5 g (silver)	XL883L
5	43905-08	SLEEVE	ALL
6	43567-92	SCREW (5)	ALL
7	40930-05	SPACER (right)	ALL
8	40999-87	VALVE STEM	XL1200CX, XL1200NS, XL1200X, XL1200XS, XL883L, XL883N
9	40900402	WHEEL ASSEMBLY, 16 in (9 spoke) (black) (not shown)	XL883N
9	40900399	WHEEL ASSEMBLY, 18 in (offset split 5 spoke) (black) (not shown)	XL1200CX
9	40900400	WHEEL ASSEMBLY, 16 in (9 spoke) (black) (not shown)	XL1200X
9	44012-11A	WHEEL ASSEMBLY, 17 in (5 spoke) (black) (not shown)	XL883L
9	40900643	WHEEL ASSEMBLY, 16 in (9 spoke) (gloss black) (not shown)	XL1200XS
9	40900644	WHEEL ASSEMBLY, 16 in (9 spoke) (black) (not shown)	XL1200NS
10	41123-79	VALVE CAP	ALL
11	41176-08	AXLE ASSEMBLY	ALL
12	41229-08	RETAINING RING	ALL
13	41242-08	SPACER (left) (Non-ABS)	ALL
14	41833-08	BRAKE DISC	ALL
15	40878-11	TIRE	XL1200NS, XL1200X, XL1200XS, XL883N
15	43216-11	TIRE	XL883L
15	43200030	TIRE	XL1200CX

WHEELS, REAR, CAST - ABS ONLY - XL883L, XL883N, XL1200CX, XL1200NS, XL1200T, XL1200X, XL1200XS



[View interactive image](#)

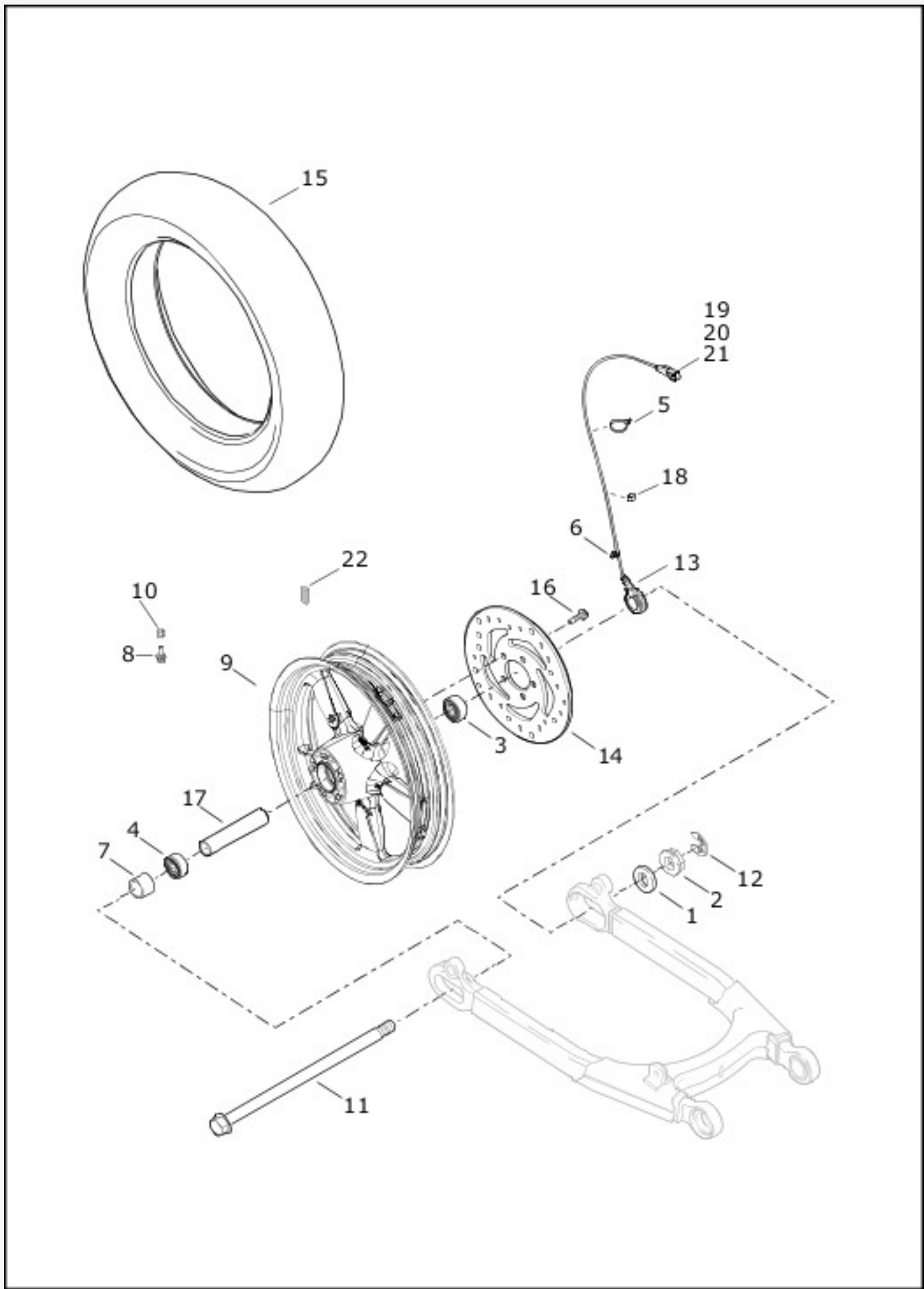
[View interactive table](#)

INDEX NO.	PART NO.	DESCRIPTION	MODEL(S)
1	6551	WASHER	ALL
2	8020	NUT	ALL

3	9252A	BALL BEARING, 25 mm (ABS)	ALL
4	9276B	BALL BEARING, 25 mm (ABS)	ALL
5	10006	CABLE STRAP (ABS)	ALL
6	10177	CABLE STRAP (ABS)	ALL
7	40930-05	SPACER (right)	ALL
8	40999-87	VALVE STEM	XL1200CX, XL1200NS, XL1200T, XL1200X, XL1200XS, XL883L, XL883N
9	40900402	WHEEL ASSEMBLY, 16 in (9 spoke) (black) (not shown)	XL883N
9	40900291	WHEEL ASSEMBLY, 17 in (5 spoke) (black) (not shown)	XL1200T
9	40900399	WHEEL ASSEMBLY, 18 in (offset split 5 spoke) (black) (not shown)	XL1200CX
9	40900400	WHEEL ASSEMBLY, 16 in (9 spoke) (black) (not shown)	XL1200X
9	44012-11A	WHEEL ASSEMBLY, 17 in (5 spoke) (black) (not shown)	XL883L
9	40900643	WHEEL ASSEMBLY, 16 in (9 spoke) (gloss black) (not shown)	XL1200XS
9	40900644	WHEEL ASSEMBLY, 16 in (9 spoke) (black) (not shown)	XL1200NS
10	41123-79	VALVE CAP	ALL
11	41176-08	AXLE ASSEMBLY	ALL
12	41229-08	RETAINING RING	ALL
13	41100023	SENSOR RING (ABS)	ALL
14	41833-08	BRAKE DISC	ALL
15	40878-11	TIRE	XL1200NS, XL1200X, XL1200XS, XL883N
15	43216-11	TIRE	XL883L
15	43200030	TIRE	XL1200CX
15	43200026A	TIRE	XL1200T
16	43567-92	SCREW (5)	ALL
17	43905-08	SLEEVE	ALL
18	70631-08	CONDUIT CLIP (ABS) (2)	ALL

19	74102-98BK	HOUSING, two-way pin (ABS) (black)	ALL
20	74142-98	SECONDARY LOCK, two-way pin (ABS)	ALL
21	74190-98	TERMINAL, pin, 16-20 AWG (ABS) (2)	ALL
22	95594-84C	WHEEL WEIGHT, 5 g (black)	XL1200CX, XL1200NS, XL1200X, XL1200XS, XL883N
22	95595-84C	WHEEL WEIGHT, 5 g (silver)	XL1200T, XL883L

WHEELS, REAR, CAST - XL1200C INDIA



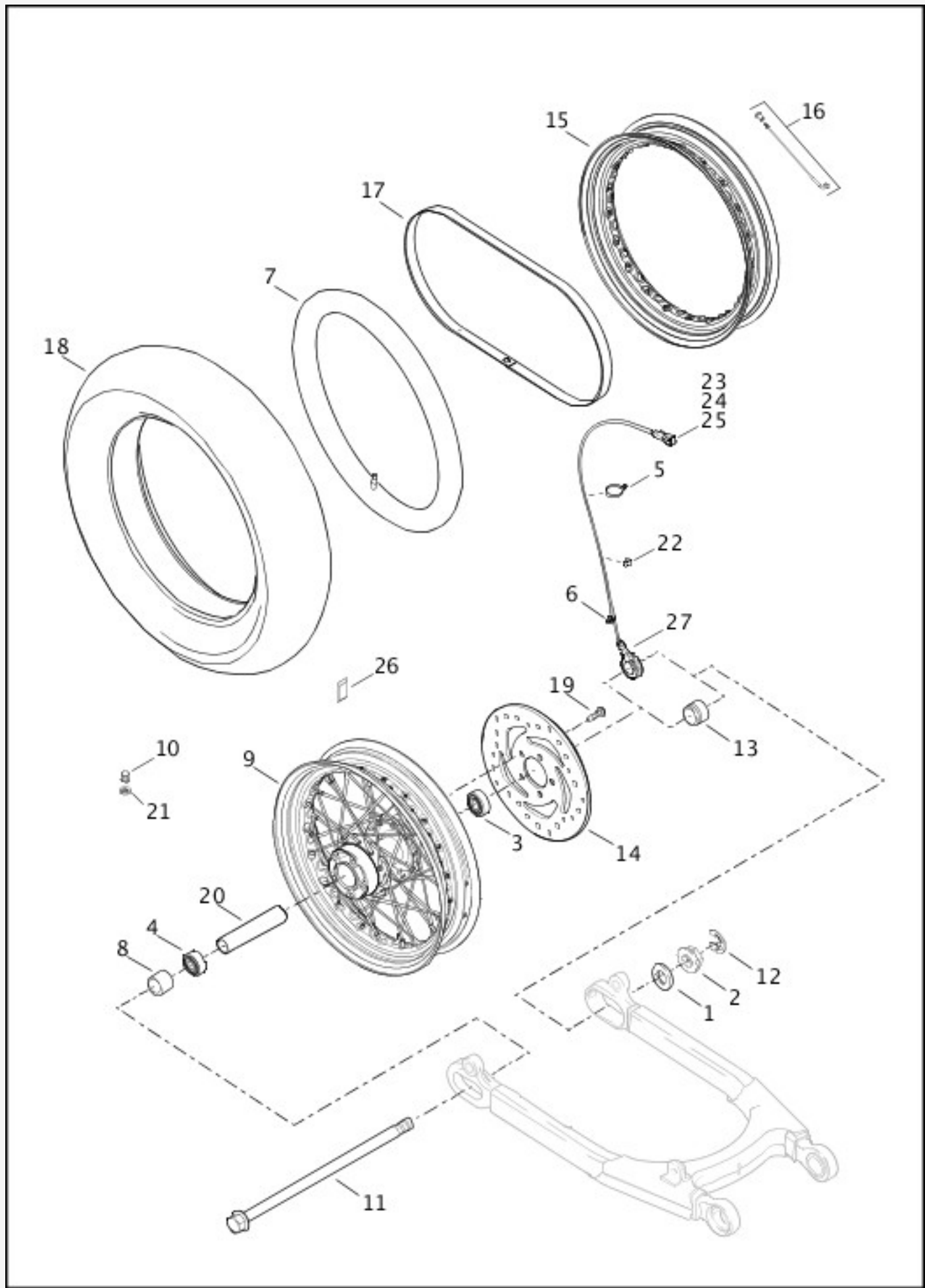
[View interactive image](#)

[View interactive table](#)

INDEX NO.	PART NO.	DESCRIPTION	MODEL(S)
1	6551	WASHER	XL1200C
2	8020	NUT	XL1200C

3	9252A	BALL BEARING, 25 mm (ABS)	XL1200C
4	9276B	BALL BEARING, 25 mm (ABS)	XL1200C
5	10006	CABLE STRAP (ABS)	XL1200C
6	10177	CABLE STRAP (ABS)	XL1200C
7	40930-05	SPACER (right)	XL1200C
8	40999-87	VALVE STEM	XL1200C
9	55019-11A	WHEEL ASSEMBLY, 16 in (5 spoke) (chrome)	XL1200C
10	41123-79	VALVE CAP	XL1200C
11	41176-08	AXLE ASSEMBLY	XL1200C
12	41229-08	RETAINING RING	XL1200C
13	41100023	SENSOR RING (ABS)	XL1200C
14	41833-08	BRAKE DISC	XL1200C
15	40878-11	TIRE	XL1200C
16	43567-92	SCREW (5)	XL1200C
17	43905-08	SLEEVE	XL1200C
18	70631-08	CONDUIT CLIP (ABS) (2)	XL1200C
19	74102-98BK	HOUSING, two-way pin (ABS) (black)	XL1200C
20	74142-98	SECONDARY LOCK, two-way pin (ABS)	XL1200C
21	74190-98	TERMINAL, pin, 16-20 AWG (ABS) (2)	XL1200C
22	95595-84C	WHEEL WEIGHT, 5 g (silver)	XL1200C

WHEELS, REAR, LACED - XL1200C



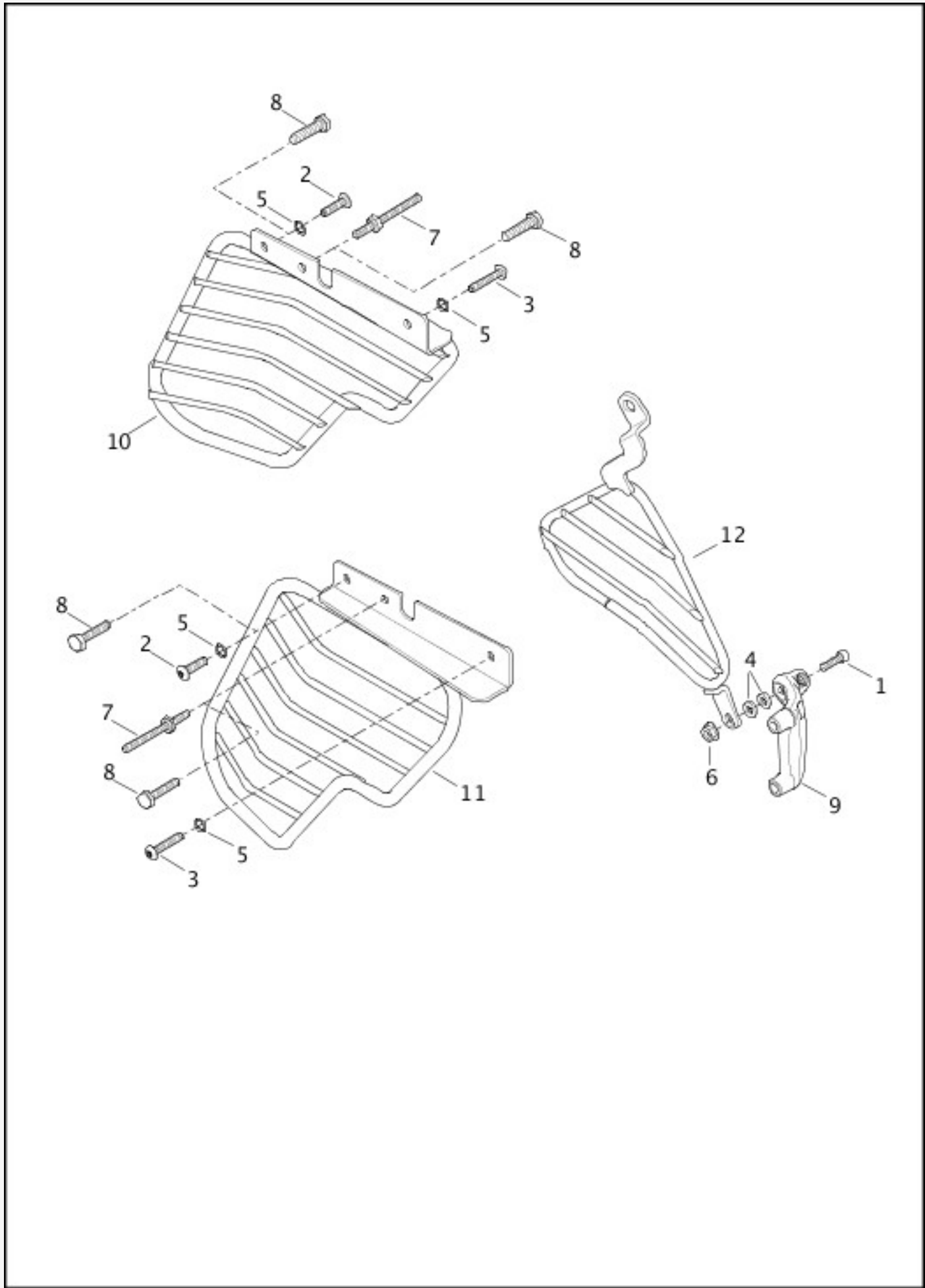
[View interactive image](#)

[View interactive table](#)

INDEX NO.	PART NO.	DESCRIPTION	MODEL(S)
1	6551	WASHER	XL1200C
2	8020	NUT	XL1200C

3	9252A	BALL BEARING, 25 mm (ABS)	XL1200C
	9276B	BALL BEARING, 25 mm (Non-ABS)	XL1200C
4	9276B	BALL BEARING, 25 mm	XL1200C
5	10006	CABLE STRAP (ABS)	XL1200C
6	10177	CABLE STRAP (ABS)	XL1200C
7	40558-82	INNER TUBE, with 41123-79 and 54321-85	XL1200C
8	40930-05	SPACER, wheel bearing, sprocket side	XL1200C
9	41478-10A	WHEEL ASSEMBLY, 16 in (black)	XL1200C
10	41123-79	VALVE CAP	XL1200C
11	41176-08	AXLE ASSEMBLY	XL1200C
12	41229-08	RETAINING RING	XL1200C
13	41242-08	SPACER (left) (Non-ABS)	XL1200C
14	41833-08	BRAKE DISC	XL1200C
15	43017-07	RIM, laced wheel, 16 in (black)	XL1200C
16	43241-05	SPOKE AND NIPPLE KIT, 16 in rim (chrome) (set of 40)	XL1200C
17	40875-11	RIM STRIP	XL1200C
18	40878-11	TIRE	XL1200C
19	43567-92	SCREW (5)	XL1200C
20	43905-08	SLEEVE, bearing spacer	XL1200C
21	54321-85	NUT	XL1200C
22	70631-08	CONDUIT CLIP (ABS) (2)	XL1200C
23	74102-98BK	HOUSING, two-way pin (black) (ABS)	XL1200C
24	74142-98	SECONDARY LOCK, two-way pin (ABS)	XL1200C
25	74190-98	TERMINAL, pin, 16-20 AWG (ABS) (2)	XL1200C
26	95594-84C	WHEEL WEIGHT, 5 g (black)	XL1200C
27	41100023	SENSOR RING (ABS)	XL1200C

GUARDS, SAREE



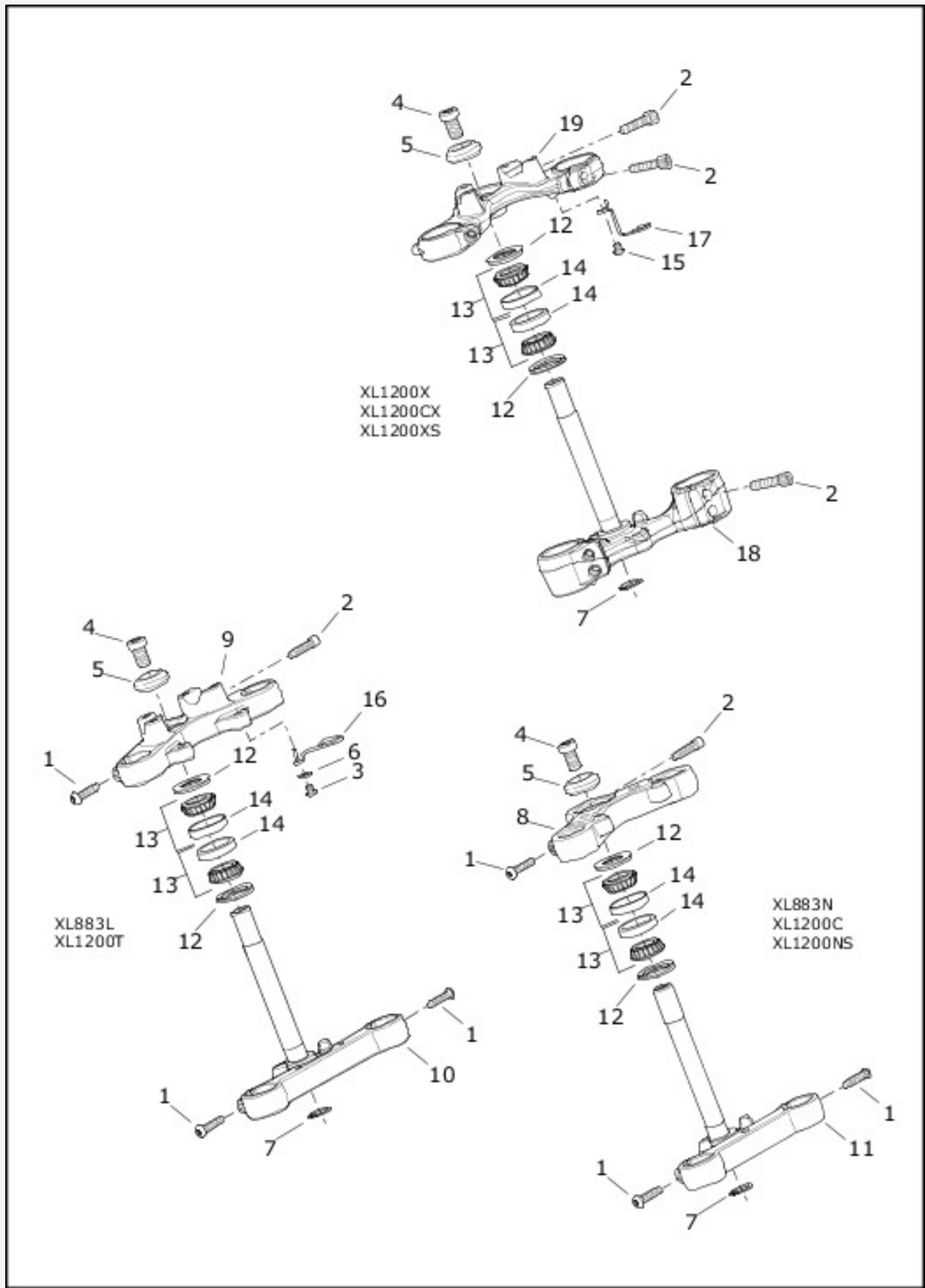
[View interactive image](#)

[View interactive table](#)

INDEX NO.	PART NO.	DESCRIPTION	MODEL(S)
NOTE: These parts are required for motorcycles sold in the India market.			
1	2708A	SCREW	XL1200C, XL1200CX

2	4778	SCREW (2)	XL1200C
3	4779	SCREW (2)	XL1200C, XL1200CX
4	6109	WASHER (2)	XL1200C, XL1200CX
5	6798	WASHER (4)	XL1200C
5	6798	WASHER (2)	XL1200CX
6	7531	LOCKNUT	XL1200C, XL1200CX
7	56104-02	SCREW (2)	XL1200C
8	10200549	SCREW (4)	XL1200CX
9	50500227	BRACKET, support	XL1200C, XL1200CX
10	60300007	SAREE GUARD, rear (left)	XL1200C
10	60300154	SAREE GUARD, rear (left)	XL1200CX
11	60300008	SAREE GUARD (right)	XL1200C, XL1200CX
12	60300113	SAREE GUARD, front (left)	XL1200C, XL1200CX

FORK BRACKETS, FRONT



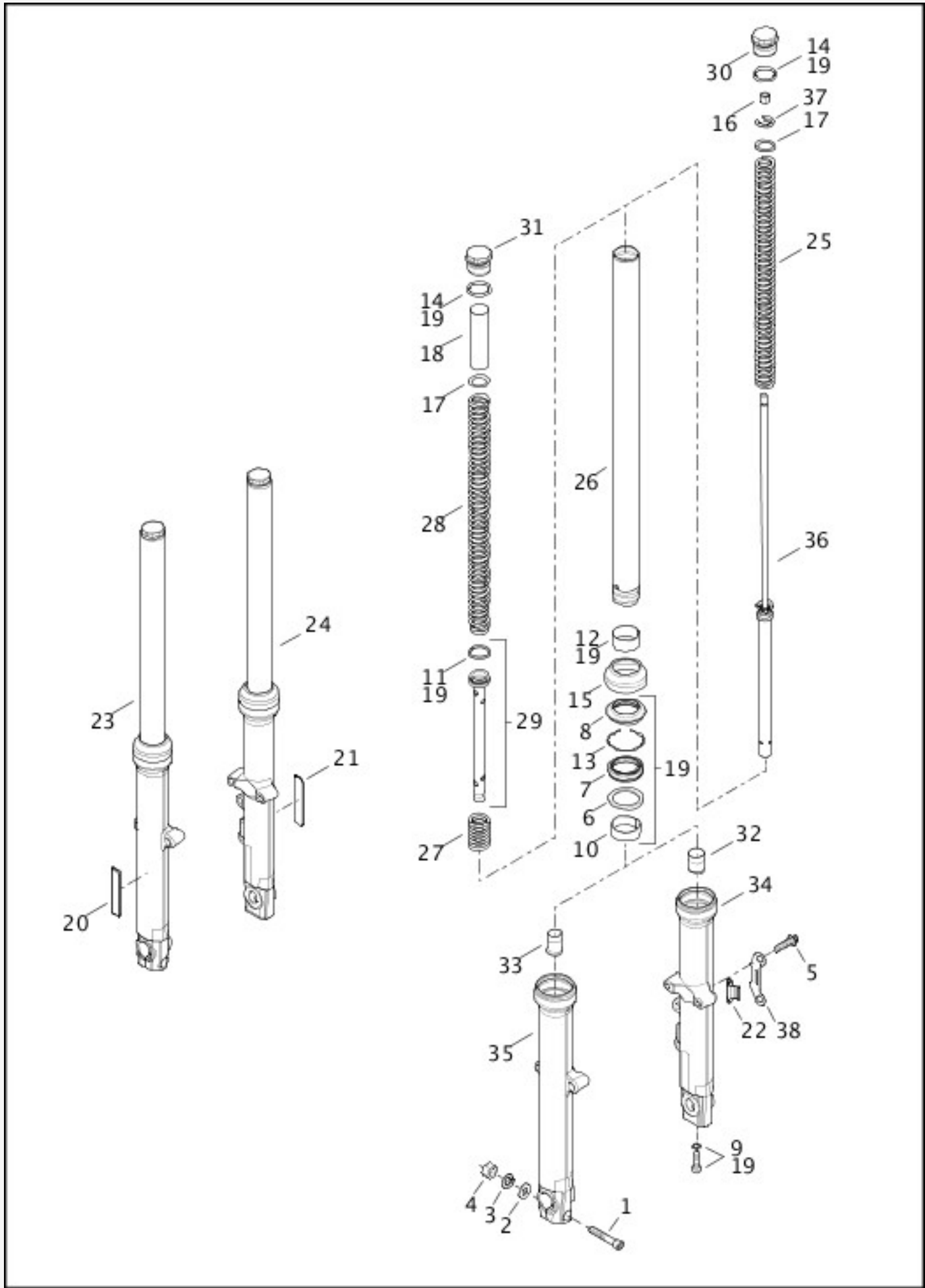
[View interactive image](#)

[View interactive table](#)

INDEX NO.	PART NO.	DESCRIPTION	MODEL(S)
1	3056	SCREW (4)	XL1200C, XL1200NS, XL1200T, XL883L, XL883N

2	4352	SCREW	XL1200C, XL1200NS, XL1200T, XL883L, XL883N
2	4352	SCREW (7)	XL1200CX, XL1200X, XL1200XS
3	4402	SCREW	XL1200T
4	4993	BOLT	ALL
5	6611	WASHER	ALL
6	6702	WASHER	XL1200T
7	45611-86	RETAINING RING	ALL
8	46758-07	BRACKET, upper	XL1200NS, XL883N
8	45600060	BRACKET, upper	XL1200C
9	46997-11	BRACKET, upper	XL1200T, XL883L
10	46998-11	BRACKET, lower, with bearing, seal and retaining ring	XL1200T, XL883L
11	46767-07	BRACKET, lower, with bearing, seal and retaining ring	XL1200NS, XL883N
11	46014-10	BRACKET, lower, with bearing, seal and retaining ring	XL1200C
12	48184-01	SEAL, tapered bearing	ALL
13	48300-60	ROLLER BEARING, with cup (2)	ALL
14	48315-60	BEARING CUP (2)	ALL
15	10200052	SCREW	XL1200CX, XL1200X, XL1200XS
16	37200085	GUIDE	XL1200T
17	37200144	GUIDE	XL1200CX, XL1200X, XL1200XS
18	45900103	BRACKET, lower, with bearing, seal and retaining ring	XL1200X, XL1200XS
18	45900107	BRACKET, lower, with bearing, seal and retaining ring	XL1200CX
19	45900104	BRACKET, upper	XL1200X, XL1200XS
	45900106	BRACKET, upper (not shown)	XL1200CX

FORK, FRONT - XL883L, XL1200C



[View interactive image](#)

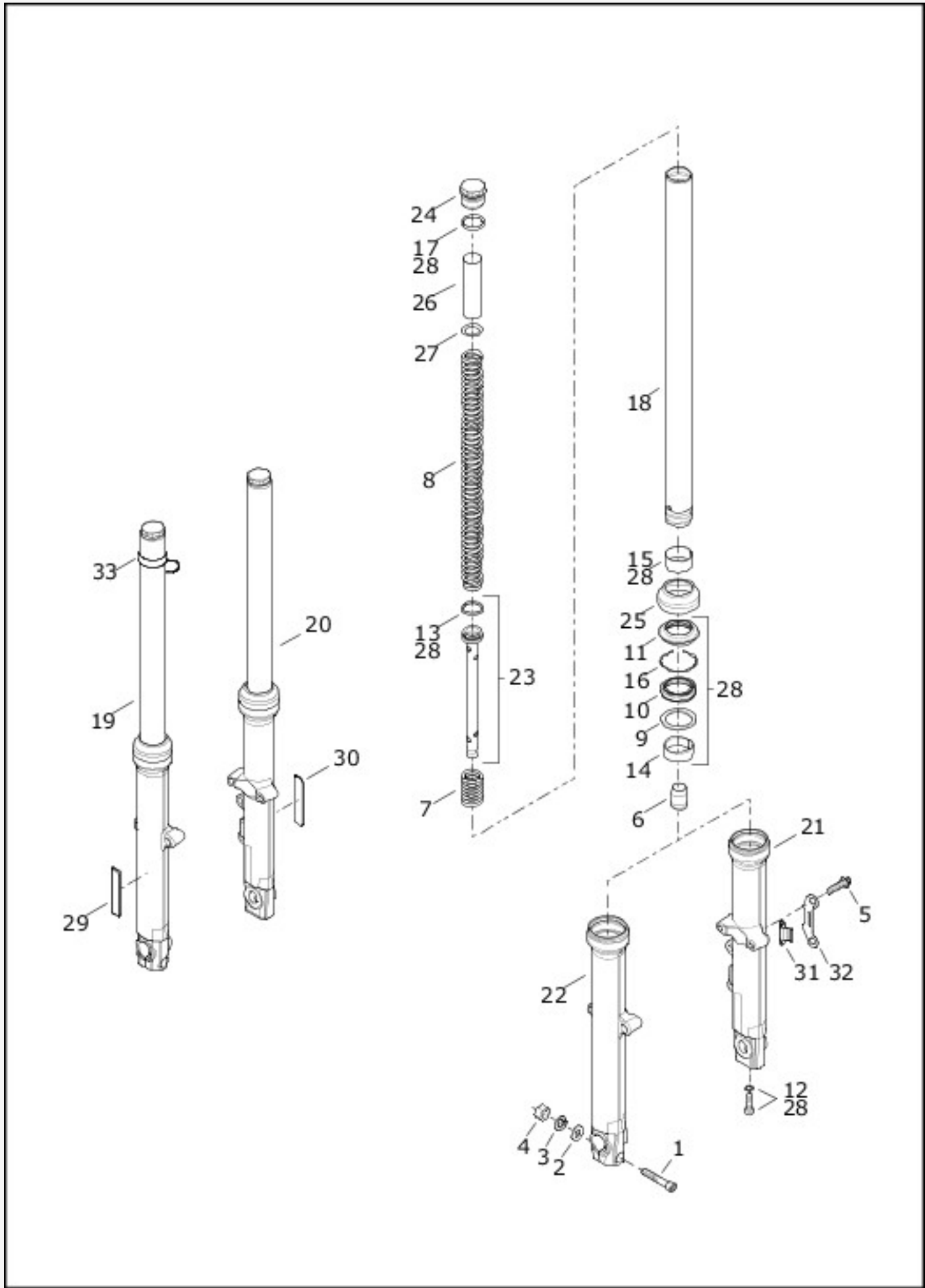
[View interactive table](#)

INDEX NO.	PART NO.	DESCRIPTION	MODEL(S)
1	4029A	SCREW	XL1200C, XL883L
2	6701	WASHER	XL1200C, XL883L

3	7038	LOCKWASHER	XL1200C, XL883L
4	7783	NUT	XL1200C, XL883L
5	44160-00	BOLT (2)	XL1200C, XL883L
6	45377-87	SPACER SEAL (2)	XL1200C, XL883L
7	45378-87	OIL SEAL (2)	XL1200C, XL883L
8	45401-87	DUST SEAL (2)	XL1200C, XL883L
9	45405-75A	SCREW	XL1200C, XL883L
10	45461-87	GUIDE BUSHING (2)	XL1200C, XL883L
11	45462-87	PISTON RING	XL1200C, XL883L
12	45465-87	SLIDE BUSHING (2)	XL1200C, XL883L
13	45905-87	STOPPER RING (2)	XL1200C, XL883L
14	45984-87	O-RING (2)	XL1200C, XL883L
15	46002-87	COVER (2)	XL1200C, XL883L
16	46262-02	LOCKNUT	XL1200C, XL883L
17	48738-07	WASHER (2)	XL1200C, XL883L
18	48791-09	SPRING COLLAR	XL1200C, XL883L
19	49378-09	FRONT FORK SERVICE KIT, with 6, 7, 8, 9, 10, 11, 12, 13, 14 (2)	XL1200C, XL883L
20	59481-00	REFLECTOR (amber) (right)	XL1200C, XL883L
21	59482-00	REFLECTOR (amber) (left)	XL1200C, XL883L
22	70494-08	CLIP (ABS)	XL1200C, XL883L
23	45400079	FORK SLIDER AND TUBE ASSEMBLY (right)	XL883L
	45400206	FORK SLIDER AND TUBE ASSEMBLY (right) (not shown)	XL1200C
24	45400078	FORK SLIDER AND TUBE ASSEMBLY (left)	XL883L
	45400207	FORK SLIDER AND TUBE ASSEMBLY (left) (not shown)	XL1200C
25	45500274	SPRING (2)	XL1200C, XL883L
26	45500280	SLIDER TUBE, with 45465-87 (left)	XL1200C, XL883L
	45500281	SLIDER TUBE, with 45465-87 (right)	XL1200C, XL883L
27	45500299	SPRING (2)	XL1200C, XL883L
28	45500275	SPRING	XL1200C, XL883L
29	45500278	DAMPER TUBE, with 45462-87 (2)	XL1200C, XL883L

30	45500284	CAP (left)	XL1200C, XL883L
31	45996-87	CAP (right)	XL1200C, XL883L
32	45500286	OIL LOCK (left)	XL1200C, XL883L
33	45500303	OIL LOCK (right)	XL1200C, XL883L
34	49401-11	SLIDER ASSEMBLY (left)	XL883L
	45500511	SLIDER ASSEMBLY (left) (not shown)	XL1200C
35	49403-11	SLIDER ASSEMBLY (right)	XL883L
	45500510	SLIDER ASSEMBLY (right) (not shown)	XL1200C
36	45500282	CARTRIDGE	XL1200C, XL883L
37	45500285	SEAT	XL1200C, XL883L
38	69200460	BRACKET (ABS)	XL1200C, XL883L

FORK, FRONT - XL1200T



[View interactive image](#)

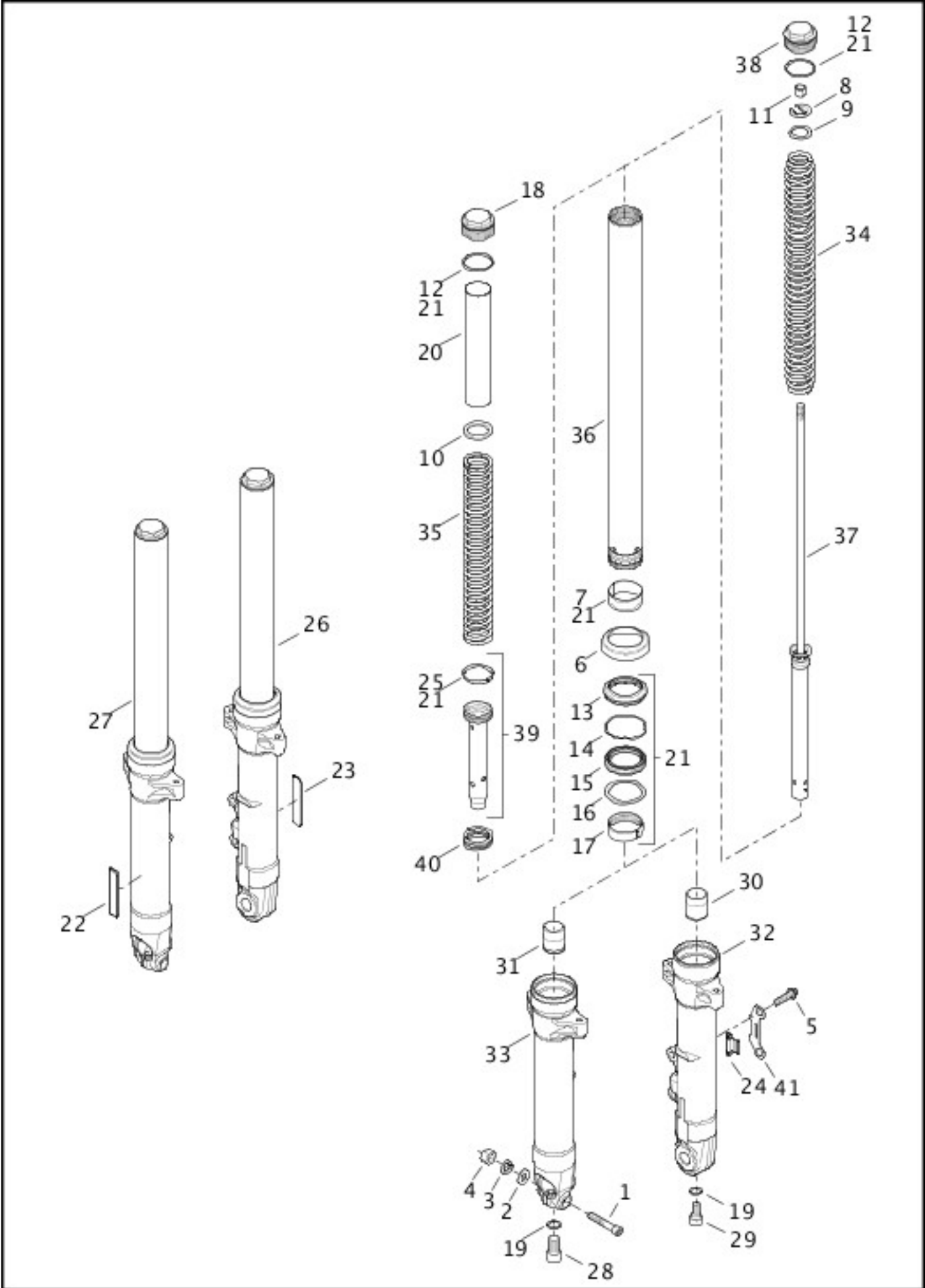
[View interactive table](#)

INDEX NO.	PART NO.	DESCRIPTION	MODEL(S)
1	4029A	SCREW	XL1200T
2	6701	WASHER	XL1200T

3	7038	LOCKWASHER	XL1200T
4	7783	NUT	XL1200T
5	44160-00	BOLT (2)	XL1200T
6	45361-90	LOWER STOP (2)	XL1200T
7	45374-87	SPRING (2)	XL1200T
8	45500244	SPRING (2)	XL1200T
9	45377-87	SPACER SEAL (2)	XL1200T
10	45378-87	OIL SEAL (2)	XL1200T
11	45401-87	DUST SEAL (2)	XL1200T
12	45405-75A	SCREW	XL1200T
13	45460-90	PISTON RING (2)	XL1200T
14	45461-87	GUIDE BUSHING (2)	XL1200T
15	45465-87	SLIDE BUSHING (2)	XL1200T
16	45905-87	STOPPER RING (2)	XL1200T
17	45984-87	O-RING (2)	XL1200T
18	45395-09	SLIDER TUBE, with 45465-87 (2)	XL1200T
19	45400055	FORK SLIDER AND TUBE ASSEMBLY (right)	XL1200T
20	45400054	FORK SLIDER AND TUBE ASSEMBLY (left)	XL1200T
21	49401-11	SLIDER ASSEMBLY (left)	XL1200T
22	49403-11	SLIDER ASSEMBLY (right)	XL1200T
23	45458-09	DAMPER TUBE, with 45460-90 (2)	XL1200T
24	45996-87	CAP (2)	XL1200T
25	46002-87	COVER (2)	XL1200T
26	48791-09	SPRING COLLAR (2)	XL1200T
27	48738-07	WASHER (2)	XL1200T
28	49378-09	FRONT FORK SERVICE KIT, with 9, 10, 11, 12, 13, 14, 15, 16, 17 (2)	XL1200T
29	59481-00	REFLECTOR (amber) (right)	XL1200T
30	59482-00	REFLECTOR (amber) (left)	XL1200T
31	70494-08	CLIP (ABS)	XL1200T
32	69200460	BRACKET (ABS)	XL1200T

33	10868	CLIP	XL1200T
----	-------	------	---------

FORK, FRONT - XL1200X, XL1200XS



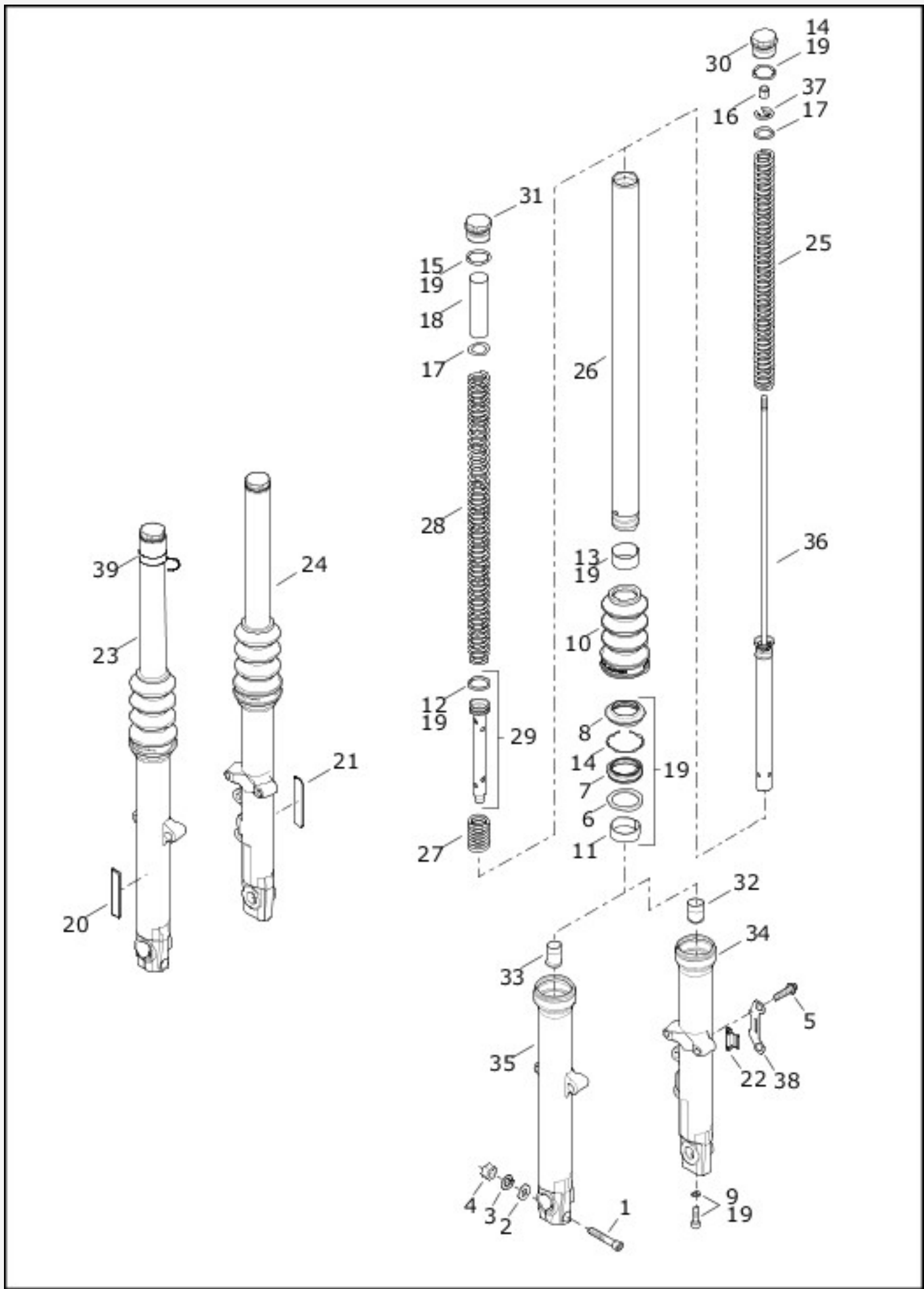
[View interactive image](#)

INDEX NO.	PART NO.	DESCRIPTION	MODEL(S)
1	4029A	SCREW	XL1200X, XL1200XS
2	6701	WASHER	XL1200X, XL1200XS
3	7038	LOCKWASHER	XL1200X, XL1200XS
4	7783	NUT	XL1200X, XL1200XS
5	44160-00	BOLT (2)	XL1200X, XL1200XS
6	45070-01	COVER (2)	XL1200X, XL1200XS
7	46080-01	SLIDE BUSHING (2)	XL1200X, XL1200XS
8	46236-02	SEAT (left)	XL1200X, XL1200XS
9	46237-02	WASHER (left)	XL1200X, XL1200XS
10	46509-01	WASHER (right)	XL1200X, XL1200XS
11	46262-02	LOCKNUT (left)	XL1200X, XL1200XS
12	46508-01	O-RING (2)	XL1200X, XL1200XS
13	46512-01A	DUST SEAL (2)	XL1200X, XL1200XS
14	46513-01	STOPPER RING (2)	XL1200X, XL1200XS
15	46514-01A	OIL SEAL (2)	XL1200X, XL1200XS
16	46515-01	SPACER SEAL (2)	XL1200X, XL1200XS
17	46516-01	GUIDE BUSHING (2)	XL1200X, XL1200XS
18	46612-06	CAP (right)	XL1200X, XL1200XS

19	46615-06	WASHER (2)	XL1200X, XL1200XS
20	46670-07	SPRING COLLAR (right)	XL1200X, XL1200XS
21	45500307	FRONT FORK SERVICE KIT, with 7, 12, 13, 14, 15, 16, 17, 19, 25, 28, 29 (2)	XL1200X, XL1200XS
22	59481-00	REFLECTOR (amber) (right)	XL1200X, XL1200XS
23	59482-00	REFLECTOR (amber) (left)	XL1200X, XL1200XS
24	70494-08	CLIP (ABS)	XL1200X, XL1200XS
25	22000031	PISTON RING (right)	XL1200X, XL1200XS
26	45400084	FORK SLIDER AND TUBE ASSEMBLY (left)	XL1200X, XL1200XS
27	45400085	FORK SLIDER AND TUBE ASSEMBLY (right)	XL1200X, XL1200XS
28	45500118	SCREW (right)	XL1200X, XL1200XS
29	45500236	SCREW (left)	XL1200X, XL1200XS
30	45500233	OIL LOCK (left)	XL1200X, XL1200XS
31	45500251	OIL LOCK (right)	XL1200X, XL1200XS
32	45500287	SLIDER ASSEMBLY (left)	XL1200X, XL1200XS
33	45500290	SLIDER ASSEMBLY (right)	XL1200X, XL1200XS
34	45500293	SPRING (left)	XL1200X, XL1200XS
35	45500294	SPRING (right)	XL1200X, XL1200XS
36	45500295	SLIDER TUBE, with 46080-01 (2)	XL1200X, XL1200XS
37	45500296	CARTRIDGE (left)	XL1200X, XL1200XS
38	45500297	CAP (left)	XL1200X, XL1200XS

39	45500298	DAMPER TUBE, with ring (right)	XL1200X, XL1200XS
40	45500343	SPRING (right)	XL1200X, XL1200XS
41	69200460	BRACKET (ABS)	XL1200X, XL1200XS

FORK, FRONT - XL883N, XL1200NS



[View interactive image](#)

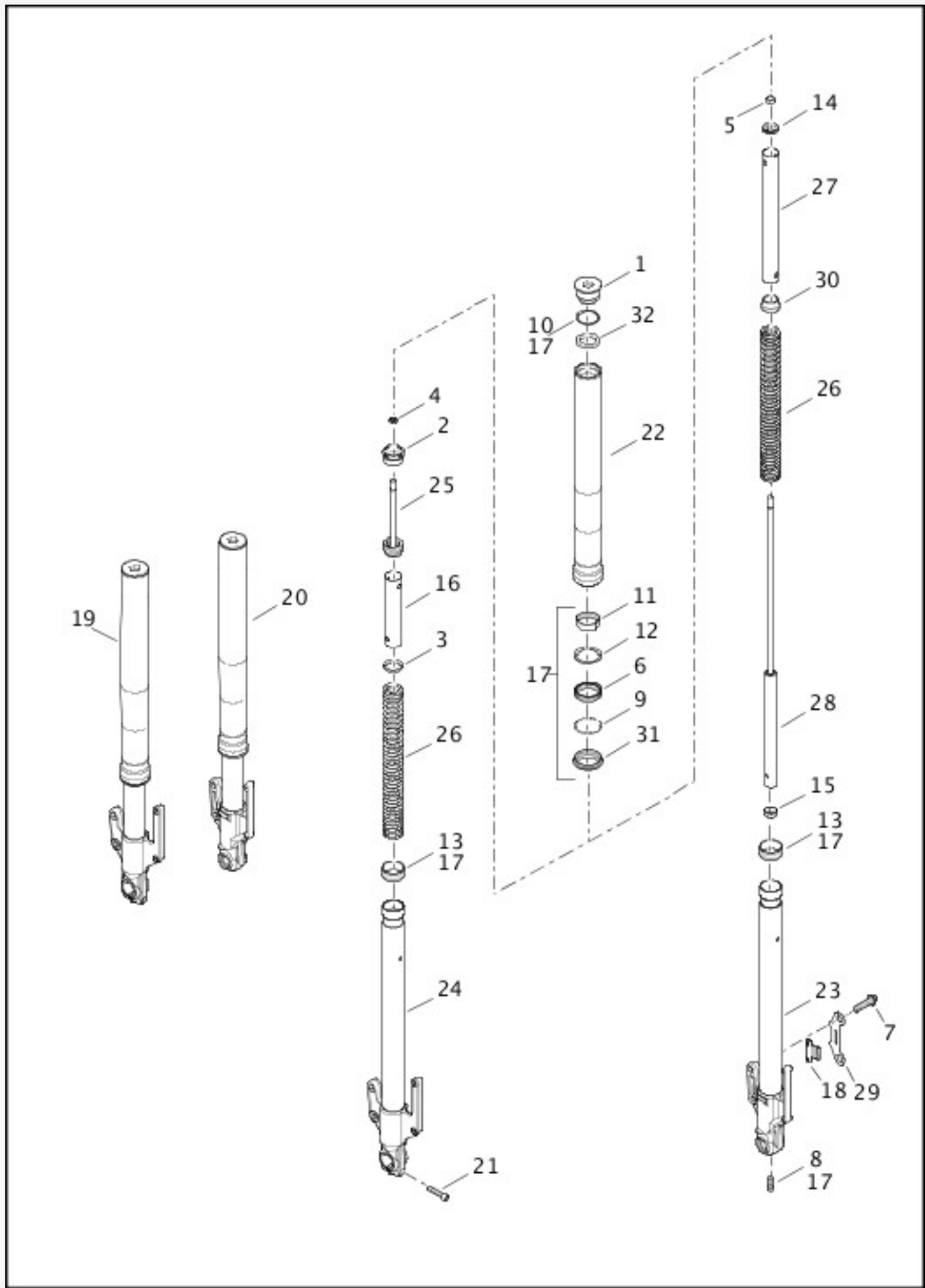
[View interactive table](#)

INDEX NO.	PART NO.	DESCRIPTION	MODEL(S)
1	4029A	SCREW	XL1200NS, XL883N
2	6701	WASHER	XL1200NS, XL883N

3	7038	LOCKWASHER	XL1200NS, XL883N
4	7783	NUT	XL1200NS, XL883N
5	44160-00	BOLT (2)	XL1200NS, XL883N
6	45377-87	SPACER SEAL (2)	XL1200NS, XL883N
7	45378-87	OIL SEAL (2)	XL1200NS, XL883N
8	45401-87	DUST SEAL (2)	XL1200NS, XL883N
9	45405-75A	SCREW (left)	XL1200NS, XL883N
10	45451-07	BOOT (2)	XL1200NS, XL883N
11	45461-87	GUIDE BUSHING (2)	XL1200NS, XL883N
12	45462-87	PISTON RING (right)	XL1200NS, XL883N
13	45465-87	SLIDE BUSHING (2)	XL1200NS, XL883N
14	45905-87	STOPPER RING (2)	XL1200NS, XL883N
15	45984-87	O-RING (2)	XL1200NS, XL883N
16	46262-02	LOCKNUT (left)	XL1200NS, XL883N
17	48738-07	WASHER (2)	XL1200NS, XL883N
18	48791-09	SPRING COLLAR (right)	XL1200NS, XL883N
19	49378-09	FRONT FORK SERVICE KIT, with 6, 7, 8, 9, 11, 12, 13, 14, 15 (2)	XL1200NS, XL883N
20	59481-00	REFLECTOR (amber) (right)	XL1200NS, XL883N
21	59482-00	REFLECTOR (amber) (left)	XL1200NS, XL883N
22	70494-08	CLIP (ABS)	XL1200NS, XL883N
23	45400087	FORK SLIDER AND TUBE ASSEMBLY (right)	XL1200NS, XL883N
24	45400086	FORK SLIDER AND TUBE ASSEMBLY (left)	XL1200NS, XL883N
25	45500300	SPRING	XL1200NS, XL883N
26	45500280	SLIDER TUBE, with 45465-87 (left)	XL1200NS, XL883N
	45500281	SLIDER TUBE, with 45465-87 (right)	XL1200NS, XL883N
27	45500299	SPRING (right)	XL1200NS, XL883N
28	45500301	SPRING (right)	XL1200NS, XL883N
29	45500302	DAMPER TUBE, with 45462-87 (right)	XL1200NS, XL883N
30	45500284	CAP (left)	XL1200NS, XL883N
31	45996-87	CAP (right)	XL1200NS, XL883N

32	45500286	OIL LOCK (left)	XL1200NS, XL883N
33	45500303	OIL LOCK (right)	XL1200NS, XL883N
34	45500054	SLIDER ASSEMBLY (left)	XL1200NS, XL883N
35	45500057	SLIDER ASSEMBLY (right)	XL1200NS, XL883N
36	45500304	CARTRIDGE (left)	XL1200NS, XL883N
37	45500285	SEAT (left)	XL1200NS, XL883N
38	69200460	BRACKET (ABS)	XL1200NS, XL883N
39	10868	CLIP	XL1200NS

FORK, FRONT - XL1200CX



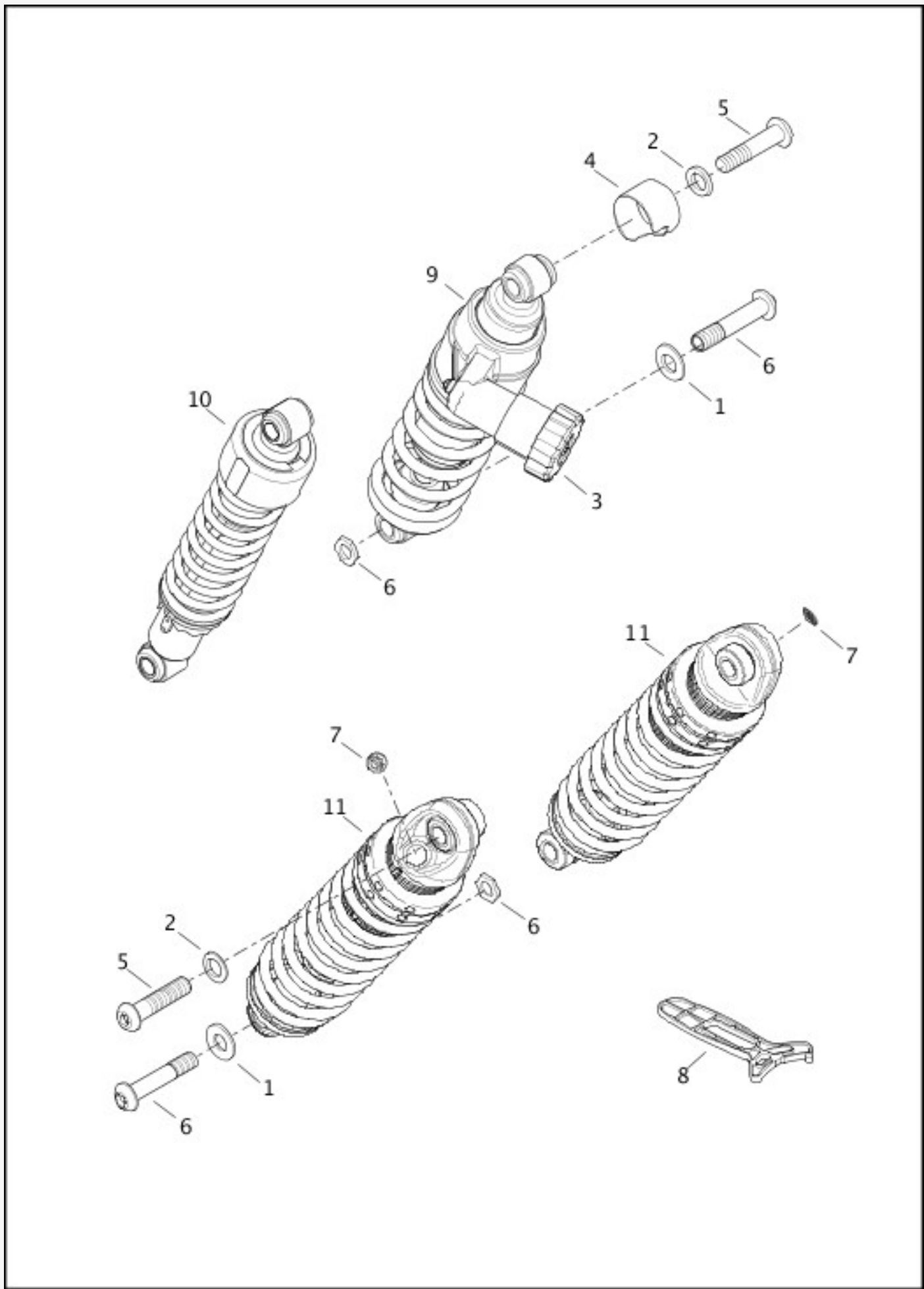
[View interactive image](#)

[View interactive table](#)

INDEX NO.	PART NO.	DESCRIPTION	MODEL(S)
1	4574	CAP (2)	XL1200CX
2	4575	LOCKWASHER	XL1200CX

3	5925	WASHER	XL1200CX
4	7468M	NUT	XL1200CX
5	8199M	NUT, left	XL1200CX
6	12085	OIL SEAL (2)	XL1200CX
7	44160-00	BOLT (4)	XL1200CX
8	45405-75A	SCREW, left	XL1200CX
9	45842-77A	RETAINING RING (2)	XL1200CX
10	46329-06	O-RING (2)	XL1200CX
11	46343-06	GUIDE BUSHING (2)	XL1200CX
12	46346-06	SEAL SPACER (2)	XL1200CX
13	46348-06	BUSHING, slider (2)	XL1200CX
14	46352-06	STOPPER, left	XL1200CX
15	46353-06	CENTERING PLATE, left	XL1200CX
16	48708-09	COLLAR, spring	XL1200CX
17	49380-09	FORK REBUILD KIT (contains 6, 8, 9, 10, 11, 12, 13, 31) (2)	XL1200CX
18	70494-08	CLIP (ABS)	XL1200CX
19	45400108	FORK SLIDER, right	XL1200CX
20	45400109	FORK SLIDER, left	XL1200CX
21	45500132	SCREW	XL1200CX
22	45500358	TUBE, outer (2)	XL1200CX
23	45500359	SLIDER ASSEMBLY, left	XL1200CX
24	45500360	SLIDER ASSEMBLY, right	XL1200CX
25	45500361	JOINT ROD	XL1200CX
26	45500369	SPRING (2)	XL1200CX
27	45500370	COLLAR, left	XL1200CX
28	45500371	DAMPER, left	XL1200CX
29	69200460	BRACKET (ABS)	XL1200CX
30	J0117.3A8	SPRING JOINT	XL1200CX
31	J8130.3A8	DUST COVER (2)	XL1200CX
32	J8146.1AS	SEAT (2)	XL1200CX

SHOCK ABSORBERS, REAR



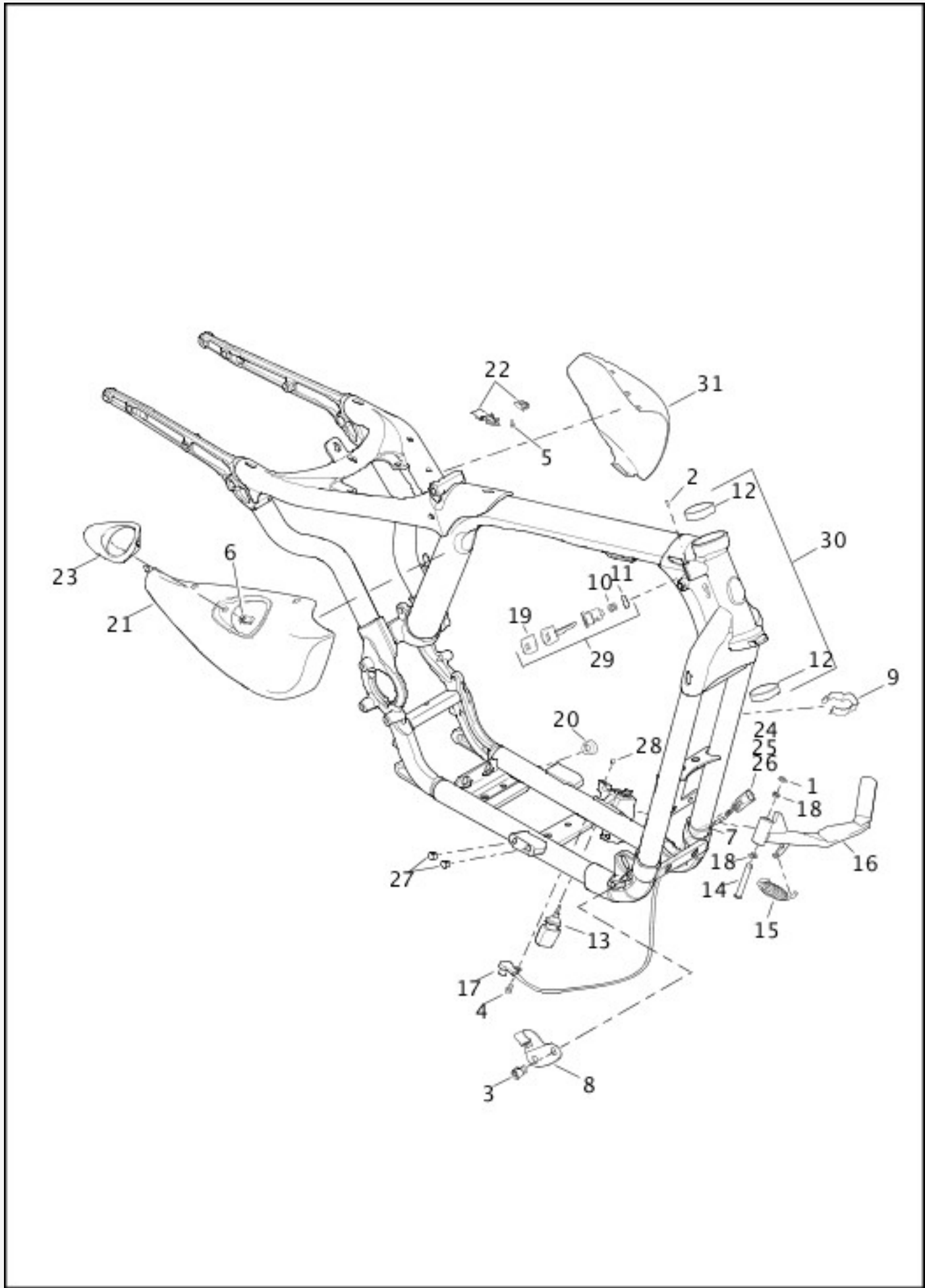
[View interactive image](#)

[View interactive table](#)

INDEX	PART	DESCRIPTION	MODEL(S)
-------	------	-------------	----------

NO.	NO.		
1	6792	WASHER (2)	ALL
2	6738	WASHER (2)	ALL
3	54677-10	KNOB, adjustable shock	XL1200T
4	54724-04	COVER (chrome) (2)	XL1200T
5	10200392	SCREW (2)	ALL
6	10200486	KIT, includes 6792, 76259-86 and screw (2)	ALL
7	14100767	MEDALLION (2)	XL1200C, XL1200NS, XL1200X, XL1200XS, XL883L, XL883N
7	14100883	MEDALLION (2)	XL1200CX
8	14900081	SPANNER WRENCH	XL1200C, XL1200CX, XL1200NS, XL1200X, XL1200XS, XL883L, XL883N
9	54000060	SHOCK ABSORBER, complete, with dial adjuster (left)	XL1200T
10	54000100	SHOCK ABSORBER, complete (right)	XL1200T
11	54000085	SHOCK ABSORBER, complete, with 14100767 (2)	XL883L
11	54000087	SHOCK ABSORBER, complete, with 14100767 (2)	XL1200C
11	54000088	SHOCK ABSORBER, complete, with 14100767 (Canada, Domestic, Japan) (2)	XL1200NS, XL1200X, XL883N
11	54000088	SHOCK ABSORBER, complete, with 14100767 (Japan) (2)	XL1200XS
11	54000103	SHOCK ABSORBER, complete, with 14100883 (2)	XL1200CX
11	54000086	SHOCK ABSORBER, complete, with 14100767 (ASEAN, Asia-Pacific, Australia, Brazil, China, England, HDI, India) (2)	XL883N
11	54000087	SHOCK ABSORBER, complete, with 14100767 (ASEAN, Asia-Pacific, Australia, China, England, HDI, India) (2)	XL1200X
11	54000087	SHOCK ABSORBER, complete, with 14100767 (ASEAN, Asia-Pacific, Australia, Brazil, China, England, HDI, India) (2)	XL1200NS
11	54000087	SHOCK ABSORBER, complete, with 14100767 (Asia-Pacific, Australia, Brazil, China, England, HDI, India) (2)	XL1200XS

FRAME AND JIFFY STAND



[View interactive image](#)

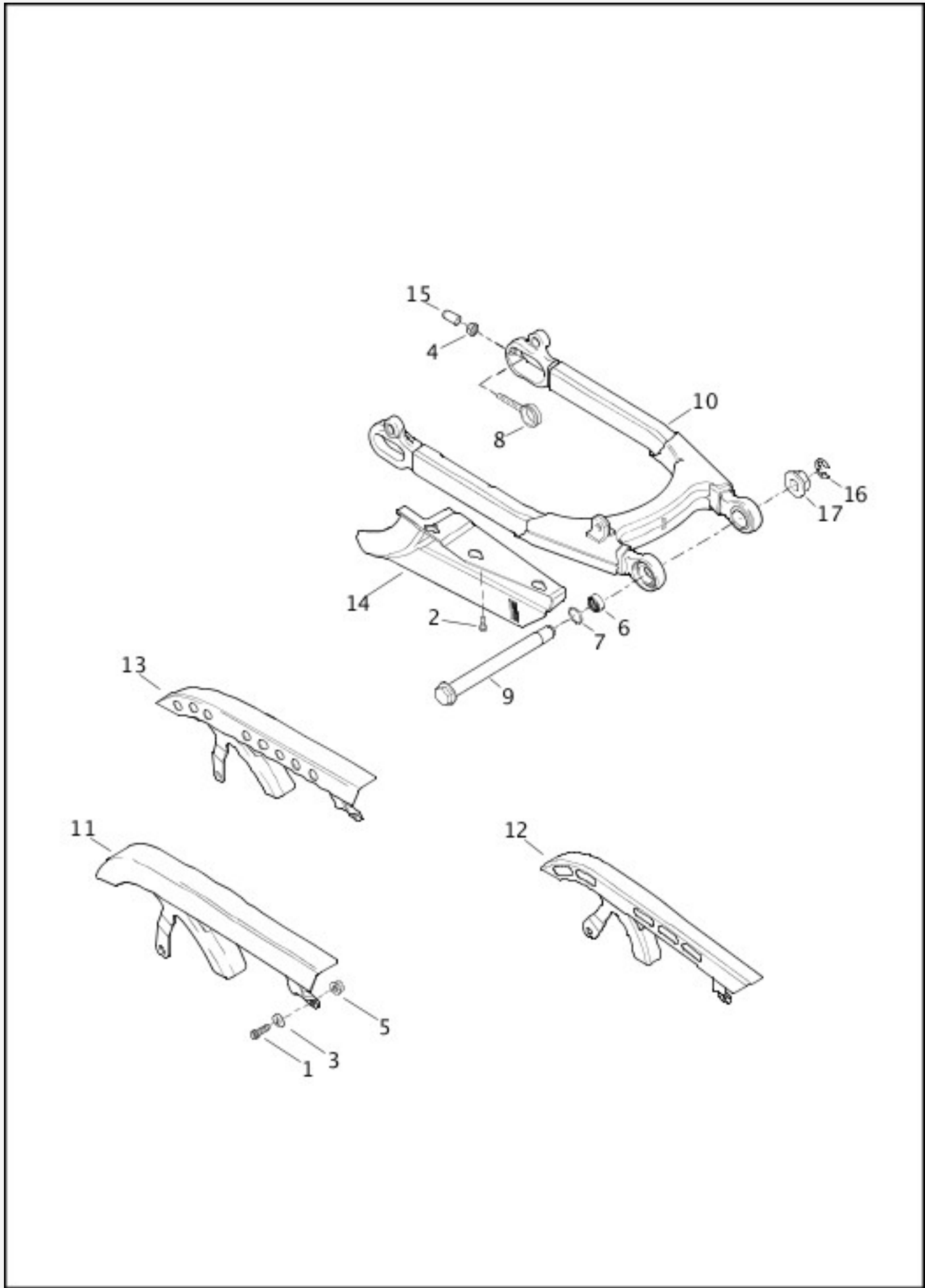
[View interactive table](#)

INDEX NO.	PART NO.	DESCRIPTION	MODEL(S)
1	554A	PRETZEL CLIP	ALL
2	1594	PIN LOCK	ALL

3	4076	SCREW (ABS) (2)	ALL
3	4076	SCREW (Non-ABS) (4)	ALL
4	4871	SCREW (England, HDI)	XL1200CX, XL1200T, XL1200X, XL1200XS, XL883L
4	4871	SCREW (Brazil, England, HDI)	XL1200C, XL1200NS, XL883N
5	4991	SCREW (2)	ALL
6	8135B	PUSH NUT	ALL
7	10006	CABLE STRAP (Brazil, England, HDI)	ALL
8	10179A	CLIP (ABS) (1)	ALL
8	10179A	CLIP (Non-ABS) (2)	ALL
9	10289A	CLIP (2)	ALL
10	43595-99	SPRING	ALL
11	48027-99	O-RING	ALL
12	48315-60	BEARING CUP (2)	ALL
13	49735-08	BUMPER	ALL
14	50003-89B	PIN	ALL
15	50005-85A	SPRING	ALL
16	50124-09BHP	JIFFY STAND	XL1200CX
16	50000025BHP	JIFFY STAND (all except England, HDI)	XL1200C, XL1200NS, XL1200T, XL1200X, XL1200XS, XL883L
16	50000025BHP	JIFFY STAND (Canada, Domestic, Japan)	XL883N
16	50185-04C	JIFFY STAND (Asia-Pacific, Australia, Brazil, HDI, India)	XL883N
17	50126-08B	SENSOR, with 24, 25, 26 (Brazil, England, HDI)	ALL
18	53176-08	BUSHING (2)	ALL
19	61459-97	COVER	ALL
20	62122-89A	BUMPER	ALL
21	57200092DH	SIDE COVER (right) (vivid black)	XL1200C, XL1200CX, XL1200NS, XL1200T, XL1200X, XL1200XS, XL883L, XL883N
21	57200092BYM	SIDE COVER (right) (black denim)	XL1200C, XL1200X, XL883N
22	70417-04E	SIDE COVER MOUNTING KIT, with 5 (2)	ALL

23	71472-04	BEZEL (chrome)	XL1200C, XL1200CX, XL1200T, XL1200X, XL1200XS, XL883L
	62534-07	BEZEL (satin chrome)	XL1200NS, XL883N
24	72169-07	TERMINAL, pin, 16-20 AWG (Brazil, England, HDI)	ALL
25	72511-07BK	HOUSING, three-way pin (black) (Brazil, England, HDI)	ALL
26	73213-07	RETAINER (Brazil, England, HDI)	ALL
27	90493-83	PLUG (4)	XL1200X, XL1200XS
28	90520-07	PLUG	ALL
29	45600014	FORK LOCK KIT, with 2, 10, 11, 19 (specify key number)	ALL
29	90300034	KEY SET (specify key number)	ALL
29	90300062	LOCKSET ASSEMBLY, complete, with ignition switch, forklock and keys (not shown)	ALL
30	47000031	FRAME, with bearing cups (gloss black) (all except India)	XL1200C, XL1200NS, XL1200T, XL1200X, XL1200XS, XL883L, XL883N
30	47000140	FRAME, with bearing cups (India only)	XL1200C, XL1200NS, XL1200X, XL1200XS, XL883L, XL883N
30	47000114	FRAME, with bearing cups (denim black) (all except India)	XL1200CX
30	47000144	FRAME, with bearing cups (India only)	XL1200CX
31	57200091DH	SIDE COVER (left) (vivid black)	XL1200C, XL1200CX, XL1200NS, XL1200T, XL1200X, XL1200XS, XL883L, XL883N
31	57200091BYM	SIDE COVER (left) (black denim)	XL1200C, XL1200X, XL883N

FORK, REAR, DEBRIS DEFLECTOR AND BELT GUARD



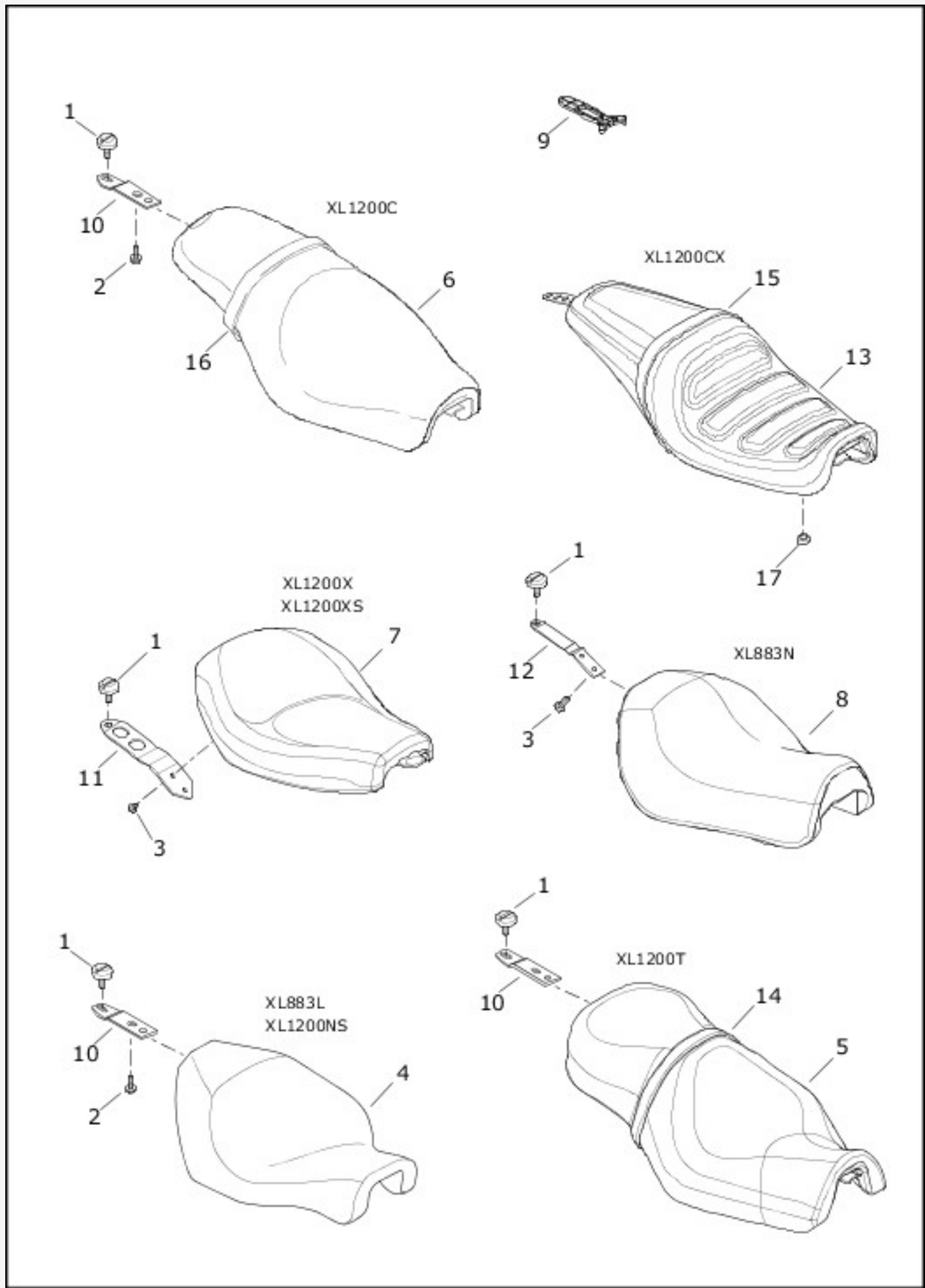
[View interactive image](#)

[View interactive table](#)

INDEX NO.	PART NO.	DESCRIPTION	MODEL(S)
1	2708A	SCREW	ALL
2	3579A	SCREW (3)	ALL

3	6702	WASHER	ALL
4	7766	LOCKNUT (2)	ALL
5	7531	LOCKNUT	ALL
6	9209	BEARING, with 11282 (2)	ALL
7	11282	RETAINING RING (2)	ALL
8	41573-05	ADJUSTER (2)	ALL
9	47500005	BOLT	ALL
10	47587-05A	REAR FORK, with 9209	XL1200C, XL1200NS, XL1200T, XL1200X, XL1200XS, XL883L, XL883N
10	47400087	REAR FORK, with 9209	XL1200CX
11	60300202	BELT GUARD	XL1200C, XL1200NS, XL1200T, XL1200XS, XL883L
12	60300200	BELT GUARD	XL1200CX, XL1200X
13	60300196	BELT GUARD	XL883N
14	60435-04B	DEBRIS DEFLECTOR	ALL
15	89579-91	CAP (2)	ALL
16	12200047	RETAINING RING	ALL
17	47500006	NUT	ALL

SEATS



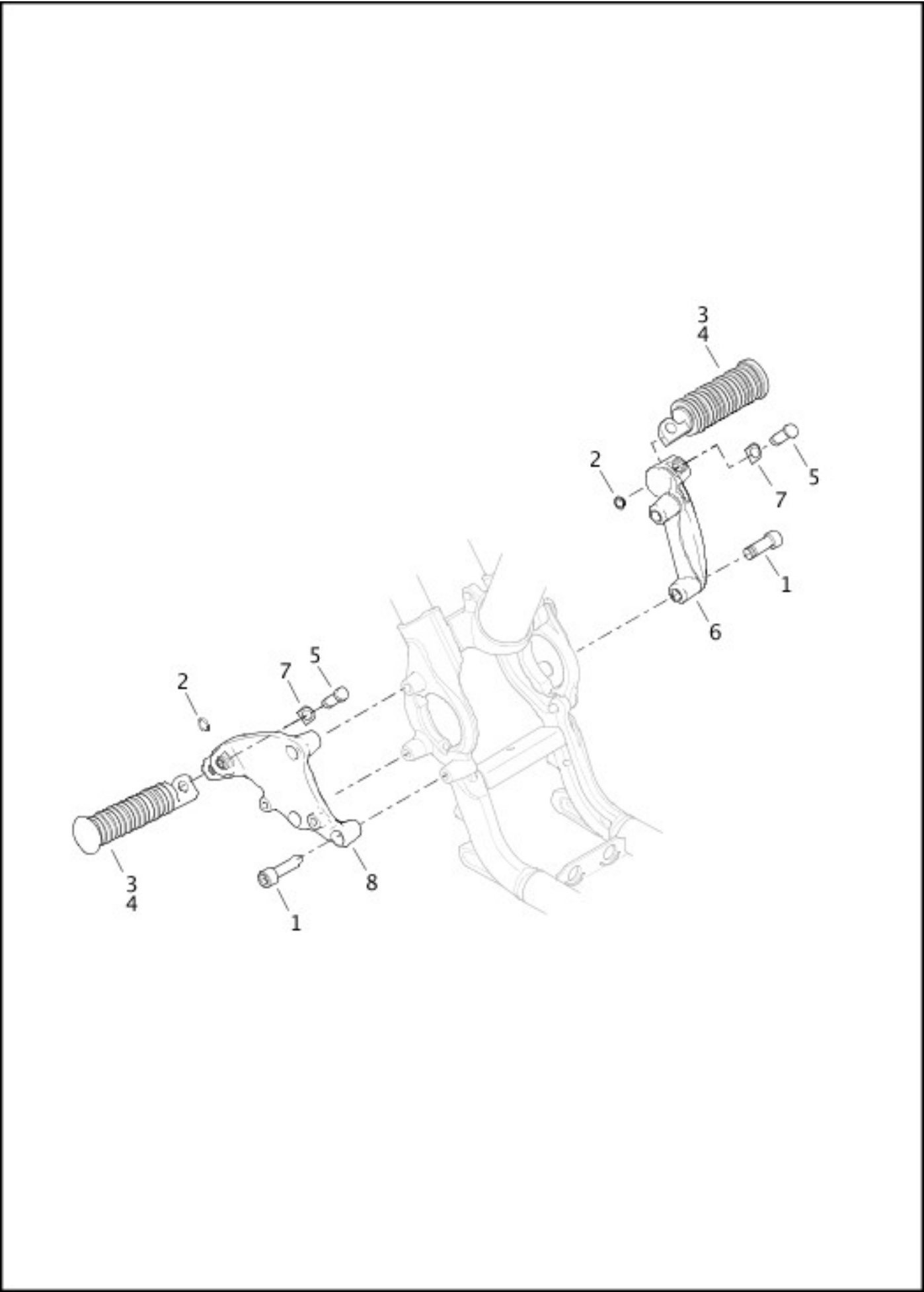
[View interactive image](#)

[View interactive table](#)

INDEX NO.	PART NO.	DESCRIPTION	MODEL(S)
1	3075	SCREW	ALL
2	3588	SCREW (2)	XL1200C, XL1200NS, XL883L

3	67956-96	SCREW (2)	XL1200X, XL1200XS, XL883N
4	51550-11A	SEAT ASSEMBLY, with 3588 and 51652-97A	XL883L
4	52000428	SEAT ASSEMBLY, with 3588 and 51740-10	XL1200NS
5	52000156	SEAT ASSEMBLY, with 51652-97A and 52293-04	XL1200T
6	52000185	SEAT ASSEMBLY, with 3588, 51652-97A and 52400139	XL1200C
7	52000188	SEAT ASSEMBLY, with 67956-96 and 52000190	XL1200X, XL1200XS
8	52000189	SEAT ASSEMBLY, with 52000218 and 67956-96	XL883N
9	14900081	SPANNER WRENCH	XL1200C, XL1200CX, XL1200NS, XL1200X, XL1200XS, XL883L, XL883N
10	51652-97A	BRACKET	XL1200C, XL1200T, XL883L
	51740-10	BRACKET (black)	XL1200NS
11	52000190	BRACKET	XL1200X, XL1200XS
12	52000218	BRACKET	XL883N
13	52000233	SEAT ASSEMBLY, with 52000236 and 52100027	XL1200CX
14	52293-04	GRABSTRAP	XL1200T
15	52000236	GRABSTRAP	XL1200CX
16	52400139	GRABSTRAP	XL1200C
17	52100027	ISOLATOR (8)	XL1200CX

FOOTRESTS, PASSENGER



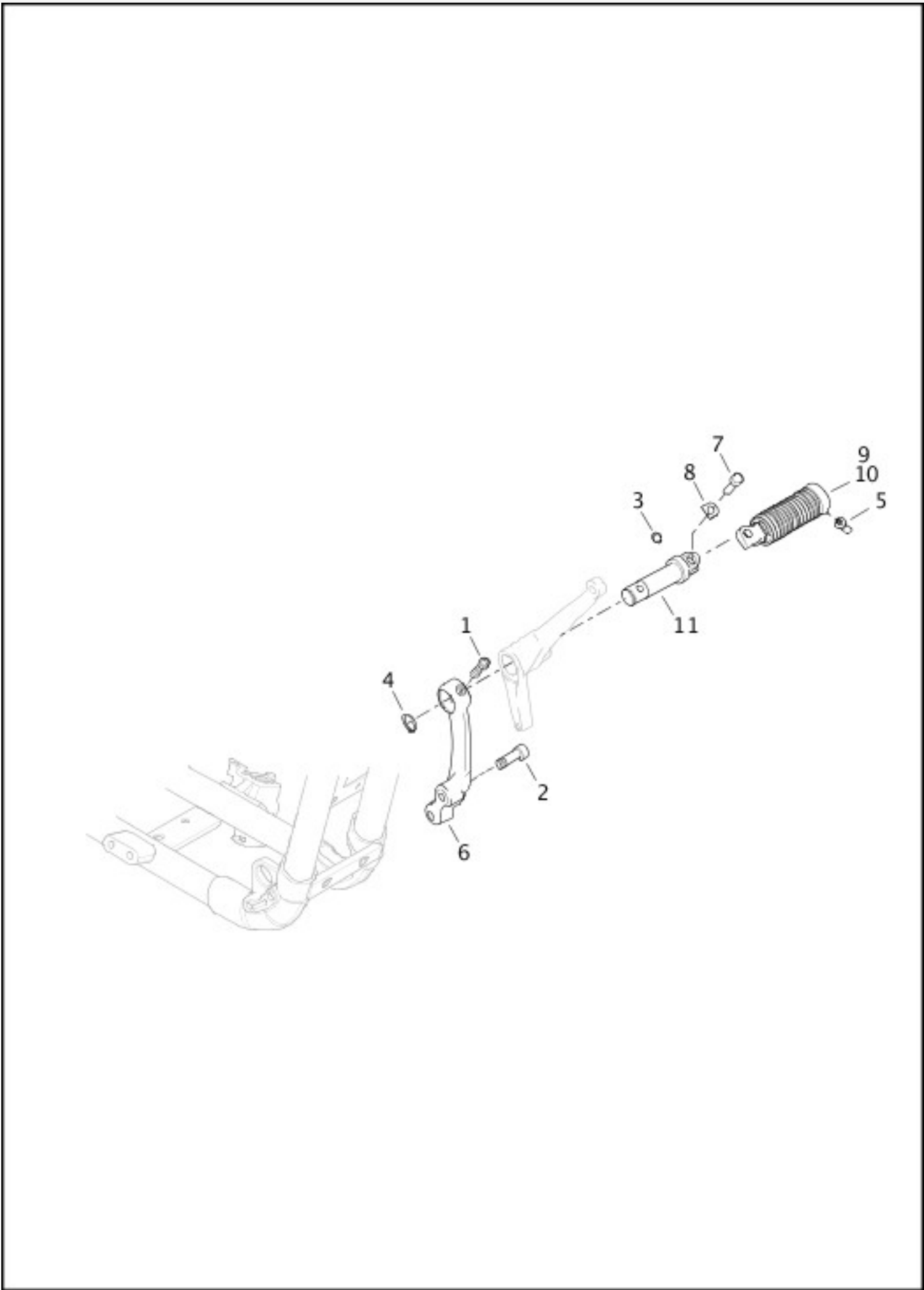
[View interactive image](#)

[View interactive table](#)

INDEX NO.	PART NO.	DESCRIPTION	MODEL(S)
1	3214	SCREW (5)	XL1200C, XL1200CX, XL1200T
2	11304	RETAINING RING (2)	XL1200C, XL1200CX, XL1200T

3	33048-72	FOOTPEG ASSEMBLY, with 33189-63 (2)	XL1200C, XL1200CX, XL1200T
4	33189-63	RUBBER, footrest (2)	XL1200C, XL1200CX, XL1200T
5	45041-01A	CLEVIS PIN (2)	XL1200C, XL1200CX, XL1200T
6	49315-04	BRACKET (left)	XL1200C, XL1200CX, XL1200T
6	50500227	BRACKET (left) (India)	XL1200C, XL1200CX
7	50912-72	SPRING WASHER (2)	XL1200C, XL1200CX, XL1200T
8	50500233	BRACKET (right)	XL1200C, XL1200CX, XL1200T

FOOTRESTS, RIDER, FORWARD-CONTROL



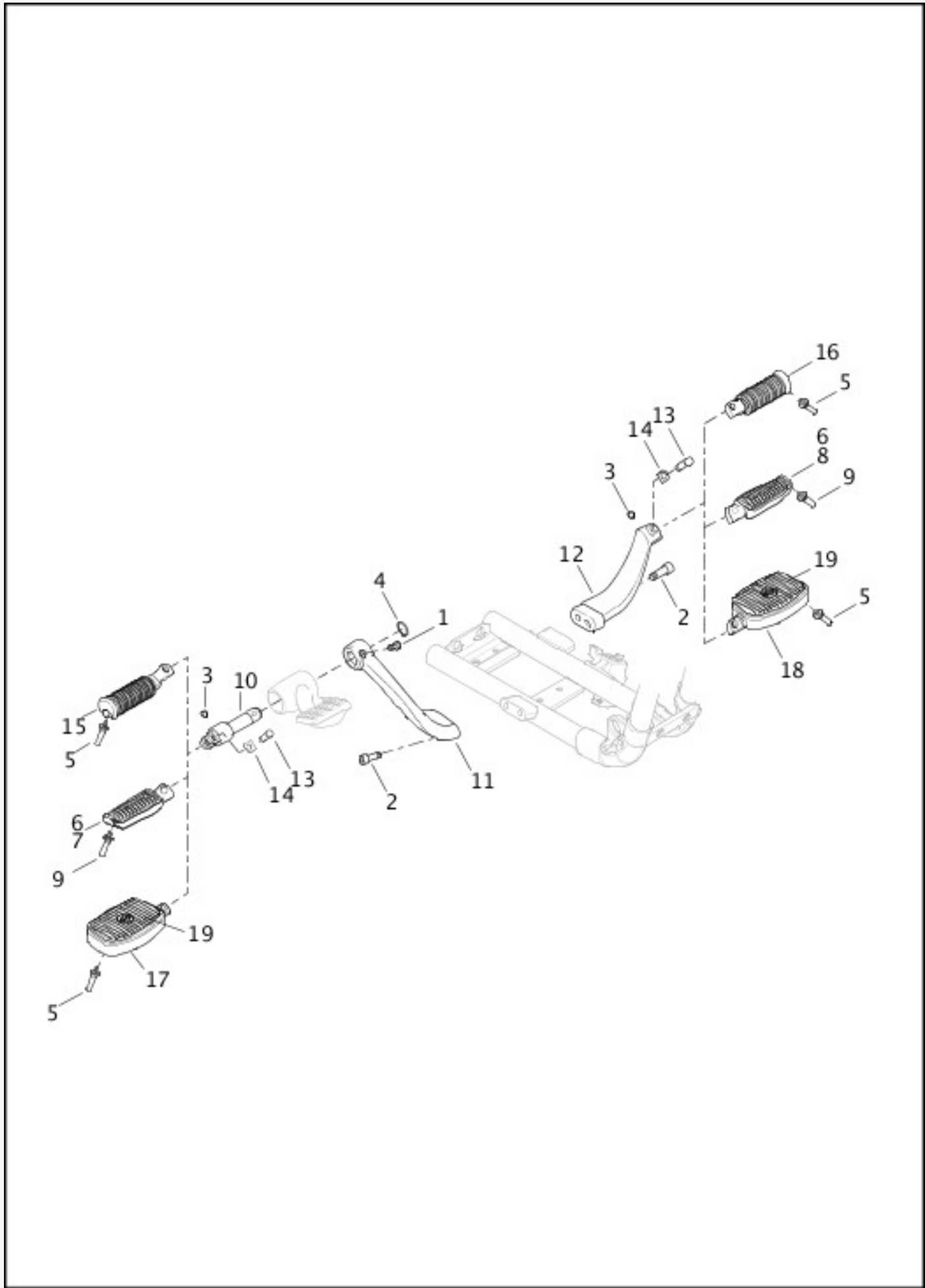
[View interactive image](#)

[View interactive table](#)

INDEX NO.	PART NO.	DESCRIPTION	MODEL(S)
1	3162	SCREW (2)	XL1200X, XL1200XS
2	3214	SCREW (4)	XL1200X, XL1200XS

3	11304	RETAINING RING (2)	XL1200X, XL1200XS
4	11390	RETAINING RING (2)	XL1200X, XL1200XS
5	33130-07A	WEAR PEG (2)	XL1200X, XL1200XS
6	42651-04	SUPPORT BRACKET (left)	XL1200X, XL1200XS
6	42652-04	SUPPORT BRACKET (right) (not shown)	XL1200X, XL1200XS
7	45041-01A	CLEVIS PIN (2)	XL1200X, XL1200XS
8	50912-72	SPRING WASHER (2)	XL1200X, XL1200XS
9	51323-08	FOOTPEG ASSEMBLY (right) (2)	XL1200X, XL1200XS
10	51327-08	FOOTPEG ASSEMBLY (left) (2)	XL1200X, XL1200XS
11	51730-10	CLEVIS (left)	XL1200X, XL1200XS
	51731-10	CLEVIS (right) (not shown)	XL1200X, XL1200XS

FOOTRESTS, RIDER, MID-CONTROL



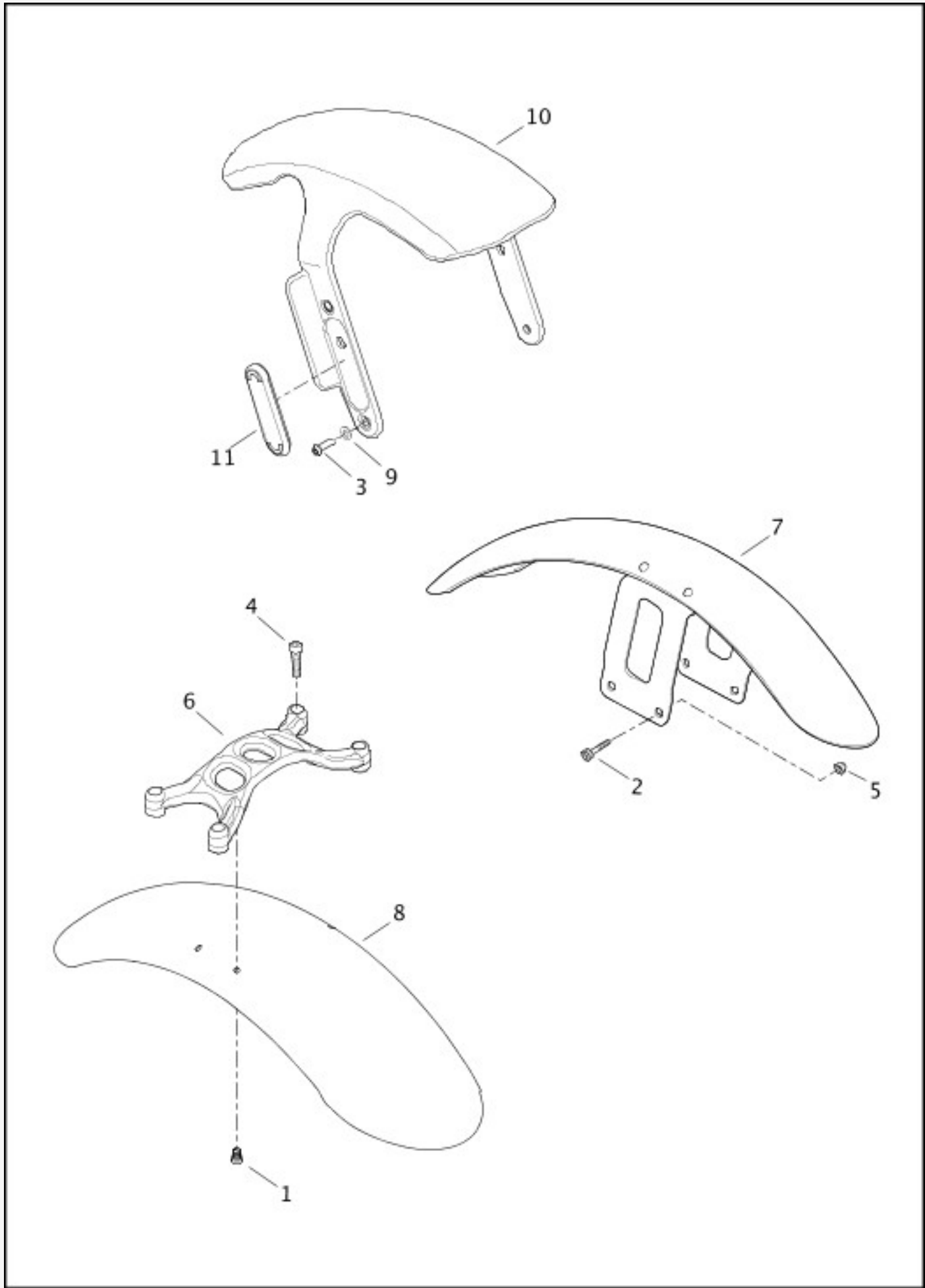
[View interactive image](#)

[View interactive table](#)

INDEX NO.	PART NO.	DESCRIPTION	MODEL(S)
1	3162	SCREW	XL1200C, XL1200CX, XL1200NS, XL1200T, XL883L, XL883N

2	3214	SCREW (4)	XL1200C, XL1200CX, XL1200NS, XL1200T, XL883L, XL883N
3	11304	RETAINING RING (2)	XL1200C, XL1200CX, XL1200NS, XL1200T, XL883L, XL883N
4	11390	RETAINING RING	XL1200C, XL1200CX, XL1200NS, XL1200T, XL883L, XL883N
5	33130-07A	WEAR PEG (2)	XL1200C, XL1200CX, XL1200T, XL883L
6	33133-06	RUBBER, footpegs (2)	XL1200NS, XL883N
7	33134-07CAZ	FOOTPEG ASSEMBLY, with 33133-06 (right) (black)	XL1200NS, XL883N
8	33135-07CAZ	FOOTPEG ASSEMBLY, with 33133-06 (left) (black)	XL1200NS, XL883N
9	33188-08	WEAR PEG (2)	XL1200NS, XL883N
10	42541-04	CLEVIS (right)	XL1200C, XL1200CX, XL1200NS, XL1200T, XL883L, XL883N
11	42971-04	BRACKET (right)	XL1200C, XL1200CX, XL1200NS, XL883L, XL883N
	50500288	BRACKET (right) (not shown)	XL1200T
12	42972-04	BRACKET (left)	XL1200C, XL1200CX, XL1200NS, XL883L, XL883N
	50500289	BRACKET (left) (not shown)	XL1200T
13	45041-01A	CLEVIS PIN (2)	XL1200C, XL1200CX, XL1200NS, XL1200T, XL883L, XL883N
14	50912-72	SPRING WASHER (2)	XL1200C, XL1200CX, XL1200NS, XL1200T, XL883L, XL883N
15	51323-08	FOOTPEG ASSEMBLY (right)	XL1200C, XL1200CX, XL883L
16	51327-08	FOOTPEG ASSEMBLY (left)	XL1200C, XL1200CX, XL883L
17	50500290	FOOTBOARD, with 50500323 (right)	XL1200T
18	50500291	FOOTBOARD, with 50500323 (left)	XL1200T
19	50500323	INSERT (2)	XL1200T

FENDERS, FRONT



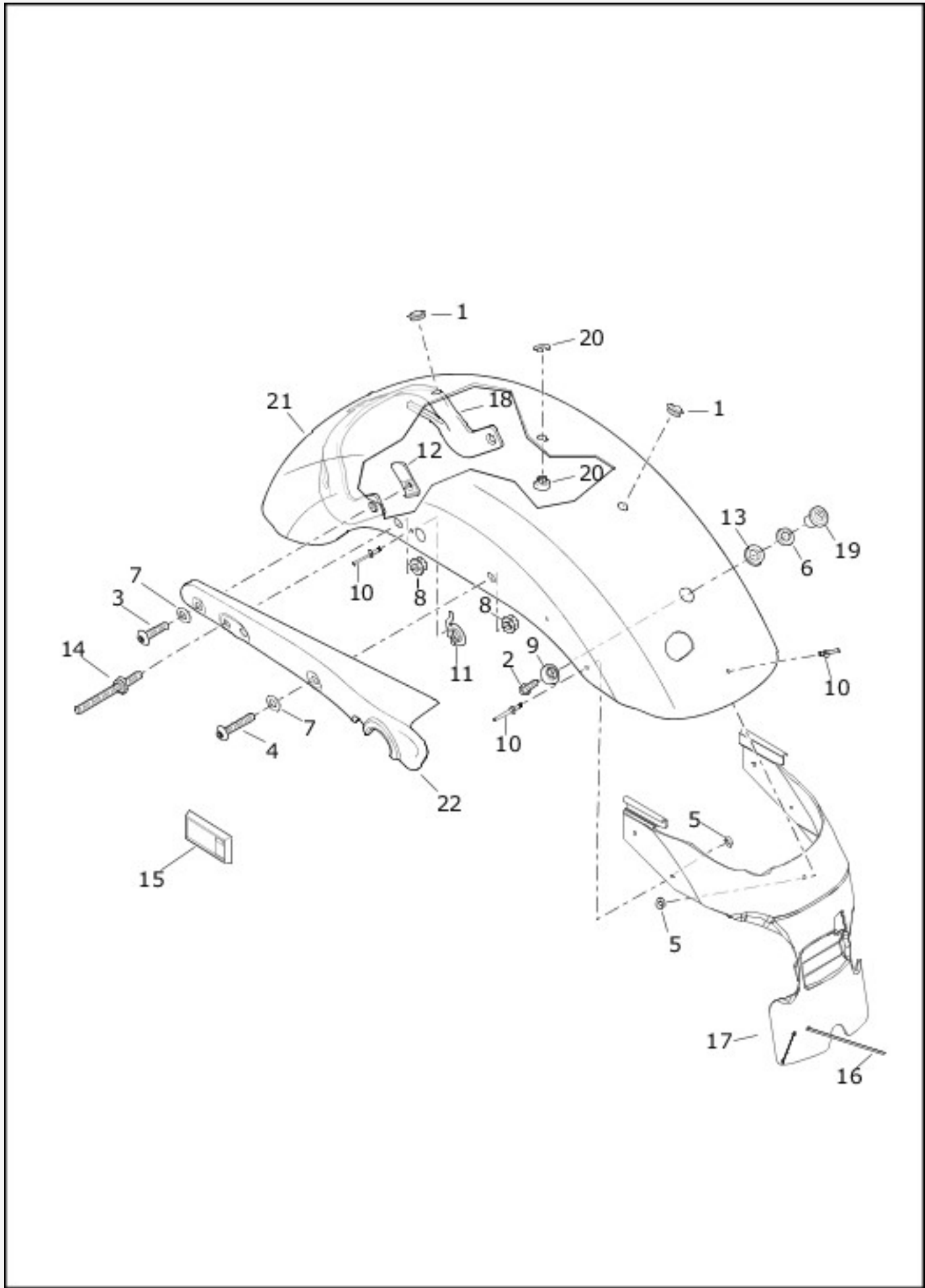
[View interactive image](#)

[View interactive table](#)

INDEX NO.	PART NO.	DESCRIPTION	MODEL(S)
NOTE: Refer to Painted Parts Book for painted part numbers.			
1	3018A	SCREW (4)	XL1200X, XL1200XS

2	3210A	SCREW (4)	XL1200C, XL1200NS, XL1200T, XL883L, XL883N
3	4975M	SCREW (4)	XL1200CX
4	4978	SCREW (4)	XL1200X, XL1200XS
5	7531	LOCKNUT (4)	XL1200C, XL1200NS, XL1200T, XL883L, XL883N
6	45600046	BRACE	XL1200X, XL1200XS
7	59712-07A	FRONT FENDER (prime)	XL1200NS, XL883N
7	60955-11	FRONT FENDER (prime)	XL1200C, XL1200T, XL883L
8	60574-10	FRONT FENDER (prime)	XL1200X, XL1200XS
9	10300078	WASHER	XL1200CX
10	58900170	FRONT FENDER (prime)	XL1200CX
11	67900212A	REFLECTOR (amber) (2)	XL1200CX

FENDERS, REAR - XL883L



[View interactive image](#)

[View interactive table](#)

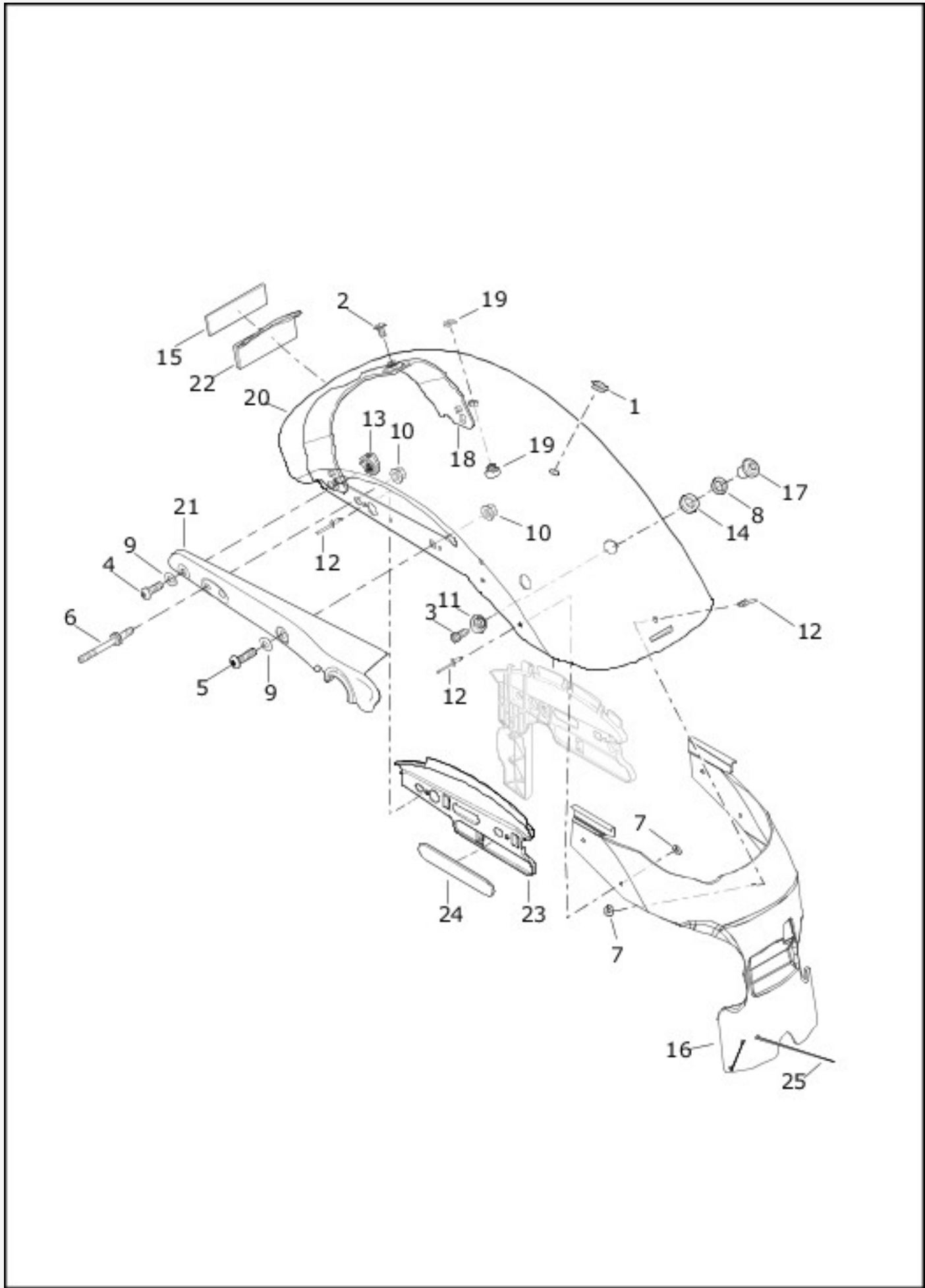
INDEX NO.	PART NO.	DESCRIPTION	MODEL(S)
-----------	----------	-------------	----------

NOTE: Refer to Painted Parts Book for painted part numbers.

1	761	PLUG (2)	XL883L
---	-----	----------	--------

2	4017	BOLT	XL883L
3	4778	SCREW (2)	XL883L
4	4779	SCREW (2)	XL883L
5	6029	WASHER (5)	XL883L
6	6702	WASHER	XL883L
7	6798	WASHER (4)	XL883L
8	7531	LOCKNUT (4)	XL883L
9	7882	SPACER	XL883L
10	8692	RIVET (7)	XL883L
11	10200	BRACKET, wire retention (2)	XL883L
12	10242	CLIP, threaded (2)	XL883L
13	11474	GROMMET	XL883L
14	56104-02	SCREW (2)	XL883L
15	59256-84A	REFLECTOR (amber) (2)	XL883L
16	10039	CABLE STRAP	XL883L
17	59502-04B	REAR FENDER EXTENSION	XL883L
18	59673-04B	FENDER SUPPORT	XL883L
19	59723-04	SEAT POST	XL883L
20	59768-97	FENDER SEAT NUT KIT	XL883L
21	59847-10	FENDER, rear (prime)	XL883L
22	60203-06	COVER, rear fender support (right) (vivid black)	XL883L
	60204-06	COVER, rear fender support (left) (vivid black) (not shown)	XL883L

FENDERS, REAR - XL883N, XL1200X, XL1200NS (DOMESTIC, CANADA ONLY)



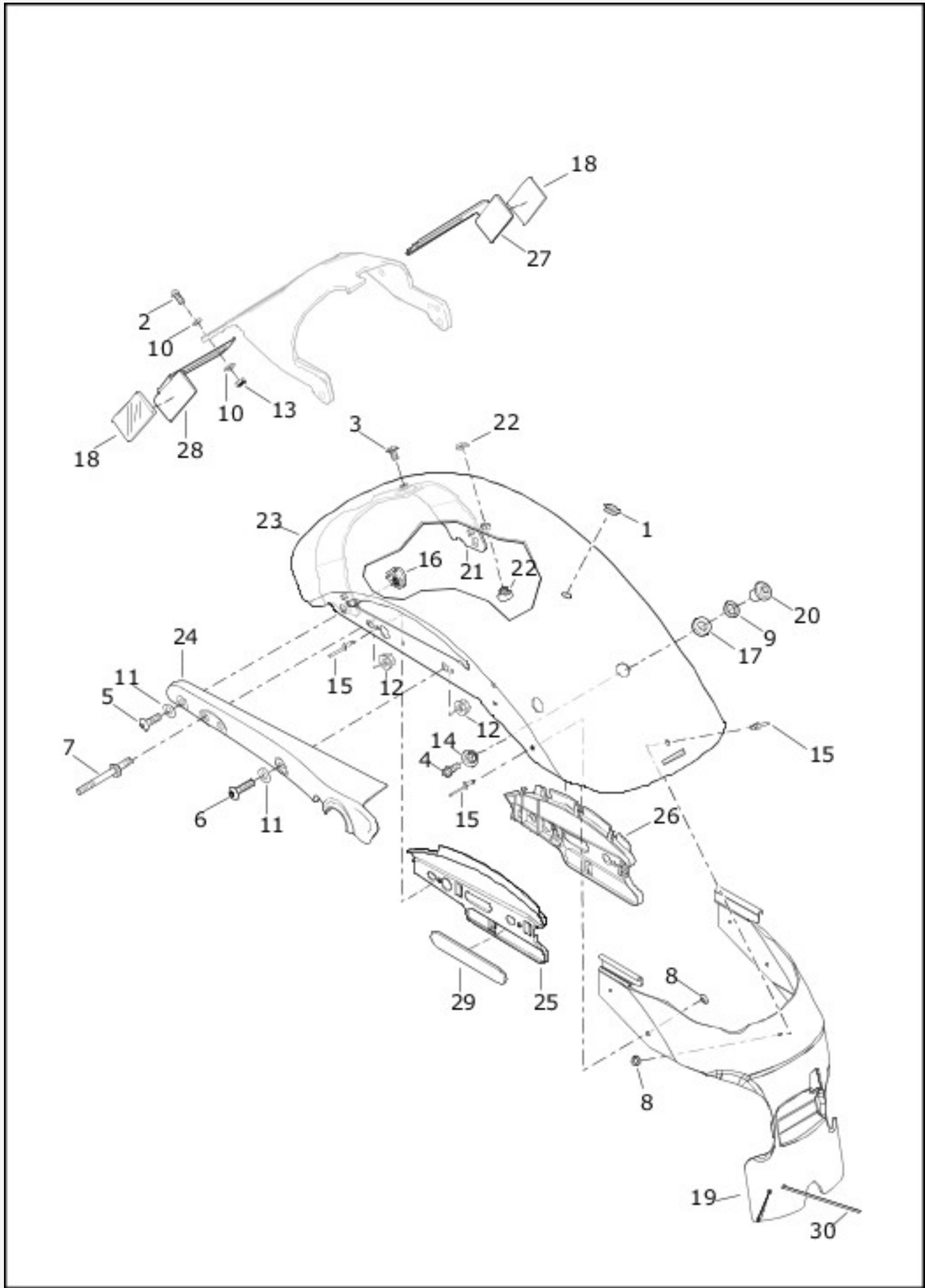
[View interactive image](#)

[View interactive table](#)

INDEX NO.	PART NO.	DESCRIPTION	MODEL(S)
NOTE: Refer to Painted Parts Book for painted part numbers.			
1	761	PLUG	XL1200NS, XL1200X, XL883N

2	3085	SCREW	XL1200NS, XL1200X, XL883N
3	4017	BOLT	XL1200NS, XL1200X, XL883N
4	4778	SCREW (2)	XL1200NS, XL1200X, XL883N
5	4779	SCREW (2)	XL1200NS, XL1200X, XL883N
6	5531	SCREW (2)	XL1200NS, XL1200X, XL883N
7	6029	WASHER (5)	XL1200NS, XL1200X, XL883N
8	6702	WASHER	XL1200NS, XL1200X, XL883N
9	6798	WASHER (4)	XL1200NS, XL1200X, XL883N
10	7531	LOCKNUT (4)	XL1200NS, XL1200X, XL883N
11	7882	SPACER	XL1200NS, XL1200X, XL883N
12	8692	RIVET (7)	XL1200NS, XL1200X, XL883N
13	10323	CLIP, threaded (2)	XL1200NS, XL1200X, XL883N
14	11474	GROMMET	XL1200NS, XL1200X, XL883N
15	67900205A	REFLECTOR (red) (Domestic only)	XL1200NS, XL1200X, XL883N
16	59502-04B	REAR FENDER EXTENSION	XL1200NS, XL1200X, XL883N
17	59723-04	SEAT POST	XL1200NS, XL1200X, XL883N
18	59727-07	FENDER SUPPORT	XL1200NS, XL1200X, XL883N
19	59768-97	FENDER SEAT NUT KIT	XL1200NS, XL1200X, XL883N
20	59865-10	FENDER, rear (prime)	XL1200NS, XL1200X, XL883N
21	60203-06	COVER, rear fender support (right) (vivid black)	XL1200NS, XL1200X, XL883N
	60204-06	COVER, rear fender support (left) (vivid black) (not shown)	XL1200NS, XL1200X, XL883N
22	68724-07A	MOUNTING BLOCK (Domestic only)	XL1200NS, XL1200X, XL883N
23	68704-07	BRACKET REFLECTOR MOUNT (right)	XL1200NS, XL1200X, XL883N
24	69490-07	REFLECTOR (red) (2)	XL1200NS, XL1200X, XL883N
25	10039	CABLE STRAP	XL1200NS, XL1200X, XL883N

FENDERS, REAR - XL883N, XL1200NS, XL1200X, XL1200XS (ALL EXCEPT DOMESTIC, CANADA)



[View interactive image](#)

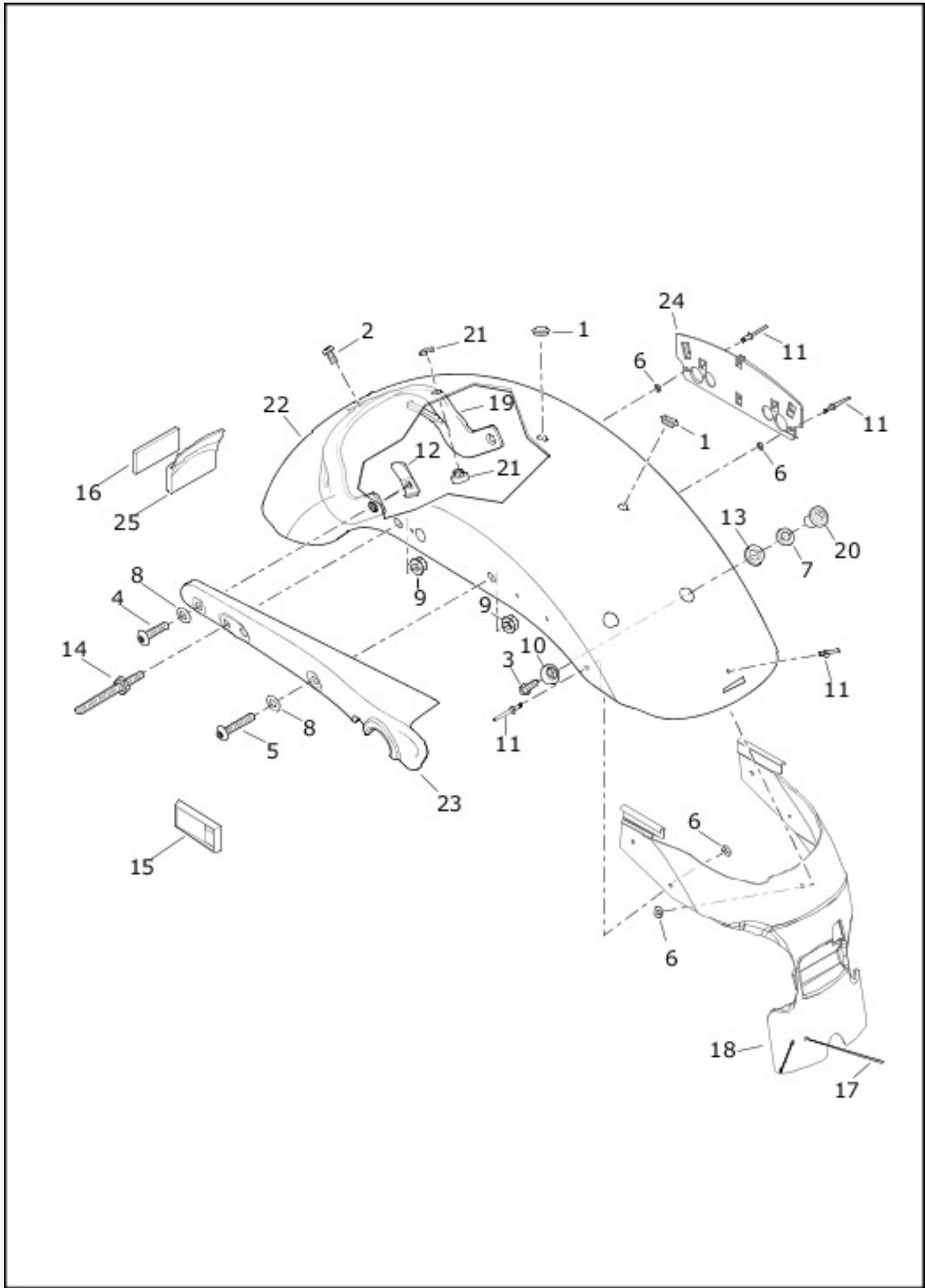
[View interactive table](#)

INDEX NO.	PART NO.	DESCRIPTION	MODEL(S)
NOTE: Refer to Painted Parts Book for painted part numbers.			
1	761	PLUG	XL1200NS, XL1200X, XL1200XS,

			XL883N
2	927A	SCREW (India) (2)	XL1200NS, XL1200X, XL1200XS, XL883N
2	940	SCREW (all except Domestic, Canada, India) (2)	XL1200NS, XL1200X, XL883N
2	940	SCREW (all except India) (2)	XL1200XS
3	3085	SCREW	XL1200NS, XL1200X, XL1200XS, XL883N
4	4017	BOLT	XL1200NS, XL1200X, XL1200XS, XL883N
5	4778	SCREW (2)	XL1200NS, XL1200X, XL1200XS, XL883N
6	4779	SCREW (2)	XL1200NS, XL1200X, XL1200XS, XL883N
7	5531	SCREW (2)	XL1200NS, XL1200X, XL1200XS, XL883N
8	6029	WASHER (5)	XL1200NS, XL1200X, XL1200XS, XL883N
9	6702	WASHER	XL1200NS, XL1200X, XL1200XS, XL883N
10	6703	WASHER (4)	XL1200NS, XL1200X, XL1200XS, XL883N
11	6798	WASHER (4)	XL1200NS, XL1200X, XL1200XS, XL883N
12	7531	LOCKNUT (4)	XL1200NS, XL1200X, XL1200XS, XL883N
13	7792	NUT (India only)	XL1200NS, XL1200X, XL1200XS, XL883N
14	7882	SPACER	XL1200NS, XL1200X, XL1200XS, XL883N
15	8692	RIVET (9)	XL1200NS, XL1200X, XL1200XS, XL883N
16	10323	CLIP, threaded (2)	XL1200NS, XL1200X, XL1200XS, XL883N
17	11474	GROMMET	XL1200NS, XL1200X, XL1200XS, XL883N
18	59256-84A	REFLECTOR (amber) (2)	XL1200NS, XL1200X, XL1200XS, XL883N
19	59502-04B	REAR FENDER EXTENSION	XL1200NS, XL1200X, XL1200XS, XL883N

20	59723-04	SEAT POST	XL1200NS, XL1200X, XL1200XS, XL883N
21	59727-07	FENDER SUPPORT	XL1200NS, XL1200X, XL1200XS, XL883N
22	59768-97	FENDER SEAT NUT KIT	XL1200NS, XL1200X, XL1200XS, XL883N
23	59865-10	FENDER, rear (prime)	XL1200NS, XL1200X, XL1200XS, XL883N
24	60203-06	COVER, rear fender support (right) (vivid black)	XL1200NS, XL1200X, XL1200XS, XL883N
	60204-06	COVER, rear fender support (left) (vivid black) (not shown)	XL1200NS, XL1200X, XL1200XS, XL883N
25	68704-07	BRACKET REFLECTOR MOUNT, (right)	XL1200NS, XL1200X, XL1200XS, XL883N
26	68857-07	BRACKET REFLECTOR MOUNT, (left)	XL1200NS, XL1200X, XL1200XS, XL883N
27	68966-08	BRACKET, reflector (left)	XL1200NS, XL1200X, XL1200XS, XL883N
28	68992-08	BRACKET, reflector (right)	XL1200NS, XL1200X, XL1200XS, XL883N
29	69498-08	REFLECTOR (2)	XL1200NS, XL1200X, XL1200XS, XL883N
30	10039	CABLE STRAP	XL1200NS, XL1200X, XL1200XS, XL883N

FENDERS, REAR - XL1200C



[View interactive image](#)

[View interactive table](#)

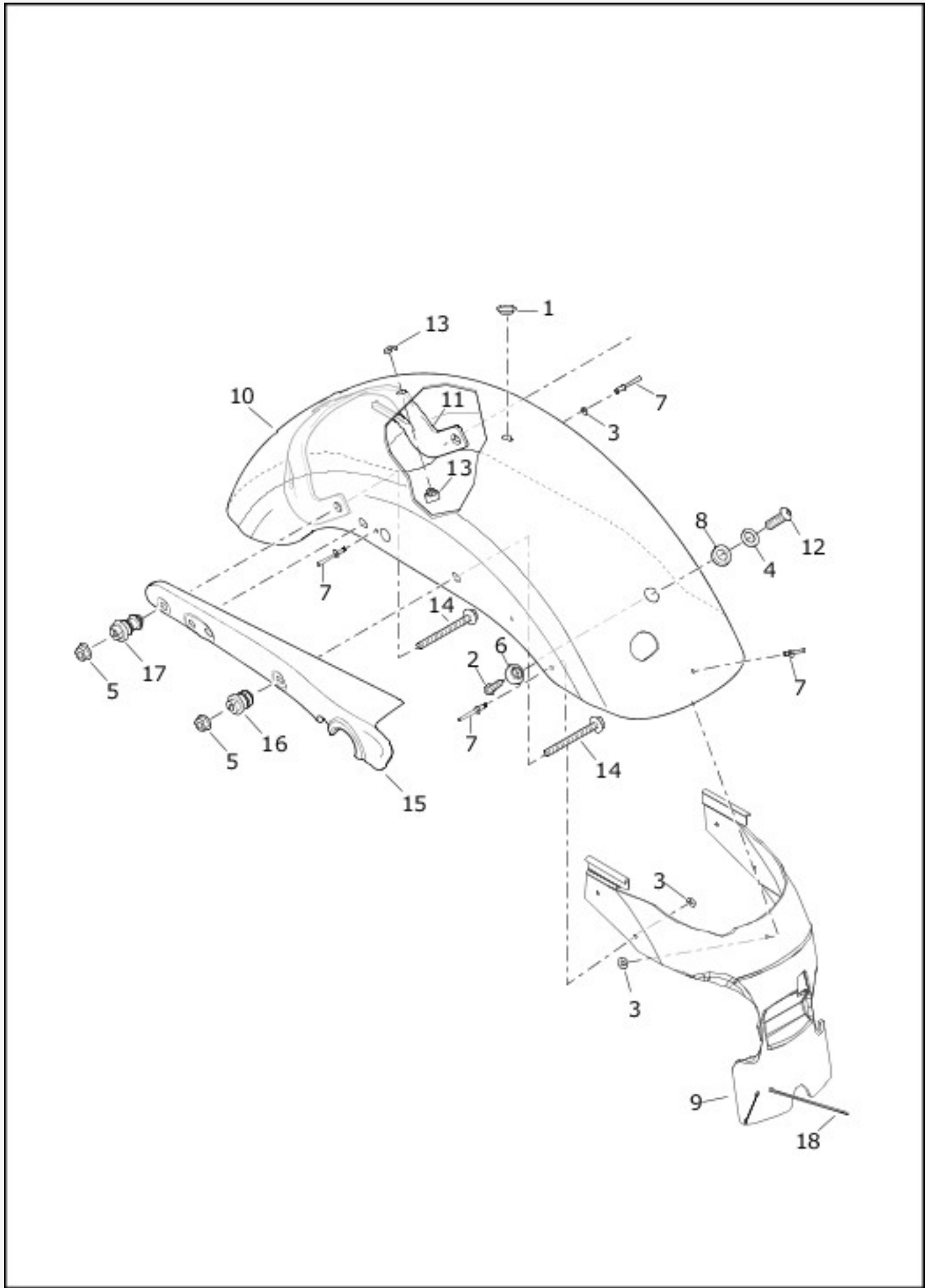
INDEX NO.	PART NO.	DESCRIPTION	MODEL(S)
-----------	----------	-------------	----------

NOTE: Refer to Painted Parts Book for painted part numbers.

1	761	PLUG (2)	XL1200C
---	-----	----------	---------

2	3085	SCREW	XL1200C
3	4017	BOLT	XL1200C
4	4778	SCREW (2)	XL1200C
5	4779	SCREW (2)	XL1200C
6	6029	WASHER (9)	XL1200C
7	6702	WASHER	XL1200C
8	6798	WASHER (4)	XL1200C
9	7531	LOCKNUT (4)	XL1200C
10	7882	SPACER	XL1200C
11	8692	RIVET (9)	XL1200C
12	10242	CLIP, threaded (2)	XL1200C
13	11474	GROMMET	XL1200C
14	56104-02	SCREW (all except India) (2)	XL1200C
14	5531	SCREW (India only) (2)	XL1200C
15	59256-84A	REFLECTOR (amber) (2)	XL1200C
16	59259-90	REFLECTOR (red)	XL1200C
17	10039	CABLE STRAP	XL1200C
18	59502-04B	REAR FENDER EXTENSION	XL1200C
19	59500034A	FENDER SUPPORT	XL1200C
20	59723-04	SEAT POST	XL1200C
21	59768-97	FENDER SEAT NUT KIT	XL1200C
22	59885-11	FENDER, rear (prime)	XL1200C
23	59902-04	COVER, rear fender support (right) (chrome)	XL1200C
	59903-04	COVER, rear fender support (left) (chrome) (not shown)	XL1200C
24	69201925	WIRE GUIDE (2)	XL1200C
25	67900006	BRACKET, reflector	XL1200C

FENDERS, REAR - XL1200T



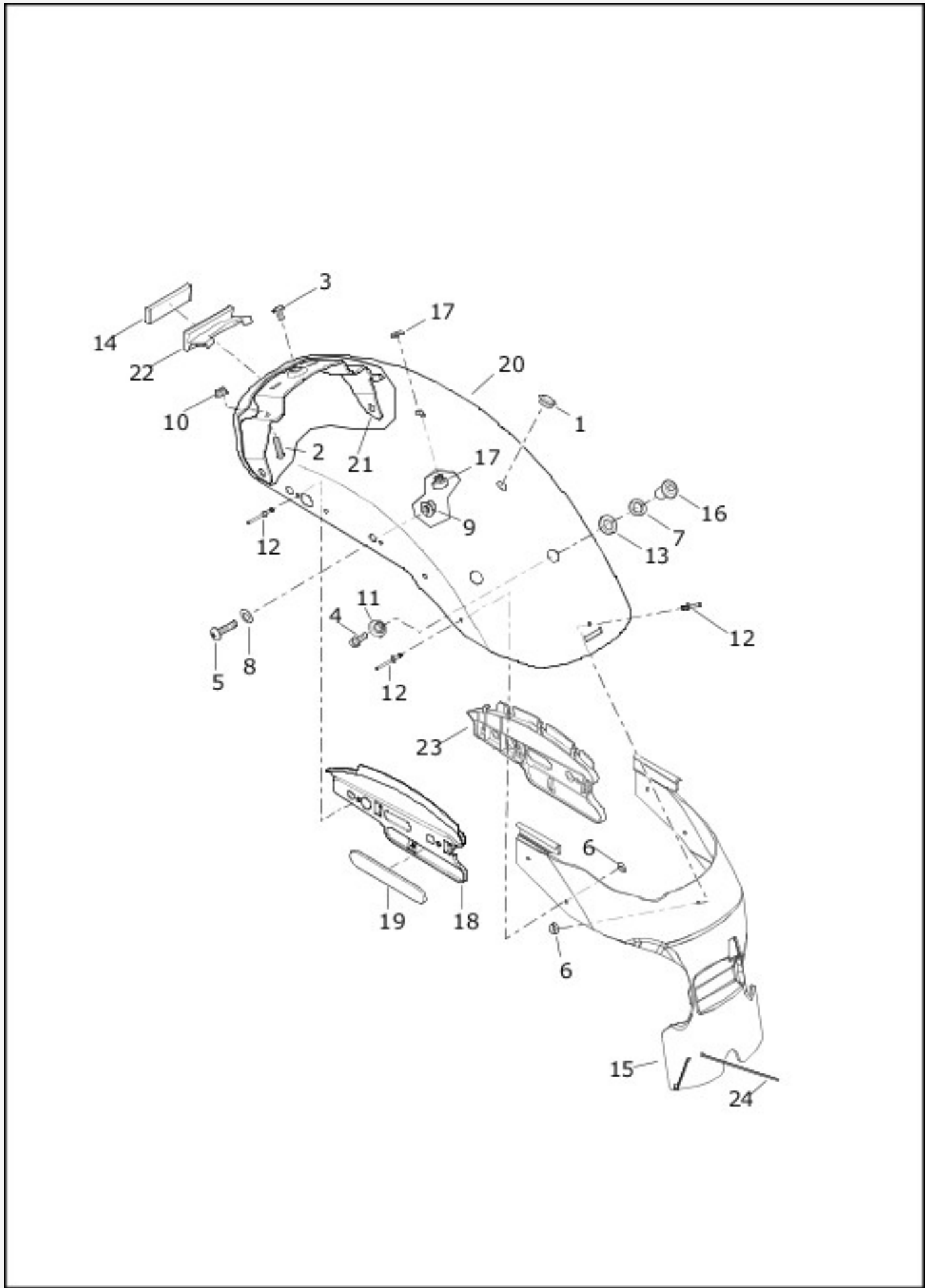
[View interactive image](#)

[View interactive table](#)

INDEX NO.	PART NO.	DESCRIPTION	MODEL(S)
NOTE: Refer to Painted Parts Book for painted part numbers.			
1	761	PLUG (2)	XL1200T

2	4017	BOLT	XL1200T
3	6029	WASHER (5)	XL1200T
4	6702	WASHER	XL1200T
5	7531	LOCKNUT (4)	XL1200T
6	7882	SPACER	XL1200T
7	8692	RIVET (7)	XL1200T
8	11474	GROMMET	XL1200T
9	59502-04B	REAR FENDER EXTENSION	XL1200T
10	59847-10	FENDER, rear (prime)	XL1200T
11	59673-04B	FENDER SUPPORT	XL1200T
12	59723-04	SEAT POST	XL1200T
13	59768-97	FENDER SEAT NUT KIT	XL1200T
14	10500062	SCREW (4)	XL1200T
15	59500172	COVER (right)	XL1200T
	59500173	COVER (left)	XL1200T
16	90201038	SUPPORT, front (2)	XL1200T
17	90201039	SUPPORT, rear (2)	XL1200T
18	10039	CABLE STRAP	XL1200T

FENDERS, REAR - XL1200CX (DOMESTIC, CANADA ONLY)



[View interactive image](#)

[View interactive table](#)

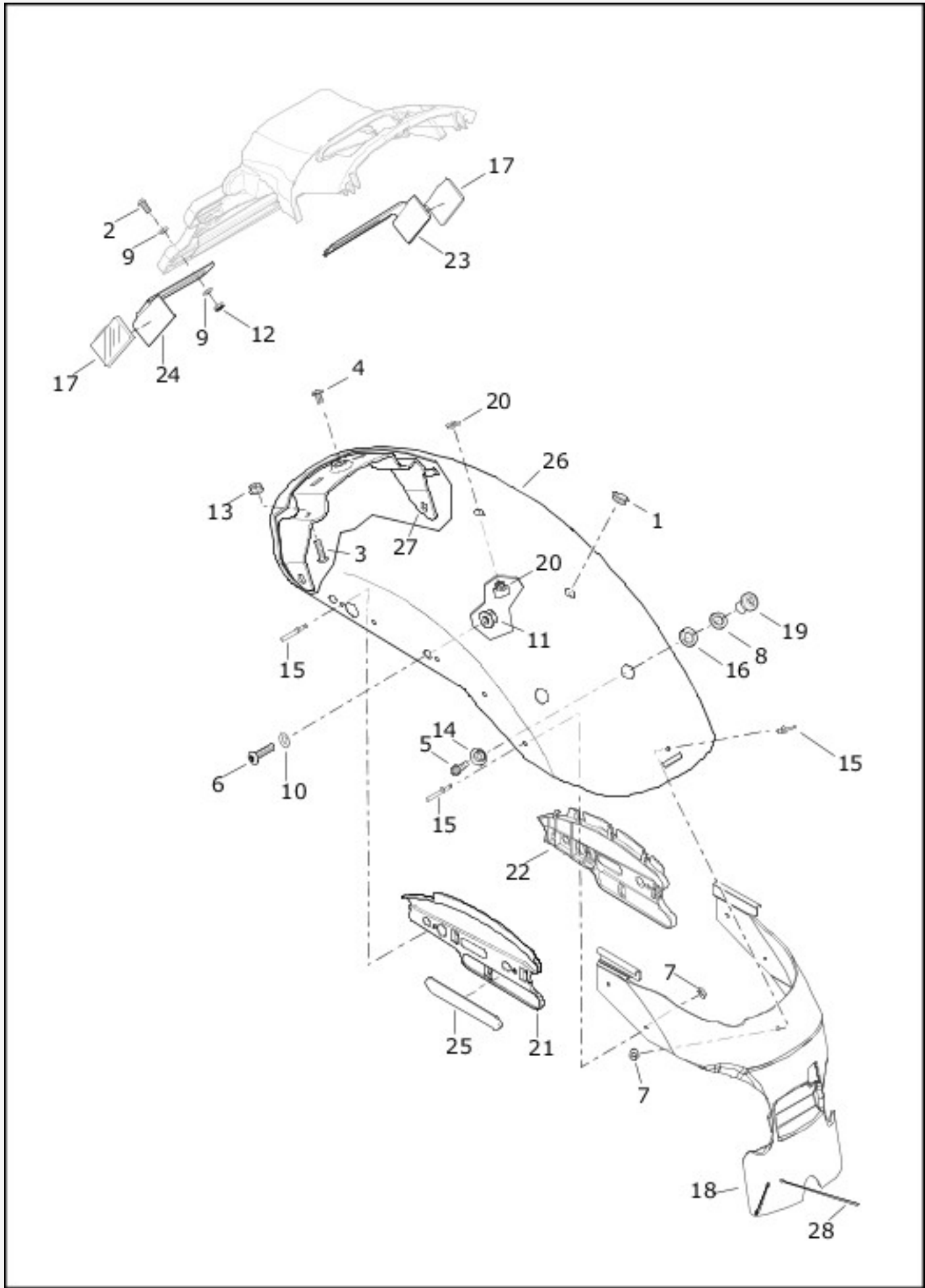
INDEX NO.	PART NO.	DESCRIPTION	MODEL(S)
-----------	----------	-------------	----------

NOTE: Refer to Painted Parts Book for painted part numbers.

1	761	PLUG	XL1200CX
---	-----	------	----------

2	2563	SCREW (2)	XL1200CX
3	3085	SCREW	XL1200CX
4	4017	BOLT	XL1200CX
5	4779	SCREW (2)	XL1200CX
6	6029	WASHER (5)	XL1200CX
7	6702	WASHER	XL1200CX
8	6798	WASHER (2)	XL1200CX
9	7531	LOCKNUT (2)	XL1200CX
10	7878	NUT (2)	XL1200CX
11	7882	SPACER	XL1200CX
12	8692	RIVET (9)	XL1200CX
13	11474	GROMMET	XL1200CX
14	67900205A	REFLECTOR (red) (Domestic only)	XL1200CX
15	59502-04B	REAR FENDER EXTENSION	XL1200CX
16	59723-04	SEAT POST	XL1200CX
17	59768-97	FENDER SEAT NUT KIT	XL1200CX
18	68704-07	BRACKET REFLECTOR MOUNT (right)	XL1200CX
19	69490-07	REFLECTOR (2)	XL1200CX
20	59500376	FENDER, rear (prime)	XL1200CX
21	59500408	FENDER SUPPORT	XL1200CX
22	67900285A	BRACKET (Domestic only)	XL1200CX
23	68857-07	BRACKET REFLECTOR MOUNT (right) (Canada only)	XL1200CX
24	10039	CABLE STRAP	XL1200CX

FENDERS, REAR - XL1200CX (ALL EXCEPT DOMESTIC, CANADA)



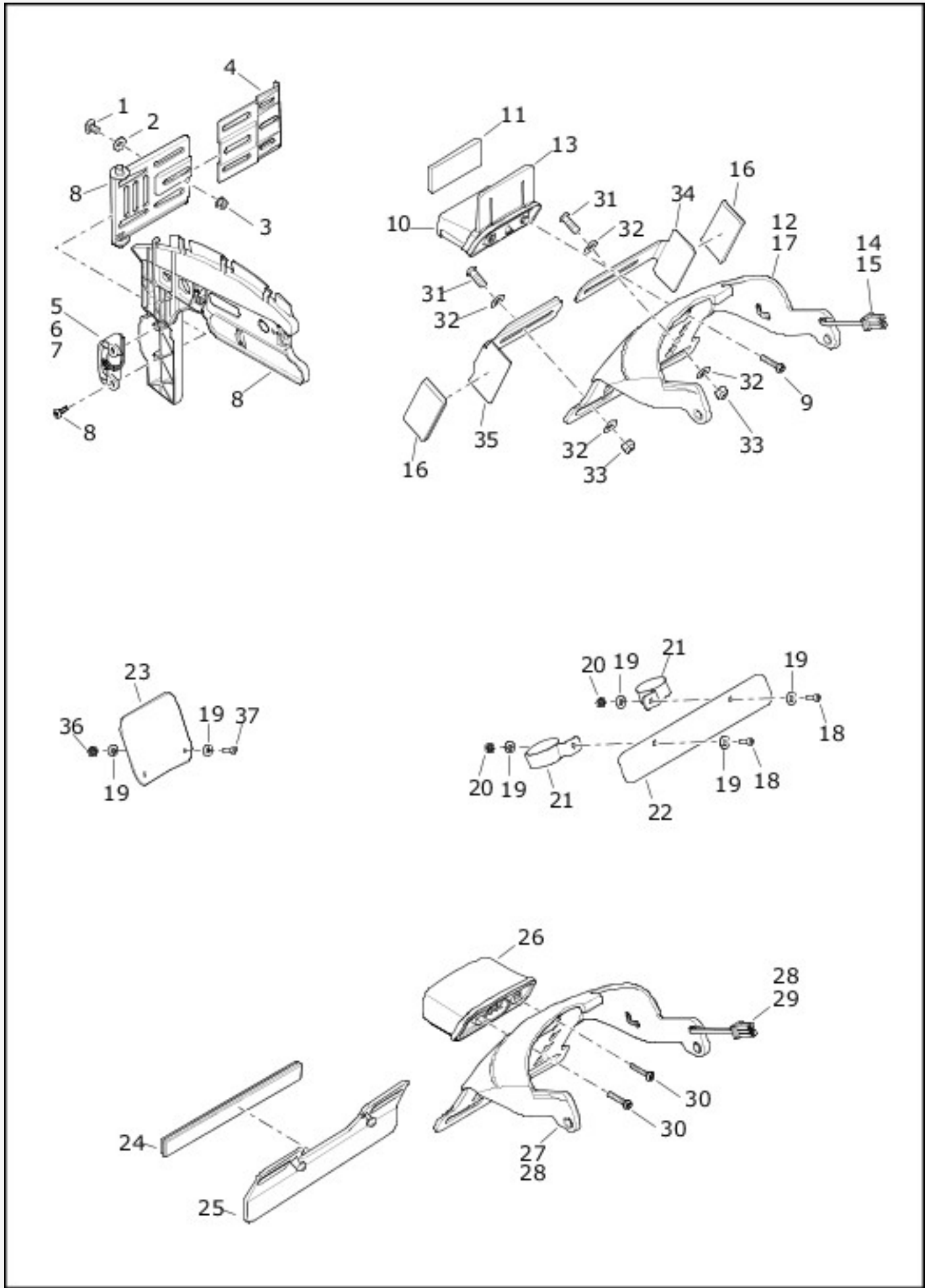
[View interactive image](#)

[View interactive table](#)

INDEX NO.	PART NO.	DESCRIPTION	MODEL(S)
NOTE: Refer to Painted Parts Book for painted part numbers.			
1	761	PLUG	XL1200CX

2	940	SCREW (2)	XL1200CX
3	2563	SCREW (2)	XL1200CX
4	3085	SCREW	XL1200CX
5	4017	BOLT	XL1200CX
6	4779	SCREW (2)	XL1200CX
7	6029	WASHER (5)	XL1200CX
8	6702	WASHER	XL1200CX
9	6703	WASHER (4)	XL1200CX
10	6798	WASHER (2)	XL1200CX
11	7531	LOCKNUT (2)	XL1200CX
12	7686	NUT (2)	XL1200CX
13	7878	NUT (2)	XL1200CX
14	7882	SPACER	XL1200CX
15	8692	RIVET (9)	XL1200CX
16	11474	GROMMET	XL1200CX
17	59256-84A	REFLECTOR (amber) (2)	XL1200CX
18	59502-04B	REAR FENDER EXTENSION	XL1200CX
19	59723-04	SEAT POST	XL1200CX
20	59768-97	FENDER SEAT NUT KIT	XL1200CX
21	68704-07	BRACKET REFLECTOR MOUNT (right)	XL1200CX
22	68857-07	BRACKET REFLECTOR MOUNT (left)	XL1200CX
23	68966-08	BRACKET, reflector (left)	XL1200CX
24	68992-08	BRACKET, reflector (right)	XL1200CX
25	69498-08	REFLECTOR COVER (2)	XL1200CX
26	59500376	FENDER, rear (prime)	XL1200CX
27	59500408	FENDER SUPPORT	XL1200CX
28	10039	CABLE STRAP	XL1200CX

LICENSE PLATE BRACKETS - XL883N, XL1200NS, XL1200X, XL1200XS



[View interactive image](#)

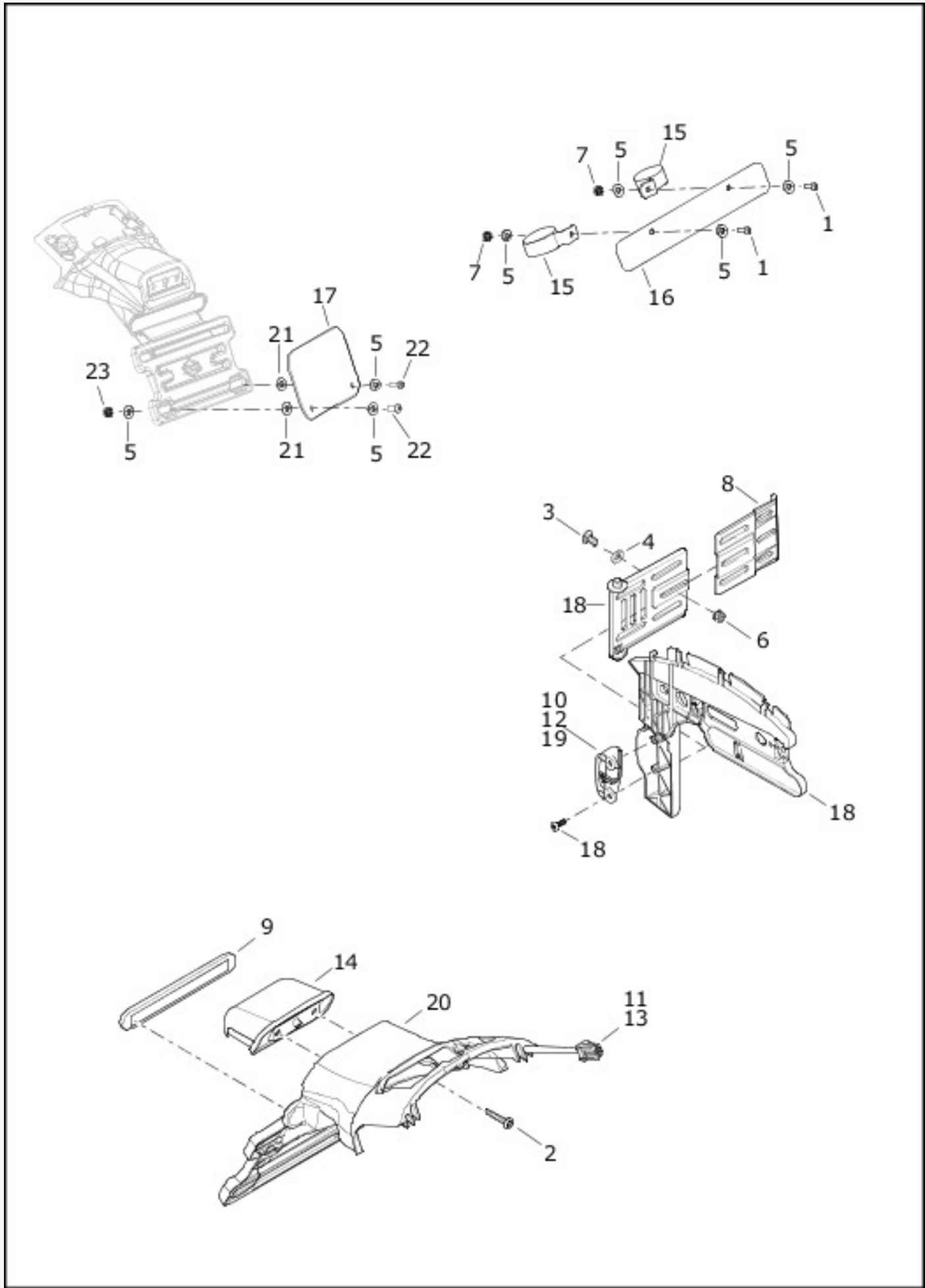
[View interactive table](#)

INDEX NO.	PART NO.	DESCRIPTION	MODEL(S)
1	5403B	BOLT (Domestic only)	XL1200NS, XL1200X, XL883N

2	6703	WASHER (Domestic only)	XL1200NS, XL1200X, XL883N
3	7354	LOCKNUT (Domestic only)	XL1200NS, XL1200X, XL883N
4	68702-07	BRACKET ADJUST, license plate (Domestic only)	XL1200NS, XL1200X, XL883N
5	73153-96BK	HOUSING, three-way socket (black) (Domestic only)	XL1200NS, XL1200X, XL883N
6	67900157	ILLUMINATOR, license plate with 73153-96BK and 73191-96 (Domestic only)	XL1200NS, XL1200X, XL883N
7	73191-96	TERMINAL, socket, 16-20 AWG (Domestic only) (2)	XL1200NS, XL1200X, XL883N
8	67900155	LICENSE PLATE BRACKET MOUNT ASSEMBLY, left with 1, 2, 3, 4, 5, 6 and 7 (Domestic only)	XL1200NS, XL1200X, XL883N
9	4091	SCREW (HDI) (2)	XL1200NS, XL1200X, XL1200XS, XL883N
10	52441-95	BULB (HDI)	XL1200NS, XL1200X, XL1200XS, XL883N
11	59259-90	REFLECTOR (red) (HDI)	XL1200NS, XL1200X, XL1200XS, XL883N
12	60901-07	BRACKET (HDI)	XL1200NS, XL1200X, XL1200XS, XL883N
13	67900231	BRACKET, with 59259-90 (HDI)	XL1200NS, XL1200X, XL1200XS, XL883N
14	73153-96BK	HOUSING, three-way socket (black) (HDI)	XL1200NS, XL1200X, XL1200XS, XL883N
15	73191-96	TERMINAL, socket, 16-20 AWG (HDI) (2)	XL1200X, XL883N
16	59256-84A	REFLECTOR, amber (HDI) (2)	XL1200NS, XL1200X, XL1200XS, XL883N
17	67900152A	LICENSE PLATE ASSEMBLY, with 11, 12, 13, 14, 15 (HDI)	XL1200NS, XL1200X, XL1200XS, XL883N
18	927A	SCREW (India only) (4)	XL1200NS, XL1200X, XL1200XS, XL883N
19	6703	WASHER (India only) (8)	XL1200NS, XL1200X, XL1200XS, XL883N
20	7792	NUT (India only) (4)	XL1200NS, XL1200X, XL1200XS, XL883N
21	10800005	P-CLAMP, 49 mm (India only) (2)	XL1200X, XL1200XS
21	10800006	P-CLAMP, 39 mm (India only) (2)	XL1200NS, XL883N

22	67900088	LICENSE PLATE, front (India only)	XL1200NS, XL883N
22	67900089	LICENSE PLATE, front (India only)	XL1200X, XL1200XS
23	67900093	LICENSE PLATE, rear (India only)	XL1200NS, XL1200X, XL1200XS, XL883N
24	59988-72A	REFLECTOR (Canada only)	XL1200NS, XL1200X, XL883N
25	60907-09	BRACKET (Canada only)	XL1200NS, XL1200X, XL883N
26	73403-11A	ILLUMINATOR, license plate (Canada only)	XL1200NS, XL1200X, XL883N
27	60901-07	BRACKET (Canada only)	XL1200NS, XL1200X, XL883N
28	67900532	LICENSE PLATE ASSEMBLY, with 24, 25, 26, 29, 31 (Canada only)	XL1200NS, XL1200X, XL883N
29	73153-96BK	HOUSING, three-way socket (black) (Canada only)	XL1200NS, XL1200X, XL883N
30	3612	SCREW , license plate bracket (Canada only) (2)	XL1200NS, XL1200X, XL883N
31	940	SCREW (HDI) (2)	XL1200NS, XL1200X, XL1200XS, XL883N
32	6703	WASHER (HDI) (4)	XL1200NS, XL1200X, XL1200XS, XL883N
33	7686	NUT (HDI) (2)	XL1200NS, XL1200X, XL1200XS, XL883N
34	68966-08	BRACKET, reflector, left (HDI)	XL1200NS, XL1200X, XL1200XS, XL883N
35	68992-08	BRACKET, reflector, right (HDI)	XL1200NS, XL1200X, XL1200XS, XL883N
36	7686	NUT (India only) (2)	XL1200NS, XL1200X, XL1200XS, XL883N
37	4132	SCREW (India only) (2)	XL1200NS, XL1200X, XL1200XS, XL883N

LICENSE PLATE BRACKETS - XL1200CX



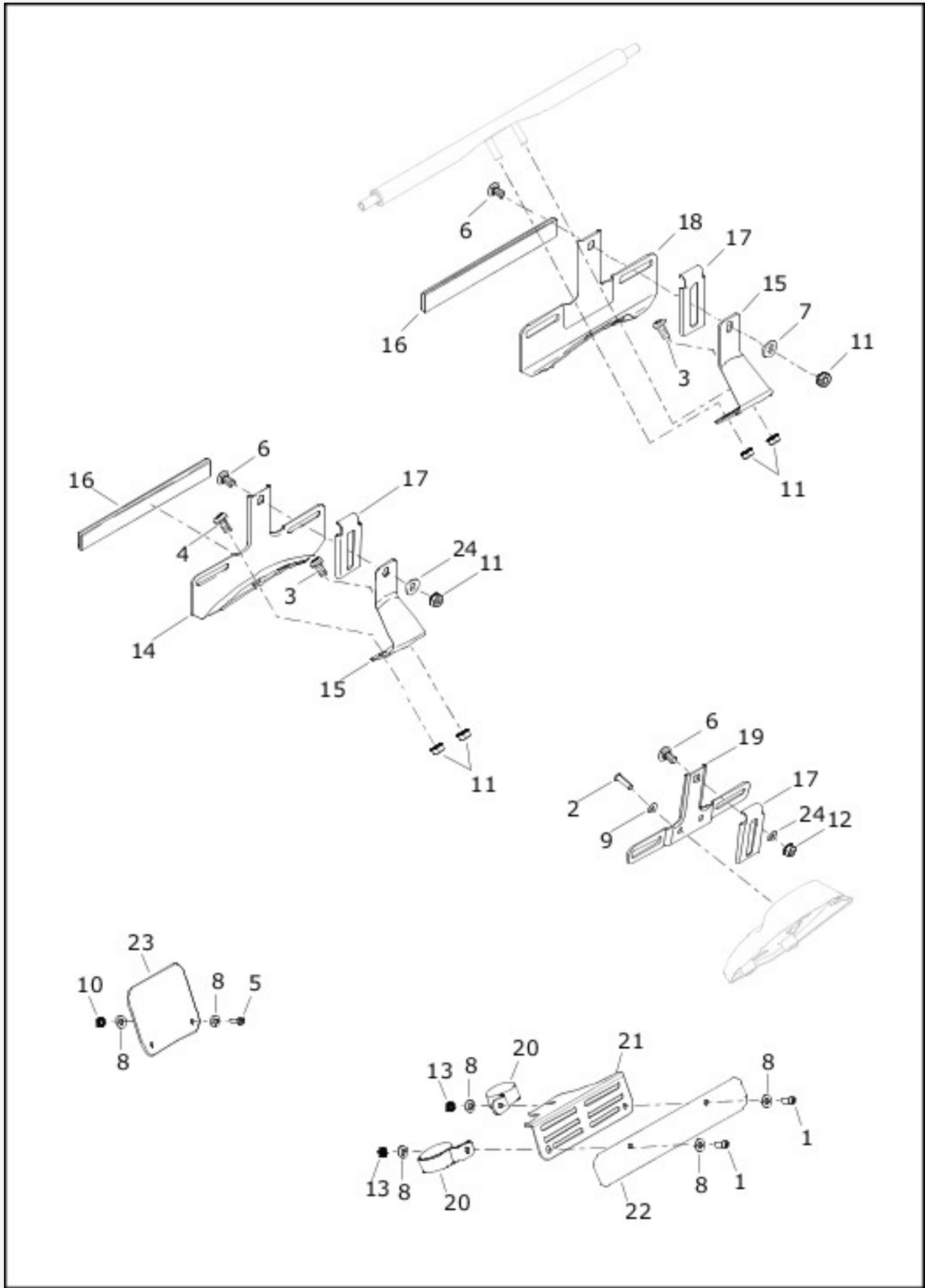
[View interactive image](#)

[View interactive table](#)

INDEX NO.	PART NO.	DESCRIPTION	MODEL(S)
1	927A	SCREW (India) (4)	XL1200CX
2	4091	SCREW (Canada and HDI) (2)	XL1200CX

3	5403B	BOLT (Domestic)	XL1200CX
4	6703	WASHER (Domestic)	XL1200CX
5	6703	WASHER (India) (8)	XL1200CX
6	7716	LOCKNUT (Domestic)	XL1200CX
7	7792	NUT (India) (4)	XL1200CX
8	68702-07	BRACKET ADJUST, license plate (Domestic)	XL1200CX
9	69490-07	REFLECTOR (red) (Domestic, Canada)	XL1200CX
9	69498-08	REFLECTOR (amber) (all except Canada, Domestic)	XL1200CX
10	73153-96BK	HOUSING, three-way socket (black) (Domestic)	XL1200CX
11	73153-96BK	HOUSING, three-way socket (black) (Canada, HDI)	XL1200CX
12	73191-96	TERMINAL, socket, 16-20 AWG (Domestic) (2)	XL1200CX
13	73191-96	TERMINAL, socket, 16-20 AWG (HDI) (2)	XL1200CX
13	73191-96	TERMINAL, socket, 16-20 AWG (Canada only) (3)	XL1200CX
14	73504-11	ILLUMINATOR, license plate (HDI)	XL1200CX
14	73403-11A	TAIL LAMP (Canada only)	XL1200CX
15	10800123	P-CLAMP, 56 mm (India) (2)	XL1200CX
16	67900010	LICENSE PLATE, front (India)	XL1200CX
17	67900093	LICENSE PLATE, rear (India)	XL1200CX
18	67900155	LICENSE PLATE BRACKET MOUNT ASSEMBLY, left with 3, 4, 6, 8 and 19 (Domestic)	XL1200CX
19	67900157	ILLUMINATOR, license plate with 73153-96BK and 73191-96 (Domestic)	XL1200CX
20	67900288	BRACKET (all except Domestic)	XL1200CX
21	6109	WASHER (India only) (2)	XL1200CX
22	4132	SCREW (India only) (2)	XL1200CX
23	7686	NUT (India only) (2)	XL1200CX

LICENSE PLATE BRACKETS - XL883L, XL1200C, XL1200T



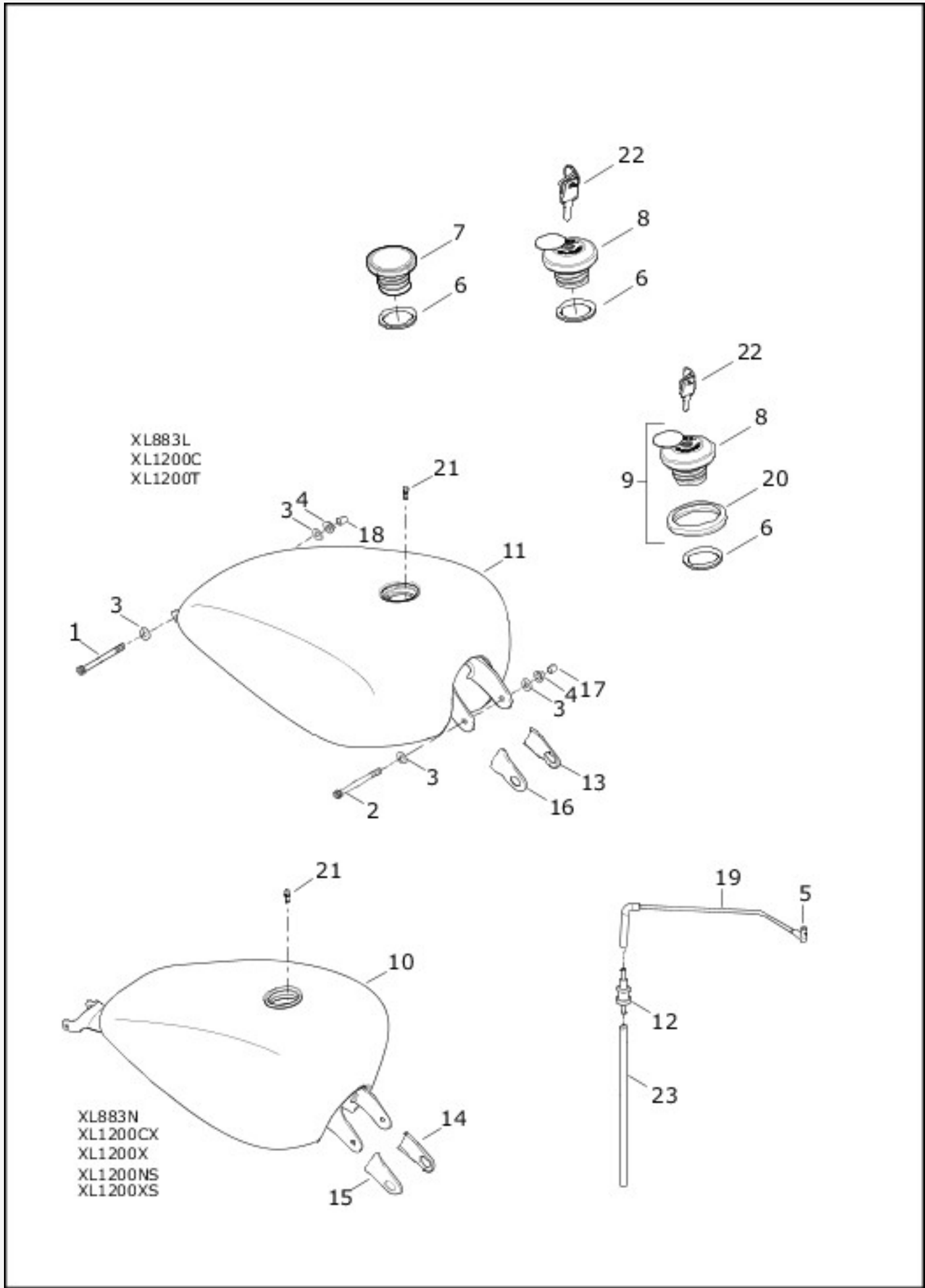
[View interactive image](#)

[View interactive table](#)

INDEX NO.	PART NO.	DESCRIPTION	MODEL(S)
1	927A	SCREW (India) (2)	XL1200C, XL883L
2	2508	SCREW (2)	XL1200C

3	2607	SCREW	XL1200T, XL883L
4	2773	SCREW (2)	XL883L
5	4132	SCREW (India) (2)	XL1200C, XL883L
6	5403B	BOLT	XL1200C, XL1200T, XL883L
7	6703	WASHER	XL1200T
8	6703	WASHER (India) (8)	XL1200C, XL883L
9	6716	WASHER (2)	XL1200C
10	7686	NUT (India) (2)	XL1200C, XL883L
11	7792	NUT (4)	XL1200T, XL883L
12	7792	NUT	XL1200C
13	7792	NUT (India) (2)	XL1200C, XL883L
14	59984-73	BRACKET, license plate	XL883L
15	59986-75	SUPPORT, license plate bracket	XL1200T, XL883L
16	59988-72A	REFLECTOR, license plate bracket	XL1200T, XL883L
17	60001-55	CLAMP, license plate bracket	XL1200C, XL1200T, XL883L
18	60013-02	BRACKET	XL1200T
19	60225-08BHP	BRACKET, license plate	XL1200C
20	10800006	P-CLAMP, 39 mm (India) (2)	XL883L
21	67900079	LICENSE PLATE BRACKET, front (India)	XL1200C
22	67900089	LICENSE PLATE, front (India)	XL1200C, XL883L
23	67900093	LICENSE PLATE, rear (India)	XL1200C, XL883L
24	6110	WASHER	XL1200C, XL883L

FUEL TANK



[View interactive image](#)

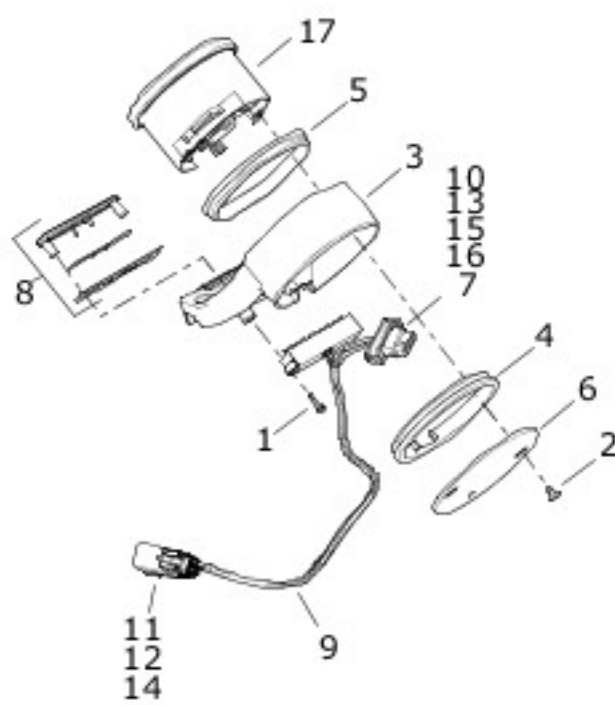
[View interactive table](#)

INDEX NO.	PART NO.	DESCRIPTION	MODEL(S)
NOTE: Refer to Painted Parts Book for painted part numbers.			
1	4758A	SCREW	ALL

2	4771	SCREW	ALL
3	6702	WASHER (4)	ALL
4	7531	LOCKNUT (2)	ALL
5	27250-96B	CONNECTOR, 90 degree	ALL
6	61109-85D	GASKET	ALL
7	61272-92E	FUEL CAP ASSEMBLY, with 61109-85D (Domestic, Canada, ASEAN, Australia, England, HDI, India)	XL1200X
7	61272-92E	FUEL CAP ASSEMBLY, with 61109-85D (Domestic, Canada, ASEAN, Australia, Brazil, England, HDI, India)	XL1200T
7	61272-92E	FUEL CAP ASSEMBLY, with 61109-85D (Australia, ASEAN, England, HDI, India)	XL1200C, XL883L
7	61272-92E	FUEL CAP ASSEMBLY, with 61109-85D (ASEAN, Canada, Domestic, England, HDI, India)	XL1200CX
7	61272-92E	FUEL CAP ASSEMBLY, with 61109-85D (Australia, England, HDI, India)	XL1200XS
7	61289-07C	FUEL CAP, vented, with 61109-85D (Domestic, Canada, ASEAN, Australia, Brazil, England, HDI, India)	XL1200NS, XL883N
8	61100120A	FUEL CAP ASSEMBLY, with 90300093 (Asia-Pacific, Japan only)	XL1200C, XL1200CX, XL1200NS, XL1200X, XL1200XS, XL883L, XL883N
9	61100123A	FUEL CAP ASSEMBLY, with 61100120 and 61100065 (China only)	XL1200C, XL1200CX, XL1200NS, XL1200X, XL883L, XL883N
10	61348-07	FUEL TANK ASSEMBLY (prime)	XL1200CX, XL1200NS, XL883N
	61724-10	FUEL TANK ASSEMBLY (prime)	XL1200X, XL1200XS
11	62213-07	FUEL TANK ASSEMBLY (prime)	XL1200C, XL1200T, XL883L
12	62150-85	VAPOR VALVE	ALL
13	70903-04	TRIM, left	XL1200C, XL1200T, XL883L
14	70904-04	TRIM, left	XL1200CX, XL1200NS, XL1200X, XL1200XS, XL883N
15	70917-04	TRIM, right	XL1200CX, XL1200NS, XL1200X, XL1200XS, XL883N
16	70919-04	TRIM, right	XL1200C, XL1200T, XL883L
17	89579-91	CAP	ALL
18	89586-04	CAP	ALL
19	61100026	VENTLINE, tank-to-valve, with 27250-96B	XL1200C, XL1200CX, XL1200NS, XL1200T, XL883L, XL883N

19	61100027	VENTLINE, tank-to-valve, with 27250-96B	XL1200X, XL1200XS
20	61100065	BUMPER (China)	XL1200C, XL1200CX, XL1200NS, XL1200X, XL883L, XL883N
21	61100096	VAPOR VENT	ALL
22	90300093	KEYSET (Asia-Pacific, China, Japan)	XL1200C, XL1200CX, XL1200NS, XL1200X, XL1200XS, XL883L, XL883N
NOTE: Hose or insulator is sold in bulk length under the following part numbers. Cut to length.			
23	61100040	VENTLINE, vapor valve-to-atmosphere (except California, Asia-Pacific, Brazil) (10 ft length)	ALL

INSTRUMENT MODULE - XL883L, XL883N, XL1200NS, XL1200T



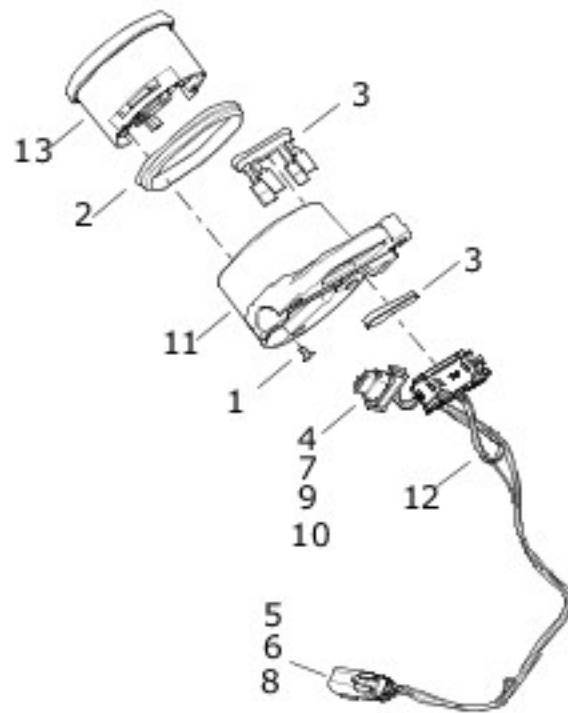
[View interactive image](#)

[View interactive table](#)

INDEX NO.	PART NO.	DESCRIPTION	MODEL(S)
1	2325	SCREW (2)	XL1200NS, XL1200T, XL883L, XL883N

2	2361	SCREW (2)	XL1200NS, XL1200T, XL883L, XL883N
3	55846-05A	BRACKET, instrument module (chrome)	XL1200T
3	55847-05A	BRACKET, instrument module (black)	XL1200NS, XL883L, XL883N
4	67104-95	CUSHION, rear	XL1200NS, XL1200T, XL883L, XL883N
5	67121-95A	CUSHION, front	XL1200NS, XL1200T, XL883L, XL883N
6	67319-95	COVER, instrument module back (black)	XL1200NS, XL883L, XL883N
6	69200438	COVER, instrument module back (chrome)	XL1200T
7	74197-04	SECONDARY LOCK, 12-way socket	XL1200NS, XL1200T, XL883L, XL883N
8	68513-07B	BEZEL, indicator lamps	XL1200NS, XL1200T, XL883L, XL883N
9	69200080	HARNESS, with LED indicator	XL1200NS, XL1200T, XL883L, XL883N
10	72130-04	HOUSING, 12-way socket (black)	XL1200NS, XL1200T, XL883L, XL883N
11	72169-07	TERMINAL, pin, 16-20 AWG (5)	XL1200NS, XL1200T, XL883L, XL883N
12	72188-07BK	HOUSING, six-way pin (black)	XL1200NS, XL1200T, XL883L, XL883N
13	72189-04	SEAL PIN (2)	XL1200NS, XL1200T, XL883L, XL883N
14	72473-07	SEAL PIN	XL1200NS, XL1200T, XL883L, XL883N
15	72662-11	TERMINAL, socket, 22 AWG (5)	XL1200T
16	74196-04	TERMINAL, socket, 22 AWG (5)	XL1200NS, XL1200T, XL883L, XL883N
17	70900215A	INSTRUMENT MODULE, mph (Domestic)	XL1200NS, XL883N
17	70900216	INSTRUMENT MODULE, km/h (all except Domestic, England)	XL1200NS, XL883L, XL883N
17	70900217	INSTRUMENT MODULE, mph and km/h (England only)	XL1200NS, XL883L, XL883N
17	70900222	INSTRUMENT MODULE, km/h (HDI)	XL1200T
17	70900223	INSTRUMENT MODULE, mph and km/h (England only)	XL1200T

INSTRUMENT MODULE - XL1200C



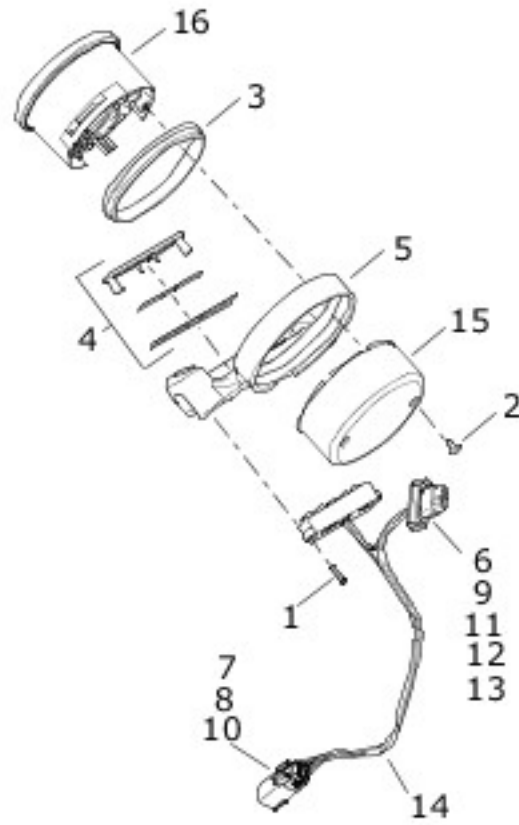
[View interactive image](#)

[View interactive table](#)

INDEX NO.	PART NO.	DESCRIPTION	MODEL(S)
1	2361	SCREW (2)	XL1200C
2	67121-95A	CUSHION, front	XL1200C

3	68382-07B	BEZEL ASSEMBLY, indicator lamps	XL1200C
4	72130-04	HOUSING, 12-way socket (black)	XL1200C
5	72169-07	TERMINAL, pin, 16-20 AWG (5)	XL1200C
6	72188-07BK	HOUSING, six-way pin (black)	XL1200C
7	72189-04	SEAL PIN (2)	XL1200C
8	72473-07	SEAL PIN	XL1200C
9	74196-04	TERMINAL, socket, 22 AWG (5)	XL1200C
10	74197-04	SECONDARY LOCK, 12-way socket	XL1200C
11	55900029	HOUSING, instrument (chrome)	XL1200C
12	69200079	HARNESS, with LED indicator	XL1200C
13	70900222	INSTRUMENT MODULE, km/h (all except England)	XL1200C
13	70900223	INSTRUMENT MODULE, mph and km/h (England only)	XL1200C

INSTRUMENT MODULE - XL1200CX, XL1200X, XL1200XS



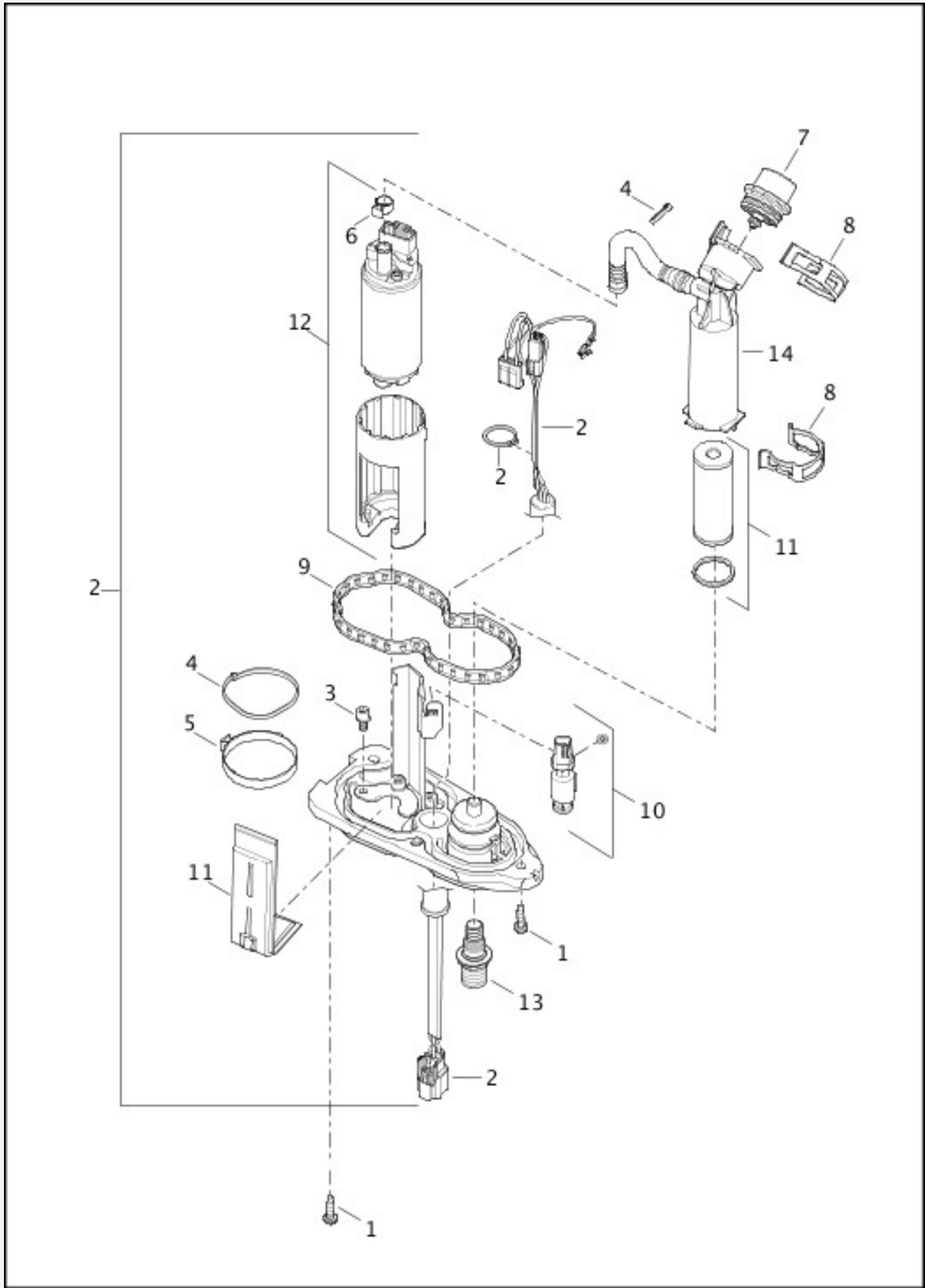
[View interactive image](#)

[View interactive table](#)

INDEX NO.	PART NO.	DESCRIPTION	MODEL(S)
1	2325	SCREW (2)	XL1200CX, XL1200X, XL1200XS

2	2361	SCREW (2)	XL1200CX, XL1200X, XL1200XS
3	67121-95A	CUSHION, front	XL1200CX, XL1200X, XL1200XS
4	68513-07B	BEZEL, indicator lamps	XL1200CX, XL1200X, XL1200XS
5	71980-10	BRACKET, instrument module	XL1200CX, XL1200X, XL1200XS
6	72130-04	HOUSING, 12-way socket (black)	XL1200CX, XL1200X, XL1200XS
7	72169-07	TERMINAL, pin, 16-20 AWG (5)	XL1200CX, XL1200X, XL1200XS
8	72188-07BK	HOUSING, six-way pin (black)	XL1200CX, XL1200X, XL1200XS
9	72189-04	SEAL PIN (2)	XL1200CX, XL1200X, XL1200XS
10	72473-07	SEAL PIN	XL1200CX, XL1200X, XL1200XS
11	72662-11	TERMINAL, socket, 22 AWG (5)	XL1200CX
12	74196-04	TERMINAL, socket, 22 AWG (5)	XL1200CX, XL1200X, XL1200XS
13	74197-04	SECONDARY LOCK, 12-way socket	XL1200CX, XL1200X, XL1200XS
14	69200080	HARNESS, with LED indicator	XL1200CX, XL1200X, XL1200XS
15	69200439	COVER, instrument module back	XL1200CX, XL1200X, XL1200XS
16	70900215A	INSTRUMENT MODULE, mph (Domestic only)	XL1200X
16	70900216	INSTRUMENT MODULE, km/h (all except England)	XL1200XS
16	70900216	INSTRUMENT MODULE, km/h (all except Domestic, England)	XL1200X
16	70900217	INSTRUMENT MODULE, mph and km/h (England only)	XL1200X, XL1200XS
16	70900548	INSTRUMENT MODULE (All except Domestic)	XL1200CX
16	70900549	INSTRUMENT MODULE (Domestic)	XL1200CX

FUEL PUMP



[View interactive image](#)

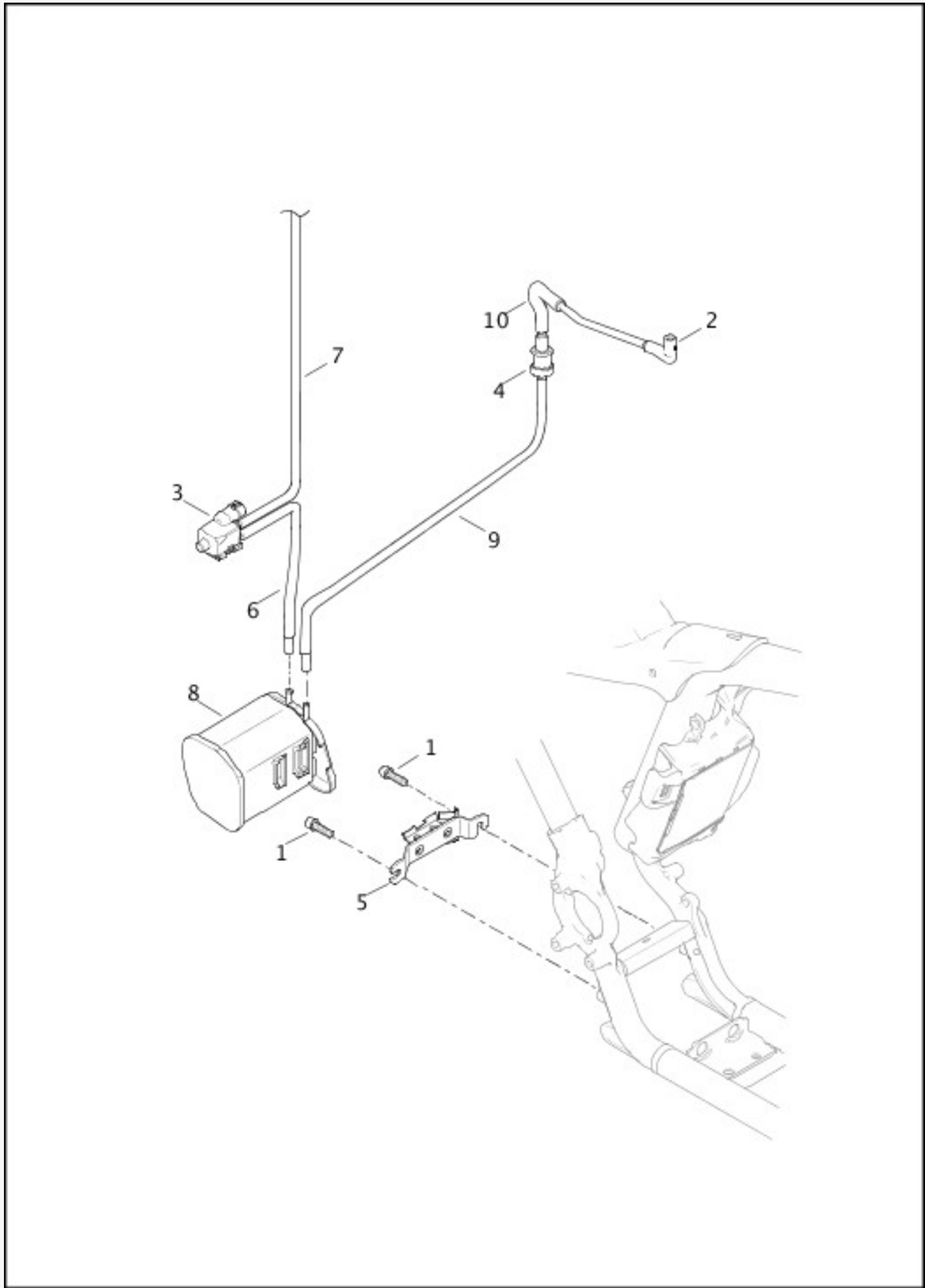
[View interactive table](#)

INDEX NO.	PART NO.	DESCRIPTION	MODEL(S)
1	1081A	SCREW (5)	ALL
2	75268-07F	FUEL PUMP MODULE, with fuel sender harness	ALL

NOTE: Includes the following parts.

3	1091	SCREW (3)	ALL
4	10181	CABLE STRAP (3)	ALL
5	10303	CLAMP, pump assembly	ALL
6	10304	CLAMP, tube	ALL
7	61015-04A	PRESSURE REGULATOR ASSEMBLY	ALL
8	61213-04A	RETAINING CLIP (2)	ALL
9	75301-07	SEAL, cover plate	ALL
10	75302-07B	SENSOR, fuel level with retaining ring	ALL
11	75304-07A	FUEL FILTER KIT, with 10181, 10303, strainer and filter element	ALL
12	75305-07A	FUEL PUMP, with 1091, 10181, 10303 and 10304	ALL
13	75309-07A	VALVE ASSEMBLY	ALL
14	75317-07	FILTER HOUSING	ALL

EVAPORATIVE EMISSIONS COMPONENTS



[View interactive image](#)

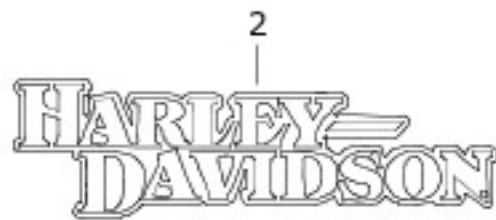
[View interactive table](#)

INDEX NO.	PART NO.	DESCRIPTION	MODEL(S)
1	2479	SCREW (2)	ALL
2	27250-	CONNECTOR, 90 degree	ALL

	96B		
3	27715-07	PURGE SOLENOID	ALL
4	62150-85	VAPOR VALVE	ALL
5	60800009	BRACKET, mounting	ALL
6	60800045	HOSE, canister-to-purge solenoid	ALL
7	60800023	HOSE, purge solenoid-to-induction module	ALL
	70347-84	RETAINER (not shown)	ALL
8	60800031	CANNISTER	ALL
9	60800042	HOSE, canister-to-vapor valve	ALL
10	61100026	HOSE, vapor valve-to-tank, with 27250-96B	XL1200C, XL1200CX, XL1200NS, XL1200T, XL883L, XL883N
10	61100027	HOSE, vapor valve-to-tank, with 27250-96B	XL1200X, XL1200XS

NOTE: These parts are required for motorcycles sold in Asia-Pacific, ASEAN, Brazil, California, China, England, HDI, India and Japan markets.

FUEL TANK TRIM



[View interactive image](#)

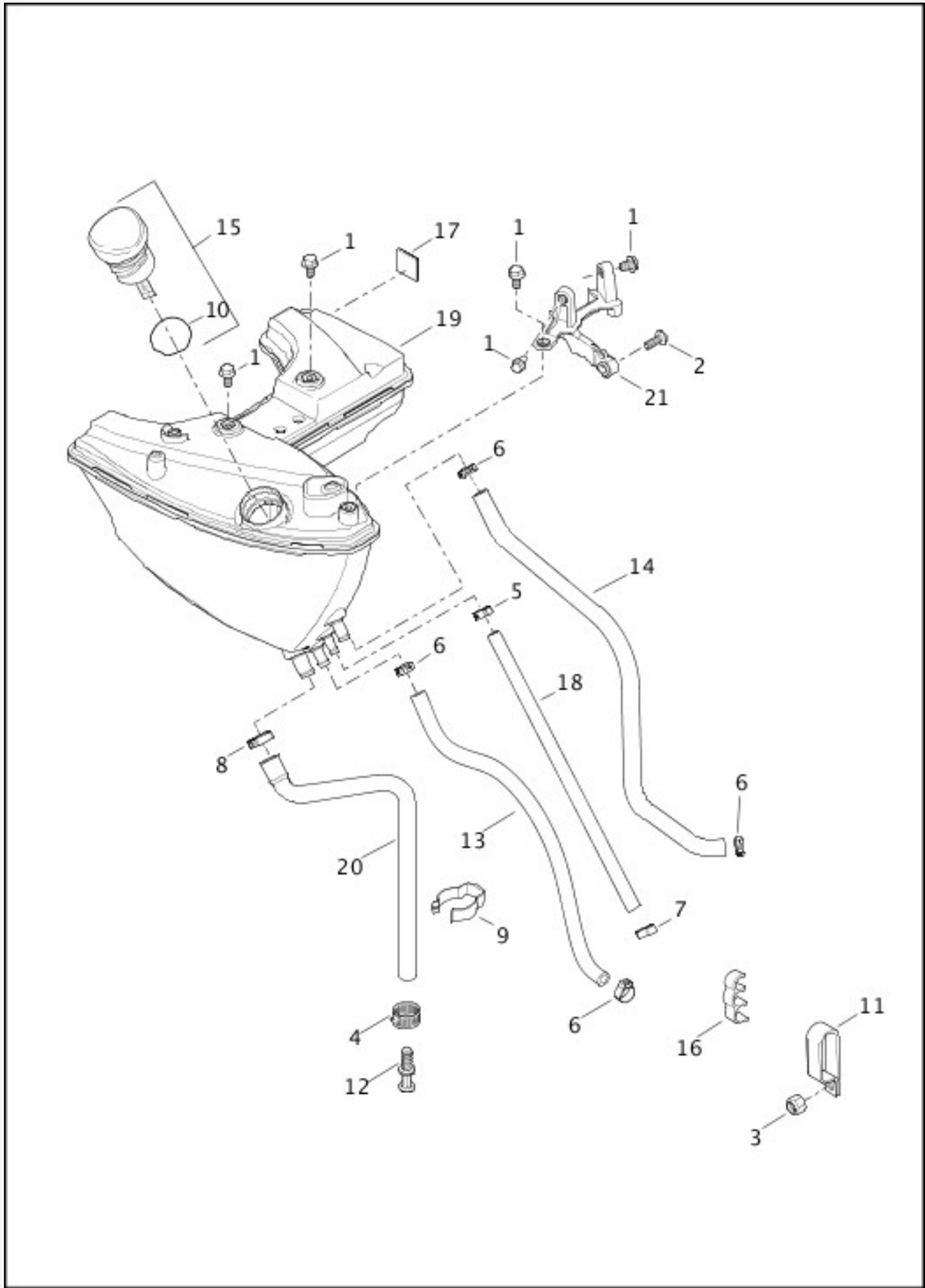
[View interactive table](#)

INDEX NO.	PART NO.	DESCRIPTION	MODEL(S)
1	14101136BAHW	MEDALLION (left) (for two-tone Scorched Orange and Silver Flux)	XL883N
1	14101137BAHW	MEDALLION (right) (for two-tone Scorched Orange and Silver Flux)	XL883N

2	14100709BACA	MEDALLION (left) (for Vivid Black tanks)	XL1200T
2	14100710BACA	MEDALLION (right) (for Vivid Black tanks)	XL1200T
2	14100709BACB	MEDALLION (left) (for Stone Washed White Pearl tanks)	XL1200T
2	14100710BACB	MEDALLION (right) (for Stone Washed White Pearl tanks)	XL1200T

NOTE:Factory applied graphics are only sold with fuel tank assemblies.

OIL TANK AND LINES



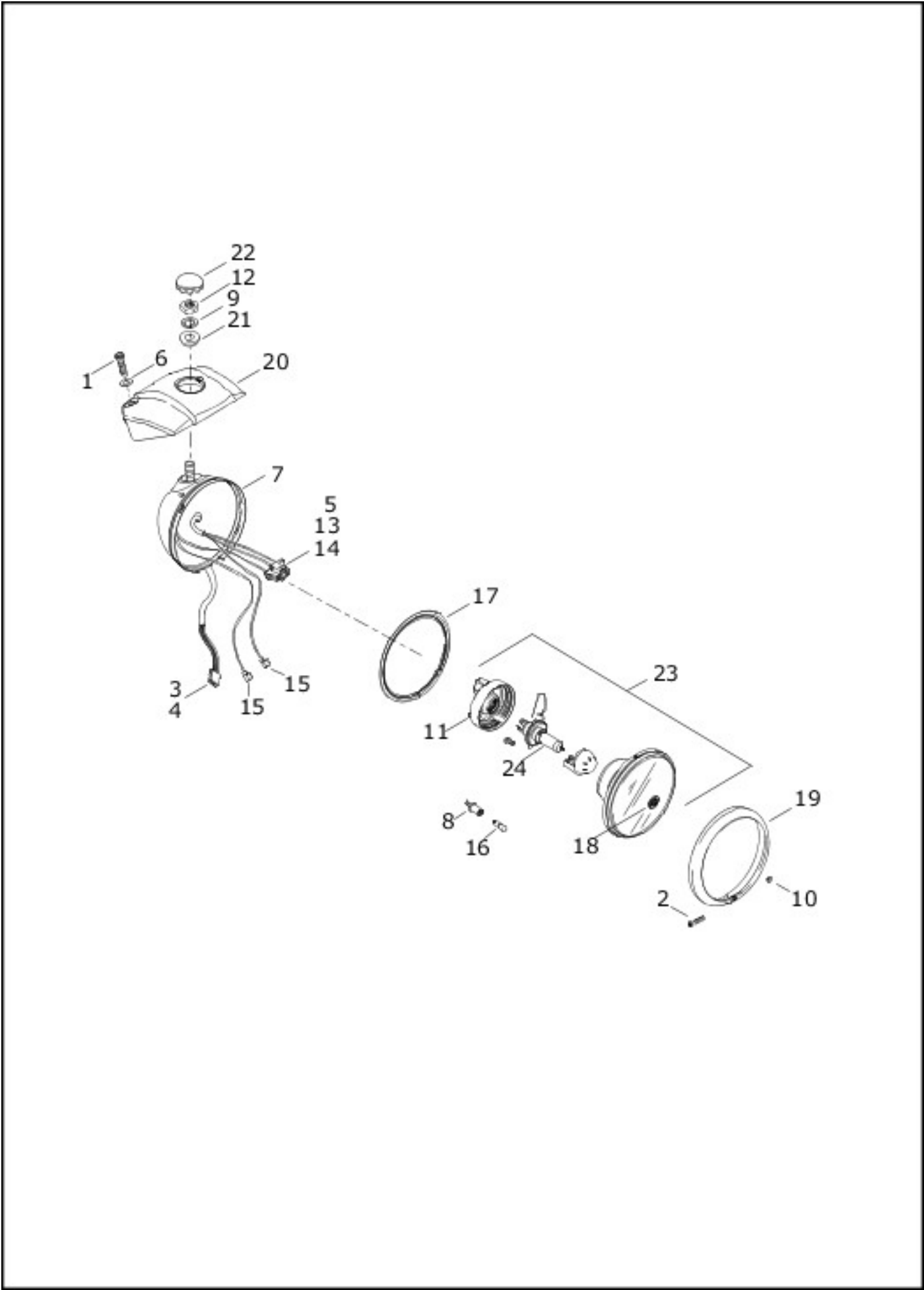
[View interactive image](#)

[View interactive table](#)

INDEX NO.	PART NO.	DESCRIPTION	MODEL(S)
1	3588	SCREW (5)	ALL
2	3696	SCREW	ALL

3	7624	LOCKNUT	ALL
4	9969	HOSE CLAMP	ALL
5	10038A	CLAMP (2)	ALL
6	10080	CLAMP (4)	ALL
7	10117	CLAMP	ALL
8	10142	CLAMP	ALL
9	10289A	CLAMP	ALL
10	11120	O-RING	ALL
11	31512-04	HOSE CLAMP	ALL
12	33123-06A	PLUG, oil tank drain	ALL
13	62338-01Y	LINE, oil feed	ALL
14	62361-10	LINE, oil return	ALL
15	63000-04B	DIPSTICK ASSEMBLY, with 11120	XL1200C, XL1200CX, XL1200T, XL1200X, XL1200XS, XL883L
	62592-07A	DIPSTICK ASSEMBLY, with 11120	XL1200NS, XL883N
16	70503-10	HOSE CLIP	ALL
17	11100061	ADHESIVE LOCK	ALL
18	26500005	LINE, vent tube	ALL
19	62500017	OIL TANK ASSEMBLY, with 11100061	ALL
20	62700038	LINE, oil drain	ALL
21	69200401	BRACKET	ALL

HEADLAMP - XL883L, XL1200T



[View interactive image](#)

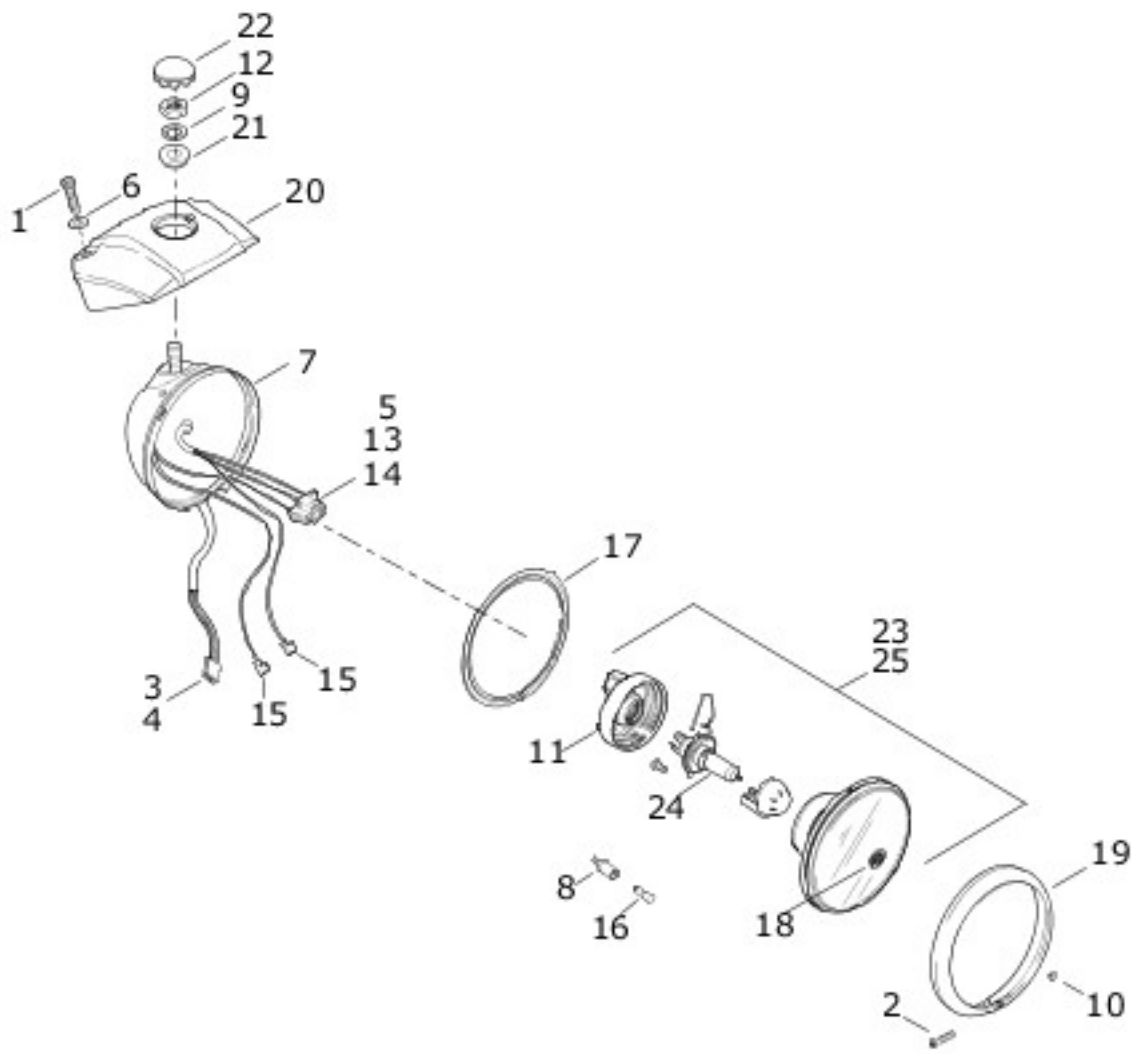
[View interactive table](#)

INDEX NO.	PART NO.	DESCRIPTION	MODEL(S)
1	2708A	SCREW (2)	XL1200T, XL883L

2	3514	SCREW	XL1200T, XL883L
3	73191-96	TERMINAL, socket, 16-20 AWG (4)	XL1200T, XL883L
4	73154-96BK	HOUSING, four-way socket (black)	XL1200T, XL883L
5	72056-92	HOUSING, three-way socket (black)	XL1200T, XL883L
6	6109	WASHER (2)	XL1200T, XL883L
7	69774-07A	HEADLAMP SHELL, with 3, 4, 5, 13, 14, 15 (black)	XL1200T, XL883L
8	68653-05	SOCKET, bulb (2 spade)	XL1200T, XL883L
9	7068	LOCKWASHER	XL1200T, XL883L
10	7606	LOCKNUT	XL1200T, XL883L
11	68380-05	BOOT	XL1200T, XL883L
12	7880	NUT	XL1200T, XL883L
13	9847	CONNECTOR, socket, 14-20 AWG (right)	XL1200T, XL883L
14	9848	CONNECTOR, socket, 14-20 AWG (left) (2)	XL1200T, XL883L
15	9898	TERMINAL FLAG (2)	XL1200T, XL883L
16	53436-97	BULB	XL1200T, XL883L
17	67883-04A	ADAPTER RING	XL1200T, XL883L
18	67667-05	MEDALLION	XL1200T, XL883L
19	67790-93A	BEZEL (chrome)	XL1200T, XL883L
20	67700196	BRACKET (polished)	XL883L
20	67700197	BRACKET (chrome)	XL1200T
21	67815-59A	WASHER	XL1200T,

			XL883L
22	67865-89	PLUG (chrome)	XL1200T, XL883L
23	68335-05A	LAMP ASSEMBLY, with 8, 11, 16, 18, 24 (left) (Australia, England, India, Japan)	XL883L
23	68341-05A	LAMP ASSEMBLY, with 8, 11, 16, 18, 24 (right) (ASEAN, Asia-Pacific, China, HDI)	XL883L
23	68335-05A	LAMP ASSEMBLY, with 8, 11, 16, 18, 24 (left) (England)	XL1200T
23	68341-05A	LAMP ASSEMBLY, with 8, 11, 16, 18, 24 (right) (HDI, HD4)	XL1200T
24	68329-03	BULB	XL1200T, XL883L

HEADLAMP - XL883N



[View interactive image](#)

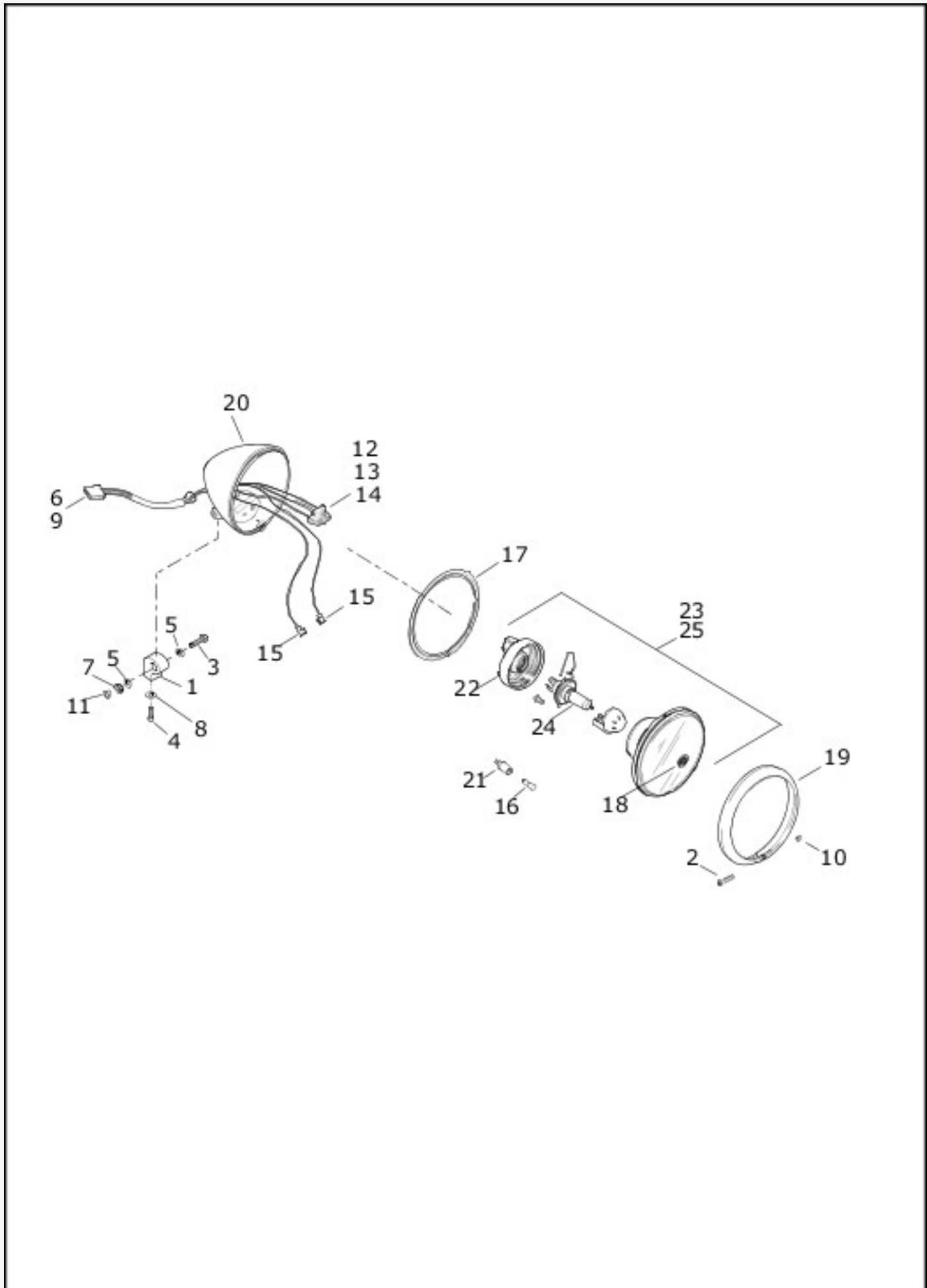
[View interactive table](#)

INDEX NO.	PART NO.	DESCRIPTION	MODEL(S)
1	2708A	SCREW (2)	XL883N
2	3514	SCREW	XL883N

3	73191-96	TERMINAL, socket, 16-20 AWG (All except Canada, Domestic) (4)	XL883N
3	73191-96	TERMINAL, socket, 16-20 AWG (Domestic, Canada only) (3)	XL883N
4	73154-96BK	HOUSING, four-way socket (black)	XL883N
5	72056-92	HOUSING, three-way socket (black)	XL883N
6	6109	WASHER (2)	XL883N
7	69774-07A	HEADLAMP SHELL, with 3, 4, 5, 13, 14, 15 (black) (Domestic, Canada only)	XL883N
7	69619-02A	HEADLAMP SHELL, with 3, 4, 5, 13, 14, 15 (black) (All except Canada, Domestic)	XL883N
8	68653-05	SOCKET, bulb (2 spade) (All except Canada, Domestic)	XL883N
9	7068	LOCKWASHER	XL883N
10	7606	LOCKNUT	XL883N
11	68380-05	BOOT	XL883N
12	7880	NUT	XL883N
13	9847	CONNECTOR, socket, 14-20 AWG (right)	XL883N
14	9848	CONNECTOR, socket, 14-20 AWG (left) (2)	XL883N
15	9898	TERMINAL FLAG, (All except Canada, Domestic) (2)	XL883N
16	53436-97	BULB, (All except Canada, Domestic)	XL883N
17	67883-04A	ADAPTER RING	XL883N
18	67667-05	MEDALLION	XL883N
19	68443-07A	BEZEL (satin chrome)	XL883N
20	67963-05A	BRACKET (black denim)	XL883N
21	67815-59A	WASHER	XL883N
22	69449-05	PLUG (black denim)	XL883N
23	68297-05A	LAMP ASSEMBLY, with 11, 18, 24 (Domestic, Canada)	XL883N
24	68329-03	BULB	XL883N
25	68335-05A	LAMP ASSEMBLY, with 8, 11, 16, 18, 24 (left) (Australia, England, India, Japan)	XL883N

25	68341-05A	LAMP ASSEMBLY, with 8, 11, 16, 18, 24 (right) (ASEAN, Asia-Pacific, Brazil, China, HDI, HD4)	XL883N
----	-----------	--	--------

HEADLAMP - XL1200CX, XL1200X, XL1200XS

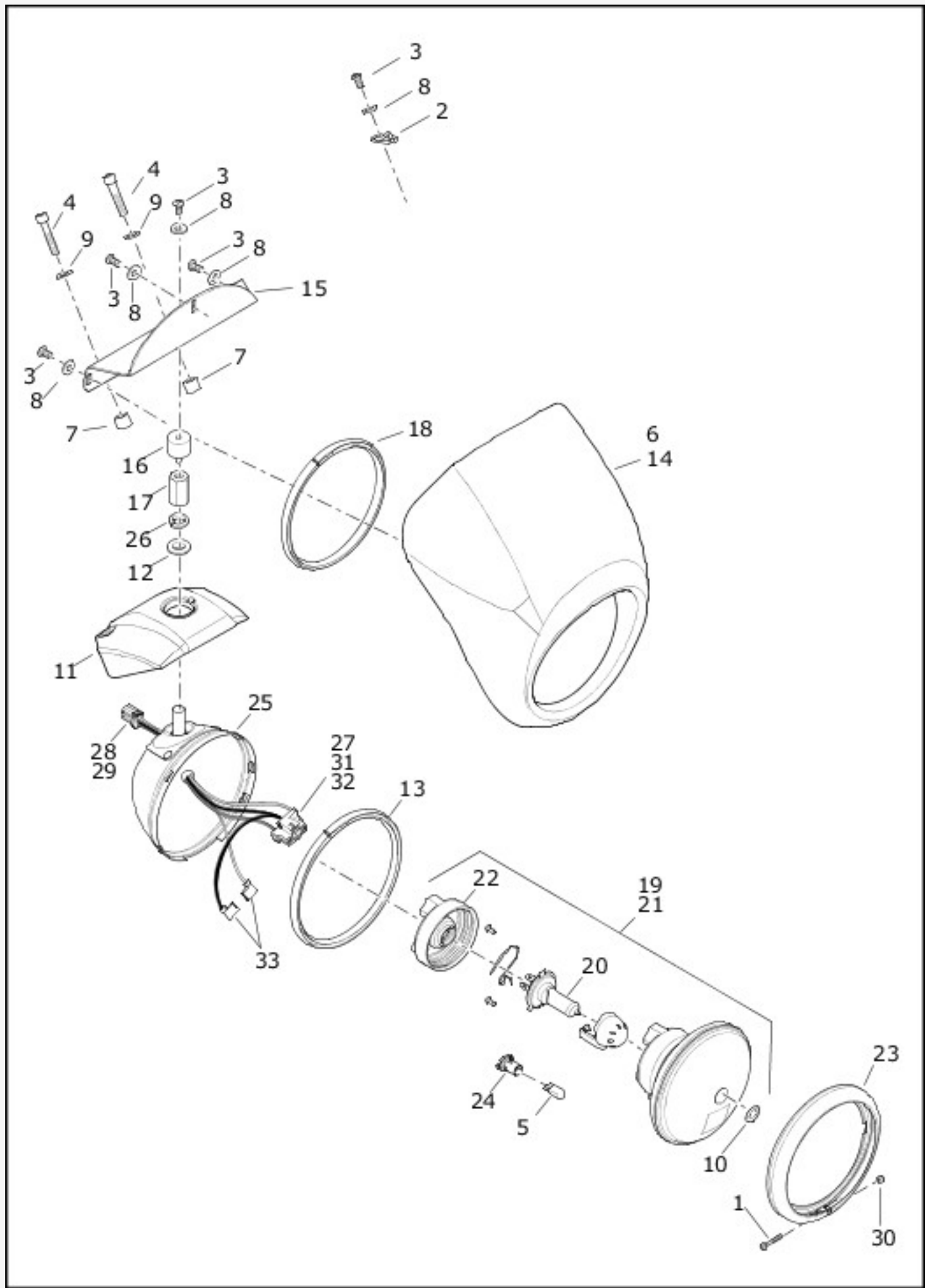


[View interactive image](#)

INDEX NO.	PART NO.	DESCRIPTION	MODEL(S)
1	73266-10	MOUNT	XL1200CX, XL1200X, XL1200XS
2	3514	SCREW	XL1200CX, XL1200X, XL1200XS
3	4724	BOLT	XL1200CX, XL1200X, XL1200XS
4	4748	SCREW	XL1200CX, XL1200X, XL1200XS
5	6701	WASHER (2)	XL1200CX, XL1200X, XL1200XS
6	73191-96	TERMINAL, socket, 16-20 AWG (4)	XL1200CX, XL1200X, XL1200XS
6	73191-96	TERMINAL, socket, 16-20 AWG (Domestic, Canada only) (3)	XL1200CX, XL1200X
7	7038	LOCKWASHER	XL1200CX, XL1200X, XL1200XS
8	7045	LOCKWASHER	XL1200CX, XL1200X, XL1200XS
9	73154-96BK	HOUSING, four-way socket (black)	XL1200CX, XL1200X, XL1200XS
10	7606	LOCKNUT	XL1200CX, XL1200X, XL1200XS
11	7800W	NUT	XL1200CX, XL1200X, XL1200XS
12	72056-92	HOUSING, three-way socket (black)	XL1200CX, XL1200X, XL1200XS
13	9847	CONNECTOR, socket, 14-20 AWG (right)	XL1200CX, XL1200X, XL1200XS
14	9848	CONNECTOR, socket, 14-20 AWG (left) (2)	XL1200CX, XL1200X, XL1200XS
15	9898	TERMINAL FLAG (All except Domestic, Canada) (2)	XL1200CX, XL1200X, XL1200XS
15	9898	TERMINAL FLAG (India only)	XL1200CX, XL1200X, XL1200XS
16	53436-97	BULB (All except Domestic, Canada)	XL1200CX, XL1200X, XL1200XS
17	67883-	ADAPTER RING, (all except India)	XL1200CX, XL1200X,

	04A		XL1200XS
17	67769-93	ADAPTER RING (India only)	XL1200CX, XL1200X, XL1200XS
18	67667-05	MEDALLION	XL1200CX, XL1200X, XL1200XS
19	67790-93A	BEZEL (chrome)	XL1200CX, XL1200X, XL1200XS
20	73264-10	HEADLAMP SHELL, with 6, 9, 12, 13, 14, 15 (black) (ASEAN, Asia-Pacific, Australia, China, England, HDI, Japan)	XL1200CX, XL1200X, XL1200XS
20	67700094	HEADLAMP SHELL, with 6, 9, 12, 13, 14, 15, 7073, 7230, 7716 and 69609-00 (India only) (not shown)	XL1200CX, XL1200X, XL1200XS
21	68653-05	SOCKET, bulb (2 spade) (All except Domestic, Canada)	XL1200CX, XL1200X, XL1200XS
22	68380-05	BOOT	XL1200CX, XL1200X, XL1200XS
23	68297-05A	LAMP ASSEMBLY, with 18, 22, 24 (Domestic, Canada only)	XL1200CX, XL1200X
24	68329-03	BULB	XL1200CX, XL1200X, XL1200XS
25	68335-05A	LAMP ASSEMBLY, with 16, 18, 21, 22, 24 (left) (Australia, England, Japan, India)	XL1200CX, XL1200X, XL1200XS
25	68335-05A	LAMP ASSEMBLY, with 16, 18, 21, 22, 24 (left) (England, Japan, India)	XL1200CX
25	68341-05A	LAMP ASSEMBLY, with 16, 18, 21, 22, 24 (right) (ASEAN, Asia-Pacific, China, HDI)	XL1200CX, XL1200X
25	68341-05A	LAMP ASSEMBLY, with 16, 18, 21, 22, 24 (right) (Asia-Pacific, HDI)	XL1200XS

HEADLAMP - XL1200NS



[View interactive image](#)

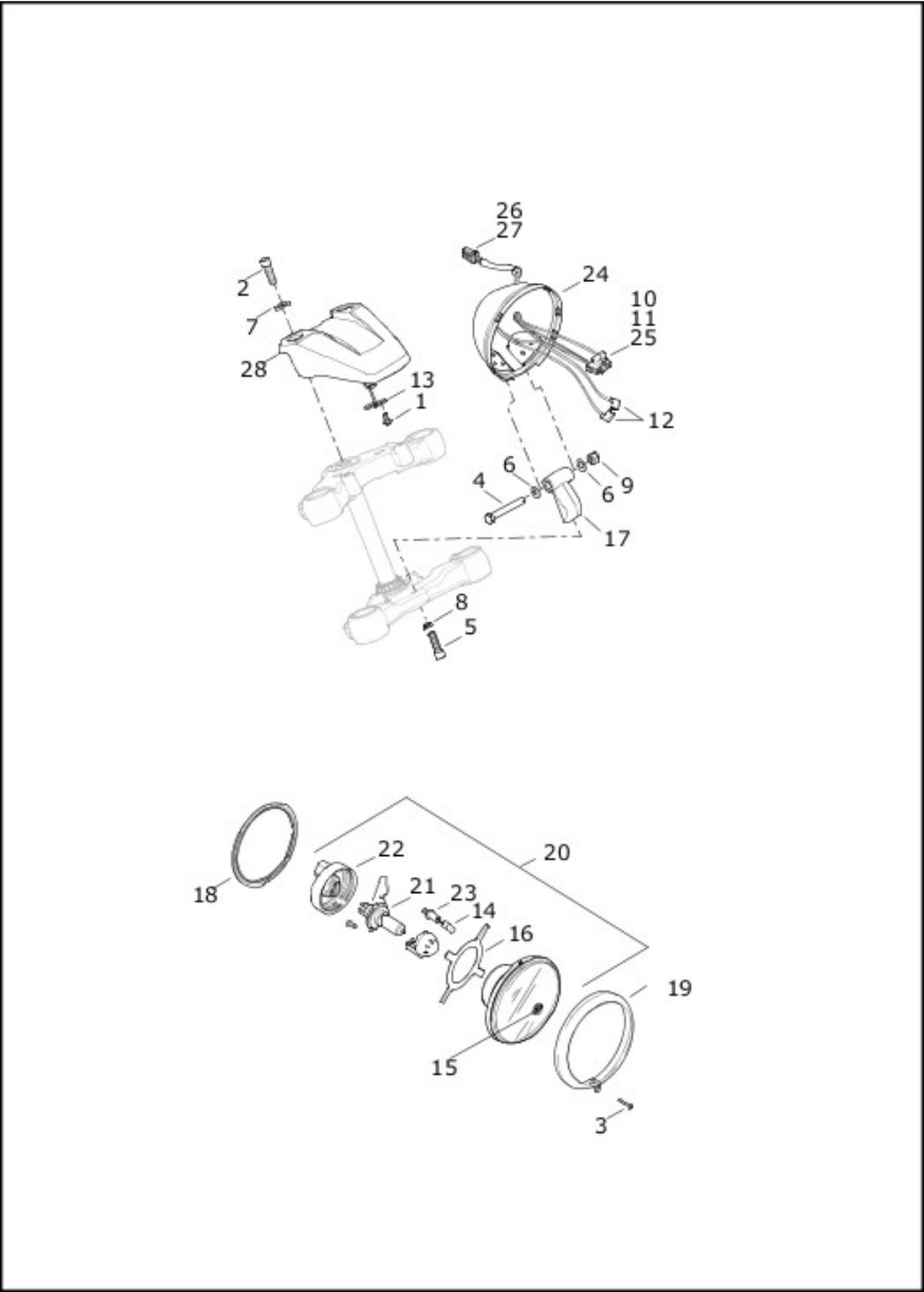
[View interactive table](#)

INDEX NO.	PART NO.	DESCRIPTION	MODEL(S)
1	3514	SCREW	XL1200NS
2	37200409	CABLE GUIDE	XL1200NS

3	4363	BOLT (5)	XL1200NS
4	4816A	SCREW (2)	XL1200NS
5	53436-97	BULB (all except Domestic, Canada)	XL1200NS
6	57001097DH	HEADLAMP VISOR (vivid black)	XL1200NS
7	5751	SPACER (2)	XL1200NS
8	6424	WASHER (black) (5)	XL1200NS
9	6702	WASHER (2)	XL1200NS
10	67667-05	MEDALLION	XL1200NS
11	67700196	BRACKET, Headlamp	XL1200NS
12	67815-59A	WASHER	XL1200NS
13	67883-04A	ADAPTER RING	XL1200NS
14	68130-97	HEADLAMP VISOR (primed)	XL1200NS
15	68131-97	HEADLAMP VISOR BRACKET	XL1200NS
16	68132-97	MOUNT, Rubber	XL1200NS
17	68133-97	SPACER	XL1200NS
18	68134-97	SEAL	XL1200NS
19	68297-05A	LAMP ASSEMBLY, with 5, 10, 22 (Domestic, Canada only)	XL1200NS
20	68329-03	BULB	XL1200NS
21	68335-05A	LAMP ASSEMBLY, with 5, 10, 20, 22, 24 (left) (Australia, England, India, Japan)	XL1200NS
21	68341-05A	LAMP ASSEMBLY, with 5, 10, 20, 22, 24 (right) (ASEAN, Asia-Pacific, Brazil, China, HDI, HD4)	XL1200NS
22	68380-05	BOOT	XL1200NS
23	68443-07A	BEZEL	XL1200NS
24	68653-05	SOCKET, bulb (2 spade)(all except Domestic, Canada)	XL1200NS
25	69619-02A	HEADLAMP SHELL, with 27, 28, 29, 31, 32, 33 (black) (all except Domestic, Canada)	XL1200NS
25	69774-07A	HEADLAMP SHELL, with 27, 28, 29, 31, 32, 33 (black) (Domestic, Canada only)	XL1200NS
26	7068	LOCKWASHER	XL1200NS
27	72056-92	HOUSING, three-way socket (black)	XL1200NS
28	73154-96BK	HOUSING, four-way socket (black)	XL1200NS

29	73191-96	TERMINAL, socket, 16-20 AWG (all except Domestic, Canada) (4)	XL1200NS
29	73191-96	TERMINAL, socket, 16-20 AWG (Domestic, Canada only) (3)	XL1200NS
30	7606	HEXNUT (4)	XL1200NS
31	9847	CONNECTOR, socket, 14-20 AWG (right)	XL1200NS
32	9848	CONNECTOR, socket, 14-20 AWG (left) (2)	XL1200NS
33	9898	TERMINAL, FLAG (all except Domestic, Canada) (2)	XL1200NS

HEADLAMP - XL1200C



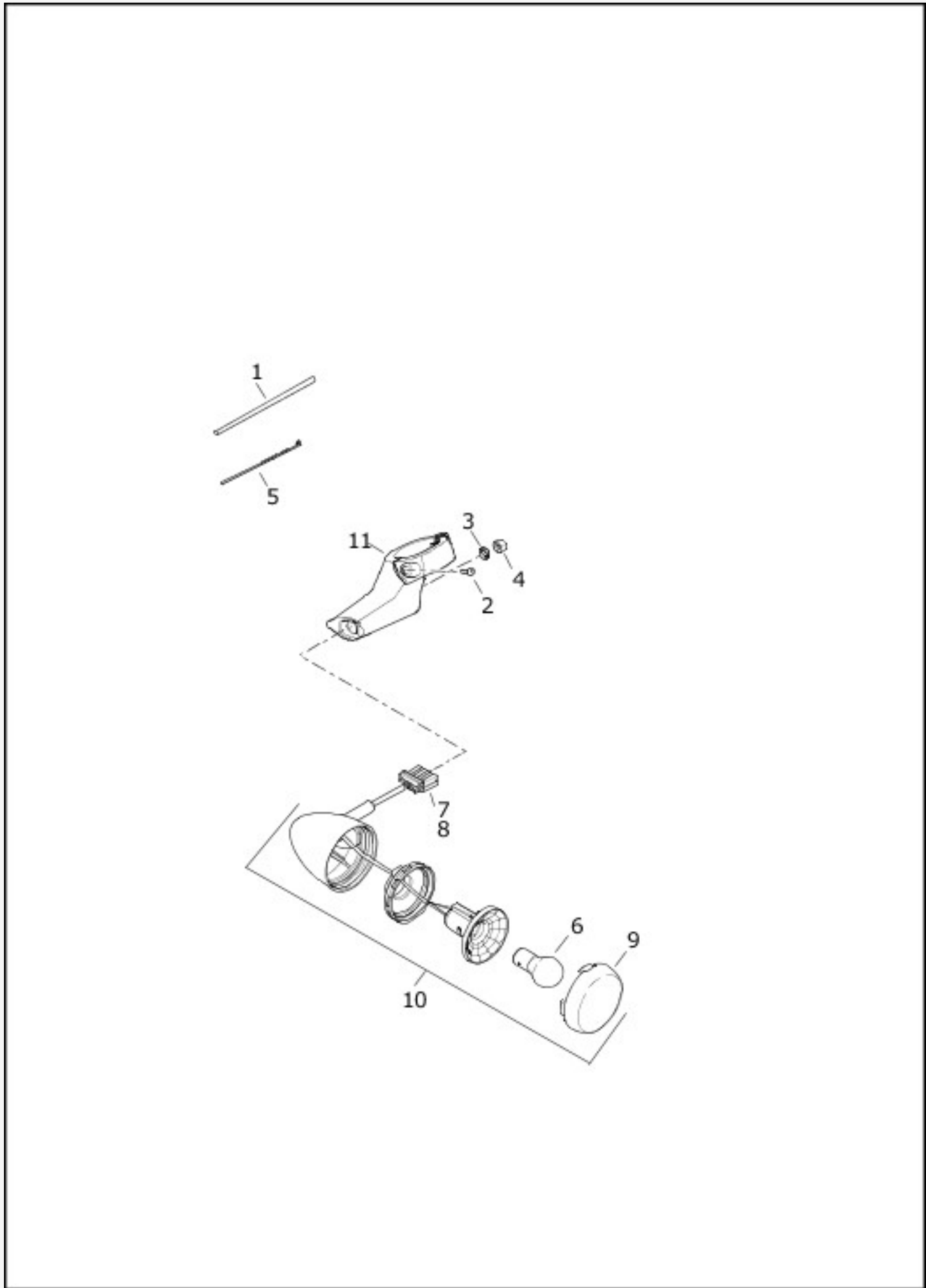
[View interactive image](#)

[View interactive table](#)

INDEX NO.	PART NO.	DESCRIPTION	MODEL(S)
1	2445	SCREW	XL1200C
2	2708A	SCREW (2)	XL1200C

3	3615	SCREW	XL1200C
4	4420	SCREW	XL1200C
5	4748	SCREW	XL1200C
6	6701	WASHER (2)	XL1200C
7	6109	WASHER (2)	XL1200C
8	7045	LOCKWASHER	XL1200C
9	7778	LOCKNUT	XL1200C
10	9847	CONNECTOR, socket, 14-20 AWG (right)	XL1200C
11	9848	CONNECTOR, socket, 14-20 AWG (left) (2)	XL1200C
12	9898	TERMINAL FLAG (all except Domestic, Canada) (2)	XL1200C
13	38999-11	GUIDE, clutch cable	XL1200C
14	53436-97	BULB (all except Domestic, Canada)	XL1200C
15	67667-05	MEDALLION	XL1200C
16	67601-94A	GASKET (This gasket is sold separately and is not part of item 20)	XL1200C
17	67746-11	MOUNT	XL1200C
18	67603-94A	ADAPTER RING	XL1200C
19	67894-93A	BEZEL	XL1200C
20	68335-05A	LAMP ASSEMBLY, with 14, 15, 21, 22, 23 (left) (Australia, England, Japan, India)	XL1200C
20	68341-05A	LAMP ASSEMBLY, with 14, 15, 21, 22, 23 (right) (ASEAN, Asia-Pacific, China, HDI)	XL1200C
21	68329-03	BULB	XL1200C
22	68380-05	BOOT	XL1200C
23	68653-05	SOCKET, bulb (2 spade) (all except Domestic, Canada)	XL1200C
24	69681-07B	HEADLAMP SHELL, with 10, 11, 12, 25, 26, 27	XL1200C
25	72056-92	HOUSING, three-way socket (black)	XL1200C
26	73154-96BK	HOUSING, four-way socket (black)	XL1200C
27	73191-96	TERMINAL, socket, 16-20 AWG (all except Domestic, Canada) (4)	XL1200C
28	67700441	VISOR	XL1200C

TURN SIGNALS, FRONT - 1200T



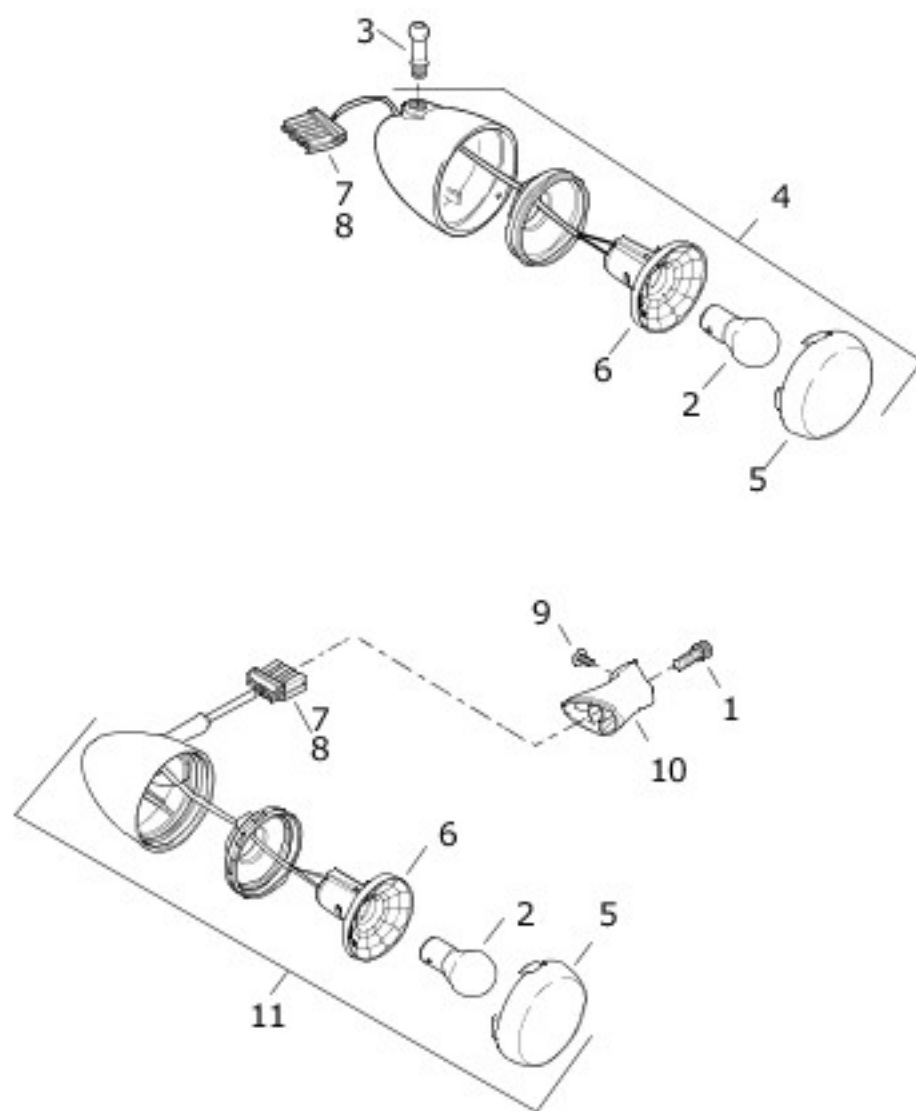
[View interactive image](#)

[View interactive table](#)

INDEX NO.	PART NO.	DESCRIPTION	MODEL(S)
1	70558-71	CONDUIT (50 ft length)	XL1200T

2	3033	SCREW (2)	XL1200T
3	7038	LOCKWASHER (2)	XL1200T
4	7783	NUT (2)	XL1200T
5	10065	CABLE STRAP	XL1200T
6	68163-84	BULB, single contact (HDI) (2)	XL1200T
7	73156-96BK	HOUSING, six-way socket (black) (2)	XL1200T
8	73191-96	TERMINAL, socket, 16-20 AWG (HDI) (4)	XL1200T
9	68973-00	LENS, HDI (2)	XL1200T
10	67800396	TURN SIGNAL, with 68163-84, 68973-00 and socket (HDI) (2)	XL1200T
11	67800381	BRACKET (right) with 11649	XL1200T
	67800382	BRACKET (left) with 11649	XL1200T

TURN SIGNALS, FRONT



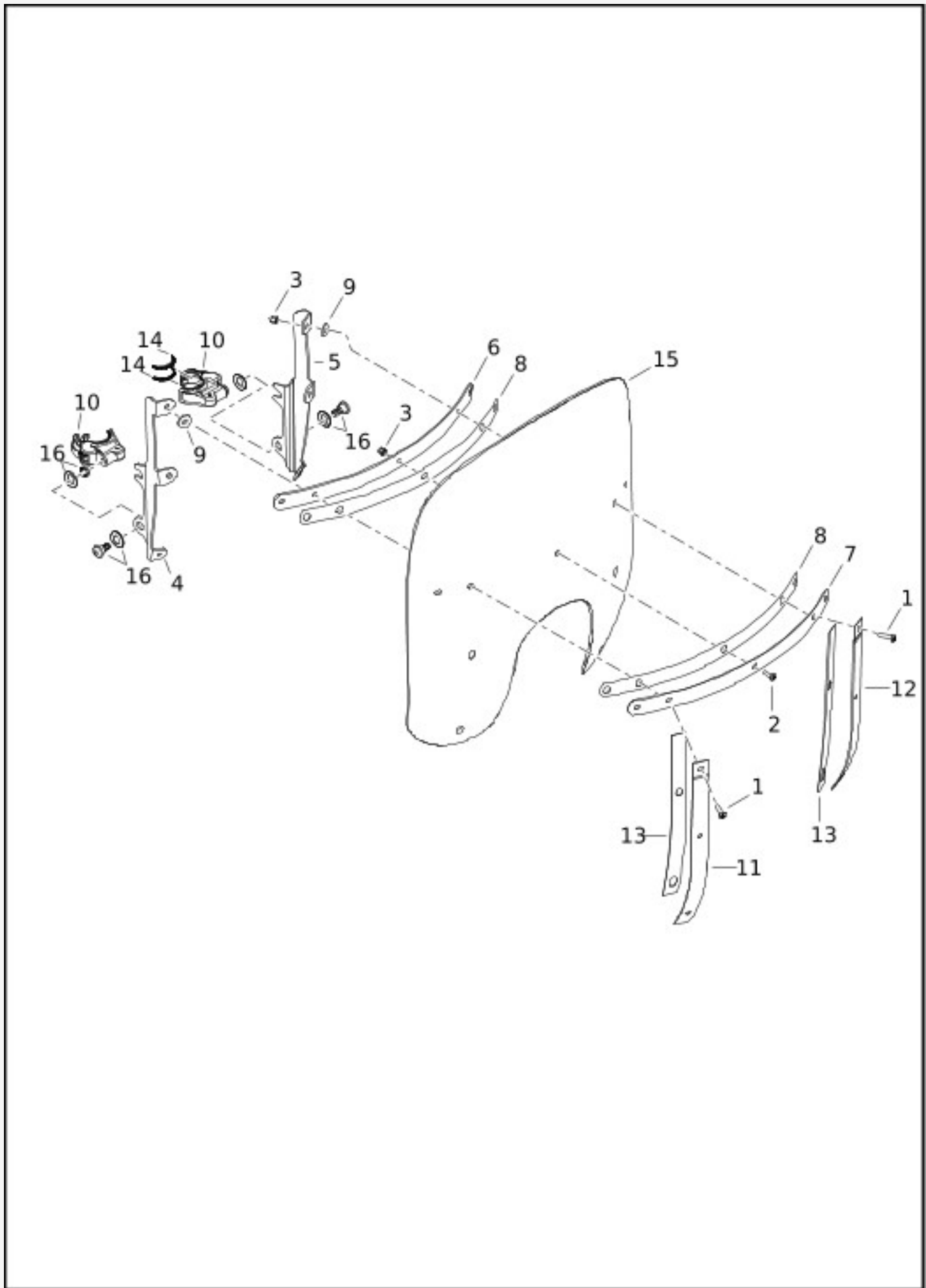
[View interactive image](#)

[View interactive table](#)

INDEX NO.	PART NO.	DESCRIPTION	MODEL(S)
1	4016	SCREW (2)	XL1200X, XL1200XS
2	68168-	BULB, dual contact (Domestic, Canada only) (2)	XL1200CX, XL1200NS, XL1200X, XL883N

	89A		
2	68163-84	BULB, single contact (all except Domestic, Canada) (2)	XL1200C, XL1200CX, XL1200NS, XL1200X, XL1200XS, XL883L, XL883N
3	68265-04	BALL STUD (2)	XL1200C, XL1200CX, XL1200NS, XL883L, XL883N
4	68730-07	TURN SIGNAL, with 68168-89A, 68755-07, 68776-06 and socket (Domestic, Canada only) (2)	XL1200NS, XL883N
4	68972-00	TURN SIGNAL, with 68168-89A, 68973-00, 68904-00 (Domestic, Canada only) (2)	XL1200CX
4	68975-00	TURN SIGNAL, with 68163-84, lens and socket (all except Domestic, Canada) (2)	XL1200CX, XL883L
4	67800179	TURN SIGNAL, with 68163-84, lens and socket (2)	XL1200C
4	69362-08	TURN SIGNAL, with 68163-84, 68755-07, 68776-06 and socket (all except Domestic, Canada) (2)	XL1200NS, XL883N
5	68755-07	LENS (2)	XL1200NS, XL1200X, XL1200XS, XL883N
5	68973-00	LENS (2)	XL1200C, XL1200CX, XL883L
6	68497-07	SOCKET, with vibration mount (Domestic, Canada only) (2)	XL1200X
6	68904-00	SOCKET, with vibration mount (Domestic, Canada only) (2)	XL1200CX
7	73156-96BK	HOUSING, six-way socket (black) (2)	ALL
8	73191-96	TERMINAL, socket, 16-20 AWG (Domestic, Canada only) (6)	XL1200CX, XL1200NS, XL1200X, XL883N
8	73191-96	TERMINAL, socket, 16-20 AWG (all except Domestic, Canada) (4)	XL1200C, XL1200CX, XL1200NS, XL883L, XL883N
8	73191-96	TERMINAL, socket, 16-20 AWG (all except Domestic, Canada) (6)	XL1200X
8	73191-96	TERMINAL, socket, 16-20 AWG (6)	XL1200XS
9	10200052	SCREW (2)	XL1200X, XL1200XS
10	67800504	BRACKET (left)	XL1200X, XL1200XS
10	67800505	BRACKET (right)	XL1200X, XL1200XS
11	67800562	TURN SIGNAL, with 68168-89A, 68755-07 and 68497-07 (Domestic, Canada only) (2)	XL1200X
11	67800563	TURN SIGNAL, with 68163-84, 68755-07 and socket (all except Domestic, Canada) (2)	XL1200X
11	67800563	TURN SIGNAL, with 68163-84, 68755-07 and socket (2)	XL1200XS

WINDSHIELD - 1200T



[View interactive image](#)

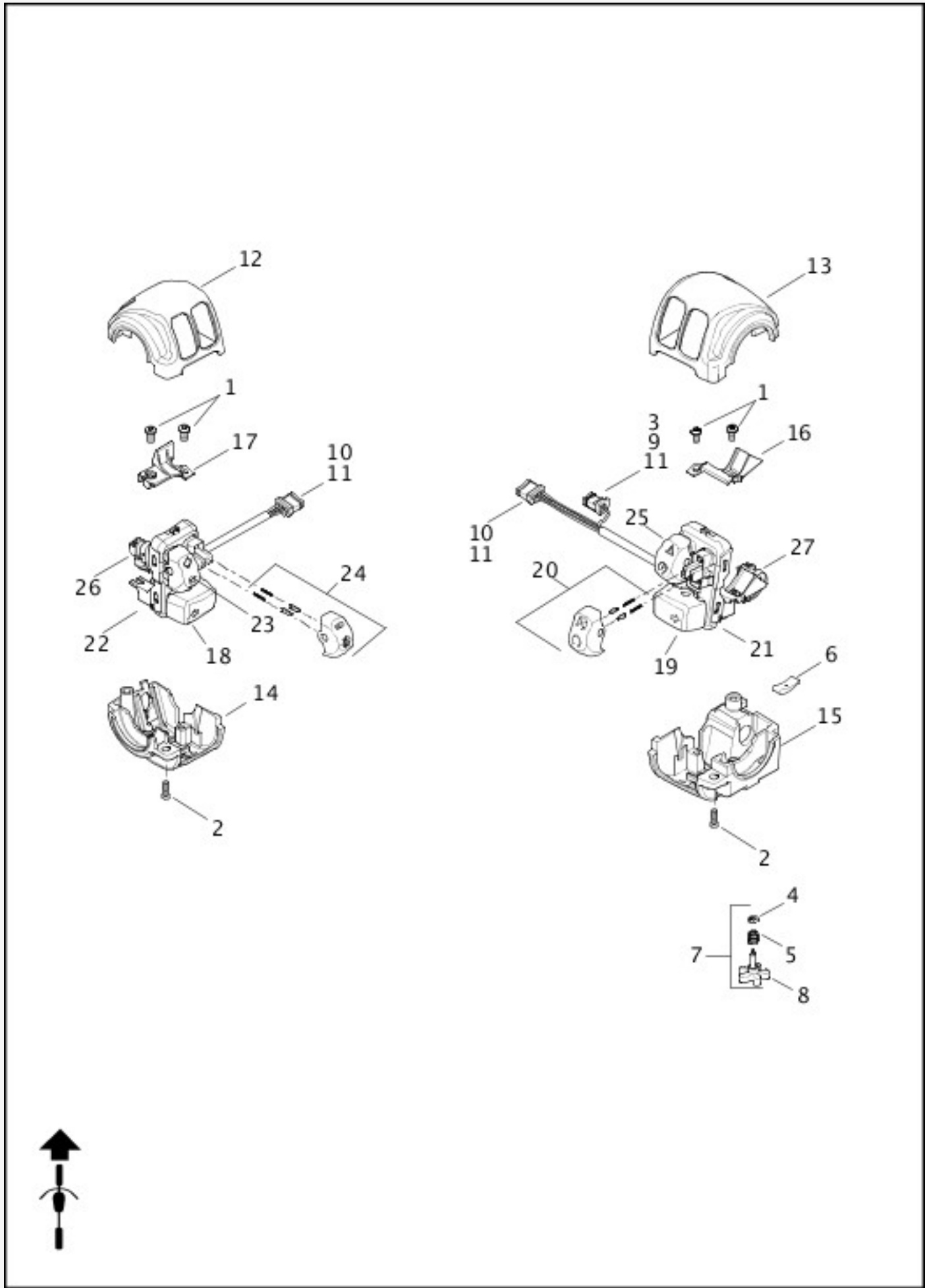
[View interactive table](#)

INDEX NO.	PART NO.	DESCRIPTION	MODEL(S)
	57400322	WINDSHIELD ASSEMBLY	XL1200T

NOTE: Includes the following parts.

1	2444	SCREW (2)	XL1200T
2	2921A	SCREW (7)	XL1200T
3	7651A	ACORN NUT (9)	XL1200T
4	57793-11	BRACKET (right)	XL1200T
5	57796-11	BRACKET (left)	XL1200T
6	58050-78A	BRACE, inner	XL1200T
7	58051-78A	BRACE, outer	XL1200T
8	58052-78	TAPE (2)	XL1200T
9	58152-96	WASHER (6)	XL1200T
10	58174-04A	CLAMP ASSEMBLY, with 58791-04 (4)	XL1200T
11	58406-75A	BRACKET (right)	XL1200T
12	58408-75A	BRACKET (left)	XL1200T
13	58417-77	TAPE (2)	XL1200T
14	58791-04	GASKET (8)	XL1200T
15	57400245	WINDSHIELD, with 58052-78 and 58417-77	XL1200T
16	58790-04	HARDWARE KIT	XL1200T

SWITCHES, HANDLEBAR



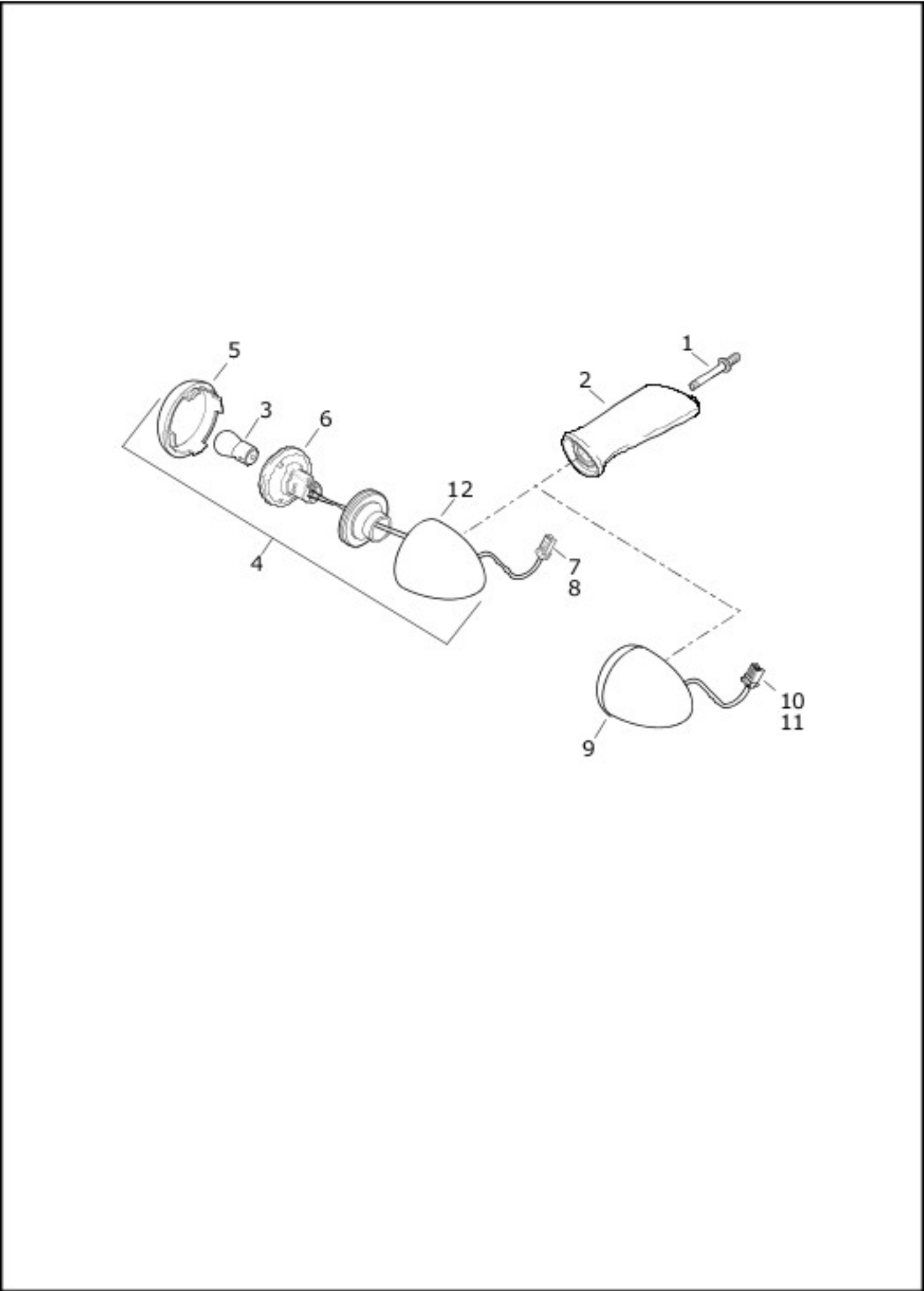
[View interactive image](#)

[View interactive table](#)

INDEX NO.	PART NO.	DESCRIPTION	MODEL(S)
1	2261	SCREW (2)	ALL
2	3658	SCREW (4)	ALL

3	5118	SEAL PIN	ALL
4	11155	RETAINING RING	ALL
5	56394-74	SPRING	ALL
6	56396-74A	FRICTION SPRING	ALL
7	56397-74C	THROTTLE ADJUSTING SCREW KIT, with 11155, 56394-74, and 56402-83A	ALL
8	56402-83A	ADJUSTING SCREW	ALL
9	72906-11	HOUSING, two-way socket (black)	ALL
10	72908-11	HOUSING, four-way socket (black)	ALL
11	72910-11	TERMINAL, socket, 20-22 AWG	ALL
12	72920-11	HOUSING, upper (left)	ALL
13	72921-11	HOUSING, upper (right)	ALL
14	72922-11	HOUSING, lower (left)	ALL
15	72923-11	HOUSING, lower (right)	ALL
16	72940-11	BRACKET	ALL
17	72941-11	BRACKET	ALL
18	71500295	SWITCH, left turn	ALL
19	71500300	SWITCH, right turn	ALL
20	71500299	SWITCH, off/run	ALL
21	71500297	SWITCH MODULE, with 3, 9, 10, 11, 19, 20, 25, 27	ALL
22	71500292	SWITCH MODULE, with 10, 11, 18, 23, 24, 26	ALL
23	71500293	SWITCH, horn/trip	ALL
24	71500294	SWITCH, lights	ALL
25	71500298	SWITCH, start	ALL
26	71500117	SWITCH, clutch	ALL
27	71500118	SWITCH, brake	ALL

TAIL LAMPS AND TURN SIGNALS, REAR - XL883N, XL1200NS, XL1200X, XL1200XS



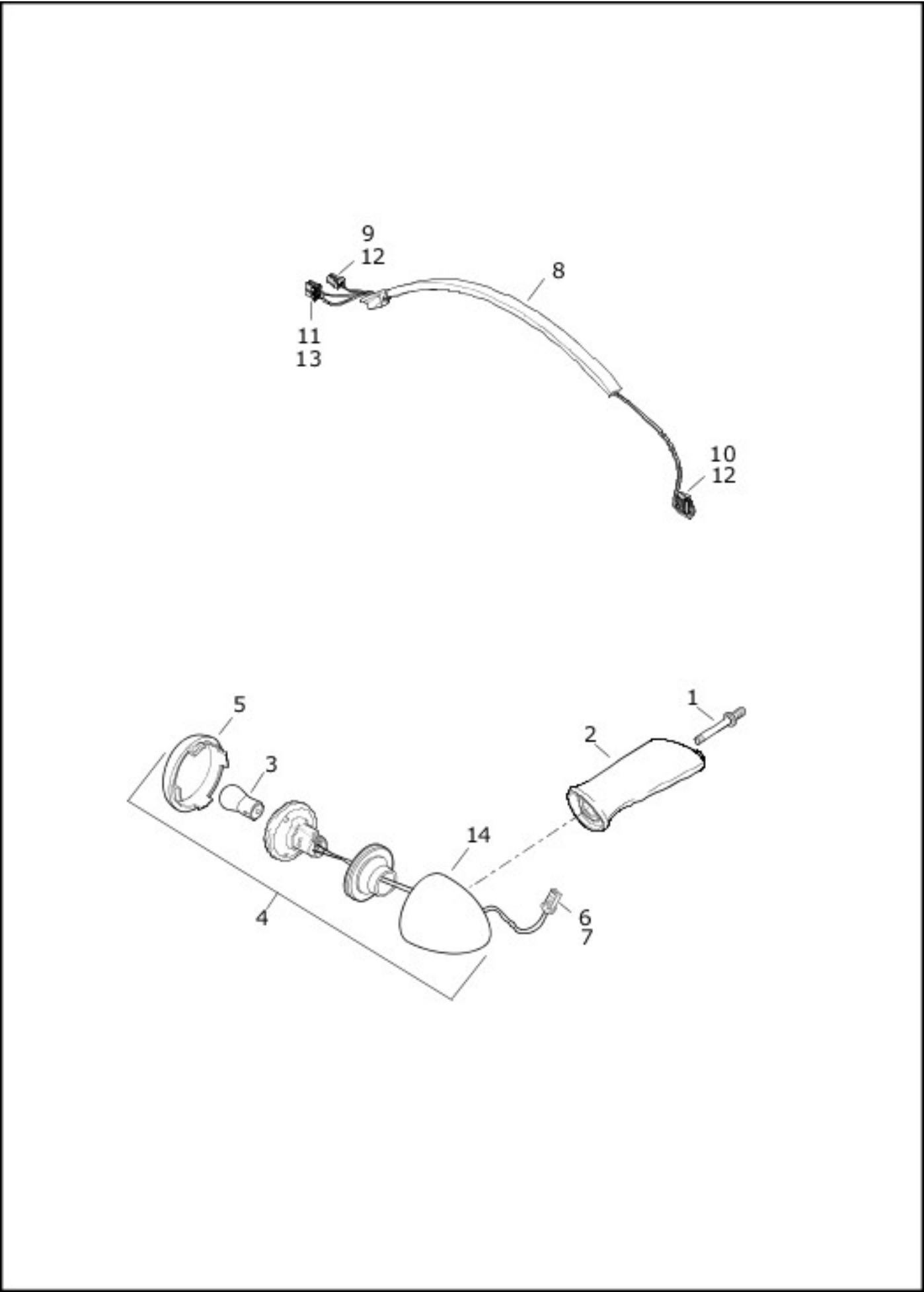
[View interactive image](#)

[View interactive table](#)

INDEX NO.	PART NO.	DESCRIPTION	MODEL(S)
1	5531	SCREW (2)	XL1200NS, XL1200X, XL1200XS, XL883N

2	68277-07	SUPPORT (2)	XL1200NS, XL1200X, XL1200XS, XL883N
3	68168-89A	BULB, dual contact (Domestic, Canada) (2)	XL1200NS, XL1200X, XL883N
4	68449-07	TURN SIGNAL, with 68168-89A, 68559-07, 68497-07 and socket (Domestic, Canada) (2)	XL1200NS, XL1200X, XL883N
5	68559-07	LENS (Domestic, Canada) (2)	XL1200NS, XL1200X, XL883N
6	68497-07	SOCKET ASSEMBLY (Domestic, Canada) (2)	XL1200NS, XL1200X, XL883N
7	72914-01BK	HOUSING, four-way socket (black) (Domestic, Canada) (2)	XL1200NS, XL1200X, XL883N
8	72991-01	TERMINAL, socket, 18-22 AWG (Domestic, Canada) (6)	XL1200NS, XL1200X, XL883N
9	67800214	TURN SIGNAL, with terminals (all except Domestic, Canada) (2)	XL1200NS, XL1200X, XL1200XS, XL883N
10	72991-01	TERMINAL, socket, 18-22 AWG (all except Domestic, Canada) (8)	XL1200NS, XL1200X, XL1200XS, XL883N
11	72914-01BK	HOUSING, four-way socket (black) (all except Domestic, Canada) (2)	XL1200NS, XL1200X, XL1200XS, XL883N
12	68460-07	HOUSING, turn signal (black) (Domestic, Canada) (2)	XL1200NS, XL1200X, XL883N

TURN SIGNALS, REAR - XL883L and XL1200C



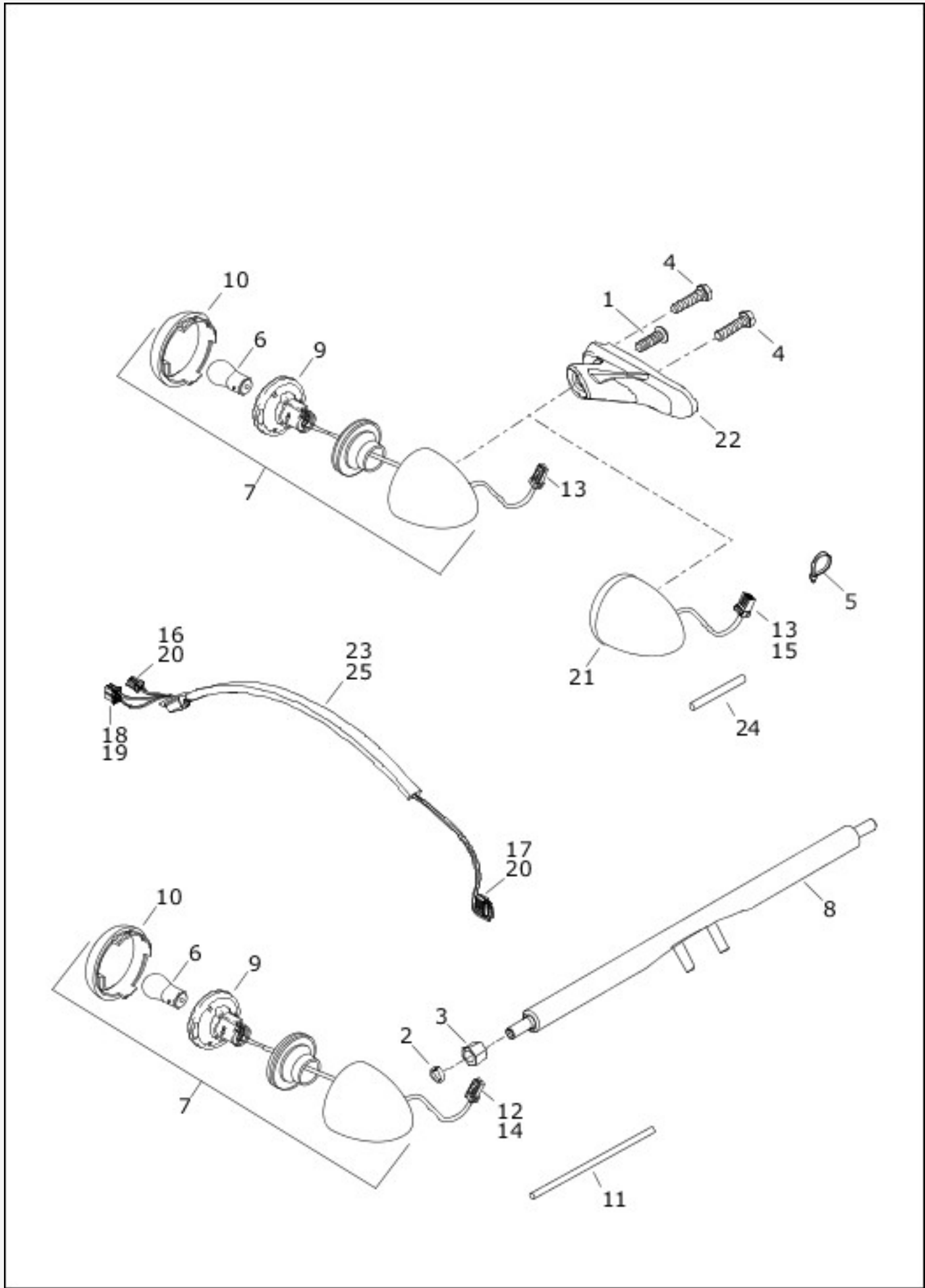
[View interactive image](#)

[View interactive table](#)

INDEX NO.	PART NO.	DESCRIPTION	MODEL(S)
1	56104-02	SCREW (all except India) (2)	XL1200C
1	56104-02	SCREW (2)	XL883L

1	5531	SCREW (India only) (2)	XL1200C
2	68277-07	SUPPORT (2)	XL1200C
2	68480-02	SUPPORT (2)	XL883L
3	68163-84	BULB, single contact (2)	XL1200C, XL883L
4	68978-00	TURN SIGNAL, with 68163-84, 68737-00, 68973-00 and socket (2)	XL883L
4	69935-08	TURN SIGNAL, with 68163-84, 68460-07, 68973-00 and socket (black) (2)	XL1200C
5	68973-00	LENS (2)	XL1200C, XL883L
6	72991-01	TERMINAL, socket, 18-22 AWG (4)	XL1200C
6	73191-96	TERMINAL, socket, 16-20 AWG (4)	XL883L
7	72914-01BK	HOUSING, four-way socket (black) (2)	XL1200C
8	69200459	HARNESS, rear lighting, with 9, 10, 11, 12, 13	XL883L
9	73153-96BK	HOUSING, three-way socket (black)	XL883L
10	73156-96BK	HOUSING, six-way socket (black)	XL883L
11	72914-01BK	HOUSING, four-way socket (black) (2)	XL883L
12	73191-96	TERMINAL, socket, 16-20 AWG (8)	XL883L
13	72991-01	TERMINAL, socket, 18-22 AWG (4)	XL883L
14	68737-00	HOUSING, turn signal (2)	XL883L
14	68460-07	HOUSING, turn signal (black) (2)	XL1200C

TURN SIGNALS, REAR - XL1200CX, XL1200T



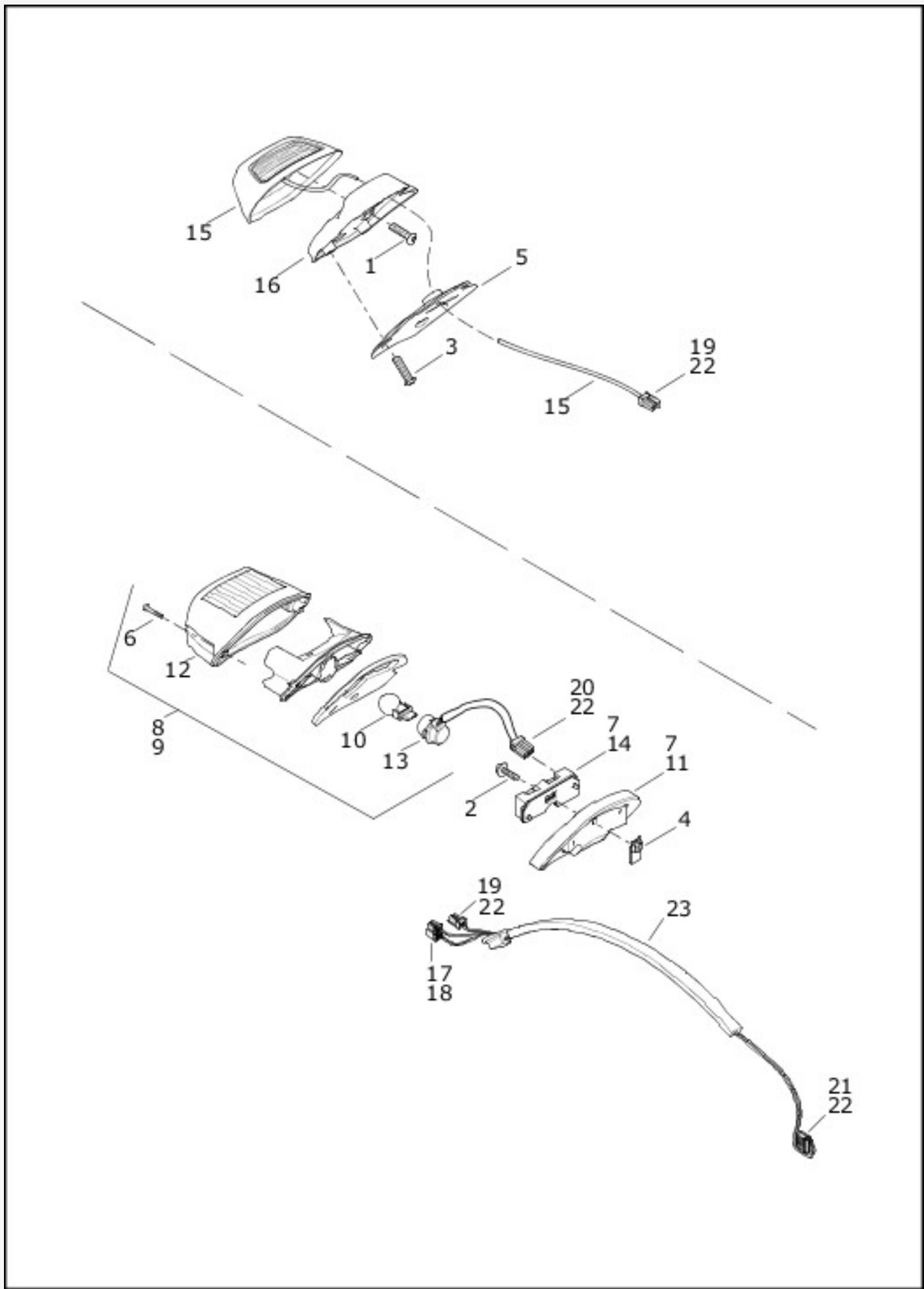
[View interactive image](#)

[View interactive table](#)

INDEX NO.	PART NO.	DESCRIPTION	MODEL(S)
1	4016	SCREW (2)	XL1200CX
2	7042	LOCKWASHER (2)	XL1200T

3	7985	NUT (2)	XL1200T
4	8336	SCREW (Except India) (4)	XL1200CX
4	10200549	SCREW (India only) (4)	XL1200CX
5	10065	CABLE STRAP (all except Canada, Domestic)	XL1200CX
6	68163-84	BULB, single contact (2)	XL1200T
6	68168-89A	BULB, dual contact (2)	XL1200CX
7	68420-01	TURN SIGNAL, with 68163-84, 68973-00 and socket (2)	XL1200T
7	68449-07	TURN SIGNAL, with 68168-89A, 68559-07, 68497-07 (Domestic, Canada) (2)	XL1200CX
8	68430-89A	DIRECTIONAL BAR ASSEMBLY	XL1200T
9	68497-07	SOCKET ASSEMBLY (2)	XL1200CX
10	68559-07	LENS (2)	XL1200CX
10	68973-00	LENS (2)	XL1200T
11	70552-69	CONDUIT (10 ft length)	XL1200T
12	73152-96BK	HOUSING, two-way socket (black) (2)	XL1200T
13	72914-01BK	HOUSING, four-way socket (black) (all except Domestic) (2)	XL1200CX
14	72991-01	TERMINAL, socket, 18-22 AWG (Canada, Domestic) (6)	XL1200CX
14	73191-96	TERMINAL, socket, 16-20 AWG (4)	XL1200T
15	72991-01	TERMINAL, socket, 18-22 AWG (all except Canada, Domestic) (8)	XL1200CX
16	73153-96BK	HOUSING, three-way socket (black)	XL1200T
17	73156-96BK	HOUSING, six-way socket (black)	XL1200T
18	72914-01BK	HOUSING, four-way socket (black) (2)	XL1200T
19	72991-01	TERMINAL, socket, 18-22 AWG (4)	XL1200T
20	73191-96	TERMINAL, socket, 16-20 AWG (8)	XL1200T
21	67800214	TURN SIGNAL, with terminals (all except Domestic) (2)	XL1200CX
22	67800646	SUPPORT (2)	XL1200CX
23	69200459	HARNESS, rear lighting, with 16, 17, 18, 19, 20, 25	XL1200T
24	69201650	CONDUIT	XL1200CX
25	69200018	CONDUIT, self-adhesive	XL1200T

TAIL LAMPS



[View interactive image](#)

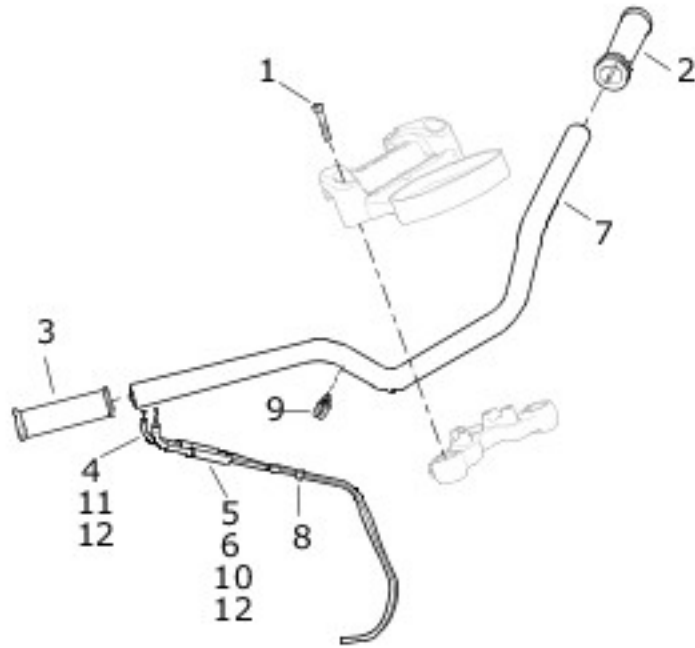
[View interactive table](#)

INDEX NO.	PART NO.	DESCRIPTION	MODEL(S)
1	2508	SCREW (2)	XL1200C
2	3022A	SCREW	XL1200T, XL883L

3	4365	SCREW (3)	XL1200C
4	7964	CLIP NUT	XL1200T, XL883L
5	11954	GASKET	XL1200C
6	68026-99	SCREW (2)	XL1200T, XL883L
7	68066-99A	BASE ASSEMBLY, chromed, with 68296-99A and 68830-99A	XL1200T, XL883L
8	68140-04	LIGHT ASSEMBLY, with 68369-03 and 68370-03A (Canada, Domestic)	XL883L
9	68141-04	LIGHT ASSEMBLY, with 68372-03 and 69187-03A	XL1200T
9	68141-04	LIGHT ASSEMBLY, with 68372-03 and 69187-03A (all except Canada, Domestic)	XL883L
10	68167-04	BULB	XL1200T, XL883L
11	68296-99A	BASE TAIL LAMP, chrome	XL1200T, XL883L
12	68369-03	LENS, with 68026-99 (Canada, Domestic)	XL883L
12	68372-03	LENS, with 68026-99 (all except Canada, Domestic)	XL883L
12	68372-03	LENS, with 68026-99	XL1200T
13	68370-03A	BULB SOCKET ASSEMBLY, with 68167-04, 73154-96BK, 73191-96 (Canada, Domestic)	XL883L
13	69187-03A	BULB SOCKET ASSEMBLY, with 68167-04, 73154-96BK, 73191-96 (all except Domestic, Canada)	XL883L
13	69187-03A	BULB SOCKET ASSEMBLY, with 68167-04, 73154-96BK, 73191-96	XL1200T
14	68830-99A	CIRCUIT BOARD AND COVER ASSEMBLY	XL1200T, XL883L
15	69352-11A	TAIL LAMP	XL1200C
16	69361-11	TAIL LAMP BASE	XL1200C
17	72914-01BK	HOUSING, four-way socket (black) (2)	XL1200T, XL883L
18	72991-01	TERMINAL, socket, 18-22 AWG (4)	XL1200T, XL883L
19	73153-96BK	HOUSING, three-way socket (black)	XL1200T, XL883L
20	73154-96BK	HOUSING, four-way socket (black)	XL1200C, XL1200T, XL883L
21	73156-	HOUSING, six-way socket (black)	XL1200T, XL883L

	96BK		
22	73191-96	TERMINAL, socket, 16-20 AWG (8)	XL1200T, XL883L
22	73191-96	TERMINAL, socket, 16-20 AWG (3)	XL1200C
23	69200459	HARNESS, rear lighting, with 17, 18, 19, 21, 22	XL1200T, XL883L

HANDLEBAR AND THROTTLE CONTROL - XL883L, XL1200X, XL1200XS



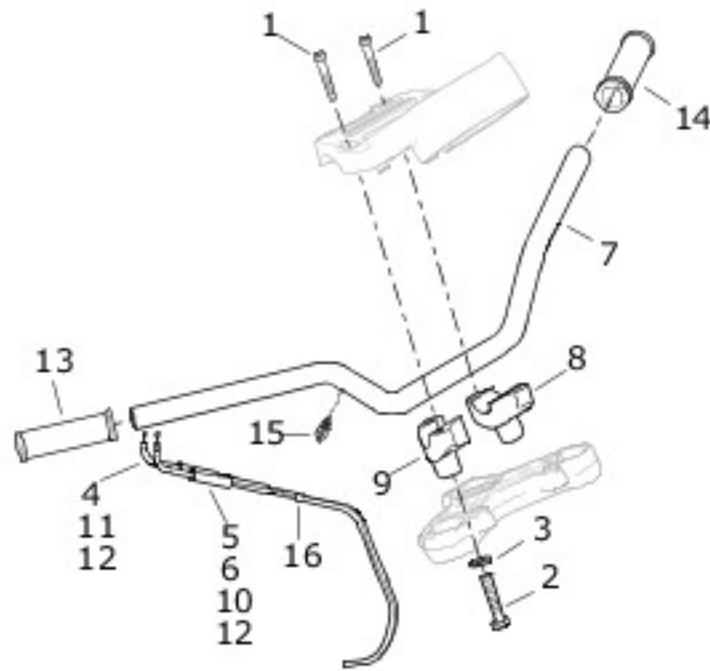
[View interactive image](#)

[View interactive table](#)

INDEX NO.	PART NO.	DESCRIPTION	MODEL(S)
1	3210A	SCREW (4)	XL1200X, XL1200XS, XL883L
2	56667-04	HANDLEBAR GRIP	XL1200X, XL1200XS, XL883L

3	56666-04	GRIP AND SLEEVE, throttle	XL1200X, XL1200XS, XL883L
4	11271	RING RETAINER, idle	XL1200X, XL1200XS, XL883L
5	11272	RING RETAINER, throttle	XL1200X, XL1200XS, XL883L
6	38653-01	BOOT, throttle	XL1200X, XL1200XS, XL883L
7	55800345	HANDLEBAR	XL1200X
7	57209-11	HANDLEBAR	XL883L
7	55800587	HANDLEBAR, black	XL1200XS
8	70504-81	CLIP	XL1200X, XL1200XS, XL883L
9	70345-84	RETAINER (2)	XL1200X
9	70345-84	RETAINER (4)	XL1200XS, XL883L
10	56884-07	THROTTLE CONTROL ASSEMBLY, with 11272 and 38653-01	XL1200T, XL1200X, XL883L
10	55785-11	THROTTLE CONTROL ASSEMBLY, with 11272 and 38653-01	XL1200XS
11	56885-07	IDLE CONTROL ASSEMBLY, with 11271	XL1200X, XL883L
11	55786-11	IDLE CONTROL ASSEMBLY, with 11271	XL1200NS, XL1200XS
12	56508-76	FERRULE (2)	XL1200X, XL1200XS, XL883L

HANDLEBAR AND THROTTLE CONTROL - XL883N, XL1200NS, XL1200T



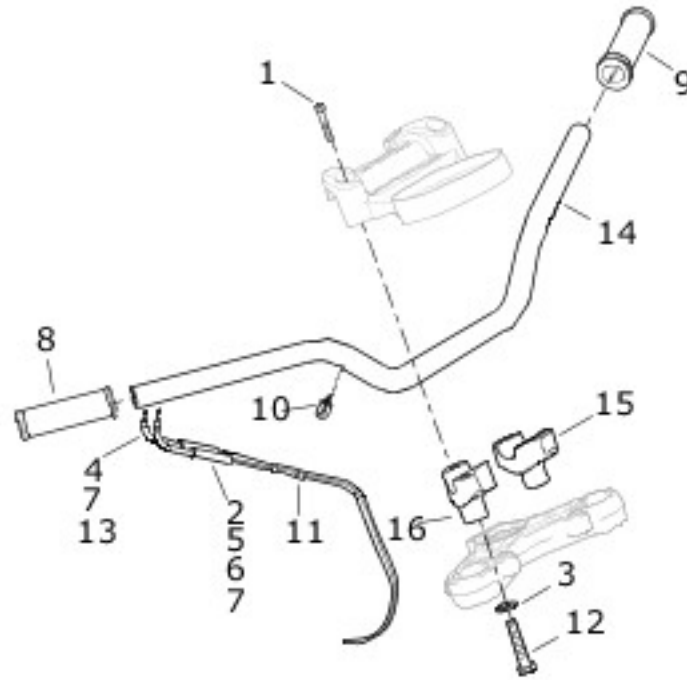
[View interactive image](#)

[View interactive table](#)

INDEX NO.	PART NO.	DESCRIPTION	MODEL(S)
1	3210A	SCREW (4)	XL1200NS, XL1200T, XL883N
2	3605	BOLT (2)	XL1200NS, XL883N

3	6590HW	WASHER (2)	XL1200NS, XL883N
4	11271	RING RETAINER, idle	XL1200NS, XL1200T, XL883N
5	11272	RING RETAINER, throttle	XL1200NS, XL1200T, XL883N
6	38653-01	BOOT, throttle	XL1200NS, XL1200T, XL883N
7	55800345	HANDLEBAR	XL883N
7	57209-11	HANDLEBAR	XL1200T
7	56075-07	HANDLEBAR, black	XL1200NS
8	56116-82A	CLAMP, lower (left)	XL1200NS, XL883N
9	56117-82A	CLAMP, lower (right)	XL1200NS, XL883N
10	56884-07	THROTTLE CONTROL ASSEMBLY, with 11272 and 38653-01	XL1200T, XL883N
10	55785-11	THROTTLE CONTROL ASSEMBLY, with 11272 and 38653-01	XL1200NS
11	56885-07	IDLE CONTROL ASSEMBLY, with 11271	XL1200T, XL883N
11	55786-11	IDLE CONTROL ASSEMBLY, with 11271	XL1200NS
12	56508-76	FERRULE (2)	XL1200NS, XL1200T, XL883N
13	56666-04	GRIP AND SLEEVE, throttle	XL1200NS, XL1200T, XL883N
14	56667-04	HANDLEBAR GRIP	XL1200NS, XL1200T, XL883N
15	70345-84	RETAINER (4)	XL1200NS, XL1200T, XL883N
16	70504-81	CLIP	XL1200NS, XL1200T, XL883N

HANDLEBAR AND THROTTLE CONTROL - XL1200CX



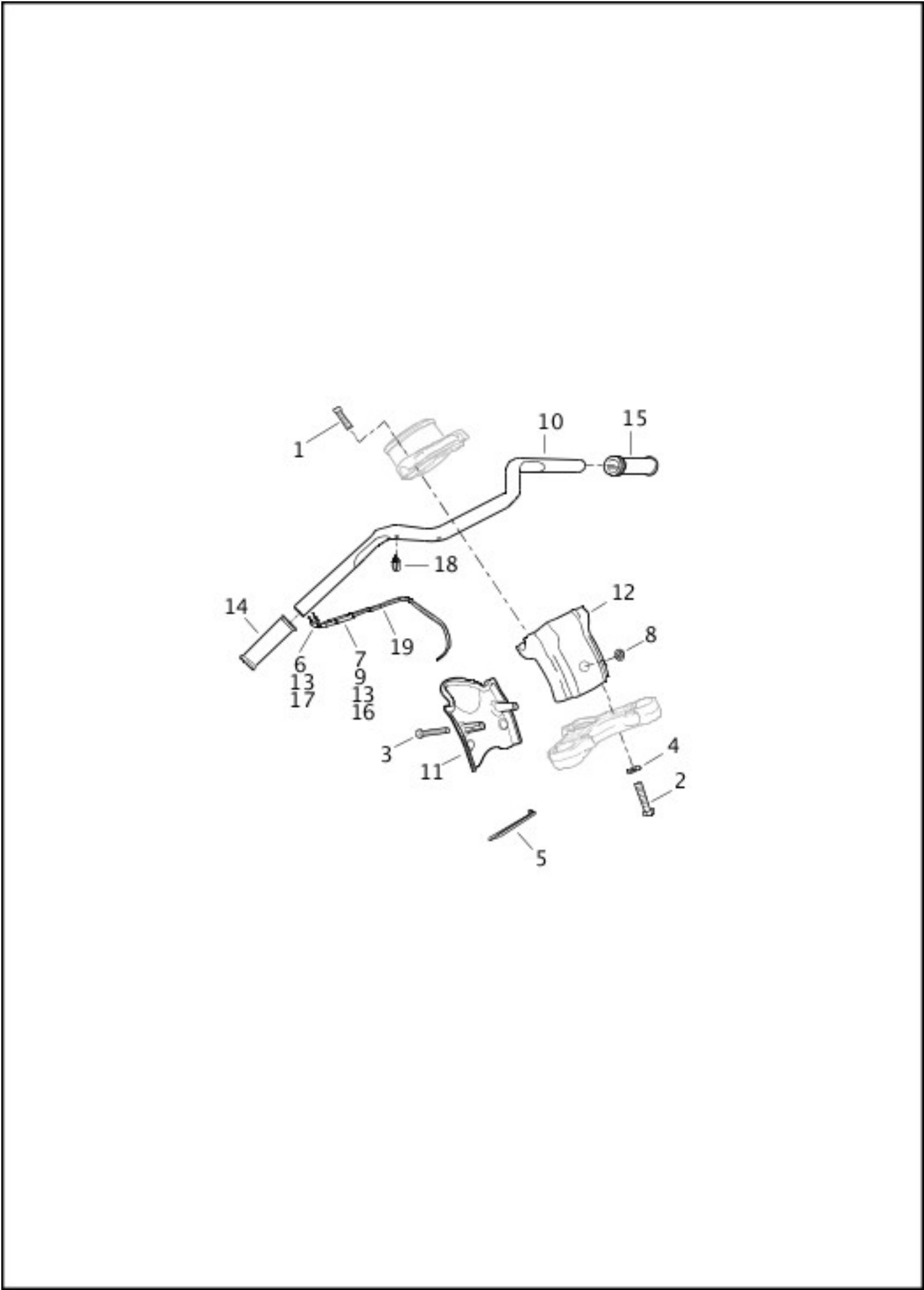
[View interactive image](#)

[View interactive table](#)

INDEX NO.	PART NO.	DESCRIPTION	MODEL(S)
1	3210A	SCREW (4)	XL1200CX
2	56100198	THROTTLE CONTROL ASSEMBLY, with 11272 and 38653-01	XL1200CX

3	6590HW	WASHER (2)	XL1200CX
4	11271	RING RETAINER, idle	XL1200CX
5	11272	RING RETAINER, throttle	XL1200CX
6	38653-01	BOOT, throttle	XL1200CX
7	56508-76	FERRULE (2)	XL1200CX
8	56666-04	GRIP AND SLEEVE, throttle	XL1200CX
9	56667-04	HANDLEBAR GRIP	XL1200CX
10	70345-84	RETAINER (2)	XL1200CX
11	70504-81	CLIP	XL1200CX
12	10200474	SCREW (2)	XL1200CX
13	27000027	IDLE CONTROL ASSEMBLY, with 11271	XL1200CX
14	55800547	HANDLEBAR	XL1200CX
15	55900087	CLAMP, lower (left)	XL1200CX
16	55900088	CLAMP, lower (right)	XL1200CX

HANDLEBAR AND THROTTLE CONTROL - XL1200C



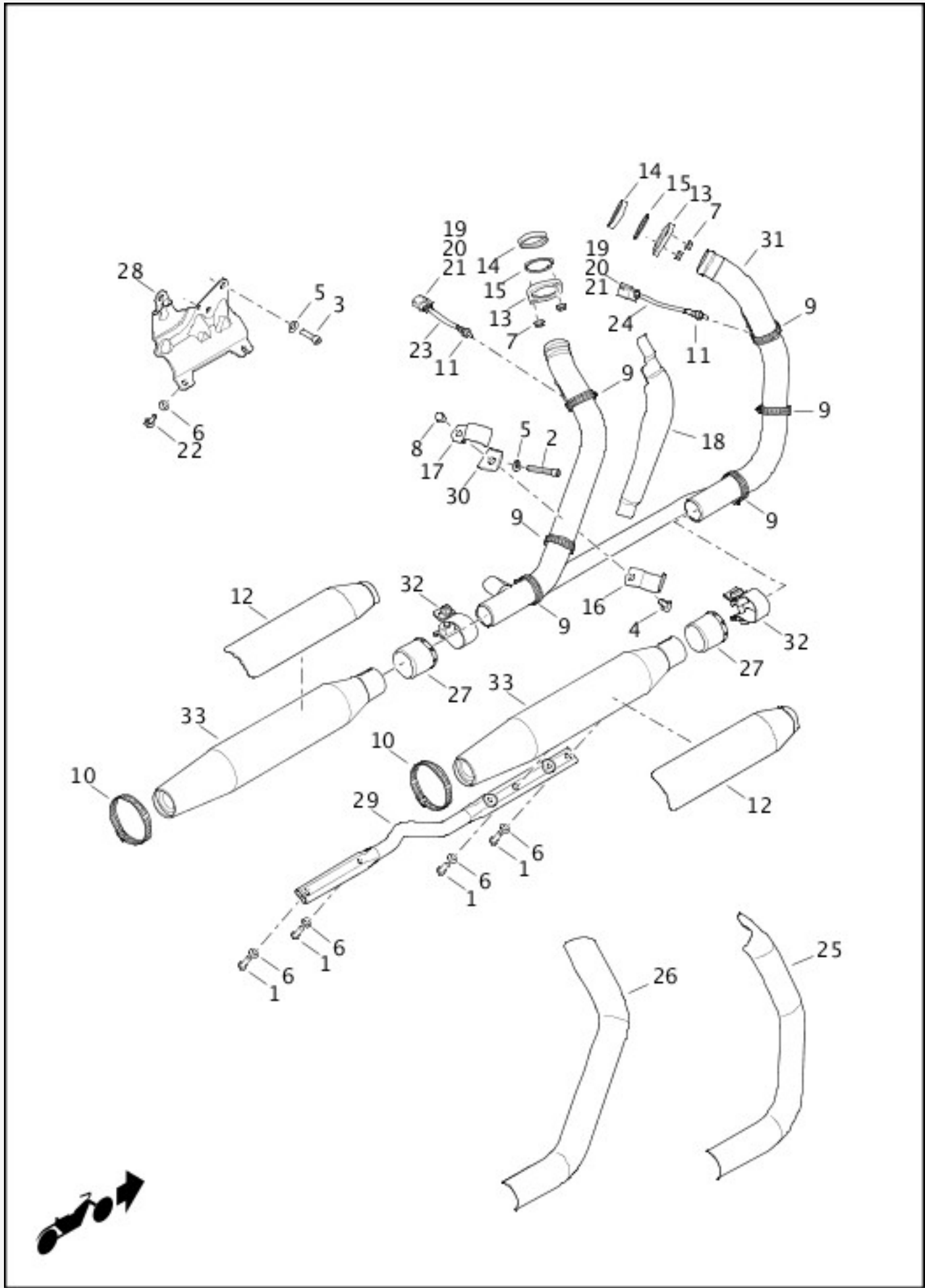
[View interactive image](#)

[View interactive table](#)

INDEX NO.	PART NO.	DESCRIPTION	MODEL(S)
1	3210A	SCREW (4)	XL1200C
2	3605	BOLT (2)	XL1200C

3	3666A	SCREW (2)	XL1200C
4	6590HW	WASHER (2)	XL1200C
5	10006	CABLE STRAP	XL1200C
6	11271	RING RETAINER, idle	XL1200C
7	11272	RING RETAINER, throttle	XL1200C
8	14448-94	LOGO BAR AND SHIELD	XL1200C
9	38653-01	BOOT, throttle	XL1200C
10	55840-04A	HANDLEBAR	XL1200C
11	55842-04	COVER, riser	XL1200C
12	56017-04	RISER ASSEMBLY, with 14448-94	XL1200C
13	56508-76	FERRULE (2)	XL1200C
14	56666-04	GRIP AND SLEEVE, throttle	XL1200C
15	56667-04	HANDLEBAR GRIP	XL1200C
16	56884-07	THROTTLE CONTROL ASSEMBLY, with 11272 and 38653-01	XL1200C
17	56885-07	IDLE CONTROL ASSEMBLY, with 11271	XL1200C
18	70345-84	RETAINER (4)	XL1200C
19	70504-81	CLIP (2)	XL1200C

EXHAUST SYSTEM - XL883N



[View interactive image](#)

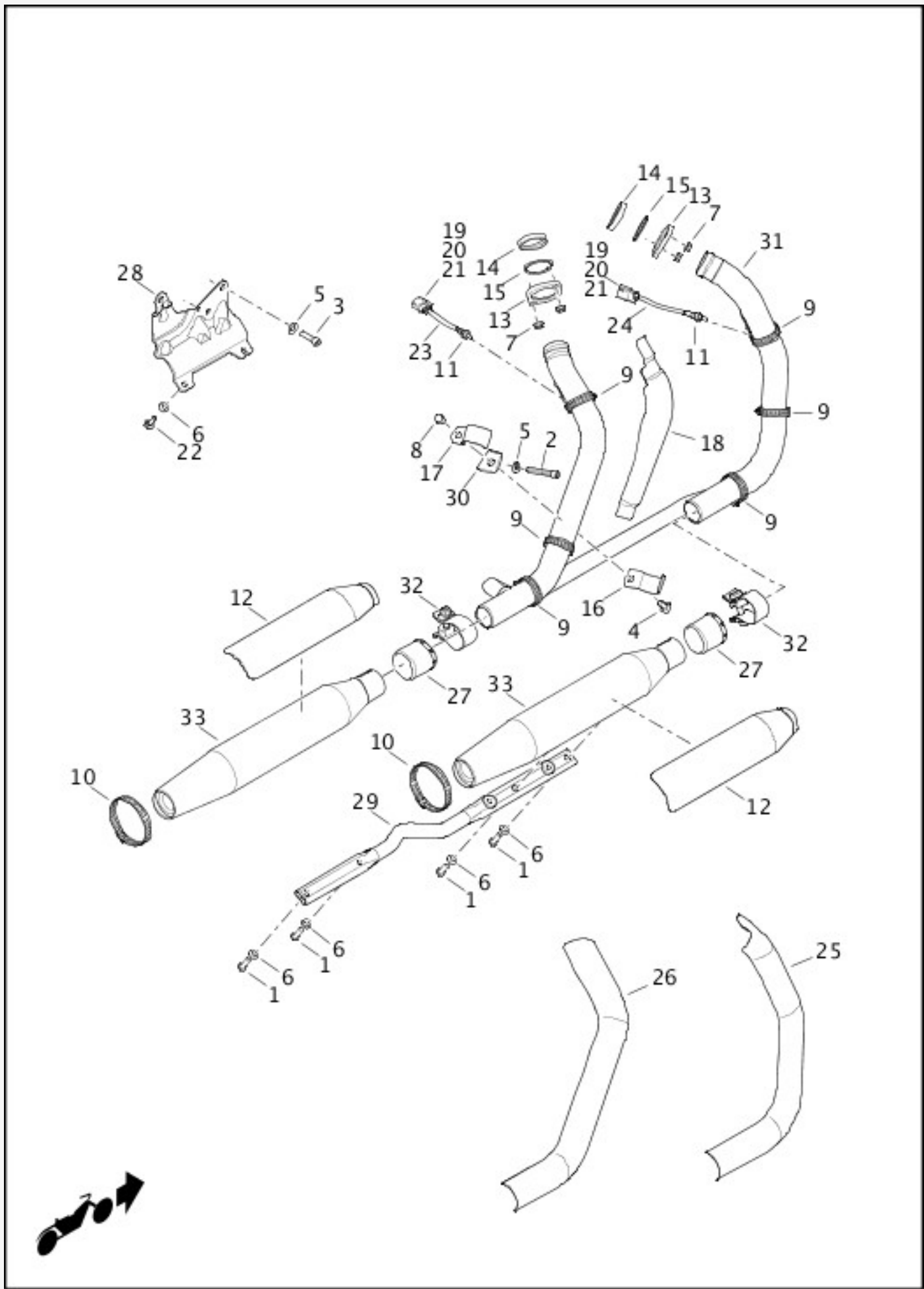
[View interactive table](#)

INDEX NO.	PART NO.	DESCRIPTION	MODEL(S)
1	4017	BOLT (4)	XL883N
2	4032A	SCREW	XL883N

3	4748	SCREW (3)	XL883N
4	5414	BOLT	XL883N
5	6701	WASHER (4)	XL883N
6	6702	WASHER (6)	XL883N
7	7593	NUT (4)	XL883N
8	7862	ACORN NUT	XL883N
9	9955	CLAMP, shield (6)	XL883N
10	10800010	CLAMP, muffler shield (black) (all except Australia) (4)	XL883N
11	11936	GASKET	XL883N
12	65400206	SHIELD, muffler (black) (all except Australia) (2)	XL883N
13	65328-83A	FLANGE, exhaust pipe (2)	XL883N
14	65324-83B	GASKET, exhaust port (2)	XL883N
15	65325-83A	RETAINING RING, exhaust gasket (2)	XL883N
16	65440-06	CLAMP	XL883N
17	65441-06	CLAMP	XL883N
18	66851-07	SHIELD, upper rear exhaust pipe	XL883N
19	72177-07BK	HOUSING, four-way socket (black)	XL883N
20	72344-10	TERMINAL, socket, 22 AWG (2)	XL883N
21	73307-10	TERMINAL, socket, 22 AWG (2)	XL883N
22	10200242	SCREW (2)	XL883N
23	32700006	SENSOR, oxygen, with 11, 19, 20, 21 (rear)	XL883N
24	32700026	SENSOR, oxygen, with 11, 19, 20, 21 (front)	XL883N
25	65400204	SHIELD, front exhaust pipe (black)	XL883N
26	65400205	SHIELD, rear exhaust pipe (black)	XL883N
27	65900017	GASKET (Asia-Pacific, ASEAN, China, England, HDI, Japan,) (2)	XL883N
28	65500022	BRACKET	XL883N
29	65500023	BRACKET	XL883N
30	65500025	BRACKET	XL883N
31	65600094	HEADER PIPE (Australia, Brazil, Canada, Domestic, India)	XL883N
31	65600182	HEADER PIPE (Asia-Pacific, ASEAN, China, England, HDI, Japan)	XL883N

32	65900012	CLAMP (2)	XL883N
33	64900370	MUFFLER (Domestic, California, Canada) (2)	XL883N
33	64900422	MUFFLER, front (Asia-Pacific, ASEAN, England, HDI)	XL883N
33	64900423	MUFFLER, rear (Asia-Pacific, ASEAN, England, HDI)	XL883N
33	64900372	MUFFLER, front (Australia)	XL883N
33	64900376	MUFFLER, rear (Australia)	XL883N
33	64900373	MUFFLER, front (Brazil)	XL883N
33	64900375	MUFFLER, rear (Brazil)	XL883N
33	64900979	MUFFLER, front (China, India)	XL883N
33	64900981	MUFFLER, rear (China, India)	XL883N
33	64900422	MUFFLER (Japan) (2)	XL883N

EXHAUST SYSTEM - XL1200NS



[View interactive image](#)

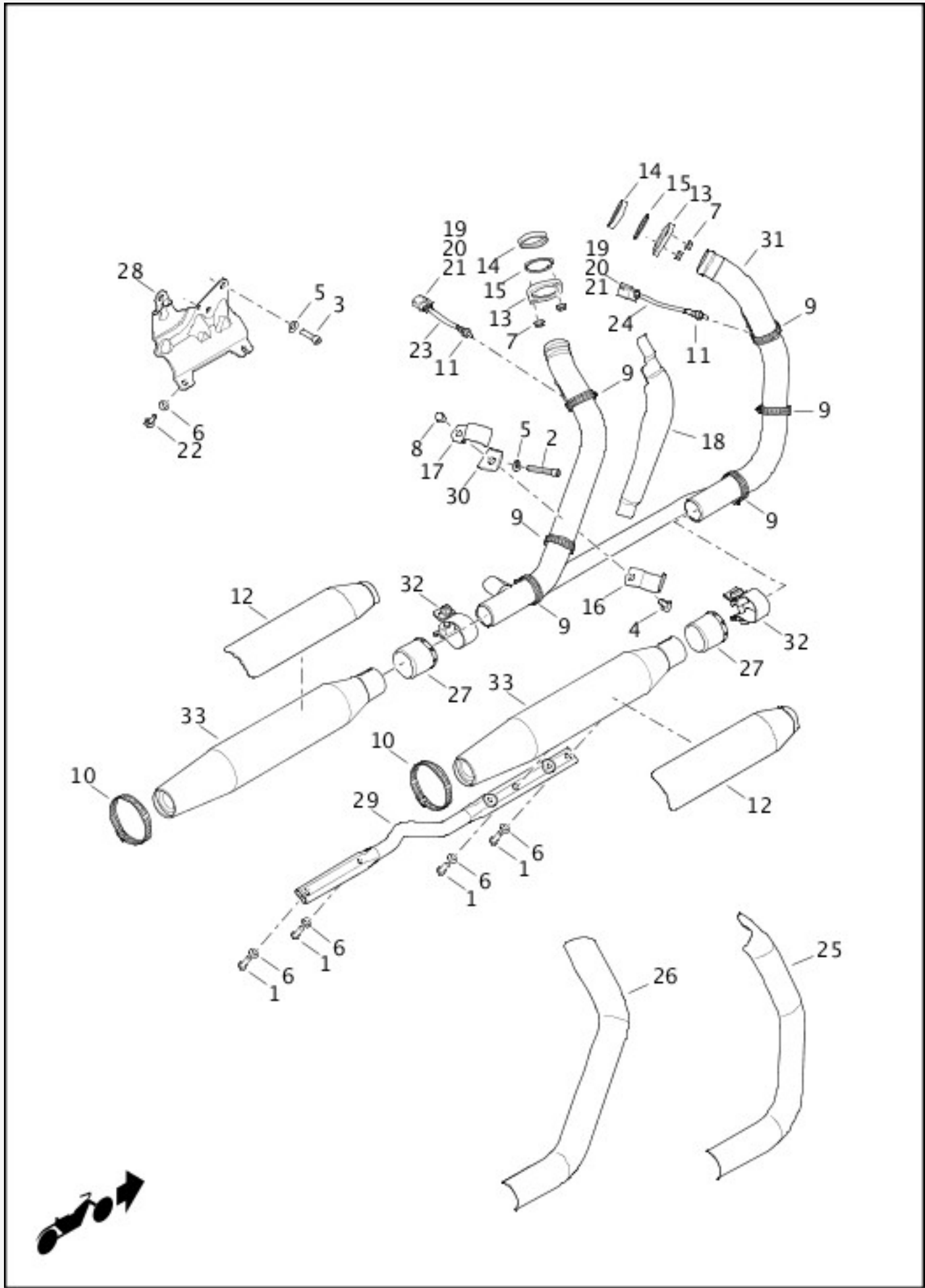
[View interactive table](#)

INDEX NO.	PART NO.	DESCRIPTION	MODEL(S)
1	4017	BOLT (4)	XL1200NS
2	4032A	SCREW	XL1200NS

3	4748	SCREW (3)	XL1200NS
4	5414	BOLT	XL1200NS
5	6701	WASHER (4)	XL1200NS
6	6702	WASHER (6)	XL1200NS
7	7593	NUT (4)	XL1200NS
8	7862	ACORN NUT	XL1200NS
9	9955	CLAMP, shield (6)	XL1200NS
10	10800010	CLAMP, muffler shield (black) (All except Australia) (4)	XL1200NS
11	11936	GASKET	XL1200NS
12	65400206	SHIELD, muffler (black) (All except Australia) (2)	XL1200NS
13	65328-83A	FLANGE, exhaust pipe (2)	XL1200NS
14	65324-83B	GASKET, exhaust port (2)	XL1200NS
15	65325-83A	RETAINING RING, exhaust gasket (2)	XL1200NS
16	65440-06	CLAMP	XL1200NS
17	65441-06	CLAMP	XL1200NS
18	66851-07	SHIELD, upper rear exhaust pipe	XL1200NS
19	72177-07BK	HOUSING, four-way socket (black)	XL1200NS
20	72344-10	TERMINAL, socket, 22 AWG (2)	XL1200NS
21	73307-10	TERMINAL, socket, 22 AWG (2)	XL1200NS
22	10200242	SCREW (2)	XL1200NS
23	32700006	SENSOR, oxygen, with 11, 19, 20, 21 (rear)	XL1200NS
24	32700026	SENSOR, oxygen, with 11, 19, 20, 21 (front)	XL1200NS
25	65400505	SHIELD, front exhaust pipe (black)	XL1200NS
26	65400506	SHIELD, rear exhaust pipe (black)	XL1200NS
27	65900017	GASKET (Asia-Pacific, ASEAN, China, England, HDI, Japan) (2)	XL1200NS
28	65500022	BRACKET	XL1200NS
29	65500023	BRACKET	XL1200NS
30	65500025	BRACKET	XL1200NS
31	65600094	HEADER PIPE (Australia, Brazil, Canada, Domestic, India)	XL1200NS
31	65600182	HEADER PIPE (Asia-Pacific, ASEAN, China, England, HDI, Japan)	XL1200NS

32	65900012	CLAMP (2)	XL1200NS
33	64900377	MUFFLER (Domestic, California, Canada) (2)	XL1200NS
33	64900372	MUFFLER (Australia) (2)	XL1200NS
33	64900686	MUFFLER (Asia-Pacific, ASEAN) (2)	XL1200NS
33	64900373	MUFFLER (Brazil) (2)	XL1200NS
33	64900979	MUFFLER, front (China, India)	XL1200NS
33	64900981	MUFFLER, rear (China, India)	XL1200NS
33	64900291	MUFFLER (England, HDI, Japan) (2)	XL1200NS

EXHAUST SYSTEM - XL1200CX



[View interactive image](#)

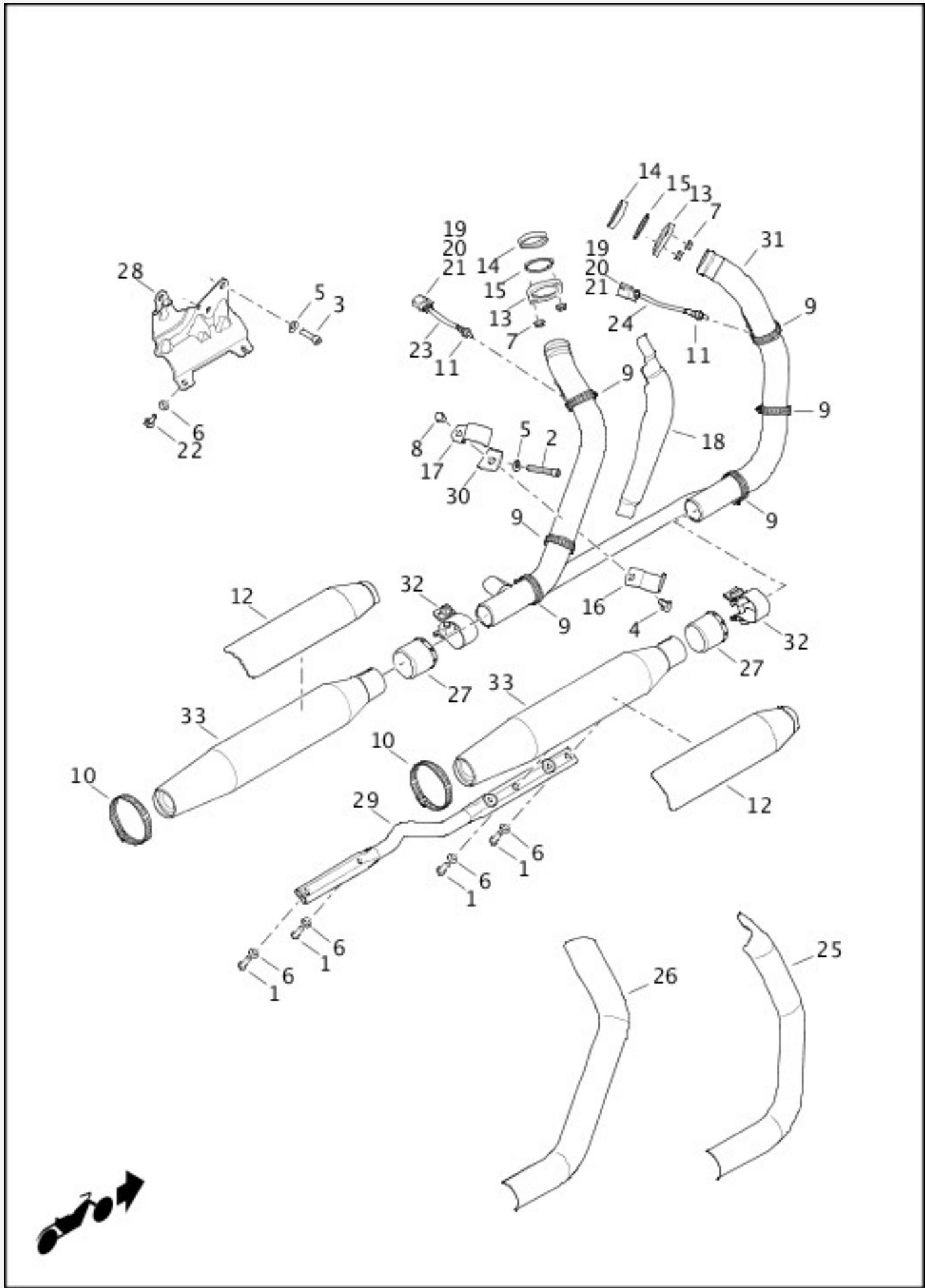
[View interactive table](#)

INDEX NO.	PART NO.	DESCRIPTION	MODEL(S)
1	4017	BOLT (4)	XL1200CX
2	4032A	SCREW	XL1200CX

3	4748	SCREW (3)	XL1200CX
4	5414	BOLT	XL1200CX
5	6701	WASHER (4)	XL1200CX
6	6702	WASHER (6)	XL1200CX
7	7593	NUT (4)	XL1200CX
8	7862	ACORN NUT	XL1200CX
9	9955	CLAMP, shield (6)	XL1200CX
10	10074	CLAMP, muffler shield (4)	XL1200CX
11	11936	GASKET	XL1200CX
12	65400227	SHIELD, muffler (black) (2)	XL1200CX
13	65328-83A	FLANGE, exhaust pipe (2)	XL1200CX
14	65324-83B	GASKET, exhaust port (2)	XL1200CX
15	65325-83A	RETAINING RING, exhaust gasket (2)	XL1200CX
16	65440-06	CLAMP	XL1200CX
17	65441-06	CLAMP	XL1200CX
18	66851-07	SHIELD, upper rear exhaust pipe	XL1200CX
19	72177-07BK	HOUSING, four-way socket (black)	XL1200CX
20	72344-10	TERMINAL, socket, 22 AWG (2)	XL1200CX
21	73307-10	TERMINAL, socket, 22 AWG (2)	XL1200CX
22	10200242	SCREW (2)	XL1200CX
23	32700006	SENSOR, oxygen, with 11, 19, 20, 21 (rear)	XL1200CX
24	32700026	SENSOR, oxygen, with 11, 19, 20, 21 (front)	XL1200CX
25	65400054	SHIELD, front exhaust pipe (chrome)	XL1200CX
26	65400055	SHIELD, rear exhaust pipe (chrome)	XL1200CX
27	65900017	GASKET (Asia-Pacific, England, HDI, Japan) (2)	XL1200CX
28	65500022	BRACKET	XL1200CX
29	65500023	BRACKET	XL1200CX
30	65500025	BRACKET	XL1200CX
31	65600094	HEADER PIPE (Canada, Domestic, India)	XL1200CX
31	65600182	HEADER PIPE (Asia-Pacific, ASEAN, China, England, HDI, Japan)	XL1200CX

32	65900012	CLAMP (2)	XL1200CX
33	64900410	MUFFLER, front (Canada, Domestic)	XL1200CX
33	64900409	MUFFLER, rear (Canada, Domestic)	XL1200CX
33	64900685	MUFFLER, front (Asia-Pacific, ASEAN)	XL1200CX
33	64900688	MUFFLER, rear (Asia-Pacific, ASEAN)	XL1200CX
33	64900978	MUFFLER, front (China, India)	XL1200CX
33	64900980	MUFFLER, rear (China, India)	XL1200CX
33	64900390	MUFFLER, front (England, HDI, Japan)	XL1200CX
33	64900389	MUFFLER, rear (England, HDI, Japan)	XL1200CX

EXHAUST SYSTEM - XL1200C, XL1200T



[View interactive image](#)

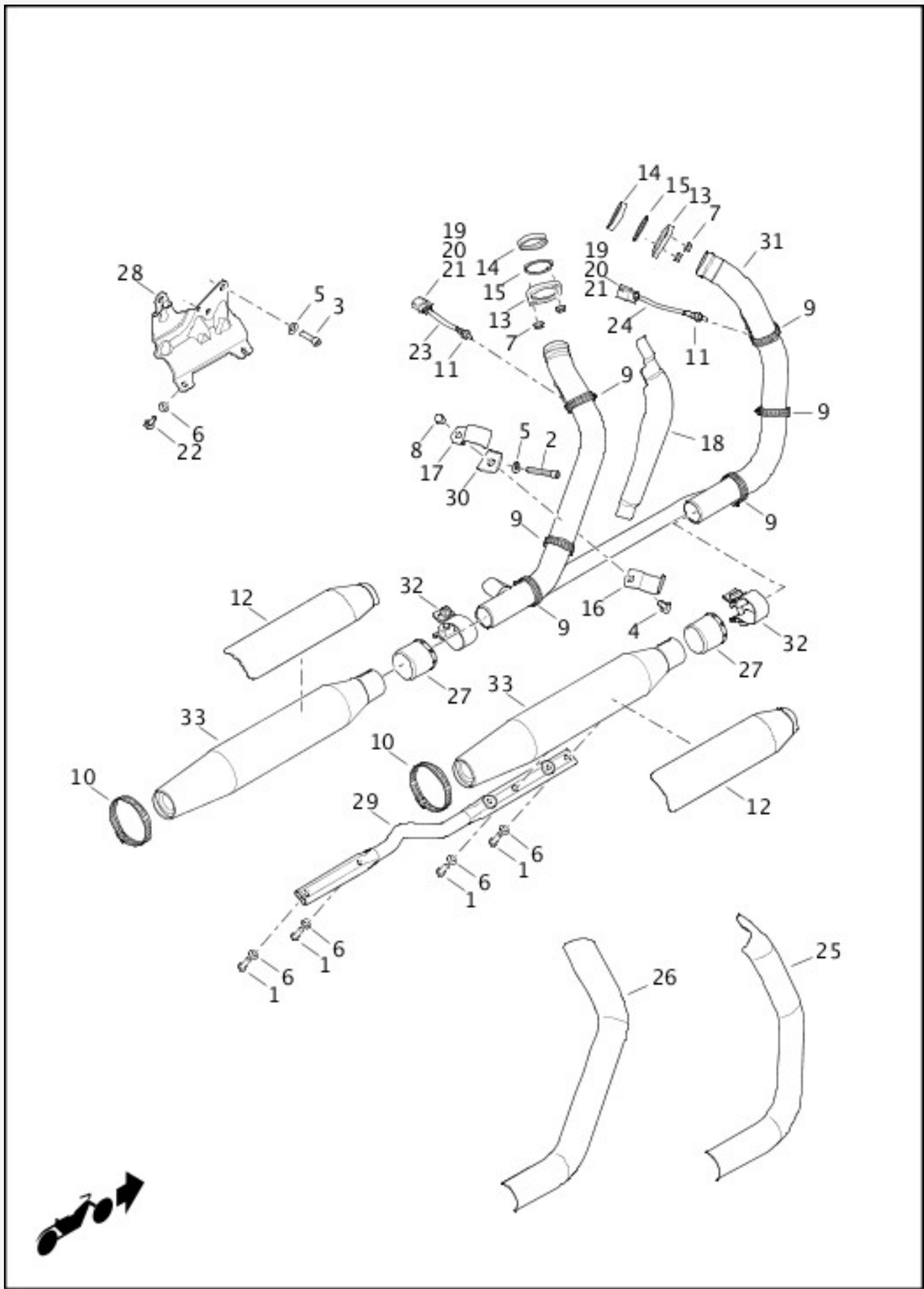
[View interactive table](#)

INDEX NO.	PART NO.	DESCRIPTION	MODEL(S)
1	4017	BOLT (4)	XL1200C, XL1200T
2	4032A	SCREW	XL1200C, XL1200T

3	4748	SCREW (3)	XL1200C, XL1200T
4	5414	BOLT	XL1200C, XL1200T
5	6701	WASHER (4)	XL1200C, XL1200T
6	6702	WASHER (6)	XL1200C, XL1200T
7	7593	NUT (4)	XL1200C, XL1200T
8	7862	ACORN NUT	XL1200C, XL1200T
9	9955	CLAMP, shield (6)	XL1200C, XL1200T
10	10074	CLAMP, muffler shield (all except Australia) (4)	XL1200C
10	10074	CLAMP, muffler shield (4)	XL1200T
11	11936	GASKET	XL1200C, XL1200T
12	65400199	SHIELD, muffler (chrome) (Asia-Pacific, India, ASEAN, China) (2)	XL1200C
12	65400199	SHIELD, muffler (chrome) (England, HDI, Japan) (2)	XL1200C
12	65400199	SHIELD, muffler (chrome) (England, HDI) (2)	XL1200T
13	65328-83A	FLANGE, exhaust pipe (2)	XL1200C, XL1200T
14	65324-83B	GASKET, exhaust port (2)	XL1200C, XL1200T
15	65325-83A	RETAINING RING, exhaust gasket (2)	XL1200C, XL1200T
16	65440-06	CLAMP	XL1200C, XL1200T
17	65441-06	CLAMP	XL1200C, XL1200T
18	66851-07	SHIELD, upper rear exhaust pipe	XL1200C, XL1200T
19	72177-07BK	HOUSING, four-way socket (black)	XL1200C, XL1200T
20	72344-10	TERMINAL, socket, 22 AWG (2)	XL1200C, XL1200T
21	73307-10	TERMINAL, socket, 22 AWG (2)	XL1200C, XL1200T
22	10200242	SCREW (2)	XL1200C, XL1200T
23	32700006	SENSOR, oxygen, with 11, 19, 20, 21 (rear)	XL1200C, XL1200T
24	32700026	SENSOR, oxygen, with 11, 19, 20, 21 (front)	XL1200C, XL1200T
25	65400054	SHIELD, front exhaust pipe (chrome)	XL1200C, XL1200T
26	65400055	SHIELD, rear exhaust pipe (chrome)	XL1200C, XL1200T
27	65900017	GASKET (HDI, England, Japan, Asia-Pacific) (2)	XL1200C
27	65900017	GASKET (2)	XL1200T
28	65500022	BRACKET	XL1200C, XL1200T

29	65500023	BRACKET	XL1200C, XL1200T
30	65500025	BRACKET	XL1200C, XL1200T
31	65600094	HEADER PIPE (Australia, India)	XL1200C
31	65600182	HEADER PIPE (Asia-Pacific, ASEAN, China, England, HDI, Japan)	XL1200C
31	65600182	HEADER PIPE	XL1200T
32	65900012	CLAMP (2)	ALL
33	64900685	MUFFLER (Asia-Pacific, ASEAN) (2)	XL1200C
33	64900162	MUFFLER (Australia) (2)	XL1200C
33	64900978	MUFFLER, front (China, India)	XL1200C
33	64900980	MUFFLER, rear (China, India)	XL1200C
33	64900272	MUFFLER (England, HDI) (2)	XL1200C, XL1200T
33	64900272	MUFFLER (Japan) (2)	XL1200C

EXHAUST SYSTEM - XL883L, XL1200X, XL1200XS (1 OF 2)



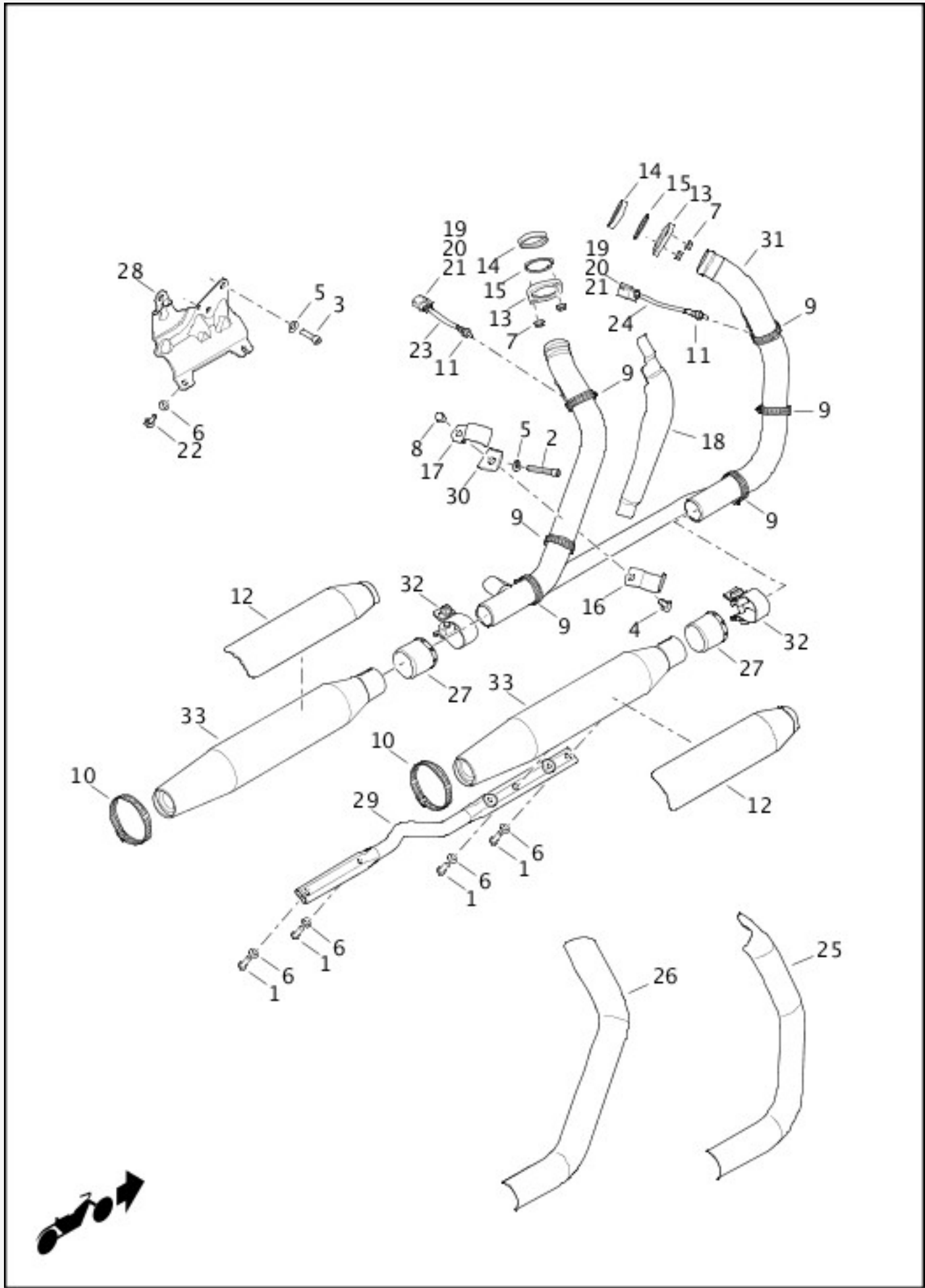
[View interactive image](#)

[View interactive table](#)

INDEX NO.	PART NO.	DESCRIPTION	MODEL(S)
1	4017	BOLT (4)	XL1200X, XL1200XS, XL883L
2	4032A	SCREW	XL1200X, XL1200XS, XL883L

3	4748	SCREW (3)	XL1200X, XL1200XS, XL883L
4	5414	BOLT	XL1200X, XL1200XS, XL883L
5	6701	WASHER (4)	XL1200X, XL1200XS, XL883L
6	6702	WASHER (6)	XL1200X, XL1200XS, XL883L
7	7593	NUT (4)	XL1200X, XL1200XS, XL883L
8	7862	ACORN NUT	XL1200X, XL1200XS, XL883L
9	9955	CLAMP, shield (6)	XL1200X, XL1200XS, XL883L
10	10074	CLAMP, muffler shield (all except Australia) (4)	XL883L
10	10800010	CLAMP, muffler shield (black) (4)	XL1200X, XL1200XS
11	11936	GASKET	XL1200X, XL1200XS, XL883L
12	65400199	SHIELD, muffler (chrome) (England, HDI, Japan) (2)	XL1200XS, XL883L
12	65400201	SHIELD, muffler (chrome, slotted) (2)	XL1200X
13	65328-83A	FLANGE, exhaust pipe (2)	XL1200X, XL1200XS, XL883L
14	65324-83B	GASKET, exhaust port (2)	XL1200X, XL1200XS, XL883L
15	65325-83A	RETAINING RING, exhaust gasket (2)	XL1200X, XL1200XS, XL883L
16	65440-06	CLAMP	XL1200X, XL1200XS, XL883L
17	65441-06	CLAMP	XL1200X, XL1200XS, XL883L
18	66851-07	SHIELD, upper rear exhaust pipe	XL883L
19	72177-07BK	HOUSING, four-way socket (black)	XL1200X, XL1200XS, XL883L
20	72344-10	TERMINAL, socket, 22 AWG (2)	XL1200X, XL1200XS, XL883L
21	73307-10	TERMINAL, socket, 22 AWG (2)	XL1200X, XL1200XS, XL883L
22	10200242	SCREW (2)	XL1200X, XL1200XS, XL883L
23	32700006	SENSOR, oxygen, with 11, 19, 20, 21 (rear)	XL1200X, XL1200XS, XL883L
24	32700026	SENSOR, oxygen, with 11, 19, 20, 21 (front)	XL1200X, XL1200XS, XL883L
25	65400054	SHIELD, front exhaust pipe (chrome)	XL1200X, XL1200XS, XL883L
26	65400055	SHIELD, rear exhaust pipe (chrome)	XL1200X, XL1200XS, XL883L
27	65900017	GASKET (Asia-Pacific, England, HDI, Japan) (2)	XL1200X, XL1200XS, XL883L

EXHAUST SYSTEM - XL883L, XL1200X, XL1200XS (2 OF 2)



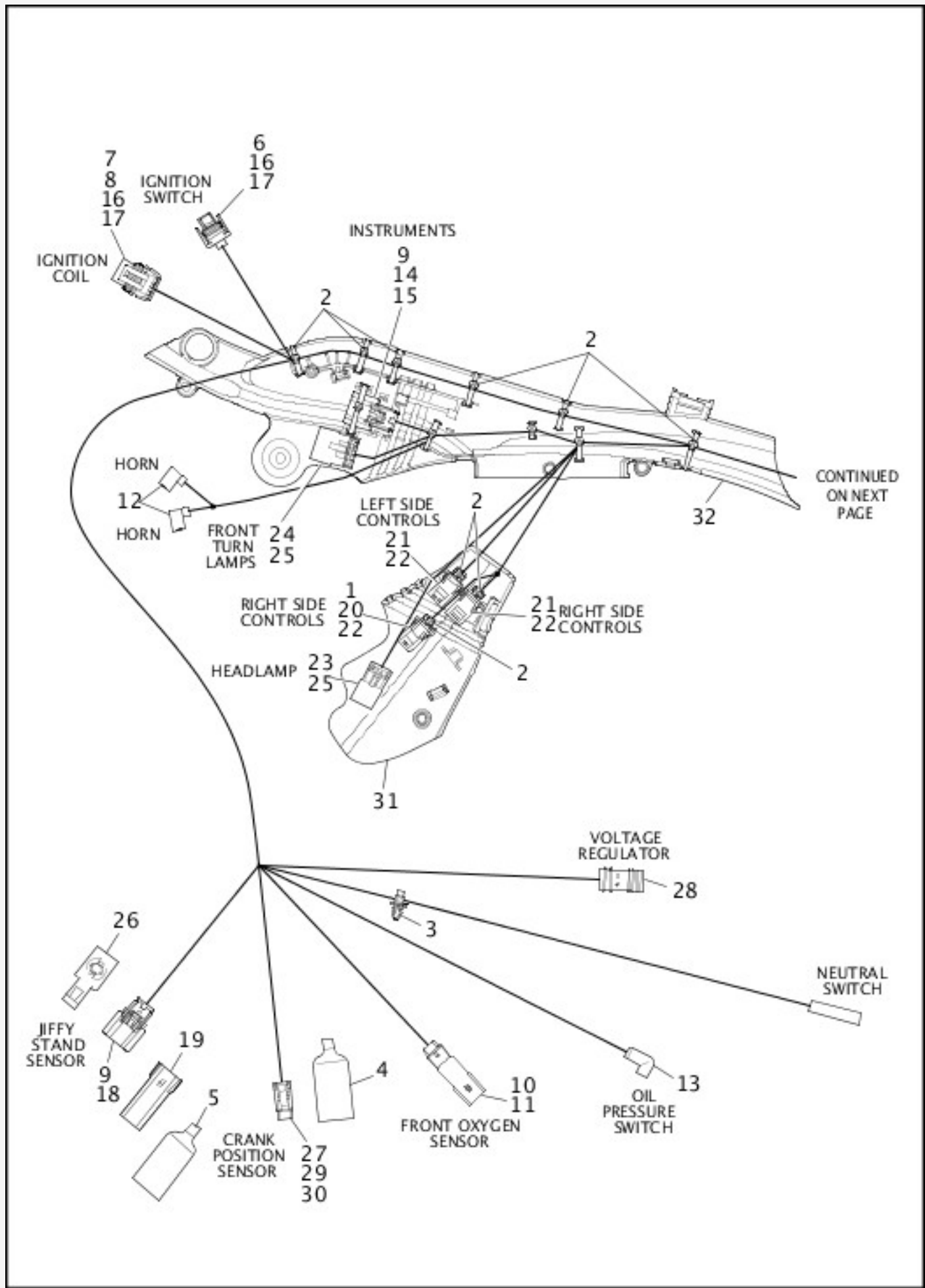
[View interactive image](#)

[View interactive table](#)

INDEX NO.	PART NO.	DESCRIPTION	MODEL(S)
28	65500022	BRACKET	XL1200X, XL1200XS, XL883L
29	65500023	BRACKET	XL1200X, XL1200XS, XL883L

30	65500025	BRACKET	XL1200X, XL1200XS, XL883L
31	65600094	HEADER PIPE (Australia, Brazil, California, Domestic, India)	XL883L
31	65600094	HEADER PIPE (Australia, California, Domestic, India)	XL1200X, XL1200XS
31	65600182	HEADER PIPE (Asia-Pacific, England, HDI, Japan)	XL1200X, XL1200XS, XL883L
32	65900012	CLAMP (2)	XL1200X, XL1200XS, XL883L
33	64900162	MUFFLER (Australia) (2)	XL883L
33	64900978	MUFFLER, front (China, India)	XL883L
33	64900980	MUFFLER, rear (China, India)	XL883L
33	64900421	MUFFLER (Asia-Pacific, ASEAN, England, HDI, Japan) (2)	XL883L
33	64900377	MUFFLER (Canada, Domestic) (2)	XL1200X
33	64900686	MUFFLER (Asia-Pacific, ASEAN) (2)	XL1200X
33	64900686	MUFFLER (Asia-Pacific) (2)	XL1200XS
33	64900372	MUFFLER (Australia) (2)	XL1200X, XL1200XS
33	64900291	MUFFLER (England, HDI, Japan) (2)	XL1200X, XL1200XS
33	64900979	MUFFLER, front (China)	XL1200X
33	64900981	MUFFLER, rear (China)	XL1200X
33	64900979	MUFFLER, front (India)	XL1200X, XL1200XS
33	64900981	MUFFLER, rear (India)	XL1200X, XL1200XS

WIRING HARNESS, MAIN, NON-ABS (1 OF 4)



[View interactive image](#)

[View interactive table](#)

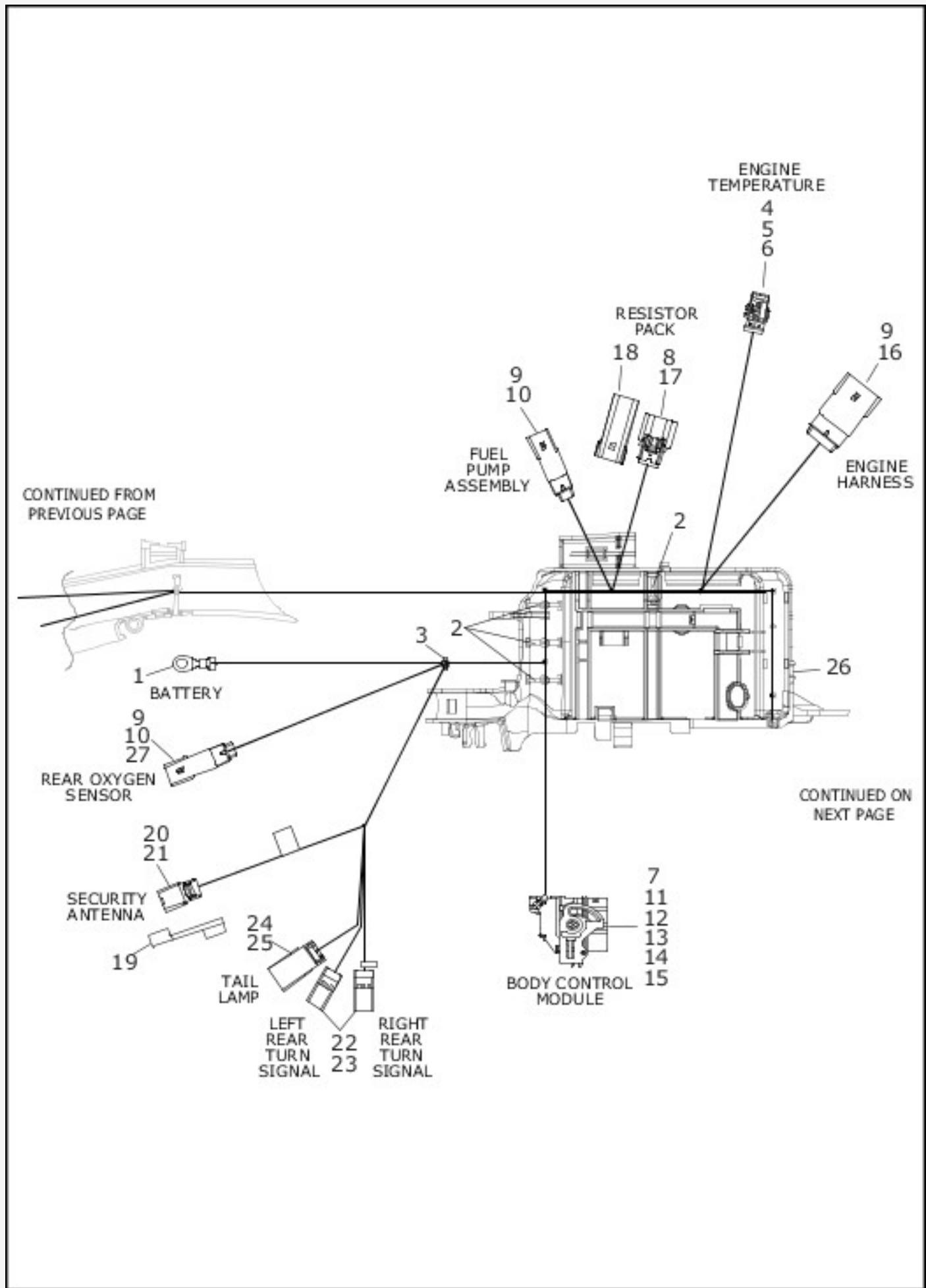
INDEX NO.	PART NO.	DESCRIPTION	MODEL(S)
	69200072B	MAIN WIRING HARNESS - NON-ABS	ALL

NOTE: Includes the following parts.

1	5118	SEAL PIN	ALL
2	10006	CABLE STRAP (13)	ALL
3	10177	CABLE STRAP	ALL
4	70598-99	BOOT, temperature sensor	ALL
5	70664-08	BOOT, jiffy stand sensor	ALL
6	72062-06	HOUSING, two-way socket (gray)	ALL
7	72066-06A	HOUSING, four-way socket (black)	ALL
8	72135-06	SECONDARY LOCK, four-way socket (gray)	ALL
9	72168-07	TERMINAL, socket, 18-20 AWG (8)	ALL
10	72169-07	TERMINAL, pin, 16-20 AWG (4)	ALL
11	72175-07BK	HOUSING, four-way pin (black) (3)	ALL
12	72283-09	TERMINAL, socket, 14-16 AWG (2)	ALL
13	72405-98BK	PUSH ON WIRE ASSEMBLY, right angle molded, with 60 in wire lead (black)	ALL
14	72414-07BK	HOUSING, six-way socket (black)	ALL
15	72473-07	SEAL PIN	ALL
16	72484-08	TERMINAL, socket, 20 AWG (6)	ALL
17	72486-08	WIRE SEAL, 20 AWG (green) (6)	ALL
18	72512-07BK	HOUSING, three-way socket (black) (2)	ALL
19	72519-09BK	DUST CAP, three-way socket (black)	ALL
20	72905-11	HOUSING, two-way pin (black)	ALL
21	72907-11	HOUSING, four-way pin (black) (2)	ALL
22	72909-11	TERMINAL, pin, 20-22 AWG (9)	ALL
23	73104-96BK	HOUSING, four-way pin (black)	ALL
24	73106-96BK	HOUSING, six-way pin (black)	ALL
25	73190-96	TERMINAL, pin, 16-20 AWG (10)	ALL
26	73213-07	RETAINER, anchored	ALL
27	74112-98BK	HOUSING, two-way socket (black)	ALL
28	74120-08	DC LEAD ASSEMBLY	ALL
29	74152-98	SECONDARY LOCK, two-way socket (orange)	ALL
30	74191-98	TERMINAL, socket, 16-20 AWG (2)	ALL

31	69200402A	WIRE HARNESS CADDY	ALL
32	69200403	WIRE HARNESS CADDY	ALL

WIRING HARNESS, MAIN, NON-ABS (2 OF 4)



[View interactive image](#)

[View interactive table](#)

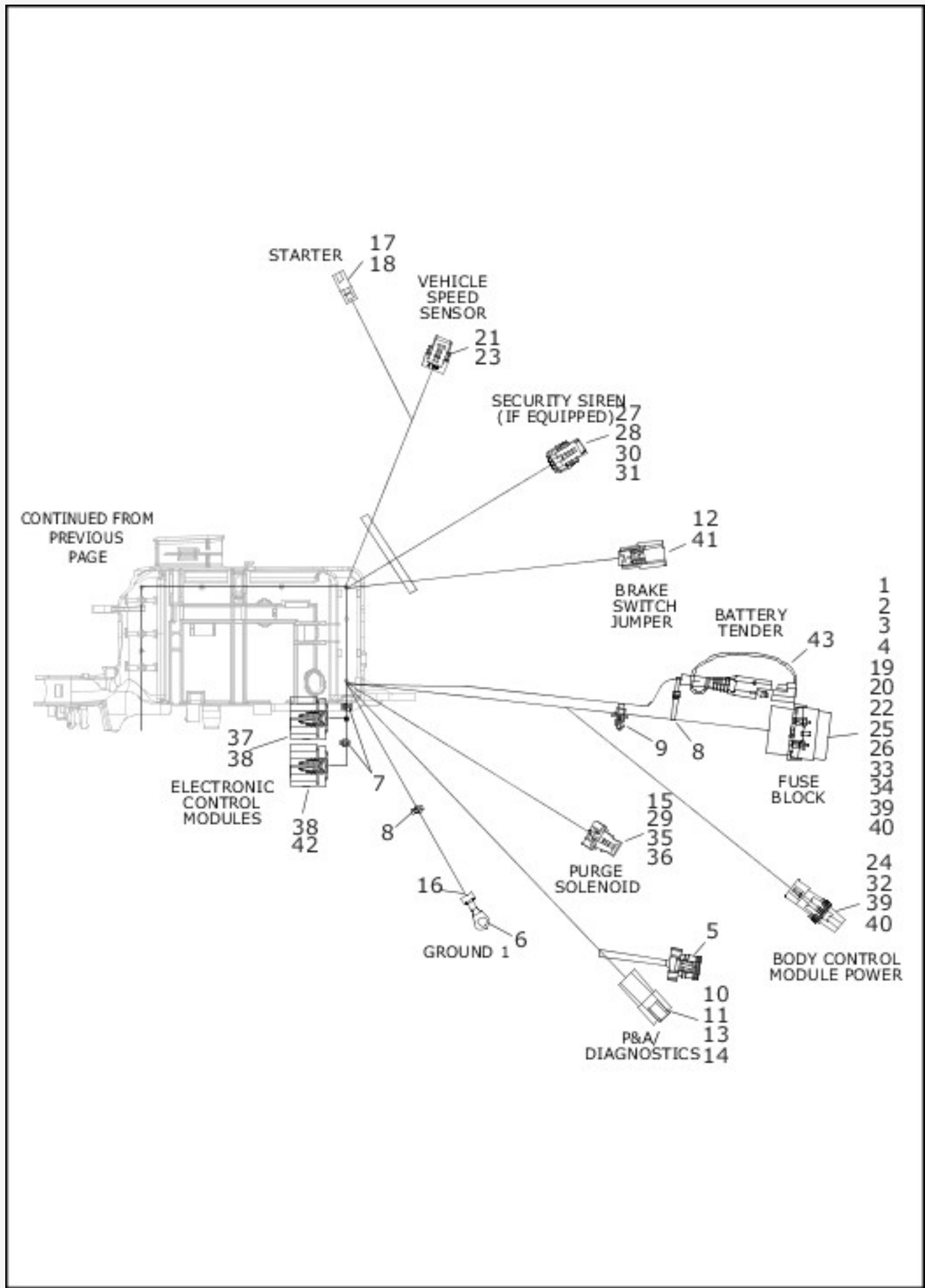
INDEX NO.	PART NO.	DESCRIPTION	MODEL(S)
	69200072B	MAIN WIRING HARNESS - NON-ABS (continued)	ALL

NOTE: Includes the following parts.

--	--	--	--

1	9838	TERMINAL RING, 1/4 in, 10-12 AWG (2)	ALL
2	10006	CABLE STRAP (6)	ALL
3	10065	CABLE STRAP	ALL
4	72007-05	HOUSING, two-way socket (black)	ALL
5	72010-05	WIRE SEAL, 22-26 AWG (green) (2)	ALL
6	72024-08	TERMINAL, socket, 20-22 AWG (2)	ALL
7	72081-11	HOUSING, 48-way socket (black)	ALL
8	72168-07	TERMINAL, socket, 18-20 AWG (3)	ALL
9	72169-07	TERMINAL, pin, 16-20 AWG (18)	ALL
10	72175-07BK	HOUSING, four-way pin (black) (2)	ALL
11	72209-11	COVER, wire	ALL
12	72222-11	TERMINAL, socket, 18-20 AWG (20)	ALL
13	72226-11	TERMINAL, socket, 14-16 AWG	ALL
14	72227-11	TERMINAL, socket, 18-20 AWG (5)	ALL
15	72256-11	SEAL PIN (10)	ALL
16	72488-07BK	HOUSING, 12-way pin (black)	ALL
17	72512-07BK	HOUSING, three-way socket (black)	ALL
18	72545-08	RESISTOR ASSEMBLY, fuel sender	ALL
19	72594-11	DUST CAP, two-way socket (black)	ALL
20	72720-07	HOUSING, two-way socket (black)	ALL
21	72721-07	TERMINAL, socket, 18-20 AWG (2)	ALL
22	72904-01BK	HOUSING, four-way pin (black) (2)	ALL
23	72990-01	TERMINAL, pin, 18-22 AWG (8)	ALL
24	73103-96BK	HOUSING, three-way pin (black)	ALL
25	73190-96	TERMINAL, pin, 16-20 AWG (3)	ALL
26	69201365	WIRE HARNESS CADDY	ALL
27	72343-10	TERMINAL, pin, 16-20 AWG	ALL

WIRING HARNESS, MAIN, NON-ABS (3 OF 4)



[View interactive image](#)

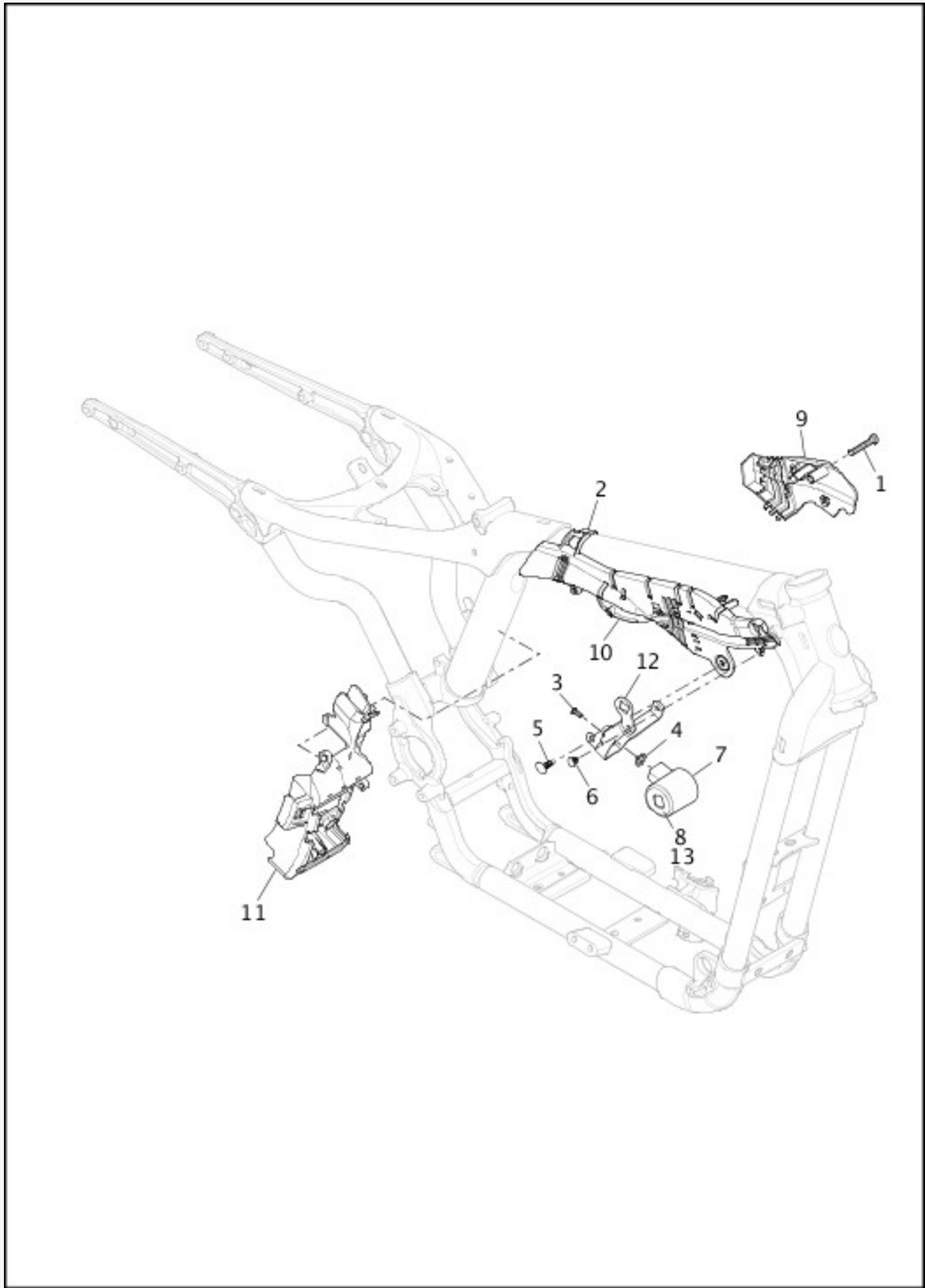
[View interactive table](#)

INDEX NO.	PART NO.	DESCRIPTION	MODEL(S)
1	72314-01	FUSE, main, 40 A	ALL
2	72595-11	SEAL, fuse cover	ALL

3	11100060	ADHESIVE LOCK	ALL
4	69200474	FUSE COVER, with 11100060	ALL
	69200072B	MAIN WIRING HARNESS - NON-ABS (continued)	ALL
NOTE: Includes the following parts.			
5	6990	WEATHER PLUG, six-way pin (black)	ALL
6	9819	TERMINAL RING, 1/4 in, 10-12 AWG	ALL
7	10006	CABLE STRAP (2)	ALL
8	10065	CABLE STRAP (2)	ALL
9	10177	CABLE STRAP	ALL
10	72106-94BK	HOUSING, six-way pin (black) (replaces gray connector)	ALL
11	72146-94	SECONDARY LOCK, six-way pin (green)	ALL
12	72168-07	TERMINAL, socket, 18-20 AWG (2)	ALL
13	72190-94	TERMINAL, pin, 16-18 AWG (3)	ALL
14	72194-94	TERMINAL, pin, 20 AWG (3)	ALL
15	72213-94	TERMINAL, socket, 16-20 AWG (2)	ALL
16	72249-94	SHRINK TUBE	ALL
17	72291-94	TERMINAL, socket, 14-16 AWG	ALL
18	72295-94	CONNECTOR, starter housing	ALL
19	72298-95	WIRE SEAL, 14-18 AWG (green) (4)	ALL
20	72308-97	TERMINAL, socket, 12-14 AWG (2)	ALL
21	72312-04	HOUSING, three-way socket (black)	ALL
22	72330-95	FUSE, 15-amp, mini (blue)	ALL
23	72335-10	TERMINAL, socket, 20-22 AWG (3)	ALL
24	72350-11	HOUSING, one-way socket (black)	ALL
25	72356-95	TERMINAL, socket, 18-20 AWG (2)	ALL
26	72462-00	FUSE, 10-amp, mini (red)	ALL
27	72484-08	TERMINAL, socket, 20 AWG (3)	ALL
28	72486-08	WIRE SEAL, 20 AWG (green) (3)	ALL
29	72518-01	HOUSING, two-way socket (red)	ALL
30	72543-07BK	HOUSING, three-way socket (black)	ALL

31	72544-07	SECONDARY LOCK, three-way socket (black)	ALL
32	72575-11	SECONDARY LOCK, one-way socket (black)	ALL
33	72582-11	FUSEBLOCK, main fuse	ALL
34	72587-11	SECONDARY LOCK, fuseblock, main fuse	ALL
35	72609-08	SECONDARY LOCK, two-way socket	ALL
36	72610-08	WIRE SEAL, 18-20 AWG (white) (2)	ALL
37	72664-12A	HOUSING, 18-way socket (black)	ALL
38	72666-12	TERMINAL, socket, 18-20 AWG (30)	ALL
39	73304-04	TERMINAL, socket, 10 AWG (3)	ALL
40	73305-04	WIRE SEAL, 10 AWG (blue) (3)	ALL
41	69200271	HOUSING, two-way socket (black)	ALL
42	69201131	HOUSING, 18-way socket (gray)	ALL
43	69200212	CONNECTOR, battery tender	ALL

WIRING HARNESS, MAIN, NON-ABS (4 OF 4)



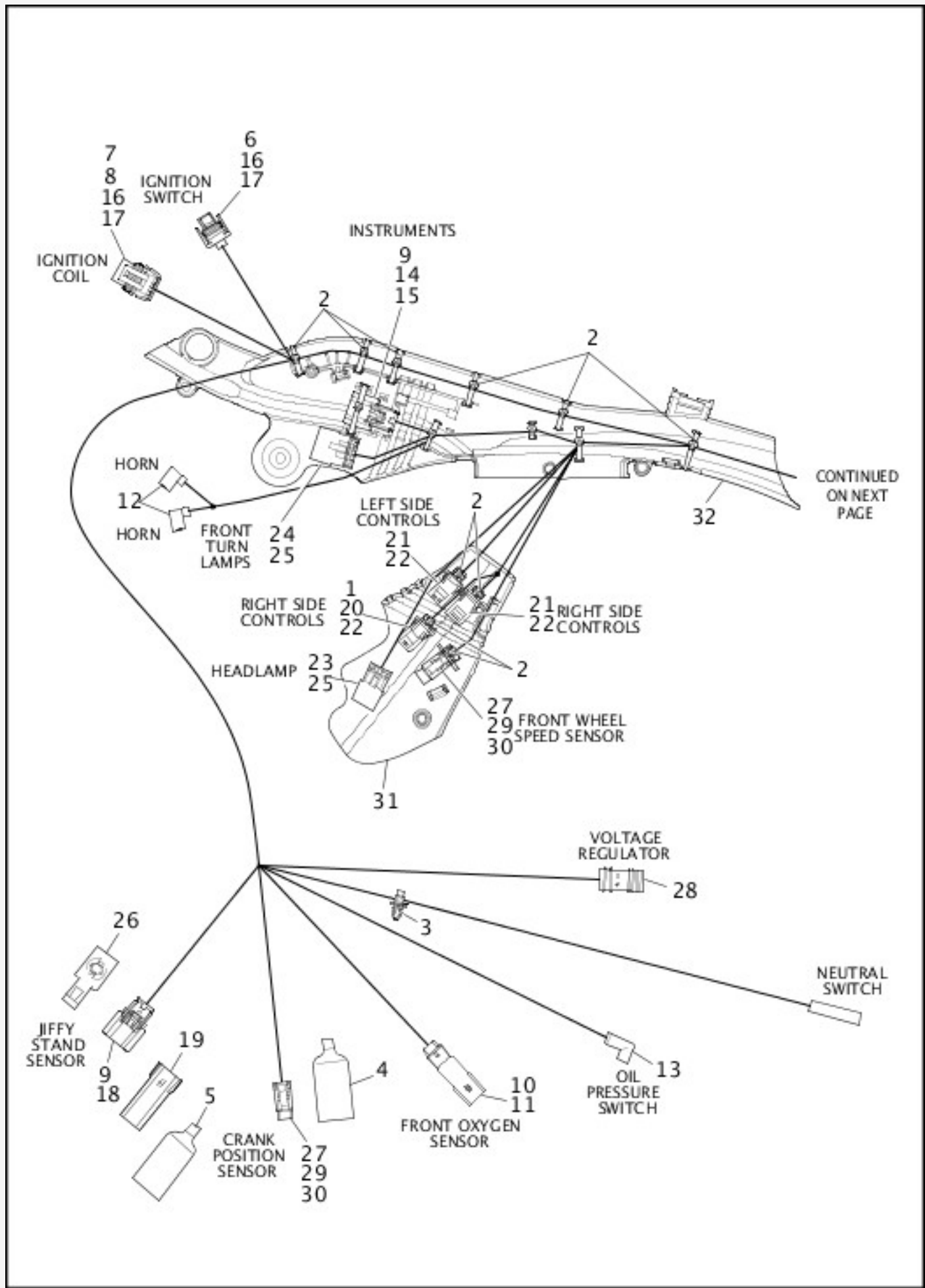
[View interactive image](#)

[View interactive table](#)

INDEX NO.	PART NO.	DESCRIPTION	MODEL(S)
1	3123	SCREW	ALL
2	70640-07	CLIP, caddy	ALL

	69200072B	MAIN WIRING HARNESS - NON-ABS (continued)	ALL
NOTE: Includes the following parts.			
3	3124	SCREW	ALL
4	7220	LOCKWASHER	ALL
5	11778	FASTENER, push in	ALL
6	11785	FASTENER, push in	ALL
7	71510-04	HOUSING, ignition switch	ALL
8	71550-94	LABEL, ignition switch	ALL
9	69200402A	WIRE HARNESS CADDY	ALL
10	69200403	WIRE HARNESS CADDY	ALL
11	69201365	WIRE HARNESS CADDY	ALL
12	69200456	IGNITION SWITCH BRACKET	ALL
13	90300050	FACE NUT	ALL

WIRING HARNESS, MAIN, ABS (1 OF 4)



[View interactive image](#)

[View interactive table](#)

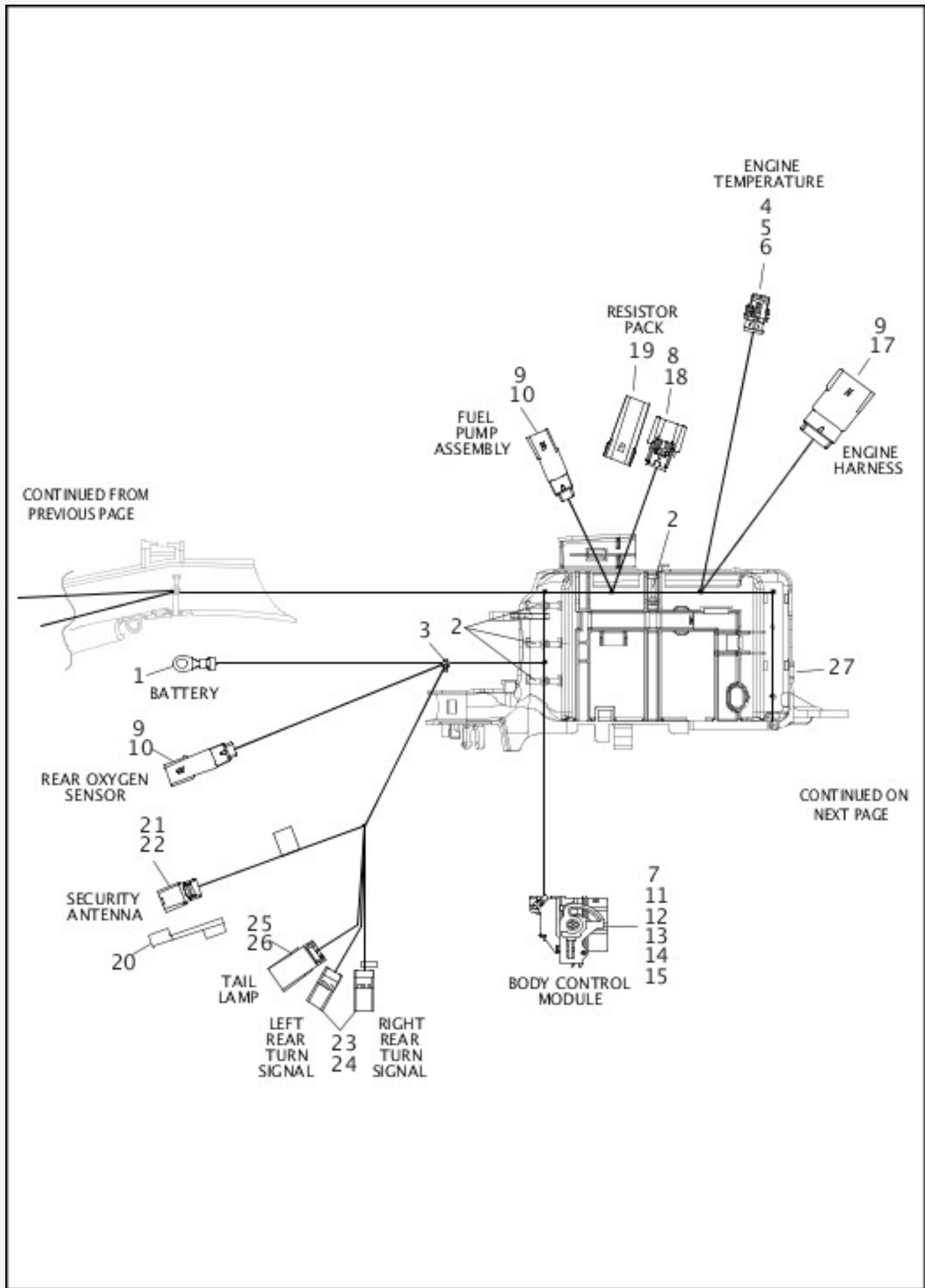
INDEX NO.	PART NO.	DESCRIPTION	MODEL(S)
	69200073B	MAIN WIRING HARNESS - ABS	ALL

NOTE: Includes the following parts.

1	5118	SEAL PIN	ALL
2	10006	CABLE STRAP (14)	ALL
3	10177	CABLE STRAP	ALL
4	70598-99	BOOT, temperature sensor	ALL
5	70664-08	BOOT, jiffy stand sensor	ALL
6	72062-06	HOUSING, two-way socket (gray)	ALL
7	72066-06A	HOUSING, four-way socket (black)	ALL
8	72135-06	SECONDARY LOCK, four-way socket (gray)	ALL
9	72168-07	TERMINAL, socket, 18-20 AWG (8)	ALL
10	72169-07	TERMINAL, pin, 16-20 AWG (4)	ALL
11	72175-07BK	HOUSING, four-way pin (black) (3)	ALL
12	72283-09	TERMINAL, socket, 14-16 AWG (2)	ALL
13	72405-98BK	PUSH ON WIRE ASSEMBLY, right angle molded, with 60 in wire lead (black)	ALL
14	72414-07BK	HOUSING, six-way socket (black)	ALL
15	72473-07	SEAL PIN	ALL
16	72484-08	TERMINAL, socket, 20 AWG (6)	ALL
17	72486-08	WIRE SEAL, 20 AWG (green) (6)	ALL
18	72512-07BK	HOUSING, three-way socket (black) (2)	ALL
19	72519-09BK	DUST CAP, three-way socket (black)	ALL
20	72905-11	HOUSING, two-way pin (black)	ALL
21	72907-11	HOUSING, four-way pin (black) (2)	ALL
22	72909-11	TERMINAL, pin, 20-22 AWG (9)	ALL
23	73104-96BK	HOUSING, four-way pin (black)	ALL
24	73106-96BK	HOUSING, six-way pin (black)	ALL
25	73190-96	TERMINAL, pin, 16-20 AWG (8)	ALL
26	73213-07	RETAINER, anchored	ALL
27	74112-98BK	HOUSING, two-way socket (black) (2)	ALL
28	74120-08	DC LEAD ASSEMBLY	ALL
29	74152-98	SECONDARY LOCK, two-way socket (orange) (2)	ALL
30	74191-98	TERMINAL, socket, 16-20 AWG (4)	ALL

31	69200402A	WIRE HARNESS CADDY	ALL
32	69200403	WIRE HARNESS CADDY	ALL

WIRING HARNESS, MAIN, ABS (2 OF 4)



[View interactive image](#)

[View interactive table](#)

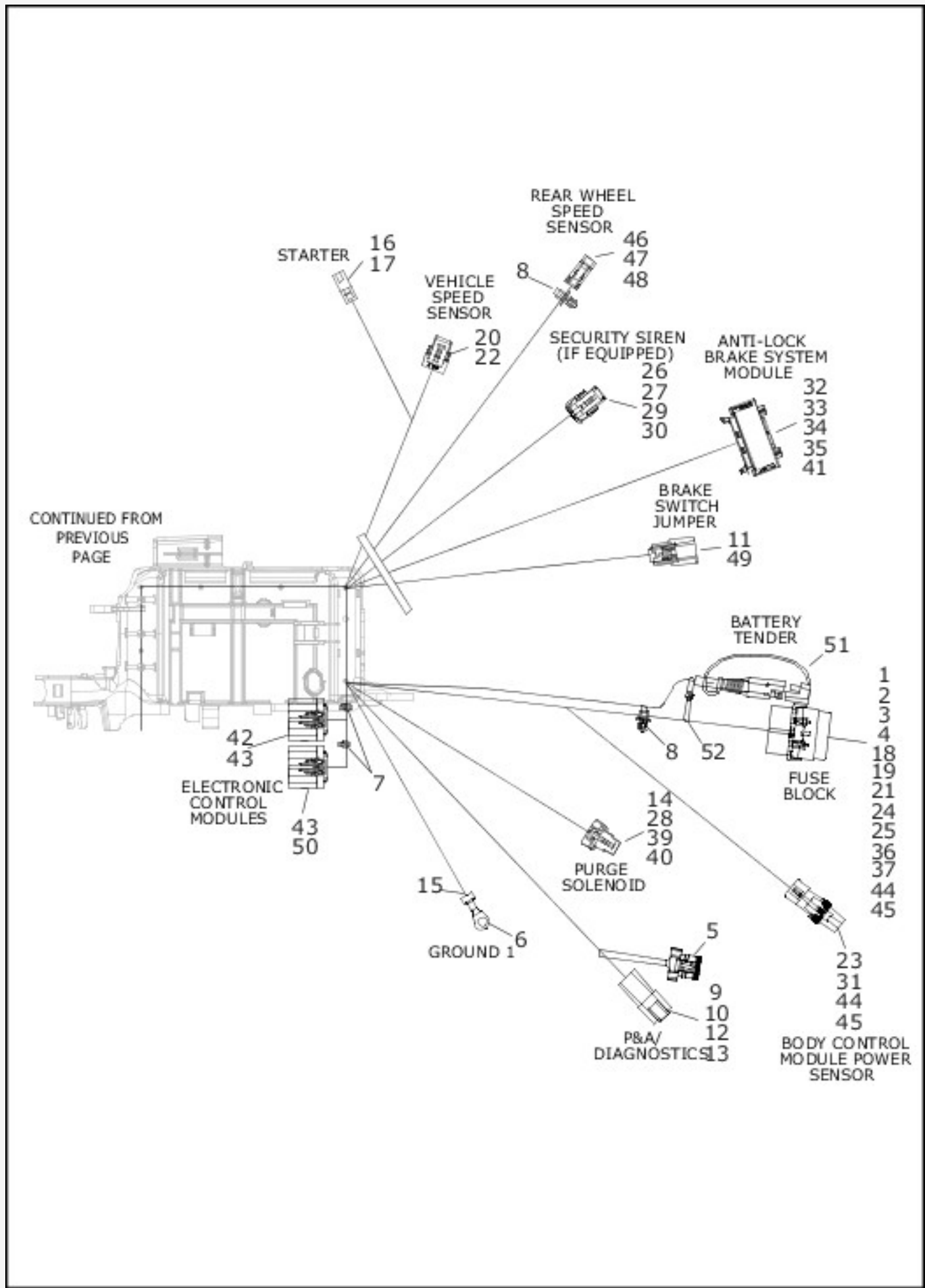
INDEX NO.	PART NO.	DESCRIPTION	MODEL(S)
	69200073B	MAIN WIRING HARNESS - ABS (continued)	ALL

NOTE: Includes the following parts.

--	--	--	--

1	9838	TERMINAL RING, 1/4 in, 10-12 AWG	ALL
2	10006	CABLE STRAP (6)	ALL
3	10065	CABLE STRAP	ALL
4	72007-05	HOUSING, two-way socket (black)	ALL
5	72010-05	WIRE SEAL, 22-26 AWG (green) (2)	ALL
6	72024-08	TERMINAL, socket, 20-22 AWG (2)	ALL
7	72081-11	HOUSING, 48-way socket (black)	ALL
8	72168-07	TERMINAL, socket, 18-20 AWG (3)	ALL
9	72169-07	TERMINAL, pin, 16-20 AWG (18)	ALL
10	72175-07BK	HOUSING, four-way pin (black) (2)	ALL
11	72209-11	COVER, wire	ALL
12	72222-11	TERMINAL, socket, 18-20 AWG (20)	ALL
13	72226-11	TERMINAL, socket, 14-16 AWG	ALL
14	72227-11	TERMINAL, socket, 18-20 AWG (5)	ALL
15	72256-11	SEAL PIN (10)	ALL
16	72343-10	TERMINAL, pin, 16-20 AWG (gold) (2)	ALL
17	72488-07BK	HOUSING, 12-way pin (black)	ALL
18	72512-07BK	HOUSING, three-way socket (black)	ALL
19	72545-08	RESISTOR ASSEMBLY, fuel sender	ALL
20	72594-11	DUST CAP, two-way socket (black)	ALL
21	72720-07	HOUSING, two-way socket (black)	ALL
22	72721-07	TERMINAL, socket, 18-20 AWG (2)	ALL
23	72904-01BK	HOUSING, four-way pin (black) (2)	ALL
24	72990-01	TERMINAL, pin, 18-22 AWG (8)	ALL
25	73103-96BK	HOUSING, three-way pin (black)	ALL
26	73190-96	TERMINAL, pin, 16-20 AWG (3)	ALL
27	69201365	WIRE HARNESS CADDY	ALL

WIRING HARNESS, MAIN, ABS (3 OF 4)



[View interactive image](#)

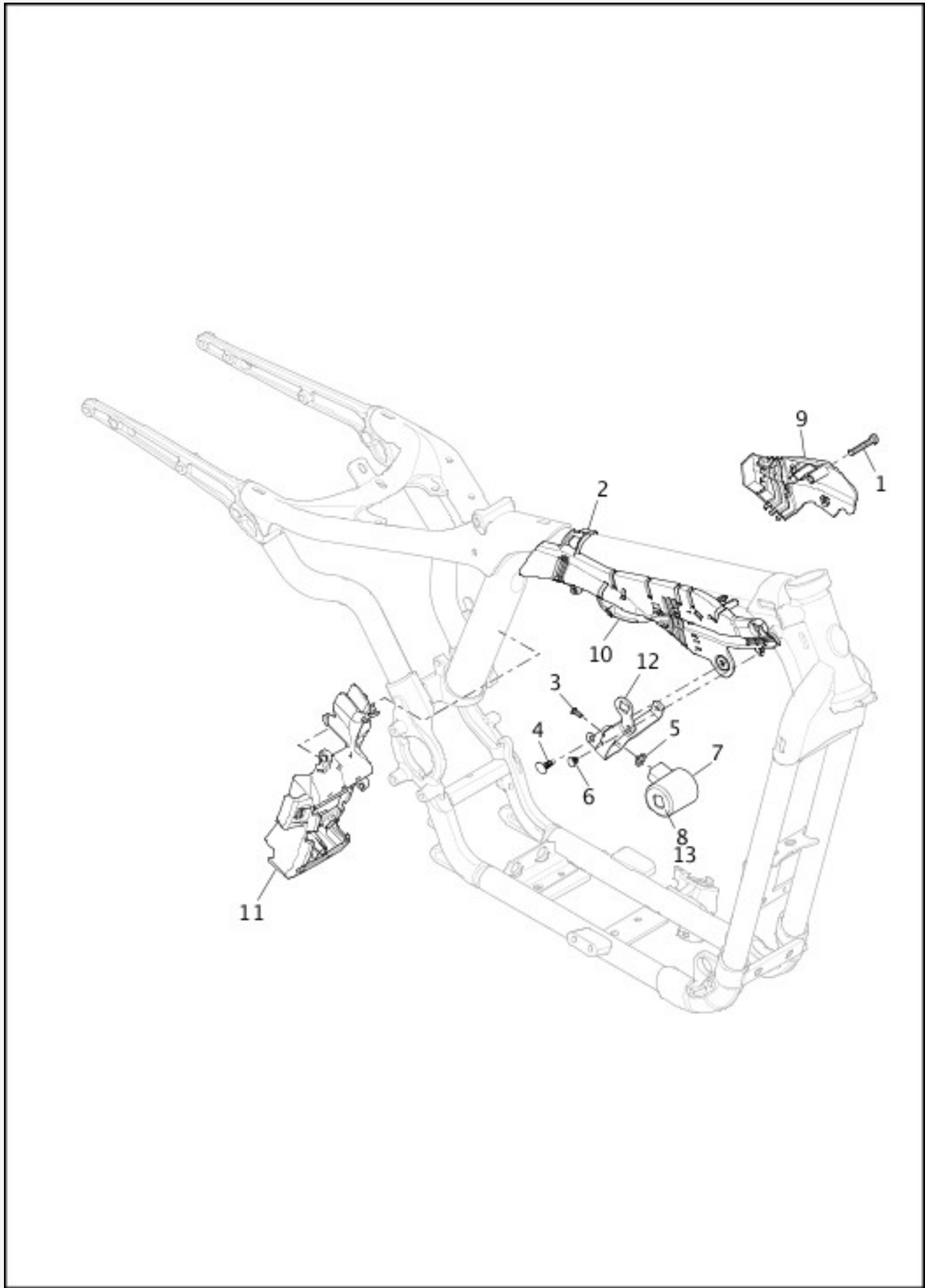
[View interactive table](#)

INDEX NO.	PART NO.	DESCRIPTION	MODEL(S)
1	72314-01	FUSE, main, 40 A	ALL
2	72595-11	SEAL, fuse cover	ALL

3	11100060	ADHESIVE LOCK	ALL
4	69200474	FUSE COVER, with 11100060	ALL
	69200073B	MAIN WIRING HARNESS - ABS (continued)	ALL
NOTE: Includes the following parts.			
5	6990	WEATHER PLUG, six-way pin (black)	ALL
6	9838	TERMINAL RING, 1/4 in, 10-12 AWG (2)	ALL
7	10006	CABLE STRAP (2)	ALL
8	10177	CABLE STRAP (2)	ALL
9	72106-94BK	HOUSING, six-way pin (black) (replaces gray connector)	ALL
10	72146-94	SECONDARY LOCK, six-way pin (green)	ALL
11	72168-07	TERMINAL, socket, 18-20 AWG (2)	ALL
12	72190-94	TERMINAL, pin, 16-18 AWG (3)	ALL
13	72194-94	TERMINAL, pin, 20 AWG (3)	ALL
14	72213-94	TERMINAL, socket, 16-20 AWG (2)	ALL
15	72249-94	SHRINK TUBE	ALL
16	72291-94	TERMINAL, socket, 14-16 AWG	ALL
17	72295-94	CONNECTOR, starter housing	ALL
18	72298-95	WIRE SEAL, 14-18 AWG (green) (4)	ALL
19	72308-97	TERMINAL, socket, 12-14 AWG (2)	ALL
20	72312-04	HOUSING, three-way socket (black)	ALL
21	72330-95	FUSE, 15 A (blue)	ALL
22	72335-10	TERMINAL, socket, 20-22 AWG (3)	ALL
23	72350-11	HOUSING, one-way socket (black)	ALL
24	72356-95	TERMINAL, socket, 18-20 AWG (2)	ALL
25	72462-00	FUSE, 10 A (red)	ALL
26	72484-08	TERMINAL, socket, 20 AWG (3)	ALL
27	72486-08	WIRE SEAL, 20 AWG (green) (3)	ALL
28	72518-01	HOUSING, two-way socket (red)	ALL
29	72543-07BK	HOUSING, three-way socket (black)	ALL
30	72544-07	SECONDARY LOCK, three-way socket (black)	ALL

31	72575-11	SECONDARY LOCK, one-way socket (black)	ALL
32	72577-12	SECONDARY LOCK (red)	ALL
33	72578-12	HOUSING, 18-way socket (black)	ALL
34	72579-12	TERMINAL, socket, 14-16 AWG (4)	ALL
35	72580-12	TERMINAL, socket, 18-20 AWG (7)	ALL
36	72582-11	FUSEBLOCK, main fuse	ALL
37	72587-11	SECONDARY LOCK, main fuse	ALL
38	72594-11	DUST CAP, two-way socket (black)	ALL
39	72609-08	SECONDARY LOCK, two-way socket	ALL
40	72610-08	WIRE SEAL, 18-20 AWG (white) (2)	ALL
41	72633-02	WIRE SEAL, 14-16 AWG (white) (4)	ALL
42	72664-12A	HOUSING, 18-way socket (black)	ALL
43	72666-12	TERMINAL, socket, 18-20 AWG (30)	ALL
44	73304-04	TERMINAL, socket, 10 AWG (3)	ALL
45	73305-04	WIRE SEAL, 10 AWG (blue) (3)	ALL
46	74112-98BK	HOUSING, two-way socket (black)	ALL
47	74152-98	SECONDARY LOCK, two-way socket	ALL
48	74191-98	TERMINAL, socket, 16-20 AWG (2)	ALL
49	69200271	HOUSING, two-way socket (black)	ALL
50	69201131	HOUSING, 18-way socket (gray)	ALL
51	69200212	CONNECTOR, battery tender	ALL
52	10065	CABLE STRAP (2)	ALL

WIRING HARNESS, MAIN, ABS (4 OF 4)



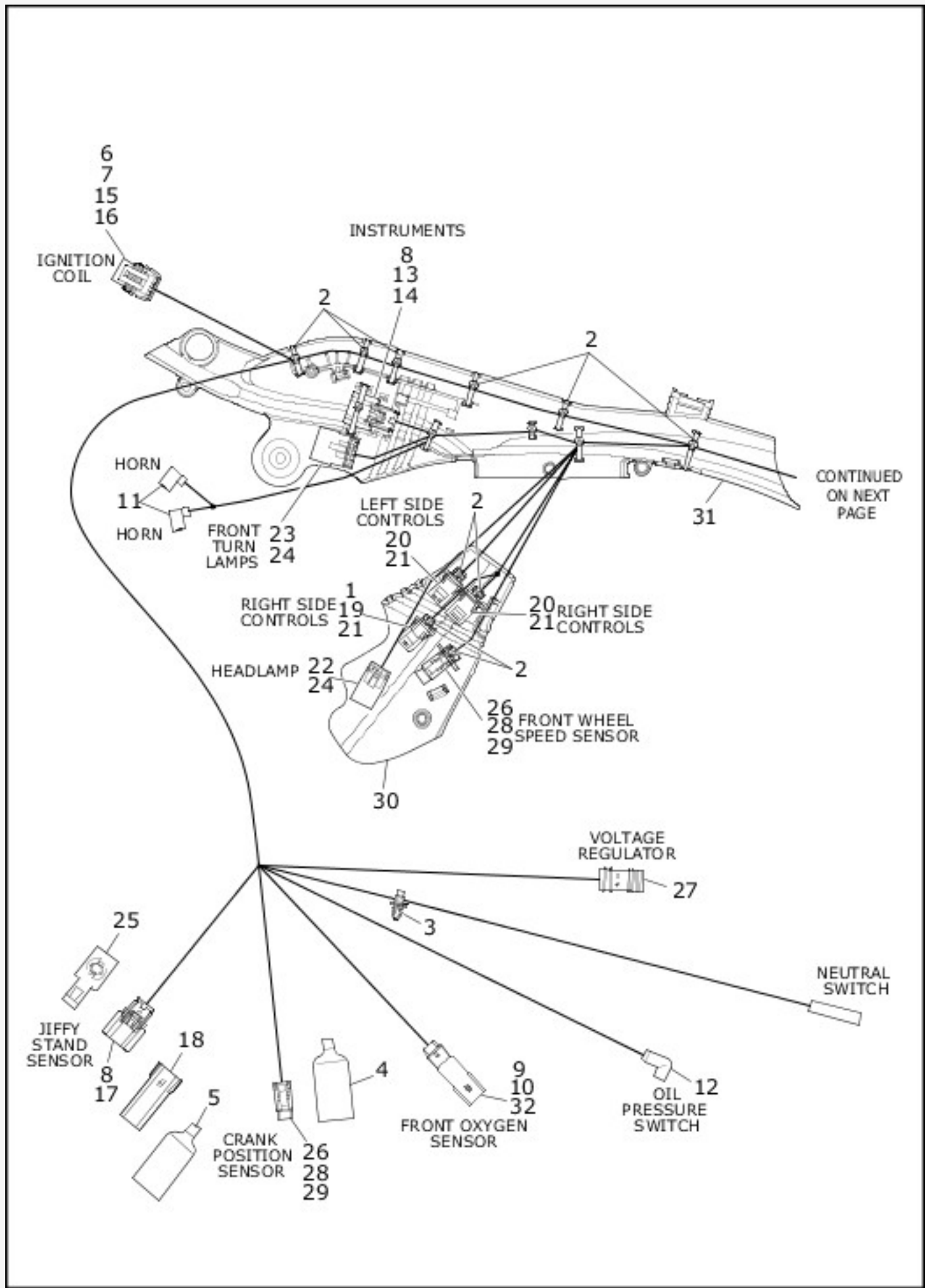
[View interactive image](#)

[View interactive table](#)

INDEX NO.	PART NO.	DESCRIPTION	MODEL(S)
1	3123	SCREW	ALL
2	70640-07	CLIP, caddy	ALL

	69200073B	MAIN WIRING HARNESS - ABS (continued)	ALL
NOTE: Includes the following parts.			
3	3124	SCREW	ALL
4	11778	FASTENER, push in	ALL
5	7220	LOCKWASHER	ALL
6	11785	FASTENER, push in	ALL
7	71510-04	HOUSING, ignition switch	ALL
8	71550-94	LABEL, ignition switch	ALL
9	69200402A	WIRE HARNESS CADDY	ALL
10	69200403	WIRE HARNESS CADDY	ALL
11	69201365	WIRE HARNESS CADDY	ALL
12	69200456	IGNITION SWITCH BRACKET	ALL
13	90300050	FACE NUT	ALL

WIRING HARNESS, MAIN, KEYLESS, ABS (1 OF 4)



[View interactive image](#)

[View interactive table](#)

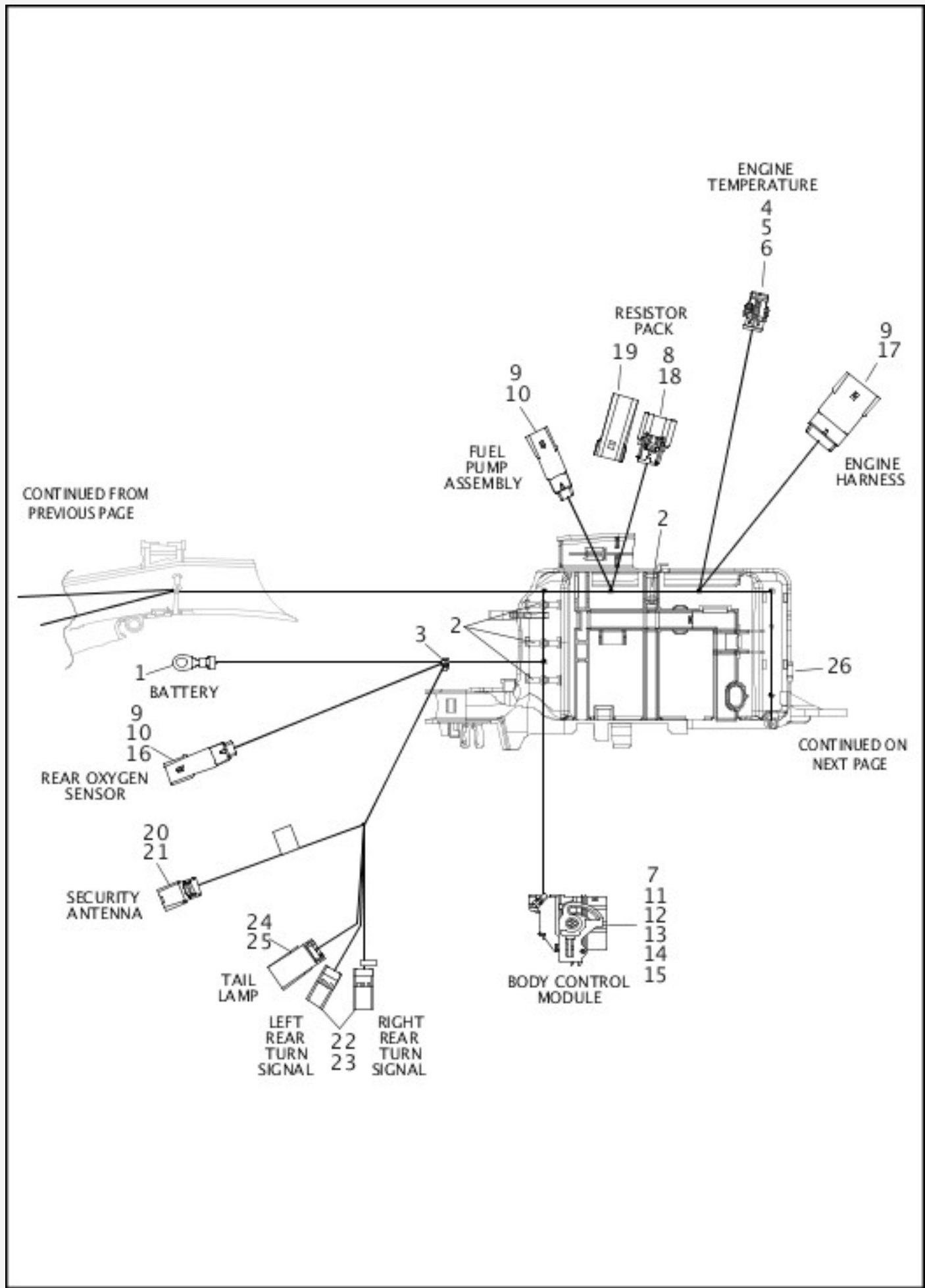
INDEX NO.	PART NO.	DESCRIPTION	MODEL(S)
	69200479B	MAIN WIRING HARNESS - KEYLESS, ABS	ALL

NOTE: Includes the following parts.

1	5118	SEAL PIN	ALL
2	10006	CABLE STRAP (14)	ALL
3	10177	CABLE STRAP	ALL
4	70598-99	BOOT, temperature sensor	ALL
5	70664-08	BOOT, jiffy stand sensor	ALL
6	72066-06A	HOUSING, four-way socket (black)	ALL
7	72135-06	SECONDARY LOCK, four-way socket (gray)	ALL
8	72168-07	TERMINAL, socket, 18-20 AWG (8)	ALL
9	72169-07	TERMINAL, pin, 16-20 AWG (2)	ALL
10	72175-07BK	HOUSING, four-way pin (black)	ALL
11	72283-09	TERMINAL, socket, 14-16 AWG (2)	ALL
12	72405-98BK	PUSH ON WIRE ASSEMBLY, right angle molded, with 60 in wire lead (black)	ALL
13	72414-07BK	HOUSING, six-way socket (black)	ALL
14	72473-07	SEAL PIN	ALL
15	72484-08	TERMINAL, socket, 20 AWG (4)	ALL
16	72486-08	WIRE SEAL, 20 AWG (green) (4)	ALL
17	72512-07BK	HOUSING, three-way socket (black)	ALL
18	72519-09BK	DUST CAP, three-way socket (black)	ALL
19	72905-11	HOUSING, two-way pin (black)	ALL
20	72907-11	HOUSING, four-way pin (black) (2)	ALL
21	72909-11	TERMINAL, pin, 20-22 AWG (9)	ALL
22	73104-96BK	HOUSING, four-way pin (black)	ALL
23	73106-96BK	HOUSING, six-way pin (black)	ALL
24	73190-96	TERMINAL, pin, 16-20 AWG (10)	ALL
25	73213-07	RETAINER, anchored	ALL
26	74112-98BK	HOUSING, two-way socket (black) (2)	ALL
27	74120-08	DC LEAD ASSEMBLY	ALL
28	74152-98	SECONDARY LOCK, two-way socket (orange) (2)	ALL
29	74191-98	TERMINAL, socket, 16-20 AWG (4)	ALL
30	69200402A	WIRE HARNESS CADDY	ALL

31	69200403	WIRE HARNESS CADDY	ALL
32	72343-10	TERMINAL, pin, 16-20 AWG (2)	ALL

WIRING HARNESS, MAIN, KEYLESS, ABS (2 OF 4)



[View interactive image](#)

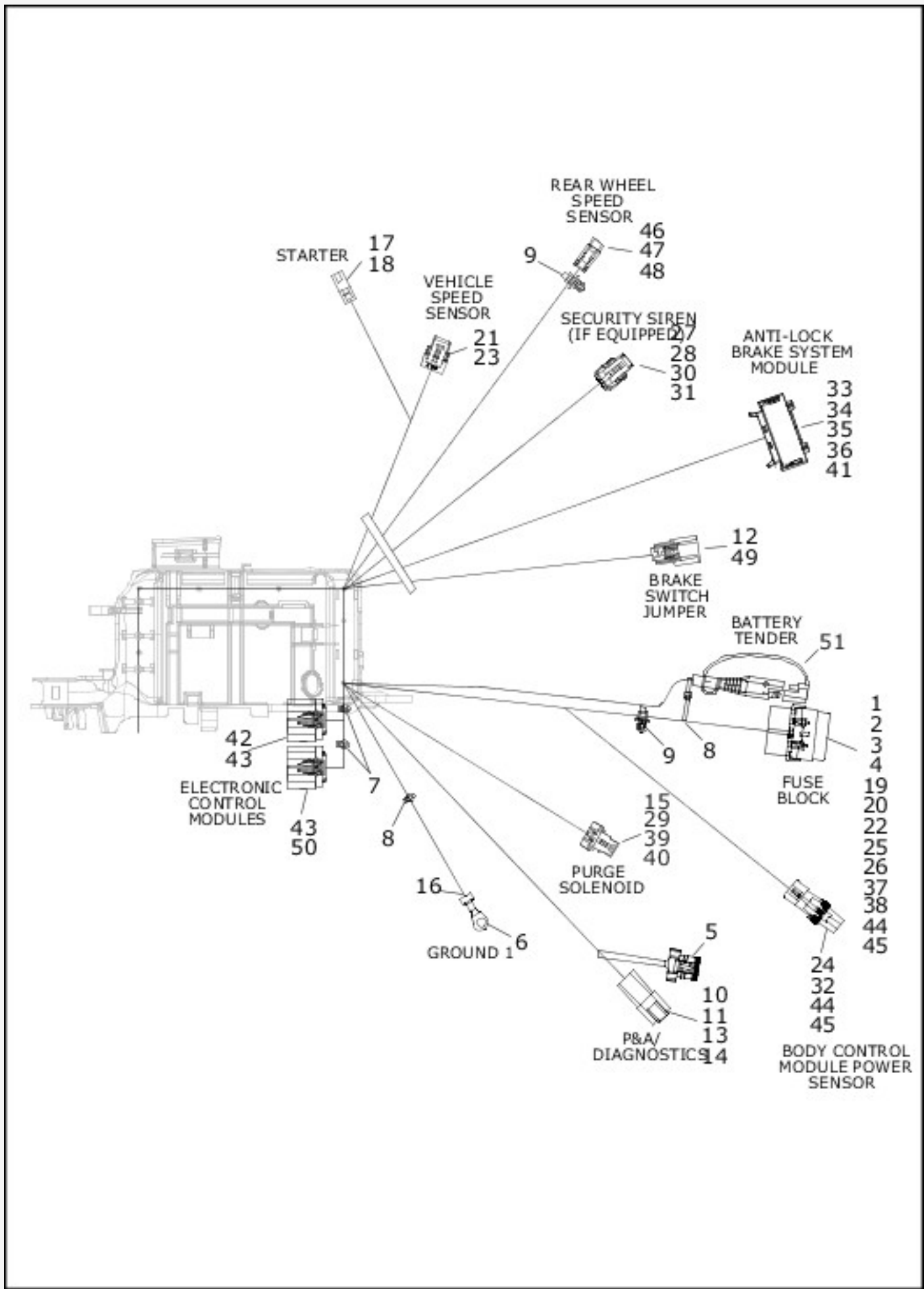
[View interactive table](#)

INDEX NO.	PART NO.	DESCRIPTION	MODEL(S)
	69200479B	MAIN WIRING HARNESS - KEYLESS, ABS (continued)	ALL

NOTE: Includes the following parts.

1	9838	TERMINAL RING, 1/4 in, 10-12 AWG	ALL
2	10006	CABLE STRAP (6)	ALL
3	10065	CABLE STRAP	ALL
4	72007-05	HOUSING, two-way socket (black)	ALL
5	72010-05	WIRE SEAL, 22-26 AWG (green) (2)	ALL
6	72024-08	TERMINAL, socket, 20-22 AWG (2)	ALL
7	72081-11	HOUSING, 48-way socket (black)	ALL
8	72168-07	TERMINAL, socket, 18-20 AWG (3)	ALL
9	72169-07	TERMINAL, pin, 16-20 AWG (18)	ALL
10	72175-07BK	HOUSING, four-way pin (black) (2)	ALL
11	72209-11	COVER, wire	ALL
12	72222-11	TERMINAL, socket, 18-20 AWG (19)	ALL
13	72226-11	TERMINAL, socket, 14-16 AWG	ALL
14	72227-11	TERMINAL, socket, 18-20 AWG (5)	ALL
15	72256-11	SEAL PIN (11)	ALL
16	72343-10	TERMINAL, pin, 16-20 AWG (gold) (2)	ALL
17	72488-07BK	HOUSING, 12-way pin (black)	ALL
18	72512-07BK	HOUSING, three-way socket (black) (2)	ALL
19	72545-08	RESISTOR ASSEMBLY, fuel sender	ALL
20	72720-07	HOUSING, two-way socket (black)	ALL
21	72721-07	TERMINAL, socket, 18-20 AWG (2)	ALL
22	72904-01BK	HOUSING, four-way pin (black) (2)	ALL
23	72990-01	TERMINAL, pin, 18-22 AWG (8)	ALL
24	73103-96BK	HOUSING, three-way pin (black)	ALL
25	73190-96	TERMINAL, pin, 16-20 AWG (3)	ALL
26	69201365	WIRE HARNESS CADDY	ALL

WIRING HARNESS, MAIN, KEYLESS, ABS (3 OF 4)



[View interactive image](#)

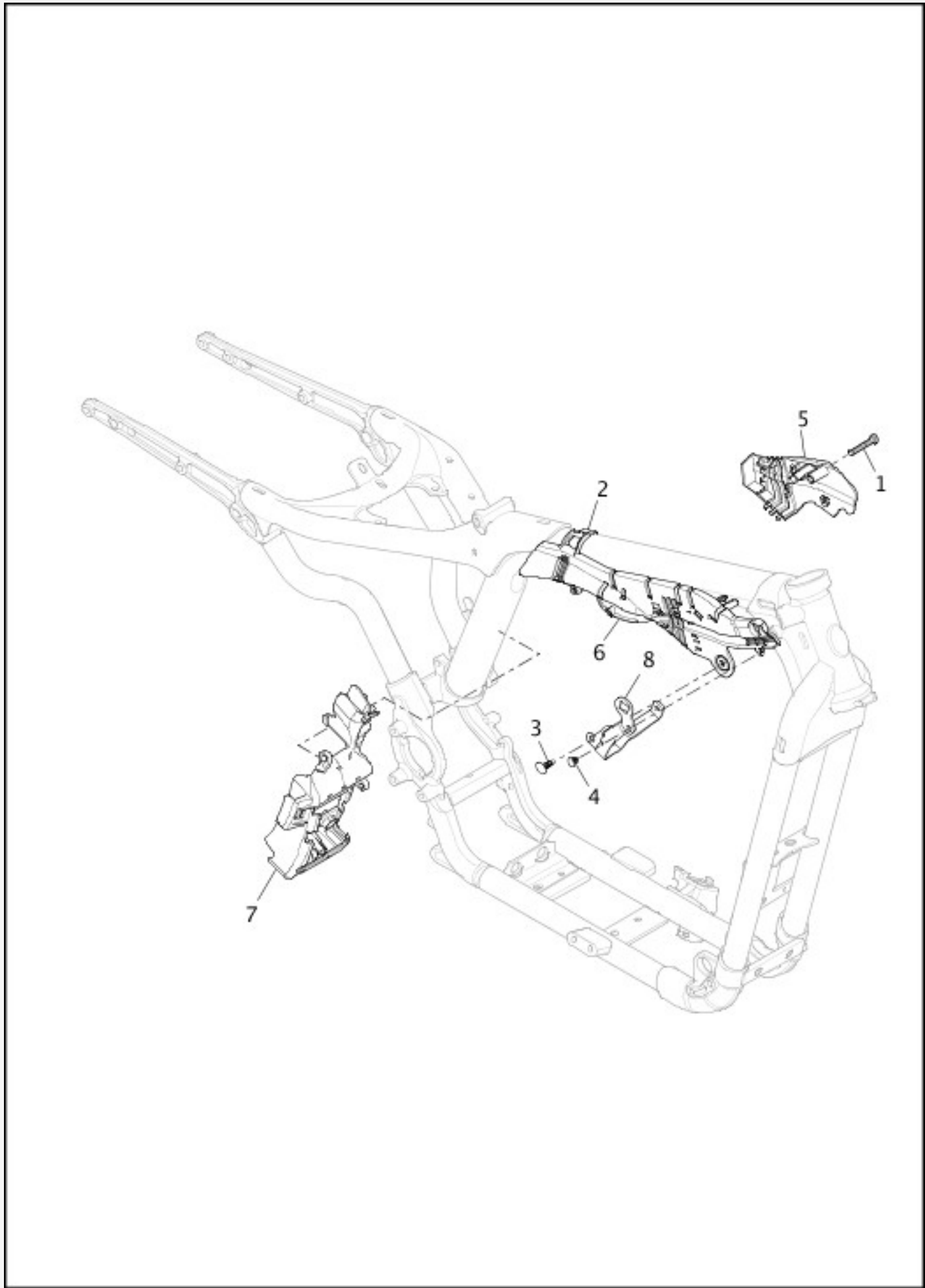
[View interactive table](#)

INDEX NO.	PART NO.	DESCRIPTION	MODEL(S)
1	72314-01	FUSE, main, 40 A	ALL
2	72595-11	SEAL, fuse cover	ALL

3	11100060	ADHESIVE LOCK	ALL
4	69200474	FUSE COVER, with 11100060	ALL
	69200479B	MAIN WIRING HARNESS - KEYLESS, ABS (continued)	ALL
NOTE: Includes the following parts.			
5	6990	WEATHER PLUG, six-way pin (black)	ALL
6	9838	TERMINAL RING, 1/4 in, 10-12 AWG (2)	ALL
7	10006	CABLE STRAP (2)	ALL
8	10065	CABLE STRAP (2)	ALL
9	10177	CABLE STRAP (2)	ALL
10	72106-94BK	HOUSING, six-way pin (black) (replaces gray connector)	ALL
11	72146-94	SECONDARY LOCK, six-way pin (green)	ALL
12	72168-07	TERMINAL, socket, 18-20 AWG (2)	ALL
13	72190-94	TERMINAL, pin, 16-18 AWG (3)	ALL
14	72194-94	TERMINAL, pin, 20 AWG (3)	ALL
15	72213-94	TERMINAL, socket, 16-20 AWG (2)	ALL
16	72249-94	SHRINK TUBE	ALL
17	72291-94	TERMINAL, socket, 14-16 AWG	ALL
18	72295-94	CONNECTOR, starter housing	ALL
19	72298-95	WIRE SEAL, 14-18 AWG (green) (4)	ALL
20	72308-97	TERMINAL, socket, 12-14 AWG (2)	ALL
21	72312-04	HOUSING, three-way socket (black)	ALL
22	72330-95	FUSE, 15 A (blue)	ALL
23	72335-10	TERMINAL, socket, 20-22 AWG (3)	ALL
24	72350-11	HOUSING, one-way socket (black)	ALL
25	72356-95	TERMINAL, socket, 18-20 AWG (2)	ALL
26	72462-00	FUSE, 10 A (red)	ALL
27	72484-08	TERMINAL, socket, 20 AWG (3)	ALL
28	72486-08	WIRE SEAL, 20 AWG (green) (3)	ALL
29	72518-01	HOUSING, two-way socket (red)	ALL
30	72543-07BK	HOUSING, three-way socket (black)	ALL

31	72544-07	SECONDARY LOCK, three-way socket (black)	ALL
32	72575-11	SECONDARY LOCK, one-way socket (black)	ALL
33	72577-12	SECONDARY LOCK (red)	ALL
34	72578-12	HOUSING, 18-way socket (black)	ALL
35	72579-12	TERMINAL, socket, 14-16 AWG (4)	ALL
36	72580-12	TERMINAL, socket, 18-20 AWG (7)	ALL
37	72582-11	FUSE BLOCK, main fuse	ALL
38	72587-11	SECONDARY LOCK, main fuse	ALL
39	72609-08	SECONDARY LOCK, two-way socket	ALL
40	72610-08	WIRE SEAL, 18-20 AWG (white) (2)	ALL
41	72633-02	WIRE SEAL, 14-16 AWG (white) (4)	ALL
42	72664-12A	HOUSING, 18-way socket (black)	ALL
43	72666-12	TERMINAL, socket, 18-20 AWG (30)	ALL
44	73304-04	TERMINAL, socket, 10 AWG (3)	ALL
45	73305-04	WIRE SEAL, 10 AWG (blue) (3)	ALL
46	74112-98BK	HOUSING, two-way socket (black)	ALL
47	74152-98	SECONDARY LOCK, two-way socket	ALL
48	74191-98	TERMINAL, socket, 16-20 AWG (2)	ALL
49	69200271	HOUSING, two-way socket (black)	ALL
50	69201131	HOUSING, 18-way socket (gray)	ALL
51	69200212	CONNECTOR, battery tender	ALL

WIRING HARNESS, MAIN, KEYLESS, ABS (4 OF 4)



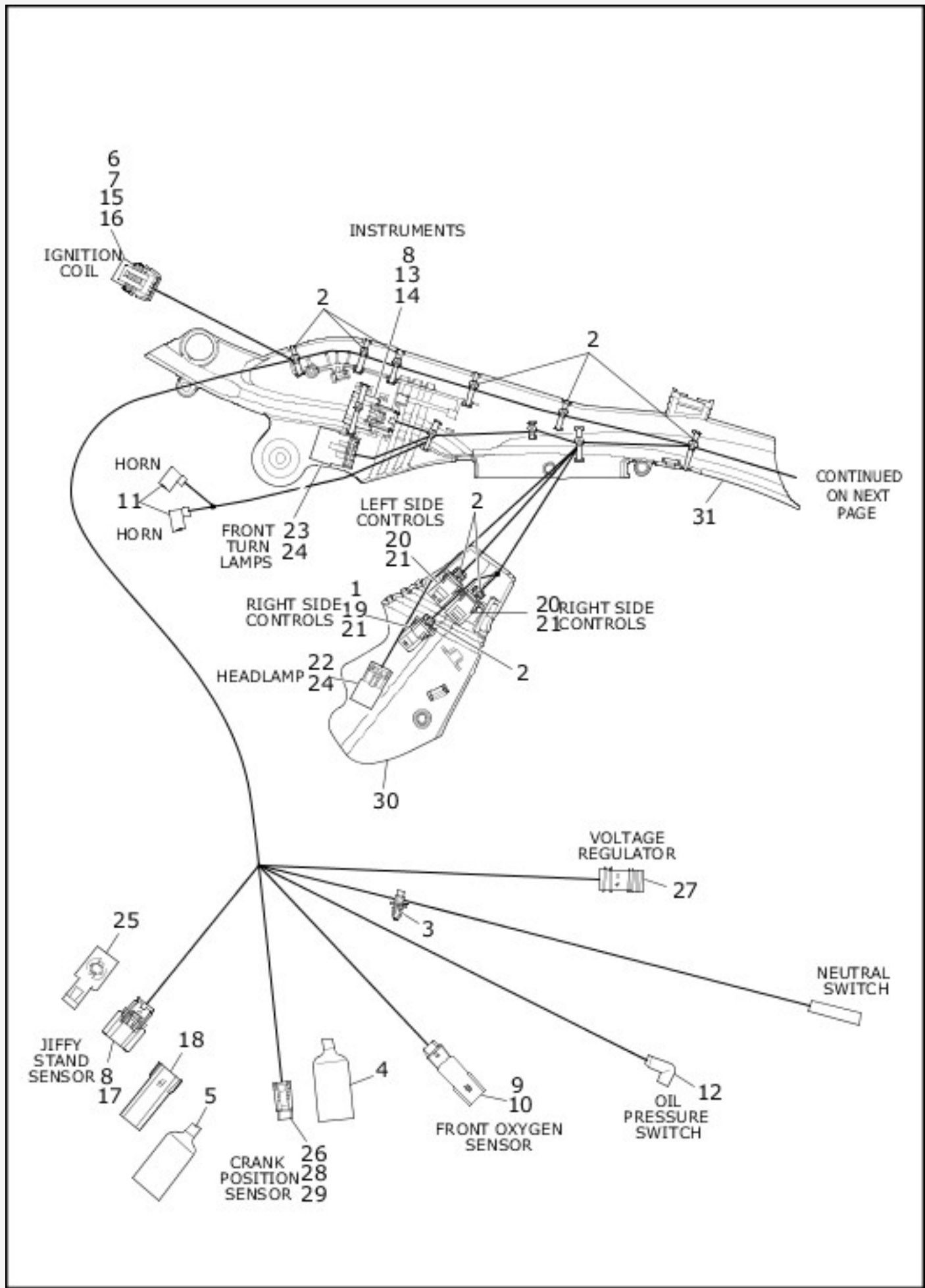
[View interactive image](#)

[View interactive table](#)

INDEX NO.	PART NO.	DESCRIPTION	MODEL(S)
1	3123	SCREW	ALL
2	70640-07	CLIP, caddy	ALL

	69200479B	MAIN WIRING HARNESS - KEYLESS, ABS (continued)	ALL
NOTE: Includes the following parts.			
3	11778	FASTENER, push in	ALL
4	11785	FASTENER, push in	ALL
5	69200402A	WIRE HARNESS CADDY	ALL
6	69200403	WIRE HARNESS CADDY	ALL
7	69201365	WIRE HARNESS CADDY	ALL
8	69200456	IGNITION SWITCH BRACKET	ALL

WIRING HARNESS, MAIN, KEYLESS, NON-ABS (1 OF 4)



[View interactive image](#)

[View interactive table](#)

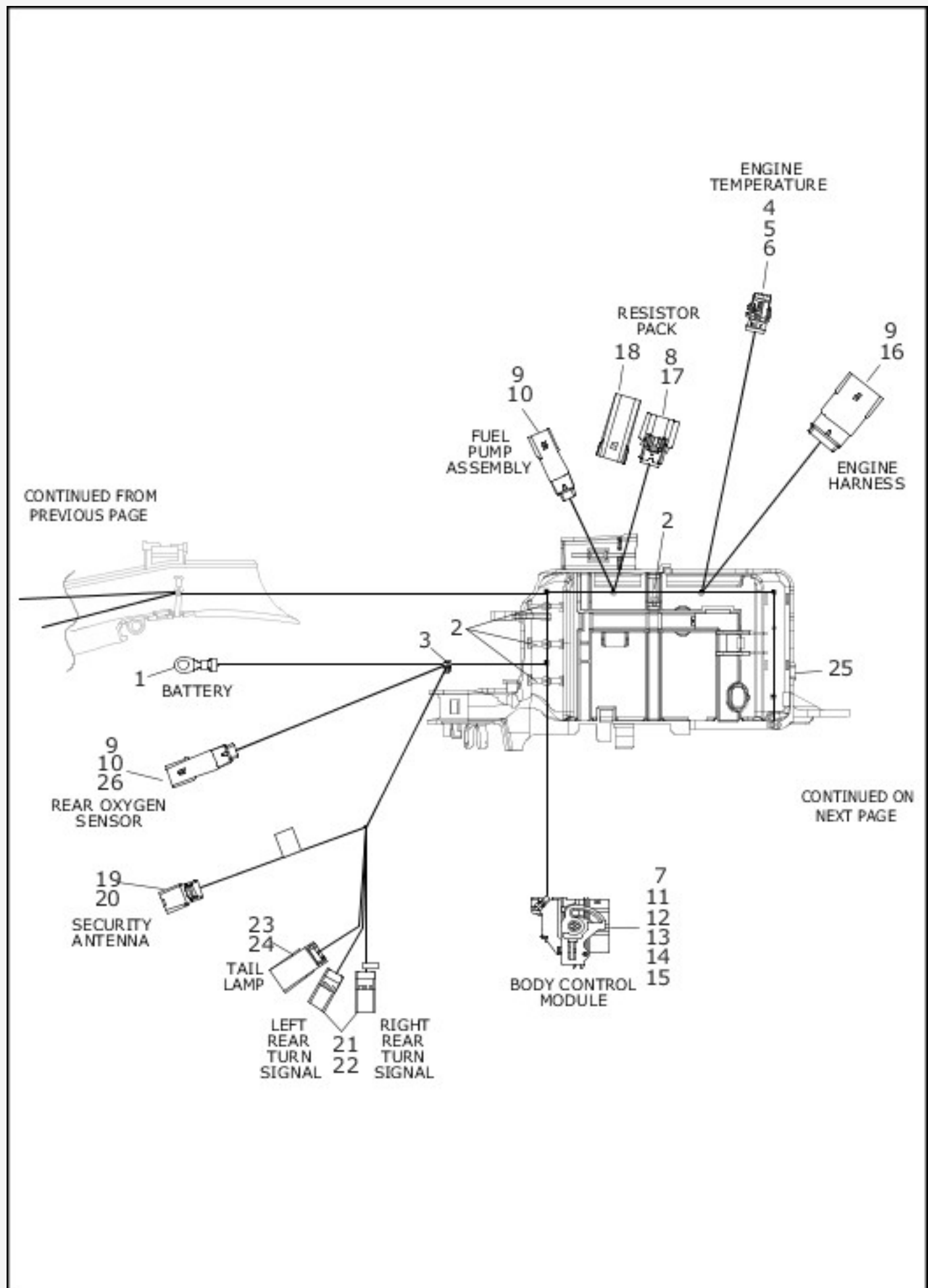
INDEX NO.	PART NO.	DESCRIPTION	MODEL(S)
	69200480B	MAIN WIRING HARNESS - KEYLESS, NON-ABS	ALL

NOTE: Includes the following parts.

1	5118	SEAL PIN	ALL
2	10006	CABLE STRAP (13)	ALL
3	10177	CABLE STRAP	ALL
4	70598-99	BOOT, temperature sensor	ALL
5	70664-08	BOOT, jiffy stand sensor	ALL
6	72066-06A	HOUSING, four-way socket (black)	ALL
7	72135-06	SECONDARY LOCK, four-way socket (gray)	ALL
8	72168-07	TERMINAL, socket, 18-20 AWG (8)	ALL
9	72169-07	TERMINAL, pin, 16-20 AWG (4)	ALL
10	72175-07BK	HOUSING, four-way pin (black)	ALL
11	72283-09	TERMINAL, socket, 14-16 AWG (2)	ALL
12	72405-98BK	PUSH ON WIRE ASSEMBLY, right angle molded, with 60 in wire lead (black)	ALL
13	72414-07BK	HOUSING, six-way socket (black)	ALL
14	72473-07	SEAL PIN	ALL
15	72484-08	TERMINAL, socket, 20 AWG (4)	ALL
16	72486-08	WIRE SEAL, 20 AWG (green) (4)	ALL
17	72512-07BK	HOUSING, three-way socket (black)	ALL
18	72519-09BK	DUST CAP, three-way socket (black)	ALL
19	72905-11	HOUSING, two-way pin (black)	ALL
20	72907-11	HOUSING, four-way pin (black) (2)	ALL
21	72909-11	TERMINAL, pin, 20-22 AWG (9)	ALL
22	73104-96BK	HOUSING, four-way pin (black)	ALL
23	73106-96BK	HOUSING, six-way pin (black)	ALL
24	73190-96	TERMINAL, pin, 16-20 AWG (10)	ALL
25	73213-07	RETAINER, anchored	ALL
26	74112-98BK	HOUSING, two-way socket (black)	ALL
27	74120-08	DC LEAD ASSEMBLY	ALL
28	74152-98	SECONDARY LOCK, two-way socket (orange)	ALL
29	74191-98	TERMINAL, socket, 16-20 AWG (2)	ALL
30	69200402A	WIRE HARNESS CADDY	ALL

31	69200403	WIRE HARNESS CADDY	ALL
----	----------	--------------------	-----

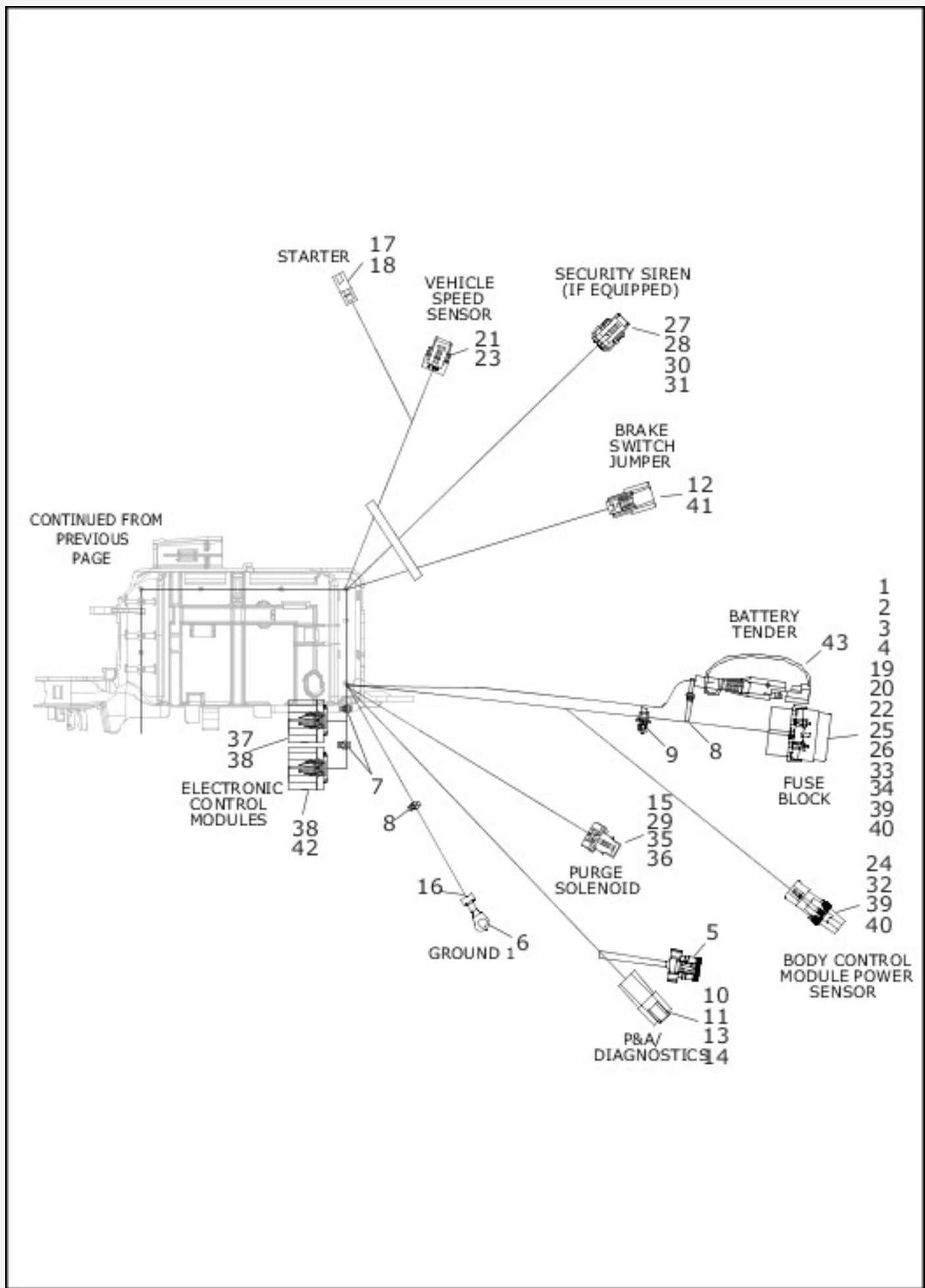
WIRING HARNESS, MAIN, KEYLESS, NON-ABS (2 OF 4)



[View interactive image](#)

INDEX NO.	PART NO.	DESCRIPTION	MODEL(S)
	69200480B	MAIN WIRING HARNESS - KEYLESS, NON-ABS (continued)	ALL
NOTE: Includes the following parts.			
1	9838	TERMINAL RING, 1/4 in, 10-12 AWG	ALL
2	10006	CABLE STRAP (6)	ALL
3	10065	CABLE STRAP	ALL
4	72007-05	HOUSING, two-way socket (black)	ALL
5	72010-05	WIRE SEAL, 22-26 AWG (green) (2)	ALL
6	72024-08	TERMINAL, socket, 20-22 AWG (2)	ALL
7	72081-11	HOUSING, 48-way socket (black)	ALL
8	72168-07	TERMINAL, socket, 18-20 AWG (3)	ALL
9	72169-07	TERMINAL, pin, 16-20 AWG (18)	ALL
10	72175-07BK	HOUSING, four-way pin (black) (2)	ALL
11	72209-11	COVER, wire	ALL
12	72222-11	TERMINAL, socket, 18-20 AWG (19)	ALL
13	72226-11	TERMINAL, socket, 14-16 AWG	ALL
14	72227-11	TERMINAL, socket, 18-20 AWG (5)	ALL
15	72256-11	SEAL PIN (11)	ALL
16	72488-07BK	HOUSING, 12-way pin (black)	ALL
17	72512-07BK	HOUSING, three-way socket (black)	ALL
18	72545-08	RESISTOR ASSEMBLY, fuel sender	ALL
19	72720-07	HOUSING, two-way socket (black)	ALL
20	72721-07	TERMINAL, socket, 18-20 AWG (2)	ALL
21	72904-01BK	HOUSING, four-way pin (black) (2)	ALL
22	72990-01	TERMINAL, pin, 18-22 AWG (8)	ALL
23	73103-96BK	HOUSING, three-way pin (black)	ALL
24	73190-96	TERMINAL, pin, 16-20 AWG (3)	ALL
25	69201365	WIRE HARNESS CADDY	ALL
26	72343-10	TERMINAL, socket, 14-16 AWG (2)	ALL

WIRING HARNESS, MAIN, KEYLESS, NON-ABS (3 OF 4)



[View interactive image](#)

[View interactive table](#)

INDEX NO.	PART NO.	DESCRIPTION	MODEL(S)
-----------	----------	-------------	----------

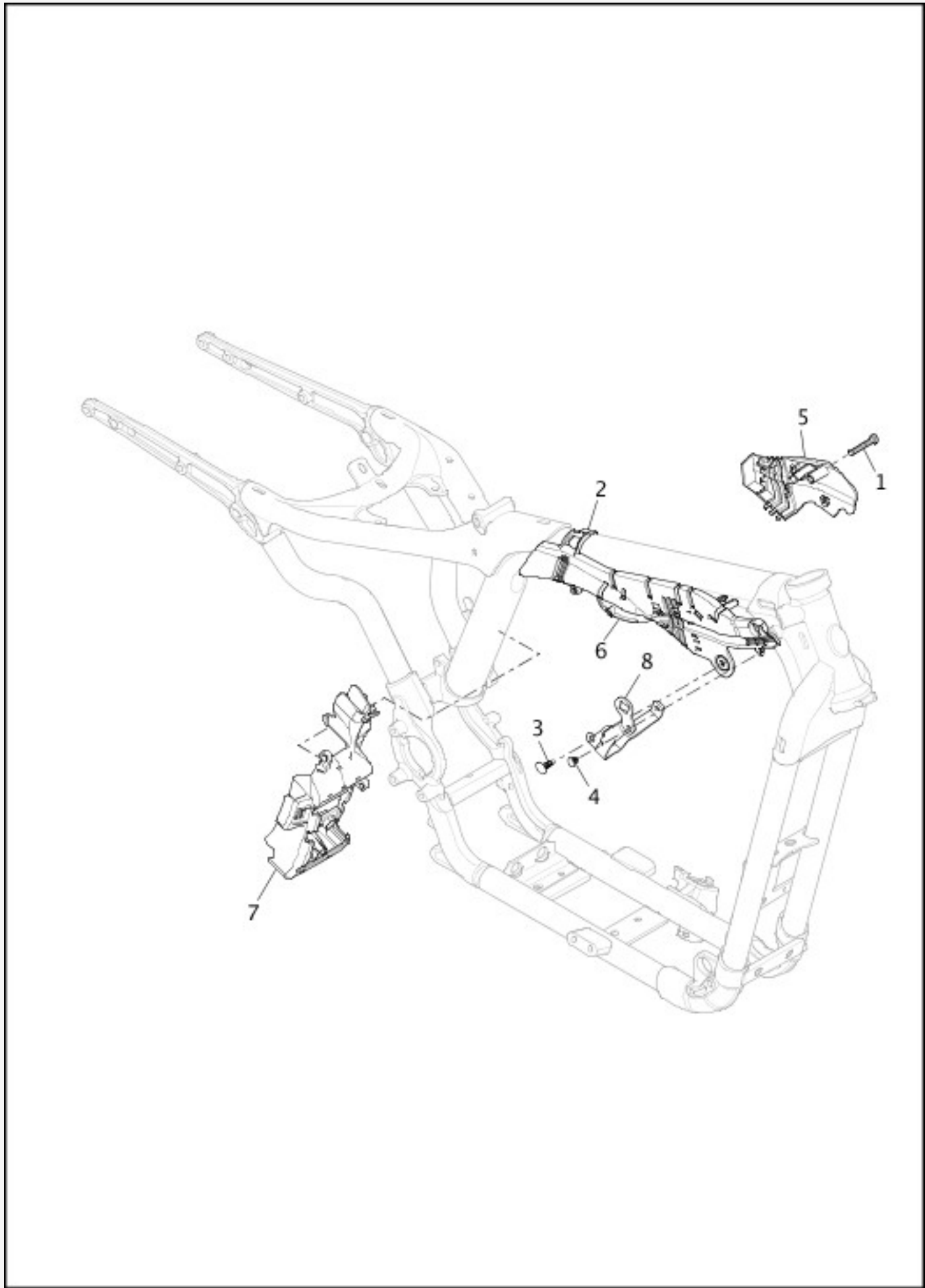
1	72314-01	FUSE, main, 40 A	ALL
2	72595-11	SEAL, fuse cover	ALL
3	11100060	ADHESIVE LOCK	ALL
4	69200474	FUSE COVER, with 11100060	ALL
	69200480B	MAIN WIRING HARNESS - KEYLESS, NON-ABS (continued)	ALL

NOTE: Includes the following parts.

5	6990	WEATHER PLUG, six-way pin (black)	ALL
6	9838	TERMINAL RING, 1/4 in, 10-12 AWG	ALL
7	10006	CABLE STRAP (2)	ALL
8	10065	CABLE STRAP (2)	ALL
9	10177	CABLE STRAP	ALL
10	72106-94BK	HOUSING, six-way pin (black) (replaces gray connector)	ALL
11	72146-94	SECONDARY LOCK, six-way pin (green)	ALL
12	72168-07	TERMINAL, socket, 18-20 AWG (2)	ALL
13	72190-94	TERMINAL, pin, 16-18 AWG (3)	ALL
14	72194-94	TERMINAL, pin, 20 AWG (3)	ALL
15	72213-94	TERMINAL, socket, 16-20 AWG (2)	ALL
16	72249-94	SHRINK TUBE	ALL
17	72291-94	TERMINAL, socket, 14-16 AWG	ALL
18	72295-94	CONNECTOR, starter housing	ALL
19	72298-95	WIRE SEAL, 14-18 AWG (green) (4)	ALL
20	72308-97	TERMINAL, socket, 12-14 AWG (2)	ALL
21	72312-04	HOUSING, three-way socket (black)	ALL
22	72330-95	FUSE, 15 A (blue)	ALL
23	72335-10	TERMINAL, socket, 20-22 AWG (3)	ALL
24	72350-11	HOUSING, one-way socket (black)	ALL
25	72356-95	TERMINAL, socket, 18-20 AWG (2)	ALL
26	72462-00	FUSE, 10 A (red)	ALL
27	72484-08	TERMINAL, socket, 20 AWG (3)	ALL
28	72486-08	WIRE SEAL, 20 AWG (green) (3)	ALL

29	72518-01	HOUSING, two-way socket (red)	ALL
30	72543-07BK	HOUSING, three-way socket (black)	ALL
31	72544-07	SECONDARY LOCK, three-way socket (black)	ALL
32	72575-11	SECONDARY LOCK, one-way socket (black)	ALL
33	72582-11	FUSE BLOCK, maxi/mini	ALL
34	72587-11	SECONDARY LOCK, fuse block, maxi/mini	ALL
35	72609-08	SECONDARY LOCK, two-way socket	ALL
36	72610-08	WIRE SEAL, 18-20 AWG (white) (2)	ALL
37	72664-12A	HOUSING, 18-way socket (black)	ALL
38	72666-12	TERMINAL, socket, 18-20 AWG (30)	ALL
39	73304-04	TERMINAL, socket, 10 AWG (3)	ALL
40	73305-04	WIRE SEAL, 10 AWG (blue) (3)	ALL
41	69200271	HOUSING, two-way socket (black)	ALL
42	69201131	HOUSING, 18-way socket (gray)	ALL
43	69200212	CONNECTOR, battery tender	ALL

WIRING HARNESS, MAIN, KEYLESS, NON-ABS (4 OF 4)



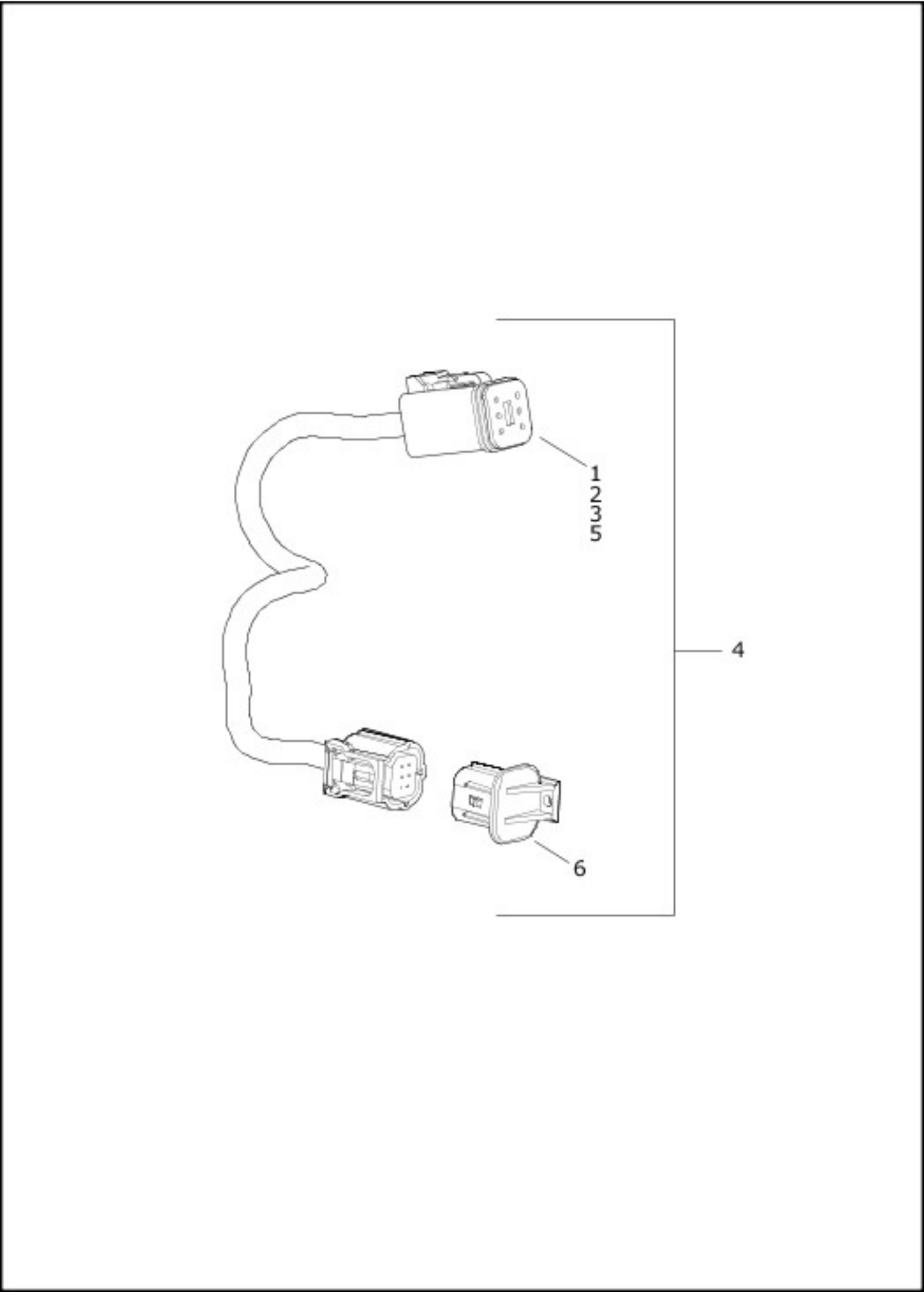
[View interactive image](#)

[View interactive table](#)

INDEX NO.	PART NO.	DESCRIPTION	MODEL(S)
1	3123	SCREW	ALL
2	70640-07	CLIP, caddy	ALL

	69200480B	MAIN WIRING HARNESS - KEYLESS, NON-ABS (continued)	ALL
NOTE: Includes the following parts.			
3	11778	FASTENER, push in	ALL
4	11785	FASTENER, push in	ALL
5	69200402A	WIRE HARNESS CADDY	ALL
6	69200403	WIRE HARNESS CADDY	ALL
7	69201365	WIRE HARNESS CADDY	ALL
8	69200456	IGNITION SWITCH BRACKET	ALL

WIRING HARNESS, ON BOARD DIAGNOSTICS (OBD) JUMPER (CHINA ONLY)



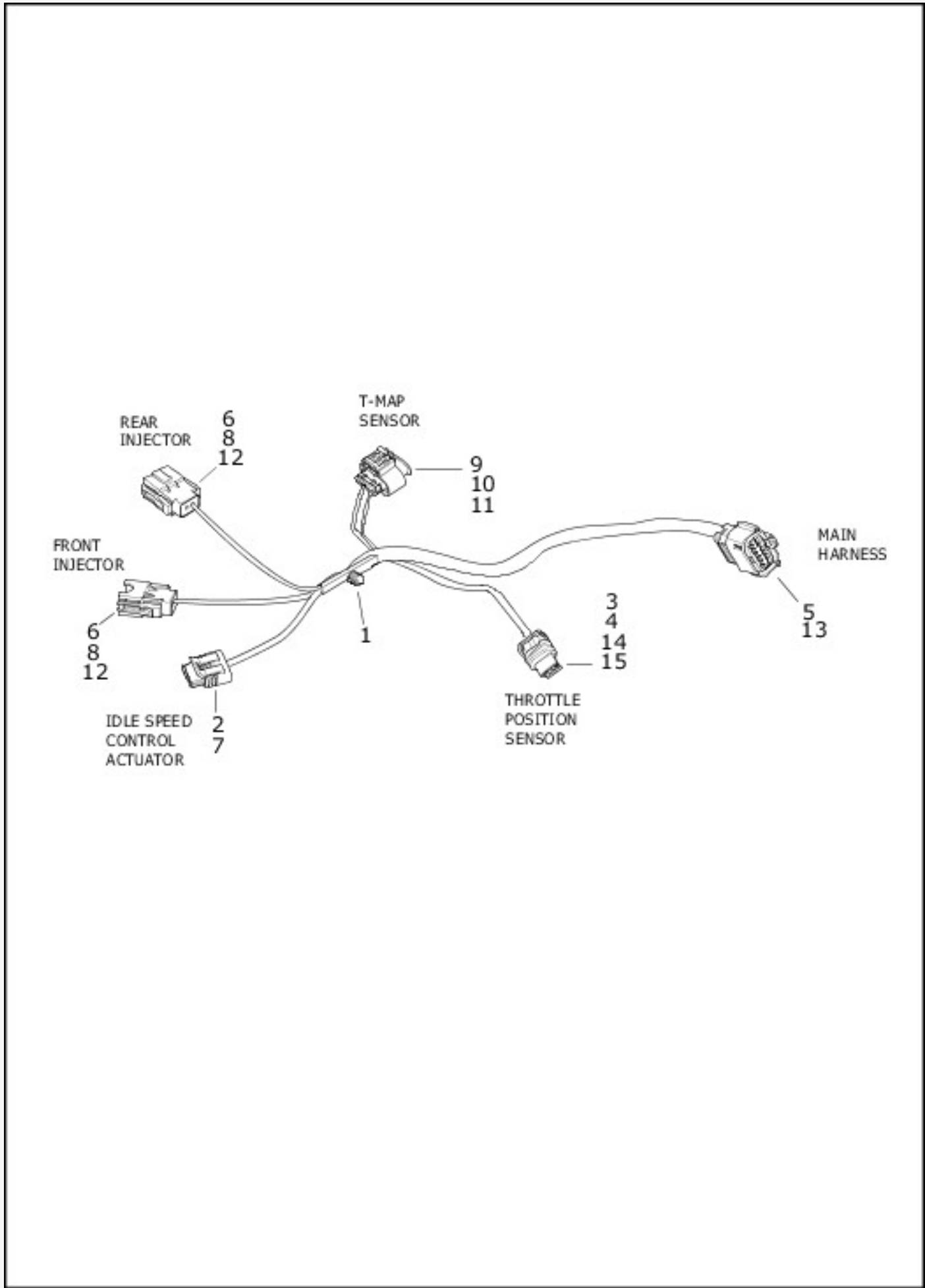
[View interactive image](#)

[View interactive table](#)

INDEX NO.	PART NO.	DESCRIPTION	MODEL(S)
1	72116-94BK	HOUSING, six-way, socket, sealed (black) (replaces gray housing) (China only)	XL1200C, XL1200CX, XL1200NS, XL1200X, XL883L, XL883N

2	72156-94	SOCKET, six-way, socket (China only)	XL1200C, XL1200CX, XL1200NS, XL1200X, XL883L, XL883N
3	72195-94	SEAL PIN (China only) (2)	XL1200C, XL1200CX, XL1200NS, XL1200X, XL883L, XL883N
4	69202097	WIRING HARNESS, on board diagnostics (OBD) jumper (China only)	XL1200C, XL1200CX, XL1200NS, XL1200X, XL883L, XL883N
5	69202102	TERMINAL, socket, 22AWG (China only) (4)	XL1200C, XL1200CX, XL1200NS, XL1200X, XL883L, XL883N
6	69202108	CAP, connector (China only) (2)	XL1200C, XL1200CX, XL1200NS, XL1200X, XL883L, XL883N

WIRING HARNESS, ENGINE



[View interactive image](#)

[View interactive table](#)

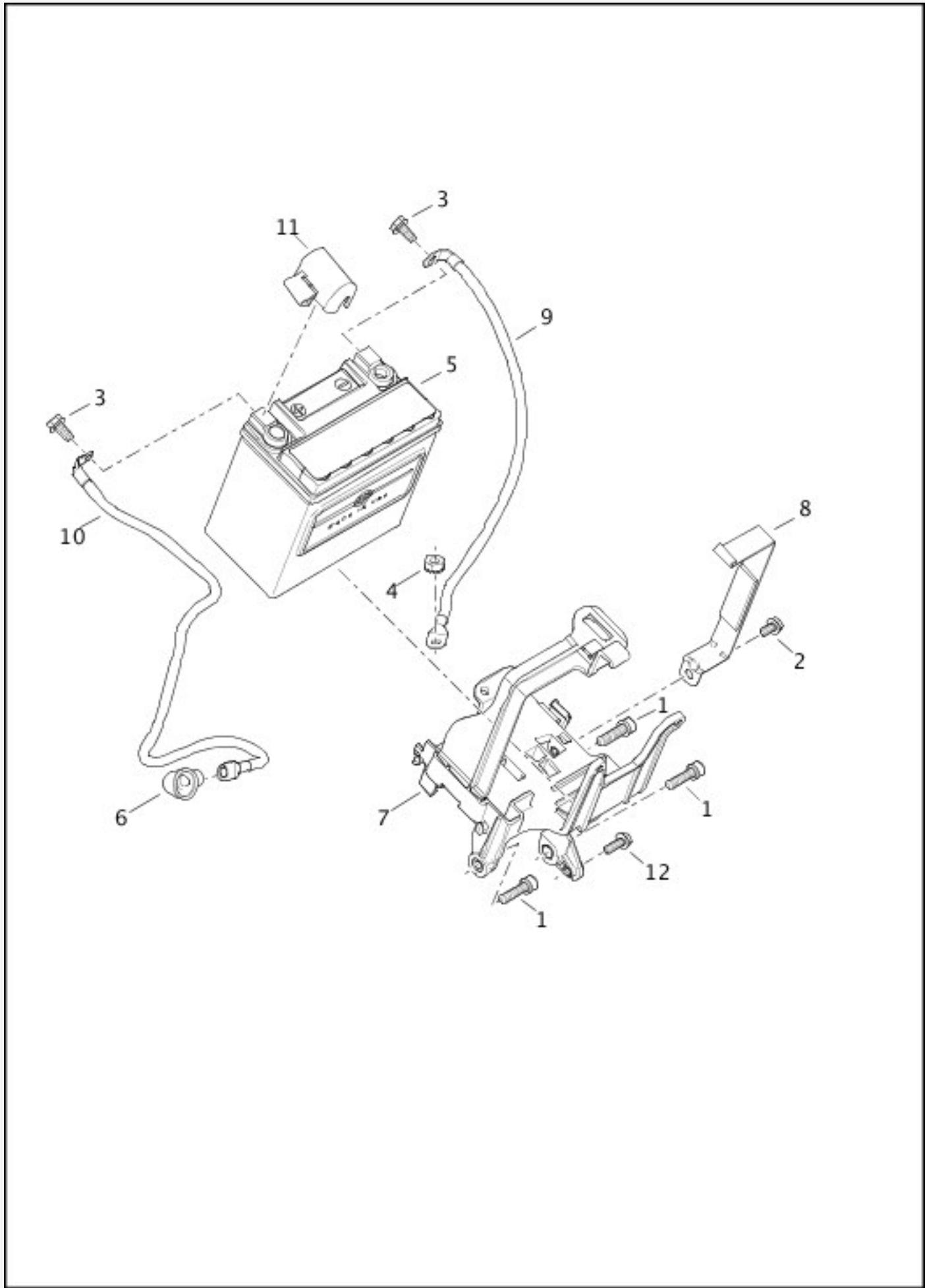
INDEX NO.	PART NO.	DESCRIPTION	MODEL(S)
	69200077	WIRING HARNESS, engine	ALL

NOTE: Includes the following parts.

--	--	--	--

1	10279	CLIP, harness mount	ALL
2	72033-93	TERMINAL, socket, 16-20 AWG (4)	ALL
3	72094-06	TERMINAL, socket, 18 AWG (3)	ALL
4	72096-06	SEAL WIRE, 18-20 AWG (yellow) (3)	ALL
5	72168-07	TERMINAL, socket, 18-20 AWG (12)	ALL
6	72251-07	SECONDARY LOCK, two-way socket (yellow) (2)	ALL
7	72263-95	HOUSING, four-way socket (black)	ALL
8	72402-07	HOUSING, two-way socket (black) (2)	ALL
9	72406-07A	HOUSING, four-way socket (black)	ALL
10	72407-07	TERMINAL, socket, 16-20 AWG (4)	ALL
11	72408-07	SEAL WIRE, 16-20 AWG (blue) (4)	ALL
12	72413-07	TERMINAL, socket, 18-20 AWG (4)	ALL
13	72487-07BK	HOUSING, 12-way socket (black)	ALL
14	72543-07BK	HOUSING, three-way socket (black)	ALL
15	72544-07	SECONDARY LOCK, three-way socket (black)	ALL

BATTERY



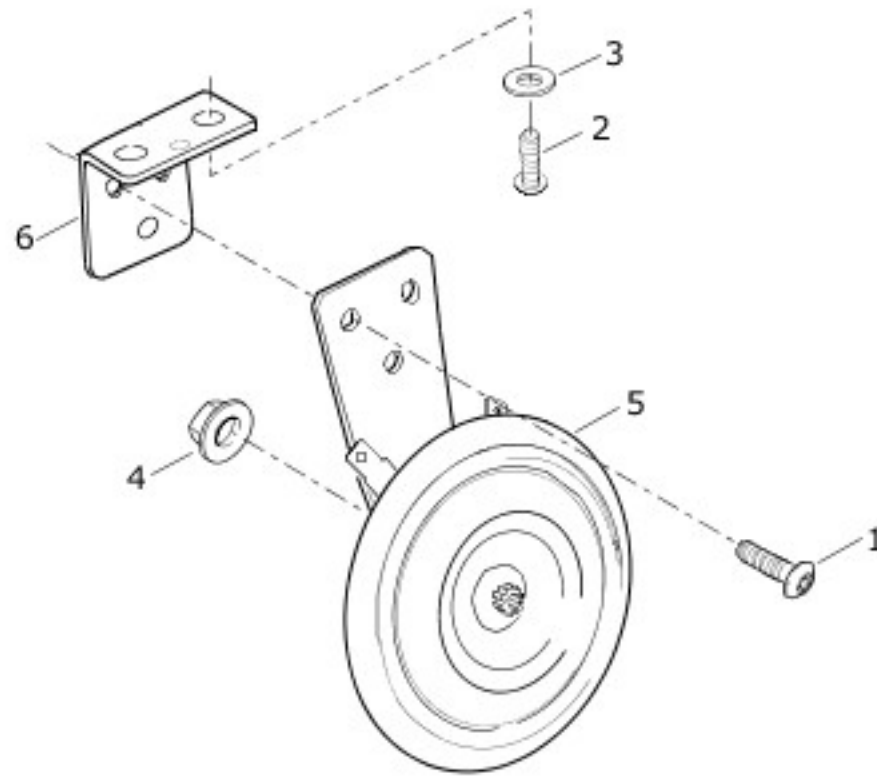
[View interactive image](#)

[View interactive table](#)

INDEX NO.	PART NO.	DESCRIPTION	MODEL(S)
1	2479	SCREW (3)	ALL
2	3588	SCREW	ALL

3	4312C	SCREW (2)	ALL
4	7792	NUT	ALL
5	65958-04B	BATTERY (all except Brazil)	ALL
5	66000064	BATTERY (Brazil only)	ALL
6	70578-89	RUBBER BOOT	ALL
7	66000031	TRAY	ALL
8	66000032	STRAP	ALL
9	66000035	CABLE, negative-to-ground	ALL
10	66000036	CABLE, positive-to-starter, with 70578-89, 66000037	ALL
11	66000037	RUBBER BOOT	ALL
12	3574	SCREW	ALL

HORN - 883L, 883N, XL1200CX, XL1200NS, XL1200X, XL1200XS



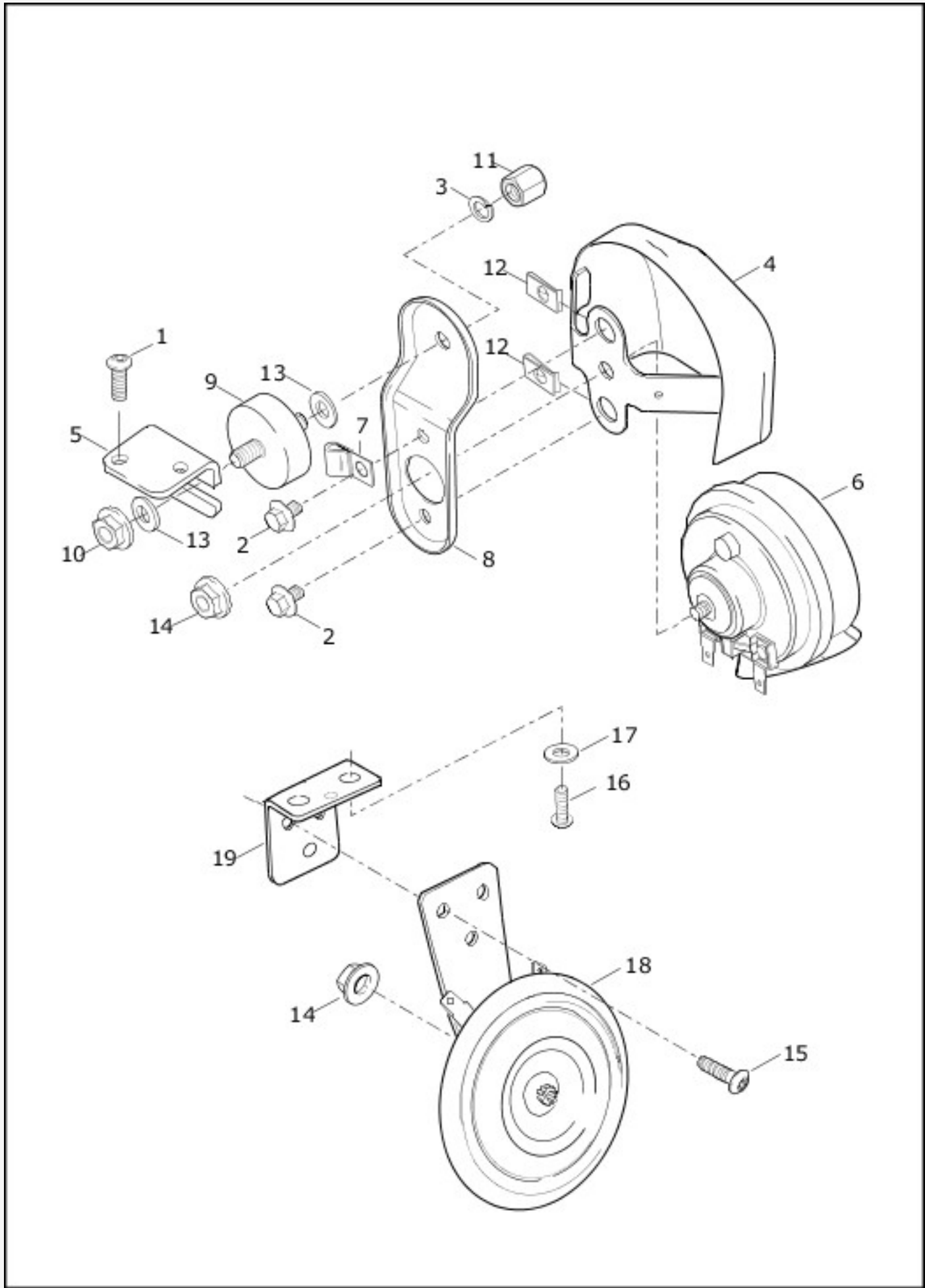
[View interactive image](#)

[View interactive table](#)

INDEX NO.	PART NO.	DESCRIPTION	MODEL(S)
1	3124	SCREW (3)	XL1200CX, XL1200NS, XL1200X, XL1200XS, XL883L, XL883N

2	4180	SCREW (2)	XL1200CX, XL1200NS, XL1200X, XL1200XS, XL883L, XL883N
3	6026	WASHER (2)	XL1200CX, XL1200NS, XL1200X, XL1200XS, XL883L, XL883N
4	7495	NUT	XL1200CX, XL1200NS, XL1200X, XL1200XS, XL883L, XL883N
5	69000014	HORN, complete, with bracket and 7495	XL1200CX, XL1200NS, XL1200X, XL1200XS, XL883L, XL883N
6	69135-04A	HORN BRACKET	XL1200CX, XL1200NS, XL1200X, XL1200XS, XL883L, XL883N

HORN - XL1200C, XL1200T



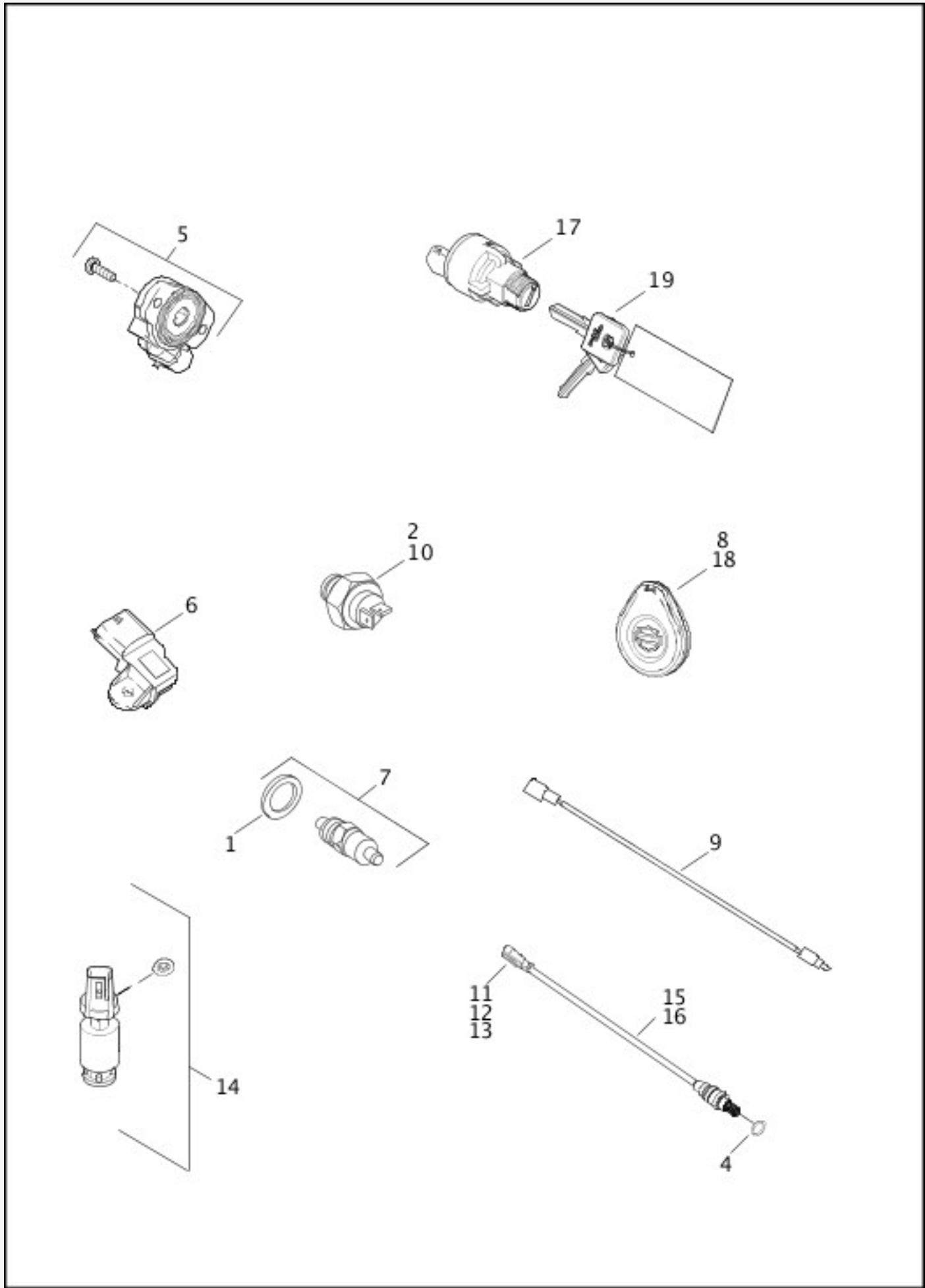
[View interactive image](#)

[View interactive table](#)

INDEX NO.	PART NO.	DESCRIPTION	MODEL(S)
1	3026	SCREW (all except India) (2)	XL1200C, XL1200T
2	3563	SCREW (all except India) (2)	XL1200C, XL1200T

3	6109	WASHER (all except India)	XL1200C, XL1200T
4	61300478A	COVER (all except India)	XL1200C, XL1200T
5	69049-07	BRACKET, horn (all except India)	XL1200C, XL1200T
6	69060-90H	HORN, with 7495 (all except India)	XL1200C, XL1200T
7	69062-91A	CLAMP, horn wire (all except India)	XL1200C, XL1200T
8	69120-91	HORN BRACKET (all except India)	XL1200C, XL1200T
9	69123-92A	RUBBER MOUNT (all except India)	XL1200C, XL1200T
10	7531	LOCKNUT (all except India)	XL1200C, XL1200T
11	7549A	ACORN NUT (all except India)	XL1200C, XL1200T
12	8108	SPEEDNUT (all except India) (2)	XL1200C, XL1200T
13	6237	WASHER (all except India) (2)	XL1200C, XL1200T
14	7495	NUT	XL1200C, XL1200T
15	3124	SCREW (India only) (3)	XL1200C
16	4180	SCREW (India only) (2)	XL1200C
17	6026	WASHER (India only) (2)	XL1200C
18	69000014	HORN, complete, with bracket and 7495 (India only)	XL1200C
19	69135-04A	HORN BRACKET (India only)	XL1200C

SWITCHES



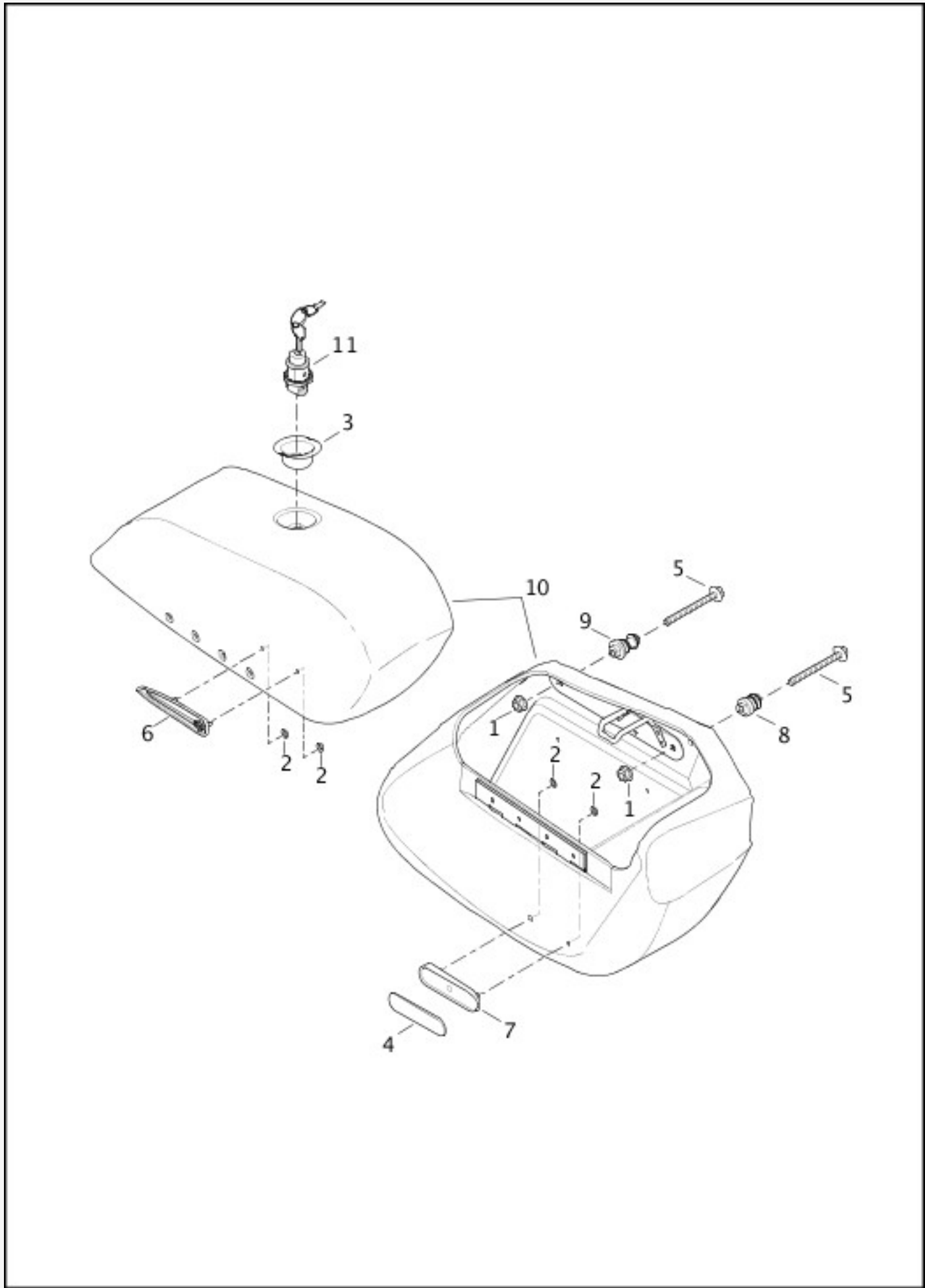
[View interactive image](#)

[View interactive table](#)

INDEX NO.	PART NO.	DESCRIPTION	MODEL(S)
1	6288	WASHER	ALL
2	9907	TERMINAL, wire (2)	ALL

3	10006	CABLE STRAP	ALL
4	11936	SEAL RING (2)	ALL
5	27629-01A	KIT, throttle position sensor (TPS)	ALL
6	32319-07A	SENSOR, temperature manifold absolute pressure (TMAP)	ALL
7	33900-99	SWITCH, neutral indicator, with 6288	ALL
8	66373-06	BATTERY, 3V, CR2032	ALL
9	70247-07	JUMPER WIRE, neutral switch	ALL
10	72023-51E	SWITCH, brake light, with 9907	ALL
11	72177-07BK	HOUSING, four-way socket (black)	ALL
12	72344-10	TERMINAL, socket, 22 AWG (2)	ALL
13	73307-10	TERMINAL, socket, 22 AWG (2)	ALL
14	75302-07B	SENSOR, fuel level	ALL
15	32700006	SENSOR, oxygen, rear, with 11936, 72177-07BK, 72344-10, 73307-10	ALL
16	32700026	SENSOR, oxygen, front, with 11936, 72177-07BK, 72344-10, 73307-10	ALL
17	71400083	SWITCH, ignition, with 90300034 (specify key number)	ALL
18	90300111	REMOTE CONTROL FOB, with 66373-06 (except Japan)	ALL
18	90300112	REMOTE CONTROL FOB, with 66373-06 (Japan)	ALL
19	90300034	KEY SET (specify key number)	ALL
	90300062	LOCKSET ASSEMBLY, complete, with ignition switch, forklock and keys (not shown)	ALL
	45600014	LOCKSET ASSEMBLY, complete, with forklock and keys (not shown)	ALL

SADDLEBAGS - 1200T



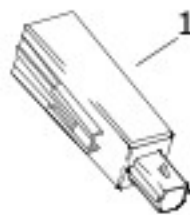
[View interactive image](#)

[View interactive table](#)

INDEX NO.	PART NO.	DESCRIPTION	MODEL(S)
1	7531	LOCKNUT (4)	XL1200T
2	8126A	PUSHNUT (8)	XL1200T

3	53126-10	BEZEL (2)	XL1200T
4	92247-10	REFLECTOR (amber) (2)	XL1200T
5	10500062	SCREW (4)	XL1200T
6	14100598	MEDALLION (left)	XL1200T
6	14100599	MEDALLION (right)	XL1200T
7	67900234	REFLECTOR KIT, with 8126A and 92247-10 (amber)	XL1200T
8	90201038	SUPPORT, saddlebag, front (2)	XL1200T
9	90201039	SUPPORT, saddlebag, rear (2)	XL1200T
10	90201040	SADDLEBAG ASSEMBLY, with lock (left)	XL1200T
10	90201041	SADDLEBAG ASSEMBLY, with lock (right)	XL1200T
11	90201087	SADDLEBAG LOCK (2)	XL1200T

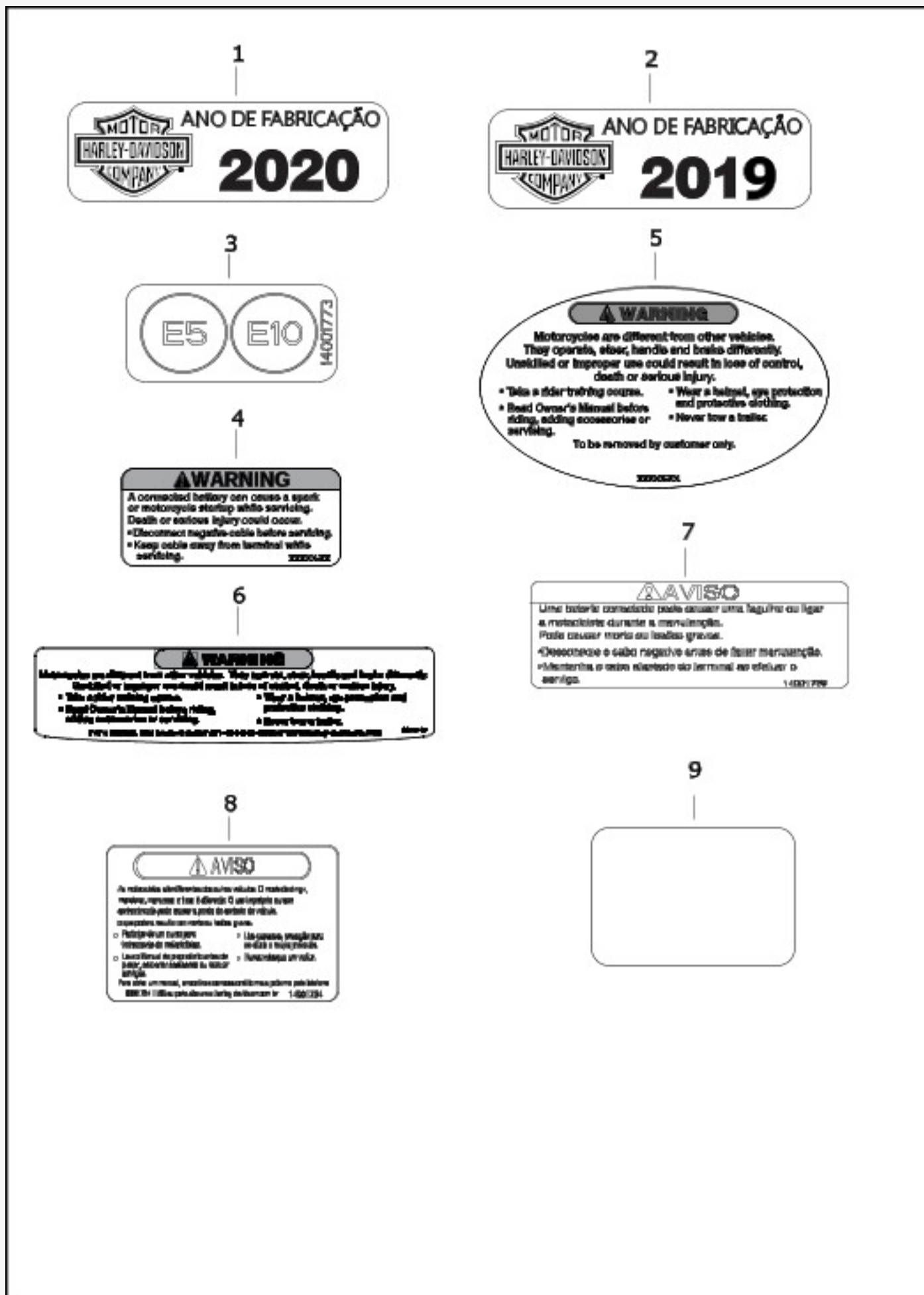
TURN SIGNAL MODULE



[View interactive image](#)

[View interactive table](#)

INDEX NO.	PART NO.	DESCRIPTION	MODEL(S)
1	68956-07	ANTENNA MODULE, security system	ALL



[View interactive image](#)

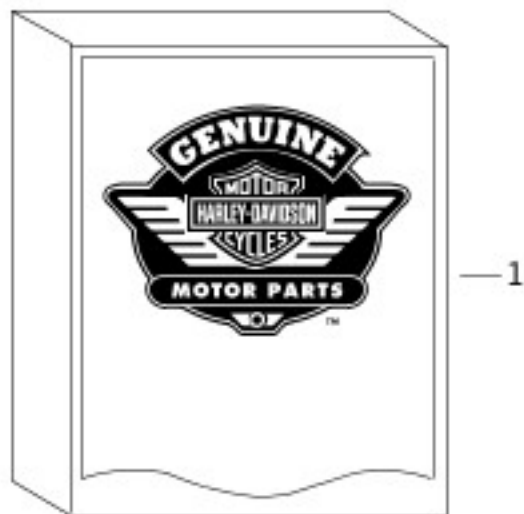
[View interactive table](#)

INDEX NO.	PART NO.	DESCRIPTION	MODEL(S)
1	14001903	YEAR OF MANUFACTURING LABEL,	XL1200NS, XL883N

		2020 (Brazil)	
2	14001593	YEAR OF MANUFACTURING LABEL, 2019 (Brazil)	XL1200NS, XL883N
3	14001773	LABEL, fuel warning (England, HDI)	ALL
4	15368-01A	LABEL, battery warning (all except Brazil)	ALL
5	15370-01A	LABEL, mirror warning	ALL
	15385-08	LABEL, mirror warning (Brazil)	XL1200NS, XL883N
6	29127-95B	LABEL, air cleaner	XL883L
6	29147-07	LABEL, air cleaner	XL1200C, XL1200CX, XL1200NS, XL1200X, XL1200XS, XL883N
7	14001739	LABEL, general warning (Brazil)	XL1200NS, XL883N
8	14001734	LABEL, air cleaner (Brazil)	XL1200NS, XL883N
9	14001860	LABEL, general warning (China)	XL1200C, XL1200CX, XL1200NS, XL1200X, XL883L, XL883N
9	14001863	LABEL, air cleaner warning (China)	XL1200C, XL1200CX, XL1200NS, XL1200X, XL883L, XL883N
9	14001800	LABEL, helmet warning (AZN)	ALL

NOTE: When ordering any V.I.N., Emissions, or Noise Labels you must contact your local dealer with the V.I.N. number and model year of your motorcycle and the label type needed. Replacement V.I.N. and Emissions labels can only be ordered for warranty purposes through h-dnet Service eForm.

LOOSE PARTS



[View interactive image](#)

[View interactive table](#)

INDEX NO.	PART NO.	DESCRIPTION	MODEL(S)
1	90300111	REMOTE CONTROL FOB (all except Japan)	ALL

1	90300112	REMOTE CONTROL FOB (Japan only)	ALL
1	94000326	MOTORCYCLE LITERATURE PACK TWO-WHEEL (Domestic)	ALL
1	91800031	FIRST AID KIT (India Only)	XL1200C, XL1200CX, XL1200NS, XL1200X, XL1200XS, XL883L, XL883N
1	94435-10	TOOL KIT (India Only)	XL1200C, XL1200CX, XL1200NS, XL1200X, XL1200XS, XL883L, XL883N
1	94000746	OWNERS MANUAL (English)	ALL
1	94000746BR	OWNERS MANUAL (Brazil)	XL1200NS, XL883N
1	94000746FRCN	OWNERS MANUAL (French Canadian)	XL1200CX, XL1200NS, XL1200X, XL883N
1	94000746ZH	OWNERS MANUAL (Chinese)	XL1200C, XL1200CX, XL1200NS, XL1200X, XL883L, XL883N
1	94000746JA	OWNERS MANUAL (Japanese)	XL1200C, XL1200CX, XL1200NS, XL1200X, XL1200XS, XL883L, XL883N
1	90300034	KEY SET (if not keyless ignition)	ALL
1	72314-01	FUSE (contains 72314-01, 72595-11, 69200474)	ALL
1	72314-01	FUSE, main, 40 A	ALL
1	72595-11	SEAL, fuse cover	ALL
1	69200474	FUSE COVER	ALL
1	57400322	WINDSHIELD ASSEMBLY	XL1200T

ALL SPORTSTER MAIN FUSE AND FUSE BLOCK COVER KIT 1200T

Hardware List

[View interactive table](#)

PART NO.	DESCRIPTION
10200052	SCREW 1/4-20 X 39/64 TORX SEMS socket button head , with lockpatch
10200549	SCREW 5/16-18 X 1-3/8 hex head
10200609	SCREW .250-20 X .625 TORX SEMS, button hd, withlock patch
1028	SCREW 5/16-18 X 2-1/2 SEMS socket head, with lockpatch
10300078	WASHER 14.4mm x 6.4mm x 1.6mm
1039	SCREW 5/16-18 X 2-1/2 hex flange head (Grade 8)
1048	SCREW 5/16-18 X 1-1/2 hex flange head
1081A	SCREW 10-24 X 0.895 SEMS pan head

1091	SCREW 10-24 X 9.5 SEMS socket head
2325	SCREW No. 6 X 3/4 cross recess pan head, self-tapping
2361	SCREW No. 8-32 X 3/8 socket countersink head, with lockpatch
2441	SCREW No. 10-24 X 1/2 TORX pan head
2444	SCREW No. 12-24 X 7/8 TORX head, with lockpatch
2445	SCREW 1/4-20 X 9/16 button head
2460	SCREW 5/16-18 X 1/2 socket countersink head
2479	SCREW 5/16-18 X 1-1/8 SEMS socket head
2481M	SCREW M5 X 0.8 X 16 TORX head, self-tapping
2486	SCREW 1/4-20 X 1 hex socket, SEMS/Lock
2501A	SCREW No. 8-32 X 3/8 hex head, self-tapping
2508	SCREW No. 10-32 X 1/2 socket head
2563	SCREW No. 10-24 X 5/8 TORX button head
2586A	SCREW M4 X 0.7 X 12 flat head
2607	SCREW 1/4-20 X 3/4 Pozidriv pan head (Grade 2)
2708A	SCREW 5/16-18 X 1 socket head
2773	SCREW 1/4-20 X 1/2 Pozidriv pan head (Grade 2)
2921A	SCREW 12-24 X 5/8 TORX pan head, T27
3018A	SCREW 10-24 X 3/8 TORX head
3022A	SCREW 1/4-20 X 5/8 socket fillister head, with lockpatch
3026	SCREW No. 10-32 X 1/2 socket button head
3029	SCREW No. 10-24 X 1 TORX head, with adhesive
3033	SCREW 1/4-20 X 3/4 hex socket button head
3056	SCREW 3/8-16 X 1-1/2 TORX button head
3075	SCREW 1/4-20 X 11/32 pan head
3085	SCREW 1/4-20 X 1/2 with washer
3123	SCREW 10-14 X 1.0 torx pan head
3124	SCREW 10-24 X 1/2 torx pan head with lock patch
3162	SCREW 5/16-18 X 1-1/4 hex head
3210A	SCREW 5/16-18 X 1-1/4 knurled head
3214	SCREW 3/8-16 X 1-1/4 socket head, thread-cutting

3244	SCREW M8 X 1.25 X 12
3480A	SCREW 1/4-20 X 1-3/4 knurled head (Grade 8)
3514	SCREW No. 8-32 X 1 fillister head (Grade 5)
35211-91B	NUT 1-1/2-24 X .350 X 1-7/8 hex head
3563	SCREW 1/4-20 X 3/8 hex flange head (Grade 5)
3574	SCREW 1/4-20 X 3/4 flange
3579A	SCREW 1/4-28 X 1/4 SEMS hex head, self-tapping (Grade 2)
3588	SCREW 1/4-20 X 1/2 hex flange head
3594	SCREW 1/4-20 X 5/8 knurled head (Grade 8)
3605	BOLT 1/2-13 X 2-1/2 hex head (Grade 5)
3612	SCREW No. 10-16 X 1/2 TORX pan head, self-tapping
3615	SCREW No. 8-32 X 1, pan head, thread-cutting
3655A	SCREW 5/16-18 X 7/8 TORX pan head, with lockpatch (Grade 8)
3658	SCREW No. 10-24 X 1/2 TORX head (Grade 5)
3666A	SCREW No. 10-24 X 1.500 TORX recessed head, with washer
3691	SCREW No. 8-32 X 5/8 socket button head
3696	SCREW 5/16 X 3/4 TORX pan head (Grade 5)
3849	SCREW 1/4-20 X 1-1/4 SEMS hex head (Grade 8)
3854	SCREW 7/16-14 X 1, hex head (Grade 8)
3899	SCREW 7/16-14 X 1-3/4 hex head, with lockpatch
3976	SCREW 1/4-20 X 1 hex flange head (Grade 5)
3987	BOLT 5/16-18 X 3/4 hex head (Grade 5)
4016	SCREW 5/16-18 X 1.0 socket button head
4017	BOLT 5/16-18 X 1 hex head (Grade 5)
4029A	SCREW 3/8-16 X 2-1/4 socket head (black)
4032A	SCREW 3/8-16 X 2-1/2 socket head
4076	SCREW 3/8-16 X 1/2 socket head
4091	SCREW No. 10-24 X 1/2 hex head, with washer, self-tapping (zinc)
41191-74A	SCREW 1/2-20 X 5/8 hex socket flat head, with lockpatch
4132	SCREW 1/4-20 X 1-1/8 TORX button head (Grade 5) (black)

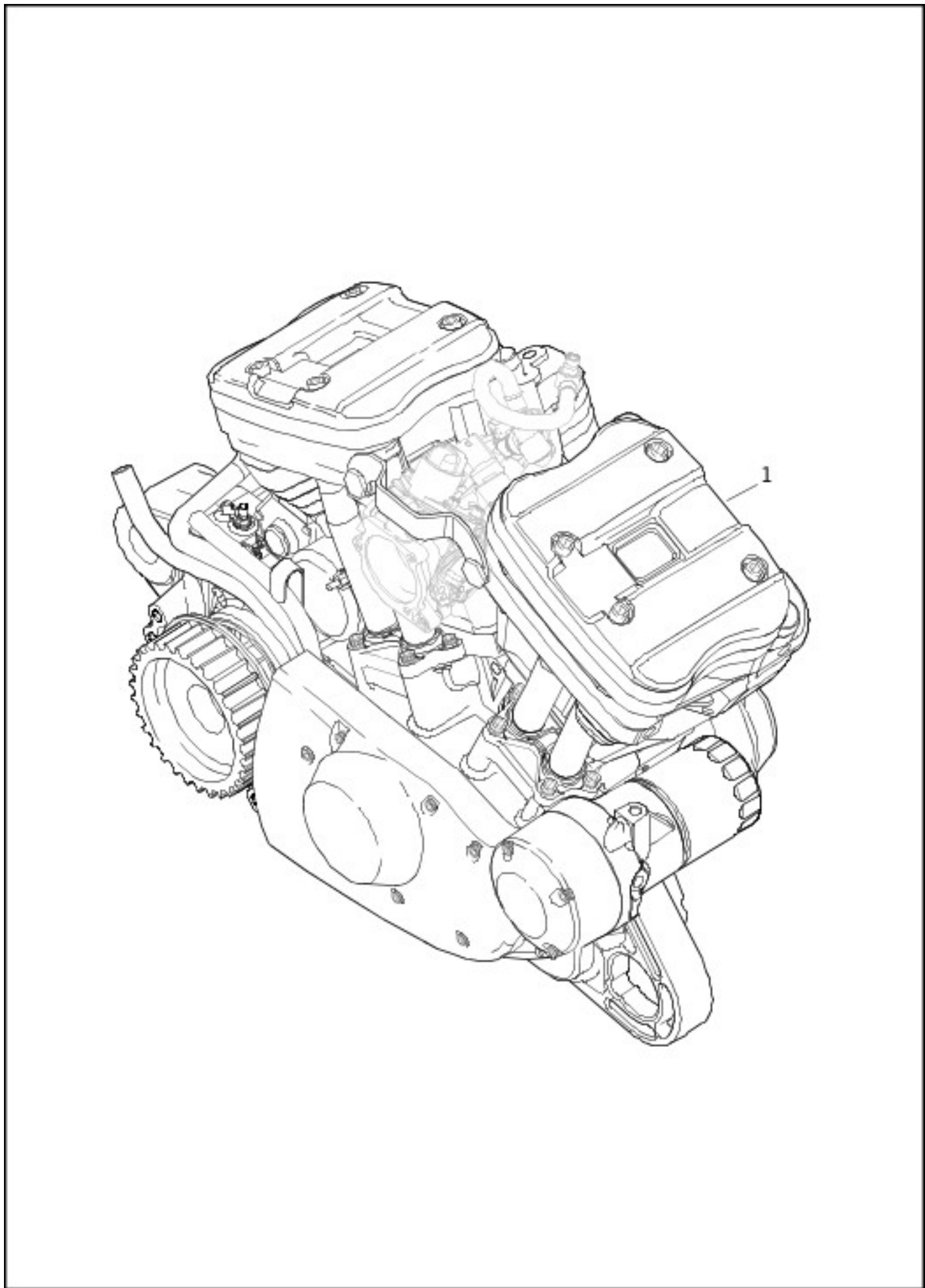
4180	SCREW 3/8-16 X 1-1/2 TORX button head
4188	SCREW 3/8-16 X 1-1/4 TORX button head
4190	SCREW 3/8-16 X 3/4 TORX button head
4266A	SCREW 3/8-16 X 7/8 button head (Grade 5)
4290	SCREW 3/8-16 X 1-1/4, TORX button head (Grade 5)
4312C	SCREW M6 X 1.0 X 14mm, SEMS flange head (stainless)
4352	SCREW 3/8-16 X 1-1/2 TORX, self-tapping (Grade 8)
43567-92	SCREW 3/8-16 X 1 TORX pan head, with lockpatch
4359	SCREW 5/16-18 X 7/8 socket button head
4363	SCREW 1/4-20 X 1/2 socket button head
4365	SCREW 1/4-20 X 1/2 socket button head (Grade 8)
4402	SCREW 5/16-18 X 3/8 button head socket (stainless)
4420	SCREW 3/8-16 X 2.75 hex head (Grade 5)
45405-75A	SCREW M8 X 1.25 x 27 hex socket head
45500118	SCREW M14 X 1.25 X 25 hex socket cap (zinc)
45500132	SCREW M8 X 1.25 X 45 hex socket cap (Grade 8.8)
46509-01	WASHER 30 X 43 X 2.3
4705	SCREW 1/4-20 X 11/16 SEMS socket head, with lockpatch
4717A	SCREW 1/4-20 X 2-1/4 knurled head, with lockpatch
4718A	SCREW 1/4-20 X 1-1/2 knurled head, with lockpatch
4724	BOLT 3/8-24 X 1-1/2 hex head (Grade 5)
4740A	SCREW 1/4-20 X 1-1/4 knurled head, with lockpatch (Grade 8)
4741A	SCREW 1/4-20 X 1 socket head, with lockpatch
4748	SCREW 3/8-16 X 1-1/8 socket head (Grade 8)
4751	SCREW 1/4-20 X 3/4 hex head, with lockpatch (Grade 8) (zinc)
4758A	SCREW 5/16-18 X 3.48 socket head (Grade 8)
4765	SCREW 1/4-20 X 2-5/8 SEMS socket head, with lockpatch (Grade 8) (zinc)
4771	SCREW 5/16-18 X 4-1/4 socket head (Grade 5)
4778	SCREW 5/16-18 X 1-3/8 TORX button head
4779	SCREW 5/16-18 X 1-3/4 TORX button head

4798	SCREW 1/4-20 X 5/8
4816A	SCREW 5/16-18 X 1-1/2 socket head
4820A	SCREW 1/4-20 X 2 socket head
4858M	SCREW M6 X 1.0 X 10 button head with lockpatch
4871	SCREW 1/4-20 X 29/64 flange head
4975M	SCREW M6 X 1.0 X 20 hex socket head cap with lock patch
4978	SCREW 5/16-18 X 1.5 hex socket head cap
4991	SCREW M6 torx pan head,
5403B	BOLT 1/4-20 X 3/8 carriage
5414	BOLT 3/8-16 X 7/8 carriage (Grade 5)
54321-85	NUT No. 8-32 X 1/2 X 1/8 (brass)
5751	SPACER
5925	WASHER 29 X 39 X 2-19/64
6003	WASHER 1-3/16 X 1-3/8 X 11/16
6026	WASHER 3/8 X 7/8 X 7/64
6029	WASHER 5/32 X 3/8 X 1/32
6101	WASHER 17/64 X 27/64 X 1/16
6109	WASHER 5/16 X 11/16 X 1/8
6110	WASHER 9/32 X 5/8 X 1/16
6152	SPACER 13/32 X 1.0 X 5/16
6157	WASHER 27/64 X 5/8 X 1/64 heat treated
6237	WASHER 5/16 X 1-1/8 X 5/64
6288	WASHER 17/32 X 25/32 X 1/32
6424	WASHER 9/32 X 5/8 X 1/16
6516HW	WASHER 7/16 X 1-1/8 X 1/8
6551	WASHER 1 X 1-5/8 X 1/8 hardened
6589A	WASHER
6590HW	WASHER 1/2 X 1-1/8 X 3/32
6594	WASHER 5/8 X 1-1/8 X 3/32
6701	WASHER 3/8 X 13/16 X 1/16
6702	WASHER 5/16 X 11/16 X 1/16

6703	WASHER 1/4 X 5/8 X 1/16
6716	WASHER No. 10 X 1/2 X 3/64
6738	WASHER 17/32 X 7/8 X 7/64
67815-59A	WASHER
6787	WASHER 7/16 X 13/16 X 5/64 flat
6792	WASHER 0.5 X 0.9 X 0.104
67956-96	SCREW 1/4-20 X 3/4 socket flat head
6798	WASHER 5/16 X 1/2 X 1/32
68026-99	SCREW No. 8-32 X 1 Phillips pan head (stainless)
68042-99	SCREW No. 8-32 X 3/8 TORX head
68120-00	SCREW No. 8-32 x 1-2 TORX head, self-tapping
7038	LOCKWASHER 3/8
7039	LOCKWASHER 7/16
7042	LOCKWASHER 5/16 high collar
7045	LOCKWASHER 3/8 high collar
7068	LOCKWASHER 1/2
7080	WASHER 9/16 X 3/4 X 1/4
7155	LOCKWASHER 5/16 internal tooth (black)
7220	LOCKWASHER No. 10 external tooth
7331	ACORN NUT 5/16-24
7354	LOCKNUT 1/4-20 UNC flange
7357	BULLET NUT 5/16-24 (black)
7468M	NUT M10 X 1 X 6
7477	NUT M8 X 1.25
7495	NUT M6 X 1.0 flange lock
7531	LOCKNUT 5/16-18 X 9/32 X 1/2 flange
7549A	ACORN NUT 5/16-18 X 9/16 X 1/2
7593	NUT 5/16-24 flange
7606	LOCKNUT No. 8-32 X 1/4 X 1/4 hex (chrome)
7624	LOCKNUT No. 10-24 X 1/4 X 3/8

7651A	ACORN NUT No. 12-24 (Grade 2) (chrome)
7686	LOCKNUT 1/4-20 X 5/16 X 7/16
7716	LOCKNUT 1/4-20 X 7/16 flange
7725	LOCKNUT 5/16-24 X 11/32 X 1/2
7766	LOCKNUT 5/16-18 flange
7778	LOCKNUT 3/8-16 X 7/16 X 9/16
7783	NUT 3/8-16 X 5/16 X 9/16 (Grade 2)
7792	NUT 1/4-20 X 1/4 (Grade 2)
7800W	NUT 3/8-24 X 5/16 X 9/16 (Grade 2)
7804	LOCKNUT 1/2-13 X 15/32 X 7/8 self-sealing
7813A	NUT 5/8-18 X 9/16 X 15/16 (Grade 2)
7838	NUT No. 10-24 keps
7839	NUT 3/4-16 X 21/32 flange (Grade 2)
7862	ACORN NUT 3/8-16 (chrome)
7878	NUT No. 10-24 X 7/32 X 3/8 flange
7880	NUT 1/2-13 X 7/16 X 3/4 (Grade 2)
7916A	JAMNUT 5/8-18
8020	NUT M24 X 2.0 X 15
8108	SPEEDNUT 1/4-20
8199M	NUT M10 X 1.0
8329	SCREW button, TORX
8336	SCREW 5/16-18 X 1-1/4 hex head
835	SCREW 5/16-18 X 3 flange head, with lockpatch
8972	WASHER 1-1/4 X 1-53/64 X 1/8
927A	SCREW 1/4-20 X 3/4 button head (Grade 8)
940	SCREW 1/4-20 X 3/4 TORX button head
943	SCREW 1/4-20 X 5/8 socket button head
946	SCREW 1/4-20 X 2-1/4 socket button head, with lockpatch (Grade 8)

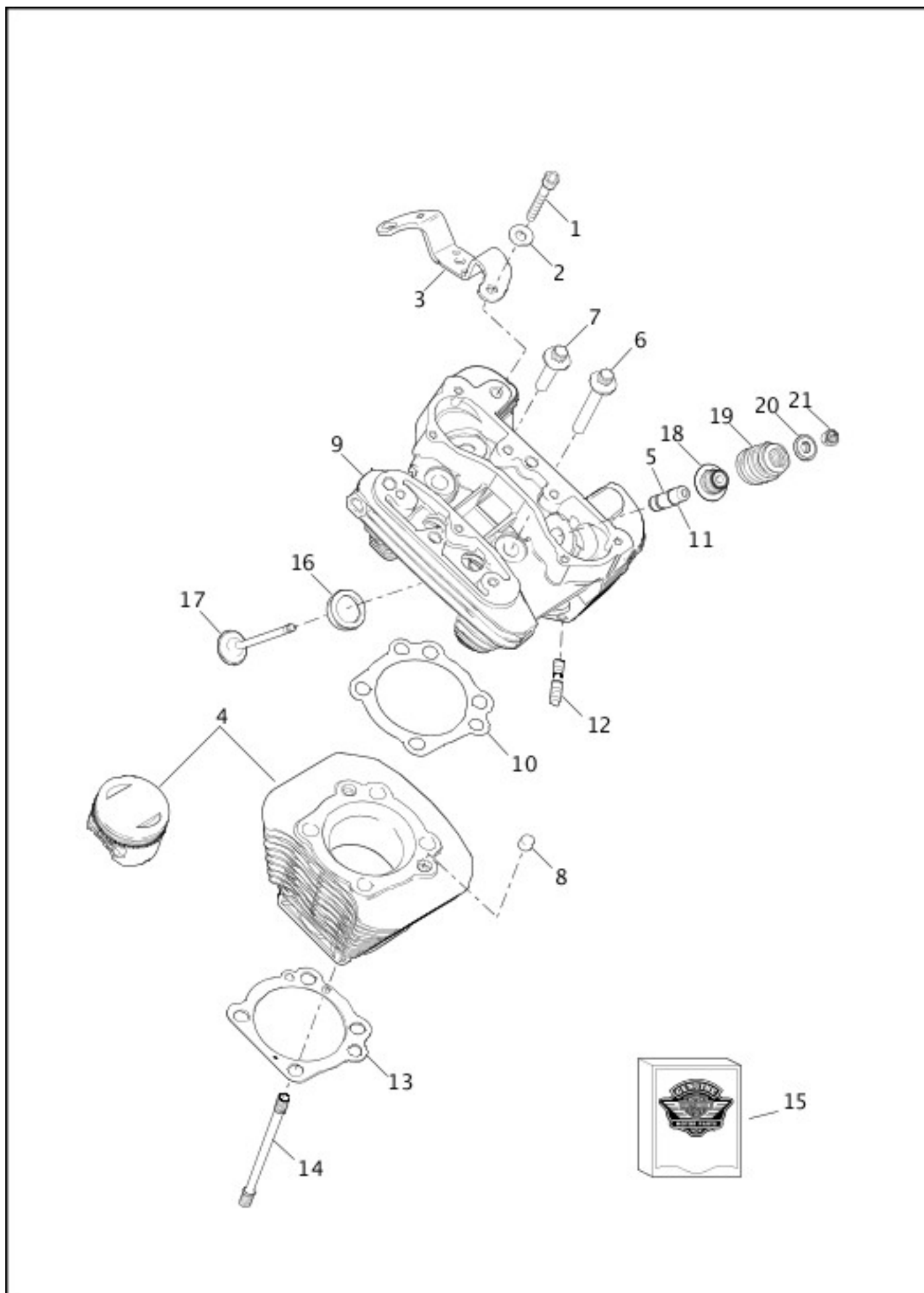
ENGINE ASSEMBLY



[View interactive table](#)

INDEX NO.	PART NO.	DESCRIPTION	MODEL(S)
1	16200573	ENGINE ASSEMBLY (883cc) (China)	XL883L
1	16200571	ENGINE ASSEMBLY (883cc) (China)	XL883N
1	16200574	ENGINE ASSEMBLY (1200cc) (China)	XL1200C

CYLINDERS, HEADS AND VALVES (1 OF 2)

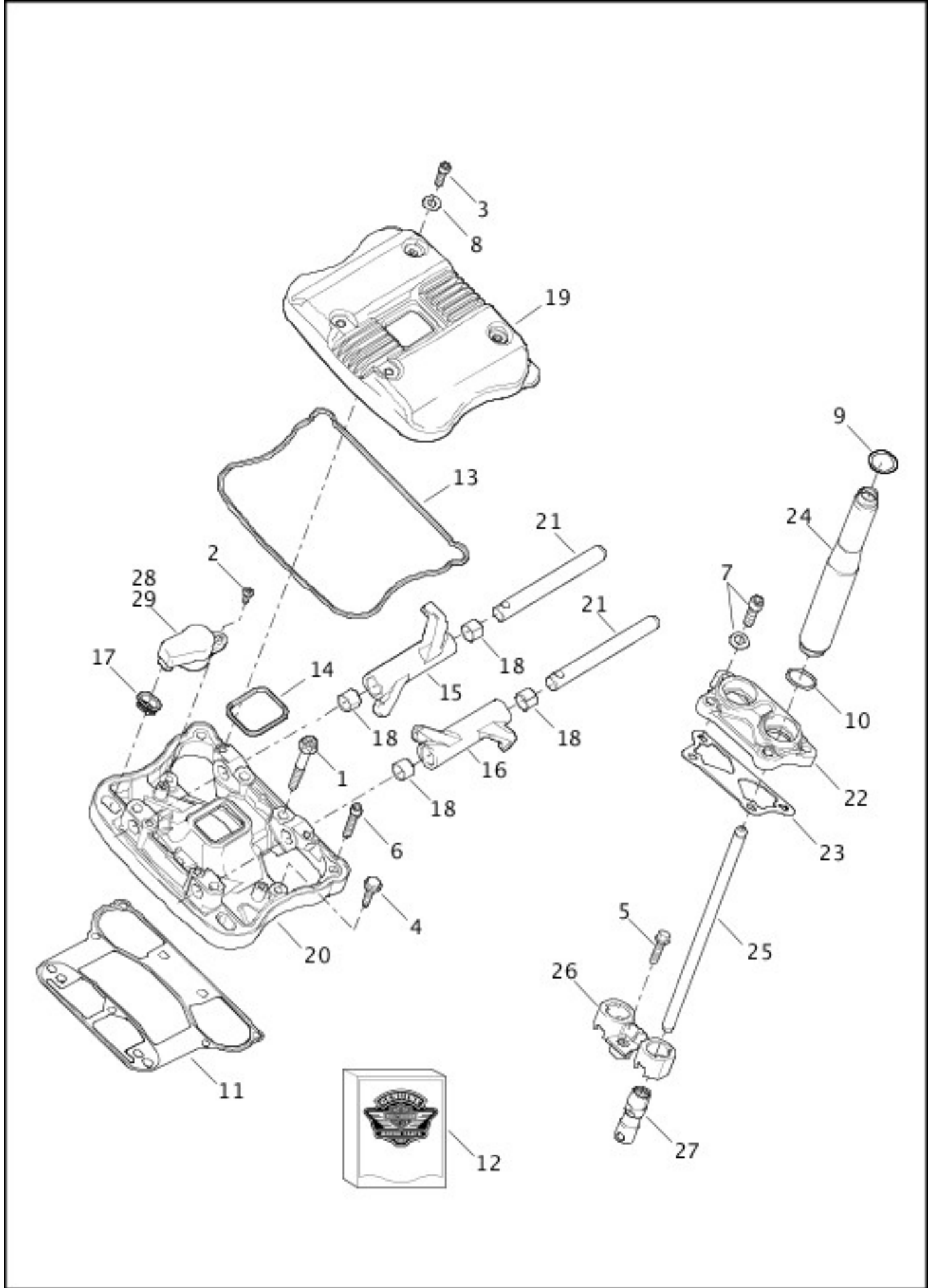


[View interactive table](#)

INDEX NO.	PART NO.	DESCRIPTION	MODEL(S)
9	16500826	HEAD, front cylinder (883 cc) (silver), with valve guides and seats (ASEAN, China only)	XL883L

9	16500823	HEAD, rear cylinder (883 cc) (black), with valve guides and seats (ASEAN, China, HD3 only)	XL883N
9	16500822	HEAD, front cylinder (883 cc) (black), with valve guides and seats (ASEAN, China, HD3 only)	XL883N
9	16500819	HEAD, rear cylinder (1200 cc) (black with fin highlights), with valve guides and seats (ASEAN, China only)	XL1200C
9	16500818	HEAD, front cylinder (1200 cc) (black with fin highlights), with valve guides and seats (ASEAN, China only)	XL1200C
9	16500821	HEAD, rear cylinder (1200 cc) (black without fin highlights), with valve guides and seats (ASEAN, China only)	XL1200NS
9	16500820	HEAD, front cylinder (1200 cc) (black without fin highlights), with valve guides and seats (ASEAN, China only)	XL1200NS
9	16500821	HEAD, rear cylinder (1200 cc) (black without fin highlights), with valve guides and seats (ASEAN, China, HD3 only)	XL1200X
9	16500820	HEAD, front cylinder (1200 cc) (black without fin highlights), with valve guides and seats (ASEAN, China, HD3 only)	XL1200X
9	16500825	HEAD, rear cylinder (1200 cc) (gray), with valve guides and seats (ASEAN, China only)	XL1200CX
9	16500824	HEAD, front cylinder (1200 cc) (gray), with valve guides and seats (ASEAN, China only)	XL1200CX

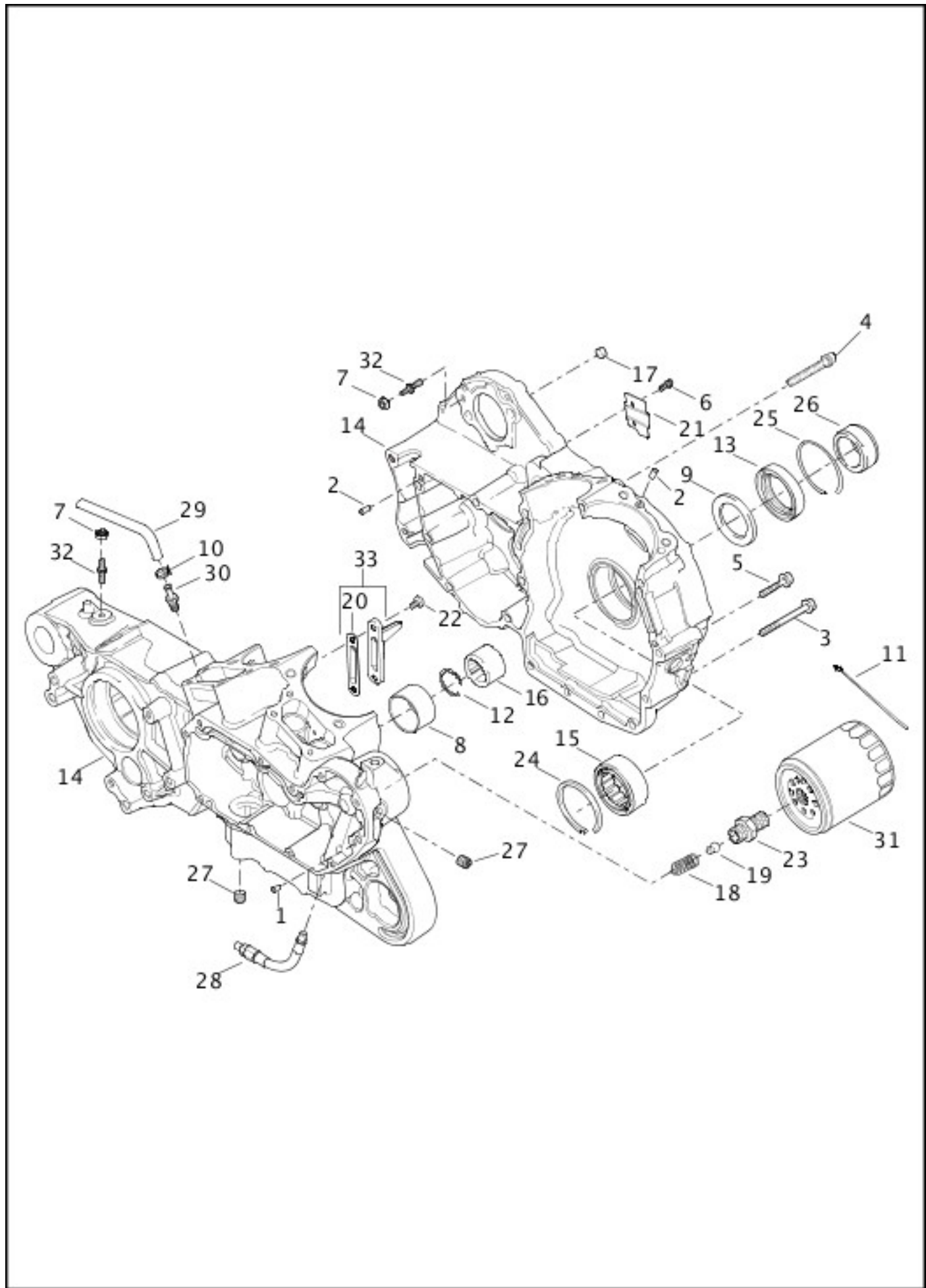
ROCKER ARM ASSEMBLY AND PUSHRODS



[View interactive table](#)

INDEX NO.	PART NO.	DESCRIPTION	MODEL(S)
8	6589A	WASHER (8)	ALL
13	17362-07C	GASKET, lower (2)	ALL
14	17695-07C	GASKET, inner (2)	ALL
28	26012-07	BREATHER, front	ALL

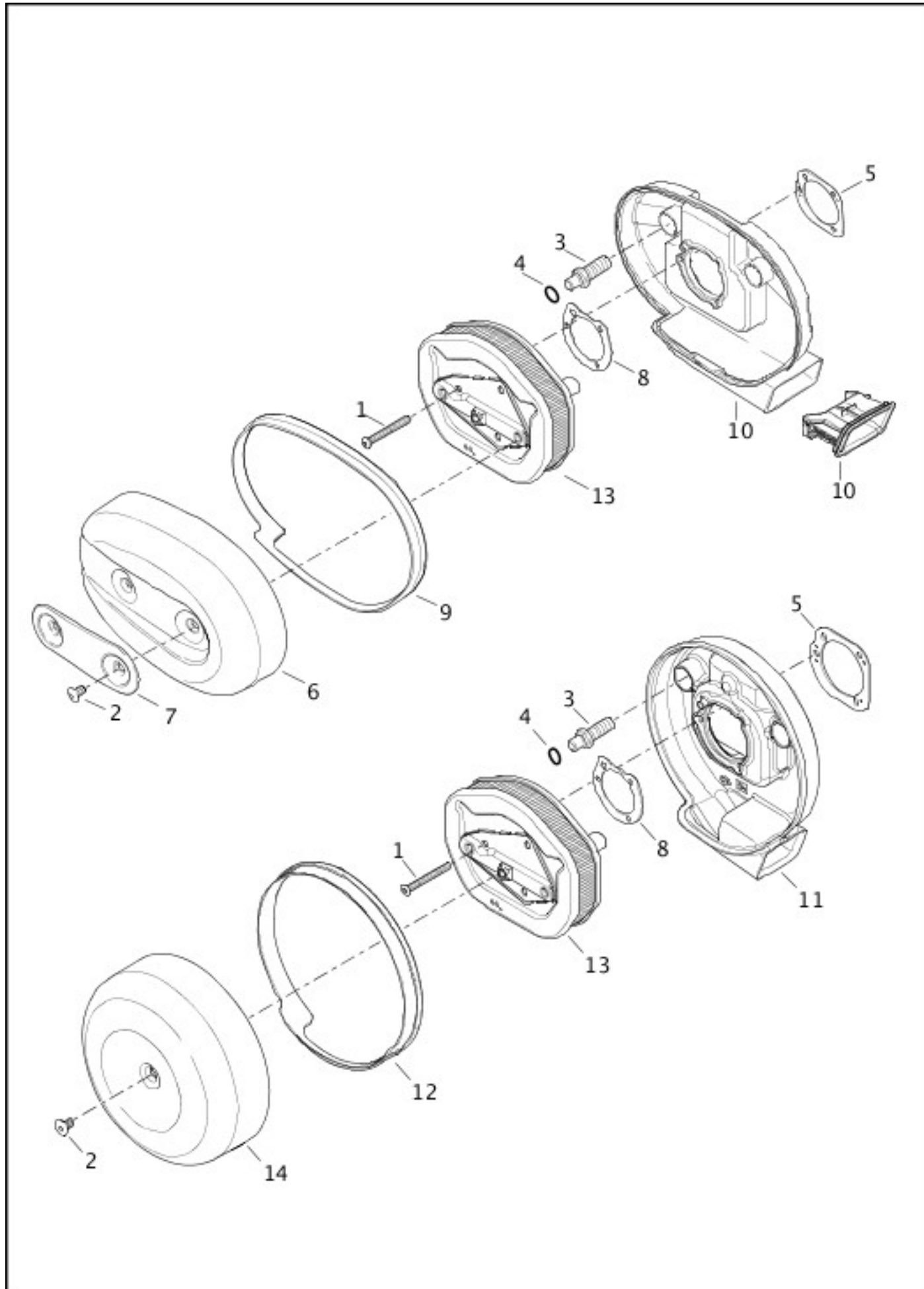
CRANKCASE AND GEARCASE



[View interactive table](#)

INDEX NO.	PART NO.	DESCRIPTION	MODEL(S)
14	24400337	CRANKCASE SET, with bearings (black) (ASEAN, China, HD3 only)	XL1200X, XL883N
14	24400337	CRANKCASE SET, with bearings (black) (ASEAN, China only)	XL1200C, XL1200NS
14	24400338	CRANKCASE SET, with bearings (silver) (ASEAN, China only)	XL883L

AIR CLEANER

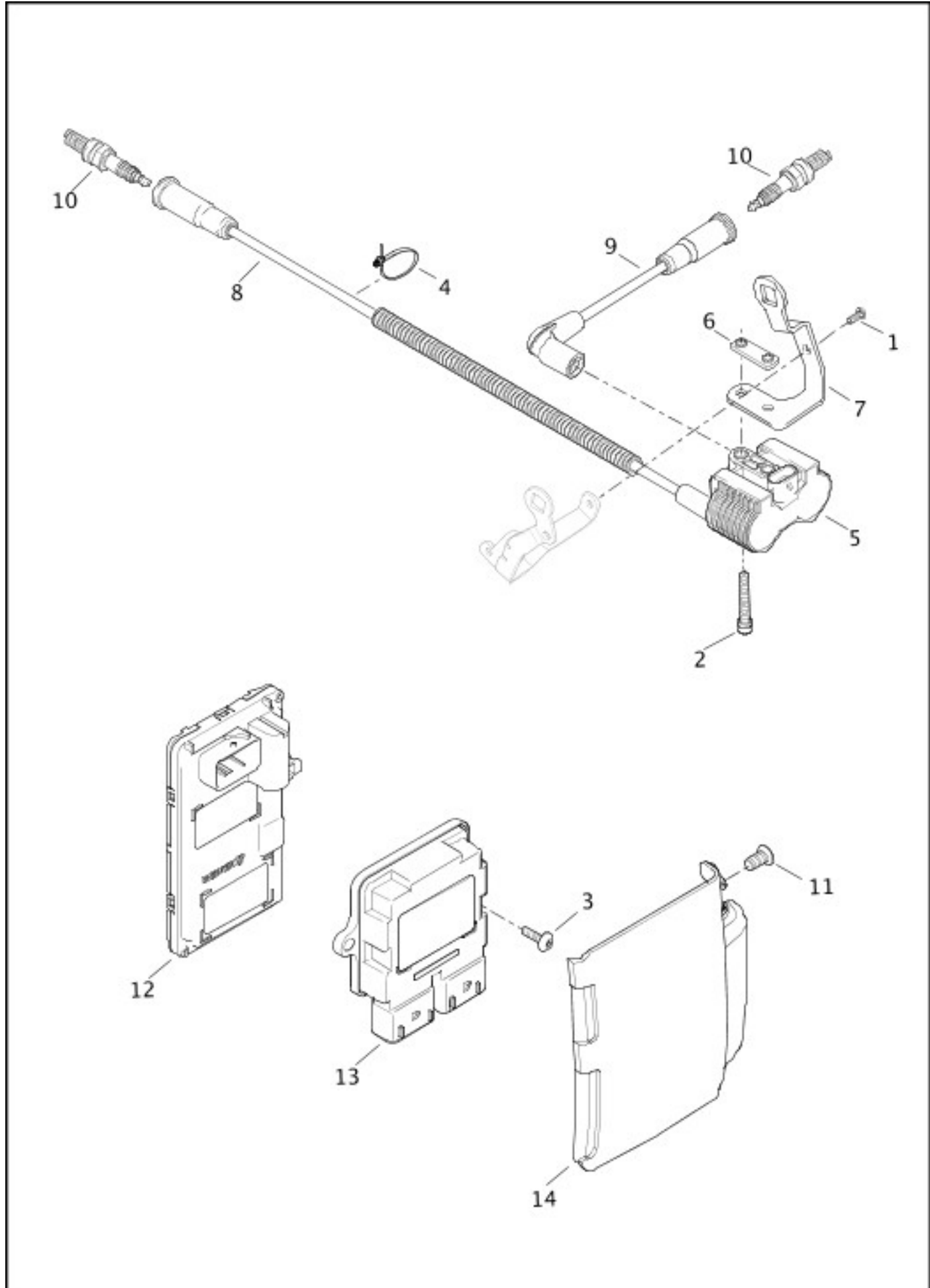


[View interactive table](#)

INDEX NO.	PART NO.	DESCRIPTION	MODEL(S)
6	29000297	COVER (chrome) with label (China only)	XL883L

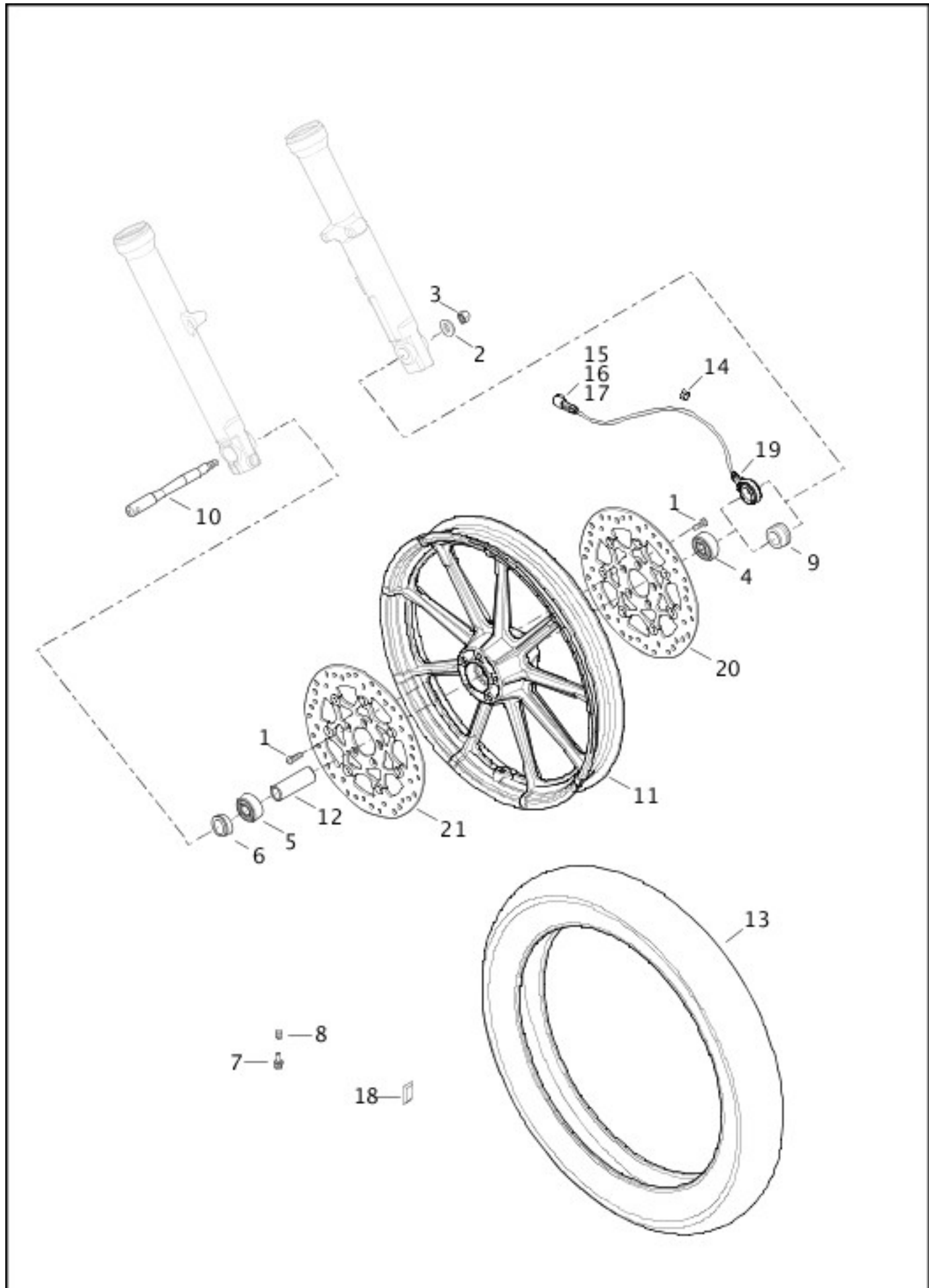
6	29000296	COVER (gray) with label (China only)	XL1200CX
6	29000299	COVER (black) with label (China only)	XL1200C
14	29000298	COVER (black) with label (China only)	XL1200NS, XL883N
14	29000300	COVER (gloss black) with label (China only)	XL1200X

ELECTRONIC IGNITION SYSTEM



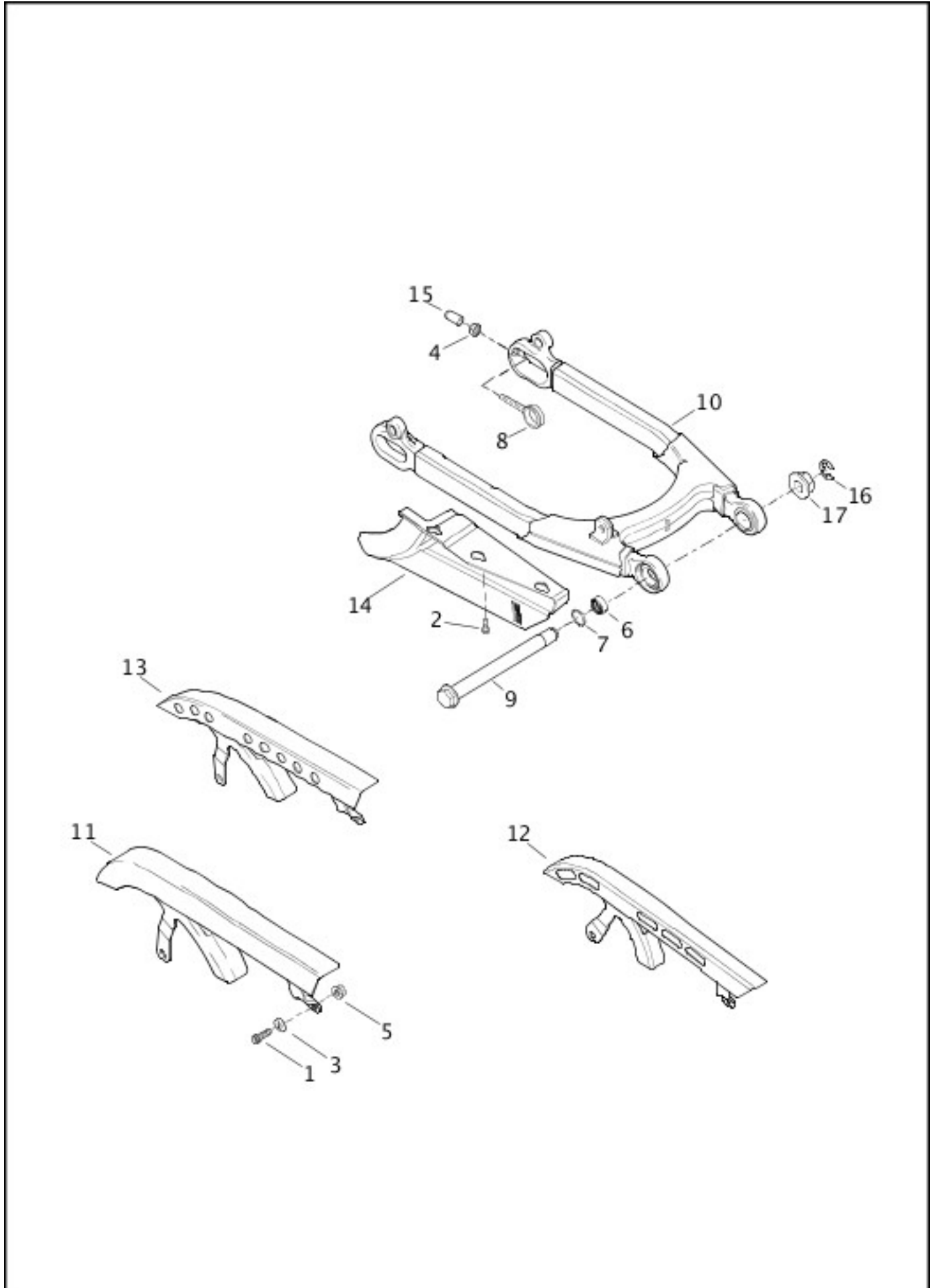
INDEX NO.	PART NO.	DESCRIPTION	MODEL(S)
12	41000351F	BODY CONTROL MODULE (BCM) (non-security)	ALL
12	41000341F	BODY CONTROL MODULE (BCM) (security) (except Japan)	ALL
12	41000342F	BODY CONTROL MODULE (BCM) (security) (Japan)	ALL

WHEELS, FRONT, CAST - XL1200C (INDIA ONLY), XL883L, XL883N, XL1200CX, XL1200NS, XL1200T, XL1200X, XL1200XS



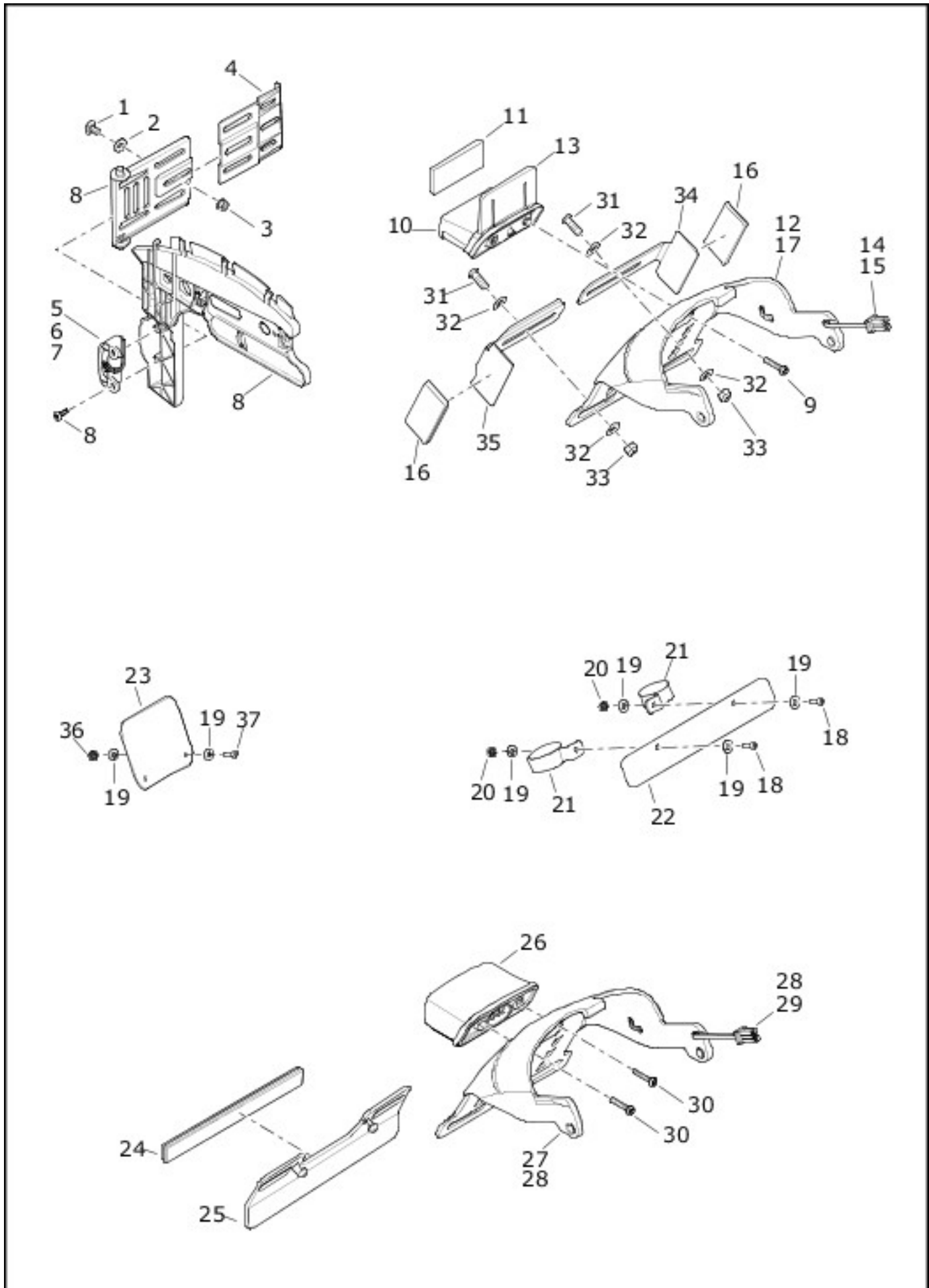
INDEX NO.	PART NO.	DESCRIPTION	MODEL(S)
20	41500068	BRAKE DISC (left)	XL1200CX, XL1200NS, XL1200X, XL1200XS, XL883N
21	41500068	BRAKE DISC (right)	XL1200CX

[FORK, REAR, DEBRIS DEFLECTOR AND BELT GUARD](#)



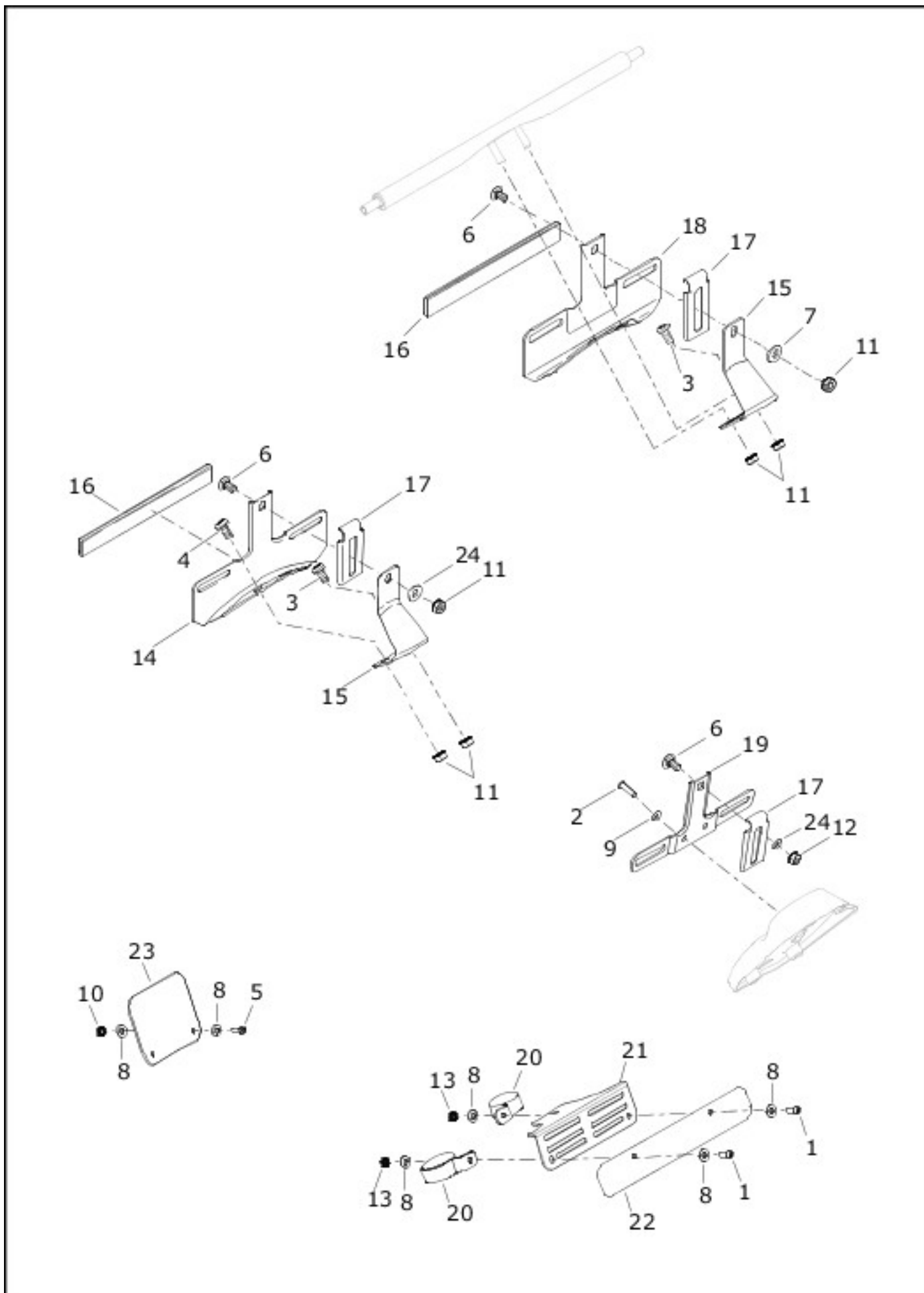
INDEX NO.	PART NO.	DESCRIPTION	MODEL(S)
11	60300202	BELT GUARD	XL1200C, XL1200NS, XL1200T, XL1200XS, XL883L
12	60300200	BELT GUARD	XL1200CX, XL1200X
13	60300196	BELT GUARD	XL883N

LICENSE PLATE BRACKETS - XL883N, XL1200NS, XL1200X, XL1200XS



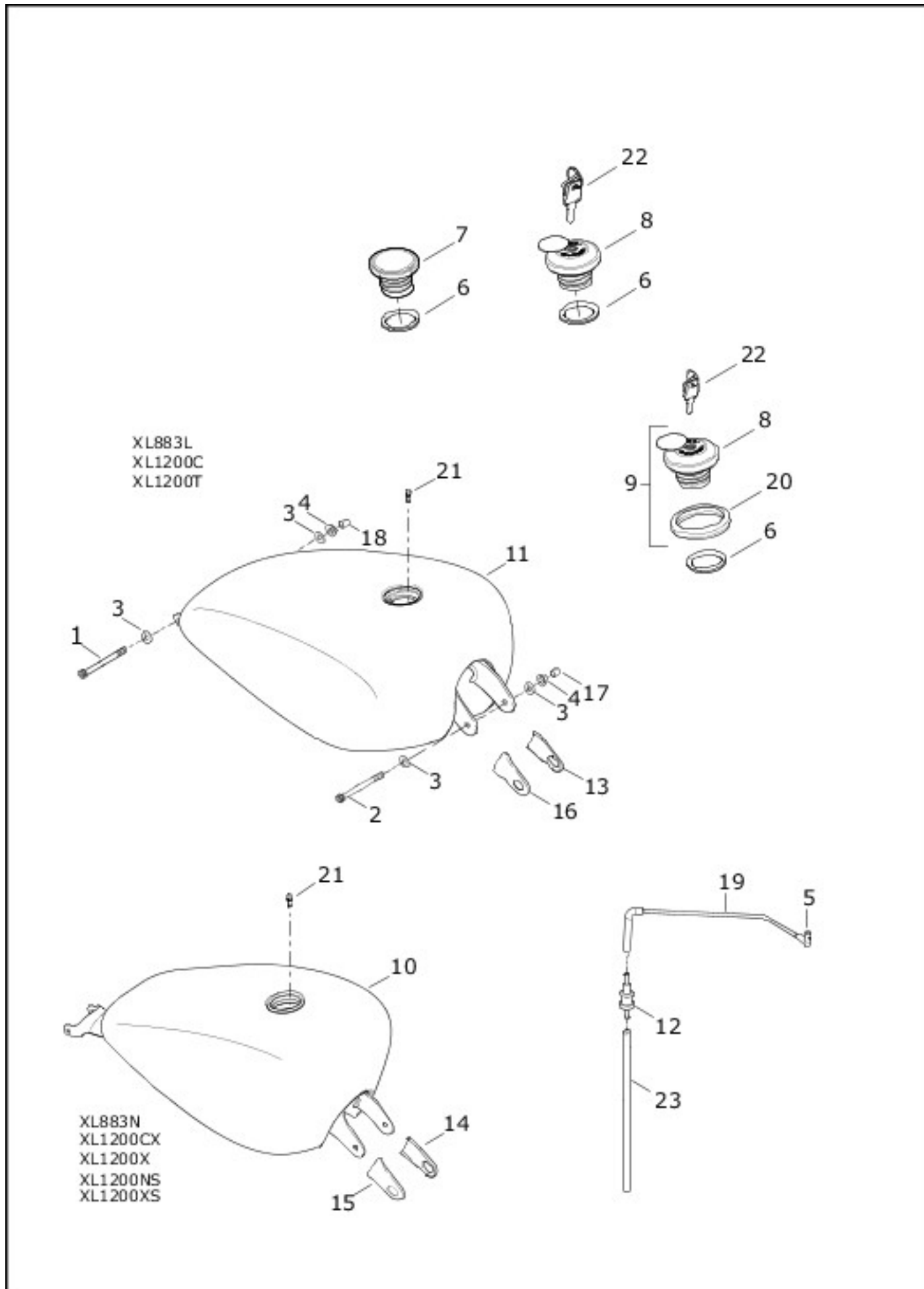
INDEX NO.	PART NO.	DESCRIPTION	MODEL(S)
3	7354	LOCKNUT (Domestic only)	XL1200NS, XL1200X, XL883N

LICENSE PLATE BRACKETS - XL883L, XL1200C, XL1200T



INDEX NO.	PART NO.	DESCRIPTION	MODEL(S)
24	6110	WASHER	XL1200C, XL883L

FUEL TANK

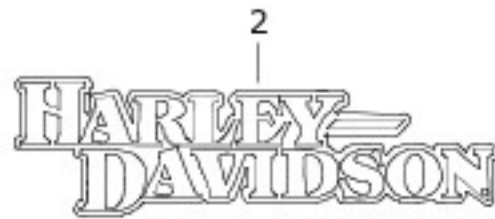


[View interactive table](#)

INDEX NO.	PART NO.	DESCRIPTION	MODEL(S)
-----------	----------	-------------	----------

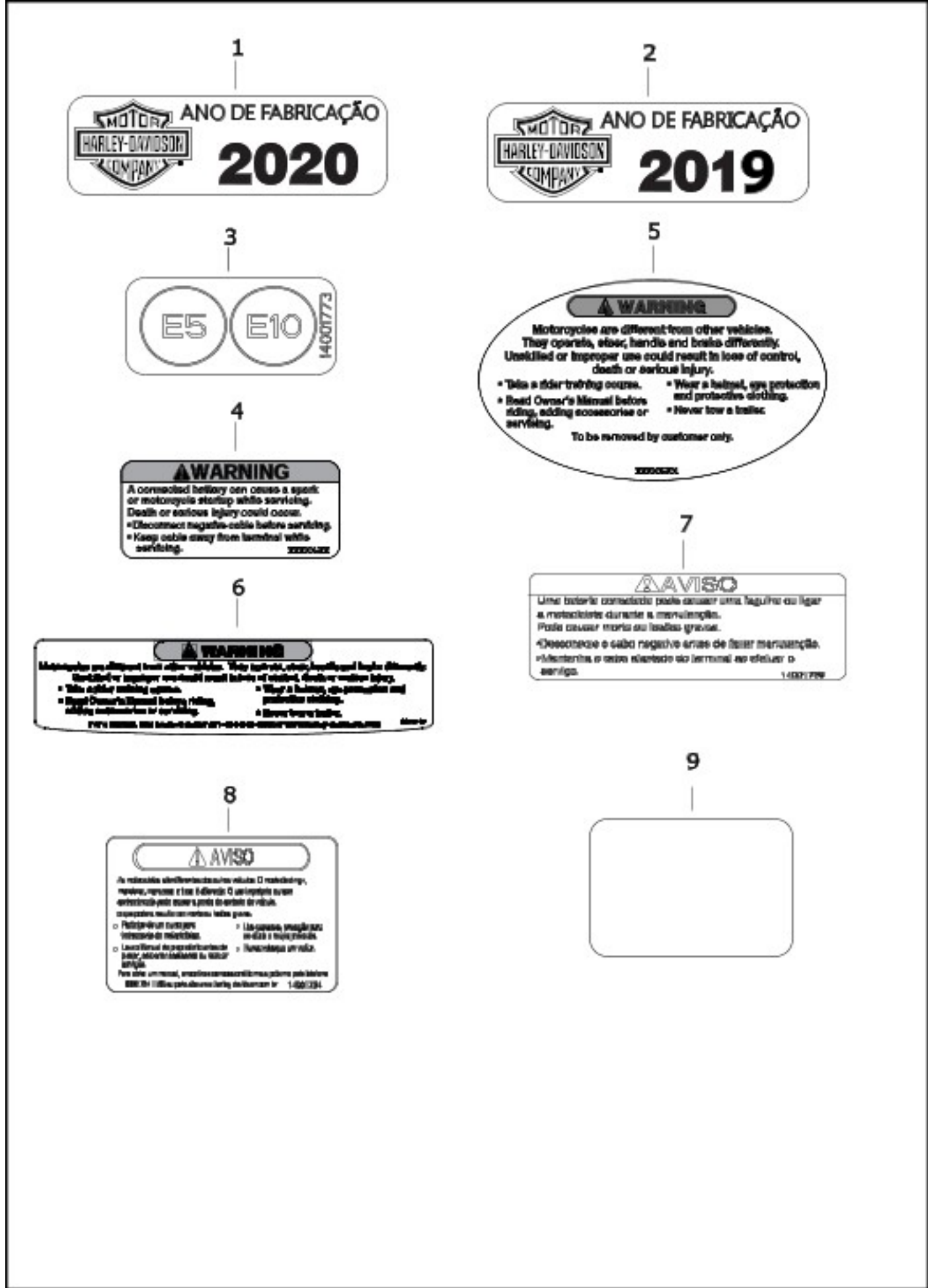
7	61272-92E	FUEL CAP ASSEMBLY, with 61109-85D (Domestic, Canada, ASEAN, Australia, England, HDI, India)	XL1200X
7	61272-92E	FUEL CAP ASSEMBLY, with 61109-85D (Domestic, Canada, ASEAN, Australia, Brazil, England, HDI, India)	XL1200T
7	61272-92E	FUEL CAP ASSEMBLY, with 61109-85D (Australia, ASEAN, England, HDI, India)	XL1200C, XL883L
7	61272-92E	FUEL CAP ASSEMBLY, with 61109-85D (ASEAN, Canada, Domestic, England, HDI, India)	XL1200CX
7	61272-92E	FUEL CAP ASSEMBLY, with 61109-85D (Australia, England, HDI, India)	XL1200XS
7	61289-07C	FUEL CAP, vented, with 61109-85D (Domestic, Canada, ASEAN, Australia, Brazil, England, HDI, India)	XL1200NS, XL883N
8	61100120A	FUEL CAP ASSEMBLY, with 90300093 (Asia-Pacific, Japan only)	XL1200C, XL1200CX, XL1200NS, XL1200X, XL1200XS, XL883L, XL883N
9	61100123A	FUEL CAP ASSEMBLY, with 61100120 and 61100065 (China only)	XL1200C, XL1200CX, XL1200NS, XL1200X, XL883L, XL883N

FUEL TANK TRIM



[View interactive table](#)

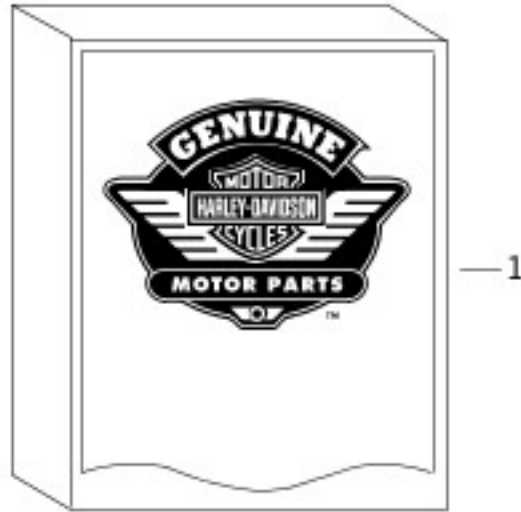
INDEX NO.	PART NO.	DESCRIPTION	MODEL(S)
1	14101136BAHW	MEDALLION (left) (for two-tone Scorched Orange and Silver Flux)	XL883N
1	14101137BAHW	MEDALLION (right) (for two-tone Scorched Orange and Silver Flux)	XL883N



View interactive table

INDEX NO.	PART NO.	DESCRIPTION	MODEL(S)
1	14001903	YEAR OF MANUFACTURING LABEL, 2020 (Brazil)	XL1200NS, XL883N

LOOSE PARTS



[View interactive table](#)

INDEX NO.	PART NO.	DESCRIPTION	MODEL(S)
1	94000746	OWNERS MANUAL (English)	ALL
1	94000746BR	OWNERS MANUAL (Brazil)	XL1200NS, XL883N
1	94000746FRCN	OWNERS MANUAL (French Canadian)	XL1200CX, XL1200NS, XL1200X, XL883N

1	94000746ZH	OWNERS MANUAL (Chinese)	XL1200C, XL1200CX, XL1200NS, XL1200X, XL883L, XL883N
1	94000746JA	OWNERS MANUAL (Japanese)	XL1200C, XL1200CX, XL1200NS, XL1200X, XL1200XS, XL883L, XL883N

Numerical Index

[View interactive table](#)

10003	BRAKE LINES, REAR - NON-ABS
10006	BRAKE LINES, FRONT - NON-ABS WHEELS, REAR, CAST - ABS ONLY - XL883L, XL883N, XL1200CX, XL1200NS, XL1200T, XL1200X, XL1200XS WHEELS, REAR, CAST - XL1200C INDIA WHEELS, REAR, LACED - XL1200C FRAME AND JIFFY STAND HANDLEBAR AND THROTTLE CONTROL - XL1200C WIRING HARNESS, MAIN, NON-ABS (1 OF 4) WIRING HARNESS, MAIN, NON-ABS (2 OF 4) WIRING HARNESS, MAIN, NON-ABS (3 OF 4) WIRING HARNESS, MAIN, ABS (1 OF 4) WIRING HARNESS, MAIN, ABS (2 OF 4) WIRING HARNESS, MAIN, ABS (3 OF 4) WIRING HARNESS, MAIN, KEYLESS, ABS (1 OF 4) WIRING HARNESS, MAIN, KEYLESS, ABS (2 OF 4) WIRING HARNESS, MAIN, KEYLESS, ABS (3 OF 4) WIRING HARNESS, MAIN, KEYLESS, NON-ABS (1 OF 4) WIRING HARNESS, MAIN, KEYLESS, NON-ABS (2 OF 4) WIRING HARNESS, MAIN, KEYLESS, NON-ABS (3 OF 4) SWITCHES
10031	BRAKE LINES, FRONT - NON-ABS BRAKE LINES, FRONT - ABS BRAKE LINES, REAR - NON-ABS BRAKE LINES, REAR - ABS
10038A	OIL TANK AND LINES
10039	FENDERS, REAR - XL883L FENDERS, REAR - XL883N, XL1200X, XL1200NS (DOMESTIC, CANADA ONLY) FENDERS, REAR - XL883N, XL1200NS, XL1200X, XL1200XS (ALL EXCEPT DOMESTIC, CANADA) FENDERS, REAR - XL1200C FENDERS, REAR - XL1200T FENDERS, REAR - XL1200CX (DOMESTIC, CANADA ONLY) FENDERS, REAR - XL1200CX (ALL EXCEPT DOMESTIC, CANADA)
10053	BRAKE LINES, FRONT - NON-ABS
10065	TURN SIGNALS, FRONT - 1200T TURN SIGNALS, REAR - XL1200CX, XL1200T WIRING HARNESS, MAIN, NON-ABS (2 OF 4) WIRING HARNESS, MAIN, NON-ABS (3 OF 4) WIRING HARNESS, MAIN, ABS (2 OF 4) WIRING HARNESS, MAIN, ABS (3 OF 4) WIRING HARNESS, MAIN, KEYLESS, ABS (2 OF 4) WIRING HARNESS, MAIN, KEYLESS, ABS (3 OF 4) WIRING HARNESS, MAIN, KEYLESS, NON-ABS (2 OF 4)

	<u>WIRING HARNESS, MAIN, KEYLESS, NON-ABS (3 OF 4)</u>
10074	<u>EXHAUST SYSTEM - XL1200CX</u> <u>EXHAUST SYSTEM - XL1200C, XL1200T</u> <u>EXHAUST SYSTEM - XL1200C, XL1200T</u> <u>EXHAUST SYSTEM - XL883L, XL1200X, XL1200XS (1 OF 2)</u>
10080	<u>CRANKCASE AND GEARCASE</u> <u>OIL TANK AND LINES</u>
10108	<u>BRAKE LINES, REAR - NON-ABS</u> <u>BRAKE LINES, REAR - ABS</u>
10117	<u>OIL TANK AND LINES</u>
10142	<u>OIL TANK AND LINES</u>
10177	<u>CRANKCASE AND GEARCASE</u> <u>ALTERNATOR AND REGULATOR</u> <u>ELECTRONIC IGNITION SYSTEM</u> <u>WHEELS, REAR, CAST - ABS ONLY - XL883L, XL883N, XL1200CX, XL1200NS, XL1200T, XL1200X, XL1200XS</u> <u>WHEELS, REAR, CAST - XL1200C INDIA</u> <u>WHEELS, REAR, LACED - XL1200C</u> <u>WIRING HARNESS, MAIN, NON-ABS (1 OF 4)</u> <u>WIRING HARNESS, MAIN, NON-ABS (3 OF 4)</u> <u>WIRING HARNESS, MAIN, ABS (1 OF 4)</u> <u>WIRING HARNESS, MAIN, ABS (3 OF 4)</u> <u>WIRING HARNESS, MAIN, KEYLESS, ABS (1 OF 4)</u> <u>WIRING HARNESS, MAIN, KEYLESS, ABS (3 OF 4)</u> <u>WIRING HARNESS, MAIN, KEYLESS, NON-ABS (1 OF 4)</u> <u>WIRING HARNESS, MAIN, KEYLESS, NON-ABS (3 OF 4)</u>
10179A	<u>FRAME AND JIFFY STAND</u> <u>FRAME AND JIFFY STAND</u>
10181	<u>FUEL PUMP</u>
10200	<u>FENDERS, REAR - XL883L</u>
10200052	<u>FORK BRACKETS, FRONT</u> <u>TURN SIGNALS, FRONT</u>
10200242	<u>EXHAUST SYSTEM - XL883N</u> <u>EXHAUST SYSTEM - XL1200NS</u> <u>EXHAUST SYSTEM - XL1200CX</u> <u>EXHAUST SYSTEM - XL1200C, XL1200T</u> <u>EXHAUST SYSTEM - XL883L, XL1200X, XL1200XS (1 OF 2)</u>
10200392	<u>SHOCK ABSORBERS, REAR</u>
10200474	<u>HANDLEBAR AND THROTTLE CONTROL - XL1200CX</u>
10200486	<u>SHOCK ABSORBERS, REAR</u>
10200549	<u>GUARDS, SAREE</u> <u>TURN SIGNALS, REAR - XL1200CX, XL1200T</u>
10200609	<u>ELECTRONIC IGNITION SYSTEM</u>

10242	FENDERS, REAR - XL883L FENDERS, REAR - XL1200C
10279	WIRING HARNESS, ENGINE
1028	CRANKCASE AND GEARCASE
10289A	BRAKE LINES, FRONT - ABS FRAME AND JIFFY STAND OIL TANK AND LINES
10300078	FENDERS, FRONT
10303	FUEL PUMP
10304	FUEL PUMP
10323	FENDERS, REAR - XL883N, XL1200X, XL1200NS (DOMESTIC, CANADA ONLY) FENDERS, REAR - XL883N, XL1200NS, XL1200X, XL1200XS (ALL EXCEPT DOMESTIC, CANADA)
1039	ROCKER ARM ASSEMBLY AND PUSHRODS
1048	CRANKCASE AND GEARCASE
10500062	FENDERS, REAR - XL1200T SADDLEBAGS - 1200T
10800005	LICENSE PLATE BRACKETS - XL883N, XL1200NS, XL1200X, XL1200XS
10800006	LICENSE PLATE BRACKETS - XL883N, XL1200NS, XL1200X, XL1200XS LICENSE PLATE BRACKETS - XL883L, XL1200C, XL1200T
10800010	EXHAUST SYSTEM - XL883N EXHAUST SYSTEM - XL1200NS EXHAUST SYSTEM - XL883L, XL1200X, XL1200XS (1 OF 2)
10800074	BRAKE LINES, FRONT - ABS
10800123	LICENSE PLATE BRACKETS - XL1200CX
1081A	FUEL PUMP
10868	FORK, FRONT - XL1200T FORK, FRONT - XL883N, XL1200NS
1091	FUEL PUMP
10984	TRANSMISSION GEARS
11000127	ROCKER ARM ASSEMBLY AND PUSHRODS
11002	OIL PUMP
11046	CLUTCH
11067	TRANSMISSION GEARS
11100060	WIRING HARNESS, MAIN, NON-ABS (3 OF 4)

	<u>WIRING HARNESS, MAIN, ABS (3 OF 4)</u> <u>WIRING HARNESS, MAIN, KEYLESS, ABS (3 OF 4)</u> <u>WIRING HARNESS, MAIN, KEYLESS, NON-ABS (3 OF 4)</u>
11100061	<u>OIL TANK AND LINES</u>
11105	<u>INSPECTION COVER AND PRIMARY COVER</u>
11113	<u>TRANSMISSION GEARS</u>
11120	<u>OIL TANK AND LINES</u>
11121	<u>BRAKE CONTROL, REAR</u>
11142	<u>BRAKE CONTROL, FRONT</u>
11155	<u>SWITCHES, HANDLEBAR</u>
11161	<u>TRANSMISSION GEARS</u>
11171	<u>INSPECTION COVER AND PRIMARY COVER</u>
11177A	<u>PISTONS AND FLYWHEEL ASSEMBLY</u> <u>CRANKCASE AND GEARCASE</u>
11179	<u>CLUTCH CONTROL</u>
11190	<u>ROCKER ARM ASSEMBLY AND PUSHRODS</u>
11202	<u>AIR CLEANER</u>
11250	<u>CLUTCH</u>
11271	<u>HANDLEBAR AND THROTTLE CONTROL - XL883L, XL1200X, XL1200XS</u> <u>HANDLEBAR AND THROTTLE CONTROL - XL883N, XL1200NS, XL1200T</u> <u>HANDLEBAR AND THROTTLE CONTROL - XL1200CX</u> <u>HANDLEBAR AND THROTTLE CONTROL - XL1200C</u>
11272	<u>HANDLEBAR AND THROTTLE CONTROL - XL883L, XL1200X, XL1200XS</u> <u>HANDLEBAR AND THROTTLE CONTROL - XL883N, XL1200NS, XL1200T</u> <u>HANDLEBAR AND THROTTLE CONTROL - XL1200CX</u> <u>HANDLEBAR AND THROTTLE CONTROL - XL1200C</u>
11282	<u>FORK, REAR, DEBRIS DEFLECTOR AND BELT GUARD</u>
11289A	<u>SENSORS AND SWITCHES, ENGINE</u>
11304	<u>FOOTRESTS, PASSENGER</u> <u>FOOTRESTS, RIDER, FORWARD-CONTROL</u> <u>FOOTRESTS, RIDER, MID-CONTROL</u>
11317	<u>PISTONS AND FLYWHEEL ASSEMBLY</u> <u>CAMSHAFTS AND GEARCASE COVER</u>
11360	<u>SHIFTER, GEAR</u>
11377	<u>ROCKER ARM ASSEMBLY AND PUSHRODS</u>
11379	<u>CLUTCH CONTROL</u>

11390	FOOTRESTS, RIDER, FORWARD-CONTROL FOOTRESTS, RIDER, MID-CONTROL
11474	FENDERS, REAR - XL883L FENDERS, REAR - XL883N, XL1200X, XL1200NS (DOMESTIC, CANADA ONLY) FENDERS, REAR - XL883N, XL1200NS, XL1200X, XL1200XS (ALL EXCEPT DOMESTIC, CANADA) FENDERS, REAR - XL1200C FENDERS, REAR - XL1200T FENDERS, REAR - XL1200CX (DOMESTIC, CANADA ONLY) FENDERS, REAR - XL1200CX (ALL EXCEPT DOMESTIC, CANADA)
11600001	BRAKE LINES, FRONT - NON-ABS BRAKE LINES, FRONT - NON-ABS BRAKE LINES, FRONT - ABS BRAKE LINES, REAR - NON-ABS BRAKE LINES, REAR - ABS BRAKE LINES, REAR - ABS
11730A	CLUTCH
11765Y	CLUTCH
11778	BRAKE LINES, REAR - NON-ABS WIRING HARNESS, MAIN, NON-ABS (4 OF 4) WIRING HARNESS, MAIN, ABS (4 OF 4) WIRING HARNESS, MAIN, KEYLESS, ABS (4 OF 4) WIRING HARNESS, MAIN, KEYLESS, NON-ABS (4 OF 4)
11785	BRAKE LINES, REAR - NON-ABS WIRING HARNESS, MAIN, NON-ABS (4 OF 4) WIRING HARNESS, MAIN, ABS (4 OF 4) WIRING HARNESS, MAIN, KEYLESS, ABS (4 OF 4) WIRING HARNESS, MAIN, KEYLESS, NON-ABS (4 OF 4)
11804	WHEELS, FRONT, CAST - XL1200C (INDIA ONLY), XL883L, XL883N, XL1200CX, XL1200NS, XL1200T, XL1200X, XL1200XS WHEELS, FRONT, LACED - XL1200C
11888	WHEELS, FRONT, CAST - XL1200C (INDIA ONLY), XL883L, XL883N, XL1200CX, XL1200NS, XL1200T, XL1200X, XL1200XS WHEELS, FRONT, LACED - XL1200C
11936	EXHAUST SYSTEM - XL883N EXHAUST SYSTEM - XL1200NS EXHAUST SYSTEM - XL1200CX EXHAUST SYSTEM - XL1200C, XL1200T EXHAUST SYSTEM - XL883L, XL1200X, XL1200XS (1 OF 2) SWITCHES
11954	TAIL LAMPS
12030	TRANSMISSION GEARS
12068	CRANKCASE AND GEARCASE
12074	TRANSMISSION GEARS
12085	FORK, FRONT - XL1200CX

12100031	BRAKE LINES, FRONT - ABS
12100049	BRAKE LINES, FRONT - ABS
12200047	FORK, REAR, DEBRIS DEFLECTOR AND BELT GUARD
12600080	BRAKE CONTROL, REAR
14001593	LABELS
14001734	LABELS
14001739	LABELS
14001773	LABELS
14001800	LABELS
14001860	LABELS
14001863	LABELS
14001903	LABELS
14100381	BRAKE CALIPER, FRONT BRAKE CALIPER, FRONT BRAKE CALIPER, REAR
14100598	SADDLEBAGS - 1200T
14100599	SADDLEBAGS - 1200T
14100709BACA	FUEL TANK TRIM
14100709BACB	FUEL TANK TRIM
14100710BACA	FUEL TANK TRIM
14100710BACB	FUEL TANK TRIM
14100767	SHOCK ABSORBERS, REAR
14100883	SHOCK ABSORBERS, REAR
14101136BAHW	FUEL TANK TRIM
14101137BAHW	FUEL TANK TRIM
14448-94	HANDLEBAR AND THROTTLE CONTROL - XL1200C
14900081	SHOCK ABSORBERS, REAR SEATS
15368-01A	LABELS
15370-01A	LABELS
15385-08	LABELS

1594	<u>FRAME AND JIFFY STAND</u>
16200496	<u>ENGINE ASSEMBLY</u>
16200497	<u>ENGINE ASSEMBLY</u>
16200498	<u>ENGINE ASSEMBLY</u>
16200499	<u>ENGINE ASSEMBLY</u>
16200500	<u>ENGINE ASSEMBLY</u>
16200501	<u>ENGINE ASSEMBLY</u>
16200502	<u>ENGINE ASSEMBLY</u>
16200503	<u>ENGINE ASSEMBLY</u>
16200505	<u>ENGINE ASSEMBLY</u>
16200509	<u>ENGINE ASSEMBLY</u>
16200512	<u>ENGINE ASSEMBLY</u>
16200513	<u>ENGINE ASSEMBLY</u>
16200514	<u>ENGINE ASSEMBLY</u>
16200515	<u>ENGINE ASSEMBLY</u>
16200516	<u>ENGINE ASSEMBLY</u>
16200517	<u>ENGINE ASSEMBLY</u> <u>ENGINE ASSEMBLY</u> <u>ENGINE ASSEMBLY</u>
16200518	<u>ENGINE ASSEMBLY</u>
16200557	<u>ENGINE ASSEMBLY</u>
16200570	<u>ENGINE ASSEMBLY</u>
16200571	<u>ENGINE ASSEMBLY</u>
16200573	<u>ENGINE ASSEMBLY</u>
16200574	<u>ENGINE ASSEMBLY</u>
16232-04B	<u>ENGINE MOUNTS AND STABILIZER LINK</u>
16287-04	<u>ENGINE MOUNTS AND STABILIZER LINK</u>
16291-04A	<u>ENGINE MOUNTS AND STABILIZER LINK</u>
16353-04	<u>CYLINDERS, HEADS AND VALVES (1 OF 2)</u>
16361-07	<u>INDUCTION MODULE, FUEL</u>
16443-04	<u>CYLINDERS, HEADS AND VALVES (1 OF 2)</u>

16452-05	CYLINDERS, HEADS AND VALVES (1 OF 2)
16463-04	CYLINDERS, HEADS AND VALVES (1 OF 2)
16465-06	CYLINDERS, HEADS AND VALVES (1 OF 2)
16469-10	CYLINDERS, HEADS AND VALVES (1 OF 2)
16478-85A	CYLINDERS, HEADS AND VALVES (1 OF 2)
16480-92A	CYLINDERS, HEADS AND VALVES (1 OF 2)
16500469	CYLINDERS, HEADS AND VALVES (1 OF 2)
16500471	CYLINDERS, HEADS AND VALVES (1 OF 2)
16500818	CYLINDERS, HEADS AND VALVES (1 OF 2)
16500819	CYLINDERS, HEADS AND VALVES (1 OF 2)
16500820	CYLINDERS, HEADS AND VALVES (1 OF 2) CYLINDERS, HEADS AND VALVES (1 OF 2)
16500821	CYLINDERS, HEADS AND VALVES (1 OF 2) CYLINDERS, HEADS AND VALVES (1 OF 2)
16500822	CYLINDERS, HEADS AND VALVES (1 OF 2)
16500823	CYLINDERS, HEADS AND VALVES (1 OF 2)
16500824	CYLINDERS, HEADS AND VALVES (1 OF 2)
16500825	CYLINDERS, HEADS AND VALVES (1 OF 2)
16500826	CYLINDERS, HEADS AND VALVES (1 OF 2)
16500827	CYLINDERS, HEADS AND VALVES (1 OF 2)
16573-83A	CYLINDERS, HEADS AND VALVES (1 OF 2)
16660-07	CYLINDERS, HEADS AND VALVES (1 OF 2)
16661-07	CYLINDERS, HEADS AND VALVES (1 OF 2)
16664-86D	CYLINDERS, HEADS AND VALVES (2 OF 2)
16666-07	CYLINDERS, HEADS AND VALVES (1 OF 2) CYLINDERS, HEADS AND VALVES (1 OF 2)
16667-07	CYLINDERS, HEADS AND VALVES (1 OF 2) CYLINDERS, HEADS AND VALVES (1 OF 2)
16699-06	CYLINDERS, HEADS AND VALVES (2 OF 2)
16715-83	CYLINDERS, HEADS AND VALVES (2 OF 2)
16770-84F	CYLINDERS, HEADS AND VALVES (2 OF 2)

16789-04	<u>CYLINDERS, HEADS AND VALVES (2 OF 2)</u>
16800-84B	<u>ROCKER ARM ASSEMBLY AND PUSHRODS</u>
16832-86C	<u>CYLINDERS, HEADS AND VALVES (2 OF 2)</u>
16865-07	<u>CYLINDERS, HEADS AND VALVES (1 OF 2)</u>
16867-07	<u>CYLINDERS, HEADS AND VALVES (1 OF 2)</u>
17027-08	<u>CYLINDERS, HEADS AND VALVES (2 OF 2)</u>
17036-08	<u>ROCKER ARM ASSEMBLY AND PUSHRODS</u>
17049-08	<u>CYLINDERS, HEADS AND VALVES (2 OF 2)</u>
17360-83B	<u>ROCKER ARM ASSEMBLY AND PUSHRODS</u>
17362-07C	<u>ROCKER ARM ASSEMBLY AND PUSHRODS</u>
17375-83B	<u>ROCKER ARM ASSEMBLY AND PUSHRODS</u>
17393-07	<u>ROCKER ARM ASSEMBLY AND PUSHRODS</u>
17485-07	<u>CYLINDERS, HEADS AND VALVES (1 OF 2)</u> <u>CYLINDERS, HEADS AND VALVES (1 OF 2)</u> <u>CYLINDERS, HEADS AND VALVES (1 OF 2)</u>
17488-07	<u>CYLINDERS, HEADS AND VALVES (1 OF 2)</u> <u>CYLINDERS, HEADS AND VALVES (1 OF 2)</u> <u>CYLINDERS, HEADS AND VALVES (1 OF 2)</u>
17496-07	<u>CYLINDERS, HEADS AND VALVES (1 OF 2)</u>
17501-04	<u>ROCKER ARM ASSEMBLY AND PUSHRODS</u> <u>ROCKER ARM ASSEMBLY AND PUSHRODS</u>
17532-07A	<u>ROCKER ARM ASSEMBLY AND PUSHRODS</u> <u>ROCKER ARM ASSEMBLY AND PUSHRODS</u>
17537-07A	<u>ROCKER ARM ASSEMBLY AND PUSHRODS</u>
17551-04	<u>ROCKER ARM ASSEMBLY AND PUSHRODS</u>
17598-07A	<u>ROCKER ARM ASSEMBLY AND PUSHRODS</u>
17611-83	<u>ROCKER ARM ASSEMBLY AND PUSHRODS</u>
17645-07A	<u>ROCKER ARM ASSEMBLY AND PUSHRODS</u>
17655-05	<u>ROCKER ARM ASSEMBLY AND PUSHRODS</u> <u>ROCKER ARM ASSEMBLY AND PUSHRODS</u>
17695-07C	<u>ROCKER ARM ASSEMBLY AND PUSHRODS</u>
17908-02	<u>ROCKER ARM ASSEMBLY AND PUSHRODS</u>
17909-02	<u>ROCKER ARM ASSEMBLY AND PUSHRODS</u>

17946-04	<u>ROCKER ARM ASSEMBLY AND PUSHRODS</u>
17972-04	<u>ROCKER ARM ASSEMBLY AND PUSHRODS</u>
17976-04	<u>ROCKER ARM ASSEMBLY AND PUSHRODS</u>
17981-04	<u>ROCKER ARM ASSEMBLY AND PUSHRODS</u>
18011-86	<u>CYLINDERS, HEADS AND VALVES (2 OF 2)</u>
18012-87A	<u>CYLINDERS, HEADS AND VALVES (2 OF 2)</u>
18020-07	<u>CYLINDERS, HEADS AND VALVES (2 OF 2)</u>
18021-87A	<u>CYLINDERS, HEADS AND VALVES (2 OF 2)</u>
18053-04	<u>CYLINDERS, HEADS AND VALVES (2 OF 2)</u>
18059-04	<u>CYLINDERS, HEADS AND VALVES (2 OF 2)</u>
18094-02A	<u>CYLINDERS, HEADS AND VALVES (2 OF 2)</u>
18245-02	<u>CYLINDERS, HEADS AND VALVES (2 OF 2)</u>
18258-02	<u>CYLINDERS, HEADS AND VALVES (2 OF 2)</u>
18260-02	<u>CYLINDERS, HEADS AND VALVES (2 OF 2)</u>
18505-06	<u>ROCKER ARM ASSEMBLY AND PUSHRODS</u>
18538-99C	<u>ROCKER ARM ASSEMBLY AND PUSHRODS</u>
18690-02	<u>CYLINDERS, HEADS AND VALVES (2 OF 2)</u>
18691-02	<u>CYLINDERS, HEADS AND VALVES (2 OF 2)</u>
215	<u>CRANKCASE AND GEARCASE</u>
21948-02	<u>PISTONS AND FLYWHEEL ASSEMBLY</u>
22000031	<u>FORK, FRONT - XL1200X, XL1200XS</u>
22221-04	<u>PISTONS AND FLYWHEEL ASSEMBLY</u>
22223-04	<u>PISTONS AND FLYWHEEL ASSEMBLY</u>
22227-04	<u>PISTONS AND FLYWHEEL ASSEMBLY</u>
22228-04	<u>PISTONS AND FLYWHEEL ASSEMBLY</u>
22230-04	<u>PISTONS AND FLYWHEEL ASSEMBLY</u>
22231-04	<u>PISTONS AND FLYWHEEL ASSEMBLY</u>
22238-04	<u>PISTONS AND FLYWHEEL ASSEMBLY</u>
22261-86	<u>PISTONS AND FLYWHEEL ASSEMBLY</u>

22266-86	PISTONS AND FLYWHEEL ASSEMBLY
22271-86	PISTONS AND FLYWHEEL ASSEMBLY
22589-83B	PISTONS AND FLYWHEEL ASSEMBLY
2261	SWITCHES, HANDLEBAR
22719-04	PISTONS AND FLYWHEEL ASSEMBLY
22765-02	PISTONS AND FLYWHEEL ASSEMBLY
2325	INSTRUMENT MODULE - XL883L, XL883N, XL1200NS, XL1200T INSTRUMENT MODULE - XL1200CX, XL1200X, XL1200XS
2361	INSTRUMENT MODULE - XL883L, XL883N, XL1200NS, XL1200T INSTRUMENT MODULE - XL1200C INSTRUMENT MODULE - XL1200CX, XL1200X, XL1200XS
23905-04B	PISTONS AND FLYWHEEL ASSEMBLY
24047-00	CAMSHAFTS AND GEARCASE COVER
24332-36	PISTONS AND FLYWHEEL ASSEMBLY
24400337	CRANKCASE AND GEARCASE CRANKCASE AND GEARCASE
24400338	CRANKCASE AND GEARCASE
2441	ROCKER ARM ASSEMBLY AND PUSHRODS BRAKE LINES, FRONT - NON-ABS BRAKE LINES, FRONT - ABS
2444	WINDSHIELD - 1200T
2445	HEADLAMP - XL1200C
24466-06B	CRANKCASE AND GEARCASE CRANKCASE AND GEARCASE CRANKCASE AND GEARCASE
24470-06B	CRANKCASE AND GEARCASE
2460	AIR CLEANER
24605-07	CRANKCASE AND GEARCASE
24647-87	CRANKCASE AND GEARCASE
24650-87	CRANKCASE AND GEARCASE
24658-87	PISTONS AND FLYWHEEL ASSEMBLY
24659-87	CRANKCASE AND GEARCASE
24660-87	CRANKCASE AND GEARCASE

24745-07A	<u>CRANKCASE AND GEARCASE</u> <u>CRANKCASE AND GEARCASE</u>
24754-75A	<u>CRANKCASE AND GEARCASE</u>
2479	<u>BRAKE LINES, REAR - ABS</u> <u>EVAPORATIVE EMISSIONS COMPONENTS</u> <u>BATTERY</u>
2481M	<u>INDUCTION MODULE, FUEL</u>
2486	<u>ROCKER ARM ASSEMBLY AND PUSHRODS</u>
2501A	<u>BRAKE LINES, REAR - NON-ABS</u> <u>BRAKE LINES, REAR - ABS</u>
2508	<u>LICENSE PLATE BRACKETS - XL883L, XL1200C, XL1200T</u> <u>TAIL LAMPS</u>
25194-06	<u>CAMSHAFTS AND GEARCASE COVER</u>
25213-04	<u>CAMSHAFTS AND GEARCASE COVER</u>
25219-04	<u>CAMSHAFTS AND GEARCASE COVER</u>
25263-90D	<u>CAMSHAFTS AND GEARCASE COVER</u>
25307-06	<u>INSPECTION COVER AND PRIMARY COVER</u>
25409-94B	<u>CLUTCH</u>
25430-06	<u>INSPECTION COVER AND PRIMARY COVER</u>
25453-87A	<u>CLUTCH</u>
25460-06	<u>INSPECTION COVER AND PRIMARY COVER</u>
25463-94A	<u>INSPECTION COVER AND PRIMARY COVER</u>
25486-05	<u>CAMSHAFTS AND GEARCASE COVER</u>
25586-37	<u>CAMSHAFTS AND GEARCASE COVER</u>
25588-91	<u>CAMSHAFTS AND GEARCASE COVER</u>
25593-74	<u>CAMSHAFTS AND GEARCASE COVER</u>
25598-91	<u>CAMSHAFTS AND GEARCASE COVER</u>
25600037	<u>CAMSHAFTS AND GEARCASE COVER</u>
25600048	<u>CAMSHAFTS AND GEARCASE COVER</u>
25600063	<u>CAMSHAFTS AND GEARCASE COVER</u>
2563	<u>FENDERS, REAR - XL1200CX (DOMESTIC, CANADA ONLY)</u> <u>FENDERS, REAR - XL1200CX (ALL EXCEPT DOMESTIC, CANADA)</u>
2586A	<u>BRAKE CONTROL, FRONT</u>

26011-04	<u>ROCKER ARM ASSEMBLY AND PUSHRODS</u>
26012-07	<u>ROCKER ARM ASSEMBLY AND PUSHRODS</u> <u>ROCKER ARM ASSEMBLY AND PUSHRODS</u>
26020-07	<u>ROCKER ARM ASSEMBLY AND PUSHRODS</u>
2607	<u>LICENSE PLATE BRACKETS - XL883L, XL1200C, XL1200T</u>
26204-91A	<u>OIL PUMP</u>
26239-07	<u>OIL PUMP</u>
26318-88A	<u>CAMSHAFTS AND GEARCASE COVER</u>
26434-91	<u>OIL PUMP</u>
26436-90A	<u>CRANKCASE AND GEARCASE</u>
26437-86B	<u>CRANKCASE AND GEARCASE</u>
26495-89B	<u>OIL PUMP</u>
26496-75A	<u>OIL PUMP</u>
26500005	<u>OIL TANK AND LINES</u>
26502-07	<u>OIL PUMP</u>
26503-07	<u>OIL PUMP</u>
26554-77D	<u>SENSORS AND SWITCHES, ENGINE</u>
26638-00Y	<u>CRANKCASE AND GEARCASE</u>
26995-86B	<u>INDUCTION MODULE, FUEL</u>
27000027	<u>HANDLEBAR AND THROTTLE CONTROL - XL1200CX</u>
2708A	<u>SHIFTER LEVER</u> <u>GUARDS, SAREE</u> <u>FORK, REAR, DEBRIS DEFLECTOR AND BELT GUARD</u> <u>HEADLAMP - XL883L, XL1200T</u> <u>HEADLAMP - XL883N</u> <u>HEADLAMP - XL1200C</u>
27200024	<u>INDUCTION MODULE, FUEL</u>
27216-95	<u>INDUCTION MODULE, FUEL</u>
27250-96B	<u>FUEL TANK</u> <u>EVAPORATIVE EMISSIONS COMPONENTS</u>
27300162	<u>INDUCTION MODULE, FUEL</u>
27300163	<u>INDUCTION MODULE, FUEL</u>

27327-07A	INDUCTION MODULE, FUEL
27628-01A	INDUCTION MODULE, FUEL
27629-01A	INDUCTION MODULE, FUEL SWITCHES
27693-07	INDUCTION MODULE, FUEL
27700-07	INDUCTION MODULE, FUEL
27701-07A	INDUCTION MODULE, FUEL
27704-07	INDUCTION MODULE, FUEL
27706-07A	INDUCTION MODULE, FUEL
27707-07	INDUCTION MODULE, FUEL
27715-07	EVAPORATIVE EMISSIONS COMPONENTS
2773	LICENSE PLATE BRACKETS - XL883L, XL1200C, XL1200T
27829-10	INDUCTION MODULE, FUEL
28792-10	AIR CLEANER
28793-10	AIR CLEANER
29000015A	AIR CLEANER
29000016	AIR CLEANER
29000296	AIR CLEANER
29000297	AIR CLEANER
29000298	AIR CLEANER
29000299	AIR CLEANER
29000300	AIR CLEANER
29062-95B	AIR CLEANER
29123-07	AIR CLEANER
29127-95B	LABELS
29147-07	LABELS
2921A	WINDSHIELD - 1200T
29313-95	AIR CLEANER
29315-04	AIR CLEANER
29346-07	AIR CLEANER

29369-07B	AIR CLEANER
29400015	AIR CLEANER
29900068	ALTERNATOR AND REGULATOR
29950-91A	CRANKCASE AND GEARCASE
3018A	FENDERS, FRONT
3022A	TAIL LAMPS
3026	HORN - XL1200C, XL1200T
3029	ALTERNATOR AND REGULATOR
3033	TURN SIGNALS, FRONT - 1200T
3056	FORK BRACKETS, FRONT
3075	SEATS
3085	FENDERS, REAR - XL883N, XL1200X, XL1200NS (DOMESTIC, CANADA ONLY) FENDERS, REAR - XL883N, XL1200NS, XL1200X, XL1200XS (ALL EXCEPT DOMESTIC, CANADA) FENDERS, REAR - XL1200C FENDERS, REAR - XL1200CX (DOMESTIC, CANADA ONLY) FENDERS, REAR - XL1200CX (ALL EXCEPT DOMESTIC, CANADA)
3123	WIRING HARNESS, MAIN, NON-ABS (4 OF 4) WIRING HARNESS, MAIN, ABS (4 OF 4) WIRING HARNESS, MAIN, KEYLESS, ABS (4 OF 4) WIRING HARNESS, MAIN, KEYLESS, NON-ABS (4 OF 4)
3124	ELECTRONIC IGNITION SYSTEM WIRING HARNESS, MAIN, NON-ABS (4 OF 4) WIRING HARNESS, MAIN, ABS (4 OF 4) HORN - 883L, 883N, XL1200CX, XL1200NS, XL1200X, XL1200XS HORN - XL1200C, XL1200T
31390-91F	STARTER MOTOR
31488-81C	STARTER MOTOR
31512-04	OIL TANK AND LINES
31556-91D	STARTER MOTOR
31603-91	STARTER MOTOR
3162	FOOTRESTS, RIDER, FORWARD-CONTROL FOOTRESTS, RIDER, MID-CONTROL
31656-07	ELECTRONIC IGNITION SYSTEM
31753-07	ELECTRONIC IGNITION SYSTEM
31807-07	ELECTRONIC IGNITION SYSTEM
32003-07	ELECTRONIC IGNITION SYSTEM

32006-07	<u>ELECTRONIC IGNITION SYSTEM</u>
3210A	<u>FENDERS, FRONT</u> <u>HANDLEBAR AND THROTTLE CONTROL - XL883L, XL1200X, XL1200XS</u> <u>HANDLEBAR AND THROTTLE CONTROL - XL883N, XL1200NS, XL1200T</u> <u>HANDLEBAR AND THROTTLE CONTROL - XL1200CX</u> <u>HANDLEBAR AND THROTTLE CONTROL - XL1200C</u>
3214	<u>BRAKE CONTROL, REAR</u> <u>BRAKE CONTROL, REAR</u> <u>BRAKE LINES, REAR - NON-ABS</u> <u>BRAKE LINES, REAR - ABS</u> <u>FOOTRESTS, PASSENGER</u> <u>FOOTRESTS, RIDER, FORWARD-CONTROL</u> <u>FOOTRESTS, RIDER, MID-CONTROL</u>
32319-07A	<u>INDUCTION MODULE, FUEL</u> <u>SWITCHES</u>
32362-04A	<u>ELECTRONIC IGNITION SYSTEM</u>
3244	<u>CLUTCH CONTROL</u> <u>BRAKE CONTROL, FRONT</u>
32472-10	<u>SENSORS AND SWITCHES, ENGINE</u>
32493-02B	<u>ALTERNATOR AND REGULATOR</u> <u>ALTERNATOR AND REGULATOR</u> <u>BELTS, CHAINS AND SPROCKETS</u> <u>BELTS, CHAINS AND SPROCKETS</u>
32494-04B	<u>ALTERNATOR AND REGULATOR</u> <u>ALTERNATOR AND REGULATOR</u> <u>ALTERNATOR AND REGULATOR</u> <u>BELTS, CHAINS AND SPROCKETS</u> <u>BELTS, CHAINS AND SPROCKETS</u> <u>BELTS, CHAINS AND SPROCKETS</u>
32506-90	<u>CAMSHAFTS AND GEARCASE COVER</u>
32514-04	<u>CAMSHAFTS AND GEARCASE COVER</u>
32700006	<u>EXHAUST SYSTEM - XL883N</u> <u>EXHAUST SYSTEM - XL1200NS</u> <u>EXHAUST SYSTEM - XL1200CX</u> <u>EXHAUST SYSTEM - XL1200C, XL1200T</u> <u>EXHAUST SYSTEM - XL883L, XL1200X, XL1200XS (1 OF 2)</u> <u>SWITCHES</u>
32700026	<u>EXHAUST SYSTEM - XL883N</u> <u>EXHAUST SYSTEM - XL1200NS</u> <u>EXHAUST SYSTEM - XL1200CX</u> <u>EXHAUST SYSTEM - XL1200C, XL1200T</u> <u>EXHAUST SYSTEM - XL883L, XL1200X, XL1200XS (1 OF 2)</u> <u>SWITCHES</u>
32707-01C	<u>SENSORS AND SWITCHES, ENGINE</u>
33048-72	<u>FOOTRESTS, PASSENGER</u>

33117-91A	<u>CRANKCASE AND GEARCASE</u>
33123-06A	<u>OIL TANK AND LINES</u>
33130-07A	<u>FOOTRESTS, RIDER, FORWARD-CONTROL</u> <u>FOOTRESTS, RIDER, MID-CONTROL</u>
33133-06	<u>FOOTRESTS, RIDER, MID-CONTROL</u>
33134-07CAZ	<u>FOOTRESTS, RIDER, MID-CONTROL</u>
33135-07CAZ	<u>FOOTRESTS, RIDER, MID-CONTROL</u>
33188-08	<u>FOOTRESTS, RIDER, MID-CONTROL</u>
33189-63	<u>FOOTRESTS, PASSENGER</u>
33540-06	<u>SHIFTER, GEAR</u>
33641-06	<u>SHIFTER, GEAR</u>
33900-99	<u>SWITCHES</u>
33900154	<u>SHIFTER LEVER</u>
34014-06A	<u>SHIFTER, GEAR</u>
34064-00C	<u>SHIFTER, GEAR</u>
34076-02A	<u>SHIFTER, GEAR</u>
34157-06	<u>SHIFTER, GEAR</u>
34162-06	<u>SHIFTER, GEAR</u>
34163-02	<u>SHIFTER, GEAR</u>
34483-06	<u>SHIFTER, GEAR</u>
34491-02A	<u>SHIFTER, GEAR</u>
34611-65A	<u>SHIFTER LEVER</u>
34660-04A	<u>SHIFTER LEVER</u>
34663-10	<u>SHIFTER LEVER</u>
34721-07	<u>SHIFTER LEVER</u>
34723-10	<u>SHIFTER LEVER</u>
34724-10	<u>SHIFTER LEVER</u>
34760-04	<u>INSPECTION COVER AND PRIMARY COVER</u>
34761-04A	<u>INSPECTION COVER AND PRIMARY COVER</u>
34790-05	<u>INSPECTION COVER AND PRIMARY COVER</u>

34794-05A	<u>INSPECTION COVER AND PRIMARY COVER</u>
3480A	<u>CAMSHAFTS AND GEARCASE COVER</u> <u>ELECTRONIC IGNITION SYSTEM</u> <u>BELTS, CHAINS AND SPROCKETS</u>
34911-04	<u>BELTS, CHAINS AND SPROCKETS</u>
34920-86A	<u>CLUTCH</u>
34932-04	<u>BELTS, CHAINS AND SPROCKETS</u>
34943-05	<u>BELTS, CHAINS AND SPROCKETS</u>
34955-04	<u>INSPECTION COVER AND PRIMARY COVER</u>
34981-02A	<u>SHIFTER, GEAR</u>
34982-02A	<u>SHIFTER, GEAR</u>
34990-08	<u>INSPECTION COVER AND PRIMARY COVER</u>
34992-04	<u>INSPECTION COVER AND PRIMARY COVER</u> <u>INSPECTION COVER AND PRIMARY COVER</u>
34993-04A	<u>INSPECTION COVER AND PRIMARY COVER</u> <u>INSPECTION COVER AND PRIMARY COVER</u>
35030-89A	<u>TRANSMISSION GEARS</u>
35038-89A	<u>TRANSMISSION GEARS</u>
35051-89A	<u>TRANSMISSION GEARS</u>
35087-99A	<u>TRANSMISSION GEARS</u>
35107-06	<u>TRANSMISSION GEARS</u>
35114-02	<u>CRANKCASE AND GEARCASE</u>
35118-03	<u>CRANKCASE AND GEARCASE</u>
3514	<u>HEADLAMP - XL883L, XL1200T</u> <u>HEADLAMP - XL883N</u> <u>HEADLAMP - XL1200CX, XL1200X, XL1200XS</u> <u>HEADLAMP - XL1200NS</u>
35159-06	<u>TRANSMISSION GEARS</u>
35163-06	<u>TRANSMISSION GEARS</u>
35165-06	<u>TRANSMISSION GEARS</u>
35167-06	<u>TRANSMISSION GEARS</u>
35172-06	<u>TRANSMISSION GEARS</u>
35174-06	<u>TRANSMISSION GEARS</u>

35190-06	<u>TRANSMISSION GEARS</u>
35191-06	<u>TRANSMISSION GEARS</u>
35193-06	<u>TRANSMISSION GEARS</u>
35196-06	<u>TRANSMISSION GEARS</u>
35197-06	<u>TRANSMISSION GEARS</u>
35211-91B	<u>BELTS, CHAINS AND SPROCKETS</u>
3563	<u>HORN - XL1200C, XL1200T</u>
3565	<u>AIR CLEANER</u>
3574	<u>BATTERY</u>
3579A	<u>FORK, REAR, DEBRIS DEFLECTOR AND BELT GUARD</u>
358	<u>CRANKCASE AND GEARCASE</u>
3588	<u>SEATS</u> <u>OIL TANK AND LINES</u> <u>BATTERY</u>
3594	<u>BELTS, CHAINS AND SPROCKETS</u>
3605	<u>HANDLEBAR AND THROTTLE CONTROL - XL883N, XL1200NS, XL1200T</u> <u>HANDLEBAR AND THROTTLE CONTROL - XL1200C</u>
3612	<u>LICENSE PLATE BRACKETS - XL883N, XL1200NS, XL1200X, XL1200XS</u>
3615	<u>HEADLAMP - XL1200C</u>
3655A	<u>WHEELS, FRONT, CAST - XL1200C (INDIA ONLY), XL883L, XL883N, XL1200CX, XL1200NS, XL1200T, XL1200X, XL1200XS</u> <u>WHEELS, FRONT, CAST - XL1200C (INDIA ONLY), XL883L, XL883N, XL1200CX, XL1200NS, XL1200T, XL1200X, XL1200XS</u> <u>WHEELS, FRONT, LACED - XL1200C</u>
3658	<u>SWITCHES, HANDLEBAR</u>
3666A	<u>HANDLEBAR AND THROTTLE CONTROL - XL1200C</u>
36700011	<u>CLUTCH CONTROL</u>
36700012	<u>CLUTCH CONTROL</u>
36700013	<u>CLUTCH CONTROL</u>
36715-94	<u>CLUTCH</u>
36731-91	<u>CLUTCH</u>
36785-91	<u>CLUTCH</u>
36790-04	<u>CLUTCH</u>

36799-91	<u>CLUTCH</u>
36802-84B	<u>CLUTCH</u>
3691	<u>ELECTRONIC IGNITION SYSTEM</u>
3696	<u>OIL TANK AND LINES</u>
37000041A	<u>CLUTCH CONTROL</u>
37107-06	<u>SHIFTER, GEAR</u>
37200085	<u>FORK BRACKETS, FRONT</u>
37200144	<u>FORK BRACKETS, FRONT</u>
37200172	<u>CLUTCH CONTROL</u>
37200409	<u>HEADLAMP - XL1200NS</u>
37495-91	<u>CLUTCH</u>
37718-10	<u>INSPECTION COVER AND PRIMARY COVER</u>
37870-91	<u>CLUTCH</u>
37872-90	<u>CLUTCH</u>
37904-90	<u>CLUTCH</u>
37905-90	<u>CLUTCH</u>
37908-90	<u>CLUTCH</u>
37909-90	<u>CLUTCH</u>
37910-04B	<u>CLUTCH</u>
37911-90	<u>CLUTCH</u>
37912-91	<u>CLUTCH</u>
37913-90	<u>CLUTCH</u>
37924-04A	<u>CLUTCH</u>
37977-90	<u>CLUTCH</u>
3849	<u>ROCKER ARM ASSEMBLY AND PUSHRODS</u>
3854	<u>ENGINE MOUNTS AND STABILIZER LINK</u>
38630-88	<u>CLUTCH CONTROL</u>
38653-01	<u>HANDLEBAR AND THROTTLE CONTROL - XL883L, XL1200X, XL1200XS</u> <u>HANDLEBAR AND THROTTLE CONTROL - XL883N, XL1200NS, XL1200T</u> <u>HANDLEBAR AND THROTTLE CONTROL - XL1200CX</u> <u>HANDLEBAR AND THROTTLE CONTROL - XL1200C</u>

38699-04D	<u>CLUTCH CONTROL</u>
38702-05C	<u>CLUTCH CONTROL</u>
3899	<u>BELTS, CHAINS AND SPROCKETS</u>
38999-11	<u>HEADLAMP - XL1200C</u>
3976	<u>ROCKER ARM ASSEMBLY AND PUSHRODS</u>
3987	<u>INDUCTION MODULE, FUEL</u>
3990	<u>TRANSMISSION GEARS</u>
40005-57B	<u>BELTS, CHAINS AND SPROCKETS</u> <u>BELTS, CHAINS AND SPROCKETS</u>
40039-02C	<u>INSPECTION COVER AND PRIMARY COVER</u>
40147-04	<u>BELTS, CHAINS AND SPROCKETS</u> <u>BELTS, CHAINS AND SPROCKETS</u> <u>BELTS, CHAINS AND SPROCKETS</u>
4016	<u>SHIFTER LEVER</u> <u>TURN SIGNALS, FRONT</u> <u>TURN SIGNALS, REAR - XL1200CX, XL1200T</u>
4017	<u>FENDERS, REAR - XL883L</u> <u>FENDERS, REAR - XL883N, XL1200X, XL1200NS (DOMESTIC, CANADA ONLY)</u> <u>FENDERS, REAR - XL883N, XL1200NS, XL1200X, XL1200XS (ALL EXCEPT DOMESTIC, CANADA)</u> <u>FENDERS, REAR - XL1200C</u> <u>FENDERS, REAR - XL1200T</u> <u>FENDERS, REAR - XL1200CX (DOMESTIC, CANADA ONLY)</u> <u>FENDERS, REAR - XL1200CX (ALL EXCEPT DOMESTIC, CANADA)</u> <u>EXHAUST SYSTEM - XL883N</u> <u>EXHAUST SYSTEM - XL1200NS</u> <u>EXHAUST SYSTEM - XL1200CX</u> <u>EXHAUST SYSTEM - XL1200C, XL1200T</u> <u>EXHAUST SYSTEM - XL883L, XL1200X, XL1200XS (1 OF 2)</u>
40241-02A	<u>ALTERNATOR AND REGULATOR</u> <u>ALTERNATOR AND REGULATOR</u> <u>BELTS, CHAINS AND SPROCKETS</u> <u>BELTS, CHAINS AND SPROCKETS</u>
40251-92A	<u>BELTS, CHAINS AND SPROCKETS</u>
40254-02	<u>CRANKCASE AND GEARCASE</u>
40290-04A	<u>ALTERNATOR AND REGULATOR</u> <u>ALTERNATOR AND REGULATOR</u> <u>ALTERNATOR AND REGULATOR</u> <u>BELTS, CHAINS AND SPROCKETS</u> <u>BELTS, CHAINS AND SPROCKETS</u> <u>BELTS, CHAINS AND SPROCKETS</u>
4029A	<u>FORK, FRONT - XL883L, XL1200C</u> <u>FORK, FRONT - XL1200T</u>

	FORK, FRONT - XL1200X, XL1200XS FORK, FRONT - XL883N, XL1200NS
4032A	EXHAUST SYSTEM - XL883N EXHAUST SYSTEM - XL1200NS EXHAUST SYSTEM - XL1200CX EXHAUST SYSTEM - XL1200C, XL1200T EXHAUST SYSTEM - XL883L, XL1200X, XL1200XS (1 OF 2)
40350-07	BELTS, CHAINS AND SPROCKETS
40380-04	BELTS, CHAINS AND SPROCKETS BELTS, CHAINS AND SPROCKETS BELTS, CHAINS AND SPROCKETS
40409-04	BELTS, CHAINS AND SPROCKETS BELTS, CHAINS AND SPROCKETS BELTS, CHAINS AND SPROCKETS
40444-07	BELTS, CHAINS AND SPROCKETS
40558-82	WHEELS, REAR, LACED - XL1200C
40572-11	WHEELS, FRONT, LACED - XL1200C
40574-06A	INSPECTION COVER AND PRIMARY COVER
40591-07	BELTS, CHAINS AND SPROCKETS
4076	FRAME AND JIFFY STAND FRAME AND JIFFY STAND
40875-11	WHEELS, FRONT, LACED - XL1200C WHEELS, REAR, LACED - XL1200C
40878-11	WHEELS, REAR, CAST - NON-ABS - XL883L, XL883N, XL1200CX, XL1200NS, XL1200X, XL1200XS WHEELS, REAR, CAST - ABS ONLY - XL883L, XL883N, XL1200CX, XL1200NS, XL1200T, XL1200X, XL1200XS WHEELS, REAR, CAST - XL1200C INDIA WHEELS, REAR, LACED - XL1200C
40879-11A	WHEELS, FRONT, CAST - XL1200C (INDIA ONLY), XL883L, XL883N, XL1200CX, XL1200NS, XL1200T, XL1200X, XL1200XS
40900291	WHEELS, REAR, CAST - ABS ONLY - XL883L, XL883N, XL1200CX, XL1200NS, XL1200T, XL1200X, XL1200XS
40900399	WHEELS, REAR, CAST - NON-ABS - XL883L, XL883N, XL1200CX, XL1200NS, XL1200X, XL1200XS WHEELS, REAR, CAST - ABS ONLY - XL883L, XL883N, XL1200CX, XL1200NS, XL1200T, XL1200X, XL1200XS
40900400	WHEELS, REAR, CAST - NON-ABS - XL883L, XL883N, XL1200CX, XL1200NS, XL1200X, XL1200XS WHEELS, REAR, CAST - ABS ONLY - XL883L, XL883N, XL1200CX, XL1200NS, XL1200T, XL1200X, XL1200XS
40900402	WHEELS, REAR, CAST - NON-ABS - XL883L, XL883N, XL1200CX, XL1200NS, XL1200X, XL1200XS WHEELS, REAR, CAST - ABS ONLY - XL883L, XL883N, XL1200CX, XL1200NS, XL1200T, XL1200X, XL1200XS

40900643	WHEELS, REAR, CAST - NON-ABS - XL883L, XL883N, XL1200CX, XL1200NS, XL1200X, XL1200XS WHEELS, REAR, CAST - ABS ONLY - XL883L, XL883N, XL1200CX, XL1200NS, XL1200T, XL1200X, XL1200XS
40900644	WHEELS, REAR, CAST - NON-ABS - XL883L, XL883N, XL1200CX, XL1200NS, XL1200X, XL1200XS WHEELS, REAR, CAST - ABS ONLY - XL883L, XL883N, XL1200CX, XL1200NS, XL1200T, XL1200X, XL1200XS
4091	CRANKCASE AND GEARCASE LICENSE PLATE BRACKETS - XL883N, XL1200NS, XL1200X, XL1200XS LICENSE PLATE BRACKETS - XL1200CX
40930-05	WHEELS, REAR, CAST - NON-ABS - XL883L, XL883N, XL1200CX, XL1200NS, XL1200X, XL1200XS WHEELS, REAR, CAST - ABS ONLY - XL883L, XL883N, XL1200CX, XL1200NS, XL1200T, XL1200X, XL1200XS WHEELS, REAR, CAST - XL1200C INDIA WHEELS, REAR, LACED - XL1200C
40999-87	WHEELS, FRONT, CAST - XL1200C (INDIA ONLY), XL883L, XL883N, XL1200CX, XL1200NS, XL1200T, XL1200X, XL1200XS WHEELS, REAR, CAST - NON-ABS - XL883L, XL883N, XL1200CX, XL1200NS, XL1200X, XL1200XS WHEELS, REAR, CAST - ABS ONLY - XL883L, XL883N, XL1200CX, XL1200NS, XL1200T, XL1200X, XL1200XS WHEELS, REAR, CAST - XL1200C INDIA
41000326A	ELECTRONIC IGNITION SYSTEM
41000341F	ELECTRONIC IGNITION SYSTEM
41000342F	ELECTRONIC IGNITION SYSTEM
41000351F	ELECTRONIC IGNITION SYSTEM
41100020A	BRAKE LINES, REAR - ABS
41100022	BRAKE LINES, REAR - ABS
41100023	WHEELS, REAR, CAST - ABS ONLY - XL883L, XL883N, XL1200CX, XL1200NS, XL1200T, XL1200X, XL1200XS WHEELS, REAR, CAST - XL1200C INDIA WHEELS, REAR, LACED - XL1200C
41100024	WHEELS, FRONT, CAST - XL1200C (INDIA ONLY), XL883L, XL883N, XL1200CX, XL1200NS, XL1200T, XL1200X, XL1200XS WHEELS, FRONT, LACED - XL1200C
41100043C	BRAKE LINES, REAR - ABS
41123-79	WHEELS, FRONT, CAST - XL1200C (INDIA ONLY), XL883L, XL883N, XL1200CX, XL1200NS, XL1200T, XL1200X, XL1200XS WHEELS, FRONT, LACED - XL1200C WHEELS, REAR, CAST - NON-ABS - XL883L, XL883N, XL1200CX, XL1200NS, XL1200X, XL1200XS WHEELS, REAR, CAST - ABS ONLY - XL883L, XL883N, XL1200CX, XL1200NS, XL1200T, XL1200X, XL1200XS WHEELS, REAR, CAST - XL1200C INDIA WHEELS, REAR, LACED - XL1200C
41176-08	WHEELS, REAR, CAST - NON-ABS - XL883L, XL883N, XL1200CX, XL1200NS, XL1200X, XL1200XS WHEELS, REAR, CAST - ABS ONLY - XL883L, XL883N, XL1200CX, XL1200NS, XL1200T, XL1200X, XL1200XS

	<u>XL1200XS</u> <u>WHEELS, REAR, CAST - XL1200C INDIA</u> <u>WHEELS, REAR, LACED - XL1200C</u>
41191-74A	<u>INSPECTION COVER AND PRIMARY COVER</u>
41229-08	<u>WHEELS, REAR, CAST - NON-ABS - XL883L, XL883N, XL1200CX, XL1200NS, XL1200X, XL1200XS</u> <u>WHEELS, REAR, CAST - ABS ONLY - XL883L, XL883N, XL1200CX, XL1200NS, XL1200T, XL1200X, XL1200XS</u> <u>WHEELS, REAR, CAST - XL1200C INDIA</u> <u>WHEELS, REAR, LACED - XL1200C</u>
41242-08	<u>WHEELS, FRONT, CAST - XL1200C (INDIA ONLY), XL883L, XL883N, XL1200CX, XL1200NS, XL1200T, XL1200X, XL1200XS</u> <u>WHEELS, FRONT, CAST - XL1200C (INDIA ONLY), XL883L, XL883N, XL1200CX, XL1200NS, XL1200T, XL1200X, XL1200XS</u> <u>WHEELS, FRONT, LACED - XL1200C</u> <u>WHEELS, REAR, CAST - NON-ABS - XL883L, XL883N, XL1200CX, XL1200NS, XL1200X, XL1200XS</u> <u>WHEELS, REAR, LACED - XL1200C</u>
41300003	<u>BRAKE CALIPER, FRONT</u>
41300004	<u>BRAKE CALIPER, FRONT</u> <u>BRAKE CALIPER, FRONT</u>
41300005	<u>BRAKE CALIPER, FRONT</u> <u>BRAKE CALIPER, FRONT</u>
41300006	<u>BRAKE CALIPER, FRONT</u> <u>BRAKE CALIPER, FRONT</u>
41300007	<u>BRAKE CALIPER, FRONT</u>
41300008	<u>BRAKE CALIPER, FRONT</u>
41300009	<u>BRAKE CALIPER, FRONT</u> <u>BRAKE CALIPER, FRONT</u> <u>BRAKE CALIPER, REAR</u>
41300010	<u>BRAKE CALIPER, FRONT</u>
41300032	<u>BRAKE CALIPER, FRONT</u>
41300038	<u>BRAKE CALIPER, REAR</u>
41300039	<u>BRAKE CALIPER, REAR</u>
41300049	<u>BRAKE CALIPER, REAR</u>
41300052	<u>BRAKE CALIPER, FRONT</u>
41300053	<u>BRAKE CALIPER, REAR</u>
41300054	<u>BRAKE CALIPER, REAR</u>
41300055	<u>BRAKE CALIPER, REAR</u>
41300056	<u>BRAKE CALIPER, REAR</u>

4132	OIL PUMP LICENSE PLATE BRACKETS - XL883N, XL1200NS, XL1200X, XL1200XS LICENSE PLATE BRACKETS - XL1200CX LICENSE PLATE BRACKETS - XL883L, XL1200C, XL1200T
41388-10	WHEELS, FRONT, LACED - XL1200C
41389-10	WHEELS, FRONT, LACED - XL1200C
41478-10A	WHEELS, REAR, LACED - XL1200C
41500022	WHEELS, FRONT, CAST - XL1200C (INDIA ONLY), XL883L, XL883N, XL1200CX, XL1200NS, XL1200T, XL1200X, XL1200XS WHEELS, FRONT, LACED - XL1200C
41500068	WHEELS, FRONT, CAST - XL1200C (INDIA ONLY), XL883L, XL883N, XL1200CX, XL1200NS, XL1200T, XL1200X, XL1200XS WHEELS, FRONT, CAST - XL1200C (INDIA ONLY), XL883L, XL883N, XL1200CX, XL1200NS, XL1200T, XL1200X, XL1200XS
41561-04	ENGINE MOUNTS AND STABILIZER LINK
41562-04	ENGINE MOUNTS AND STABILIZER LINK
41573-05	FORK, REAR, DEBRIS DEFLECTOR AND BELT GUARD
41600068	BRAKE LINES, FRONT - ABS
41600069	BRAKE LINES, REAR - NON-ABS BRAKE LINES, REAR - ABS
41600074	BRAKE LINES, FRONT - ABS
41628-08	WHEELS, FRONT, CAST - XL1200C (INDIA ONLY), XL883L, XL883N, XL1200CX, XL1200NS, XL1200T, XL1200X, XL1200XS WHEELS, FRONT, LACED - XL1200C
41699-04	ENGINE MOUNTS AND STABILIZER LINK
41700003	BRAKE CONTROL, FRONT
41700004	BRAKE CONTROL, FRONT
41700007	BRAKE CONTROL, FRONT
41700008	BRAKE CONTROL, FRONT
41700025	BRAKE CONTROL, REAR
41700042	BRAKE CONTROL, FRONT
41700043	BRAKE CONTROL, FRONT
41700084	BRAKE CONTROL, FRONT
41700086	BRAKE CONTROL, FRONT
41700087	BRAKE CONTROL, FRONT

41700088	BRAKE CONTROL, FRONT
41700092	BRAKE CONTROL, REAR
41700094	BRAKE CONTROL, REAR
41700095	BRAKE CONTROL, REAR
41700096	BRAKE CONTROL, REAR
41700097	BRAKE CONTROL, REAR
41700098	BRAKE CONTROL, REAR
41700099	BRAKE CONTROL, FRONT
41700102	BRAKE CONTROL, REAR
41700104	CLUTCH CONTROL BRAKE CONTROL, FRONT
41756-08	BRAKE LINES, FRONT - NON-ABS BRAKE LINES, FRONT - NON-ABS BRAKE LINES, FRONT - ABS BRAKE LINES, REAR - NON-ABS BRAKE LINES, REAR - ABS BRAKE LINES, REAR - ABS
4180	ENGINE MOUNTS AND STABILIZER LINK HORN - 883L, 883N, XL1200CX, XL1200NS, XL1200X, XL1200XS HORN - XL1200C, XL1200T
41800143	BRAKE LINES, FRONT - ABS
41800145	BRAKE LINES, FRONT - ABS
41800150	BRAKE LINES, FRONT - ABS
41800151	BRAKE LINES, FRONT - ABS
41800154	BRAKE LINES, FRONT - ABS
41800160	BRAKE LINES, FRONT - NON-ABS
41800161	BRAKE LINES, FRONT - ABS
41800162	BRAKE LINES, FRONT - ABS
41800165	BRAKE LINES, REAR - ABS
41800166	BRAKE LINES, FRONT - NON-ABS
41800171	BRAKE LINES, FRONT - NON-ABS
41800172	BRAKE LINES, FRONT - NON-ABS
41800317	BRAKE LINES, REAR - ABS
41800318	BRAKE LINES, REAR - NON-ABS

41800566	<u>BRAKE LINES, FRONT - NON-ABS</u>
41800567	<u>BRAKE LINES, FRONT - ABS</u>
41800762	<u>BRAKE LINES, FRONT - ABS</u>
41800763	<u>BRAKE LINES, FRONT - NON-ABS</u>
41833-08	<u>WHEELS, REAR, CAST - NON-ABS - XL883L, XL883N, XL1200CX, XL1200NS, XL1200X, XL1200XS</u> <u>WHEELS, REAR, CAST - ABS ONLY - XL883L, XL883N, XL1200CX, XL1200NS, XL1200T, XL1200X, XL1200XS</u> <u>WHEELS, REAR, CAST - XL1200C INDIA</u> <u>WHEELS, REAR, LACED - XL1200C</u>
4188	<u>ENGINE MOUNTS AND STABILIZER LINK</u>
4190	<u>BRAKE LINES, REAR - NON-ABS</u> <u>BRAKE LINES, REAR - ABS</u>
42200121	<u>BELTS, CHAINS AND SPROCKETS</u>
42425-05	<u>CLUTCH CONTROL</u> <u>BRAKE CONTROL, FRONT</u>
42541-04	<u>FOOTRESTS, RIDER, MID-CONTROL</u>
42569-03	<u>SHIFTER LEVER</u> <u>BRAKE CONTROL, REAR</u>
42593-04	<u>BRAKE CONTROL, REAR</u>
42651-04	<u>FOOTRESTS, RIDER, FORWARD-CONTROL</u>
42652-04	<u>FOOTRESTS, RIDER, FORWARD-CONTROL</u>
4266A	<u>CYLINDERS, HEADS AND VALVES (1 OF 2)</u> <u>CYLINDERS, HEADS AND VALVES (1 OF 2)</u>
42804-07	<u>BRAKE CONTROL, FRONT</u>
42805-04	<u>BRAKE CONTROL, FRONT</u>
42807-04	<u>CLUTCH CONTROL</u>
42811-04	<u>BRAKE CONTROL, REAR</u>
42812-04	<u>BRAKE CONTROL, REAR</u>
42823-04	<u>BRAKE CALIPER, FRONT</u> <u>BRAKE CALIPER, FRONT</u>
42824-04	<u>BRAKE CALIPER, FRONT</u> <u>BRAKE CALIPER, FRONT</u>
42827-04	<u>BRAKE CALIPER, FRONT</u> <u>BRAKE CALIPER, FRONT</u> <u>BRAKE CALIPER, REAR</u>

42828-04	BRAKE CALIPER, FRONT BRAKE CALIPER, FRONT BRAKE CALIPER, REAR
42840-04	BRAKE CALIPER, REAR
4290	ENGINE MOUNTS AND STABILIZER LINK
42971-04	FOOTRESTS, RIDER, MID-CONTROL
42972-04	FOOTRESTS, RIDER, MID-CONTROL
43000001	WHEELS, FRONT, CAST - XL1200C (INDIA ONLY), XL883L, XL883N, XL1200CX, XL1200NS, XL1200T, XL1200X, XL1200XS
43017-07	WHEELS, REAR, LACED - XL1200C
43100021A	WHEELS, FRONT, CAST - XL1200C (INDIA ONLY), XL883L, XL883N, XL1200CX, XL1200NS, XL1200T, XL1200X, XL1200XS
43100026	WHEELS, FRONT, CAST - XL1200C (INDIA ONLY), XL883L, XL883N, XL1200CX, XL1200NS, XL1200T, XL1200X, XL1200XS
4312C	BATTERY
43200026A	WHEELS, REAR, CAST - ABS ONLY - XL883L, XL883N, XL1200CX, XL1200NS, XL1200T, XL1200X, XL1200XS
43200030	WHEELS, REAR, CAST - NON-ABS - XL883L, XL883N, XL1200CX, XL1200NS, XL1200X, XL1200XS WHEELS, REAR, CAST - ABS ONLY - XL883L, XL883N, XL1200CX, XL1200NS, XL1200T, XL1200X, XL1200XS
43216-11	WHEELS, REAR, CAST - NON-ABS - XL883L, XL883N, XL1200CX, XL1200NS, XL1200X, XL1200XS WHEELS, REAR, CAST - ABS ONLY - XL883L, XL883N, XL1200CX, XL1200NS, XL1200T, XL1200X, XL1200XS
43241-05	WHEELS, REAR, LACED - XL1200C
43258-07B	WHEELS, FRONT, CAST - XL1200C (INDIA ONLY), XL883L, XL883N, XL1200CX, XL1200NS, XL1200T, XL1200X, XL1200XS
43300282	WHEELS, FRONT, CAST - XL1200C (INDIA ONLY), XL883L, XL883N, XL1200CX, XL1200NS, XL1200T, XL1200X, XL1200XS
43300392	WHEELS, FRONT, CAST - XL1200C (INDIA ONLY), XL883L, XL883N, XL1200CX, XL1200NS, XL1200T, XL1200X, XL1200XS
43300394	WHEELS, FRONT, CAST - XL1200C (INDIA ONLY), XL883L, XL883N, XL1200CX, XL1200NS, XL1200T, XL1200X, XL1200XS
43300416	WHEELS, FRONT, CAST - XL1200C (INDIA ONLY), XL883L, XL883N, XL1200CX, XL1200NS, XL1200T, XL1200X, XL1200XS
43300661	WHEELS, FRONT, CAST - XL1200C (INDIA ONLY), XL883L, XL883N, XL1200CX, XL1200NS, XL1200T, XL1200X, XL1200XS
43300662	WHEELS, FRONT, CAST - XL1200C (INDIA ONLY), XL883L, XL883N, XL1200CX, XL1200NS, XL1200T, XL1200X, XL1200XS

43358-08	WHEELS, FRONT, CAST - XL1200C (INDIA ONLY), XL883L, XL883N, XL1200CX, XL1200NS, XL1200T, XL1200X, XL1200XS
4352	FORK BRACKETS, FRONT FORK BRACKETS, FRONT
43567-92	WHEELS, REAR, CAST - NON-ABS - XL883L, XL883N, XL1200CX, XL1200NS, XL1200X, XL1200XS WHEELS, REAR, CAST - ABS ONLY - XL883L, XL883N, XL1200CX, XL1200NS, XL1200T, XL1200X, XL1200XS WHEELS, REAR, CAST - XL1200C INDIA WHEELS, REAR, LACED - XL1200C
4359	SHIFTER LEVER
43595-99	FRAME AND JIFFY STAND
4363	HEADLAMP - XL1200NS
4365	TAIL LAMPS
43689-11	WHEELS, FRONT, CAST - XL1200C (INDIA ONLY), XL883L, XL883N, XL1200CX, XL1200NS, XL1200T, XL1200X, XL1200XS
43905-08	WHEELS, REAR, CAST - NON-ABS - XL883L, XL883N, XL1200CX, XL1200NS, XL1200X, XL1200XS WHEELS, REAR, CAST - ABS ONLY - XL883L, XL883N, XL1200CX, XL1200NS, XL1200T, XL1200X, XL1200XS WHEELS, REAR, CAST - XL1200C INDIA WHEELS, REAR, LACED - XL1200C
43906-08	WHEELS, FRONT, CAST - XL1200C (INDIA ONLY), XL883L, XL883N, XL1200CX, XL1200NS, XL1200T, XL1200X, XL1200XS
44012-11A	WHEELS, REAR, CAST - NON-ABS - XL883L, XL883N, XL1200CX, XL1200NS, XL1200X, XL1200XS WHEELS, REAR, CAST - ABS ONLY - XL883L, XL883N, XL1200CX, XL1200NS, XL1200T, XL1200X, XL1200XS
4402	FORK BRACKETS, FRONT
44160-00	BRAKE CALIPER, FRONT BRAKE CALIPER, FRONT BRAKE CALIPER, REAR FORK, FRONT - XL883L, XL1200C FORK, FRONT - XL1200T FORK, FRONT - XL1200X, XL1200XS FORK, FRONT - XL883N, XL1200NS FORK, FRONT - XL1200CX
4420	HEADLAMP - XL1200C
45036-88	CLUTCH CONTROL
45041-01A	FOOTRESTS, PASSENGER FOOTRESTS, RIDER, FORWARD-CONTROL FOOTRESTS, RIDER, MID-CONTROL
45070-01	FORK, FRONT - XL1200X, XL1200XS
45361-90	FORK, FRONT - XL1200T

45374-87	FORK, FRONT - XL1200T
45377-87	FORK, FRONT - XL883L, XL1200C FORK, FRONT - XL1200T FORK, FRONT - XL883N, XL1200NS
45378-87	FORK, FRONT - XL883L, XL1200C FORK, FRONT - XL1200T FORK, FRONT - XL883N, XL1200NS
45395-09	FORK, FRONT - XL1200T
45400054	FORK, FRONT - XL1200T
45400055	FORK, FRONT - XL1200T
45400078	FORK, FRONT - XL883L, XL1200C
45400079	FORK, FRONT - XL883L, XL1200C
45400084	FORK, FRONT - XL1200X, XL1200XS
45400085	FORK, FRONT - XL1200X, XL1200XS
45400086	FORK, FRONT - XL883N, XL1200NS
45400087	FORK, FRONT - XL883N, XL1200NS
45400108	FORK, FRONT - XL1200CX
45400109	FORK, FRONT - XL1200CX
45400206	FORK, FRONT - XL883L, XL1200C
45400207	FORK, FRONT - XL883L, XL1200C
45401-87	FORK, FRONT - XL883L, XL1200C FORK, FRONT - XL1200T FORK, FRONT - XL883N, XL1200NS
45405-75A	FORK, FRONT - XL883L, XL1200C FORK, FRONT - XL1200T FORK, FRONT - XL883N, XL1200NS FORK, FRONT - XL1200CX
45451-07	FORK, FRONT - XL883N, XL1200NS
45458-09	FORK, FRONT - XL1200T
45460-90	FORK, FRONT - XL1200T
45461-87	FORK, FRONT - XL883L, XL1200C FORK, FRONT - XL1200T FORK, FRONT - XL883N, XL1200NS
45462-87	FORK, FRONT - XL883L, XL1200C FORK, FRONT - XL883N, XL1200NS
45465-87	FORK, FRONT - XL883L, XL1200C

	FORK, FRONT - XL1200T FORK, FRONT - XL883N, XL1200NS
45500054	FORK, FRONT - XL883N, XL1200NS
45500057	FORK, FRONT - XL883N, XL1200NS
45500118	FORK, FRONT - XL1200X, XL1200XS
45500132	FORK, FRONT - XL1200CX
45500233	FORK, FRONT - XL1200X, XL1200XS
45500236	FORK, FRONT - XL1200X, XL1200XS
45500244	FORK, FRONT - XL1200T
45500251	FORK, FRONT - XL1200X, XL1200XS
45500274	FORK, FRONT - XL883L, XL1200C
45500275	FORK, FRONT - XL883L, XL1200C
45500278	FORK, FRONT - XL883L, XL1200C
45500280	FORK, FRONT - XL883L, XL1200C FORK, FRONT - XL883N, XL1200NS
45500281	FORK, FRONT - XL883L, XL1200C FORK, FRONT - XL883N, XL1200NS
45500282	FORK, FRONT - XL883L, XL1200C
45500284	FORK, FRONT - XL883L, XL1200C FORK, FRONT - XL883N, XL1200NS
45500285	FORK, FRONT - XL883L, XL1200C FORK, FRONT - XL883N, XL1200NS
45500286	FORK, FRONT - XL883L, XL1200C FORK, FRONT - XL883N, XL1200NS
45500287	FORK, FRONT - XL1200X, XL1200XS
45500290	FORK, FRONT - XL1200X, XL1200XS
45500293	FORK, FRONT - XL1200X, XL1200XS
45500294	FORK, FRONT - XL1200X, XL1200XS
45500295	FORK, FRONT - XL1200X, XL1200XS
45500296	FORK, FRONT - XL1200X, XL1200XS
45500297	FORK, FRONT - XL1200X, XL1200XS
45500298	FORK, FRONT - XL1200X, XL1200XS
45500299	FORK, FRONT - XL883L, XL1200C

	<u>FORK, FRONT - XL883N, XL1200NS</u>
45500300	<u>FORK, FRONT - XL883N, XL1200NS</u>
45500301	<u>FORK, FRONT - XL883N, XL1200NS</u>
45500302	<u>FORK, FRONT - XL883N, XL1200NS</u>
45500303	<u>FORK, FRONT - XL883L, XL1200C</u> <u>FORK, FRONT - XL883N, XL1200NS</u>
45500304	<u>FORK, FRONT - XL883N, XL1200NS</u>
45500307	<u>FORK, FRONT - XL1200X, XL1200XS</u>
45500343	<u>FORK, FRONT - XL1200X, XL1200XS</u>
45500358	<u>FORK, FRONT - XL1200CX</u>
45500359	<u>FORK, FRONT - XL1200CX</u>
45500360	<u>FORK, FRONT - XL1200CX</u>
45500361	<u>FORK, FRONT - XL1200CX</u>
45500369	<u>FORK, FRONT - XL1200CX</u>
45500370	<u>FORK, FRONT - XL1200CX</u>
45500371	<u>FORK, FRONT - XL1200CX</u>
45500510	<u>FORK, FRONT - XL883L, XL1200C</u>
45500511	<u>FORK, FRONT - XL883L, XL1200C</u>
45600014	<u>FRAME AND JIFFY STAND SWITCHES</u>
45600046	<u>FENDERS, FRONT</u>
45600060	<u>FORK BRACKETS, FRONT</u>
45611-86	<u>FORK BRACKETS, FRONT</u>
4574	<u>FORK, FRONT - XL1200CX</u>
4575	<u>FORK, FRONT - XL1200CX</u>
45799-04	<u>CLUTCH CONTROL</u>
45800-04	<u>CLUTCH CONTROL</u>
45801-04	<u>CLUTCH CONTROL</u>
45830-48	<u>CRANKCASE AND GEARCASE</u>
45842-77A	<u>FORK, FRONT - XL1200CX</u>
45900103	<u>FORK BRACKETS, FRONT</u>

45900104	FORK BRACKETS, FRONT
45900106	FORK BRACKETS, FRONT
45900107	FORK BRACKETS, FRONT
45902-00	STARTER MOTOR
45905-87	FORK, FRONT - XL883L, XL1200C FORK, FRONT - XL1200T FORK, FRONT - XL883N, XL1200NS
45984-87	FORK, FRONT - XL883L, XL1200C FORK, FRONT - XL1200T FORK, FRONT - XL883N, XL1200NS
45996-87	FORK, FRONT - XL883L, XL1200C FORK, FRONT - XL1200T FORK, FRONT - XL883N, XL1200NS
46002-87	FORK, FRONT - XL883L, XL1200C FORK, FRONT - XL1200T
46014-10	FORK BRACKETS, FRONT
46080-01	FORK, FRONT - XL1200X, XL1200XS
46236-02	FORK, FRONT - XL1200X, XL1200XS
46237-02	FORK, FRONT - XL1200X, XL1200XS
46262-02	FORK, FRONT - XL883L, XL1200C FORK, FRONT - XL1200X, XL1200XS FORK, FRONT - XL883N, XL1200NS
46268-04	CLUTCH CONTROL
46329-06	FORK, FRONT - XL1200CX
46343-06	FORK, FRONT - XL1200CX
46346-06	FORK, FRONT - XL1200CX
46348-06	FORK, FRONT - XL1200CX
46352-06	FORK, FRONT - XL1200CX
46353-06	FORK, FRONT - XL1200CX
46508-01	FORK, FRONT - XL1200X, XL1200XS
46509-01	FORK, FRONT - XL1200X, XL1200XS
46512-01A	FORK, FRONT - XL1200X, XL1200XS
46513-01	FORK, FRONT - XL1200X, XL1200XS
46514-01A	FORK, FRONT - XL1200X, XL1200XS

46515-01	FORK, FRONT - XL1200X, XL1200XS
46516-01	FORK, FRONT - XL1200X, XL1200XS
46612-06	FORK, FRONT - XL1200X, XL1200XS
46615-06	FORK, FRONT - XL1200X, XL1200XS
46670-07	FORK, FRONT - XL1200X, XL1200XS
46758-07	FORK BRACKETS, FRONT
46767-07	FORK BRACKETS, FRONT
46997-11	FORK BRACKETS, FRONT
46998-11	FORK BRACKETS, FRONT
47000031	FRAME AND JIFFY STAND
47000114	FRAME AND JIFFY STAND
47000140	FRAME AND JIFFY STAND
47000144	FRAME AND JIFFY STAND
4705	SENSORS AND SWITCHES, ENGINE
4717A	CAMSHAFTS AND GEARCASE COVER BELTS, CHAINS AND SPROCKETS
4718A	ROCKER ARM ASSEMBLY AND PUSHRODS
4724	HEADLAMP - XL1200CX, XL1200X, XL1200XS
47400087	FORK, REAR, DEBRIS DEFLECTOR AND BELT GUARD
4740A	CAMSHAFTS AND GEARCASE COVER ALTERNATOR AND REGULATOR
4741A	ROCKER ARM ASSEMBLY AND PUSHRODS BRAKE LINES, FRONT - NON-ABS
47470-04	ENGINE MOUNTS AND STABILIZER LINK
47471-04A	ENGINE MOUNTS AND STABILIZER LINK
4748	CYLINDERS, HEADS AND VALVES (1 OF 2) HEADLAMP - XL1200CX, XL1200X, XL1200XS HEADLAMP - XL1200C EXHAUST SYSTEM - XL883N EXHAUST SYSTEM - XL1200NS EXHAUST SYSTEM - XL1200CX EXHAUST SYSTEM - XL1200C, XL1200T EXHAUST SYSTEM - XL883L, XL1200X, XL1200XS (1 OF 2)
47500004	ENGINE MOUNTS AND STABILIZER LINK
47500005	FORK, REAR, DEBRIS DEFLECTOR AND BELT GUARD

47500006	<u>FORK, REAR, DEBRIS DEFLECTOR AND BELT GUARD</u>
4751	<u>ALTERNATOR AND REGULATOR</u> <u>BELTS, CHAINS AND SPROCKETS</u>
47587-05A	<u>FORK, REAR, DEBRIS DEFLECTOR AND BELT GUARD</u>
4758A	<u>FUEL TANK</u>
4765	<u>OIL PUMP</u>
4771	<u>FUEL TANK</u>
4778	<u>GUARDS, SAREE</u> <u>FENDERS, REAR - XL883L</u> <u>FENDERS, REAR - XL883N, XL1200X, XL1200NS (DOMESTIC, CANADA ONLY)</u> <u>FENDERS, REAR - XL883N, XL1200NS, XL1200X, XL1200XS (ALL EXCEPT DOMESTIC, CANADA)</u> <u>FENDERS, REAR - XL1200C</u>
4779	<u>GUARDS, SAREE</u> <u>FENDERS, REAR - XL883L</u> <u>FENDERS, REAR - XL883N, XL1200X, XL1200NS (DOMESTIC, CANADA ONLY)</u> <u>FENDERS, REAR - XL883N, XL1200NS, XL1200X, XL1200XS (ALL EXCEPT DOMESTIC, CANADA)</u> <u>FENDERS, REAR - XL1200C</u> <u>FENDERS, REAR - XL1200CX (DOMESTIC, CANADA ONLY)</u> <u>FENDERS, REAR - XL1200CX (ALL EXCEPT DOMESTIC, CANADA)</u>
47887-10	<u>WHEELS, FRONT, LACED - XL1200C</u>
4798	<u>INDUCTION MODULE, FUEL</u>
48027-99	<u>FRAME AND JIFFY STAND</u>
4816A	<u>HEADLAMP - XL1200NS</u>
48184-01	<u>FORK BRACKETS, FRONT</u>
4820A	<u>INSPECTION COVER AND PRIMARY COVER</u>
48300-60	<u>FORK BRACKETS, FRONT</u>
48315-60	<u>FORK BRACKETS, FRONT</u> <u>FRAME AND JIFFY STAND</u>
48463-04A	<u>ENGINE MOUNTS AND STABILIZER LINK</u>
48492-04A	<u>ENGINE MOUNTS AND STABILIZER LINK</u>
4858M	<u>BRAKE LINES, REAR - ABS</u>
48708-09	<u>FORK, FRONT - XL1200CX</u>
4871	<u>FRAME AND JIFFY STAND</u> <u>FRAME AND JIFFY STAND</u>
48738-07	<u>FORK, FRONT - XL883L, XL1200C</u> <u>FORK, FRONT - XL1200T</u>

	FORK, FRONT - XL883N, XL1200NS
48791-09	FORK, FRONT - XL883L, XL1200C FORK, FRONT - XL1200T FORK, FRONT - XL883N, XL1200NS
49315-04	FOOTRESTS, PASSENGER
49378-09	FORK, FRONT - XL883L, XL1200C FORK, FRONT - XL1200T FORK, FRONT - XL883N, XL1200NS
49380-09	FORK, FRONT - XL1200CX
49401-11	FORK, FRONT - XL883L, XL1200C FORK, FRONT - XL1200T
49403-11	FORK, FRONT - XL883L, XL1200C FORK, FRONT - XL1200T
49735-08	FRAME AND JIFFY STAND
4975M	FENDERS, FRONT
4978	FENDERS, FRONT
4991	FRAME AND JIFFY STAND
4993	FORK BRACKETS, FRONT
50000025BHP	FRAME AND JIFFY STAND FRAME AND JIFFY STAND
50003-89B	FRAME AND JIFFY STAND
50005-85A	FRAME AND JIFFY STAND
5004	BRAKE LINES, FRONT - ABS
50124-09BHP	FRAME AND JIFFY STAND
50126-08B	FRAME AND JIFFY STAND
50185-04C	FRAME AND JIFFY STAND
50500227	GUARDS, SAREE FOOTRESTS, PASSENGER
50500233	BRAKE CONTROL, REAR FOOTRESTS, PASSENGER
50500288	FOOTRESTS, RIDER, MID-CONTROL
50500289	FOOTRESTS, RIDER, MID-CONTROL
50500290	FOOTRESTS, RIDER, MID-CONTROL
50500291	FOOTRESTS, RIDER, MID-CONTROL

50500323	FOOTRESTS, RIDER, MID-CONTROL
50600020	BRAKE CONTROL, REAR
50600022	BRAKE CONTROL, REAR
50600024	BRAKE CONTROL, REAR
50600025	BRAKE CONTROL, REAR
50600091	BRAKE CONTROL, REAR
50600092	BRAKE CONTROL, REAR
50600101	BRAKE CONTROL, REAR
50600124	BRAKE CONTROL, REAR
50600125	BRAKE CONTROL, REAR
50912-72	FOOTRESTS, PASSENGER FOOTRESTS, RIDER, FORWARD-CONTROL FOOTRESTS, RIDER, MID-CONTROL
5118	SWITCHES, HANDLEBAR WIRING HARNESS, MAIN, NON-ABS (1 OF 4) WIRING HARNESS, MAIN, ABS (1 OF 4) WIRING HARNESS, MAIN, KEYLESS, ABS (1 OF 4) WIRING HARNESS, MAIN, KEYLESS, NON-ABS (1 OF 4)
51323-08	FOOTRESTS, RIDER, FORWARD-CONTROL FOOTRESTS, RIDER, MID-CONTROL
51327-08	FOOTRESTS, RIDER, FORWARD-CONTROL FOOTRESTS, RIDER, MID-CONTROL
51550-11A	SEATS
51652-97A	SEATS
51730-10	FOOTRESTS, RIDER, FORWARD-CONTROL
51731-10	FOOTRESTS, RIDER, FORWARD-CONTROL
51740-10	SEATS
52000156	SEATS
52000185	SEATS
52000188	SEATS
52000189	SEATS
52000190	SEATS
52000218	SEATS
52000233	SEATS

52000236	SEATS
52000428	SEATS
52100027	SEATS
52293-04	SEATS
52400139	SEATS
52441-95	LICENSE PLATE BRACKETS - XL883N, XL1200NS, XL1200X, XL1200XS
53126-10	SADDLEBAGS - 1200T
53176-08	FRAME AND JIFFY STAND
53436-97	HEADLAMP - XL883L, XL1200T HEADLAMP - XL883N HEADLAMP - XL1200CX, XL1200X, XL1200XS HEADLAMP - XL1200NS HEADLAMP - XL1200C
54000060	SHOCK ABSORBERS, REAR
54000085	SHOCK ABSORBERS, REAR
54000086	SHOCK ABSORBERS, REAR
54000087	SHOCK ABSORBERS, REAR SHOCK ABSORBERS, REAR SHOCK ABSORBERS, REAR SHOCK ABSORBERS, REAR
54000088	SHOCK ABSORBERS, REAR SHOCK ABSORBERS, REAR
54000100	SHOCK ABSORBERS, REAR
54000103	SHOCK ABSORBERS, REAR
5403B	LICENSE PLATE BRACKETS - XL883N, XL1200NS, XL1200X, XL1200XS LICENSE PLATE BRACKETS - XL1200CX LICENSE PLATE BRACKETS - XL883L, XL1200C, XL1200T
5414	EXHAUST SYSTEM - XL883N EXHAUST SYSTEM - XL1200NS EXHAUST SYSTEM - XL1200CX EXHAUST SYSTEM - XL1200C, XL1200T EXHAUST SYSTEM - XL883L, XL1200X, XL1200XS (1 OF 2)
54321-85	WHEELS, FRONT, LACED - XL1200C WHEELS, REAR, LACED - XL1200C
54677-10	SHOCK ABSORBERS, REAR
54724-04	SHOCK ABSORBERS, REAR
55018-11	WHEELS, FRONT, CAST - XL1200C (INDIA ONLY), XL883L, XL883N, XL1200CX, XL1200NS, XL1200T, XL1200X, XL1200XS

55019-11A	WHEELS, REAR, CAST - XL1200C INDIA
55035-11A	WHEELS, FRONT, CAST - XL1200C (INDIA ONLY), XL883L, XL883N, XL1200CX, XL1200NS, XL1200T, XL1200X, XL1200XS WHEELS, FRONT, LACED - XL1200C
5531	FENDERS, REAR - XL883N, XL1200X, XL1200NS (DOMESTIC, CANADA ONLY) FENDERS, REAR - XL883N, XL1200NS, XL1200X, XL1200XS (ALL EXCEPT DOMESTIC, CANADA) FENDERS, REAR - XL1200C TAIL LAMPS AND TURN SIGNALS, REAR - XL883N, XL1200NS, XL1200X, XL1200XS TURN SIGNALS, REAR - XL883L and XL1200C
554A	FRAME AND JIFFY STAND
55785-11	HANDLEBAR AND THROTTLE CONTROL - XL883L, XL1200X, XL1200XS HANDLEBAR AND THROTTLE CONTROL - XL883N, XL1200NS, XL1200T
55786-11	HANDLEBAR AND THROTTLE CONTROL - XL883L, XL1200X, XL1200XS HANDLEBAR AND THROTTLE CONTROL - XL883N, XL1200NS, XL1200T
55800345	HANDLEBAR AND THROTTLE CONTROL - XL883L, XL1200X, XL1200XS HANDLEBAR AND THROTTLE CONTROL - XL883N, XL1200NS, XL1200T
55800547	HANDLEBAR AND THROTTLE CONTROL - XL1200CX
55800587	HANDLEBAR AND THROTTLE CONTROL - XL883L, XL1200X, XL1200XS
55840-04A	HANDLEBAR AND THROTTLE CONTROL - XL1200C
55842-04	HANDLEBAR AND THROTTLE CONTROL - XL1200C
55846-05A	INSTRUMENT MODULE - XL883L, XL883N, XL1200NS, XL1200T
55847-05A	INSTRUMENT MODULE - XL883L, XL883N, XL1200NS, XL1200T
55900029	INSTRUMENT MODULE - XL1200C
55900087	HANDLEBAR AND THROTTLE CONTROL - XL1200CX
55900088	HANDLEBAR AND THROTTLE CONTROL - XL1200CX
56017-04	HANDLEBAR AND THROTTLE CONTROL - XL1200C
56075-07	HANDLEBAR AND THROTTLE CONTROL - XL883N, XL1200NS, XL1200T
56100198	HANDLEBAR AND THROTTLE CONTROL - XL1200CX
56104-02	GUARDS, SAREE FENDERS, REAR - XL883L FENDERS, REAR - XL1200C TURN SIGNALS, REAR - XL883L and XL1200C TURN SIGNALS, REAR - XL883L and XL1200C
56116-82A	HANDLEBAR AND THROTTLE CONTROL - XL883N, XL1200NS, XL1200T
56117-82A	HANDLEBAR AND THROTTLE CONTROL - XL883N, XL1200NS, XL1200T
56394-74	SWITCHES, HANDLEBAR

56396-74A	<u>SWITCHES, HANDLEBAR</u>
56397-74C	<u>SWITCHES, HANDLEBAR</u>
56402-83A	<u>SWITCHES, HANDLEBAR</u>
56508-76	<u>HANDLEBAR AND THROTTLE CONTROL - XL883L, XL1200X, XL1200XS</u> <u>HANDLEBAR AND THROTTLE CONTROL - XL883N, XL1200NS, XL1200T</u> <u>HANDLEBAR AND THROTTLE CONTROL - XL1200CX</u> <u>HANDLEBAR AND THROTTLE CONTROL - XL1200C</u>
56666-04	<u>HANDLEBAR AND THROTTLE CONTROL - XL883L, XL1200X, XL1200XS</u> <u>HANDLEBAR AND THROTTLE CONTROL - XL883N, XL1200NS, XL1200T</u> <u>HANDLEBAR AND THROTTLE CONTROL - XL1200CX</u> <u>HANDLEBAR AND THROTTLE CONTROL - XL1200C</u>
56667-04	<u>HANDLEBAR AND THROTTLE CONTROL - XL883L, XL1200X, XL1200XS</u> <u>HANDLEBAR AND THROTTLE CONTROL - XL883N, XL1200NS, XL1200T</u> <u>HANDLEBAR AND THROTTLE CONTROL - XL1200CX</u> <u>HANDLEBAR AND THROTTLE CONTROL - XL1200C</u>
56884-07	<u>HANDLEBAR AND THROTTLE CONTROL - XL883L, XL1200X, XL1200XS</u> <u>HANDLEBAR AND THROTTLE CONTROL - XL883N, XL1200NS, XL1200T</u> <u>HANDLEBAR AND THROTTLE CONTROL - XL1200C</u>
56885-07	<u>HANDLEBAR AND THROTTLE CONTROL - XL883L, XL1200X, XL1200XS</u> <u>HANDLEBAR AND THROTTLE CONTROL - XL883N, XL1200NS, XL1200T</u> <u>HANDLEBAR AND THROTTLE CONTROL - XL1200C</u>
57001097DH	<u>HEADLAMP - XL1200NS</u>
57200091BYM	<u>FRAME AND JIFFY STAND</u>
57200091DH	<u>FRAME AND JIFFY STAND</u>
57200092BYM	<u>FRAME AND JIFFY STAND</u>
57200092DH	<u>FRAME AND JIFFY STAND</u>
57209-11	<u>HANDLEBAR AND THROTTLE CONTROL - XL883L, XL1200X, XL1200XS</u> <u>HANDLEBAR AND THROTTLE CONTROL - XL883N, XL1200NS, XL1200T</u>
57400245	<u>WINDSHIELD - 1200T</u>
57400322	<u>WINDSHIELD - 1200T</u> <u>LOOSE PARTS</u>
5751	<u>HEADLAMP - XL1200NS</u>
57793-11	<u>WINDSHIELD - 1200T</u>
57796-11	<u>WINDSHIELD - 1200T</u>
58050-78A	<u>WINDSHIELD - 1200T</u>
58051-78A	<u>WINDSHIELD - 1200T</u>
58052-78	<u>WINDSHIELD - 1200T</u>

58152-96	WINDSHIELD - 1200T
58174-04A	WINDSHIELD - 1200T
58406-75A	WINDSHIELD - 1200T
58408-75A	WINDSHIELD - 1200T
58417-77	WINDSHIELD - 1200T
58790-04	WINDSHIELD - 1200T
58791-04	WINDSHIELD - 1200T
58900170	FENDERS, FRONT
5925	FORK, FRONT - XL1200CX
59256-84A	FENDERS, REAR - XL883L FENDERS, REAR - XL883N, XL1200NS, XL1200X, XL1200XS (ALL EXCEPT DOMESTIC, CANADA) FENDERS, REAR - XL1200C FENDERS, REAR - XL1200CX (ALL EXCEPT DOMESTIC, CANADA) LICENSE PLATE BRACKETS - XL883N, XL1200NS, XL1200X, XL1200XS
59259-90	FENDERS, REAR - XL1200C LICENSE PLATE BRACKETS - XL883N, XL1200NS, XL1200X, XL1200XS
59481-00	FORK, FRONT - XL883L, XL1200C FORK, FRONT - XL1200T FORK, FRONT - XL1200X, XL1200XS FORK, FRONT - XL883N, XL1200NS
59482-00	FORK, FRONT - XL883L, XL1200C FORK, FRONT - XL1200T FORK, FRONT - XL1200X, XL1200XS FORK, FRONT - XL883N, XL1200NS
59500034A	FENDERS, REAR - XL1200C
59500172	FENDERS, REAR - XL1200T
59500173	FENDERS, REAR - XL1200T
59500376	FENDERS, REAR - XL1200CX (DOMESTIC, CANADA ONLY) FENDERS, REAR - XL1200CX (ALL EXCEPT DOMESTIC, CANADA)
59500408	FENDERS, REAR - XL1200CX (DOMESTIC, CANADA ONLY) FENDERS, REAR - XL1200CX (ALL EXCEPT DOMESTIC, CANADA)
59502-04B	FENDERS, REAR - XL883L FENDERS, REAR - XL883N, XL1200X, XL1200NS (DOMESTIC, CANADA ONLY) FENDERS, REAR - XL883N, XL1200NS, XL1200X, XL1200XS (ALL EXCEPT DOMESTIC, CANADA) FENDERS, REAR - XL1200C FENDERS, REAR - XL1200T FENDERS, REAR - XL1200CX (DOMESTIC, CANADA ONLY) FENDERS, REAR - XL1200CX (ALL EXCEPT DOMESTIC, CANADA)
59673-04B	FENDERS, REAR - XL883L FENDERS, REAR - XL1200T

59712-07A	<u>FENDERS, FRONT</u>
59723-04	<u>FENDERS, REAR - XL883L</u> <u>FENDERS, REAR - XL883N, XL1200X, XL1200NS (DOMESTIC, CANADA ONLY)</u> <u>FENDERS, REAR - XL883N, XL1200NS, XL1200X, XL1200XS (ALL EXCEPT DOMESTIC, CANADA)</u> <u>FENDERS, REAR - XL1200C</u> <u>FENDERS, REAR - XL1200T</u> <u>FENDERS, REAR - XL1200CX (DOMESTIC, CANADA ONLY)</u> <u>FENDERS, REAR - XL1200CX (ALL EXCEPT DOMESTIC, CANADA)</u>
59727-07	<u>FENDERS, REAR - XL883N, XL1200X, XL1200NS (DOMESTIC, CANADA ONLY)</u> <u>FENDERS, REAR - XL883N, XL1200NS, XL1200X, XL1200XS (ALL EXCEPT DOMESTIC, CANADA)</u>
59768-97	<u>FENDERS, REAR - XL883L</u> <u>FENDERS, REAR - XL883N, XL1200X, XL1200NS (DOMESTIC, CANADA ONLY)</u> <u>FENDERS, REAR - XL883N, XL1200NS, XL1200X, XL1200XS (ALL EXCEPT DOMESTIC, CANADA)</u> <u>FENDERS, REAR - XL1200C</u> <u>FENDERS, REAR - XL1200T</u> <u>FENDERS, REAR - XL1200CX (DOMESTIC, CANADA ONLY)</u> <u>FENDERS, REAR - XL1200CX (ALL EXCEPT DOMESTIC, CANADA)</u>
59847-10	<u>FENDERS, REAR - XL883L</u> <u>FENDERS, REAR - XL1200T</u>
59865-10	<u>FENDERS, REAR - XL883N, XL1200X, XL1200NS (DOMESTIC, CANADA ONLY)</u> <u>FENDERS, REAR - XL883N, XL1200NS, XL1200X, XL1200XS (ALL EXCEPT DOMESTIC, CANADA)</u>
59885-11	<u>FENDERS, REAR - XL1200C</u>
59902-04	<u>FENDERS, REAR - XL1200C</u>
59903-04	<u>FENDERS, REAR - XL1200C</u>
59984-73	<u>LICENSE PLATE BRACKETS - XL883L, XL1200C, XL1200T</u>
59986-75	<u>LICENSE PLATE BRACKETS - XL883L, XL1200C, XL1200T</u>
59988-72A	<u>LICENSE PLATE BRACKETS - XL883N, XL1200NS, XL1200X, XL1200XS</u> <u>LICENSE PLATE BRACKETS - XL883L, XL1200C, XL1200T</u>
60001-55	<u>LICENSE PLATE BRACKETS - XL883L, XL1200C, XL1200T</u>
60013-02	<u>LICENSE PLATE BRACKETS - XL883L, XL1200C, XL1200T</u>
6003	<u>TRANSMISSION GEARS</u>
60203-06	<u>FENDERS, REAR - XL883L</u> <u>FENDERS, REAR - XL883N, XL1200X, XL1200NS (DOMESTIC, CANADA ONLY)</u> <u>FENDERS, REAR - XL883N, XL1200NS, XL1200X, XL1200XS (ALL EXCEPT DOMESTIC, CANADA)</u>
60204-06	<u>FENDERS, REAR - XL883L</u> <u>FENDERS, REAR - XL883N, XL1200X, XL1200NS (DOMESTIC, CANADA ONLY)</u> <u>FENDERS, REAR - XL883N, XL1200NS, XL1200X, XL1200XS (ALL EXCEPT DOMESTIC, CANADA)</u>
6021	<u>TRANSMISSION GEARS</u>
60225-08BHP	<u>LICENSE PLATE BRACKETS - XL883L, XL1200C, XL1200T</u>

6026	<u>ENGINE MOUNTS AND STABILIZER LINK</u> <u>HORN - 883L, 883N, XL1200CX, XL1200NS, XL1200X, XL1200XS</u> <u>HORN - XL1200C, XL1200T</u>
6029	<u>FENDERS, REAR - XL883L</u> <u>FENDERS, REAR - XL883N, XL1200X, XL1200NS (DOMESTIC, CANADA ONLY)</u> <u>FENDERS, REAR - XL883N, XL1200NS, XL1200X, XL1200XS (ALL EXCEPT DOMESTIC, CANADA)</u> <u>FENDERS, REAR - XL1200C</u> <u>FENDERS, REAR - XL1200T</u> <u>FENDERS, REAR - XL1200CX (DOMESTIC, CANADA ONLY)</u> <u>FENDERS, REAR - XL1200CX (ALL EXCEPT DOMESTIC, CANADA)</u>
60300007	<u>GUARDS, SAREE</u>
60300008	<u>GUARDS, SAREE</u>
60300113	<u>GUARDS, SAREE</u>
60300154	<u>GUARDS, SAREE</u>
60300196	<u>FORK, REAR, DEBRIS DEFLECTOR AND BELT GUARD</u>
60300200	<u>FORK, REAR, DEBRIS DEFLECTOR AND BELT GUARD</u>
60300202	<u>FORK, REAR, DEBRIS DEFLECTOR AND BELT GUARD</u>
60328-98B	<u>INSPECTION COVER AND PRIMARY COVER</u>
60435-04B	<u>FORK, REAR, DEBRIS DEFLECTOR AND BELT GUARD</u>
60574-10	<u>FENDERS, FRONT</u>
60800009	<u>EVAPORATIVE EMISSIONS COMPONENTS</u>
60800023	<u>EVAPORATIVE EMISSIONS COMPONENTS</u>
60800031	<u>EVAPORATIVE EMISSIONS COMPONENTS</u>
60800042	<u>EVAPORATIVE EMISSIONS COMPONENTS</u>
60800045	<u>EVAPORATIVE EMISSIONS COMPONENTS</u>
60901-07	<u>LICENSE PLATE BRACKETS - XL883N, XL1200NS, XL1200X, XL1200XS</u> <u>LICENSE PLATE BRACKETS - XL883N, XL1200NS, XL1200X, XL1200XS</u>
60907-09	<u>LICENSE PLATE BRACKETS - XL883N, XL1200NS, XL1200X, XL1200XS</u>
60955-11	<u>FENDERS, FRONT</u>
6101	<u>CLUTCH CONTROL</u> <u>BRAKE CONTROL, FRONT</u>
61015-04A	<u>FUEL PUMP</u>
6109	<u>GUARDS, SAREE</u> <u>LICENSE PLATE BRACKETS - XL1200CX</u> <u>HEADLAMP - XL883L, XL1200T</u> <u>HEADLAMP - XL883N</u>

	HEADLAMP - XL1200C HORN - XL1200C, XL1200T
6110	LICENSE PLATE BRACKETS - XL883L, XL1200C, XL1200T
61100026	FUEL TANK EVAPORATIVE EMISSIONS COMPONENTS
61100027	FUEL TANK EVAPORATIVE EMISSIONS COMPONENTS
61100040	FUEL TANK
61100065	FUEL TANK
61100096	FUEL TANK
61100120A	FUEL TANK
61100123A	FUEL TANK
61109-85D	FUEL TANK
61213-04A	FUEL PUMP
61272-92E	FUEL TANK FUEL TANK FUEL TANK FUEL TANK FUEL TANK
61289-07C	FUEL TANK
61300332	AIR CLEANER
61300478A	HORN - XL1200C, XL1200T
61300541	AIR CLEANER
61300559	AIR CLEANER
61300562	AIR CLEANER
61301001	AIR CLEANER
61348-07	FUEL TANK
61459-97	FRAME AND JIFFY STAND
6152	ENGINE MOUNTS AND STABILIZER LINK
6157	OIL PUMP
61724-10	FUEL TANK
62122-89A	FRAME AND JIFFY STAND
62150-85	FUEL TANK

	<u>EVAPORATIVE EMISSIONS COMPONENTS</u>
62213-07	<u>FUEL TANK</u>
62338-01Y	<u>OIL TANK AND LINES</u>
62361-10	<u>OIL TANK AND LINES</u>
6237	<u>HORN - XL1200C, XL1200T</u>
62375-57A	<u>CAMSHAFTS AND GEARCASE COVER</u>
62500017	<u>OIL TANK AND LINES</u>
62534-07	<u>FRAME AND JIFFY STAND</u>
62592-07A	<u>OIL TANK AND LINES</u>
62601-91A	<u>OIL PUMP</u>
62651-04	<u>CRANKCASE AND GEARCASE</u>
62700014	<u>CRANKCASE AND GEARCASE</u>
62700038	<u>OIL TANK AND LINES</u>
6288	<u>SWITCHES</u>
63000-04B	<u>OIL TANK AND LINES</u>
63508-04	<u>CRANKCASE AND GEARCASE</u>
63533-41A	<u>CRANKCASE AND GEARCASE</u> <u>OIL PUMP</u>
63796-77A	<u>CRANKCASE AND GEARCASE</u>
63805-80A	<u>CRANKCASE AND GEARCASE</u>
6424	<u>HEADLAMP - XL1200NS</u>
64900162	<u>EXHAUST SYSTEM - XL1200C, XL1200T</u> <u>EXHAUST SYSTEM - XL883L, XL1200X, XL1200XS (2 OF 2)</u>
64900272	<u>EXHAUST SYSTEM - XL1200C, XL1200T</u> <u>EXHAUST SYSTEM - XL1200C, XL1200T</u>
64900291	<u>EXHAUST SYSTEM - XL1200NS</u> <u>EXHAUST SYSTEM - XL883L, XL1200X, XL1200XS (2 OF 2)</u>
64900370	<u>EXHAUST SYSTEM - XL883N</u>
64900372	<u>EXHAUST SYSTEM - XL883N</u> <u>EXHAUST SYSTEM - XL1200NS</u> <u>EXHAUST SYSTEM - XL883L, XL1200X, XL1200XS (2 OF 2)</u>
64900373	<u>EXHAUST SYSTEM - XL883N</u> <u>EXHAUST SYSTEM - XL1200NS</u>

64900375	EXHAUST SYSTEM - XL883N
64900376	EXHAUST SYSTEM - XL883N
64900377	EXHAUST SYSTEM - XL1200NS EXHAUST SYSTEM - XL883L, XL1200X, XL1200XS (2 OF 2)
64900389	EXHAUST SYSTEM - XL1200CX
64900390	EXHAUST SYSTEM - XL1200CX
64900409	EXHAUST SYSTEM - XL1200CX
64900410	EXHAUST SYSTEM - XL1200CX
64900421	EXHAUST SYSTEM - XL883L, XL1200X, XL1200XS (2 OF 2)
64900422	EXHAUST SYSTEM - XL883N EXHAUST SYSTEM - XL883N
64900423	EXHAUST SYSTEM - XL883N
64900685	EXHAUST SYSTEM - XL1200CX EXHAUST SYSTEM - XL1200C, XL1200T
64900686	EXHAUST SYSTEM - XL1200NS EXHAUST SYSTEM - XL883L, XL1200X, XL1200XS (2 OF 2) EXHAUST SYSTEM - XL883L, XL1200X, XL1200XS (2 OF 2)
64900688	EXHAUST SYSTEM - XL1200CX
64900978	EXHAUST SYSTEM - XL1200CX EXHAUST SYSTEM - XL1200C, XL1200T EXHAUST SYSTEM - XL883L, XL1200X, XL1200XS (2 OF 2)
64900979	EXHAUST SYSTEM - XL883N EXHAUST SYSTEM - XL1200NS EXHAUST SYSTEM - XL883L, XL1200X, XL1200XS (2 OF 2) EXHAUST SYSTEM - XL883L, XL1200X, XL1200XS (2 OF 2)
64900980	EXHAUST SYSTEM - XL1200CX EXHAUST SYSTEM - XL1200C, XL1200T EXHAUST SYSTEM - XL883L, XL1200X, XL1200XS (2 OF 2)
64900981	EXHAUST SYSTEM - XL883N EXHAUST SYSTEM - XL1200NS EXHAUST SYSTEM - XL883L, XL1200X, XL1200XS (2 OF 2) EXHAUST SYSTEM - XL883L, XL1200X, XL1200XS (2 OF 2)
65088-04	CRANKCASE AND GEARCASE
6516HW	BELTS, CHAINS AND SPROCKETS
65324-83B	EXHAUST SYSTEM - XL883N EXHAUST SYSTEM - XL1200NS EXHAUST SYSTEM - XL1200CX EXHAUST SYSTEM - XL1200C, XL1200T EXHAUST SYSTEM - XL883L, XL1200X, XL1200XS (1 OF 2)

65325-83A	EXHAUST SYSTEM - XL883N EXHAUST SYSTEM - XL1200NS EXHAUST SYSTEM - XL1200CX EXHAUST SYSTEM - XL1200C, XL1200T EXHAUST SYSTEM - XL883L, XL1200X, XL1200XS (1 OF 2)
65328-83A	EXHAUST SYSTEM - XL883N EXHAUST SYSTEM - XL1200NS EXHAUST SYSTEM - XL1200CX EXHAUST SYSTEM - XL1200C, XL1200T EXHAUST SYSTEM - XL883L, XL1200X, XL1200XS (1 OF 2)
65400054	EXHAUST SYSTEM - XL1200CX EXHAUST SYSTEM - XL1200C, XL1200T EXHAUST SYSTEM - XL883L, XL1200X, XL1200XS (1 OF 2)
65400055	EXHAUST SYSTEM - XL1200CX EXHAUST SYSTEM - XL1200C, XL1200T EXHAUST SYSTEM - XL883L, XL1200X, XL1200XS (1 OF 2)
65400199	EXHAUST SYSTEM - XL1200C, XL1200T EXHAUST SYSTEM - XL1200C, XL1200T EXHAUST SYSTEM - XL1200C, XL1200T EXHAUST SYSTEM - XL883L, XL1200X, XL1200XS (1 OF 2)
65400201	EXHAUST SYSTEM - XL883L, XL1200X, XL1200XS (1 OF 2)
65400204	EXHAUST SYSTEM - XL883N
65400205	EXHAUST SYSTEM - XL883N
65400206	EXHAUST SYSTEM - XL883N EXHAUST SYSTEM - XL1200NS
65400227	EXHAUST SYSTEM - XL1200CX
65400505	EXHAUST SYSTEM - XL1200NS
65400506	EXHAUST SYSTEM - XL1200NS
65440-06	EXHAUST SYSTEM - XL883N EXHAUST SYSTEM - XL1200NS EXHAUST SYSTEM - XL1200CX EXHAUST SYSTEM - XL1200C, XL1200T EXHAUST SYSTEM - XL883L, XL1200X, XL1200XS (1 OF 2)
65441-06	EXHAUST SYSTEM - XL883N EXHAUST SYSTEM - XL1200NS EXHAUST SYSTEM - XL1200CX EXHAUST SYSTEM - XL1200C, XL1200T EXHAUST SYSTEM - XL883L, XL1200X, XL1200XS (1 OF 2)
65500022	EXHAUST SYSTEM - XL883N EXHAUST SYSTEM - XL1200NS EXHAUST SYSTEM - XL1200CX EXHAUST SYSTEM - XL1200C, XL1200T EXHAUST SYSTEM - XL883L, XL1200X, XL1200XS (2 OF 2)
65500023	EXHAUST SYSTEM - XL883N EXHAUST SYSTEM - XL1200NS

	EXHAUST SYSTEM - XL1200CX EXHAUST SYSTEM - XL1200C, XL1200T EXHAUST SYSTEM - XL883L, XL1200X, XL1200XS (2 OF 2)
65500025	EXHAUST SYSTEM - XL883N EXHAUST SYSTEM - XL1200NS EXHAUST SYSTEM - XL1200CX EXHAUST SYSTEM - XL1200C, XL1200T EXHAUST SYSTEM - XL883L, XL1200X, XL1200XS (2 OF 2)
6551	WHEELS, REAR, CAST - NON-ABS - XL883L, XL883N, XL1200CX, XL1200NS, XL1200X, XL1200XS WHEELS, REAR, CAST - ABS ONLY - XL883L, XL883N, XL1200CX, XL1200NS, XL1200T, XL1200X, XL1200XS WHEELS, REAR, CAST - XL1200C INDIA WHEELS, REAR, LACED - XL1200C
65600094	EXHAUST SYSTEM - XL883N EXHAUST SYSTEM - XL1200NS EXHAUST SYSTEM - XL1200CX EXHAUST SYSTEM - XL1200C, XL1200T EXHAUST SYSTEM - XL883L, XL1200X, XL1200XS (2 OF 2) EXHAUST SYSTEM - XL883L, XL1200X, XL1200XS (2 OF 2)
65600182	EXHAUST SYSTEM - XL883N EXHAUST SYSTEM - XL1200NS EXHAUST SYSTEM - XL1200CX EXHAUST SYSTEM - XL1200C, XL1200T EXHAUST SYSTEM - XL1200C, XL1200T EXHAUST SYSTEM - XL883L, XL1200X, XL1200XS (2 OF 2)
6589A	ROCKER ARM ASSEMBLY AND PUSHRODS
65900012	EXHAUST SYSTEM - XL883N EXHAUST SYSTEM - XL1200NS EXHAUST SYSTEM - XL1200CX EXHAUST SYSTEM - XL1200C, XL1200T EXHAUST SYSTEM - XL883L, XL1200X, XL1200XS (2 OF 2)
65900017	EXHAUST SYSTEM - XL883N EXHAUST SYSTEM - XL1200NS EXHAUST SYSTEM - XL1200CX EXHAUST SYSTEM - XL1200C, XL1200T EXHAUST SYSTEM - XL1200C, XL1200T EXHAUST SYSTEM - XL883L, XL1200X, XL1200XS (1 OF 2)
6590HW	HANDLEBAR AND THROTTLE CONTROL - XL883N, XL1200NS, XL1200T HANDLEBAR AND THROTTLE CONTROL - XL1200CX HANDLEBAR AND THROTTLE CONTROL - XL1200C
6594	WHEELS, FRONT, CAST - XL1200C (INDIA ONLY), XL883L, XL883N, XL1200CX, XL1200NS, XL1200T, XL1200X, XL1200XS WHEELS, FRONT, LACED - XL1200C
65958-04B	BATTERY
66000031	BATTERY
66000032	BATTERY
66000035	BATTERY

66000036	BATTERY
66000037	BATTERY
66000045	ENGINE MOUNTS AND STABILIZER LINK
66000064	BATTERY
6611	FORK BRACKETS, FRONT
66373-06	SWITCHES
66851-07	EXHAUST SYSTEM - XL883N EXHAUST SYSTEM - XL1200NS EXHAUST SYSTEM - XL1200CX EXHAUST SYSTEM - XL1200C, XL1200T EXHAUST SYSTEM - XL883L, XL1200X, XL1200XS (1 OF 2)
6701	BRAKE LINES, REAR - NON-ABS BRAKE LINES, REAR - ABS FORK, FRONT - XL883L, XL1200C FORK, FRONT - XL1200T FORK, FRONT - XL1200X, XL1200XS FORK, FRONT - XL883N, XL1200NS HEADLAMP - XL1200CX, XL1200X, XL1200XS HEADLAMP - XL1200C EXHAUST SYSTEM - XL883N EXHAUST SYSTEM - XL1200NS EXHAUST SYSTEM - XL1200CX EXHAUST SYSTEM - XL1200C, XL1200T EXHAUST SYSTEM - XL883L, XL1200X, XL1200XS (1 OF 2)
6702	FORK BRACKETS, FRONT FORK, REAR, DEBRIS DEFLECTOR AND BELT GUARD FENDERS, REAR - XL883L FENDERS, REAR - XL883N, XL1200X, XL1200NS (DOMESTIC, CANADA ONLY) FENDERS, REAR - XL883N, XL1200NS, XL1200X, XL1200XS (ALL EXCEPT DOMESTIC, CANADA) FENDERS, REAR - XL1200C FENDERS, REAR - XL1200T FENDERS, REAR - XL1200CX (DOMESTIC, CANADA ONLY) FENDERS, REAR - XL1200CX (ALL EXCEPT DOMESTIC, CANADA) FUEL TANK HEADLAMP - XL1200NS EXHAUST SYSTEM - XL883N EXHAUST SYSTEM - XL1200NS EXHAUST SYSTEM - XL1200CX EXHAUST SYSTEM - XL1200C, XL1200T EXHAUST SYSTEM - XL883L, XL1200X, XL1200XS (1 OF 2)
6703	FENDERS, REAR - XL883N, XL1200NS, XL1200X, XL1200XS (ALL EXCEPT DOMESTIC, CANADA) FENDERS, REAR - XL1200CX (ALL EXCEPT DOMESTIC, CANADA) LICENSE PLATE BRACKETS - XL883N, XL1200NS, XL1200X, XL1200XS LICENSE PLATE BRACKETS - XL883N, XL1200NS, XL1200X, XL1200XS LICENSE PLATE BRACKETS - XL883N, XL1200NS, XL1200X, XL1200XS LICENSE PLATE BRACKETS - XL1200CX LICENSE PLATE BRACKETS - XL1200CX LICENSE PLATE BRACKETS - XL883L, XL1200C, XL1200T LICENSE PLATE BRACKETS - XL883L, XL1200C, XL1200T

67104-95	INSTRUMENT MODULE - XL883L, XL883N, XL1200NS, XL1200T
67121-95A	INSTRUMENT MODULE - XL883L, XL883N, XL1200NS, XL1200T INSTRUMENT MODULE - XL1200C INSTRUMENT MODULE - XL1200CX, XL1200X, XL1200XS
6716	LICENSE PLATE BRACKETS - XL883L, XL1200C, XL1200T
67319-95	INSTRUMENT MODULE - XL883L, XL883N, XL1200NS, XL1200T
6738	SHOCK ABSORBERS, REAR
67601-94A	HEADLAMP - XL1200C
67603-94A	HEADLAMP - XL1200C
67667-05	HEADLAMP - XL883L, XL1200T HEADLAMP - XL883N HEADLAMP - XL1200CX, XL1200X, XL1200XS HEADLAMP - XL1200NS HEADLAMP - XL1200C
67700094	HEADLAMP - XL1200CX, XL1200X, XL1200XS
67700196	HEADLAMP - XL883L, XL1200T HEADLAMP - XL1200NS
67700197	HEADLAMP - XL883L, XL1200T
67700441	HEADLAMP - XL1200C
67746-11	HEADLAMP - XL1200C
67769-93	HEADLAMP - XL1200CX, XL1200X, XL1200XS
67790-93A	HEADLAMP - XL883L, XL1200T HEADLAMP - XL1200CX, XL1200X, XL1200XS
67800179	TURN SIGNALS, FRONT
67800214	TAIL LAMPS AND TURN SIGNALS, REAR - XL883N, XL1200NS, XL1200X, XL1200XS TURN SIGNALS, REAR - XL1200CX, XL1200T
67800381	TURN SIGNALS, FRONT - 1200T
67800382	TURN SIGNALS, FRONT - 1200T
67800396	TURN SIGNALS, FRONT - 1200T
67800504	TURN SIGNALS, FRONT
67800505	TURN SIGNALS, FRONT
67800562	TURN SIGNALS, FRONT
67800563	TURN SIGNALS, FRONT TURN SIGNALS, FRONT
67800646	TURN SIGNALS, REAR - XL1200CX, XL1200T

67815-59A	HEADLAMP - XL883L, XL1200T HEADLAMP - XL883N HEADLAMP - XL1200NS
67865-89	HEADLAMP - XL883L, XL1200T
6787	CYLINDERS, HEADS AND VALVES (1 OF 2)
67883-04A	HEADLAMP - XL883L, XL1200T HEADLAMP - XL883N HEADLAMP - XL1200CX, XL1200X, XL1200XS HEADLAMP - XL1200NS
67894-93A	HEADLAMP - XL1200C
67900006	FENDERS, REAR - XL1200C
67900010	LICENSE PLATE BRACKETS - XL1200CX
67900079	LICENSE PLATE BRACKETS - XL883L, XL1200C, XL1200T
67900088	LICENSE PLATE BRACKETS - XL883N, XL1200NS, XL1200X, XL1200XS
67900089	LICENSE PLATE BRACKETS - XL883N, XL1200NS, XL1200X, XL1200XS LICENSE PLATE BRACKETS - XL883L, XL1200C, XL1200T
67900093	LICENSE PLATE BRACKETS - XL883N, XL1200NS, XL1200X, XL1200XS LICENSE PLATE BRACKETS - XL1200CX LICENSE PLATE BRACKETS - XL883L, XL1200C, XL1200T
67900152A	LICENSE PLATE BRACKETS - XL883N, XL1200NS, XL1200X, XL1200XS
67900155	LICENSE PLATE BRACKETS - XL883N, XL1200NS, XL1200X, XL1200XS LICENSE PLATE BRACKETS - XL1200CX
67900157	LICENSE PLATE BRACKETS - XL883N, XL1200NS, XL1200X, XL1200XS LICENSE PLATE BRACKETS - XL1200CX
67900205A	FENDERS, REAR - XL883N, XL1200X, XL1200NS (DOMESTIC, CANADA ONLY) FENDERS, REAR - XL1200CX (DOMESTIC, CANADA ONLY)
67900212A	FENDERS, FRONT
67900231	LICENSE PLATE BRACKETS - XL883N, XL1200NS, XL1200X, XL1200XS
67900234	SADDLEBAGS - 1200T
67900285A	FENDERS, REAR - XL1200CX (DOMESTIC, CANADA ONLY)
67900288	LICENSE PLATE BRACKETS - XL1200CX
67900532	LICENSE PLATE BRACKETS - XL883N, XL1200NS, XL1200X, XL1200XS
6792	SHOCK ABSORBERS, REAR
67956-96	SEATS
67963-05A	HEADLAMP - XL883N

6798	GUARDS, SAREE GUARDS, SAREE FENDERS, REAR - XL883L FENDERS, REAR - XL883N, XL1200X, XL1200NS (DOMESTIC, CANADA ONLY) FENDERS, REAR - XL883N, XL1200NS, XL1200X, XL1200XS (ALL EXCEPT DOMESTIC, CANADA) FENDERS, REAR - XL1200C FENDERS, REAR - XL1200CX (DOMESTIC, CANADA ONLY) FENDERS, REAR - XL1200CX (ALL EXCEPT DOMESTIC, CANADA)
68026-99	TAIL LAMPS
68042-99	CRANKCASE AND GEARCASE
68066-99A	TAIL LAMPS
68120-00	CAMSHAFTS AND GEARCASE COVER
68130-97	HEADLAMP - XL1200NS
68131-97	HEADLAMP - XL1200NS
68132-97	HEADLAMP - XL1200NS
68133-97	HEADLAMP - XL1200NS
68134-97	HEADLAMP - XL1200NS
68140-04	TAIL LAMPS
68141-04	TAIL LAMPS TAIL LAMPS
68163-84	TURN SIGNALS, FRONT - 1200T TURN SIGNALS, FRONT TURN SIGNALS, REAR - XL883L and XL1200C TURN SIGNALS, REAR - XL1200CX, XL1200T
68167-04	TAIL LAMPS
68168-89A	TURN SIGNALS, FRONT TAIL LAMPS AND TURN SIGNALS, REAR - XL883N, XL1200NS, XL1200X, XL1200XS TURN SIGNALS, REAR - XL1200CX, XL1200T
68265-04	TURN SIGNALS, FRONT
68277-07	TAIL LAMPS AND TURN SIGNALS, REAR - XL883N, XL1200NS, XL1200X, XL1200XS TURN SIGNALS, REAR - XL883L and XL1200C
68296-99A	TAIL LAMPS
68297-05A	HEADLAMP - XL883N HEADLAMP - XL1200CX, XL1200X, XL1200XS HEADLAMP - XL1200NS
68329-03	HEADLAMP - XL883L, XL1200T HEADLAMP - XL883N HEADLAMP - XL1200CX, XL1200X, XL1200XS HEADLAMP - XL1200NS HEADLAMP - XL1200C

68335-05A	HEADLAMP - XL883L, XL1200T HEADLAMP - XL883L, XL1200T HEADLAMP - XL883N HEADLAMP - XL1200CX, XL1200X, XL1200XS HEADLAMP - XL1200CX, XL1200X, XL1200XS HEADLAMP - XL1200NS HEADLAMP - XL1200C
68341-05A	HEADLAMP - XL883L, XL1200T HEADLAMP - XL883L, XL1200T HEADLAMP - XL883N HEADLAMP - XL1200CX, XL1200X, XL1200XS HEADLAMP - XL1200CX, XL1200X, XL1200XS HEADLAMP - XL1200NS HEADLAMP - XL1200C
68369-03	TAIL LAMPS
68370-03A	TAIL LAMPS
68372-03	TAIL LAMPS TAIL LAMPS
68380-05	HEADLAMP - XL883L, XL1200T HEADLAMP - XL883N HEADLAMP - XL1200CX, XL1200X, XL1200XS HEADLAMP - XL1200NS HEADLAMP - XL1200C
68382-07B	INSTRUMENT MODULE - XL1200C
68420-01	TURN SIGNALS, REAR - XL1200CX, XL1200T
68430-89A	TURN SIGNALS, REAR - XL1200CX, XL1200T
68443-07A	HEADLAMP - XL883N HEADLAMP - XL1200NS
68449-07	TAIL LAMPS AND TURN SIGNALS, REAR - XL883N, XL1200NS, XL1200X, XL1200XS TURN SIGNALS, REAR - XL1200CX, XL1200T
68460-07	TAIL LAMPS AND TURN SIGNALS, REAR - XL883N, XL1200NS, XL1200X, XL1200XS TURN SIGNALS, REAR - XL883L and XL1200C
68480-02	TURN SIGNALS, REAR - XL883L and XL1200C
68497-07	TURN SIGNALS, FRONT TAIL LAMPS AND TURN SIGNALS, REAR - XL883N, XL1200NS, XL1200X, XL1200XS TURN SIGNALS, REAR - XL1200CX, XL1200T
68513-07B	INSTRUMENT MODULE - XL883L, XL883N, XL1200NS, XL1200T INSTRUMENT MODULE - XL1200CX, XL1200X, XL1200XS
68559-07	TAIL LAMPS AND TURN SIGNALS, REAR - XL883N, XL1200NS, XL1200X, XL1200XS TURN SIGNALS, REAR - XL1200CX, XL1200T
68653-05	HEADLAMP - XL883L, XL1200T HEADLAMP - XL883N HEADLAMP - XL1200CX, XL1200X, XL1200XS

	<u>HEADLAMP - XL1200NS</u> <u>HEADLAMP - XL1200C</u>
68702-07	<u>LICENSE PLATE BRACKETS - XL883N, XL1200NS, XL1200X, XL1200XS</u> <u>LICENSE PLATE BRACKETS - XL1200CX</u>
68704-07	<u>FENDERS, REAR - XL883N, XL1200X, XL1200NS (DOMESTIC, CANADA ONLY)</u> <u>FENDERS, REAR - XL883N, XL1200NS, XL1200X, XL1200XS (ALL EXCEPT DOMESTIC, CANADA)</u> <u>FENDERS, REAR - XL1200CX (DOMESTIC, CANADA ONLY)</u> <u>FENDERS, REAR - XL1200CX (ALL EXCEPT DOMESTIC, CANADA)</u>
68724-07A	<u>FENDERS, REAR - XL883N, XL1200X, XL1200NS (DOMESTIC, CANADA ONLY)</u>
68730-07	<u>TURN SIGNALS, FRONT</u>
68737-00	<u>TURN SIGNALS, REAR - XL883L and XL1200C</u>
68755-07	<u>TURN SIGNALS, FRONT</u>
68830-99A	<u>TAIL LAMPS</u>
68857-07	<u>FENDERS, REAR - XL883N, XL1200NS, XL1200X, XL1200XS (ALL EXCEPT DOMESTIC, CANADA)</u> <u>FENDERS, REAR - XL1200CX (DOMESTIC, CANADA ONLY)</u> <u>FENDERS, REAR - XL1200CX (ALL EXCEPT DOMESTIC, CANADA)</u>
68904-00	<u>TURN SIGNALS, FRONT</u>
68956-07	<u>TURN SIGNAL MODULE</u>
68966-08	<u>FENDERS, REAR - XL883N, XL1200NS, XL1200X, XL1200XS (ALL EXCEPT DOMESTIC, CANADA)</u> <u>FENDERS, REAR - XL1200CX (ALL EXCEPT DOMESTIC, CANADA)</u> <u>LICENSE PLATE BRACKETS - XL883N, XL1200NS, XL1200X, XL1200XS</u>
68972-00	<u>TURN SIGNALS, FRONT</u>
68973-00	<u>TURN SIGNALS, FRONT - 1200T</u> <u>TURN SIGNALS, FRONT</u> <u>TURN SIGNALS, REAR - XL883L and XL1200C</u> <u>TURN SIGNALS, REAR - XL1200CX, XL1200T</u>
68975-00	<u>TURN SIGNALS, FRONT</u>
68978-00	<u>TURN SIGNALS, REAR - XL883L and XL1200C</u>
68992-08	<u>FENDERS, REAR - XL883N, XL1200NS, XL1200X, XL1200XS (ALL EXCEPT DOMESTIC, CANADA)</u> <u>FENDERS, REAR - XL1200CX (ALL EXCEPT DOMESTIC, CANADA)</u> <u>LICENSE PLATE BRACKETS - XL883N, XL1200NS, XL1200X, XL1200XS</u>
69000014	<u>HORN - 883L, 883N, XL1200CX, XL1200NS, XL1200X, XL1200XS</u> <u>HORN - XL1200C, XL1200T</u>
69049-07	<u>HORN - XL1200C, XL1200T</u>
69060-90H	<u>HORN - XL1200C, XL1200T</u>
69062-91A	<u>HORN - XL1200C, XL1200T</u>
69120-91	<u>HORN - XL1200C, XL1200T</u>

69123-92A	HORN - XL1200C, XL1200T
69135-04A	HORN - 883L, 883N, XL1200CX, XL1200NS, XL1200X, XL1200XS HORN - XL1200C, XL1200T
69187-03A	TAIL LAMPS TAIL LAMPS
69200018	TURN SIGNALS, REAR - XL1200CX, XL1200T
69200072B	WIRING HARNESS, MAIN, NON-ABS (1 OF 4) WIRING HARNESS, MAIN, NON-ABS (2 OF 4) WIRING HARNESS, MAIN, NON-ABS (3 OF 4) WIRING HARNESS, MAIN, NON-ABS (4 OF 4)
69200073B	WIRING HARNESS, MAIN, ABS (1 OF 4) WIRING HARNESS, MAIN, ABS (2 OF 4) WIRING HARNESS, MAIN, ABS (3 OF 4) WIRING HARNESS, MAIN, ABS (4 OF 4)
69200077	WIRING HARNESS, ENGINE
69200079	INSTRUMENT MODULE - XL1200C
69200080	INSTRUMENT MODULE - XL883L, XL883N, XL1200NS, XL1200T INSTRUMENT MODULE - XL1200CX, XL1200X, XL1200XS
69200212	WIRING HARNESS, MAIN, NON-ABS (3 OF 4) WIRING HARNESS, MAIN, ABS (3 OF 4) WIRING HARNESS, MAIN, KEYLESS, ABS (3 OF 4) WIRING HARNESS, MAIN, KEYLESS, NON-ABS (3 OF 4)
69200271	WIRING HARNESS, MAIN, NON-ABS (3 OF 4) WIRING HARNESS, MAIN, ABS (3 OF 4) WIRING HARNESS, MAIN, KEYLESS, ABS (3 OF 4) WIRING HARNESS, MAIN, KEYLESS, NON-ABS (3 OF 4)
69200272	BRAKE LINES, REAR - NON-ABS BRAKE LINES, REAR - ABS
69200401	OIL TANK AND LINES
69200402A	WIRING HARNESS, MAIN, NON-ABS (1 OF 4) WIRING HARNESS, MAIN, NON-ABS (4 OF 4) WIRING HARNESS, MAIN, ABS (1 OF 4) WIRING HARNESS, MAIN, ABS (4 OF 4) WIRING HARNESS, MAIN, KEYLESS, ABS (1 OF 4) WIRING HARNESS, MAIN, KEYLESS, ABS (4 OF 4) WIRING HARNESS, MAIN, KEYLESS, NON-ABS (1 OF 4) WIRING HARNESS, MAIN, KEYLESS, NON-ABS (4 OF 4)
69200403	WIRING HARNESS, MAIN, NON-ABS (1 OF 4) WIRING HARNESS, MAIN, NON-ABS (4 OF 4) WIRING HARNESS, MAIN, ABS (1 OF 4) WIRING HARNESS, MAIN, ABS (4 OF 4) WIRING HARNESS, MAIN, KEYLESS, ABS (1 OF 4) WIRING HARNESS, MAIN, KEYLESS, ABS (4 OF 4) WIRING HARNESS, MAIN, KEYLESS, NON-ABS (1 OF 4) WIRING HARNESS, MAIN, KEYLESS, NON-ABS (4 OF 4)

69200438	<u>INSTRUMENT MODULE - XL883L, XL883N, XL1200NS, XL1200T</u>
69200439	<u>INSTRUMENT MODULE - XL1200CX, XL1200X, XL1200XS</u>
69200456	<u>WIRING HARNESS, MAIN, NON-ABS (4 OF 4)</u> <u>WIRING HARNESS, MAIN, ABS (4 OF 4)</u> <u>WIRING HARNESS, MAIN, KEYLESS, ABS (4 OF 4)</u> <u>WIRING HARNESS, MAIN, KEYLESS, NON-ABS (4 OF 4)</u>
69200459	<u>TURN SIGNALS, REAR - XL883L and XL1200C</u> <u>TURN SIGNALS, REAR - XL1200CX, XL1200T</u> <u>TAIL LAMPS</u>
69200460	<u>FORK, FRONT - XL883L, XL1200C</u> <u>FORK, FRONT - XL1200T</u> <u>FORK, FRONT - XL1200X, XL1200XS</u> <u>FORK, FRONT - XL883N, XL1200NS</u> <u>FORK, FRONT - XL1200CX</u>
69200474	<u>WIRING HARNESS, MAIN, NON-ABS (3 OF 4)</u> <u>WIRING HARNESS, MAIN, ABS (3 OF 4)</u> <u>WIRING HARNESS, MAIN, KEYLESS, ABS (3 OF 4)</u> <u>WIRING HARNESS, MAIN, KEYLESS, NON-ABS (3 OF 4)</u> <u>LOOSE PARTS</u>
69200479B	<u>WIRING HARNESS, MAIN, KEYLESS, ABS (1 OF 4)</u> <u>WIRING HARNESS, MAIN, KEYLESS, ABS (2 OF 4)</u> <u>WIRING HARNESS, MAIN, KEYLESS, ABS (3 OF 4)</u> <u>WIRING HARNESS, MAIN, KEYLESS, ABS (4 OF 4)</u>
69200480B	<u>WIRING HARNESS, MAIN, KEYLESS, NON-ABS (1 OF 4)</u> <u>WIRING HARNESS, MAIN, KEYLESS, NON-ABS (2 OF 4)</u> <u>WIRING HARNESS, MAIN, KEYLESS, NON-ABS (3 OF 4)</u> <u>WIRING HARNESS, MAIN, KEYLESS, NON-ABS (4 OF 4)</u>
69200790	<u>BRAKE LINES, REAR - NON-ABS</u> <u>BRAKE LINES, REAR - ABS</u>
69200793	<u>BRAKE LINES, REAR - NON-ABS</u> <u>BRAKE LINES, REAR - ABS</u>
69200794	<u>BRAKE LINES, REAR - NON-ABS</u> <u>BRAKE LINES, REAR - ABS</u>
69201131	<u>WIRING HARNESS, MAIN, NON-ABS (3 OF 4)</u> <u>WIRING HARNESS, MAIN, ABS (3 OF 4)</u> <u>WIRING HARNESS, MAIN, KEYLESS, ABS (3 OF 4)</u> <u>WIRING HARNESS, MAIN, KEYLESS, NON-ABS (3 OF 4)</u>
69201363	<u>ELECTRONIC IGNITION SYSTEM</u>
69201365	<u>WIRING HARNESS, MAIN, NON-ABS (2 OF 4)</u> <u>WIRING HARNESS, MAIN, NON-ABS (4 OF 4)</u> <u>WIRING HARNESS, MAIN, ABS (2 OF 4)</u> <u>WIRING HARNESS, MAIN, ABS (4 OF 4)</u> <u>WIRING HARNESS, MAIN, KEYLESS, ABS (2 OF 4)</u> <u>WIRING HARNESS, MAIN, KEYLESS, ABS (4 OF 4)</u> <u>WIRING HARNESS, MAIN, KEYLESS, NON-ABS (2 OF 4)</u> <u>WIRING HARNESS, MAIN, KEYLESS, NON-ABS (4 OF 4)</u>

69201650	TURN SIGNALS, REAR - XL1200CX, XL1200T
69201925	FENDERS, REAR - XL1200C
69202097	WIRING HARNESS, ON BOARD DIAGNOSTICS (OBD) JUMPER (CHINA ONLY)
69202102	WIRING HARNESS, ON BOARD DIAGNOSTICS (OBD) JUMPER (CHINA ONLY)
69202108	WIRING HARNESS, ON BOARD DIAGNOSTICS (OBD) JUMPER (CHINA ONLY)
69352-11A	TAIL LAMPS
69361-11	TAIL LAMPS
69362-08	TURN SIGNALS, FRONT
69449-05	HEADLAMP - XL883N
69490-07	FENDERS, REAR - XL883N, XL1200X, XL1200NS (DOMESTIC, CANADA ONLY) FENDERS, REAR - XL1200CX (DOMESTIC, CANADA ONLY) LICENSE PLATE BRACKETS - XL1200CX
69498-08	FENDERS, REAR - XL883N, XL1200NS, XL1200X, XL1200XS (ALL EXCEPT DOMESTIC, CANADA) FENDERS, REAR - XL1200CX (ALL EXCEPT DOMESTIC, CANADA) LICENSE PLATE BRACKETS - XL1200CX
69619-02A	HEADLAMP - XL883N HEADLAMP - XL1200NS
69681-07B	HEADLAMP - XL1200C
69774-07A	HEADLAMP - XL883L, XL1200T HEADLAMP - XL883N HEADLAMP - XL1200NS
6990	WIRING HARNESS, MAIN, NON-ABS (3 OF 4) WIRING HARNESS, MAIN, ABS (3 OF 4) WIRING HARNESS, MAIN, KEYLESS, ABS (3 OF 4) WIRING HARNESS, MAIN, KEYLESS, NON-ABS (3 OF 4)
69935-08	TURN SIGNALS, REAR - XL883L and XL1200C
70247-07	SWITCHES
70345-84	HANDLEBAR AND THROTTLE CONTROL - XL883L, XL1200X, XL1200XS HANDLEBAR AND THROTTLE CONTROL - XL883L, XL1200X, XL1200XS HANDLEBAR AND THROTTLE CONTROL - XL883N, XL1200NS, XL1200T HANDLEBAR AND THROTTLE CONTROL - XL1200CX HANDLEBAR AND THROTTLE CONTROL - XL1200C
70347-84	EVAPORATIVE EMISSIONS COMPONENTS
7038	FORK, FRONT - XL883L, XL1200C FORK, FRONT - XL1200T FORK, FRONT - XL1200X, XL1200XS FORK, FRONT - XL883N, XL1200NS HEADLAMP - XL1200CX, XL1200X, XL1200XS TURN SIGNALS, FRONT - 1200T

7039	ENGINE MOUNTS AND STABILIZER LINK
70417-04E	FRAME AND JIFFY STAND
7042	TURN SIGNALS, REAR - XL1200CX, XL1200T
7045	HEADLAMP - XL1200CX, XL1200X, XL1200XS HEADLAMP - XL1200C
70494-08	FORK, FRONT - XL883L, XL1200C FORK, FRONT - XL1200T FORK, FRONT - XL1200X, XL1200XS FORK, FRONT - XL883N, XL1200NS FORK, FRONT - XL1200CX
70503-10	OIL TANK AND LINES
70504-81	HANDLEBAR AND THROTTLE CONTROL - XL883L, XL1200X, XL1200XS HANDLEBAR AND THROTTLE CONTROL - XL883N, XL1200NS, XL1200T HANDLEBAR AND THROTTLE CONTROL - XL1200CX HANDLEBAR AND THROTTLE CONTROL - XL1200C
70552-69	TURN SIGNALS, REAR - XL1200CX, XL1200T
70558-71	TURN SIGNALS, FRONT - 1200T
70578-89	BATTERY
70598-99	WIRING HARNESS, MAIN, NON-ABS (1 OF 4) WIRING HARNESS, MAIN, ABS (1 OF 4) WIRING HARNESS, MAIN, KEYLESS, ABS (1 OF 4) WIRING HARNESS, MAIN, KEYLESS, NON-ABS (1 OF 4)
70631-08	WHEELS, FRONT, CAST - XL1200C (INDIA ONLY), XL883L, XL883N, XL1200CX, XL1200NS, XL1200T, XL1200X, XL1200XS WHEELS, FRONT, LACED - XL1200C WHEELS, REAR, CAST - ABS ONLY - XL883L, XL883N, XL1200CX, XL1200NS, XL1200T, XL1200X, XL1200XS WHEELS, REAR, CAST - XL1200C INDIA WHEELS, REAR, LACED - XL1200C
70640-07	WIRING HARNESS, MAIN, NON-ABS (4 OF 4) WIRING HARNESS, MAIN, ABS (4 OF 4) WIRING HARNESS, MAIN, KEYLESS, ABS (4 OF 4) WIRING HARNESS, MAIN, KEYLESS, NON-ABS (4 OF 4)
70664-08	WIRING HARNESS, MAIN, NON-ABS (1 OF 4) WIRING HARNESS, MAIN, ABS (1 OF 4) WIRING HARNESS, MAIN, KEYLESS, ABS (1 OF 4) WIRING HARNESS, MAIN, KEYLESS, NON-ABS (1 OF 4)
7068	HEADLAMP - XL883L, XL1200T HEADLAMP - XL883N HEADLAMP - XL1200NS
7080	SHIFTER, GEAR
70900215A	INSTRUMENT MODULE - XL883L, XL883N, XL1200NS, XL1200T INSTRUMENT MODULE - XL1200CX, XL1200X, XL1200XS

70900216	INSTRUMENT MODULE - XL883L, XL883N, XL1200NS, XL1200T INSTRUMENT MODULE - XL1200CX, XL1200X, XL1200XS INSTRUMENT MODULE - XL1200CX, XL1200X, XL1200XS
70900217	INSTRUMENT MODULE - XL883L, XL883N, XL1200NS, XL1200T INSTRUMENT MODULE - XL1200CX, XL1200X, XL1200XS
70900222	INSTRUMENT MODULE - XL883L, XL883N, XL1200NS, XL1200T INSTRUMENT MODULE - XL1200C
70900223	INSTRUMENT MODULE - XL883L, XL883N, XL1200NS, XL1200T INSTRUMENT MODULE - XL1200C
70900548	INSTRUMENT MODULE - XL1200CX, XL1200X, XL1200XS
70900549	INSTRUMENT MODULE - XL1200CX, XL1200X, XL1200XS
70903-04	FUEL TANK
70904-04	FUEL TANK
70917-04	FUEL TANK
70919-04	FUEL TANK
71400083	SWITCHES
71472-04	FRAME AND JIFFY STAND
71500117	SWITCHES, HANDLEBAR
71500118	SWITCHES, HANDLEBAR
71500292	SWITCHES, HANDLEBAR
71500293	SWITCHES, HANDLEBAR
71500294	SWITCHES, HANDLEBAR
71500295	SWITCHES, HANDLEBAR
71500297	SWITCHES, HANDLEBAR
71500298	SWITCHES, HANDLEBAR
71500299	SWITCHES, HANDLEBAR
71500300	SWITCHES, HANDLEBAR
71510-04	WIRING HARNESS, MAIN, NON-ABS (4 OF 4) WIRING HARNESS, MAIN, ABS (4 OF 4)
7155	MIRRORS
71550-94	WIRING HARNESS, MAIN, NON-ABS (4 OF 4) WIRING HARNESS, MAIN, ABS (4 OF 4)
71980-10	INSTRUMENT MODULE - XL1200CX, XL1200X, XL1200XS

72007-05	WIRING HARNESS, MAIN, NON-ABS (2 OF 4) WIRING HARNESS, MAIN, ABS (2 OF 4) WIRING HARNESS, MAIN, KEYLESS, ABS (2 OF 4) WIRING HARNESS, MAIN, KEYLESS, NON-ABS (2 OF 4)
72009-05	SENSORS AND SWITCHES, ENGINE
72010-05	WIRING HARNESS, MAIN, NON-ABS (2 OF 4) WIRING HARNESS, MAIN, ABS (2 OF 4) WIRING HARNESS, MAIN, KEYLESS, ABS (2 OF 4) WIRING HARNESS, MAIN, KEYLESS, NON-ABS (2 OF 4)
72011-05	SENSORS AND SWITCHES, ENGINE
72023-51E	BRAKE LINES, REAR - NON-ABS BRAKE LINES, REAR - ABS SWITCHES
72024-08	WIRING HARNESS, MAIN, NON-ABS (2 OF 4) WIRING HARNESS, MAIN, ABS (2 OF 4) WIRING HARNESS, MAIN, KEYLESS, ABS (2 OF 4) WIRING HARNESS, MAIN, KEYLESS, NON-ABS (2 OF 4)
72033-93	WIRING HARNESS, ENGINE
72056-92	HEADLAMP - XL883L, XL1200T HEADLAMP - XL883N HEADLAMP - XL1200CX, XL1200X, XL1200XS HEADLAMP - XL1200NS HEADLAMP - XL1200C
72062-06	WIRING HARNESS, MAIN, NON-ABS (1 OF 4) WIRING HARNESS, MAIN, ABS (1 OF 4)
72066-06A	WIRING HARNESS, MAIN, NON-ABS (1 OF 4) WIRING HARNESS, MAIN, ABS (1 OF 4) WIRING HARNESS, MAIN, KEYLESS, ABS (1 OF 4) WIRING HARNESS, MAIN, KEYLESS, NON-ABS (1 OF 4)
72081-11	WIRING HARNESS, MAIN, NON-ABS (2 OF 4) WIRING HARNESS, MAIN, ABS (2 OF 4) WIRING HARNESS, MAIN, KEYLESS, ABS (2 OF 4) WIRING HARNESS, MAIN, KEYLESS, NON-ABS (2 OF 4)
72094-06	WIRING HARNESS, ENGINE
72096-06	WIRING HARNESS, ENGINE
72106-94BK	WIRING HARNESS, MAIN, NON-ABS (3 OF 4) WIRING HARNESS, MAIN, ABS (3 OF 4) WIRING HARNESS, MAIN, KEYLESS, ABS (3 OF 4) WIRING HARNESS, MAIN, KEYLESS, NON-ABS (3 OF 4)
72116-94BK	WIRING HARNESS, ON BOARD DIAGNOSTICS (OBD) JUMPER (CHINA ONLY)
72130-04	INSTRUMENT MODULE - XL883L, XL883N, XL1200NS, XL1200T INSTRUMENT MODULE - XL1200C INSTRUMENT MODULE - XL1200CX, XL1200X, XL1200XS
72135-06	WIRING HARNESS, MAIN, NON-ABS (1 OF 4)

	WIRING HARNESS, MAIN, ABS (1 OF 4) WIRING HARNESS, MAIN, KEYLESS, ABS (1 OF 4) WIRING HARNESS, MAIN, KEYLESS, NON-ABS (1 OF 4)
72146-94	WIRING HARNESS, MAIN, NON-ABS (3 OF 4) WIRING HARNESS, MAIN, ABS (3 OF 4) WIRING HARNESS, MAIN, KEYLESS, ABS (3 OF 4) WIRING HARNESS, MAIN, KEYLESS, NON-ABS (3 OF 4)
72156-94	WIRING HARNESS, ON BOARD DIAGNOSTICS (OBD) JUMPER (CHINA ONLY)
72168-07	WIRING HARNESS, MAIN, NON-ABS (1 OF 4) WIRING HARNESS, MAIN, NON-ABS (2 OF 4) WIRING HARNESS, MAIN, NON-ABS (3 OF 4) WIRING HARNESS, MAIN, ABS (1 OF 4) WIRING HARNESS, MAIN, ABS (2 OF 4) WIRING HARNESS, MAIN, ABS (3 OF 4) WIRING HARNESS, MAIN, KEYLESS, ABS (1 OF 4) WIRING HARNESS, MAIN, KEYLESS, ABS (2 OF 4) WIRING HARNESS, MAIN, KEYLESS, ABS (3 OF 4) WIRING HARNESS, MAIN, KEYLESS, NON-ABS (1 OF 4) WIRING HARNESS, MAIN, KEYLESS, NON-ABS (2 OF 4) WIRING HARNESS, MAIN, KEYLESS, NON-ABS (3 OF 4) WIRING HARNESS, ENGINE
72169-07	FRAME AND JIFFY STAND INSTRUMENT MODULE - XL883L, XL883N, XL1200NS, XL1200T INSTRUMENT MODULE - XL1200C INSTRUMENT MODULE - XL1200CX, XL1200X, XL1200XS WIRING HARNESS, MAIN, NON-ABS (1 OF 4) WIRING HARNESS, MAIN, NON-ABS (2 OF 4) WIRING HARNESS, MAIN, ABS (1 OF 4) WIRING HARNESS, MAIN, ABS (2 OF 4) WIRING HARNESS, MAIN, KEYLESS, ABS (1 OF 4) WIRING HARNESS, MAIN, KEYLESS, ABS (2 OF 4) WIRING HARNESS, MAIN, KEYLESS, NON-ABS (1 OF 4) WIRING HARNESS, MAIN, KEYLESS, NON-ABS (2 OF 4)
72175-07BK	WIRING HARNESS, MAIN, NON-ABS (1 OF 4) WIRING HARNESS, MAIN, NON-ABS (2 OF 4) WIRING HARNESS, MAIN, ABS (1 OF 4) WIRING HARNESS, MAIN, ABS (2 OF 4) WIRING HARNESS, MAIN, KEYLESS, ABS (1 OF 4) WIRING HARNESS, MAIN, KEYLESS, ABS (2 OF 4) WIRING HARNESS, MAIN, KEYLESS, NON-ABS (1 OF 4) WIRING HARNESS, MAIN, KEYLESS, NON-ABS (2 OF 4)
72177-07BK	EXHAUST SYSTEM - XL883N EXHAUST SYSTEM - XL1200NS EXHAUST SYSTEM - XL1200CX EXHAUST SYSTEM - XL1200C, XL1200T EXHAUST SYSTEM - XL883L, XL1200X, XL1200XS (1 OF 2) SWITCHES
72188-07BK	INSTRUMENT MODULE - XL883L, XL883N, XL1200NS, XL1200T INSTRUMENT MODULE - XL1200C INSTRUMENT MODULE - XL1200CX, XL1200X, XL1200XS
72189-04	INSTRUMENT MODULE - XL883L, XL883N, XL1200NS, XL1200T INSTRUMENT MODULE - XL1200C

	<u>INSTRUMENT MODULE - XL1200CX, XL1200X, XL1200XS</u>
72190-94	<u>WIRING HARNESS, MAIN, NON-ABS (3 OF 4)</u> <u>WIRING HARNESS, MAIN, ABS (3 OF 4)</u> <u>WIRING HARNESS, MAIN, KEYLESS, ABS (3 OF 4)</u> <u>WIRING HARNESS, MAIN, KEYLESS, NON-ABS (3 OF 4)</u>
72194-94	<u>WIRING HARNESS, MAIN, NON-ABS (3 OF 4)</u> <u>WIRING HARNESS, MAIN, ABS (3 OF 4)</u> <u>WIRING HARNESS, MAIN, KEYLESS, ABS (3 OF 4)</u> <u>WIRING HARNESS, MAIN, KEYLESS, NON-ABS (3 OF 4)</u>
72195-94	<u>ALTERNATOR AND REGULATOR</u> <u>WIRING HARNESS, ON BOARD DIAGNOSTICS (OBD) JUMPER (CHINA ONLY)</u>
72199-94	<u>SENSORS AND SWITCHES, ENGINE</u>
7220	<u>WIRING HARNESS, MAIN, NON-ABS (4 OF 4)</u> <u>WIRING HARNESS, MAIN, ABS (4 OF 4)</u>
72209-11	<u>WIRING HARNESS, MAIN, NON-ABS (2 OF 4)</u> <u>WIRING HARNESS, MAIN, ABS (2 OF 4)</u> <u>WIRING HARNESS, MAIN, KEYLESS, ABS (2 OF 4)</u> <u>WIRING HARNESS, MAIN, KEYLESS, NON-ABS (2 OF 4)</u>
72213-94	<u>WIRING HARNESS, MAIN, NON-ABS (3 OF 4)</u> <u>WIRING HARNESS, MAIN, ABS (3 OF 4)</u> <u>WIRING HARNESS, MAIN, KEYLESS, ABS (3 OF 4)</u> <u>WIRING HARNESS, MAIN, KEYLESS, NON-ABS (3 OF 4)</u>
72222-11	<u>WIRING HARNESS, MAIN, NON-ABS (2 OF 4)</u> <u>WIRING HARNESS, MAIN, ABS (2 OF 4)</u> <u>WIRING HARNESS, MAIN, KEYLESS, ABS (2 OF 4)</u> <u>WIRING HARNESS, MAIN, KEYLESS, NON-ABS (2 OF 4)</u>
72226-11	<u>WIRING HARNESS, MAIN, NON-ABS (2 OF 4)</u> <u>WIRING HARNESS, MAIN, ABS (2 OF 4)</u> <u>WIRING HARNESS, MAIN, KEYLESS, ABS (2 OF 4)</u> <u>WIRING HARNESS, MAIN, KEYLESS, NON-ABS (2 OF 4)</u>
72227-11	<u>WIRING HARNESS, MAIN, NON-ABS (2 OF 4)</u> <u>WIRING HARNESS, MAIN, ABS (2 OF 4)</u> <u>WIRING HARNESS, MAIN, KEYLESS, ABS (2 OF 4)</u> <u>WIRING HARNESS, MAIN, KEYLESS, NON-ABS (2 OF 4)</u>
72249-94	<u>WIRING HARNESS, MAIN, NON-ABS (3 OF 4)</u> <u>WIRING HARNESS, MAIN, ABS (3 OF 4)</u> <u>WIRING HARNESS, MAIN, KEYLESS, ABS (3 OF 4)</u> <u>WIRING HARNESS, MAIN, KEYLESS, NON-ABS (3 OF 4)</u>
72251-07	<u>WIRING HARNESS, ENGINE</u>
72256-11	<u>WIRING HARNESS, MAIN, NON-ABS (2 OF 4)</u> <u>WIRING HARNESS, MAIN, ABS (2 OF 4)</u> <u>WIRING HARNESS, MAIN, KEYLESS, ABS (2 OF 4)</u> <u>WIRING HARNESS, MAIN, KEYLESS, NON-ABS (2 OF 4)</u>
72263-95	<u>WIRING HARNESS, ENGINE</u>

72283-09	WIRING HARNESS, MAIN, NON-ABS (1 OF 4) WIRING HARNESS, MAIN, ABS (1 OF 4) WIRING HARNESS, MAIN, KEYLESS, ABS (1 OF 4) WIRING HARNESS, MAIN, KEYLESS, NON-ABS (1 OF 4)
72291-94	WIRING HARNESS, MAIN, NON-ABS (3 OF 4) WIRING HARNESS, MAIN, ABS (3 OF 4) WIRING HARNESS, MAIN, KEYLESS, ABS (3 OF 4) WIRING HARNESS, MAIN, KEYLESS, NON-ABS (3 OF 4)
72295-94	WIRING HARNESS, MAIN, NON-ABS (3 OF 4) WIRING HARNESS, MAIN, ABS (3 OF 4) WIRING HARNESS, MAIN, KEYLESS, ABS (3 OF 4) WIRING HARNESS, MAIN, KEYLESS, NON-ABS (3 OF 4)
72298-95	WIRING HARNESS, MAIN, NON-ABS (3 OF 4) WIRING HARNESS, MAIN, ABS (3 OF 4) WIRING HARNESS, MAIN, KEYLESS, ABS (3 OF 4) WIRING HARNESS, MAIN, KEYLESS, NON-ABS (3 OF 4)
72308-97	WIRING HARNESS, MAIN, NON-ABS (3 OF 4) WIRING HARNESS, MAIN, ABS (3 OF 4) WIRING HARNESS, MAIN, KEYLESS, ABS (3 OF 4) WIRING HARNESS, MAIN, KEYLESS, NON-ABS (3 OF 4)
72312-04	WIRING HARNESS, MAIN, NON-ABS (3 OF 4) WIRING HARNESS, MAIN, ABS (3 OF 4) WIRING HARNESS, MAIN, KEYLESS, ABS (3 OF 4) WIRING HARNESS, MAIN, KEYLESS, NON-ABS (3 OF 4)
72314-01	WIRING HARNESS, MAIN, NON-ABS (3 OF 4) WIRING HARNESS, MAIN, ABS (3 OF 4) WIRING HARNESS, MAIN, KEYLESS, ABS (3 OF 4) WIRING HARNESS, MAIN, KEYLESS, NON-ABS (3 OF 4) LOOSE PARTS LOOSE PARTS
72330-95	WIRING HARNESS, MAIN, NON-ABS (3 OF 4) WIRING HARNESS, MAIN, ABS (3 OF 4) WIRING HARNESS, MAIN, KEYLESS, ABS (3 OF 4) WIRING HARNESS, MAIN, KEYLESS, NON-ABS (3 OF 4)
72335-10	WIRING HARNESS, MAIN, NON-ABS (3 OF 4) WIRING HARNESS, MAIN, ABS (3 OF 4) WIRING HARNESS, MAIN, KEYLESS, ABS (3 OF 4) WIRING HARNESS, MAIN, KEYLESS, NON-ABS (3 OF 4)
72343-10	WIRING HARNESS, MAIN, NON-ABS (2 OF 4) WIRING HARNESS, MAIN, ABS (2 OF 4) WIRING HARNESS, MAIN, KEYLESS, ABS (1 OF 4) WIRING HARNESS, MAIN, KEYLESS, ABS (2 OF 4) WIRING HARNESS, MAIN, KEYLESS, NON-ABS (2 OF 4)
72344-10	EXHAUST SYSTEM - XL883N EXHAUST SYSTEM - XL1200NS EXHAUST SYSTEM - XL1200CX EXHAUST SYSTEM - XL1200C, XL1200T EXHAUST SYSTEM - XL883L, XL1200X, XL1200XS (1 OF 2) SWITCHES

72350-11	WIRING HARNESS, MAIN, NON-ABS (3 OF 4) WIRING HARNESS, MAIN, ABS (3 OF 4) WIRING HARNESS, MAIN, KEYLESS, ABS (3 OF 4) WIRING HARNESS, MAIN, KEYLESS, NON-ABS (3 OF 4)
72356-95	WIRING HARNESS, MAIN, NON-ABS (3 OF 4) WIRING HARNESS, MAIN, ABS (3 OF 4) WIRING HARNESS, MAIN, KEYLESS, ABS (3 OF 4) WIRING HARNESS, MAIN, KEYLESS, NON-ABS (3 OF 4)
72402-07	WIRING HARNESS, ENGINE
72405-98BK	WIRING HARNESS, MAIN, NON-ABS (1 OF 4) WIRING HARNESS, MAIN, ABS (1 OF 4) WIRING HARNESS, MAIN, KEYLESS, ABS (1 OF 4) WIRING HARNESS, MAIN, KEYLESS, NON-ABS (1 OF 4)
72406-07A	WIRING HARNESS, ENGINE
72407-07	WIRING HARNESS, ENGINE
72408-07	WIRING HARNESS, ENGINE
72413-07	WIRING HARNESS, ENGINE
72414-07BK	WIRING HARNESS, MAIN, NON-ABS (1 OF 4) WIRING HARNESS, MAIN, ABS (1 OF 4) WIRING HARNESS, MAIN, KEYLESS, ABS (1 OF 4) WIRING HARNESS, MAIN, KEYLESS, NON-ABS (1 OF 4)
72462-00	WIRING HARNESS, MAIN, NON-ABS (3 OF 4) WIRING HARNESS, MAIN, ABS (3 OF 4) WIRING HARNESS, MAIN, KEYLESS, ABS (3 OF 4) WIRING HARNESS, MAIN, KEYLESS, NON-ABS (3 OF 4)
72473-07	INSTRUMENT MODULE - XL883L, XL883N, XL1200NS, XL1200T INSTRUMENT MODULE - XL1200C INSTRUMENT MODULE - XL1200CX, XL1200X, XL1200XS WIRING HARNESS, MAIN, NON-ABS (1 OF 4) WIRING HARNESS, MAIN, ABS (1 OF 4) WIRING HARNESS, MAIN, KEYLESS, ABS (1 OF 4) WIRING HARNESS, MAIN, KEYLESS, NON-ABS (1 OF 4)
72484-08	WIRING HARNESS, MAIN, NON-ABS (1 OF 4) WIRING HARNESS, MAIN, NON-ABS (3 OF 4) WIRING HARNESS, MAIN, ABS (1 OF 4) WIRING HARNESS, MAIN, ABS (3 OF 4) WIRING HARNESS, MAIN, KEYLESS, ABS (1 OF 4) WIRING HARNESS, MAIN, KEYLESS, ABS (3 OF 4) WIRING HARNESS, MAIN, KEYLESS, NON-ABS (1 OF 4) WIRING HARNESS, MAIN, KEYLESS, NON-ABS (3 OF 4)
72486-08	WIRING HARNESS, MAIN, NON-ABS (1 OF 4) WIRING HARNESS, MAIN, NON-ABS (3 OF 4) WIRING HARNESS, MAIN, ABS (1 OF 4) WIRING HARNESS, MAIN, ABS (3 OF 4) WIRING HARNESS, MAIN, KEYLESS, ABS (1 OF 4) WIRING HARNESS, MAIN, KEYLESS, ABS (3 OF 4)

	WIRING HARNESS, MAIN, KEYLESS, NON-ABS (1 OF 4) WIRING HARNESS, MAIN, KEYLESS, NON-ABS (3 OF 4)
72487-07BK	WIRING HARNESS, ENGINE
72488-07BK	WIRING HARNESS, MAIN, NON-ABS (2 OF 4) WIRING HARNESS, MAIN, ABS (2 OF 4) WIRING HARNESS, MAIN, KEYLESS, ABS (2 OF 4) WIRING HARNESS, MAIN, KEYLESS, NON-ABS (2 OF 4)
72511-07BK	FRAME AND JIFFY STAND
72512-07BK	WIRING HARNESS, MAIN, NON-ABS (1 OF 4) WIRING HARNESS, MAIN, NON-ABS (2 OF 4) WIRING HARNESS, MAIN, ABS (1 OF 4) WIRING HARNESS, MAIN, ABS (2 OF 4) WIRING HARNESS, MAIN, KEYLESS, ABS (1 OF 4) WIRING HARNESS, MAIN, KEYLESS, ABS (2 OF 4) WIRING HARNESS, MAIN, KEYLESS, NON-ABS (1 OF 4) WIRING HARNESS, MAIN, KEYLESS, NON-ABS (2 OF 4)
72518-01	WIRING HARNESS, MAIN, NON-ABS (3 OF 4) WIRING HARNESS, MAIN, ABS (3 OF 4) WIRING HARNESS, MAIN, KEYLESS, ABS (3 OF 4) WIRING HARNESS, MAIN, KEYLESS, NON-ABS (3 OF 4)
72519-09BK	WIRING HARNESS, MAIN, NON-ABS (1 OF 4) WIRING HARNESS, MAIN, ABS (1 OF 4) WIRING HARNESS, MAIN, KEYLESS, ABS (1 OF 4) WIRING HARNESS, MAIN, KEYLESS, NON-ABS (1 OF 4)
72543-07BK	WIRING HARNESS, MAIN, NON-ABS (3 OF 4) WIRING HARNESS, MAIN, ABS (3 OF 4) WIRING HARNESS, MAIN, KEYLESS, ABS (3 OF 4) WIRING HARNESS, MAIN, KEYLESS, NON-ABS (3 OF 4) WIRING HARNESS, ENGINE
72544-07	WIRING HARNESS, MAIN, NON-ABS (3 OF 4) WIRING HARNESS, MAIN, ABS (3 OF 4) WIRING HARNESS, MAIN, KEYLESS, ABS (3 OF 4) WIRING HARNESS, MAIN, KEYLESS, NON-ABS (3 OF 4) WIRING HARNESS, ENGINE
72545-08	WIRING HARNESS, MAIN, NON-ABS (2 OF 4) WIRING HARNESS, MAIN, ABS (2 OF 4) WIRING HARNESS, MAIN, KEYLESS, ABS (2 OF 4) WIRING HARNESS, MAIN, KEYLESS, NON-ABS (2 OF 4)
72575-11	WIRING HARNESS, MAIN, NON-ABS (3 OF 4) WIRING HARNESS, MAIN, ABS (3 OF 4) WIRING HARNESS, MAIN, KEYLESS, ABS (3 OF 4) WIRING HARNESS, MAIN, KEYLESS, NON-ABS (3 OF 4)
72577-12	WIRING HARNESS, MAIN, ABS (3 OF 4) WIRING HARNESS, MAIN, KEYLESS, ABS (3 OF 4)
72578-12	WIRING HARNESS, MAIN, ABS (3 OF 4) WIRING HARNESS, MAIN, KEYLESS, ABS (3 OF 4)

72579-12	WIRING HARNESS, MAIN, ABS (3 OF 4) WIRING HARNESS, MAIN, KEYLESS, ABS (3 OF 4)
72580-12	WIRING HARNESS, MAIN, ABS (3 OF 4) WIRING HARNESS, MAIN, KEYLESS, ABS (3 OF 4)
72582-11	WIRING HARNESS, MAIN, NON-ABS (3 OF 4) WIRING HARNESS, MAIN, ABS (3 OF 4) WIRING HARNESS, MAIN, KEYLESS, ABS (3 OF 4) WIRING HARNESS, MAIN, KEYLESS, NON-ABS (3 OF 4)
72587-11	WIRING HARNESS, MAIN, NON-ABS (3 OF 4) WIRING HARNESS, MAIN, ABS (3 OF 4) WIRING HARNESS, MAIN, KEYLESS, ABS (3 OF 4) WIRING HARNESS, MAIN, KEYLESS, NON-ABS (3 OF 4)
72594-11	WIRING HARNESS, MAIN, NON-ABS (2 OF 4) WIRING HARNESS, MAIN, ABS (2 OF 4) WIRING HARNESS, MAIN, ABS (3 OF 4)
72595-11	WIRING HARNESS, MAIN, NON-ABS (3 OF 4) WIRING HARNESS, MAIN, ABS (3 OF 4) WIRING HARNESS, MAIN, KEYLESS, ABS (3 OF 4) WIRING HARNESS, MAIN, KEYLESS, NON-ABS (3 OF 4) LOOSE PARTS
72609-08	WIRING HARNESS, MAIN, NON-ABS (3 OF 4) WIRING HARNESS, MAIN, ABS (3 OF 4) WIRING HARNESS, MAIN, KEYLESS, ABS (3 OF 4) WIRING HARNESS, MAIN, KEYLESS, NON-ABS (3 OF 4)
72610-08	WIRING HARNESS, MAIN, NON-ABS (3 OF 4) WIRING HARNESS, MAIN, ABS (3 OF 4) WIRING HARNESS, MAIN, KEYLESS, ABS (3 OF 4) WIRING HARNESS, MAIN, KEYLESS, NON-ABS (3 OF 4)
72633-02	WIRING HARNESS, MAIN, ABS (3 OF 4) WIRING HARNESS, MAIN, KEYLESS, ABS (3 OF 4)
72662-11	INSTRUMENT MODULE - XL883L, XL883N, XL1200NS, XL1200T INSTRUMENT MODULE - XL1200CX, XL1200X, XL1200XS
72664-12A	WIRING HARNESS, MAIN, NON-ABS (3 OF 4) WIRING HARNESS, MAIN, ABS (3 OF 4) WIRING HARNESS, MAIN, KEYLESS, ABS (3 OF 4) WIRING HARNESS, MAIN, KEYLESS, NON-ABS (3 OF 4)
72666-12	WIRING HARNESS, MAIN, NON-ABS (3 OF 4) WIRING HARNESS, MAIN, ABS (3 OF 4) WIRING HARNESS, MAIN, KEYLESS, ABS (3 OF 4) WIRING HARNESS, MAIN, KEYLESS, NON-ABS (3 OF 4)
72720-07	WIRING HARNESS, MAIN, NON-ABS (2 OF 4) WIRING HARNESS, MAIN, ABS (2 OF 4) WIRING HARNESS, MAIN, KEYLESS, ABS (2 OF 4) WIRING HARNESS, MAIN, KEYLESS, NON-ABS (2 OF 4)
72721-07	WIRING HARNESS, MAIN, NON-ABS (2 OF 4) WIRING HARNESS, MAIN, ABS (2 OF 4) WIRING HARNESS, MAIN, KEYLESS, ABS (2 OF 4)

	<u>WIRING HARNESS, MAIN, KEYLESS, NON-ABS (2 OF 4)</u>
72904-01BK	<u>WIRING HARNESS, MAIN, NON-ABS (2 OF 4)</u> <u>WIRING HARNESS, MAIN, ABS (2 OF 4)</u> <u>WIRING HARNESS, MAIN, KEYLESS, ABS (2 OF 4)</u> <u>WIRING HARNESS, MAIN, KEYLESS, NON-ABS (2 OF 4)</u>
72905-11	<u>WIRING HARNESS, MAIN, NON-ABS (1 OF 4)</u> <u>WIRING HARNESS, MAIN, ABS (1 OF 4)</u> <u>WIRING HARNESS, MAIN, KEYLESS, ABS (1 OF 4)</u> <u>WIRING HARNESS, MAIN, KEYLESS, NON-ABS (1 OF 4)</u>
72906-11	<u>SWITCHES, HANDLEBAR</u>
72907-11	<u>WIRING HARNESS, MAIN, NON-ABS (1 OF 4)</u> <u>WIRING HARNESS, MAIN, ABS (1 OF 4)</u> <u>WIRING HARNESS, MAIN, KEYLESS, ABS (1 OF 4)</u> <u>WIRING HARNESS, MAIN, KEYLESS, NON-ABS (1 OF 4)</u>
72908-11	<u>SWITCHES, HANDLEBAR</u>
72909-11	<u>WIRING HARNESS, MAIN, NON-ABS (1 OF 4)</u> <u>WIRING HARNESS, MAIN, ABS (1 OF 4)</u> <u>WIRING HARNESS, MAIN, KEYLESS, ABS (1 OF 4)</u> <u>WIRING HARNESS, MAIN, KEYLESS, NON-ABS (1 OF 4)</u>
72910-11	<u>SWITCHES, HANDLEBAR</u>
72914-01BK	<u>TAIL LAMPS AND TURN SIGNALS, REAR - XL883N, XL1200NS, XL1200X, XL1200XS</u> <u>TAIL LAMPS AND TURN SIGNALS, REAR - XL883N, XL1200NS, XL1200X, XL1200XS</u> <u>TURN SIGNALS, REAR - XL883L and XL1200C</u> <u>TURN SIGNALS, REAR - XL883L and XL1200C</u> <u>TURN SIGNALS, REAR - XL1200CX, XL1200T</u> <u>TURN SIGNALS, REAR - XL1200CX, XL1200T</u> <u>TAIL LAMPS</u>
72920-11	<u>SWITCHES, HANDLEBAR</u>
72921-11	<u>SWITCHES, HANDLEBAR</u>
72922-11	<u>SWITCHES, HANDLEBAR</u>
72923-11	<u>SWITCHES, HANDLEBAR</u>
72940-11	<u>SWITCHES, HANDLEBAR</u>
72941-11	<u>SWITCHES, HANDLEBAR</u>
72990-01	<u>WIRING HARNESS, MAIN, NON-ABS (2 OF 4)</u> <u>WIRING HARNESS, MAIN, ABS (2 OF 4)</u> <u>WIRING HARNESS, MAIN, KEYLESS, ABS (2 OF 4)</u> <u>WIRING HARNESS, MAIN, KEYLESS, NON-ABS (2 OF 4)</u>
72991-01	<u>TAIL LAMPS AND TURN SIGNALS, REAR - XL883N, XL1200NS, XL1200X, XL1200XS</u> <u>TAIL LAMPS AND TURN SIGNALS, REAR - XL883N, XL1200NS, XL1200X, XL1200XS</u> <u>TURN SIGNALS, REAR - XL883L and XL1200C</u> <u>TURN SIGNALS, REAR - XL883L and XL1200C</u> <u>TURN SIGNALS, REAR - XL1200CX, XL1200T</u> <u>TURN SIGNALS, REAR - XL1200CX, XL1200T</u> <u>TURN SIGNALS, REAR - XL1200CX, XL1200T</u>

	<u>TAIL LAMPS</u>
73103-96BK	<u>WIRING HARNESS, MAIN, NON-ABS (2 OF 4)</u> <u>WIRING HARNESS, MAIN, ABS (2 OF 4)</u> <u>WIRING HARNESS, MAIN, KEYLESS, ABS (2 OF 4)</u> <u>WIRING HARNESS, MAIN, KEYLESS, NON-ABS (2 OF 4)</u>
73104-96BK	<u>WIRING HARNESS, MAIN, NON-ABS (1 OF 4)</u> <u>WIRING HARNESS, MAIN, ABS (1 OF 4)</u> <u>WIRING HARNESS, MAIN, KEYLESS, ABS (1 OF 4)</u> <u>WIRING HARNESS, MAIN, KEYLESS, NON-ABS (1 OF 4)</u>
73106-96BK	<u>WIRING HARNESS, MAIN, NON-ABS (1 OF 4)</u> <u>WIRING HARNESS, MAIN, ABS (1 OF 4)</u> <u>WIRING HARNESS, MAIN, KEYLESS, ABS (1 OF 4)</u> <u>WIRING HARNESS, MAIN, KEYLESS, NON-ABS (1 OF 4)</u>
73152-96BK	<u>TURN SIGNALS, REAR - XL1200CX, XL1200T</u>
73153-96BK	<u>LICENSE PLATE BRACKETS - XL883N, XL1200NS, XL1200X, XL1200XS</u> <u>LICENSE PLATE BRACKETS - XL883N, XL1200NS, XL1200X, XL1200XS</u> <u>LICENSE PLATE BRACKETS - XL883N, XL1200NS, XL1200X, XL1200XS</u> <u>LICENSE PLATE BRACKETS - XL1200CX</u> <u>LICENSE PLATE BRACKETS - XL1200CX</u> <u>TURN SIGNALS, REAR - XL883L and XL1200C</u> <u>TURN SIGNALS, REAR - XL1200CX, XL1200T</u> <u>TAIL LAMPS</u>
73154-96BK	<u>HEADLAMP - XL883L, XL1200T</u> <u>HEADLAMP - XL883N</u> <u>HEADLAMP - XL1200CX, XL1200X, XL1200XS</u> <u>HEADLAMP - XL1200NS</u> <u>HEADLAMP - XL1200C</u> <u>TAIL LAMPS</u>
73156-96BK	<u>TURN SIGNALS, FRONT - 1200T</u> <u>TURN SIGNALS, FRONT</u> <u>TURN SIGNALS, REAR - XL883L and XL1200C</u> <u>TURN SIGNALS, REAR - XL1200CX, XL1200T</u> <u>TAIL LAMPS</u>
73190-96	<u>WIRING HARNESS, MAIN, NON-ABS (1 OF 4)</u> <u>WIRING HARNESS, MAIN, NON-ABS (2 OF 4)</u> <u>WIRING HARNESS, MAIN, ABS (1 OF 4)</u> <u>WIRING HARNESS, MAIN, ABS (2 OF 4)</u> <u>WIRING HARNESS, MAIN, KEYLESS, ABS (1 OF 4)</u> <u>WIRING HARNESS, MAIN, KEYLESS, ABS (2 OF 4)</u> <u>WIRING HARNESS, MAIN, KEYLESS, NON-ABS (1 OF 4)</u> <u>WIRING HARNESS, MAIN, KEYLESS, NON-ABS (2 OF 4)</u>
73191-96	<u>LICENSE PLATE BRACKETS - XL883N, XL1200NS, XL1200X, XL1200XS</u> <u>LICENSE PLATE BRACKETS - XL883N, XL1200NS, XL1200X, XL1200XS</u> <u>LICENSE PLATE BRACKETS - XL1200CX</u> <u>LICENSE PLATE BRACKETS - XL1200CX</u> <u>LICENSE PLATE BRACKETS - XL1200CX</u> <u>HEADLAMP - XL883L, XL1200T</u> <u>HEADLAMP - XL883N</u> <u>HEADLAMP - XL883N</u> <u>HEADLAMP - XL1200CX, XL1200X, XL1200XS</u> <u>HEADLAMP - XL1200CX, XL1200X, XL1200XS</u>

	HEADLAMP - XL1200NS HEADLAMP - XL1200NS HEADLAMP - XL1200C TURN SIGNALS, FRONT - 1200T TURN SIGNALS, FRONT TURN SIGNALS, FRONT TURN SIGNALS, FRONT TURN SIGNALS, FRONT TURN SIGNALS, REAR - XL883L and XL1200C TURN SIGNALS, REAR - XL883L and XL1200C TURN SIGNALS, REAR - XL1200CX, XL1200T TURN SIGNALS, REAR - XL1200CX, XL1200T TAIL LAMPS TAIL LAMPS
73213-07	FRAME AND JIFFY STAND WIRING HARNESS, MAIN, NON-ABS (1 OF 4) WIRING HARNESS, MAIN, ABS (1 OF 4) WIRING HARNESS, MAIN, KEYLESS, ABS (1 OF 4) WIRING HARNESS, MAIN, KEYLESS, NON-ABS (1 OF 4)
73264-10	HEADLAMP - XL1200CX, XL1200X, XL1200XS
73266-10	HEADLAMP - XL1200CX, XL1200X, XL1200XS
73304-04	WIRING HARNESS, MAIN, NON-ABS (3 OF 4) WIRING HARNESS, MAIN, ABS (3 OF 4) WIRING HARNESS, MAIN, KEYLESS, ABS (3 OF 4) WIRING HARNESS, MAIN, KEYLESS, NON-ABS (3 OF 4)
73305-04	WIRING HARNESS, MAIN, NON-ABS (3 OF 4) WIRING HARNESS, MAIN, ABS (3 OF 4) WIRING HARNESS, MAIN, KEYLESS, ABS (3 OF 4) WIRING HARNESS, MAIN, KEYLESS, NON-ABS (3 OF 4)
73307-10	EXHAUST SYSTEM - XL883N EXHAUST SYSTEM - XL1200NS EXHAUST SYSTEM - XL1200CX EXHAUST SYSTEM - XL1200C, XL1200T EXHAUST SYSTEM - XL883L, XL1200X, XL1200XS (1 OF 2) SWITCHES
7331	MIRRORS
73403-11A	LICENSE PLATE BRACKETS - XL883N, XL1200NS, XL1200X, XL1200XS LICENSE PLATE BRACKETS - XL1200CX
73504-11	LICENSE PLATE BRACKETS - XL1200CX
7354	LICENSE PLATE BRACKETS - XL883N, XL1200NS, XL1200X, XL1200XS
7357	MIRRORS
74102-98BK	WHEELS, FRONT, CAST - XL1200C (INDIA ONLY), XL883L, XL883N, XL1200CX, XL1200NS, XL1200T, XL1200X, XL1200XS WHEELS, FRONT, LACED - XL1200C WHEELS, REAR, CAST - ABS ONLY - XL883L, XL883N, XL1200CX, XL1200NS, XL1200T, XL1200X, XL1200XS WHEELS, REAR, CAST - XL1200C INDIA WHEELS, REAR, LACED - XL1200C

74112-98BK	WIRING HARNESS, MAIN, NON-ABS (1 OF 4) WIRING HARNESS, MAIN, ABS (1 OF 4) WIRING HARNESS, MAIN, ABS (3 OF 4) WIRING HARNESS, MAIN, KEYLESS, ABS (1 OF 4) WIRING HARNESS, MAIN, KEYLESS, ABS (3 OF 4) WIRING HARNESS, MAIN, KEYLESS, NON-ABS (1 OF 4)
74120-08	WIRING HARNESS, MAIN, NON-ABS (1 OF 4) WIRING HARNESS, MAIN, ABS (1 OF 4) WIRING HARNESS, MAIN, KEYLESS, ABS (1 OF 4) WIRING HARNESS, MAIN, KEYLESS, NON-ABS (1 OF 4)
74142-98	WHEELS, FRONT, CAST - XL1200C (INDIA ONLY), XL883L, XL883N, XL1200CX, XL1200NS, XL1200T, XL1200X, XL1200XS WHEELS, FRONT, LACED - XL1200C WHEELS, REAR, CAST - ABS ONLY - XL883L, XL883N, XL1200CX, XL1200NS, XL1200T, XL1200X, XL1200XS WHEELS, REAR, CAST - XL1200C INDIA WHEELS, REAR, LACED - XL1200C
74152-98	WIRING HARNESS, MAIN, NON-ABS (1 OF 4) WIRING HARNESS, MAIN, ABS (1 OF 4) WIRING HARNESS, MAIN, ABS (3 OF 4) WIRING HARNESS, MAIN, KEYLESS, ABS (1 OF 4) WIRING HARNESS, MAIN, KEYLESS, ABS (3 OF 4) WIRING HARNESS, MAIN, KEYLESS, NON-ABS (1 OF 4)
74190-98	WHEELS, FRONT, CAST - XL1200C (INDIA ONLY), XL883L, XL883N, XL1200CX, XL1200NS, XL1200T, XL1200X, XL1200XS WHEELS, FRONT, LACED - XL1200C WHEELS, REAR, CAST - ABS ONLY - XL883L, XL883N, XL1200CX, XL1200NS, XL1200T, XL1200X, XL1200XS WHEELS, REAR, CAST - XL1200C INDIA WHEELS, REAR, LACED - XL1200C
74191-98	WIRING HARNESS, MAIN, NON-ABS (1 OF 4) WIRING HARNESS, MAIN, ABS (1 OF 4) WIRING HARNESS, MAIN, ABS (3 OF 4) WIRING HARNESS, MAIN, KEYLESS, ABS (1 OF 4) WIRING HARNESS, MAIN, KEYLESS, ABS (3 OF 4) WIRING HARNESS, MAIN, KEYLESS, NON-ABS (1 OF 4)
74194-98	SENSORS AND SWITCHES, ENGINE
74196-04	INSTRUMENT MODULE - XL883L, XL883N, XL1200NS, XL1200T INSTRUMENT MODULE - XL1200C INSTRUMENT MODULE - XL1200CX, XL1200X, XL1200XS
74197-04	INSTRUMENT MODULE - XL883L, XL883N, XL1200NS, XL1200T INSTRUMENT MODULE - XL1200C INSTRUMENT MODULE - XL1200CX, XL1200X, XL1200XS
74402-05B	SENSORS AND SWITCHES, ENGINE
7468M	FORK, FRONT - XL1200CX
74700012	ALTERNATOR AND REGULATOR

7477	BRAKE CONTROL, REAR
7495	HORN - 883L, 883N, XL1200CX, XL1200NS, XL1200X, XL1200XS HORN - XL1200C, XL1200T
75268-07F	FUEL PUMP
75301-07	FUEL PUMP
75302-07B	FUEL PUMP SWITCHES
75304-07A	FUEL PUMP
75305-07A	FUEL PUMP
75309-07A	FUEL PUMP
7531	GUARDS, SAREE FORK, REAR, DEBRIS DEFLECTOR AND BELT GUARD FENDERS, FRONT FENDERS, REAR - XL883L FENDERS, REAR - XL883N, XL1200X, XL1200NS (DOMESTIC, CANADA ONLY) FENDERS, REAR - XL883N, XL1200NS, XL1200X, XL1200XS (ALL EXCEPT DOMESTIC, CANADA) FENDERS, REAR - XL1200C FENDERS, REAR - XL1200T FENDERS, REAR - XL1200CX (DOMESTIC, CANADA ONLY) FENDERS, REAR - XL1200CX (ALL EXCEPT DOMESTIC, CANADA) FUEL TANK HORN - XL1200C, XL1200T SADDLEBAGS - 1200T
75317-07	FUEL PUMP
7549A	HORN - XL1200C, XL1200T
7593	EXHAUST SYSTEM - XL883N EXHAUST SYSTEM - XL1200NS EXHAUST SYSTEM - XL1200CX EXHAUST SYSTEM - XL1200C, XL1200T EXHAUST SYSTEM - XL883L, XL1200X, XL1200XS (1 OF 2)
7606	HEADLAMP - XL883L, XL1200T HEADLAMP - XL883N HEADLAMP - XL1200CX, XL1200X, XL1200XS HEADLAMP - XL1200NS
761	FENDERS, REAR - XL883L FENDERS, REAR - XL883N, XL1200X, XL1200NS (DOMESTIC, CANADA ONLY) FENDERS, REAR - XL883N, XL1200NS, XL1200X, XL1200XS (ALL EXCEPT DOMESTIC, CANADA) FENDERS, REAR - XL1200C FENDERS, REAR - XL1200T FENDERS, REAR - XL1200CX (DOMESTIC, CANADA ONLY) FENDERS, REAR - XL1200CX (ALL EXCEPT DOMESTIC, CANADA)
7624	OIL TANK AND LINES
7651A	WINDSHIELD - 1200T

7686	FENDERS, REAR - XL1200CX (ALL EXCEPT DOMESTIC, CANADA) LICENSE PLATE BRACKETS - XL883N, XL1200NS, XL1200X, XL1200XS LICENSE PLATE BRACKETS - XL883N, XL1200NS, XL1200X, XL1200XS LICENSE PLATE BRACKETS - XL1200CX LICENSE PLATE BRACKETS - XL883L, XL1200C, XL1200T
7716	LICENSE PLATE BRACKETS - XL1200CX
7725	MIRRORS
7766	FORK, REAR, DEBRIS DEFLECTOR AND BELT GUARD
7778	HEADLAMP - XL1200C
7783	FORK, FRONT - XL883L, XL1200C FORK, FRONT - XL1200T FORK, FRONT - XL1200X, XL1200XS FORK, FRONT - XL883N, XL1200NS TURN SIGNALS, FRONT - 1200T
7792	CRANKCASE AND GEARCASE FENDERS, REAR - XL883N, XL1200NS, XL1200X, XL1200XS (ALL EXCEPT DOMESTIC, CANADA) LICENSE PLATE BRACKETS - XL883N, XL1200NS, XL1200X, XL1200XS LICENSE PLATE BRACKETS - XL1200CX LICENSE PLATE BRACKETS - XL883L, XL1200C, XL1200T LICENSE PLATE BRACKETS - XL883L, XL1200C, XL1200T LICENSE PLATE BRACKETS - XL883L, XL1200C, XL1200T BATTERY
7800W	HEADLAMP - XL1200CX, XL1200X, XL1200XS
7804	INSPECTION COVER AND PRIMARY COVER
7813A	WHEELS, FRONT, CAST - XL1200C (INDIA ONLY), XL883L, XL883N, XL1200CX, XL1200NS, XL1200T, XL1200X, XL1200XS WHEELS, FRONT, LACED - XL1200C
7838	BRAKE LINES, FRONT - ABS
7839	BELTS, CHAINS AND SPROCKETS
7862	EXHAUST SYSTEM - XL883N EXHAUST SYSTEM - XL1200NS EXHAUST SYSTEM - XL1200CX EXHAUST SYSTEM - XL1200C, XL1200T EXHAUST SYSTEM - XL883L, XL1200X, XL1200XS (1 OF 2)
7878	FENDERS, REAR - XL1200CX (DOMESTIC, CANADA ONLY) FENDERS, REAR - XL1200CX (ALL EXCEPT DOMESTIC, CANADA)
7880	HEADLAMP - XL883L, XL1200T HEADLAMP - XL883N
7882	FENDERS, REAR - XL883L FENDERS, REAR - XL883N, XL1200X, XL1200NS (DOMESTIC, CANADA ONLY) FENDERS, REAR - XL883N, XL1200NS, XL1200X, XL1200XS (ALL EXCEPT DOMESTIC, CANADA) FENDERS, REAR - XL1200C FENDERS, REAR - XL1200T FENDERS, REAR - XL1200CX (DOMESTIC, CANADA ONLY) FENDERS, REAR - XL1200CX (ALL EXCEPT DOMESTIC, CANADA)

7916A	<u>CAMSHAFTS AND GEARCASE COVER</u>
7964	<u>TAIL LAMPS</u>
7985	<u>TURN SIGNALS, REAR - XL1200CX, XL1200T</u>
8020	<u>WHEELS, REAR, CAST - NON-ABS - XL883L, XL883N, XL1200CX, XL1200NS, XL1200X, XL1200XS</u> <u>WHEELS, REAR, CAST - ABS ONLY - XL883L, XL883N, XL1200CX, XL1200NS, XL1200T, XL1200X, XL1200XS</u> <u>WHEELS, REAR, CAST - XL1200C INDIA</u> <u>WHEELS, REAR, LACED - XL1200C</u>
8108	<u>HORN - XL1200C, XL1200T</u>
8126A	<u>SADDLEBAGS - 1200T</u>
8135B	<u>FRAME AND JIFFY STAND</u>
8199M	<u>FORK, FRONT - XL1200CX</u>
8329	<u>BRAKE CONTROL, REAR</u>
8336	<u>TURN SIGNALS, REAR - XL1200CX, XL1200T</u>
835	<u>CRANKCASE AND GEARCASE</u>
8692	<u>FENDERS, REAR - XL883L</u> <u>FENDERS, REAR - XL883N, XL1200X, XL1200NS (DOMESTIC, CANADA ONLY)</u> <u>FENDERS, REAR - XL883N, XL1200NS, XL1200X, XL1200XS (ALL EXCEPT DOMESTIC, CANADA)</u> <u>FENDERS, REAR - XL1200C</u> <u>FENDERS, REAR - XL1200T</u> <u>FENDERS, REAR - XL1200CX (DOMESTIC, CANADA ONLY)</u> <u>FENDERS, REAR - XL1200CX (ALL EXCEPT DOMESTIC, CANADA)</u>
8862	<u>TRANSMISSION GEARS</u>
8873	<u>CLUTCH</u>
8881	<u>CRANKCASE AND GEARCASE</u>
8884	<u>TRANSMISSION GEARS</u>
8885	<u>CLUTCH</u>
89579-91	<u>FORK, REAR, DEBRIS DEFLECTOR AND BELT GUARD</u> <u>FUEL TANK</u>
89581-04A	<u>STARTER MOTOR</u>
89586-04	<u>FUEL TANK</u>
8964	<u>TRANSMISSION GEARS</u>
8966	<u>TRANSMISSION GEARS</u>
8970A	<u>TRANSMISSION GEARS</u>

8972	<u>CRANKCASE AND GEARCASE</u>
90201038	<u>FENDERS, REAR - XL1200T</u> <u>SADDLEBAGS - 1200T</u>
90201039	<u>FENDERS, REAR - XL1200T</u> <u>SADDLEBAGS - 1200T</u>
90201040	<u>SADDLEBAGS - 1200T</u>
90201041	<u>SADDLEBAGS - 1200T</u>
90201087	<u>SADDLEBAGS - 1200T</u>
90300034	<u>FRAME AND JIFFY STAND</u> <u>SWITCHES</u> <u>LOOSE PARTS</u>
90300050	<u>WIRING HARNESS, MAIN, NON-ABS (4 OF 4)</u> <u>WIRING HARNESS, MAIN, ABS (4 OF 4)</u>
90300062	<u>FRAME AND JIFFY STAND</u> <u>SWITCHES</u>
90300093	<u>FUEL TANK</u>
90300111	<u>SWITCHES</u> <u>LOOSE PARTS</u>
90300112	<u>SWITCHES</u> <u>LOOSE PARTS</u>
90383-98	<u>INDUCTION MODULE, FUEL</u>
90493-83	<u>BRAKE CONTROL, REAR</u> <u>FRAME AND JIFFY STAND</u>
90520-07	<u>FRAME AND JIFFY STAND</u>
91800031	<u>LOOSE PARTS</u>
9187A	<u>SHIFTER, GEAR</u>
91909-03B	<u>MIRRORS</u>
91910-03B	<u>MIRRORS</u>
91960-10	<u>MIRRORS</u>
91961-10	<u>MIRRORS</u>
91982-03B	<u>MIRRORS</u>
91983-03B	<u>MIRRORS</u>
9209	<u>FORK, REAR, DEBRIS DEFLECTOR AND BELT GUARD</u>
92247-10	<u>SADDLEBAGS - 1200T</u>

92401-09	MIRRORS
92402-09	MIRRORS
9252A	WHEELS, FRONT, CAST - XL1200C (INDIA ONLY), XL883L, XL883N, XL1200CX, XL1200NS, XL1200T, XL1200X, XL1200XS WHEELS, FRONT, LACED - XL1200C WHEELS, REAR, CAST - ABS ONLY - XL883L, XL883N, XL1200CX, XL1200NS, XL1200T, XL1200X, XL1200XS WHEELS, REAR, CAST - XL1200C INDIA WHEELS, REAR, LACED - XL1200C
9276B	WHEELS, FRONT, CAST - XL1200C (INDIA ONLY), XL883L, XL883N, XL1200CX, XL1200NS, XL1200T, XL1200X, XL1200XS WHEELS, FRONT, CAST - XL1200C (INDIA ONLY), XL883L, XL883N, XL1200CX, XL1200NS, XL1200T, XL1200X, XL1200XS WHEELS, FRONT, LACED - XL1200C WHEELS, FRONT, LACED - XL1200C WHEELS, REAR, CAST - NON-ABS - XL883L, XL883N, XL1200CX, XL1200NS, XL1200X, XL1200XS WHEELS, REAR, CAST - ABS ONLY - XL883L, XL883N, XL1200CX, XL1200NS, XL1200T, XL1200X, XL1200XS WHEELS, REAR, CAST - XL1200C INDIA WHEELS, REAR, LACED - XL1200C WHEELS, REAR, LACED - XL1200C
927A	FENDERS, REAR - XL883N, XL1200NS, XL1200X, XL1200XS (ALL EXCEPT DOMESTIC, CANADA) LICENSE PLATE BRACKETS - XL883N, XL1200NS, XL1200X, XL1200XS LICENSE PLATE BRACKETS - XL1200CX LICENSE PLATE BRACKETS - XL883L, XL1200C, XL1200T
940	ENGINE MOUNTS AND STABILIZER LINK FENDERS, REAR - XL883N, XL1200NS, XL1200X, XL1200XS (ALL EXCEPT DOMESTIC, CANADA) FENDERS, REAR - XL883N, XL1200NS, XL1200X, XL1200XS (ALL EXCEPT DOMESTIC, CANADA) FENDERS, REAR - XL1200CX (ALL EXCEPT DOMESTIC, CANADA) LICENSE PLATE BRACKETS - XL883N, XL1200NS, XL1200X, XL1200XS
94000326	LOOSE PARTS
94000746	LOOSE PARTS
94000746BR	LOOSE PARTS
94000746FRCN	LOOSE PARTS
94000746JA	LOOSE PARTS
94000746ZH	LOOSE PARTS
943	INSPECTION COVER AND PRIMARY COVER
94435-10	LOOSE PARTS
946	AIR CLEANER
95594-84C	WHEELS, FRONT, CAST - XL1200C (INDIA ONLY), XL883L, XL883N, XL1200CX, XL1200NS, XL1200T, XL1200X, XL1200XS WHEELS, FRONT, LACED - XL1200C WHEELS, REAR, CAST - NON-ABS - XL883L, XL883N, XL1200CX, XL1200NS, XL1200X, XL1200XS WHEELS, REAR, CAST - ABS ONLY - XL883L, XL883N, XL1200CX, XL1200NS, XL1200T, XL1200X, XL1200XS

	WHEELS, REAR, LACED - XL1200C
95595-84C	WHEELS, FRONT, CAST - XL1200C (INDIA ONLY), XL883L, XL883N, XL1200CX, XL1200NS, XL1200T, XL1200X, XL1200XS WHEELS, REAR, CAST - NON-ABS - XL883L, XL883N, XL1200CX, XL1200NS, XL1200X, XL1200XS WHEELS, REAR, CAST - ABS ONLY - XL883L, XL883N, XL1200CX, XL1200NS, XL1200T, XL1200X, XL1200XS WHEELS, REAR, CAST - XL1200C INDIA
9819	WIRING HARNESS, MAIN, NON-ABS (3 OF 4)
9838	WIRING HARNESS, MAIN, NON-ABS (2 OF 4) WIRING HARNESS, MAIN, ABS (2 OF 4) WIRING HARNESS, MAIN, ABS (3 OF 4) WIRING HARNESS, MAIN, KEYLESS, ABS (2 OF 4) WIRING HARNESS, MAIN, KEYLESS, ABS (3 OF 4) WIRING HARNESS, MAIN, KEYLESS, NON-ABS (2 OF 4) WIRING HARNESS, MAIN, KEYLESS, NON-ABS (3 OF 4)
9847	HEADLAMP - XL883L, XL1200T HEADLAMP - XL883N HEADLAMP - XL1200CX, XL1200X, XL1200XS HEADLAMP - XL1200NS HEADLAMP - XL1200C
9848	HEADLAMP - XL883L, XL1200T HEADLAMP - XL883N HEADLAMP - XL1200CX, XL1200X, XL1200XS HEADLAMP - XL1200NS HEADLAMP - XL1200C
9898	HEADLAMP - XL883L, XL1200T HEADLAMP - XL883N HEADLAMP - XL1200CX, XL1200X, XL1200XS HEADLAMP - XL1200CX, XL1200X, XL1200XS HEADLAMP - XL1200NS HEADLAMP - XL1200C
9907	SWITCHES
9946	OIL PUMP
9955	EXHAUST SYSTEM - XL883N EXHAUST SYSTEM - XL1200NS EXHAUST SYSTEM - XL1200CX EXHAUST SYSTEM - XL1200C, XL1200T EXHAUST SYSTEM - XL883L, XL1200X, XL1200XS (1 OF 2)
9969	OIL TANK AND LINES
J0117.3A8	FORK, FRONT - XL1200CX
J8130.3A8	FORK, FRONT - XL1200CX
J8146.1AS	FORK, FRONT - XL1200CX

Component Types and Introduction Dates

[View interactive table](#)

101A1 - Generic Nuts

7725	Unknown
------	---------

7838	Unknown
------	---------

7839	Unknown
------	---------

7624	Unknown
------	---------

7792	2012
------	------

8135B	Unknown
-------	---------

7813A	Unknown
-------	---------

8126A	2017
-------	------

7778	Unknown
------	---------

7862	Unknown
------	---------

7477	Unknown
------	---------

7916A	Unknown
-------	---------

7766	Unknown
------	---------

8199M	Unknown
-------	---------

11730A	Unknown
--------	---------

7354	2010
------	------

7495	1994
------	------

7878	1993
------	------

7880	Unknown
------	---------

7331	Unknown
------	---------

7964	Unknown
------	---------

37495-91	1991
----------	------

7468M	2006
-------	------

8020	2002
------	------

8108	Unknown
------	---------

7593	1991
------	------

7549A	Unknown
-------	---------

102A1 - Generic Screws

3899	1999
------	------

4266A	Unknown
4188	Unknown
3244	Unknown
46612-06	2006
2921A	2018
4765	1998
3579A	Unknown
3990	2006
4180	Unknown
3854	2009
4858M	Unknown
3987	Unknown
4771	Unknown
68026-99	1999
3162	Unknown
2563	2009
3849	Unknown
3018A	2010
4741A	1994
2481M	Unknown
3655A	Unknown
3976	2004
3056	2011
1081A	Unknown
4718A	1994
2479	Unknown
2261	2011
4993	Unknown
5414	Unknown
3022A	Unknown

4991	2009
43567-92	1992
3514	Unknown
42827-04	2004
940	Unknown
4748	2009
943	Unknown
4091	Unknown
3612	2012
3615	Unknown
2325	Unknown
2773	Unknown
4751	Unknown
4705	2005
4132	Unknown
4740A	1994
3075	Unknown
2586A	Unknown
3658	Unknown
45405-75A	1975
1048	Unknown
4975M	Unknown
2508	Unknown
3605	2009
10200392	2016
10200474	2016
68120-00	2000
4724	2009
2486	Unknown
4402	Unknown

45996-87	1987
3594	1992
835	Unknown
4290	Unknown
3085	Unknown
2708A	Unknown
4816A	Unknown
68042-99	1999
4076	Unknown
1039	Unknown
2607	Unknown
4029A	1990
4420	2009
45902-00	2000
3588	1990
3563	1999
4017	2009
2501A	Unknown
1028	Unknown
4016	Unknown
4032A	Unknown
3124	Unknown
45800-04	2004
3210A	Unknown
4820A	Unknown
1091	Unknown
4352	Unknown
56402-83A	1983
10200549	2017
2361	Unknown
3666A	1997

3480A	Unknown
4717A	Unknown
2441	Unknown
927A	Unknown
3574	Unknown
3214	Unknown
946	Unknown
4871	Unknown
4363	2013
4758A	Unknown
4575	Unknown
4365	Unknown
10200052	2014
4312C	Unknown
4798	Unknown
3565	Unknown
3123	Unknown
10200242	2014
16478-85A	1985
4359	Unknown
56397-74C	1974
3691	Unknown
67956-96	1996
5403B	Unknown
8329	Unknown
3029	Unknown
4778	Unknown
4779	Unknown
4190	Unknown
27216-95	1995

8336	2016
2460	Unknown
3026	Unknown
10200609	2017
3033	Unknown
16480-92A	1992
2444	Unknown
2445	Unknown
3696	Unknown
102Z1 - Kit,Screw	
10200486	2016
103A1 - Generic Washers	
6026	Unknown
6611	Unknown
6157	Unknown
6589A	2019
46237-02	2002
6551	Unknown
58152-96	1996
6424	Unknown
36802-84B	1984
46509-01	2001
8972	Unknown
10300078	2015
6792	Unknown
6110	Unknown
6787	Unknown
6288	Unknown
6798	2012
6109	1980

6101	2011
6594	Unknown
67815-59A	1959
6590HW	Unknown
6029	Unknown
6516HW	Unknown
7220	Unknown
7068	Unknown
7038	1998
7039	Unknown
6738	Unknown
6237	2014
7042	Unknown
6703	1970
6701	Unknown
6702	Unknown
42425-05	2005
7045	Unknown
6716	Unknown
104A1 - Custom Nuts	
7985	1991
54321-85	1985
7606	1983
105A1 - Custom Screws	
41191-74A	1974
10500062	2014
106A1 - Custom Washers	
7080	Unknown
6003	2010
108A1 - Hose Clamps	
10053	2010

10038A	1994
10031	2010
55847-05A	2005
31512-04	2004
10800010	2011
9955	Unknown
10080	Unknown
10117	Unknown
10304	Unknown
9946	Unknown
10074	Unknown
10303	Unknown
108B1 - P Clamps	
58174-04A	2004
10179A	Unknown
10800005	2012
10800006	2011
10003	2010
10800074	2014
10323	Unknown
10800123	2017
10142	Unknown
10868	2010
108Z1 - Kit,Clamp	
70417-04E	2017
109A1 - Studs	
16715-83	1983
16832-86C	1986
65088-04	2004
110B1 - Plain Bushings	

25586-37	1937
34982-02A	2011
35030-89A	1989
8966	Unknown
34076-02A	2002
11000127	2017
45801-04	2004
25598-91	1991
25593-74	1974
24647-87	1987
45465-87	1987
42569-03	2003
53176-08	2008
8885	Unknown
40574-06A	2011
25588-91	1991
46348-06	2006
110C1 - Radial Shaft Seals	
37107-06	2006
12068	Unknown
12074	Unknown
67104-95	1995
110D1 - Rolling Element Bearings	
9209	2003
9252A	2017
8964	2006
24650-87	1987
24605-07	2007
8970A	2012
8884	Unknown
9276B	2017

24659-87	1987
9187A	2011
8862	Unknown
24660-87	1987
111A1 - Adhesive	
73304-04	2004
72194-94	1994
9819	Unknown
58417-77	1977
9907	Unknown
72990-01	2001
9838	Unknown
74196-04	2004
111B1 - Tape	
11100060	2014
11100061	2014
116A1 - Banjo Bolts	
11600001	2012
117A1 - Coil Springs	
56396-74A	1974
119A1 - O-Rings	
46329-06	2006
11105	Unknown
11113	Unknown
11289A	Unknown
46508-01	2001
11202	Unknown
48027-99	1999
11120	Unknown
11190	Unknown

45984-87	1987
11377	Unknown
26434-91	1991
11171	Unknown
11179	1986
11317	Unknown
120A1 - Pins	
215	Unknown
16573-83A	1983
50003-89B	1989
1594	1998
24754-75A	1975
45041-01A	2001
358	Unknown
121A1 - Grommets	
68132-97	1997
12100049	2014
11474	Unknown
12100031	2014
121B1 - Press-Fit Plugs	
67865-89	1989
90383-98	1998
761	1996
90520-07	2007
122A1 - Retaining Rings	
11271	Unknown
11272	Unknown
12200047	2014
10279	Unknown
35118-03	2003

11002	Unknown
35114-02	2002
65325-83A	1983
45611-86	1986
35087-99A	1999
10108	Unknown
11155	Unknown
11142	Unknown
10984	Unknown
70640-07	2007
11390	Unknown
11046	Unknown
61213-04A	2004
11121	2008
11177A	1996
11304	Unknown
11282	Unknown
11067	Unknown
11379	2002
16699-06	2006
11360	Unknown
11250	1992
35038-89A	1989
41229-08	2008
10242	2004
11161	1984
123A1 - Sealing Washers	
26436-90A	1990
41756-08	2008
123B1 - Spring Washers	

7155	Unknown
48738-07	2007
124A1 - Spacers	
68133-97	1997
5925	2006
6021	Unknown
6152	Unknown
11804	Unknown
46346-06	2006
46515-01	2001
45377-87	1987
7882	Unknown
5751	Unknown
35107-06	2006
125A1 - Tie Straps	
10065	1985
10039	1981
10177	1996
10181	1996
10006	1960
126A1 - Miscellaneous Hardware	
42593-04	2004
45799-04	2004
12030	Unknown
89581-04A	2004
90493-83	1983
12600080	2014
68134-97	1997
33540-06	2006
46236-02	2002
48791-09	2009

48708-09	2009
56394-74	1974
8873	1984
126B1 - Rivets Fasteners	
8692	Unknown
11778	Unknown
11785	Unknown
127B1 - Generic Mounting Bracket	
51652-97A	1997
140A1 - Battery Warning Label	
15368-01A	2001
140A2 - General Warning Label	
14001773	2019
14001863	2019
14001734	2019
14001739	2019
15385-08	2008
14001860	2019
29147-07	2007
140A3 - Other Special Warning Label	
15370-01A	2001
14001800	2019
140G2 - EPA Label	
29127-95B	1995
140P2 - General Label	
14001903	2020
14001593	2019
141A1 - Medallion	
14100381	2014
14100883	2016

14100767	2016
67667-05	2005
71550-94	1994
14100710BACA	2015
14448-94	1994
14100710BACB	2015
14100709BACA	2015
14100709BACB	2015
14101137BAHW	2020
14101136BAHW	2020
14100599	2014
14100598	2014
149A1 - Tool	
14900081	2016
94435-10	2010
162D1 - Engine Assembly	
16200515	2019
16200514	2019
16200509	2019
16200499	2019
16200498	2019
16200497	2019
16200496	2019
16200505	2019
16200503	2019
16200502	2019
16200501	2019
16200500	2019
162Z1 - Kit,Engine Assembly	
16200518	2019
16200517	2019

16200516	2019
16200513	2019
16200557	2020
16200512	2019
16200574	2020
16200573	2020
16200571	2020
16200570	2020
163B1 - Engine Isolator Mount	
16353-04	2004
41562-04	2004
16287-04	2004
48492-04A	2004
48463-04A	2004
41561-04	2004
16291-04A	2014
164B1 - Engine Mount Bracket sub-component	
7716	1990
16232-04B	2004
7783	Unknown
7531	1980
7804	Unknown
46262-02	2002
7686	Unknown
7357	Unknown
7800W	Unknown
164D1 - Tiebar Mount	
47471-04A	2004
165A1 - Cylinder Head	
16667-07	2007

17488-07	2007
16867-07	2007
18011-86	1986
16661-07	2007
18020-07	2007
16500824	2020
16500825	2020
16865-07	2007
16660-07	2007
16500471	2016
16500469	2016
16500820	2020
16500821	2020
16500819	2020
16500818	2020
16500826	2020
16500827	2020
16500822	2020
17485-07	2007
16500823	2020
16666-07	2007
165B1 - Cylinder Head and Base Gaskets	
16800-84B	2013
16664-86D	1986
16789-04	2004
16770-84F	1984
167A1 - PT Assembly Miscellaneous Component	
36731-91	1991
168A1 - Cylinder	
16463-04	2004

17496-07	2007
16443-04	2004
16452-05	2005
16469-10	2010
173A1 - Rocker Arm	
17360-83B	2018
17375-83B	2018
179A1 - Lifters	
17981-04	2004
17972-04	2004
18538-99C	2011
179B1 - Push Rod	
17908-02	2002
17909-02	2002
179C1 - Lifter Anti-Rotation Device	
18505-06	2006
180A1 - Valves	
18690-02	2002
18053-04	2004
18021-87A	1987
18059-04	2004
181B1 - Valve Seals	
18012-87A	1987
16465-06	2006
18094-02A	2002
181C1 - Valve Collars	
18260-02	2002
184A1 - PT Camdrive and Valvetrain Miscellaneous Component	
18245-02	2002
18258-02	2002
220A1 - Piston Ring	

22266-86	1986
22223-04	2004
22231-04	2004
21948-02	2002
22261-86	1986
22238-04	2004
22000031	2014
22271-86	1986
22221-04	2004
22227-04	2004
22228-04	2004
22230-04	2004
221A1 - Piston Pin	
22589-83B	1983
22765-02	2002
22719-04	2004
237B1 - Connecting Rod sub-component	
24332-36	1936
239A1 - PT Lower End Miscellaneous Component	
24658-87	1987
241A1 - Flywheel	
23905-04B	2007
244A1 - Crankcase	
24470-06B	2006
24745-07A	2008
24466-06B	2006
244D1 - Crankcase sub-component	
24047-00	2000
8881	Unknown
244Z1 - Kit,Crankcase	

24400337	2020
24400338	2020
254A1 - Camdrive Gear	
25194-06	2006
255C1 - Camdrive Chain Tensioner	
40039-02C	2007
256A1 - Timer Cover	
25600048	2016
32506-90	1990
32514-04	2004
25600037	2014
25600063	2016
257B1 - Clutch Cover	
34790-05	2005
37718-10	2010
34992-04	2004
34760-04	2004
257D1 - Clutch Inspection Cover	
34993-04A	2004
34794-05A	2005
34761-04A	2006
257E1 - Cover Gaskets	
67121-95A	1995
65324-83B	2009
75301-07	2007
17393-07	2007
34955-04	2004
17695-07C	2020
17362-07C	2020
61109-85D	1985
26638-00Y	2000

25463-94A	1994
67601-94A	1994
17027-08	2008
17976-04	2004
11936	Unknown
29313-95	1995
12085	Unknown
29062-95B	1995
17036-08	2008
34990-08	2008
45378-87	1987
17049-08	2008
58791-04	2004
25263-90D	1990
257L1 - Primary Cover	
25486-05	2005
25430-06	2006
25307-06	2006
25460-06	2006
257M1 - Push Rod Cover	
17946-04	2004
257N1 - Rocker-Arm / Valve Cover	
17598-07A	2007
17501-04	2004
17537-07A	2007
17611-83	1983
17551-04	2004
17532-07A	2007
17655-05	2005
17645-07A	2007

258A1 - PT Covers Miscellaneous Component

25219-04 2004

25213-04 2004

265A1 - Vent / Breather Line

63508-04 2004

26500005 2014

270B2 - Idle Cable

27000027 2016

272B1 - Throttle Body / Intake Manifold

27200024 2017

16361-07 2007

273A1 - Intake Manifold

27707-07 2007

273A2 - Intake Manifold to Cylinder Head Seal

27327-07A 2013

273C1 - Throttle Body/Intake Manifold sub-component

27300163 2017

27300162 2017

273E1 - Idle Air Control Actuator

27628-01A 2001

273K1 - Throttle Body to Manifold Seal

26995-86B 1986

273M1 - Throttle Cable Bracket

27701-07A 2007

273N1 - Throttle Cable Retention Bracket

56508-76 1976

274B1 - Fuel Rail

27704-07 2007

274C1 - Fuel Injector

27706-07A 2007

275A1 - PT Upper End Miscellaneous Component

27700-07	2007
290A1 - Airbox Baseplate	
29369-07B	2016
29000015A	2017
290C1 - Airbox Baseplate sub-component	
29123-07	2007
290D1 - Airbox Seal	
29315-04	2004
29000016	2012
290Z1 - Kit,Airbox	
29000297	2019
29000296	2019
29000299	2019
29000298	2019
29000300	2019
294A1 - Air Filter Element	
29400015	2012
295A1 - Intake Miscellaneous Component	
26011-04	2004
26020-07	2007
26012-07	2007
299C1 - Charging Rotor	
32493-02B	2008
32494-04B	2008
299Z1 - Kit,Charging	
29900068	2016
314E1 - Starter Friction Clutch	
31556-91D	2010
314F1 - Starter Motor	
31390-91F	1991

314G1 - Starter Motor sub-component	
31488-81C	2008
314H1 - Starter Solenoid	
31603-91	1991
27715-07	2007
314L1 - Starter Motor Drive	
33189-63	1963
315B1 - Exhaust Valve Actuator	
18691-02	2002
316A1 - Ignition Coil	
31656-07	2007
316B1 - Spark Plug Cable	
32003-07	2007
32006-07	2007
316C1 - Spark Plug	
32362-04A	2015
327A1 - Sensor	
50126-08B	2018
327B1 - Chemical / Gas Sensor	
32700006	2012
32700026	2014
327D1 - Proximity Sensor	
74402-05B	2012
32707-01C	2007
327E1 - Temperature Sensor	
32472-10	2010
32319-07A	2014
327F1 - Throttle Position Sensor	
27629-01A	2001
336A1 - Shift Linkage Rod Assembly	

34723-10	2010
34663-10	2010
336F1 - Toepeg	
34611-65A	1965
336G1 - Toepeg Rubber	
33133-06	2006
339A1 - Shift Lever	
33900154	2014
34660-04A	2004
34721-07	2007
339C1 - Shifter Drum	
33641-06	2006
339D1 - Shifter Fork	
34162-06	2006
34157-06	2006
34981-02A	2002
339F1 - Shifter Index Lever	
34724-10	2010
34014-06A	2006
339H1 - Shifter Mechanism Components (internal)	
34064-00C	2000
34491-02A	2002
34483-06	2006
34163-02	2002
348A1 - Transmission Output Sprocket Cover	
34932-04	2004
34911-04	2004
34943-05	2005
350A1 - Transmission Output Sprocket	
40380-04	2004
40409-04	2004

350E1 - Transmission Gear

35167-06 2006

35159-06 2006

35165-06 2006

350F1 - Transmission Mainshaft

35163-06 2006

356A1 - Transmission Countershaft

35197-06 2006

35191-06 2006

35172-06 2006

35193-06 2006

35174-06 2006

356B1 - Transmission Dog Ring

35196-06 2006

35190-06 2006

363A1 - PT Driveline Miscellaneous Component

35051-89A 1989

35211-91B 1991

365A1 - Primary Chain

40147-04 2004

40005-57B 1957

365C1 - Primary Drive Assembly

40254-02 2002

40290-04A 2004

40241-02A 2003

40251-92A 1992

367A1 - Clutch Lever

36700012 2014

36700011 2014

367F1 - Clutch Lever Perch

36700013	2014
367H1 - Clutch Lever sub-component	
34920-86A	1986
37904-90	1990
37870-91	1991
36715-94	1994
38630-88	1988
37872-90	1990
37905-90	1990
37909-90	1990
37910-04B	2006
36799-91	1991
37977-90	1990
46268-04	2004
37908-90	1990
370A1 - Clutch Assembly	
45036-88	1988
37000041A	2014
37924-04A	2006
370B1 - Clutch Friction Plate	
37911-90	1990
370C1 - Clutch Hub	
36785-91	1991
370F1 - Clutch Pressure Plate	
37912-91	1991
37913-90	1990
370G1 - Clutch Shell	
36790-04	2004
372A1 - Clutch Actuation Screw	
11765Y	Unknown

372D1 - Clutch Cable	
37200409	2018
38702-05C	
38702-05C	2005
37200144	
37200144	2016
38999-11	
38999-11	2011
38699-04D	
38699-04D	2014
37200085	
37200085	2014
372K2 - Clutch Ramp	
25453-87A	
25453-87A	1987
25409-94B	
25409-94B	1994
372Z1 - Kit,Clutch Actuation	
37200172	
37200172	2016
400A1 - Drive-Belt	
40591-07	
40591-07	2007
409A1 - Rear Wheel	
44012-11A	
44012-11A	2012
40900291	
40900291	2014
55019-11A	
55019-11A	2012
41478-10A	
41478-10A	2012
40900644	
40900644	2018
40900400	
40900400	2016
40900643	
40900643	2018
40900402	
40900402	2016
40900399	
40900399	2016
410A1 - Body Control Module (BCM)	
41000351F	
41000351F	2020
41000342F	
41000342F	2020
41000341F	
41000341F	2020
410D1 - Electronic Control Module (ECM)	
41000326A	
41000326A	2018
411A1 - ABS Control Unit	

41100043C	2019
411A3 - ABS Hydraulic Control Unit	
41100022	2014
41100020A	2016
5004	Unknown
411B1 - ABS Wheel Sensor Ring	
41100024	2014
41100023	2014
413A1 - Brake Caliper	
41300038	2014
41300032	2014
44160-00	2000
41300010	2014
41300003	2014
41300039	2014
413C1 - Brake Caliper sub-component	
42823-04	2004
41300007	2014
41300008	2014
41300009	2014
42824-04	2004
41300052	2014
41300055	2014
41300056	2014
41300053	2014
45401-87	1987
41300049	2014
413D1 - Brake Pad	
41300004	2014
413F1 - Brake Pad Retaining Spring	

41300005	2014
413G1 - Brake Caliper Piston Set	
41300006	2014
41300054	2014
415B1 - Brake Rotor	
41500068	2014
41833-08	2008
41500022	2014
416A1 - Brakes Miscellaneous Component	
41600074	2014
72023-51E	2012
42807-04	2004
416B1 - Brake Mounting Bracket	
41600069	2014
41600068	2014
417A1 - Brake Master Cylinder Assembly	
41700086	2014
41700099	2014
41700094	2014
41700092	2014
42805-04	2004
41700025	2014
41700003	2014
41700007	2014
417C1 - Brake Master Cylinder Piston Set	
41700088	2014
41700087	2014
41700084	2014
417D1 - Brake Master Cylinder sub-Component	
41700097	2014

41700098	2014
41700095	2014
41700096	2014
41700043	2014
41700042	2014
41700104	2015
41700102	2014
42811-04	2004
42804-07	2007
42828-04	2004
417G1 - Front Brake Lever	
41700004	2014
41700008	2014
418B1 - Brake Line	
41800150	2014
41800151	2014
41800154	2014
41800762	2018
41800763	2018
41800318	2014
41800317	2014
41800567	2016
41800566	2016
41800172	2014
41800171	2014
41800143	2014
41800145	2014
41800162	2014
41800161	2014
41800160	2014
41800166	2014

41800165	2014
420A1 - Wheel Rim	
41389-10	2010
43017-07	2007
421A1 - Wheel Spoke with Nipple	
43241-05	2005
47887-10	2010
422B1 - Wheel Sprocket	
40444-07	2007
40350-07	2007
42200121	2016
423C1 - Rim Strip	
40875-11	2011
423D1 - Tire Inner Tube	
40558-82	1982
40572-11	2011
423G1 - Valve Stem	
40999-87	1987
423H1 - Valve Stem Cap	
41123-79	1979
423K1 - Wheel Weights	
95594-84C	2017
95595-84C	2017
424A1 - Wheels, Tires and Final Drive Miscellaneous Component	
43595-99	1999
430D1 - Front Axle	
41628-08	2008
43000001	2014
430E1 - Rear Axle	
41176-08	2008

41573-05	2005
431A1 - Front Tire	
55035-11A	2013
43258-07B	2011
43100021A	2015
40879-11A	2012
43100026	2016
432A1 - Rear Tire	
43200026A	2015
40878-11	2011
43200030	2016
43216-11	2011
433A1 - Front Wheel	
43300416	2016
43300661	2018
43300662	2018
43300392	2016
43300394	2016
43689-11	2011
55018-11	2011
43300282	2014
41388-10	2010
433B1 - Front Wheel Bearing Spacer	
40930-05	2005
43358-08	2008
43906-08	2008
43905-08	2008
41242-08	2008
454A1 - Front Telescopic Fork	
49378-09	2009

45400054	2014
45400055	2014
45400207	2018
45400206	2018
49380-09	2009
45400108	2016
45400109	2016
45400079	2016
45400078	2016
45400087	2016
45400084	2016
45400086	2016
45400085	2016
455A1 - Front Telescopic Fork Slider	
45395-09	2009
49403-11	2011
45500510	2018
45500511	2018
49401-11	2011
45500359	2016
45500360	2016
45500057	2014
45500290	2016
45500054	2014
45500287	2016
455B1 - Front Telescopic Fork Spring	
45500343	2016
45500244	2014
45500301	2016
45500300	2016

45500369	2016
45500274	2016
45500275	2016
45500299	2016
45500294	2016
45500293	2016
455C1 - Front Telescopic Fork sub-component	
45500285	2016
45500284	2016
45500282	2016
45374-87	1987
45462-87	1987
45500236	2014
46080-01	2001
45500303	2016
45500304	2016
46512-01A	2010
45500302	2016
46343-06	2006
45500307	2016
46514-01A	2010
46516-01	2001
45461-87	1987
45361-90	1990
45460-90	1990
45070-01	2001
46002-87	1987
46353-06	2006
45500233	2014
J8146.1AS	2007

46670-07	2007
45500370	2016
45500371	2016
45500278	2016
45500358	2016
45500361	2016
45905-87	1987
46513-01	2001
J0117.3A8	2005
46352-06	2006
45500298	2016
45500132	2014
J8130.3A8	2005
45500297	2016
45500296	2016
45500295	2016
45500251	2014
45500281	2016
45500280	2016
45500118	2014
45500286	2016
456A1 - Fork Protector	
45451-07	2007
456B1 - Fork Brace	
45600046	2016
45600060	2018
456C1 - Fork Lock	
45600014	2012
457D1 - Steering Stem	
4574	2008

457E1 - Steering Stem Bearing Insert Cup	
48315-60	1960
48300-60	1960
458A1 - Front Suspension and Steering Miscellaneous Component	
45458-09	2009
4978	Unknown
45842-77A	1977
48184-01	2001
46615-06	2006
459A1 - Upper Triple Clamp	
45900104	2016
45900106	2016
46758-07	2007
46997-11	2011
459B1 - Lower Triple Clamp	
45900107	2016
45900103	2016
46998-11	2011
46014-10	2010
46767-07	2007
470Z1 - Kit,Frame	
47000114	2016
47000144	2017
47000140	2017
47000031	2014
472C1 - Front Fairing Support Bracket	
42972-04	2004
60204-06	2006
60203-06	2006
472D2 - Chassis Structure Mounting Bracket	

59903-04	2004
59902-04	2004
47470-04	2004
474C1 - Swingarm	
47587-05A	2014
474E1 - Swingarm Assembly sub-component	
47400087	2016
475B1 - Swingarm Pivot Shaft	
47500005	2014
47500004	2014
47500006	2014
41699-04	2004
500A1 - Sidestand Assembly	
50185-04C	2011
50000025BHP	2011
500D1 - Sidestand Leg	
50124-09BHP	2011
500E1 - Sidestand Leg sub-component	
49735-08	2008
62122-89A	1989
50005-85A	1985
500F1 - Sidestand Pivot Pin	
554A	2002
505A1 - Footboard	
50500290	2014
50500291	2014
505B1 - Footpeg Mount Bracket	
33048-72	1972
50500233	2014
42651-04	2004
49315-04	2004

50500289	2014
50500288	2014
42652-04	2004
42971-04	2004
505D1 - Passenger Footpeg	
50500227	2012
51327-08	2008
33134-07CAZ	2007
33135-07CAZ	2007
51323-08	2008
505H1 - Footpeg Insert	
50500323	2014
505K1 - Footpeg Wear Peg	
33130-07A	2007
33188-08	2008
506A1 - Brake Pedal	
50600125	2014
50600124	2014
50912-72	1972
42812-04	2004
50600101	2014
50600025	2014
50600020	2014
50600024	2014
50600022	2014
50600092	2014
50600091	2014
507A1 - Rider Interface Miscellaneous Component	
51731-10	2010
51730-10	2010

42541-04	2004
520A1 - Rider Seat or Full Seat	
52000185	2016
52000188	2016
52000189	2016
52000428	2018
52000233	2016
51550-11A	2016
52000156	2014
520B1 - Rider/Full Seat Assembly sub-component	
51740-10	2010
52000236	2016
52000190	2016
52000218	2016
521B1 - Seat Suspension	
52100027	2016
521C1 - Seat Suspension Damper	
42840-04	2004
524A1 - Passenger Grab Handle	
59723-04	2004
52400139	2016
524C1 - Passenger Seat sub-component	
52293-04	2004
540B1 - Rear Shock	
54000060	2014
54000086	2016
54000085	2016
54000088	2016
54000087	2016
54000100	2016
54000103	2016

540E1 - Rear Shock sub-component

54677-10 2010

54724-04 2004

558A1 - Handlebar

55840-04A 2004

55800547 2016

56075-07 2007

55800587 2016

55800345 2014

558B1 - Handlebar Tube

57209-11 2011

559D1 - Lower Handlebar Clamp

55842-04 2004

56017-04 2004

55900088 2016

55900087 2016

56117-82A 1982

56116-82A 1982

559E1 - Upper Handlebar Clamp

55900029 2014

560A1 - Mirror

92401-09 2009

91983-03B 2003

91961-10 2010

91960-10 2010

91982-03B 2003

92402-09 2009

91909-03B 2003

91910-03B 2003

561A1 - Throttle Cable

56100198	2016
56884-07	2007
56885-07	2007
561B1 - Left Hand Grip	
56667-04	2004
561C1 - Throttle Assembly w/Grip	
56666-04	2004
561D1 - Throttle Assembly sub-component	
38653-01	2001
570A1 - Front Fairing	
57001097DH	2018
68130-97	1997
572E1 - Side Cover	
57200092BYM	2015
57200091BYM	2015
57200091DH	2015
57200092DH	2015
573A1 - Bodywork Miscellaneous Component	
57793-11	2011
7651A	Unknown
57796-11	2011
574B1 - Windscreen / Windshield	
58052-78	1978
58051-78A	1978
57400245	2014
58406-75A	1975
58790-04	2004
58050-78A	1978
58408-75A	1975
574Z1 - Kit,Windshield	

57400322	2016
589A1 - Front Fender	
60574-10	2010
59712-07A	2007
58900170	2016
60955-11	2011
595C1 - Tailsection Side	
59500173	2014
59500172	2014
595D1 - Rear Fender	
59500376	2016
59885-11	2011
59727-07	2007
59865-10	2010
59768-97	1997
59847-10	2010
595E1 - Rear Fender Support	
59500408	2016
59673-04B	2018
59500034A	2018
596A1 - Tire Mud Flap	
59502-04B	2014
603B1 - Belt / Chain Guard	
60300008	2012
60300007	2012
60300154	2017
60435-04B	2014
60300200	2019
60300202	2019
60300196	2019
60300113	2016

608A1 - Carbon Canister

60800009 2014

60800031 2017

608B1 - Carbon Canister Hose

60800023 2017

60800042 2017

60800045 2017

609A1 - Fuel Miscellaneous Component

89586-04 2004

89579-91 1991

75317-07 2007

610A1 - Fuel Tank

61724-10 2010

61348-07 2007

62213-07 2007

611B1 - Fuel Cap

61100065 2016

61289-07C 2020

61100120A 2020

61100123A 2020

61272-92E 2020

611D1 - Fuel Tank Vapor Vent

61100096 2017

611F1 - Fuel Tank Vapor Vent Hose

61100040 2012

61100026 2014

61100027 2014

612A1 - Fuel Filter

75304-07A 2007

612B1 - Fuel Level Sensor

75302-07B	2011
612B2 - Fuel Valve	
75309-07A	2014
61015-04A	2004
62150-85	1985
612C1 - Fuel Line	
27693-07	2007
27829-10	2010
612F1 - Fuel Pump	
75268-07F	2014
75305-07A	2007
613B1 - Horn Cover	
61300478A	2017
613C1 - Intake / Fuel Tank Cover	
28792-10	2010
613D1 - Intake / Fuel Tank Cover Trim	
61300562	2016
613K1 - Airbox Cover	
61300559	2016
61300541	2016
28793-10	2010
613L1 - Airbox Cover sub-component	
61300332	2014
613Z1 - Kit,Cosmetic Cover	
61301001	2018
614C1 - Trim	
62534-07	2007
70919-04	2004
70904-04	2004
70917-04	2004

70903-04	2004
29346-07	2007
71472-04	2004
624A1 - Oil Pump Assembly	
26204-91A	1991
624B1 - Oil Pump Assembly sub-component	
62601-91A	1991
26239-07	2007
26495-89B	1989
26437-86B	1986
62651-04	2004
33117-91A	1991
26502-07	2007
45830-48	1948
26503-07	2007
624D1 - Oil Pump Drive Gear	
26318-88A	1988
625B1 - Oil Tank	
62500017	2014
627B1 - Oil Drain Plug	
33123-06A	2006
60328-98B	1998
627E1 - Oil Filler Plug / Dipstick	
62592-07A	2007
63000-04B	2004
627F1 - Oil Filter	
63796-77A	1977
63805-80A	1980
627G1 - Oil Jet	
62700014	2011

627H1 - Oil Line	
62338-01Y	2001
62361-10	2010
9969	Unknown
62700038	2014
627K1 - Oil Line Fitting	
26496-75A	1975
62375-57A	1957
63533-41A	1941
628A1 - PT Lubrication and Cooling Miscellaneous Component	
70503-10	2010
649A1 - Muffler	
64900410	2016
64900409	2016
64900389	2016
64900685	2018
64900686	2018
64900688	2018
64900390	2016
64900162	2014
64900370	2016
64900372	2016
64900373	2016
64900375	2016
64900376	2016
64900377	2016
64900291	2017
64900979	2019
64900272	2017
64900980	2019

64900981	2019
64900978	2019
64900423	2017
64900422	2017
64900421	2017
654A1 - Exhaust Shield	
66851-07	2007
65400201	2016
65400204	2016
65400505	2018
65400506	2018
65400206	2016
65400205	2016
65400054	2014
65400055	2014
65400199	2017
65400227	2016
655C1 - Exhaust Mounting Bracket	
65500023	2014
65500022	2014
65500025	2014
656E1 - Header Pipe	
65600182	2017
65600094	2014
659A1 - Exhaust Clamp	
65900012	2014
65441-06	2006
65440-06	2006
659B1 - Exhaust Flange	
65328-83A	2010

659C1 - Exhaust Gasket

65900017 2017

660A1 - Battery

66000064 2013

65958-04B 2015

66373-06 2006

660C1 - Battery Pan

66000031 2014

660D1 - Battery Strap

66000032 2014

660E1 - Ground Strap

66000045 2014

660F1 - Negative Battery Cable

66000035 2014

660G1 - Positive Battery Cable

66000036 2014

660H1 - Positive Battery Cable Boot

66000037 2014

677A1 - Headlight

67603-94A 1994

67883-04A 2004

69774-07A 2007

73266-10 2010

69449-05 2005

67894-93A 1993

68131-97 1997

67769-93 1993

67790-93A 1993

69619-02A 2002

73264-10 2010

68443-07A 2007

677B1 - Headlight sub-component

68380-05 2005

68297-05A 2014

67700094 2011

67700441 2018

68335-05A 2014

69681-07B 2011

68341-05A 2014

677C1 - Headlight Support Bracket

67700197 2013

67700196 2013

67746-11 2011

67963-05A 2013

678A1 - Taillight

68066-99A 2004

69187-03A 2003

68369-03 2003

69352-11A 2016

68830-99A 1999

68372-03 2003

69361-11 2011

68296-99A 2004

68140-04 2004

68370-03A 2003

73403-11A 2018

68141-04 2004

678D1 - Turnsignal

68975-00 2000

67800646 2016

68730-07 2007

68265-04	2004
68737-00	2000
68480-02	2002
68460-07	2007
67800504	2016
67800505	2016
5531	Unknown
69935-08	2008
68978-00	2000
67800396	2014
67800179	2012
68277-07	2007
67800562	2016
67800563	2016
68420-01	2001
68972-00	2000
67800214	2014
56104-02	2002
68497-07	2007
68449-07	2007
69362-08	2008
67800381	2014
67800382	2014
68430-89A	1989
678E1 - Turnsignal Lens	
68973-00	2000
68755-07	2007
68559-07	2007
679A1 - License Plate Tray / Holder	
67900010	2012

679B1 - Reflector

67900234	2014
----------	------

69490-07	2007
----------	------

60907-09	2009
----------	------

59259-90	1990
----------	------

59482-00	2000
----------	------

59481-00	2000
----------	------

59256-84A	1984
-----------	------

92247-10	2010
----------	------

68704-07	2007
----------	------

67900212A	2019
-----------	------

67900205A	2019
-----------	------

59988-72A	1972
-----------	------

69498-08	2008
----------	------

679C1 - Reflector Mount Bracket / Holder

67900006	2011
----------	------

67900285A	2018
-----------	------

68724-07A	2018
-----------	------

679D1 - License Plate Bracket

67900079	2011
----------	------

67900231	2014
----------	------

67900155	2014
----------	------

67900089	2011
----------	------

67900088	2011
----------	------

67900093	2011
----------	------

68992-08	2008
----------	------

67900532	2019
----------	------

60001-55	1955
----------	------

59986-75	1975
----------	------

68702-07	2007
----------	------

67900288	2016
67900152A	2014
60901-07	2007
59984-73	1973
60013-02	2002
68857-07	2007
60225-08BHP	2008
68966-08	2008
679E1 - License Plate Light	
73504-11	2011
67900157	2014
680C1 - Incandescent Bulb	
68168-89A	1989
53436-97	1997
68163-84	1984
68329-03	2003
68167-04	2004
52441-95	1995
690C1 - Horn	
69000014	2011
69060-90H	2014
692C1 - Electrical Miscellaneous Component	
72062-06	2006
11954	2011
68382-07B	2012
72189-04	2004
6990	2011
10289A	Unknown
692C2 - Electrical Mounting Bracket	
69201365	2017
69201363	2017

69200401	2014
69200403	2014
71980-10	2010
69200402A	2015
69123-92A	1992
69049-07	2007
69120-91	1991
67319-95	1995
69200456	2014
69200460	2014
31807-07	2007
69135-04A	2017
31753-07	2007
69062-91A	1991
692D1 - Fuse	
72314-01	2001
72462-00	2000
72330-95	1995
692E1 - Fuse / Relay Block	
72587-11	2011
72582-11	2011
692E2 - Fuse / Relay Block Cover	
72595-11	2011
69200474	2014
692F1 - Wire Harness	
69200479B	2017
70247-07	2007
69200480B	2017
69202097	2019
69200073B	2017

69200072B	2017
69200459	2014
69200793	2014
69200794	2014
69200080	2014
69200079	2014
69200077	2014
692G1 - Conduit / Sheathing / Sleeving	
70558-71	1971
11888	2010
69201650	2016
72249-94	1994
69200018	2010
70552-69	1969
69200790	2014
692G2 - Wire Guide	
69201925	2018
29950-91A	2015
72298-95	1995
692H1 - Connector	
72906-11	2011
73152-96BK	1996
72519-09BK	2009
69202108	2019
69200271	2014
72116-94BK	1994
69200272	2014
72908-11	2011
72081-11	2011
72905-11	2011

72312-04	2004
69200212	2014
74142-98	1998
27250-96B	1996
9848	Unknown
9847	Unknown
72664-12A	2013
72009-05	2005
72156-94	1994
72007-05	2005
72577-12	2012
72594-11	2011
72518-01	2001
72575-11	2011
72130-04	2004
72199-94	1994
69201131	2017
72907-11	2011
692H2 - Terminal	
72343-10	2010
72256-11	2011
72910-11	2011
72578-12	2012
72227-11	2011
72356-95	1995
72909-11	2011
5118	2011
72413-07	2007
72213-94	1994
72335-10	2010
9898	Unknown

72484-08	2008
72407-07	2007
72662-11	2012
72024-08	2008
72226-11	2011
72308-97	1997
72344-10	2010
72721-07	2007
72579-12	2012
72222-11	2011
72169-07	2007
72168-07	2007
69202102	2020
72291-94	1994
73307-10	2010
72094-06	2006
72666-12	2012
72991-01	2001
74190-98	1998
74194-98	1998
72580-12	2012
72283-09	2009
692K1 - Connector / Terminal Seal	
68904-00	2000
74197-04	2004
68653-05	2005
692L1 - Wire Harness sub-component	
74191-98	1998
73213-07	2007
72487-07BK	2007

70345-84	1984
72512-07BK	2007
72263-95	1995
72488-07BK	2007
74152-98	1998
72195-94	1994
70347-84	1984
72633-02	2002
72402-07	2007
72175-07BK	2007
72473-07	2007
70504-81	1981
73190-96	1996
72511-07BK	2007
72177-07BK	2007
73103-96BK	1996
73156-96BK	1996
73106-96BK	1996
72904-01BK	2001
70598-99	1999
74120-08	2008
72486-08	2008
72408-07	2007
72251-07	2007
74102-98BK	1998
73153-96BK	1996
72720-07	2007
70494-08	2008
72033-93	1993
10200	Unknown

72011-05	2005
72106-94BK	1994
72405-98BK	1998
72066-06A	2006
73191-96	1996
72146-94	1994
70664-08	2008
72190-94	1994
72010-05	2005
72096-06	2006
72609-08	2008
72188-07BK	2007
72543-07BK	2007
73104-96BK	1996
73305-04	2004
72544-07	2007
72209-11	2011
72056-92	1992
72545-08	2008
72295-94	1994
70578-89	1989
70631-08	2008
72406-07A	2007
74112-98BK	1998
73154-96BK	1996
72414-07BK	2007
72135-06	2006
72914-01BK	2001
72610-08	2008
692M1 - Electrical Component / Wire Cover	
69200438	2014

69200439	2014
709A1 - Dash Panel	
68513-07B	2016
709B1 - Instrument Cluster or Speedometer	
70900216	2014
70900217	2014
70900223	2014
70900222	2014
70900215A	2015
70900548	2016
70900549	2016
714A1 - Ignition Switch	
71400083	2014
714B1 - Mechanical Switch	
33900-99	1999
714C1 - Pressure Switch	
26554-77D	2017
715A1 - Hand Control	
71500300	2016
72940-11	2011
71510-04	2004
72922-11	2011
72920-11	2011
55786-11	2011
72923-11	2011
72921-11	2011
71500298	2016
71500299	2016
72941-11	2011
71500297	2016

71500294	2016
71500118	2012
71500295	2016
71500292	2016
71500117	2012
71500293	2016
55846-05A	2005
55785-11	2011
747A1 - Voltage Regulator	
74700012	2014
72350-11	2011
760B1 - Antenna	
68956-07	2007
902A1 - Saddlebag	
90201040	2014
90201041	2014
902E1 - Saddlebag Bottom	
90201087	2014
90201039	2014
90201038	2014
53126-10	2011
903A1 - Lockset	
90300050	2012
90300062	2014
903B1 - Key or Key-set	
61459-97	1997
90300093	2014
903C1 - Key Transponder	
90300111	2017
90300112	2017

918A1 - First Aid Kit	
91800031	2015
940A1 - Owner's Kit	
94000326	2016
940A2 - Owner's Manual	
94000746BR	2020
94000746JA	2020
94000746FRCN	2020
94000746ZH	2020
94000746	2020

Common Service Parts

BEARINGS, SEALS & HARDWARE

[View interactive table](#)

PART NO.	DESCRIPTION	PART AND MODEL(S)
10038A	CLAMP	OIL TANK AND LINES: All Models
10080	CLAMP	CRANKCASE AND GEARCASE: All Models OIL TANK AND LINES: All Models
11105	O-RING	INSPECTION COVER AND PRIMARY COVER: All Models
11171	O-RING	INSPECTION COVER AND PRIMARY COVER: All Models
11304	RETAINING RING	FOOTRESTS, PASSENGER: XL1200C XL1200CX XL1200T FOOTRESTS, RIDER, FORWARD-CONTROL: XL1200X XL1200XS FOOTRESTS, RIDER, MID-CONTROL: XL883L XL883N XL1200T XL1200CX XL1200C XL1200NS
11379	RETAINING RING	CLUTCH CONTROL: All Models
12074	OIL SEAL	TRANSMISSION GEARS: All Models
16715-83	STUD	CYLINDERS, HEADS AND VALVES (2 OF 2): All Models
2445	SCREW	HEADLAMP - XL1200C:

[XL1200C](#)

25463-94A	GASKET	INSPECTION COVER AND PRIMARY COVER: All Models
2563	SCREW	<i>FENDERS, REAR - XL1200CX (DOMESTIC, CANADA ONLY):</i> XL1200CX <i>FENDERS, REAR - XL1200CX (ALL EXCEPT DOMESTIC, CANADA):</i> XL1200CX
26995-86B	SEAL	INDUCTION MODULE, FUEL: All Models
34990-08	GASKET	INSPECTION COVER AND PRIMARY COVER: All Models
3655A	SCREW	<i>WHEELS, FRONT, CAST - XL1200C (INDIA ONLY), XL883L, XL883N, XL1200CX, XL1200NS, XL1200T, XL1200X, XL1200XS:</i> XL883L XL1200X XL1200T XL883N XL1200C XL1200NS XL1200XS <i>WHEELS, FRONT, CAST - XL1200C (INDIA ONLY), XL883L, XL883N, XL1200CX, XL1200NS, XL1200T, XL1200X, XL1200XS:</i> XL1200CX <i>WHEELS, FRONT, LACED - XL1200C:</i> XL1200C
3658	SCREW	SWITCHES, HANDLEBAR: All Models
4132	SCREW	OIL PUMP: All Models <i>LICENSE PLATE BRACKETS - XL883N, XL1200NS, XL1200X, XL1200XS:</i> XL1200X XL883N XL1200NS XL1200XS <i>LICENSE PLATE BRACKETS - XL1200CX:</i> XL1200CX <i>LICENSE PLATE BRACKETS - XL883L, XL1200C, XL1200T:</i> XL883L XL1200C
43567-92	SCREW	WHEELS, REAR, CAST - NON-ABS - XL883L, XL883N, XL1200CX, XL1200NS, XL1200X, XL1200XS: All Models WHEELS, REAR, CAST - ABS ONLY - XL883L, XL883N, XL1200CX, XL1200NS, XL1200T, XL1200X, XL1200XS : All Models <i>WHEELS, REAR, CAST - XL1200C INDIA :</i> XL1200C <i>WHEELS, REAR, LACED - XL1200C:</i> XL1200C
45378-87	OIL SEAL	<i>FORK, FRONT - XL883L, XL1200C:</i> XL883L XL1200C <i>FORK, FRONT - XL1200T:</i> XL1200T <i>FORK, FRONT - XL883N, XL1200NS:</i> XL883N XL1200NS

45405-75A	SCREW	<p><i>FORK, FRONT - XL883L, XL1200C:</i> XL883L XL1200C</p> <p><i>FORK, FRONT - XL1200T:</i> XL1200T</p> <p><i>FORK, FRONT - XL883N, XL1200NS:</i> XL883N XL1200NS</p> <p><i>FORK, FRONT - XL1200CX:</i> XL1200CX</p>
4740A	SCREW	<p>CAMSHAFTS AND GEARCASE COVER: All Models ALTERNATOR AND REGULATOR: All Models</p>
48300-60	ROLLER BEARING	<p>FORK BRACKETS, FRONT: All Models</p>
59768-97	FENDER SEAT NUT KIT	<p><i>FENDERS, REAR - XL883L:</i> XL883L</p> <p><i>FENDERS, REAR - XL883N, XL1200X, XL1200NS (DOMESTIC, CANADA ONLY):</i> XL883N XL1200X XL1200NS</p> <p><i>FENDERS, REAR - XL883N, XL1200NS, XL1200X, XL1200XS (ALL EXCEPT DOMESTIC, CANADA):</i> XL883N XL1200X XL1200NS XL1200XS</p> <p><i>FENDERS, REAR - XL1200C:</i> XL1200C</p> <p><i>FENDERS, REAR - XL1200T:</i> XL1200T</p> <p><i>FENDERS, REAR - XL1200CX (DOMESTIC, CANADA ONLY):</i> XL1200CX</p> <p><i>FENDERS, REAR - XL1200CX (ALL EXCEPT DOMESTIC, CANADA):</i> XL1200CX</p>
6516HW	WASHER	<p>BELTS, CHAINS AND SPROCKETS: All Models</p>
65324-83B	GASKET	<p><i>EXHAUST SYSTEM - XL883N:</i> XL883N</p> <p><i>EXHAUST SYSTEM - XL1200NS:</i> XL1200NS</p> <p><i>EXHAUST SYSTEM - XL1200CX:</i> XL1200CX</p> <p><i>EXHAUST SYSTEM - XL1200C, XL1200T:</i> XL1200C XL1200T</p> <p><i>EXHAUST SYSTEM - XL883L, XL1200X, XL1200XS (1 OF 2):</i> XL883L XL1200X XL1200XS</p>
65325-83A	RETAINING RING	<p><i>EXHAUST SYSTEM - XL883N:</i> XL883N</p> <p><i>EXHAUST SYSTEM - XL1200NS:</i> XL1200NS</p> <p><i>EXHAUST SYSTEM - XL1200CX:</i> XL1200CX</p>

EXHAUST SYSTEM - XL1200C, XL1200T:

[XL1200C](#)

[XL1200T](#)

EXHAUST SYSTEM - XL883L, XL1200X, XL1200XS (1 OF 2):

[XL883L](#)

[XL1200X](#)

[XL1200XS](#)

6702

WASHER

FORK BRACKETS, FRONT:

[XL1200T](#)

[FORK, REAR, DEBRIS DEFLECTOR AND BELT GUARD: All Models](#)

FENDERS, REAR - XL883L:

[XL883L](#)

FENDERS, REAR - XL883N, XL1200X, XL1200NS (DOMESTIC, CANADA ONLY):

[XL883N](#)

[XL1200X](#)

[XL1200NS](#)

FENDERS, REAR - XL883N, XL1200NS, XL1200X, XL1200XS (ALL EXCEPT DOMESTIC, CANADA):

[XL883N](#)

[XL1200X](#)

[XL1200NS](#)

[XL1200XS](#)

FENDERS, REAR - XL1200C:

[XL1200C](#)

FENDERS, REAR - XL1200T:

[XL1200T](#)

FENDERS, REAR - XL1200CX (DOMESTIC, CANADA ONLY):

[XL1200CX](#)

FENDERS, REAR - XL1200CX (ALL EXCEPT DOMESTIC, CANADA):

[XL1200CX](#)

[FUEL TANK: All Models](#)

HEADLAMP - XL1200NS :

[XL1200NS](#)

EXHAUST SYSTEM - XL883N:

[XL883N](#)

EXHAUST SYSTEM - XL1200NS:

[XL1200NS](#)

EXHAUST SYSTEM - XL1200CX:

[XL1200CX](#)

EXHAUST SYSTEM - XL1200C, XL1200T:

[XL1200C](#)

[XL1200T](#)

EXHAUST SYSTEM - XL883L, XL1200X, XL1200XS (1 OF 2):

[XL883L](#)

[XL1200X](#)

[XL1200XS](#)

7593

NUT

EXHAUST SYSTEM - XL883N:

[XL883N](#)

EXHAUST SYSTEM - XL1200NS:

[XL1200NS](#)

EXHAUST SYSTEM - XL1200CX:

[XL1200CX](#)

EXHAUST SYSTEM - XL1200C, XL1200T:

[XL1200C](#)

[XL1200T](#)

EXHAUST SYSTEM - XL883L, XL1200X, XL1200XS (1 OF 2):

[XL883L](#)

[XL1200X](#)
[XL1200XS](#)

7716	LOCKNUT	LICENSE PLATE BRACKETS - XL1200CX: XL1200CX
8692	RIVET	FENDERS, REAR - XL883L: XL883L FENDERS, REAR - XL883N, XL1200X, XL1200NS (DOMESTIC, CANADA ONLY): XL883N XL1200X XL1200NS FENDERS, REAR - XL883N, XL1200NS, XL1200X, XL1200XS (ALL EXCEPT DOMESTIC, CANADA): XL883N XL1200X XL1200NS XL1200XS FENDERS, REAR - XL1200C: XL1200C FENDERS, REAR - XL1200T: XL1200T FENDERS, REAR - XL1200CX (DOMESTIC, CANADA ONLY): XL1200CX FENDERS, REAR - XL1200CX (ALL EXCEPT DOMESTIC, CANADA): XL1200CX
943	SCREW	INSPECTION COVER AND PRIMARY COVER: All Models
9955	CLAMP	EXHAUST SYSTEM - XL883N: XL883N EXHAUST SYSTEM - XL1200NS: XL1200NS EXHAUST SYSTEM - XL1200CX: XL1200CX EXHAUST SYSTEM - XL1200C, XL1200T: XL1200C XL1200T EXHAUST SYSTEM - XL883L, XL1200X, XL1200XS (1 OF 2): XL883L XL1200X XL1200XS

BRAKING & SUSPENSION

View interactive table

PART NO.	DESCRIPTION	PART AND MODEL(S)
46514-01A	OIL SEAL	FORK, FRONT - XL1200X, XL1200XS: XL1200X XL1200XS
46615-06	WASHER	FORK, FRONT - XL1200X, XL1200XS: XL1200X XL1200XS

CHASSIS & COMPONENTS

View interactive table

PART NO.	DESCRIPTION	PART AND MODEL(S)
50005-85A	SPRING	FRAME AND JIFFY STAND: All Models

ELECTRICAL

View interactive table

PART NO.	DESCRIPTION	PART AND MODEL(S)
70345-84	RETAINER	<i>HANDLEBAR AND THROTTLE CONTROL - XL883L, XL1200X, XL1200XS:</i> XL1200X <i>HANDLEBAR AND THROTTLE CONTROL - XL883L, XL1200X, XL1200XS:</i> XL883L XL1200XS <i>HANDLEBAR AND THROTTLE CONTROL - XL883N, XL1200NS, XL1200T:</i> XL883N XL1200NS XL1200T <i>HANDLEBAR AND THROTTLE CONTROL - XL1200CX:</i> XL1200CX <i>HANDLEBAR AND THROTTLE CONTROL - XL1200C:</i> XL1200C
72023-51E	SWITCH	BRAKE LINES, REAR - NON-ABS: All Models BRAKE LINES, REAR - ABS: All Models SWITCHES: All Models
72330-95	FUSE	WIRING HARNESS, MAIN, NON-ABS (3 OF 4): All Models WIRING HARNESS, MAIN, ABS (3 OF 4): All Models WIRING HARNESS, MAIN, KEYLESS, ABS (3 OF 4): All Models WIRING HARNESS, MAIN, KEYLESS, NON-ABS (3 OF 4): All Models

ENGINE, TRANSMISSION & PRIMARY

View interactive table

PART NO.	DESCRIPTION	PART AND MODEL(S)
18538-99C	TAPPET	ROCKER ARM ASSEMBLY AND PUSHRODS: All Models
37909-90	RETAINING RING	CLUTCH: All Models
37911-90	FRICTION PLATE	CLUTCH: All Models

FOOT CONTROLS

View interactive table

PART NO.	DESCRIPTION	PART AND MODEL(S)
34611-65A	TOE SHIFTER PEG KIT	SHIFTER LEVER: All Models

INTAKE, EXHAUST & FUEL MGMT

[View interactive table](#)

PART NO.	DESCRIPTION	PART AND MODEL(S)
65900012	CLAMP	<p>EXHAUST SYSTEM - XL883N: XL883N</p> <p>EXHAUST SYSTEM - XL1200NS: XL1200NS</p> <p>EXHAUST SYSTEM - XL1200CX: XL1200CX</p> <p>EXHAUST SYSTEM - XL1200C, XL1200T: All Models</p> <p>EXHAUST SYSTEM - XL883L, XL1200X, XL1200XS (2 OF 2): XL883L XL1200X XL1200XS</p>

LIGHTING

[View interactive table](#)

PART NO.	DESCRIPTION	PART AND MODEL(S)
68168-89A	BULB	<p>TURN SIGNALS, FRONT: XL883N XL1200X XL1200CX XL1200NS</p> <p>TAIL LAMPS AND TURN SIGNALS, REAR - XL883N, XL1200NS, XL1200X, XL1200XS: XL1200X XL883N XL1200NS</p> <p>TURN SIGNALS, REAR - XL1200CX, XL1200T: XL1200CX</p>
68329-03	BULB	<p>HEADLAMP - XL883L, XL1200T: XL883L XL1200T</p> <p>HEADLAMP - XL883N : XL883N</p> <p>HEADLAMP - XL1200CX, XL1200X, XL1200XS: XL1200CX XL1200X XL1200XS</p> <p>HEADLAMP - XL1200NS : XL1200NS</p> <p>HEADLAMP - XL1200C: XL1200C</p>
68973-00	LENS	<p>TURN SIGNALS, FRONT - 1200T: XL1200T</p> <p>TURN SIGNALS, FRONT:</p>

[XL883L](#)

[XL1200C](#)

[XL1200CX](#)

TURN SIGNALS, REAR - XL883L and XL1200C:

[XL1200C](#)

[XL883L](#)

TURN SIGNALS, REAR - XL1200CX, XL1200T:

[XL1200T](#)

MAINTENANCE & TOOLS

View interactive table

PART NO.	DESCRIPTION	PART AND MODEL(S)
63796-77A	OIL FILTER	CRANKCASE AND GEARCASE: XL1200C XL1200T XL1200CX
63805-80A	OIL FILTER	CRANKCASE AND GEARCASE: XL883L XL883N XL1200X XL1200NS XL1200XS
66373-06	BATTERY	SWITCHES: All Models

SECURITY & STORAGE

View interactive table

PART NO.	DESCRIPTION	PART AND MODEL(S)
90300111	REMOTE CONTROL FOB	SWITCHES: All Models LOOSE PARTS: All Models

TIRES

View interactive table

PART NO.	DESCRIPTION	PART AND MODEL(S)
40558-82	INNER TUBE	WHEELS, REAR, LACED - XL1200C: XL1200C
40999-87	VALVE STEM	WHEELS, FRONT, CAST - XL1200C (INDIA ONLY), XL883L, XL883N, XL1200CX, XL1200NS, XL1200T, XL1200X, XL1200XS: All Models WHEELS, REAR, CAST - NON-ABS - XL883L, XL883N, XL1200CX, XL1200NS, XL1200X, XL1200XS: XL883L XL883N XL1200X XL1200CX XL1200NS XL1200XS

WHEELS, REAR, CAST - ABS ONLY - XL883L, XL883N, XL1200CX,
XL1200NS, XL1200T, XL1200X, XL1200XS :

[XL883L](#)

[XL883N](#)

[XL1200T](#)

[XL1200X](#)

[XL1200CX](#)

[XL1200NS](#)

[XL1200XS](#)

WHEELS, REAR, CAST - XL1200C INDIA :

[XL1200C](#)