

2017 Sportster Models Parts Catalog

Alphabetical List

Parts

Hardware List

New Parts List

Numerical Index

Component Types and Introduction Dates

Common Service Parts

READER'S COMMENTS

The Harley-Davidson Service Communications Department maintains a continuous effort to improve the quality and usefulness of its publications. To do this effectively, we need user feedback - your critical evaluation of this manual.

Please comment on the completeness, accuracy, organization, usability, and readability of this manual.

Please list the page, item, and part number(s) of any errors you find in this manual.

Please tell us how we can improve this manual.

Name	Document 94000380
Occupation	Dealership

GENERAL INFORMATION

THIS IS NOT AN ASSEMBLY MANUAL AND SHOULD NOT BE USED AS SUCH.

About this manual

This Parts Catalog has been prepared to make it easier for you to order parts for your motorcycles. The numbers shown in the illustrations correspond to the numbers in the "INDEX NO." column in the parts lists. Consult the illustrations when ordering parts to make sure that you receive all the required parts. The number in parentheses following the part description is the quantity needed for complete assembly. If there is no number in parentheses, only one is used. Prices of parts in this catalog are published separately.

When ordering parts, the following instructions should be followed carefully.

- Make sure to specify the correct part number for each item. The part numbers appear under the "PART NO." column in the parts lists.
- Orders may be placed via your computer for all parts. Review your system documentation on placing orders electronically. All non-warranty replacement crankcase orders require return of the complete left crankcase half with vehicle identification number (VIN). All non-warranty replacement frame orders require return of the steering neck with vehicle identification number (VIN). Non-compliance will result in a fine. See non-warranty frame and crankcase policy or contact Dealer Services.
- The sale or use of these parts or accessories does not grant the purchaser a license or other right under any Harley-Davidson patent.
- For all 2008 and later painted parts, refer to the Service Section of h-dnet.com which features a listing of painted part numbers, except CVO (Custom Vehicle Operations) models which are located in their own respective catalogs.
- All parts that were added for the new model year will have the entire line shaded on the parts list page. This can be used to identify any new parts that are unique to a specific model, and help distinguish new and previous model year parts.
- Parts marked "**RESTRICTED SALE PART**" are limited edition items and can only be ordered as direct replacements.
- Orientation symbols are used when the illustration is not in the standard "Right-Front" orientation. The

symbol is a motorcycle with an arrow in the front indicating the direction of view. The symbol is at the bottom left or right side of the illustration page.

- To request a missing or loose part, simply submit a Return Material Authorization (RMA) claim on h-dnet.com with code "T-part not included with vehicle" for all vehicle missing parts claims. Then place an order for the missing item on your next Parts and Accessories order. Upon filing the RMA claim, your dealership will be credited for the dealer net cost of the part. The Vehicle Identification Number must be included on the RMA claim in order for you to receive credit. This process is to be used for vehicles manufactured at all plants.

To the best knowledge of Harley-Davidson Motor Company, the material contained herein is accurate as of the date this publication was approved for printing. Harley-Davidson Motor Company reserves the right to change specifications, equipment or designs at any time without notice and without incurring obligation.

2018 TFD.

GENERAL INFORMATION

LOOSE PARTS

The Loose Parts section is located at the back of this parts catalog. This section lists the parts which are shipped unfastened with the vehicles covered in this catalog.

HARDWARE LIST

The Hardware List is located at the back of this parts catalog. This section contains the information for each piece of hardware found in each parts list.

NEW PARTS LIST

The New Parts List is located at the back of this parts catalog. This list serves as a summary of new parts.

NUMERICAL INDEX

The Numerical Index is located at the back of this parts catalog. This index includes all part numbers used in this catalog and the page numbers of where they can be found.

COMPONENT TYPES AND INTRODUCTION DATES

The Component Types and Introduction Dates section is located at the back of this parts catalog. This section contains a list of component part numbers and year of introduction.

COMMON SERVICE PARTS

The Common Service Parts section is located at the back of this parts catalog. This section contains the most commonly ordered parts for service on vehicles covered in this catalog. These parts are ordered through the normal ordering process.

IF (SERVICE INFORMATION PORTAL)

For the latest updates to these manuals, see the Service Information Portal.

VEHICLE IDENTIFICATION NUMBER

See Figure 1. A unique 17-digit serial, or vehicle identification number (VIN), is assigned to each motorcycle. For a description of each digit in the vehicle identification number (VIN), refer to Table 1.

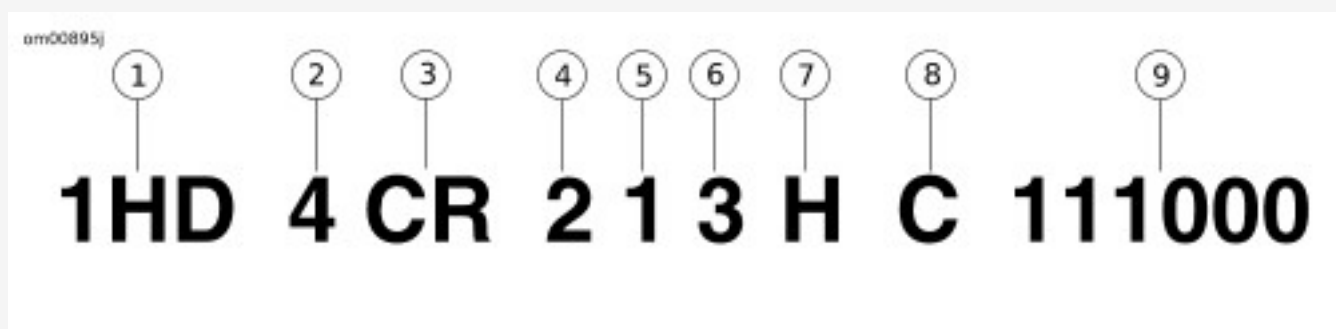
For all models except V-Rod the full 17-digit serial, or vehicle identification number (VIN), is stamped on the right side of the frame backbone at the rear of the steering head. The vehicle identification number (VIN) is also printed on a label on the right front downtube. An abbreviated vehicle identification number (VIN) is stamped on the left side crankcase between the front and rear cylinders.

For V-Rod models only the full 17-digit serial, or vehicle identification number (VIN), is stamped on the right side of the steering head. The vehicle identification number (VIN) is also printed on a label on the left frame tube above the front engine cylinder. An abbreviated vehicle identification number (VIN) is stamped on the left side crankcase below the rear cylinder head.

Always give the full 17-digit vehicle identification number (VIN) when ordering parts or making any inquiry about your motorcycle.

017 SPORTSTER MODELS

VIN MODEL CODES



[View interactive image](#)

Figure 1. Typical Harley-Davidson VIN

Table 1. Harley-Davidson VIN Breakdown

POSITION	DESCRIPTION	POSSIBLE VALUES	
1	World manufacturer identifier	1HD=Originally manufactured in the United States 5HD=Originally manufactured in the United States for sale outside of the United States 932=Originally manufactured in Brazil MEG=Originally manufactured in India	
2	Motorcycle type	1=Heavyweight motorcycle (901 cm ³ or larger) 4=Middleweight motorcycle (351 cm ³ to 900 cm ³)	
3	Model	See VIN model table	
4	Engine type	2=Evolution [®] 883 cm ³ air-cooled, fuel-injected 3=Evolution [®] 1202 cm ³ air-cooled, fuel-injected	
5	Configuration/calibration, introduction	Normal Introduction 1=Domestic (DOM) 3=California (CAL) A=Canada (CAN)	Mid-year or Special Introduction 2, 4=Domestic (DOM) 5, 6=California (CAL) B=Canada (CAN)

		C=HDI E=Japan (JPN) G=Australia (AUS) J=Brazil (BRZ) L=Asia Pacific (APC) N=India (IND)	D=HDI F=Japan (JPN) H=Australia (AUS) K=Brazil (BRZ) M=Asia Pacific (APC) P=India (IND)
6	VIN check digit	Can be 0-9 or X	
7	Model year	H=2017	
8	Assembly plant	C=Kansas City, MO U.S.A. D=H-D Brazil-Manaus, Brazil (CKD) N=Haryana India (Bawal District Rewari)	
9	Sequential number	Varies	

Table 2. VIN Model Codes

CODE	MODEL	CODE	MODEL
CR	XL883L SuperLow [®]	LK	XL1200CB 1200 Custom Limited B
CT	XL1200C 1200 Custom	LL	XL1200T SuperLow [®] 1200T
LC	XL1200X Forty-Eight [®]	LM	XL1200CX Roadster
LE	XL883N Iron 883 [™]		

NOTES

ABS MODULE
 AIR CLEANER
 AIR FILTER, ENGINE
 ALTERNATOR AND REGULATOR
 AXLE, FRONT
 AXLE, REAR
 BATTERY
 BATTERY CABLES
 BELT GUARD
 BELTS, CHAINS AND SPROCKETS
 BODY CONTROL MODULE (BCM)
 BRAKE CALIPER, FRONT
 BRAKE CALIPER, REAR
 BRAKE CONTROL, FRONT
 BRAKE CONTROL, REAR
 BRAKE DISC, FRONT
 BRAKE DISC, REAR
 BRAKE LEVER, FRONT
 BRAKE LINES, FRONT - ABS

BRAKE LINES, FRONT - NON-ABS
BRAKE LINES, REAR - ABS
BRAKE LINES, REAR - NON-ABS
BRAKE MASTER CYLINDER, FRONT
BRAKE MASTER CYLINDER, REAR
BRAKE MODULE, ABS
BRAKE PEDAL, REAR
BULB, FRONT TURN SIGNALS
BULB, HEADLAMP
BULB, LICENSE PLATE BRACKETS
BULB, REAR TURN SIGNALS
BULB, TAIL LAMPS
CALIPER, FRONT BRAKE
CALIPER, REAR BRAKE
CAMSHAFT COVER
CAMSHAFTS AND GEARCASE COVER
CARBON CANISTER
CHAIN, PRIMARY
CLUTCH
CLUTCH CABLE
CLUTCH CONTROL
CONNECTING ROD
COVER, PUSHRODS
CRANKCASE AND GEARCASE
CRANKCASE BEARINGS
CYLINDER HEADS
CYLINDERS, HEADS AND VALVES (1 OF 2)
CYLINDERS, HEADS AND VALVES (2 OF 2)
DEBRIS DEFLECTOR
DIPSTICK, OIL TANK
ELECTRONIC CONTROL MODULE (ECM)
ELECTRONIC IGNITION SYSTEM
ENGINE ASSEMBLY
ENGINE MOUNTS AND STABILIZER LINK
ENGINE SENSORS AND SWITCHES
EVAPORATIVE EMISSIONS COMPONENTS
EXHAUST SYSTEM (1 OF 2)
EXHAUST SYSTEM (2 OF 2)
FENDERS, FRONT
FENDERS, REAR - XL1200C, XL1200CB
FENDERS, REAR - XL1200CX (CANADA AND HDI ONLY)
FENDERS, REAR - XL1200CX (DOMESTIC ONLY)
FENDERS, REAR - XL1200T
FENDERS, REAR - XL883N, XL1200X (CANADA ONLY), XL883L (DOMESTIC, CANADA, HDI)
FENDERS, REAR - XL883N, XL1200X (DOMESTIC ONLY)
FENDERS, REAR - XL883N, XL1200X (HDI ONLY)
FILTER, AIR CLEANER
FLYWHEEL ASSEMBLY
FOOTRESTS, PASSENGER
FOOTRESTS, RIDER, FORWARD-CONTROL
FOOTRESTS, RIDER, MID-CONTROL

FORK BRACKETS, FRONT
FORK, FRONT - XL1200CX
FORK, FRONT - XL1200T
FORK, FRONT - XL1200X
FORK, FRONT - XL883L, XL1200C, XL1200CB
FORK, FRONT - XL883N
FORK, REAR, DEBRIS DEFLECTOR AND BELT GUARD
FRAME AND JIFFY STAND
FUEL CAP
FUEL FILTER
FUEL INJECTOR
FUEL PUMP
FUEL TANK
FUEL TANK TRIM
FUSES
GEARCASE COVER
GEARCASE
GEARS, TRANSMISSION
GUARDS, SAREE
HANDLEBAR AND THROTTLE CONTROL - XL1200C, XL1200CB
HANDLEBAR AND THROTTLE CONTROL - XL883L, XL883N, XL1200CX, XL1200T, XL1200X
HEADLAMP - XL1200C, XL1200CB
HEADLAMP - XL883L, XL883N, XL1200CX, XL1200T, XL1200X
HEADS, CYLINDER
HORN
IGNITION COIL
INDUCTION MODULE, FUEL
INNER TUBE, FRONT
INNER TUBE, REAR
INSPECTION COVER AND PRIMARY COVER
INSTRUMENTS
JET, PISTON COOLING
JIFFY STAND
KEY SET
LABELS
LICENSE PLATE BRACKETS - XL883L, XL1200C, XL1200CB, XL1200T
LICENSE PLATE BRACKETS - XL883N, XL1200CX, XL1200X
LIFTER, HYDRAULIC
LOCKSET
LOOSE PARTS
MASTER CYLINDER, BRAKE, FRONT
MASTER CYLINDER, BRAKE, REAR
MIRRORS
MUFFLERS
OIL FILTER, ENGINE
OIL PUMP
OIL TANK AND LINES
PADS, FRONT BRAKE
PADS, REAR BRAKE
PISTON COOLING, JET
PISTONS AND FLYWHEEL ASSEMBLY

PRIMARY COVER
PUSHRODS
REAR FORK
REFLECTOR, FRONT FENDER - XL1200CX
REFLECTOR, FRONT FORK - XL1200T
REFLECTOR, FRONT FORK - XL1200X
REFLECTOR, FRONT FORK - XL883L, XL1200C, XL1200CB
REFLECTOR, FRONT FORK - XL883N
REFLECTOR, REAR FENDER - XL1200C, XL1200CB
REFLECTOR, REAR FENDER - XL1200CX (CANADA AND HDI ONLY)
REFLECTOR, REAR FENDER - XL1200CX (DOMESTIC ONLY)
REFLECTOR, REAR FENDER - XL883N, XL1200X (CANADA ONLY), XL883L (DOMESTIC, CANADA, HDI)
REFLECTOR, REAR FENDER - XL883N, XL1200X (DOMESTIC ONLY)
REFLECTOR, REAR FENDER - XL883N, XL1200X (HDI ONLY)
REFLECTOR, SADDLEBAGS - 1200T
REGULATOR, VOLTAGE
REMOTE CONTROL FOB
ROCKER ARM ASSEMBLY AND PUSHRODS
ROTOR, ENGINE
SADDLEBAGS - 1200T
SAREE GUARDS
SEATS
SENSOR, CRANKSHAFT POSITION
SENSOR, ENGINE TEMPERATURE
SENSOR, FUEL LEVEL
SENSOR, OXYGEN
SENSOR, SPEED
SENSOR, TEMPERATURE MANIFOLD ABSOLUTE PRESSURE (TMAP)
SENSOR, WHEEL SPEED, FRONT
SENSOR, WHEEL SPEED, REAR
SENSORS AND SWITCHES, ENGINE
SHIFTER CAM
SHIFTER FORK
SHIFTER LEVER
SHIFTER, GEAR
SHOCK ABSORBERS, REAR
SIDE COVER, OIL TANK
SOLENOID, PURGE
SPARK PLUGS
SPEEDOMETER
SPROCKET, BELT
SPROCKET, TRANSMISSION
STABILIZER LINK, ENGINE
STARTER MOTOR
STATOR
SWINGARM
SWITCH, BRAKE LIGHT
SWITCH, IGNITION
SWITCH, NEUTRAL INDICATOR
SWITCH, OIL PRESSURE
SWITCHES

SWITCHES, HANDLEBAR

TAIL LAMPS

TAIL LAMPS AND TURN SIGNALS, REAR - XL1200CX, XL1200T

TAIL LAMPS AND TURN SIGNALS, REAR - XL883L, XL883N, XL1200C, XL1200CB, XL1200X

THROTTLE CONTROL - XL1200C, XL1200CB

THROTTLE CONTROL - XL883L, XL883N, XL1200CX, XL1200T, XL1200X

TIRE, FRONT

TIRE, REAR

TRANSMISSION GEARS

TURN SIGNAL MODULE AND SECURITY SIREN

TURN SIGNALS, FRONT

TURN SIGNALS, REAR

Triple Clamp

VALVES

VOLTAGE REGULATOR

VOLTAGE REGULATOR

WHEELS, FRONT, CAST - XL883L, XL883N, XL1200CX, XL1200T, XL1200X

WHEELS, FRONT, LACED - XL1200C, XL1200CB

WHEELS, REAR, CAST - XL883L, XL883N, XL1200CX, XL1200T, XL1200X

WHEELS, REAR, LACED - XL1200C, XL1200CB

WINDSHIELD - 1200T

WIRING HARNESS, ENGINE

WIRING HARNESS, MAIN, ABS (1 OF 4)

WIRING HARNESS, MAIN, ABS (2 OF 4)

WIRING HARNESS, MAIN, ABS (3 OF 4)

WIRING HARNESS, MAIN, ABS (4 OF 4)

WIRING HARNESS, MAIN, KEYLESS, ABS (1 OF 4)

WIRING HARNESS, MAIN, KEYLESS, ABS (2 OF 4)

WIRING HARNESS, MAIN, KEYLESS, ABS (3 OF 4)

WIRING HARNESS, MAIN, KEYLESS, ABS (4 OF 4)

WIRING HARNESS, MAIN, KEYLESS, NON-ABS (1 OF 4)

WIRING HARNESS, MAIN, KEYLESS, NON-ABS (2 OF 4)

WIRING HARNESS, MAIN, KEYLESS, NON-ABS (3 OF 4)

WIRING HARNESS, MAIN, KEYLESS, NON-ABS (4 OF 4)

WIRING HARNESS, MAIN, NON-ABS (1 OF 4)

WIRING HARNESS, MAIN, NON-ABS (2 OF 4)

WIRING HARNESS, MAIN, NON-ABS (3 OF 4)

WIRING HARNESS, MAIN, NON-ABS (4 OF 4)

WIRING HARNESS, REAR BRAKELINE - ABS

WIRING HARNESS, REAR BRAKELINE - NON-ABS

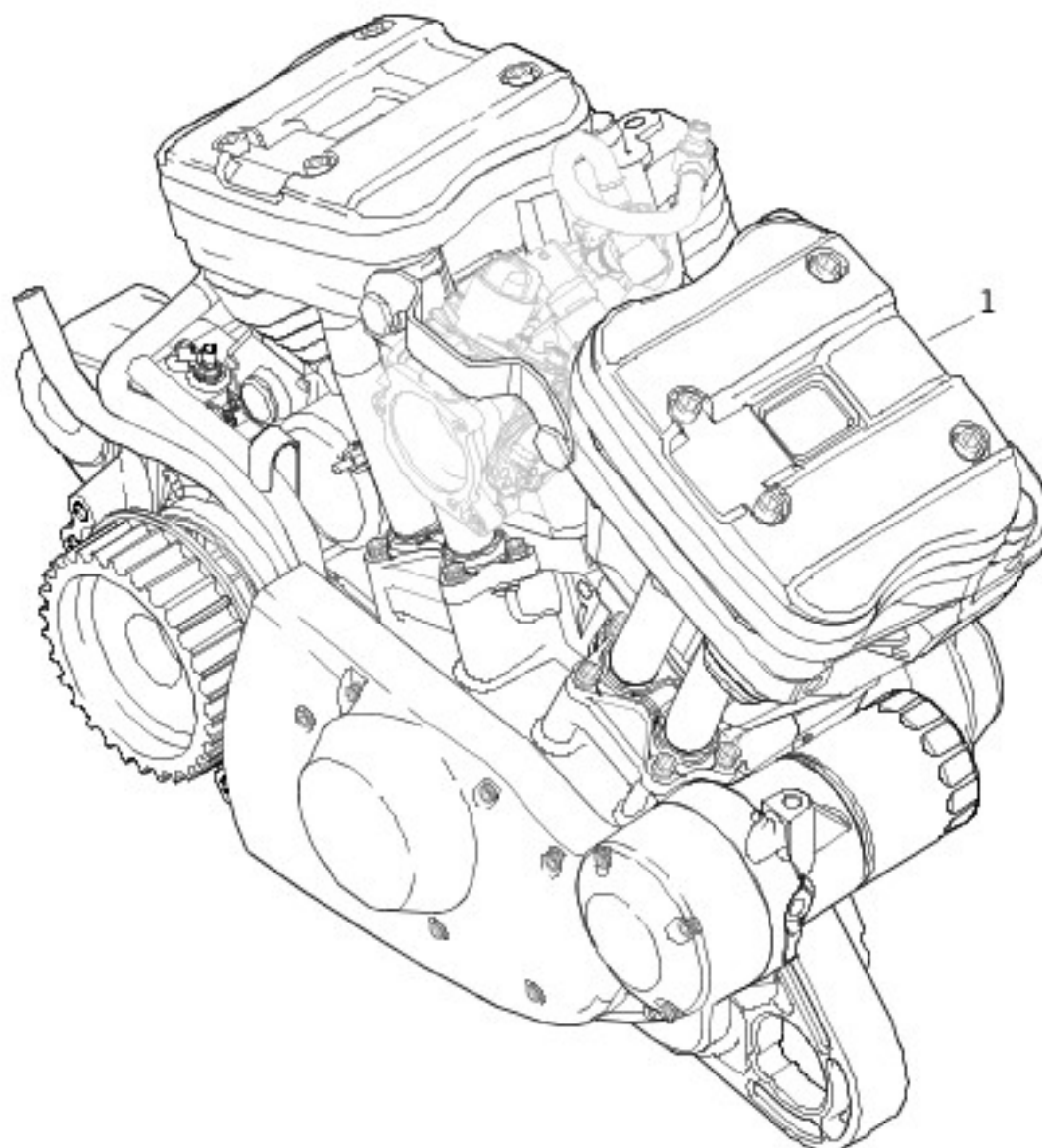
WIRING HARNESS, REAR TURN SIGNALS

WIRING HARNESS, SPEEDOMETER

WIRING HARNESS, TAIL LAMPS

Parts

ENGINE ASSEMBLY



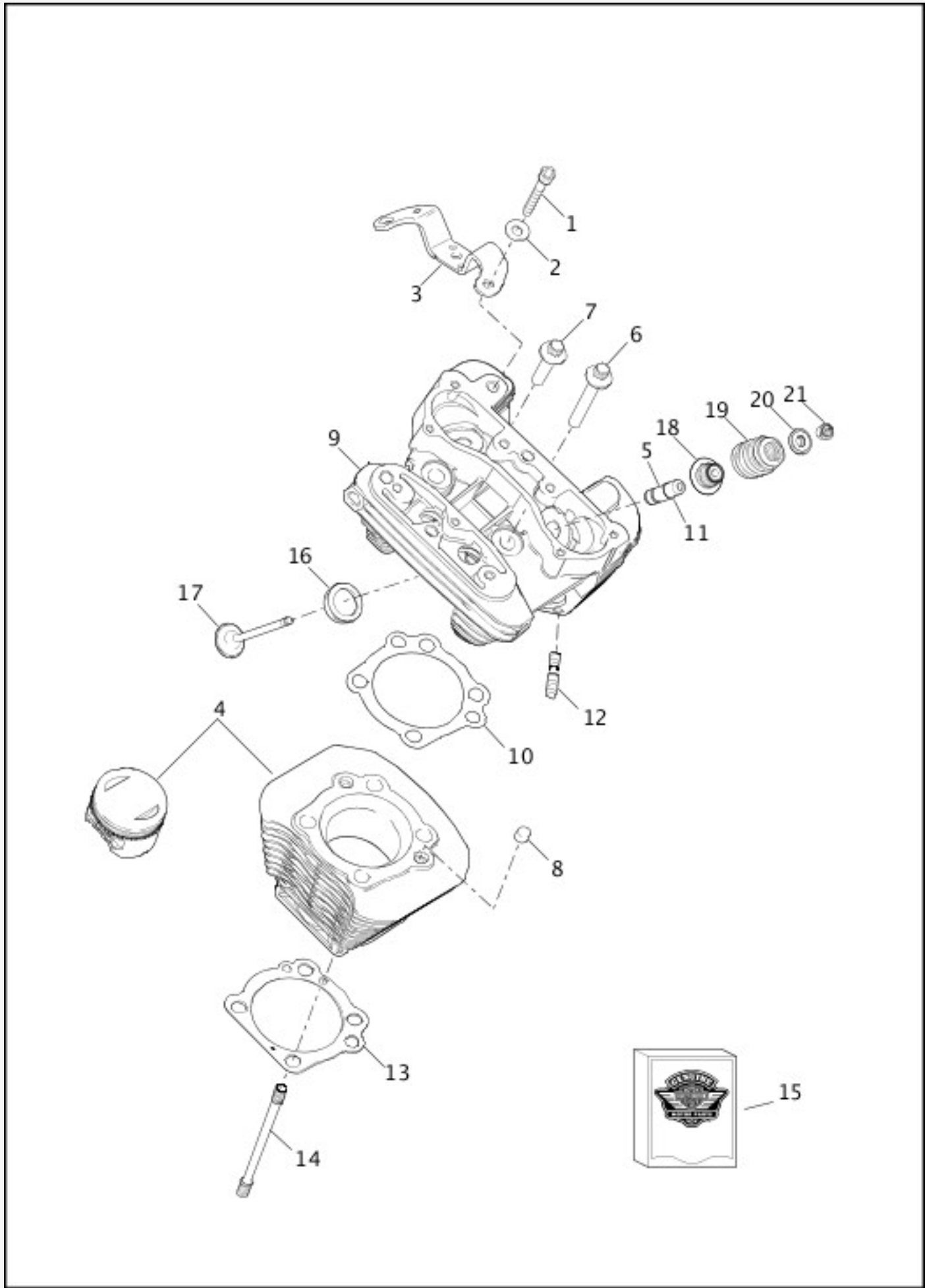
[View interactive image](#)

[View interactive table](#)

INDEX NO.	PART NO.	DESCRIPTION	MODEL(S)
1	19519-17	ENGINE ASSEMBLY (883cc) (World)	XL883N
	19527-17	ENGINE ASSEMBLY (1200cc) (Domestic, California, Canada)	XL1200C, XL1200T

	19566-17	ENGINE ASSEMBLY (883cc) (World)	XL883L
	19606-17	ENGINE ASSEMBLY (1200cc) (HDI)	XL1200C, XL1200T
	19766-17	ENGINE ASSEMBLY (1200cc) (Domestic, California, Canada)	XL1200X
	19767-17	ENGINE ASSEMBLY (1200cc) (HDI)	XL1200X
	19905-17	ENGINE ASSEMBLY (1200cc) (HDI)	XL1200CB
	20115-17	ENGINE ASSEMBLY (1200cc) (World)	XL1200CX

CYLINDERS, HEADS AND VALVES (1 OF 2)



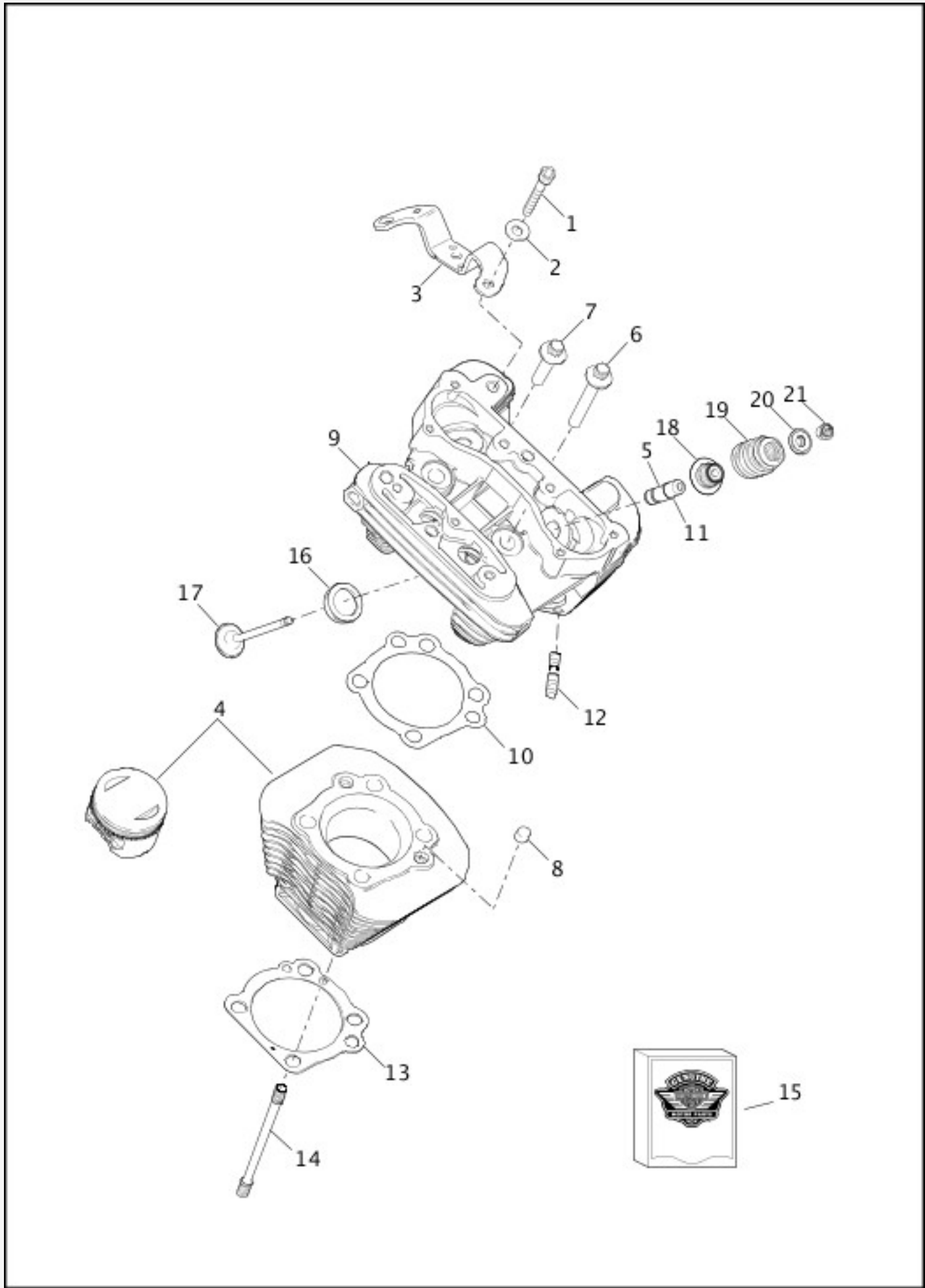
[View interactive image](#)

[View interactive table](#)

INDEX NO.	PART NO.	DESCRIPTION	MODEL(S)
1	4266A	SCREW (2)	XL1200CX, XL1200X, XL883L, XL883N

	4748	SCREW (2)	XL1200C, XL1200CB, XL1200T
2	6787	WASHER (2)	XL1200C, XL1200CB, XL1200T
3	16353-04	BRACKET	XL1200C, XL1200CB, XL1200T
4	16443-04	CYLINDER, with piston (883 cc) (silver) (2)	XL883L
	16452-05	CYLINDER, with piston (883 cc) (black) (2)	XL883N
	16463-04	CYLINDER, with piston (1200 cc) (black with fin highlights) (2)	XL1200C, XL1200T
	16469-10	CYLINDER, with piston (1200 cc) (black without fin highlights) (2)	XL1200CB, XL1200X
	17496-07	CYLINDER, with piston (1200 cc) (gray without fin highlights) (2)	XL1200CX
5	16465-06	VALVE GUIDE, with 16699-06 (4)	ALL
6	16478-85A	SCREW (4)	ALL
7	16480-92A	SCREW (4)	ALL
8	16573-83A	DOWEL (4)	ALL
9	16660-07	HEAD, rear cylinder (883 cc) (silver), with valve guides and seats	XL883L
	16661-07	HEAD, front cylinder (883 cc) (silver), with valve guides and seats	XL883L
	16865-07	HEAD, rear cylinder (883 cc) (black), with valve guides and seats	XL883N
	16867-07	HEAD, front cylinder (883 cc) (black), with valve guides and seats	XL883N
	16666-07	HEAD, rear cylinder (1200 cc) (black with fin highlights), with valve guides and seats	XL1200C, XL1200T
	16667-07	HEAD, front cylinder (1200 cc) (black with fin highlights), with valve guides and seats	XL1200C, XL1200T
	17488-07	HEAD, rear cylinder (1200 cc) (black without fin highlights), with valve guides and seats	XL1200CB, XL1200X
	17485-07	HEAD, front cylinder (1200 cc) (black without fin highlights), with valve guides and seats	XL1200CB, XL1200X
	16500469	HEAD, rear cylinder (1200 cc) (gray), with valve guides and seats	XL1200CX
	16500471	HEAD, front cylinder (1200 cc) (gray), with valve guides and seats	XL1200CX

CYLINDERS, HEADS AND VALVES (2 OF 2)



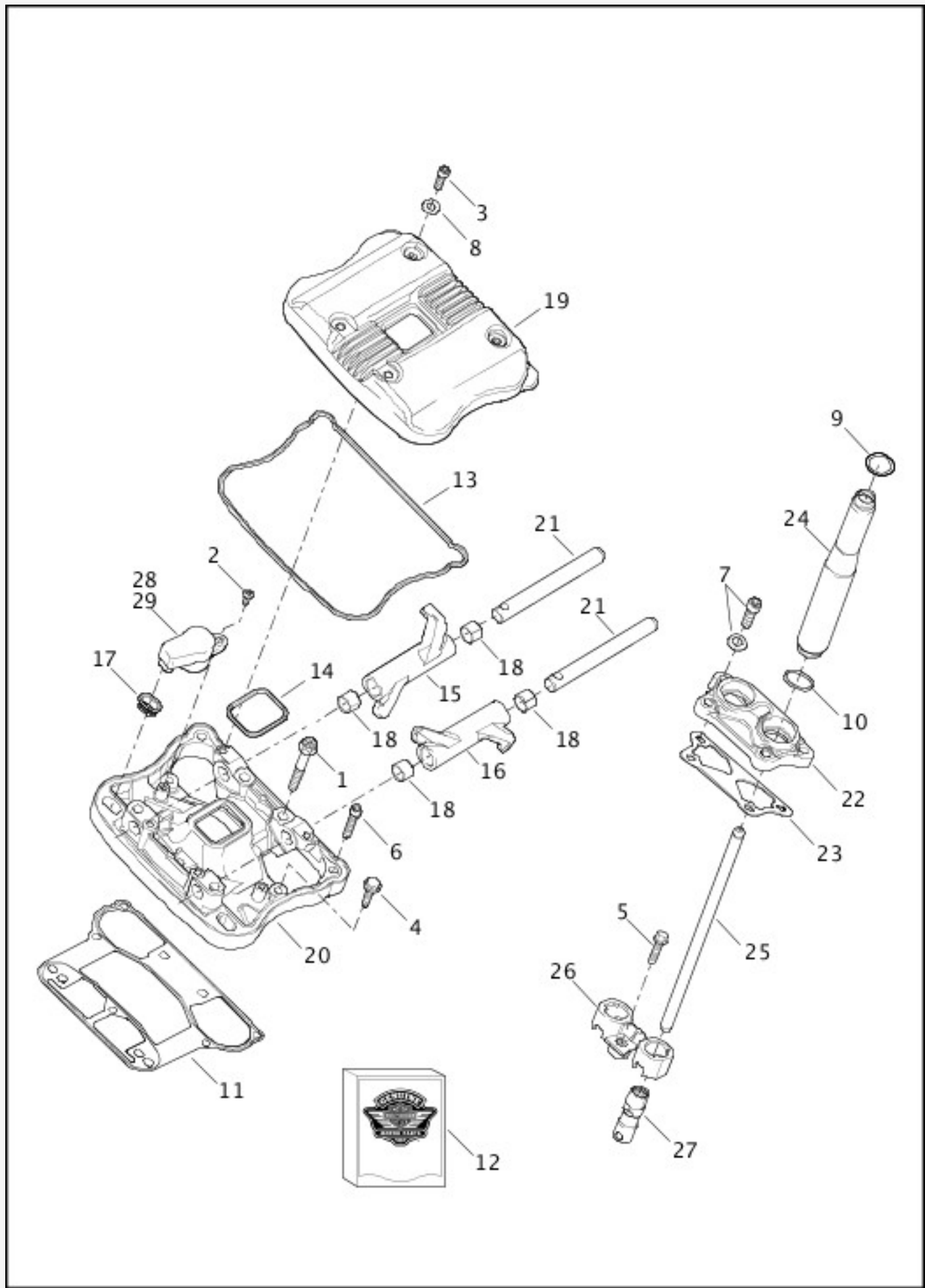
[View interactive image](#)

[View interactive table](#)

INDEX NO.	PART NO.	DESCRIPTION	MODEL(S)
10	16664-86D	GASKET, cylinder head (2)	XL883L, XL883N
	16770-84F	GASKET, cylinder head (2)	XL1200C, XL1200CB, XL1200CX, XL1200T, XL1200X

11	16699-06	SNAP RING (4)	ALL
12	16715-83	STUD, exhaust port (4)	ALL
13	16789-04	GASKET, cylinder base (2)	ALL
14	16832-86C	STUD, cylinder base (8)	ALL
15	17027-08	GASKET KIT, engine overhaul	ALL
	17049-08	GASKET KIT, top overhaul	ALL
16	18011-86	INSERT, exhaust valve seat (2)	XL1200C, XL1200CB, XL1200CX, XL1200T, XL1200X
	18012-87A	INSERT, exhaust valve seat (2)	XL883L, XL883N
	18020-07	INSERT, intake valve seat (2)	XL1200C, XL1200CB, XL1200CX, XL1200T, XL1200X
	18021-87A	INSERT, intake valve seat (2)	XL883L, XL883N
17	18053-04	INTAKE VALVE, 7mm (2)	XL883L, XL883N
	18690-02	INTAKE VALVE, 7mm (2)	XL1200C, XL1200CB, XL1200CX, XL1200T, XL1200X
	18059-04	EXHAUST VALVE, 7mm (2)	XL883L, XL883N
	18691-02	EXHAUST VALVE, 7mm (2)	XL1200C, XL1200CB, XL1200CX, XL1200T, XL1200X
18	18094-02A	SEAL, valve (4)	ALL
19	18245-02	VALVE SPRING (4)	ALL
20	18258-02	COLLAR, valve spring - upper (4)	ALL
21	18260-02	KEEPER, valve collar (8)	ALL

ROCKER ARM ASSEMBLY AND PUSHRODS



[View interactive image](#)

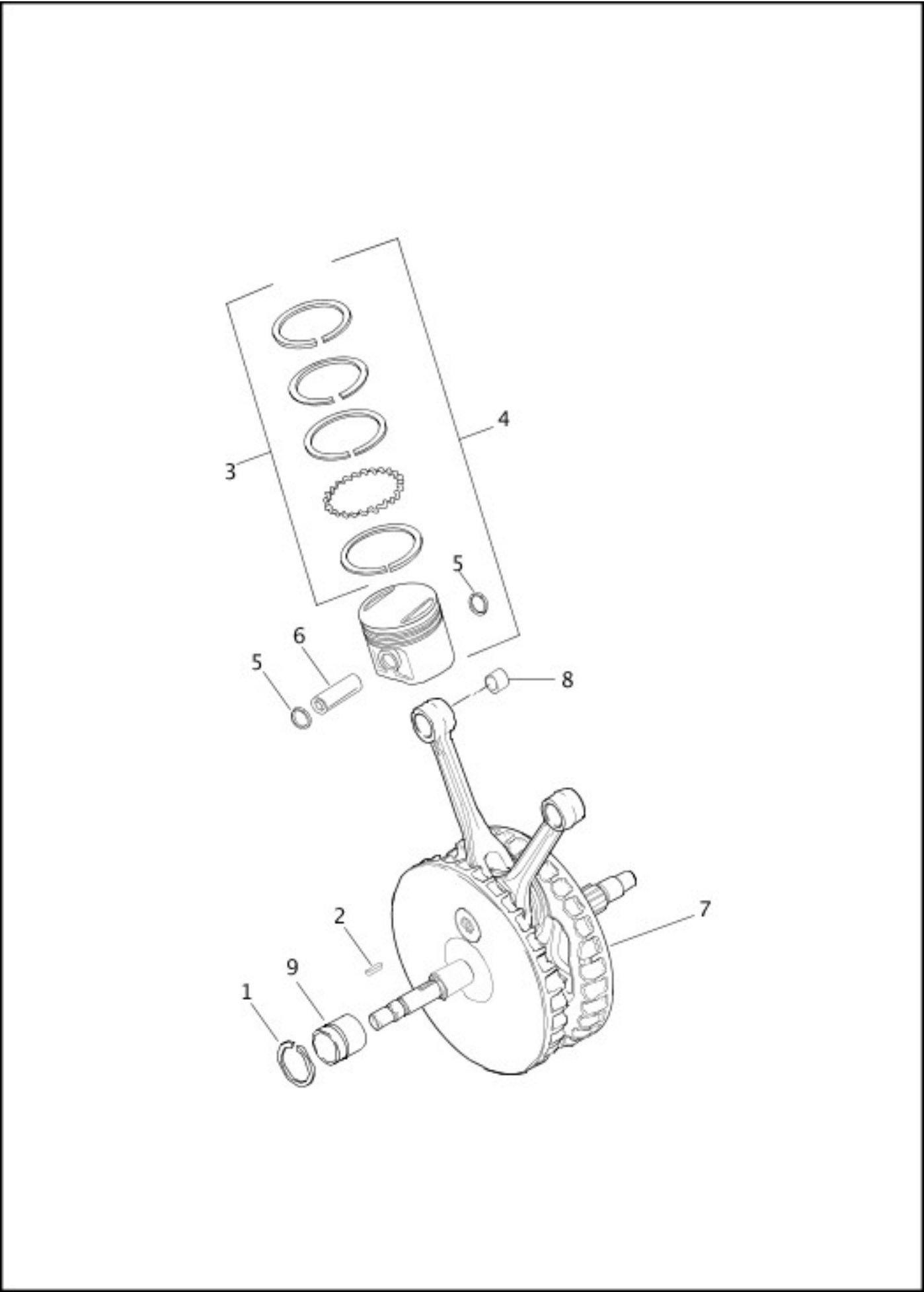
[View interactive table](#)

INDEX NO.	PART NO.	DESCRIPTION	MODEL(S)
1	1039	SCREW (8)	ALL
2	2441	SCREW (2)	ALL

3	2486	SCREW (8)	ALL
4	3849	SCREW (6)	ALL
5	3976	SCREW (2)	ALL
6	4718A	SCREW (4)	ALL
7	4741A	SCREW (8)	ALL
8	6589	WASHER (8)	ALL
9	11190	O-RING (4)	ALL
10	11377	O-RING (4)	ALL
11	16800-84B	GASKET (2)	ALL
12	17036-08	GASKET KIT, rocker cover	ALL
13	17362-07B	GASKET, lower (2)	ALL
14	17695-07B	GASKET, inner (2)	ALL
15	17360-83A	ROCKER ARM, front intake and rear exhaust, with 17429-91 (2)	ALL
16	17375-83A	ROCKER ARM, front exhaust and rear intake, with 17429-91 (2)	ALL
17	17393-07	SEAL	ALL
18	17429-91	BUSHING (4)	ALL
19	17501-04	ROCKER COVER, outer (polished) (2)	XL1200X, XL883L
	17551-04	ROCKER COVER, outer (chrome) (2)	XL1200C, XL1200T
	17655-05	ROCKER COVER, outer (black) (2)	XL1200CB, XL1200CX, XL883N
20	17532-07A	ROCKER COVER, inner (polished) (2)	XL1200CX, XL1200X, XL883L
	17537-07A	ROCKER COVER, inner (chrome) (2)	XL1200C, XL1200T
	17598-07A	ROCKER COVER, inner (silver) (2)	XL1200CB, XL883N
21	17611-83	SHAFT (4)	ALL
22	17972-04	TAPPET COVER, front	ALL
	17981-04	TAPPET COVER, rear	ALL
23	17976-04	GASKET (2)	ALL
24	17946-04	COVER (chrome) (4)	ALL
25	17908-02	PUSHROD, exhaust (2)	ALL

	17909-02	PUSHROD, intake (2)	ALL
26	18505-06	ANTI-ROTATION DEVICE (2)	ALL
27	18538-99C	TAPPET, with roller (4)	ALL
28	26010-04	BREATHER, front	ALL
	26011-04	BREATHER, rear	ALL
29	26012-07	BREATHER, front with seal	ALL
	26020-07	BREATHER, rear with seal	ALL

PISTONS AND FLYWHEEL ASSEMBLY



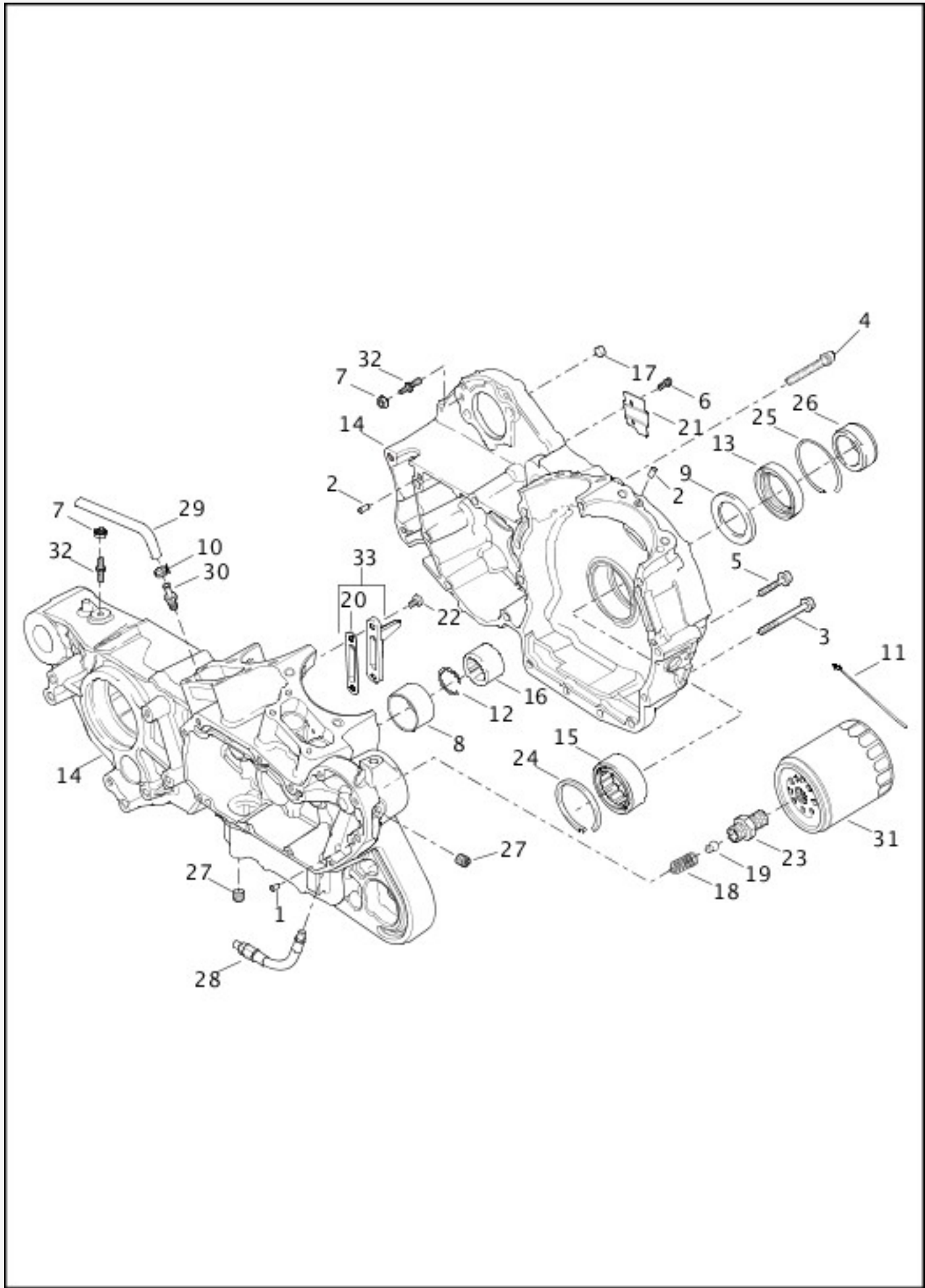
[View interactive image](#)

[View interactive table](#)

INDEX NO.	PART NO.	DESCRIPTION	MODEL(S)
1	11177A	RETAINING RING	ALL
2	11317	KEY	ALL

3	22266-86	PISTON RING SET, standard (2)	XL883L, XL883N
	22261-86	PISTON RING SET, 0.010 oversize (2)	XL883L, XL883N
	22271-86	PISTON RING SET, 0.005 oversize (2)	XL883L, XL883N
	21948-02	PISTON RING SET, standard (2)	XL1200C, XL1200CB, XL1200CX, XL1200T, XL1200X
	22231-04	PISTON RING SET, 0.005 oversize (2)	XL1200C, XL1200CB, XL1200CX, XL1200T, XL1200X
	22238-04	PISTON RING SET, 0.010 oversize (2)	XL1200C, XL1200CB, XL1200CX, XL1200T, XL1200X
4	22221-04	PISTON AND RINGS ASSEMBLY, standard (2)	XL883L, XL883N
	22228-04	PISTON AND RINGS ASSEMBLY, 0.010 oversize (2)	XL883L, XL883N
	22223-04	PISTON AND RINGS ASSEMBLY, standard (2)	XL1200C, XL1200CB, XL1200CX, XL1200T, XL1200X
	22227-04	PISTON AND RINGS ASSEMBLY, 0.005 oversize (2)	XL1200C, XL1200CB, XL1200CX, XL1200T, XL1200X
	22230-04	PISTON AND RINGS ASSEMBLY, 0.010 oversize (2)	XL1200C, XL1200CB, XL1200CX, XL1200T, XL1200X
5	22589-83B	RETAINING RING (4)	ALL
6	22719-04	PISTON PIN (2)	XL883L, XL883N
	22765-02	PISTON PIN (2)	XL1200C, XL1200CB, XL1200CX, XL1200T, XL1200X
7	23905-04B	FLYWHEELS AND CONNECTING ROD ASSEMBLY, with 11317	ALL
8	24332-36	BUSHING, 0.01 oversize (2)	ALL
9	24658-87	INNER RING	ALL

CRANKCASE AND GEARCASE



[View interactive image](#)

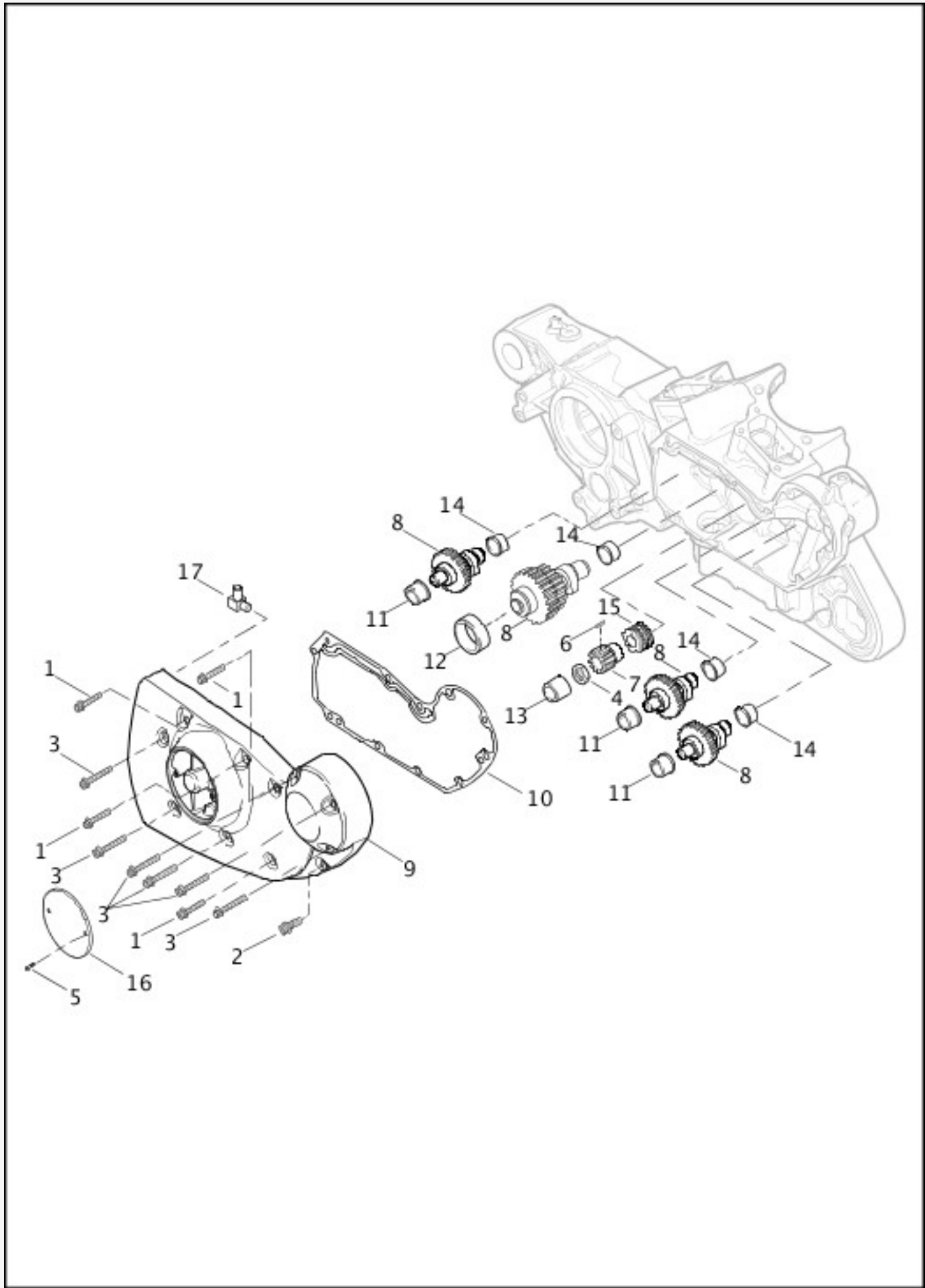
[View interactive table](#)

INDEX NO.	PART NO.	DESCRIPTION	MODEL(S)
1	215	PIN (2)	ALL
2	358	DOWEL PIN (4)	ALL

3	835	SCREW (13)	ALL
4	1028	SCREW	ALL
5	1048	SCREW (4)	ALL
6	4091	SCREW (2)	ALL
7	7792	NUT (2)	ALL
8	8881	BEARING RACE	ALL
9	8972	WASHER	ALL
10	10080	CLAMP	ALL
11	10177	CABLE STRAP	ALL
12	11177A	RETAINING RING	ALL
13	12068	OIL SEAL	ALL
14	24466-06B	CRANKCASE SET, with bearings (black)	XL1200C, XL1200CB, XL1200CX, XL1200T, XL1200X, XL883N
	24470-06B	CRANKCASE SET, with bearings (silver)	XL883L
	24745-07A	CRANKCASE SET, with bearings (gray)	XL1200CX
15	24605-07	BEARING	ALL
16	24647-87	BEARING (blue)	ALL
	24650-87	BEARING (red)	ALL
	24659-87	BEARING (gray)	ALL
	24660-87	BEARING (green)	ALL
17	24754-75A	DOWEL PIN (2)	ALL
18	26436-90A	SPRING	ALL
19	26437-86B	BALL	ALL
20	26638-00Y	GASKET (2)	ALL
21	29950-91A	COVER	ALL
22	68042-99	SCREW (4)	ALL

23	33117-91A	ADAPTER	ALL
24	35114-02	RETAINING RING	ALL
25	35118-03	RETAINING RING	ALL
26	40254-02	SPACER	ALL
27	45830-48	PLUG (2)	ALL
28	62651-04	LINE, oil pump	ALL
29	63508-04	HOSE, transmission vent	ALL
30	63533-41A	FITTING	ALL
31	63805-80A	OIL FILTER (black)	XL1200CB, XL1200X, XL883L, XL883N
	63796-77A	OIL FILTER (chrome)	XL1200C, XL1200CX, XL1200T
32	65088-04	STUD, ground (2)	ALL
33	62700014	OIL JET ASSEMBLY (2)	ALL

CAMSHAFTS AND GEARCASE COVER



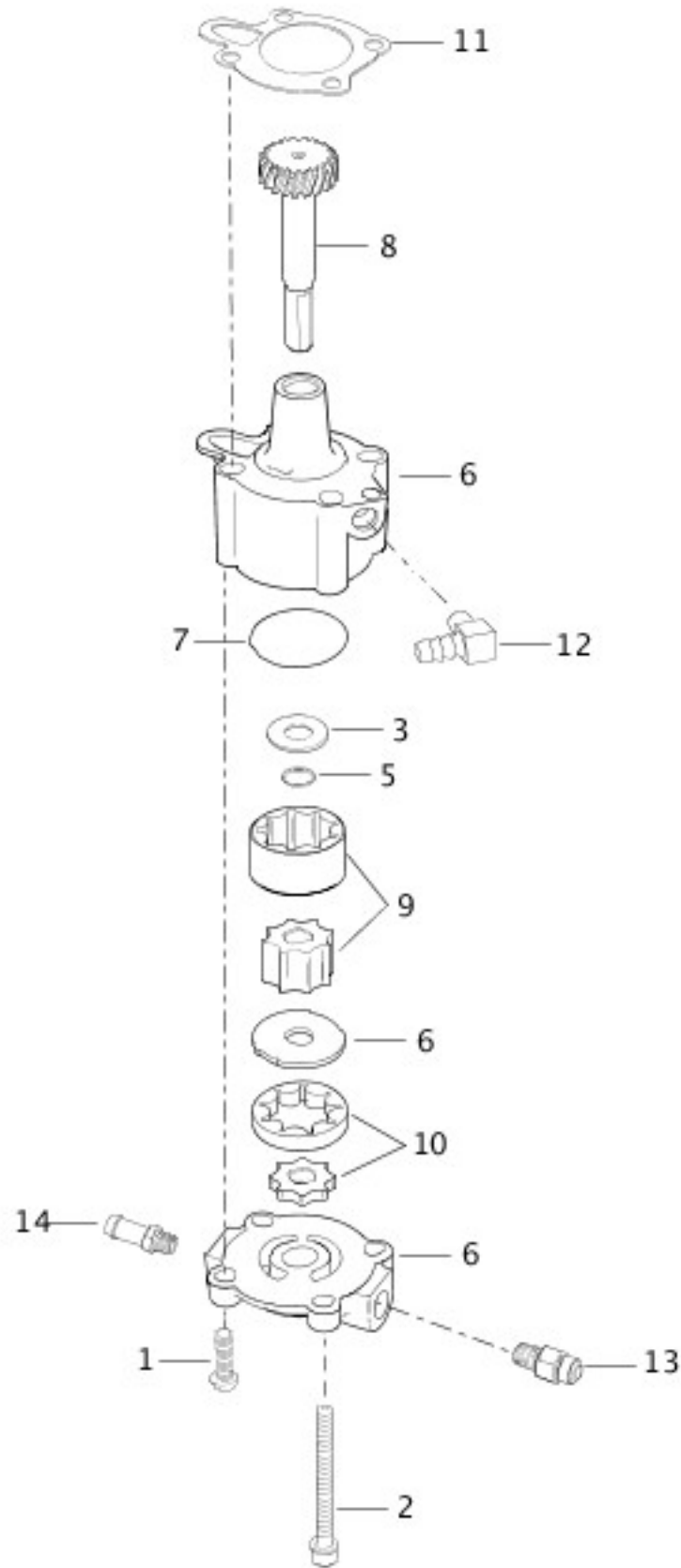
[View interactive image](#)

[View interactive table](#)

INDEX NO.	PART NO.	DESCRIPTION	MODEL(S)
1	3480A	SCREW (4)	ALL
2	4740A	SCREW	ALL

3	4717A	SCREW (6)	ALL
4	7916A	JAMNUT	ALL
5	68120-00	SCREW (2)	ALL
6	11317	KEY	ALL
7	24047-00	PINION GEAR	ALL
8	25194-06	CAM GEAR SET, complete, with pinion gear	ALL
9	25219-04	COVER ASSEMBLY (polished), with 62375-57A and bushings	XL883L
	25213-04	COVER ASSEMBLY (chrome), with 62375-57A and bushings	XL1200C, XL1200T
	25486-05	COVER ASSEMBLY (black), with 62375-57A and bushings	XL1200CB, XL1200CX, XL1200X, XL883N
10	25263-90D	GASKET	ALL
11	25586-37	OUTER BUSHING, cam gear shafts (3)	ALL
12	25588-91	BUSHING, rear intake cam gear shaft	ALL
13	25593-74	BUSHING, flywheel gear shaft	ALL
14	25598-91	INNER BUSHING, camshaft gear (4)	ALL
15	26318-88A	DRIVE GEAR, oil pump	ALL
16	32506-90	TIMER COVER	XL883L
	32514-04	TIMER COVER	XL1200C, XL1200CB, XL883N
	25600048	TIMER COVER	XL1200X
	25600037	TIMER COVER	XL1200T
	25600063	TIMER COVER	XL1200CX
17	62375-57A	FITTING, oil vent hose	ALL

OIL PUMP



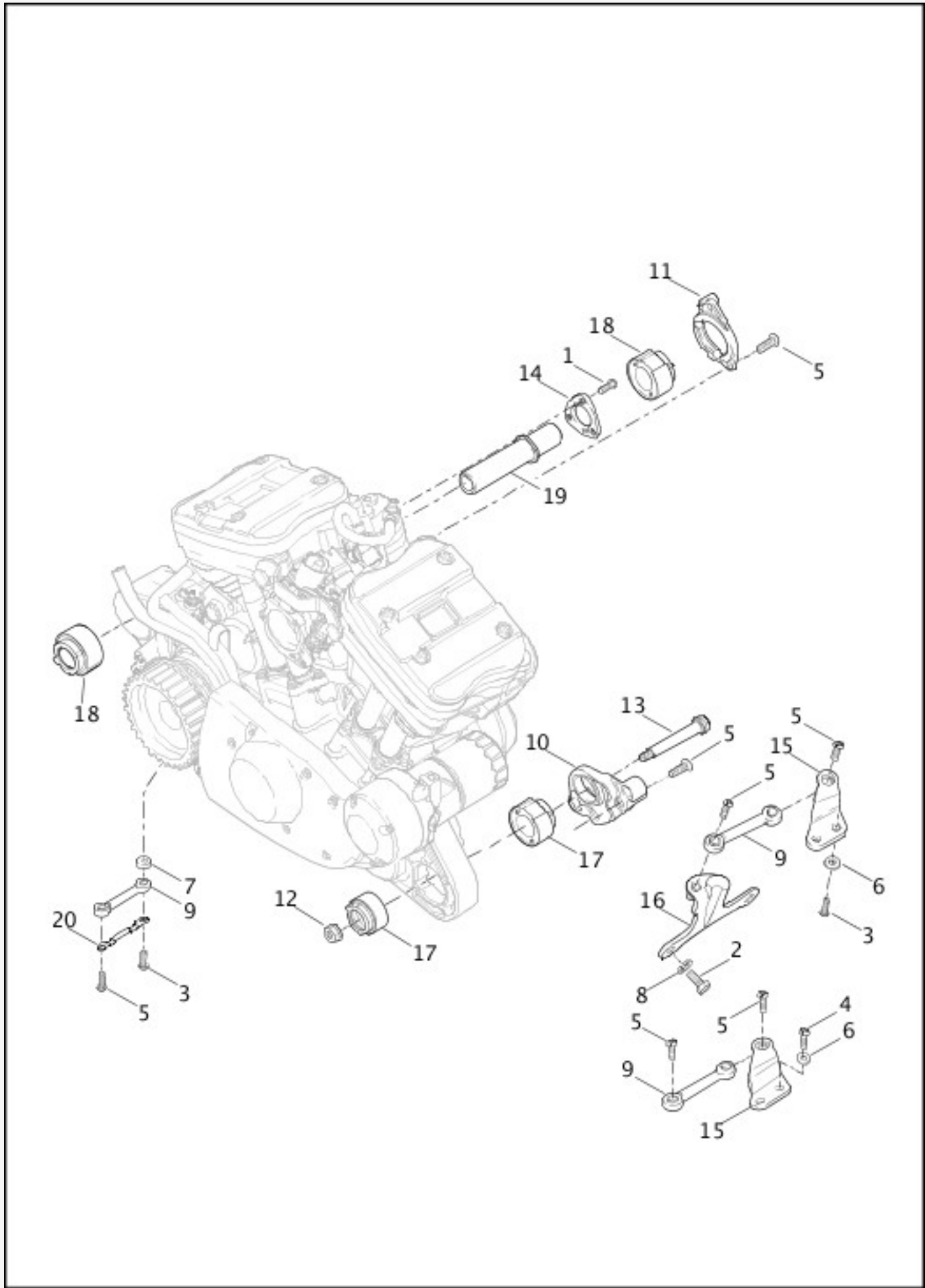
[View interactive image](#)

[View interactive table](#)

INDEX NO.	PART NO.	DESCRIPTION	MODEL(S)
1	4132	SCREW (2)	ALL
2	4765	SCREW (2)	ALL

3	6157	WASHER	ALL
4	9946	CLAMP (2)	ALL
5	11002	RETAINING RING	ALL
6	26204-91A	OIL PUMP, complete	ALL
7	26434-91	O-RING	ALL
8	26239-07	GEAR SHAFT	ALL
9	26502-07	GEROTOR SET, return	ALL
10	26503-07	GEROTOR SET, feed	ALL
11	26495-89B	GASKET	ALL
12	26496-75A	FITTING	ALL
13	62601-91A	FITTING, front	ALL
14	63533-41A	FITTING, rear	ALL

ENGINE MOUNTS AND STABILIZER LINK



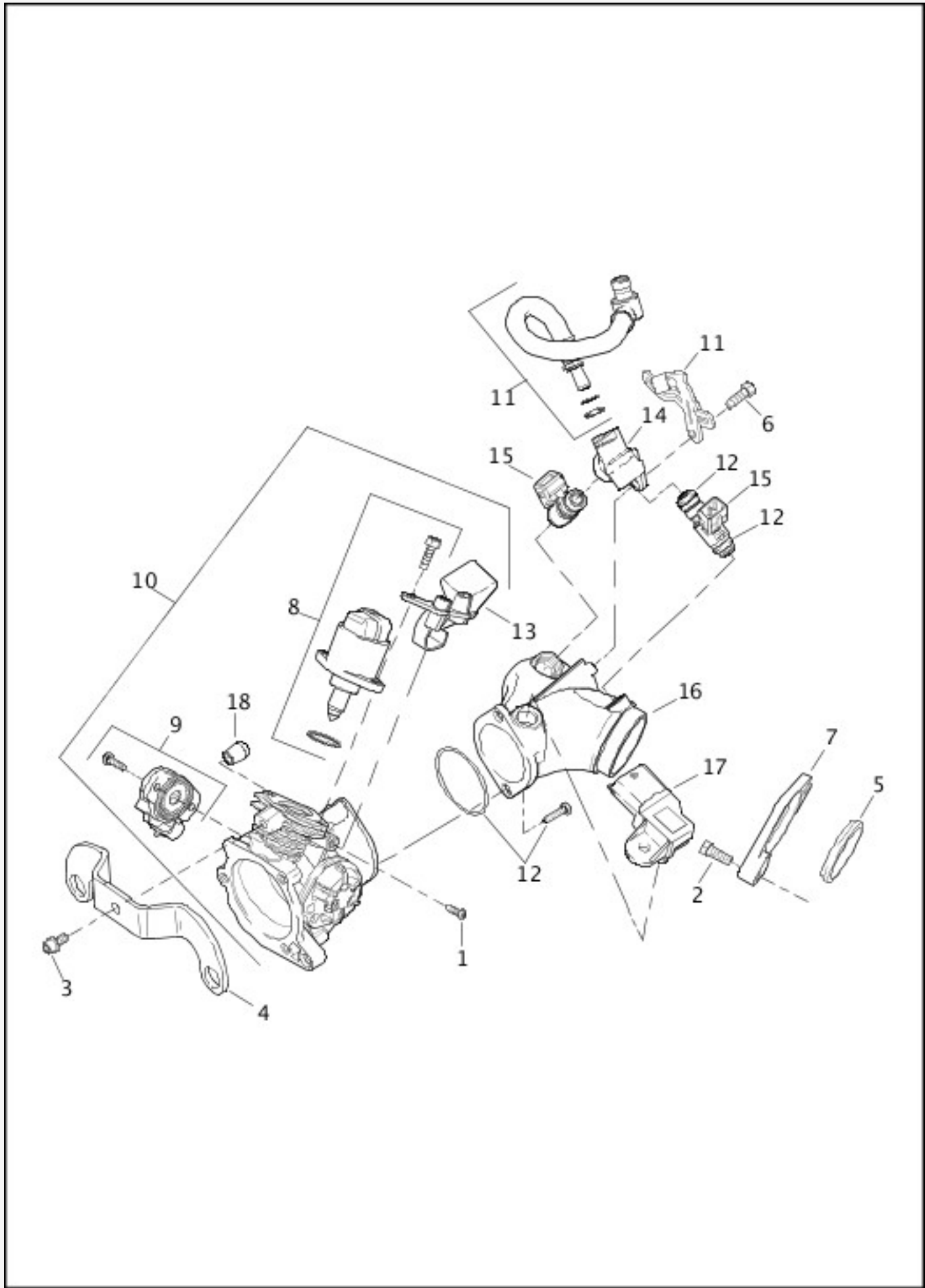
[View interactive image](#)

[View interactive table](#)

INDEX NO.	PART NO.	DESCRIPTION	MODEL(S)
1	940	SCREW (3)	ALL
2	3854	SCREW (2)	ALL

3	4180	SCREW (3)	ALL
4	4188	SCREW (2)	ALL
5	4290	SCREW (9)	ALL
6	6026	WASHER (4)	ALL
7	6152	SPACER	ALL
8	7039	LOCKWASHER (2)	ALL
9	16232-04B	STABILIZER LINK (3)	ALL
10	16287-04	MOUNT, front isolator	ALL
11	16291-04A	MOUNT, rear isolator	ALL
12	41561-04	NUT	ALL
13	41562-04	BOLT	ALL
14	41699-04	LOCKPLATE	ALL
15	47470-04	BRACKET (2)	ALL
16	47471-04A	BRACKET	ALL
17	48463-04A	ISOLATOR, front mount (2)	ALL
18	48492-04A	ISOLATOR, rear mount (2)	ALL
19	47500004	SHAFT, swing arm pivot	ALL
20	66000045	GROUND STRAP	ALL

INDUCTION MODULE, FUEL



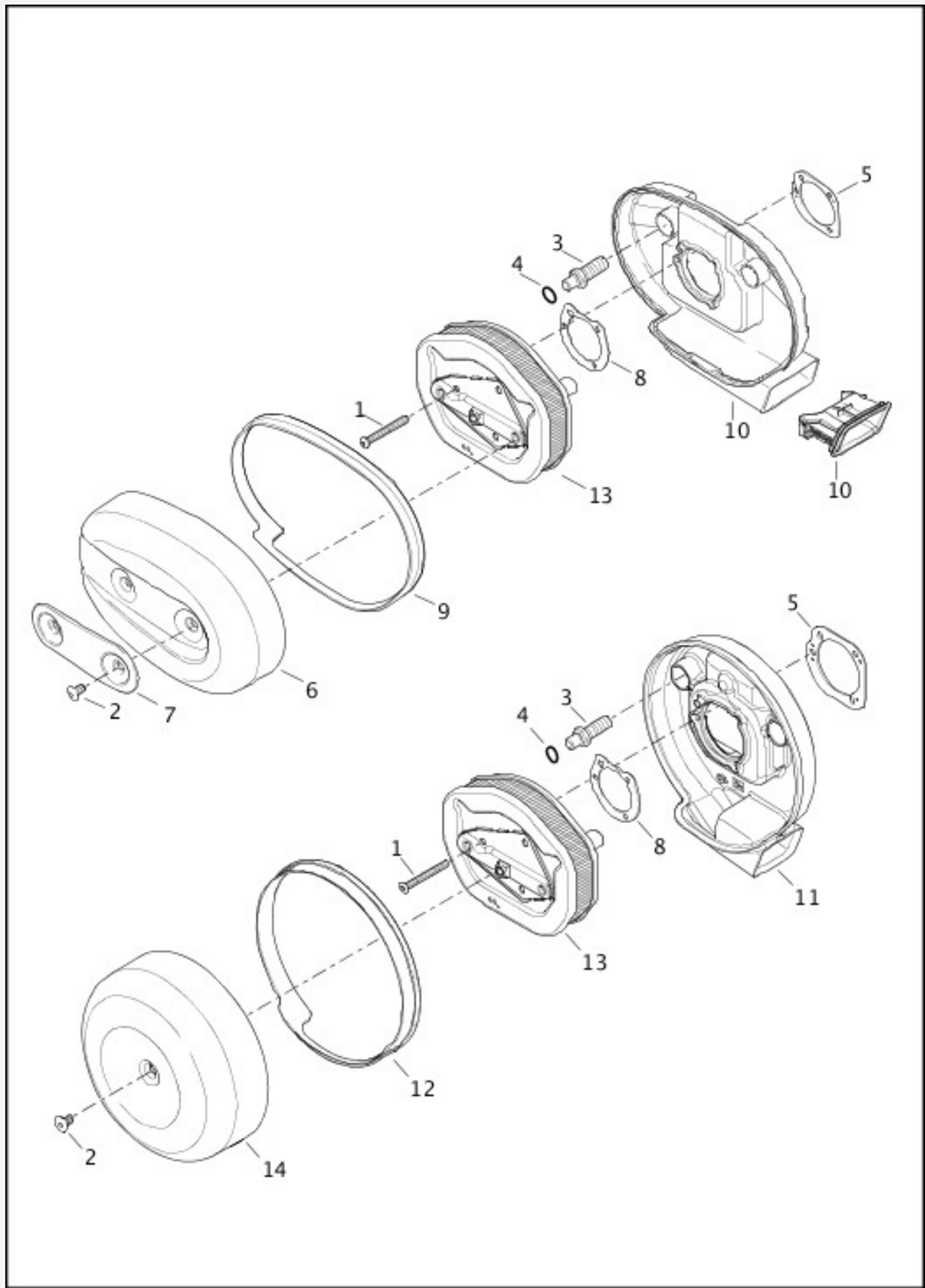
[View interactive image](#)

[View interactive table](#)

INDEX NO.	PART NO.	DESCRIPTION	MODEL(S)
1	2481M	SCREW	ALL
2	3987	BOLT (4)	ALL

3	4798	SCREW	ALL
4	16361-07	BRACKET	ALL
5	26995-86B	SEAL (2)	ALL
6	27216-95	SCREW	ALL
7	27327-07A	FLANGE (2)	ALL
8	27628-01A	KIT, idle air control (IAC) motor	ALL
9	27629-01A	KIT, throttle position sensor (TPS)	ALL
10	27200024	INDUCTION MODULE ASSEMBLY, with fuel rail, fuel injector, intake manifold, TMAP sensor, cap, IAC Kit, TPS Kit, hardware kit	ALL
11	27693-07	FUEL LINE KIT, with 27216-95 and bracket	XL1200C, XL1200CB, XL1200CX, XL1200T, XL883L, XL883N
	27829-10	FUEL LINE KIT, with 27216-95 and bracket	XL1200X
12	27700-07	KIT, hardware and O-rings	ALL
13	27701-07A	CABLE BRACKET	ALL
14	27704-07	FUEL RAIL	ALL
15	27706-07A	FUEL INJECTOR, with O-ring (2)	ALL
16	27707-07	INTAKE MANIFOLD	ALL
17	32319-07A	SENSOR, temperature manifold absolute pressure (TMAP)	ALL
18	90383-98	CAP	ALL

AIR CLEANER



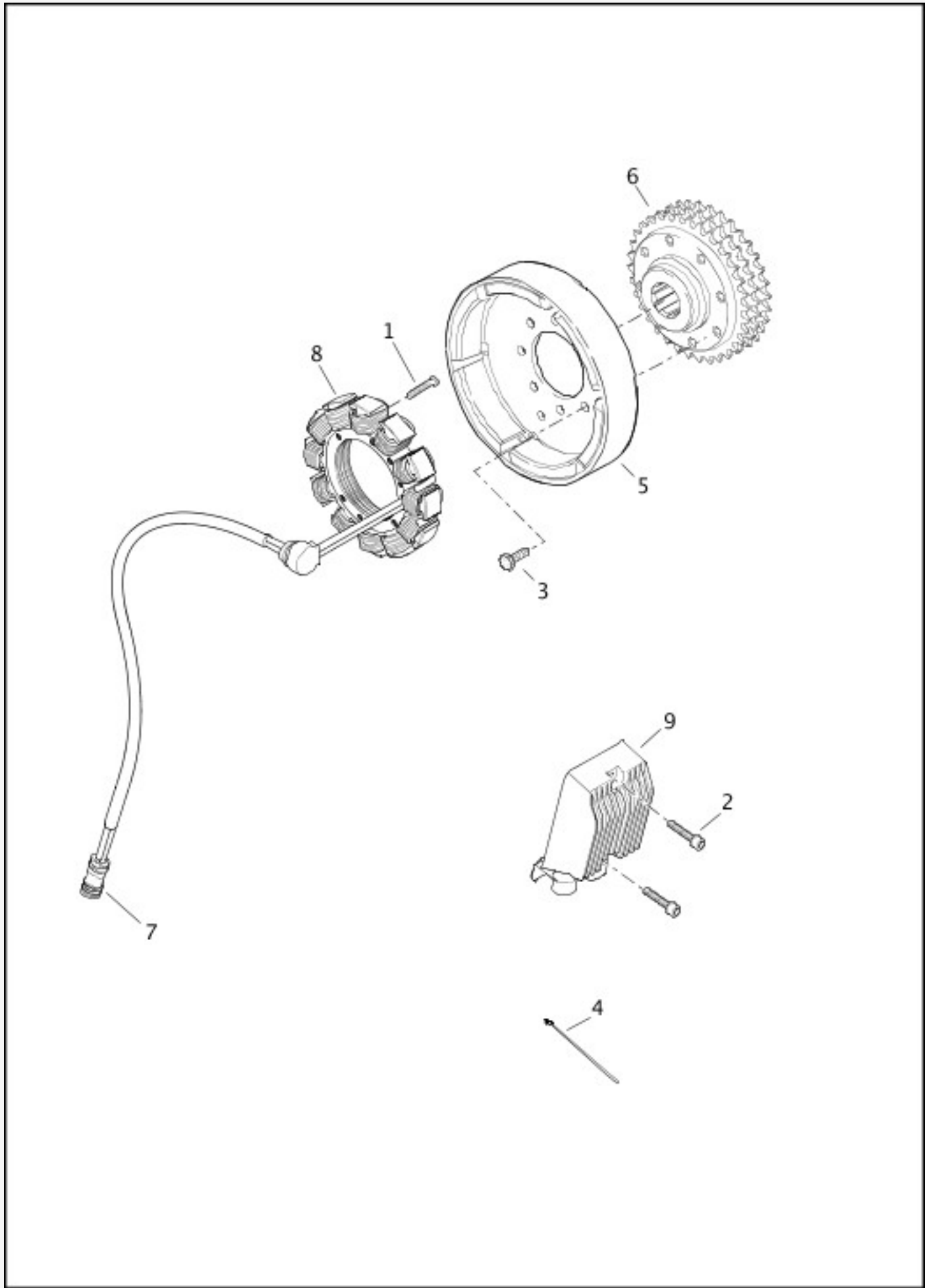
[View interactive image](#)

[View interactive table](#)

INDEX NO.	PART NO.	DESCRIPTION	MODEL(S)
1	946	SCREW (3)	ALL
2	2460	SCREW (2)	ALL

3	3565	SCREW, breather (2)	ALL
4	11202	O-RING (2)	ALL
5	29062-95B	GASKET	ALL
6	28792-10	COVER (chrome) with label	XL1200C, XL1200CB, XL1200T, XL883L
	28793-10	COVER (gray) with label	XL1200CX
7	29123-07	TRIM INSERT	XL883L
	29346-07	TRIM INSERT	XL1200C, XL1200CB
	61300332	TRIM INSERT	XL1200T
	61300562	TRIM INSERT	XL1200CX
8	29313-95	GASKET	ALL
9	29315-04	SEAL	XL1200C, XL1200CB, XL1200CX, XL1200T, XL883L
10	29369-07B	BACKPLATE ASSEMBLY, with insert	XL1200C, XL1200CB, XL1200CX, XL1200T, XL883L
11	29000015A	BACKPLATE ASSEMBLY	XL1200X, XL883N
12	29000016	SEAL	XL1200X, XL883N
13	29400015	FILTER ELEMENT, with 29313-95	ALL
14	61300541	COVER (black) with label	XL883N
	61300559	COVER (black) with label	XL1200X

ALTERNATOR AND REGULATOR



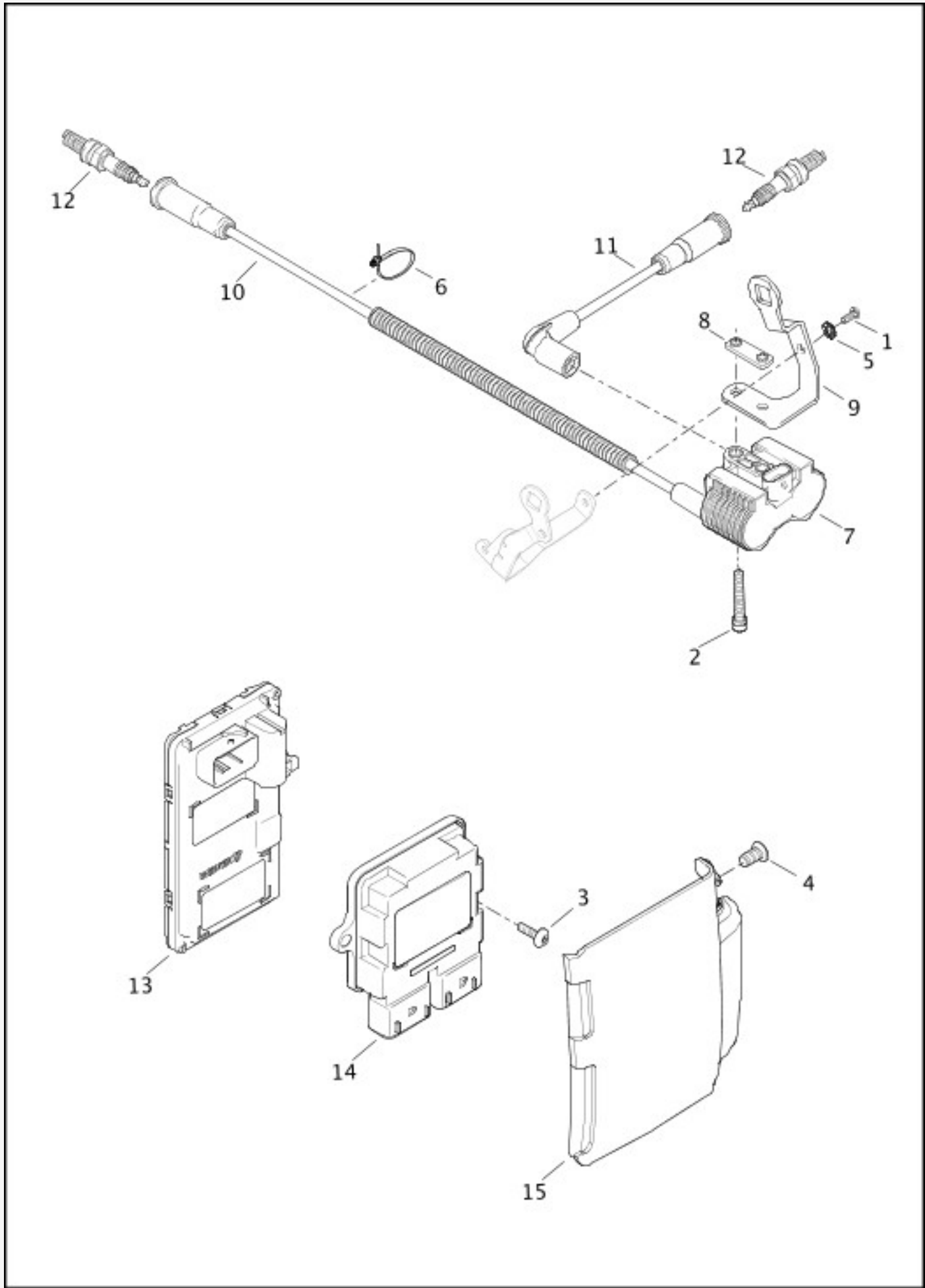
[View interactive image](#)

[View interactive table](#)

INDEX NO.	PART NO.	DESCRIPTION	MODEL(S)
1	3029	SCREW (4)	ALL
2	4740A	SCREW (2)	ALL

3	4751	SCREW (8)	ALL
4	10177	CABLE STRAP (3)	ALL
5	32493-02B	ROTOR SPROCKET ASSEMBLY (Domestic, Canada, Asia-Pacific, Brazil), with 4751 and 40241-02A	XL883L, XL883N
	32494-04B	ROTOR SPROCKET ASSEMBLY (HDI, Australia, England, Japan, India), with 4751 and 40290-04A	XL883L, XL883N
	32494-04B	ROTOR SPROCKET ASSEMBLY, with 4751 and 40290-04A	XL1200C, XL1200CB, XL1200CX, XL1200T, XL1200X
6	40241-02A	SPROCKET (Domestic, Canada, Asia-Pacific, Brazil), 34 teeth	XL883L, XL883N
	40290-04A	SPROCKET (HDI, Australia, England, Japan, India), 38 teeth	XL883L, XL883N
	40290-04A	SPROCKET, 38 teeth	XL1200C, XL1200CB, XL1200CX, XL1200T, XL1200X
7	72195-94	SEAL, pin, four-way	ALL
8	29900026	STATOR	ALL
9	74700012	REGULATOR	ALL

ELECTRONIC IGNITION SYSTEM



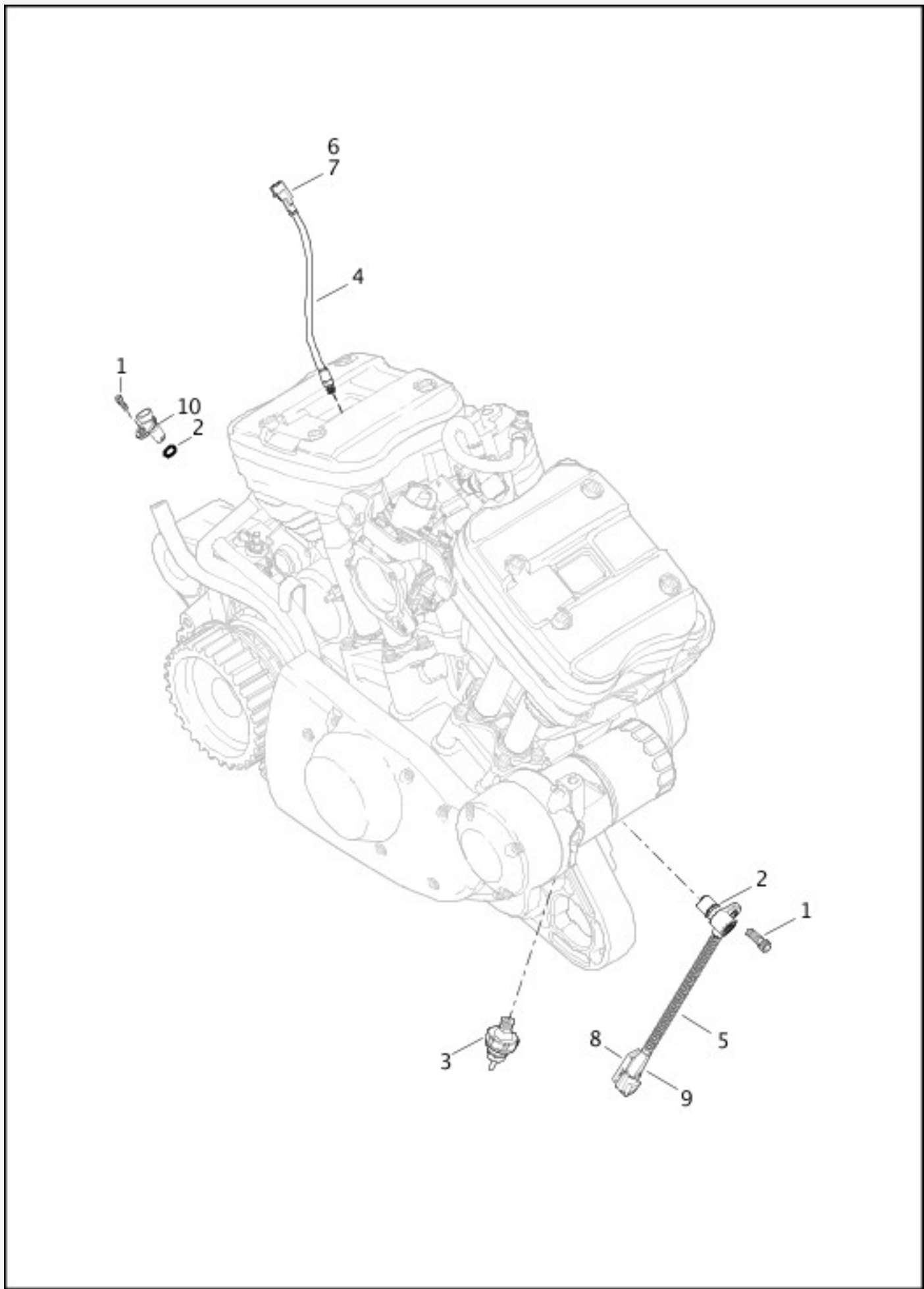
[View interactive image](#)

[View interactive table](#)

INDEX NO.	PART NO.	DESCRIPTION	MODEL(S)
1	3124	SCREW	ALL
2	3480A	SCREW (2)	ALL

3	3691	SCREW	ALL
4	2445	SCREW	ALL
5	7220	LOCKWASHER	ALL
6	10177	CABLE STRAP	ALL
7	31656-07	IGNITION COIL	ALL
8	31753-07	PLATE, nut	ALL
9	31807-07	BRACKET	ALL
10	32006-07	CABLE, spark plug, rear (long), with 10177	ALL
11	32003-07	CABLE, spark plug, front (short)	ALL
12	32362-04A	SPARK PLUG (2)	ALL
13	41000351A	BODY CONTROL MODULE (BCM) (non-security)	ALL
	41000341A	BODY CONTROL MODULE (BCM) (security) (except Japan)	ALL
	41000342A	BODY CONTROL MODULE (BCM) (security) (Japan)	ALL
14	41000326	ELECTRONIC CONTROL MODULE (ECM)	ALL
15	69201363	COVER	ALL

SENSORS AND SWITCHES, ENGINE



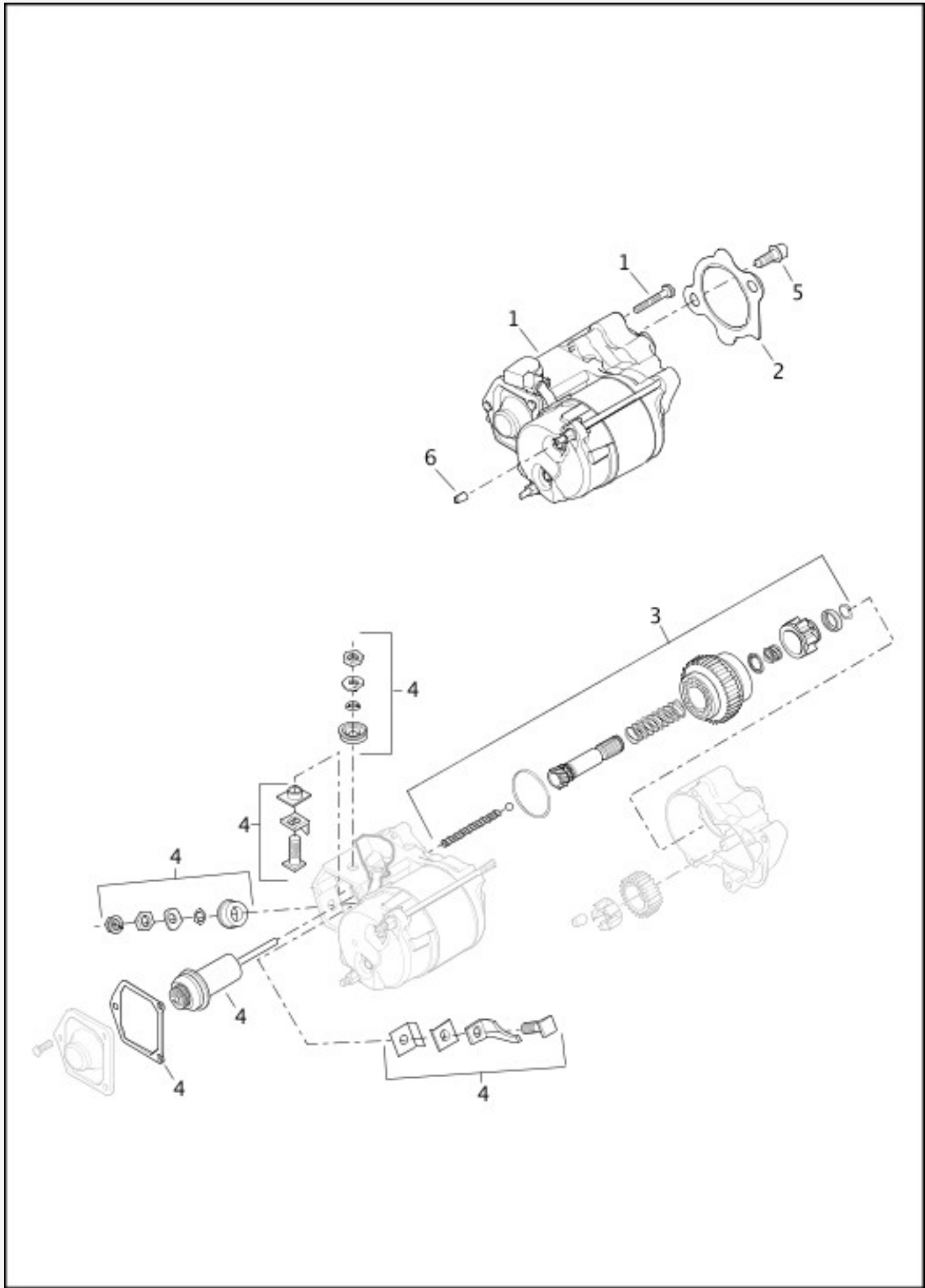
[View interactive image](#)

[View interactive table](#)

INDEX NO.	PART NO.	DESCRIPTION	MODEL(S)
1	4705	SCREW (2)	ALL
2	11289A	O-RING (2)	ALL

3	26554-77C	SWITCH, oil pressure	ALL
4	32472-10	SENSOR, engine temperature, with 72009-05, 72011-05 and cable strap	ALL
5	32707-01C	SENSOR, crank position, with 11289A, 72199-94, 74194-98	ALL
6	72009-05	HOUSING, two-way pin (black)	ALL
7	72011-05	WIRE SEAL, 16-20 AWG (yellow) (2)	ALL
8	72199-94	CONNECTOR ANCHOR	ALL
9	74194-98	TERMINAL, pin, 20-24 AWG	ALL
10	74402-05B	SENSOR, vehicle speed, with 11289A	ALL

STARTER MOTOR



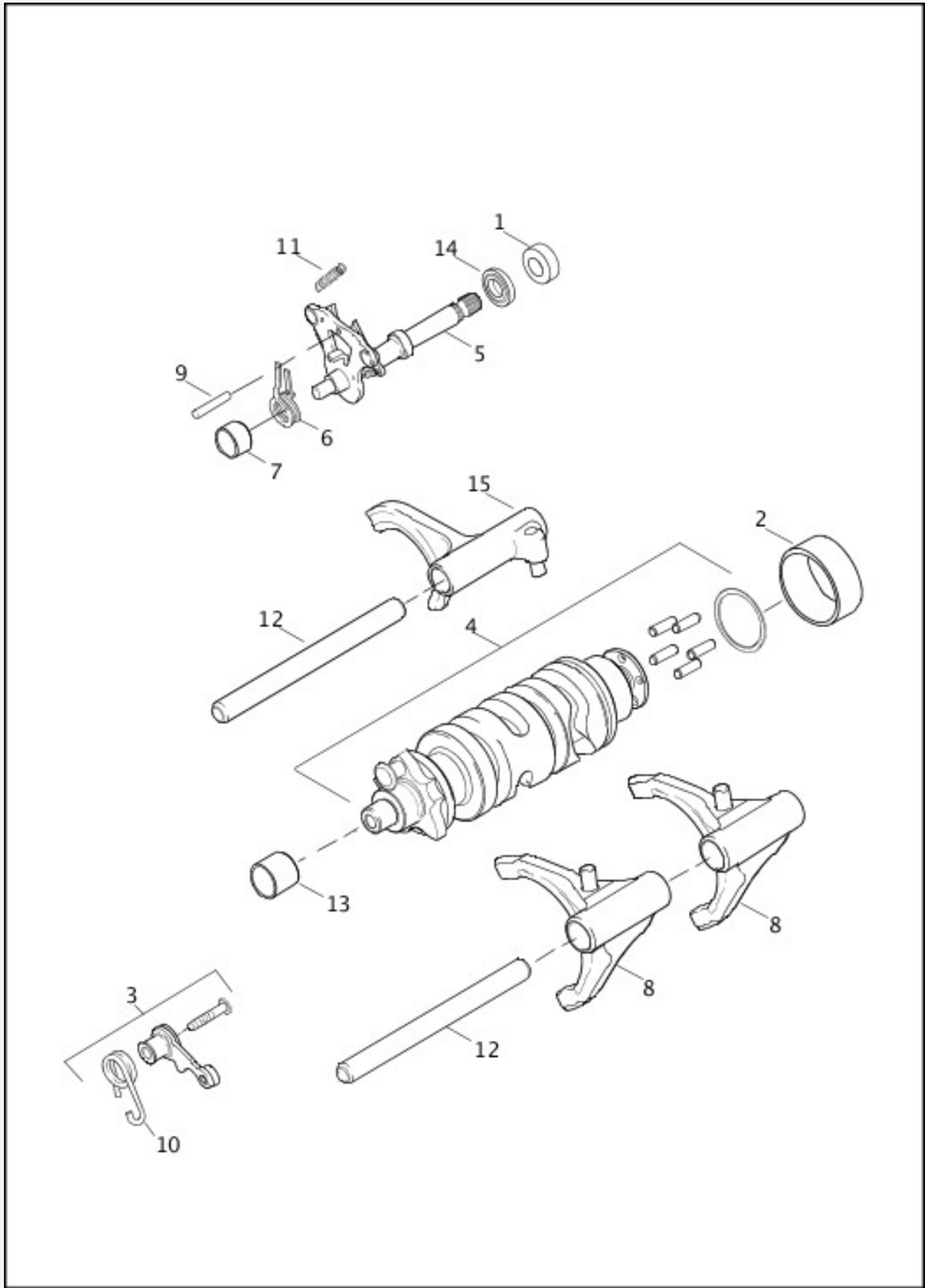
[View interactive image](#)

[View interactive table](#)

INDEX NO.	PART NO.	DESCRIPTION	MODEL(S)
1	31390-91F	STARTER MOTOR, complete	ALL
2	31488-81C	GASKET	ALL

3	31556-91D	CLUTCH SUB-ASSEMBLY	ALL
4	31603-91	REPAIR KIT, starter solenoid	ALL
5	45902-00	SCREW (2)	ALL
6	89581-04A	CAP	ALL

SHIFTER, GEAR



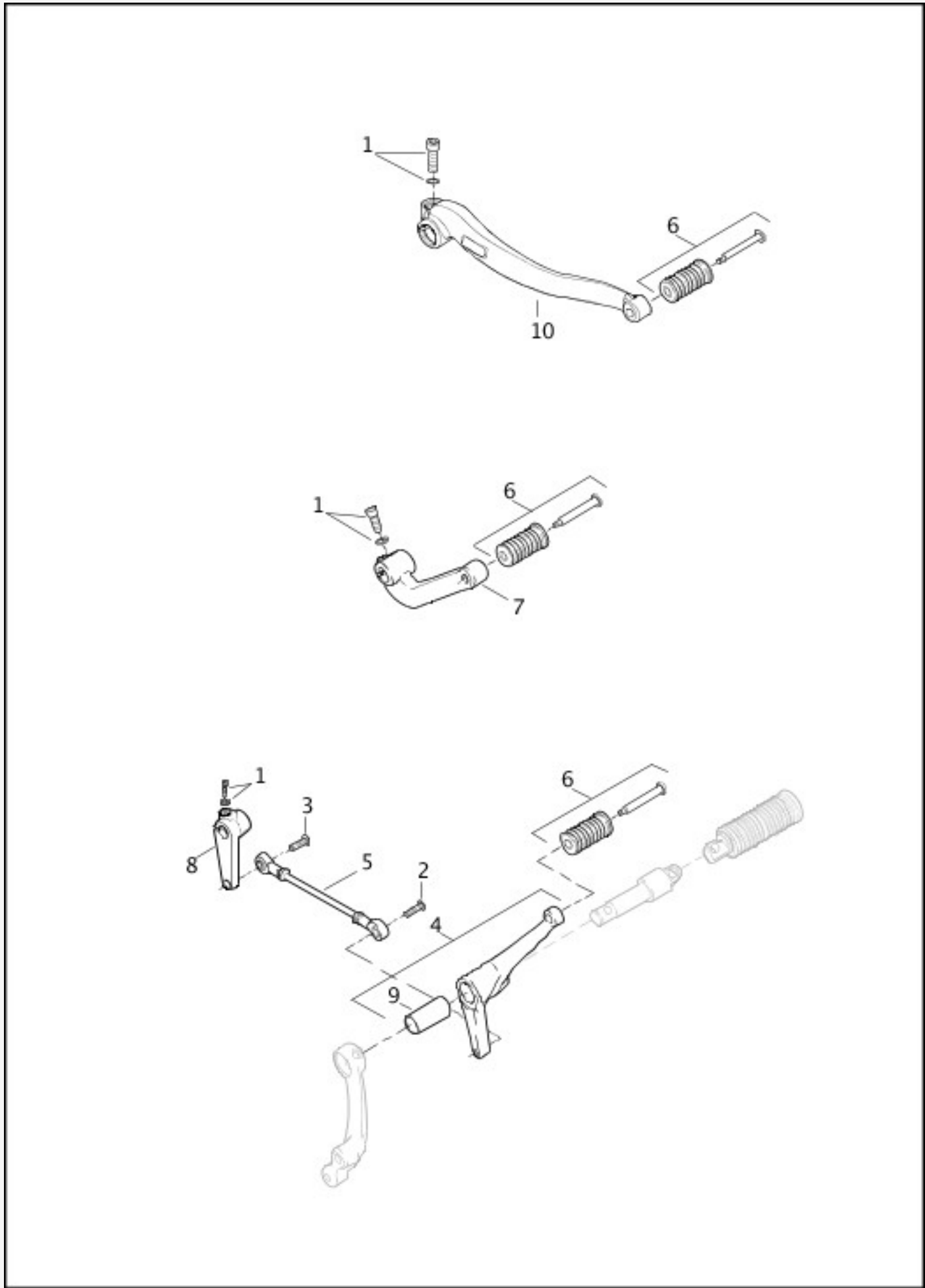
[View interactive image](#)

[View interactive table](#)

INDEX NO.	PART NO.	DESCRIPTION	MODEL(S)
1	7080	WASHER	ALL
2	9187A	BEARING	ALL

3	33540-06	SPRING SLEEVE ASSEMBLY, detent	ALL
4	33641-06	SHIFTER CAM ASSEMBLY	ALL
5	34014-06A	SHIFTER LEVER ASSEMBLY, with 34064-00C and 34491-02A	ALL
6	34064-00C	SPRING, shifter return	ALL
7	34076-02A	BUSHING	ALL
8	34157-06	FORK ASSEMBLY, shifter (2)	ALL
9	34163-02	PIN, shifter stop	ALL
10	34483-06	SPRING, detent	ALL
11	34491-02A	SPRING, extension (2)	ALL
12	34981-02A	SHAFT, shifter forks (2)	ALL
13	34982-02A	BUSHING, right hand crankcase	ALL
14	37107-06	OIL SEAL	ALL
15	34162-06	FORK ASSEMBLY, shifter	ALL

SHIFTER LEVER



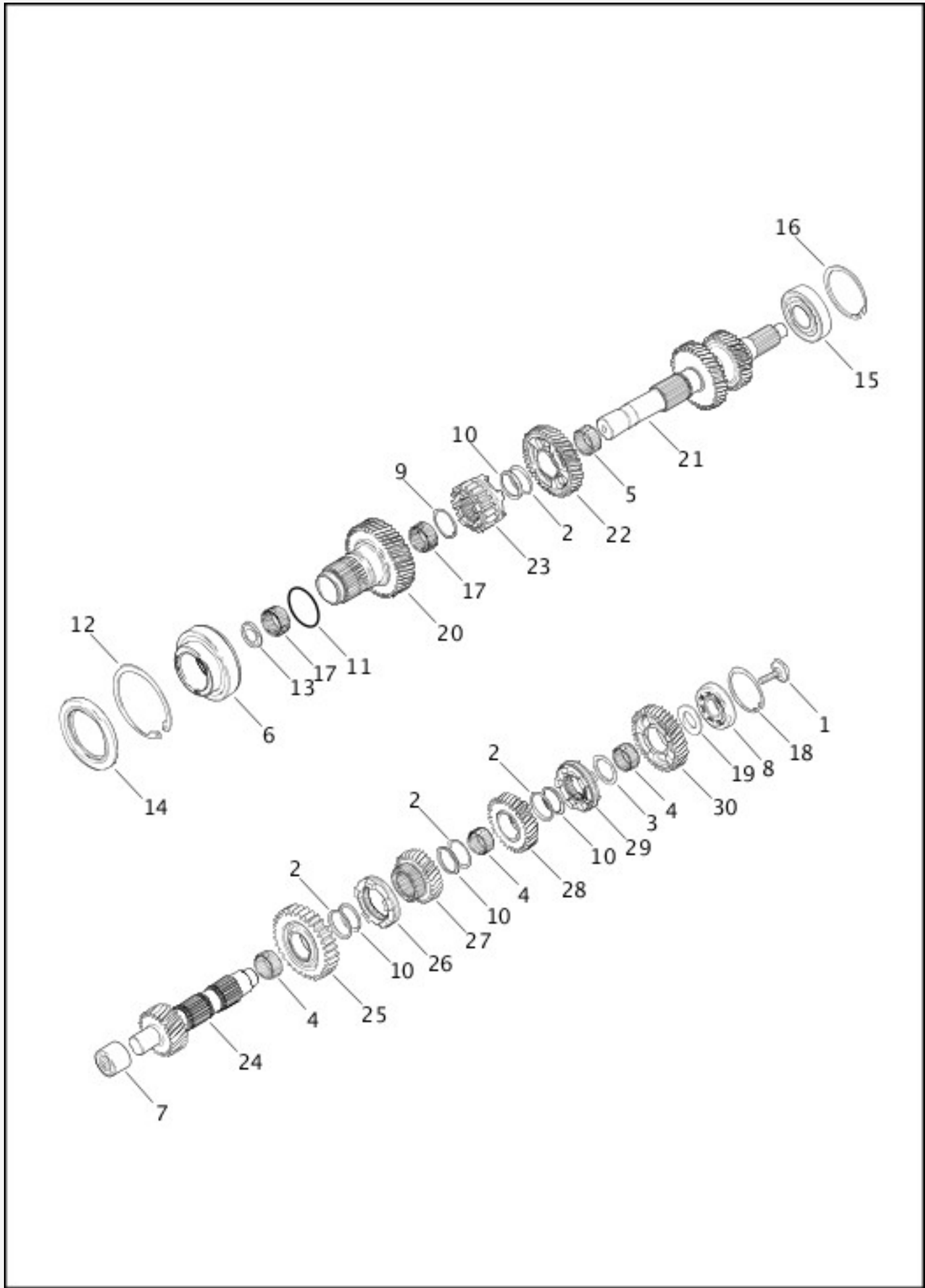
[View interactive image](#)

[View interactive table](#)

INDEX NO.	PART NO.	DESCRIPTION	MODEL(S)
1	2708A	SCREW	ALL
2	4016	SCREW	XL1200C, XL1200CB, XL1200X

3	4359	SCREW	XL1200C, XL1200CB, XL1200X
4	34572-04	LEVER ASSEMBLY, with 42569-03	XL1200C, XL1200CB
	34723-10	LEVER ASSEMBLY, with 42569-03	XL1200X
5	34573-04	SHIFTER ROD LINK	XL1200C, XL1200CB
	34663-10	SHIFTER ROD LINK	XL1200X
6	34611-65A	TOE SHIFTER PEG KIT	ALL
7	34660-04A	SHIFT LEVER (chrome)	XL1200C, XL883L
	34721-07	SHIFT LEVER (black)	XL1200CX, XL883N
8	34670-06	SHIFT LEVER (chrome)	XL1200C, XL1200CB
	34724-10	SHIFT LEVER (gloss black)	XL1200X
9	42569-03	BUSHING	XL1200C, XL1200CB, XL1200X
10	33900154	SHIFT LEVER	XL1200T

TRANSMISSION GEARS



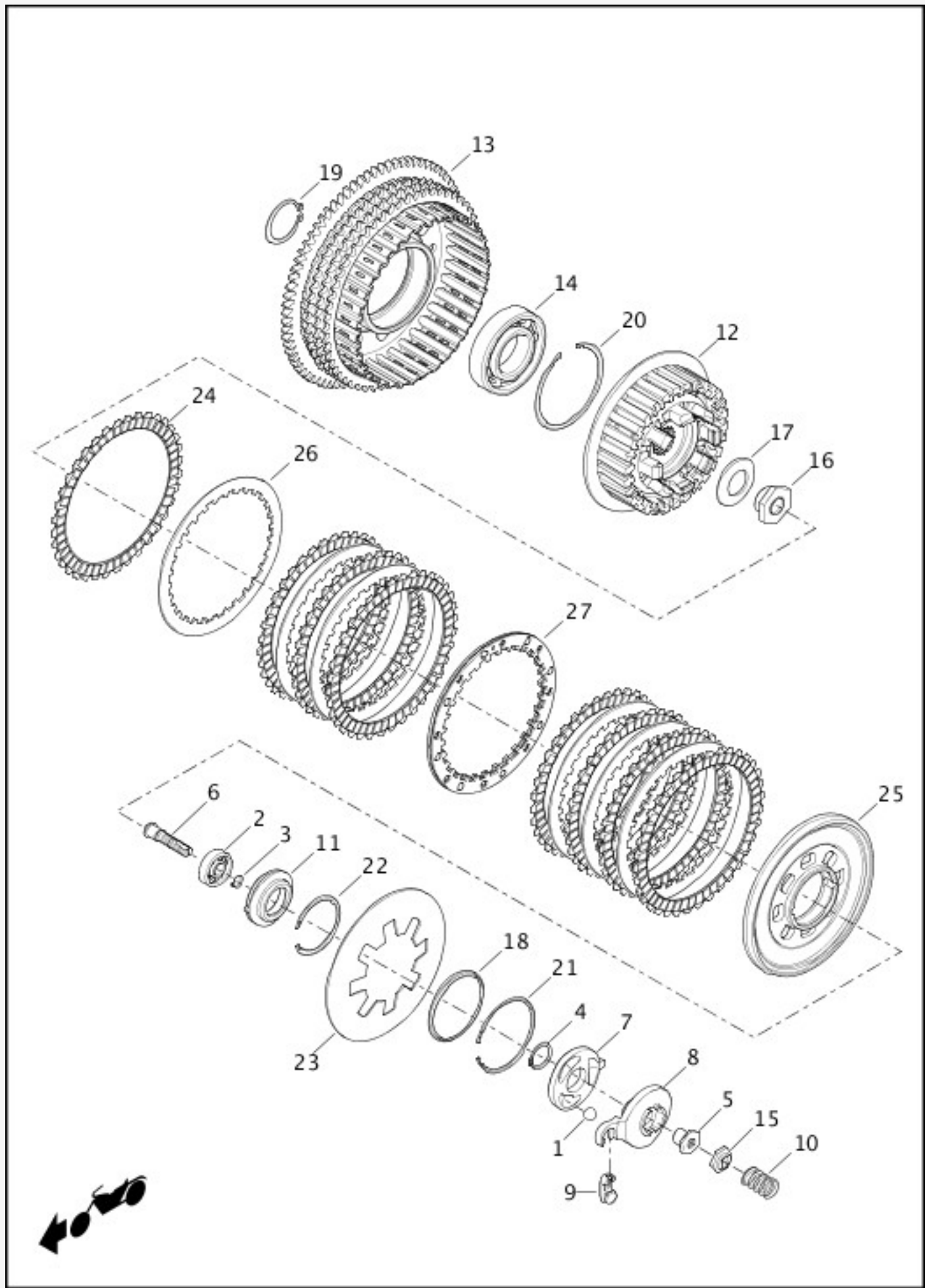
[View interactive image](#)

[View interactive table](#)

INDEX NO.	PART NO.	DESCRIPTION	MODEL(S)
1	3990	SCREW	ALL
2	6003	WASHER (4)	ALL

3	6021	SPACER	ALL
4	8862	BEARING (3)	ALL
5	8884	BEARING	ALL
6	8964	BALL BEARING	ALL
7	8966	BEARING, closed end	ALL
8	8970A	BALL BEARING	ALL
9	10984	SNAP RING	ALL
10	11067	RETAINING RING (4)	ALL
11	11113	O-RING	ALL
12	11161	RETAINING RING	ALL
13	12030	SEAL	ALL
14	12074	OIL SEAL	ALL
15	35030-89A	BEARING, mainshaft	ALL
16	35038-89A	RETAINING RING	ALL
17	35051-89A	NEEDLE BEARING (2)	ALL
18	35087-99A	RETAINING RING	ALL
19	35107-06	SPACER	ALL
20	35159-06	GEAR, mainshaft fifth	ALL
21	35163-06	MAINSHAFT	ALL
22	35165-06	GEAR, mainshaft fourth	ALL
23	35167-06	GEAR, mainshaft first	ALL
24	35172-06	COUNTERSHAFT	ALL
25	35174-06	GEAR, countershaft first	ALL
26	35190-06	DOG RING	ALL
27	35191-06	GEAR, countershaft fourth	ALL
28	35193-06	GEAR, countershaft third	ALL
29	35196-06	DOG RING	ALL
30	35197-06	GEAR, countershaft second	ALL

CLUTCH



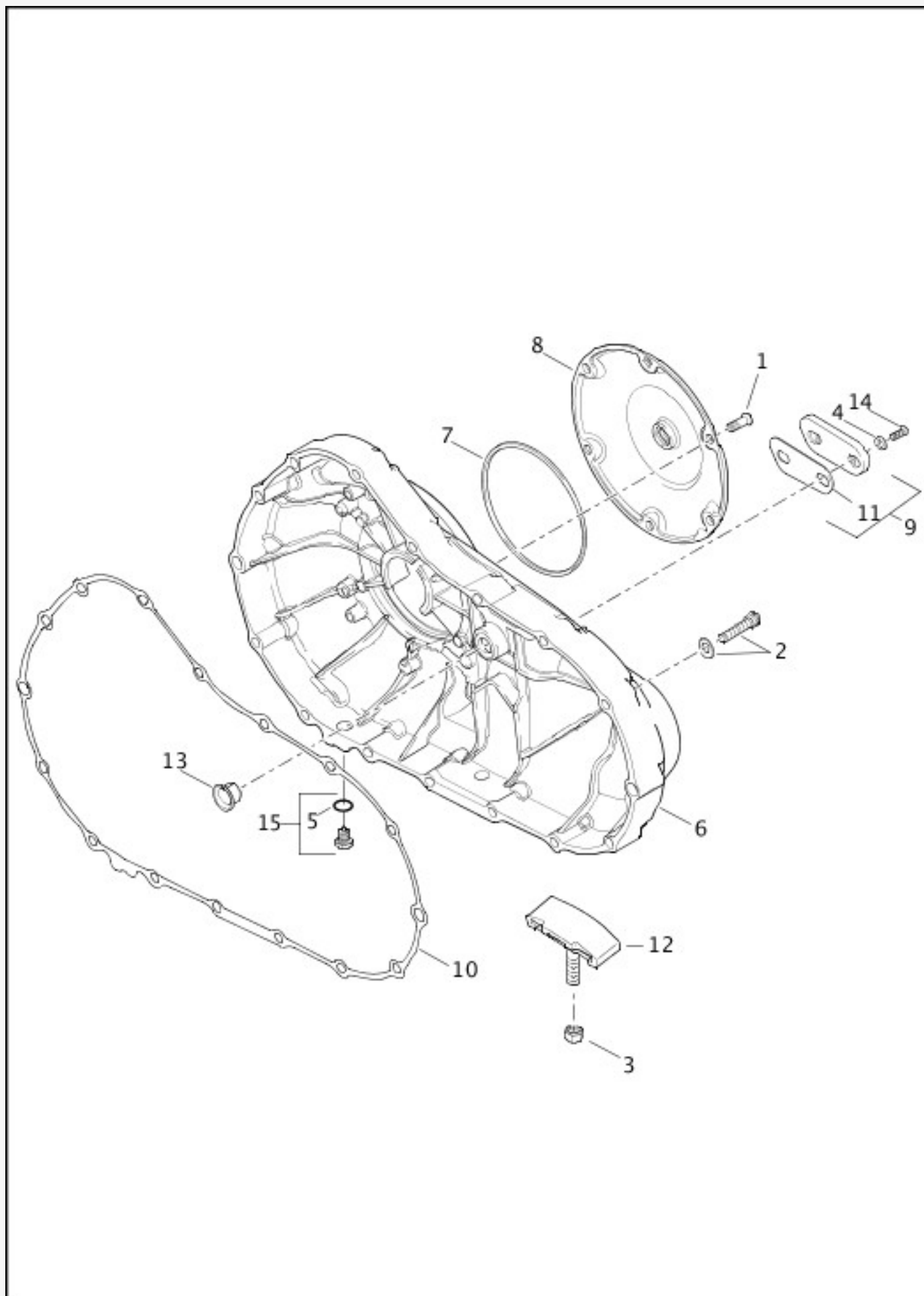
[View interactive image](#)

[View interactive table](#)

INDEX NO.	PART NO.	DESCRIPTION	MODEL(S)
1	8873	BALL (3)	ALL
2	8885	BEARING	ALL

3	11046	RETAINING RING	ALL
4	11250	RETAINING RING	ALL
5	11730A	WELL NUT	ALL
6	11765Y	ADJUSTMENT SCREW	ALL
7	25453-87A	RAMP, inner	ALL
8	25409-94B	RAMP, outer	ALL
9	34920-86A	COUPLING, clutch cable	ALL
10	36715-94	SPRING, clutch adjustment	ALL
11	36731-91	RELEASE PLATE, with 8885	ALL
12	36785-91	CLUTCH HUB	ALL
13	36790-04	CLUTCH SHELL AND SPROCKET, with 36799-91 and 37905-90	ALL
14	36799-91	BALL BEARING	ALL
15	36802-84B	LOCKPLATE, well type	ALL
16	37495-91	NUT, main shaft	ALL
17	37870-91	SPRING WASHER	ALL
18	37872-90	SEAT, spring-inner	ALL
19	37904-90	RETAINING RING	ALL
20	37905-90	RETAINING RING	ALL
21	37908-90	RETAINING RING	ALL
22	37909-90	RETAINING RING	ALL
23	37910-04B	SPRING, clutch plate	XL883L, XL883N
	37924-04A	SPRING, clutch plate	XL1200C, XL1200CB, XL1200CX, XL1200T, XL1200X
24	37911-90	FRICTION PLATE (paper) (8)	ALL
25	37912-91	PRESSURE PLATE	ALL
26	37913-90	STEEL PLATE (6)	ALL
27	37977-90	SPRING PLATE	ALL

INSPECTION COVER AND PRIMARY COVER



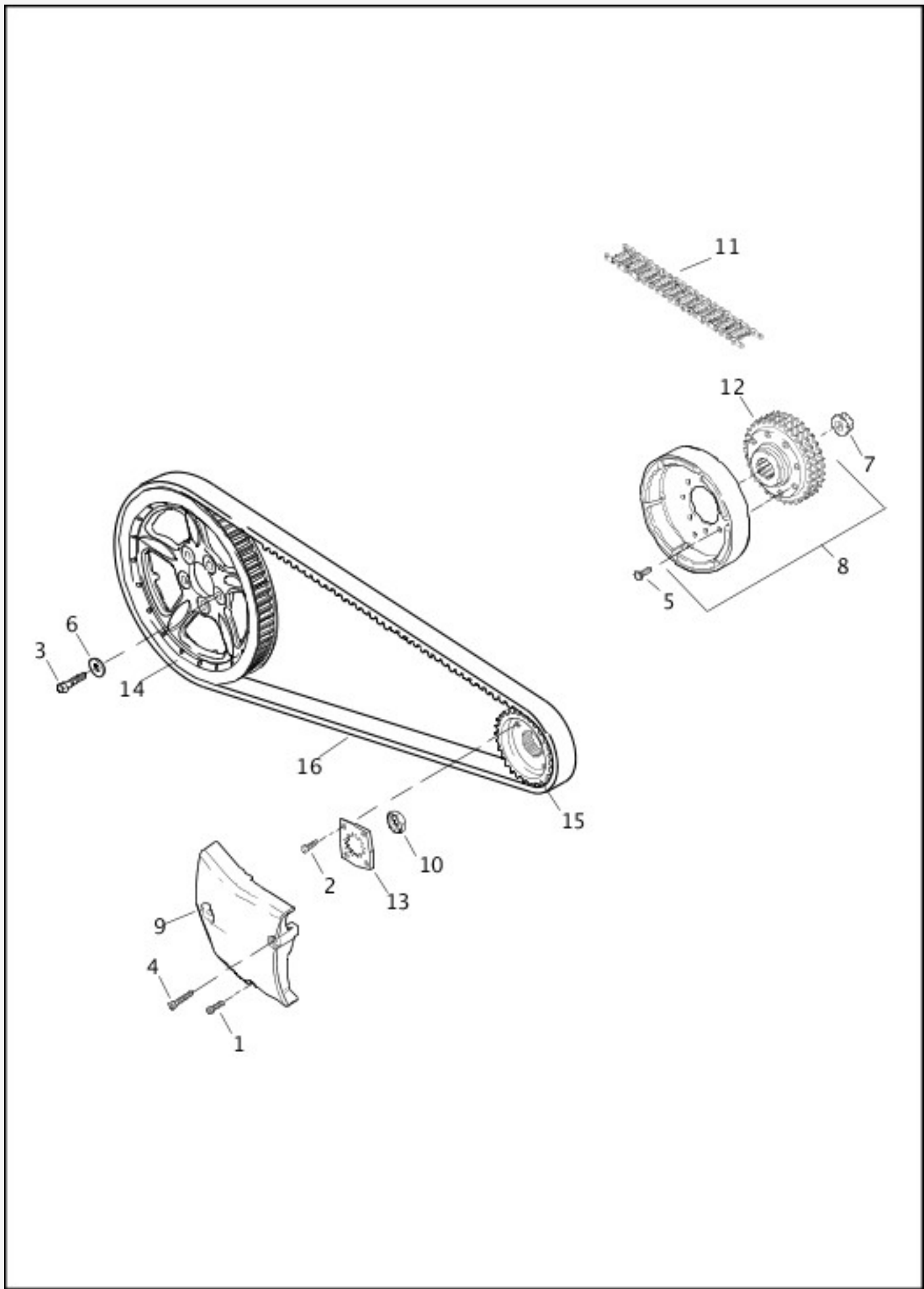
[View interactive image](#)

[View interactive table](#)

INDEX	PART	DESCRIPTION	MODEL(S)
-------	------	-------------	----------

NO.	NO.		
1	943	SCREW (6)	ALL
2	4820A	SCREW (16)	ALL
3	7804	LOCKNUT	ALL
4	11171	O-RING (2)	ALL
5	11105	O-RING	ALL
6	25307-06	PRIMARY COVER (black) with 40574-06A	XL1200CB, XL1200CX, XL1200X, XL883N
	25430-06	PRIMARY COVER (polished) with 40574-06A	XL883L
	25460-06	PRIMARY COVER (chrome) with 40574-06A	XL1200C, XL1200T
7	25463-94A	GASKET	ALL
8	34760-04	INSPECTION COVER, clutch (chrome)	XL1200C, XL1200T
	34992-04	INSPECTION COVER, clutch (polished)	XL1200CB, XL1200CX, XL1200X, XL883L, XL883N
9	34993-04A	INSPECTION COVER, chain, with gasket (polished)	XL1200CB, XL1200CX, XL1200X, XL883L, XL883N
	34761-04A	INSPECTION COVER, chain, with gasket (chrome)	XL1200C, XL1200T
10	34955-04	GASKET	ALL
11	34990-08	GASKET	ALL
12	40039-02C	CHAIN ADJUSTER ASSEMBLY	ALL
13	40574-06A	BUSHING	ALL
14	41191-74A	SCREW (2)	ALL
15	60328-98B	OIL DRAIN PLUG ASSEMBLY	ALL

BELTS, CHAINS AND SPROCKETS



[View interactive image](#)

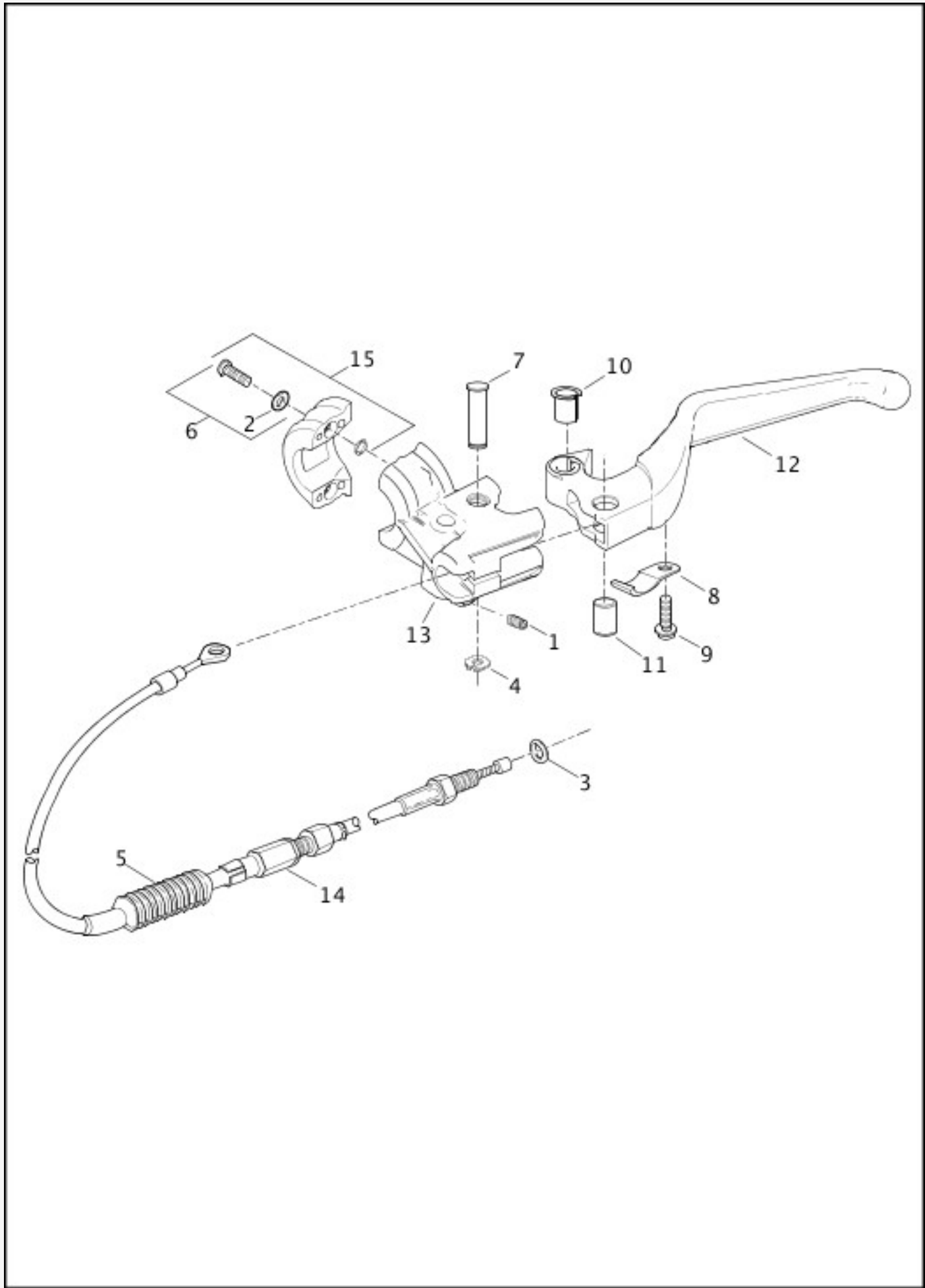
[View interactive table](#)

INDEX NO.	PART NO.	DESCRIPTION	MODEL(S)
1	3480A	SCREW	ALL
2	3594	SCREW (2)	ALL

3	3899	SCREW (5)	ALL
4	4717A	SCREW	ALL
5	4751	SCREW	ALL
6	6516HW	WASHER (5)	ALL
7	7839	NUT	ALL
8	32493-02B	ROTOR SPROCKET ASSEMBLY (Domestic, Canada, Asia-Pacific, Brazil), with 4751 and 40241-02A	XL883L, XL883N
	32494-04B	ROTOR SPROCKET ASSEMBLY (HDI, Australia, England, Japan, India), with 4751 and 40290-04A	XL883L, XL883N
	32494-04B	ROTOR SPROCKET ASSEMBLY, with 4751 and 40290-04A	XL1200C, XL1200CB, XL1200CX, XL1200T, XL1200X
9	34911-04	SPROCKET COVER	XL883L
	34932-04	SPROCKET COVER	XL1200C, XL1200T
	34943-05	SPROCKET COVER	XL1200CB, XL1200CX, XL1200X, XL883N
10	35211-91B	NUT	ALL
11	40005-57B	PRIMARY CHAIN (Domestic, Canada, Asia-Pacific, Brazil), 94 links	XL883L, XL883N
	40147-04	PRIMARY CHAIN (HDI, Australia, England, Japan, India), 96 links	XL883L, XL883N
	40147-04	PRIMARY CHAIN, 96 links	XL1200C, XL1200CB, XL1200CX, XL1200T, XL1200X
12	40241-02A	SPROCKET (Domestic, Canada, Asia-Pacific, Brazil), triple row - 34 teeth	XL883L, XL883N
	40290-04A	SPROCKET (HDI, Australia, England, Japan, India), triple row - 38 teeth	XL883L, XL883N
	40290-04A	SPROCKET, triple row - 38 teeth	XL1200C, XL1200CB, XL1200CX, XL1200T, XL1200X
13	40251-92A	RETENTION PLATE	ALL
14	40350-07	SPROCKET, belt - 68 teeth (black with highlights)	XL1200C, XL1200CX, XL1200T, XL883L
	40444-07	SPROCKET, belt - 68 teeth (black)	XL1200CB, XL883N
	42200121	SPROCKET, belt - 68 teeth (black)	XL1200X
15	40380-04	SPROCKET, transmission - 30 teeth (HDI)	XL1200C, XL1200CB, XL1200T, XL1200X

	40409-04	SPROCKET, transmission - 29 teeth (Domestic)	XL1200C, XL1200T, XL1200X
	40409-04	SPROCKET, transmission - 29 teeth	XL1200CX, XL883L, XL883N
16	40591-07	BELT, 137 teeth	ALL

CLUTCH CONTROL



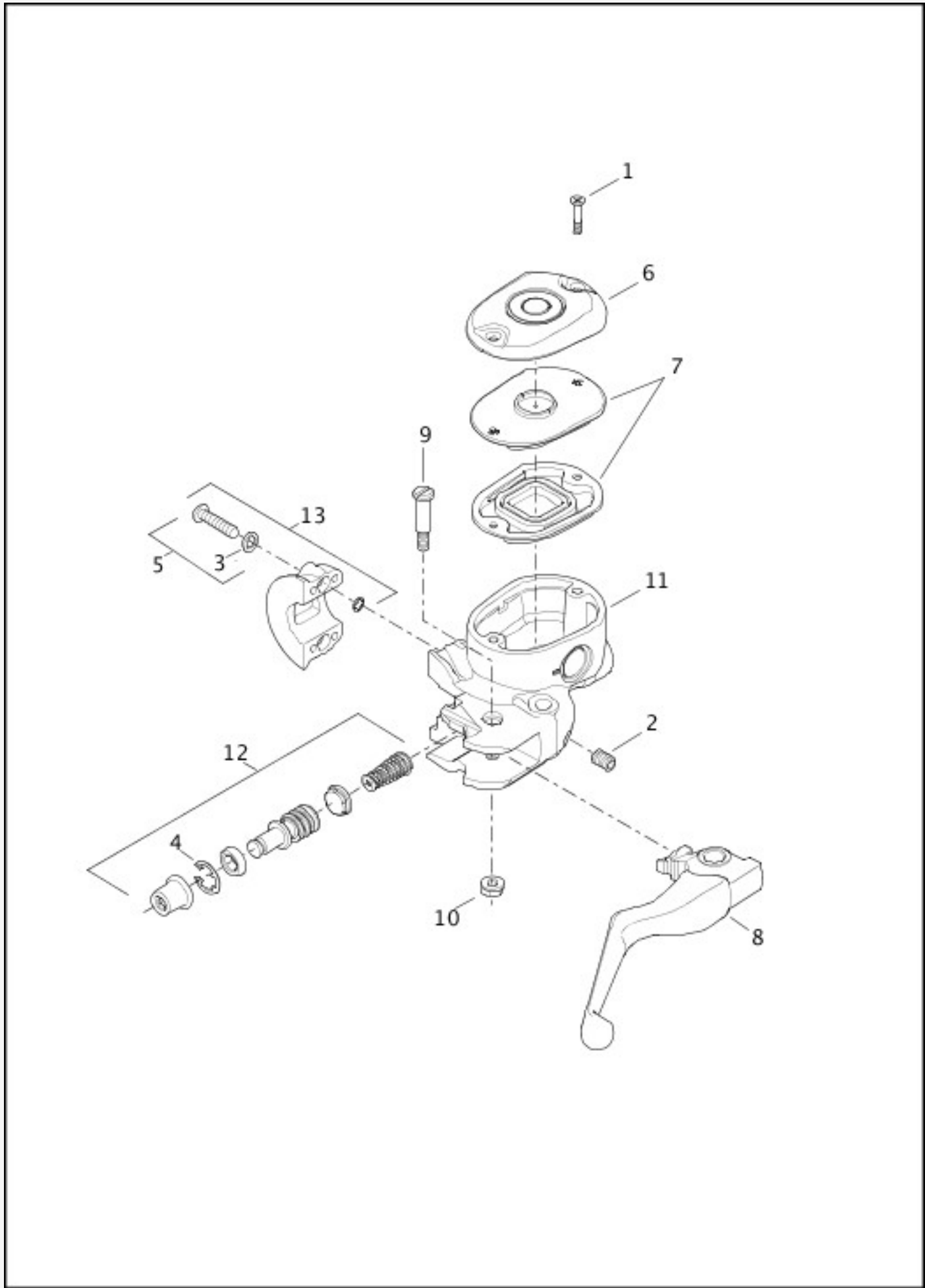
[View interactive image](#)

[View interactive table](#)

INDEX NO.	PART NO.	DESCRIPTION	MODEL(S)
1	3244	SCREW	ALL
2	6101	WASHER (2)	ALL

3	11179	O-RING	ALL
4	11379	RETAINING RING	ALL
5	38630-88	BOOT	ALL
6	42425-05	KIT, with 6101 (2) and screw (2)	ALL
7	42807-04	BOLT	ALL
8	45799-04	SPRING, anti-rattle	ALL
9	45800-04	SCREW	ALL
10	45801-04	BUSHING	ALL
11	46268-04	PIN	ALL
12	36700011	HAND LEVER, with 8, 9, 10 (black)	XL1200X, XL883N
	36700012	HAND LEVER, with 8, 9, 10 (silver)	XL1200C, XL1200CB, XL1200CX, XL1200T, XL883L
13	36700013	BRACKET, with 3244	ALL
14	37000041A	CABLE ASSEMBLY, with 3, 4, 5, 11	XL1200CB
	38699-04D	CABLE ASSEMBLY, with 3, 4, 5, 11	XL1200C, XL1200T, XL1200X, XL883L, XL883N
	37200172	CABLE ASSEMBLY, with 3, 5, 11	XL1200CX
15	41700104	CLAMP	ALL

BRAKE CONTROL, FRONT



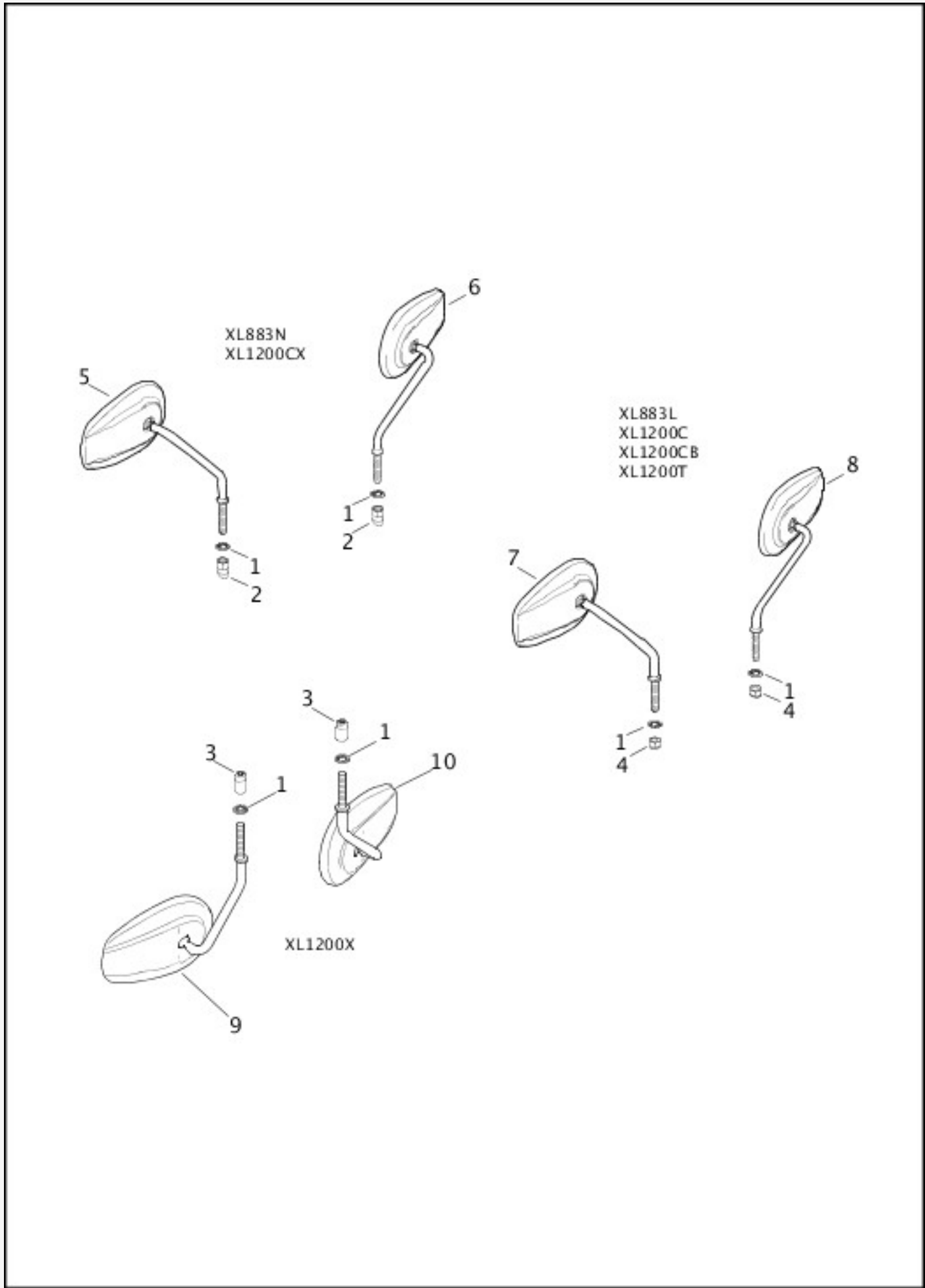
[View interactive image](#)

[View interactive table](#)

INDEX NO.	PART NO.	DESCRIPTION	MODEL(S)
1	2586A	SCREW (2)	ALL
2	3244	SCREW	ALL

3	6101	WASHER (2)	ALL
4	11142	RETAINING RING	ALL
5	42425-05	KIT, with 6101 (2) and screw (2)	ALL
6	42804-07	CAP, with decal	ALL
7	42805-04	GASKET KIT	ALL
8	41700004	LEVER (silver)	XL1200C, XL1200CB, XL1200CX, XL1200T, XL883L
	41700008	LEVER (black)	XL1200X, XL883N
9	41700042	BOLT	ALL
10	41700043	NUT	ALL
11	41700003	MASTER CYLINDER ASSEMBLY, single (silver), (ABS), with 1, 2, 6, 7, 8, 9, 10, 12	XL1200T, XL883L
	41700085	MASTER CYLINDER ASSEMBLY, single (silver), (Non- ABS), with 1, 2, 6, 7, 8, 9, 10, 12	XL1200C, XL1200CB, XL1200T, XL883L
	41700099	MASTER CYLINDER ASSEMBLY, single (black), (Non- ABS), with 1, 2, 6, 7, 8, 9, 10, 12	XL1200X, XL883N
	41700007	MASTER CYLINDER ASSEMBLY, single (black), (ABS), with 1, 2, 6, 7, 8, 9, 10, 12	XL1200X, XL883N
	41700086	MASTER CYLINDER ASSEMBLY, dual (polished), with 1, 2, 6, 7, 8, 9, 10, 12	XL1200CX
12	41700084	REBUILD KIT, single (ABS)	XL1200C, XL1200CB, XL1200T, XL1200X, XL883L, XL883N
	41700087	REBUILD KIT, single (Non-ABS)	XL1200C, XL1200CB, XL1200T, XL1200X, XL883L, XL883N
	41700088	REBUILD KIT, dual	XL1200CX
13	41700104	CLAMP	ALL

MIRRORS



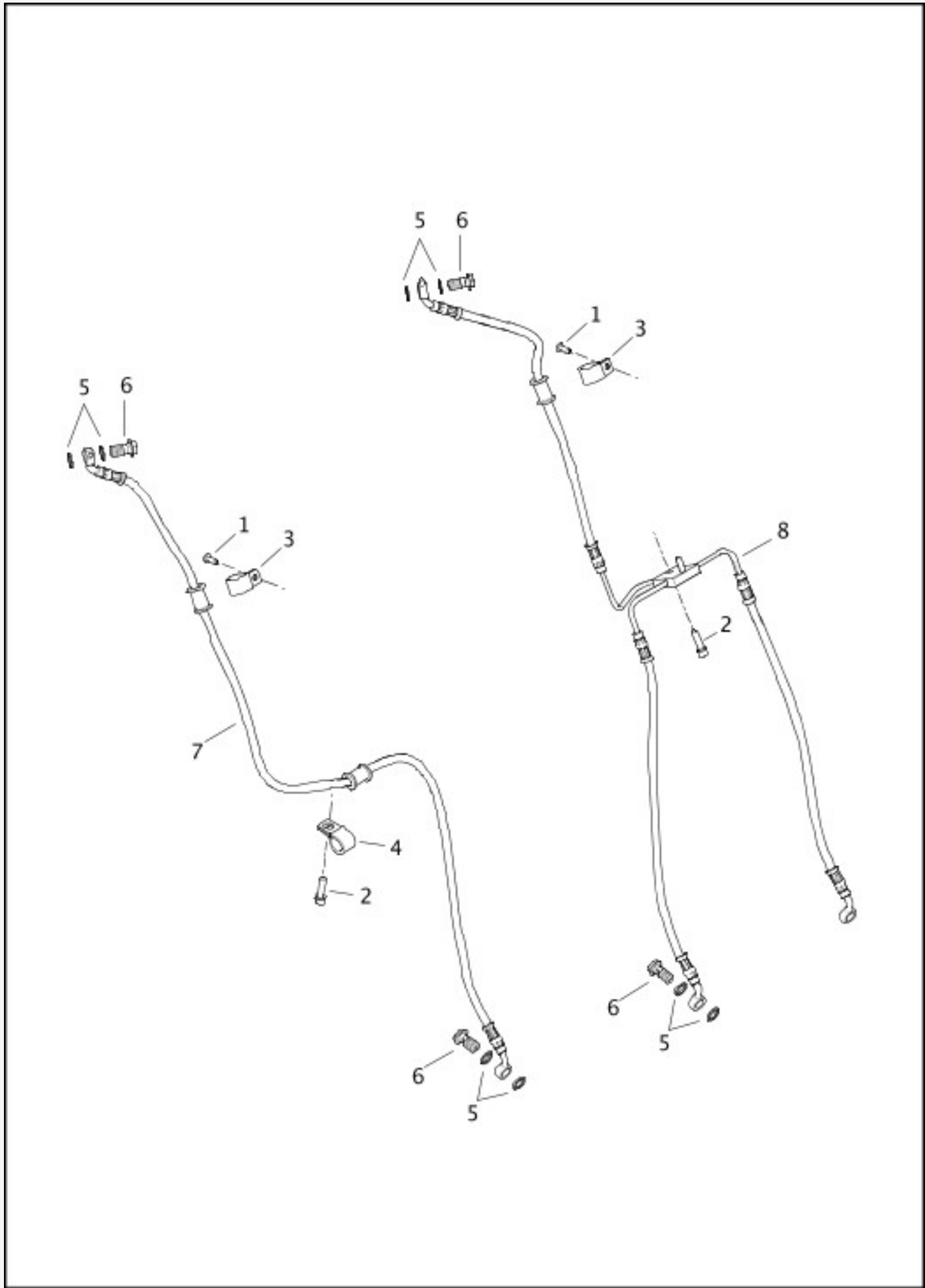
[View interactive image](#)

[View interactive table](#)

INDEX NO.	PART NO.	DESCRIPTION	MODEL(S)
1	7155	LOCKWASHER (2)	ALL
2	7331	ACORN NUT (2)	XL1200CX, XL883N

3	7357	BULLET NUT (2)	XL1200X
4	7725	LOCKNUT (2)	XL1200C, XL1200CB, XL1200T, XL883L
5	91982-03B	MIRROR KIT (right), short (black), with 1, 2	XL883N
	91909-03B	MIRROR KIT (right), long (black), with 1, 2	XL1200CX
6	91983-03B	MIRROR KIT (left), short (black), with 1, 2	XL883N
	91910-03B	MIRROR KIT (left), long (black), with 1, 2	XL1200CX
7	92381-09	MIRROR KIT (right), long (chrome), with 1, 4	XL1200C
	92401-09	MIRROR KIT (right), short (chrome), with 1, 4	XL1200CB, XL1200T, XL883L
8	92400-09	MIRROR KIT (left), long (chrome), with 1, 4	XL1200C
	92402-09	MIRROR KIT (left), short (chrome), with 1, 4	XL1200CB, XL1200T, XL883L
9	91960-10	MIRROR KIT (right), short (black), with 1, 3	XL1200X
10	91961-10	MIRROR KIT (left), short (black), with 1, 3	XL1200X

BRAKE LINES, FRONT - NON-ABS



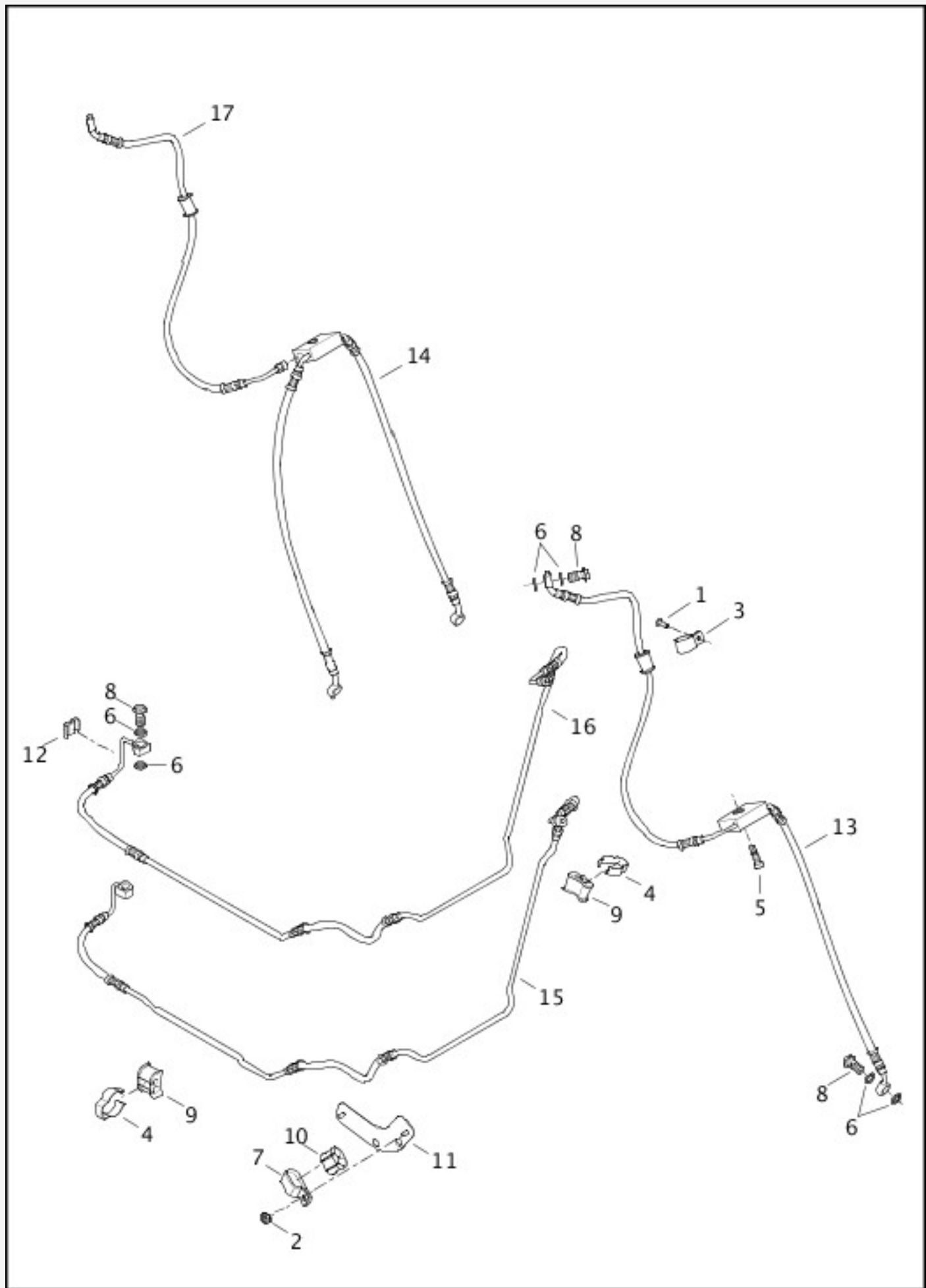
[View interactive image](#)

[View interactive table](#)

INDEX NO.	PART NO.	DESCRIPTION	MODEL(S)
1	2441	SCREW	ALL
2	4741A	SCREW	ALL

3	10031	CLAMP	ALL
4	10053	CLAMP	ALL
5	41756-08	GASKET (4)	XL1200C, XL1200CB, XL1200T, XL1200X, XL883L, XL883N
	41756-08	GASKET (6)	XL1200CX
6	11600001	BANJO BOLT (2)	XL1200C, XL1200CB, XL1200T, XL1200X, XL883L, XL883N
	11600001	BANJO BOLT (3)	XL1200CX
7	41800160	BRAKELINE, single	XL1200T, XL883L
	41800166	BRAKELINE, single	XL1200C
	41800168	BRAKELINE, single	XL1200CB
	41800171	BRAKELINE, single	XL1200X
	41800172	BRAKELINE, single	XL883N
8	41800566	BRAKELINE, dual	XL1200CX

BRAKE LINES, FRONT - ABS



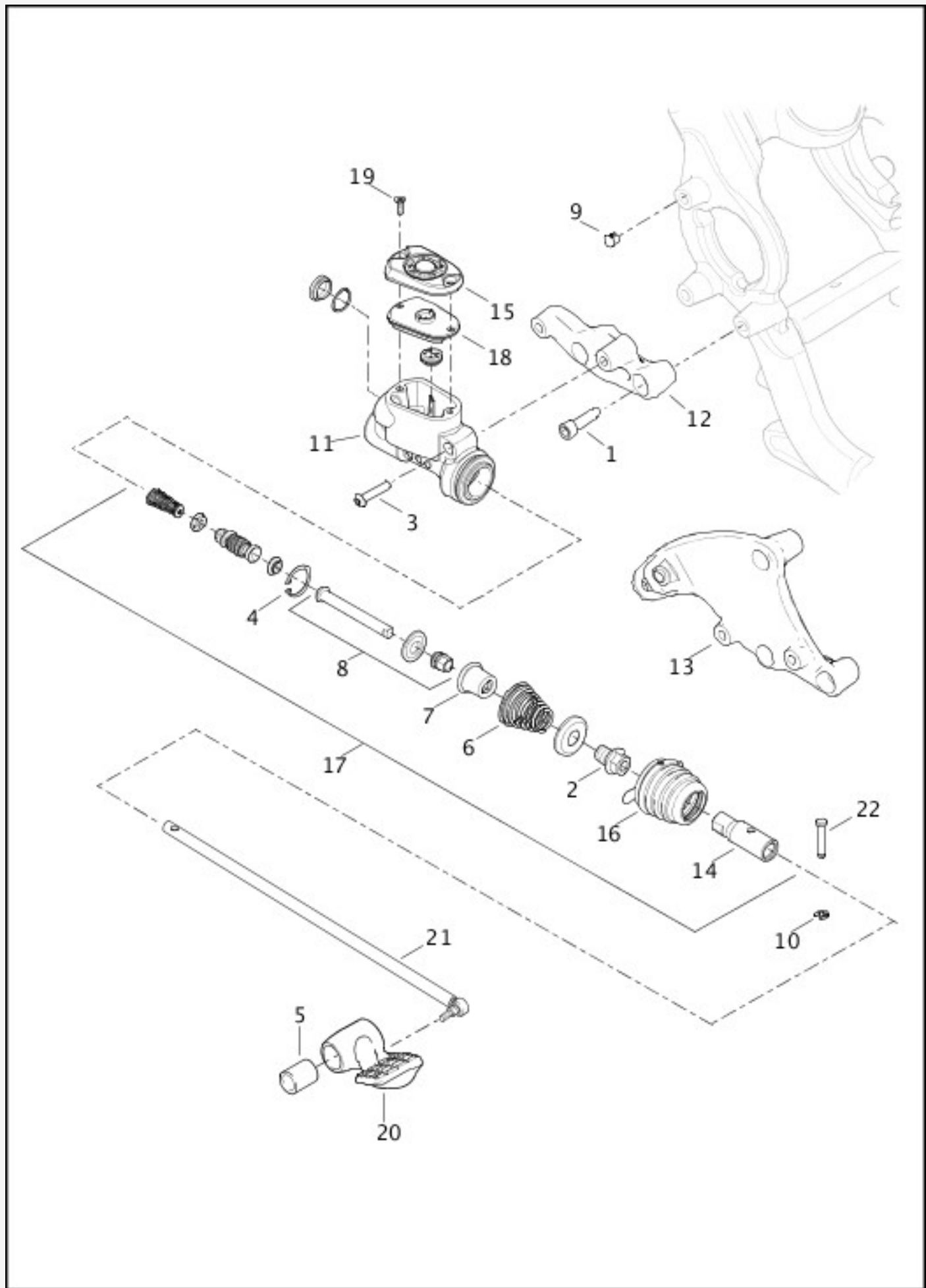
[View interactive image](#)

[View interactive table](#)

INDEX NO.	PART NO.	DESCRIPTION	MODEL(S)
1	2441	SCREW	ALL
2	7838	NUT (2)	ALL

3	10031	CLAMP	ALL
4	10289A	CLIP (4)	ALL
5	5004	BOLT	ALL
6	41756-08	GASKET (8)	ALL
7	10800074	P-CLAMP (2)	ALL
8	11600001	BANJO BOLT (4)	ALL
9	12100031	GROMMET (4)	ALL
10	12100049	GROMMET (2)	ALL
11	41600068	BRACKET	ALL
12	41600074	CLIP	ALL
13	41800143	BRAKELINE	XL1200X
	41800145	BRAKELINE	XL1200C
	41800147	BRAKELINE	XL1200CB
	41800150	BRAKELINE	XL1200T, XL883L
	41800151	BRAKELINE	XL883N
14	41800154	BRAKELINE, dual	XL1200CX
15	41800161	BRAKELINE	ALL
16	41800162	BRAKELINE	ALL
17	41800567	BRAKELINE, dual, jumper	XL1200CX

BRAKE CONTROL, REAR



[View interactive image](#)

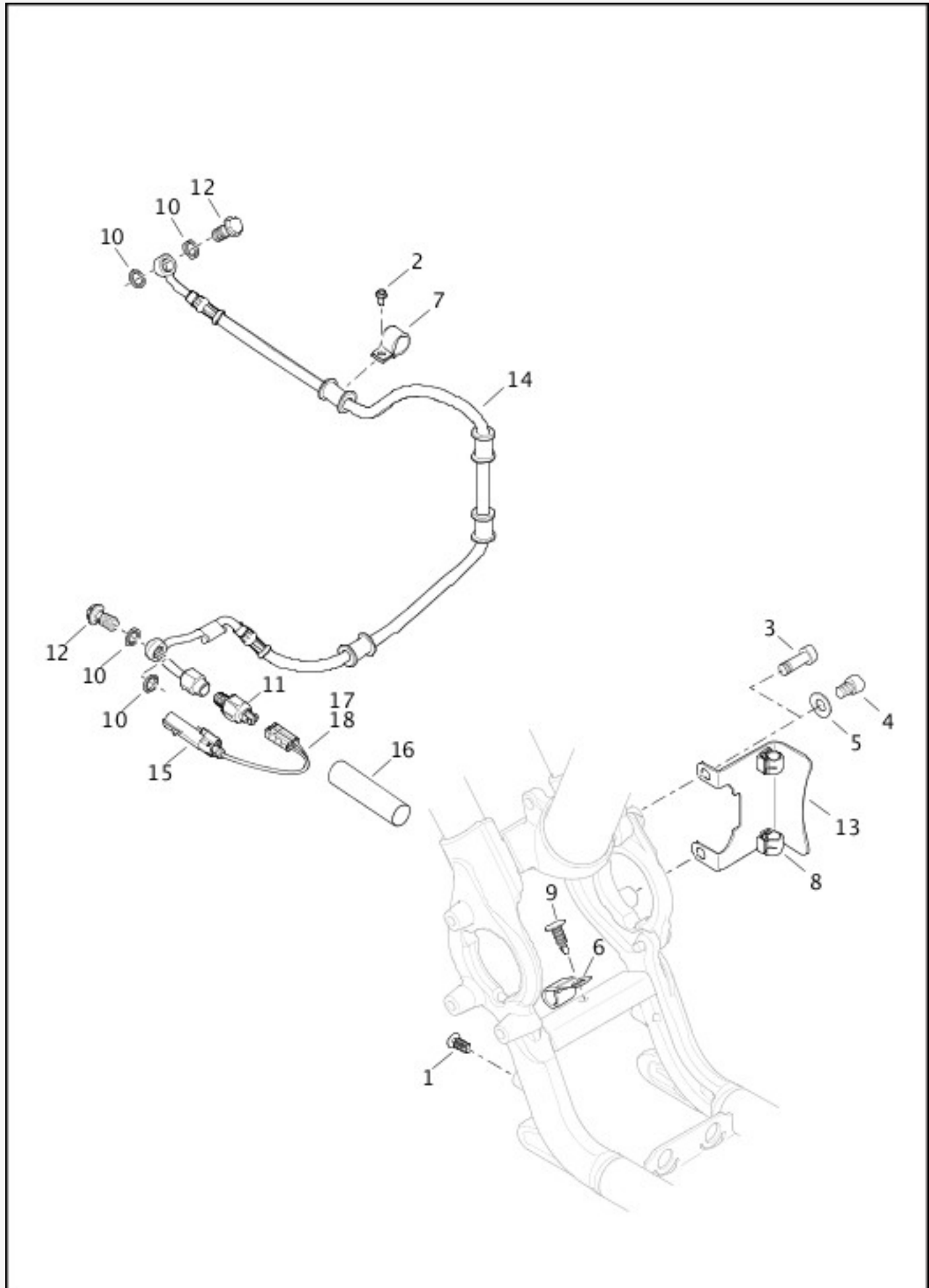
[View interactive table](#)

INDEX NO.	PART NO.	DESCRIPTION	MODEL(S)
1	3214	SCREW (2)	XL1200X, XL883L, XL883N
	3214	SCREW (3)	XL1200C, XL1200CB, XL1200CX,

			XL1200T
2	7477	NUT	ALL
3	8329	SCREW (2)	ALL
4	11121	RETAINING RING	ALL
5	42569-03	BUSHING	ALL
6	42593-04	SPRING	ALL
7	42811-04	BOOT	ALL
8	42812-04	PUSHROD	ALL
9	90493-83	HOLE PLUG	XL1200X, XL883L, XL883N
10	12600080	CLIP	ALL
11	41700025	MASTER CYLINDER, with 15, 17, 18, 19	ALL
12	41700092	BRACKET	XL1200X, XL883L, XL883N
13	50500233	BRACKET	XL1200C, XL1200CB, XL1200CX, XL1200T
14	41700094	PUSHROD COLLAR	ALL
15	41700095	COVER, with decal	ALL
16	41700096	PUSHROD	ALL
17	41700097	KIT, master cylinder	ALL
18	41700098	KIT, gasket	ALL
19	41700102	SCREW (2)	ALL
20	50600020	BRAKE PEDAL, with 42569-03, mid control (polished)	XL1200C, XL883L
	50600024	BRAKE PEDAL, with 42569-03, mid control (black)	XL1200CX, XL883N
	50600124	BRAKE PEDAL, with 42569-03, mid control (polished)	XL1200T
	50600021	BRAKE PEDAL, with 42569-03, forward control (polished)	XL1200C, XL1200CB
	50600025	BRAKE PEDAL, with 42569-03, forward control (black)	XL1200X
21	50600022	PUSHROD, mid control (polished)	XL1200C, XL883L
	50600091	PUSHROD, mid control (black)	XL1200CX, XL883N
	50600125	PUSHROD, mid control (polished)	XL1200T
	50600023	PUSHROD, forward control (polished)	XL1200C, XL1200CB

	50600092	PUSHROD, forward control (black)	XL1200X
22	50600101	PIN	ALL

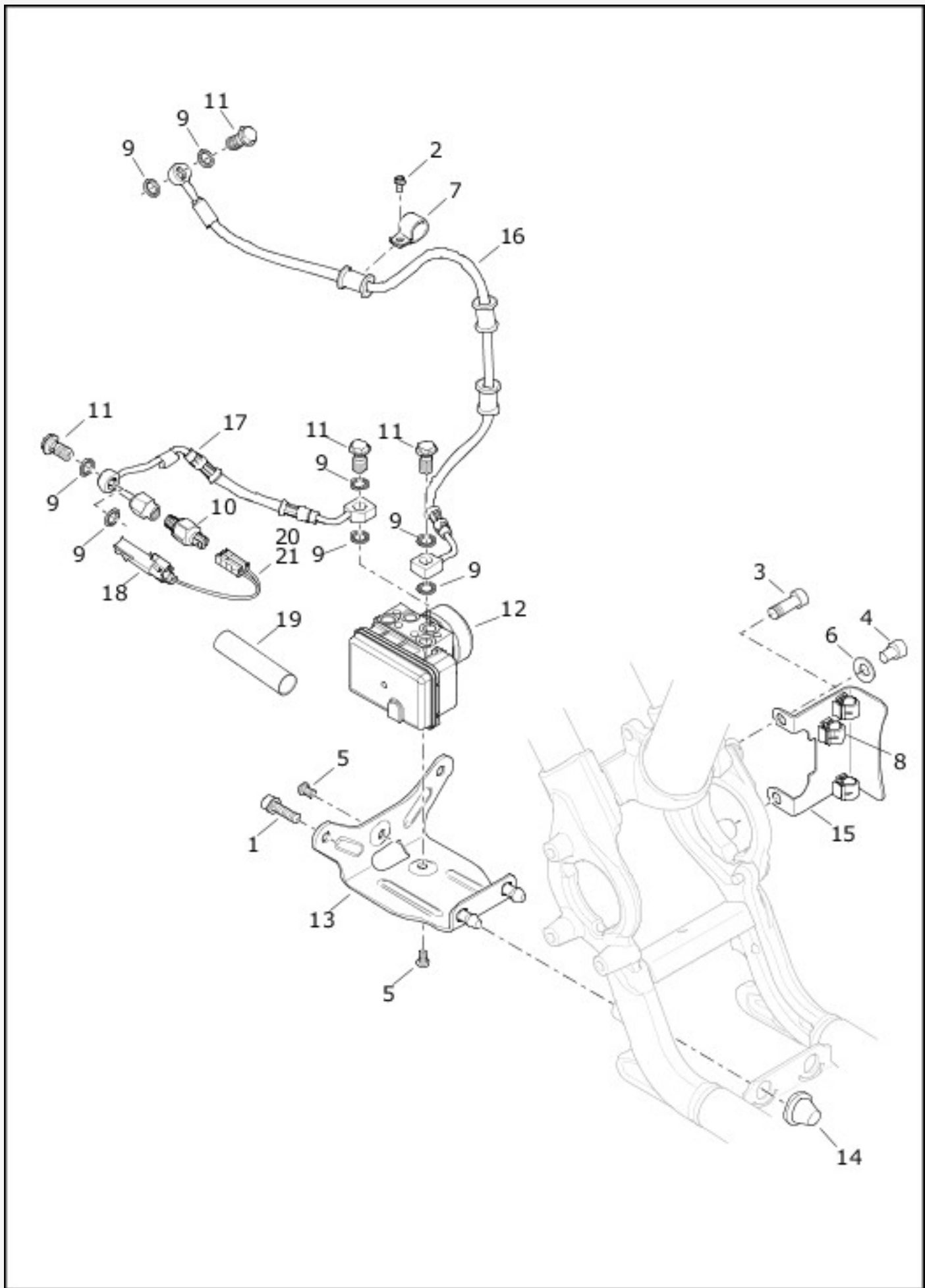
BRAKE LINES, REAR - NON-ABS



[View interactive image](#)

INDEX NO.	PART NO.	DESCRIPTION	MODEL(S)
1	11785	FASTENER (2)	ALL
2	2501A	SCREW	ALL
3	3214	SCREW (2)	XL1200C, XL1200CB, XL1200CX, XL1200T
4	4190	SCREW (2)	XL1200X, XL883L, XL883N
5	6701	WASHER (2)	XL1200X, XL883L, XL883N
6	10003	CLAMP	ALL
7	10031	CLAMP	ALL
8	10108	CLIP (2)	ALL
9	11778	FASTENER	ALL
10	41756-08	GASKET (4)	ALL
11	72023-51E	SWITCH	ALL
12	11600001	BANJO BOLT (2)	ALL
13	41600069	BRACKET ASSEMBLY	ALL
14	41800318	BRAKELINE	ALL
15	69200272	CONNECTOR, two-way, pin	ALL
16	69200790	HEAT SHRINK	ALL
17	69200793	KIT, jumper switch, with 15, 16, 18	ALL
18	69200794	WIRE HARNESS, jumper switch	ALL

BRAKE LINES, REAR - ABS



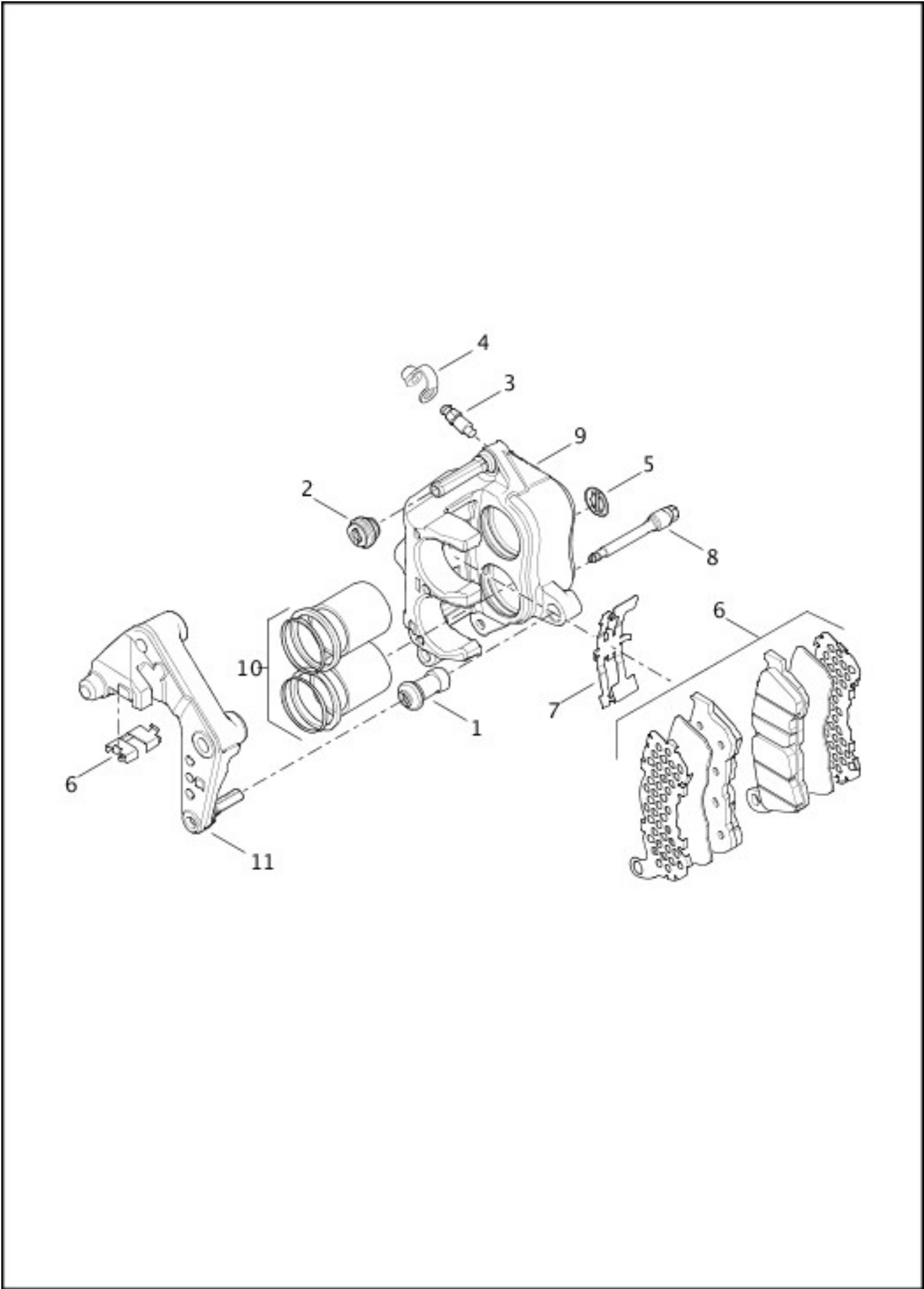
[View interactive image](#)

[View interactive table](#)

INDEX NO.	PART NO.	DESCRIPTION	MODEL(S)
1	2479	SCREW (2)	ALL
2	2501A	SCREW	ALL

3	3214	SCREW (2)	XL1200C, XL1200CB, XL1200CX, XL1200T
4	4190	SCREW (2)	XL1200X, XL883L, XL883N
5	4858M	SCREW (2)	ALL
6	6701	WASHER (2)	XL1200X, XL883L, XL883N
7	10031	CLAMP	ALL
8	10108	CLIP (3)	ALL
9	41756-08	GASKET (8)	ALL
10	72023-51E	SWITCH	ALL
11	11600001	BANJO BOLT (4)	ALL
12	41100043A	ABS (ANTI-LOCK BRAKE SYSTEM) CONTROL UNIT	ALL
13	41100020A	BRACKET	ALL
14	41100022	GROMMET (2)	ALL
15	41600069	BRACKET ASSEMBLY	ALL
16	41800165	BRAKELINE	ALL
17	41800317	BRAKELINE	ALL
18	69200272	CONNECTOR, two-way, pin	ALL
19	69200790	HEAT SHRINK	ALL
20	69200793	KIT, jumper switch, with 18, 19, 21	ALL
21	69200794	WIRE HARNESS, jumper switch	ALL

BRAKE CALIPER, FRONT



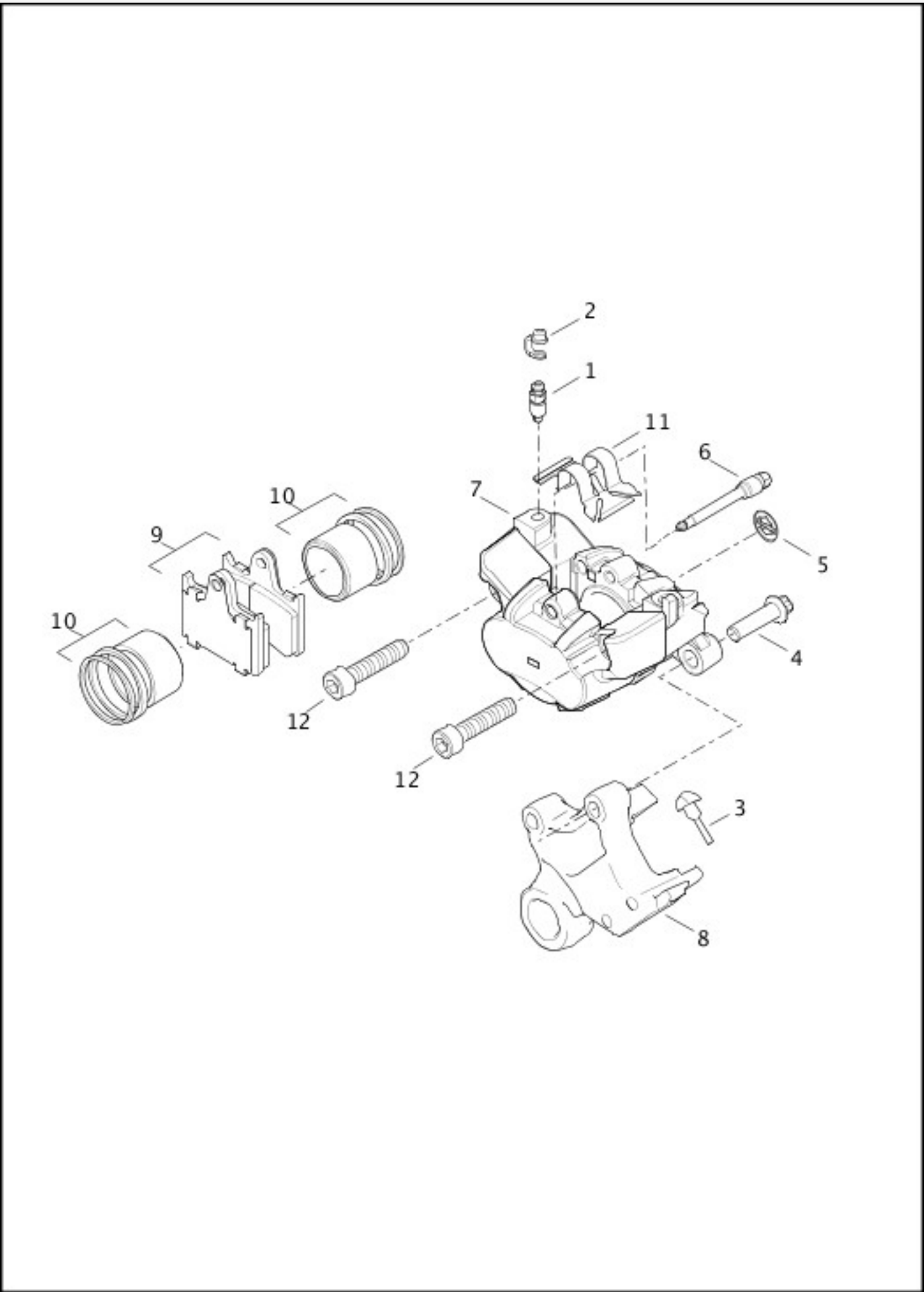
[View interactive image](#)

[View interactive table](#)

INDEX NO.	PART NO.	DESCRIPTION	MODEL(S)
1	42823-04	BOOT, bushing	XL1200C, XL1200CB, XL1200T, XL1200X, XL883L, XL883N

	42823-04	BOOT, bushing (2)	XL1200CX
2	42824-04	BOOT, pin	XL1200C, XL1200CB, XL1200T, XL1200X, XL883L, XL883N
	42824-04	BOOT, pin (2)	XL1200CX
3	42827-04	BLEEDER SCREW	XL1200C, XL1200CB, XL1200T, XL1200X, XL883L, XL883N
	42827-04	BLEEDER SCREW (2)	XL1200CX
4	42828-04	BLEEDER CAP	XL1200C, XL1200CB, XL1200T, XL1200X, XL883L, XL883N
	42828-04	BLEEDER CAP (2)	XL1200CX
5	14100381	DECAL	XL1200C, XL1200CB, XL1200T, XL1200X, XL883L, XL883N
	14100381	DECAL (2)	XL1200CX
6	41300004	PAD KIT, with retainer clip	XL1200C, XL1200CB, XL1200T, XL1200X, XL883L, XL883N
	41300004	PAD KIT, with retainer clip (2)	XL1200CX
7	41300005	SPRING	XL1200C, XL1200CB, XL1200T, XL1200X, XL883L, XL883N
	41300005	SPRING (2)	XL1200CX
8	41300009	PAD PIN	XL1200C, XL1200CB, XL1200T, XL1200X, XL883L, XL883N
	41300009	PAD PIN (2)	XL1200CX
9	41300003	CALIPER ASSEMBLY (left), with 1, 2, 3, 4, 5, 6, 7, 8, 10, 11 (silver)	XL1200C, XL1200CB, XL1200T, XL883L
	41300010	CALIPER ASSEMBLY (left), with 1, 2, 3, 4, 5, 6, 7, 8, 10, 11 (black)	XL1200CX, XL1200X, XL883N
	41300032	CALIPER ASSEMBLY (right), with 1, 2, 3, 4, 5, 6, 7, 8, 10, 11 (black)	XL1200CX
10	41300006	PISTON KIT, set	XL1200C, XL1200CB, XL1200T, XL1200X, XL883L, XL883N
	41300006	PISTON KIT, set (2)	XL1200CX
11	41300007	CALIPER BRACKET (left) (silver)	XL1200C, XL1200CB, XL1200T, XL883L
	41300008	CALIPER BRACKET (left) (black)	XL1200CX, XL1200X, XL883N
	41300052	CALIPER BRACKET (right) (black)	XL1200CX

BRAKE CALIPER, REAR



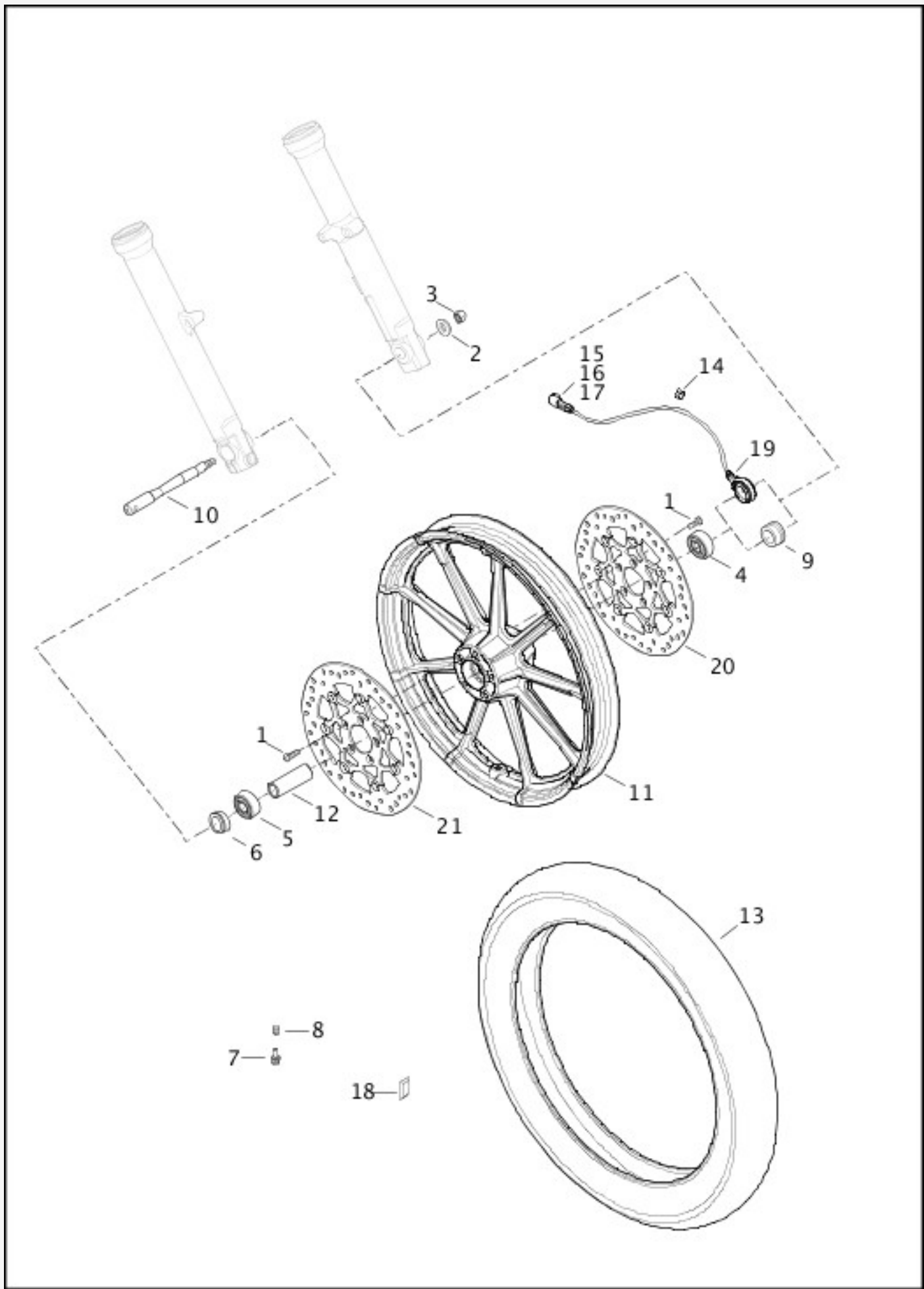
[View interactive image](#)

[View interactive table](#)

INDEX NO.	PART NO.	DESCRIPTION	MODEL(S)
1	42827-04	BLEEDER SCREW	ALL
2	42828-04	BLEEDER CAP	ALL

3	42840-04	DAMPER	ALL
4	44160-00	BOLT (2)	ALL
5	14100381	DECAL	ALL
6	41300009	PAD PIN	ALL
7	41300038	CALIPER ASSEMBLY, with 1, 2, 3, 6, 9, 10, 11, 12 (silver)	XL1200C, XL1200CB, XL1200T, XL883L
	41300039	CALIPER ASSEMBLY, with 1, 2, 3, 6, 9, 10, 11, 12 (black)	XL1200CX, XL1200X, XL883N
8	41300049	BRACKET, with 42840-04	ALL
9	41300053	PAD KIT	ALL
10	41300054	PISTON KIT, set	ALL
11	41300055	SPRING	ALL
12	41300056	BOLT (2)	ALL

WHEELS, FRONT, CAST - XL883L, XL883N, XL1200CX, XL1200T, XL1200X



[View interactive image](#)

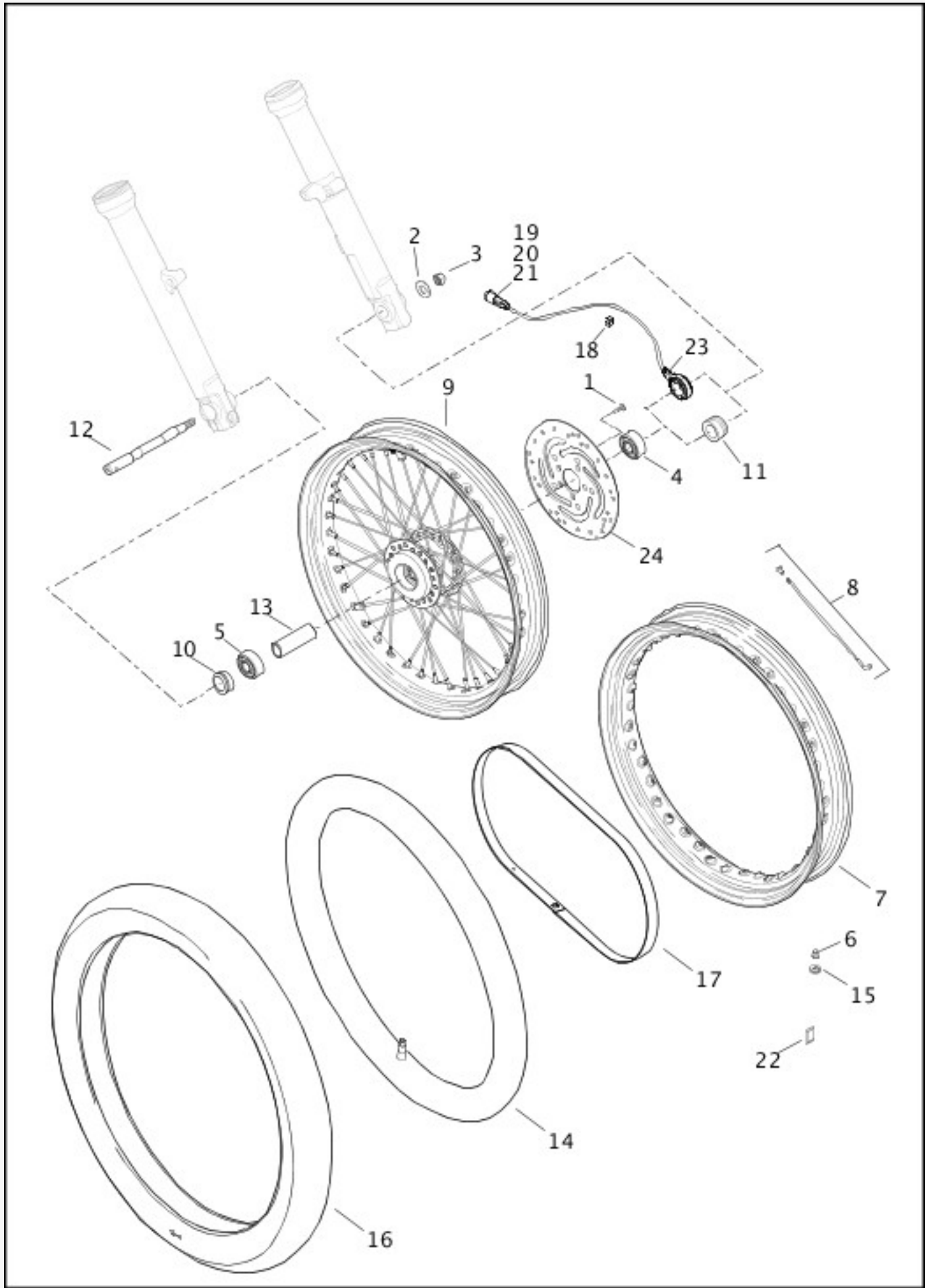
[View interactive table](#)

INDEX NO.	PART NO.	DESCRIPTION	MODEL(S)
1	3655A	SCREW (5)	XL1200T, XL1200X, XL883L, XL883N

	3655A	SCREW (10)	XL1200CX
2	6594	WASHER	XL1200CX, XL1200T, XL1200X, XL883L, XL883N
3	7813A	NUT	XL1200CX, XL1200T, XL1200X, XL883L, XL883N
4	9252	BALL BEARING, 25 mm (ABS)	XL1200CX, XL1200T, XL1200X, XL883L, XL883N
	9276A	BALL BEARING, 25 mm (Non-ABS)	XL1200CX, XL1200T, XL1200X, XL883L, XL883N
5	9276A	BALL BEARING, 25 mm	XL1200CX, XL1200T, XL1200X, XL883L, XL883N
6	11804	SPACER (right)	XL1200T, XL1200X, XL883L
	43358-08	SPACER (right)	XL883N
	41242-08	SPACER (right)	XL1200CX
7	40999-87	VALVE STEM	XL1200CX, XL1200T, XL1200X, XL883L, XL883N
8	41123-79	VALVE CAP	XL1200CX, XL1200T, XL1200X, XL883L, XL883N
9	41242-08	SPACER (left) (Non-ABS)	XL1200CX, XL1200T, XL1200X, XL883L, XL883N
10	41628-08	AXLE	XL1200CX, XL1200T, XL1200X, XL883L
	43000001	AXLE	XL883N
11	43689-11	WHEEL ASSEMBLY, 18 in (5 spoke) (black) without bearings and sleeves (not shown)	XL883L
	43300282	WHEEL ASSEMBLY, 18 in (5 spoke) (black) without bearings and sleeves (not shown)	XL1200T
	43300392	WHEEL ASSEMBLY, 16 in (9 spoke) (black) without bearings and sleeves (not shown)	XL1200X
	43300394	WHEEL ASSEMBLY, 19 in (9 spoke) (black) without bearings and sleeves	XL883N
	43300416	WHEEL ASSEMBLY, 19 in (offset split 5 spoke) (black) without bearings and sleeves (not shown)	XL1200CX
12	43906-08	SPACER	XL883N
	11888	SPACER	XL1200CX, XL1200T, XL1200X, XL883L
13	40879-11A	TIRE	XL883L

	43258-07B	TIRE	XL883N
	55035-11A	TIRE	XL1200X
	43100021A	TIRE	XL1200T
	43100026	TIRE	XL1200CX
14	70631-08	CONDUIT CLIP (ABS) (3)	XL1200CX, XL1200T, XL1200X, XL883L, XL883N
15	74102-98BK	HOUSING, two-way pin (black)	XL1200CX, XL1200T, XL1200X, XL883L, XL883N
16	74142-98	SECONDARY LOCK, two-way pin	XL1200CX, XL1200T, XL1200X, XL883L, XL883N
17	74190-98	TERMINAL, pin, 16-20 AWG (2)	XL1200CX, XL1200T, XL1200X, XL883L, XL883N
18	95594-84B	WHEEL WEIGHT, 5 g (black)	XL1200CX, XL1200X, XL883N
	95595-84B	WHEEL WEIGHT, 5 g (silver)	XL1200T, XL883L
19	41100024	SENSOR RING (ABS)	XL1200CX, XL1200T, XL1200X, XL883L, XL883N
20	41500022	BRAKE DISC (left)	XL1200T, XL883L
	41500068	BRAKE DISC (left)	XL1200X
	41500088	BRAKE DISC (left)	XL1200CX, XL883N
21	41500088	BRAKE DISC (right)	XL1200CX

WHEELS, FRONT, LACED - XL1200C, XL1200CB



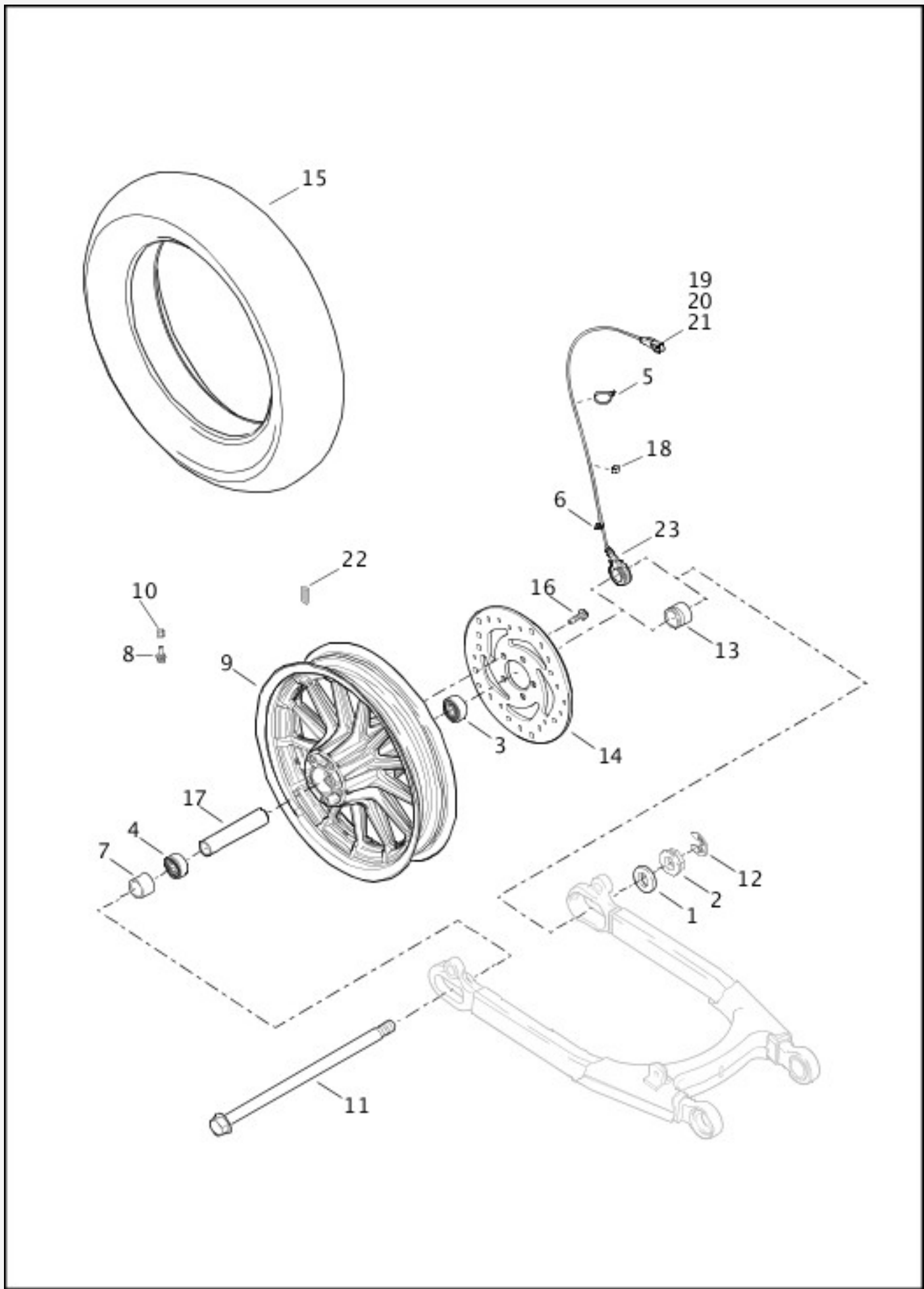
[View interactive image](#)

[View interactive table](#)

INDEX NO.	PART NO.	DESCRIPTION	MODEL(S)
1	3655A	SCREW (5)	XL1200C, XL1200CB
2	6594	WASHER	XL1200C, XL1200CB

3	7813A	NUT	XL1200C, XL1200CB
4	9252	BALL BEARING, 25 mm (ABS)	XL1200C, XL1200CB
	9276A	BALL BEARING, 25 mm (Non-ABS)	XL1200C, XL1200CB
5	9276A	BALL BEARING, 25 mm	XL1200C, XL1200CB
6	41123-79	VALVE CAP	XL1200C, XL1200CB
7	41389-10	RIM, 16 in (black)	XL1200CB
	55127-11	RIM, 16 in (chrome)	XL1200C
8	47887-10	SPOKE AND NIPPLE KIT, 16 in rim (set of 32)	XL1200C, XL1200CB
9	41388-10	WHEEL ASSEMBLY, 16 in (black) without bearings and sleeves	XL1200CB
	55126-11	WHEEL ASSEMBLY, 16 in (chrome) without bearings and sleeves	XL1200C
10	11804	SPACER (right)	XL1200C, XL1200CB
11	41242-08	SPACER (left) (Non-ABS)	XL1200C, XL1200CB
12	41628-08	AXLE	XL1200C, XL1200CB
13	11888	SPACER	XL1200C, XL1200CB
14	40572-11	INNER TUBE	XL1200C, XL1200CB
15	54321-85	NUT	XL1200C, XL1200CB
16	55035-11A	TIRE	XL1200C, XL1200CB
17	40875-11	RIM STRIP	XL1200C, XL1200CB
18	70631-08	CONDUIT CLIP (ABS)	XL1200C, XL1200CB
19	74102-98BK	HOUSING, two-way pin (black)	XL1200C, XL1200CB
20	74142-98	SECONDARY LOCK, two-way pin	XL1200C, XL1200CB
21	74190-98	TERMINAL, pin, 16-20 AWG (2)	XL1200C, XL1200CB
22	95594-84B	WHEEL WEIGHT, 5 g (black)	XL1200C, XL1200CB
23	41100024	SENSOR RING (ABS)	XL1200C, XL1200CB
24	41500022	BRAKE DISC	XL1200C, XL1200CB

WHEELS, REAR, CAST - XL883L, XL883N, XL1200CX, XL1200T, XL1200X



[View interactive image](#)

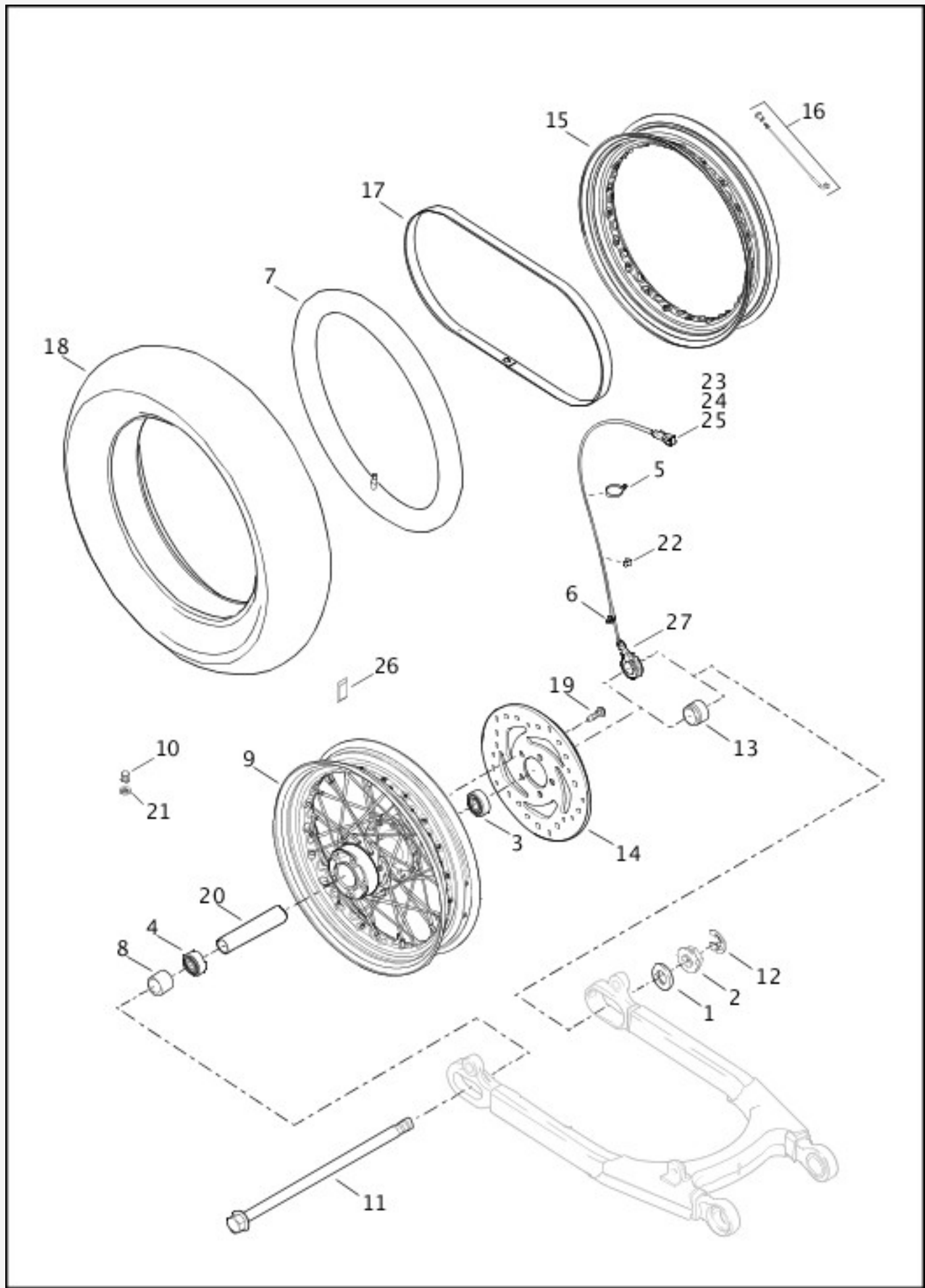
[View interactive table](#)

INDEX NO.	PART NO.	DESCRIPTION	MODEL(S)
1	6551	WASHER	XL1200CX, XL1200T, XL1200X, XL883L, XL883N

2	8020	NUT	XL1200CX, XL1200T, XL1200X, XL883L, XL883N
3	9252	BALL BEARING, 25 mm (ABS)	XL1200CX, XL1200T, XL1200X, XL883L, XL883N
	9276A	BALL BEARING, 25 mm (Non-ABS)	XL1200CX, XL1200T, XL1200X, XL883L, XL883N
4	9276A	BALL BEARING, 25 mm	XL1200CX, XL1200T, XL1200X, XL883L, XL883N
5	10006	CABLE STRAP (ABS)	XL1200CX, XL1200T, XL1200X, XL883L, XL883N
6	10177	CABLE STRAP	XL1200CX, XL1200T, XL1200X, XL883L, XL883N
7	40930-05	SPACER (right)	XL1200CX, XL1200T, XL1200X, XL883L, XL883N
8	40999-87	VALVE STEM	XL1200CX, XL1200T, XL1200X, XL883L, XL883N
9	40900402	WHEEL ASSEMBLY, 16 in (9 spoke) (black) without bearings and sleeves	XL883N
	40900291	WHEEL ASSEMBLY, 17 in (5 spoke) (black) without bearings and sleeves (not shown)	XL1200T
	40900399	WHEEL ASSEMBLY, 18 in (offset split 5 spoke) (black) without bearings and sleeves (not shown)	XL1200CX
	40900400	WHEEL ASSEMBLY, 16 in (9 spoke) (black) without bearings and sleeves (not shown)	XL1200X
	44012-11A	WHEEL ASSEMBLY, 17 in (5 spoke) (black) without bearings and sleeves (not shown)	XL883L
10	41123-79	VALVE CAP	XL1200CX, XL1200T, XL1200X, XL883L, XL883N
11	41176-08	AXLE ASSEMBLY	XL1200CX, XL1200T, XL1200X, XL883L, XL883N
12	41229-08	RETAINING RING	XL1200CX, XL1200T, XL1200X, XL883L, XL883N
13	41242-08	SPACER (left) (Non-ABS)	XL1200CX, XL1200T, XL1200X, XL883L, XL883N
14	41833-08	BRAKE DISC	XL1200CX, XL1200T, XL1200X, XL883L, XL883N
15	40878-11	TIRE	XL1200X, XL883N
	43216-11	TIRE	XL883L
	43200030	TIRE	XL1200CX

	43200026A	TIRE	XL1200T
16	43567-92	SCREW (5)	XL1200CX, XL1200T, XL1200X, XL883L, XL883N
17	43905-08	SLEEVE	XL1200CX, XL1200T, XL1200X, XL883L, XL883N
18	70631-08	CONDUIT CLIP (ABS) (2)	XL1200CX, XL1200T, XL1200X, XL883L, XL883N
19	74102-98BK	HOUSING, two-way pin (black)	XL1200CX, XL1200T, XL1200X, XL883L, XL883N
20	74142-98	SECONDARY LOCK, two-way pin	XL1200CX, XL1200T, XL1200X, XL883L, XL883N
21	74190-98	TERMINAL, pin, 16-20 AWG (2)	XL1200CX, XL1200T, XL1200X, XL883L, XL883N
22	95594-84B	WHEEL WEIGHT, 5 g (black)	XL883N
	95595-84B	WHEEL WEIGHT, 5 g (silver)	XL1200T, XL883L
23	41100023	SENSOR RING (ABS)	XL1200CX, XL1200T, XL1200X, XL883L, XL883N

WHEELS, REAR, LACED - XL1200C, XL1200CB

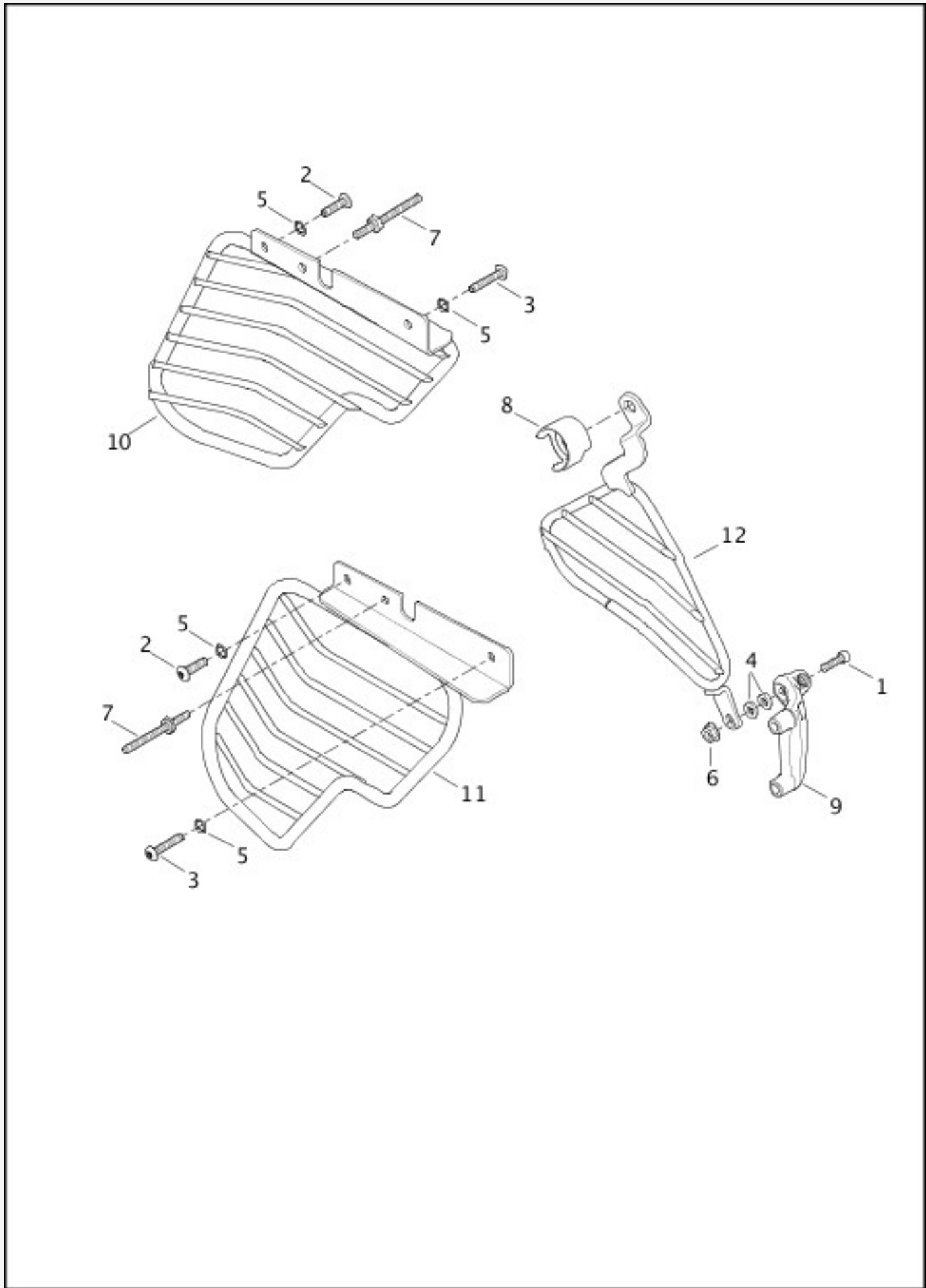


[View interactive image](#)

[View interactive table](#)

INDEX NO.	PART NO.	DESCRIPTION	MODEL(S)
1	6551	WASHER	XL1200C, XL1200CB
2	8020	NUT	XL1200C, XL1200CB

3	9252	BALL BEARING, 25 mm (ABS)	XL1200C, XL1200CB
	9276A	BALL BEARING, 25 mm (Non-ABS)	XL1200C, XL1200CB
4	9276A	BALL BEARING, 25 mm	XL1200C, XL1200CB
5	10006	CABLE STRAP (ABS)	XL1200C, XL1200CB
6	10177	CABLE STRAP	XL1200C, XL1200CB
7	40572-11	INNER TUBE	XL1200C, XL1200CB
8	40930-05	SPACER, wheel bearing, sprocket side	XL1200C, XL1200CB
9	41082-08A	WHEEL ASSEMBLY, 16 in (chrome) without bearings and sleeves	XL1200C
	41478-10A	WHEEL ASSEMBLY, 16 in (black) without bearings and sleeves	XL1200CB
10	41123-79	VALVE CAP	XL1200C, XL1200CB
11	41176-08	AXLE ASSEMBLY	XL1200C, XL1200CB
12	41229-08	RETAINING RING	XL1200C, XL1200CB
13	41242-08	SPACER (left) (Non-ABS)	XL1200C, XL1200CB
14	41833-08	BRAKE DISC	XL1200C, XL1200CB
15	43017-07	RIM, laced wheel, 16 in (black)	XL1200CB
	43085-97	RIM, laced wheel, 16 in (chrome)	XL1200C
16	43241-05	SPOKE AND NIPPLE KIT, 16 in rim (chrome) (set of 40)	XL1200C, XL1200CB
17	40875-11	RIM STRIP	XL1200C, XL1200CB
18	40878-11	TIRE	XL1200C, XL1200CB
19	43567-92	SCREW (5)	XL1200C, XL1200CB
20	43905-08	SLEEVE, bearing spacer	XL1200C, XL1200CB
21	54321-85	NUT	XL1200C, XL1200CB
22	70631-08	CONDUIT CLIP (ABS) (2)	XL1200C, XL1200CB
23	74102-98BK	HOUSING, two-way pin (black)	XL1200C, XL1200CB
24	74142-98	SECONDARY LOCK, two-way pin	XL1200C, XL1200CB
25	74190-98	TERMINAL, pin, 16-20 AWG (2)	XL1200C, XL1200CB
26	95595-84B	WHEEL WEIGHT, 5 g (silver)	XL1200C
	95594-84B	WHEEL WEIGHT, 5 g (black)	XL1200CB
27	41100023	SENSOR RING (ABS)	XL1200C, XL1200CB



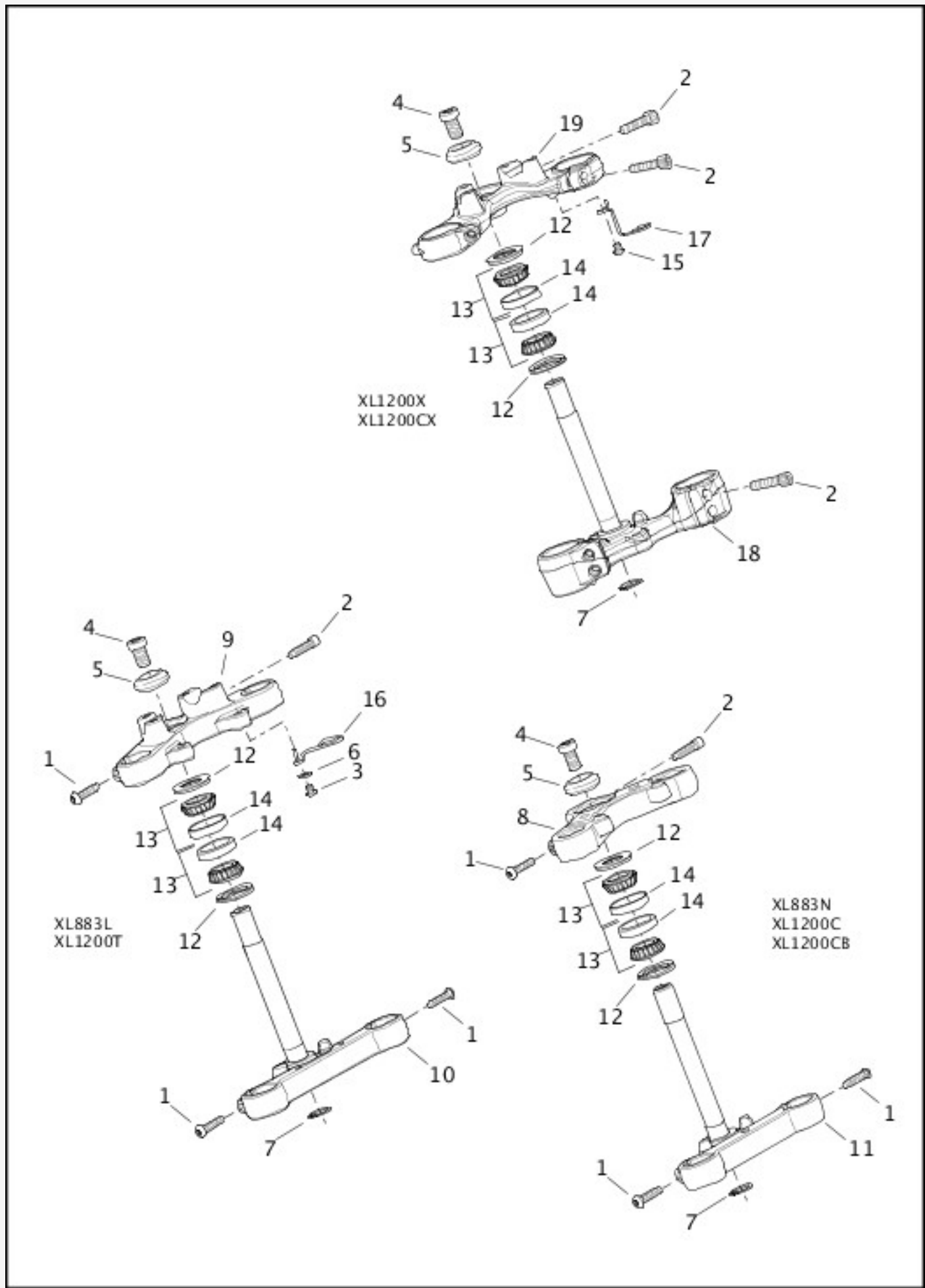
[View interactive image](#)

[View interactive table](#)

INDEX NO.	PART NO.	DESCRIPTION	MODEL(S)
NOTE: These parts are required for motorcycles sold in the India market.			

1	2708A	SCREW	XL1200C, XL1200CX
2	4778	SCREW (2)	XL1200C, XL1200CX
3	4779	SCREW (2)	XL1200C, XL1200CX
4	6109	WASHER (2)	XL1200C, XL1200CX
5	6798	WASHER (4)	XL1200C, XL1200CX
6	7531	LOCKNUT	XL1200C, XL1200CX
7	56104-02	SCREW (2)	XL1200C, XL1200CX
8	47200177	COVER, shock stud	XL1200C, XL1200CX
9	50500227	BRACKET, support	XL1200C, XL1200CX
10	60300007	SAREE GUARD, rear (left)	XL1200C
	60300154	SAREE GUARD, rear (left)	XL1200CX
11	60300008	SAREE GUARD (right)	XL1200C, XL1200CX
12	60300113	SAREE GUARD, front (left)	XL1200C, XL1200CX

FORK BRACKETS, FRONT



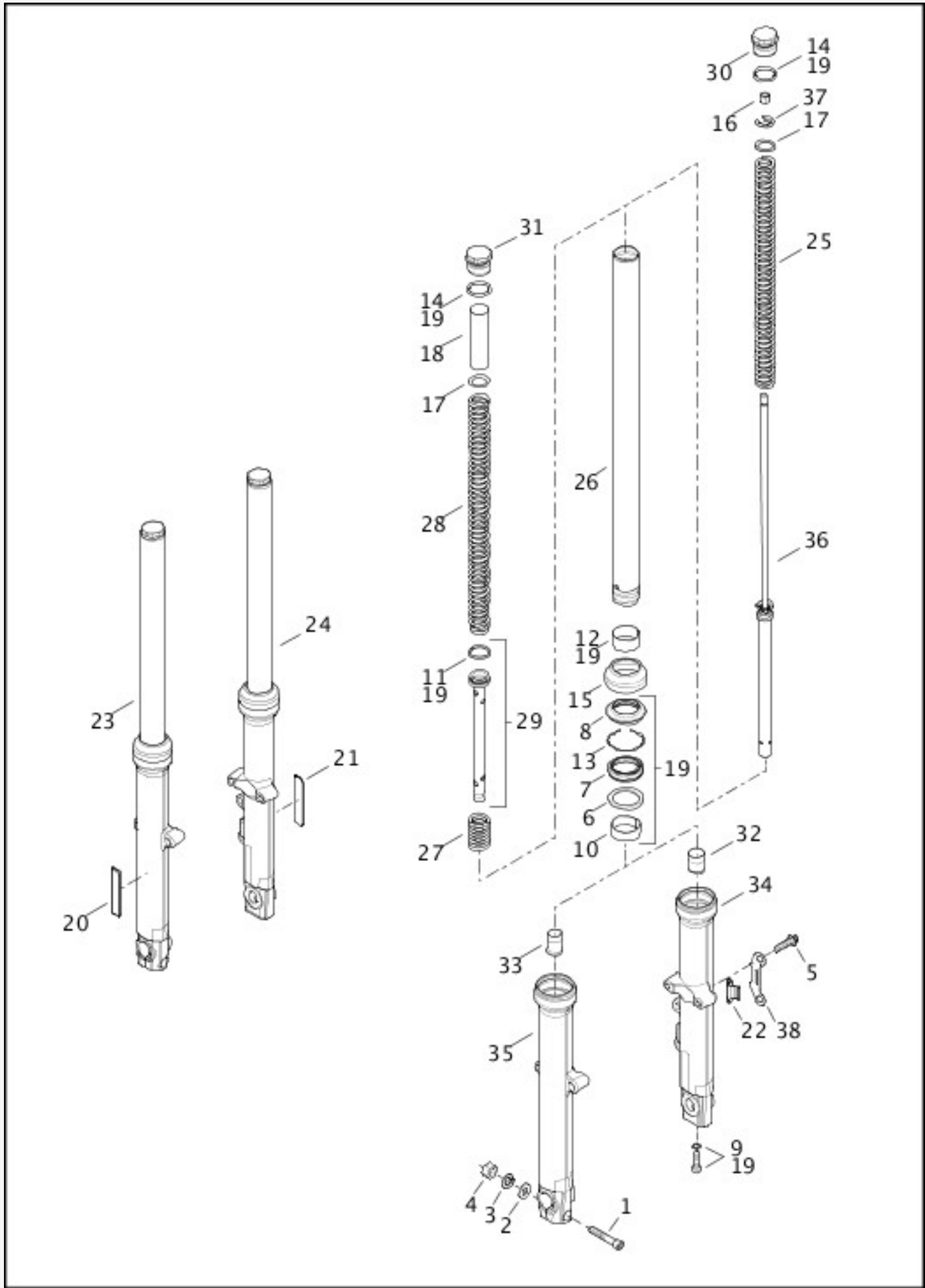
[View interactive image](#)

[View interactive table](#)

INDEX NO.	PART NO.	DESCRIPTION	MODEL(S)
1	3056	SCREW (4)	XL1200C, XL1200CB, XL1200T, XL883L, XL883N

2	4352	SCREW	XL1200C, XL1200CB, XL1200T, XL883L, XL883N
	4352	SCREW (7)	XL1200CX, XL1200X
3	4402	SCREW	XL1200T
4	4993	BOLT	ALL
5	6611	WASHER	ALL
6	6702	WASHER	XL1200T
7	45611-86	RETAINING RING	ALL
8	46758-07	BRACKET, upper	XL883N
	49419-11	BRACKET, upper	XL1200C, XL1200CB
9	46997-11	BRACKET, upper	XL1200T, XL883L
10	46014-10	BRACKET, lower, with bearing, seal and retaining ring	XL1200X
	46998-11	BRACKET, lower, with bearing, seal and retaining ring	XL1200T, XL883L
11	46767-07	BRACKET, lower, with bearing, seal and retaining ring	XL883N
	49422-11	BRACKET, lower, with bearing, seal and retaining ring	XL1200C, XL1200CB
12	48184-01	SEAL, tapered bearing	ALL
13	48300-60	ROLLER BEARING, with cup (2)	ALL
14	48315-60	BEARING CUP (2)	ALL
15	10200052	SCREW	XL1200CX, XL1200X
16	37200085	GUIDE	XL1200T
17	37200144	GUIDE	XL1200CX, XL1200X
18	45900103	BRACKET, lower, with bearing, seal and retaining ring	XL1200X
	45900107	BRACKET, lower, with bearing, seal and retaining ring	XL1200CX
19	45900104	BRACKET, upper	XL1200X
	45900106	BRACKET, upper (not shown)	XL1200CX

FORK, FRONT - XL883L, XL1200C, XL1200CB



[View interactive image](#)

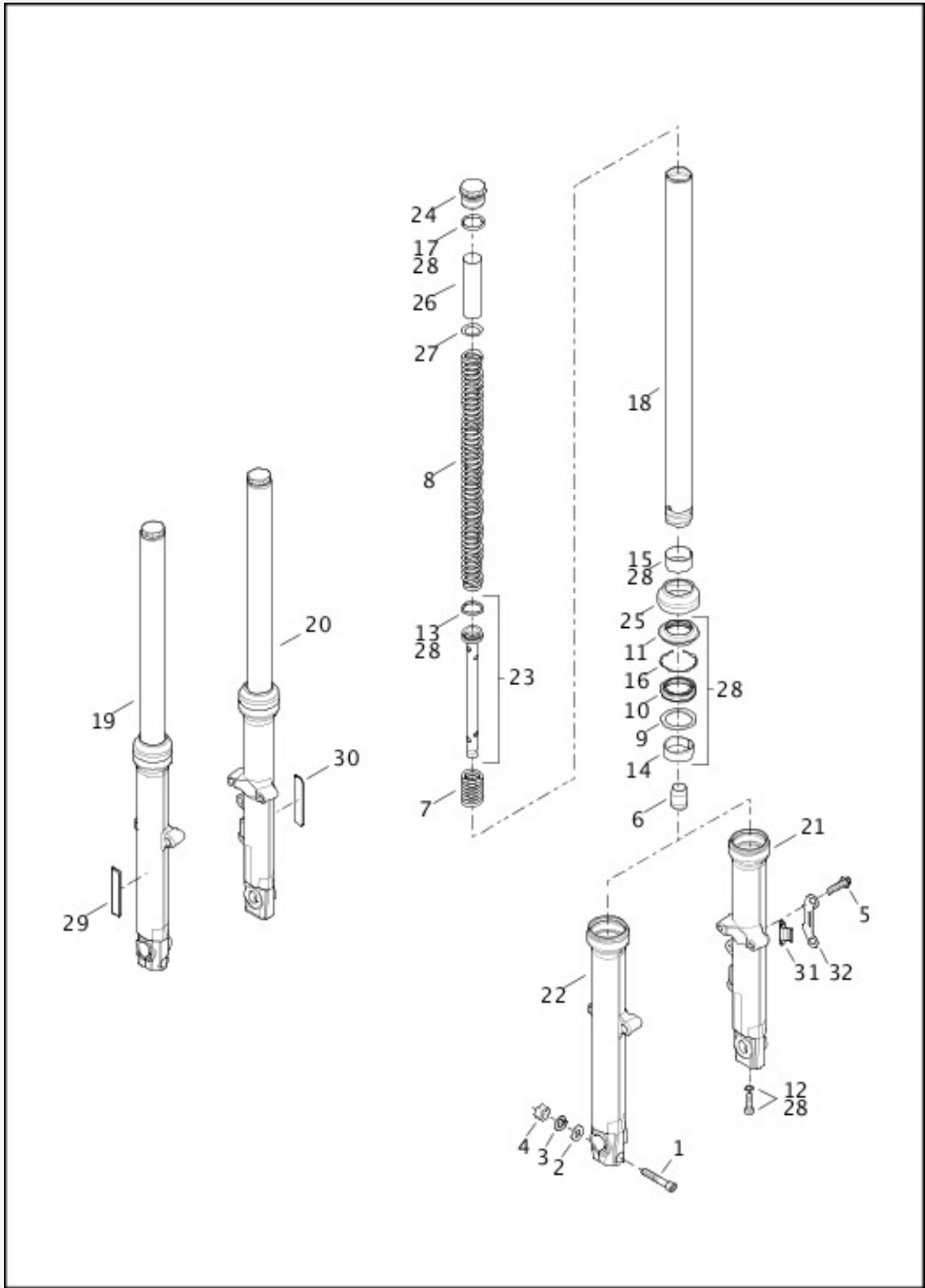
[View interactive table](#)

INDEX NO.	PART NO.	DESCRIPTION	MODEL(S)
1	4029A	SCREW	XL1200C, XL1200CB, XL883L
2	6701	WASHER	XL1200C, XL1200CB, XL883L

3	7038	LOCKWASHER	XL1200C, XL1200CB, XL883L
4	7783	NUT	XL1200C, XL1200CB, XL883L
5	44160-00	BOLT (2)	XL1200C, XL1200CB, XL883L
6	45377-87	SPACER SEAL	XL1200C, XL1200CB, XL883L
7	45378-87	OIL SEAL	XL1200C, XL1200CB, XL883L
8	45401-87	DUST SEAL	XL1200C, XL1200CB, XL883L
9	45405-75A	SCREW	XL1200C, XL1200CB, XL883L
10	45461-87	GUIDE BUSHING	XL1200C, XL1200CB, XL883L
11	45462-87	PISTON RING	XL1200C, XL1200CB, XL883L
12	45465-87	SLIDE BUSHING	XL1200C, XL1200CB, XL883L
13	45905-87	STOPPER RING	XL1200C, XL1200CB, XL883L
14	45984-87	O-RING (2)	XL1200C, XL1200CB, XL883L
15	46002-87	COVER (2)	XL1200C, XL1200CB, XL883L
16	46262-02	LOCKNUT	XL1200C, XL1200CB, XL883L
17	48738-07	WASHER (2)	XL1200C, XL1200CB, XL883L
18	48791-09	SPRING COLLAR	XL1200C, XL1200CB, XL883L
19	49378-09	FRONT FORK SERVICE KIT, with 6, 7, 8, 9, 10, 11, 12, 13, 14	XL1200C, XL1200CB, XL883L
20	59481-00	REFLECTOR (amber) (right)	XL1200C, XL1200CB, XL883L
21	59482-00	REFLECTOR (amber) (left)	XL1200C, XL1200CB, XL883L
22	70494-08	CLIP (ABS)	XL1200C, XL1200CB, XL883L
23	45400079	FORK SLIDER AND TUBE ASSEMBLY (right)	XL883L
	45400081	FORK SLIDER AND TUBE ASSEMBLY (right) (not shown)	XL1200C, XL1200CB
24	45400078	FORK SLIDER AND TUBE ASSEMBLY (left)	XL883L
	45400080	FORK SLIDER AND TUBE ASSEMBLY (left) (not shown)	XL1200C, XL1200CB
25	45500274	SPRING (2)	XL1200C, XL1200CB, XL883L
26	45500280	SLIDER TUBE, with bushing (left)	XL1200C, XL1200CB, XL883L
	45500281	SLIDER TUBE, with bushing (right)	XL1200C, XL1200CB, XL883L
27	45500299	SPRING (2)	XL1200C, XL1200CB, XL883L
28	45500275	SPRING	XL1200C, XL1200CB, XL883L
29	45500278	DAMPER TUBE, with ring (2)	XL1200C, XL1200CB, XL883L

30	45500284	CAP (left)	XL1200C, XL1200CB, XL883L
31	45996-87	CAP (right)	XL1200C, XL1200CB, XL883L
32	45500286	OIL LOCK (left)	XL1200C, XL1200CB, XL883L
33	45500303	OIL LOCK (right)	XL1200C, XL1200CB, XL883L
34	49401-11	SLIDER ASSEMBLY (left)	XL883L
	49411-11	SLIDER ASSEMBLY (left) (not shown)	XL1200C, XL1200CB
35	49403-11	SLIDER ASSEMBLY (right)	XL883L
	49412-11	SLIDER ASSEMBLY (right) (not shown)	XL1200C, XL1200CB
36	45500282	CARTRIDGE	XL1200C, XL1200CB, XL883L
37	45500285	SEAT	XL1200C, XL1200CB, XL883L
38	69200460	BRACKET (ABS)	XL1200C, XL1200CB, XL883L

FORK, FRONT - XL1200T



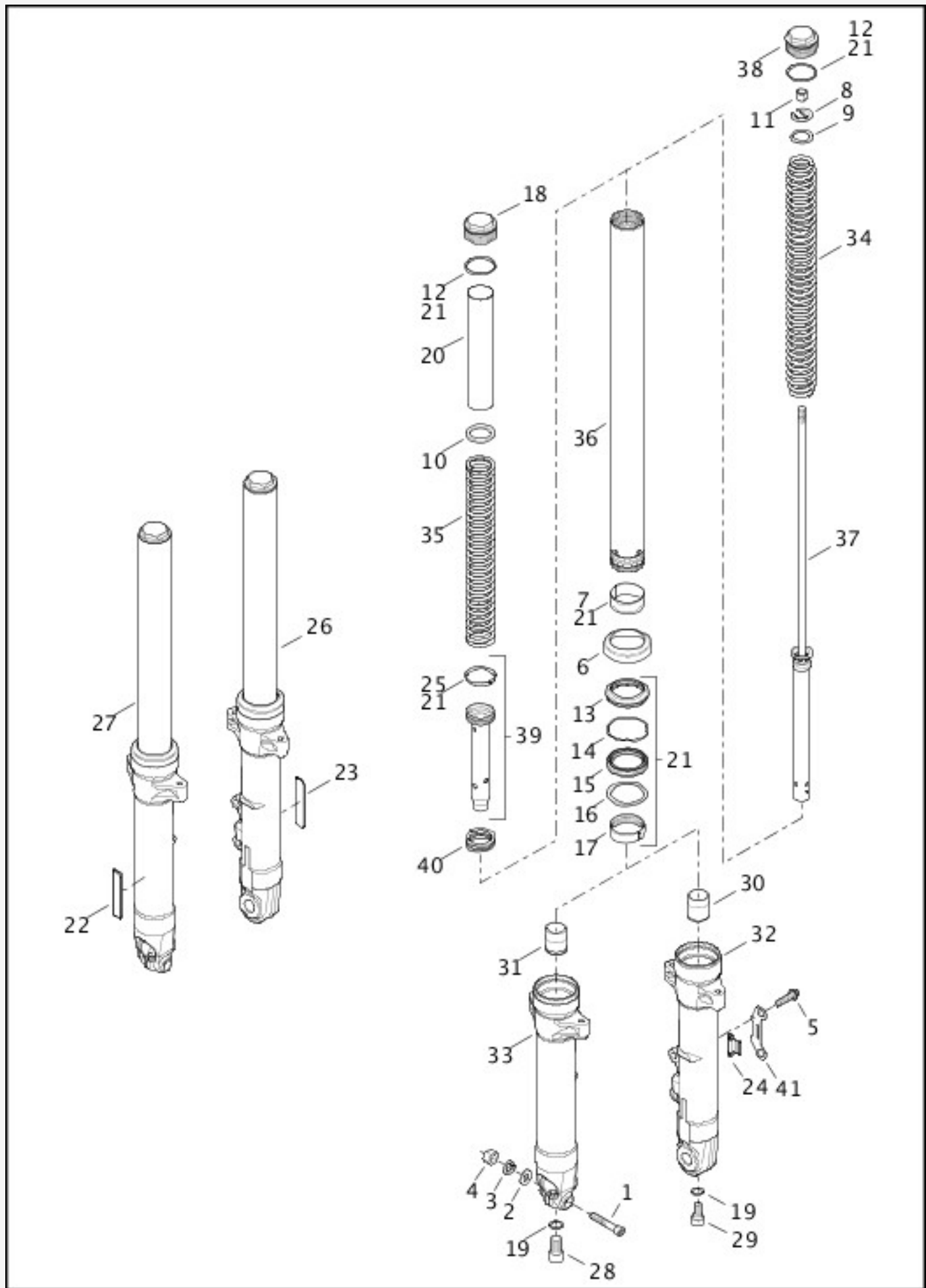
[View interactive image](#)

[View interactive table](#)

INDEX NO.	PART NO.	DESCRIPTION	MODEL(S)
1	4029A	SCREW	XL1200T
2	6701	WASHER	XL1200T

3	7038	LOCKWASHER	XL1200T
4	7783	NUT	XL1200T
5	44160-00	BOLT (2)	XL1200T
6	45361-90	LOWER STOP (2)	XL1200T
7	45374-87	SPRING (2)	XL1200T
8	45500244	SPRING (2)	XL1200T
9	45377-87	SPACER SEAL	XL1200T
10	45378-87	OIL SEAL	XL1200T
11	45401-87	DUST SEAL	XL1200T
12	45405-75A	SCREW	XL1200T
13	45460-90	PISTON RING (2)	XL1200T
14	45461-87	GUIDE BUSHING	XL1200T
15	45465-87	SLIDE BUSHING	XL1200T
16	45905-87	STOPPER RING	XL1200T
17	45984-87	O-RING	XL1200T
18	45395-09	SLIDER TUBE, with bushing (2)	XL1200T
19	45400055	FORK SLIDER AND TUBE ASSEMBLY (right)	XL1200T
20	45400054	FORK SLIDER AND TUBE ASSEMBLY (left)	XL1200T
21	49401-11	SLIDER ASSEMBLY (left)	XL1200T
22	49403-11	SLIDER ASSEMBLY (right)	XL1200T
23	45458-09	DAMPER TUBE, with ring (2)	XL1200T
24	45996-87	CAP (2)	XL1200T
25	46002-87	COVER (2)	XL1200T
26	48791-09	SPRING COLLAR (2)	XL1200T
27	48738-07	WASHER (2)	XL1200T
28	49378-09	FRONT FORK SERVICE KIT, with 9, 10, 11, 12, 13, 14, 15, 16, 17	XL1200T
29	59481-00	REFLECTOR (amber) (right)	XL1200T
30	59482-00	REFLECTOR (amber) (left)	XL1200T
31	70494-08	CLIP (ABS)	XL1200T
32	69200460	BRACKET (ABS)	XL1200T

FORK, FRONT - XL1200X



[View interactive image](#)

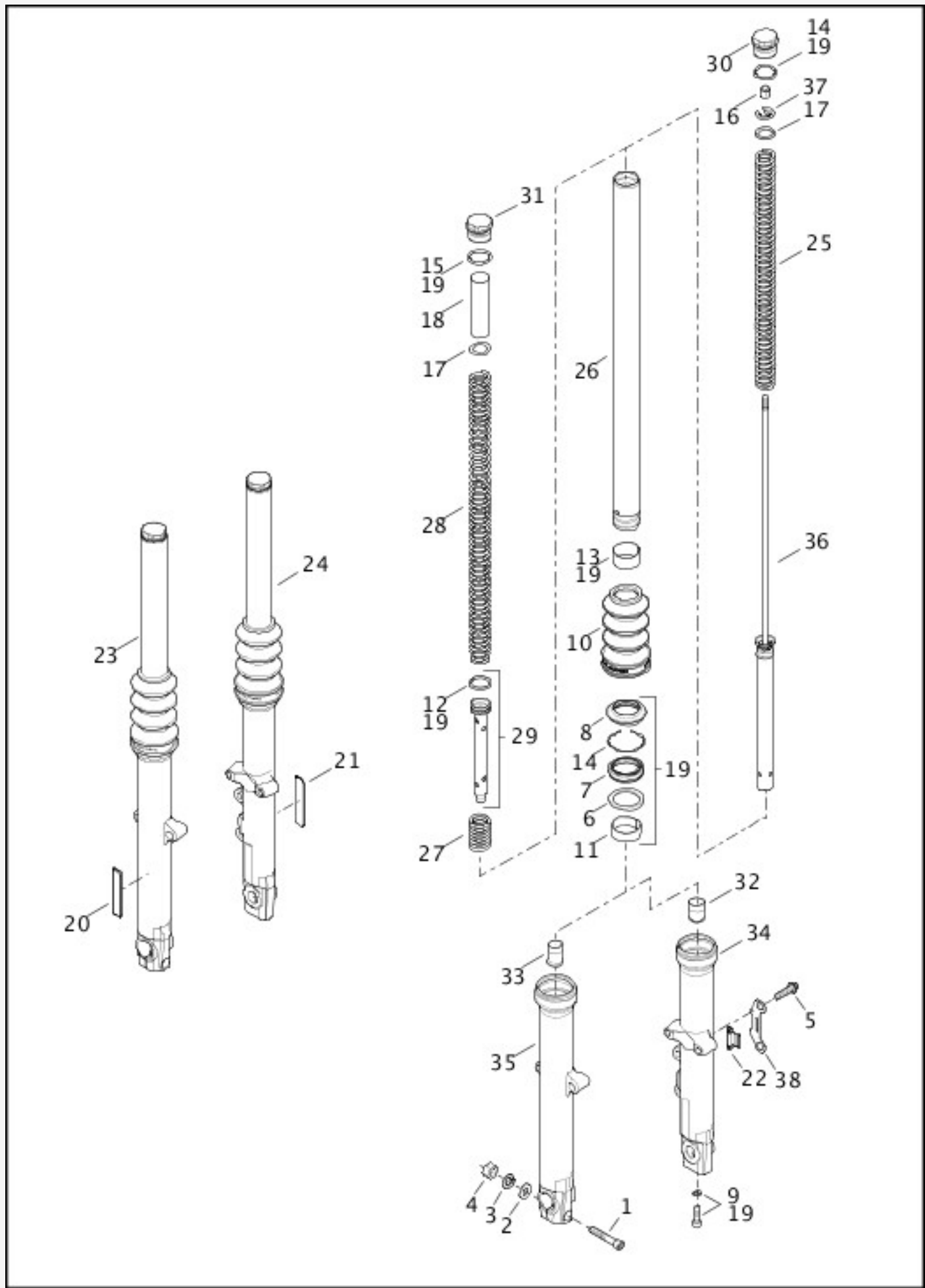
[View interactive table](#)

INDEX NO.	PART NO.	DESCRIPTION	MODEL(S)
-----------	----------	-------------	----------

1	4029A	SCREW	XL1200X
2	6701	WASHER	XL1200X
3	7038	LOCKWASHER	XL1200X
4	7783	NUT	XL1200X
5	44160-00	BOLT (2)	XL1200X
6	45070-01	COVER (2)	XL1200X
7	46080-01	SLIDE BUSHING (2)	XL1200X
8	46236-02	SEAT (left)	XL1200X
9	46237-02	WASHER (left)	XL1200X
10	46509-01	WASHER (right)	XL1200X
11	46262-02	LOCKNUT (left)	XL1200X
12	46508-01	O-RING (2)	XL1200X
13	46512-01A	DUST SEAL (2)	XL1200X
14	46513-01	STOPPER RING (2)	XL1200X
15	46514-01A	OIL SEAL (2)	XL1200X
16	46515-01	SPACER SEAL (2)	XL1200X
17	46516-01	GUIDE BUSHING (2)	XL1200X
18	46612-06	CAP (right)	XL1200X
19	46615-06	WASHER (2)	XL1200X
20	46510-07	SPRING COLLAR (right)	XL1200X
21	45500307	FRONT FORK SERVICE KIT, with 7, 12, 13, 14, 15, 16, 17, 25 (2)	XL1200X
22	59481-00	REFLECTOR (amber) (right)	XL1200X
23	59482-00	REFLECTOR (amber) (left)	XL1200X
24	70494-08	CLIP (ABS)	XL1200X
25	22000031	PISTON RING (right)	XL1200X
26	45400084	FORK SLIDER AND TUBE ASSEMBLY (left)	XL1200X
27	45400085	FORK SLIDER AND TUBE ASSEMBLY (right)	XL1200X
28	45500118	SCREW (right)	XL1200X
29	45500236	SCREW (left)	XL1200X

30	45500233	OIL LOCK (left)	XL1200X
31	45500251	OIL LOCK (right)	XL1200X
32	45500287	SLIDER ASSEMBLY (left)	XL1200X
33	45500290	SLIDER ASSEMBLY (right)	XL1200X
34	45500293	SPRING (left)	XL1200X
35	45500294	SPRING (right)	XL1200X
36	45500295	SLIDER TUBE, with bushing (2)	XL1200X
37	45500296	CARTRIDGE (left)	XL1200X
38	45500297	CAP (left)	XL1200X
39	45500298	DAMPER TUBE, with ring (right)	XL1200X
40	45500343	SPRING (right)	XL1200X
41	69200460	BRACKET (ABS)	XL1200X

FORK, FRONT - XL883N



[View interactive image](#)

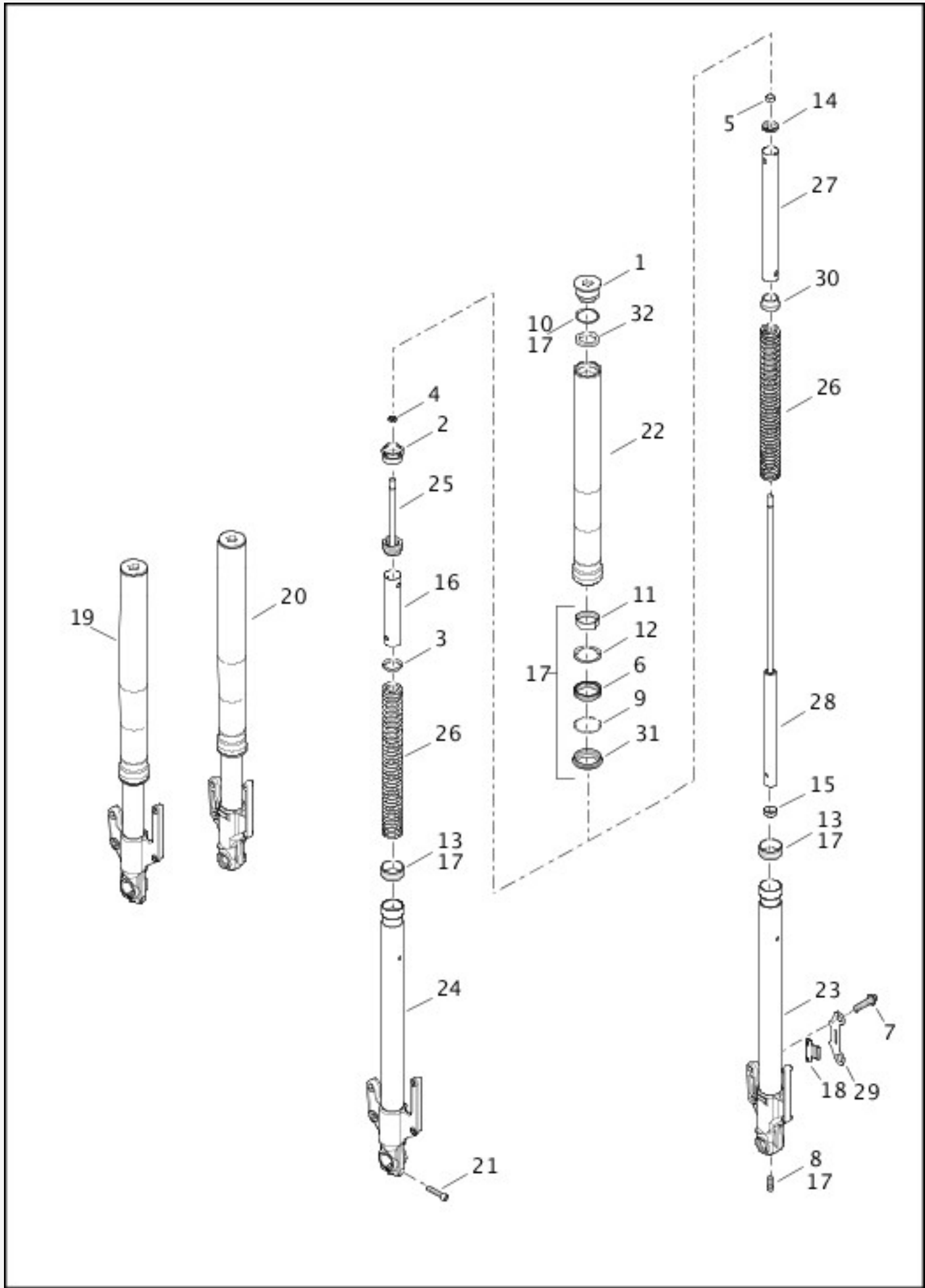
[View interactive table](#)

INDEX NO.	PART NO.	DESCRIPTION	MODEL(S)
1	4029A	SCREW	XL883N
2	6701	WASHER	XL883N

3	7038	LOCKWASHER	XL883N
4	7783	NUT	XL883N
5	44160-00	BOLT (2)	XL883N
6	45377-87	SPACER SEAL (2)	XL883N
7	45378-87	OIL SEAL (2)	XL883N
8	45401-87	DUST SEAL (2)	XL883N
9	45405-75A	SCREW (left)	XL883N
10	45451-07	BOOT (2)	XL883N
11	45461-87	GUIDE BUSHING (2)	XL883N
12	45462-87	PISTON RING (right)	XL883N
13	45465-87	SLIDE BUSHING (2)	XL883N
14	45905-87	STOPPER RING (2)	XL883N
15	45984-87	O-RING (2)	XL883N
16	46262-02	LOCKNUT (left)	XL883N
17	48738-07	WASHER (2)	XL883N
18	48791-09	SPRING COLLAR (right)	XL883N
19	49378-09	FRONT FORK SERVICE KIT, with 6, 7, 8, 9, 11, 12, 13, 14, 15 (2)	XL883N
20	59481-00	REFLECTOR (amber) (right)	XL883N
21	59482-00	REFLECTOR (amber) (left)	XL883N
22	70494-08	CLIP (ABS)	XL883N
23	45400087	FORK SLIDER AND TUBE ASSEMBLY (right)	XL883N
24	45400086	FORK SLIDER AND TUBE ASSEMBLY (left)	XL883N
25	45500300	SPRING (2)	XL883N
26	45500280	SLIDER TUBE, with bushing (left)	XL883N
	45500281	SLIDER TUBE, with bushing (right)	XL883N
27	45500299	SPRING (right)	XL883N
28	45500301	SPRING (right)	XL883N
29	45500302	DAMPER TUBE, with ring (right)	XL883N
30	45500284	CAP (left)	XL883N
31	45996-87	CAP (right)	XL883N

32	45500286	OIL LOCK (left)	XL883N
33	45500303	OIL LOCK (right)	XL883N
34	45500054	SLIDER ASSEMBLY (left)	XL883N
35	45500057	SLIDER ASSEMBLY (right)	XL883N
36	45500304	CARTRIDGE (left)	XL883N
37	45500285	SEAT (left)	XL883N
38	69200460	BRACKET (ABS)	XL883N

FORK, FRONT - XL1200CX



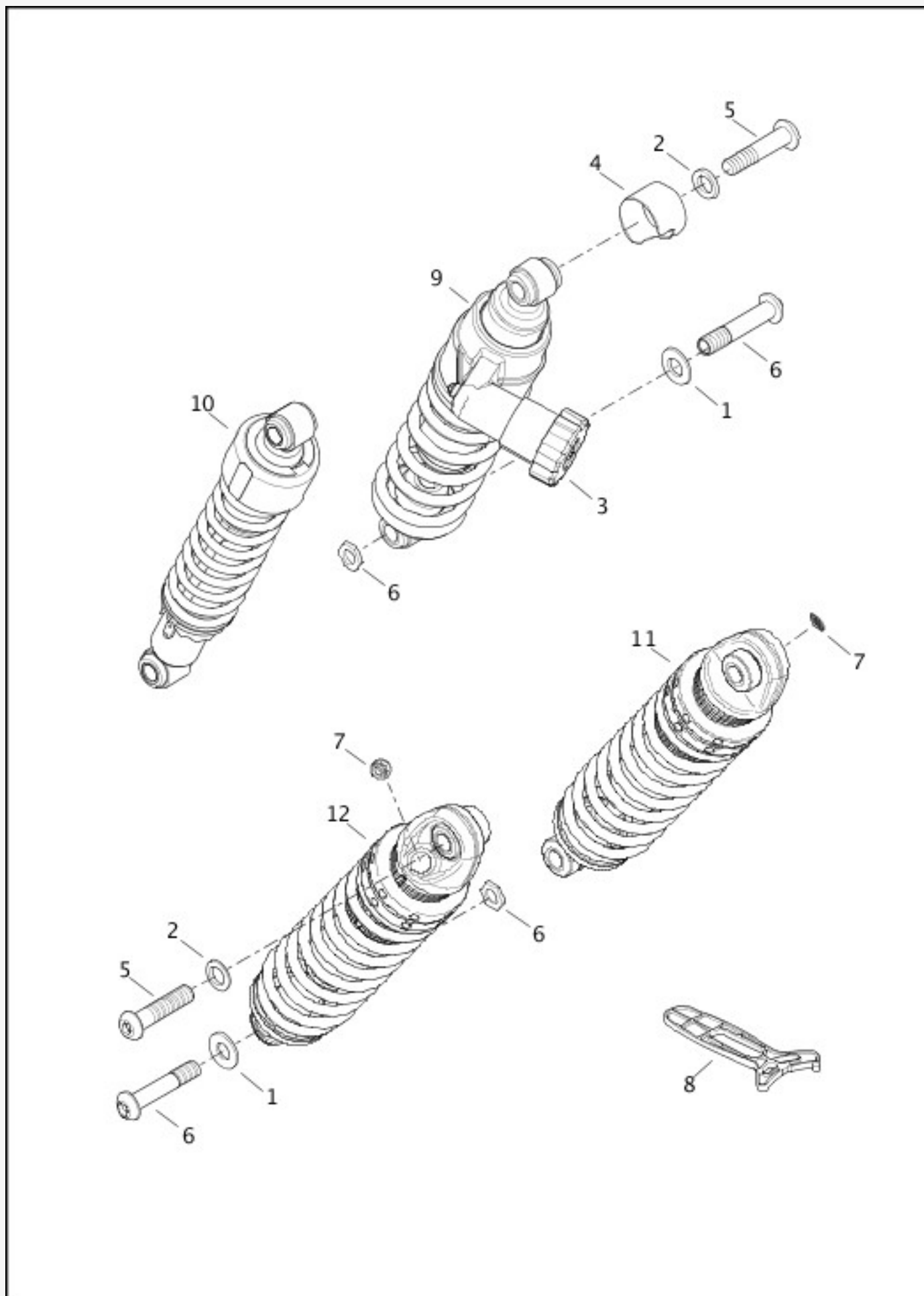
[View interactive image](#)

[View interactive table](#)

INDEX NO.	PART NO.	DESCRIPTION	MODEL(S)
1	4574	CAP (2)	XL1200CX
2	4575	LOCKWASHER	XL1200CX

3	5925	WASHER	XL1200CX
4	7468M	NUT	XL1200CX
5	8199M	NUT	XL1200CX
6	12085	OIL SEAL (2)	XL1200CX
7	44160-00	BOLT (4)	XL1200CX
8	45405-75A	SCREW	XL1200CX
9	45842-77A	RETAINING RING (2)	XL1200CX
10	46329-06	O-RING (2)	XL1200CX
11	46343-06	GUIDE BUSHING (2)	XL1200CX
12	46346-06	SEAL SPACER (2)	XL1200CX
13	46348-06	BUSHING, slider (2)	XL1200CX
14	46352-06	STOPPER	XL1200CX
15	46353-06	CENTERING PLATE	XL1200CX
16	48708-09	COLLAR, spring	XL1200CX
17	49380-09	FORK REBUILD KIT	XL1200CX
18	70494-08	CLIP (ABS)	XL1200CX
19	45400108	FORK SLIDER, right	XL1200CX
20	45400109	FORK SLIDER, left	XL1200CX
21	45500132	SCREW	XL1200CX
22	45500358	TUBE, outer (2)	XL1200CX
23	45500359	SLIDER ASSEMBLY, left	XL1200CX
24	45500360	SLIDER ASSEMBLY, right	XL1200CX
25	45500361	JOINT ROD	XL1200CX
26	45500369	SPRING (2)	XL1200CX
27	45500370	COLLAR	XL1200CX
28	45500371	DAMPER	XL1200CX
29	69200460	BRACKET (ABS)	XL1200CX
30	J0117.3A8	SPRING JOINT	XL1200CX
31	J8130.3A8	DUST COVER (2)	XL1200CX
32	J8146.1AS	SEAT (2)	XL1200CX

SHOCK ABSORBERS, REAR



[View interactive image](#)

[View interactive table](#)

INDEX	PART	DESCRIPTION	MODEL(S)
-------	------	-------------	----------

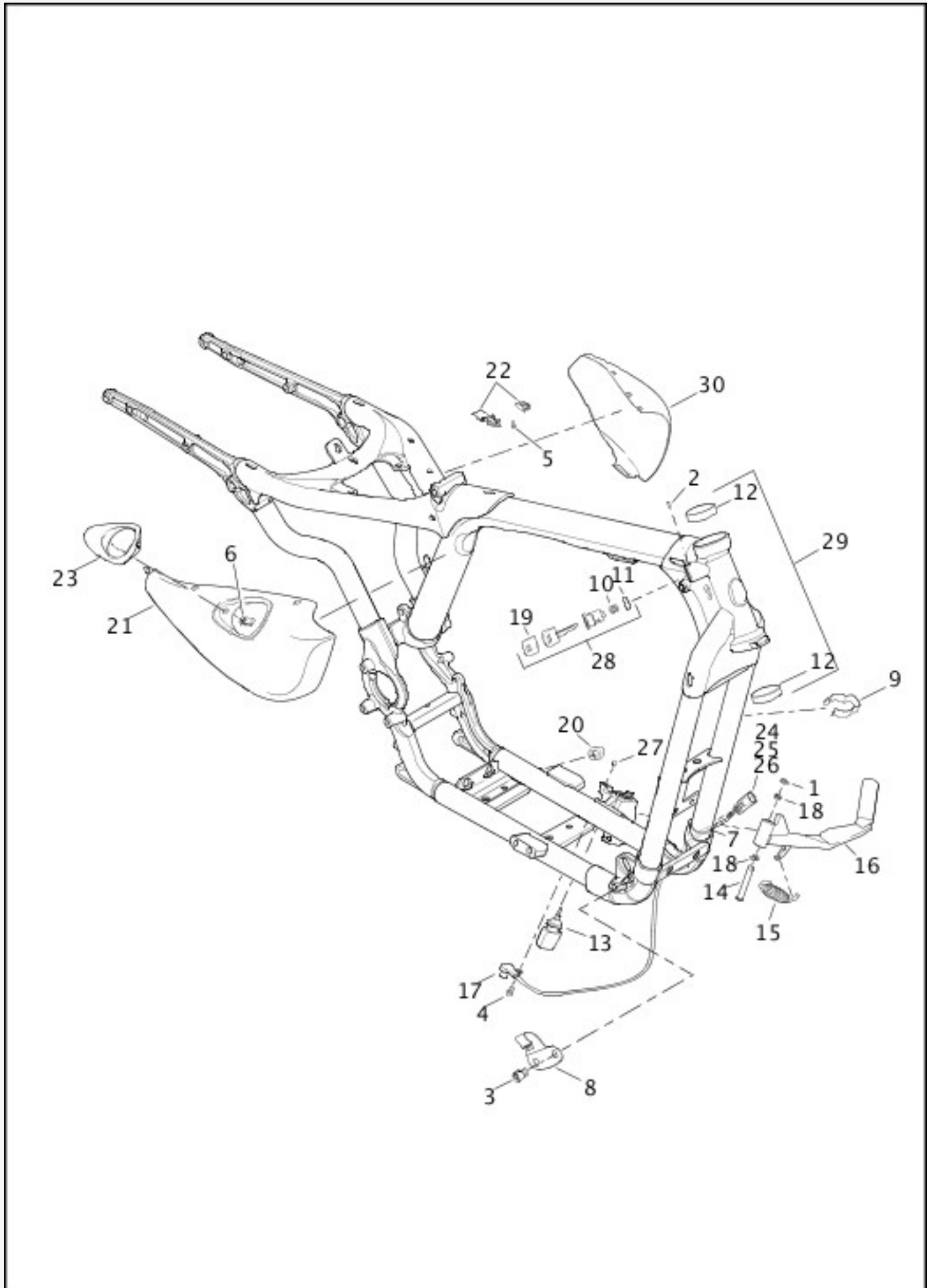
NO.	NO.		
1	6792	WASHER (2)	ALL
2	6738	WASHER (2)	ALL
3	54677-10	KNOB, adjustable shock	XL1200T
4	54724-04	COVER (chrome) (2)	XL1200T
5	10200392	SCREW (2)	ALL
6	10200486	KIT, includes 6792, 76259-86, screw (2) (2)	ALL
7	14100767	MEDALLION (2)	XL1200C, XL1200CB, XL1200X, XL883L, XL883N
	14100883	MEDALLION (2)	XL1200CX
8	14900081	SPANNER WRENCH	XL1200C, XL1200CB, XL1200CX, XL1200X, XL883L, XL883N
9	54000060	SHOCK ABSORBER, complete, with dial adjuster (left)	XL1200T
10	54000100	SHOCK ABSORBER, complete (right)	XL1200T
11	54000085	SHOCK ABSORBER, complete, with 14100767 (left)	XL1200C, XL1200CB, XL883L
	54000088	SHOCK ABSORBER, complete, with 14100767 (left)	XL1200X, XL883N
	54000103	SHOCK ABSORBER, complete, with 14100883 (left)	XL1200CX
	54000086	SHOCK ABSORBER, complete, with 14100767 (left) (HDI)	XL883N
	54000087	SHOCK ABSORBER, complete, with 14100767 (left) (HDI)	XL1200X
	54000088	SHOCK ABSORBER, complete, with 14100767 (left) (Japan)	XL1200X, XL883N
12	54000085	SHOCK ABSORBER, complete, with 14100767 (right)	XL1200C, XL1200CB, XL883L
	54000088	SHOCK ABSORBER, complete, with 14100767 (right)	XL1200X, XL883N
	54000103	SHOCK ABSORBER, complete, with 14100883 (right)	XL1200CX
	54000086	SHOCK ABSORBER, complete, with 14100767 (right) (HDI)	XL883N
	54000087	SHOCK ABSORBER, complete, with 14100767 (right) (HDI)	XL1200X

54000088

SHOCK ABSORBER, complete, with 14100767
(right) (Japan)

XL1200X, XL883N

FRAME AND JIFFY STAND

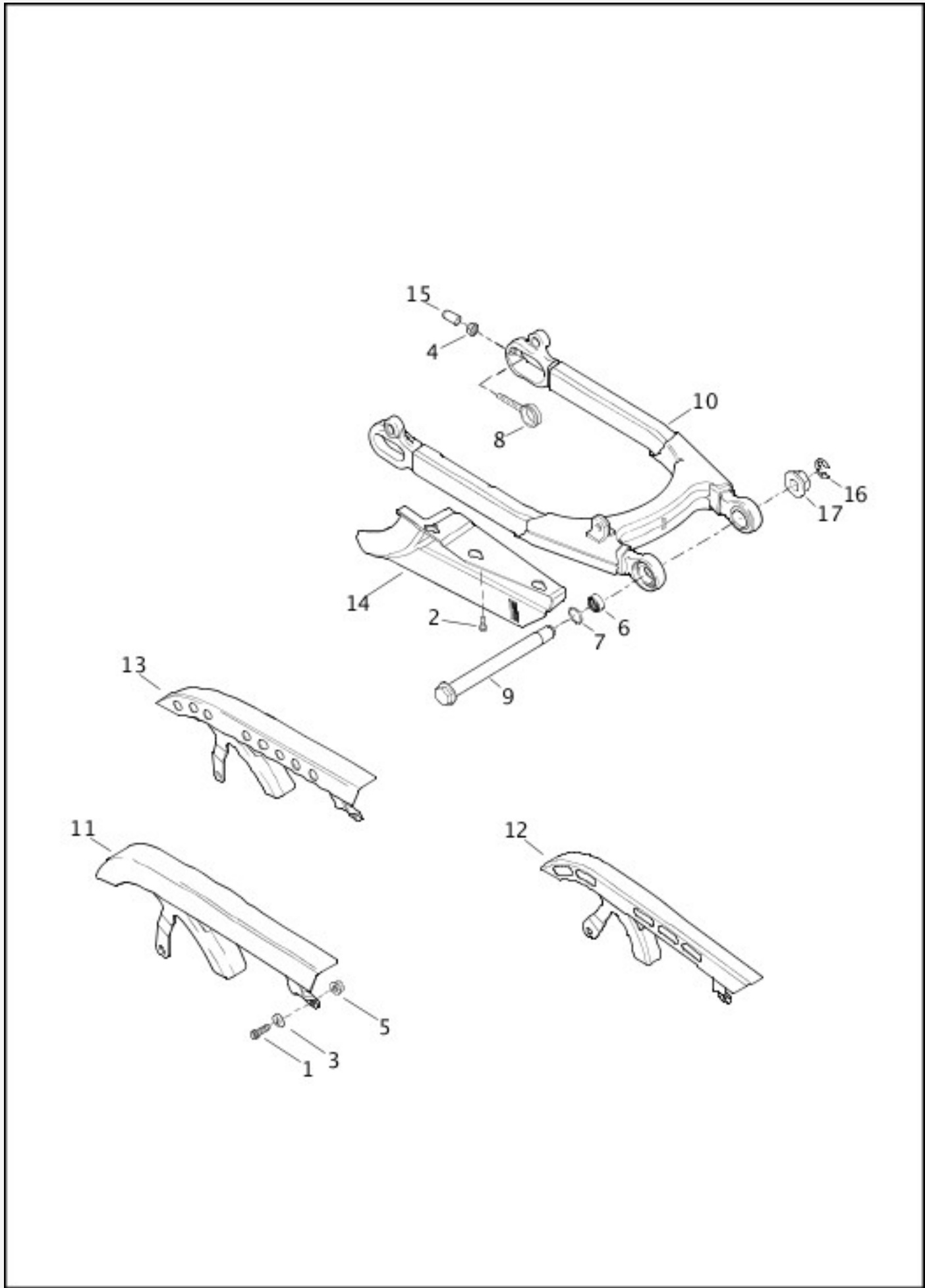


[View interactive image](#)

INDEX NO.	PART NO.	DESCRIPTION	MODEL(S)
1	554A	PRETZEL CLIP	ALL
2	1594	PIN LOCK	ALL
3	4076	SCREW (ABS) (2)	ALL
	4076	SCREW (Non-ABS) (4)	ALL
4	4871	SCREW (HDI, England)	ALL
5	4991	SCREW (2)	ALL
6	8135B	PUSH NUT	ALL
7	10006	CABLE STRAP (HDI, England)	ALL
8	10179A	CLIP (ABS) (1)	ALL
	10179A	CLIP (Non-ABS) (2)	ALL
9	10289A	CLIP (2)	ALL
10	43595-99	SPRING	ALL
11	48027-99	O-RING	ALL
12	48315-60	BEARING CUP (2)	ALL
13	49735-08	BUMPER	ALL
14	50003-89B	PIN	ALL
15	50005-85A	SPRING	ALL
16	50124-09BHP	JIFFY STAND	XL1200CX
	50000025BHP	JIFFY STAND	XL1200C, XL1200CB, XL1200T, XL1200X, XL883L
	50000025BHP	JIFFY STAND (Domestic, Japan)	XL883N
	50185-04C	JIFFY STAND (HDI)	XL883N
17	50126-08A	SENSOR, with 24, 25, 26 (HDI, England)	ALL
18	53176-08	BUSHING (2)	ALL
19	61459-97	COVER	ALL
20	62122-89A	BUMPER	ALL
21	57200092DH	SIDE COVER (right) (Vivid Black)	XL1200C, XL1200CX, XL1200T, XL1200X, XL883L, XL883N

	57200092BYM	SIDE COVER (right) (Black Denim)	XL1200CB, XL883N
22	70417-04C	SIDE COVER MOUNTING KIT	ALL
23	71472-04	BEZEL (chrome)	XL1200C, XL1200CB, XL1200CX, XL1200T, XL1200X, XL883L
	62534-07	BEZEL (satin chrome)	XL883N
24	72169-07	TERMINAL, pin, 16-20 AWG (HDI, England)	ALL
25	72511-07BK	HOUSING, three-way pin (black) (HDI, England)	ALL
26	73213-07	RETAINER (HDI, England)	ALL
27	90520-07	PLUG	ALL
28	45600014	FORK LOCK KIT, with 2, 10, 11, 19 (specify key number)	ALL
	90300034	KEY SET (specify key number)	ALL
	90300062	LOCKSET ASSEMBLY, complete, with ignition switch, forklock and keys (not shown)	ALL
	90300063	LOCKSET ASSEMBLY, complete, with forklock and keys (not shown)	ALL
29	47000031	FRAME, with bearing cups (gloss black) (all except India)	XL1200C, XL1200CB, XL1200T, XL1200X, XL883L, XL883N
29	47000140	FRAME, with bearing cups (gloss black) (India only)	XL1200C, XL1200X, XL883L, XL883N
29	47000114	FRAME, with bearing cups (denim black) (all except India)	XL1200CX
29	47000144	FRAME, with bearing cups (denim black) (India only)	XL1200CX
30	57200091DH	SIDE COVER (left) (Vivid Black)	XL1200C, XL1200CX, XL1200T, XL1200X, XL883L, XL883N
	57200091BYM	SIDE COVER (left) (Black Denim)	XL1200CB, XL883N

FORK, REAR, DEBRIS DEFLECTOR AND BELT GUARD



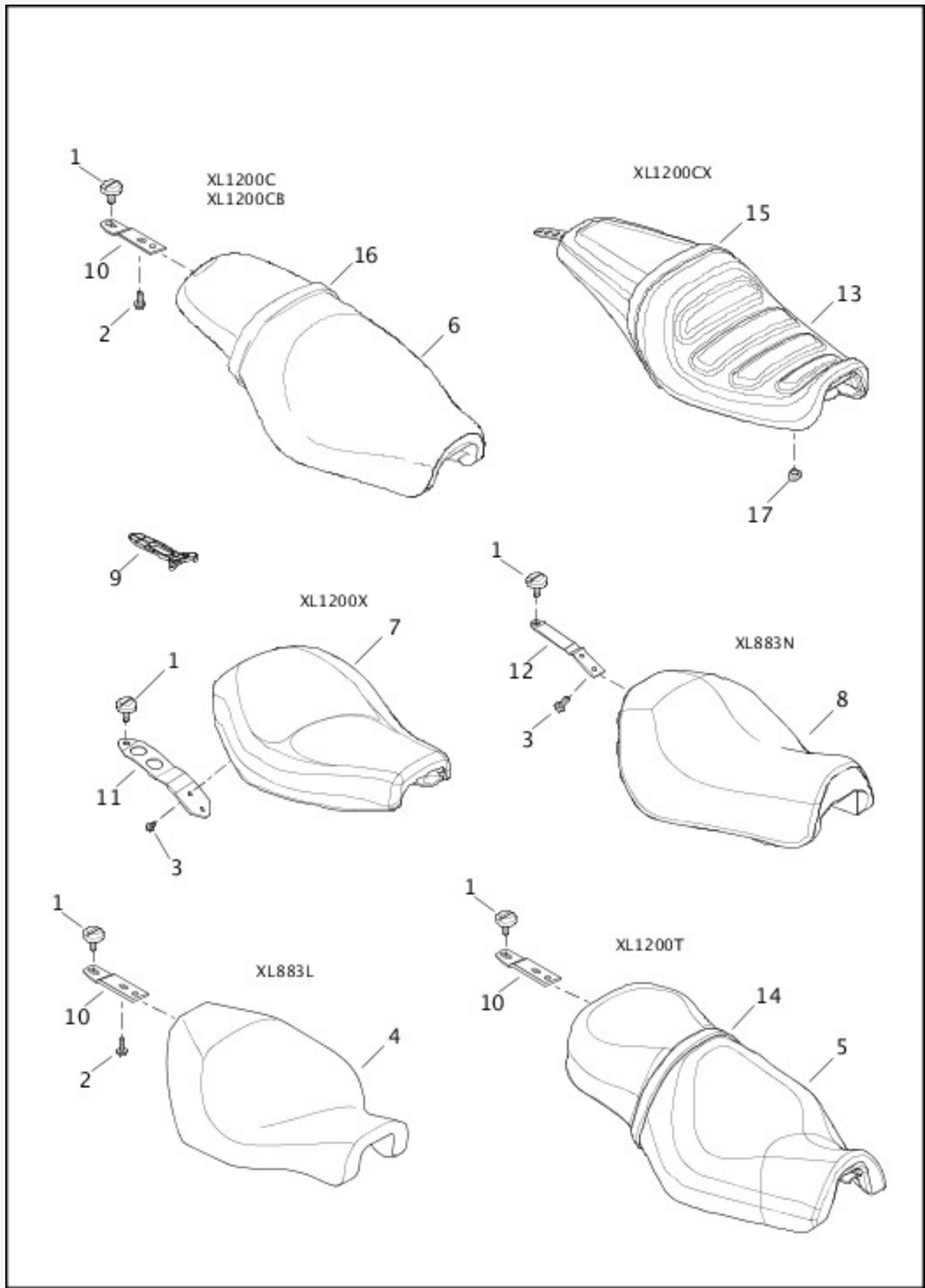
[View interactive image](#)

[View interactive table](#)

INDEX NO.	PART NO.	DESCRIPTION	MODEL(S)
1	2708A	SCREW	ALL
2	3579A	SCREW (3)	ALL

3	6702	WASHER	ALL
4	7766	LOCKNUT (2)	ALL
5	7531	LOCKNUT	ALL
6	9209	BEARING, with 11282 (2)	ALL
7	11282	RETAINING RING (2)	ALL
8	41573-05	ADJUSTER (2)	ALL
9	47500005	BOLT	ALL
10	47587-05A	REAR FORK, with 9209	XL1200C, XL1200CB, XL1200T, XL1200X, XL883L, XL883N
	47400087	REAR FORK, with 9209	XL1200CX
11	60367-04A	BELT GUARD	XL1200C, XL1200CB, XL1200T, XL883L
12	60379-09A	BELT GUARD	XL883N
13	60300115	BELT GUARD	XL1200CX, XL1200X
14	60435-04B	DEBRIS DEFLECTOR	ALL
15	89579-91	CAP (2)	ALL
16	12200047	RETAINING RING	ALL
17	47500006	NUT	ALL

SEATS



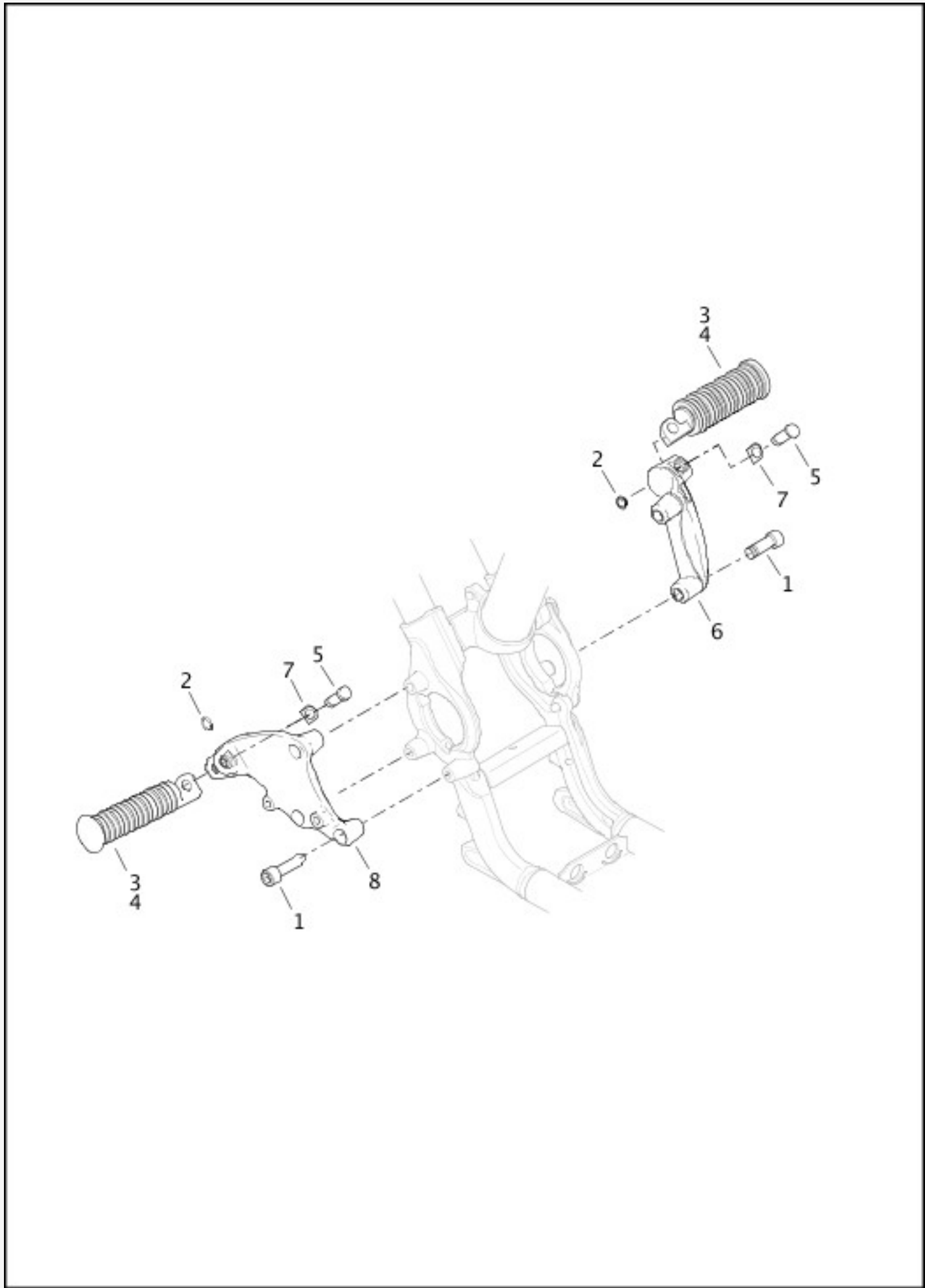
[View interactive image](#)

[View interactive table](#)

INDEX NO.	PART NO.	DESCRIPTION	MODEL(S)
1	3075	SCREW	ALL
2	3588	SCREW (2)	XL1200C, XL1200CB, XL883L

3	67956-96	SCREW (2)	XL1200X, XL883N
4	51550-11A	SEAT ASSEMBLY, with 3588 and 51652-97A	XL883L
5	52000156	SEAT ASSEMBLY, with 51652-97A and 52293-04	XL1200T
6	52000185	SEAT ASSEMBLY, with 3588, 51652-97A and 52400139	XL1200C, XL1200CB
7	52000188	SEAT ASSEMBLY, with 67956-96 and 52000190	XL1200X
8	52000189	SEAT ASSEMBLY, with 52000218 and 67956-96	XL883N
9	14900081	SPANNER WRENCH	XL1200C, XL1200CB, XL1200CX, XL1200X, XL883L, XL883N
10	51652-97A	BRACKET	XL1200C, XL1200CB, XL1200T, XL883L
11	52000190	BRACKET	XL1200X
12	52000218	BRACKET	XL883N
13	52000233	SEAT ASSEMBLY, with 52000236 and 52100027	XL1200CX
14	52293-04	GRABSTRAP	XL1200T
15	52000236	GRABSTRAP	XL1200CX
16	52400139	GRABSTRAP	XL1200C, XL1200CB
17	52100027	ISOLATOR (8)	XL1200CX

FOOTRESTS, PASSENGER



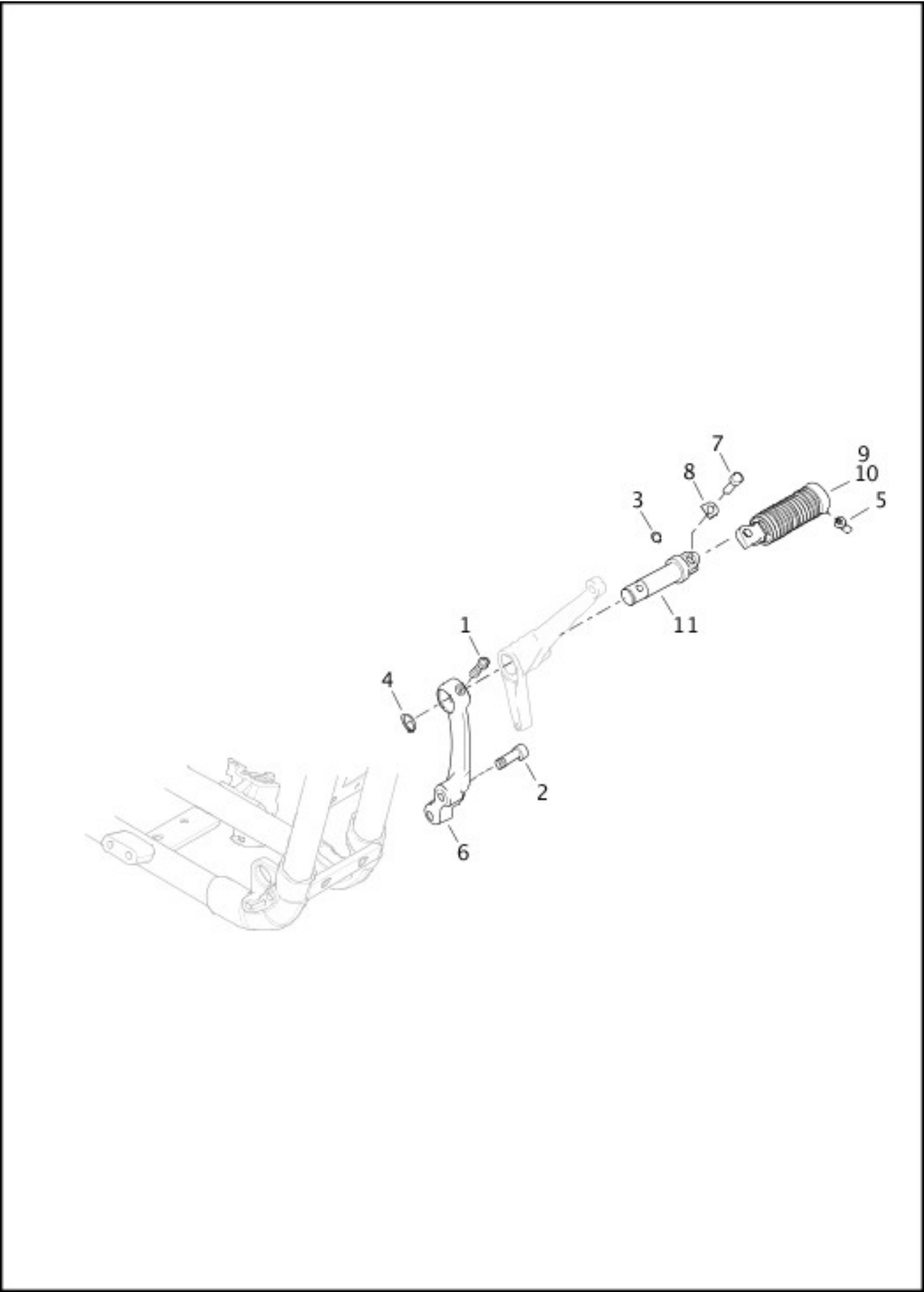
[View interactive image](#)

[View interactive table](#)

INDEX NO.	PART NO.	DESCRIPTION	MODEL(S)
1	3214	SCREW (5)	XL1200C, XL1200CB, XL1200CX, XL1200T
2	11304	RETAINING RING (2)	XL1200C, XL1200CB, XL1200CX, XL1200T

3	33048-72	FOOTPEG ASSEMBLY, with 33189-63 (2)	XL1200C, XL1200CB, XL1200CX, XL1200T
4	33189-63	RUBBER, footrest (2)	XL1200C, XL1200CB, XL1200CX, XL1200T
5	45041-01A	CLEVIS PIN (2)	XL1200C, XL1200CB, XL1200CX, XL1200T
6	49315-04	BRACKET (left)	XL1200CB, XL1200T
	49315-04	BRACKET (left) (Except India)	XL1200C, XL1200CX
	50500227	BRACKET (left) (India)	XL1200C, XL1200CX
7	50912-72	SPRING WASHER (2)	XL1200C, XL1200CB, XL1200CX, XL1200T
8	50500233	BRACKET (right)	XL1200C, XL1200CB, XL1200CX, XL1200T

FOOTRESTS, RIDER, FORWARD-CONTROL



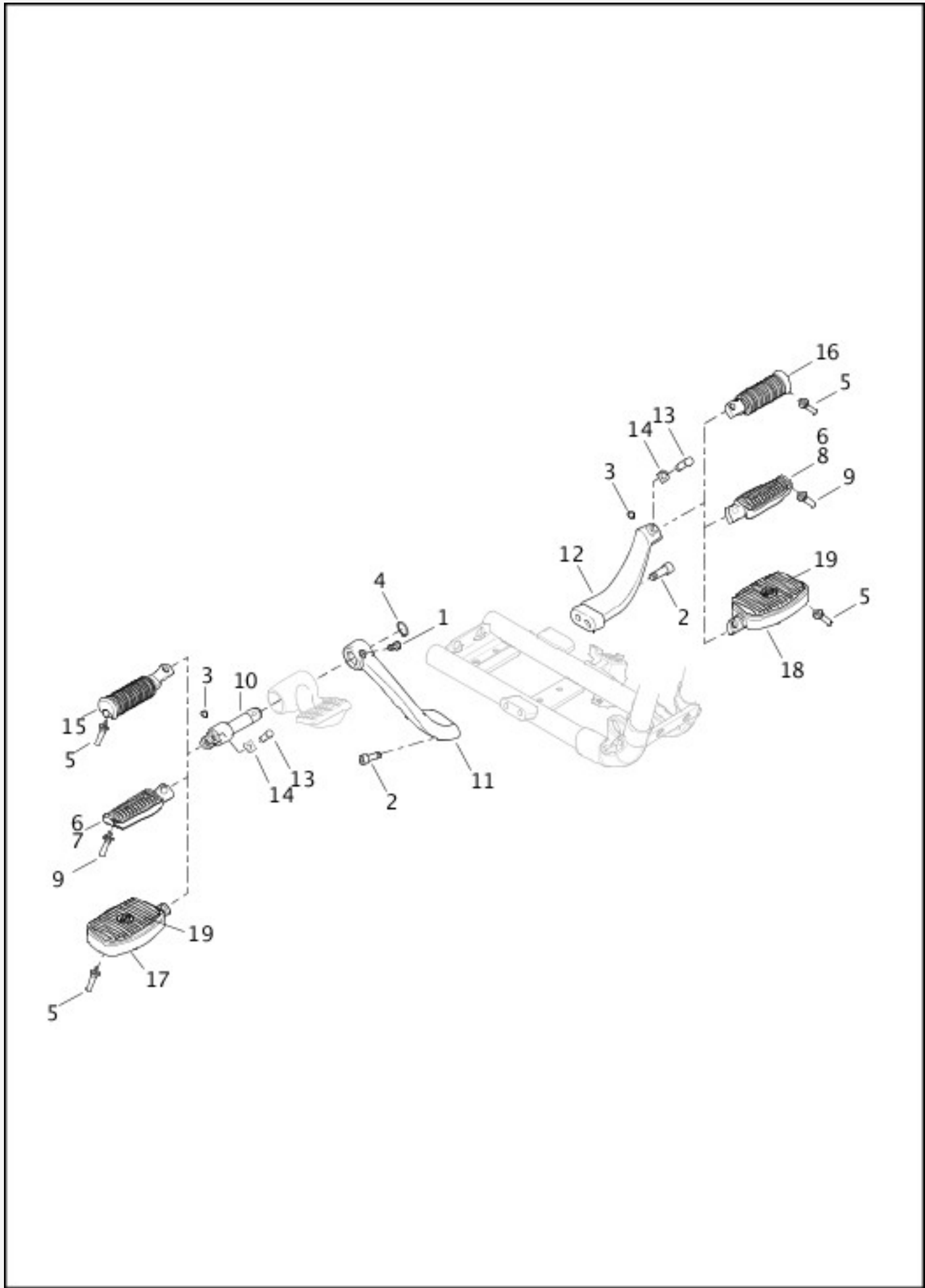
[View interactive image](#)

[View interactive table](#)

INDEX NO.	PART NO.	DESCRIPTION	MODEL(S)
1	3162	SCREW (2)	XL1200CB, XL1200X
	3162	SCREW (Domestic, HDI, Australia) (2)	XL1200C

2	3214	SCREW (4)	XL1200CB, XL1200X
	3214	SCREW (Domestic, HDI, Australia) (4)	XL1200C
3	11304	RETAINING RING (2)	XL1200CB, XL1200X
	11304	RETAINING RING (Domestic, HDI, Australia) (2)	XL1200C
4	11390	RETAINING RING (2)	XL1200CB, XL1200X
	11390	RETAINING RING (Domestic, HDI, Australia) (2)	XL1200C
5	33130-07A	WEAR PEG (2)	XL1200CB, XL1200X
	33130-07A	WEAR PEG (Domestic, HDI, Australia) (2)	XL1200C
6	42651-04	SUPPORT BRACKET (left)	XL1200CB, XL1200X
	42651-04	SUPPORT BRACKET (left) (Domestic, HDI, Australia)	XL1200C
	42652-04	SUPPORT BRACKET (right) (not shown)	XL1200CB, XL1200X
	42652-04	SUPPORT BRACKET (right) (Domestic, HDI, Australia) (not shown)	XL1200C
7	45041-01A	CLEVIS PIN (2)	XL1200CB, XL1200X
	45041-01A	CLEVIS PIN (Domestic, HDI, Australia) (2)	XL1200C
8	50912-72	SPRING WASHER (2)	XL1200CB, XL1200X
	50912-72	SPRING WASHER (Domestic, HDI, Australia) (2)	XL1200C
9	51323-08	FOOTPEG ASSEMBLY (right) (2)	XL1200CB, XL1200X
	51323-08	FOOTPEG ASSEMBLY (right) (Domestic, HDI, Australia) (2)	XL1200C
10	51327-08	FOOTPEG ASSEMBLY (left) (2)	XL1200CB, XL1200X
	51327-08	FOOTPEG ASSEMBLY (left) (Domestic, HDI, Australia) (2)	XL1200C
11	51730-10	CLEVIS (left)	XL1200CB, XL1200X
	51730-10	CLEVIS (left) (Domestic, HDI, Australia)	XL1200C
	51731-10	CLEVIS (right) (not shown)	XL1200CB, XL1200X
	51731-10	CLEVIS (right) (Domestic, HDI, Australia) (not shown)	XL1200C

FOOTRESTS, RIDER, MID-CONTROL



[View interactive image](#)

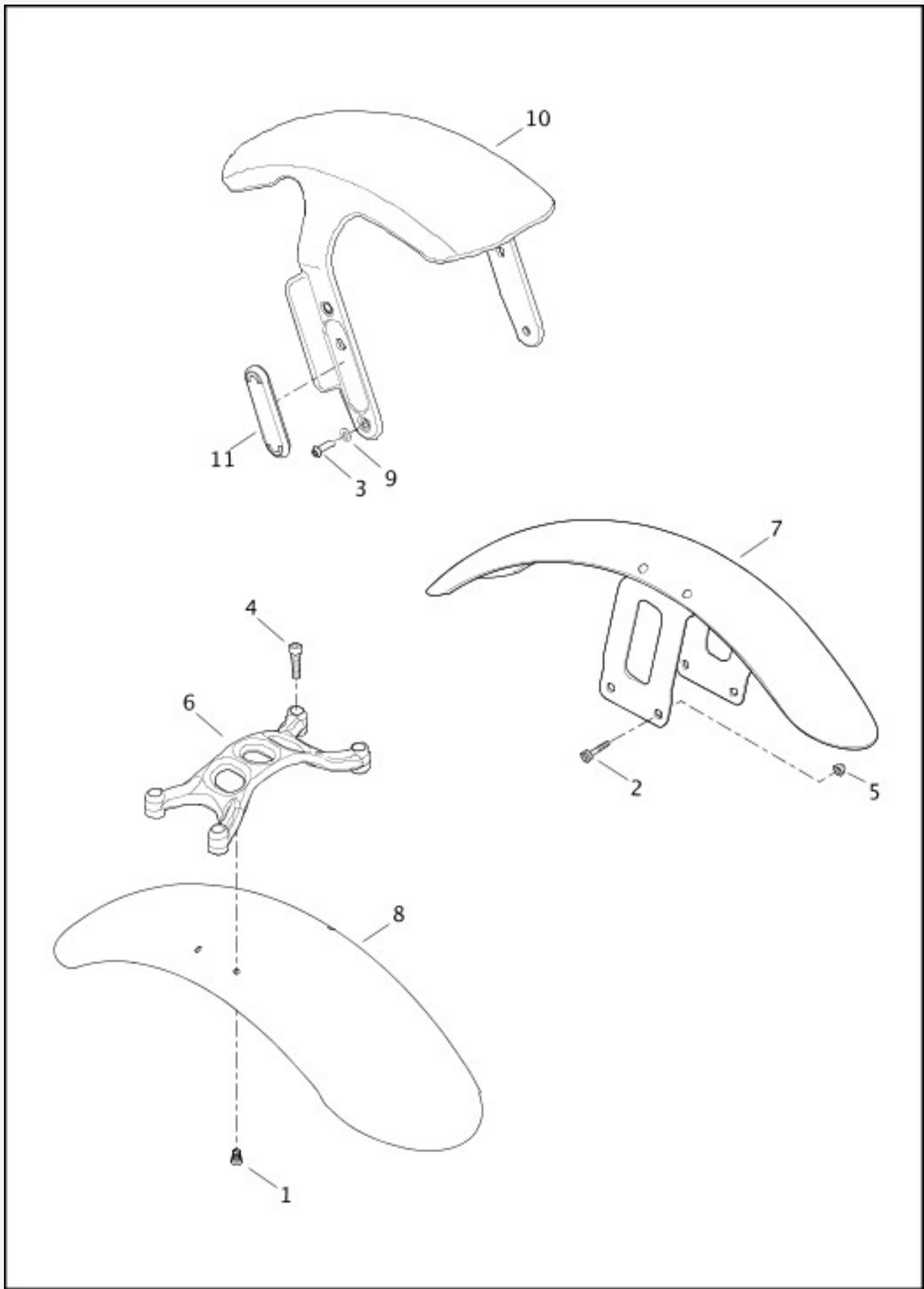
[View interactive table](#)

INDEX NO.	PART NO.	DESCRIPTION	MODEL(S)
1	3162	SCREW	XL1200CX, XL1200T, XL883L, XL883N

	3162	SCREW (Japan, Asia-Pacific)	XL1200C
2	3214	SCREW (4)	XL1200CX, XL1200T, XL883L, XL883N
	3214	SCREW (Japan, Asia-Pacific) (4)	XL1200C
3	11304	RETAINING RING (2)	XL1200CX, XL1200T, XL883L, XL883N
	11304	RETAINING RING (Japan, Asia-Pacific) (2)	XL1200C
4	11390	RETAINING RING	XL1200CX, XL1200T, XL883L, XL883N
	11390	RETAINING RING (Japan, Asia-Pacific)	XL1200C
5	33130-07A	WEAR PEG (2)	XL1200CX, XL1200T, XL883L
	33130-07A	WEAR PEG (Japan, Asia-Pacific) (2)	XL1200C
6	33133-06	RUBBER, footpegs (2)	XL883N
7	33134-07CAZ	FOOTPEG ASSEMBLY, with 33133-06 (right) (black)	XL883N
8	33135-07CAZ	FOOTPEG ASSEMBLY, with 33133-06 (left) (black)	XL883N
9	33188-08	WEAR PEG (2)	XL883N
10	42541-04	CLEVIS (right)	XL1200CX, XL1200T, XL883L, XL883N
	42541-04	CLEVIS (right) (Japan, Asia-Pacific)	XL1200C
11	42971-04	BRACKET (right)	XL1200CX, XL883L, XL883N
	42971-04	BRACKET (right) (Japan, Asia-Pacific)	XL1200C
	50500288	BRACKET (right) (not shown)	XL1200T
12	42972-04	BRACKET (left)	XL1200CX, XL883L, XL883N
	42972-04	BRACKET (left) (Japan, Asia-Pacific)	XL1200C
	50500289	BRACKET (left) (not shown)	XL1200T
13	45041-01A	CLEVIS PIN (2)	XL1200CX, XL1200T, XL883L, XL883N
	45041-01A	CLEVIS PIN (Japan, Asia-Pacific) (2)	XL1200C
14	50912-72	SPRING WASHER (2)	XL1200CX, XL1200T, XL883L, XL883N
	50912-72	SPRING WASHER (Japan, Asia-Pacific) (2)	XL1200C
15	51323-08	FOOTPEG ASSEMBLY (right)	XL1200CX, XL883L

	51323-08	FOOTPEG ASSEMBLY (right) (Japan, Asia-Pacific)	XL1200C
16	51327-08	FOOTPEG ASSEMBLY (left)	XL1200CX, XL883L
	51327-08	FOOTPEG ASSEMBLY (left) (Japan, Asia-Pacific)	XL1200C
17	50500290	FOOTBOARD, with 50500323 (right)	XL1200T
18	50500291	FOOTBOARD, with 50500323 (left)	XL1200T
19	50500323	INSERT (2)	XL1200T

FENDERS, FRONT



[View interactive image](#)

[View interactive table](#)

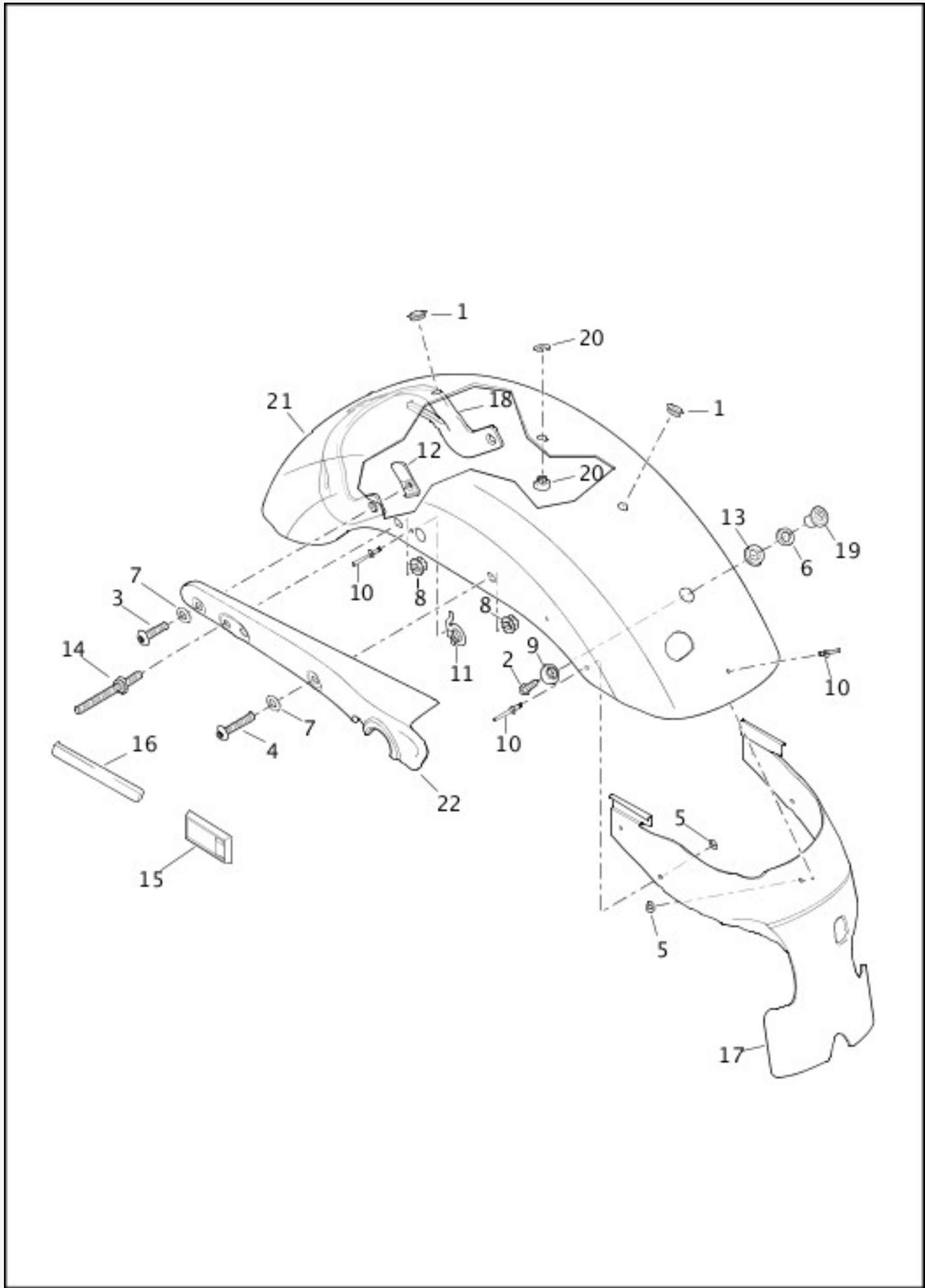
INDEX NO.	PART NO.	DESCRIPTION	MODEL(S)
-----------	----------	-------------	----------

NOTE: Refer to Painted Parts Book for painted part numbers.

1	3018A	SCREW (4)	XL1200X
---	-------	-----------	---------

2	3210A	SCREW (4)	XL1200C, XL1200CB, XL1200T, XL883L, XL883N
3	4975M	SCREW (4)	XL1200CX
4	4978	SCREW (4)	XL1200X
5	7531	LOCKNUT (4)	XL1200C, XL1200CB, XL1200T, XL883L, XL883N
6	45600046	BRACE	XL1200X
7	58998-83E	FRONT FENDER (prime)	XL883N
	60955-11	FRONT FENDER (prime)	XL1200C, XL1200CB, XL1200T, XL883L
8	60574-10	FRONT FENDER (prime)	XL1200X
9	10300078	WASHER	XL1200CX
10	58900170	FRONT FENDER (prime)	XL1200CX
11	67900212	REFLECTOR (amber) (2)	XL1200CX

FENDERS, REAR - XL883N, XL1200X (CANADA ONLY), XL883L (DOMESTIC, CANADA, HDI)



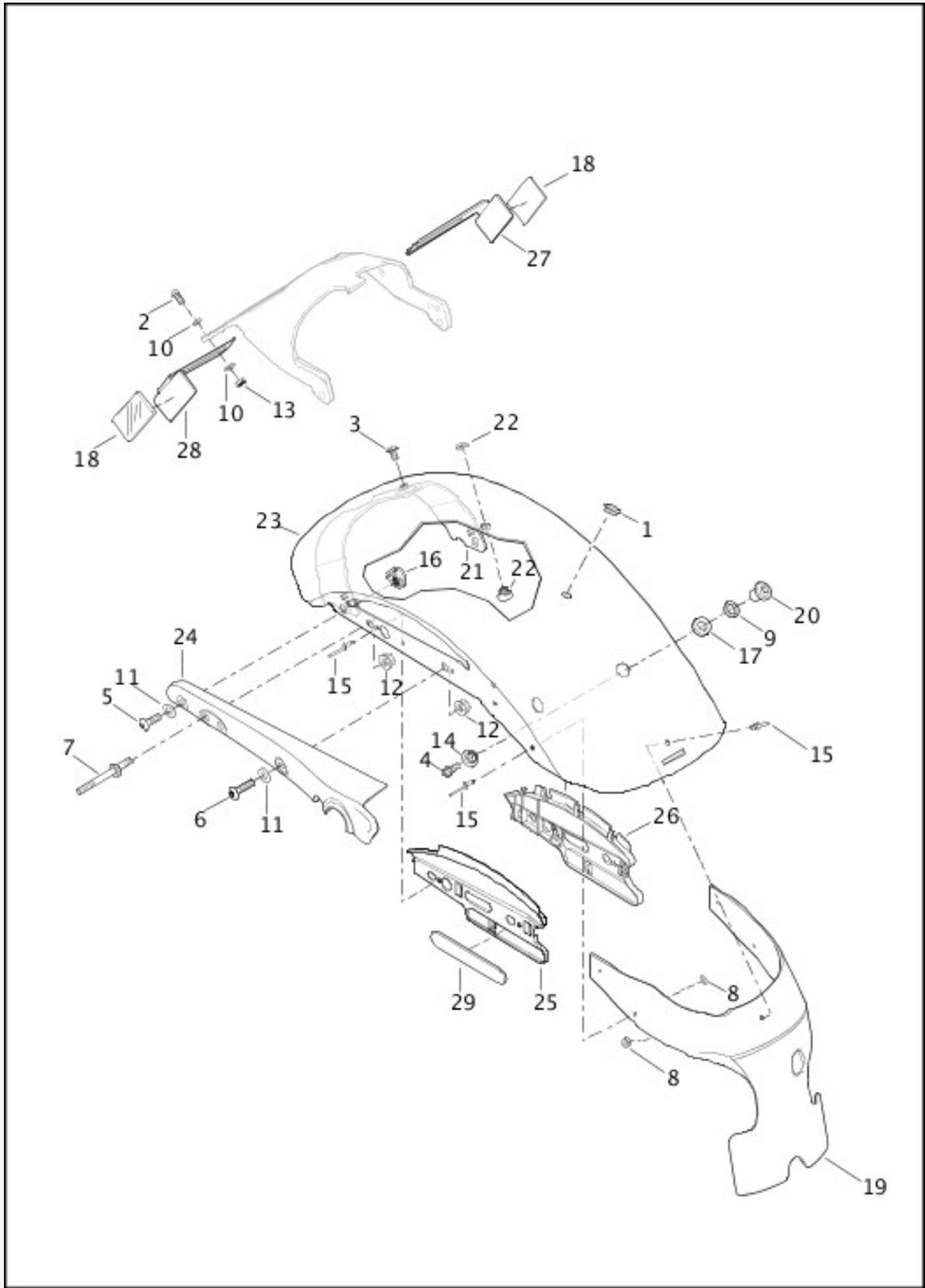
[View interactive image](#)

[View interactive table](#)

INDEX NO.	PART NO.	DESCRIPTION	MODEL(S)
NOTE: Refer to Painted Parts Book for painted part numbers.			
1	761	PLUG (2)	XL1200X, XL883L, XL883N

2	4017	BOLT	XL1200X, XL883L, XL883N
3	4778	SCREW (2)	XL1200X, XL883L, XL883N
4	4779	SCREW (2)	XL1200X, XL883L, XL883N
5	6029	WASHER (5)	XL1200X, XL883L, XL883N
6	6702	WASHER	XL1200X, XL883L, XL883N
7	6798	WASHER (4)	XL1200X, XL883L, XL883N
8	7531	LOCKNUT (4)	XL1200X, XL883L, XL883N
9	7882	SPACER	XL1200X, XL883L, XL883N
10	8692	RIVET (7)	XL1200X, XL883L, XL883N
11	10200	BRACKET, wire retention (2)	XL1200X, XL883L, XL883N
12	10242	CLIP, threaded (2)	XL1200X, XL883L, XL883N
13	11474	GROMMET	XL1200X, XL883L, XL883N
14	56104-02	SCREW (2)	XL1200X, XL883L, XL883N
15	59256-84A	REFLECTOR (amber) (HDI) (2)	XL883L
16	59287-92	REFLECTOR (right) (red) (Domestic and Canada)	XL883L
	59288-92	REFLECTOR (left) (red) (Domestic and Canada)	XL883L
	59287-92	REFLECTOR (right) (red)	XL1200X, XL883N
	59288-92	REFLECTOR (left) (red)	XL1200X, XL883N
17	59502-04B	REAR FENDER EXTENSION	XL1200X, XL883L, XL883N
18	59673-04A	FENDER SUPPORT	XL1200X, XL883L, XL883N
19	59723-04	SEAT POST	XL1200X, XL883L, XL883N
20	59768-97	FENDER SEAT NUT KIT	XL1200X, XL883L, XL883N
21	59847-10	FENDER, rear (prime)	XL1200X, XL883L, XL883N
22	60203-06	COVER, rear fender support (right) (vivid black)	XL1200X, XL883L, XL883N
	60204-06	COVER, rear fender support (left) (vivid black) (not shown)	XL1200X, XL883L, XL883N

FENDERS, REAR - XL883N, XL1200X (HDI ONLY)



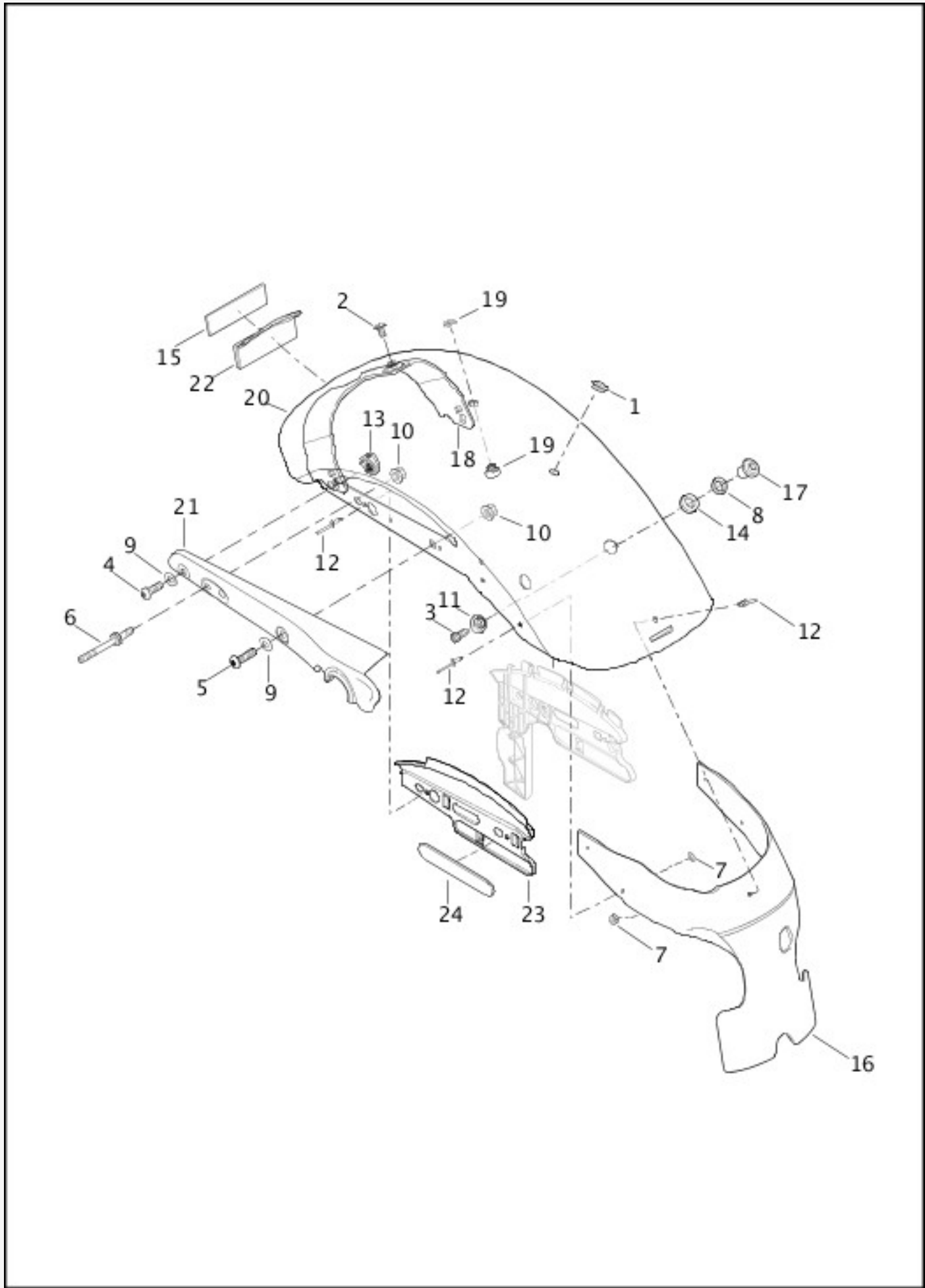
[View interactive image](#)

[View interactive table](#)

INDEX NO.	PART NO.	DESCRIPTION	MODEL(S)
NOTE: Refer to Painted Parts Book for painted part numbers.			
1	761	PLUG	XL1200X, XL883N

2	927A	SCREW (India) (2)	XL1200X, XL883N
	2446	SCREW (2)	XL1200X, XL883N
3	3085	SCREW	XL1200X, XL883N
4	4017	BOLT	XL1200X, XL883N
5	4778	SCREW (2)	XL1200X, XL883N
6	4779	SCREW (2)	XL1200X, XL883N
7	5531	SCREW (2)	XL1200X, XL883N
8	6029	WASHER (5)	XL1200X, XL883N
9	6702	WASHER	XL1200X, XL883N
10	6703	WASHER (4)	XL1200X, XL883N
11	6798	WASHER (4)	XL1200X, XL883N
12	7531	LOCKNUT (4)	XL1200X, XL883N
13	7792	NUT	XL1200X, XL883N
14	7882	SPACER	XL1200X, XL883N
15	8692	RIVET (9)	XL1200X, XL883N
16	10323	CLIP, threaded (2)	XL1200X, XL883N
17	11474	GROMMET	XL1200X, XL883N
18	59256-84A	REFLECTOR (amber) (2)	XL1200X, XL883N
19	59502-04B	REAR FENDER EXTENSION	XL1200X, XL883N
20	59723-04	SEAT POST	XL1200X, XL883N
21	59727-07	FENDER SUPPORT	XL1200X, XL883N
22	59768-97	FENDER SEAT NUT KIT	XL1200X, XL883N
23	59865-10	FENDER, rear (prime)	XL1200X, XL883N
24	60203-06	COVER, rear fender support (right) (vivid black)	XL1200X, XL883N
	60204-06	COVER, rear fender support (left) (vivid black) (not shown)	XL1200X, XL883N
25	68704-07	BRACKET REFLECTOR MOUNT (right)	XL1200X, XL883N
26	68857-07	BRACKET REFLECTOR MOUNT (left)	XL1200X, XL883N
27	68966-08	BRACKET, reflector (left)	XL1200X, XL883N
28	68992-08	BRACKET, reflector (right)	XL1200X, XL883N
29	69498-08	REFLECTOR (2)	XL1200X, XL883N

FENDERS, REAR - XL883N, XL1200X (DOMESTIC ONLY)



[View interactive image](#)

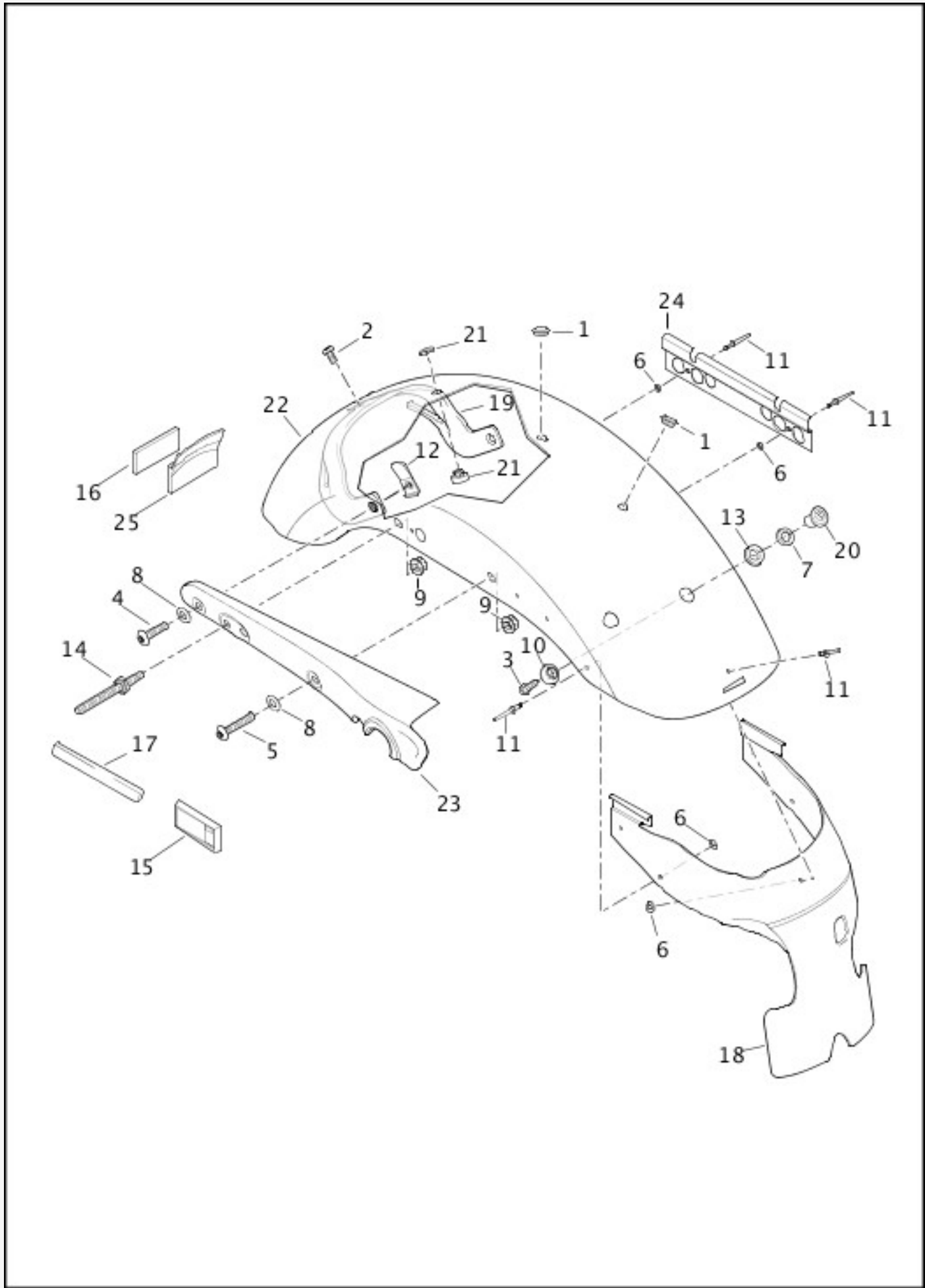
[View interactive table](#)

INDEX NO.	PART NO.	DESCRIPTION	MODEL(S)
-----------	----------	-------------	----------

NOTE: Refer to Painted Parts Book for painted part numbers.

1	761	PLUG	XL1200X, XL883N
2	3085	SCREW	XL1200X, XL883N
3	4017	BOLT	XL1200X, XL883N
4	4778	SCREW (2)	XL1200X, XL883N
5	4779	SCREW (2)	XL1200X, XL883N
6	5531	SCREW (2)	XL1200X, XL883N
7	6029	WASHER (5)	XL1200X, XL883N
8	6702	WASHER	XL1200X, XL883N
9	6798	WASHER (4)	XL1200X, XL883N
10	7531	LOCKNUT (4)	XL1200X, XL883N
11	7882	SPACER	XL1200X, XL883N
12	8692	RIVET (9)	XL1200X, XL883N
13	10323	CLIP, threaded (2)	XL1200X, XL883N
14	11474	GROMMET	XL1200X, XL883N
15	59359-06	REFLECTOR (red)	XL1200X, XL883N
16	59502-04B	REAR FENDER EXTENSION	XL1200X, XL883N
17	59723-04	SEAT POST	XL1200X, XL883N
18	59727-07	FENDER SUPPORT	XL1200X, XL883N
19	59768-97	FENDER SEAT NUT KIT	XL1200X, XL883N
20	59865-10	FENDER, rear (prime)	XL1200X, XL883N
21	60203-06	COVER, rear fender support (right) (vivid black)	XL1200X, XL883N
	60204-06	COVER, rear fender support (left) (vivid black) (not shown)	XL1200X, XL883N
22	68724-07	MOUNTING BLOCK	XL1200X, XL883N
23	68704-07	BRACKET REFLECTOR MOUNT (right)	XL1200X, XL883N
24	69490-07	REFLECTOR (red) (2)	XL1200X, XL883N

FENDERS, REAR - XL1200C, XL1200CB



[View interactive image](#)

[View interactive table](#)

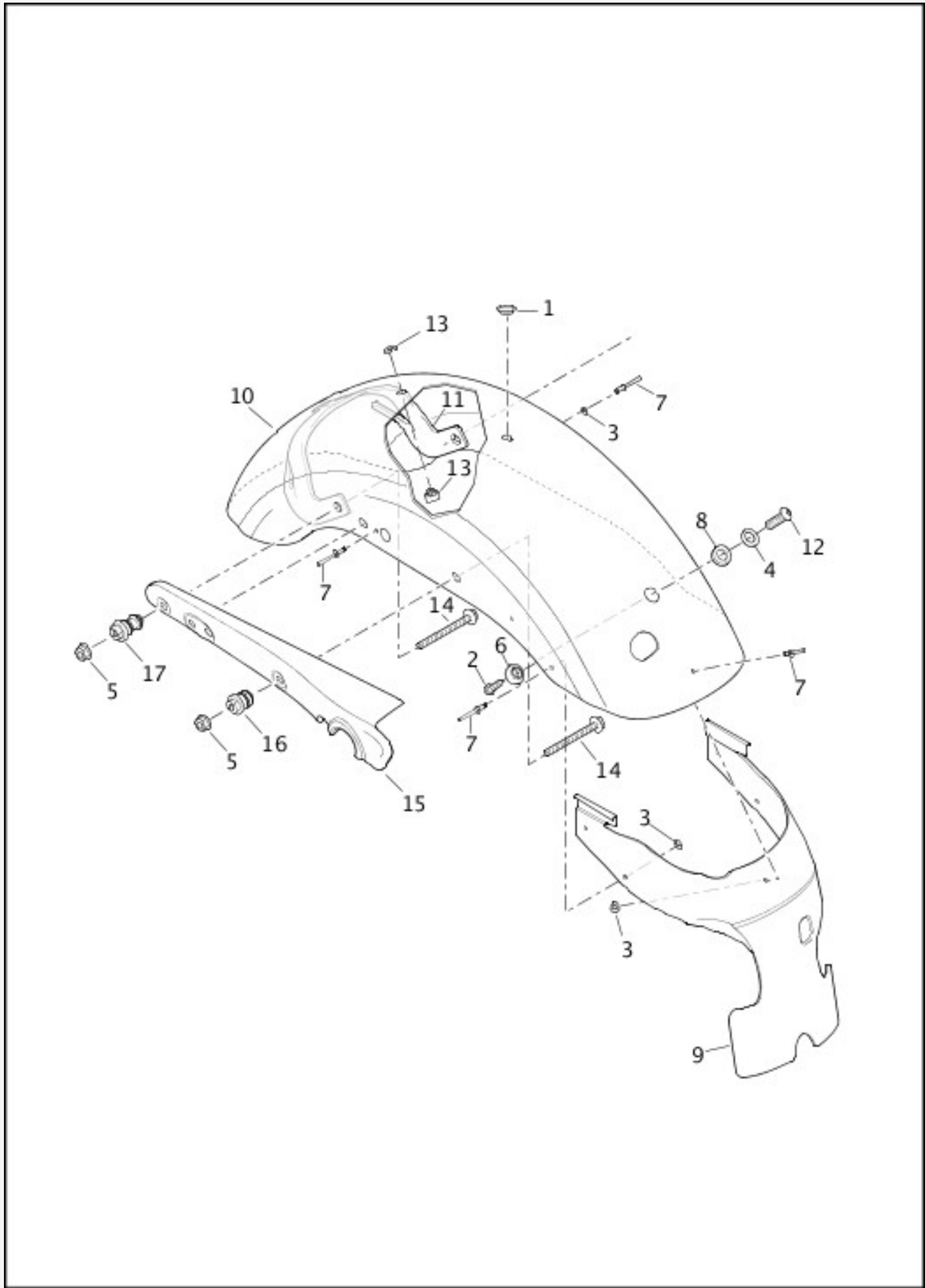
INDEX NO.	PART NO.	DESCRIPTION	MODEL(S)
-----------	----------	-------------	----------

NOTE: Refer to Painted Parts Book for painted part numbers.

1	761	PLUG (2)	XL1200C, XL1200CB
---	-----	----------	-------------------

2	3085	SCREW	XL1200C, XL1200CB
3	4017	BOLT	XL1200C, XL1200CB
4	4778	SCREW (2)	XL1200C, XL1200CB
5	4779	SCREW (2)	XL1200C, XL1200CB
6	6029	WASHER (9)	XL1200C, XL1200CB
7	6702	WASHER	XL1200C, XL1200CB
8	6798	WASHER (4)	XL1200C, XL1200CB
9	7531	LOCKNUT (4)	XL1200C, XL1200CB
10	7882	SPACER	XL1200C, XL1200CB
11	8692	RIVET (9)	XL1200C, XL1200CB
12	10242	CLIP, threaded (2)	XL1200C, XL1200CB
13	11474	GROMMET	XL1200C, XL1200CB
14	56104-02	SCREW (2)	XL1200C, XL1200CB
15	59256-84A	REFLECTOR (amber) (HDI) (2)	XL1200C, XL1200CB
16	59259-90	REFLECTOR (red)	XL1200C, XL1200CB
17	59287-92	REFLECTOR (red) (right) (Domestic)	XL1200C, XL1200CB
	59288-92	REFLECTOR (red) (left) (Domestic)	XL1200C, XL1200CB
18	59502-04B	REAR FENDER EXTENSION	XL1200C, XL1200CB
19	59500034	FENDER SUPPORT	XL1200C, XL1200CB
20	59723-04	SEAT POST	XL1200C, XL1200CB
21	59768-97	FENDER SEAT NUT KIT	XL1200C, XL1200CB
22	59885-11	FENDER, rear (prime)	XL1200C, XL1200CB
23	59902-04	COVER, rear fender support (right) (chrome)	XL1200C, XL1200CB
	59903-04	COVER, rear fender support (left) (chrome) (not shown)	XL1200C, XL1200CB
24	69302-11	WIRE GUIDE (2)	XL1200C, XL1200CB
25	67900006	BRACKET, reflector	XL1200C, XL1200CB

FENDERS, REAR - XL1200T



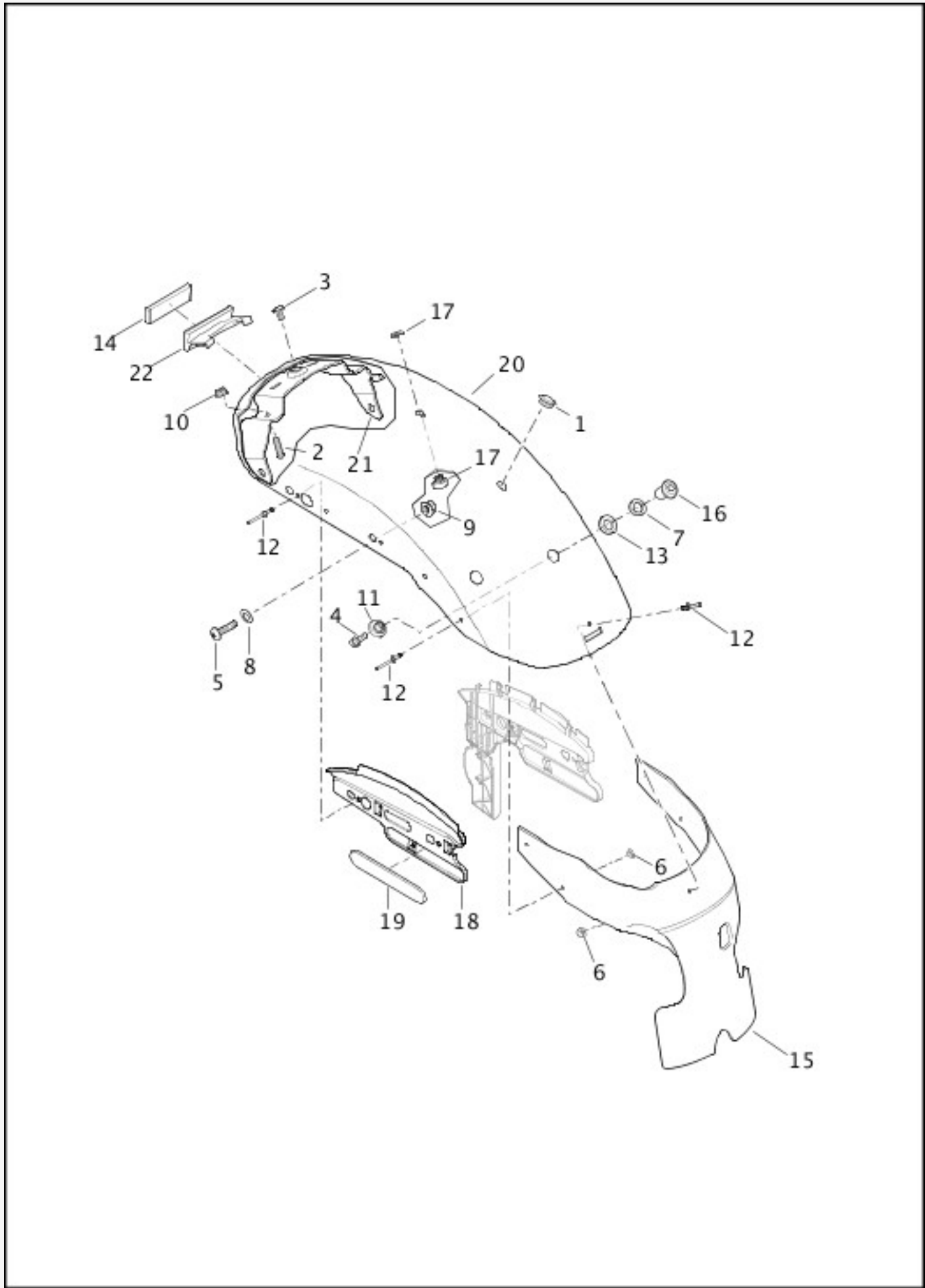
[View interactive image](#)

[View interactive table](#)

INDEX NO.	PART NO.	DESCRIPTION	MODEL(S)
NOTE: Refer to Painted Parts Book for painted part numbers.			
1	761	PLUG (2)	XL1200T

2	4017	BOLT	XL1200T
3	6029	WASHER (5)	XL1200T
4	6702	WASHER	XL1200T
5	7531	LOCKNUT (4)	XL1200T
6	7882	SPACER	XL1200T
7	8692	RIVET (7)	XL1200T
8	11474	GROMMET	XL1200T
9	59502-04B	REAR FENDER EXTENSION	XL1200T
10	59847-10	FENDER, rear (prime)	XL1200T
11	59673-04A	FENDER SUPPORT	XL1200T
12	59723-04	SEAT POST	XL1200T
13	59768-97	FENDER SEAT NUT KIT	XL1200T
14	10500062	SCREW (4)	XL1200T
15	59500172	COVER (right)	XL1200T
	59500173	COVER (left)	XL1200T
16	90201038	SUPPORT, front (2)	XL1200T
17	90201039	SUPPORT, rear (2)	XL1200T

FENDERS, REAR - XL1200CX (DOMESTIC ONLY)



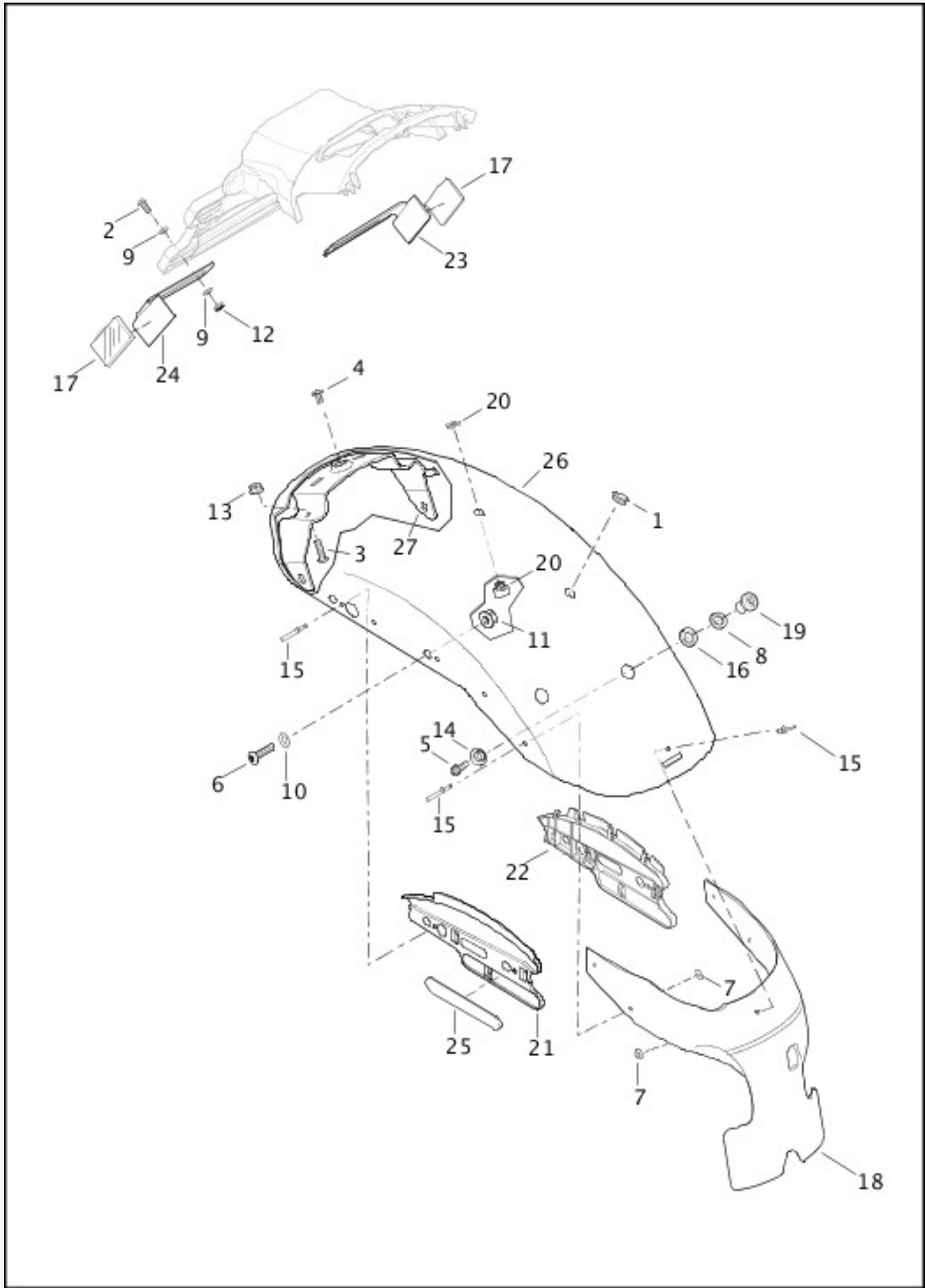
[View interactive image](#)

[View interactive table](#)

INDEX NO.	PART NO.	DESCRIPTION	MODEL(S)
NOTE: Refer to Painted Parts Book for painted part numbers.			
1	761	PLUG	XL1200CX

2	2563	SCREW (2)	XL1200CX
3	3085	SCREW	XL1200CX
4	4017	BOLT	XL1200CX
5	4779	SCREW (2)	XL1200CX
6	6029	WASHER (5)	XL1200CX
7	6702	WASHER	XL1200CX
8	6798	WASHER (2)	XL1200CX
9	7531	LOCKNUT (2)	XL1200CX
10	7878	NUT (2)	XL1200CX
11	7882	SPACER	XL1200CX
12	8692	RIVET (9)	XL1200CX
13	11474	GROMMET	XL1200CX
14	59359-06	REFLECTOR (red)	XL1200CX
15	59502-04B	REAR FENDER EXTENSION	XL1200CX
16	59723-04	SEAT POST	XL1200CX
17	59768-97	FENDER SEAT NUT KIT	XL1200CX
18	68704-07	BRACKET REFLECTOR MOUNT (right)	XL1200CX
19	69490-07	REFLECTOR (2)	XL1200CX
20	59500376	FENDER, rear (prime)	XL1200CX
21	59500408	FENDER SUPPORT	XL1200CX
22	67900285	BRACKET	XL1200CX

FENDERS, REAR - XL1200CX (CANADA AND HDI ONLY)



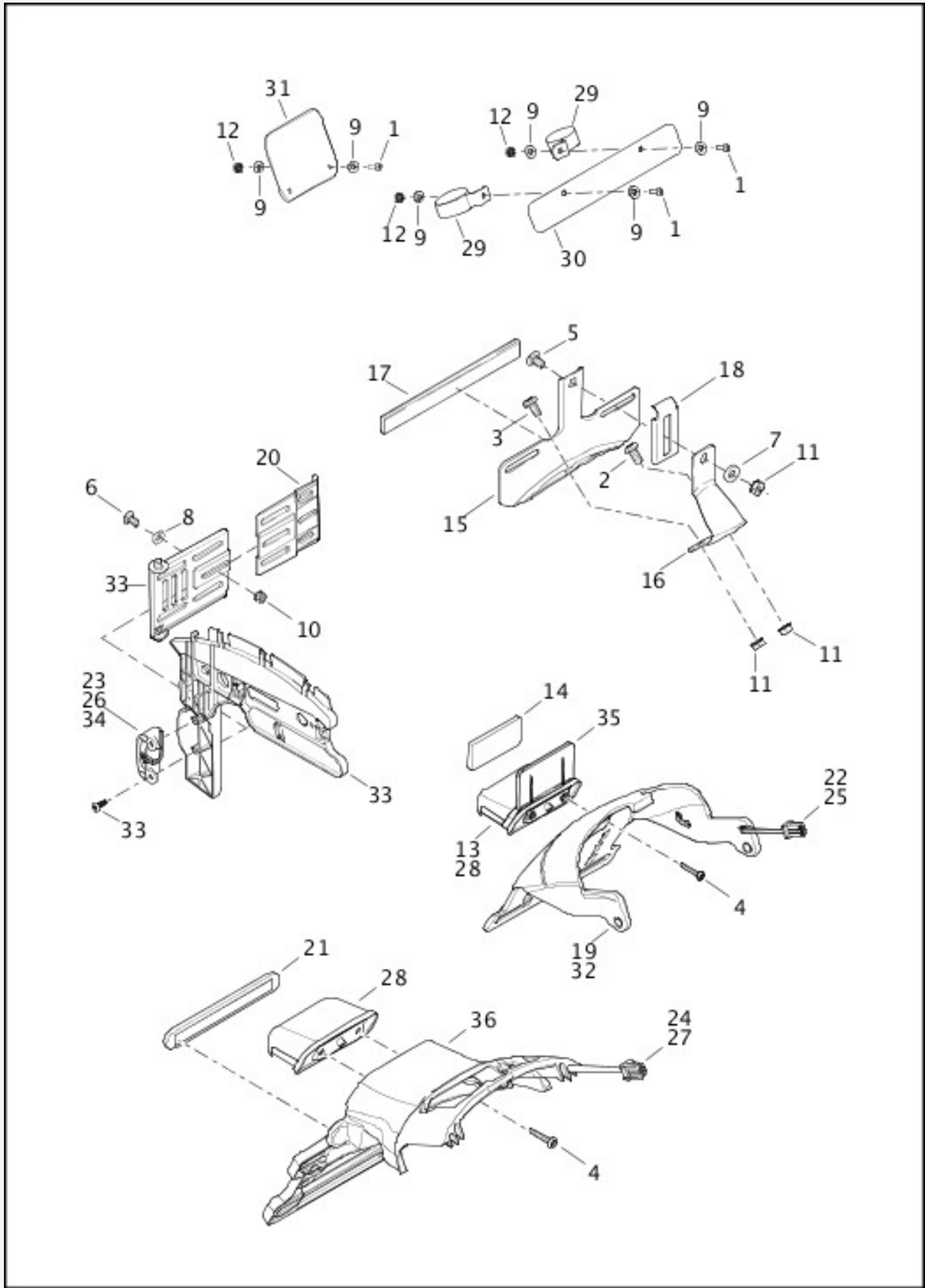
[View interactive image](#)

[View interactive table](#)

INDEX NO.	PART NO.	DESCRIPTION	MODEL(S)
NOTE: Refer to Painted Parts Book for painted part numbers.			
1	761	PLUG	XL1200CX

2	2446	SCREW, 2	XL1200CX
3	2563	SCREW (2)	XL1200CX
4	3085	SCREW	XL1200CX
5	4017	BOLT	XL1200CX
6	4779	SCREW (2)	XL1200CX
7	6029	WASHER (5)	XL1200CX
8	6702	WASHER	XL1200CX
9	6703	WASHER (4)	XL1200CX
10	6798	WASHER (2)	XL1200CX
11	7531	LOCKNUT (2)	XL1200CX
12	7792	NUT (2)	XL1200CX
13	7878	NUT (2)	XL1200CX
14	7882	SPACER	XL1200CX
15	8692	RIVET (9)	XL1200CX
16	11474	GROMMET	XL1200CX
17	59256-84A	REFLECTOR (amber) (2)	XL1200CX
18	59502-04B	REAR FENDER EXTENSION	XL1200CX
19	59723-04	SEAT POST	XL1200CX
20	59768-97	FENDER SEAT NUT KIT	XL1200CX
21	68704-07	BRACKET REFLECTOR MOUNT (right)	XL1200CX
22	68857-07	BRACKET REFLECTOR MOUNT (left)	XL1200CX
23	68966-08	BRACKET, reflector (left)	XL1200CX
24	68992-08	BRACKET, reflector (right)	XL1200CX
25	69490-07	REFLECTOR (Canada) (2)	XL1200CX
	69498-08	REFLECTOR (HDI) (2)	XL1200CX
26	59500376	FENDER, rear (prime)	XL1200CX
27	59500408	FENDER SUPPORT	XL1200CX

LICENSE PLATE BRACKETS - XL883N, XL1200CX, XL1200X



[View interactive image](#)

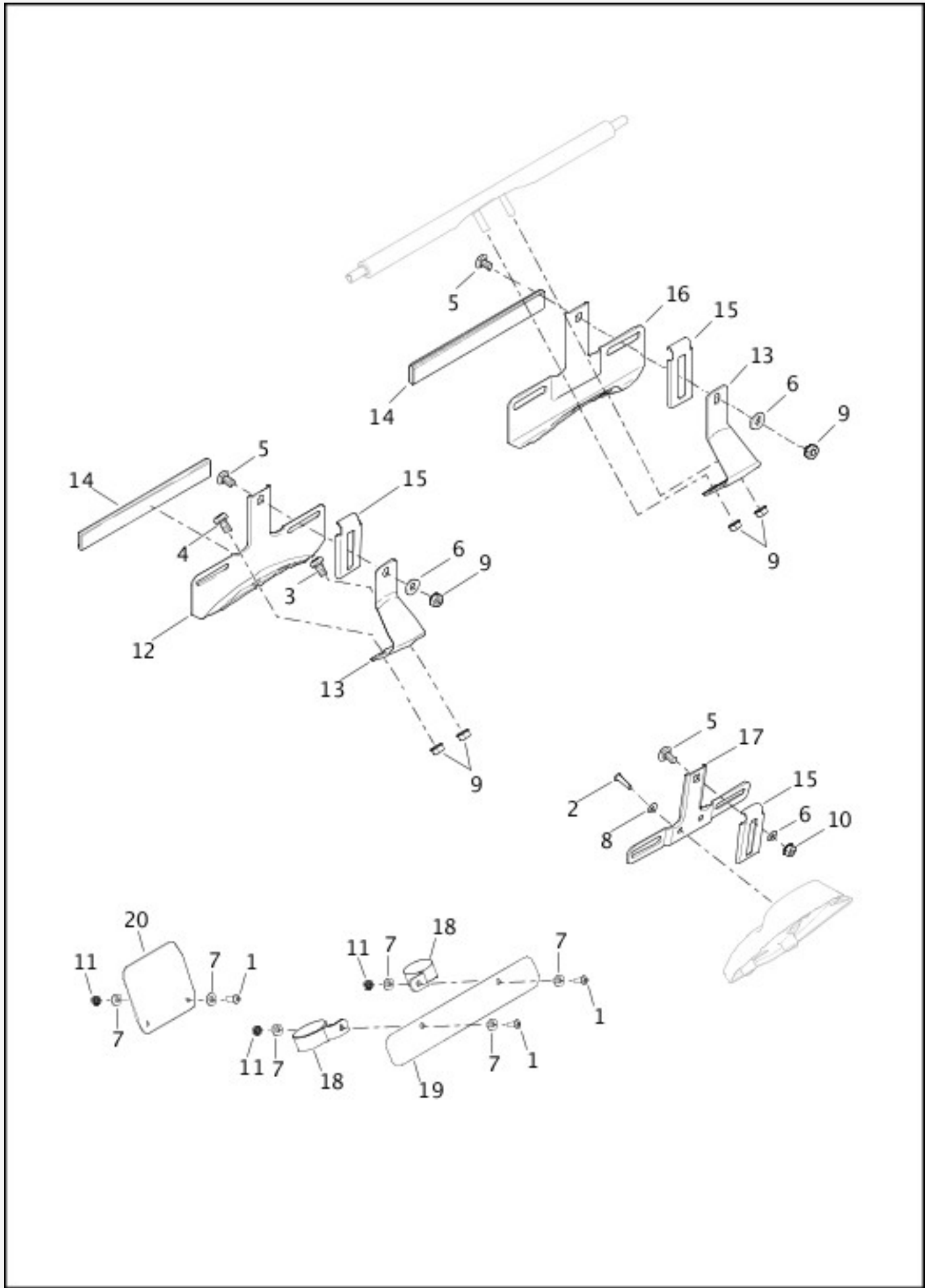
[View interactive table](#)

INDEX NO.	PART NO.	DESCRIPTION	MODEL(S)
1	927A	SCREW (India) (4)	XL1200CX, XL1200X, XL883N

2	2607	SCREW (Canada)	XL1200X, XL883N
3	2773	SCREW (Canada) (2)	XL1200X, XL883N
4	3387	SCREW (HDI) (2)	XL1200CX, XL1200X, XL883N
	4091	SCREW (Canada and HDI) (2)	XL1200CX
5	5403B	BOLT (Canada)	XL1200X, XL883N
6	5403B	BOLT (Domestic)	XL1200CX, XL1200X, XL883N
7	6703	WASHER (Canada)	XL1200X, XL883N
8	6703	WASHER (Domestic)	XL1200CX, XL1200X, XL883N
9	6703	WASHER (India) (8)	XL1200CX, XL1200X, XL883N
10	7716	LOCKNUT (Domestic)	XL1200CX, XL1200X, XL883N
11	7792	NUT (Canada) (3)	XL1200X, XL883N
12	7792	NUT (India) (4)	XL1200CX, XL1200X, XL883N
13	52441-95	BULB (HDI)	XL1200X, XL883N
14	59259-90	REFLECTOR (red) (HDI)	XL1200X, XL883N
15	59984-73	BRACKET, license plate (Canada)	XL1200X, XL883N
16	59986-75	SUPPORT, license plate bracket (Canada)	XL1200X, XL883N
17	59988-72A	REFLECTOR, license plate bracket (Canada)	XL1200X, XL883N
18	60001-55	CLAMP, license plate bracket (Canada)	XL1200X, XL883N
19	60901-07	BRACKET (HDI)	XL1200X, XL883N
20	68702-07	BRACKET ADJUST, license plate (Domestic)	XL1200CX, XL1200X, XL883N
21	69490-07	REFLECTOR (red) (HDI, Canada)	XL1200CX
22	73153-96BK	HOUSING, three-way socket (black) (HDI)	XL1200X, XL883N
23	73153-96BK	HOUSING, three-way socket (black) (Domestic)	XL1200CX, XL1200X, XL883N
24	73153-96BK	HOUSING, three-way socket (black) (HDI, Canada)	XL1200CX
25	73191-96	TERMINAL, socket, 16-20 AWG (HDI) (2)	XL1200X, XL883N

26	73191-96	TERMINAL, socket, 16-20 AWG (Domestic) (2)	XL1200CX, XL1200X, XL883N
27	73191-96	TERMINAL, socket, 16-20 AWG (HDI) (2)	XL1200CX
	73191-96	TERMINAL, socket, 16-20 AWG (Canada) (3)	XL1200CX
28	73504-11	ILLUMINATOR, license plate (HDI)	XL1200CX, XL1200X, XL883N
	73403-11	TAIL LAMP (Canada)	XL1200CX
29	10800005	P-CLAMP, 49 mm (India) (2)	XL1200X
	10800006	P-CLAMP, 39 mm (India) (2)	XL883N
	10800123	P-CLAMP, 56 mm (India) (2)	XL1200CX
30	67900010	LICENSE PLATE, front (India)	XL1200CX
	67900088	LICENSE PLATE, front (India)	XL883N
	67900089	LICENSE PLATE, front (India)	XL1200X
31	67900093	LICENSE PLATE, rear (India)	XL1200CX, XL1200X, XL883N
32	67900152A	LICENSE PLATE ASSEMBLY, with 13, 19, 22, 25, 28 and 35 (HDI)	XL1200X, XL883N
33	67900155	LICENSE PLATE BRACKET MOUNT ASSEMBLY, left with 6, 8, 10, 20 and 34 (Domestic)	XL1200CX, XL1200X, XL883N
34	67900157	ILLUMINATOR, license plate with 73153-96BK and 73191-96 (Domestic)	XL1200CX, XL1200X, XL883N
35	67900231	BRACKET, with 59259-90 (HDI)	XL1200X, XL883N
36	67900288	BRACKET (HDI, Canada)	XL1200CX

LICENSE PLATE BRACKETS - XL883L, XL1200C, XL1200CB, XL1200T



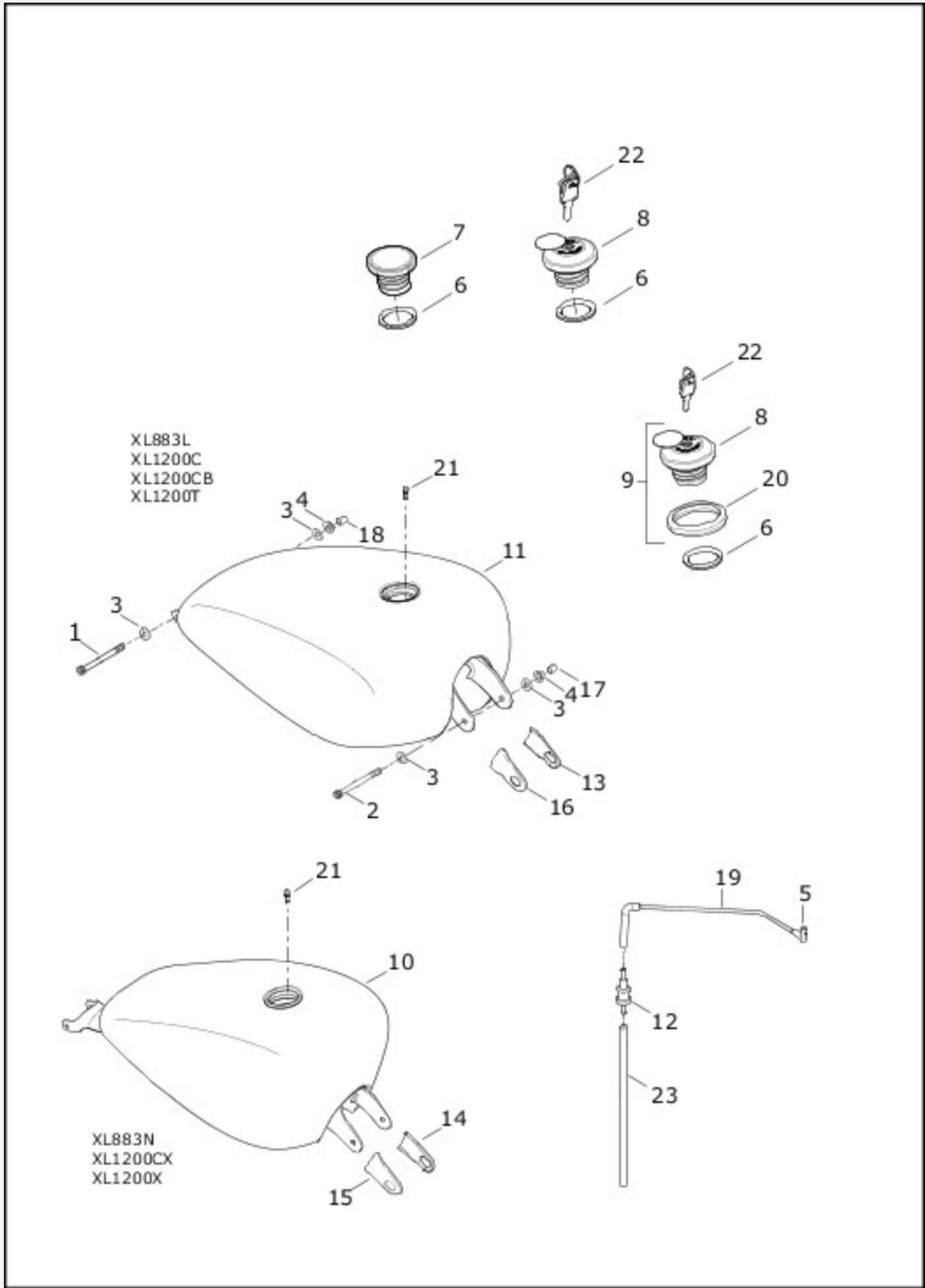
[View interactive image](#)

[View interactive table](#)

INDEX NO.	PART NO.	DESCRIPTION	MODEL(S)
1	927A	SCREW (India) (4)	XL1200C, XL883L
2	2508	SCREW (2)	XL1200C, XL1200CB

3	2607	SCREW	XL883L
4	2773	SCREW (2)	XL883L
5	5403B	BOLT	XL1200C, XL1200CB, XL1200T, XL883L
6	6703	WASHER	XL1200C, XL1200CB, XL1200T, XL883L
7	6703	WASHER (India) (8)	XL1200C, XL883L
8	6716	WASHER (2)	XL1200C, XL1200CB
9	7792	NUT (3)	XL1200T, XL883L
10	7792	NUT	XL1200C, XL1200CB
11	7792	NUT (India) (4)	XL1200C, XL883L
12	59984-73	BRACKET, license plate	XL883L
13	59986-75	SUPPORT, license plate bracket	XL1200T, XL883L
14	59988-72A	REFLECTOR, license plate bracket	XL1200T, XL883L
15	60001-55	CLAMP, license plate bracket	XL1200C, XL1200CB, XL1200T, XL883L
16	60013-02	BRACKET	XL1200T
17	60225-08BHP	BRACKET, license plate	XL1200C, XL1200CB
18	10800006	P-CLAMP, 39 mm (India) (2)	XL883L
19	67900089	LICENSE PLATE, front (India)	XL1200C, XL883L
20	67900093	LICENSE PLATE, rear (India)	XL1200C, XL883L

FUEL TANK



[View interactive image](#)

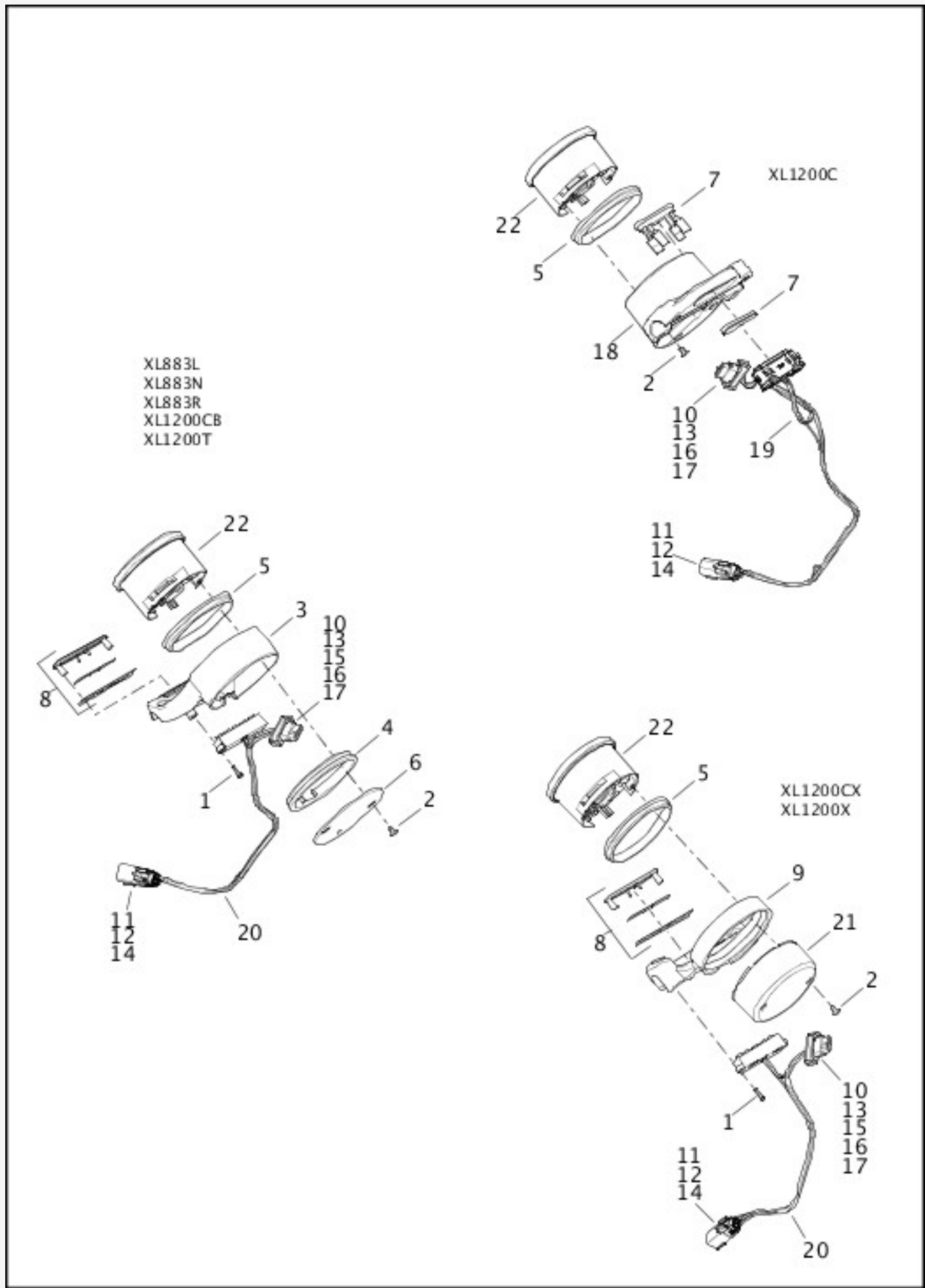
[View interactive table](#)

INDEX NO.	PART NO.	DESCRIPTION	MODEL(S)
NOTE: Refer to Painted Parts Book for painted part numbers.			
1	4758A	SCREW	ALL

2	4771	SCREW	ALL
3	6702	WASHER (4)	ALL
4	7531	LOCKNUT (2)	ALL
5	27250-96B	CONNECTOR, 90 degree	ALL
6	61109-85D	GASKET	ALL
7	61272-92C	FUEL CAP, with 61109-85D	XL1200C, XL1200CB, XL1200CX, XL1200T, XL1200X, XL883L
	61289-07A	FUEL CAP, vented, with 61109-85D	XL883N
8	61100055	FUEL CAP, with 90300093 (Asia-Pacific and Japan)	XL1200C, XL1200T, XL1200X, XL883L, XL883N
	61100055	FUEL CAP, with 90300093 (Japan)	XL1200CX
9	61100064	FUEL CAP, with 61100055 and 61100063 (Asia-Pacific)	XL1200C, XL1200T, XL1200X, XL883L, XL883N
10	61405-07	FUEL TANK ASSEMBLY (prime)	XL1200CX, XL883N
	61724-10	FUEL TANK ASSEMBLY (prime)	XL1200X
11	62213-07	FUEL TANK ASSEMBLY (prime)	XL1200C, XL1200CB, XL1200T, XL883L
12	62150-85	VAPOR VALVE	ALL
13	70903-04	TRIM, left	XL1200C, XL1200CB, XL1200T, XL883L
14	70904-04	TRIM, left	XL1200CX, XL1200X, XL883N
15	70917-04	TRIM, right	XL1200CX, XL1200X, XL883N
16	70919-04	TRIM, right	XL1200C, XL1200CB, XL1200T, XL883L
17	89579-91	CAP	ALL
18	89586-04	CAP	ALL
19	61100026	VENTLINE, tank-to-valve, with 27250-96B	XL1200C, XL1200CB, XL1200CX, XL1200T, XL883L, XL883N
	61100027	VENTLINE, tank-to-valve, with 27250-96B	XL1200X
20	61100063	BUMPER (Asia-Pacific)	XL1200C, XL1200T, XL1200X, XL883L, XL883N
21	61100096	VAPOR VENT	ALL
22	90300093	KEYSET (Asia-Pacific and Japan)	XL1200C, XL1200T, XL1200X, XL883L, XL883N

	90300093	KEYSET (Japan)	XL1200CX
NOTE: Hose or insulator is sold in bulk length under the following part numbers. Cut to length.			
23	61100040	VENTLINE, vapor valve-to-atmosphere (except California, Asia-Pacific, Brazil) (10 ft length)	ALL

SPEEDOMETER



[View interactive image](#)

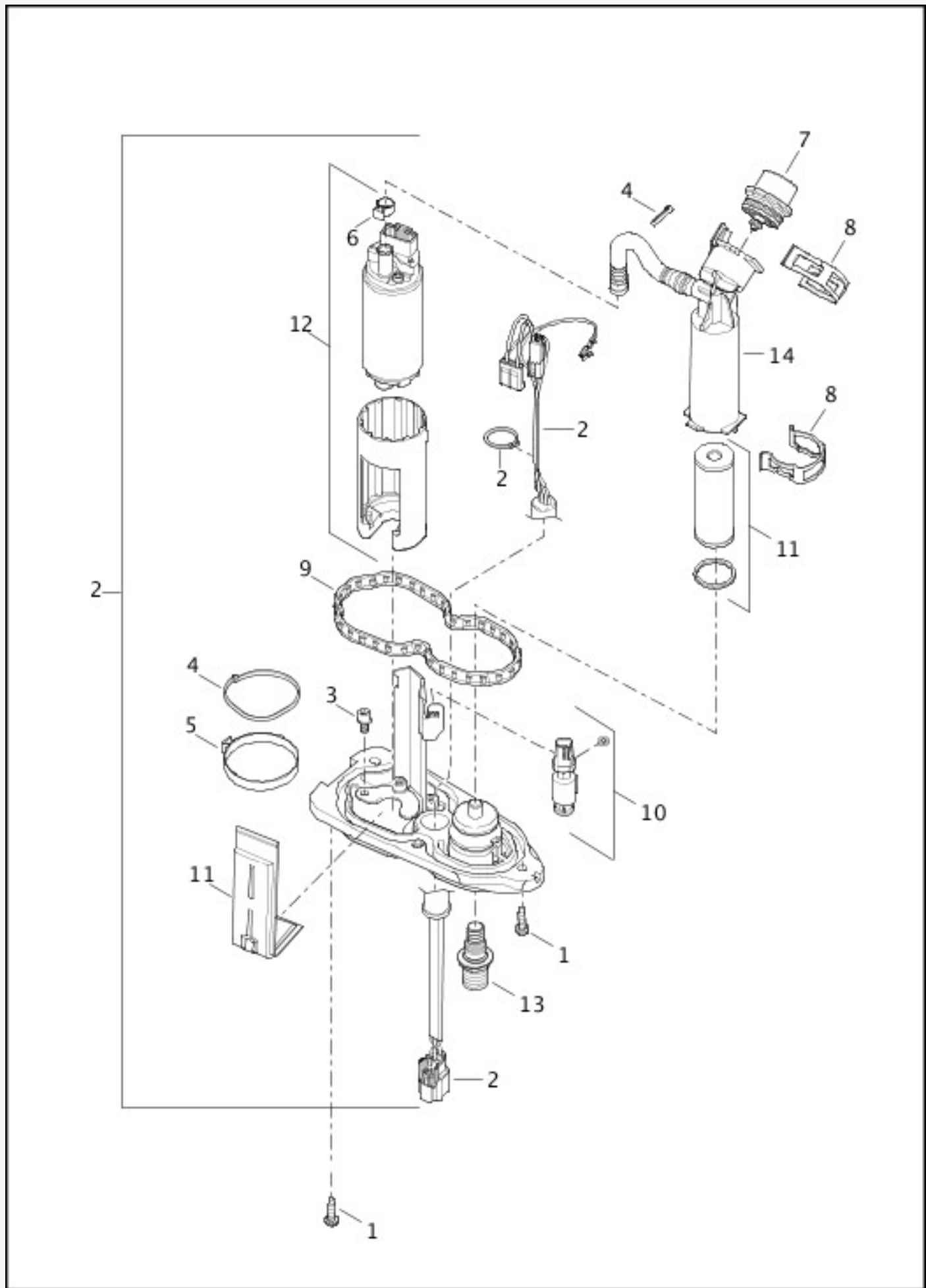
[View interactive table](#)

INDEX NO.	PART NO.	DESCRIPTION	MODEL(S)
1	2325	SCREW (2)	XL1200CB, XL1200CX, XL1200T, XL1200X, XL883L, XL883N

2	2361	SCREW (2)	ALL
3	55846-05A	BRACKET, speedometer (chrome)	XL1200CB, XL1200T
	55847-05A	BRACKET, speedometer (black)	XL883L, XL883N
4	67104-95	CUSHION, rear	XL1200CB, XL1200T, XL883L, XL883N
5	67121-95A	CUSHION, front	ALL
6	67319-95	COVER, speedometer back (black)	XL883L, XL883N
	69200438	COVER, speedometer back (chrome)	XL1200CB, XL1200T
7	68382-07B	BEZEL ASSEMBLY, indicator lamps	XL1200C
8	68513-07A	BEZEL, indicator lamps	XL1200CB, XL1200CX, XL1200T, XL1200X, XL883L, XL883N
9	71980-10	BRACKET, speedometer	XL1200CX, XL1200X
10	72130-04	HOUSING, 12-way socket (black)	ALL
11	72169-07	TERMINAL, pin, 16-20 AWG (5)	ALL
12	72188-07BK	HOUSING, six-way pin (black)	ALL
13	72189-04	SEAL PIN (2)	ALL
14	72473-07	SEAL PIN	ALL
15	72662-11	TERMINAL, socket, 22 AWG (5)	XL1200CX, XL1200T
16	74196-04	TERMINAL, socket, 22 AWG (5)	ALL
17	74197-04	SECONDARY LOCK, 12-way socket	ALL
18	55900029	HOUSING, instrument (chrome)	XL1200C
19	69200079	HARNESS, with LED indicator	XL1200C
20	69200080	HARNESS, with LED indicator	XL1200CB, XL1200CX, XL1200T, XL1200X, XL883L, XL883N
21	69200439	COVER, speedometer back	XL1200CX, XL1200X
22	70900215A	SPEEDOMETER, mph	XL1200X, XL883L, XL883N
	70900216	SPEEDOMETER, km/h	XL1200X, XL883L, XL883N
	70900217	SPEEDOMETER, mph and km/h	XL1200X, XL883L, XL883N
	70900221A	SPEEDOMETER, mph	XL1200C, XL1200CB, XL1200T
	70900222	SPEEDOMETER, km/h	XL1200C, XL1200CB, XL1200T

	70900223	SPEEDOMETER, mph and km/h	XL1200C, XL1200CB, XL1200T
	70900548	SPEEDOMETER (except Domestic)	XL1200CX
	70900549	SPEEDOMETER (Domestic)	XL1200CX

FUEL PUMP



[View interactive image](#)

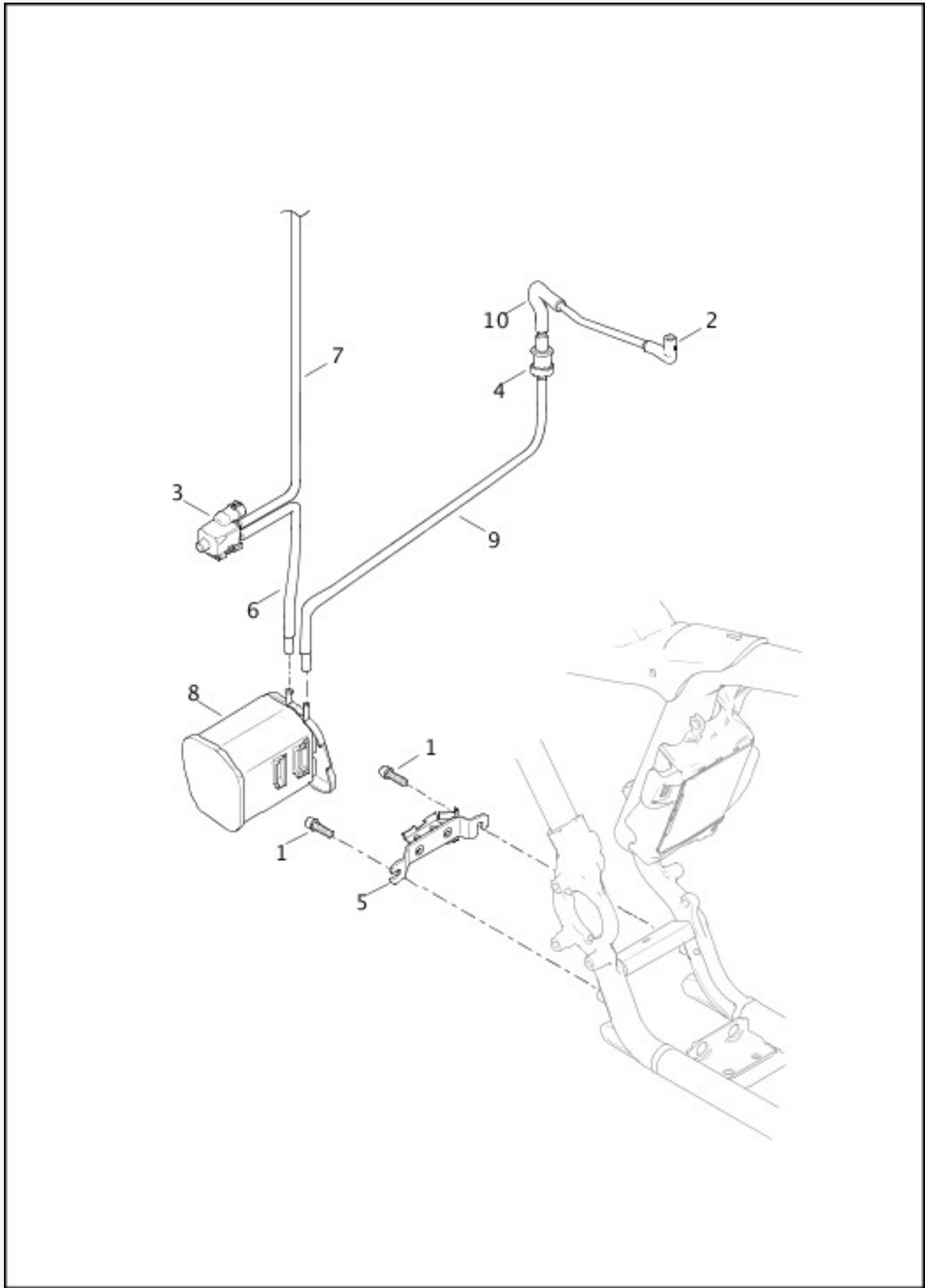
[View interactive table](#)

INDEX NO.	PART NO.	DESCRIPTION	MODEL(S)
1	1081A	SCREW (5)	ALL
2	75268-07F	FUEL PUMP MODULE, with fuel sender harness	ALL

NOTE: Includes the following parts.

3	1091	SCREW (3)	ALL
4	10181	CABLE STRAP (3)	ALL
5	10303	CLAMP, pump assembly	ALL
6	10304	CLAMP, tube	ALL
7	61015-04A	PRESSURE REGULATOR ASSEMBLY	ALL
8	61213-04A	RETAINING CLIP (2)	ALL
9	75301-07	SEAL, cover plate	ALL
10	75302-07B	SENSOR, fuel level with retaining ring	ALL
11	75304-07A	FUEL FILTER KIT, with 10181, 10303, strainer and filter element	ALL
12	75305-07A	FUEL PUMP, with 1091, 10181, 10303 and 10304	ALL
13	75309-07A	VALVE ASSEMBLY	ALL
14	75317-07	FILTER HOUSING	ALL

EVAPORATIVE EMISSIONS COMPONENTS



[View interactive image](#)

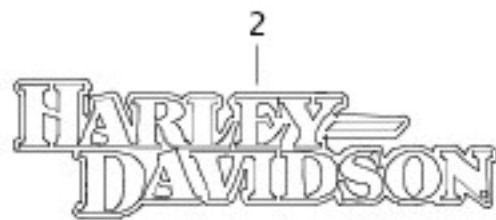
[View interactive table](#)

INDEX NO.	PART NO.	DESCRIPTION	MODEL(S)
1	2479	SCREW (2)	ALL
2	27250-	CONNECTOR, 90 degree	ALL

	96B		
3	27715-07	PURGE SOLENOID	ALL
4	62150-85	VAPOR VALVE	ALL
5	60800009	BRACKET, mounting	ALL
6	60800045	HOSE, canister-to-purge solenoid	ALL
7	60800023	HOSE, purge solenoid-to-induction module	ALL
8	60800031	CANNISTER	ALL
9	60800042	HOSE, canister-to-vapor valve	ALL
10	61100026	HOSE, vapor valve-to-tank, with 27250-96B	XL1200C, XL1200CB, XL1200CX, XL1200T, XL883L, XL883N
	61100027	HOSE, vapor valve-to-tank, with 27250-96B	XL1200X

NOTE: These parts are required for motorcycles sold in California, Asia-Pacific, and Brazil markets.

FUEL TANK TRIM



[View interactive image](#)

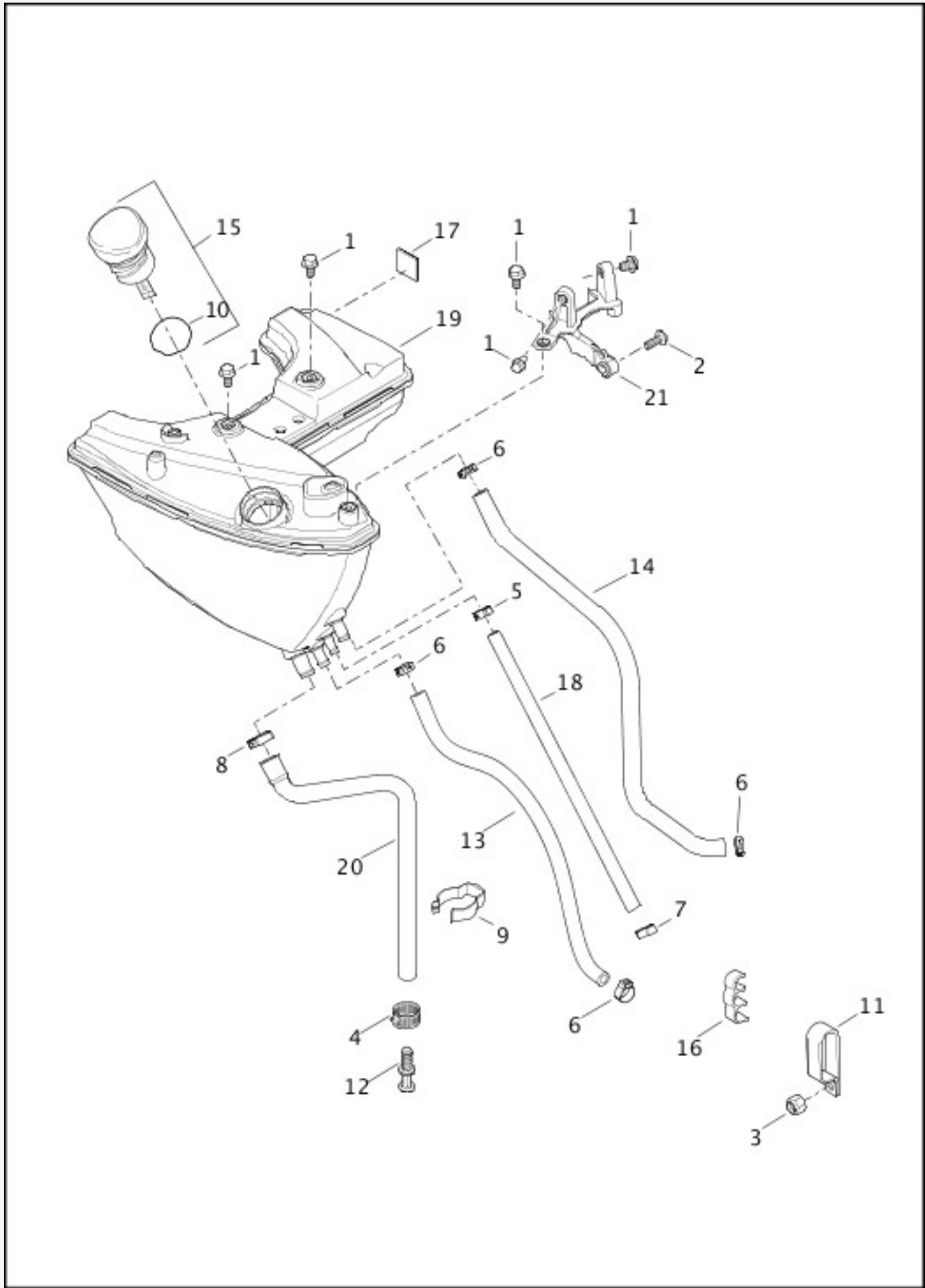
[View interactive table](#)

INDEX NO.	PART NO.	DESCRIPTION	MODEL(S)
1	14100707BABY	MEDALLION (left) (for vivid black, velocity red sunglo tanks)	XL1200C
	14100708BABY	MEDALLION (right) (for vivid black, velocity red sunglo tanks)	XL1200C

	14100707BABZ	MEDALLION (left) (for two-tone superior blue/billet silver tanks)	XL1200C
	14100708BABZ	MEDALLION (right) (for two-tone superior blue/billet silver tanks)	XL1200C
	14100707BAEC	MEDALLION (left) (for corona yellow pearl tanks)	XL1200C
	14100708BAEC	MEDALLION (right) (for corona yellow pearl tanks)	XL1200C
	14100707BABZ	MEDALLION (left) (for black denim tanks)	XL1200CB
	14100708BABZ	MEDALLION (right) (for black denim tanks)	XL1200CB
2	14100709BACA	MEDALLION (left) (for vivid black, billet silver, two-tone mysterious red sunglo/velocity red sunglo, two-tone black hills gold/black quartz tanks)	XL1200T
	14100710BACA	MEDALLION (right) (for vivid black, billet silver, two-tone mysterious red sunglo/velocity red sunglo, two-tone black hills gold/black quartz tanks)	XL1200T
3	14100762	MEDALLION (left) (for vivid black, billet silver, corona yellow pearl, crushed ice denim tanks)	XL1200X
	14100763	MEDALLION (right) (for vivid black, billet silver, corona yellow pearl, crushed ice denim tanks)	XL1200X

NOTE:Factory applied graphics are only sold with fuel tank assemblies.

OIL TANK AND LINES



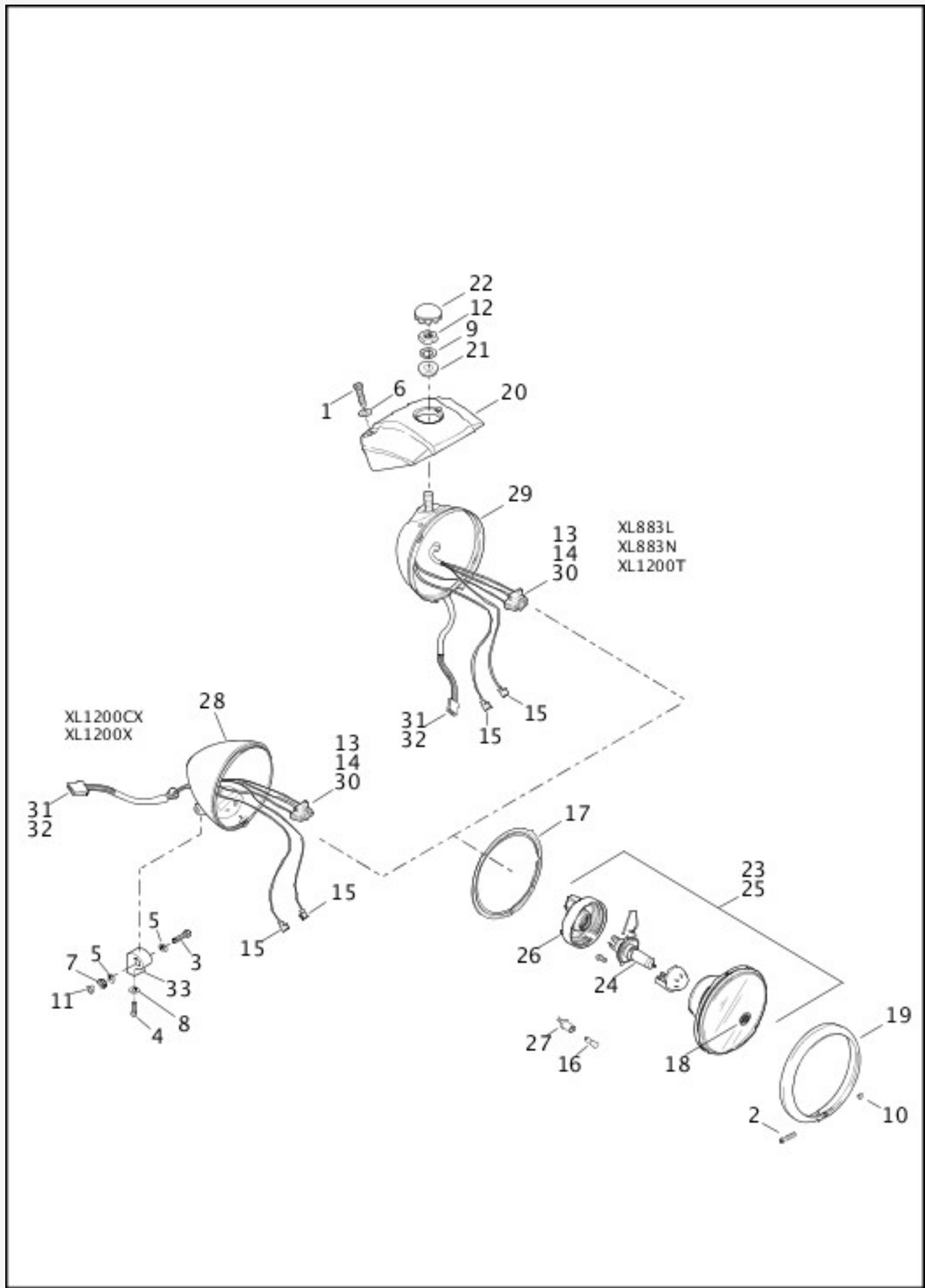
[View interactive image](#)

[View interactive table](#)

INDEX NO.	PART NO.	DESCRIPTION	MODEL(S)
1	3588	SCREW (5)	ALL
2	3696	SCREW	ALL

3	7624	LOCKNUT	ALL
4	9969	HOSE CLAMP	ALL
5	10038A	CLAMP (2)	ALL
6	10080	CLAMP (4)	ALL
7	10117	CLAMP	ALL
8	10142	CLAMP	ALL
9	10289A	CLAMP	ALL
10	11120	O-RING	ALL
11	31512-04	HOSE CLAMP	ALL
12	33123-06A	PLUG, oil tank drain	ALL
13	62338-01Y	LINE, oil feed	ALL
14	62361-10	LINE, oil return	ALL
15	63000-04B	DIPSTICK ASSEMBLY, with 11120	XL1200C, XL1200CB, XL1200CX, XL1200T, XL1200X, XL883L
	62592-07A	DIPSTICK ASSEMBLY, with 11120	XL883N
16	70503-10	HOSE CLIP	ALL
17	11100061	ADHESIVE LOCK	ALL
18	26500005	LINE, vent tube	ALL
19	62500017	OIL TANK ASSEMBLY, with 11100061	ALL
20	62700038	LINE, oil drain	ALL
21	69200401	BRACKET	ALL

HEADLAMP - XL883L, XL883N, XL1200CX, XL1200T, XL1200X



[View interactive image](#)

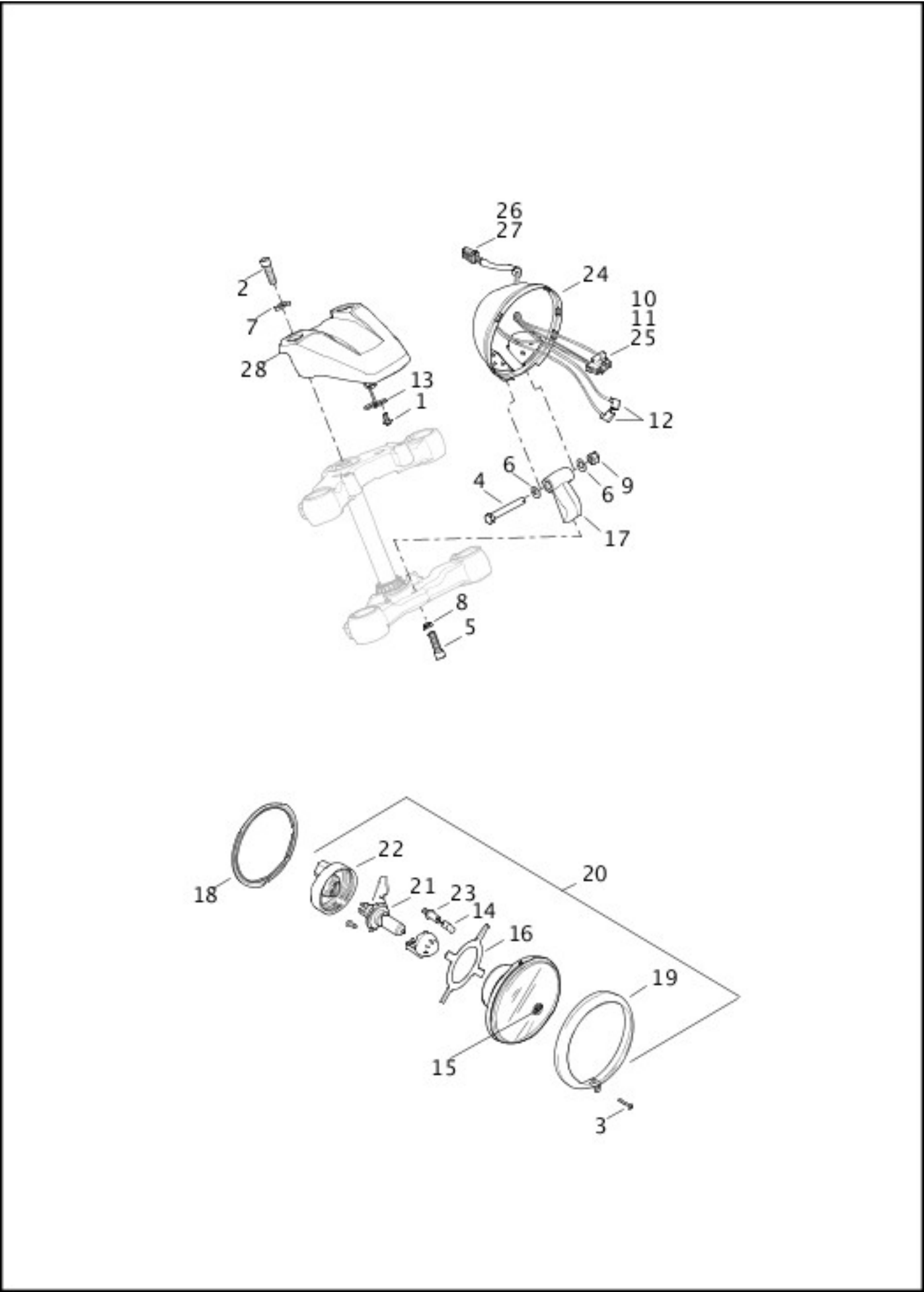
[View interactive table](#)

INDEX NO.	PART NO.	DESCRIPTION	MODEL(S)
1	2708A	SCREW (2)	XL1200T, XL883L, XL883N
2	3514	SCREW	XL1200CX, XL1200T, XL1200X,

			XL883L, XL883N
3	4724	BOLT	XL1200CX, XL1200X
4	4748	SCREW	XL1200CX, XL1200X
5	6701	WASHER (2)	XL1200CX, XL1200X
6	6702	WASHER (2)	XL883L, XL883N
7	7038	LOCKWASHER	XL1200CX, XL1200X
8	7045	LOCKWASHER	XL1200CX, XL1200X
9	7068	LOCKWASHER	XL1200T, XL883L, XL883N
10	7606	LOCKNUT	XL1200CX, XL1200T, XL1200X, XL883L, XL883N
11	7800W	NUT	XL1200CX, XL1200X
12	7880	NUT	XL1200T, XL883L, XL883N
13	9847	CONNECTOR, socket, 14-20 AWG (right)	XL1200CX, XL1200T, XL1200X, XL883L, XL883N
14	9848	CONNECTOR, socket, 14-20 AWG (left)	XL1200CX, XL1200T, XL1200X, XL883L, XL883N
15	9898	TERMINAL FLAG (2)	XL1200CX, XL1200T, XL1200X, XL883L, XL883N
16	53436-97	BULB (HDI, Australia, England, Japan, Asia-Pacific, India)	XL1200CX, XL1200T, XL1200X, XL883L, XL883N
17	67883-04A	ADAPTER RING	XL1200CX, XL1200T, XL1200X, XL883L, XL883N
18	67667-05	MEDALLION	XL1200CX, XL1200T, XL1200X, XL883L, XL883N
19	67790-93A	BEZEL (chrome)	XL1200CX, XL1200T, XL1200X, XL883L
	68443-07A	BEZEL (satin chrome)	XL883N
20	67963-05A	BRACKET (black denim)	XL883N
	67700196	BRACKET (polished)	XL883L
	67700197	BRACKET (chrome)	XL1200T
21	67815-59A	WASHER	XL1200T, XL883L, XL883N
22	67865-89	PLUG (chrome)	XL1200T, XL883L

	69449-05	PLUG (black denim)	XL883N
23	68297-05A	LAMP ASSEMBLY, with 18, 24, 26 (Domestic)	XL1200CX, XL1200T, XL1200X, XL883L, XL883N
24	68329-03	BULB	XL1200CX, XL1200T, XL1200X, XL883L, XL883N
25	68335-05A	LAMP ASSEMBLY, with 16, 18, 24, 26, 27 (left) (Australia, England, Japan, India)	XL1200CX, XL1200T, XL1200X, XL883L, XL883N
	68341-05A	LAMP ASSEMBLY, with 16, 18, 24, 26, 27 (right) (HDI, Asia-Pacific)	XL1200CX, XL1200T, XL1200X, XL883L, XL883N
26	68380-05	BOOT	XL1200CX, XL1200T, XL1200X, XL883L, XL883N
27	68653-05	SOCKET, bulb (2 spade) (HDI, Australia, England, Japan, Asia-Pacific, India)	XL1200CX, XL1200T, XL1200X, XL883L, XL883N
28	73264-10	HEADLAMP SHELL, with 13, 14, 15, 30, 31, 32 (black)	XL1200CX, XL1200X
	67700094	HEADLAMP SHELL, with 13, 14, 15, 30, 31, 32, 7073, 7230 and 7716 (India) (not shown)	XL1200X
29	69774-07A	HEADLAMP SHELL, with 13, 14, 15, 30, 31, 32 (black)	XL1200T, XL883L, XL883N
30	72056-92	HOUSING, three-way socket (black)	XL1200CX, XL1200T, XL1200X, XL883L, XL883N
31	73154-96BK	HOUSING, four-way socket (black)	XL1200CX, XL1200T, XL1200X, XL883L, XL883N
32	73191-96	TERMINAL, socket, 16-20 AWG (4)	XL1200CX, XL1200T, XL1200X, XL883L, XL883N
33	73266-10	MOUNT	XL1200CX, XL1200X

HEADLAMP - XL1200C, XL1200CB



[View interactive image](#)

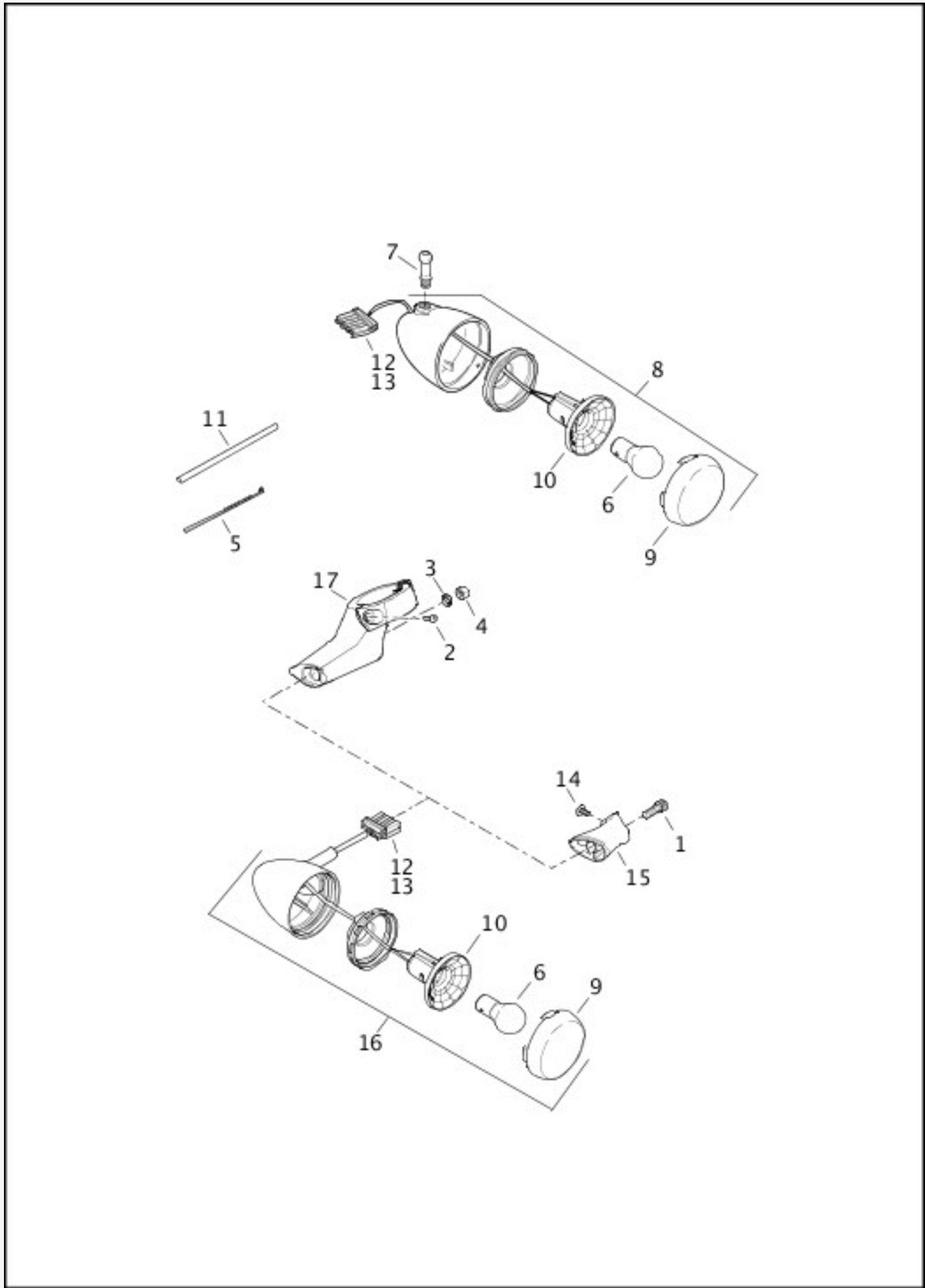
[View interactive table](#)

INDEX NO.	PART NO.	DESCRIPTION	MODEL(S)
1	2445	SCREW	XL1200C, XL1200CB

2	2708A	SCREW (2)	XL1200C, XL1200CB
3	3615	SCREW	XL1200C, XL1200CB
4	4420	SCREW	XL1200C, XL1200CB
5	4748	SCREW	XL1200C, XL1200CB
6	6701	WASHER (2)	XL1200C, XL1200CB
7	6702	WASHER (2)	XL1200C, XL1200CB
8	7045	LOCKWASHER	XL1200C, XL1200CB
9	7778	LOCKNUT	XL1200C, XL1200CB
10	9847	CONNECTOR, socket, 14-20 AWG (right)	XL1200C, XL1200CB
11	9848	CONNECTOR, socket, 14-20 AWG (left)	XL1200C, XL1200CB
12	9898	TERMINAL FLAG (2)	XL1200C, XL1200CB
13	38999-11	GUIDE, clutch cable	XL1200C, XL1200CB
14	53436-97	BULB (HDI, Asia-Pacific, Australia, England, Japan)	XL1200C, XL1200CB
15	67667-05	MEDALLION	XL1200C, XL1200CB
16	67601-94A	GASKET (This gasket is sold separately and is not part of item 20)	XL1200C, XL1200CB
17	67746-11	MOUNT	XL1200C, XL1200CB
18	67603-94A	ADAPTER RING	XL1200C, XL1200CB
19	67894-93A	BEZEL	XL1200C, XL1200CB
20	68297-05A	LAMP ASSEMBLY, with 15, 21, 22	XL1200C, XL1200CB
	68335-05A	LAMP ASSEMBLY, with 14, 15, 21, 22, 23 (left) (Australia, England, Japan)	XL1200C, XL1200CB

	68341-05A	LAMP ASSEMBLY, with 14, 15, 21, 22, 23 (right) (HDI, Asia-Pacific)	XL1200C, XL1200CB
21	68329-03	BULB	XL1200C, XL1200CB
22	68380-05	BOOT	XL1200C, XL1200CB
23	68653-05	SOCKET, bulb (2 spade) (HDI, Asia-Pacific, Australia, England, Japan)	XL1200C, XL1200CB
24	69681-07B	HEADLAMP SHELL, with 10, 11, 12, 25, 26, 27	XL1200C, XL1200CB
25	72056-92	HOUSING, three-way socket (black)	XL1200C, XL1200CB
26	73154-96BK	HOUSING, four-way socket (black)	XL1200C, XL1200CB
27	73191-96	TERMINAL, socket, 16-20 AWG (4)	XL1200C, XL1200CB
28	73246-11	VISOR	XL1200C, XL1200CB

TURN SIGNALS, FRONT



[View interactive image](#)

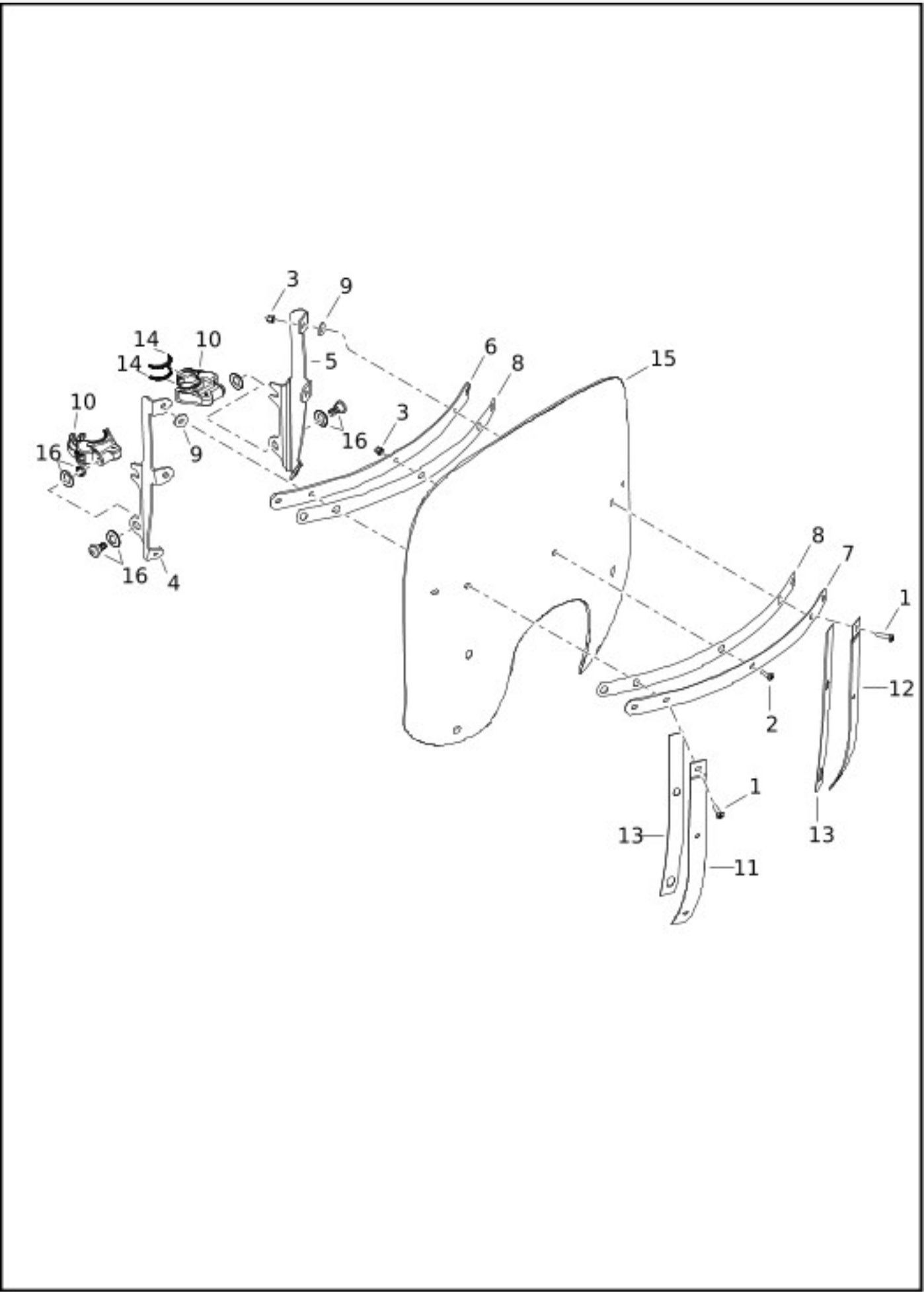
[View interactive table](#)

INDEX NO.	PART NO.	DESCRIPTION	MODEL(S)
1	4016	SCREW (2)	XL1200X
2	3033	SCREW (2)	XL1200T

3	7038	LOCKWASHER (2)	XL1200T
4	7783	NUT (2)	XL1200T
5	10065	CABLE STRAP	XL1200T
6	68168-89A	BULB, dual contact (Domestic) (2)	XL1200C, XL1200CX, XL1200T, XL1200X, XL883L, XL883N
	68163-84	BULB, single contact (HDI) (2)	XL1200C, XL1200CB, XL1200T, XL1200X, XL883L, XL883N
7	68265-04	BALL STUD (2)	XL1200C, XL1200CB, XL1200CX, XL883L, XL883N
8	68730-07	TURN SIGNAL, with 68168-89A, 68755-07 and socket (Domestic) (2)	XL883N
	68972-00	TURN SIGNAL, with 68168-89A, 68973-00, 68904-00 (Domestic) (2)	XL1200C, XL1200CX, XL883L
	68975-00	TURN SIGNAL, with 68163-84, 68973-00 and socket (HDI) (2)	XL1200C, XL1200CB, XL1200CX, XL883L
	69362-08	TURN SIGNAL, with 68163-84, 68755-07 and socket (HDI) (2)	XL883N
9	68755-07	LENS (2)	XL1200X, XL883N
	68973-00	LENS (2)	XL1200C, XL1200CB, XL1200CX, XL1200T, XL883L
10	68497-07	SOCKET, with vibration mount (Domestic) (2)	XL1200X
	68904-00	SOCKET, with vibration mount (Domestic) (2)	XL1200C, XL1200CX, XL1200T, XL883L
11	70558-71	CONDUIT (50 ft length)	XL1200T
12	73156-96BK	HOUSING, six-way socket (black) (2)	ALL
13	73191-96	TERMINAL, socket, 16-20 AWG (Domestic) (4)	XL1200T
	73191-96	TERMINAL, socket, 16-20 AWG (Domestic) (6)	XL1200C, XL1200CX, XL1200X, XL883L, XL883N
	73191-96	TERMINAL, socket, 16-20 AWG (HDI) (4)	XL1200C, XL1200CB, XL1200CX, XL1200T, XL883L, XL883N
	73191-96	TERMINAL, socket, 16-20 AWG (HDI) (6)	XL1200X
14	10200052	SCREW (2)	XL1200X
15	67800504	BRACKET (left)	XL1200X
	67800505	BRACKET (right)	XL1200X
16	67800562	TURN SIGNAL, with 68168-89A, 68755-07 and	XL1200X

		68497-07 (Domestic) (2)	
	67800395	TURN SIGNAL, with 68168-89A, 68973-00, 68904-00 (Domestic) (2)	XL1200T
	67800563	TURN SIGNAL, with 68163-84, 68755-07 and socket (HDI) (2)	XL1200X
	67800396	TURN SIGNAL, with 68163-84, 68973-00 and socket (HDI) (2)	XL1200T
17	67800381	BRACKET (right)	XL1200T
	67800382	BRACKET (left)	XL1200T

WINDSHIELD - 1200T



[View interactive image](#)

[View interactive table](#)

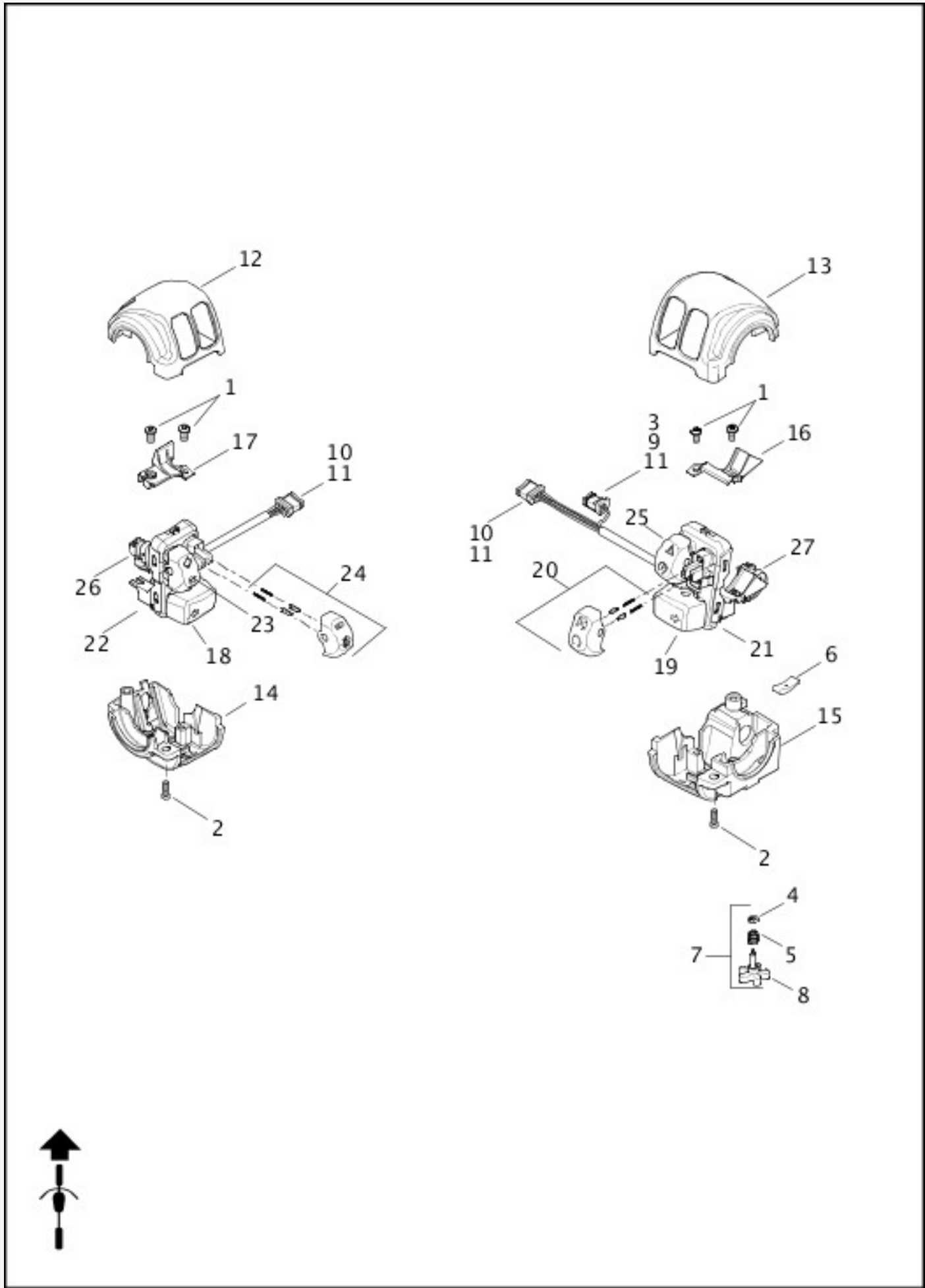
INDEX NO.	PART NO.	DESCRIPTION	MODEL(S)
	57400322	WINDSHIELD ASSEMBLY	XL1200T

NOTE: Includes the following parts.

--	--	--	--

1	2444	SCREW (2)	XL1200T
2	2921	SCREW (7)	XL1200T
3	7651A	ACORN NUT (9)	XL1200T
4	57793-11	BRACKET (right)	XL1200T
5	57796-11	BRACKET (left)	XL1200T
6	58050-78A	BRACE, inner	XL1200T
7	58051-78A	BRACE, outer	XL1200T
8	58052-78	TAPE (2)	XL1200T
9	58152-96	WASHER (6)	XL1200T
10	58174-04A	CLAMP ASSEMBLY, with 58791-04 (4)	XL1200T
11	58406-75A	BRACKET (right)	XL1200T
12	58408-75A	BRACKET (left)	XL1200T
13	58417-77	TAPE (2)	XL1200T
14	58791-04	GASKET (8)	XL1200T
15	57400245	WINDSHIELD, with 58052-78 and 58417-77	XL1200T
16	58790-04	HARDWARE KIT	XL1200T

SWITCHES, HANDLEBAR



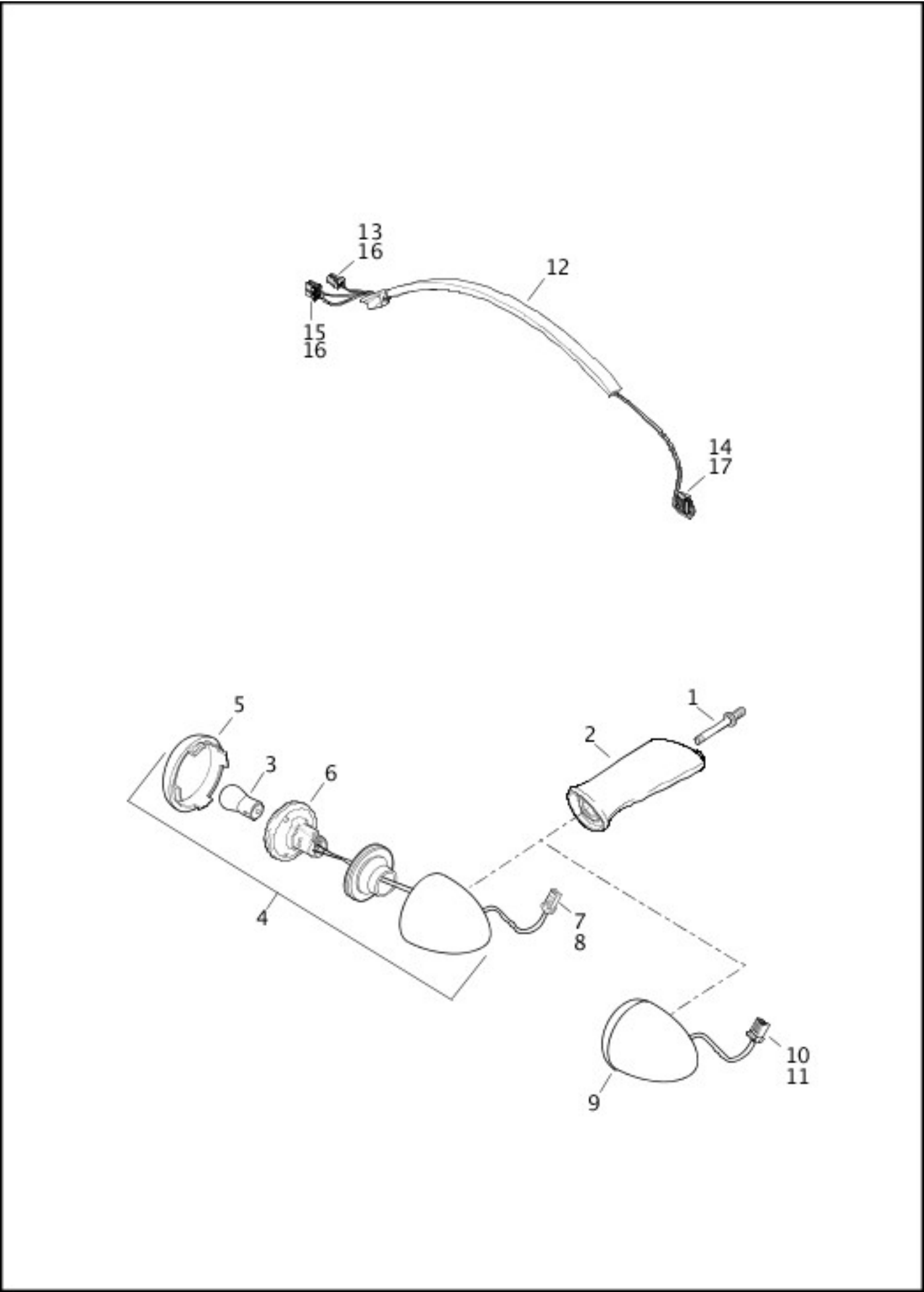
[View interactive image](#)

[View interactive table](#)

INDEX NO.	PART NO.	DESCRIPTION	MODEL(S)
1	2261	SCREW (2)	ALL
2	3658	SCREW (4)	ALL

3	5118	SEAL PIN	ALL
4	11155	RETAINING RING	ALL
5	56394-74	SPRING	ALL
6	56396-74A	FRICTION SPRING	ALL
7	56397-74C	THROTTLE ADJUSTING SCREW KIT, with 11155, 56394-74, and 56402-83A	ALL
8	56402-83A	ADJUSTING SCREW	ALL
9	72906-11	HOUSING, two-way socket (black)	ALL
10	72908-11	HOUSING, four-way socket (black)	ALL
11	72910-11	TERMINAL, socket, 20-22 AWG	ALL
12	72920-11	HOUSING, upper (left)	ALL
13	72921-11	HOUSING, upper (right)	ALL
14	72922-11	HOUSING, lower (left)	ALL
15	72923-11	HOUSING, lower (right)	ALL
16	72940-11	BRACKET	ALL
17	72941-11	BRACKET	ALL
18	71500295	SWITCH, left turn	ALL
19	71500300	SWITCH, right turn	ALL
20	71500299	SWITCH, off/run	ALL
21	71500297	SWITCH MODULE, with 3, 9, 10, 11, 19, 20, 25, 27	ALL
22	71500292	SWITCH MODULE, with 10, 11, 18, 23, 24, 26	ALL
23	71500293	SWITCH, horn/trip	ALL
24	71500294	SWITCH, lights	ALL
25	71500298	SWITCH, start	ALL
26	71500117	SWITCH, clutch	ALL
27	71500118	SWITCH, brake	ALL

TAIL LAMPS AND TURN SIGNALS, REAR - XL883L, XL883N, XL1200C, XL1200CB, XL1200X



[View interactive image](#)

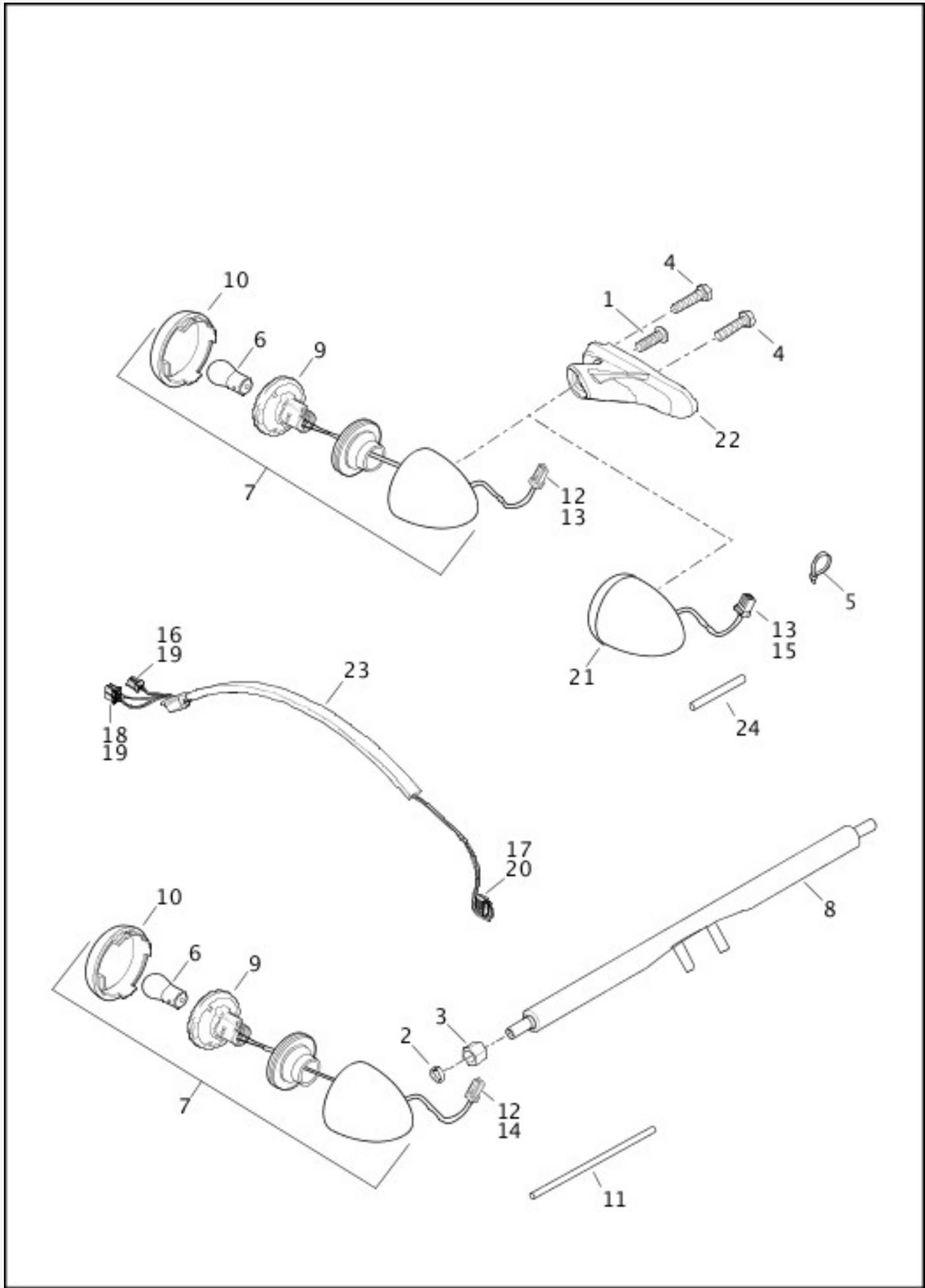
[View interactive table](#)

INDEX NO.	PART NO.	DESCRIPTION	MODEL(S)
1	5531	SCREW (2)	XL1200X, XL883N
	56104-02	SCREW (2)	XL1200C, XL1200CB,

			XL883L
2	68277-07	SUPPORT (2)	XL1200X, XL883N
	68480-02	SUPPORT (2)	XL1200C, XL1200CB, XL883L
3	68163-84	BULB, single contact (Domestic) (2)	XL1200C, XL883L
	68168-89A	BULB, dual contact (Domestic) (2)	XL1200X, XL883N
	68163-84	BULB, single contact (Canada) (2)	XL1200C
	68572-64B	BULB, dual contact (Canada) (2)	XL1200X, XL883N
	68163-84	BULB, single contact (HDI) (2)	XL1200C, XL1200CB
4	68978-00	TURN SIGNAL, with 68163-84, 68973-00 and socket (Domestic) (2)	XL1200C, XL883L
	68449-07	TURN SIGNAL, with 68168-89A, 68559-07, 68497-07 (Domestic) (2)	XL1200X, XL883N
	68978-00	TURN SIGNAL, with 68163-84, 68973-00 and socket (Canada) (2)	XL1200C, XL883L
	73318-09	TURN SIGNAL, with 68572-64B, 68755-07 and socket (Canada) (2)	XL1200X, XL883N
	68978-00	TURN SIGNAL, with 68163-84, 68973-00 and socket (HDI) (2)	XL1200C, XL1200CB, XL883L
5	68559-07	LENS (Domestic) (2)	XL1200X, XL883N
	68973-00	LENS (Domestic) (2)	XL1200C, XL883L
	68755-07	LENS (Canada) (2)	XL1200X, XL883N
	68973-00	LENS (Canada) (2)	XL1200C
	68973-00	LENS (HDI) (2)	XL1200C, XL1200CB, XL883L
6	68497-07	SOCKET ASSEMBLY (Domestic) (2)	XL1200X, XL883N
7	72914-01BK	HOUSING, four-way socket (black) (Domestic) (2)	XL1200X, XL883N
	73152-96BK	HOUSING, two-way socket (black) (Domestic) (2)	XL1200C, XL883L
	73152-96BK	HOUSING, two-way socket (black) (Canada) (2)	XL1200C, XL1200X, XL883N
	72914-01BK	HOUSING, four-way socket (black) (HDI) (2)	XL1200X, XL883N
	73152-96BK	HOUSING, two-way socket (black) (HDI) (2)	XL1200C, XL1200CB

8	72991-01	TERMINAL, socket, 18-22 AWG (Domestic) (6)	XL1200X, XL883N
	73191-96	TERMINAL, socket, 16-20 AWG (Domestic) (4)	XL1200C, XL883L
	73191-96	TERMINAL, socket, 16-20 AWG (Canada) (4)	XL1200C, XL1200X, XL883N
	72991-01	TERMINAL, socket, 18-22 AWG (HDI) (4)	XL1200X, XL883N
	73191-96	TERMINAL, socket, 16-20 AWG (HDI) (4)	XL1200C, XL1200CB
9	67800214	TURN SIGNAL, with terminals (HDI) (2)	XL1200X, XL883N
10	72991-01	TERMINAL, socket, 18-22 AWG (HDI) (8)	XL1200X, XL883N
11	72914-01BK	HOUSING, four-way socket (black) (HDI)	XL1200X, XL883N
12	69200459	HARNESS, rear lighting, with 12, 13, 14, 15, 16	XL1200X, XL883L, XL883N
13	73153-96BK	HOUSING, three-way socket (black)	XL1200X, XL883L, XL883N
14	73156-96BK	HOUSING, six-way socket (black)	XL1200X, XL883L, XL883N
15	72914-01BK	HOUSING, four-way socket (black) (2)	XL1200X, XL883L, XL883N
16	72991-01	TERMINAL, socket, 18-22 AWG (4)	XL1200X, XL883L, XL883N
17	73191-96	TERMINAL, socket, 16-20 AWG (4)	XL1200X, XL883L, XL883N

TAIL LAMPS AND TURN SIGNALS, REAR - XL1200CX, XL1200T



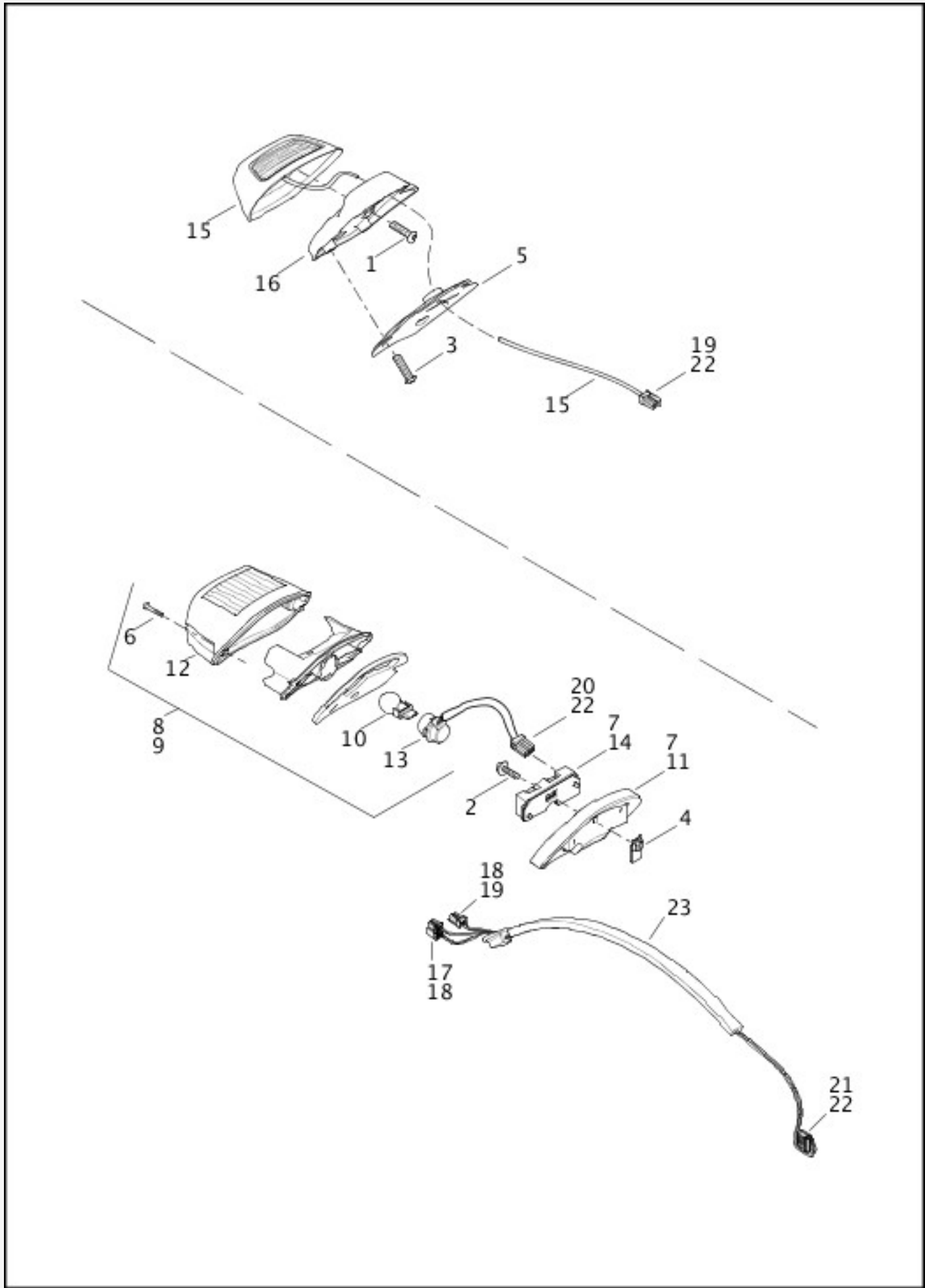
[View interactive image](#)

[View interactive table](#)

INDEX NO.	PART NO.	DESCRIPTION	MODEL(S)
1	4016	SCREW (2)	XL1200CX
2	7042	LOCKWASHER (2)	XL1200T

3	7985	NUT (2)	XL1200T
4	8336	SCREW (Except India) (4)	XL1200CX
	10200549	SCREW (India) (4)	XL1200CX
5	10065	CABLE STRAP	XL1200CX
6	68163-84	BULB, single contact (2)	XL1200T
	68168-89A	BULB, dual contact (2)	XL1200CX
7	68420-01	TURN SIGNAL, with 68163-84, 68973-00 and socket (2)	XL1200T
	68449-07	TURN SIGNAL, with 68168-89A, 68559-07, 68497-07 (Domestic, Canada) (2)	XL1200CX
8	68430-89A	DIRECTIONAL BAR ASSEMBLY	XL1200T
9	68497-07	SOCKET ASSEMBLY (2)	XL1200CX
10	68559-07	LENS (2)	XL1200CX
	68973-00	LENS (2)	XL1200T
11	70552-69	CONDUIT (10 ft length)	XL1200T
12	72914-01BK	HOUSING, four-way socket (black) (2)	XL1200CX
	73152-96BK	HOUSING, two-way socket (black) (2)	XL1200T
13	72914-01BK	HOUSING, four-way socket (black) (HDI)	XL1200CX
14	72991-01	TERMINAL, socket, 18-22 AWG (6)	XL1200CX
	73191-96	TERMINAL, socket, 16-20 AWG (4)	XL1200T
15	72991-01	TERMINAL, socket, 18-22 AWG (HDI) (8)	XL1200CX
16	73153-96BK	HOUSING, three-way socket (black)	XL1200T
17	73156-96BK	HOUSING, six-way socket (black)	XL1200T
18	72914-01BK	HOUSING, four-way socket (black) (2)	XL1200T
19	72991-01	TERMINAL, socket, 18-22 AWG (4)	XL1200T
20	73191-96	TERMINAL, socket, 16-20 AWG (4)	XL1200T
21	67800214	TURN SIGNAL, with terminals (HDI) (2)	XL1200CX
22	67800646	SUPPORT (2)	XL1200CX
23	69200459	HARNESS, rear lighting, with 16, 17, 18, 19, 23	XL1200T
24	69201650	CONDUIT	XL1200CX

TAIL LAMPS



[View interactive image](#)

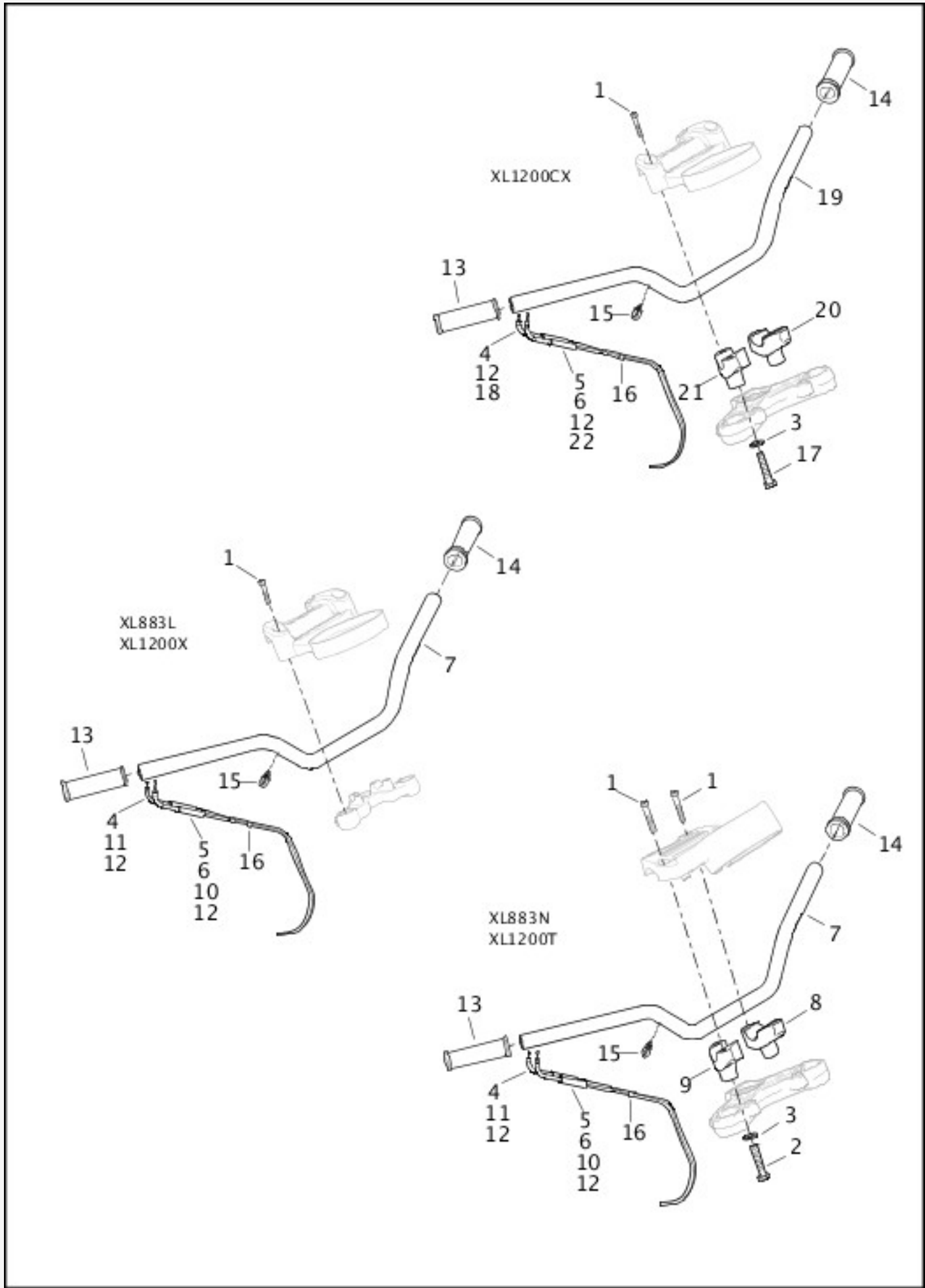
[View interactive table](#)

INDEX NO.	PART NO.	DESCRIPTION	MODEL(S)
1	2508	SCREW (2)	XL1200C, XL1200CB
2	3022A	SCREW	XL1200T, XL1200X, XL883L,

			XL883N
3	4365	SCREW (3)	XL1200C, XL1200CB
4	7964	CLIP NUT	XL1200T, XL1200X, XL883L, XL883N
5	11954	GASKET	XL1200C, XL1200CB
6	68026-99	SCREW (2)	XL1200T, XL1200X, XL883L, XL883N
7	68066-99A	BASE ASSEMBLY, chromed, with 68296-99A and 68830-99A	XL1200T, XL1200X, XL883L, XL883N
8	68140-04	LIGHT ASSEMBLY, with 68369-03 and 68370-03A	XL1200T, XL1200X, XL883L, XL883N
9	68141-04	LIGHT ASSEMBLY, with 68372-03 and 69187-03A (HDI)	XL1200T, XL883L
10	68167-04	BULB	XL1200T, XL1200X, XL883L, XL883N
11	68296-99A	BASE TAIL LAMP, chrome	XL1200T, XL1200X, XL883L, XL883N
12	68369-03	LENS, with 68026-99	XL1200T, XL1200X, XL883L, XL883N
	68372-03	LENS, with 68026-99 (HDI)	XL1200T, XL883L
13	68370-03A	BULB SOCKET ASSEMBLY, with 68167-04, 73154-96BK, 73191-96	XL1200T, XL1200X, XL883L, XL883N
	69187-03A	BULB SOCKET ASSEMBLY, with 68167-04, 73154-96BK, 73191-96 (HDI)	XL1200T, XL883L
14	68830-99A	CIRCUIT BOARD AND COVER ASSEMBLY	XL1200T, XL1200X, XL883L, XL883N
15	69352-11A	TAIL LAMP	XL1200C, XL1200CB
16	69361-11	TAIL LAMP BASE	XL1200C, XL1200CB
17	72914-01BK	HOUSING, four-way socket (black) (2)	XL1200T, XL1200X, XL883L, XL883N
18	72991-01	TERMINAL, socket, 18-22 AWG (4)	XL1200T, XL1200X, XL883L, XL883N
19	73153-96BK	HOUSING, three-way socket (black)	ALL
20	73154-96BK	HOUSING, four-way socket (black)	XL1200T, XL1200X, XL883L, XL883N
21	73156-96BK	HOUSING, six-way socket (black)	XL1200T, XL1200X, XL883L, XL883N

22	73191-96	TERMINAL, socket, 16-20 AWG (8)	XL1200T, XL1200X, XL883L, XL883N
22	73191-96	TERMINAL, socket, 16-20 AWG (3)	XL1200C, XL1200CB
23	69200459	HARNESS, rear lighting, with 17, 18, 19, 21, 22	XL1200T, XL1200X, XL883L, XL883N

HANDLEBAR AND THROTTLE CONTROL - XL883L, XL883N, XL1200CX, XL1200T, XL1200X



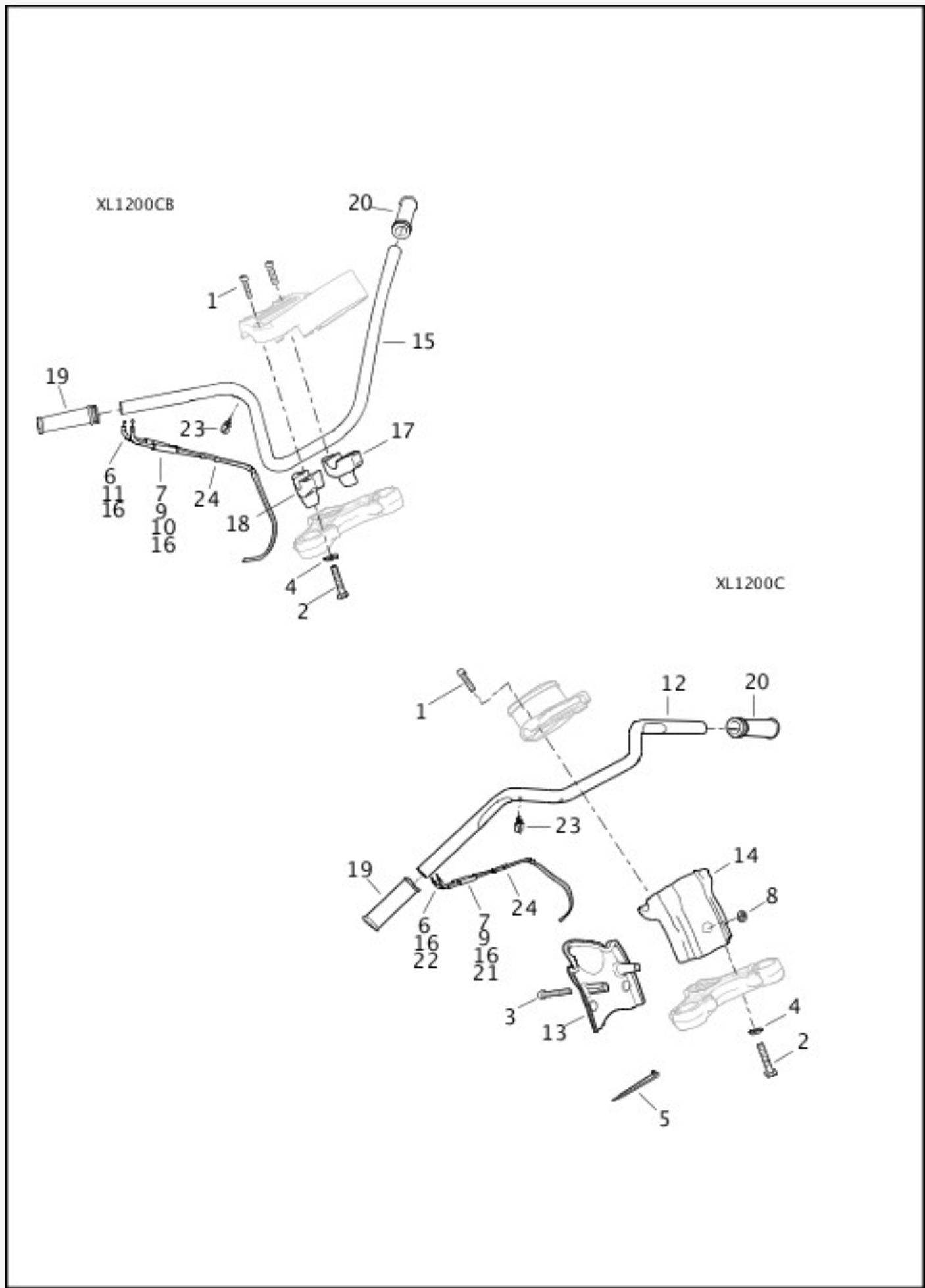
[View interactive image](#)

[View interactive table](#)

INDEX NO.	PART NO.	DESCRIPTION	MODEL(S)
1	3210A	SCREW (4)	XL1200CX, XL1200T, XL1200X, XL883L, XL883N

2	3605	BOLT (2)	XL883N
3	6590HW	WASHER (2)	XL1200CX, XL883N
4	11271	RING RETAINER, idle	XL1200CX, XL1200T, XL1200X, XL883L, XL883N
5	11272	RING RETAINER, throttle	XL1200CX, XL1200T, XL1200X, XL883L, XL883N
6	38653-01	BOOT, throttle	XL1200CX, XL1200T, XL1200X, XL883L, XL883N
7	55800345	HANDLEBAR	XL1200X, XL883N
	57209-11	HANDLEBAR	XL1200T, XL883L
8	56116-82A	CLAMP, lower (left)	XL883N
9	56117-82A	CLAMP, lower (right)	XL883N
10	56884-07	THROTTLE CONTROL ASSEMBLY, with 11272 and 38653-01	XL1200T, XL1200X, XL883L, XL883N
11	56885-07	IDLE CONTROL ASSEMBLY, with 11271	XL1200T, XL1200X, XL883L, XL883N
12	56508-76	FERRULE (2)	XL1200CX, XL1200T, XL1200X, XL883L, XL883N
13	56666-04	GRIP AND SLEEVE, throttle	XL1200CX, XL1200T, XL1200X, XL883L, XL883N
14	56667-04	HANDLEBAR GRIP	XL1200CX, XL1200T, XL1200X, XL883L, XL883N
15	70345-84	RETAINER (2)	XL1200CX, XL1200X
	70345-84	RETAINER (4)	XL1200T, XL883L, XL883N
16	70504-81	CLIP	XL1200CX, XL1200T, XL1200X, XL883L, XL883N
17	10200474	SCREW (4)	XL1200CX
18	27000027	IDLE CONTROL ASSEMBLY, with 11271	XL1200CX
19	55800547	HANDLEBAR	XL1200CX
20	55900087	CLAMP, lower (left)	XL1200CX
21	55900088	CLAMP, lower (right)	XL1200CX
22	56100198	THROTTLE CONTROL ASSEMBLY, with 11272 and 38653-01	XL1200CX

HANDLEBAR AND THROTTLE CONTROL - XL1200C, XL1200CB



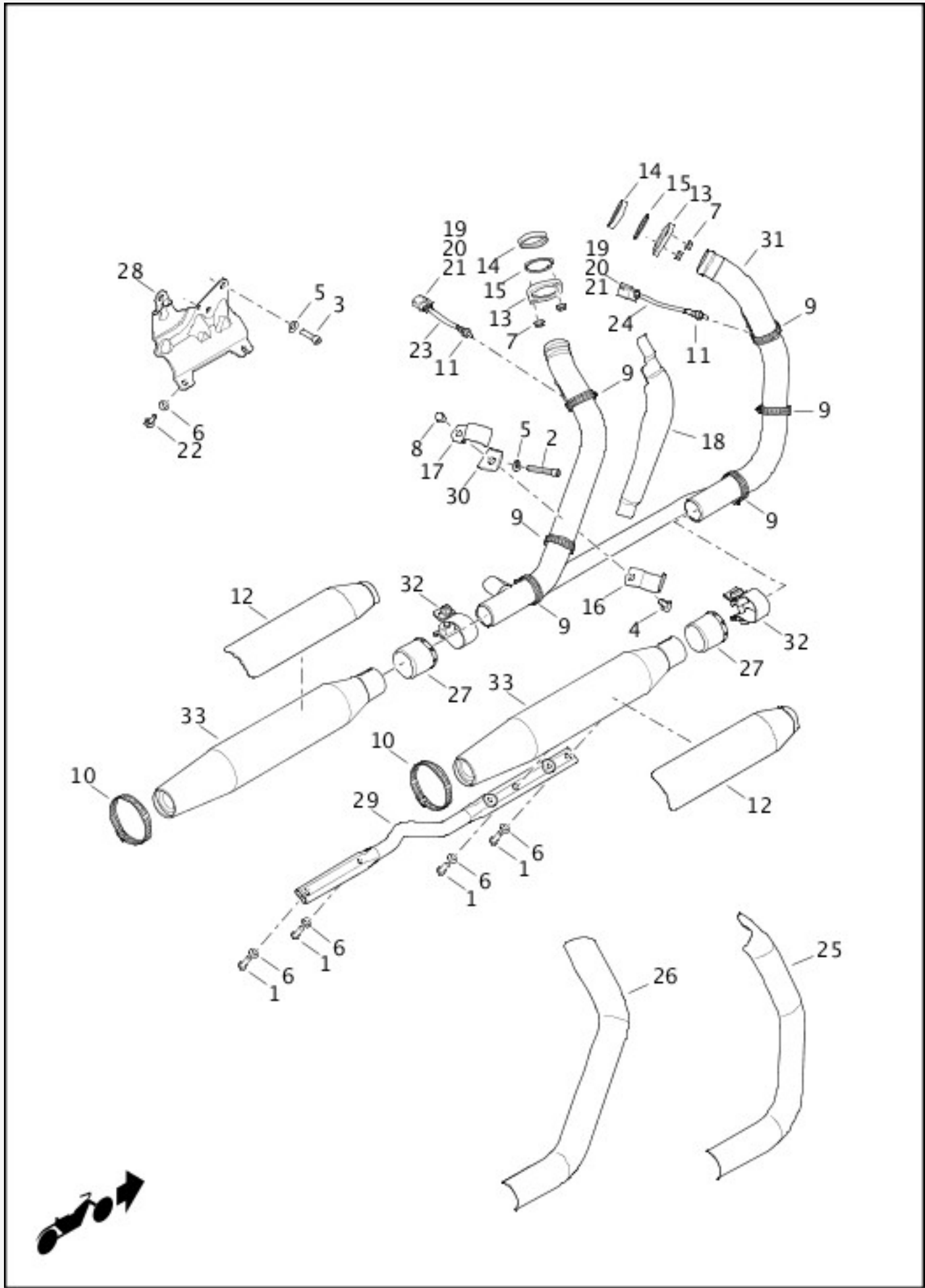
[View interactive image](#)

[View interactive table](#)

INDEX NO.	PART NO.	DESCRIPTION	MODEL(S)
1	3210A	SCREW (4)	XL1200C, XL1200CB
2	3605	BOLT (2)	XL1200C, XL1200CB

3	3666A	SCREW (2)	XL1200C
4	6590HW	WASHER (2)	XL1200C, XL1200CB
5	10006	CABLE STRAP	XL1200C
6	11271	RING RETAINER, idle	XL1200C
7	11272	RING RETAINER, throttle	XL1200C
8	14448-94	LOGO BAR AND SHIELD	XL1200C
9	38653-01	BOOT, throttle	XL1200C
10	55785-11	THROTTLE CONTROL ASSEMBLY, with 11272 and 38653-01	XL1200CB
11	55786-11	IDLE CONTROL ASSEMBLY, with 11271	XL1200CB
12	55840-04A	HANDLEBAR	XL1200C
13	55842-04	COVER, riser	XL1200C
14	56017-04	RISER ASSEMBLY, with 14448-94	XL1200C
15	56079-93	HANDLEBAR	XL1200CB
16	56508-76	FERRULE (2)	XL1200C, XL1200CB
17	56541-86A	CLAMP, lower (left)	XL1200CB
18	56542-86A	CLAMP, lower (right)	XL1200CB
19	56666-04	GRIP AND SLEEVE, throttle	XL1200C, XL1200CB
20	56667-04	HANDLEBAR GRIP	XL1200C, XL1200CB
21	56884-07	THROTTLE CONTROL ASSEMBLY, with 11272 and 38653-01	XL1200C
22	56885-07	IDLE CONTROL ASSEMBLY, with 11271	XL1200C
23	70345-84	RETAINER (4)	XL1200C, XL1200CB
24	70504-81	CLIP (2)	XL1200C, XL1200CB

EXHAUST SYSTEM (1 OF 2)



[View interactive image](#)

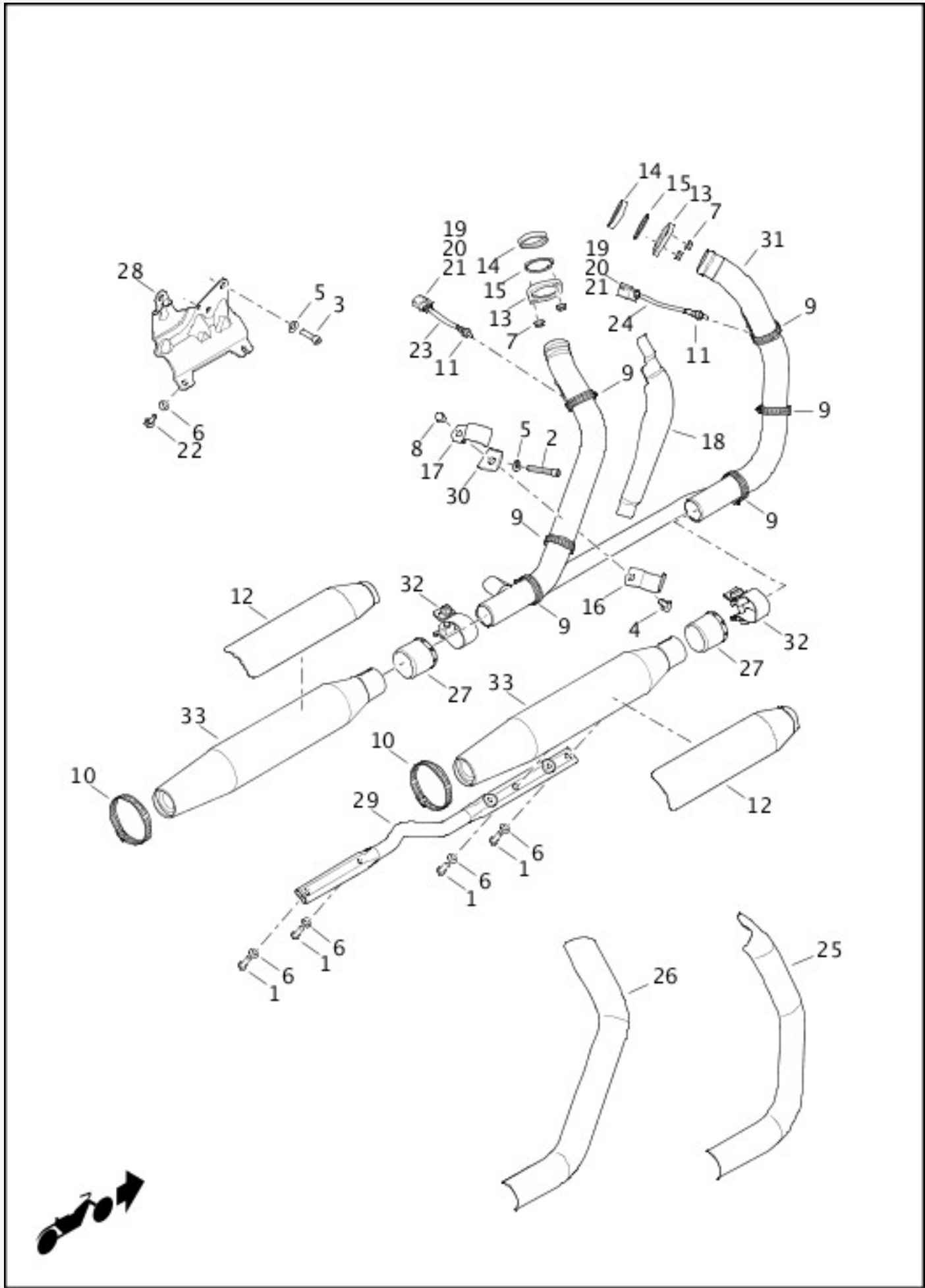
[View interactive table](#)

INDEX NO.	PART NO.	DESCRIPTION	MODEL(S)
1	4017	BOLT (4)	ALL
2	4032A	SCREW	ALL

3	4748	SCREW (3)	ALL
4	5414	BOLT	ALL
5	6701	WASHER (4)	ALL
6	6702	WASHER (6)	ALL
7	7593	NUT (4)	ALL
8	7862	ACORN NUT	ALL
9	9955	CLAMP, shield (6)	ALL
10	10074	CLAMP, muffler shield (4)	XL1200C, XL1200CB, XL1200CX, XL1200T, XL1200X, XL883L
	10800010	CLAMP, muffler shield (black) (4)	XL1200X, XL883N
11	11936	GASKET	ALL
12	64889-04A	SHIELD, muffler (chrome) (Domestic, Asia-Pacific, India) (2)	XL1200C, XL883L
	65400199	SHIELD, muffler (chrome) (England, HDI, Japan) (2)	XL1200C, XL883L
	64889-04A	SHIELD, muffler (chrome) (Domestic, Asia-Pacific) (2)	XL1200T
	65400199	SHIELD, muffler (chrome) (England, HDI, Japan) (2)	XL1200T
	64889-04A	SHIELD, muffler (chrome) (Brazil) (2)	XL1200CB
	65400199	SHIELD, muffler (chrome) (England, HDI) (2)	XL1200CB
	65400201	SHIELD, muffler (chrome, slotted) (2)	XL1200X
	65400206	SHIELD, muffler (black) (except Australia) (2)	XL883N
	65400227	SHIELD, muffler (black) (2)	XL1200CX
13	65328-83A	FLANGE, exhaust pipe (2)	ALL
14	65324-83B	GASKET, exhaust port (2)	ALL
15	65325-83A	RETAINING RING, exhaust gasket (2)	ALL
16	65440-06	CLAMP	ALL
17	65441-06	CLAMP	ALL
18	66851-07	SHIELD, upper rear exhaust pipe	XL1200CB, XL1200CX, XL1200T, XL883L,

			XL883N
19	72177-07BK	HOUSING, four-way socket (black)	ALL
20	72344-10	TERMINAL, socket, 22 AWG (2)	ALL
21	73307-10	TERMINAL, socket, 22 AWG (2)	ALL
22	10200242	SCREW (2)	ALL
23	32700006	SENSOR, oxygen, with 11, 19, 20, 21	ALL
24	32700026	SENSOR, oxygen, with 11, 19, 20, 21	ALL
25	65400054	SHIELD, front exhaust pipe (chrome)	XL1200C, XL1200CB, XL1200CX, XL1200T, XL1200X, XL883L
	65400204	SHIELD, front exhaust pipe (black)	XL883N
26	65400055	SHIELD, rear exhaust pipe (chrome)	XL1200C, XL1200CB, XL1200CX, XL1200T, XL1200X, XL883L
	65400205	SHIELD, rear exhaust pipe (black)	XL883N
27	65900017	GASKET (HDI, England, Japan) (2)	XL883N

EXHAUST SYSTEM (2 OF 2)



[View interactive image](#)

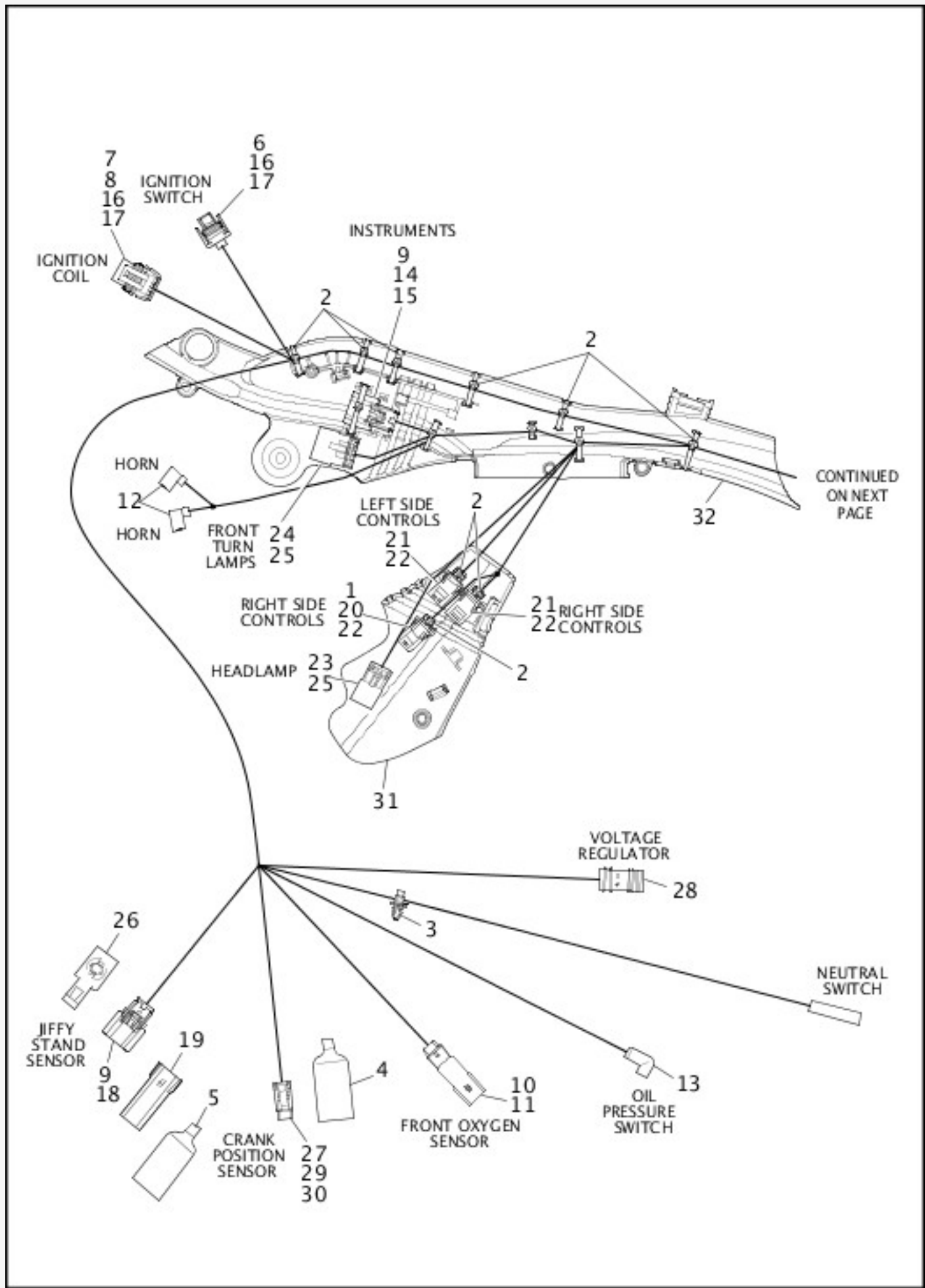
[View interactive table](#)

INDEX NO.	PART NO.	DESCRIPTION	MODEL(S)
28	65500022	BRACKET	ALL
29	65500023	BRACKET	ALL

30	65500025	BRACKET	ALL
31	65600094	HEADER PIPE (Domestic, Australia, India, Brazil)	ALL
	65600182	HEADER PIPE (HDI, England, Japan, Asia-Pacific)	ALL
32	65900012	CLAMP (2)	ALL
33	64900212	MUFFLER (Domestic) (2)	XL1200C
	64900213	MUFFLER (Domestic) (2)	XL1200T, XL883L
	64900370	MUFFLER (Domestic) (2)	XL883N
	64900377	MUFFLER (Domestic) (2)	XL1200X
	64900409	MUFFLER, rear (Domestic)	XL1200CX
	64900410	MUFFLER, front (Domestic)	XL1200CX
	64900421	MUFFLER (HDI, England) (2)	XL883L
	64900272	MUFFLER (HDI, England) (2)	XL1200C, XL1200CB, XL1200T
	64900291	MUFFLER (HDI, England) (2)	XL1200X
	64900422	MUFFLER, front (HDI, England)	XL883N
	64900390	MUFFLER, front (HDI, England)	XL1200CX
	64900423	MUFFLER, rear (HDI, England)	XL883N
	64900389	MUFFLER, rear (HDI, England)	XL1200CX
	64900421	MUFFLER (Japan) (2)	XL883L
	64900272	MUFFLER (Japan) (2)	XL1200C, XL1200T
	64900291	MUFFLER (Japan) (2)	XL1200X
	64900422	MUFFLER (Japan) (2)	XL883N
	64900390	MUFFLER, front (Japan)	XL1200CX
	64900389	MUFFLER, rear (Japan)	XL1200CX
	64900162	MUFFLER (Australia) (2)	XL1200C, XL1200T, XL883L
	64900372	MUFFLER (Australia) (2)	XL1200X
	64900372	MUFFLER, front (Australia)	XL883N
	64900391	MUFFLER, front (Australia)	XL1200CX
	64900376	MUFFLER, rear (Australia)	XL883N
	64900411	MUFFLER, rear (Australia)	XL1200CX
	64900163	MUFFLER (Asia-Pacific) (2)	XL1200C, XL1200T, XL883L

	64900373	MUFFLER (Asia-Pacific) (2)	XL1200X
	64900163	MUFFLER, front (Asia-Pacific)	XL1200CX
	64900373	MUFFLER, front (Asia-Pacific)	XL883N
	64900165	MUFFLER, rear (Asia-Pacific)	XL1200CX
	64900375	MUFFLER, rear (Asia-Pacific)	XL883N
	64900161	MUFFLER (India) (2)	XL1200C, XL1200T, XL883L
	64900371	MUFFLER (India) (2)	XL1200X
	64900371	MUFFLER, front (India)	XL883N
	64900374	MUFFLER, rear (India)	XL883N
	64900163	MUFFLER (Brazil) (2)	XL1200CB, XL1200CX
	64900373	MUFFLER (Brazil) (2)	XL1200X
	64900373	MUFFLER, front (Brazil)	XL883N
	64900375	MUFFLER, rear (Brazil)	XL883N

WIRING HARNESS, MAIN, NON-ABS (1 OF 4)



[View interactive image](#)

[View interactive table](#)

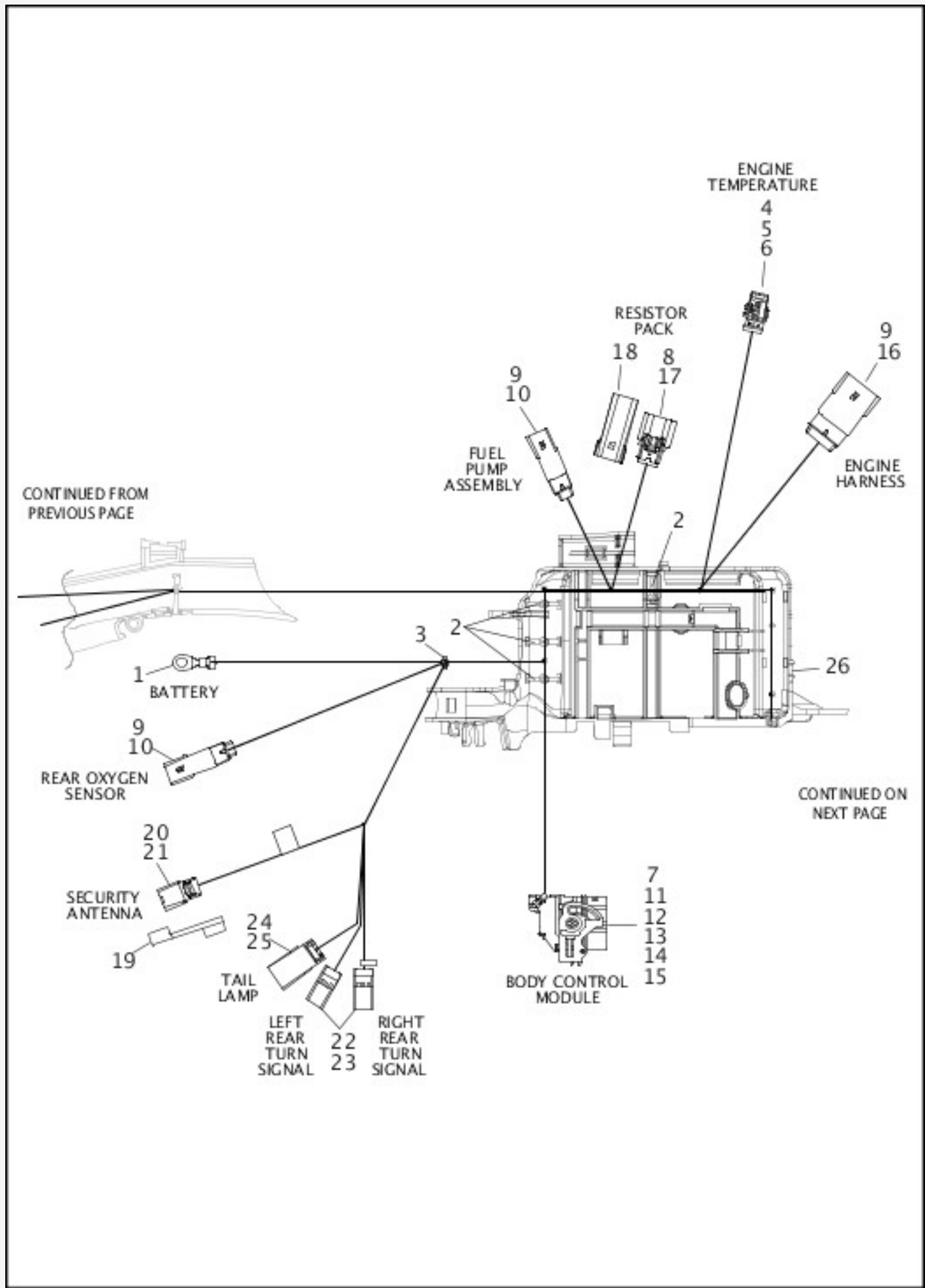
INDEX NO.	PART NO.	DESCRIPTION	MODEL(S)
	69200072B	MAIN WIRING HARNESS - NON-ABS	ALL

NOTE: Includes the following parts.

1	5118	SEAL PIN	ALL
2	10006	CABLE STRAP (13)	ALL
3	10177	CABLE STRAP	ALL
4	70598-99	BOOT, temperature sensor	ALL
5	70664-08	BOOT, jiffy stand sensor	ALL
6	72062-06	HOUSING, two-way socket (gray)	ALL
7	72066-06A	HOUSING, four-way socket (black)	ALL
8	72135-06	SECONDARY LOCK, four-way socket (gray)	ALL
9	72168-07	TERMINAL, socket, 18-20 AWG (8)	ALL
10	72169-07	TERMINAL, pin, 16-20 AWG (4)	ALL
11	72175-07BK	HOUSING, four-way pin (black) (3)	ALL
12	72283-09	TERMINAL, socket, 14-16 AWG (2)	ALL
13	72405-98BK	PUSH ON WIRE ASSEMBLY, right angle molded, with 60 in wire lead (black)	ALL
14	72414-07BK	HOUSING, six-way socket (black)	ALL
15	72473-07	SEAL PIN	ALL
16	72484-08	TERMINAL, socket, 20 AWG (6)	ALL
17	72486-08	WIRE SEAL, 20 AWG (green) (6)	ALL
18	72512-07BK	HOUSING, three-way socket (black) (2)	ALL
19	72519-09BK	DUST CAP, three-way socket (black)	ALL
20	72905-11	HOUSING, two-way pin (black)	ALL
21	72907-11	HOUSING, four-way pin (black) (2)	ALL
22	72909-11	TERMINAL, pin, 20-22 AWG (9)	ALL
23	73104-96BK	HOUSING, four-way pin (black)	ALL
24	73106-96BK	HOUSING, six-way pin (black)	ALL
25	73190-96	TERMINAL, pin, 16-20 AWG (10)	ALL
26	73213-07	RETAINER, anchored	ALL
27	74112-98BK	HOUSING, two-way socket (black)	ALL
28	74120-08	DC LEAD ASSEMBLY	ALL
29	74152-98	SECONDARY LOCK, two-way socket (orange)	ALL
30	74191-98	TERMINAL, socket, 16-20 AWG (2)	ALL

31	69200402A	WIRE HARNESS CADDY	ALL
32	69200403	WIRE HARNESS CADDY	ALL

WIRING HARNESS, MAIN, NON-ABS (2 OF 4)



[View interactive image](#)

[View interactive table](#)

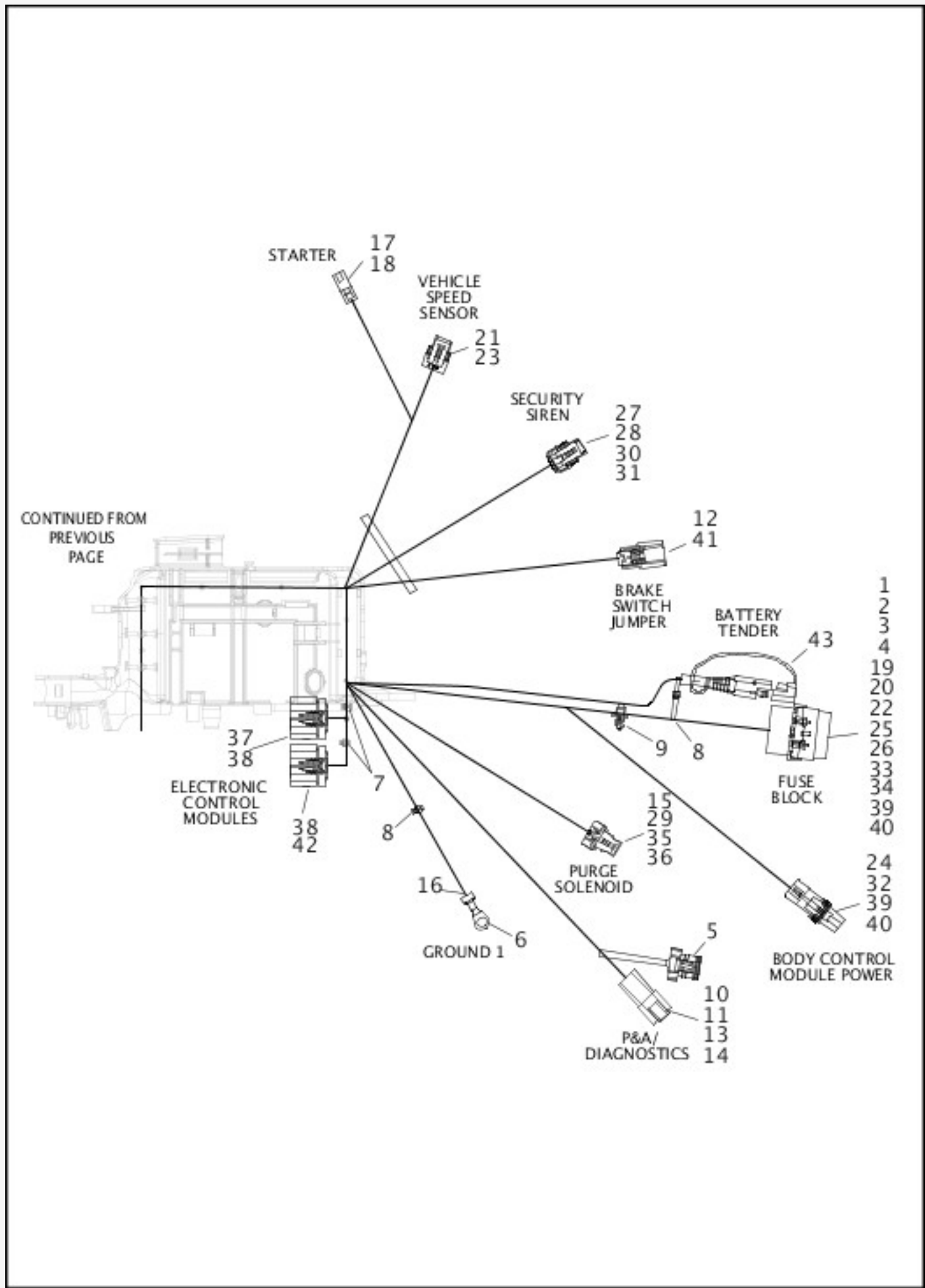
INDEX NO.	PART NO.	DESCRIPTION	MODEL(S)
	69200072B	MAIN WIRING HARNESS - NON-ABS (continued)	ALL

NOTE: Includes the following parts.

--	--	--	--

1	9838	TERMINAL RING, 1/4 in, 10-12 AWG (2)	ALL
2	10006	CABLE STRAP (4)	ALL
3	10065	CABLE STRAP	ALL
4	72007-05	HOUSING, two-way socket (black)	ALL
5	72010-05	WIRE SEAL, 22-26 AWG (green) (2)	ALL
6	72024-08	TERMINAL, socket, 20-22 AWG (2)	ALL
7	72081-11	HOUSING, 48-way socket (black)	ALL
8	72168-07	TERMINAL, socket, 18-20 AWG (3)	ALL
9	72169-07	TERMINAL, pin, 16-20 AWG (18)	ALL
10	72175-07BK	HOUSING, four-way pin (black) (2)	ALL
11	72209-11	COVER, wire	ALL
12	72222-11	TERMINAL, socket, 18-20 AWG (20)	ALL
13	72226-11	TERMINAL, socket, 14-16 AWG	ALL
14	72227-11	TERMINAL, socket, 18-20 AWG (5)	ALL
15	72256-11	SEAL PIN (10)	ALL
16	72488-07BK	HOUSING, 12-way pin (black)	ALL
17	72512-07BK	HOUSING, three-way socket (black)	ALL
18	72545-08	RESISTOR ASSEMBLY, fuel sender	ALL
19	72594-11	DUST CAP, two-way socket (black)	ALL
20	72720-07	HOUSING, two-way socket (black)	ALL
21	72721-07	TERMINAL, socket, 18-20 AWG (2)	ALL
22	72904-01BK	HOUSING, four-way pin (black) (2)	ALL
23	72990-01	TERMINAL, pin, 18-22 AWG (8)	ALL
24	73103-96BK	HOUSING, three-way pin (black)	ALL
25	73190-96	TERMINAL, pin, 16-20 AWG (3)	ALL
26	69201365	WIRE HARNESS CADDY	ALL

WIRING HARNESS, MAIN, NON-ABS (3 OF 4)



[View interactive image](#)

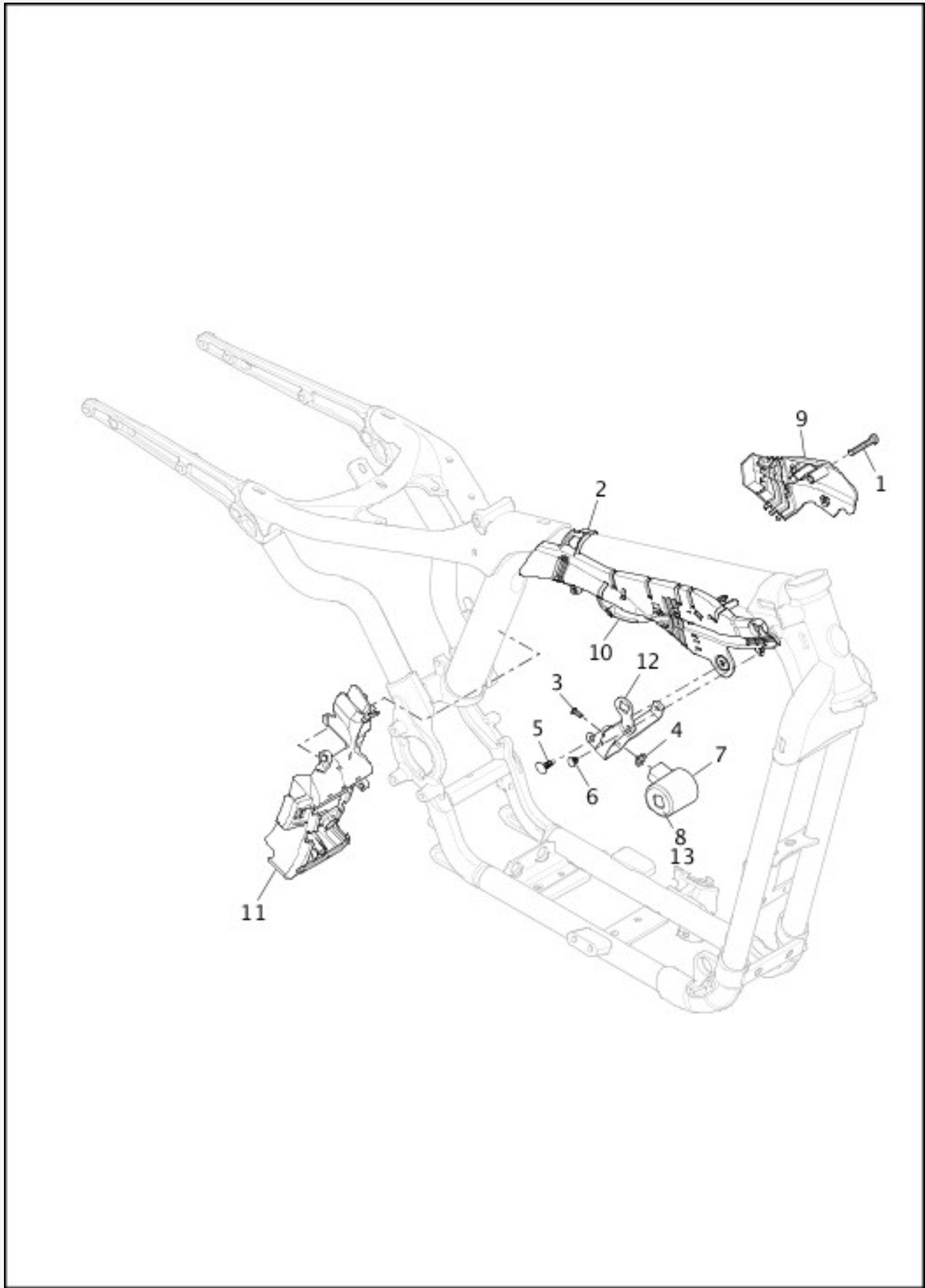
[View interactive table](#)

INDEX NO.	PART NO.	DESCRIPTION	MODEL(S)
1	72314-01	FUSE, main, 40 A	ALL
2	72595-11	SEAL, fuse cover	ALL

3	11100060	ADHESIVE LOCK	ALL
4	69200474	FUSE COVER, with 11100060	ALL
	69200072B	MAIN WIRING HARNESS - NON-ABS (continued)	ALL
NOTE: Includes the following parts.			
5	6990	WEATHER PLUG, six-way pin (black)	ALL
6	9838	TERMINAL RING, 1/4 in, 10-12 AWG	ALL
7	10006	CABLE STRAP (2)	ALL
8	10065	CABLE STRAP (2)	ALL
9	10177	CABLE STRAP	ALL
10	72106-94BK	HOUSING, six-way pin (black) (replaces gray connector)	ALL
11	72146-94	SECONDARY LOCK, six-way pin (green)	ALL
12	72168-07	TERMINAL, socket, 18-20 AWG (2)	ALL
13	72190-94	TERMINAL, pin, 16-18 AWG (3)	ALL
14	72194-94	TERMINAL, pin, 20 AWG (3)	ALL
15	72213-94	TERMINAL, socket, 16-20 AWG (2)	ALL
16	72249-94	SHRINK TUBE	ALL
17	72291-94	TERMINAL, socket, 14-16 AWG	ALL
18	72295-94	CONNECTOR, starter housing	ALL
19	72298-95	WIRE SEAL, 14-18 AWG (green) (4)	ALL
20	72308-97	TERMINAL, socket, 12-14 AWG (2)	ALL
21	72312-04	HOUSING, three-way socket (black)	ALL
22	72330-95	FUSE, 15-amp, mini (blue)	ALL
23	72335-10	TERMINAL, socket, 20-22 AWG (3)	ALL
24	72350-11	HOUSING, one-way socket (black)	ALL
25	72356-95	TERMINAL, socket, 18-20 AWG (2)	ALL
26	72462-00	FUSE, 10-amp, mini (red)	ALL
27	72484-08	TERMINAL, socket, 20 AWG (3)	ALL
28	72486-08	WIRE SEAL, 20 AWG (green) (3)	ALL
29	72518-01	HOUSING, two-way socket (red)	ALL
30	72543-07BK	HOUSING, three-way socket (black) (2)	ALL

31	72544-07	SECONDARY LOCK, three-way socket (black)	ALL
32	72575-11	SECONDARY LOCK, one-way socket (black)	ALL
33	72582-11	FUSEBLOCK, main fuse	ALL
34	72587-11	SECONDARY LOCK, fuseblock, main fuse	ALL
35	72609-08	SECONDARY LOCK, two-way socket	ALL
36	72610-08	WIRE SEAL, 18-20 AWG (white) (2)	ALL
37	72664-12A	HOUSING, 18-way socket (black)	ALL
38	72666-12	TERMINAL, socket, 18-20 AWG (30)	ALL
39	73304-04	TERMINAL, socket, 10 AWG (3)	ALL
40	73305-04	WIRE SEAL, 10 AWG (blue) (3)	ALL
41	69200271	HOUSING, two-way socket (black)	ALL
42	69201131	HOUSING, 18-way socket (gray)	ALL
43	69200212	CONNECTOR, battery tender	ALL

WIRING HARNESS, MAIN, NON-ABS (4 OF 4)



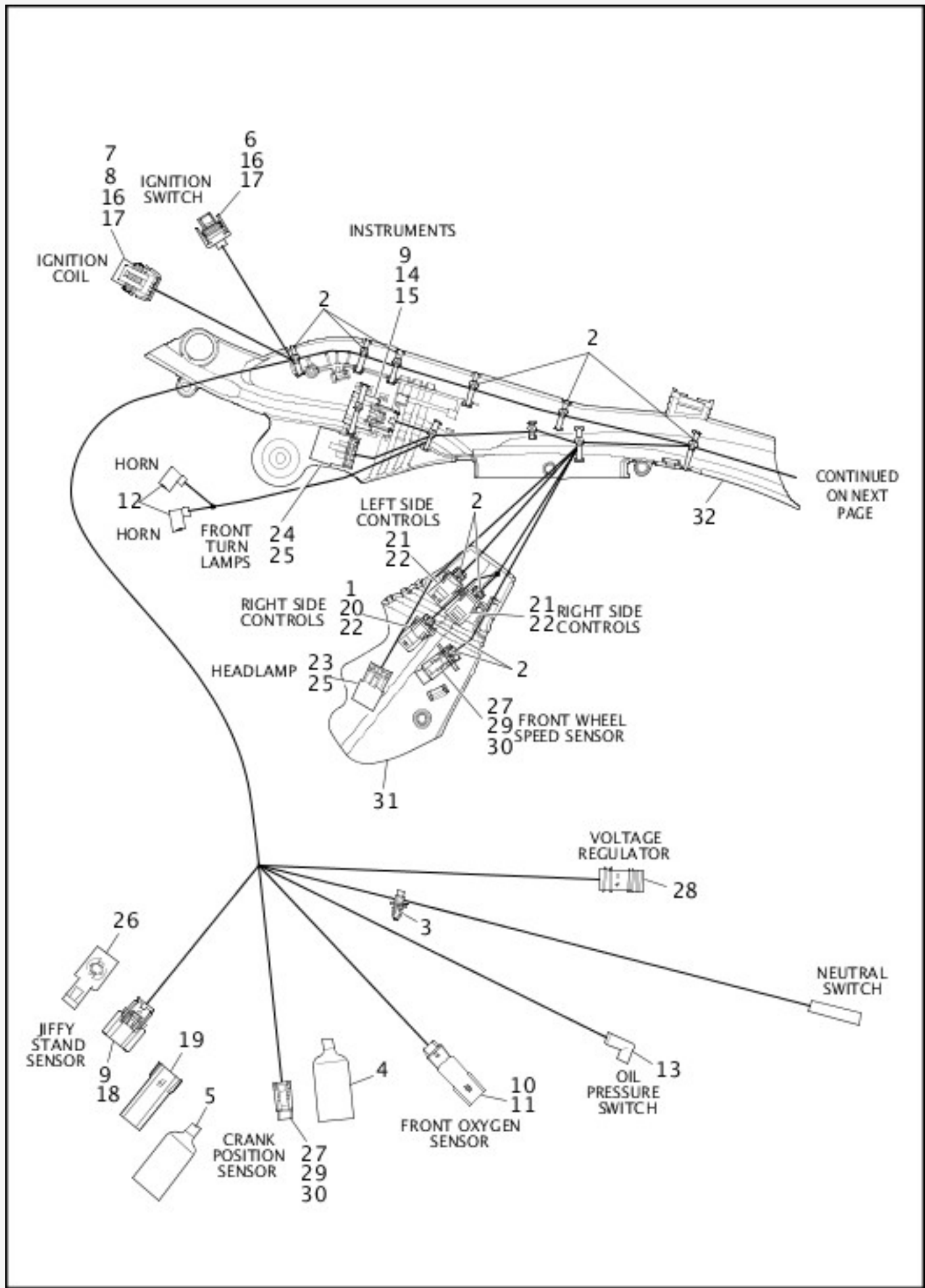
[View interactive image](#)

[View interactive table](#)

INDEX NO.	PART NO.	DESCRIPTION	MODEL(S)
1	3123	SCREW	ALL
2	70640-07	CLIP, caddy	ALL

	69200072B	MAIN WIRING HARNESS - NON-ABS (continued)	ALL
NOTE: Includes the following parts.			
3	3124	SCREW	ALL
4	7220	LOCKWASHER	ALL
5	11778	FASTENER, push in	ALL
6	11785	FASTENER, push in	ALL
7	71510-04	HOUSING, ignition switch	ALL
8	71550-94	LABEL, ignition switch	ALL
9	69200402A	WIRE HARNESS CADDY	ALL
10	69200403	WIRE HARNESS CADDY	ALL
11	69201365	WIRE HARNESS CADDY	ALL
12	69200456	IGNITION SWITCH BRACKET	ALL
13	90300050	FACE NUT	ALL

WIRING HARNESS, MAIN, ABS (1 OF 4)



[View interactive image](#)

[View interactive table](#)

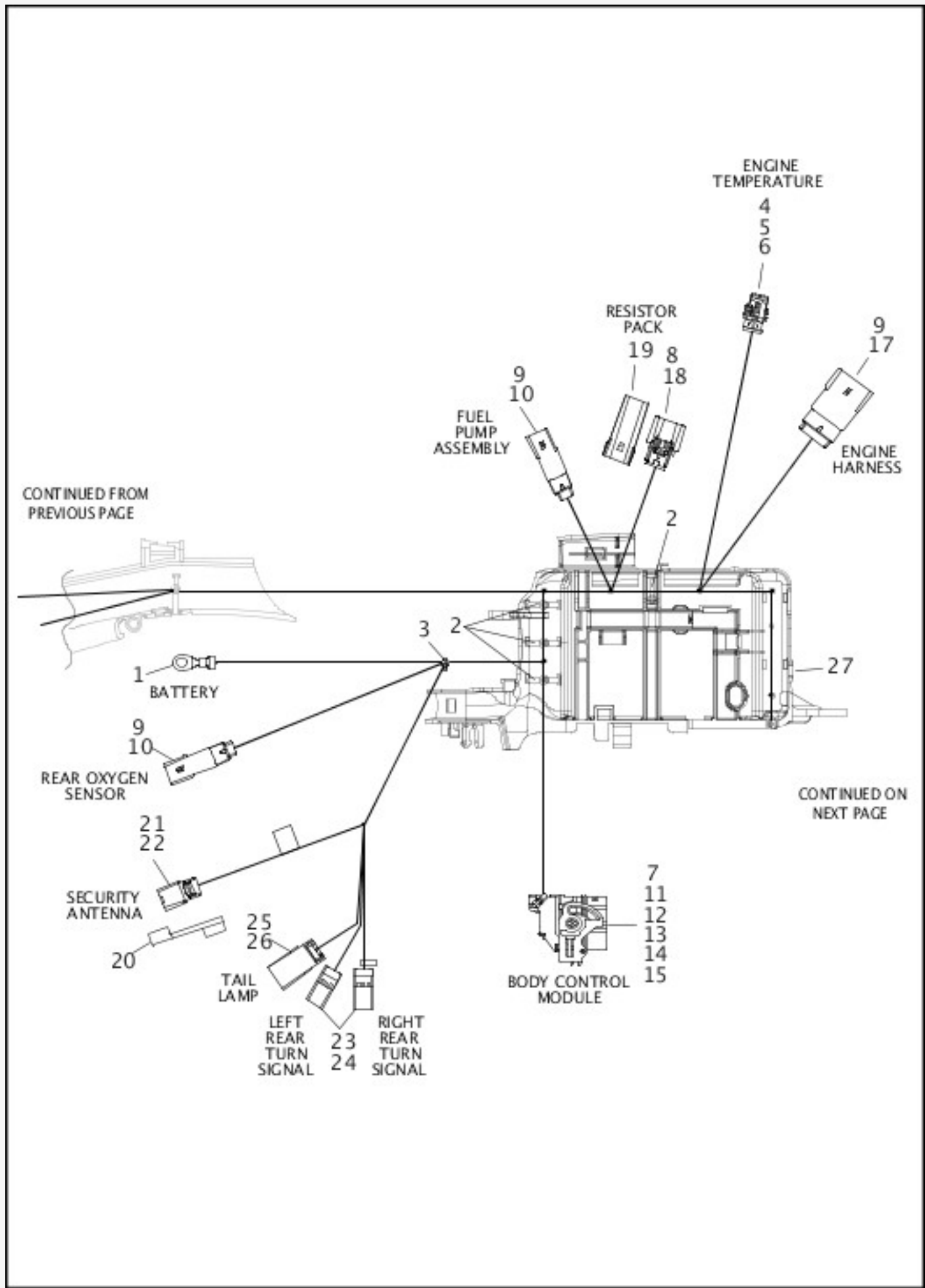
INDEX NO.	PART NO.	DESCRIPTION	MODEL(S)
	69200073B	MAIN WIRING HARNESS - ABS	ALL

NOTE: Includes the following parts.

1	5118	SEAL PIN	ALL
2	10006	CABLE STRAP (14)	ALL
3	10177	CABLE STRAP	ALL
4	70598-99	BOOT, temperature sensor	ALL
5	70664-08	BOOT, jiffy stand sensor	ALL
6	72062-06	HOUSING, two-way socket (gray)	ALL
7	72066-06A	HOUSING, four-way socket (black)	ALL
8	72135-06	SECONDARY LOCK, four-way socket (gray)	ALL
9	72168-07	TERMINAL, socket, 18-20 AWG (8)	ALL
10	72169-07	TERMINAL, pin, 16-20 AWG (4)	ALL
11	72175-07BK	HOUSING, four-way pin (black) (3)	ALL
12	72283-09	TERMINAL, socket, 14-16 AWG (2)	ALL
13	72405-98BK	PUSH ON WIRE ASSEMBLY, right angle molded, with 60 in wire lead (black)	ALL
14	72414-07BK	HOUSING, six-way socket (black)	ALL
15	72473-07	SEAL PIN	ALL
16	72484-08	TERMINAL, socket, 20 AWG (6)	ALL
17	72486-08	WIRE SEAL, 20 AWG (green) (6)	ALL
18	72512-07BK	HOUSING, three-way socket (black) (2)	ALL
19	72519-09BK	DUST CAP, three-way socket (black)	ALL
20	72905-11	HOUSING, two-way pin (black)	ALL
21	72907-11	HOUSING, four-way pin (black) (2)	ALL
22	72909-11	TERMINAL, pin, 20-22 AWG (9)	ALL
23	73104-96BK	HOUSING, four-way pin (black)	ALL
24	73106-96BK	HOUSING, six-way pin (black)	ALL
25	73190-96	TERMINAL, pin, 16-20 AWG (8)	ALL
26	73213-07	RETAINER, anchored	ALL
27	74112-98BK	HOUSING, two-way socket (black) (2)	ALL
28	74120-08	DC LEAD ASSEMBLY	ALL
29	74152-98	SECONDARY LOCK, two-way socket (orange) (2)	ALL
30	74191-98	TERMINAL, socket, 16-20 AWG (4)	ALL

31	69200402A	WIRE HARNESS CADDY	ALL
32	69200403	WIRE HARNESS CADDY	ALL

WIRING HARNESS, MAIN, ABS (2 OF 4)



[View interactive image](#)

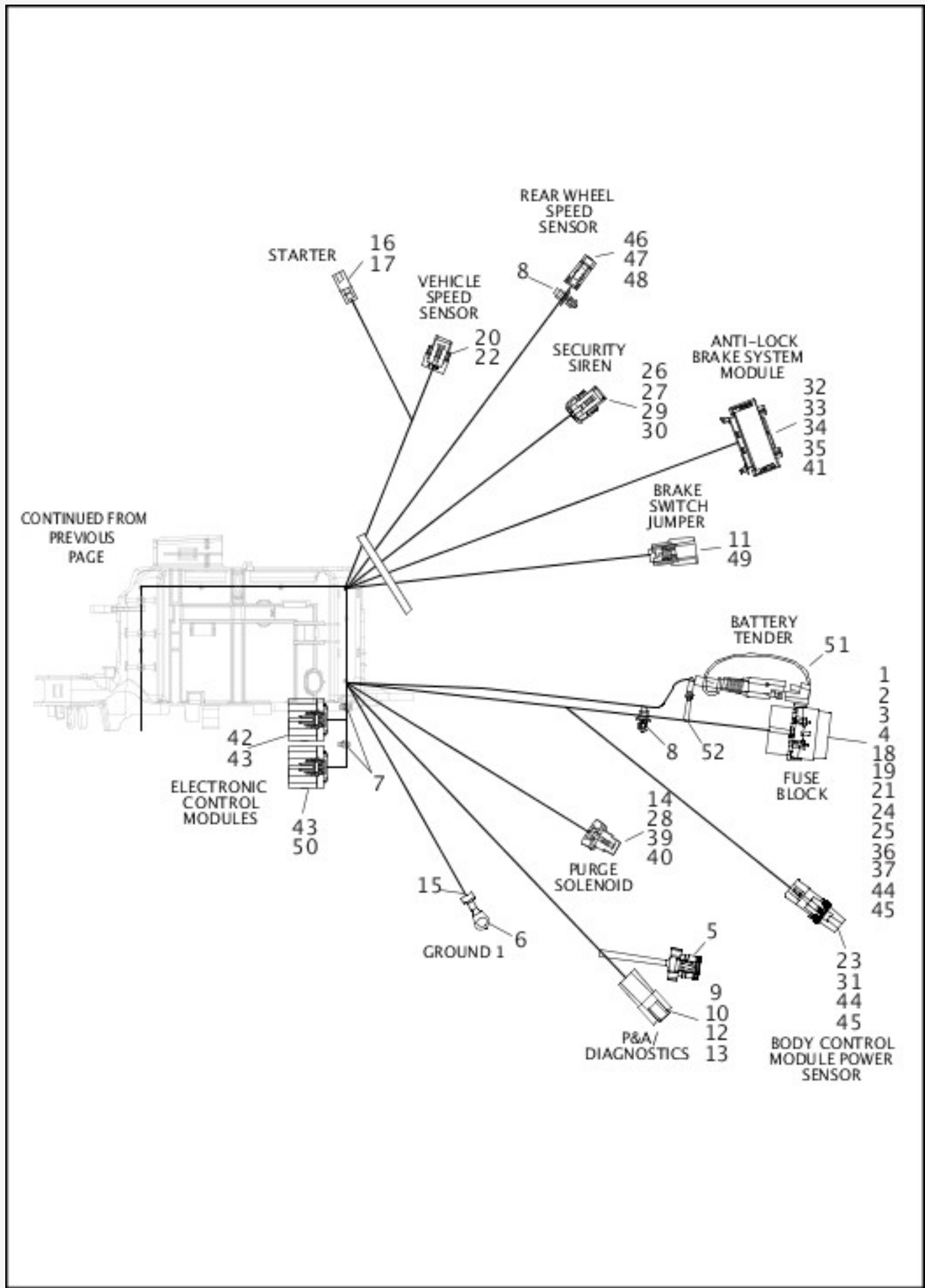
[View interactive table](#)

INDEX NO.	PART NO.	DESCRIPTION	MODEL(S)
	69200073B	MAIN WIRING HARNESS - ABS (continued)	ALL

NOTE: Includes the following parts.

1	9838	TERMINAL RING, 1/4 in, 10-12 AWG	ALL
2	10006	CABLE STRAP (4)	ALL
3	10065	CABLE STRAP	ALL
4	72007-05	HOUSING, two-way socket (black)	ALL
5	72010-05	WIRE SEAL, 22-26 AWG (green) (2)	ALL
6	72024-08	TERMINAL, socket, 20-22 AWG (2)	ALL
7	72081-11	HOUSING, 48-way socket (black)	ALL
8	72168-07	TERMINAL, socket, 18-20 AWG (3)	ALL
9	72169-07	TERMINAL, pin, 16-20 AWG (18)	ALL
10	72175-07BK	HOUSING, four-way pin (black) (2)	ALL
11	72209-11	COVER, wire	ALL
12	72222-11	TERMINAL, socket, 18-20 AWG (20)	ALL
13	72226-11	TERMINAL, socket, 14-16 AWG	ALL
14	72227-11	TERMINAL, socket, 18-20 AWG (5)	ALL
15	72256-11	SEAL PIN (10)	ALL
16	72343-10	TERMINAL, pin, 16-20 AWG (gold) (2)	ALL
17	72488-07BK	HOUSING, 12-way pin (black)	ALL
18	72512-07BK	HOUSING, three-way socket (black)	ALL
19	72545-08	RESISTOR ASSEMBLY, fuel sender	ALL
20	72594-11	DUST CAP, two-way socket (black)	ALL
21	72720-07	HOUSING, two-way socket (black)	ALL
22	72721-07	TERMINAL, socket, 18-20 AWG (2)	ALL
23	72904-01BK	HOUSING, four-way pin (black) (2)	ALL
24	72990-01	TERMINAL, pin, 18-22 AWG (8)	ALL
25	73103-96BK	HOUSING, three-way pin (black)	ALL
26	73190-96	TERMINAL, pin, 16-20 AWG (3)	ALL
27	69201365	WIRE HARNESS CADDY	ALL

WIRING HARNESS, MAIN, ABS (3 OF 4)



[View interactive image](#)

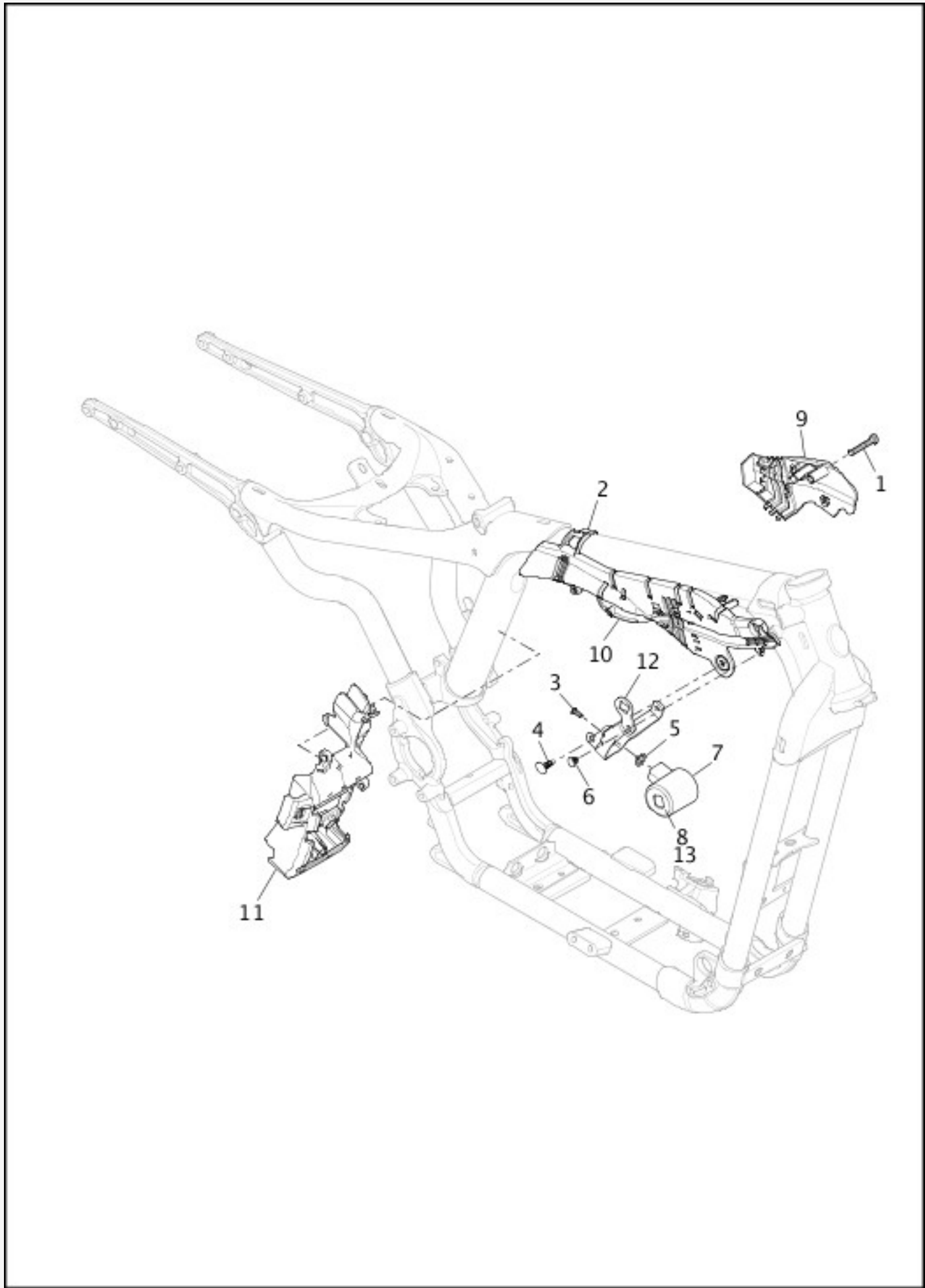
[View interactive table](#)

INDEX NO.	PART NO.	DESCRIPTION	MODEL(S)
1	72314-01	FUSE, main, 40 A	ALL
2	72595-11	SEAL, fuse cover	ALL

3	11100060	ADHESIVE LOCK	ALL
4	69200474	FUSE COVER, with 11100060	ALL
	69200073B	MAIN WIRING HARNESS - ABS (continued)	ALL
NOTE: Includes the following parts.			
5	6990	WEATHER PLUG, six-way pin (black)	ALL
6	9838	TERMINAL RING, 1/4 in, 10-12 AWG (2)	ALL
7	10006	CABLE STRAP (2)	ALL
8	10177	CABLE STRAP (2)	ALL
9	72106-94BK	HOUSING, six-way pin (black) (replaces gray connector)	ALL
10	72146-94	SECONDARY LOCK, six-way pin (green)	ALL
11	72168-07	TERMINAL, socket, 18-20 AWG (2)	ALL
12	72190-94	TERMINAL, pin, 16-18 AWG (2)	ALL
13	72194-94	TERMINAL, pin, 20 AWG (3)	ALL
14	72213-94	TERMINAL, socket, 16-20 AWG (2)	ALL
15	72249-94	SHRINK TUBE	ALL
16	72291-94	TERMINAL, socket, 14-16 AWG	ALL
17	72295-94	CONNECTOR, starter housing	ALL
18	72298-95	WIRE SEAL, 14-18 AWG (green) (4)	ALL
19	72308-97	TERMINAL, socket, 12-14 AWG (2)	ALL
20	72312-04	HOUSING, three-way socket (black)	ALL
21	72330-95	FUSE, 15 A (blue)	ALL
22	72335-10	TERMINAL, socket, 20-22 AWG (3)	ALL
23	72350-11	HOUSING, one-way socket (black)	ALL
24	72356-95	TERMINAL, socket, 18-20 AWG (2)	ALL
25	72462-00	FUSE, 10 A (red)	ALL
26	72484-08	TERMINAL, socket, 20 AWG (3)	ALL
27	72486-08	WIRE SEAL, 20 AWG (green) (3)	ALL
28	72518-01	HOUSING, two-way socket (red)	ALL
29	72543-07BK	HOUSING, three-way socket (black)	ALL
30	72544-07	SECONDARY LOCK, three-way socket (black)	ALL

31	72575-11	SECONDARY LOCK, one-way socket (black)	ALL
32	72577-12	SECONDARY LOCK (red)	ALL
33	72578-12	HOUSING, 18-way socket (black)	ALL
34	72579-12	TERMINAL, socket, 14-16 AWG (4)	ALL
35	72580-12	TERMINAL, socket, 18-20 AWG (7)	ALL
36	72582-11	FUSEBLOCK, main fuse	ALL
37	72587-11	SECONDARY LOCK, main fuse	ALL
38	72594-11	DUST CAP, two-way socket (black)	ALL
39	72609-08	SECONDARY LOCK, two-way socket	ALL
40	72610-08	WIRE SEAL, 18-20 AWG (white) (2)	ALL
41	72633-02	WIRE SEAL, 14-16 AWG (white) (4)	ALL
42	72664-12A	HOUSING, 18-way socket (black)	ALL
43	72666-12	TERMINAL, socket, 18-20 AWG (30)	ALL
44	73304-04	TERMINAL, socket, 10 AWG (3)	ALL
45	73305-04	WIRE SEAL, 10 AWG (blue) (3)	ALL
46	74112-98BK	HOUSING, two-way socket (black)	ALL
47	74152-98	SECONDARY LOCK, two-way socket	ALL
48	74191-98	TERMINAL, socket, 16-20 AWG (2)	ALL
49	69200271	HOUSING, two-way socket (black)	ALL
50	69201131	HOUSING, 18-way socket (gray)	ALL
51	69200212	CONNECTOR, battery tender	ALL
52	10065	CABLE STRAP	ALL

WIRING HARNESS, MAIN, ABS (4 OF 4)



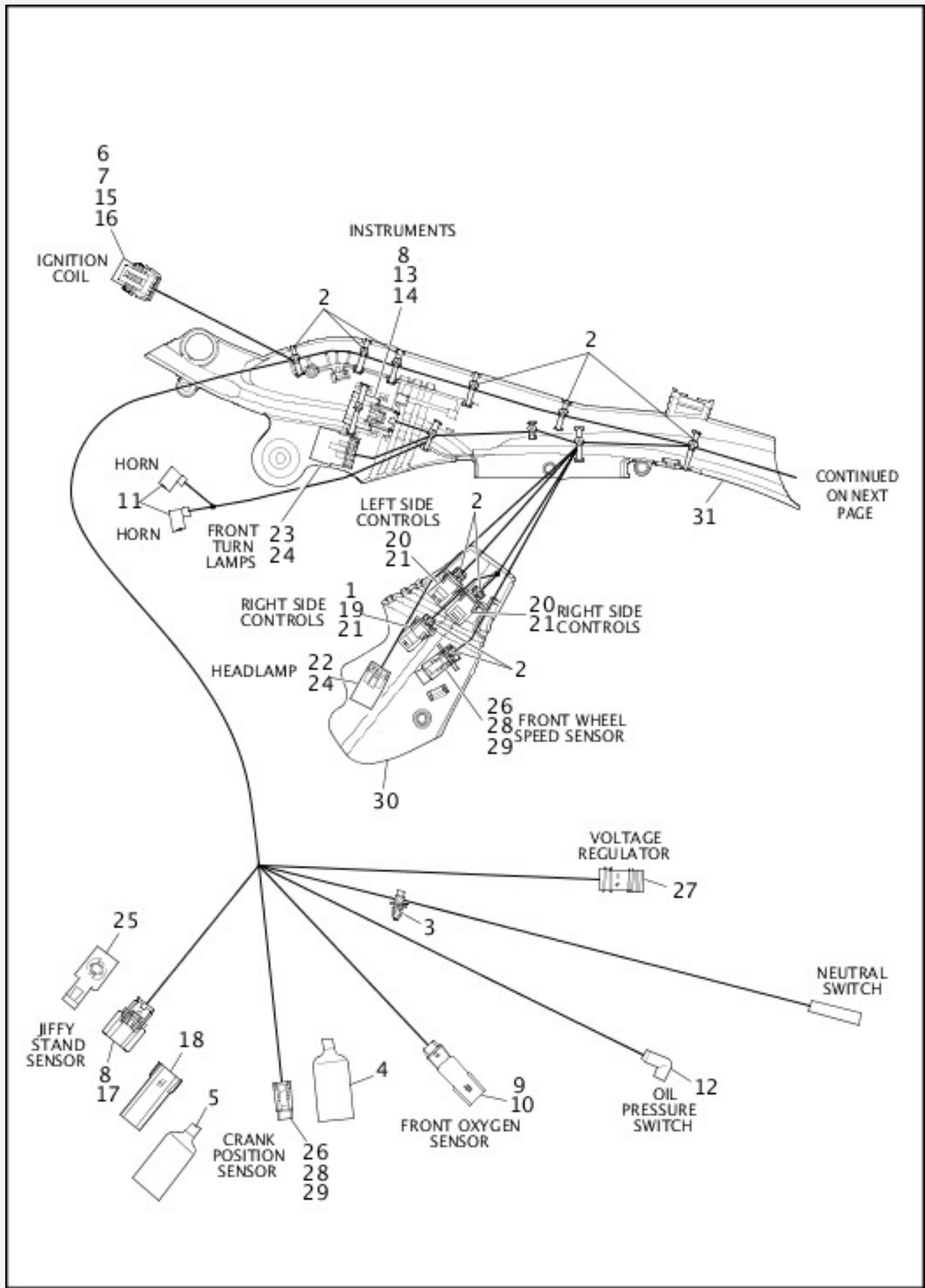
[View interactive image](#)

[View interactive table](#)

INDEX NO.	PART NO.	DESCRIPTION	MODEL(S)
1	3123	SCREW	ALL
2	70640-07	CLIP, caddy	ALL

	69200073B	MAIN WIRING HARNESS - ABS (continued)	ALL
NOTE: Includes the following parts.			
3	3124	SCREW	ALL
4	6990	WEATHER PLUG, six-way pin (black)	ALL
5	7220	LOCKWASHER	ALL
6	11785	FASTENER, push in	ALL
7	71510-04	HOUSING, ignition switch	ALL
8	71550-94	LABEL, ignition switch	ALL
9	69200402A	WIRE HARNESS CADDY	ALL
10	69200403	WIRE HARNESS CADDY	ALL
11	69201365	WIRE HARNESS CADDY	ALL
12	69200456	IGNITION SWITCH BRACKET	ALL
13	90300050	FACE NUT	ALL

WIRING HARNESS, MAIN, KEYLESS, ABS (1 OF 4)



[View interactive image](#)

[View interactive table](#)

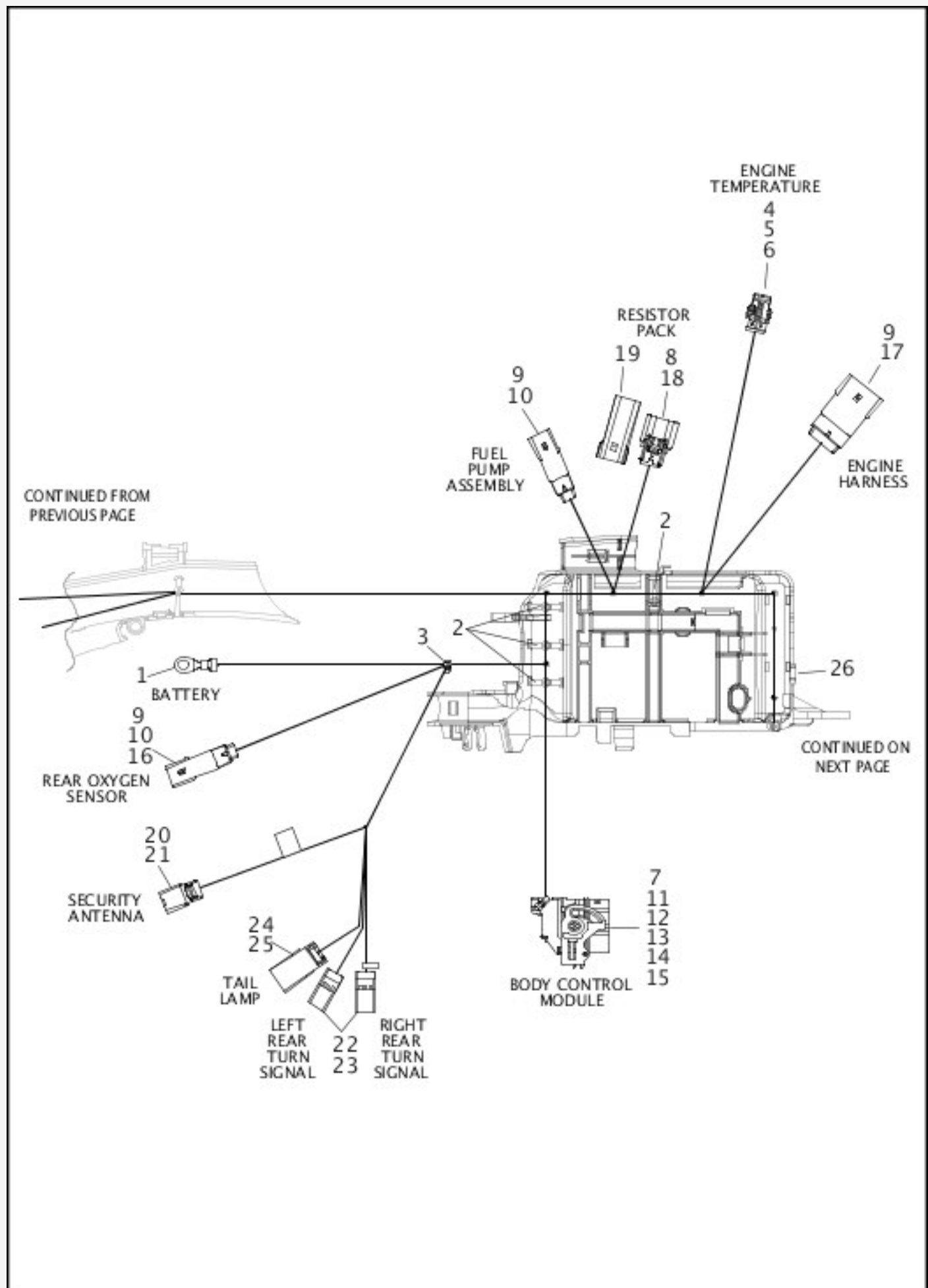
INDEX NO.	PART NO.	DESCRIPTION	MODEL(S)
	69200479B	MAIN WIRING HARNESS - KEYLESS, ABS	ALL

NOTE: Includes the following parts.

1	5118	SEAL PIN	ALL
2	10006	CABLE STRAP (14)	ALL
3	10177	CABLE STRAP	ALL
4	70598-99	BOOT, temperature sensor	ALL
5	70664-08	BOOT, jiffy stand sensor	ALL
6	72066-06A	HOUSING, four-way socket (black)	ALL
7	72135-06	SECONDARY LOCK, four-way socket (gray)	ALL
8	72168-07	TERMINAL, socket, 18-20 AWG (8)	ALL
9	72169-07	TERMINAL, pin, 16-20 AWG (4)	ALL
10	72175-07BK	HOUSING, four-way pin (black)	ALL
11	72283-09	TERMINAL, socket, 14-16 AWG (2)	ALL
12	72405-98BK	PUSH ON WIRE ASSEMBLY, right angle molded, with 60 in wire lead (black)	ALL
13	72414-07BK	HOUSING, six-way socket (black)	ALL
14	72473-07	SEAL PIN	ALL
15	72484-08	TERMINAL, socket, 20 AWG (4)	ALL
16	72486-08	WIRE SEAL, 20 AWG (green) (4)	ALL
17	72512-07BK	HOUSING, three-way socket (black) (2)	ALL
18	72519-09BK	DUST CAP, three-way socket (black)	ALL
19	72905-11	HOUSING, two-way pin (black)	ALL
20	72907-11	HOUSING, four-way pin (black) (2)	ALL
21	72909-11	TERMINAL, pin, 20-22 AWG (9)	ALL
22	73104-96BK	HOUSING, four-way pin (black)	ALL
23	73106-96BK	HOUSING, six-way pin (black)	ALL
24	73190-96	TERMINAL, pin, 16-20 AWG (10)	ALL
25	73213-07	RETAINER, anchored	ALL
26	74112-98BK	HOUSING, two-way socket (black) (2)	ALL
27	74120-08	DC LEAD ASSEMBLY	ALL
28	74152-98	SECONDARY LOCK, two-way socket (orange) (2)	ALL
29	74191-98	TERMINAL, socket, 16-20 AWG (4)	ALL
30	69200402A	WIRE HARNESS CADDY	ALL

31	69200403	WIRE HARNESS CADDY	ALL
----	----------	--------------------	-----

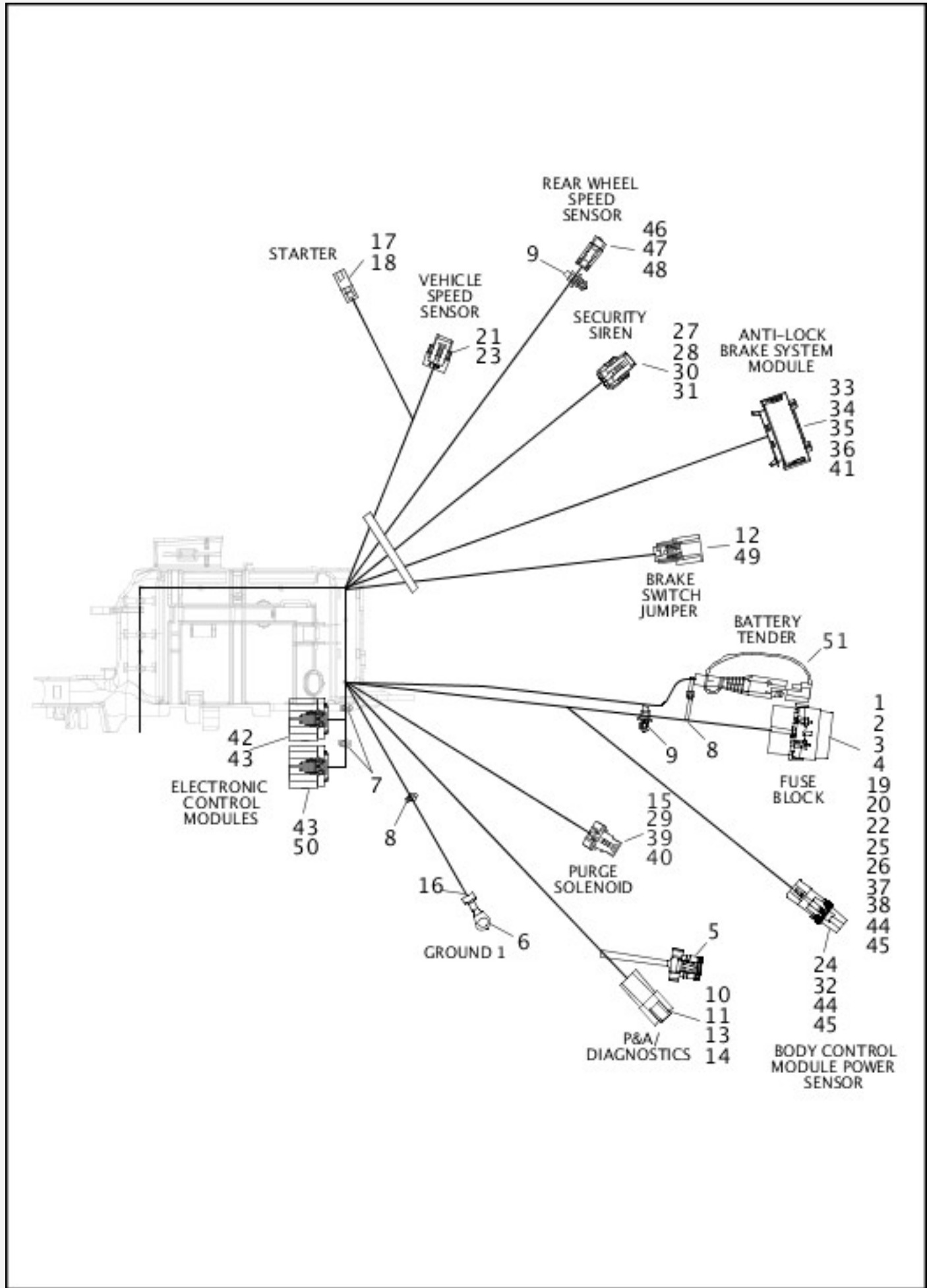
WIRING HARNESS, MAIN, KEYLESS, ABS (2 OF 4)



[View interactive image](#)

INDEX NO.	PART NO.	DESCRIPTION	MODEL(S)
	69200479B	MAIN WIRING HARNESS - KEYLESS, ABS (continued)	ALL
NOTE: Includes the following parts.			
1	9838	TERMINAL RING, 1/4 in, 10-12 AWG	ALL
2	10006	CABLE STRAP (24)	ALL
3	10065	CABLE STRAP	ALL
4	72007-05	HOUSING, two-way socket (black)	ALL
5	72010-05	WIRE SEAL, 22-26 AWG (green) (2)	ALL
6	72024-08	TERMINAL, socket, 20-22 AWG (2)	ALL
7	72081-11	HOUSING, 48-way socket (black)	ALL
8	72168-07	TERMINAL, socket, 18-20 AWG (3)	ALL
9	72169-07	TERMINAL, pin, 16-20 AWG (18)	ALL
10	72175-07BK	HOUSING, four-way pin (black) (2)	ALL
11	72209-11	COVER, wire	ALL
12	72222-11	TERMINAL, socket, 18-20 AWG (19)	ALL
13	72226-11	TERMINAL, socket, 14-16 AWG	ALL
14	72227-11	TERMINAL, socket, 18-20 AWG (5)	ALL
15	72256-11	SEAL PIN (11)	ALL
16	72343-10	TERMINAL, pin, 16-20 AWG (gold) (2)	ALL
17	72488-07BK	HOUSING, 12-way pin (black)	ALL
18	72512-07BK	HOUSING, three-way socket (black) (2)	ALL
19	72545-08	RESISTOR ASSEMBLY, fuel sender	ALL
20	72720-07	HOUSING, two-way socket (black)	ALL
21	72721-07	TERMINAL, socket, 18-20 AWG (2)	ALL
22	72904-01BK	HOUSING, four-way pin (black) (2)	ALL
23	72990-01	TERMINAL, pin, 18-22 AWG (8)	ALL
24	73103-96BK	HOUSING, three-way pin (black)	ALL
25	73190-96	TERMINAL, pin, 16-20 AWG (3)	ALL
26	69201365	WIRE HARNESS CADDY	ALL

WIRING HARNESS, MAIN, KEYLESS, ABS (3 OF 4)



[View interactive image](#)

[View interactive table](#)

INDEX NO.	PART NO.	DESCRIPTION	MODEL(S)

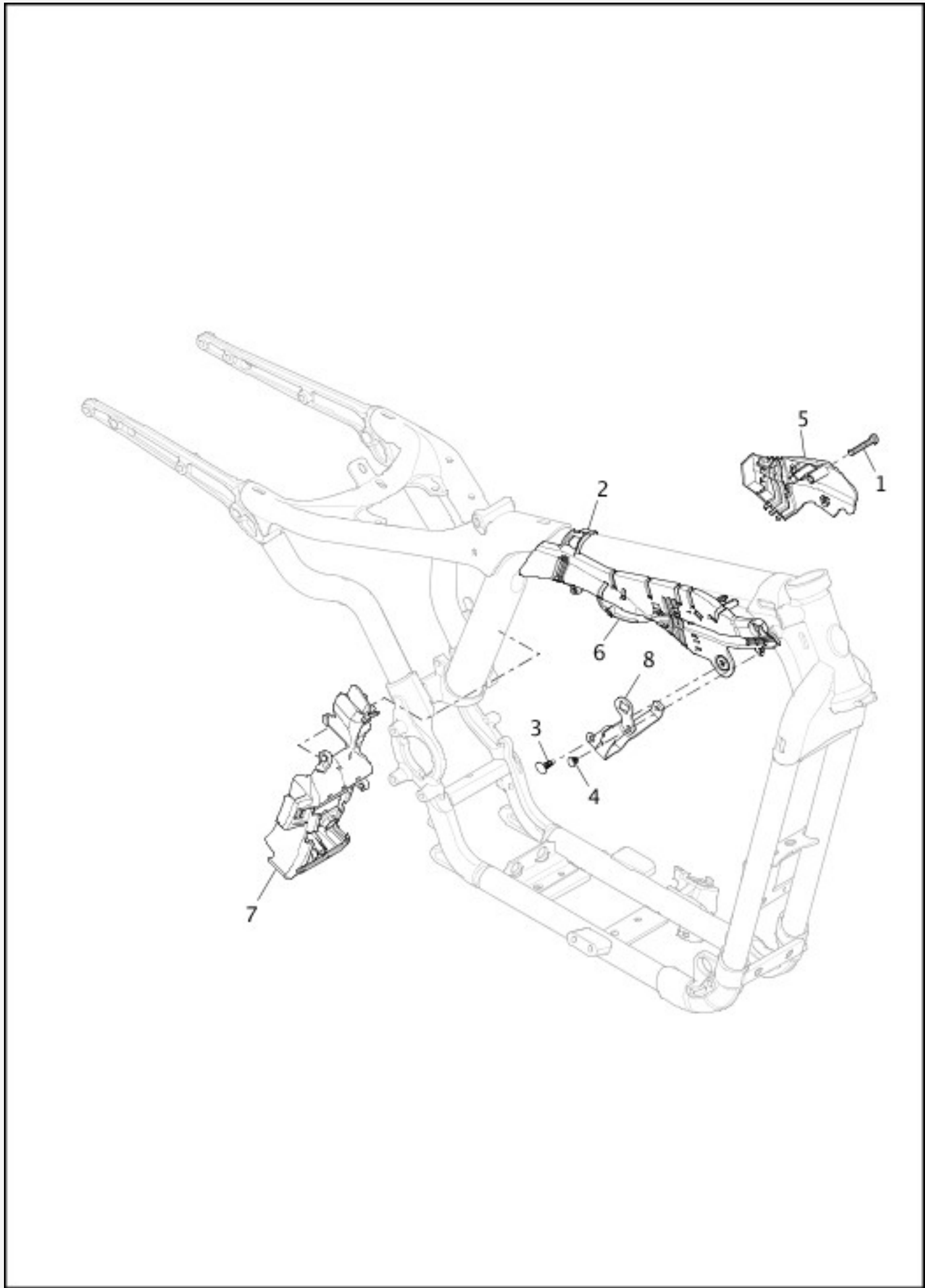
1	72314-01	FUSE, main, 40 A	ALL
2	72595-11	SEAL, fuse cover	ALL
3	11100060	ADHESIVE LOCK	ALL
4	69200474	FUSE COVER, with 11100060	ALL
	69200479B	MAIN WIRING HARNESS - KEYLESS, ABS (continued)	ALL

NOTE: Includes the following parts.

5	6990	WEATHER PLUG, six-way pin (black)	ALL
6	9838	TERMINAL RING, 1/4 in, 10-12 AWG (2)	ALL
7	10006	CABLE STRAP (2)	ALL
8	10065	CABLE STRAP (2)	ALL
9	10177	CABLE STRAP (2)	ALL
10	72106-94BK	HOUSING, six-way pin (black) (replaces gray connector)	ALL
11	72146-94	SECONDARY LOCK, six-way pin (green)	ALL
12	72168-07	TERMINAL, socket, 18-20 AWG (2)	ALL
13	72190-94	TERMINAL, pin, 16-18 AWG (3)	ALL
14	72194-94	TERMINAL, pin, 20 AWG (3)	ALL
15	72213-94	TERMINAL, socket, 16-20 AWG (2)	ALL
16	72249-94	SHRINK TUBE	ALL
17	72291-94	TERMINAL, socket, 14-16 AWG	ALL
18	72295-94	CONNECTOR, starter housing	ALL
19	72298-95	WIRE SEAL, 14-18 AWG (green) (4)	ALL
20	72308-97	TERMINAL, socket, 12-14 AWG (2)	ALL
21	72312-04	HOUSING, three-way socket (black)	ALL
22	72330-95	FUSE, 15 A (blue)	ALL
23	72335-10	TERMINAL, socket, 20-22 AWG (3)	ALL
24	72350-11	HOUSING, one-way socket (black)	ALL
25	72356-95	TERMINAL, socket, 18-20 AWG (2)	ALL
26	72462-00	FUSE, 10 A (red)	ALL
27	72484-08	TERMINAL, socket, 20 AWG (3)	ALL
28	72486-08	WIRE SEAL, 20 AWG (green) (3)	ALL

29	72518-01	HOUSING, two-way socket (red)	ALL
30	72543-07BK	HOUSING, three-way socket (black)	ALL
31	72544-07	SECONDARY LOCK, three-way socket (black)	ALL
32	72575-11	SECONDARY LOCK, one-way socket (black)	ALL
33	72577-12	SECONDARY LOCK (red)	ALL
34	72578-12	HOUSING, 18-way socket (black)	ALL
35	72579-12	TERMINAL, socket, 14-16 AWG (4)	ALL
36	72580-12	TERMINAL, socket, 18-20 AWG (7)	ALL
37	72582-11	FUSE BLOCK, main fuse	ALL
38	72587-11	SECONDARY LOCK, main fuse	ALL
39	72609-08	SECONDARY LOCK, two-way socket	ALL
40	72610-08	WIRE SEAL, 18-20 AWG (white) (2)	ALL
41	72633-02	WIRE SEAL, 14-16 AWG (white) (4)	ALL
42	72664-12A	HOUSING, 18-way socket (black)	ALL
43	72666-12	TERMINAL, socket, 18-20 AWG (30)	ALL
44	73304-04	TERMINAL, socket, 10 AWG (3)	ALL
45	73305-04	WIRE SEAL, 10 AWG (blue) (3)	ALL
46	74112-98BK	HOUSING, two-way socket (black)	ALL
47	74152-98	SECONDARY LOCK, two-way socket	ALL
48	74191-98	TERMINAL, socket, 16-20 AWG (6)	ALL
49	69200271	HOUSING, two-way socket (black)	ALL
50	69201131	HOUSING, 18-way socket (gray)	ALL
51	69200212	CONNECTOR, battery tender	ALL

WIRING HARNESS, MAIN, KEYLESS, ABS (4 OF 4)



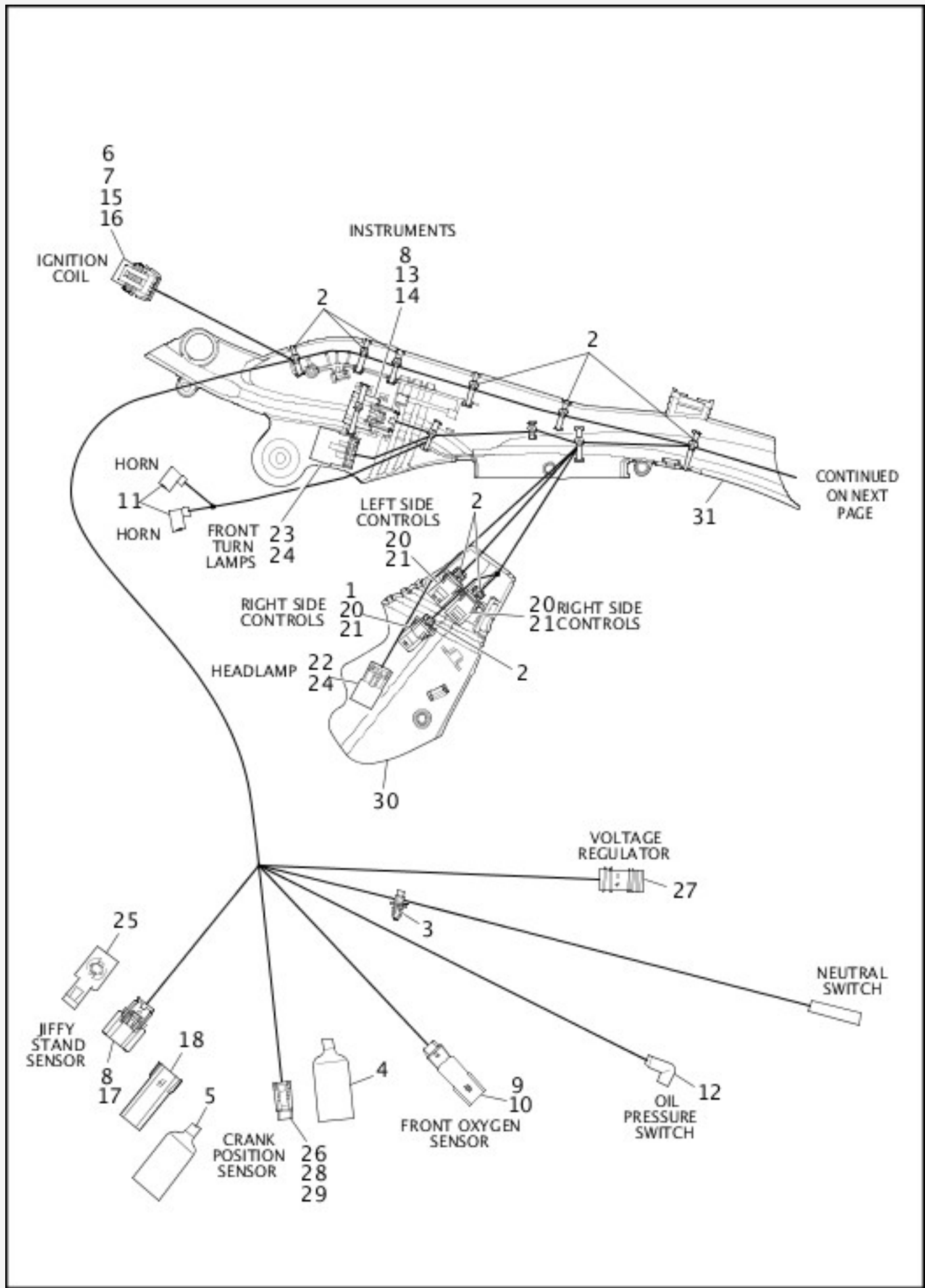
[View interactive image](#)

[View interactive table](#)

INDEX NO.	PART NO.	DESCRIPTION	MODEL(S)
1	3123	SCREW	ALL
2	70640-07	CLIP, caddy	ALL

	69200479B	MAIN WIRING HARNESS - KEYLESS, ABS (continued)	ALL
NOTE: Includes the following parts.			
3	11778	FASTENER, push in	ALL
4	11785	FASTENER, push in	ALL
5	69200402A	WIRE HARNESS CADDY	ALL
6	69200403	WIRE HARNESS CADDY	ALL
7	69201365	WIRE HARNESS CADDY	ALL
8	69200456	IGNITION SWITCH BRACKET	ALL

WIRING HARNESS, MAIN, KEYLESS, NON-ABS (1 OF 4)



[View interactive image](#)

[View interactive table](#)

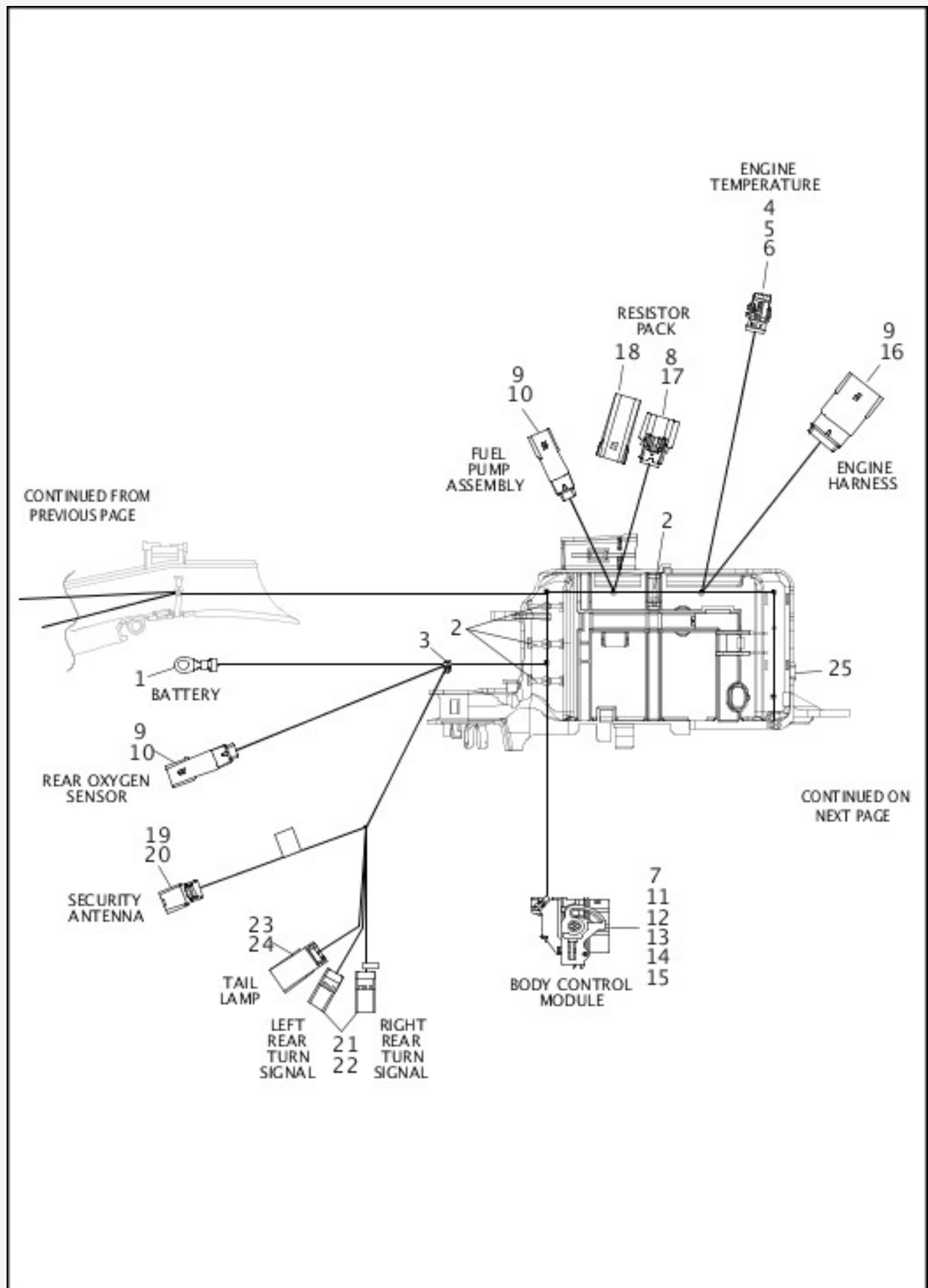
INDEX NO.	PART NO.	DESCRIPTION	MODEL(S)
	69200480B	MAIN WIRING HARNESS - KEYLESS, NON-ABS	ALL

NOTE: Includes the following parts.

1	5118	SEAL PIN	ALL
2	10006	CABLE STRAP (13)	ALL
3	10177	CABLE STRAP	ALL
4	70598-99	BOOT, temperature sensor	ALL
5	70664-08	BOOT, jiffy stand sensor	ALL
6	72066-06A	HOUSING, four-way socket (black)	ALL
7	72135-06	SECONDARY LOCK, four-way socket (gray)	ALL
8	72168-07	TERMINAL, socket, 18-20 AWG (8)	ALL
9	72169-07	TERMINAL, pin, 16-20 AWG (4)	ALL
10	72175-07BK	HOUSING, four-way pin (black)	ALL
11	72283-09	TERMINAL, socket, 14-16 AWG (2)	ALL
12	72405-98BK	PUSH ON WIRE ASSEMBLY, right angle molded, with 60 in wire lead (black)	ALL
13	72414-07BK	HOUSING, six-way socket (black)	ALL
14	72473-07	SEAL PIN	ALL
15	72484-08	TERMINAL, socket, 20 AWG (4)	ALL
16	72486-08	WIRE SEAL, 20 AWG (green) (4)	ALL
17	72512-07BK	HOUSING, three-way socket (black)	ALL
18	72519-09BK	DUST CAP, three-way socket (black)	ALL
19	72905-11	HOUSING, two-way pin (black)	ALL
20	72907-11	HOUSING, four-way pin (black) (2)	ALL
21	72909-11	TERMINAL, pin, 20-22 AWG (9)	ALL
22	73104-96BK	HOUSING, four-way pin (black)	ALL
23	73106-96BK	HOUSING, six-way pin (black)	ALL
24	73190-96	TERMINAL, pin, 16-20 AWG (10)	ALL
25	73213-07	RETAINER, anchored	ALL
26	74112-98BK	HOUSING, two-way socket (black)	ALL
27	74120-08	DC LEAD ASSEMBLY	ALL
28	74152-98	SECONDARY LOCK, two-way socket (orange)	ALL
29	74191-98	TERMINAL, socket, 16-20 AWG (2)	ALL
30	69200402A	WIRE HARNESS CADDY	ALL

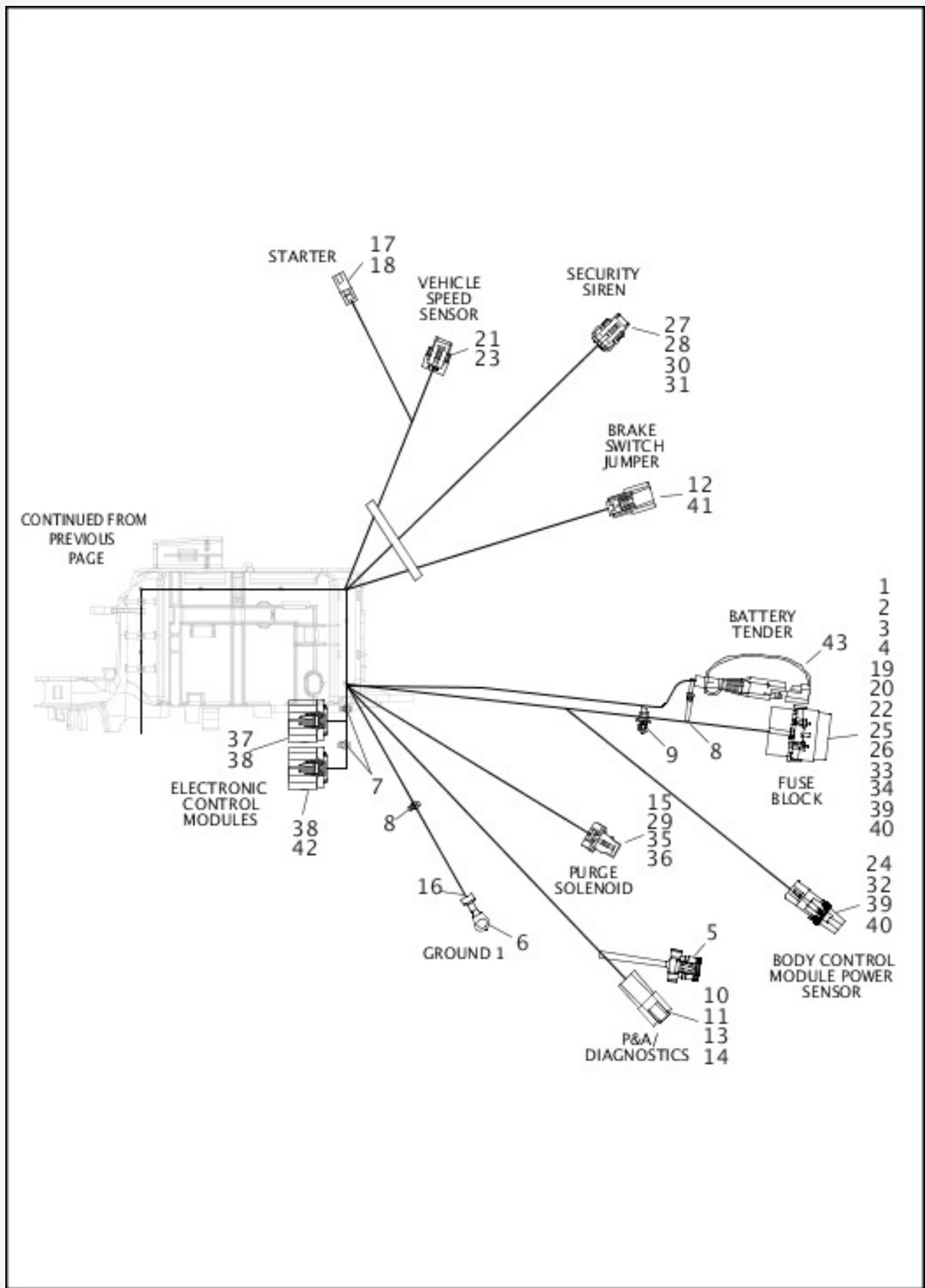
31	69200403	WIRE HARNESS CADDY	ALL
----	----------	--------------------	-----

WIRING HARNESS, MAIN, KEYLESS, NON-ABS (2 OF 4)



[View interactive image](#)

INDEX NO.	PART NO.	DESCRIPTION	MODEL(S)
	69200480B	MAIN WIRING HARNESS - KEYLESS, NON-ABS (continued)	ALL
NOTE: Includes the following parts.			
1	9838	TERMINAL RING, 1/4 in, 10-12 AWG	ALL
2	10006	CABLE STRAP (4)	ALL
3	10065	CABLE STRAP	ALL
4	72007-05	HOUSING, two-way socket (black)	ALL
5	72010-05	WIRE SEAL, 22-26 AWG (green) (2)	ALL
6	72024-08	TERMINAL, socket, 20-22 AWG (2)	ALL
7	72081-11	HOUSING, 48-way socket (black)	ALL
8	72168-07	TERMINAL, socket, 18-20 AWG (3)	ALL
9	72169-07	TERMINAL, pin, 16-20 AWG (24)	ALL
10	72175-07BK	HOUSING, four-way pin (black) (2)	ALL
11	72209-11	COVER, wire	ALL
12	72222-11	TERMINAL, socket, 18-20 AWG (19)	ALL
13	72226-11	TERMINAL, socket, 14-16 AWG	ALL
14	72227-11	TERMINAL, socket, 18-20 AWG (5)	ALL
15	72256-11	SEAL PIN (11)	ALL
16	72488-07BK	HOUSING, 12-way pin (black)	ALL
17	72512-07BK	HOUSING, three-way socket (black)	ALL
18	72545-08	RESISTOR ASSEMBLY, fuel sender	ALL
19	72720-07	HOUSING, two-way socket (black)	ALL
20	72721-07	TERMINAL, socket, 18-20 AWG (2)	ALL
21	72904-01BK	HOUSING, four-way pin (black) (2)	ALL
22	72990-01	TERMINAL, pin, 18-22 AWG (8)	ALL
23	73103-96BK	HOUSING, three-way pin (black)	ALL
24	73190-96	TERMINAL, pin, 16-20 AWG (3)	ALL
25	69201365	WIRE HARNESS CADDY	ALL



[View interactive image](#)

[View interactive table](#)

INDEX NO.	PART NO.	DESCRIPTION	MODEL(S)
1	72314-01	FUSE, main, 40 A	ALL

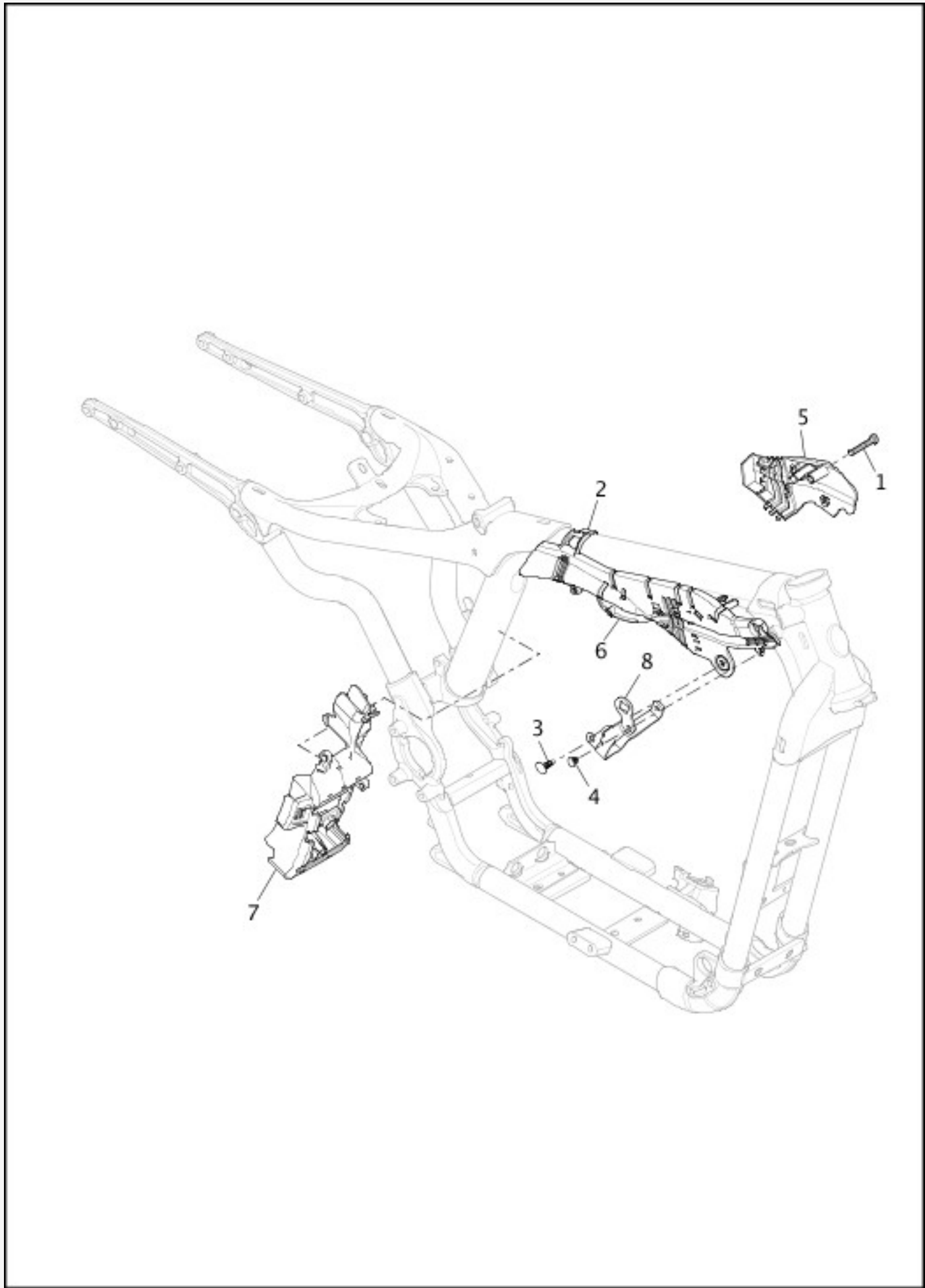
2	72595-11	SEAL, fuse cover	ALL
3	11100060	ADHESIVE LOCK	ALL
4	69200474	FUSE COVER, with 11100060	ALL
	69200480B	MAIN WIRING HARNESS - KEYLESS, NON-ABS (continued)	ALL

NOTE: Includes the following parts.

5	6990	WEATHER PLUG, six-way pin (black)	ALL
6	9838	TERMINAL RING, 1/4 in, 10-12 AWG	ALL
7	10006	CABLE STRAP (2)	ALL
8	10065	CABLE STRAP (2)	ALL
9	10177	CABLE STRAP	ALL
10	72106-94BK	HOUSING, six-way pin (black) (replaces gray connector)	ALL
11	72146-94	SECONDARY LOCK, six-way pin (green)	ALL
12	72168-07	TERMINAL, socket, 18-20 AWG (2)	ALL
13	72190-94	TERMINAL, pin, 16-18 AWG (3)	ALL
14	72194-94	TERMINAL, pin, 20 AWG (3)	ALL
15	72213-94	TERMINAL, socket, 16-20 AWG (2)	ALL
16	72249-94	SHRINK TUBE	ALL
17	72291-94	TERMINAL, socket, 14-16 AWG	ALL
18	72295-94	CONNECTOR, starter housing	ALL
19	72298-95	WIRE SEAL, 14-18 AWG (green) (4)	ALL
20	72308-97	TERMINAL, socket, 12-14 AWG (2)	ALL
21	72312-04	HOUSING, three-way socket (black)	ALL
22	72330-95	FUSE, 15 A (blue)	ALL
23	72335-10	TERMINAL, socket, 20-22 AWG (3)	ALL
24	72350-11	HOUSING, one-way socket (black)	ALL
25	72356-95	TERMINAL, socket, 18-20 AWG (2)	ALL
26	72462-00	FUSE, 10 A (red)	ALL
27	72484-08	TERMINAL, socket, 20 AWG (3)	ALL
28	72486-08	WIRE SEAL, 20 AWG (green) (3)	ALL
29	72518-01	HOUSING, two-way socket (red)	ALL

30	72543-07BK	HOUSING, three-way socket (black)	ALL
31	72544-07	SECONDARY LOCK, three-way socket (black)	ALL
32	72575-11	SECONDARY LOCK, one-way socket (black)	ALL
33	72582-11	FUSE BLOCK, maxi/mini	ALL
34	72587-11	SECONDARY LOCK, fuse block, maxi/mini	ALL
35	72609-08	SECONDARY LOCK, two-way socket	ALL
36	72610-08	WIRE SEAL, 18-20 AWG (white) (2)	ALL
37	72664-12A	HOUSING, 18-way socket (black)	ALL
38	72666-12	TERMINAL, socket, 18-20 AWG (30)	ALL
39	73304-04	TERMINAL, socket, 10 AWG (3)	ALL
40	73305-04	WIRE SEAL, 10 AWG (blue) (3)	ALL
41	69200271	HOUSING, two-way socket (black)	ALL
42	69201131	HOUSING, 18-way socket (gray)	ALL
43	69200212	CONNECTOR, battery tender	ALL

WIRING HARNESS, MAIN, KEYLESS, NON-ABS (4 OF 4)



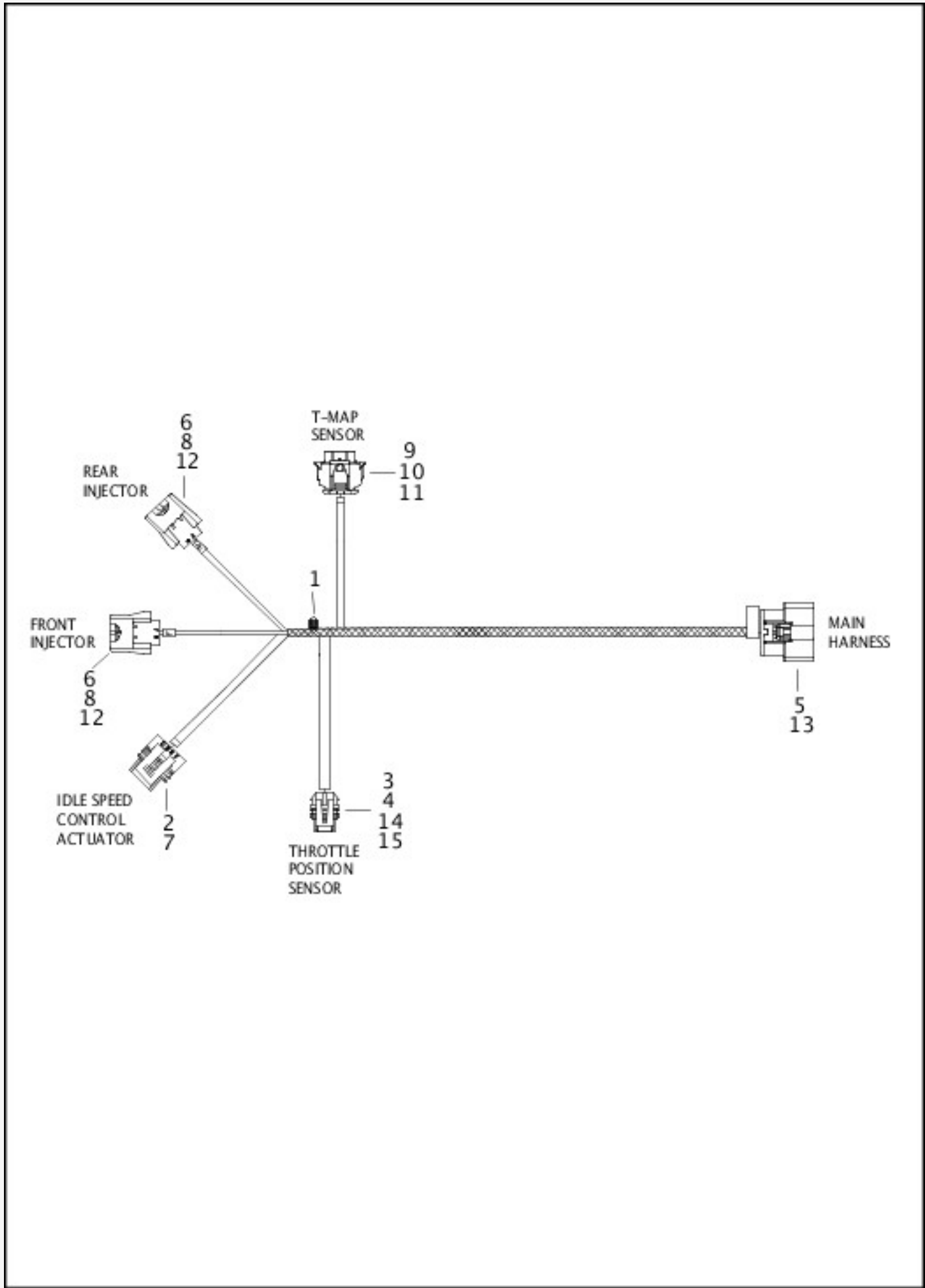
[View interactive image](#)

[View interactive table](#)

INDEX NO.	PART NO.	DESCRIPTION	MODEL(S)
1	3123	SCREW	ALL
2	70640-07	CLIP, caddy	ALL

	69200480B	MAIN WIRING HARNESS - KEYLESS, NON-ABS (continued)	ALL
NOTE: Includes the following parts.			
3	11778	FASTENER, push in	ALL
4	11785	FASTENER, push in	ALL
5	69200402A	WIRE HARNESS CADDY	ALL
6	69200403	WIRE HARNESS CADDY	ALL
7	69201365	WIRE HARNESS CADDY	ALL
8	69200456	IGNITION SWITCH BRACKET	ALL

WIRING HARNESS, ENGINE



[View interactive image](#)

[View interactive table](#)

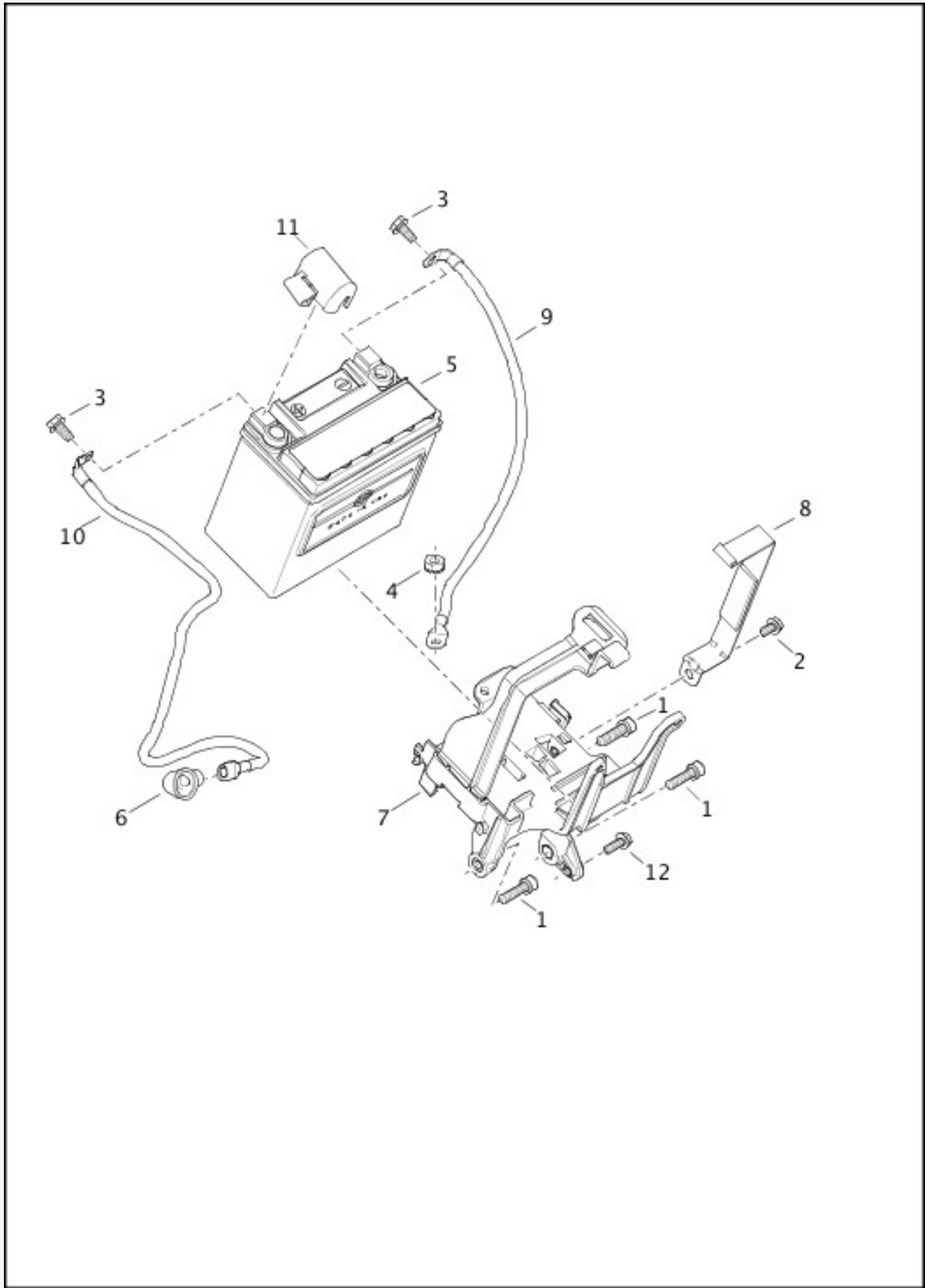
INDEX NO.	PART NO.	DESCRIPTION	MODEL(S)
	69200077	WIRING HARNESS, engine	ALL

NOTE: Includes the following parts.

--	--	--	--

1	10279	CLIP, harness mount	ALL
2	72033-93	TERMINAL, socket, 16-20 AWG (4)	ALL
3	72094-06	TERMINAL, socket, 18 AWG (3)	ALL
4	72096-06	SEAL WIRE, 18-20 AWG (yellow) (3)	ALL
5	72168-07	TERMINAL, socket, 18-20 AWG (12)	ALL
6	72251-07	SECONDARY LOCK, two-way socket (yellow) (2)	ALL
7	72263-95	HOUSING, four-way socket (black)	ALL
8	72402-07	HOUSING, two-way socket (black) (2)	ALL
9	72406-07A	HOUSING, four-way socket (black)	ALL
10	72407-07	TERMINAL, socket, 16-20 AWG (4)	ALL
11	72408-07	SEAL WIRE, 16-20 AWG (blue) (4)	ALL
12	72413-07	TERMINAL, socket, 18-20 AWG (4)	ALL
13	72487-07BK	HOUSING, 12-way socket (black)	ALL
14	72543-07BK	HOUSING, three-way socket (black)	ALL
15	72544-07	SECONDARY LOCK, three-way socket (black)	ALL

BATTERY



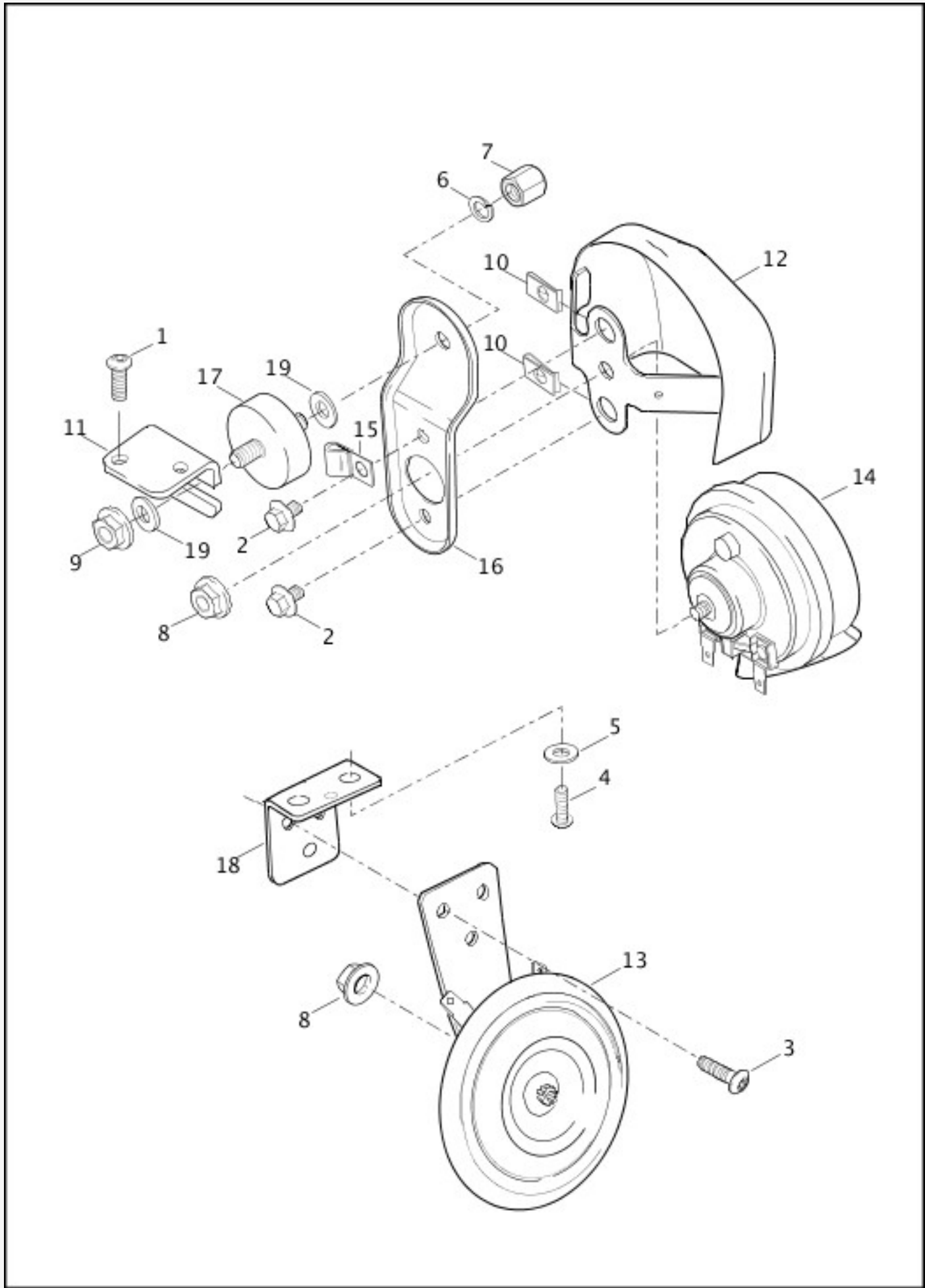
[View interactive image](#)

[View interactive table](#)

INDEX NO.	PART NO.	DESCRIPTION	MODEL(S)
1	2479	SCREW (3)	ALL
2	3588	SCREW	ALL

3	4312C	SCREW (2)	ALL
4	7792	NUT	ALL
5	65958-04B	BATTERY	ALL
6	70578-89	RUBBER BOOT	ALL
7	66000031	TRAY	ALL
8	66000032	STRAP	ALL
9	66000035	CABLE, negative-to-ground	ALL
10	66000036	CABLE, positive-to-starter, with 70578-89, 66000037	ALL
11	66000037	RUBBER BOOT	ALL
12	3574	SCREW	ALL

HORN



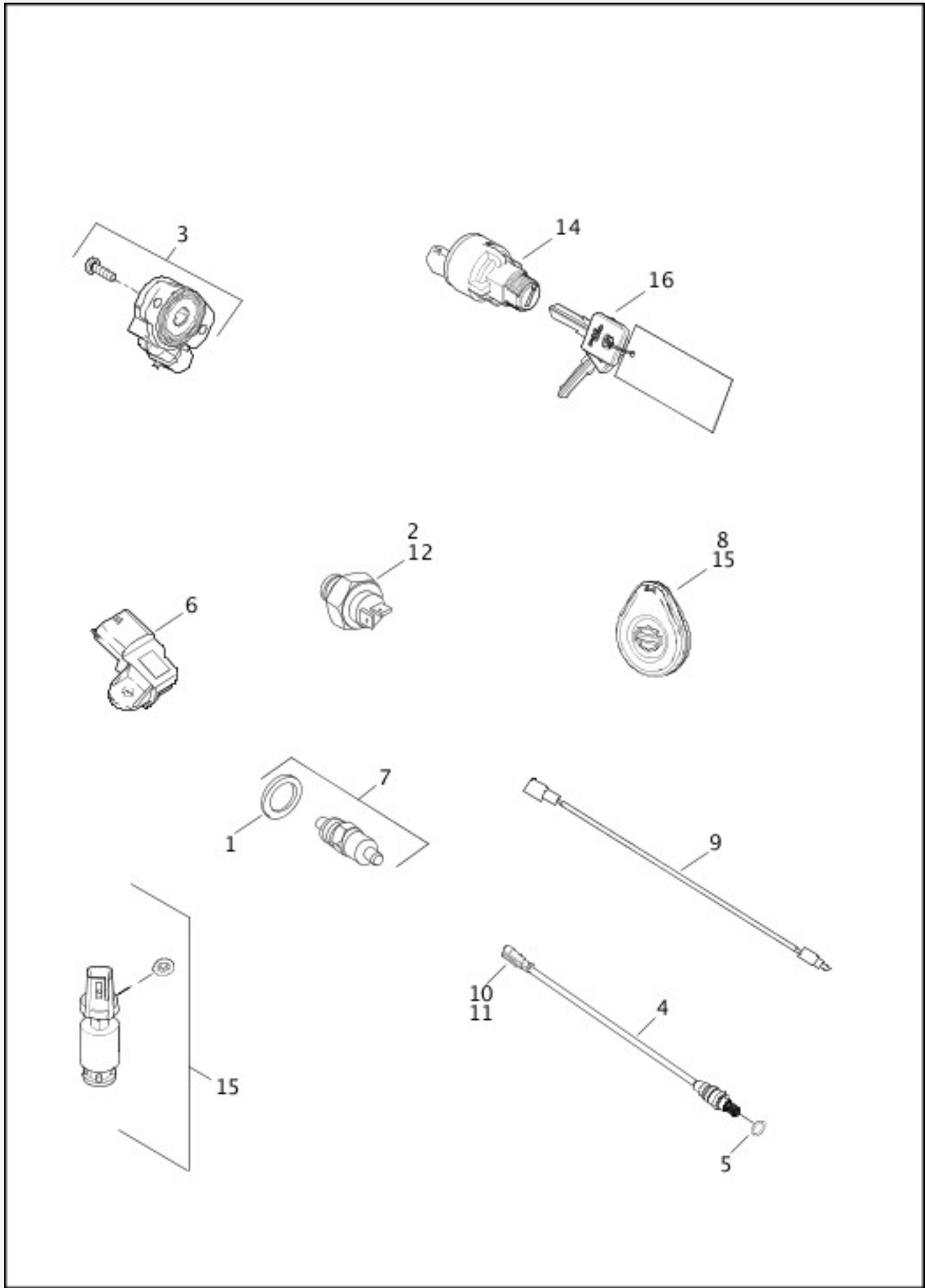
[View interactive image](#)

[View interactive table](#)

INDEX NO.	PART NO.	DESCRIPTION	MODEL(S)
1	3026	SCREW (2)	XL1200C, XL1200CB, XL1200T
2	3563	SCREW (2)	XL1200C, XL1200CB, XL1200T

3	3124	SCREW (3)	XL1200CX, XL1200X, XL883L, XL883N
4	4180	SCREW (2)	XL1200CX, XL1200X, XL883L, XL883N
5	6026	WASHER (2)	XL1200CX, XL1200X, XL883L, XL883N
6	6109	WASHER	XL1200C, XL1200CB, XL1200T
7	7549A	ACORN NUT	XL1200C, XL1200CB, XL1200T
8	7495	NUT	ALL
9	7531	LOCKNUT	XL1200C, XL1200CB, XL1200T
10	8108	SPEEDNUT (2)	XL1200C, XL1200CB, XL1200T
11	69049-07	BRACKET, horn	XL1200C, XL1200CB, XL1200T
12	61300478	COVER	XL1200C, XL1200CB, XL1200T
13	69000014	HORN, complete, with bracket and 7495	XL1200CX, XL1200X, XL883L, XL883N
14	69060-90H	HORN, with 7495	XL1200C, XL1200CB, XL1200T
15	69062-91A	CLAMP, horn wire	XL1200C, XL1200CB, XL1200T
16	69120-91	HORN BRACKET	XL1200C, XL1200CB, XL1200T
17	69123-92A	RUBBER MOUNT	XL1200C, XL1200CB, XL1200T
18	69135-04	HORN BRACKET	XL1200CX, XL1200X, XL883L, XL883N
19	6237	WASHER (2)	XL1200C, XL1200CB, XL1200T

SWITCHES



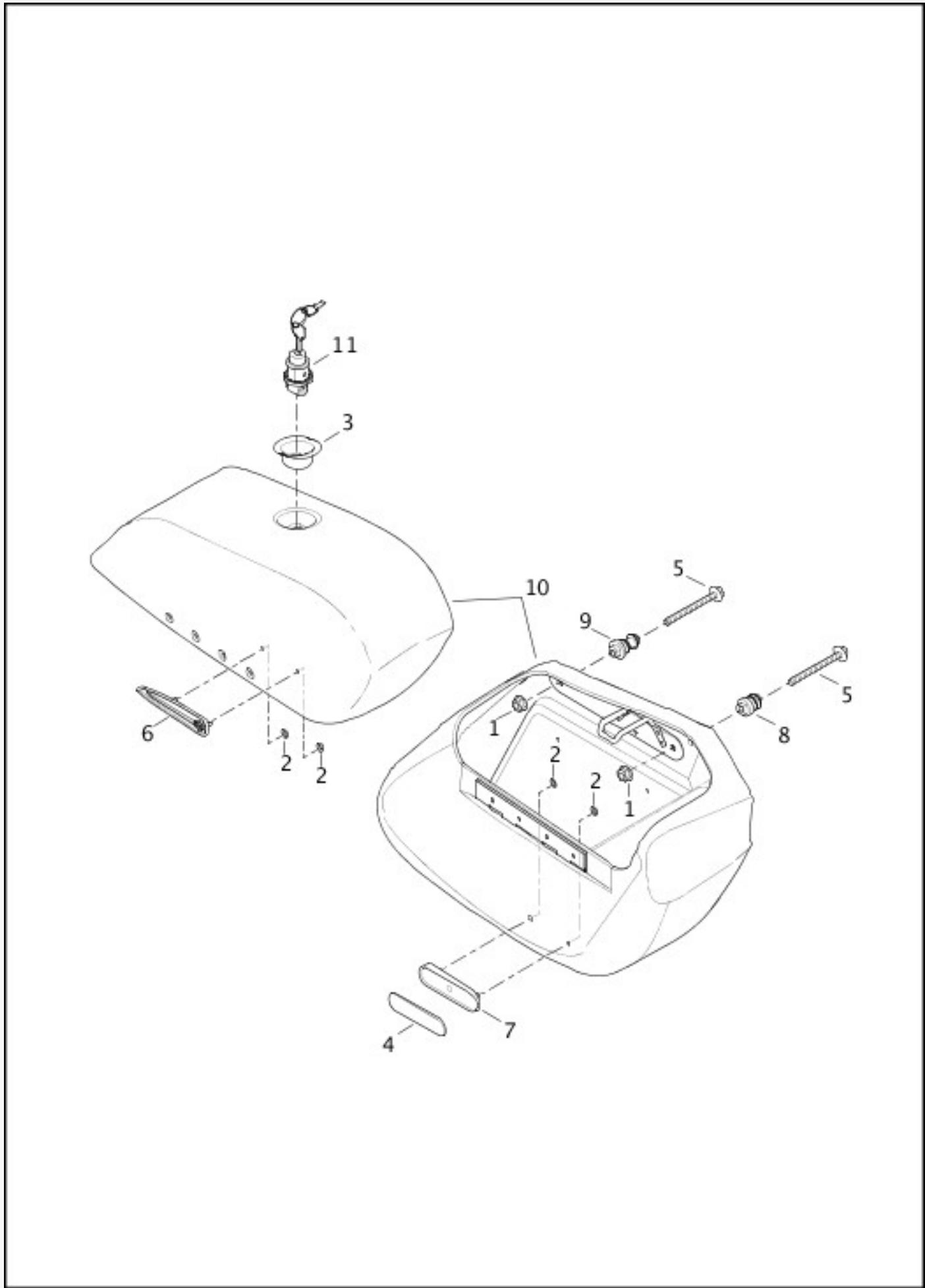
[View interactive image](#)

[View interactive table](#)

INDEX NO.	PART NO.	DESCRIPTION	MODEL(S)
1	6288	WASHER	ALL
2	9907	TERMINAL, wire (2)	ALL

3	27629-01A	KIT, throttle position sensor (TPS)	ALL
4	27719-07	SENSOR, oxygen, with 27714-06, 72009-05, 72011-05 (2)	ALL
5	27714-06	SEAL RING (2)	ALL
6	32319-07A	SENSOR, temperature manifold absolute pressure (TMAP)	ALL
7	33900-99	SWITCH, neutral indicator, with 6288	ALL
8	66373-06	BATTERY, 3V, CR2032	ALL
9	70247-07	JUMPER WIRE, neutral switch	ALL
10	72009-05	HOUSING, two-way pin (black) (2)	ALL
11	72011-05	WIRE SEAL, 16-20 AWG (yellow) (4)	ALL
12	72023-51E	SWITCH, brake light, with 9907	ALL
13	75302-07B	SENSOR, fuel level	ALL
14	71400083	SWITCH, ignition, with 90300034 (specify key number)	ALL
15	90300111	REMOTE CONTROL FOB, with 66373-06 (except Japan)	ALL
	90300112	REMOTE CONTROL FOB, with 66373-06 (Japan)	ALL
16	90300034	KEY SET (specify key number)	ALL
	90300062	LOCKSET ASSEMBLY, complete, with ignition switch, forklock and keys (not shown)	ALL
	90300063	LOCKSET ASSEMBLY, complete, with forklock and keys (not shown)	ALL

SADDLEBAGS - 1200T



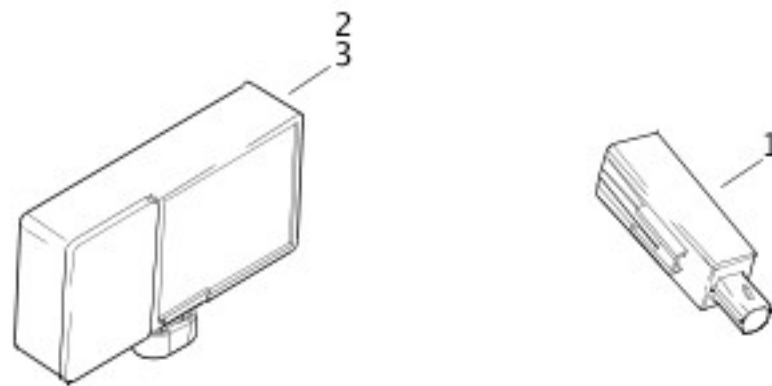
[View interactive image](#)

[View interactive table](#)

INDEX NO.	PART NO.	DESCRIPTION	MODEL(S)
1	7531	LOCKNUT (4)	XL1200T
2	8126A	PUSHNUT (8)	XL1200T

3	53126-10	BEZEL	XL1200T
4	92247-10	REFLECTOR (amber) (HDI)	XL1200T
5	10500062	SCREW (4)	XL1200T
6	14100598	MEDALLION (left)	XL1200T
	14100599	MEDALLION (right)	XL1200T
7	67900234	REFLECTOR KIT, with 8126A and 92247-10 (amber) (HDI)	XL1200T
	67900235	REFLECTOR KIT, with 8126A and reflector (red) (Domestic)	XL1200T
8	90201038	SUPPORT, saddlebag, front (2)	XL1200T
9	90201039	SUPPORT, saddlebag, rear (2)	XL1200T
10	90201040	SADDLEBAG ASSEMBLY, with lock (left)	XL1200T
	90201041	SADDLEBAG ASSEMBLY, with lock (right)	XL1200T
11	90201087	SADDLEBAG LOCK (2)	XL1200T

TURN SIGNAL MODULE AND SECURITY SIREN

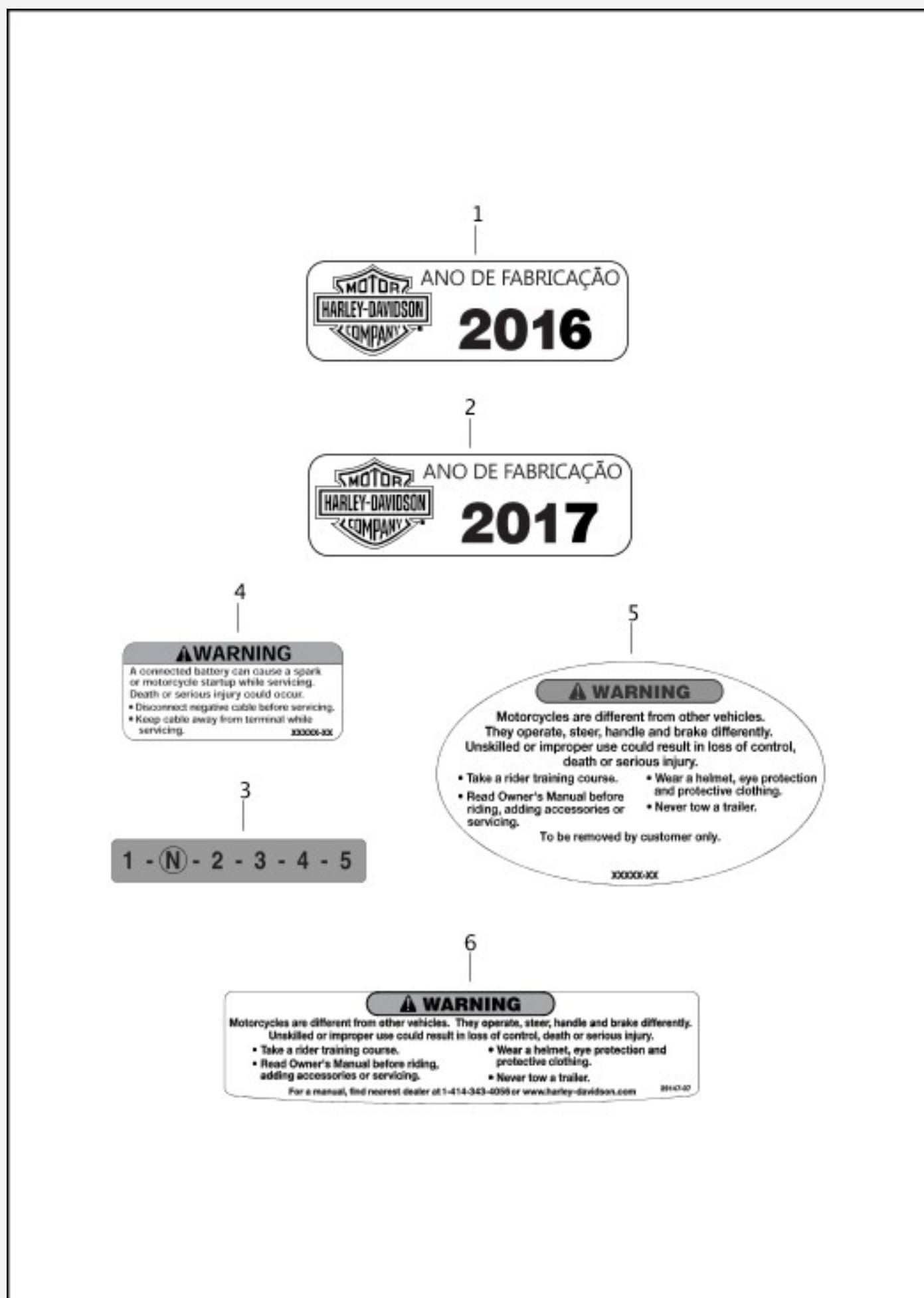


[View interactive image](#)

[View interactive table](#)

INDEX NO.	PART NO.	DESCRIPTION	MODEL(S)
1	68956-07	ANTENNA MODULE, security system	ALL
2	68958-07C	SIREN	ALL

LABELS

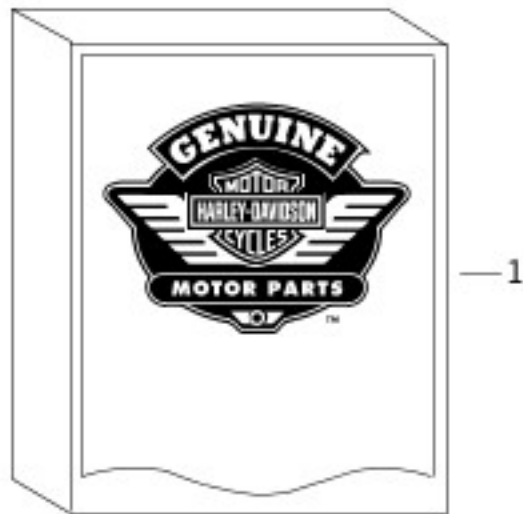


[View interactive image](#)

INDEX NO.	PART NO.	DESCRIPTION	MODEL(S)
1	13729-16	YEAR OF MANUFACTURING LABEL (Brazil)	ALL
2	13729-17	YEAR OF MANUFACTURING LABEL (Brazil)	ALL
3	14270-92	LABEL, shift (Japan)	ALL
4	15368-01A	LABEL, battery warning	ALL
5	15370-01A	LABEL, mirror warning	ALL
6	29127-95B	LABEL, air cleaner	XL1200C, XL1200CB, XL1200T, XL883L
	29147-07	LABEL, air cleaner	XL1200CX, XL1200X, XL883N

NOTE: When ordering any V.I.N., Emissions, or Noise Labels you must contact your local dealer with the V.I.N. number and model year of your motorcycle and the label type needed. Replacement V.I.N. and Emissions labels can only be ordered for warranty purposes through h-dnet Service eForm.

LOOSE PARTS



[View interactive image](#)

[View interactive table](#)

INDEX NO.	PART NO.	DESCRIPTION	MODEL(S)
1	90300111	REMOTE CONTROL FOB (except Japan) (2)	ALL
	90300112	REMOTE CONTROL FOB (Japan) (2)	ALL

	94000326	OWNERS KIT CONTENT (Domestic)	ALL
	93511-10	FIRST AID KIT (India Only)	XL1200C, XL1200X, XL883L, XL883N
	94435-10	TOOL KIT (India Only)	XL1200C, XL1200X, XL883L, XL883N
	99468-17	OWNERS MANUAL (English)	ALL
	90300034	KEY SET (if not keyless ignition)	ALL
	94000084	ABS DVD (ABS Models)	ALL
	72314-01	FUSE, main, 40 A	ALL
	72595-11	SEAL, fuse cover	ALL
	69200474	FUSE COVER	ALL
	57400322	WINDSHIELD ASSEMBLY	XL1200T

ALL SPORTSTERMAIN FUSE AND FUSE BLOCK COVER KIT1200T

Hardware List

[View interactive table](#)

PART NO.	DESCRIPTION
10200052	SCREW 1/4-20 X 39/64 TORX SEMS socket button head , with lockpatch
10200549	SCREW 5/16-18 X 1-3/8 hex head
1028	SCREW 5/16-18 X 2-1/2 SEMS socket head, with lockpatch
10300078	WASHER 14.4mm x 6.4mm x 1.6mm
1039	SCREW 5/16-18 X 2-1/2 hex flange head (Grade 8)
1048	SCREW 5/16-18 X 1-1/2 hex flange head
1081A	SCREW 10-24 X 0.895 SEMS pan head
1091	SCREW 10-24 X 9.5 SEMS socket head
2325	SCREW No. 6 X 3/4 cross recess pan head, self-tapping
2361	SCREW No. 8-32 X 3/8 socket countersink head, with lockpatch
2441	SCREW No. 10-24 X 1/2 TORX pan head
2444	SCREW No. 12-24 X 7/8 TORX head, with lockpatch
2445	SCREW 1/4-20 X 9/16 button head
2446	SCREW 1/4-20 X 5/8 TORX socket button head
2460	SCREW 5/16-18 X 1/2 socket countersink head
2479	SCREW 5/16-18 X 1-1/8 SEMS socket head

2481M	SCREW M5 X 0.8 X 16 TORX head, self-tapping
2486	SCREW 1/4-20 X 1 hex socket, SEMS/Lock
2501A	SCREW No. 8-32 X 3/8 hex head, self-tapping
2508	SCREW No. 10-32 X 1/2 socket head
2563	SCREW No. 10-24 X 5/8 TORX button head
2586A	SCREW M4 X 0.7 X 12 flat head
2607	SCREW 1/4-20 X 3/4 Pozidriv pan head (Grade 2)
2708A	SCREW 5/16-18 X 1 socket head
2773	SCREW 1/4-20 X 1/2 Pozidriv pan head (Grade 2)
2921	SCREW No. 12 X 5/8 TORX pan head
3018A	SCREW 10-24 X 3/8 TORX head
3022A	SCREW 1/4-20 X 5/8 socket fillister head, with lockpatch
3026	SCREW No. 10-32 X 1/2 socket button head
3029	SCREW No. 10-24 X 1 TORX head, with adhesive
3033	SCREW 1/4-20 X 3/4 hex socket button head
3056	SCREW 3/8-16 X 1-1/2 TORX button head
3075	SCREW 1/4-20 X 11/32 pan head
3085	SCREW 1/4-20 X 1/2 with washer
3123	SCREW 10-14 X 1.0 torx pan head
3124	SCREW 10-24 X 1/2 torx pan head with lock patch
3162	SCREW 5/16-18 X 1-1/4 hex head
3210A	SCREW 5/16-18 X 1-1/4 knurled head
3214	SCREW 3/8-16 X 1-1/4 socket head, thread-cutting
3244	SCREW M8 X 1.25 X 12
3387	SCREW No. 10-16 X 1.0 TORX pan head, self-tapping
3480A	SCREW 1/4-20 X 1-3/4 knurled head (Grade 8)
3514	SCREW No. 8-32 X 1 fillister head (Grade 5)
35211-91B	NUT 1-1/2-24 X .350 X 1-7/8 hex head
3563	SCREW 1/4-20 X 3/8 hex flange head (Grade 5)
3574	SCREW 1/4-20 X 3/4 flange
3579A	SCREW 1/4-28 X 1/4 SEMS hex head, self-tapping (Grade 2)

3588	SCREW 1/4-20 X 1/2 hex flange head
3594	SCREW 1/4-20 X 5/8 knurled head (Grade 8)
3605	BOLT 1/2-13 X 2-1/2 hex head (Grade 5)
3615	SCREW No. 8-32 X 1, pan head, thread-cutting
3655A	SCREW 5/16-18 X 7/8 TORX pan head, with lockpatch (Grade 8)
3658	SCREW No. 10-24 X 1/2 TORX head (Grade 5)
3666A	SCREW No. 10-24 X 1.500 TORX recessed head, with washer
3691	SCREW No. 8-32 X 5/8 socket button head
3696	SCREW 5/16 X 3/4 TORX pan head (Grade 5)
3849	SCREW 1/4-20 X 1-1/4 SEMS hex head (Grade 8)
3854	SCREW 7/16-14 X 1, hex head (Grade 8)
3899	SCREW 7/16-14 X 1-3/4 hex head, with lockpatch
3976	SCREW 1/4-20 X 1 hex flange head (Grade 5)
3987	BOLT 5/16-18 X 3/4 hex head (Grade 5)
4016	SCREW 5/16-18 X 1.0 socket button head
4017	BOLT 5/16-18 X 1 hex head (Grade 5)
4029A	SCREW 3/8-16 X 2-1/4 socket head (black)
4032A	SCREW 3/8-16 X 2-1/2 socket head
4076	SCREW 3/8-16 X 1/2 socket head
4091	SCREW No. 10-24 X 1/2 hex head, with washer, self-tapping (zinc)
41191-74A	SCREW 1/2-20 X 5/8 hex socket flat head, with lockpatch
4132	SCREW 1/4-20 X 1-1/8 TORX button head (Grade 5) (black)
4180	SCREW 3/8-16 X 1-1/2 TORX button head
4188	SCREW 3/8-16 X 1-1/4 TORX button head
4190	SCREW 3/8-16 X 3/4 TORX button head
4266A	SCREW 3/8-16 X 7/8 button head (Grade 5)
4290	SCREW 3/8-16 X 1-1/4, TORX button head (Grade 5)
4312C	SCREW M6 X 1.0 X 14mm, SEMS flange head (stainless)
4352	SCREW 3/8-16 X 1-1/2 TORX, self-tapping (Grade 8)
43567-92	SCREW 3/8-16 X 1 TORX pan head, with lockpatch

4359	SCREW 5/16-18 X 7/8 socket button head
4365	SCREW 1/4-20 X 1/2 socket button head (Grade 8)
4402	SCREW 5/16-18 X 3/8 button head socket (stainless)
4420	SCREW 3/8-16 X 2.75 hex head (Grade 5)
45405-75A	SCREW M8 X 1.25 x 27 hex socket head
45500118	SCREW M14 X 1.25 X 25 hex socket cap (zinc)
45500132	SCREW M8 X 1.25 X 45 hex socket cap (Grade 8.8)
46509-01	WASHER 30 X 43 X 2.3
4705	SCREW 1/4-20 X 11/16 SEMS socket head, with lockpatch
4717A	SCREW 1/4-20 X 2-1/4 knurled head, with lockpatch
4718A	SCREW 1/4-20 X 1-1/2 knurled head, with lockpatch
4724	BOLT 3/8-24 X 1-1/2 hex head (Grade 5)
4740A	SCREW 1/4-20 X 1-1/4 knurled head, with lockpatch (Grade 8)
4741A	SCREW 1/4-20 X 1 socket head, with lockpatch
4748	SCREW 3/8-16 X 1-1/8 socket head (Grade 8)
4751	SCREW 1/4-20 X 3/4 hex head, with lockpatch (Grade 8) (zinc)
4758A	SCREW 5/16-18 X 3.48 socket head (Grade 8)
4765	SCREW 1/4-20 X 2-5/8 SEMS socket head, with lockpatch (Grade 8) (zinc)
4771	SCREW 5/16-18 X 4-1/4 socket head (Grade 5)
4778	SCREW 5/16-18 X 1-3/8 TORX button head
4779	SCREW 5/16-18 X 1-3/4 TORX button head
4798	SCREW 1/4-20 X 5/8
4820A	SCREW 1/4-20 X 2 socket head
4858M	SCREW M6 X 1.0 X 10 button head with lockpatch
4871	SCREW 1/4-20 X 29/64 flange head
4975M	SCREW M6 X 1.0 X 20 hex socket head cap with lock patch
4978	SCREW 5/16-18 X 1.5 hex socket head cap
4991	SCREW M6 torx pan head,
5403B	BOLT 1/4-20 X 3/8 carriage
5414	BOLT 3/8-16 X 7/8 carriage (Grade 5)

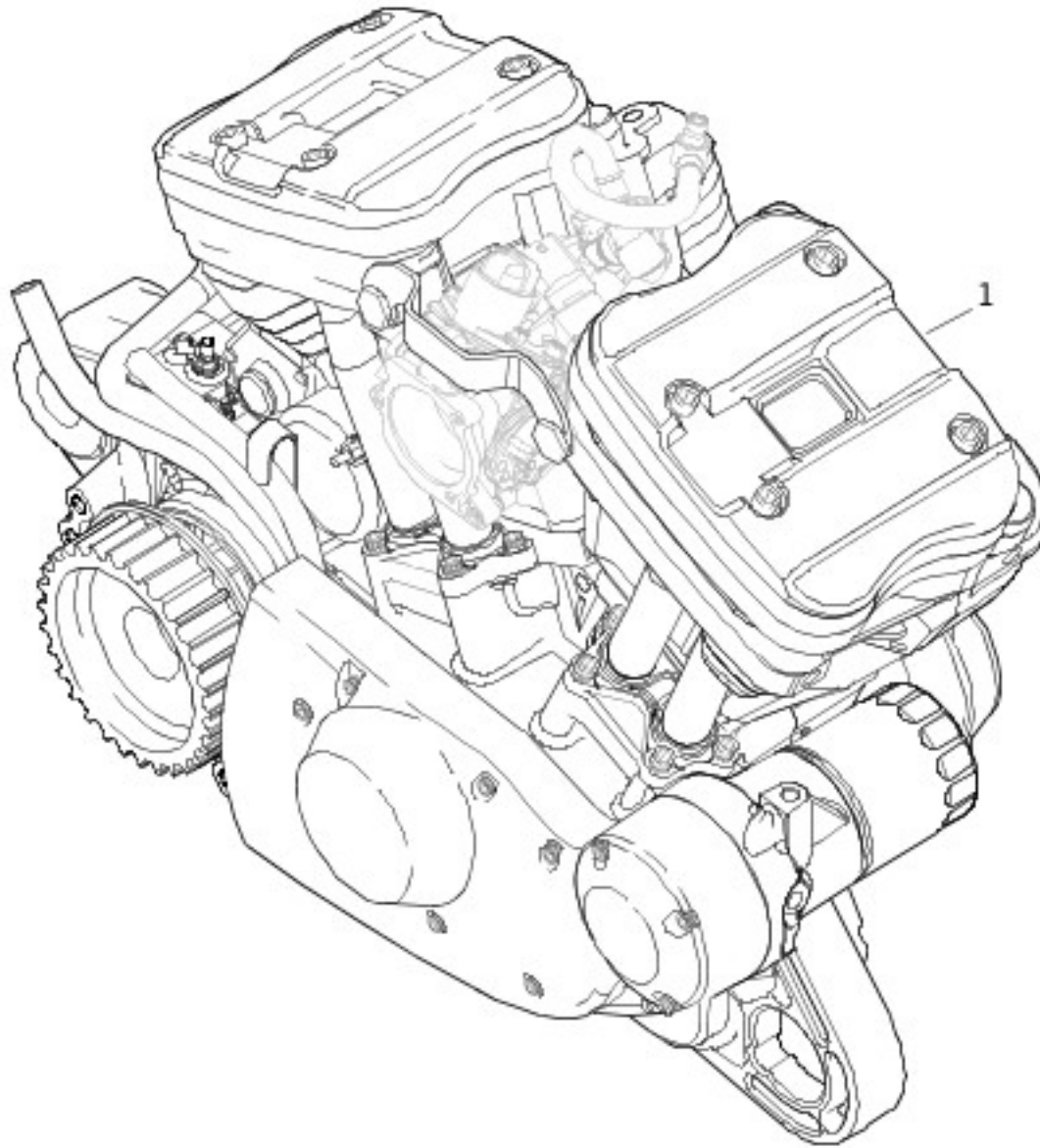
54321-85	NUT No. 8-32 X 1/2 X 1/8 (brass)
5925	WASHER 29 X 39 X 2-19/64
6003	WASHER 1-3/16 X 1-3/8 X 11/16
6026	WASHER 3/8 X 7/8 X 7/64
6029	WASHER 5/32 X 3/8 X 1/32
6101	WASHER 17/64 X 27/64 X 1/16
6109	WASHER 5/16 X 11/16 X 1/8
6152	SPACER 13/32 X 1.0 X 5/16
6157	WASHER 27/64 X 5/8 X 1/64 heat treated
6237	WASHER 5/16 X 1-1/8 X 5/64
6288	WASHER 17/32 X 25/32 X 1/32
6516HW	WASHER 7/16 X 1-1/8 X 1/8
6551	WASHER 1 X 1-5/8 X 1/8 hardened
6590HW	WASHER 1/2 X 1-1/8 X 3/32
6594	WASHER 5/8 X 1-1/8 X 3/32
6701	WASHER 3/8 X 13/16 X 1/16
6702	WASHER 5/16 X 11/16 X 1/16
6703	WASHER 1/4 X 5/8 X 1/16
6716	WASHER No. 10 X 1/2 X 3/64
6738	WASHER 17/32 X 7/8 X 7/64
6787	WASHER 7/16 X 13/16 X 5/64 flat
6792	WASHER 0.5 X 0.9 X 0.104
67956-96	SCREW 1/4-20 X 3/4 socket flat head
6798	WASHER 5/16 X 1/2 X 1/32
68026-99	SCREW No. 8-32 X 1 Phillips pan head (stainless)
68042-99	SCREW No. 8-32 X 3/8 TORX head
68120-00	SCREW No. 8-32 x 1-2 TORX head, self-tapping
7038	LOCKWASHER 3/8
7039	LOCKWASHER 7/16
7042	LOCKWASHER 5/16 high collar
7045	LOCKWASHER 3/8 high collar

7068	LOCKWASHER 1/2
7080	WASHER 9/16 X 3/4 X 1/4
7155	LOCKWASHER 5/16 internal tooth (black)
7220	LOCKWASHER No. 10 external tooth
7331	ACORN NUT 5/16-24
7357	BULLET NUT 5/16-24 (black)
7468M	NUT M10 X 1 X 6
7477	NUT M8 X 1.25
7495	NUT M6 flange
7531	LOCKNUT 5/16-18 X 9/32 X 1/2 flange
7549A	ACORN NUT 5/16-18 X 9/16 X 1/2
7593	NUT 5/16-24 flange
7606	LOCKNUT No. 8-32 X 1/4 X 1/4 hex (chrome)
7624	LOCKNUT No. 10-24 X 1/4 X 3/8
7651A	ACORN NUT No. 12-24 (Grade 2) (chrome)
7716	LOCKNUT 1/4-20 X 7/16 flange
7725	LOCKNUT 5/16-24 X 11/32 X 1/2
7766	LOCKNUT 5/16-18 flange
7778	LOCKNUT 3/8-16 X 7/16 X 9/16
7783	NUT 3/8-16 X 5/16 X 9/16 (Grade 2)
7792	NUT 1/4-20 X 1/4 (Grade 2)
7800W	NUT 3/8-24 X 5/16 X 9/16 (Grade 2)
7804	LOCKNUT 1/2-13 X 15/32 X 7/8 self-sealing
7813A	NUT 5/8-18 X 9/16 X 15/16 (Grade 2)
7838	NUT No. 10-24 keps
7839	NUT 3/4-16 X 21/32 flange (Grade 2)
7862	ACORN NUT 3/8-16 (chrome)
7878	NUT No. 10-24 X 7/32 X 3/8 flange
7880	NUT 1/2-13 X 7/16 X 3/4 (Grade 2)
7916A	JAMNUT 5/8-18

8020	NUT M24 X 2.0 X 15
8108	SPEEDNUT 1/4-20
8199M	NUT M10 X 1.0
8329	SCREW button, TORX
8336	SCREW 5/16-18 X 1-1/4 hex head
835	SCREW 5/16-18 X 3 flange head, with lockpatch
8972	WASHER 1-1/4 X 1-53/64 X 1/8
927A	SCREW 1/4-20 X 3/4 button head (Grade 8)
940	SCREW 1/4-20 X 3/4 TORX button head
943	SCREW 1/4-20 X 5/8 socket button head
946	SCREW 1/4-20 X 2-1/4 socket button head, with lockpatch (Grade 8)

New Parts List

ENGINE ASSEMBLY

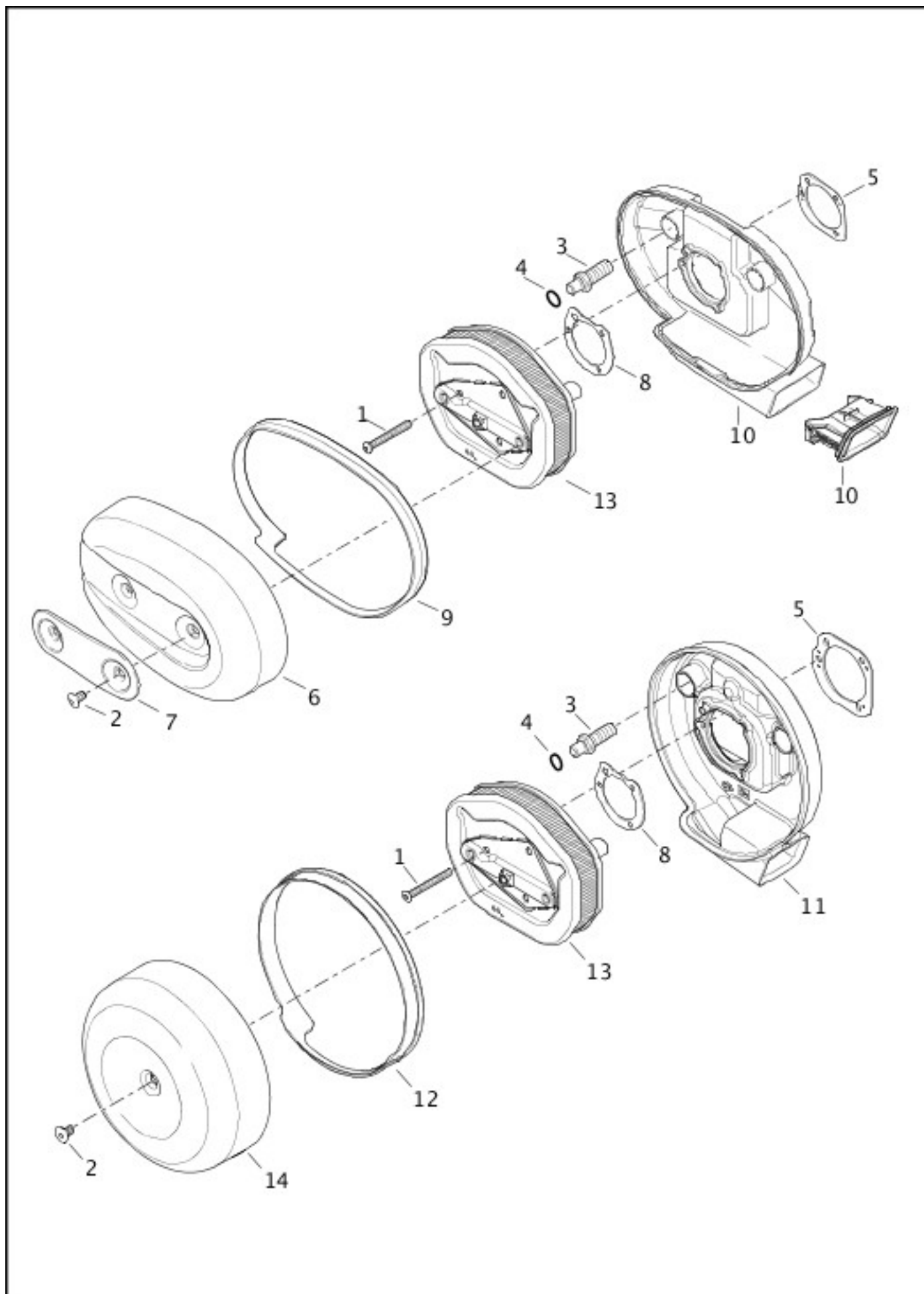


[View interactive table](#)

INDEX NO.	PART NO.	DESCRIPTION	MODEL(S)
1	19519-17	ENGINE ASSEMBLY (883cc) (World)	XL883N
	19527-17	ENGINE ASSEMBLY (1200cc) (Domestic, California, Canada)	XL1200C, XL1200T
	19566-17	ENGINE ASSEMBLY (883cc) (World)	XL883L
	19606-17	ENGINE ASSEMBLY (1200cc) (HDI)	XL1200C, XL1200T

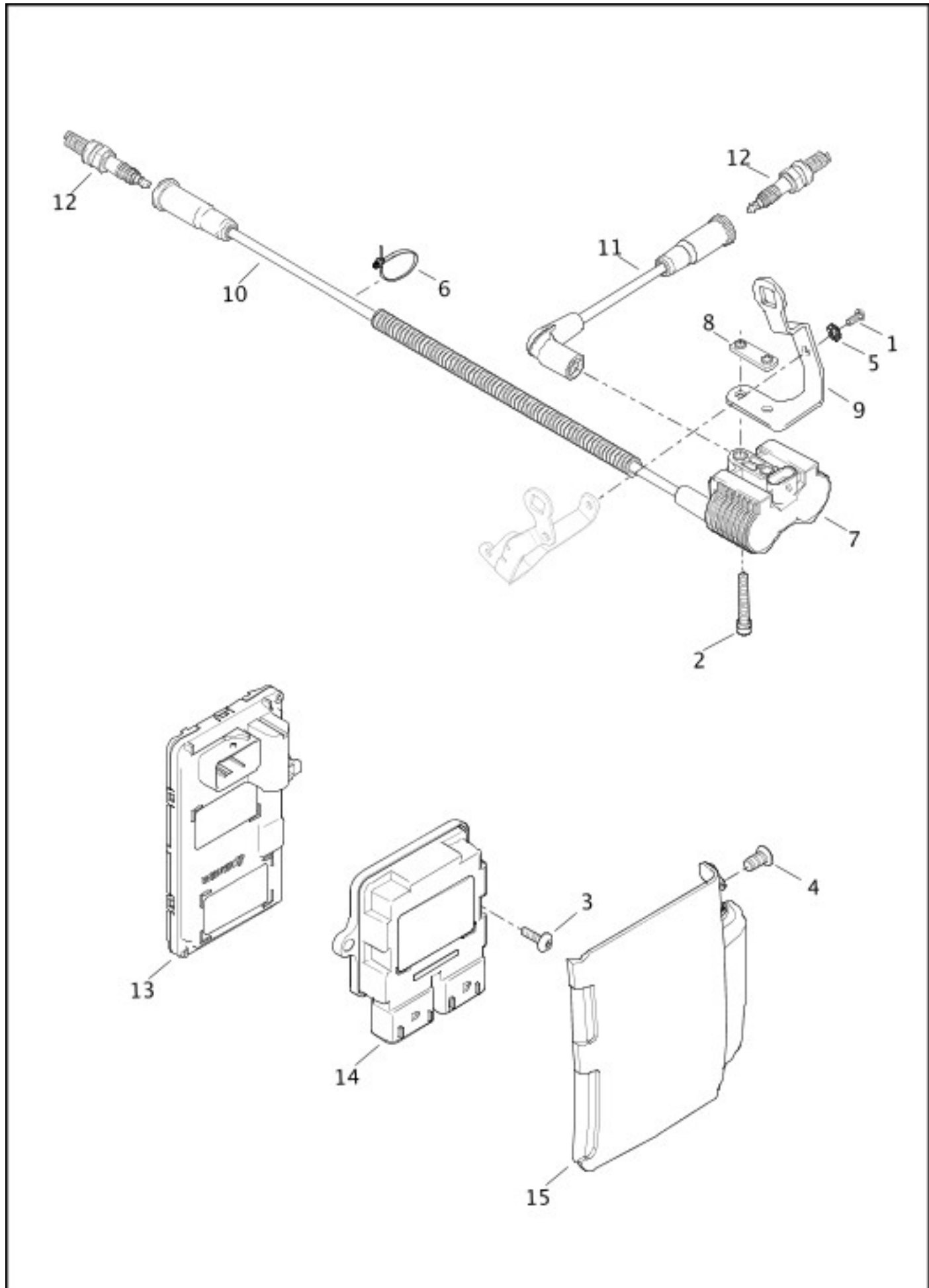
	19766-17	ENGINE ASSEMBLY (1200cc) (Domestic, California, Canada)	XL1200X
	19767-17	ENGINE ASSEMBLY (1200cc) (HDI)	XL1200X
	19905-17	ENGINE ASSEMBLY (1200cc) (HDI)	XL1200CB
	20115-17	ENGINE ASSEMBLY (1200cc) (World)	XL1200CX

AIR CLEANER



INDEX NO.	PART NO.	DESCRIPTION	MODEL(S)
10	29369-07B	BACKPLATE ASSEMBLY, with insert	XL1200C, XL1200CB, XL1200CX, XL1200T, XL883L
11	29000015A	BACKPLATE ASSEMBLY	XL1200X, XL883N

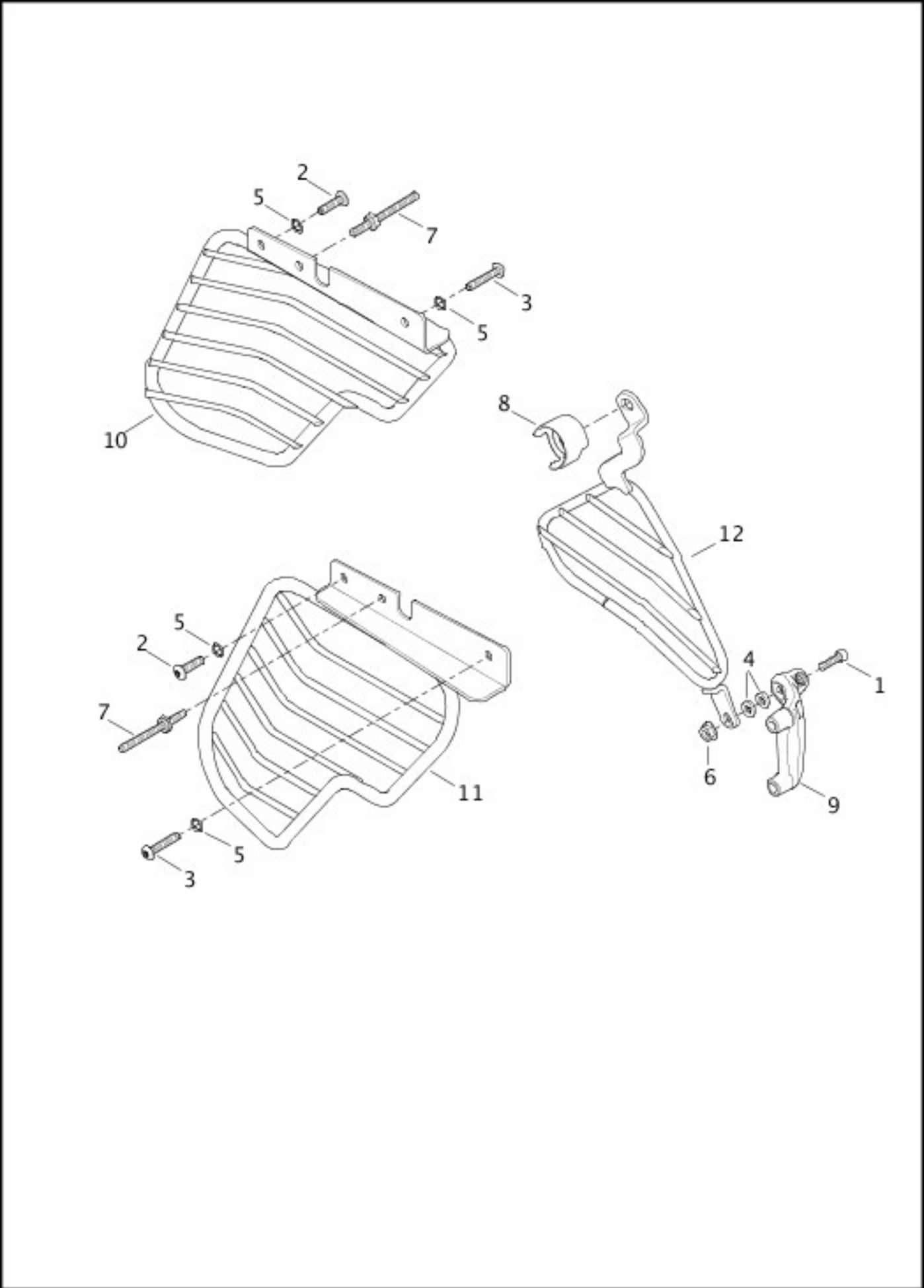
ELECTRONIC IGNITION SYSTEM



View interactive table

INDEX NO.	PART NO.	DESCRIPTION	MODEL(S)
4	2445	SCREW	ALL
13	41000351A	BODY CONTROL MODULE (BCM) (non-security)	ALL
	41000341A	BODY CONTROL MODULE (BCM) (security) (except Japan)	ALL
	41000342A	BODY CONTROL MODULE (BCM) (security) (Japan)	ALL
14	41000326	ELECTRONIC CONTROL MODULE (ECM)	ALL
15	69201363	COVER	ALL

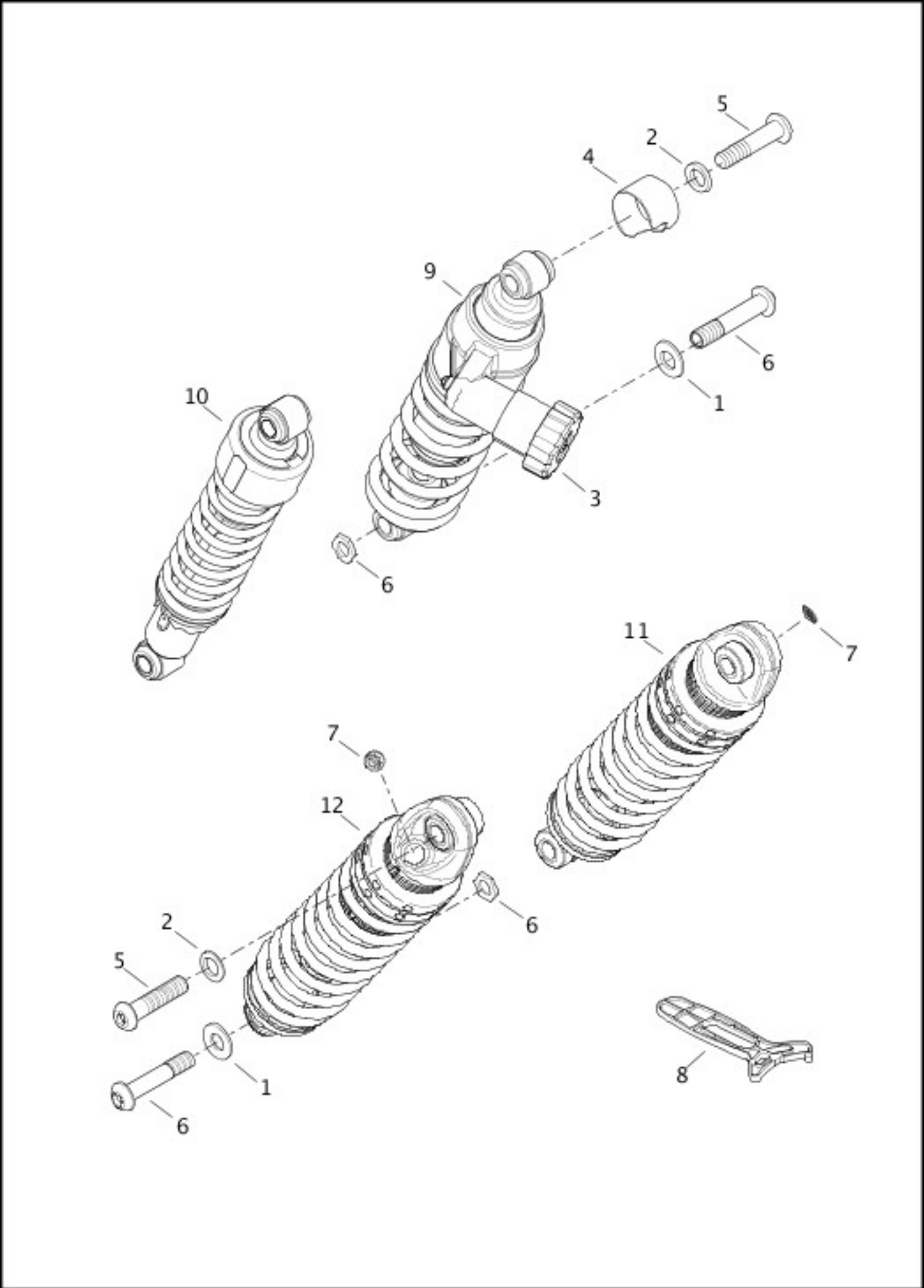
GUARDS, SAREE



[View interactive table](#)

INDEX NO.	PART NO.	DESCRIPTION	MODEL(S)
	60300154	SAREE GUARD, rear (left)	XL1200CX

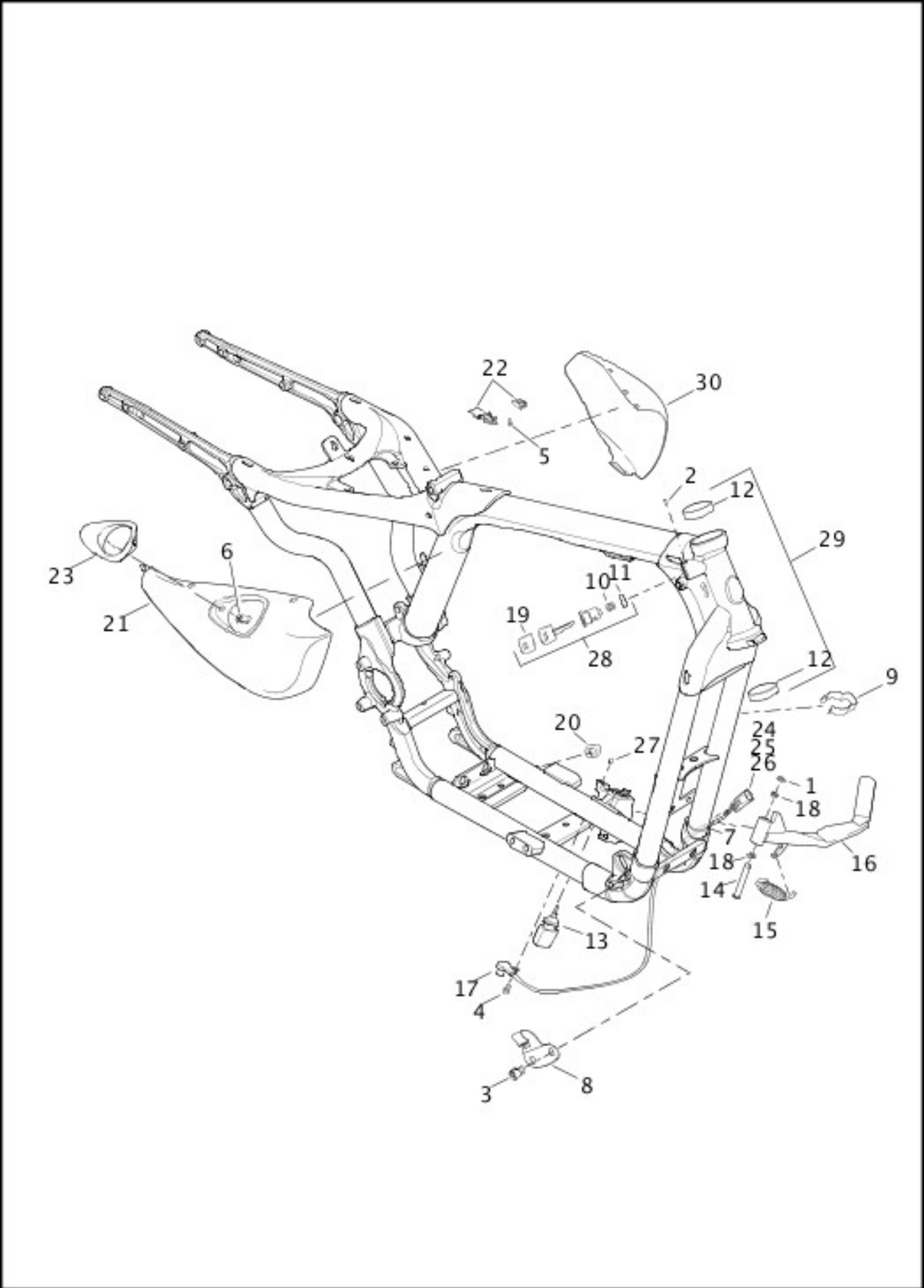
[SHOCK ABSORBERS, REAR](#)



[View interactive table](#)

INDEX NO.	PART NO.	DESCRIPTION	MODEL(S)
6	10200486	KIT, includes 6792, 76259-86, screw (2) (2)	ALL

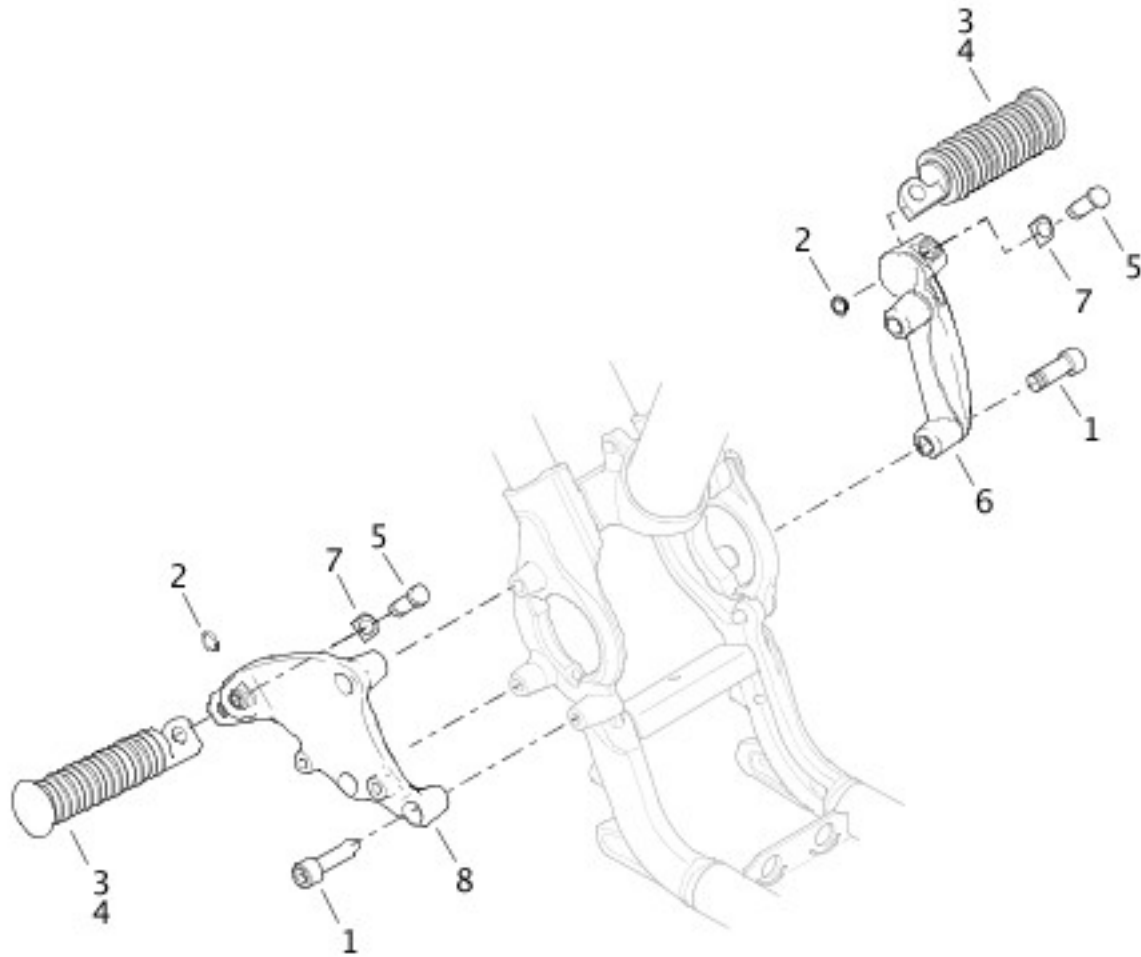
[FRAME AND JIFFY STAND](#)



[View interactive table](#)

INDEX NO.	PART NO.	DESCRIPTION	MODEL(S)
29	47000140	FRAME, with bearing cups (gloss black) (India only)	XL1200C, XL1200X, XL883L, XL883N
29	47000144	FRAME, with bearing cups (denim black) (India only)	XL1200CX

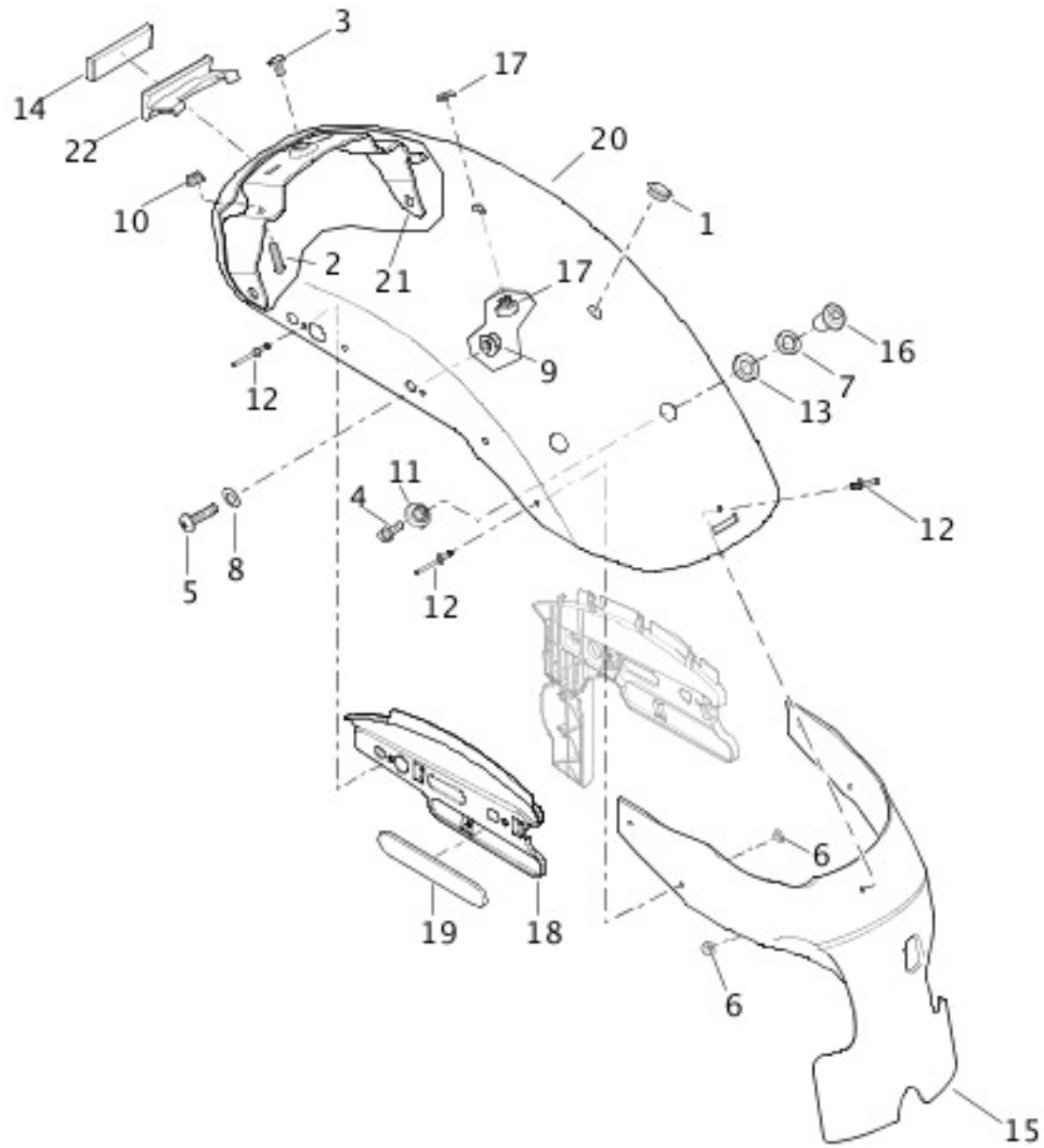
[FOOTRESTS, PASSENGER](#)



[View interactive table](#)

INDEX NO.	PART NO.	DESCRIPTION	MODEL(S)
	50500227	BRACKET (left) (India)	XL1200C, XL1200CX

[FENDERS, REAR - XL1200CX \(DOMESTIC ONLY\)](#)

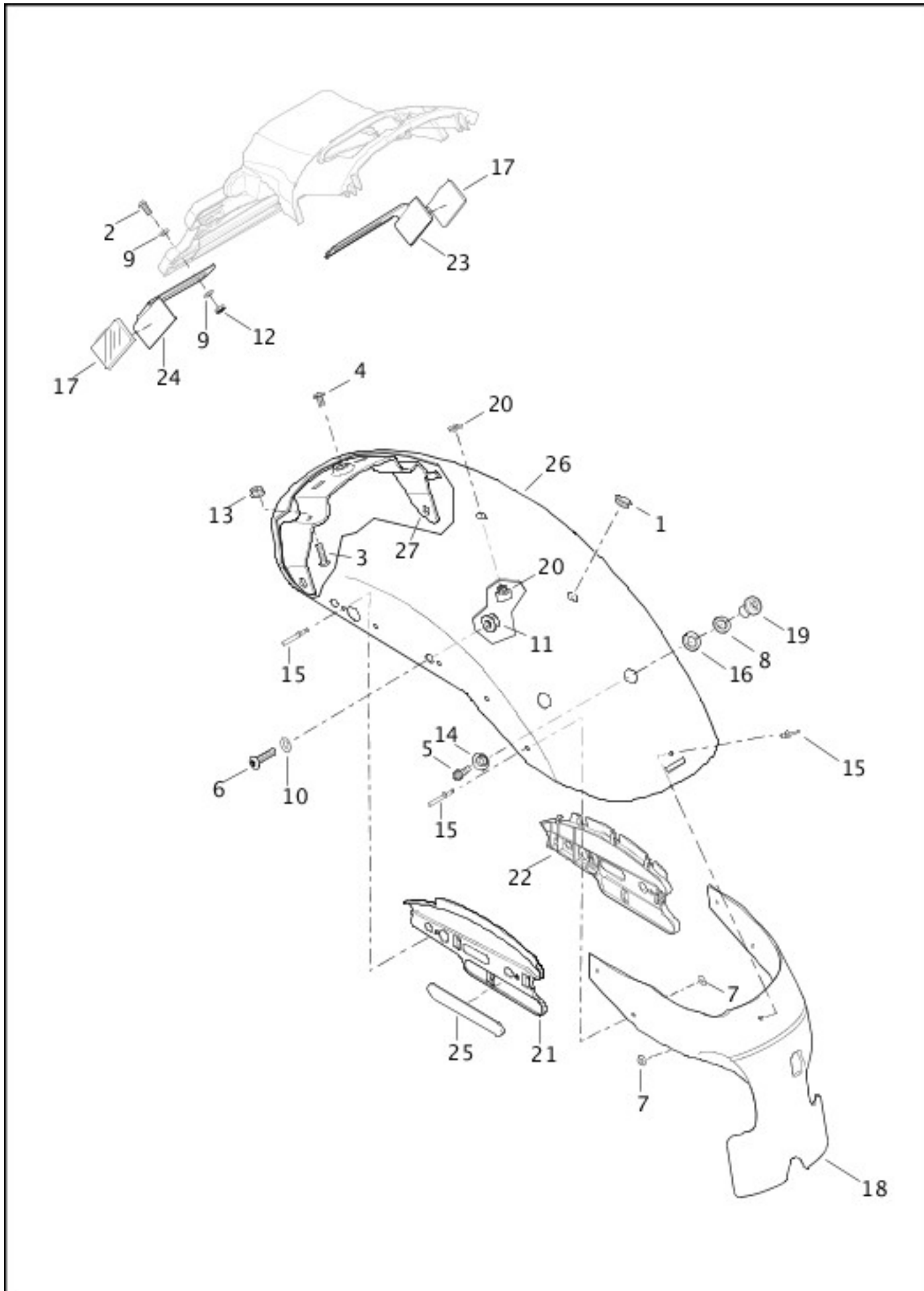


[View interactive table](#)

INDEX NO.	PART NO.	DESCRIPTION	MODEL(S)
2	2563	SCREW (2)	XL1200CX
10	7878	NUT (2)	XL1200CX
19	69490-07	REFLECTOR (2)	XL1200CX
20	59500376	FENDER, rear (prime)	XL1200CX

21	59500408	FENDER SUPPORT	XL1200CX
22	67900285	BRACKET	XL1200CX

FENDERS, REAR - XL1200CX (CANADA AND HDI ONLY)

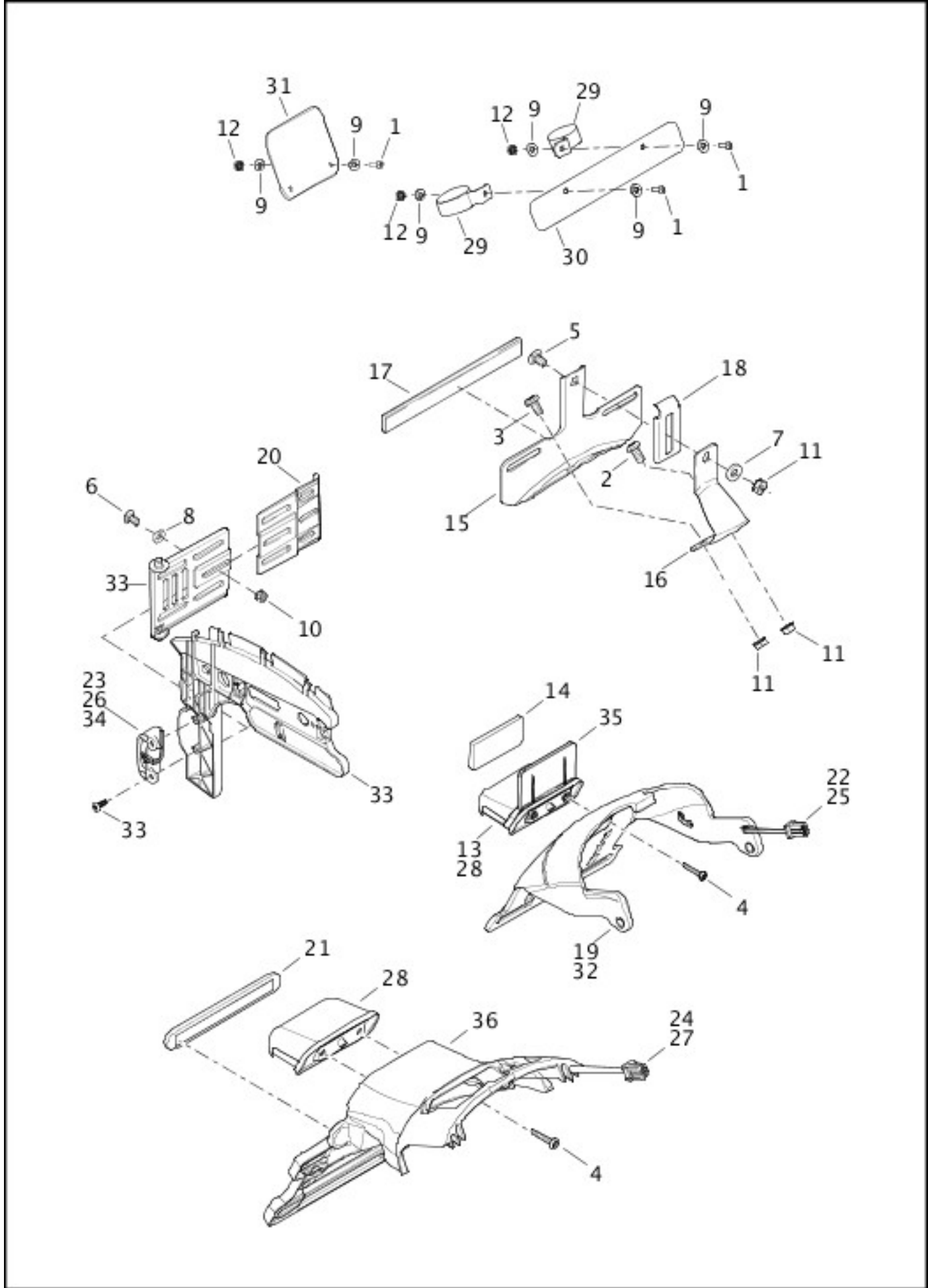


[View interactive table](#)

INDEX NO.	PART NO.	DESCRIPTION	MODEL(S)

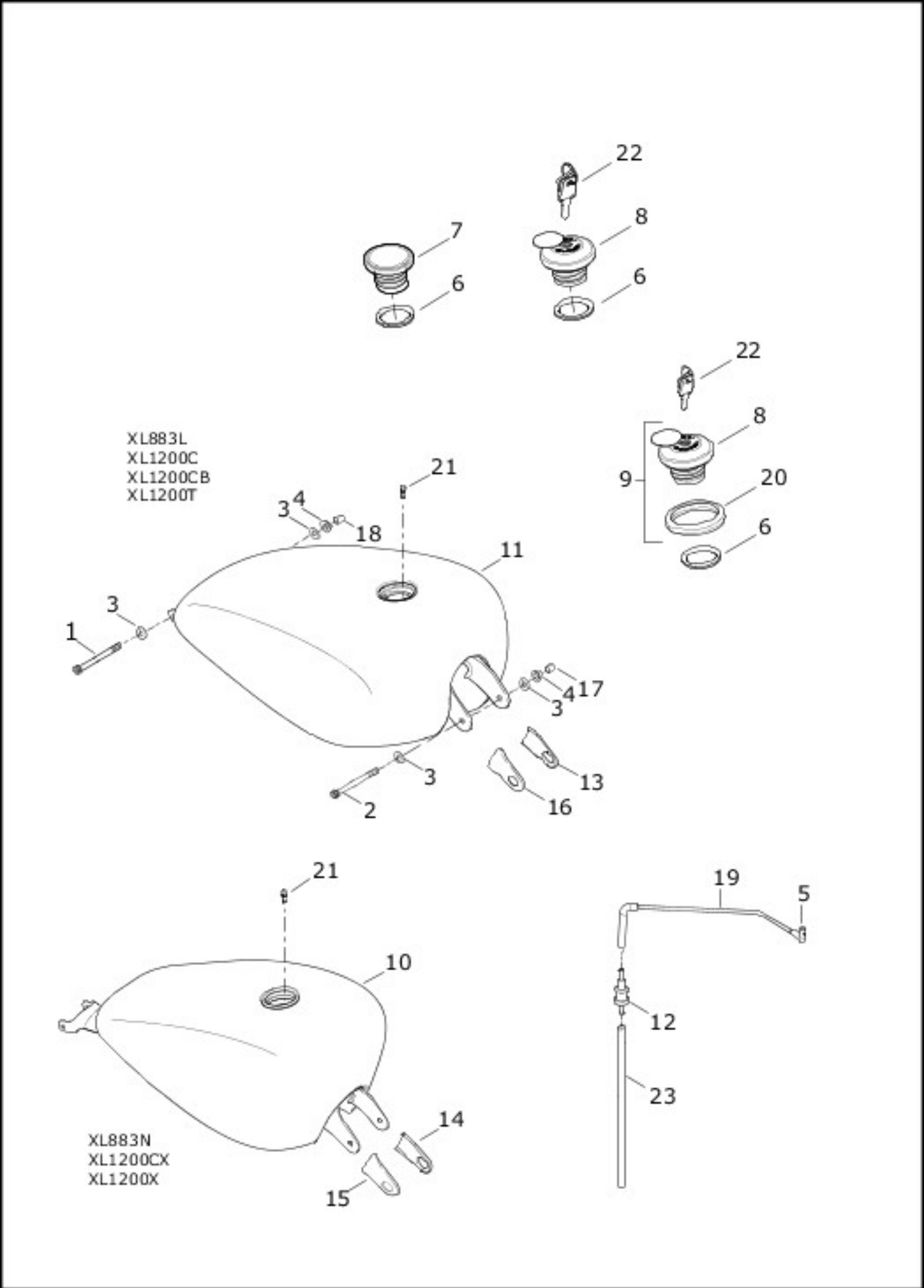
3	2563	SCREW (2)	XL1200CX
13	7878	NUT (2)	XL1200CX
25	69490-07	REFLECTOR (Canada) (2)	XL1200CX
	69498-08	REFLECTOR (HDI) (2)	XL1200CX
26	59500376	FENDER, rear (prime)	XL1200CX
27	59500408	FENDER SUPPORT	XL1200CX

LICENSE PLATE BRACKETS - XL883N, XL1200CX, XL1200X



[View interactive table](#)

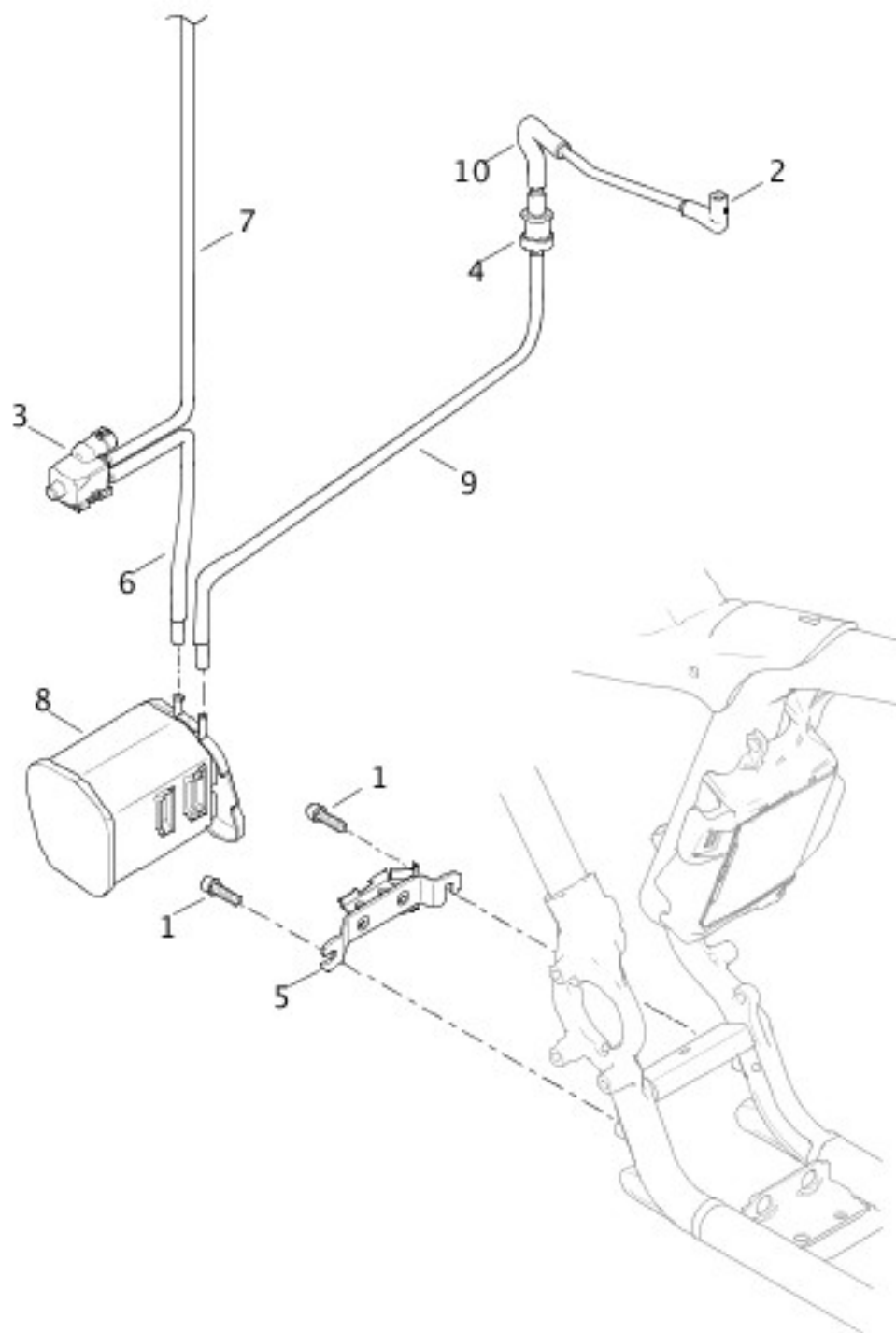
INDEX NO.	PART NO.	DESCRIPTION	MODEL(S)
	10800123	P-CLAMP, 56 mm (India) (2)	XL1200CX
30	67900010	LICENSE PLATE, front (India)	XL1200CX



[View interactive table](#)

INDEX NO.	PART NO.	DESCRIPTION	MODEL(S)
21	61100096	VAPOR VENT	ALL

EVAPORATIVE EMISSIONS COMPONENTS

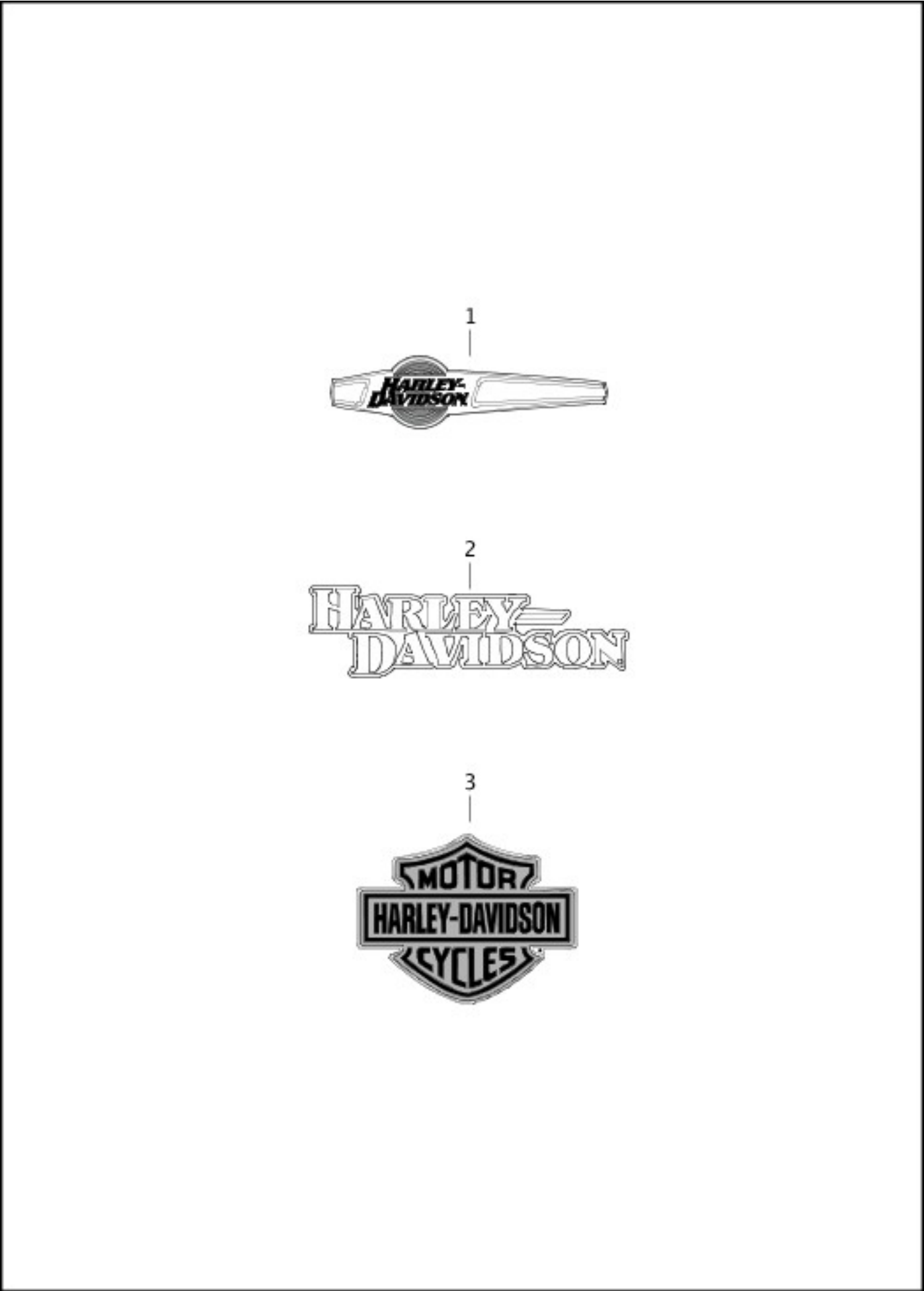


[View interactive table](#)

INDEX NO.	PART NO.	DESCRIPTION	MODEL(S)
3	27715-07	PURGE SOLENOID	ALL
6	60800045	HOSE, canister-to-purge solenoid	ALL
7	60800023	HOSE, purge solenoid-to-induction module	ALL
8	60800031	CANNISTER	ALL

9	60800042	HOSE, canister-to-vapor valve	ALL
---	----------	-------------------------------	-----

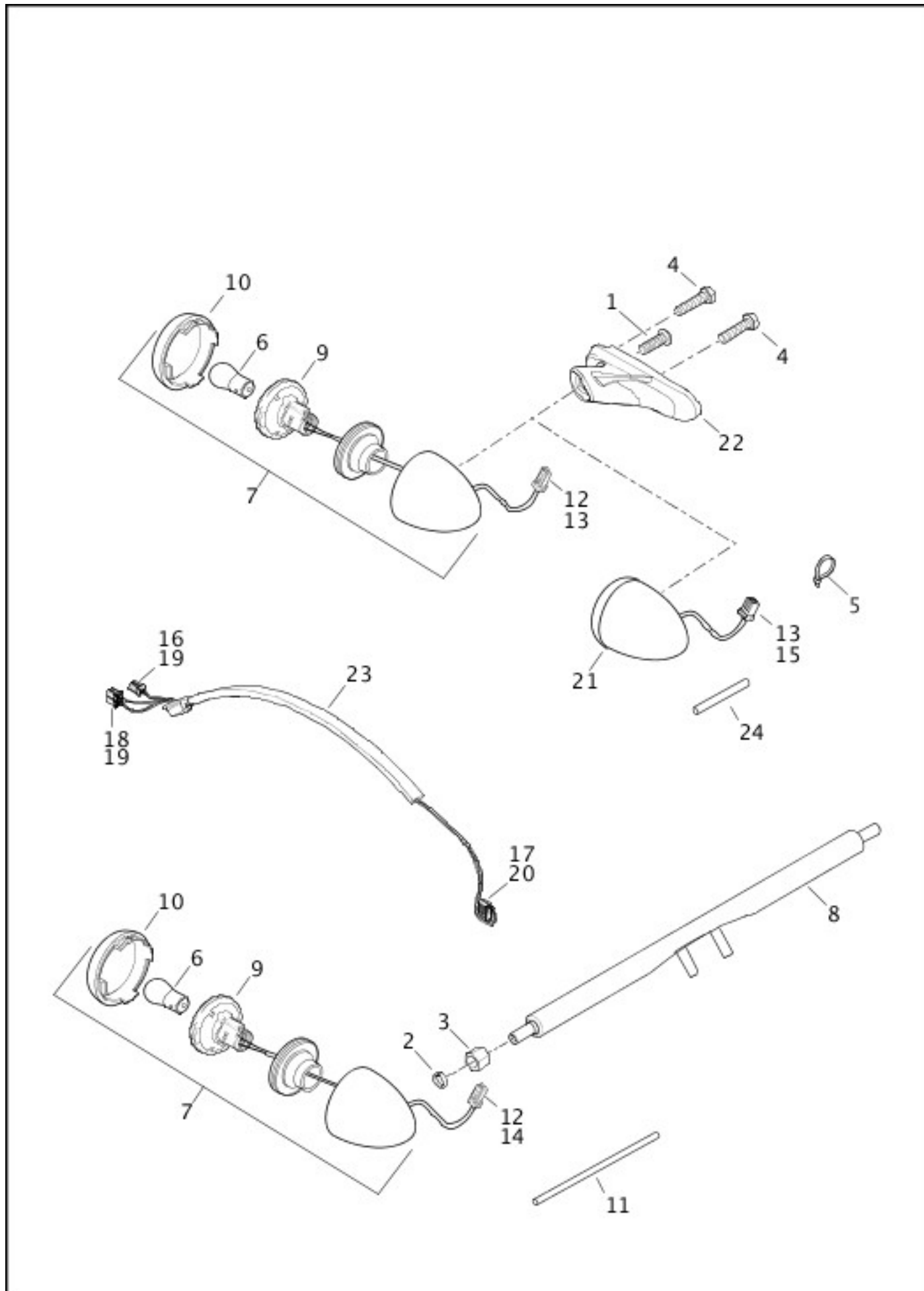
FUEL TANK TRIM



[View interactive table](#)

INDEX NO.	PART NO.	DESCRIPTION	MODEL(S)
	14100707BAEC	MEDALLION (left) (for corona yellow pearl tanks)	XL1200C

TAIL LAMPS AND TURN SIGNALS, REAR - XL1200CX, XL1200T

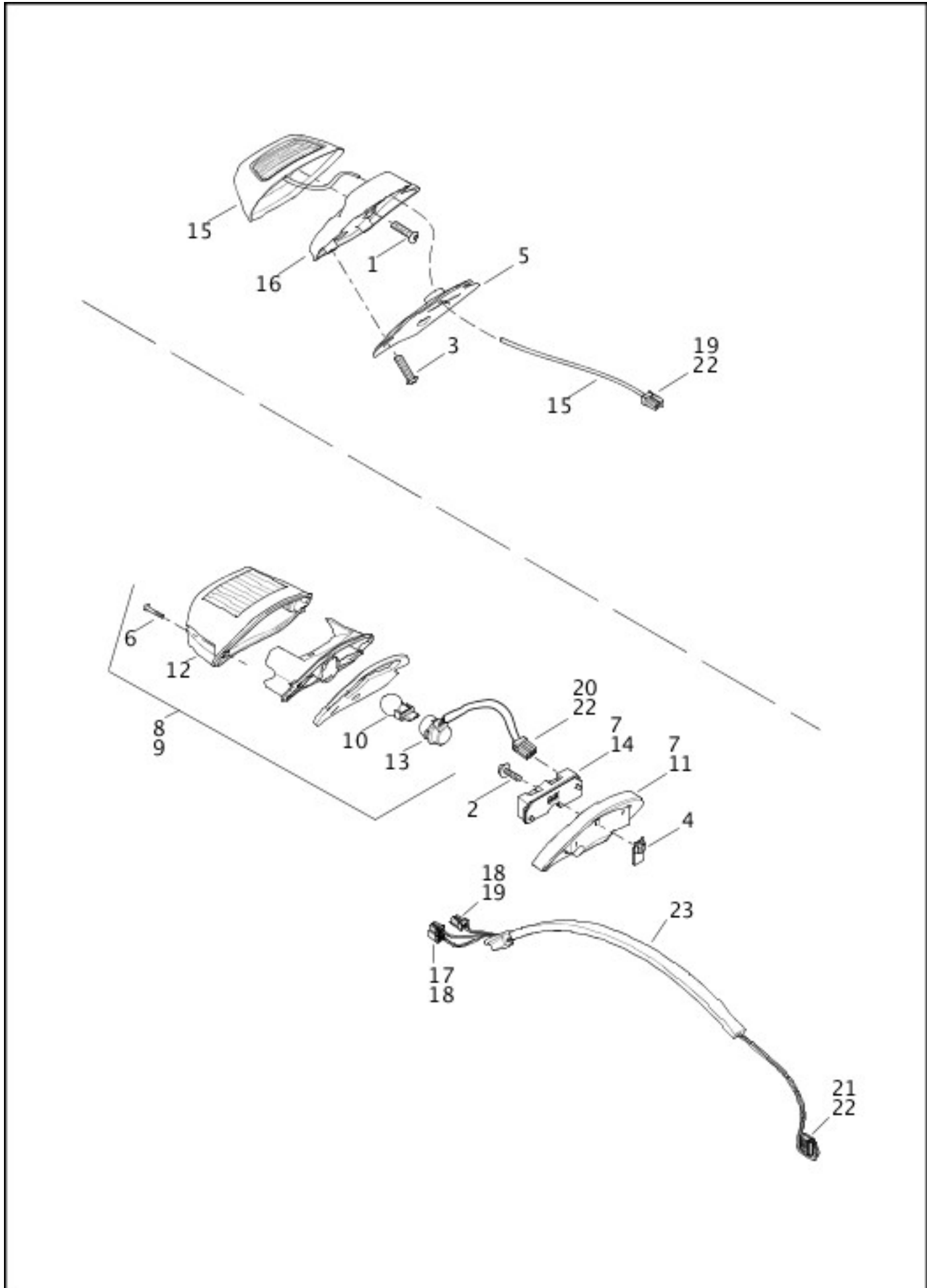


[View interactive table](#)

INDEX NO.	PART NO.	DESCRIPTION	MODEL(S)
1	4016	SCREW (2)	XL1200CX

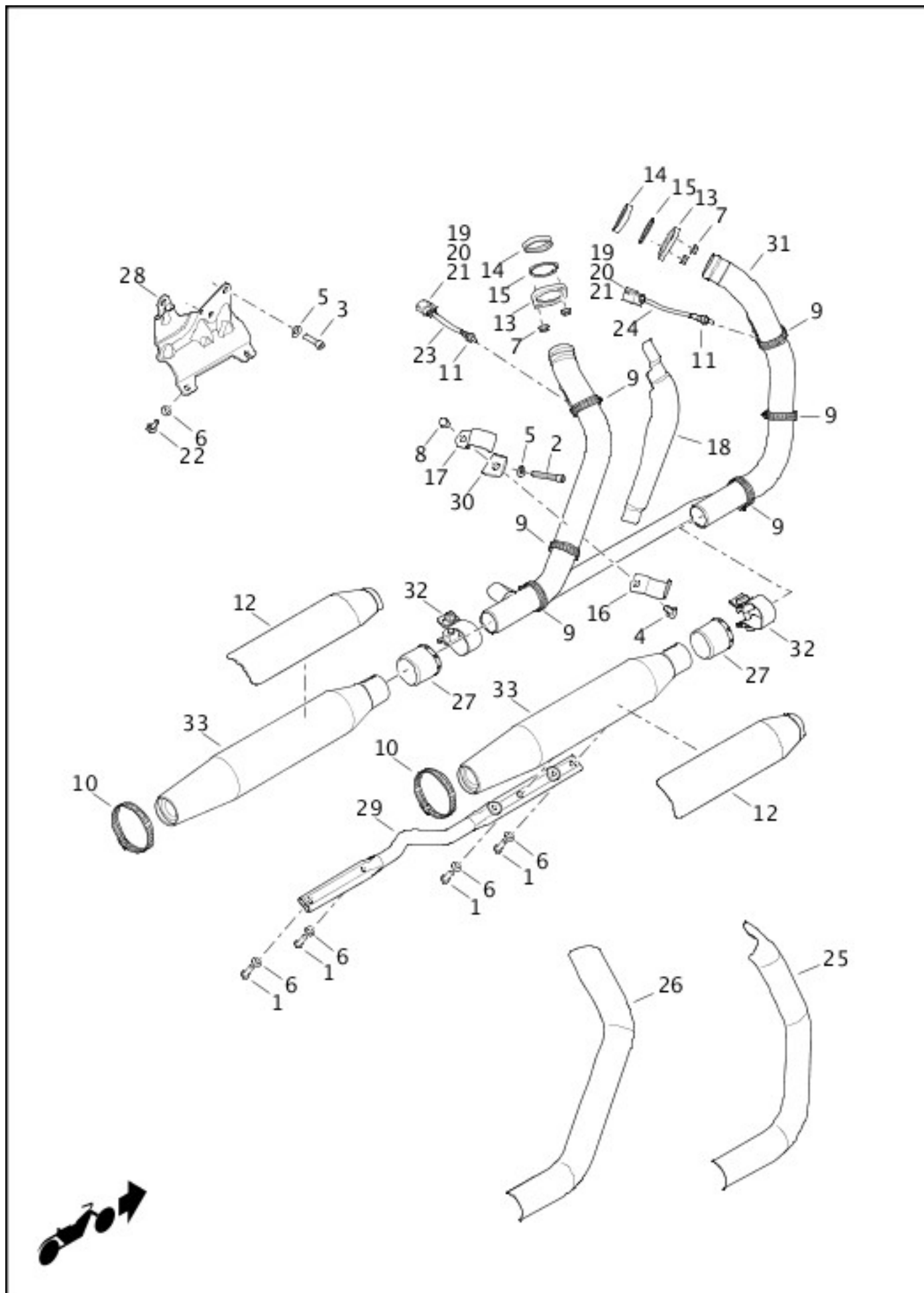
4	8336	SCREW (Except India) (4)	XL1200CX
	10200549	SCREW (India) (4)	XL1200CX
5	10065	CABLE STRAP	XL1200CX
22	67800646	SUPPORT (2)	XL1200CX
24	69201650	CONDUIT	XL1200CX

TAIL LAMPS



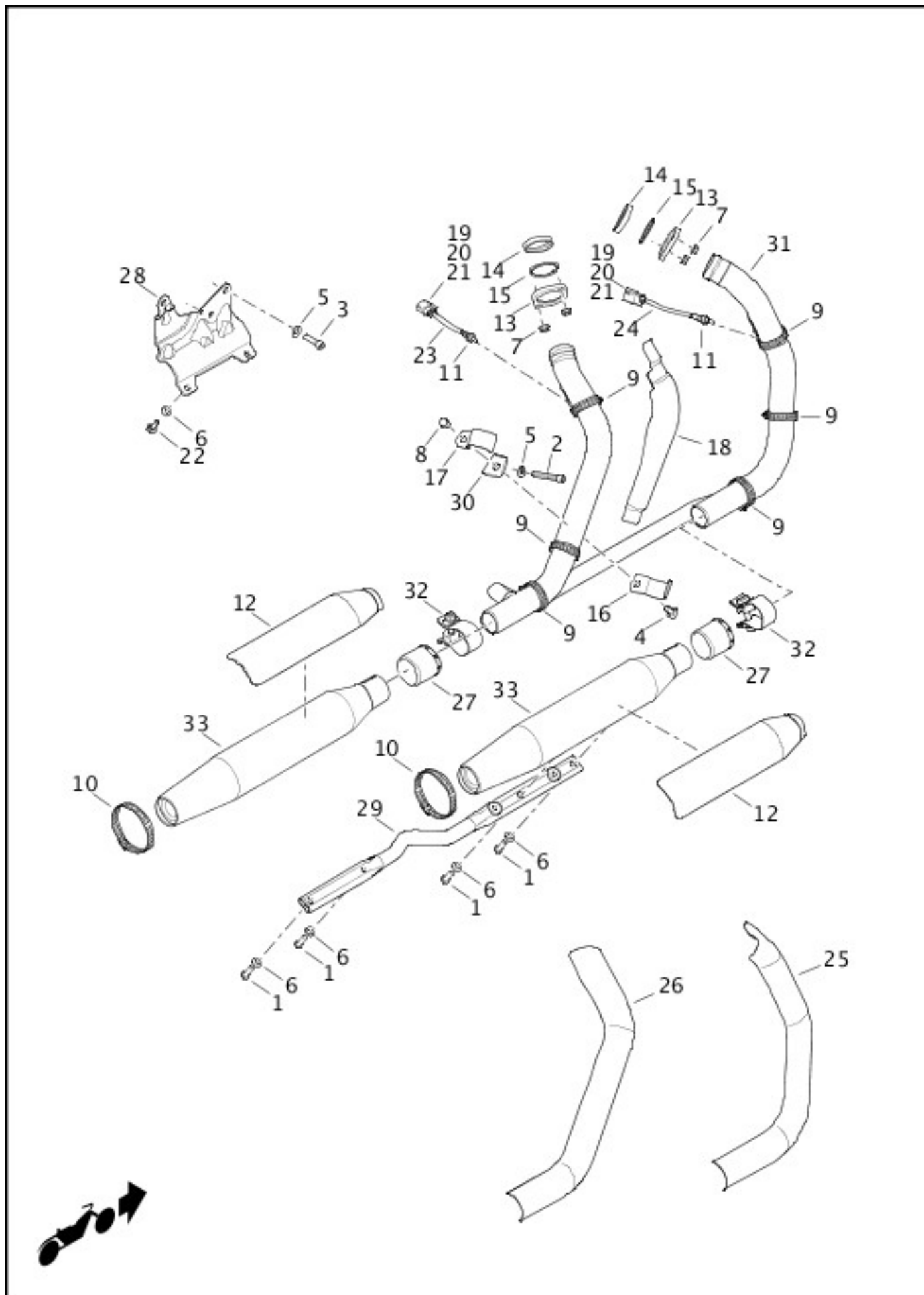
INDEX NO.	PART NO.	DESCRIPTION	MODEL(S)
15	69352-11A	TAIL LAMP	XL1200C, XL1200CB

EXHAUST SYSTEM (1 OF 2)



INDEX NO.	PART NO.	DESCRIPTION	MODEL(S)
27	65900017	GASKET (HDI, England, Japan) (2)	XL883N

EXHAUST SYSTEM (2 OF 2)

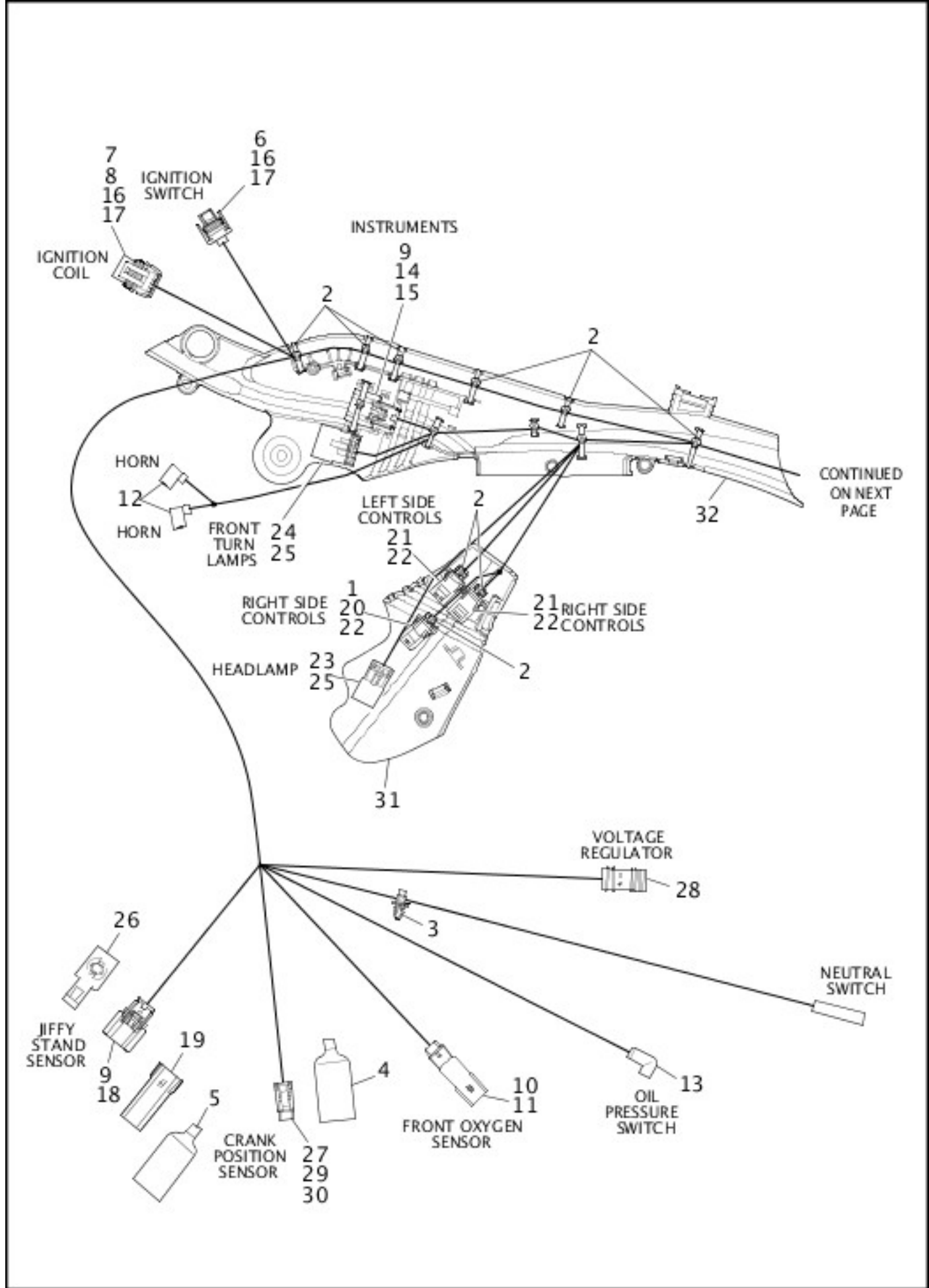


[View interactive table](#)

INDEX NO.	PART NO.	DESCRIPTION	MODEL(S)
-----------	----------	-------------	----------

	65600182	HEADER PIPE (HDI, England, Japan, Asia-Pacific)	ALL
	64900421	MUFFLER (HDI, England) (2)	XL883L
	64900272	MUFFLER (HDI, England) (2)	XL1200C, XL1200CB, XL1200T
	64900291	MUFFLER (HDI, England) (2)	XL1200X
	64900422	MUFFLER, front (HDI, England)	XL883N
	64900423	MUFFLER, rear (HDI, England)	XL883N
	64900421	MUFFLER (Japan) (2)	XL883L
	64900272	MUFFLER (Japan) (2)	XL1200C, XL1200T
	64900291	MUFFLER (Japan) (2)	XL1200X
	64900422	MUFFLER (Japan) (2)	XL883N
	64900163	MUFFLER (Asia-Pacific) (2)	XL1200C, XL1200T, XL883L
	64900163	MUFFLER, front (Asia-Pacific)	XL1200CX
	64900165	MUFFLER, rear (Asia-Pacific)	XL1200CX
	64900163	MUFFLER (Brazil) (2)	XL1200CB, XL1200CX

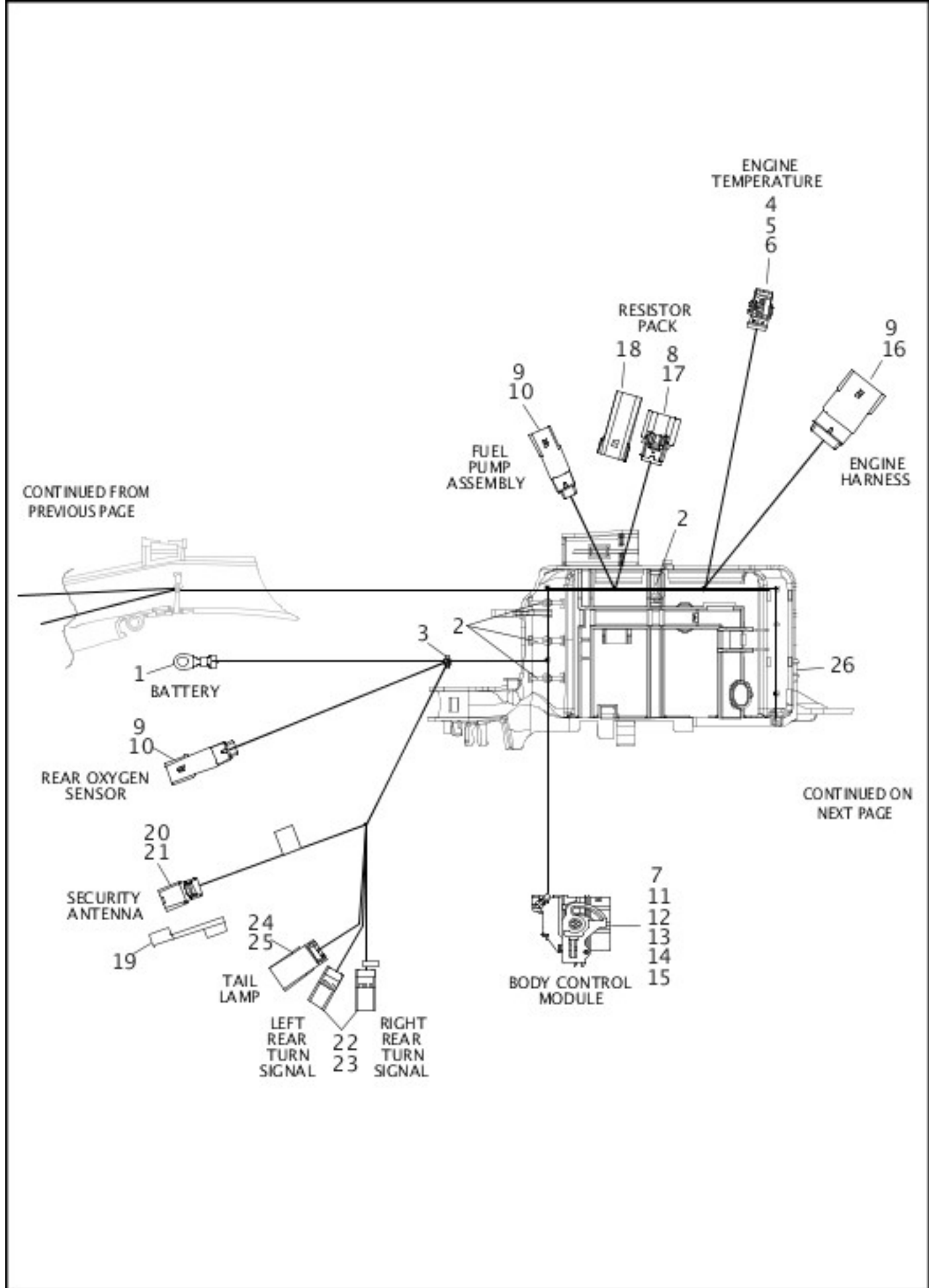
[WIRING HARNESS, MAIN, NON-ABS \(1 OF 4\)](#)



[View interactive table](#)

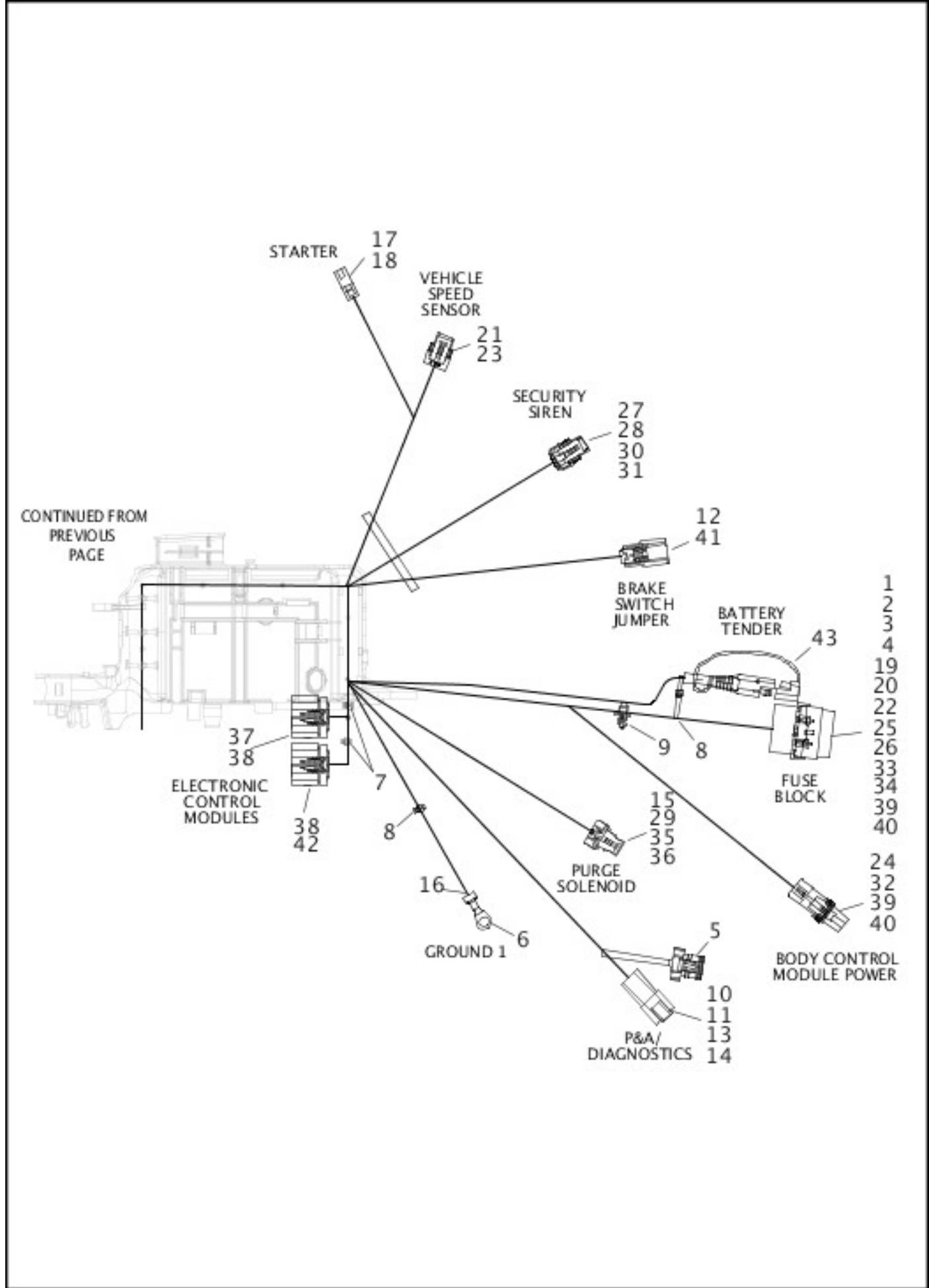
INDEX NO.	PART NO.	DESCRIPTION	MODEL(S)
	69200072B	MAIN WIRING HARNESS - NON-ABS	ALL

[WIRING HARNESS, MAIN, NON-ABS \(2 OF 4\)](#)



[View interactive table](#)

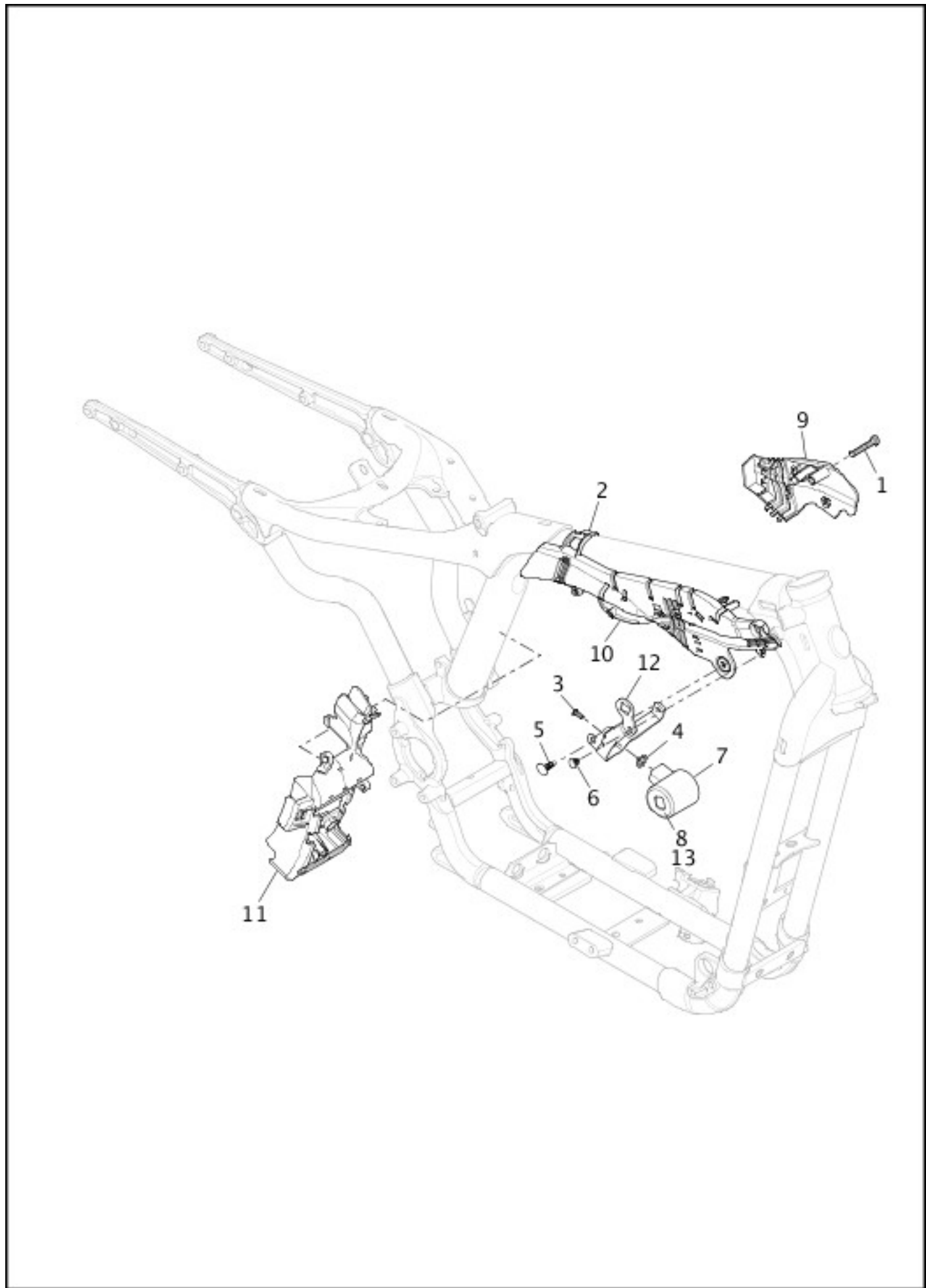
INDEX NO.	PART NO.	DESCRIPTION	MODEL(S)
	69200072B	MAIN WIRING HARNESS - NON-ABS (continued)	ALL
26	69201365	WIRE HARNESS CADDY	ALL



[View interactive table](#)

INDEX NO.	PART NO.	DESCRIPTION	MODEL(S)
	69200072B	MAIN WIRING HARNESS - NON-ABS (continued)	ALL
42	69201131	HOUSING, 18-way socket (gray)	ALL
43	69200212	CONNECTOR, battery tender	ALL

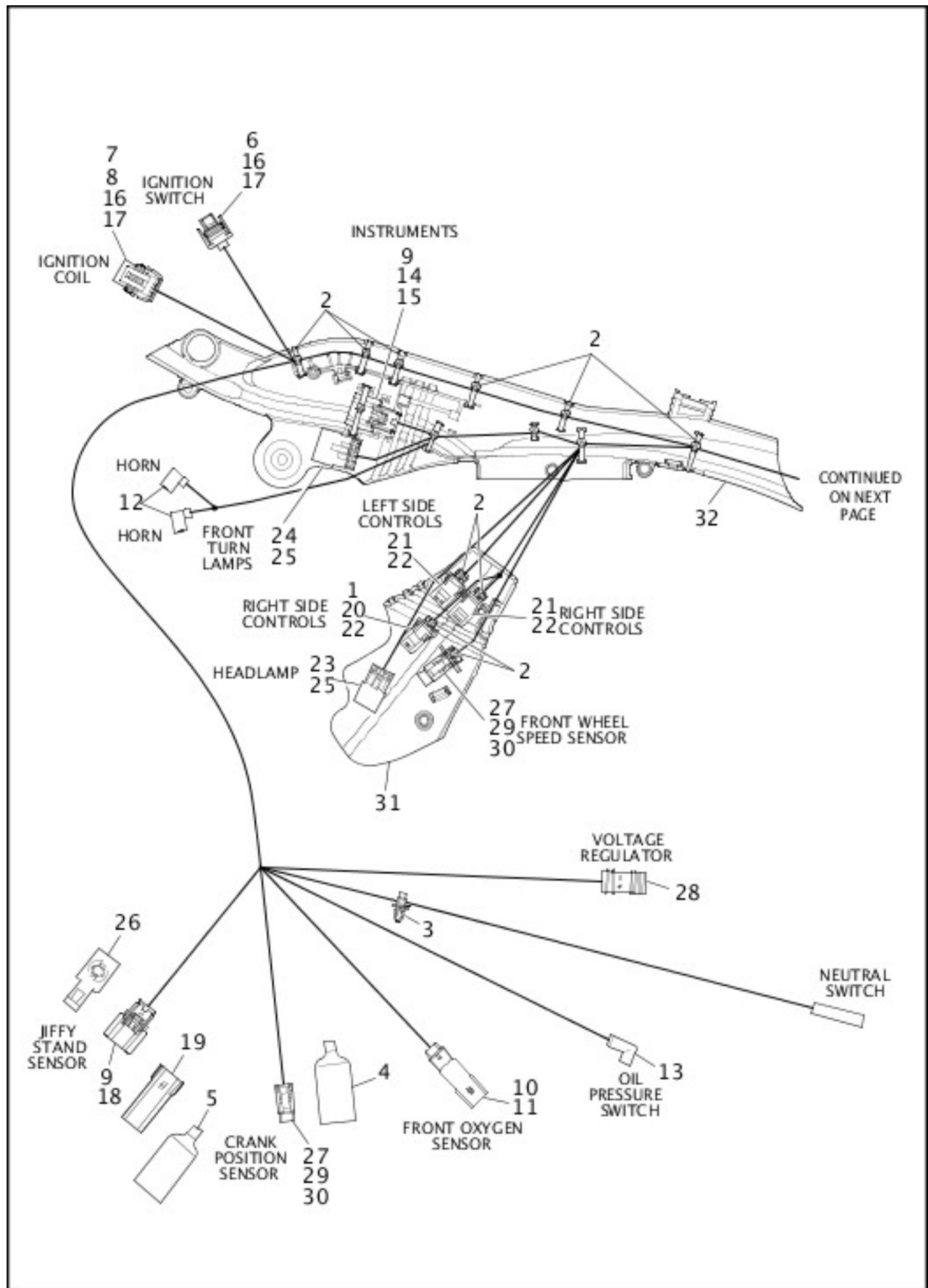
WIRING HARNESS, MAIN, NON-ABS (4 OF 4)



[View interactive table](#)

INDEX NO.	PART NO.	DESCRIPTION	MODEL(S)
	69200072B	MAIN WIRING HARNESS - NON-ABS (continued)	ALL
11	69201365	WIRE HARNESS CADDY	ALL

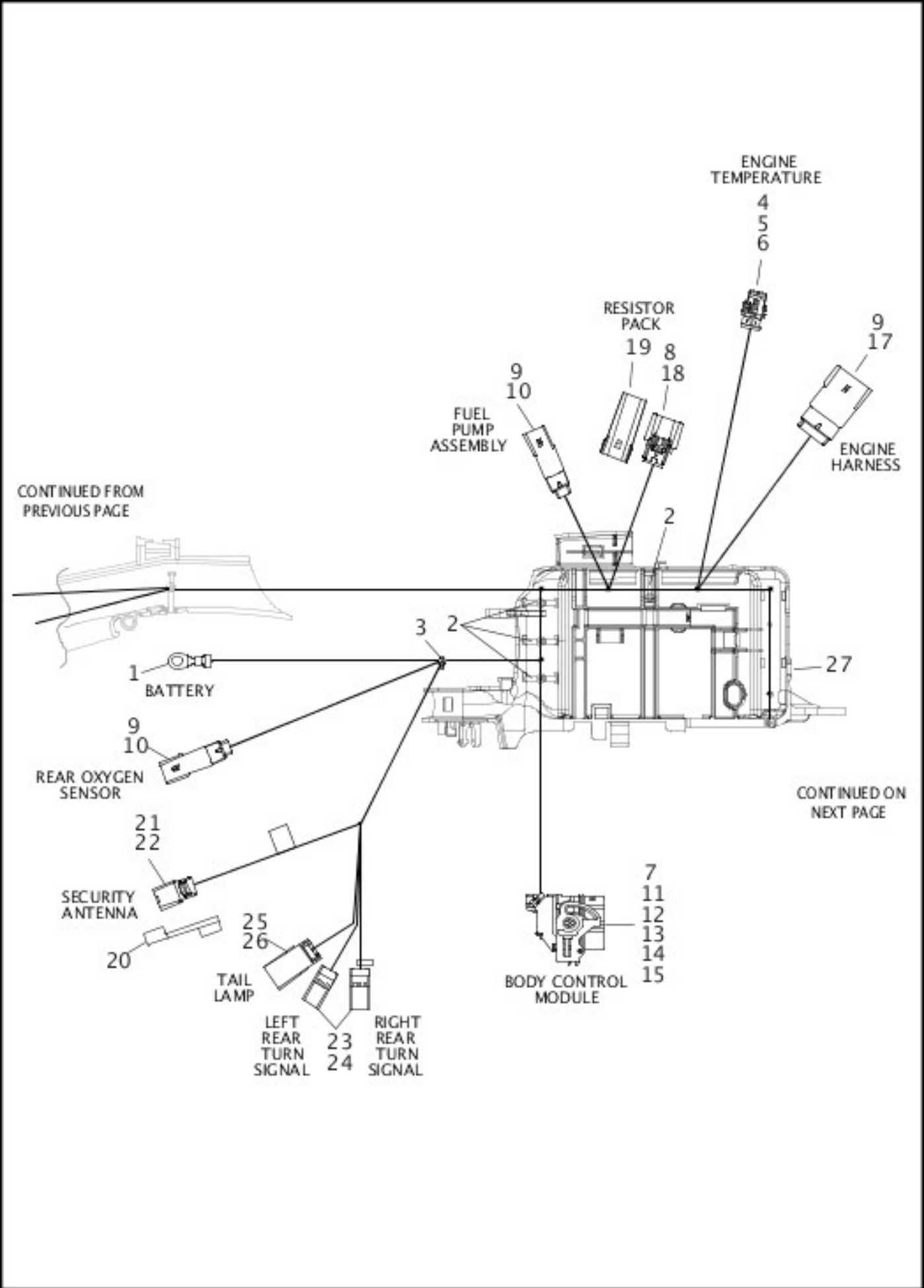
WIRING HARNESS, MAIN, ABS (1 OF 4)



[View interactive table](#)

INDEX NO.	PART NO.	DESCRIPTION	MODEL(S)
	69200073B	MAIN WIRING HARNESS - ABS	ALL

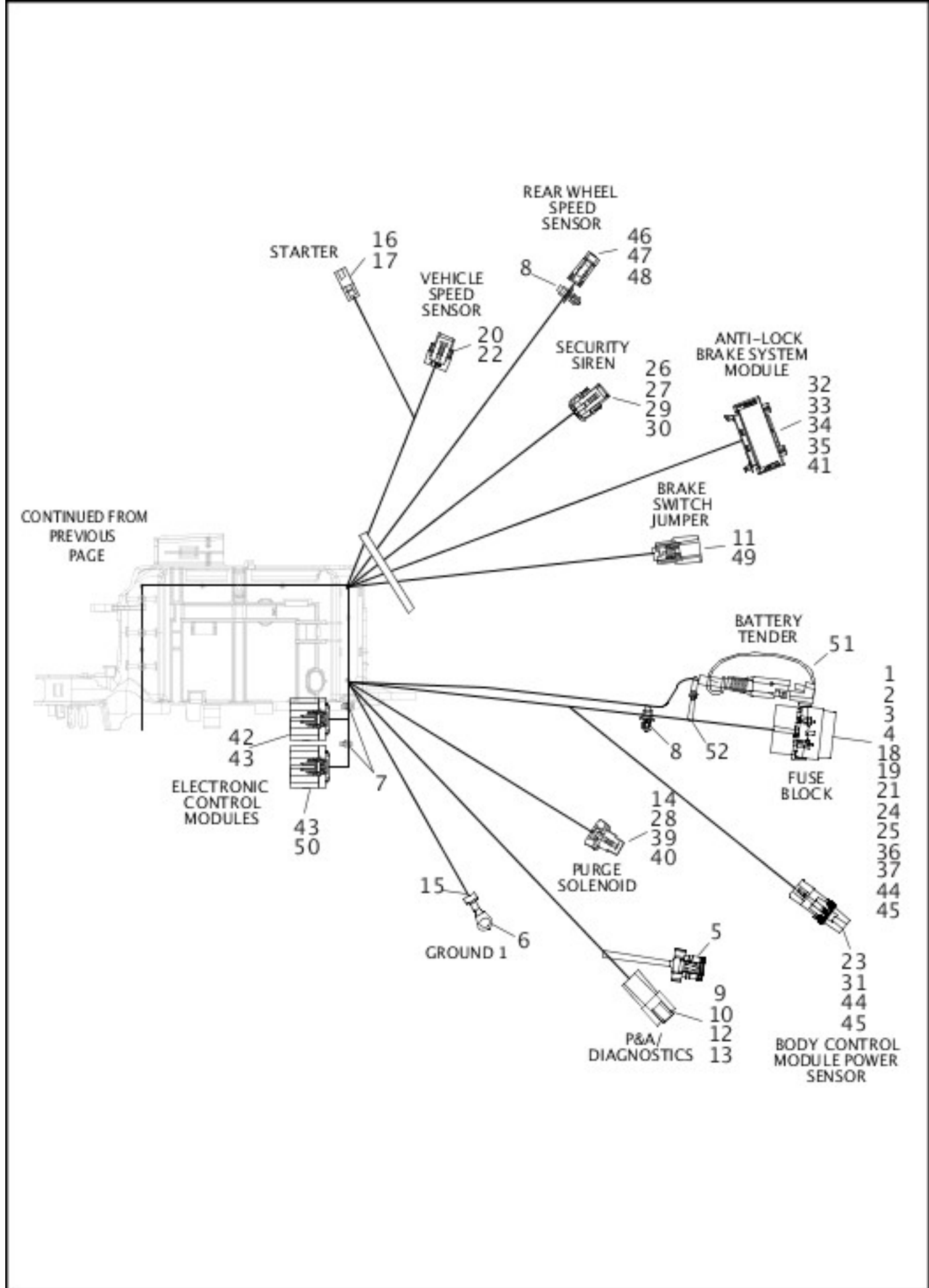
WIRING HARNESS, MAIN, ABS (2 OF 4)



[View interactive table](#)

INDEX NO.	PART NO.	DESCRIPTION	MODEL(S)
	69200073B	MAIN WIRING HARNESS - ABS (continued)	ALL

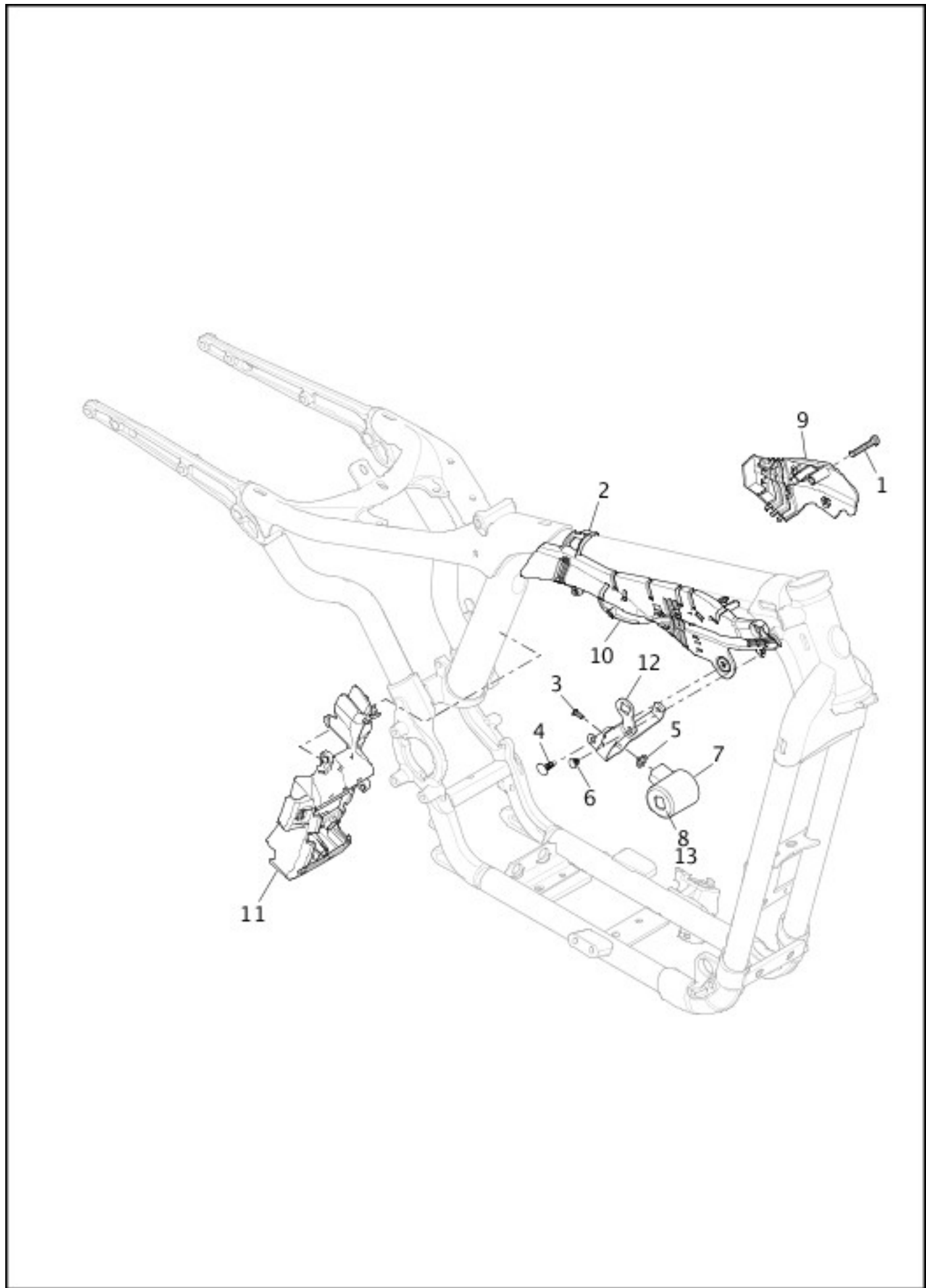
[WIRING HARNESS, MAIN, ABS \(3 OF 4\)](#)



[View interactive table](#)

INDEX NO.	PART NO.	DESCRIPTION	MODEL(S)
	69200073B	MAIN WIRING HARNESS - ABS (continued)	ALL
50	69201131	HOUSING, 18-way socket (gray)	ALL
51	69200212	CONNECTOR, battery tender	ALL

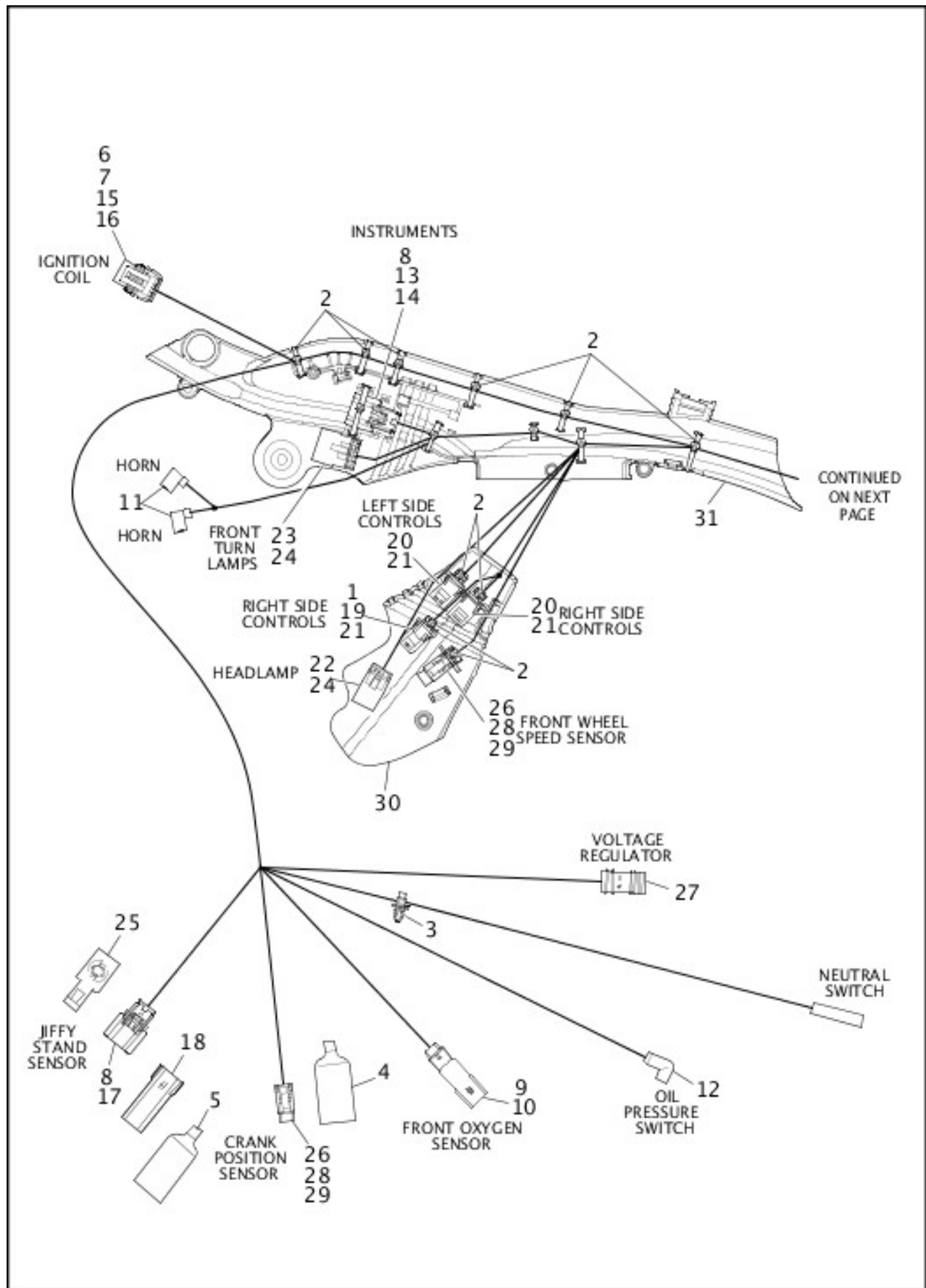
WIRING HARNESS, MAIN, ABS (4 OF 4)



[View interactive table](#)

INDEX NO.	PART NO.	DESCRIPTION	MODEL(S)
	69200073B	MAIN WIRING HARNESS - ABS (continued)	ALL
11	69201365	WIRE HARNESS CADDY	ALL

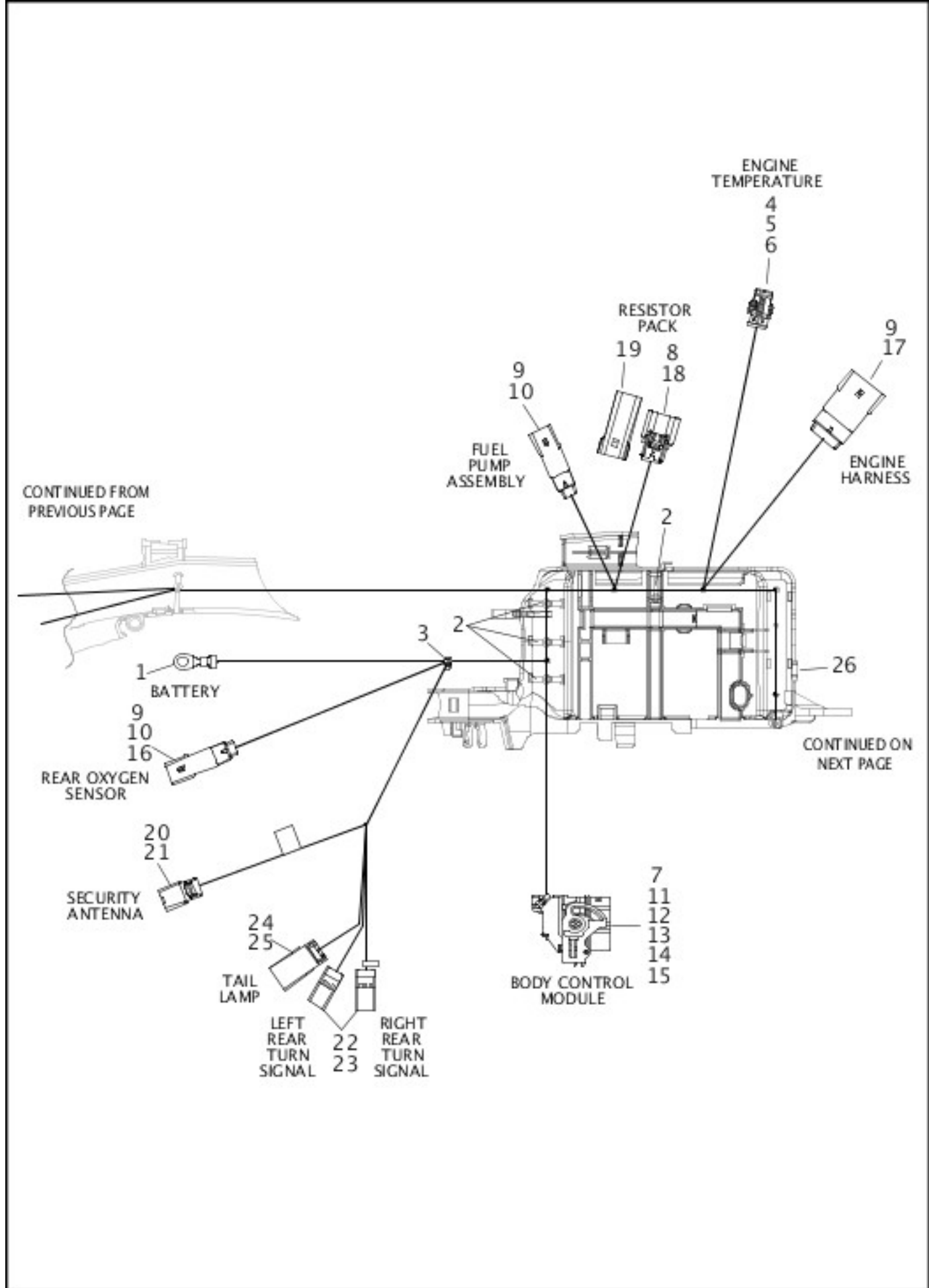
WIRING HARNESS, MAIN, KEYLESS, ABS (1 OF 4)



[View interactive table](#)

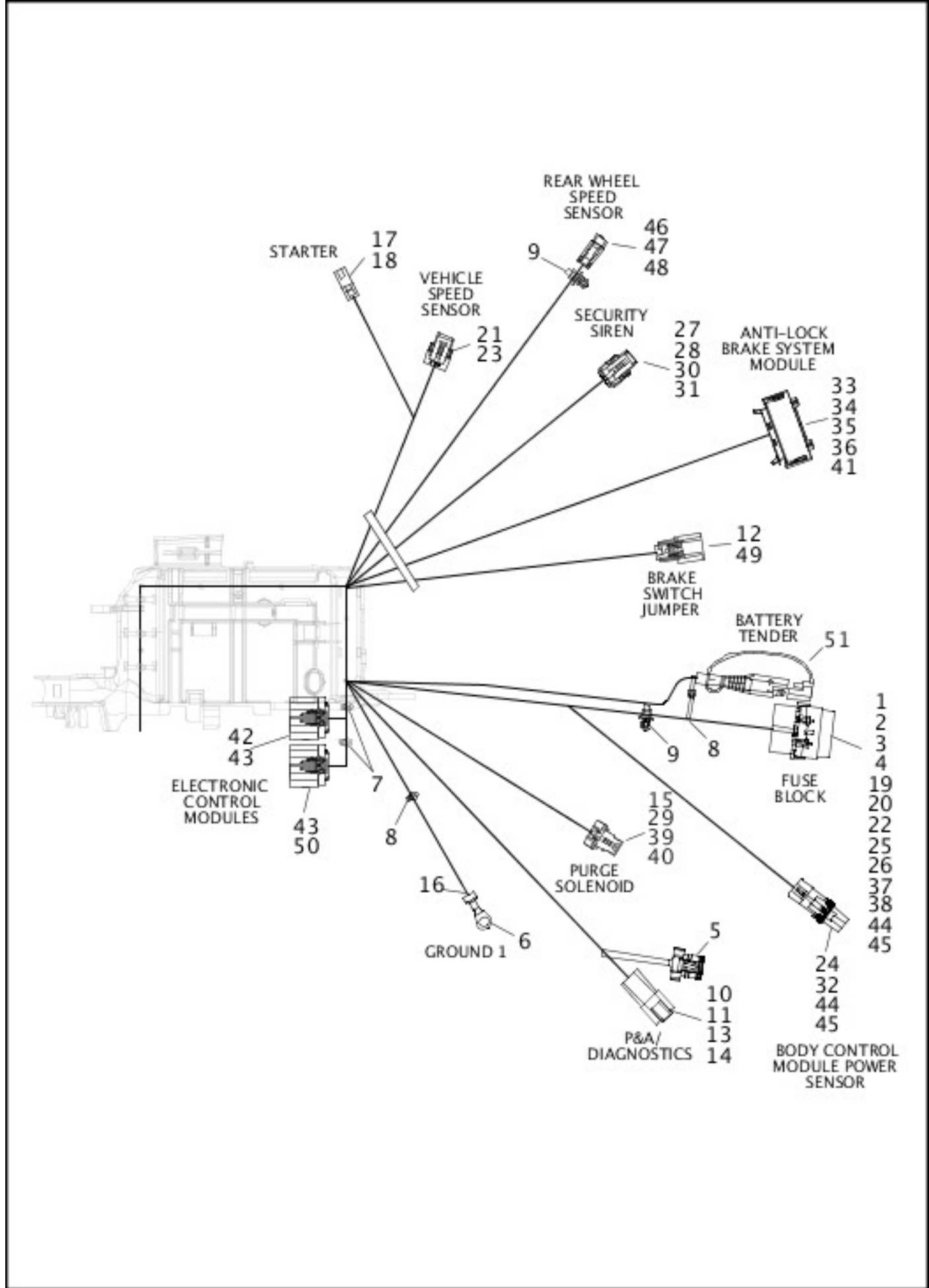
INDEX NO.	PART NO.	DESCRIPTION	MODEL(S)
	69200479B	MAIN WIRING HARNESS - KEYLESS, ABS	ALL

WIRING HARNESS, MAIN, KEYLESS, ABS (2 OF 4)



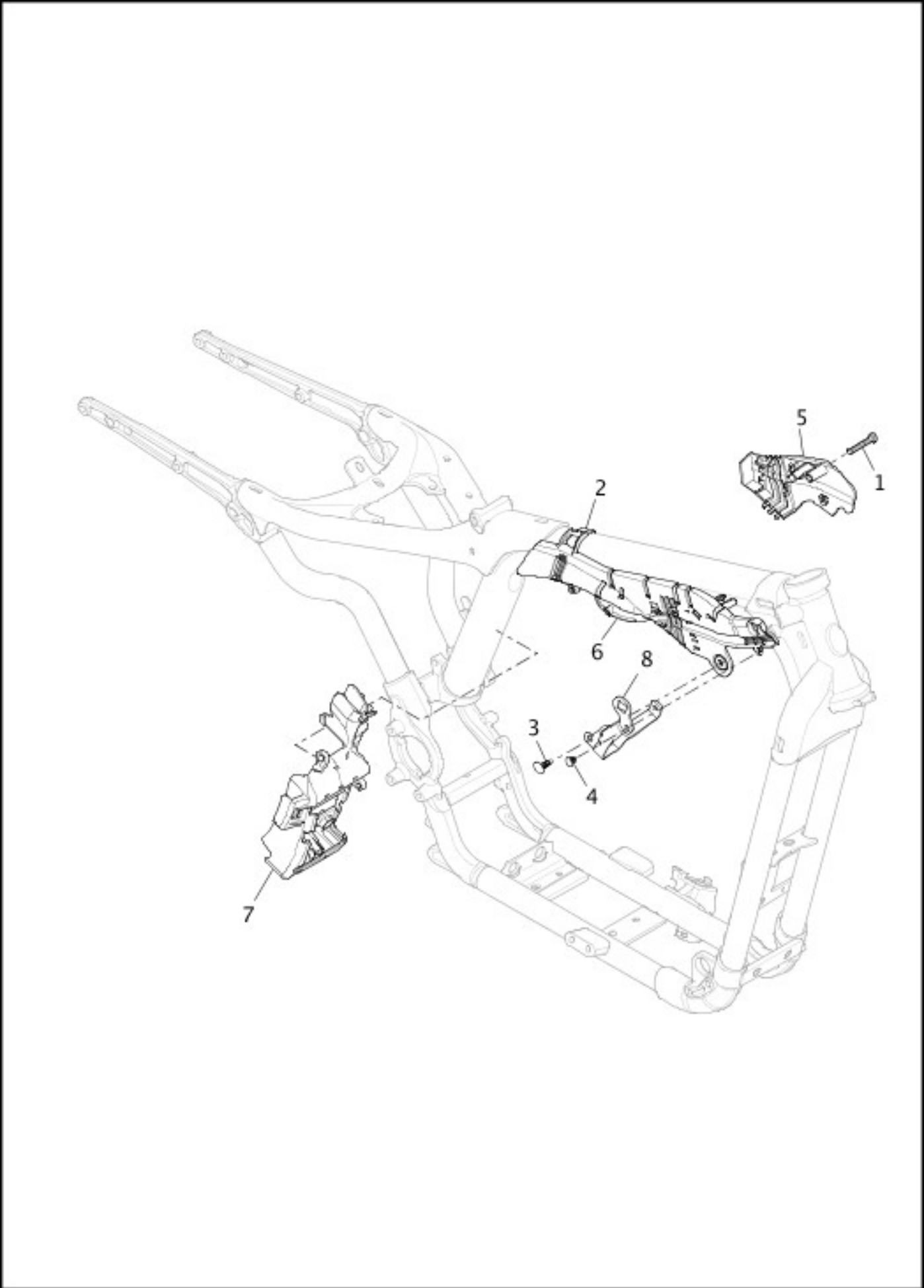
[View interactive table](#)

INDEX NO.	PART NO.	DESCRIPTION	MODEL(S)
	69200479B	MAIN WIRING HARNESS - KEYLESS, ABS (continued)	ALL
26	69201365	WIRE HARNESS CADDY	ALL



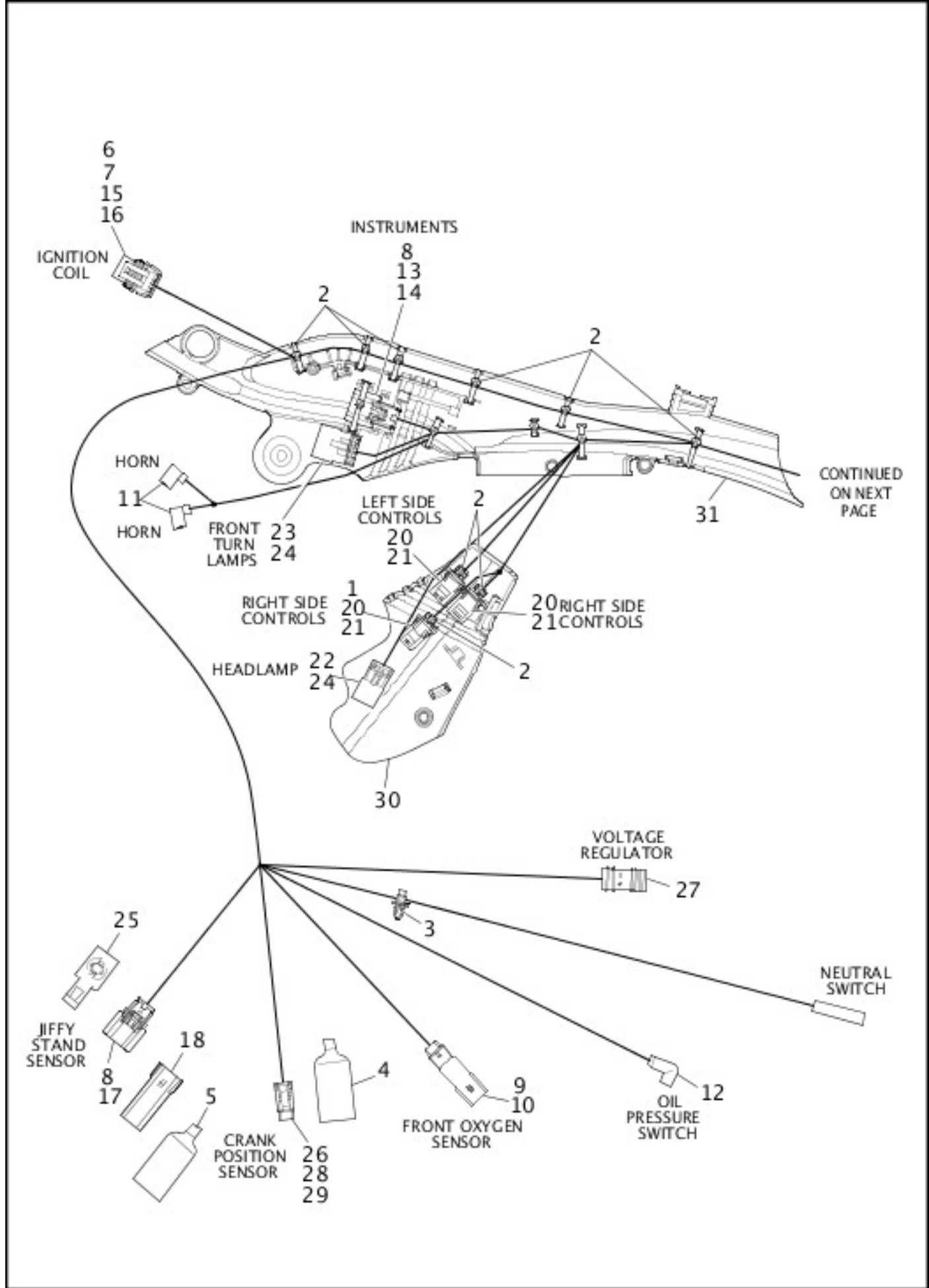
[View interactive table](#)

INDEX NO.	PART NO.	DESCRIPTION	MODEL(S)
	69200479B	MAIN WIRING HARNESS - KEYLESS, ABS (continued)	ALL
50	69201131	HOUSING, 18-way socket (gray)	ALL



[View interactive table](#)

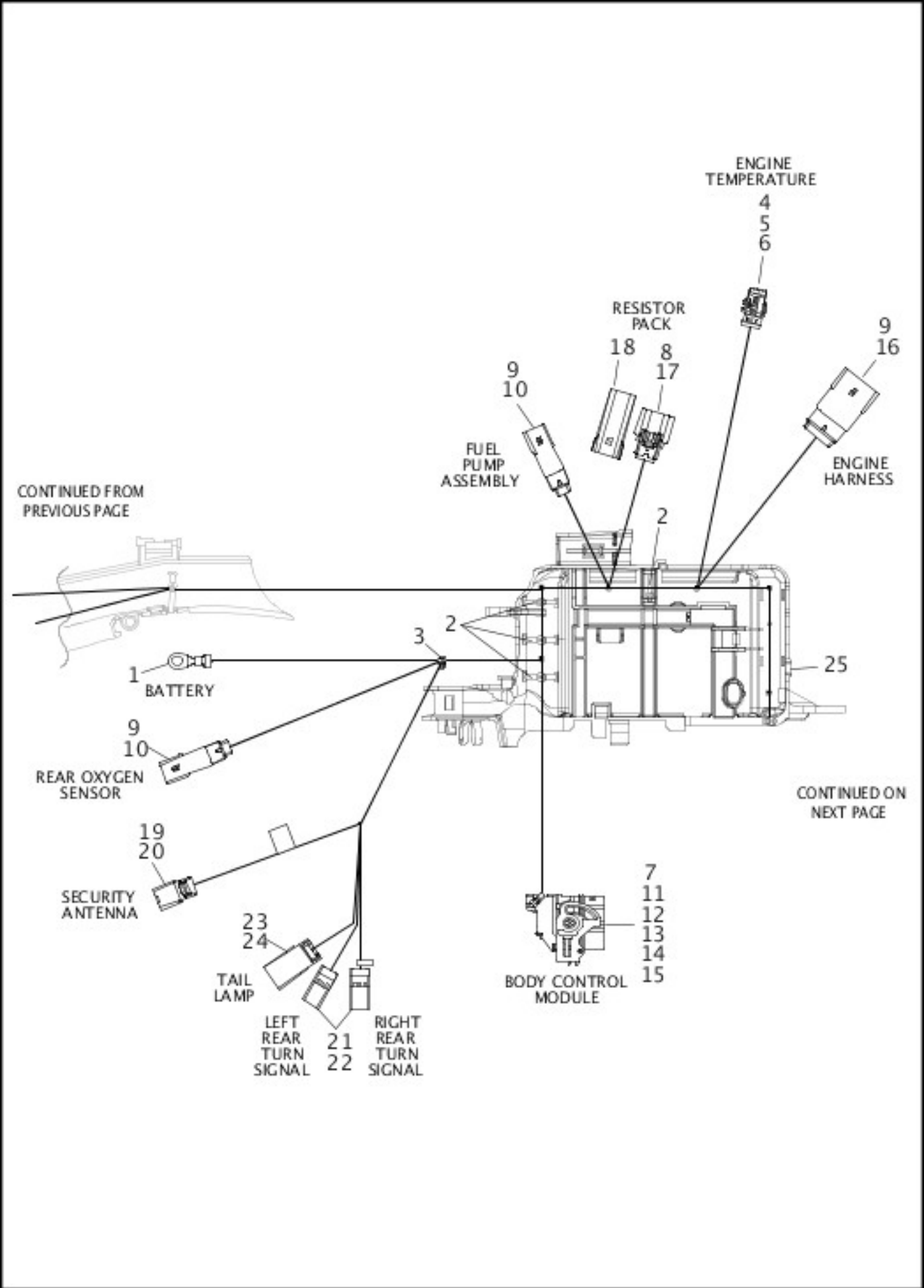
INDEX NO.	PART NO.	DESCRIPTION	MODEL(S)
	69200479B	MAIN WIRING HARNESS - KEYLESS, ABS (continued)	ALL
7	69201365	WIRE HARNESS CADDY	ALL



[View interactive table](#)

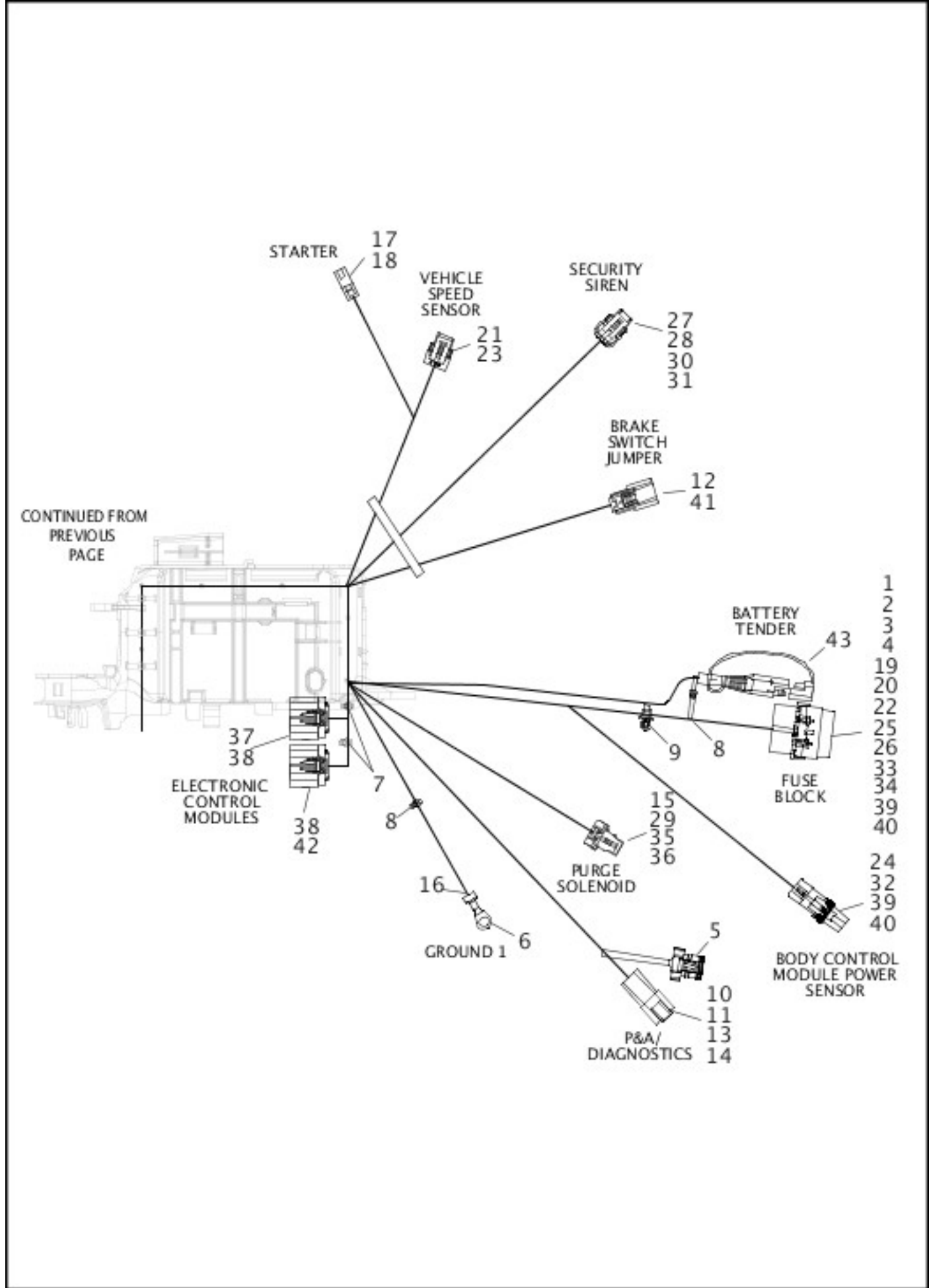
INDEX NO.	PART NO.	DESCRIPTION	MODEL(S)
	69200480B	MAIN WIRING HARNESS - KEYLESS, NON-ABS	ALL

[WIRING HARNESS, MAIN, KEYLESS, NON-ABS \(2 OF 4\)](#)



[View interactive table](#)

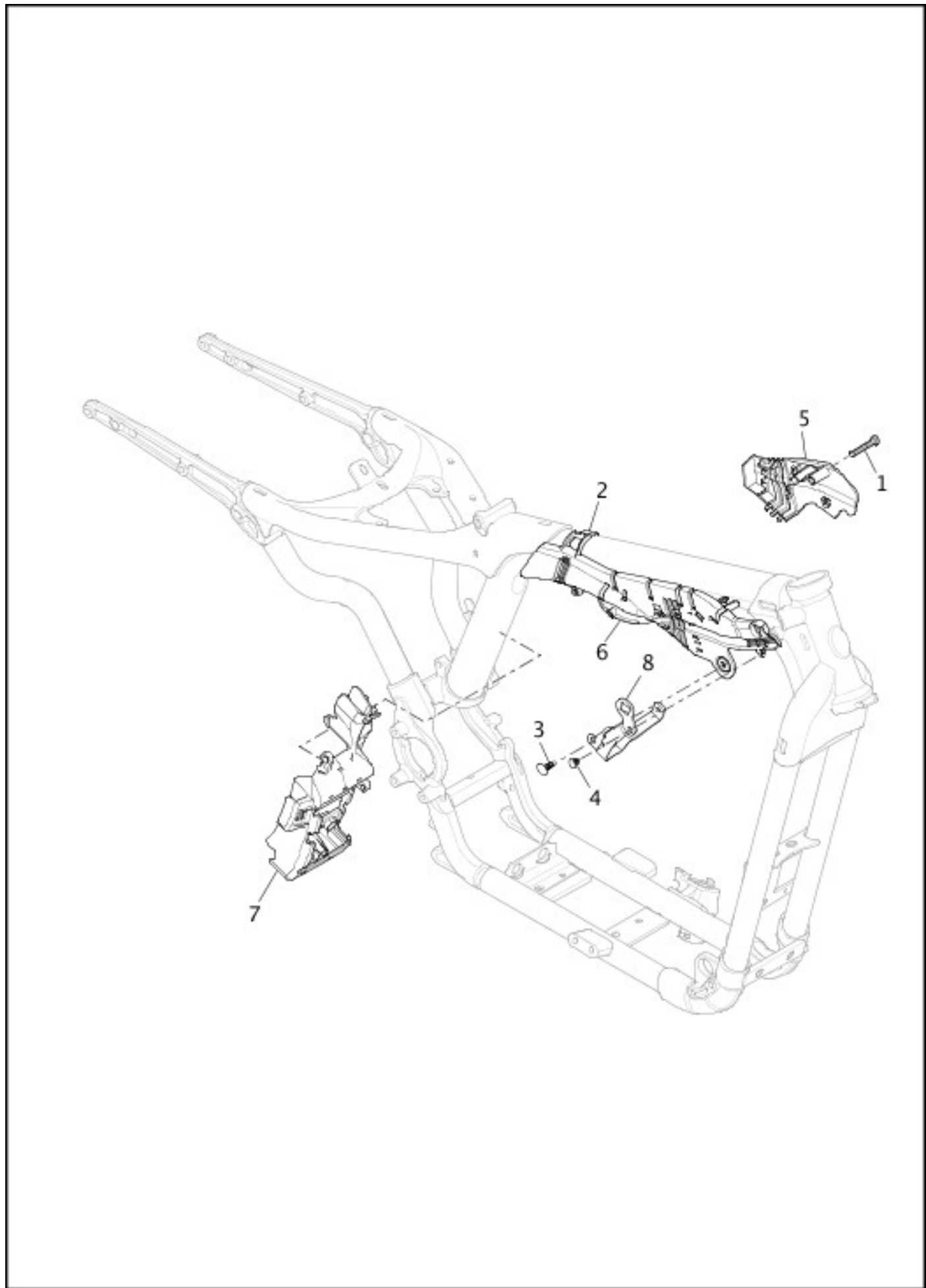
INDEX NO.	PART NO.	DESCRIPTION	MODEL(S)
25	69201365	WIRE HARNESS CADDY	ALL



[View interactive table](#)

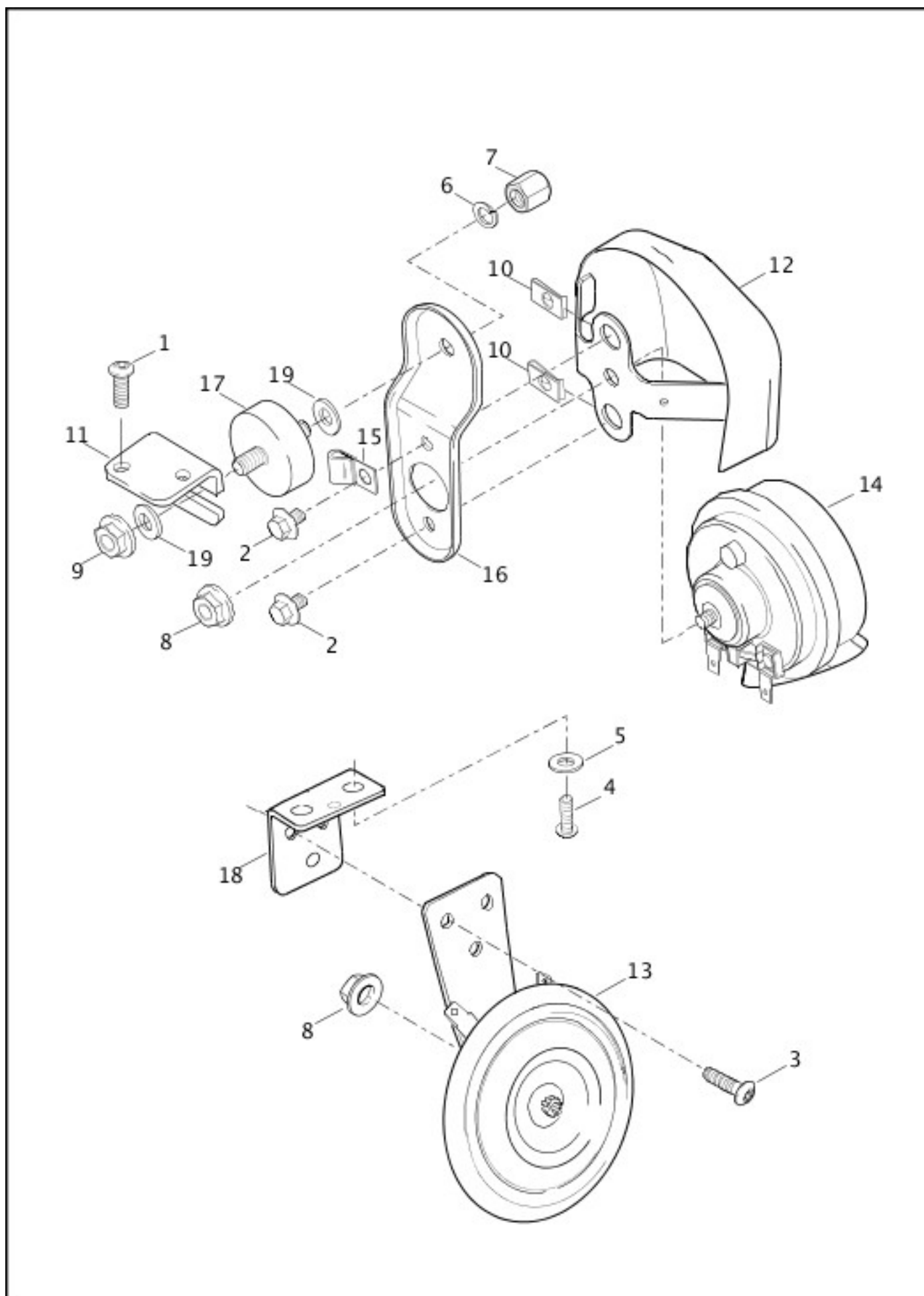
INDEX NO.	PART NO.	DESCRIPTION	MODEL(S)
	69200480B	MAIN WIRING HARNESS - KEYLESS, NON-ABS (continued)	ALL
42	69201131	HOUSING, 18-way socket (gray)	ALL
43	69200212	CONNECTOR, battery tender	ALL

WIRING HARNESS, MAIN, KEYLESS, NON-ABS (4 OF 4)



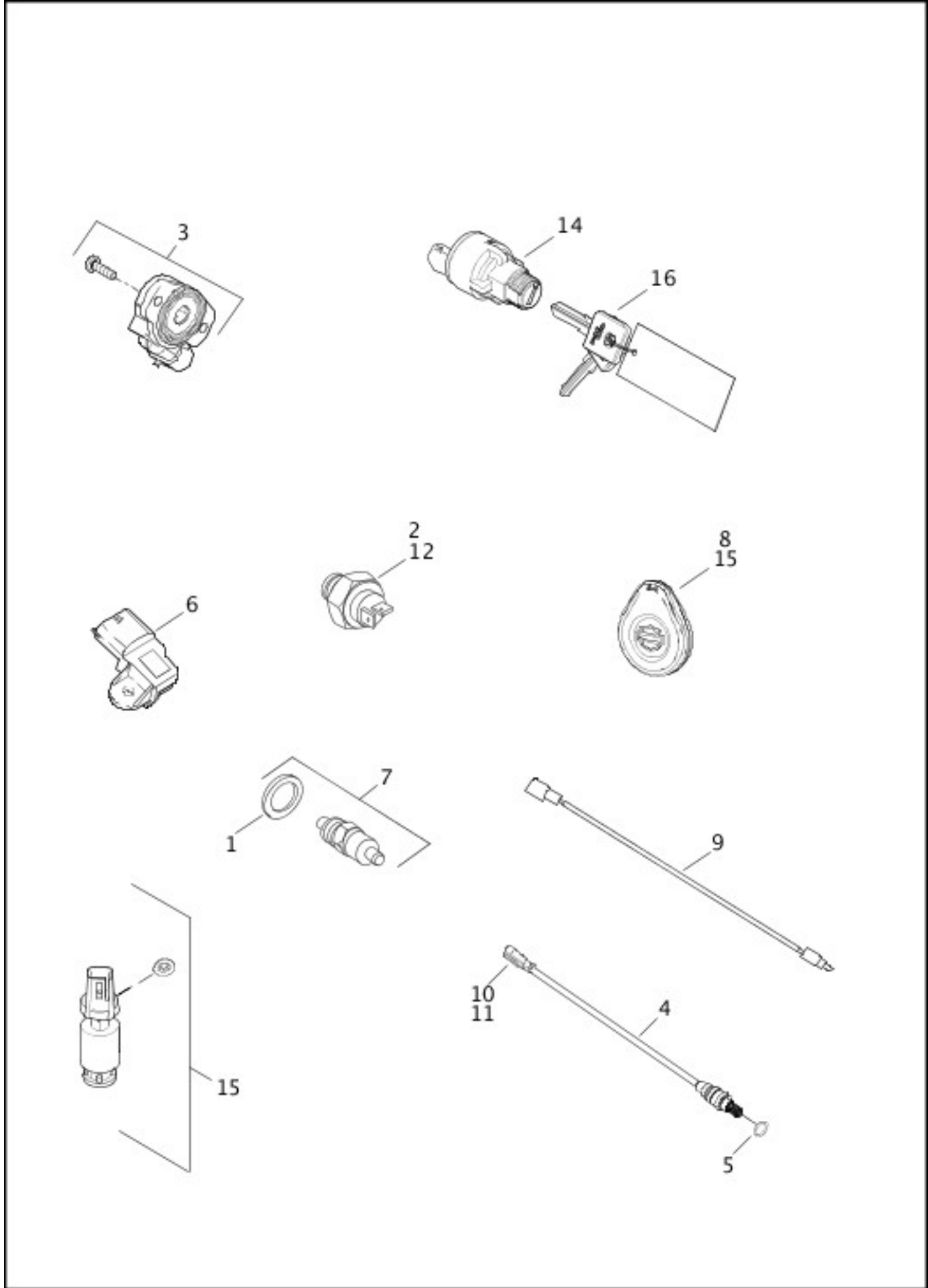
[View interactive table](#)

INDEX NO.	PART NO.	DESCRIPTION	MODEL(S)
	69200480B	MAIN WIRING HARNESS - KEYLESS, NON-ABS (continued)	ALL
7	69201365	WIRE HARNESS CADDY	ALL



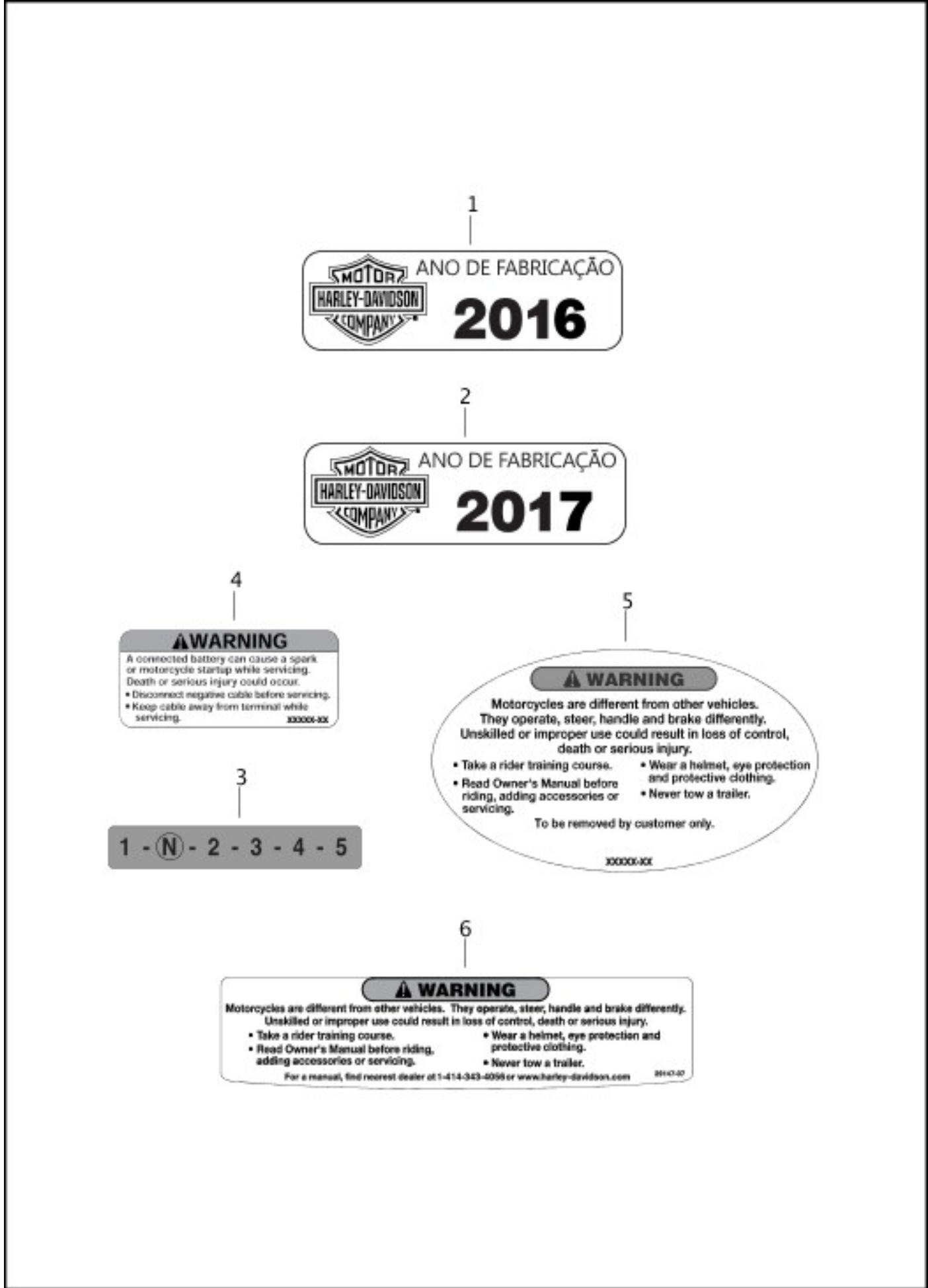
[View interactive table](#)

INDEX NO.	PART NO.	DESCRIPTION	MODEL(S)
6	6109	WASHER	XL1200C, XL1200CB, XL1200T



[View interactive table](#)

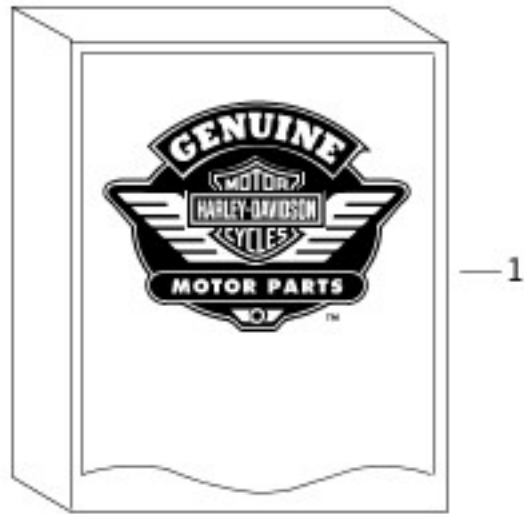
INDEX NO.	PART NO.	DESCRIPTION	MODEL(S)
15	90300111	REMOTE CONTROL FOB, with 66373-06 (except Japan)	ALL
	90300112	REMOTE CONTROL FOB, with 66373-06 (Japan)	ALL



View interactive table

INDEX NO.	PART NO.	DESCRIPTION	MODEL(S)
2	13729-17	YEAR OF MANUFACTURING LABEL (Brazil)	ALL

LOOSE PARTS



[View interactive table](#)

INDEX NO.	PART NO.	DESCRIPTION	MODEL(S)
1	90300111	REMOTE CONTROL FOB (except Japan) (2)	ALL
	90300112	REMOTE CONTROL FOB (Japan) (2)	ALL
	99468-17	OWNERS MANUAL (English)	ALL

Numerical Index

[View interactive table](#)

10003	BRAKE LINES, REAR - NON-ABS
10006	WHEELS, REAR, CAST - XL883L, XL883N, XL1200CX, XL1200T, XL1200X WHEELS, REAR, LACED - XL1200C, XL1200CB FRAME AND JIFFY STAND HANDLEBAR AND THROTTLE CONTROL - XL1200C, XL1200CB WIRING HARNESS, MAIN, NON-ABS (1 OF 4) WIRING HARNESS, MAIN, NON-ABS (2 OF 4) WIRING HARNESS, MAIN, NON-ABS (3 OF 4) WIRING HARNESS, MAIN, ABS (1 OF 4) WIRING HARNESS, MAIN, ABS (2 OF 4) WIRING HARNESS, MAIN, ABS (3 OF 4) WIRING HARNESS, MAIN, KEYLESS, ABS (1 OF 4) WIRING HARNESS, MAIN, KEYLESS, ABS (2 OF 4) WIRING HARNESS, MAIN, KEYLESS, ABS (3 OF 4) WIRING HARNESS, MAIN, KEYLESS, NON-ABS (1 OF 4) WIRING HARNESS, MAIN, KEYLESS, NON-ABS (2 OF 4) WIRING HARNESS, MAIN, KEYLESS, NON-ABS (3 OF 4)
10031	BRAKE LINES, FRONT - NON-ABS BRAKE LINES, FRONT - ABS BRAKE LINES, REAR - NON-ABS BRAKE LINES, REAR - ABS
10038A	OIL TANK AND LINES
10053	BRAKE LINES, FRONT - NON-ABS
10065	TURN SIGNALS, FRONT TAIL LAMPS AND TURN SIGNALS, REAR - XL1200CX, XL1200T WIRING HARNESS, MAIN, NON-ABS (2 OF 4) WIRING HARNESS, MAIN, NON-ABS (3 OF 4) WIRING HARNESS, MAIN, ABS (2 OF 4) WIRING HARNESS, MAIN, ABS (3 OF 4) WIRING HARNESS, MAIN, KEYLESS, ABS (2 OF 4) WIRING HARNESS, MAIN, KEYLESS, ABS (3 OF 4) WIRING HARNESS, MAIN, KEYLESS, NON-ABS (2 OF 4) WIRING HARNESS, MAIN, KEYLESS, NON-ABS (3 OF 4)
10074	EXHAUST SYSTEM (1 OF 2)
10080	CRANKCASE AND GEARCASE OIL TANK AND LINES
10108	BRAKE LINES, REAR - NON-ABS BRAKE LINES, REAR - ABS
10117	OIL TANK AND LINES
10142	OIL TANK AND LINES
10177	CRANKCASE AND GEARCASE ALTERNATOR AND REGULATOR ELECTRONIC IGNITION SYSTEM WHEELS, REAR, CAST - XL883L, XL883N, XL1200CX, XL1200T, XL1200X WHEELS, REAR, LACED - XL1200C, XL1200CB

	WIRING HARNESS, MAIN, NON-ABS (1 OF 4) WIRING HARNESS, MAIN, NON-ABS (3 OF 4) WIRING HARNESS, MAIN, ABS (1 OF 4) WIRING HARNESS, MAIN, ABS (3 OF 4) WIRING HARNESS, MAIN, KEYLESS, ABS (1 OF 4) WIRING HARNESS, MAIN, KEYLESS, ABS (3 OF 4) WIRING HARNESS, MAIN, KEYLESS, NON-ABS (1 OF 4) WIRING HARNESS, MAIN, KEYLESS, NON-ABS (3 OF 4)
10179A	FRAME AND JIFFY STAND FRAME AND JIFFY STAND
10181	FUEL PUMP
10200	FENDERS, REAR - XL883N, XL1200X (CANADA ONLY), XL883L (DOMESTIC, CANADA, HDI)
10200052	FORK BRACKETS, FRONT TURN SIGNALS, FRONT
10200242	EXHAUST SYSTEM (1 OF 2)
10200392	SHOCK ABSORBERS, REAR
10200474	HANDLEBAR AND THROTTLE CONTROL - XL883L, XL883N, XL1200CX, XL1200T, XL1200X
10200486	SHOCK ABSORBERS, REAR
10200549	TAIL LAMPS AND TURN SIGNALS, REAR - XL1200CX, XL1200T
10242	FENDERS, REAR - XL883N, XL1200X (CANADA ONLY), XL883L (DOMESTIC, CANADA, HDI) FENDERS, REAR - XL1200C, XL1200CB
10279	WIRING HARNESS, ENGINE
1028	CRANKCASE AND GEARCASE
10289A	BRAKE LINES, FRONT - ABS FRAME AND JIFFY STAND OIL TANK AND LINES
10300078	FENDERS, FRONT
10303	FUEL PUMP
10304	FUEL PUMP
10323	FENDERS, REAR - XL883N, XL1200X (HDI ONLY) FENDERS, REAR - XL883N, XL1200X (DOMESTIC ONLY)
1039	ROCKER ARM ASSEMBLY AND PUSHRODS
1048	CRANKCASE AND GEARCASE
10500062	FENDERS, REAR - XL1200T SADDLEBAGS - 1200T
10800005	LICENSE PLATE BRACKETS - XL883N, XL1200CX, XL1200X
10800006	LICENSE PLATE BRACKETS - XL883N, XL1200CX, XL1200X

	LICENSE PLATE BRACKETS - XL883L, XL1200C, XL1200CB, XL1200T
10800010	EXHAUST SYSTEM (1 OF 2)
10800074	BRAKE LINES, FRONT - ABS
10800123	LICENSE PLATE BRACKETS - XL883N, XL1200CX, XL1200X
1081A	FUEL PUMP
1091	FUEL PUMP
10984	TRANSMISSION GEARS
11002	OIL PUMP
11046	CLUTCH
11067	TRANSMISSION GEARS
11100060	WIRING HARNESS, MAIN, NON-ABS (3 OF 4) WIRING HARNESS, MAIN, ABS (3 OF 4) WIRING HARNESS, MAIN, KEYLESS, ABS (3 OF 4) WIRING HARNESS, MAIN, KEYLESS, NON-ABS (3 OF 4)
11100061	OIL TANK AND LINES
11105	INSPECTION COVER AND PRIMARY COVER
11113	TRANSMISSION GEARS
11120	OIL TANK AND LINES
11121	BRAKE CONTROL, REAR
11142	BRAKE CONTROL, FRONT
11155	SWITCHES, HANDLEBAR
11161	TRANSMISSION GEARS
11171	INSPECTION COVER AND PRIMARY COVER
11177A	PISTONS AND FLYWHEEL ASSEMBLY CRANKCASE AND GEARCASE
11179	CLUTCH CONTROL
11190	ROCKER ARM ASSEMBLY AND PUSHRODS
11202	AIR CLEANER
11250	CLUTCH
11271	HANDLEBAR AND THROTTLE CONTROL - XL883L, XL883N, XL1200CX, XL1200T, XL1200X HANDLEBAR AND THROTTLE CONTROL - XL1200C, XL1200CB
11272	HANDLEBAR AND THROTTLE CONTROL - XL883L, XL883N, XL1200CX, XL1200T, XL1200X HANDLEBAR AND THROTTLE CONTROL - XL1200C, XL1200CB

11282	FORK, REAR, DEBRIS DEFLECTOR AND BELT GUARD
11289A	SENSORS AND SWITCHES, ENGINE
11304	FOOTRESTS, PASSENGER FOOTRESTS, RIDER, FORWARD-CONTROL FOOTRESTS, RIDER, FORWARD-CONTROL FOOTRESTS, RIDER, MID-CONTROL FOOTRESTS, RIDER, MID-CONTROL
11317	PISTONS AND FLYWHEEL ASSEMBLY CAMSHAFTS AND GEARCASE COVER
11377	ROCKER ARM ASSEMBLY AND PUSHRODS
11379	CLUTCH CONTROL
11390	FOOTRESTS, RIDER, FORWARD-CONTROL FOOTRESTS, RIDER, FORWARD-CONTROL FOOTRESTS, RIDER, MID-CONTROL FOOTRESTS, RIDER, MID-CONTROL
11474	FENDERS, REAR - XL883N, XL1200X (CANADA ONLY), XL883L (DOMESTIC, CANADA, HDI) FENDERS, REAR - XL883N, XL1200X (HDI ONLY) FENDERS, REAR - XL883N, XL1200X (DOMESTIC ONLY) FENDERS, REAR - XL1200C, XL1200CB FENDERS, REAR - XL1200T FENDERS, REAR - XL1200CX (DOMESTIC ONLY) FENDERS, REAR - XL1200CX (CANADA AND HDI ONLY)
11600001	BRAKE LINES, FRONT - NON-ABS BRAKE LINES, FRONT - NON-ABS BRAKE LINES, FRONT - ABS BRAKE LINES, REAR - NON-ABS BRAKE LINES, REAR - ABS
11730A	CLUTCH
11765Y	CLUTCH
11778	BRAKE LINES, REAR - NON-ABS WIRING HARNESS, MAIN, NON-ABS (4 OF 4) WIRING HARNESS, MAIN, KEYLESS, ABS (4 OF 4) WIRING HARNESS, MAIN, KEYLESS, NON-ABS (4 OF 4)
11785	BRAKE LINES, REAR - NON-ABS WIRING HARNESS, MAIN, NON-ABS (4 OF 4) WIRING HARNESS, MAIN, ABS (4 OF 4) WIRING HARNESS, MAIN, KEYLESS, ABS (4 OF 4) WIRING HARNESS, MAIN, KEYLESS, NON-ABS (4 OF 4)
11804	WHEELS, FRONT, CAST - XL883L, XL883N, XL1200CX, XL1200T, XL1200X WHEELS, FRONT, LACED - XL1200C, XL1200CB
11888	WHEELS, FRONT, CAST - XL883L, XL883N, XL1200CX, XL1200T, XL1200X WHEELS, FRONT, LACED - XL1200C, XL1200CB

11936	EXHAUST SYSTEM (1 OF 2)
11954	TAIL LAMPS
12030	TRANSMISSION GEARS
12068	CRANKCASE AND GEARCASE
12074	TRANSMISSION GEARS
12085	FORK, FRONT - XL1200CX
12100031	BRAKE LINES, FRONT - ABS
12100049	BRAKE LINES, FRONT - ABS
12200047	FORK, REAR, DEBRIS DEFLECTOR AND BELT GUARD
12600080	BRAKE CONTROL, REAR
13729-16	LABELS
13729-17	LABELS
14100381	BRAKE CALIPER, FRONT BRAKE CALIPER, FRONT BRAKE CALIPER, REAR
14100598	SADDLEBAGS - 1200T
14100599	SADDLEBAGS - 1200T
14100707BABY	FUEL TANK TRIM
14100707BABZ	FUEL TANK TRIM FUEL TANK TRIM
14100707BAEC	FUEL TANK TRIM
14100708BABY	FUEL TANK TRIM
14100708BABZ	FUEL TANK TRIM FUEL TANK TRIM
14100708BAEC	FUEL TANK TRIM
14100709BACA	FUEL TANK TRIM
14100710BACA	FUEL TANK TRIM
14100762	FUEL TANK TRIM
14100763	FUEL TANK TRIM
14100767	SHOCK ABSORBERS, REAR
14100883	SHOCK ABSORBERS, REAR
14270-92	LABELS

14448-94	HANDLEBAR AND THROTTLE CONTROL - XL1200C, XL1200CB
14900081	SHOCK ABSORBERS, REAR SEATS
15368-01A	LABELS
15370-01A	LABELS
1594	FRAME AND JIFFY STAND
16232-04B	ENGINE MOUNTS AND STABILIZER LINK
16287-04	ENGINE MOUNTS AND STABILIZER LINK
16291-04A	ENGINE MOUNTS AND STABILIZER LINK
16353-04	CYLINDERS, HEADS AND VALVES (1 OF 2)
16361-07	INDUCTION MODULE, FUEL
16443-04	CYLINDERS, HEADS AND VALVES (1 OF 2)
16452-05	CYLINDERS, HEADS AND VALVES (1 OF 2)
16463-04	CYLINDERS, HEADS AND VALVES (1 OF 2)
16465-06	CYLINDERS, HEADS AND VALVES (1 OF 2)
16469-10	CYLINDERS, HEADS AND VALVES (1 OF 2)
16478-85A	CYLINDERS, HEADS AND VALVES (1 OF 2)
16480-92A	CYLINDERS, HEADS AND VALVES (1 OF 2)
16500469	CYLINDERS, HEADS AND VALVES (1 OF 2)
16500471	CYLINDERS, HEADS AND VALVES (1 OF 2)
16573-83A	CYLINDERS, HEADS AND VALVES (1 OF 2)
16660-07	CYLINDERS, HEADS AND VALVES (1 OF 2)
16661-07	CYLINDERS, HEADS AND VALVES (1 OF 2)
16664-86D	CYLINDERS, HEADS AND VALVES (2 OF 2)
16666-07	CYLINDERS, HEADS AND VALVES (1 OF 2)
16667-07	CYLINDERS, HEADS AND VALVES (1 OF 2)
16699-06	CYLINDERS, HEADS AND VALVES (2 OF 2)
16715-83	CYLINDERS, HEADS AND VALVES (2 OF 2)
16770-84F	CYLINDERS, HEADS AND VALVES (2 OF 2)
16789-04	CYLINDERS, HEADS AND VALVES (2 OF 2)

16800-84B	<u>ROCKER ARM ASSEMBLY AND PUSHRODS</u>
16832-86C	<u>CYLINDERS, HEADS AND VALVES (2 OF 2)</u>
16865-07	<u>CYLINDERS, HEADS AND VALVES (1 OF 2)</u>
16867-07	<u>CYLINDERS, HEADS AND VALVES (1 OF 2)</u>
17027-08	<u>CYLINDERS, HEADS AND VALVES (2 OF 2)</u>
17036-08	<u>ROCKER ARM ASSEMBLY AND PUSHRODS</u>
17049-08	<u>CYLINDERS, HEADS AND VALVES (2 OF 2)</u>
17360-83A	<u>ROCKER ARM ASSEMBLY AND PUSHRODS</u>
17362-07B	<u>ROCKER ARM ASSEMBLY AND PUSHRODS</u>
17375-83A	<u>ROCKER ARM ASSEMBLY AND PUSHRODS</u>
17393-07	<u>ROCKER ARM ASSEMBLY AND PUSHRODS</u>
17429-91	<u>ROCKER ARM ASSEMBLY AND PUSHRODS</u>
17485-07	<u>CYLINDERS, HEADS AND VALVES (1 OF 2)</u>
17488-07	<u>CYLINDERS, HEADS AND VALVES (1 OF 2)</u>
17496-07	<u>CYLINDERS, HEADS AND VALVES (1 OF 2)</u>
17501-04	<u>ROCKER ARM ASSEMBLY AND PUSHRODS</u>
17532-07A	<u>ROCKER ARM ASSEMBLY AND PUSHRODS</u>
17537-07A	<u>ROCKER ARM ASSEMBLY AND PUSHRODS</u>
17551-04	<u>ROCKER ARM ASSEMBLY AND PUSHRODS</u>
17598-07A	<u>ROCKER ARM ASSEMBLY AND PUSHRODS</u>
17611-83	<u>ROCKER ARM ASSEMBLY AND PUSHRODS</u>
17655-05	<u>ROCKER ARM ASSEMBLY AND PUSHRODS</u>
17695-07B	<u>ROCKER ARM ASSEMBLY AND PUSHRODS</u>
17908-02	<u>ROCKER ARM ASSEMBLY AND PUSHRODS</u>
17909-02	<u>ROCKER ARM ASSEMBLY AND PUSHRODS</u>
17946-04	<u>ROCKER ARM ASSEMBLY AND PUSHRODS</u>
17972-04	<u>ROCKER ARM ASSEMBLY AND PUSHRODS</u>
17976-04	<u>ROCKER ARM ASSEMBLY AND PUSHRODS</u>
17981-04	<u>ROCKER ARM ASSEMBLY AND PUSHRODS</u>

18011-86	CYLINDERS, HEADS AND VALVES (2 OF 2)
18012-87A	CYLINDERS, HEADS AND VALVES (2 OF 2)
18020-07	CYLINDERS, HEADS AND VALVES (2 OF 2)
18021-87A	CYLINDERS, HEADS AND VALVES (2 OF 2)
18053-04	CYLINDERS, HEADS AND VALVES (2 OF 2)
18059-04	CYLINDERS, HEADS AND VALVES (2 OF 2)
18094-02A	CYLINDERS, HEADS AND VALVES (2 OF 2)
18245-02	CYLINDERS, HEADS AND VALVES (2 OF 2)
18258-02	CYLINDERS, HEADS AND VALVES (2 OF 2)
18260-02	CYLINDERS, HEADS AND VALVES (2 OF 2)
18505-06	ROCKER ARM ASSEMBLY AND PUSHRODS
18538-99C	ROCKER ARM ASSEMBLY AND PUSHRODS
18690-02	CYLINDERS, HEADS AND VALVES (2 OF 2)
18691-02	CYLINDERS, HEADS AND VALVES (2 OF 2)
19519-17	ENGINE ASSEMBLY
19527-17	ENGINE ASSEMBLY
19566-17	ENGINE ASSEMBLY
19606-17	ENGINE ASSEMBLY
19766-17	ENGINE ASSEMBLY
19767-17	ENGINE ASSEMBLY
19905-17	ENGINE ASSEMBLY
20115-17	ENGINE ASSEMBLY
215	CRANKCASE AND GEARCASE
21948-02	PISTONS AND FLYWHEEL ASSEMBLY
22000031	FORK, FRONT - XL1200X
22221-04	PISTONS AND FLYWHEEL ASSEMBLY
22223-04	PISTONS AND FLYWHEEL ASSEMBLY
22227-04	PISTONS AND FLYWHEEL ASSEMBLY
22228-04	PISTONS AND FLYWHEEL ASSEMBLY

22230-04	<u>PISTONS AND FLYWHEEL ASSEMBLY</u>
22231-04	<u>PISTONS AND FLYWHEEL ASSEMBLY</u>
22238-04	<u>PISTONS AND FLYWHEEL ASSEMBLY</u>
22261-86	<u>PISTONS AND FLYWHEEL ASSEMBLY</u>
22266-86	<u>PISTONS AND FLYWHEEL ASSEMBLY</u>
22271-86	<u>PISTONS AND FLYWHEEL ASSEMBLY</u>
22589-83B	<u>PISTONS AND FLYWHEEL ASSEMBLY</u>
2261	<u>SWITCHES, HANDLEBAR</u>
22719-04	<u>PISTONS AND FLYWHEEL ASSEMBLY</u>
22765-02	<u>PISTONS AND FLYWHEEL ASSEMBLY</u>
2325	<u>SPEEDOMETER</u>
2361	<u>SPEEDOMETER</u>
23905-04B	<u>PISTONS AND FLYWHEEL ASSEMBLY</u>
24047-00	<u>CAMSHAFTS AND GEARCASE COVER</u>
24332-36	<u>PISTONS AND FLYWHEEL ASSEMBLY</u>
2441	<u>ROCKER ARM ASSEMBLY AND PUSHRODS</u> <u>BRAKE LINES, FRONT - NON-ABS</u> <u>BRAKE LINES, FRONT - ABS</u>
2444	<u>WINDSHIELD - 1200T</u>
2445	<u>ELECTRONIC IGNITION SYSTEM</u> <u>HEADLAMP - XL1200C, XL1200CB</u>
2446	<u>FENDERS, REAR - XL883N, XL1200X (HDI ONLY)</u> <u>FENDERS, REAR - XL1200CX (CANADA AND HDI ONLY)</u>
24466-06B	<u>CRANKCASE AND GEARCASE</u>
24470-06B	<u>CRANKCASE AND GEARCASE</u>
2460	<u>AIR CLEANER</u>
24605-07	<u>CRANKCASE AND GEARCASE</u>
24647-87	<u>CRANKCASE AND GEARCASE</u>
24650-87	<u>CRANKCASE AND GEARCASE</u>
24658-87	<u>PISTONS AND FLYWHEEL ASSEMBLY</u>
24659-87	<u>CRANKCASE AND GEARCASE</u>
24660-87	<u>CRANKCASE AND GEARCASE</u>

24745-07A	<u>CRANKCASE AND GEARCASE</u>
24754-75A	<u>CRANKCASE AND GEARCASE</u>
2479	<u>BRAKE LINES, REAR - ABS</u> <u>EVAPORATIVE EMISSIONS COMPONENTS</u> <u>BATTERY</u>
2481M	<u>INDUCTION MODULE, FUEL</u>
2486	<u>ROCKER ARM ASSEMBLY AND PUSHRODS</u>
2501A	<u>BRAKE LINES, REAR - NON-ABS</u> <u>BRAKE LINES, REAR - ABS</u>
2508	<u>LICENSE PLATE BRACKETS - XL883L, XL1200C, XL1200CB, XL1200T</u> <u>TAIL LAMPS</u>
25194-06	<u>CAMSHAFTS AND GEARCASE COVER</u>
25213-04	<u>CAMSHAFTS AND GEARCASE COVER</u>
25219-04	<u>CAMSHAFTS AND GEARCASE COVER</u>
25263-90D	<u>CAMSHAFTS AND GEARCASE COVER</u>
25307-06	<u>INSPECTION COVER AND PRIMARY COVER</u>
25409-94B	<u>CLUTCH</u>
25430-06	<u>INSPECTION COVER AND PRIMARY COVER</u>
25453-87A	<u>CLUTCH</u>
25460-06	<u>INSPECTION COVER AND PRIMARY COVER</u>
25463-94A	<u>INSPECTION COVER AND PRIMARY COVER</u>
25486-05	<u>CAMSHAFTS AND GEARCASE COVER</u>
25586-37	<u>CAMSHAFTS AND GEARCASE COVER</u>
25588-91	<u>CAMSHAFTS AND GEARCASE COVER</u>
25593-74	<u>CAMSHAFTS AND GEARCASE COVER</u>
25598-91	<u>CAMSHAFTS AND GEARCASE COVER</u>
25600037	<u>CAMSHAFTS AND GEARCASE COVER</u>
25600048	<u>CAMSHAFTS AND GEARCASE COVER</u>
25600063	<u>CAMSHAFTS AND GEARCASE COVER</u>
2563	<u>FENDERS, REAR - XL1200CX (DOMESTIC ONLY)</u> <u>FENDERS, REAR - XL1200CX (CANADA AND HDI ONLY)</u>
2586A	<u>BRAKE CONTROL, FRONT</u>

26010-04	<u>ROCKER ARM ASSEMBLY AND PUSHRODS</u>
26011-04	<u>ROCKER ARM ASSEMBLY AND PUSHRODS</u>
26012-07	<u>ROCKER ARM ASSEMBLY AND PUSHRODS</u>
26020-07	<u>ROCKER ARM ASSEMBLY AND PUSHRODS</u>
2607	<u>LICENSE PLATE BRACKETS - XL883N, XL1200CX, XL1200X</u> <u>LICENSE PLATE BRACKETS - XL883L, XL1200C, XL1200CB, XL1200T</u>
26204-91A	<u>OIL PUMP</u>
26239-07	<u>OIL PUMP</u>
26318-88A	<u>CAMSHAFTS AND GEARCASE COVER</u>
26434-91	<u>OIL PUMP</u>
26436-90A	<u>CRANKCASE AND GEARCASE</u>
26437-86B	<u>CRANKCASE AND GEARCASE</u>
26495-89B	<u>OIL PUMP</u>
26496-75A	<u>OIL PUMP</u>
26500005	<u>OIL TANK AND LINES</u>
26502-07	<u>OIL PUMP</u>
26503-07	<u>OIL PUMP</u>
26554-77C	<u>SENSORS AND SWITCHES, ENGINE</u>
26638-00Y	<u>CRANKCASE AND GEARCASE</u>
26995-86B	<u>INDUCTION MODULE, FUEL</u>
27000027	<u>HANDLEBAR AND THROTTLE CONTROL - XL883L, XL883N, XL1200CX, XL1200T, XL1200X</u>
2708A	<u>SHIFTER LEVER</u> <u>GUARDS, SAREE</u> <u>FORK, REAR, DEBRIS DEFLECTOR AND BELT GUARD</u> <u>HEADLAMP - XL883L, XL883N, XL1200CX, XL1200T, XL1200X</u> <u>HEADLAMP - XL1200C, XL1200CB</u>
27200024	<u>INDUCTION MODULE, FUEL</u>
27216-95	<u>INDUCTION MODULE, FUEL</u>
27250-96B	<u>FUEL TANK</u> <u>EVAPORATIVE EMISSIONS COMPONENTS</u>
27327-07A	<u>INDUCTION MODULE, FUEL</u>
27628-01A	<u>INDUCTION MODULE, FUEL</u>
27629-01A	<u>INDUCTION MODULE, FUEL</u>

	<u>SWITCHES</u>
27693-07	<u>INDUCTION MODULE, FUEL</u>
27700-07	<u>INDUCTION MODULE, FUEL</u>
27701-07A	<u>INDUCTION MODULE, FUEL</u>
27704-07	<u>INDUCTION MODULE, FUEL</u>
27706-07A	<u>INDUCTION MODULE, FUEL</u>
27707-07	<u>INDUCTION MODULE, FUEL</u>
27714-06	<u>SWITCHES</u>
27715-07	<u>EVAPORATIVE EMISSIONS COMPONENTS</u>
27719-07	<u>SWITCHES</u>
2773	<u>LICENSE PLATE BRACKETS - XL883N, XL1200CX, XL1200X</u> <u>LICENSE PLATE BRACKETS - XL883L, XL1200C, XL1200CB, XL1200T</u>
27829-10	<u>INDUCTION MODULE, FUEL</u>
28792-10	<u>AIR CLEANER</u>
28793-10	<u>AIR CLEANER</u>
29000015A	<u>AIR CLEANER</u>
29000016	<u>AIR CLEANER</u>
29062-95B	<u>AIR CLEANER</u>
29123-07	<u>AIR CLEANER</u>
29127-95B	<u>LABELS</u>
29147-07	<u>LABELS</u>
2921	<u>WINDSHIELD - 1200T</u>
29313-95	<u>AIR CLEANER</u>
29315-04	<u>AIR CLEANER</u>
29346-07	<u>AIR CLEANER</u>
29369-07B	<u>AIR CLEANER</u>
29400015	<u>AIR CLEANER</u>
29900026	<u>ALTERNATOR AND REGULATOR</u>
29950-91A	<u>CRANKCASE AND GEARCASE</u>
3018A	<u>FENDERS, FRONT</u>

3022A	TAIL LAMPS
3026	HORN
3029	ALTERNATOR AND REGULATOR
3033	TURN SIGNALS, FRONT
3056	FORK BRACKETS, FRONT
3075	SEATS
3085	FENDERS, REAR - XL883N, XL1200X (HDI ONLY) FENDERS, REAR - XL883N, XL1200X (DOMESTIC ONLY) FENDERS, REAR - XL1200C, XL1200CB FENDERS, REAR - XL1200CX (DOMESTIC ONLY) FENDERS, REAR - XL1200CX (CANADA AND HDI ONLY)
3123	WIRING HARNESS, MAIN, NON-ABS (4 OF 4) WIRING HARNESS, MAIN, ABS (4 OF 4) WIRING HARNESS, MAIN, KEYLESS, ABS (4 OF 4) WIRING HARNESS, MAIN, KEYLESS, NON-ABS (4 OF 4)
3124	ELECTRONIC IGNITION SYSTEM WIRING HARNESS, MAIN, NON-ABS (4 OF 4) WIRING HARNESS, MAIN, ABS (4 OF 4) HORN
31390-91F	STARTER MOTOR
31488-81C	STARTER MOTOR
31512-04	OIL TANK AND LINES
31556-91D	STARTER MOTOR
31603-91	STARTER MOTOR
3162	FOOTRESTS, RIDER, FORWARD-CONTROL FOOTRESTS, RIDER, FORWARD-CONTROL FOOTRESTS, RIDER, MID-CONTROL FOOTRESTS, RIDER, MID-CONTROL
31656-07	ELECTRONIC IGNITION SYSTEM
31753-07	ELECTRONIC IGNITION SYSTEM
31807-07	ELECTRONIC IGNITION SYSTEM
32003-07	ELECTRONIC IGNITION SYSTEM
32006-07	ELECTRONIC IGNITION SYSTEM
3210A	FENDERS, FRONT HANDLEBAR AND THROTTLE CONTROL - XL883L, XL883N, XL1200CX, XL1200T, XL1200X HANDLEBAR AND THROTTLE CONTROL - XL1200C, XL1200CB
3214	BRAKE CONTROL, REAR BRAKE CONTROL, REAR

	BRAKE LINES, REAR - NON-ABS BRAKE LINES, REAR - ABS FOOTRESTS, PASSENGER FOOTRESTS, RIDER, FORWARD-CONTROL FOOTRESTS, RIDER, FORWARD-CONTROL FOOTRESTS, RIDER, MID-CONTROL FOOTRESTS, RIDER, MID-CONTROL
32319-07A	INDUCTION MODULE, FUEL SWITCHES
32362-04A	ELECTRONIC IGNITION SYSTEM
3244	CLUTCH CONTROL BRAKE CONTROL, FRONT
32472-10	SENSORS AND SWITCHES, ENGINE
32493-02B	ALTERNATOR AND REGULATOR BELTS, CHAINS AND SPROCKETS
32494-04B	ALTERNATOR AND REGULATOR ALTERNATOR AND REGULATOR BELTS, CHAINS AND SPROCKETS BELTS, CHAINS AND SPROCKETS
32506-90	CAMSHAFTS AND GEARCASE COVER
32514-04	CAMSHAFTS AND GEARCASE COVER
32700006	EXHAUST SYSTEM (1 OF 2)
32700026	EXHAUST SYSTEM (1 OF 2)
32707-01C	SENSORS AND SWITCHES, ENGINE
33048-72	FOOTRESTS, PASSENGER
33117-91A	CRANKCASE AND GEARCASE
33123-06A	OIL TANK AND LINES
33130-07A	FOOTRESTS, RIDER, FORWARD-CONTROL FOOTRESTS, RIDER, FORWARD-CONTROL FOOTRESTS, RIDER, MID-CONTROL FOOTRESTS, RIDER, MID-CONTROL
33133-06	FOOTRESTS, RIDER, MID-CONTROL
33134-07CAZ	FOOTRESTS, RIDER, MID-CONTROL
33135-07CAZ	FOOTRESTS, RIDER, MID-CONTROL
33188-08	FOOTRESTS, RIDER, MID-CONTROL
33189-63	FOOTRESTS, PASSENGER
33540-06	SHIFTER, GEAR

33641-06	<u>SHIFTER, GEAR</u>
3387	<u>LICENSE PLATE BRACKETS - XL883N, XL1200CX, XL1200X</u>
33900-99	<u>SWITCHES</u>
33900154	<u>SHIFTER LEVER</u>
34014-06A	<u>SHIFTER, GEAR</u>
34064-00C	<u>SHIFTER, GEAR</u>
34076-02A	<u>SHIFTER, GEAR</u>
34157-06	<u>SHIFTER, GEAR</u>
34162-06	<u>SHIFTER, GEAR</u>
34163-02	<u>SHIFTER, GEAR</u>
34483-06	<u>SHIFTER, GEAR</u>
34491-02A	<u>SHIFTER, GEAR</u>
34572-04	<u>SHIFTER LEVER</u>
34573-04	<u>SHIFTER LEVER</u>
34611-65A	<u>SHIFTER LEVER</u>
34660-04A	<u>SHIFTER LEVER</u>
34663-10	<u>SHIFTER LEVER</u>
34670-06	<u>SHIFTER LEVER</u>
34721-07	<u>SHIFTER LEVER</u>
34723-10	<u>SHIFTER LEVER</u>
34724-10	<u>SHIFTER LEVER</u>
34760-04	<u>INSPECTION COVER AND PRIMARY COVER</u>
34761-04A	<u>INSPECTION COVER AND PRIMARY COVER</u>
3480A	<u>CAMSHAFTS AND GEARCASE COVER</u> <u>ELECTRONIC IGNITION SYSTEM</u> <u>BELTS, CHAINS AND SPROCKETS</u>
34911-04	<u>BELTS, CHAINS AND SPROCKETS</u>
34920-86A	<u>CLUTCH</u>
34932-04	<u>BELTS, CHAINS AND SPROCKETS</u>
34943-05	<u>BELTS, CHAINS AND SPROCKETS</u>

34955-04	<u>INSPECTION COVER AND PRIMARY COVER</u>
34981-02A	<u>SHIFTER, GEAR</u>
34982-02A	<u>SHIFTER, GEAR</u>
34990-08	<u>INSPECTION COVER AND PRIMARY COVER</u>
34992-04	<u>INSPECTION COVER AND PRIMARY COVER</u>
34993-04A	<u>INSPECTION COVER AND PRIMARY COVER</u>
35030-89A	<u>TRANSMISSION GEARS</u>
35038-89A	<u>TRANSMISSION GEARS</u>
35051-89A	<u>TRANSMISSION GEARS</u>
35087-99A	<u>TRANSMISSION GEARS</u>
35107-06	<u>TRANSMISSION GEARS</u>
35114-02	<u>CRANKCASE AND GEARCASE</u>
35118-03	<u>CRANKCASE AND GEARCASE</u>
3514	<u>HEADLAMP - XL883L, XL883N, XL1200CX, XL1200T, XL1200X</u>
35159-06	<u>TRANSMISSION GEARS</u>
35163-06	<u>TRANSMISSION GEARS</u>
35165-06	<u>TRANSMISSION GEARS</u>
35167-06	<u>TRANSMISSION GEARS</u>
35172-06	<u>TRANSMISSION GEARS</u>
35174-06	<u>TRANSMISSION GEARS</u>
35190-06	<u>TRANSMISSION GEARS</u>
35191-06	<u>TRANSMISSION GEARS</u>
35193-06	<u>TRANSMISSION GEARS</u>
35196-06	<u>TRANSMISSION GEARS</u>
35197-06	<u>TRANSMISSION GEARS</u>
35211-91B	<u>BELTS, CHAINS AND SPROCKETS</u>
3563	<u>HORN</u>
3565	<u>AIR CLEANER</u>
3574	<u>BATTERY</u>
3579A	<u>FORK, REAR, DEBRIS DEFLECTOR AND BELT GUARD</u>

358	<u>CRANKCASE AND GEARCASE</u>
3588	<u>SEATS</u> <u>OIL TANK AND LINES</u> <u>BATTERY</u>
3594	<u>BELTS, CHAINS AND SPROCKETS</u>
3605	<u>HANDLEBAR AND THROTTLE CONTROL - XL883L, XL883N, XL1200CX, XL1200T, XL1200X</u> <u>HANDLEBAR AND THROTTLE CONTROL - XL1200C, XL1200CB</u>
3615	<u>HEADLAMP - XL1200C, XL1200CB</u>
3655A	<u>WHEELS, FRONT, CAST - XL883L, XL883N, XL1200CX, XL1200T, XL1200X</u> <u>WHEELS, FRONT, CAST - XL883L, XL883N, XL1200CX, XL1200T, XL1200X</u> <u>WHEELS, FRONT, LACED - XL1200C, XL1200CB</u>
3658	<u>SWITCHES, HANDLEBAR</u>
3666A	<u>HANDLEBAR AND THROTTLE CONTROL - XL1200C, XL1200CB</u>
36700011	<u>CLUTCH CONTROL</u>
36700012	<u>CLUTCH CONTROL</u>
36700013	<u>CLUTCH CONTROL</u>
36715-94	<u>CLUTCH</u>
36731-91	<u>CLUTCH</u>
36785-91	<u>CLUTCH</u>
36790-04	<u>CLUTCH</u>
36799-91	<u>CLUTCH</u>
36802-84B	<u>CLUTCH</u>
3691	<u>ELECTRONIC IGNITION SYSTEM</u>
3696	<u>OIL TANK AND LINES</u>
37000041A	<u>CLUTCH CONTROL</u>
37107-06	<u>SHIFTER, GEAR</u>
37200085	<u>FORK BRACKETS, FRONT</u>
37200144	<u>FORK BRACKETS, FRONT</u>
37200172	<u>CLUTCH CONTROL</u>
37495-91	<u>CLUTCH</u>
37870-91	<u>CLUTCH</u>
37872-90	<u>CLUTCH</u>

37904-90	<u>CLUTCH</u>
37905-90	<u>CLUTCH</u>
37908-90	<u>CLUTCH</u>
37909-90	<u>CLUTCH</u>
37910-04B	<u>CLUTCH</u>
37911-90	<u>CLUTCH</u>
37912-91	<u>CLUTCH</u>
37913-90	<u>CLUTCH</u>
37924-04A	<u>CLUTCH</u>
37977-90	<u>CLUTCH</u>
3849	<u>ROCKER ARM ASSEMBLY AND PUSHRODS</u>
3854	<u>ENGINE MOUNTS AND STABILIZER LINK</u>
38630-88	<u>CLUTCH CONTROL</u>
38653-01	<u>HANDLEBAR AND THROTTLE CONTROL - XL883L, XL883N, XL1200CX, XL1200T, XL1200X</u> <u>HANDLEBAR AND THROTTLE CONTROL - XL1200C, XL1200CB</u>
38699-04D	<u>CLUTCH CONTROL</u>
3899	<u>BELTS, CHAINS AND SPROCKETS</u>
38999-11	<u>HEADLAMP - XL1200C, XL1200CB</u>
3976	<u>ROCKER ARM ASSEMBLY AND PUSHRODS</u>
3987	<u>INDUCTION MODULE, FUEL</u>
3990	<u>TRANSMISSION GEARS</u>
40005-57B	<u>BELTS, CHAINS AND SPROCKETS</u>
40039-02C	<u>INSPECTION COVER AND PRIMARY COVER</u>
40147-04	<u>BELTS, CHAINS AND SPROCKETS</u> <u>BELTS, CHAINS AND SPROCKETS</u>
4016	<u>SHIFTER LEVER</u> <u>TURN SIGNALS, FRONT</u> <u>TAIL LAMPS AND TURN SIGNALS, REAR - XL1200CX, XL1200T</u>
4017	<u>FENDERS, REAR - XL883N, XL1200X (CANADA ONLY), XL883L (DOMESTIC, CANADA, HDI)</u> <u>FENDERS, REAR - XL883N, XL1200X (HDI ONLY)</u> <u>FENDERS, REAR - XL883N, XL1200X (DOMESTIC ONLY)</u> <u>FENDERS, REAR - XL1200C, XL1200CB</u> <u>FENDERS, REAR - XL1200T</u> <u>FENDERS, REAR - XL1200CX (DOMESTIC ONLY)</u>

	FENDERS, REAR - XL1200CX (CANADA AND HDI ONLY) EXHAUST SYSTEM (1 OF 2)
40241-02A	ALTERNATOR AND REGULATOR BELTS, CHAINS AND SPROCKETS
40251-92A	BELTS, CHAINS AND SPROCKETS
40254-02	CRANKCASE AND GEARCASE
40290-04A	ALTERNATOR AND REGULATOR ALTERNATOR AND REGULATOR BELTS, CHAINS AND SPROCKETS BELTS, CHAINS AND SPROCKETS
4029A	FORK, FRONT - XL883L, XL1200C, XL1200CB FORK, FRONT - XL1200T FORK, FRONT - XL1200X FORK, FRONT - XL883N
4032A	EXHAUST SYSTEM (1 OF 2)
40350-07	BELTS, CHAINS AND SPROCKETS
40380-04	BELTS, CHAINS AND SPROCKETS
40409-04	BELTS, CHAINS AND SPROCKETS BELTS, CHAINS AND SPROCKETS
40444-07	BELTS, CHAINS AND SPROCKETS
40572-11	WHEELS, FRONT, LACED - XL1200C, XL1200CB WHEELS, REAR, LACED - XL1200C, XL1200CB
40574-06A	INSPECTION COVER AND PRIMARY COVER
40591-07	BELTS, CHAINS AND SPROCKETS
4076	FRAME AND JIFFY STAND FRAME AND JIFFY STAND
40875-11	WHEELS, FRONT, LACED - XL1200C, XL1200CB WHEELS, REAR, LACED - XL1200C, XL1200CB
40878-11	WHEELS, REAR, CAST - XL883L, XL883N, XL1200CX, XL1200T, XL1200X WHEELS, REAR, LACED - XL1200C, XL1200CB
40879-11A	WHEELS, FRONT, CAST - XL883L, XL883N, XL1200CX, XL1200T, XL1200X
40900291	WHEELS, REAR, CAST - XL883L, XL883N, XL1200CX, XL1200T, XL1200X
40900399	WHEELS, REAR, CAST - XL883L, XL883N, XL1200CX, XL1200T, XL1200X
40900400	WHEELS, REAR, CAST - XL883L, XL883N, XL1200CX, XL1200T, XL1200X
40900402	WHEELS, REAR, CAST - XL883L, XL883N, XL1200CX, XL1200T, XL1200X
4091	CRANKCASE AND GEARCASE LICENSE PLATE BRACKETS - XL883N, XL1200CX, XL1200X

40930-05	WHEELS, REAR, CAST - XL883L, XL883N, XL1200CX, XL1200T, XL1200X WHEELS, REAR, LACED - XL1200C, XL1200CB
40999-87	WHEELS, FRONT, CAST - XL883L, XL883N, XL1200CX, XL1200T, XL1200X WHEELS, REAR, CAST - XL883L, XL883N, XL1200CX, XL1200T, XL1200X
41000326	ELECTRONIC IGNITION SYSTEM
41000341A	ELECTRONIC IGNITION SYSTEM
41000342A	ELECTRONIC IGNITION SYSTEM
41000351A	ELECTRONIC IGNITION SYSTEM
41082-08A	WHEELS, REAR, LACED - XL1200C, XL1200CB
41100020A	BRAKE LINES, REAR - ABS
41100022	BRAKE LINES, REAR - ABS
41100023	WHEELS, REAR, CAST - XL883L, XL883N, XL1200CX, XL1200T, XL1200X WHEELS, REAR, LACED - XL1200C, XL1200CB
41100024	WHEELS, FRONT, CAST - XL883L, XL883N, XL1200CX, XL1200T, XL1200X WHEELS, FRONT, LACED - XL1200C, XL1200CB
41100043A	BRAKE LINES, REAR - ABS
41123-79	WHEELS, FRONT, CAST - XL883L, XL883N, XL1200CX, XL1200T, XL1200X WHEELS, FRONT, LACED - XL1200C, XL1200CB WHEELS, REAR, CAST - XL883L, XL883N, XL1200CX, XL1200T, XL1200X WHEELS, REAR, LACED - XL1200C, XL1200CB
41176-08	WHEELS, REAR, CAST - XL883L, XL883N, XL1200CX, XL1200T, XL1200X WHEELS, REAR, LACED - XL1200C, XL1200CB
41191-74A	INSPECTION COVER AND PRIMARY COVER
41229-08	WHEELS, REAR, CAST - XL883L, XL883N, XL1200CX, XL1200T, XL1200X WHEELS, REAR, LACED - XL1200C, XL1200CB
41242-08	WHEELS, FRONT, CAST - XL883L, XL883N, XL1200CX, XL1200T, XL1200X WHEELS, FRONT, CAST - XL883L, XL883N, XL1200CX, XL1200T, XL1200X WHEELS, FRONT, LACED - XL1200C, XL1200CB WHEELS, REAR, CAST - XL883L, XL883N, XL1200CX, XL1200T, XL1200X WHEELS, REAR, LACED - XL1200C, XL1200CB
41300003	BRAKE CALIPER, FRONT
41300004	BRAKE CALIPER, FRONT BRAKE CALIPER, FRONT
41300005	BRAKE CALIPER, FRONT BRAKE CALIPER, FRONT
41300006	BRAKE CALIPER, FRONT BRAKE CALIPER, FRONT
41300007	BRAKE CALIPER, FRONT

41300008	BRAKE CALIPER, FRONT
41300009	BRAKE CALIPER, FRONT BRAKE CALIPER, FRONT BRAKE CALIPER, REAR
41300010	BRAKE CALIPER, FRONT
41300032	BRAKE CALIPER, FRONT
41300038	BRAKE CALIPER, REAR
41300039	BRAKE CALIPER, REAR
41300049	BRAKE CALIPER, REAR
41300052	BRAKE CALIPER, FRONT
41300053	BRAKE CALIPER, REAR
41300054	BRAKE CALIPER, REAR
41300055	BRAKE CALIPER, REAR
41300056	BRAKE CALIPER, REAR
4132	OIL PUMP
41388-10	WHEELS, FRONT, LACED - XL1200C, XL1200CB
41389-10	WHEELS, FRONT, LACED - XL1200C, XL1200CB
41478-10A	WHEELS, REAR, LACED - XL1200C, XL1200CB
41500022	WHEELS, FRONT, CAST - XL883L, XL883N, XL1200CX, XL1200T, XL1200X WHEELS, FRONT, LACED - XL1200C, XL1200CB
41500068	WHEELS, FRONT, CAST - XL883L, XL883N, XL1200CX, XL1200T, XL1200X
41500088	WHEELS, FRONT, CAST - XL883L, XL883N, XL1200CX, XL1200T, XL1200X WHEELS, FRONT, CAST - XL883L, XL883N, XL1200CX, XL1200T, XL1200X
41561-04	ENGINE MOUNTS AND STABILIZER LINK
41562-04	ENGINE MOUNTS AND STABILIZER LINK
41573-05	FORK, REAR, DEBRIS DEFLECTOR AND BELT GUARD
41600068	BRAKE LINES, FRONT - ABS
41600069	BRAKE LINES, REAR - NON-ABS BRAKE LINES, REAR - ABS
41600074	BRAKE LINES, FRONT - ABS
41628-08	WHEELS, FRONT, CAST - XL883L, XL883N, XL1200CX, XL1200T, XL1200X WHEELS, FRONT, LACED - XL1200C, XL1200CB

41699-04	ENGINE MOUNTS AND STABILIZER LINK
41700003	BRAKE CONTROL, FRONT
41700004	BRAKE CONTROL, FRONT
41700007	BRAKE CONTROL, FRONT
41700008	BRAKE CONTROL, FRONT
41700025	BRAKE CONTROL, REAR
41700042	BRAKE CONTROL, FRONT
41700043	BRAKE CONTROL, FRONT
41700084	BRAKE CONTROL, FRONT
41700085	BRAKE CONTROL, FRONT
41700086	BRAKE CONTROL, FRONT
41700087	BRAKE CONTROL, FRONT
41700088	BRAKE CONTROL, FRONT
41700092	BRAKE CONTROL, REAR
41700094	BRAKE CONTROL, REAR
41700095	BRAKE CONTROL, REAR
41700096	BRAKE CONTROL, REAR
41700097	BRAKE CONTROL, REAR
41700098	BRAKE CONTROL, REAR
41700099	BRAKE CONTROL, FRONT
41700102	BRAKE CONTROL, REAR
41700104	CLUTCH CONTROL BRAKE CONTROL, FRONT
41756-08	BRAKE LINES, FRONT - NON-ABS BRAKE LINES, FRONT - NON-ABS BRAKE LINES, FRONT - ABS BRAKE LINES, REAR - NON-ABS BRAKE LINES, REAR - ABS
4180	ENGINE MOUNTS AND STABILIZER LINK HORN
41800143	BRAKE LINES, FRONT - ABS
41800145	BRAKE LINES, FRONT - ABS

41800147	BRAKE LINES, FRONT - ABS
41800150	BRAKE LINES, FRONT - ABS
41800151	BRAKE LINES, FRONT - ABS
41800154	BRAKE LINES, FRONT - ABS
41800160	BRAKE LINES, FRONT - NON-ABS
41800161	BRAKE LINES, FRONT - ABS
41800162	BRAKE LINES, FRONT - ABS
41800165	BRAKE LINES, REAR - ABS
41800166	BRAKE LINES, FRONT - NON-ABS
41800168	BRAKE LINES, FRONT - NON-ABS
41800171	BRAKE LINES, FRONT - NON-ABS
41800172	BRAKE LINES, FRONT - NON-ABS
41800317	BRAKE LINES, REAR - ABS
41800318	BRAKE LINES, REAR - NON-ABS
41800566	BRAKE LINES, FRONT - NON-ABS
41800567	BRAKE LINES, FRONT - ABS
41833-08	WHEELS, REAR, CAST - XL883L, XL883N, XL1200CX, XL1200T, XL1200X WHEELS, REAR, LACED - XL1200C, XL1200CB
4188	ENGINE MOUNTS AND STABILIZER LINK
4190	BRAKE LINES, REAR - NON-ABS BRAKE LINES, REAR - ABS
42200121	BELTS, CHAINS AND SPROCKETS
42425-05	CLUTCH CONTROL BRAKE CONTROL, FRONT
42541-04	FOOTRESTS, RIDER, MID-CONTROL FOOTRESTS, RIDER, MID-CONTROL
42569-03	SHIFTER LEVER BRAKE CONTROL, REAR
42593-04	BRAKE CONTROL, REAR
42651-04	FOOTRESTS, RIDER, FORWARD-CONTROL FOOTRESTS, RIDER, FORWARD-CONTROL
42652-04	FOOTRESTS, RIDER, FORWARD-CONTROL FOOTRESTS, RIDER, FORWARD-CONTROL

4266A	CYLINDERS, HEADS AND VALVES (1 OF 2)
42804-07	BRAKE CONTROL, FRONT
42805-04	BRAKE CONTROL, FRONT
42807-04	CLUTCH CONTROL
42811-04	BRAKE CONTROL, REAR
42812-04	BRAKE CONTROL, REAR
42823-04	BRAKE CALIPER, FRONT BRAKE CALIPER, FRONT
42824-04	BRAKE CALIPER, FRONT BRAKE CALIPER, FRONT
42827-04	BRAKE CALIPER, FRONT BRAKE CALIPER, FRONT BRAKE CALIPER, REAR
42828-04	BRAKE CALIPER, FRONT BRAKE CALIPER, FRONT BRAKE CALIPER, REAR
42840-04	BRAKE CALIPER, REAR
4290	ENGINE MOUNTS AND STABILIZER LINK
42971-04	FOOTRESTS, RIDER, MID-CONTROL FOOTRESTS, RIDER, MID-CONTROL
42972-04	FOOTRESTS, RIDER, MID-CONTROL FOOTRESTS, RIDER, MID-CONTROL
43000001	WHEELS, FRONT, CAST - XL883L, XL883N, XL1200CX, XL1200T, XL1200X
43017-07	WHEELS, REAR, LACED - XL1200C, XL1200CB
43085-97	WHEELS, REAR, LACED - XL1200C, XL1200CB
43100021A	WHEELS, FRONT, CAST - XL883L, XL883N, XL1200CX, XL1200T, XL1200X
43100026	WHEELS, FRONT, CAST - XL883L, XL883N, XL1200CX, XL1200T, XL1200X
4312C	BATTERY
43200026A	WHEELS, REAR, CAST - XL883L, XL883N, XL1200CX, XL1200T, XL1200X
43200030	WHEELS, REAR, CAST - XL883L, XL883N, XL1200CX, XL1200T, XL1200X
43216-11	WHEELS, REAR, CAST - XL883L, XL883N, XL1200CX, XL1200T, XL1200X
43241-05	WHEELS, REAR, LACED - XL1200C, XL1200CB
43258-07B	WHEELS, FRONT, CAST - XL883L, XL883N, XL1200CX, XL1200T, XL1200X
43300282	WHEELS, FRONT, CAST - XL883L, XL883N, XL1200CX, XL1200T, XL1200X

43300392	WHEELS, FRONT, CAST - XL883L, XL883N, XL1200CX, XL1200T, XL1200X
43300394	WHEELS, FRONT, CAST - XL883L, XL883N, XL1200CX, XL1200T, XL1200X
43300416	WHEELS, FRONT, CAST - XL883L, XL883N, XL1200CX, XL1200T, XL1200X
43358-08	WHEELS, FRONT, CAST - XL883L, XL883N, XL1200CX, XL1200T, XL1200X
4352	FORK BRACKETS, FRONT FORK BRACKETS, FRONT
43567-92	WHEELS, REAR, CAST - XL883L, XL883N, XL1200CX, XL1200T, XL1200X WHEELS, REAR, LACED - XL1200C, XL1200CB
4359	SHIFTER LEVER
43595-99	FRAME AND JIFFY STAND
4365	TAIL LAMPS
43689-11	WHEELS, FRONT, CAST - XL883L, XL883N, XL1200CX, XL1200T, XL1200X
43905-08	WHEELS, REAR, CAST - XL883L, XL883N, XL1200CX, XL1200T, XL1200X WHEELS, REAR, LACED - XL1200C, XL1200CB
43906-08	WHEELS, FRONT, CAST - XL883L, XL883N, XL1200CX, XL1200T, XL1200X
44012-11A	WHEELS, REAR, CAST - XL883L, XL883N, XL1200CX, XL1200T, XL1200X
4402	FORK BRACKETS, FRONT
44160-00	BRAKE CALIPER, REAR FORK, FRONT - XL883L, XL1200C, XL1200CB FORK, FRONT - XL1200T FORK, FRONT - XL1200X FORK, FRONT - XL883N FORK, FRONT - XL1200CX
4420	HEADLAMP - XL1200C, XL1200CB
45041-01A	FOOTRESTS, PASSENGER FOOTRESTS, RIDER, FORWARD-CONTROL FOOTRESTS, RIDER, FORWARD-CONTROL FOOTRESTS, RIDER, MID-CONTROL FOOTRESTS, RIDER, MID-CONTROL
45070-01	FORK, FRONT - XL1200X
45361-90	FORK, FRONT - XL1200T
45374-87	FORK, FRONT - XL1200T
45377-87	FORK, FRONT - XL883L, XL1200C, XL1200CB FORK, FRONT - XL1200T FORK, FRONT - XL883N
45378-87	FORK, FRONT - XL883L, XL1200C, XL1200CB FORK, FRONT - XL1200T FORK, FRONT - XL883N

45395-09	FORK, FRONT - XL1200T
45400054	FORK, FRONT - XL1200T
45400055	FORK, FRONT - XL1200T
45400078	FORK, FRONT - XL883L, XL1200C, XL1200CB
45400079	FORK, FRONT - XL883L, XL1200C, XL1200CB
45400080	FORK, FRONT - XL883L, XL1200C, XL1200CB
45400081	FORK, FRONT - XL883L, XL1200C, XL1200CB
45400084	FORK, FRONT - XL1200X
45400085	FORK, FRONT - XL1200X
45400086	FORK, FRONT - XL883N
45400087	FORK, FRONT - XL883N
45400108	FORK, FRONT - XL1200CX
45400109	FORK, FRONT - XL1200CX
45401-87	FORK, FRONT - XL883L, XL1200C, XL1200CB FORK, FRONT - XL1200T FORK, FRONT - XL883N
45405-75A	FORK, FRONT - XL883L, XL1200C, XL1200CB FORK, FRONT - XL1200T FORK, FRONT - XL883N FORK, FRONT - XL1200CX
45451-07	FORK, FRONT - XL883N
45458-09	FORK, FRONT - XL1200T
45460-90	FORK, FRONT - XL1200T
45461-87	FORK, FRONT - XL883L, XL1200C, XL1200CB FORK, FRONT - XL1200T FORK, FRONT - XL883N
45462-87	FORK, FRONT - XL883L, XL1200C, XL1200CB FORK, FRONT - XL883N
45465-87	FORK, FRONT - XL883L, XL1200C, XL1200CB FORK, FRONT - XL1200T FORK, FRONT - XL883N
45500054	FORK, FRONT - XL883N
45500057	FORK, FRONT - XL883N
45500118	FORK, FRONT - XL1200X

45500132	FORK, FRONT - XL1200CX
45500233	FORK, FRONT - XL1200X
45500236	FORK, FRONT - XL1200X
45500244	FORK, FRONT - XL1200T
45500251	FORK, FRONT - XL1200X
45500274	FORK, FRONT - XL883L, XL1200C, XL1200CB
45500275	FORK, FRONT - XL883L, XL1200C, XL1200CB
45500278	FORK, FRONT - XL883L, XL1200C, XL1200CB
45500280	FORK, FRONT - XL883L, XL1200C, XL1200CB FORK, FRONT - XL883N
45500281	FORK, FRONT - XL883L, XL1200C, XL1200CB FORK, FRONT - XL883N
45500282	FORK, FRONT - XL883L, XL1200C, XL1200CB
45500284	FORK, FRONT - XL883L, XL1200C, XL1200CB FORK, FRONT - XL883N
45500285	FORK, FRONT - XL883L, XL1200C, XL1200CB FORK, FRONT - XL883N
45500286	FORK, FRONT - XL883L, XL1200C, XL1200CB FORK, FRONT - XL883N
45500287	FORK, FRONT - XL1200X
45500290	FORK, FRONT - XL1200X
45500293	FORK, FRONT - XL1200X
45500294	FORK, FRONT - XL1200X
45500295	FORK, FRONT - XL1200X
45500296	FORK, FRONT - XL1200X
45500297	FORK, FRONT - XL1200X
45500298	FORK, FRONT - XL1200X
45500299	FORK, FRONT - XL883L, XL1200C, XL1200CB FORK, FRONT - XL883N
45500300	FORK, FRONT - XL883N
45500301	FORK, FRONT - XL883N
45500302	FORK, FRONT - XL883N

45500303	FORK, FRONT - XL883L, XL1200C, XL1200CB FORK, FRONT - XL883N
45500304	FORK, FRONT - XL883N
45500307	FORK, FRONT - XL1200X
45500343	FORK, FRONT - XL1200X
45500358	FORK, FRONT - XL1200CX
45500359	FORK, FRONT - XL1200CX
45500360	FORK, FRONT - XL1200CX
45500361	FORK, FRONT - XL1200CX
45500369	FORK, FRONT - XL1200CX
45500370	FORK, FRONT - XL1200CX
45500371	FORK, FRONT - XL1200CX
45600014	FRAME AND JIFFY STAND
45600046	FENDERS, FRONT
45611-86	FORK BRACKETS, FRONT
4574	FORK, FRONT - XL1200CX
4575	FORK, FRONT - XL1200CX
45799-04	CLUTCH CONTROL
45800-04	CLUTCH CONTROL
45801-04	CLUTCH CONTROL
45830-48	CRANKCASE AND GEARCASE
45842-77A	FORK, FRONT - XL1200CX
45900103	FORK BRACKETS, FRONT
45900104	FORK BRACKETS, FRONT
45900106	FORK BRACKETS, FRONT
45900107	FORK BRACKETS, FRONT
45902-00	STARTER MOTOR
45905-87	FORK, FRONT - XL883L, XL1200C, XL1200CB FORK, FRONT - XL1200T FORK, FRONT - XL883N
45984-87	FORK, FRONT - XL883L, XL1200C, XL1200CB FORK, FRONT - XL1200T

	FORK, FRONT - XL883N
45996-87	FORK, FRONT - XL883L, XL1200C, XL1200CB FORK, FRONT - XL1200T FORK, FRONT - XL883N
46002-87	FORK, FRONT - XL883L, XL1200C, XL1200CB FORK, FRONT - XL1200T
46014-10	FORK BRACKETS, FRONT
46080-01	FORK, FRONT - XL1200X
46236-02	FORK, FRONT - XL1200X
46237-02	FORK, FRONT - XL1200X
46262-02	FORK, FRONT - XL883L, XL1200C, XL1200CB FORK, FRONT - XL1200X FORK, FRONT - XL883N
46268-04	CLUTCH CONTROL
46329-06	FORK, FRONT - XL1200CX
46343-06	FORK, FRONT - XL1200CX
46346-06	FORK, FRONT - XL1200CX
46348-06	FORK, FRONT - XL1200CX
46352-06	FORK, FRONT - XL1200CX
46353-06	FORK, FRONT - XL1200CX
46508-01	FORK, FRONT - XL1200X
46509-01	FORK, FRONT - XL1200X
46510-07	FORK, FRONT - XL1200X
46512-01A	FORK, FRONT - XL1200X
46513-01	FORK, FRONT - XL1200X
46514-01A	FORK, FRONT - XL1200X
46515-01	FORK, FRONT - XL1200X
46516-01	FORK, FRONT - XL1200X
46612-06	FORK, FRONT - XL1200X
46615-06	FORK, FRONT - XL1200X
46758-07	FORK BRACKETS, FRONT
46767-07	FORK BRACKETS, FRONT

46997-11	<u>FORK BRACKETS, FRONT</u>
46998-11	<u>FORK BRACKETS, FRONT</u>
47000031	<u>FRAME AND JIFFY STAND</u>
47000114	<u>FRAME AND JIFFY STAND</u>
47000140	<u>FRAME AND JIFFY STAND</u>
47000144	<u>FRAME AND JIFFY STAND</u>
4705	<u>SENSORS AND SWITCHES, ENGINE</u>
4717A	<u>CAMSHAFTS AND GEARCASE COVER</u> <u>BELTS, CHAINS AND SPROCKETS</u>
4718A	<u>ROCKER ARM ASSEMBLY AND PUSHRODS</u>
47200177	<u>GUARDS, SAREE</u>
4724	<u>HEADLAMP - XL883L, XL883N, XL1200CX, XL1200T, XL1200X</u>
47400087	<u>FORK, REAR, DEBRIS DEFLECTOR AND BELT GUARD</u>
4740A	<u>CAMSHAFTS AND GEARCASE COVER</u> <u>ALTERNATOR AND REGULATOR</u>
4741A	<u>ROCKER ARM ASSEMBLY AND PUSHRODS</u> <u>BRAKE LINES, FRONT - NON-ABS</u>
47470-04	<u>ENGINE MOUNTS AND STABILIZER LINK</u>
47471-04A	<u>ENGINE MOUNTS AND STABILIZER LINK</u>
4748	<u>CYLINDERS, HEADS AND VALVES (1 OF 2)</u> <u>HEADLAMP - XL883L, XL883N, XL1200CX, XL1200T, XL1200X</u> <u>HEADLAMP - XL1200C, XL1200CB</u> <u>EXHAUST SYSTEM (1 OF 2)</u>
47500004	<u>ENGINE MOUNTS AND STABILIZER LINK</u>
47500005	<u>FORK, REAR, DEBRIS DEFLECTOR AND BELT GUARD</u>
47500006	<u>FORK, REAR, DEBRIS DEFLECTOR AND BELT GUARD</u>
4751	<u>ALTERNATOR AND REGULATOR</u> <u>BELTS, CHAINS AND SPROCKETS</u>
47587-05A	<u>FORK, REAR, DEBRIS DEFLECTOR AND BELT GUARD</u>
4758A	<u>FUEL TANK</u>
4765	<u>OIL PUMP</u>
4771	<u>FUEL TANK</u>
4778	<u>GUARDS, SAREE</u>

	FENDERS, REAR - XL883N, XL1200X (CANADA ONLY), XL883L (DOMESTIC, CANADA, HDI) FENDERS, REAR - XL883N, XL1200X (HDI ONLY) FENDERS, REAR - XL883N, XL1200X (DOMESTIC ONLY) FENDERS, REAR - XL1200C, XL1200CB
4779	GUARDS, SAREE FENDERS, REAR - XL883N, XL1200X (CANADA ONLY), XL883L (DOMESTIC, CANADA, HDI) FENDERS, REAR - XL883N, XL1200X (HDI ONLY) FENDERS, REAR - XL883N, XL1200X (DOMESTIC ONLY) FENDERS, REAR - XL1200C, XL1200CB FENDERS, REAR - XL1200CX (DOMESTIC ONLY) FENDERS, REAR - XL1200CX (CANADA AND HDI ONLY)
47887-10	WHEELS, FRONT, LACED - XL1200C, XL1200CB
4798	INDUCTION MODULE, FUEL
48027-99	FRAME AND JIFFY STAND
48184-01	FORK BRACKETS, FRONT
4820A	INSPECTION COVER AND PRIMARY COVER
48300-60	FORK BRACKETS, FRONT
48315-60	FORK BRACKETS, FRONT FRAME AND JIFFY STAND
48463-04A	ENGINE MOUNTS AND STABILIZER LINK
48492-04A	ENGINE MOUNTS AND STABILIZER LINK
4858M	BRAKE LINES, REAR - ABS
48708-09	FORK, FRONT - XL1200CX
4871	FRAME AND JIFFY STAND
48738-07	FORK, FRONT - XL883L, XL1200C, XL1200CB FORK, FRONT - XL1200T FORK, FRONT - XL883N
48791-09	FORK, FRONT - XL883L, XL1200C, XL1200CB FORK, FRONT - XL1200T FORK, FRONT - XL883N
49315-04	FOOTRESTS, PASSENGER FOOTRESTS, PASSENGER
49378-09	FORK, FRONT - XL883L, XL1200C, XL1200CB FORK, FRONT - XL1200T FORK, FRONT - XL883N
49380-09	FORK, FRONT - XL1200CX
49401-11	FORK, FRONT - XL883L, XL1200C, XL1200CB FORK, FRONT - XL1200T
49403-11	FORK, FRONT - XL883L, XL1200C, XL1200CB

	FORK, FRONT - XL1200T
49411-11	FORK, FRONT - XL883L, XL1200C, XL1200CB
49412-11	FORK, FRONT - XL883L, XL1200C, XL1200CB
49419-11	FORK BRACKETS, FRONT
49422-11	FORK BRACKETS, FRONT
49735-08	FRAME AND JIFFY STAND
4975M	FENDERS, FRONT
4978	FENDERS, FRONT
4991	FRAME AND JIFFY STAND
4993	FORK BRACKETS, FRONT
50000025BHP	FRAME AND JIFFY STAND FRAME AND JIFFY STAND
50003-89B	FRAME AND JIFFY STAND
50005-85A	FRAME AND JIFFY STAND
5004	BRAKE LINES, FRONT - ABS
50124-09BHP	FRAME AND JIFFY STAND
50126-08A	FRAME AND JIFFY STAND
50185-04C	FRAME AND JIFFY STAND
50500227	GUARDS, SAREE FOOTRESTS, PASSENGER
50500233	BRAKE CONTROL, REAR FOOTRESTS, PASSENGER
50500288	FOOTRESTS, RIDER, MID-CONTROL
50500289	FOOTRESTS, RIDER, MID-CONTROL
50500290	FOOTRESTS, RIDER, MID-CONTROL
50500291	FOOTRESTS, RIDER, MID-CONTROL
50500323	FOOTRESTS, RIDER, MID-CONTROL
50600020	BRAKE CONTROL, REAR
50600021	BRAKE CONTROL, REAR
50600022	BRAKE CONTROL, REAR
50600023	BRAKE CONTROL, REAR

50600024	BRAKE CONTROL, REAR
50600025	BRAKE CONTROL, REAR
50600091	BRAKE CONTROL, REAR
50600092	BRAKE CONTROL, REAR
50600101	BRAKE CONTROL, REAR
50600124	BRAKE CONTROL, REAR
50600125	BRAKE CONTROL, REAR
50912-72	FOOTRESTS, PASSENGER FOOTRESTS, RIDER, FORWARD-CONTROL FOOTRESTS, RIDER, FORWARD-CONTROL FOOTRESTS, RIDER, MID-CONTROL FOOTRESTS, RIDER, MID-CONTROL
5118	SWITCHES, HANDLEBAR WIRING HARNESS, MAIN, NON-ABS (1 OF 4) WIRING HARNESS, MAIN, ABS (1 OF 4) WIRING HARNESS, MAIN, KEYLESS, ABS (1 OF 4) WIRING HARNESS, MAIN, KEYLESS, NON-ABS (1 OF 4)
51323-08	FOOTRESTS, RIDER, FORWARD-CONTROL FOOTRESTS, RIDER, FORWARD-CONTROL FOOTRESTS, RIDER, MID-CONTROL FOOTRESTS, RIDER, MID-CONTROL
51327-08	FOOTRESTS, RIDER, FORWARD-CONTROL FOOTRESTS, RIDER, FORWARD-CONTROL FOOTRESTS, RIDER, MID-CONTROL FOOTRESTS, RIDER, MID-CONTROL
51550-11A	SEATS
51652-97A	SEATS
51730-10	FOOTRESTS, RIDER, FORWARD-CONTROL FOOTRESTS, RIDER, FORWARD-CONTROL
51731-10	FOOTRESTS, RIDER, FORWARD-CONTROL FOOTRESTS, RIDER, FORWARD-CONTROL
52000156	SEATS
52000185	SEATS
52000188	SEATS
52000189	SEATS
52000190	SEATS
52000218	SEATS
52000233	SEATS

52000236	SEATS
52100027	SEATS
52293-04	SEATS
52400139	SEATS
52441-95	LICENSE PLATE BRACKETS - XL883N, XL1200CX, XL1200X
53126-10	SADDLEBAGS - 1200T
53176-08	FRAME AND JIFFY STAND
53436-97	HEADLAMP - XL883L, XL883N, XL1200CX, XL1200T, XL1200X HEADLAMP - XL1200C, XL1200CB
54000060	SHOCK ABSORBERS, REAR
54000085	SHOCK ABSORBERS, REAR SHOCK ABSORBERS, REAR
54000086	SHOCK ABSORBERS, REAR SHOCK ABSORBERS, REAR
54000087	SHOCK ABSORBERS, REAR SHOCK ABSORBERS, REAR
54000088	SHOCK ABSORBERS, REAR SHOCK ABSORBERS, REAR SHOCK ABSORBERS, REAR SHOCK ABSORBERS, REAR
54000100	SHOCK ABSORBERS, REAR
54000103	SHOCK ABSORBERS, REAR SHOCK ABSORBERS, REAR
5403B	LICENSE PLATE BRACKETS - XL883N, XL1200CX, XL1200X LICENSE PLATE BRACKETS - XL883N, XL1200CX, XL1200X LICENSE PLATE BRACKETS - XL883L, XL1200C, XL1200CB, XL1200T
5414	EXHAUST SYSTEM (1 OF 2)
54321-85	WHEELS, FRONT, LACED - XL1200C, XL1200CB WHEELS, REAR, LACED - XL1200C, XL1200CB
54677-10	SHOCK ABSORBERS, REAR
54724-04	SHOCK ABSORBERS, REAR
55035-11A	WHEELS, FRONT, CAST - XL883L, XL883N, XL1200CX, XL1200T, XL1200X WHEELS, FRONT, LACED - XL1200C, XL1200CB
55126-11	WHEELS, FRONT, LACED - XL1200C, XL1200CB
55127-11	WHEELS, FRONT, LACED - XL1200C, XL1200CB

5531	FENDERS, REAR - XL883N, XL1200X (HDI ONLY) FENDERS, REAR - XL883N, XL1200X (DOMESTIC ONLY) TAIL LAMPS AND TURN SIGNALS, REAR - XL883L, XL883N, XL1200C, XL1200CB, XL1200X
554A	FRAME AND JIFFY STAND
55785-11	HANDLEBAR AND THROTTLE CONTROL - XL1200C, XL1200CB
55786-11	HANDLEBAR AND THROTTLE CONTROL - XL1200C, XL1200CB
55800345	HANDLEBAR AND THROTTLE CONTROL - XL883L, XL883N, XL1200CX, XL1200T, XL1200X
55800547	HANDLEBAR AND THROTTLE CONTROL - XL883L, XL883N, XL1200CX, XL1200T, XL1200X
55840-04A	HANDLEBAR AND THROTTLE CONTROL - XL1200C, XL1200CB
55842-04	HANDLEBAR AND THROTTLE CONTROL - XL1200C, XL1200CB
55846-05A	SPEEDOMETER
55847-05A	SPEEDOMETER
55900029	SPEEDOMETER
55900087	HANDLEBAR AND THROTTLE CONTROL - XL883L, XL883N, XL1200CX, XL1200T, XL1200X
55900088	HANDLEBAR AND THROTTLE CONTROL - XL883L, XL883N, XL1200CX, XL1200T, XL1200X
56017-04	HANDLEBAR AND THROTTLE CONTROL - XL1200C, XL1200CB
56079-93	HANDLEBAR AND THROTTLE CONTROL - XL1200C, XL1200CB
56100198	HANDLEBAR AND THROTTLE CONTROL - XL883L, XL883N, XL1200CX, XL1200T, XL1200X
56104-02	GUARDS, SAREE FENDERS, REAR - XL883N, XL1200X (CANADA ONLY), XL883L (DOMESTIC, CANADA, HDI) FENDERS, REAR - XL1200C, XL1200CB TAIL LAMPS AND TURN SIGNALS, REAR - XL883L, XL883N, XL1200C, XL1200CB, XL1200X
56116-82A	HANDLEBAR AND THROTTLE CONTROL - XL883L, XL883N, XL1200CX, XL1200T, XL1200X
56117-82A	HANDLEBAR AND THROTTLE CONTROL - XL883L, XL883N, XL1200CX, XL1200T, XL1200X
56394-74	SWITCHES, HANDLEBAR
56396-74A	SWITCHES, HANDLEBAR
56397-74C	SWITCHES, HANDLEBAR
56402-83A	SWITCHES, HANDLEBAR
56508-76	HANDLEBAR AND THROTTLE CONTROL - XL883L, XL883N, XL1200CX, XL1200T, XL1200X HANDLEBAR AND THROTTLE CONTROL - XL1200C, XL1200CB
56541-86A	HANDLEBAR AND THROTTLE CONTROL - XL1200C, XL1200CB
56542-86A	HANDLEBAR AND THROTTLE CONTROL - XL1200C, XL1200CB
56666-04	HANDLEBAR AND THROTTLE CONTROL - XL883L, XL883N, XL1200CX, XL1200T, XL1200X

	HANDLEBAR AND THROTTLE CONTROL - XL1200C, XL1200CB
56667-04	HANDLEBAR AND THROTTLE CONTROL - XL883L, XL883N, XL1200CX, XL1200T, XL1200X HANDLEBAR AND THROTTLE CONTROL - XL1200C, XL1200CB
56884-07	HANDLEBAR AND THROTTLE CONTROL - XL883L, XL883N, XL1200CX, XL1200T, XL1200X HANDLEBAR AND THROTTLE CONTROL - XL1200C, XL1200CB
56885-07	HANDLEBAR AND THROTTLE CONTROL - XL883L, XL883N, XL1200CX, XL1200T, XL1200X HANDLEBAR AND THROTTLE CONTROL - XL1200C, XL1200CB
57200091BYM	FRAME AND JIFFY STAND
57200091DH	FRAME AND JIFFY STAND
57200092BYM	FRAME AND JIFFY STAND
57200092DH	FRAME AND JIFFY STAND
57209-11	HANDLEBAR AND THROTTLE CONTROL - XL883L, XL883N, XL1200CX, XL1200T, XL1200X
57400245	WINDSHIELD - 1200T
57400322	WINDSHIELD - 1200T LOOSE PARTS
57793-11	WINDSHIELD - 1200T
57796-11	WINDSHIELD - 1200T
58050-78A	WINDSHIELD - 1200T
58051-78A	WINDSHIELD - 1200T
58052-78	WINDSHIELD - 1200T
58152-96	WINDSHIELD - 1200T
58174-04A	WINDSHIELD - 1200T
58406-75A	WINDSHIELD - 1200T
58408-75A	WINDSHIELD - 1200T
58417-77	WINDSHIELD - 1200T
58790-04	WINDSHIELD - 1200T
58791-04	WINDSHIELD - 1200T
58900170	FENDERS, FRONT
58998-83E	FENDERS, FRONT
5925	FORK, FRONT - XL1200CX
59256-84A	FENDERS, REAR - XL883N, XL1200X (CANADA ONLY), XL883L (DOMESTIC, CANADA, HDI) FENDERS, REAR - XL883N, XL1200X (HDI ONLY) FENDERS, REAR - XL1200C, XL1200CB

	FENDERS, REAR - XL1200CX (CANADA AND HDI ONLY)
59259-90	FENDERS, REAR - XL1200C, XL1200CB LICENSE PLATE BRACKETS - XL883N, XL1200CX, XL1200X
59287-92	FENDERS, REAR - XL883N, XL1200X (CANADA ONLY), XL883L (DOMESTIC, CANADA, HDI) FENDERS, REAR - XL883N, XL1200X (CANADA ONLY), XL883L (DOMESTIC, CANADA, HDI) FENDERS, REAR - XL1200C, XL1200CB
59288-92	FENDERS, REAR - XL883N, XL1200X (CANADA ONLY), XL883L (DOMESTIC, CANADA, HDI) FENDERS, REAR - XL883N, XL1200X (CANADA ONLY), XL883L (DOMESTIC, CANADA, HDI) FENDERS, REAR - XL1200C, XL1200CB
59359-06	FENDERS, REAR - XL883N, XL1200X (DOMESTIC ONLY) FENDERS, REAR - XL1200CX (DOMESTIC ONLY)
59481-00	FORK, FRONT - XL883L, XL1200C, XL1200CB FORK, FRONT - XL1200T FORK, FRONT - XL1200X FORK, FRONT - XL883N
59482-00	FORK, FRONT - XL883L, XL1200C, XL1200CB FORK, FRONT - XL1200T FORK, FRONT - XL1200X FORK, FRONT - XL883N
59500034	FENDERS, REAR - XL1200C, XL1200CB
59500172	FENDERS, REAR - XL1200T
59500173	FENDERS, REAR - XL1200T
59500376	FENDERS, REAR - XL1200CX (DOMESTIC ONLY) FENDERS, REAR - XL1200CX (CANADA AND HDI ONLY)
59500408	FENDERS, REAR - XL1200CX (DOMESTIC ONLY) FENDERS, REAR - XL1200CX (CANADA AND HDI ONLY)
59502-04B	FENDERS, REAR - XL883N, XL1200X (CANADA ONLY), XL883L (DOMESTIC, CANADA, HDI) FENDERS, REAR - XL883N, XL1200X (HDI ONLY) FENDERS, REAR - XL883N, XL1200X (DOMESTIC ONLY) FENDERS, REAR - XL1200C, XL1200CB FENDERS, REAR - XL1200T FENDERS, REAR - XL1200CX (DOMESTIC ONLY) FENDERS, REAR - XL1200CX (CANADA AND HDI ONLY)
59673-04A	FENDERS, REAR - XL883N, XL1200X (CANADA ONLY), XL883L (DOMESTIC, CANADA, HDI) FENDERS, REAR - XL1200T
59723-04	FENDERS, REAR - XL883N, XL1200X (CANADA ONLY), XL883L (DOMESTIC, CANADA, HDI) FENDERS, REAR - XL883N, XL1200X (HDI ONLY) FENDERS, REAR - XL883N, XL1200X (DOMESTIC ONLY) FENDERS, REAR - XL1200C, XL1200CB FENDERS, REAR - XL1200T FENDERS, REAR - XL1200CX (DOMESTIC ONLY) FENDERS, REAR - XL1200CX (CANADA AND HDI ONLY)
59727-07	FENDERS, REAR - XL883N, XL1200X (HDI ONLY) FENDERS, REAR - XL883N, XL1200X (DOMESTIC ONLY)

59768-97	FENDERS, REAR - XL883N, XL1200X (CANADA ONLY), XL883L (DOMESTIC, CANADA, HDI) FENDERS, REAR - XL883N, XL1200X (HDI ONLY) FENDERS, REAR - XL883N, XL1200X (DOMESTIC ONLY) FENDERS, REAR - XL1200C, XL1200CB FENDERS, REAR - XL1200T FENDERS, REAR - XL1200CX (DOMESTIC ONLY) FENDERS, REAR - XL1200CX (CANADA AND HDI ONLY)
59847-10	FENDERS, REAR - XL883N, XL1200X (CANADA ONLY), XL883L (DOMESTIC, CANADA, HDI) FENDERS, REAR - XL1200T
59865-10	FENDERS, REAR - XL883N, XL1200X (HDI ONLY) FENDERS, REAR - XL883N, XL1200X (DOMESTIC ONLY)
59885-11	FENDERS, REAR - XL1200C, XL1200CB
59902-04	FENDERS, REAR - XL1200C, XL1200CB
59903-04	FENDERS, REAR - XL1200C, XL1200CB
59984-73	LICENSE PLATE BRACKETS - XL883N, XL1200CX, XL1200X LICENSE PLATE BRACKETS - XL883L, XL1200C, XL1200CB, XL1200T
59986-75	LICENSE PLATE BRACKETS - XL883N, XL1200CX, XL1200X LICENSE PLATE BRACKETS - XL883L, XL1200C, XL1200CB, XL1200T
59988-72A	LICENSE PLATE BRACKETS - XL883N, XL1200CX, XL1200X LICENSE PLATE BRACKETS - XL883L, XL1200C, XL1200CB, XL1200T
60001-55	LICENSE PLATE BRACKETS - XL883N, XL1200CX, XL1200X LICENSE PLATE BRACKETS - XL883L, XL1200C, XL1200CB, XL1200T
60013-02	LICENSE PLATE BRACKETS - XL883L, XL1200C, XL1200CB, XL1200T
6003	TRANSMISSION GEARS
60203-06	FENDERS, REAR - XL883N, XL1200X (CANADA ONLY), XL883L (DOMESTIC, CANADA, HDI) FENDERS, REAR - XL883N, XL1200X (HDI ONLY) FENDERS, REAR - XL883N, XL1200X (DOMESTIC ONLY)
60204-06	FENDERS, REAR - XL883N, XL1200X (CANADA ONLY), XL883L (DOMESTIC, CANADA, HDI) FENDERS, REAR - XL883N, XL1200X (HDI ONLY) FENDERS, REAR - XL883N, XL1200X (DOMESTIC ONLY)
6021	TRANSMISSION GEARS
60225-08BHP	LICENSE PLATE BRACKETS - XL883L, XL1200C, XL1200CB, XL1200T
6026	ENGINE MOUNTS AND STABILIZER LINK HORN
6029	FENDERS, REAR - XL883N, XL1200X (CANADA ONLY), XL883L (DOMESTIC, CANADA, HDI) FENDERS, REAR - XL883N, XL1200X (HDI ONLY) FENDERS, REAR - XL883N, XL1200X (DOMESTIC ONLY) FENDERS, REAR - XL1200C, XL1200CB FENDERS, REAR - XL1200T FENDERS, REAR - XL1200CX (DOMESTIC ONLY) FENDERS, REAR - XL1200CX (CANADA AND HDI ONLY)

60300007	<u>GUARDS, SAREE</u>
60300008	<u>GUARDS, SAREE</u>
60300113	<u>GUARDS, SAREE</u>
60300115	<u>FORK, REAR, DEBRIS DEFLECTOR AND BELT GUARD</u>
60300154	<u>GUARDS, SAREE</u>
60328-98B	<u>INSPECTION COVER AND PRIMARY COVER</u>
60367-04A	<u>FORK, REAR, DEBRIS DEFLECTOR AND BELT GUARD</u>
60379-09A	<u>FORK, REAR, DEBRIS DEFLECTOR AND BELT GUARD</u>
60435-04B	<u>FORK, REAR, DEBRIS DEFLECTOR AND BELT GUARD</u>
60574-10	<u>FENDERS, FRONT</u>
60800009	<u>EVAPORATIVE EMISSIONS COMPONENTS</u>
60800023	<u>EVAPORATIVE EMISSIONS COMPONENTS</u>
60800031	<u>EVAPORATIVE EMISSIONS COMPONENTS</u>
60800042	<u>EVAPORATIVE EMISSIONS COMPONENTS</u>
60800045	<u>EVAPORATIVE EMISSIONS COMPONENTS</u>
60901-07	<u>LICENSE PLATE BRACKETS - XL883N, XL1200CX, XL1200X</u>
60955-11	<u>FENDERS, FRONT</u>
6101	<u>CLUTCH CONTROL</u> <u>BRAKE CONTROL, FRONT</u>
61015-04A	<u>FUEL PUMP</u>
6109	<u>GUARDS, SAREE</u> <u>HORN</u>
61100026	<u>FUEL TANK</u> <u>EVAPORATIVE EMISSIONS COMPONENTS</u>
61100027	<u>FUEL TANK</u> <u>EVAPORATIVE EMISSIONS COMPONENTS</u>
61100040	<u>FUEL TANK</u>
61100055	<u>FUEL TANK</u> <u>FUEL TANK</u>
61100063	<u>FUEL TANK</u>
61100064	<u>FUEL TANK</u>
61100096	<u>FUEL TANK</u>

61109-85D	FUEL TANK
61213-04A	FUEL PUMP
61272-92C	FUEL TANK
61289-07A	FUEL TANK
61300332	AIR CLEANER
61300478	HORN
61300541	AIR CLEANER
61300559	AIR CLEANER
61300562	AIR CLEANER
61405-07	FUEL TANK
61459-97	FRAME AND JIFFY STAND
6152	ENGINE MOUNTS AND STABILIZER LINK
6157	OIL PUMP
61724-10	FUEL TANK
62122-89A	FRAME AND JIFFY STAND
62150-85	FUEL TANK EVAPORATIVE EMISSIONS COMPONENTS
62213-07	FUEL TANK
62338-01Y	OIL TANK AND LINES
62361-10	OIL TANK AND LINES
6237	HORN
62375-57A	CAMSHAFTS AND GEARCASE COVER
62500017	OIL TANK AND LINES
62534-07	FRAME AND JIFFY STAND
62592-07A	OIL TANK AND LINES
62601-91A	OIL PUMP
62651-04	CRANKCASE AND GEARCASE
62700014	CRANKCASE AND GEARCASE
62700038	OIL TANK AND LINES
6288	SWITCHES

63000-04B	<u>OIL TANK AND LINES</u>
63508-04	<u>CRANKCASE AND GEARCASE</u>
63533-41A	<u>CRANKCASE AND GEARCASE</u> <u>OIL PUMP</u>
63796-77A	<u>CRANKCASE AND GEARCASE</u>
63805-80A	<u>CRANKCASE AND GEARCASE</u>
64889-04A	<u>EXHAUST SYSTEM (1 OF 2)</u> <u>EXHAUST SYSTEM (1 OF 2)</u> <u>EXHAUST SYSTEM (1 OF 2)</u>
64900161	<u>EXHAUST SYSTEM (2 OF 2)</u>
64900162	<u>EXHAUST SYSTEM (2 OF 2)</u>
64900163	<u>EXHAUST SYSTEM (2 OF 2)</u> <u>EXHAUST SYSTEM (2 OF 2)</u> <u>EXHAUST SYSTEM (2 OF 2)</u>
64900165	<u>EXHAUST SYSTEM (2 OF 2)</u>
64900212	<u>EXHAUST SYSTEM (2 OF 2)</u>
64900213	<u>EXHAUST SYSTEM (2 OF 2)</u>
64900272	<u>EXHAUST SYSTEM (2 OF 2)</u> <u>EXHAUST SYSTEM (2 OF 2)</u>
64900291	<u>EXHAUST SYSTEM (2 OF 2)</u> <u>EXHAUST SYSTEM (2 OF 2)</u>
64900370	<u>EXHAUST SYSTEM (2 OF 2)</u>
64900371	<u>EXHAUST SYSTEM (2 OF 2)</u> <u>EXHAUST SYSTEM (2 OF 2)</u>
64900372	<u>EXHAUST SYSTEM (2 OF 2)</u> <u>EXHAUST SYSTEM (2 OF 2)</u>
64900373	<u>EXHAUST SYSTEM (2 OF 2)</u> <u>EXHAUST SYSTEM (2 OF 2)</u> <u>EXHAUST SYSTEM (2 OF 2)</u> <u>EXHAUST SYSTEM (2 OF 2)</u>
64900374	<u>EXHAUST SYSTEM (2 OF 2)</u>
64900375	<u>EXHAUST SYSTEM (2 OF 2)</u> <u>EXHAUST SYSTEM (2 OF 2)</u>
64900376	<u>EXHAUST SYSTEM (2 OF 2)</u>
64900377	<u>EXHAUST SYSTEM (2 OF 2)</u>
64900389	<u>EXHAUST SYSTEM (2 OF 2)</u> <u>EXHAUST SYSTEM (2 OF 2)</u>

64900390	EXHAUST SYSTEM (2 OF 2) EXHAUST SYSTEM (2 OF 2)
64900391	EXHAUST SYSTEM (2 OF 2)
64900409	EXHAUST SYSTEM (2 OF 2)
64900410	EXHAUST SYSTEM (2 OF 2)
64900411	EXHAUST SYSTEM (2 OF 2)
64900421	EXHAUST SYSTEM (2 OF 2) EXHAUST SYSTEM (2 OF 2)
64900422	EXHAUST SYSTEM (2 OF 2) EXHAUST SYSTEM (2 OF 2)
64900423	EXHAUST SYSTEM (2 OF 2)
65088-04	CRANKCASE AND GEARCASE
6516HW	BELTS, CHAINS AND SPROCKETS
65324-83B	EXHAUST SYSTEM (1 OF 2)
65325-83A	EXHAUST SYSTEM (1 OF 2)
65328-83A	EXHAUST SYSTEM (1 OF 2)
65400054	EXHAUST SYSTEM (1 OF 2)
65400055	EXHAUST SYSTEM (1 OF 2)
65400199	EXHAUST SYSTEM (1 OF 2) EXHAUST SYSTEM (1 OF 2) EXHAUST SYSTEM (1 OF 2)
65400201	EXHAUST SYSTEM (1 OF 2)
65400204	EXHAUST SYSTEM (1 OF 2)
65400205	EXHAUST SYSTEM (1 OF 2)
65400206	EXHAUST SYSTEM (1 OF 2)
65400227	EXHAUST SYSTEM (1 OF 2)
65440-06	EXHAUST SYSTEM (1 OF 2)
65441-06	EXHAUST SYSTEM (1 OF 2)
65500022	EXHAUST SYSTEM (2 OF 2)
65500023	EXHAUST SYSTEM (2 OF 2)
65500025	EXHAUST SYSTEM (2 OF 2)
6551	WHEELS, REAR, CAST - XL883L, XL883N, XL1200CX, XL1200T, XL1200X

	WHEELS, REAR, LACED - XL1200C, XL1200CB
65600094	EXHAUST SYSTEM (2 OF 2)
65600182	EXHAUST SYSTEM (2 OF 2)
6589	ROCKER ARM ASSEMBLY AND PUSHRODS
65900012	EXHAUST SYSTEM (2 OF 2)
65900017	EXHAUST SYSTEM (1 OF 2)
6590HW	HANDLEBAR AND THROTTLE CONTROL - XL883L, XL883N, XL1200CX, XL1200T, XL1200X HANDLEBAR AND THROTTLE CONTROL - XL1200C, XL1200CB
6594	WHEELS, FRONT, CAST - XL883L, XL883N, XL1200CX, XL1200T, XL1200X WHEELS, FRONT, LACED - XL1200C, XL1200CB
65958-04B	BATTERY
66000031	BATTERY
66000032	BATTERY
66000035	BATTERY
66000036	BATTERY
66000037	BATTERY
66000045	ENGINE MOUNTS AND STABILIZER LINK
6611	FORK BRACKETS, FRONT
66373-06	SWITCHES
66851-07	EXHAUST SYSTEM (1 OF 2)
6701	BRAKE LINES, REAR - NON-ABS BRAKE LINES, REAR - ABS FORK, FRONT - XL883L, XL1200C, XL1200CB FORK, FRONT - XL1200T FORK, FRONT - XL1200X FORK, FRONT - XL883N HEADLAMP - XL883L, XL883N, XL1200CX, XL1200T, XL1200X HEADLAMP - XL1200C, XL1200CB EXHAUST SYSTEM (1 OF 2)
6702	FORK BRACKETS, FRONT FORK, REAR, DEBRIS DEFLECTOR AND BELT GUARD FENDERS, REAR - XL883N, XL1200X (CANADA ONLY), XL883L (DOMESTIC, CANADA, HDI) FENDERS, REAR - XL883N, XL1200X (HDI ONLY) FENDERS, REAR - XL883N, XL1200X (DOMESTIC ONLY) FENDERS, REAR - XL1200C, XL1200CB FENDERS, REAR - XL1200T FENDERS, REAR - XL1200CX (DOMESTIC ONLY) FENDERS, REAR - XL1200CX (CANADA AND HDI ONLY) FUEL TANK HEADLAMP - XL883L, XL883N, XL1200CX, XL1200T, XL1200X

	HEADLAMP - XL1200C, XL1200CB EXHAUST SYSTEM (1 OF 2)
6703	FENDERS, REAR - XL883N, XL1200X (HDI ONLY) FENDERS, REAR - XL1200CX (CANADA AND HDI ONLY) LICENSE PLATE BRACKETS - XL883N, XL1200CX, XL1200X LICENSE PLATE BRACKETS - XL883N, XL1200CX, XL1200X LICENSE PLATE BRACKETS - XL883N, XL1200CX, XL1200X LICENSE PLATE BRACKETS - XL883L, XL1200C, XL1200CB, XL1200T LICENSE PLATE BRACKETS - XL883L, XL1200C, XL1200CB, XL1200T
67104-95	SPEEDOMETER
67121-95A	SPEEDOMETER
6716	LICENSE PLATE BRACKETS - XL883L, XL1200C, XL1200CB, XL1200T
67319-95	SPEEDOMETER
6738	SHOCK ABSORBERS, REAR
67601-94A	HEADLAMP - XL1200C, XL1200CB
67603-94A	HEADLAMP - XL1200C, XL1200CB
67667-05	HEADLAMP - XL883L, XL883N, XL1200CX, XL1200T, XL1200X HEADLAMP - XL1200C, XL1200CB
67700094	HEADLAMP - XL883L, XL883N, XL1200CX, XL1200T, XL1200X
67700196	HEADLAMP - XL883L, XL883N, XL1200CX, XL1200T, XL1200X
67700197	HEADLAMP - XL883L, XL883N, XL1200CX, XL1200T, XL1200X
67746-11	HEADLAMP - XL1200C, XL1200CB
67790-93A	HEADLAMP - XL883L, XL883N, XL1200CX, XL1200T, XL1200X
67800214	TAIL LAMPS AND TURN SIGNALS, REAR - XL883L, XL883N, XL1200C, XL1200CB, XL1200X TAIL LAMPS AND TURN SIGNALS, REAR - XL1200CX, XL1200T
67800381	TURN SIGNALS, FRONT
67800382	TURN SIGNALS, FRONT
67800395	TURN SIGNALS, FRONT
67800396	TURN SIGNALS, FRONT
67800504	TURN SIGNALS, FRONT
67800505	TURN SIGNALS, FRONT
67800562	TURN SIGNALS, FRONT
67800563	TURN SIGNALS, FRONT
67800646	TAIL LAMPS AND TURN SIGNALS, REAR - XL1200CX, XL1200T

67815-59A	HEADLAMP - XL883L, XL883N, XL1200CX, XL1200T, XL1200X
67865-89	HEADLAMP - XL883L, XL883N, XL1200CX, XL1200T, XL1200X
6787	CYLINDERS, HEADS AND VALVES (1 OF 2)
67883-04A	HEADLAMP - XL883L, XL883N, XL1200CX, XL1200T, XL1200X
67894-93A	HEADLAMP - XL1200C, XL1200CB
67900006	FENDERS, REAR - XL1200C, XL1200CB
67900010	LICENSE PLATE BRACKETS - XL883N, XL1200CX, XL1200X
67900088	LICENSE PLATE BRACKETS - XL883N, XL1200CX, XL1200X
67900089	LICENSE PLATE BRACKETS - XL883N, XL1200CX, XL1200X LICENSE PLATE BRACKETS - XL883L, XL1200C, XL1200CB, XL1200T
67900093	LICENSE PLATE BRACKETS - XL883N, XL1200CX, XL1200X LICENSE PLATE BRACKETS - XL883L, XL1200C, XL1200CB, XL1200T
67900152A	LICENSE PLATE BRACKETS - XL883N, XL1200CX, XL1200X
67900155	LICENSE PLATE BRACKETS - XL883N, XL1200CX, XL1200X
67900157	LICENSE PLATE BRACKETS - XL883N, XL1200CX, XL1200X
67900212	FENDERS, FRONT
67900231	LICENSE PLATE BRACKETS - XL883N, XL1200CX, XL1200X
67900234	SADDLEBAGS - 1200T
67900235	SADDLEBAGS - 1200T
67900285	FENDERS, REAR - XL1200CX (DOMESTIC ONLY)
67900288	LICENSE PLATE BRACKETS - XL883N, XL1200CX, XL1200X
6792	SHOCK ABSORBERS, REAR
67956-96	SEATS
67963-05A	HEADLAMP - XL883L, XL883N, XL1200CX, XL1200T, XL1200X
6798	GUARDS, SAREE FENDERS, REAR - XL883N, XL1200X (CANADA ONLY), XL883L (DOMESTIC, CANADA, HDI) FENDERS, REAR - XL883N, XL1200X (HDI ONLY) FENDERS, REAR - XL883N, XL1200X (DOMESTIC ONLY) FENDERS, REAR - XL1200C, XL1200CB FENDERS, REAR - XL1200CX (DOMESTIC ONLY) FENDERS, REAR - XL1200CX (CANADA AND HDI ONLY)
68026-99	TAIL LAMPS
68042-99	CRANKCASE AND GEARCASE

68066-99A	TAIL LAMPS
68120-00	CAMSHAFTS AND GEARCASE COVER
68140-04	TAIL LAMPS
68141-04	TAIL LAMPS
68163-84	TURN SIGNALS, FRONT TAIL LAMPS AND TURN SIGNALS, REAR - XL883L, XL883N, XL1200C, XL1200CB, XL1200X TAIL LAMPS AND TURN SIGNALS, REAR - XL883L, XL883N, XL1200C, XL1200CB, XL1200X TAIL LAMPS AND TURN SIGNALS, REAR - XL883L, XL883N, XL1200C, XL1200CB, XL1200X TAIL LAMPS AND TURN SIGNALS, REAR - XL1200CX, XL1200T
68167-04	TAIL LAMPS
68168-89A	TURN SIGNALS, FRONT TAIL LAMPS AND TURN SIGNALS, REAR - XL883L, XL883N, XL1200C, XL1200CB, XL1200X TAIL LAMPS AND TURN SIGNALS, REAR - XL1200CX, XL1200T
68265-04	TURN SIGNALS, FRONT
68277-07	TAIL LAMPS AND TURN SIGNALS, REAR - XL883L, XL883N, XL1200C, XL1200CB, XL1200X
68296-99A	TAIL LAMPS
68297-05A	HEADLAMP - XL883L, XL883N, XL1200CX, XL1200T, XL1200X HEADLAMP - XL1200C, XL1200CB
68329-03	HEADLAMP - XL883L, XL883N, XL1200CX, XL1200T, XL1200X HEADLAMP - XL1200C, XL1200CB
68335-05A	HEADLAMP - XL883L, XL883N, XL1200CX, XL1200T, XL1200X HEADLAMP - XL1200C, XL1200CB
68341-05A	HEADLAMP - XL883L, XL883N, XL1200CX, XL1200T, XL1200X HEADLAMP - XL1200C, XL1200CB
68369-03	TAIL LAMPS
68370-03A	TAIL LAMPS
68372-03	TAIL LAMPS
68380-05	HEADLAMP - XL883L, XL883N, XL1200CX, XL1200T, XL1200X HEADLAMP - XL1200C, XL1200CB
68382-07B	SPEEDOMETER
68420-01	TAIL LAMPS AND TURN SIGNALS, REAR - XL1200CX, XL1200T
68430-89A	TAIL LAMPS AND TURN SIGNALS, REAR - XL1200CX, XL1200T
68443-07A	HEADLAMP - XL883L, XL883N, XL1200CX, XL1200T, XL1200X
68449-07	TAIL LAMPS AND TURN SIGNALS, REAR - XL883L, XL883N, XL1200C, XL1200CB, XL1200X TAIL LAMPS AND TURN SIGNALS, REAR - XL1200CX, XL1200T
68480-02	TAIL LAMPS AND TURN SIGNALS, REAR - XL883L, XL883N, XL1200C, XL1200CB, XL1200X

68497-07	TURN SIGNALS, FRONT TAIL LAMPS AND TURN SIGNALS, REAR - XL883L, XL883N, XL1200C, XL1200CB, XL1200X TAIL LAMPS AND TURN SIGNALS, REAR - XL1200CX, XL1200T
68513-07A	SPEEDOMETER
68559-07	TAIL LAMPS AND TURN SIGNALS, REAR - XL883L, XL883N, XL1200C, XL1200CB, XL1200X TAIL LAMPS AND TURN SIGNALS, REAR - XL1200CX, XL1200T
68572-64B	TAIL LAMPS AND TURN SIGNALS, REAR - XL883L, XL883N, XL1200C, XL1200CB, XL1200X
68653-05	HEADLAMP - XL883L, XL883N, XL1200CX, XL1200T, XL1200X HEADLAMP - XL1200C, XL1200CB
68702-07	LICENSE PLATE BRACKETS - XL883N, XL1200CX, XL1200X
68704-07	FENDERS, REAR - XL883N, XL1200X (HDI ONLY) FENDERS, REAR - XL883N, XL1200X (DOMESTIC ONLY) FENDERS, REAR - XL1200CX (DOMESTIC ONLY) FENDERS, REAR - XL1200CX (CANADA AND HDI ONLY)
68724-07	FENDERS, REAR - XL883N, XL1200X (DOMESTIC ONLY)
68730-07	TURN SIGNALS, FRONT
68755-07	TURN SIGNALS, FRONT TAIL LAMPS AND TURN SIGNALS, REAR - XL883L, XL883N, XL1200C, XL1200CB, XL1200X
68830-99A	TAIL LAMPS
68857-07	FENDERS, REAR - XL883N, XL1200X (HDI ONLY) FENDERS, REAR - XL1200CX (CANADA AND HDI ONLY)
68904-00	TURN SIGNALS, FRONT
68956-07	TURN SIGNAL MODULE AND SECURITY SIREN
68958-07C	TURN SIGNAL MODULE AND SECURITY SIREN
68966-08	FENDERS, REAR - XL883N, XL1200X (HDI ONLY) FENDERS, REAR - XL1200CX (CANADA AND HDI ONLY)
68972-00	TURN SIGNALS, FRONT
68973-00	TURN SIGNALS, FRONT TAIL LAMPS AND TURN SIGNALS, REAR - XL883L, XL883N, XL1200C, XL1200CB, XL1200X TAIL LAMPS AND TURN SIGNALS, REAR - XL883L, XL883N, XL1200C, XL1200CB, XL1200X TAIL LAMPS AND TURN SIGNALS, REAR - XL883L, XL883N, XL1200C, XL1200CB, XL1200X TAIL LAMPS AND TURN SIGNALS, REAR - XL1200CX, XL1200T
68975-00	TURN SIGNALS, FRONT
68978-00	TAIL LAMPS AND TURN SIGNALS, REAR - XL883L, XL883N, XL1200C, XL1200CB, XL1200X TAIL LAMPS AND TURN SIGNALS, REAR - XL883L, XL883N, XL1200C, XL1200CB, XL1200X TAIL LAMPS AND TURN SIGNALS, REAR - XL883L, XL883N, XL1200C, XL1200CB, XL1200X
68992-08	FENDERS, REAR - XL883N, XL1200X (HDI ONLY) FENDERS, REAR - XL1200CX (CANADA AND HDI ONLY)

69000014	HORN
69049-07	HORN
69060-90H	HORN
69062-91A	HORN
69120-91	HORN
69123-92A	HORN
69135-04	HORN
69187-03A	TAIL LAMPS
69200072B	WIRING HARNESS, MAIN, NON-ABS (1 OF 4) WIRING HARNESS, MAIN, NON-ABS (2 OF 4) WIRING HARNESS, MAIN, NON-ABS (3 OF 4) WIRING HARNESS, MAIN, NON-ABS (4 OF 4)
69200073B	WIRING HARNESS, MAIN, ABS (1 OF 4) WIRING HARNESS, MAIN, ABS (2 OF 4) WIRING HARNESS, MAIN, ABS (3 OF 4) WIRING HARNESS, MAIN, ABS (4 OF 4)
69200077	WIRING HARNESS, ENGINE
69200079	SPEEDOMETER
69200080	SPEEDOMETER
69200212	WIRING HARNESS, MAIN, NON-ABS (3 OF 4) WIRING HARNESS, MAIN, ABS (3 OF 4) WIRING HARNESS, MAIN, KEYLESS, ABS (3 OF 4) WIRING HARNESS, MAIN, KEYLESS, NON-ABS (3 OF 4)
69200271	WIRING HARNESS, MAIN, NON-ABS (3 OF 4) WIRING HARNESS, MAIN, ABS (3 OF 4) WIRING HARNESS, MAIN, KEYLESS, ABS (3 OF 4) WIRING HARNESS, MAIN, KEYLESS, NON-ABS (3 OF 4)
69200272	BRAKE LINES, REAR - NON-ABS BRAKE LINES, REAR - ABS
69200401	OIL TANK AND LINES
69200402A	WIRING HARNESS, MAIN, NON-ABS (1 OF 4) WIRING HARNESS, MAIN, NON-ABS (4 OF 4) WIRING HARNESS, MAIN, ABS (1 OF 4) WIRING HARNESS, MAIN, ABS (4 OF 4) WIRING HARNESS, MAIN, KEYLESS, ABS (1 OF 4) WIRING HARNESS, MAIN, KEYLESS, ABS (4 OF 4) WIRING HARNESS, MAIN, KEYLESS, NON-ABS (1 OF 4) WIRING HARNESS, MAIN, KEYLESS, NON-ABS (4 OF 4)
69200403	WIRING HARNESS, MAIN, NON-ABS (1 OF 4) WIRING HARNESS, MAIN, NON-ABS (4 OF 4) WIRING HARNESS, MAIN, ABS (1 OF 4)

	WIRING HARNESS, MAIN, ABS (4 OF 4) WIRING HARNESS, MAIN, KEYLESS, ABS (1 OF 4) WIRING HARNESS, MAIN, KEYLESS, ABS (4 OF 4) WIRING HARNESS, MAIN, KEYLESS, NON-ABS (1 OF 4) WIRING HARNESS, MAIN, KEYLESS, NON-ABS (4 OF 4)
69200438	SPEEDOMETER
69200439	SPEEDOMETER
69200456	WIRING HARNESS, MAIN, NON-ABS (4 OF 4) WIRING HARNESS, MAIN, ABS (4 OF 4) WIRING HARNESS, MAIN, KEYLESS, ABS (4 OF 4) WIRING HARNESS, MAIN, KEYLESS, NON-ABS (4 OF 4)
69200459	TAIL LAMPS AND TURN SIGNALS, REAR - XL883L, XL883N, XL1200C, XL1200CB, XL1200X TAIL LAMPS AND TURN SIGNALS, REAR - XL1200CX, XL1200T TAIL LAMPS
69200460	FORK, FRONT - XL883L, XL1200C, XL1200CB FORK, FRONT - XL1200T FORK, FRONT - XL1200X FORK, FRONT - XL883N FORK, FRONT - XL1200CX
69200474	WIRING HARNESS, MAIN, NON-ABS (3 OF 4) WIRING HARNESS, MAIN, ABS (3 OF 4) WIRING HARNESS, MAIN, KEYLESS, ABS (3 OF 4) WIRING HARNESS, MAIN, KEYLESS, NON-ABS (3 OF 4) LOOSE PARTS
69200479B	WIRING HARNESS, MAIN, KEYLESS, ABS (1 OF 4) WIRING HARNESS, MAIN, KEYLESS, ABS (2 OF 4) WIRING HARNESS, MAIN, KEYLESS, ABS (3 OF 4) WIRING HARNESS, MAIN, KEYLESS, ABS (4 OF 4)
69200480B	WIRING HARNESS, MAIN, KEYLESS, NON-ABS (1 OF 4) WIRING HARNESS, MAIN, KEYLESS, NON-ABS (2 OF 4) WIRING HARNESS, MAIN, KEYLESS, NON-ABS (3 OF 4) WIRING HARNESS, MAIN, KEYLESS, NON-ABS (4 OF 4)
69200790	BRAKE LINES, REAR - NON-ABS BRAKE LINES, REAR - ABS
69200793	BRAKE LINES, REAR - NON-ABS BRAKE LINES, REAR - ABS
69200794	BRAKE LINES, REAR - NON-ABS BRAKE LINES, REAR - ABS
69201131	WIRING HARNESS, MAIN, NON-ABS (3 OF 4) WIRING HARNESS, MAIN, ABS (3 OF 4) WIRING HARNESS, MAIN, KEYLESS, ABS (3 OF 4) WIRING HARNESS, MAIN, KEYLESS, NON-ABS (3 OF 4)
69201363	ELECTRONIC IGNITION SYSTEM
69201365	WIRING HARNESS, MAIN, NON-ABS (2 OF 4) WIRING HARNESS, MAIN, NON-ABS (4 OF 4)

	WIRING HARNESS, MAIN, ABS (2 OF 4) WIRING HARNESS, MAIN, ABS (4 OF 4) WIRING HARNESS, MAIN, KEYLESS, ABS (2 OF 4) WIRING HARNESS, MAIN, KEYLESS, ABS (4 OF 4) WIRING HARNESS, MAIN, KEYLESS, NON-ABS (2 OF 4) WIRING HARNESS, MAIN, KEYLESS, NON-ABS (4 OF 4)
69201650	TAIL LAMPS AND TURN SIGNALS, REAR - XL1200CX, XL1200T
69302-11	FENDERS, REAR - XL1200C, XL1200CB
69309-10	TURN SIGNAL MODULE AND SECURITY SIREN
69352-11A	TAIL LAMPS
69361-11	TAIL LAMPS
69362-08	TURN SIGNALS, FRONT
69449-05	HEADLAMP - XL883L, XL883N, XL1200CX, XL1200T, XL1200X
69490-07	FENDERS, REAR - XL883N, XL1200X (DOMESTIC ONLY) FENDERS, REAR - XL1200CX (DOMESTIC ONLY) FENDERS, REAR - XL1200CX (CANADA AND HDI ONLY) LICENSE PLATE BRACKETS - XL883N, XL1200CX, XL1200X
69498-08	FENDERS, REAR - XL883N, XL1200X (HDI ONLY) FENDERS, REAR - XL1200CX (CANADA AND HDI ONLY)
69681-07B	HEADLAMP - XL1200C, XL1200CB
69774-07A	HEADLAMP - XL883L, XL883N, XL1200CX, XL1200T, XL1200X
6990	WIRING HARNESS, MAIN, NON-ABS (3 OF 4) WIRING HARNESS, MAIN, ABS (3 OF 4) WIRING HARNESS, MAIN, ABS (4 OF 4) WIRING HARNESS, MAIN, KEYLESS, ABS (3 OF 4) WIRING HARNESS, MAIN, KEYLESS, NON-ABS (3 OF 4)
70247-07	SWITCHES
70345-84	HANDLEBAR AND THROTTLE CONTROL - XL883L, XL883N, XL1200CX, XL1200T, XL1200X HANDLEBAR AND THROTTLE CONTROL - XL883L, XL883N, XL1200CX, XL1200T, XL1200X HANDLEBAR AND THROTTLE CONTROL - XL1200C, XL1200CB
7038	FORK, FRONT - XL883L, XL1200C, XL1200CB FORK, FRONT - XL1200T FORK, FRONT - XL1200X FORK, FRONT - XL883N HEADLAMP - XL883L, XL883N, XL1200CX, XL1200T, XL1200X TURN SIGNALS, FRONT
7039	ENGINE MOUNTS AND STABILIZER LINK
70417-04C	FRAME AND JIFFY STAND
7042	TAIL LAMPS AND TURN SIGNALS, REAR - XL1200CX, XL1200T
7045	HEADLAMP - XL883L, XL883N, XL1200CX, XL1200T, XL1200X

	HEADLAMP - XL1200C, XL1200CB
70494-08	FORK, FRONT - XL883L, XL1200C, XL1200CB FORK, FRONT - XL1200T FORK, FRONT - XL1200X FORK, FRONT - XL883N FORK, FRONT - XL1200CX
70503-10	OIL TANK AND LINES
70504-81	HANDLEBAR AND THROTTLE CONTROL - XL883L, XL883N, XL1200CX, XL1200T, XL1200X HANDLEBAR AND THROTTLE CONTROL - XL1200C, XL1200CB
70552-69	TAIL LAMPS AND TURN SIGNALS, REAR - XL1200CX, XL1200T
70558-71	TURN SIGNALS, FRONT
70578-89	BATTERY
70598-99	WIRING HARNESS, MAIN, NON-ABS (1 OF 4) WIRING HARNESS, MAIN, ABS (1 OF 4) WIRING HARNESS, MAIN, KEYLESS, ABS (1 OF 4) WIRING HARNESS, MAIN, KEYLESS, NON-ABS (1 OF 4)
70631-08	WHEELS, FRONT, CAST - XL883L, XL883N, XL1200CX, XL1200T, XL1200X WHEELS, FRONT, LACED - XL1200C, XL1200CB WHEELS, REAR, CAST - XL883L, XL883N, XL1200CX, XL1200T, XL1200X WHEELS, REAR, LACED - XL1200C, XL1200CB
70640-07	WIRING HARNESS, MAIN, NON-ABS (4 OF 4) WIRING HARNESS, MAIN, ABS (4 OF 4) WIRING HARNESS, MAIN, KEYLESS, ABS (4 OF 4) WIRING HARNESS, MAIN, KEYLESS, NON-ABS (4 OF 4)
70664-08	WIRING HARNESS, MAIN, NON-ABS (1 OF 4) WIRING HARNESS, MAIN, ABS (1 OF 4) WIRING HARNESS, MAIN, KEYLESS, ABS (1 OF 4) WIRING HARNESS, MAIN, KEYLESS, NON-ABS (1 OF 4)
7068	HEADLAMP - XL883L, XL883N, XL1200CX, XL1200T, XL1200X
7080	SHIFTER, GEAR
70900215A	SPEEDOMETER
70900216	SPEEDOMETER
70900217	SPEEDOMETER
70900221A	SPEEDOMETER
70900222	SPEEDOMETER
70900223	SPEEDOMETER
70900548	SPEEDOMETER
70900549	SPEEDOMETER

70903-04	FUEL TANK
70904-04	FUEL TANK
70917-04	FUEL TANK
70919-04	FUEL TANK
71400083	SWITCHES
71472-04	FRAME AND JIFFY STAND
71500117	SWITCHES, HANDLEBAR
71500118	SWITCHES, HANDLEBAR
71500292	SWITCHES, HANDLEBAR
71500293	SWITCHES, HANDLEBAR
71500294	SWITCHES, HANDLEBAR
71500295	SWITCHES, HANDLEBAR
71500297	SWITCHES, HANDLEBAR
71500298	SWITCHES, HANDLEBAR
71500299	SWITCHES, HANDLEBAR
71500300	SWITCHES, HANDLEBAR
71510-04	WIRING HARNESS, MAIN, NON-ABS (4 OF 4) WIRING HARNESS, MAIN, ABS (4 OF 4)
7155	MIRRORS
71550-94	WIRING HARNESS, MAIN, NON-ABS (4 OF 4) WIRING HARNESS, MAIN, ABS (4 OF 4)
71980-10	SPEEDOMETER
72007-05	WIRING HARNESS, MAIN, NON-ABS (2 OF 4) WIRING HARNESS, MAIN, ABS (2 OF 4) WIRING HARNESS, MAIN, KEYLESS, ABS (2 OF 4) WIRING HARNESS, MAIN, KEYLESS, NON-ABS (2 OF 4)
72009-05	SENSORS AND SWITCHES, ENGINE SWITCHES
72010-05	WIRING HARNESS, MAIN, NON-ABS (2 OF 4) WIRING HARNESS, MAIN, ABS (2 OF 4) WIRING HARNESS, MAIN, KEYLESS, ABS (2 OF 4) WIRING HARNESS, MAIN, KEYLESS, NON-ABS (2 OF 4)
72011-05	SENSORS AND SWITCHES, ENGINE SWITCHES
72023-51E	BRAKE LINES, REAR - NON-ABS

	<u>BRAKE LINES, REAR - ABS SWITCHES</u>
72024-08	<u>WIRING HARNESS, MAIN, NON-ABS (2 OF 4)</u> <u>WIRING HARNESS, MAIN, ABS (2 OF 4)</u> <u>WIRING HARNESS, MAIN, KEYLESS, ABS (2 OF 4)</u> <u>WIRING HARNESS, MAIN, KEYLESS, NON-ABS (2 OF 4)</u>
72033-93	<u>WIRING HARNESS, ENGINE</u>
72056-92	<u>HEADLAMP - XL883L, XL883N, XL1200CX, XL1200T, XL1200X</u> <u>HEADLAMP - XL1200C, XL1200CB</u>
72062-06	<u>WIRING HARNESS, MAIN, NON-ABS (1 OF 4)</u> <u>WIRING HARNESS, MAIN, ABS (1 OF 4)</u>
72066-06A	<u>WIRING HARNESS, MAIN, NON-ABS (1 OF 4)</u> <u>WIRING HARNESS, MAIN, ABS (1 OF 4)</u> <u>WIRING HARNESS, MAIN, KEYLESS, ABS (1 OF 4)</u> <u>WIRING HARNESS, MAIN, KEYLESS, NON-ABS (1 OF 4)</u>
72081-11	<u>WIRING HARNESS, MAIN, NON-ABS (2 OF 4)</u> <u>WIRING HARNESS, MAIN, ABS (2 OF 4)</u> <u>WIRING HARNESS, MAIN, KEYLESS, ABS (2 OF 4)</u> <u>WIRING HARNESS, MAIN, KEYLESS, NON-ABS (2 OF 4)</u>
72094-06	<u>WIRING HARNESS, ENGINE</u>
72096-06	<u>WIRING HARNESS, ENGINE</u>
72106-94BK	<u>WIRING HARNESS, MAIN, NON-ABS (3 OF 4)</u> <u>WIRING HARNESS, MAIN, ABS (3 OF 4)</u> <u>WIRING HARNESS, MAIN, KEYLESS, ABS (3 OF 4)</u> <u>WIRING HARNESS, MAIN, KEYLESS, NON-ABS (3 OF 4)</u>
72130-04	<u>SPEEDOMETER</u>
72135-06	<u>WIRING HARNESS, MAIN, NON-ABS (1 OF 4)</u> <u>WIRING HARNESS, MAIN, ABS (1 OF 4)</u> <u>WIRING HARNESS, MAIN, KEYLESS, ABS (1 OF 4)</u> <u>WIRING HARNESS, MAIN, KEYLESS, NON-ABS (1 OF 4)</u>
72146-94	<u>WIRING HARNESS, MAIN, NON-ABS (3 OF 4)</u> <u>WIRING HARNESS, MAIN, ABS (3 OF 4)</u> <u>WIRING HARNESS, MAIN, KEYLESS, ABS (3 OF 4)</u> <u>WIRING HARNESS, MAIN, KEYLESS, NON-ABS (3 OF 4)</u>
72168-07	<u>WIRING HARNESS, MAIN, NON-ABS (1 OF 4)</u> <u>WIRING HARNESS, MAIN, NON-ABS (2 OF 4)</u> <u>WIRING HARNESS, MAIN, NON-ABS (3 OF 4)</u> <u>WIRING HARNESS, MAIN, ABS (1 OF 4)</u> <u>WIRING HARNESS, MAIN, ABS (2 OF 4)</u> <u>WIRING HARNESS, MAIN, ABS (3 OF 4)</u> <u>WIRING HARNESS, MAIN, KEYLESS, ABS (1 OF 4)</u> <u>WIRING HARNESS, MAIN, KEYLESS, ABS (2 OF 4)</u> <u>WIRING HARNESS, MAIN, KEYLESS, ABS (3 OF 4)</u> <u>WIRING HARNESS, MAIN, KEYLESS, NON-ABS (1 OF 4)</u> <u>WIRING HARNESS, MAIN, KEYLESS, NON-ABS (2 OF 4)</u> <u>WIRING HARNESS, MAIN, KEYLESS, NON-ABS (3 OF 4)</u> <u>WIRING HARNESS, ENGINE</u>

72169-07	<u>FRAME AND JIFFY STAND</u> <u>SPEEDOMETER</u> <u>WIRING HARNESS, MAIN, NON-ABS (1 OF 4)</u> <u>WIRING HARNESS, MAIN, NON-ABS (2 OF 4)</u> <u>WIRING HARNESS, MAIN, ABS (1 OF 4)</u> <u>WIRING HARNESS, MAIN, ABS (2 OF 4)</u> <u>WIRING HARNESS, MAIN, KEYLESS, ABS (1 OF 4)</u> <u>WIRING HARNESS, MAIN, KEYLESS, ABS (2 OF 4)</u> <u>WIRING HARNESS, MAIN, KEYLESS, NON-ABS (1 OF 4)</u> <u>WIRING HARNESS, MAIN, KEYLESS, NON-ABS (2 OF 4)</u>
72175-07BK	<u>WIRING HARNESS, MAIN, NON-ABS (1 OF 4)</u> <u>WIRING HARNESS, MAIN, NON-ABS (2 OF 4)</u> <u>WIRING HARNESS, MAIN, ABS (1 OF 4)</u> <u>WIRING HARNESS, MAIN, ABS (2 OF 4)</u> <u>WIRING HARNESS, MAIN, KEYLESS, ABS (1 OF 4)</u> <u>WIRING HARNESS, MAIN, KEYLESS, ABS (2 OF 4)</u> <u>WIRING HARNESS, MAIN, KEYLESS, NON-ABS (1 OF 4)</u> <u>WIRING HARNESS, MAIN, KEYLESS, NON-ABS (2 OF 4)</u>
72177-07BK	<u>EXHAUST SYSTEM (1 OF 2)</u>
72188-07BK	<u>SPEEDOMETER</u>
72189-04	<u>SPEEDOMETER</u>
72190-94	<u>WIRING HARNESS, MAIN, NON-ABS (3 OF 4)</u> <u>WIRING HARNESS, MAIN, ABS (3 OF 4)</u> <u>WIRING HARNESS, MAIN, KEYLESS, ABS (3 OF 4)</u> <u>WIRING HARNESS, MAIN, KEYLESS, NON-ABS (3 OF 4)</u>
72194-94	<u>WIRING HARNESS, MAIN, NON-ABS (3 OF 4)</u> <u>WIRING HARNESS, MAIN, ABS (3 OF 4)</u> <u>WIRING HARNESS, MAIN, KEYLESS, ABS (3 OF 4)</u> <u>WIRING HARNESS, MAIN, KEYLESS, NON-ABS (3 OF 4)</u>
72195-94	<u>ALTERNATOR AND REGULATOR</u>
72199-94	<u>SENSORS AND SWITCHES, ENGINE</u>
7220	<u>ELECTRONIC IGNITION SYSTEM</u> <u>WIRING HARNESS, MAIN, NON-ABS (4 OF 4)</u> <u>WIRING HARNESS, MAIN, ABS (4 OF 4)</u>
72209-11	<u>WIRING HARNESS, MAIN, NON-ABS (2 OF 4)</u> <u>WIRING HARNESS, MAIN, ABS (2 OF 4)</u> <u>WIRING HARNESS, MAIN, KEYLESS, ABS (2 OF 4)</u> <u>WIRING HARNESS, MAIN, KEYLESS, NON-ABS (2 OF 4)</u>
72213-94	<u>WIRING HARNESS, MAIN, NON-ABS (3 OF 4)</u> <u>WIRING HARNESS, MAIN, ABS (3 OF 4)</u> <u>WIRING HARNESS, MAIN, KEYLESS, ABS (3 OF 4)</u> <u>WIRING HARNESS, MAIN, KEYLESS, NON-ABS (3 OF 4)</u>
72222-11	<u>WIRING HARNESS, MAIN, NON-ABS (2 OF 4)</u> <u>WIRING HARNESS, MAIN, ABS (2 OF 4)</u> <u>WIRING HARNESS, MAIN, KEYLESS, ABS (2 OF 4)</u> <u>WIRING HARNESS, MAIN, KEYLESS, NON-ABS (2 OF 4)</u>

72226-11	WIRING HARNESS, MAIN, NON-ABS (2 OF 4) WIRING HARNESS, MAIN, ABS (2 OF 4) WIRING HARNESS, MAIN, KEYLESS, ABS (2 OF 4) WIRING HARNESS, MAIN, KEYLESS, NON-ABS (2 OF 4)
72227-11	WIRING HARNESS, MAIN, NON-ABS (2 OF 4) WIRING HARNESS, MAIN, ABS (2 OF 4) WIRING HARNESS, MAIN, KEYLESS, ABS (2 OF 4) WIRING HARNESS, MAIN, KEYLESS, NON-ABS (2 OF 4)
72249-94	WIRING HARNESS, MAIN, NON-ABS (3 OF 4) WIRING HARNESS, MAIN, ABS (3 OF 4) WIRING HARNESS, MAIN, KEYLESS, ABS (3 OF 4) WIRING HARNESS, MAIN, KEYLESS, NON-ABS (3 OF 4)
72251-07	WIRING HARNESS, ENGINE
72256-11	WIRING HARNESS, MAIN, NON-ABS (2 OF 4) WIRING HARNESS, MAIN, ABS (2 OF 4) WIRING HARNESS, MAIN, KEYLESS, ABS (2 OF 4) WIRING HARNESS, MAIN, KEYLESS, NON-ABS (2 OF 4)
72263-95	WIRING HARNESS, ENGINE
72283-09	WIRING HARNESS, MAIN, NON-ABS (1 OF 4) WIRING HARNESS, MAIN, ABS (1 OF 4) WIRING HARNESS, MAIN, KEYLESS, ABS (1 OF 4) WIRING HARNESS, MAIN, KEYLESS, NON-ABS (1 OF 4)
72291-94	WIRING HARNESS, MAIN, NON-ABS (3 OF 4) WIRING HARNESS, MAIN, ABS (3 OF 4) WIRING HARNESS, MAIN, KEYLESS, ABS (3 OF 4) WIRING HARNESS, MAIN, KEYLESS, NON-ABS (3 OF 4)
72295-94	WIRING HARNESS, MAIN, NON-ABS (3 OF 4) WIRING HARNESS, MAIN, ABS (3 OF 4) WIRING HARNESS, MAIN, KEYLESS, ABS (3 OF 4) WIRING HARNESS, MAIN, KEYLESS, NON-ABS (3 OF 4)
72298-95	WIRING HARNESS, MAIN, NON-ABS (3 OF 4) WIRING HARNESS, MAIN, ABS (3 OF 4) WIRING HARNESS, MAIN, KEYLESS, ABS (3 OF 4) WIRING HARNESS, MAIN, KEYLESS, NON-ABS (3 OF 4)
72308-97	WIRING HARNESS, MAIN, NON-ABS (3 OF 4) WIRING HARNESS, MAIN, ABS (3 OF 4) WIRING HARNESS, MAIN, KEYLESS, ABS (3 OF 4) WIRING HARNESS, MAIN, KEYLESS, NON-ABS (3 OF 4)
72312-04	WIRING HARNESS, MAIN, NON-ABS (3 OF 4) WIRING HARNESS, MAIN, ABS (3 OF 4) WIRING HARNESS, MAIN, KEYLESS, ABS (3 OF 4) WIRING HARNESS, MAIN, KEYLESS, NON-ABS (3 OF 4)
72314-01	WIRING HARNESS, MAIN, NON-ABS (3 OF 4) WIRING HARNESS, MAIN, ABS (3 OF 4) WIRING HARNESS, MAIN, KEYLESS, ABS (3 OF 4) WIRING HARNESS, MAIN, KEYLESS, NON-ABS (3 OF 4) LOOSE PARTS

72330-95	WIRING HARNESS, MAIN, NON-ABS (3 OF 4) WIRING HARNESS, MAIN, ABS (3 OF 4) WIRING HARNESS, MAIN, KEYLESS, ABS (3 OF 4) WIRING HARNESS, MAIN, KEYLESS, NON-ABS (3 OF 4)
72335-10	WIRING HARNESS, MAIN, NON-ABS (3 OF 4) WIRING HARNESS, MAIN, ABS (3 OF 4) WIRING HARNESS, MAIN, KEYLESS, ABS (3 OF 4) WIRING HARNESS, MAIN, KEYLESS, NON-ABS (3 OF 4)
72343-10	WIRING HARNESS, MAIN, ABS (2 OF 4) WIRING HARNESS, MAIN, KEYLESS, ABS (2 OF 4)
72344-10	EXHAUST SYSTEM (1 OF 2)
72350-11	WIRING HARNESS, MAIN, NON-ABS (3 OF 4) WIRING HARNESS, MAIN, ABS (3 OF 4) WIRING HARNESS, MAIN, KEYLESS, ABS (3 OF 4) WIRING HARNESS, MAIN, KEYLESS, NON-ABS (3 OF 4)
72356-95	WIRING HARNESS, MAIN, NON-ABS (3 OF 4) WIRING HARNESS, MAIN, ABS (3 OF 4) WIRING HARNESS, MAIN, KEYLESS, ABS (3 OF 4) WIRING HARNESS, MAIN, KEYLESS, NON-ABS (3 OF 4)
72402-07	WIRING HARNESS, ENGINE
72405-98BK	WIRING HARNESS, MAIN, NON-ABS (1 OF 4) WIRING HARNESS, MAIN, ABS (1 OF 4) WIRING HARNESS, MAIN, KEYLESS, ABS (1 OF 4) WIRING HARNESS, MAIN, KEYLESS, NON-ABS (1 OF 4)
72406-07A	WIRING HARNESS, ENGINE
72407-07	WIRING HARNESS, ENGINE
72408-07	WIRING HARNESS, ENGINE
72413-07	WIRING HARNESS, ENGINE
72414-07BK	WIRING HARNESS, MAIN, NON-ABS (1 OF 4) WIRING HARNESS, MAIN, ABS (1 OF 4) WIRING HARNESS, MAIN, KEYLESS, ABS (1 OF 4) WIRING HARNESS, MAIN, KEYLESS, NON-ABS (1 OF 4)
72462-00	WIRING HARNESS, MAIN, NON-ABS (3 OF 4) WIRING HARNESS, MAIN, ABS (3 OF 4) WIRING HARNESS, MAIN, KEYLESS, ABS (3 OF 4) WIRING HARNESS, MAIN, KEYLESS, NON-ABS (3 OF 4)
72473-07	SPEEDOMETER WIRING HARNESS, MAIN, NON-ABS (1 OF 4) WIRING HARNESS, MAIN, ABS (1 OF 4) WIRING HARNESS, MAIN, KEYLESS, ABS (1 OF 4) WIRING HARNESS, MAIN, KEYLESS, NON-ABS (1 OF 4)
72484-08	WIRING HARNESS, MAIN, NON-ABS (1 OF 4) WIRING HARNESS, MAIN, NON-ABS (3 OF 4) WIRING HARNESS, MAIN, ABS (1 OF 4)

	WIRING HARNESS, MAIN, ABS (3 OF 4) WIRING HARNESS, MAIN, KEYLESS, ABS (1 OF 4) WIRING HARNESS, MAIN, KEYLESS, ABS (3 OF 4) WIRING HARNESS, MAIN, KEYLESS, NON-ABS (1 OF 4) WIRING HARNESS, MAIN, KEYLESS, NON-ABS (3 OF 4)
72486-08	WIRING HARNESS, MAIN, NON-ABS (1 OF 4) WIRING HARNESS, MAIN, NON-ABS (3 OF 4) WIRING HARNESS, MAIN, ABS (1 OF 4) WIRING HARNESS, MAIN, ABS (3 OF 4) WIRING HARNESS, MAIN, KEYLESS, ABS (1 OF 4) WIRING HARNESS, MAIN, KEYLESS, ABS (3 OF 4) WIRING HARNESS, MAIN, KEYLESS, NON-ABS (1 OF 4) WIRING HARNESS, MAIN, KEYLESS, NON-ABS (3 OF 4)
72487-07BK	WIRING HARNESS, ENGINE
72488-07BK	WIRING HARNESS, MAIN, NON-ABS (2 OF 4) WIRING HARNESS, MAIN, ABS (2 OF 4) WIRING HARNESS, MAIN, KEYLESS, ABS (2 OF 4) WIRING HARNESS, MAIN, KEYLESS, NON-ABS (2 OF 4)
72511-07BK	FRAME AND JIFFY STAND
72512-07BK	WIRING HARNESS, MAIN, NON-ABS (1 OF 4) WIRING HARNESS, MAIN, NON-ABS (2 OF 4) WIRING HARNESS, MAIN, ABS (1 OF 4) WIRING HARNESS, MAIN, ABS (2 OF 4) WIRING HARNESS, MAIN, KEYLESS, ABS (1 OF 4) WIRING HARNESS, MAIN, KEYLESS, ABS (2 OF 4) WIRING HARNESS, MAIN, KEYLESS, NON-ABS (1 OF 4) WIRING HARNESS, MAIN, KEYLESS, NON-ABS (2 OF 4)
72518-01	WIRING HARNESS, MAIN, NON-ABS (3 OF 4) WIRING HARNESS, MAIN, ABS (3 OF 4) WIRING HARNESS, MAIN, KEYLESS, ABS (3 OF 4) WIRING HARNESS, MAIN, KEYLESS, NON-ABS (3 OF 4)
72519-09BK	WIRING HARNESS, MAIN, NON-ABS (1 OF 4) WIRING HARNESS, MAIN, ABS (1 OF 4) WIRING HARNESS, MAIN, KEYLESS, ABS (1 OF 4) WIRING HARNESS, MAIN, KEYLESS, NON-ABS (1 OF 4)
72543-07BK	WIRING HARNESS, MAIN, NON-ABS (3 OF 4) WIRING HARNESS, MAIN, ABS (3 OF 4) WIRING HARNESS, MAIN, KEYLESS, ABS (3 OF 4) WIRING HARNESS, MAIN, KEYLESS, NON-ABS (3 OF 4) WIRING HARNESS, ENGINE
72544-07	WIRING HARNESS, MAIN, NON-ABS (3 OF 4) WIRING HARNESS, MAIN, ABS (3 OF 4) WIRING HARNESS, MAIN, KEYLESS, ABS (3 OF 4) WIRING HARNESS, MAIN, KEYLESS, NON-ABS (3 OF 4) WIRING HARNESS, ENGINE
72545-08	WIRING HARNESS, MAIN, NON-ABS (2 OF 4) WIRING HARNESS, MAIN, ABS (2 OF 4) WIRING HARNESS, MAIN, KEYLESS, ABS (2 OF 4) WIRING HARNESS, MAIN, KEYLESS, NON-ABS (2 OF 4)

72575-11	WIRING HARNESS, MAIN, NON-ABS (3 OF 4) WIRING HARNESS, MAIN, ABS (3 OF 4) WIRING HARNESS, MAIN, KEYLESS, ABS (3 OF 4) WIRING HARNESS, MAIN, KEYLESS, NON-ABS (3 OF 4)
72577-12	WIRING HARNESS, MAIN, ABS (3 OF 4) WIRING HARNESS, MAIN, KEYLESS, ABS (3 OF 4)
72578-12	WIRING HARNESS, MAIN, ABS (3 OF 4) WIRING HARNESS, MAIN, KEYLESS, ABS (3 OF 4)
72579-12	WIRING HARNESS, MAIN, ABS (3 OF 4) WIRING HARNESS, MAIN, KEYLESS, ABS (3 OF 4)
72580-12	WIRING HARNESS, MAIN, ABS (3 OF 4) WIRING HARNESS, MAIN, KEYLESS, ABS (3 OF 4)
72582-11	WIRING HARNESS, MAIN, NON-ABS (3 OF 4) WIRING HARNESS, MAIN, ABS (3 OF 4) WIRING HARNESS, MAIN, KEYLESS, ABS (3 OF 4) WIRING HARNESS, MAIN, KEYLESS, NON-ABS (3 OF 4)
72587-11	WIRING HARNESS, MAIN, NON-ABS (3 OF 4) WIRING HARNESS, MAIN, ABS (3 OF 4) WIRING HARNESS, MAIN, KEYLESS, ABS (3 OF 4) WIRING HARNESS, MAIN, KEYLESS, NON-ABS (3 OF 4)
72594-11	WIRING HARNESS, MAIN, NON-ABS (2 OF 4) WIRING HARNESS, MAIN, ABS (2 OF 4) WIRING HARNESS, MAIN, ABS (3 OF 4)
72595-11	WIRING HARNESS, MAIN, NON-ABS (3 OF 4) WIRING HARNESS, MAIN, ABS (3 OF 4) WIRING HARNESS, MAIN, KEYLESS, ABS (3 OF 4) WIRING HARNESS, MAIN, KEYLESS, NON-ABS (3 OF 4) LOOSE PARTS
72609-08	WIRING HARNESS, MAIN, NON-ABS (3 OF 4) WIRING HARNESS, MAIN, ABS (3 OF 4) WIRING HARNESS, MAIN, KEYLESS, ABS (3 OF 4) WIRING HARNESS, MAIN, KEYLESS, NON-ABS (3 OF 4)
72610-08	WIRING HARNESS, MAIN, NON-ABS (3 OF 4) WIRING HARNESS, MAIN, ABS (3 OF 4) WIRING HARNESS, MAIN, KEYLESS, ABS (3 OF 4) WIRING HARNESS, MAIN, KEYLESS, NON-ABS (3 OF 4)
72633-02	WIRING HARNESS, MAIN, ABS (3 OF 4) WIRING HARNESS, MAIN, KEYLESS, ABS (3 OF 4)
72662-11	SPEEDOMETER
72664-12A	WIRING HARNESS, MAIN, NON-ABS (3 OF 4) WIRING HARNESS, MAIN, ABS (3 OF 4) WIRING HARNESS, MAIN, KEYLESS, ABS (3 OF 4) WIRING HARNESS, MAIN, KEYLESS, NON-ABS (3 OF 4)
72666-12	WIRING HARNESS, MAIN, NON-ABS (3 OF 4) WIRING HARNESS, MAIN, ABS (3 OF 4) WIRING HARNESS, MAIN, KEYLESS, ABS (3 OF 4)

	<u>WIRING HARNESS, MAIN, KEYLESS, NON-ABS (3 OF 4)</u>
72720-07	<u>WIRING HARNESS, MAIN, NON-ABS (2 OF 4)</u> <u>WIRING HARNESS, MAIN, ABS (2 OF 4)</u> <u>WIRING HARNESS, MAIN, KEYLESS, ABS (2 OF 4)</u> <u>WIRING HARNESS, MAIN, KEYLESS, NON-ABS (2 OF 4)</u>
72721-07	<u>WIRING HARNESS, MAIN, NON-ABS (2 OF 4)</u> <u>WIRING HARNESS, MAIN, ABS (2 OF 4)</u> <u>WIRING HARNESS, MAIN, KEYLESS, ABS (2 OF 4)</u> <u>WIRING HARNESS, MAIN, KEYLESS, NON-ABS (2 OF 4)</u>
72904-01BK	<u>WIRING HARNESS, MAIN, NON-ABS (2 OF 4)</u> <u>WIRING HARNESS, MAIN, ABS (2 OF 4)</u> <u>WIRING HARNESS, MAIN, KEYLESS, ABS (2 OF 4)</u> <u>WIRING HARNESS, MAIN, KEYLESS, NON-ABS (2 OF 4)</u>
72905-11	<u>WIRING HARNESS, MAIN, NON-ABS (1 OF 4)</u> <u>WIRING HARNESS, MAIN, ABS (1 OF 4)</u> <u>WIRING HARNESS, MAIN, KEYLESS, ABS (1 OF 4)</u> <u>WIRING HARNESS, MAIN, KEYLESS, NON-ABS (1 OF 4)</u>
72906-11	<u>SWITCHES, HANDLEBAR</u>
72907-11	<u>WIRING HARNESS, MAIN, NON-ABS (1 OF 4)</u> <u>WIRING HARNESS, MAIN, ABS (1 OF 4)</u> <u>WIRING HARNESS, MAIN, KEYLESS, ABS (1 OF 4)</u> <u>WIRING HARNESS, MAIN, KEYLESS, NON-ABS (1 OF 4)</u>
72908-11	<u>SWITCHES, HANDLEBAR</u>
72909-11	<u>WIRING HARNESS, MAIN, NON-ABS (1 OF 4)</u> <u>WIRING HARNESS, MAIN, ABS (1 OF 4)</u> <u>WIRING HARNESS, MAIN, KEYLESS, ABS (1 OF 4)</u> <u>WIRING HARNESS, MAIN, KEYLESS, NON-ABS (1 OF 4)</u>
72910-11	<u>SWITCHES, HANDLEBAR</u>
72914-01BK	<u>TAIL LAMPS AND TURN SIGNALS, REAR - XL883L, XL883N, XL1200C, XL1200CB, XL1200X</u> <u>TAIL LAMPS AND TURN SIGNALS, REAR - XL883L, XL883N, XL1200C, XL1200CB, XL1200X</u> <u>TAIL LAMPS AND TURN SIGNALS, REAR - XL883L, XL883N, XL1200C, XL1200CB, XL1200X</u> <u>TAIL LAMPS AND TURN SIGNALS, REAR - XL883L, XL883N, XL1200C, XL1200CB, XL1200X</u> <u>TAIL LAMPS AND TURN SIGNALS, REAR - XL1200CX, XL1200T</u> <u>TAIL LAMPS AND TURN SIGNALS, REAR - XL1200CX, XL1200T</u> <u>TAIL LAMPS AND TURN SIGNALS, REAR - XL1200CX, XL1200T</u> <u>TAIL LAMPS</u>
72920-11	<u>SWITCHES, HANDLEBAR</u>
72921-11	<u>SWITCHES, HANDLEBAR</u>
72922-11	<u>SWITCHES, HANDLEBAR</u>
72923-11	<u>SWITCHES, HANDLEBAR</u>
72940-11	<u>SWITCHES, HANDLEBAR</u>
72941-11	<u>SWITCHES, HANDLEBAR</u>

72990-01	WIRING HARNESS, MAIN, NON-ABS (2 OF 4) WIRING HARNESS, MAIN, ABS (2 OF 4) WIRING HARNESS, MAIN, KEYLESS, ABS (2 OF 4) WIRING HARNESS, MAIN, KEYLESS, NON-ABS (2 OF 4)
72991-01	TAIL LAMPS AND TURN SIGNALS, REAR - XL883L, XL883N, XL1200C, XL1200CB, XL1200X TAIL LAMPS AND TURN SIGNALS, REAR - XL883L, XL883N, XL1200C, XL1200CB, XL1200X TAIL LAMPS AND TURN SIGNALS, REAR - XL883L, XL883N, XL1200C, XL1200CB, XL1200X TAIL LAMPS AND TURN SIGNALS, REAR - XL883L, XL883N, XL1200C, XL1200CB, XL1200X TAIL LAMPS AND TURN SIGNALS, REAR - XL1200CX, XL1200T TAIL LAMPS AND TURN SIGNALS, REAR - XL1200CX, XL1200T TAIL LAMPS AND TURN SIGNALS, REAR - XL1200CX, XL1200T TAIL LAMPS
73103-96BK	WIRING HARNESS, MAIN, NON-ABS (2 OF 4) WIRING HARNESS, MAIN, ABS (2 OF 4) WIRING HARNESS, MAIN, KEYLESS, ABS (2 OF 4) WIRING HARNESS, MAIN, KEYLESS, NON-ABS (2 OF 4)
73104-96BK	WIRING HARNESS, MAIN, NON-ABS (1 OF 4) WIRING HARNESS, MAIN, ABS (1 OF 4) WIRING HARNESS, MAIN, KEYLESS, ABS (1 OF 4) WIRING HARNESS, MAIN, KEYLESS, NON-ABS (1 OF 4)
73106-96BK	WIRING HARNESS, MAIN, NON-ABS (1 OF 4) WIRING HARNESS, MAIN, ABS (1 OF 4) WIRING HARNESS, MAIN, KEYLESS, ABS (1 OF 4) WIRING HARNESS, MAIN, KEYLESS, NON-ABS (1 OF 4)
73152-96BK	TAIL LAMPS AND TURN SIGNALS, REAR - XL883L, XL883N, XL1200C, XL1200CB, XL1200X TAIL LAMPS AND TURN SIGNALS, REAR - XL883L, XL883N, XL1200C, XL1200CB, XL1200X TAIL LAMPS AND TURN SIGNALS, REAR - XL883L, XL883N, XL1200C, XL1200CB, XL1200X TAIL LAMPS AND TURN SIGNALS, REAR - XL1200CX, XL1200T
73153-96BK	LICENSE PLATE BRACKETS - XL883N, XL1200CX, XL1200X LICENSE PLATE BRACKETS - XL883N, XL1200CX, XL1200X LICENSE PLATE BRACKETS - XL883N, XL1200CX, XL1200X TAIL LAMPS AND TURN SIGNALS, REAR - XL883L, XL883N, XL1200C, XL1200CB, XL1200X TAIL LAMPS AND TURN SIGNALS, REAR - XL1200CX, XL1200T TAIL LAMPS
73154-96BK	HEADLAMP - XL883L, XL883N, XL1200CX, XL1200T, XL1200X HEADLAMP - XL1200C, XL1200CB TAIL LAMPS
73156-96BK	TURN SIGNALS, FRONT TAIL LAMPS AND TURN SIGNALS, REAR - XL883L, XL883N, XL1200C, XL1200CB, XL1200X TAIL LAMPS AND TURN SIGNALS, REAR - XL1200CX, XL1200T TAIL LAMPS
73190-96	WIRING HARNESS, MAIN, NON-ABS (1 OF 4) WIRING HARNESS, MAIN, NON-ABS (2 OF 4) WIRING HARNESS, MAIN, ABS (1 OF 4) WIRING HARNESS, MAIN, ABS (2 OF 4) WIRING HARNESS, MAIN, KEYLESS, ABS (1 OF 4) WIRING HARNESS, MAIN, KEYLESS, ABS (2 OF 4) WIRING HARNESS, MAIN, KEYLESS, NON-ABS (1 OF 4) WIRING HARNESS, MAIN, KEYLESS, NON-ABS (2 OF 4)
73191-96	LICENSE PLATE BRACKETS - XL883N, XL1200CX, XL1200X

	LICENSE PLATE BRACKETS - XL883N, XL1200CX, XL1200X LICENSE PLATE BRACKETS - XL883N, XL1200CX, XL1200X LICENSE PLATE BRACKETS - XL883N, XL1200CX, XL1200X HEADLAMP - XL883L, XL883N, XL1200CX, XL1200T, XL1200X HEADLAMP - XL1200C, XL1200CB TURN SIGNALS, FRONT TURN SIGNALS, FRONT TURN SIGNALS, FRONT TURN SIGNALS, FRONT TAIL LAMPS AND TURN SIGNALS, REAR - XL883L, XL883N, XL1200C, XL1200CB, XL1200X TAIL LAMPS AND TURN SIGNALS, REAR - XL883L, XL883N, XL1200C, XL1200CB, XL1200X TAIL LAMPS AND TURN SIGNALS, REAR - XL883L, XL883N, XL1200C, XL1200CB, XL1200X TAIL LAMPS AND TURN SIGNALS, REAR - XL883L, XL883N, XL1200C, XL1200CB, XL1200X TAIL LAMPS AND TURN SIGNALS, REAR - XL1200CX, XL1200T TAIL LAMPS AND TURN SIGNALS, REAR - XL1200CX, XL1200T TAIL LAMPS TAIL LAMPS
73213-07	FRAME AND JIFFY STAND WIRING HARNESS, MAIN, NON-ABS (1 OF 4) WIRING HARNESS, MAIN, ABS (1 OF 4) WIRING HARNESS, MAIN, KEYLESS, ABS (1 OF 4) WIRING HARNESS, MAIN, KEYLESS, NON-ABS (1 OF 4)
73246-11	HEADLAMP - XL1200C, XL1200CB
73264-10	HEADLAMP - XL883L, XL883N, XL1200CX, XL1200T, XL1200X
73266-10	HEADLAMP - XL883L, XL883N, XL1200CX, XL1200T, XL1200X
73304-04	WIRING HARNESS, MAIN, NON-ABS (3 OF 4) WIRING HARNESS, MAIN, ABS (3 OF 4) WIRING HARNESS, MAIN, KEYLESS, ABS (3 OF 4) WIRING HARNESS, MAIN, KEYLESS, NON-ABS (3 OF 4)
73305-04	WIRING HARNESS, MAIN, NON-ABS (3 OF 4) WIRING HARNESS, MAIN, ABS (3 OF 4) WIRING HARNESS, MAIN, KEYLESS, ABS (3 OF 4) WIRING HARNESS, MAIN, KEYLESS, NON-ABS (3 OF 4)
73307-10	EXHAUST SYSTEM (1 OF 2)
7331	MIRRORS
73318-09	TAIL LAMPS AND TURN SIGNALS, REAR - XL883L, XL883N, XL1200C, XL1200CB, XL1200X
73403-11	LICENSE PLATE BRACKETS - XL883N, XL1200CX, XL1200X
73504-11	LICENSE PLATE BRACKETS - XL883N, XL1200CX, XL1200X
7357	MIRRORS
74102-98BK	WHEELS, FRONT, CAST - XL883L, XL883N, XL1200CX, XL1200T, XL1200X WHEELS, FRONT, LACED - XL1200C, XL1200CB WHEELS, REAR, CAST - XL883L, XL883N, XL1200CX, XL1200T, XL1200X WHEELS, REAR, LACED - XL1200C, XL1200CB
74112-98BK	WIRING HARNESS, MAIN, NON-ABS (1 OF 4) WIRING HARNESS, MAIN, ABS (1 OF 4)

	WIRING HARNESS, MAIN, ABS (3 OF 4) WIRING HARNESS, MAIN, KEYLESS, ABS (1 OF 4) WIRING HARNESS, MAIN, KEYLESS, ABS (3 OF 4) WIRING HARNESS, MAIN, KEYLESS, NON-ABS (1 OF 4)
74120-08	WIRING HARNESS, MAIN, NON-ABS (1 OF 4) WIRING HARNESS, MAIN, ABS (1 OF 4) WIRING HARNESS, MAIN, KEYLESS, ABS (1 OF 4) WIRING HARNESS, MAIN, KEYLESS, NON-ABS (1 OF 4)
74142-98	WHEELS, FRONT, CAST - XL883L, XL883N, XL1200CX, XL1200T, XL1200X WHEELS, FRONT, LACED - XL1200C, XL1200CB WHEELS, REAR, CAST - XL883L, XL883N, XL1200CX, XL1200T, XL1200X WHEELS, REAR, LACED - XL1200C, XL1200CB
74152-98	WIRING HARNESS, MAIN, NON-ABS (1 OF 4) WIRING HARNESS, MAIN, ABS (1 OF 4) WIRING HARNESS, MAIN, ABS (3 OF 4) WIRING HARNESS, MAIN, KEYLESS, ABS (1 OF 4) WIRING HARNESS, MAIN, KEYLESS, ABS (3 OF 4) WIRING HARNESS, MAIN, KEYLESS, NON-ABS (1 OF 4)
74190-98	WHEELS, FRONT, CAST - XL883L, XL883N, XL1200CX, XL1200T, XL1200X WHEELS, FRONT, LACED - XL1200C, XL1200CB WHEELS, REAR, CAST - XL883L, XL883N, XL1200CX, XL1200T, XL1200X WHEELS, REAR, LACED - XL1200C, XL1200CB
74191-98	WIRING HARNESS, MAIN, NON-ABS (1 OF 4) WIRING HARNESS, MAIN, ABS (1 OF 4) WIRING HARNESS, MAIN, ABS (3 OF 4) WIRING HARNESS, MAIN, KEYLESS, ABS (1 OF 4) WIRING HARNESS, MAIN, KEYLESS, ABS (3 OF 4) WIRING HARNESS, MAIN, KEYLESS, NON-ABS (1 OF 4)
74194-98	SENSORS AND SWITCHES, ENGINE
74196-04	SPEEDOMETER
74197-04	SPEEDOMETER
74402-05B	SENSORS AND SWITCHES, ENGINE
7468M	FORK, FRONT - XL1200CX
74700012	ALTERNATOR AND REGULATOR
7477	BRAKE CONTROL, REAR
7495	HORN
75268-07F	FUEL PUMP
75301-07	FUEL PUMP
75302-07B	FUEL PUMP SWITCHES
75304-07A	FUEL PUMP

75305-07A	FUEL PUMP
75309-07A	FUEL PUMP
7531	GUARDS, SAREE FORK, REAR, DEBRIS DEFLECTOR AND BELT GUARD FENDERS, FRONT FENDERS, REAR - XL883N, XL1200X (CANADA ONLY), XL883L (DOMESTIC, CANADA, HDI) FENDERS, REAR - XL883N, XL1200X (HDI ONLY) FENDERS, REAR - XL883N, XL1200X (DOMESTIC ONLY) FENDERS, REAR - XL1200C, XL1200CB FENDERS, REAR - XL1200T FENDERS, REAR - XL1200CX (DOMESTIC ONLY) FENDERS, REAR - XL1200CX (CANADA AND HDI ONLY) FUEL TANK HORN SADDLEBAGS - 1200T
75317-07	FUEL PUMP
7549A	HORN
7593	EXHAUST SYSTEM (1 OF 2)
7606	HEADLAMP - XL883L, XL883N, XL1200CX, XL1200T, XL1200X
761	FENDERS, REAR - XL883N, XL1200X (CANADA ONLY), XL883L (DOMESTIC, CANADA, HDI) FENDERS, REAR - XL883N, XL1200X (HDI ONLY) FENDERS, REAR - XL883N, XL1200X (DOMESTIC ONLY) FENDERS, REAR - XL1200C, XL1200CB FENDERS, REAR - XL1200T FENDERS, REAR - XL1200CX (DOMESTIC ONLY) FENDERS, REAR - XL1200CX (CANADA AND HDI ONLY)
7624	OIL TANK AND LINES
7651A	WINDSHIELD - 1200T
7716	LICENSE PLATE BRACKETS - XL883N, XL1200CX, XL1200X
7725	MIRRORS
7766	FORK, REAR, DEBRIS DEFLECTOR AND BELT GUARD
7778	HEADLAMP - XL1200C, XL1200CB
7783	FORK, FRONT - XL883L, XL1200C, XL1200CB FORK, FRONT - XL1200T FORK, FRONT - XL1200X FORK, FRONT - XL883N TURN SIGNALS, FRONT
7792	CRANKCASE AND GEARCASE FENDERS, REAR - XL883N, XL1200X (HDI ONLY) FENDERS, REAR - XL1200CX (CANADA AND HDI ONLY) LICENSE PLATE BRACKETS - XL883N, XL1200CX, XL1200X LICENSE PLATE BRACKETS - XL883N, XL1200CX, XL1200X LICENSE PLATE BRACKETS - XL883L, XL1200C, XL1200CB, XL1200T LICENSE PLATE BRACKETS - XL883L, XL1200C, XL1200CB, XL1200T LICENSE PLATE BRACKETS - XL883L, XL1200C, XL1200CB, XL1200T

	<u>BATTERY</u>
7800W	<u>HEADLAMP - XL883L, XL883N, XL1200CX, XL1200T, XL1200X</u>
7804	<u>INSPECTION COVER AND PRIMARY COVER</u>
7813A	<u>WHEELS, FRONT, CAST - XL883L, XL883N, XL1200CX, XL1200T, XL1200X</u> <u>WHEELS, FRONT, LACED - XL1200C, XL1200CB</u>
7838	<u>BRAKE LINES, FRONT - ABS</u>
7839	<u>BELTS, CHAINS AND SPROCKETS</u>
7862	<u>EXHAUST SYSTEM (1 OF 2)</u>
7878	<u>FENDERS, REAR - XL1200CX (DOMESTIC ONLY)</u> <u>FENDERS, REAR - XL1200CX (CANADA AND HDI ONLY)</u>
7880	<u>HEADLAMP - XL883L, XL883N, XL1200CX, XL1200T, XL1200X</u>
7882	<u>FENDERS, REAR - XL883N, XL1200X (CANADA ONLY), XL883L (DOMESTIC, CANADA, HDI)</u> <u>FENDERS, REAR - XL883N, XL1200X (HDI ONLY)</u> <u>FENDERS, REAR - XL883N, XL1200X (DOMESTIC ONLY)</u> <u>FENDERS, REAR - XL1200C, XL1200CB</u> <u>FENDERS, REAR - XL1200T</u> <u>FENDERS, REAR - XL1200CX (DOMESTIC ONLY)</u> <u>FENDERS, REAR - XL1200CX (CANADA AND HDI ONLY)</u>
7916A	<u>CAMSHAFTS AND GEARCASE COVER</u>
7964	<u>TAIL LAMPS</u>
7985	<u>TAIL LAMPS AND TURN SIGNALS, REAR - XL1200CX, XL1200T</u>
8020	<u>WHEELS, REAR, CAST - XL883L, XL883N, XL1200CX, XL1200T, XL1200X</u> <u>WHEELS, REAR, LACED - XL1200C, XL1200CB</u>
8108	<u>HORN</u>
8126A	<u>SADDLEBAGS - 1200T</u>
8135B	<u>FRAME AND JIFFY STAND</u>
8199M	<u>FORK, FRONT - XL1200CX</u>
8329	<u>BRAKE CONTROL, REAR</u>
8336	<u>TAIL LAMPS AND TURN SIGNALS, REAR - XL1200CX, XL1200T</u>
835	<u>CRANKCASE AND GEARCASE</u>
8692	<u>FENDERS, REAR - XL883N, XL1200X (CANADA ONLY), XL883L (DOMESTIC, CANADA, HDI)</u> <u>FENDERS, REAR - XL883N, XL1200X (HDI ONLY)</u> <u>FENDERS, REAR - XL883N, XL1200X (DOMESTIC ONLY)</u> <u>FENDERS, REAR - XL1200C, XL1200CB</u> <u>FENDERS, REAR - XL1200T</u> <u>FENDERS, REAR - XL1200CX (DOMESTIC ONLY)</u> <u>FENDERS, REAR - XL1200CX (CANADA AND HDI ONLY)</u>

8862	<u>TRANSMISSION GEARS</u>
8873	<u>CLUTCH</u>
8881	<u>CRANKCASE AND GEARCASE</u>
8884	<u>TRANSMISSION GEARS</u>
8885	<u>CLUTCH</u>
89579-91	<u>FORK, REAR, DEBRIS DEFLECTOR AND BELT GUARD</u> <u>FUEL TANK</u>
89581-04A	<u>STARTER MOTOR</u>
89586-04	<u>FUEL TANK</u>
8964	<u>TRANSMISSION GEARS</u>
8966	<u>TRANSMISSION GEARS</u>
8970A	<u>TRANSMISSION GEARS</u>
8972	<u>CRANKCASE AND GEARCASE</u>
90201038	<u>FENDERS, REAR - XL1200T</u> <u>SADDLEBAGS - 1200T</u>
90201039	<u>FENDERS, REAR - XL1200T</u> <u>SADDLEBAGS - 1200T</u>
90201040	<u>SADDLEBAGS - 1200T</u>
90201041	<u>SADDLEBAGS - 1200T</u>
90201087	<u>SADDLEBAGS - 1200T</u>
90300034	<u>FRAME AND JIFFY STAND</u> <u>SWITCHES</u> <u>LOOSE PARTS</u>
90300050	<u>WIRING HARNESS, MAIN, NON-ABS (4 OF 4)</u> <u>WIRING HARNESS, MAIN, ABS (4 OF 4)</u>
90300062	<u>FRAME AND JIFFY STAND</u> <u>SWITCHES</u>
90300063	<u>FRAME AND JIFFY STAND</u> <u>SWITCHES</u>
90300093	<u>FUEL TANK</u> <u>FUEL TANK</u>
90300111	<u>SWITCHES</u> <u>LOOSE PARTS</u>
90300112	<u>SWITCHES</u> <u>LOOSE PARTS</u>

90383-98	<u>INDUCTION MODULE, FUEL</u>
90493-83	<u>BRAKE CONTROL, REAR</u>
90520-07	<u>FRAME AND JIFFY STAND</u>
9187A	<u>SHIFTER, GEAR</u>
91909-03B	<u>MIRRORS</u>
91910-03B	<u>MIRRORS</u>
91960-10	<u>MIRRORS</u>
91961-10	<u>MIRRORS</u>
91982-03B	<u>MIRRORS</u>
91983-03B	<u>MIRRORS</u>
9209	<u>FORK, REAR, DEBRIS DEFLECTOR AND BELT GUARD</u>
92247-10	<u>SADDLEBAGS - 1200T</u>
92381-09	<u>MIRRORS</u>
92400-09	<u>MIRRORS</u>
92401-09	<u>MIRRORS</u>
92402-09	<u>MIRRORS</u>
9252	<u>WHEELS, FRONT, CAST - XL883L, XL883N, XL1200CX, XL1200T, XL1200X</u> <u>WHEELS, FRONT, LACED - XL1200C, XL1200CB</u> <u>WHEELS, REAR, CAST - XL883L, XL883N, XL1200CX, XL1200T, XL1200X</u> <u>WHEELS, REAR, LACED - XL1200C, XL1200CB</u>
9276A	<u>WHEELS, FRONT, CAST - XL883L, XL883N, XL1200CX, XL1200T, XL1200X</u> <u>WHEELS, FRONT, CAST - XL883L, XL883N, XL1200CX, XL1200T, XL1200X</u> <u>WHEELS, FRONT, LACED - XL1200C, XL1200CB</u> <u>WHEELS, FRONT, LACED - XL1200C, XL1200CB</u> <u>WHEELS, REAR, CAST - XL883L, XL883N, XL1200CX, XL1200T, XL1200X</u> <u>WHEELS, REAR, CAST - XL883L, XL883N, XL1200CX, XL1200T, XL1200X</u> <u>WHEELS, REAR, LACED - XL1200C, XL1200CB</u> <u>WHEELS, REAR, LACED - XL1200C, XL1200CB</u>
927A	<u>FENDERS, REAR - XL883N, XL1200X (HDI ONLY)</u> <u>LICENSE PLATE BRACKETS - XL883N, XL1200CX, XL1200X</u> <u>LICENSE PLATE BRACKETS - XL883L, XL1200C, XL1200CB, XL1200T</u>
93511-10	<u>LOOSE PARTS</u>
940	<u>ENGINE MOUNTS AND STABILIZER LINK</u>
94000084	<u>LOOSE PARTS</u>
94000326	<u>LOOSE PARTS</u>
943	<u>INSPECTION COVER AND PRIMARY COVER</u>

94435-10	LOOSE PARTS
946	AIR CLEANER
95594-84B	WHEELS, FRONT, CAST - XL883L, XL883N, XL1200CX, XL1200T, XL1200X WHEELS, FRONT, LACED - XL1200C, XL1200CB WHEELS, REAR, CAST - XL883L, XL883N, XL1200CX, XL1200T, XL1200X WHEELS, REAR, LACED - XL1200C, XL1200CB
95595-84B	WHEELS, FRONT, CAST - XL883L, XL883N, XL1200CX, XL1200T, XL1200X WHEELS, REAR, CAST - XL883L, XL883N, XL1200CX, XL1200T, XL1200X WHEELS, REAR, LACED - XL1200C, XL1200CB
9838	WIRING HARNESS, MAIN, NON-ABS (2 OF 4) WIRING HARNESS, MAIN, NON-ABS (3 OF 4) WIRING HARNESS, MAIN, ABS (2 OF 4) WIRING HARNESS, MAIN, ABS (3 OF 4) WIRING HARNESS, MAIN, KEYLESS, ABS (2 OF 4) WIRING HARNESS, MAIN, KEYLESS, ABS (3 OF 4) WIRING HARNESS, MAIN, KEYLESS, NON-ABS (2 OF 4) WIRING HARNESS, MAIN, KEYLESS, NON-ABS (3 OF 4)
9847	HEADLAMP - XL883L, XL883N, XL1200CX, XL1200T, XL1200X HEADLAMP - XL1200C, XL1200CB
9848	HEADLAMP - XL883L, XL883N, XL1200CX, XL1200T, XL1200X HEADLAMP - XL1200C, XL1200CB
9898	HEADLAMP - XL883L, XL883N, XL1200CX, XL1200T, XL1200X HEADLAMP - XL1200C, XL1200CB
9907	SWITCHES
9946	OIL PUMP
99468-17	LOOSE PARTS
9955	EXHAUST SYSTEM (1 OF 2)
9969	OIL TANK AND LINES
J0117.3A8	FORK, FRONT - XL1200CX
J8130.3A8	FORK, FRONT - XL1200CX
J8146.1AS	FORK, FRONT - XL1200CX

Component Types and Introduction Dates

[View interactive table](#)

101A1 - Generic Nuts	
7725	Unknown
7838	Unknown
7839	Unknown

7624	Unknown
7792	2012
8135B	Unknown
7813A	Unknown
8126A	2017
7778	Unknown
7862	Unknown
7477	Unknown
7916A	Unknown
7766	Unknown
8199M	Unknown
11730A	Unknown
7495	1994
7878	1993
7880	Unknown
7331	Unknown
7964	Unknown
37495-91	1991
7468M	2006
8020	2002
8108	Unknown
7593	1991
7549A	Unknown
102A1 - Generic Screws	
2446	Unknown
3899	1999
4266A	Unknown
4188	Unknown
3244	Unknown
46612-06	2006

4765	1998
3579A	Unknown
3990	2006
4180	Unknown
3854	2009
4858M	Unknown
3987	Unknown
4771	Unknown
68026-99	1999
3162	Unknown
2563	2009
3849	Unknown
3018A	2010
4741A	1994
2481M	Unknown
3655A	Unknown
3976	2004
3056	2011
1081A	Unknown
4718A	1994
2479	Unknown
2261	2011
4993	Unknown
5414	Unknown
3022A	Unknown
4991	2009
43567-92	1992
3514	Unknown
42827-04	2004
940	Unknown
4748	2009

943	Unknown
2921	Unknown
4091	Unknown
3615	Unknown
2325	Unknown
2773	Unknown
4751	Unknown
4705	2005
4132	Unknown
4740A	1994
3075	Unknown
2586A	Unknown
3658	Unknown
45405-75A	1975
1048	Unknown
4975M	Unknown
2508	Unknown
3605	2009
10200392	2016
10200474	2016
68120-00	2000
4724	2009
2486	Unknown
4402	Unknown
45996-87	1987
3594	1992
835	Unknown
4290	Unknown
3085	Unknown
2708A	Unknown

68042-99	1999
4076	Unknown
1039	Unknown
2607	Unknown
4029A	1990
4420	2009
45902-00	2000
3588	1990
3387	Unknown
3563	1999
4017	2009
2501A	Unknown
1028	Unknown
4016	Unknown
4032A	Unknown
3124	Unknown
45800-04	2004
3210A	Unknown
4820A	Unknown
1091	Unknown
4352	Unknown
56402-83A	1983
10200549	2017
2361	Unknown
3666A	1997
3480A	Unknown
4717A	Unknown
2441	Unknown
927A	Unknown
3574	Unknown

3214	Unknown
946	Unknown
4871	Unknown
4758A	Unknown
4575	Unknown
4365	Unknown
10200052	2014
4312C	Unknown
4798	Unknown
3565	Unknown
3123	Unknown
10200242	2014
16478-85A	1985
4359	Unknown
56397-74C	1974
3691	Unknown
67956-96	1996
5403B	Unknown
8329	Unknown
3029	Unknown
4778	Unknown
4779	Unknown
4190	Unknown
27216-95	1995
8336	2016
2460	Unknown
3026	Unknown
3033	Unknown
16480-92A	1992
2444	Unknown

2445	Unknown
3696	Unknown
102Z1 - Kit,Screw	
10200486	2016
103A1 - Generic Washers	
6026	Unknown
27714-06	2006
6611	Unknown
6157	Unknown
46237-02	2002
6551	Unknown
58152-96	1996
36802-84B	1984
46509-01	2001
8972	Unknown
10300078	2015
6792	Unknown
6787	Unknown
6288	Unknown
6798	2012
6109	1980
6101	2011
6594	Unknown
67815-59A	1959
6589	Unknown
6590HW	Unknown
6029	Unknown
6516HW	Unknown
7220	Unknown
7068	Unknown
7038	1998

7039	Unknown
6738	Unknown
6237	2014
7042	Unknown
6703	1970
6701	Unknown
6702	Unknown
42425-05	2005
7045	Unknown
6716	Unknown
104A1 - Custom Nuts	
7985	1991
54321-85	1985
7606	1983
105A1 - Custom Screws	
41191-74A	1974
10500062	2014
106A1 - Custom Washers	
7080	Unknown
6003	2010
108A1 - Hose Clamps	
10053	2010
10038A	1994
10031	2010
55847-05A	2005
31512-04	2004
10800010	2011
9955	Unknown
10080	Unknown
10117	Unknown

10304	Unknown
9946	Unknown
10074	Unknown
10303	Unknown
108B1 - P Clamps	
70417-04C	2004
58174-04A	2004
10179A	Unknown
10800005	2012
10800006	2011
10003	2010
10800074	2014
10323	Unknown
10800123	2017
10142	Unknown
109A1 - Studs	
16715-83	1983
16832-86C	1986
65088-04	2004
110B1 - Plain Bushings	
25586-37	1937
34982-02A	2011
35030-89A	1989
8966	Unknown
34076-02A	2002
9252	Unknown
17429-91	1991
45801-04	2004
25598-91	1991
25593-74	1974

24647-87	1987
45465-87	1987
42569-03	2003
53176-08	2008
8885	Unknown
40574-06A	2011
25588-91	1991
46348-06	2006
110C1 - Radial Shaft Seals	
37107-06	2006
12068	Unknown
12074	Unknown
67104-95	1995
110D1 - Rolling Element Bearings	
9209	2003
8964	2006
24650-87	1987
24605-07	2007
8970A	2012
8884	Unknown
9276A	2011
24659-87	1987
9187A	2011
8862	Unknown
24660-87	1987
111A1 - Adhesive	
73304-04	2004
72194-94	1994
58417-77	1977
9907	Unknown
72990-01	2001

9838	Unknown
74196-04	2004
111B1 - Tape	
11100060	2014
11100061	2014
116A1 - Banjo Bolts	
11600001	2012
117A1 - Coil Springs	
56396-74A	1974
119A1 - O-Rings	
46329-06	2006
11105	Unknown
11113	Unknown
11289A	Unknown
46508-01	2001
11202	Unknown
48027-99	1999
11120	Unknown
11190	Unknown
45984-87	1987
11377	Unknown
26434-91	1991
11171	Unknown
11179	1986
11317	Unknown
120A1 - Pins	
215	Unknown
16573-83A	1983
50003-89B	1989
1594	1998

24754-75A	1975
45041-01A	2001
358	Unknown
121A1 - Grommets	
12100049	2014
11474	Unknown
12100031	2014
121B1 - Press-Fit Plugs	
67865-89	1989
90383-98	1998
761	1996
90520-07	2007
122A1 - Retaining Rings	
11271	Unknown
11272	Unknown
12200047	2014
10279	Unknown
35118-03	2003
11002	Unknown
35114-02	2002
65325-83A	1983
45611-86	1986
35087-99A	1999
10108	Unknown
11155	Unknown
11142	Unknown
10984	Unknown
70640-07	2007
11390	Unknown
11046	Unknown

61213-04A	2004
11121	2008
11177A	1996
11304	Unknown
11282	Unknown
11067	Unknown
11379	2002
16699-06	2006
11250	1992
35038-89A	1989
41229-08	2008
10242	2004
11161	1984
123A1 - Sealing Washers	
26436-90A	1990
41756-08	2008
123B1 - Spring Washers	
7155	Unknown
48738-07	2007
124A1 - Spacers	
5925	2006
6021	Unknown
6152	Unknown
11804	Unknown
46346-06	2006
46515-01	2001
45377-87	1987
7882	Unknown
35107-06	2006
125A1 - Tie Straps	
10065	1985

10177	1996
10181	1996
10006	1960
126A1 - Miscellaneous Hardware	
42593-04	2004
45799-04	2004
12030	Unknown
89581-04A	2004
90493-83	1983
12600080	2014
33540-06	2006
46236-02	2002
48791-09	2009
48708-09	2009
56394-74	1974
8873	1984
126B1 - Rivets Fasteners	
8692	Unknown
11778	Unknown
11785	Unknown
127A1 - Miscellaneous, Non-System-Specific Component	
93511-10	2010
127B1 - Generic Mounting Bracket	
51652-97A	1997
140A1 - Battery Warning Label	
15368-01A	2001
140A2 - General Warning Label	
29147-07	2007
140A3 - Other Special Warning Label	
15370-01A	2001

140G2 - EPA Label	
29127-95B	1995
140G6 - VIN Overlay	
13729-16	2016
140P2 - General Label	
13729-17	2017
141A1 - Medallion	
14100381	2014
14100883	2016
14100767	2016
14100707BABY	2015
67667-05	2005
14100707BABZ	2015
14100763	2016
14100762	2016
71550-94	1994
14100707BAEC	2017
14270-92	1992
14100710BACA	2015
14448-94	1994
14100709BACA	2015
14100708BAEC	2017
14100708BABZ	2015
14100708BABY	2015
14100599	2014
14100598	2014
149A1 - Tool	
14900081	2016
94435-10	2010
162D1 - Engine Assembly	
19905-17	2017

19606-17	2017
19766-17	2017
19566-17	2017
19519-17	2017
19527-17	2017
20115-17	2017
19767-17	2017
163B1 - Engine Isolator Mount	
16353-04	2004
41562-04	2004
16287-04	2004
48492-04A	2004
48463-04A	2004
41561-04	2004
16291-04A	2014
164B1 - Engine Mount Bracket sub-component	
7716	1990
16232-04B	2004
7783	Unknown
7531	1980
7804	Unknown
46262-02	2002
7357	Unknown
7800W	Unknown
164D1 - Tiebar Mount	
47471-04A	2004
165A1 - Cylinder Head	
16667-07	2007
17488-07	2007
16867-07	2007

18011-86	1986
16661-07	2007
18020-07	2007
16865-07	2007
16660-07	2007
16500471	2016
16500469	2016
17485-07	2007
16666-07	2007
165B1 - Cylinder Head and Base Gaskets	
16800-84B	2013
16664-86D	1986
16789-04	2004
16770-84F	1984
167A1 - PT Assembly Miscellaneous Component	
36731-91	1991
168A1 - Cylinder	
16463-04	2004
17496-07	2007
16443-04	2004
16452-05	2005
16469-10	2010
179A1 - Lifters	
17981-04	2004
17972-04	2004
18538-99C	2011
179B1 - Push Rod	
17908-02	2002
17909-02	2002
179C1 - Lifter Anti-Rotation Device	

18505-06	2006
180A1 - Valves	
18690-02	2002
18053-04	2004
18021-87A	1987
18059-04	2004
181B1 - Valve Seals	
18012-87A	1987
16465-06	2006
18094-02A	2002
181C1 - Valve Collars	
18260-02	2002
184A1 - PT Camdrive and Valvetrain Miscellaneous Component	
18245-02	2002
18258-02	2002
220A1 - Piston Ring	
22266-86	1986
22223-04	2004
22231-04	2004
21948-02	2002
22261-86	1986
22238-04	2004
22000031	2014
22271-86	1986
22221-04	2004
22227-04	2004
22228-04	2004
22230-04	2004
221A1 - Piston Pin	
22589-83B	1983
22765-02	2002

22719-04	2004
237B1 - Connecting Rod sub-component	
24332-36	1936
239A1 - PT Lower End Miscellaneous Component	
24658-87	1987
241A1 - Flywheel	
23905-04B	2007
244A1 - Crankcase	
24470-06B	2006
24745-07A	2008
24466-06B	2006
244D1 - Crankcase sub-component	
24047-00	2000
8881	Unknown
254A1 - Camdrive Gear	
25194-06	2006
255C1 - Camdrive Chain Tensioner	
40039-02C	2007
256A1 - Timer Cover	
25600048	2016
32506-90	1990
32514-04	2004
25600037	2014
25600063	2016
257B1 - Clutch Cover	
34992-04	2004
34760-04	2004
257D1 - Clutch Inspection Cover	
34993-04A	2004
34761-04A	2006

257E1 - Cover Gaskets

67121-95A	1995
-----------	------

65324-83B	2009
-----------	------

75301-07	2007
----------	------

17393-07	2007
----------	------

17695-07B	2011
-----------	------

34955-04	2004
----------	------

17362-07B	2011
-----------	------

61109-85D	1985
-----------	------

26638-00Y	2000
-----------	------

25463-94A	1994
-----------	------

67601-94A	1994
-----------	------

17027-08	2008
----------	------

17976-04	2004
----------	------

11936	Unknown
-------	---------

29313-95	1995
----------	------

12085	Unknown
-------	---------

29062-95B	1995
-----------	------

17036-08	2008
----------	------

34990-08	2008
----------	------

45378-87	1987
----------	------

17049-08	2008
----------	------

58791-04	2004
----------	------

25263-90D	1990
-----------	------

257L1 - Primary Cover

25486-05	2005
----------	------

25430-06	2006
----------	------

25307-06	2006
----------	------

25460-06	2006
----------	------

257M1 - Push Rod Cover

17946-04	2004
257N1 - Rocker-Arm / Valve Cover	
17598-07A	2007
17501-04	2004
17375-83A	1983
17537-07A	2007
17611-83	1983
17551-04	2004
17360-83A	1983
17532-07A	2007
17655-05	2005
258A1 - PT Covers Miscellaneous Component	
25219-04	2004
25213-04	2004
265A1 - Vent / Breather Line	
63508-04	2004
26500005	2014
270B2 - Idle Cable	
27000027	2016
272B1 - Throttle Body / Intake Manifold	
27200024	2017
16361-07	2007
273A1 - Intake Manifold	
27707-07	2007
273A2 - Intake Manifold to Cylinder Head Seal	
27327-07A	2013
273E1 - Idle Air Control Actuator	
27628-01A	2001
273K1 - Throttle Body to Manifold Seal	
26995-86B	1986

273M1 - Throttle Cable Bracket

27701-07A 2007

273N1 - Throttle Cable Retention Bracket

56508-76 1976

274B1 - Fuel Rail

27704-07 2007

274C1 - Fuel Injector

27706-07A 2007

275A1 - PT Upper End Miscellaneous Component

27700-07 2007

290A1 - Airbox Baseplate

29369-07B 2016

29000015A 2017

290C1 - Airbox Baseplate sub-component

29123-07 2007

290D1 - Airbox Seal

29315-04 2004

29000016 2012

294A1 - Air Filter Element

29400015 2012

295A1 - Intake Miscellaneous Component

26011-04 2004

26020-07 2007

26012-07 2007

26010-04 2004

299C1 - Charging Rotor

32493-02B 2008

32494-04B 2008

299F1 - Stator Assembly

29900026 2014

314E1 - Starter Friction Clutch	
31556-91D	2010
314F1 - Starter Motor	
31390-91F	1991
314G1 - Starter Motor sub-component	
31488-81C	2008
314H1 - Starter Solenoid	
31603-91	1991
27715-07	2007
314L1 - Starter Motor Drive	
33189-63	1963
315B1 - Exhaust Valve Actuator	
18691-02	2002
316A1 - Ignition Coil	
31656-07	2007
316B1 - Spark Plug Cable	
32003-07	2007
32006-07	2007
316C1 - Spark Plug	
32362-04A	2015
327B1 - Chemical / Gas Sensor	
27719-07	2007
32700006	2012
32700026	2014
327C1 - Pressure Sensor	
26554-77C	2015
327D1 - Proximity Sensor	
50126-08A	2008
74402-05B	2012
32707-01C	2007
327E1 - Temperature Sensor	

32472-10	2010
32319-07A	2014
327F1 - Throttle Position Sensor	
27629-01A	2001
336A1 - Shift Linkage Rod Assembly	
34723-10	2010
34663-10	2010
336C1 - Shift Linkage Rod End	
34573-04	2004
336F1 - Toepeg	
34611-65A	1965
336G1 - Toepeg Rubber	
33133-06	2006
339A1 - Shift Lever	
34572-04	2004
33900154	2014
34670-06	2006
34660-04A	2004
34721-07	2007
339C1 - Shifter Drum	
33641-06	2006
339D1 - Shifter Fork	
34162-06	2006
34157-06	2006
34981-02A	2002
339F1 - Shifter Index Lever	
34724-10	2010
34014-06A	2006
339H1 - Shifter Mechanism Components (internal)	
34064-00C	2000

34491-02A	2002
34483-06	2006
34163-02	2002
348A1 - Transmission Output Sprocket Cover	
34932-04	2004
34911-04	2004
34943-05	2005
350A1 - Transmission Output Sprocket	
40380-04	2004
40409-04	2004
350E1 - Transmission Gear	
35167-06	2006
35159-06	2006
35165-06	2006
350F1 - Transmission Mainshaft	
35163-06	2006
356A1 - Transmission Countershaft	
35197-06	2006
35191-06	2006
35172-06	2006
35193-06	2006
35174-06	2006
356B1 - Transmission Dog Ring	
35196-06	2006
35190-06	2006
363A1 - PT Driveline Miscellaneous Component	
35051-89A	1989
35211-91B	1991
365A1 - Primary Chain	
40147-04	2004
40005-57B	1957

365C1 - Primary Drive Assembly

40254-02 2002

40290-04A 2004

40241-02A 2003

40251-92A 1992

367A1 - Clutch Lever

36700012 2014

36700011 2014

367F1 - Clutch Lever Perch

36700013 2014

367H1 - Clutch Lever sub-component

34920-86A 1986

37904-90 1990

37870-91 1991

36715-94 1994

38630-88 1988

37872-90 1990

37905-90 1990

37909-90 1990

37910-04B 2006

36799-91 1991

37977-90 1990

46268-04 2004

37908-90 1990

370A1 - Clutch Assembly

37000041A 2014

37924-04A 2006

370B1 - Clutch Friction Plate

37911-90 1990

370C1 - Clutch Hub

36785-91	1991
370F1 - Clutch Pressure Plate	
37912-91	1991
37913-90	1990
370G1 - Clutch Shell	
36790-04	2004
372A1 - Clutch Actuation Screw	
11765Y	Unknown
372D1 - Clutch Cable	
37200144	2016
38999-11	2011
38699-04D	2014
37200085	2014
372K2 - Clutch Ramp	
25453-87A	1987
25409-94B	1994
372Z1 - Kit,Clutch Actuation	
37200172	2016
400A1 - Drive-Belt	
40591-07	2007
409A1 - Rear Wheel	
44012-11A	2012
40900291	2014
41478-10A	2012
40900400	2016
40900402	2016
41082-08A	2012
40900399	2016
410A1 - Body Control Module (BCM)	
41000342A	2017

41000351A	2017
41000341A	2017
410D1 - Electronic Control Module (ECM)	
41000326	2017
411A1 - ABS Control Unit	
41100043A	2016
411A3 - ABS Hydraulic Control Unit	
41100022	2014
41100020A	2016
5004	Unknown
411B1 - ABS Wheel Sensor Ring	
41100024	2014
41100023	2014
413A1 - Brake Caliper	
41300038	2014
41300032	2014
44160-00	2000
41300010	2014
41300003	2014
41300039	2014
413C1 - Brake Caliper sub-component	
42823-04	2004
41300007	2014
41300008	2014
41300009	2014
42824-04	2004
41300052	2014
41300055	2014
41300056	2014
41300053	2014
45401-87	1987

41300049	2014
413D1 - Brake Pad	
41300004	2014
413F1 - Brake Pad Retaining Spring	
41300005	2014
413G1 - Brake Caliper Piston Set	
41300006	2014
41300054	2014
415B1 - Brake Rotor	
41500088	2015
41500068	2014
41833-08	2008
41500022	2014
416A1 - Brakes Miscellaneous Component	
41600074	2014
72023-51E	2012
42807-04	2004
416B1 - Brake Mounting Bracket	
41600069	2014
41600068	2014
417A1 - Brake Master Cylinder Assembly	
41700086	2014
41700085	2014
41700099	2014
41700094	2014
41700092	2014
42805-04	2004
41700025	2014
41700003	2014
41700007	2014

417C1 - Brake Master Cylinder Piston Set	
41700088	2014
41700087	2014
41700084	2014
417D1 - Brake Master Cylinder sub-Component	
41700097	2014
41700098	2014
41700095	2014
41700096	2014
41700043	2014
41700042	2014
41700104	2015
41700102	2014
42811-04	2004
42804-07	2007
42828-04	2004
417G1 - Front Brake Lever	
41700004	2014
41700008	2014
418B1 - Brake Line	
41800150	2014
41800151	2014
41800154	2014
41800318	2014
41800317	2014
41800567	2016
41800147	2014
41800566	2016
41800172	2014
41800171	2014
41800143	2014

41800145	2014
41800168	2014
41800162	2014
41800161	2014
41800160	2014
41800166	2014
41800165	2014
420A1 - Wheel Rim	
41389-10	2010
43017-07	2007
43085-97	1997
55127-11	2011
421A1 - Wheel Spoke with Nipple	
43241-05	2005
47887-10	2010
422B1 - Wheel Sprocket	
40444-07	2007
40350-07	2007
42200121	2016
423C1 - Rim Strip	
40875-11	2011
423D1 - Tire Inner Tube	
40572-11	2011
423G1 - Valve Stem	
40999-87	1987
423H1 - Valve Stem Cap	
41123-79	1979
423K1 - Wheel Weights	
95595-84B	2014
95594-84B	2014

424A1 - Wheels, Tires and Final Drive Miscellaneous Component	
55126-11	2011
43595-99	1999
430D1 - Front Axle	
41628-08	2008
43000001	2014
430E1 - Rear Axle	
41176-08	2008
41573-05	2005
431A1 - Front Tire	
55035-11A	2013
43258-07B	2011
43100021A	2015
40879-11A	2012
43100026	2016
432A1 - Rear Tire	
43200026A	2015
40878-11	2011
43200030	2016
43216-11	2011
433A1 - Front Wheel	
43300416	2016
43300392	2016
43300394	2016
43689-11	2011
43300282	2014
41388-10	2010
433B1 - Front Wheel Bearing Spacer	
40930-05	2005
43358-08	2008
43906-08	2008

43905-08	2008
41242-08	2008
454A1 - Front Telescopic Fork	
49378-09	2009
45400054	2014
45400055	2014
49380-09	2009
45400108	2016
45400109	2016
45400079	2016
45400078	2016
45400080	2016
45400081	2016
45400087	2016
45400084	2016
45400086	2016
45400085	2016
455A1 - Front Telescopic Fork Slider	
45395-09	2009
49403-11	2011
49411-11	2011
49412-11	2011
49401-11	2011
45500359	2016
45500360	2016
45500057	2014
45500290	2016
45500054	2014
45500287	2016
455B1 - Front Telescopic Fork Spring	

45500343	2016
45500244	2014
45500301	2016
45500300	2016
45500369	2016
45500274	2016
45500275	2016
45500299	2016
45500294	2016
45500293	2016
455C1 - Front Telescopic Fork sub-component	
45500285	2016
45500284	2016
45500282	2016
45374-87	1987
45462-87	1987
45500236	2014
46080-01	2001
45500303	2016
45500304	2016
46512-01A	2010
45500302	2016
46343-06	2006
45500307	2016
46514-01A	2010
46516-01	2001
45461-87	1987
45361-90	1990
45460-90	1990
45070-01	2001

46002-87	1987
46353-06	2006
45500233	2014
J8146.1AS	2007
45500370	2016
45500371	2016
45500278	2016
45500358	2016
45500361	2016
45905-87	1987
46513-01	2001
J0117.3A8	2005
46352-06	2006
45500298	2016
45500132	2014
J8130.3A8	2005
45500297	2016
45500296	2016
45500295	2016
45500251	2014
45500281	2016
45500280	2016
45500118	2014
46510-07	2007
45500286	2016
456A1 - Fork Protector	
45451-07	2007
456B1 - Fork Brace	
45600046	2016
49419-11	2011

456C1 - Fork Lock	
45600014	2012
457D1 - Steering Stem	
4574	2008
457E1 - Steering Stem Bearing Insert Cup	
48315-60	1960
48300-60	1960
458A1 - Front Suspension and Steering Miscellaneous Component	
45458-09	2009
4978	Unknown
45842-77A	1977
48184-01	2001
46615-06	2006
459A1 - Upper Triple Clamp	
45900104	2016
45900106	2016
46758-07	2007
46997-11	2011
459B1 - Lower Triple Clamp	
45900107	2016
45900103	2016
46998-11	2011
46014-10	2010
46767-07	2007
49422-11	2011
470Z1 - Kit,Frame	
47000114	2016
47000144	2017
47000140	2017
47000031	2014

472C1 - Front Fairing Support Bracket	
42972-04	2004
60204-06	2006
60203-06	2006
472D2 - Chassis Structure Mounting Bracket	
59903-04	2004
59902-04	2004
47470-04	2004
472E1 - Frame Cover	
47200177	2012
474C1 - Swingarm	
47587-05A	2014
474E1 - Swingarm Assembly sub-component	
47400087	2016
475B1 - Swingarm Pivot Shaft	
47500005	2014
47500004	2014
47500006	2014
41699-04	2004
500A1 - Sidestand Assembly	
50185-04C	2011
50000025BHP	2011
500D1 - Sidestand Leg	
50124-09BHP	2011
500E1 - Sidestand Leg sub-component	
49735-08	2008
62122-89A	1989
50005-85A	1985
500F1 - Sidestand Pivot Pin	
554A	2002
505A1 - Footboard	

50500290	2014
50500291	2014
505B1 - Footpeg Mount Bracket	
33048-72	1972
50500233	2014
42651-04	2004
49315-04	2004
50500289	2014
50500288	2014
42652-04	2004
42971-04	2004
505D1 - Passenger Footpeg	
50500227	2012
51327-08	2008
33134-07CAZ	2007
33135-07CAZ	2007
51323-08	2008
505H1 - Footpeg Insert	
50500323	2014
505K1 - Footpeg Wear Peg	
33130-07A	2007
33188-08	2008
506A1 - Brake Pedal	
50600125	2014
50600124	2014
50912-72	1972
42812-04	2004
50600101	2014
50600025	2014
50600020	2014

50600023	2014
50600024	2014
50600021	2014
50600022	2014
50600092	2014
50600091	2014
507A1 - Rider Interface Miscellaneous Component	
51731-10	2010
51730-10	2010
42541-04	2004
520A1 - Rider Seat or Full Seat	
52000185	2016
52000188	2016
52000189	2016
52000233	2016
51550-11A	2016
52000156	2014
520B1 - Rider/Full Seat Assembly sub-component	
52000236	2016
52000190	2016
52000218	2016
521B1 - Seat Suspension	
52100027	2016
521C1 - Seat Suspension Damper	
42840-04	2004
524A1 - Passenger Grab Handle	
59723-04	2004
52400139	2016
524C1 - Passenger Seat sub-component	
52293-04	2004
540B1 - Rear Shock	

54000060	2014
54000086	2016
54000085	2016
54000088	2016
54000087	2016
54000100	2016
54000103	2016
540E1 - Rear Shock sub-component	
54677-10	2010
54724-04	2004
558A1 - Handlebar	
55840-04A	2004
55800547	2016
56079-93	1993
55800345	2014
558B1 - Handlebar Tube	
57209-11	2011
559D1 - Lower Handlebar Clamp	
55842-04	2004
56542-86A	1986
56017-04	2004
56541-86A	1986
55900088	2016
55900087	2016
56117-82A	1982
56116-82A	1982
559E1 - Upper Handlebar Clamp	
55900029	2014
560A1 - Mirror	
92401-09	2009

92400-09	2009
91983-03B	2003
91961-10	2010
92381-09	2009
91960-10	2010
91982-03B	2003
92402-09	2009
91909-03B	2003
91910-03B	2003
561A1 - Throttle Cable	
56100198	2016
56884-07	2007
56885-07	2007
561B1 - Left Hand Grip	
56667-04	2004
561C1 - Throttle Assembly w/Grip	
56666-04	2004
561D1 - Throttle Assembly sub-component	
38653-01	2001
572E1 - Side Cover	
57200092BYM	2015
57200091BYM	2015
57200091DH	2015
57200092DH	2015
573A1 - Bodywork Miscellaneous Component	
57793-11	2011
7651A	Unknown
57796-11	2011
574B1 - Windscreen / Windshield	
58052-78	1978

58051-78A	1978
57400245	2014
58406-75A	1975
58790-04	2004
58050-78A	1978
58408-75A	1975
574Z1 - Kit,Windshield	
57400322	2016
589A1 - Front Fender	
58998-83E	2008
60574-10	2010
58900170	2016
60955-11	2011
595C1 - Tailsection Side	
59500173	2014
59500172	2014
595D1 - Rear Fender	
59673-04A	2004
59500376	2016
59885-11	2011
59727-07	2007
59865-10	2010
59768-97	1997
59847-10	2010
595E1 - Rear Fender Support	
59500408	2016
59500034	2011
596A1 - Tire Mud Flap	
59502-04B	2014
603B1 - Belt / Chain Guard	

60379-09A	2016
60300008	2012
60300007	2012
60367-04A	2016
60300154	2017
60435-04B	2014
60300115	2016
60300113	2016
608A1 - Carbon Canister	
60800009	2014
60800031	2017
608B1 - Carbon Canister Hose	
60800023	2017
60800042	2017
60800045	2017
609A1 - Fuel Miscellaneous Component	
89586-04	2004
89579-91	1991
75317-07	2007
610A1 - Fuel Tank	
61724-10	2010
61405-07	2007
62213-07	2007
611B1 - Fuel Cap	
61289-07A	2011
61100064	2015
61100055	2014
61272-92C	1992
611C1 - Fuel Cap Retaining Ring	
61100063	2015
611D1 - Fuel Tank Vapor Vent	

61100096	2017
611F1 - Fuel Tank Vapor Vent Hose	
61100040	2012
61100026	2014
61100027	2014
612A1 - Fuel Filter	
75304-07A	2007
612B1 - Fuel Level Sensor	
75302-07B	2011
612B2 - Fuel Valve	
75309-07A	2014
61015-04A	2004
62150-85	1985
612C1 - Fuel Line	
27693-07	2007
27829-10	2010
612F1 - Fuel Pump	
75268-07F	2014
75305-07A	2007
613B1 - Horn Cover	
61300478	2014
613C1 - Intake / Fuel Tank Cover	
28792-10	2010
613D1 - Intake / Fuel Tank Cover Trim	
61300562	2016
613K1 - Airbox Cover	
61300559	2016
61300541	2016
28793-10	2010
613L1 - Airbox Cover sub-component	

61300332	2014
614C1 - Trim	
62534-07	2007
70919-04	2004
70904-04	2004
70917-04	2004
70903-04	2004
29346-07	2007
71472-04	2004
624A1 - Oil Pump Assembly	
26204-91A	1991
624B1 - Oil Pump Assembly sub-component	
62601-91A	1991
26239-07	2007
26495-89B	1989
26437-86B	1986
62651-04	2004
33117-91A	1991
26502-07	2007
45830-48	1948
26503-07	2007
624D1 - Oil Pump Drive Gear	
26318-88A	1988
625B1 - Oil Tank	
62500017	2014
627B1 - Oil Drain Plug	
33123-06A	2006
60328-98B	1998
627E1 - Oil Filler Plug / Dipstick	
62592-07A	2007
63000-04B	2004

627F1 - Oil Filter	
63796-77A	1977
63805-80A	1980
627G1 - Oil Jet	
62700014	2011
627H1 - Oil Line	
62338-01Y	2001
62361-10	2010
9969	Unknown
62700038	2014
627K1 - Oil Line Fitting	
26496-75A	1975
62375-57A	1957
63533-41A	1941
628A1 - PT Lubrication and Cooling Miscellaneous Component	
70503-10	2010
649A1 - Muffler	
64900410	2016
64900411	2016
64900409	2016
64900389	2016
64900391	2016
64900390	2016
64900165	2014
64900161	2014
64900163	2014
64900162	2014
64900370	2016
64900371	2016
64900372	2016

64900373	2016
64900374	2016
64900375	2016
64900213	2014
64900376	2016
64900212	2014
64900377	2016
64900291	2017
64900272	2017
64900423	2017
64900422	2017
64900421	2017
654A1 - Exhaust Shield	
64889-04A	2013
66851-07	2007
65400201	2016
65400204	2016
65400206	2016
65400205	2016
65400054	2014
65400055	2014
65400199	2017
65400227	2016
655C1 - Exhaust Mounting Bracket	
65500023	2014
65500022	2014
65500025	2014
656E1 - Header Pipe	
65600182	2017
65600094	2014

659A1 - Exhaust Clamp	
65900012	2014
65441-06	2006
65440-06	2006
659B1 - Exhaust Flange	
65328-83A	2010
659C1 - Exhaust Gasket	
65900017	2017
660A1 - Battery	
65958-04B	2015
66373-06	2006
660C1 - Battery Pan	
66000031	2014
660D1 - Battery Strap	
66000032	2014
660E1 - Ground Strap	
66000045	2014
660F1 - Negative Battery Cable	
66000035	2014
660G1 - Positive Battery Cable	
66000036	2014
660H1 - Positive Battery Cable Boot	
66000037	2014
677A1 - Headlight	
67603-94A	1994
67883-04A	2004
69774-07A	2007
73266-10	2010
69449-05	2005
67894-93A	1993

67790-93A	1993
73264-10	2010
68443-07A	2007
677B1 - Headlight sub-component	
68380-05	2005
68297-05A	2014
67700094	2011
68335-05A	2014
69681-07B	2011
68341-05A	2014
73246-11	2011
677C1 - Headlight Support Bracket	
67700197	2013
67700196	2013
67746-11	2011
67963-05A	2013
678A1 - Taillight	
73403-11	2011
68066-99A	2004
69187-03A	2003
68369-03	2003
69352-11A	2016
68830-99A	1999
68372-03	2003
69361-11	2011
68296-99A	2004
68140-04	2004
68370-03A	2003
68141-04	2004
678B1 - Taillight Housing	
68513-07A	2012

678D1 - Turnsignal

68975-00 2000

67800646 2016

68730-07 2007

68265-04 2004

68480-02 2002

67800504 2016

67800505 2016

5531 Unknown

68978-00 2000

67800395 2014

67800396 2014

68277-07 2007

73318-09 2009

67800562 2016

67800563 2016

68420-01 2001

68972-00 2000

67800214 2014

56104-02 2002

68497-07 2007

68449-07 2007

69362-08 2008

67800381 2014

67800382 2014

68430-89A 1989

678E1 - Turnsignal Lens

68973-00 2000

68755-07 2007

68559-07 2007

679A1 - License Plate Tray / Holder

67900010	2012
----------	------

679B1 - Reflector

67900234	2014
----------	------

67900235	2014
----------	------

69490-07	2007
----------	------

59359-06	2006
----------	------

59287-92	1992
----------	------

59259-90	1990
----------	------

59482-00	2000
----------	------

59481-00	2000
----------	------

59256-84A	1984
-----------	------

59288-92	1992
----------	------

92247-10	2010
----------	------

68704-07	2007
----------	------

59988-72A	1972
-----------	------

69498-08	2008
----------	------

67900212	2016
----------	------

68724-07	2007
----------	------

679C1 - Reflector Mount Bracket / Holder

67900006	2011
----------	------

67900285	2016
----------	------

679D1 - License Plate Bracket

67900231	2014
----------	------

67900155	2014
----------	------

67900089	2011
----------	------

67900088	2011
----------	------

67900093	2011
----------	------

68992-08	2008
----------	------

60001-55	1955
----------	------

59986-75	1975
68702-07	2007
67900288	2016
67900152A	2014
60901-07	2007
59984-73	1973
60013-02	2002
68857-07	2007
60225-08BHP	2008
68966-08	2008
679E1 - License Plate Light	
73504-11	2011
67900157	2014
680C1 - Incandescent Bulb	
68572-64B	1964
68168-89A	1989
53436-97	1997
68163-84	1984
68329-03	2003
68167-04	2004
52441-95	1995
690A1 - Emergency Siren	
68958-07C	2010
690B1 - Emergency Siren sub-component	
69309-10	2010
690C1 - Horn	
69000014	2011
69060-90H	2014
692C1 - Electrical Miscellaneous Component	
72062-06	2006
11954	2011

68382-07B	2012
72189-04	2004
6990	2011
10289A	Unknown
692C2 - Electrical Mounting Bracket	
69201365	2017
69201363	2017
69200401	2014
69200403	2014
71980-10	2010
69200402A	2015
69123-92A	1992
69135-04	2004
69049-07	2007
69120-91	1991
67319-95	1995
69200456	2014
69200460	2014
31807-07	2007
31753-07	2007
69062-91A	1991
692D1 - Fuse	
72314-01	2001
72462-00	2000
72330-95	1995
692E1 - Fuse / Relay Block	
72587-11	2011
72582-11	2011
692E2 - Fuse / Relay Block Cover	
72595-11	2011

69200474	2014
692F1 - Wire Harness	
69200479B	2017
70247-07	2007
69200480B	2017
69200073B	2017
69200072B	2017
69200459	2014
69200793	2014
69200794	2014
69200080	2014
69200079	2014
69200077	2014
692G1 - Conduit / Sheathing / Sleeving	
70558-71	1971
11888	2010
69201650	2016
72249-94	1994
70552-69	1969
69200790	2014
692G2 - Wire Guide	
29950-91A	2015
72298-95	1995
692H1 - Connector	
72906-11	2011
73152-96BK	1996
72519-09BK	2009
69200271	2014
69200272	2014
72908-11	2011
72081-11	2011

72905-11	2011
72312-04	2004
69200212	2014
74142-98	1998
27250-96B	1996
9848	Unknown
9847	Unknown
72664-12A	2013
72009-05	2005
72007-05	2005
72577-12	2012
72594-11	2011
72518-01	2001
72575-11	2011
72130-04	2004
72199-94	1994
69201131	2017
72907-11	2011
692H2 - Terminal	
72343-10	2010
72256-11	2011
72910-11	2011
72578-12	2012
72227-11	2011
72356-95	1995
72909-11	2011
5118	2011
72413-07	2007
72213-94	1994
72335-10	2010

9898	Unknown
72484-08	2008
72407-07	2007
72662-11	2012
72024-08	2008
72226-11	2011
72308-97	1997
72344-10	2010
72721-07	2007
72579-12	2012
72222-11	2011
72169-07	2007
72168-07	2007
72291-94	1994
73307-10	2010
72094-06	2006
72666-12	2012
72991-01	2001
74190-98	1998
74194-98	1998
72580-12	2012
72283-09	2009
692K1 - Connector / Terminal Seal	
68904-00	2000
74197-04	2004
68653-05	2005
692L1 - Wire Harness sub-component	
74191-98	1998
73213-07	2007
72487-07BK	2007

70345-84	1984
72512-07BK	2007
72263-95	1995
72488-07BK	2007
74152-98	1998
72195-94	1994
72633-02	2002
72402-07	2007
72175-07BK	2007
72473-07	2007
70504-81	1981
73190-96	1996
72511-07BK	2007
72177-07BK	2007
73103-96BK	1996
73156-96BK	1996
73106-96BK	1996
72904-01BK	2001
70598-99	1999
74120-08	2008
72486-08	2008
72408-07	2007
72251-07	2007
74102-98BK	1998
73153-96BK	1996
72720-07	2007
70494-08	2008
72033-93	1993
10200	Unknown
72011-05	2005
72106-94BK	1994

72405-98BK	1998
72066-06A	2006
73191-96	1996
72146-94	1994
70664-08	2008
72190-94	1994
72010-05	2005
72096-06	2006
72609-08	2008
72188-07BK	2007
72543-07BK	2007
73104-96BK	1996
73305-04	2004
72544-07	2007
72209-11	2011
72056-92	1992
72545-08	2008
72295-94	1994
70578-89	1989
70631-08	2008
72406-07A	2007
74112-98BK	1998
73154-96BK	1996
72414-07BK	2007
72135-06	2006
72914-01BK	2001
72610-08	2008
692M1 - Electrical Component / Wire Cover	
69302-11	2011
69200438	2014

69200439	2014
709B1 - Instrument Cluster or Speedometer	
70900221A	2015
70900216	2014
70900217	2014
70900223	2014
70900222	2014
70900215A	2015
70900548	2016
70900549	2016
714A1 - Ignition Switch	
71400083	2014
714B1 - Mechanical Switch	
33900-99	1999
715A1 - Hand Control	
71500300	2016
72940-11	2011
71510-04	2004
72922-11	2011
72920-11	2011
55786-11	2011
72923-11	2011
72921-11	2011
71500298	2016
71500299	2016
72941-11	2011
71500297	2016
71500294	2016
71500118	2012
71500295	2016

71500292	2016
71500117	2012
71500293	2016
55846-05A	2005
55785-11	2011
747A1 - Voltage Regulator	
74700012	2014
72350-11	2011
760B1 - Antenna	
68956-07	2007
902A1 - Saddlebag	
90201040	2014
90201041	2014
902E1 - Saddlebag Bottom	
90201087	2014
90201039	2014
90201038	2014
53126-10	2011
903A1 - Lockset	
90300050	2012
90300063	2014
90300062	2014
903B1 - Key or Key-set	
61459-97	1997
90300093	2014
903C1 - Key Transponder	
90300111	2017
90300112	2017
940A1 - Owner's Kit	
94000326	2016
940A2 - Owner's Manual	

99468-17	2017
940H1 - Electronic / Digital Media	
94000084	2014

Common Service Parts

BEARINGS, SEALS & HARDWARE

[View interactive table](#)

PART NO.	DESCRIPTION	PART AND MODEL(S)
10038A	CLAMP	OIL TANK AND LINES: All Models
10080	CLAMP	CRANKCASE AND GEARCASE: All Models OIL TANK AND LINES: All Models
11105	O-RING	INSPECTION COVER AND PRIMARY COVER: All Models
11171	O-RING	INSPECTION COVER AND PRIMARY COVER: All Models
11304	RETAINING RING	<p>FOOTRESTS, PASSENGER: XL1200C XL1200CB XL1200CX XL1200T</p> <p>FOOTRESTS, RIDER, FORWARD-CONTROL: XL1200X XL1200CB</p> <p>FOOTRESTS, RIDER, FORWARD-CONTROL: XL1200C</p> <p>FOOTRESTS, RIDER, MID-CONTROL: XL883L XL883N XL1200T XL1200CX</p> <p>FOOTRESTS, RIDER, MID-CONTROL: XL1200C</p>
11379	RETAINING RING	CLUTCH CONTROL: All Models
12074	OIL SEAL	TRANSMISSION GEARS: All Models
16715-83	STUD	CYLINDERS, HEADS AND VALVES (2 OF 2): All Models
2445	SCREW	<p>ELECTRONIC IGNITION SYSTEM: All Models</p> <p>HEADLAMP - XL1200C, XL1200CB: XL1200C XL1200CB</p>
2446	SCREW	<p>FENDERS, REAR - XL883N, XL1200X (HDI ONLY): XL883N XL1200X</p> <p>FENDERS, REAR - XL1200CX (CANADA AND HDI ONLY): XL1200CX</p>

25463-94A	GASKET	<u>INSPECTION COVER AND PRIMARY COVER: All Models</u>
2563	SCREW	FENDERS, REAR - XL1200CX (DOMESTIC ONLY): <u>XL1200CX</u> FENDERS, REAR - XL1200CX (CANADA AND HDI ONLY): <u>XL1200CX</u>
26995-86B	SEAL	<u>INDUCTION MODULE, FUEL: All Models</u>
34990-08	GASKET	<u>INSPECTION COVER AND PRIMARY COVER: All Models</u>
3655A	SCREW	WHEELS, FRONT, CAST - XL883L, XL883N, XL1200CX, XL1200T, XL1200X: <u>XL883L</u> <u>XL1200X</u> <u>XL1200T</u> <u>XL883N</u> WHEELS, FRONT, CAST - XL883L, XL883N, XL1200CX, XL1200T, XL1200X: <u>XL1200CX</u> WHEELS, FRONT, LACED - XL1200C, XL1200CB: <u>XL1200C</u> <u>XL1200CB</u>
3658	SCREW	<u>SWITCHES, HANDLEBAR: All Models</u>
4132	SCREW	<u>OIL PUMP: All Models</u>
43567-92	SCREW	WHEELS, REAR, CAST - XL883L, XL883N, XL1200CX, XL1200T, XL1200X: <u>XL883L</u> <u>XL1200X</u> <u>XL883N</u> <u>XL1200T</u> <u>XL1200CX</u> WHEELS, REAR, LACED - XL1200C, XL1200CB: <u>XL1200C</u> <u>XL1200CB</u>
45378-87	OIL SEAL	FORK, FRONT - XL883L, XL1200C, XL1200CB: <u>XL883L</u> <u>XL1200C</u> <u>XL1200CB</u> FORK, FRONT - XL1200T: <u>XL1200T</u> FORK, FRONT - XL883N: <u>XL883N</u>
45405-75A	SCREW	FORK, FRONT - XL883L, XL1200C, XL1200CB: <u>XL883L</u> <u>XL1200C</u> <u>XL1200CB</u> FORK, FRONT - XL1200T: <u>XL1200T</u> FORK, FRONT - XL883N: <u>XL883N</u> FORK, FRONT - XL1200CX: <u>XL1200CX</u>
4740A	SCREW	<u>CAMSHAFTS AND GEARCASE COVER: All Models</u> <u>ALTERNATOR AND REGULATOR: All Models</u>

48300-60	ROLLER BEARING	<u>FORK BRACKETS, FRONT: All Models</u>
59768-97	FENDER SEAT NUT KIT	<p>FENDERS, REAR - XL883N, XL1200X (CANADA ONLY), XL883L (DOMESTIC, CANADA, HDI):</p> <p><u>XL883L</u></p> <p><u>XL883N</u></p> <p><u>XL1200X</u></p> <p>FENDERS, REAR - XL883N, XL1200X (HDI ONLY):</p> <p><u>XL883N</u></p> <p><u>XL1200X</u></p> <p>FENDERS, REAR - XL883N, XL1200X (DOMESTIC ONLY):</p> <p><u>XL883N</u></p> <p><u>XL1200X</u></p> <p>FENDERS, REAR - XL1200C, XL1200CB:</p> <p><u>XL1200C</u></p> <p><u>XL1200CB</u></p> <p>FENDERS, REAR - XL1200T:</p> <p><u>XL1200T</u></p> <p>FENDERS, REAR - XL1200CX (DOMESTIC ONLY):</p> <p><u>XL1200CX</u></p> <p>FENDERS, REAR - XL1200CX (CANADA AND HDI ONLY):</p> <p><u>XL1200CX</u></p>
6516HW	WASHER	<u>BELTS, CHAINS AND SPROCKETS: All Models</u>
65324-83B	GASKET	<u>EXHAUST SYSTEM (1 OF 2): All Models</u>
65325-83A	RETAINING RING	<u>EXHAUST SYSTEM (1 OF 2): All Models</u>
6702	WASHER	<p>FORK BRACKETS, FRONT:</p> <p><u>XL1200T</u></p> <p><u>FORK, REAR, DEBRIS DEFLECTOR AND BELT GUARD: All Models</u></p> <p>FENDERS, REAR - XL883N, XL1200X (CANADA ONLY), XL883L (DOMESTIC, CANADA, HDI):</p> <p><u>XL883L</u></p> <p><u>XL883N</u></p> <p><u>XL1200X</u></p> <p>FENDERS, REAR - XL883N, XL1200X (HDI ONLY):</p> <p><u>XL883N</u></p> <p><u>XL1200X</u></p> <p>FENDERS, REAR - XL883N, XL1200X (DOMESTIC ONLY):</p> <p><u>XL883N</u></p> <p><u>XL1200X</u></p> <p>FENDERS, REAR - XL1200C, XL1200CB:</p> <p><u>XL1200C</u></p> <p><u>XL1200CB</u></p> <p>FENDERS, REAR - XL1200T:</p> <p><u>XL1200T</u></p> <p>FENDERS, REAR - XL1200CX (DOMESTIC ONLY):</p> <p><u>XL1200CX</u></p> <p>FENDERS, REAR - XL1200CX (CANADA AND HDI ONLY):</p> <p><u>XL1200CX</u></p> <p><u>FUEL TANK: All Models</u></p> <p>HEADLAMP - XL883L, XL883N, XL1200CX, XL1200T, XL1200X:</p> <p><u>XL883L</u></p> <p><u>XL883N</u></p> <p>HEADLAMP - XL1200C, XL1200CB:</p> <p><u>XL1200C</u></p> <p><u>XL1200CB</u></p>

[EXHAUST SYSTEM \(1 OF 2\): All Models](#)

7593	NUT	EXHAUST SYSTEM (1 OF 2): All Models
7716	LOCKNUT	LICENSE PLATE BRACKETS - XL883N, XL1200CX, XL1200X: XL883N XL1200X XL1200CX
8692	RIVET	FENDERS, REAR - XL883N, XL1200X (CANADA ONLY), XL883L (DOMESTIC, CANADA, HDI): XL883L XL883N XL1200X FENDERS, REAR - XL883N, XL1200X (HDI ONLY): XL883N XL1200X FENDERS, REAR - XL883N, XL1200X (DOMESTIC ONLY): XL883N XL1200X FENDERS, REAR - XL1200C, XL1200CB: XL1200C XL1200CB FENDERS, REAR - XL1200T: XL1200T FENDERS, REAR - XL1200CX (DOMESTIC ONLY): XL1200CX FENDERS, REAR - XL1200CX (CANADA AND HDI ONLY): XL1200CX
9252	BALL BEARING	WHEELS, FRONT, CAST - XL883L, XL883N, XL1200CX, XL1200T, XL1200X: XL883L XL1200X XL1200T XL883N XL1200CX WHEELS, FRONT, LACED - XL1200C, XL1200CB: XL1200C XL1200CB WHEELS, REAR, CAST - XL883L, XL883N, XL1200CX, XL1200T, XL1200X: XL883L XL1200X XL883N XL1200T XL1200CX WHEELS, REAR, LACED - XL1200C, XL1200CB: XL1200C XL1200CB
9276A	BALL BEARING	WHEELS, FRONT, CAST - XL883L, XL883N, XL1200CX, XL1200T, XL1200X: XL883L XL1200X XL1200T XL883N XL1200CX WHEELS, FRONT, CAST - XL883L, XL883N, XL1200CX, XL1200T, XL1200X: XL883L

[XL1200X](#)

[XL1200T](#)

[XL883N](#)

[XL1200CX](#)

WHEELS, FRONT, LACED - XL1200C, XL1200CB:

[XL1200C](#)

[XL1200CB](#)

WHEELS, FRONT, LACED - XL1200C, XL1200CB:

[XL1200C](#)

[XL1200CB](#)

WHEELS, REAR, CAST - XL883L, XL883N, XL1200CX, XL1200T, XL1200X:

[XL883L](#)

[XL1200X](#)

[XL883N](#)

[XL1200T](#)

[XL1200CX](#)

WHEELS, REAR, CAST - XL883L, XL883N, XL1200CX, XL1200T, XL1200X:

[XL883L](#)

[XL1200X](#)

[XL883N](#)

[XL1200T](#)

[XL1200CX](#)

WHEELS, REAR, LACED - XL1200C, XL1200CB:

[XL1200C](#)

[XL1200CB](#)

WHEELS, REAR, LACED - XL1200C, XL1200CB:

[XL1200C](#)

[XL1200CB](#)

943 SCREW

[INSPECTION COVER AND PRIMARY COVER: All Models](#)

9955 CLAMP

[EXHAUST SYSTEM \(1 OF 2\): All Models](#)

BRAKING & SUSPENSION

View interactive table

PART NO.	DESCRIPTION	PART AND MODEL(S)
46514-01A	OIL SEAL	FORK, FRONT - XL1200X: XL1200X
46615-06	WASHER	FORK, FRONT - XL1200X: XL1200X

CHASSIS & COMPONENTS

View interactive table

PART NO.	DESCRIPTION	PART AND MODEL(S)
50005-85A	SPRING	FRAME AND JIFFY STAND: All Models

ELECTRICAL

[View interactive table](#)

PART NO.	DESCRIPTION	PART AND MODEL(S)
70345-84	RETAINER	HANDLEBAR AND THROTTLE CONTROL - XL883L, XL883N, XL1200CX, XL1200T, XL1200X: XL1200CX XL1200X HANDLEBAR AND THROTTLE CONTROL - XL883L, XL883N, XL1200CX, XL1200T, XL1200X: XL883L XL883N XL1200T HANDLEBAR AND THROTTLE CONTROL - XL1200C, XL1200CB: XL1200C XL1200CB
72023-51E	SWITCH	BRAKE LINES, REAR - NON-ABS: All Models BRAKE LINES, REAR - ABS: All Models SWITCHES: All Models
72330-95	FUSE	WIRING HARNESS, MAIN, NON-ABS (3 OF 4): All Models WIRING HARNESS, MAIN, ABS (3 OF 4): All Models WIRING HARNESS, MAIN, KEYLESS, ABS (3 OF 4): All Models WIRING HARNESS, MAIN, KEYLESS, NON-ABS (3 OF 4): All Models

ENGINE, TRANSMISSION & PRIMARY

[View interactive table](#)

PART NO.	DESCRIPTION	PART AND MODEL(S)
18538-99C	TAPPET	ROCKER ARM ASSEMBLY AND PUSHRODS: All Models
37909-90	RETAINING RING	CLUTCH: All Models
37911-90	FRICTION PLATE	CLUTCH: All Models

FOOT CONTROLS

[View interactive table](#)

PART NO.	DESCRIPTION	PART AND MODEL(S)
34611-65A	TOE SHIFTER PEG KIT	SHIFTER LEVER: All Models

INTAKE, EXHAUST & FUEL MGMT

[View interactive table](#)

PART NO.	DESCRIPTION	PART AND MODEL(S)
65900012	CLAMP	EXHAUST SYSTEM (2 OF 2): All Models

LIGHTING

[View interactive table](#)

PART NO.	DESCRIPTION	PART AND MODEL(S)
68168-89A	BULB	<p>TURN SIGNALS, FRONT:</p> <p>XL883L XL1200C XL883N XL1200X XL1200T XL1200CX</p> <p>TAIL LAMPS AND TURN SIGNALS, REAR - XL883L, XL883N, XL1200C, XL1200CB, XL1200X:</p> <p>XL1200X XL883N</p> <p>TAIL LAMPS AND TURN SIGNALS, REAR - XL1200CX, XL1200T:</p> <p>XL1200CX</p>
68329-03	BULB	<p>HEADLAMP - XL883L, XL883N, XL1200CX, XL1200T, XL1200X:</p> <p>XL883L XL883N XL1200X XL1200T XL1200CX</p> <p>HEADLAMP - XL1200C, XL1200CB:</p> <p>XL1200C XL1200CB</p>
68572-64B	BULB	<p>TAIL LAMPS AND TURN SIGNALS, REAR - XL883L, XL883N, XL1200C, XL1200CB, XL1200X:</p> <p>XL1200X XL883N</p>
68973-00	LENS	<p>TURN SIGNALS, FRONT:</p> <p>XL883L XL1200C XL1200CB XL1200T XL1200CX</p> <p>TAIL LAMPS AND TURN SIGNALS, REAR - XL883L, XL883N, XL1200C, XL1200CB, XL1200X:</p> <p>XL883L XL1200C</p> <p>TAIL LAMPS AND TURN SIGNALS, REAR - XL883L, XL883N, XL1200C, XL1200CB, XL1200X:</p> <p>XL1200C</p> <p>TAIL LAMPS AND TURN SIGNALS, REAR - XL883L, XL883N, XL1200C, XL1200CB, XL1200X:</p> <p>XL883L XL1200C XL1200CB</p> <p>TAIL LAMPS AND TURN SIGNALS, REAR - XL1200CX, XL1200T:</p> <p>XL1200T</p>

MAINTENANCE & TOOLS

[View interactive table](#)

PART NO.	DESCRIPTION	PART AND MODEL(S)
63796-77A	OIL FILTER	CRANKCASE AND GEARCASE: XL1200C XL1200T XL1200CX
63805-80A	OIL FILTER	CRANKCASE AND GEARCASE: XL883L XL1200CB XL883N XL1200X
66373-06	BATTERY	SWITCHES: All Models
95594-84B	WHEEL WEIGHT	WHEELS, FRONT, CAST - XL883L, XL883N, XL1200CX, XL1200T, XL1200X: XL883N XL1200X XL1200CX WHEELS, FRONT, LACED - XL1200C, XL1200CB: XL1200C XL1200CB WHEELS, REAR, CAST - XL883L, XL883N, XL1200CX, XL1200T, XL1200X: XL883N WHEELS, REAR, LACED - XL1200C, XL1200CB: XL1200CB
95595-84B	WHEEL WEIGHT	WHEELS, FRONT, CAST - XL883L, XL883N, XL1200CX, XL1200T, XL1200X: XL883L XL1200T WHEELS, REAR, CAST - XL883L, XL883N, XL1200CX, XL1200T, XL1200X: XL883L XL1200T WHEELS, REAR, LACED - XL1200C, XL1200CB: XL1200C

SECURITY & STORAGE

[View interactive table](#)

PART NO.	DESCRIPTION	PART AND MODEL(S)
90300111	REMOTE CONTROL FOB	SWITCHES: All Models LOOSE PARTS: All Models

TIRES

[View interactive table](#)

PART NO.	DESCRIPTION	PART AND MODEL(S)
40999-87	VALVE STEM	WHEELS, FRONT, CAST - XL883L, XL883N, XL1200CX, XL1200T, XL1200X: XL883L

[XL1200X](#)

[XL1200T](#)

[XL883N](#)

[XL1200CX](#)

WHEELS, REAR, CAST - XL883L, XL883N, XL1200CX, XL1200T,
XL1200X:

[XL883L](#)

[XL1200X](#)

[XL1200T](#)

[XL883N](#)

[XL1200CX](#)