

2014 Sportster Models Parts Catalog

Alphabetical List

Parts

Hardware List

New Parts List

Numerical Index

Component Types and Introduction Dates

Common Service Parts

READER'S COMMENTS

The Harley-Davidson Service Communications Department maintains a continuous effort to improve the quality and usefulness of its publications. To do this effectively, we need user feedback - your critical evaluation of this manual.

Please comment on the completeness, accuracy, organization, usability, and readability of this manual.

Please list the page, item, and part number(s) of any errors you find in this manual.

Please tell us how we can improve this manual.

Name	Document 99451-14A
Occupation	Dealership

GENERAL INFORMATION

THIS IS NOT AN ASSEMBLY MANUAL AND SHOULD NOT BE USED AS SUCH.

About this manual

This Parts Catalog has been prepared to make it easier for you to order parts for your motorcycles. The numbers shown in the illustrations correspond to the numbers in the "INDEX NO." column in the parts lists. Consult the illustrations when ordering parts to make sure that you receive all the required parts. The number in parentheses following the part description is the quantity needed for complete assembly. If there is no number in parentheses, only one is used. Prices of parts in this catalog are published separately.

When ordering parts, the following instructions should be followed carefully.

- Make sure to specify the correct part number for each item. The part numbers appear under the "PART NO." column in the parts lists.
- Orders may be placed via your computer for all parts. Review your system documentation on placing orders electronically. All non-warranty replacement crankcase orders require return of the complete left crankcase half with vehicle identification number (VIN). All non-warranty replacement frame orders require return of the steering neck with vehicle identification number (VIN). Non-compliance will result in a fine. See non-warranty frame and crankcase policy or contact Dealer Services.
- The sale or use of these parts or accessories does not grant the purchaser a license or other right under any Harley-Davidson patent.
- For all 2008 and later painted parts, refer to the Service Section of h-dnet.com which features a listing of painted part numbers, except CVO (Custom Vehicle Operations) models which are located in their own respective catalogs.
- All parts that were added for the new model year will have the entire line shaded on the parts list page. This can be used to identify any new parts that are unique to a specific model, and help distinguish new and previous model year parts.
- Parts marked "**RESTRICTED SALE PART**" are limited edition items and can only be ordered as direct replacements.
- Orientation symbols are used when the illustration is not in the standard "Right-Front" orientation. The

symbol is a motorcycle with an arrow in the front indicating the direction of view. The symbol is at the bottom left or right side of the illustration page.

- To request a missing or loose part, simply submit a Return Material Authorization (RMA) claim on h-dnet.com with code "T-part not included with vehicle" for all vehicle missing parts claims. Then place an order for the missing item on your next Parts and Accessories order. Upon filing the RMA claim, your dealership will be credited for the dealer net cost of the part. The Vehicle Identification Number must be included on the RMA claim in order for you to receive credit. This process is to be used for vehicles manufactured at all plants.

To the best knowledge of Harley-Davidson Motor Company, the material contained herein is accurate as of the date this publication was approved for printing. Harley-Davidson Motor Company reserves the right to change specifications, equipment or designs at any time without notice and without incurring obligation.

2018 TFD.

GENERAL INFORMATION

LOOSE PARTS

The Loose Parts section is located at the back of this parts catalog. This section lists the parts which are shipped unfastened with the vehicles covered in this catalog.

HARDWARE LIST

The Hardware List is located at the back of this parts catalog. This section contains the information for each piece of hardware found in each parts list.

NEW PARTS LIST

The New Parts List is located at the back of this parts catalog. This list serves as a summary of new parts.

NUMERICAL INDEX

The Numerical Index is located at the back of this parts catalog. This index includes all part numbers used in this catalog and the page numbers of where they can be found.

COMPONENT TYPES AND INTRODUCTION DATES

The Component Types and Introduction Dates section is located at the back of this parts catalog. This section contains a list of component part numbers and year of introduction.

COMMON SERVICE PARTS

The Common Service Parts section is located at the back of this parts catalog. This section contains the most commonly ordered parts for service on vehicles covered in this catalog. These parts are ordered through the normal ordering process.

IF (SERVICE INFORMATION PORTAL)

For the latest updates to these manuals, see the Service Information Portal.

VEHICLE IDENTIFICATION NUMBER

See Figure 1. A unique 17-digit serial, or vehicle identification number (VIN), is assigned to each motorcycle. For a description of each digit in the vehicle identification number (VIN), refer to Table 1.

For all models except V-Rod the full 17-digit serial, or vehicle identification number (VIN), is stamped on the right side of the frame backbone at the rear of the steering head. The vehicle identification number (VIN) is also printed on a label on the right front downtube. An abbreviated vehicle identification number (VIN) is stamped on the left side crankcase between the front and rear cylinders.

For V-Rod models only the full 17-digit serial, or vehicle identification number (VIN), is stamped on the right side of the steering head. The vehicle identification number (VIN) is also printed on a label on the left frame tube above the front engine cylinder. An abbreviated vehicle identification number (VIN) is stamped on the left side crankcase below the rear cylinder head.

Always give the full 17-digit vehicle identification number (VIN) when ordering parts or making any inquiry about your motorcycle.

014 SPORTSTER MODELS

VIN MODEL CODES

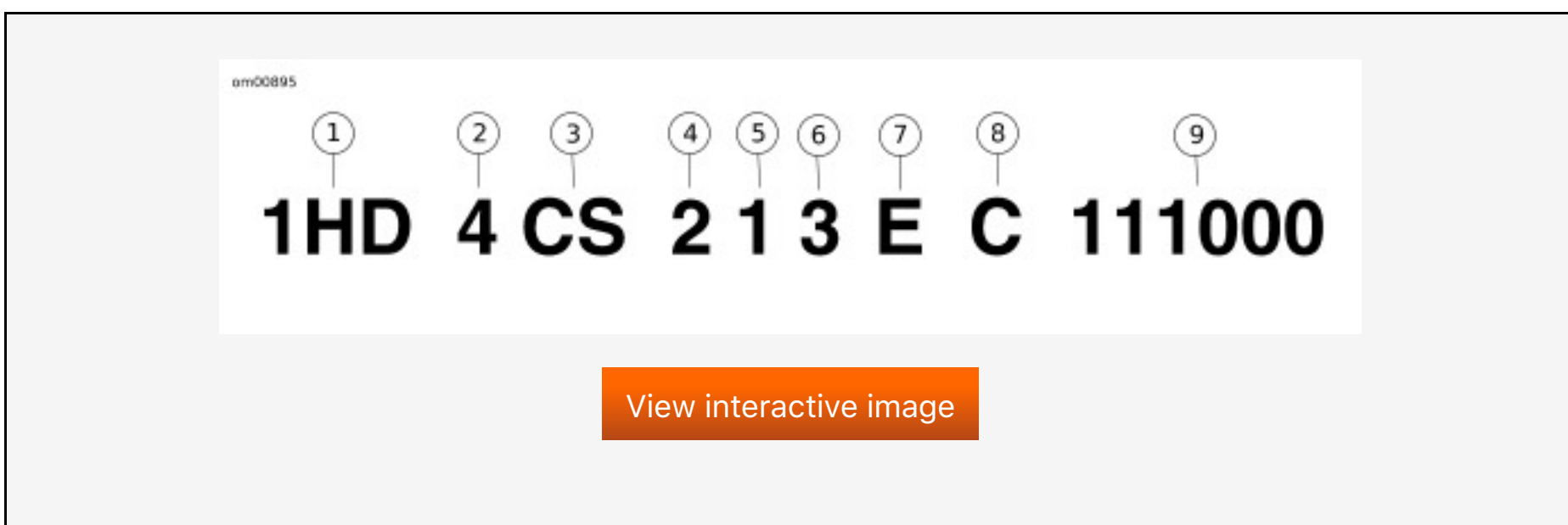


Figure 1. Typical Harley-Davidson VIN

Table 1. Harley-Davidson VIN Breakdown

POSITION	DESCRIPTION	POSSIBLE VALUES	
1	World manufacturer identifier	1HD=Originally manufactured for sale within the United States 5HD=Originally manufactured for sale outside of the United States 932=Originally manufactured in and for sale only in Brazil market MEG=Originally manufactured in and for sale only in India market	
2	Motorcycle type	1=Heavyweight motorcycle (901 cm ³ or larger) 4=Middleweight motorcycle (351 cm ³ to 900 cm ³)	
3	Model	See model table	
4	Engine type	2=Evolution [®] 883 cm ³ air-cooled, fuel-injected 3=Evolution [®] 1202 cm ³ air-cooled, fuel-injected	
5	Configuration/calibration, introduction	Normal Introduction 1=Domestic (DOM) 3=California (CAL) A=Canada (CAN) C=HDI	Mid-year or Special Introduction 2, 4=Domestic (DOM) 5, 6=California (CAL) B=Canada (CAN) D=HDI

		E=Japan (JPN) G=Australia (AUS) J=Brazil (BRZ) L=Asia Pacific (APC) N=India (IND)	F=Japan (JPN) H=Australia (AUS) K=Brazil (BRZ) M=Asia Pacific (APC) P=India (IND)
6	VIN check digit	Can be 0-9 or X	
7	Model year	E=2014	
8	Assembly plant	C=Kansas City, MO U.S.A. D=H-D Brazil-Manaus, Brazil (CKD) N=Haryana India (Bawal District Rewari)	
9	Sequential number	Varies	

Table 2. VIN Model Codes

CODE	MODEL	CODE	MODEL
CR	XL 883L SuperLow®	LF	XL 1200V Seventy-Two®
CS	XL 883R 883 Roadster	LH	XL 1200CP 1200 Custom (factory custom)
CT	XL 1200C 1200 Custom	LJ	XL 1200CA 1200 Custom Limited A
LC	XL 1200X Forty-Eight®	LK	XL 1200CB 1200 Custom Limited B
LE	XL 883N Iron 883™	LL	XL 1200T SuperLow® 1200T

NOTES

AIR CLEANER

ALTERNATOR & REGULATOR

BATTERY

BELTS, CHAINS & SPROCKETS

BRAKE CALIPER, FRONT

BRAKE CALIPER, REAR

BRAKE CONTROL, FRONT

BRAKE CONTROL, REAR

BRAKE DISC, REAR - 1200C/CB/CP/V/X

BRAKE DISC, REAR - 883L/N/R, 1200C/CP/T

BRAKE LINES, FRONT - ABS

BRAKE LINES, FRONT - NON-ABS

BRAKE LINES, REAR - ABS

BRAKE LINES, REAR - NON-ABS

BRAKE, MASTER CYLINDER, FRONT

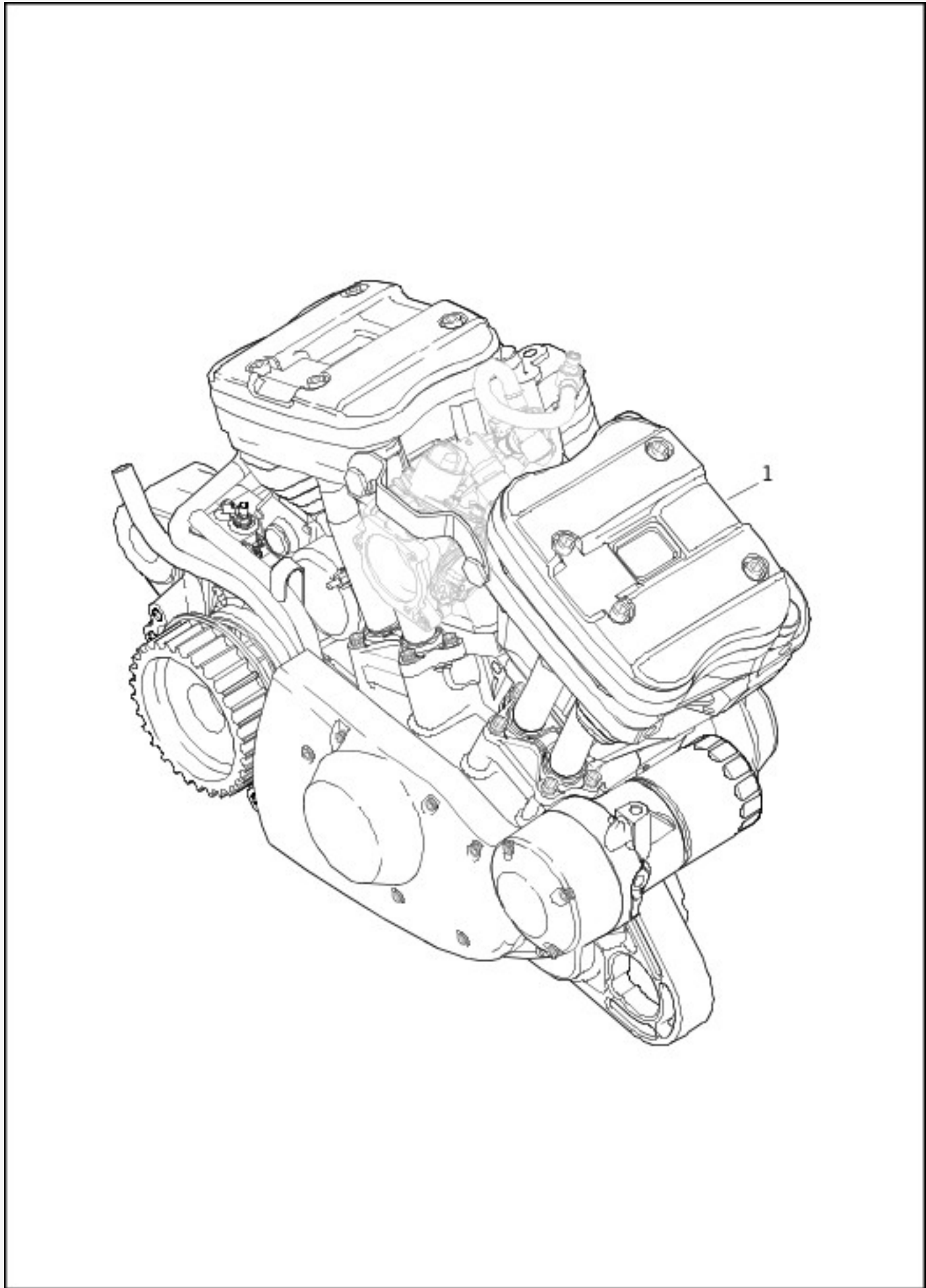
CAMSHAFTS & GEAR COVER

CHAIN, PRIMARY

CLUTCH

CLUTCH CABLE
CLUTCH CONTROL
COVER, PUSHRODS
CRANKCASE & GEARCASE
CYLINDERS, HEADS & VALVES
ELECTRONIC IGNITION SYSTEM
ENGINE ASSEMBLY
ENGINE MOUNTS
ENGINE SENSORS & SWITCHES
EVAPORATIVE EMISSIONS COMPONENTS
EXHAUST SYSTEM
FENDERS, FRONT
FENDERS, REAR - 1200T
FENDERS, REAR - 883L/R/1200C/CA/CB/CP (ALL), 883N/1200V/X (CANADA ONLY)
FENDERS, REAR - 883N/1200V/X (ALL EXCEPT CANADA)
FLYWHEEL ASSEMBLY
FOOTRESTS
FORK BRACKETS, FRONT
FORK, FRONT - 883L/R, 1200C/CA/CB/CP/T/V/X (1 OF 2)
FORK, FRONT - 883L/R, 1200C/CA/CB/CP/T/V/X (2 OF 2)
FORK, FRONT - 883N
FORK, REAR, DEBRIS DEFLECTOR & BELT GUARD
FRAME & JIFFY STAND
FUEL FILTER
FUEL INJECTOR
FUEL PUMP
FUEL TANK
FUEL TANK TRIM
FUSE, 40 AMP
GUARDS, SAREE
HANDLEBAR & THROTTLE CONTROL - 1200C/CA/CB/CP/V
HANDLEBAR & THROTTLE CONTROL - 883L/N/R, 1200T/X
HEADLAMP - 1200C/CA/CB/CP/V
HEADLAMP - 883L/N/R, 1200T/X
HORN
IGNITION COIL
INDUCTION MODULE, FUEL
INNER TUBE, FRONT
INNER TUBE, REAR
INSPECTION COVER & PRIMARY COVER
JET, PISTON COOLING
JIFFY STAND
LABELS
LICENSE PLATE BRACKETS
LIFTER, HYDRAULIC
MIRRORS
OIL FILTER, ENGINE
OIL PUMP
OIL TANK & LINES
PISTONS & FLYWHEEL ASSEMBLY
REGULATOR, VOLTAGE

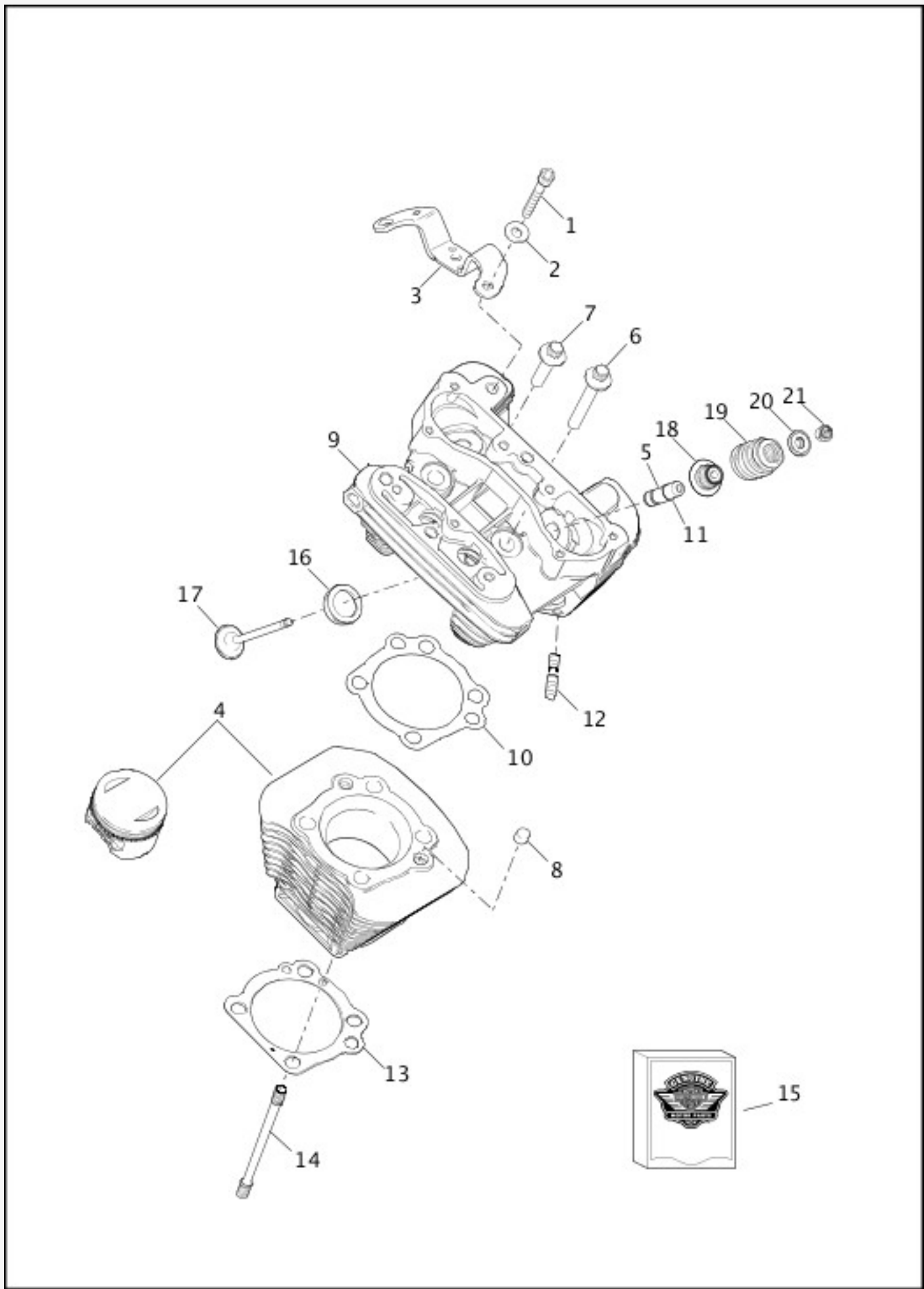
REMOTE CONTROL FOB
ROCKER ARM ASSEMBLY & PUSHRODS
SADDLEBAGS - 1200T
SEATS
SENSOR, CRANKSHAFT POSITION
SENSOR, SPEED
SHIFTER CAM
SHIFTER FORK
SHIFTER LEVER
SHIFTER, GEAR
SHOCK ABSORBERS, REAR
SIDE COVER, OIL TANK
SPARK PLUGS
SPEEDOMETER
SPROCKET, TRANSMISSION
SPROCKET
STARTER MOTOR
SWITCH, IGNITION
SWITCH, NEUTRAL INDICATOR
SWITCHES
SWITCHES, HANDLEBAR
TAIL LAMPS
TAIL LAMPS & TURN SIGNALS, REAR
THROTTLE CONTROL - 1200C/CA/CB/CP/V
THROTTLE CONTROL - 883L/N/R, 1200T/X
TRANSMISSION GEARS
TURN SIGNAL MODULE & SECURITY SIREN
TURN SIGNALS, FRONT
TURN SIGNALS, REAR
WHEELS, FRONT, CAST - 883L/N/R, 1200C/CA/CP/T
WHEELS, FRONT, LACED - 1200C/CB/CP/V/X
WHEELS, REAR, CAST - 883L/N/R, 1200C/CA/CP/T
WHEELS, REAR, LACED - 1200C/CB/CP/V/X
WINDSHIELD - 1200T
WIRING HARNESS, ENGINE
WIRING HARNESS, MAIN, ABS (1 OF 4)
WIRING HARNESS, MAIN, ABS (2 OF 4)
WIRING HARNESS, MAIN, ABS (3 OF 4)
WIRING HARNESS, MAIN, ABS (4 OF 4)
WIRING HARNESS, MAIN, KEYLESS, ABS (1 OF 4)
WIRING HARNESS, MAIN, KEYLESS, ABS (2 OF 4)
WIRING HARNESS, MAIN, KEYLESS, ABS (3 OF 4)
WIRING HARNESS, MAIN, KEYLESS, ABS (4 OF 4)
WIRING HARNESS, MAIN, KEYLESS, NON-ABS (1 OF 4)
WIRING HARNESS, MAIN, KEYLESS, NON-ABS (2 OF 4)
WIRING HARNESS, MAIN, KEYLESS, NON-ABS (3 OF 4)
WIRING HARNESS, MAIN, KEYLESS, NON-ABS (4 OF 4)
WIRING HARNESS, MAIN, NON-ABS (1 OF 4)
WIRING HARNESS, MAIN, NON-ABS (2 OF 4)
WIRING HARNESS, MAIN, NON-ABS (3 OF 4)
WIRING HARNESS, MAIN, NON-ABS (4 OF 4)

ENGINE ASSEMBLY[View interactive image](#)[View interactive table](#)

INDEX	PART	DESCRIPTION	MODEL(S)
-------	------	-------------	----------

NO.	NO.		
1	19519-14	ENGINE ASSEMBLY (883cc) (World)	XL883N, XL883R
	19527-14	ENGINE ASSEMBLY (1200cc) (Domestic, California, Canada) (LH - Chrome Engine)	XL1200C, XL1200CP, XL1200T
	19566-14	ENGINE ASSEMBLY (883cc) (World)	XL883L
	19606-14	ENGINE ASSEMBLY (1200cc) (HDI)	XL1200C, XL1200T
	19766-14	ENGINE ASSEMBLY (1200cc) (Domestic, California, Canada)	XL1200X
	19767-14	ENGINE ASSEMBLY (1200cc) (HDI)	XL1200X
	19778-14	ENGINE ASSEMBLY (1200cc) (Domestic, California, Canada)	XL1200V
	19779-14	ENGINE ASSEMBLY (1200cc) (HDI)	XL1200V
	19905-14	ENGINE ASSEMBLY (1200cc) (HDI)	XL1200CA, XL1200CB
	19927-14	ENGINE ASSEMBLY (1200cc) (Domestic, California, Canada) (LH - Black Engine)	XL1200CP

CYLINDERS, HEADS & VALVES



[View interactive image](#)

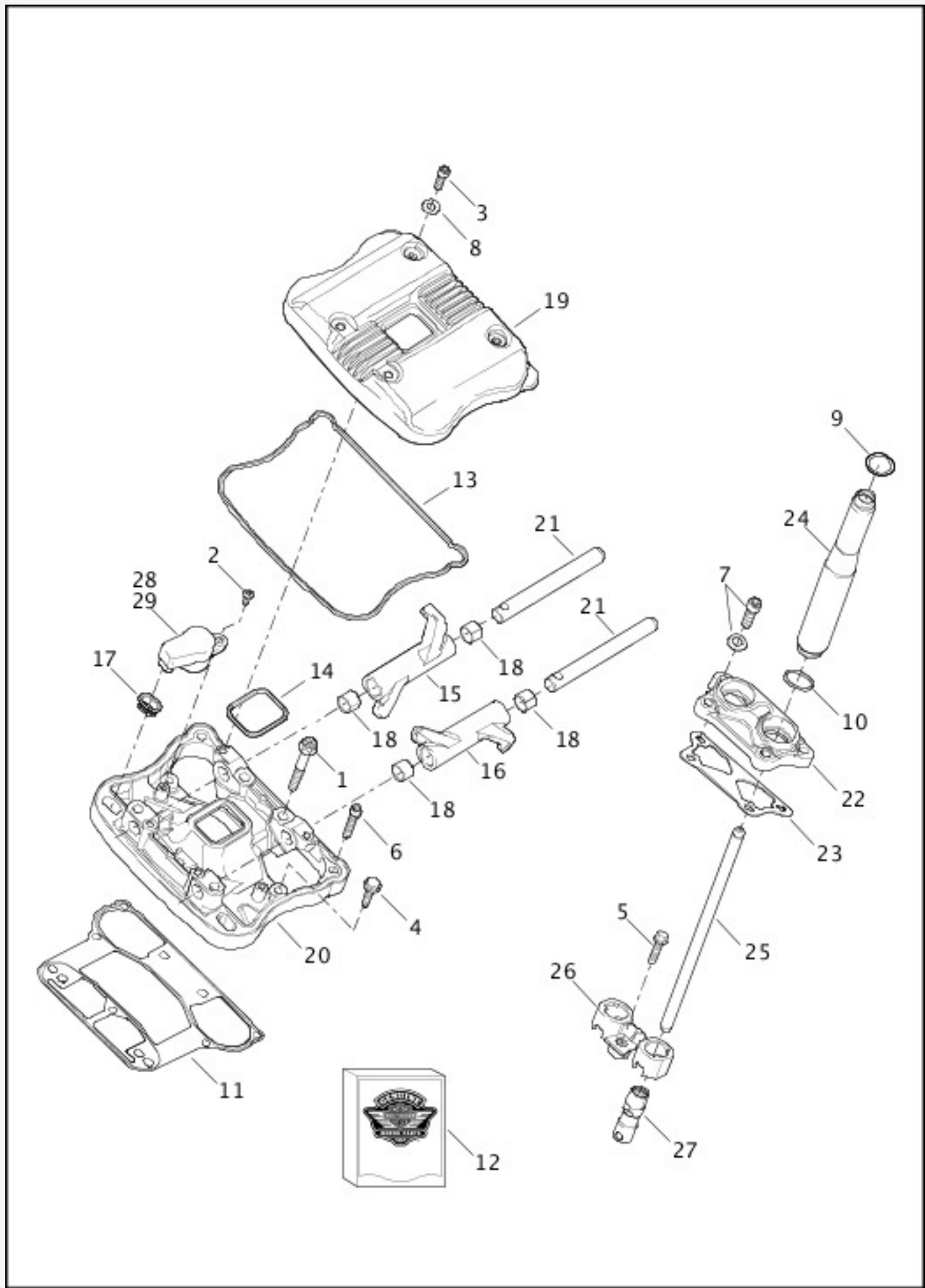
[View interactive table](#)

INDEX NO.	PART NO.	DESCRIPTION	MODEL(S)
1	4266A	SCREW (2)	XL1200X, XL883L, XL883N, XL883R
	4748	SCREW (2)	XL1200C, XL1200CA, XL1200CB, XL1200CP,

			XL1200T, XL1200V
2	6787	WASHER (2)	XL1200C, XL1200CA, XL1200CB, XL1200CP, XL1200T, XL1200V
3	16353-04	BRACKET	XL1200C, XL1200CA, XL1200CB, XL1200CP, XL1200T, XL1200V
4	16443-04	CYLINDER, w/ piston (883 cc) (silver) (2)	XL883L
	16452-05	CYLINDER, w/ piston (883 cc) (black) (2)	XL883N, XL883R
	16463-04	CYLINDER, w/ piston (1200 cc) (LH - black w/ fin highlights) (2)	XL1200C, XL1200CP, XL1200T
	16469-10	CYLINDER, w/ piston (1200 cc) (LH - black w/o fin highlights) (2)	XL1200CA, XL1200CB, XL1200CP, XL1200X
	16800019	CYLINDER, w/ piston (1200 cc) (gray) (2)	XL1200V
5	16465-06	VALVE GUIDE, w/ 16699-06 (4)	ALL
6	16478-85A	SCREW (4)	ALL
7	16480-92A	SCREW (4)	ALL
8	16573-83A	DOWEL (4)	ALL
9	16660-07	HEAD, rear cylinder (883 cc) (silver), w/ valve guides & seats	XL883L
	16661-07	HEAD, front cylinder (883 cc) (silver), w/ valve guides & seats	XL883L
	16865-07	HEAD, rear cylinder (883 cc) (black), w/ valve guides & seats	XL883N, XL883R
	16867-07	HEAD, front cylinder (883 cc) (black), w/ valve guides & seats	XL883N, XL883R
	16666-07	HEAD, rear cylinder (1200 cc) (LH - black w/ fin highlights), w/ valve guides & seats	XL1200C, XL1200CP, XL1200T
	16667-07	HEAD, front cylinder (1200 cc) (LH - black w/ fin highlights), w/ valve guides & seats	XL1200C, XL1200CP, XL1200T
	17485-07	HEAD, front cylinder (1200 cc) (LH - black w/o fin highlights), w/ valve guides & seats	XL1200CA, XL1200CB, XL1200CP, XL1200X
	17488-07	HEAD, rear cylinder (1200 cc) (LH - black w/o fin highlights), w/ valve guides & seats	XL1200CA, XL1200CB, XL1200CP, XL1200X
	16500068	HEAD, front cylinder (1200 cc) (gray), w/ valve guides & seats	XL1200V
	16500071	HEAD, rear cylinder (1200 cc) (gray), w/ valve guides	XL1200V

		& seats	
10	16664-86D	GASKET, cylinder head (2)	XL883L, XL883N, XL883R
	16770-84F	GASKET, cylinder head (2)	XL1200C, XL1200CA, XL1200CB, XL1200CP, XL1200T, XL1200V, XL1200X
11	16699-06	SNAP RING (4)	ALL
12	16715-83	STUD, exhaust port (4)	ALL
13	16789-04	GASKET, cylinder base (2)	ALL
14	16832-86C	STUD, cylinder base (8)	ALL
15	17027-08	GASKET KIT, engine overhaul	ALL
	17049-08	GASKET KIT, top overhaul	ALL
16	18011-86	INSERT, exhaust valve seat (2)	XL1200C, XL1200CA, XL1200CB, XL1200CP, XL1200T, XL1200V, XL1200X
	18012-87A	INSERT, exhaust valve seat (2)	XL883L, XL883N, XL883R
	18020-07	INSERT, intake valve seat (2)	XL1200C, XL1200CA, XL1200CB, XL1200CP, XL1200T, XL1200V, XL1200X
	18021-87A	INSERT, intake valve seat (2)	XL883L, XL883N, XL883R
17	18053-04	INTAKE VALVE, 7mm (2)	XL883L, XL883N, XL883R
	18690-02	INTAKE VALVE, 7mm (2)	XL1200C, XL1200CA, XL1200CB, XL1200CP, XL1200T, XL1200V, XL1200X
	18059-04	EXHAUST VALVE, 7mm (2)	XL883L, XL883N, XL883R
	18691-02	EXHAUST VALVE, 7mm (2)	XL1200C, XL1200CA, XL1200CB, XL1200CP, XL1200T, XL1200V, XL1200X
18	18094-02A	SEAL, valve (4)	ALL
19	18245-02	VALVE SPRING (4)	ALL
20	18258-02	COLLAR, valve spring - upper (4)	ALL
21	18260-02	KEEPER, valve collar (8)	ALL

ROCKER ARM ASSEMBLY & PUSHRODS



[View interactive image](#)

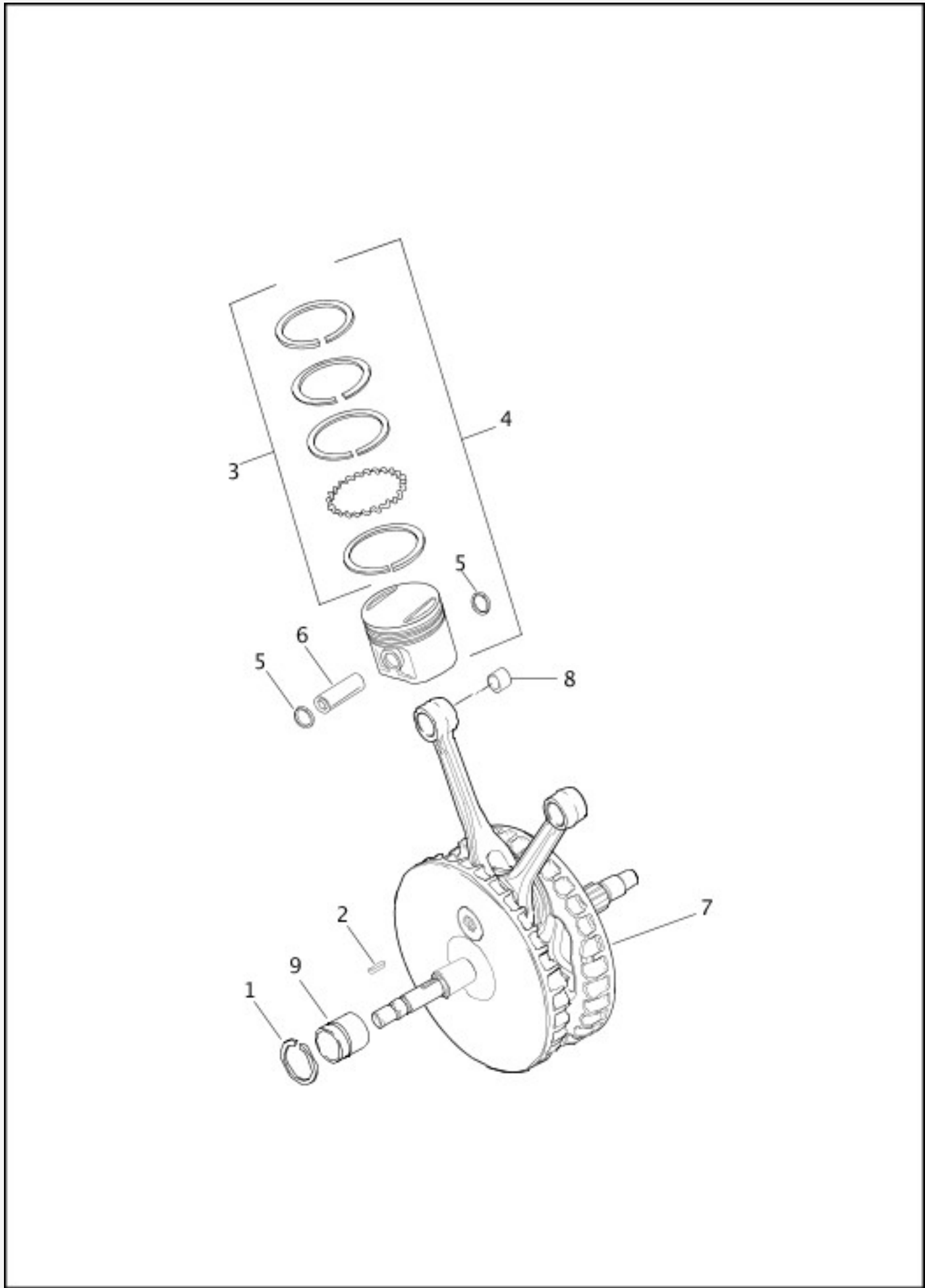
[View interactive table](#)

INDEX NO.	PART NO.	DESCRIPTION	MODEL(S)
1	1039	SCREW (8)	ALL
2	2441	SCREW (2)	ALL

3	2486	SCREW (8)	ALL
4	3849	SCREW (6)	ALL
5	3976	SCREW (2)	ALL
6	4718A	SCREW (4)	ALL
7	4741A	SCREW (8)	ALL
8	6589	WASHER (8)	ALL
9	11190	O-RING (4)	ALL
10	11377	O-RING (4)	ALL
11	16800-84B	GASKET (2)	ALL
12	17036-08	GASKET KIT, rocker cover	ALL
13	17362-07B	GASKET, lower (2)	ALL
14	17695-07B	GASKET, inner (2)	ALL
15	17360-83A	ROCKER ARM, front intake & rear exhaust, w/ 17429-91 (2)	ALL
16	17375-83A	ROCKER ARM, front exhaust & rear intake, w/ 17429-91 (2)	ALL
17	17393-07	SEAL	ALL
18	17429-91	BUSHING (4)	ALL
19	17501-04	ROCKER COVER, outer (polished) (2)	XL1200X, XL883L
	17551-04	ROCKER COVER, outer (chrome) (2)	XL1200C, XL1200CP, XL1200T, XL1200V
	17655-05	ROCKER COVER, outer (black) (2)	XL1200CA, XL1200CB, XL1200CP, XL883N, XL883R
20	17532-07A	ROCKER COVER, inner (polished) (2)	XL1200X, XL883L
	17537-07A	ROCKER COVER, inner (chrome) (2)	XL1200C, XL1200CP, XL1200T, XL1200V
	17598-07A	ROCKER COVER, inner (silver) (2)	XL1200CA, XL1200CB, XL1200CP, XL883N, XL883R
21	17611-83	SHAFT (4)	ALL
22	17972-04	TAPPET COVER, front	ALL
	17981-04	TAPPET COVER, rear	ALL

23	17976-04	GASKET (2)	ALL
24	17946-04	COVER (chrome) (4)	ALL
25	17908-02	PUSHROD, exhaust (2)	ALL
	17909-02	PUSHROD, intake (2)	ALL
26	18505-06	ANTI-ROTATION DEVICE (2)	ALL
27	18538-99C	TAPPET, w/ roller (4)	ALL
28	26010-04	BREATHER, front	ALL
	26011-04	BREATHER, rear	ALL
29	26012-07	BREATHER, front w/ seal	ALL
	26020-07	BREATHER, rear w/ seal	ALL

PISTONS & FLYWHEEL ASSEMBLY



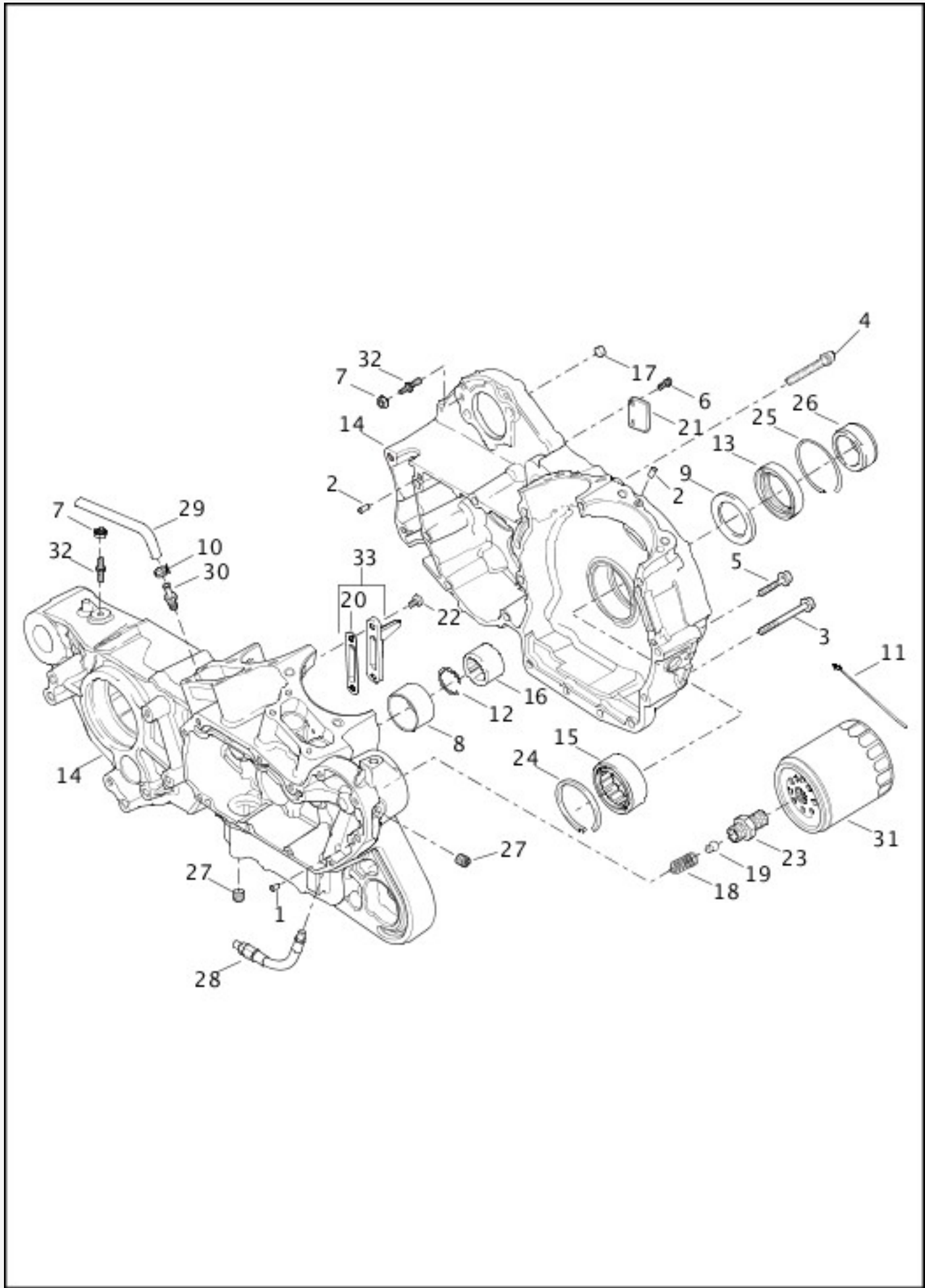
[View interactive image](#)

[View interactive table](#)

INDEX NO.	PART NO.	DESCRIPTION	MODEL(S)
1	11177A	RETAINING RING	ALL
2	11317	KEY	ALL

3	22266-86	PISTON RING SET, standard (2)	XL883L, XL883N, XL883R
	22261-86	PISTON RING SET, 0.010 O.S. (2)	XL883L, XL883N, XL883R
	22271-86	PISTON RING SET, 0.005 O.S. (2)	XL883L, XL883N, XL883R
	21948-02	PISTON RING SET, standard (2)	XL1200C, XL1200CA, XL1200CB, XL1200CP, XL1200T, XL1200V, XL1200X
	22231-04	PISTON RING SET, 0.005 O.S. (2)	XL1200C, XL1200CA, XL1200CB, XL1200CP, XL1200T, XL1200V, XL1200X
	22238-04	PISTON RING SET, 0.010 O.S. (2)	XL1200C, XL1200CA, XL1200CB, XL1200CP, XL1200T, XL1200V, XL1200X
4	22221-04	PISTON & RINGS ASSEMBLY, standard (2)	XL883L, XL883N, XL883R
	22224-04	PISTON & RINGS ASSEMBLY, 0.005 O.S. (2)	XL883L, XL883N, XL883R
	22228-04	PISTON & RINGS ASSEMBLY, 0.010 O.S. (2)	XL883L, XL883N, XL883R
	22223-04	PISTON & RINGS ASSEMBLY, standard (2)	XL1200C, XL1200CA, XL1200CB, XL1200CP, XL1200T, XL1200V, XL1200X
	22227-04	PISTON & RINGS ASSEMBLY, 0.005 O.S. (2)	XL1200C, XL1200CA, XL1200CB, XL1200CP, XL1200T, XL1200V, XL1200X
	22230-04	PISTON & RINGS ASSEMBLY, 0.010 O.S. (2)	XL1200C, XL1200CA, XL1200CB, XL1200CP, XL1200T, XL1200V, XL1200X
5	22589-83B	LOCK RING (4)	ALL
6	22719-04	PISTON PIN (2)	XL883L, XL883N, XL883R
	22765-02	PISTON PIN (2)	XL1200C, XL1200CA, XL1200CB, XL1200CP, XL1200T, XL1200V, XL1200X
7	23905-04B	FLYWHEELS & CONNECTING ROD ASSEMBLY, w/ 11317	ALL
8	24332-36	BUSHING, 0.01 O.S. (2)	ALL
9	24658-87	INNER RING	ALL

CRANKCASE & GEARCASE



[View interactive image](#)

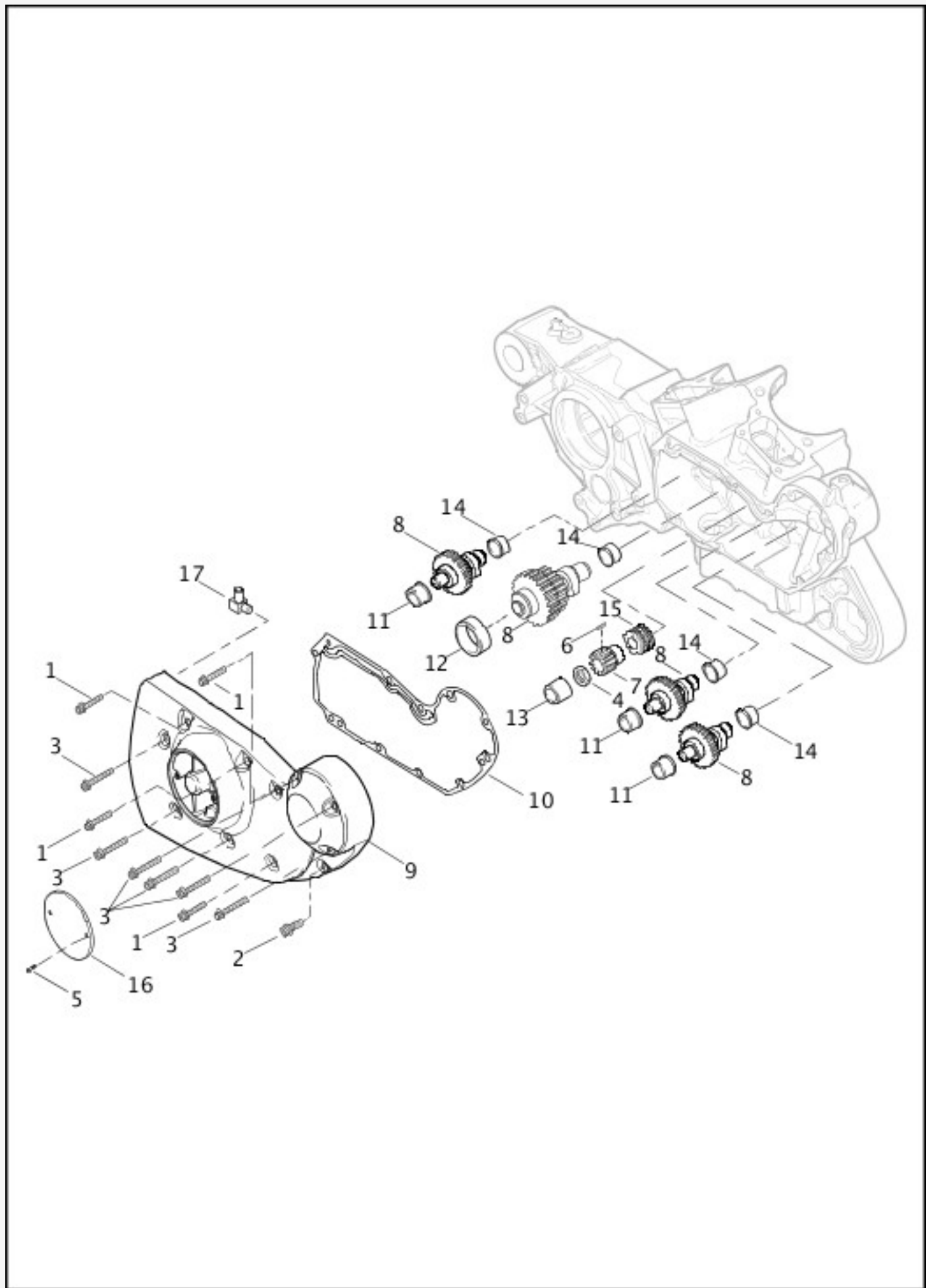
[View interactive table](#)

INDEX NO.	PART NO.	DESCRIPTION	MODEL(S)
1	215	PIN (2)	ALL
2	358	DOWEL PIN (4)	ALL

3	835	SCREW (13)	ALL
4	1028	SCREW	ALL
5	1048	SCREW (4)	ALL
6	4091	SCREW (2)	ALL
7	7792	NUT (2)	ALL
8	8881	BEARING RACE	ALL
9	8972	WASHER	ALL
10	10080	CLAMP	ALL
11	10177	CABLE STRAP	ALL
12	11177A	RETAINING RING	ALL
13	12068	OIL SEAL	ALL
14	24466-06B	CRANKCASE SET, w/ bearings (black)	XL1200C, XL1200CA, XL1200CB, XL1200CP, XL1200T, XL1200V, XL1200X, XL883N, XL883R
	24470-06B	CRANKCASE SET, w/ bearings (silver)	XL883L
15	24605-07	BEARING	ALL
16	24647-87	BEARING (blue)	ALL
	24650-87	BEARING (red)	ALL
	24659-87	BEARING (white/gray)	ALL
	24660-87	BEARING (green)	ALL
17	24754-75A	DOWEL PIN (2)	ALL
18	26436-90A	SPRING	ALL
19	26437-86B	BALL	ALL
20	26638-00Y	GASKET (2)	ALL
21	29950-91	COVER	ALL
22	68042-99	SCREW (4)	ALL
23	33117-91A	ADAPTER	ALL
24	35114-02	RETAINING RING	ALL

25	35118-03	RETAINING RING	ALL
26	40254-02	SPACER	ALL
27	45830-48	PLUG (2)	ALL
28	62651-04	LINE, oil pump	ALL
29	63508-04	HOSE, transmission vent	ALL
30	63533-41A	FITTING	ALL
31	63805-80A	OIL FILTER (black)	XL1200CA, XL1200CB, XL1200CP, XL1200X, XL883L, XL883N, XL883R
	63796-77A	OIL FILTER (chrome)	XL1200C, XL1200CP, XL1200T, XL1200V
32	65088-04	STUD, ground (2)	ALL
33	62700014	OIL JET ASSEMBLY (2)	ALL

CAMSHAFTS & GEAR COVER



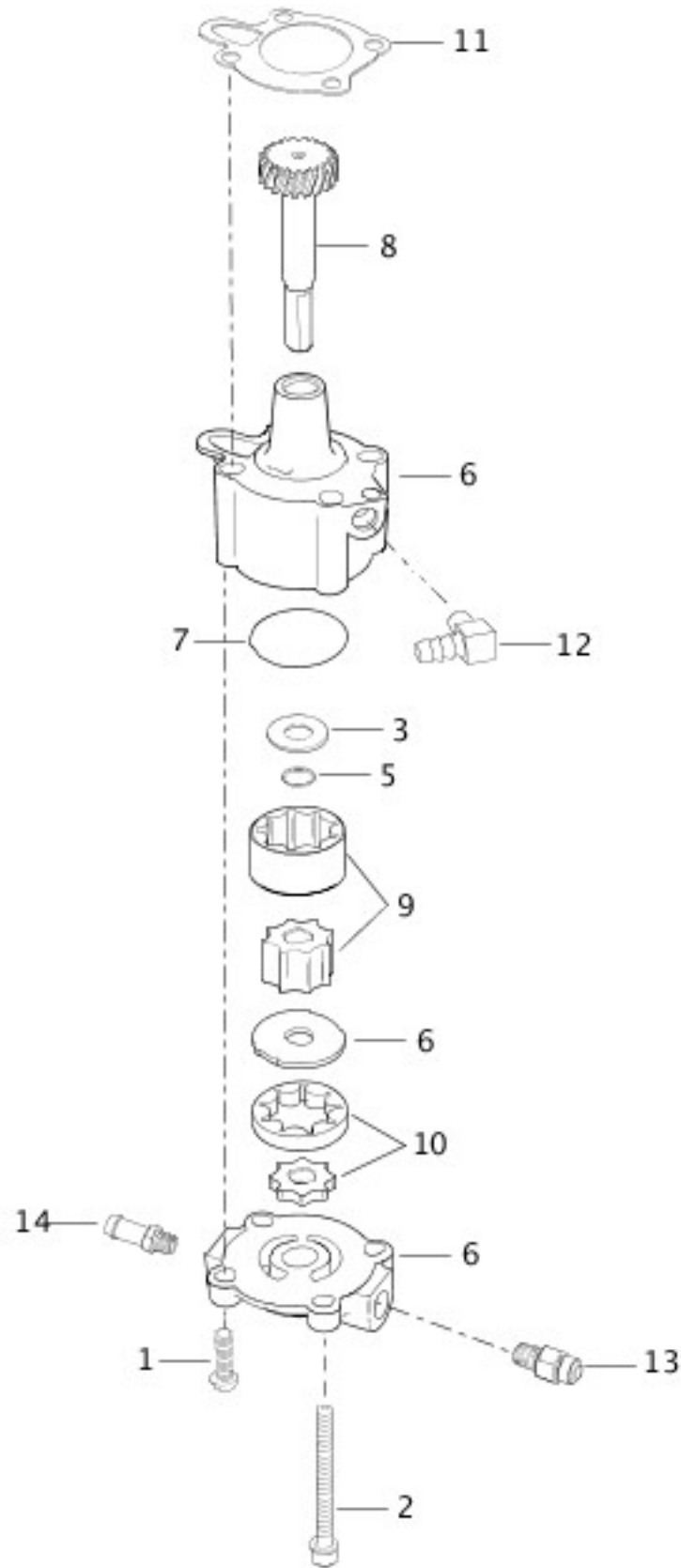
[View interactive image](#)

[View interactive table](#)

INDEX NO.	PART NO.	DESCRIPTION	MODEL(S)
1	3480A	SCREW (4)	ALL
2	4740A	SCREW	ALL

3	4717A	SCREW (6)	ALL
4	7916A	JAMNUT	ALL
5	68120-00	SCREW (2)	ALL
6	11317	T-KEY	ALL
7	24047-00	PINION GEAR	ALL
8	25194-06	CAM GEAR SET, complete, w/ pinion gear	ALL
9	25219-04	COVER ASSEMBLY (polished), w/ 62375-57A & bushings	XL883L
	25213-04	COVER ASSEMBLY (chrome), w/ 62375-57A & bushings	XL1200C, XL1200CP, XL1200T, XL1200V
	25486-05	COVER ASSEMBLY (black), w/ 62375-57A & bushings	XL1200CA, XL1200CB, XL1200CP, XL1200X, XL883N, XL883R
10	25263-90D	GASKET	ALL
11	25586-37	OUTER BUSHING, cam gear shafts (3)	ALL
12	25588-91	BUSHING, rear intake cam gear shaft	ALL
13	25593-74	BUSHING, flywheel gear shaft	ALL
14	25598-91	INNER BUSHING, camshaft gear (4)	ALL
15	26318-88A	DRIVE GEAR, oil pump	ALL
16	32506-90	TIMER COVER	XL883L
	32514-04	TIMER COVER	XL1200C, XL1200CA, XL1200CB, XL1200CP, XL883N, XL883R
	32531-07	TIMER COVER	XL1200X
	25600007	TIMER COVER	XL1200V
	25600037	TIMER COVER	XL1200T
17	62375-57A	FITTING, oil vent hose	ALL

OIL PUMP



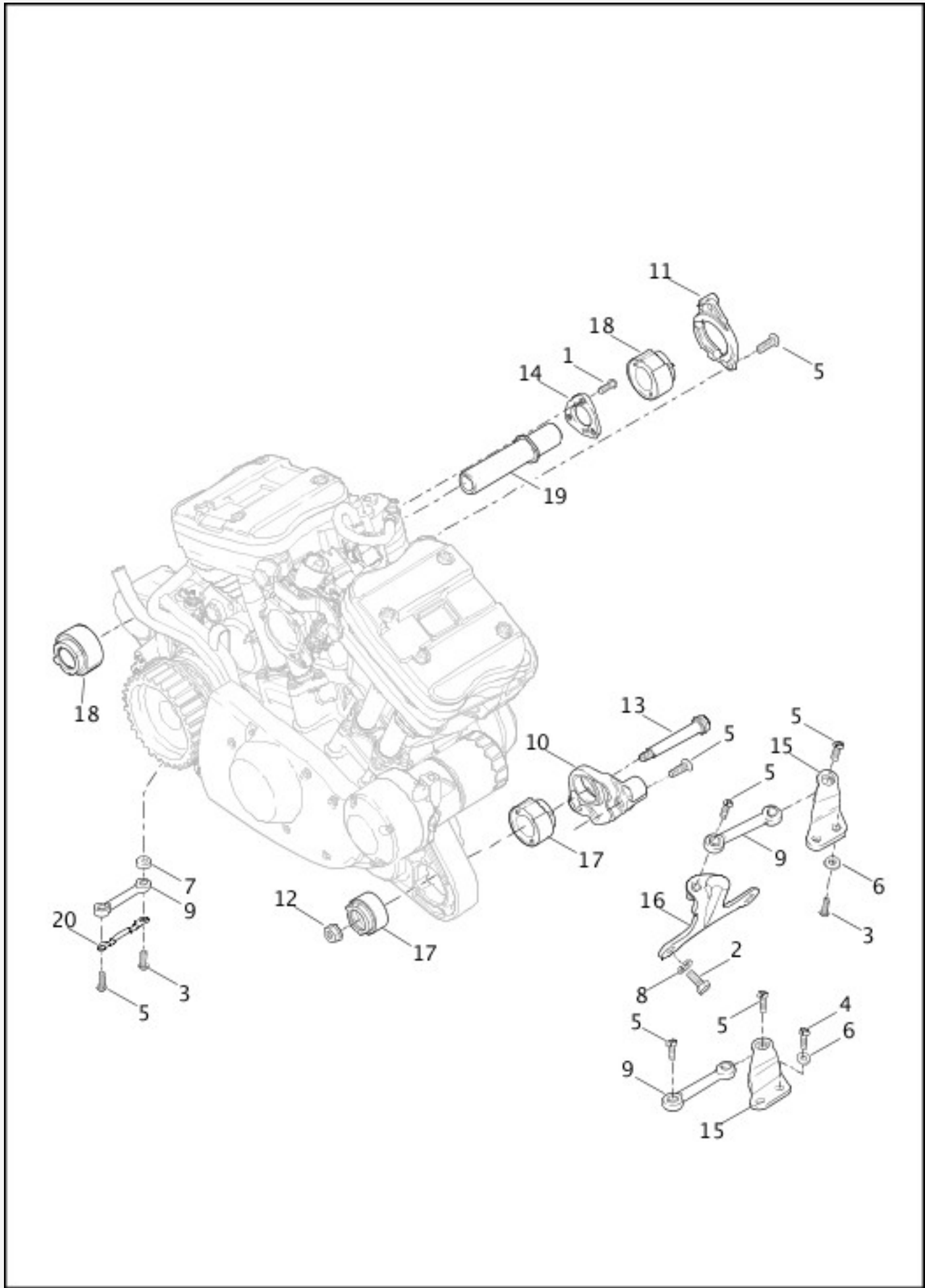
[View interactive image](#)

[View interactive table](#)

INDEX NO.	PART NO.	DESCRIPTION	MODEL(S)
1	4132	SCREW (2)	ALL
2	4765	SCREW (2)	ALL

3	6157	WASHER	ALL
4	9946	CLAMP (2)	ALL
5	11002	RETAINING RING	ALL
6	26204-91A	OIL PUMP, complete	ALL
7	26434-91	O-RING	ALL
8	26239-07	GEAR SHAFT	ALL
9	26502-07	GEROTOR SET, return	ALL
10	26503-07	GEROTOR SET, feed	ALL
11	26495-89B	GASKET	ALL
12	26496-75A	FITTING	ALL
13	62601-91A	FITTING, front	ALL
14	63533-41A	FITTING, rear	ALL

ENGINE MOUNTS



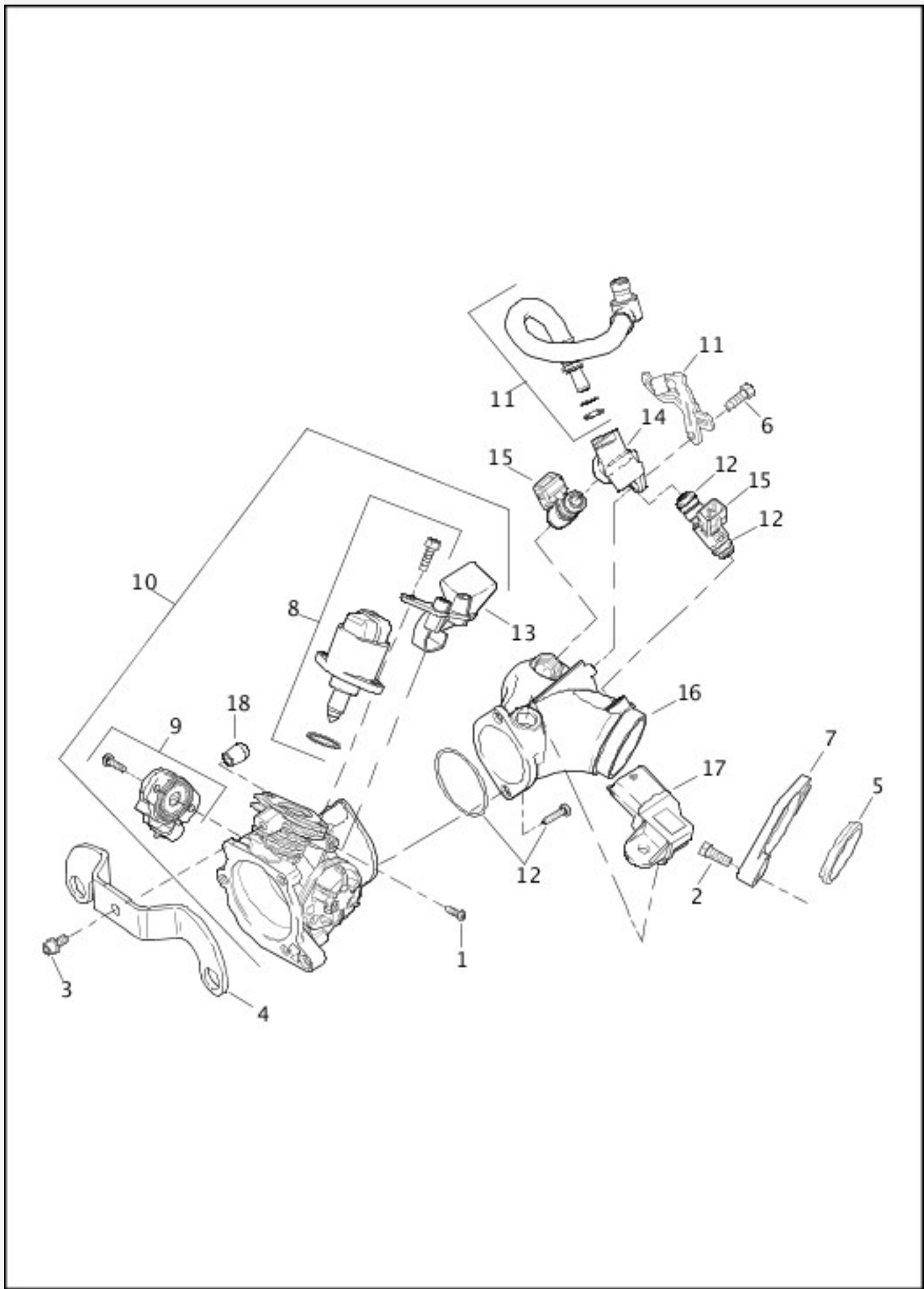
[View interactive image](#)

[View interactive table](#)

INDEX NO.	PART NO.	DESCRIPTION	MODEL(S)
1	940	SCREW (3)	ALL
2	3854	SCREW (2)	ALL

3	4180	SCREW (3)	ALL
4	4188	SCREW (2)	ALL
5	4290	SCREW (9)	ALL
6	6026	WASHER (4)	ALL
7	6152	SPACER	ALL
8	7039	LOCKWASHER (2)	ALL
9	16232-04B	TIE-LINK (3)	ALL
10	16287-04	MOUNT, front isolator	ALL
11	16291-04A	MOUNT, rear isolator	ALL
12	41561-04	NUT	ALL
13	41562-04	BOLT	ALL
14	41699-04	LOCKPLATE	ALL
15	47470-04	BRACKET (2)	ALL
16	47471-04A	BRACKET	ALL
17	48463-04A	ISOLATOR, front mount (2)	ALL
18	48492-04A	ISOLATOR, rear mount (2)	ALL
19	47500004	SHAFT, swing arm pivot	ALL
20	66000045	GROUND STRAP	ALL

INDUCTION MODULE, FUEL



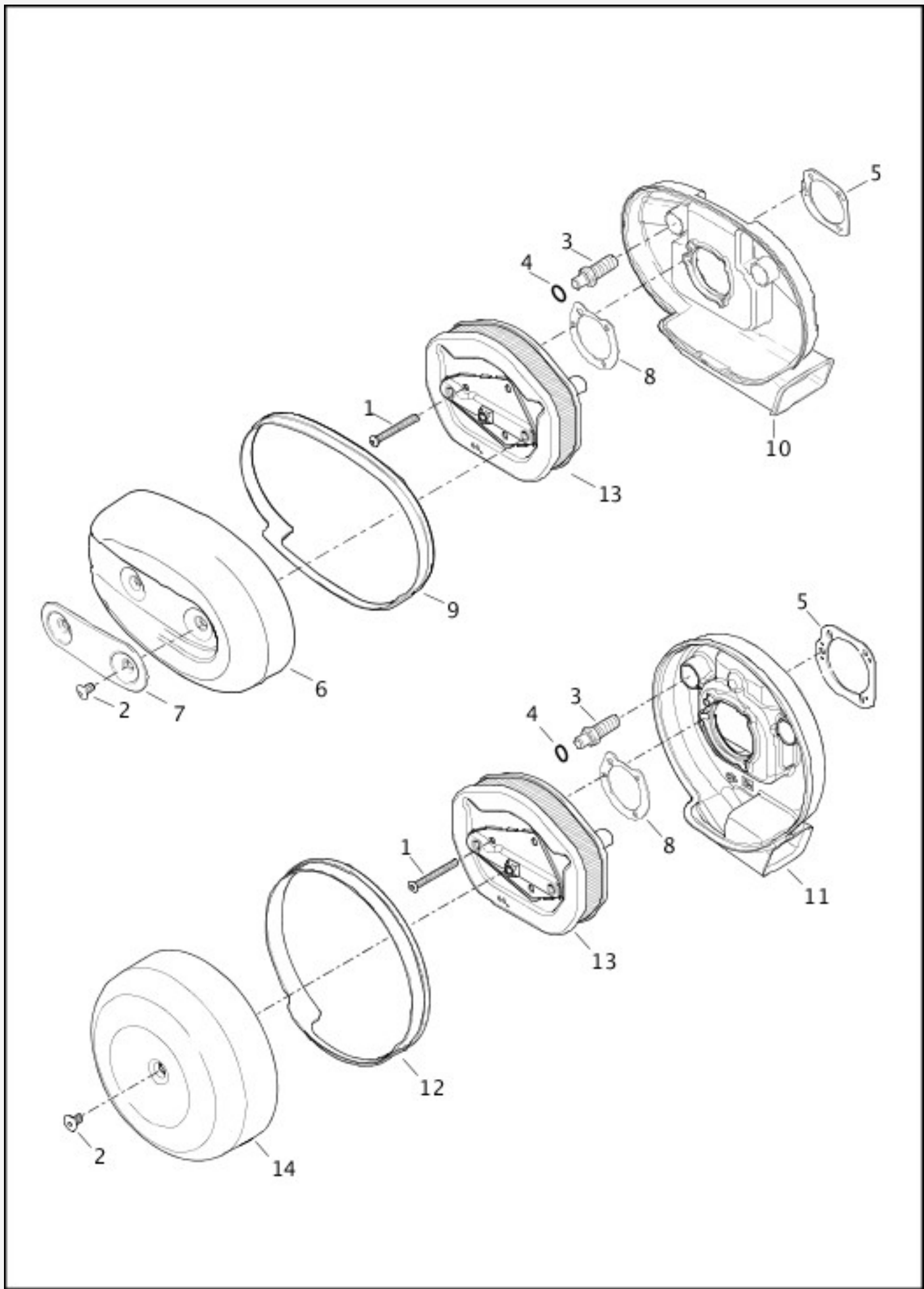
[View interactive image](#)

[View interactive table](#)

INDEX NO.	PART NO.	DESCRIPTION	MODEL(S)
1	2481M	SCREW	ALL
2	3987	BOLT (4)	ALL

3	4798	SCREW	ALL
4	16361-07	BRACKET	ALL
5	26995-86B	SEAL (2)	ALL
6	27216-95	SCREW	ALL
7	27327-07A	FLANGE (2)	ALL
8	27628-01A	KIT, IAC motor	ALL
9	27629-01A	KIT, throttle position sensor	ALL
10	27795-07	INDUCTION MODULE ASSEMBLY, w/ fuel rail, fuel injector, intake manifold, TMAP sensor, cap, IAC Kit, TPS Kit, hardware kit	ALL
11	27693-07	FUEL LINE KIT, w/ 27216-95 & bracket	XL1200C, XL1200CA, XL1200CB, XL1200CP, XL1200T, XL883L, XL883N, XL883R
	27829-10	FUEL LINE KIT, w/ 27216-95 & bracket	XL1200V, XL1200X
12	27700-07	KIT, hardware & O-rings	ALL
13	27701-07A	CABLE BRACKET	ALL
14	27704-07	FUEL RAIL	ALL
15	27706-07A	FUEL INJECTOR, w/ O-ring (2)	ALL
16	27707-07	INTAKE MANIFOLD	ALL
17	32319-07	T-MAP SENSOR	ALL
18	90383-98	CAP	ALL

AIR CLEANER



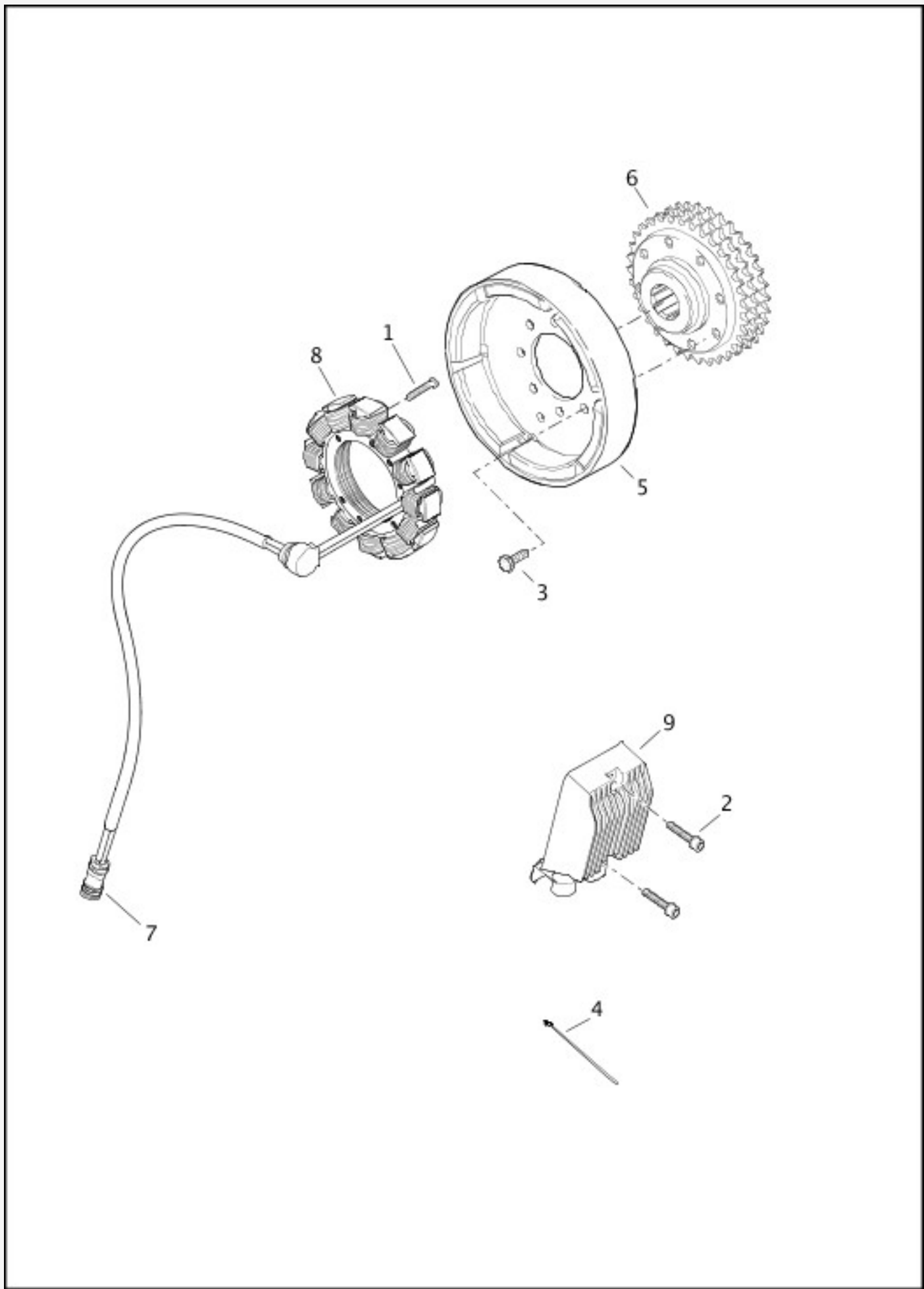
[View interactive image](#)

[View interactive table](#)

INDEX NO.	PART NO.	DESCRIPTION	MODEL(S)
1	946	SCREW (3)	ALL
2	2460	SCREW (2)	ALL

3	3565	SCREW, breather (2)	ALL
4	11202	O-RING (2)	ALL
5	29062-95B	GASKET	ALL
6	28794-10	COVER (gloss black) w/ label	XL1200X
	28792-10	COVER (chrome) w/ label	XL1200C, XL1200CA, XL1200CB, XL1200CP, XL1200T, XL883L
	28790-10	COVER (black) w/ label	XL883N, XL883R
7	29123-07	TRIM INSERT	XL883L
	29355-07	TRIM INSERT	XL1200X
	29346-07	TRIM INSERT	XL1200C, XL1200CA, XL1200CB, XL1200CP
	29200001	TRIM INSERT	XL883N, XL883R
	61300332	TRIM INSERT	XL1200T
8	29313-95	GASKET	ALL
9	29315-04	SEAL	XL1200C, XL1200CA, XL1200CB, XL1200CP, XL1200T, XL1200X, XL883L, XL883N, XL883R
10	29369-07A	BACKPLATE ASSEMBLY	XL1200C, XL1200CA, XL1200CB, XL1200CP, XL1200T, XL1200X, XL883L, XL883N, XL883R
11	29000015	BACKPLATE ASSEMBLY	XL1200V
12	29000016	SEAL	XL1200V
13	29400015	FILTER ELEMENT, w/ 29313-95	ALL
14	61300131	COVER (chrome) w/ label	XL1200V

ALTERNATOR & REGULATOR



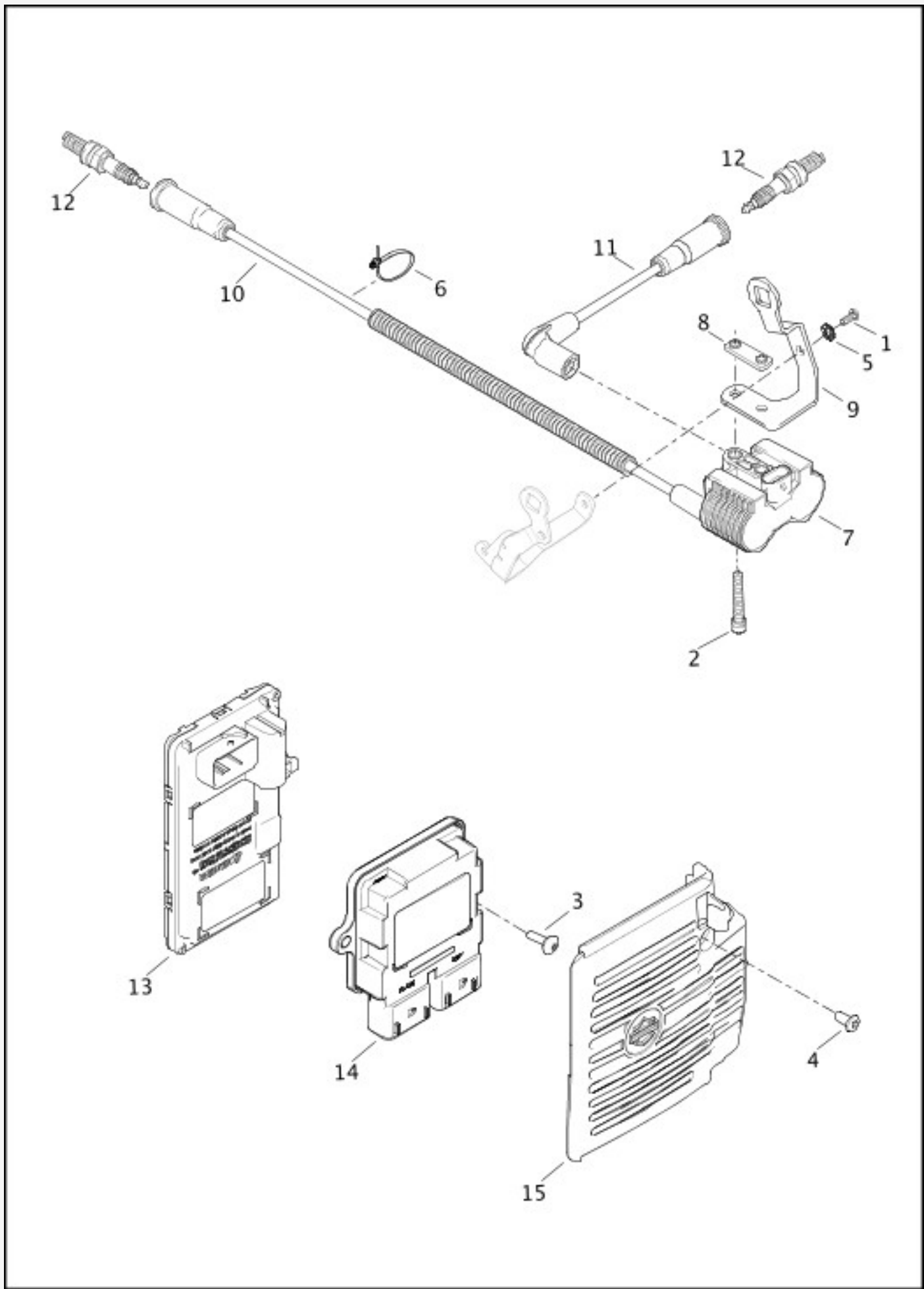
[View interactive image](#)

[View interactive table](#)

INDEX NO.	PART NO.	DESCRIPTION	MODEL(S)
1	3029	SCREW (4)	ALL
2	4740A	SCREW (2)	ALL

3	4751	SCREW (8)	ALL
4	10177	STRAP (3)	ALL
5	32493-02B	ROTOR SPROCKET ASSEMBLY, w/ 4751 & 40241-02A	XL883L, XL883N, XL883R
	32494-04B	ROTOR SPROCKET ASSEMBLY, w/ 4751 & 40290-04A	XL1200C, XL1200CA, XL1200CB, XL1200CP, XL1200T, XL1200V, XL1200X
6	40241-02A	SPROCKET, 34T	XL883L, XL883N, XL883R
	40290-04A	SPROCKET, 38T	XL1200C, XL1200CA, XL1200CB, XL1200CP, XL1200T, XL1200V, XL1200X
7	72195-94	SEAL, pin, 4-way	ALL
8	29900026	STATOR	ALL
9	74700012	REGULATOR	ALL

ELECTRONIC IGNITION SYSTEM



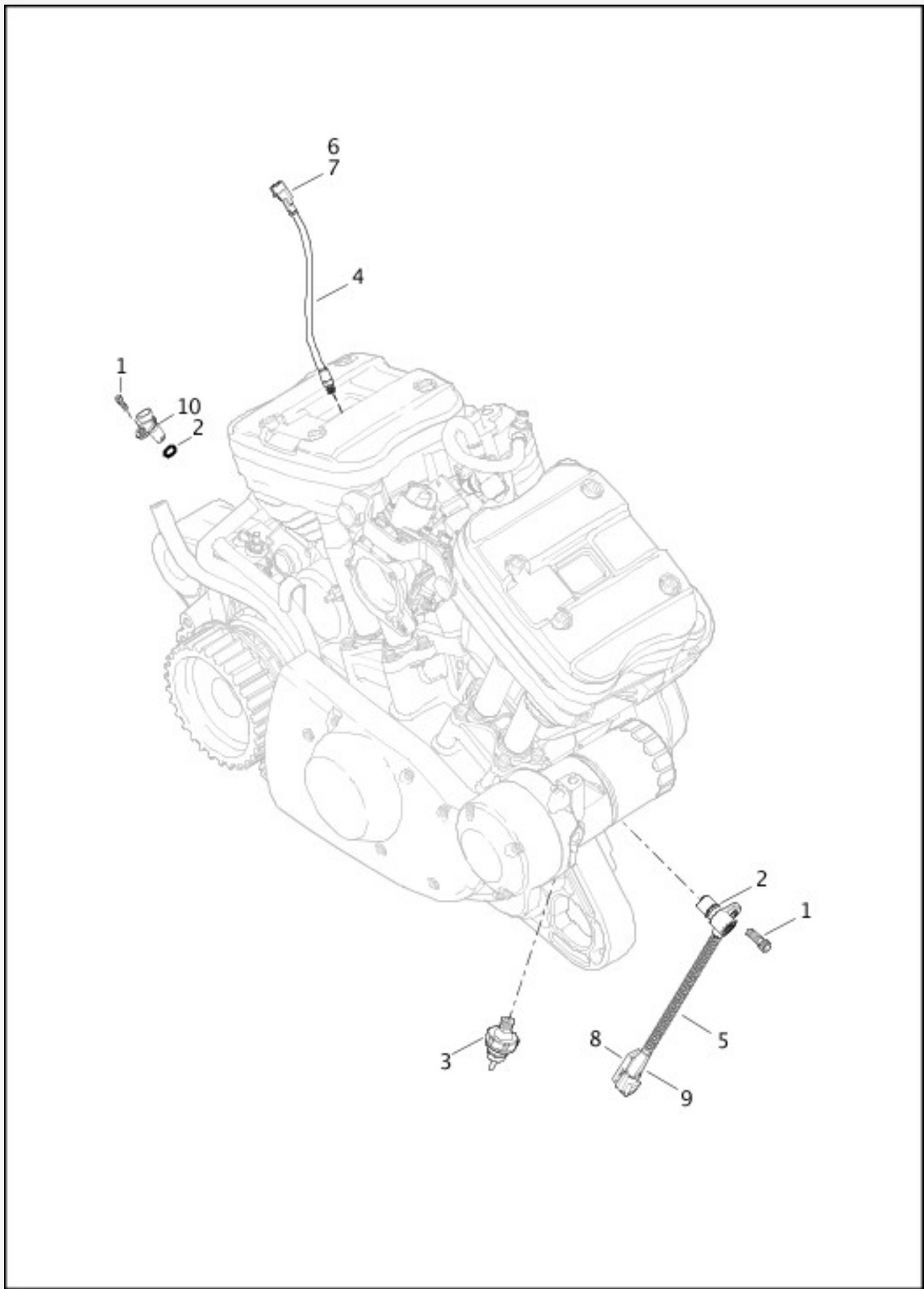
[View interactive image](#)

[View interactive table](#)

INDEX NO.	PART NO.	DESCRIPTION	MODEL(S)
1	3124	SCREW	ALL
2	3480A	SCREW (2)	ALL

3	3691	SCREW	ALL
4	4363	SCREW	ALL
5	7220	LOCKWASHER	ALL
6	10177	STRAP	ALL
7	31656-07	IGNITION COIL	ALL
8	31753-07	PLATE, nut	ALL
9	31807-07	BRACKET	ALL
10	32006-07	CABLE, spark plug, rear (long), w/ 10177	ALL
11	32003-07	CABLE, spark plug, front (short)	ALL
12	32362-04	SPARK PLUG (2)	ALL
13	69992-12A	BCM (non-security)	ALL
	69994-12A	BCM (security)	ALL
14	41000006A	ELECTRONIC CONTROL MODULE	ALL
15	69200405	COVER	ALL

ENGINE SENSORS & SWITCHES



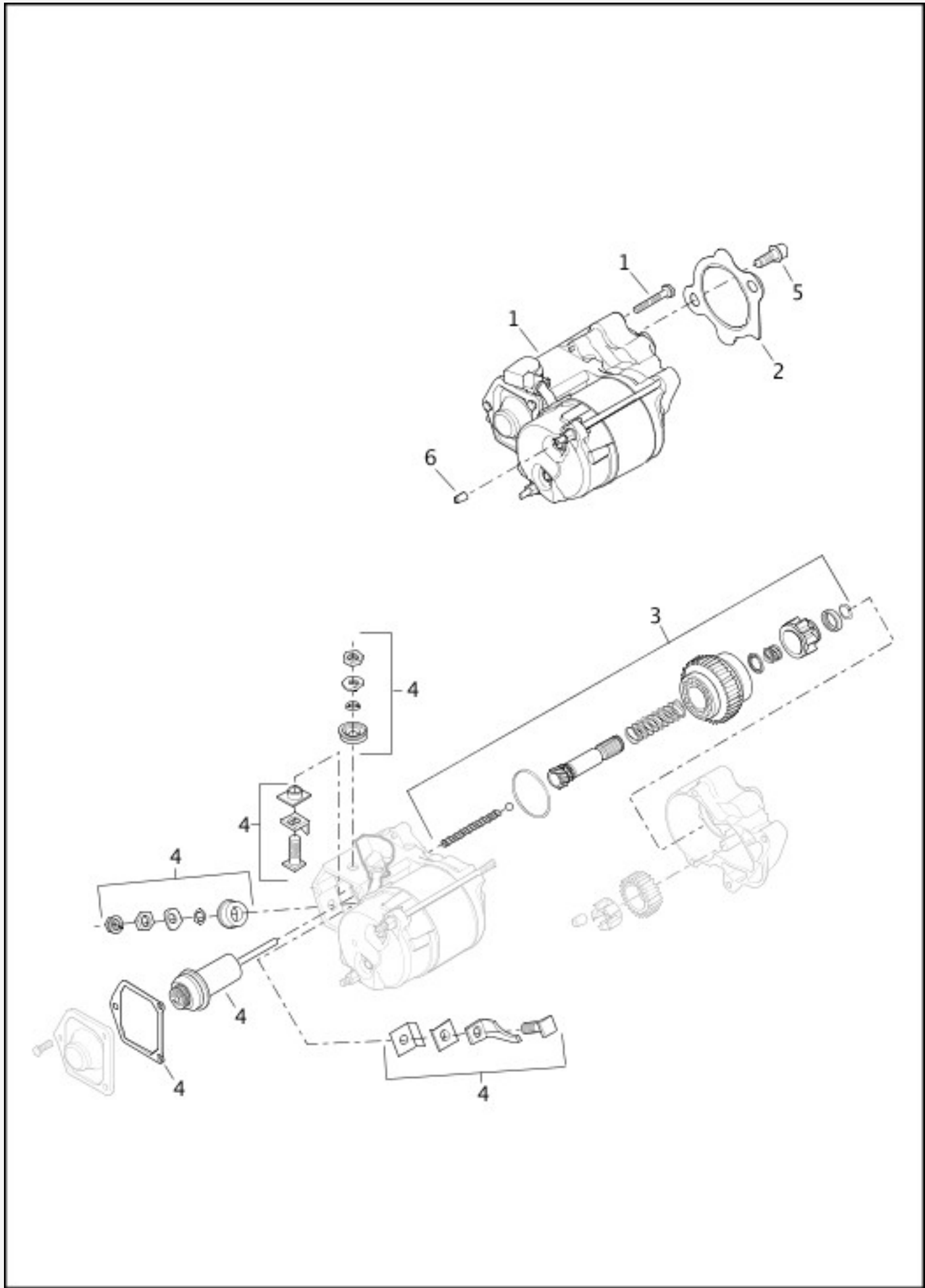
[View interactive image](#)

[View interactive table](#)

INDEX NO.	PART NO.	DESCRIPTION	MODEL(S)
1	4705	SCREW (2)	ALL
2	11289A	O-RING (2)	ALL

3	26554-77B	SWITCH, oil pressure	ALL
4	32472-10	SENSOR, engine temperature w/ 72009-05, 72011-05 & cable strap	ALL
5	32707-01C	SENSOR, crank position w/ 11289A & 72199-94, 74194-98	ALL
6	72009-05	HOUSING, 2-way pin	ALL
7	72011-05	WIRE SEAL, 16-20 gauge (yellow) (2)	ALL
8	72199-94	CONNECTOR ANCHOR	ALL
9	74194-98	TERMINAL	ALL
10	74402-05B	SENSOR, vehicle speed, w/ 11289A	ALL

STARTER MOTOR



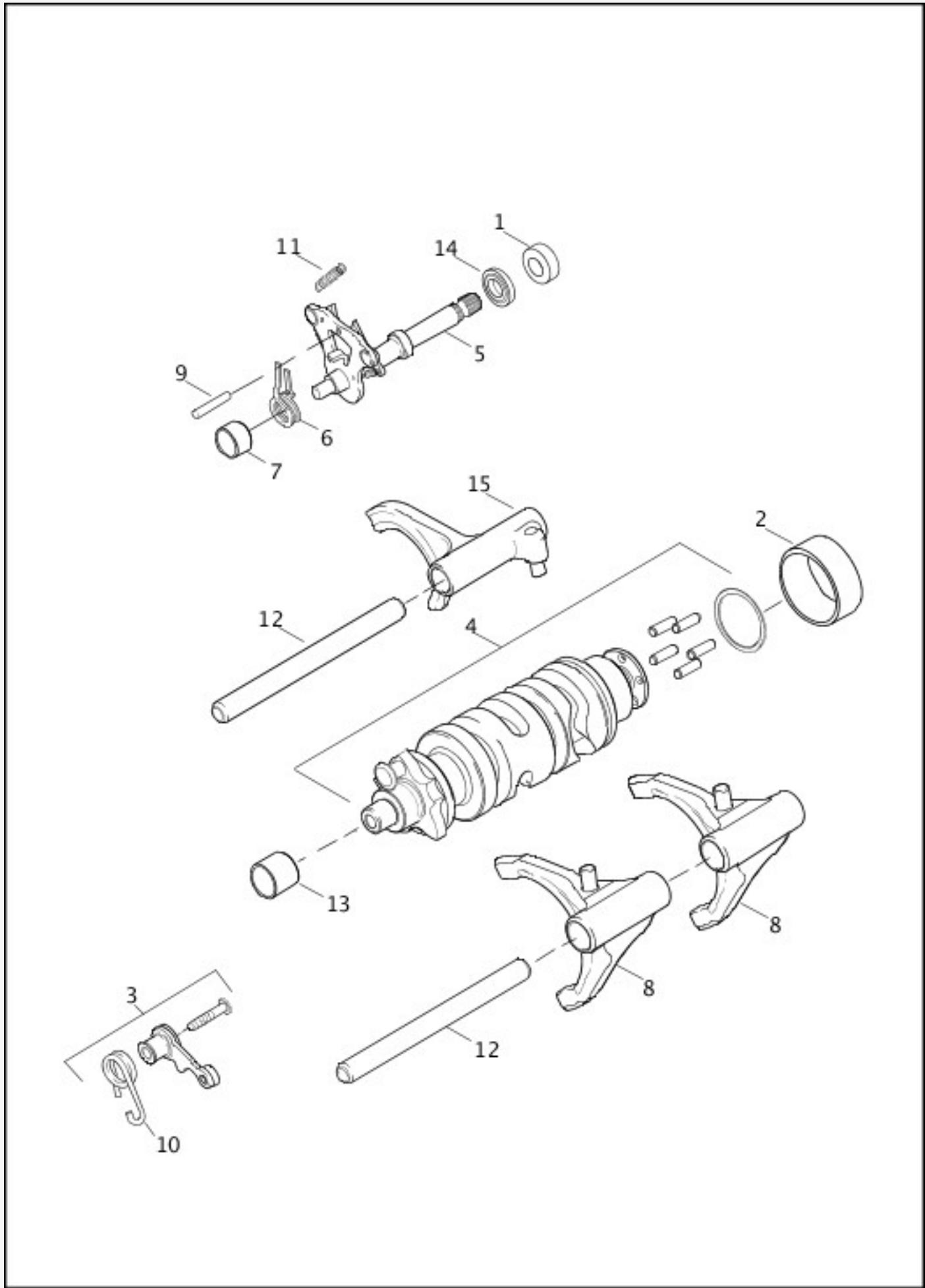
[View interactive image](#)

[View interactive table](#)

INDEX NO.	PART NO.	DESCRIPTION	MODEL(S)
1	31390-91F	STARTER MOTOR, complete	ALL
2	31488-81C	GASKET	ALL

3	31556-91D	CLUTCH SUB-ASSEMBLY	ALL
4	31603-91	REPAIR KIT, starter solenoid	ALL
5	45902-00	SCREW (2)	ALL
6	89581-04A	CAP	ALL

SHIFTER, GEAR



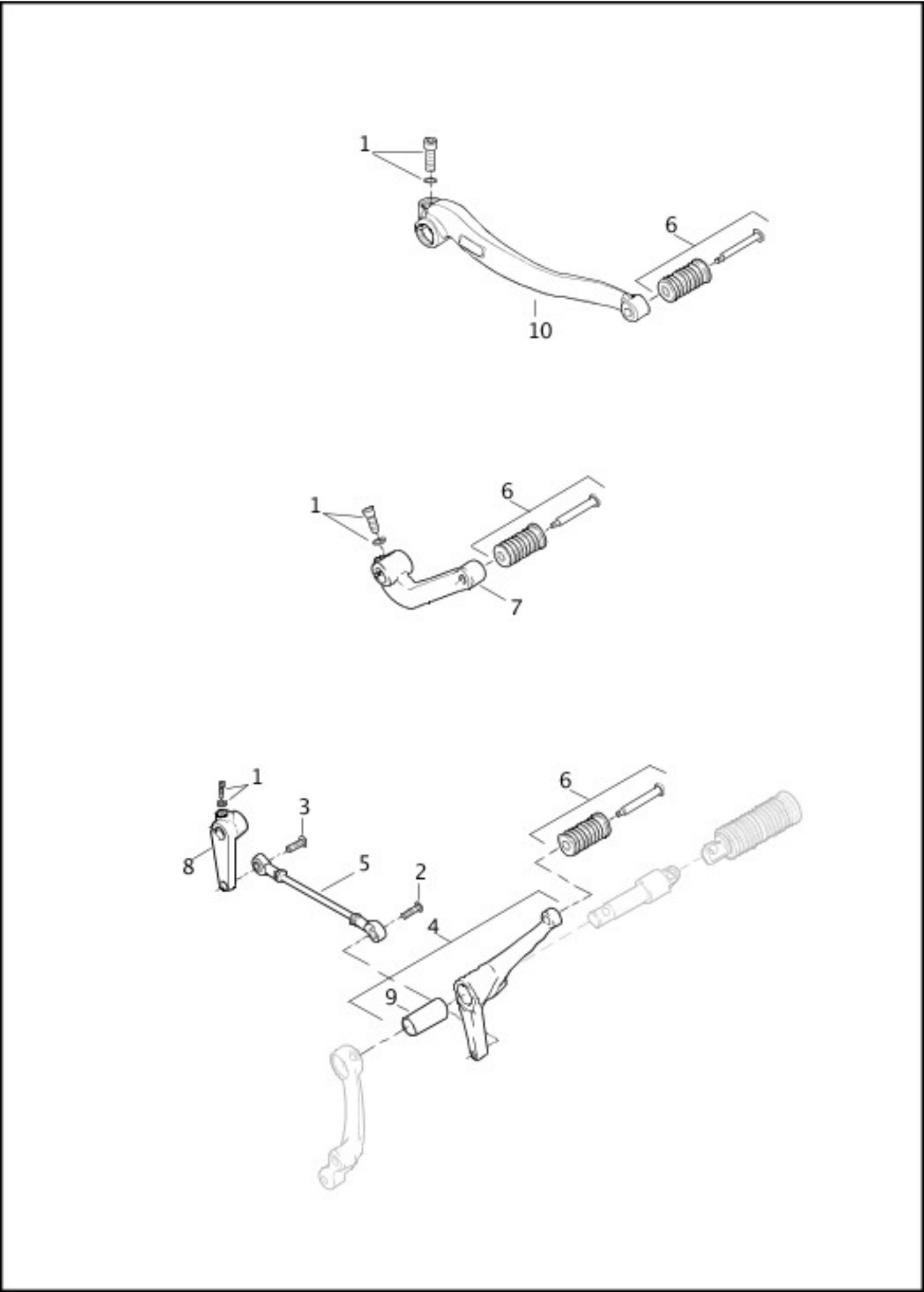
[View interactive image](#)

[View interactive table](#)

INDEX NO.	PART NO.	DESCRIPTION	MODEL(S)
1	7080	WASHER	ALL
2	9187A	BEARING	ALL

3	33540-06	SPRING SLEEVE ASSEMBLY, detent	ALL
4	33641-06	SHIFTER CAM ASSEMBLY	ALL
5	34014-06A	SHIFTER LEVER ASSEMBLY, w/ 34064-00C & 34491-02A	ALL
6	34064-00C	SPRING, shifter return	ALL
7	34076-02A	BUSHING	ALL
8	34157-06	FORK ASSEMBLY, shifter (2)	ALL
9	34163-02	PIN, shifter stop	ALL
10	34483-06	SPRING, detent	ALL
11	34491-02A	SPRING, extension (2)	ALL
12	34981-02A	SHAFT, shifter forks (2)	ALL
13	34982-02A	BUSHING, right hand crankcase	ALL
14	37107-06	OIL SEAL	ALL
15	34162-06	FORK ASSEMBLY, shifter	ALL

SHIFTER LEVER



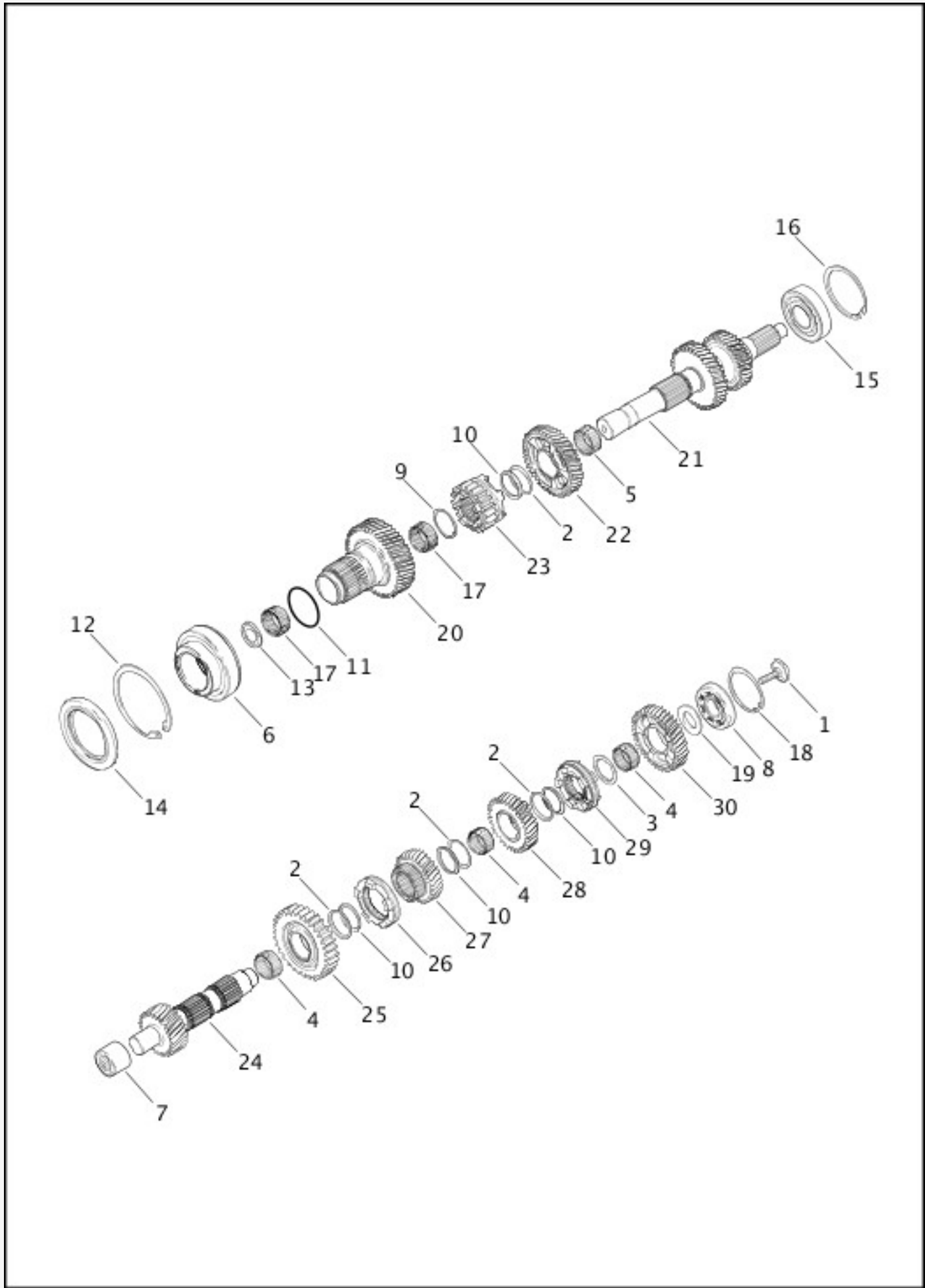
[View interactive image](#)

[View interactive table](#)

INDEX NO.	PART NO.	DESCRIPTION	MODEL(S)
1	2708A	SCREW	ALL
2	4016	SCREW	XL1200C, XL1200CB, XL1200CP, XL1200V,

			XL1200X
3	4359	SCREW	XL1200C, XL1200CB, XL1200CP, XL1200V, XL1200X
4	34572-04	LEVER ASSEMBLY, w/ 42569-03 (LH - Forward Foot Controls)	XL1200C, XL1200CB, XL1200CP, XL1200V
	34723-10	LEVER ASSEMBLY, w/ 42569-03	XL1200X
5	34573-04	SHIFTER ROD LINK	XL1200C, XL1200CB, XL1200CP, XL1200V
	34663-10	SHIFTER ROD LINK	XL1200X
6	34611-65A	SHIFTER TOE PEG KIT	ALL
7	34660-04A	SHIFT LEVER (chrome) (LH - Mid Foot Controls)	XL1200C, XL1200CA, XL1200CP, XL883L
	34721-07	SHIFT LEVER (black)	XL883N, XL883R
8	34670-06	SHIFT LEVER (chrome)	XL1200C, XL1200CB, XL1200CP, XL1200V
	34724-10	SHIFT LEVER (gloss black)	XL1200X
9	42569-03	BUSHING	XL1200C, XL1200CB, XL1200CP, XL1200V, XL1200X
10	33900154	SHIFT LEVER	XL1200T

TRANSMISSION GEARS



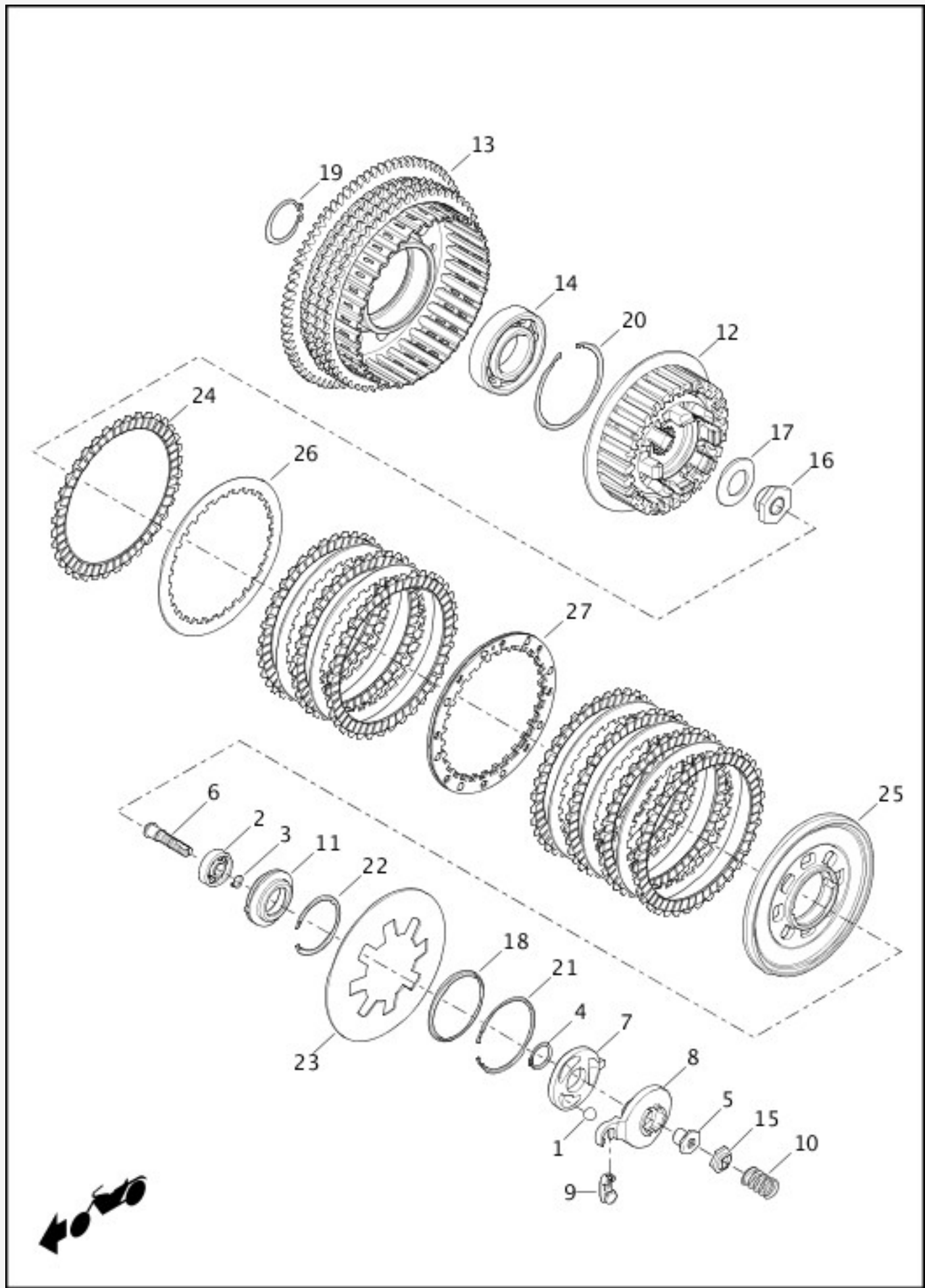
[View interactive image](#)

[View interactive table](#)

INDEX NO.	PART NO.	DESCRIPTION	MODEL(S)
1	3990	SCREW	ALL
2	6003	WASHER (4)	ALL

3	6021	SPACER	ALL
4	8862	BEARING (3)	ALL
5	8884	BEARING	ALL
6	8964	BALL BEARING	ALL
7	8966	BEARING, closed end	ALL
8	8970A	BALL BEARING	ALL
9	10984	SNAP RING	ALL
10	11067	RETAINING RING (4)	ALL
11	11113	O-RING	ALL
12	11161	RETAINING RING	ALL
13	12030	SEAL	ALL
14	12074	OIL SEAL	ALL
15	35030-89A	BEARING, mainshaft	ALL
16	35038-89A	RETAINING RING	ALL
17	35051-89A	NEEDLE BEARING (2)	ALL
18	35087-99A	RETAINING RING	ALL
19	35107-06	SPACER	ALL
20	35159-06	GEAR, fifth-mainshaft	ALL
21	35163-06	GEAR, mainshaft	ALL
22	35165-06	GEAR, fourth-mainshaft	ALL
23	35167-06	GEAR, first-mainshaft	ALL
24	35172-06	GEAR, countershaft	ALL
25	35174-06	GEAR, first-countershaft	ALL
26	35190-06	DOG RING	ALL
27	35191-06	GEAR, fourth-countershaft	ALL
28	35193-06	GEAR, third-countershaft	ALL
29	35196-06	DOG RING	ALL
30	35197-06	GEAR, second-countershaft	ALL

CLUTCH



[View interactive image](#)

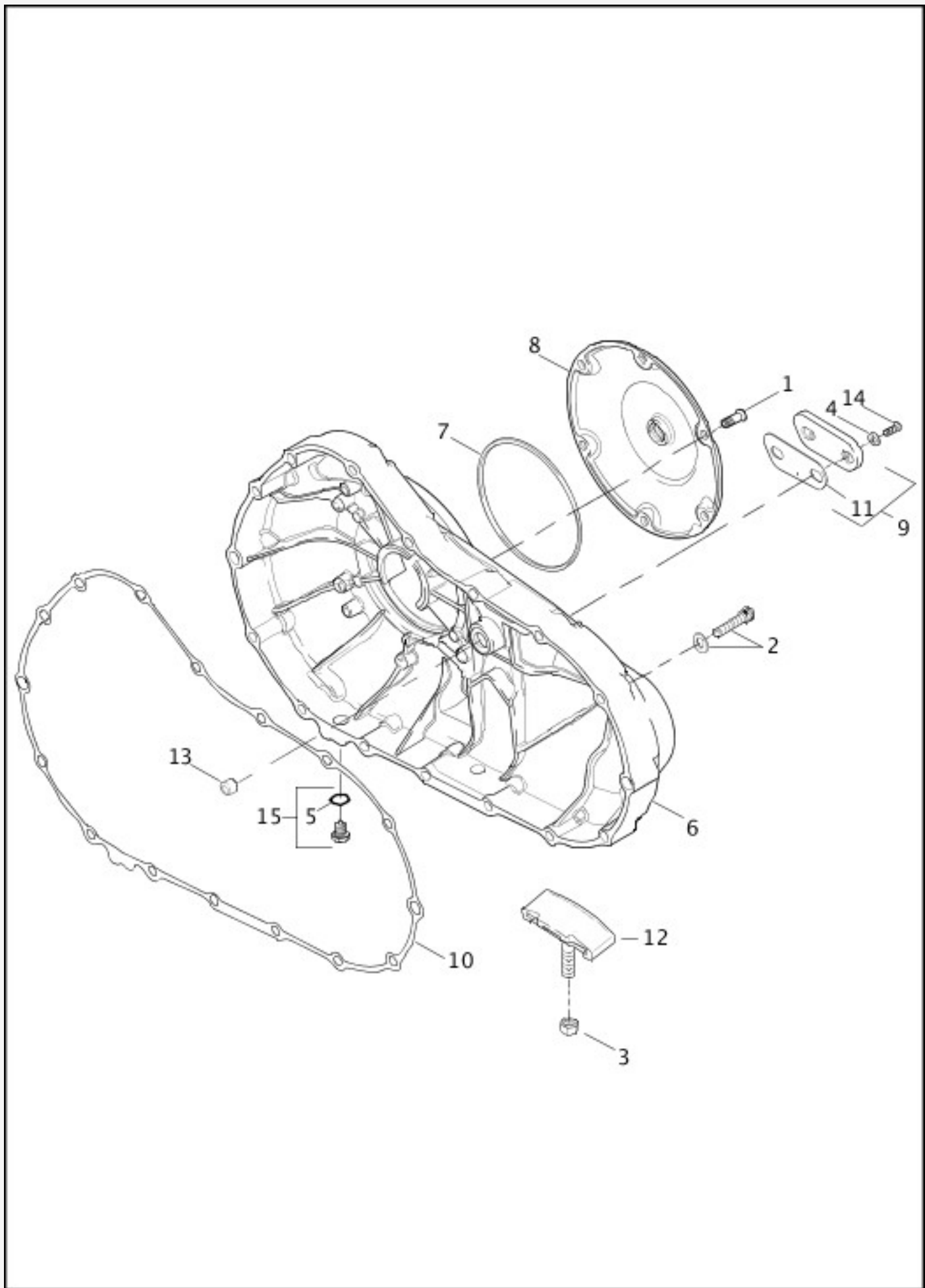
[View interactive table](#)

INDEX NO.	PART NO.	DESCRIPTION	MODEL(S)
1	8873	BALL (3)	ALL
2	8885	BEARING	ALL

3	11046	RETAINING RING	ALL
4	11250	RETAINING RING	ALL
5	11730A	WELL NUT	ALL
6	11765Y	ADJUSTMENT SCREW	ALL
7	25453-87A	RAMP, inner	ALL
8	25409-94B	RAMP, outer	ALL
9	34920-86A	COUPLING, clutch cable	ALL
10	36715-94	SPRING, clutch adjustment	ALL
11	36731-91	RELEASE PLATE, w/ 8885	ALL
12	36785-91	CLUTCH HUB	ALL
13	36790-04	CLUTCH SHELL & SPROCKET, w/ 36799-91 & 37905-90	ALL
14	36799-91	BALL BEARING	ALL
15	36802-84B	LOCKPLATE, well type	ALL
16	37495-91	NUT, main shaft	ALL
17	37870-91	SPRING WASHER	ALL
18	37872-90	SEAT, spring-inner	ALL
19	37904-90	RETAINING RING	ALL
20	37905-90	RETAINING RING	ALL
21	37908-90	RETAINING RING	ALL
22	37909-90	RETAINING RING	ALL
23	37910-04B	SPRING, clutch plate	XL883L, XL883N, XL883R

	37924-04A	SPRING, clutch plate	XL1200C, XL1200CA, XL1200CB, XL1200CP, XL1200T, XL1200V, XL1200X
24	37911-90	FRICTION PLATE (paper) (8)	ALL
25	37912-91	PRESSURE PLATE	ALL
26	37913-90	STEEL PLATE (6)	ALL
27	37977-90	SPRING PLATE	ALL

INSPECTION COVER & PRIMARY COVER



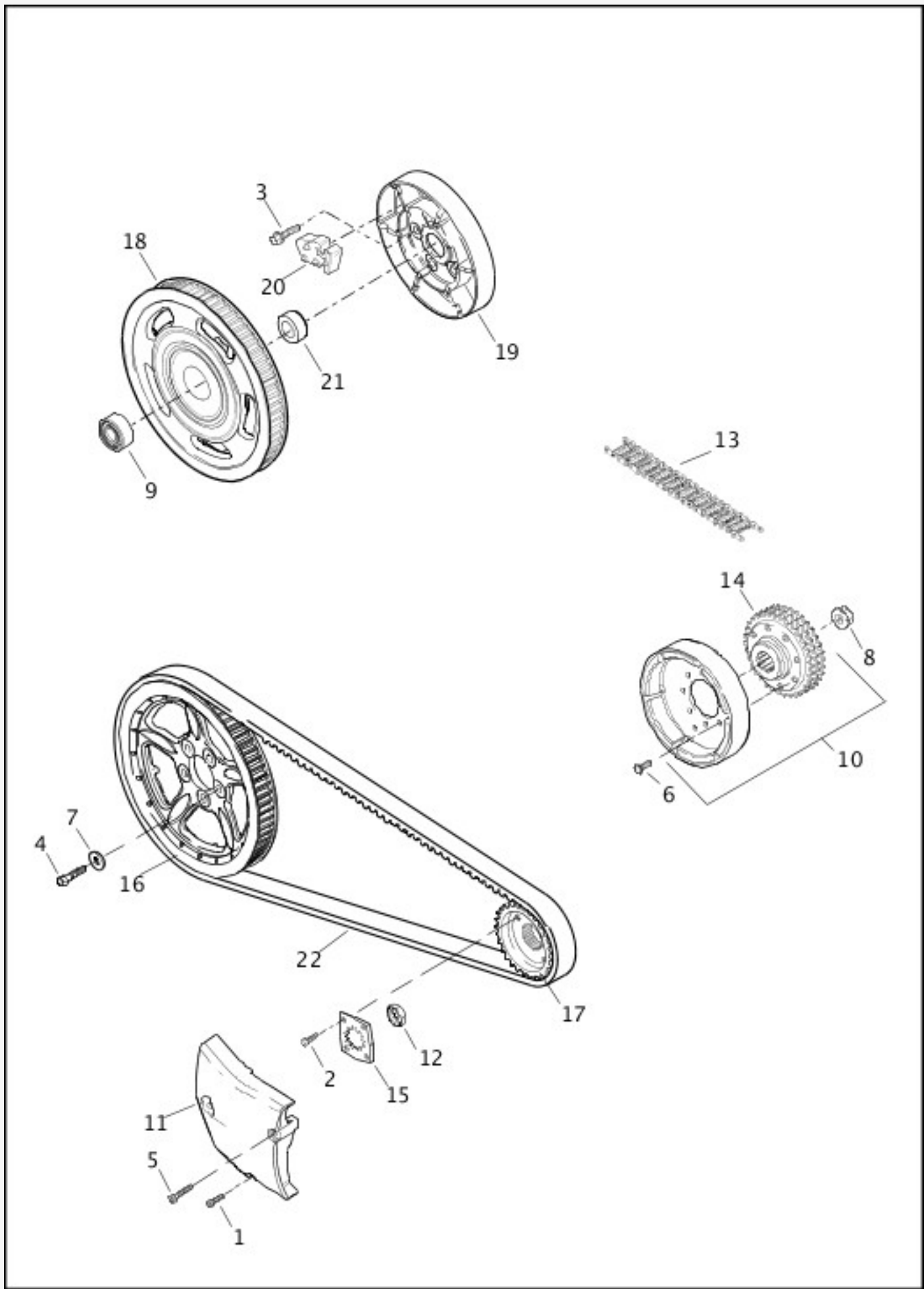
[View interactive image](#)

[View interactive table](#)

INDEX NO.	PART NO.	DESCRIPTION	MODEL(S)
1	943	SCREW (6)	ALL
2	4820A	SCREW (16)	ALL

3	7804	LOCKNUT	ALL
4	11171	O-RING (2)	ALL
5	11105	O-RING	ALL
6	25307-06	PRIMARY COVER (black) w/ 40574-06	XL1200CA, XL1200CB, XL1200CP, XL1200X, XL883N, XL883R
	25430-06	PRIMARY COVER (polished) w/ 40574-06	XL883L
	25460-06	PRIMARY COVER (chrome) w/ 40574-06	XL1200C, XL1200CP, XL1200T, XL1200V
7	25463-94A	GASKET	ALL
8	34760-04	INSPECTION COVER, clutch (chrome)	XL1200C, XL1200CP, XL1200T, XL1200V
	34992-04	INSPECTION COVER, clutch (polished)	XL1200CA, XL1200CB, XL1200CP, XL1200X, XL883L, XL883N, XL883R
9	34993-04A	INSPECTION COVER, chain, w/ gasket (polished)	XL1200CA, XL1200CB, XL1200CP, XL1200X, XL883L, XL883N, XL883R
	34761-04A	INSPECTION COVER, chain, w/ gasket (chrome)	XL1200C, XL1200CP, XL1200T, XL1200V
10	34955-04	GASKET	ALL
11	34990-08	GASKET	ALL
12	40039-02C	CHAIN ADJUSTER ASSEMBLY	ALL
13	40574-06	BUSHING	ALL
14	41191-74A	SCREW (2)	ALL
15	60328-98B	OIL DRAIN PLUG ASSEMBLY	ALL

BELTS, CHAINS & SPROCKETS



[View interactive image](#)

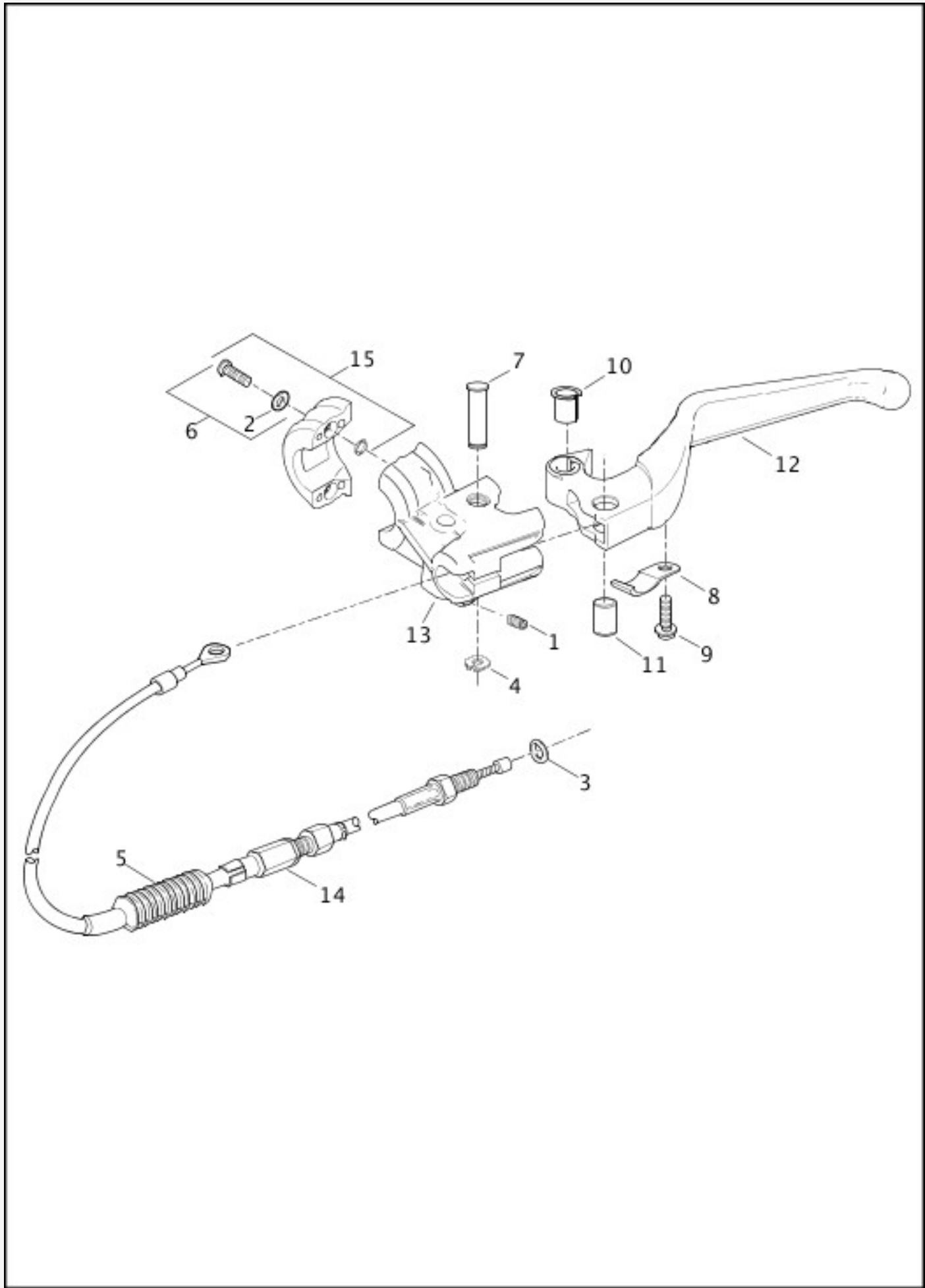
[View interactive table](#)

INDEX NO.	PART NO.	DESCRIPTION	MODEL(S)
1	3480A	SCREW	ALL
2	3594	SCREW (2)	ALL

3	3814	SCREW (Japan) (5)	ALL
4	3899	SCREW (5)	ALL
5	4717A	SCREW	ALL
6	4751	SCREW	ALL
7	6516HW	WASHER (5)	ALL
8	7839	NUT	ALL
9	9254	BEARING (Japan)	ALL
10	32493-02B	ROTOR SPROCKET ASSEMBLY, w/ 4751 & 40241-02A	XL883L, XL883N, XL883R
	32494-04B	ROTOR SPROCKET ASSEMBLY, w/ 4751 & 40290-04A	XL1200C, XL1200CA, XL1200CB, XL1200CP, XL1200T, XL1200V, XL1200X
11	34911-04	SPROCKET COVER	XL883L
	34932-04	SPROCKET COVER	XL1200C, XL1200CP, XL1200T, XL1200V
	34943-05	SPROCKET COVER	XL1200CA, XL1200CB, XL1200X, XL883N, XL883R
12	35211-91B	NUT	ALL
13	40005-57B	PRIMARY CHAIN, 94 links	XL883L, XL883N, XL883R
	40147-04	PRIMARY CHAIN, 96 links	XL1200C, XL1200CA, XL1200CB, XL1200CP, XL1200T, XL1200V, XL1200X
14	40241-02A	SPROCKET, triple row - 34T	XL883L, XL883N, XL883R
	40290-04A	SPROCKET, triple row - 38T	XL1200C, XL1200CA, XL1200CB, XL1200CP, XL1200T, XL1200V, XL1200X
15	40251-92A	RETENTION PLATE	ALL
16	40350-07	SPROCKET, belt - 68T (black w/ highlights)	XL1200C, XL1200CA, XL1200CB, XL1200CP, XL1200T, XL1200V, XL883L, XL883R
	40444-07	SPROCKET, belt - 68T (black)	XL1200X, XL883N
17	40380-04	SPROCKET, transmission - 30T (HDI)	ALL
	40409-04	SPROCKET, transmission - 29T	ALL

18	40518-08	SPROCKET ASSEMBLY, w/ bearing - 68T (black) (Japan)	ALL
19	40560-05	BOWL COMPENSATOR (Japan)	ALL
20	40561-05	ISOLATOR (Japan) (6)	ALL
21	40562-05	SPACER (Japan)	ALL
22	40591-07	BELT, 137T	ALL

CLUTCH CONTROL



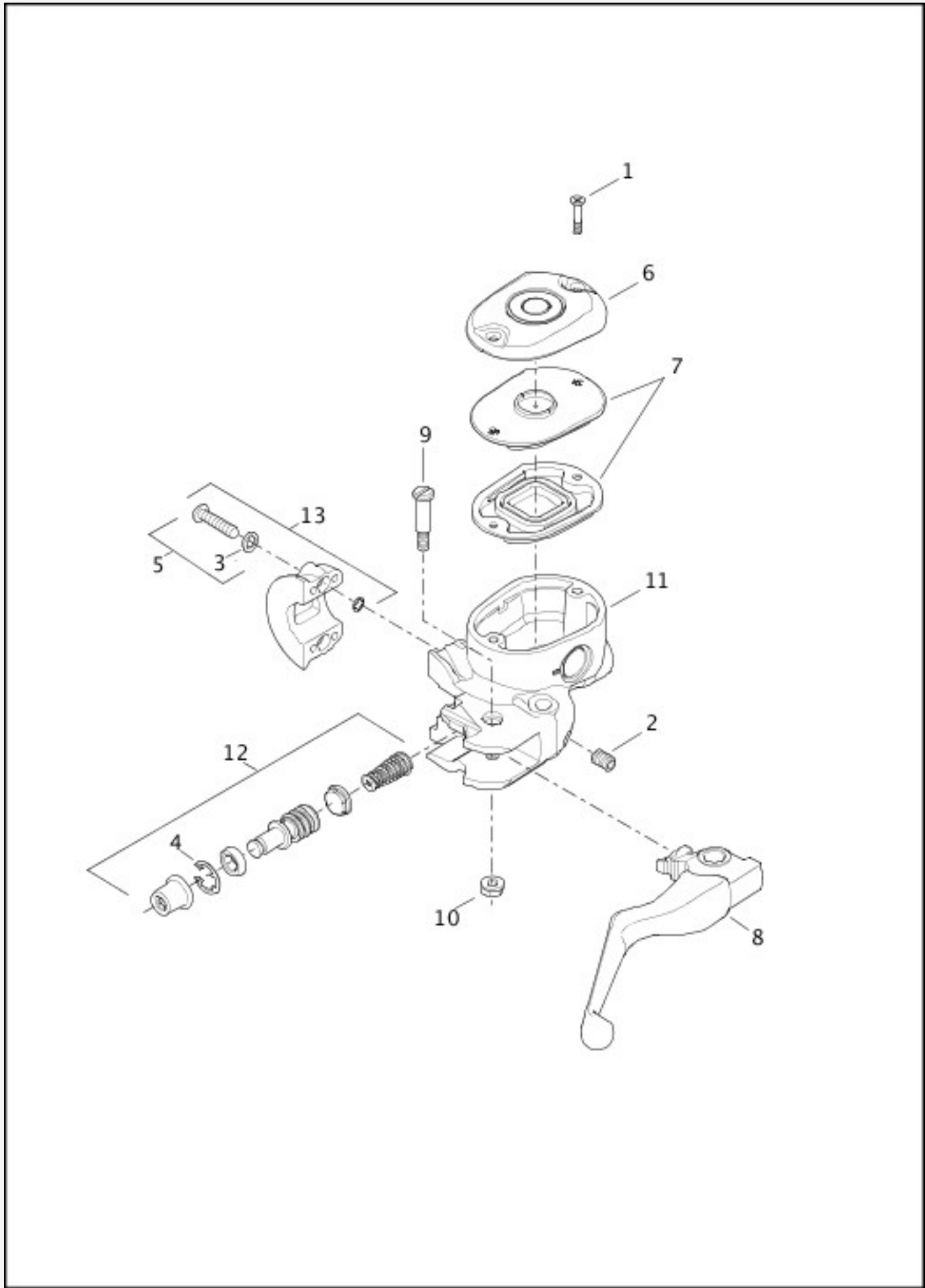
[View interactive image](#)

[View interactive table](#)

INDEX NO.	PART NO.	DESCRIPTION	MODEL(S)
1	3244	SCREW	ALL
2	6101	WASHER (2)	ALL

3	11179	O-RING	ALL
4	11379	RETAINING RING	ALL
5	38630-88	BOOT	ALL
6	42425-05	KIT, w/ 6101 (2) & screw (2)	ALL
7	42807-04	BOLT	ALL
8	45799-04	SPRING, anti-rattle	ALL
9	45800-04	SCREW	ALL
10	45801-04	BUSHING	ALL
11	46268-04	PIN	ALL
12	36700011	HAND LEVER, w/ 8, 9, 10 (black)	XL1200X, XL883N
	36700012	HAND LEVER, w/ 8, 9, 10 (silver)	XL1200C, XL1200CA, XL1200CB, XL1200CP, XL1200T, XL1200V, XL883L, XL883R
13	36700013	BRACKET, w/ 3244	ALL
14	37000041A	CABLE ASSEMBLY, w/ 3, 4, 5, 11 (LH - Mini-Ape Handlebar)	XL1200CB, XL1200CP, XL1200V
	38699-04D	CABLE ASSEMBLY, w/ 3, 4, 5, 11 (LH - Pullback or Drag Handlebar)	XL1200C, XL1200CA, XL1200CP, XL1200T, XL1200X, XL883L, XL883N, XL883R
15	41700104	CLAMP	ALL

BRAKE CONTROL, FRONT



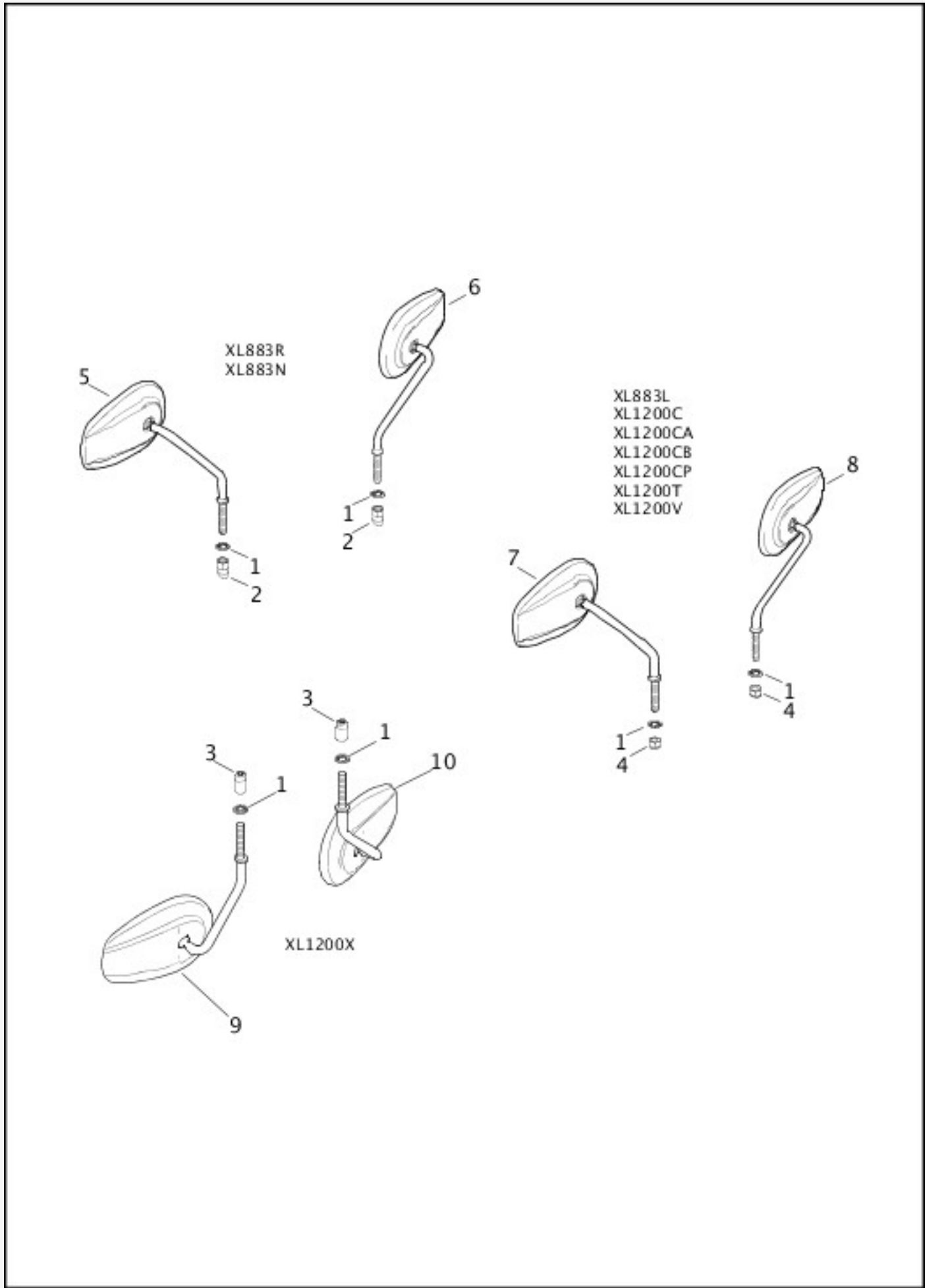
[View interactive image](#)

[View interactive table](#)

INDEX NO.	PART NO.	DESCRIPTION	MODEL(S)
1	2586A	SCREW (2)	ALL
2	3244	SCREW	ALL

3	6101	WASHER (2)	ALL
4	11142	RETAINING RING	ALL
5	42425-05	KIT, w/ 6101 (2) & screw (2)	ALL
6	42804-07	CAP, w/ decal	ALL
7	42805-04	GASKET KIT	ALL
8	41700004	LEVER (silver)	XL1200C, XL1200CA, XL1200CB, XL1200CP, XL1200T, XL1200V, XL883L, XL883R
	41700008	LEVER (black)	XL1200X, XL883N
9	41700042	BOLT	ALL
10	41700043	NUT	ALL
11	41700086	MASTER CYLINDER ASSEMBLY, dual	XL883R
	41700003	MASTER CYLINDER ASSEMBLY, single (silver), (ABS), w/ 1, 2, 6, 7, 8, 9, 10, 12	XL1200T, XL1200V, XL883L
	41700085	MASTER CYLINDER ASSEMBLY, single (silver), (Non-ABS), w/ 1, 2, 6, 7, 8, 9, 10, 12	XL1200C, XL1200CA, XL1200CB, XL1200CP, XL1200T, XL1200V, XL883L
	41700099	MASTER CYLINDER ASSEMBLY, single (black), (Non-ABS), w/ 1, 2, 6, 7, 8, 9, 10, 12	XL1200X, XL883N
	41700007	MASTER CYLINDER ASSEMBLY, single (black), (ABS), w/ 1, 2, 6, 7, 8, 9, 10, 12	XL1200X, XL883N
12	41700084	REBUILD KIT, single (ABS)	XL1200C, XL1200CA, XL1200CB, XL1200CP, XL1200T, XL1200V, XL1200X, XL883L, XL883N
	41700087	REBUILD KIT, single (Non-ABS)	XL1200C, XL1200CA, XL1200CB, XL1200CP, XL1200T, XL1200V, XL1200X, XL883L, XL883N
	41700088	REBUILD KIT, dual	XL883R
13	41700104	CLAMP	ALL

MIRRORS



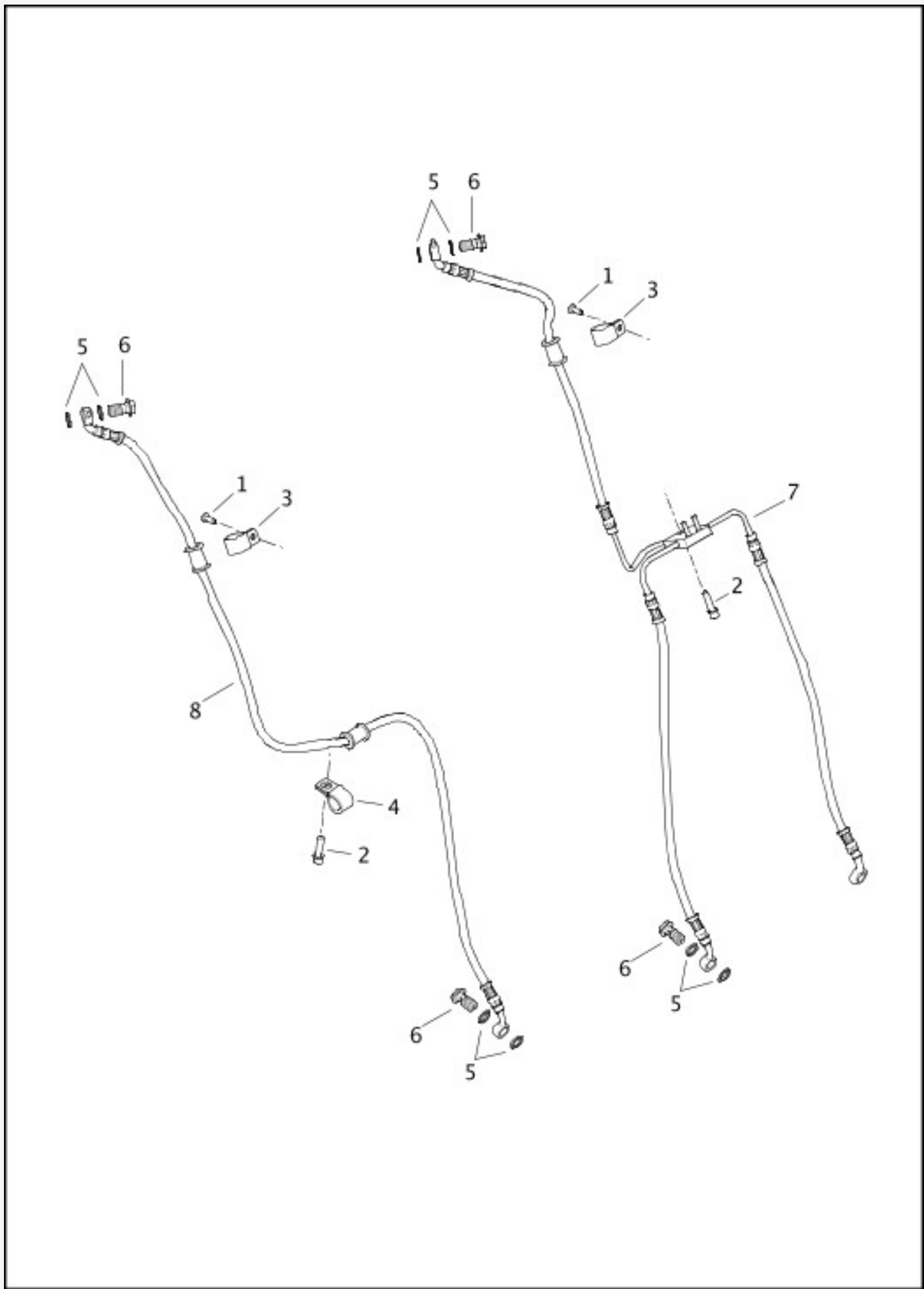
[View interactive image](#)

[View interactive table](#)

INDEX NO.	PART NO.	DESCRIPTION	MODEL(S)
1	7155	LOCKWASHER (2)	ALL
2	7331	ACORN NUT (2)	XL883N, XL883R

3	7357	BULLET NUT (2)	XL1200X
4	7725	LOCKNUT (2)	XL1200C, XL1200CA, XL1200CB, XL1200CP, XL1200T, XL1200V, XL883L
5	91982-03B	MIRROR KIT, right, short (black), w/ 1, 2	XL883N, XL883R
6	91983-03B	MIRROR KIT, left, short (black), w/ 1, 2	XL883N, XL883R
7	92381-09	MIRROR KIT, right, long (chrome), w/ 1, 4 (LH - Pullback & Drag Handlebar)	XL1200C, XL1200CA, XL1200CP
	92401-09	MIRROR KIT, right, short (chrome), w/ 1, 4 (LH - Mini-Ape Handlebar)	XL1200CB, XL1200CP, XL1200T, XL1200V, XL883L
8	92400-09	MIRROR KIT, left, long (chrome), w/ 1, 4 (LH - Pullback & Drag Handlebar)	XL1200C, XL1200CA, XL1200CP
	92402-09	MIRROR KIT, left, short (chrome), w/ 1, 4 (LH - Mini-Ape Handlebar)	XL1200CB, XL1200CP, XL1200T, XL1200V, XL883L
9	91960-10	MIRROR KIT, right, short (black), w/ 1, 3	XL1200X
10	91961-10	MIRROR KIT, left, short (black), w/ 1, 3	XL1200X

BRAKE LINES, FRONT - NON-ABS



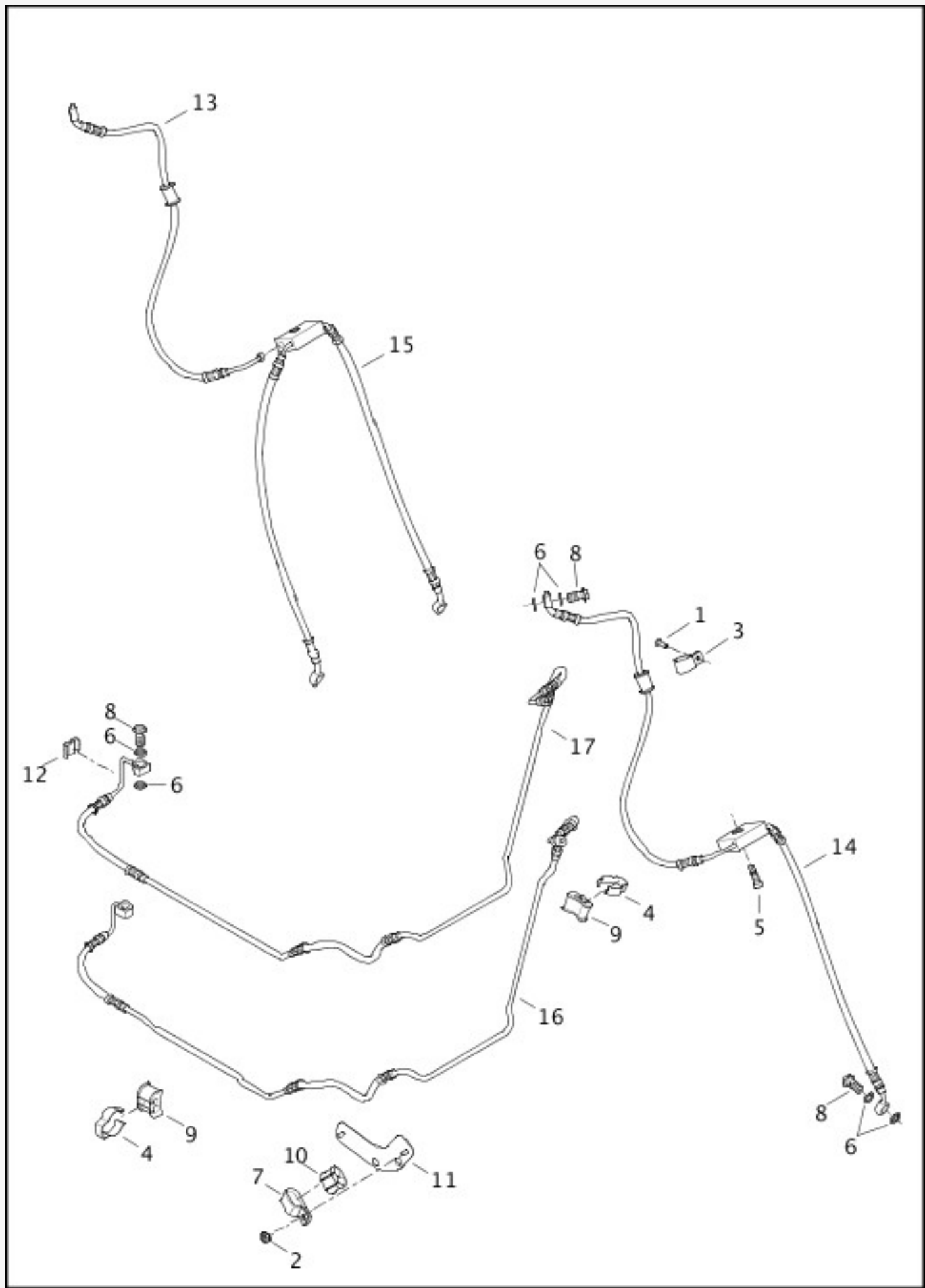
[View interactive image](#)

[View interactive table](#)

INDEX NO.	PART NO.	DESCRIPTION	MODEL(S)
1	2441	SCREW	ALL
2	4741A	SCREW	ALL

3	10031	CLAMP	ALL
4	10053	CLAMP	XL1200C, XL1200CA, XL1200CB, XL1200CP, XL1200T, XL1200V, XL1200X, XL883L, XL883N
5	41756-08	SEALING WASHER (4)	XL1200C, XL1200CA, XL1200CB, XL1200CP, XL1200T, XL1200V, XL1200X, XL883L, XL883N
	41756-08	SEALING WASHER (6)	XL883R
6	11600001	BANJO BOLT (2)	XL1200C, XL1200CA, XL1200CB, XL1200CP, XL1200T, XL1200V, XL1200X, XL883L, XL883N
	11600001	BANJO BOLT (3)	XL883R
7	41800170	BRAKELINE, dual	XL883R
8	41800160	BRAKELINE, single	XL1200T, XL883L
	41800166	BRAKELINE, single (LH - Pullback Handlebar)	XL1200C, XL1200CP
	41800167	BRAKELINE, single (LH - Drag Handlebar)	XL1200CA, XL1200CP
	41800168	BRAKELINE, single (LH - Mini-Ape Handlebar)	XL1200CB, XL1200CP, XL1200V
	41800171	BRAKELINE, single	XL1200X
	41800172	BRAKELINE, single	XL883N

BRAKE LINES, FRONT - ABS



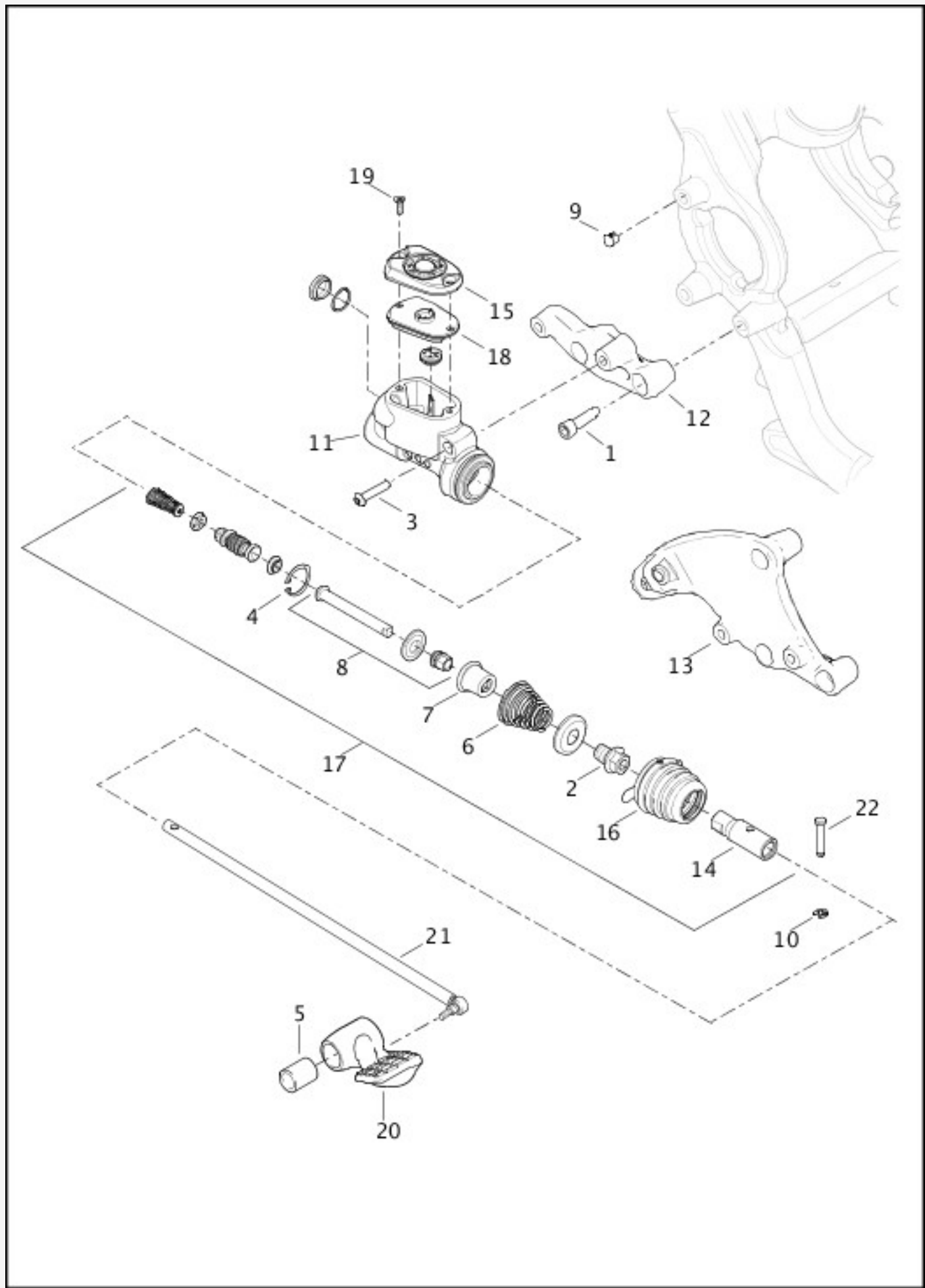
[View interactive image](#)

[View interactive table](#)

INDEX NO.	PART NO.	DESCRIPTION	MODEL(S)
1	2441	SCREW	ALL
2	7838	NUT (2)	ALL

3	10031	CLAMP	ALL
4	10289A	CLIP (4)	ALL
5	5004	BOLT	ALL
6	41756-08	GASKET (8)	XL1200C, XL1200CA, XL1200CB, XL1200CP, XL1200T, XL1200V, XL1200X, XL883L, XL883N
	41756-08	GASKET (10)	XL883R
7	10800074	P-CLAMP (2)	ALL
8	11600001	BANJO BOLT (4)	XL1200C, XL1200CA, XL1200CB, XL1200CP, XL1200T, XL1200V, XL1200X, XL883L, XL883N
	11600001	BANJO BOLT (5)	XL883R
9	12100031	GROMMET (4)	ALL
10	12100049	GROMMET (2)	ALL
11	41600068	BRACKET	ALL
12	41600074	CLIP	ALL
13	41800144	BRAKELINE, jumper (dual)	XL883R
14	41800143	BRAKELINE	XL1200X
	41800145	BRAKELINE (LH - Pullback Handlebar)	XL1200C, XL1200CP
	41800146	BRAKELINE (LH - Drag Handlebar)	XL1200CA, XL1200CP
	41800147	BRAKELINE (LH - Mini-Ape Handlebar)	XL1200CB, XL1200CP, XL1200V
	41800150	BRAKELINE	XL1200T, XL883L
	41800151	BRAKELINE	XL883N
15	41800154	BRAKELINE (dual)	XL883R
16	41800161	BRAKELINE	ALL
17	41800162	BRAKELINE	ALL

BRAKE CONTROL, REAR



[View interactive image](#)

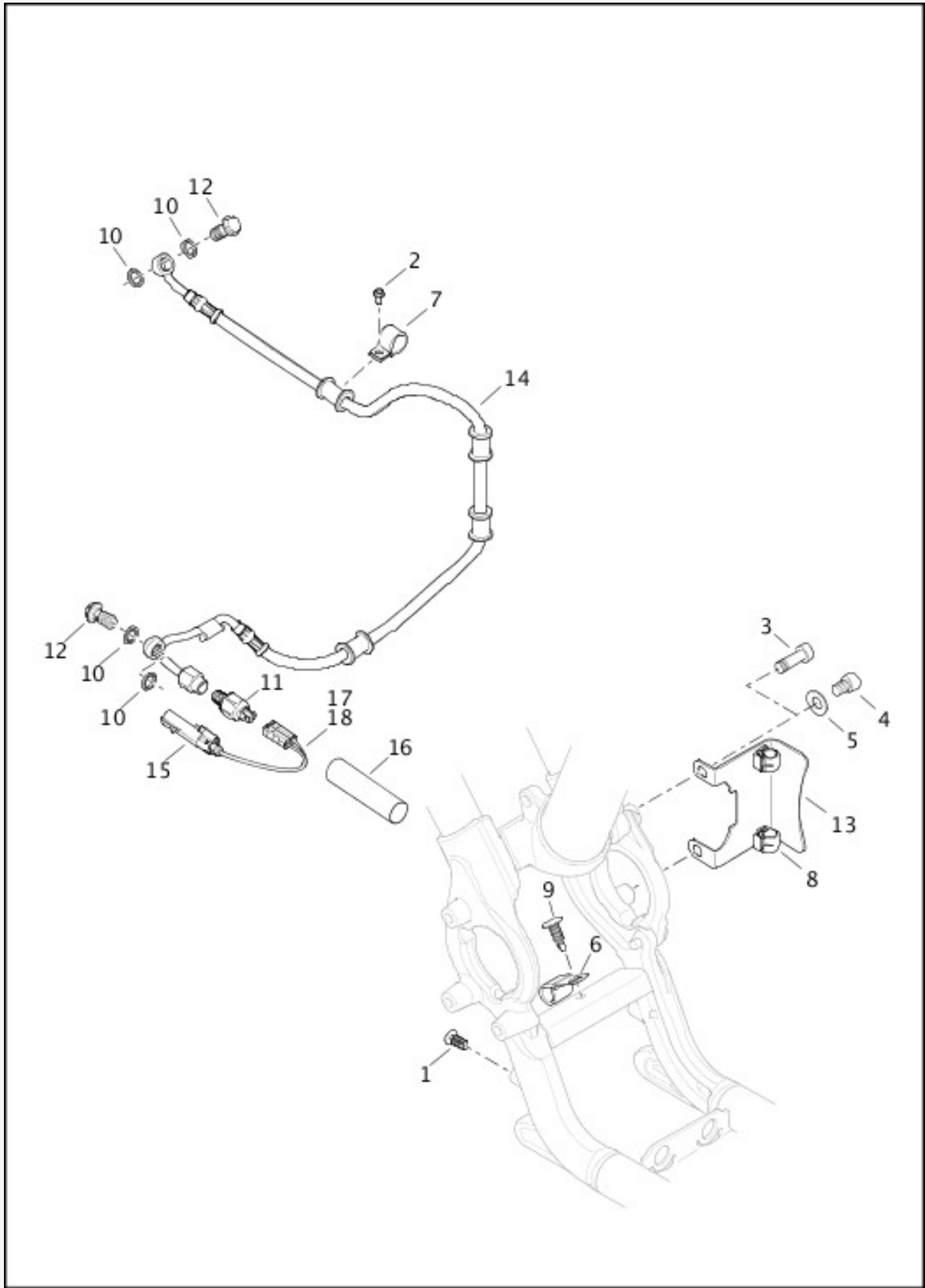
[View interactive table](#)

INDEX NO.	PART NO.	DESCRIPTION	MODEL(S)
1	3214	SCREW (LH - Solo) (2)	XL1200CP, XL1200V, XL1200X, XL883L, XL883N
	3214	SCREW (LH - 2Up) (3)	XL1200C, XL1200CA, XL1200CB, XL1200CP,

			XL1200T, XL883R
2	7477	NUT	ALL
3	8329	SCREW (2)	ALL
4	11121	RETAINING RING	ALL
5	42569-03	BUSHING	ALL
6	42593-04	SPRING	ALL
7	42811-04	BOOT	ALL
8	42812-04	PUSHROD	ALL
9	90493-83	HOLE PLUG	XL1200CP, XL1200V, XL1200X, XL883L, XL883N
10	12600080	CLIP	ALL
11	41700025	MASTER CYLINDER, with 15, 17, 18, 19	ALL
12	41700092	BRACKET (LH - Solo)	XL1200CP, XL1200V, XL1200X, XL883L, XL883N
13	50500233	BRACKET (LH - 2Up)	XL1200C, XL1200CA, XL1200CB, XL1200CP, XL1200T, XL883R
14	41700094	PUSHROD COLLAR	ALL
15	41700095	COVER, w/ decal	ALL
16	41700096	PUSHROD	ALL
17	41700097	KIT, master cylinder	ALL
18	41700098	KIT, gasket	ALL
19	41700102	SCREW (2)	ALL
20	50600020	BRAKE PEDAL, w/ 42569-03, mid control (polished)	XL1200C, XL1200CA, XL1200CP, XL883L
	50600024	BRAKE PEDAL, w/ 42569-03, mid control (black)	XL883N, XL883R
	50600124	BRAKE PEDAL, w/ 42569-03, mid control (polished)	XL1200T
	50600021	BRAKE PEDAL, w/ 42569-03, forward control (polished)	XL1200C, XL1200CB, XL1200CP, XL1200V
	50600025	BRAKE PEDAL, w/ 42569-03, forward control (black)	XL1200X
21	50600022	PUSHROD, mid control (polished)	XL1200C, XL1200CA, XL1200CP, XL883L
	50600091	PUSHROD, mid control (black)	XL883N, XL883R
	50600125	PUSHROD, mid control (polished)	XL1200T

	50600023	PUSHROD, forward control (polished)	XL1200C, XL1200CB, XL1200CP, XL1200V
	50600092	PUSHROD, forward control (black)	XL1200X
22	50600101	PIN	ALL

BRAKE LINES, REAR - NON-ABS



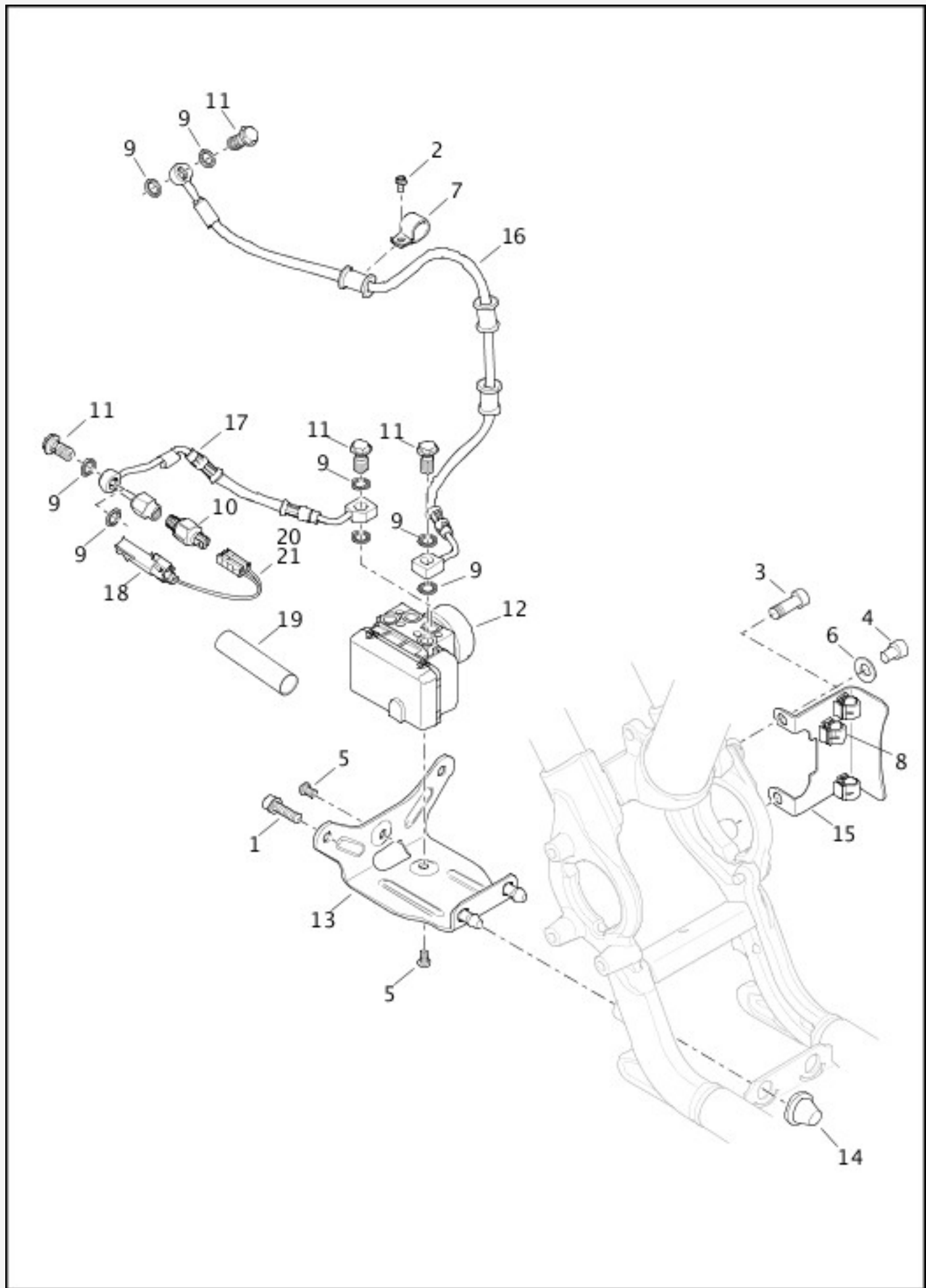
[View interactive image](#)

[View interactive table](#)

INDEX NO.	PART NO.	DESCRIPTION	MODEL(S)
1	11785	SCREW (2)	ALL
2	2501A	SCREW	ALL

3	3214	SCREW (LH - 2Up) (2)	XL1200C, XL1200CA, XL1200CB, XL1200CP, XL1200T, XL883R
4	4190	SCREW (LH - Solo) (2)	XL1200CP, XL1200V, XL1200X, XL883L, XL883N
5	6701	WASHER (LH - Solo) (2)	XL1200CP, XL1200V, XL1200X, XL883L, XL883N
6	10003	CLAMP	ALL
7	10031	CLAMP	ALL
8	10108	CLIP (2)	ALL
9	11778	PUSH-IN FASTENER	ALL
10	41756-08	GASKET (4)	ALL
11	72023-51E	SWITCH	ALL
12	11600001	BANJO BOLT (2)	ALL
13	41600069	BRACKET ASSEMBLY	ALL
14	41800318	BRAKELINE	ALL
15	69200272	CONNECTOR, 2-way, pin	ALL
16	69200790	HEAT SHRINK	ALL
17	69200793	KIT, jumper switch, w/ 15, 16, 18	ALL
18	69200794	WIRE HARNESS, jumper switch	ALL

BRAKE LINES, REAR - ABS



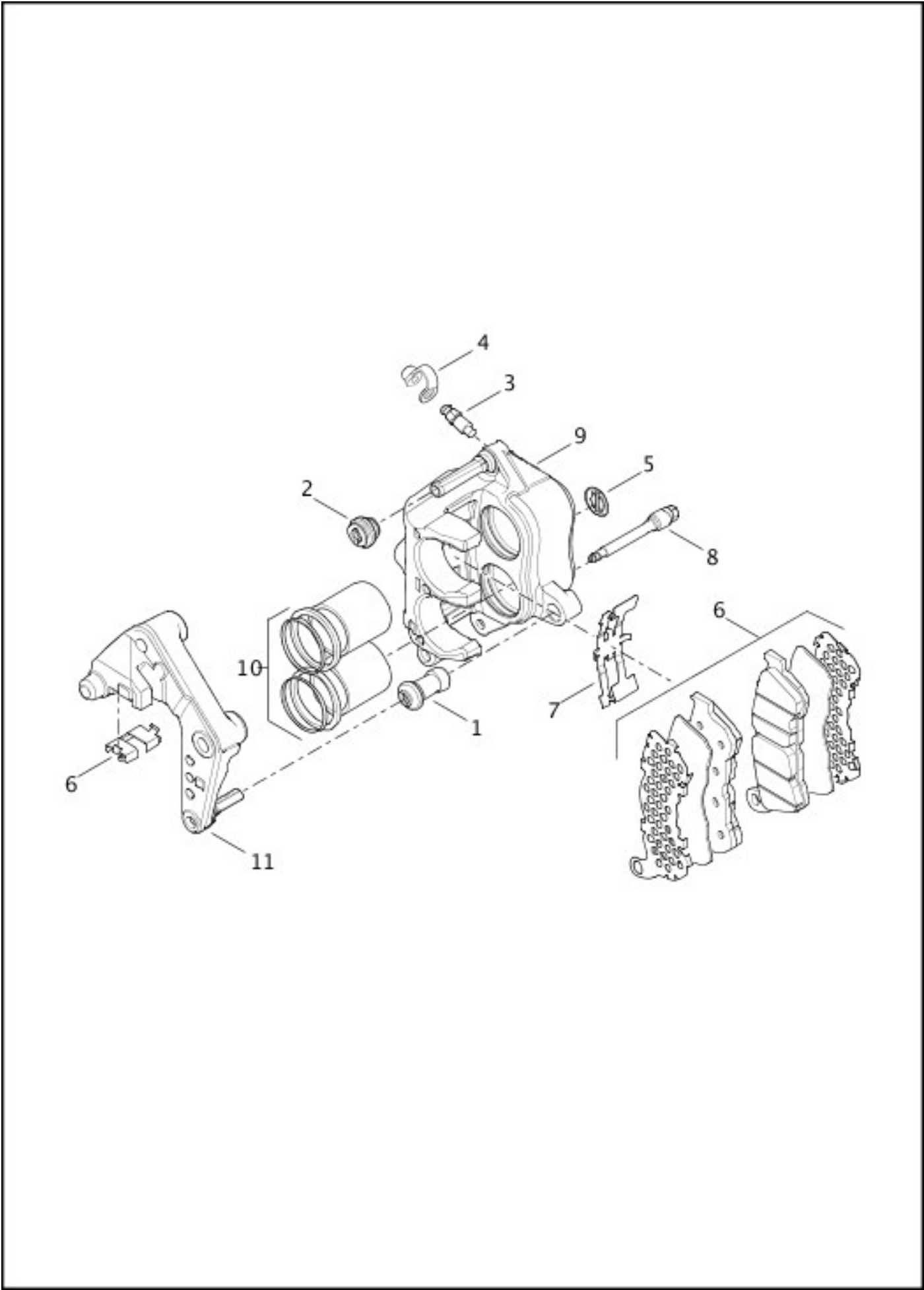
[View interactive image](#)

[View interactive table](#)

INDEX NO.	PART NO.	DESCRIPTION	MODEL(S)
1	2479	SCREW (2)	ALL
2	2501A	SCREW	ALL

3	3214	SCREW (LH - 2Up) (2)	XL1200C, XL1200CA, XL1200CB, XL1200CP, XL1200T, XL883R
4	4190	SCREW (LH - Solo) (2)	XL1200CP, XL1200V, XL1200X, XL883L, XL883N
5	4858M	SCREW (2)	ALL
6	6701	WASHER (LH - Solo) (2)	XL1200CP, XL1200V, XL1200X, XL883L, XL883N
7	10031	CLAMP	ALL
8	10108	CLIP (3)	ALL
9	41756-08	GASKET (8)	ALL
10	72023-51E	SWITCH	ALL
11	11600001	BANJO BOLT (4)	ALL
12	41100006	ABS CONTROL UNIT	ALL
13	41100020	BRACKET	ALL
14	41100022	GROMMET (2)	ALL
15	41600069	BRACKET ASSEMBLY	ALL
16	41800165	BRAKELINE	ALL
17	41800317	BRAKELINE	ALL
18	69200272	CONNECTOR, 2-way, pin	ALL
19	69200790	HEAT SHRINK	ALL
20	69200793	KIT, jumper switch, w/ 18, 19, 21	ALL
21	69200794	WIRE HARNESS, jumper switch	ALL

BRAKE CALIPER, FRONT



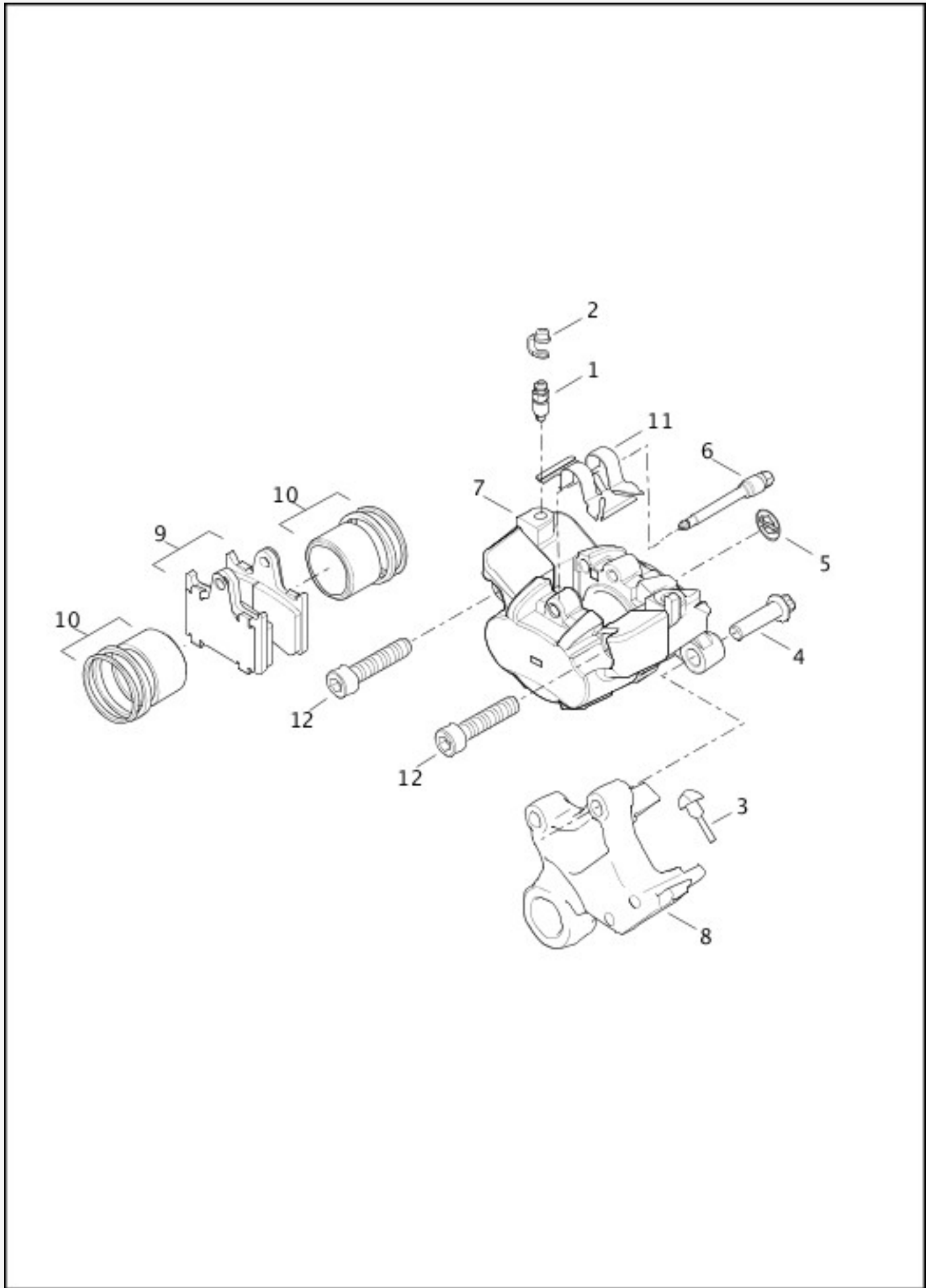
[View interactive image](#)

[View interactive table](#)

INDEX NO.	PART NO.	DESCRIPTION	MODEL(S)
1	42823-04	BOOT, bushing	XL1200C, XL1200CA, XL1200CB, XL1200CP, XL1200T, XL1200V, XL1200X, XL883L, XL883N

	42823-04	BOOT, bushing (2)	XL883R
2	42824-04	BOOT, pin	XL1200C, XL1200CA, XL1200CB, XL1200CP, XL1200T, XL1200V, XL1200X, XL883L, XL883N
	42824-04	BOOT, pin (2)	XL883R
3	42827-04	BLEEDER SCREW	XL1200C, XL1200CA, XL1200CB, XL1200CP, XL1200T, XL1200V, XL1200X, XL883L, XL883N
	42827-04	BLEEDER SCREW (2)	XL883R
4	42828-04	BLEEDER CAP	XL1200C, XL1200CA, XL1200CB, XL1200CP, XL1200T, XL1200V, XL1200X, XL883L, XL883N
	42828-04	BLEEDER CAP (2)	XL883R
5	14100381	DECAL	XL1200C, XL1200CA, XL1200CB, XL1200CP, XL1200T, XL1200V, XL1200X, XL883L, XL883N
	14100381	DECAL (2)	XL883R
6	41300004	PAD KIT, w/ retainer clip	XL1200C, XL1200CA, XL1200CB, XL1200CP, XL1200T, XL1200V, XL1200X, XL883L, XL883N
	41300004	PAD KIT, w/ retainer clip (2)	XL883R
7	41300005	SPRING	XL1200C, XL1200CA, XL1200CB, XL1200CP, XL1200T, XL1200V, XL1200X, XL883L, XL883N
	41300005	SPRING (2)	XL883R
8	41300009	PAD PIN	XL1200C, XL1200CA, XL1200CB, XL1200CP, XL1200T, XL1200V, XL1200X, XL883L, XL883N
	41300009	PAD PIN (2)	XL883R
9	41300003	CALIPER ASSEMBLY, left, w/ 1, 2, 3, 5, 6, 7, 8, 10, 11 (silver)	XL1200C, XL1200CA, XL1200CB, XL1200CP, XL1200T, XL1200V, XL883L
	41300010	CALIPER ASSEMBLY, left, w/ 1, 2, 3, 5, 6, 7, 8, 10, 11 (black)	XL1200X, XL883N, XL883R
	41300032	CALIPER ASSEMBLY, right, w/ 1, 2, 3, 5, 6, 7, 8, 10, 11 (black) (not shown)	XL883R
10	41300006	PISTON KIT, set	XL1200C, XL1200CA, XL1200CB, XL1200CP, XL1200T, XL1200V, XL1200X, XL883L, XL883N
	41300006	PISTON KIT, set (2)	XL883R
11	41300007	CALIPER BRACKET, left (silver)	XL1200C, XL1200CA, XL1200CB, XL1200CP, XL1200T, XL1200V, XL883L
	41300008	CALIPER BRACKET, left (black)	XL1200X, XL883N, XL883R
	41300052	CALIPER BRACKET, right (black) (not shown)	XL883R

BRAKE CALIPER, REAR



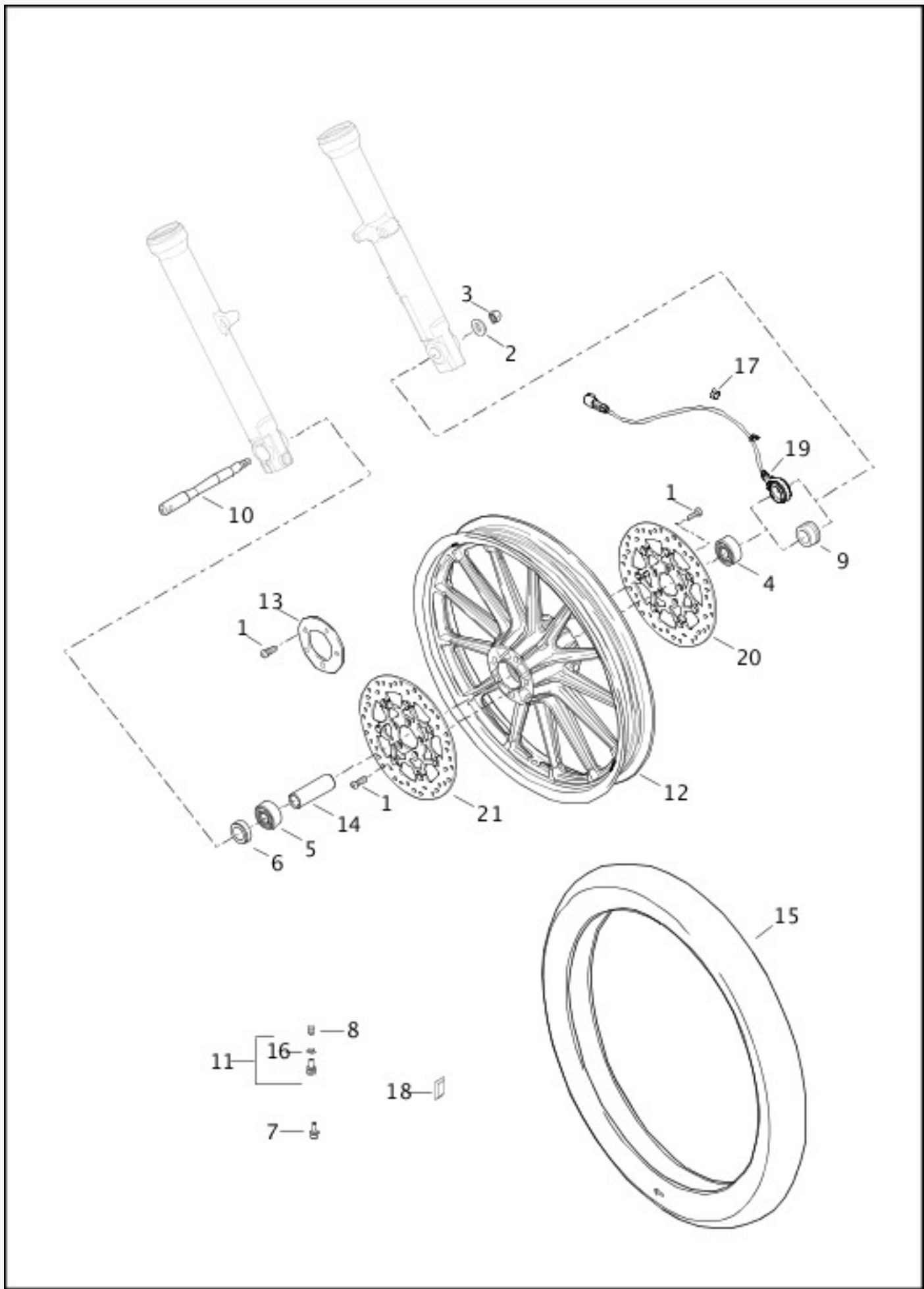
[View interactive image](#)

[View interactive table](#)

INDEX NO.	PART NO.	DESCRIPTION	MODEL(S)
1	42827-04	BLEEDER SCREW	ALL

2	42828-04	BLEEDER CAP	ALL
3	42840-04	DAMPER	ALL
4	44160-00	BOLT (2)	ALL
5	14100381	DECAL	ALL
6	41300009	PAD PIN	ALL
7	41300038	CALIPER ASSEMBLY, w/ 1, 2, 3, 6, 9, 10, 11, 12 (silver)	XL1200C, XL1200CA, XL1200CB, XL1200CP, XL1200T, XL1200V, XL883L
	41300039	CALIPER ASSEMBLY, w/ 1, 2, 3, 6, 9, 10, 11, 12 (black)	XL1200X, XL883N, XL883R
8	41300049	BRACKET, w/ 42840-04	ALL
9	41300053	PAD KIT	ALL
10	41300054	PISTON KIT, set	ALL
11	41300055	SPRING	ALL
12	41300056	BOLT (2)	ALL

WHEELS, FRONT, CAST - 883L/N/R, 1200C/CA/CP/T



[View interactive image](#)

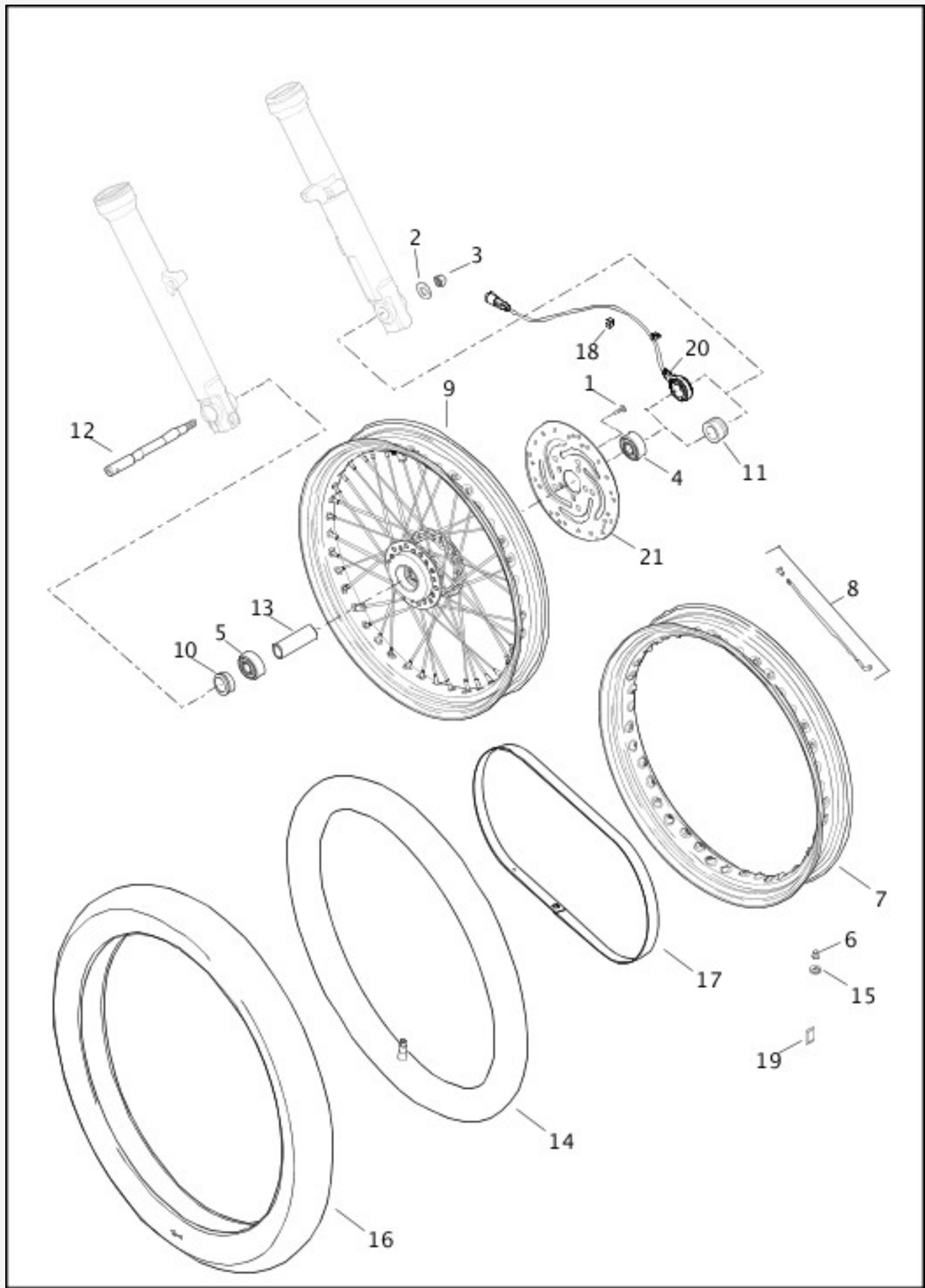
[View interactive table](#)

INDEX NO.	PART NO.	DESCRIPTION	MODEL(S)
1	3655A	SCREW (5)	XL1200C, XL1200CA, XL1200CP, XL1200T, XL883L

	3655A	SCREW (10)	XL883N, XL883R
2	6594	WASHER	XL1200C, XL1200CA, XL1200CP, XL1200T, XL883L, XL883N, XL883R
3	7813A	NUT	XL1200C, XL1200CA, XL1200CP, XL1200T, XL883L, XL883N, XL883R
4	9252	BALL BEARING, 25mm (ABS)	XL1200C, XL1200CA, XL1200CP, XL1200T, XL883L, XL883N, XL883R
	9276A	BALL BEARING, 25mm (Non-ABS)	XL1200C, XL1200CA, XL1200CP, XL1200T, XL883L, XL883N, XL883R
5	9276A	BALL BEARING, 25mm	XL1200C, XL1200CA, XL1200CP, XL1200T, XL883L, XL883N, XL883R
6	11804	SPACER, right	XL1200C, XL1200CA, XL1200CP, XL1200T, XL883L
	43358-08	SPACER, right	XL883N, XL883R
7	40999-87	VALVE STEM	XL1200C, XL1200CA, XL1200CP, XL1200T, XL883L
8	41123-79	VALVE CAP	XL1200C, XL1200CA, XL1200CP, XL1200T, XL883L, XL883N, XL883R
9	41242-08	SPACER, left (Non-ABS)	XL1200C, XL1200CA, XL1200CP, XL1200T, XL883L, XL883N, XL883R
10	41628-08	AXLE	XL1200C, XL1200CA, XL1200CP, XL1200T, XL883L
	43000001	AXLE	XL883N, XL883R
11	43157-83A	VALVE STEM ASSEMBLY, w/ 54321-85	XL883N, XL883R
12	43300156	WHEEL ASSEMBLY, 19 in. (13 spoke) (black) w/o bearings & sleeves	XL883R
	47875-09A	WHEEL ASSEMBLY, 19 in. (13 spoke) (black) w/o bearings & sleeves	XL883N
	43689-11	WHEEL ASSEMBLY, 18 in. (5 spoke) (black) w/o bearings & sleeves (not shown)	XL883L
	43300158	WHEEL ASSEMBLY, 16 in. (5 spoke) (chrome) w/o bearings & sleeves (not shown)	XL1200C, XL1200CP
	43300157	WHEEL ASSEMBLY, 16 in. (5 spoke) (black) w/o bearings & sleeves (not shown)	XL1200CA, XL1200CP
	43300282	WHEEL ASSEMBLY, 18 in. (5 spoke) (black) w/o bearings & sleeves (not shown)	XL1200T
13	43355-00	HUB PLATE (flat black)	XL883N

14	43906-08	SPACER	XL883N, XL883R
	11888	SPACER	XL1200C, XL1200CA, XL1200CP, XL1200T, XL883L
15	40879-11A	TIRE	XL883L
	43258-07B	TIRE	XL883N, XL883R
	55035-11A	TIRE	XL1200C, XL1200CA, XL1200CP
	43100021	TIRE	XL1200T
16	54321-85	NUT	XL883N, XL883R
17	70631-08	CONDUIT CLIP (ABS) (3)	XL1200C, XL1200CA, XL1200CP, XL1200T, XL883L, XL883N, XL883R
18	95594-84A	WHEEL WEIGHT, 5 grams (black)	XL1200CA, XL1200CP
	95595-84A	WHEEL WEIGHT, 5 grams (silver)	XL1200C, XL1200CP, XL1200T, XL883L, XL883N, XL883R
19	41100024	SENSOR RING (ABS)	XL1200C, XL1200CA, XL1200CP, XL1200T, XL883L, XL883N, XL883R
20	41500022	BRAKE DISC, left	XL1200C, XL1200CA, XL1200CP, XL1200T, XL883L, XL883N
	41500068	BRAKE DISC, left	XL883R
21	41500068	BRAKE DISC, right	XL883R

WHEELS, FRONT, LACED - 1200C/CB/CP/V/X



[View interactive image](#)

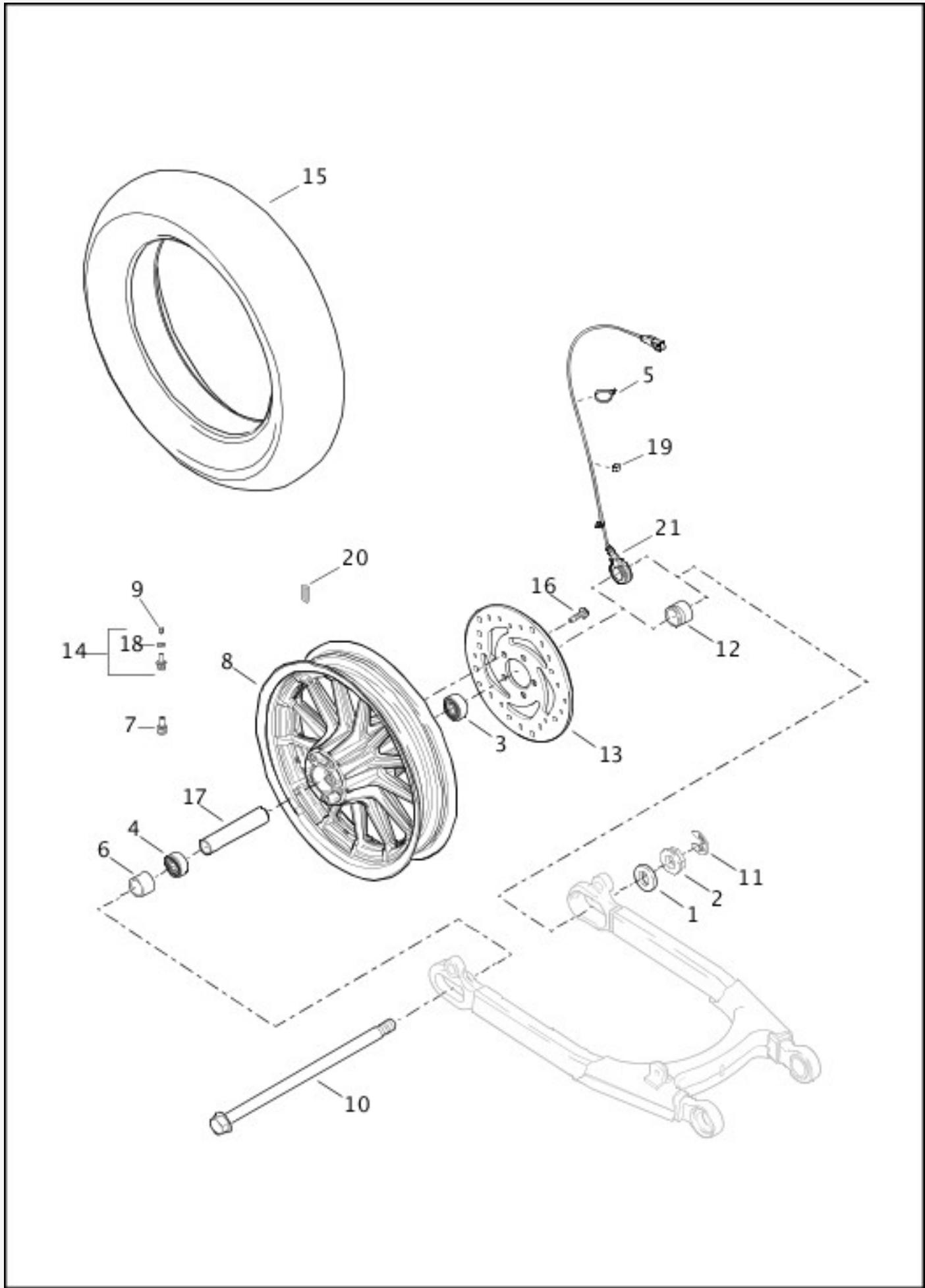
[View interactive table](#)

INDEX NO.	PART NO.	DESCRIPTION	MODEL(S)
1	3655A	SCREW (5)	XL1200C, XL1200CB, XL1200CP, XL1200V, XL1200X

2	6594	WASHER	XL1200C, XL1200CB, XL1200CP, XL1200V, XL1200X
3	7813A	NUT	XL1200C, XL1200CB, XL1200CP, XL1200V, XL1200X
4	9252	BALL BEARING, 25mm (ABS)	XL1200C, XL1200CB, XL1200CP, XL1200V, XL1200X
	9276A	BALL BEARING, 25mm (Non-ABS)	XL1200C, XL1200CB, XL1200CP, XL1200V, XL1200X
5	9276A	BALL BEARING, 25mm	XL1200C, XL1200CB, XL1200CP, XL1200V, XL1200X
6	41123-79	VALVE CAP	XL1200C, XL1200CB, XL1200CP, XL1200V, XL1200X
7	41389-10	RIM, 16 in. (black)	XL1200CB, XL1200CP, XL1200X
	43662-80B	RIM, 21 in. (chrome)	XL1200V
	55127-11	RIM, 16 in. (chrome)	XL1200C, XL1200CP
8	40759-05	SPOKE & NIPPLE KIT, 21 in. rim - long (chrome) (set of 20)	XL1200V
	40760-05	SPOKE & NIPPLE KIT, 21 in. rim - short (chrome) (set of 20)	XL1200V
	47887-10	SPOKE & NIPPLE KIT, 16 in. rim (set of 32)	XL1200C, XL1200CB, XL1200CP, XL1200X
9	41388-10	WHEEL ASSEMBLY, 16 in. (black) w/o bearings & sleeves	XL1200CB, XL1200CP, XL1200X
	43557-08	WHEEL ASSEMBLY, 21 in. (chrome) w/o bearings & sleeves	XL1200V
	55126-11	WHEEL ASSEMBLY, 16 in. (chrome) w/o bearings & sleeves	XL1200C, XL1200CP
10	43358-08	SPACER, right	XL1200V
	11804	SPACER, right	XL1200C, XL1200CB, XL1200CP, XL1200X
11	41242-08	SPACER, left (Non-ABS)	XL1200C, XL1200CB, XL1200CP, XL1200V, XL1200X
12	43000001	AXLE	XL1200V
	41628-08	AXLE	XL1200C, XL1200CB, XL1200CP, XL1200X
13	43906-08	SPACER	XL1200V
	11888	SPACER	XL1200C, XL1200CB, XL1200CP, XL1200X
14	40572-11	INNER TUBE	XL1200C, XL1200CB, XL1200CP, XL1200X

	43140-80	INNER TUBE	XL1200V
15	54321-85	NUT	XL1200C, XL1200CB, XL1200CP, XL1200V, XL1200X
16	55035-11A	TIRE	XL1200C, XL1200CB, XL1200CP, XL1200X
	43100004	TIRE	XL1200V
17	40875-11	RIM STRIP	XL1200C, XL1200CB, XL1200CP, XL1200X
	43939-89	RIM STRIP	XL1200V
18	70631-08	CONDUIT CLIP (ABS)	XL1200C, XL1200CB, XL1200CP, XL1200V, XL1200X
19	95595-84A	WHEEL WEIGHT, 5 grams (silver)	XL1200V
	95594-84A	WHEEL WEIGHT, 5 grams (black)	XL1200C, XL1200CB, XL1200CP, XL1200X
20	41100024	SENSOR RING (ABS)	XL1200C, XL1200CB, XL1200CP, XL1200V, XL1200X
21	41500022	BRAKE DISC	XL1200C, XL1200CB, XL1200CP, XL1200V, XL1200X

WHEELS, REAR, CAST - 883L/N/R, 1200C/CA/CP/T



[View interactive image](#)

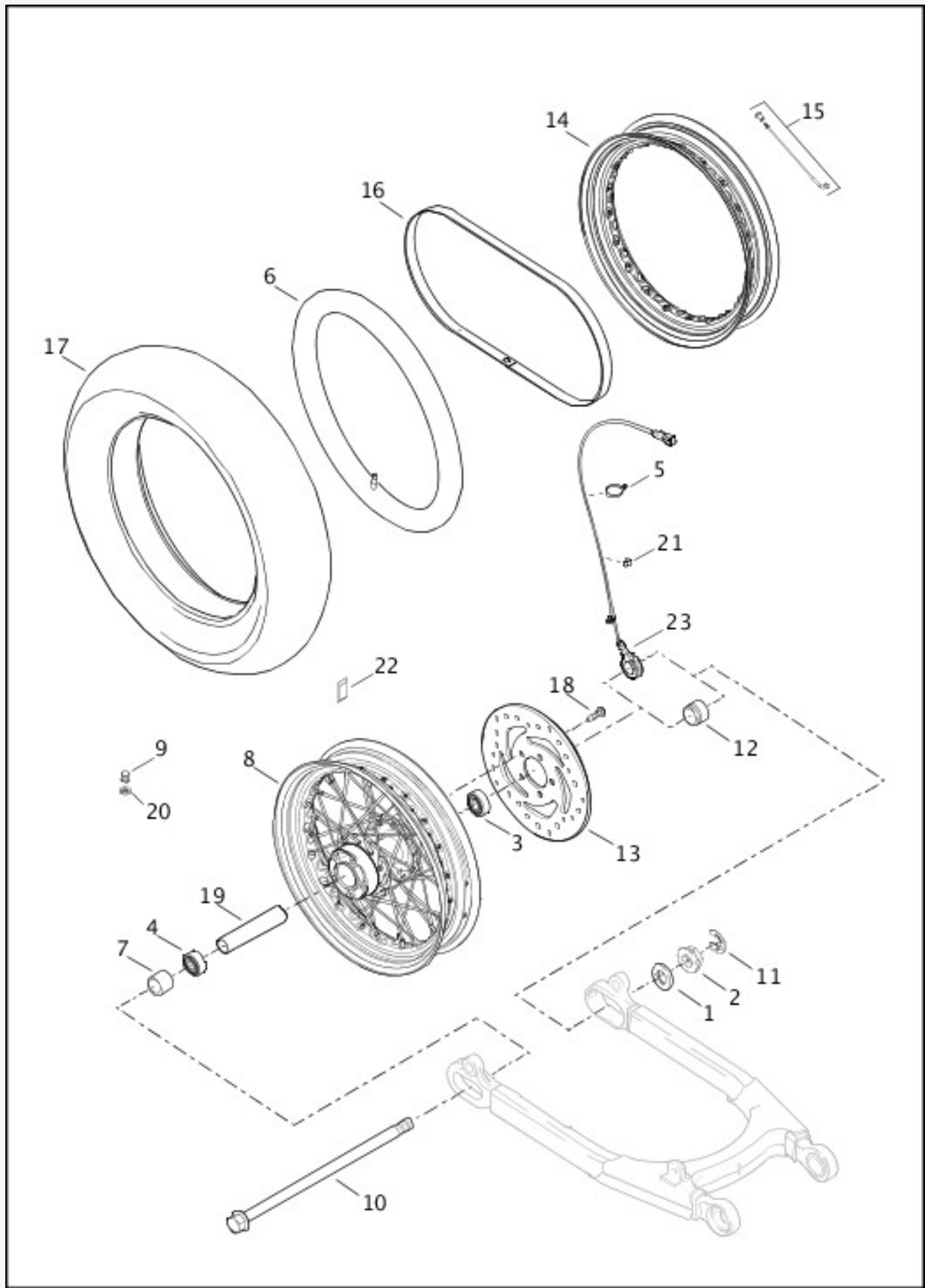
[View interactive table](#)

INDEX NO.	PART NO.	DESCRIPTION	MODEL(S)
1	6551	WASHER	XL1200C, XL1200CA, XL1200CP, XL1200T, XL883L, XL883N, XL883R

2	8020	NUT	XL1200C, XL1200CA, XL1200CP, XL1200T, XL883L, XL883N, XL883R
3	9252	BALL BEARING, 25mm (ABS)	XL1200C, XL1200CA, XL1200CP, XL1200T, XL883L, XL883N, XL883R
	9276A	BALL BEARING, 25mm (Non-ABS)	XL1200C, XL1200CA, XL1200CP, XL1200T, XL883L, XL883N, XL883R
4	9276A	BALL BEARING, 25mm	XL1200C, XL1200CA, XL1200CP, XL1200T, XL883L, XL883N, XL883R
5	10006	CABLE STRAP (ABS)	XL1200C, XL1200CA, XL1200CP, XL1200T, XL883L, XL883N, XL883R
6	40930-05	SPACER, right	XL1200C, XL1200CA, XL1200CP, XL1200T, XL883L, XL883N, XL883R
7	40999-87	VALVE STEM	XL1200C, XL1200CA, XL1200CP, XL1200T, XL883L
8	40900165	WHEEL ASSEMBLY, 16 in. (13 spoke) (black) w/o bearings & sleeves	XL883R
	47878-09B	WHEEL ASSEMBLY, 16 in. (13 spoke) (black) w/o bearings & sleeves	XL883N
	40900167	WHEEL ASSEMBLY, 16 in. (5 spoke) (chrome) w/o bearings & sleeves (not shown)	XL1200C, XL1200CP
	40900166	WHEEL ASSEMBLY, 16 in. (5 spoke) (black) w/o bearings & sleeves (not shown)	XL1200CA, XL1200CP
	40900291	WHEEL ASSEMBLY, 17 in. (5 spoke) (black) w/o bearings & sleeves (not shown)	XL1200T
	44012-11A	WHEEL ASSEMBLY, 17 in. (5 spoke) (black) w/o bearings & sleeves (not shown)	XL883L
9	41123-79	VALVE CAP	XL1200C, XL1200CA, XL1200CP, XL1200T, XL883L, XL883N, XL883R
10	41176-08	AXLE ASSEMBLY	XL1200C, XL1200CA, XL1200CP, XL1200T, XL883L, XL883N, XL883R
11	41229-08	RETAINING RING	XL1200C, XL1200CA, XL1200CP, XL1200T, XL883L, XL883N, XL883R
12	41242-08	SPACER, left (Non-ABS)	XL1200C, XL1200CA, XL1200CP, XL1200T, XL883L, XL883N, XL883R
13	41833-08	BRAKE DISC	XL1200C, XL1200CA, XL1200CP, XL1200T, XL883L, XL883N, XL883R
14	43157-83A	VALVE STEM ASSEMBLY, w/ 54321-85	XL883N, XL883R
15	40878-11	TIRE	XL1200C, XL1200CA, XL1200CP, XL883N, XL883R

	43216-11	TIRE	XL883L
	43200026	TIRE	XL1200T
16	43567-92	SCREW (5)	XL1200C, XL1200CA, XL1200CP, XL1200T, XL883L, XL883N, XL883R
17	43905-08	SLEEVE	XL1200C, XL1200CA, XL1200CP, XL1200T, XL883L, XL883N, XL883R
18	54321-85	NUT	XL883N, XL883R
19	70631-08	CONDUIT CLIP (ABS) (2)	XL1200C, XL1200CA, XL1200CP, XL1200T, XL883L, XL883N, XL883R
20	95594-84A	WHEEL WEIGHT, 5 grams (black) (5)	XL1200CA, XL1200CP, XL883N
	95595-84A	WHEEL WEIGHT, 5 grams (silver) (6)	XL1200C, XL1200CP, XL1200T, XL883L, XL883R
21	41100023	SENSOR RING (ABS)	XL1200C, XL1200CA, XL1200CP, XL1200T, XL883L, XL883N, XL883R

WHEELS, REAR, LACED - 1200C/CB/CP/V/X



[View interactive image](#)

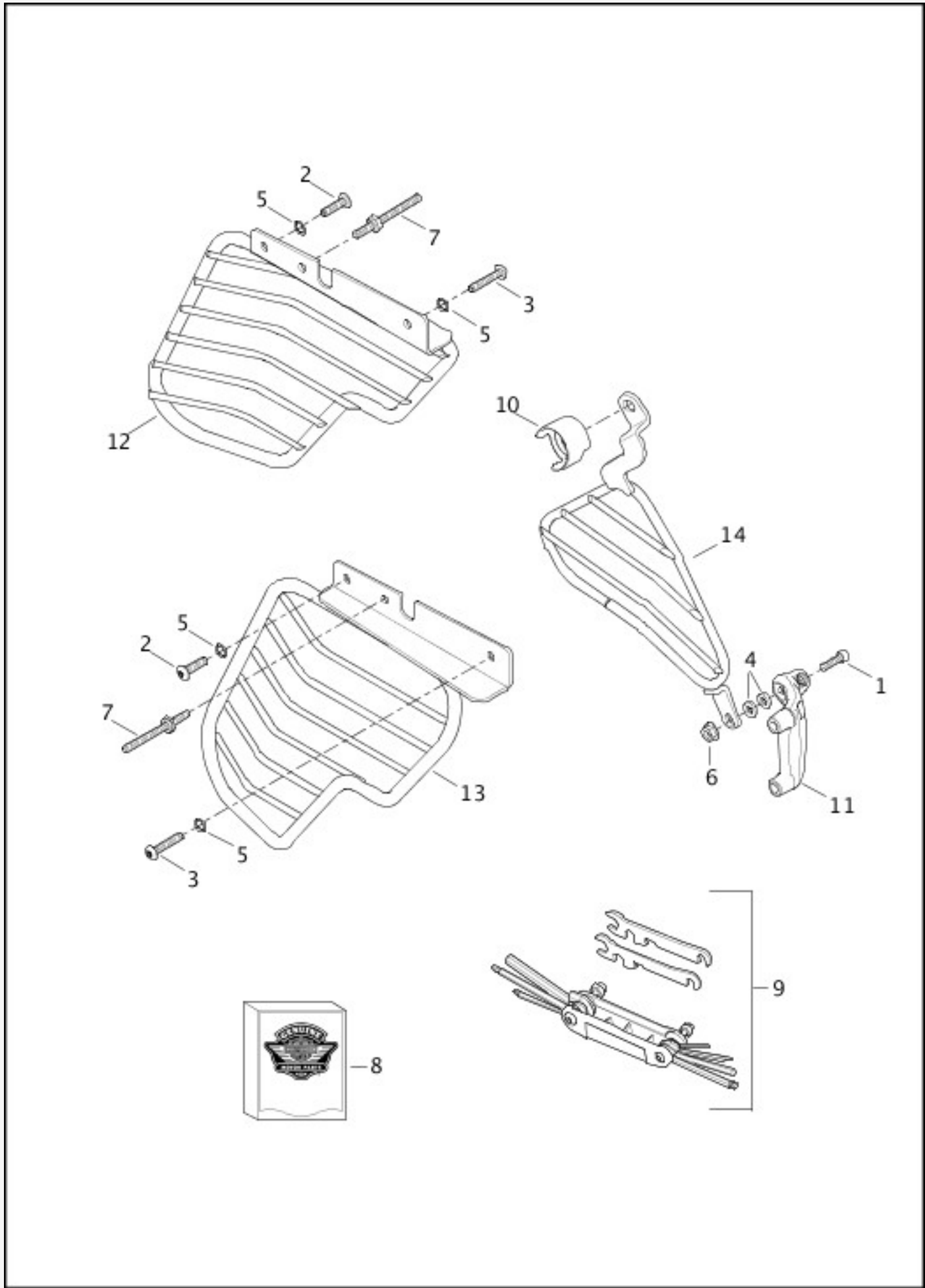
[View interactive table](#)

INDEX NO.	PART NO.	DESCRIPTION	MODEL(S)
1	6551	WASHER	XL1200C, XL1200CB, XL1200CP, XL1200V, XL1200X

2	8020	NUT	XL1200C, XL1200CB, XL1200CP, XL1200V, XL1200X
3	9252	BALL BEARING, 25mm (ABS)	XL1200C, XL1200CB, XL1200CP, XL1200V, XL1200X
	9276A	BALL BEARING, 25mm (Non-ABS)	XL1200C, XL1200CB, XL1200CP, XL1200V, XL1200X
4	9276A	BALL BEARING, 25mm	XL1200C, XL1200CB, XL1200CP, XL1200V, XL1200X
5	10006	CABLE STRAP (ABS)	XL1200C, XL1200CB, XL1200CP, XL1200V, XL1200X
6	40558-82	INNER TUBE	XL1200V
	40572-11	INNER TUBE	XL1200C, XL1200CB, XL1200CP, XL1200X
7	40930-05	SPACER, wheel bearing, sprocket side	XL1200C, XL1200CB, XL1200CP, XL1200V, XL1200X
8	41082-08A	WHEEL ASSEMBLY, 16 in. (chrome) w/o bearings & sleeves	XL1200C, XL1200CP, XL1200V
	41478-10A	WHEEL ASSEMBLY, 16 in. (black) w/o bearings & sleeves	XL1200CB, XL1200CP, XL1200X
9	41123-79	VALVE CAP	XL1200C, XL1200CB, XL1200CP, XL1200V, XL1200X
10	41176-08	AXLE ASSEMBLY	XL1200C, XL1200CB, XL1200CP, XL1200V, XL1200X
11	41229-08	RETAINING RING	XL1200C, XL1200CB, XL1200CP, XL1200V, XL1200X
12	41242-08	SPACER, left (Non-ABS)	XL1200C, XL1200CB, XL1200CP, XL1200V, XL1200X
13	41833-08	BRAKE DISC	XL1200C, XL1200CB, XL1200CP, XL1200V, XL1200X
14	43017-07	RIM, laced wheel, 16 in. (black)	XL1200CB, XL1200CP, XL1200X
	43085-97	RIM, laced wheel, 16 in. (chrome)	XL1200C, XL1200CP, XL1200V
15	43241-05	SPOKE & NIPPLE KIT, 16 in. rim (chrome) (set of 40)	XL1200C, XL1200CB, XL1200CP, XL1200V, XL1200X
16	43147-40	RIM STRIP	XL1200V
	40875-11	RIM STRIP	XL1200C, XL1200CB, XL1200CP, XL1200X
17	40878-11	TIRE	XL1200C, XL1200CB, XL1200CP, XL1200X
	43200007	TIRE	XL1200V
18	43567-92	SCREW (5)	XL1200C, XL1200CB, XL1200CP, XL1200V,

			XL1200X
19	43905-08	SLEEVE, bearing spacer	XL1200C, XL1200CB, XL1200CP, XL1200V, XL1200X
20	54321-85	NUT	XL1200C, XL1200CB, XL1200CP, XL1200V, XL1200X
21	70631-08	CONDUIT CLIP (ABS) (2)	XL1200C, XL1200CB, XL1200CP, XL1200V, XL1200X
22	95595-84A	WHEEL WEIGHT, 5 grams (silver) (LH - chrome wheel)	XL1200C, XL1200CP, XL1200V
	95594-84A	WHEEL WEIGHT, 5 grams (black) (LH - black wheel)	XL1200CB, XL1200CP, XL1200X
23	41100023	SENSOR RING (ABS)	XL1200C, XL1200CB, XL1200CP, XL1200V, XL1200X

GUARDS, SAREE



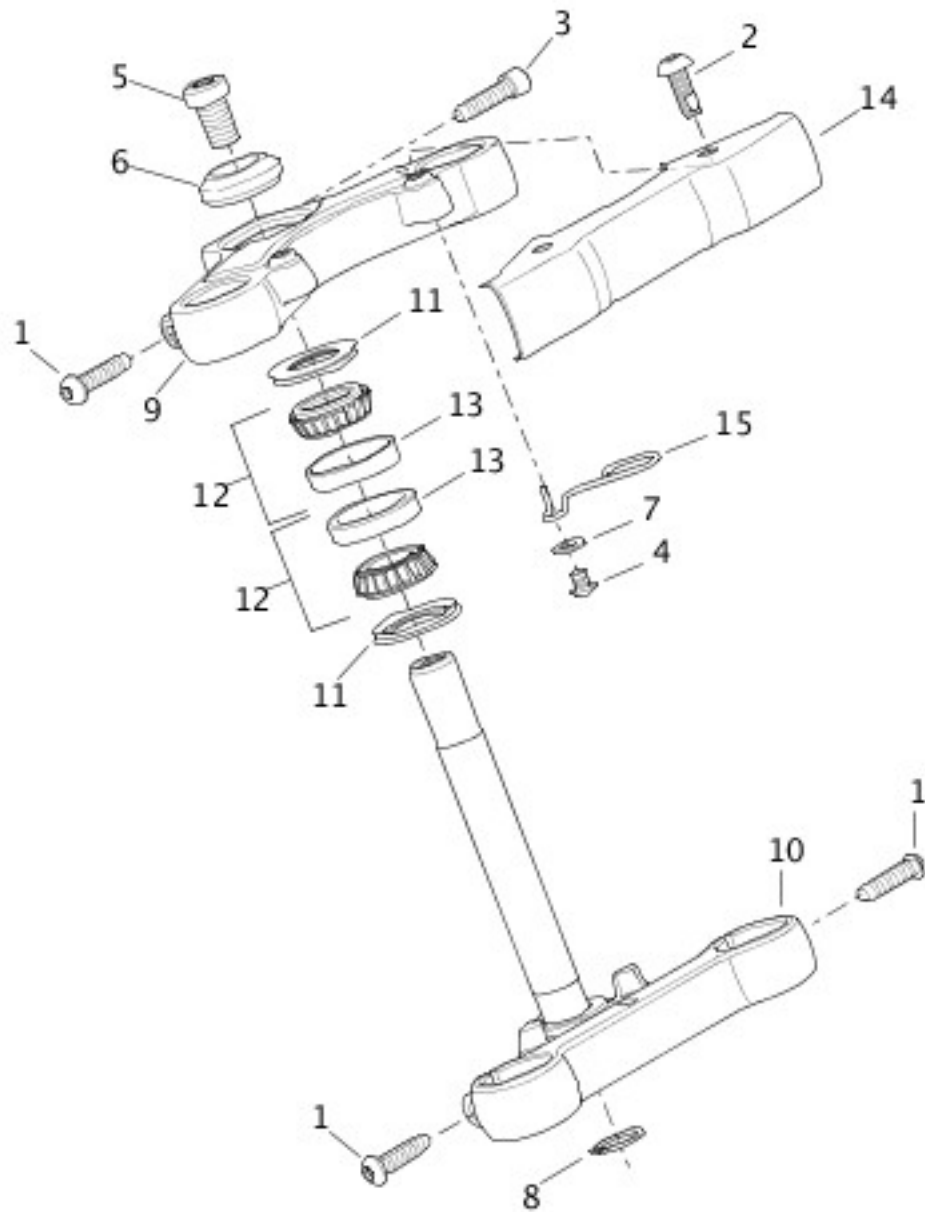
[View interactive image](#)

[View interactive table](#)

INDEX NO.	PART NO.	DESCRIPTION	MODEL(S)
NOTE: These parts are required for motorcycles sold in the India market.			
1	2708A	SCREW	XL1200C, XL1200X, XL883L, XL883N, XL883R

2	4778	SCREW (2)	XL1200C, XL1200X, XL883L, XL883N, XL883R
3	4779	SCREW (2)	XL1200C, XL1200X, XL883L, XL883N, XL883R
4	6109	WASHER (2)	XL1200C, XL1200X, XL883L, XL883N, XL883R
5	6798	WASHER (4)	XL1200C, XL1200X, XL883L, XL883N, XL883R
6	7531	LOCKNUT	XL1200C, XL1200X, XL883L, XL883N, XL883R
7	56104-02	SCREW (2)	XL1200C, XL1200X, XL883L, XL883N, XL883R
8	93511-10	FIRST AID KIT	XL1200C, XL1200X, XL883L, XL883N, XL883R
9	94435-10	FOLDING TOOL	XL1200C, XL1200X, XL883L, XL883N, XL883R
10	47200177	COVER, shock stud	XL1200C, XL1200X, XL883L, XL883N, XL883R
11	50500227	BRACKET, support	XL1200C, XL1200X, XL883L, XL883N, XL883R
12	60300007	SAREE GUARD, left - rear	XL1200C, XL1200X, XL883L, XL883N, XL883R
13	60300008	SAREE GUARD, right	XL1200C, XL1200X, XL883L, XL883N, XL883R
14	60300009	SAREE GUARD, left - front	XL1200C, XL1200X, XL883L, XL883N, XL883R

FORK BRACKETS, FRONT



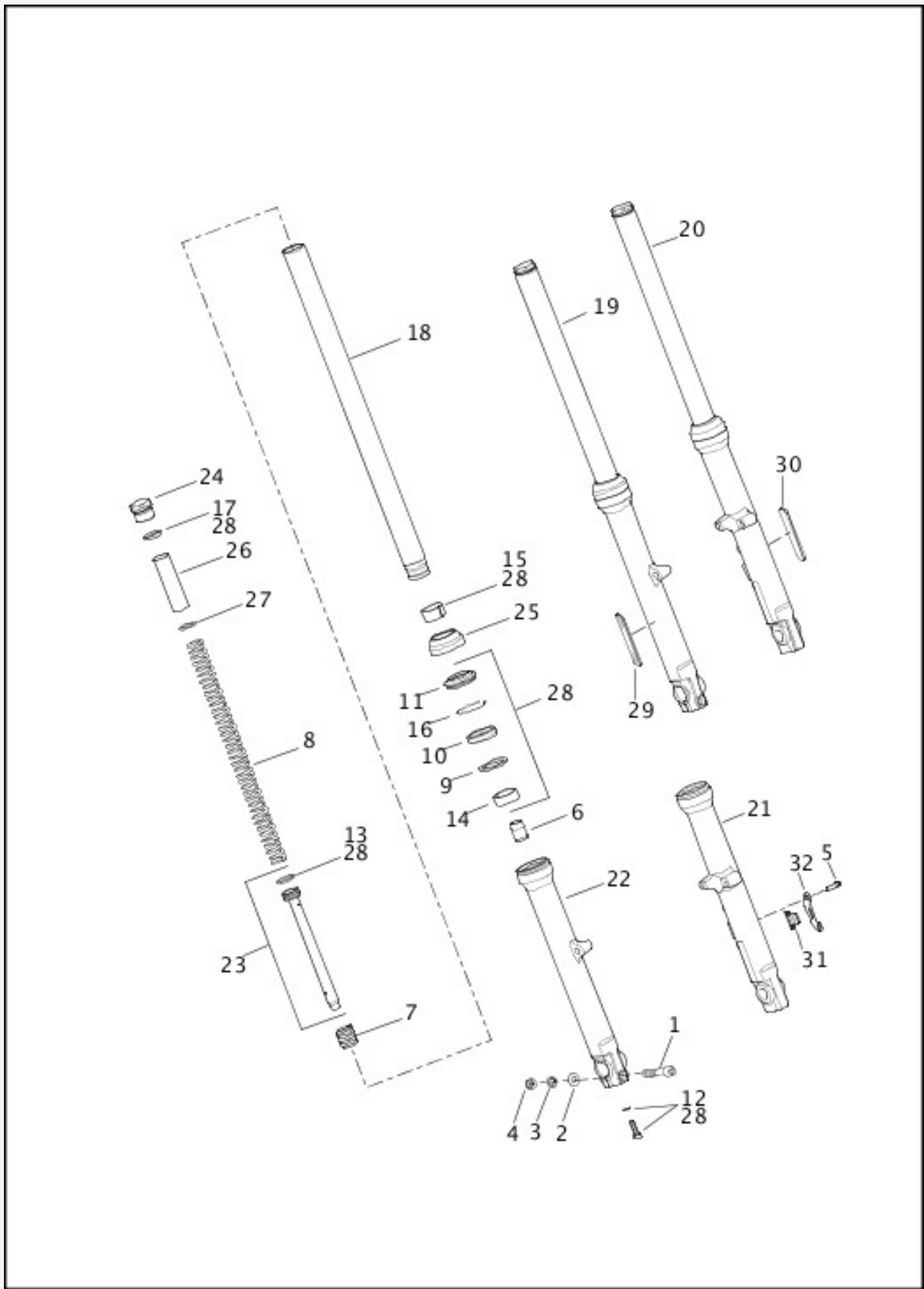
[View interactive image](#)

[View interactive table](#)

INDEX NO.	PART NO.	DESCRIPTION	MODEL(S)
1	3056	SCREW (4)	ALL
2	4359	SCREW (2)	XL1200V

3	4352	SCREW	ALL
4	4402	SCREW	XL1200T
5	4993	BOLT	ALL
6	6611	WASHER	ALL
7	6702	WASHER	XL1200T
8	45611-86	RETAINING RING	ALL
9	45966-04	BRACKET, upper	XL1200V
	46009-10	BRACKET, upper (not shown)	XL1200X
	46758-07	BRACKET, upper (black)	XL883N, XL883R
	46997-11	BRACKET, upper (not shown)	XL1200T, XL883L
	49419-11	BRACKET, upper (not shown)	XL1200C, XL1200CA, XL1200CB, XL1200CP
10	46014-10	BRACKET, lower, w/ bearing, seal & retaining ring (not shown)	XL1200X
	46126-04	BRACKET, lower, w/ bearing, seal & retaining ring	XL1200V
	46767-07	BRACKET, lower, w/ bearing, seal & retaining ring	XL883N, XL883R
	46998-11	BRACKET, lower, w/ bearing, seal & retaining ring	XL1200T, XL883L
	49422-11	BRACKET, lower, w/ bearing, seal & retaining ring	XL1200C, XL1200CA, XL1200CB, XL1200CP
11	48184-01	SEAL, tapered bearing	ALL
12	48300-60	ROLLER BEARING, w/ cup (2)	ALL
13	48315-60	BEARING CUP (2)	ALL
14	68041-04	COVER, upper triple clamp	XL1200V
15	37200085	GUIDE	XL1200T

FORK, FRONT - 883L/R, 1200C/CA/CB/CP/T/V/X (1 OF 2)



[View interactive image](#)

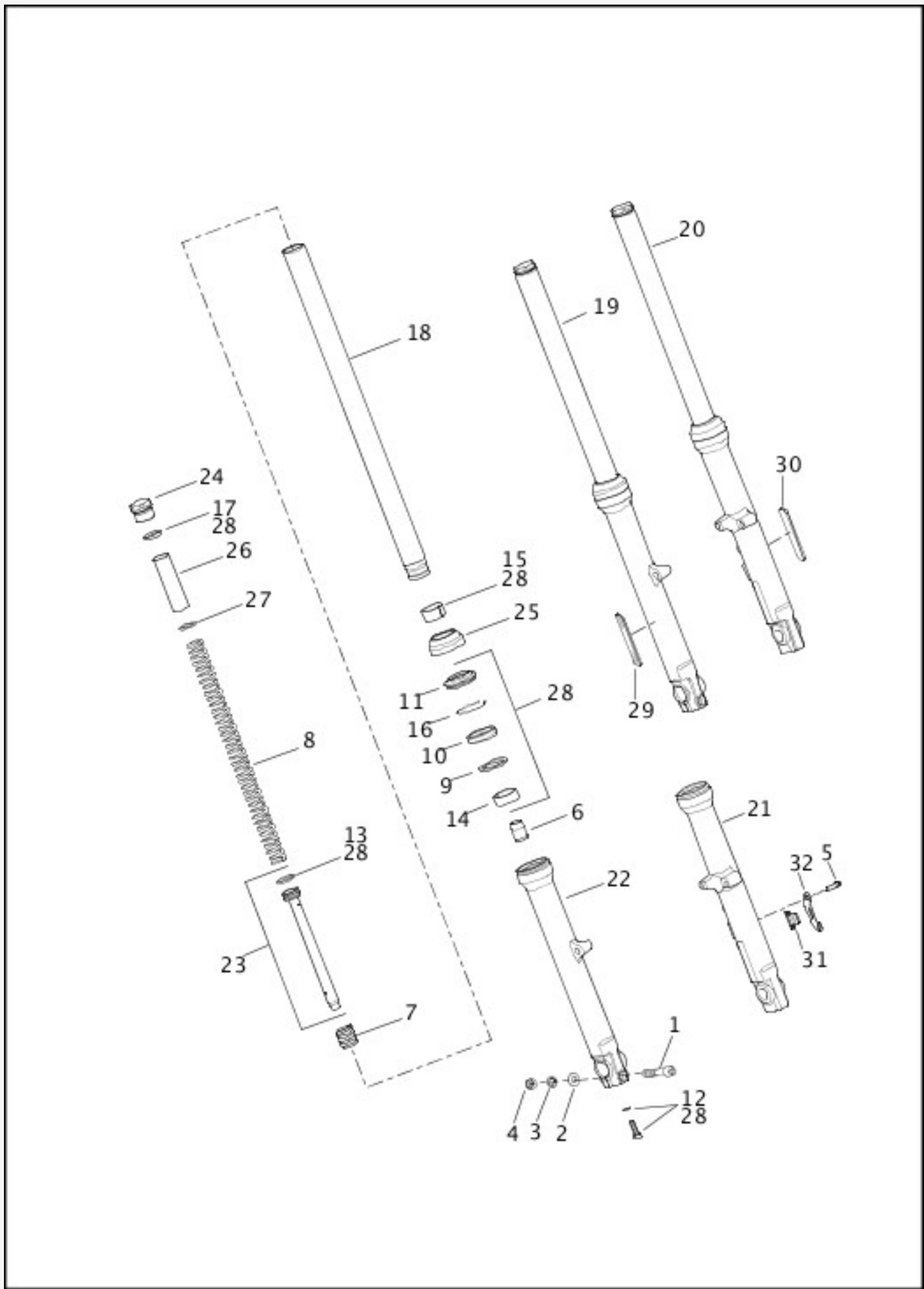
[View interactive table](#)

INDEX NO.	PART NO.	DESCRIPTION	MODEL(S)
1	4029A	SCREW	XL1200C, XL1200CA, XL1200CB, XL1200CP, XL1200T, XL1200V, XL1200X, XL883L, XL883R

2	6701	WASHER	XL1200C, XL1200CA, XL1200CB, XL1200CP, XL1200T, XL1200V, XL1200X, XL883L, XL883R
3	7038	LOCKWASHER	XL1200C, XL1200CA, XL1200CB, XL1200CP, XL1200T, XL1200V, XL1200X, XL883L, XL883R
4	7783	NUT	XL1200C, XL1200CA, XL1200CB, XL1200CP, XL1200T, XL1200V, XL1200X, XL883L, XL883R
5	44160-00	BOLT (2)	XL1200C, XL1200CA, XL1200CB, XL1200CP, XL1200T, XL1200V, XL1200X, XL883L, XL883R
6	45361-90	LOWER STOP (2)	XL1200C, XL1200CA, XL1200CB, XL1200CP, XL1200T, XL1200V, XL1200X, XL883L, XL883R
7	45374-87	SPRING (2)	XL1200C, XL1200CA, XL1200CB, XL1200CP, XL1200T, XL1200V, XL1200X, XL883L, XL883R
8	10417	SPRING (2)	XL1200X
	45376-09	SPRING (2)	XL883R
	46245-09	SPRING (2)	XL1200C, XL1200CA, XL1200CB, XL1200CP
	46267-05	SPRING (2)	XL883L
	45500142	SPRING (2)	XL1200V
	45500244	SPRING (2)	XL1200T
9	45377-87	SPACER SEAL	XL1200C, XL1200CA, XL1200CB, XL1200CP, XL1200T, XL1200V, XL1200X, XL883L, XL883R
10	45378-87	OIL SEAL	XL1200C, XL1200CA, XL1200CB, XL1200CP, XL1200T, XL1200V, XL1200X, XL883L, XL883R
11	45401-87	DUST SEAL	XL1200C, XL1200CA, XL1200CB, XL1200CP, XL1200T, XL1200V, XL1200X, XL883L, XL883R
12	45405-75A	SCREW	XL1200C, XL1200CA, XL1200CB, XL1200CP, XL1200T, XL1200V, XL1200X, XL883L, XL883R
13	45460-90	PISTON RING (2)	XL1200C, XL1200CB, XL1200CP, XL1200T, XL1200V, XL883L
	45462-87	PISTON RING (2)	XL1200X, XL883R
14	45461-87	GUIDE BUSHING	XL1200C, XL1200CA, XL1200CB, XL1200CP, XL1200T, XL1200V, XL1200X, XL883L, XL883R
15	45465-87	SLIDE BUSHING	XL1200C, XL1200CA, XL1200CB, XL1200CP, XL1200T, XL1200V, XL1200X, XL883L, XL883R
16	45905-87	STOPPER RING	XL1200C, XL1200CA, XL1200CB, XL1200CP, XL1200T, XL1200V, XL1200X, XL883L, XL883R
17	45984-87	O-RING	XL1200C, XL1200CA, XL1200CB, XL1200CP, XL1200T, XL1200V, XL1200X, XL883L, XL883R
18	45395-09	SLIDER TUBE, w/ bushing (2)	XL1200C, XL1200CA, XL1200CB, XL1200CP, XL1200T,

			XL1200V, XL1200X, XL883R
	46218-05	SLIDER TUBE, w/ bushing (2)	XL883L
19	49400-11	FORK SLIDER & TUBE ASSEMBLY, right	XL883L
	49410-11	FORK SLIDER & TUBE ASSEMBLY, right (not shown)	XL1200C, XL1200CA, XL1200CB, XL1200CP
	45988-10	FORK SLIDER & TUBE ASSEMBLY, right (not shown)	XL1200X
	45400020	FORK SLIDER & TUBE ASSEMBLY, right (not shown)	XL883R
	45400026	FORK SLIDER & TUBE ASSEMBLY, right (not shown)	XL1200V
	45400055	FORK SLIDER & TUBE ASSEMBLY, right (not shown)	XL1200T
20	49382-11	FORK SLIDER & TUBE ASSEMBLY, left	XL883L
	49409-11	FORK SLIDER & TUBE ASSEMBLY, left (not shown)	XL1200C, XL1200CA, XL1200CB, XL1200CP
	45968-10	FORK SLIDER & TUBE ASSEMBLY, left (not shown)	XL1200X
	45400019	FORK SLIDER & TUBE ASSEMBLY, left (not shown)	XL883R
	45400025	FORK SLIDER & TUBE ASSEMBLY, left (not shown)	XL1200V
	45400054	FORK SLIDER & TUBE ASSEMBLY, left (not shown)	XL1200T

FORK, FRONT - 883L/R, 1200C/CA/CB/CP/T/V/X (2 OF 2)



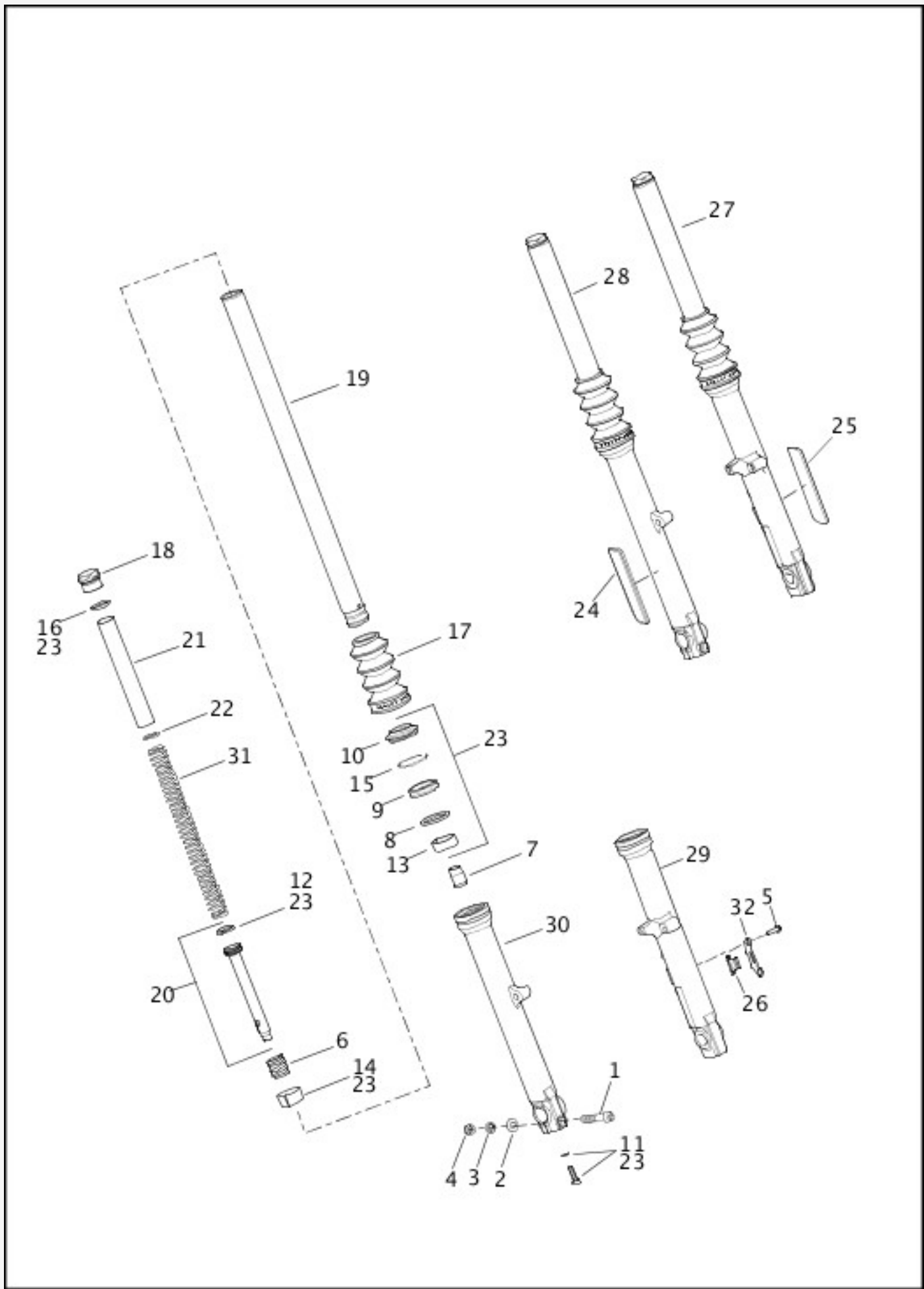
[View interactive image](#)

[View interactive table](#)

INDEX NO.	PART NO.	DESCRIPTION	MODEL(S)
21	49401-11	SLIDER ASSEMBLY, left	XL1200T, XL883L
	45500056	SLIDER ASSEMBLY, left (not shown)	XL1200V

	45500055	SLIDER ASSEMBLY, left (not shown)	XL883R
	48850-10	SLIDER ASSEMBLY, left (not shown)	XL1200X
	49411-11	SLIDER ASSEMBLY, left (not shown)	XL1200C, XL1200CA, XL1200CB, XL1200CP
22	49403-11	SLIDER ASSEMBLY, right	XL1200T, XL883L
	45500075	SLIDER ASSEMBLY, right (not shown)	XL1200V
	45500076	SLIDER ASSEMBLY, right (not shown)	XL883R
	48849-10	SLIDER ASSEMBLY, right (not shown)	XL1200X
	49412-11	SLIDER ASSEMBLY, right (not shown)	XL1200C, XL1200CA, XL1200CB, XL1200CP
23	10627	DAMPER TUBE, w/ ring (2)	XL1200X
	45458-09	DAMPER TUBE, w/ ring (2)	XL1200C, XL1200CA, XL1200CB, XL1200CP, XL1200T
	45925-09	DAMPER TUBE, w/ ring (2)	XL1200V, XL883R
	45938-92	DAMPER TUBE, w/ ring (2)	XL883L
24	45996-87	CAP (2)	XL1200C, XL1200CA, XL1200CB, XL1200CP, XL1200T, XL1200V, XL1200X, XL883L, XL883R
25	46002-87	COVER (2)	XL1200C, XL1200CA, XL1200CB, XL1200CP, XL1200T, XL1200V, XL1200X, XL883L, XL883R
26	48791-09	SPRING COLLAR (2)	XL1200C, XL1200CA, XL1200CB, XL1200CP, XL1200T, XL1200V, XL883R
27	48738-07	WASHER (2)	XL1200C, XL1200CA, XL1200CB, XL1200CP, XL1200T, XL1200V, XL883R
28	49378-09	FRONT FORK SERVICE KIT, w/ 9, 10, 11, 12, 13, 14, 15, 16, 17	XL1200C, XL1200CA, XL1200CB, XL1200CP, XL1200T, XL1200V, XL1200X, XL883L, XL883R
29	59481-00	REFLECTOR, amber - right	XL1200C, XL1200CA, XL1200CB, XL1200CP, XL1200T, XL1200V, XL1200X, XL883L, XL883R
30	59482-00	REFLECTOR, amber - left	XL1200C, XL1200CA, XL1200CB, XL1200CP, XL1200T, XL1200V, XL1200X, XL883L, XL883R
31	70494-08	CLIP (ABS)	XL1200C, XL1200CA, XL1200CB, XL1200CP, XL1200T, XL1200V, XL1200X, XL883L, XL883R
32	69200460	BRACKET (ABS)	XL1200C, XL1200CA, XL1200CB, XL1200CP, XL1200T, XL1200V, XL1200X, XL883L, XL883R

FORK, FRONT - 883N



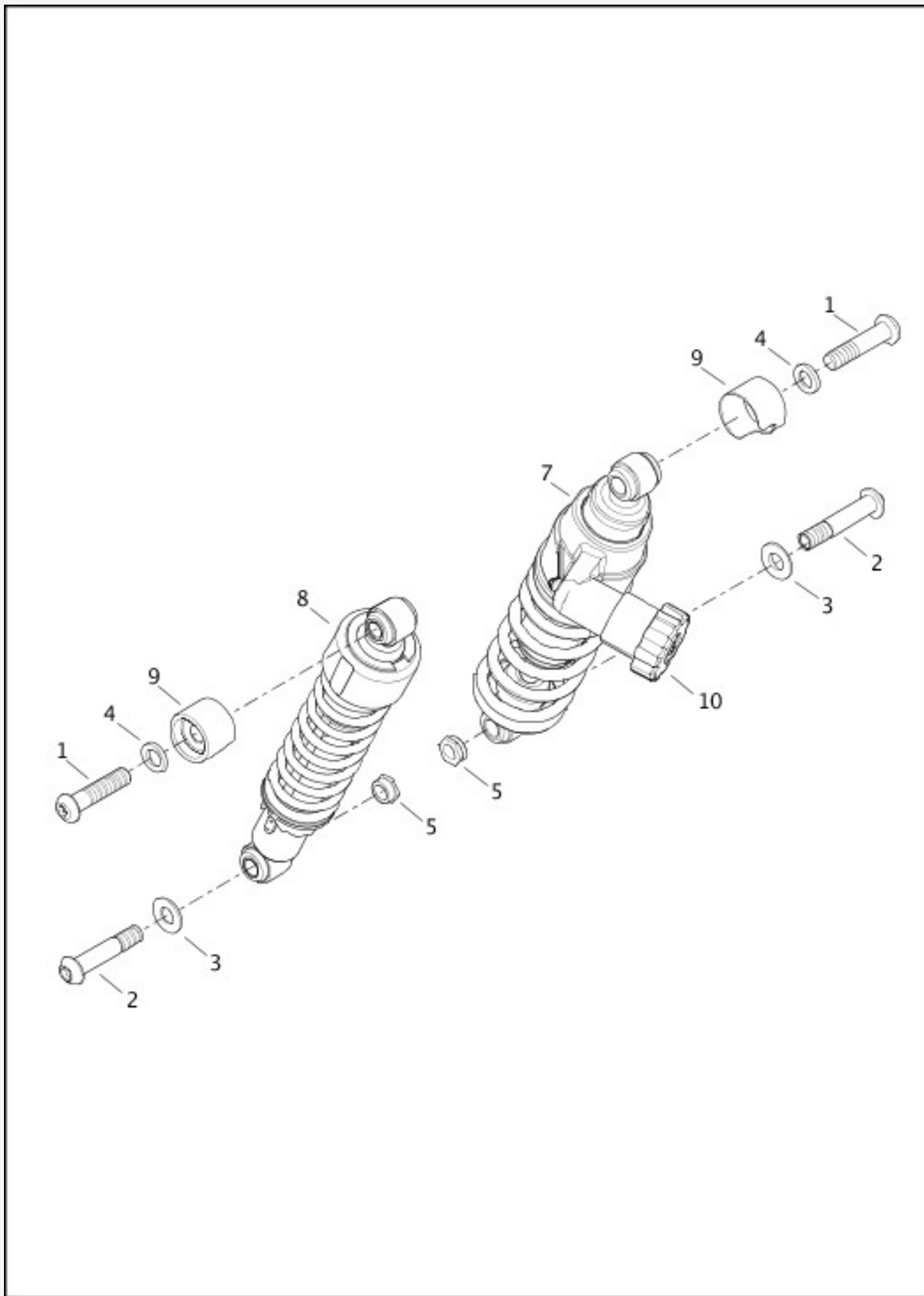
[View interactive image](#)

[View interactive table](#)

INDEX NO.	PART NO.	DESCRIPTION	MODEL(S)
1	4029A	SCREW	XL883N
2	6701	WASHER	XL883N

3	7038	LOCKWASHER	XL883N
4	7783	NUT	XL883N
5	44160-00	BOLT (2)	XL883N
6	45374-87	SPRING (2)	XL883N
7	45361-90	LOWER STOP (2)	XL883N
8	45377-87	SPACER SEAL	XL883N
9	45378-87	OIL SEAL	XL883N
10	45401-87	DUST SEAL	XL883N
11	45405-75A	SCREW	XL883N
12	45462-87	PISTON RING (2)	XL883N
13	45461-87	GUIDE BUSHING	XL883N
14	45465-87	SLIDE BUSHING	XL883N
15	45905-87	STOPPER RING	XL883N
16	45984-87	O-RING	XL883N
17	45451-07	FORK GAITERS (2)	XL883N
18	45996-87	CAP (2)	XL883N
19	46218-05	SLIDER TUBE, w/ bushing (2)	XL883N
20	47313-07	COMPRESSION PIPE, w/ ring (2)	XL883N
21	48791-09	COLLAR (2)	XL883N
22	48738-07	WASHER (2)	XL883N
23	49378-09	FRONT FORK SERVICE KIT, w/ 8, 9, 10, 11, 12, 13, 14, 15, 16	XL883N
24	59481-00	REFLECTOR, amber - right	XL883N
25	59482-00	REFLECTOR, amber - left	XL883N
26	70494-08	CLIP (ABS)	XL883N
27	45400017	FORK ASSEMBLY, left	XL883N
28	45400018	FORK ASSEMBLY, right	XL883N
29	45500054	SLIDER ASSEMBLY, left	XL883N
30	45500057	SLIDER ASSEMBLY, right	XL883N
31	45500139	SPRING (2)	XL883N
32	69200460	BRACKET (ABS)	XL883N

SHOCK ABSORBERS, REAR



[View interactive image](#)

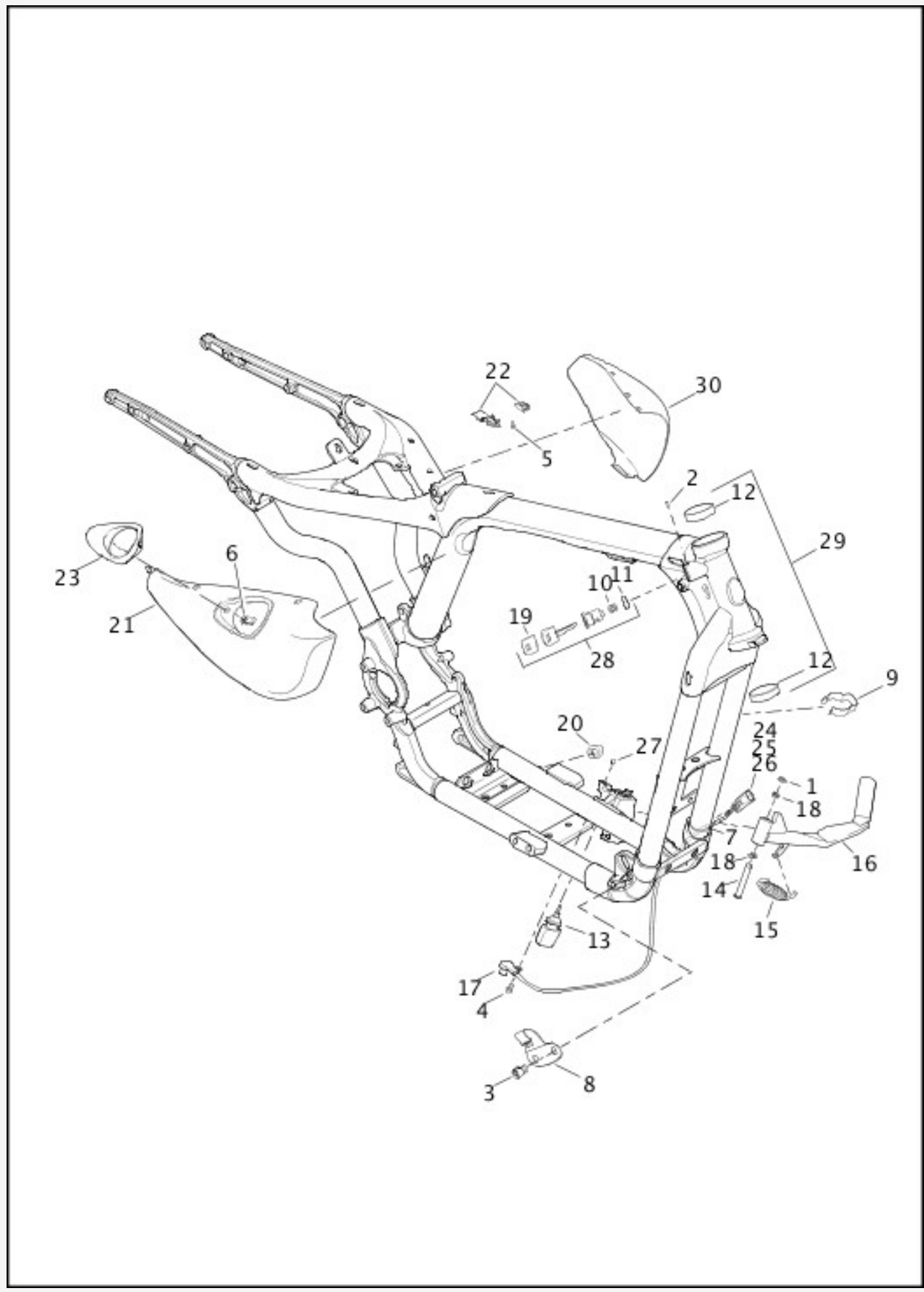
[View interactive table](#)

INDEX	PART	DESCRIPTION	MODEL(S)
-------	------	-------------	----------

NO.	NO.		
1	3880	SCREW (2)	ALL
2	4354	SCREW (2)	ALL
3	6718	WASHER (2)	ALL
4	6738	WASHER (2)	ALL
5	7824	LOCKNUT (2)	ALL
7	54568-09	SHOCK ABSORBER, complete, left, w/ bushings	XL1200C, XL1200CA, XL1200CB, XL1200CP, XL1200V, XL883L
	54570-09	SHOCK ABSORBER, complete, left, w/ bushings	XL883R
	54000060	SHOCK ABSORBER, complete, left, w/ bushings & dial adjuster	XL1200T
	54550-10	SHOCK ABSORBER, complete, left, w/ bushings (Domestic)	XL1200X, XL883N
	54568-09	SHOCK ABSORBER, complete, left, w/ bushings (HDI)	XL1200X
	54570-09	SHOCK ABSORBER, complete, left, w/ bushings (HDI)	XL883N
	54550-10	SHOCK ABSORBER, complete, left, w/ bushings (Japan)	XL1200X, XL883N
8	54568-09	SHOCK ABSORBER, complete, right, w/ bushings	XL1200C, XL1200CA, XL1200CB, XL1200CP, XL1200V, XL883L
	54570-09	SHOCK ABSORBER, complete, right, w/ bushings	XL883R
	54000061	SHOCK ABSORBER, complete, right, w/ bushings	XL1200T
	54550-10	SHOCK ABSORBER, complete, right, w/ bushings (Domestic)	XL1200X, XL883N
	54568-09	SHOCK ABSORBER, complete, right, w/ bushings (HDI)	XL1200X
	54570-09	SHOCK ABSORBER, complete, right, w/ bushings (HDI)	XL883N
	54550-10	SHOCK ABSORBER, complete, right, w/ bushings (Japan)	XL1200X, XL883N
9	54724-04	COVER (chrome) (2)	XL1200C, XL1200CA, XL1200CB, XL1200CP, XL1200T, XL1200V, XL883R
	54741-07	COVER (black) (2)	XL1200X, XL883L, XL883N

Index number 6 is not used in this illustration.

FRAME & JIFFY STAND

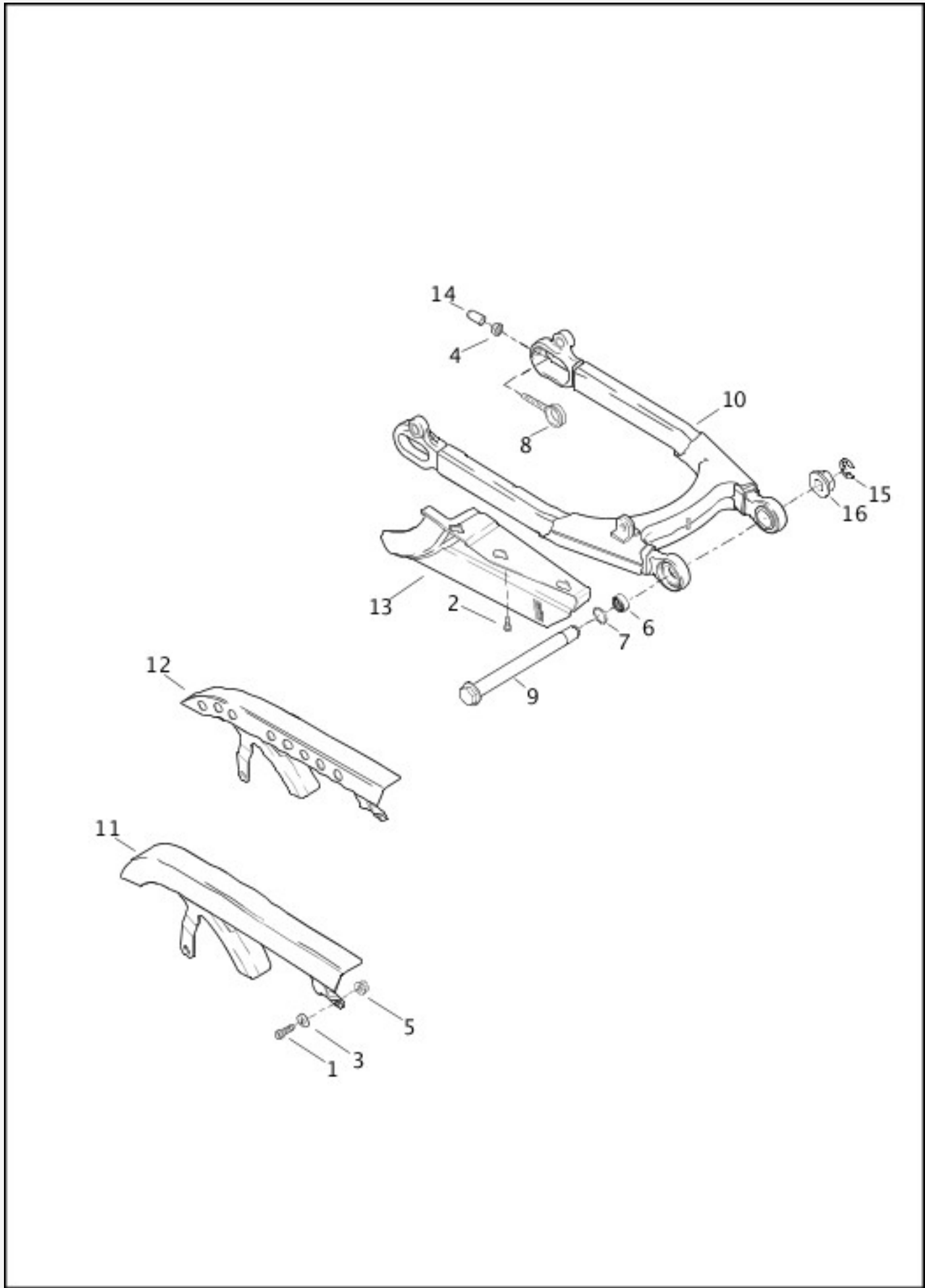


[View interactive image](#)

INDEX NO.	PART NO.	DESCRIPTION	MODEL(S)
1	554A	PRETZEL CLIP	ALL
2	1594	PIN LOCK	ALL
3	4076	SCREW (ABS) (2)	ALL
	4076	SCREW (Non-ABS) (4)	ALL
4	4871	SCREW (HDI, England)	ALL
5	4991	SCREW (2)	ALL
6	8135B	PUSH NUT	ALL
7	10006	CABLE STRAP (HDI, England)	ALL
8	10179A	CLIP (ABS) (1)	ALL
	10179A	CLIP (Non-ABS) (2)	ALL
9	10289A	CLIP (2)	ALL
10	43595-99	SPRING	ALL
11	48027-99	O-RING	ALL
12	48315-60	BEARING CUP (2)	ALL
13	49735-08	BUMPER	ALL
14	50003-89B	PIN	ALL
15	50005-85A	SPRING	ALL
16	50124-09BHP	JIFFY STAND	XL883R
	50000025BHP	JIFFY STAND (LE - Domestic, Japan)	XL1200C, XL1200CA, XL1200CB, XL1200CP, XL1200T, XL1200X, XL883L, XL883N
	50185-04C	JIFFY STAND (LE - HDI)	XL1200V, XL883N
17	50126-08A	SENSOR (HDI, England), w/ 24, 25, 26	ALL
18	53176-08	BUSHING (2)	ALL
19	61459-97	COVER	ALL
20	62122-89A	BUMPER	ALL
21	66252-04B	SIDE COVER, right (black gloss)	XL1200C, XL1200CA, XL1200CP, XL1200T, XL1200V, XL1200X, XL883L, XL883N, XL883R
	66273-05B	SIDE COVER, right (black denim)	XL1200CB, XL1200CP, XL1200V, XL883N
22	70417-04C	SIDE COVER MOUNTING KIT	XL1200C, XL1200CA, XL1200CB, XL1200CP,

			XL1200T, XL1200V, XL1200X, XL883L, XL883N, XL883R
23	71472-04	BEZEL (chrome)	XL1200C, XL1200CA, XL1200CB, XL1200CP, XL1200T, XL1200V, XL1200X, XL883L, XL883R
	62534-07	BEZEL (satin chrome)	XL883N
24	72169-07	TERMINAL, pin, 16-20 gauge (HDI, England)	ALL
25	72511-07BK	HOUSING (HDI, England)	ALL
26	73213-07	RETAINER (HDI, England)	ALL
27	90520-07	PLUG	ALL
28	45600014	FORK LOCK KIT, w/ 2, 10, 11, 19 (specify key code)	ALL
	90300034	KEY SET (specify key code)	ALL
	90300062	LOCKSET ASSEMBLY, complete, w/ ignition switch, forklock & keys (not shown)	ALL
	90300063	LOCKSET ASSEMBLY, complete, w/ forklock & keys (not shown)	ALL
29	47000031	FRAME, w/ bearing cups	ALL
30	57200037	SIDE COVER, left (black gloss)	XL1200C, XL1200CA, XL1200CP, XL1200T, XL1200V, XL1200X, XL883L, XL883N, XL883R
	57200038	SIDE COVER, left (black denim)	XL1200CB, XL1200CP, XL1200V, XL883N

FORK, REAR, DEBRIS DEFLECTOR & BELT GUARD



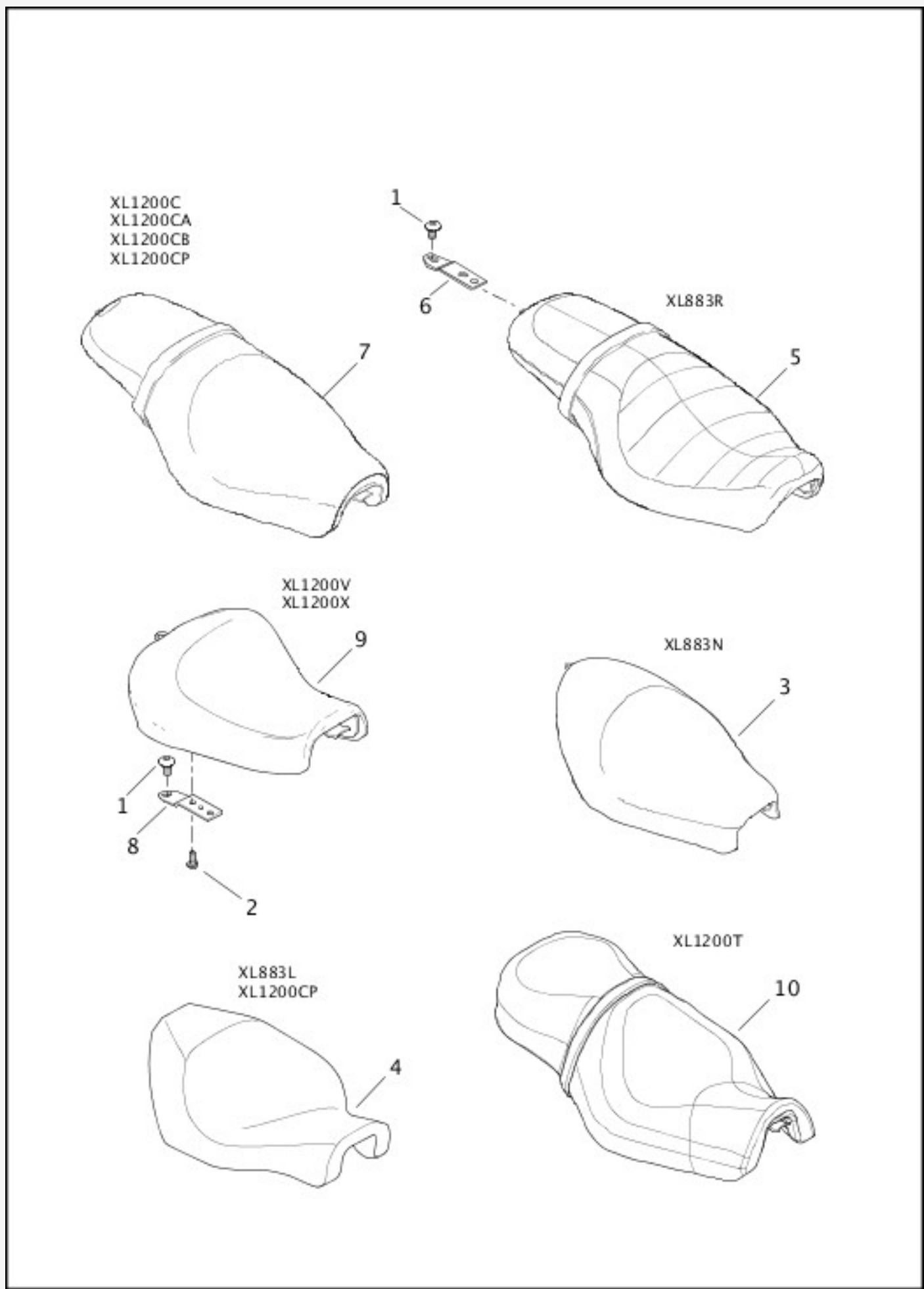
[View interactive image](#)

[View interactive table](#)

INDEX NO.	PART NO.	DESCRIPTION	MODEL(S)
1	2708A	SCREW	ALL
2	3579A	SCREW (3)	ALL

3	6702	WASHER	ALL
4	7766	LOCKNUT (2)	ALL
5	7531	LOCKNUT	ALL
6	9209	BEARING, w/ 11282 (2)	ALL
7	11282	RETAINING RING (2)	ALL
8	41573-05	ADJUSTER (2)	ALL
	41573-05	ADJUSTER, left (Japan)	ALL
	41623-05	ADJUSTER, right (Japan) (not shown)	ALL
9	47500005	BOLT	ALL
10	47587-05A	REAR FORK, w/ 9209	ALL
11	60367-04	BELT GUARD	XL1200C, XL1200CA, XL1200CB, XL1200CP, XL1200T, XL1200V, XL883L, XL883N, XL883R
12	60379-09	BELT GUARD	XL1200X
13	60435-04B	DEBRIS DEFLECTOR	ALL
14	89579-91	CAP (2)	ALL
15	12200047	RETAINING RING	ALL
16	47500006	NUT	ALL

SEATS



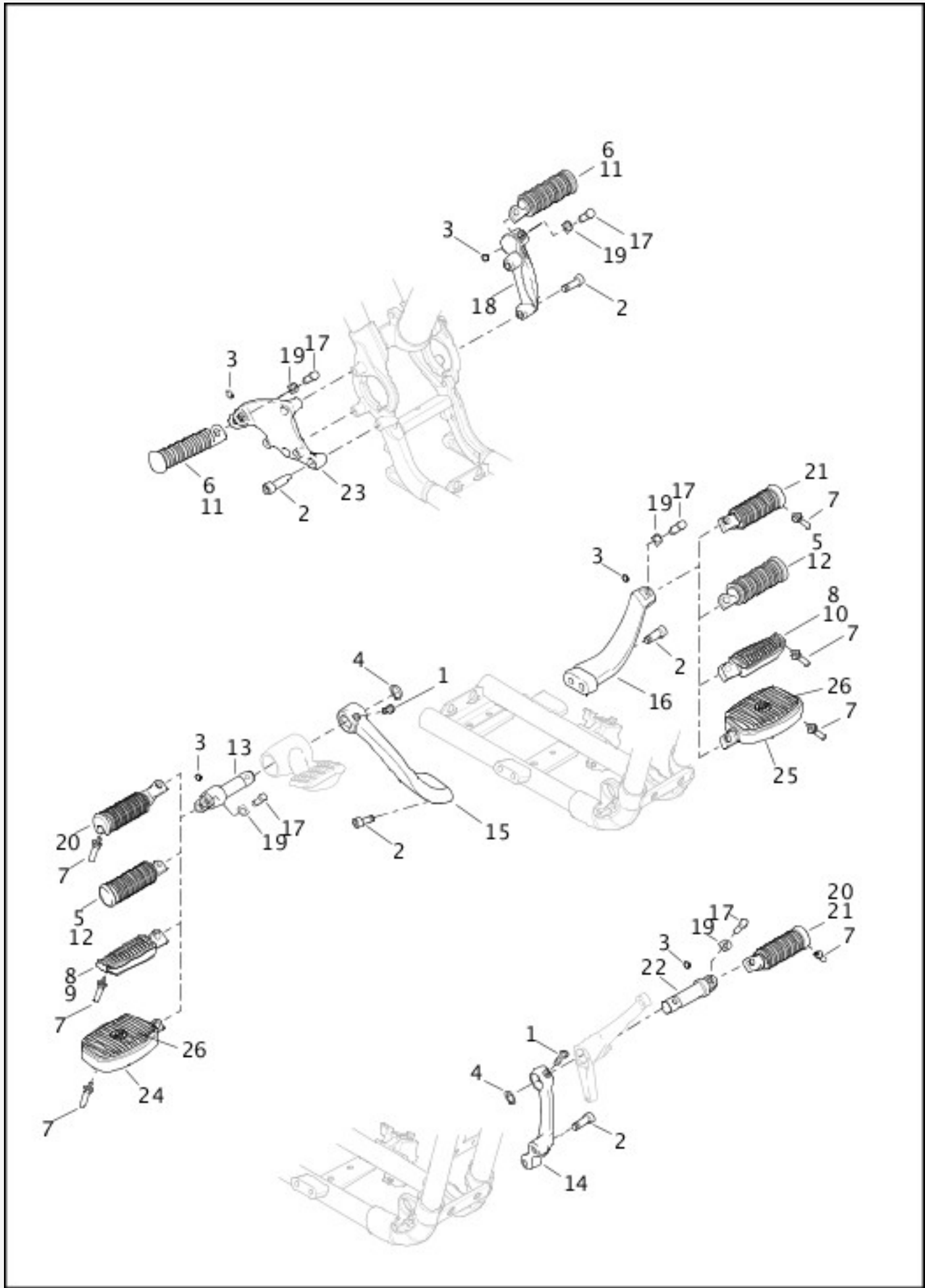
[View interactive image](#)

[View interactive table](#)

INDEX NO.	PART NO.	DESCRIPTION	MODEL(S)
1	2952A	SCREW	ALL
2	3574	SCREW (2)	XL1200V, XL1200X, XL883L

3	51532-07	SEAT ASSEMBLY, w/ 51652-97A	XL883N
4	51550-11	SEAT ASSEMBLY, w/ 3574 & 51652-97A (LH - Solo)	XL1200CP, XL883L
5	51551-07	SEAT ASSEMBLY, w/ 51652-97A	XL883R
6	51652-97A	BRACKET	XL1200C, XL1200CA, XL1200CB, XL1200CP, XL1200T, XL883L, XL883N, XL883R
7	51530-07	SEAT ASSEMBLY, w/ 51652-97A (LH - 2-Up)	XL1200C, XL1200CA, XL1200CB, XL1200CP
8	51740-10	BRACKET	XL1200V, XL1200X
9	51911-10	SEAT ASSEMBLY, w/ 3574 & 51740-10	XL1200V, XL1200X
10	52000156	SEAT ASSEMBLY, w/ 51652-97A & 52370-04	XL1200T

FOOTRESTS



[View interactive image](#)

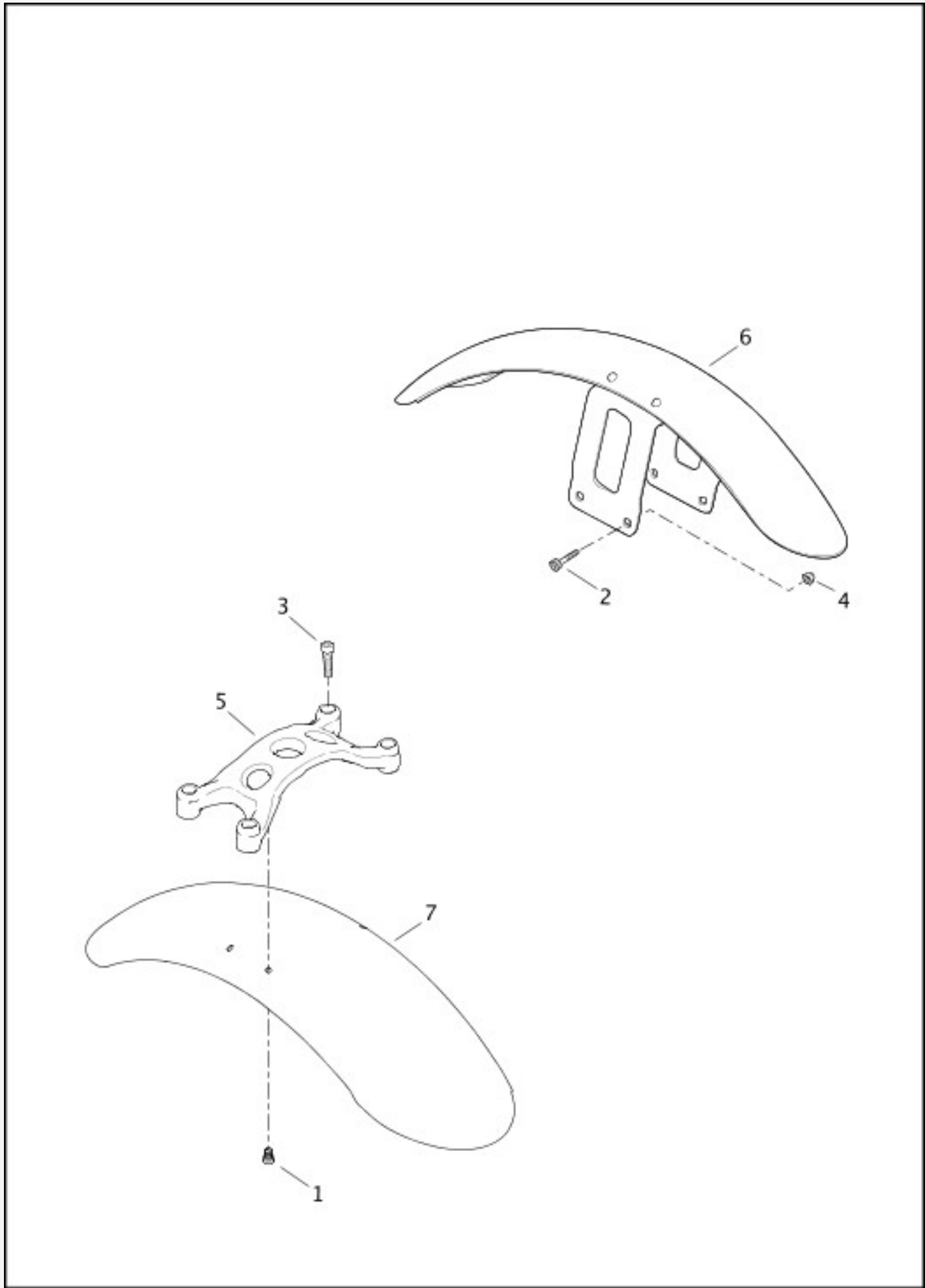
[View interactive table](#)

INDEX NO.	PART NO.	DESCRIPTION	MODEL(S)
1	3162	SCREW	ALL
2	3214	SCREW (LH - Solo) (4)	XL1200CP, XL1200V, XL1200X, XL883L, XL883N

	3214	SCREW (LH - 2Up) (9)	XL1200C, XL1200CA, XL1200CB, XL1200CP, XL1200T, XL883R
3	11304	RETAINING RING (LH - Solo) (2)	XL1200CP, XL1200V, XL1200X, XL883L, XL883N
	11304	RETAINING RING (LH - 2Up) (4)	XL1200C, XL1200CA, XL1200CB, XL1200CP, XL1200T, XL883R
4	11390	RETAINING RING (CT/LH - Mid Foot Controls)	XL1200C, XL1200CA, XL1200CP, XL1200T, XL883L, XL883N, XL883R
	11390	RETAINING RING (CT/LH - Forward Foot Controls) (2)	XL1200C, XL1200CB, XL1200CP, XL1200V, XL1200X
5	33032-99	FOOTPEG ASSEMBLY, w/ 33216-06 (2)	XL883R
6	33048-72	FOOTPEG ASSEMBLY, w/ 33189-63 (2)	XL1200C, XL1200CA, XL1200CB, XL1200CP, XL1200T, XL883R
7	33130-07A	WEAR PEG (2)	XL1200C, XL1200CA, XL1200CB, XL1200CP, XL1200T, XL1200V, XL1200X, XL883L, XL883N
8	33133-06	RUBBER, footpegs (2)	XL883N
9	33134-07CAZ	FOOTPEG ASSEMBLY, w/ 33133-06, right (black)	XL883N
10	33135-07CAZ	FOOTPEG ASSEMBLY, w/ 33133-06, left (black)	XL883N
11	33189-63	RUBBER, footrest (2)	XL1200C, XL1200CA, XL1200CB, XL1200CP, XL1200T, XL883R
12	33216-99	RUBBER, footrest (2)	XL883R
13	42541-04	CLEVIS, right	XL1200C, XL1200CA, XL1200CP, XL1200T, XL883L, XL883N, XL883R
14	42651-04	SUPPORT BRACKET, left	XL1200C, XL1200CB, XL1200CP, XL1200V, XL1200X
	42652-04	SUPPORT BRACKET, right (not shown)	XL1200C, XL1200CB, XL1200CP, XL1200V, XL1200X
15	42971-04	BRACKET, right	XL1200C, XL1200CA, XL1200CP, XL883L, XL883N, XL883R
	50500288	BRACKET, right (not shown)	XL1200T
16	42972-04	BRACKET, left	XL1200C, XL1200CA, XL1200CP, XL883L, XL883N, XL883R
	50500289	BRACKET, left (not shown)	XL1200T
17	45041-01A	CLEVIS PIN (LH - Solo) (2)	XL1200CP, XL1200V, XL1200X, XL883L, XL883N
	45041-01A	CLEVIS PIN (LH - 2Up) (4)	XL1200C, XL1200CA, XL1200CB, XL1200CP, XL1200T, XL883R

18	49315-04	BRACKET, left	XL1200C, XL1200CA, XL1200CB, XL1200CP, XL1200T, XL883R
19	50912-72	SPRING WASHER (LH - Solo) (2)	XL1200CP, XL1200V, XL1200X, XL883L, XL883N
	50912-72	SPRING WASHER (LH - 2Up) (4)	XL1200C, XL1200CA, XL1200CB, XL1200CP, XL1200T, XL883R
20	51323-08	FOOTPEG ASSEMBLY, right	XL1200C, XL1200CA, XL1200CB, XL1200CP, XL1200V, XL1200X, XL883L
21	51327-08	FOOTPEG ASSEMBLY, left	XL1200C, XL1200CA, XL1200CB, XL1200CP, XL1200V, XL1200X, XL883L
22	51730-10	CLEVIS, left	XL1200C, XL1200CB, XL1200CP, XL1200V, XL1200X
	51731-10	CLEVIS, right (not shown)	XL1200C, XL1200CB, XL1200CP, XL1200V, XL1200X
23	50500233	BRACKET, right	XL1200C, XL1200CA, XL1200CB, XL1200CP, XL1200T, XL883R
24	50500290	FOOTBOARD, right, w/ 50500323	XL1200T
25	50500291	FOOTBOARD, left, w/ 50500323	XL1200T
26	50500323	INSERT (2)	XL1200T

FENDERS, FRONT



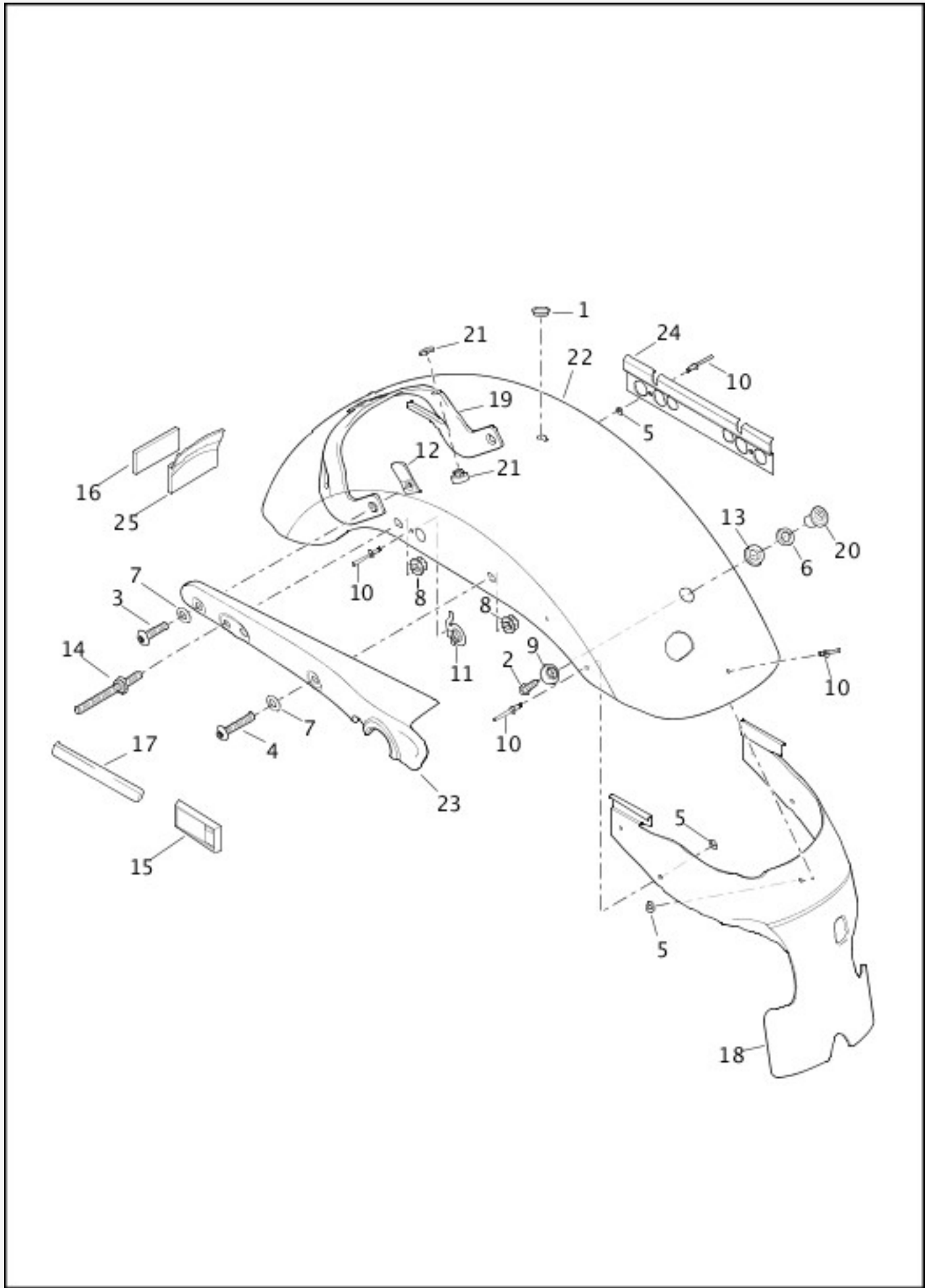
[View interactive image](#)

[View interactive table](#)

INDEX NO.	PART NO.	DESCRIPTION	MODEL(S)
NOTE: Refer to Painted Parts Book for painted part numbers.			
1	3018A	SCREW (4)	XL1200X

2	3210A	SCREW (4)	XL1200C, XL1200CA, XL1200CB, XL1200CP, XL1200T, XL1200V, XL883L, XL883N, XL883R
3	4978	SCREW (4)	XL1200X
4	7531	LOCKNUT (4)	XL1200C, XL1200CA, XL1200CB, XL1200CP, XL1200T, XL1200V, XL883L, XL883N, XL883R
5	46420-10	BRACE	XL1200X
6	58998-83E	FRONT FENDER, prime	XL883N, XL883R
	60955-11	FRONT FENDER, prime	XL1200C, XL1200CA, XL1200CB, XL1200CP, XL1200T, XL883L
	59712-07A	FRONT FENDER, prime	XL1200V
7	60574-10	FRONT FENDER, prime	XL1200X

FENDERS, REAR - 883L/R/1200C/CA/CB/CP (ALL), 883N/1200V/X (CANADA ONLY)



[View interactive image](#)

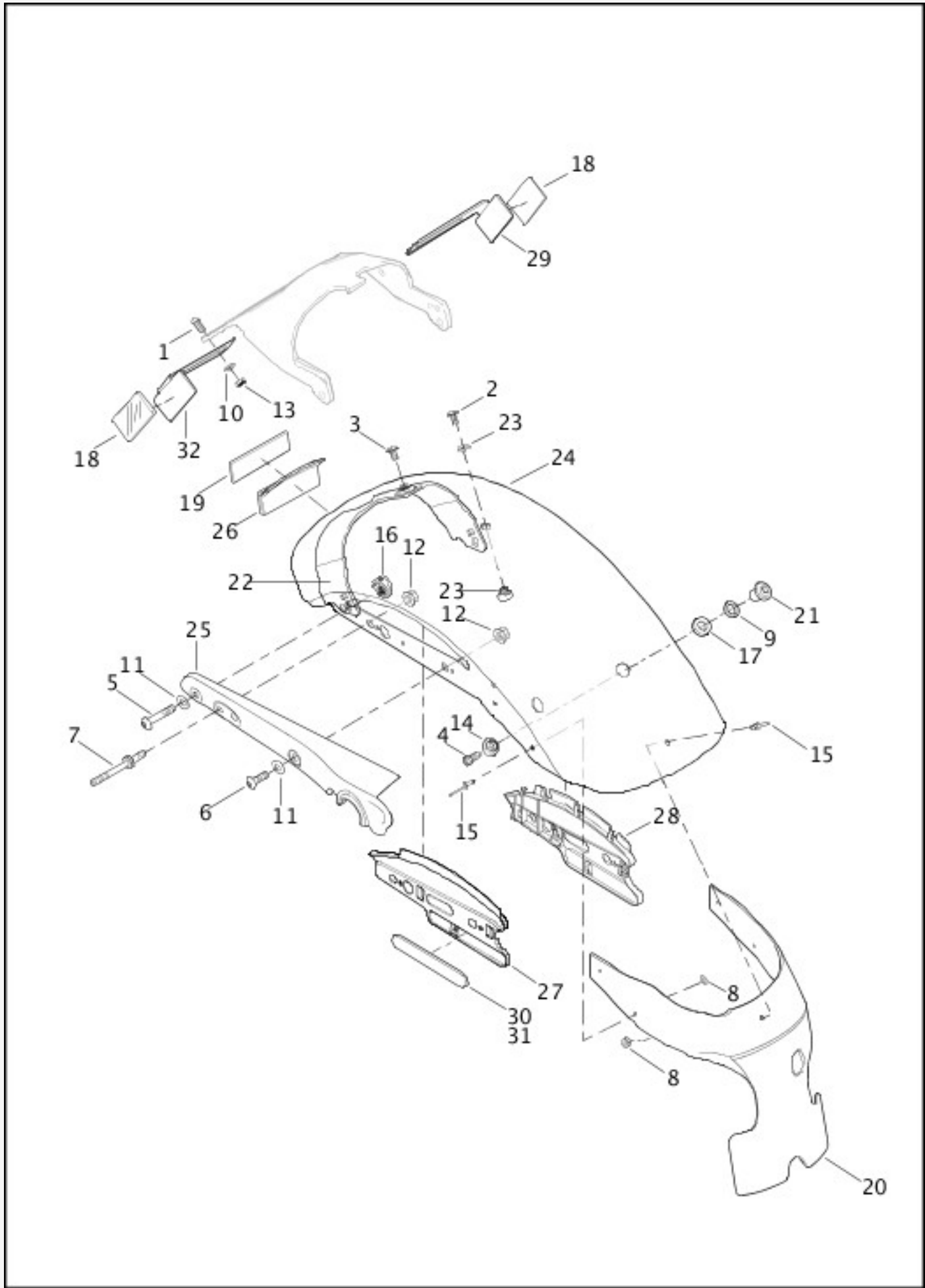
[View interactive table](#)

INDEX NO.	PART NO.	DESCRIPTION	MODEL(S)
NOTE: Refer to Painted Parts Book for painted part numbers.			
1	761	PLUG (2)	ALL

2	4017	BOLT	ALL
3	4778	SCREW (2)	ALL
4	4779	SCREW (2)	ALL
5	6192	WASHER (5)	ALL
6	6702	WASHER	ALL
7	6798	WASHER (4)	ALL
8	7531	LOCKNUT (4)	ALL
9	7882	TEE SPACER	ALL
10	8692	RIVET (7)	ALL
11	10200	BRACKET, wire retention (2)	ALL
12	10242	CLIP, threaded	ALL
13	11474	GROMMET	ALL
14	56104-02	SCREW (2)	ALL
15	59256-84A	REFLECTOR, amber (HDI) (2)	XL1200C, XL1200CA, XL1200CB, XL883L, XL883N, XL883R
16	59259-90	REFLECTOR, red	XL1200C, XL1200CA, XL1200CB, XL1200CP
17	59287-92	REFLECTOR, right (red)	ALL
	59288-92	REFLECTOR, left (red)	ALL
18	59502-04B	REAR FENDER EXTENSION	ALL
19	59673-04A	FENDER SUPPORT	XL1200V, XL1200X, XL883L, XL883N, XL883R
	59500034	FENDER SUPPORT	XL1200C, XL1200CA, XL1200CB, XL1200CP
20	59723-04	SEAT POST	ALL
21	59768-97	FENDER SEAT NUT KIT	ALL
22	59847-10	FENDER, rear (prime)	XL1200V, XL1200X, XL883L, XL883N, XL883R
	59885-11	FENDER, rear (prime)	XL1200C, XL1200CA, XL1200CB, XL1200CP
23	59902-04	COVER, rear fender support - right (chrome)	XL1200C, XL1200CA, XL1200CB, XL1200CP, XL1200V, XL883R
	59903-04	COVER, rear fender support - left (chrome) (not shown)	XL1200C, XL1200CA, XL1200CB, XL1200CP, XL1200V, XL883R
	60203-06	COVER, rear fender support - right (vivid	XL1200X, XL883L, XL883N

		black)	
	60204-06	COVER, rear fender support - left (vivid black) (not shown)	XL1200X, XL883L, XL883N
24	69302-11	WIRE GUIDE (2)	XL1200C, XL1200CA, XL1200CB, XL1200CP
25	67900006	BRACKET, reflector	XL1200C, XL1200CA, XL1200CB, XL1200CP

FENDERS, REAR - 883N/1200V/X (ALL EXCEPT CANADA)



[View interactive image](#)

[View interactive table](#)

INDEX NO.	PART NO.	DESCRIPTION	MODEL(S)
-----------	----------	-------------	----------

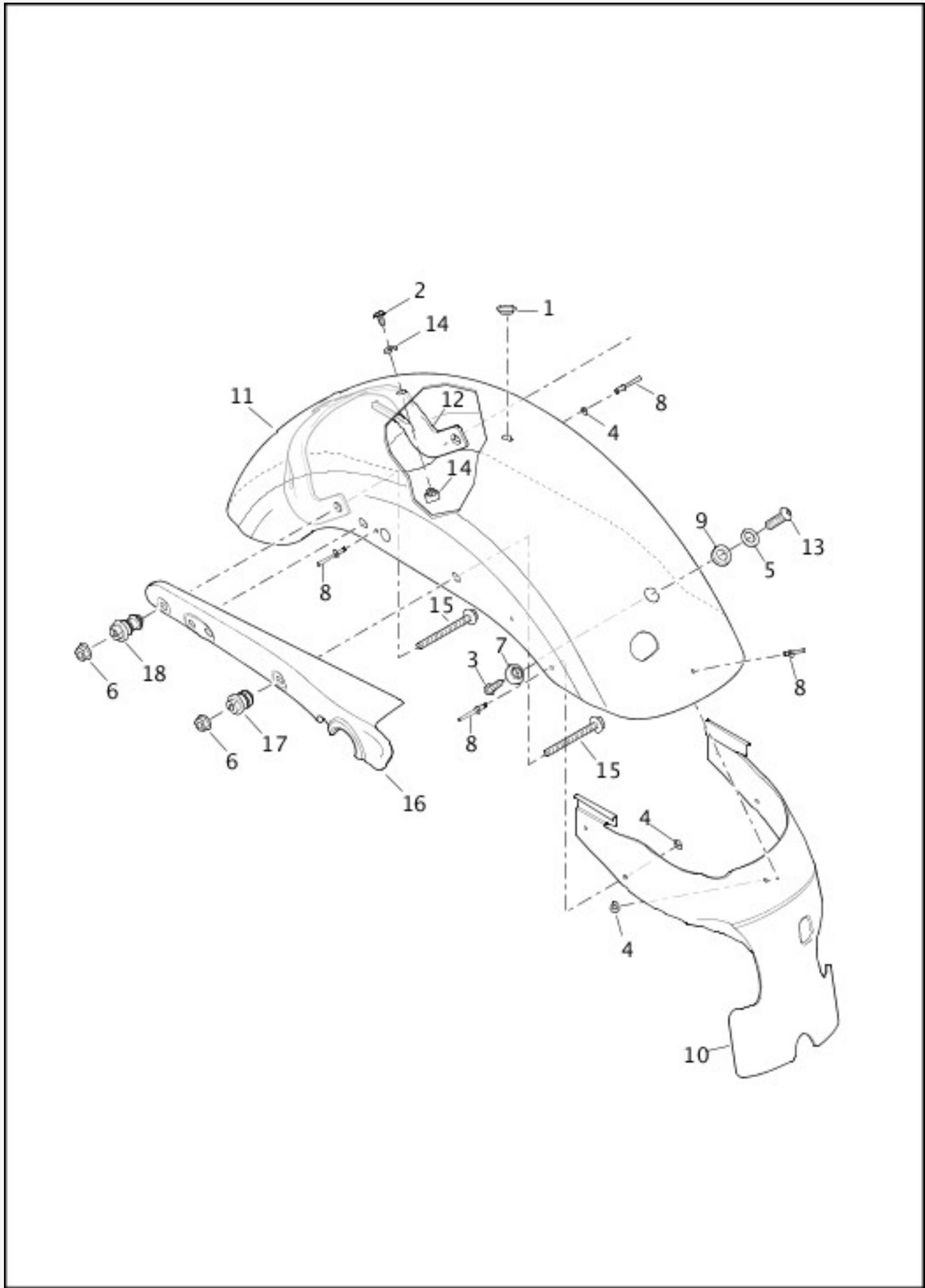
NOTE: Refer to Painted Parts Book for painted part numbers.

1	2446	SCREW (HDI) (2)	XL1200V, XL1200X, XL883N
---	------	-----------------	--------------------------

2	2952A	SCREW	XL1200V, XL1200X, XL883N
3	3085	SCREW	XL1200V, XL1200X, XL883N
4	4017	BOLT	XL1200V, XL1200X, XL883N
5	4778	SCREW (2)	XL1200V, XL1200X, XL883N
6	4779	SCREW (2)	XL1200V, XL1200X, XL883N
7	5531	SCREW (2)	XL1200V, XL1200X, XL883N
8	6192	WASHER (5)	XL1200V, XL1200X, XL883N
9	6702	WASHER	XL1200V, XL1200X, XL883N
10	6703	WASHER	XL1200V, XL1200X, XL883N
11	6798	WASHER (4)	XL1200V, XL1200X, XL883N
12	7531	LOCKNUT (4)	XL1200V, XL1200X, XL883N
13	7716	LOCKNUT	XL1200V, XL1200X, XL883N
14	7882	TEE SPACER	XL1200V, XL1200X, XL883N
15	8692	RIVET (9)	XL1200V, XL1200X, XL883N
16	10323	CLIP, threaded (2)	XL1200V, XL1200X, XL883N
17	11474	GROMMET	XL1200V, XL1200X, XL883N
18	59256-84A	REFLECTOR (amber) (HDI) (2)	XL1200V, XL1200X, XL883N
19	59359-06	REFLECTOR (red)	XL1200V, XL1200X, XL883N
20	59502-04A	REAR FENDER EXTENSION	XL1200V, XL1200X, XL883N
21	59723-04	SEAT POST	XL1200V, XL1200X, XL883N
22	59727-07	FENDER SUPPORT	XL1200V, XL1200X, XL883N
23	59768-97	FENDER SEAT NUT KIT	XL1200V, XL1200X, XL883N
24	59865-10	FENDER, rear (prime)	XL1200V, XL1200X, XL883N
25	60203-06	COVER, rear fender support - right (vivid black)	XL1200V, XL1200X, XL883N
	60204-06	COVER, rear fender support - left (vivid black) (not shown)	XL1200V, XL1200X, XL883N
26	68724-07	MOUNTING BLOCK, w/ tape	XL1200V, XL1200X, XL883N
27	68704-07	BRACKET REFLECTOR MOUNT, right	XL1200V, XL1200X, XL883N
28	68857-07	BRACKET REFLECTOR MOUNT, left (HDI)	XL1200V, XL1200X, XL883N
29	68966-08	BRACKET, reflector, left (HDI)	XL1200V, XL1200X, XL883N
30	69490-07	REFLECTOR (red) (2)	XL1200V, XL1200X, XL883N

31	69498-08	COVER, side reflector (HDI) (2)	XL1200V, XL1200X, XL883N
32	68992-08	BRACKET, reflector, right (HDI)	XL1200V, XL1200X, XL883N

FENDERS, REAR - 1200T



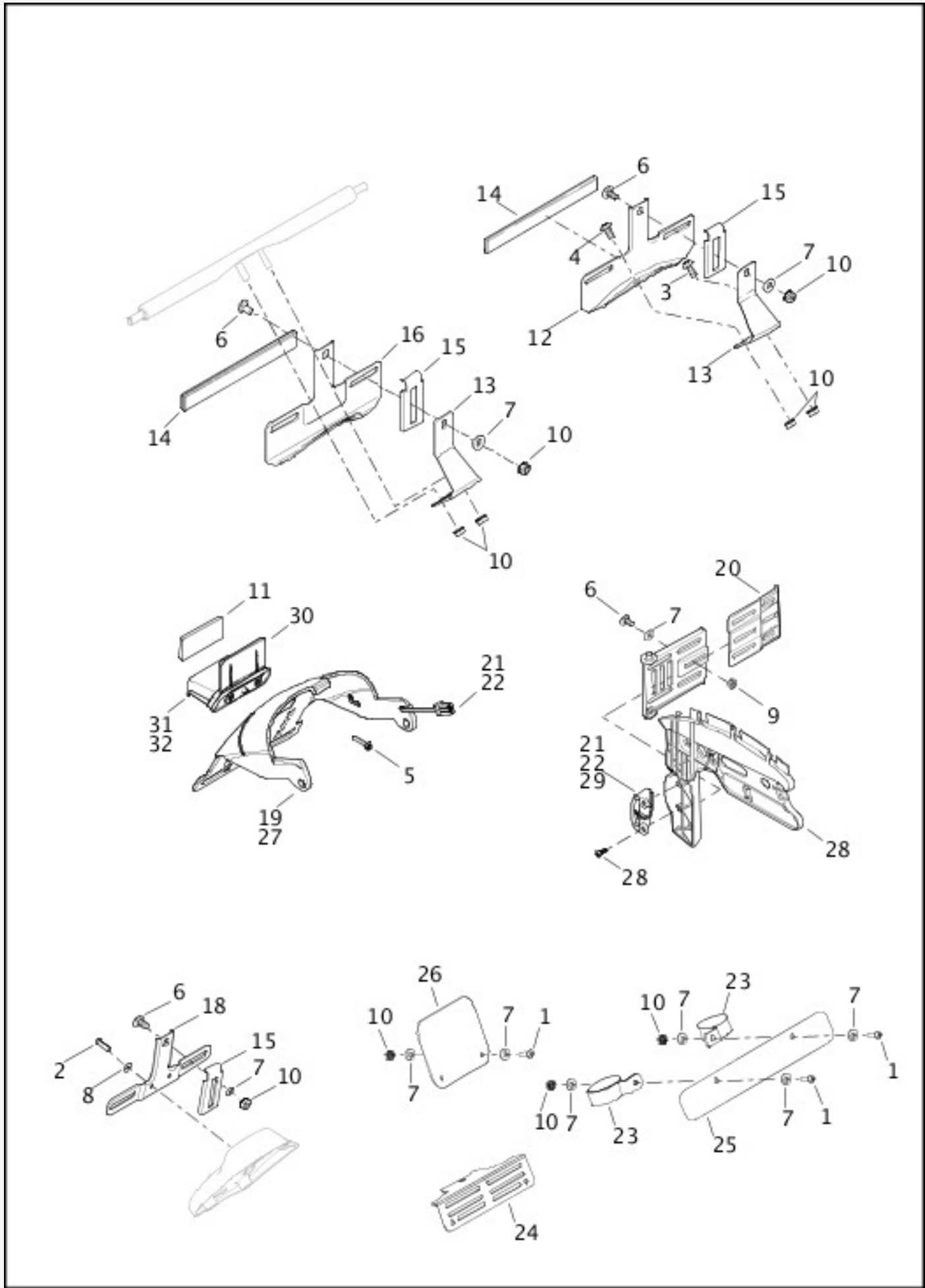
[View interactive image](#)

[View interactive table](#)

INDEX NO.	PART NO.	DESCRIPTION	MODEL(S)
NOTE: Refer to Painted Parts Book for painted part numbers.			
1	761	PLUG (2)	XL1200T

2	2952A	SCREW	XL1200T
3	4017	BOLT	XL1200T
4	6192	WASHER (5)	XL1200T
5	6702	WASHER	XL1200T
6	7531	LOCKNUT (4)	XL1200T
7	7882	SPACER	XL1200T
8	8692	RIVET (7)	XL1200T
9	11474	GROMMET	XL1200T
10	59502-04B	REAR FENDER EXTENSION	XL1200T
11	59847-10	FENDER, rear (prime)	XL1200T
12	59673-04A	FENDER SUPPORT	XL1200T
13	59723-04	SEAT POST	XL1200T
14	59768-97	FENDER SEAT NUT KIT	XL1200T
15	10500062	SCREW (4)	XL1200T
16	59500172	COVER, right	XL1200T
	59500173	COVER, left	XL1200T
17	90201038	SUPPORT, front (2)	XL1200T
18	90201039	SUPPORT, rear (2)	XL1200T

LICENSE PLATE BRACKETS



[View interactive image](#)

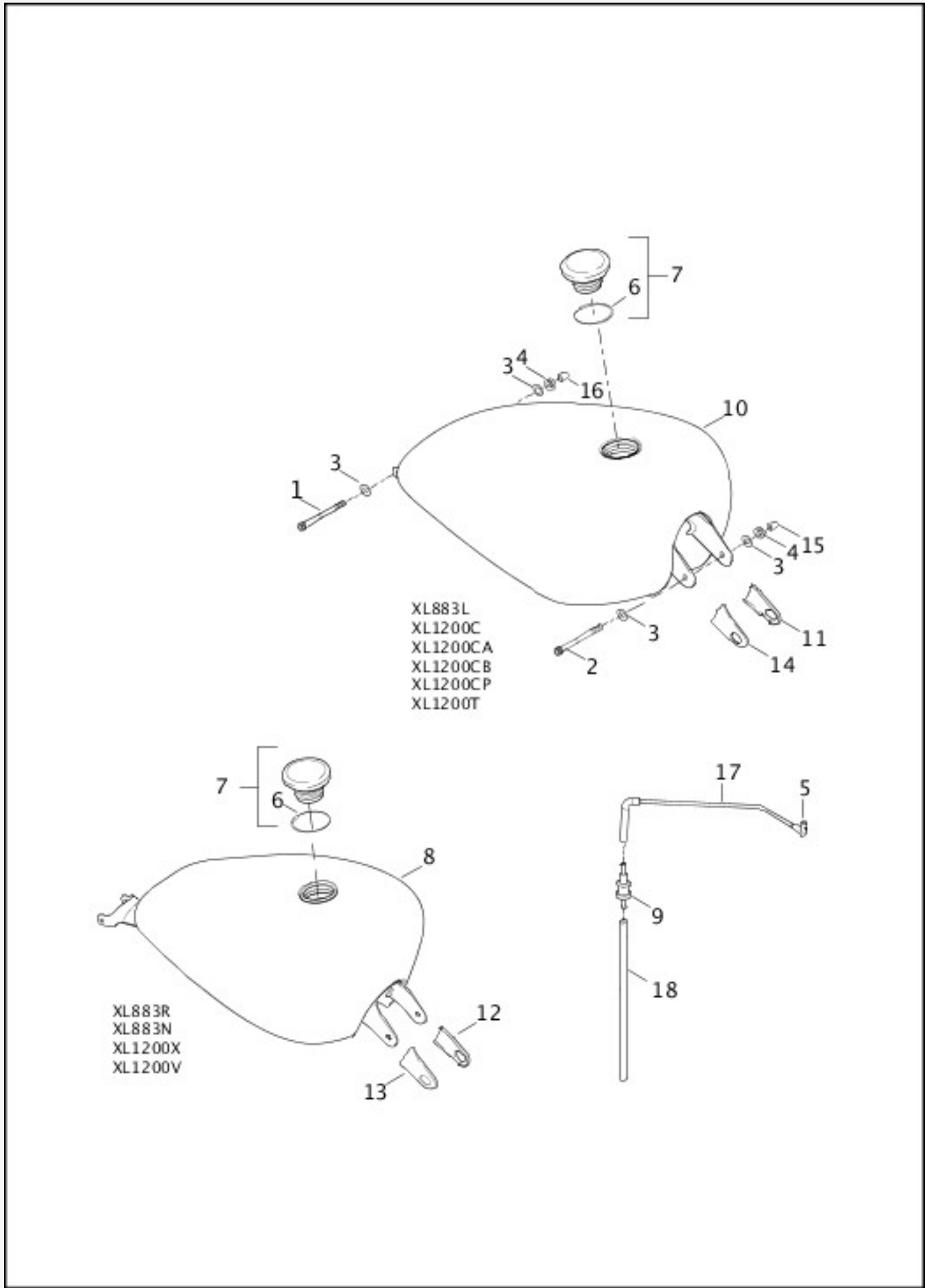
[View interactive table](#)

INDEX NO.	PART NO.	DESCRIPTION	MODEL(S)
1	927A	SCREW (India) (4)	XL1200C, XL1200X, XL883L, XL883N, XL883R

2	2508	SCREW	XL1200C, XL1200CA, XL1200CB, XL1200CP
3	2607	SCREW	XL1200T, XL1200V, XL1200X, XL883L, XL883N, XL883R
4	2773	SCREW (2)	XL1200V, XL1200X, XL883L, XL883N, XL883R
	3085	SCREW	XL1200C, XL1200CA, XL1200CB, XL1200CP
5	3387	SCREW (2)	XL1200V, XL1200X, XL883N
6	5403B	BOLT	ALL
7	6703	WASHER	ALL
	6703	WASHER (India) (8)	ALL
8	6716	WASHER (2)	XL1200C, XL1200CA, XL1200CB, XL1200CP
9	7716	LOCKNUT	XL1200V, XL1200X, XL883N
10	7792	NUT (4)	ALL
11	59259-90	REFLECTOR, red (HDI)	XL1200V, XL1200X, XL883N
12	59984-73	BRACKET, license plate	XL1200V, XL1200X, XL883L, XL883N, XL883R
13	59986-75	SUPPORT, license plate bracket	XL1200T, XL1200V, XL1200X, XL883L, XL883N, XL883R
14	59988-72A	REFLECTOR, license plate bracket	XL1200T, XL1200V, XL1200X, XL883L, XL883N, XL883R
15	60001-55	CLAMP, license plate bracket	ALL
16	60013-02	BRACKET	XL1200T
18	60225-08BHP	BRACKET, license plate	XL1200C, XL1200CA, XL1200CB, XL1200CP
19	60901-07	BRACKET (HDI)	XL1200V, XL1200X, XL883N
20	68702-07	BRACKET ADJUST, license plate	XL1200V, XL1200X, XL883N
21	73153-96BK	SOCKET HOUSING, 3-way (black)	XL1200V, XL1200X, XL883N
22	73191-96	SOCKET TERMINAL, 16-20 awg (2)	XL1200V, XL1200X, XL883N
23	10800006	P-CLAMP, 39mm (India) (2)	XL883L, XL883N, XL883R
24	67900079	BRACKET (India)	XL1200C, XL1200X
25	67900088	LICENSE PLATE, front (India)	XL883N, XL883R

	67900089	LICENSE PLATE, front (India)	XL1200C, XL1200X, XL883L
26	67900093	LICENSE PLATE, rear (India)	XL1200C, XL1200X, XL883L, XL883N, XL883R
27	67900152A	LICENSE PLATE ASSEMBLY, w/ 5, 19, 21, 22, 30, 31, 32 (HDI)	XL1200V, XL1200X, XL883N
28	67900155	LICENSE PLATE BRACKET MOUNT ASSEMBLY, left w/ 6, 7, 9, 20, 29	XL1200V, XL1200X, XL883N
29	67900157	ILLUMINATOR, license plate w/ 73153-96BK, & 73191-96	XL1200V, XL1200X, XL883N
30	67900231	BRACKET, w/ 59259-90 (HDI)	XL1200V, XL1200X, XL883N
31	73504-11	ILLUMINATOR, license plate (HDI)	XL1200V, XL1200X, XL883N
32	52441-95	BULB (HDI)	XL1200V, XL1200X, XL883N

FUEL TANK



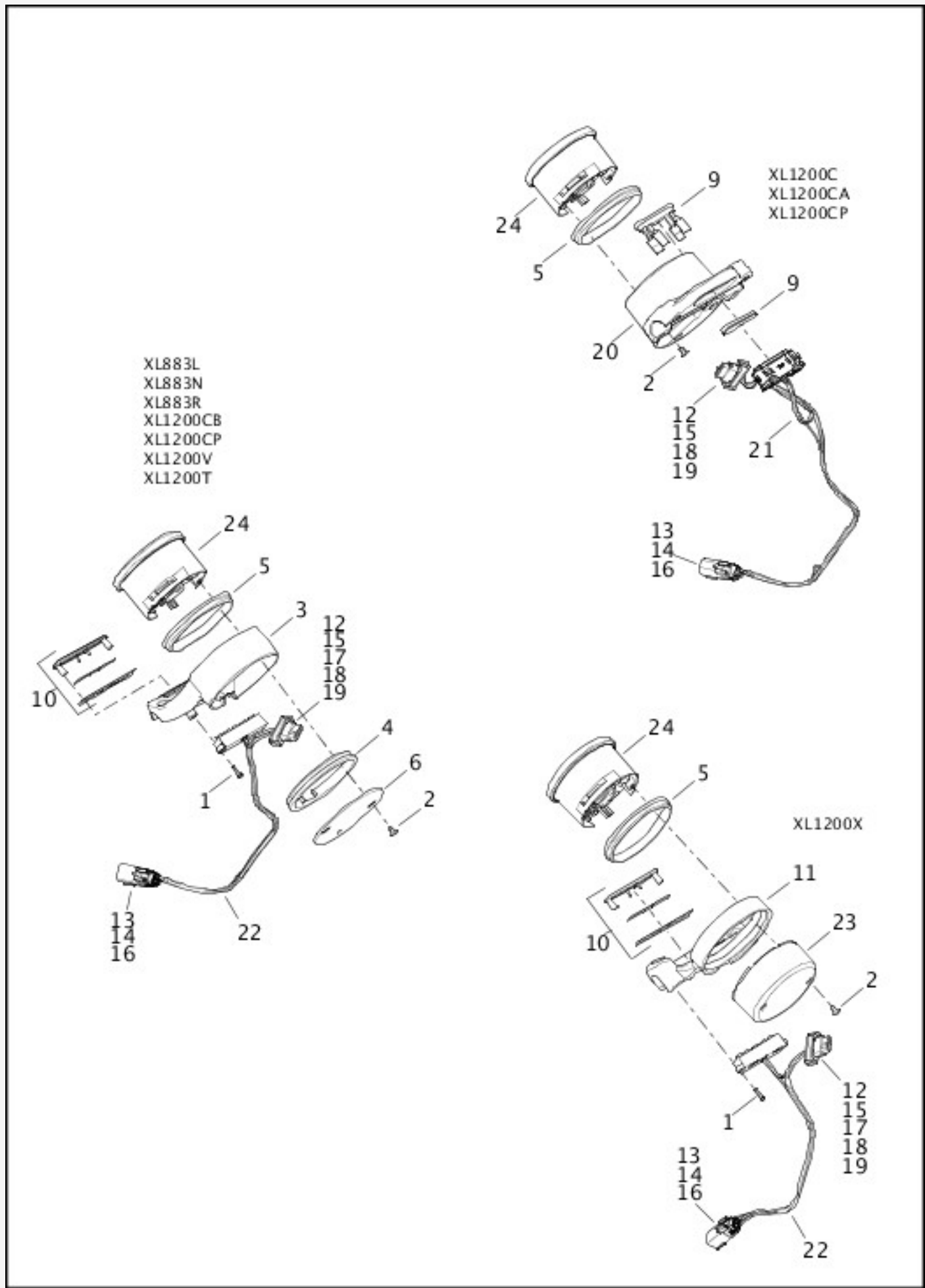
[View interactive image](#)

[View interactive table](#)

INDEX NO.	PART NO.	DESCRIPTION	MODEL(S)
NOTE: Refer to Painted Parts Book for painted part numbers.			
1	4758A	SCREW	ALL

2	4771	SCREW	ALL
3	6702	WASHER (4)	ALL
4	7531	LOCKNUT (2)	ALL
5	27250-96B	CONNECTOR, 90 degree	ALL
6	61109-85D	GASKET	ALL
7	61272-92C	FUEL CAP ASSEMBLY, w/ 61109-85D	XL1200C, XL1200CA, XL1200CB, XL1200CP, XL1200T, XL1200V, XL1200X, XL883L, XL883R
	61289-07A	FUEL CAP ASSEMBLY, vented, w/ 61109-85D	XL883N
	61100044	FUEL CAP ASSEMBLY, w/ tether (Asia-Pacific)	XL1200C, XL1200CA, XL1200CB, XL1200V, XL883L, XL883R
	61100045	FUEL CAP ASSEMBLY, w/ tether (Asia-Pacific)	XL883N
8	61348-07	FUEL TANK ASSEMBLY (prime)	XL883N, XL883R
	61724-10	FUEL TANK ASSEMBLY (prime)	XL1200V, XL1200X
9	62150-85	VAPOR VALVE	ALL
10	62213-07	FUEL TANK ASSEMBLY (prime)	XL1200C, XL1200CA, XL1200CB, XL1200CP, XL1200T, XL883L
11	70903-04	TRIM, left	XL1200C, XL1200CA, XL1200CB, XL1200CP, XL1200T, XL883L
12	70904-04	TRIM, left	XL1200V, XL1200X, XL883N, XL883R
13	70917-04	TRIM, right	XL1200V, XL1200X, XL883N, XL883R
14	70919-04	TRIM, right	XL1200C, XL1200CA, XL1200CB, XL1200CP, XL1200T, XL883L
15	89579-91	CAP	ALL
16	89586-04	CAP	ALL
17	61100026	VENTLINE, tank-to-valve, w/ 27250-96B	XL1200C, XL1200CA, XL1200CB, XL1200CP, XL1200T, XL883L, XL883N, XL883R
	61100027	VENTLINE, tank-to-valve, w/ 27250-96B	XL1200V, XL1200X
NOTE: Hose or insulator is sold in bulk length under the following part numbers. Cut to length.			
18	61100040	VENTLINE, vapor valve-to-atmosphere (except California and Asia-Pacific) (10-foot length)	ALL

SPEEDOMETER



[View interactive image](#)

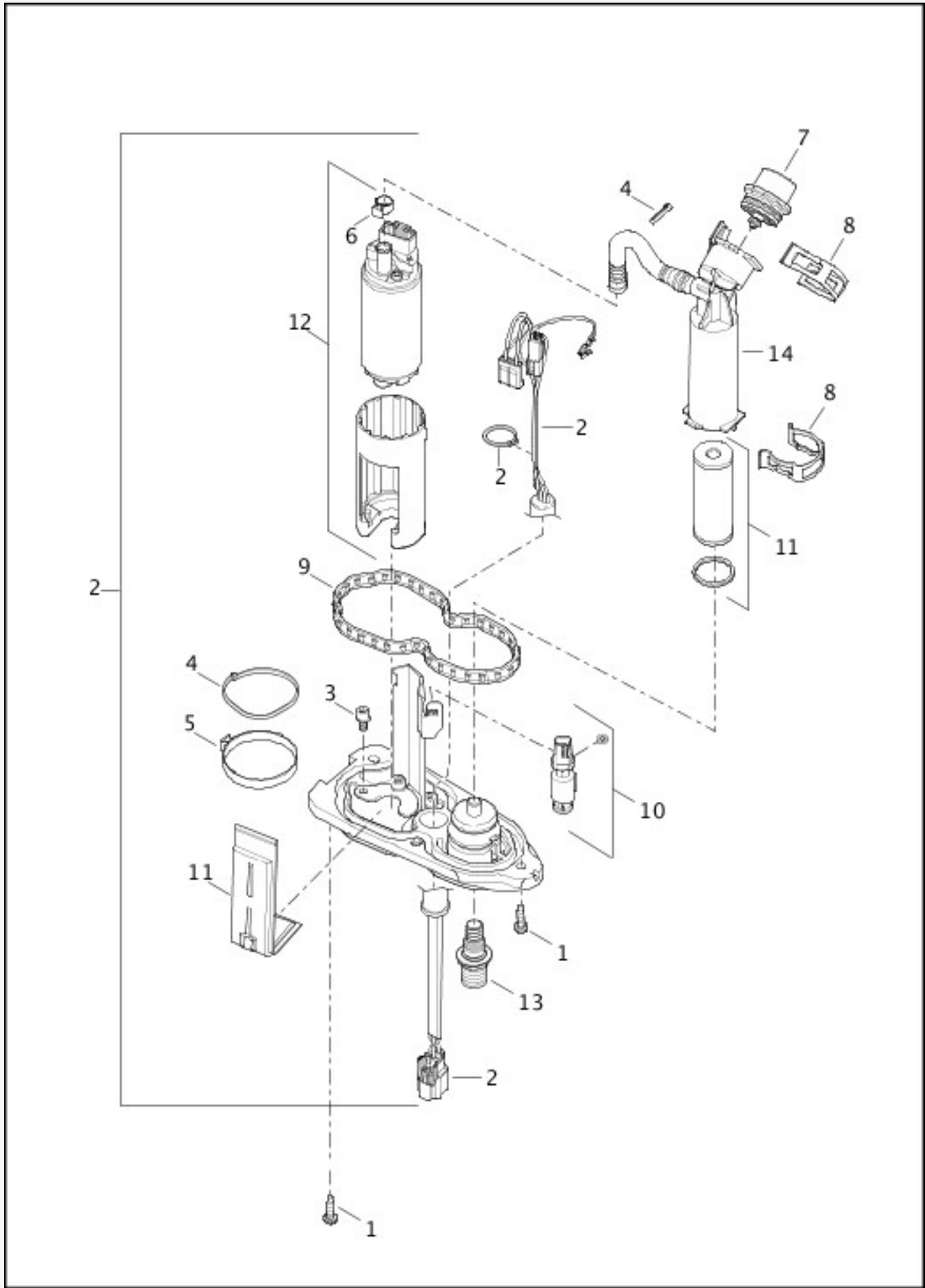
[View interactive table](#)

INDEX NO.	PART NO.	DESCRIPTION	MODEL(S)
1	2325	SCREW (2)	XL1200CB, XL1200CP, XL1200T, XL1200V, XL1200X, XL883L, XL883N, XL883R

2	2361	SCREW (2)	ALL
3	55846-05A	BRACKET, speedometer (chrome) (LH - Mini-Ape Handlebar)	XL1200CB, XL1200CP, XL1200T, XL1200V
	55847-05A	BRACKET, speedometer (black) (LH - Mini-Ape Handlebar)	XL1200CP, XL883L, XL883N, XL883R
4	67104-95	CUSHION, rear	XL1200CB, XL1200CP, XL1200T, XL1200V, XL883L, XL883N, XL883R
5	67121-95A	CUSHION, front	ALL
6	67319-95	COVER, speedometer back (black)	XL1200CP, XL883L, XL883N, XL883R
	69200438	COVER, speedometer back (chrome)	XL1200CB, XL1200T, XL1200V
9	68382-07B	BEZEL ASSEMBLY, indicator lamps	XL1200C, XL1200CA, XL1200CP
10	68513-07A	BEZEL, indicator lamps	XL1200CB, XL1200CP, XL1200T, XL1200V, XL1200X, XL883L, XL883N, XL883R
11	71980-10	BRACKET, speedometer	XL1200X
12	72130-04	HOUSING, socket 12-way (black)	ALL
13	72169-07	TERMINAL, pin, 16-20 gauge (5)	ALL
14	72188-07BK	HOUSING, 6-way pin (black)	ALL
15	72189-04	SEAL, pin (2)	ALL
16	72473-07	SEAL PIN	ALL
17	72662-11	TERMINAL, socket, 22 AWG (5)	XL1200T, XL1200V
18	74196-04	TERMINAL, socket, 22 AWG (5)	ALL
19	74197-04	SOCKET LOCK, secondary, 12-way	ALL
20	55900029	HOUSING, instrument (chrome) (LH - Drag & Pullback Handlebar)	XL1200C, XL1200CA, XL1200CP
21	69200079	HARNESS, w/ LED indicator	XL1200C, XL1200CA, XL1200CP
22	69200080	HARNESS, w/ LED indicator	XL1200CB, XL1200CP, XL1200T, XL1200V, XL1200X, XL883L, XL883N, XL883R
23	69200439	COVER, speedometer back	XL1200X
24	70900215	SPEEDOMETER, mph	XL1200X, XL883L, XL883N, XL883R
	70900216	SPEEDOMETER, kph	XL1200X, XL883L, XL883N, XL883R
	70900217	SPEEDOMETER, mph/kph	XL1200X, XL883L, XL883N, XL883R

	70900221	SPEEDOMETER, mph	XL1200C, XL1200CA, XL1200CB, XL1200CP, XL1200T, XL1200V
	70900222	SPEEDOMETER, kph	XL1200C, XL1200CA, XL1200CB, XL1200CP, XL1200T, XL1200V
	70900223	SPEEDOMETER, mph/kph	XL1200C, XL1200CA, XL1200CB, XL1200T, XL1200V

FUEL PUMP



[View interactive image](#)

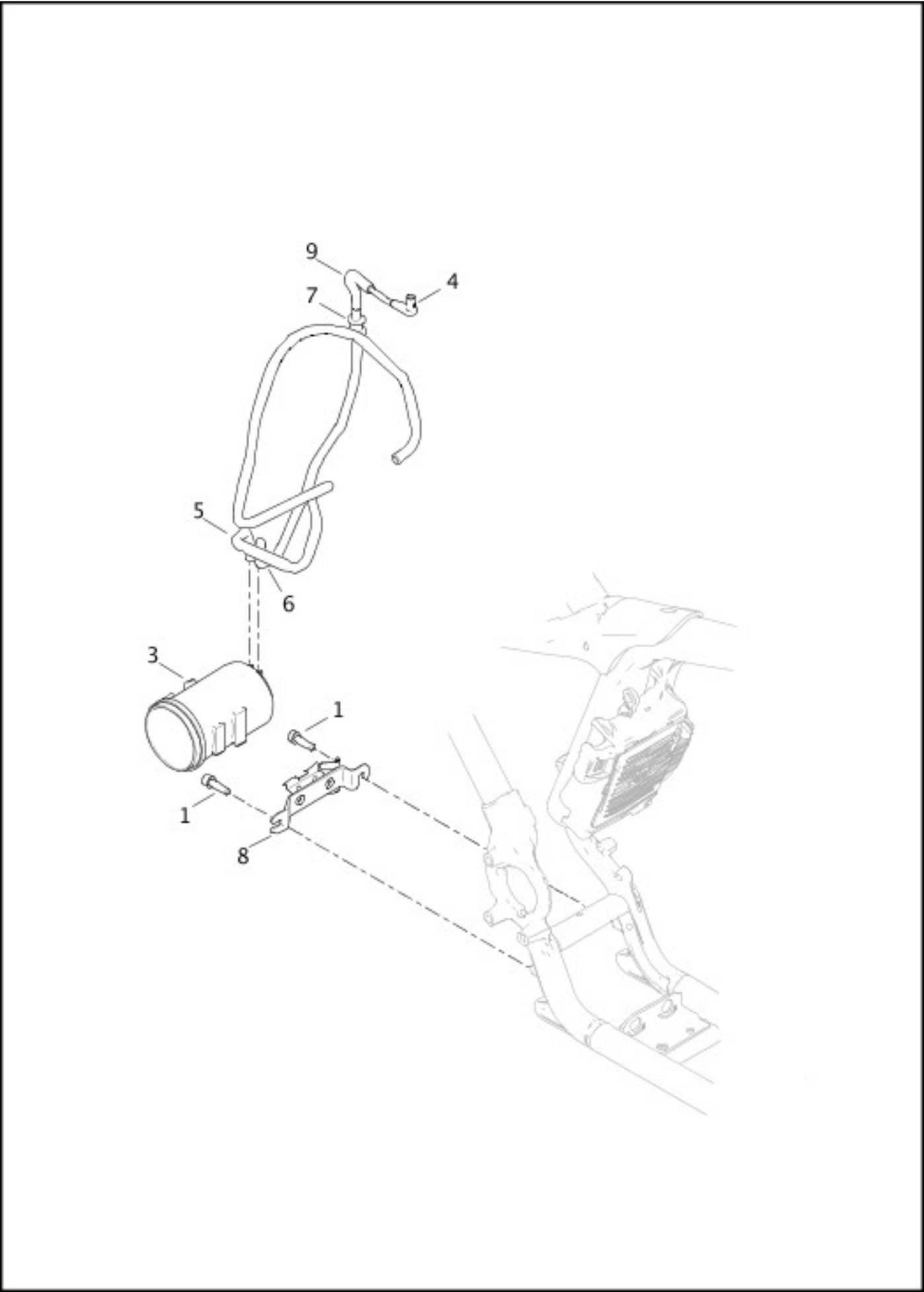
[View interactive table](#)

INDEX NO.	PART NO.	DESCRIPTION	MODEL(S)
1	1081A	SCREW (5)	ALL
2	75268-07F	FUEL PUMP MODULE, w/ fuel sender harness	ALL

NOTE: Includes the following parts.

3	1091	SCREW (3)	ALL
4	10181	CABLE STRAP (3)	ALL
5	10303	CLAMP, pump assembly	ALL
6	10304	CLAMP, tube	ALL
7	61015-04A	PRESSURE REGULATOR ASSEMBLY	ALL
8	61213-04A	RETAINING CLIP (2)	ALL
9	75301-07	SEAL, cover plate	ALL
10	75302-07B	SENSOR, fuel level w/ retaining ring	ALL
11	75304-07A	FUEL FILTER KIT, w/ 10181, 10303, strainer & filter element	ALL
12	75305-07A	FUEL PUMP, w/ 1091, 10181, 10303 & 10304	ALL
13	75309-07A	VALVE ASSEMBLY	ALL
14	75317-07	FILTER HOUSING	ALL

EVAPORATIVE EMISSIONS COMPONENTS



[View interactive image](#)

[View interactive table](#)

INDEX NO.	PART NO.	DESCRIPTION	MODEL(S)
-----------	----------	-------------	----------

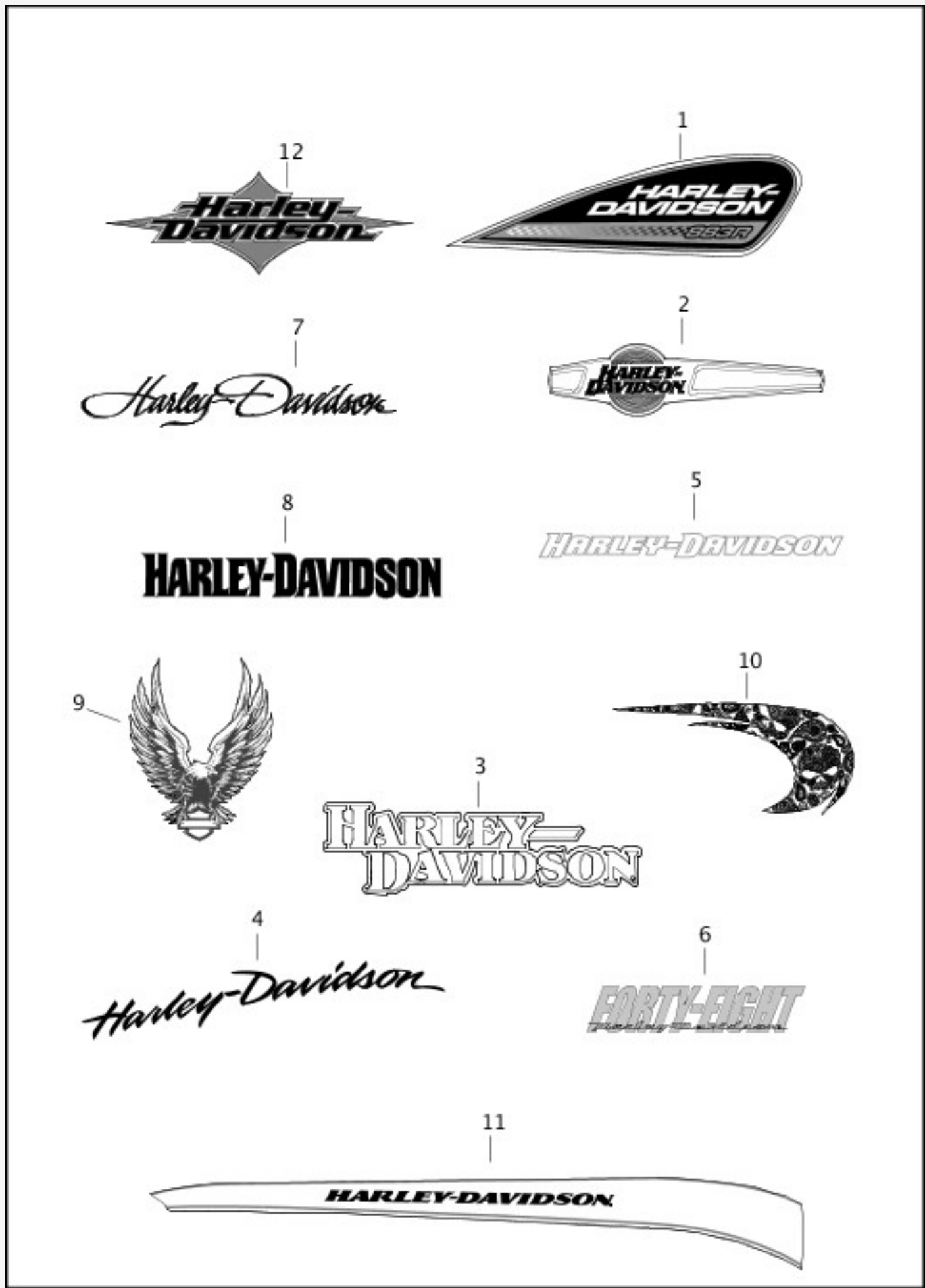
NOTE: These parts are required for motorcycles sold in the state of California.

NOTE: These parts are required for motorcycles sold in Asia-Pacific markets.

--	--	--	--

1	2479	SCREW (2)	ALL
2	10177	CABLE STRAP (2)	ALL
3	27042-84A	CANNISTER	ALL
4	27250-96B	CONNECTOR, 90 degree	ALL
5	28822-07A	HOSE, canister-to-manifold	ALL
6	28911-04A	HOSE, canister-to-vapor valve	ALL
7	62150-85	VAPOR VALVE	ALL
8	60800009	BRACKET, mounting	ALL
9	61100026	VENTLINE, tank-to-valve, w/ 27250-96B	ALL
	61100027	VENTLINE, tank-to-valve, w/ 27250-96B	ALL

FUEL TANK TRIM



[View interactive image](#)

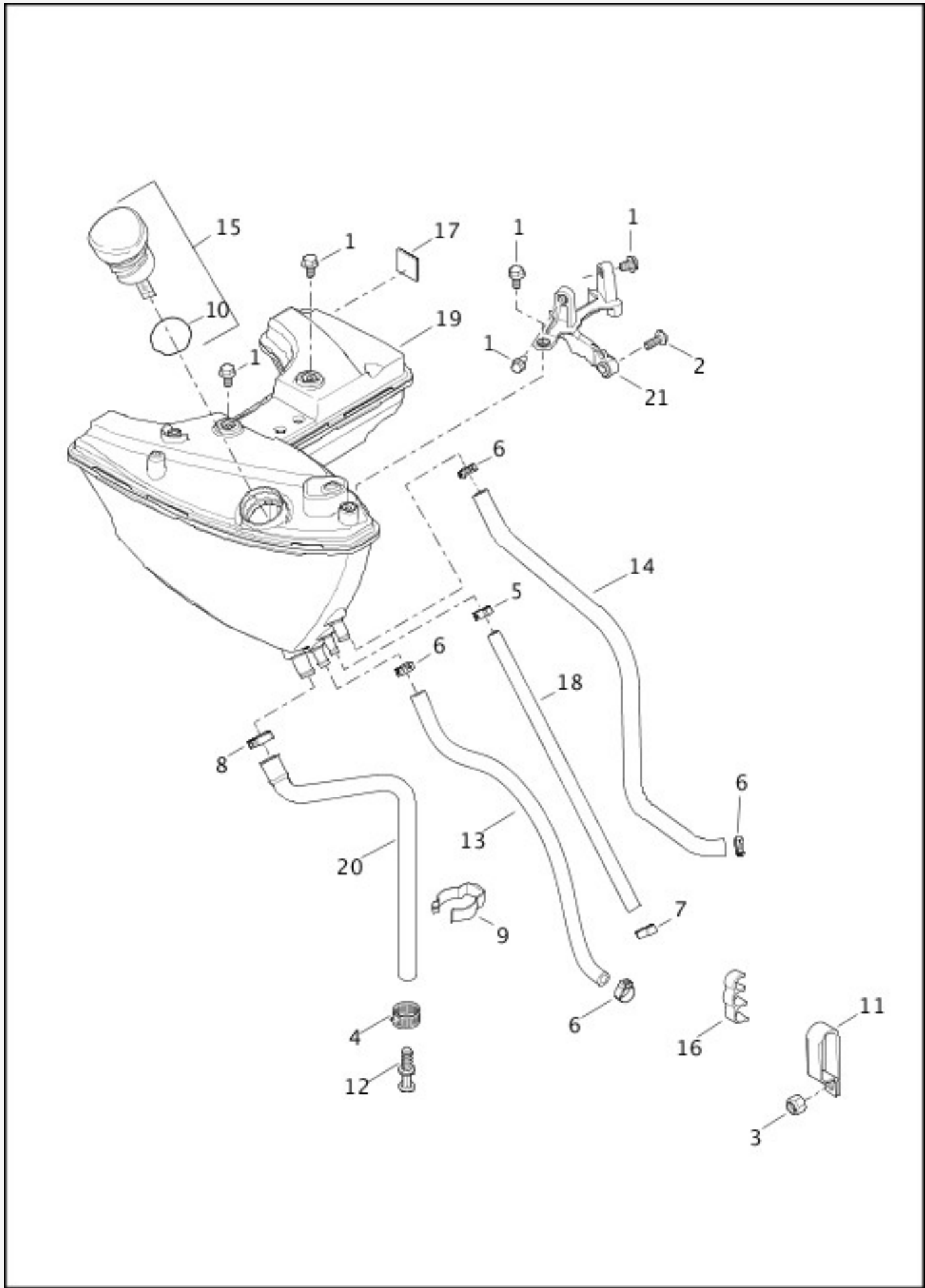
[View interactive table](#)

INDEX NO.	PART NO.	DESCRIPTION	MODEL(S)
1	13566-05	DECAL, fuel tank (left)	XL883R
	13567-05	DECAL, fuel tank (right)	XL883R

2	62426-11	MEDALLION, fuel tank (left) (red/black)	XL1200C, XL1200CP
	62439-11	MEDALLION, fuel tank (right) (red/black)	XL1200C, XL1200CP
	62580-11	MEDALLION, fuel tank (left) (blue/black)	XL1200C, XL1200CB, XL1200CP
	62581-11	MEDALLION, fuel tank (right) (blue/black)	XL1200C, XL1200CB, XL1200CP
3	14100607	MEDALLION, fuel tank (left) (red)	XL1200T
	14100608	MEDALLION, fuel tank (right) (red)	XL1200T
	14100609	MEDALLION, fuel tank (left) (blue)	XL1200T
	14100610	MEDALLION, fuel tank (right) (blue)	XL1200T

Index 4Is only sold as part of XL883L fuel tank assemblies. Index 5Is only sold as part of XL883N fuel tank assemblies. Index 6Is only sold as part of XL1200X fuel tank assemblies. Index 7Is only sold as part of XL1200CP fuel tank assemblies. Index 8Is only sold as part of XL1200CP fuel tank assemblies. Index 9Is only sold as part of XL1200CP fuel tank assemblies. Index 10Is only sold as part of XL1200CP fuel tank assemblies. Index 11Is only sold as part of XL1200CA fuel tank assemblies. Index 12Is only sold as part of XL1200V fuel tank assemblies.

OIL TANK & LINES



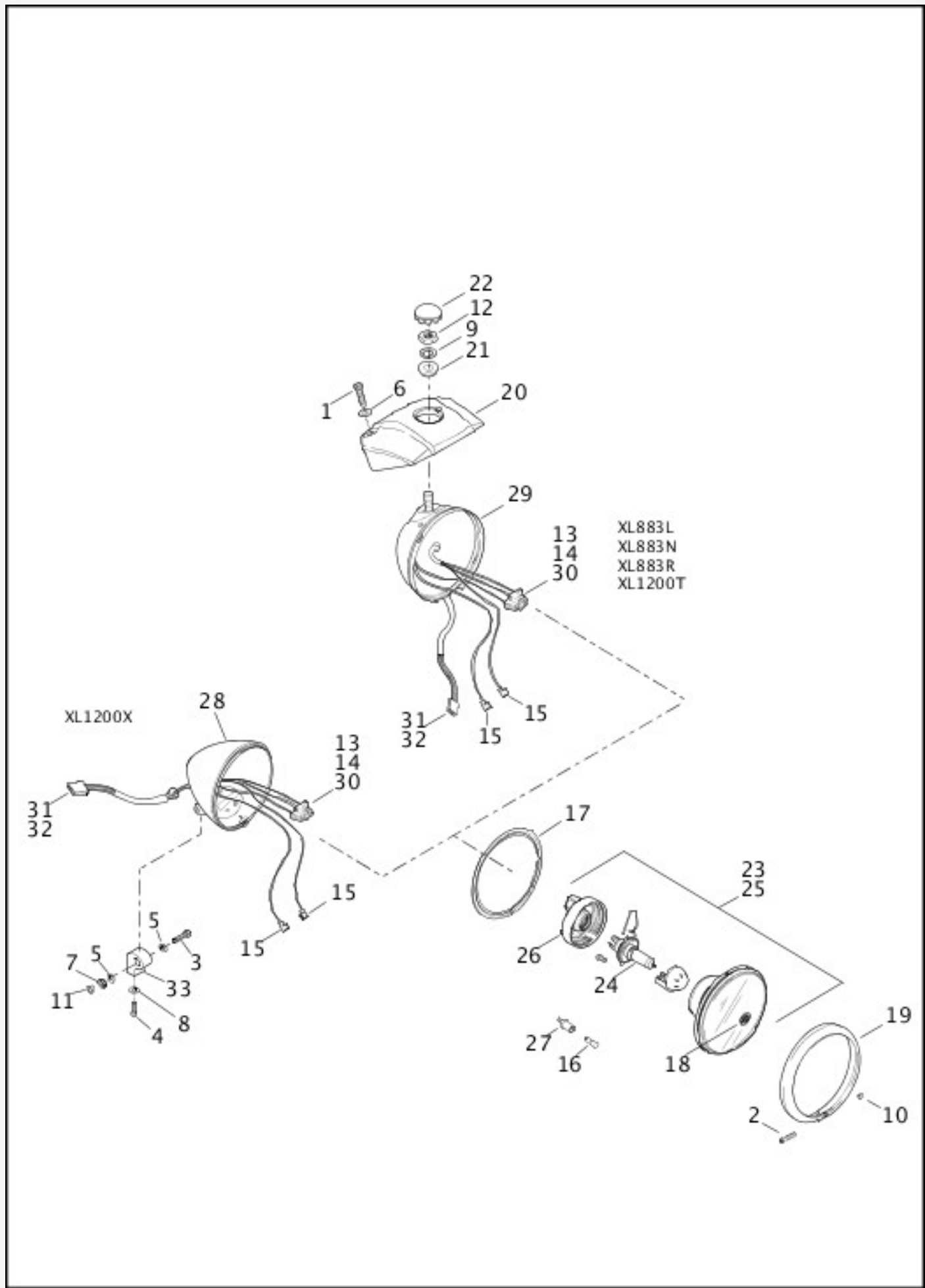
[View interactive image](#)

[View interactive table](#)

INDEX NO.	PART NO.	DESCRIPTION	MODEL(S)
1	3588	SCREW (5)	ALL
2	3696	SCREW	ALL

3	7624	LOCKNUT	ALL
4	9969	HOSE CLAMP	ALL
5	10038A	CLAMP (2)	ALL
6	10080	CLAMP (4)	ALL
7	10117	CLAMP	ALL
8	10142	CLAMP	ALL
9	10289A	CLAMP	ALL
10	11120	O-RING	ALL
11	31512-04	HOSE CLAMP	ALL
12	33123-06A	PLUG, oil tank drain	ALL
13	62338-01Y	LINE, oil feed	ALL
14	62361-10	LINE, oil return	ALL
15	63000-04B	DIPSTICK ASSEMBLY, w/ 11120	XL1200C, XL1200CA, XL1200CB, XL1200CP, XL1200T, XL1200V, XL1200X, XL883L, XL883R
	62592-07A	DIPSTICK ASSEMBLY, w/ 11120	XL883N
16	70503-10	HOSE CLIP	ALL
17	11100061	ADHESIVE BACKED LOCK	ALL
18	26500005	LINE, vent tube	ALL
19	62500017	OIL TANK ASSEMBLY, w/ 11100061	ALL
20	62700038	LINE, oil drain	ALL
21	69200401	BRACKET	ALL

HEADLAMP - 883L/N/R, 1200T/X



[View interactive image](#)

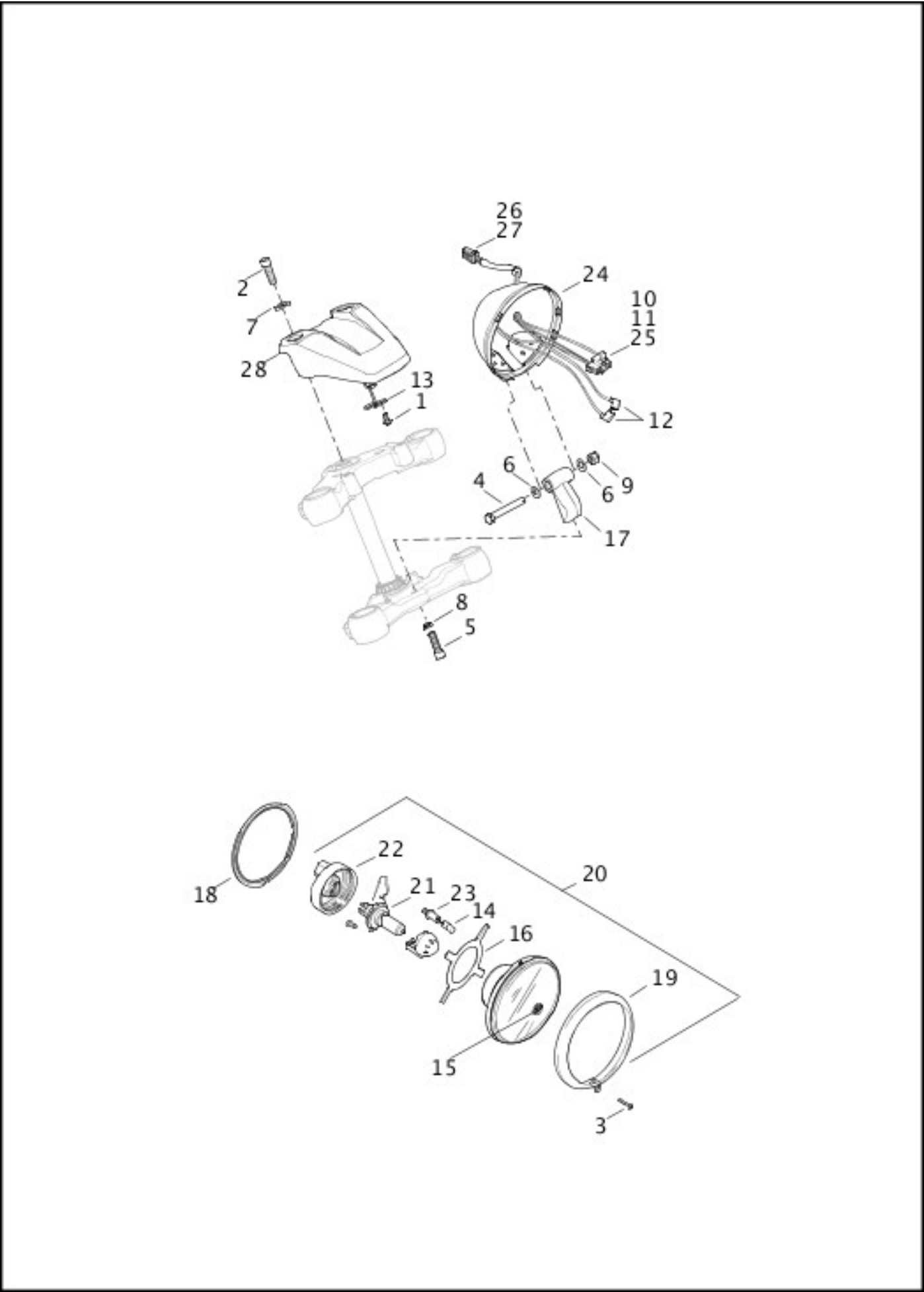
[View interactive table](#)

INDEX NO.	PART NO.	DESCRIPTION	MODEL(S)
1	2708A	SCREW (2)	XL1200T, XL883L, XL883N, XL883R

2	3514	SCREW	XL1200T, XL1200X, XL883L, XL883N, XL883R
3	4724	BOLT	XL1200X
4	4748	SCREW	XL1200X
5	6701	WASHER (2)	XL1200X
6	6702	WASHER (2)	XL883L, XL883N, XL883R
7	7038	LOCKWASHER	XL1200X
8	7045	LOCKWASHER	XL1200X
9	7068	LOCKWASHER	XL1200T, XL883L, XL883N, XL883R
	7073	LOCKWASHER (not shown) (India) (3)	XL1200X
	7230	LOCKWASHER (not shown) (India) (6)	XL1200X
10	7606	LOCKNUT	XL1200T, XL1200X, XL883L, XL883N, XL883R
	7716	LOCKNUT (not shown) (India) (3)	XL1200X
11	7800W	NUT	XL1200X
12	7880	NUT	XL1200T, XL883L, XL883N, XL883R
13	9847	CONNECTOR, right	XL1200T, XL1200X, XL883L, XL883N, XL883R
14	9848	CONNECTOR, left	XL1200T, XL1200X, XL883L, XL883N, XL883R
15	9898	TERMINAL FLAG (2)	XL1200T, XL1200X, XL883L, XL883N, XL883R
16	53436-97	BULB	XL1200T, XL1200X, XL883L, XL883N, XL883R
17	67883-04A	ADAPTER RING	XL1200T, XL1200X, XL883L, XL883N, XL883R
18	67667-05	MEDALLION	XL1200T, XL1200X, XL883L, XL883N, XL883R
19	67790-93A	BEZEL (chrome)	XL1200T, XL1200X, XL883L, XL883R
	68443-07A	BEZEL (satin chrome)	XL883N
20	67963-05A	BRACKET (denim black / satin)	XL883N, XL883R

	67700196	BRACKET (polished)	XL883L
	67700197	BRACKET (chrome)	XL1200T
21	67815-59A	WASHER	XL1200T, XL883L, XL883N, XL883R
22	67865-89	PLUG (chrome)	XL1200T, XL883L
	69449-05	PLUG (denim black / satin)	XL883N, XL883R
23	68297-05	LAMP ASSEMBLY, w/ 18, 24, 26	XL1200T, XL1200X, XL883L, XL883N, XL883R
24	68329-03	BULB	XL1200T, XL1200X, XL883L, XL883N, XL883R
25	68335-05	LAMP ASSEMBLY, left (Australia, England, India, Japan), w/ 16, 18, 24, 26, 27	XL1200T, XL1200X, XL883L, XL883N, XL883R
	68341-05	LAMP ASSEMBLY, right (HDI, Asia-Pacific), w/ 16, 18, 24, 26, 27	XL1200T, XL1200X, XL883L, XL883N, XL883R
26	68380-05	BOOT	XL1200T, XL1200X, XL883L, XL883N, XL883R
27	68653-05	SOCKET, bulb (2 spade)	XL1200T, XL1200X, XL883L, XL883N, XL883R
28	73264-10	HEADLAMP SHELL, w/ 13, 14, 15, 30, 31, 32 (black)	XL1200X
	67700094	HEADLAMP SHELL, w/ 13, 14, 15, 30, 31, 32, 7073, 7230 & 7716 (India) (not shown)	XL1200X
29	69774-07A	HEADLAMP SHELL, w/ 13, 14, 15, 30, 31, 32 (black)	XL1200T, XL883L, XL883N, XL883R
30	72056-92	HOUSING, female	XL1200T, XL1200X, XL883L, XL883N, XL883R
31	73154-96BK	SOCKET HOUSING, 4-way (black)	XL1200T, XL1200X, XL883L, XL883N, XL883R
32	73191-96	SOCKET TERMINAL, 16-20 awg (4)	XL1200T, XL1200X, XL883L, XL883N, XL883R
33	73266-10	MOUNT	XL1200X

HEADLAMP - 1200C/CA/CB/CP/V



[View interactive image](#)

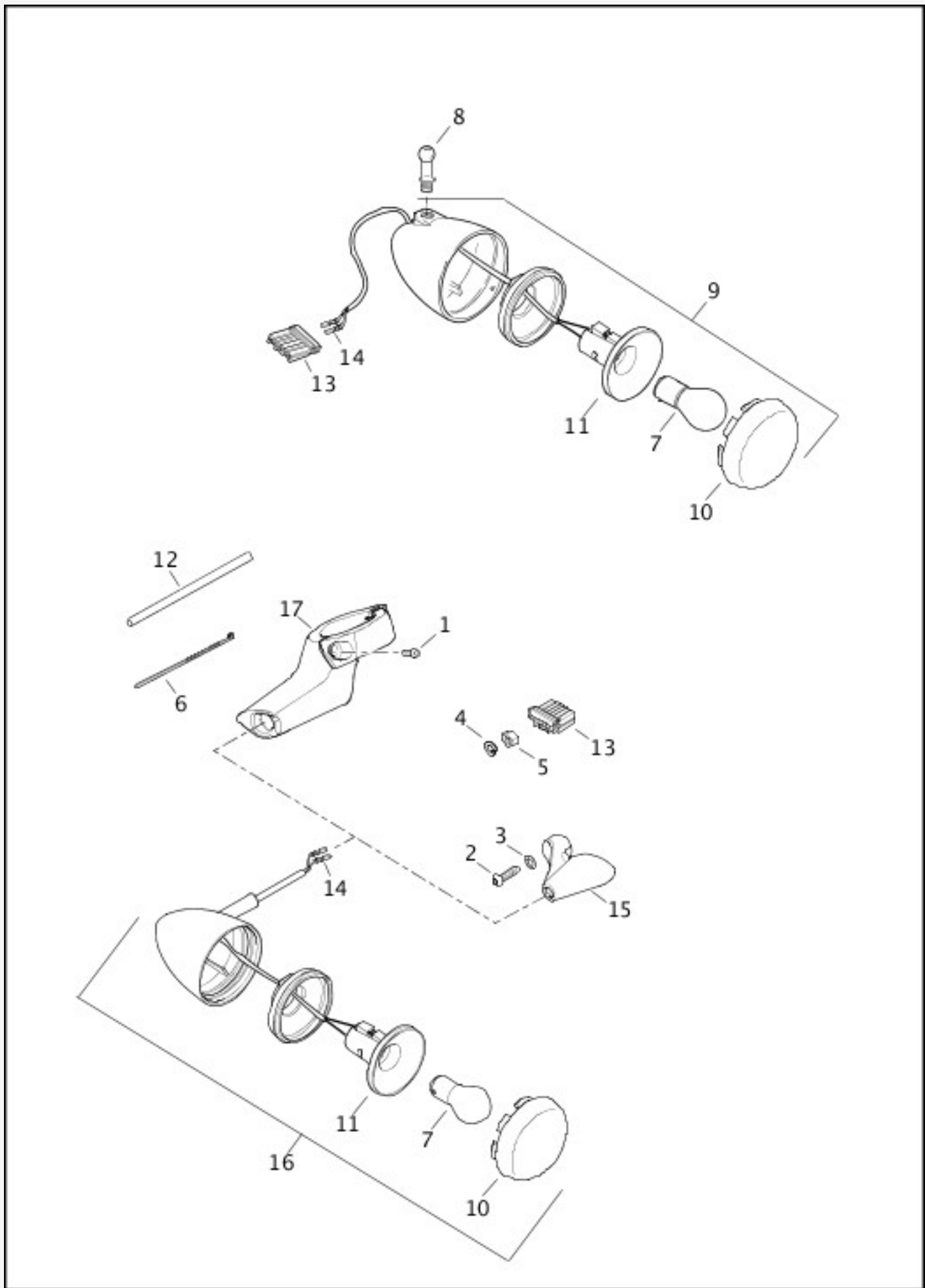
[View interactive table](#)

INDEX NO.	PART NO.	DESCRIPTION	MODEL(S)
1	2445	SCREW	XL1200C, XL1200CA, XL1200CB, XL1200CP

2	2708A	SCREW (2)	XL1200C, XL1200CA, XL1200CB, XL1200CP
3	3615	SCREW	XL1200C, XL1200CA, XL1200CB, XL1200CP, XL1200V
4	4420	SCREW	XL1200C, XL1200CA, XL1200CB, XL1200CP, XL1200V
5	4748	SCREW	XL1200C, XL1200CA, XL1200CB, XL1200CP, XL1200V
6	6701	WASHER (2)	XL1200C, XL1200CA, XL1200CB, XL1200CP, XL1200V
7	6702	WASHER (2)	XL1200C, XL1200CA, XL1200CB, XL1200CP
8	7045	LOCKWASHER	XL1200C, XL1200CA, XL1200CB, XL1200CP, XL1200V
9	7778	LOCKNUT	XL1200C, XL1200CA, XL1200CB, XL1200CP, XL1200V
10	9847	CONNECTOR, right	XL1200C, XL1200CA, XL1200CB, XL1200CP, XL1200V
11	9848	CONNECTOR, left	XL1200C, XL1200CA, XL1200CB, XL1200CP, XL1200V
12	9898	TERMINAL FLAG (2)	XL1200C, XL1200CA, XL1200CB, XL1200V
13	38999-11	GUIDE, clutch cable	XL1200C, XL1200CA, XL1200CB, XL1200CP
14	53436-97	BULB (HDI, Asia-Pacific, Australia, England, Japan)	XL1200C, XL1200CA, XL1200CB, XL1200V
15	67667-05	MEDALLION	XL1200C, XL1200CA, XL1200CB, XL1200CP, XL1200V
16	67601-94A	GASKET (This gasket is sold separately and is not part of item 20)	XL1200C, XL1200CA, XL1200CB, XL1200CP, XL1200V
17	67746-11	MOUNT	XL1200C, XL1200CA, XL1200CB, XL1200CP, XL1200V
18	67603-94A	ADAPTER RING	XL1200C, XL1200CA, XL1200CB, XL1200CP, XL1200V
19	67894-93A	BEZEL	XL1200C, XL1200CA, XL1200CB, XL1200CP, XL1200V
20	68297-05	LAMP ASSEMBLY, w/ 15, 21, 22	XL1200C, XL1200CA, XL1200CB, XL1200CP, XL1200V
	68335-05	LAMP ASSEMBLY, left (Australia, England, Japan), w/ 14, 15, 21, 22, 23	XL1200C, XL1200CA, XL1200CB, XL1200V

	68341-05	LAMP ASSEMBLY, right (HDI, Asia-Pacific), w/ 14, 15, 21, 22, 23	XL1200C, XL1200CA, XL1200CB, XL1200V
21	68329-03	BULB	XL1200C, XL1200CA, XL1200CB, XL1200CP, XL1200V
22	68380-05	BOOT	XL1200C, XL1200CA, XL1200CB, XL1200CP, XL1200V
23	68653-05	SOCKET, bulb (2 spade) (HDI, Asia-Pacific, Australia, England, Japan)	XL1200C, XL1200CA, XL1200CB, XL1200V
24	69681-07B	HEADLAMP SHELL, w/ 10, 11, 12, 25, 26, 27	XL1200C, XL1200CA, XL1200CB, XL1200CP, XL1200V
25	72056-92	HOUSING, female	XL1200C, XL1200CA, XL1200CB, XL1200CP, XL1200V
26	73154-96BK	SOCKET HOUSING, 4-way (black)	XL1200C, XL1200CA, XL1200CB, XL1200CP, XL1200V
27	73191-96	SOCKET TERMINAL, 16-20 awg (4)	XL1200C, XL1200CA, XL1200CB, XL1200CP, XL1200V
28	73246-11	VISOR	XL1200C, XL1200CA, XL1200CB, XL1200CP

TURN SIGNALS, FRONT



[View interactive image](#)

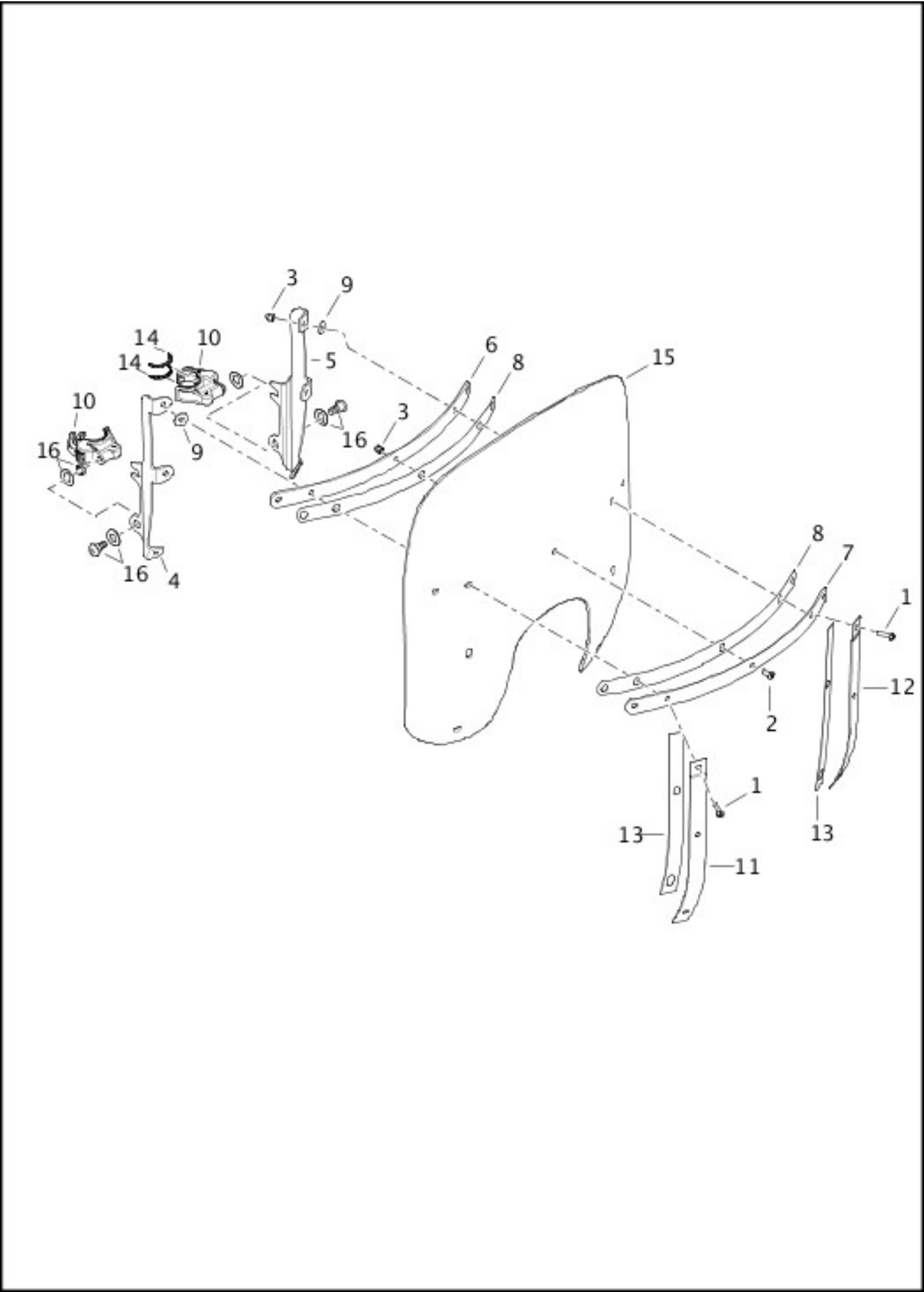
[View interactive table](#)

INDEX NO.	PART NO.	DESCRIPTION	MODEL(S)
1	3033	SCREW (2)	XL1200T
2	4351	SCREW (2)	XL1200X

3	6610	WASHER (2)	XL1200X
4	7038	LOCKWASHER (2)	XL1200T, XL1200X
5	7783	NUT (2)	XL1200T, XL1200X
6	10065	CABLE STRAP	XL1200T
7	68168-89A	BULB, dual contact (Domestic) (2)	XL1200C, XL1200CP, XL1200T, XL1200V, XL1200X, XL883L, XL883N
	68168-89A	BULB, dual contact (Canada) (2)	XL1200CA, XL1200CB
	68163-84	BULB, single contact (HDI) (2)	XL1200C, XL1200CA, XL1200CB, XL1200T, XL1200V, XL1200X, XL883L, XL883N, XL883R
8	68265-04	BALL STUD (LH - Mini Ape & Pullback Handlebar) (2)	XL1200C, XL1200CB, XL1200CP, XL1200V, XL883L, XL883N, XL883R
	67800070	BALL STUD (LH - Drag Handlebar) (2)	XL1200CA, XL1200CP
9	68730-07	TURN SIGNAL, w/ 68168-89A, 68755-07 & socket (Domestic) (2)	XL883N
	68972-00	TURN SIGNAL, w/ 68168-89A, 68973-00, 68904-00 (Domestic) (2)	XL1200C, XL1200CP, XL1200V, XL883L
	68972-00	TURN SIGNAL, w/ 68168-89A, 68973-00, 68904-00 (Canada) (2)	XL1200CA, XL1200CB
	68975-00	TURN SIGNAL, w/ 68163-84, 68973-00 & socket (HDI) (2)	XL1200C, XL1200CA, XL1200CB, XL1200V, XL883L, XL883R
	69362-08	TURN SIGNAL, w/ 68163-84, 68755-07 & socket (HDI) (2)	XL883N
10	68755-07	LENS (2)	XL1200X, XL883N
	68973-00	LENS (2)	XL1200C, XL1200CA, XL1200CB, XL1200CP, XL1200T, XL1200V, XL883L, XL883R
11	68904-00	SOCKET, w/ vibration mount (Domestic) (2)	XL1200C, XL1200CP, XL1200T, XL1200V, XL883L
	68904-00	SOCKET, w/ vibration mount (Canada) (2)	XL1200CA, XL1200CB
12	70558-71	CONDUIT (50-foot length)	XL1200T
13	73156-96BK	SOCKET HOUSING, 6-way (black) (2)	ALL
14	73191-96	SOCKET TERMINAL, 16-20 awg (Domestic) (4)	XL1200T
	73191-96	SOCKET TERMINAL, 16-20 awg (Domestic) (6)	XL1200C, XL1200CP, XL1200V, XL1200X, XL883L, XL883N

	73191-96	SOCKET TERMINAL, 16-20 awg (Canada) (6)	XL1200CA, XL1200CB
	73191-96	SOCKET TERMINAL, 16-20 awg (HDI) (4)	XL1200C, XL1200CA, XL1200CB, XL1200T, XL1200V, XL1200X, XL883L, XL883N, XL883R
15	73267-10	MOUNT, turn signal (2)	XL1200X
16	73282-10	TURN SIGNAL, w/ 68168-89A, 68755-07 & socket (Domestic) (2)	XL1200X
	67800395	TURN SIGNAL, w/ 68168-89A, 68973-00, 68904-00 (Domestic) (2)	XL1200T
	73284-10	TURN SIGNAL, w/ 68163-84, 68755-07 & socket (HDI) (2)	XL1200X
	67800396	TURN SIGNAL, w/ 68163-84, 68973-00 & socket (HDI) (2)	XL1200T
17	67800381	BRACKET, right	XL1200T
	67800382	BRACKET, left	XL1200T

WINDSHIELD - 1200T



[View interactive image](#)

[View interactive table](#)

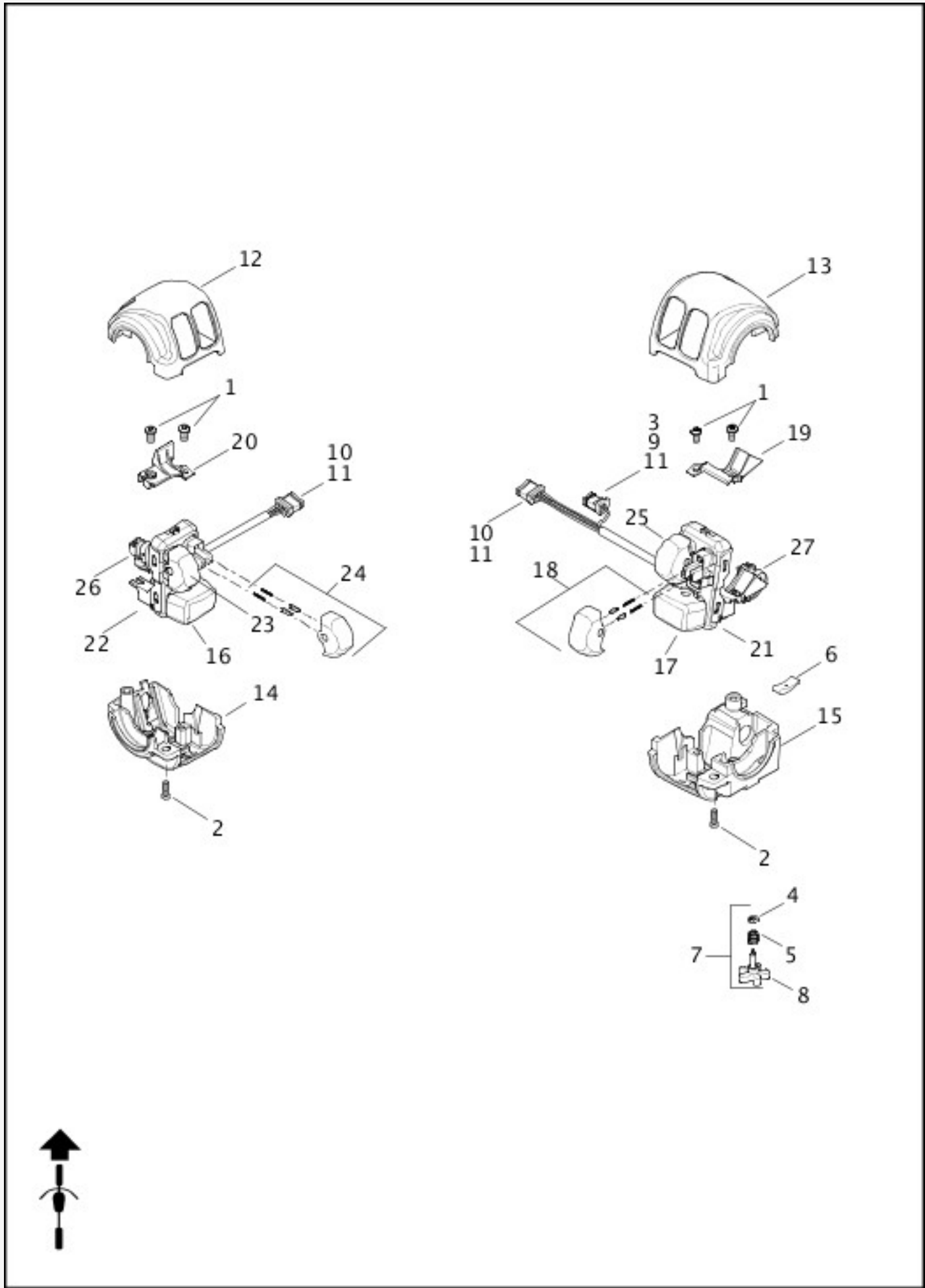
INDEX NO.	PART NO.	DESCRIPTION	MODEL(S)
	57400214	WINDSHIELD ASSEMBLY	XL1200T

NOTE: Includes the following parts.

--	--	--	--

1	2444	SCREW (2)	XL1200T
2	2921	SCREW (7)	XL1200T
3	7651A	ACORN NUT (9)	XL1200T
4	57793-11	BRACKET, right	XL1200T
5	57796-11	BRACKET, left	XL1200T
6	58050-78A	BRACE, inner	XL1200T
7	58051-78A	BRACE, outer	XL1200T
8	58052-78	TAPE (2)	XL1200T
9	58152-96	WASHER (6)	XL1200T
10	58174-04A	CLAMP ASSEMBLY, w/ 58791-04 (4)	XL1200T
11	58406-75A	BRACKET, right	XL1200T
12	58408-75A	BRACKET, left	XL1200T
13	58417-77	TAPE (2)	XL1200T
14	58791-04	GASKET (8)	XL1200T
15	57400245	WINDSHIELD, w/ 58052-78 & 58417-77	XL1200T
16	58790-04	HARDWARE KIT	XL1200T

SWITCHES, HANDLEBAR



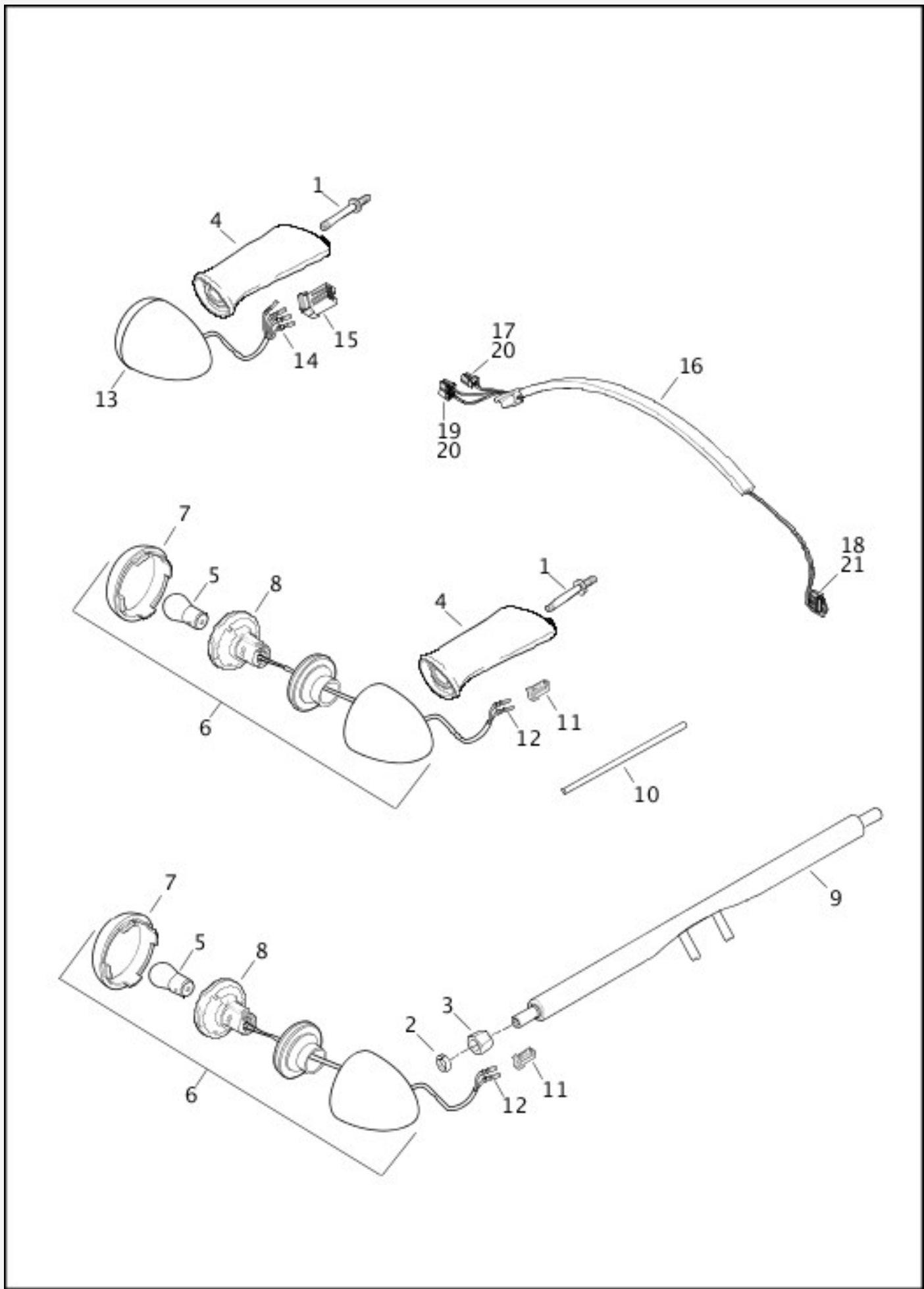
[View interactive image](#)

[View interactive table](#)

INDEX NO.	PART NO.	DESCRIPTION	MODEL(S)
1	2261	SCREW (2)	ALL
2	3658	SCREW (4)	ALL

3	5118	SEAL PIN	ALL
4	11155	RETAINING RING	ALL
5	56394-74	SPRING	ALL
6	56396-74A	FRICTION SPRING	ALL
7	56397-74C	THROTTLE ADJUSTING SCREW KIT, w/ 11155, 56394-74, & 56402-83A	ALL
8	56402-83A	ADJUSTING SCREW	ALL
9	72906-11	HOUSING, 2-way socket	ALL
10	72908-11	HOUSING, 4-way socket	ALL
11	72910-11	TERMINAL, socket, 20-22 gauge	ALL
12	72920-11	HOUSING, upper left	ALL
13	72921-11	HOUSING, upper right	ALL
14	72922-11	HOUSING, lower, left	ALL
15	72923-11	HOUSING, lower, right	ALL
16	72933-11	SWITCH, left turn	ALL
17	72934-11	SWITCH, right turn	ALL
18	72937-11	SWITCH, off/run	ALL
19	72940-11	BRACKET	ALL
20	72941-11	BRACKET	ALL
21	72948-12	SWITCH MODULE, w/ 3, 9, 10, 11, 17, 18, 25, 27	ALL
22	72949-12	SWITCH MODULE, w/ 10, 11, 16, 23, 24, 26	ALL
23	71500028	SWITCH, horn/trip	ALL
24	71500029	SWITCH, lights	ALL
25	71500030	SWITCH, start	ALL
26	71500117	SWITCH, clutch	ALL
27	71500118	SWITCH, brake	ALL

TAIL LAMPS & TURN SIGNALS, REAR



[View interactive image](#)

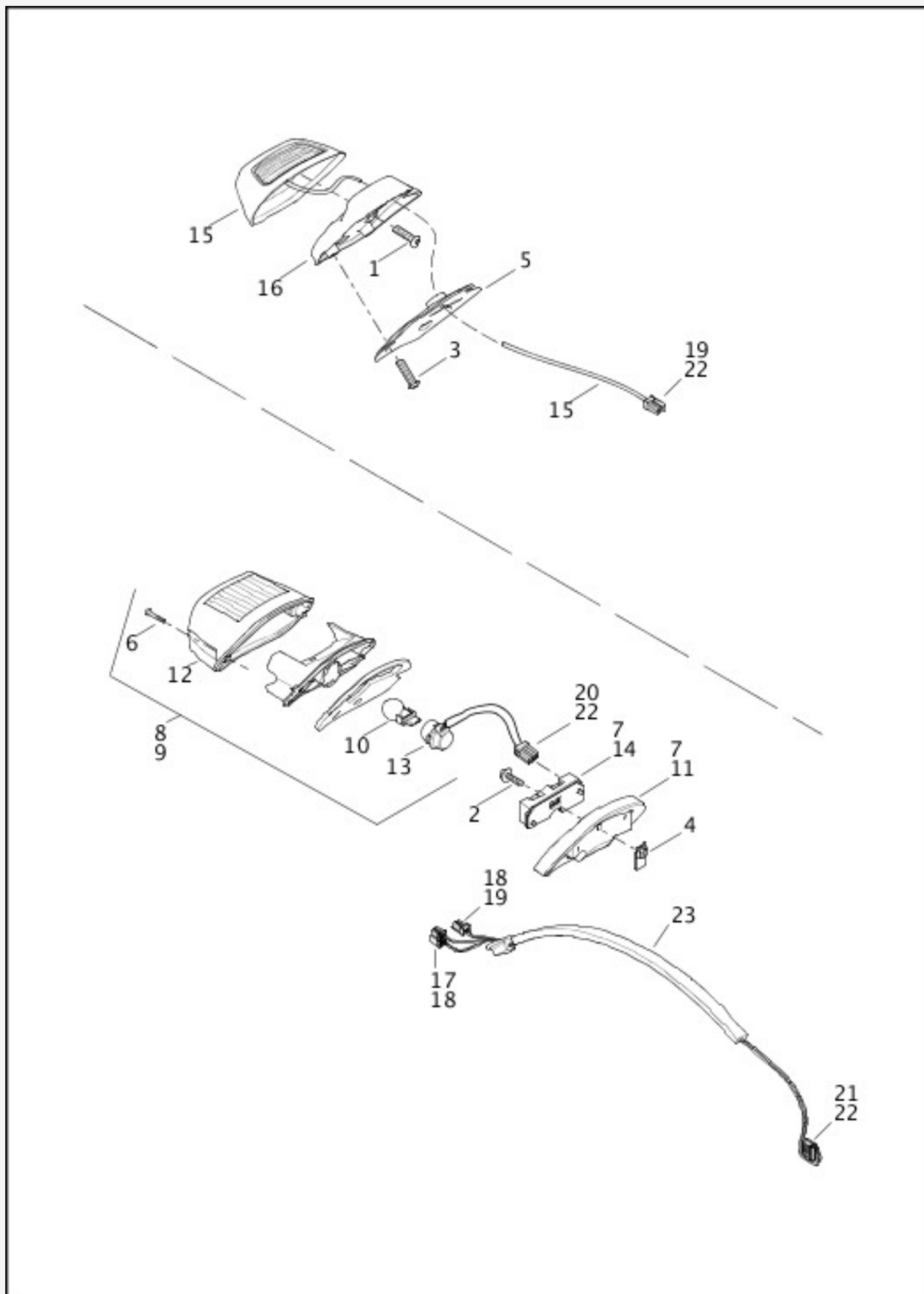
[View interactive table](#)

INDEX NO.	PART NO.	DESCRIPTION	MODEL(S)
1	5531	SCREW (2)	XL1200X, XL883N
	56104-02	SCREW (2)	XL1200C, XL1200CA, XL1200CB, XL1200CP,

			XL1200V, XL883L, XL883R
2	7042	LOCKWASHER (2)	XL1200T
3	7985	NUT (2)	XL1200T
4	68277-07	SUPPORT (2)	XL1200X, XL883N
	68480-02	SUPPORT (2)	XL1200C, XL1200CA, XL1200CB, XL1200CP, XL1200V, XL883L, XL883R
5	68163-84	BULB, single contact (Domestic) (2)	XL1200C, XL1200CP, XL1200T, XL883L
	68168-89A	BULB, dual contact (Domestic) (2)	XL1200V, XL1200X, XL883N
	68163-84	BULB, single contact (Canada) (2)	XL1200C, XL1200CP, XL1200V
	68572-64B	BULB, dual contact (Canada) (2)	XL1200X, XL883N
	68163-84	BULB, single contact (HDI) (2)	XL1200C, XL1200CA, XL1200CB, XL883R
6	68420-01	TURN SIGNAL, w/ 68163-84, 68979-00 & socket (Domestic) (2)	XL1200T
	68461-09	TURN SIGNAL, w/ 68168-89A, 68559-07, 68497-07 (Domestic) (2)	XL1200V
	68978-00	TURN SIGNAL, w/ 68163-84, 68979-00 & socket (Domestic) (2)	XL1200C, XL1200CP, XL883L
	68449-07	TURN SIGNAL, w/ 68168-89A, 68559-07, 68497-07 (Domestic) (2)	XL1200X, XL883N
	68978-00	TURN SIGNAL, w/ 68163-84, 68979-00 & socket (Canada) (2)	XL1200C, XL1200CP, XL1200V, XL883L
	73318-09	TURN SIGNAL, w/ 68572-64B, 68755-07 & socket (Canada) (2)	XL1200X, XL883N
	68420-01	TURN SIGNAL, w/ 68163-84, 68979-00 & socket (HDI) (2)	XL1200T
	68978-00	TURN SIGNAL, w/ 68163-84, 68979-00 & socket (HDI) (2)	XL1200C, XL1200CA, XL1200CB, XL883L, XL883R
7	68559-07	LENS (Domestic) (2)	XL1200V, XL1200X, XL883N
	68973-00	LENS (Domestic) (2)	XL1200C, XL1200CP, XL1200T, XL883L
	68755-07	LENS (Canada) (2)	XL1200X, XL883N
	68973-00	LENS (Canada) (2)	XL1200C, XL1200CP, XL1200V
	68973-00	LENS (HDI) (2)	XL1200C, XL1200CA, XL1200CB, XL1200T, XL883L, XL883R
8	68497-07	SOCKET ASSEMBLY (Domestic) (2)	XL1200V, XL1200X, XL883N

9	68430-89A	DIRECTIONAL BAR ASSEMBLY	XL1200T
10	70552-69	CONDUIT (10-foot length)	XL1200T
11	72914-01BK	HOUSING, socket, 4-way (black) (Domestic) (2)	XL1200V, XL1200X, XL883N
	73152-96BK	HOUSING, socket, 2-way (black) (Domestic) (2)	XL1200C, XL1200CP, XL1200T, XL883L
	73152-96BK	HOUSING, socket, 2-way (black) (Canada) (2)	XL1200C, XL1200CP, XL1200V, XL1200X, XL883N
	72914-01BK	HOUSING, socket, 4-way (black) (HDI) (2)	XL1200V, XL1200X, XL883N
	73152-96BK	HOUSING, socket, 2-way (black) (HDI) (2)	XL1200C, XL1200CA, XL1200CB, XL883R
12	72991-01	TERMINAL, socket, 18-22 awg (Domestic) (6)	XL1200V, XL1200X, XL883N
	73191-96	TERMINAL, socket, 16-20 awg (Domestic) (4)	XL1200C, XL1200CP, XL1200T, XL883L
	73191-96	TERMINAL, socket, 16-20 awg (Canada) (4)	XL1200C, XL1200CP, XL1200V, XL1200X, XL883N
	72991-01	TERMINAL, socket, 18-22 awg (HDI) (4)	XL1200V, XL1200X, XL883N
	73191-96	TERMINAL, socket, 16-20 awg (HDI) (4)	XL1200C, XL1200CA, XL1200CB, XL883R
13	67800214	TURN SIGNAL, w/ terminals (HDI) (2)	XL1200X, XL883N
	67800215	TURN SIGNAL, w/ terminals (HDI) (2)	XL1200V
14	72991-01	TERMINAL, socket, 18-22 awg (HDI) (8)	XL1200V, XL1200X, XL883N
15	72914-01BK	HOUSING, socket, 4-way (black) (HDI)	XL1200V, XL1200X, XL883N
16	69200459	HARNESS, rear lighting, w/ 16, 17, 18, 19, 20	XL1200T, XL1200V, XL1200X, XL883L, XL883N, XL883R
17	73153-96BK	HOUSING, socket, 3-way (black)	XL1200T, XL1200V, XL1200X, XL883L, XL883N, XL883R
18	73156-96BK	HOUSING, socket, 6-way (black)	XL1200T, XL1200V, XL1200X, XL883L, XL883N, XL883R
19	72914-01BK	HOUSING, socket, 4-way (black) (2)	XL1200T, XL1200V, XL1200X, XL883L, XL883N, XL883R
20	72991-01	TERMINAL, socket, 18-22 awg (4)	XL1200T, XL1200V, XL1200X, XL883L, XL883N, XL883R
21	73191-96	TERMINAL, socket, 16-20 awg (4)	XL1200T, XL1200V, XL1200X, XL883L, XL883N, XL883R

TAIL LAMPS



[View interactive image](#)

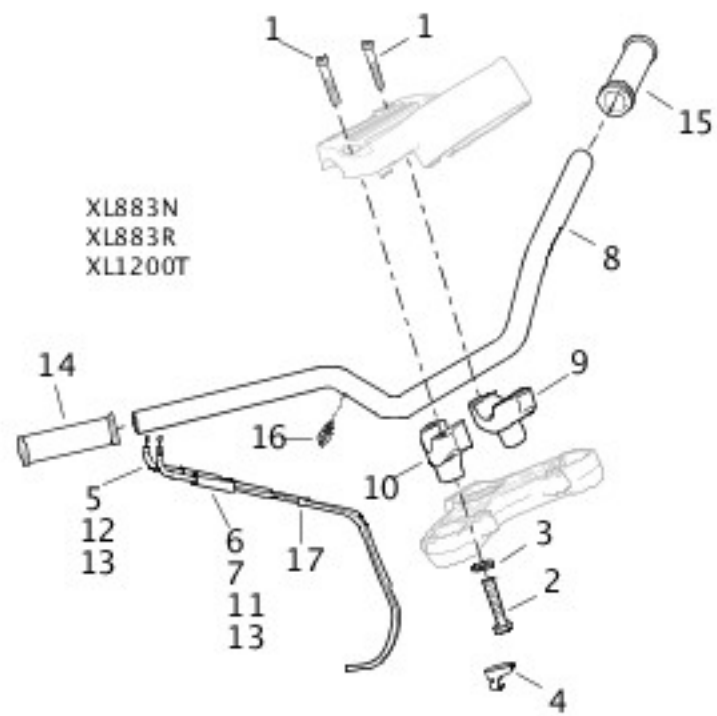
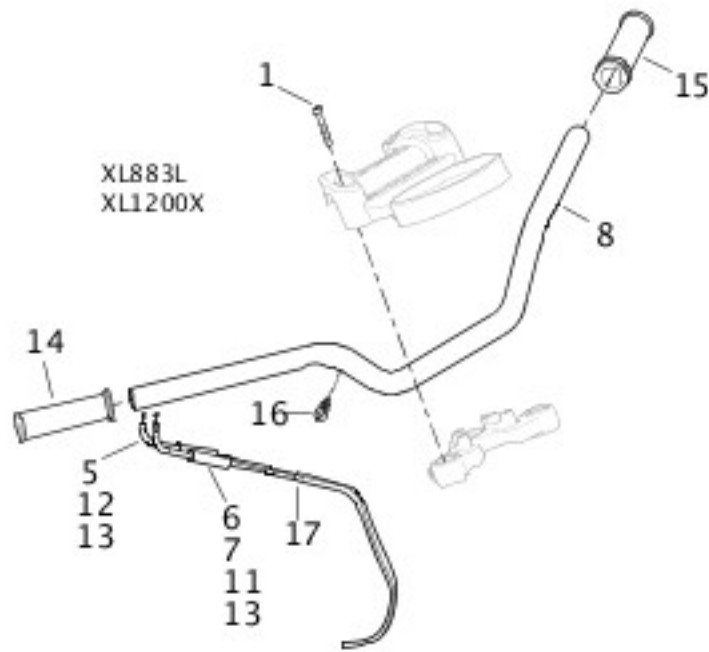
[View interactive table](#)

INDEX NO.	PART NO.	DESCRIPTION	MODEL(S)
1	2508	SCREW (4)	XL1200C, XL1200CA, XL1200CB,

			XL1200CP
2	3022A	SCREW	XL1200T, XL1200V, XL1200X, XL883L, XL883N, XL883R
3	4365	SCREW (3)	XL1200C, XL1200CA, XL1200CB, XL1200CP
4	7964	CLIP NUT	XL1200T, XL1200V, XL1200X, XL883L, XL883N, XL883R
5	11954	GASKET	XL1200C, XL1200CA, XL1200CB, XL1200CP
6	68026-99	SCREW (2)	XL1200T, XL1200V, XL1200X, XL883L, XL883N, XL883R
7	68066-99A	BASE ASSEMBLY, chromed, w/ 68296-99A & 68830-99A	XL1200T, XL1200V, XL1200X, XL883L, XL883N, XL883R
8	68140-04	LIGHT ASSEMBLY, w/ 68369-03 & 68370-03A	XL1200T, XL1200V, XL1200X, XL883L, XL883N
9	68141-04	LIGHT ASSEMBLY (HDI), w/ 68372-03 & 69187-03A	XL1200T, XL883L, XL883R
10	68167-04	BULB	XL1200T, XL1200V, XL1200X, XL883L, XL883N, XL883R
11	68296-99A	BASE TAIL LAMP, chrome	XL1200T, XL1200V, XL1200X, XL883L, XL883N, XL883R
12	68369-03	LENS, w/ 68026-99	XL1200T, XL1200V, XL1200X, XL883L, XL883N
	68372-03	LENS, w/ 68026-99 (HDI)	XL1200T, XL883L, XL883R
13	68370-03A	BULB SOCKET ASSEMBLY, w/ 68167-04, 73154-96BK, 73191-96	XL1200T, XL1200V, XL1200X, XL883L, XL883N
	69187-03A	BULB SOCKET ASSEMBLY, w/ 68167-04, 73154-96BK, 73191-96 (HDI)	XL1200T, XL883L, XL883R
14	68830-99A	CIRCUIT BOARD & COVER ASSEMBLY	XL1200T, XL1200V, XL1200X, XL883L, XL883N, XL883R
15	69352-11	TAIL LAMP	XL1200C, XL1200CA, XL1200CB, XL1200CP
16	69361-11	TAIL LAMP BASE	XL1200C, XL1200CA, XL1200CB, XL1200CP
17	72914-01BK	HOUSING, socket, 4-way (black) (2)	XL1200T, XL1200V, XL1200X, XL883L, XL883N, XL883R
18	72991-01	TERMINAL, socket, 18-22 gauge (4)	XL1200T, XL1200V, XL1200X, XL883L, XL883N, XL883R
19	73153-96BK	HOUSING, socket, 3-way (black)	ALL

20	73154-96BK	SOCKET HOUSING, 4-way (black)	XL1200T, XL1200V, XL1200X, XL883L, XL883N, XL883R
21	73156-96BK	SOCKET HOUSING, 6-way (black)	XL1200T, XL1200V, XL1200X, XL883L, XL883N, XL883R
22	73191-96	SOCKET TERMINAL, 16-20 awg (8)	XL1200T, XL1200V, XL1200X, XL883L, XL883N, XL883R
22	73191-96	SOCKET TERMINAL, 16-20 awg (3)	XL1200C, XL1200CA, XL1200CB, XL1200CP
23	69200459	HARNESS, rear lighting, w/ 17, 18, 19, 21, 22	XL1200T, XL1200V, XL1200X, XL883L, XL883N, XL883R

HANDLEBAR & THROTTLE CONTROL - 883L/N/R, 1200T/X



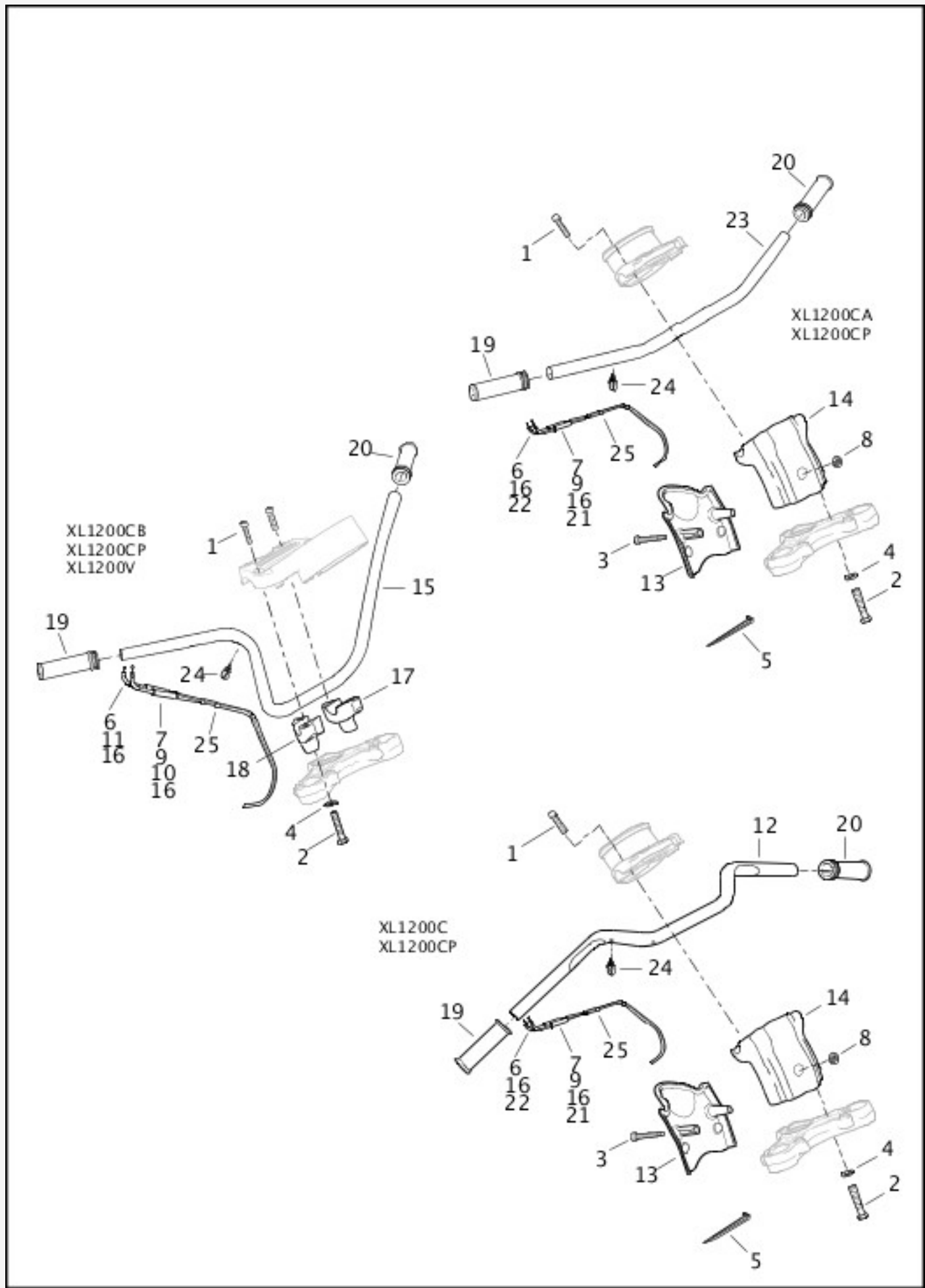
[View interactive image](#)

[View interactive table](#)

INDEX NO.	PART NO.	DESCRIPTION	MODEL(S)
1	3210A	SCREW (4)	XL1200T, XL1200X, XL883L, XL883N, XL883R

2	3605	BOLT (2)	XL883N, XL883R
3	6590HW	WASHER (2)	XL883N, XL883R
4	10868	CLIP	XL1200T
5	11271	RING RETAINER, idle	XL1200T, XL1200X, XL883L, XL883N, XL883R
6	11272	RING RETAINER, throttle	XL1200T, XL1200X, XL883L, XL883N, XL883R
7	38653-01	BOOT, throttle	XL1200T, XL1200X, XL883L, XL883N, XL883R
8	56014-09A	HANDLEBAR	XL1200X, XL883N
	56085-83A	HANDLEBAR	XL883R
	57209-11	HANDLEBAR	XL1200T, XL883L
9	56116-82A	CLAMP, lower left	XL883N, XL883R
10	56117-82A	CLAMP, lower right	XL883N, XL883R
11	56884-07	THROTTLE CONTROL ASSEMBLY, w/ 11272 & 38653-01	XL1200T, XL1200X, XL883L, XL883N, XL883R
12	56885-07	IDLE CONTROL ASSEMBLY, w/ 11271	XL1200T, XL1200X, XL883L, XL883N, XL883R
13	56508-76	FERRULE (2)	XL1200T, XL1200X, XL883L, XL883N, XL883R
14	56666-04	GRIP & SLEEVE, throttle	XL1200T, XL1200X, XL883L, XL883N, XL883R
15	56667-04	HANDLEBAR GRIP	XL1200T, XL1200X, XL883L, XL883N, XL883R
16	70345-84	RETAINER (4)	XL1200T, XL1200X, XL883L, XL883N, XL883R
17	70504-81	CLIP	XL1200T, XL1200X, XL883L, XL883N, XL883R

HANDLEBAR & THROTTLE CONTROL - 1200C/CA/CB/CP/V



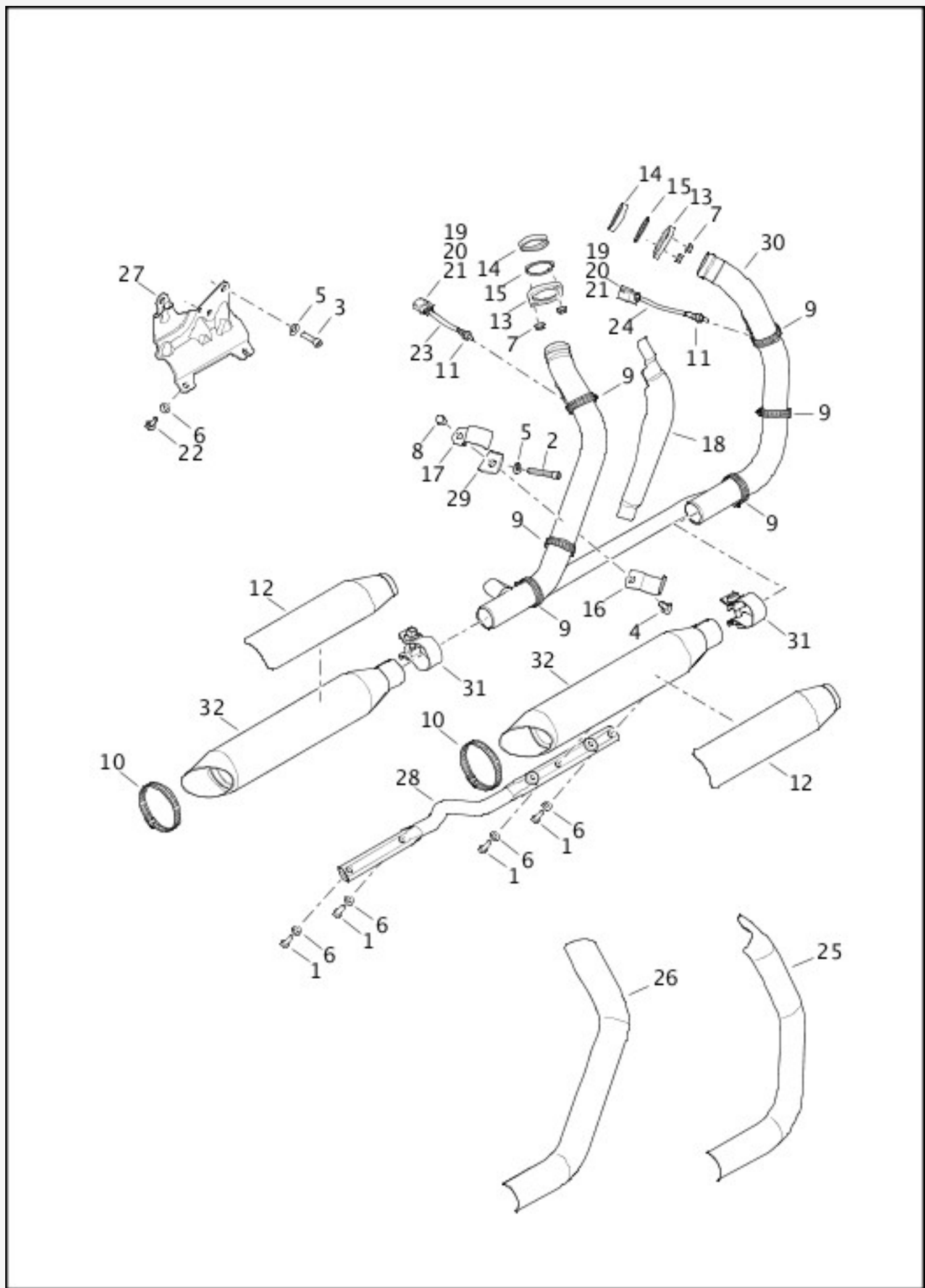
[View interactive image](#)

[View interactive table](#)

INDEX NO.	PART NO.	DESCRIPTION	MODEL(S)
1	3210A	SCREW (4)	XL1200C, XL1200CA, XL1200CB, XL1200CP, XL1200V

2	3605	BOLT (2)	XL1200C, XL1200CA, XL1200CB, XL1200CP, XL1200V
3	3666A	SCREW (2)	XL1200C, XL1200CA, XL1200CP
4	6590HW	WASHER (2)	XL1200C, XL1200CA, XL1200CB, XL1200CP, XL1200V
5	10006	CABLE STRAP	XL1200C, XL1200CA, XL1200CP
6	11271	RING RETAINER, idle	XL1200C, XL1200CA, XL1200CP, XL1200V
7	11272	RING RETAINER, throttle	XL1200C, XL1200CA, XL1200CP, XL1200V
8	14448-94	LOGO BAR & SHIELD	XL1200C, XL1200CA, XL1200CP
9	38653-01	BOOT, throttle	XL1200C, XL1200CA, XL1200CP, XL1200V
10	55785-11	THROTTLE CONTROL ASSEMBLY, w/ 11272 & 38653-01	XL1200CB, XL1200CP, XL1200V
11	55786-11	IDLE CONTROL ASSEMBLY, w/ 11271	XL1200CB, XL1200CP, XL1200V
12	55840-04A	HANDLEBAR (LH - Pullback Handlebar)	XL1200C, XL1200CP
13	55842-04	COVER, riser	XL1200C, XL1200CA, XL1200CP
14	56017-04	RISER ASSEMBLY, w/ 14448-94	XL1200C, XL1200CA, XL1200CP
15	56079-93	HANDLEBAR (LH - Mini-Ape Handlebar)	XL1200CB, XL1200CP, XL1200V
16	56508-76	FERRULE (2)	XL1200C, XL1200CA, XL1200CB, XL1200CP, XL1200V
17	56541-86A	CLAMP, lower left	XL1200CB, XL1200CP, XL1200V
18	56542-86A	CLAMP, lower right	XL1200CB, XL1200CP, XL1200V
19	56666-04	GRIP & SLEEVE, throttle	XL1200C, XL1200CA, XL1200CB, XL1200CP, XL1200V
20	56667-04	HANDLEBAR GRIP	XL1200C, XL1200CA, XL1200CB, XL1200CP, XL1200V
21	56884-07	THROTTLE CONTROL ASSEMBLY, w/ 11272 & 38653-01	XL1200C, XL1200CA, XL1200CP
22	56885-07	IDLE CONTROL ASSEMBLY, w/ 11271	XL1200C, XL1200CA, XL1200CP
23	57472-11	HANDLEBAR (LH - Drag Handlebar)	XL1200CA, XL1200CP
24	70345-84	RETAINER (4)	XL1200C, XL1200CA, XL1200CB, XL1200CP, XL1200V
25	70504-81	CLIP (2)	XL1200C, XL1200CA, XL1200CB, XL1200CP, XL1200V

EXHAUST SYSTEM



[View interactive image](#)

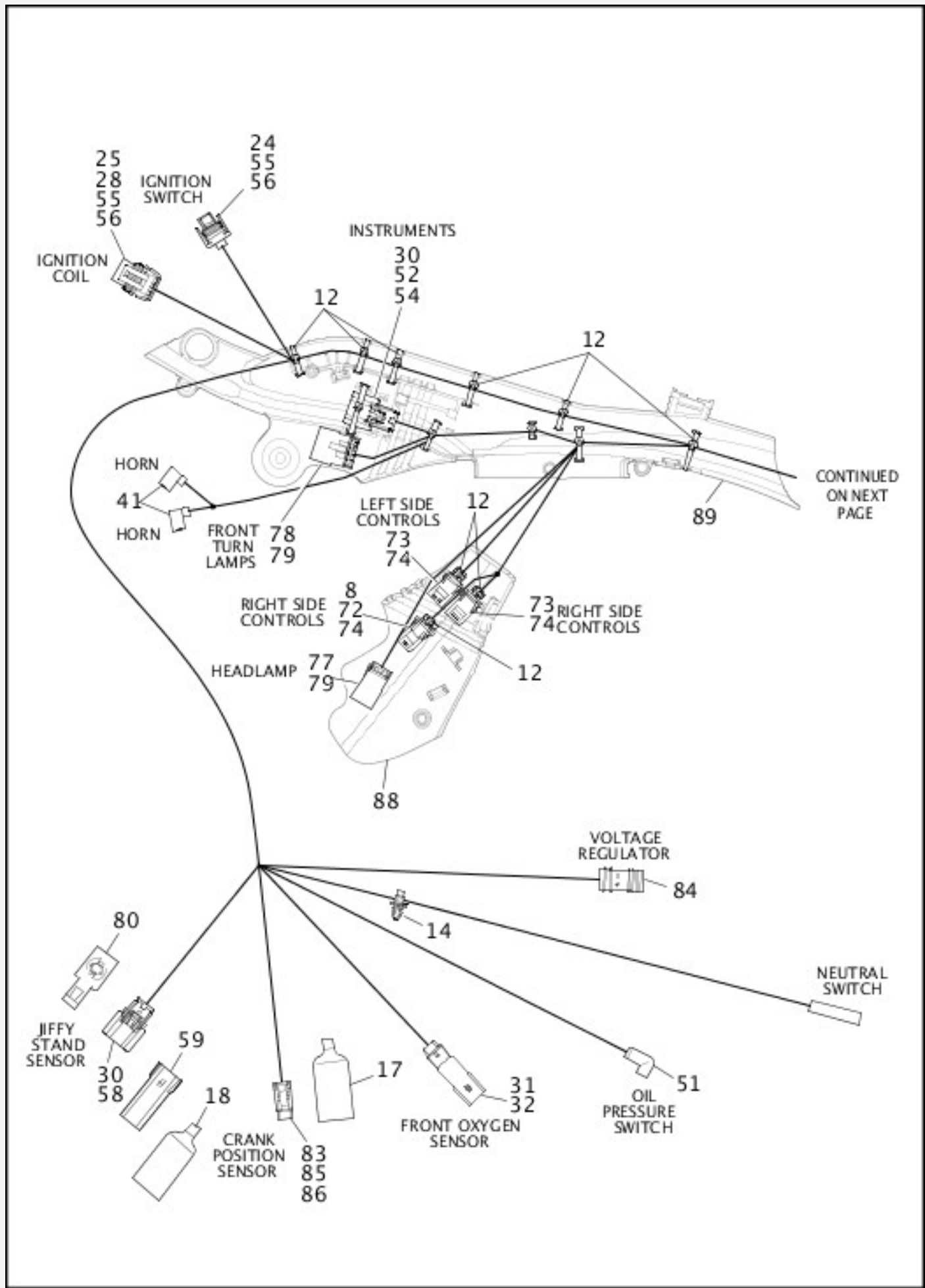
[View interactive table](#)

INDEX NO.	PART NO.	DESCRIPTION	MODEL(S)
1	4017	BOLT (4)	ALL

2	4032A	SCREW	ALL
3	4748	SCREW (3)	ALL
4	5414	BOLT	ALL
5	6701	WASHER (4)	ALL
6	6702	WASHER (6)	ALL
7	7593	NUT (4)	ALL
8	7862	ACORN NUT	ALL
9	9955	CLAMP, shield (6)	ALL
10	10074	CLAMP, muffler shield (4)	ALL
11	11936	GASKET	ALL
12	64889-04A	SHIELD, muffler (2)	ALL
13	65328-83A	FLANGE, exhaust pipe (2)	ALL
14	65324-83B	GASKET, exhaust port (2)	ALL
15	65325-83A	RETAINING RING, exhaust gasket (2)	ALL
16	65440-06	CLAMP	ALL
17	65441-06	CLAMP	ALL
18	66851-07	SHIELD, upper rear exhaust pipe (LH - Mid Foot Controls)	XL1200CA, XL1200CB, XL1200CP, XL1200T, XL1200V, XL883L, XL883N, XL883R
19	72177-07BK	HOUSING, 4-way socket (black)	ALL
20	72344-10	TERMINAL, socket, 22 gauge (2)	ALL
21	73307-10	TERMINAL, socket, 22 gauge (2)	ALL
22	10200242	SCREW (2)	ALL
23	32700006	SENSOR, oxygen, w/ 11, 19, 20, 21	ALL
24	32700026	SENSOR, oxygen, w/ 11, 19, 20, 21	ALL
25	65400054	SHIELD, front exhaust pipe	ALL
26	65400055	SHIELD, rear exhaust pipe	ALL
27	65500022	BRACKET	ALL

28	65500023	BRACKET	ALL
29	65500025	BRACKET	ALL
30	65600094	HEADER PIPE	ALL
31	65900012	CLAMP (2)	ALL
32	64900212	MUFFLER (Domestic)	XL1200C, XL1200CP, XL1200V, XL1200X
	64900213	MUFFLER (Domestic)	XL1200T, XL883L, XL883N
	64900161	MUFFLER, front (HDI, England, India)	XL1200C, XL1200CA, XL1200CB, XL1200T, XL1200V, XL1200X, XL883L, XL883N, XL883R
	64900161	MUFFLER, rear (HDI, England, India)	XL1200C, XL1200CA, XL1200CB, XL1200T, XL1200V, XL1200X, XL883L
	64900164	MUFFLER, rear (HDI, England, India)	XL883N, XL883R
	64900162	MUFFLER, front (Australia)	XL1200C, XL1200CA, XL1200CB, XL1200T, XL1200V, XL1200X, XL883L, XL883N
	64900162	MUFFLER, rear (Australia)	XL1200C, XL1200CA, XL1200CB, XL1200T, XL1200V, XL1200X, XL883L
	64900166	MUFFLER, rear (Australia)	XL883N
	64900163	MUFFLER, front (Japan, Asia-Pacific, Brazil)	XL1200C, XL1200CA, XL1200CB, XL1200T, XL1200V, XL1200X, XL883L, XL883N, XL883R
	64900163	MUFFLER, rear (Japan)	XL1200C, XL1200CA, XL1200CB, XL1200T, XL1200V, XL1200X, XL883L, XL883N
	64900165	MUFFLER, rear (Japan)	XL883R
	64900163	MUFFLER, rear (Asia-Pacific, Brazil)	XL1200C, XL1200CA, XL1200CB, XL1200V, XL1200X, XL883L
	64900165	MUFFLER, rear (Asia-Pacific, Brazil)	XL883N, XL883R

WIRING HARNESS, MAIN, NON-ABS (1 OF 4)



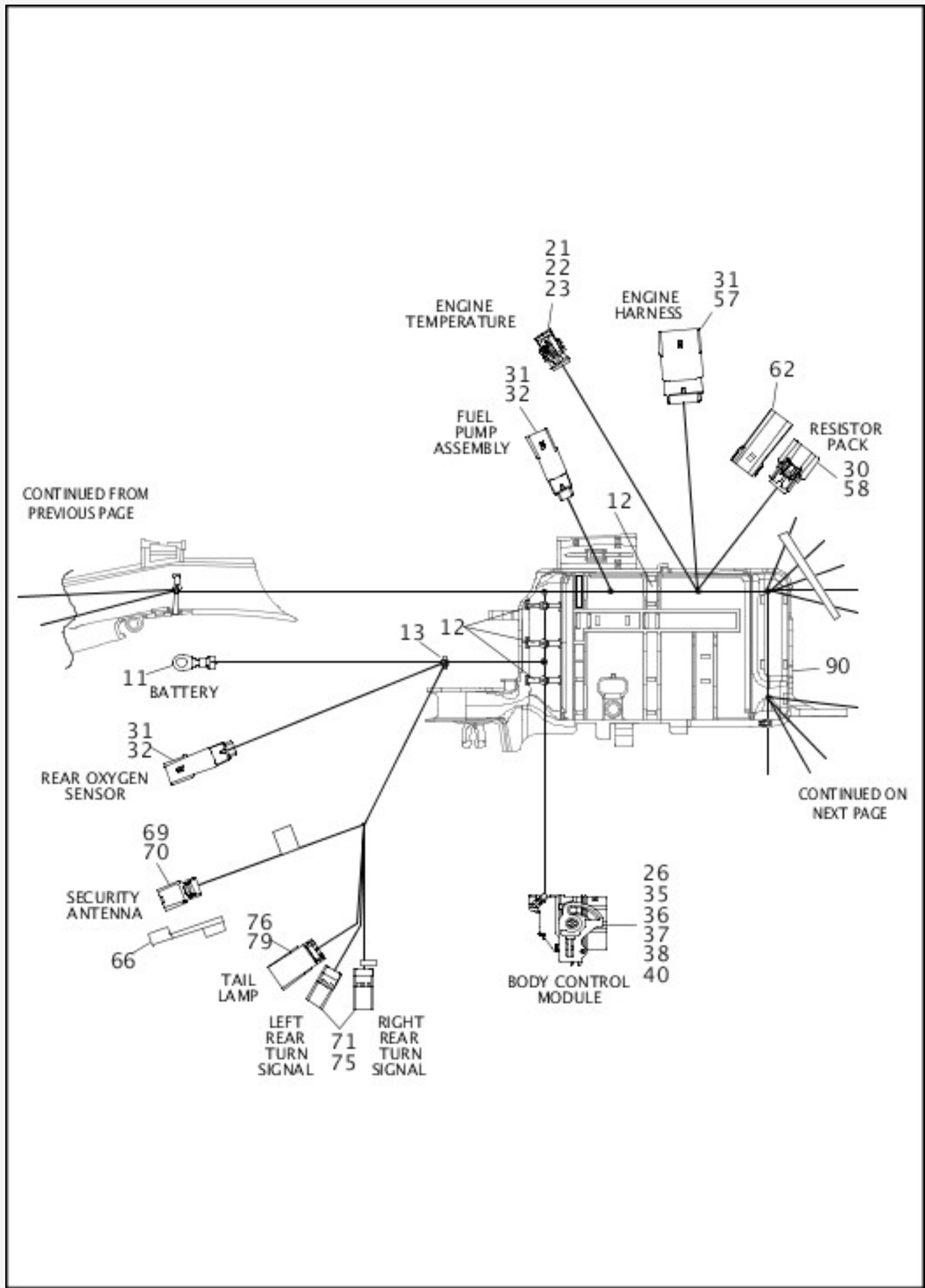
[View interactive image](#)

[View interactive table](#)

INDEX NO.	PART NO.	DESCRIPTION	MODEL(S)
1	3123	SCREW	ALL
2	70640-07	CLIP, caddy	ALL

3	72314-01	FUSE, main, 40 amp	ALL
4	72595-11	SEAL, fuse cover	ALL
5	11100060	ADHESIVE LOCK	ALL
6	69200474	FUSE COVER, w/ 11100060	ALL
	69200072	MAIN WIRING HARNESS - NON-ABS	ALL
NOTE: Includes the following parts.			
7	3124	SCREW	ALL
8	5118	SEAL PIN	ALL
9	6990	WEATHER PLUG, 6-way pin (black)	ALL
10	7220	LOCKWASHER	ALL
11	9838	TERMINAL RING, 1/4 in., 10-12 gauge (2)	ALL
12	10006	CABLE STRAP (23)	ALL
13	10065	CABLE STRAP	ALL
14	10177	CABLE STRAP (2)	ALL
15	11778	FASTENER, push in	ALL
16	11785	FASTENER, push in	ALL
17	70598-99	BOOT, temperature sensor	ALL
18	70664-08	BOOT, jiffy stand sensor	ALL
19	71510-04	HOUSING, ignition switch	ALL
20	71550-94	LABEL, ignition switch	ALL
21	72007-05	HOUSING, 2-way socket (black)	ALL
22	72010-05	WIRE SEAL, 22-26 gauge (green) (2)	ALL
23	72024-08	TERMINAL, socket, 20-22 gauge (2)	ALL
24	72062-06	HOUSING, 2-way socket (gray)	ALL
25	72066-06A	HOUSING, 4-way socket (black)	ALL

WIRING HARNESS, MAIN, NON-ABS (2 OF 4)



[View interactive image](#)

[View interactive table](#)

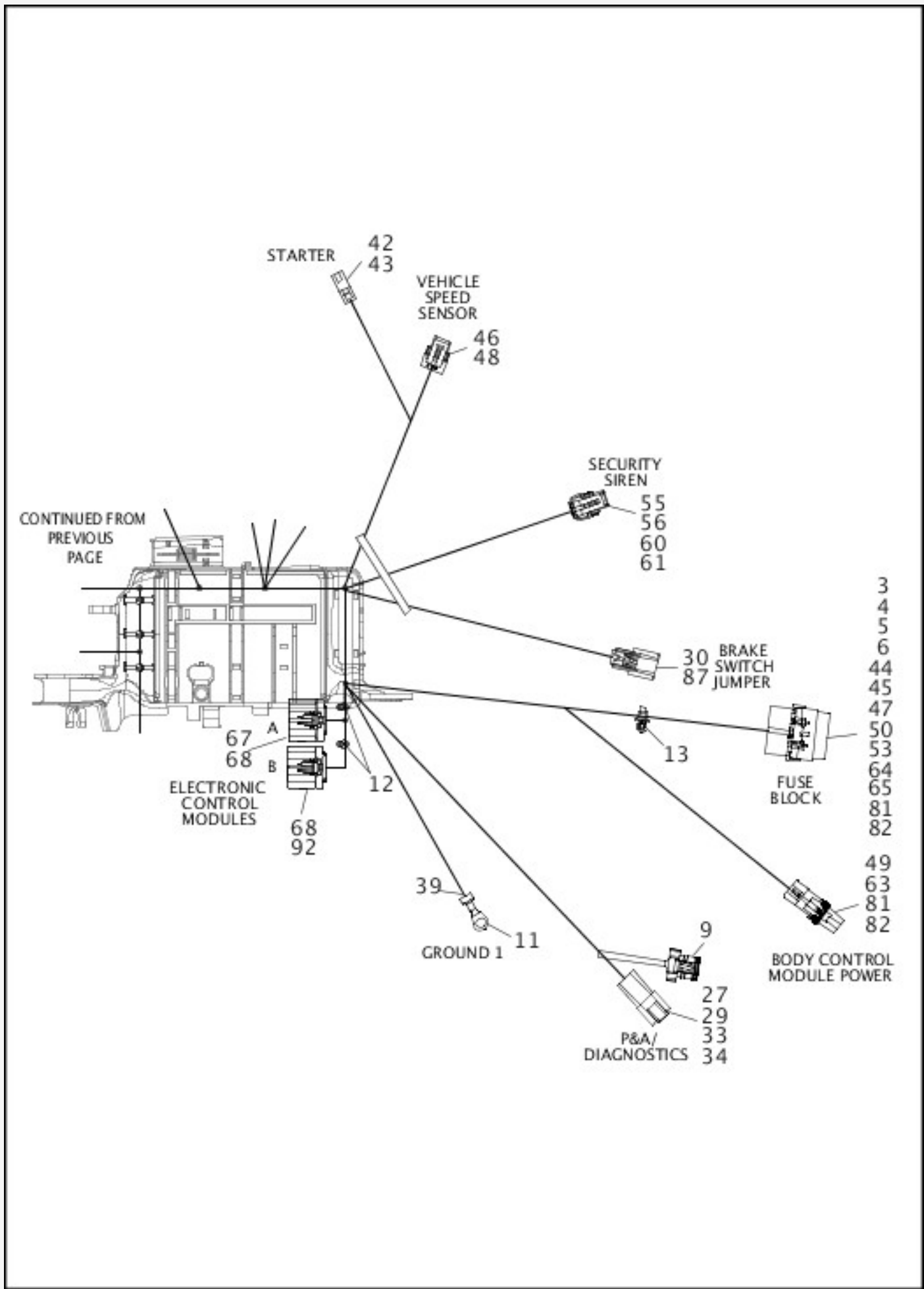
INDEX NO.	PART NO.	DESCRIPTION	MODEL(S)
	69200072	MAIN WIRING HARNESS - NON-ABS (continued)	ALL

NOTE: Includes the following parts.

--	--	--	--

26	72081-11	HOUSING, 48-way socket (black)	ALL
27	72106-94BK	HOUSING, 6-pin (black) (replaces gray connector)	ALL
28	72135-06	SECONDARY LOCK, 4-way socket (gray)	ALL
29	72146-94	SECONDARY LOCK, 6-way pin	ALL
30	72168-07	TERMINAL, socket, 18-20 gauge (13)	ALL
31	72169-07	TERMINAL, pin, 16-20 gauge (24)	ALL
32	72175-07BK	HOUSING, 4-way pin (black) (3)	ALL
33	72190-94	TERMINAL, pin, 16-18 gauge (3)	ALL
34	72194-94	TERMINAL, pin, 20 gauge (3)	ALL
35	72209-11	COVER, wire dress	ALL
36	72222-11	TERMINAL, socket, 18-20 gauge (20)	ALL
37	72226-11	TERMINAL, socket, 14-16 gauge	ALL
38	72227-11	TERMINAL, socket, 18-20 gauge (5)	ALL
39	72249-94	SHRINK TUBE	ALL
40	72256-11	SEAL PIN (10)	ALL
41	72283-09	TERMINAL, socket, 14-16 gauge (2)	ALL
42	72291-94	TERMINAL, socket, 14-16 gauge	ALL
43	72295-94	CONNECTOR, starter housing	ALL
44	72298-95	WIRE SEAL, 14-18 gauge (green) (4)	ALL
45	72308-97	TERMINAL, socket, 12-14 gauge (2)	ALL
46	72312-04	HOUSING, 3-way socket (black)	ALL
47	72330-95	FUSE, 15-amp, mini (blue)	ALL
48	72335-10	TERMINAL, socket, 20-22 gauge (3)	ALL
49	72350-11	HOUSING, 1-way socket (black)	ALL

WIRING HARNESS, MAIN, NON-ABS (3 OF 4)



[View interactive image](#)

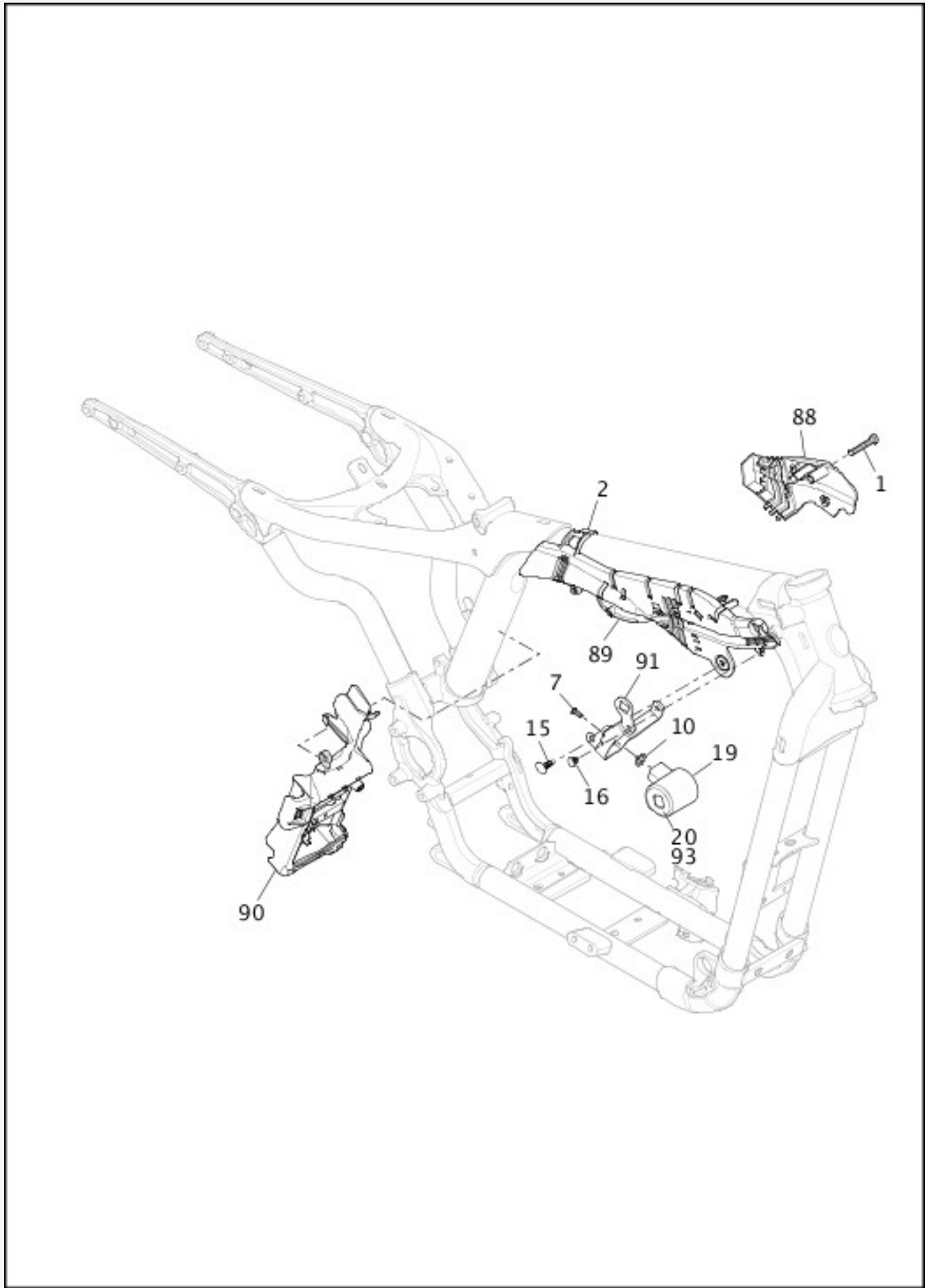
[View interactive table](#)

INDEX NO.	PART NO.	DESCRIPTION	MODEL(S)
	69200072	MAIN WIRING HARNESS - NON-ABS (continued)	ALL

NOTE: Includes the following parts.

50	72356-95	TERMINAL, socket, 18-20 gauge (2)	ALL
51	72405-98BK	PUSH ON WIRE ASSEMBLY, right angle molded, w/ 60 in. wire lead (black)	ALL
52	72414-07BK	HOUSING, 6-way socket (black)	ALL
53	72462-00	FUSE, 10-amp, mini (red)	ALL
54	72473-07	SEAL PIN	ALL
55	72484-08	TERMINAL, socket, 20 gauge (8)	ALL
56	72486-08	WIRE SEAL, 20 gauge (green) (8)	ALL
57	72488-07BK	HOUSING, 12-way pin (black)	ALL
58	72512-07BK	HOUSING, 3-way socket (black) (2)	ALL
59	72519-09BK	DUST CAP, 3-way socket (black)	ALL
60	72543-07BK	HOUSING, 3-way socket (black) (2)	ALL
61	72544-07	SECONDARY LOCK, 3-way socket (black) (2)	ALL
62	72545-08	RESISTOR ASSEMBLY, fuel sender	ALL
63	72575-11	SECONDARY LOCK, 1-way socket	ALL
64	72582-11	FUSEBLOCK, maxi/mini	ALL
65	72587-11	SECONDARY LOCK, fuseblock, maxi/mini	ALL
66	72594-11	DUST CAP, 2-way socket (black)	ALL
67	72664-12A	HOUSING, 18-way socket (black)	ALL
68	72666-12	TERMINAL, socket, 18-20 gauge (29)	ALL
69	72720-07	HOUSING, 2-way socket (black)	ALL
70	72721-07	TERMINAL, socket, 18-20 gauge (2)	ALL
71	72904-01BK	HOUSING, 4-way pin (black) (2)	ALL
72	72905-11	HOUSING, 2-way pin (black)	ALL

WIRING HARNESS, MAIN, NON-ABS (4 OF 4)



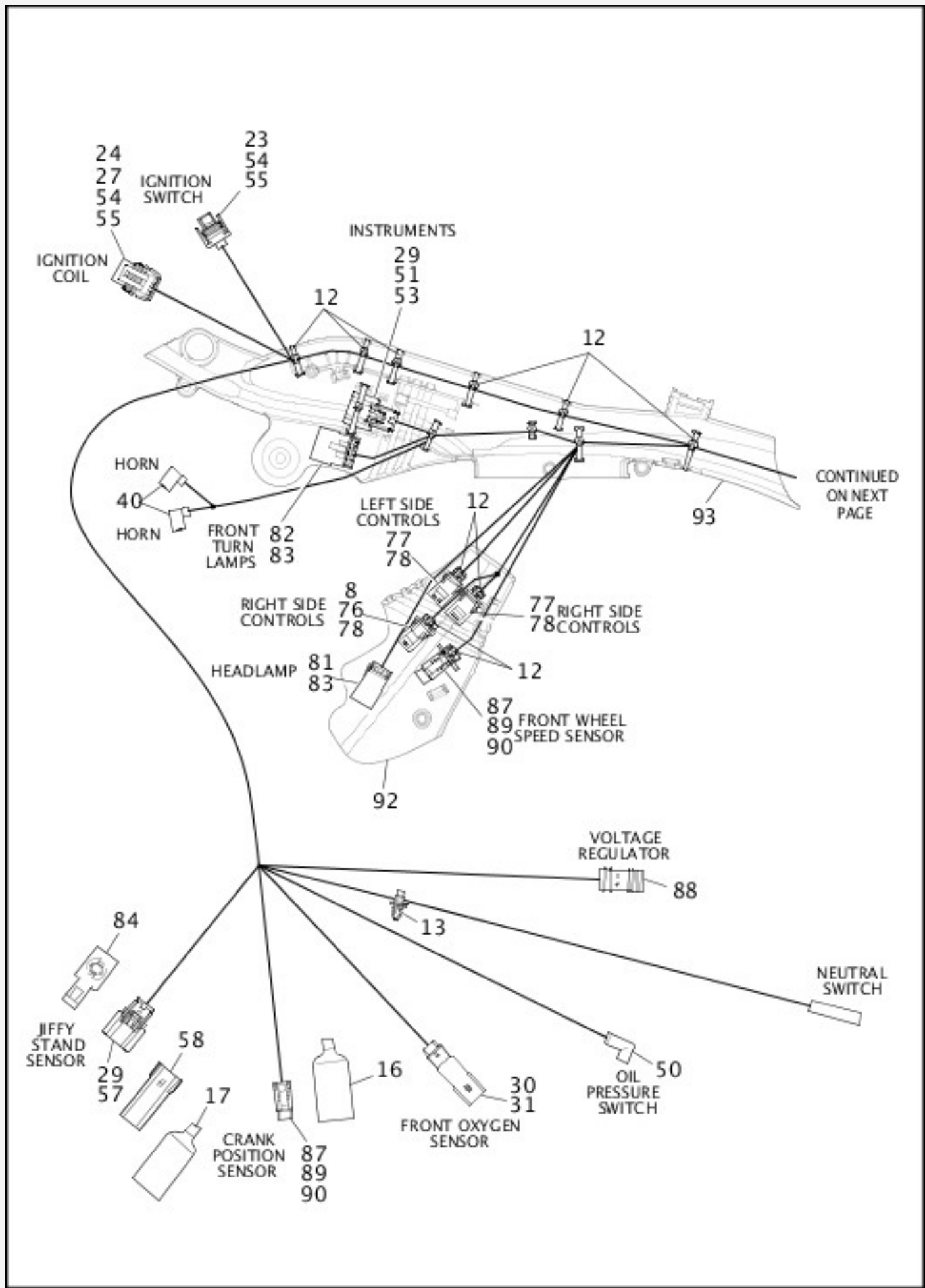
[View interactive image](#)

[View interactive table](#)

INDEX NO.	PART NO.	DESCRIPTION	MODEL(S)
	69200072	MAIN WIRING HARNESS - NON-ABS (continued)	ALL
NOTE: Includes the following parts.			

73	72907-11	HOUSING, 4-way pin (black) (2)	ALL
74	72909-11	TERMINAL, pin, 20-22 gauge (9)	ALL
75	72990-01	TERMINAL, pin, 18-22 gauge (8)	ALL
76	73103-96BK	HOUSING, 3-way pin (black)	ALL
77	73104-96BK	HOUSING, 4-way pin (black)	ALL
78	73106-96BK	HOUSING, 6-way pin (black)	ALL
79	73190-96	TERMINAL, pin, 16-20 gauge (13)	ALL
80	73213-07	RETAINER, xmas tree clip	ALL
81	73304-04	TERMINAL, socket, 10 gauge (3)	ALL
82	73305-04	WIRE SEAL, 10 gauge (blue) (3)	ALL
83	74112-98BK	HOUSING, 2-way socket (black)	ALL
84	74120-08	DC LEAD ASSEMBLY	ALL
85	74152-98	SECONDARY LOCK, 2-way socket	ALL
86	74191-98	TERMINAL, socket (2)	ALL
87	69200271	HOUSING, 2-way socket (black)	ALL
88	69200402	WIRE HARNESS CADDY	ALL
89	69200403	WIRE HARNESS CADDY	ALL
90	69200404	WIRE HARNESS CADDY	ALL
91	69200456	IGNITION SWITCH BRACKET	ALL
92	69200476A	HOUSING, 18-way socket (gray)	ALL
93	90300050	FACE NUT	ALL

WIRING HARNESS, MAIN, ABS (1 OF 4)



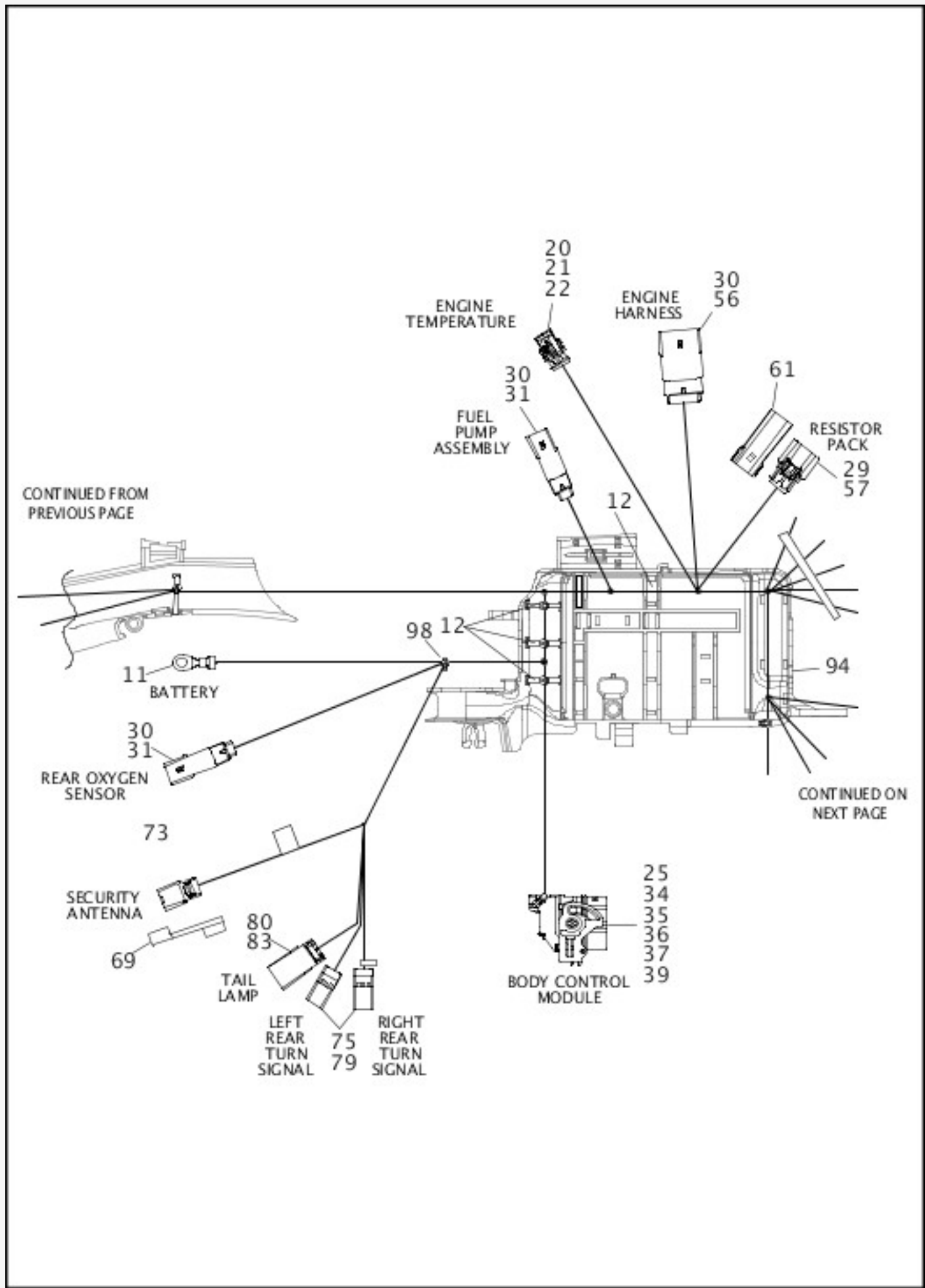
[View interactive image](#)

[View interactive table](#)

INDEX NO.	PART NO.	DESCRIPTION	MODEL(S)
1	3123	SCREW	ALL
2	70640-07	CLIP, caddy	ALL

3	72314-01	FUSE, main, 40 amp	ALL
4	72595-11	SEAL, fuse cover	ALL
5	11100060	ADHESIVE LOCK	ALL
6	69200474	FUSE COVER, w/ 11100060	ALL
	69200073	MAIN WIRING HARNESS - ABS	ALL
NOTE: Includes the following parts.			
7	3124	SCREW	ALL
8	5118	SEAL PIN	ALL
9	6990	WEATHER PLUG, 6-way pin (black)	ALL
10	7220	LOCKWASHER	ALL
11	9838	TERMINAL RING, 1/4 in., 10-12 gauge (2)	ALL
12	10006	CABLE STRAP (24)	ALL
13	10177	CABLE STRAP (3)	ALL
14	11778	FASTENER, push in	ALL
15	11785	FASTENER, push in	ALL
16	70598-99	BOOT, temperature sensor	ALL
17	70664-08	BOOT, jiffy stand sensor	ALL
18	71510-04	HOUSING, ignition switch	ALL
19	71550-94	LABEL, ignition switch	ALL
20	72007-05	HOUSING, 2-way socket (black)	ALL
21	72010-05	WIRE SEAL, 22-26 gauge (green) (2)	ALL
22	72024-08	TERMINAL, socket, 20-22 gauge (2)	ALL
23	72062-06	HOUSING, 2-way socket (gray)	ALL
24	72066-06A	HOUSING, 4-way socket (black)	ALL

WIRING HARNESS, MAIN, ABS (2 OF 4)



[View interactive image](#)

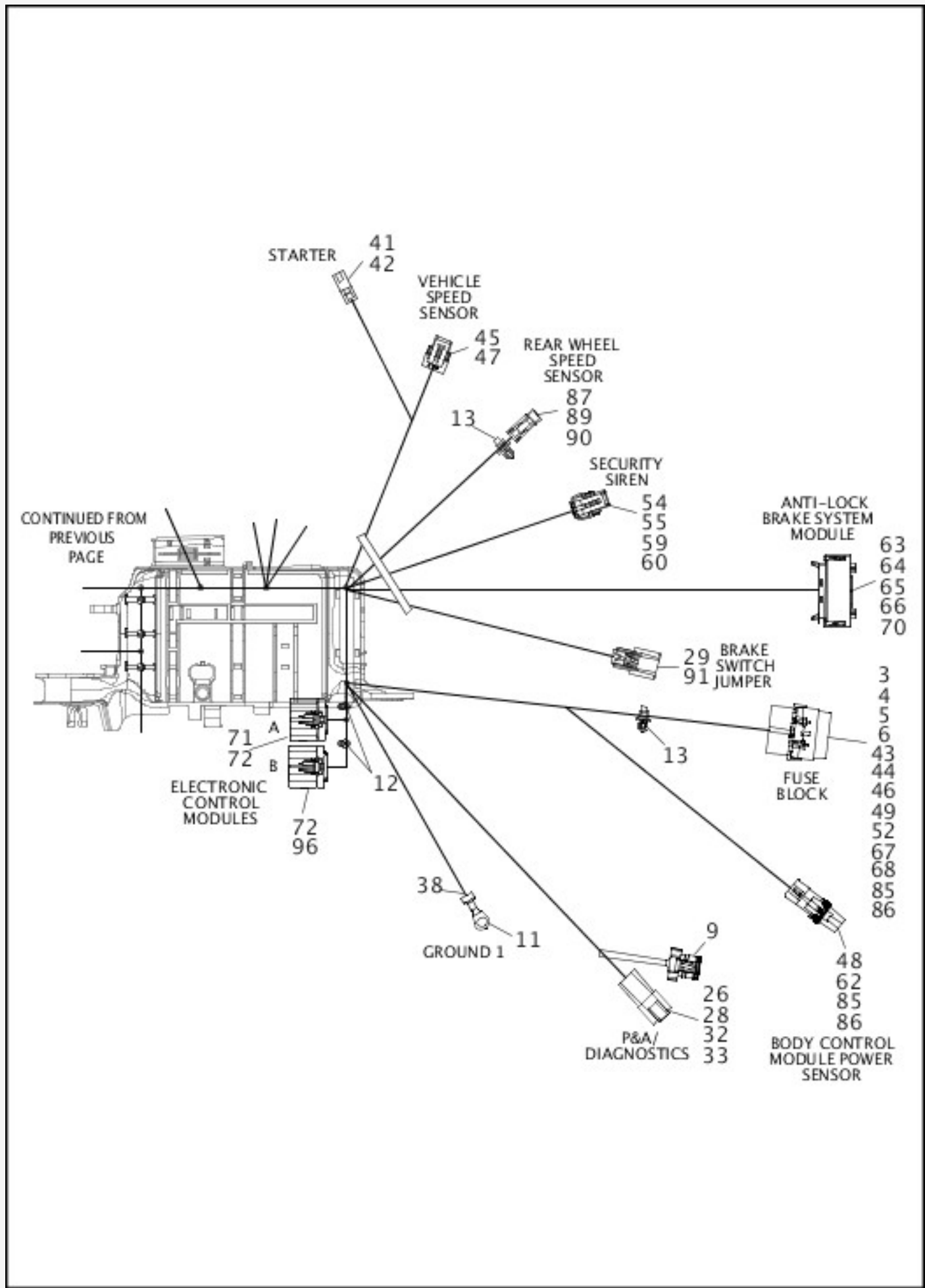
[View interactive table](#)

INDEX NO.	PART NO.	DESCRIPTION	MODEL(S)
	69200073	MAIN WIRING HARNESS - ABS (continued)	ALL

NOTE: Includes the following parts.

25	72081-11	HOUSING, 48-way socket (black)	ALL
26	72106-94BK	HOUSING, 6-pin (black) (replaces gray connector)	ALL
27	72135-06	SECONDARY LOCK, 4-way socket (gray)	ALL
28	72146-94	SECONDARY LOCK, 6-way pin	ALL
29	72168-07	TERMINAL, socket, 18-20 gauge (13)	ALL
30	72169-07	TERMINAL, pin, 16-20 gauge (24)	ALL
31	72175-07BK	HOUSING, 4-way pin (black) (3)	ALL
32	72190-94	TERMINAL, pin, 16-18 gauge (3)	ALL
33	72194-94	TERMINAL, pin, 20 gauge (3)	ALL
34	72209-11	COVER, wire dress	ALL
35	72222-11	TERMINAL, socket, 18-20 gauge (20)	ALL
36	72226-11	TERMINAL, socket, 14-16 gauge	ALL
37	72227-11	TERMINAL, socket, 18-20 gauge (5)	ALL
38	72249-94	SHRINK TUBE	ALL
39	72256-11	SEAL PIN (10)	ALL
40	72283-09	TERMINAL, socket, 14-16 gauge (2)	ALL
41	72291-94	TERMINAL, socket, 14-16 gauge	ALL
42	72295-94	CONNECTOR, starter housing	ALL
43	72298-95	WIRE SEAL, 14-18 gauge (green) (4)	ALL
44	72308-97	TERMINAL, socket, 12-14 gauge (2)	ALL
45	72312-04	HOUSING, 3-way socket (black)	ALL
46	72330-95	FUSE, 15-amp, mini (blue)	ALL
47	72335-10	TERMINAL, socket, 20-22 gauge (3)	ALL
48	72350-11	HOUSING, 1-way socket (black)	ALL
49	72356-95	TERMINAL, socket, 18-20 gauge (2)	ALL
50	72405-98BK	PUSH ON WIRE ASSEMBLY, right angle molded, w/ 60 in. wire lead (black)	ALL

WIRING HARNESS, MAIN, ABS (3 OF 4)



[View interactive image](#)

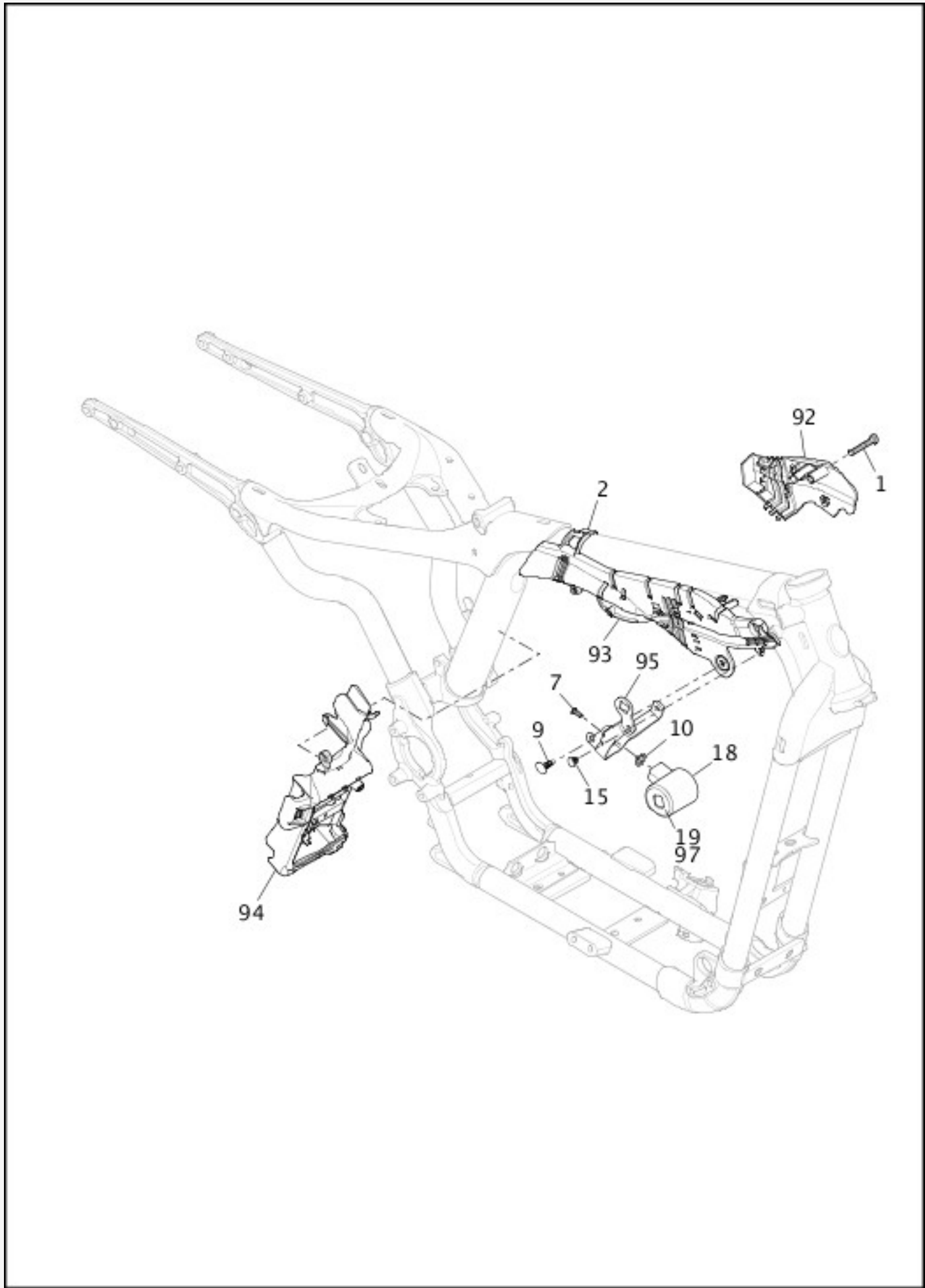
[View interactive table](#)

INDEX NO.	PART NO.	DESCRIPTION	MODEL(S)
	69200073	MAIN WIRING HARNESS - ABS (continued)	ALL

NOTE: Includes the following parts.

51	72414-07BK	HOUSING, 6-way socket (black)	ALL
52	72462-00	FUSE, 10-amp, mini (red)	ALL
53	72473-07	SEAL PIN	ALL
54	72484-08	TERMINAL, socket, 20 gauge (9)	ALL
55	72486-08	WIRE SEAL, 20 gauge (green) (9)	ALL
56	72488-07BK	HOUSING, 12-way pin (black)	ALL
57	72512-07BK	HOUSING, 3-way socket (black) (2)	ALL
58	72519-09BK	DUST CAP, 3-way socket (black)	ALL
59	72543-07BK	HOUSING, 3-way socket (black)	ALL
60	72544-07	SECONDARY LOCK, 3-way socket (black)	ALL
61	72545-08	RESISTOR ASSEMBLY, fuel sender	ALL
62	72575-11	SECONDARY LOCK, 1-way socket	ALL
63	72577-12	SECONDARY LOCK (red)	ALL
64	72578-12	HOUSING, 18-way socket (black)	ALL
65	72579-12	TERMINAL, socket, 14-16 gauge (4)	ALL
66	72580-12	TERMINAL, socket, 18-20 gauge (7)	ALL
67	72582-11	FUSEBLOCK, maxi/mini	ALL
68	72587-11	SECONDARY LOCK, fuseblock, maxi/mini	ALL
69	72594-11	DUST CAP, 2-way socket (black)	ALL
70	72633-02	WIRE SEAL, 14-16 gauge (white) (4)	ALL
71	72664-12A	HOUSING, 18-way socket (black)	ALL
72	72666-12	TERMINAL, socket, 18-20 gauge (29)	ALL
73	72720-07	HOUSING, 2-way socket (black)	ALL
74	72721-07	TERMINAL, socket, 18-20 gauge (2)	ALL

WIRING HARNESS, MAIN, ABS (4 OF 4)



[View interactive image](#)

[View interactive table](#)

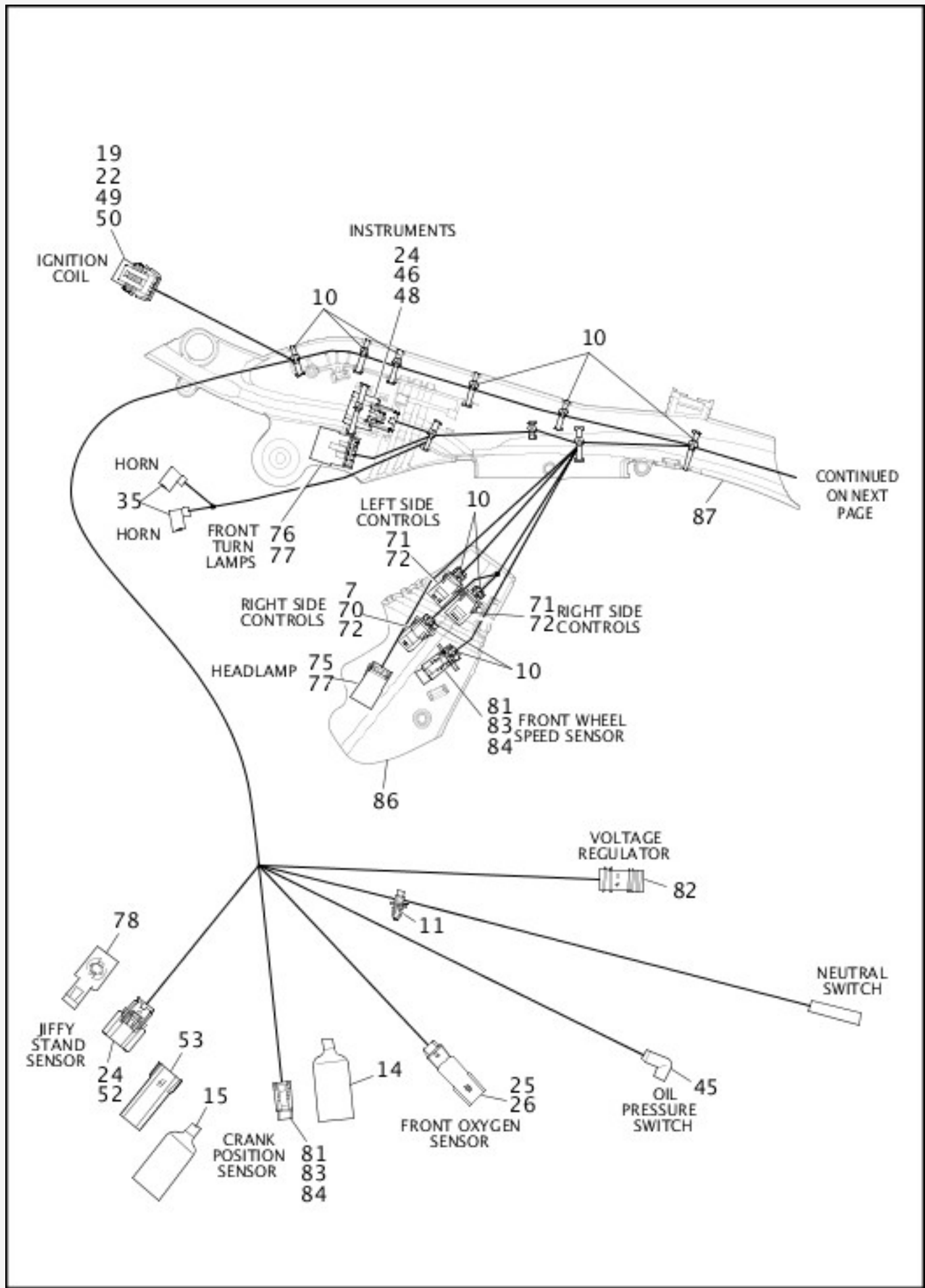
INDEX NO.	PART NO.	DESCRIPTION	MODEL(S)
	69200073	MAIN WIRING HARNESS - ABS (continued)	ALL

NOTE: Includes the following parts.

--	--	--	--

75	72904-01BK	HOUSING, 4-way pin (black) (2)	ALL
76	72905-11	HOUSING, 2-way pin (black)	ALL
77	72907-11	HOUSING, 4-way pin (black) (2)	ALL
78	72909-11	TERMINAL, pin, 20-22 gauge (9)	ALL
79	72990-01	TERMINAL, pin, 18-22 gauge (8)	ALL
80	73103-96BK	HOUSING, 3-way pin (black)	ALL
81	73104-96BK	HOUSING, 4-way pin (black)	ALL
82	73106-96BK	HOUSING, 6-way pin (black)	ALL
83	73190-96	TERMINAL, pin, 16-20 gauge (13)	ALL
84	73213-07	RETAINER, xmas tree clip	ALL
85	73304-04	TERMINAL, socket, 10 gauge (3)	ALL
86	73305-04	WIRE SEAL, 10 gauge (blue) (3)	ALL
87	74112-98BK	HOUSING, 2-way socket (black) (3)	ALL
88	74120-08	DC LEAD ASSEMBLY	ALL
89	74152-98	SECONDARY LOCK, 2-way socket (3)	ALL
90	74191-98	TERMINAL, socket, 16-20 gauge (6)	ALL
91	69200271	HOUSING, 2-way socket (black)	ALL
92	69200402	WIRE HARNESS CADDY	ALL
93	69200403	WIRE HARNESS CADDY	ALL
94	69200404	WIRE HARNESS CADDY	ALL
95	69200456	IGNITION SWITCH BRACKET	ALL
96	69200476A	HOUSING, 18-way socket (gray)	ALL
97	90300050	FACE NUT	ALL
98	10065	CABLE STRAP	ALL

WIRING HARNESS, MAIN, KEYLESS, ABS (1 OF 4)



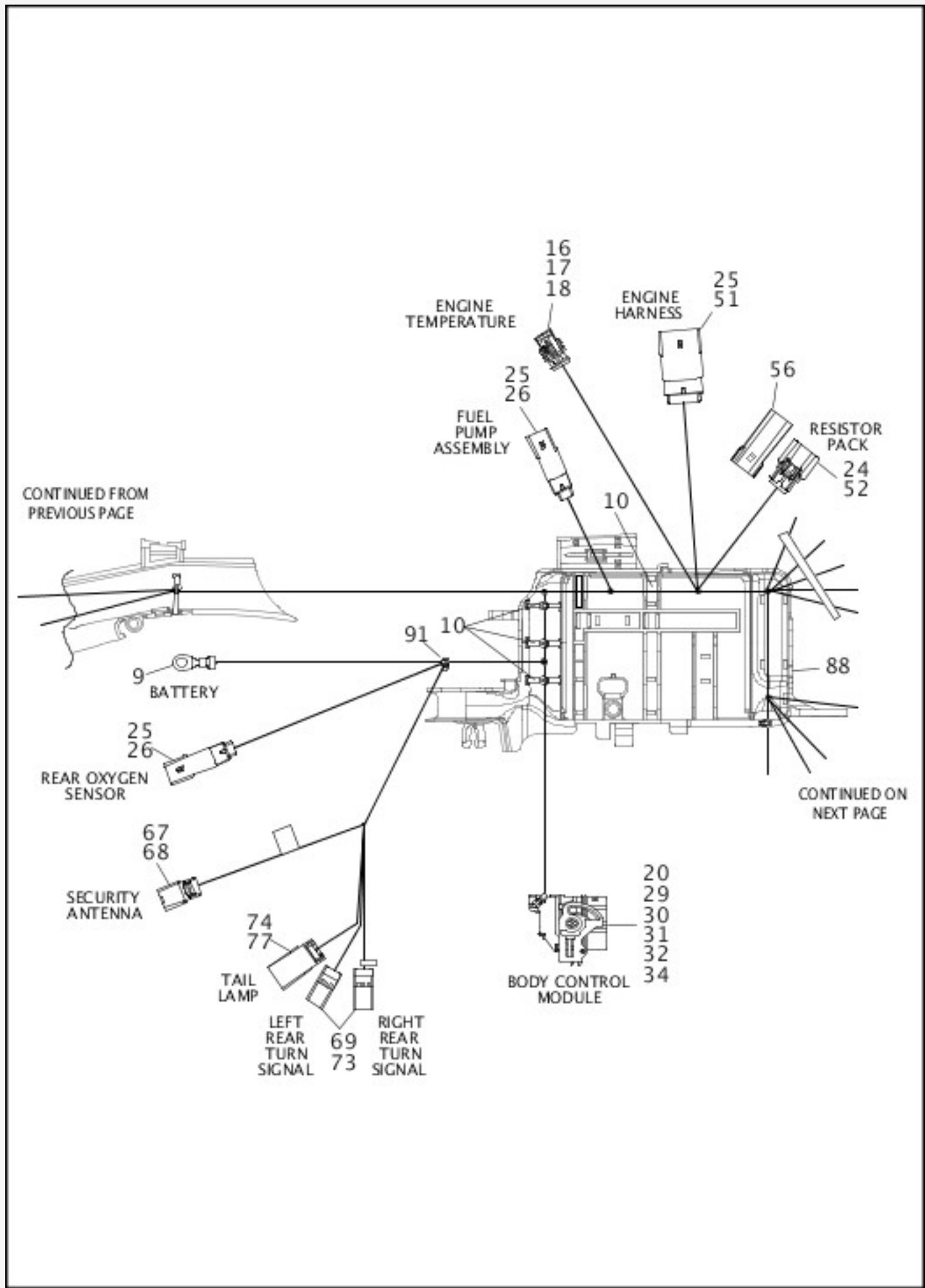
[View interactive image](#)

[View interactive table](#)

INDEX NO.	PART NO.	DESCRIPTION	MODEL(S)
1	3123	SCREW	ALL
2	70640-07	CLIP, caddy	ALL

3	72314-01	FUSE, main, 40 amp	ALL
4	72595-11	SEAL, fuse cover	ALL
5	11100060	ADHESIVE LOCK	ALL
6	69200474	FUSE COVER, w/ 11100060	ALL
	69200479	MAIN WIRING HARNESS - KEYLESS, ABS	ALL
NOTE: Includes the following parts.			
7	5118	SEAL PIN	ALL
8	6990	WEATHER PLUG, 6-way pin (black)	ALL
9	9838	TERMINAL RING, 1/4 in., 10-12 gauge (2)	ALL
10	10006	CABLE STRAP (24)	ALL
11	10177	CABLE STRAP (3)	ALL
12	11778	FASTENER, push in	ALL
13	11785	FASTENER, push in	ALL
14	70598-99	BOOT, temperature sensor	ALL
15	70664-08	BOOT, jiffy stand sensor	ALL
16	72007-05	HOUSING, 2-way socket (black)	ALL
17	72010-05	WIRE SEAL, 22-26 gauge (green) (2)	ALL
18	72024-08	TERMINAL, socket, 20-22 gauge (2)	ALL
19	72066-06A	HOUSING, 4-way socket (black)	ALL
20	72081-11	HOUSING, 48-way socket (black)	ALL
21	72106-94BK	HOUSING, 6-pin (black) (replaces gray connector)	ALL

WIRING HARNESS, MAIN, KEYLESS, ABS (2 OF 4)



[View interactive image](#)

[View interactive table](#)

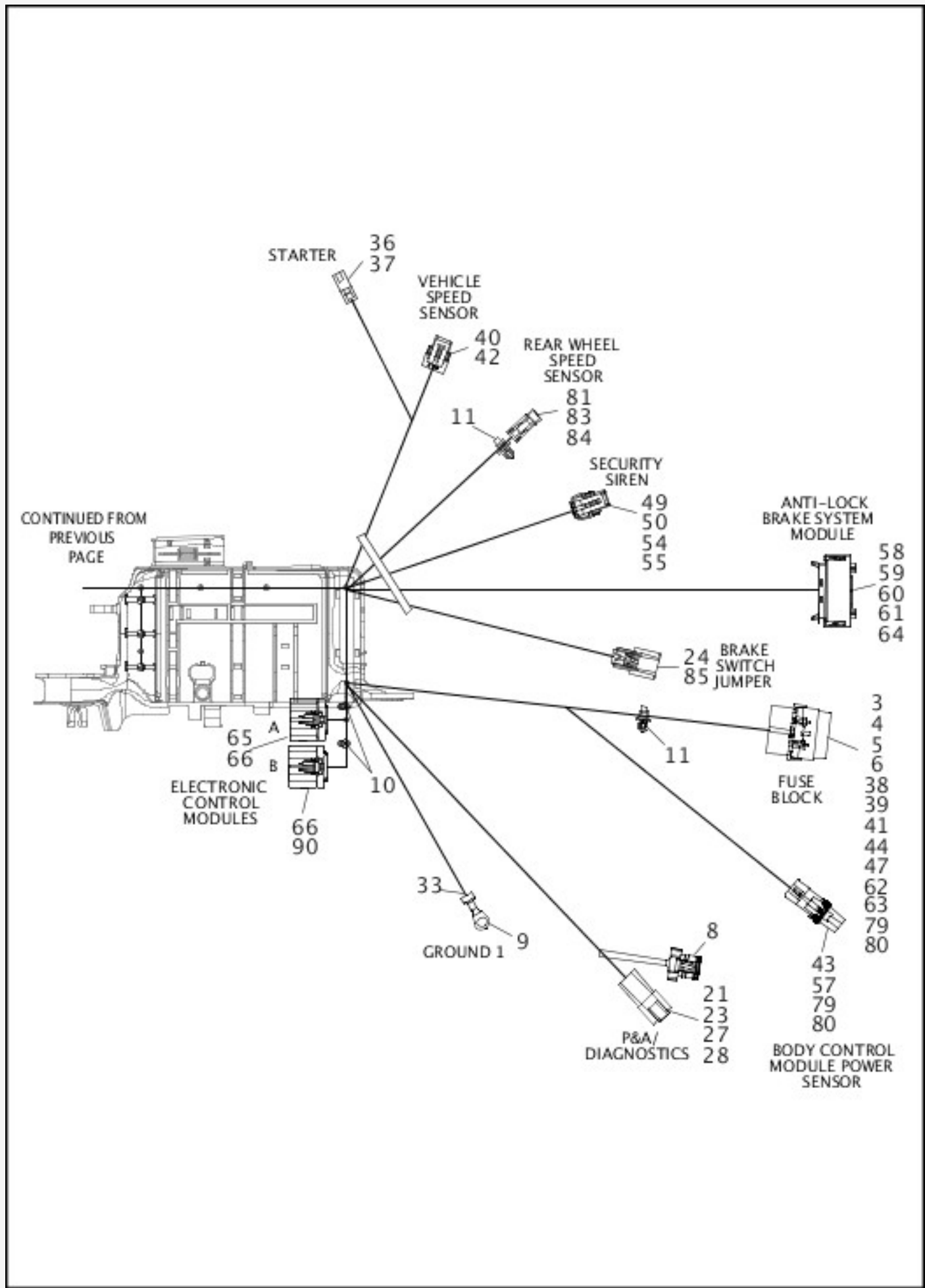
INDEX NO.	PART NO.	DESCRIPTION	MODEL(S)
	69200479	MAIN WIRING HARNESS - KEYLESS, ABS (continued)	ALL

NOTE: Includes the following parts.

--	--	--	--

22	72135-06	SECONDARY LOCK, 4-way socket (gray)	ALL
23	72146-94	SECONDARY LOCK, 6-way pin	ALL
24	72168-07	TERMINAL, socket, 18-20 gauge (13)	ALL
25	72169-07	TERMINAL, pin, 16-20 gauge (24)	ALL
26	72175-07BK	HOUSING, 4-way pin (black) (3)	ALL
27	72190-94	TERMINAL, pin, 16-18 gauge (3)	ALL
28	72194-94	TERMINAL, pin, 20 gauge (3)	ALL
29	72209-11	COVER, wire dress	ALL
30	72222-11	TERMINAL, socket, 18-20 gauge (19)	ALL
31	72226-11	TERMINAL, socket, 14-16 gauge	ALL
32	72227-11	TERMINAL, socket, 18-20 gauge (5)	ALL
33	72249-94	SHRINK TUBE	ALL
34	72256-11	SEAL PIN (11)	ALL
35	72283-09	TERMINAL, socket, 14-16 gauge (2)	ALL
36	72291-94	TERMINAL, socket, 14-16 gauge	ALL
37	72295-94	CONNECTOR, starter housing	ALL
38	72298-95	WIRE SEAL, 14-18 gauge (green) (4)	ALL
39	72308-97	TERMINAL, socket, 12-14 gauge (2)	ALL
40	72312-04	HOUSING, 3-way socket (black)	ALL
41	72330-95	FUSE, 15-amp, mini (blue)	ALL
42	72335-10	TERMINAL, socket, 20-22 gauge (3)	ALL
43	72350-11	HOUSING, 1-way socket (black)	ALL
44	72356-95	TERMINAL, socket, 18-20 gauge (2)	ALL

WIRING HARNESS, MAIN, KEYLESS, ABS (3 OF 4)



[View interactive image](#)

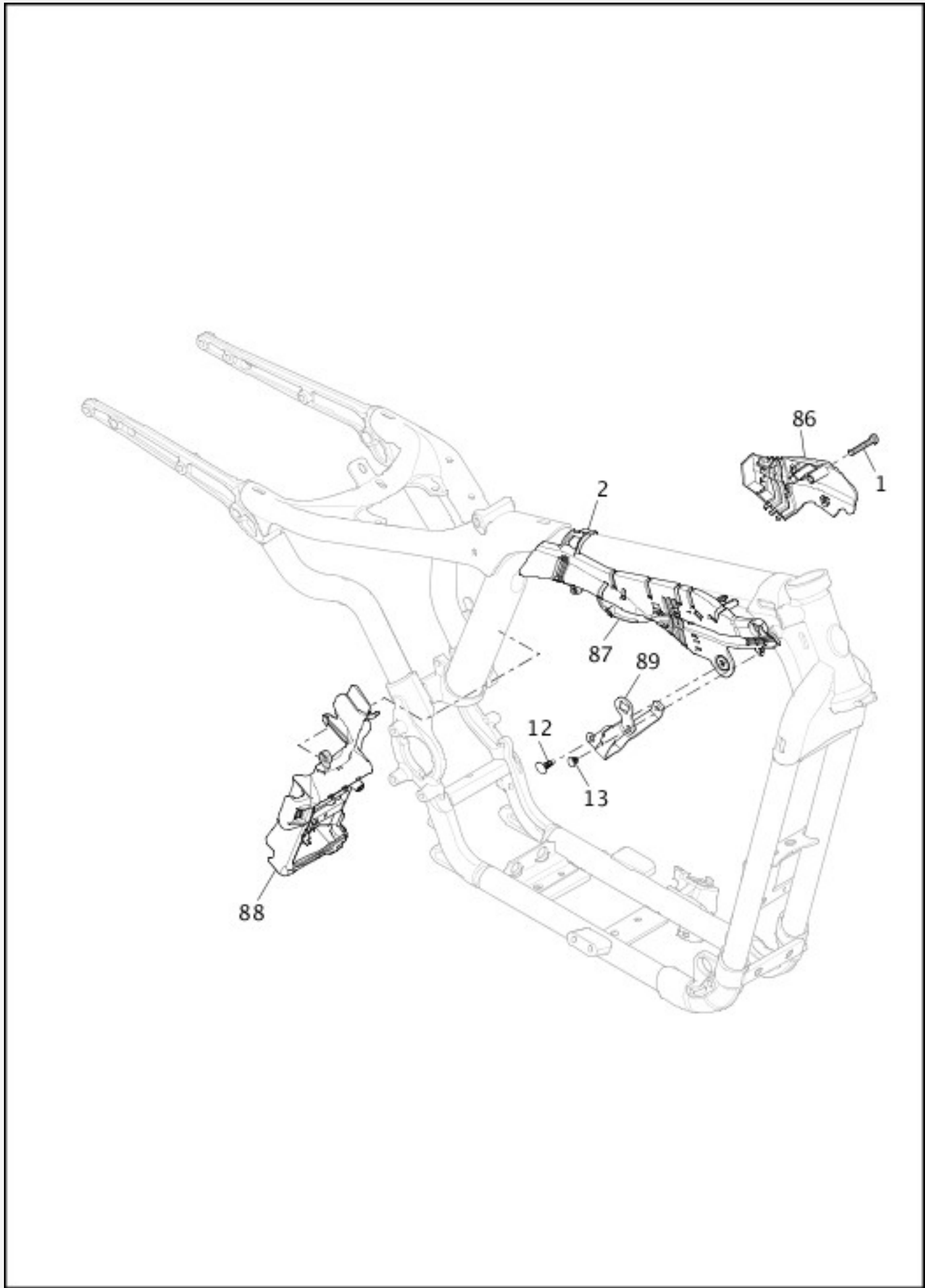
[View interactive table](#)

INDEX NO.	PART NO.	DESCRIPTION	MODEL(S)
	69200479	MAIN WIRING HARNESS - KEYLESS, ABS (continued)	ALL

NOTE: Includes the following parts.

45	72405-98BK	PUSH ON WIRE ASSEMBLY, right angle molded, w/ 60 in. wire lead (black)	ALL
46	72414-07BK	HOUSING, 6-way socket (black)	ALL
47	72462-00	FUSE, 10-amp, mini (red)	ALL
48	72473-07	SEAL PIN	ALL
49	72484-08	TERMINAL, socket, 20 gauge (7)	ALL
50	72486-08	WIRE SEAL, 20 gauge (green) (7)	ALL
51	72488-07BK	HOUSING, 12-way pin (black)	ALL
52	72512-07BK	HOUSING, 3-way socket (black) (2)	ALL
53	72519-09BK	DUST CAP, 3-way socket (black)	ALL
54	72543-07BK	HOUSING, 3-way socket (black)	ALL
55	72544-07	SECONDARY LOCK, 3-way socket (black)	ALL
56	72545-08	RESISTOR ASSEMBLY, fuel sender	ALL
57	72575-11	SECONDARY LOCK, 1-way socket	ALL
58	72577-12	SECONDARY LOCK (red)	ALL
59	72578-12	HOUSING, 18-way socket (black)	ALL
60	72579-12	TERMINAL, socket, 14-16 gauge (4)	ALL
61	72580-12	TERMINAL, socket, 18-20 gauge (7)	ALL
62	72582-11	FUSE BLOCK, maxi/mini	ALL
63	72587-11	SECONDARY LOCK, fuse block, maxi/mini	ALL
64	72633-02	WIRE SEAL, 14-16 gauge (white) (4)	ALL
65	72664-12A	HOUSING, 18-way socket (black)	ALL
66	72666-12	TERMINAL, socket, 18-20 gauge (29)	ALL
67	72720-07	HOUSING, 2-way socket (black)	ALL

WIRING HARNESS, MAIN, KEYLESS, ABS (4 OF 4)



[View interactive image](#)

[View interactive table](#)

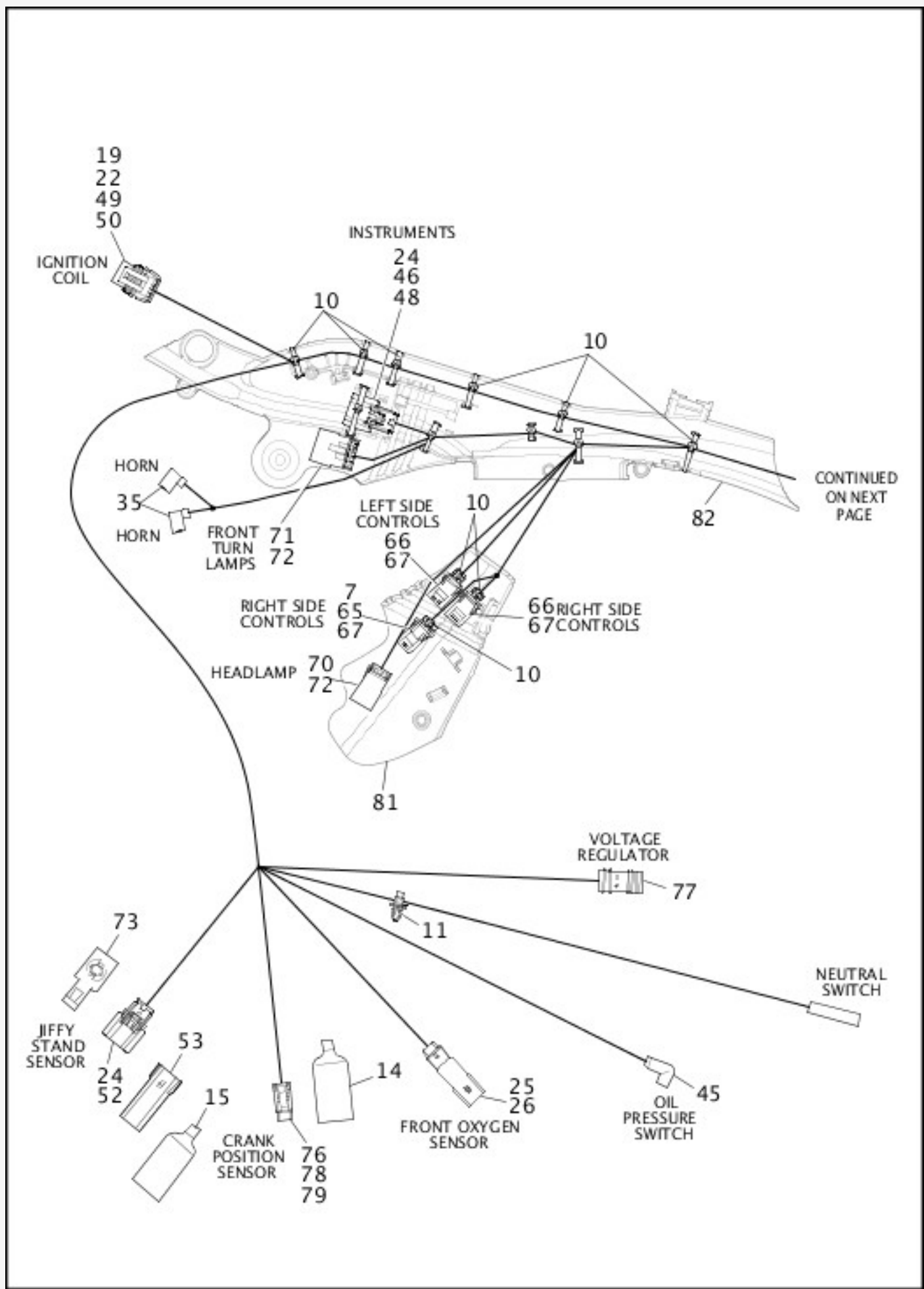
INDEX NO.	PART NO.	DESCRIPTION	MODEL(S)
	69200479	MAIN WIRING HARNESS - KEYLESS, ABS (continued)	ALL

NOTE: Includes the following parts.

--	--	--	--

68	72721-07	TERMINAL, socket, 18-20 gauge (2)	ALL
69	72904-01BK	HOUSING, 4-way pin (black) (2)	ALL
70	72905-11	HOUSING, 2-way pin (black)	ALL
71	72907-11	HOUSING, 4-way pin (black) (2)	ALL
72	72909-11	TERMINAL, pin, 20-22 gauge (9)	ALL
73	72990-01	TERMINAL, pin, 18-22 gauge (8)	ALL
74	73103-96BK	HOUSING, 3-way pin (black)	ALL
75	73104-96BK	HOUSING, 4-way pin (black)	ALL
76	73106-96BK	HOUSING, 6-way pin (black)	ALL
77	73190-96	TERMINAL, pin, 16-20 gauge (13)	ALL
78	73213-07	RETAINER, xmas tree clip	ALL
79	73304-04	TERMINAL, socket, 10 gauge (3)	ALL
80	73305-04	WIRE SEAL, 10 gauge (blue) (3)	ALL
81	74112-98BK	HOUSING, 2-way socket (black) (3)	ALL
82	74120-08	DC LEAD ASSEMBLY	ALL
83	74152-98	SECONDARY LOCK, 2-way socket (3)	ALL
84	74191-98	TERMINAL, socket, 16-20 gauge (6)	ALL
85	69200271	HOUSING, 2-way socket (black)	ALL
86	69200402	WIRE HARNESS CADDY	ALL
87	69200403	WIRE HARNESS CADDY	ALL
88	69200404	WIRE HARNESS CADDY	ALL
89	69200456	IGNITION SWITCH BRACKET	ALL
90	69200476A	HOUSING, 18-way socket (gray)	ALL
91	10065	CABLE STRAP	ALL

WIRING HARNESS, MAIN, KEYLESS, NON-ABS (1 OF 4)



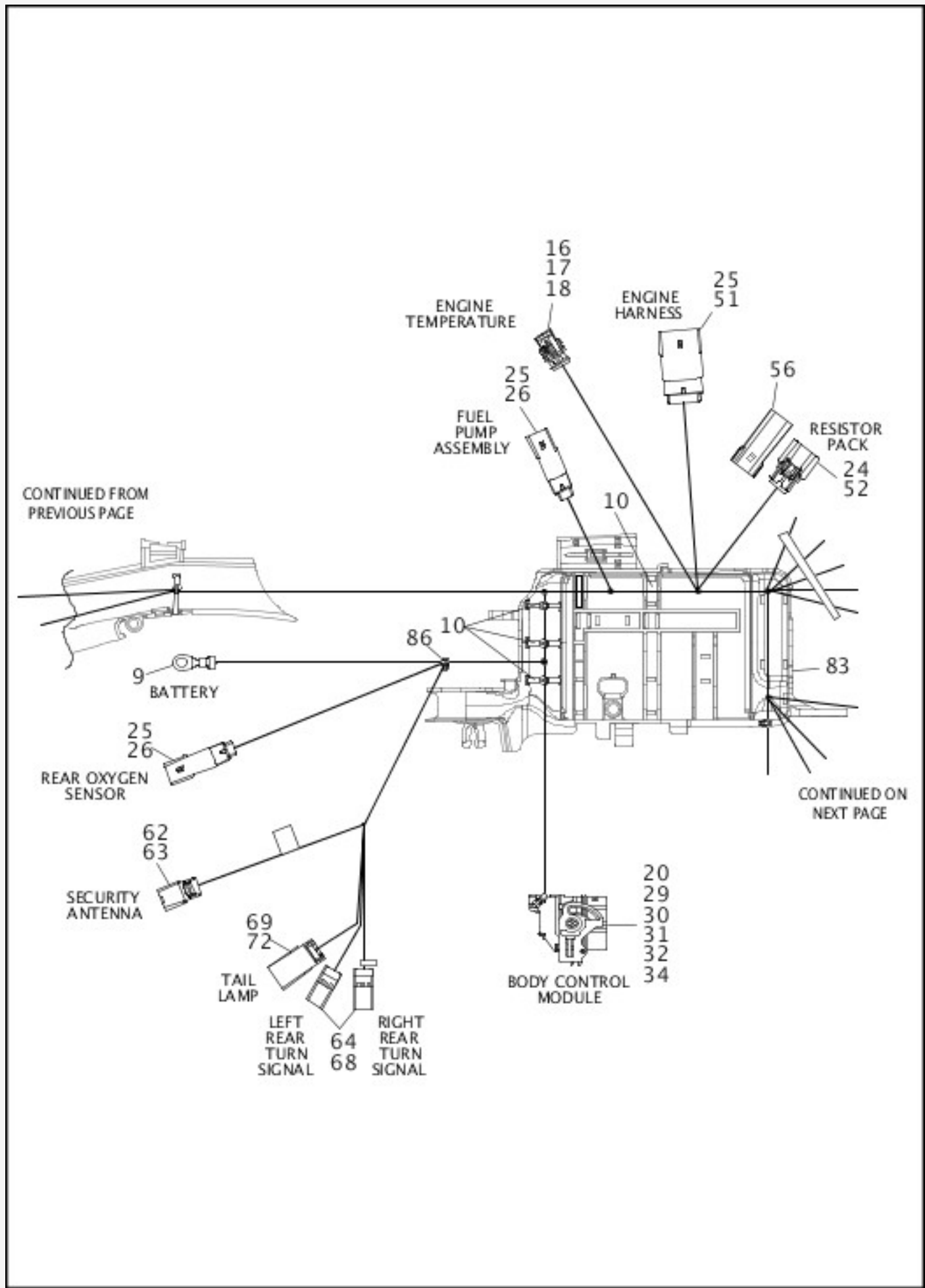
[View interactive image](#)

[View interactive table](#)

INDEX NO.	PART NO.	DESCRIPTION	MODEL(S)
1	3123	SCREW	ALL
2	70640-07	CLIP, caddy	ALL

3	72314-01	FUSE, main, 40 amp	ALL
4	72595-11	SEAL, fuse cover	ALL
5	11100060	ADHESIVE LOCK	ALL
6	69200474	FUSE COVER, w/ 11100060	ALL
	69200480	MAIN WIRING HARNESS - KEYLESS, NON-ABS	ALL
NOTE: Includes the following parts.			
7	5118	SEAL PIN	ALL
8	6990	WEATHER PLUG, 6-way pin (black)	ALL
9	9838	TERMINAL RING, 1/4 in., 10-12 gauge (2)	ALL
10	10006	CABLE STRAP (23)	ALL
11	10177	CABLE STRAP (2)	ALL
12	11778	FASTENER, push in	ALL
13	11785	FASTENER, push in	ALL
14	70598-99	BOOT, temperature sensor	ALL
15	70664-08	BOOT, jiffy stand sensor	ALL
16	72007-05	HOUSING, 2-way socket (black)	ALL
17	72010-05	WIRE SEAL, 22-26 gauge (green) (2)	ALL
18	72024-08	TERMINAL, socket, 20-22 gauge (2)	ALL
19	72066-06A	HOUSING, 4-way socket (black)	ALL
20	72081-11	HOUSING, 48-way socket (black)	ALL
21	72106-94BK	HOUSING, 6-pin (black) (replaces gray connector)	ALL

WIRING HARNESS, MAIN, KEYLESS, NON-ABS (2 OF 4)



[View interactive image](#)

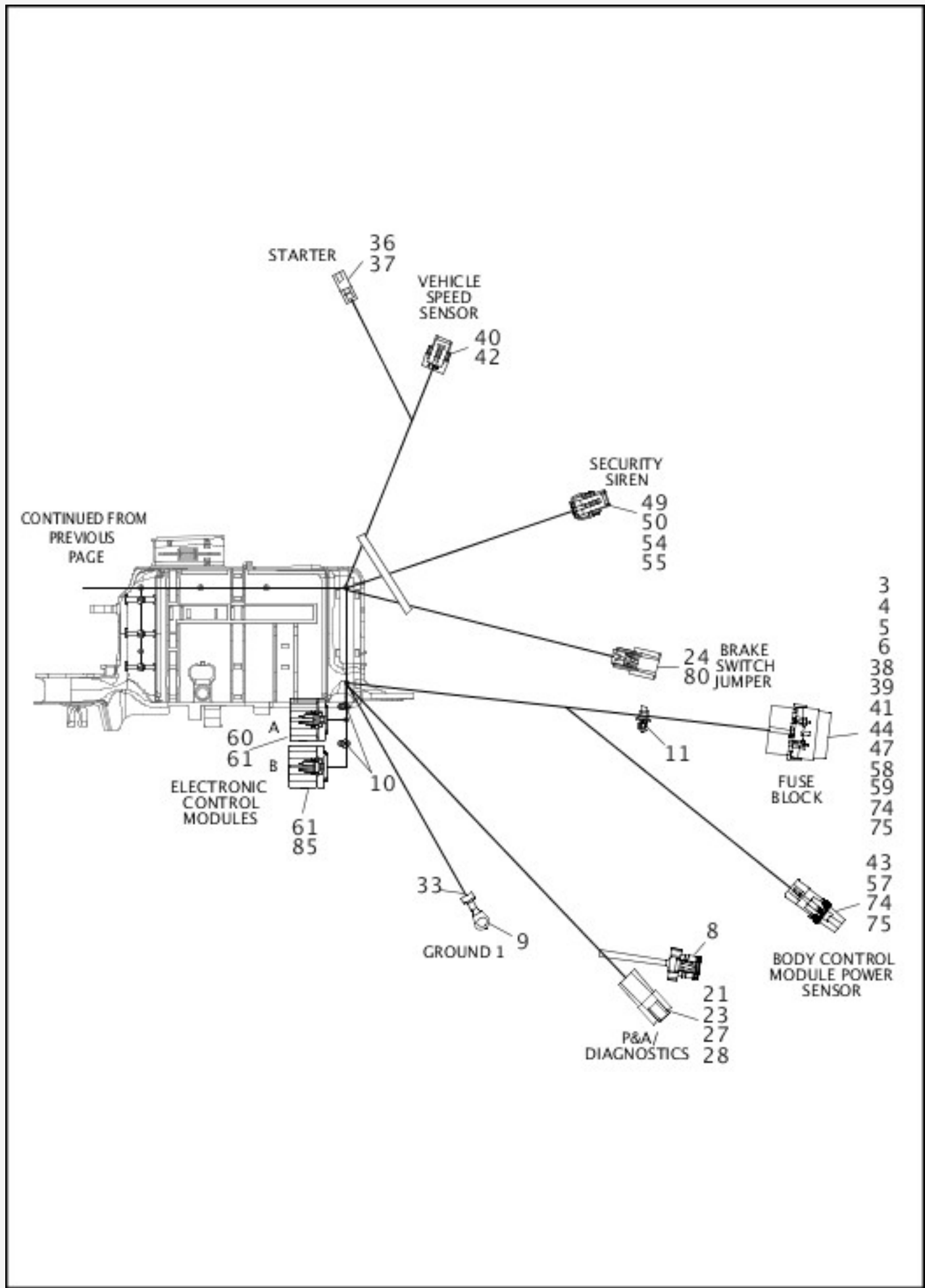
[View interactive table](#)

INDEX NO.	PART NO.	DESCRIPTION	MODEL(S)
	69200480	MAIN WIRING HARNESS - KEYLESS, NON-ABS (continued)	ALL

NOTE: Includes the following parts.

22	72135-06	SECONDARY LOCK, 4-way socket (gray)	ALL
23	72146-94	SECONDARY LOCK, 6-way pin	ALL
24	72168-07	TERMINAL, socket, 18-20 gauge (13)	ALL
25	72169-07	TERMINAL, pin, 16-20 gauge (24)	ALL
26	72175-07BK	HOUSING, 4-way pin (black) (3)	ALL
27	72190-94	TERMINAL, pin, 16-18 gauge (3)	ALL
28	72194-94	TERMINAL, pin, 20 gauge (3)	ALL
29	72209-11	COVER, wire dress	ALL
30	72222-11	TERMINAL, socket, 18-20 gauge (19)	ALL
31	72226-11	TERMINAL, socket, 14-16 gauge	ALL
32	72227-11	TERMINAL, socket, 18-20 gauge (5)	ALL
33	72249-94	SHRINK TUBE	ALL
34	72256-11	SEAL PIN (11)	ALL
35	72283-09	TERMINAL, socket, 14-16 gauge (2)	ALL
36	72291-94	TERMINAL, socket, 14-16 gauge	ALL
37	72295-94	CONNECTOR, starter housing	ALL
38	72298-95	WIRE SEAL, 14-18 gauge (green) (4)	ALL
39	72308-97	TERMINAL, socket, 12-14 gauge (2)	ALL
40	72312-04	HOUSING, 3-way socket (black)	ALL
41	72330-95	FUSE, 15-amp, mini (blue)	ALL
42	72335-10	TERMINAL, socket, 20-22 gauge (3)	ALL

WIRING HARNESS, MAIN, KEYLESS, NON-ABS (3 OF 4)



[View interactive image](#)

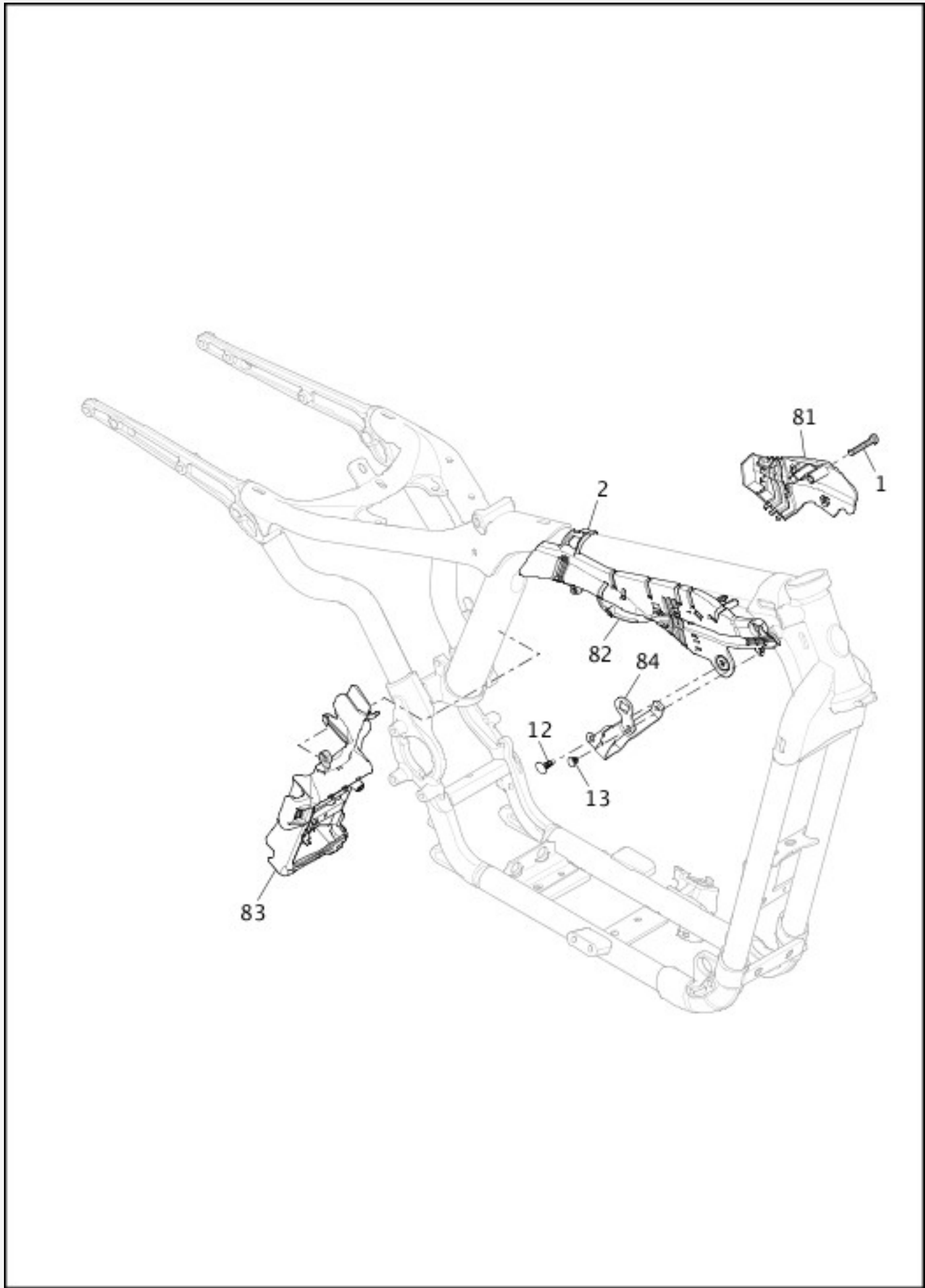
[View interactive table](#)

INDEX NO.	PART NO.	DESCRIPTION	MODEL(S)
	69200480	MAIN WIRING HARNESS - KEYLESS, NON-ABS (continued)	ALL

NOTE: Includes the following parts.

43	72350-11	HOUSING, 1-way socket (black)	ALL
44	72356-95	TERMINAL, socket, 18-20 gauge (2)	ALL
45	72405-98BK	PUSH ON WIRE ASSEMBLY, right angle molded, w/ 60 in. wire lead (black)	ALL
46	72414-07BK	HOUSING, 6-way socket (black)	ALL
47	72462-00	FUSE, 10-amp, mini (red)	ALL
48	72473-07	SEAL PIN	ALL
49	72484-08	TERMINAL, socket, 20 gauge (7)	ALL
50	72486-08	WIRE SEAL, 20 gauge (green) (7)	ALL
51	72488-07BK	HOUSING, 12-way pin (black)	ALL
52	72512-07BK	HOUSING, 3-way socket (black) (2)	ALL
53	72519-09BK	DUST CAP, 3-way socket (black)	ALL
54	72543-07BK	HOUSING, 3-way socket (black)	ALL
55	72544-07	SECONDARY LOCK, 3-way socket (black)	ALL
56	72545-08	RESISTOR ASSEMBLY, fuel sender	ALL
57	72575-11	SECONDARY LOCK, 1-way socket	ALL
58	72582-11	FUSE BLOCK, maxi/mini	ALL
59	72587-11	SECONDARY LOCK, fuse block, maxi/mini	ALL
60	72664-12A	HOUSING, 18-way socket (black)	ALL
61	72666-12	TERMINAL, socket, 18-20 gauge (29)	ALL
62	72720-07	HOUSING, 2-way socket (black)	ALL
63	72721-07	TERMINAL, socket, 18-20 gauge (2)	ALL
64	72904-01BK	HOUSING, 4-way pin (black) (2)	ALL
65	72905-11	HOUSING, 2-way pin (black)	ALL

WIRING HARNESS, MAIN, KEYLESS, NON-ABS (4 OF 4)



[View interactive image](#)

[View interactive table](#)

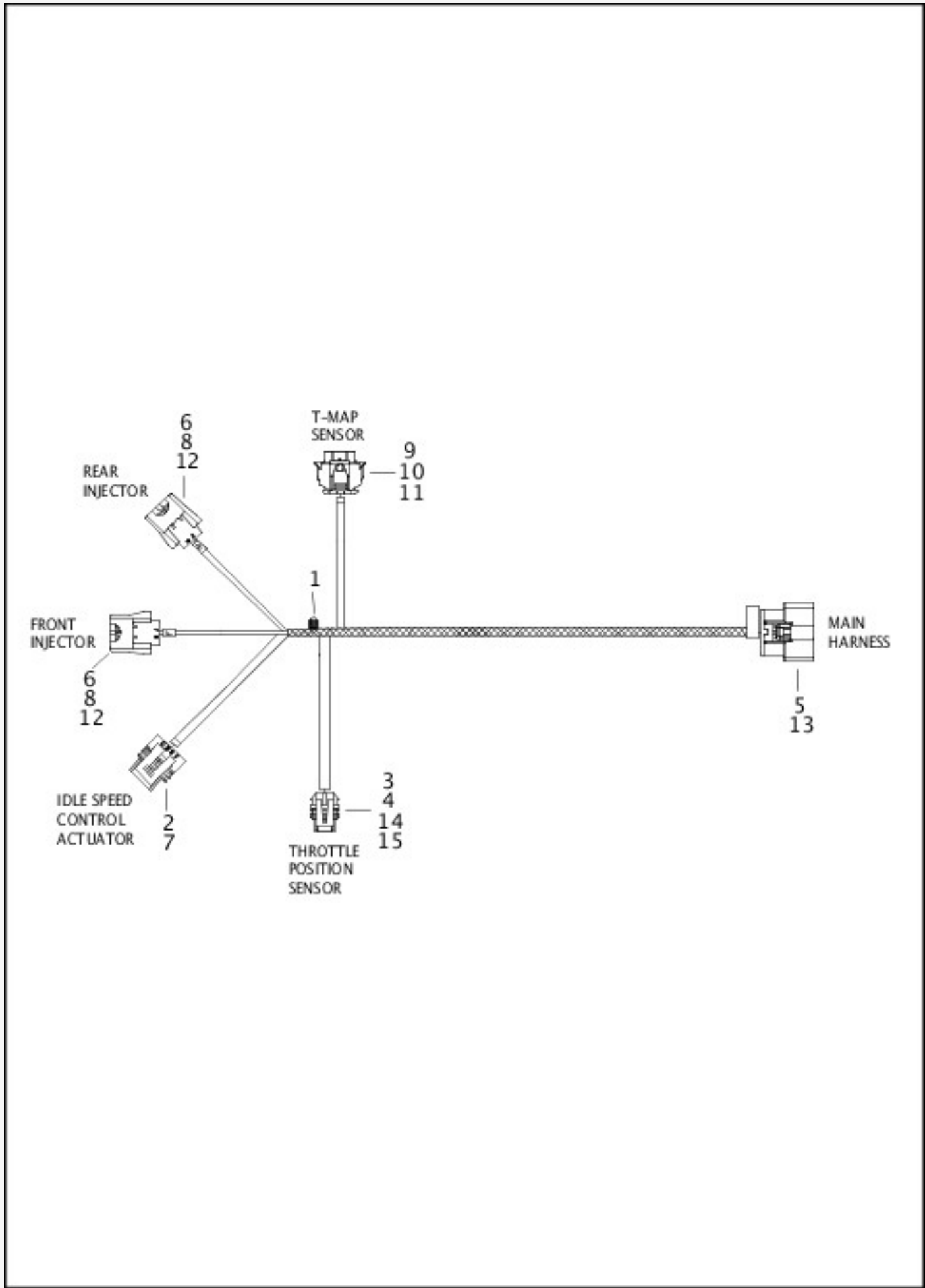
INDEX NO.	PART NO.	DESCRIPTION	MODEL(S)
	69200480	MAIN WIRING HARNESS - KEYLESS, NON-ABS (continued)	ALL

NOTE: Includes the following parts.

--	--	--	--

66	72907-11	HOUSING, 4-way pin (black) (2)	ALL
67	72909-11	TERMINAL, pin, 20-22 gauge (9)	ALL
68	72990-01	TERMINAL, pin, 18-22 gauge (8)	ALL
69	73103-96BK	HOUSING, 3-way pin (black)	ALL
70	73104-96BK	HOUSING, 4-way pin (black)	ALL
71	73106-96BK	HOUSING, 6-way pin (black)	ALL
72	73190-96	TERMINAL, pin, 16-20 gauge (13)	ALL
73	73213-07	RETAINER, xmas tree clip	ALL
74	73304-04	TERMINAL, socket, 10 gauge (3)	ALL
75	73305-04	WIRE SEAL, 10 gauge (blue) (3)	ALL
76	74112-98BK	HOUSING, 2-way socket (black)	ALL
77	74120-08	DC LEAD ASSEMBLY	ALL
78	74152-98	SECONDARY LOCK, 2-way socket	ALL
79	74191-98	TERMINAL, socket, 16-20 gauge (2)	ALL
80	69200271	HOUSING, 2-way socket (black)	ALL
81	69200402	WIRE HARNESS CADDY	ALL
82	69200403	WIRE HARNESS CADDY	ALL
83	69200404	WIRE HARNESS CADDY	ALL
84	69200456	IGNITION SWITCH BRACKET	ALL
85	69200476A	HOUSING, 18-way socket (gray)	ALL
86	10065	CABLE STRAP	ALL

WIRING HARNESS, ENGINE



[View interactive image](#)

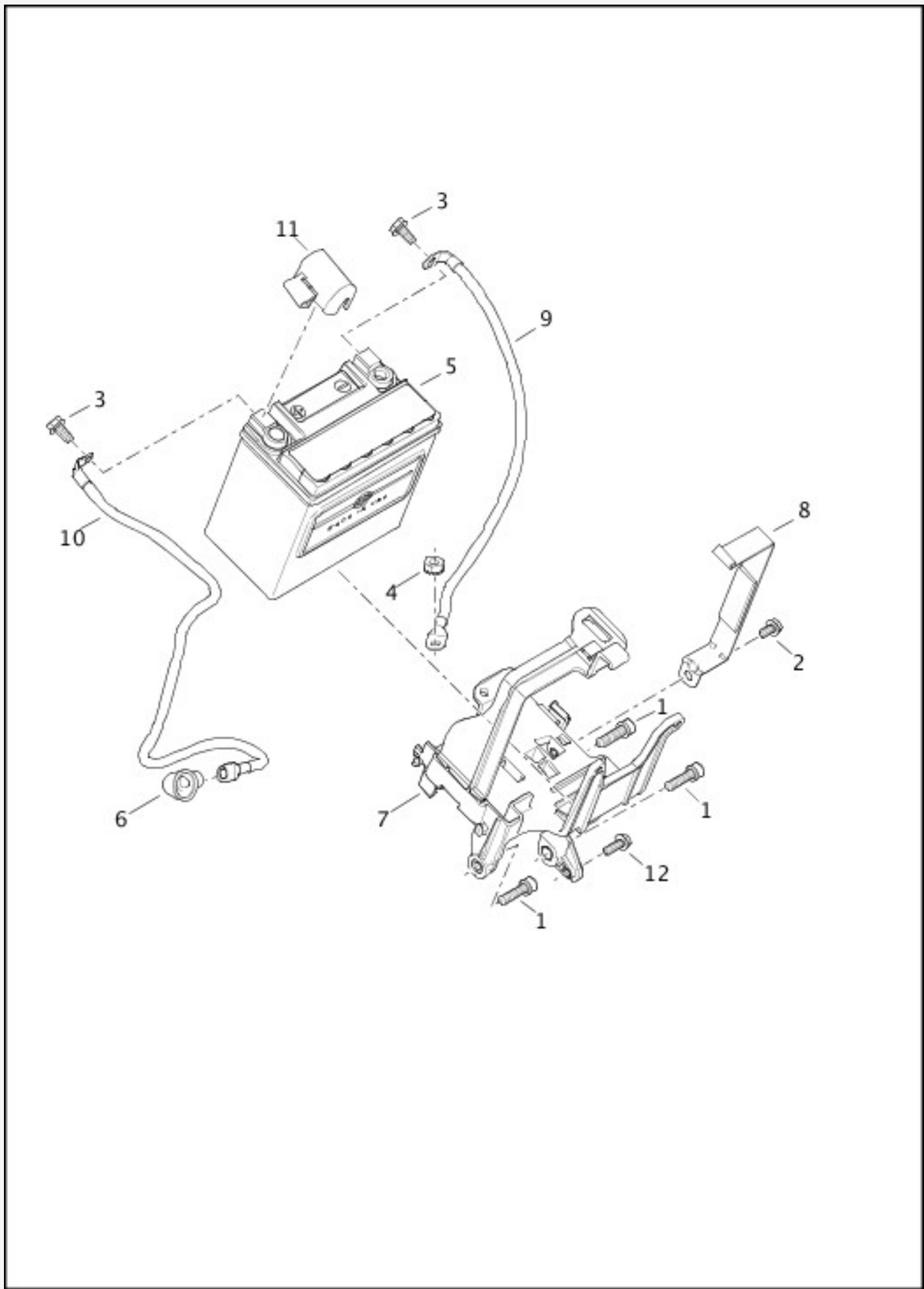
[View interactive table](#)

INDEX NO.	PART NO.	DESCRIPTION	MODEL(S)
	69200077	WIRING HARNESS, engine	ALL

NOTE: Includes the following parts.

1	10279	CLIP, harness mount	ALL
2	72033-93	TERMINAL, socket, 16-20 gauge (4)	ALL
3	72094-06	TERMINAL, socket, 18 gauge (3)	ALL
4	72096-06	SEAL WIRE, 18-20 AWG (yellow) (3)	ALL
5	72168-07	TERMINAL, socket, 18-20 gauge (12)	ALL
6	72251-07	SECONDARY LOCK, 2-way (2)	ALL
7	72263-95	HOUSING, 4-way, socket (black)	ALL
8	72402-07	HOUSING, 2-way, socket (black) (2)	ALL
9	72406-07A	HOUSING, 4-way, socket	ALL
10	72407-07	TERMINAL, socket, 16-20 gauge (4)	ALL
11	72408-07	SEAL WIRE, 16-20 gauge (blue) (4)	ALL
12	72413-07	TERMINAL, socket, 18-20 gauge (4)	ALL
13	72487-07BK	HOUSING, 12-way, socket (black)	ALL
14	72543-07BK	HOUSING, 3-way, socket (black)	ALL
15	72544-07	SECONDARY LOCK, 3-way	ALL

BATTERY



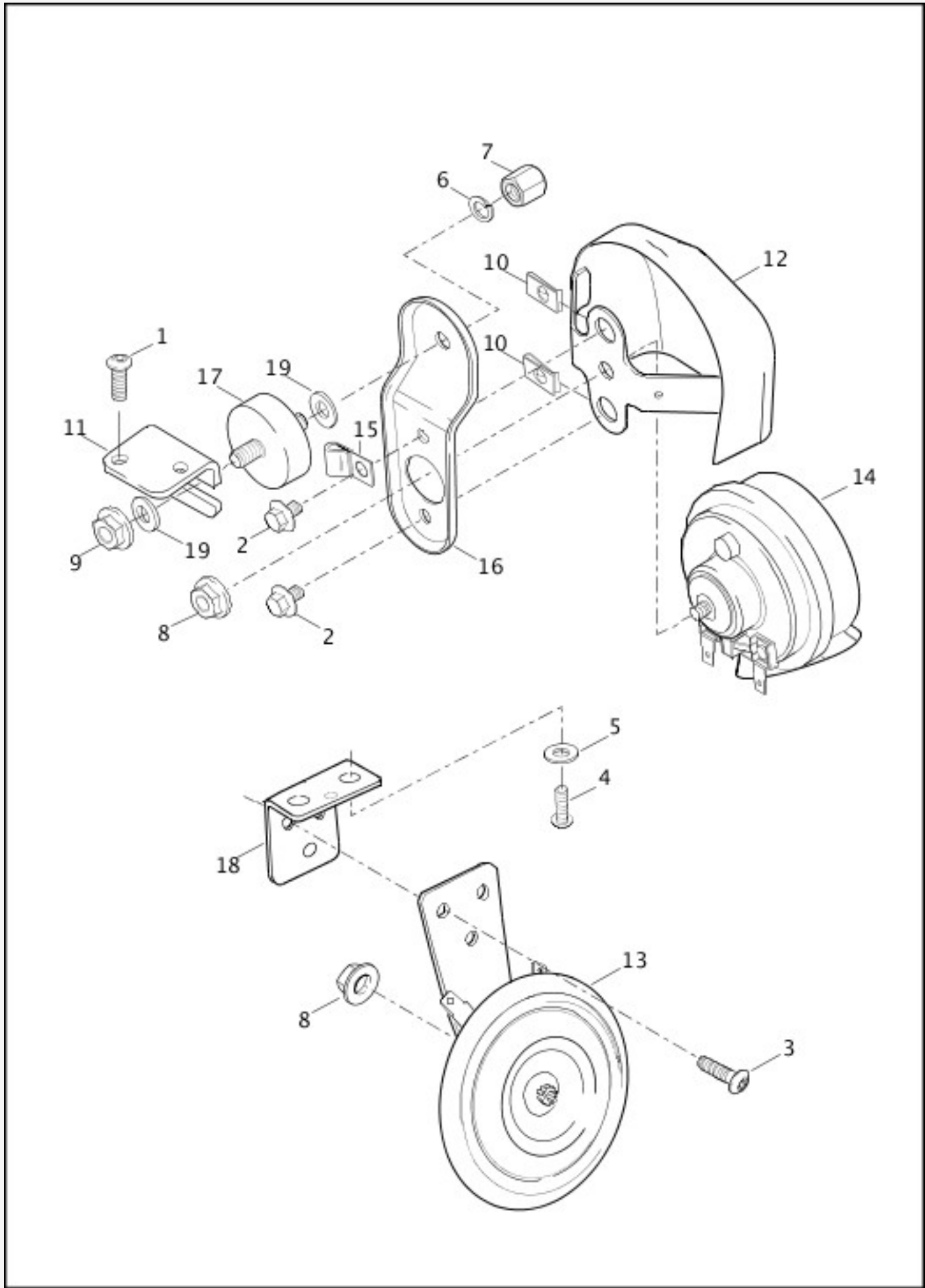
[View interactive image](#)

[View interactive table](#)

INDEX NO.	PART NO.	DESCRIPTION	MODEL(S)
1	2479	SCREW (3)	ALL
2	3588	SCREW	ALL

3	4312C	SCREW (2)	ALL
4	7792	NUT	ALL
5	65958-04A	BATTERY	ALL
6	70578-89	RUBBER BOOT	ALL
7	66000031	TRAY	ALL
8	66000032	STRAP	ALL
9	66000035	CABLE, negative-to-ground	ALL
10	66000036	CABLE, positive-to-starter, w/ 70578-89, 66000037	ALL
11	66000037	RUBBER BOOT	ALL
12	3574	SCREW	ALL

HORN



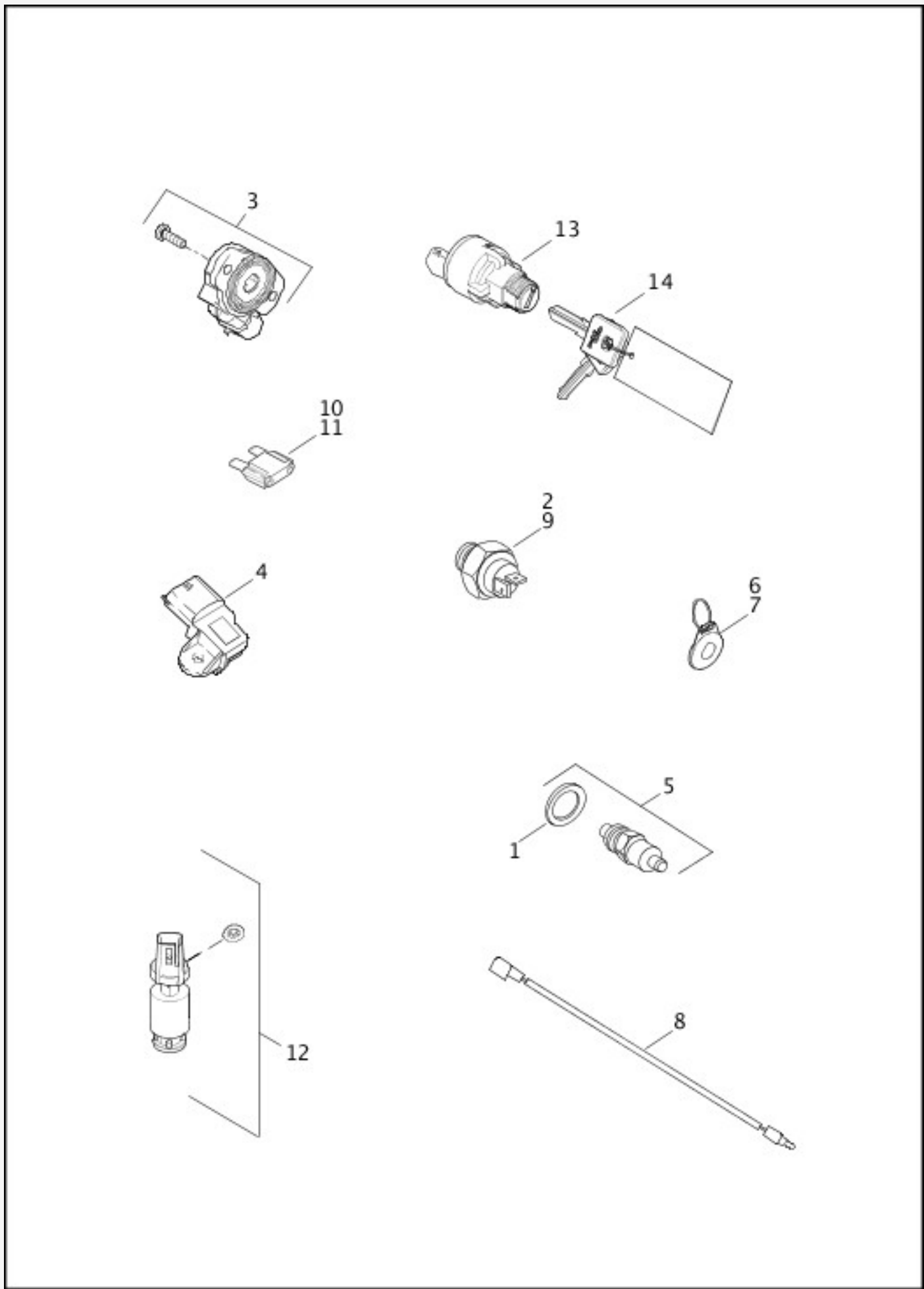
[View interactive image](#)

[View interactive table](#)

INDEX NO.	PART NO.	DESCRIPTION	MODEL(S)
1	3026	SCREW (2)	XL1200C, XL1200CA, XL1200CB, XL1200CP, XL1200T, XL1200V

2	3563	SCREW (2)	XL1200C, XL1200CA, XL1200CB, XL1200CP, XL1200T, XL1200V
3	3124	SCREW (3)	XL1200X, XL883L, XL883N, XL883R
4	4180	SCREW (2)	XL1200X, XL883L, XL883N, XL883R
5	6026	WASHER (2)	XL1200X, XL883L, XL883N, XL883R
6	7041	LOCKWASHER	XL1200C, XL1200CA, XL1200CB, XL1200CP, XL1200T, XL1200V
7	7549A	ACORN NUT	XL1200C, XL1200CA, XL1200CB, XL1200CP, XL1200T, XL1200V
8	7495	NUT	ALL
9	7531	LOCKNUT	XL1200C, XL1200CA, XL1200CB, XL1200CP, XL1200V
10	8108	SPEEDNUT (2)	XL1200C, XL1200CA, XL1200CB, XL1200CP, XL1200T, XL1200V
11	69049-07	BRACKET, horn	XL1200C, XL1200CA, XL1200CB, XL1200CP, XL1200T, XL1200V
12	61300478	COVER	XL1200C, XL1200CA, XL1200CB, XL1200CP, XL1200T, XL1200V
13	69000014	HORN, complete, w/ bracket & 7495	XL1200X, XL883L, XL883N, XL883R
14	69060-90G	HORN, w/ 7495	XL1200C, XL1200CA, XL1200CB, XL1200CP, XL1200T, XL1200V
15	69062-91A	CLAMP, horn wire	XL1200C, XL1200CA, XL1200CB, XL1200CP, XL1200T, XL1200V
16	69120-91	HORN BRACKET	XL1200C, XL1200CA, XL1200CB, XL1200CP, XL1200T, XL1200V
17	69123-92A	RUBBER MOUNT	XL1200C, XL1200CA, XL1200CB, XL1200CP, XL1200T, XL1200V
18	69135-04	HORN BRACKET	XL1200X, XL883L, XL883N, XL883R
19	6237	WASHER (2)	XL1200C, XL1200CA, XL1200CB, XL1200CP, XL1200V

SWITCHES



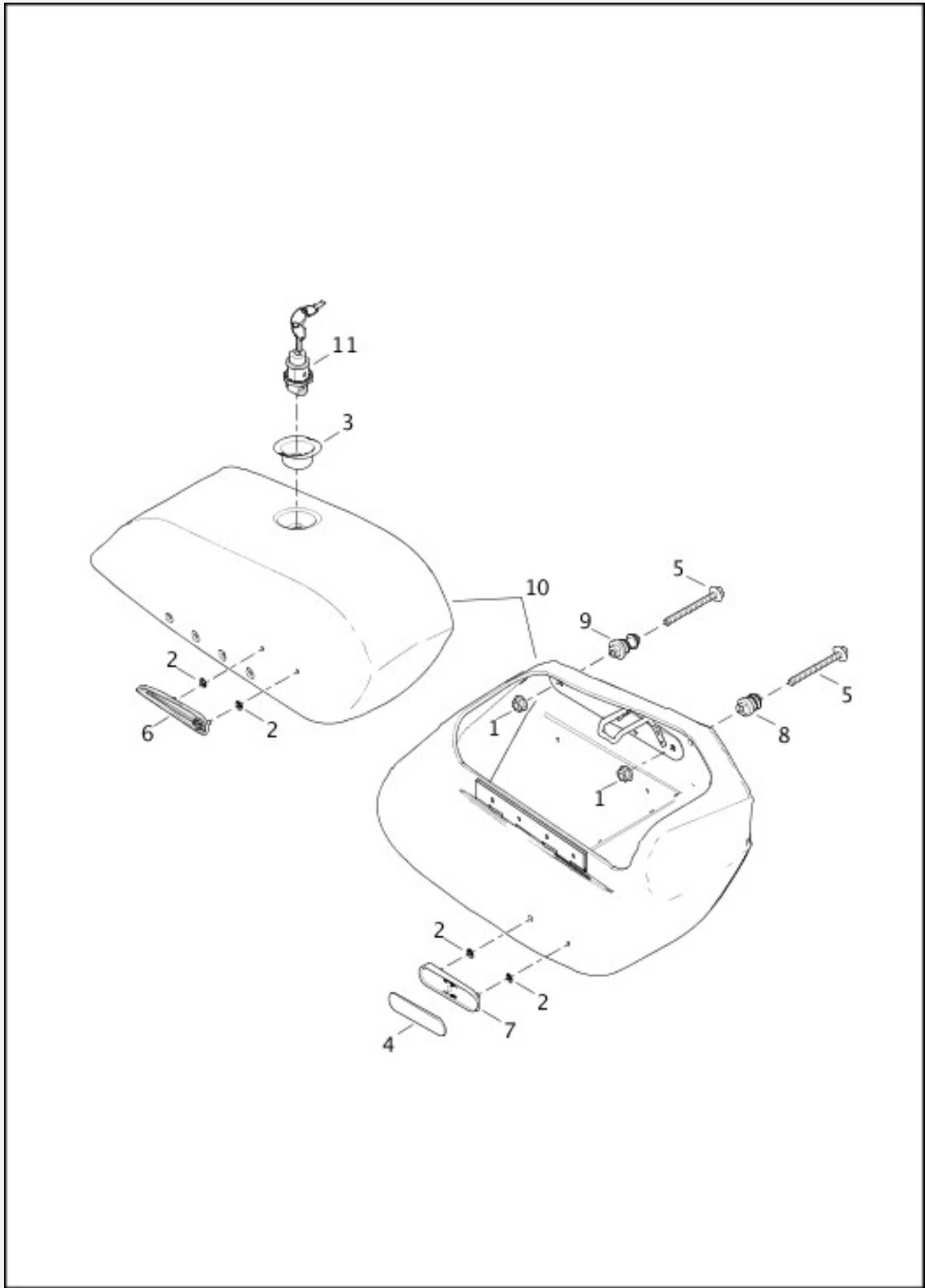
[View interactive image](#)

[View interactive table](#)

INDEX NO.	PART NO.	DESCRIPTION	MODEL(S)
1	6288	WASHER	ALL
2	9907	TERMINAL, wire (2)	ALL

3	27629-01A	THROTTLE POSITION SENSOR KIT	ALL
4	32319-07	T-MAP SENSOR	ALL
5	33900-99	SWITCH, neutral indicator, w/ 6288	ALL
6	66373-06	BATTERY, 3V, CR2032	ALL
7	68926-07	REMOTE CONTROL FOB, w/ 66373-06	ALL
8	70247-07	JUMPER WIRE, neutral switch	ALL
9	72023-51E	BRAKE LIGHT SWITCH, w/ 9907	ALL
10	72314-01	FUSE, 40A, main	ALL
	72462-00	FUSE, 10A, battery	ALL
11	72330-95	FUSE, 15A	ALL
12	75302-07B	SENSOR, fuel level	ALL
13	71400083	IGNITION SWITCH, w/ 90300034 (specify key code)	ALL
14	90300034	KEY SET (specify key code)	ALL
	90300062	LOCKSET ASSEMBLY, complete, w/ ignition switch, forklock & keys (not shown)	ALL
	90300063	LOCKSET ASSEMBLY, complete, w/ forklock & keys (not shown)	ALL

SADDLEBAGS - 1200T



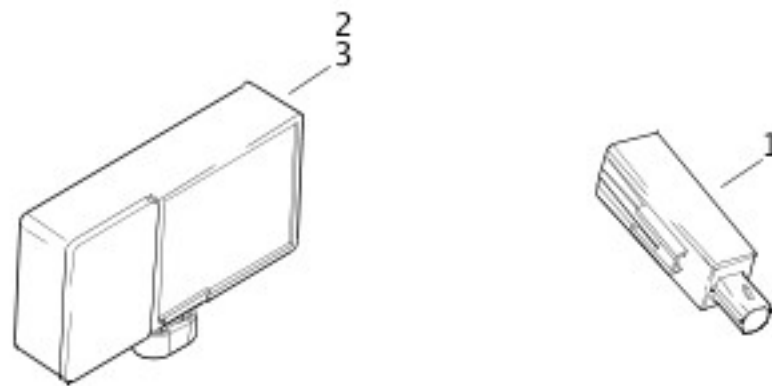
[View interactive image](#)

[View interactive table](#)

INDEX NO.	PART NO.	DESCRIPTION	MODEL(S)
1	7531	LOCKNUT (4)	XL1200T
2	8126A	PUSHNUT (8)	XL1200T

3	53126-10	BEZEL	XL1200T
4	92247-10	REFLECTOR, amber (HDI)	XL1200T
5	10500062	SCREW (4)	XL1200T
6	14100598	MEDALLION, left	XL1200T
	14100599	MEDALLION, right	XL1200T
7	67900234	REFLECTOR KIT, amber, w/ 8126A & 92247-10 (HDI)	XL1200T
	67900235	REFLECTOR KIT, red, w/ 8126A & reflector (Domestic)	XL1200T
8	90201038	SUPPORT, saddlebag, front (2)	XL1200T
9	90201039	SUPPORT, saddlebag, rear (2)	XL1200T
10	90201040	SADDLEBAG ASSEMBLY, left, w/ lock	XL1200T
	90201041	SADDLEBAG ASSEMBLY, right, w/ lock	XL1200T
11	90201087	SADDLEBAG LOCK (2)	XL1200T

TURN SIGNAL MODULE & SECURITY SIREN

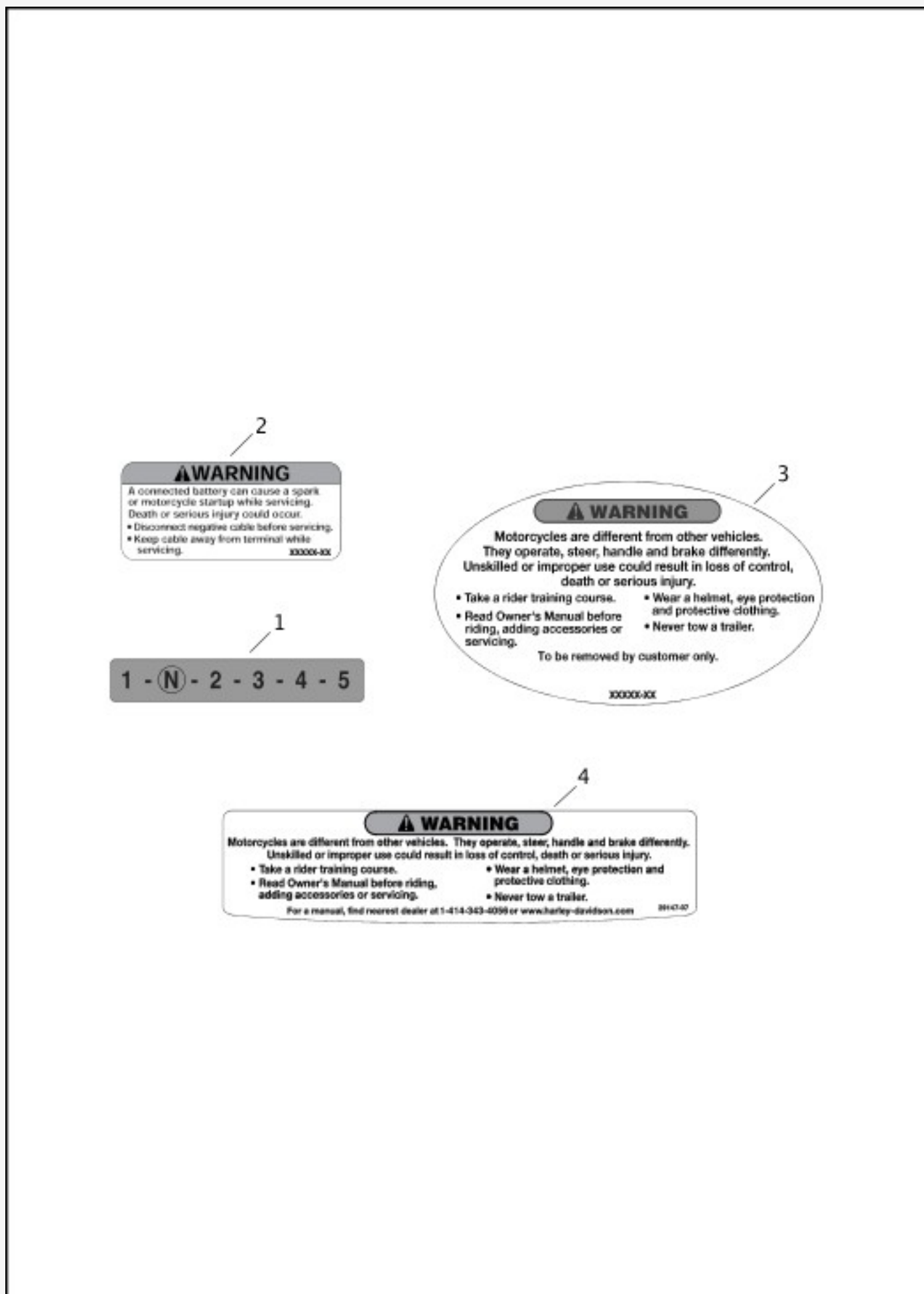


[View interactive image](#)

[View interactive table](#)

INDEX NO.	PART NO.	DESCRIPTION	MODEL(S)
1	68956-07	ANTENNA MODULE, security system	ALL
2	68958-07C	SIREN	ALL

LABELS



[View interactive image](#)

[View interactive table](#)

INDEX NO.	PART NO.	DESCRIPTION	MODEL(S)
1	14270-92	LABEL, shift (Japan)	XL1200C, XL1200CA, XL1200CB, XL1200T, XL1200V, XL1200X, XL883L, XL883N, XL883R
2	15368-01A	LABEL, battery warning	ALL
3	15370-01A	LABEL, mirror warning	ALL
	15385-08	LABEL, mirror warning (India)	XL883R
4	29127-95B	LABEL, air cleaner	XL1200C, XL1200CA, XL1200CB, XL1200CP, XL1200T, XL1200V, XL883L
	29147-07	LABEL, air cleaner	XL1200X, XL883N, XL883R

NOTE: When ordering any V.I.N., Emissions, or Noise Labels you must contact your local dealer with the V.I.N. number and model year of your motorcycle and the label type needed. Replacement V.I.N. and Emissions labels can only be ordered for warranty purposes through h-dnet Service eForm.

Hardware List

[View interactive table](#)

PART NO.	DESCRIPTION
1028	SCREW 5/16-18 X 2-1/2 SEMS socket head, with lockpatch
1039	SCREW 5/16-18 X 2-1/2 hex flange head (Grade 8)
1048	SCREW 5/16-18 X 1-1/2 hex flange head
1081A	SCREW 10-24 X 0.895 SEMS pan head
1091	SCREW 10-24 X 9.5 SEMS socket head
11785	SCREW
2325	SCREW No. 6 X 3/4 cross recess pan head, self-tapping
2361	SCREW No. 8-32 X 3/8 socket countersink head, with lockpatch
2441	SCREW No. 10-24 X 1/2 TORX pan head
2444	SCREW No. 12-24 X 7/8 TORX head, with lockpatch
2445	SCREW 1/4-20 X 9/16 button head
2446	SCREW 1/4-20 X 5/8 TORX socket button head
2460	SCREW 5/16-18 X 1/2 socket countersink head
2479	SCREW 5/16-18 X 1-1/8 SEMS socket head
2481M	SCREW M5 X 0.8 X 16 TORX head, self-tapping

2486	SCREW 1/4-20 X 1 hex socket, SEMS/Lock
2501A	SCREW No. 8-32 X 3/8 hex head, self-tapping
2508	SCREW No. 10-32 X 1/2 socket head
2586A	SCREW M4 X 0.7 X 12 flat head
2607	SCREW 1/4-20 X 3/4 Pozidriv pan head (Grade 2)
2708A	SCREW 5/16-18 X 1 socket head
2773	SCREW 1/4-20 X 1/2 Pozidriv pan head (Grade 2)
2921	SCREW No. 12 X 5/8 TORX pan head
2952A	SCREW 1/4-20 X 1/2 SEMS truss head
3018A	SCREW 10-24 X 3/8 TORX head
3022A	SCREW 1/4-20 X 5/8 socket fillister head, with lockpatch
3026	SCREW No. 10-32 X 1/2 socket button head
3029	SCREW No. 10-24 X 1 TORX head, with adhesive
3033	SCREW 1/4-20 X 3/4 hex socket button head
3056	SCREW 3/8-16 X 1-1/2 TORX button head
3085	SCREW 1/4-20 X 1/2 with washer
3123	SCREW 10-14 X 1.0 torx pan head
3124	SCREW 10-24 X 1/2 torx pan head with lock patch
3162	SCREW 5/16-18 X 1-1/4 hex head
3210A	SCREW 5/16-18 X 1-1/4 knurled head
3214	SCREW 3/8-16 X 1-1/4 socket head, thread-cutting
3244	SCREW M8 X 1.25 X 12
3387	SCREW No. 10-16 X 1.0 TORX pan head, self-tapping
3480A	SCREW 1/4-20 X 1-3/4 knurled head (Grade 8)
3514	SCREW No. 8-32 X 1 fillister head (Grade 5)
35211-91B	NUT 1-1/2-24 X .350 X 1-7/8 hex head
3563	SCREW 1/4-20 X 3/8 hex flange head (Grade 5)
3574	SCREW 1/4-20 X 3/4 flange
3579A	SCREW 1/4-28 X 1/4 SEMS hex head, self-tapping (Grade 2)
3588	SCREW 1/4-20 X 1/2 hex flange head

3594	SCREW 1/4-20 X 5/8 knurled head (Grade 8)
3605	BOLT 1/2-13 X 2-1/2 hex head (Grade 5)
3615	SCREW No. 8-32 X 1, pan head, thread-cutting
3655A	SCREW 5/16-18 X 7/8 TORX pan head, with lockpatch (Grade 8)
3658	SCREW No. 10-24 X 1/2 TORX head (Grade 5)
3666A	SCREW No. 10-24 X 1.500 TORX recessed head, with washer
3691	SCREW No. 8-32 X 5/8 socket button head
3696	SCREW 5/16 X 3/4 TORX pan head (Grade 5)
3814	SCREW 7/16-14 X 1-3/4 hex head, with washer (Grade 8)
3849	SCREW 1/4-20 X 1-1/4 SEMS hex head (Grade 8)
3854	SCREW 7/16-14 X 1, hex head (Grade 8)
3880	SCREW 1/2-13 X 2-1/4 TORX recessed button head
3899	SCREW 7/16-14 X 1-3/4 hex head, with lockpatch
3976	SCREW 1/4-20 X 1 hex flange head (Grade 5)
3987	BOLT 5/16-18 X 3/4 hex head (Grade 5)
4016	SCREW 5/16-18 X 1.0 socket button head
4017	BOLT 5/16-18 X 1 hex head (Grade 5)
4029A	SCREW 3/8-16 X 2-1/4 socket head (black)
4032A	SCREW 3/8-16 X 2-1/2 socket head
4076	SCREW 3/8-16 X 1/2 socket head
4091	SCREW No. 10-24 X 1/2 hex head, with washer, self-tapping (zinc)
41191-74A	SCREW 1/2-20 X 5/8 hex socket flat head, with lockpatch
4132	SCREW 1/4-20 X 1-1/8 TORX button head (Grade 5) (black)
4180	SCREW 3/8-16 X 1-1/2 TORX button head
4188	SCREW 3/8-16 X 1-1/4 TORX button head
4190	SCREW 3/8-16 X 3/4 TORX button head
4266A	SCREW 3/8-16 X 7/8 button head (Grade 5)
4290	SCREW 3/8-16 X 1-1/4, TORX button head (Grade 5)
4312C	SCREW M6 X 1.0 X 14mm, SEMS flange head (stainless)
4351	SCREW 3/8-16 X 1-1/2 TORX head, self-tapping (Grade 8)
4352	SCREW 3/8-16 X 1-1/2 TORX, self-tapping (Grade 8)

4354	SCREW 1/2-20 X 2-1/2, TORX button head
43567-92	SCREW 3/8-16 X 1 TORX pan head, with lockpatch
4359	SCREW 5/16-18 X 7/8 socket button head
4363	SCREW 1/4-20 X 1/2 socket button head
4365	SCREW 1/4-20 X 1/2 socket button head (Grade 8)
4402	SCREW 5/16-18 X 3/8 button head socket (stainless)
4420	SCREW 3/8-16 X 2.75 hex head (Grade 5)
45405-75A	SCREW M8 X 1.25 x 27 hex socket head
4705	SCREW 1/4-20 X 11/16 SEMS socket head, with lockpatch
4717A	SCREW 1/4-20 X 2-1/4 knurled head, with lockpatch
4718A	SCREW 1/4-20 X 1-1/2 knurled head, with lockpatch
4724	BOLT 3/8-24 X 1-1/2 hex head (Grade 5)
4740A	SCREW 1/4-20 X 1-1/4 knurled head, with lockpatch (Grade 8)
4741A	SCREW 1/4-20 X 1 socket head, with lockpatch
4748	SCREW 3/8-16 X 1-1/8 socket head (Grade 8)
4751	SCREW 1/4-20 X 3/4 hex head, with lockpatch (Grade 8) (zinc)
4758A	SCREW 5/16-18 X 3.48 socket head (Grade 8)
4765	SCREW 1/4-20 X 2-5/8 SEMS socket head, with lockpatch (Grade 8) (zinc)
4771	SCREW 5/16-18 X 4-1/4 socket head (Grade 5)
4778	SCREW 5/16-18 X 1-3/8 TORX button head
4779	SCREW 5/16-18 X 1-3/4 TORX button head
4798	SCREW 1/4-20 X 5/8
4820A	SCREW 1/4-20 X 2 socket head
4858M	SCREW M6 X 1.0 X 10 button head with lockpatch
4871	SCREW 1/4-20 X 29/64 flange head
4978	SCREW 5/16-18 X 1.5 hex socket head cap
4991	SCREW M6 torx pan head,
5403B	BOLT 1/4-20 X 3/8 carriage
5414	BOLT 3/8-16 X 7/8 carriage (Grade 5)
54321-85	NUT No. 8-32 X 1/2 X 1/8 (brass)

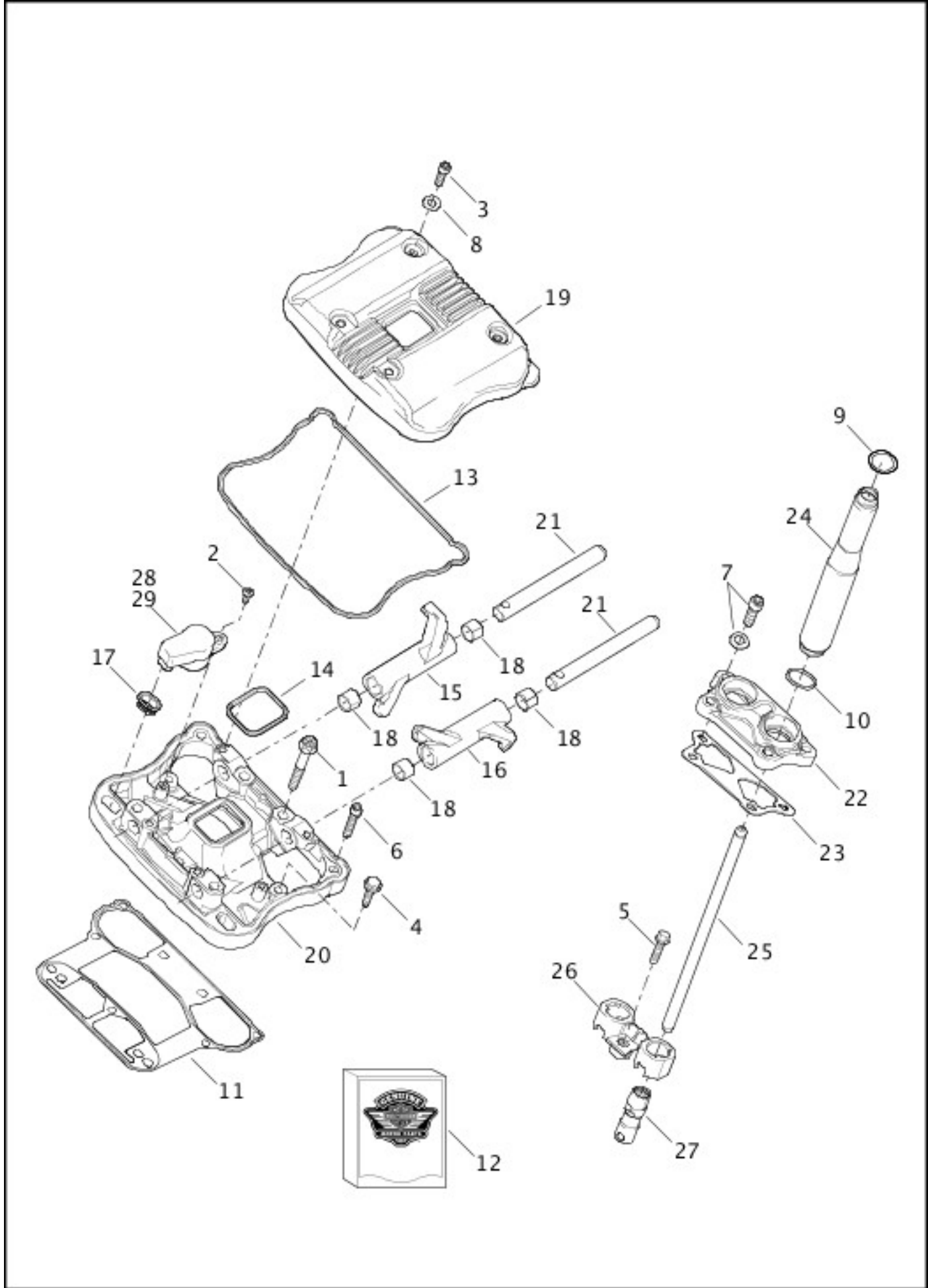
6003	WASHER 1-3/16 X 1-3/8 X 11/16
6026	WASHER 3/8 X 7/8 X 7/64
6101	WASHER 17/64 X 27/64 X 1/16
6109	WASHER 5/16 X 11/16 X 1/8
6152	SPACER 13/32 X 1.0 X 5/16
6157	WASHER 27/64 X 5/8 X 1/64 heat treated
6192	WASHER No. 8 X 7/16 X 3/64
6237	WASHER 5/16 X 1-1/8 X 5/64
6288	WASHER 17/32 X 25/32 X 1/32
6516HW	WASHER 7/16 X 1-1/8 X 1/8
6551	WASHER 1 X 1-5/8 X 1/8 hardened
6590HW	WASHER 1/2 X 1-1/8 X 3/32
6594	WASHER 5/8 X 1-1/8 X 3/32
6610	WASHER 0.375 X 0.7 X 0.035
6701	WASHER 3/8 X 13/16 X 1/16
6702	WASHER 5/16 X 11/16 X 1/16
6703	WASHER 1/4 X 5/8 X 1/16
6716	WASHER No. 10 X 1/2 X 3/64
6718	WASHER 1/2 X 1-1/16 X 3/32
6738	WASHER 17/32 X 7/8 X 7/64
6787	WASHER 7/16 X 13/16 X 5/64 flat
6798	WASHER 5/16 X 1/2 X 1/32
68026-99	SCREW No. 8-32 X 1 Phillips pan head (stainless)
68042-99	SCREW No. 8-32 X 3/8 TORX head
68120-00	SCREW No. 8-32 x 1-2 TORX head, self-tapping
7038	LOCKWASHER 3/8
7039	LOCKWASHER 7/16
7041	LOCKWASHER 5/16
7042	LOCKWASHER 5/16 high collar
7045	LOCKWASHER 3/8 high collar

7068	LOCKWASHER 1/2
7073	LOCKWASHER 1/4 external tooth
7080	WASHER 9/16 X 3/4 X 1/4
7155	LOCKWASHER 5/16 internal tooth (black)
7220	LOCKWASHER No. 10 external tooth
7230	LOCKWASHER 1/4 external tooth
7331	ACORN NUT 5/16-24
7357	BULLET NUT 5/16-24 (black)
7477	NUT M8 X 1.25
7495	NUT M6 flange
7531	LOCKNUT 5/16-18 X 9/32 X 1/2 flange
7549A	ACORN NUT 5/16-18 X 9/16 X 1/2
7593	NUT 5/16-24 flange
7606	LOCKNUT No. 8-32 X 1/4 X 1/4 hex (chrome)
7624	LOCKNUT No. 10-24 X 1/4 X 3/8
7651A	ACORN NUT No. 12-24 (Grade 2) (chrome)
7716	LOCKNUT 1/4-20 X 7/16 flange
7725	LOCKNUT 5/16-24 X 11/32 X 1/2
7766	LOCKNUT 5/16-18 flange
7778	LOCKNUT 3/8-16 X 7/16 X 9/16
7783	NUT 3/8-16 X 5/16 X 9/16 (Grade 2)
7792	NUT 1/4-20 X 1/4 (Grade 2)
7800W	NUT 3/8-24 X 5/16 X 9/16 (Grade 2)
7804	LOCKNUT 1/2-13 X 15/32 X 7/8 self-sealing
7813A	NUT 5/8-18 X 9/16 X 15/16 (Grade 2)
7824	LOCKNUT 1/2-20 X 1/4 (Grade 2)
7838	NUT No. 10-24 keps
7839	NUT 3/4-16 X 21/32 flange (Grade 2)
7862	ACORN NUT 3/8-16 (chrome)
7880	NUT 1/2-13 X 7/16 X 3/4 (Grade 2)
7916A	JAMNUT 5/8-18

8020	NUT M24 X 2.0 X 15
8108	SPEEDNUT 1/4-20
8329	SCREW button, TORX
835	SCREW 5/16-18 X 3 flange head, with lockpatch
8972	WASHER 1-1/4 X 1-53/64 X 1/8
927A	SCREW 1/4-20 X 3/4 button head (Grade 8)
940	SCREW 1/4-20 X 3/4 TORX button head
943	SCREW 1/4-20 X 5/8 socket button head
946	SCREW 1/4-20 X 2-1/4 socket button head, with lockpatch (Grade 8)

New Parts List

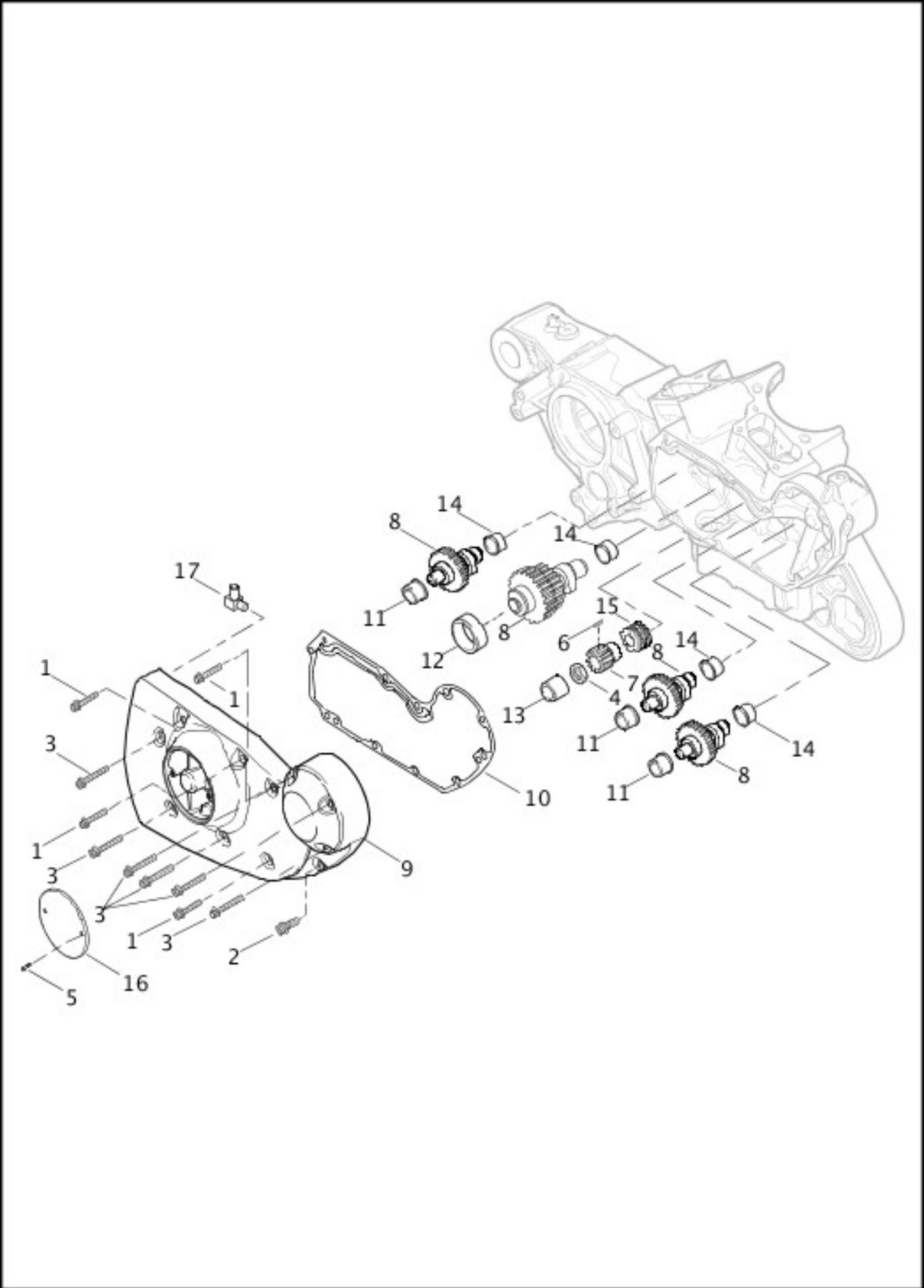
ROCKER ARM ASSEMBLY & PUSHRODS



[View interactive table](#)

INDEX NO.	PART NO.	DESCRIPTION	MODEL(S)
11	16800-84B	GASKET (2)	ALL
	17598-07A	ROCKER COVER, inner (silver) (2)	XL1200CA, XL1200CB, XL1200CP, XL883N, XL883R

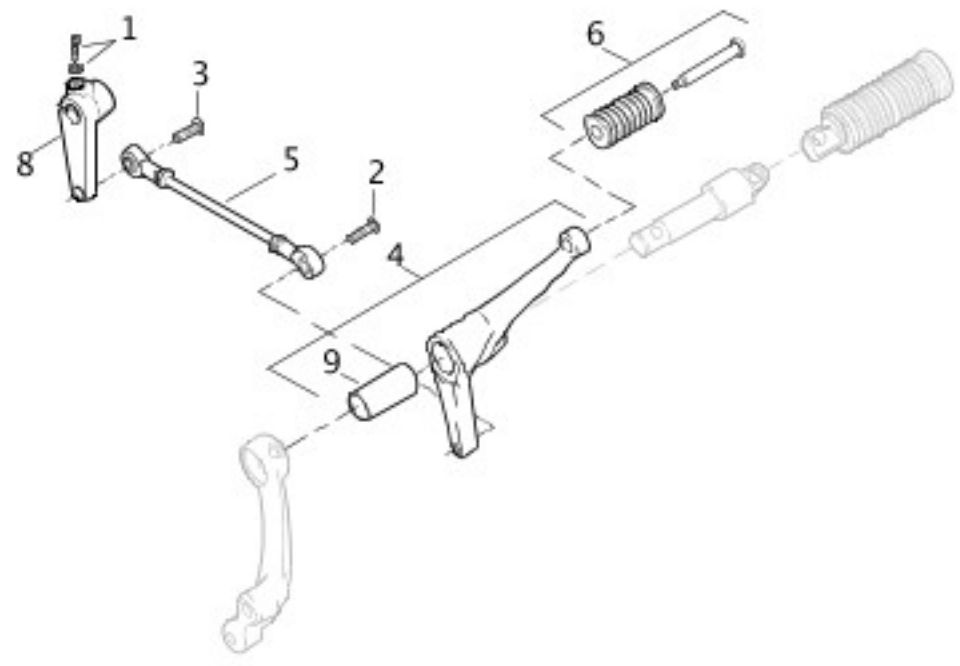
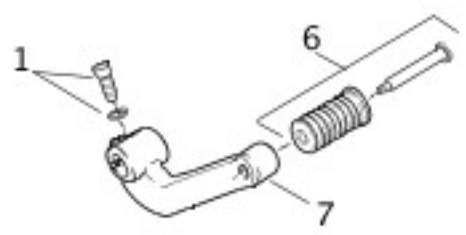
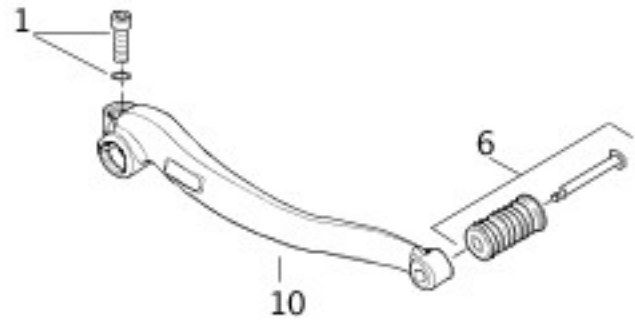
[CAMSHAFTS & GEAR COVER](#)



[View interactive table](#)

INDEX NO.	PART NO.	DESCRIPTION	MODEL(S)
	25600037	TIMER COVER	XL1200T

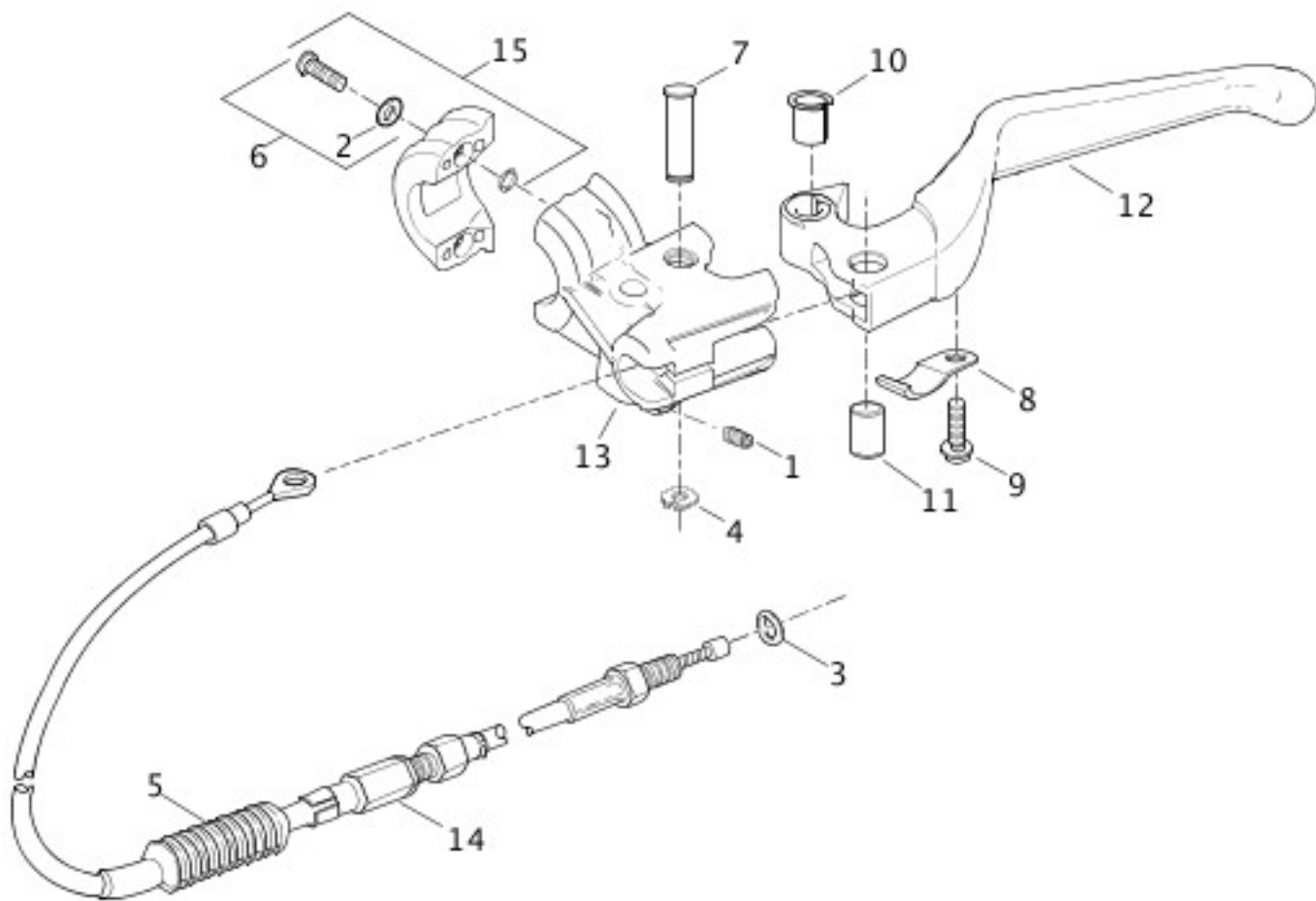
[SHIFTER LEVER](#)



[View interactive table](#)

INDEX NO.	PART NO.	DESCRIPTION	MODEL(S)
10	33900154	SHIFT LEVER	XL1200T

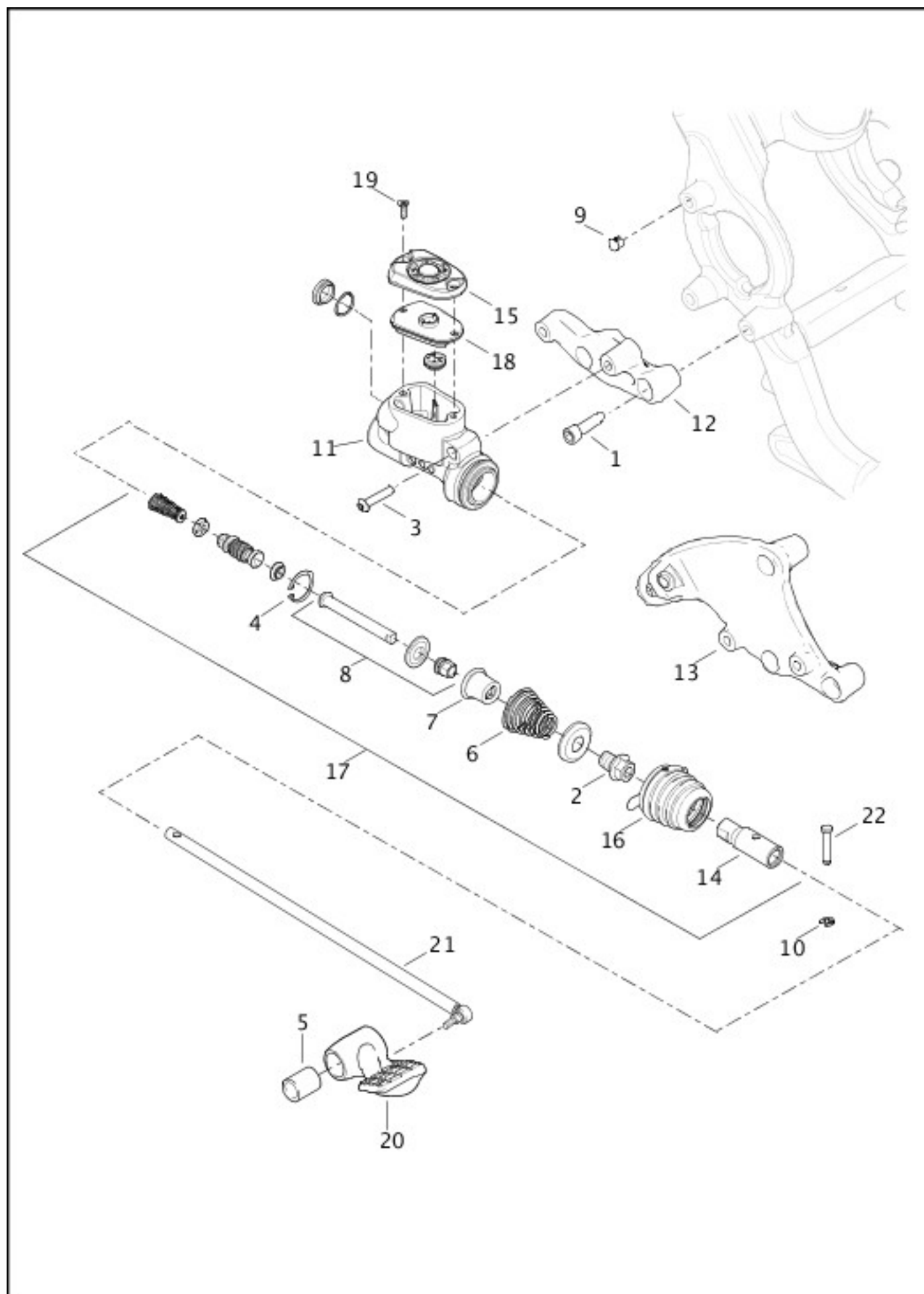
CLUTCH CONTROL



[View interactive table](#)

INDEX NO.	PART NO.	DESCRIPTION	MODEL(S)
14	37000041A	CABLE ASSEMBLY, w/ 3, 4, 5, 11 (LH - Mini-Ape Handlebar)	XL1200CB, XL1200CP, XL1200V
	38699-04D	CABLE ASSEMBLY, w/ 3, 4, 5, 11 (LH - Pullback or Drag Handlebar)	XL1200C, XL1200CA, XL1200CP, XL1200T, XL1200X, XL883L, XL883N, XL883R

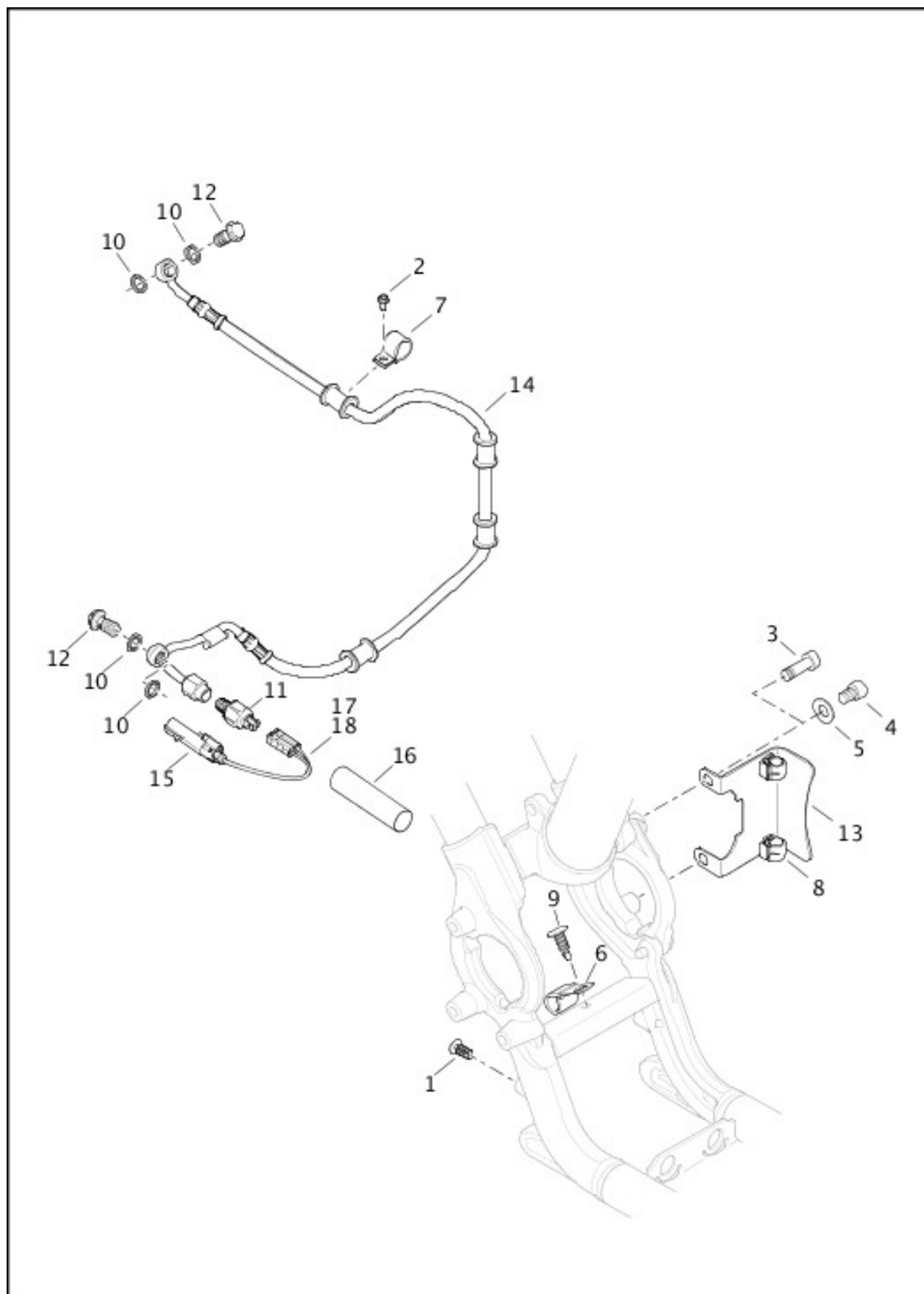
BRAKE CONTROL, REAR



[View interactive table](#)

INDEX NO.	PART NO.	DESCRIPTION	MODEL(S)
	50600124	BRAKE PEDAL, w/ 42569-03, mid control (polished)	XL1200T
	50600125	PUSHROD, mid control (polished)	XL1200T

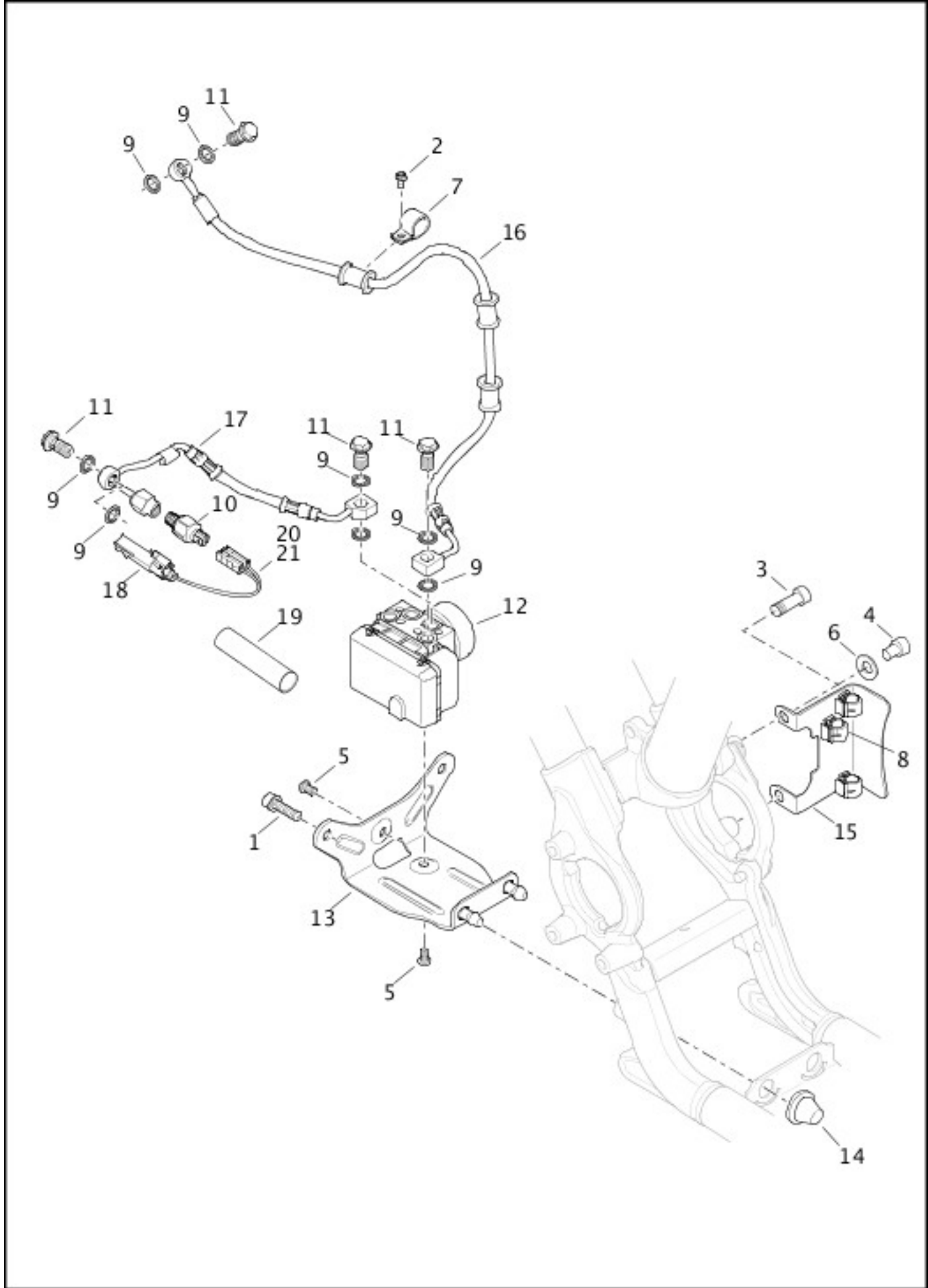
[BRAKE LINES, REAR - NON-ABS](#)



[View interactive table](#)

INDEX NO.	PART NO.	DESCRIPTION	MODEL(S)
3	3214	SCREW (LH - 2Up) (2)	XL1200C, XL1200CA, XL1200CB, XL1200CP, XL1200T, XL883R

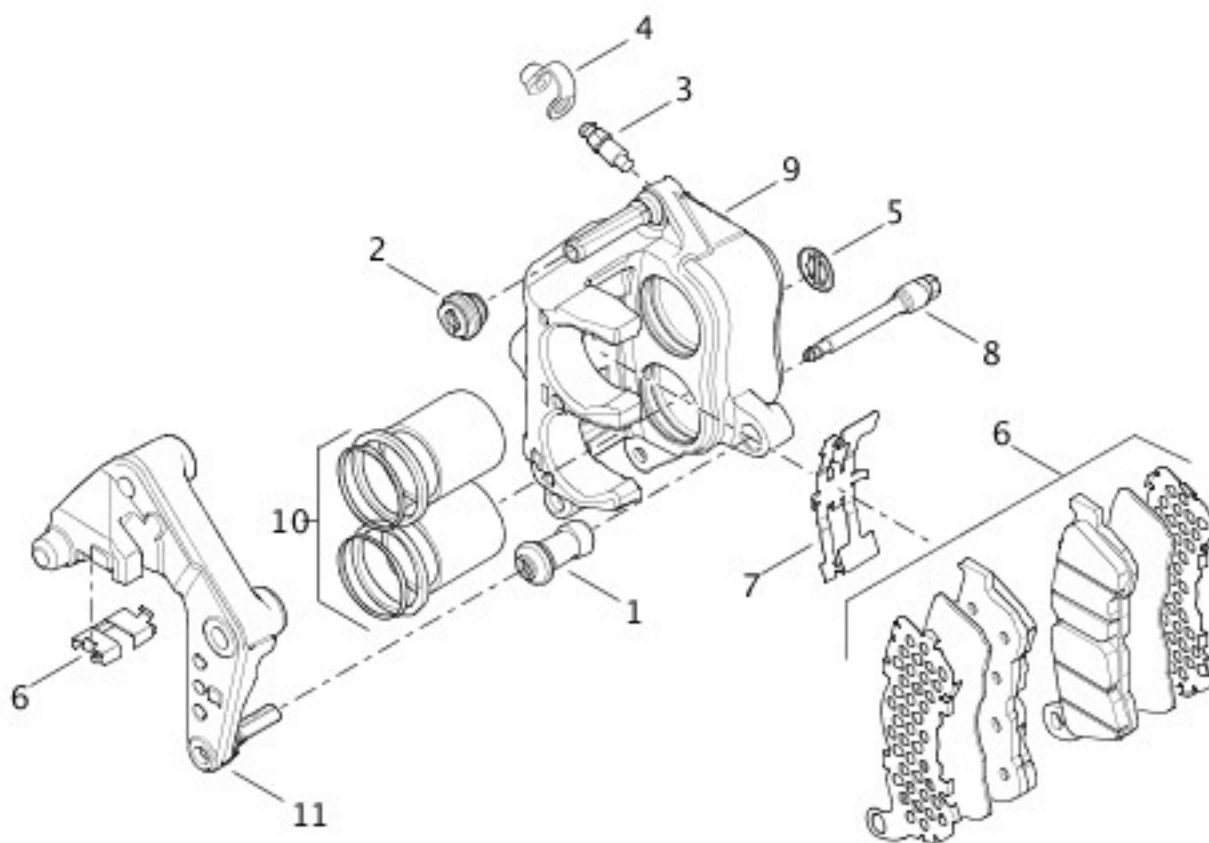
[BRAKE LINES, REAR - ABS](#)



[View interactive table](#)

INDEX NO.	PART NO.	DESCRIPTION	MODEL(S)
3	3214	SCREW (LH - 2Up) (2)	XL1200C, XL1200CA, XL1200CB, XL1200CP, XL1200T, XL883R

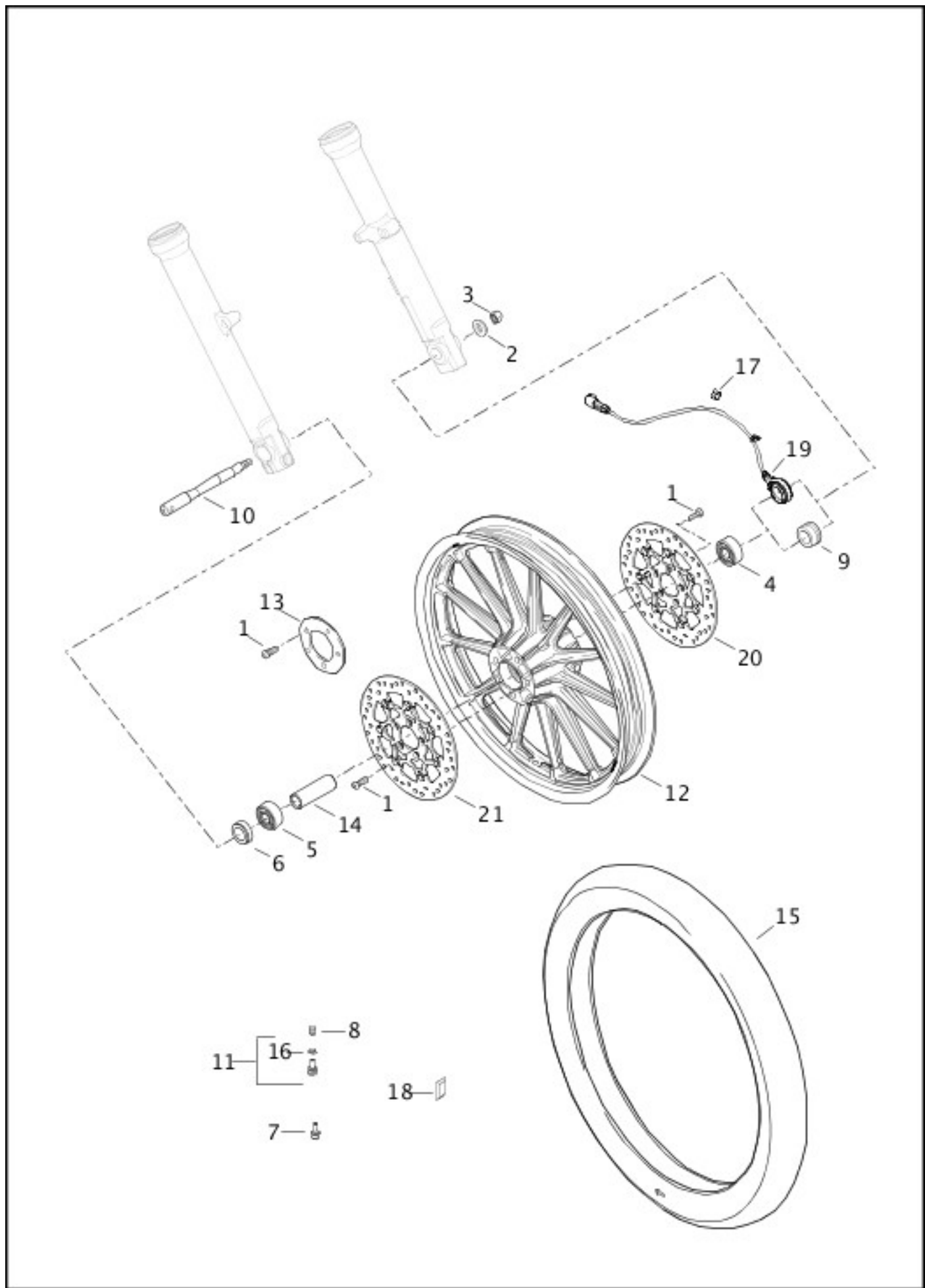
[BRAKE CALIPER, FRONT](#)



[View interactive table](#)

INDEX NO.	PART NO.	DESCRIPTION	MODEL(S)
4	42828-04	BLEEDER CAP	XL1200C, XL1200CA, XL1200CB, XL1200CP, XL1200T, XL1200V, XL1200X, XL883L, XL883N
	42828-04	BLEEDER CAP (2)	XL883R

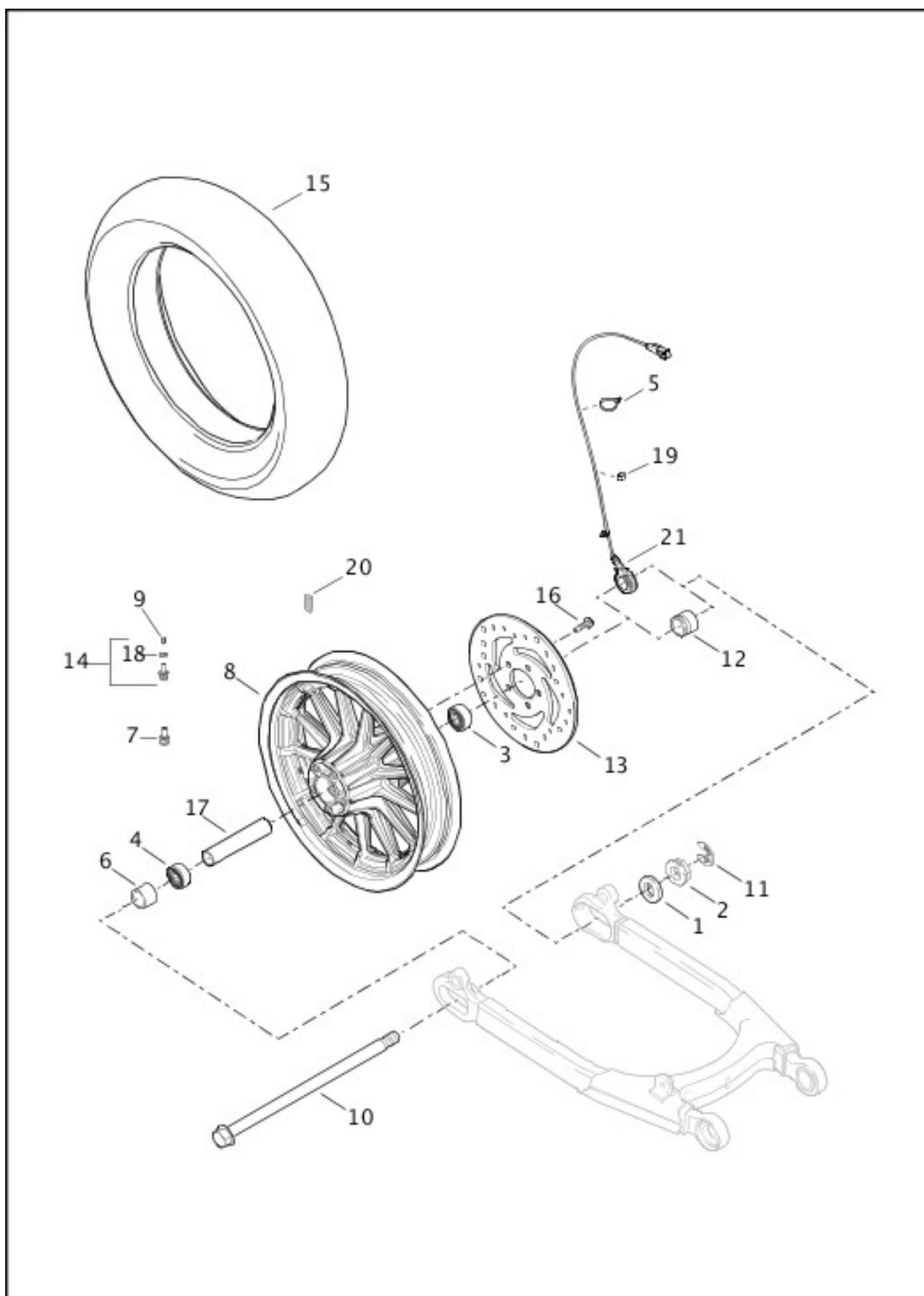
WHEELS, FRONT, CAST - 883L/N/R, 1200C/CA/CP/T



[View interactive table](#)

INDEX NO.	PART NO.	DESCRIPTION	MODEL(S)
	43300282	WHEEL ASSEMBLY, 18 in. (5 spoke) (black) w/o bearings & sleeves (not shown)	XL1200T
	43100021	TIRE	XL1200T

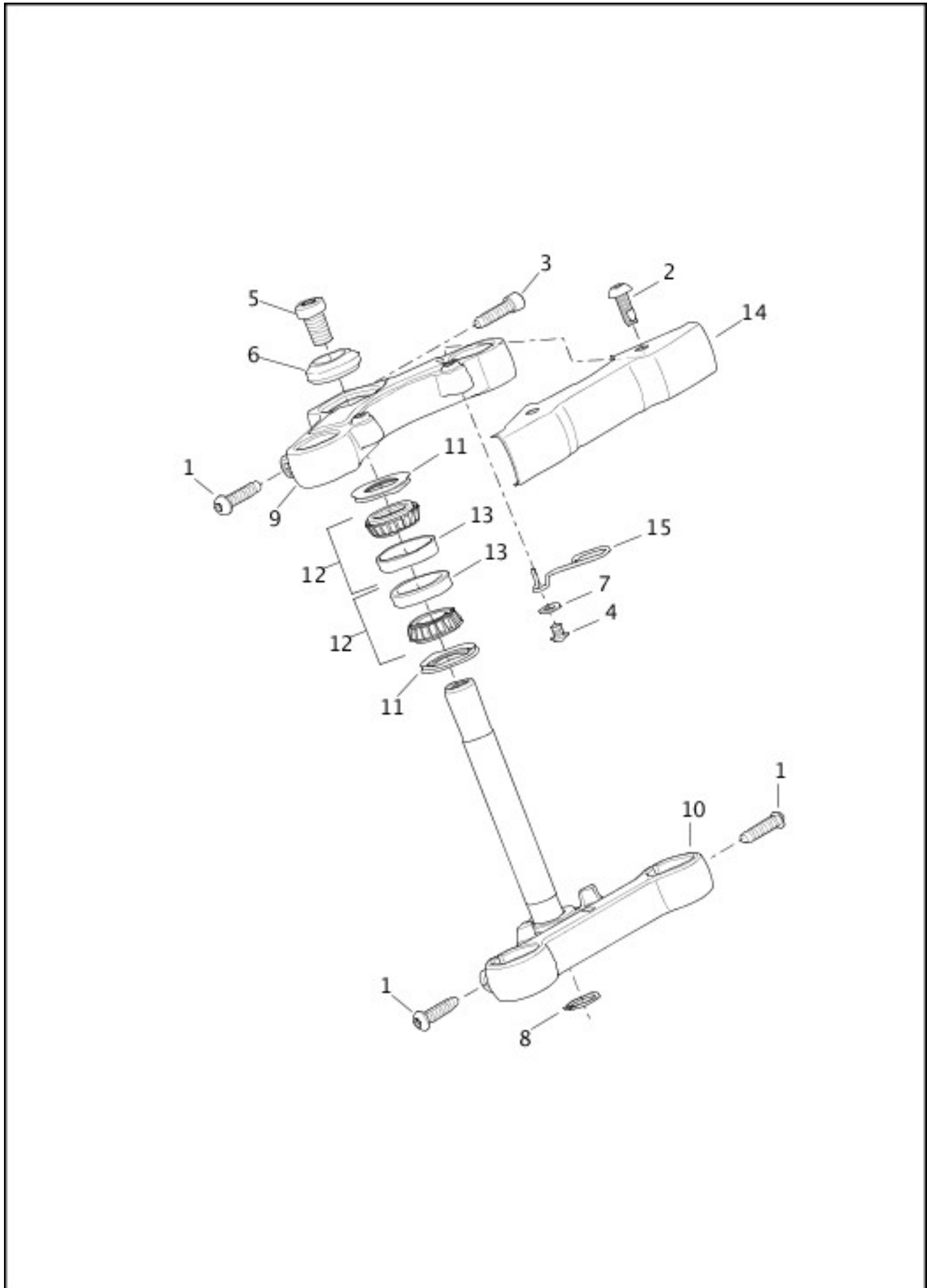
WHEELS, REAR, CAST - 883L/N/R, 1200C/CA/CP/T



[View interactive table](#)

INDEX NO.	PART NO.	DESCRIPTION	MODEL(S)
	40900291	WHEEL ASSEMBLY, 17 in. (5 spoke) (black) w/o bearings & sleeves (not shown)	XL1200T

FORK BRACKETS, FRONT

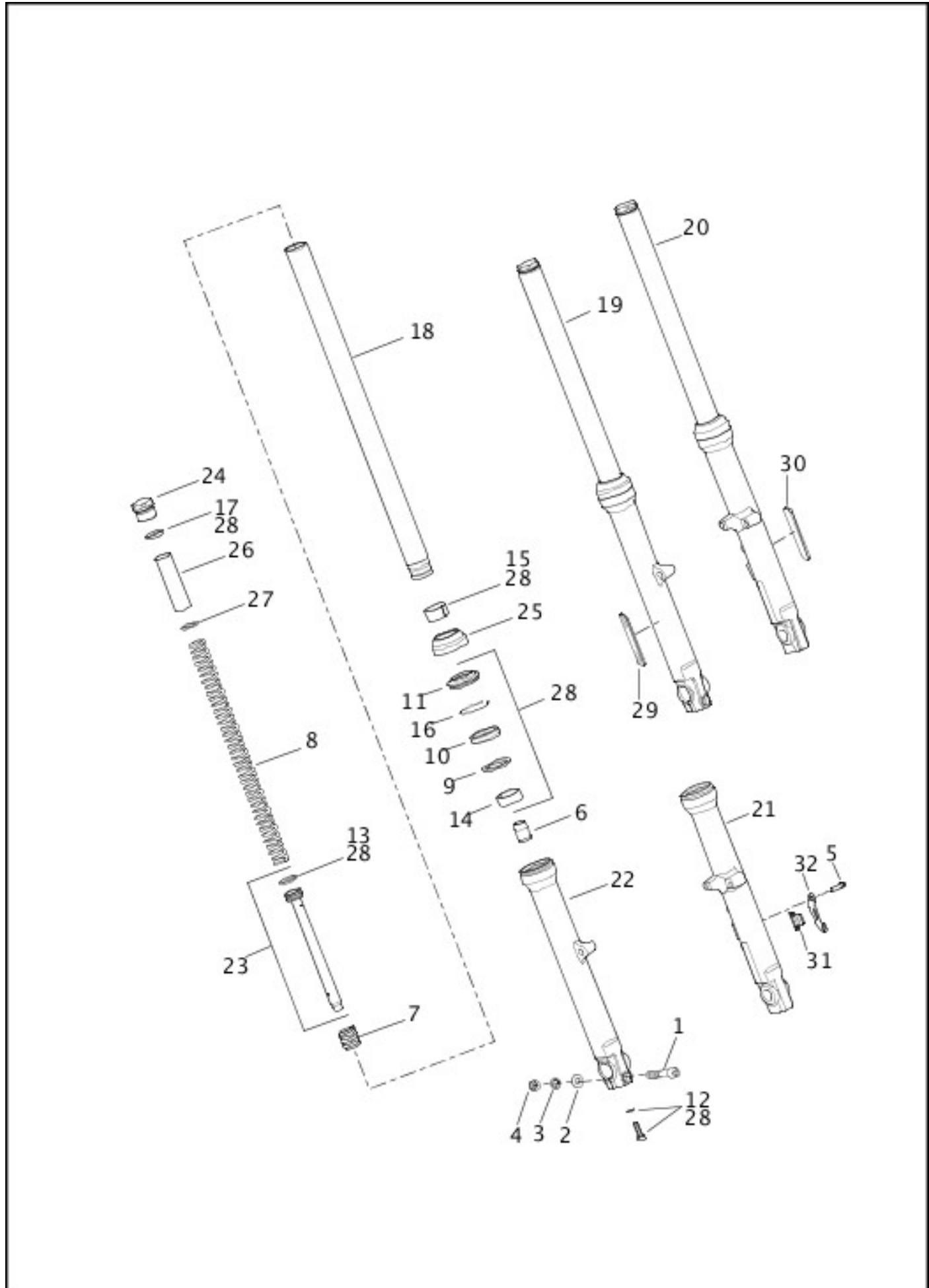


[View interactive table](#)

INDEX NO.	PART NO.	DESCRIPTION	MODEL(S)
4	4402	SCREW	XL1200T

7	6702	WASHER	XL1200T
15	37200085	GUIDE	XL1200T

FORK, FRONT - 883L/R, 1200C/CA/CB/CP/T/V/X (1 OF 2)

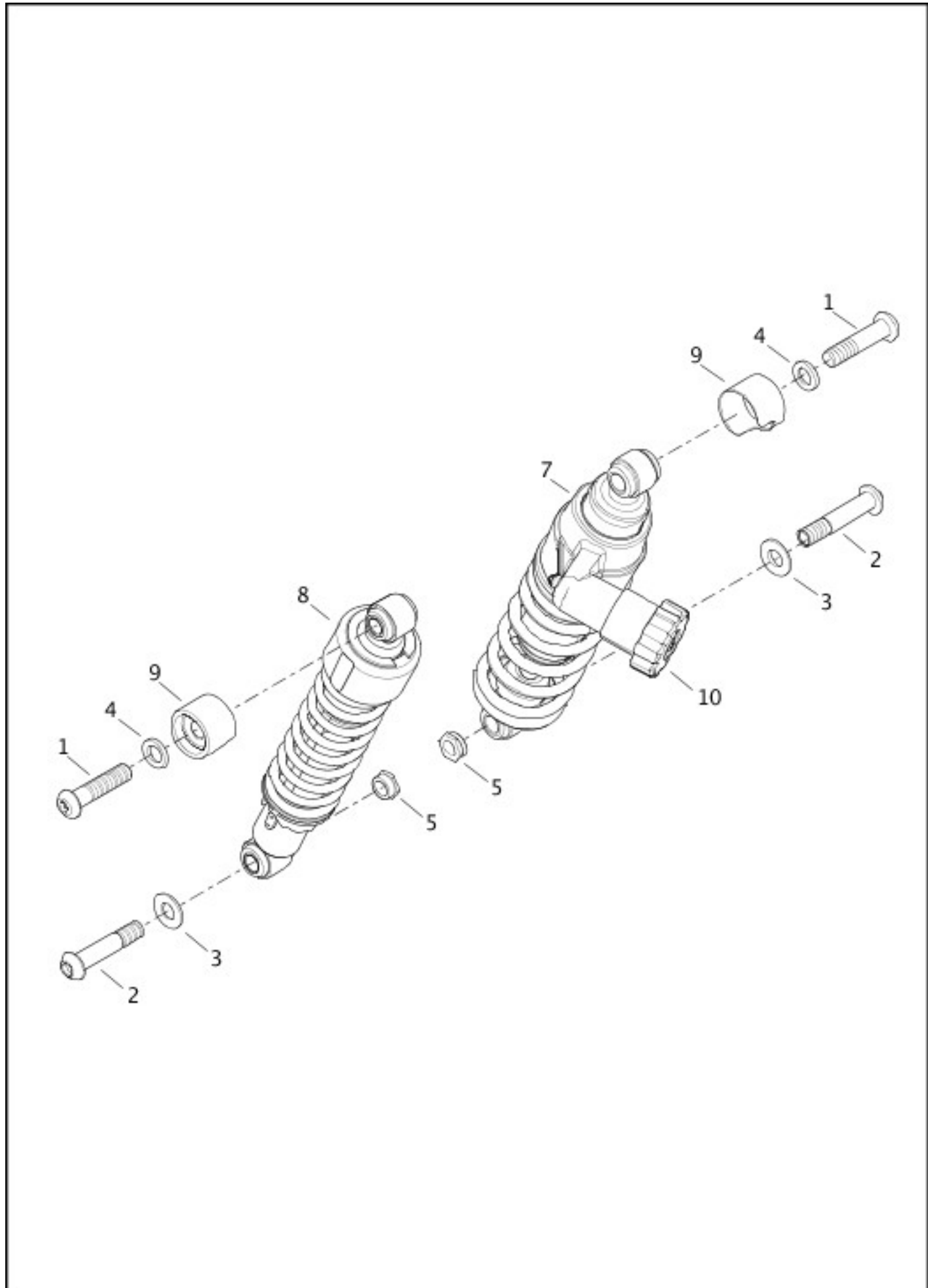


[View interactive table](#)

INDEX NO.	PART NO.	DESCRIPTION	MODEL(S)
-----------	----------	-------------	----------

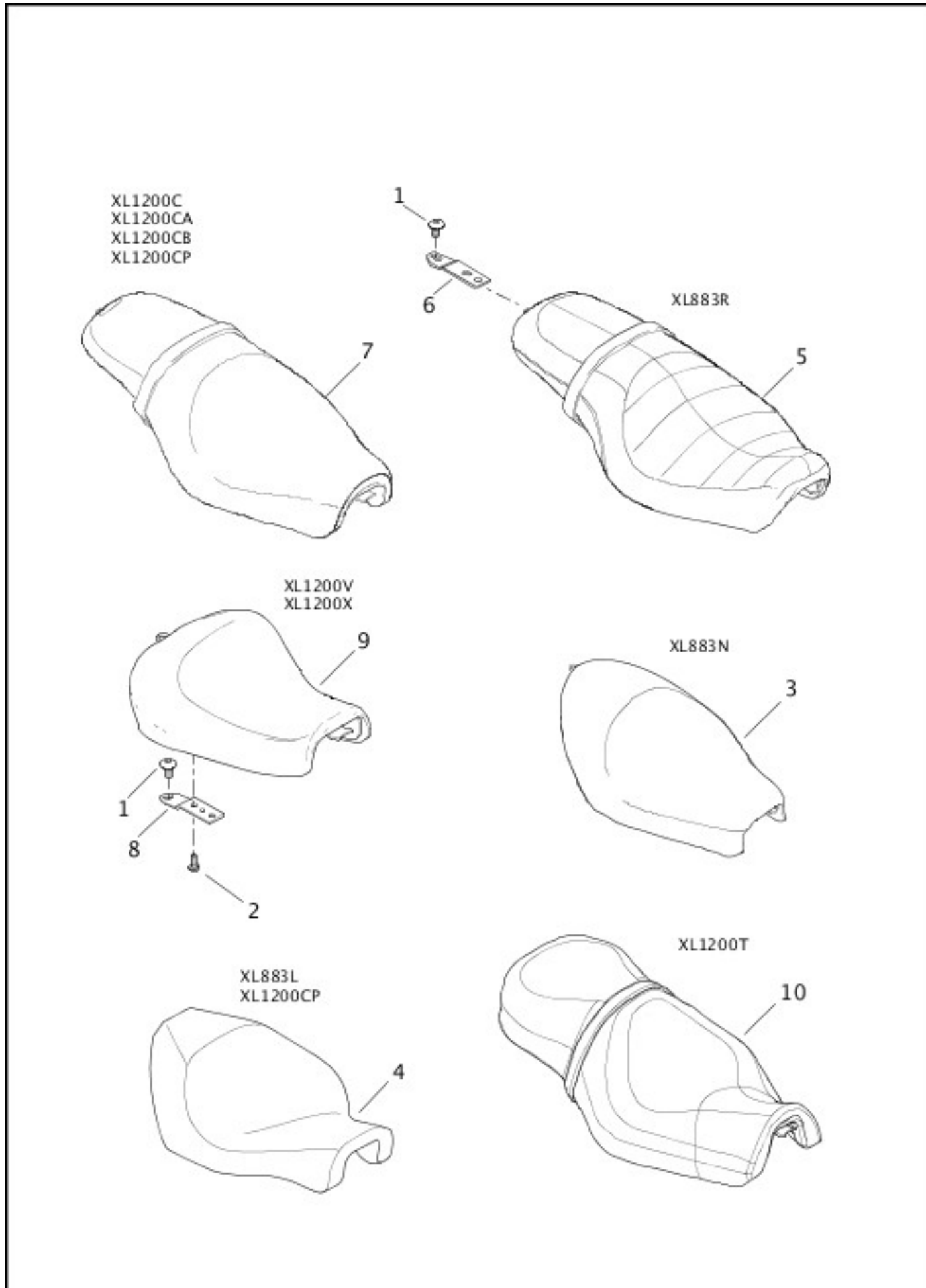
	45500244	SPRING (2)	XL1200T
	45400055	FORK SLIDER & TUBE ASSEMBLY, right (not shown)	XL1200T
	45400054	FORK SLIDER & TUBE ASSEMBLY, left (not shown)	XL1200T

SHOCK ABSORBERS, REAR



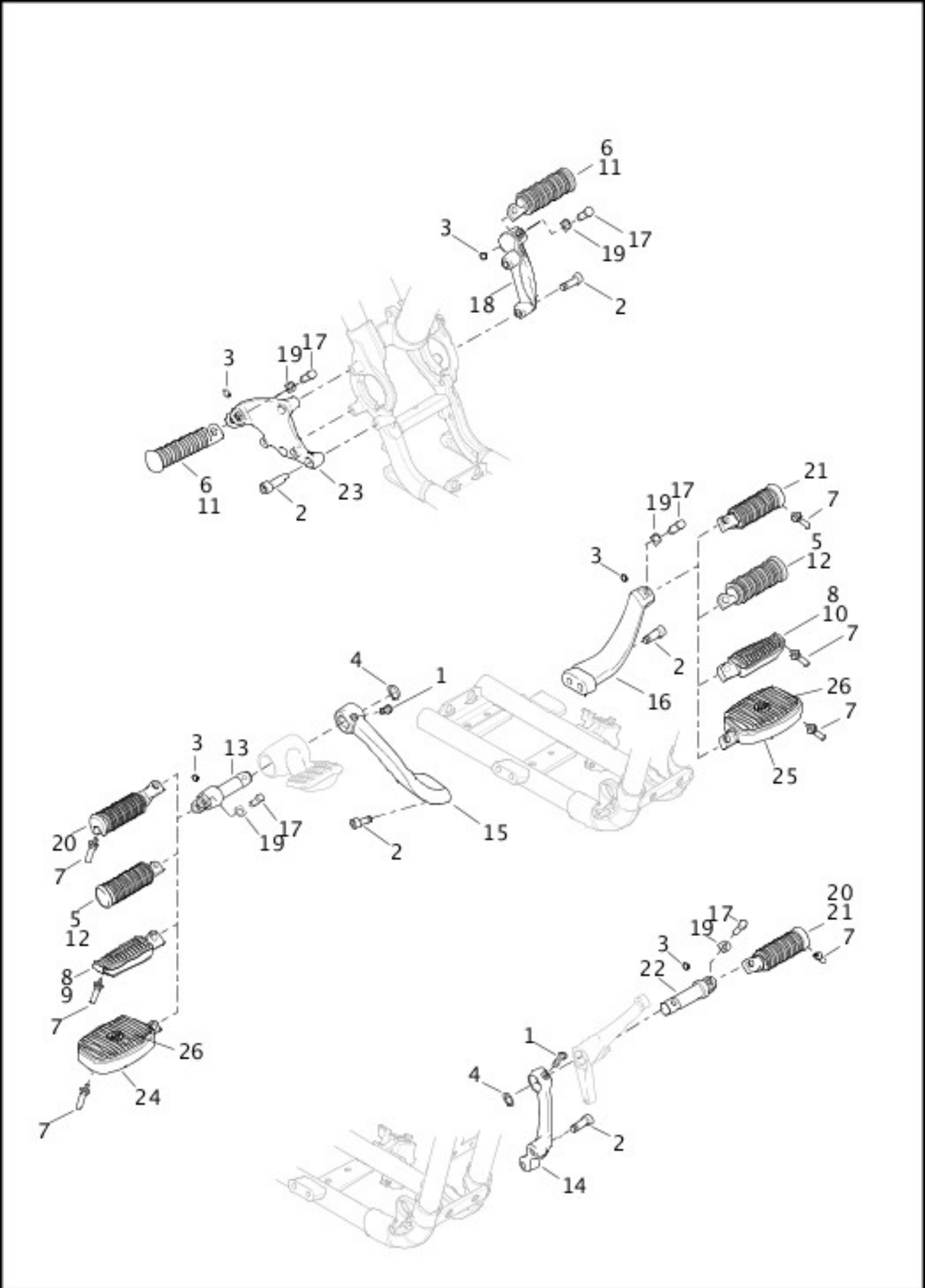
INDEX NO.	PART NO.	DESCRIPTION	MODEL(S)
	54000060	SHOCK ABSORBER, complete, left, w/ bushings & dial adjuster	XL1200T
	54000061	SHOCK ABSORBER, complete, right, w/ bushings	XL1200T
10	54677-10	KNOB, adjustable shock	XL1200T

SEATS



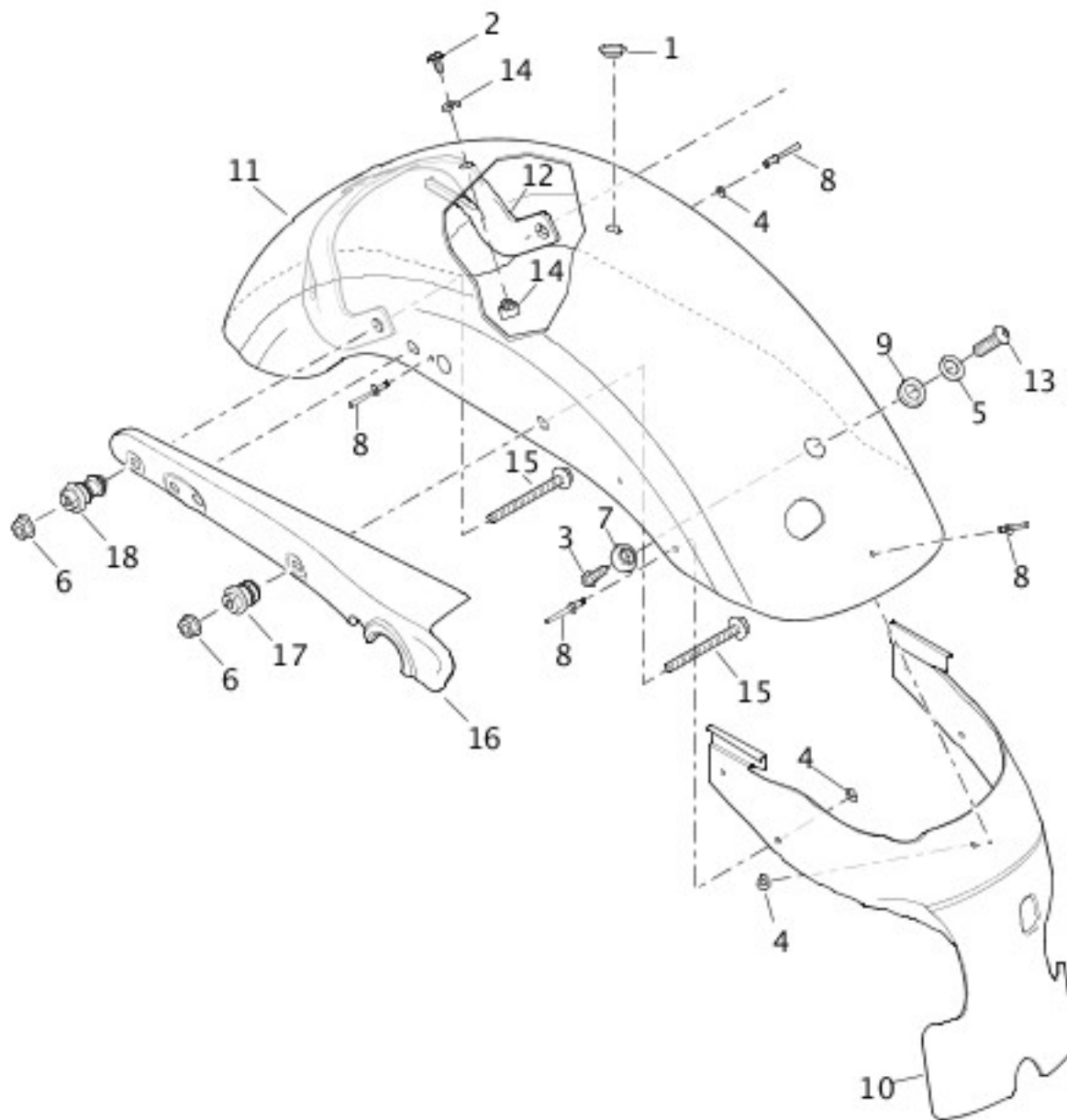
INDEX NO.	PART NO.	DESCRIPTION	MODEL(S)
10	52000156	SEAT ASSEMBLY, w/ 51652-97A & 52370-04	XL1200T

FOOTRESTS



INDEX NO.	PART NO.	DESCRIPTION	MODEL(S)
	50500288	BRACKET, right (not shown)	XL1200T
	50500289	BRACKET, left (not shown)	XL1200T
24	50500290	FOOTBOARD, right, w/ 50500323	XL1200T
25	50500291	FOOTBOARD, left, w/ 50500323	XL1200T
26	50500323	INSERT (2)	XL1200T

FENDERS, REAR - 1200T

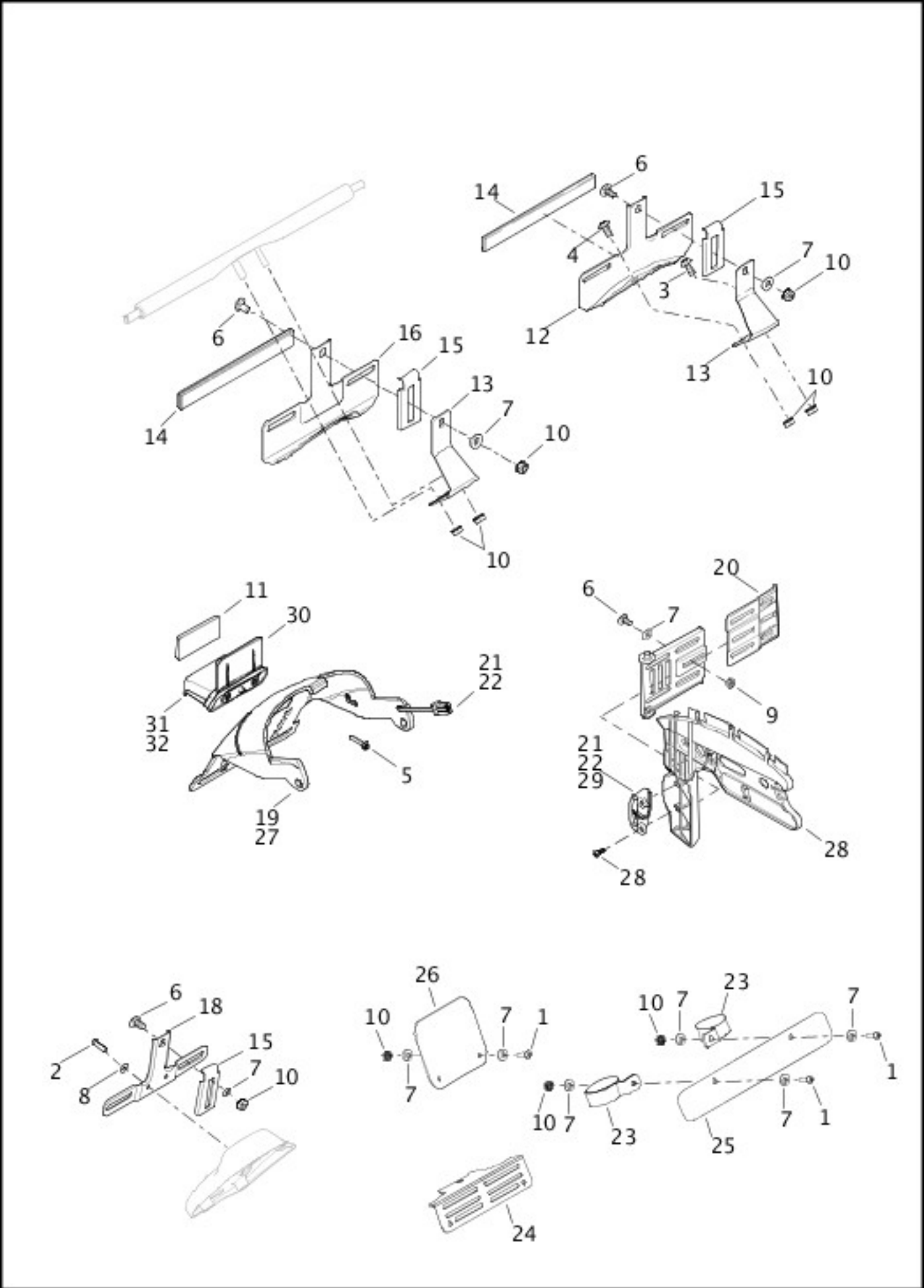


[View interactive table](#)

INDEX NO.	PART NO.	DESCRIPTION	MODEL(S)
1	761	PLUG (2)	XL1200T
2	2952A	SCREW	XL1200T
3	4017	BOLT	XL1200T
4	6192	WASHER (5)	XL1200T

5	6702	WASHER	XL1200T
6	7531	LOCKNUT (4)	XL1200T
7	7882	SPACER	XL1200T
8	8692	RIVET (7)	XL1200T
9	11474	GROMMET	XL1200T
10	59502-04B	REAR FENDER EXTENSION	XL1200T
11	59847-10	FENDER, rear (prime)	XL1200T
12	59673-04A	FENDER SUPPORT	XL1200T
13	59723-04	SEAT POST	XL1200T
14	59768-97	FENDER SEAT NUT KIT	XL1200T
15	10500062	SCREW (4)	XL1200T
16	59500172	COVER, right	XL1200T
	59500173	COVER, left	XL1200T
17	90201038	SUPPORT, front (2)	XL1200T
18	90201039	SUPPORT, rear (2)	XL1200T

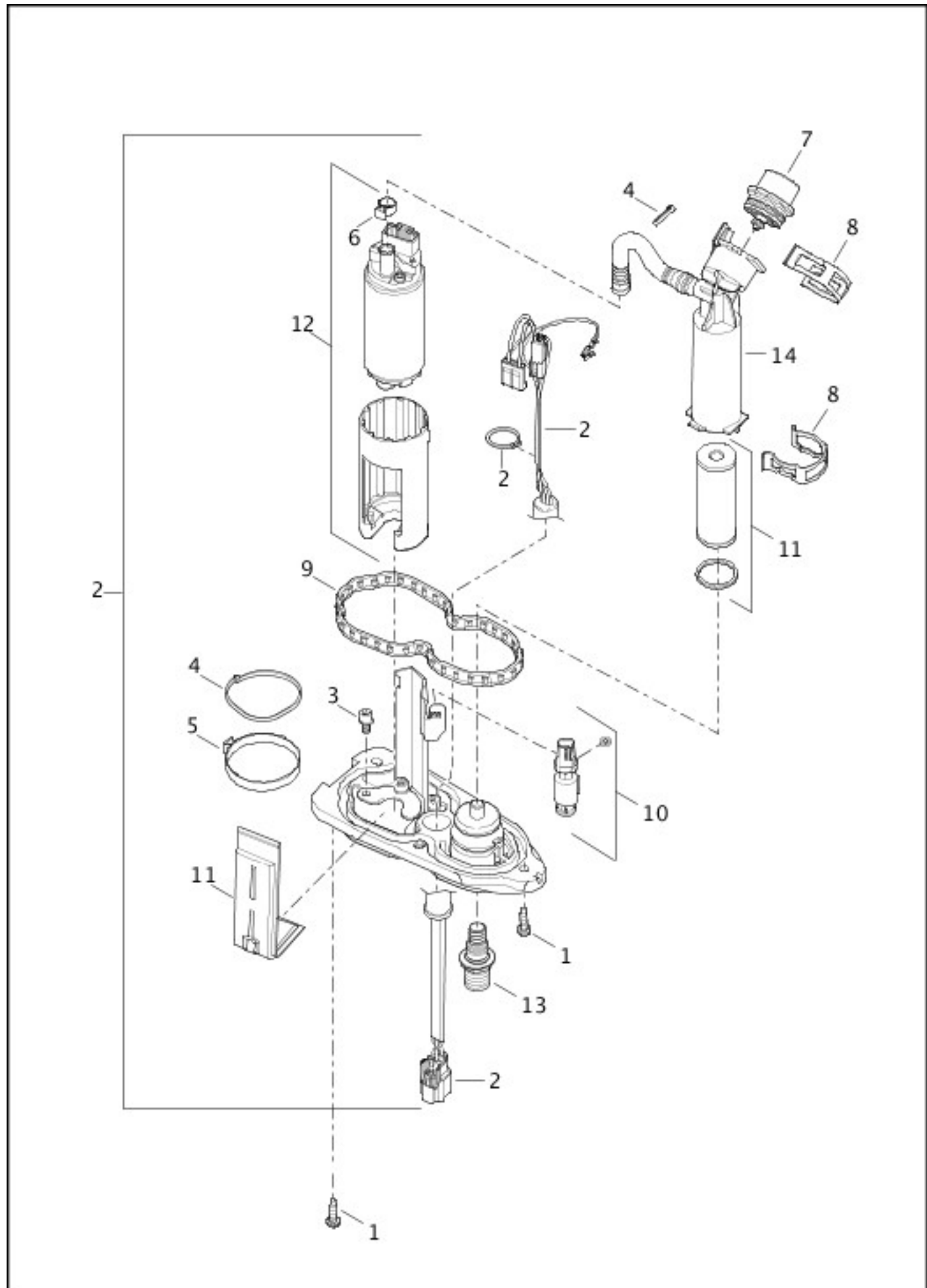
LICENSE PLATE BRACKETS



[View interactive table](#)

INDEX NO.	PART NO.	DESCRIPTION	MODEL(S)
16	60013-02	BRACKET	XL1200T
27	67900152A	LICENSE PLATE ASSEMBLY, w/ 5, 19, 21, 22, 30, 31, 32 (HDI)	XL1200V, XL1200X, XL883N
30	67900231	BRACKET, w/ 59259-90 (HDI)	XL1200V, XL1200X, XL883N
31	73504-11	ILLUMINATOR, license plate (HDI)	XL1200V, XL1200X, XL883N

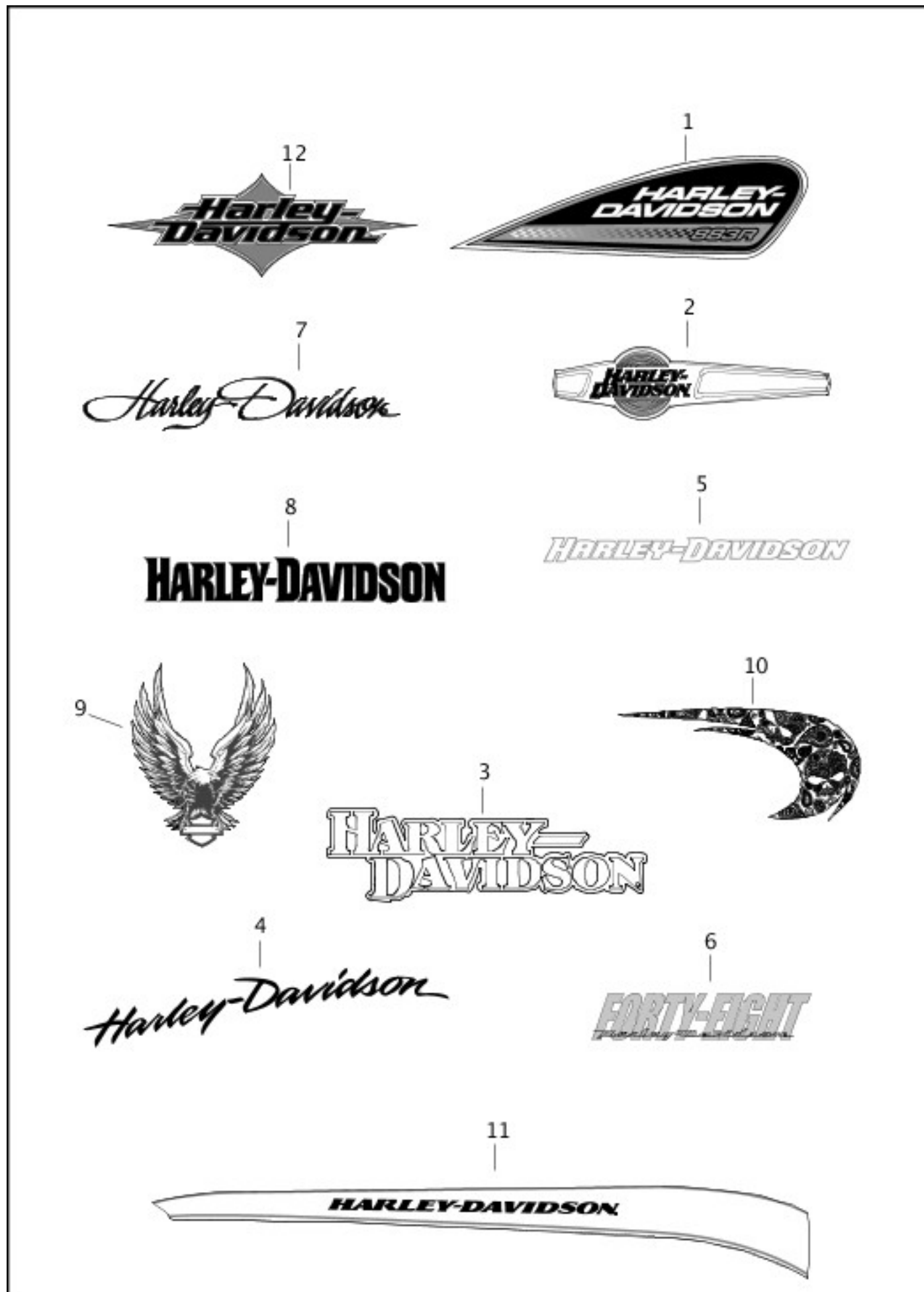
FUEL PUMP



[View interactive table](#)

INDEX NO.	PART NO.	DESCRIPTION	MODEL(S)
2	75268-07F	FUEL PUMP MODULE, w/ fuel sender harness	ALL

FUEL TANK TRIM

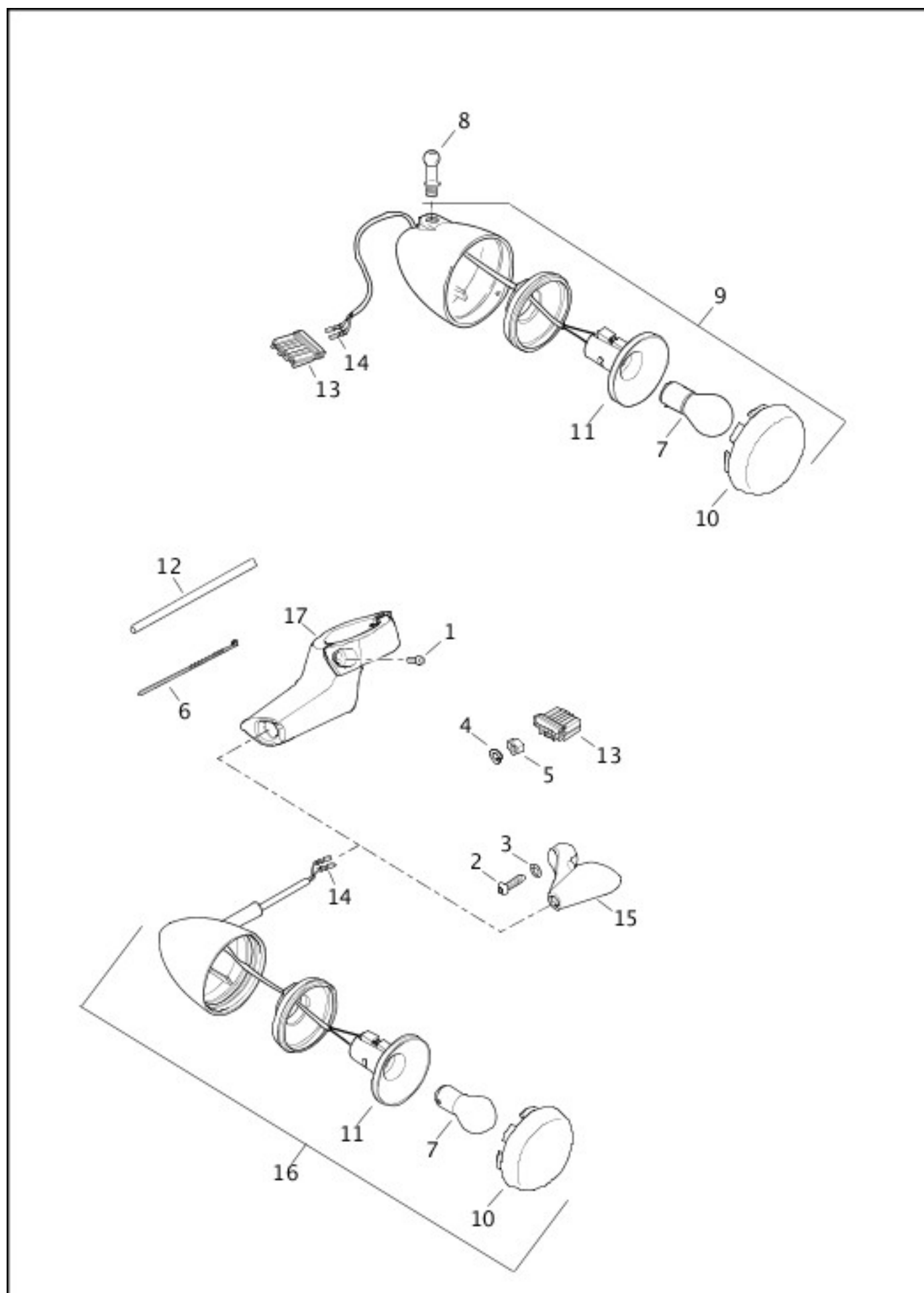


[View interactive table](#)

INDEX NO.	PART NO.	DESCRIPTION	MODEL(S)
3	14100607	MEDALLION, fuel tank (left) (red)	XL1200T

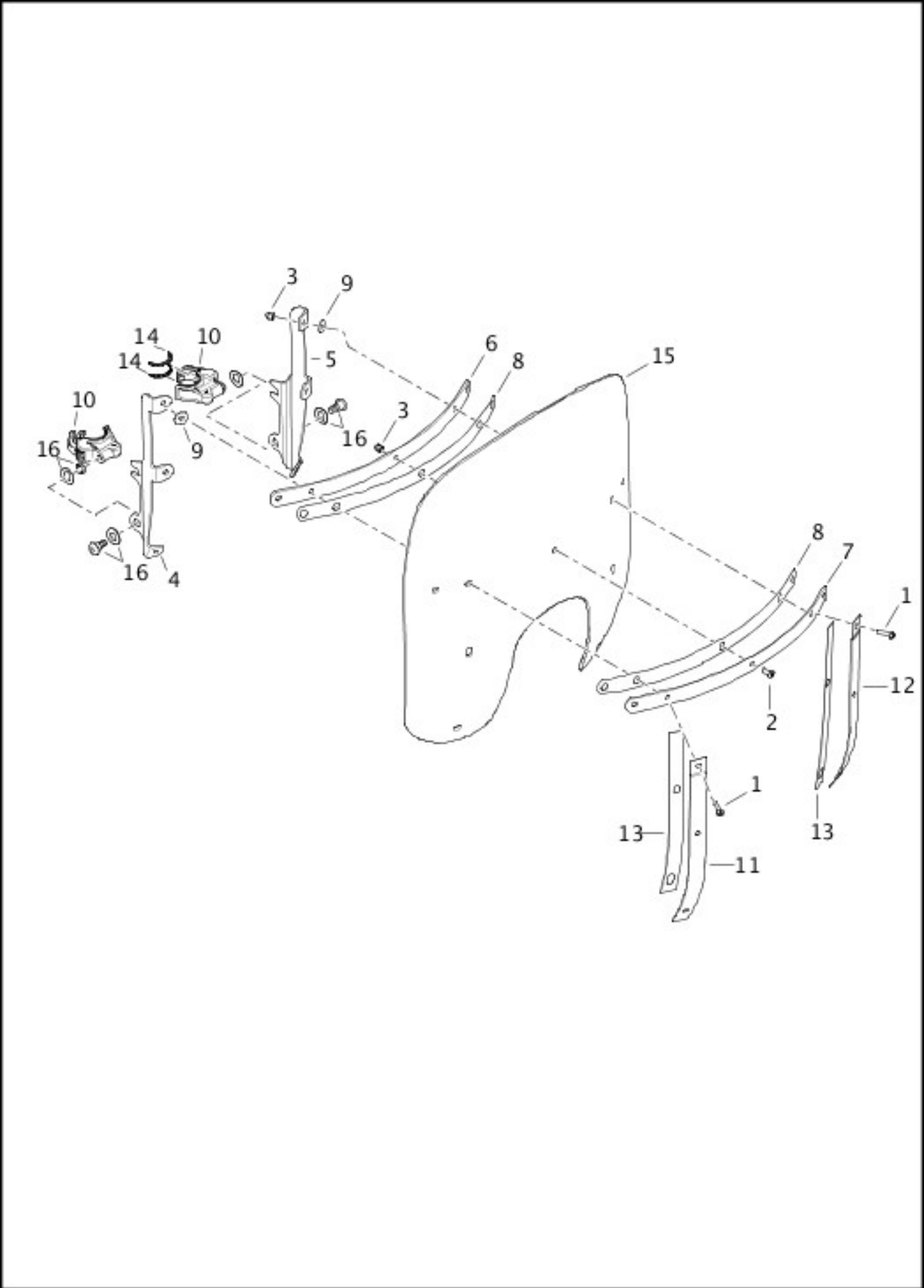
	14100608	MEDALLION, fuel tank (right) (red)	XL1200T
	14100609	MEDALLION, fuel tank (left) (blue)	XL1200T
	14100610	MEDALLION, fuel tank (right) (blue)	XL1200T

TURN SIGNALS, FRONT



INDEX NO.	PART NO.	DESCRIPTION	MODEL(S)
1	3033	SCREW (2)	XL1200T
6	10065	CABLE STRAP	XL1200T
	67800395	TURN SIGNAL, w/ 68168-89A, 68973-00, 68904-00 (Domestic) (2)	XL1200T
	67800396	TURN SIGNAL, w/ 68163-84, 68973-00 & socket (HDI) (2)	XL1200T
17	67800381	BRACKET, right	XL1200T
	67800382	BRACKET, left	XL1200T

WINDSHIELD - 1200T

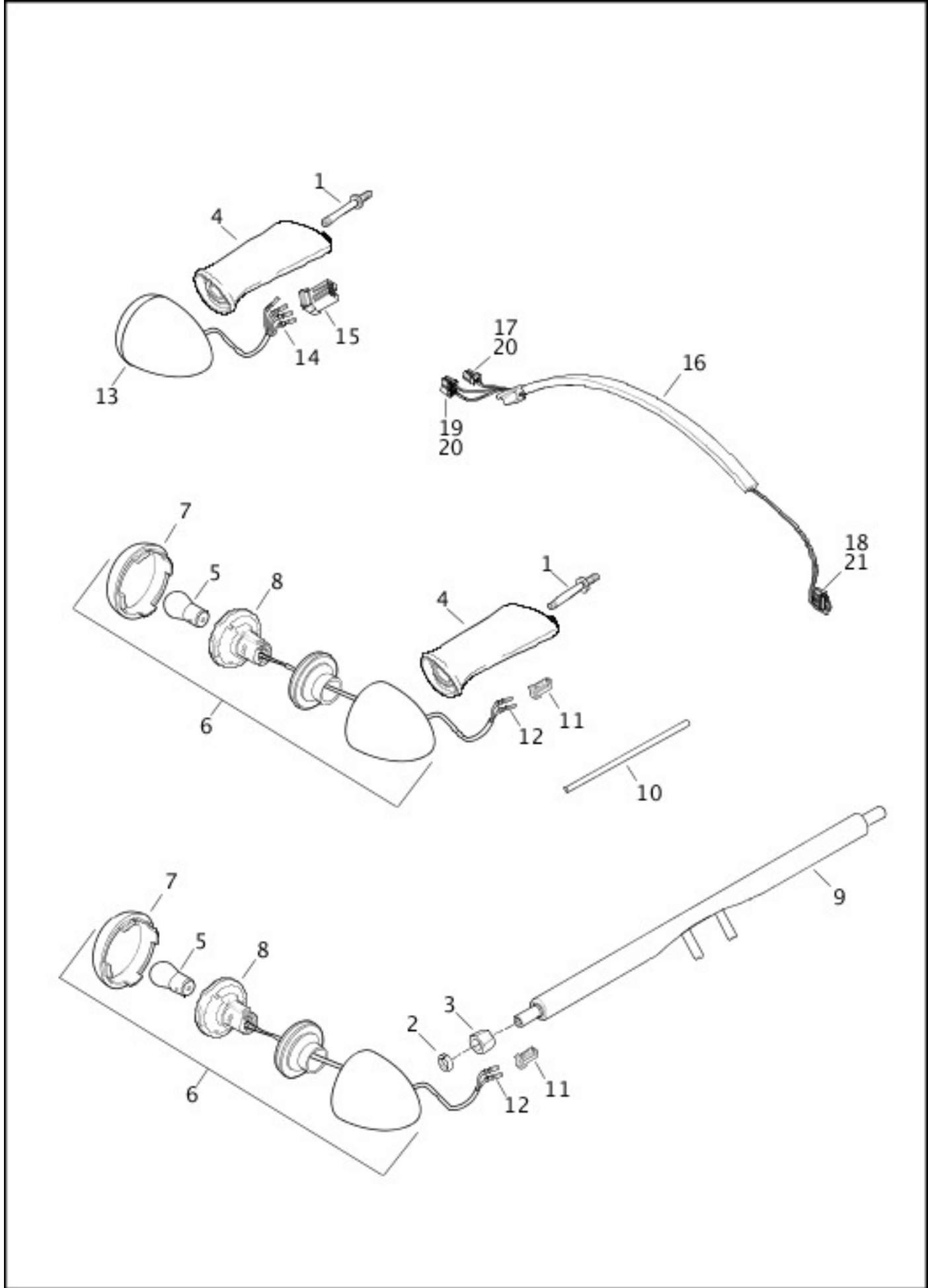


[View interactive table](#)

INDEX NO.	PART NO.	DESCRIPTION	MODEL(S)
	57400214	WINDSHIELD ASSEMBLY	XL1200T
1	2444	SCREW (2)	XL1200T
2	2921	SCREW (7)	XL1200T
3	7651A	ACORN NUT (9)	XL1200T

4	57793-11	BRACKET, right	XL1200T
5	57796-11	BRACKET, left	XL1200T
6	58050-78A	BRACE, inner	XL1200T
7	58051-78A	BRACE, outer	XL1200T
8	58052-78	TAPE (2)	XL1200T
9	58152-96	WASHER (6)	XL1200T
10	58174-04A	CLAMP ASSEMBLY, w/ 58791-04 (4)	XL1200T
11	58406-75A	BRACKET, right	XL1200T
12	58408-75A	BRACKET, left	XL1200T
13	58417-77	TAPE (2)	XL1200T
14	58791-04	GASKET (8)	XL1200T
15	57400245	WINDSHIELD, w/ 58052-78 & 58417-77	XL1200T
16	58790-04	HARDWARE KIT	XL1200T

TAIL LAMPS & TURN SIGNALS, REAR

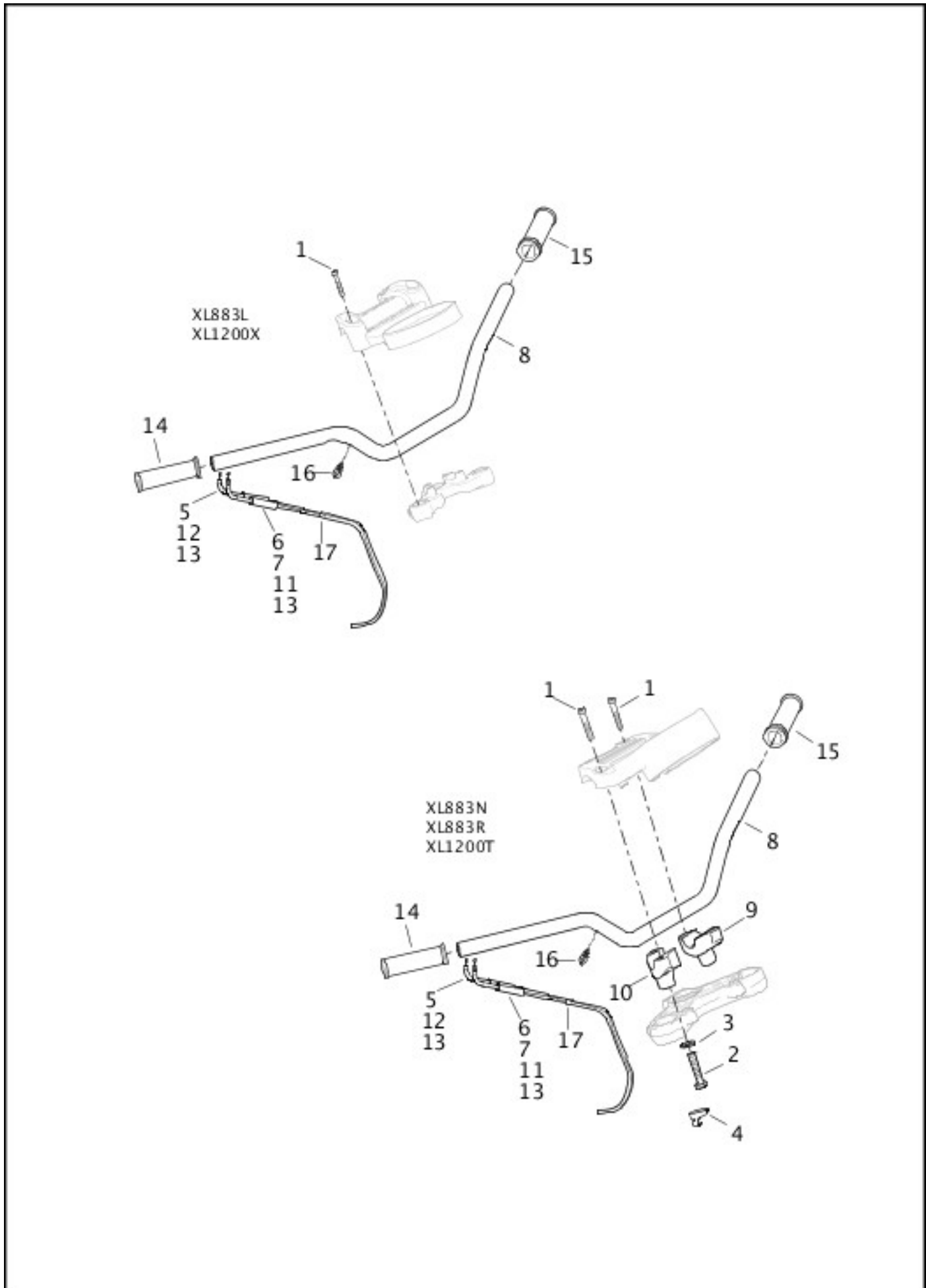


[View interactive table](#)

INDEX NO.	PART NO.	DESCRIPTION	MODEL(S)
2	7042	LOCKWASHER (2)	XL1200T
3	7985	NUT (2)	XL1200T
6	68420-01	TURN SIGNAL, w/ 68163-84, 68979-00 & socket (Domestic) (2)	XL1200T
	68420-01	TURN SIGNAL, w/ 68163-84, 68979-00 & socket (HDI) (2)	XL1200T

9	68430-89A	DIRECTIONAL BAR ASSEMBLY	XL1200T
10	70552-69	CONDUIT (10-foot length)	XL1200T

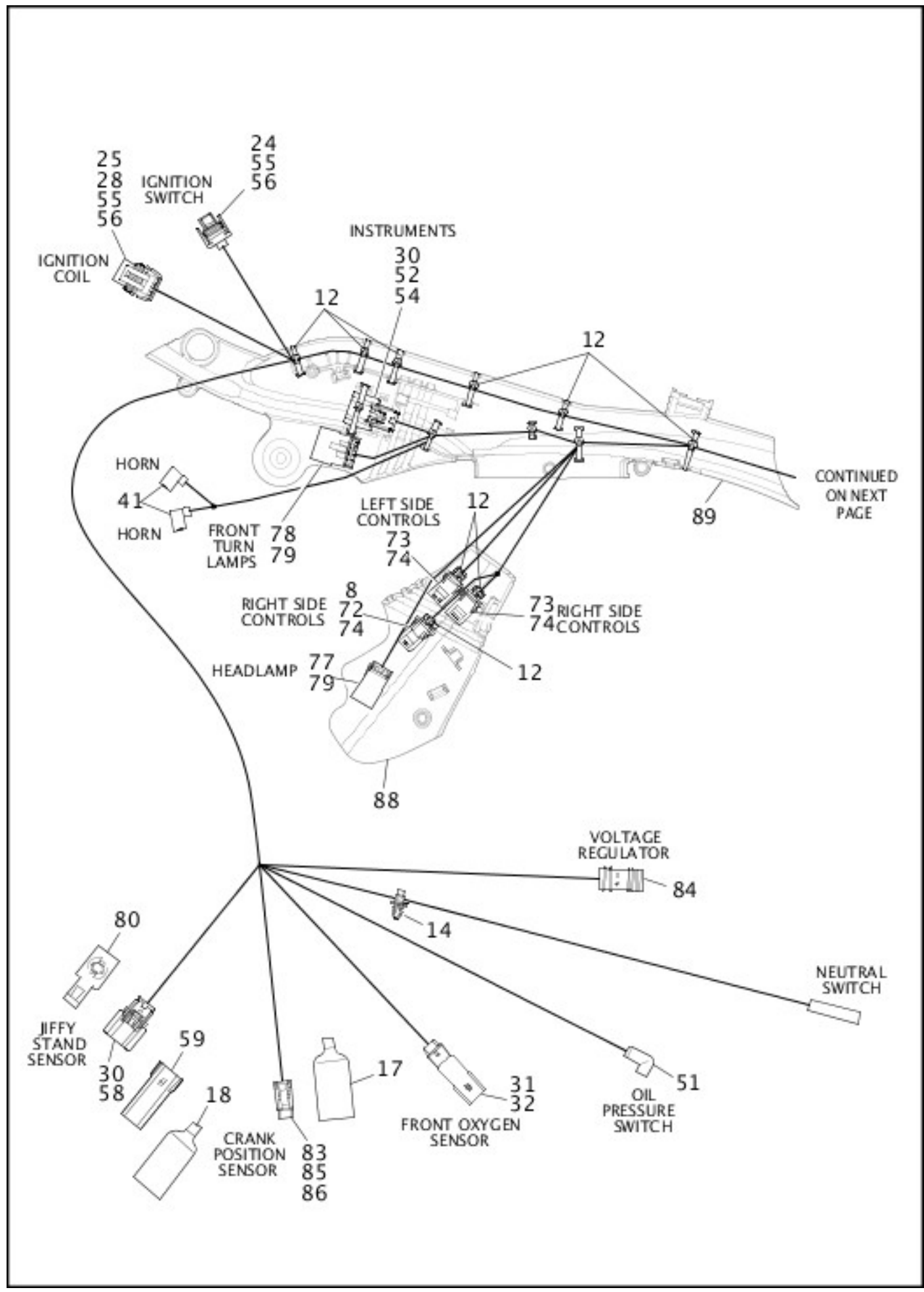
HANDLEBAR & THROTTLE CONTROL - 883L/N/R, 1200T/X



[View interactive table](#)

INDEX NO.	PART NO.	DESCRIPTION	MODEL(S)

WIRING HARNESS, MAIN, NON-ABS (1 OF 4)

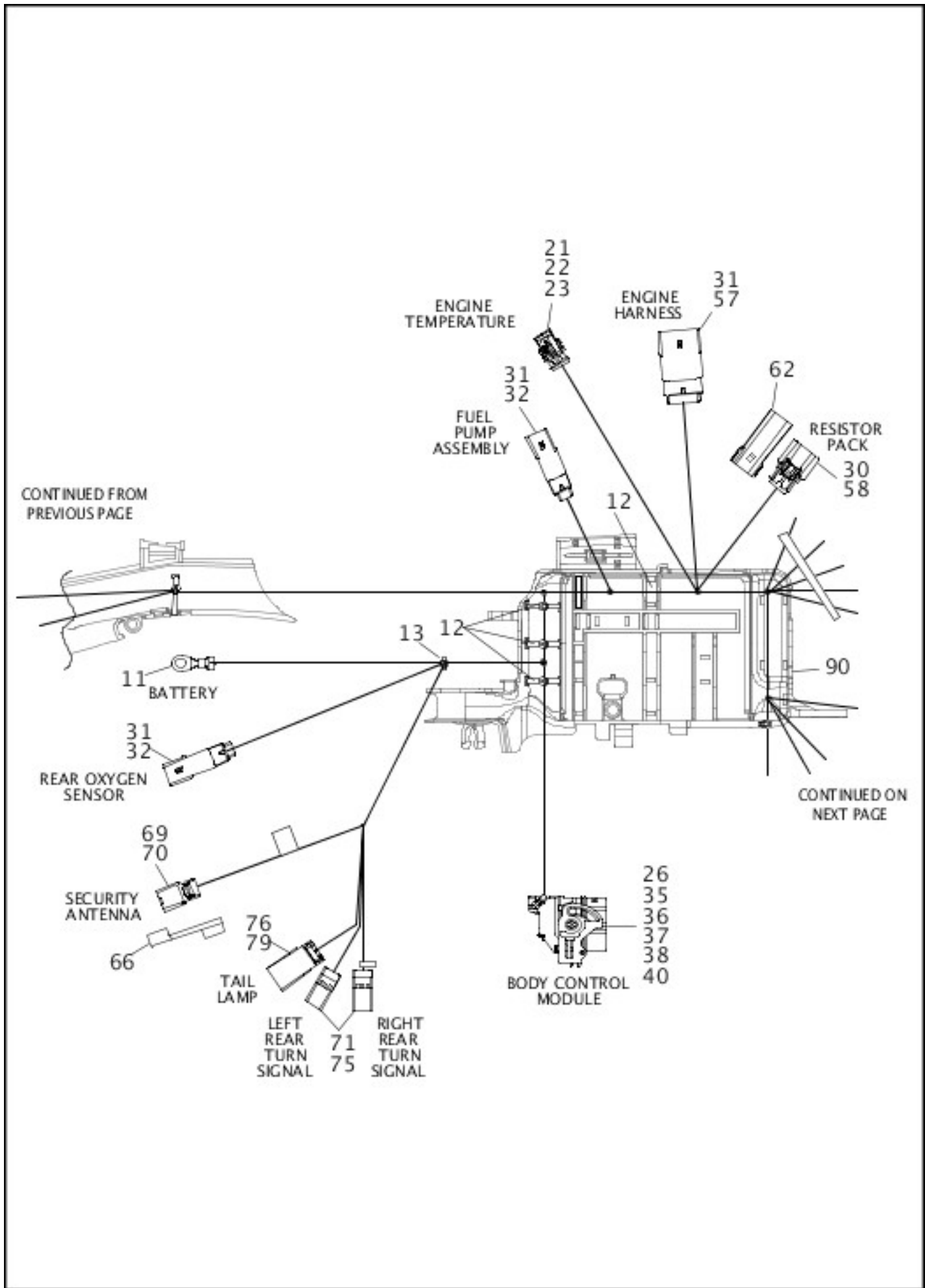


[View interactive table](#)

INDEX NO.	PART NO.	DESCRIPTION	MODEL(S)
13	10065	CABLE STRAP	ALL

25	72066-06A	HOUSING, 4-way socket (black)	ALL
----	-----------	-------------------------------	-----

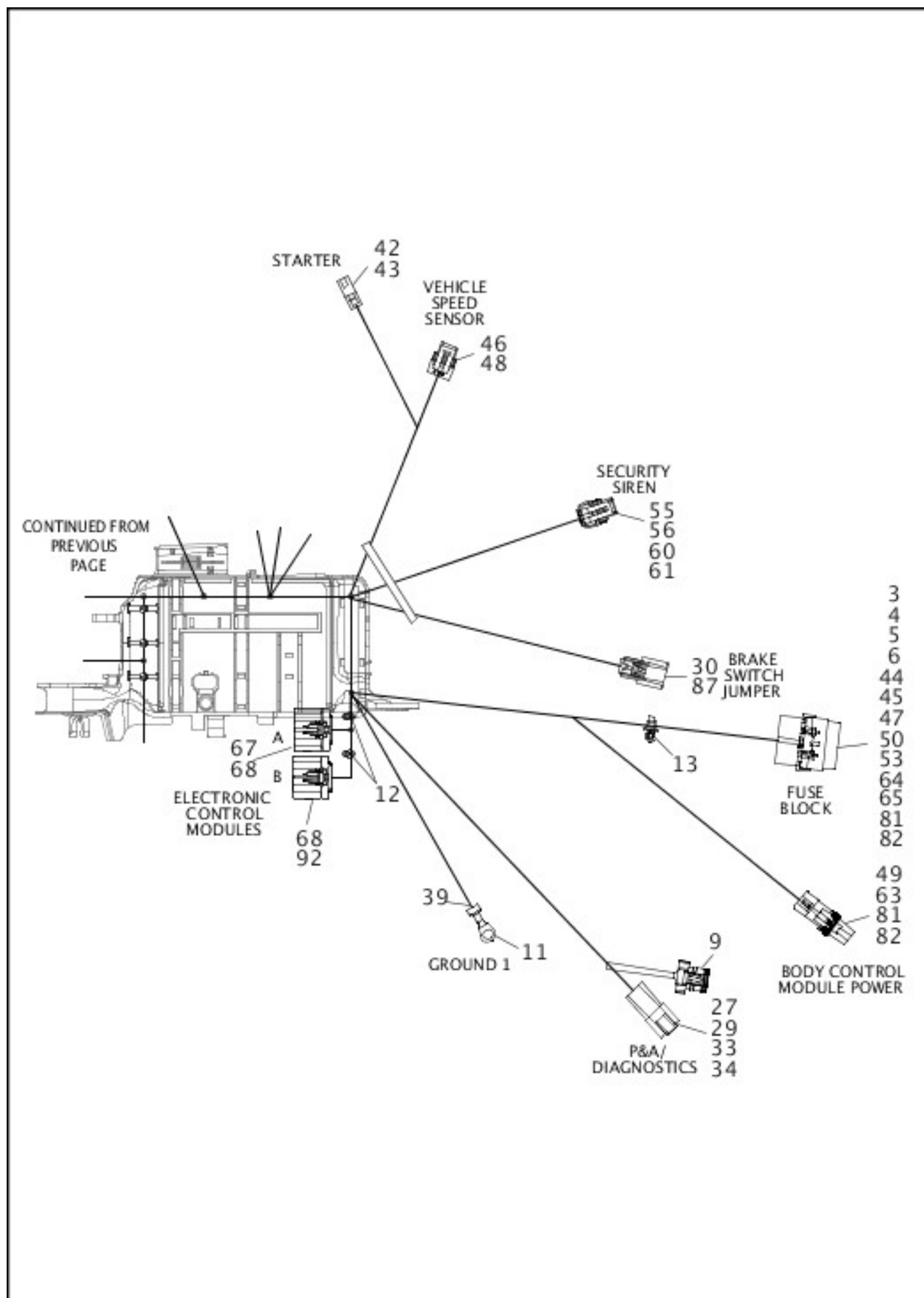
WIRING HARNESS, MAIN, NON-ABS (2 OF 4)



[View interactive table](#)

INDEX NO.	PART NO.	DESCRIPTION	MODEL(S)
28	72135-06	SECONDARY LOCK, 4-way socket (gray)	ALL

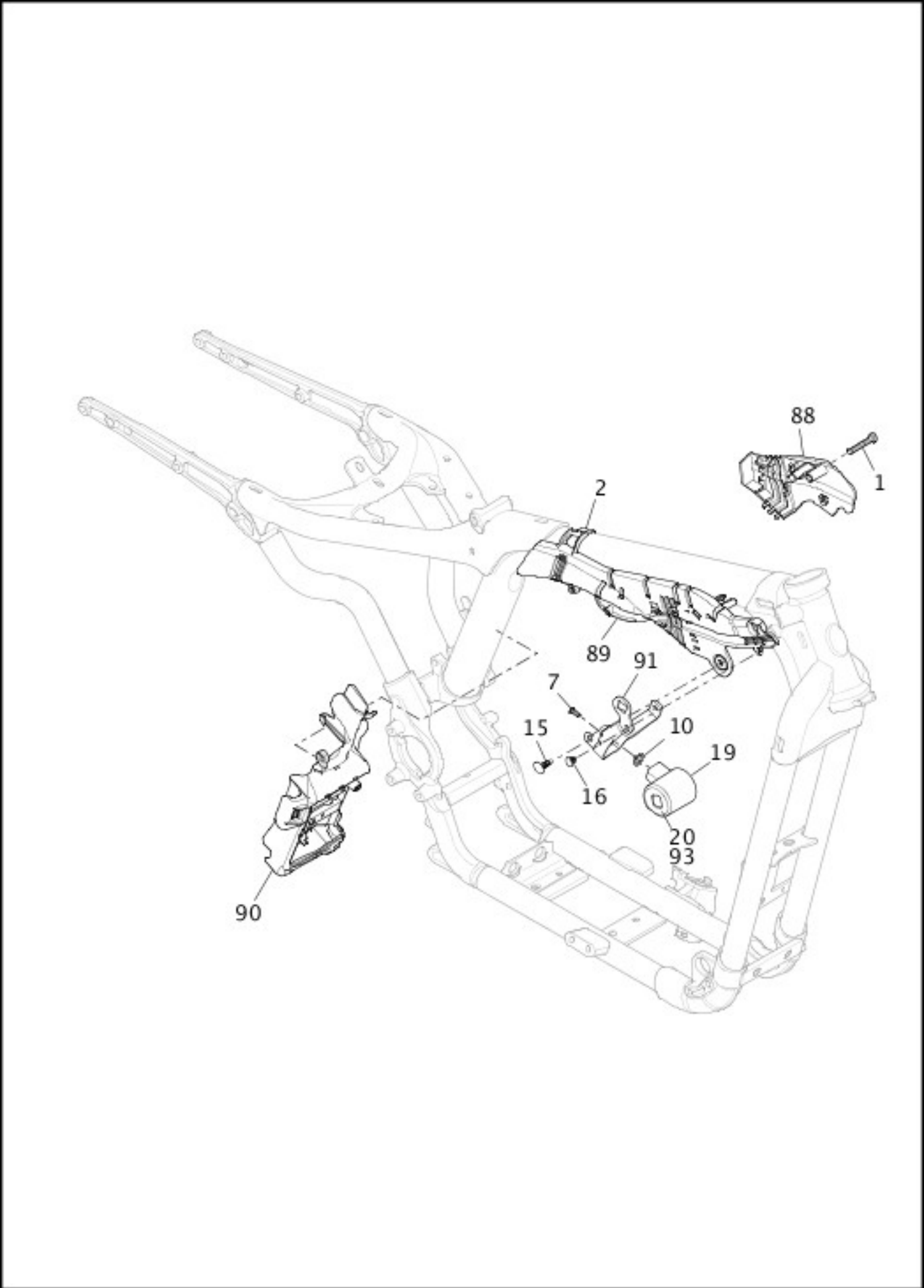
WIRING HARNESS, MAIN, NON-ABS (3 OF 4)



[View interactive table](#)

INDEX NO.	PART NO.	DESCRIPTION	MODEL(S)
67	72664-12A	HOUSING, 18-way socket (black)	ALL

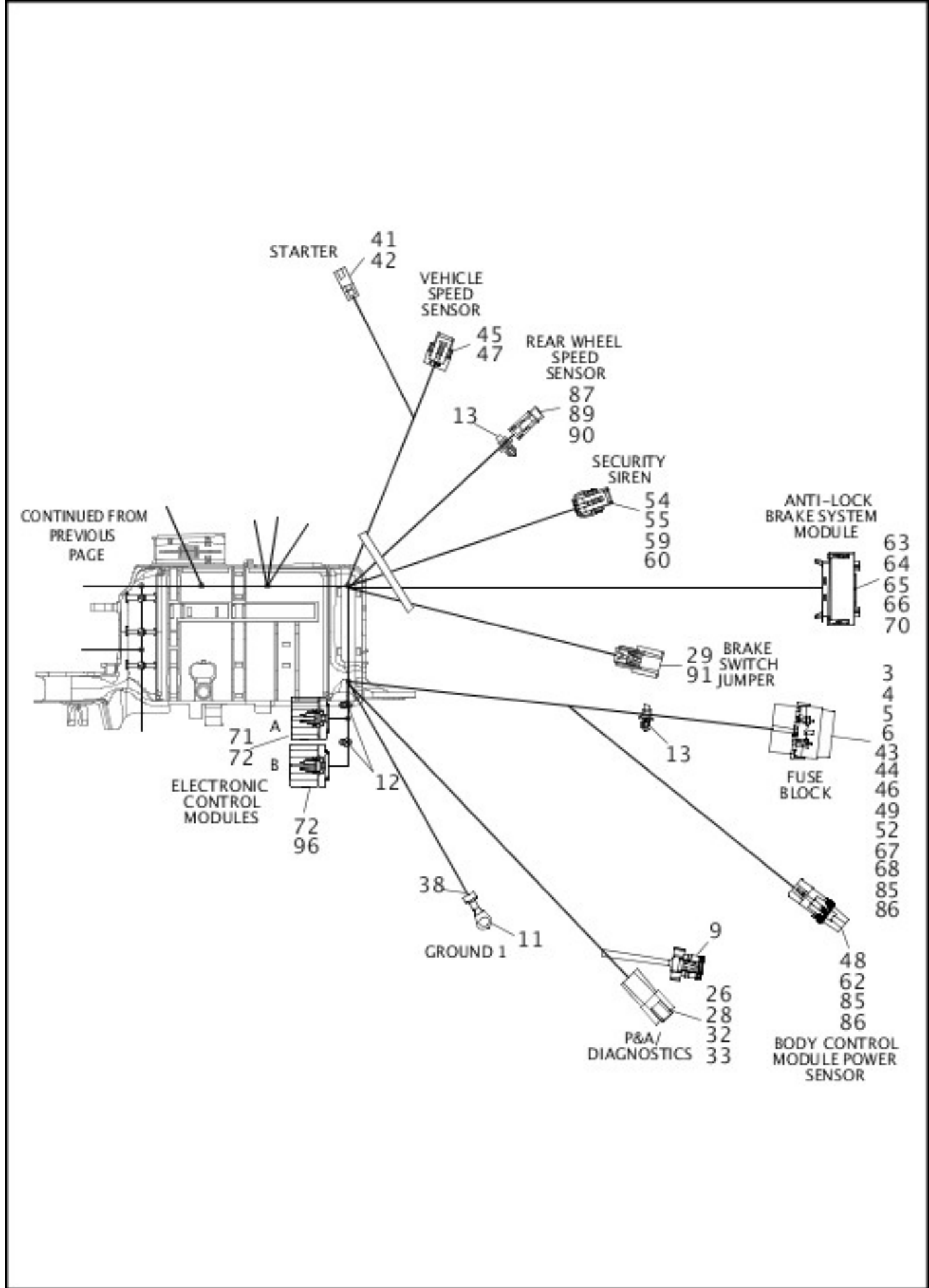
WIRING HARNESS, MAIN, NON-ABS (4 OF 4)



[View interactive table](#)

INDEX NO.	PART NO.	DESCRIPTION	MODEL(S)
92	69200476A	HOUSING, 18-way socket (gray)	ALL

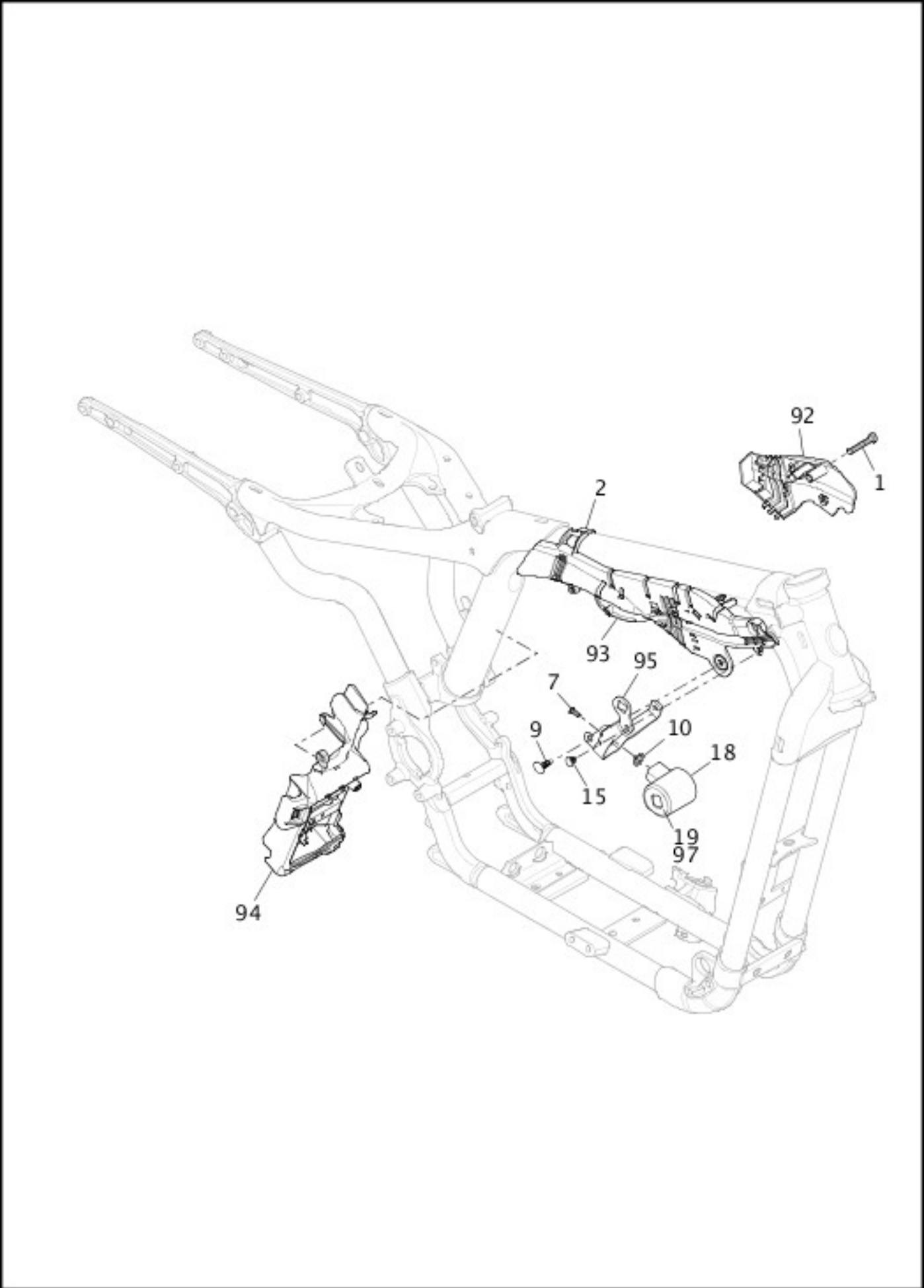
[WIRING HARNESS, MAIN, ABS \(3 OF 4\)](#)



[View interactive table](#)

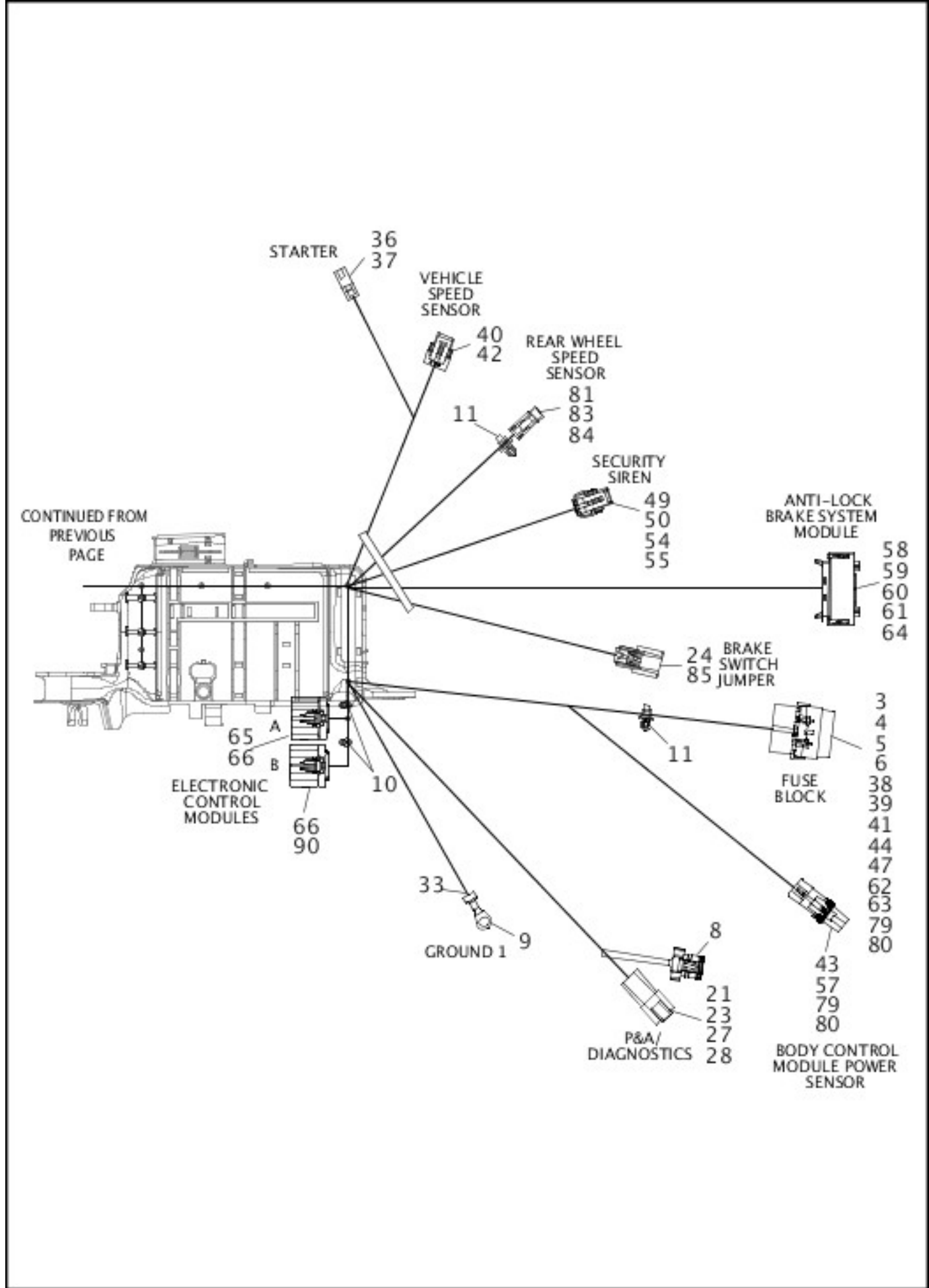
INDEX NO.	PART NO.	DESCRIPTION	MODEL(S)
71	72664-12A	HOUSING, 18-way socket (black)	ALL

[WIRING HARNESS, MAIN, ABS \(4 OF 4\)](#)



[View interactive table](#)

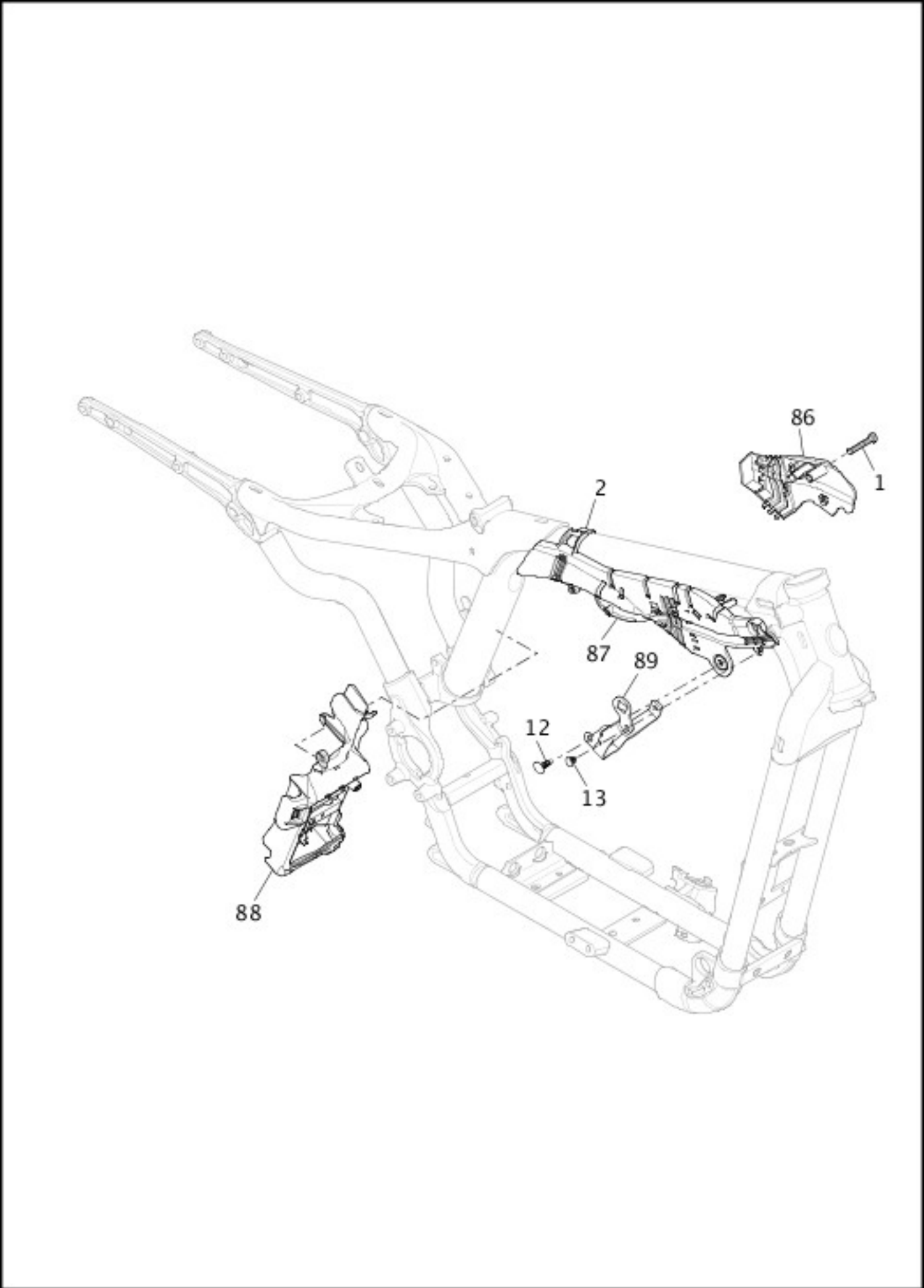
INDEX NO.	PART NO.	DESCRIPTION	MODEL(S)
96	69200476A	HOUSING, 18-way socket (gray)	ALL
98	10065	CABLE STRAP	ALL



[View interactive table](#)

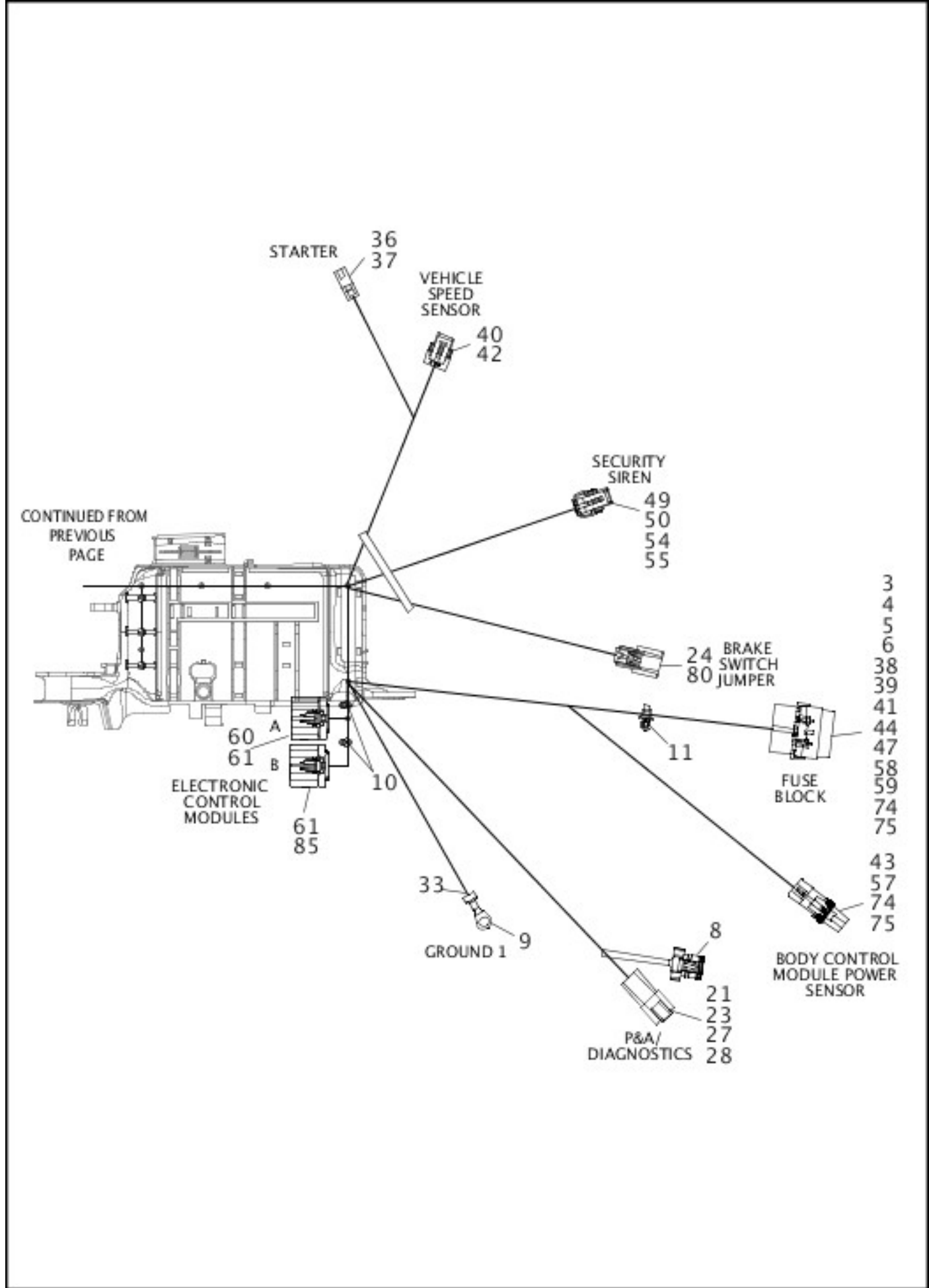
INDEX NO.	PART NO.	DESCRIPTION	MODEL(S)
65	72664-12A	HOUSING, 18-way socket (black)	ALL

WIRING HARNESS, MAIN, KEYLESS, ABS (4 OF 4)



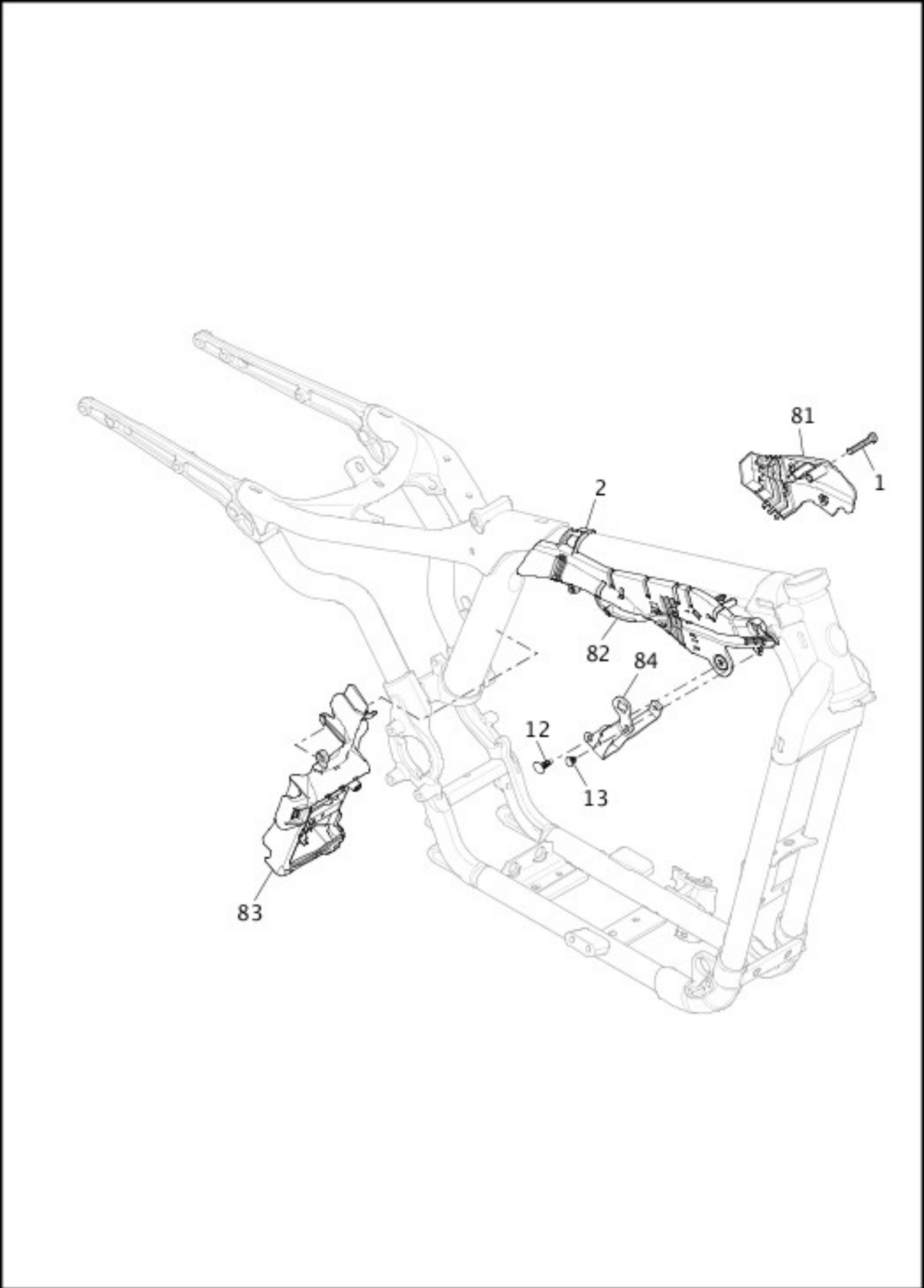
[View interactive table](#)

INDEX NO.	PART NO.	DESCRIPTION	MODEL(S)
90	69200476A	HOUSING, 18-way socket (gray)	ALL
91	10065	CABLE STRAP	ALL



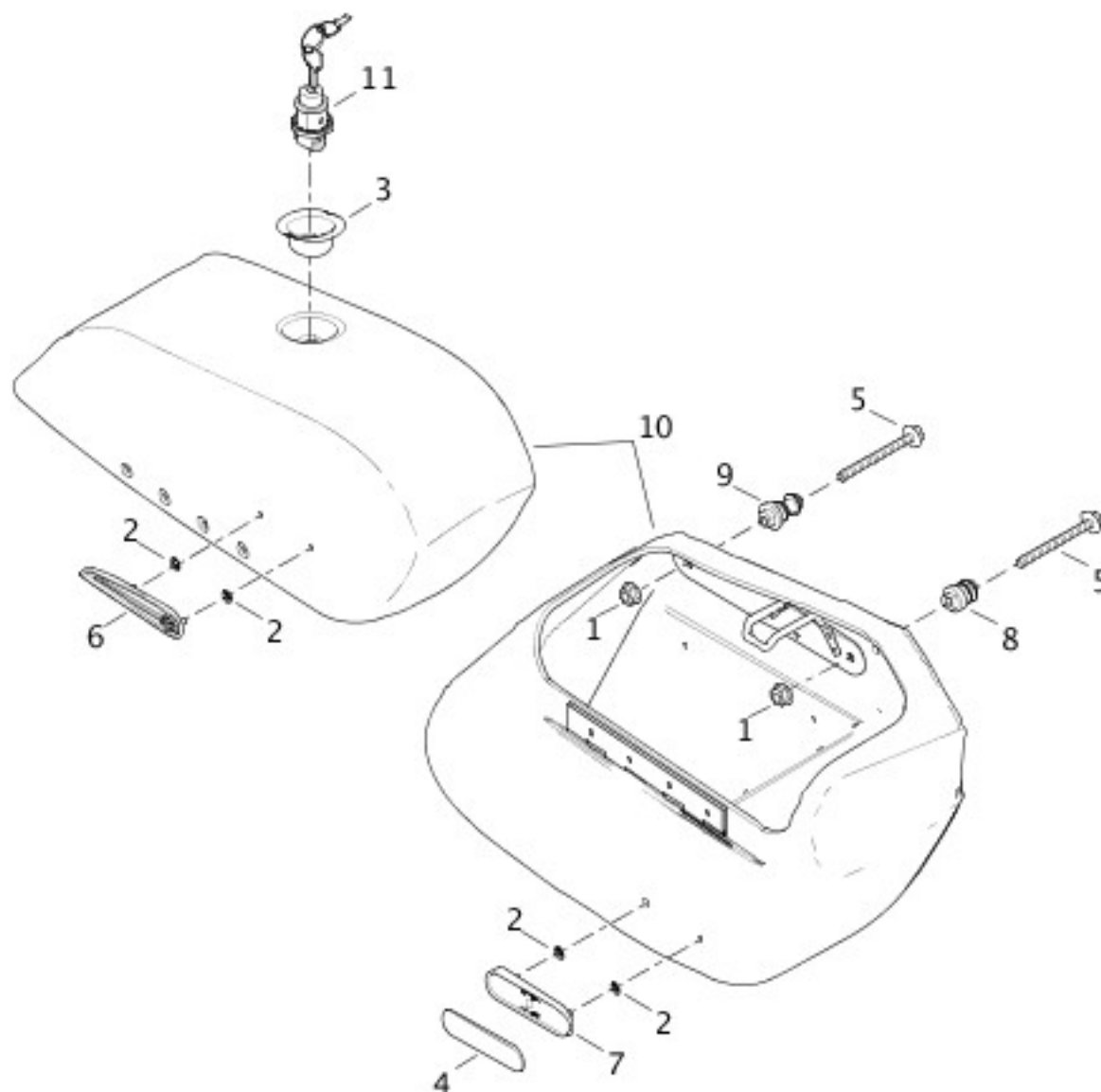
[View interactive table](#)

INDEX NO.	PART NO.	DESCRIPTION	MODEL(S)
60	72664-12A	HOUSING, 18-way socket (black)	ALL



[View interactive table](#)

INDEX NO.	PART NO.	DESCRIPTION	MODEL(S)
85	69200476A	HOUSING, 18-way socket (gray)	ALL
86	10065	CABLE STRAP	ALL



[View interactive table](#)

INDEX NO.	PART NO.	DESCRIPTION	MODEL(S)
1	7531	LOCKNUT (4)	XL1200T
2	8126A	PUSHNUT (8)	XL1200T
3	53126-10	BEZEL	XL1200T
4	92247-10	REFLECTOR, amber (HDI)	XL1200T

5	10500062	SCREW (4)	XL1200T
6	14100598	MEDALLION, left	XL1200T
	14100599	MEDALLION, right	XL1200T
7	67900234	REFLECTOR KIT, amber, w/ 8126A & 92247-10 (HDI)	XL1200T
	67900235	REFLECTOR KIT, red, w/ 8126A & reflector (Domestic)	XL1200T
8	90201038	SUPPORT, saddlebag, front (2)	XL1200T
9	90201039	SUPPORT, saddlebag, rear (2)	XL1200T
10	90201040	SADDLEBAG ASSEMBLY, left, w/ lock	XL1200T
	90201041	SADDLEBAG ASSEMBLY, right, w/ lock	XL1200T
11	90201087	SADDLEBAG LOCK (2)	XL1200T

Numerical Index

[View interactive table](#)

10003	BRAKE LINES, REAR - NON-ABS
10006	WHEELS, REAR, CAST - 883L/N/R, 1200C/CA/CP/T WHEELS, REAR, LACED - 1200C/CB/CP/V/X FRAME & JIFFY STAND HANDLEBAR & THROTTLE CONTROL - 1200C/CA/CB/CP/V WIRING HARNESS, MAIN, NON-ABS (1 OF 4) WIRING HARNESS, MAIN, ABS (1 OF 4) WIRING HARNESS, MAIN, KEYLESS, ABS (1 OF 4) WIRING HARNESS, MAIN, KEYLESS, NON-ABS (1 OF 4)
10031	BRAKE LINES, FRONT - NON-ABS BRAKE LINES, FRONT - ABS BRAKE LINES, REAR - NON-ABS BRAKE LINES, REAR - ABS
10038A	OIL TANK & LINES
10053	BRAKE LINES, FRONT - NON-ABS
10065	TURN SIGNALS, FRONT WIRING HARNESS, MAIN, NON-ABS (1 OF 4) WIRING HARNESS, MAIN, ABS (4 OF 4) WIRING HARNESS, MAIN, KEYLESS, ABS (4 OF 4) WIRING HARNESS, MAIN, KEYLESS, NON-ABS (4 OF 4)
10074	EXHAUST SYSTEM
10080	CRANKCASE & GEARCASE OIL TANK & LINES
10108	BRAKE LINES, REAR - NON-ABS BRAKE LINES, REAR - ABS
10117	OIL TANK & LINES

10142	<u>OIL TANK & LINES</u>
10177	<u>CRANKCASE & GEARCASE</u> <u>ALTERNATOR & REGULATOR</u> <u>ELECTRONIC IGNITION SYSTEM</u> <u>EVAPORATIVE EMISSIONS COMPONENTS</u> <u>WIRING HARNESS, MAIN, NON-ABS (1 OF 4)</u> <u>WIRING HARNESS, MAIN, ABS (1 OF 4)</u> <u>WIRING HARNESS, MAIN, KEYLESS, ABS (1 OF 4)</u> <u>WIRING HARNESS, MAIN, KEYLESS, NON-ABS (1 OF 4)</u>
10179A	<u>FRAME & JIFFY STAND</u> <u>FRAME & JIFFY STAND</u>
10181	<u>FUEL PUMP</u>
10200	<u>FENDERS, REAR - 883L/R/1200C/CA/CB/CP (ALL), 883N/1200V/X (CANADA ONLY)</u>
10200242	<u>EXHAUST SYSTEM</u>
10242	<u>FENDERS, REAR - 883L/R/1200C/CA/CB/CP (ALL), 883N/1200V/X (CANADA ONLY)</u>
10279	<u>WIRING HARNESS, ENGINE</u>
1028	<u>CRANKCASE & GEARCASE</u>
10289A	<u>BRAKE LINES, FRONT - ABS</u> <u>FRAME & JIFFY STAND</u> <u>OIL TANK & LINES</u>
10303	<u>FUEL PUMP</u>
10304	<u>FUEL PUMP</u>
10323	<u>FENDERS, REAR - 883N/1200V/X (ALL EXCEPT CANADA)</u>
1039	<u>ROCKER ARM ASSEMBLY & PUSHRODS</u>
10417	<u>FORK, FRONT - 883L/R, 1200C/CA/CB/CP/T/V/X (1 OF 2)</u>
1048	<u>CRANKCASE & GEARCASE</u>
10500062	<u>FENDERS, REAR - 1200T</u> <u>SADDLEBAGS - 1200T</u>
10627	<u>FORK, FRONT - 883L/R, 1200C/CA/CB/CP/T/V/X (2 OF 2)</u>
10800006	<u>LICENSE PLATE BRACKETS</u>
10800074	<u>BRAKE LINES, FRONT - ABS</u>
1081A	<u>FUEL PUMP</u>
10868	<u>HANDLEBAR & THROTTLE CONTROL - 883L/N/R, 1200T/X</u>
1091	<u>FUEL PUMP</u>
10984	<u>TRANSMISSION GEARS</u>

11002	<u>OIL PUMP</u>
11046	<u>CLUTCH</u>
11067	<u>TRANSMISSION GEARS</u>
11100060	<u>WIRING HARNESS, MAIN, NON-ABS (1 OF 4)</u> <u>WIRING HARNESS, MAIN, ABS (1 OF 4)</u> <u>WIRING HARNESS, MAIN, KEYLESS, ABS (1 OF 4)</u> <u>WIRING HARNESS, MAIN, KEYLESS, NON-ABS (1 OF 4)</u>
11100061	<u>OIL TANK & LINES</u>
11105	<u>INSPECTION COVER & PRIMARY COVER</u>
11113	<u>TRANSMISSION GEARS</u>
11120	<u>OIL TANK & LINES</u>
11121	<u>BRAKE CONTROL, REAR</u>
11142	<u>BRAKE CONTROL, FRONT</u>
11155	<u>SWITCHES, HANDLEBAR</u>
11161	<u>TRANSMISSION GEARS</u>
11171	<u>INSPECTION COVER & PRIMARY COVER</u>
11177A	<u>PISTONS & FLYWHEEL ASSEMBLY</u> <u>CRANKCASE & GEARCASE</u>
11179	<u>CLUTCH CONTROL</u>
11190	<u>ROCKER ARM ASSEMBLY & PUSHRODS</u>
11202	<u>AIR CLEANER</u>
11250	<u>CLUTCH</u>
11271	<u>HANDLEBAR & THROTTLE CONTROL - 883L/N/R, 1200T/X</u> <u>HANDLEBAR & THROTTLE CONTROL - 1200C/CA/CB/CP/V</u>
11272	<u>HANDLEBAR & THROTTLE CONTROL - 883L/N/R, 1200T/X</u> <u>HANDLEBAR & THROTTLE CONTROL - 1200C/CA/CB/CP/V</u>
11282	<u>FORK, REAR, DEBRIS DEFLECTOR & BELT GUARD</u>
11289A	<u>ENGINE SENSORS & SWITCHES</u>
11304	<u>FOOTRESTS</u> <u>FOOTRESTS</u>
11317	<u>PISTONS & FLYWHEEL ASSEMBLY</u> <u>CAMSHAFTS & GEAR COVER</u>
11377	<u>ROCKER ARM ASSEMBLY & PUSHRODS</u>
11379	<u>CLUTCH CONTROL</u>

11390	<u>FOOTRESTS</u> <u>FOOTRESTS</u>
11474	<u>FENDERS, REAR - 883L/R/1200C/CA/CB/CP (ALL), 883N/1200V/X (CANADA ONLY)</u> <u>FENDERS, REAR - 883N/1200V/X (ALL EXCEPT CANADA)</u> <u>FENDERS, REAR - 1200T</u>
11600001	<u>BRAKE LINES, FRONT - NON-ABS</u> <u>BRAKE LINES, FRONT - NON-ABS</u> <u>BRAKE LINES, FRONT - ABS</u> <u>BRAKE LINES, FRONT - ABS</u> <u>BRAKE LINES, REAR - NON-ABS</u> <u>BRAKE LINES, REAR - ABS</u>
11730A	<u>CLUTCH</u>
11765Y	<u>CLUTCH</u>
11778	<u>BRAKE LINES, REAR - NON-ABS</u> <u>WIRING HARNESS, MAIN, NON-ABS (1 OF 4)</u> <u>WIRING HARNESS, MAIN, ABS (1 OF 4)</u> <u>WIRING HARNESS, MAIN, KEYLESS, ABS (1 OF 4)</u> <u>WIRING HARNESS, MAIN, KEYLESS, NON-ABS (1 OF 4)</u>
11785	<u>BRAKE LINES, REAR - NON-ABS</u> <u>WIRING HARNESS, MAIN, NON-ABS (1 OF 4)</u> <u>WIRING HARNESS, MAIN, ABS (1 OF 4)</u> <u>WIRING HARNESS, MAIN, KEYLESS, ABS (1 OF 4)</u> <u>WIRING HARNESS, MAIN, KEYLESS, NON-ABS (1 OF 4)</u>
11804	<u>WHEELS, FRONT, CAST - 883L/N/R, 1200C/CA/CP/T</u> <u>WHEELS, FRONT, LACED - 1200C/CB/CP/V/X</u>
11888	<u>WHEELS, FRONT, CAST - 883L/N/R, 1200C/CA/CP/T</u> <u>WHEELS, FRONT, LACED - 1200C/CB/CP/V/X</u>
11936	<u>EXHAUST SYSTEM</u>
11954	<u>TAIL LAMPS</u>
12030	<u>TRANSMISSION GEARS</u>
12068	<u>CRANKCASE & GEARCASE</u>
12074	<u>TRANSMISSION GEARS</u>
12100031	<u>BRAKE LINES, FRONT - ABS</u>
12100049	<u>BRAKE LINES, FRONT - ABS</u>
12200047	<u>FORK, REAR, DEBRIS DEFLECTOR & BELT GUARD</u>
12600080	<u>BRAKE CONTROL, REAR</u>
13566-05	<u>FUEL TANK TRIM</u>
13567-05	<u>FUEL TANK TRIM</u>

14100381	BRAKE CALIPER, FRONT BRAKE CALIPER, FRONT BRAKE CALIPER, REAR
14100598	SADDLEBAGS - 1200T
14100599	SADDLEBAGS - 1200T
14100607	FUEL TANK TRIM
14100608	FUEL TANK TRIM
14100609	FUEL TANK TRIM
14100610	FUEL TANK TRIM
14270-92	LABELS
14448-94	HANDLEBAR & THROTTLE CONTROL - 1200C/CA/CB/CP/V
15368-01A	LABELS
15370-01A	LABELS
15385-08	LABELS
1594	FRAME & JIFFY STAND
16232-04B	ENGINE MOUNTS
16287-04	ENGINE MOUNTS
16291-04A	ENGINE MOUNTS
16353-04	CYLINDERS, HEADS & VALVES
16361-07	INDUCTION MODULE, FUEL
16443-04	CYLINDERS, HEADS & VALVES
16452-05	CYLINDERS, HEADS & VALVES
16463-04	CYLINDERS, HEADS & VALVES
16465-06	CYLINDERS, HEADS & VALVES
16469-10	CYLINDERS, HEADS & VALVES
16478-85A	CYLINDERS, HEADS & VALVES
16480-92A	CYLINDERS, HEADS & VALVES
16500068	CYLINDERS, HEADS & VALVES
16500071	CYLINDERS, HEADS & VALVES
16573-83A	CYLINDERS, HEADS & VALVES
16660-07	CYLINDERS, HEADS & VALVES

16661-07	<u>CYLINDERS, HEADS & VALVES</u>
16664-86D	<u>CYLINDERS, HEADS & VALVES</u>
16666-07	<u>CYLINDERS, HEADS & VALVES</u>
16667-07	<u>CYLINDERS, HEADS & VALVES</u>
16699-06	<u>CYLINDERS, HEADS & VALVES</u>
16715-83	<u>CYLINDERS, HEADS & VALVES</u>
16770-84F	<u>CYLINDERS, HEADS & VALVES</u>
16789-04	<u>CYLINDERS, HEADS & VALVES</u>
16800-84B	<u>ROCKER ARM ASSEMBLY & PUSHRODS</u>
16800019	<u>CYLINDERS, HEADS & VALVES</u>
16832-86C	<u>CYLINDERS, HEADS & VALVES</u>
16865-07	<u>CYLINDERS, HEADS & VALVES</u>
16867-07	<u>CYLINDERS, HEADS & VALVES</u>
17027-08	<u>CYLINDERS, HEADS & VALVES</u>
17036-08	<u>ROCKER ARM ASSEMBLY & PUSHRODS</u>
17049-08	<u>CYLINDERS, HEADS & VALVES</u>
17360-83A	<u>ROCKER ARM ASSEMBLY & PUSHRODS</u>
17362-07B	<u>ROCKER ARM ASSEMBLY & PUSHRODS</u>
17375-83A	<u>ROCKER ARM ASSEMBLY & PUSHRODS</u>
17393-07	<u>ROCKER ARM ASSEMBLY & PUSHRODS</u>
17429-91	<u>ROCKER ARM ASSEMBLY & PUSHRODS</u>
17485-07	<u>CYLINDERS, HEADS & VALVES</u>
17488-07	<u>CYLINDERS, HEADS & VALVES</u>
17501-04	<u>ROCKER ARM ASSEMBLY & PUSHRODS</u>
17532-07A	<u>ROCKER ARM ASSEMBLY & PUSHRODS</u>
17537-07A	<u>ROCKER ARM ASSEMBLY & PUSHRODS</u>
17551-04	<u>ROCKER ARM ASSEMBLY & PUSHRODS</u>
17598-07A	<u>ROCKER ARM ASSEMBLY & PUSHRODS</u>
17611-83	<u>ROCKER ARM ASSEMBLY & PUSHRODS</u>

17655-05	<u>ROCKER ARM ASSEMBLY & PUSHRODS</u>
17695-07B	<u>ROCKER ARM ASSEMBLY & PUSHRODS</u>
17908-02	<u>ROCKER ARM ASSEMBLY & PUSHRODS</u>
17909-02	<u>ROCKER ARM ASSEMBLY & PUSHRODS</u>
17946-04	<u>ROCKER ARM ASSEMBLY & PUSHRODS</u>
17972-04	<u>ROCKER ARM ASSEMBLY & PUSHRODS</u>
17976-04	<u>ROCKER ARM ASSEMBLY & PUSHRODS</u>
17981-04	<u>ROCKER ARM ASSEMBLY & PUSHRODS</u>
18011-86	<u>CYLINDERS, HEADS & VALVES</u>
18012-87A	<u>CYLINDERS, HEADS & VALVES</u>
18020-07	<u>CYLINDERS, HEADS & VALVES</u>
18021-87A	<u>CYLINDERS, HEADS & VALVES</u>
18053-04	<u>CYLINDERS, HEADS & VALVES</u>
18059-04	<u>CYLINDERS, HEADS & VALVES</u>
18094-02A	<u>CYLINDERS, HEADS & VALVES</u>
18245-02	<u>CYLINDERS, HEADS & VALVES</u>
18258-02	<u>CYLINDERS, HEADS & VALVES</u>
18260-02	<u>CYLINDERS, HEADS & VALVES</u>
18505-06	<u>ROCKER ARM ASSEMBLY & PUSHRODS</u>
18538-99C	<u>ROCKER ARM ASSEMBLY & PUSHRODS</u>
18690-02	<u>CYLINDERS, HEADS & VALVES</u>
18691-02	<u>CYLINDERS, HEADS & VALVES</u>
19519-14	<u>ENGINE ASSEMBLY</u>
19527-14	<u>ENGINE ASSEMBLY</u>
19566-14	<u>ENGINE ASSEMBLY</u>
19606-14	<u>ENGINE ASSEMBLY</u>
19766-14	<u>ENGINE ASSEMBLY</u>
19767-14	<u>ENGINE ASSEMBLY</u>
19778-14	<u>ENGINE ASSEMBLY</u>

19779-14	<u>ENGINE ASSEMBLY</u>
19905-14	<u>ENGINE ASSEMBLY</u>
19927-14	<u>ENGINE ASSEMBLY</u>
215	<u>CRANKCASE & GEARCASE</u>
21948-02	<u>PISTONS & FLYWHEEL ASSEMBLY</u>
22221-04	<u>PISTONS & FLYWHEEL ASSEMBLY</u>
22223-04	<u>PISTONS & FLYWHEEL ASSEMBLY</u>
22224-04	<u>PISTONS & FLYWHEEL ASSEMBLY</u>
22227-04	<u>PISTONS & FLYWHEEL ASSEMBLY</u>
22228-04	<u>PISTONS & FLYWHEEL ASSEMBLY</u>
22230-04	<u>PISTONS & FLYWHEEL ASSEMBLY</u>
22231-04	<u>PISTONS & FLYWHEEL ASSEMBLY</u>
22238-04	<u>PISTONS & FLYWHEEL ASSEMBLY</u>
22261-86	<u>PISTONS & FLYWHEEL ASSEMBLY</u>
22266-86	<u>PISTONS & FLYWHEEL ASSEMBLY</u>
22271-86	<u>PISTONS & FLYWHEEL ASSEMBLY</u>
22589-83B	<u>PISTONS & FLYWHEEL ASSEMBLY</u>
2261	<u>SWITCHES, HANDLEBAR</u>
22719-04	<u>PISTONS & FLYWHEEL ASSEMBLY</u>
22765-02	<u>PISTONS & FLYWHEEL ASSEMBLY</u>
2325	<u>SPEEDOMETER</u>
2361	<u>SPEEDOMETER</u>
23905-04B	<u>PISTONS & FLYWHEEL ASSEMBLY</u>
24047-00	<u>CAMSHAFTS & GEAR COVER</u>
24332-36	<u>PISTONS & FLYWHEEL ASSEMBLY</u>
2441	<u>ROCKER ARM ASSEMBLY & PUSHRODS</u> <u>BRAKE LINES, FRONT - NON-ABS</u> <u>BRAKE LINES, FRONT - ABS</u>
2444	<u>WINDSHIELD - 1200T</u>
2445	<u>HEADLAMP - 1200C/CA/CB/CP/V</u>
2446	<u>FENDERS, REAR - 883N/1200V/X (ALL EXCEPT CANADA)</u>

24466-06B	<u>CRANKCASE & GEARCASE</u>
24470-06B	<u>CRANKCASE & GEARCASE</u>
2460	<u>AIR CLEANER</u>
24605-07	<u>CRANKCASE & GEARCASE</u>
24647-87	<u>CRANKCASE & GEARCASE</u>
24650-87	<u>CRANKCASE & GEARCASE</u>
24658-87	<u>PISTONS & FLYWHEEL ASSEMBLY</u>
24659-87	<u>CRANKCASE & GEARCASE</u>
24660-87	<u>CRANKCASE & GEARCASE</u>
24754-75A	<u>CRANKCASE & GEARCASE</u>
2479	<u>BRAKE LINES, REAR - ABS</u> <u>EVAPORATIVE EMISSIONS COMPONENTS</u> <u>BATTERY</u>
2481M	<u>INDUCTION MODULE, FUEL</u>
2486	<u>ROCKER ARM ASSEMBLY & PUSHRODS</u>
2501A	<u>BRAKE LINES, REAR - NON-ABS</u> <u>BRAKE LINES, REAR - ABS</u>
2508	<u>LICENSE PLATE BRACKETS</u> <u>TAIL LAMPS</u>
25194-06	<u>CAMSHAFTS & GEAR COVER</u>
25213-04	<u>CAMSHAFTS & GEAR COVER</u>
25219-04	<u>CAMSHAFTS & GEAR COVER</u>
25263-90D	<u>CAMSHAFTS & GEAR COVER</u>
25307-06	<u>INSPECTION COVER & PRIMARY COVER</u>
25409-94B	<u>CLUTCH</u>
25430-06	<u>INSPECTION COVER & PRIMARY COVER</u>
25453-87A	<u>CLUTCH</u>
25460-06	<u>INSPECTION COVER & PRIMARY COVER</u>
25463-94A	<u>INSPECTION COVER & PRIMARY COVER</u>
25486-05	<u>CAMSHAFTS & GEAR COVER</u>
25586-37	<u>CAMSHAFTS & GEAR COVER</u>

25588-91	<u>CAMSHAFTS & GEAR COVER</u>
25593-74	<u>CAMSHAFTS & GEAR COVER</u>
25598-91	<u>CAMSHAFTS & GEAR COVER</u>
25600007	<u>CAMSHAFTS & GEAR COVER</u>
25600037	<u>CAMSHAFTS & GEAR COVER</u>
2586A	<u>BRAKE CONTROL, FRONT</u>
26010-04	<u>ROCKER ARM ASSEMBLY & PUSHRODS</u>
26011-04	<u>ROCKER ARM ASSEMBLY & PUSHRODS</u>
26012-07	<u>ROCKER ARM ASSEMBLY & PUSHRODS</u>
26020-07	<u>ROCKER ARM ASSEMBLY & PUSHRODS</u>
2607	<u>LICENSE PLATE BRACKETS</u>
26204-91A	<u>OIL PUMP</u>
26239-07	<u>OIL PUMP</u>
26318-88A	<u>CAMSHAFTS & GEAR COVER</u>
26434-91	<u>OIL PUMP</u>
26436-90A	<u>CRANKCASE & GEARCASE</u>
26437-86B	<u>CRANKCASE & GEARCASE</u>
26495-89B	<u>OIL PUMP</u>
26496-75A	<u>OIL PUMP</u>
26500005	<u>OIL TANK & LINES</u>
26502-07	<u>OIL PUMP</u>
26503-07	<u>OIL PUMP</u>
26554-77B	<u>ENGINE SENSORS & SWITCHES</u>
26638-00Y	<u>CRANKCASE & GEARCASE</u>
26995-86B	<u>INDUCTION MODULE, FUEL</u>
27042-84A	<u>EVAPORATIVE EMISSIONS COMPONENTS</u>
2708A	<u>SHIFTER LEVER GUARDS, SAREE FORK, REAR, DEBRIS DEFLECTOR & BELT GUARD HEADLAMP - 883L/N/R, 1200T/X HEADLAMP - 1200C/CA/CB/CP/V</u>
27216-95	<u>INDUCTION MODULE, FUEL</u>

27250-96B	FUEL TANK EVAPORATIVE EMISSIONS COMPONENTS
27327-07A	INDUCTION MODULE, FUEL
27628-01A	INDUCTION MODULE, FUEL
27629-01A	INDUCTION MODULE, FUEL SWITCHES
27693-07	INDUCTION MODULE, FUEL
27700-07	INDUCTION MODULE, FUEL
27701-07A	INDUCTION MODULE, FUEL
27704-07	INDUCTION MODULE, FUEL
27706-07A	INDUCTION MODULE, FUEL
27707-07	INDUCTION MODULE, FUEL
2773	LICENSE PLATE BRACKETS
27795-07	INDUCTION MODULE, FUEL
27829-10	INDUCTION MODULE, FUEL
28790-10	AIR CLEANER
28792-10	AIR CLEANER
28794-10	AIR CLEANER
28822-07A	EVAPORATIVE EMISSIONS COMPONENTS
28911-04A	EVAPORATIVE EMISSIONS COMPONENTS
29000015	AIR CLEANER
29000016	AIR CLEANER
29062-95B	AIR CLEANER
29123-07	AIR CLEANER
29127-95B	LABELS
29147-07	LABELS
29200001	AIR CLEANER
2921	WINDSHIELD - 1200T
29313-95	AIR CLEANER
29315-04	AIR CLEANER

29346-07	AIR CLEANER
29355-07	AIR CLEANER
29369-07A	AIR CLEANER
29400015	AIR CLEANER
2952A	SEATS FENDERS, REAR - 883N/1200V/X (ALL EXCEPT CANADA) FENDERS, REAR - 1200T
29900026	ALTERNATOR & REGULATOR
29950-91	CRANKCASE & GEARCASE
3018A	FENDERS, FRONT
3022A	TAIL LAMPS
3026	HORN
3029	ALTERNATOR & REGULATOR
3033	TURN SIGNALS, FRONT
3056	FORK BRACKETS, FRONT
3085	FENDERS, REAR - 883N/1200V/X (ALL EXCEPT CANADA) LICENSE PLATE BRACKETS
3123	WIRING HARNESS, MAIN, NON-ABS (1 OF 4) WIRING HARNESS, MAIN, ABS (1 OF 4) WIRING HARNESS, MAIN, KEYLESS, ABS (1 OF 4) WIRING HARNESS, MAIN, KEYLESS, NON-ABS (1 OF 4)
3124	ELECTRONIC IGNITION SYSTEM WIRING HARNESS, MAIN, NON-ABS (1 OF 4) WIRING HARNESS, MAIN, ABS (1 OF 4) HORN
31390-91F	STARTER MOTOR
31488-81C	STARTER MOTOR
31512-04	OIL TANK & LINES
31556-91D	STARTER MOTOR
31603-91	STARTER MOTOR
3162	FOOTRESTS
31656-07	ELECTRONIC IGNITION SYSTEM
31753-07	ELECTRONIC IGNITION SYSTEM
31807-07	ELECTRONIC IGNITION SYSTEM

32003-07	<u>ELECTRONIC IGNITION SYSTEM</u>
32006-07	<u>ELECTRONIC IGNITION SYSTEM</u>
3210A	<u>FENDERS, FRONT</u> <u>HANDLEBAR & THROTTLE CONTROL - 883L/N/R, 1200T/X</u> <u>HANDLEBAR & THROTTLE CONTROL - 1200C/CA/CB/CP/V</u>
3214	<u>BRAKE CONTROL, REAR</u> <u>BRAKE CONTROL, REAR</u> <u>BRAKE LINES, REAR - NON-ABS</u> <u>BRAKE LINES, REAR - ABS</u> <u>FOOTRESTS</u> <u>FOOTRESTS</u>
32319-07	<u>INDUCTION MODULE, FUEL</u> <u>SWITCHES</u>
32362-04	<u>ELECTRONIC IGNITION SYSTEM</u>
3244	<u>CLUTCH CONTROL</u> <u>BRAKE CONTROL, FRONT</u>
32472-10	<u>ENGINE SENSORS & SWITCHES</u>
32493-02B	<u>ALTERNATOR & REGULATOR</u> <u>BELTS, CHAINS & SPROCKETS</u>
32494-04B	<u>ALTERNATOR & REGULATOR</u> <u>BELTS, CHAINS & SPROCKETS</u>
32506-90	<u>CAMSHAFTS & GEAR COVER</u>
32514-04	<u>CAMSHAFTS & GEAR COVER</u>
32531-07	<u>CAMSHAFTS & GEAR COVER</u>
32700006	<u>EXHAUST SYSTEM</u>
32700026	<u>EXHAUST SYSTEM</u>
32707-01C	<u>ENGINE SENSORS & SWITCHES</u>
33032-99	<u>FOOTRESTS</u>
33048-72	<u>FOOTRESTS</u>
33117-91A	<u>CRANKCASE & GEARCASE</u>
33123-06A	<u>OIL TANK & LINES</u>
33130-07A	<u>FOOTRESTS</u>
33133-06	<u>FOOTRESTS</u>
33134-07CAZ	<u>FOOTRESTS</u>
33135-07CAZ	<u>FOOTRESTS</u>

33189-63	<u>FOOTRESTS</u>
33216-99	<u>FOOTRESTS</u>
33540-06	<u>SHIFTER, GEAR</u>
33641-06	<u>SHIFTER, GEAR</u>
3387	<u>LICENSE PLATE BRACKETS</u>
33900-99	<u>SWITCHES</u>
33900154	<u>SHIFTER LEVER</u>
34014-06A	<u>SHIFTER, GEAR</u>
34064-00C	<u>SHIFTER, GEAR</u>
34076-02A	<u>SHIFTER, GEAR</u>
34157-06	<u>SHIFTER, GEAR</u>
34162-06	<u>SHIFTER, GEAR</u>
34163-02	<u>SHIFTER, GEAR</u>
34483-06	<u>SHIFTER, GEAR</u>
34491-02A	<u>SHIFTER, GEAR</u>
34572-04	<u>SHIFTER LEVER</u>
34573-04	<u>SHIFTER LEVER</u>
34611-65A	<u>SHIFTER LEVER</u>
34660-04A	<u>SHIFTER LEVER</u>
34663-10	<u>SHIFTER LEVER</u>
34670-06	<u>SHIFTER LEVER</u>
34721-07	<u>SHIFTER LEVER</u>
34723-10	<u>SHIFTER LEVER</u>
34724-10	<u>SHIFTER LEVER</u>
34760-04	<u>INSPECTION COVER & PRIMARY COVER</u>
34761-04A	<u>INSPECTION COVER & PRIMARY COVER</u>
3480A	<u>CAMSHAFTS & GEAR COVER</u> <u>ELECTRONIC IGNITION SYSTEM</u> <u>BELTS, CHAINS & SPROCKETS</u>
34911-04	<u>BELTS, CHAINS & SPROCKETS</u>

34920-86A	<u>CLUTCH</u>
34932-04	<u>BELTS, CHAINS & SPROCKETS</u>
34943-05	<u>BELTS, CHAINS & SPROCKETS</u>
34955-04	<u>INSPECTION COVER & PRIMARY COVER</u>
34981-02A	<u>SHIFTER, GEAR</u>
34982-02A	<u>SHIFTER, GEAR</u>
34990-08	<u>INSPECTION COVER & PRIMARY COVER</u>
34992-04	<u>INSPECTION COVER & PRIMARY COVER</u>
34993-04A	<u>INSPECTION COVER & PRIMARY COVER</u>
35030-89A	<u>TRANSMISSION GEARS</u>
35038-89A	<u>TRANSMISSION GEARS</u>
35051-89A	<u>TRANSMISSION GEARS</u>
35087-99A	<u>TRANSMISSION GEARS</u>
35107-06	<u>TRANSMISSION GEARS</u>
35114-02	<u>CRANKCASE & GEARCASE</u>
35118-03	<u>CRANKCASE & GEARCASE</u>
3514	<u>HEADLAMP - 883L/N/R, 1200T/X</u>
35159-06	<u>TRANSMISSION GEARS</u>
35163-06	<u>TRANSMISSION GEARS</u>
35165-06	<u>TRANSMISSION GEARS</u>
35167-06	<u>TRANSMISSION GEARS</u>
35172-06	<u>TRANSMISSION GEARS</u>
35174-06	<u>TRANSMISSION GEARS</u>
35190-06	<u>TRANSMISSION GEARS</u>
35191-06	<u>TRANSMISSION GEARS</u>
35193-06	<u>TRANSMISSION GEARS</u>
35196-06	<u>TRANSMISSION GEARS</u>
35197-06	<u>TRANSMISSION GEARS</u>
35211-91B	<u>BELTS, CHAINS & SPROCKETS</u>
3563	<u>HORN</u>

3565	AIR CLEANER
3574	SEATS BATTERY
3579A	FORK, REAR, DEBRIS DEFLECTOR & BELT GUARD
358	CRANKCASE & GEARCASE
3588	OIL TANK & LINES BATTERY
3594	BELTS, CHAINS & SPROCKETS
3605	HANDLEBAR & THROTTLE CONTROL - 883L/N/R, 1200T/X HANDLEBAR & THROTTLE CONTROL - 1200C/CA/CB/CP/V
3615	HEADLAMP - 1200C/CA/CB/CP/V
3655A	WHEELS, FRONT, CAST - 883L/N/R, 1200C/CA/CP/T WHEELS, FRONT, CAST - 883L/N/R, 1200C/CA/CP/T WHEELS, FRONT, LACED - 1200C/CB/CP/V/X
3658	SWITCHES, HANDLEBAR
3666A	HANDLEBAR & THROTTLE CONTROL - 1200C/CA/CB/CP/V
36700011	CLUTCH CONTROL
36700012	CLUTCH CONTROL
36700013	CLUTCH CONTROL
36715-94	CLUTCH
36731-91	CLUTCH
36785-91	CLUTCH
36790-04	CLUTCH
36799-91	CLUTCH
36802-84B	CLUTCH
3691	ELECTRONIC IGNITION SYSTEM
3696	OIL TANK & LINES
37000041A	CLUTCH CONTROL
37107-06	SHIFTER, GEAR
37200085	FORK BRACKETS, FRONT
37495-91	CLUTCH
37870-91	CLUTCH

37872-90	<u>CLUTCH</u>
37904-90	<u>CLUTCH</u>
37905-90	<u>CLUTCH</u>
37908-90	<u>CLUTCH</u>
37909-90	<u>CLUTCH</u>
37910-04B	<u>CLUTCH</u>
37911-90	<u>CLUTCH</u>
37912-91	<u>CLUTCH</u>
37913-90	<u>CLUTCH</u>
37924-04A	<u>CLUTCH</u>
37977-90	<u>CLUTCH</u>
3814	<u>BELTS, CHAINS & SPROCKETS</u>
3849	<u>ROCKER ARM ASSEMBLY & PUSHRODS</u>
3854	<u>ENGINE MOUNTS</u>
38630-88	<u>CLUTCH CONTROL</u>
38653-01	<u>HANDLEBAR & THROTTLE CONTROL - 883L/N/R, 1200T/X</u> <u>HANDLEBAR & THROTTLE CONTROL - 1200C/CA/CB/CP/V</u>
38699-04D	<u>CLUTCH CONTROL</u>
3880	<u>SHOCK ABSORBERS, REAR</u>
3899	<u>BELTS, CHAINS & SPROCKETS</u>
38999-11	<u>HEADLAMP - 1200C/CA/CB/CP/V</u>
3976	<u>ROCKER ARM ASSEMBLY & PUSHRODS</u>
3987	<u>INDUCTION MODULE, FUEL</u>
3990	<u>TRANSMISSION GEARS</u>
40005-57B	<u>BELTS, CHAINS & SPROCKETS</u>
40039-02C	<u>INSPECTION COVER & PRIMARY COVER</u>
40147-04	<u>BELTS, CHAINS & SPROCKETS</u>
4016	<u>SHIFTER LEVER</u>
4017	<u>FENDERS, REAR - 883L/R/1200C/CA/CB/CP (ALL), 883N/1200V/X (CANADA ONLY)</u> <u>FENDERS, REAR - 883N/1200V/X (ALL EXCEPT CANADA)</u> <u>FENDERS, REAR - 1200T</u>

	<u>EXHAUST SYSTEM</u>
40241-02A	<u>ALTERNATOR & REGULATOR BELTS, CHAINS & SPROCKETS</u>
40251-92A	<u>BELTS, CHAINS & SPROCKETS</u>
40254-02	<u>CRANKCASE & GEARCASE</u>
40290-04A	<u>ALTERNATOR & REGULATOR BELTS, CHAINS & SPROCKETS</u>
4029A	<u>FORK, FRONT - 883L/R, 1200C/CA/CB/CP/T/V/X (1 OF 2)</u> <u>FORK, FRONT - 883N</u>
4032A	<u>EXHAUST SYSTEM</u>
40350-07	<u>BELTS, CHAINS & SPROCKETS</u>
40380-04	<u>BELTS, CHAINS & SPROCKETS</u>
40409-04	<u>BELTS, CHAINS & SPROCKETS</u>
40444-07	<u>BELTS, CHAINS & SPROCKETS</u>
40518-08	<u>BELTS, CHAINS & SPROCKETS</u>
40558-82	<u>WHEELS, REAR, LACED - 1200C/CB/CP/V/X</u>
40560-05	<u>BELTS, CHAINS & SPROCKETS</u>
40561-05	<u>BELTS, CHAINS & SPROCKETS</u>
40562-05	<u>BELTS, CHAINS & SPROCKETS</u>
40572-11	<u>WHEELS, FRONT, LACED - 1200C/CB/CP/V/X</u> <u>WHEELS, REAR, LACED - 1200C/CB/CP/V/X</u>
40574-06	<u>INSPECTION COVER & PRIMARY COVER</u>
40591-07	<u>BELTS, CHAINS & SPROCKETS</u>
40759-05	<u>WHEELS, FRONT, LACED - 1200C/CB/CP/V/X</u>
4076	<u>FRAME & JIFFY STAND</u> <u>FRAME & JIFFY STAND</u>
40760-05	<u>WHEELS, FRONT, LACED - 1200C/CB/CP/V/X</u>
40875-11	<u>WHEELS, FRONT, LACED - 1200C/CB/CP/V/X</u> <u>WHEELS, REAR, LACED - 1200C/CB/CP/V/X</u>
40878-11	<u>WHEELS, REAR, CAST - 883L/N/R, 1200C/CA/CP/T</u> <u>WHEELS, REAR, LACED - 1200C/CB/CP/V/X</u>
40879-11A	<u>WHEELS, FRONT, CAST - 883L/N/R, 1200C/CA/CP/T</u>
40900165	<u>WHEELS, REAR, CAST - 883L/N/R, 1200C/CA/CP/T</u>

40900166	<u>WHEELS, REAR, CAST - 883L/N/R, 1200C/CA/CP/T</u>
40900167	<u>WHEELS, REAR, CAST - 883L/N/R, 1200C/CA/CP/T</u>
40900291	<u>WHEELS, REAR, CAST - 883L/N/R, 1200C/CA/CP/T</u>
4091	<u>CRANKCASE & GEARCASE</u>
40930-05	<u>WHEELS, REAR, CAST - 883L/N/R, 1200C/CA/CP/T</u> <u>WHEELS, REAR, LACED - 1200C/CB/CP/V/X</u>
40999-87	<u>WHEELS, FRONT, CAST - 883L/N/R, 1200C/CA/CP/T</u> <u>WHEELS, REAR, CAST - 883L/N/R, 1200C/CA/CP/T</u>
41000006A	<u>ELECTRONIC IGNITION SYSTEM</u>
41082-08A	<u>WHEELS, REAR, LACED - 1200C/CB/CP/V/X</u>
41100006	<u>BRAKE LINES, REAR - ABS</u>
41100020	<u>BRAKE LINES, REAR - ABS</u>
41100022	<u>BRAKE LINES, REAR - ABS</u>
41100023	<u>WHEELS, REAR, CAST - 883L/N/R, 1200C/CA/CP/T</u> <u>WHEELS, REAR, LACED - 1200C/CB/CP/V/X</u>
41100024	<u>WHEELS, FRONT, CAST - 883L/N/R, 1200C/CA/CP/T</u> <u>WHEELS, FRONT, LACED - 1200C/CB/CP/V/X</u>
41123-79	<u>WHEELS, FRONT, CAST - 883L/N/R, 1200C/CA/CP/T</u> <u>WHEELS, FRONT, LACED - 1200C/CB/CP/V/X</u> <u>WHEELS, REAR, CAST - 883L/N/R, 1200C/CA/CP/T</u> <u>WHEELS, REAR, LACED - 1200C/CB/CP/V/X</u>
41176-08	<u>WHEELS, REAR, CAST - 883L/N/R, 1200C/CA/CP/T</u> <u>WHEELS, REAR, LACED - 1200C/CB/CP/V/X</u>
41191-74A	<u>INSPECTION COVER & PRIMARY COVER</u>
41229-08	<u>WHEELS, REAR, CAST - 883L/N/R, 1200C/CA/CP/T</u> <u>WHEELS, REAR, LACED - 1200C/CB/CP/V/X</u>
41242-08	<u>WHEELS, FRONT, CAST - 883L/N/R, 1200C/CA/CP/T</u> <u>WHEELS, FRONT, LACED - 1200C/CB/CP/V/X</u> <u>WHEELS, REAR, CAST - 883L/N/R, 1200C/CA/CP/T</u> <u>WHEELS, REAR, LACED - 1200C/CB/CP/V/X</u>
41300003	<u>BRAKE CALIPER, FRONT</u>
41300004	<u>BRAKE CALIPER, FRONT</u> <u>BRAKE CALIPER, FRONT</u>
41300005	<u>BRAKE CALIPER, FRONT</u> <u>BRAKE CALIPER, FRONT</u>
41300006	<u>BRAKE CALIPER, FRONT</u> <u>BRAKE CALIPER, FRONT</u>

41300007	BRAKE CALIPER, FRONT
41300008	BRAKE CALIPER, FRONT
41300009	BRAKE CALIPER, FRONT BRAKE CALIPER, FRONT BRAKE CALIPER, REAR
41300010	BRAKE CALIPER, FRONT
41300032	BRAKE CALIPER, FRONT
41300038	BRAKE CALIPER, REAR
41300039	BRAKE CALIPER, REAR
41300049	BRAKE CALIPER, REAR
41300052	BRAKE CALIPER, FRONT
41300053	BRAKE CALIPER, REAR
41300054	BRAKE CALIPER, REAR
41300055	BRAKE CALIPER, REAR
41300056	BRAKE CALIPER, REAR
4132	OIL PUMP
41388-10	WHEELS, FRONT, LACED - 1200C/CB/CP/V/X
41389-10	WHEELS, FRONT, LACED - 1200C/CB/CP/V/X
41478-10A	WHEELS, REAR, LACED - 1200C/CB/CP/V/X
41500022	WHEELS, FRONT, CAST - 883L/N/R, 1200C/CA/CP/T WHEELS, FRONT, LACED - 1200C/CB/CP/V/X
41500068	WHEELS, FRONT, CAST - 883L/N/R, 1200C/CA/CP/T WHEELS, FRONT, CAST - 883L/N/R, 1200C/CA/CP/T
41561-04	ENGINE MOUNTS
41562-04	ENGINE MOUNTS
41573-05	FORK, REAR, DEBRIS DEFLECTOR & BELT GUARD FORK, REAR, DEBRIS DEFLECTOR & BELT GUARD
41600068	BRAKE LINES, FRONT - ABS
41600069	BRAKE LINES, REAR - NON-ABS BRAKE LINES, REAR - ABS
41600074	BRAKE LINES, FRONT - ABS
41623-05	FORK, REAR, DEBRIS DEFLECTOR & BELT GUARD
41628-08	WHEELS, FRONT, CAST - 883L/N/R, 1200C/CA/CP/T

	<u>WHEELS, FRONT, LACED - 1200C/CB/CP/V/X</u>
41699-04	<u>ENGINE MOUNTS</u>
41700003	<u>BRAKE CONTROL, FRONT</u>
41700004	<u>BRAKE CONTROL, FRONT</u>
41700007	<u>BRAKE CONTROL, FRONT</u>
41700008	<u>BRAKE CONTROL, FRONT</u>
41700025	<u>BRAKE CONTROL, REAR</u>
41700042	<u>BRAKE CONTROL, FRONT</u>
41700043	<u>BRAKE CONTROL, FRONT</u>
41700084	<u>BRAKE CONTROL, FRONT</u>
41700085	<u>BRAKE CONTROL, FRONT</u>
41700086	<u>BRAKE CONTROL, FRONT</u>
41700087	<u>BRAKE CONTROL, FRONT</u>
41700088	<u>BRAKE CONTROL, FRONT</u>
41700092	<u>BRAKE CONTROL, REAR</u>
41700094	<u>BRAKE CONTROL, REAR</u>
41700095	<u>BRAKE CONTROL, REAR</u>
41700096	<u>BRAKE CONTROL, REAR</u>
41700097	<u>BRAKE CONTROL, REAR</u>
41700098	<u>BRAKE CONTROL, REAR</u>
41700099	<u>BRAKE CONTROL, FRONT</u>
41700102	<u>BRAKE CONTROL, REAR</u>
41700104	<u>CLUTCH CONTROL</u> <u>BRAKE CONTROL, FRONT</u>
41756-08	<u>BRAKE LINES, FRONT - NON-ABS</u> <u>BRAKE LINES, FRONT - NON-ABS</u> <u>BRAKE LINES, FRONT - ABS</u> <u>BRAKE LINES, FRONT - ABS</u> <u>BRAKE LINES, REAR - NON-ABS</u> <u>BRAKE LINES, REAR - ABS</u>
4180	<u>ENGINE MOUNTS</u> <u>HORN</u>
41800143	<u>BRAKE LINES, FRONT - ABS</u>

41800144	BRAKE LINES, FRONT - ABS
41800145	BRAKE LINES, FRONT - ABS
41800146	BRAKE LINES, FRONT - ABS
41800147	BRAKE LINES, FRONT - ABS
41800150	BRAKE LINES, FRONT - ABS
41800151	BRAKE LINES, FRONT - ABS
41800154	BRAKE LINES, FRONT - ABS
41800160	BRAKE LINES, FRONT - NON-ABS
41800161	BRAKE LINES, FRONT - ABS
41800162	BRAKE LINES, FRONT - ABS
41800165	BRAKE LINES, REAR - ABS
41800166	BRAKE LINES, FRONT - NON-ABS
41800167	BRAKE LINES, FRONT - NON-ABS
41800168	BRAKE LINES, FRONT - NON-ABS
41800170	BRAKE LINES, FRONT - NON-ABS
41800171	BRAKE LINES, FRONT - NON-ABS
41800172	BRAKE LINES, FRONT - NON-ABS
41800317	BRAKE LINES, REAR - ABS
41800318	BRAKE LINES, REAR - NON-ABS
41833-08	WHEELS, REAR, CAST - 883L/N/R, 1200C/CA/CP/T WHEELS, REAR, LACED - 1200C/CB/CP/V/X
4188	ENGINE MOUNTS
4190	BRAKE LINES, REAR - NON-ABS BRAKE LINES, REAR - ABS
42425-05	CLUTCH CONTROL BRAKE CONTROL, FRONT
42541-04	FOOTRESTS
42569-03	SHIFTER LEVER BRAKE CONTROL, REAR
42593-04	BRAKE CONTROL, REAR
42651-04	FOOTRESTS
42652-04	FOOTRESTS

4266A	CYLINDERS, HEADS & VALVES
42804-07	BRAKE CONTROL, FRONT
42805-04	BRAKE CONTROL, FRONT
42807-04	CLUTCH CONTROL
42811-04	BRAKE CONTROL, REAR
42812-04	BRAKE CONTROL, REAR
42823-04	BRAKE CALIPER, FRONT BRAKE CALIPER, FRONT
42824-04	BRAKE CALIPER, FRONT BRAKE CALIPER, FRONT
42827-04	BRAKE CALIPER, FRONT BRAKE CALIPER, FRONT BRAKE CALIPER, REAR
42828-04	BRAKE CALIPER, FRONT BRAKE CALIPER, FRONT BRAKE CALIPER, REAR
42840-04	BRAKE CALIPER, REAR
4290	ENGINE MOUNTS
42971-04	FOOTRESTS
42972-04	FOOTRESTS
43000001	WHEELS, FRONT, CAST - 883L/N/R, 1200C/CA/CP/T WHEELS, FRONT, LACED - 1200C/CB/CP/V/X
43017-07	WHEELS, REAR, LACED - 1200C/CB/CP/V/X
43085-97	WHEELS, REAR, LACED - 1200C/CB/CP/V/X
43100004	WHEELS, FRONT, LACED - 1200C/CB/CP/V/X
43100021	WHEELS, FRONT, CAST - 883L/N/R, 1200C/CA/CP/T
4312C	BATTERY
43140-80	WHEELS, FRONT, LACED - 1200C/CB/CP/V/X
43147-40	WHEELS, REAR, LACED - 1200C/CB/CP/V/X
43157-83A	WHEELS, FRONT, CAST - 883L/N/R, 1200C/CA/CP/T WHEELS, REAR, CAST - 883L/N/R, 1200C/CA/CP/T
43200007	WHEELS, REAR, LACED - 1200C/CB/CP/V/X
43200026	WHEELS, REAR, CAST - 883L/N/R, 1200C/CA/CP/T

43216-11	WHEELS, REAR, CAST - 883L/N/R, 1200C/CA/CP/T
43241-05	WHEELS, REAR, LACED - 1200C/CB/CP/V/X
43258-07B	WHEELS, FRONT, CAST - 883L/N/R, 1200C/CA/CP/T
43300156	WHEELS, FRONT, CAST - 883L/N/R, 1200C/CA/CP/T
43300157	WHEELS, FRONT, CAST - 883L/N/R, 1200C/CA/CP/T
43300158	WHEELS, FRONT, CAST - 883L/N/R, 1200C/CA/CP/T
43300282	WHEELS, FRONT, CAST - 883L/N/R, 1200C/CA/CP/T
43355-00	WHEELS, FRONT, CAST - 883L/N/R, 1200C/CA/CP/T
43358-08	WHEELS, FRONT, CAST - 883L/N/R, 1200C/CA/CP/T WHEELS, FRONT, LACED - 1200C/CB/CP/V/X
4351	TURN SIGNALS, FRONT
4352	FORK BRACKETS, FRONT
4354	SHOCK ABSORBERS, REAR
43557-08	WHEELS, FRONT, LACED - 1200C/CB/CP/V/X
43567-92	WHEELS, REAR, CAST - 883L/N/R, 1200C/CA/CP/T WHEELS, REAR, LACED - 1200C/CB/CP/V/X
4359	SHIFTER LEVER FORK BRACKETS, FRONT
43595-99	FRAME & JIFFY STAND
4363	ELECTRONIC IGNITION SYSTEM
4365	TAIL LAMPS
43662-80B	WHEELS, FRONT, LACED - 1200C/CB/CP/V/X
43689-11	WHEELS, FRONT, CAST - 883L/N/R, 1200C/CA/CP/T
43905-08	WHEELS, REAR, CAST - 883L/N/R, 1200C/CA/CP/T WHEELS, REAR, LACED - 1200C/CB/CP/V/X
43906-08	WHEELS, FRONT, CAST - 883L/N/R, 1200C/CA/CP/T WHEELS, FRONT, LACED - 1200C/CB/CP/V/X
43939-89	WHEELS, FRONT, LACED - 1200C/CB/CP/V/X
44012-11A	WHEELS, REAR, CAST - 883L/N/R, 1200C/CA/CP/T
4402	FORK BRACKETS, FRONT
44160-00	BRAKE CALIPER, REAR FORK, FRONT - 883L/R, 1200C/CA/CB/CP/T/V/X (1 OF 2) FORK, FRONT - 883N

4420	HEADLAMP - 1200C/CA/CB/CP/V
45041-01A	FOOTRESTS FOOTRESTS
45361-90	FORK, FRONT - 883L/R, 1200C/CA/CB/CP/T/V/X (1 OF 2) FORK, FRONT - 883N
45374-87	FORK, FRONT - 883L/R, 1200C/CA/CB/CP/T/V/X (1 OF 2) FORK, FRONT - 883N
45376-09	FORK, FRONT - 883L/R, 1200C/CA/CB/CP/T/V/X (1 OF 2)
45377-87	FORK, FRONT - 883L/R, 1200C/CA/CB/CP/T/V/X (1 OF 2) FORK, FRONT - 883N
45378-87	FORK, FRONT - 883L/R, 1200C/CA/CB/CP/T/V/X (1 OF 2) FORK, FRONT - 883N
45395-09	FORK, FRONT - 883L/R, 1200C/CA/CB/CP/T/V/X (1 OF 2)
45400017	FORK, FRONT - 883N
45400018	FORK, FRONT - 883N
45400019	FORK, FRONT - 883L/R, 1200C/CA/CB/CP/T/V/X (1 OF 2)
45400020	FORK, FRONT - 883L/R, 1200C/CA/CB/CP/T/V/X (1 OF 2)
45400025	FORK, FRONT - 883L/R, 1200C/CA/CB/CP/T/V/X (1 OF 2)
45400026	FORK, FRONT - 883L/R, 1200C/CA/CB/CP/T/V/X (1 OF 2)
45400054	FORK, FRONT - 883L/R, 1200C/CA/CB/CP/T/V/X (1 OF 2)
45400055	FORK, FRONT - 883L/R, 1200C/CA/CB/CP/T/V/X (1 OF 2)
45401-87	FORK, FRONT - 883L/R, 1200C/CA/CB/CP/T/V/X (1 OF 2) FORK, FRONT - 883N
45405-75A	FORK, FRONT - 883L/R, 1200C/CA/CB/CP/T/V/X (1 OF 2) FORK, FRONT - 883N
45451-07	FORK, FRONT - 883N
45458-09	FORK, FRONT - 883L/R, 1200C/CA/CB/CP/T/V/X (2 OF 2)
45460-90	FORK, FRONT - 883L/R, 1200C/CA/CB/CP/T/V/X (1 OF 2)
45461-87	FORK, FRONT - 883L/R, 1200C/CA/CB/CP/T/V/X (1 OF 2) FORK, FRONT - 883N
45462-87	FORK, FRONT - 883L/R, 1200C/CA/CB/CP/T/V/X (1 OF 2) FORK, FRONT - 883N
45465-87	FORK, FRONT - 883L/R, 1200C/CA/CB/CP/T/V/X (1 OF 2) FORK, FRONT - 883N
45500054	FORK, FRONT - 883N

45500055	FORK, FRONT - 883L/R, 1200C/CA/CB/CP/T/V/X (2 OF 2)
45500056	FORK, FRONT - 883L/R, 1200C/CA/CB/CP/T/V/X (2 OF 2)
45500057	FORK, FRONT - 883N
45500075	FORK, FRONT - 883L/R, 1200C/CA/CB/CP/T/V/X (2 OF 2)
45500076	FORK, FRONT - 883L/R, 1200C/CA/CB/CP/T/V/X (2 OF 2)
45500139	FORK, FRONT - 883N
45500142	FORK, FRONT - 883L/R, 1200C/CA/CB/CP/T/V/X (1 OF 2)
45500244	FORK, FRONT - 883L/R, 1200C/CA/CB/CP/T/V/X (1 OF 2)
45600014	FRAME & JIFFY STAND
45611-86	FORK BRACKETS, FRONT
45799-04	CLUTCH CONTROL
45800-04	CLUTCH CONTROL
45801-04	CLUTCH CONTROL
45830-48	CRANKCASE & GEARCASE
45902-00	STARTER MOTOR
45905-87	FORK, FRONT - 883L/R, 1200C/CA/CB/CP/T/V/X (1 OF 2) FORK, FRONT - 883N
45925-09	FORK, FRONT - 883L/R, 1200C/CA/CB/CP/T/V/X (2 OF 2)
45938-92	FORK, FRONT - 883L/R, 1200C/CA/CB/CP/T/V/X (2 OF 2)
45966-04	FORK BRACKETS, FRONT
45968-10	FORK, FRONT - 883L/R, 1200C/CA/CB/CP/T/V/X (1 OF 2)
45984-87	FORK, FRONT - 883L/R, 1200C/CA/CB/CP/T/V/X (1 OF 2) FORK, FRONT - 883N
45988-10	FORK, FRONT - 883L/R, 1200C/CA/CB/CP/T/V/X (1 OF 2)
45996-87	FORK, FRONT - 883L/R, 1200C/CA/CB/CP/T/V/X (2 OF 2) FORK, FRONT - 883N
46002-87	FORK, FRONT - 883L/R, 1200C/CA/CB/CP/T/V/X (2 OF 2)
46009-10	FORK BRACKETS, FRONT
46014-10	FORK BRACKETS, FRONT
46126-04	FORK BRACKETS, FRONT
46218-05	FORK, FRONT - 883L/R, 1200C/CA/CB/CP/T/V/X (1 OF 2)

	<u>FORK, FRONT - 883N</u>
46245-09	<u>FORK, FRONT - 883L/R, 1200C/CA/CB/CP/T/V/X (1 OF 2)</u>
46267-05	<u>FORK, FRONT - 883L/R, 1200C/CA/CB/CP/T/V/X (1 OF 2)</u>
46268-04	<u>CLUTCH CONTROL</u>
46420-10	<u>FENDERS, FRONT</u>
46758-07	<u>FORK BRACKETS, FRONT</u>
46767-07	<u>FORK BRACKETS, FRONT</u>
46997-11	<u>FORK BRACKETS, FRONT</u>
46998-11	<u>FORK BRACKETS, FRONT</u>
47000031	<u>FRAME & JIFFY STAND</u>
4705	<u>ENGINE SENSORS & SWITCHES</u>
4717A	<u>CAMSHAFTS & GEAR COVER</u> <u>BELTS, CHAINS & SPROCKETS</u>
4718A	<u>ROCKER ARM ASSEMBLY & PUSHRODS</u>
47200177	<u>GUARDS, SAREE</u>
4724	<u>HEADLAMP - 883L/N/R, 1200T/X</u>
47313-07	<u>FORK, FRONT - 883N</u>
4740A	<u>CAMSHAFTS & GEAR COVER</u> <u>ALTERNATOR & REGULATOR</u>
4741A	<u>ROCKER ARM ASSEMBLY & PUSHRODS</u> <u>BRAKE LINES, FRONT - NON-ABS</u>
47470-04	<u>ENGINE MOUNTS</u>
47471-04A	<u>ENGINE MOUNTS</u>
4748	<u>CYLINDERS, HEADS & VALVES</u> <u>HEADLAMP - 883L/N/R, 1200T/X</u> <u>HEADLAMP - 1200C/CA/CB/CP/V</u> <u>EXHAUST SYSTEM</u>
47500004	<u>ENGINE MOUNTS</u>
47500005	<u>FORK, REAR, DEBRIS DEFLECTOR & BELT GUARD</u>
47500006	<u>FORK, REAR, DEBRIS DEFLECTOR & BELT GUARD</u>
4751	<u>ALTERNATOR & REGULATOR</u> <u>BELTS, CHAINS & SPROCKETS</u>
47587-05A	<u>FORK, REAR, DEBRIS DEFLECTOR & BELT GUARD</u>

4758A	<u>FUEL TANK</u>
4765	<u>OIL PUMP</u>
4771	<u>FUEL TANK</u>
4778	<u>GUARDS, SAREE</u> <u>FENDERS, REAR - 883L/R/1200C/CA/CB/CP (ALL), 883N/1200V/X (CANADA ONLY)</u> <u>FENDERS, REAR - 883N/1200V/X (ALL EXCEPT CANADA)</u>
4779	<u>GUARDS, SAREE</u> <u>FENDERS, REAR - 883L/R/1200C/CA/CB/CP (ALL), 883N/1200V/X (CANADA ONLY)</u> <u>FENDERS, REAR - 883N/1200V/X (ALL EXCEPT CANADA)</u>
47875-09A	<u>WHEELS, FRONT, CAST - 883L/N/R, 1200C/CA/CP/T</u>
47878-09B	<u>WHEELS, REAR, CAST - 883L/N/R, 1200C/CA/CP/T</u>
47887-10	<u>WHEELS, FRONT, LACED - 1200C/CB/CP/V/X</u>
4798	<u>INDUCTION MODULE, FUEL</u>
48027-99	<u>FRAME & JIFFY STAND</u>
48184-01	<u>FORK BRACKETS, FRONT</u>
4820A	<u>INSPECTION COVER & PRIMARY COVER</u>
48300-60	<u>FORK BRACKETS, FRONT</u>
48315-60	<u>FORK BRACKETS, FRONT</u> <u>FRAME & JIFFY STAND</u>
48463-04A	<u>ENGINE MOUNTS</u>
48492-04A	<u>ENGINE MOUNTS</u>
4858M	<u>BRAKE LINES, REAR - ABS</u>
4871	<u>FRAME & JIFFY STAND</u>
48738-07	<u>FORK, FRONT - 883L/R, 1200C/CA/CB/CP/T/V/X (2 OF 2)</u> <u>FORK, FRONT - 883N</u>
48791-09	<u>FORK, FRONT - 883L/R, 1200C/CA/CB/CP/T/V/X (2 OF 2)</u> <u>FORK, FRONT - 883N</u>
48849-10	<u>FORK, FRONT - 883L/R, 1200C/CA/CB/CP/T/V/X (2 OF 2)</u>
48850-10	<u>FORK, FRONT - 883L/R, 1200C/CA/CB/CP/T/V/X (2 OF 2)</u>
49315-04	<u>FOOTRESTS</u>
49378-09	<u>FORK, FRONT - 883L/R, 1200C/CA/CB/CP/T/V/X (2 OF 2)</u> <u>FORK, FRONT - 883N</u>
49382-11	<u>FORK, FRONT - 883L/R, 1200C/CA/CB/CP/T/V/X (1 OF 2)</u>

49400-11	FORK, FRONT - 883L/R, 1200C/CA/CB/CP/T/V/X (1 OF 2)
49401-11	FORK, FRONT - 883L/R, 1200C/CA/CB/CP/T/V/X (2 OF 2)
49403-11	FORK, FRONT - 883L/R, 1200C/CA/CB/CP/T/V/X (2 OF 2)
49409-11	FORK, FRONT - 883L/R, 1200C/CA/CB/CP/T/V/X (1 OF 2)
49410-11	FORK, FRONT - 883L/R, 1200C/CA/CB/CP/T/V/X (1 OF 2)
49411-11	FORK, FRONT - 883L/R, 1200C/CA/CB/CP/T/V/X (2 OF 2)
49412-11	FORK, FRONT - 883L/R, 1200C/CA/CB/CP/T/V/X (2 OF 2)
49419-11	FORK BRACKETS, FRONT
49422-11	FORK BRACKETS, FRONT
49735-08	FRAME & JIFFY STAND
4978	FENDERS, FRONT
4991	FRAME & JIFFY STAND
4993	FORK BRACKETS, FRONT
50000025BHP	FRAME & JIFFY STAND
50003-89B	FRAME & JIFFY STAND
50005-85A	FRAME & JIFFY STAND
5004	BRAKE LINES, FRONT - ABS
50124-09BHP	FRAME & JIFFY STAND
50126-08A	FRAME & JIFFY STAND
50185-04C	FRAME & JIFFY STAND
50500227	GUARDS, SAREE
50500233	BRAKE CONTROL, REAR FOOTRESTS
50500288	FOOTRESTS
50500289	FOOTRESTS
50500290	FOOTRESTS
50500291	FOOTRESTS
50500323	FOOTRESTS
50600020	BRAKE CONTROL, REAR
50600021	BRAKE CONTROL, REAR

50600022	BRAKE CONTROL, REAR
50600023	BRAKE CONTROL, REAR
50600024	BRAKE CONTROL, REAR
50600025	BRAKE CONTROL, REAR
50600091	BRAKE CONTROL, REAR
50600092	BRAKE CONTROL, REAR
50600101	BRAKE CONTROL, REAR
50600124	BRAKE CONTROL, REAR
50600125	BRAKE CONTROL, REAR
50912-72	FOOTRESTS FOOTRESTS
5118	SWITCHES, HANDLEBAR WIRING HARNESS, MAIN, NON-ABS (1 OF 4) WIRING HARNESS, MAIN, ABS (1 OF 4) WIRING HARNESS, MAIN, KEYLESS, ABS (1 OF 4) WIRING HARNESS, MAIN, KEYLESS, NON-ABS (1 OF 4)
51323-08	FOOTRESTS
51327-08	FOOTRESTS
51530-07	SEATS
51532-07	SEATS
51550-11	SEATS
51551-07	SEATS
51652-97A	SEATS
51730-10	FOOTRESTS
51731-10	FOOTRESTS
51740-10	SEATS
51911-10	SEATS
52000156	SEATS
52441-95	LICENSE PLATE BRACKETS
53126-10	SADDLEBAGS - 1200T
53176-08	FRAME & JIFFY STAND
53436-97	HEADLAMP - 883L/N/R, 1200T/X HEADLAMP - 1200C/CA/CB/CP/V

54000060	<u>SHOCK ABSORBERS, REAR</u>
54000061	<u>SHOCK ABSORBERS, REAR</u>
5403B	<u>LICENSE PLATE BRACKETS</u>
5414	<u>EXHAUST SYSTEM</u>
54321-85	<u>WHEELS, FRONT, CAST - 883L/N/R, 1200C/CA/CP/T</u> <u>WHEELS, FRONT, LACED - 1200C/CB/CP/V/X</u> <u>WHEELS, REAR, CAST - 883L/N/R, 1200C/CA/CP/T</u> <u>WHEELS, REAR, LACED - 1200C/CB/CP/V/X</u>
54550-10	<u>SHOCK ABSORBERS, REAR</u> <u>SHOCK ABSORBERS, REAR</u> <u>SHOCK ABSORBERS, REAR</u> <u>SHOCK ABSORBERS, REAR</u>
54568-09	<u>SHOCK ABSORBERS, REAR</u> <u>SHOCK ABSORBERS, REAR</u> <u>SHOCK ABSORBERS, REAR</u> <u>SHOCK ABSORBERS, REAR</u>
54570-09	<u>SHOCK ABSORBERS, REAR</u> <u>SHOCK ABSORBERS, REAR</u> <u>SHOCK ABSORBERS, REAR</u> <u>SHOCK ABSORBERS, REAR</u>
54677-10	<u>SHOCK ABSORBERS, REAR</u>
54724-04	<u>SHOCK ABSORBERS, REAR</u>
54741-07	<u>SHOCK ABSORBERS, REAR</u>
55035-11A	<u>WHEELS, FRONT, CAST - 883L/N/R, 1200C/CA/CP/T</u> <u>WHEELS, FRONT, LACED - 1200C/CB/CP/V/X</u>
55126-11	<u>WHEELS, FRONT, LACED - 1200C/CB/CP/V/X</u>
55127-11	<u>WHEELS, FRONT, LACED - 1200C/CB/CP/V/X</u>
5531	<u>FENDERS, REAR - 883N/1200V/X (ALL EXCEPT CANADA)</u> <u>TAIL LAMPS & TURN SIGNALS, REAR</u>
554A	<u>FRAME & JIFFY STAND</u>
55785-11	<u>HANDLEBAR & THROTTLE CONTROL - 1200C/CA/CB/CP/V</u>
55786-11	<u>HANDLEBAR & THROTTLE CONTROL - 1200C/CA/CB/CP/V</u>
55840-04A	<u>HANDLEBAR & THROTTLE CONTROL - 1200C/CA/CB/CP/V</u>
55842-04	<u>HANDLEBAR & THROTTLE CONTROL - 1200C/CA/CB/CP/V</u>
55846-05A	<u>SPEEDOMETER</u>
55847-05A	<u>SPEEDOMETER</u>
55900029	<u>SPEEDOMETER</u>

56014-09A	HANDLEBAR & THROTTLE CONTROL - 883L/N/R, 1200T/X
56017-04	HANDLEBAR & THROTTLE CONTROL - 1200C/CA/CB/CP/V
56079-93	HANDLEBAR & THROTTLE CONTROL - 1200C/CA/CB/CP/V
56085-83A	HANDLEBAR & THROTTLE CONTROL - 883L/N/R, 1200T/X
56104-02	GUARDS, SAREE FENDERS, REAR - 883L/R/1200C/CA/CB/CP (ALL), 883N/1200V/X (CANADA ONLY) TAIL LAMPS & TURN SIGNALS, REAR
56116-82A	HANDLEBAR & THROTTLE CONTROL - 883L/N/R, 1200T/X
56117-82A	HANDLEBAR & THROTTLE CONTROL - 883L/N/R, 1200T/X
56394-74	SWITCHES, HANDLEBAR
56396-74A	SWITCHES, HANDLEBAR
56397-74C	SWITCHES, HANDLEBAR
56402-83A	SWITCHES, HANDLEBAR
56508-76	HANDLEBAR & THROTTLE CONTROL - 883L/N/R, 1200T/X HANDLEBAR & THROTTLE CONTROL - 1200C/CA/CB/CP/V
56541-86A	HANDLEBAR & THROTTLE CONTROL - 1200C/CA/CB/CP/V
56542-86A	HANDLEBAR & THROTTLE CONTROL - 1200C/CA/CB/CP/V
56666-04	HANDLEBAR & THROTTLE CONTROL - 883L/N/R, 1200T/X HANDLEBAR & THROTTLE CONTROL - 1200C/CA/CB/CP/V
56667-04	HANDLEBAR & THROTTLE CONTROL - 883L/N/R, 1200T/X HANDLEBAR & THROTTLE CONTROL - 1200C/CA/CB/CP/V
56884-07	HANDLEBAR & THROTTLE CONTROL - 883L/N/R, 1200T/X HANDLEBAR & THROTTLE CONTROL - 1200C/CA/CB/CP/V
56885-07	HANDLEBAR & THROTTLE CONTROL - 883L/N/R, 1200T/X HANDLEBAR & THROTTLE CONTROL - 1200C/CA/CB/CP/V
57200037	FRAME & JIFFY STAND
57200038	FRAME & JIFFY STAND
57209-11	HANDLEBAR & THROTTLE CONTROL - 883L/N/R, 1200T/X
57400214	WINDSHIELD - 1200T
57400245	WINDSHIELD - 1200T
57472-11	HANDLEBAR & THROTTLE CONTROL - 1200C/CA/CB/CP/V
57793-11	WINDSHIELD - 1200T
57796-11	WINDSHIELD - 1200T

58050-78A	WINDSHIELD - 1200T
58051-78A	WINDSHIELD - 1200T
58052-78	WINDSHIELD - 1200T
58152-96	WINDSHIELD - 1200T
58174-04A	WINDSHIELD - 1200T
58406-75A	WINDSHIELD - 1200T
58408-75A	WINDSHIELD - 1200T
58417-77	WINDSHIELD - 1200T
58790-04	WINDSHIELD - 1200T
58791-04	WINDSHIELD - 1200T
58998-83E	FENDERS, FRONT
59256-84A	FENDERS, REAR - 883L/R/1200C/CA/CB/CP (ALL), 883N/1200V/X (CANADA ONLY) FENDERS, REAR - 883N/1200V/X (ALL EXCEPT CANADA)
59259-90	FENDERS, REAR - 883L/R/1200C/CA/CB/CP (ALL), 883N/1200V/X (CANADA ONLY) LICENSE PLATE BRACKETS
59287-92	FENDERS, REAR - 883L/R/1200C/CA/CB/CP (ALL), 883N/1200V/X (CANADA ONLY)
59288-92	FENDERS, REAR - 883L/R/1200C/CA/CB/CP (ALL), 883N/1200V/X (CANADA ONLY)
59359-06	FENDERS, REAR - 883N/1200V/X (ALL EXCEPT CANADA)
59481-00	FORK, FRONT - 883L/R, 1200C/CA/CB/CP/T/V/X (2 OF 2) FORK, FRONT - 883N
59482-00	FORK, FRONT - 883L/R, 1200C/CA/CB/CP/T/V/X (2 OF 2) FORK, FRONT - 883N
59500034	FENDERS, REAR - 883L/R/1200C/CA/CB/CP (ALL), 883N/1200V/X (CANADA ONLY)
59500172	FENDERS, REAR - 1200T
59500173	FENDERS, REAR - 1200T
59502-04A	FENDERS, REAR - 883N/1200V/X (ALL EXCEPT CANADA)
59502-04B	FENDERS, REAR - 883L/R/1200C/CA/CB/CP (ALL), 883N/1200V/X (CANADA ONLY) FENDERS, REAR - 1200T
59673-04A	FENDERS, REAR - 883L/R/1200C/CA/CB/CP (ALL), 883N/1200V/X (CANADA ONLY) FENDERS, REAR - 1200T
59712-07A	FENDERS, FRONT
59723-04	FENDERS, REAR - 883L/R/1200C/CA/CB/CP (ALL), 883N/1200V/X (CANADA ONLY) FENDERS, REAR - 883N/1200V/X (ALL EXCEPT CANADA)

	FENDERS, REAR - 1200T
59727-07	FENDERS, REAR - 883N/1200V/X (ALL EXCEPT CANADA)
59768-97	FENDERS, REAR - 883L/R/1200C/CA/CB/CP (ALL), 883N/1200V/X (CANADA ONLY) FENDERS, REAR - 883N/1200V/X (ALL EXCEPT CANADA) FENDERS, REAR - 1200T
59847-10	FENDERS, REAR - 883L/R/1200C/CA/CB/CP (ALL), 883N/1200V/X (CANADA ONLY) FENDERS, REAR - 1200T
59865-10	FENDERS, REAR - 883N/1200V/X (ALL EXCEPT CANADA)
59885-11	FENDERS, REAR - 883L/R/1200C/CA/CB/CP (ALL), 883N/1200V/X (CANADA ONLY)
59902-04	FENDERS, REAR - 883L/R/1200C/CA/CB/CP (ALL), 883N/1200V/X (CANADA ONLY)
59903-04	FENDERS, REAR - 883L/R/1200C/CA/CB/CP (ALL), 883N/1200V/X (CANADA ONLY)
59984-73	LICENSE PLATE BRACKETS
59986-75	LICENSE PLATE BRACKETS
59988-72A	LICENSE PLATE BRACKETS
60001-55	LICENSE PLATE BRACKETS
60013-02	LICENSE PLATE BRACKETS
6003	TRANSMISSION GEARS
60203-06	FENDERS, REAR - 883L/R/1200C/CA/CB/CP (ALL), 883N/1200V/X (CANADA ONLY) FENDERS, REAR - 883N/1200V/X (ALL EXCEPT CANADA)
60204-06	FENDERS, REAR - 883L/R/1200C/CA/CB/CP (ALL), 883N/1200V/X (CANADA ONLY) FENDERS, REAR - 883N/1200V/X (ALL EXCEPT CANADA)
6021	TRANSMISSION GEARS
60225-08BHP	LICENSE PLATE BRACKETS
6026	ENGINE MOUNTS HORN
60300007	GUARDS, SAREE
60300008	GUARDS, SAREE
60300009	GUARDS, SAREE
60328-98B	INSPECTION COVER & PRIMARY COVER
60367-04	FORK, REAR, DEBRIS DEFLECTOR & BELT GUARD
60379-09	FORK, REAR, DEBRIS DEFLECTOR & BELT GUARD
60435-04B	FORK, REAR, DEBRIS DEFLECTOR & BELT GUARD
60574-10	FENDERS, FRONT

60800009	EVAPORATIVE EMISSIONS COMPONENTS
60901-07	LICENSE PLATE BRACKETS
60955-11	FENDERS, FRONT
6101	CLUTCH CONTROL BRAKE CONTROL, FRONT
61015-04A	FUEL PUMP
6109	GUARDS, SAREE
61100026	FUEL TANK EVAPORATIVE EMISSIONS COMPONENTS
61100027	FUEL TANK EVAPORATIVE EMISSIONS COMPONENTS
61100040	FUEL TANK
61100044	FUEL TANK
61100045	FUEL TANK
61109-85D	FUEL TANK
61213-04A	FUEL PUMP
61272-92C	FUEL TANK
61289-07A	FUEL TANK
61300131	AIR CLEANER
61300332	AIR CLEANER
61300478	HORN
61348-07	FUEL TANK
61459-97	FRAME & JIFFY STAND
6152	ENGINE MOUNTS
6157	OIL PUMP
61724-10	FUEL TANK
6192	FENDERS, REAR - 883L/R/1200C/CA/CB/CP (ALL), 883N/1200V/X (CANADA ONLY) FENDERS, REAR - 883N/1200V/X (ALL EXCEPT CANADA) FENDERS, REAR - 1200T
62122-89A	FRAME & JIFFY STAND
62150-85	FUEL TANK EVAPORATIVE EMISSIONS COMPONENTS

62213-07	FUEL TANK
62338-01Y	OIL TANK & LINES
62361-10	OIL TANK & LINES
6237	HORN
62375-57A	CAMSHAFTS & GEAR COVER
62426-11	FUEL TANK TRIM
62439-11	FUEL TANK TRIM
62500017	OIL TANK & LINES
62534-07	FRAME & JIFFY STAND
62580-11	FUEL TANK TRIM
62581-11	FUEL TANK TRIM
62592-07A	OIL TANK & LINES
62601-91A	OIL PUMP
62651-04	CRANKCASE & GEARCASE
62700014	CRANKCASE & GEARCASE
62700038	OIL TANK & LINES
6288	SWITCHES
63000-04B	OIL TANK & LINES
63508-04	CRANKCASE & GEARCASE
63533-41A	CRANKCASE & GEARCASE OIL PUMP
63796-77A	CRANKCASE & GEARCASE
63805-80A	CRANKCASE & GEARCASE
64889-04A	EXHAUST SYSTEM
64900161	EXHAUST SYSTEM EXHAUST SYSTEM
64900162	EXHAUST SYSTEM EXHAUST SYSTEM
64900163	EXHAUST SYSTEM EXHAUST SYSTEM EXHAUST SYSTEM
64900164	EXHAUST SYSTEM

64900165	EXHAUST SYSTEM EXHAUST SYSTEM
64900166	EXHAUST SYSTEM
64900212	EXHAUST SYSTEM
64900213	EXHAUST SYSTEM
65088-04	CRANKCASE & GEARCASE
6516HW	BELTS, CHAINS & SPROCKETS
65324-83B	EXHAUST SYSTEM
65325-83A	EXHAUST SYSTEM
65328-83A	EXHAUST SYSTEM
65400054	EXHAUST SYSTEM
65400055	EXHAUST SYSTEM
65440-06	EXHAUST SYSTEM
65441-06	EXHAUST SYSTEM
65500022	EXHAUST SYSTEM
65500023	EXHAUST SYSTEM
65500025	EXHAUST SYSTEM
6551	WHEELS, REAR, CAST - 883L/N/R, 1200C/CA/CP/T WHEELS, REAR, LACED - 1200C/CB/CP/V/X
65600094	EXHAUST SYSTEM
6589	ROCKER ARM ASSEMBLY & PUSHRODS
65900012	EXHAUST SYSTEM
6590HW	HANDLEBAR & THROTTLE CONTROL - 883L/N/R, 1200T/X HANDLEBAR & THROTTLE CONTROL - 1200C/CA/CB/CP/V
6594	WHEELS, FRONT, CAST - 883L/N/R, 1200C/CA/CP/T WHEELS, FRONT, LACED - 1200C/CB/CP/V/X
65958-04A	BATTERY
66000031	BATTERY
66000032	BATTERY
66000035	BATTERY
66000036	BATTERY

66000037	BATTERY
66000045	ENGINE MOUNTS
6610	TURN SIGNALS, FRONT
6611	FORK BRACKETS, FRONT
66252-04B	FRAME & JIFFY STAND
66273-05B	FRAME & JIFFY STAND
66373-06	SWITCHES
66851-07	EXHAUST SYSTEM
6701	BRAKE LINES, REAR - NON-ABS BRAKE LINES, REAR - ABS FORK, FRONT - 883L/R, 1200C/CA/CB/CP/T/V/X (1 OF 2) FORK, FRONT - 883N HEADLAMP - 883L/N/R, 1200T/X HEADLAMP - 1200C/CA/CB/CP/V EXHAUST SYSTEM
6702	FORK BRACKETS, FRONT FORK, REAR, DEBRIS DEFLECTOR & BELT GUARD FENDERS, REAR - 883L/R/1200C/CA/CB/CP (ALL), 883N/1200V/X (CANADA ONLY) FENDERS, REAR - 883N/1200V/X (ALL EXCEPT CANADA) FENDERS, REAR - 1200T FUEL TANK HEADLAMP - 883L/N/R, 1200T/X HEADLAMP - 1200C/CA/CB/CP/V EXHAUST SYSTEM
6703	FENDERS, REAR - 883N/1200V/X (ALL EXCEPT CANADA) LICENSE PLATE BRACKETS LICENSE PLATE BRACKETS
67104-95	SPEEDOMETER
67121-95A	SPEEDOMETER
6716	LICENSE PLATE BRACKETS
6718	SHOCK ABSORBERS, REAR
67319-95	SPEEDOMETER
6738	SHOCK ABSORBERS, REAR
67601-94A	HEADLAMP - 1200C/CA/CB/CP/V
67603-94A	HEADLAMP - 1200C/CA/CB/CP/V
67667-05	HEADLAMP - 883L/N/R, 1200T/X HEADLAMP - 1200C/CA/CB/CP/V
67700094	HEADLAMP - 883L/N/R, 1200T/X

67700196	<u>HEADLAMP - 883L/N/R, 1200T/X</u>
67700197	<u>HEADLAMP - 883L/N/R, 1200T/X</u>
67746-11	<u>HEADLAMP - 1200C/CA/CB/CP/V</u>
67790-93A	<u>HEADLAMP - 883L/N/R, 1200T/X</u>
67800070	<u>TURN SIGNALS, FRONT</u>
67800214	<u>TAIL LAMPS & TURN SIGNALS, REAR</u>
67800215	<u>TAIL LAMPS & TURN SIGNALS, REAR</u>
67800381	<u>TURN SIGNALS, FRONT</u>
67800382	<u>TURN SIGNALS, FRONT</u>
67800395	<u>TURN SIGNALS, FRONT</u>
67800396	<u>TURN SIGNALS, FRONT</u>
67815-59A	<u>HEADLAMP - 883L/N/R, 1200T/X</u>
67865-89	<u>HEADLAMP - 883L/N/R, 1200T/X</u>
6787	<u>CYLINDERS, HEADS & VALVES</u>
67883-04A	<u>HEADLAMP - 883L/N/R, 1200T/X</u>
67894-93A	<u>HEADLAMP - 1200C/CA/CB/CP/V</u>
67900006	<u>FENDERS, REAR - 883L/R/1200C/CA/CB/CP (ALL), 883N/1200V/X (CANADA ONLY)</u>
67900079	<u>LICENSE PLATE BRACKETS</u>
67900088	<u>LICENSE PLATE BRACKETS</u>
67900089	<u>LICENSE PLATE BRACKETS</u>
67900093	<u>LICENSE PLATE BRACKETS</u>
67900152A	<u>LICENSE PLATE BRACKETS</u>
67900155	<u>LICENSE PLATE BRACKETS</u>
67900157	<u>LICENSE PLATE BRACKETS</u>
67900231	<u>LICENSE PLATE BRACKETS</u>
67900234	<u>SADDLEBAGS - 1200T</u>
67900235	<u>SADDLEBAGS - 1200T</u>
67963-05A	<u>HEADLAMP - 883L/N/R, 1200T/X</u>
6798	<u>GUARDS, SAREE</u> <u>FENDERS, REAR - 883L/R/1200C/CA/CB/CP (ALL), 883N/1200V/X (CANADA ONLY)</u> <u>FENDERS, REAR - 883N/1200V/X (ALL EXCEPT CANADA)</u>

68026-99	TAIL LAMPS
68041-04	FORK BRACKETS, FRONT
68042-99	CRANKCASE & GEARCASE
68066-99A	TAIL LAMPS
68120-00	CAMSHAFTS & GEAR COVER
68140-04	TAIL LAMPS
68141-04	TAIL LAMPS
68163-84	TURN SIGNALS, FRONT TAIL LAMPS & TURN SIGNALS, REAR TAIL LAMPS & TURN SIGNALS, REAR TAIL LAMPS & TURN SIGNALS, REAR
68167-04	TAIL LAMPS
68168-89A	TURN SIGNALS, FRONT TURN SIGNALS, FRONT TAIL LAMPS & TURN SIGNALS, REAR
68265-04	TURN SIGNALS, FRONT
68277-07	TAIL LAMPS & TURN SIGNALS, REAR
68296-99A	TAIL LAMPS
68297-05	HEADLAMP - 883L/N/R, 1200T/X HEADLAMP - 1200C/CA/CB/CP/V
68329-03	HEADLAMP - 883L/N/R, 1200T/X HEADLAMP - 1200C/CA/CB/CP/V
68335-05	HEADLAMP - 883L/N/R, 1200T/X HEADLAMP - 1200C/CA/CB/CP/V
68341-05	HEADLAMP - 883L/N/R, 1200T/X HEADLAMP - 1200C/CA/CB/CP/V
68369-03	TAIL LAMPS
68370-03A	TAIL LAMPS
68372-03	TAIL LAMPS
68380-05	HEADLAMP - 883L/N/R, 1200T/X HEADLAMP - 1200C/CA/CB/CP/V
68382-07B	SPEEDOMETER
68420-01	TAIL LAMPS & TURN SIGNALS, REAR TAIL LAMPS & TURN SIGNALS, REAR
68430-89A	TAIL LAMPS & TURN SIGNALS, REAR

68443-07A	HEADLAMP - 883L/N/R, 1200T/X
68449-07	TAIL LAMPS & TURN SIGNALS, REAR
68461-09	TAIL LAMPS & TURN SIGNALS, REAR
68480-02	TAIL LAMPS & TURN SIGNALS, REAR
68497-07	TAIL LAMPS & TURN SIGNALS, REAR
68513-07A	SPEEDOMETER
68559-07	TAIL LAMPS & TURN SIGNALS, REAR
68572-64B	TAIL LAMPS & TURN SIGNALS, REAR
68653-05	HEADLAMP - 883L/N/R, 1200T/X HEADLAMP - 1200C/CA/CB/CP/V
68702-07	LICENSE PLATE BRACKETS
68704-07	FENDERS, REAR - 883N/1200V/X (ALL EXCEPT CANADA)
68724-07	FENDERS, REAR - 883N/1200V/X (ALL EXCEPT CANADA)
68730-07	TURN SIGNALS, FRONT
68755-07	TURN SIGNALS, FRONT TAIL LAMPS & TURN SIGNALS, REAR
68830-99A	TAIL LAMPS
68857-07	FENDERS, REAR - 883N/1200V/X (ALL EXCEPT CANADA)
68904-00	TURN SIGNALS, FRONT TURN SIGNALS, FRONT
68926-07	SWITCHES
68956-07	TURN SIGNAL MODULE & SECURITY SIREN
68958-07C	TURN SIGNAL MODULE & SECURITY SIREN
68966-08	FENDERS, REAR - 883N/1200V/X (ALL EXCEPT CANADA)
68972-00	TURN SIGNALS, FRONT TURN SIGNALS, FRONT
68973-00	TURN SIGNALS, FRONT TAIL LAMPS & TURN SIGNALS, REAR TAIL LAMPS & TURN SIGNALS, REAR TAIL LAMPS & TURN SIGNALS, REAR
68975-00	TURN SIGNALS, FRONT
68978-00	TAIL LAMPS & TURN SIGNALS, REAR TAIL LAMPS & TURN SIGNALS, REAR TAIL LAMPS & TURN SIGNALS, REAR

68992-08	FENDERS, REAR - 883N/1200V/X (ALL EXCEPT CANADA)
69000014	HORN
69049-07	HORN
69060-90G	HORN
69062-91A	HORN
69120-91	HORN
69123-92A	HORN
69135-04	HORN
69187-03A	TAIL LAMPS
69200072	WIRING HARNESS, MAIN, NON-ABS (1 OF 4) WIRING HARNESS, MAIN, NON-ABS (2 OF 4) WIRING HARNESS, MAIN, NON-ABS (3 OF 4) WIRING HARNESS, MAIN, NON-ABS (4 OF 4)
69200073	WIRING HARNESS, MAIN, ABS (1 OF 4) WIRING HARNESS, MAIN, ABS (2 OF 4) WIRING HARNESS, MAIN, ABS (3 OF 4) WIRING HARNESS, MAIN, ABS (4 OF 4)
69200077	WIRING HARNESS, ENGINE
69200079	SPEEDOMETER
69200080	SPEEDOMETER
69200271	WIRING HARNESS, MAIN, NON-ABS (4 OF 4) WIRING HARNESS, MAIN, ABS (4 OF 4) WIRING HARNESS, MAIN, KEYLESS, ABS (4 OF 4) WIRING HARNESS, MAIN, KEYLESS, NON-ABS (4 OF 4)
69200272	BRAKE LINES, REAR - NON-ABS BRAKE LINES, REAR - ABS
69200401	OIL TANK & LINES
69200402	WIRING HARNESS, MAIN, NON-ABS (4 OF 4) WIRING HARNESS, MAIN, ABS (4 OF 4) WIRING HARNESS, MAIN, KEYLESS, ABS (4 OF 4) WIRING HARNESS, MAIN, KEYLESS, NON-ABS (4 OF 4)
69200403	WIRING HARNESS, MAIN, NON-ABS (4 OF 4) WIRING HARNESS, MAIN, ABS (4 OF 4) WIRING HARNESS, MAIN, KEYLESS, ABS (4 OF 4) WIRING HARNESS, MAIN, KEYLESS, NON-ABS (4 OF 4)
69200404	WIRING HARNESS, MAIN, NON-ABS (4 OF 4) WIRING HARNESS, MAIN, ABS (4 OF 4) WIRING HARNESS, MAIN, KEYLESS, ABS (4 OF 4) WIRING HARNESS, MAIN, KEYLESS, NON-ABS (4 OF 4)

69200405	<u>ELECTRONIC IGNITION SYSTEM</u>
69200438	<u>SPEEDOMETER</u>
69200439	<u>SPEEDOMETER</u>
69200456	<u>WIRING HARNESS, MAIN, NON-ABS (4 OF 4)</u> <u>WIRING HARNESS, MAIN, ABS (4 OF 4)</u> <u>WIRING HARNESS, MAIN, KEYLESS, ABS (4 OF 4)</u> <u>WIRING HARNESS, MAIN, KEYLESS, NON-ABS (4 OF 4)</u>
69200459	<u>TAIL LAMPS & TURN SIGNALS, REAR</u> <u>TAIL LAMPS</u>
69200460	<u>FORK, FRONT - 883L/R, 1200C/CA/CB/CP/T/V/X (2 OF 2)</u> <u>FORK, FRONT - 883N</u>
69200474	<u>WIRING HARNESS, MAIN, NON-ABS (1 OF 4)</u> <u>WIRING HARNESS, MAIN, ABS (1 OF 4)</u> <u>WIRING HARNESS, MAIN, KEYLESS, ABS (1 OF 4)</u> <u>WIRING HARNESS, MAIN, KEYLESS, NON-ABS (1 OF 4)</u>
69200476A	<u>WIRING HARNESS, MAIN, NON-ABS (4 OF 4)</u> <u>WIRING HARNESS, MAIN, ABS (4 OF 4)</u> <u>WIRING HARNESS, MAIN, KEYLESS, ABS (4 OF 4)</u> <u>WIRING HARNESS, MAIN, KEYLESS, NON-ABS (4 OF 4)</u>
69200479	<u>WIRING HARNESS, MAIN, KEYLESS, ABS (1 OF 4)</u> <u>WIRING HARNESS, MAIN, KEYLESS, ABS (2 OF 4)</u> <u>WIRING HARNESS, MAIN, KEYLESS, ABS (3 OF 4)</u> <u>WIRING HARNESS, MAIN, KEYLESS, ABS (4 OF 4)</u>
69200480	<u>WIRING HARNESS, MAIN, KEYLESS, NON-ABS (1 OF 4)</u> <u>WIRING HARNESS, MAIN, KEYLESS, NON-ABS (2 OF 4)</u> <u>WIRING HARNESS, MAIN, KEYLESS, NON-ABS (3 OF 4)</u> <u>WIRING HARNESS, MAIN, KEYLESS, NON-ABS (4 OF 4)</u>
69200790	<u>BRAKE LINES, REAR - NON-ABS</u> <u>BRAKE LINES, REAR - ABS</u>
69200793	<u>BRAKE LINES, REAR - NON-ABS</u> <u>BRAKE LINES, REAR - ABS</u>
69200794	<u>BRAKE LINES, REAR - NON-ABS</u> <u>BRAKE LINES, REAR - ABS</u>
69302-11	<u>FENDERS, REAR - 883L/R/1200C/CA/CB/CP (ALL), 883N/1200V/X (CANADA ONLY)</u>
69309-10	<u>TURN SIGNAL MODULE & SECURITY SIREN</u>
69352-11	<u>TAIL LAMPS</u>
69361-11	<u>TAIL LAMPS</u>
69362-08	<u>TURN SIGNALS, FRONT</u>
69449-05	<u>HEADLAMP - 883L/N/R, 1200T/X</u>
69490-07	<u>FENDERS, REAR - 883N/1200V/X (ALL EXCEPT CANADA)</u>

69498-08	<u>FENDERS, REAR - 883N/1200V/X (ALL EXCEPT CANADA)</u>
69681-07B	<u>HEADLAMP - 1200C/CA/CB/CP/V</u>
69774-07A	<u>HEADLAMP - 883L/N/R, 1200T/X</u>
6990	<u>WIRING HARNESS, MAIN, NON-ABS (1 OF 4)</u> <u>WIRING HARNESS, MAIN, ABS (1 OF 4)</u> <u>WIRING HARNESS, MAIN, KEYLESS, ABS (1 OF 4)</u> <u>WIRING HARNESS, MAIN, KEYLESS, NON-ABS (1 OF 4)</u>
69992-12A	<u>ELECTRONIC IGNITION SYSTEM</u>
69994-12A	<u>ELECTRONIC IGNITION SYSTEM</u>
70247-07	<u>SWITCHES</u>
70345-84	<u>HANDLEBAR & THROTTLE CONTROL - 883L/N/R, 1200T/X</u> <u>HANDLEBAR & THROTTLE CONTROL - 1200C/CA/CB/CP/V</u>
7038	<u>FORK, FRONT - 883L/R, 1200C/CA/CB/CP/T/V/X (1 OF 2)</u> <u>FORK, FRONT - 883N</u> <u>HEADLAMP - 883L/N/R, 1200T/X</u> <u>TURN SIGNALS, FRONT</u>
7039	<u>ENGINE MOUNTS</u>
7041	<u>HORN</u>
70417-04C	<u>FRAME & JIFFY STAND</u>
7042	<u>TAIL LAMPS & TURN SIGNALS, REAR</u>
7045	<u>HEADLAMP - 883L/N/R, 1200T/X</u> <u>HEADLAMP - 1200C/CA/CB/CP/V</u>
70494-08	<u>FORK, FRONT - 883L/R, 1200C/CA/CB/CP/T/V/X (2 OF 2)</u> <u>FORK, FRONT - 883N</u>
70503-10	<u>OIL TANK & LINES</u>
70504-81	<u>HANDLEBAR & THROTTLE CONTROL - 883L/N/R, 1200T/X</u> <u>HANDLEBAR & THROTTLE CONTROL - 1200C/CA/CB/CP/V</u>
70552-69	<u>TAIL LAMPS & TURN SIGNALS, REAR</u>
70558-71	<u>TURN SIGNALS, FRONT</u>
70578-89	<u>BATTERY</u>
70598-99	<u>WIRING HARNESS, MAIN, NON-ABS (1 OF 4)</u> <u>WIRING HARNESS, MAIN, ABS (1 OF 4)</u> <u>WIRING HARNESS, MAIN, KEYLESS, ABS (1 OF 4)</u> <u>WIRING HARNESS, MAIN, KEYLESS, NON-ABS (1 OF 4)</u>
70631-08	<u>WHEELS, FRONT, CAST - 883L/N/R, 1200C/CA/CP/T</u> <u>WHEELS, FRONT, LACED - 1200C/CB/CP/V/X</u> <u>WHEELS, REAR, CAST - 883L/N/R, 1200C/CA/CP/T</u>

	<u>WHEELS, REAR, LACED - 1200C/CB/CP/V/X</u>
70640-07	<u>WIRING HARNESS, MAIN, NON-ABS (1 OF 4)</u> <u>WIRING HARNESS, MAIN, ABS (1 OF 4)</u> <u>WIRING HARNESS, MAIN, KEYLESS, ABS (1 OF 4)</u> <u>WIRING HARNESS, MAIN, KEYLESS, NON-ABS (1 OF 4)</u>
70664-08	<u>WIRING HARNESS, MAIN, NON-ABS (1 OF 4)</u> <u>WIRING HARNESS, MAIN, ABS (1 OF 4)</u> <u>WIRING HARNESS, MAIN, KEYLESS, ABS (1 OF 4)</u> <u>WIRING HARNESS, MAIN, KEYLESS, NON-ABS (1 OF 4)</u>
7068	<u>HEADLAMP - 883L/N/R, 1200T/X</u>
7073	<u>HEADLAMP - 883L/N/R, 1200T/X</u>
7080	<u>SHIFTER, GEAR</u>
70900215	<u>SPEEDOMETER</u>
70900216	<u>SPEEDOMETER</u>
70900217	<u>SPEEDOMETER</u>
70900221	<u>SPEEDOMETER</u>
70900222	<u>SPEEDOMETER</u>
70900223	<u>SPEEDOMETER</u>
70903-04	<u>FUEL TANK</u>
70904-04	<u>FUEL TANK</u>
70917-04	<u>FUEL TANK</u>
70919-04	<u>FUEL TANK</u>
71400083	<u>SWITCHES</u>
71472-04	<u>FRAME & JIFFY STAND</u>
71500028	<u>SWITCHES, HANDLEBAR</u>
71500029	<u>SWITCHES, HANDLEBAR</u>
71500030	<u>SWITCHES, HANDLEBAR</u>
71500117	<u>SWITCHES, HANDLEBAR</u>
71500118	<u>SWITCHES, HANDLEBAR</u>
71510-04	<u>WIRING HARNESS, MAIN, NON-ABS (1 OF 4)</u> <u>WIRING HARNESS, MAIN, ABS (1 OF 4)</u>
7155	<u>MIRRORS</u>
71550-94	<u>WIRING HARNESS, MAIN, NON-ABS (1 OF 4)</u>

	<u>WIRING HARNESS, MAIN, ABS (1 OF 4)</u>
71980-10	<u>SPEEDOMETER</u>
72007-05	<u>WIRING HARNESS, MAIN, NON-ABS (1 OF 4)</u> <u>WIRING HARNESS, MAIN, ABS (1 OF 4)</u> <u>WIRING HARNESS, MAIN, KEYLESS, ABS (1 OF 4)</u> <u>WIRING HARNESS, MAIN, KEYLESS, NON-ABS (1 OF 4)</u>
72009-05	<u>ENGINE SENSORS & SWITCHES</u>
72010-05	<u>WIRING HARNESS, MAIN, NON-ABS (1 OF 4)</u> <u>WIRING HARNESS, MAIN, ABS (1 OF 4)</u> <u>WIRING HARNESS, MAIN, KEYLESS, ABS (1 OF 4)</u> <u>WIRING HARNESS, MAIN, KEYLESS, NON-ABS (1 OF 4)</u>
72011-05	<u>ENGINE SENSORS & SWITCHES</u>
72023-51E	<u>BRAKE LINES, REAR - NON-ABS</u> <u>BRAKE LINES, REAR - ABS</u> <u>SWITCHES</u>
72024-08	<u>WIRING HARNESS, MAIN, NON-ABS (1 OF 4)</u> <u>WIRING HARNESS, MAIN, ABS (1 OF 4)</u> <u>WIRING HARNESS, MAIN, KEYLESS, ABS (1 OF 4)</u> <u>WIRING HARNESS, MAIN, KEYLESS, NON-ABS (1 OF 4)</u>
72033-93	<u>WIRING HARNESS, ENGINE</u>
72056-92	<u>HEADLAMP - 883L/N/R, 1200T/X</u> <u>HEADLAMP - 1200C/CA/CB/CP/V</u>
72062-06	<u>WIRING HARNESS, MAIN, NON-ABS (1 OF 4)</u> <u>WIRING HARNESS, MAIN, ABS (1 OF 4)</u>
72066-06A	<u>WIRING HARNESS, MAIN, NON-ABS (1 OF 4)</u> <u>WIRING HARNESS, MAIN, ABS (1 OF 4)</u> <u>WIRING HARNESS, MAIN, KEYLESS, ABS (1 OF 4)</u> <u>WIRING HARNESS, MAIN, KEYLESS, NON-ABS (1 OF 4)</u>
72081-11	<u>WIRING HARNESS, MAIN, NON-ABS (2 OF 4)</u> <u>WIRING HARNESS, MAIN, ABS (2 OF 4)</u> <u>WIRING HARNESS, MAIN, KEYLESS, ABS (1 OF 4)</u> <u>WIRING HARNESS, MAIN, KEYLESS, NON-ABS (1 OF 4)</u>
72094-06	<u>WIRING HARNESS, ENGINE</u>
72096-06	<u>WIRING HARNESS, ENGINE</u>
72106-94BK	<u>WIRING HARNESS, MAIN, NON-ABS (2 OF 4)</u> <u>WIRING HARNESS, MAIN, ABS (2 OF 4)</u> <u>WIRING HARNESS, MAIN, KEYLESS, ABS (1 OF 4)</u> <u>WIRING HARNESS, MAIN, KEYLESS, NON-ABS (1 OF 4)</u>
72130-04	<u>SPEEDOMETER</u>
72135-06	<u>WIRING HARNESS, MAIN, NON-ABS (2 OF 4)</u> <u>WIRING HARNESS, MAIN, ABS (2 OF 4)</u> <u>WIRING HARNESS, MAIN, KEYLESS, ABS (2 OF 4)</u> <u>WIRING HARNESS, MAIN, KEYLESS, NON-ABS (2 OF 4)</u>

72146-94	WIRING HARNESS, MAIN, NON-ABS (2 OF 4) WIRING HARNESS, MAIN, ABS (2 OF 4) WIRING HARNESS, MAIN, KEYLESS, ABS (2 OF 4) WIRING HARNESS, MAIN, KEYLESS, NON-ABS (2 OF 4)
72168-07	WIRING HARNESS, MAIN, NON-ABS (2 OF 4) WIRING HARNESS, MAIN, ABS (2 OF 4) WIRING HARNESS, MAIN, KEYLESS, ABS (2 OF 4) WIRING HARNESS, MAIN, KEYLESS, NON-ABS (2 OF 4) WIRING HARNESS, ENGINE
72169-07	FRAME & JIFFY STAND SPEEDOMETER WIRING HARNESS, MAIN, NON-ABS (2 OF 4) WIRING HARNESS, MAIN, ABS (2 OF 4) WIRING HARNESS, MAIN, KEYLESS, ABS (2 OF 4) WIRING HARNESS, MAIN, KEYLESS, NON-ABS (2 OF 4)
72175-07BK	WIRING HARNESS, MAIN, NON-ABS (2 OF 4) WIRING HARNESS, MAIN, ABS (2 OF 4) WIRING HARNESS, MAIN, KEYLESS, ABS (2 OF 4) WIRING HARNESS, MAIN, KEYLESS, NON-ABS (2 OF 4)
72177-07BK	EXHAUST SYSTEM
72188-07BK	SPEEDOMETER
72189-04	SPEEDOMETER
72190-94	WIRING HARNESS, MAIN, NON-ABS (2 OF 4) WIRING HARNESS, MAIN, ABS (2 OF 4) WIRING HARNESS, MAIN, KEYLESS, ABS (2 OF 4) WIRING HARNESS, MAIN, KEYLESS, NON-ABS (2 OF 4)
72194-94	WIRING HARNESS, MAIN, NON-ABS (2 OF 4) WIRING HARNESS, MAIN, ABS (2 OF 4) WIRING HARNESS, MAIN, KEYLESS, ABS (2 OF 4) WIRING HARNESS, MAIN, KEYLESS, NON-ABS (2 OF 4)
72195-94	ALTERNATOR & REGULATOR
72199-94	ENGINE SENSORS & SWITCHES
7220	ELECTRONIC IGNITION SYSTEM WIRING HARNESS, MAIN, NON-ABS (1 OF 4) WIRING HARNESS, MAIN, ABS (1 OF 4)
72209-11	WIRING HARNESS, MAIN, NON-ABS (2 OF 4) WIRING HARNESS, MAIN, ABS (2 OF 4) WIRING HARNESS, MAIN, KEYLESS, ABS (2 OF 4) WIRING HARNESS, MAIN, KEYLESS, NON-ABS (2 OF 4)
72222-11	WIRING HARNESS, MAIN, NON-ABS (2 OF 4) WIRING HARNESS, MAIN, ABS (2 OF 4) WIRING HARNESS, MAIN, KEYLESS, ABS (2 OF 4) WIRING HARNESS, MAIN, KEYLESS, NON-ABS (2 OF 4)

72226-11	WIRING HARNESS, MAIN, NON-ABS (2 OF 4) WIRING HARNESS, MAIN, ABS (2 OF 4) WIRING HARNESS, MAIN, KEYLESS, ABS (2 OF 4) WIRING HARNESS, MAIN, KEYLESS, NON-ABS (2 OF 4)
72227-11	WIRING HARNESS, MAIN, NON-ABS (2 OF 4) WIRING HARNESS, MAIN, ABS (2 OF 4) WIRING HARNESS, MAIN, KEYLESS, ABS (2 OF 4) WIRING HARNESS, MAIN, KEYLESS, NON-ABS (2 OF 4)
72249-94	WIRING HARNESS, MAIN, NON-ABS (2 OF 4) WIRING HARNESS, MAIN, ABS (2 OF 4) WIRING HARNESS, MAIN, KEYLESS, ABS (2 OF 4) WIRING HARNESS, MAIN, KEYLESS, NON-ABS (2 OF 4)
72251-07	WIRING HARNESS, ENGINE
72256-11	WIRING HARNESS, MAIN, NON-ABS (2 OF 4) WIRING HARNESS, MAIN, ABS (2 OF 4) WIRING HARNESS, MAIN, KEYLESS, ABS (2 OF 4) WIRING HARNESS, MAIN, KEYLESS, NON-ABS (2 OF 4)
72263-95	WIRING HARNESS, ENGINE
72283-09	WIRING HARNESS, MAIN, NON-ABS (2 OF 4) WIRING HARNESS, MAIN, ABS (2 OF 4) WIRING HARNESS, MAIN, KEYLESS, ABS (2 OF 4) WIRING HARNESS, MAIN, KEYLESS, NON-ABS (2 OF 4)
72291-94	WIRING HARNESS, MAIN, NON-ABS (2 OF 4) WIRING HARNESS, MAIN, ABS (2 OF 4) WIRING HARNESS, MAIN, KEYLESS, ABS (2 OF 4) WIRING HARNESS, MAIN, KEYLESS, NON-ABS (2 OF 4)
72295-94	WIRING HARNESS, MAIN, NON-ABS (2 OF 4) WIRING HARNESS, MAIN, ABS (2 OF 4) WIRING HARNESS, MAIN, KEYLESS, ABS (2 OF 4) WIRING HARNESS, MAIN, KEYLESS, NON-ABS (2 OF 4)
72298-95	WIRING HARNESS, MAIN, NON-ABS (2 OF 4) WIRING HARNESS, MAIN, ABS (2 OF 4) WIRING HARNESS, MAIN, KEYLESS, ABS (2 OF 4) WIRING HARNESS, MAIN, KEYLESS, NON-ABS (2 OF 4)
7230	HEADLAMP - 883L/N/R, 1200T/X
72308-97	WIRING HARNESS, MAIN, NON-ABS (2 OF 4) WIRING HARNESS, MAIN, ABS (2 OF 4) WIRING HARNESS, MAIN, KEYLESS, ABS (2 OF 4) WIRING HARNESS, MAIN, KEYLESS, NON-ABS (2 OF 4)
72312-04	WIRING HARNESS, MAIN, NON-ABS (2 OF 4) WIRING HARNESS, MAIN, ABS (2 OF 4) WIRING HARNESS, MAIN, KEYLESS, ABS (2 OF 4) WIRING HARNESS, MAIN, KEYLESS, NON-ABS (2 OF 4)
72314-01	WIRING HARNESS, MAIN, NON-ABS (1 OF 4) WIRING HARNESS, MAIN, ABS (1 OF 4) WIRING HARNESS, MAIN, KEYLESS, ABS (1 OF 4) WIRING HARNESS, MAIN, KEYLESS, NON-ABS (1 OF 4)

	<u>SWITCHES</u>
72330-95	<u>WIRING HARNESS, MAIN, NON-ABS (2 OF 4)</u> <u>WIRING HARNESS, MAIN, ABS (2 OF 4)</u> <u>WIRING HARNESS, MAIN, KEYLESS, ABS (2 OF 4)</u> <u>WIRING HARNESS, MAIN, KEYLESS, NON-ABS (2 OF 4)</u> <u>SWITCHES</u>
72335-10	<u>WIRING HARNESS, MAIN, NON-ABS (2 OF 4)</u> <u>WIRING HARNESS, MAIN, ABS (2 OF 4)</u> <u>WIRING HARNESS, MAIN, KEYLESS, ABS (2 OF 4)</u> <u>WIRING HARNESS, MAIN, KEYLESS, NON-ABS (2 OF 4)</u>
72344-10	<u>EXHAUST SYSTEM</u>
72350-11	<u>WIRING HARNESS, MAIN, NON-ABS (2 OF 4)</u> <u>WIRING HARNESS, MAIN, ABS (2 OF 4)</u> <u>WIRING HARNESS, MAIN, KEYLESS, ABS (2 OF 4)</u> <u>WIRING HARNESS, MAIN, KEYLESS, NON-ABS (3 OF 4)</u>
72356-95	<u>WIRING HARNESS, MAIN, NON-ABS (3 OF 4)</u> <u>WIRING HARNESS, MAIN, ABS (2 OF 4)</u> <u>WIRING HARNESS, MAIN, KEYLESS, ABS (2 OF 4)</u> <u>WIRING HARNESS, MAIN, KEYLESS, NON-ABS (3 OF 4)</u>
72402-07	<u>WIRING HARNESS, ENGINE</u>
72405-98BK	<u>WIRING HARNESS, MAIN, NON-ABS (3 OF 4)</u> <u>WIRING HARNESS, MAIN, ABS (2 OF 4)</u> <u>WIRING HARNESS, MAIN, KEYLESS, ABS (3 OF 4)</u> <u>WIRING HARNESS, MAIN, KEYLESS, NON-ABS (3 OF 4)</u>
72406-07A	<u>WIRING HARNESS, ENGINE</u>
72407-07	<u>WIRING HARNESS, ENGINE</u>
72408-07	<u>WIRING HARNESS, ENGINE</u>
72413-07	<u>WIRING HARNESS, ENGINE</u>
72414-07BK	<u>WIRING HARNESS, MAIN, NON-ABS (3 OF 4)</u> <u>WIRING HARNESS, MAIN, ABS (3 OF 4)</u> <u>WIRING HARNESS, MAIN, KEYLESS, ABS (3 OF 4)</u> <u>WIRING HARNESS, MAIN, KEYLESS, NON-ABS (3 OF 4)</u>
72462-00	<u>WIRING HARNESS, MAIN, NON-ABS (3 OF 4)</u> <u>WIRING HARNESS, MAIN, ABS (3 OF 4)</u> <u>WIRING HARNESS, MAIN, KEYLESS, ABS (3 OF 4)</u> <u>WIRING HARNESS, MAIN, KEYLESS, NON-ABS (3 OF 4)</u> <u>SWITCHES</u>
72473-07	<u>SPEEDOMETER</u> <u>WIRING HARNESS, MAIN, NON-ABS (3 OF 4)</u> <u>WIRING HARNESS, MAIN, ABS (3 OF 4)</u> <u>WIRING HARNESS, MAIN, KEYLESS, ABS (3 OF 4)</u> <u>WIRING HARNESS, MAIN, KEYLESS, NON-ABS (3 OF 4)</u>
72484-08	<u>WIRING HARNESS, MAIN, NON-ABS (3 OF 4)</u> <u>WIRING HARNESS, MAIN, ABS (3 OF 4)</u> <u>WIRING HARNESS, MAIN, KEYLESS, ABS (3 OF 4)</u>

	<u>WIRING HARNESS, MAIN, KEYLESS, NON-ABS (3 OF 4)</u>
72486-08	<u>WIRING HARNESS, MAIN, NON-ABS (3 OF 4)</u> <u>WIRING HARNESS, MAIN, ABS (3 OF 4)</u> <u>WIRING HARNESS, MAIN, KEYLESS, ABS (3 OF 4)</u> <u>WIRING HARNESS, MAIN, KEYLESS, NON-ABS (3 OF 4)</u>
72487-07BK	<u>WIRING HARNESS, ENGINE</u>
72488-07BK	<u>WIRING HARNESS, MAIN, NON-ABS (3 OF 4)</u> <u>WIRING HARNESS, MAIN, ABS (3 OF 4)</u> <u>WIRING HARNESS, MAIN, KEYLESS, ABS (3 OF 4)</u> <u>WIRING HARNESS, MAIN, KEYLESS, NON-ABS (3 OF 4)</u>
72511-07BK	<u>FRAME & JIFFY STAND</u>
72512-07BK	<u>WIRING HARNESS, MAIN, NON-ABS (3 OF 4)</u> <u>WIRING HARNESS, MAIN, ABS (3 OF 4)</u> <u>WIRING HARNESS, MAIN, KEYLESS, ABS (3 OF 4)</u> <u>WIRING HARNESS, MAIN, KEYLESS, NON-ABS (3 OF 4)</u>
72519-09BK	<u>WIRING HARNESS, MAIN, NON-ABS (3 OF 4)</u> <u>WIRING HARNESS, MAIN, ABS (3 OF 4)</u> <u>WIRING HARNESS, MAIN, KEYLESS, ABS (3 OF 4)</u> <u>WIRING HARNESS, MAIN, KEYLESS, NON-ABS (3 OF 4)</u>
72543-07BK	<u>WIRING HARNESS, MAIN, NON-ABS (3 OF 4)</u> <u>WIRING HARNESS, MAIN, ABS (3 OF 4)</u> <u>WIRING HARNESS, MAIN, KEYLESS, ABS (3 OF 4)</u> <u>WIRING HARNESS, MAIN, KEYLESS, NON-ABS (3 OF 4)</u> <u>WIRING HARNESS, ENGINE</u>
72544-07	<u>WIRING HARNESS, MAIN, NON-ABS (3 OF 4)</u> <u>WIRING HARNESS, MAIN, ABS (3 OF 4)</u> <u>WIRING HARNESS, MAIN, KEYLESS, ABS (3 OF 4)</u> <u>WIRING HARNESS, MAIN, KEYLESS, NON-ABS (3 OF 4)</u> <u>WIRING HARNESS, ENGINE</u>
72545-08	<u>WIRING HARNESS, MAIN, NON-ABS (3 OF 4)</u> <u>WIRING HARNESS, MAIN, ABS (3 OF 4)</u> <u>WIRING HARNESS, MAIN, KEYLESS, ABS (3 OF 4)</u> <u>WIRING HARNESS, MAIN, KEYLESS, NON-ABS (3 OF 4)</u>
72575-11	<u>WIRING HARNESS, MAIN, NON-ABS (3 OF 4)</u> <u>WIRING HARNESS, MAIN, ABS (3 OF 4)</u> <u>WIRING HARNESS, MAIN, KEYLESS, ABS (3 OF 4)</u> <u>WIRING HARNESS, MAIN, KEYLESS, NON-ABS (3 OF 4)</u>
72577-12	<u>WIRING HARNESS, MAIN, ABS (3 OF 4)</u> <u>WIRING HARNESS, MAIN, KEYLESS, ABS (3 OF 4)</u>
72578-12	<u>WIRING HARNESS, MAIN, ABS (3 OF 4)</u> <u>WIRING HARNESS, MAIN, KEYLESS, ABS (3 OF 4)</u>
72579-12	<u>WIRING HARNESS, MAIN, ABS (3 OF 4)</u> <u>WIRING HARNESS, MAIN, KEYLESS, ABS (3 OF 4)</u>
72580-12	<u>WIRING HARNESS, MAIN, ABS (3 OF 4)</u> <u>WIRING HARNESS, MAIN, KEYLESS, ABS (3 OF 4)</u>

72582-11	WIRING HARNESS, MAIN, NON-ABS (3 OF 4) WIRING HARNESS, MAIN, ABS (3 OF 4) WIRING HARNESS, MAIN, KEYLESS, ABS (3 OF 4) WIRING HARNESS, MAIN, KEYLESS, NON-ABS (3 OF 4)
72587-11	WIRING HARNESS, MAIN, NON-ABS (3 OF 4) WIRING HARNESS, MAIN, ABS (3 OF 4) WIRING HARNESS, MAIN, KEYLESS, ABS (3 OF 4) WIRING HARNESS, MAIN, KEYLESS, NON-ABS (3 OF 4)
72594-11	WIRING HARNESS, MAIN, NON-ABS (3 OF 4) WIRING HARNESS, MAIN, ABS (3 OF 4)
72595-11	WIRING HARNESS, MAIN, NON-ABS (1 OF 4) WIRING HARNESS, MAIN, ABS (1 OF 4) WIRING HARNESS, MAIN, KEYLESS, ABS (1 OF 4) WIRING HARNESS, MAIN, KEYLESS, NON-ABS (1 OF 4)
72633-02	WIRING HARNESS, MAIN, ABS (3 OF 4) WIRING HARNESS, MAIN, KEYLESS, ABS (3 OF 4)
72662-11	SPEEDOMETER
72664-12A	WIRING HARNESS, MAIN, NON-ABS (3 OF 4) WIRING HARNESS, MAIN, ABS (3 OF 4) WIRING HARNESS, MAIN, KEYLESS, ABS (3 OF 4) WIRING HARNESS, MAIN, KEYLESS, NON-ABS (3 OF 4)
72666-12	WIRING HARNESS, MAIN, NON-ABS (3 OF 4) WIRING HARNESS, MAIN, ABS (3 OF 4) WIRING HARNESS, MAIN, KEYLESS, ABS (3 OF 4) WIRING HARNESS, MAIN, KEYLESS, NON-ABS (3 OF 4)
72720-07	WIRING HARNESS, MAIN, NON-ABS (3 OF 4) WIRING HARNESS, MAIN, ABS (3 OF 4) WIRING HARNESS, MAIN, KEYLESS, ABS (3 OF 4) WIRING HARNESS, MAIN, KEYLESS, NON-ABS (3 OF 4)
72721-07	WIRING HARNESS, MAIN, NON-ABS (3 OF 4) WIRING HARNESS, MAIN, ABS (3 OF 4) WIRING HARNESS, MAIN, KEYLESS, ABS (4 OF 4) WIRING HARNESS, MAIN, KEYLESS, NON-ABS (3 OF 4)
72904-01BK	WIRING HARNESS, MAIN, NON-ABS (3 OF 4) WIRING HARNESS, MAIN, ABS (4 OF 4) WIRING HARNESS, MAIN, KEYLESS, ABS (4 OF 4) WIRING HARNESS, MAIN, KEYLESS, NON-ABS (3 OF 4)
72905-11	WIRING HARNESS, MAIN, NON-ABS (3 OF 4) WIRING HARNESS, MAIN, ABS (4 OF 4) WIRING HARNESS, MAIN, KEYLESS, ABS (4 OF 4) WIRING HARNESS, MAIN, KEYLESS, NON-ABS (3 OF 4)
72906-11	SWITCHES, HANDLEBAR
72907-11	WIRING HARNESS, MAIN, NON-ABS (4 OF 4) WIRING HARNESS, MAIN, ABS (4 OF 4) WIRING HARNESS, MAIN, KEYLESS, ABS (4 OF 4) WIRING HARNESS, MAIN, KEYLESS, NON-ABS (4 OF 4)

72908-11	SWITCHES, HANDLEBAR
72909-11	WIRING HARNESS, MAIN, NON-ABS (4 OF 4) WIRING HARNESS, MAIN, ABS (4 OF 4) WIRING HARNESS, MAIN, KEYLESS, ABS (4 OF 4) WIRING HARNESS, MAIN, KEYLESS, NON-ABS (4 OF 4)
72910-11	SWITCHES, HANDLEBAR
72914-01BK	TAIL LAMPS & TURN SIGNALS, REAR TAIL LAMPS & TURN SIGNALS, REAR TAIL LAMPS & TURN SIGNALS, REAR TAIL LAMPS & TURN SIGNALS, REAR TAIL LAMPS
72920-11	SWITCHES, HANDLEBAR
72921-11	SWITCHES, HANDLEBAR
72922-11	SWITCHES, HANDLEBAR
72923-11	SWITCHES, HANDLEBAR
72933-11	SWITCHES, HANDLEBAR
72934-11	SWITCHES, HANDLEBAR
72937-11	SWITCHES, HANDLEBAR
72940-11	SWITCHES, HANDLEBAR
72941-11	SWITCHES, HANDLEBAR
72948-12	SWITCHES, HANDLEBAR
72949-12	SWITCHES, HANDLEBAR
72990-01	WIRING HARNESS, MAIN, NON-ABS (4 OF 4) WIRING HARNESS, MAIN, ABS (4 OF 4) WIRING HARNESS, MAIN, KEYLESS, ABS (4 OF 4) WIRING HARNESS, MAIN, KEYLESS, NON-ABS (4 OF 4)
72991-01	TAIL LAMPS & TURN SIGNALS, REAR TAIL LAMPS & TURN SIGNALS, REAR TAIL LAMPS & TURN SIGNALS, REAR TAIL LAMPS & TURN SIGNALS, REAR TAIL LAMPS
73103-96BK	WIRING HARNESS, MAIN, NON-ABS (4 OF 4) WIRING HARNESS, MAIN, ABS (4 OF 4) WIRING HARNESS, MAIN, KEYLESS, ABS (4 OF 4) WIRING HARNESS, MAIN, KEYLESS, NON-ABS (4 OF 4)
73104-96BK	WIRING HARNESS, MAIN, NON-ABS (4 OF 4) WIRING HARNESS, MAIN, ABS (4 OF 4) WIRING HARNESS, MAIN, KEYLESS, ABS (4 OF 4) WIRING HARNESS, MAIN, KEYLESS, NON-ABS (4 OF 4)
73106-96BK	WIRING HARNESS, MAIN, NON-ABS (4 OF 4)

	WIRING HARNESS, MAIN, ABS (4 OF 4) WIRING HARNESS, MAIN, KEYLESS, ABS (4 OF 4) WIRING HARNESS, MAIN, KEYLESS, NON-ABS (4 OF 4)
73152-96BK	TAIL LAMPS & TURN SIGNALS, REAR TAIL LAMPS & TURN SIGNALS, REAR TAIL LAMPS & TURN SIGNALS, REAR
73153-96BK	LICENSE PLATE BRACKETS TAIL LAMPS & TURN SIGNALS, REAR TAIL LAMPS
73154-96BK	HEADLAMP - 883L/N/R, 1200T/X HEADLAMP - 1200C/CA/CB/CP/V TAIL LAMPS
73156-96BK	TURN SIGNALS, FRONT TAIL LAMPS & TURN SIGNALS, REAR TAIL LAMPS
73190-96	WIRING HARNESS, MAIN, NON-ABS (4 OF 4) WIRING HARNESS, MAIN, ABS (4 OF 4) WIRING HARNESS, MAIN, KEYLESS, ABS (4 OF 4) WIRING HARNESS, MAIN, KEYLESS, NON-ABS (4 OF 4)
73191-96	LICENSE PLATE BRACKETS HEADLAMP - 883L/N/R, 1200T/X HEADLAMP - 1200C/CA/CB/CP/V TURN SIGNALS, FRONT TURN SIGNALS, FRONT TURN SIGNALS, FRONT TURN SIGNALS, FRONT TAIL LAMPS & TURN SIGNALS, REAR TAIL LAMPS & TURN SIGNALS, REAR TAIL LAMPS & TURN SIGNALS, REAR TAIL LAMPS & TURN SIGNALS, REAR TAIL LAMPS TAIL LAMPS
73213-07	FRAME & JIFFY STAND WIRING HARNESS, MAIN, NON-ABS (4 OF 4) WIRING HARNESS, MAIN, ABS (4 OF 4) WIRING HARNESS, MAIN, KEYLESS, ABS (4 OF 4) WIRING HARNESS, MAIN, KEYLESS, NON-ABS (4 OF 4)
73246-11	HEADLAMP - 1200C/CA/CB/CP/V
73264-10	HEADLAMP - 883L/N/R, 1200T/X
73266-10	HEADLAMP - 883L/N/R, 1200T/X
73267-10	TURN SIGNALS, FRONT
73282-10	TURN SIGNALS, FRONT
73284-10	TURN SIGNALS, FRONT
73304-04	WIRING HARNESS, MAIN, NON-ABS (4 OF 4) WIRING HARNESS, MAIN, ABS (4 OF 4) WIRING HARNESS, MAIN, KEYLESS, ABS (4 OF 4)

	<u>WIRING HARNESS, MAIN, KEYLESS, NON-ABS (4 OF 4)</u>
73305-04	<u>WIRING HARNESS, MAIN, NON-ABS (4 OF 4)</u> <u>WIRING HARNESS, MAIN, ABS (4 OF 4)</u> <u>WIRING HARNESS, MAIN, KEYLESS, ABS (4 OF 4)</u> <u>WIRING HARNESS, MAIN, KEYLESS, NON-ABS (4 OF 4)</u>
73307-10	<u>EXHAUST SYSTEM</u>
7331	<u>MIRRORS</u>
73318-09	<u>TAIL LAMPS & TURN SIGNALS, REAR</u>
73504-11	<u>LICENSE PLATE BRACKETS</u>
7357	<u>MIRRORS</u>
74112-98BK	<u>WIRING HARNESS, MAIN, NON-ABS (4 OF 4)</u> <u>WIRING HARNESS, MAIN, ABS (4 OF 4)</u> <u>WIRING HARNESS, MAIN, KEYLESS, ABS (4 OF 4)</u> <u>WIRING HARNESS, MAIN, KEYLESS, NON-ABS (4 OF 4)</u>
74120-08	<u>WIRING HARNESS, MAIN, NON-ABS (4 OF 4)</u> <u>WIRING HARNESS, MAIN, ABS (4 OF 4)</u> <u>WIRING HARNESS, MAIN, KEYLESS, ABS (4 OF 4)</u> <u>WIRING HARNESS, MAIN, KEYLESS, NON-ABS (4 OF 4)</u>
74152-98	<u>WIRING HARNESS, MAIN, NON-ABS (4 OF 4)</u> <u>WIRING HARNESS, MAIN, ABS (4 OF 4)</u> <u>WIRING HARNESS, MAIN, KEYLESS, ABS (4 OF 4)</u> <u>WIRING HARNESS, MAIN, KEYLESS, NON-ABS (4 OF 4)</u>
74191-98	<u>WIRING HARNESS, MAIN, NON-ABS (4 OF 4)</u> <u>WIRING HARNESS, MAIN, ABS (4 OF 4)</u> <u>WIRING HARNESS, MAIN, KEYLESS, ABS (4 OF 4)</u> <u>WIRING HARNESS, MAIN, KEYLESS, NON-ABS (4 OF 4)</u>
74194-98	<u>ENGINE SENSORS & SWITCHES</u>
74196-04	<u>SPEEDOMETER</u>
74197-04	<u>SPEEDOMETER</u>
74402-05B	<u>ENGINE SENSORS & SWITCHES</u>
74700012	<u>ALTERNATOR & REGULATOR</u>
7477	<u>BRAKE CONTROL, REAR</u>
7495	<u>HORN</u>
75268-07F	<u>FUEL PUMP</u>
75301-07	<u>FUEL PUMP</u>
75302-07B	<u>FUEL PUMP</u> <u>SWITCHES</u>
75304-07A	<u>FUEL PUMP</u>

75305-07A	<u>FUEL PUMP</u>
75309-07A	<u>FUEL PUMP</u>
7531	<u>GUARDS, SAREE</u> <u>FORK, REAR, DEBRIS DEFLECTOR & BELT GUARD</u> <u>FENDERS, FRONT</u> <u>FENDERS, REAR - 883L/R/1200C/CA/CB/CP (ALL), 883N/1200V/X (CANADA ONLY)</u> <u>FENDERS, REAR - 883N/1200V/X (ALL EXCEPT CANADA)</u> <u>FENDERS, REAR - 1200T</u> <u>FUEL TANK</u> <u>HORN</u> <u>SADDLEBAGS - 1200T</u>
75317-07	<u>FUEL PUMP</u>
7549A	<u>HORN</u>
7593	<u>EXHAUST SYSTEM</u>
7606	<u>HEADLAMP - 883L/N/R, 1200T/X</u>
761	<u>FENDERS, REAR - 883L/R/1200C/CA/CB/CP (ALL), 883N/1200V/X (CANADA ONLY)</u> <u>FENDERS, REAR - 1200T</u>
7624	<u>OIL TANK & LINES</u>
7651A	<u>WINDSHIELD - 1200T</u>
7716	<u>FENDERS, REAR - 883N/1200V/X (ALL EXCEPT CANADA)</u> <u>LICENSE PLATE BRACKETS</u> <u>HEADLAMP - 883L/N/R, 1200T/X</u>
7725	<u>MIRRORS</u>
7766	<u>FORK, REAR, DEBRIS DEFLECTOR & BELT GUARD</u>
7778	<u>HEADLAMP - 1200C/CA/CB/CP/V</u>
7783	<u>FORK, FRONT - 883L/R, 1200C/CA/CB/CP/T/V/X (1 OF 2)</u> <u>FORK, FRONT - 883N</u> <u>TURN SIGNALS, FRONT</u>
7792	<u>CRANKCASE & GEARCASE</u> <u>LICENSE PLATE BRACKETS</u> <u>BATTERY</u>
7800W	<u>HEADLAMP - 883L/N/R, 1200T/X</u>
7804	<u>INSPECTION COVER & PRIMARY COVER</u>
7813A	<u>WHEELS, FRONT, CAST - 883L/N/R, 1200C/CA/CP/T</u> <u>WHEELS, FRONT, LACED - 1200C/CB/CP/V/X</u>
7824	<u>SHOCK ABSORBERS, REAR</u>
7838	<u>BRAKE LINES, FRONT - ABS</u>
7839	<u>BELTS, CHAINS & SPROCKETS</u>

7862	<u>EXHAUST SYSTEM</u>
7880	<u>HEADLAMP - 883L/N/R, 1200T/X</u>
7882	<u>FENDERS, REAR - 883L/R/1200C/CA/CB/CP (ALL), 883N/1200V/X (CANADA ONLY)</u> <u>FENDERS, REAR - 883N/1200V/X (ALL EXCEPT CANADA)</u> <u>FENDERS, REAR - 1200T</u>
7916A	<u>CAMSHAFTS & GEAR COVER</u>
7964	<u>TAIL LAMPS</u>
7985	<u>TAIL LAMPS & TURN SIGNALS, REAR</u>
8020	<u>WHEELS, REAR, CAST - 883L/N/R, 1200C/CA/CP/T</u> <u>WHEELS, REAR, LACED - 1200C/CB/CP/V/X</u>
8108	<u>HORN</u>
8126A	<u>SADDLEBAGS - 1200T</u>
8135B	<u>FRAME & JIFFY STAND</u>
8329	<u>BRAKE CONTROL, REAR</u>
835	<u>CRANKCASE & GEARCASE</u>
8692	<u>FENDERS, REAR - 883L/R/1200C/CA/CB/CP (ALL), 883N/1200V/X (CANADA ONLY)</u> <u>FENDERS, REAR - 883N/1200V/X (ALL EXCEPT CANADA)</u> <u>FENDERS, REAR - 1200T</u>
8862	<u>TRANSMISSION GEARS</u>
8873	<u>CLUTCH</u>
8881	<u>CRANKCASE & GEARCASE</u>
8884	<u>TRANSMISSION GEARS</u>
8885	<u>CLUTCH</u>
89579-91	<u>FORK, REAR, DEBRIS DEFLECTOR & BELT GUARD</u> <u>FUEL TANK</u>
89581-04A	<u>STARTER MOTOR</u>
89586-04	<u>FUEL TANK</u>
8964	<u>TRANSMISSION GEARS</u>
8966	<u>TRANSMISSION GEARS</u>
8970A	<u>TRANSMISSION GEARS</u>
8972	<u>CRANKCASE & GEARCASE</u>
90201038	<u>FENDERS, REAR - 1200T</u> <u>SADDLEBAGS - 1200T</u>

90201039	FENDERS, REAR - 1200T SADDLEBAGS - 1200T
90201040	SADDLEBAGS - 1200T
90201041	SADDLEBAGS - 1200T
90201087	SADDLEBAGS - 1200T
90300034	FRAME & JIFFY STAND SWITCHES
90300050	WIRING HARNESS, MAIN, NON-ABS (4 OF 4) WIRING HARNESS, MAIN, ABS (4 OF 4)
90300062	FRAME & JIFFY STAND SWITCHES
90300063	FRAME & JIFFY STAND SWITCHES
90383-98	INDUCTION MODULE, FUEL
90493-83	BRAKE CONTROL, REAR
90520-07	FRAME & JIFFY STAND
9187A	SHIFTER, GEAR
91960-10	MIRRORS
91961-10	MIRRORS
91982-03B	MIRRORS
91983-03B	MIRRORS
9209	FORK, REAR, DEBRIS DEFLECTOR & BELT GUARD
92247-10	SADDLEBAGS - 1200T
92381-09	MIRRORS
92400-09	MIRRORS
92401-09	MIRRORS
92402-09	MIRRORS
9252	WHEELS, FRONT, CAST - 883L/N/R, 1200C/CA/CP/T WHEELS, FRONT, LACED - 1200C/CB/CP/V/X WHEELS, REAR, CAST - 883L/N/R, 1200C/CA/CP/T WHEELS, REAR, LACED - 1200C/CB/CP/V/X
9254	BELTS, CHAINS & SPROCKETS
9276A	WHEELS, FRONT, CAST - 883L/N/R, 1200C/CA/CP/T WHEELS, FRONT, CAST - 883L/N/R, 1200C/CA/CP/T

	WHEELS, FRONT, LACED - 1200C/CB/CP/V/X WHEELS, FRONT, LACED - 1200C/CB/CP/V/X WHEELS, REAR, CAST - 883L/N/R, 1200C/CA/CP/T WHEELS, REAR, CAST - 883L/N/R, 1200C/CA/CP/T WHEELS, REAR, LACED - 1200C/CB/CP/V/X WHEELS, REAR, LACED - 1200C/CB/CP/V/X
927A	LICENSE PLATE BRACKETS
93511-10	GUARDS, SAREE
940	ENGINE MOUNTS
943	INSPECTION COVER & PRIMARY COVER
94435-10	GUARDS, SAREE
946	AIR CLEANER
95594-84A	WHEELS, FRONT, CAST - 883L/N/R, 1200C/CA/CP/T WHEELS, FRONT, LACED - 1200C/CB/CP/V/X WHEELS, REAR, CAST - 883L/N/R, 1200C/CA/CP/T WHEELS, REAR, LACED - 1200C/CB/CP/V/X
95595-84A	WHEELS, FRONT, CAST - 883L/N/R, 1200C/CA/CP/T WHEELS, FRONT, LACED - 1200C/CB/CP/V/X WHEELS, REAR, CAST - 883L/N/R, 1200C/CA/CP/T WHEELS, REAR, LACED - 1200C/CB/CP/V/X
9838	WIRING HARNESS, MAIN, NON-ABS (1 OF 4) WIRING HARNESS, MAIN, ABS (1 OF 4) WIRING HARNESS, MAIN, KEYLESS, ABS (1 OF 4) WIRING HARNESS, MAIN, KEYLESS, NON-ABS (1 OF 4)
9847	HEADLAMP - 883L/N/R, 1200T/X HEADLAMP - 1200C/CA/CB/CP/V
9848	HEADLAMP - 883L/N/R, 1200T/X HEADLAMP - 1200C/CA/CB/CP/V
9898	HEADLAMP - 883L/N/R, 1200T/X HEADLAMP - 1200C/CA/CB/CP/V
9907	SWITCHES
9946	OIL PUMP
9955	EXHAUST SYSTEM
9969	OIL TANK & LINES

Component Types and Introduction Dates

View interactive table

101A1 - Generic Nuts	
7725	Unknown

7838	Unknown
7839	Unknown
7624	Unknown
7792	2012
8135B	Unknown
7813A	Unknown
8126A	2017
7778	Unknown
7862	Unknown
7477	Unknown
7916A	Unknown
7766	Unknown
7824	Unknown
11730A	Unknown
7495	1994
7880	Unknown
7331	Unknown
7964	Unknown
37495-91	1991
8020	2002
8108	Unknown
7593	1991
7549A	Unknown
102A1 - Generic Screws	
2446	Unknown
3899	1999
4266A	Unknown
4188	Unknown
3244	Unknown
4765	1998
3579A	Unknown

3990	2006
4180	Unknown
3854	2009
4858M	Unknown
3987	Unknown
4771	Unknown
68026-99	1999
3162	Unknown
3849	Unknown
3018A	2010
4741A	1994
2481M	Unknown
3655A	Unknown
3976	2004
3056	2011
1081A	Unknown
4718A	1994
2479	Unknown
2261	2011
4993	Unknown
5414	Unknown
3022A	Unknown
4991	2009
43567-92	1992
3514	Unknown
42827-04	2004
940	Unknown
4748	2009
943	Unknown
2921	Unknown

4091	Unknown
3615	Unknown
2325	Unknown
2773	Unknown
4751	Unknown
4705	2005
4132	Unknown
4740A	1994
2586A	Unknown
3658	Unknown
45405-75A	1975
1048	Unknown
2508	Unknown
3605	2009
2952A	2003
68120-00	2000
4724	2009
2486	Unknown
4402	Unknown
45996-87	1987
3814	Unknown
3594	1992
835	Unknown
4290	Unknown
3085	Unknown
2708A	Unknown
68042-99	1999
4076	Unknown
1039	Unknown
2607	Unknown

4029A	1990
4420	2009
45902-00	2000
3588	1990
3387	Unknown
3563	1999
4017	2009
2501A	Unknown
1028	Unknown
4016	Unknown
4032A	Unknown
3124	Unknown
45800-04	2004
4351	Unknown
3210A	Unknown
4820A	Unknown
1091	Unknown
4354	Unknown
4352	Unknown
56402-83A	1983
2361	Unknown
3666A	1997
3480A	Unknown
4717A	Unknown
2441	Unknown
927A	Unknown
3574	Unknown
3214	Unknown
946	Unknown
4871	Unknown

4363	Unknown
4758A	Unknown
4365	Unknown
4312C	Unknown
4798	Unknown
3565	Unknown
3123	Unknown
10200242	2014
16478-85A	1985
4359	Unknown
56397-74C	1974
3691	Unknown
3880	2004
5403B	Unknown
8329	Unknown
3029	Unknown
4778	Unknown
4779	Unknown
4190	Unknown
27216-95	1995
2460	Unknown
3026	Unknown
3033	Unknown
16480-92A	1992
2444	Unknown
2445	Unknown
3696	Unknown
103A1 - Generic Washers	
6718	Unknown
6026	Unknown
6611	Unknown

6157	Unknown
6610	Unknown
6551	Unknown
58152-96	1996
36802-84B	1984
8972	Unknown
6787	Unknown
6288	Unknown
6798	2012
6109	1980
6101	2011
6594	Unknown
67815-59A	1959
6589	Unknown
6590HW	Unknown
7230	Unknown
6516HW	Unknown
7220	Unknown
7068	Unknown
7038	1998
7039	Unknown
7073	Unknown
6738	Unknown
6237	2014
6192	Unknown
7042	Unknown
7041	1958
6703	1970
6701	Unknown
6702	Unknown

42425-05	2005
7045	Unknown
6716	Unknown
104A1 - Custom Nuts	
7985	1991
54321-85	1985
7606	1983
105A1 - Custom Screws	
41191-74A	1974
10500062	2014
106A1 - Custom Washers	
7080	Unknown
6003	2010
108A1 - Hose Clamps	
10053	2010
10038A	1994
10031	2010
55847-05A	2005
31512-04	2004
9955	Unknown
10080	Unknown
10117	Unknown
10304	Unknown
9946	Unknown
10074	Unknown
10303	Unknown
108B1 - P Clamps	
70417-04C	2004
58174-04A	2004
10179A	Unknown

10800006	2011
10003	2010
10800074	2014
10323	Unknown
10142	Unknown
10868	2010
109A1 - Studs	
16715-83	1983
16832-86C	1986
65088-04	2004
110B1 - Plain Bushings	
25586-37	1937
34982-02A	2011
35030-89A	1989
40574-06	2006
8966	Unknown
34076-02A	2002
9252	Unknown
17429-91	1991
9254	2006
45801-04	2004
25598-91	1991
25593-74	1974
24647-87	1987
45465-87	1987
42569-03	2003
53176-08	2008
8885	Unknown
25588-91	1991
110C1 - Radial Shaft Seals	
37107-06	2006

12068	Unknown
12074	Unknown
67104-95	1995
110D1 - Rolling Element Bearings	
9209	2003
8964	2006
24650-87	1987
24605-07	2007
8970A	2012
8884	Unknown
9276A	2011
24659-87	1987
9187A	2011
8862	Unknown
24660-87	1987
111A1 - Adhesive	
73304-04	2004
72194-94	1994
58417-77	1977
9907	Unknown
72990-01	2001
9838	Unknown
74196-04	2004
111B1 - Tape	
11100060	2014
11100061	2014
116A1 - Banjo Bolts	
11600001	2012
117A1 - Coil Springs	
56396-74A	1974

119A1 - O-Rings	
11105	Unknown
11113	Unknown
11289A	Unknown
11202	Unknown
48027-99	1999
11120	Unknown
11190	Unknown
45984-87	1987
11377	Unknown
26434-91	1991
11171	Unknown
11179	1986
11317	Unknown
120A1 - Pins	
215	Unknown
16573-83A	1983
50003-89B	1989
1594	1998
24754-75A	1975
45041-01A	2001
358	Unknown
121A1 - Grommets	
12100049	2014
11474	Unknown
12100031	2014
121B1 - Press-Fit Plugs	
67865-89	1989
90383-98	1998
761	1996

90520-07	2007
122A1 - Retaining Rings	
11271	Unknown
11272	Unknown
12200047	2014
10279	Unknown
35118-03	2003
11002	Unknown
35114-02	2002
65325-83A	1983
45611-86	1986
35087-99A	1999
10108	Unknown
11155	Unknown
11142	Unknown
10984	Unknown
70640-07	2007
11390	Unknown
11046	Unknown
61213-04A	2004
11121	2008
11177A	1996
11304	Unknown
11282	Unknown
11067	Unknown
11379	2002
16699-06	2006
11250	1992
35038-89A	1989
41229-08	2008
10242	2004

11161	Unknown
123A1 - Sealing Washers	
26436-90A	1990
41756-08	2008
123B1 - Spring Washers	
7155	Unknown
48738-07	2007
124A1 - Spacers	
6021	Unknown
6152	Unknown
11804	Unknown
40562-05	2005
45377-87	1987
7882	Unknown
35107-06	2006
125A1 - Tie Straps	
10065	1985
10177	1996
10181	1996
10006	1960
126A1 - Miscellaneous Hardware	
42593-04	2004
45799-04	2004
12030	Unknown
89581-04A	2004
90493-83	1983
12600080	2014
33540-06	2006
48791-09	2009
56394-74	1974

8873	1984
126B1 - Rivets Fasteners	
8692	Unknown
11778	Unknown
11785	Unknown
127A1 - Miscellaneous, Non-System-Specific Component	
93511-10	2010
127B1 - Generic Mounting Bracket	
51652-97A	1997
140A1 - Battery Warning Label	
15368-01A	2001
140A2 - General Warning Label	
15385-08	2008
29147-07	2007
140A3 - Other Special Warning Label	
15370-01A	2001
140G2 - EPA Label	
29127-95B	1995
141A1 - Medallion	
13567-05	2005
62581-11	2011
14100381	2014
67667-05	2005
71550-94	1994
14270-92	1992
62439-11	2011
14448-94	1994
13566-05	2005
62580-11	2011
62426-11	2011

14100610	2014
14100609	2014
14100608	2014
14100607	2014
14100599	2014
14100598	2014
149A1 - Tool	
94435-10	2010
161A1 - Powertrain Assembly	
19927-14	2014
19905-14	2014
19606-14	2014
19766-14	2014
19566-14	2014
19519-14	2014
19778-14	2014
19767-14	2014
19779-14	2014
19527-14	2014
163B1 - Engine Isolator Mount	
16353-04	2004
41562-04	2004
16287-04	2004
48492-04A	2004
48463-04A	2004
41561-04	2004
16291-04A	2014
164B1 - Engine Mount Bracket sub-component	
7716	1990
16232-04B	2004

7783	Unknown
7531	1980
7804	Unknown
7357	Unknown
7800W	Unknown
164D1 - Tiebar Mount	
47471-04A	2004
165A1 - Cylinder Head	
16500068	2012
16500071	2012
16667-07	2007
17488-07	2007
16867-07	2007
18011-86	1986
16661-07	2007
18020-07	2007
16865-07	2007
16660-07	2007
17485-07	2007
16666-07	2007
165B1 - Cylinder Head and Base Gaskets	
16800-84B	2013
16664-86D	1986
16789-04	2004
16770-84F	1984
167A1 - PT Assembly Miscellaneous Component	
36731-91	1991
168A1 - Cylinder	
16463-04	2004
16800019	2012

16443-04	2004
16452-05	2005
16469-10	2010
179A1 - Lifters	
17981-04	2004
17972-04	2004
18538-99C	2011
179B1 - Push Rod	
17908-02	2002
17909-02	2002
179C1 - Lifter Anti-Rotation Device	
18505-06	2006
180A1 - Valves	
18690-02	2002
18053-04	2004
18021-87A	1987
18059-04	2004
181B1 - Valve Seals	
18012-87A	1987
16465-06	2006
18094-02A	2002
181C1 - Valve Collars	
18260-02	2002
184A1 - PT Camdrive and Valvetrain Miscellaneous Component	
18245-02	2002
18258-02	2002
220A1 - Piston Ring	
22266-86	1986
22224-04	2004
22223-04	2004

22231-04	2004
21948-02	2002
22261-86	1986
22238-04	2004
22271-86	1986
22221-04	2004
22227-04	2004
22228-04	2004
22230-04	2004
221A1 - Piston Pin	
22589-83B	1983
22765-02	2002
22719-04	2004
237B1 - Connecting Rod sub-component	
24332-36	1936
239A1 - PT Lower End Miscellaneous Component	
24658-87	1987
241A1 - Flywheel	
23905-04B	2007
244A1 - Crankcase	
24470-06B	2006
24466-06B	2006
244D1 - Crankcase sub-component	
24047-00	2000
8881	Unknown
254A1 - Camdrive Gear	
25194-06	2006
255C1 - Camdrive Chain Tensioner	
40039-02C	2007
256A1 - Timer Cover	

32506-90	1990
25600007	2012
32531-07	2007
32514-04	2004
25600037	2014
257B1 - Clutch Cover	
34992-04	2004
34760-04	2004
257D1 - Clutch Inspection Cover	
34993-04A	2004
34761-04A	2006
257E1 - Cover Gaskets	
67121-95A	1995
65324-83B	2009
75301-07	2007
17393-07	2007
17695-07B	2011
34955-04	2004
17362-07B	2011
61109-85D	1985
26638-00Y	2000
25463-94A	1994
67601-94A	1994
17027-08	2008
17976-04	2004
11936	Unknown
29313-95	1995
29062-95B	1995
17036-08	2008
34990-08	2008
45378-87	1987

17049-08	2008
58791-04	2004
25263-90D	1990
257L1 - Primary Cover	
25486-05	2005
25430-06	2006
25307-06	2006
25460-06	2006
257M1 - Push Rod Cover	
17946-04	2004
257N1 - Rocker-Arm / Valve Cover	
17598-07A	2007
17501-04	2004
17375-83A	1983
17537-07A	2007
17611-83	1983
17551-04	2004
17360-83A	1983
17532-07A	2007
17655-05	2005
258A1 - PT Covers Miscellaneous Component	
25219-04	2004
25213-04	2004
265A1 - Vent / Breather Line	
63508-04	2004
26500005	2014
272B1 - Throttle Body / Intake Manifold	
27795-07	2007
16361-07	2007
273A1 - Intake Manifold	

27707-07	2007
273A2 - Intake Manifold to Cylinder Head Seal	
27327-07A	2013
273E1 - Idle Air Control Actuator	
27628-01A	2001
273K1 - Throttle Body to Manifold Seal	
26995-86B	1986
273M1 - Throttle Cable Bracket	
27701-07A	2007
273N1 - Throttle Cable Retention Bracket	
56508-76	1976
274B1 - Fuel Rail	
27704-07	2007
274C1 - Fuel Injector	
27706-07A	2007
275A1 - PT Upper End Miscellaneous Component	
27700-07	2007
290A1 - Airbox Baseplate	
29369-07A	2007
29000015	2012
290C1 - Airbox Baseplate sub-component	
29123-07	2007
29355-07	2007
290D1 - Airbox Seal	
29315-04	2004
29000016	2012
292A1 - Air Duct	
28794-10	2010
292B1 - Air Duct Bezel	
29200001	2011

294A1 - Air Filter Element

29400015

2012

295A1 - Intake Miscellaneous Component

26011-04

2004

28911-04A

2004

26020-07

2007

26012-07

2007

26010-04

2004

299C1 - Charging Rotor

32493-02B

2008

32494-04B

2008

299F1 - Stator Assembly

29900026

2014

314E1 - Starter Friction Clutch

31556-91D

2010

314F1 - Starter Motor

31390-91F

1991

314G1 - Starter Motor sub-component

31488-81C

2008

314H1 - Starter Solenoid

31603-91

1991

314L1 - Starter Motor Drive

33189-63

1963

315B1 - Exhaust Valve Actuator

18691-02

2002

316A1 - Ignition Coil

31656-07

2007

316B1 - Spark Plug Cable

32003-07

2007

32006-07

2007

316C1 - Spark Plug

32362-04	2004
327B1 - Chemical / Gas Sensor	
32700006	2012
32700026	2014
327C1 - Pressure Sensor	
26554-77B	1977
327D1 - Proximity Sensor	
50126-08A	2008
74402-05B	2012
32707-01C	2007
327E1 - Temperature Sensor	
32472-10	2010
32319-07	2007
327F1 - Throttle Position Sensor	
27629-01A	2001
336A1 - Shift Linkage Rod Assembly	
34723-10	2010
34663-10	2010
336C1 - Shift Linkage Rod End	
34573-04	2004
336F1 - Toepeg	
34611-65A	1965
336G1 - Toepeg Rubber	
33133-06	2006
339A1 - Shift Lever	
34572-04	2004
33900154	2014
34670-06	2006
34660-04A	2004
34721-07	2007

339C1 - Shifter Drum	
33641-06	2006
339D1 - Shifter Fork	
34162-06	2006
34157-06	2006
34981-02A	2002
339F1 - Shifter Index Lever	
34724-10	2010
34014-06A	2006
339H1 - Shifter Mechanism Components (internal)	
34064-00C	2000
34491-02A	2002
34483-06	2006
34163-02	2002
348A1 - Transmission Output Sprocket Cover	
34932-04	2004
34911-04	2004
34943-05	2005
350A1 - Transmission Output Sprocket	
40380-04	2004
40409-04	2004
350C1 - Transmission Output Sprocket Compensator Driving Element	
40560-05	2005
350E1 - Transmission Gear	
35167-06	2006
35159-06	2006
35165-06	2006
350F1 - Transmission Mainshaft	
35163-06	2006
356A1 - Transmission Countershaft	
35197-06	2006

35191-06	2006
35172-06	2006
35193-06	2006
35174-06	2006
356B1 - Transmission Dog Ring	
35196-06	2006
35190-06	2006
363A1 - PT Driveline Miscellaneous Component	
35051-89A	1989
35211-91B	1991
365A1 - Primary Chain	
40147-04	2004
40005-57B	1957
365C1 - Primary Drive Assembly	
40254-02	2002
40290-04A	2004
40241-02A	2003
40251-92A	1992
367A1 - Clutch Lever	
36700012	2014
36700011	2014
367F1 - Clutch Lever Perch	
36700013	2014
367H1 - Clutch Lever sub-component	
34920-86A	1986
37904-90	1990
37870-91	1991
36715-94	1994
38630-88	1988
37872-90	1990

37905-90	1990
37909-90	1990
37910-04B	2006
36799-91	1991
37977-90	1990
46268-04	2004
37908-90	1990
370A1 - Clutch Assembly	
37000041A	2014
37924-04A	2006
370B1 - Clutch Friction Plate	
37911-90	1990
370C1 - Clutch Hub	
36785-91	1991
370F1 - Clutch Pressure Plate	
37912-91	1991
37913-90	1990
370G1 - Clutch Shell	
36790-04	2004
372A1 - Clutch Actuation Screw	
11765Y	Unknown
372D1 - Clutch Cable	
38999-11	2011
38699-04D	2014
37200085	2014
372K2 - Clutch Ramp	
25453-87A	1987
25409-94B	1994
400A1 - Drive-Belt	
40591-07	2007

409A1 - Rear Wheel	
44012-11A	2012
40900291	2014
47878-09B	2012
41478-10A	2012
41082-08A	2012
40900166	2012
40900167	2012
40900165	2012
410D1 - Electronic Control Module (ECM)	
41000006A	2012
410G1 - Security System Control Module	
69992-12A	2014
69994-12A	2014
411A1 - ABS Control Unit	
41100006	2014
411A3 - ABS Hydraulic Control Unit	
41100022	2014
5004	Unknown
41100020	2014
411B1 - ABS Wheel Sensor Ring	
41100024	2014
41100023	2014
413A1 - Brake Caliper	
41300038	2014
41300032	2014
44160-00	2000
41300010	2014
41300003	2014
41300039	2014
413C1 - Brake Caliper sub-component	

42823-04	2004
41300007	2014
41300008	2014
41300009	2014
42824-04	2004
41300052	2014
41300055	2014
41300056	2014
41300053	2014
45401-87	1987
41300049	2014
413D1 - Brake Pad	
41300004	2014
413F1 - Brake Pad Retaining Spring	
41300005	2014
413G1 - Brake Caliper Piston Set	
41300006	2014
41300054	2014
415B1 - Brake Rotor	
41500068	2014
41833-08	2008
41500022	2014
416A1 - Brakes Miscellaneous Component	
41600074	2014
72023-51E	2012
42807-04	2004
416B1 - Brake Mounting Bracket	
41600069	2014
41600068	2014
417A1 - Brake Master Cylinder Assembly	

41700086	2014
41700085	2014
41700099	2014
41700094	2014
41700092	2014
42805-04	2004
41700025	2014
41700003	2014
41700007	2014
417C1 - Brake Master Cylinder Piston Set	
41700088	2014
41700087	2014
41700084	2014
417D1 - Brake Master Cylinder sub-Component	
41700097	2014
41700098	2014
41700095	2014
41700096	2014
41700043	2014
41700042	2014
41700104	2015
41700102	2014
42811-04	2004
42804-07	2007
42828-04	2004
417G1 - Front Brake Lever	
41700004	2014
41700008	2014
418B1 - Brake Line	
41800150	2014

41800151	2014
41800154	2014
41800318	2014
41800317	2014
41800147	2014
41800146	2014
41800172	2014
41800171	2014
41800143	2014
41800145	2014
41800170	2014
41800144	2014
41800168	2014
41800162	2014
41800161	2014
41800160	2014
41800167	2014
41800166	2014
41800165	2014
420A1 - Wheel Rim	
41389-10	2010
43017-07	2007
43662-80B	1983
43085-97	1997
55127-11	2011
421A1 - Wheel Spoke with Nipple	
40760-05	2005
43241-05	2005
40759-05	2005
47887-10	2010
422B1 - Wheel Sprocket	

40444-07	2007
40350-07	2007
40518-08	2008
422C1 - Wheel Sprocket Compensating Cushion	
40561-05	2005
423C1 - Rim Strip	
43939-89	1989
43147-40	1940
40875-11	2011
423D1 - Tire Inner Tube	
43140-80	1980
40558-82	1982
40572-11	2011
423G1 - Valve Stem	
40999-87	1987
43157-83A	1983
423H1 - Valve Stem Cap	
41123-79	1979
423K1 - Wheel Weights	
95595-84A	2010
95594-84A	2010
424A1 - Wheels, Tires and Final Drive Miscellaneous Component	
55126-11	2011
43595-99	1999
430D1 - Front Axle	
41628-08	2008
43000001	2014
430E1 - Rear Axle	
41176-08	2008
41573-05	2005

41623-05	2005
431A1 - Front Tire	
55035-11A	2013
43258-07B	2011
43100021	2014
40879-11A	2012
43100004	2012
432A1 - Rear Tire	
43200007	2012
40878-11	2011
43200026	2014
43216-11	2011
433A1 - Front Wheel	
43355-00	2000
43557-08	2008
43300158	2012
43300156	2012
43300157	2012
47875-09A	2010
43689-11	2011
43300282	2014
41388-10	2010
433B1 - Front Wheel Bearing Spacer	
40930-05	2005
43358-08	2008
43906-08	2008
43905-08	2008
41242-08	2008
454A1 - Front Telescopic Fork	
45400020	2014

45400026	2014
45400025	2014
49378-09	2009
49409-11	2011
45968-10	2010
45400054	2014
45400055	2014
49382-11	2011
49400-11	2011
45988-10	2010
49410-11	2011
45400017	2014
45400018	2014
45400019	2014
454B1 - Springer Fork	
10417	Unknown
455A1 - Front Telescopic Fork Slider	
45395-09	2009
48849-10	2010
49403-11	2011
48850-10	2010
45500076	2014
45500075	2014
46218-05	2005
49411-11	2011
49412-11	2011
49401-11	2011
45500055	2014
45500056	2014
45500057	2014
45500054	2014

455B1 - Front Telescopic Fork Spring	
45500244	2014
45500139	2014
45500142	2013
46267-05	2005
45376-09	2009
455C1 - Front Telescopic Fork sub-component	
45374-87	1987
45462-87	1987
45461-87	1987
45361-90	1990
45460-90	1990
46002-87	1987
45938-92	1992
45905-87	1987
456A1 - Fork Protector	
45451-07	2007
456B1 - Fork Brace	
46420-10	2010
49419-11	2011
456C1 - Fork Lock	
45600014	2012
457E1 - Steering Stem Bearing Insert Cup	
48315-60	1960
48300-60	1960
458A1 - Front Suspension and Steering Miscellaneous Component	
45458-09	2009
4978	Unknown
46245-09	2009
48184-01	2001

68041-04	2004
459A1 - Upper Triple Clamp	
46009-10	2010
45966-04	2004
46758-07	2007
46997-11	2011
459B1 - Lower Triple Clamp	
46998-11	2011
46014-10	2010
46767-07	2007
46126-04	2004
49422-11	2011
470A1 - Frame	
47000031	2014
472C1 - Front Fairing Support Bracket	
42972-04	2004
60204-06	2006
60203-06	2006
472D1 - Chassis Structure Miscellaneous Component	
47313-07	2007
472D2 - Chassis Structure Mounting Bracket	
59903-04	2004
59902-04	2004
59502-04A	2004
47470-04	2004
472E1 - Frame Cover	
47200177	2012
474C1 - Swingarm	
47587-05A	2014
475B1 - Swingarm Pivot Shaft	

47500005	2014
47500004	2014
47500006	2014
41699-04	2004
500A1 - Sidestand Assembly	
50185-04C	2011
50000025BHP	2011
500D1 - Sidestand Leg	
50124-09BHP	2011
500E1 - Sidestand Leg sub-component	
49735-08	2008
62122-89A	1989
50005-85A	1985
500F1 - Sidestand Pivot Pin	
554A	2002
505A1 - Footboard	
50500290	2014
50500291	2014
505B1 - Footpeg Mount Bracket	
33048-72	1972
50500233	2014
42651-04	2004
49315-04	2004
50500289	2014
50500288	2014
42652-04	2004
42971-04	2004
505D1 - Passenger Footpeg	
50500227	2012
51327-08	2008

33134-07CAZ	2007
33032-99	1999
33135-07CAZ	2007
51323-08	2008
505H1 - Footpeg Insert	
50500323	2014
505K1 - Footpeg Wear Peg	
33130-07A	2007
33216-99	1999
506A1 - Brake Pedal	
50600125	2014
50600124	2014
50912-72	1972
42812-04	2004
50600101	2014
50600025	2014
50600020	2014
50600023	2014
50600024	2014
50600021	2014
50600022	2014
50600092	2014
50600091	2014
507A1 - Rider Interface Miscellaneous Component	
51731-10	2010
51730-10	2010
42541-04	2004
520A1 - Rider Seat or Full Seat	
51551-07	2007
51911-10	2010
51532-07	2007

51550-11	2011
51530-07	2007
52000156	2014
520B1 - Rider/Full Seat Assembly sub-component	
51740-10	2010
521C1 - Seat Suspension Damper	
42840-04	2004
45925-09	2009
10627	Unknown
524A1 - Passenger Grab Handle	
59723-04	2004
540B1 - Rear Shock	
54570-09	2009
54000060	2014
54000061	2014
54568-09	2009
54550-10	2010
540E1 - Rear Shock sub-component	
54677-10	2010
54741-07	2007
54724-04	2004
558A1 - Handlebar	
55840-04A	2004
56014-09A	2010
56079-93	1993
57472-11	2011
56085-83A	1983
558B1 - Handlebar Tube	
57209-11	2011
559D1 - Lower Handlebar Clamp	

55842-04	2004
56542-86A	1986
56017-04	2004
56541-86A	1986
56117-82A	1982
56116-82A	1982
559E1 - Upper Handlebar Clamp	
55900029	2014
560A1 - Mirror	
92401-09	2009
92400-09	2009
91983-03B	2003
91961-10	2010
92381-09	2009
91960-10	2010
91982-03B	2003
92402-09	2009
561A1 - Throttle Cable	
56884-07	2007
56885-07	2007
561B1 - Left Hand Grip	
56667-04	2004
561C1 - Throttle Assembly w/Grip	
56666-04	2004
561D1 - Throttle Assembly sub-component	
38653-01	2001
572E1 - Side Cover	
66252-04B	2014
66273-05B	2014
57200037	2014
57200038	2014

573A1 - Bodywork Miscellaneous Component	
57793-11	2011
7651A	Unknown
57796-11	2011
574B1 - Windscreen / Windshield	
57400214	2014
58052-78	1978
58051-78A	1978
57400245	2014
58406-75A	1975
58790-04	2004
58050-78A	1978
58408-75A	1975
589A1 - Front Fender	
58998-83E	2008
60574-10	2010
59712-07A	2007
60955-11	2011
595C1 - Tailsection Side	
59500173	2014
59500172	2014
595D1 - Rear Fender	
59673-04A	2004
59885-11	2011
59727-07	2007
59865-10	2010
59768-97	1997
59847-10	2010
595E1 - Rear Fender Support	
59500034	2011

596A1 - Tire Mud Flap	
59502-04B	2014
603B1 - Belt / Chain Guard	
60367-04	2004
60300008	2012
60300007	2012
60300009	2012
60379-09	2009
60435-04B	2014
608A1 - Carbon Canister	
60800009	2014
27042-84A	1995
608B1 - Carbon Canister Hose	
28822-07A	2007
609A1 - Fuel Miscellaneous Component	
89586-04	2004
89579-91	1991
75317-07	2007
610A1 - Fuel Tank	
61724-10	2010
61348-07	2007
62213-07	2007
611B1 - Fuel Cap	
61289-07A	2011
61100045	2014
61100044	2014
61272-92C	1992
611F1 - Fuel Tank Vapor Vent Hose	
61100040	2012
61100026	2014

61100027	2014
612A1 - Fuel Filter	
75304-07A	2007
612B1 - Fuel Level Sensor	
75302-07B	2011
612B2 - Fuel Valve	
75309-07A	2014
61015-04A	2004
62150-85	1985
612C1 - Fuel Line	
27693-07	2007
27829-10	2010
612F1 - Fuel Pump	
75268-07F	2014
75305-07A	2007
613B1 - Horn Cover	
61300478	2014
613C1 - Intake / Fuel Tank Cover	
28792-10	2010
613K1 - Airbox Cover	
61300131	2012
28790-10	2010
613L1 - Airbox Cover sub-component	
61300332	2014
614C1 - Trim	
62534-07	2007
70919-04	2004
70904-04	2004
70917-04	2004
70903-04	2004
29346-07	2007

71472-04	2004
624A1 - Oil Pump Assembly	
26204-91A	1991
624B1 - Oil Pump Assembly sub-component	
62601-91A	1991
26239-07	2007
26495-89B	1989
26437-86B	1986
62651-04	2004
33117-91A	1991
26502-07	2007
45830-48	1948
26503-07	2007
624D1 - Oil Pump Drive Gear	
26318-88A	1988
625B1 - Oil Tank	
62500017	2014
627B1 - Oil Drain Plug	
33123-06A	2006
60328-98B	1998
627E1 - Oil Filler Plug / Dipstick	
62592-07A	2007
63000-04B	2004
627F1 - Oil Filter	
63796-77A	1977
63805-80A	1980
627G1 - Oil Jet	
62700014	2011
627H1 - Oil Line	
62338-01Y	2001

62361-10	2010
9969	Unknown
62700038	2014
627K1 - Oil Line Fitting	
26496-75A	1975
62375-57A	1957
63533-41A	1941
628A1 - PT Lubrication and Cooling Miscellaneous Component	
70503-10	2010
649A1 - Muffler	
64900165	2014
64900164	2014
64900166	2014
64900161	2014
64900163	2014
64900162	2014
64900213	2014
64900212	2014
654A1 - Exhaust Shield	
64889-04A	2013
66851-07	2007
65400054	2014
65400055	2014
655C1 - Exhaust Mounting Bracket	
65500023	2014
65500022	2014
65500025	2014
656E1 - Header Pipe	
65600094	2014
659A1 - Exhaust Clamp	
65900012	2014

65441-06	2006
65440-06	2006
659B1 - Exhaust Flange	
65328-83A	2010
660A1 - Battery	
65958-04A	2004
66373-06	2006
660C1 - Battery Pan	
66000031	2014
660D1 - Battery Strap	
66000032	2014
660E1 - Ground Strap	
66000045	2014
660F1 - Negative Battery Cable	
66000035	2014
660G1 - Positive Battery Cable	
66000036	2014
660H1 - Positive Battery Cable Boot	
66000037	2014
677A1 - Headlight	
68335-05	2005
67603-94A	1994
67883-04A	2004
69774-07A	2007
73266-10	2010
69449-05	2005
68341-05	2005
67894-93A	1993
67790-93A	1993
73264-10	2010

68297-05	2005
68443-07A	2007
677B1 - Headlight sub-component	
68380-05	2005
67700094	2011
69681-07B	2011
73246-11	2011
677C1 - Headlight Support Bracket	
67700197	2013
67700196	2013
67746-11	2011
67963-05A	2013
678A1 - Taillight	
68066-99A	2004
69187-03A	2003
68369-03	2003
69352-11	2011
68830-99A	1999
68372-03	2003
69361-11	2011
68296-99A	2004
68140-04	2004
68370-03A	2003
68141-04	2004
678B1 - Taillight Housing	
68513-07A	2012
678D1 - Turnsignal	
68975-00	2000
68730-07	2007
68265-04	2004

68480-02	2002
5531	Unknown
68978-00	2000
67800395	2014
67800396	2014
68277-07	2007
73318-09	2009
68420-01	2001
68972-00	2000
73284-10	2010
67800215	2014
67800214	2014
56104-02	2002
73282-10	2010
68497-07	2007
73267-10	2010
68461-09	2009
68449-07	2007
69362-08	2008
67800070	2011
67800381	2014
67800382	2014
68430-89A	1989
678E1 - Turnsignal Lens	
68973-00	2000
68755-07	2007
68559-07	2007
679B1 - Reflector	
67900234	2014
67900235	2014
69490-07	2007

59359-06	2006
59287-92	1992
59259-90	1990
59482-00	2000
59481-00	2000
59256-84A	1984
59288-92	1992
92247-10	2010
68704-07	2007
59988-72A	1972
69498-08	2008
68724-07	2007
679C1 - Reflector Mount Bracket / Holder	
67900006	2011
679D1 - License Plate Bracket	
67900079	2011
67900231	2014
67900155	2014
67900089	2011
67900088	2011
67900093	2011
68992-08	2008
60001-55	1955
59986-75	1975
68702-07	2007
67900152A	2014
60901-07	2007
59984-73	1973
60013-02	2002
68857-07	2007

60225-08BHP	2008
68966-08	2008
679E1 - License Plate Light	
73504-11	2011
67900157	2014
680C1 - Incandescent Bulb	
68572-64B	1964
68168-89A	1989
53436-97	1997
68163-84	1984
68329-03	2003
68167-04	2004
52441-95	1995
690A1 - Emergency Siren	
68958-07C	2010
690B1 - Emergency Siren sub-component	
69309-10	2010
690C1 - Horn	
69000014	2011
69060-90G	2014
692C1 - Electrical Miscellaneous Component	
72062-06	2006
11954	2011
68382-07B	2012
72189-04	2004
6990	2011
10289A	Unknown
692C2 - Electrical Mounting Bracket	
69200402	2014
69200401	2014

69200404	2014
69200403	2014
69200405	2014
71980-10	2010
69123-92A	1992
69135-04	2004
69049-07	2007
69120-91	1991
67319-95	1995
69200456	2014
69200460	2014
31807-07	2007
31753-07	2007
69062-91A	1991
692D1 - Fuse	
72314-01	2001
72462-00	2000
72330-95	1995
692E1 - Fuse / Relay Block	
72587-11	2011
72582-11	2011
692E2 - Fuse / Relay Block Cover	
72595-11	2011
69200474	2014
692F1 - Wire Harness	
70247-07	2007
69200479	2014
69200480	2014
69200459	2014
69200793	2014
69200794	2014

69200080	2014
69200079	2014
69200077	2014
69200073	2014
69200072	2014
692G1 - Conduit / Sheathing / Sleeving	
70558-71	1971
11888	2010
72249-94	1994
70552-69	1969
69200790	2014
692G2 - Wire Guide	
29950-91	1991
72298-95	1995
692H1 - Connector	
72906-11	2011
73152-96BK	1996
72519-09BK	2009
69200271	2014
69200272	2014
72908-11	2011
72081-11	2011
72905-11	2011
72312-04	2004
27250-96B	1996
9848	Unknown
9847	Unknown
72664-12A	2013
72009-05	2005
72007-05	2005

69200476A	2014
72577-12	2012
72594-11	2011
72575-11	2011
72130-04	2004
72199-94	1994
72907-11	2011
692H2 - Terminal	
72256-11	2011
72910-11	2011
72578-12	2012
72227-11	2011
72356-95	1995
72909-11	2011
5118	2011
72413-07	2007
72335-10	2010
9898	Unknown
72484-08	2008
72407-07	2007
72662-11	2012
72024-08	2008
72226-11	2011
72308-97	1997
72344-10	2010
72721-07	2007
72579-12	2012
72222-11	2011
72169-07	2007
72168-07	2007
72291-94	1994

73307-10	2010
72094-06	2006
72666-12	2012
72991-01	2001
74194-98	1998
72580-12	2012
72283-09	2009
692K1 - Connector / Terminal Seal	
68904-00	2000
74197-04	2004
68653-05	2005
692L1 - Wire Harness sub-component	
74191-98	1998
73213-07	2007
72487-07BK	2007
70345-84	1984
72512-07BK	2007
72263-95	1995
72488-07BK	2007
74152-98	1998
72195-94	1994
72633-02	2002
72402-07	2007
72175-07BK	2007
72473-07	2007
70504-81	1981
73190-96	1996
72511-07BK	2007
72177-07BK	2007
73103-96BK	1996

73156-96BK	1996
73106-96BK	1996
72904-01BK	2001
70598-99	1999
74120-08	2008
72486-08	2008
72408-07	2007
72251-07	2007
73153-96BK	1996
72720-07	2007
70494-08	2008
72033-93	1993
10200	Unknown
72011-05	2005
72106-94BK	1994
72405-98BK	1998
72066-06A	2006
73191-96	1996
72146-94	1994
70664-08	2008
72190-94	1994
72010-05	2005
72096-06	2006
72188-07BK	2007
72543-07BK	2007
73104-96BK	1996
73305-04	2004
72544-07	2007
72209-11	2011
72056-92	1992

72545-08	2008
72295-94	1994
70578-89	1989
70631-08	2008
72406-07A	2007
74112-98BK	1998
73154-96BK	1996
72414-07BK	2007
72135-06	2006
72914-01BK	2001
692M1 - Electrical Component / Wire Cover	
69302-11	2011
69200438	2014
69200439	2014
709B1 - Instrument Cluster or Speedometer	
70900216	2014
70900215	2014
70900217	2014
70900221	2014
70900223	2014
70900222	2014
714A1 - Ignition Switch	
71400083	2014
714B1 - Mechanical Switch	
33900-99	1999
715A1 - Hand Control	
72949-12	2012
71500030	2012
72948-12	2012
72940-11	2011

71510-04	2004
72922-11	2011
72920-11	2011
55786-11	2011
72923-11	2011
72921-11	2011
72934-11	2011
72941-11	2011
71500118	2012
71500117	2012
72937-11	2011
55846-05A	2005
55785-11	2011
72933-11	2011
71500029	2012
71500028	2012
747A1 - Voltage Regulator	
74700012	2014
72350-11	2011
760B1 - Antenna	
68956-07	2007
902A1 - Saddlebag	
90201040	2014
90201041	2014
902E1 - Saddlebag Bottom	
90201087	2014
90201039	2014
90201038	2014
53126-10	2011
903A1 - Lockset	

90300050	2012
90300063	2014
90300062	2014
903B1 - Key or Key-set	
61459-97	1997
903C1 - Key Transponder	
68926-07	2007

Common Service Parts

BEARINGS, SEALS & HARDWARE

[View interactive table](#)

PART NO.	DESCRIPTION	PART AND MODEL(S)
10038A	CLAMP	OIL TANK & LINES: All Models
10080	CLAMP	CRANKCASE & GEARCASE: All Models OIL TANK & LINES: All Models
11105	O-RING	INSPECTION COVER & PRIMARY COVER: All Models
11171	O-RING	INSPECTION COVER & PRIMARY COVER: All Models
11304	RETAINING RING	FOOTRESTS: XL883L XL883N XL1200X XL1200V XL1200CP FOOTRESTS: XL883R XL1200C XL1200CP XL1200CB XL1200CA XL1200T
11379	RETAINING RING	CLUTCH CONTROL: All Models
12074	OIL SEAL	TRANSMISSION GEARS: All Models
16715-83	STUD	CYLINDERS, HEADS & VALVES: All Models
2445	SCREW	HEADLAMP - 1200C/CA/CB/CP/V: XL1200C XL1200CP XL1200CA XL1200CB
2446	SCREW	FENDERS, REAR - 883N/1200V/X (ALL EXCEPT CANADA): XL883N

[XL1200X](#)
[XL1200V](#)

25463-94A	GASKET	INSPECTION COVER & PRIMARY COVER: All Models
26995-86B	SEAL	INDUCTION MODULE, FUEL: All Models
2952A	SCREW	SEATS: All Models FENDERS, REAR - 883N/1200V/X (ALL EXCEPT CANADA): XL883N XL1200X XL1200V FENDERS, REAR - 1200T: XL1200T
34990-08	GASKET	INSPECTION COVER & PRIMARY COVER: All Models
3655A	SCREW	WHEELS, FRONT, CAST - 883L/N/R, 1200C/CA/CP/T: XL883L XL1200C XL1200T XL1200CP XL1200CA WHEELS, FRONT, CAST - 883L/N/R, 1200C/CA/CP/T: XL883N XL883R WHEELS, FRONT, LACED - 1200C/CB/CP/VIX: XL1200X XL1200C XL1200V XL1200CP XL1200CB
3658	SCREW	SWITCHES, HANDLEBAR: All Models
4132	SCREW	OIL PUMP: All Models
43567-92	SCREW	WHEELS, REAR, CAST - 883L/N/R, 1200C/CA/CP/T: XL883L XL883R XL1200C XL1200T XL1200CP XL1200CA XL883N WHEELS, REAR, LACED - 1200C/CB/CP/VIX: XL1200V XL1200X XL1200C XL1200CP XL1200CB
45378-87	OIL SEAL	FORK, FRONT - 883L/R, 1200C/CA/CB/CP/T/VIX (1 OF 2): XL883R XL1200V XL883L XL1200C XL1200T XL1200CP XL1200CA XL1200CB

[XL1200X](#)

FORK, FRONT - 883N:

[XL883N](#)

45405-75A

SCREW

FORK, FRONT - 883L/R, 1200C/CA/CB/CP/T/V/X (1 OF 2):

[XL883R](#)

[XL1200V](#)

[XL883L](#)

[XL1200C](#)

[XL1200T](#)

[XL1200CP](#)

[XL1200CA](#)

[XL1200CB](#)

[XL1200X](#)

FORK, FRONT - 883N:

[XL883N](#)

4740A

SCREW

[CAMSHAFTS & GEAR COVER: All Models](#)

[ALTERNATOR & REGULATOR: All Models](#)

48300-60

ROLLER BEARING

[FORK BRACKETS, FRONT: All Models](#)

59768-97

FENDER SEAT NUT KIT

[FENDERS, REAR - 883L/R/1200C/CA/CB/CP \(ALL\), 883N/1200V/X \(CANADA ONLY\): All Models](#)

FENDERS, REAR - 883N/1200V/X (ALL EXCEPT CANADA):

[XL883N](#)

[XL1200X](#)

[XL1200V](#)

FENDERS, REAR - 1200T:

[XL1200T](#)

6516HW

WASHER

[BELTS, CHAINS & SPROCKETS: All Models](#)

65324-83B

GASKET

[EXHAUST SYSTEM: All Models](#)

65325-83A

RETAINING RING

[EXHAUST SYSTEM: All Models](#)

6702

WASHER

FORK BRACKETS, FRONT:

[XL1200T](#)

[FORK, REAR, DEBRIS DEFLECTOR & BELT GUARD: All Models](#)

[FENDERS, REAR - 883L/R/1200C/CA/CB/CP \(ALL\), 883N/1200V/X \(CANADA ONLY\): All Models](#)

FENDERS, REAR - 883N/1200V/X (ALL EXCEPT CANADA):

[XL883N](#)

[XL1200X](#)

[XL1200V](#)

FENDERS, REAR - 1200T:

[XL1200T](#)

[FUEL TANK: All Models](#)

HEADLAMP - 883L/N/R, 1200T/X:

[XL883L](#)

[XL883R](#)

[XL883N](#)

HEADLAMP - 1200C/CA/CB/CP/V:

[XL1200C](#)

[XL1200CP](#)

[XL1200CA](#)

[XL1200CB](#)

[EXHAUST SYSTEM: All Models](#)

7041	LOCKWASHER	<p>HORN:</p> <p>XL1200C</p> <p>XL1200CP</p> <p>XL1200CA</p> <p>XL1200CB</p> <p>XL1200V</p> <p>XL1200T</p>
7593	NUT	EXHAUST SYSTEM: All Models
7716	LOCKNUT	<p>FENDERS, REAR - 883N/1200V/X (ALL EXCEPT CANADA):</p> <p>XL883N</p> <p>XL1200X</p> <p>XL1200V</p> <p>LICENSE PLATE BRACKETS:</p> <p>XL883N</p> <p>XL1200X</p> <p>XL1200V</p> <p>HEADLAMP - 883L/N/R, 1200T/X:</p> <p>XL1200X</p>
8692	RIVET	<p>FENDERS, REAR - 883L/R/1200C/CA/CB/CP (ALL), 883N/1200V/X (CANADA ONLY): All Models</p> <p>FENDERS, REAR - 883N/1200V/X (ALL EXCEPT CANADA):</p> <p>XL883N</p> <p>XL1200X</p> <p>XL1200V</p> <p>FENDERS, REAR - 1200T:</p> <p>XL1200T</p>
9252	BALL BEARING	<p>WHEELS, FRONT, CAST - 883L/N/R, 1200C/CA/CP/T:</p> <p>XL883L</p> <p>XL883R</p> <p>XL1200C</p> <p>XL1200T</p> <p>XL1200CP</p> <p>XL1200CA</p> <p>XL883N</p> <p>WHEELS, FRONT, LACED - 1200C/CB/CP/V/X:</p> <p>XL1200X</p> <p>XL1200C</p> <p>XL1200V</p> <p>XL1200CP</p> <p>XL1200CB</p> <p>WHEELS, REAR, CAST - 883L/N/R, 1200C/CA/CP/T:</p> <p>XL883L</p> <p>XL883R</p> <p>XL883N</p> <p>XL1200C</p> <p>XL1200T</p> <p>XL1200CP</p> <p>XL1200CA</p> <p>WHEELS, REAR, LACED - 1200C/CB/CP/V/X:</p> <p>XL1200V</p> <p>XL1200X</p> <p>XL1200C</p> <p>XL1200CP</p> <p>XL1200CB</p>
9276A	BALL BEARING	<p>WHEELS, FRONT, CAST - 883L/N/R, 1200C/CA/CP/T:</p> <p>XL883L</p>

[XL883R](#)

[XL1200C](#)

[XL1200T](#)

[XL1200CP](#)

[XL1200CA](#)

[XL883N](#)

WHEELS, FRONT, CAST - 883L/N/R, 1200C/CA/CP/T:

[XL883L](#)

[XL883R](#)

[XL1200C](#)

[XL1200T](#)

[XL1200CP](#)

[XL1200CA](#)

[XL883N](#)

WHEELS, FRONT, LACED - 1200C/CB/CP/VIX:

[XL1200X](#)

[XL1200C](#)

[XL1200V](#)

[XL1200CP](#)

[XL1200CB](#)

WHEELS, FRONT, LACED - 1200C/CB/CP/VIX:

[XL1200X](#)

[XL1200C](#)

[XL1200V](#)

[XL1200CP](#)

[XL1200CB](#)

WHEELS, REAR, CAST - 883L/N/R, 1200C/CA/CP/T:

[XL883L](#)

[XL883R](#)

[XL883N](#)

[XL1200C](#)

[XL1200T](#)

[XL1200CP](#)

[XL1200CA](#)

WHEELS, REAR, CAST - 883L/N/R, 1200C/CA/CP/T:

[XL883L](#)

[XL883R](#)

[XL883N](#)

[XL1200C](#)

[XL1200T](#)

[XL1200CP](#)

[XL1200CA](#)

WHEELS, REAR, LACED - 1200C/CB/CP/VIX:

[XL1200V](#)

[XL1200X](#)

[XL1200C](#)

[XL1200CP](#)

[XL1200CB](#)

WHEELS, REAR, LACED - 1200C/CB/CP/VIX:

[XL1200V](#)

[XL1200X](#)

[XL1200C](#)

[XL1200CP](#)

[XL1200CB](#)

943

SCREW

[***INSPECTION COVER & PRIMARY COVER: All Models***](#)

9955

CLAMP

[***EXHAUST SYSTEM: All Models***](#)

CHASSIS & COMPONENTS

[View interactive table](#)

PART NO.	DESCRIPTION	PART AND MODEL(S)
50005-85A	SPRING	FRAME & JIFFY STAND: All Models

ELECTRICAL

[View interactive table](#)

PART NO.	DESCRIPTION	PART AND MODEL(S)
70345-84	RETAINER	<i>HANDLEBAR & THROTTLE CONTROL - 883L/N/R, 1200T/X:</i> XL883L XL883R XL883N XL1200X XL1200T <i>HANDLEBAR & THROTTLE CONTROL - 1200C/CA/CB/CP/IV:</i> XL1200C XL1200CP XL1200CB XL1200CA XL1200V
72023-51E	SWITCH	BRAKE LINES, REAR - NON-ABS: All Models BRAKE LINES, REAR - ABS: All Models SWITCHES: All Models
72330-95	FUSE	WIRING HARNESS, MAIN, NON-ABS (2 OF 4): All Models WIRING HARNESS, MAIN, ABS (2 OF 4): All Models WIRING HARNESS, MAIN, KEYLESS, ABS (2 OF 4): All Models WIRING HARNESS, MAIN, KEYLESS, NON-ABS (2 OF 4): All Models SWITCHES: All Models

ENGINE, TRANSMISSION & PRIMARY

[View interactive table](#)

PART NO.	DESCRIPTION	PART AND MODEL(S)
18538-99C	TAPPET	ROCKER ARM ASSEMBLY & PUSHRODS: All Models
37909-90	RETAINING RING	CLUTCH: All Models
37911-90	FRICITION PLATE	CLUTCH: All Models

FOOT CONTROLS

[View interactive table](#)

PART NO.	DESCRIPTION	PART AND MODEL(S)
34611-65A	SHIFTER TOE PEG KIT	SHIFTER LEVER: All Models

INTAKE, EXHAUST & FUEL MGMT

View interactive table

PART NO.	DESCRIPTION	PART AND MODEL(S)
65900012	CLAMP	EXHAUST SYSTEM: All Models

LIGHTING

View interactive table

PART NO.	DESCRIPTION	PART AND MODEL(S)
68168-89A	BULB	<i>TURN SIGNALS, FRONT:</i> XL883L XL1200C XL1200V XL1200CP XL883N XL1200X XL1200T <i>TURN SIGNALS, FRONT:</i> XL1200CA XL1200CB <i>TAIL LAMPS & TURN SIGNALS, REAR:</i> XL1200V XL1200X XL883N
68329-03	BULB	<i>HEADLAMP - 883L/N/R, 1200T/X:</i> XL883L XL883R XL883N XL1200X XL1200T <i>HEADLAMP - 1200C/CA/CB/CP/V:</i> XL1200C XL1200CP XL1200V XL1200CA XL1200CB
68572-64B	BULB	<i>TAIL LAMPS & TURN SIGNALS, REAR:</i> XL1200X XL883N
68973-00	LENS	<i>TURN SIGNALS, FRONT:</i> XL883R XL883L XL1200C XL1200CA XL1200CB XL1200V XL1200CP XL1200T <i>TAIL LAMPS & TURN SIGNALS, REAR:</i>

[XL883L](#)

[XL1200T](#)

[XL1200C](#)

[XL1200CP](#)

TAIL LAMPS & TURN SIGNALS, REAR:

[XL1200V](#)

[XL1200C](#)

[XL1200CP](#)

TAIL LAMPS & TURN SIGNALS, REAR:

[XL883L](#)

[XL883R](#)

[XL1200T](#)

[XL1200C](#)

[XL1200CA](#)

[XL1200CB](#)

MAINTENANCE & TOOLS

View interactive table

PART NO.	DESCRIPTION	PART AND MODEL(S)
32362-04	SPARK PLUG	ELECTRONIC IGNITION SYSTEM: All Models
63796-77A	OIL FILTER	CRANKCASE & GEARCASE: XL1200C XL1200T XL1200V XL1200CP
63805-80A	OIL FILTER	CRANKCASE & GEARCASE: XL883L XL883R XL1200CP XL1200CA XL1200CB XL883N XL1200X
65958-04A	BATTERY	BATTERY: All Models
66373-06	BATTERY	SWITCHES: All Models
95594-84A	WHEEL WEIGHT	WHEELS, FRONT, CAST - 883L/N/R, 1200C/CA/CP/T: XL1200CA XL1200CP WHEELS, FRONT, LACED - 1200C/CB/CP/V/X: XL1200X XL1200C XL1200CP XL1200CB WHEELS, REAR, CAST - 883L/N/R, 1200C/CA/CP/T: XL1200CP XL1200CA XL883N WHEELS, REAR, LACED - 1200C/CB/CP/V/X: XL1200X XL1200CP XL1200CB

95595-84A

WHEEL WEIGHT

WHEELS, FRONT, CAST - 883L/N/R, 1200C/CA/CP/T:

[XL883L](#)[XL883R](#)[XL1200C](#)[XL1200T](#)[XL1200CP](#)[XL883N](#)

WHEELS, FRONT, LACED - 1200C/CB/CP/VIX:

[XL1200V](#)

WHEELS, REAR, CAST - 883L/N/R, 1200C/CA/CP/T:

[XL883L](#)[XL883R](#)[XL1200C](#)[XL1200T](#)[XL1200CP](#)

WHEELS, REAR, LACED - 1200C/CB/CP/VIX:

[XL1200V](#)[XL1200C](#)[XL1200CP](#)

SECURITY & STORAGE

[View interactive table](#)

PART NO.	DESCRIPTION	PART AND MODEL(S)
68926-07	REMOTE CONTROL FOB	SWITCHES: All Models

TIRES

[View interactive table](#)

PART NO.	DESCRIPTION	PART AND MODEL(S)
40558-82	INNER TUBE	WHEELS, REAR, LACED - 1200C/CB/CP/VIX: XL1200V
40999-87	VALVE STEM	WHEELS, FRONT, CAST - 883L/N/R, 1200C/CA/CP/T: XL883L XL1200C XL1200T XL1200CP XL1200CA WHEELS, REAR, CAST - 883L/N/R, 1200C/CA/CP/T: XL1200C XL1200T XL1200CP XL1200CA XL883L
43140-80	INNER TUBE	WHEELS, FRONT, LACED - 1200C/CB/CP/VIX: XL1200V
43147-40	RIM STRIP	WHEELS, REAR, LACED - 1200C/CB/CP/VIX: XL1200V
43157-83A	VALVE STEM ASSEMBLY	WHEELS, FRONT, CAST - 883L/N/R, 1200C/CA/CP/T: XL883R

[XL883N](#)

WHEELS, REAR, CAST - 883L/N/R, 1200C/CA/CP/T:

[XL883R](#)

[XL883N](#)

43939-89

RIM STRIP

WHEELS, FRONT, LACED - 1200C/CB/CP/V/X:

[XL1200V](#)