

2013 Sportster Models Parts Catalog

Alphabetical List

Parts

Hardware List

New Parts List

Numerical Index

Component Types and Introduction Dates

Common Service Parts

READER'S COMMENTS

The Harley-Davidson Service Communications Department maintains a continuous effort to improve the quality and usefulness of its publications. To do this effectively, we need user feedback - your critical evaluation of this manual.

Please comment on the completeness, accuracy, organization, usability, and readability of this manual.

Please list the page, item, and part number(s) of any errors you find in this manual.

Please tell us how we can improve this manual.

Name	Document 99451-13
Occupation	Dealership

GENERAL INFORMATION

THIS IS NOT AN ASSEMBLY MANUAL AND SHOULD NOT BE USED AS SUCH.

About this manual

This Parts Catalog has been prepared to make it easier for you to order parts for your motorcycles. The numbers shown in the illustrations correspond to the numbers in the "INDEX NO." column in the parts lists. Consult the illustrations when ordering parts to make sure that you receive all the required parts. The number in parentheses following the part description is the quantity needed for complete assembly. If there is no number in parentheses, only one is used. Prices of parts in this catalog are published separately.

When ordering parts, the following instructions should be followed carefully.

- Make sure to specify the correct part number for each item. The part numbers appear under the "PART NO." column in the parts lists.
- Orders may be placed via your computer for all parts. Review your system documentation on placing orders electronically. All non-warranty replacement crankcase orders require return of the complete left crankcase half with vehicle identification number (VIN). All non-warranty replacement frame orders require return of the steering neck with vehicle identification number (VIN). Non-compliance will result in a fine. See non-warranty frame and crankcase policy or contact Dealer Services.
- The sale or use of these parts or accessories does not grant the purchaser a license or other right under any Harley-Davidson patent.
- For all 2008 and later painted parts, refer to the Service Section of h-dnet.com which features a listing of painted part numbers, except CVO (Custom Vehicle Operations) models which are located in their own respective catalogs.
- All parts that were added for the new model year will have the entire line shaded on the parts list page. This can be used to identify any new parts that are unique to a specific model, and help distinguish new and previous model year parts.
- Parts marked "**RESTRICTED SALE PART**" are limited edition items and can only be ordered as direct replacements.
- Orientation symbols are used when the illustration is not in the standard "Right-Front" orientation. The

symbol is a motorcycle with an arrow in the front indicating the direction of view. The symbol is at the bottom left or right side of the illustration page.

- To request a missing or loose part, simply submit a Return Material Authorization (RMA) claim on h-dnet.com with code "T-part not included with vehicle" for all vehicle missing parts claims. Then place an order for the missing item on your next Parts and Accessories order. Upon filing the RMA claim, your dealership will be credited for the dealer net cost of the part. The Vehicle Identification Number must be included on the RMA claim in order for you to receive credit. This process is to be used for vehicles manufactured at all plants.

To the best knowledge of Harley-Davidson Motor Company, the material contained herein is accurate as of the date this publication was approved for printing. Harley-Davidson Motor Company reserves the right to change specifications, equipment or designs at any time without notice and without incurring obligation.

2018 TFD.

GENERAL INFORMATION

LOOSE PARTS

The Loose Parts section is located at the back of this parts catalog. This section lists the parts which are shipped unfastened with the vehicles covered in this catalog.

HARDWARE LIST

The Hardware List is located at the back of this parts catalog. This section contains the information for each piece of hardware found in each parts list.

NEW PARTS LIST

The New Parts List is located at the back of this parts catalog. This list serves as a summary of new parts.

NUMERICAL INDEX

The Numerical Index is located at the back of this parts catalog. This index includes all part numbers used in this catalog and the page numbers of where they can be found.

COMPONENT TYPES AND INTRODUCTION DATES

The Component Types and Introduction Dates section is located at the back of this parts catalog. This section contains a list of component part numbers and year of introduction.

COMMON SERVICE PARTS

The Common Service Parts section is located at the back of this parts catalog. This section contains the most commonly ordered parts for service on vehicles covered in this catalog. These parts are ordered through the normal ordering process.

IF (SERVICE INFORMATION PORTAL)

For the latest updates to these manuals, see the Service Information Portal.

VEHICLE IDENTIFICATION NUMBER

See Figure 1. A unique 17-digit serial, or vehicle identification number (VIN), is assigned to each motorcycle. For a description of each digit in the vehicle identification number (VIN), refer to Table 1.

For all models except V-Rod the full 17-digit serial, or vehicle identification number (VIN), is stamped on the right side of the frame backbone at the rear of the steering head. The vehicle identification number (VIN) is also printed on a label on the right front downtube. An abbreviated vehicle identification number (VIN) is stamped on the left side crankcase between the front and rear cylinders.

For V-Rod models only the full 17-digit serial, or vehicle identification number (VIN), is stamped on the right side of the steering head. The vehicle identification number (VIN) is also printed on a label on the left frame tube above the front engine cylinder. An abbreviated vehicle identification number (VIN) is stamped on the left side crankcase below the rear cylinder head.

Always give the full 17-digit vehicle identification number (VIN) when ordering parts or making any inquiry about your motorcycle.

013 SPORTSTER MODELS

VIN MODEL CODES

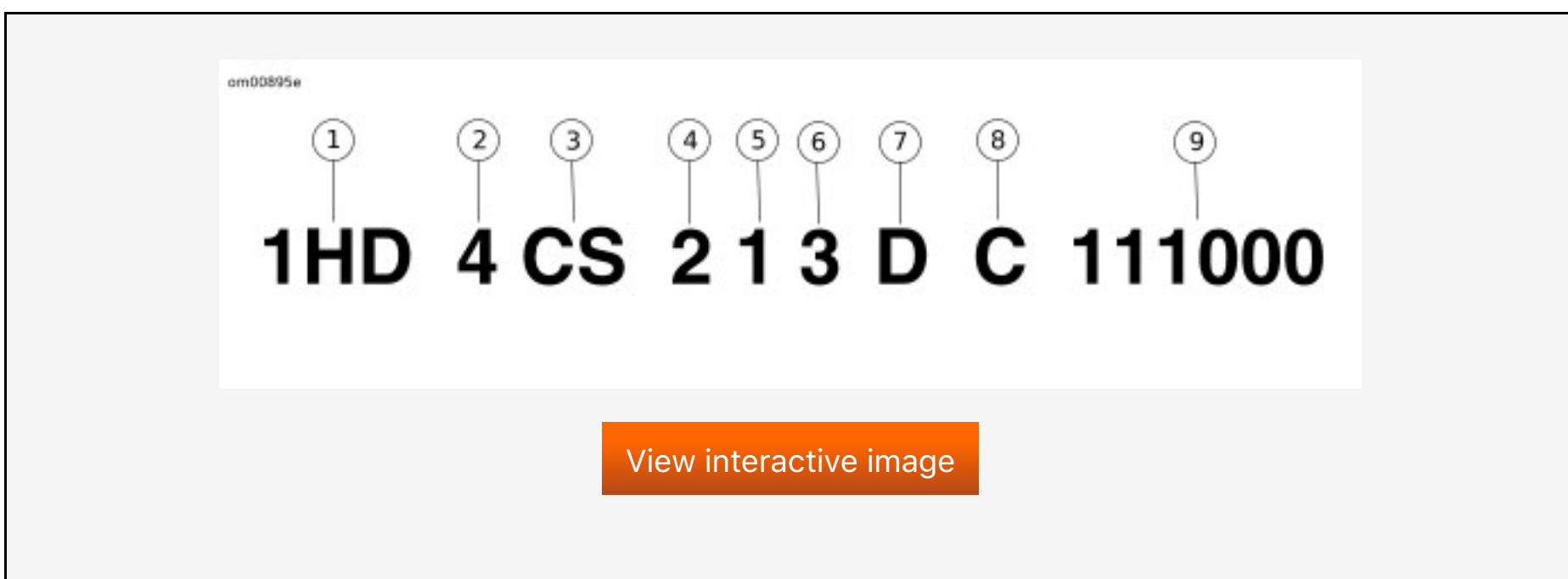


Figure 1. Typical Harley-Davidson VIN

Table 1. Harley-Davidson VIN Breakdown

POSITION	DESCRIPTION	POSSIBLE VALUES	
1	World manufacturer identifier	1HD=Originally manufactured for sale within the United States 5HD=Originally manufactured for sale outside of the United States 932=Originally manufactured in and for sale only in Brazil market MEG=Originally manufactured in and for sale only in India market	
2	Motorcycle type	1=Heavyweight motorcycle (901 cm ³ or larger) 4=Middleweight motorcycle (351 cm ³ to 900 cm ³)	
3	Model	See model table	
4	Engine type	2=Evolution [®] 883 cm ³ air-cooled, fuel-injected 3=Evolution [®] 1202 cm ³ air-cooled, fuel-injected 6=Evolution [®] 1202 cm ³ precision-cooled, fuel-injected	
5	Configuration/calibration, introduction	Normal Introduction 1=Domestic (DOM)	Mid-year or Special Introduction 2, 4=Domestic (DOM)

		3=California (CAL) A=Canada (CAN) C=HDI E=Japan (JPN) G=Australia (AUS) J=Brazil (BRZ) L=Asia Pacific (APC) N=India (IND)	5, 6=California (CAL) B=Canada (CAN) D=HDI F=Japan (JPN) H=Australia (AUS) K=Brazil (BRZ) M=Asia Pacific (APC) P=India (IND)
6	VIN check digit	Can be 0-9 or X	
7	Model year	D=2013	
8	Assembly plant	C=Kansas City, MO U.S.A. D=H-D Brazil-Manaus, Brazil (CKD) N=Haryana India (Bawal District Rewari)	
9	Sequential number	Varies	

Table 2. VIN Model Codes

CODE	MODEL	CODE	MODEL
CR	XL 883L SuperLow®	LE	XL 883N Iron 883™
CS	XL 883R 883 Roadster	LF	XL 1200V Seventy-Two™
CT	XL 1200C 1200 Custom XL 1200C ANV 1200 Custom 110th Anniversary Edition	LH	XL 1200CP 1200 Custom
LC	XL 1200X Forty-Eight™	LJ	XL 1200CA 1200 Custom Limited A
LD	XR1200X™ (Brazil only)	LK	XL 1200CB 1200 Custom Limited B

NOTES

AIR BOX - XR1200X

AIR CLEANER - 883L/N/R, 1200C/CA/CB/CP/V/X

ALTERNATOR & REGULATOR

BATTERY

BELT & SPROCKETS - 883L/N/R, 1200C/CA/CB/CP/V/X

BELT & SPROCKETS - XR1200X

BRAKE CALIPER, FRONT - 883L/N/R, 1200C/CA/CB/CP/V/X

BRAKE CALIPER, FRONT - XR1200X

BRAKE CALIPER, REAR - 883L/N/R, 1200C/CA/CB/CP/V/X

BRAKE CALIPER, REAR - XR1200X

BRAKE CONTROL, FRONT - 883L/N/R, 1200C/CA/CB/CP/V/X

BRAKE CONTROL, FRONT - XR1200X

BRAKE CONTROL, REAR

BRAKE DISC, REAR - 1200C/CB/CP/V/X

BRAKE DISC, REAR - 883L/N/R, 1200C/CP

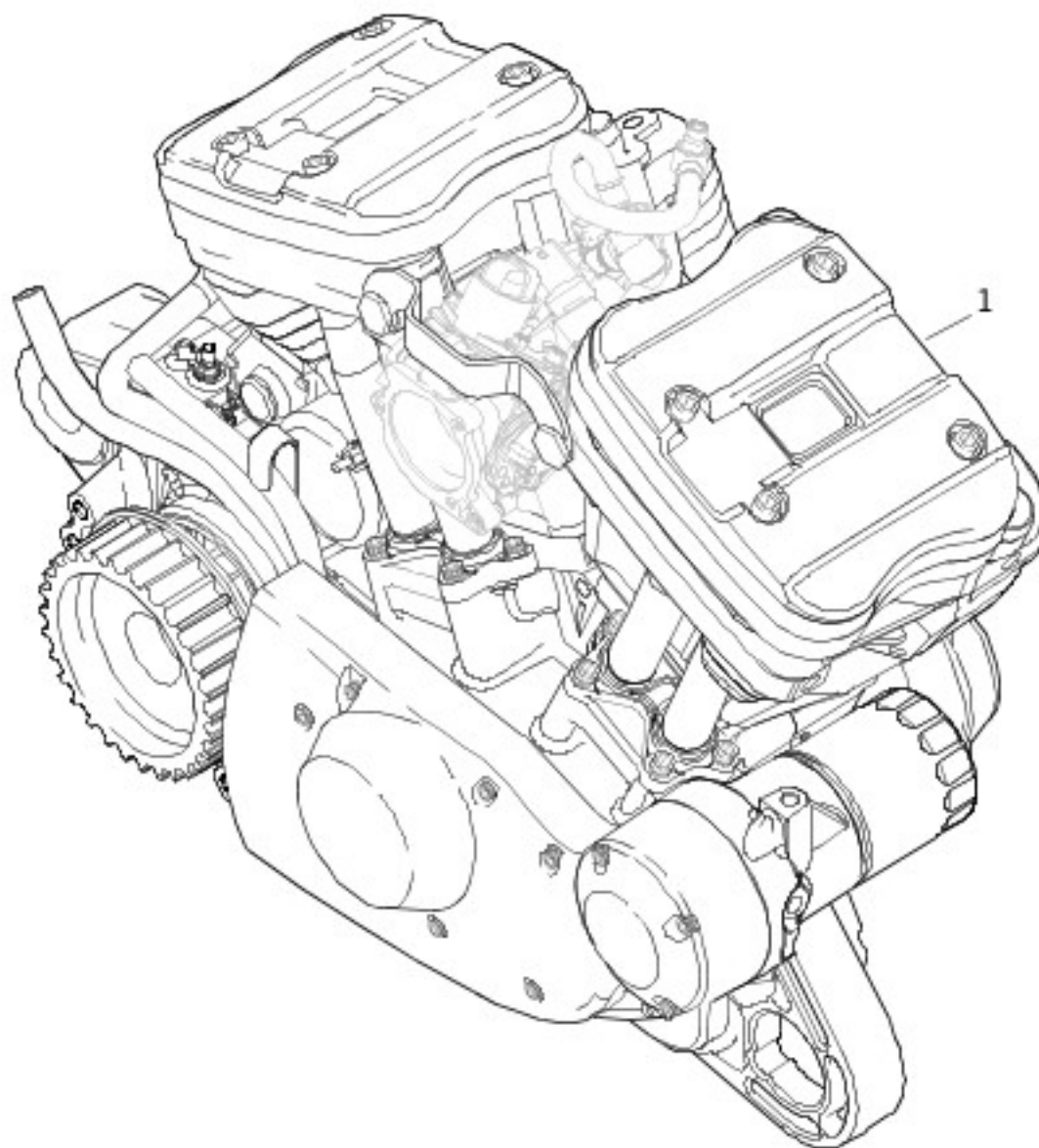
BRAKE DISC, REAR - XR1200X
BRAKE LINE, FRONT - 883L/N/R, 1200C/CA/CB/CP/V/X
BRAKE LINE, FRONT - XR1200X
BRAKE LINE, REAR - 883L/N/R, 1200C/CA/CB/CP/V/X
BRAKE LINE, REAR - XR1200X
BRAKE, MASTER CYLINDER, FRONT - 883L/N/R, 1200C/CA/CB/CP/V/X
BRAKE, MASTER CYLINDER, FRONT - XR1200X
BRAKE, MASTER CYLINDER, REAR - 883L/N/R, 1200C/CA/CB/CP/V/X (1 OF 2)
BRAKE, MASTER CYLINDER, REAR - 883L/N/R, 1200C/CA/CB/CP/V/X (2 OF 2)
BRAKE, MASTER CYLINDER, REAR - XR1200X
CAMSHAFTS & GEAR COVER - 883L/N/R, 1200C/CA/CB/CP/V/X
CAMSHAFTS & GEAR COVER - XR1200X
CHAIN, PRIMARY - 883L/N/R, 1200C/CA/CB/CP/X
CHAIN, PRIMARY - XR1200X
CLUTCH - 883L/N/R, 1200C/CA/CB/CP/V/X
CLUTCH - XR1200X
CLUTCH CABLE
CLUTCH CONTROL
COVER, PUSHRODS - 883L/N/R, 1200C/CA/CB/CP/V/X
COVER, PUSHRODS - XR1200X
CRANKCASE & GEARCASE - 883L/N/R, 1200C/CA/CB/CP/V/X (1 OF 2)
CRANKCASE & GEARCASE - 883L/N/R, 1200C/CA/CB/CP/V/X (2 OF 2)
CRANKCASE & GEARCASE - XR1200X
CYLINDERS, HEADS & VALVES - 883L/N/R, 1200C/CA/CB/CP/V/X (1 OF 2)
CYLINDERS, HEADS & VALVES - 883L/N/R, 1200C/CA/CB/CP/V/X (2 OF 2)
CYLINDERS, HEADS & VALVES - XR1200X
ELECTRONIC IGNITION SYSTEM - 883L/N/R, 1200C/CA/CB/CP/V/X
ELECTRONIC IGNITION SYSTEM - XR1200X
ENGINE ASSEMBLY
ENGINE MOUNTS
ENGINE SENSORS & SWITCHES
EVAPORATIVE EMISSIONS COMPONENTS
EXHAUST SYSTEM - 883L/N/R, 1200C/CA/CB/CP/V/X (1 OF 2)
EXHAUST SYSTEM - 883L/N/R, 1200C/CA/CB/CP/V/X (2 OF 2)
EXHAUST SYSTEM - XR1200X
FENDERS, FRONT
FENDERS, REAR - 883L/R/1200C/CA/CB/CP (ALL), 883N/1200V/X (CANADA ONLY)
FENDERS, REAR - 883N/1200V/X (ALL EXCEPT CANADA)
FENDERS, REAR - XR1200X
FLYWHEEL ASSEMBLY
FOOTRESTS - 883L/N/R, 1200C/CA/CB/CP/V/X
FOOTRESTS - XR1200X
FORK BRACKETS, FRONT - 883L/N/R, 1200C/CA/CB/CP/V/X
FORK BRACKETS, FRONT - XR1200X
FORK, FRONT - 883L/R, 1200C/CA/CB/CP/V/X
FORK, FRONT - 883N
FORK, FRONT - XR1200X
FORK, REAR, DEBRIS DEFLECTOR & BELT GUARD
FRAME & JIFFY STAND - 883L/N/R, 1200C/CA/CB/CP/V/X (1 OF 2)
FRAME & JIFFY STAND - 883L/N/R, 1200C/CA/CB/CP/V/X (2 OF 2)
FRAME & JIFFY STAND - XR1200X

FUEL FILTER
FUEL INJECTOR - 883L/N/R, 1200C/CA/CB/CP/V/X
FUEL INJECTOR - XR1200X
FUEL PUMP
FUEL TANK - 883L/N/R, 1200C/CA/CB/CP/V/X
FUEL TANK - XR1200X
FUEL TANK TRIM
FUSE, 30 AMP
GUARDS, SAREE
HANDLEBAR & THROTTLE CONTROL - 1200C/CA/CB/CP/V
HANDLEBAR & THROTTLE CONTROL - 883L/N/R, 1200X, XR1200X
HEADLAMP - 1200C/CA/CB/CP/V
HEADLAMP - 883L/N/R, 1200X, XR1200X
HORN
IGNITION COIL - 883L/N/R, 1200C/CA/CB/CP/X
IGNITION COIL - XR1200X
INDUCTION MODULE, FUEL - 883L/N/R, 1200C/CA/CB/CP/V/X
INDUCTION MODULE, FUEL - XR1200X
INNER TUBE, REAR
INSPECTION COVER & PRIMARY COVER
JET, PISTON COOLING - 883L/N/R, 1200C/CA/CB/CP/V/X
JET, PISTON COOLING - XR1200X
JIFFY STAND - 883L/N/R, 1200C/CA/CB/CP/V/X
JIFFY STAND - XR1200X
LABELS
LICENSE PLATE BRACKETS
LIFTER, HYDRAULIC - 883L/N/R, 1200C/CA/CB/CP/V/X
LIFTER, HYDRAULIC - XR1200X
LOCK SET COMPLETE - XR1200X
MIRRORS
MODULE, SECURITY SYSTEM
MODULE, TURN SIGNAL CANCELLER
MUFFLERS - 883L/N/R, 1200C/CA/CB/CP/X
MUFFLERS - XR1200X
OIL FILTER, ENGINE - 883L/N/R, 1200C/CA/CB/CP/V/X
OIL FILTER, ENGINE - XR1200X
OIL LINES & COOLER - XR1200X
OIL PUMP - 883L/N/R, 1200C/CA/CB/CP/V/X
OIL PUMP - XR1200X
OIL TANK & LINES - 883L/N/R, 1200C/CA/CB/CP/V/X
OIL TANK & LINES- XR1200X
PISTONS & FLYWHEEL ASSEMBLY
REGULATOR, VOLTAGE
REMOTE CONTROL FOB
ROCKER ARM ASSEMBLY & PUSHRODS - 883L/N/R, 1200C/CA/CB/CP/V/X (1 OF 2)
ROCKER ARM ASSEMBLY & PUSHRODS - 883L/N/R, 1200C/CA/CB/CP/V/X (2 OF 2)
ROCKER ARM ASSEMBLY & PUSHRODS - XR1200X
SEATS
SENSOR, CRANKSHAFT POSITION
SENSOR, SPEED
SHIFTER CAM

SHIFTER FORK
SHIFTER LEVER
SHIFTER, GEAR
SHOCK ABSORBERS, REAR
SIDE COVER, OIL TANK - 883L/N/R, 1200C/CA/CB/CP/V/X
SIDE COVER, OIL TANK - XR1200X
SPARK PLUGS - 883L/N/R, 1200C/CA/CB/CP/X
SPARK PLUGS - XR1200X
SPEEDOMETER & TACHOMETER - XR1200X
SPEEDOMETER - 883L/N/R, 1200C/CA/CB/CP/V/X
SPROCKET - 883L/N/R, 1200C/CA/CB/CP/X
SPROCKET - XR1200X
SPROCKET, TRANSMISSION - 883L/N/R, 1200C/CA/CB/CP/X
SPROCKET, TRANSMISSION - XR1200X
STARTER MOTOR
SWITCH ASSEMBLY, DIRECTIONAL
SWITCH, IGNITION
SWITCH, NEUTRAL INDICATOR
SWITCHES
SWITCHES, HANDLEBAR
TAIL LAMP & TURN SIGNALS, REAR
TAIL LAMPS
THROTTLE CONTROL - 883L/N/R, 1200X, XR1200X
TRANSMISSION GEARS
TURN SIGNAL MODULE & SECURITY SIREN
TURN SIGNALS, FRONT
WHEEL, FRONT, CAST - XR1200X
WHEEL, REAR, CAST - XR1200X
WHEELS, FRONT, CAST - 883L/N/R, 1200C/CA/CP
WHEELS, FRONT, LACED - 1200C/CB/CP/V/X
WHEELS, REAR, CAST - 883L/N/R, 1200C/CA/CP
WHEELS, REAR, LACED - 1200C/CB/CP/V/X
WIRING HARNESS, ENGINE - 883L/N/R, 1200C/CA/CB/CP/V/X
WIRING HARNESS, ENGINE - XR1200X
WIRING HARNESS, MAIN - 883L/N/R, 1200C/CA/CB/CP/V/X (1 OF 4)
WIRING HARNESS, MAIN - 883L/N/R, 1200C/CA/CB/CP/V/X (2 OF 4)
WIRING HARNESS, MAIN - 883L/N/R, 1200C/CA/CB/CP/V/X (3 OF 4)
WIRING HARNESS, MAIN - 883L/N/R, 1200C/CA/CB/CP/V/X (4 OF 4)
WIRING HARNESS, MAIN - XR1200X (1 OF 3)
WIRING HARNESS, MAIN - XR1200X (2 OF 3)
WIRING HARNESS, MAIN - XR1200X (3 OF 3)

Parts

ENGINE ASSEMBLY



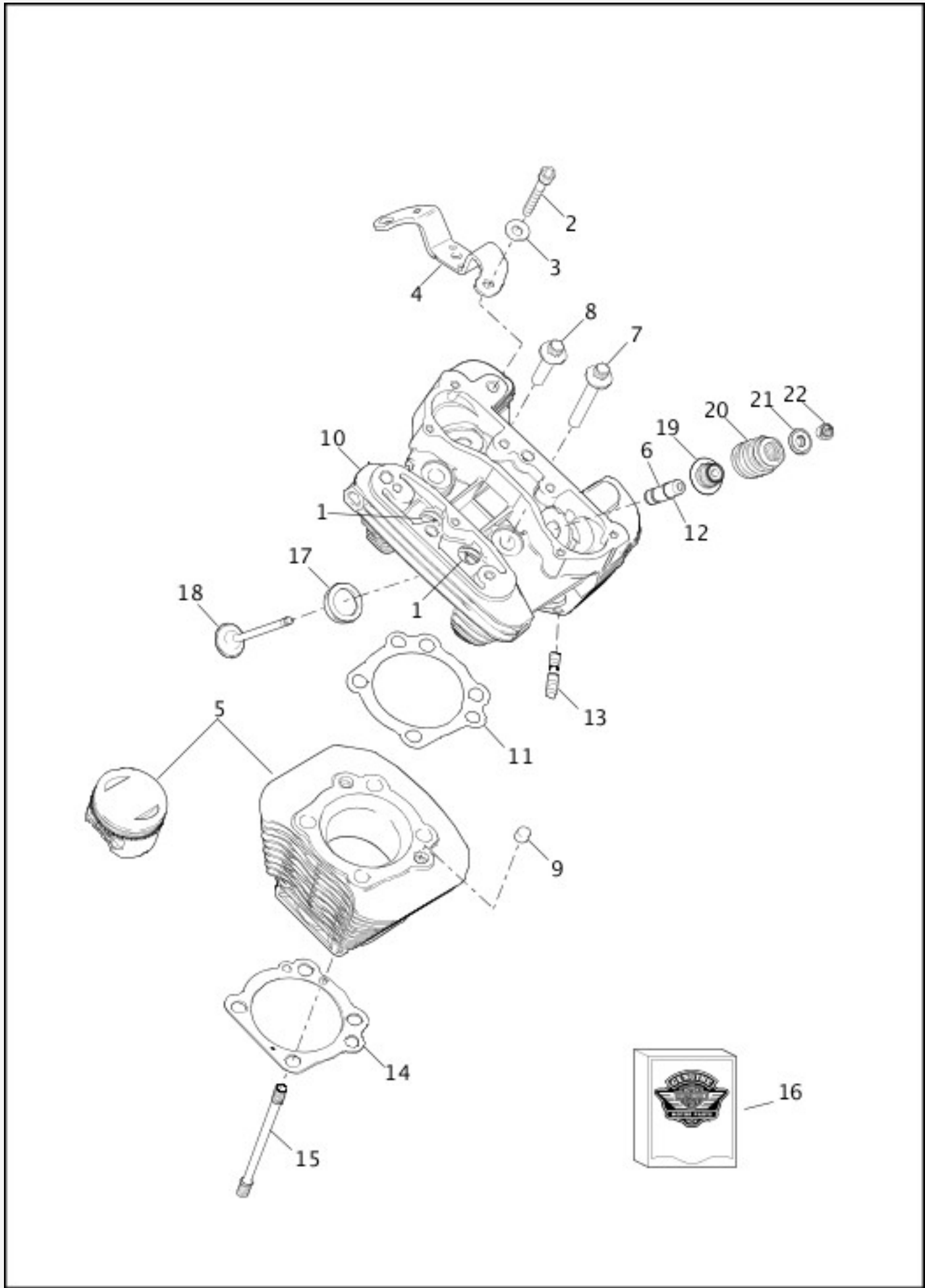
[View interactive image](#)

[View interactive table](#)

INDEX NO.	PART NO.	DESCRIPTION	MODEL(S)
1	19519-13	ENGINE ASSEMBLY (883cc) (World)	XL883N, XL883R

	19527-13	ENGINE ASSEMBLY (1200cc) (Domestic, California, Canada) (1200CP - Chrome Chrome)	XL1200C, XL1200C ANV, XL1200CP
	19566-13	ENGINE ASSEMBLY (883cc) (World)	XL883L
	19606-13	ENGINE ASSEMBLY (1200cc) (HDI)	XL1200C, XL1200C ANV
	19766-13	ENGINE ASSEMBLY (1200cc) (Domestic, California, Canada)	XL1200X
	19767-13	ENGINE ASSEMBLY (1200cc) (HDI)	XL1200X
	19768-13	ENGINE ASSEMBLY (1200cc) (Domestic, California, Canada, HDI) (not shown)	XR1200X
	19778-13	ENGINE ASSEMBLY (1200cc) (Domestic, California, Canada)	XL1200V
	19779-13	ENGINE ASSEMBLY (1200cc) (HDI)	XL1200V
	19905-13	ENGINE ASSEMBLY (1200cc) (HDI)	XL1200CA, XL1200CB
	19927-13	ENGINE ASSEMBLY (1200cc) (Domestic, California, Canada) (1200CP - Black Engine)	XL1200CP

CYLINDERS, HEADS & VALVES - 883L/N/R, 1200C/CA/CB/CP/V/X (1 OF 2)



[View interactive image](#)

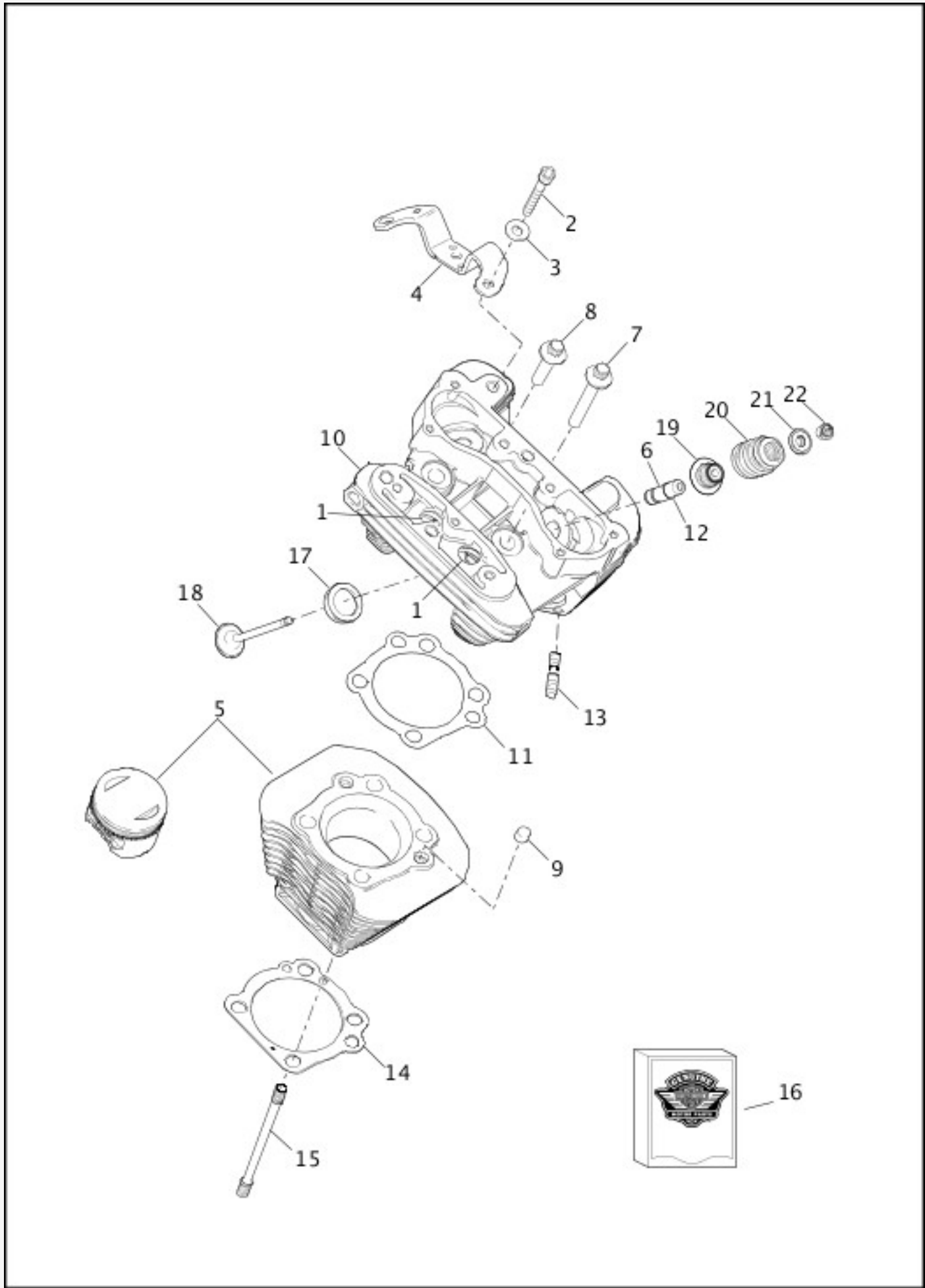
[View interactive table](#)

INDEX NO.	PART NO.	DESCRIPTION	MODEL(S)
1	11190	O-RING (4)	XL1200C, XL1200C ANV, XL1200CA, XL1200CB, XL1200CP, XL1200V, XL1200X, XL883L, XL883N, XL883R

2	4266A	SCREW (not illustrated) (2)	XL883L, XL883N, XL883R
	4748	SCREW (2)	XL1200C, XL1200C ANV, XL1200CA, XL1200CB, XL1200CP, XL1200V, XL1200X
3	6787	WASHER (2)	XL1200C, XL1200C ANV, XL1200CA, XL1200CB, XL1200CP, XL1200V, XL1200X
4	16353-04	BRACKET, center engine mount	XL1200C, XL1200C ANV, XL1200CA, XL1200CB, XL1200CP, XL1200V
5	16443-04	CYLINDER, w/ piston (883 cc) (silver) (2)	XL883L
	16452-05	CYLINDER, w/ piston (883 cc) (black) (2)	XL883N, XL883R
	16463-04	CYLINDER, w/ piston (1200 cc) (LH - black w/ fin highlights) (2)	XL1200C, XL1200C ANV, XL1200CP
	16469-10	CYLINDER, w/ piston (1200 cc) (LH - black w/o fin highlights) (2)	XL1200CA, XL1200CB, XL1200CP, XL1200X
	16800019	CYLINDER, w/ piston (1200 cc) (gray) (2)	XL1200V
6	16465-06	VALVE GUIDE, w/ 16699-06 (4)	XL1200C, XL1200C ANV, XL1200CA, XL1200CB, XL1200CP, XL1200V, XL1200X, XL883L, XL883N, XL883R
7	16478-85A	SCREW (4)	XL1200C, XL1200C ANV, XL1200CA, XL1200CB, XL1200CP, XL1200V, XL1200X, XL883L, XL883N, XL883R
8	16480-92A	SCREW (4)	XL1200C, XL1200C ANV, XL1200CA, XL1200CB, XL1200CP, XL1200V, XL1200X, XL883L, XL883N, XL883R
9	16573-83A	DOWEL (4)	XL1200C, XL1200C ANV, XL1200CA, XL1200CB, XL1200CP, XL1200V, XL1200X, XL883L, XL883N, XL883R
10	16660-07	HEAD, rear cylinder (883 cc) (silver), w/ valve guides & seats	XL883L
	16661-07	HEAD, front cylinder (883 cc) (silver), w/ valve guides & seats	XL883L
	16865-07	HEAD, rear cylinder (883 cc) (black), w/ valve guides & seats	XL883N, XL883R
	16867-07	HEAD, front cylinder (883 cc) (black), w/ valve guides & seats	XL883N, XL883R
	16666-07	HEAD, rear cylinder (1200 cc) (LH - black w/ fin highlights), w/ valve guides & seats	XL1200C, XL1200C ANV, XL1200CP
	16667-07	HEAD, front cylinder (1200 cc) (LH - black w/ fin highlights), w/ valve guides & seats	XL1200C, XL1200C ANV, XL1200CP
	17485-07	HEAD, front cylinder (1200 cc) (LH - black w/o fin highlights), w/ valve guides & seats	XL1200CA, XL1200CB, XL1200CP, XL1200X

	17488-07	HEAD, rear cylinder (1200 cc) (LH - black w/o fin highlights), w/ valve guides & seats	XL1200CA, XL1200CB, XL1200CP, XL1200X
	16500068	HEAD, front cylinder (1200 cc) (gray), w/ valve guides & seats	XL1200V
	16500071	HEAD, rear cylinder (1200 cc) (gray), w/ valve guides & seats	XL1200V
11	16664-86D	GASKET, cylinder head (2)	XL883L, XL883N, XL883R
	16770-84F	GASKET, cylinder head (2)	XL1200C, XL1200C ANV, XL1200CA, XL1200CB, XL1200CP, XL1200V, XL1200X
12	16699-06	SNAP RING (4)	XL1200C, XL1200C ANV, XL1200CA, XL1200CB, XL1200CP, XL1200V, XL1200X, XL883L, XL883N, XL883R
13	16715-83	STUD, exhaust port (4)	XL1200C, XL1200C ANV, XL1200CA, XL1200CB, XL1200CP, XL1200V, XL1200X, XL883L, XL883N, XL883R
14	16789-04	GASKET, cylinder base (2)	XL1200C, XL1200C ANV, XL1200CA, XL1200CB, XL1200CP, XL1200V, XL1200X, XL883L, XL883N, XL883R
15	16832-86C	STUD, cylinder base (8)	XL1200C, XL1200C ANV, XL1200CA, XL1200CB, XL1200CP, XL1200V, XL1200X, XL883L, XL883N, XL883R
16	17027-08	GASKET KIT, engine overhaul	XL1200C, XL1200C ANV, XL1200CA, XL1200CB, XL1200CP, XL1200V, XL1200X, XL883L, XL883N, XL883R
	17049-08	GASKET KIT, top overhaul	XL1200C, XL1200C ANV, XL1200CA, XL1200CB, XL1200CP, XL1200V, XL1200X, XL883L, XL883N, XL883R

CYLINDERS, HEADS & VALVES - 883L/N/R, 1200C/CA/CB/CP/V/X (2 OF 2)



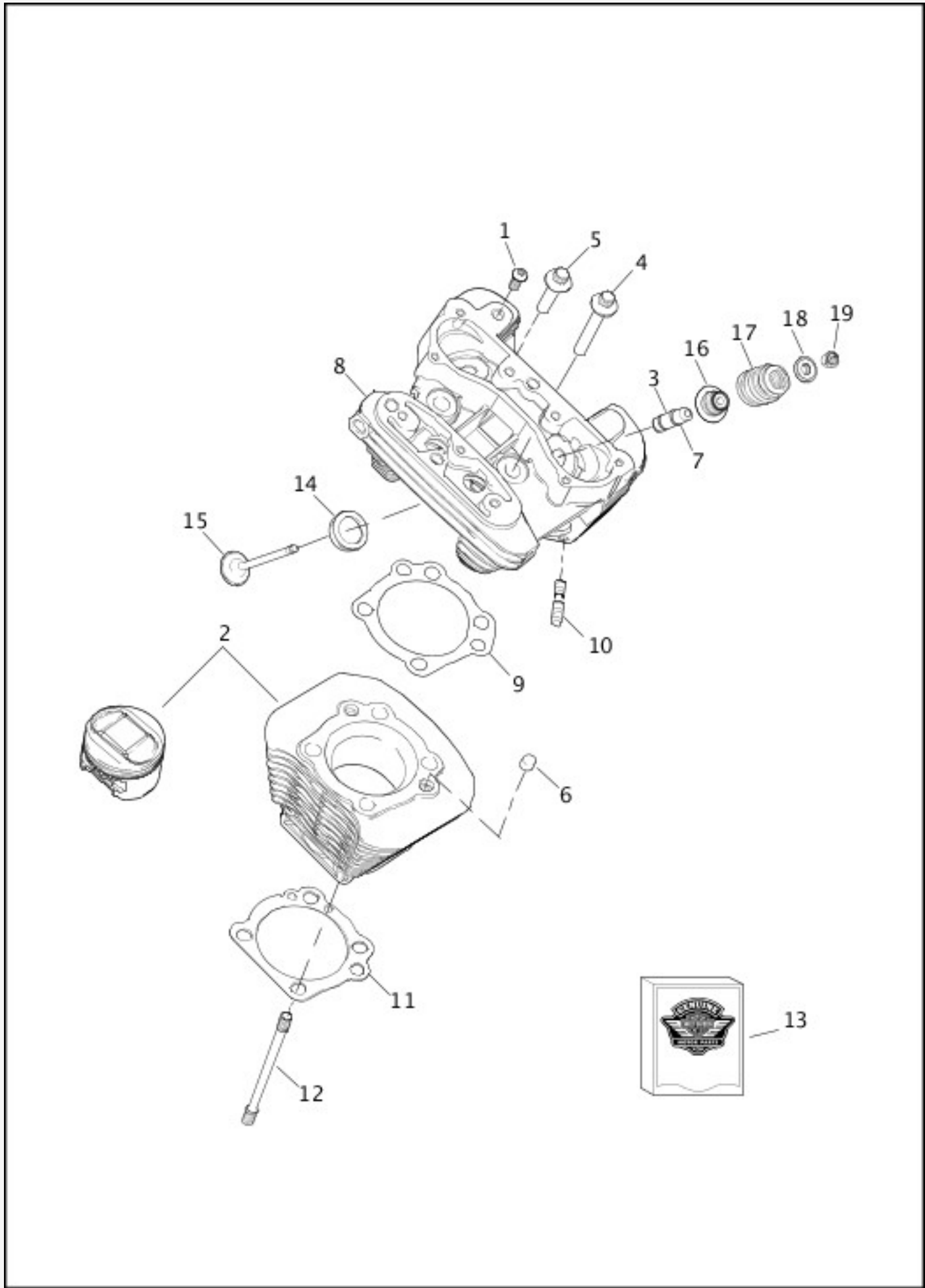
[View interactive image](#)

[View interactive table](#)

INDEX NO.	PART NO.	DESCRIPTION	MODEL(S)
17	18011-86	INSERT, exhaust valve seat (2)	XL1200C, XL1200C ANV, XL1200CA, XL1200CB, XL1200CP, XL1200V, XL1200X

	18012-87A	INSERT, exhaust valve seat (2)	XL883L, XL883N, XL883R
	18020-07	INSERT, intake valve seat (2)	XL1200C, XL1200C ANV, XL1200CA, XL1200CB, XL1200CP, XL1200V, XL1200X
	18021-87A	INSERT, intake valve seat (2)	XL883L, XL883N, XL883R
18	18053-04	INTAKE VALVE, 7mm (2)	XL883L, XL883N, XL883R
	18690-02	INTAKE VALVE, 7mm (2)	XL1200C, XL1200C ANV, XL1200CA, XL1200CB, XL1200CP, XL1200V, XL1200X
	18059-04	EXHAUST VALVE, 7mm (2)	XL883L, XL883N, XL883R
	18691-02	EXHAUST VALVE, 7mm (2)	XL1200C, XL1200C ANV, XL1200CA, XL1200CB, XL1200CP, XL1200V, XL1200X
19	18094-02A	SEAL, valve (4)	XL1200C, XL1200C ANV, XL1200CA, XL1200CB, XL1200CP, XL1200V, XL1200X, XL883L, XL883N, XL883R
20	18245-02	VALVE SPRING (4)	XL1200C, XL1200C ANV, XL1200CA, XL1200CB, XL1200CP, XL1200V, XL1200X, XL883L, XL883N, XL883R
21	18258-02	COLLAR, valve spring - upper (4)	XL1200C, XL1200C ANV, XL1200CA, XL1200CB, XL1200CP, XL1200V, XL1200X, XL883L, XL883N, XL883R
22	18260-02	KEEPER, valve collar (8)	XL1200C, XL1200C ANV, XL1200CA, XL1200CB, XL1200CP, XL1200V, XL1200X, XL883L, XL883N, XL883R

CYLINDERS, HEADS & VALVES - XR1200X



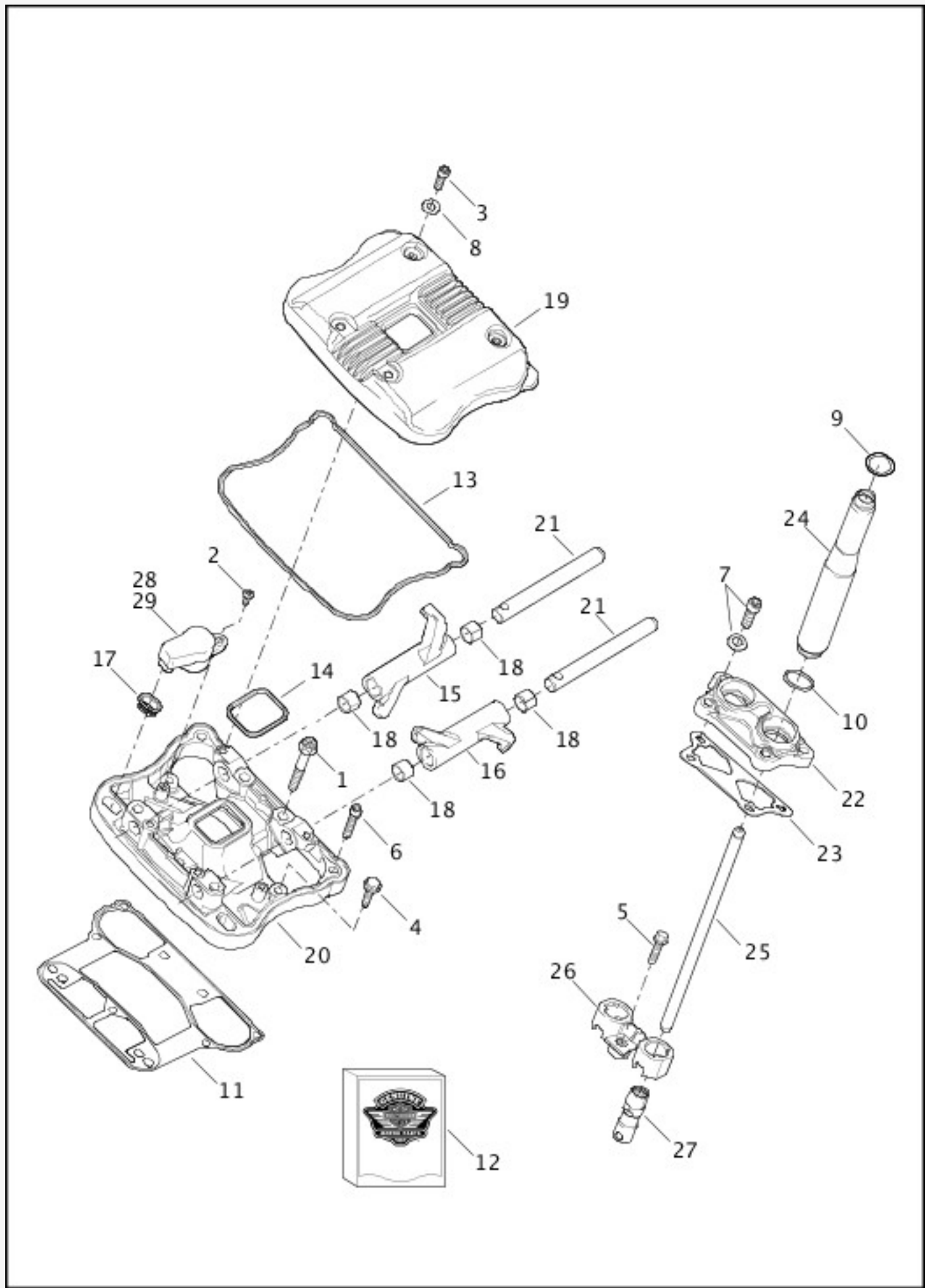
[View interactive image](#)

[View interactive table](#)

INDEX NO.	PART NO.	DESCRIPTION	MODEL(S)
1	4266A	SCREW (2)	XR1200X
2	16468-08	CYLINDER, w/ piston & rings (black) (2)	XR1200X

3	16465-06	VALVE GUIDE, w/ 16699-06 (4)	XR1200X
4	16478-85A	SCREW (4)	XR1200X
5	16480-92A	SCREW (4)	XR1200X
6	16573-83A	DOWEL (4)	XR1200X
7	16699-06	SNAP RING (4)	XR1200X
8	17562-10	HEAD, front cylinder, w/ valve guides & seats (black)	XR1200X
	17565-10	HEAD, rear cylinder, w/ valve guides & seats (black)	XR1200X
9	16771-08	GASKET, cylinder head (2)	XR1200X
10	16715-83	STUD, exhaust port (4)	XR1200X
11	16789-04	GASKET, cylinder base (2)	XR1200X
12	16832-86C	STUD, cylinder base (8)	XR1200X
13	17027-08	GASKET KIT, engine overhaul	XR1200X
	17049-08	GASKET KIT, top overhaul	XR1200X
14	18011-86	INSERT, exhaust valve seat (2)	XR1200X
	18020-07	INSERT, intake valve seat (2)	XR1200X
15	18690-02	INTAKE VALVE, 7mm (2)	XR1200X
	18691-02	EXHAUST VALVE, 7mm (2)	XR1200X
16	18094-02A	SEAL, valve (4)	XR1200X
17	18245-02	VALVE SPRING (4)	XR1200X
18	18258-02	COLLAR, valve spring - upper (4)	XR1200X
19	18260-02	KEEPER, valve collar (8)	XR1200X

ROCKER ARM ASSEMBLY & PUSHRODS - 883L/N/R, 1200C/CA/CB/CP/V/X (1 OF 2)



[View interactive image](#)

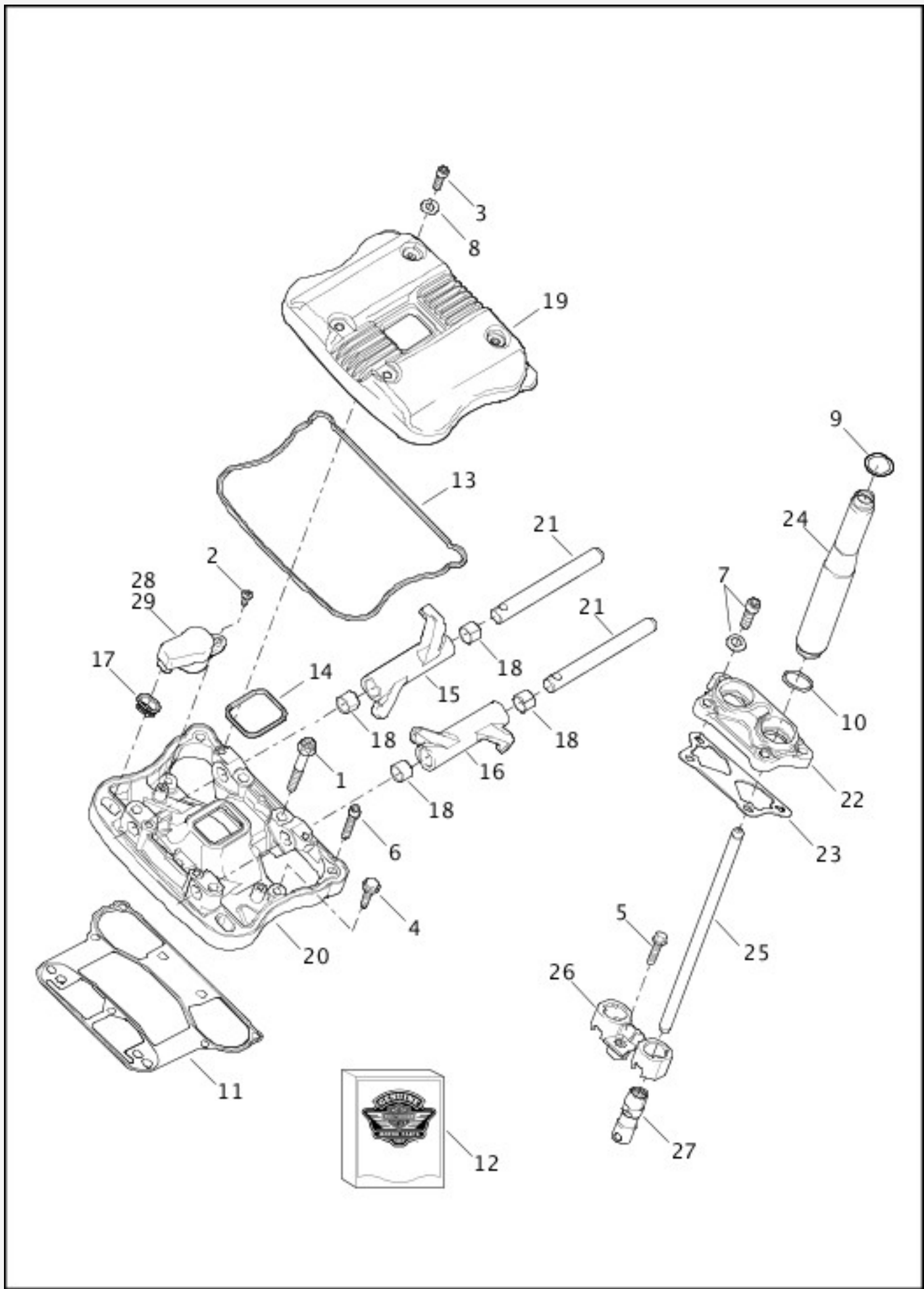
[View interactive table](#)

INDEX NO.	PART NO.	DESCRIPTION	MODEL(S)
1	1039	SCREW (8)	XL1200C, XL1200C ANV, XL1200CA, XL1200CB, XL1200CP, XL1200V, XL1200X, XL883L, XL883N, XL883R

2	2441	SCREW (2)	XL1200C, XL1200C ANV, XL1200CA, XL1200CB, XL1200CP, XL1200V, XL1200X, XL883L, XL883N, XL883R
3	2486	SCREW (8)	XL1200C, XL1200C ANV, XL1200CA, XL1200CB, XL1200CP, XL1200V, XL1200X, XL883L, XL883N, XL883R
4	3849	SCREW (6)	XL1200C, XL1200C ANV, XL1200CA, XL1200CB, XL1200CP, XL1200V, XL1200X, XL883L, XL883N, XL883R
5	3976	SCREW (2)	XL1200C, XL1200C ANV, XL1200CA, XL1200CB, XL1200CP, XL1200V, XL1200X, XL883L, XL883N, XL883R
6	4718A	SCREW (4)	XL1200C, XL1200C ANV, XL1200CA, XL1200CB, XL1200CP, XL1200V, XL1200X, XL883L, XL883N, XL883R
7	4741A	SCREW (8)	XL1200C, XL1200C ANV, XL1200CA, XL1200CB, XL1200CP, XL1200V, XL1200X, XL883L, XL883N, XL883R
8	6589	WASHER (8)	XL1200C, XL1200C ANV, XL1200CA, XL1200CB, XL1200CP, XL1200V, XL1200X, XL883L, XL883N, XL883R
9	11190	O-RING (4)	XL1200C, XL1200C ANV, XL1200CA, XL1200CB, XL1200CP, XL1200V, XL1200X, XL883L, XL883N, XL883R
10	11377	O-RING (4)	XL1200C, XL1200C ANV, XL1200CA, XL1200CB, XL1200CP, XL1200V, XL1200X, XL883L, XL883N, XL883R
11	16800-84A	GASKET (2)	XL1200C, XL1200C ANV, XL1200CA, XL1200CB, XL1200CP, XL1200V, XL1200X, XL883L, XL883N, XL883R
12	17036-08	GASKET KIT	XL1200C, XL1200C ANV, XL1200CA, XL1200CB, XL1200CP, XL1200V, XL1200X, XL883L, XL883N, XL883R
13	17362-07B	GASKET, lower (2)	XL1200C, XL1200C ANV, XL1200CA, XL1200CB, XL1200CP, XL1200V, XL1200X, XL883L, XL883N, XL883R
14	17695-07B	GASKET, inner (2)	XL1200C, XL1200C ANV, XL1200CA, XL1200CB, XL1200CP, XL1200V, XL1200X, XL883L, XL883N, XL883R
15	17360-83A	ROCKER ARM, front intake & rear exhaust (2)	XL1200C, XL1200C ANV, XL1200CA, XL1200CB, XL1200CP, XL1200V, XL1200X, XL883L, XL883N, XL883R
16	17375-83A	ROCKER ARM, front exhaust & rear intake (2)	XL1200C, XL1200C ANV, XL1200CA, XL1200CB, XL1200CP, XL1200V, XL1200X, XL883L, XL883N, XL883R
17	17393-07	SEAL	XL1200C, XL1200C ANV, XL1200CA, XL1200CB, XL1200CP, XL1200V, XL1200X, XL883L, XL883N, XL883R
18	17429-91	BUSHING (4)	XL1200C, XL1200C ANV, XL1200CA, XL1200CB, XL1200CP, XL1200V, XL1200X, XL883L, XL883N, XL883R
19	17501-04	ROCKER COVER, outer (polished) (2)	XL1200X, XL883L
	17551-04	ROCKER COVER, outer (chrome) (2)	XL1200C, XL1200C ANV, XL1200CP, XL1200V
	17655-05	ROCKER COVER, outer (black) (2)	XL1200CA, XL1200CB, XL1200CP, XL883N, XL883R

20	17532-07A	ROCKER COVER, inner (polished) (2)	XL1200X, XL883L
	17537-07A	ROCKER COVER, inner (chrome) (2)	XL1200C, XL1200C ANV, XL1200CP, XL1200V
	17614-07A	ROCKER COVER, inner (silver) (2)	XL1200CA, XL1200CB, XL1200CP, XL883N, XL883R
21	17611-83	SHAFT (4)	XL1200C, XL1200C ANV, XL1200CA, XL1200CB, XL1200CP, XL1200V, XL1200X, XL883L, XL883N, XL883R
22	17972-04	TAPPET COVER, front	XL1200C, XL1200C ANV, XL1200CA, XL1200CB, XL1200CP, XL1200V, XL1200X, XL883L, XL883N, XL883R
	17981-04	TAPPET COVER, rear	XL1200C, XL1200C ANV, XL1200CA, XL1200CB, XL1200CP, XL1200V, XL1200X, XL883L, XL883N, XL883R

ROCKER ARM ASSEMBLY & PUSHRODS - 883L/N/R, 1200C/CA/CB/CP/V/X (2 OF 2)



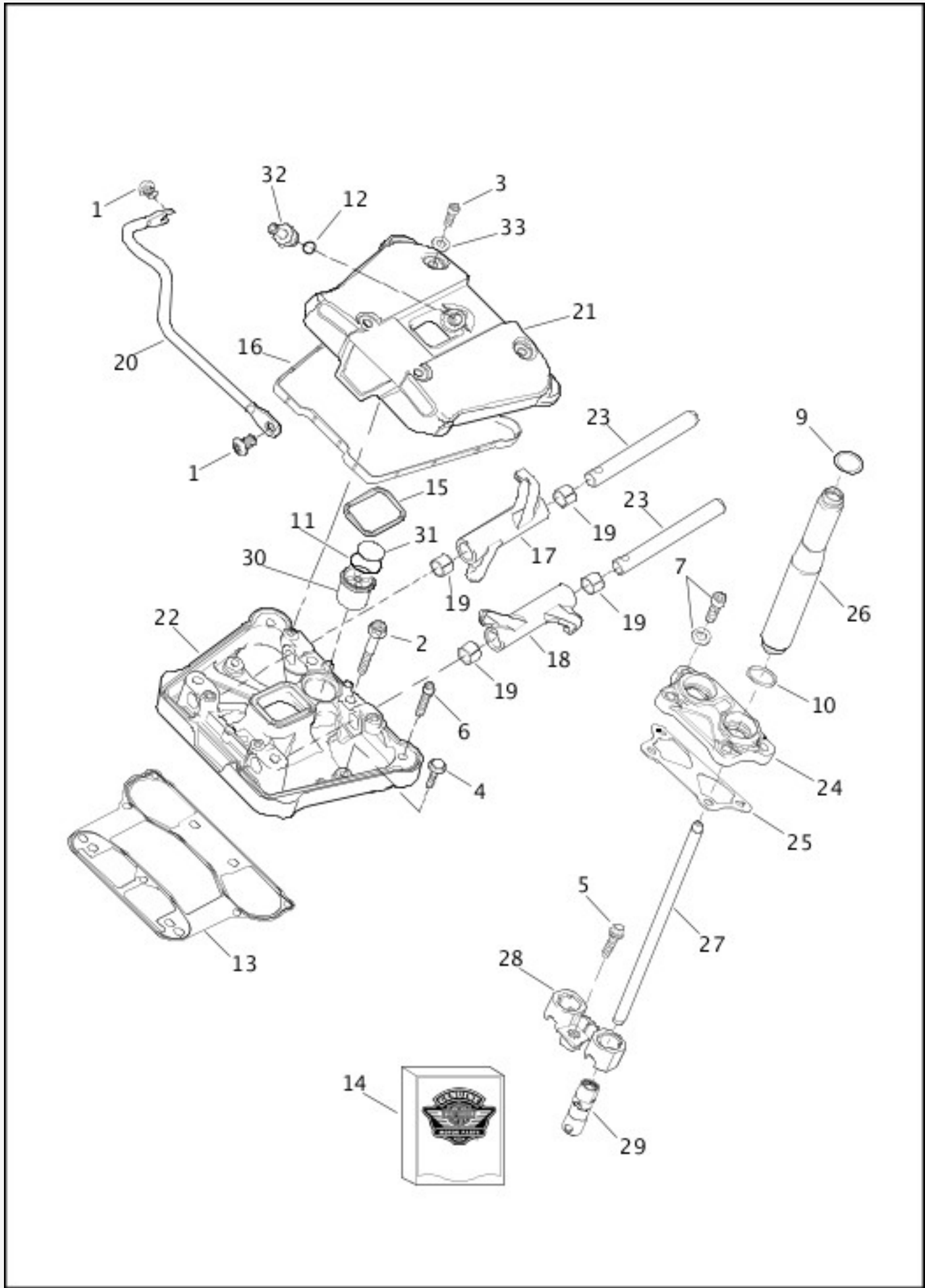
[View interactive image](#)

[View interactive table](#)

INDEX NO.	PART NO.	DESCRIPTION	MODEL(S)
23	17976-04	GASKET (2)	XL1200C, XL1200C ANV, XL1200CA, XL1200CB, XL1200CP, XL1200V, XL1200X, XL883L, XL883N, XL883R

24	17946-04	COVER (chrome) (4)	XL1200C, XL1200C ANV, XL1200CA, XL1200CB, XL1200CP, XL1200V, XL1200X, XL883L, XL883N, XL883R
25	17908-02	PUSHROD, exhaust (2)	XL1200C, XL1200C ANV, XL1200CA, XL1200CB, XL1200CP, XL1200V, XL1200X, XL883L, XL883N, XL883R
	17909-02	PUSHROD, intake (2)	XL1200C, XL1200C ANV, XL1200CA, XL1200CB, XL1200CP, XL1200V, XL1200X, XL883L, XL883N, XL883R
26	18505-06	ANTI-ROTATION DEVICE	XL1200C, XL1200C ANV, XL1200CA, XL1200CB, XL1200CP, XL1200V, XL1200X, XL883L, XL883N, XL883R
27	18538-99C	TAPPET, w/ roller (4)	XL1200C, XL1200C ANV, XL1200CA, XL1200CB, XL1200CP, XL1200V, XL1200X, XL883L, XL883N, XL883R
28	26010-04	BREATHER, front	XL1200C, XL1200C ANV, XL1200CA, XL1200CB, XL1200CP, XL1200V, XL1200X, XL883L, XL883N, XL883R
	26011-04	BREATHER, rear	XL1200C, XL1200C ANV, XL1200CA, XL1200CB, XL1200CP, XL1200V, XL1200X, XL883L, XL883N, XL883R
29	26012-07	BREATHER, front w/ seal	XL1200C, XL1200C ANV, XL1200CA, XL1200CB, XL1200CP, XL1200V, XL1200X, XL883L, XL883N, XL883R
	26020-07	BREATHER, rear w/ seal	XL1200C, XL1200C ANV, XL1200CA, XL1200CB, XL1200CP, XL1200V, XL1200X, XL883L, XL883N, XL883R

ROCKER ARM ASSEMBLY & PUSHRODS - XR1200X



[View interactive image](#)

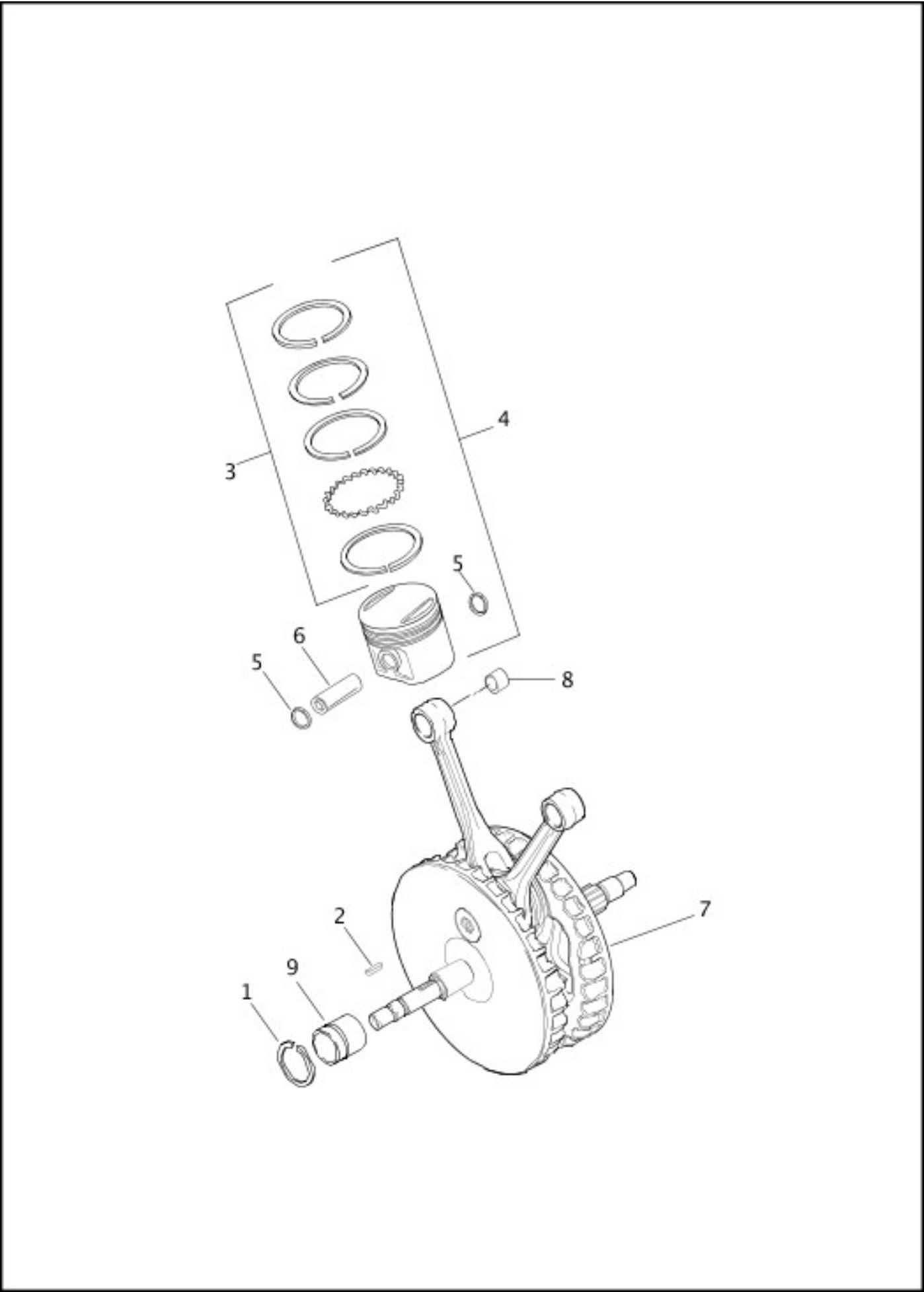
[View interactive table](#)

INDEX NO.	PART NO.	DESCRIPTION	MODEL(S)
1	943	SCREW (2)	XR1200X
2	1039	SCREW (8)	XR1200X

3	2486	SCREW (8)	XR1200X
4	3849	SCREW (6)	XR1200X
5	3976	SCREW (2)	XR1200X
6	4718A	SCREW (4)	XR1200X
7	4741A	SCREW (8)	XR1200X
8	6589	WASHER (8)	XR1200X
9	11190	O-RING (4)	XR1200X
10	11377	O-RING (4)	XR1200X
11	11621	O-RING (2)	XR1200X
12	11625	O-RING (2)	XR1200X
13	16800-84A	GASKET (2)	XR1200X
14	17036-08	GASKET KIT	XR1200X
15	17695-07B	GASKET, inner (2)	XR1200X
16	17633-08B	GASKET, lower (2)	XR1200X
17	17360-83A	ROCKER ARM, front intake & rear exhaust (2)	XR1200X
18	17375-83A	ROCKER ARM, front exhaust & rear intake (2)	XR1200X
19	17429-91	BUSHING (4)	XR1200X
20	17569-08	ROCKER BOX GUARD	XR1200X
21	17615-10	ROCKER COVER, outer (black) (2)	XR1200X
22	17591-10	ROCKER COVER, inner (black) (2)	XR1200X
23	17611-83	SHAFT (4)	XR1200X
24	17903-10	TAPPET COVER, front (black)	XR1200X
	17911-10	TAPPET COVER, rear (black)	XR1200X
25	17976-04	GASKET (2)	XR1200X
26	17963-10	COVER (black) (4)	XR1200X
27	17908-02	PUSHROD, exhaust (2)	XR1200X
	17909-02	PUSHROD, intake (2)	XR1200X
28	18505-06	ANTI-ROTATION DEVICE	XR1200X
29	18538-99C	TAPPET, w/ roller (4)	XR1200X
30	26016-08	BREATHER (2)	XR1200X

31	26856-89A	VALVE, umbrella-check, breather	XR1200X
32	63548-08	FITTING (2)	XR1200X

PISTONS & FLYWHEEL ASSEMBLY



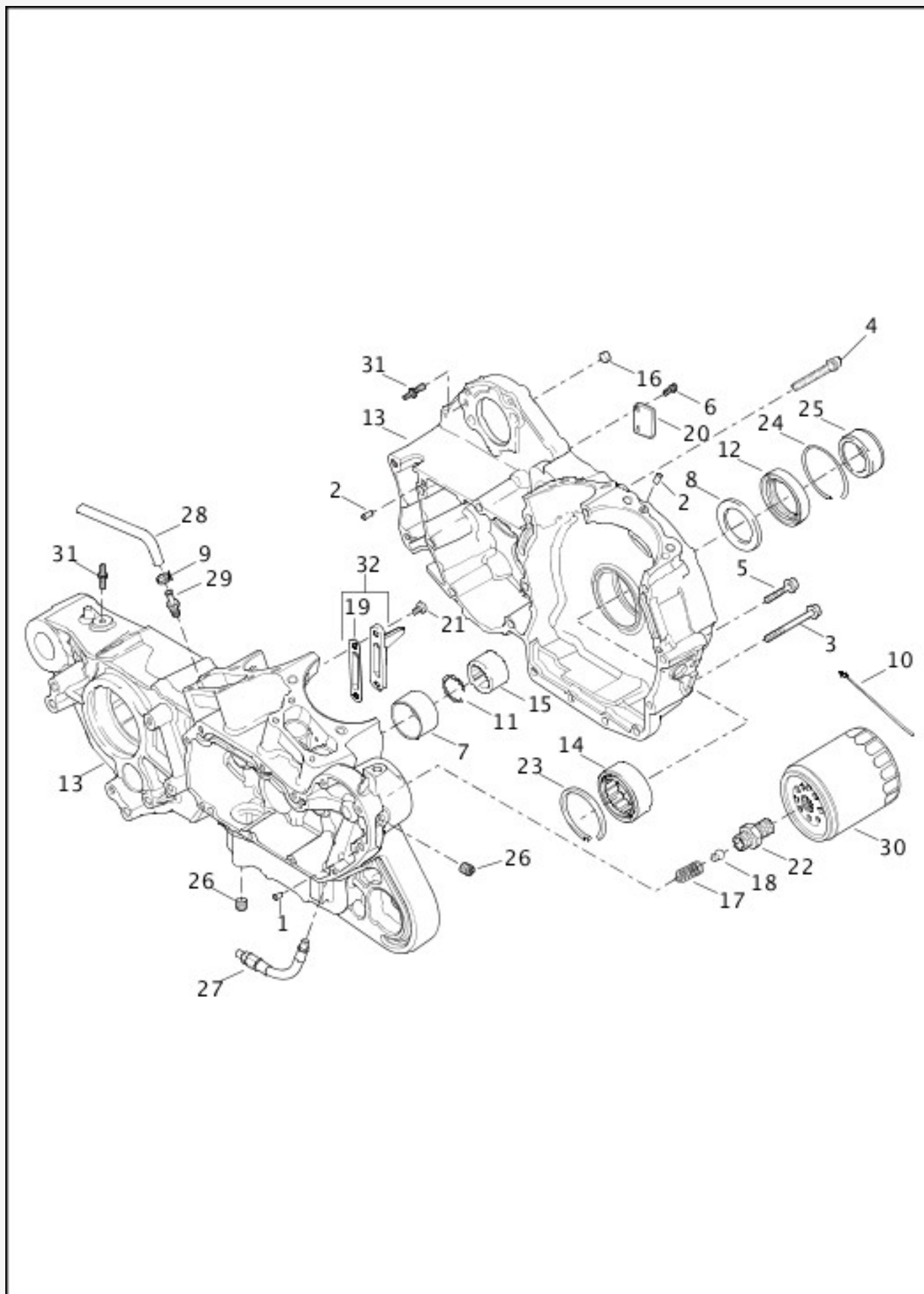
[View interactive image](#)

[View interactive table](#)

INDEX NO.	PART NO.	DESCRIPTION	MODEL(S)
1	11177A	RETAINING RING	ALL
2	11317	KEY	ALL

3	22266-86	PISTON RING SET, standard (2)	XL883L, XL883N, XL883R
	22261-86	PISTON RING SET, 0.010 O.S. (2)	XL883L, XL883N, XL883R
	22271-86	PISTON RING SET, 0.005 O.S. (2)	XL883L, XL883N, XL883R
	21948-02	PISTON RING SET, standard (2)	XL1200C, XL1200C ANV, XL1200CA, XL1200CB, XL1200CP, XL1200V, XL1200X
	22231-04	PISTON RING SET, 0.005 O.S. (2)	XL1200C, XL1200C ANV, XL1200CA, XL1200CB, XL1200CP, XL1200V, XL1200X
	22238-04	PISTON RING SET, 0.010 O.S. (2)	XL1200C, XL1200C ANV, XL1200CA, XL1200CB, XL1200CP, XL1200V, XL1200X
4	22221-04	PISTON & RINGS ASSEMBLY, standard (2)	XL883L, XL883N, XL883R
	22224-04	PISTON & RINGS ASSEMBLY, 0.005 O.S. (2)	XL883L, XL883N, XL883R
	22228-04	PISTON & RINGS ASSEMBLY, 0.010 O.S. (2)	XL883L, XL883N, XL883R
	22223-04	PISTON & RINGS ASSEMBLY, standard (2)	XL1200C, XL1200C ANV, XL1200CA, XL1200CB, XL1200CP, XL1200V, XL1200X
	22227-04	PISTON & RINGS ASSEMBLY, 0.005 O.S. (2)	XL1200C, XL1200C ANV, XL1200CA, XL1200CB, XL1200CP, XL1200V, XL1200X
	22230-04	PISTON & RINGS ASSEMBLY, 0.010 O.S. (2)	XL1200C, XL1200C ANV, XL1200CA, XL1200CB, XL1200CP, XL1200V, XL1200X
	22244-04A	PISTON & RINGS ASSEMBLY, standard (2)	XR1200X
5	22589-83B	LOCK RING (4)	ALL
6	22719-04	PISTON PIN (2)	XL883L, XL883N, XL883R
	22765-02	PISTON PIN (2)	XL1200C, XL1200C ANV, XL1200CA, XL1200CB, XL1200CP, XL1200V, XL1200X
7	23905-04B	FLYWHEELS & CONNECTING ROD ASSEMBLY, w/ 11317	XL1200C, XL1200C ANV, XL1200CA, XL1200CB, XL1200CP, XL1200V, XL1200X, XL883L, XL883N, XL883R
	23999-08	FLYWHEELS & CONNECTING ROD ASSEMBLY, w/ 11317	XR1200X
8	24332-36	BUSHING, 0.01 O.S. (2)	ALL
9	24658-87	INNER RING	ALL

CRANKCASE & GEARCASE - 883L/N/R, 1200C/CA/CB/CP/V/X (1 OF 2)



[View interactive image](#)

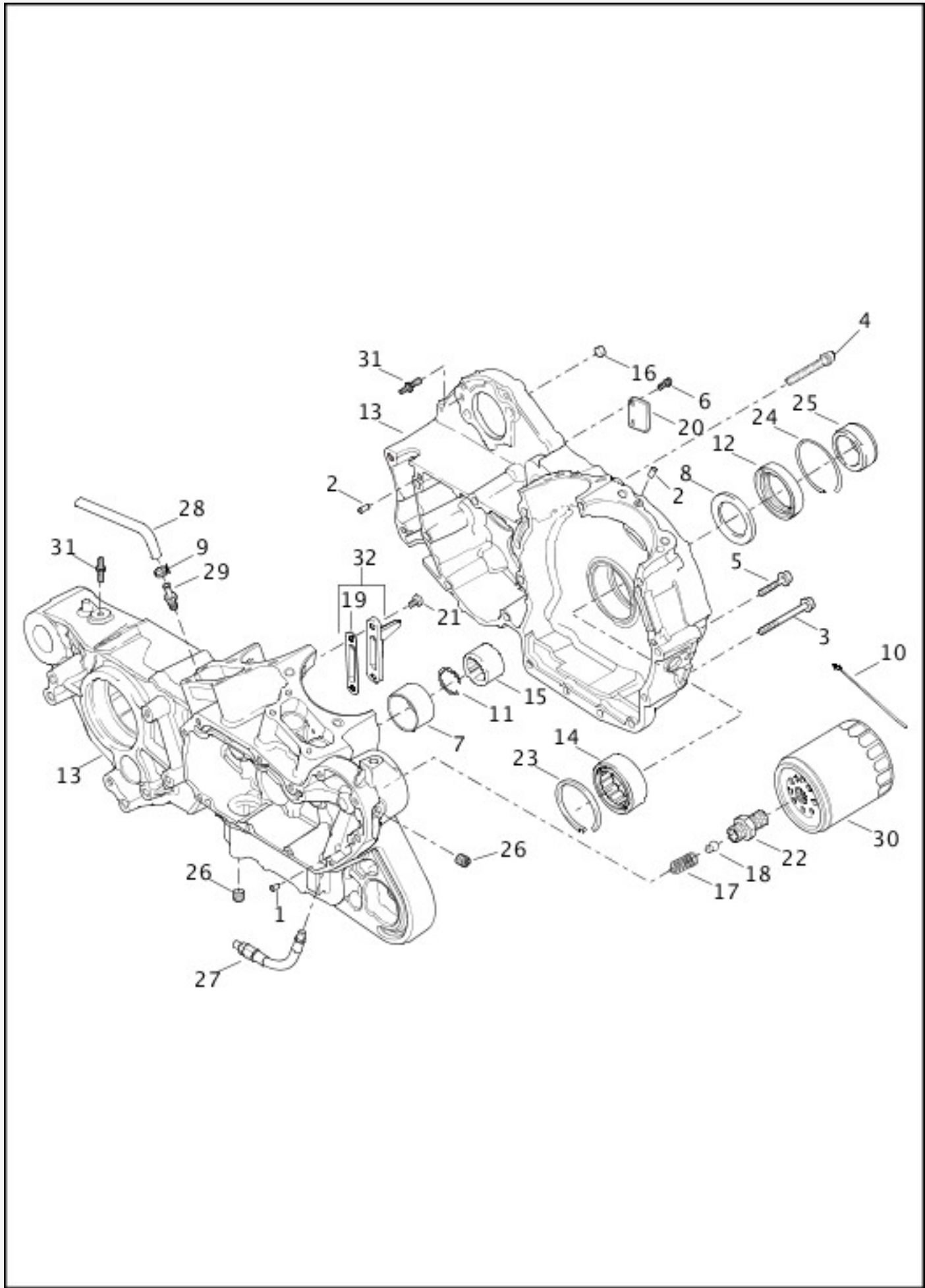
[View interactive table](#)

INDEX	PART	DESCRIPTION	MODEL(S)
-------	------	-------------	----------

NO.	NO.		
1	215	PIN (2)	XL1200C, XL1200C ANV, XL1200CA, XL1200CB, XL1200CP, XL1200V, XL1200X, XL883L, XL883N, XL883R
2	358	DOWEL PIN (4)	XL1200C, XL1200C ANV, XL1200CA, XL1200CB, XL1200CP, XL1200V, XL1200X, XL883L, XL883N, XL883R
3	835	SCREW (11)	XL1200C, XL1200C ANV, XL1200CA, XL1200CB, XL1200CP, XL1200V, XL1200X, XL883L, XL883N, XL883R
4	1028	SCREW	XL1200C, XL1200C ANV, XL1200CA, XL1200CB, XL1200CP, XL1200V, XL1200X, XL883L, XL883N, XL883R
5	1048	SCREW (4)	XL1200C, XL1200C ANV, XL1200CA, XL1200CB, XL1200CP, XL1200V, XL1200X, XL883L, XL883N, XL883R
6	4091	SCREW (2)	XL1200C, XL1200C ANV, XL1200CA, XL1200CB, XL1200CP, XL1200V, XL1200X, XL883L, XL883N, XL883R
7	8881	BEARING RACE	XL1200C, XL1200C ANV, XL1200CA, XL1200CB, XL1200CP, XL1200V, XL1200X, XL883L, XL883N, XL883R
8	8972	WASHER	XL1200C, XL1200C ANV, XL1200CA, XL1200CB, XL1200CP, XL1200V, XL1200X, XL883L, XL883N, XL883R
9	10080	CLAMP	XL1200C, XL1200C ANV, XL1200CA, XL1200CB, XL1200CP, XL1200V, XL1200X, XL883L, XL883N, XL883R
10	10177	CABLE STRAP (as required)	XL1200C, XL1200C ANV, XL1200CA, XL1200CB, XL1200CP, XL1200V, XL1200X, XL883L, XL883N, XL883R
11	11177A	RETAINING RING	XL1200C, XL1200C ANV, XL1200CA, XL1200CB, XL1200CP, XL1200V, XL1200X, XL883L, XL883N, XL883R
12	12068	OIL SEAL	XL1200C, XL1200C ANV, XL1200CA, XL1200CB, XL1200CP, XL1200V, XL1200X, XL883L, XL883N, XL883R
13	24466-06B	CRANKCASE SET, w/ bearings (black)	XL1200C, XL1200C ANV, XL1200CA, XL1200CB, XL1200CP, XL1200X, XL883N, XL883R
	24470-06B	CRANKCASE SET, w/ bearings (silver)	XL883L
	24745-07A	CRANKCASE SET, w/ bearings (gray)	XL1200V
14	24605-07	BEARING	XL1200C, XL1200C ANV, XL1200CA, XL1200CB, XL1200CP, XL1200V, XL1200X, XL883L, XL883N, XL883R
15	24647-87	BEARING (blue)	XL1200C, XL1200C ANV, XL1200CA, XL1200CB, XL1200CP, XL1200V, XL1200X, XL883L, XL883N, XL883R
	24650-87	BEARING (red)	XL1200C, XL1200C ANV, XL1200CA, XL1200CB, XL1200CP, XL1200V, XL1200X, XL883L, XL883N, XL883R
	24659-87	BEARING (white/gray)	XL1200C, XL1200C ANV, XL1200CA, XL1200CB, XL1200CP, XL1200V, XL1200X, XL883L, XL883N, XL883R

	24660-87	BEARING (green)	XL1200C, XL1200C ANV, XL1200CA, XL1200CB, XL1200CP, XL1200V, XL1200X, XL883L, XL883N, XL883R
16	24754-75A	DOWEL PIN (2)	XL1200C, XL1200C ANV, XL1200CA, XL1200CB, XL1200CP, XL1200V, XL1200X, XL883L, XL883N, XL883R
17	26436-90A	SPRING	XL1200C, XL1200C ANV, XL1200CA, XL1200CB, XL1200CP, XL1200V, XL1200X, XL883L, XL883N, XL883R
18	26437-86B	BALL	XL1200C, XL1200C ANV, XL1200CA, XL1200CB, XL1200CP, XL1200V, XL1200X, XL883L, XL883N, XL883R
19	26638-00Y	GASKET (2)	XL1200C, XL1200C ANV, XL1200CA, XL1200CB, XL1200CP, XL1200V, XL1200X, XL883L, XL883N, XL883R
20	29950-91	COVER	XL1200C, XL1200C ANV, XL1200CA, XL1200CB, XL1200CP, XL1200V, XL1200X, XL883L, XL883N, XL883R
21	68042-99	SCREW (4)	XL1200C, XL1200C ANV, XL1200CA, XL1200CB, XL1200CP, XL1200V, XL1200X, XL883L, XL883N, XL883R
22	33117-91A	ADAPTER	XL1200C, XL1200C ANV, XL1200CA, XL1200CB, XL1200CP, XL1200V, XL1200X, XL883L, XL883N, XL883R

CRANKCASE & GEARCASE - 883L/N/R, 1200C/CA/CB/CP/V/X (2 OF 2)



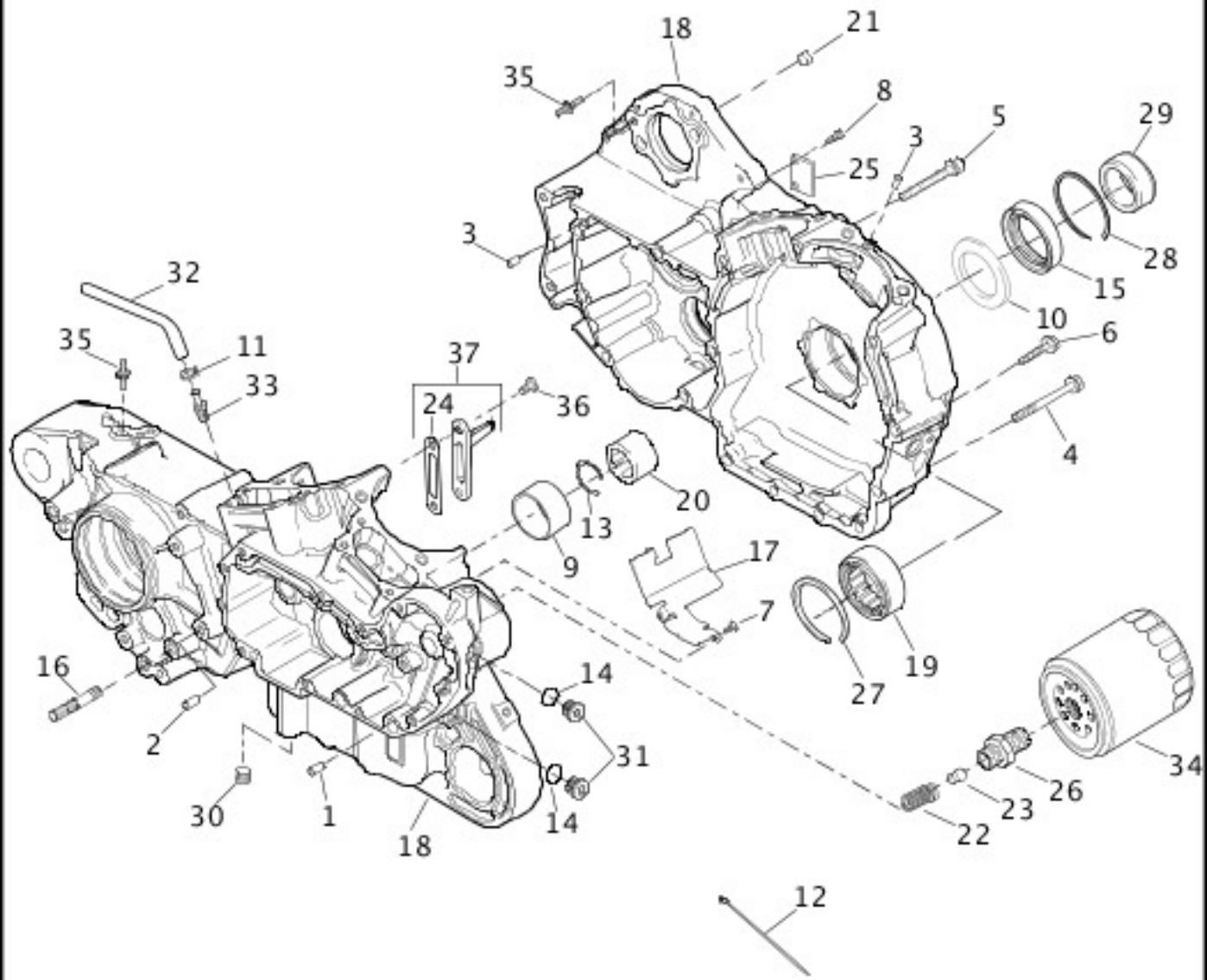
[View interactive image](#)

[View interactive table](#)

INDEX NO.	PART NO.	DESCRIPTION	MODEL(S)
23	35114-02	RETAINING RING	XL1200C, XL1200C ANV, XL1200CA, XL1200CB, XL1200CP, XL1200V, XL1200X, XL883L, XL883N, XL883R

24	35118-03	RETAINING RING	XL1200C, XL1200C ANV, XL1200CA, XL1200CB, XL1200CP, XL1200V, XL1200X, XL883L, XL883N, XL883R
25	40254-02	SPACER	XL1200C, XL1200C ANV, XL1200CA, XL1200CB, XL1200CP, XL1200V, XL1200X, XL883L, XL883N, XL883R
26	45830-48	PLUG (2)	XL1200C, XL1200C ANV, XL1200CA, XL1200CB, XL1200CP, XL1200V, XL1200X, XL883L, XL883N, XL883R
27	62651-04	LINE, oil pump	XL1200C, XL1200C ANV, XL1200CA, XL1200CB, XL1200CP, XL1200V, XL1200X, XL883L, XL883N, XL883R
28	63508-04	HOSE, transmission vent	XL1200C, XL1200C ANV, XL1200CA, XL1200CB, XL1200CP, XL1200V, XL1200X, XL883L, XL883N, XL883R
29	63533-41A	FITTING	XL1200C, XL1200C ANV, XL1200CA, XL1200CB, XL1200CP, XL1200V, XL1200X, XL883L, XL883N, XL883R
30	63805-80A	OIL FILTER (black)	XL1200CA, XL1200CB, XL1200CP, XL1200X, XL883L, XL883N, XL883R
	63796-77A	OIL FILTER (chrome)	XL1200C, XL1200C ANV, XL1200CP, XL1200V
31	65088-04	STUD, ground (2)	XL1200C, XL1200C ANV, XL1200CA, XL1200CB, XL1200CP, XL1200V, XL1200X, XL883L, XL883N, XL883R
32	62700014	OIL JET ASSEMBLY (2)	XL1200C, XL1200C ANV, XL1200CA, XL1200CB, XL1200CP, XL1200V, XL1200X, XL883L, XL883N, XL883R

CRANKCASE & GEARCASE - XR1200X



[View interactive image](#)

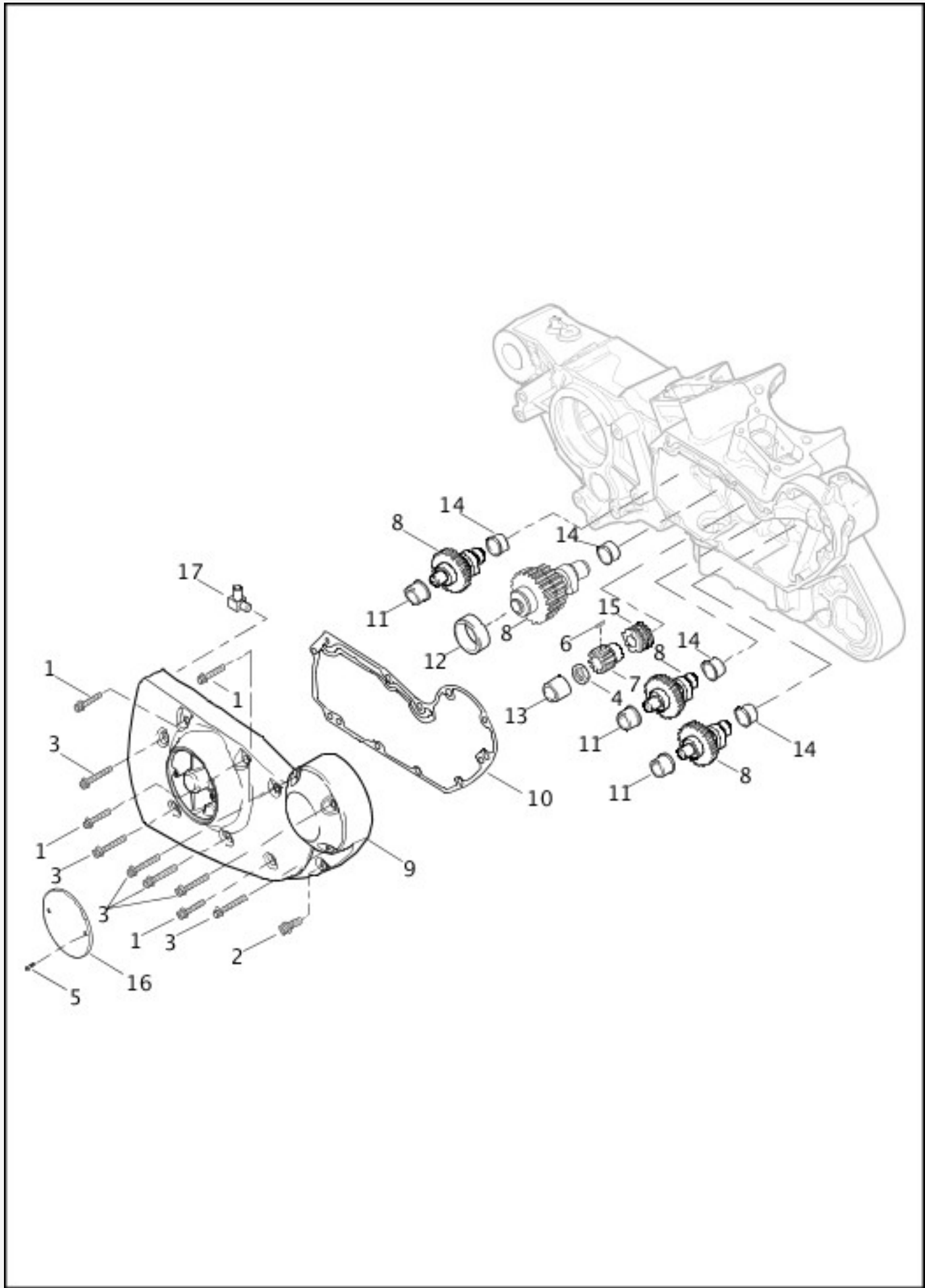
[View interactive table](#)

INDEX NO.	PART NO.	DESCRIPTION	MODEL(S)
1	215	PIN	XR1200X
2	232	PIN	XR1200X

3	358	DOWEL PIN (4)	XR1200X
4	835	SCREW (12)	XR1200X
5	1028	SCREW	XR1200X
6	1048	SCREW (4)	XR1200X
7	2487	SCREW (3)	XR1200X
8	4091	SCREW (2)	XR1200X
9	8881	BEARING RACE	XR1200X
10	8972	WASHER	XR1200X
11	10080	CLAMP (2)	XR1200X
12	10177	CABLE STRAP (as required)	XR1200X
13	11177A	RETAINING RING	XR1200X
14	11290	O-RING	XR1200X
15	12068	OIL SEAL	XR1200X
16	16899-02	STUD (2)	XR1200X
17	17525-08	PLATE	XR1200X
18	24475-08	CRANKCASE SET, w/ bearings (black)	XR1200X
19	24605-07	BEARING	XR1200X
20	24647-87	BEARING (blue)	XR1200X
	24650-87	BEARING (red)	XR1200X
	24659-87	BEARING (white/gray)	XR1200X
	24660-87	BEARING (green)	XR1200X
21	24754-75A	DOWEL PIN (2)	XR1200X
22	26436-90A	SPRING	XR1200X
23	26437-86B	BALL	XR1200X
24	26638-00Y	GASKET (2)	XR1200X
25	29950-91	COVER	XR1200X
26	33117-91A	ADAPTOR	XR1200X
27	35114-02	RETAINING RING	XR1200X
28	35118-03	RETAINING RING	XR1200X
29	40254-02	SPACER	XR1200X

30	45830-48	PLUG	XR1200X
31	60330-08	PLUG, w/ O-ring (2)	XR1200X
32	63508-04	HOSE, transmission vent	XR1200X
33	63533-41A	FITTING	XR1200X
34	63805-80A	OIL FILTER	XR1200X
35	65088-04	STUD, ground (2)	XR1200X
36	68042-99	SCREW (4)	XR1200X
37	62700013	OIL JET ASSEMBLY, w/ gasket (2)	XR1200X

CAMSHAFTS & GEAR COVER - 883L/N/R, 1200C/CA/CB/CP/V/X



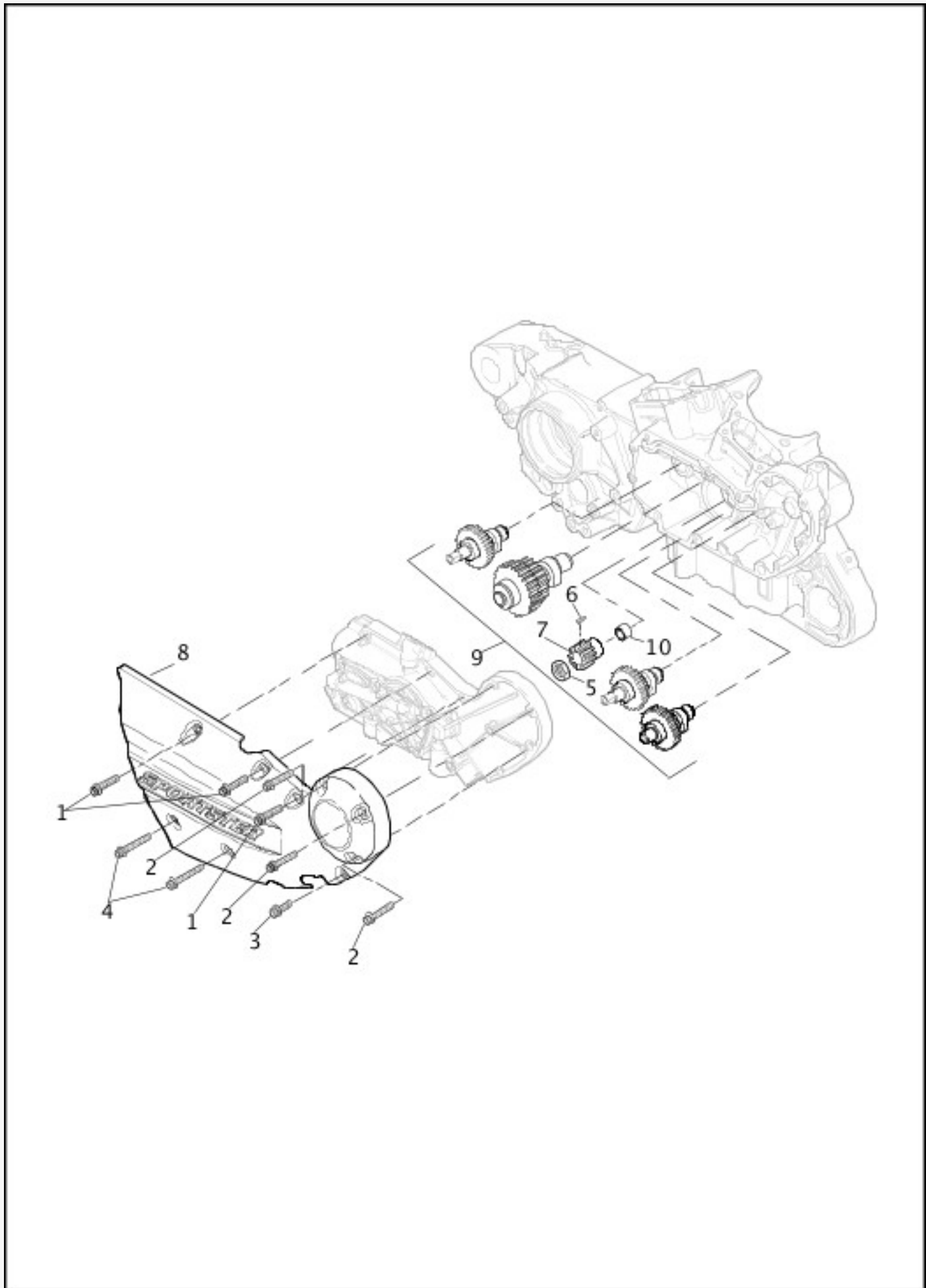
[View interactive image](#)

[View interactive table](#)

INDEX NO.	PART NO.	DESCRIPTION	MODEL(S)
1	3480A	SCREW (4)	XL1200C, XL1200C ANV, XL1200CA, XL1200CB, XL1200CP, XL1200V, XL1200X, XL883L, XL883N, XL883R

2	4740A	SCREW	XL1200C, XL1200C ANV, XL1200CA, XL1200CB, XL1200CP, XL1200V, XL1200X, XL883L, XL883N, XL883R
3	4717A	SCREW (6)	XL1200C, XL1200C ANV, XL1200CA, XL1200CB, XL1200CP, XL1200V, XL1200X, XL883L, XL883N, XL883R
4	7916A	JAMNUT	XL1200C, XL1200C ANV, XL1200CA, XL1200CB, XL1200CP, XL1200V, XL1200X, XL883L, XL883N, XL883R
5	68120-00	SCREW (2)	XL1200C, XL1200C ANV, XL1200CA, XL1200CB, XL1200CP, XL1200V, XL1200X, XL883L, XL883N, XL883R
6	11317	T-KEY	XL1200C, XL1200C ANV, XL1200CA, XL1200CB, XL1200CP, XL1200V, XL1200X, XL883L, XL883N, XL883R
7	24047-00	PINION GEAR	XL1200C, XL1200C ANV, XL1200CA, XL1200CB, XL1200CP, XL1200V, XL1200X, XL883L, XL883N, XL883R
8	25194-06	CAM GEAR SET, complete, w/ pinion gear	XL1200C, XL1200C ANV, XL1200CA, XL1200CB, XL1200CP, XL1200V, XL1200X, XL883L, XL883N, XL883R
9	25219-04	COVER ASSEMBLY (polished), w/ 62375-57A & bushings	XL883L
	25213-04	COVER ASSEMBLY (chrome), w/ 62375-57A & bushings	XL1200C, XL1200C ANV, XL1200CP, XL1200V
	25486-05	COVER ASSEMBLY (black), w/ 62375-57A & bushings	XL1200CA, XL1200CB, XL1200CP, XL1200X, XL883N, XL883R
10	25263-90D	GASKET	XL1200C, XL1200C ANV, XL1200CA, XL1200CB, XL1200CP, XL1200V, XL1200X, XL883L, XL883N, XL883R
11	25586-37	OUTER BUSHING, cam gear shafts (3)	XL1200C, XL1200C ANV, XL1200CA, XL1200CB, XL1200CP, XL1200V, XL1200X, XL883L, XL883N, XL883R
12	25588-91	BUSHING, rear intake cam gear shaft	XL1200C, XL1200C ANV, XL1200CA, XL1200CB, XL1200CP, XL1200V, XL1200X, XL883L, XL883N, XL883R
13	25593-74	BUSHING, flywheel gear shaft	XL1200C, XL1200C ANV, XL1200CA, XL1200CB, XL1200CP, XL1200V, XL1200X, XL883L, XL883N, XL883R
14	25598-91	INNER BUSHING, camshaft gear (4)	XL1200C, XL1200C ANV, XL1200CA, XL1200CB, XL1200CP, XL1200V, XL1200X, XL883L, XL883N, XL883R
15	26318-88A	DRIVE GEAR, oil pump	XL1200C, XL1200C ANV, XL1200CA, XL1200CB, XL1200CP, XL1200V, XL1200X, XL883L, XL883N, XL883R
16	32506-90	TIMER COVER	XL883L
	32514-04	TIMER COVER	XL1200C, XL1200CA, XL1200CB, XL1200CP, XL883N, XL883R
	32531-07	TIMER COVER	XL1200X
	25600007	TIMER COVER	XL1200V
	25600017	TIMER COVER	XL1200C ANV
17	62375-	FITTING, oil vent hose	XL1200C, XL1200C ANV, XL1200CA, XL1200CB, XL1200CP,

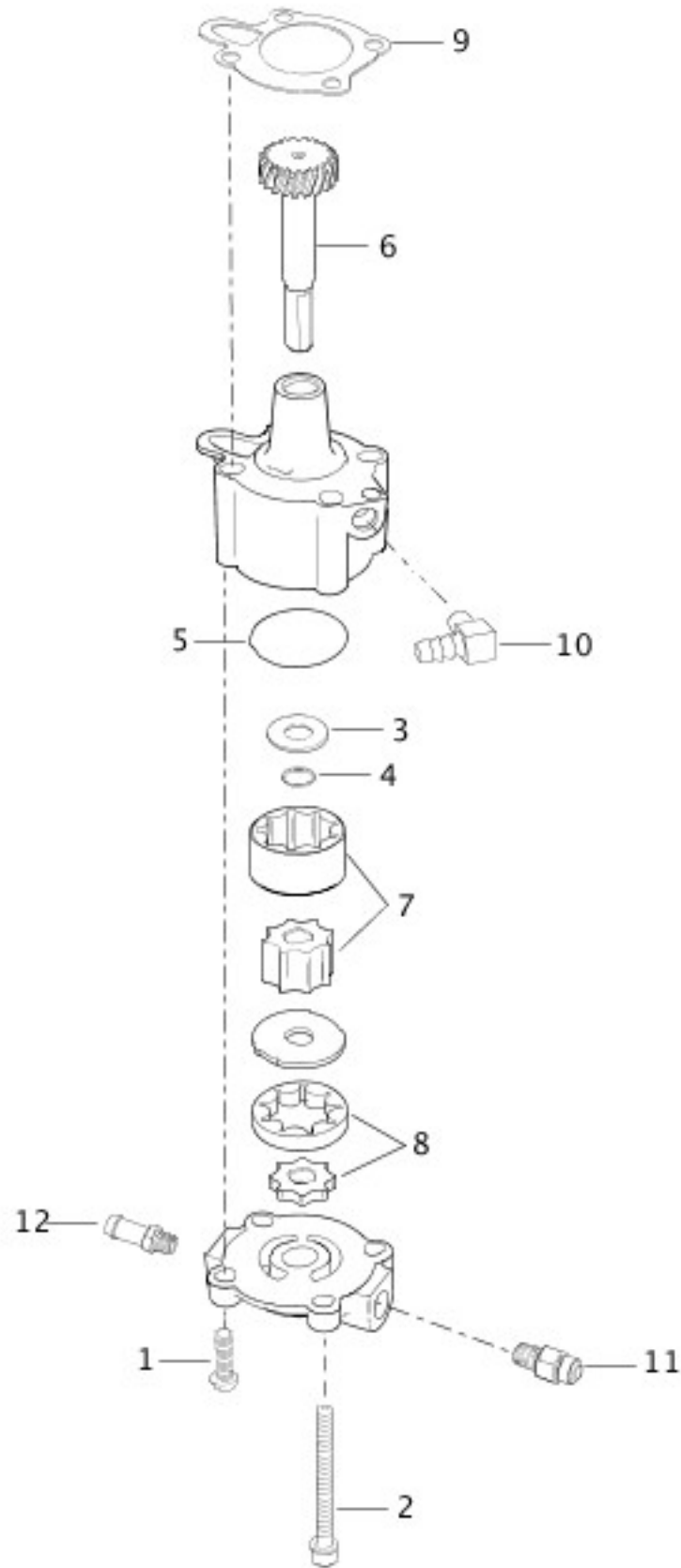
CAMSHAFTS & GEAR COVER - XR1200X



[View interactive image](#)

INDEX NO.	PART NO.	DESCRIPTION	MODEL(S)
1	3480A	SCREW (3)	XR1200X
2	4717A	SCREW (3)	XR1200X
3	4740A	SCREW	XR1200X
4	4822A	SCREW	XR1200X
5	7916A	JAMNUT	XR1200X
6	11317	T-KEY	XR1200X
7	24047-00	PINION GEAR	XR1200X
8	25250-10	COVER (black)	XR1200X
9	25271-08	CAM GEAR SET, complete, w/ pinion gear	XR1200X
10	26332-08	SPACER	XR1200X

OIL PUMP - 883L/N/R, 1200C/CA/CB/CP/V/X



[View interactive image](#)

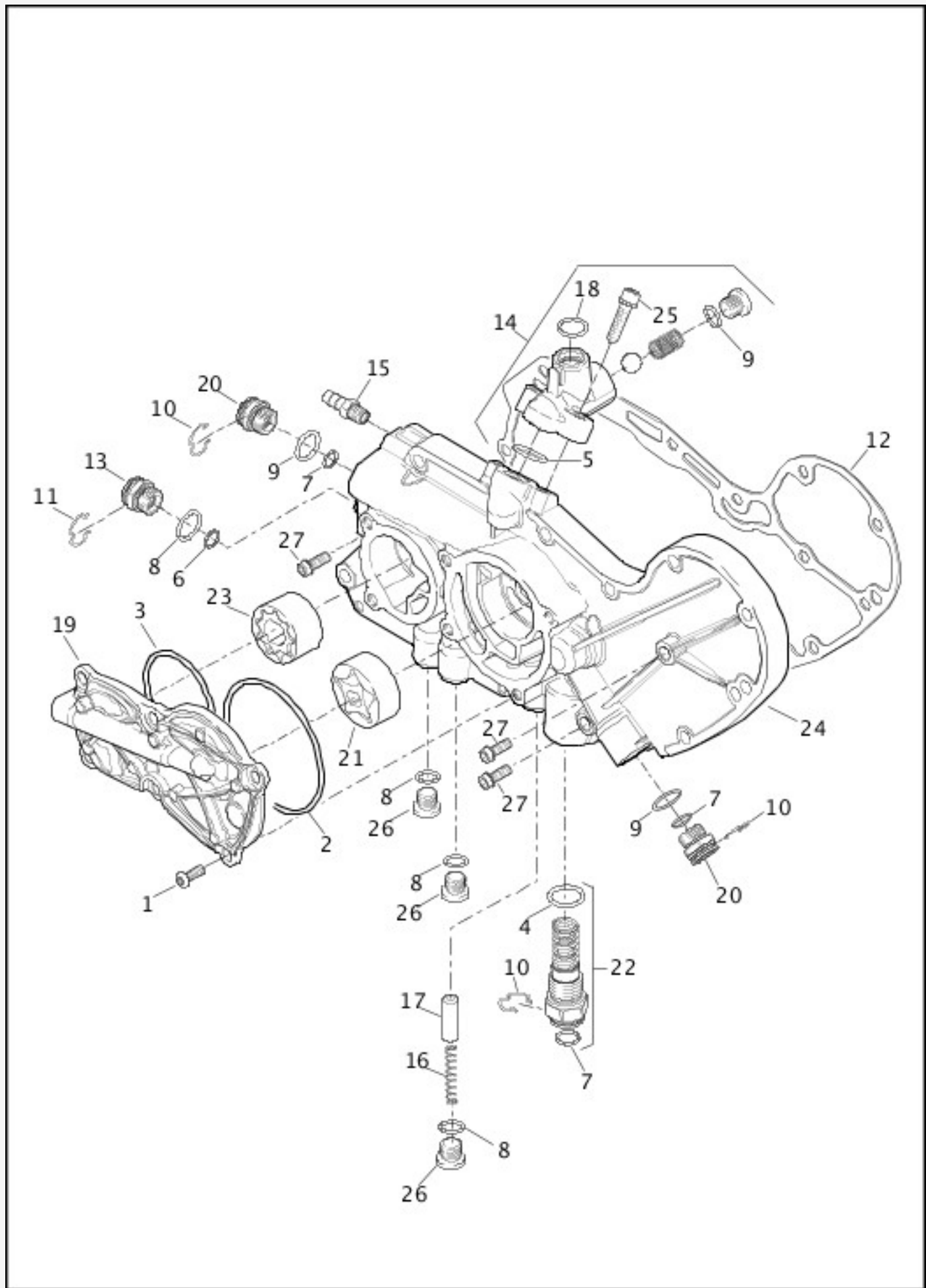
[View interactive table](#)

INDEX NO.	PART NO.	DESCRIPTION	MODEL(S)
	26204-91A	OIL PUMP, complete	XL1200C, XL1200C ANV, XL1200CA, XL1200CB, XL1200CP, XL1200V, XL1200X, XL883L, XL883N, XL883R

NOTE: Includes the following parts.

1	4132	SCREW (2)	XL1200C, XL1200C ANV, XL1200CA, XL1200CB, XL1200CP, XL1200V, XL1200X, XL883L, XL883N, XL883R
2	4765	SCREW (2)	XL1200C, XL1200C ANV, XL1200CA, XL1200CB, XL1200CP, XL1200V, XL1200X, XL883L, XL883N, XL883R
3	6157	WASHER	XL1200C, XL1200C ANV, XL1200CA, XL1200CB, XL1200CP, XL1200V, XL1200X, XL883L, XL883N, XL883R
4	11002	RETAINING RING	XL1200C, XL1200C ANV, XL1200CA, XL1200CB, XL1200CP, XL1200V, XL1200X, XL883L, XL883N, XL883R
5	26434-91	O-RING	XL1200C, XL1200C ANV, XL1200CA, XL1200CB, XL1200CP, XL1200V, XL1200X, XL883L, XL883N, XL883R
6	26239-07	GEAR SHAFT	XL1200C, XL1200C ANV, XL1200CA, XL1200CB, XL1200CP, XL1200V, XL1200X, XL883L, XL883N, XL883R
7	26502-07	GEROTOR SET, return	XL1200C, XL1200C ANV, XL1200CA, XL1200CB, XL1200CP, XL1200V, XL1200X, XL883L, XL883N, XL883R
8	26503-07	GEROTOR SET, feed	XL1200C, XL1200C ANV, XL1200CA, XL1200CB, XL1200CP, XL1200V, XL1200X, XL883L, XL883N, XL883R
9	26495-89B	GASKET	XL1200C, XL1200C ANV, XL1200CA, XL1200CB, XL1200CP, XL1200V, XL1200X, XL883L, XL883N, XL883R
10	26496-75A	FITTING	XL1200C, XL1200C ANV, XL1200CA, XL1200CB, XL1200CP, XL1200V, XL1200X, XL883L, XL883N, XL883R
11	62601-91A	FITTING, front	XL1200C, XL1200C ANV, XL1200CA, XL1200CB, XL1200CP, XL1200V, XL1200X, XL883L, XL883N, XL883R
12	63533-41A	FITTING, rear	XL1200C, XL1200C ANV, XL1200CA, XL1200CB, XL1200CP, XL1200V, XL1200X, XL883L, XL883N, XL883R

OIL PUMP - XR1200X



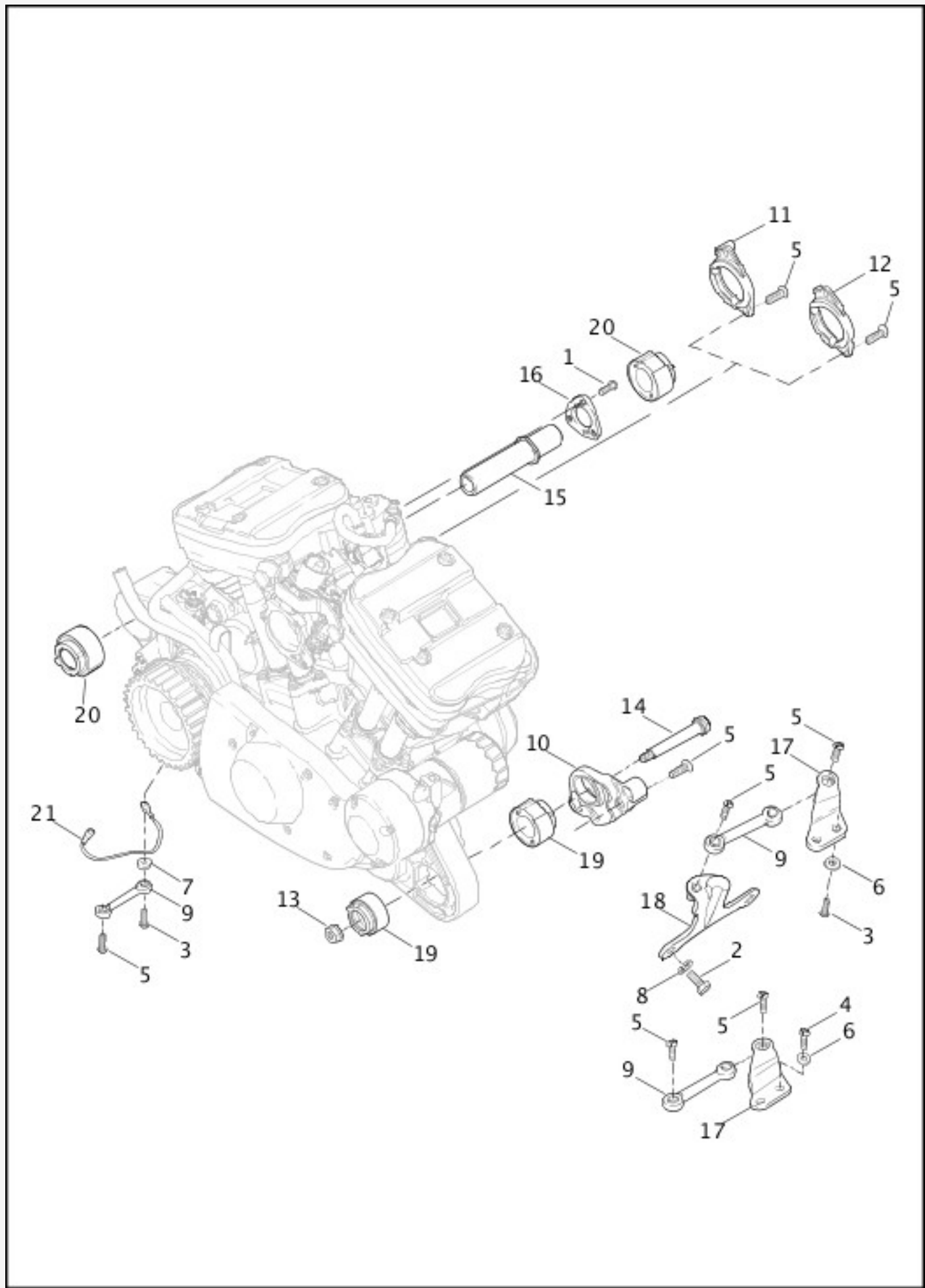
[View interactive image](#)

[View interactive table](#)

INDEX NO.	PART NO.	DESCRIPTION	MODEL(S)
1	942	SCREW (6)	XR1200X
2	10966	O-RING	XR1200X

3	10967	O-RING	XR1200X
4	10969	O-RING	XR1200X
5	10971	O-RING	XR1200X
6	11110	O-RING	XR1200X
7	11140	O-RING (2)	XR1200X
8	11290	O-RING (4)	XR1200X
9	11326	O-RING (2)	XR1200X
10	11384K	RETAINER (2)	XR1200X
11	11408	RETAINER	XR1200X
12	25279-08	GASKET	XR1200X
13	26064-08	FITTING ASSEMBLY, w/ 11110, 11290 & 11408	XR1200X
14	26182-08	CHECK VALVE ASSEMBLY, w/ 10971	XR1200X
15	26184-08	FITTING	XR1200X
16	26210-99	SPRING, compression	XR1200X
17	26400-82B	VALVE, bypass - oil pump	XR1200X
18	26432-76A	O-RING	XR1200X
19	26522-08	COVER ASSEMBLY	XR1200X
20	26525-08	FITTING ASSEMBLY, w/ 11140, 11326 & 11384K (2)	XR1200X
21	26526-08	GEROTOR ASSEMBLY, feed	XR1200X
22	26529-08	THERMOSTAT ASSEMBLY	XR1200X
23	26546-08	GEROTOR ASSEMBLY, return	XR1200X
24	26592-08	OIL PUMP ASSEMBLY, w/ 13, 14, 15, 16, 17, 20, 22, 25 & 26	XR1200X
25	4741A	SCREW (2)	XR1200X
26	60330-08	PLUG, w/ 11290 (3)	XR1200X
27	4718A	SCREW (3)	XR1200X

ENGINE MOUNTS



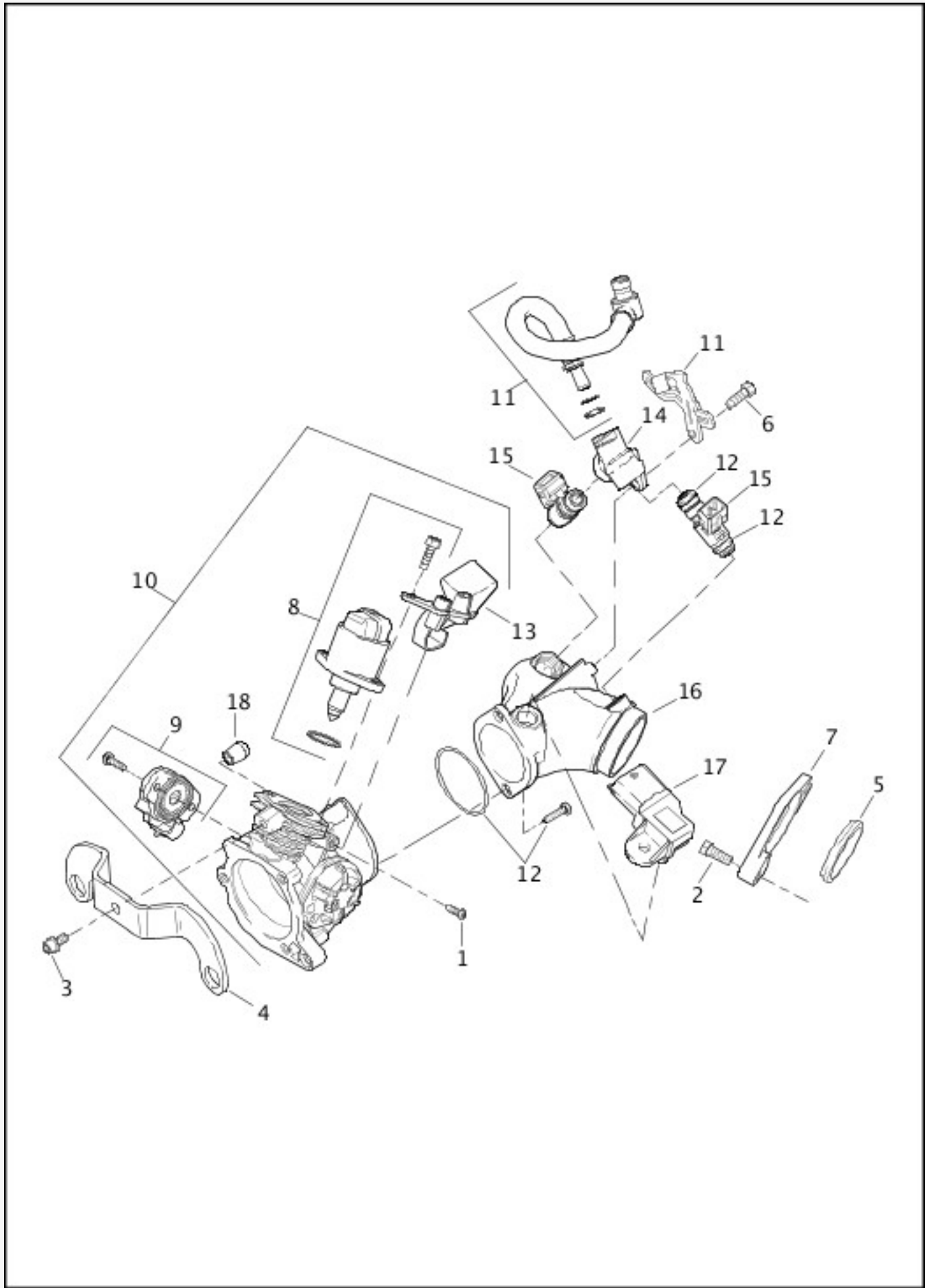
[View interactive image](#)

[View interactive table](#)

INDEX NO.	PART NO.	DESCRIPTION	MODEL(S)
1	940	SCREW (3)	ALL
2	3854	SCREW (2)	ALL

3	4180	SCREW (3)	ALL
4	4188	SCREW (2)	ALL
5	4290	SCREW (9)	ALL
6	6026	WASHER (4)	ALL
7	6152	SPACER	ALL
8	7039	LOCKWASHER (2)	ALL
9	16232-04B	TIE-LINK (3)	ALL
10	16287-04	MOUNT, front isolator	ALL
11	16291-04	MOUNT, rear isolator	XL1200C, XL1200C ANV, XL1200CA, XL1200CB, XL1200CP, XL1200V, XL1200X, XL883L, XL883N, XL883R
12	16301-08	MOUNT, rear isolator	XR1200X
13	41561-04	NUT	ALL
14	41562-04	BOLT	ALL
15	41568-04	SHAFT, swing arm pivot	ALL
16	41699-04	LOCKPLATE	ALL
17	47470-04	BRACKET (2)	ALL
18	47471-04A	BRACKET	ALL
19	48463-04A	ISOLATOR, front mount (2)	ALL
20	48492-04A	ISOLATOR, rear mount (2)	ALL
21	70297-04A	STRAP, grounding	ALL

INDUCTION MODULE, FUEL - 883L/N/R, 1200C/CA/CB/CP/V/X



[View interactive image](#)

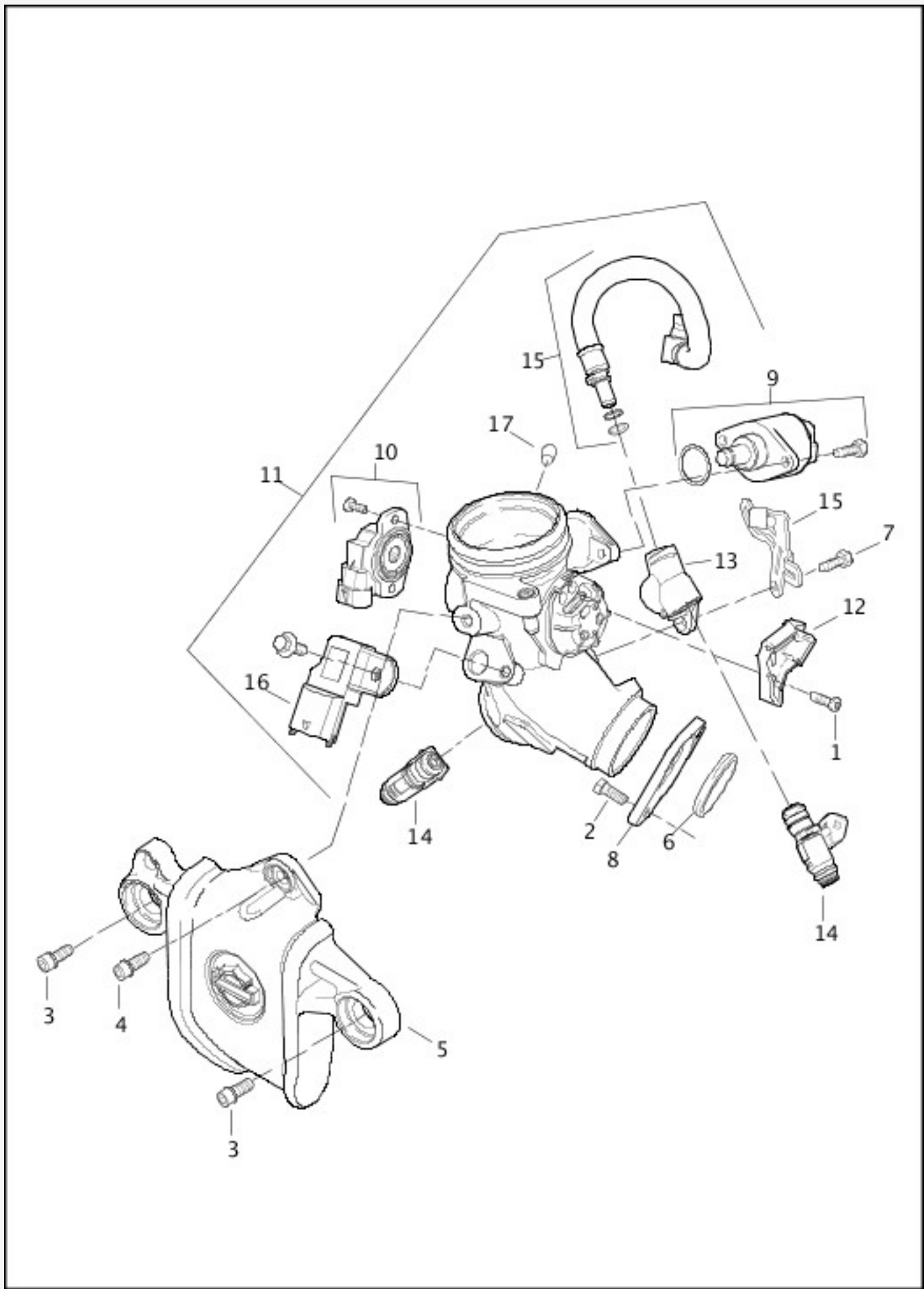
[View interactive table](#)

INDEX NO.	PART NO.	DESCRIPTION	MODEL(S)
1	2481M	SCREW	XL1200C, XL1200C ANV, XL1200CA, XL1200CB, XL1200CP, XL1200V, XL1200X, XL883L, XL883N, XL883R

2	3987	BOLT (4)	XL1200C, XL1200C ANV, XL1200CA, XL1200CB, XL1200CP, XL1200V, XL1200X, XL883L, XL883N, XL883R
3	4798	SCREW	XL1200C, XL1200C ANV, XL1200CA, XL1200CB, XL1200CP, XL1200V, XL1200X, XL883L, XL883N, XL883R
4	16361-07	BRACKET	XL1200C, XL1200C ANV, XL1200CA, XL1200CB, XL1200CP, XL1200V, XL1200X, XL883L, XL883N, XL883R
5	26995-86B	SEAL (2)	XL1200C, XL1200C ANV, XL1200CA, XL1200CB, XL1200CP, XL1200V, XL1200X, XL883L, XL883N, XL883R
6	27216-95	SCREW	XL1200C, XL1200C ANV, XL1200CA, XL1200CB, XL1200CP, XL1200V, XL1200X, XL883L, XL883N, XL883R
7	27327-07	FLANGE (2)	XL1200C, XL1200C ANV, XL1200CA, XL1200CB, XL1200CP, XL1200V, XL1200X, XL883L, XL883N, XL883R
8	27628-01A	KIT, IAC motor	XL1200C, XL1200C ANV, XL1200CA, XL1200CB, XL1200CP, XL1200V, XL1200X, XL883L, XL883N, XL883R
9	27629-01A	KIT, throttle position sensor	XL1200C, XL1200C ANV, XL1200CA, XL1200CB, XL1200CP, XL1200V, XL1200X, XL883L, XL883N, XL883R
10	27795-07	INDUCTION MODULE ASSEMBLY, w/ fuel rail, fuel injector, intake manifold, TMAP sensor, cap, IAC Kit, TPS Kit, hardware kit	XL1200C, XL1200C ANV, XL1200CA, XL1200CB, XL1200CP, XL1200V, XL1200X, XL883L, XL883N, XL883R
11	27693-07	FUEL LINE KIT, w/ 27216-95 & bracket	XL1200C, XL1200C ANV, XL1200CA, XL1200CB, XL1200CP, XL883L, XL883N, XL883R
	27829-10	FUEL LINE KIT, w/ 27216-95 & bracket	XL1200V, XL1200X
12	27700-07	KIT, hardware & O-rings	XL1200C, XL1200C ANV, XL1200CA, XL1200CB, XL1200CP, XL1200V, XL1200X, XL883L, XL883N, XL883R
13	27701-07A	CABLE BRACKET	XL1200C, XL1200C ANV, XL1200CA, XL1200CB, XL1200CP, XL1200V, XL1200X, XL883L, XL883N, XL883R
14	27704-07	FUEL RAIL	XL1200C, XL1200C ANV, XL1200CA, XL1200CB, XL1200CP, XL1200V, XL1200X, XL883L, XL883N, XL883R
15	27706-07A	FUEL INJECTOR, w/ O-ring (2)	XL1200C, XL1200C ANV, XL1200CA, XL1200CB, XL1200CP, XL1200V, XL1200X, XL883L, XL883N, XL883R

16	27707-07	INTAKE MANIFOLD	XL1200C, XL1200C ANV, XL1200CA, XL1200CB, XL1200CP, XL1200V, XL1200X, XL883L, XL883N, XL883R
17	32319-07	T-MAP SENSOR	XL1200C, XL1200C ANV, XL1200CA, XL1200CB, XL1200CP, XL1200V, XL1200X, XL883L, XL883N, XL883R
18	90383-98	CAP	XL1200C, XL1200C ANV, XL1200CA, XL1200CB, XL1200CP, XL1200V, XL1200X, XL883L, XL883N, XL883R

INDUCTION MODULE, FUEL - XR1200X



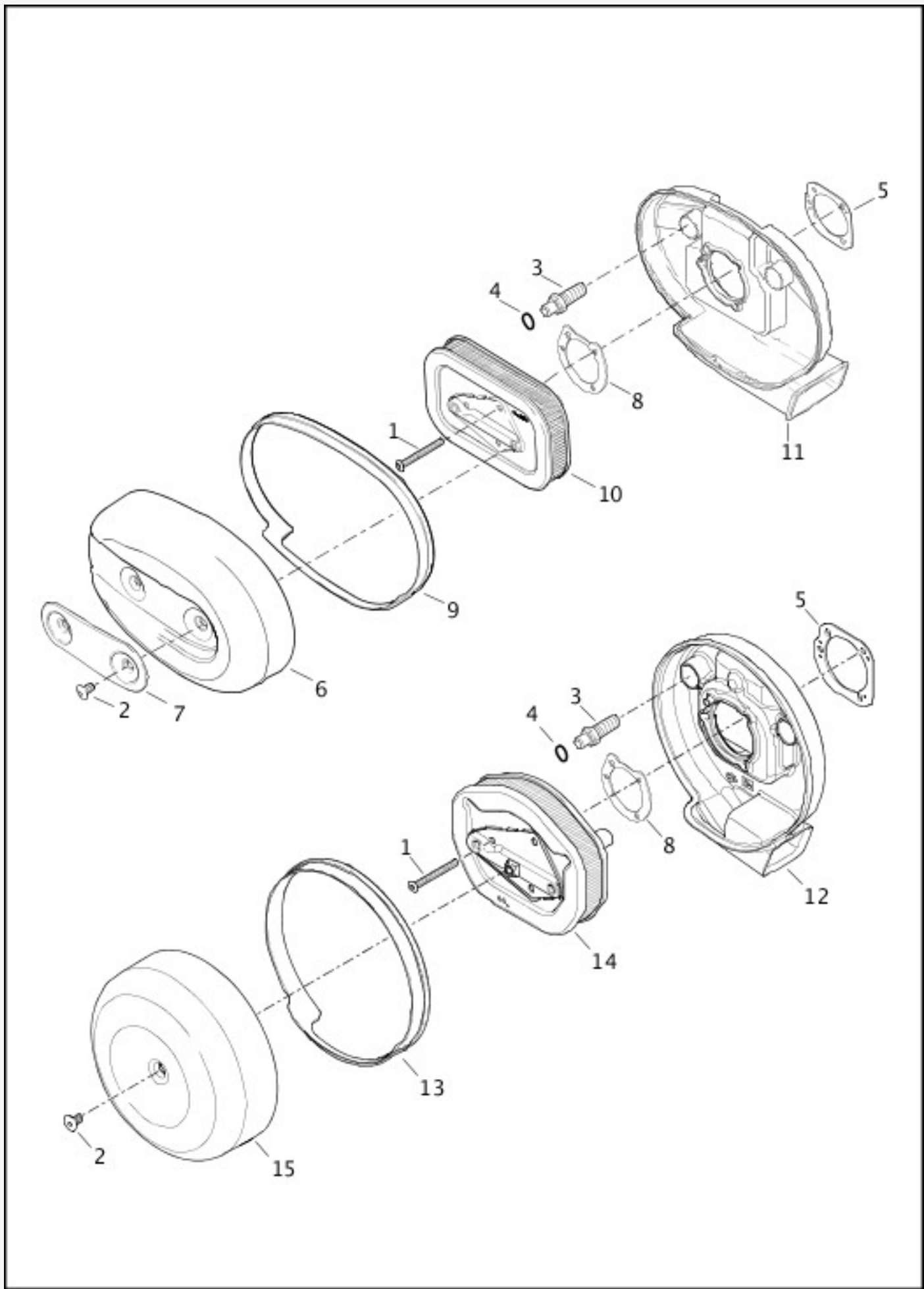
[View interactive image](#)

[View interactive table](#)

INDEX NO.	PART NO.	DESCRIPTION	MODEL(S)
1	2481M	SCREW	XR1200X
2	3987	BOLT (4)	XR1200X

3	4551	SCREW (2)	XR1200X
4	4798	SCREW	XR1200X
5	16360-08	COVER (black)	XR1200X
6	26995-86B	SEAL (2)	XR1200X
7	27216-95	SCREW	XR1200X
8	27327-07	FLANGE (2)	XR1200X
9	27628-01A	KIT, IAC motor	XR1200X
10	27629-01A	KIT, throttle position sensor	XR1200X
11	27695-08	INDUCTION MODULE ASSEMBLY, w/ fuel rail, fuel injector, intake manifold, TMAP sensor, cap, IAC Kit, TPS Kit	XR1200X
12	27698-08A	BRACKET	XR1200X
13	27704-07	FUEL RAIL	XR1200X
14	27706-07A	FUEL INJECTOR, w/ O-ring (2)	XR1200X
15	27792-08	FUEL LINE KIT, w/ 27216-95 & bracket	XR1200X
16	32319-07	T-MAP SENSOR	XR1200X
17	90383-98	CAP	XR1200X

AIR CLEANER - 883L/N/R, 1200C/CA/CB/CP/V/X



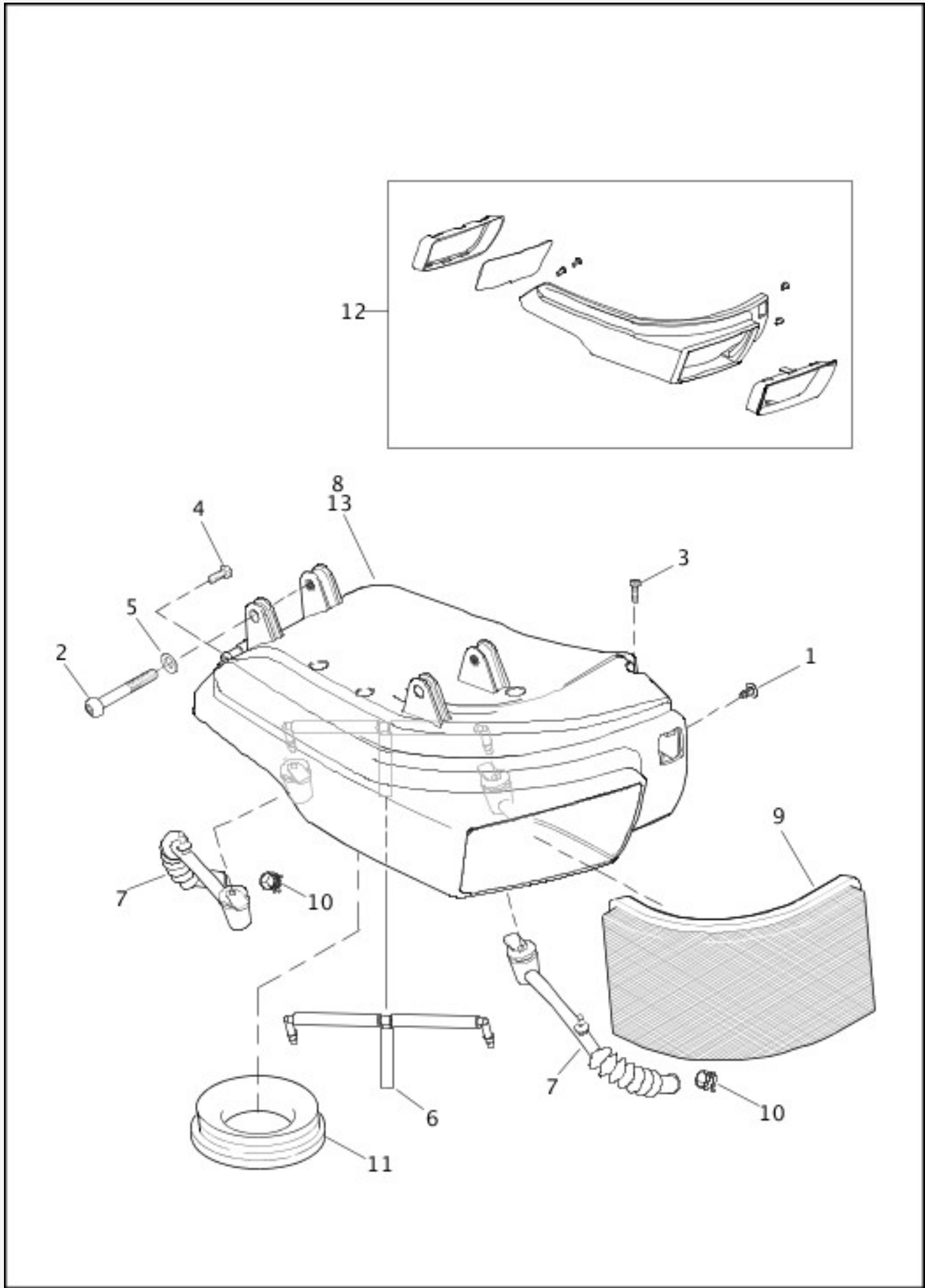
[View interactive image](#)

[View interactive table](#)

INDEX NO.	PART NO.	DESCRIPTION	MODEL(S)
1	946	SCREW (3)	XL1200C, XL1200C ANV, XL1200CA, XL1200CB, XL1200CP, XL1200V, XL1200X, XL883L, XL883N, XL883R

2	2460	SCREW (2)	XL1200C, XL1200C ANV, XL1200CA, XL1200CB, XL1200CP, XL1200V, XL1200X, XL883L, XL883N, XL883R
3	3565	SCREW, breather (2)	XL1200C, XL1200C ANV, XL1200CA, XL1200CB, XL1200CP, XL1200V, XL1200X, XL883L, XL883N, XL883R
4	11202	O-RING (2)	XL1200C, XL1200C ANV, XL1200CA, XL1200CB, XL1200CP, XL1200V, XL1200X, XL883L, XL883N, XL883R
5	29062-95B	GASKET	XL1200C, XL1200C ANV, XL1200CA, XL1200CB, XL1200CP, XL1200V, XL1200X, XL883L, XL883N, XL883R
6	28794-10	COVER (gloss black) w/ label	XL1200X
	28792-10	COVER (chrome) w/ label	XL1200C, XL1200C ANV, XL1200CA, XL1200CB, XL1200CP, XL883L
	28790-10	COVER (black) w/ label	XL883N, XL883R
7	29123-07	TRIM INSERT	XL883L
	29355-07	TRIM INSERT	XL1200X
	29346-07	TRIM INSERT	XL1200C, XL1200CA, XL1200CB, XL1200CP
	29200001	TRIM INSERT	XL883N, XL883R
	29200023	TRIM INSERT **RESTRICTED SALES PART**	XL1200C ANV
8	29313-95	GASKET	XL1200C, XL1200C ANV, XL1200CA, XL1200CB, XL1200CP, XL1200V, XL1200X, XL883L, XL883N, XL883R
9	29315-04	SEAL	XL1200C, XL1200C ANV, XL1200CA, XL1200CB, XL1200CP, XL1200X, XL883L, XL883N, XL883R
10	29331-04	FILTER ELEMENT, w/ 29313-95	XL1200C, XL1200C ANV, XL1200CA, XL1200CB, XL1200CP, XL1200X, XL883L, XL883N, XL883R
11	29369-07A	BACKPLATE ASSEMBLY	XL1200C, XL1200C ANV, XL1200CA, XL1200CB, XL1200CP, XL1200X, XL883L, XL883N, XL883R
12	29000015	BACKPLATE ASSEMBLY	XL1200V
13	29000016	SEAL	XL1200V
14	29400015	FILTER ELEMENT, w/ 29313-95	XL1200V
15	61300131	COVER (chrome) w/ label	XL1200V

AIR BOX - XR1200X



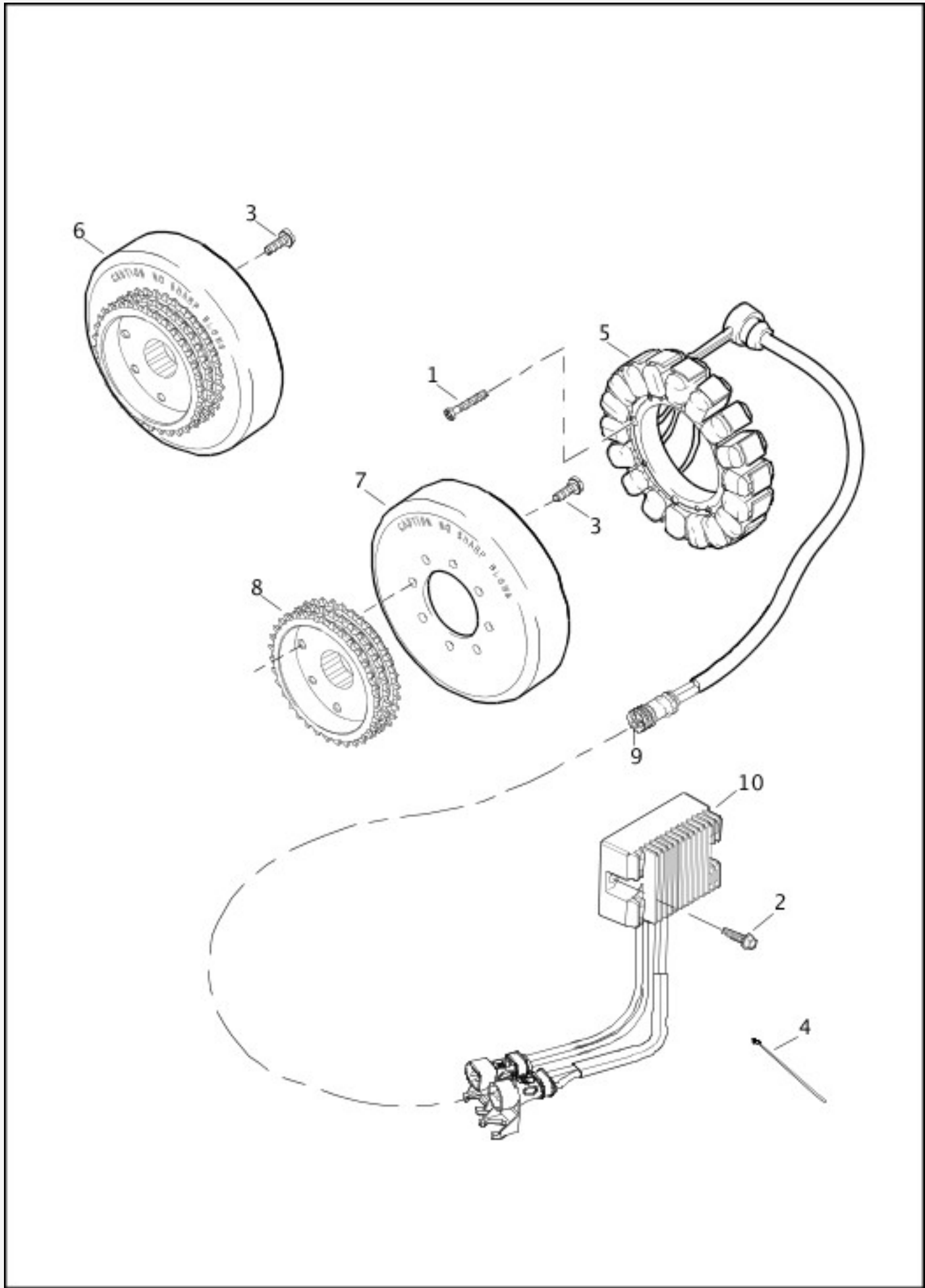
[View interactive image](#)

[View interactive table](#)

INDEX NO.	PART NO.	DESCRIPTION	MODEL(S)
1	673	CLIP (2)	XR1200X
2	4802	SCREW (2)	XR1200X

3	2407	SCREW (9)	XR1200X
4	2612	SCREW (2)	XR1200X
5	6703	WASHER (2)	XR1200X
6	26162-08	BREATHER HOSE ASSEMBLY	XR1200X
7	26169-08	HOSE, breather (2)	XR1200X
8	29371-08	AIR BOX ASSEMBLY, w/ 1, 3, 4, 6, 7, 9, & 10	XR1200X
9	29377-08	ELEMENT	XR1200X
10	29379-08	CLAMP (2)	XR1200X
11	29380-08	COUPLING	XR1200X
12	65258-08	AIR BOX FASCIA KIT	XR1200X

ALTERNATOR & REGULATOR



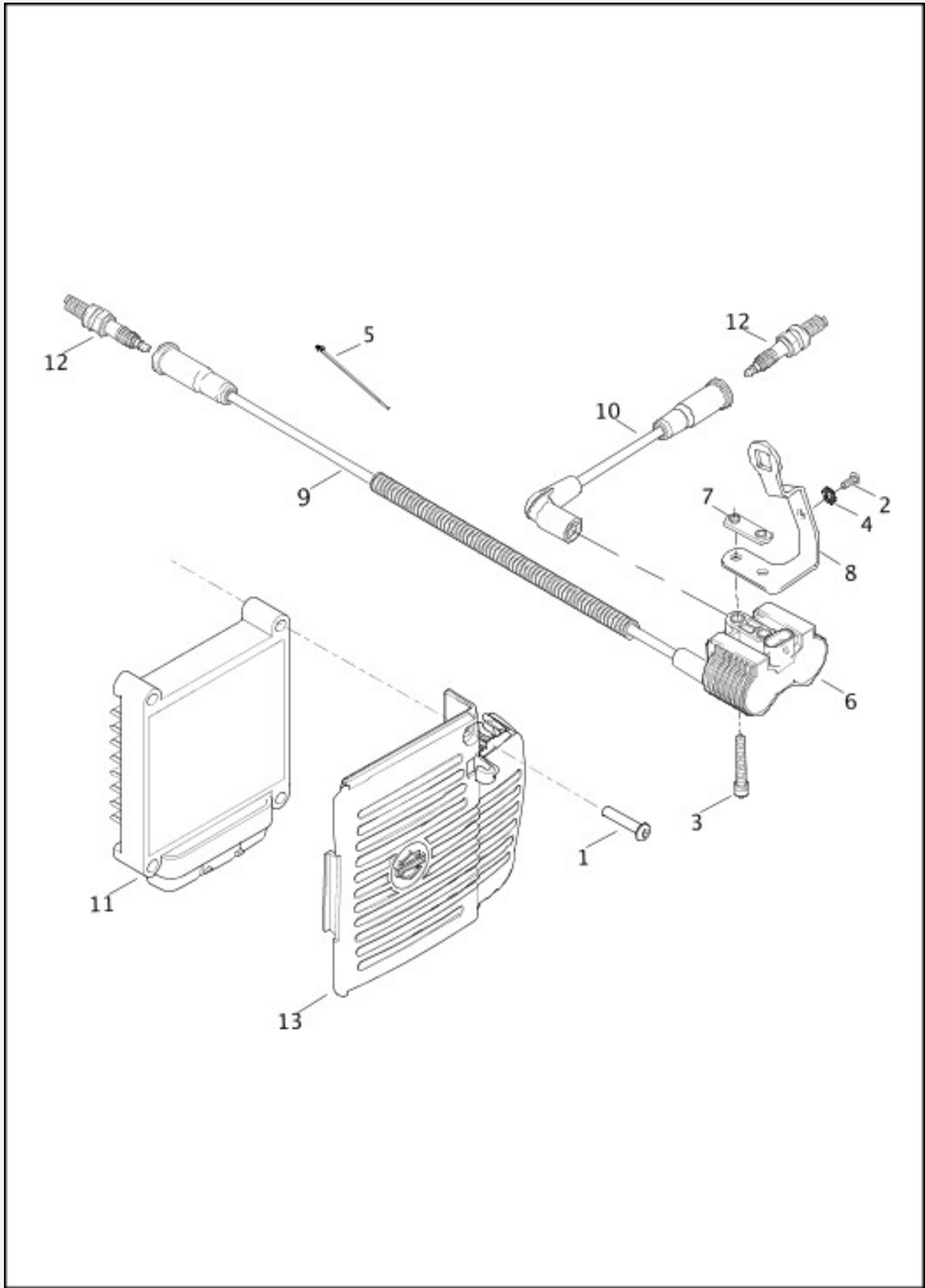
[View interactive image](#)

[View interactive table](#)

INDEX NO.	PART NO.	DESCRIPTION	MODEL(S)
1	3029	SCREW (4)	ALL
2	4329	SCREW (2)	ALL

3	4751	SCREW (8)	ALL
4	10177	STRAP (3)	ALL
5	29997-07A	STATOR	ALL
6	30018-08	ROTOR SPROCKET ASSEMBLY, w/ 4751 & sprocket	XR1200X
7	32493-02B	ROTOR SPROCKET ASSEMBLY, w/ 4751 & 40241-02A	XL883L, XL883N, XL883R
	32494-04B	ROTOR SPROCKET ASSEMBLY, w/ 4751 & 40290-04A	XL1200C, XL1200C ANV, XL1200CA, XL1200CB, XL1200CP, XL1200V, XL1200X
8	40241-02A	SPROCKET, 34T	XL883L, XL883N, XL883R
	40290-04A	SPROCKET, 38T	XL1200C, XL1200C ANV, XL1200CA, XL1200CB, XL1200CP, XL1200V, XL1200X
9	72195-94	SEAL, pin, 4-way	ALL
10	74711-08	REGULATOR, w/ 10177	ALL

ELECTRONIC IGNITION SYSTEM - 883L/N/R, 1200C/CA/CB/CP/V/X



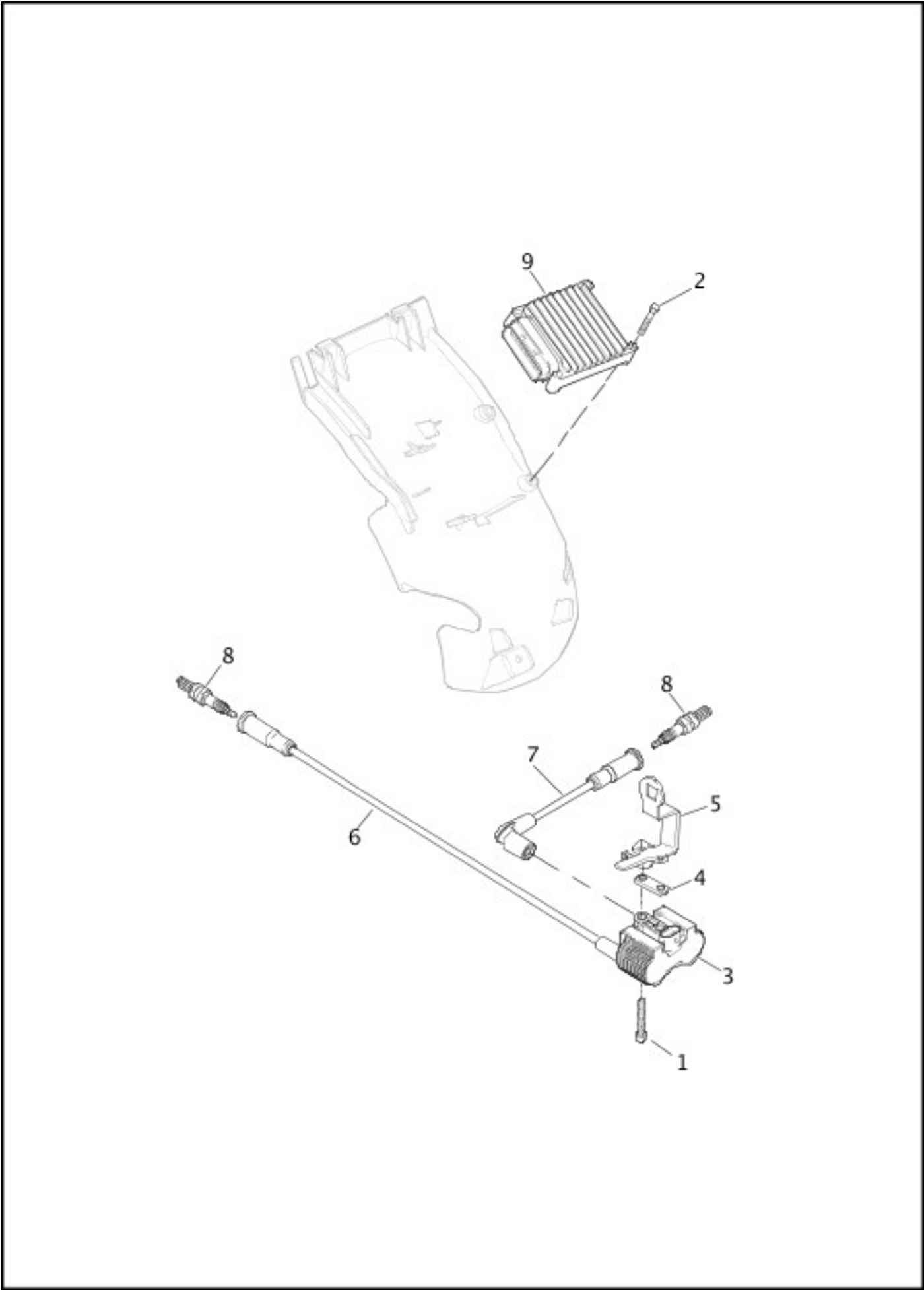
[View interactive image](#)

[View interactive table](#)

INDEX NO.	PART NO.	DESCRIPTION	MODEL(S)
1	2513	SCREW	XL1200C, XL1200C ANV, XL1200CA, XL1200CB, XL1200CP, XL1200V, XL1200X, XL883L, XL883N, XL883R

2	3124	SCREW	XL1200C, XL1200C ANV, XL1200CA, XL1200CB, XL1200CP, XL1200V, XL1200X, XL883L, XL883N, XL883R
3	3480A	SCREW (2)	XL1200C, XL1200C ANV, XL1200CA, XL1200CB, XL1200CP, XL1200V, XL1200X, XL883L, XL883N, XL883R
4	7220	LOCKWASHER	XL1200C, XL1200C ANV, XL1200CA, XL1200CB, XL1200CP, XL1200V, XL1200X, XL883L, XL883N, XL883R
5	10177	STRAP	XL1200C, XL1200C ANV, XL1200CA, XL1200CB, XL1200CP, XL1200V, XL1200X, XL883L, XL883N, XL883R
6	31656-07	IGNITION COIL	XL1200C, XL1200C ANV, XL1200CA, XL1200CB, XL1200CP, XL1200V, XL1200X, XL883L, XL883N, XL883R
7	31753-07	PLATE, nut	XL1200C, XL1200C ANV, XL1200CA, XL1200CB, XL1200CP, XL1200V, XL1200X, XL883L, XL883N, XL883R
8	31807-07	BRACKET	XL1200C, XL1200C ANV, XL1200CA, XL1200CB, XL1200CP, XL1200V, XL1200X, XL883L, XL883N, XL883R
9	32006-07	CABLE, spark plug, rear (long)	XL1200C, XL1200C ANV, XL1200CA, XL1200CB, XL1200CP, XL1200V, XL1200X, XL883L, XL883N, XL883R
10	32003-07	CABLE, spark plug, front (short)	XL1200C, XL1200C ANV, XL1200CA, XL1200CB, XL1200CP, XL1200V, XL1200X, XL883L, XL883N, XL883R
11	32534-11	ELECTRONIC CONTROL MODULE	XL1200C, XL1200C ANV, XL1200CA, XL1200CB, XL1200CP, XL1200V, XL1200X, XL883L, XL883N, XL883R
12	32362-04	SPARK PLUG (2)	XL1200C, XL1200C ANV, XL1200CA, XL1200CB, XL1200CP, XL1200V, XL1200X, XL883L, XL883N, XL883R
13	73227-10	COVER	XL1200C, XL1200C ANV, XL1200CA, XL1200CB, XL1200CP, XL1200V, XL1200X, XL883L, XL883N, XL883R

ELECTRONIC IGNITION SYSTEM - XR1200X



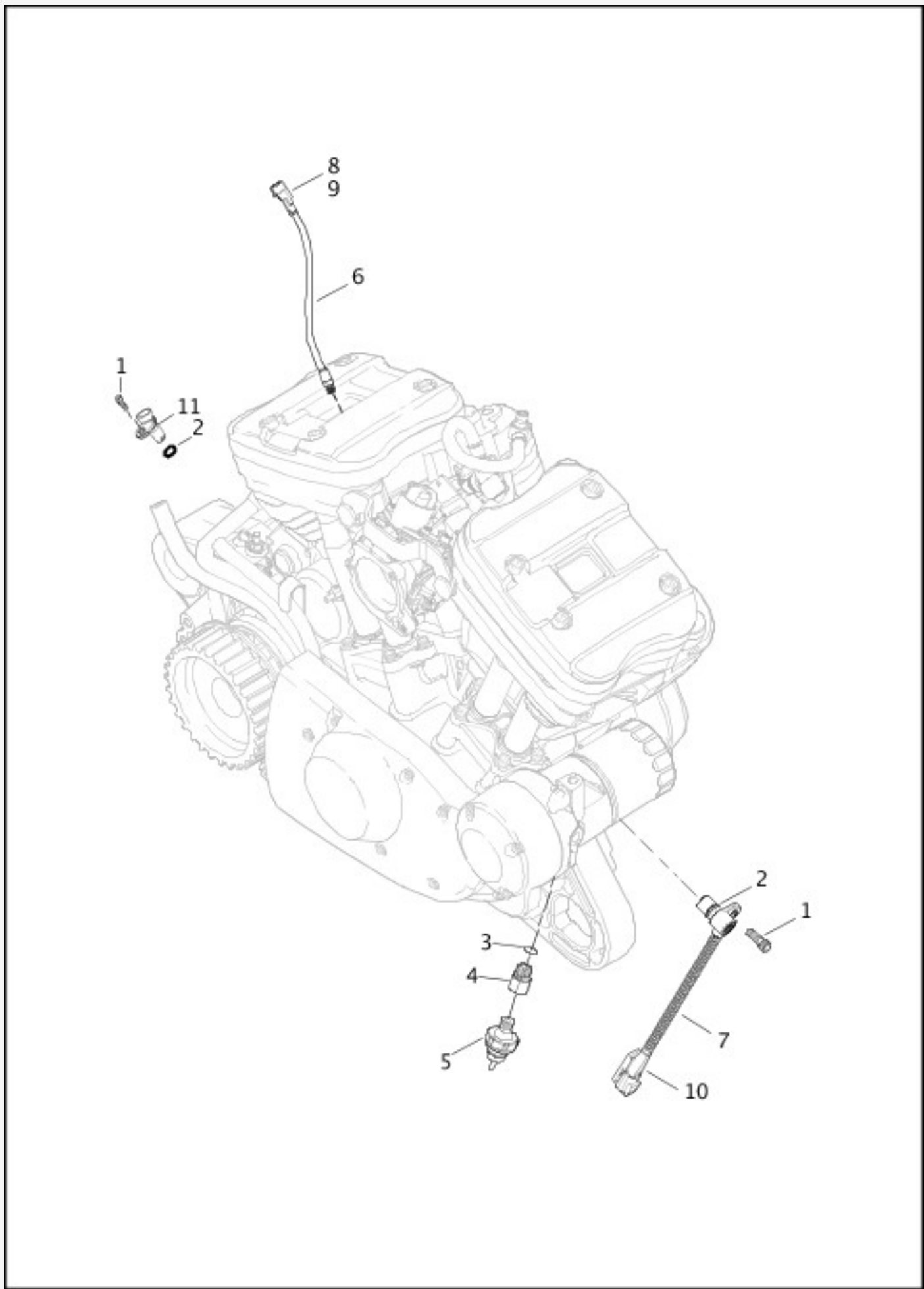
[View interactive image](#)

[View interactive table](#)

INDEX NO.	PART NO.	DESCRIPTION	MODEL(S)
1	3480A	SCREW (2)	XR1200X
2	3708M	SCREW (2)	XR1200X

3	31656-07	IGNITION COIL	XR1200X
4	31753-07	PLATE, nut	XR1200X
5	31801-08	BRACKET	XR1200X
6	32004-08	CABLE, spark plug, rear (long)	XR1200X
7	32005-08A	CABLE, spark plug, front (short)	XR1200X
8	27794-08	SPARK PLUG (2)	XR1200X
9	32534-11	ELECTRONIC CONTROL MODULE	XR1200X

ENGINE SENSORS & SWITCHES



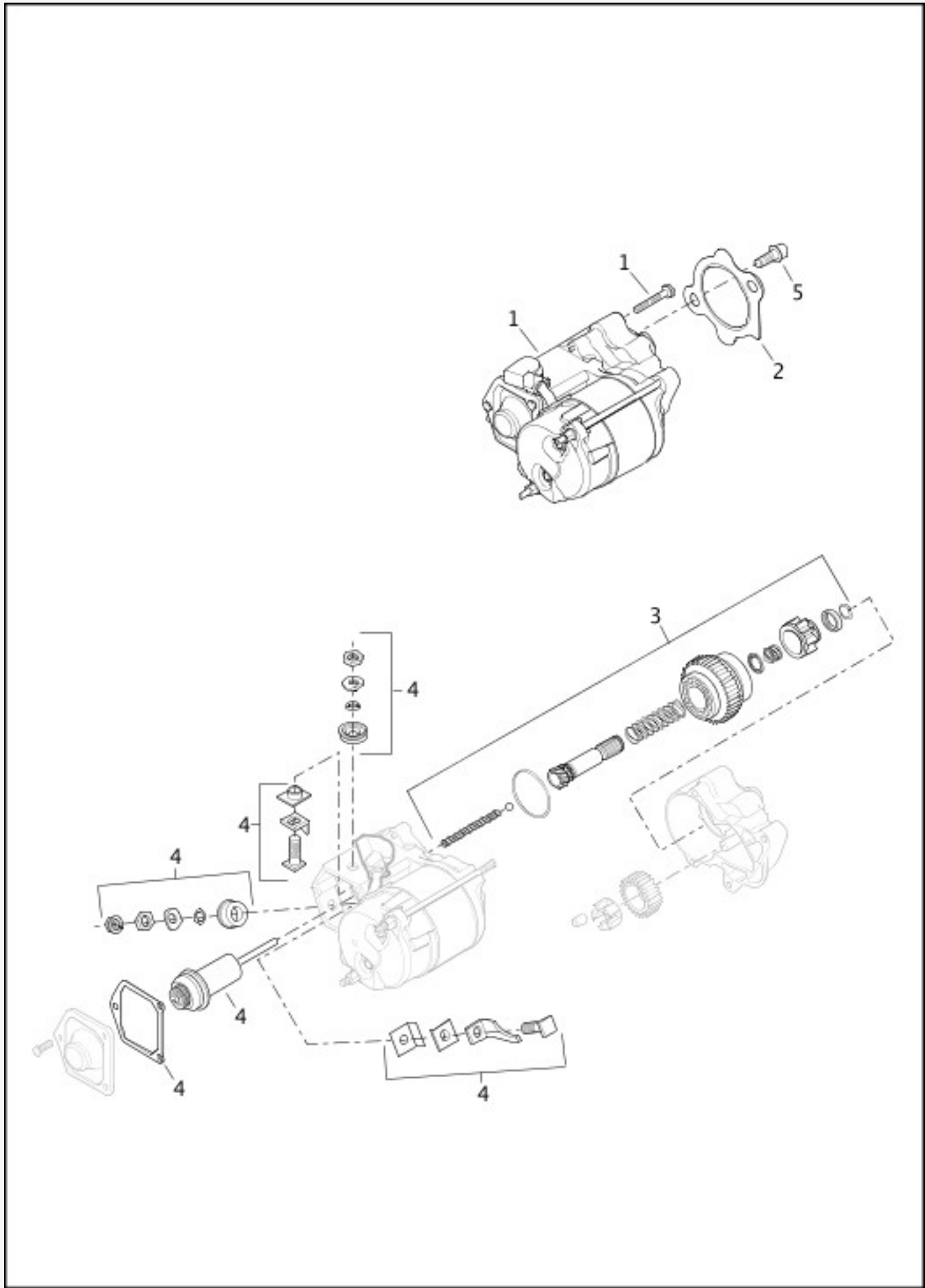
[View interactive image](#)

[View interactive table](#)

INDEX NO.	PART NO.	DESCRIPTION	MODEL(S)
1	4705	SCREW (2)	ALL
2	11289A	O-RING (2)	ALL

3	11290	O-RING	XR1200X
4	25394-08	PIPE ADAPTER, w/ 11290	XR1200X
5	26554-77B	SWITCH, oil pressure	ALL
6	32472-10	SENSOR, engine temperature w/ 72009-05, 72011-05 & cable strap	ALL
7	32707-01C	SENSOR, crank position w/ 11289A & 74194-98	ALL
8	72009-05	HOUSING, 2-way pin	ALL
9	72011-05	WIRE SEAL, 16-20 gauge (yellow) (2)	ALL
10	74194-98	TERMINAL	ALL
11	74402-05B	SENSOR, vehicle speed, w/ 11289A	ALL

STARTER MOTOR



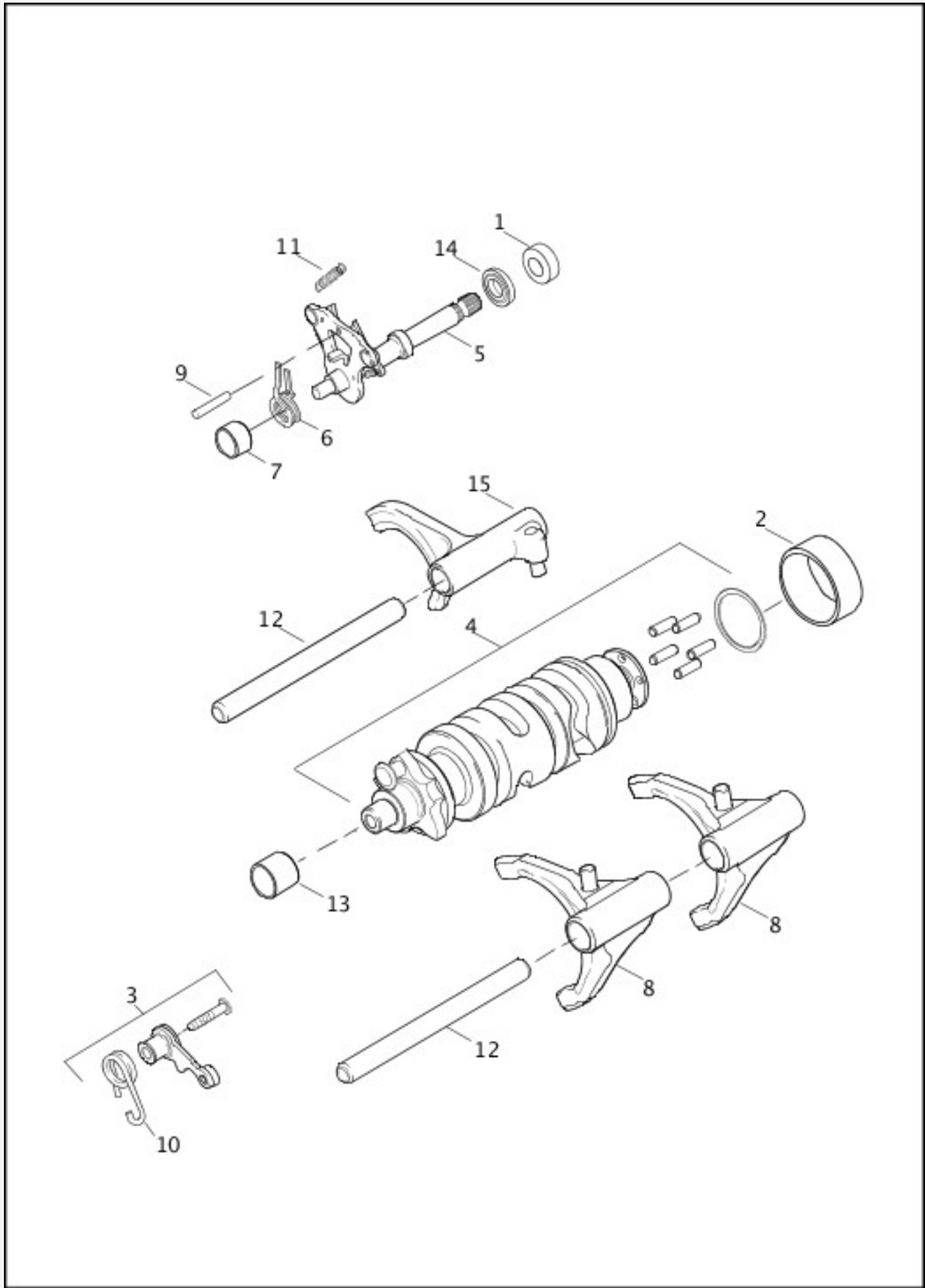
[View interactive image](#)

[View interactive table](#)

INDEX NO.	PART NO.	DESCRIPTION	MODEL(S)
1	31390-91F	STARTER MOTOR, complete	ALL
2	31488-81C	GASKET	ALL

3	31556-91D	CLUTCH SUB-ASSEMBLY	ALL
4	31603-91	REPAIR KIT, starter solenoid	ALL
5	45902-00	SCREW (2)	ALL

SHIFTER, GEAR



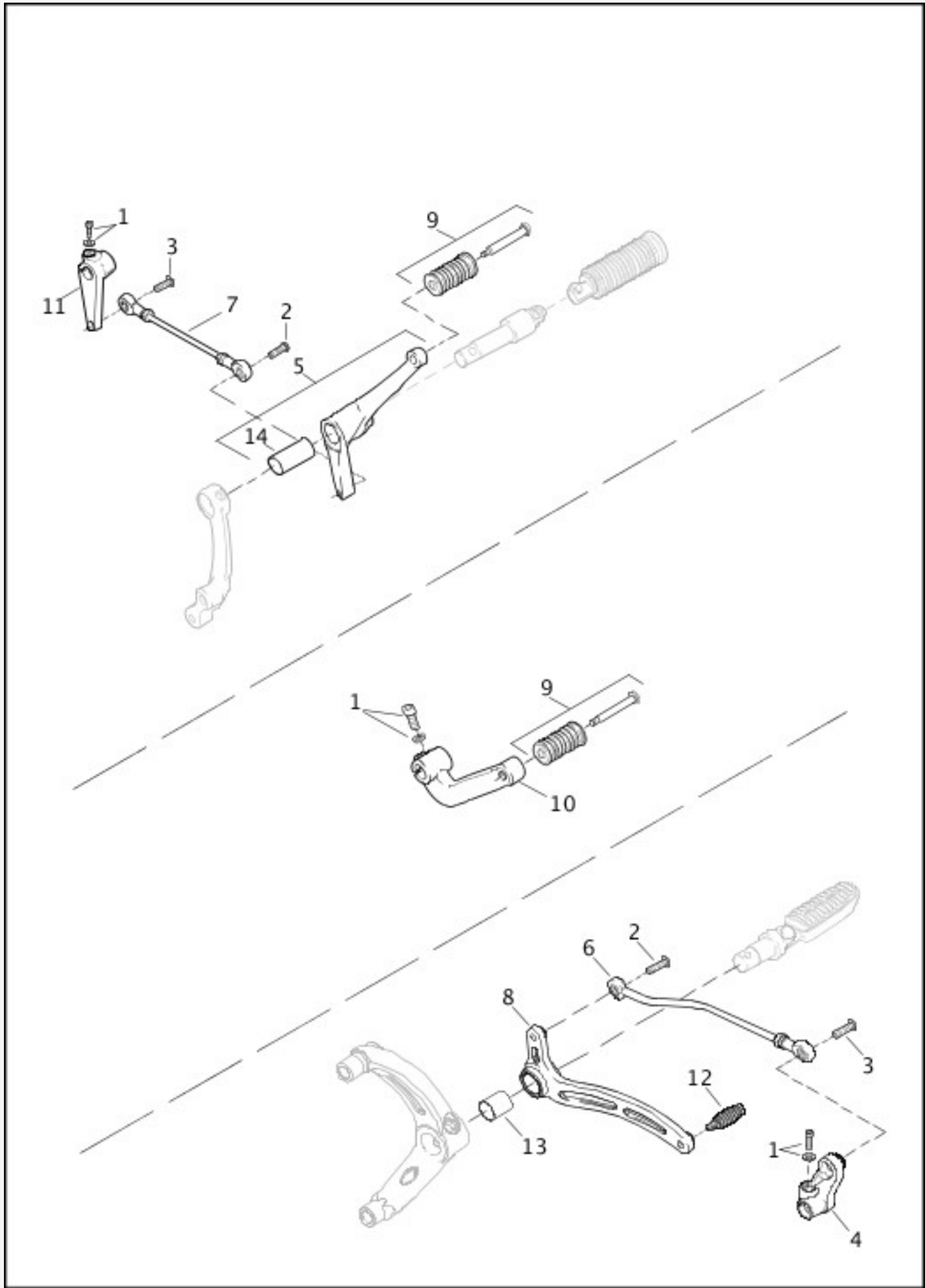
[View interactive image](#)

[View interactive table](#)

INDEX NO.	PART NO.	DESCRIPTION	MODEL(S)
1	7080	WASHER	ALL
2	9187A	BEARING	ALL

3	33540-06	SPRING SLEEVE ASSEMBLY, detent	ALL
4	33641-06	SHIFTER CAM ASSEMBLY	ALL
5	34014-06A	SHIFTER LEVER ASSEMBLY, w/ 34064-00C & 34491-02A	ALL
6	34064-00C	SPRING, shifter return	ALL
7	34076-02A	BUSHING	ALL
8	34157-06	FORK ASSEMBLY, shifter (2)	ALL
9	34163-02	PIN, shifter stop	ALL
10	34483-06	SPRING, detent	ALL
11	34491-02A	SPRING, extension (2)	ALL
12	34981-02A	SHAFT, shifter forks (2)	ALL
13	34982-02A	BUSHING, right hand crankcase	ALL
14	37107-06	OIL SEAL	ALL
15	34162-06	FORK ASSEMBLY, shifter	ALL

SHIFTER LEVER



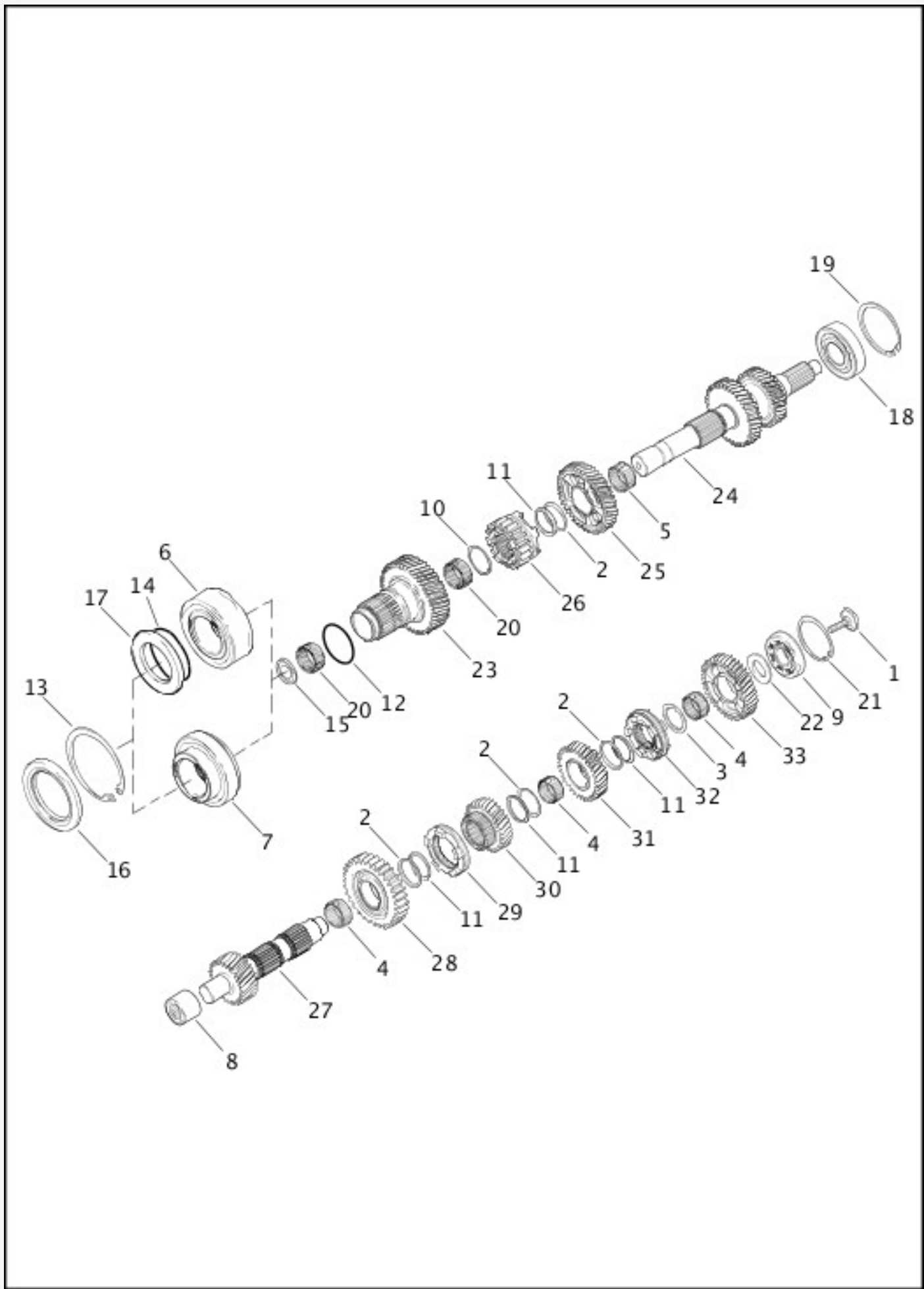
[View interactive image](#)

[View interactive table](#)

INDEX NO.	PART NO.	DESCRIPTION	MODEL(S)
1	2708A	SCREW	ALL
2	4016	SCREW	XL1200C, XL1200C ANV, XL1200CB, XL1200CP, XL1200V,

			XL1200X, XR1200X
3	4359	SCREW	XL1200C, XL1200C ANV, XL1200CB, XL1200CP, XL1200V, XL1200X, XR1200X
4	34665-10	SHIFTER ARM (black)	XR1200X
5	34572-04	LEVER ASSEMBLY, w/ 42569-03 (1200CP - Forward Foot Controls)	XL1200C, XL1200C ANV, XL1200CB, XL1200CP, XL1200V
	34723-10	LEVER ASSEMBLY, w/ 42569-03	XL1200X
6	33832-08	SHIFTER LINK	XR1200X
7	34573-04	SHIFTER ROD LINK	XL1200C, XL1200C ANV, XL1200CB, XL1200CP, XL1200V
	34663-10	SHIFTER ROD LINK	XL1200X
8	33875-08	SHIFTER LEVER ASSEMBLY, w/ 42443-80A	XR1200X
9	34611-65A	SHIFTER TOE PEG KIT	XL1200C, XL1200C ANV, XL1200CA, XL1200CB, XL1200CP, XL1200V, XL1200X, XL883L, XL883N, XL883R
10	34660-04A	SHIFT LEVER (chrome) (1200CP - Mid Foot Controls)	XL1200C, XL1200C ANV, XL1200CA, XL1200CP, XL883L
	34721-07	SHIFT LEVER (black)	XL883N, XL883R
11	34670-06	SHIFT LEVER (chrome)	XL1200C, XL1200C ANV, XL1200CB, XL1200CP, XL1200V
	34724-10	SHIFT LEVER (gloss black)	XL1200X
12	34672-08	TOE PEG ASSEMBLY	XR1200X
13	42443-80A	BUSHING	XR1200X
14	42569-03	BUSHING	XL1200C, XL1200C ANV, XL1200CB, XL1200CP, XL1200V, XL1200X

TRANSMISSION GEARS



[View interactive image](#)

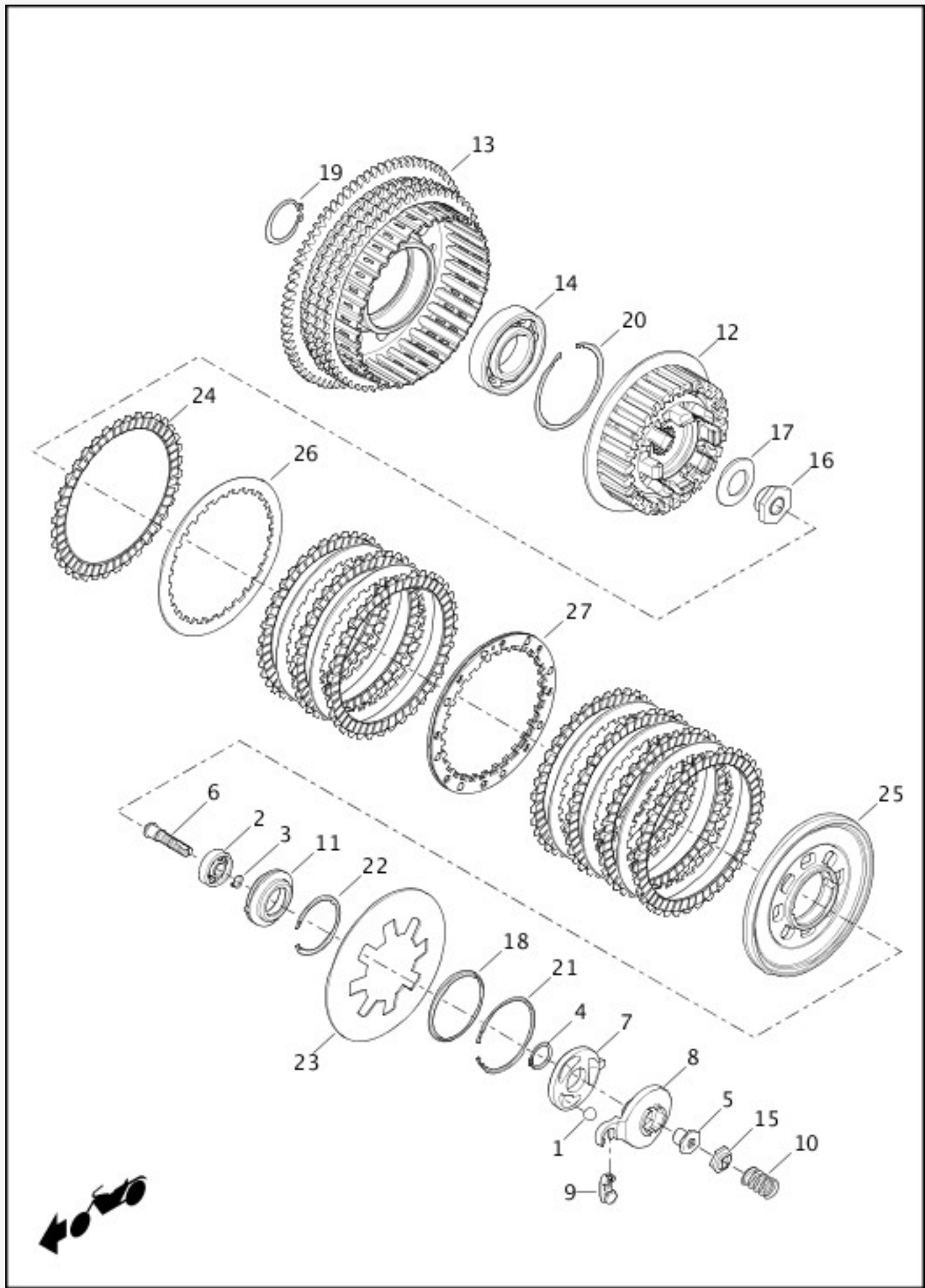
[View interactive table](#)

INDEX NO.	PART NO.	DESCRIPTION	MODEL(S)
1	3990	SCREW	ALL
2	6003	WASHER (4)	ALL

3	6021	SPACER	ALL
4	8862	BEARING (3)	ALL
5	8884	BEARING	ALL
6	8956	ROLLER BEARING	XR1200X
7	8964	BALL BEARING	XL1200C, XL1200C ANV, XL1200CA, XL1200CB, XL1200CP, XL1200V, XL1200X, XL883L, XL883N, XL883R
8	8966	BEARING, closed end	ALL
9	8970A	BALL BEARING	ALL
10	10984	SNAP RING	ALL
11	11067	RETAINING RING (4)	ALL
12	11113	O-RING	ALL
13	11161	RETAINING RING	ALL
14	11631	O-RING	XR1200X
15	12030	SEAL	ALL
16	12074	OIL SEAL	ALL
17	33354-08	SPACER	XR1200X
18	35030-89A	BEARING, mainshaft	ALL
19	35038-89A	RETAINING RING	ALL
20	35051-89A	NEEDLE BEARING (2)	ALL
21	35087-99A	RETAINING RING	ALL
22	35107-06	SPACER	ALL
23	35159-06	GEAR, fifth-mainshaft	XL1200C, XL1200C ANV, XL1200CA, XL1200CB, XL1200CP, XL1200V, XL1200X, XL883L, XL883N, XL883R
	35234-08	GEAR, fifth-mainshaft	XR1200X
24	35163-06	GEAR, mainshaft	ALL

25	35165-06	GEAR, fourth-mainshaft	ALL
26	35167-06	GEAR, first-mainshaft	ALL
27	35172-06	GEAR, countershaft	ALL
28	35174-06	GEAR, first-countershaft	ALL
29	35190-06	DOG RING	ALL
30	35191-06	GEAR, fourth-countershaft	ALL
31	35193-06	GEAR, third-countershaft	ALL
32	35196-06	DOG RING	ALL
33	35197-06	GEAR, second-countershaft	ALL

CLUTCH - 883L/N/R, 1200C/CA/CB/CP/V/X



[View interactive image](#)

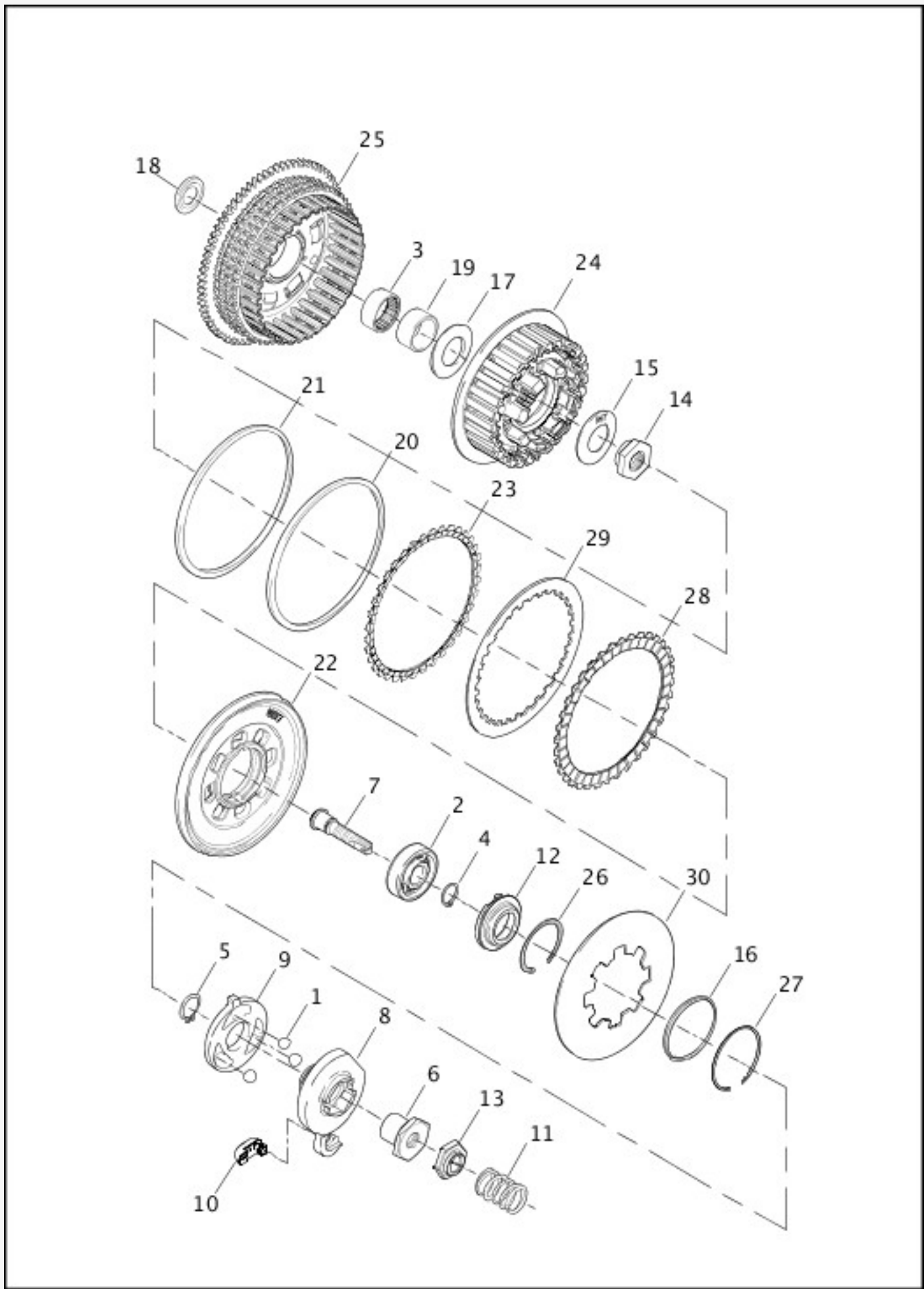
[View interactive table](#)

INDEX NO.	PART NO.	DESCRIPTION	MODEL(S)
1	8873	BALL (3)	XL1200C, XL1200C ANV, XL1200CA, XL1200CB, XL1200CP, XL1200V, XL1200X, XL883L, XL883N, XL883R

2	8885	BEARING	XL1200C, XL1200C ANV, XL1200CA, XL1200CB, XL1200CP, XL1200V, XL1200X, XL883L, XL883N, XL883R
3	11046	RETAINING RING	XL1200C, XL1200C ANV, XL1200CA, XL1200CB, XL1200CP, XL1200V, XL1200X, XL883L, XL883N, XL883R
4	11250	RETAINING RING	XL1200C, XL1200C ANV, XL1200CA, XL1200CB, XL1200CP, XL1200V, XL1200X, XL883L, XL883N, XL883R
5	11730A	WELL NUT	XL1200C, XL1200C ANV, XL1200CA, XL1200CB, XL1200CP, XL1200V, XL1200X, XL883L, XL883N, XL883R
6	11765Y	ADJUSTMENT SCREW	XL1200C, XL1200C ANV, XL1200CA, XL1200CB, XL1200CP, XL1200V, XL1200X, XL883L, XL883N, XL883R
7	25453-87A	RAMP, inner	XL1200C, XL1200C ANV, XL1200CA, XL1200CB, XL1200CP, XL1200V, XL1200X, XL883L, XL883N, XL883R
8	25409-94B	RAMP, outer	XL1200C, XL1200C ANV, XL1200CA, XL1200CB, XL1200CP, XL1200V, XL1200X, XL883L, XL883N, XL883R
9	34920-86A	COUPLING, clutch cable	XL1200C, XL1200C ANV, XL1200CA, XL1200CB, XL1200CP, XL1200V, XL1200X, XL883L, XL883N, XL883R
10	36715-94	SPRING, clutch adjustment	XL1200C, XL1200C ANV, XL1200CA, XL1200CB, XL1200CP, XL1200V, XL1200X, XL883L, XL883N, XL883R
11	36731-91	RELEASE PLATE, w/ 8885	XL1200C, XL1200C ANV, XL1200CA, XL1200CB, XL1200CP, XL1200V, XL1200X, XL883L, XL883N, XL883R
12	36785-91	CLUTCH HUB	XL1200C, XL1200C ANV, XL1200CA, XL1200CB, XL1200CP, XL1200V, XL1200X, XL883L, XL883N, XL883R
13	36790-04	CLUTCH SHELL & SPROCKET, w/ 36799-91 & 37905-90	XL1200C, XL1200C ANV, XL1200CA, XL1200CB, XL1200CP, XL1200V, XL1200X, XL883L, XL883N, XL883R
14	36799-91	BALL BEARING	XL1200C, XL1200C ANV, XL1200CA, XL1200CB, XL1200CP, XL1200V, XL1200X, XL883L, XL883N, XL883R
15	36802-84B	LOCKPLATE, well type	XL1200C, XL1200C ANV, XL1200CA, XL1200CB, XL1200CP, XL1200V, XL1200X, XL883L, XL883N, XL883R
16	37495-91	NUT, main shaft	XL1200C, XL1200C ANV, XL1200CA, XL1200CB, XL1200CP, XL1200V, XL1200X, XL883L, XL883N, XL883R
17	37870-91	SPRING WASHER	XL1200C, XL1200C ANV, XL1200CA, XL1200CB, XL1200CP, XL1200V, XL1200X, XL883L, XL883N, XL883R
18	37872-90	SEAT, spring-inner	XL1200C, XL1200C ANV, XL1200CA, XL1200CB, XL1200CP, XL1200V, XL1200X, XL883L, XL883N, XL883R
19	37904-90	RETAINING RING	XL1200C, XL1200C ANV, XL1200CA, XL1200CB, XL1200CP, XL1200V, XL1200X, XL883L, XL883N, XL883R
20	37905-90	RETAINING RING	XL1200C, XL1200C ANV, XL1200CA, XL1200CB, XL1200CP, XL1200V, XL1200X, XL883L, XL883N, XL883R
21	37908-90	RETAINING RING	XL1200C, XL1200C ANV, XL1200CA, XL1200CB, XL1200CP, XL1200V, XL1200X, XL883L, XL883N, XL883R

22	37909-90	RETAINING RING	XL1200C, XL1200C ANV, XL1200CA, XL1200CB, XL1200CP, XL1200V, XL1200X, XL883L, XL883N, XL883R
23	37910-04B	SPRING, clutch plate	XL883L, XL883N, XL883R
	37924-04A	SPRING, clutch plate	XL1200C, XL1200C ANV, XL1200CA, XL1200CB, XL1200CP, XL1200V, XL1200X
24	37911-90	FRICTION PLATE (paper) (8)	XL1200C, XL1200C ANV, XL1200CA, XL1200CB, XL1200CP, XL1200V, XL1200X, XL883L, XL883N, XL883R
25	37912-91	PRESSURE PLATE	XL1200C, XL1200C ANV, XL1200CA, XL1200CB, XL1200CP, XL1200V, XL1200X, XL883L, XL883N, XL883R
26	37913-90	STEEL PLATE (6)	XL1200C, XL1200C ANV, XL1200CA, XL1200CB, XL1200CP, XL1200V, XL1200X, XL883L, XL883N, XL883R
27	37977-90	SPRING PLATE	XL1200C, XL1200C ANV, XL1200CA, XL1200CB, XL1200CP, XL1200V, XL1200X, XL883L, XL883N, XL883R

CLUTCH - XR1200X



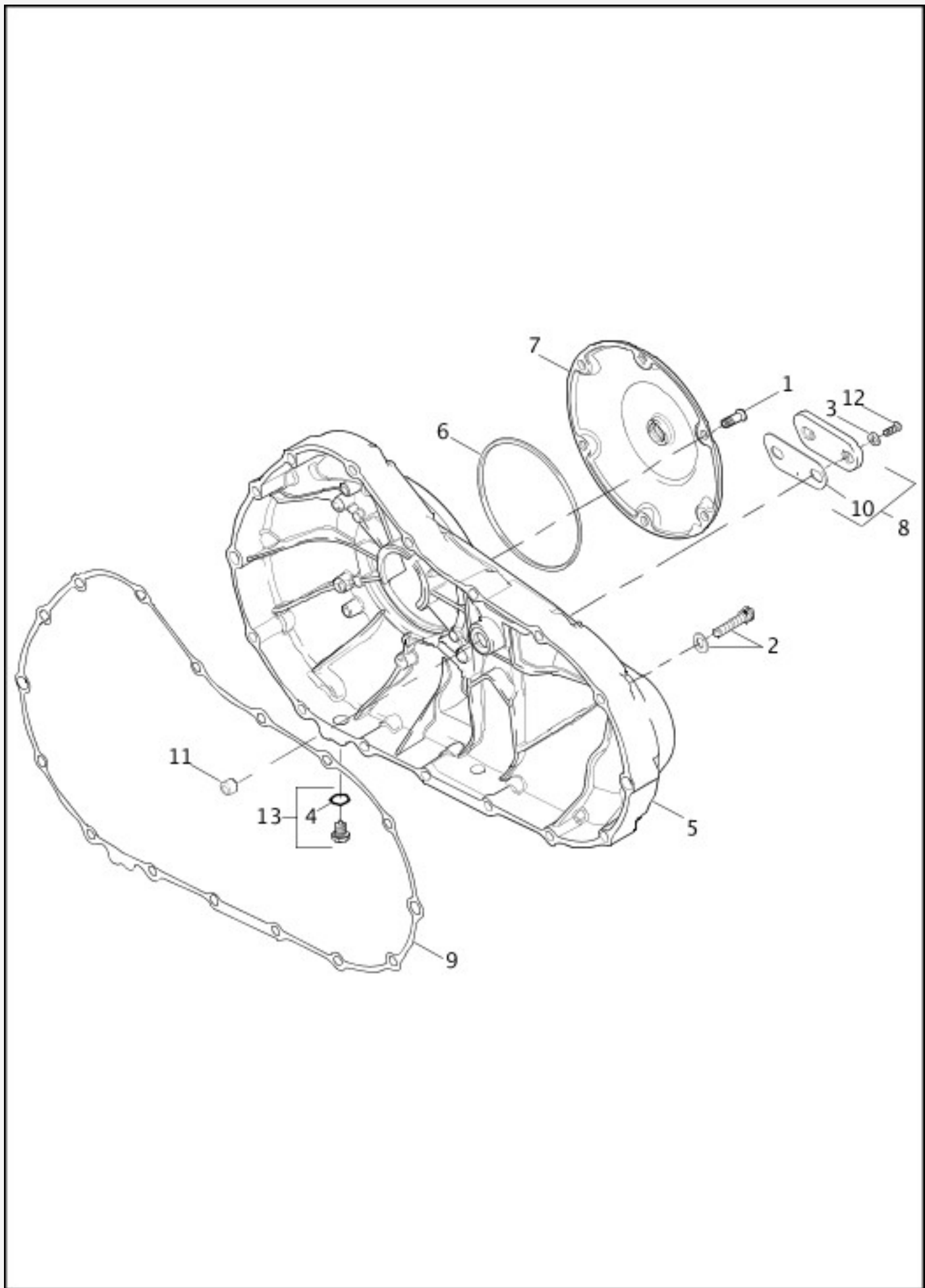
[View interactive image](#)

[View interactive table](#)

INDEX NO.	PART NO.	DESCRIPTION	MODEL(S)
1	8873	BALL (3)	XR1200X
2	8885	BEARING	XR1200X

3	9214	BEARING	XR1200X
4	11046	RETAINING RING	XR1200X
5	11250	RETAINING RING	XR1200X
6	11730A	WELL NUT	XR1200X
7	11765Y	ADJUSTMENT SCREW	XR1200X
8	25409-94B	RAMP, outer	XR1200X
9	25453-87A	RAMP, inner	XR1200X
10	34920-86A	COUPLING, clutch cable	XR1200X
11	36715-94	SPRING, clutch adjustment	XR1200X
12	36731-91	RELEASE PLATE, w/ 8885	XR1200X
13	36802-84B	LOCKPLATE, well type	XR1200X
14	37495-91	NUT, main shaft	XR1200X
15	37870-91	SPRING WASHER	XR1200X
16	37872-90	SEAT, spring-inner	XR1200X
17	37890-02	THRUST WASHER, inner	XR1200X
18	37891-02	THRUST WASHER, outer	XR1200X
19	37892-02	INNER RACE, needle bearing	XR1200X
20	37894-02	SPRING, clutch	XR1200X
21	37895-02	SEAT, damper spring	XR1200X
22	37896-02	PRESSURE PLATE	XR1200X
23	37897-02	FRICTION PLATE, narrow	XR1200X
24	37898-02A	CLUTCH HUB	XR1200X
25	37899-02A	CLUTCH SHELL & SPROCKET, w/ 9214	XR1200X
26	37908-90	RETAINING RING	XR1200X
27	37909-90	RETAINING RING	XR1200X
28	37911-90	FRICTION PLATE (paper) (7)	XR1200X
29	37913-90	STEEL PLATE (7)	XR1200X
30	37934-06	SPRING, clutch	XR1200X

INSPECTION COVER & PRIMARY COVER



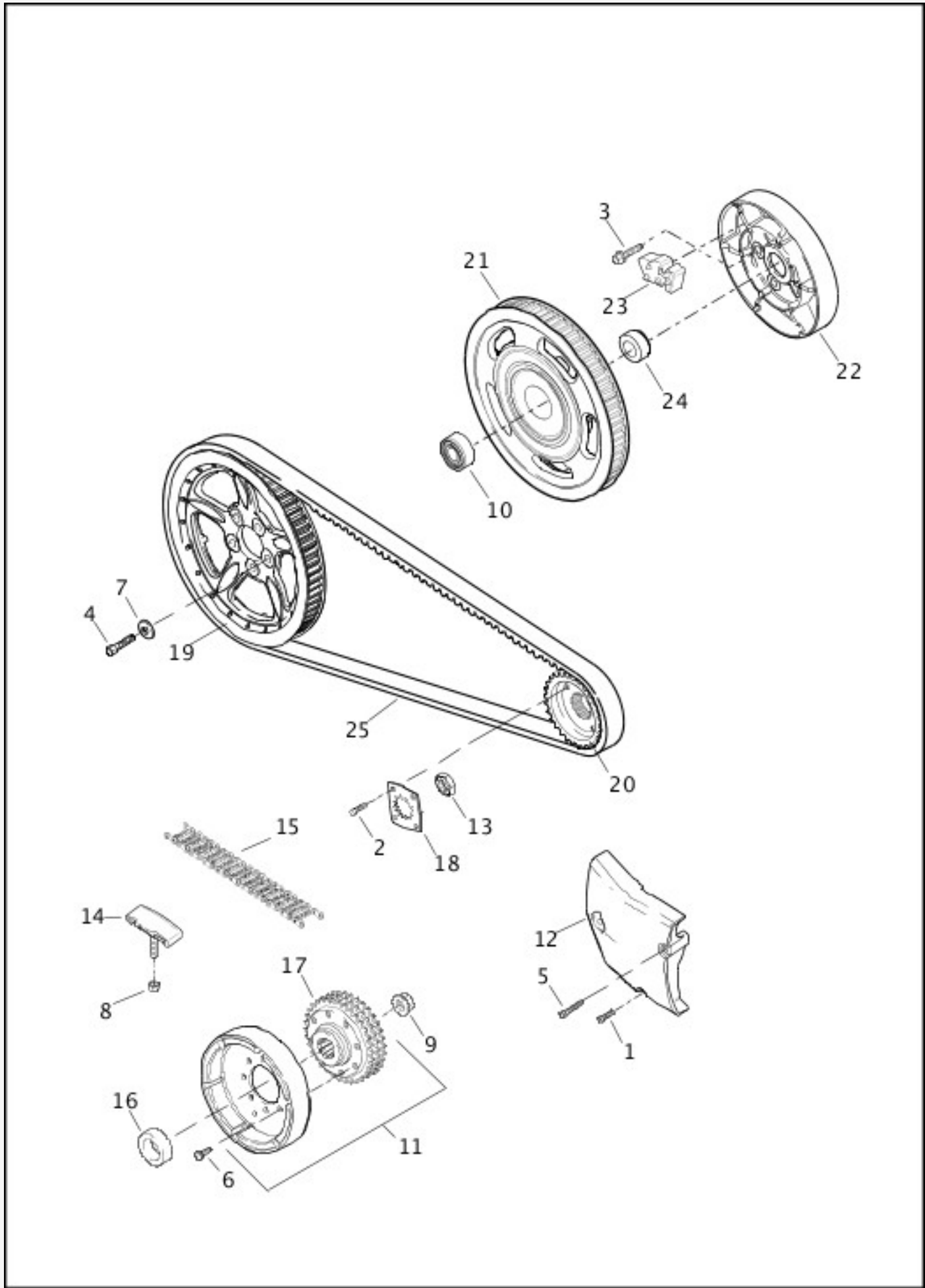
[View interactive image](#)

[View interactive table](#)

INDEX NO.	PART NO.	DESCRIPTION	MODEL(S)
1	943	SCREW (6)	ALL
2	4820A	SCREW (16)	ALL

3	11171	O-RING (2)	ALL
4	11105	O-RING	ALL
5	25307-06	PRIMARY COVER (black) w/ 40574-06	XL1200CA, XL1200CB, XL1200CP, XL1200X, XL883N, XL883R
	25430-06	PRIMARY COVER (polished) w/ 40574-06	XL883L
	25460-06	PRIMARY COVER (chrome) w/ 40574-06	XL1200C, XL1200C ANV, XL1200CP, XL1200V
	60836-10	PRIMARY COVER (black) w/ 40574-06	XR1200X
6	25463-94A	GASKET	ALL
7	34760-04	INSPECTION COVER, clutch (chrome)	XL1200C, XL1200CP, XL1200V
	34992-04	INSPECTION COVER, clutch (polished)	XL1200CA, XL1200CB, XL1200CP, XL1200X, XL883L, XL883N, XL883R
	37718-10	INSPECTION COVER, clutch (black)	XR1200X
	25700171	INSPECTION COVER, clutch	XL1200C ANV
8	34993-04A	INSPECTION COVER, chain, w/ gasket (polished)	XL1200CA, XL1200CB, XL1200CP, XL1200X, XL883L
	34761-04A	INSPECTION COVER, chain, w/ gasket (chrome)	XL1200C, XL1200C ANV, XL1200CP, XL1200V
	34794-05A	INSPECTION COVER, chain, w/ gasket (polished)	XL883N, XL883R
	35077-10	INSPECTION COVER, chain, w/ gasket (black)	XR1200X
9	34955-04	GASKET	ALL
10	34990-08	GASKET	ALL
11	40574-06	BUSHING	ALL
12	41191-74A	SCREW (2)	ALL
13	60328-98B	OIL DRAIN PLUG ASSEMBLY	ALL

BELT & SPROCKETS - 883L/N/R, 1200C/CA/CB/CP/V/X



[View interactive image](#)

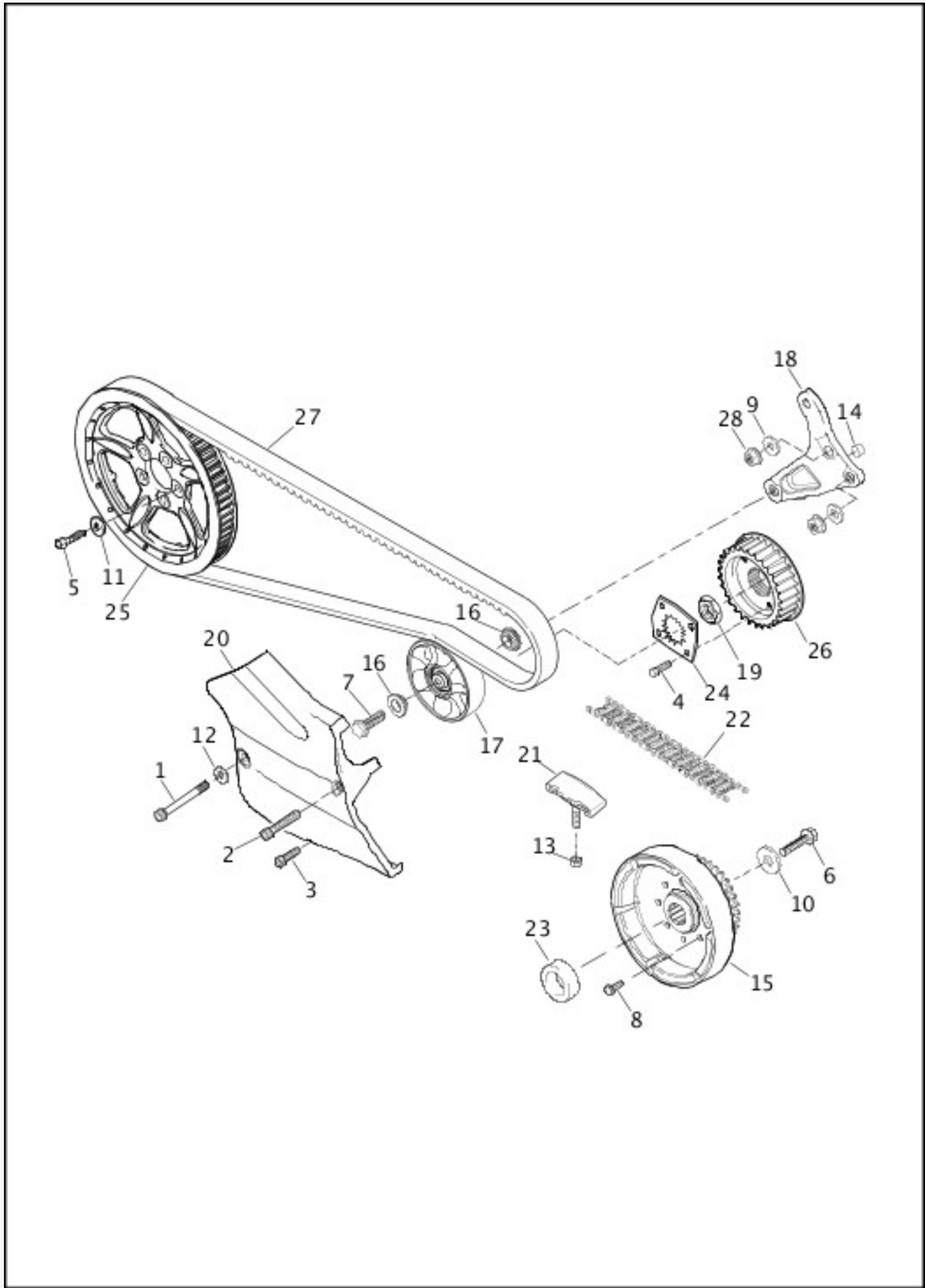
[View interactive table](#)

INDEX NO.	PART NO.	DESCRIPTION	MODEL(S)
1	3480A	SCREW	XL1200C, XL1200C ANV, XL1200CA, XL1200CB, XL1200CP, XL1200V, XL1200X, XL883L, XL883N, XL883R

2	3594	SCREW (2)	XL1200C, XL1200C ANV, XL1200CA, XL1200CB, XL1200CP, XL1200V, XL1200X, XL883L, XL883N, XL883R
3	3814	SCREW (Japan) (5)	XL1200C, XL1200C ANV, XL1200CA, XL1200CB, XL1200V, XL1200X, XL883L, XL883N, XL883R
4	3899	SCREW (5)	XL1200C, XL1200C ANV, XL1200CA, XL1200CB, XL1200CP, XL1200V, XL1200X, XL883L, XL883N, XL883R
5	4717A	SCREW	XL1200C, XL1200C ANV, XL1200CA, XL1200CB, XL1200CP, XL1200V, XL1200X, XL883L, XL883N, XL883R
6	4751	SCREW	XL1200C, XL1200C ANV, XL1200CA, XL1200CB, XL1200CP, XL1200V, XL1200X, XL883L, XL883N, XL883R
7	6516HW	WASHER (5)	XL1200C, XL1200C ANV, XL1200CA, XL1200CB, XL1200CP, XL1200V, XL1200X, XL883L, XL883N, XL883R
8	7804	LOCKNUT	XL1200C, XL1200C ANV, XL1200CA, XL1200CB, XL1200CP, XL1200V, XL1200X, XL883L, XL883N, XL883R
9	7839	NUT	XL1200C, XL1200C ANV, XL1200CA, XL1200CB, XL1200CP, XL1200V, XL1200X, XL883L, XL883N, XL883R
10	9254	BEARING (Japan)	XL1200C, XL1200C ANV, XL1200CA, XL1200CB, XL1200V, XL1200X, XL883L, XL883N, XL883R
11	32493-02B	ROTOR SPROCKET ASSEMBLY, w/ 4751 & 40241-02A	XL883L, XL883N, XL883R
	32494-04B	ROTOR SPROCKET ASSEMBLY, w/ 4751 & 40290-04A	XL1200C, XL1200C ANV, XL1200CA, XL1200CB, XL1200CP, XL1200V, XL1200X
12	34911-04	SPROCKET COVER	XL883L
	34932-04	SPROCKET COVER	XL1200C, XL1200C ANV, XL1200CP, XL1200V
	34943-05	SPROCKET COVER	XL1200CA, XL1200CB, XL1200X, XL883N, XL883R
13	35211-91B	NUT	XL1200C, XL1200C ANV, XL1200CA, XL1200CB, XL1200CP, XL1200V, XL1200X, XL883L, XL883N, XL883R
14	40039-02C	CHAIN ADJUSTER ASSEMBLY	XL1200C, XL1200C ANV, XL1200CA, XL1200CB, XL1200CP, XL1200V, XL1200X, XL883L, XL883N, XL883R
15	40005-57B	PRIMARY CHAIN, 94 links	XL883L, XL883N, XL883R

	40147-04	PRIMARY CHAIN, 96 links	XL1200C, XL1200C ANV, XL1200CA, XL1200CB, XL1200CP, XL1200V, XL1200X
16	40254-02	SPACER, sprocket	XL1200C, XL1200C ANV, XL1200CA, XL1200CB, XL1200CP, XL1200V, XL1200X, XL883L, XL883N, XL883R
17	40241-02A	SPROCKET, triple row - 34T	XL883L, XL883N, XL883R
	40290-04A	SPROCKET, triple row - 38T	XL1200C, XL1200C ANV, XL1200CA, XL1200CB, XL1200CP, XL1200V, XL1200X
18	40251-92A	RETENTION PLATE	XL1200C, XL1200C ANV, XL1200CA, XL1200CB, XL1200CP, XL1200V, XL1200X, XL883L, XL883N, XL883R
19	40350-07	SPROCKET, belt - 68T (black)	XL1200C, XL1200C ANV, XL1200CA, XL1200CB, XL1200CP, XL1200V, XL883L, XL883R
	40444-07	SPROCKET, belt - 68T (black)	XL1200X, XL883N
20	40380-04	SPROCKET, transmission - 30T (HDI)	XL1200C, XL1200C ANV, XL1200CA, XL1200CB, XL1200CP, XL1200V, XL1200X
	40409-04	SPROCKET, transmission - 29T	XL1200C, XL1200C ANV, XL1200CA, XL1200CB, XL1200CP, XL1200V, XL1200X, XL883L, XL883N, XL883R
21	40518-08	SPROCKET ASSEMBLY, final drive, w/ bearing - 68T (black) (Japan/Asia-Pacific)	XL1200C, XL1200C ANV, XL1200CA, XL1200CB, XL1200V, XL1200X, XL883L, XL883N, XL883R
22	40560-05	BOWL COMPENSATOR (Japan)	XL1200C, XL1200C ANV, XL1200CA, XL1200CB, XL1200V, XL1200X, XL883L, XL883N, XL883R
23	40561-05	ISOLATOR (Japan) (6)	XL1200C, XL1200C ANV, XL1200CA, XL1200CB, XL1200V, XL1200X, XL883L, XL883N, XL883R
24	40562-05	SPACER (Japan)	XL1200C, XL1200C ANV, XL1200CA, XL1200CB, XL1200V, XL1200X, XL883L, XL883N, XL883R
25	40591-07	BELT, 137T	XL1200C, XL1200C ANV, XL1200CA, XL1200CB, XL1200CP, XL1200V, XL1200X, XL883L, XL883N, XL883R

BELT & SPROCKETS - XR1200X



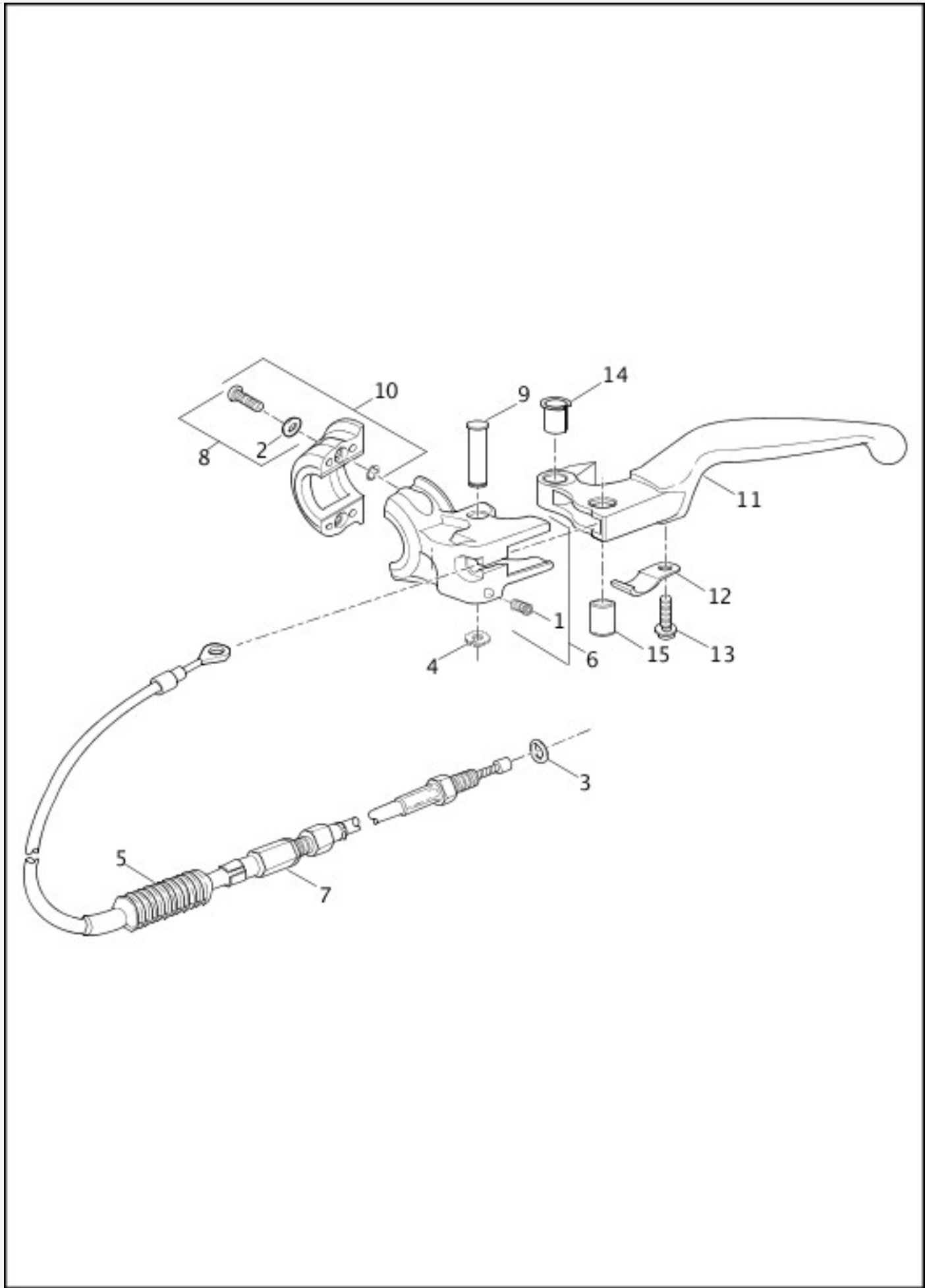
[View interactive image](#)

[View interactive table](#)

INDEX NO.	PART NO.	DESCRIPTION	MODEL(S)
1	675	SCREW	XR1200X
2	1751	SCREW (2)	XR1200X

3	3480A	SCREW	XR1200X
4	3594	SCREW (2)	XR1200X
5	3899	SCREW (5)	XR1200X
6	4589	SCREW	XR1200X
7	4678	SCREW	XR1200X
8	4751	SCREW (8)	XR1200X
9	6400HB	WASHER (2)	XR1200X
10	6445	WASHER	XR1200X
11	6516HW	WASHER (5)	XR1200X
12	6701	WASHER	XR1200X
13	7804	LOCKNUT	XR1200X
14	9704	DOWEL PIN, idler locating	XR1200X
15	30018-08	ROTOR SPROCKET ASSEMBLY, w/ 4751 & sprocket	XR1200X
16	31630-08	BUSHING (2)	XR1200X
17	31698-08	IDLER	XR1200X
18	31699-08	BRACKET ASSEMBLY, idler, w/ 9704	XR1200X
	31602-08	IDLER WHEEL KIT, w/ 7, 9, 14, 16, 17, 18, & 28	XR1200X
19	35211-91B	NUT	XR1200X
20	37716-10	SPROCKET COVER (black)	XR1200X
21	40039-02C	CHAIN ADJUSTER ASSEMBLY	XR1200X
22	40057-08	PRIMARY CHAIN, 94 links	XR1200X
23	40254-02	SPACER	XR1200X
24	40251-92A	RETENTION PLATE	XR1200X
25	40350-07	SPROCKET, belt - 68T (black)	XR1200X
26	40379-04	SPROCKET, transmission - 28T	XR1200X
27	40591-07	BELT, 137T	XR1200X
28	DA0600.12FAZB	LOCKNUT (2)	XR1200X

CLUTCH CONTROL



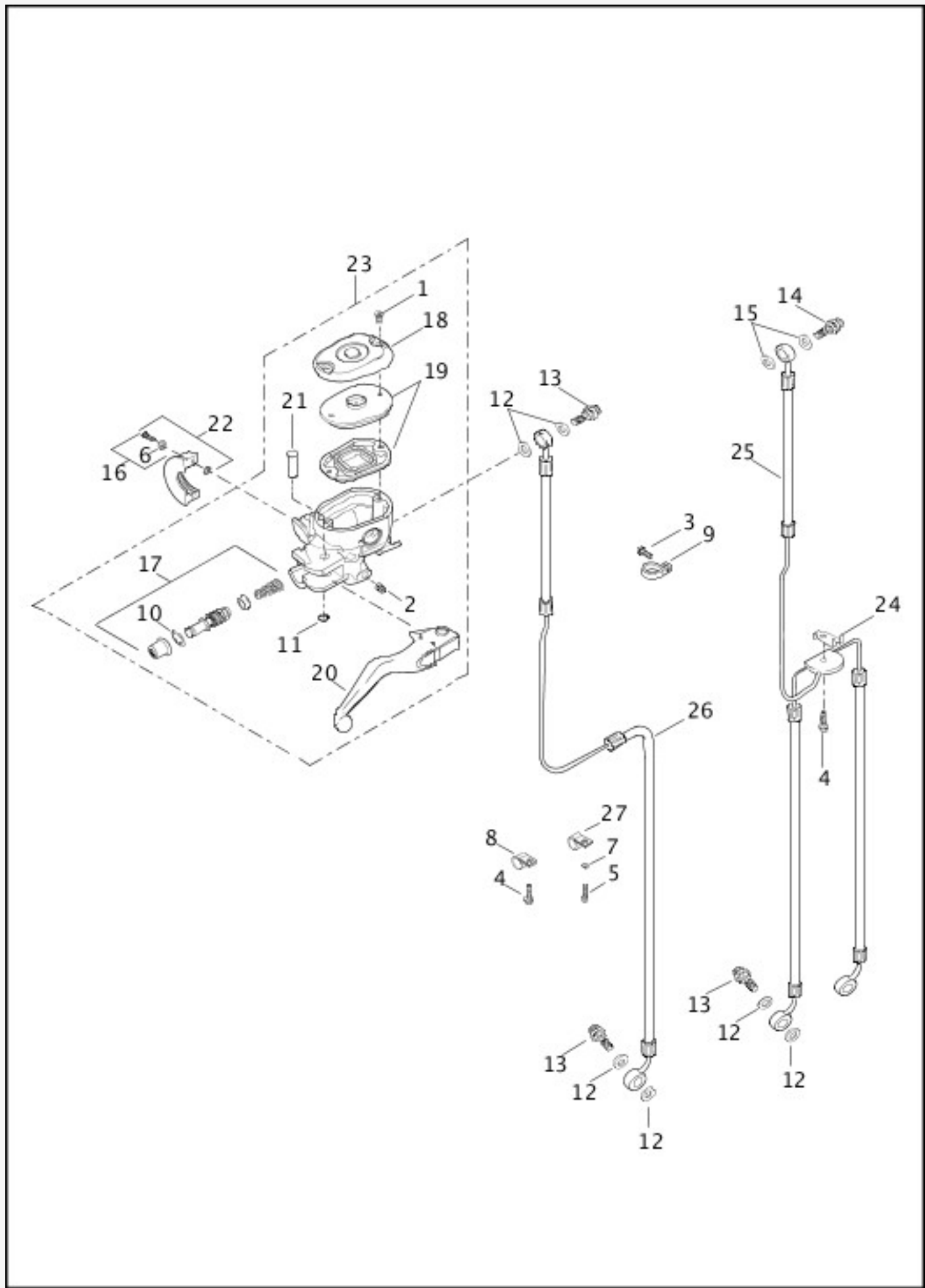
[View interactive image](#)

[View interactive table](#)

INDEX NO.	PART NO.	DESCRIPTION	MODEL(S)
1	3244	SCREW	ALL
2	6101	WASHER (2)	ALL

3	11179	O-RING	ALL
4	11379	RETAINING RING	ALL
5	38630-88	BOOT	ALL
6	38671-04	BRACKET	ALL
7	38699-04C	CABLE ASSEMBLY, w/ 11179, 11379, 38630-88, & 46268-04 (1200CP - Pullback or Drag Handlebar)	XL1200C, XL1200C ANV, XL1200CA, XL1200CP, XL1200X, XL883L, XL883N, XL883R
	38786-08A	CABLE ASSEMBLY, w/ 11179, 11379, 38630-88, & 46268-04	XR1200X
	37000041	CABLE ASSEMBLY, w/ 11179, 11379, 38630-88, & 46268-04 (1200CP - Mini-Ape Handlebar)	XL1200CB, XL1200CP, XL1200V
8	42425-05	KIT, w/ 6101 (2) & screw (2)	ALL
9	42807-04	BOLT	ALL
10	42808-04	CLAMP	ALL
11	45356-07	HAND LEVER, w/ 45799-04, 45800-04, & 45801-04	XL1200C, XL1200C ANV, XL1200CA, XL1200CB, XL1200CP, XL1200V, XL883L, XL883R
	46945-07A	HAND LEVER, w/ 45799-04, 45800-04, & 45801-04	XL1200X, XL883N, XR1200X
12	45799-04	SPRING, anti-rattle	ALL
13	45800-04	SCREW	ALL
14	45801-04	BUSHING	ALL
15	46268-04	PIN	ALL

BRAKE CONTROL, FRONT - 883L/N/R, 1200C/CA/CB/CP/V/X



[View interactive image](#)

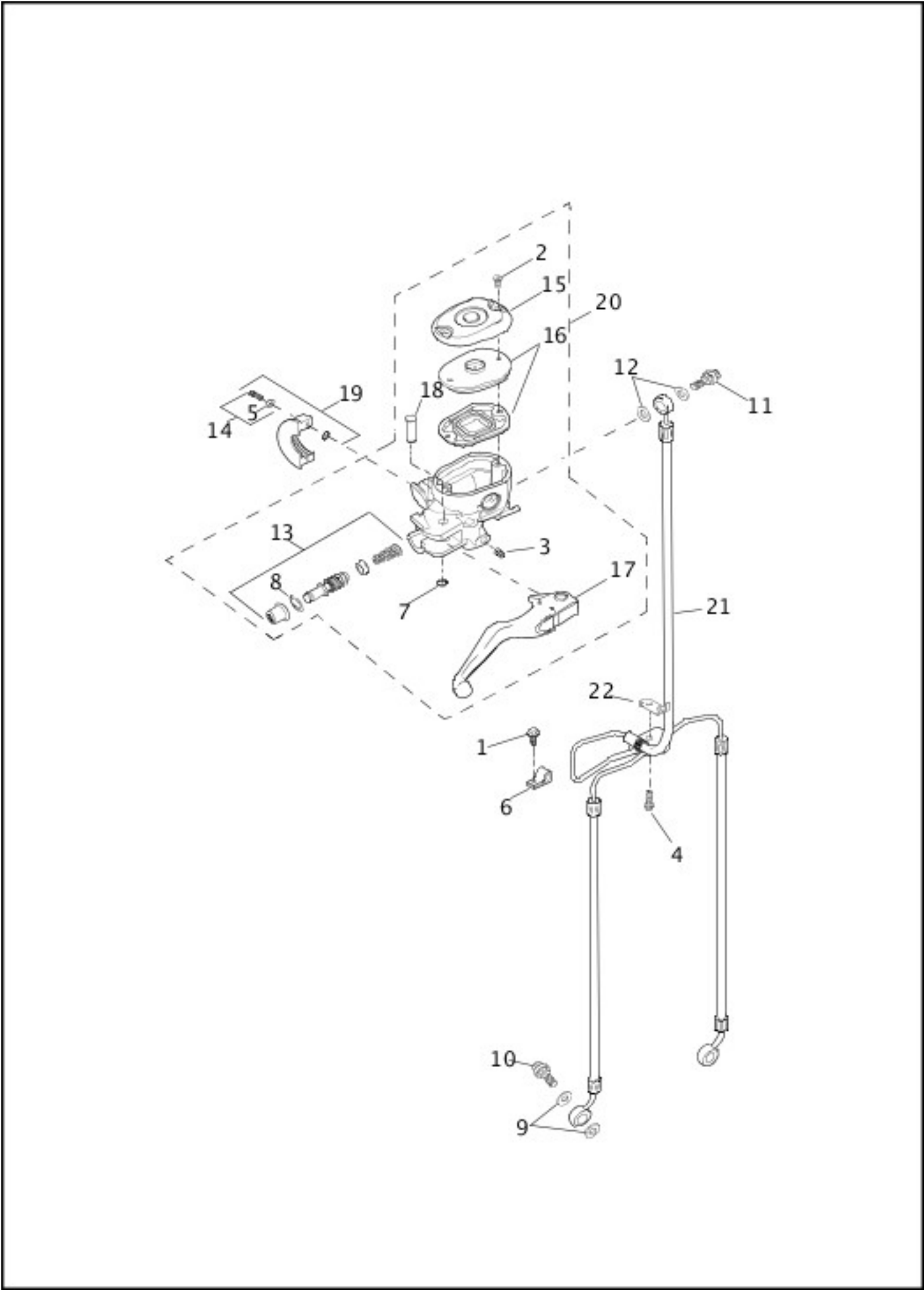
[View interactive table](#)

INDEX NO.	PART NO.	DESCRIPTION	MODEL(S)
1	2586A	SCREW (2)	XL1200C, XL1200C ANV, XL1200CA, XL1200CB, XL1200CP, XL1200V, XL1200X, XL883L, XL883N, XL883R

2	3244	SCREW	XL1200C, XL1200C ANV, XL1200CA, XL1200CB, XL1200CP, XL1200V, XL1200X, XL883L, XL883N, XL883R
3	2441	SCREW	XL1200C, XL1200C ANV, XL1200CA, XL1200CB, XL1200CP, XL1200V, XL1200X, XL883L, XL883N, XL883R
4	4741A	SCREW	XL1200C, XL1200C ANV, XL1200CA, XL1200CB, XL1200CP, XL1200V, XL1200X, XL883L, XL883N, XL883R
5	4748	SCREW	XL1200C, XL1200C ANV, XL1200CA, XL1200CB, XL1200CP, XL1200V
6	6101	WASHER (2)	XL1200C, XL1200C ANV, XL1200CA, XL1200CB, XL1200CP, XL1200V, XL1200X, XL883L, XL883N, XL883R
7	7045	LOCKWASHER	XL1200C, XL1200C ANV, XL1200CA, XL1200CB, XL1200CP, XL1200V
8	10053	CLAMP	XL1200C, XL1200C ANV, XL1200CA, XL1200CB, XL1200CP, XL1200V, XL1200X, XL883L, XL883N
9	10031	CLAMP	XL1200C, XL1200C ANV, XL1200CA, XL1200CB, XL1200CP, XL1200V, XL1200X, XL883L, XL883N, XL883R
10	11142	RETAINING RING	XL1200C, XL1200C ANV, XL1200CA, XL1200CB, XL1200CP, XL1200V, XL1200X, XL883L, XL883N, XL883R
11	11379	RETAINING RING	XL1200C, XL1200C ANV, XL1200CA, XL1200CB, XL1200CP, XL1200V, XL1200X, XL883L, XL883N, XL883R
12	41732-04	SEALING WASHER, 10mm (4)	XL1200C, XL1200C ANV, XL1200CA, XL1200CB, XL1200CP, XL1200V, XL1200X, XL883L, XL883N, XL883R
13	41736-04	BANJO BOLT, 10mm (2)	XL1200C, XL1200C ANV, XL1200CA, XL1200CB, XL1200CP, XL1200V, XL1200X, XL883L, XL883N, XL883R
14	41737-04	BANJO BOLT, 12mm	XL883R
15	41743-04	SEALING WASHER, 12mm (2)	XL883R
16	42425-05	KIT, w/ 6101 (2) & screw (2)	XL1200C, XL1200C ANV, XL1200CA, XL1200CB, XL1200CP, XL1200V, XL1200X, XL883L, XL883N, XL883R
17	42803-07A	REBUILD KIT, single, w/ 10, 11, 12	XL1200C, XL1200C ANV, XL1200CA, XL1200CB, XL1200CP, XL1200V, XL1200X, XL883L, XL883N
	42809-07A	REBUILD KIT, dual, w/ 10, 11, 15	XL883R
18	42804-07	CAP, w/ decal	XL1200C, XL1200C ANV, XL1200CA, XL1200CB, XL1200CP, XL1200V, XL1200X, XL883L, XL883N, XL883R
19	42805-04	GASKET KIT	XL1200C, XL1200C ANV, XL1200CA, XL1200CB, XL1200CP, XL1200V, XL1200X, XL883L, XL883N, XL883R
20	42806-04	LEVER	XL1200C, XL1200C ANV, XL1200CA, XL1200CB, XL1200CP, XL1200V, XL883L, XL883R
	46946-	LEVER (black)	XL1200X, XL883N

	06A		
21	42807-04	BOLT	XL1200C, XL1200C ANV, XL1200CA, XL1200CB, XL1200CP, XL1200V, XL1200X, XL883L, XL883N, XL883R
22	42808-04	CLAMP	XL1200C, XL1200C ANV, XL1200CA, XL1200CB, XL1200CP, XL1200V, XL1200X, XL883L, XL883N, XL883R
23	45052-07A	MASTER CYLINDER ASSEMBLY, dual	XL883R
	45146-07	MASTER CYLINDER ASSEMBLY, single	XL1200C, XL1200C ANV, XL1200CA, XL1200CB, XL1200CP, XL1200V, XL883L
	42745-07	MASTER CYLINDER ASSEMBLY, single (black)	XL1200X, XL883N
24	45074-95	GUIDE	XL883R
25	45319-04D	BRAKELINE, dual	XL883R
26	45449-04C	BRAKELINE, single (1200CP - Pullback Handlebar)	XL1200C, XL1200C ANV, XL1200CP
	46400-04C	BRAKELINE, single	XL883N
	46417-10A	BRAKELINE, single	XL1200X
	46688-11	BRAKELINE, single (not shown) (1200CP - Mini-Ape Handlebar)	XL1200CB, XL1200CP, XL1200V
	46680-11	BRAKELINE, single	XL883L
	46986-11	BRAKELINE, single (not shown) (1200CP - Drag Handlebar)	XL1200CA, XL1200CP
27	10800003	P-CLAMP (1200CP - Drag or Mini-Ape Handlebar)	XL1200CA, XL1200CB, XL1200CP, XL1200V
	10053	P-CLAMP (1200CP - Pullback Handlebar)	XL1200C, XL1200C ANV, XL1200CP

BRAKE CONTROL, FRONT - XR1200X



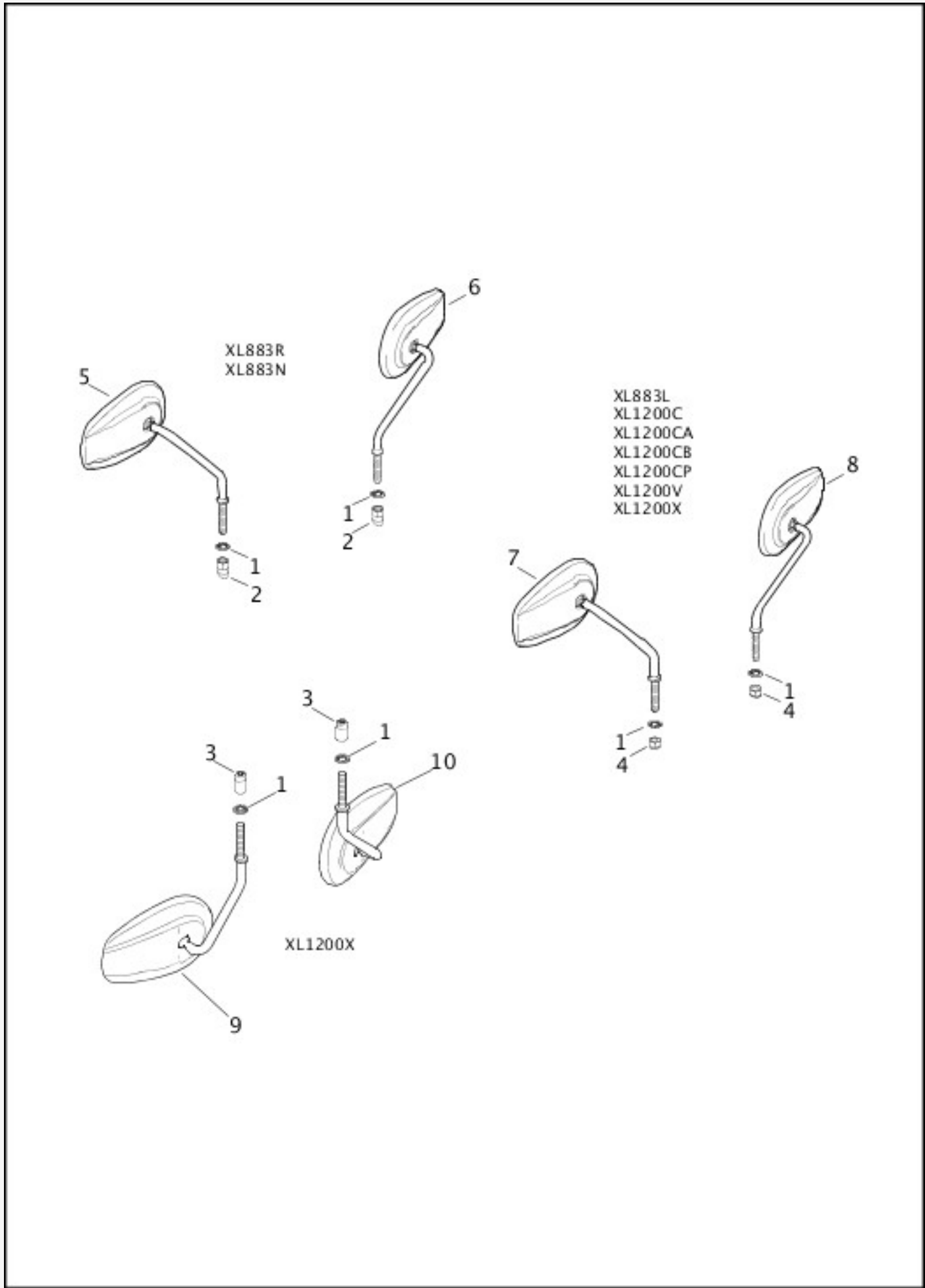
[View interactive image](#)

[View interactive table](#)

INDEX NO.	PART NO.	DESCRIPTION	MODEL(S)
1	2441	SCREW	XR1200X
2	2586A	SCREW	XR1200X

3	3244	SCREW	XR1200X
4	4741A	SCREW	XR1200X
5	6101	WASHER (2)	XR1200X
6	10031	CLAMP	XR1200X
7	11379	RETAINING RING	XR1200X
8	11142	RETAINING RING	XR1200X
9	41732-04	SEALING WASHER, 10mm (4)	XR1200X
10	41736-04	BANJO BOLT, 10mm (2)	XR1200X
11	41737-04	BANJO BOLT, 12mm	XR1200X
12	41743-04	SEALING WASHER, 12mm (2)	XR1200X
13	42736-08	REBUILD KIT, w/ 7 & 8	XR1200X
14	42425-05	KIT, w/ 6101 & screw (2)	XR1200X
15	42804-07	CAP, w/ decal	XR1200X
16	42805-04	GASKET KIT	XR1200X
17	46946-06A	LEVER (black)	XR1200X
18	42807-04	BOLT	XR1200X
19	42808-04	CLAMP	XR1200X
20	42941-10	MASTER CYLINDER ASSEMBLY	XR1200X
21	42942-08A	BRAKELINE	XR1200X
22	45074-95	GUIDE	XR1200X

MIRRORS



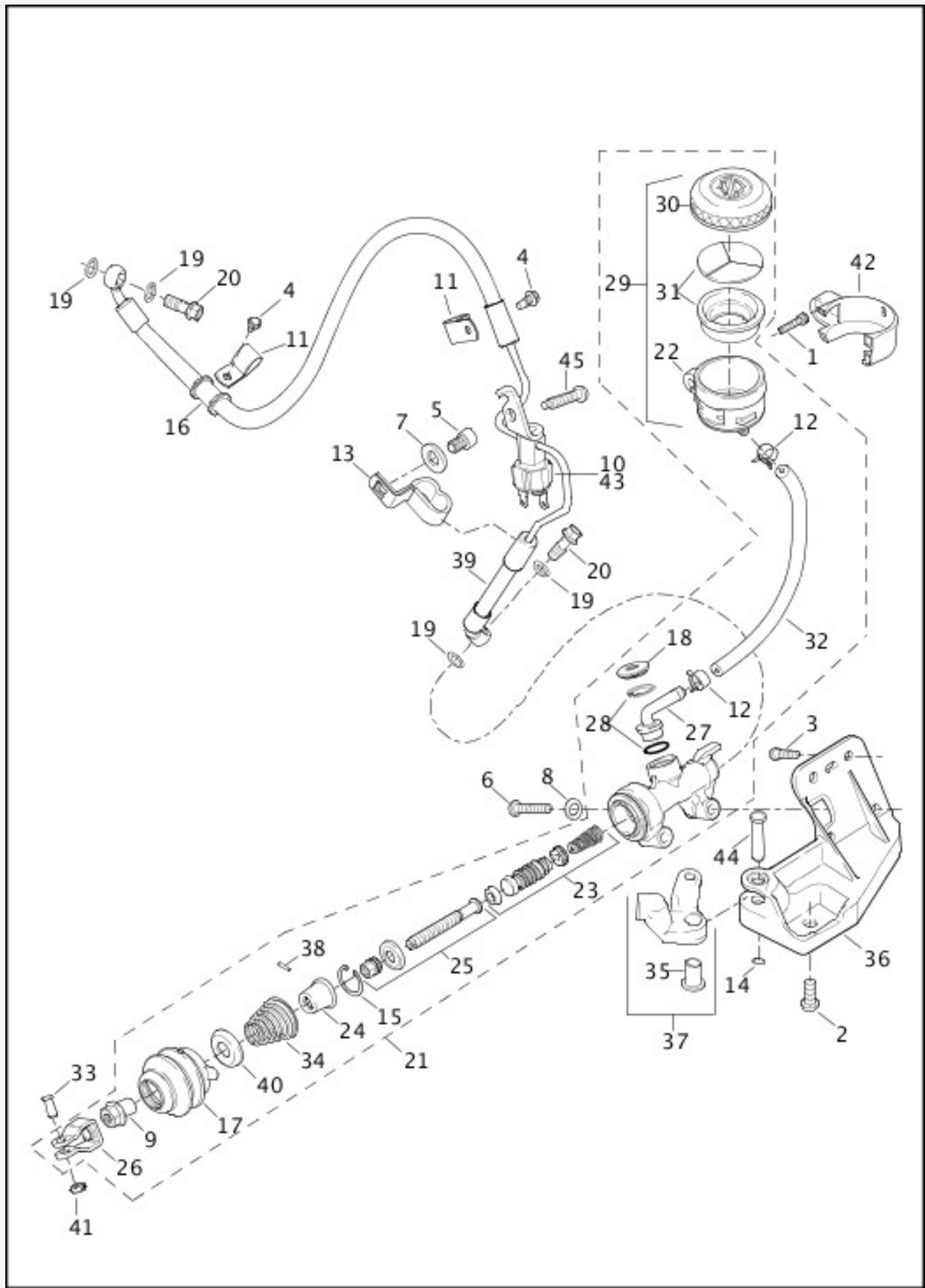
[View interactive image](#)

[View interactive table](#)

INDEX NO.	PART NO.	DESCRIPTION	MODEL(S)
1	7155	LOCKWASHER (2)	ALL
2	7331	ACORN NUT (2)	XL883N, XL883R

3	7357	BULLET NUT (2)	XL1200X
4	7725	LOCKNUT (2)	XL1200C, XL1200C ANV, XL1200CA, XL1200CB, XL1200CP, XL1200V, XL883L, XR1200X
5	91982-03B	MIRROR KIT, right, short (black), w/ 1, 2	XL883N, XL883R
6	91983-03B	MIRROR KIT, left, short (black), w/ 1, 2	XL883N, XL883R
7	92381-09	MIRROR KIT, right, long (chrome), w/ 1, 4 (LH - Pull Back & Drag Handlebar)	XL1200C, XL1200C ANV, XL1200CA, XL1200CP
	92401-09	MIRROR KIT, right, short (chrome), w/ 1, 4 (LH - Mini-Ape Handlebar)	XL1200CB, XL1200CP, XL1200V, XL883L
	92376-09	MIRROR KIT, right, short (black), w/ 1, 4	XR1200X
8	92400-09	MIRROR KIT, left, long (chrome), w/ 1, 4 (LH - Pull Back & Drag Handlebar)	XL1200C, XL1200C ANV, XL1200CA, XL1200CP
	92402-09	MIRROR KIT, left, short (chrome), w/ 1, 4 (LH - Mini-Ape Handlebar)	XL1200CB, XL1200CP, XL1200V, XL883L
	92377-09	MIRROR KIT, left, short (black), w/ 1, 4	XR1200X
9	91960-10	MIRROR KIT, right, short (black), w/ 1, 3	XL1200X
10	91961-10	MIRROR KIT, left, short (black), w/ 1, 3	XL1200X

BRAKE, MASTER CYLINDER, REAR - 883L/N/R, 1200C/CA/CB/CP/V/X (1 OF 2)



[View interactive image](#)

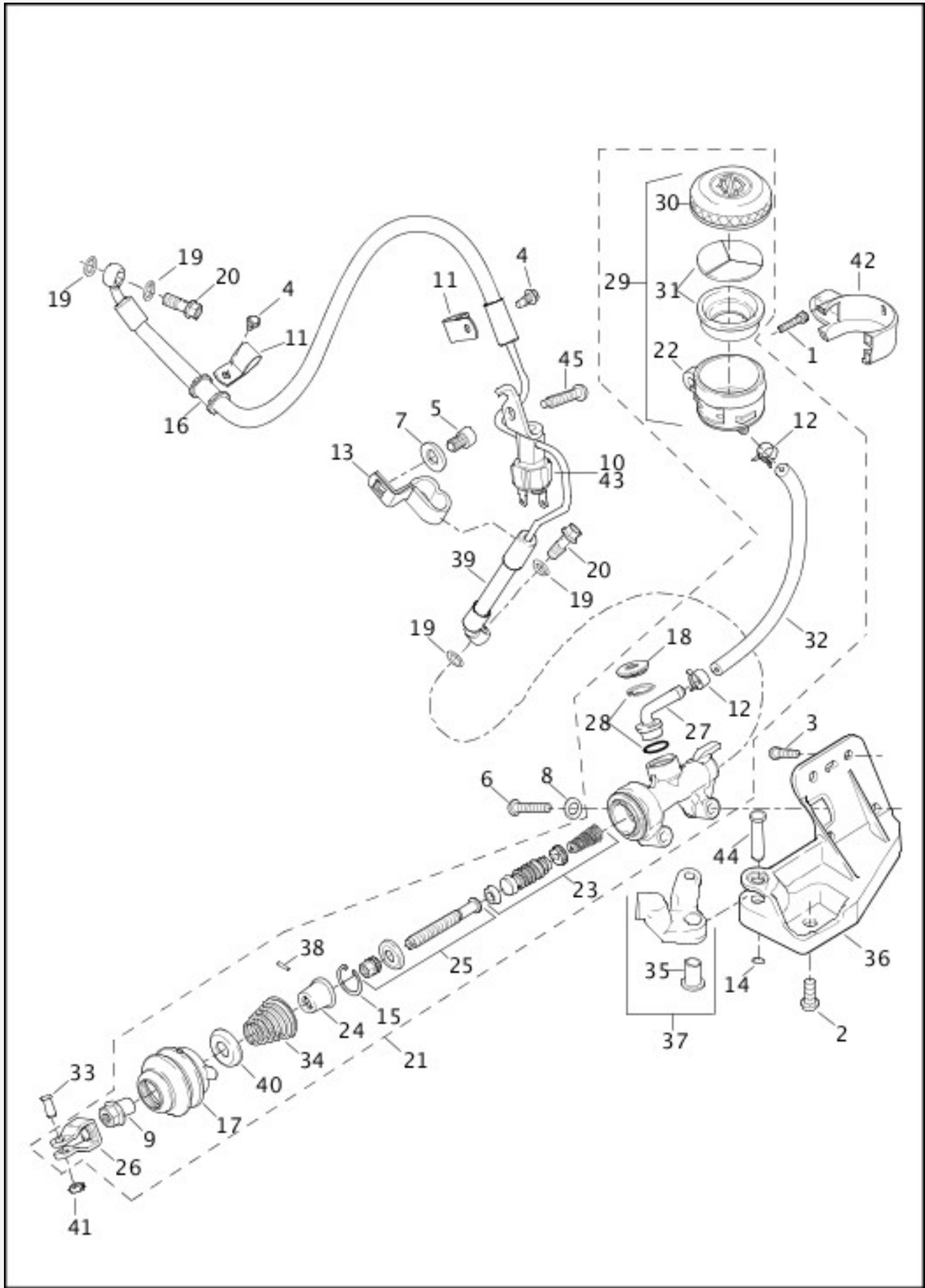
[View interactive table](#)

INDEX NO.	PART NO.	DESCRIPTION	MODEL(S)
1	882	SCREW	XL1200C, XL1200C ANV, XL1200CA, XL1200CB, XL1200CP, XL1200V, XL1200X, XL883L, XL883N, XL883R

2	995	SCREW	XL1200C, XL1200C ANV, XL1200CA, XL1200CB, XL1200CP, XL1200V, XL1200X, XL883L, XL883N, XL883R
3	997	SCREW (2)	XL1200C, XL1200C ANV, XL1200CA, XL1200CB, XL1200CP, XL1200V, XL1200X, XL883L, XL883N, XL883R
4	2501A	SCREW (2)	XL1200C, XL1200C ANV, XL1200CA, XL1200CB, XL1200CP, XL1200V, XL1200X, XL883L, XL883N, XL883R
5	4076	SCREW	XL1200C, XL1200C ANV, XL1200CA, XL1200CB, XL1200CP, XL1200V, XL1200X, XL883L, XL883N
6	4816A	SCREW (2)	XL1200C, XL1200C ANV, XL1200CA, XL1200CB, XL1200CP, XL1200V, XL1200X, XL883L, XL883N, XL883R
7	6701	WASHER	XL1200C, XL1200C ANV, XL1200CA, XL1200CB, XL1200CP, XL1200V, XL1200X, XL883L, XL883N, XL883R
8	6702	WASHER (2)	XL1200C, XL1200C ANV, XL1200CA, XL1200CB, XL1200CP, XL1200V, XL1200X, XL883L, XL883N, XL883R
9	7477	NUT	XL1200C, XL1200C ANV, XL1200CA, XL1200CB, XL1200CP, XL1200V, XL1200X, XL883L, XL883N, XL883R
10	9907	TERMINAL	XL1200C, XL1200C ANV, XL1200CA, XL1200CB, XL1200CP, XL1200V, XL1200X, XL883L, XL883N, XL883R
11	10031	CLAMP (2)	XL1200C, XL1200C ANV, XL1200CA, XL1200CB, XL1200CP, XL1200V, XL1200X, XL883L, XL883N, XL883R
12	10252	CLAMP (2)	XL1200C, XL1200C ANV, XL1200CA, XL1200CB, XL1200CP, XL1200V, XL1200X, XL883L, XL883N, XL883R
13	10255	CLAMP	XL1200C, XL1200C ANV, XL1200CA, XL1200CB, XL1200CP, XL1200V, XL1200X, XL883L, XL883N, XL883R
14	11031	RETAINING RING	XL1200C, XL1200C ANV, XL1200CA, XL1200CB, XL1200CP, XL1200V, XL1200X, XL883L, XL883N, XL883R
15	11121	RETAINING RING	XL1200C, XL1200C ANV, XL1200CA, XL1200CB, XL1200CP, XL1200V, XL1200X, XL883L, XL883N, XL883R
16	11407	GROMMET	XL1200C, XL1200C ANV, XL1200CA, XL1200CB, XL1200CP, XL1200V, XL1200X, XL883L, XL883N, XL883R
17	40946-04	BOOT	XL1200C, XL1200C ANV, XL1200CA, XL1200CB, XL1200CP, XL1200V, XL1200X, XL883L, XL883N, XL883R
18	40948-04	DUSTCOVER	XL1200C, XL1200C ANV, XL1200CA, XL1200CB, XL1200CP, XL1200V, XL1200X, XL883L, XL883N, XL883R
19	41732-04	SEALING WASHER, 10mm (4)	XL1200C, XL1200C ANV, XL1200CA, XL1200CB, XL1200CP, XL1200V, XL1200X, XL883L, XL883N, XL883R
20	41736-04	BANJO BOLT, 10mm (2)	XL1200C, XL1200C ANV, XL1200CA, XL1200CB, XL1200CP, XL1200V, XL1200X, XL883L, XL883N, XL883R
21	42521-07	MASTER CYLINDER AND RESERVOIR ASSEMBLY	XL1200C, XL1200C ANV, XL1200CA, XL1200CB, XL1200CP, XL1200V, XL1200X, XL883L, XL883N, XL883R

22	42595-04	TANK	XL1200C, XL1200C ANV, XL1200CA, XL1200CB, XL1200CP, XL1200V, XL1200X, XL883L, XL883N, XL883R
23	42810-07A	REBUILD KIT, w/ 11121, 41732-04, 42811-04, & 44189-04	XL1200C, XL1200C ANV, XL1200CA, XL1200CB, XL1200CP, XL1200V, XL1200X, XL883L, XL883N, XL883R
24	42811-04	BOOT	XL1200C, XL1200C ANV, XL1200CA, XL1200CB, XL1200CP, XL1200V, XL1200X, XL883L, XL883N, XL883R

BRAKE, MASTER CYLINDER, REAR - 883L/N/R, 1200C/CA/CB/CP/V/X (2 OF 2)



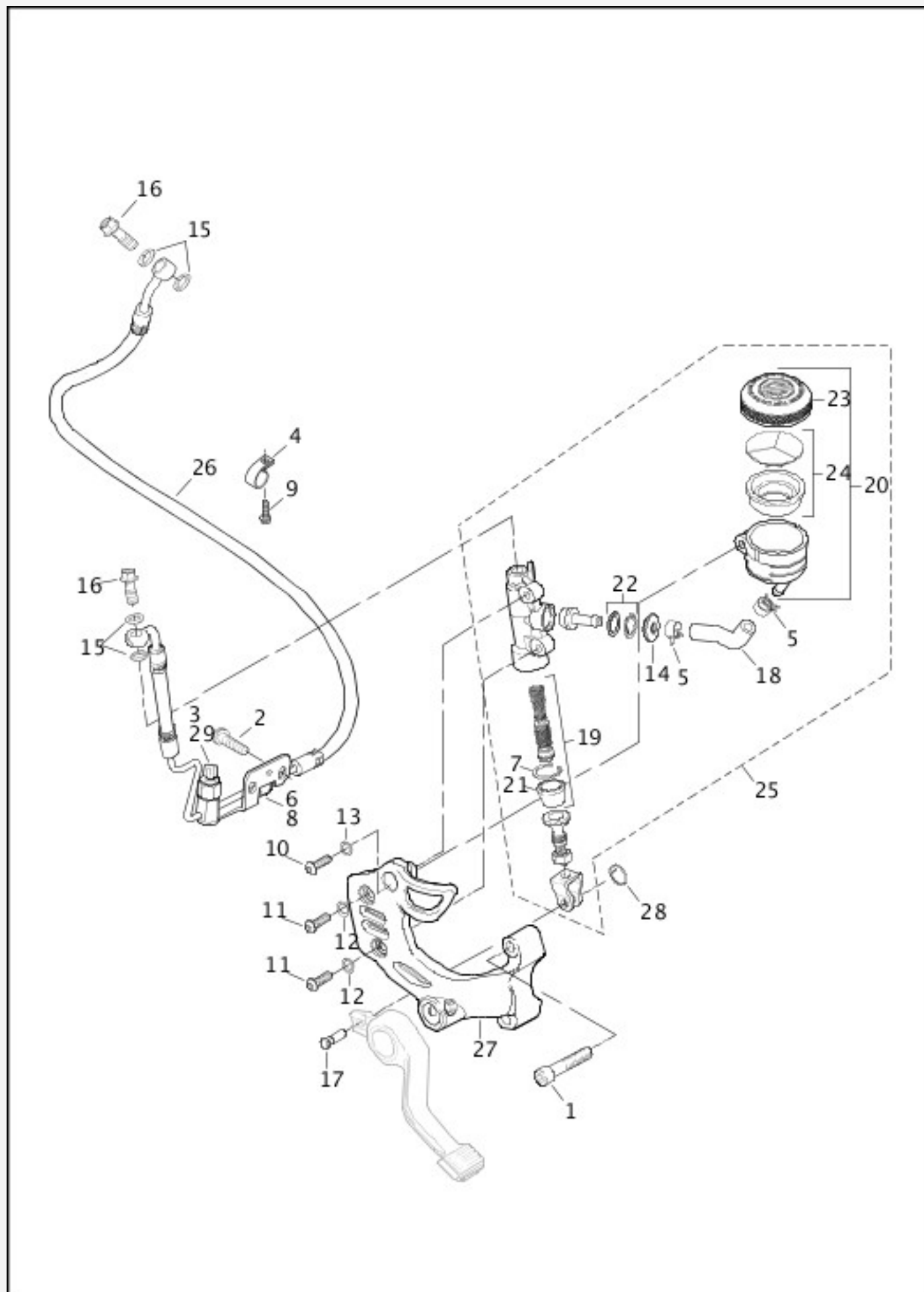
[View interactive image](#)

[View interactive table](#)

INDEX NO.	PART NO.	DESCRIPTION	MODEL(S)
25	42812-04	PUSHROD ASSEMBLY	XL1200C, XL1200C ANV, XL1200CA, XL1200CB, XL1200CP, XL1200V, XL1200X, XL883L, XL883N, XL883R

26	42813-04	YOKE	XL1200C, XL1200C ANV, XL1200CA, XL1200CB, XL1200CP, XL1200V, XL1200X, XL883L, XL883N, XL883R
27	42814-04	PORT	XL1200C, XL1200C ANV, XL1200CA, XL1200CB, XL1200CP, XL1200V, XL1200X, XL883L, XL883N, XL883R
28	42815-04	SEAL KIT, w/ retaining ring & O-ring	XL1200C, XL1200C ANV, XL1200CA, XL1200CB, XL1200CP, XL1200V, XL1200X, XL883L, XL883N, XL883R
29	42816-07	RESERVOIR ASSEMBLY, w/ 42595-04, 42817-07, & 42845-07	XL1200C, XL1200C ANV, XL1200CA, XL1200CB, XL1200CP, XL1200V, XL1200X, XL883L, XL883N, XL883R
30	42817-07	CAP	XL1200C, XL1200C ANV, XL1200CA, XL1200CB, XL1200CP, XL1200V, XL1200X, XL883L, XL883N, XL883R
31	42845-07	GASKET KIT	XL1200C, XL1200C ANV, XL1200CA, XL1200CB, XL1200CP, XL1200V, XL1200X, XL883L, XL883N, XL883R
32	42821-04	HOSE	XL1200C, XL1200C ANV, XL1200CA, XL1200CB, XL1200CP, XL1200V, XL1200X, XL883L, XL883N, XL883R
33	42460-80B	PIN	XL1200C, XL1200C ANV, XL1200CA, XL1200CB, XL1200CP, XL1200V, XL1200X, XL883L, XL883N, XL883R
34	42593-04	SPRING	XL1200C, XL1200C ANV, XL1200CA, XL1200CB, XL1200CP, XL1200V, XL1200X, XL883L, XL883N, XL883R
35	42846-04	BUSHING	XL1200C, XL1200C ANV, XL1200CA, XL1200CB, XL1200CP, XL1200V, XL1200X, XL883L, XL883N, XL883R
36	42976-04	BRACKET, mounting	XL1200C, XL1200C ANV, XL1200CA, XL1200CB, XL1200CP, XL1200V, XL1200X, XL883L, XL883N, XL883R
37	42979-04	BELL CRANK ASSEMBLY, w/ 42846-04	XL1200C, XL1200C ANV, XL1200CA, XL1200CB, XL1200CP, XL1200V, XL1200X, XL883L, XL883N, XL883R
38	44189-04	SPRING PIN	XL1200C, XL1200C ANV, XL1200CA, XL1200CB, XL1200CP, XL1200V, XL1200X, XL883L, XL883N, XL883R
39	44429-11	BRAKELINE ASSEMBLY, w/ 11407	XL1200C, XL1200C ANV, XL1200CA, XL1200CB, XL1200CP, XL1200V, XL1200X, XL883L, XL883N, XL883R
40	44590-04	RETAINER SPRING	XL1200C, XL1200C ANV, XL1200CA, XL1200CB, XL1200CP, XL1200V, XL1200X, XL883L, XL883N, XL883R
41	51938-04	COTTER CIRCLE	XL1200C, XL1200C ANV, XL1200CA, XL1200CB, XL1200CP, XL1200V, XL1200X, XL883L, XL883N, XL883R
42	67804-04	COVER, reservoir	XL1200C, XL1200C ANV, XL1200CA, XL1200CB, XL1200CP, XL1200V, XL1200X, XL883L, XL883N, XL883R
43	72023-51E	BRAKE LIGHT SWITCH, w/ 9907	XL1200C, XL1200C ANV, XL1200CA, XL1200CB, XL1200CP, XL1200V, XL1200X, XL883L, XL883N, XL883R
44	94432-04	SHOULDER BOLT	XL1200C, XL1200C ANV, XL1200CA, XL1200CB, XL1200CP, XL1200V, XL1200X, XL883L, XL883N, XL883R
45	94612-04	SCREW	XL1200C, XL1200C ANV, XL1200CA, XL1200CB, XL1200CP, XL1200V, XL1200X, XL883L, XL883N, XL883R

BRAKE, MASTER CYLINDER, REAR - XR1200X



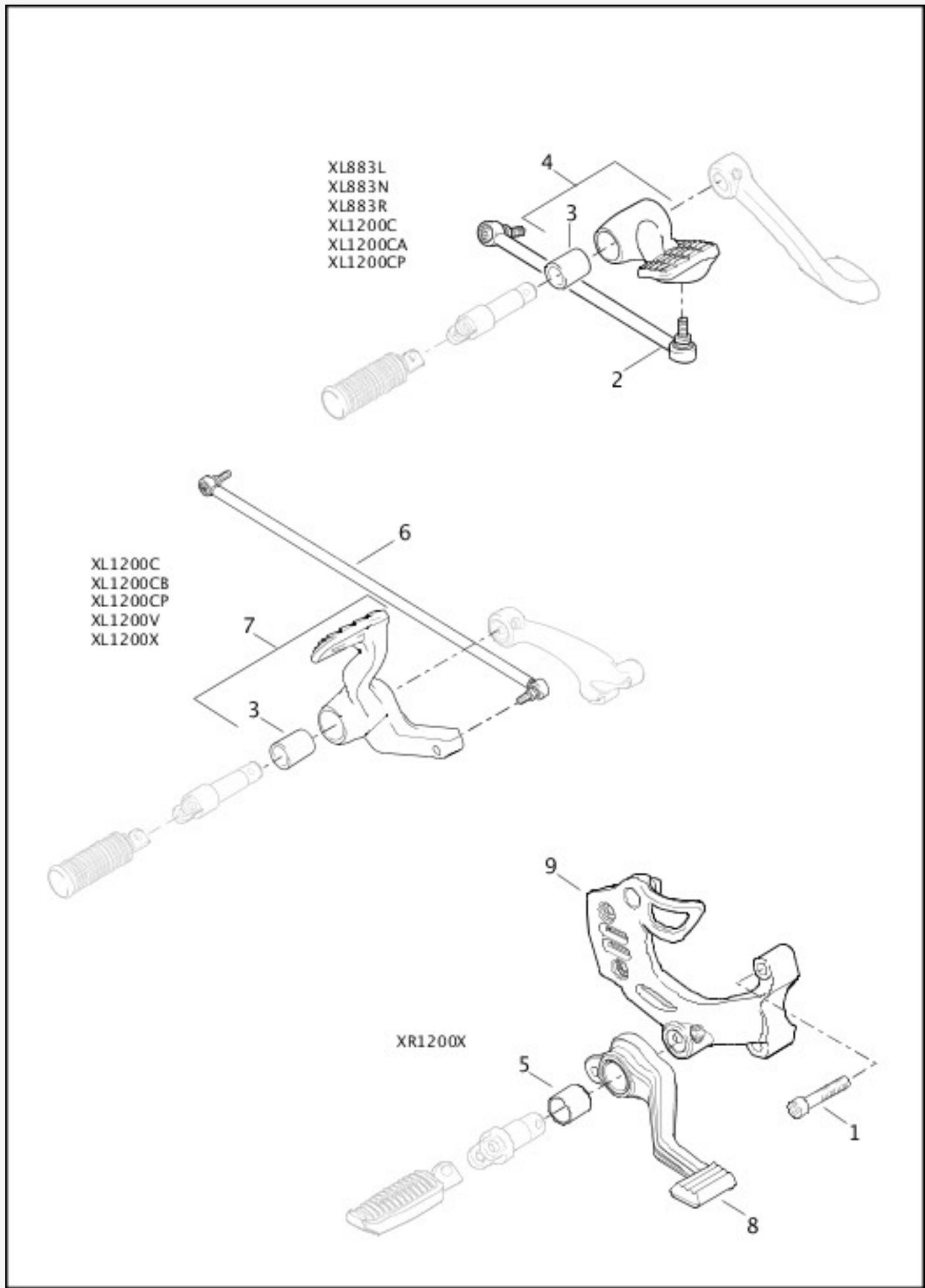
[View interactive image](#)

[View interactive table](#)

INDEX NO.	PART NO.	DESCRIPTION	MODEL(S)
1	855B	SCREW	XR1200X

2	997	SCREW (2)	XR1200X
3	9907	TERMINAL	XR1200X
4	10092	CLAMP (2)	XR1200X
5	10252	CLAMP (2)	XR1200X
6	10031	RETAINING RING	XR1200X
7	11121	RETAINING RING	XR1200X
8	11407	GROMMET	XR1200X
9	3579A	SCREW	XR1200X
10	42425-05	KIT, screw & washer	XR1200X
11	4975M	SCREW (2)	XR1200X
12	6099	WASHER (2)	XR1200X
13	7124	LOCKWASHER	XR1200X
14	40948-04	DUSTCOVER	XR1200X
15	41732-04	SEALING WASHER, 10mm (4)	XR1200X
16	41736-04	BANJO BOLT (2)	XR1200X
17	42460-80B	CLEVIS PIN	XR1200X
18	42737-08	HOSE	XR1200X
19	42738-08	REBUILD KIT, w/ 11121, 42811-04	XR1200X
20	42744-08	RESERVOIR ASSEMBLY KIT, w/ 42817-07, 42845-07	XR1200X
21	42811-04	BOOT	XR1200X
22	42815-04	SEAL KIT, w/ O-ring	XR1200X
23	42817-07	CAP	XR1200X
24	42845-07	GASKET KIT	XR1200X
25	42945-08	MASTER CYLINDER ASSEMBLY, rear	XR1200X
26	42975-08A	BRAKELINE ASSEMBLY, w/ 10031, 11407	XR1200X
27	51045-08	BRACKET	XR1200X
28	51938-04	COTTER CIRCLE	XR1200X
29	72023-51E	BRAKE LIGHT SWITCH, w/ 9907	XR1200X

BRAKE CONTROL, REAR



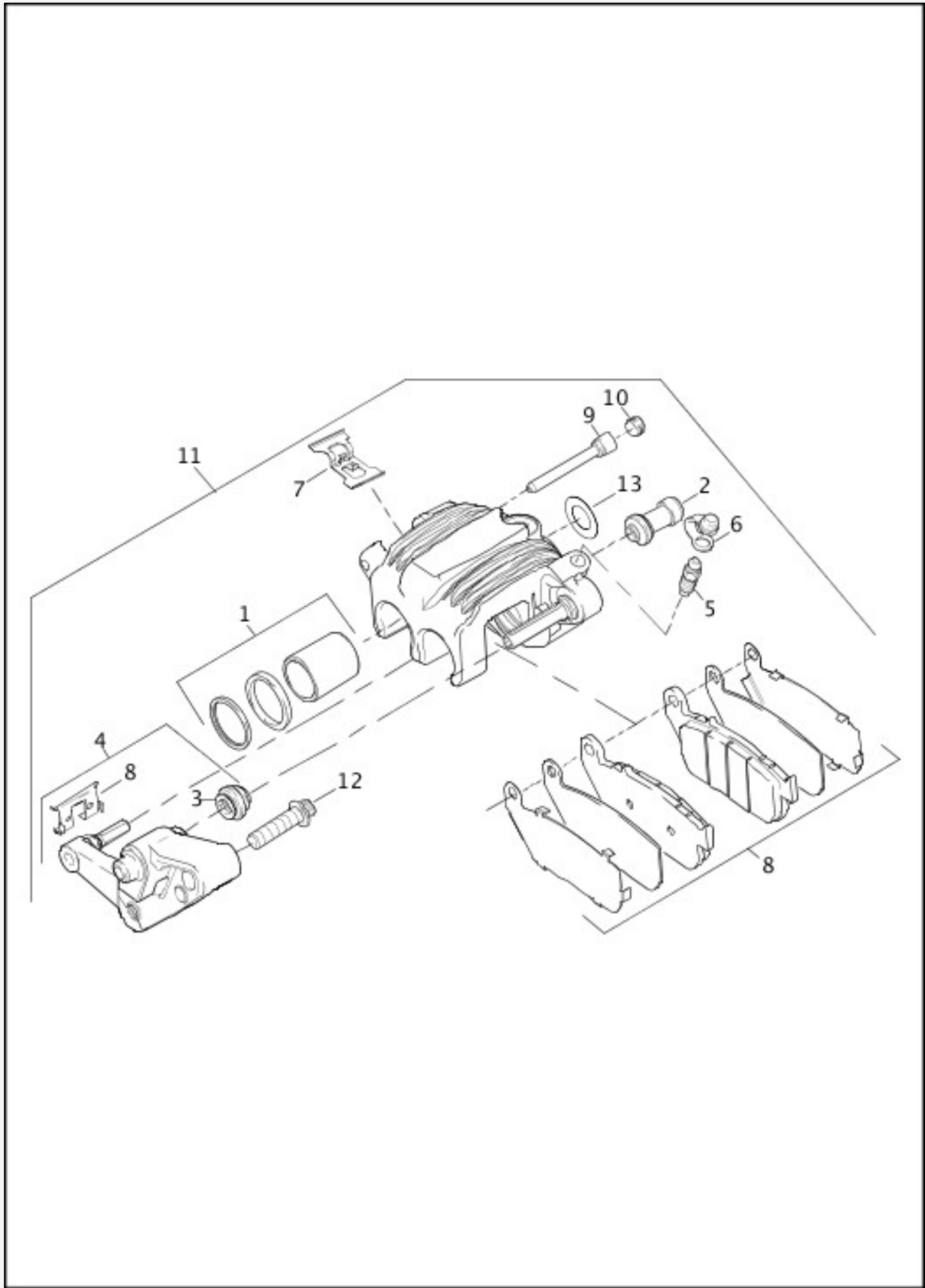
[View interactive image](#)

[View interactive table](#)

INDEX NO.	PART NO.	DESCRIPTION	MODEL(S)
1	855B	SCREW (2)	XR1200X
2	34582-	BRAKE ROD ASSEMBLY	XL1200C, XL1200C ANV, XL1200CA, XL1200CP, XL883L,

	04		XL883N, XL883R
3	42569-03	BUSHING	XL1200C, XL1200C ANV, XL1200CA, XL1200CB, XL1200CP, XL1200V, XL1200X, XL883L, XL883N, XL883R
4	42969-04	PEDAL ASSEMBLY, w/ 42569-03 (1200CP - Mid Foot Controls)	XL1200C, XL1200C ANV, XL1200CA, XL1200CP, XL883L
	42341-07	PEDAL ASSEMBLY, w/ 42569-03	XL883N, XL883R
5	42443-80A	BUSHING	XR1200X
6	34581-04	BRAKE ROD ASSEMBLY	XL1200C, XL1200C ANV, XL1200CB, XL1200CP, XL1200V
	42645-07	BRAKE ROD ASSEMBLY	XL1200C, XL1200C ANV, XL1200X
7	42649-07	PEDAL ASSEMBLY, w/ 42569-03	XL1200C, XL1200C ANV, XL1200X
	42685-04	PEDAL ASSEMBLY, w/ 42569-03 (1200CP - Forward Foot Controls)	XL1200C, XL1200C ANV, XL1200CB, XL1200CP, XL1200V
8	42949-08A	BRAKE PEDAL, w/ 42443-80A	XR1200X
9	51045-08	BRACKET	XR1200X

BRAKE CALIPER, FRONT - 883L/N/R, 1200C/CA/CB/CP/V/X



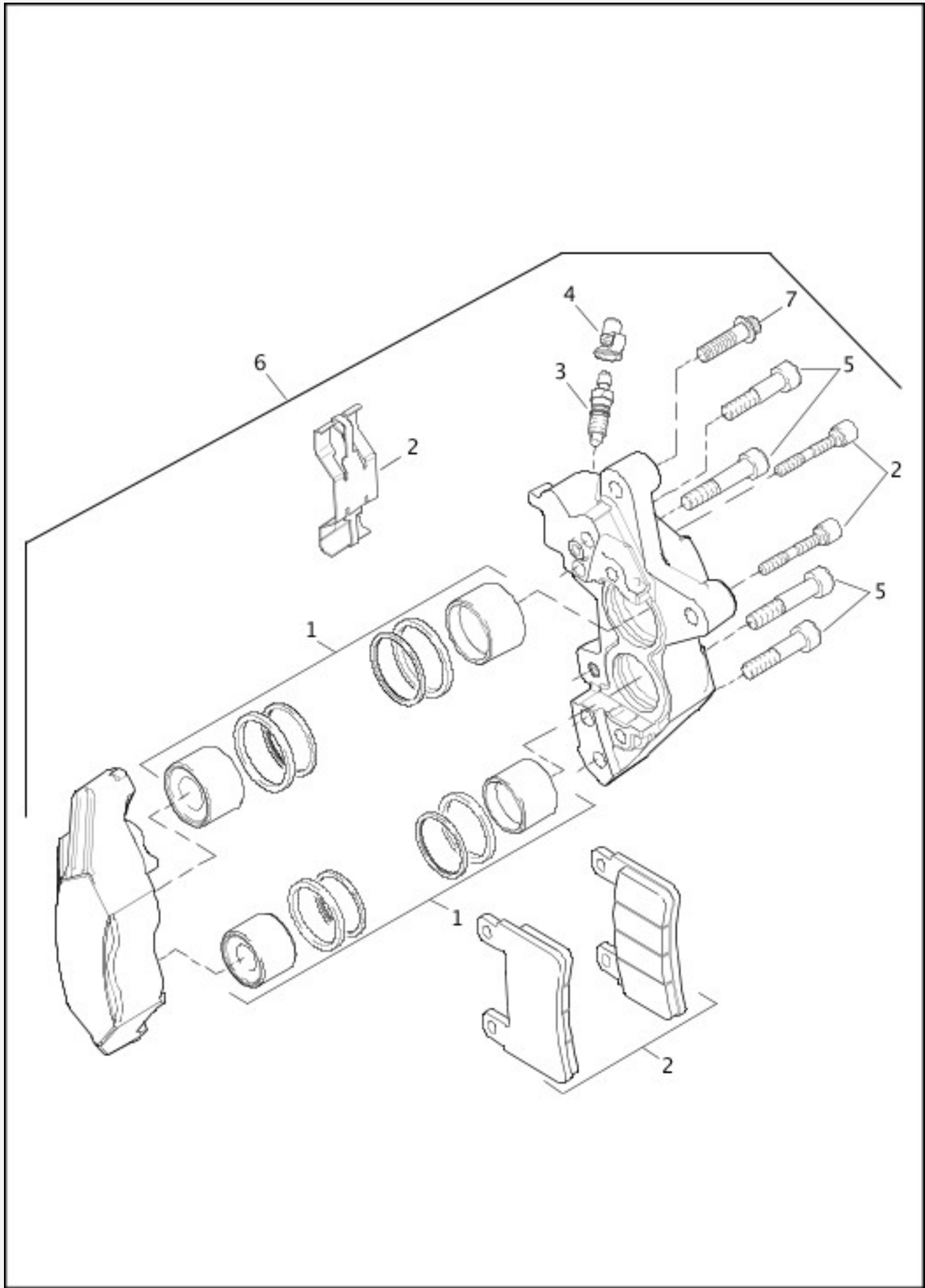
[View interactive image](#)

[View interactive table](#)

INDEX NO.	PART NO.	DESCRIPTION	MODEL(S)
1	42028-07	PISTON KIT	XL1200C, XL1200C ANV, XL1200CA, XL1200CB, XL1200CP, XL1200V, XL1200X, XL883L, XL883N, XL883R

2	42823-04	BOOT, bushing	XL1200C, XL1200C ANV, XL1200CA, XL1200CB, XL1200CP, XL1200V, XL1200X, XL883L, XL883N, XL883R
3	42824-04	BOOT, pin	XL1200C, XL1200C ANV, XL1200CA, XL1200CB, XL1200CP, XL1200V, XL1200X, XL883L, XL883N, XL883R
4	42825-04	CALIPER BRACKET ASSEMBLY, left, w/ 42824-04	XL1200C, XL1200C ANV, XL1200CA, XL1200CB, XL1200CP, XL1200V, XL883L
	42880-10	CALIPER BRACKET ASSEMBLY, left, w/ 42824-04	XL1200X, XL883N, XL883R
	42878-10	CALIPER BRACKET ASSEMBLY, right, w/ 42824-04 (not shown)	XL883R
5	42875-07	BLEEDER SCREW, w/ O-ring, left	XL1200C, XL1200C ANV, XL1200CA, XL1200CB, XL1200CP, XL1200V, XL1200X, XL883L, XL883N, XL883R
	42827-04	BLEEDER SCREW, right	XL883R
6	42828-04	CAP, right	XL883R
	42893-07	CAP, left	XL1200C, XL1200C ANV, XL1200CA, XL1200CB, XL1200CP, XL1200V, XL1200X, XL883L, XL883N, XL883R
7	42829-04	SPRING	XL1200C, XL1200C ANV, XL1200CA, XL1200CB, XL1200CP, XL1200V, XL1200X, XL883L, XL883N, XL883R
8	42831-04A	PAD KIT, w/ retainer clip	XL1200C, XL1200C ANV, XL1200CA, XL1200CB, XL1200CP, XL1200V, XL1200X, XL883L, XL883N, XL883R
9	42832-04	PAD PIN	XL1200C, XL1200C ANV, XL1200CA, XL1200CB, XL1200CP, XL1200V, XL1200X, XL883L, XL883N, XL883R
10	42838-04	PLUG	XL1200C, XL1200C ANV, XL1200CA, XL1200CB, XL1200CP, XL1200V, XL1200X, XL883L, XL883N, XL883R
11	44121-07A	CALIPER ASSEMBLY, left	XL1200C, XL1200C ANV, XL1200CA, XL1200CB, XL1200CP, XL1200V, XL883L
	42877-10	CALIPER ASSEMBLY, right (not shown)	XL883R
	42879-10	CALIPER ASSEMBLY, left	XL1200X, XL883N, XL883R
12	44160-00	BOLT (2)	XL1200C, XL1200C ANV, XL1200CA, XL1200CB, XL1200CP, XL1200V, XL1200X, XL883L, XL883N
	44160-00	BOLT (4)	XL883R
13	44440-04	DECAL	XL1200C, XL1200C ANV, XL1200CA, XL1200CB, XL1200CP, XL1200V, XL1200X, XL883L, XL883N, XL883R

BRAKE CALIPER, FRONT - XR1200X



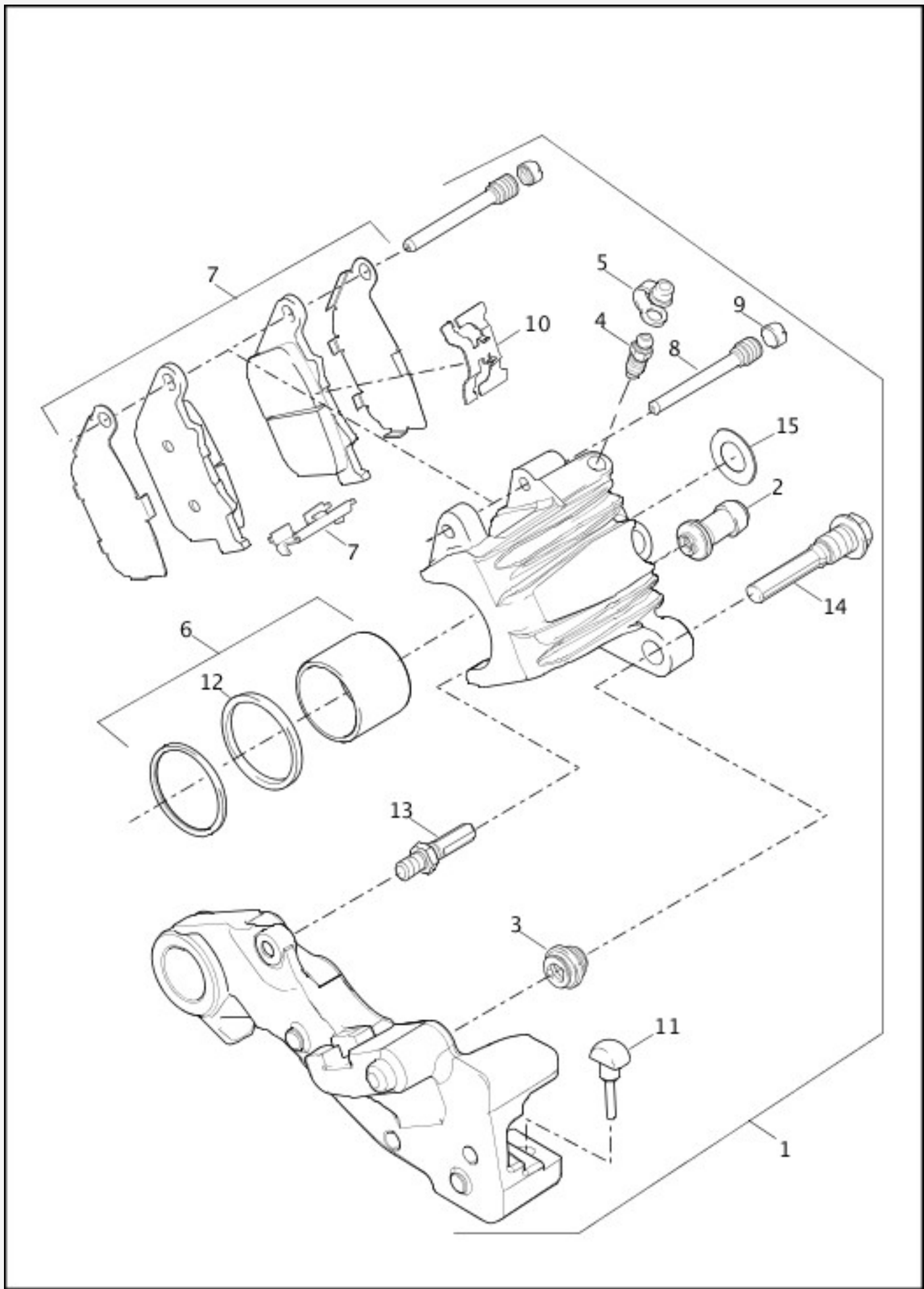
[View interactive image](#)

[View interactive table](#)

INDEX NO.	PART NO.	DESCRIPTION	MODEL(S)
1	21965-08	PISTON KIT	XR1200X
2	42739-08	PAD KIT, w/ spring & pins	XR1200X

3	42827-04	BLEEDER SCREW, right	XR1200X
	42875-07	BLEEDER SCREW, left, w/ O-ring	XR1200X
4	42828-04	CAP, right	XR1200X
	42893-07	CAP, left	XR1200X
5	42899-08	BOLT KIT (4)	XR1200X
6	42943-08	CALIPER ASSEMBLY, left	XR1200X
	42944-08	CALIPER ASSEMBLY, right	XR1200X
7	44160-00	BOLT (2)	XR1200X

BRAKE CALIPER, REAR - 883L/N/R, 1200C/CA/CB/CP/V/X



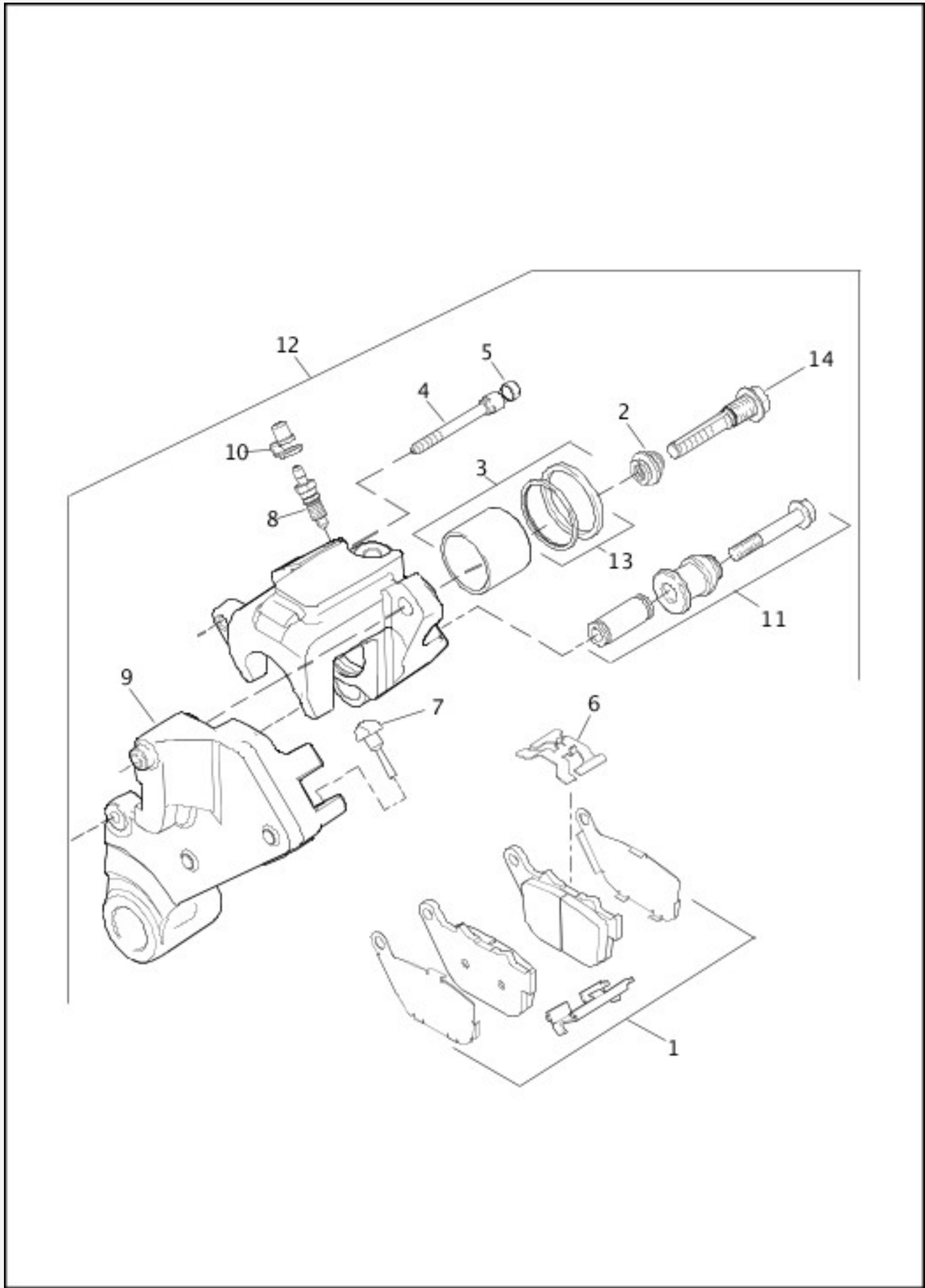
[View interactive image](#)

[View interactive table](#)

INDEX NO.	PART NO.	DESCRIPTION	MODEL(S)
1	40968-11	CALIPER ASSEMBLY (silver)	XL1200C, XL1200C ANV, XL1200CA, XL1200CB, XL1200CP, XL1200V, XL883L

	42881-11	CALIPER ASSEMBLY (black)	XL1200X, XL883N, XL883R
2	42823-04	BOOT, bushing	XL1200C, XL1200C ANV, XL1200CA, XL1200CB, XL1200CP, XL1200V, XL1200X, XL883L, XL883N, XL883R
3	42824-04	BOOT, pin	XL1200C, XL1200C ANV, XL1200CA, XL1200CB, XL1200CP, XL1200V, XL1200X, XL883L, XL883N, XL883R
4	42875-07	BLEEDER SCREW, w/ O-ring	XL1200C, XL1200C ANV, XL1200CA, XL1200CB, XL1200CP, XL1200V, XL1200X, XL883L, XL883N, XL883R
5	42893-07	CAP	XL1200C, XL1200C ANV, XL1200CA, XL1200CB, XL1200CP, XL1200V, XL1200X, XL883L, XL883N, XL883R
6	42834-04	PISTON KIT	XL1200C, XL1200C ANV, XL1200CA, XL1200CB, XL1200CP, XL1200V, XL1200X, XL883L, XL883N, XL883R
7	42029-07	PAD KIT	XL1200C, XL1200C ANV, XL1200CA, XL1200CB, XL1200CP, XL1200V, XL1200X, XL883L, XL883N, XL883R
8	42837-04	PAD PIN	XL1200C, XL1200C ANV, XL1200CA, XL1200CB, XL1200CP, XL1200V, XL1200X, XL883L, XL883N, XL883R
9	42838-04	PLUG	XL1200C, XL1200C ANV, XL1200CA, XL1200CB, XL1200CP, XL1200V, XL1200X, XL883L, XL883N, XL883R
10	42839-04	SPRING	XL1200C, XL1200C ANV, XL1200CA, XL1200CB, XL1200CP, XL1200V, XL1200X, XL883L, XL883N, XL883R
11	42840-04	DAMPER	XL1200C, XL1200C ANV, XL1200CA, XL1200CB, XL1200CP, XL1200V, XL1200X, XL883L, XL883N, XL883R
12	43528-04	SEAL KIT	XL1200C, XL1200C ANV, XL1200CA, XL1200CB, XL1200CP, XL1200V, XL1200X, XL883L, XL883N, XL883R
13	44178-04	PIN	XL1200C, XL1200C ANV, XL1200CA, XL1200CB, XL1200CP, XL1200V, XL1200X, XL883L, XL883N, XL883R
14	44184-04	PIN	XL1200C, XL1200C ANV, XL1200CA, XL1200CB, XL1200CP, XL1200V, XL1200X, XL883L, XL883N, XL883R
15	44440-04	DECAL	XL1200C, XL1200C ANV, XL1200CA, XL1200CB, XL1200CP, XL1200V, XL1200X, XL883L, XL883N, XL883R

BRAKE CALIPER, REAR - XR1200X



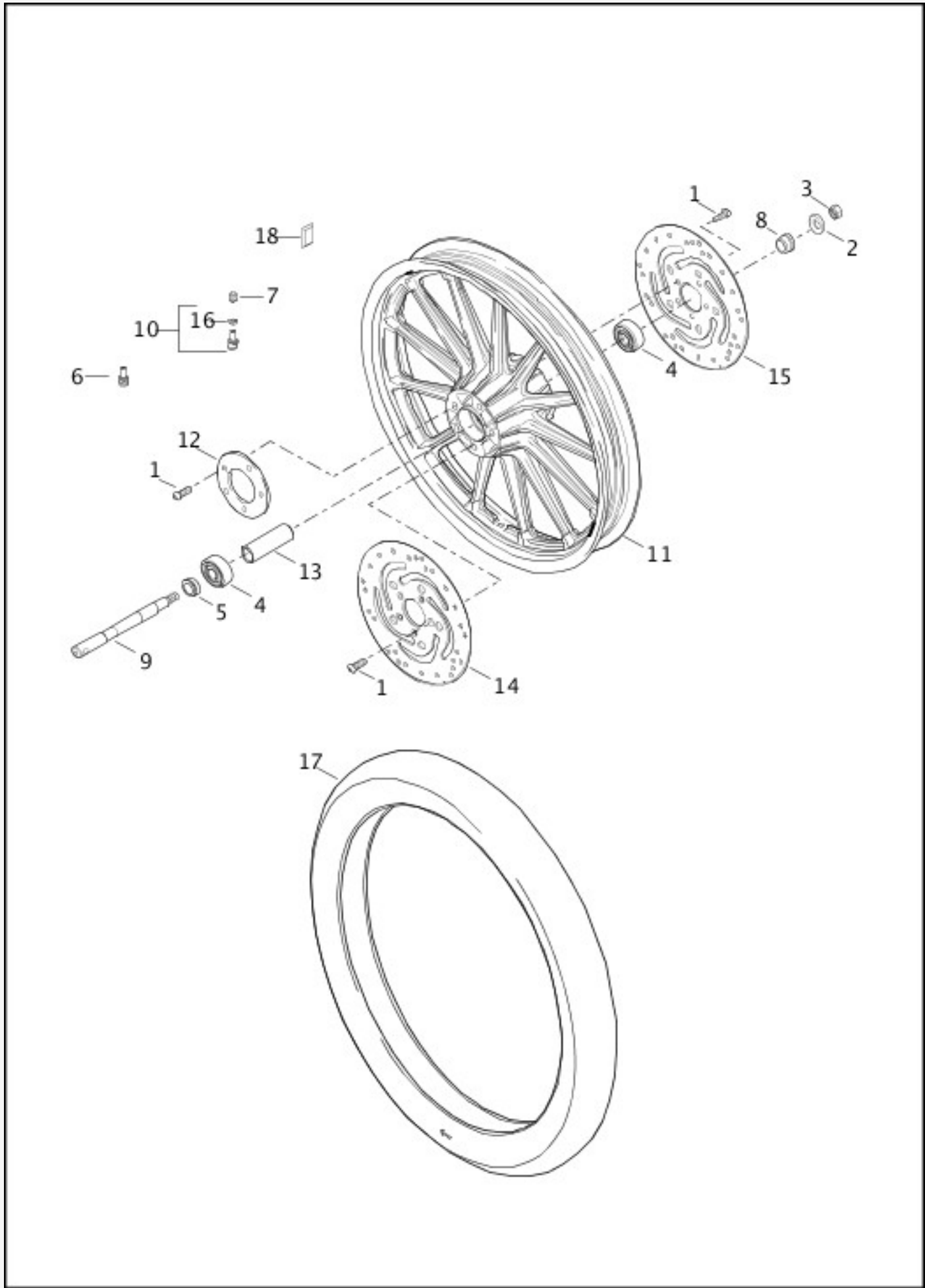
[View interactive image](#)

[View interactive table](#)

INDEX NO.	PART NO.	DESCRIPTION	MODEL(S)
1	42310-08	PAD KIT	XR1200X
2	42824-04	BOOT, pin	XR1200X

3	42834-04	PISTON KIT, w/ 43528-04	XR1200X
4	42837-04	PAD PIN	XR1200X
5	42838-04	PLUG	XR1200X
6	42839-04	SPRING	XR1200X
7	42840-04	DAMPER	XR1200X
8	42875-07	BLEEDER SCREW, w/ O-ring	XR1200X
9	42892-08	BRACKET ASSEMBLY, w/ 42824-04, 42840-04	XR1200X
10	42893-07	CAP	XR1200X
11	42900-08	BOLT & SLEEVE KIT	XR1200X
12	42948-08	CALIPER ASSEMBLY, w/ 1, 3, 4, 5, 6, 8, 9, 10, 11 & 14	XR1200X
13	43528-04	SEAL KIT	XR1200X
14	44184-04	PIN	XR1200X

WHEELS, FRONT, CAST - 883L/N/R, 1200C/CA/CP



[View interactive image](#)

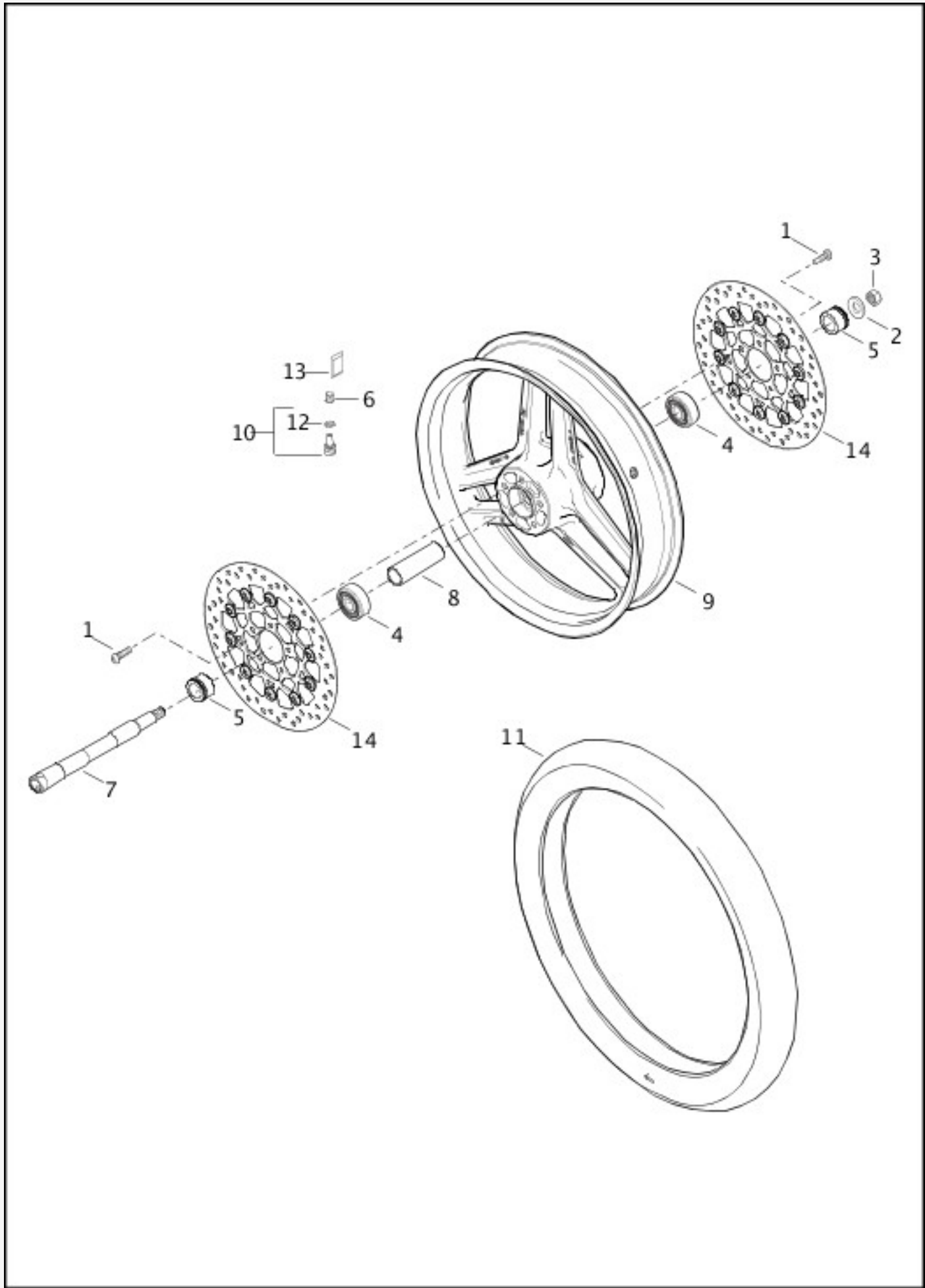
[View interactive table](#)

INDEX NO.	PART NO.	DESCRIPTION	MODEL(S)
1	3655A	SCREW (10)	XL1200C, XL1200C ANV, XL1200CA, XL1200CP, XL883L, XL883N, XL883R

2	6594	WASHER	XL1200C, XL1200C ANV, XL1200CA, XL1200CP, XL883L, XL883N, XL883R
3	7813A	NUT	XL1200C, XL1200C ANV, XL1200CA, XL1200CP, XL883L, XL883N, XL883R
4	9276A	BALL BEARING, 25mm (2)	XL1200C, XL1200C ANV, XL1200CA, XL1200CP, XL883L, XL883N, XL883R
5	11804	SPACER, right	XL1200C, XL1200C ANV, XL1200CA, XL1200CP, XL883L
	43358-08	SPACER, right	XL883N, XL883R
6	40999-87	VALVE STEM	XL1200C, XL1200C ANV, XL1200CA, XL1200CP
7	41123-79	VALVE CAP	XL1200C, XL1200C ANV, XL1200CA, XL1200CP, XL883L, XL883N, XL883R
8	41242-08	SPACER, left	XL1200C, XL1200C ANV, XL1200CA, XL1200CP, XL883L
	43522-08	SPACER, left	XL883N, XL883R
9	41628-08	AXLE	XL1200C, XL1200C ANV, XL1200CA, XL1200CP, XL883L
	43895-08	AXLE	XL883N, XL883R
10	43157-83A	VALVE STEM ASSEMBLY, w/ 54321-85	XL883L, XL883N, XL883R
11	43499-08	WHEEL ASSEMBLY, 19 in. (13 spoke) (black) w/o bearings & sleeves	XL883R
	47875-09A	WHEEL ASSEMBLY, 19 in. (13 spoke) (black) w/o bearings & sleeves	XL883N
	43689-11	WHEEL ASSEMBLY, 18 in. (5 spoke) (black) w/o bearings & sleeves (not shown)	XL883L
	55018-11	WHEEL ASSEMBLY, 16 in. (5 spoke) (chrome) w/o bearings & sleeves (not shown)	XL1200C, XL1200C ANV, XL1200CP
	55074-11	WHEEL ASSEMBLY, 16 in. (5 spoke) (black) w/o bearings & sleeves (not shown)	XL1200CA, XL1200CP
12	43355-00	HUB PLATE (flat black)	XL883N
	43359-00	HUB PLATE (silver)	XL883L
13	43906-08	SPACER	XL883N, XL883R

	11888	SPACER	XL1200C, XL1200C ANV, XL1200CA, XL1200CP, XL883L
14	44136-00	BRAKE DISC, right	XL883R
15	44156-00	BRAKE DISC, left	XL1200C, XL1200C ANV, XL1200CA, XL1200CP, XL883L, XL883N, XL883R
16	54321-85	NUT	XL883L, XL883N, XL883R
17	40879-11A	TIRE	XL883L
	43258-07B	TIRE	XL883N, XL883R
	55035-11	TIRE	XL1200C, XL1200C ANV, XL1200CA, XL1200CP
18	95595-84A	WHEEL WEIGHT, 5 grams (silver)	XL1200C, XL1200C ANV, XL1200CA, XL1200CP, XL883L, XL883N, XL883R

WHEEL, FRONT, CAST - XR1200X



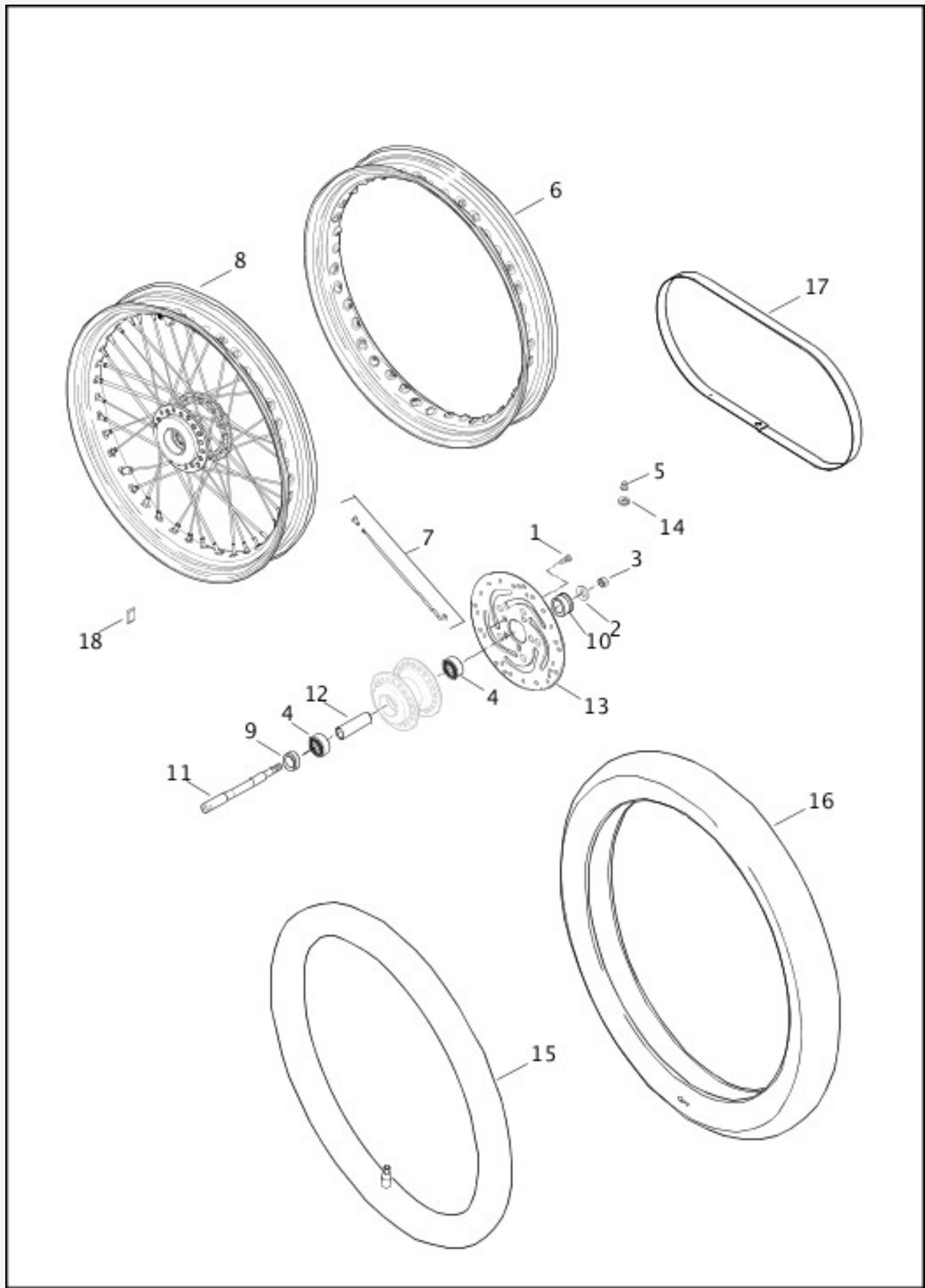
[View interactive image](#)

[View interactive table](#)

INDEX NO.	PART NO.	DESCRIPTION	MODEL(S)
1	3655A	SCREW (10)	XR1200X
2	6594	WASHER	XR1200X

3	7813A	NUT	XR1200X
4	9276A	BALL BEARING, 25mm (2)	XR1200X
5	11804	SPACER (2)	XR1200X
6	41123-79	VALVE CAP	XR1200X
7	41628-08	AXLE (front)	XR1200X
8	41748-08	SLEEVE	XR1200X
9	43343-10	WHEEL ASSEMBLY, 18 in. (3 spoke) (black w/ stripe) w/o bearings & sleeves	XR1200X
10	43157-83A	VALVE STEM ASSEMBLY, w/ 54321-85	XR1200X
11	40879-11A	TIRE	XR1200X
12	54321-85	NUT	XR1200X
13	95594-84A	WHEEL WEIGHT, 5 grams (black)	XR1200X
14	41822-10	BRAKE DISC (2)	XR1200X

WHEELS, FRONT, LACED - 1200C/CB/CP/V/X



[View interactive image](#)

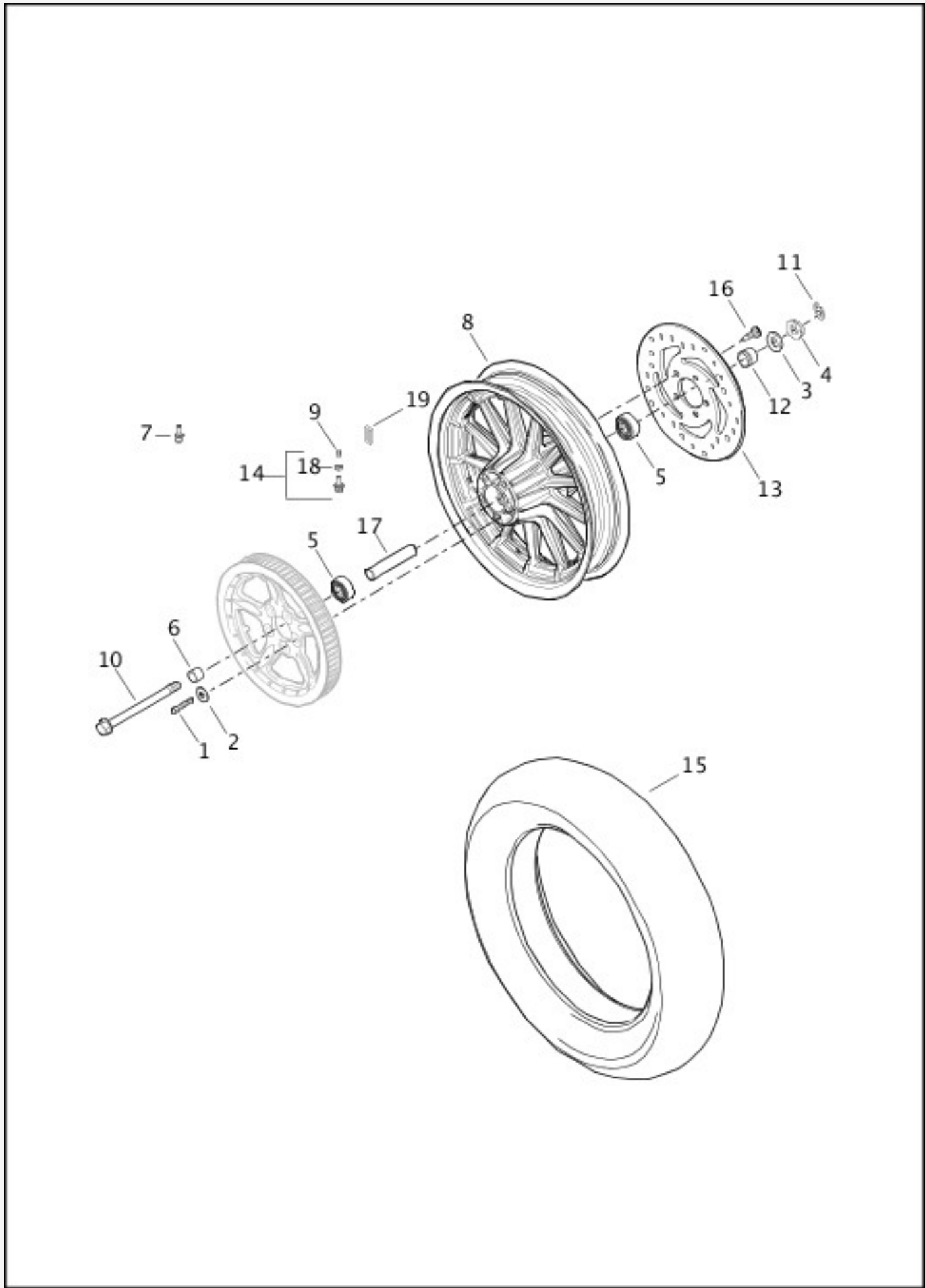
[View interactive table](#)

INDEX NO.	PART NO.	DESCRIPTION	MODEL(S)
1	3655A	SCREW (5)	XL1200C, XL1200CB, XL1200CP, XL1200V, XL1200X

2	6594	WASHER	XL1200C, XL1200CB, XL1200CP, XL1200V, XL1200X
3	7813A	NUT	XL1200C, XL1200CB, XL1200CP, XL1200V, XL1200X
4	9276A	BALL BEARING, 25mm (2)	XL1200C, XL1200CB, XL1200CP, XL1200V, XL1200X
5	41123-79	VALVE CAP	XL1200C, XL1200CB, XL1200CP, XL1200V, XL1200X
6	41389-10	RIM, 16 in. (black)	XL1200CB, XL1200CP, XL1200X
	43662-80B	RIM, 21 in. (chrome)	XL1200V
	55127-11	RIM, 16 in. (chrome)	XL1200C, XL1200CP
7	40759-05	SPOKE & NIPPLE KIT, 21 in. rim - long (chrome) (set of 20)	XL1200V
	40760-05	SPOKE & NIPPLE KIT, 21 in. rim - short (chrome) (set of 20)	XL1200V
	47887-10	SPOKE & NIPPLE KIT, 16 in. rim (set of 32)	XL1200C, XL1200CB, XL1200CP, XL1200X
8	41388-10	WHEEL ASSEMBLY, 16 in. (black) w/o bearings & sleeves	XL1200CB, XL1200CP, XL1200X
	43557-08	WHEEL ASSEMBLY, 21 in. (chrome) w/o bearings & sleeves	XL1200V
	55126-11	WHEEL ASSEMBLY, 16 in. (chrome) w/o bearings & sleeves	XL1200C, XL1200CP
9	43358-08	SPACER, right	XL1200V
	11804	SPACER, right	XL1200C, XL1200CB, XL1200CP, XL1200X
10	43522-08	SPACER, left	XL1200V
	41242-08	SPACER, left	XL1200C, XL1200CB, XL1200CP, XL1200X
11	43895-08	AXLE	XL1200V
	41628-08	AXLE	XL1200C, XL1200CB, XL1200CP, XL1200X
12	43906-08	SPACER	XL1200V
	11888	SPACER	XL1200C, XL1200CB, XL1200CP, XL1200X
13	44156-00	BRAKE DISC	XL1200C, XL1200CB, XL1200CP, XL1200V, XL1200X
14	54321-85	NUT	XL1200C, XL1200CB, XL1200CP, XL1200V, XL1200X
15	40558-82	INNER TUBE	XL1200X

	40572-11	INNER TUBE	XL1200C, XL1200CB, XL1200CP
	43140-80	INNER TUBE	XL1200V
16	55035-11	TIRE	XL1200C, XL1200CB, XL1200CP, XL1200X
	43100004	TIRE	XL1200V
17	40875-11	RIM STRIP	XL1200C, XL1200CB, XL1200CP, XL1200X
	43939-89	RIM STRIP	XL1200V
18	95595-84A	WHEEL WEIGHT, 5 grams (silver)	XL1200V
	95594-84A	WHEEL WEIGHT, 5 grams (black)	XL1200C, XL1200CB, XL1200CP, XL1200X

WHEELS, REAR, CAST - 883L/N/R, 1200C/CA/CP



[View interactive image](#)

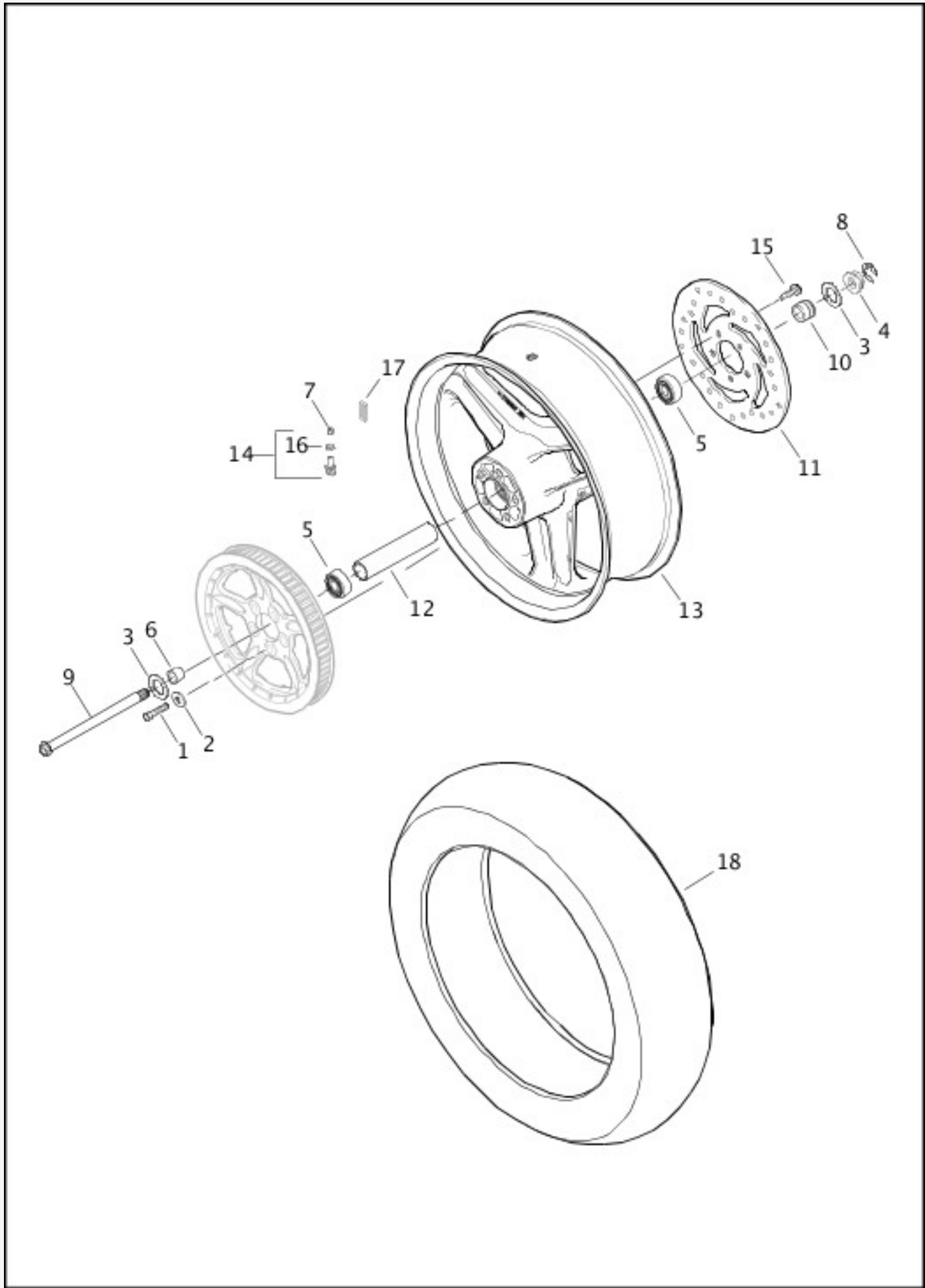
[View interactive table](#)

INDEX NO.	PART NO.	DESCRIPTION	MODEL(S)
1	3899	SCREW (5)	XL1200C, XL1200C ANV, XL1200CA, XL1200CP, XL883L, XL883N, XL883R

2	6516HW	WASHER (5)	XL1200C, XL1200C ANV, XL1200CA, XL1200CP, XL883L, XL883N, XL883R
3	6551	WASHER	XL1200C, XL1200C ANV, XL1200CA, XL1200CP, XL883L, XL883N, XL883R
4	8020	NUT	XL1200C, XL1200C ANV, XL1200CA, XL1200CP, XL883L, XL883N, XL883R
5	9276A	BALL BEARING, 25mm (2)	XL1200C, XL1200C ANV, XL1200CA, XL1200CP, XL883L, XL883N, XL883R
6	40930-05	SPACER, right	XL1200C, XL1200C ANV, XL1200CA, XL1200CP, XL883L, XL883N, XL883R
7	40999-87	VALVE STEM	XL1200C, XL1200C ANV, XL1200CA, XL1200CP
8	41012-08	WHEEL ASSEMBLY, 16 in. (13 spoke) (black) w/o bearings & sleeves	XL883R
	47878-09A	WHEEL ASSEMBLY, 16 in. (13 spoke) (black) w/o bearings & sleeves	XL883N
	55019-11A	WHEEL ASSEMBLY, 16 in. (5 spoke) (chrome) w/o bearings & sleeves (not shown)	XL1200C, XL1200C ANV, XL1200CP
	55076-11A	WHEEL ASSEMBLY, 16 in. (5 spoke) (black) w/o bearings & sleeves (not shown)	XL1200CA, XL1200CP
	44012-11A	WHEEL ASSEMBLY, 17 in. (5 spoke) (black) w/o bearings & sleeves (not shown)	XL883L
9	41123-79	VALVE CAP	XL1200C, XL1200C ANV, XL1200CA, XL1200CP, XL883L, XL883N, XL883R
10	41176-08	AXLE ASSEMBLY	XL1200C, XL1200C ANV, XL1200CA, XL1200CP, XL883L, XL883N, XL883R
11	41229-08	RETAINING RING	XL1200C, XL1200C ANV, XL1200CA, XL1200CP, XL883L, XL883N, XL883R
12	41242-08	SPACER, left	XL1200C, XL1200C ANV, XL1200CA, XL1200CP, XL883L, XL883N, XL883R
13	41833-08	BRAKE DISC	XL1200C, XL1200C ANV, XL1200CA, XL1200CP, XL883L, XL883N, XL883R
14	43157-83A	VALVE STEM ASSEMBLY, w/ 54321-85	XL883L, XL883N, XL883R
15	40878-11	TIRE	XL883N, XL883R
	43216-11	TIRE	XL883L
	40878-11	TIRE	XL1200C, XL1200C ANV, XL1200CA, XL1200CP

16	43567-92	SCREW (5)	XL1200C, XL1200C ANV, XL1200CA, XL1200CP, XL883L, XL883N, XL883R
17	43905-08	SLEEVE	XL1200C, XL1200C ANV, XL1200CA, XL1200CP, XL883L, XL883N, XL883R
18	54321-85	NUT	XL883L, XL883N, XL883R
19	95594-84A	WHEEL WEIGHT, 5 grams (black) (5)	XL1200CA, XL1200CP
	95595-84A	WHEEL WEIGHT, 5 grams (silver) (4)	XL1200C, XL1200C ANV, XL1200CP, XL883L, XL883N, XL883R

WHEEL, REAR, CAST - XR1200X



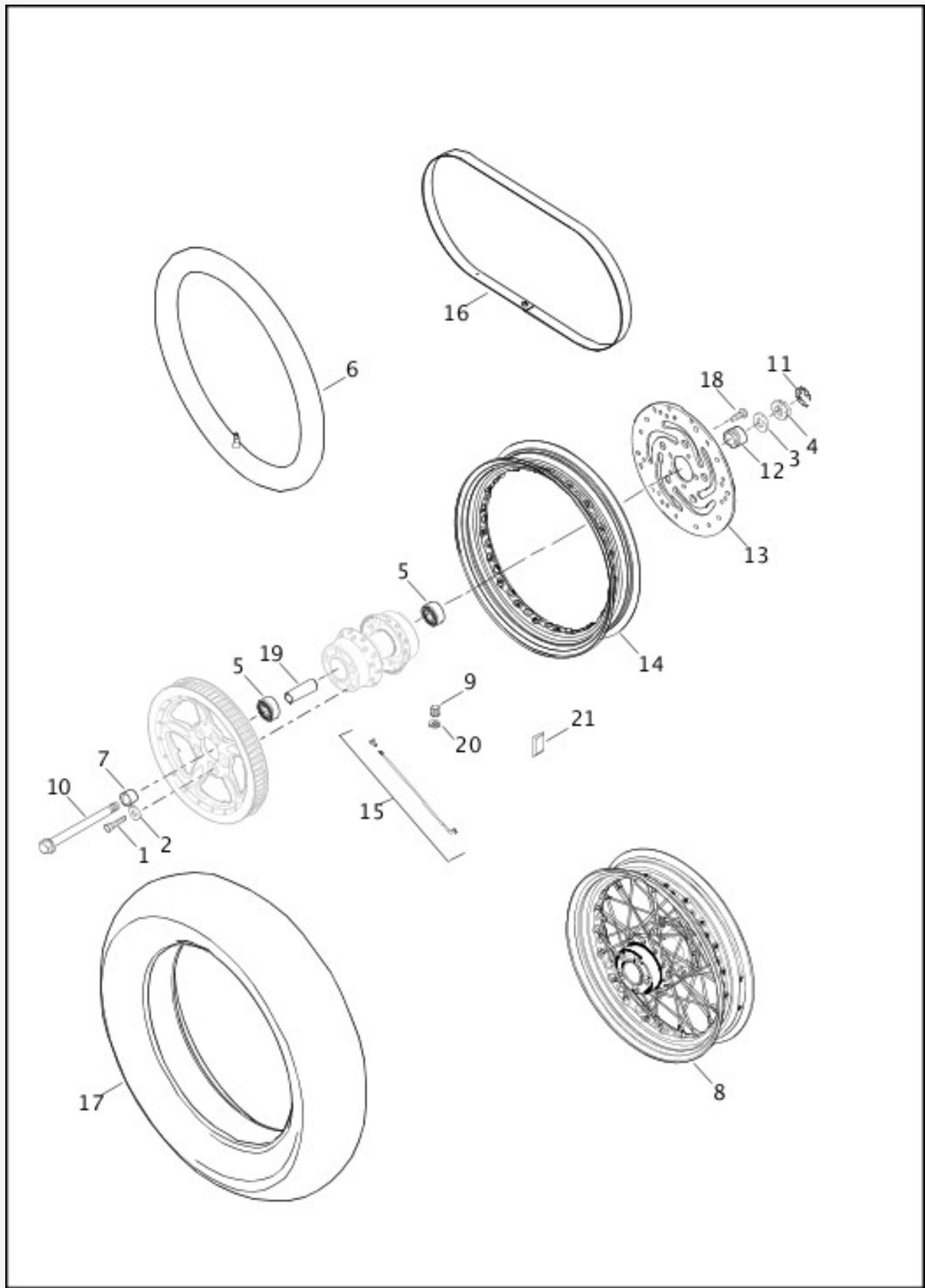
[View interactive image](#)

[View interactive table](#)

INDEX NO.	PART NO.	DESCRIPTION	MODEL(S)
1	3899	SCREW (5)	XR1200X
2	6516HW	WASHER (5)	XR1200X

3	6551	WASHER (2)	XR1200X
4	8190	NUT	XR1200X
5	9276A	BALL BEARING, 25mm (2)	XR1200X
6	40930-05	SPACER, left	XR1200X
7	41123-79	VALVE CAP	XR1200X
8	41229-08	RETAINING RING	XR1200X
9	41627-08	AXLE ASSEMBLY	XR1200X
10	41730-08	SPACER, right	XR1200X
11	41833-08	BRAKE DISC	XR1200X
12	41858-08	SLEEVE	XR1200X
13	43348-10	WHEEL ASSEMBLY, 17 in., w/o bearings & sleeve	XR1200X
14	43157-83A	VALVE STEM ASSEMBLY, w/ 54321-85	XR1200X
15	43567-92	SCREW (5)	XR1200X
16	54321-85	NUT	XR1200X
17	95594-84A	WHEEL WEIGHT, 5 grams (4)	XR1200X
18	43200011	TIRE	XR1200X

WHEELS, REAR, LACED - 1200C/CB/CP/V/X



[View interactive image](#)

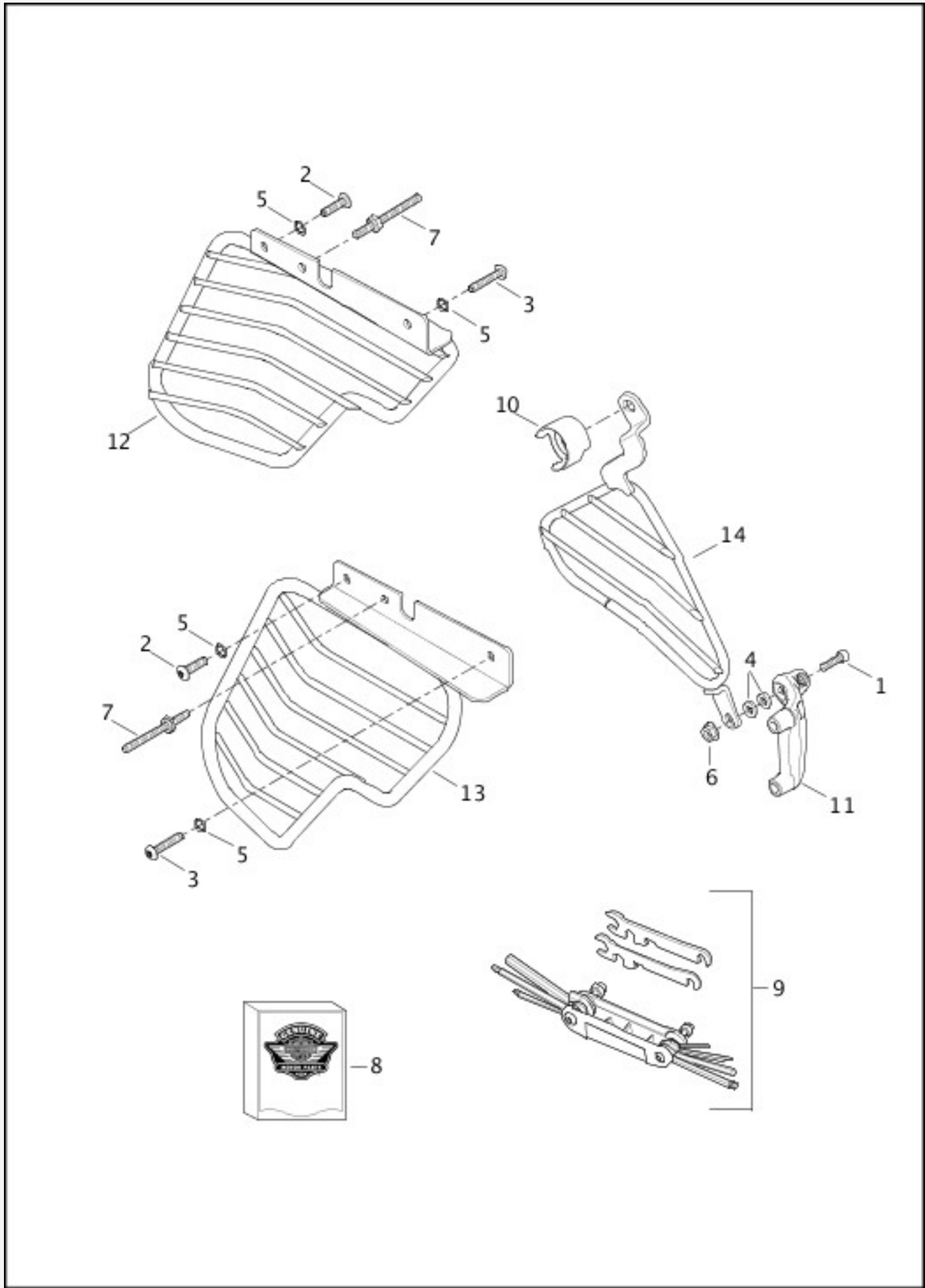
[View interactive table](#)

INDEX NO.	PART NO.	DESCRIPTION	MODEL(S)
1	3899	SCREW (5)	XL1200C, XL1200CB, XL1200CP, XL1200V, XL1200X

2	6516HW	WASHER (5)	XL1200C, XL1200CB, XL1200CP, XL1200V, XL1200X
3	6551	WASHER	XL1200C, XL1200CB, XL1200CP, XL1200V, XL1200X
4	8020	NUT	XL1200C, XL1200CB, XL1200CP, XL1200V, XL1200X
5	9276A	BALL BEARING, 25mm (2)	XL1200C, XL1200CB, XL1200CP, XL1200V, XL1200X
6	40558-82	INNER TUBE	XL1200V
	40572-11	INNER TUBE	XL1200C, XL1200CB, XL1200CP, XL1200X
7	40930-05	SPACER, wheel bearing, sprocket side	XL1200C, XL1200CB, XL1200CP, XL1200V, XL1200X
8	41082-08A	WHEEL ASSEMBLY, 16 in. (chrome) w/o bearings & sleeves	XL1200C, XL1200CP, XL1200V
	41478-10A	WHEEL ASSEMBLY, 16 in. (black) w/o bearings & sleeves	XL1200CB, XL1200CP, XL1200X
9	41123-79	VALVE CAP	XL1200C, XL1200CB, XL1200CP, XL1200V, XL1200X
10	41176-08	AXLE ASSEMBLY	XL1200C, XL1200CB, XL1200CP, XL1200V, XL1200X
11	41229-08	RETAINING RING	XL1200C, XL1200CB, XL1200CP, XL1200V, XL1200X
12	41242-08	SPACER, disk side	XL1200C, XL1200CB, XL1200CP, XL1200V, XL1200X
13	41833-08	BRAKE DISC	XL1200C, XL1200CB, XL1200CP, XL1200V, XL1200X
14	43017-07	RIM, laced wheel, 16 in. (black)	XL1200CB, XL1200CP, XL1200X
	43085-97	RIM, laced wheel, 16 in. (chrome)	XL1200C, XL1200CP, XL1200V
15	43241-05	SPOKE & NIPPLE KIT, 16 in. rim (chrome) (set of 40)	XL1200C, XL1200CB, XL1200CP, XL1200V, XL1200X
16	43147-40	RIM STRIP	XL1200V
	40875-11	RIM STRIP	XL1200C, XL1200CB, XL1200CP, XL1200X
17	40878-11	TIRE	XL1200C, XL1200CB, XL1200CP, XL1200X
	43200007	TIRE	XL1200V
18	43567-92	SCREW (5)	XL1200C, XL1200CB, XL1200CP, XL1200V, XL1200X
19	43905-08	SLEEVE, bearing spacer	XL1200C, XL1200CB, XL1200CP, XL1200V,

			XL1200X
20	54321-85	NUT	XL1200C, XL1200CB, XL1200CP, XL1200V, XL1200X
21	95595-84A	WHEEL WEIGHT, 5 grams (silver) (LH - chrome wheel)	XL1200C, XL1200CP, XL1200V
	95594-84A	WHEEL WEIGHT, 5 grams (black) (LH - black wheel)	XL1200CB, XL1200CP, XL1200X

GUARDS, SAREE



[View interactive image](#)

[View interactive table](#)

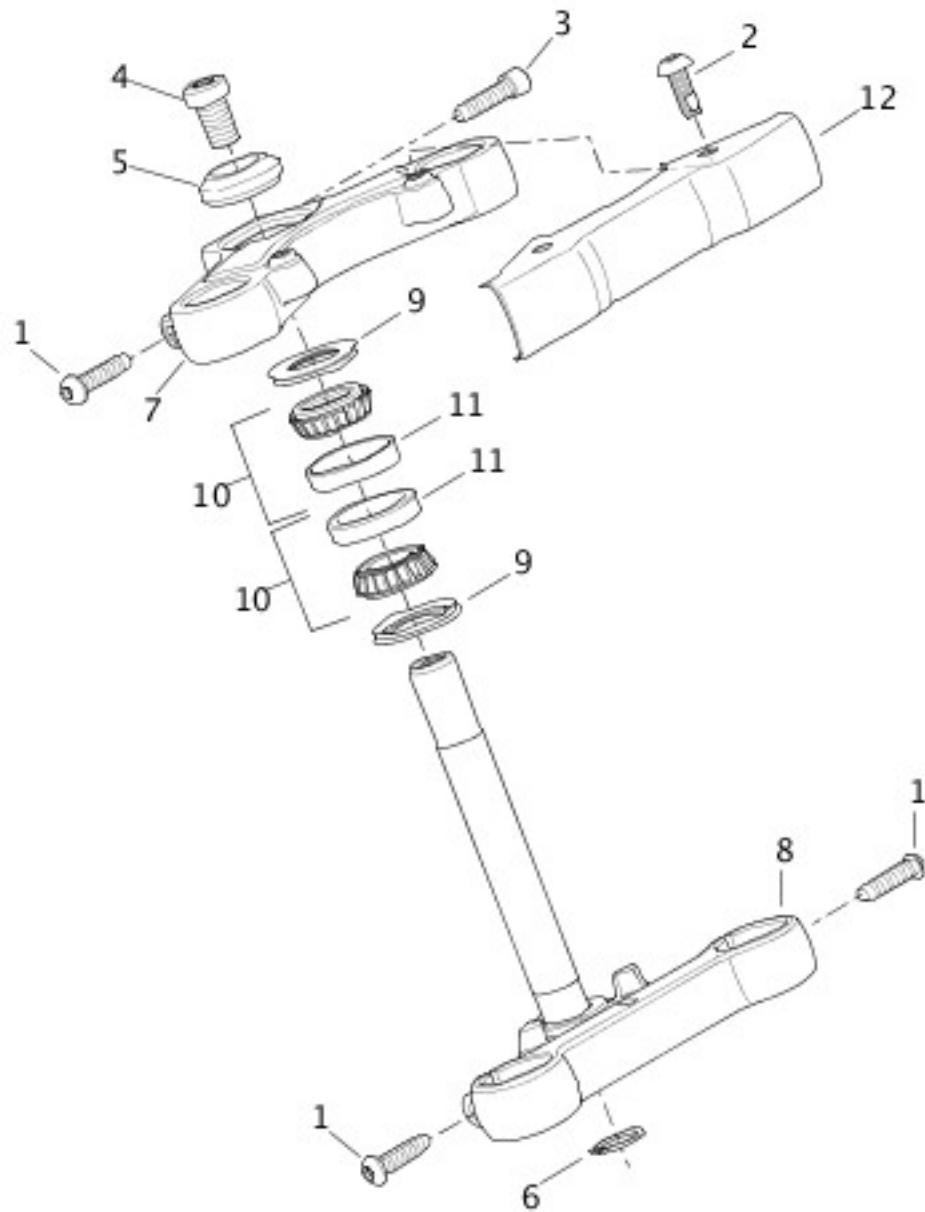
INDEX NO.	PART NO.	DESCRIPTION	MODEL(S)
-----------	----------	-------------	----------

NOTE: These parts are required for motorcycles sold in the India market.

1	2708A	SCREW	XL1200C, XL883R
---	-------	-------	-----------------

2	4778	SCREW (2)	XL1200C, XL883R
3	4779	SCREW (2)	XL1200C, XL883R
4	6109	WASHER (2)	XL1200C, XL883R
5	6798	WASHER (4)	XL1200C, XL883R
6	7531	LOCKNUT	XL1200C, XL883R
7	56104-02	SCREW (2)	XL1200C, XL883R
8	93511-10	FIRST AID KIT	XL1200C, XL1200X, XL883L, XL883N, XL883R
9	94435-10	FOLDING TOOL	XL1200C, XL1200X, XL883L, XL883N, XL883R
10	47200177	COVER, shock stud	XL1200C, XL883R
11	50500227	BRACKET, support	XL1200C, XL883R
12	60300007	SAREE GUARD, left - rear	XL1200C, XL883R
13	60300008	SAREE GUARD, right	XL1200C, XL883R
14	60300009	SAREE GUARD, left - front	XL1200C, XL883R

FORK BRACKETS, FRONT - 883L/N/R, 1200C/CA/CB/CP/V/X



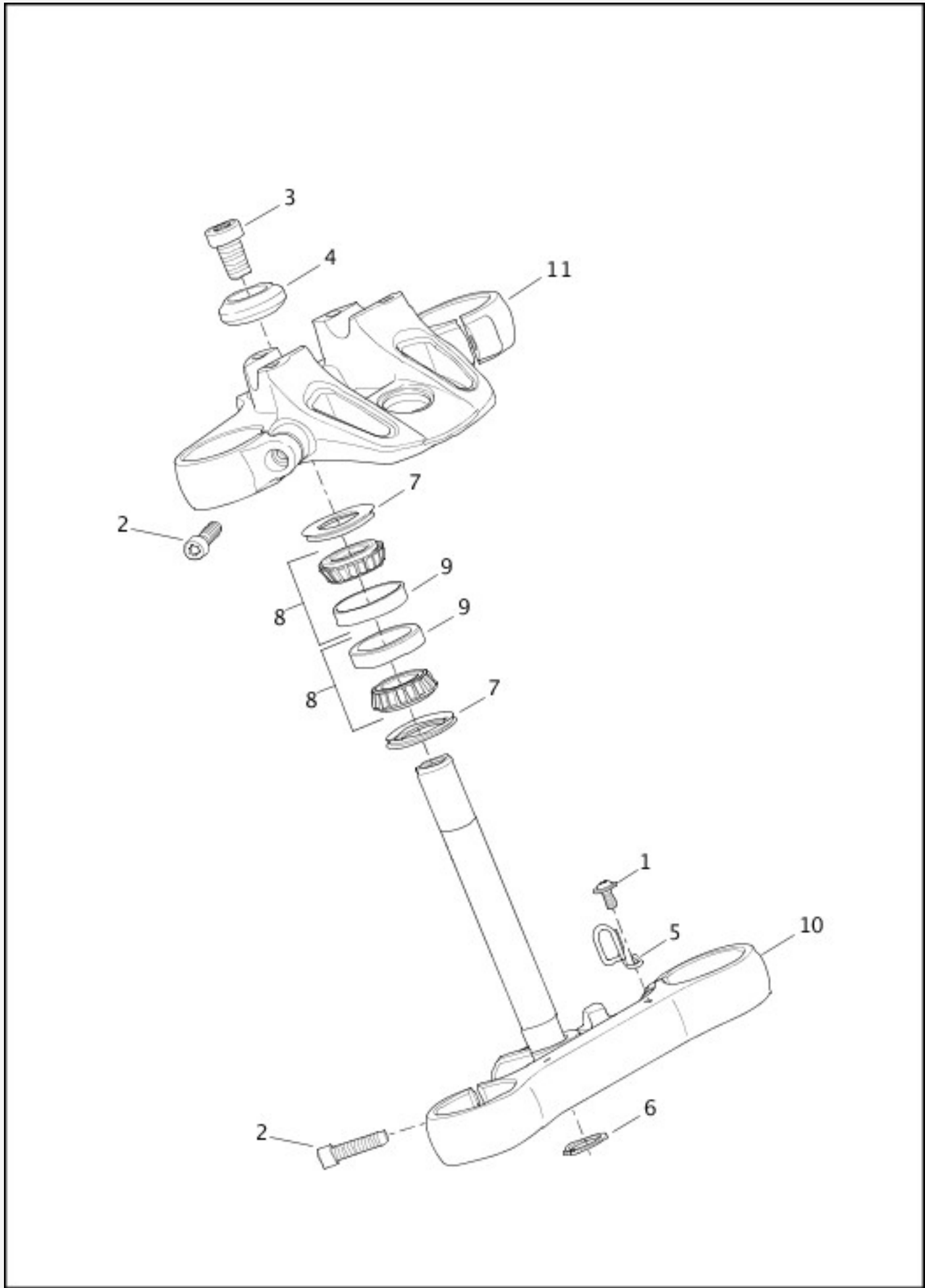
[View interactive image](#)

[View interactive table](#)

INDEX NO.	PART NO.	DESCRIPTION	MODEL(S)
1	3056	SCREW (4)	XL1200C, XL1200C ANV, XL1200CA, XL1200CB, XL1200CP, XL1200V, XL1200X, XL883L, XL883N, XL883R

2	4359	SCREW (2)	XL1200V
3	4352	SCREW	XL1200C, XL1200C ANV, XL1200CA, XL1200CB, XL1200CP, XL1200V, XL1200X, XL883L, XL883N, XL883R
4	4993	BOLT	XL1200C, XL1200C ANV, XL1200CA, XL1200CB, XL1200CP, XL1200V, XL1200X, XL883L, XL883N, XL883R
5	6611	WASHER	XL1200C, XL1200C ANV, XL1200CA, XL1200CB, XL1200CP, XL1200V, XL1200X, XL883L, XL883N, XL883R
6	45611-86	RETAINING RING	XL1200C, XL1200C ANV, XL1200CA, XL1200CB, XL1200CP, XL1200V, XL1200X, XL883L, XL883N, XL883R
7	45966-04	BRACKET, upper	XL1200V
	46009-10	BRACKET, upper (not shown)	XL1200X
	46758-07	BRACKET, upper (black)	XL883N, XL883R
	46997-11	BRACKET, upper (not shown)	XL883L
	49419-11	BRACKET, upper (not shown)	XL1200C, XL1200C ANV, XL1200CA, XL1200CB, XL1200CP
8	46014-10	BRACKET, lower, w/ bearing, seal & retaining ring (not shown)	XL1200X
	46126-04	BRACKET, lower, w/ bearing, seal & retaining ring	XL1200V
	46767-07	BRACKET, lower, w/ bearing, seal & retaining ring	XL883N, XL883R
	46998-11	BRACKET, lower, w/ bearing, seal & retaining ring	XL883L
	49422-11	BRACKET, lower, w/ bearing, seal & retaining ring	XL1200C, XL1200C ANV, XL1200CA, XL1200CB, XL1200CP
9	48184-01	SEAL, tapered bearing	XL1200C, XL1200C ANV, XL1200CA, XL1200CB, XL1200CP, XL1200V, XL1200X, XL883L, XL883N, XL883R
10	48300-60	ROLLER BEARING, w/ cup (2)	XL1200C, XL1200C ANV, XL1200CA, XL1200CB, XL1200CP, XL1200V, XL1200X, XL883L, XL883N, XL883R
11	48315-60	BEARING CUP (2)	XL1200C, XL1200C ANV, XL1200CA, XL1200CB, XL1200CP, XL1200V, XL1200X, XL883L, XL883N, XL883R
12	68041-04	COVER, upper triple clamp	XL1200V

FORK BRACKETS, FRONT - XR1200X



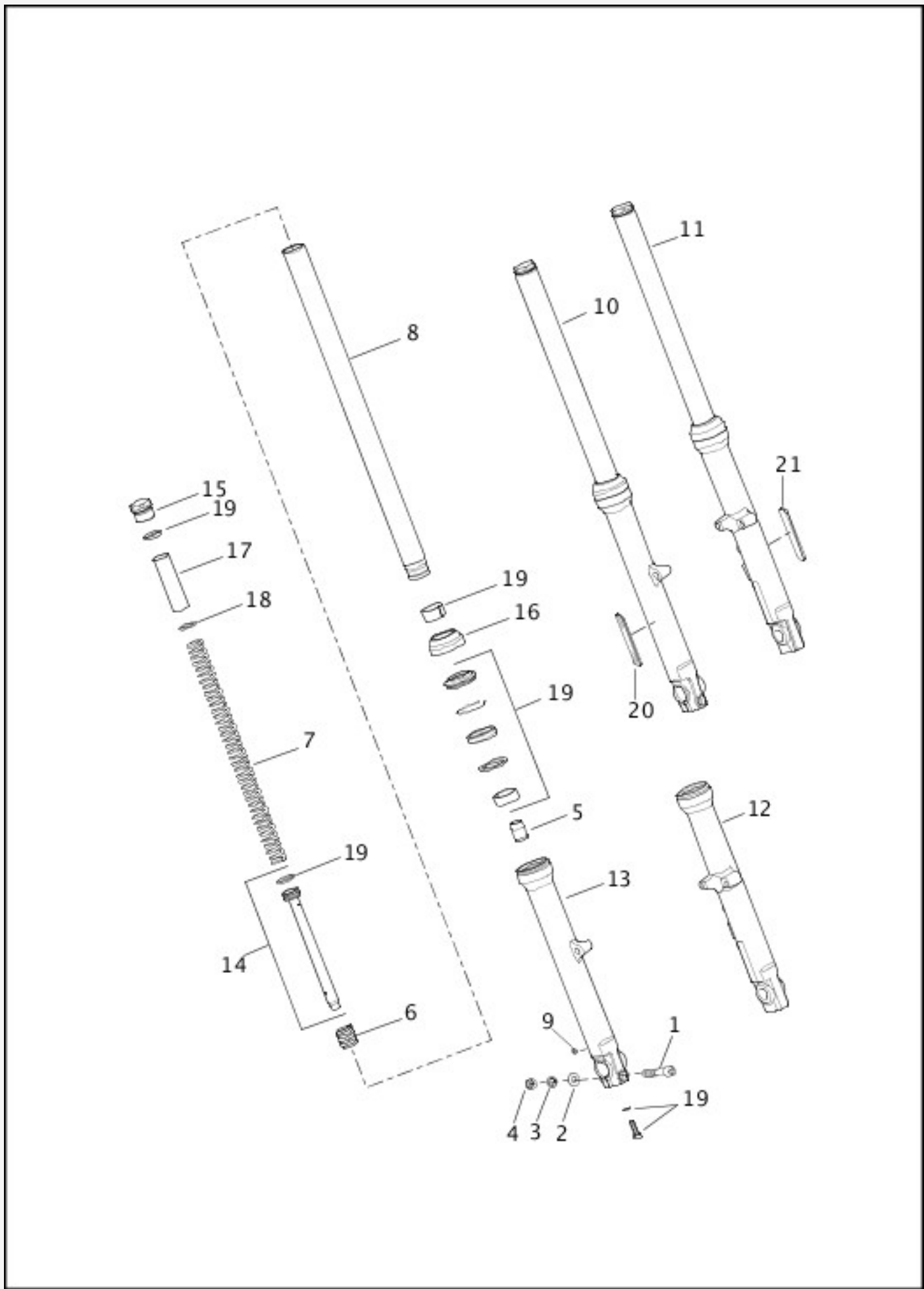
[View interactive image](#)

[View interactive table](#)

INDEX NO.	PART NO.	DESCRIPTION	MODEL(S)
1	2445	SCREW	XR1200X
2	4352	SCREW (5)	XR1200X

3	4993	BOLT	XR1200X
4	6611	WASHER	XR1200X
5	45155-08	GUIDE	XR1200X
6	45611-86	RETAINING RING	XR1200X
7	48184-01	SEAL, tapered bearing (2)	XR1200X
8	48300-60	ROLLER BEARING, w/ cup (2)	XR1200X
9	48315-60	BEARING CUP (2)	XR1200X
10	46927-10	BRACKET, lower, w/ bearing, seal & retaining ring	XR1200X
11	46928-10	BRACKET, upper	XR1200X

FORK, FRONT - 883L/R, 1200C/CA/CB/CP/V/X



[View interactive image](#)

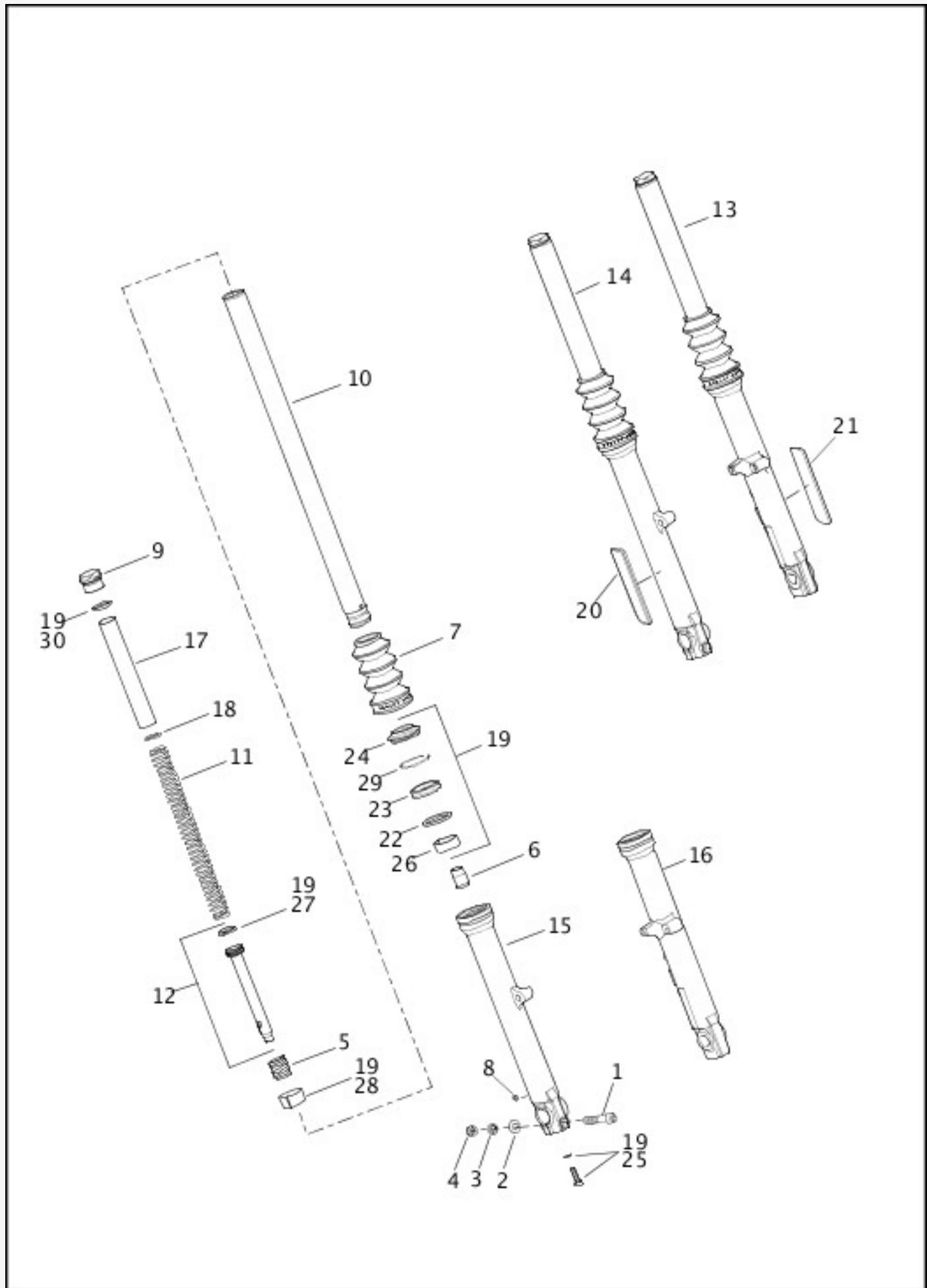
[View interactive table](#)

INDEX NO.	PART NO.	DESCRIPTION	MODEL(S)
1	4029A	SCREW	XL1200C, XL1200C ANV, XL1200CA, XL1200CB, XL1200CP, XL1200V, XL1200X, XL883L, XL883R

2	6701	WASHER	XL1200C, XL1200C ANV, XL1200CA, XL1200CB, XL1200CP, XL1200V, XL1200X, XL883L, XL883R
3	7038	LOCKWASHER	XL1200C, XL1200C ANV, XL1200CA, XL1200CB, XL1200CP, XL1200V, XL1200X, XL883L, XL883R
4	7783	NUT	XL1200C, XL1200C ANV, XL1200CA, XL1200CB, XL1200CP, XL1200V, XL1200X, XL883L, XL883R
5	45361-90	LOWER STOP (2)	XL1200C, XL1200C ANV, XL1200CA, XL1200CB, XL1200CP, XL1200V, XL1200X, XL883L, XL883R
6	45374-87	SPRING (2)	XL1200C, XL1200C ANV, XL1200CA, XL1200CB, XL1200CP, XL1200V, XL1200X, XL883L, XL883R
7	10417	SPRING (2)	XL1200X
	45376-09	SPRING (2)	XL883R
	46245-09	SPRING (2)	XL1200C, XL1200C ANV, XL1200CA, XL1200CB, XL1200CP
	46267-05	SPRING (2)	XL883L
	45500142	SPRING (2)	XL1200V
8	45395-09	SLIDER TUBE, w/ bushing (2)	XL1200C, XL1200C ANV, XL1200CA, XL1200CB, XL1200CP, XL1200V, XL1200X, XL883R
	46218-05	SLIDER TUBE, w/ bushing (2)	XL883L
9	45790-80	DRAIN SCREW, w/ washer (2)	XL1200V, XL883R
10	49400-11	FORK SLIDER & TUBE ASSEMBLY, right	XL883L
	49410-11	FORK SLIDER & TUBE ASSEMBLY, right (not shown)	XL1200C, XL1200C ANV, XL1200CA, XL1200CB, XL1200CP
	45988-10	FORK SLIDER & TUBE ASSEMBLY, right (not shown)	XL1200X
	46453-09	FORK SLIDER & TUBE ASSEMBLY, right (not shown)	XL883R
	45400042	FORK SLIDER & TUBE ASSEMBLY, right (not shown)	XL1200V
11	49382-11	FORK SLIDER & TUBE ASSEMBLY, left	XL883L
	49409-11	FORK SLIDER & TUBE ASSEMBLY, left (not shown)	XL1200C, XL1200C ANV, XL1200CA, XL1200CB, XL1200CP
	45968-10	FORK SLIDER & TUBE ASSEMBLY, left (not shown)	XL1200X
	46454-09	FORK SLIDER & TUBE ASSEMBLY, left (not shown)	XL883R

	45400041	FORK SLIDER & TUBE ASSEMBLY, left (not shown)	XL1200V
12	49401-11	SLIDER ASSEMBLY, left	XL883L
	46075-04	SLIDER ASSEMBLY, left (not shown)	XL1200V
	46450-08	SLIDER ASSEMBLY, left (not shown)	XL883R
	48850-10	SLIDER ASSEMBLY, left (not shown)	XL1200X
	49411-11	SLIDER ASSEMBLY, left (not shown)	XL1200C, XL1200C ANV, XL1200CA, XL1200CB, XL1200CP
13	49403-11	SLIDER ASSEMBLY, right	XL883L
	46076-04	SLIDER ASSEMBLY, right (not shown)	XL1200V
	46449-08	SLIDER ASSEMBLY, right (not shown)	XL883R
	48849-10	SLIDER ASSEMBLY, right (not shown)	XL1200X
	49412-11	SLIDER ASSEMBLY, right (not shown)	XL1200C, XL1200C ANV, XL1200CA, XL1200CB, XL1200CP
14	10627	DAMPER TUBE, w/ ring (2)	XL1200X
	45458-09	DAMPER TUBE, w/ ring (2)	XL1200C, XL1200C ANV, XL1200CA, XL1200CB, XL1200CP
	45925-09	DAMPER TUBE, w/ ring (2)	XL1200V, XL883R
	45938-92	DAMPER TUBE, w/ ring (2)	XL883L
15	45996-87	CAP (2)	XL1200C, XL1200C ANV, XL1200CA, XL1200CB, XL1200CP, XL1200V, XL1200X, XL883L, XL883R
16	46002-87	COVER (2)	XL1200C, XL1200C ANV, XL1200CA, XL1200CB, XL1200CP, XL1200V, XL1200X, XL883L, XL883R
17	48791-09	SPRING COLLAR (2)	XL1200C, XL1200C ANV, XL1200CA, XL1200CB, XL1200CP, XL1200V, XL883R
18	48738-07	WASHER (2)	XL1200C, XL1200C ANV, XL1200CA, XL1200CB, XL1200CP, XL1200V, XL883R
19	49378-09	FRONT FORK SERVICE KIT	XL1200C, XL1200C ANV, XL1200CA, XL1200CB, XL1200CP, XL1200V, XL1200X, XL883L, XL883R
20	59481-00	REFLECTOR, amber - right	XL1200C, XL1200C ANV, XL1200CA, XL1200CB, XL1200CP, XL1200V, XL1200X, XL883L, XL883R
21	59482-00	REFLECTOR, amber - left	XL1200C, XL1200C ANV, XL1200CA, XL1200CB, XL1200CP, XL1200V, XL1200X, XL883L, XL883R

FORK, FRONT - 883N



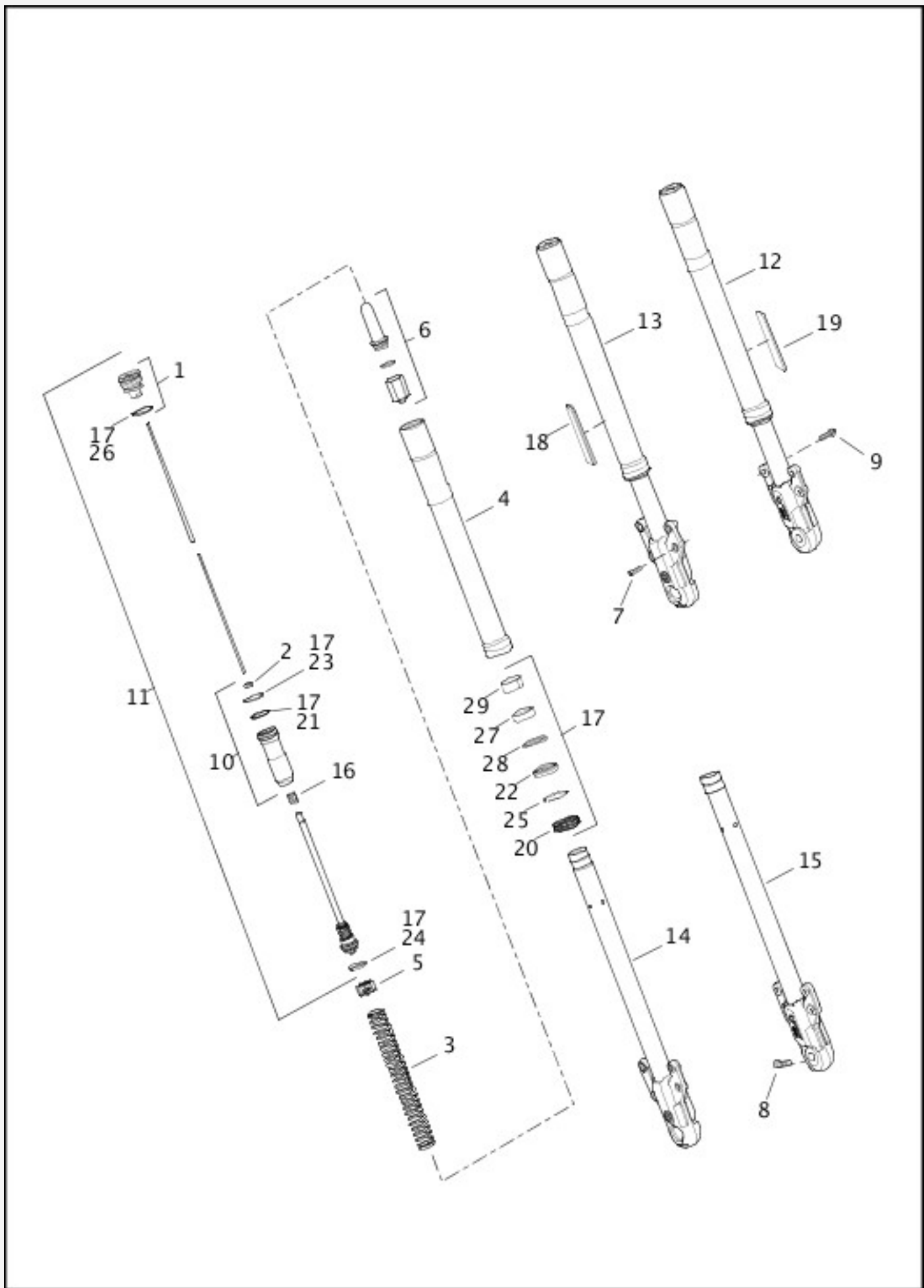
[View interactive image](#)

[View interactive table](#)

INDEX NO.	PART NO.	DESCRIPTION	MODEL(S)

1	4029A	SCREW	XL883N
2	6701	WASHER	XL883N
3	7038	LOCKWASHER	XL883N
4	7783	NUT	XL883N
5	45374-87	SPRING (2)	XL883N
6	45361-90	LOWER STOP (2)	XL883N
7	45451-07	FORK GAITERS (2)	XL883N
8	45790-80	DRAIN SCREW, w/ washer (2)	XL883N
9	45996-87	CAP (2)	XL883N
10	46218-05	SLIDER TUBE, w/ bushing (2)	XL883N
11	47299-07	SPRING (2)	XL883N
12	47313-07	COMPRESSION PIPE, w/ ring (2)	XL883N
13	48714-08	FORK ASSEMBLY, left	XL883N
14	48715-08	FORK ASSEMBLY, right	XL883N
15	48716-08	SLIDER ASSEMBLY, right	XL883N
16	48726-08	SLIDER ASSEMBLY, left	XL883N
17	48737-07	COLLAR (2)	XL883N
18	48738-07	WASHER (2)	XL883N
19	49378-09	FRONT FORK SERVICE KIT	XL883N
20	59481-00	REFLECTOR, amber - right	XL883N
21	59482-00	REFLECTOR, amber - left	XL883N
22	45377-87	SPACER SEAL	XL883N
23	45378-87	OIL SEAL	XL883N
24	45401-87	DUST SEAL	XL883N
25	45405-75A	SCREW	XL883N
26	45461-87	GUIDE BUSHING	XL883N
27	45462-87	PISTON RING (2)	XL883N
28	45465-87	SLIDE BUSHING	XL883N
29	45905-87	STOPPER RING	XL883N
30	45984-87	O-RING	XL883N

FORK, FRONT - XR1200X



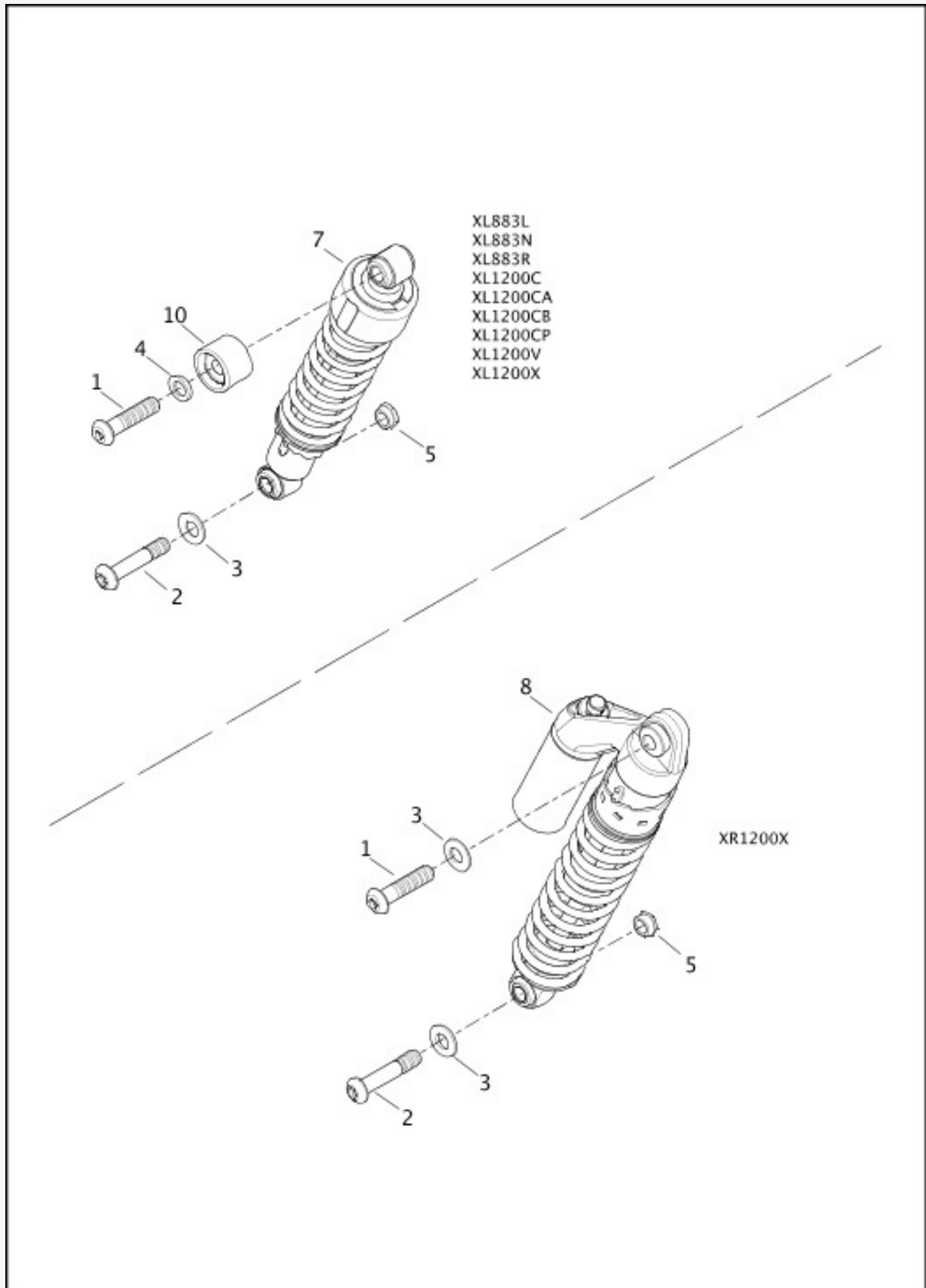
[View interactive image](#)

[View interactive table](#)

INDEX NO.	PART NO.	DESCRIPTION	MODEL(S)

1	4977	BOLT (2)	XR1200X
2	7341M	NUT (2)	XR1200X
3	10418	SPRING (2)	XR1200X
4	10628	OUTER TUBE (2)	XR1200X
5	12200	SPRING COLLAR (2)	XR1200X
6	12201	SPRING COLLAR (2)	XR1200X
7	4250M	SCREW (4)	XR1200X
8	4499M	BOLT	XR1200X
9	44160-00	BOLT (4)	XR1200X
10	46372-10	ROD GUIDE CASE (2)	XR1200X
11	46681-10	PISTON ROD, complete (2)	XR1200X
12	48771-10	FORK ASSEMBLY, left	XR1200X
13	48778-10	FORK ASSEMBLY, right	XR1200X
14	48785-10	SLIDER, right	XR1200X
15	48786-10	SLIDER, left	XR1200X
16	49372-10	REBOUND SPRING (2)	XR1200X
17	49406-10	FRONT FORK SERVICE KIT (2)	XR1200X
18	69861-07	REFLECTOR, amber w/black base - right	XR1200X
19	69862-07	REFLECTOR, amber w/black base - left	XR1200X
20	J8130.3A8	DUST SEAL	XR1200X
21	10926	O-RING	XR1200X
22	12085	OIL SEAL	XR1200X
23	45690-10	PISTON RING 'B'	XR1200X
24	45693-10	PISTON RING	XR1200X
25	45842-77A	RETAINING RING	XR1200X
26	46329-06	O-RING	XR1200X
27	46343-06	GUIDE BUSHING	XR1200X
28	46346-06	SEAL SPACER	XR1200X
29	9742	SLIDE BUSHING	XR1200X

SHOCK ABSORBERS, REAR



[View interactive image](#)

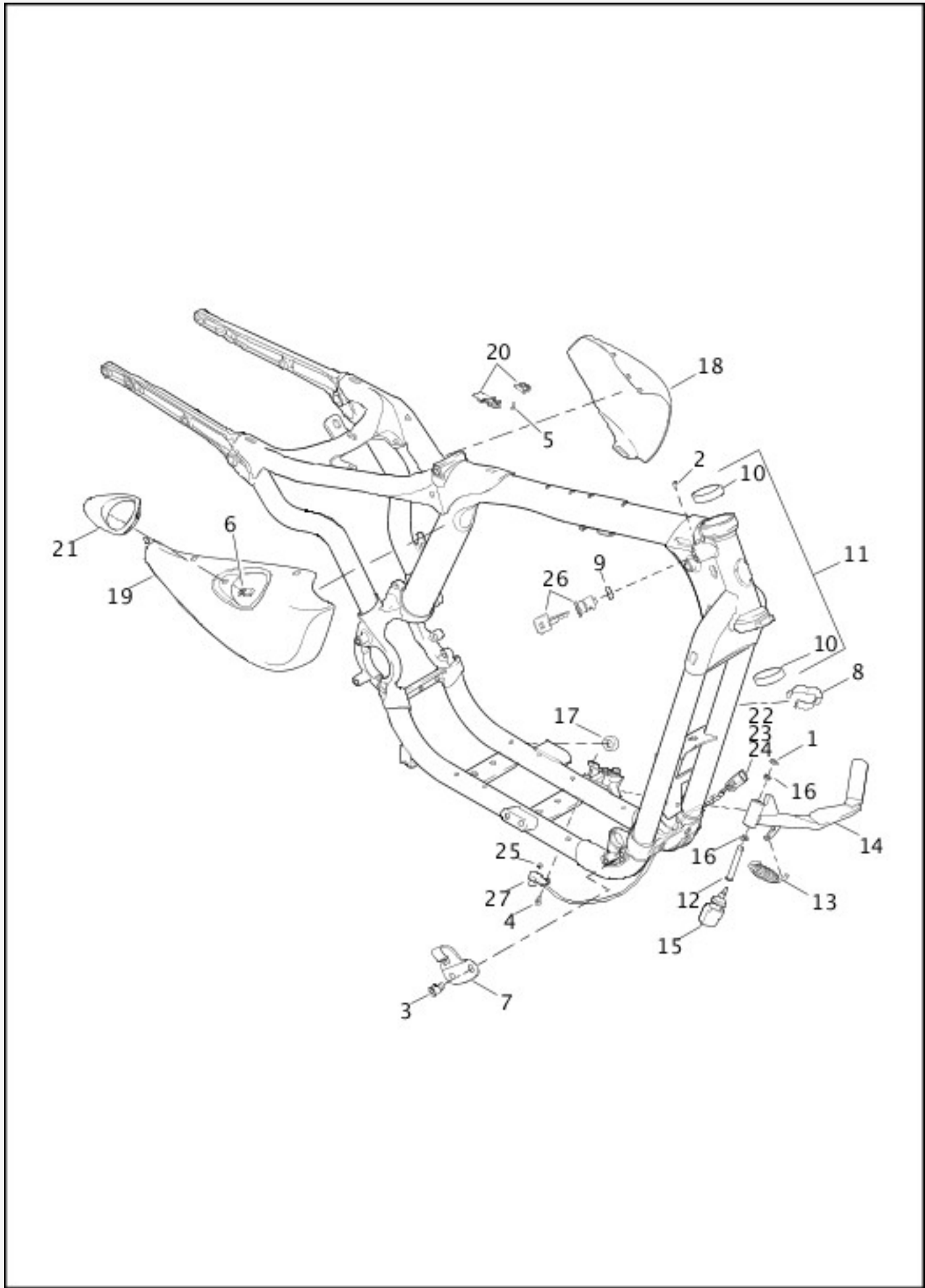
[View interactive table](#)

INDEX NO.	PART NO.	DESCRIPTION	MODEL(S)
1	3880	SCREW (2)	ALL

2	4354	SCREW (2)	ALL
3	6718	WASHER (2)	XL1200C, XL1200C ANV, XL1200CA, XL1200CB, XL1200CP, XL1200V, XL1200X, XL883L, XL883N, XL883R
3	6718	WASHER (4)	XR1200X
4	6738	WASHER (2)	XL1200C, XL1200C ANV, XL1200CA, XL1200CB, XL1200CP, XL1200V, XL1200X, XL883L, XL883N, XL883R
5	7824	LOCKNUT (2)	ALL
7	54568-09	SHOCK ABSORBER, complete, w/ bushings (LC - Australia, England, Asia-Pacific, India) (2)	XL1200C, XL1200C ANV, XL1200CA, XL1200CB, XL1200CP, XL1200V, XL1200X, XL883L
	54570-09	SHOCK ABSORBER, complete, w/ bushings (LE - HDI, England, Australia, Asia-Pacific, India) (2)	XL883N, XL883R
	54550-10	SHOCK ABSORBER, complete, w/ bushings (2)	XL1200X, XL883N
8	54671-10	SHOCK ABSORBER, left, complete, w/ bushings	XR1200X
	54700-10	SHOCK ABSORBER, right, complete, w/ bushings	XR1200X
10	54724-04	COVER (chrome) (2)	XL1200C, XL1200C ANV, XL1200CA, XL1200CB, XL1200CP, XL1200V, XL883R
	54741-07	COVER (black) (2)	XL1200X, XL883L, XL883N

Index number 6 is not used in this illustration. Index number 9 is not used in this illustration.

FRAME & JIFFY STAND - 883L/N/R, 1200C/CA/CB/CP/V/X (1 OF 2)



[View interactive image](#)

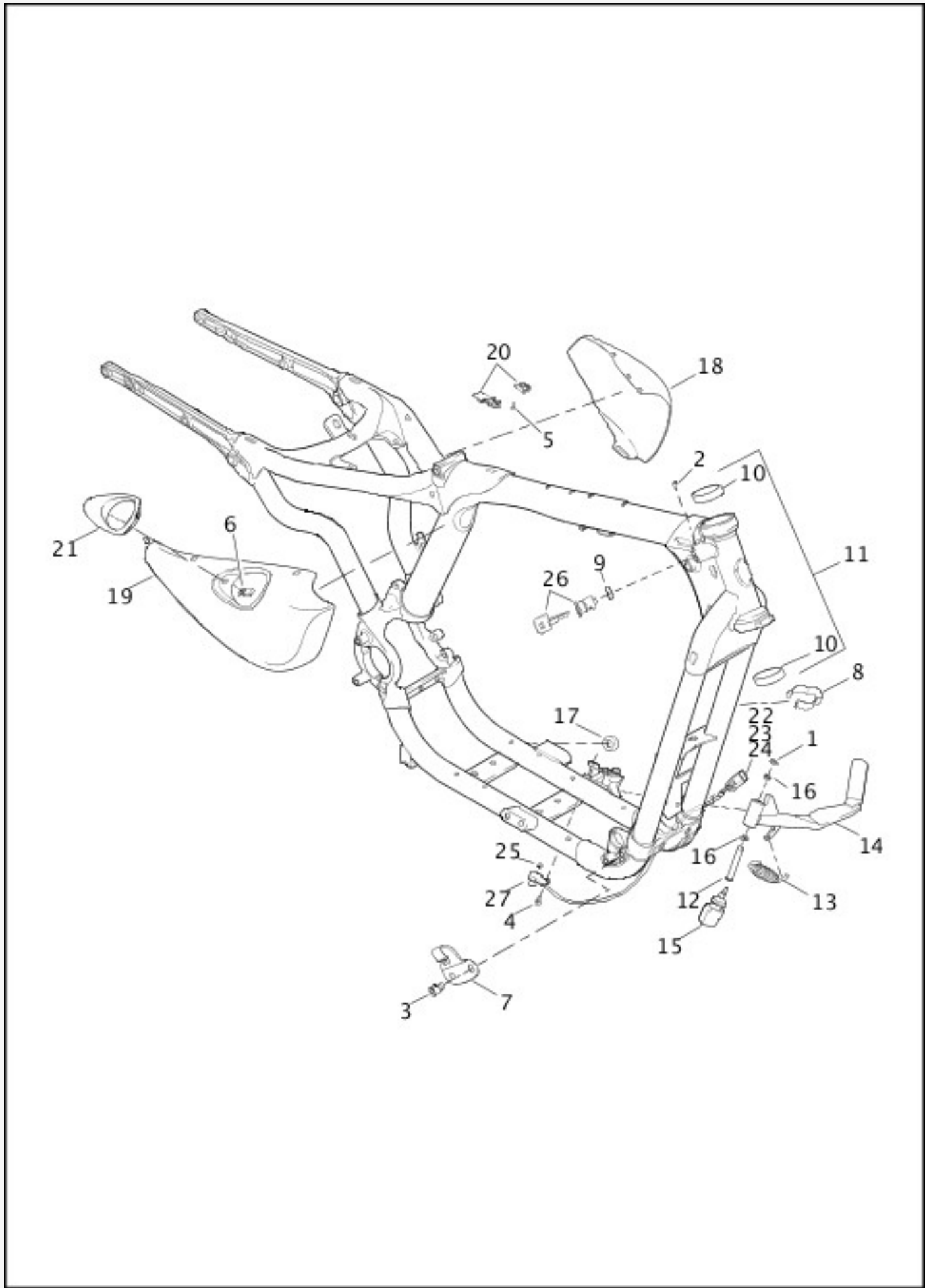
[View interactive table](#)

INDEX NO.	PART NO.	DESCRIPTION	MODEL(S)
1	554A	PRETZEL CLIP	XL1200C, XL1200C ANV, XL1200CA, XL1200CB, XL1200CP, XL1200V, XL1200X, XL883L, XL883N, XL883R

2	1594	PIN LOCK	XL1200C, XL1200C ANV, XL1200CA, XL1200CB, XL1200CP, XL1200V, XL1200X, XL883L, XL883N, XL883R
3	4076	SCREW (2)	XL1200C, XL1200C ANV, XL1200CA, XL1200CB, XL1200CP, XL1200V, XL1200X, XL883L, XL883N, XL883R
4	4871	SCREW (HDI, England)	XL1200C, XL1200C ANV, XL1200CA, XL1200CB, XL1200CP, XL1200V, XL1200X, XL883L, XL883N, XL883R
5	4991	SCREW (2)	XL1200C, XL1200C ANV, XL1200CA, XL1200CB, XL1200CP, XL1200V, XL1200X, XL883L, XL883N, XL883R
6	8135B	PUSH NUT	XL1200C, XL1200C ANV, XL1200CA, XL1200CB, XL1200CP, XL1200V, XL1200X, XL883L, XL883N, XL883R
7	10179A	J-CLIP	XL1200C, XL1200C ANV, XL1200CA, XL1200CB, XL1200CP, XL1200V, XL1200X, XL883L, XL883N, XL883R
8	10289A	CLIP (2)	XL1200C, XL1200C ANV, XL1200CA, XL1200CB, XL1200CP, XL1200V, XL1200X, XL883L, XL883N, XL883R
9	48027-99	O-RING	XL1200C, XL1200C ANV, XL1200CA, XL1200CB, XL1200CP, XL1200V, XL1200X, XL883L, XL883N, XL883R
10	48315-60	BEARING CUP (2)	XL1200C, XL1200C ANV, XL1200CA, XL1200CB, XL1200CP, XL1200V, XL1200X, XL883L, XL883N, XL883R
11	49376-11	FRAME, w/ bearing cups	XL1200C, XL1200C ANV, XL1200CA, XL1200CB, XL1200CP, XL1200V, XL1200X, XL883L, XL883N, XL883R
12	50003-89B	PIN	XL1200C, XL1200C ANV, XL1200CA, XL1200CB, XL1200CP, XL1200V, XL1200X, XL883L, XL883N, XL883R
13	50005-85A	SPRING	XL1200C, XL1200C ANV, XL1200CA, XL1200CB, XL1200CP, XL1200V, XL1200X, XL883L, XL883N, XL883R
14	50124-09BHP	JIFFY STAND	XL883R
	50000025BHP	JIFFY STAND (LE - Domestic, HDI, Japan)	XL1200C, XL1200C ANV, XL1200CA, XL1200CB, XL1200CP, XL1200X, XL883L, XL883N
	50185-04C	JIFFY STAND (LE - England, Australia, Asia-Pacific)	XL1200V, XL883N
15	49735-08	BUMPER	XL1200C, XL1200C ANV, XL1200CA, XL1200CB, XL1200CP, XL1200V, XL1200X, XL883L, XL883N, XL883R
16	53176-08	BUSHING (2)	XL1200C, XL1200C ANV, XL1200CA, XL1200CB, XL1200CP, XL1200V, XL1200X, XL883L, XL883N, XL883R
17	62122-89A	BUMPER	XL1200C, XL1200C ANV, XL1200CA, XL1200CB, XL1200CP, XL1200V, XL1200X, XL883L, XL883N, XL883R
18	66251-04A	SIDE COVER, left (use w/ all paint except denim)	XL1200C, XL1200C ANV, XL1200CA, XL1200CP, XL1200V, XL1200X, XL883L, XL883N, XL883R
	66272-05A	SIDE COVER, left (use w/ black denim paint)	XL1200CB, XL1200CP, XL1200V, XL883N

19	66252-04A	SIDE COVER, right (use w/ all paint except denim)	XL1200C, XL1200C ANV, XL1200CA, XL1200CP, XL1200V, XL1200X, XL883L, XL883N, XL883R
	66273-05A	SIDE COVER, right (use w/ black denim paint)	XL1200CB, XL1200CP, XL1200V, XL883N
20	70417-04C	SIDE COVER MOUNTING KIT	XL1200C, XL1200C ANV, XL1200CA, XL1200CB, XL1200CP, XL1200V, XL1200X, XL883L, XL883N, XL883R
21	71472-04	BEZEL (chrome)	XL1200C, XL1200C ANV, XL1200CA, XL1200CB, XL1200CP, XL1200V, XL1200X, XL883L, XL883R
	62534-07	BEZEL (satin chrome)	XL883N

FRAME & JIFFY STAND - 883L/N/R, 1200C/CA/CB/CP/V/X (2 OF 2)



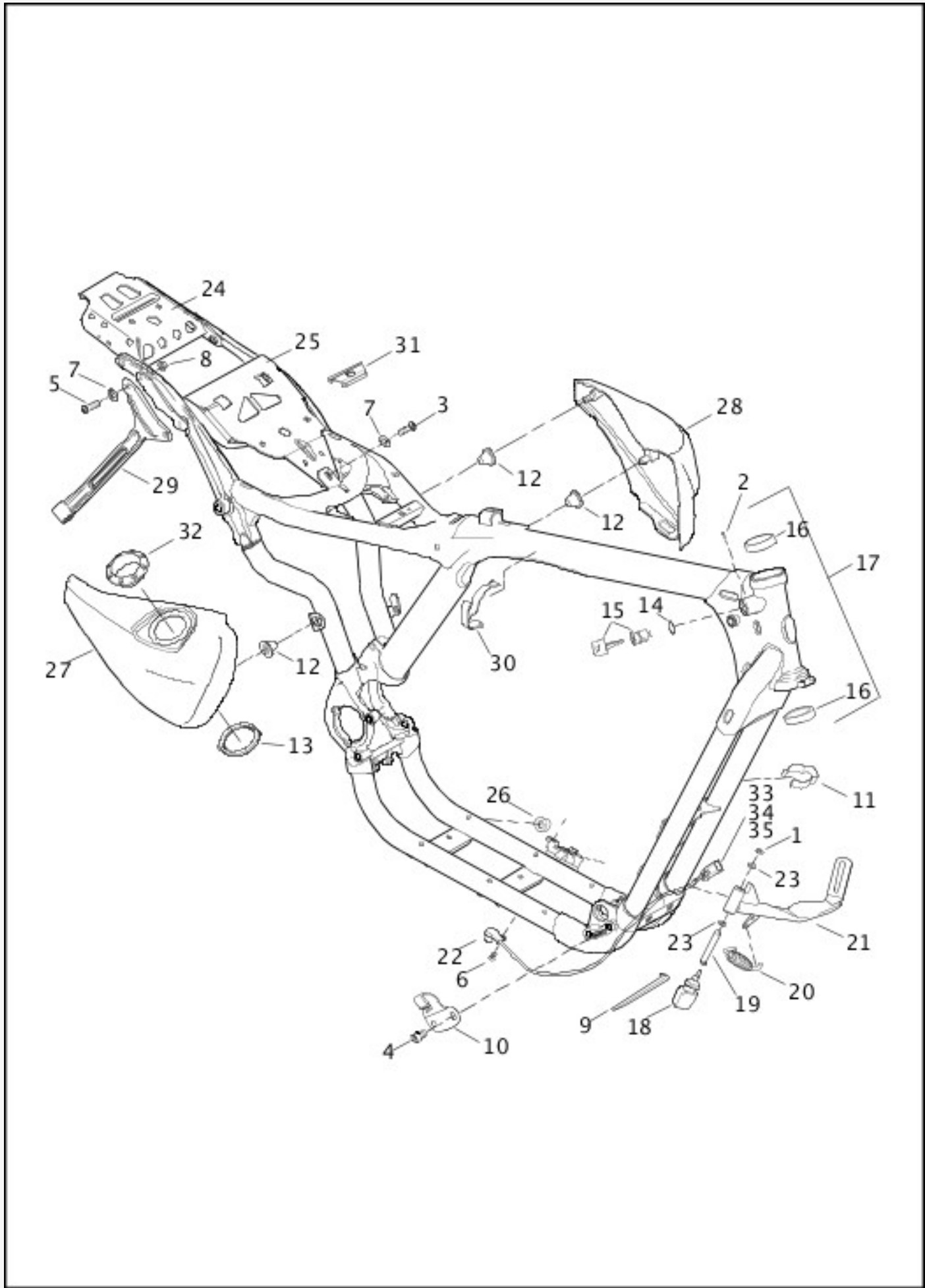
[View interactive image](#)

[View interactive table](#)

INDEX NO.	PART NO.	DESCRIPTION	MODEL(S)
22	72169-07	TERMINAL, pin, 16-20 gauge (HDI, England)	XL1200C, XL1200C ANV, XL1200CA, XL1200CB, XL1200CP, XL1200V, XL1200X, XL883L, XL883N, XL883R

23	72511-07BK	HOUSING (HDI, England)	XL1200C, XL1200C ANV, XL1200CA, XL1200CB, XL1200CP, XL1200V, XL1200X, XL883L, XL883N, XL883R
24	73213-07	RETAINER (HDI, England)	XL1200C, XL1200C ANV, XL1200CA, XL1200CB, XL1200CP, XL1200V, XL1200X, XL883L, XL883N, XL883R
25	90520-07	PLUG	XL1200C, XL1200C ANV, XL1200CA, XL1200CB, XL1200CP, XL1200V, XL1200X, XL883L, XL883N, XL883R
26	45600014	FORK LOCK KIT, w/ 1594 & 48027-99 (specify key code)	XL1200C, XL1200C ANV, XL1200CA, XL1200CB, XL1200CP, XL1200V, XL1200X, XL883L, XL883N, XL883R
	90300037	LOCKSET ASSEMBLY, complete (not shown)	XL1200C, XL1200C ANV, XL1200CA, XL1200CB, XL1200CP, XL1200V, XL1200X, XL883L, XL883N, XL883R
27	50126-08A	SENSOR (HDI, England), w/ 22, 23, 24	XL1200C, XL1200C ANV, XL1200CA, XL1200CB, XL1200CP, XL1200V, XL1200X, XL883L, XL883N, XL883R

FRAME & JIFFY STAND - XR1200X



[View interactive image](#)

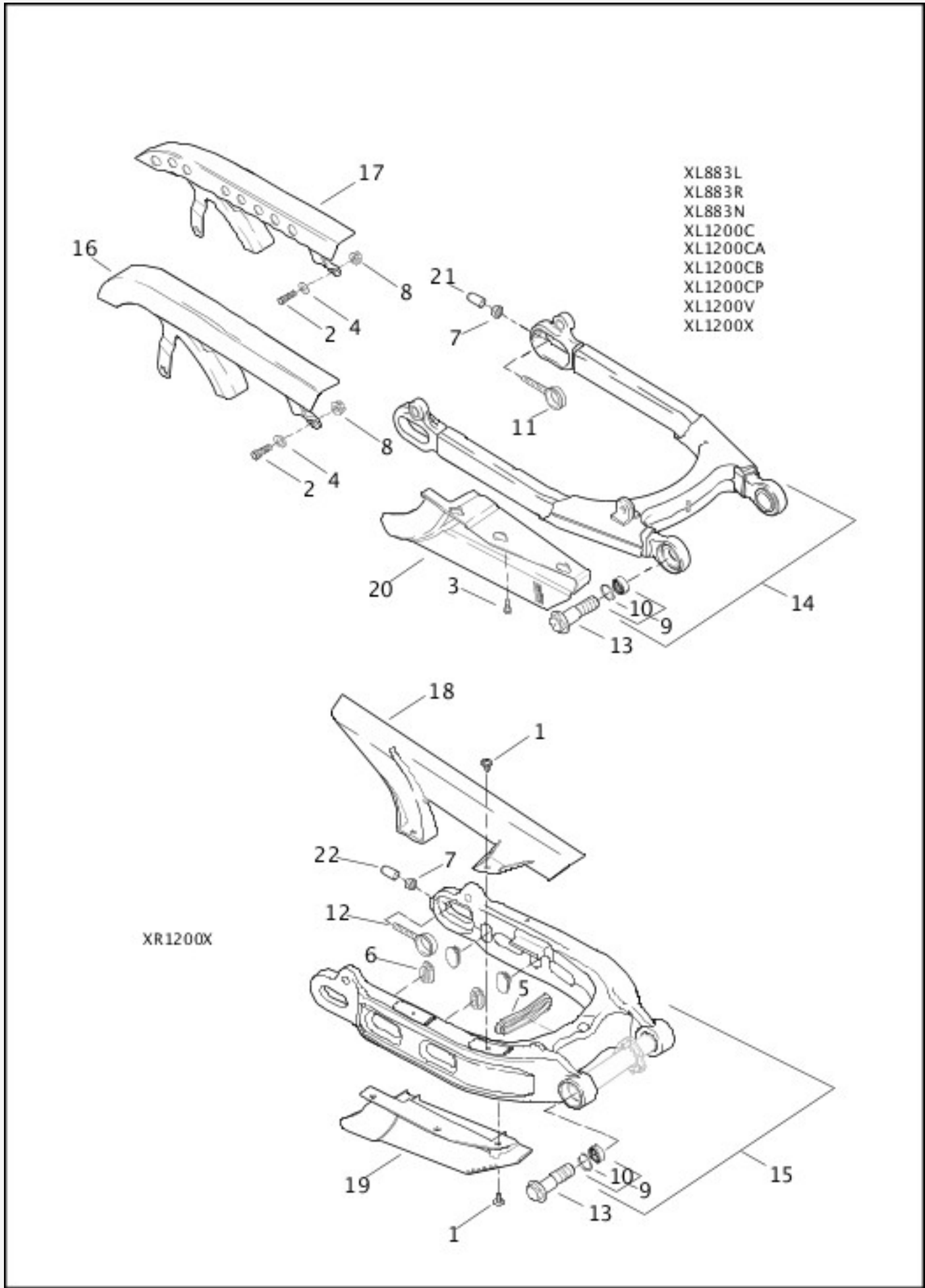
[View interactive table](#)

INDEX NO.	PART NO.	DESCRIPTION	MODEL(S)
1	554A	PRETZEL CLIP	XR1200X
2	1594	PIN LOCK	XR1200X

3	3696	SCREW	XR1200X
4	4076	SCREW (4)	XR1200X
5	4549	SCREW (6)	XR1200X
6	4871	SCREW (HDI)	XR1200X
7	6302	WASHER (7)	XR1200X
8	7531	LOCKNUT (2)	XR1200X
9	10006	CABLE STRAP (as required)	XR1200X
10	10179A	J-CLIP (2)	XR1200X
11	10289A	CLIP	XR1200X
12	11491A	GROMMET (3)	XR1200X
13	11598	SNAP RING	XR1200X
14	48027-99	O-RING	XR1200X
15	45600014	FORK LOCK KIT, w/ 1594 & 48027-99 (specify key code)	XR1200X
	90300037	LOCKSET ASSEMBLY, complete (not shown)	XR1200X
16	48315-60	BEARING CUP (2)	XR1200X
17	48879-08A	FRAME, w/ bearing cups	XR1200X
18	49735-08	BUMPER	XR1200X
19	50003-89B	PIN	XR1200X
20	50005-85A	SPRING	XR1200X
21	50124-09BHP	JIFFY STAND	XR1200X
22	50126-08A	SENSOR (HDI)	XR1200X
23	53176-08	BUSHING (2)	XR1200X
24	59400-08	REAR FENDER SUPPORT	XR1200X
25	59401-08	MIDDLE FENDER SUPPORT	XR1200X
26	62122-89A	BUMPER	XR1200X
27	66269-08BDK	SIDE COVER, right (primed)	XR1200X
	66269-08CHJ	SIDE COVER, right (black)	XR1200X
28	66270-08BDK	SIDE COVER, left (primed)	XR1200X
	66270-08CHJ	SIDE COVER, left (black)	XR1200X
29	65316-08	SUPPORT, muffler	XR1200X

30	70633-08	CLIP	XR1200X
31	71287-08	WIRE GUARD	XR1200X
32	71478-08	BEZEL (chrome)	XR1200X
33	72169-07	TERMINAL, pin, 16-20 gauge (3)	XR1200X
34	72511-07BK	HOUSING	XR1200X
35	73213-07	RETAINER	XR1200X

FORK, REAR, DEBRIS DEFLECTOR & BELT GUARD



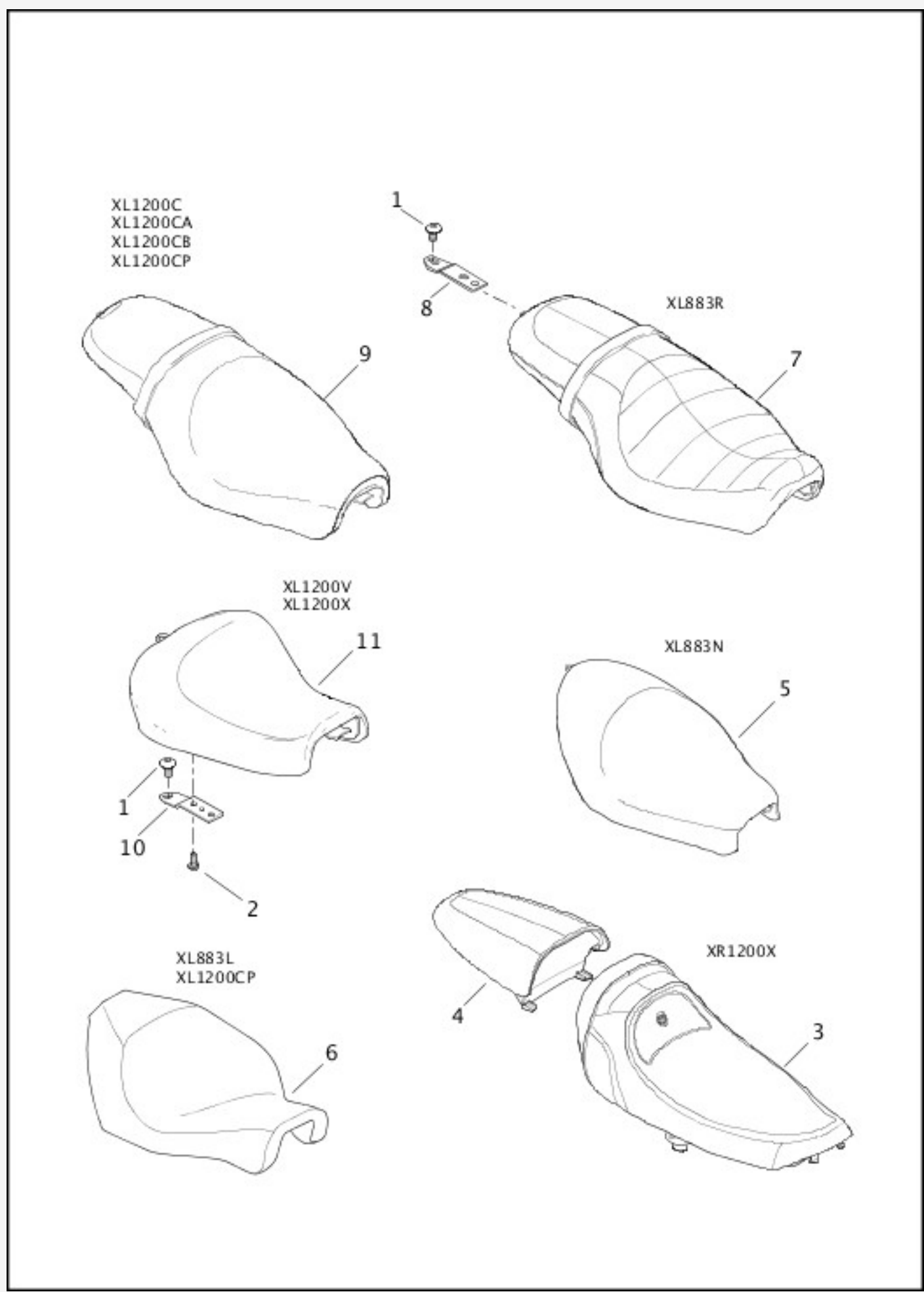
[View interactive image](#)

[View interactive table](#)

INDEX NO.	PART NO.	DESCRIPTION	MODEL(S)
1	2445	SCREW (5)	XR1200X
2	2708A	SCREW	XL1200C, XL1200C ANV, XL1200CA, XL1200CB, XL1200CP, XL1200V,

			XL1200X, XL883L, XL883N, XL883R
3	3579A	SCREW (3)	XL1200C, XL1200C ANV, XL1200CA, XL1200CB, XL1200CP, XL1200V, XL1200X, XL883L, XL883N, XL883R
4	6702	WASHER	XL1200C, XL1200C ANV, XL1200CA, XL1200CB, XL1200CP, XL1200V, XL1200X, XL883L, XL883N, XL883R
5	6863	PLUG	XR1200X
6	6864A	PLUG (4)	XR1200X
7	7766	LOCKNUT (2)	ALL
8	7531	LOCKNUT	XL1200C, XL1200C ANV, XL1200CA, XL1200CB, XL1200CP, XL1200V, XL1200X, XL883L, XL883N, XL883R
9	9209	BEARING, w/ 11282 (2)	ALL
10	11282	RETAINING RING (2)	ALL
11	41573-05	ADJUSTER (2)	XL1200C, XL1200C ANV, XL1200CA, XL1200CB, XL1200CP, XL1200V, XL1200X, XL883L, XL883N, XL883R
	41573-05	ADJUSTER, left (Japan)	XL1200C, XL1200C ANV, XL1200CA, XL1200CB, XL1200V, XL883L, XL883N, XL883R
	41623-05	ADJUSTER, right (Japan) (not shown)	XL1200C, XL1200C ANV, XL1200CA, XL1200CB, XL1200V, XL883L, XL883N, XL883R
12	41626-08	ADJUSTER (2)	XR1200X
13	41698-04	BOLT (2)	ALL
14	47587-05	REAR FORK, w/ bearings & 9209	XL1200C, XL1200C ANV, XL1200CA, XL1200CB, XL1200CP, XL1200V, XL1200X, XL883L, XL883N, XL883R
15	47682-10	REAR FORK, w/ bearings (black)	XR1200X
16	60367-04	BELT GUARD	XL1200C, XL1200C ANV, XL1200CA, XL1200CB, XL1200CP, XL1200V, XL883L, XL883N, XL883R
17	60379-09	BELT GUARD	XL1200X
18	60403-08	BELT GUARD	XR1200X
19	60416-08	DEBRIS DEFLECTOR	XR1200X
20	60435-04A	DEBRIS DEFLECTOR	XL1200C, XL1200C ANV, XL1200CA, XL1200CB, XL1200CP, XL1200V, XL1200X, XL883L, XL883N, XL883R
21	89579-91	CAP (2)	XL1200C, XL1200C ANV, XL1200CA, XL1200CB, XL1200CP, XL1200V, XL1200X, XL883L, XL883N, XL883R

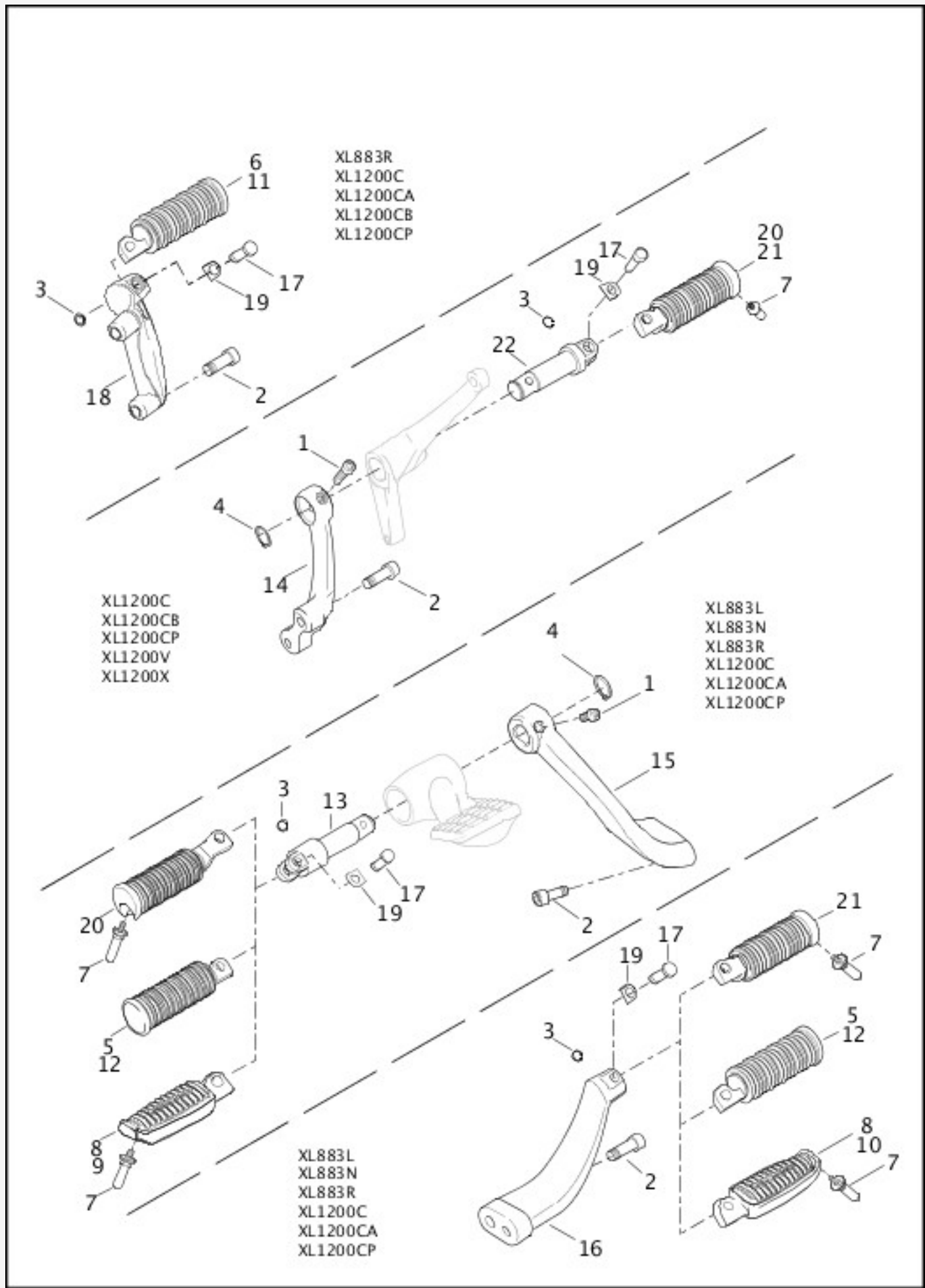
SEATS



[View interactive image](#)

INDEX NO.	PART NO.	DESCRIPTION	MODEL(S)
1	2952A	SCREW	XL1200C, XL1200C ANV, XL1200CA, XL1200CB, XL1200CP, XL1200V, XL1200X, XL883L, XL883N, XL883R
2	3574	SCREW (2)	XL1200V, XL1200X, XL883L
3	51382-08	SEAT, rider	XR1200X
4	51383-08	SEAT, pillion	XR1200X
5	51532-07	SEAT ASSEMBLY, w/ 51652-97A	XL883N
6	51550-11	SEAT ASSEMBLY, w/ 3574 & 51652-97A (1200CP - Solo)	XL1200CP, XL883L
7	51551-07	SEAT ASSEMBLY, w/ 51652-97A	XL883R
8	51652-97A	BRACKET	XL1200C, XL1200C ANV, XL1200CA, XL1200CB, XL1200CP, XL883L, XL883N, XL883R
9	51530-07	SEAT ASSEMBLY, w/ 51652-97A (1200CP - 2-Up)	XL1200C, XL1200CA, XL1200CB, XL1200CP
	52000070	SEAT ASSEMBLY, w/ 51652-97A **RESTRICTED SALES PART**	XL1200C ANV
10	51740-10	BRACKET	XL1200V, XL1200X
11	51911-10	SEAT ASSEMBLY, w/ 3574 & 51740-10	XL1200V, XL1200X

FOOTRESTS - 883L/N/R, 1200C/CA/CB/CP/V/X



[View interactive image](#)

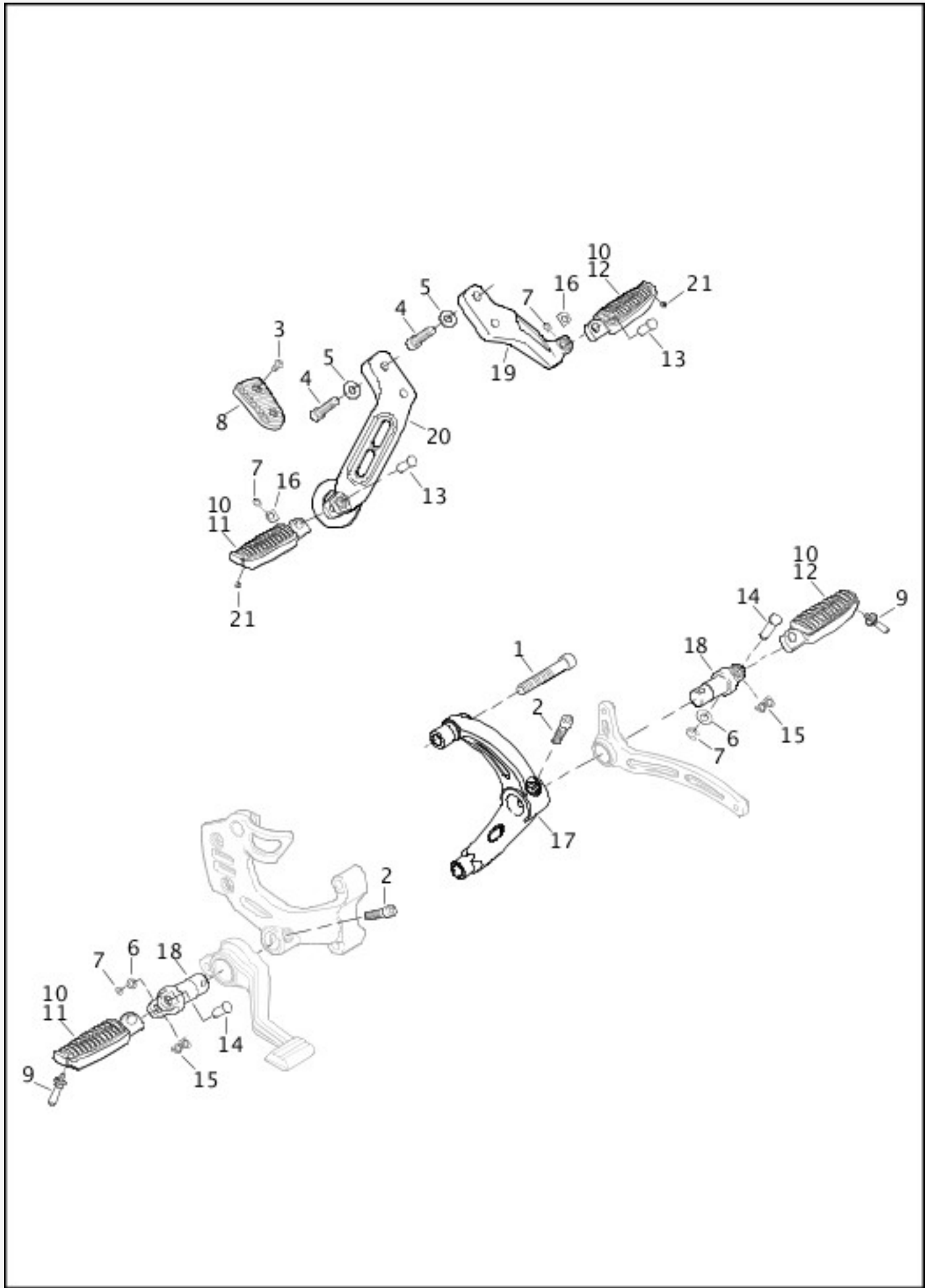
[View interactive table](#)

INDEX NO.	PART NO.	DESCRIPTION	MODEL(S)
1	3162	SCREW	XL1200C, XL1200C ANV, XL1200CB, XL1200CP, XL1200V, XL1200X, XL883L, XL883N, XL883R

2	3214	SCREW (4)	XL1200C, XL1200C ANV, XL1200CA, XL1200CB, XL1200CP, XL1200V, XL1200X, XL883L, XL883N, XL883R
3	11304	RETAINING RING (2)	XL1200C, XL1200C ANV, XL1200CA, XL1200CB, XL1200CP, XL1200V, XL1200X, XL883L, XL883N
3	11304	RETAINING RING (4)	XL883R
4	11390	RETAINING RING (2)	XL1200C, XL1200C ANV, XL1200CB, XL1200CP, XL1200V, XL1200X, XL883L, XL883N, XL883R
5	33032-99	FOOTPEG ASSEMBLY, w/ 33216-06 (2)	XL883R
6	33048-72	FOOTPEG ASSEMBLY, w/ 33189-63 (2)	XL1200C, XL1200CA, XL1200CB, XL1200CP, XL883R
7	33130-07A	WEAR PEG (2)	XL1200C, XL1200C ANV, XL1200CA, XL1200CB, XL1200CP, XL1200V, XL1200X, XL883L, XL883N
8	33133-06	RUBBER, footpegs (2)	XL883N
9	33134-07CAZ	FOOTPEG ASSEMBLY, w/ 33133-06, right (black)	XL883N
10	33135-07CAZ	FOOTPEG ASSEMBLY, w/ 33133-06, left (black)	XL883N
11	33189-63	RUBBER, footrest (2)	XL1200C, XL1200CA, XL1200CB, XL1200CP, XL883R
12	33216-99	RUBBER, footrest (2)	XL883R
13	42541-04	CLEVIS, right	XL1200C, XL1200CA, XL1200CP, XL883L, XL883N, XL883R
14	42651-04	SUPPORT BRACKET, left (1200CP - Forward Foot Controls)	XL1200C, XL1200C ANV, XL1200CB, XL1200CP, XL1200V, XL1200X
	42652-04	SUPPORT BRACKET, right (not shown) (1200CP - Forward Foot Controls)	XL1200C, XL1200C ANV, XL1200CB, XL1200CP, XL1200V, XL1200X
15	42971-04	BRACKET, right (1200CP - Mid Foot Controls)	XL1200C, XL1200CA, XL1200CP, XL883L, XL883N, XL883R
16	42972-04	BRACKET, left (1200CP - Mid Foot Controls)	XL1200C, XL1200CA, XL1200CP, XL883L, XL883N, XL883R
17	45041-01A	CLEVIS PIN (2)	XL1200C, XL1200C ANV, XL1200CA, XL1200CB, XL1200CP, XL1200V, XL1200X, XL883L, XL883N
	45041-01A	CLEVIS PIN (4)	XL883R
18	49314-04	BRACKET, right (not shown) (1200CP - 2Up)	XL1200C, XL1200CA, XL1200CB, XL1200CP, XL883R

	49315-04	BRACKET, left (1200CP - 2Up)	XL1200C, XL1200CA, XL1200CB, XL1200CP, XL883R
19	50912-72	SPRING WASHER (2)	XL1200C, XL1200C ANV, XL1200CA, XL1200CB, XL1200CP, XL1200V, XL1200X, XL883L, XL883N
19	50912-72	SPRING WASHER (4)	XL883R
20	51323-08	FOOTPEG ASSEMBLY, right	XL1200C, XL1200C ANV, XL1200CA, XL1200CB, XL1200CP, XL1200V, XL1200X, XL883L
21	51327-08	FOOTPEG ASSEMBLY, left	XL1200C, XL1200C ANV, XL1200CA, XL1200CB, XL1200CP, XL1200V, XL1200X, XL883L
22	51731-10	CLEVIS, right (not shown)	XL1200C, XL1200C ANV, XL1200CB, XL1200CP, XL1200V, XL1200X
	51730-10	CLEVIS, left	XL1200C, XL1200C ANV, XL1200CB, XL1200CP, XL1200V, XL1200X
	90493-83	HOLE PLUG (not illustrated) (as required)	XL1200C, XL1200CB, XL1200CP, XL1200V, XL883L, XL883R

FOOTRESTS - XR1200X



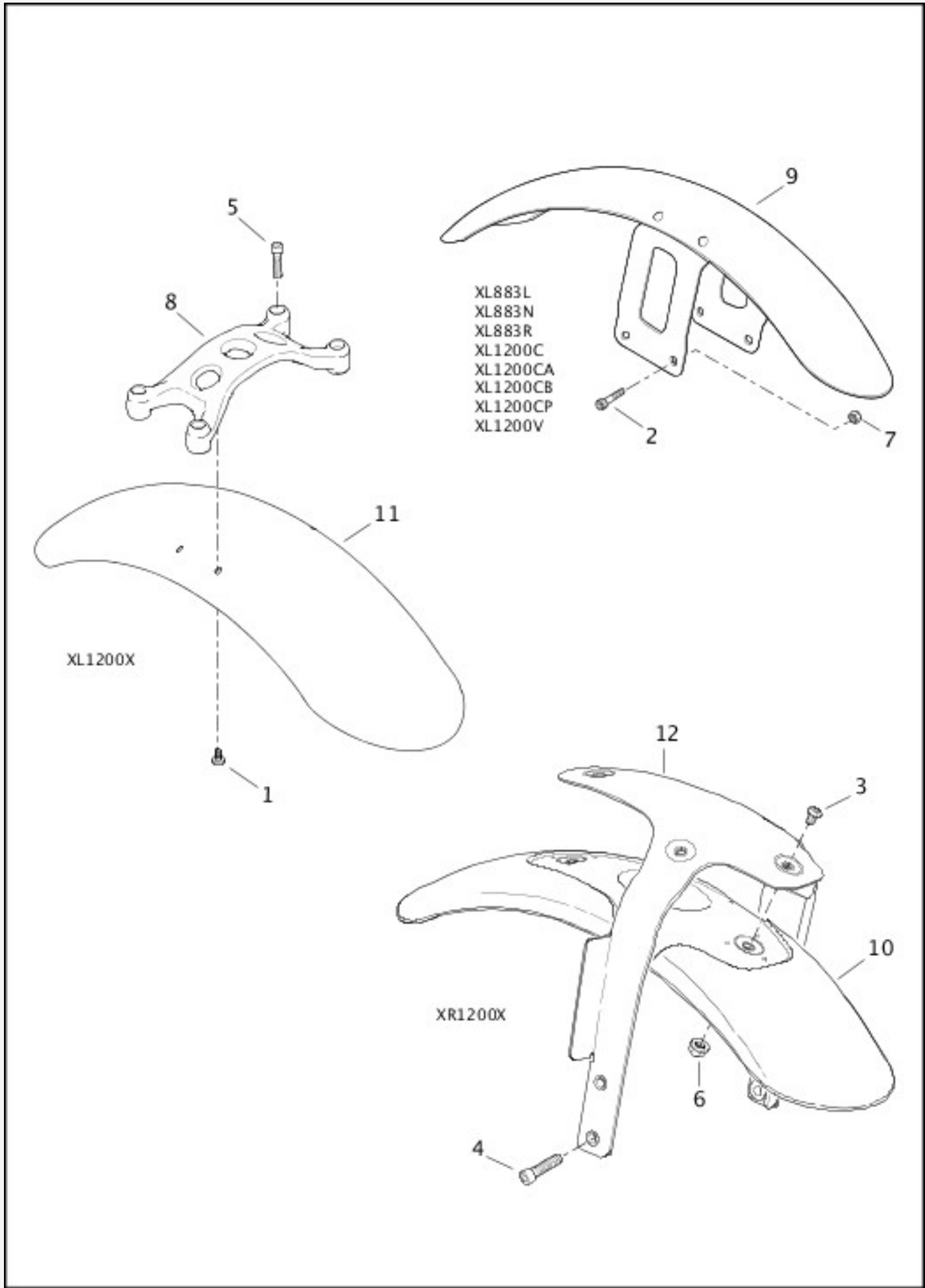
[View interactive image](#)

[View interactive table](#)

INDEX NO.	PART NO.	DESCRIPTION	MODEL(S)
1	855B	SCREW (2)	XR1200X
2	3162	SCREW (2)	XR1200X

3	3048	SCREW (2)	XR1200X
4	4350A	SCREW (2)	XR1200X
5	6400HB	WASHER (2)	XR1200X
6	6874	WASHER (2)	XR1200X
7	11304	RETAINING RING (4)	XR1200X
8	33084-06	HEEL REST	XR1200X
9	33130-07A	WEAR PEG (2)	XR1200X
10	33133-06	RUBBER (4)	XR1200X
11	33134-07CAZ	FOOTPEG ASSEMBLY, w/ 33133-06, right (2)	XR1200X
12	33135-07CAZ	FOOTPEG ASSEMBLY, w/ 33133-06, left (2)	XR1200X
13	45041-01A	CLEVIS PIN (2)	XR1200X
14	45067-06	CLEVIS PIN (4)	XR1200X
15	45065-06	RETURN SPRING (2)	XR1200X
16	50912-72	SPRING WASHER (2)	XR1200X
17	51044-08	BRACKET, left	XR1200X
18	51046-09	CLEVIS (2)	XR1200X
19	51048-08	BRACKET, left	XR1200X
20	51049-08	BRACKET, right	XR1200X
21	90520-07	PLUG (2)	XR1200X

FENDERS, FRONT



[View interactive image](#)

[View interactive table](#)

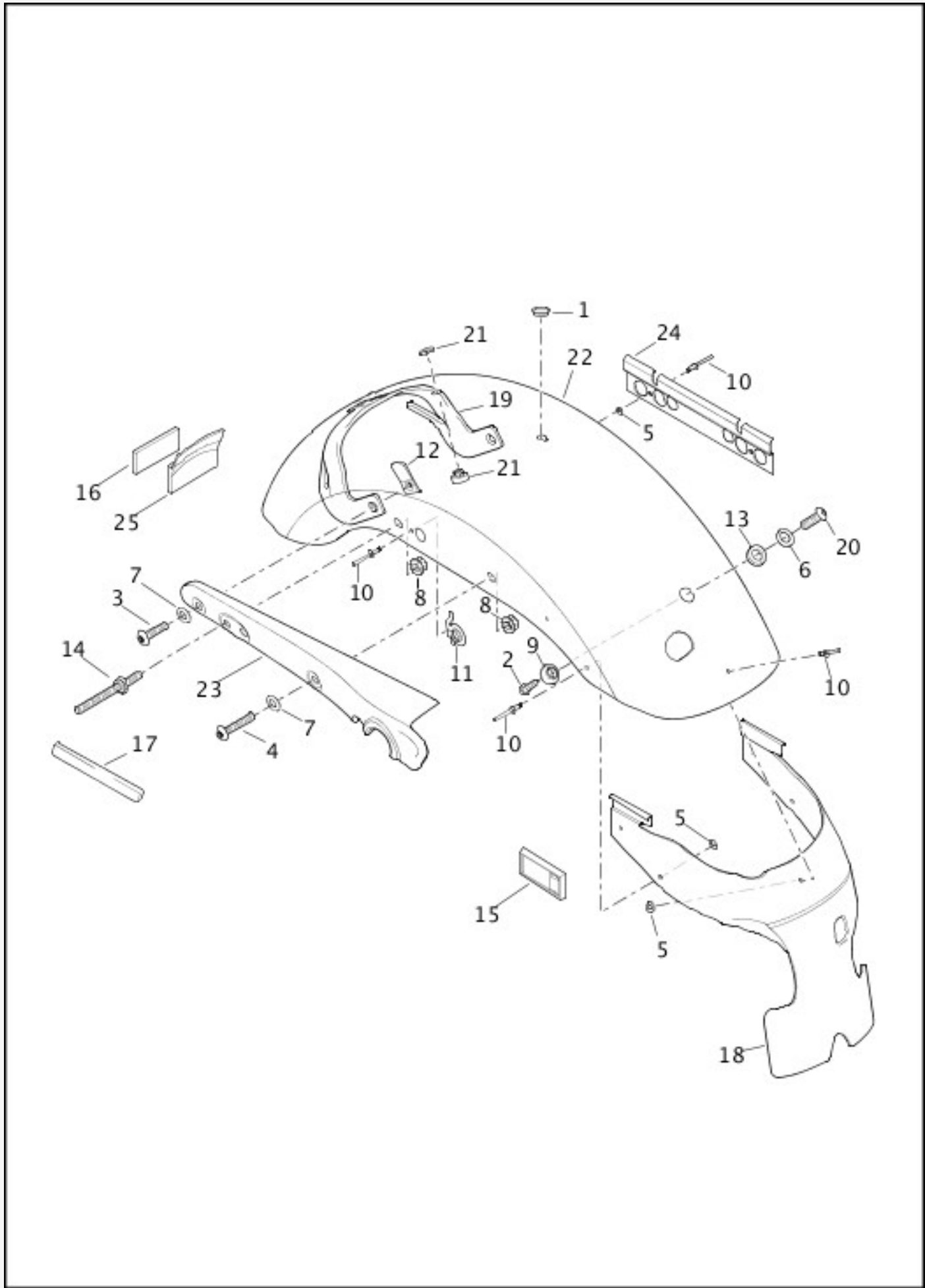
INDEX NO.	PART NO.	DESCRIPTION	MODEL(S)
-----------	----------	-------------	----------

NOTE: Refer to Painted Parts Book for painted part numbers.

1	3018A	SCREW (4)	XL1200X
---	-------	-----------	---------

2	3210A	SCREW (4)	XL1200C, XL1200C ANV, XL1200CA, XL1200CB, XL1200CP, XL1200V, XL883L, XL883N, XL883R
3	3731M	SCREW (4)	XR1200X
4	4250M	SCREW (4)	XR1200X
5	4978	SCREW (4)	XL1200X
6	7495	NUT (4)	XR1200X
7	7531	LOCKNUT (4)	XL1200C, XL1200C ANV, XL1200CA, XL1200CB, XL1200CP, XL1200V, XL883L, XL883N, XL883R
8	46420-10	BRACE	XL1200X
9	58998-83E	FRONT FENDER, prime	XL883N, XL883R
	60955-11	FRONT FENDER, prime	XL1200C, XL1200C ANV, XL1200CA, XL1200CB, XL1200CP, XL883L
	59712-07A	FRONT FENDER, prime	XL1200V
10	59022-07BDK	FRONT FENDER, prime	XR1200X
11	60574-10	FRONT FENDER, prime	XL1200X
12	59441-10	FENDER SUPPORT	XR1200X

FENDERS, REAR - 883L/R/1200C/CA/CB/CP (ALL), 883N/1200V/X (CANADA ONLY)



[View interactive image](#)

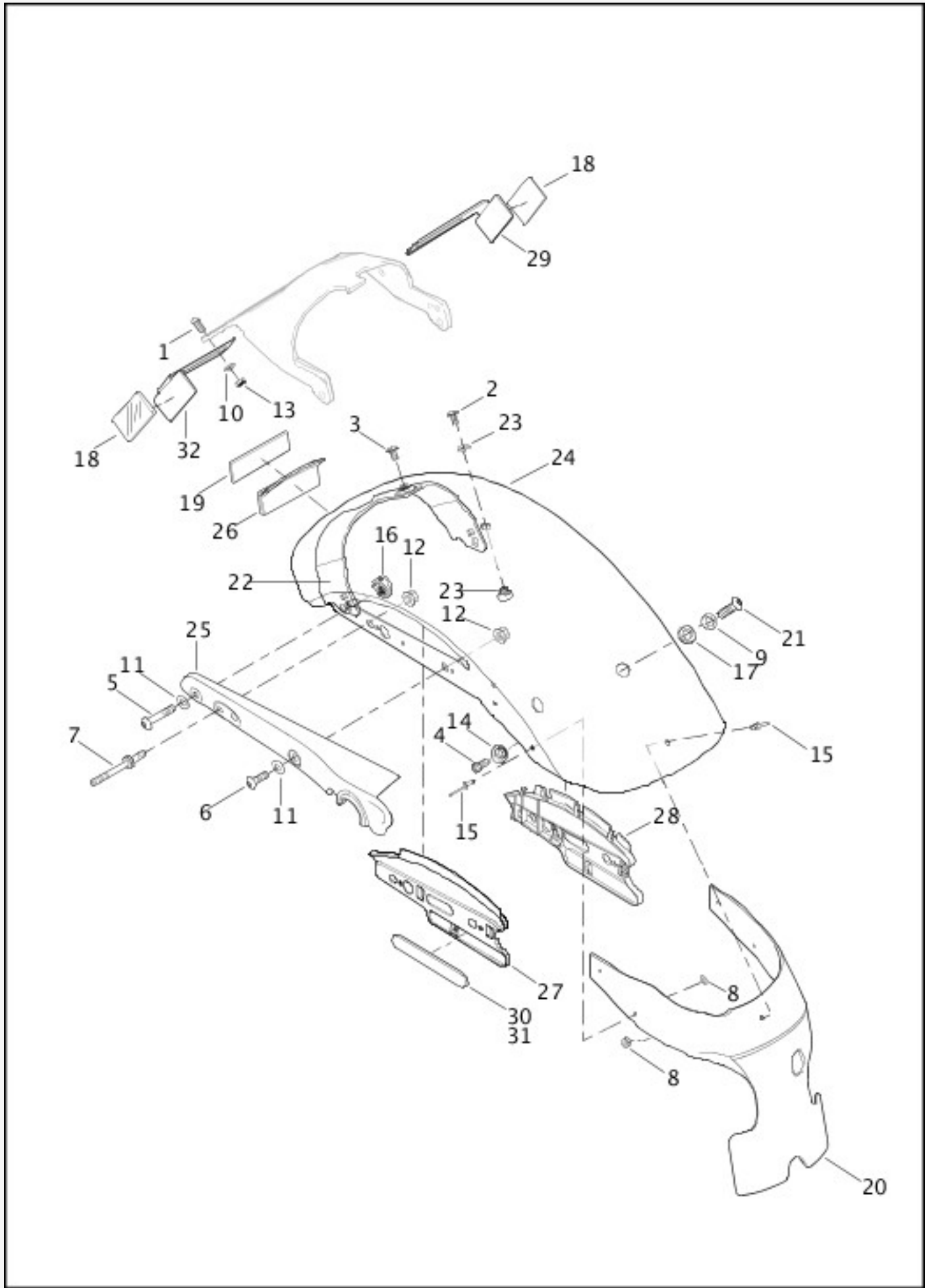
[View interactive table](#)

INDEX NO.	PART NO.	DESCRIPTION	MODEL(S)
NOTE: Refer to Painted Parts Book for painted part numbers.			
1	761	PLUG (black)	XL1200C, XL1200C ANV, XL1200CA, XL1200CB, XL1200CP,

			XL1200V, XL1200X, XL883L, XL883N, XL883R
2	4017	BOLT	XL1200C, XL1200C ANV, XL1200CA, XL1200CB, XL1200CP, XL1200V, XL1200X, XL883L, XL883N, XL883R
3	4778	SCREW (2)	XL1200C, XL1200C ANV, XL1200CA, XL1200CB, XL1200CP, XL1200V, XL1200X, XL883L, XL883N, XL883R
4	4779	SCREW (2)	XL1200C, XL1200C ANV, XL1200CA, XL1200CB, XL1200CP, XL1200V, XL1200X, XL883L, XL883N, XL883R
5	6192	WASHER (5)	XL1200C, XL1200C ANV, XL1200CA, XL1200CB, XL1200CP, XL1200V, XL1200X, XL883L, XL883N, XL883R
6	6702	WASHER (2)	XL1200C, XL1200C ANV, XL1200CA, XL1200CB, XL1200CP, XL1200V, XL1200X, XL883L, XL883N, XL883R
7	6798	WASHER (4)	XL1200C, XL1200C ANV, XL1200CA, XL1200CB, XL1200CP, XL1200V, XL1200X, XL883L, XL883N, XL883R
8	7531	LOCKNUT (4)	XL1200C, XL1200C ANV, XL1200CA, XL1200CB, XL1200CP, XL1200V, XL1200X, XL883L, XL883N, XL883R
9	7882	TEE SPACER	XL1200C, XL1200C ANV, XL1200CA, XL1200CB, XL1200CP, XL1200V, XL1200X, XL883L, XL883N, XL883R
10	8692	RIVET (7)	XL1200C, XL1200C ANV, XL1200CA, XL1200CB, XL1200CP, XL1200V, XL1200X, XL883L, XL883N, XL883R
11	10200	BRACKET, wire retention (2)	XL1200C, XL1200C ANV, XL1200CA, XL1200CB, XL1200CP, XL1200V, XL1200X, XL883L, XL883N, XL883R
12	10242	CLIP, threaded	XL1200C, XL1200C ANV, XL1200CA, XL1200CB, XL1200CP, XL1200V, XL1200X, XL883L, XL883N, XL883R
13	11474	GROMMET	XL1200C, XL1200C ANV, XL1200CA, XL1200CB, XL1200CP, XL1200V, XL1200X, XL883L, XL883N, XL883R
14	56104-02	SCREW (2)	XL1200C, XL1200C ANV, XL1200CA, XL1200CB, XL1200CP, XL1200V, XL1200X, XL883L, XL883N, XL883R
15	59256-84A	REFLECTOR, amber (HDI) (2)	XL1200C, XL1200C ANV, XL1200CA, XL1200CB, XL883L, XL883R
16	59259-90	REFLECTOR, red	XL1200C, XL1200C ANV, XL1200CA, XL1200CB, XL1200CP
17	59287-92	REFLECTOR, right (red)	XL1200C, XL1200C ANV, XL1200CA, XL1200CB, XL1200CP, XL1200V, XL1200X, XL883L, XL883N, XL883R
	59288-92	REFLECTOR, left (red)	XL1200C, XL1200C ANV, XL1200CA, XL1200CB, XL1200CP, XL1200V, XL1200X, XL883L, XL883N, XL883R
18	59502-04A	REAR FENDER EXTENSION	XL1200C, XL1200C ANV, XL1200CA, XL1200CB, XL1200CP, XL1200V, XL1200X, XL883L, XL883N, XL883R
19	59673-04A	FENDER SUPPORT	XL1200V, XL1200X, XL883L, XL883N, XL883R
	59500034	FENDER SUPPORT	XL1200C, XL1200C ANV, XL1200CA, XL1200CB, XL1200CP

20	59723-04	SEAT POST	XL1200C, XL1200C ANV, XL1200CA, XL1200CB, XL1200CP, XL1200V, XL1200X, XL883L, XL883N, XL883R
21	59768-97	FENDER SEAT NUT KIT	XL1200C, XL1200C ANV, XL1200CA, XL1200CB, XL1200CP, XL1200V, XL1200X, XL883L, XL883N, XL883R
22	59847-10	FENDER, rear (prime)	XL1200V, XL1200X, XL883L, XL883N, XL883R
	59885-11	FENDER, rear (prime)	XL1200C, XL1200C ANV, XL1200CA, XL1200CB, XL1200CP
23	59902-04	COVER, rear fender support - right (chrome)	XL1200C, XL1200C ANV, XL1200CA, XL1200CB, XL1200CP, XL1200V, XL883R
	59903-04	COVER, rear fender support - left (chrome) (not shown)	XL1200C, XL1200C ANV, XL1200CA, XL1200CB, XL1200CP, XL1200V, XL883R
	60203-06	COVER, rear fender support - right (vivid black)	XL1200X, XL883L, XL883N
	60204-06	COVER, rear fender support - left (vivid black) (not shown)	XL1200X, XL883L, XL883N
24	69302-11	WIRE GUIDE (2)	XL1200C, XL1200C ANV, XL1200CA, XL1200CB, XL1200CP
25	67900006	BRACKET, reflector	XL1200C, XL1200C ANV, XL1200CA, XL1200CB, XL1200CP

FENDERS, REAR - 883N/1200V/X (ALL EXCEPT CANADA)



[View interactive image](#)

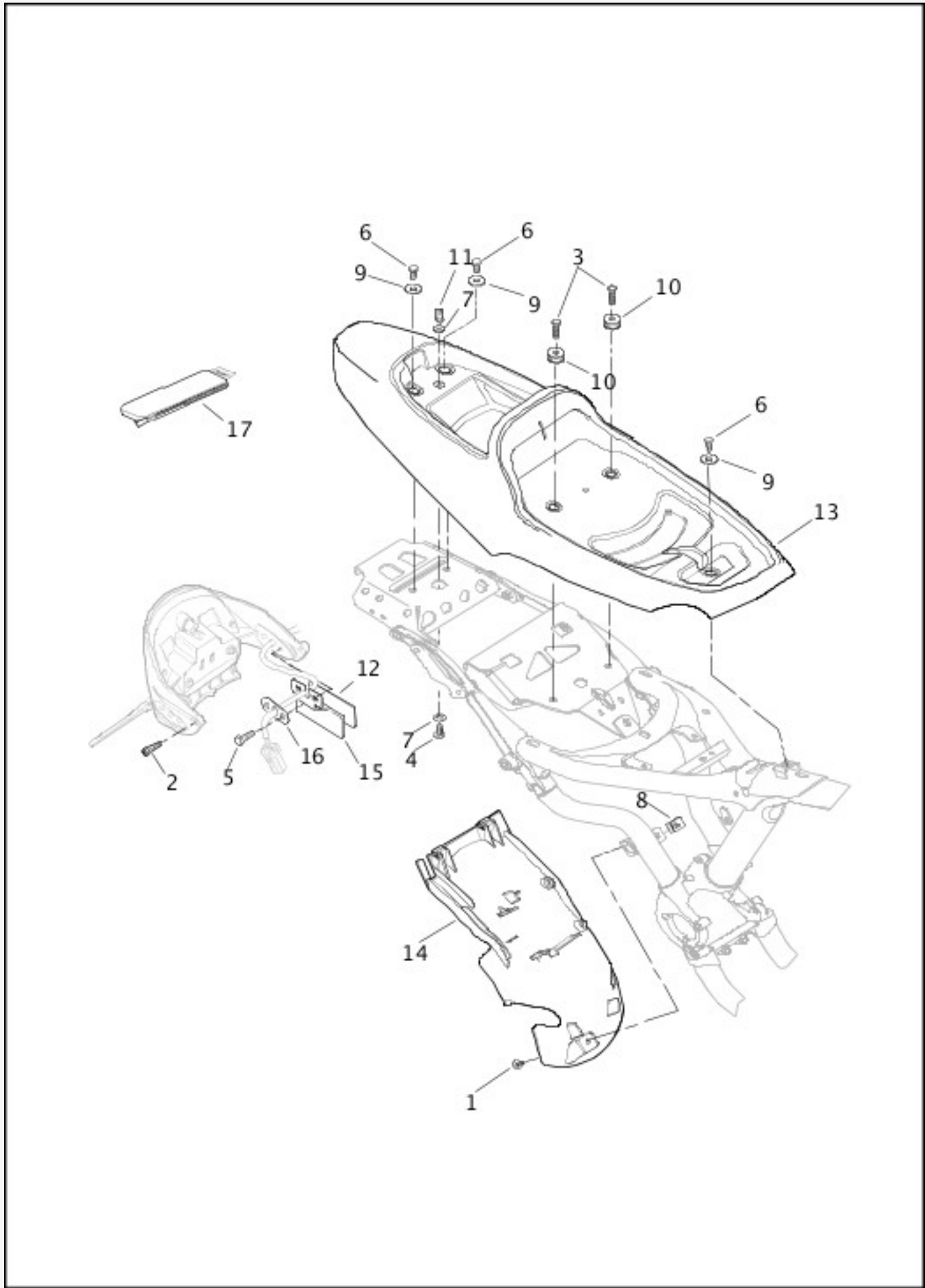
[View interactive table](#)

INDEX NO.	PART NO.	DESCRIPTION	MODEL(S)
NOTE: Refer to Painted Parts Book for painted part numbers.			
1	2446	SCREW (HDI) (2)	XL1200V, XL1200X, XL883N

2	2952A	SCREW	XL1200V, XL1200X, XL883N
3	3085	SCREW	XL1200V, XL1200X, XL883N
4	4017	BOLT	XL1200V, XL1200X, XL883N
5	4778	SCREW (2)	XL1200V, XL1200X, XL883N
6	4779	SCREW (2)	XL1200V, XL1200X, XL883N
7	5531	SCREW (2)	XL1200V, XL1200X, XL883N
8	6192	WASHER (5)	XL1200V, XL1200X, XL883N
9	6702	WASHER (2)	XL1200V, XL1200X, XL883N
10	6703	WASHER	XL1200V, XL1200X, XL883N
11	6798	WASHER (4)	XL1200V, XL1200X, XL883N
12	7531	LOCKNUT (4)	XL1200V, XL1200X, XL883N
13	7716	LOCKNUT	XL1200V, XL1200X, XL883N
14	7882	TEE SPACER	XL1200V, XL1200X, XL883N
15	8692	RIVET (9)	XL1200V, XL1200X, XL883N
16	10323	CLIP, threaded (2)	XL1200V, XL1200X, XL883N
17	11474	GROMMET	XL1200V, XL1200X, XL883N
18	59256-84A	REFLECTOR (amber) (HDI) (2)	XL1200V, XL1200X, XL883N
19	59359-06	REFLECTOR (red)	XL1200V, XL1200X, XL883N
20	59502-04A	REAR FENDER EXTENSION	XL1200V, XL1200X, XL883N
21	59723-04	SEAT POST	XL1200V, XL1200X, XL883N
22	59727-07	FENDER SUPPORT	XL1200V, XL1200X, XL883N
23	59768-97	FENDER SEAT NUT KIT	XL1200V, XL1200X, XL883N
24	59865-10	FENDER, rear (prime)	XL1200V, XL1200X, XL883N
25	60203-06	COVER, rear fender support - right (vivid black)	XL1200V, XL1200X, XL883N
	60204-06	COVER, rear fender support - left (vivid black) (not shown)	XL1200V, XL1200X, XL883N
26	68724-07	MOUNTING BLOCK, w/ tape	XL1200V, XL1200X, XL883N
27	68704-07	BRACKET REFLECTOR MOUNT, right	XL1200V, XL1200X, XL883N
28	68857-07	BRACKET REFLECTOR MOUNT, left (HDI)	XL1200V, XL1200X, XL883N
29	68966-08	BRACKET, reflector, LH (HDI)	XL1200V, XL1200X, XL883N
30	69490-07	REFLECTOR (red) (2)	XL1200V, XL1200X, XL883N

31	69498-08	COVER, side reflector (HDI) (2)	XL1200V, XL1200X, XL883N
32	73504-11	BRACKET, reflector, RH (HDI)	XL1200V, XL1200X, XL883N

FENDERS, REAR - XR1200X



[View interactive image](#)

[View interactive table](#)

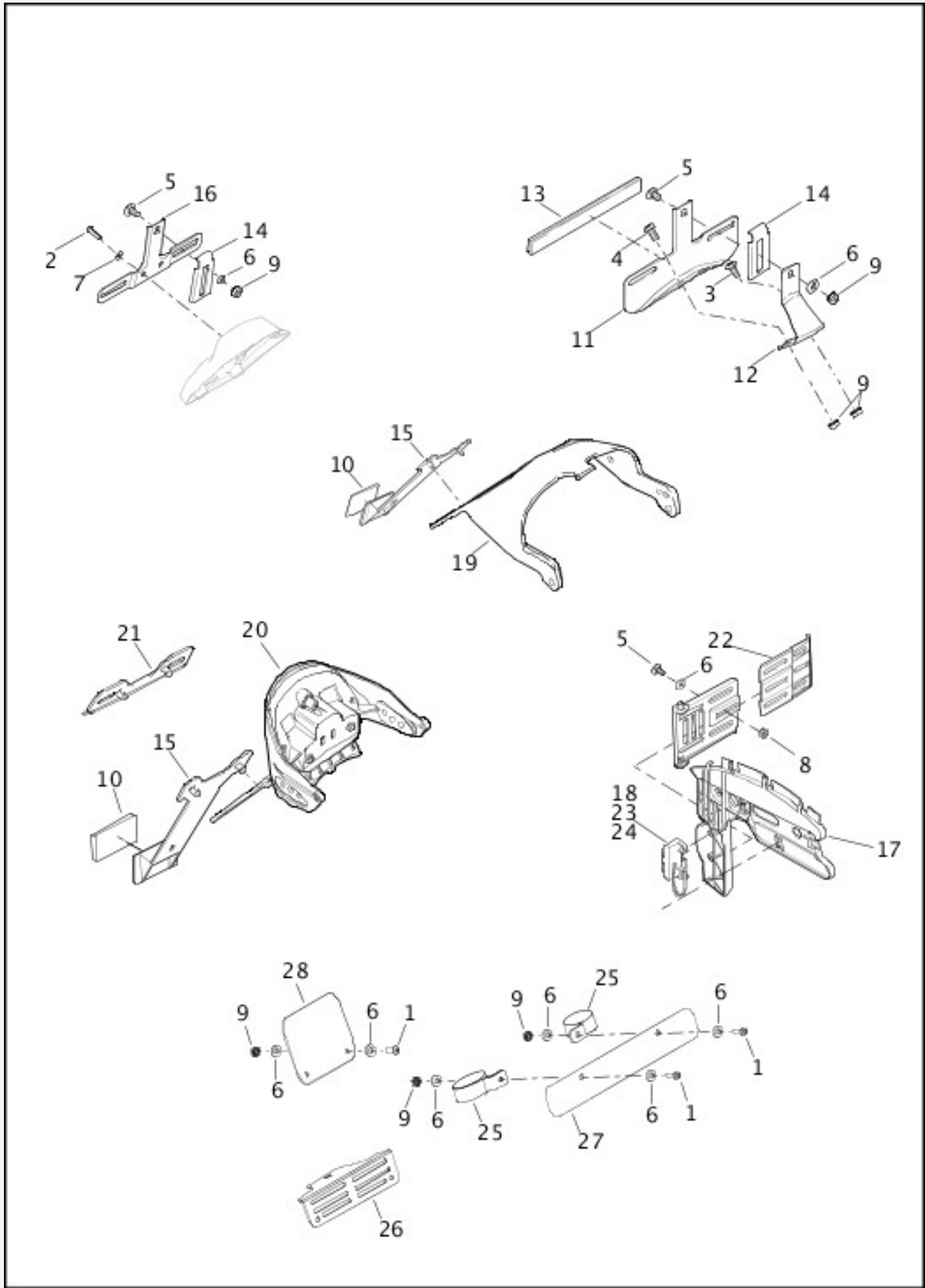
INDEX NO.	PART NO.	DESCRIPTION	MODEL(S)
-----------	----------	-------------	----------

NOTE: Refer to Painted Parts Book for painted part numbers.

1	2445	SCREW	XR1200X
---	------	-------	---------

2	2653	SCREW (2)	XR1200X
3	2872W	BOLT (2)	XR1200X
4	3574	SCREW	XR1200X
5	3706M	SCREW (4)	XR1200X
6	3802W	BOLT (3)	XR1200X
7	6703	WASHER (2)	XR1200X
8	7900	LOCKNUT	XR1200X
9	48390-06	SPACER (3)	XR1200X
10	51710-08	POST, grabstrap (2)	XR1200X
11	52429-08	SEAT POST	XR1200X
12	59256-84A	REFLECTOR, amber (2)	XR1200X
	59259-90	REFLECTOR, red (2)	XR1200X
13	59901-08BDK	FENDER, rear (prime)	XR1200X
14	59916-08	FENDER ASSEMBLY, inner	XR1200X
15	60183-08	BRACKET, reflector (2)	XR1200X
16	69148-01	SUPPORT PLATE (2)	XR1200X
17	92500-10	TOOL KIT, w/ C2045.1AK, C2050.1AM, C2051.1AM	XR1200X
	C2045.1AK	HEX KEY, 5mm (tool kit) (not illustrated)	XR1200X
	C2050.1AM	WRENCH, rear shock (tool kit) (not illustrated)	XR1200X
	C2051.1AM	HANDLE, wrench (tool kit) (not illustrated)	XR1200X

LICENSE PLATE BRACKETS



[View interactive image](#)

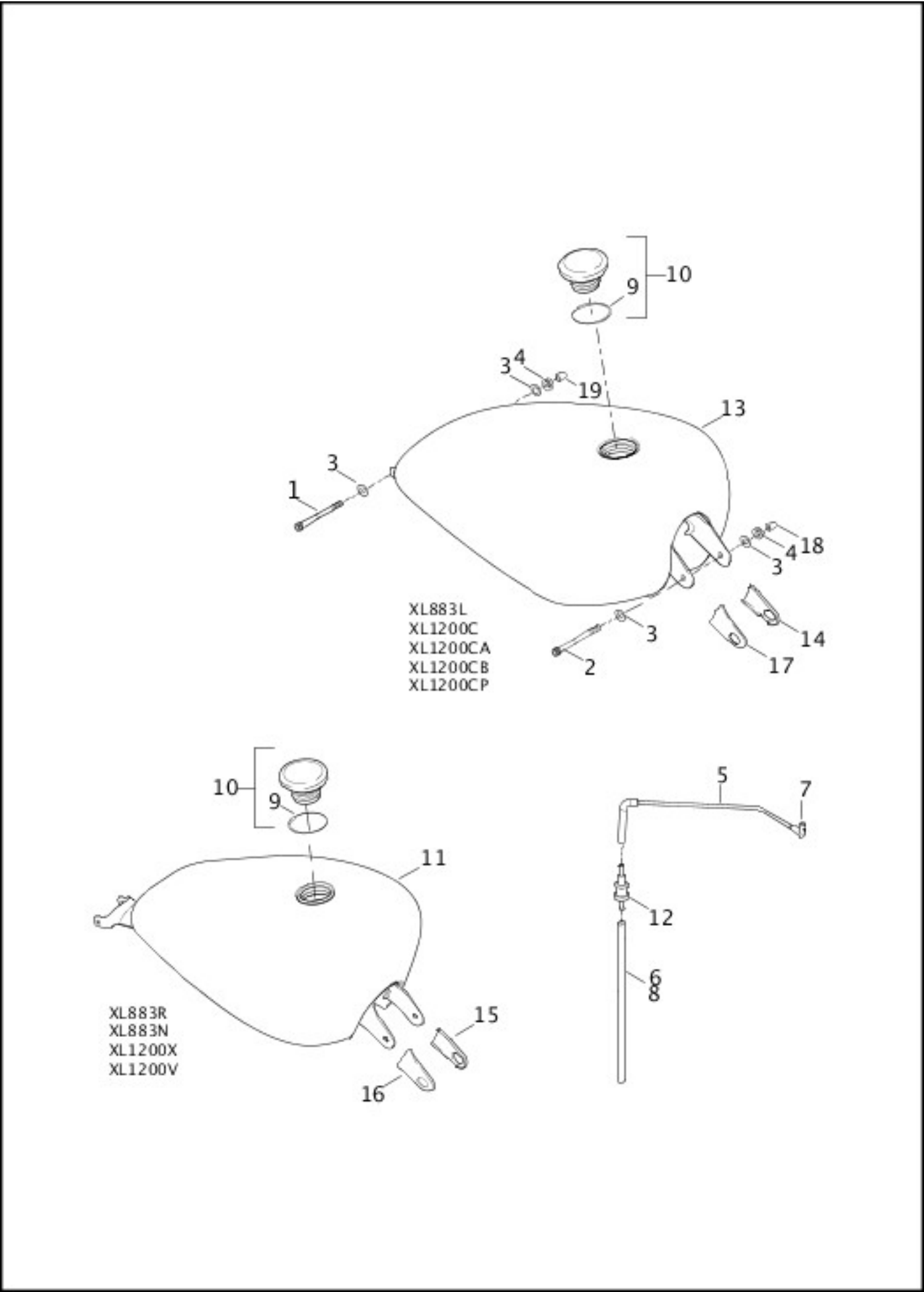
[View interactive table](#)

INDEX NO.	PART NO.	DESCRIPTION	MODEL(S)
1	927A	SCREW (India) (4)	XL1200C, XL1200C ANV, XL1200X, XL883L, XL883N, XL883R

2	2508	SCREW	XL1200C, XL1200C ANV, XL1200CA, XL1200CB, XL1200CP
3	2607	SCREW	XL1200V, XL1200X, XL883L, XL883N, XL883R
	3085	SCREW	XL1200C, XL1200C ANV, XL1200CA, XL1200CB, XL1200CP
4	2773	SCREW (2)	XL1200V, XL1200X, XL883L, XL883N, XL883R
5	5403B	BOLT	XL1200C, XL1200C ANV, XL1200CA, XL1200CB, XL1200CP, XL1200V, XL1200X, XL883L, XL883N, XL883R
6	6703	WASHER (4)	XL1200C, XL1200C ANV, XL1200CA, XL1200CB, XL1200CP, XL1200V, XL1200X, XL883L, XL883N, XL883R
7	6716	WASHER (2)	XL1200C, XL1200C ANV, XL1200CA, XL1200CB, XL1200CP
8	7716	LOCKNUT	XL1200V, XL1200X, XL883N
9	7792	NUT (4)	XL1200C, XL1200C ANV, XL1200CA, XL1200CB, XL1200CP, XL1200V, XL1200X, XL883L, XL883N, XL883R
10	59259-90	REFLECTOR, red	XL1200X, XL883N, XR1200X
11	59984-73	BRACKET, license plate	XL1200V, XL1200X, XL883L, XL883N, XL883R
12	59986-75	SUPPORT, license plate bracket	XL1200V, XL1200X, XL883L, XL883N, XL883R
13	59988-72A	REFLECTOR, license plate bracket	XL1200V, XL1200X, XL883L, XL883N, XL883R
14	60001-55	CLAMP, license plate bracket	XL1200C, XL1200C ANV, XL1200CA, XL1200CB, XL1200CP, XL1200V, XL1200X, XL883L, XL883N, XL883R
15	60188-08	BRACKET, w/ 59259-90 (HDI, England, Japan, Asia-Pacific)	XL1200X, XL883N, XR1200X
16	60225-08BHP	BRACKET, license plate	XL1200C, XL1200C ANV, XL1200CA, XL1200CB, XL1200CP
17	60318-07	LICENSE PLATE BRACKET MOUNT ASSEMBLY, left w/ 5403B, 7716, 60375-10 & 68702-07	XL1200V, XL1200X, XL883N
18	60375-10	ILLUMINATOR, license plate w/ 73152-96BK, & 73191-96	XL1200V, XL1200X, XL883N
19	60901-07	LICENSE PLATE MODULE (HDI)	XL1200X, XL883N
20	68257-08	LICENSE PLATE MODULE	XR1200X
21	68561-09	BRACKET, reflector	XR1200X

22	68702-07	BRACKET ADJUST, license plate	XL1200V, XL1200X, XL883N
23	73152-96BK	SOCKET HOUSING, 2-way (black)	XL1200V, XL1200X, XL883N
24	73191-96	SOCKET TERMINAL, 16-20 awg (2)	XL1200V, XL1200X, XL883N
25	10800006	P-CLAMP, 39mm (India)	XL883L, XL883N, XL883R
26	67900079	BRACKET (India)	XL1200C, XL1200X
27	67900088	LICENSE PLATE, front (India)	XL883N, XL883R
	67900089	LICENSE PLATE, front (India)	XL1200C, XL1200X, XL883L
28	67900093	LICENSE PLATE, rear (India)	XL1200X, XL883L, XL883N, XL883R

FUEL TANK - 883L/N/R, 1200C/CA/CB/CP/V/X



[View interactive image](#)

[View interactive table](#)

INDEX NO.	PART NO.	DESCRIPTION	MODEL(S)
-----------	----------	-------------	----------

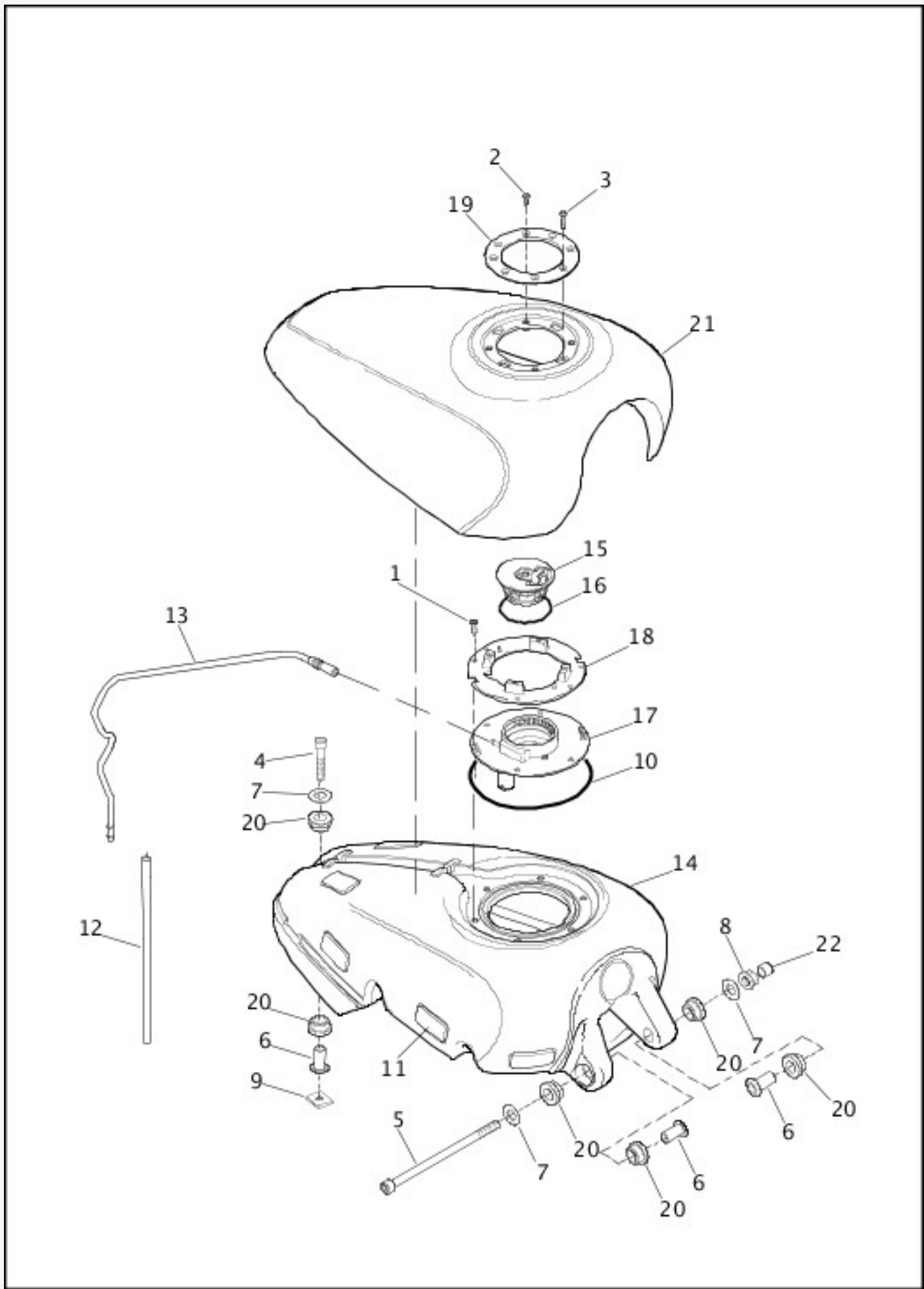
NOTE: Refer to Painted Parts Book for painted part numbers.

1	4758A	SCREW	XL1200C, XL1200C ANV, XL1200CA, XL1200CB, XL1200CP,
---	-------	-------	---

			XL1200X, XL883L, XL883N, XL883R
2	4771	SCREW	XL1200C, XL1200C ANV, XL1200CA, XL1200CB, XL1200CP, XL1200X, XL883L, XL883N, XL883R
3	6702	WASHER (4)	XL1200C, XL1200C ANV, XL1200CA, XL1200CB, XL1200CP, XL1200X, XL883L, XL883N, XL883R
4	7531	LOCKNUT (2)	XL1200C, XL1200C ANV, XL1200CA, XL1200CB, XL1200CP, XL1200X, XL883L, XL883N, XL883R
5	27067-07A	VENTLINE, tank-to-valve, w/ 27250-96B	XL1200C, XL1200C ANV, XL1200CA, XL1200CB, XL1200CP, XL883L, XL883N, XL883R
	27071-10	VENTLINE, tank-to-valve, w/ 27250-96B	XL1200V, XL1200X
6	27096-04A	VENTLINE, vapor valve-to-atmosphere	XL1200C, XL1200C ANV, XL1200CA, XL1200CB, XL1200CP, XL1200V, XL1200X, XL883L, XL883N, XL883R
7	27250-96B	CONNECTOR, 90 degree	XL1200C, XL1200C ANV, XL1200CA, XL1200CB, XL1200CP, XL1200V, XL883L, XL883N, XL883R
8	28911-04A	HOSE, vapor valve-to-evaporative canister (California)	XL1200C, XL1200C ANV, XL1200CA, XL1200CB, XL1200CP, XL1200V, XL883L, XL883N, XL883R
9	61109-85D	GASKET	XL1200C, XL1200C ANV, XL1200CA, XL1200CB, XL1200CP, XL1200V, XL1200X, XL883L, XL883N, XL883R
10	61272-92C	FUEL CAP ASSEMBLY, w/ 61109-85D	XL1200C, XL1200C ANV, XL1200CA, XL1200CB, XL1200CP, XL1200V, XL1200X, XL883L, XL883R
	61289-07A	FUEL CAP ASSEMBLY, vented, w/ 61109-85D	XL883N
11	61405-07	FUEL TANK ASSEMBLY (prime)	XL883N, XL883R
	61724-10	FUEL TANK ASSEMBLY (prime)	XL1200V, XL1200X
12	62150-85	VAPOR VALVE	XL1200C, XL1200C ANV, XL1200CA, XL1200CB, XL1200CP, XL1200V, XL1200X, XL883L, XL883N, XL883R
13	62213-07	FUEL TANK ASSEMBLY (prime)	XL1200C, XL1200C ANV, XL1200CA, XL1200CB, XL1200CP, XL883L
14	70903-04	TRIM, left	XL1200C, XL1200C ANV, XL1200CA, XL1200CB, XL1200CP, XL883L
15	70904-04	TRIM, left	XL1200V, XL1200X, XL883N, XL883R
16	70917-04	TRIM, right	XL1200V, XL1200X, XL883N, XL883R
17	70919-04	TRIM, right	XL1200C, XL1200C ANV, XL1200CA, XL1200CB, XL1200CP, XL883L

18	89579-91	CAP	XL1200C, XL1200C ANV, XL1200CA, XL1200CB, XL1200CP, XL1200X, XL883L, XL883N, XL883R
19	89586-04	CAP	XL1200C, XL1200C ANV, XL1200CA, XL1200CB, XL1200CP, XL1200X, XL883L, XL883N, XL883R

FUEL TANK - XR1200X



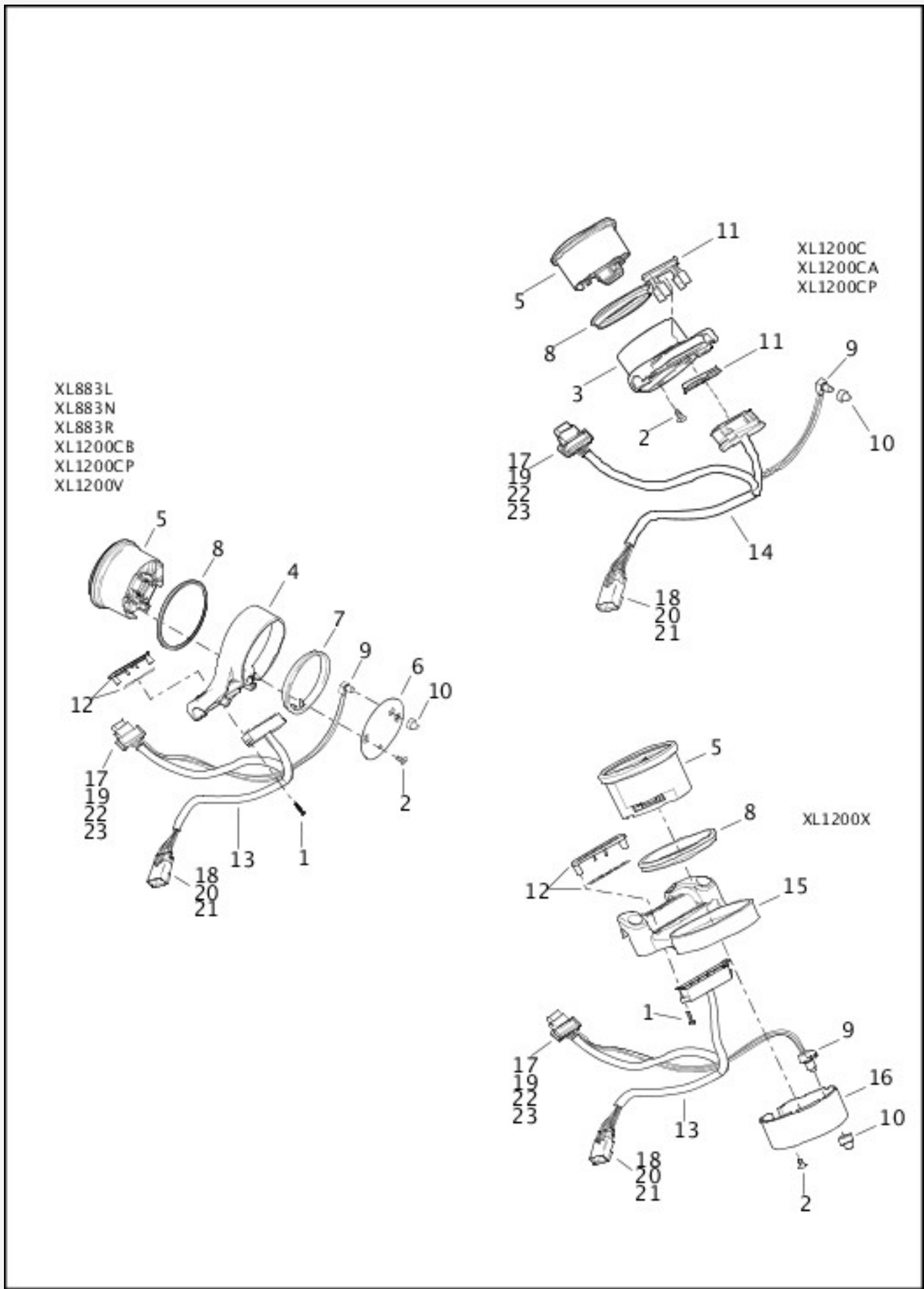
[View interactive image](#)

[View interactive table](#)

INDEX NO.	PART NO.	DESCRIPTION	MODEL(S)
NOTE: Refer to Painted Parts Book for painted part numbers.			
1	1081A	SCREW (6)	XR1200X

2	3059	SCREW (4)	XR1200X
3	3060	SCREW (4)	XR1200X
4	3485A	SCREW	XR1200X
5	4553	SCREW	XR1200X
6	5845	BUSHING (3)	XR1200X
7	6400HB	WASHER (3)	XR1200X
8	7531	LOCKNUT	XR1200X
9	8102	SPEEDNUT	XR1200X
10	11570	O-RING	XR1200X
11	11668	PAD (10)	XR1200X
12	27096-04A	VENT LINE, vapor valve-to-atmosphere	XR1200X
13	27200-08	VENT LINE, fuel tank	XR1200X
14	61392-08	FUEL TANK	XR1200X
15	61572-08A	FILLER CAP	XR1200X
16	61573-08A	O-RING	XR1200X
17	61574-08	TOP PLATE	XR1200X
18	61576-08	CLAMP RING	XR1200X
19	61577-08	TRIM RING	XR1200X
20	62881-00	BUSHING, rubber (6)	XR1200X
21	66271-08BDK	COVER, fuel cell (primed)	XR1200X
22	89586-04	CAP	XR1200X

SPEEDOMETER - 883L/N/R, 1200C/CA/CB/CP/V/X



[View interactive image](#)

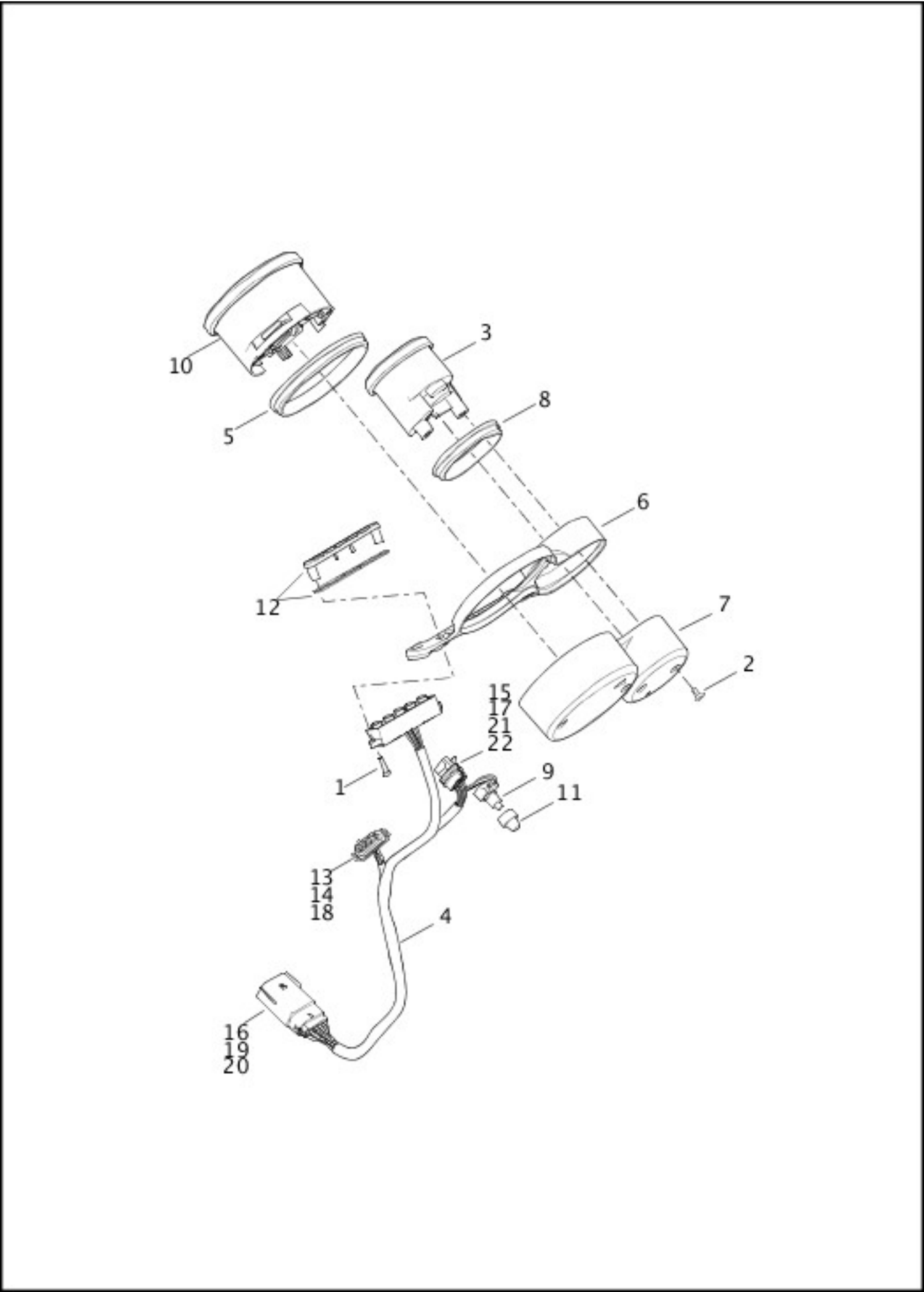
[View interactive table](#)

INDEX NO.	PART NO.	DESCRIPTION	MODEL(S)
1	2325	SCREW (2)	XL1200CB, XL1200CP, XL1200V, XL1200X, XL883L, XL883N, XL883R

2	2361	SCREW (2)	XL1200C, XL1200C ANV, XL1200CA, XL1200CB, XL1200CP, XL1200V, XL1200X, XL883L, XL883N, XL883R
3	55844-04	HOUSING, instrument (chrome) (1200CP - Drag & Pullback Handlebar)	XL1200C, XL1200C ANV, XL1200CA, XL1200CP
4	55846-05A	BRACKET, speedometer (chrome) (1200CP - Mini-Ape Handlebar)	XL1200CB, XL1200CP, XL1200V
	55847-05A	BRACKET, speedometer (black) (1200CP - Mini-Ape Handlebar)	XL1200CP, XL883L, XL883N, XL883R
5	67037-08	SPEEDOMETER, mph	XL1200X, XL883L, XL883N, XL883R
	67436-08	SPEEDOMETER, mph	XL1200C, XL1200C ANV, XL1200CA, XL1200CB, XL1200CP, XL1200V
	67041-08	SPEEDOMETER, kph (Canada, HDI, Australia, Japan, Asia-Pacific)	XL1200X, XL883L, XL883N, XL883R
	67290-08	SPEEDOMETER, mph/kph (England)	XL1200X, XL883L, XL883N, XL883R
	67415-08	SPEEDOMETER, mph/kph (England)	XL1200C, XL1200C ANV, XL1200CA, XL1200CB, XL1200V
	67416-08	SPEEDOMETER, kph (Australia, Canada, HDI, Japan, Asia-Pacific, India)	XL1200C, XL1200C ANV, XL1200CA, XL1200CB, XL1200V
6	67089-05	COVER, speedometer back (chrome)	XL1200CB, XL1200V
	67320-95	COVER, speedometer back (black)	XL1200CP, XL883L, XL883N, XL883R
7	67104-95	CUSHION, rear	XL1200CB, XL1200CP, XL1200V, XL883L, XL883N, XL883R
8	67121-95A	CUSHION, front	XL1200C, XL1200C ANV, XL1200CA, XL1200CB, XL1200CP, XL1200V, XL1200X, XL883L, XL883N, XL883R
9	67854-98	SWITCH, reset	XL1200C, XL1200C ANV, XL1200CA, XL1200CB, XL1200CP, XL1200V, XL1200X, XL883L, XL883N, XL883R
10	67880-94	BOOT, reset switch	XL1200C, XL1200C ANV, XL1200CA, XL1200CB, XL1200CP, XL1200V, XL1200X, XL883L, XL883N, XL883R
11	68382-07B	BEZEL ASSEMBLY, indicator lamps	XL1200C, XL1200C ANV, XL1200CA, XL1200CP
12	68513-07A	BEZEL, indicator lamps	XL1200CB, XL1200CP, XL1200V, XL1200X, XL883L, XL883N, XL883R
13	68813-07	HARNESS, w/ LED indicator	XL1200CB, XL1200CP, XL1200V, XL1200X, XL883L, XL883N, XL883R
14	68814-07	HARNESS, w/ LED indicator	XL1200C, XL1200C ANV, XL1200CA, XL1200CP

15	71980-10	BRACKET, speedometer	XL1200X
16	71988-10	COVER, speedometer back	XL1200X
17	72130-04	HOUSING, socket 12-way (black)	XL1200C, XL1200C ANV, XL1200CA, XL1200CB, XL1200CP, XL1200V, XL1200X, XL883L, XL883N, XL883R
18	72169-07	TERMINAL, pin, 16-20 gauge (7)	XL1200C, XL1200C ANV, XL1200CA, XL1200CB, XL1200CP, XL1200V, XL1200X, XL883L, XL883N, XL883R
19	72189-04	SEAL, pin	XL1200C, XL1200C ANV, XL1200CA, XL1200CB, XL1200CP, XL1200V, XL1200X, XL883L, XL883N, XL883R
20	72488-07BK	HOUSING, 12-way (black)	XL1200C, XL1200C ANV, XL1200CA, XL1200CB, XL1200CP, XL1200V, XL1200X, XL883L, XL883N, XL883R
21	72549-07	TERMINAL, pin, 22 AWG (5)	XL1200C, XL1200C ANV, XL1200CA, XL1200CB, XL1200CP, XL1200V, XL1200X, XL883L, XL883N, XL883R
22	74196-04	TERMINAL, socket, 20 AWG	XL1200C, XL1200C ANV, XL1200CA, XL1200CB, XL1200CP, XL1200V, XL1200X, XL883L, XL883N, XL883R
23	74197-04	SOCKET LOCK, secondary, 12-way	XL1200C, XL1200C ANV, XL1200CA, XL1200CB, XL1200CP, XL1200V, XL1200X, XL883L, XL883N, XL883R

SPEEDOMETER & TACHOMETER - XR1200X



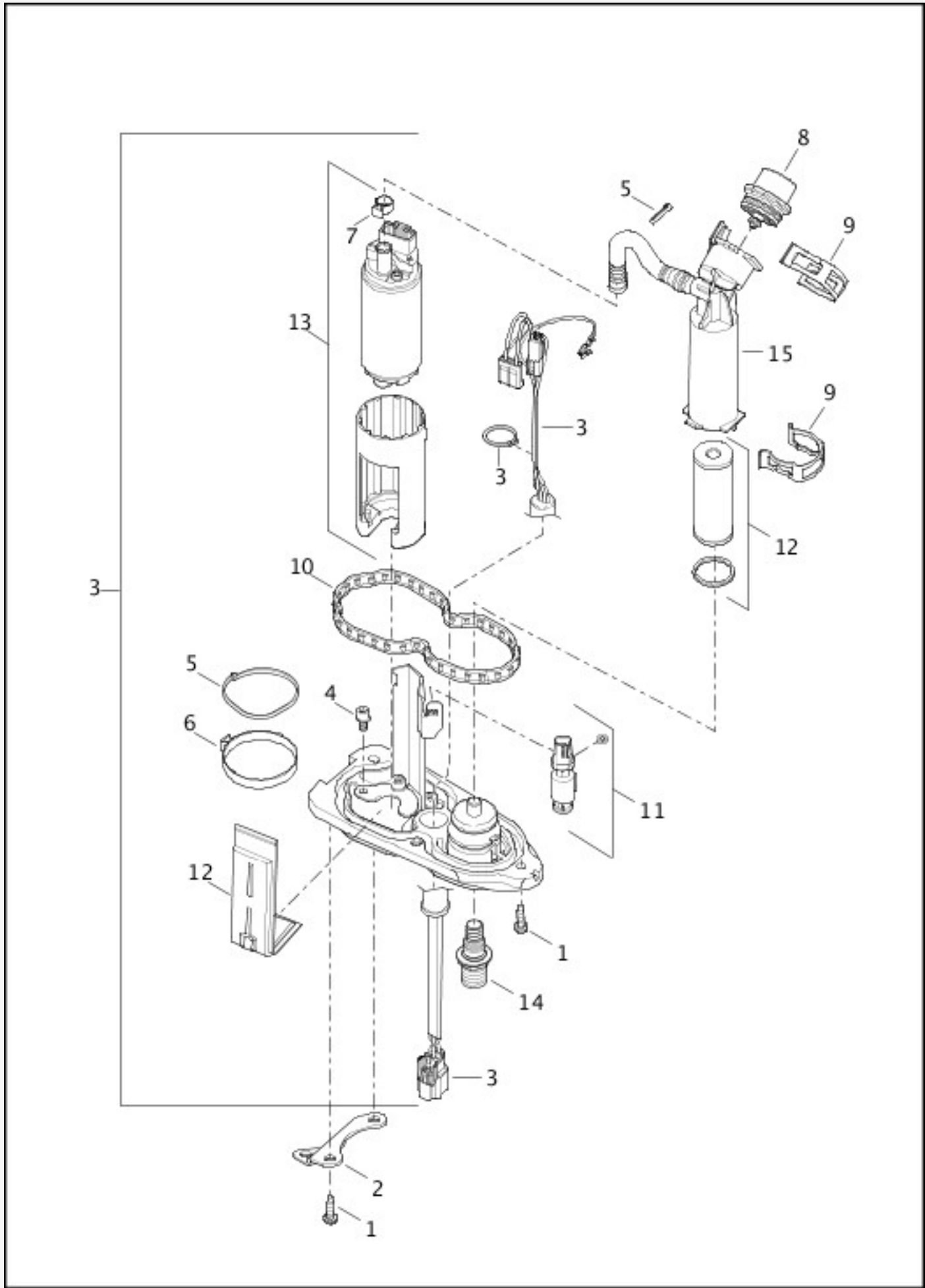
[View interactive image](#)

[View interactive table](#)

INDEX NO.	PART NO.	DESCRIPTION	MODEL(S)
1	2325	SCREW (2)	XR1200X
2	2361	SCREW (4)	XR1200X

3	70714-10	SPEEDOMETER (black)	XR1200X
4	67091-08	HARNESS, instrument assembly	XR1200X
5	67121-95A	GASKET, tachometer	XR1200X
6	67157-08	BRACKET, instrument mounting	XR1200X
7	67170-08	BACK COVER, instrument	XR1200X
8	67174-08	GASKET, speedometer	XR1200X
9	67854-98	SWITCH, reset	XR1200X
10	74714-10	TACHOMETER	XR1200X
11	67880-94	BOOT, reset switch	XR1200X
12	68513-07	BEZEL, indicator lamps	XR1200X
13	72032-93	PLUG, connector	XR1200X
14	72033-93	TERMINAL, socket 16-20 AWG (4)	XR1200X
15	72130-04	HOUSING, socket 12-way (black)	XR1200X
16	72169-07	TERMINAL, pin, 16-20 gauge (7)	XR1200X
17	72189-04	SEAL, pin (3)	XR1200X
18	72329-08	HOUSING, socket 5-way	XR1200X
19	72488-07BK	HOUSING, pin 12-way (black)	XR1200X
20	72549-07	TERMINAL, pin, 22 AWG (5)	XR1200X
21	74196-04	TERMINAL, socket, 20 AWG (9)	XR1200X
22	74197-04	SOCKET LOCK, secondary, 12-way	XR1200X

FUEL PUMP



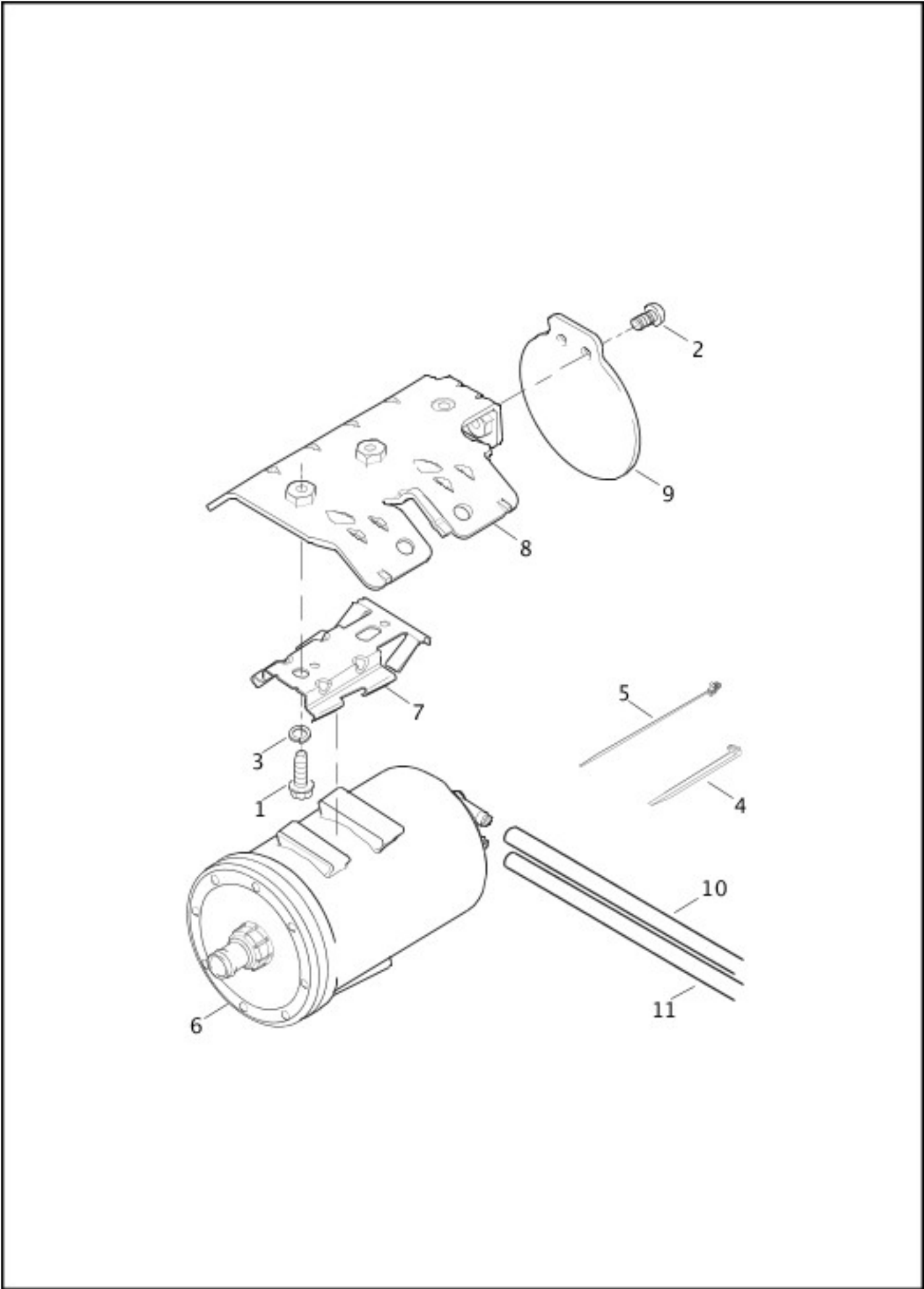
[View interactive image](#)

[View interactive table](#)

INDEX NO.	PART NO.	DESCRIPTION	MODEL(S)
1	1081A	SCREW (5)	ALL
2	56871-08	BRACKET	XR1200X

3	75268-07E	FUEL PUMP MODULE, w/ fuel sender harness	ALL
NOTE: Includes the following parts.			
4	1091	SCREW (3)	ALL
5	10181	CABLE STRAP (3)	ALL
6	10303	CLAMP, pump assembly	ALL
7	10304	CLAMP, tube	ALL
8	61015-04A	PRESSURE REGULATOR ASSEMBLY	ALL
9	61213-04A	RETAINING CLIP (2)	ALL
10	75301-07	SEAL, cover plate	ALL
11	75302-07B	SENSOR, fuel level w/ retaining ring	ALL
12	75304-07A	FUEL FILTER KIT, w/ 10181, 10303, strainer & filter element	ALL
13	75305-07A	FUEL PUMP, w/ 1091, 10181, 10303 & 10304	ALL
14	75309-07	VALVE ASSEMBLY	ALL
15	75317-07	FILTER HOUSING	ALL

EVAPORATIVE EMISSIONS COMPONENTS



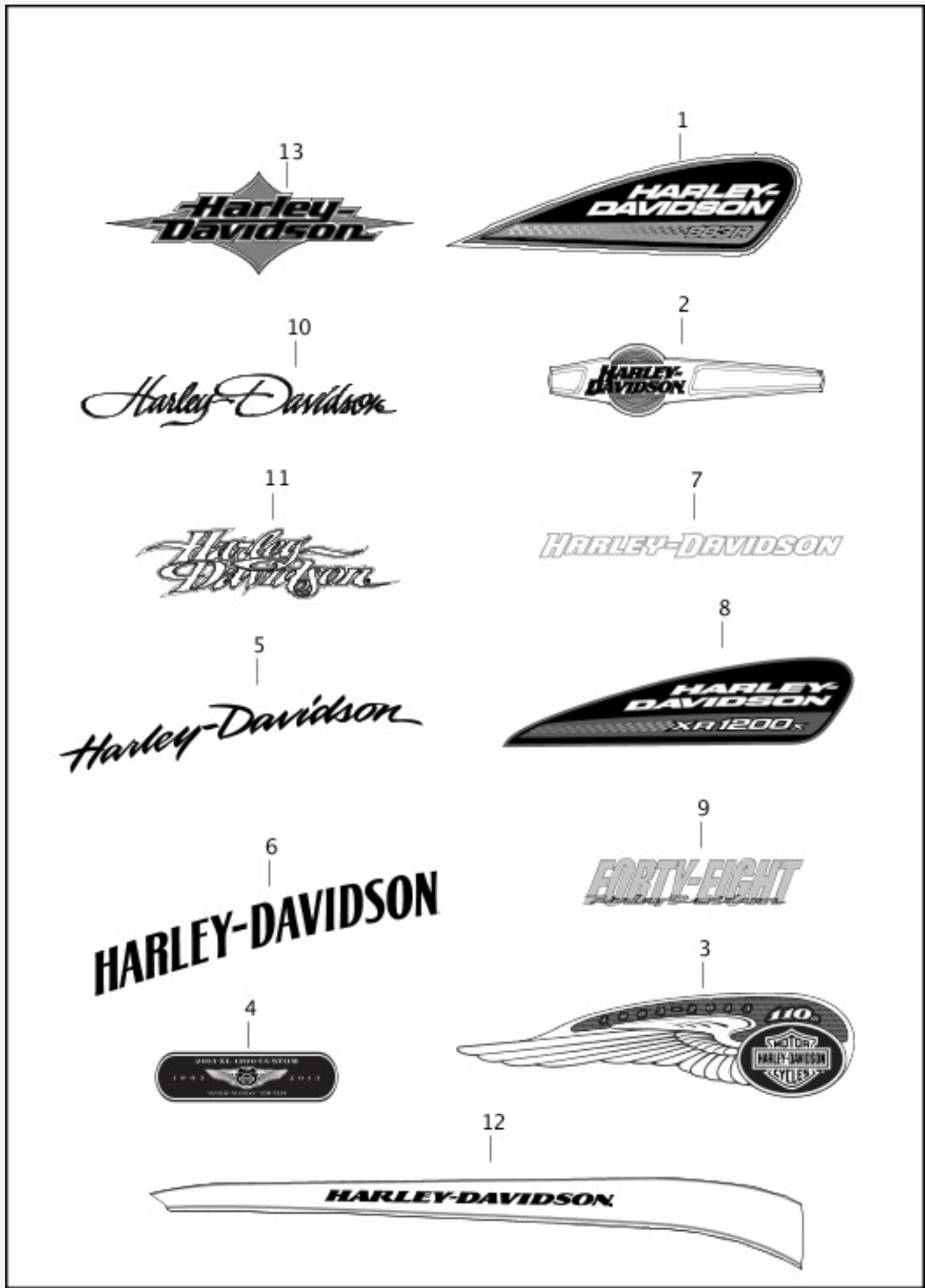
[View interactive image](#)

[View interactive table](#)

INDEX NO.	PART NO.	DESCRIPTION	MODEL(S)
NOTE: These parts are required for motorcycles sold in the state of California.			
NOTE: These parts are required for motorcycles sold in Asia-Pacific markets.			

1	3728	SCREW (2)	ALL
2	4363	SCREW (2)	ALL
3	6099	WASHER (2)	ALL
4	10006	CABLE STRAP (as required)	ALL
5	10177	CABLE STRAP (as required)	ALL
6	27042-84A	CANNISTER	ALL
7	27047-84B	BRACKET, mounting	ALL
8	28908-04A	BRACKET	ALL
9	28909-04	GUARD	ALL
10	28822-07A	HOSE, canister-to-manifold	ALL
11	28911-04A	HOSE, canister-to-vapor valve	ALL

FUEL TANK TRIM



[View interactive image](#)

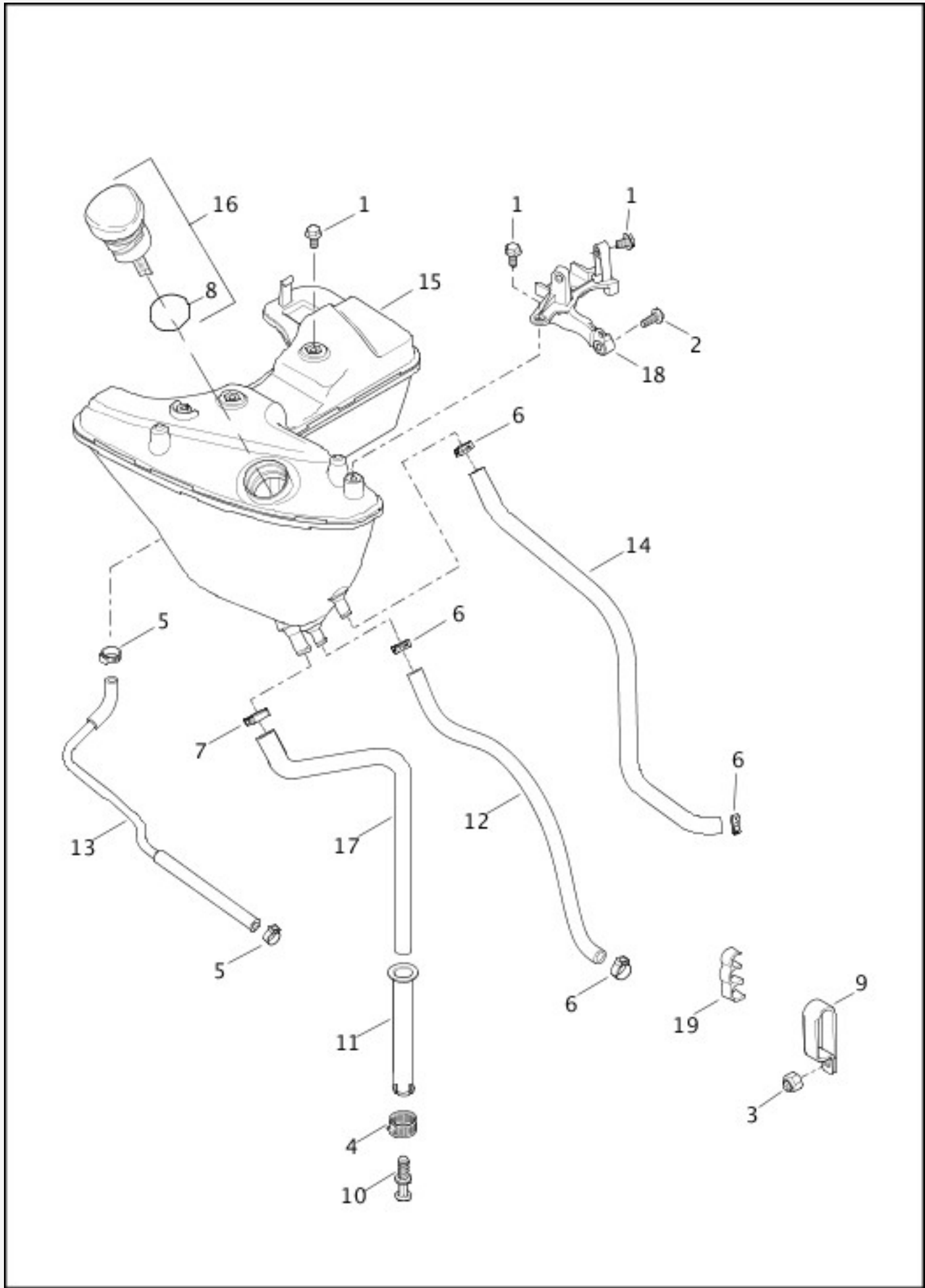
[View interactive table](#)

INDEX NO.	PART NO.	DESCRIPTION	MODEL(S)
1	13566-05	DECAL, fuel tank (left)	XL883R
	13567-05	DECAL, fuel tank (right)	XL883R

2	62426-11	MEDALLION, fuel tank (left) (red/black)	XL1200C, XL1200CP
	62439-11	MEDALLION, fuel tank (right) (red/black)	XL1200C, XL1200CP
	62580-11	MEDALLION, fuel tank (left) (blue/black)	XL1200C, XL1200CB, XL1200CP
	62581-11	MEDALLION, fuel tank (right) (blue/black)	XL1200C, XL1200CB, XL1200CP
3	14100255	MEDALLION, fuel tank (left) **RESTRICTED SALES PART**	XL1200C ANV
	14100256	MEDALLION, fuel tank (right) **RESTRICTED SALES PART**	XL1200C ANV
4	14100270	BADGE, serialized **RESTRICTED SALES PART**	XL1200C ANV

Index 5ls only sold as part of XL883L fuel tank assemblies. Index 6ls only sold as part of XL1200N fuel tank assemblies. Index 7ls only sold as part of XL883N fuel tank assemblies. Index 8ls only sold as part of XR1200X fuel tank assemblies. Index 9ls only sold as part of XL1200X fuel tank assemblies. Index 10ls only sold as part of XL1200CP fuel tank assemblies. Index 11ls only sold as part of XL1200CP fuel tank assemblies. Index 12ls only sold as part of XL1200CA & XL1200CP fuel tank assemblies. Index 13ls only sold as part of XL1200V fuel tank assemblies.

OIL TANK & LINES - 883L/N/R, 1200C/CA/CB/CP/V/X



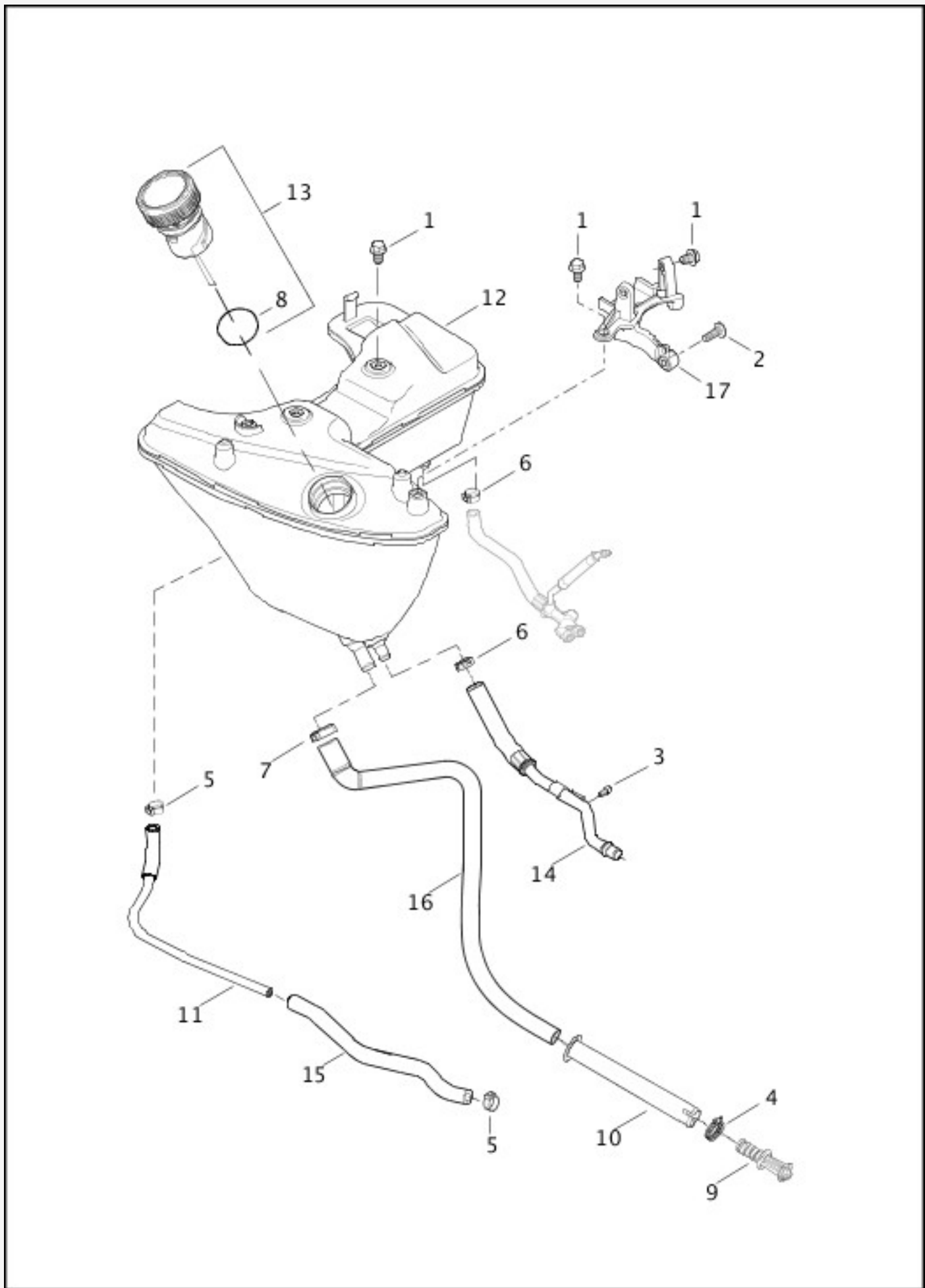
[View interactive image](#)

[View interactive table](#)

INDEX NO.	PART NO.	DESCRIPTION	MODEL(S)
1	3588	SCREW (5)	XL1200C, XL1200C ANV, XL1200CA, XL1200CB, XL1200CP, XL1200V, XL1200X, XL883L, XL883N, XL883R

2	3696	SCREW	XL1200C, XL1200C ANV, XL1200CA, XL1200CB, XL1200CP, XL1200V, XL1200X, XL883L, XL883N, XL883R
3	7624	LOCKNUT	XL1200C, XL1200C ANV, XL1200CA, XL1200CB, XL1200CP, XL1200V, XL1200X, XL883L, XL883N, XL883R
4	9969	HOSE CLAMP	XL1200C, XL1200C ANV, XL1200CA, XL1200CB, XL1200CP, XL1200V, XL1200X, XL883L, XL883N, XL883R
5	10014	CLAMP (2)	XL1200C, XL1200C ANV, XL1200CA, XL1200CB, XL1200CP, XL1200V, XL1200X, XL883L, XL883N, XL883R
6	10080	CLAMP (4)	XL1200C, XL1200C ANV, XL1200CA, XL1200CB, XL1200CP, XL1200V, XL1200X, XL883L, XL883N, XL883R
7	10142	CLAMP	XL1200C, XL1200C ANV, XL1200CA, XL1200CB, XL1200CP, XL1200V, XL1200X, XL883L, XL883N, XL883R
8	11120	O-RING	XL1200C, XL1200C ANV, XL1200CA, XL1200CB, XL1200CP, XL1200V, XL1200X, XL883L, XL883N, XL883R
9	31512-04	HOSE CLAMP	XL1200C, XL1200C ANV, XL1200CA, XL1200CB, XL1200CP, XL1200V, XL1200X, XL883L, XL883N, XL883R
10	33123-06A	PLUG, oil tank drain	XL1200C, XL1200C ANV, XL1200CA, XL1200CB, XL1200CP, XL1200V, XL1200X, XL883L, XL883N, XL883R
11	33138-06	SLEEVE, oil drain line	XL1200C, XL1200C ANV, XL1200CA, XL1200CB, XL1200CP, XL1200V, XL1200X, XL883L, XL883N, XL883R
12	62338-01Y	LINE, oil feed	XL1200C, XL1200C ANV, XL1200CA, XL1200CB, XL1200CP, XL1200V, XL1200X, XL883L, XL883N, XL883R
13	62360-10	LINE, vent tube, w/ 10014	XL1200C, XL1200C ANV, XL1200CA, XL1200CB, XL1200CP, XL1200V, XL1200X, XL883L, XL883N, XL883R
14	62361-10	LINE, oil return	XL1200C, XL1200C ANV, XL1200CA, XL1200CB, XL1200CP, XL1200V, XL1200X, XL883L, XL883N, XL883R
15	62954-10	OIL TANK ASSEMBLY	XL1200C, XL1200C ANV, XL1200CA, XL1200CB, XL1200CP, XL1200V, XL1200X, XL883L, XL883N, XL883R
16	63000-04B	DIPSTICK ASSEMBLY, w/ 11120	XL1200C, XL1200C ANV, XL1200CA, XL1200CB, XL1200CP, XL1200V, XL1200X, XL883L, XL883R
	62592-07A	DIPSTICK ASSEMBLY, w/ 11120	XL883N
17	63596-06	LINE, oil drain	XL1200C, XL1200C ANV, XL1200CA, XL1200CB, XL1200CP, XL1200V, XL1200X, XL883L, XL883N, XL883R
18	66199-10	BRACKET	XL1200C, XL1200C ANV, XL1200CA, XL1200CB, XL1200CP, XL1200V, XL1200X, XL883L, XL883N, XL883R
19	70503-10	HOSE CLIP	XL1200C, XL1200C ANV, XL1200CA, XL1200CB, XL1200CP, XL1200V, XL1200X, XL883L, XL883N, XL883R

OIL TANK & LINES- XR1200X



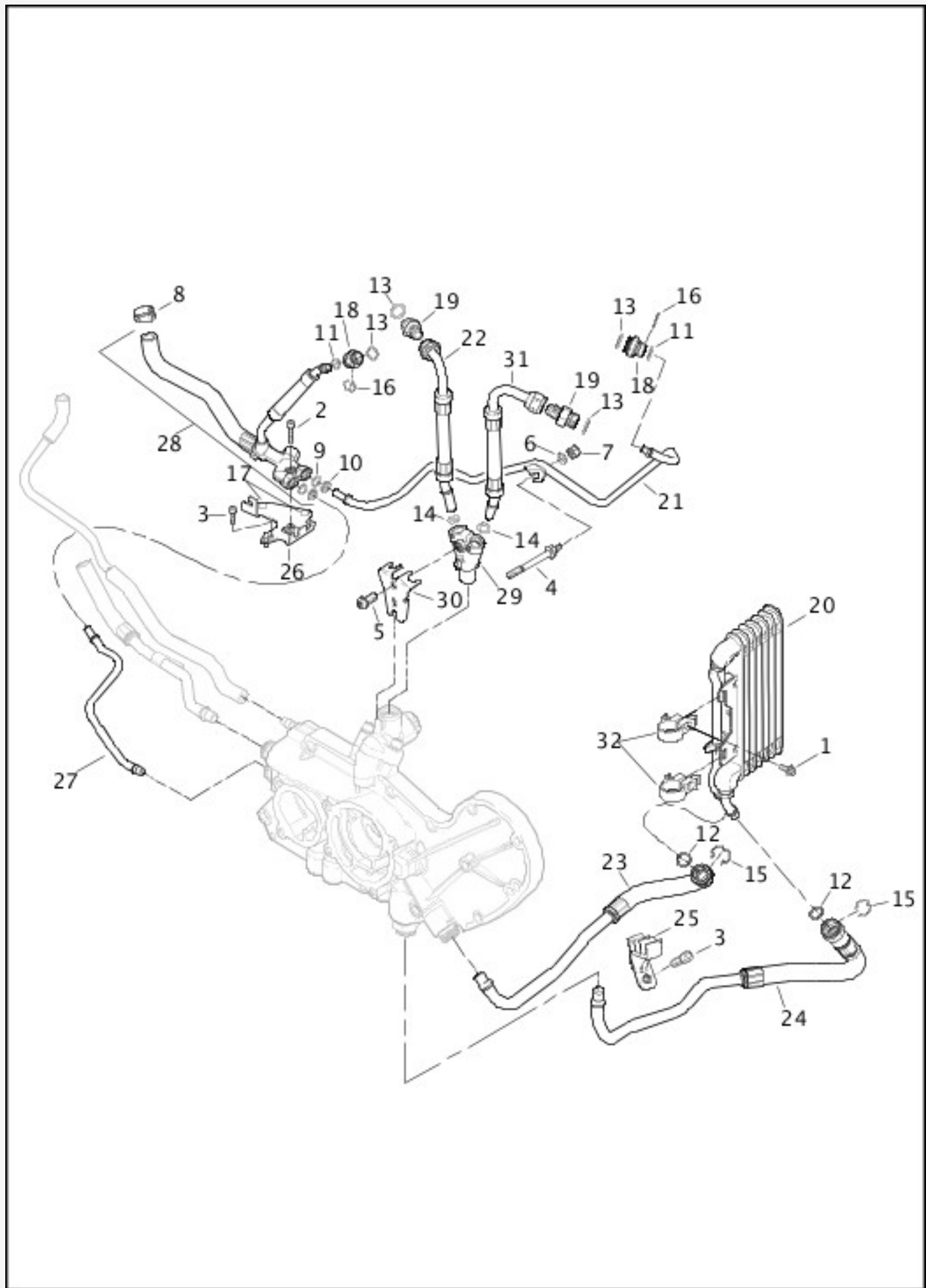
[View interactive image](#)

[View interactive table](#)

INDEX NO.	PART NO.	DESCRIPTION	MODEL(S)
1	3588	SCREW (5)	XR1200X
2	3696	SCREW	XR1200X

3	4705	SCREW	XR1200X
4	9969	HOSE CLAMP	XR1200X
5	10014	CLAMP (2)	XR1200X
6	10344	CLAMP (2)	XR1200X
7	10142	CLAMP	XR1200X
8	11120	O-RING	XR1200X
9	33123-06A	PLUG, oil tank drain	XR1200X
10	33138-06	SLEEVE, oil drain line	XR1200X
11	62360-04A	LINE, oil vent, upper, w/ 10014	XR1200X
12	62888-08A	OIL TANK ASSEMBLY	XR1200X
13	63008-08	DIPSTICK ASSEMBLY, w/ 11120	XR1200X
14	63099-08	LINE, oil feed	XR1200X
15	63103-08	LINE, oil vent, lower	XR1200X
16	63596-06	LINE, oil drain	XR1200X
17	66199-10	BRACKET	XR1200X

OIL LINES & COOLER - XR1200X



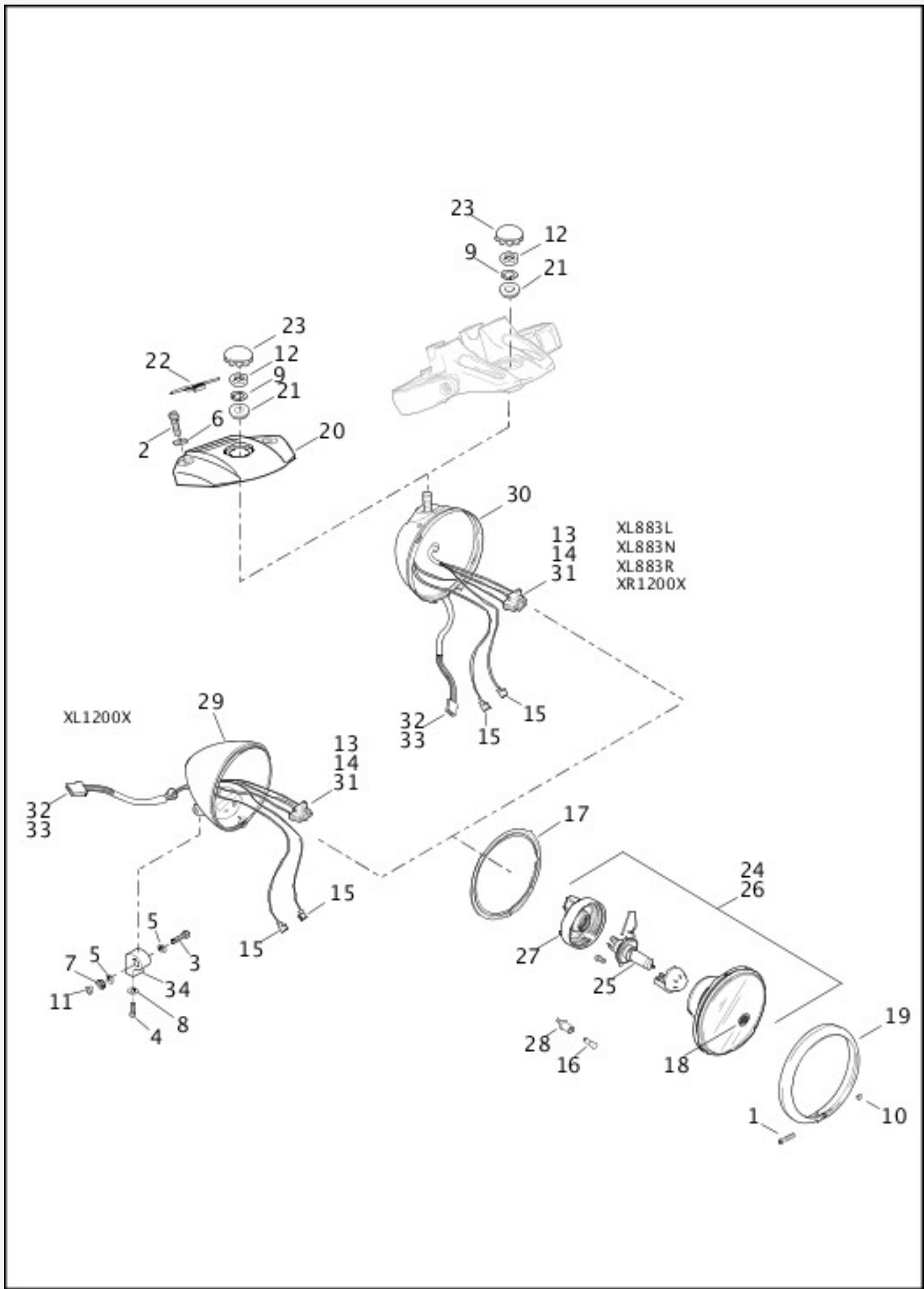
[View interactive image](#)

[View interactive table](#)

INDEX NO.	PART NO.	DESCRIPTION	MODEL(S)
1	882	SCREW (2)	XR1200X
2	1094	SCREW (2)	XR1200X

3	4705	SCREW (2)	XR1200X
4	4886	SCREW	XR1200X
5	4897	SCREW	XR1200X
6	6110	WASHER	XR1200X
7	7686	LOCKNUT	XR1200X
8	10344	CLAMP	XR1200X
9	10970	O-RING (2)	XR1200X
10	10972	SPACER (2)	XR1200X
11	11110	O-RING (2)	XR1200X
12	11140	O-RING (2)	XR1200X
13	11290	O-RING (4)	XR1200X
14	11351	O-RING (2)	XR1200X
15	11384K	RETAINER, wire clip (2)	XR1200X
16	11408	RETAINER, wire clip (2)	XR1200X
17	11652	BUMPER, rubber (2)	XR1200X
18	26064-08	FITTING ASSEMBLY, w/ 11110, 11290 & 11408 (2)	XR1200X
19	26183-08	FITTING, w/ 11290 (2)	XR1200X
20	63050-08A	OIL COOLER	XR1200X
21	63080-08	LINE, front head return	XR1200X
22	63081-08	LINE, rear cylinder head	XR1200X
23	63097-08	LINE, oil cooler feed, w/ 11140, 11384K & quick connect fitting	XR1200X
24	63098-08	LINE, oil cooler return, w/ 11140, 11384K & quick connect fitting	XR1200X
25	63108-08	CLAMP	XR1200X
26	63110-08	BRACKET ASSEMBLY, manifold, w/ 11652	XR1200X
27	63111-08	LINE, scavenge return	XR1200X
28	63112-08	MANIFOLD ASSEMBLY, oil tank return, w/ 10970 & 10972	XR1200X
29	63116-08	MANIFOLD	XR1200X
30	63119-08	BRACKET	XR1200X
31	63120-08	LINE, front cylinder head	XR1200X
32	63125-08	CLAMP (2)	XR1200X

HEADLAMP - 883L/N/R, 1200X, XR1200X



[View interactive image](#)

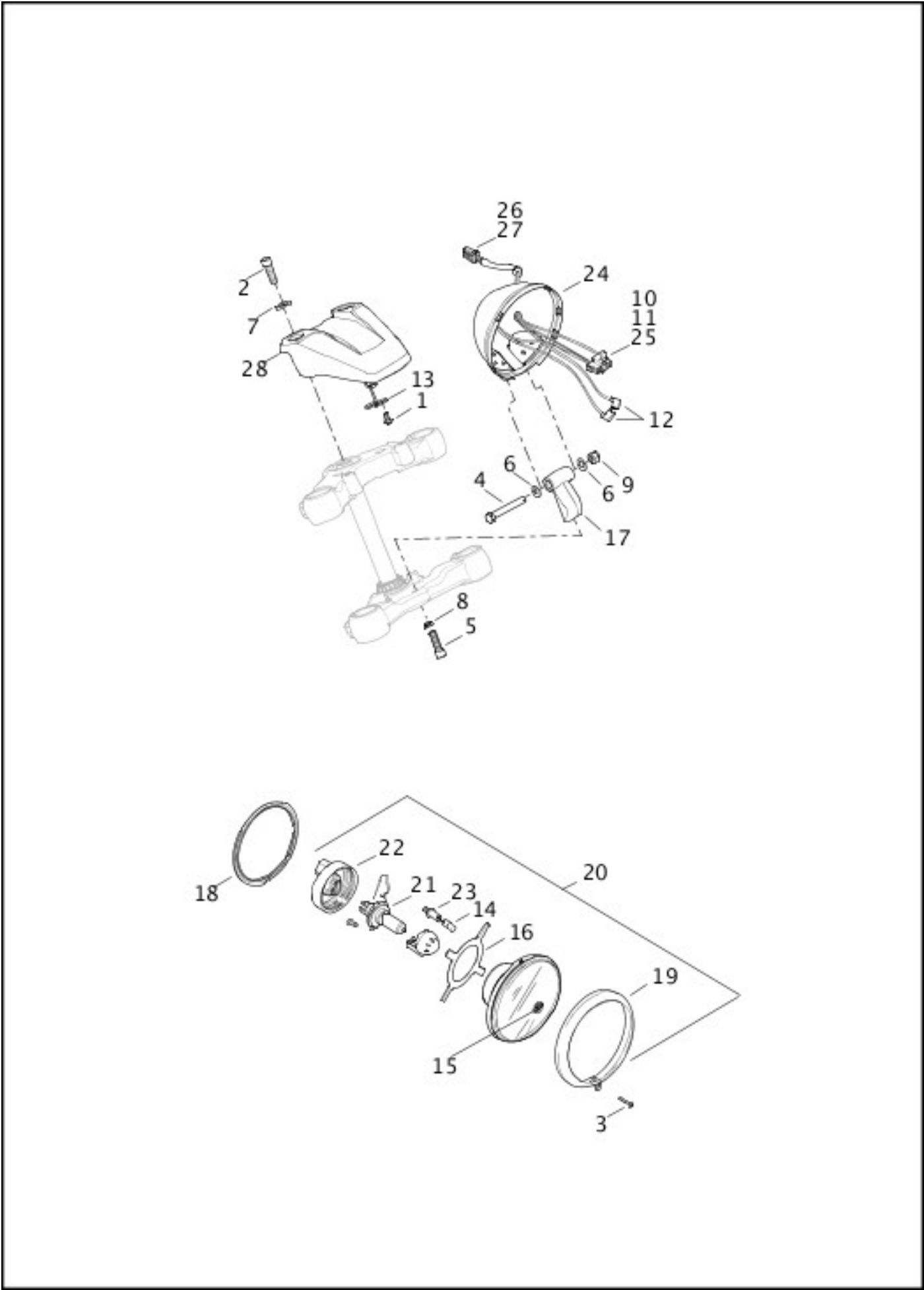
[View interactive table](#)

INDEX	PART	DESCRIPTION	MODEL(S)
-------	------	-------------	----------

NO.	NO.		
1	3514	SCREW	XL1200X, XL883L, XL883N, XL883R, XR1200X
2	3655A	SCREW (2)	XL883L, XL883N, XL883R
3	4724	BOLT	XL1200X
4	4748	SCREW	XL1200X
5	6701	WASHER (2)	XL1200X
6	6702	WASHER (2)	XL883L, XL883N, XL883R
7	7038	LOCKWASHER	XL1200X
8	7045	LOCKWASHER	XL1200X
9	7068	LOCKWASHER	XL883L, XL883N, XL883R, XR1200X
	7073	LOCKWASHER (not shown) (India) (3)	XL1200X
	7230	LOCKWASHER (not shown) (India) (6)	XL1200X
10	7606	LOCKNUT	XL1200X, XL883L, XL883N, XL883R, XR1200X
	7716	LOCKNUT (not shown) (India) (3)	XL1200X
11	7800W	NUT	XL1200X
12	7880	NUT	XL883L, XL883N, XL883R, XR1200X
13	9847	CONNECTOR, right	XL1200X, XL883L, XL883N, XL883R, XR1200X
14	9848	CONNECTOR, left	XL1200X, XL883L, XL883N, XL883R, XR1200X
15	9898	TERMINAL FLAG (2)	XL1200X, XL883L, XL883N, XL883R, XR1200X
16	53436-97	BULB	XL1200X, XL883L, XL883N, XL883R, XR1200X
17	67883-04A	ADAPTER RING	XL1200X, XL883L, XL883N, XL883R, XR1200X
18	67667-05	MEDALLION	XL1200X, XL883L, XL883N, XL883R, XR1200X
19	67790-93A	BEZEL (chrome)	XL1200X, XL883L, XL883R
	68443-07A	BEZEL (satin chrome)	XL883N

	69397-08	BEZEL (black)	XR1200X
20	67805-92	BRACKET (polished)	XL883L
	67963-05	BRACKET (denim black / satin)	XL883N, XL883R
21	67815-59A	WASHER	XL883L, XL883N, XL883R, XR1200X
22	67834-83	TRIM (brushed)	XL883L
	67972-98	TRIM (gloss black)	XL883N, XL883R
23	67865-89	PLUG (chrome)	XL883L
	69449-05	PLUG (denim black / satin)	XL883N, XL883R, XR1200X
24	68297-05	LAMP ASSEMBLY, w/ 18, 25, 27	XL1200X, XL883L, XL883N, XL883R, XR1200X
25	68329-03	BULB	XL1200X, XL883L, XL883N, XL883R, XR1200X
26	68335-05	LAMP ASSEMBLY, left (Australia, England, Japan), w/ 16, 18, 25, 27, 28	XL1200X, XL883L, XL883N, XL883R, XR1200X
	68341-05	LAMP ASSEMBLY, right (HDI, Asia-Pacific), w/ 16, 18, 25, 27, 28	XL1200X, XL883L, XL883N, XL883R, XR1200X
27	68380-05	BOOT	XL1200X, XL883L, XL883N, XL883R, XR1200X
28	68653-05	SOCKET, bulb (2 spade)	XL1200X, XL883L, XL883N, XL883R, XR1200X
29	73264-10	HEADLAMP SHELL, w/ 13, 14, 15, 31, 32, 33 (black)	XL1200X
	67700094	HEADLAMP SHELL, w/ 13, 14, 15, 31, 32, 33, 7073, 7230 & 7716 (India) (not shown)	XL1200X
30	69386-08	HEADLAMP SHELL, w/ 13, 14, 15, 31, 32, 33 (black)	XR1200X
	69774-07A	HEADLAMP SHELL, w/ 13, 14, 15, 31, 32, 33 (black)	XL883L, XL883N, XL883R
31	72056-92	HOUSING, female	XL1200X, XL883L, XL883N, XL883R, XR1200X
32	73154-96BK	SOCKET HOUSING, 4-way (black)	XL1200X, XL883L, XL883N, XL883R, XR1200X
33	73191-96	SOCKET TERMINAL, 16-20 awg (4)	XL1200X, XL883L, XL883N, XL883R, XR1200X
34	73266-10	MOUNT	XL1200X

HEADLAMP - 1200C/CA/CB/CP/V



[View interactive image](#)

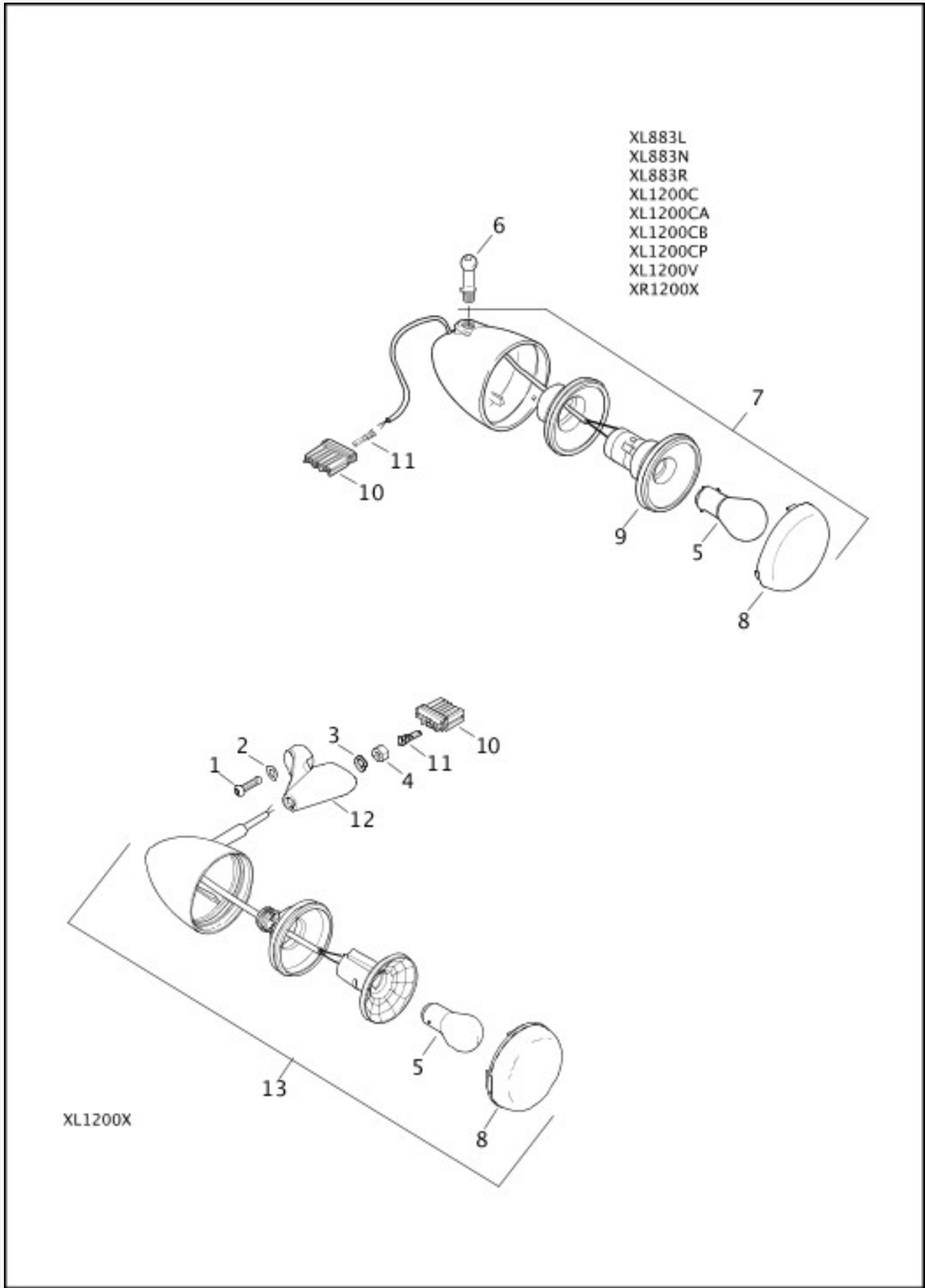
[View interactive table](#)

INDEX NO.	PART NO.	DESCRIPTION	MODEL(S)
1	2445	SCREW	XL1200C, XL1200C ANV, XL1200CA, XL1200CB, XL1200CP

2	2708A	SCREW (2)	XL1200C, XL1200C ANV, XL1200CA, XL1200CB, XL1200CP
3	3615	SCREW	XL1200C, XL1200C ANV, XL1200CA, XL1200CB, XL1200CP, XL1200V
4	4420	SCREW	XL1200C, XL1200C ANV, XL1200CA, XL1200CB, XL1200CP, XL1200V
5	4748	SCREW	XL1200C, XL1200C ANV, XL1200CA, XL1200CB, XL1200CP, XL1200V
6	6701	WASHER (2)	XL1200C, XL1200C ANV, XL1200CA, XL1200CB, XL1200CP, XL1200V
7	6702	WASHER (2)	XL1200C, XL1200C ANV, XL1200CA, XL1200CB, XL1200CP
8	7045	LOCKWASHER	XL1200C, XL1200C ANV, XL1200CA, XL1200CB, XL1200CP, XL1200V
9	7778	LOCKNUT	XL1200C, XL1200C ANV, XL1200CA, XL1200CB, XL1200CP, XL1200V
10	9847	CONNECTOR, right	XL1200C, XL1200C ANV, XL1200CA, XL1200CB, XL1200CP, XL1200V
11	9848	CONNECTOR, left	XL1200C, XL1200C ANV, XL1200CA, XL1200CB, XL1200CP, XL1200V
12	9898	TERMINAL FLAG (2)	XL1200C, XL1200C ANV, XL1200CA, XL1200CB, XL1200V
13	38999-11	GUIDE, clutch cable	XL1200C, XL1200C ANV, XL1200CA, XL1200CB, XL1200CP
14	53436-97	BULB (HDI, Asia-Pacific, Australia, England, Japan)	XL1200C, XL1200C ANV, XL1200CA, XL1200CB, XL1200V
15	67667-05	MEDALLION	XL1200C, XL1200C ANV, XL1200CA, XL1200CB, XL1200CP, XL1200V
16	67601-94A	GASKET (This gasket is sold seperately and is not part of items 18 & 28)	XL1200C, XL1200C ANV, XL1200CA, XL1200CB, XL1200CP, XL1200V
17	67746-11	MOUNT	XL1200C, XL1200C ANV, XL1200CA, XL1200CB, XL1200CP, XL1200V
18	67603-94A	ADAPTER RING	XL1200C, XL1200C ANV, XL1200CA, XL1200CB, XL1200CP, XL1200V
19	67894-93A	BEZEL	XL1200C, XL1200C ANV, XL1200CA, XL1200CB, XL1200CP, XL1200V
20	68297-05	LAMP ASSEMBLY, w/ 15, 21, 22	XL1200C, XL1200C ANV, XL1200CA, XL1200CB, XL1200CP, XL1200V
	68335-05	LAMP ASSEMBLY, left (Australia, England, Japan), w/ 14, 15, 21, 22, 23	XL1200C, XL1200C ANV, XL1200CA, XL1200CB, XL1200V

	68341-05	LAMP ASSEMBLY, right (HDI, Asia-Pacific), w/ 14, 15, 21, 22, 23	XL1200C, XL1200C ANV, XL1200CA, XL1200CB, XL1200V
21	68329-03	BULB	XL1200C, XL1200C ANV, XL1200CA, XL1200CB, XL1200CP, XL1200V
22	68380-05	BOOT	XL1200C, XL1200C ANV, XL1200CA, XL1200CB, XL1200CP, XL1200V
23	68653-05	SOCKET, bulb (2 spade) (HDI, Asia-Pacific, Australia, England, Japan)	XL1200C, XL1200C ANV, XL1200CA, XL1200CB, XL1200V
24	69681-07B	HEADLAMP SHELL, w/ 10, 11, 12, 25, 26, 27	XL1200C, XL1200C ANV, XL1200CA, XL1200CB, XL1200CP, XL1200V
25	72056-92	HOUSING, female	XL1200C, XL1200C ANV, XL1200CA, XL1200CB, XL1200CP, XL1200V
26	73154-96BK	SOCKET HOUSING, 4-way (black)	XL1200C, XL1200C ANV, XL1200CA, XL1200CB, XL1200CP, XL1200V
27	73191-96	SOCKET TERMINAL, 16-20 awg (4)	XL1200C, XL1200C ANV, XL1200CA, XL1200CB, XL1200CP, XL1200V
28	73246-11	VISOR	XL1200C, XL1200C ANV, XL1200CA, XL1200CB, XL1200CP

TURN SIGNALS, FRONT



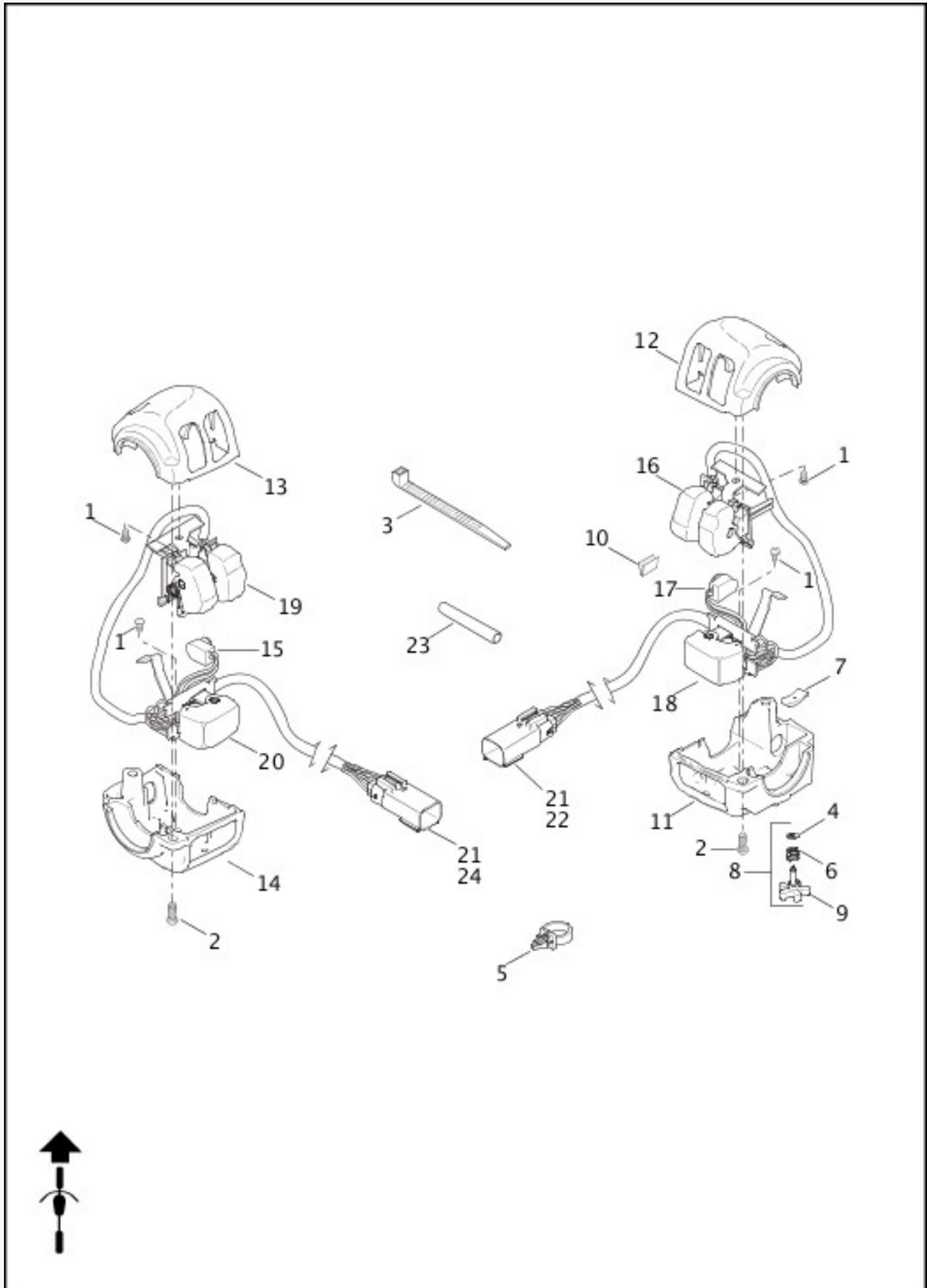
[View interactive image](#)

[View interactive table](#)

INDEX NO.	PART NO.	DESCRIPTION	MODEL(S)
1	4351	SCREW (2)	XL1200X
2	6610	WASHER (2)	XL1200X

3	7038	LOCKWASHER (2)	XL1200X
4	7783	NUT (2)	XL1200X
5	68168-89A	BULB, dual contact	XL1200C, XL1200C ANV, XL1200CA, XL1200CB, XL1200V, XL1200X, XL883L, XL883N, XL883R, XR1200X
	68163-84	BULB, single contact (HDI) (2)	XL1200C, XL1200C ANV, XL1200CA, XL1200CB, XL1200V, XL1200X, XL883L, XL883N, XL883R, XR1200X
6	68265-04	BALL STUD (1200CP - Mini Ape & Pullback Handlebar) (2)	XL1200C, XL1200C ANV, XL1200CB, XL1200CP, XL1200V, XL883L, XL883N, XL883R, XR1200X
	67800070	BALL STUD (1200CP - Drag Handlebar) (2)	XL1200CA, XL1200CP
7	68730-07	TURN SIGNAL ASSEMBLY, w/ socket & vibration mount (2)	XL883N
	68804-06	TURN SIGNAL ASSEMBLY, w/ socket & vibration mount (2)	XR1200X
	68972-00	TURN SIGNAL ASSEMBLY, w/ socket & vibration mount (2)	XL1200C, XL1200C ANV, XL1200CA, XL1200CB, XL1200V, XL883L, XL883R
	68838-06	TURN SIGNAL ASSEMBLY, w/ socket & vibration mount (HDI) (2)	XR1200X
	68975-00	TURN SIGNAL ASSEMBLY, w/ socket & vibration mount (HDI) (2)	XL1200C, XL1200C ANV, XL1200CA, XL1200CB, XL1200V, XL883L, XL883R
	69362-08	TURN SIGNAL ASSEMBLY, w/ socket & vibration mount (HDI) (2)	XL883N
8	68755-07	LENS (2)	XL1200X, XL883N
	68973-00	LENS (2)	XL1200C, XL1200C ANV, XL1200CA, XL1200CB, XL1200V, XL883L, XL883R, XR1200X
9	68904-00	SOCKET ASSEMBLY, w/ vibration mount (All HDI & LC,LE Domestic - not sold seperately) (2)	XL1200C, XL1200C ANV, XL1200CA, XL1200CB, XL1200V, XL883L, XL883R, XR1200X
10	73156-96BK	SOCKET HOUSING, 6-way (black) (2)	XL1200C, XL1200C ANV, XL1200CA, XL1200CB, XL1200V, XL1200X, XL883L, XL883N, XL883R, XR1200X
11	73191-96	SOCKET TERMINAL, 16-20 awg	XL1200C, XL1200C ANV, XL1200CA, XL1200CB, XL1200V, XL1200X, XL883L, XL883N, XL883R, XR1200X
12	73267-10	MOUNT, turn signal (2)	XL1200X
13	73282-10	TURN SIGNAL ASSEMBLY, w/ socket & vibration mount (2)	XL1200X
	73284-10	TURN SIGNAL ASSEMBLY, w/ socket & vibration mount (HDI) (2)	XL1200X

SWITCHES, HANDLEBAR



[View interactive image](#)

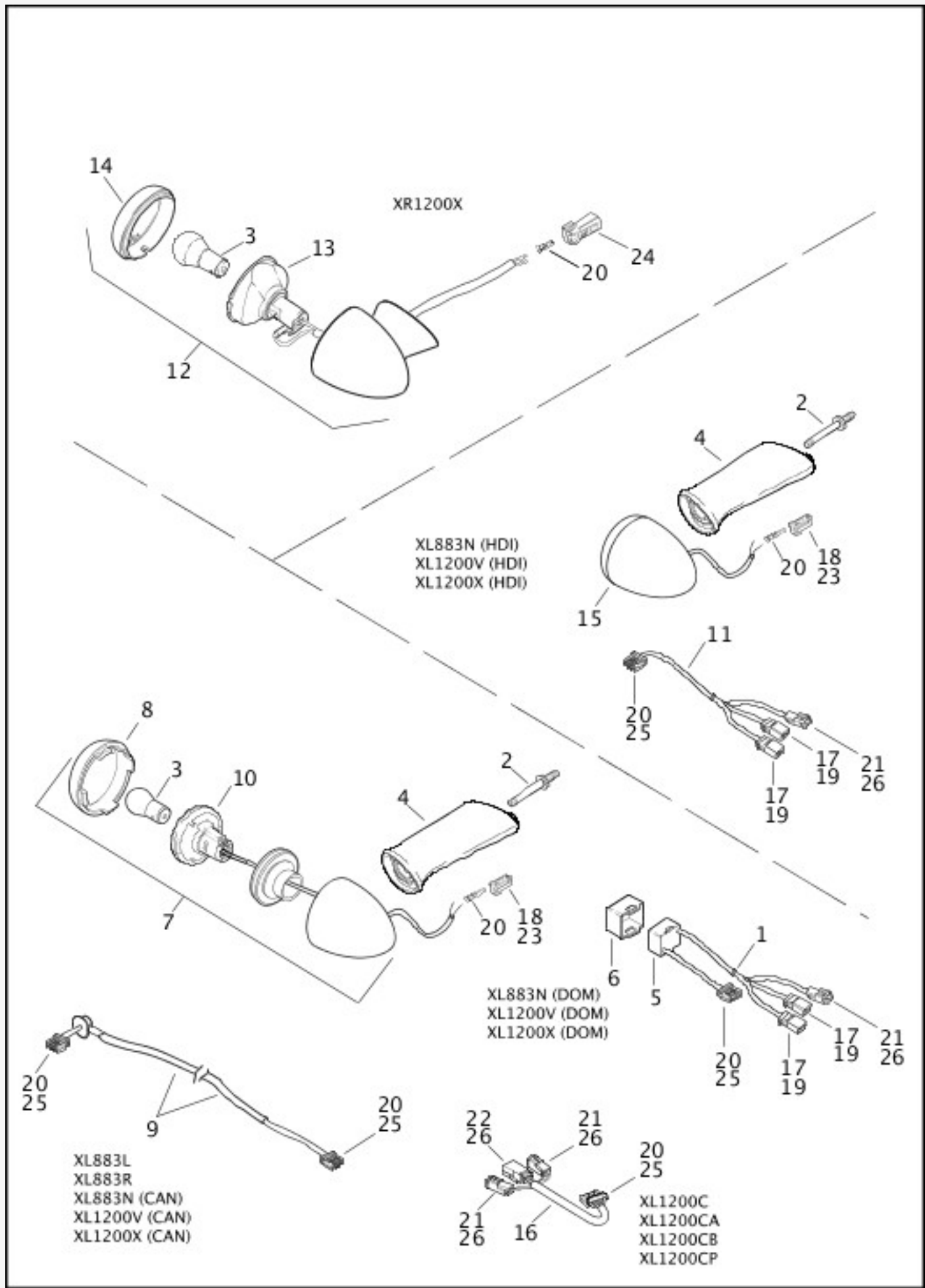
[View interactive table](#)

INDEX NO.	PART NO.	DESCRIPTION
-----------	----------	-------------

MODEL(S)

1	2955	SCREW (4)	ALL
2	3658	SCREW (4)	ALL
3	10181	CABLE STRAP (as required)	ALL
4	11155	RETAINING RING	ALL
5	70345-84	RETAINER, wiring harness (4)	ALL
6	56394-74	SPRING	ALL
7	56396-74A	FRICTION SPRING	ALL
8	56397-74C	THROTTLE ADJUSTING SCREW KIT, w/ 11155, 56394-74, & 56402-83A	ALL
9	56402-83A	ADJUSTING SCREW	ALL
10	71587-04	CLIP	ALL
11	71563-96	HOUSING, lower right	ALL
12	71564-96	HOUSING, upper right	ALL
13	71567-96	HOUSING, upper left	ALL
14	71568-96A	HOUSING, lower left	ALL
15	71620-08	SWITCH, clutch, w/ 10181 & 72266-94	ALL
16	71684-06A	SWITCH ASSEMBLY, engine stop & start, w/ 10181 & 72266-94	ALL
17	71621-08	SWITCH ASSEMBLY, stoplight, w/ 10181 & 72266-94	ALL
18	71683-06A	SWITCH ASSEMBLY, right directional, w/ 10181	ALL
19	71682-06A	SWITCH ASSEMBLY, dimmer & horn, w/ 10181 & 72266-94	ALL
20	71685-06A	SWITCH ASSEMBLY, left directional, w/ 10181	ALL
21	72169-07	TERMINAL, pin, 16-20 gauge (14)	ALL
22	72188-07BK	HOUSING, 6-way pin (black)	ALL
23	72266-94	SHRINK TUBE (as required)	ALL
24	72447-07GY	HOUSING, 8-way pin (gray)	ALL

TAIL LAMP & TURN SIGNALS, REAR



[View interactive image](#)

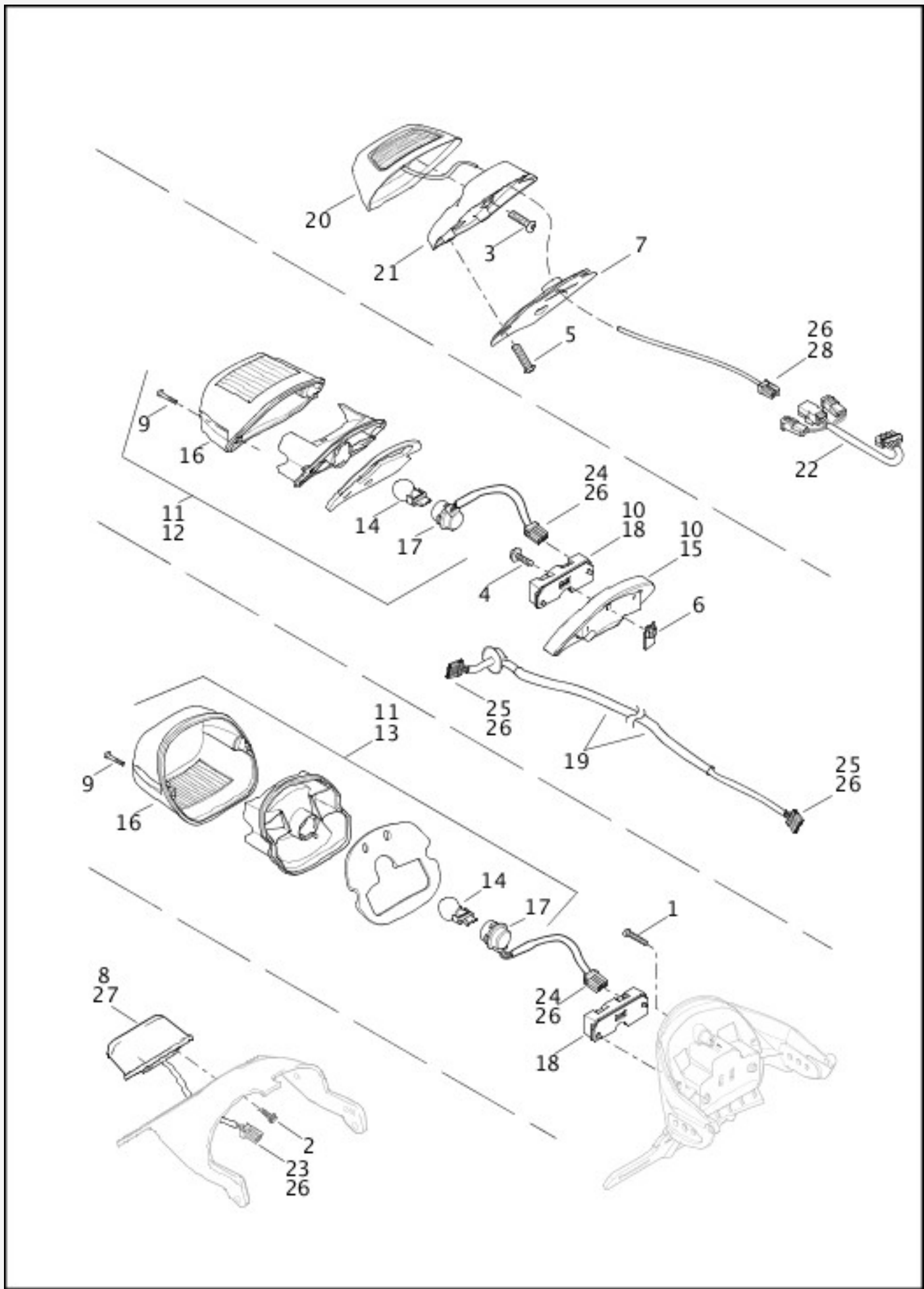
[View interactive table](#)

INDEX NO.	PART NO.	DESCRIPTION	MODEL(S)
1	10065	CABLE STRAP (as required)	XL1200V, XL1200X, XL883N
2	5531	SCREW (2)	XL1200X, XL883N

	56104-02	SCREW (2)	XL1200C, XL1200C ANV, XL1200CA, XL1200CB, XL1200CP, XL1200V, XL883L, XL883R
3	68163-84	BULB, single contact (LF - Canada) (2)	XL1200C, XL1200C ANV, XL1200CA, XL1200CB, XL1200CP, XL1200V, XL883L, XL883R, XR1200X
	68168-89A	BULB, dual contact (Domestic) (2)	XL1200V, XL1200X, XL883N
	68572-64B	BULB, single contact (Canada) (2)	XL1200X, XL883N
4	68277-07	SUPPORT (2)	XL1200X, XL883N
	68480-02	SUPPORT (2)	XL1200C, XL1200C ANV, XL1200CA, XL1200CB, XL1200CP, XL1200V, XL883L, XL883R
5	68278-07	HARNESS	XL1200V, XL1200X, XL883N
6	68299-07	HOLDER, harness	XL1200V, XL1200X, XL883N
7	68449-07	TURN SIGNAL ASSEMBLY (Domestic), w/ 68168-89A, 68559-07, 68497-07 (2)	XL1200X, XL883N
	73318-09	TURN SIGNAL ASSEMBLY (Canada), w/ 68572-64B, 68755-07 (2)	XL1200X, XL883N
	68978-00	TURN SIGNAL ASSEMBLY, w/ 68163-84, 68979-00 (LF - Canada) (2)	XL1200C, XL1200C ANV, XL1200CA, XL1200CB, XL1200CP, XL1200V, XL883L, XL883R
	68461-09	TURN SIGNAL ASSEMBLY, w/ 68168-89A, 68497-07, 68559-07 (2)	XL1200V
8	68559-07	LENS (Domestic) (2)	XL1200V, XL1200X, XL883N
	68755-07	LENS (Canada) (2)	XL1200X, XL883N
	68973-00	LENS (LF - Canada) (2)	XL1200C, XL1200C ANV, XL1200CA, XL1200CB, XL1200CP, XL1200V, XL883L, XL883R
9	68899-04A	HARNESS	XL1200V, XL1200X, XL883L, XL883N, XL883R
10	68497-07	SOCKET ASSEMBLY (CR,CS,CT,LH - All & LC,LE - Canada - not sold seperately) (2)	XL1200V, XL1200X, XL883N
11	68955-08	HARNESS (HDI)	XL1200V, XL1200X, XL883N
12	68984-01	TURN SIGNAL ASSEMBLY, w/ 68163-84, 69066-01A, 69110-01 (2)	XR1200X
	69530-08	TURN SIGNAL ASSEMBLY, w/ 68163-84, 69110-01, 73191-96 (2)	XR1200X

13	69066-01A	SOCKET ASSEMBLY (2)	XR1200X
14	69110-01	LENS (2)	XR1200X
15	69406-09	TURN SIGNAL ASSEMBLY, w/ 72991-01 (HDI) (2)	XL1200X, XL883N
	73358-12	TURN SIGNAL ASSEMBLY, w/ 72991-01 (HDI) (2)	XL1200V
16	70025-11	HARNESS (2)	XL1200C, XL1200C ANV, XL1200CA, XL1200CB, XL1200CP
17	72904-01BK	HOUSING, pin, 4-way (black) (2)	XL1200V, XL1200X, XL883N
18	72914-01BK	HOUSING, socket, 4-way (black) (2)	XL1200C, XL1200C ANV, XL1200CA, XL1200CB, XL1200CP, XL1200V, XL1200X
19	72990-01	TERMINAL, pin (6)	XL1200V, XL1200X, XL883N
20	72991-01	TERMINAL, socket, 18-22 awg (4)	XL1200C, XL1200C ANV, XL1200CA, XL1200CB, XL1200CP, XL1200V, XL1200X, XL883N
	73191-96	TERMINAL, socket, 16-20 awg (4)	XL1200V, XL1200X, XL883L, XL883N, XL883R, XR1200X
21	73102-96BK	HOUSING, pin, 2-way (black)	XL1200C, XL1200C ANV, XL1200CA, XL1200CB, XL1200V, XL1200X, XL883N
22	73103-96BK	HOUSING, pin, 3-way	XL1200C, XL1200C ANV, XL1200CA, XL1200CB, XL1200CP
23	73152-96BK	HOUSING, socket, 2-way (black)	XL1200C, XL1200C ANV, XL1200CA, XL1200CB, XL1200CP, XL1200V, XL1200X, XL883L, XL883N, XL883R
24	73152-96WE	HOUSING, socket, 2-way (white)	XR1200X
25	73156-96BK	HOUSING, socket, 6-way (black)	XL1200C, XL1200C ANV, XL1200CA, XL1200CB, XL1200V, XL1200X, XL883N
26	73190-96	TERMINAL, pin (2)	XL1200C, XL1200C ANV, XL1200CA, XL1200CB, XL1200V, XL1200X, XL883N

TAIL LAMPS



[View interactive image](#)

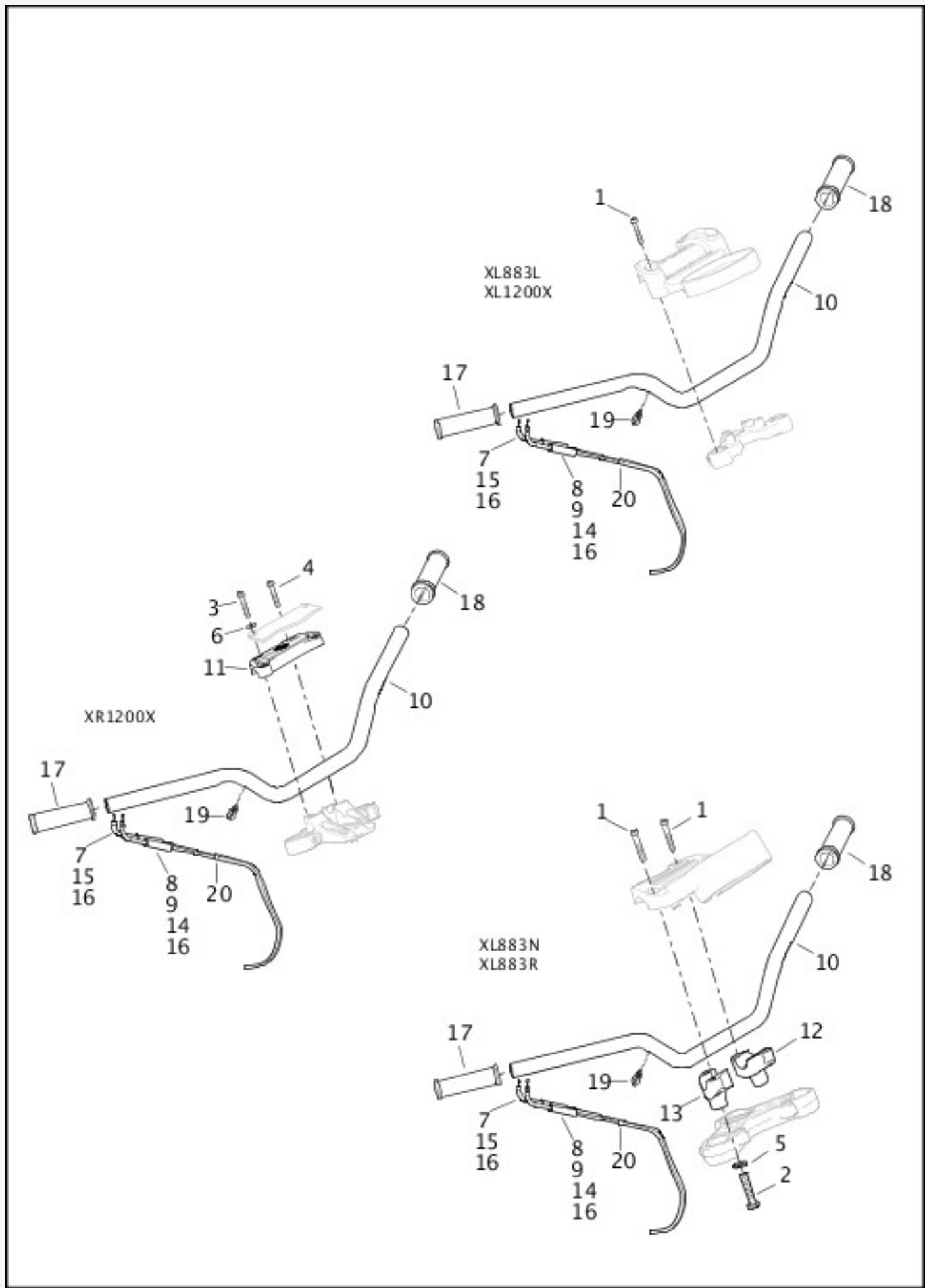
[View interactive table](#)

INDEX NO.	PART NO.	DESCRIPTION	MODEL(S)
1	930	SCREW	XR1200X
2	2362	SCREW (HDI) (2)	XL1200X, XL883N

3	2508	SCREW (4)	XL1200C, XL1200C ANV, XL1200CA, XL1200CB, XL1200CP
4	3022A	SCREW	XL1200V, XL883L, XL883R
5	4365	SCREW (3)	XL1200C, XL1200C ANV, XL1200CA, XL1200CB, XL1200CP
6	7964	CLIP NUT	XL1200V, XL883L, XL883R
7	11954	GASKET	XL1200C, XL1200C ANV, XL1200CA, XL1200CB, XL1200CP
8	52441-95	BULB (HDI)	XL1200X, XL883N
9	68026-99	SCREW (2)	XL1200V, XL883L, XL883R, XR1200X
10	68066-99A	BASE ASSEMBLY, chromed, w/ 68296-99A & 68830-99A	XL1200V, XL883L, XL883R
11	68140-04	LIGHT ASSEMBLY, w/ 68369-03 & 68370-03A	XL1200V, XL1200X, XL883L, XL883N, XR1200X
12	68141-04	LIGHT ASSEMBLY (HDI), w/ 68372-03 & 69187-03A	XL1200V, XL883L, XL883R
13	69864-08	TAIL LAMP ENVELOPE (HDI), w/ 68026-99	XR1200X
14	68167-04	BULB	XL1200V, XL883L, XL883R, XR1200X
15	68296-99A	BASE TAIL LAMP, chrome	XL1200V, XL883L, XL883R
16	68369-03	LENS, w/ 68026-99 (LD - HDI not sold seperately)	XL1200V, XL883L, XL883R, XR1200X
	68372-03	LENS, w/ 68026-99 (HDI)	XL1200V, XL883L, XL883R
17	68370-03A	BULB SOCKET ASSEMBLY, w/ 68167-04, 73154-96BK, 73191-96	XL1200V, XL883L, XL883R, XR1200X
	69187-03A	BULB SOCKET ASSEMBLY, w/ 68167-04, 73154-96BK, 73191-96 (HDI)	XL1200V, XL883L, XL883R, XR1200X
18	68830-99A	CIRCUIT BOARD & COVER ASSEMBLY	XL1200V, XL883L, XL883R, XR1200X
19	68899-04A	HARNESS, rear lighting, w/ 73156-96BK & 73191-96	XL1200V, XL883L, XL883R
20	69352-11	TAIL LAMP	XL1200C, XL1200C ANV, XL1200CA, XL1200CB, XL1200CP

21	69361-11	TAIL LAMP BASE	XL1200C, XL1200C ANV, XL1200CA, XL1200CB, XL1200CP
22	70025-11	HARNESS	XL1200C, XL1200C ANV, XL1200CA, XL1200CB, XL1200CP
23	73152-96BK	SOCKET HOUSING, 2-way (black)	XL1200X, XL883N
24	73154-96BK	SOCKET HOUSING, 4-way (black)	XL1200V, XL883L, XL883R, XR1200X
25	73156-96BK	SOCKET HOUSING, 6-way (black)	XL1200V, XL883L, XL883R
26	73191-96	SOCKET TERMINAL, 16-20 awg	ALL
27	73504-11	ILLUMINATOR, license plate w/ 73191-96 (HDI)	XL1200X, XL883N
28	73153-96BK	SOCKET HOUSING, 3-way (black)	XL1200C, XL1200C ANV, XL1200CA, XL1200CB, XL1200CP

HANDLEBAR & THROTTLE CONTROL - 883L/N/R, 1200X, XR1200X



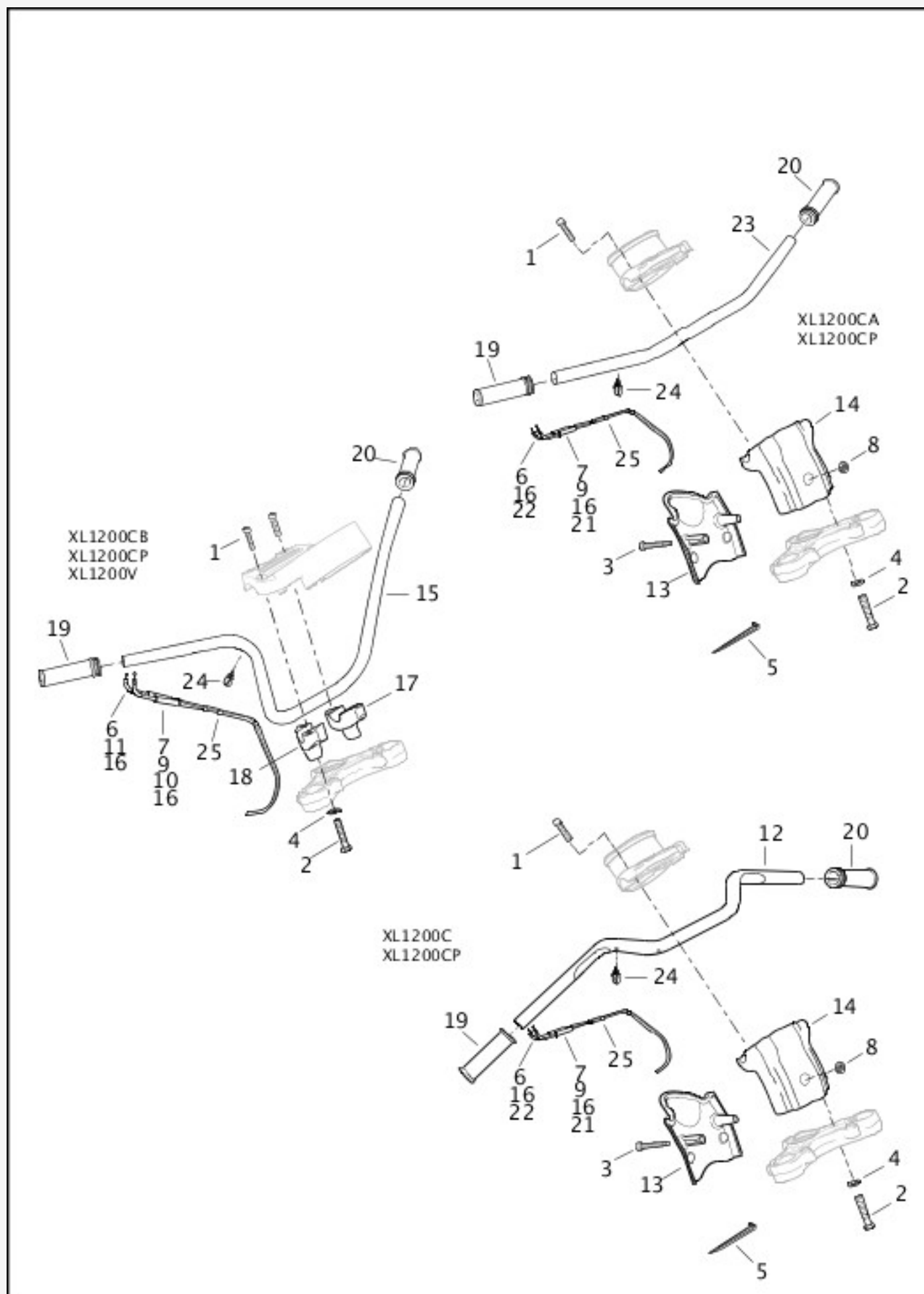
[View interactive image](#)

[View interactive table](#)

INDEX NO.	PART NO.	DESCRIPTION	MODEL(S)
1	3210A	SCREW (4)	XL1200X, XL883L, XL883N, XL883R
2	3605	BOLT (2)	XL883N, XL883R

3	4326A	SCREW (2)	XR1200X
4	4816A	SCREW (2)	XR1200X
5	6590HW	WASHER (2)	XL883N, XL883R
6	6702	WASHER (2)	XR1200X
7	11271	RING RETAINER, idle	XL1200X, XL883L, XL883N, XL883R, XR1200X
8	11272	RING RETAINER, throttle	XL1200X, XL883L, XL883N, XL883R, XR1200X
9	38653-01	BOOT, throttle	XL1200X, XL883L, XL883N, XL883R, XR1200X
10	56014-09A	HANDLEBAR	XL1200X, XL883N
	56085-83A	HANDLEBAR	XL883R, XR1200X
	57209-11	HANDLEBAR	XL883L
11	56115-95	CLAMP, upper (black)	XR1200X
12	56116-82A	CLAMP, lower left	XL883N, XL883R
13	56117-82A	CLAMP, lower right	XL883N, XL883R
14	56637-08	THROTTLE CONTROL ASSEMBLY, w/ 11272 & 38653-01	XR1200X
	56884-07	THROTTLE CONTROL ASSEMBLY, w/ 11272 & 38653-01	XL1200X, XL883L, XL883N, XL883R
15	56639-08	IDLE CONTROL ASSEMBLY, w/ 11271	XR1200X
	56885-07	IDLE CONTROL ASSEMBLY, w/ 11271	XL1200X, XL883L, XL883N, XL883R
16	56508-76	FERRULE (2)	XL1200X, XL883L, XL883N, XL883R, XR1200X
17	56666-04	GRIP & SLEEVE, throttle	XL1200X, XL883L, XL883N, XL883R, XR1200X
18	56667-04	HANDLEBAR GRIP	XL1200X, XL883L, XL883N, XL883R, XR1200X
19	70345-84	RETAINER (4)	XL1200X, XL883L, XL883N, XL883R, XR1200X
20	70504-81	CLIP (2)	XL1200X, XL883L, XL883N, XL883R, XR1200X

HANDLEBAR & THROTTLE CONTROL - 1200C/CA/CB/CP/V



[View interactive image](#)

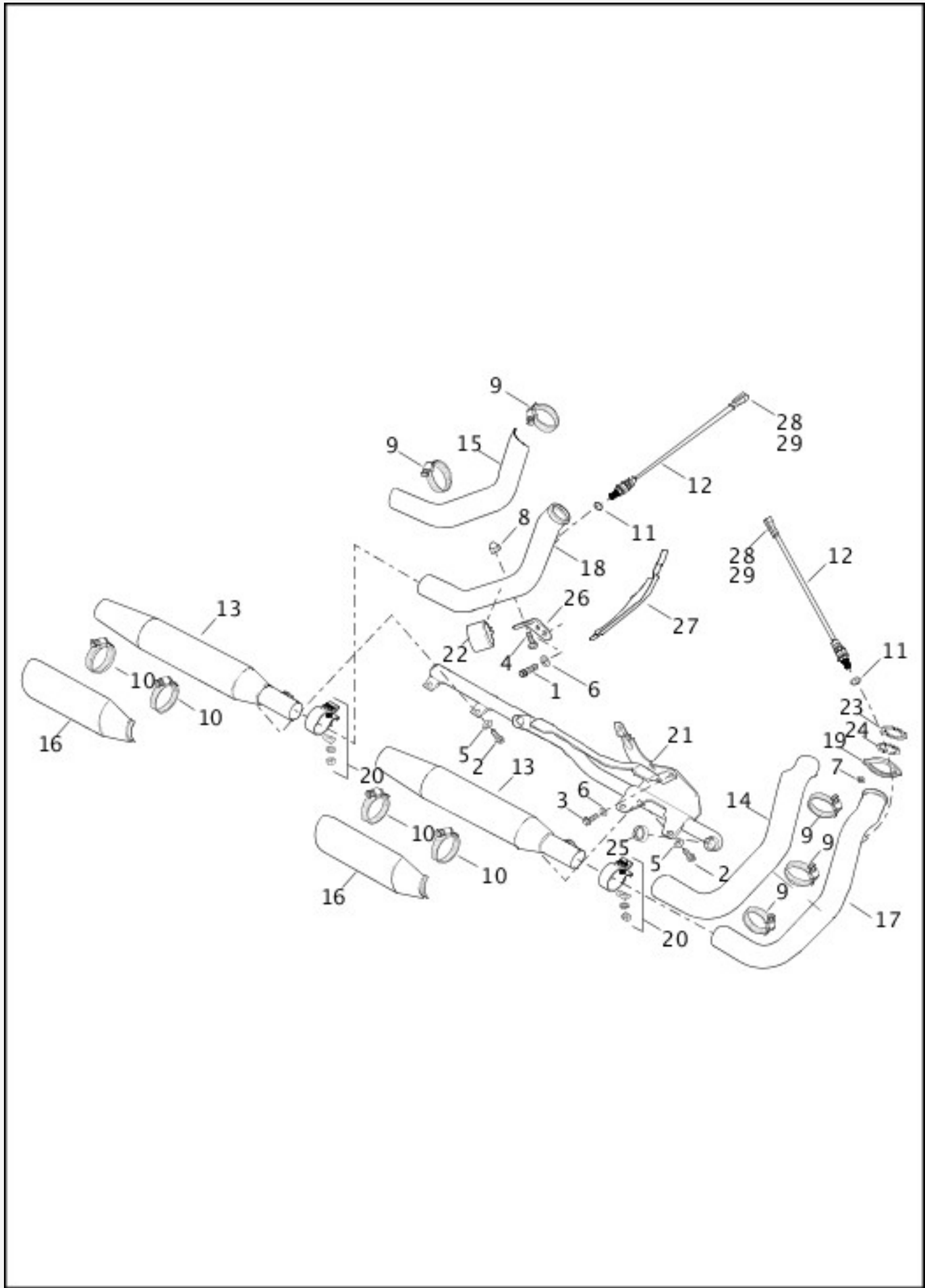
[View interactive table](#)

INDEX NO.	PART NO.	DESCRIPTION	MODEL(S)
1	3210A	SCREW (4)	XL1200C, XL1200C ANV, XL1200CA, XL1200CB,

			XL1200CP, XL1200V
2	3605	BOLT (2)	XL1200C, XL1200C ANV, XL1200CA, XL1200CB, XL1200CP, XL1200V
3	3666A	SCREW (2)	XL1200C, XL1200C ANV, XL1200CA, XL1200CP
4	6590HW	WASHER (2)	XL1200C, XL1200C ANV, XL1200CA, XL1200CB, XL1200CP, XL1200V
5	10006	CABLE STRAP (as required)	XL1200C, XL1200C ANV, XL1200CA, XL1200CP
6	11271	RING RETAINER, idle	XL1200C, XL1200C ANV, XL1200CA, XL1200CP, XL1200V
7	11272	RING RETAINER, throttle	XL1200C, XL1200C ANV, XL1200CA, XL1200CP, XL1200V
8	14448-94	LOGO BAR & SHIELD	XL1200C, XL1200C ANV, XL1200CA, XL1200CP
9	38653-01	BOOT, throttle	XL1200C, XL1200C ANV, XL1200CA, XL1200CP, XL1200V
10	55785-11	THROTTLE CONTROL ASSEMBLY, w/ 11272 & 38653-11	XL1200CB, XL1200CP, XL1200V
11	55786-11	IDLE CONTROL ASSEMBLY, w/ 11271	XL1200CB, XL1200CP, XL1200V
12	55840-04A	HANDLEBAR (1200CP - Pull Back)	XL1200C, XL1200C ANV, XL1200CP
13	55842-04	COVER, riser	XL1200C, XL1200C ANV, XL1200CA, XL1200CP
14	56017-04	RISER ASSEMBLY, w/ 14448-94	XL1200C, XL1200C ANV, XL1200CA, XL1200CP
15	56079-93	HANDLEBAR (1200CP - Mini-Ape)	XL1200CB, XL1200CP, XL1200V
16	56508-76	FERRULE (2)	XL1200C, XL1200C ANV, XL1200CA, XL1200CB, XL1200CP, XL1200V
17	56541-86A	CLAMP, lower left	XL1200CB, XL1200CP, XL1200V
18	56542-86A	CLAMP, lower right	XL1200CB, XL1200CP, XL1200V
19	56666-04	GRIP & SLEEVE, throttle	XL1200C, XL1200C ANV, XL1200CA, XL1200CB, XL1200CP, XL1200V
20	56667-04	HANDLEBAR GRIP	XL1200C, XL1200C ANV, XL1200CA, XL1200CB, XL1200CP, XL1200V
21	56884-07	THROTTLE CONTROL ASSEMBLY, w/ 11272 & 38653-11	XL1200C, XL1200C ANV, XL1200CA, XL1200CP

22	56885-07	IDLE CONTROL ASSEMBLY, w/ 11271	XL1200C, XL1200C ANV, XL1200CA, XL1200CP
23	57472-11	HANDLEBAR (1200CP - Drag)	XL1200CA, XL1200CP
24	70345-84	RETAINER (4)	XL1200C, XL1200C ANV, XL1200CA, XL1200CB, XL1200CP, XL1200V
25	70504-81	CLIP (2)	XL1200C, XL1200C ANV, XL1200CA, XL1200CB, XL1200CP, XL1200V

EXHAUST SYSTEM - 883L/N/R, 1200C/CA/CB/CP/V/X (1 OF 2)



[View interactive image](#)

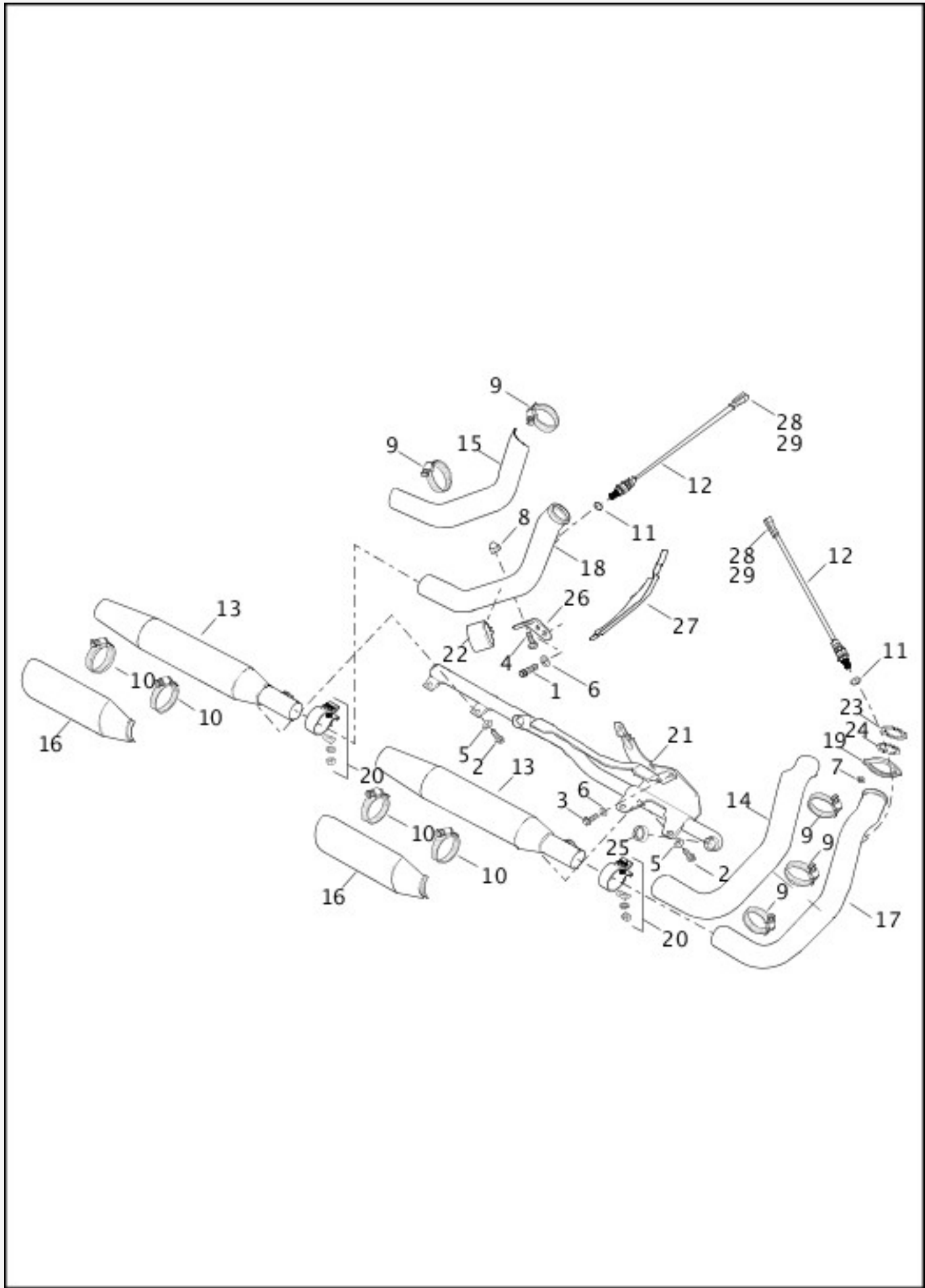
[View interactive table](#)

INDEX NO.	PART NO.	DESCRIPTION	MODEL(S)
1	4032A	SCREW	XL1200C, XL1200C ANV, XL1200CA, XL1200CB, XL1200CP, XL1200V, XL1200X, XL883L, XL883N, XL883R

2	4269	SCREW (4)	XL1200C, XL1200C ANV, XL1200CA, XL1200CB, XL1200CP, XL1200V, XL1200X, XL883L, XL883N, XL883R
3	4748	SCREW (3)	XL1200C, XL1200C ANV, XL1200CA, XL1200CB, XL1200CP, XL1200V, XL1200X, XL883L, XL883N, XL883R
4	5414	BOLT	XL1200C, XL1200C ANV, XL1200CA, XL1200CB, XL1200CP, XL1200V, XL1200X, XL883L, XL883N, XL883R
5	6139	WASHER (4)	XL1200C, XL1200C ANV, XL1200CA, XL1200CB, XL1200CP, XL1200V, XL1200X, XL883L, XL883N, XL883R
6	6701	WASHER (4)	XL1200C, XL1200C ANV, XL1200CA, XL1200CB, XL1200CP, XL1200V, XL1200X, XL883L, XL883N, XL883R
7	7593	NUT (4)	XL1200C, XL1200C ANV, XL1200CA, XL1200CB, XL1200CP, XL1200V, XL1200X, XL883L, XL883N, XL883R
8	7862	ACORN NUT	XL1200C, XL1200C ANV, XL1200CA, XL1200CB, XL1200CP, XL1200V, XL1200X, XL883L, XL883N, XL883R
9	9955	CLAMP, heat shield (5)	XL1200C, XL1200C ANV, XL1200CA, XL1200CB, XL1200CP, XL1200V, XL1200X, XL883L, XL883N, XL883R
10	10074	CLAMP, muffler heat shield (HDI, England, India, Japan, Asia-Pacific) (4)	XL1200C, XL1200C ANV, XL1200V, XL1200X, XL883L, XL883N, XL883R
11	27714-06	SEAL RING (2)	XL1200C, XL1200C ANV, XL1200CA, XL1200CB, XL1200CP, XL1200V, XL1200X, XL883L, XL883N, XL883R
12	27719-07	SENSOR, oxygen, w/ 27714-06, 72009-05, 72011-05 (2)	XL1200C, XL1200C ANV, XL1200CA, XL1200CB, XL1200CP, XL1200V, XL1200X, XL883L, XL883N, XL883R
13	64737-09	MUFFLER, front (Japan)	XL1200C, XL1200C ANV, XL1200CA, XL1200CB, XL1200V, XL1200X, XL883L, XL883N, XL883R
	64737-09	MUFFLER, rear (Japan)	XL1200C, XL1200C ANV, XL1200CA, XL1200CB, XL1200V, XL1200X, XL883L, XL883N
	64738-09	MUFFLER, rear (Japan)	XL883R
	64737-09	MUFFLER, front (Asia-Pacific)	XL883L, XL883N, XL883R
	64737-09	MUFFLER, rear (Asia-Pacific)	XL883L
	64738-09	MUFFLER, rear (Asia-Pacific)	XL883N, XL883R
	64842-04	MUFFLER (Domestic) (2)	XL883L, XL883N
	80399-04	MUFFLER (Domesitc) (2)	XL1200C, XL1200C ANV, XL1200CP, XL1200V, XL1200X
	80399-04	MUFFLER (Canada) (2)	XL1200C, XL1200C ANV, XL1200CA, XL1200CB, XL1200CP, XL1200V, XL1200X

64853-04	MUFFLER, front (Australia)	XL1200C, XL1200C ANV, XL1200CA, XL1200CB, XL1200V, XL1200X, XL883L, XL883N
64853-04	MUFFLER, rear (Australia)	XL1200C, XL1200C ANV, XL1200CA, XL1200CB, XL1200V, XL1200X, XL883L
64854-04	MUFFLER, rear (Australia)	XL883N
64891-04A	MUFFLER, front (HDI, England)	XL1200C, XL1200C ANV, XL1200V, XL1200X, XL883L, XL883N, XL883R
64891-04A	MUFFLER, rear (HDI, England)	XL1200C, XL1200C ANV, XL1200V, XL1200X, XL883L
64893-04A	MUFFLER, rear (HDI, England, India)	XL883N, XL883R
64891-04A	MUFFLER, front (India)	XL1200V, XL1200X, XL883L, XL883N, XL883R
64891-04A	MUFFLER, rear (India)	XL1200V, XL1200X, XL883L
64891-04A	MUFFLER (Asia-Pacific) (2)	XL1200C, XL1200C ANV, XL1200CB, XL1200V, XL1200X

EXHAUST SYSTEM - 883L/N/R, 1200C/CA/CB/CP/V/X (2 OF 2)



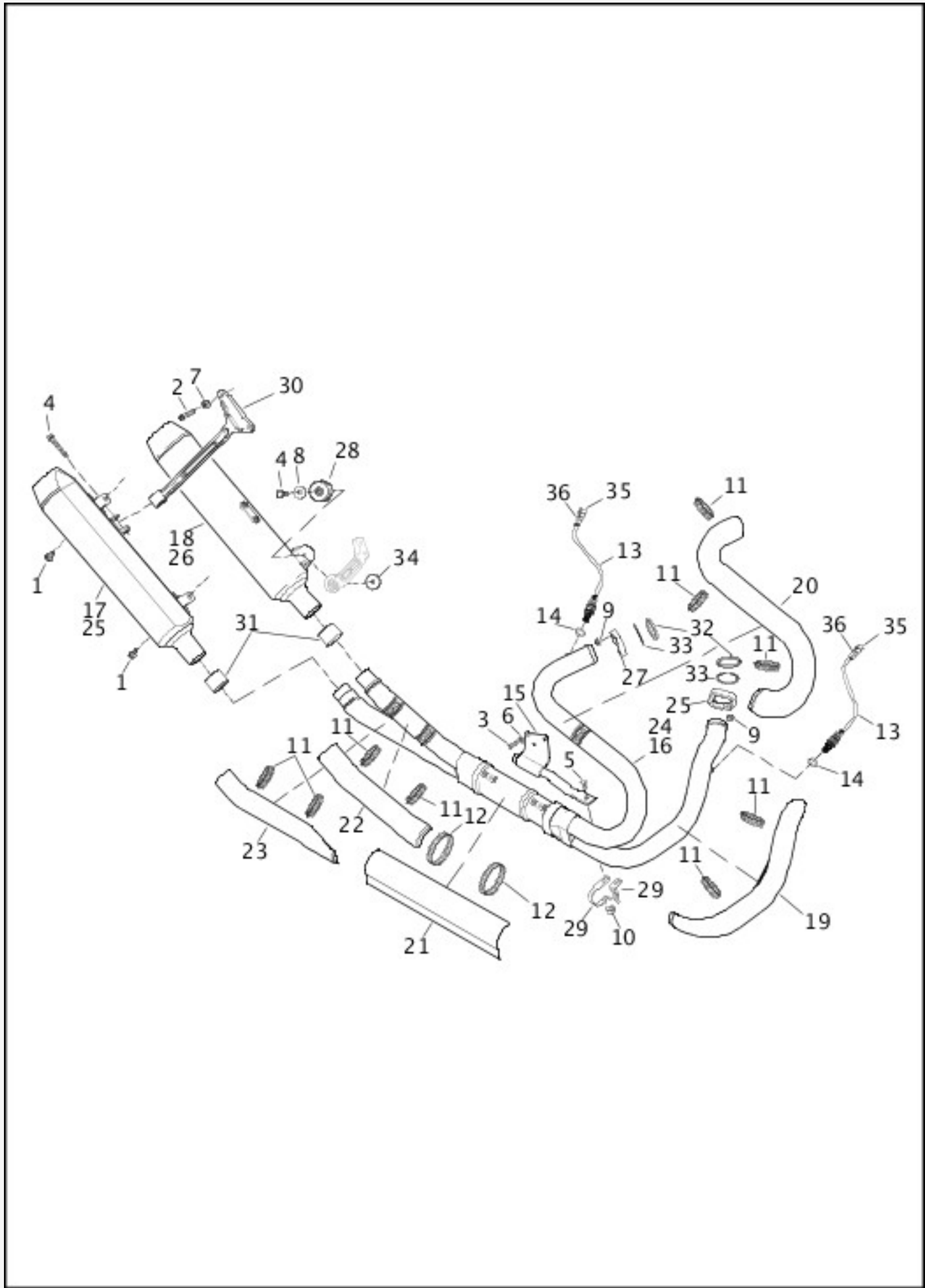
[View interactive image](#)

[View interactive table](#)

INDEX NO.	PART NO.	DESCRIPTION	MODEL(S)
14	64846-04B	HEAT SHIELD, front exhaust pipe	XL1200C, XL1200C ANV, XL1200CA, XL1200CB, XL1200CP, XL1200V, XL1200X, XL883L, XL883N, XL883R

15	64847-04B	HEAT SHIELD, rear exhaust pipe, chrome	XL1200C, XL1200C ANV, XL1200CA, XL1200CB, XL1200CP, XL1200V, XL1200X, XL883L, XL883N, XL883R
16	64889-04A	HEAT SHIELD, muffler (HDI, England, India, Japan, Asia-Pacific) (2)	XL1200C, XL1200C ANV, XL1200V, XL1200X, XL883L, XL883N, XL883R
17	64942-07	EXHAUST PIPE, front (chrome)	XL1200C, XL1200C ANV, XL1200CA, XL1200CB, XL1200CP, XL1200V, XL1200X, XL883L, XL883N, XL883R
18	64943-07	EXHAUST PIPE, rear (chrome)	XL1200C, XL1200C ANV, XL1200CA, XL1200CB, XL1200CP, XL1200V, XL1200X, XL883L, XL883N, XL883R
19	65184-02	FLANGE, exhaust pipe (2)	XL1200C, XL1200C ANV, XL1200CA, XL1200CB, XL1200CP, XL1200V, XL1200X, XL883L, XL883N, XL883R
20	65296-95A	CLAMP, muffler (2)	XL1200C, XL1200C ANV, XL1200CA, XL1200CB, XL1200CP, XL1200V, XL1200X, XL883L, XL883N, XL883R
21	65339-04	MUFFLER INTERCONNECT BRACKET	XL1200C, XL1200C ANV, XL1200CA, XL1200CB, XL1200CP, XL1200V, XL1200X, XL883L, XL883N, XL883R
22	65302-82A	CLAMP, exhaust pipe	XL1200C, XL1200C ANV, XL1200CA, XL1200CB, XL1200CP, XL1200V, XL1200X, XL883L, XL883N, XL883R
23	65324-83B	GASKET, exhaust port (2)	XL1200C, XL1200C ANV, XL1200CA, XL1200CB, XL1200CP, XL1200V, XL1200X, XL883L, XL883N, XL883R
24	65325-83A	RETAINING RING, exhaust gasket (2)	XL1200C, XL1200C ANV, XL1200CA, XL1200CB, XL1200CP, XL1200V, XL1200X, XL883L, XL883N, XL883R
25	65927-00	GASKET, exhaust interconnect (2)	XL1200C, XL1200C ANV, XL1200CA, XL1200CB, XL1200CP, XL1200V, XL1200X, XL883L, XL883N, XL883R
26	65974-04A	BRACKET, exhaust clamp	XL1200C, XL1200C ANV, XL1200CA, XL1200CB, XL1200CP, XL1200V, XL1200X, XL883L, XL883N, XL883R
27	66851-07	HEAT SHIELD, upper rear exhaust pipe, stainless steel (LH - Mid Foot Controls)	XL1200CA, XL1200CB, XL1200CP, XL1200V, XL883L, XL883N, XL883R
28	72009-05	HOUSING, 2-way pin (2)	XL1200C, XL1200C ANV, XL1200CA, XL1200CB, XL1200CP, XL1200V, XL1200X, XL883L, XL883N, XL883R
29	72011-05	WIRE SEAL, 16-20 gauge (yellow) (4)	XL1200C, XL1200C ANV, XL1200CA, XL1200CB, XL1200CP, XL1200V, XL1200X, XL883L, XL883N, XL883R

EXHAUST SYSTEM - XR1200X



[View interactive image](#)

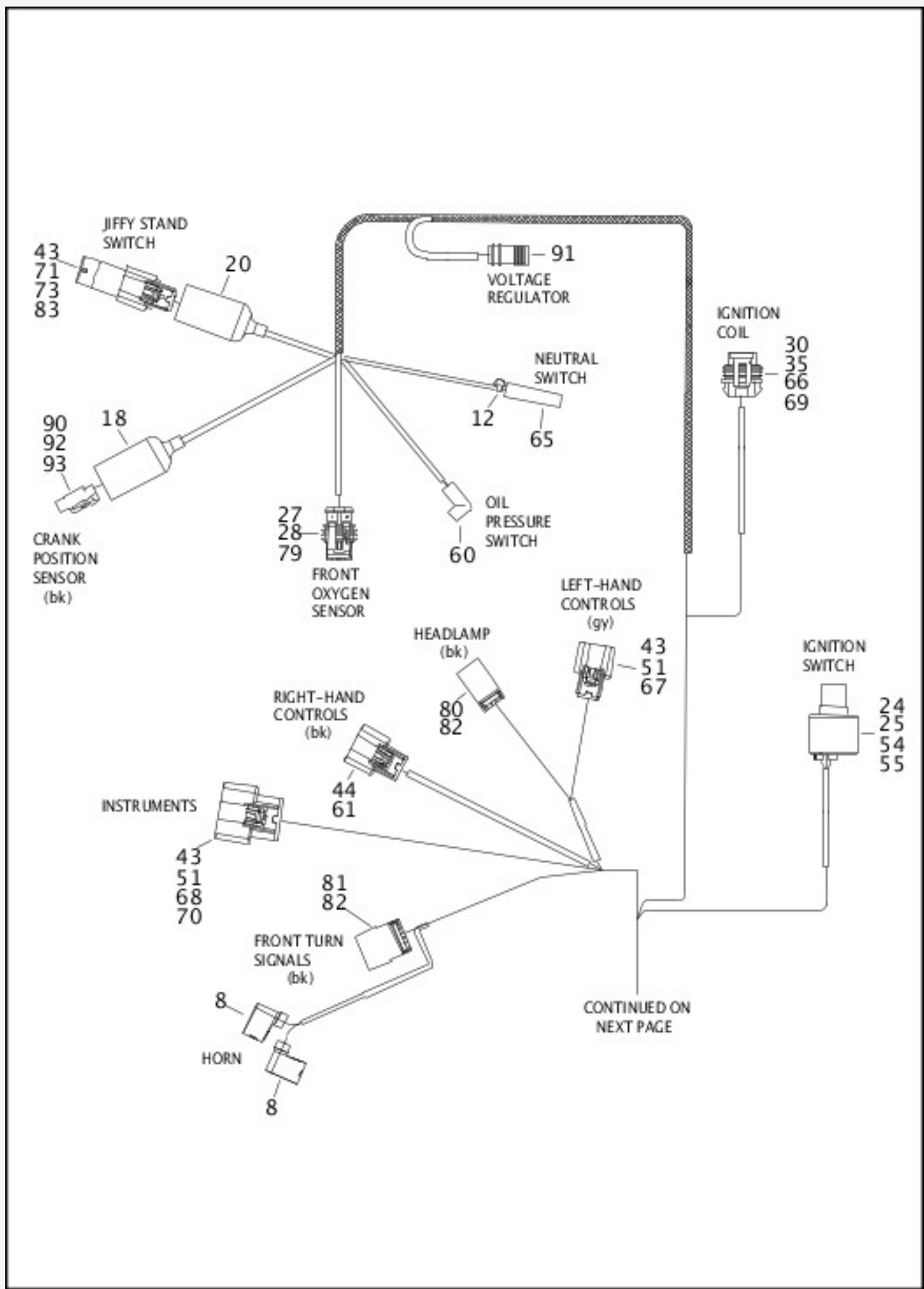
[View interactive table](#)

INDEX NO.	PART NO.	DESCRIPTION	MODEL(S)
1	4269	SCREW (2)	XR1200X
2	4549	SCREW (2)	XR1200X

3	4748	SCREW (3)	XR1200X
4	4859	SCREW	XR1200X
5	5416	BOLT	XR1200X
6	6701	WASHER (2)	XR1200X
7	6702	WASHER (3)	XR1200X
8	6930	WASHER	XR1200X
9	7593	NUT (4)	XR1200X
10	7601	LOCKNUT	XR1200X
11	9955	CLAMP, heat shield (9)	XR1200X
12	9956	CLAMP, heat shield (2)	XR1200X
13	27690-08	SENSOR, oxygen, w/ 27714-06, 72009-05, 72011-05 (2)	XR1200X
14	27714-06	SEAL RING (2)	XR1200X
15	64850-08	SUPPORT BAR ASSEMBLY, exhaust	XR1200X
16	64965-08A	EXHAUST ASSEMBLY	XR1200X
17	65218-10	MUFFLER, lower (black)	XR1200X
18	65219-10	MUFFLER, upper (black)	XR1200X
19	65168-10	HEAT SHIELD, lower (black)	XR1200X
20	65176-10	HEAT SHIELD, upper (black)	XR1200X
21	65189-10	SHIELD, collector (black)	XR1200X
22	65197-10	EXHAUST SHIELD ASSEMBLY, upper (black)	XR1200X
23	65198-10	EXHAUST SHIELD ASSEMBLY, lower (black)	XR1200X
24	64851-09	EXHAUST ASSEMBLY	XR1200X
25	65218-10	MUFFLER, lower (black)	XR1200X
26	65219-10	MUFFLER, upper (black)	XR1200X
27	65328-83A	FLANGE, exhaust pipe (2)	XR1200X
28	65240-08	KIT, exhaust isolator w/ 4859, 6930 & 65453-08	XR1200X
29	65257-08	CLAMP	XR1200X
30	65316-08	SUPPORT, muffler, rear	XR1200X
31	65317-08A	GASKET, muffler inlet (2)	XR1200X
32	65324-83B	GASKET, exhaust port (2)	XR1200X

33	65325-83A	RETAINING RING, exhaust gasket (2)	XR1200X
34	65453-08	WASHER, snubbing	XR1200X
35	72009-05	HOUSING, 2-way pin (2)	XR1200X
36	72011-05	WIRE SEAL, 16-20 gauge (yellow) (4)	XR1200X

WIRING HARNESS, MAIN - 883L/N/R, 1200C/CA/CB/CP/V/X (1 OF 4)



View interactive image

[View interactive table](#)

INDEX NO.	PART NO.	DESCRIPTION	MODEL(S)
1	3123	SCREW	XL1200C, XL1200C ANV, XL1200CA, XL1200CB, XL1200CP, XL1200V, XL1200X, XL883L, XL883N, XL883R

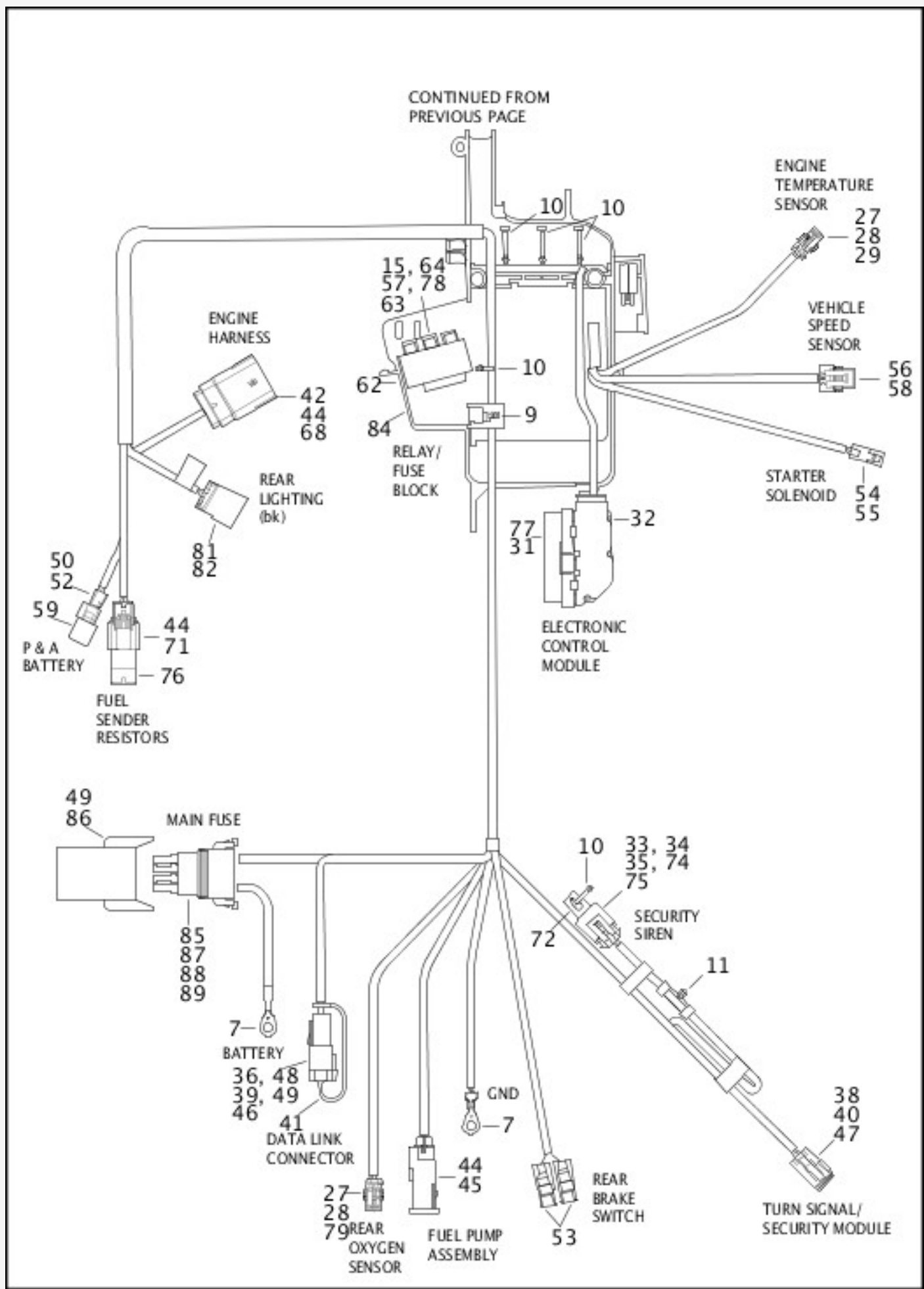
2	10039	CABLE STRAP	XL1200V, XL1200X
3	70640-07	CLIP, caddy	XL1200C, XL1200C ANV, XL1200CA, XL1200CB, XL1200CP, XL1200V, XL1200X, XL883L, XL883N, XL883R
4	56073-83	RETAINER, h-clip	XL1200C, XL1200C ANV, XL1200CA, XL1200CB, XL1200CP, XL1200V, XL1200X, XL883L, XL883N, XL883R
	69200317	WIRING HARNESS, main	XL1200C, XL1200C ANV, XL1200CA, XL1200CB, XL1200CP, XL1200V, XL1200X, XL883L, XL883N, XL883R

NOTE: Includes the following parts.

5	3124	SCREW	XL1200C, XL1200C ANV, XL1200CA, XL1200CB, XL1200CP, XL1200V, XL1200X, XL883L, XL883N, XL883R
6	7220	LOCKWASHER	XL1200C, XL1200C ANV, XL1200CA, XL1200CB, XL1200CP, XL1200V, XL1200X, XL883L, XL883N, XL883R
7	9838	TERMINAL RING, 1/4, 10-12 gauge (2)	XL1200C, XL1200C ANV, XL1200CA, XL1200CB, XL1200CP, XL1200V, XL1200X, XL883L, XL883N, XL883R
8	9898	TERMINAL FLAG (2)	XL1200C, XL1200C ANV, XL1200CA, XL1200CB, XL1200CP, XL1200V, XL1200X, XL883L, XL883N, XL883R
9	10006	CABLE STRAP (5)	XL1200C, XL1200C ANV, XL1200CA, XL1200CB, XL1200CP, XL1200V, XL1200X, XL883L, XL883N, XL883R
10	10065	CABLE STRAP (15)	XL1200C, XL1200C ANV, XL1200CA, XL1200CB, XL1200CP, XL1200V, XL1200X, XL883L, XL883N, XL883R
11	10279	CLIP, harness mount	XL1200C, XL1200C ANV, XL1200CA, XL1200CB, XL1200CP, XL1200V, XL1200X, XL883L, XL883N, XL883R
12	10287	CABLE STRAP (as required)	XL1200C, XL1200C ANV, XL1200CA, XL1200CB, XL1200CP, XL1200V, XL1200X, XL883L, XL883N, XL883R
13	11778	FASTENER, push in	XL1200C, XL1200C ANV, XL1200CA, XL1200CB, XL1200CP, XL1200V, XL1200X, XL883L, XL883N, XL883R
14	11785	CLIP, push in fastener	XL1200C, XL1200C ANV, XL1200CA, XL1200CB, XL1200CP, XL1200V, XL1200X, XL883L, XL883N, XL883R
15	31586-07	RELAY (2)	XL1200C, XL1200C ANV, XL1200CA, XL1200CB, XL1200CP, XL1200V, XL1200X, XL883L, XL883N, XL883R
16	31797-07	BRACKET ASSEMBLY, ignition switch	XL1200C, XL1200C ANV, XL1200CA, XL1200CB, XL1200CP, XL1200V, XL1200X, XL883L, XL883N, XL883R
17	70466-07A	WIRE HARNESS CADDY, left	XL1200C, XL1200C ANV, XL1200CA, XL1200CB, XL1200CP, XL1200V, XL1200X, XL883L, XL883N, XL883R
18	70598-99	BOOT, temperature sensor	XL1200C, XL1200C ANV, XL1200CA, XL1200CB, XL1200CP, XL1200V, XL1200X, XL883L, XL883N, XL883R
19	70642-07	WIRE HARNESS CADDY, right	XL1200C, XL1200C ANV, XL1200CA, XL1200CB, XL1200CP, XL1200V, XL1200X, XL883L, XL883N, XL883R
20	70664-08	BOOT, jiffy stand sensor	XL1200C, XL1200C ANV, XL1200CA, XL1200CB, XL1200CP, XL1200V, XL1200X, XL883L, XL883N, XL883R

			XL1200X, XL883L, XL883N, XL883R
21	70679-10	CADDY, ECM & wire distribution	XL1200C, XL1200C ANV, XL1200CA, XL1200CB, XL1200CP, XL1200V, XL1200X, XL883L, XL883N, XL883R
22	70680-10	CADDY, RH	XL1200C, XL1200C ANV, XL1200CA, XL1200CB, XL1200CP, XL1200V, XL1200X, XL883L, XL883N, XL883R
23	71510-04	HOUSING, IGNITION SWITCH	XL1200C, XL1200C ANV, XL1200CA, XL1200CB, XL1200CP, XL1200V, XL1200X, XL883L, XL883N, XL883R
24	71550-94	LABEL, ignition switch	XL1200C, XL1200C ANV, XL1200CA, XL1200CB, XL1200CP, XL1200V, XL1200X, XL883L, XL883N, XL883R
25	71552-94	FACE NUT, ignition switch	XL1200C, XL1200C ANV, XL1200CA, XL1200CB, XL1200CP, XL1200V, XL1200X, XL883L, XL883N, XL883R

WIRING HARNESS, MAIN - 883L/N/R, 1200C/CA/CB/CP/V/X (2 OF 4)



View interactive image

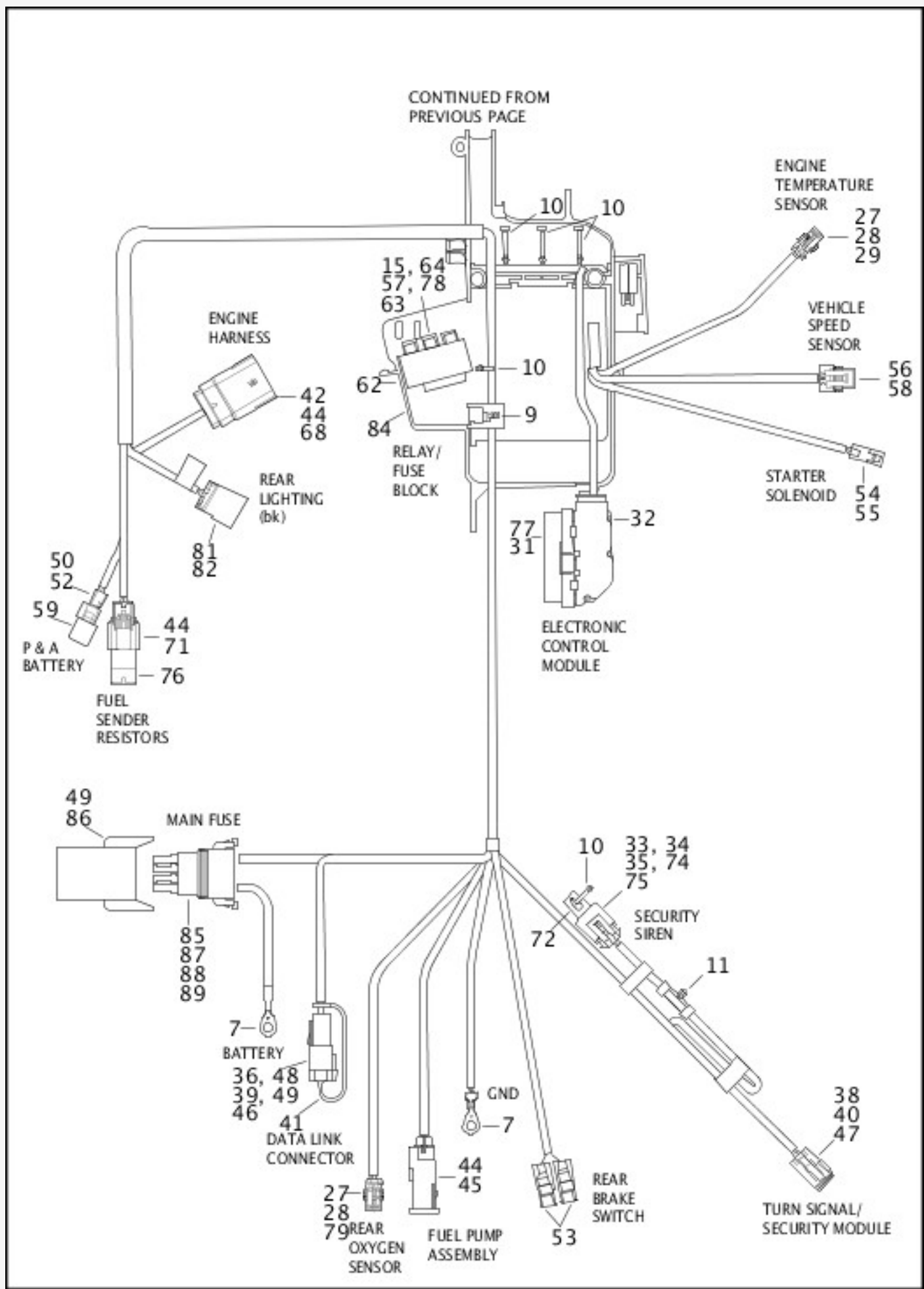
View interactive table

INDEX NO.	PART NO.	DESCRIPTION	MODEL(S)
	69200317	WIRING HARNESS, main (continued)	XL1200C, XL1200C ANV, XL1200CA, XL1200CB, XL1200CP, XL1200V, XL1200X, XL883L, XL883N, XL883R

NOTE: Includes the following parts.			
26	72006-05	TERMINAL, 16-20 gauge	XL1200C, XL1200C ANV, XL1200CA, XL1200CB, XL1200CP, XL1200V, XL1200X, XL883L, XL883N, XL883R
27	72007-05	HOUSING, socket, 2-way (3)	XL1200C, XL1200C ANV, XL1200CA, XL1200CB, XL1200CP, XL1200V, XL1200X, XL883L, XL883N, XL883R
28	72011-05	WIRE SEAL, 16-20 gauge (yellow) (6)	XL1200C, XL1200C ANV, XL1200CA, XL1200CB, XL1200CP, XL1200V, XL1200X, XL883L, XL883N, XL883R
29	72024-08	TERMINAL, socket, 20-22 gauge (2)	XL1200C, XL1200C ANV, XL1200CA, XL1200CB, XL1200CP, XL1200V, XL1200X, XL883L, XL883N, XL883R
30	72066-06A	SOCKET HOUSING, 4-way, female (black)	XL1200C, XL1200C ANV, XL1200CA, XL1200CB, XL1200CP, XL1200V, XL1200X, XL883L, XL883N, XL883R
31	72076-00	TERMINAL, socket (4)	XL1200C, XL1200C ANV, XL1200CA, XL1200CB, XL1200CP, XL1200V, XL1200X, XL883L, XL883N, XL883R
32	72077-00	SEAL PIN (10)	XL1200C, XL1200C ANV, XL1200CA, XL1200CB, XL1200CP, XL1200V, XL1200X, XL883L, XL883N, XL883R
33	72094-06	TERMINAL, socket, 18 gauge (5)	XL1200C, XL1200C ANV, XL1200CA, XL1200CB, XL1200CP, XL1200V, XL1200X, XL883L, XL883N, XL883R
34	72078-00	CONNECTOR KIT, 36 position socket	XL1200C, XL1200C ANV, XL1200CA, XL1200CB, XL1200CP, XL1200V, XL1200X, XL883L, XL883N, XL883R
35	72096-06	SEAL WIRE, 18-20 AWG (yellow) (3)	XL1200C, XL1200C ANV, XL1200CA, XL1200CB, XL1200CP, XL1200V, XL1200X, XL883L, XL883N, XL883R
36	72124-94GY	SOCKET HOUSING, 4-way (gray)	XL1200C, XL1200C ANV, XL1200CA, XL1200CB, XL1200CP, XL1200V, XL1200X, XL883L, XL883N, XL883R
37	72135-06	SECONDARY LOCK, 4-way, female (gray)	XL1200C, XL1200C ANV, XL1200CA, XL1200CB, XL1200CP, XL1200V, XL1200X, XL883L, XL883N, XL883R
38	72139-94GY	SOCKET HOUSING, 12-way, w/ 72179-94 (gray)	XL1200C, XL1200C ANV, XL1200CA, XL1200CB, XL1200CP, XL1200V, XL1200X, XL883L, XL883N, XL883R
39	72144-94	SECONDARY LOCK, 4-way	XL1200C, XL1200C ANV, XL1200CA, XL1200CB, XL1200CP, XL1200V, XL1200X, XL883L, XL883N, XL883R
40	72159-94	SECONDARY LOCK, pin, 12-way	XL1200C, XL1200C ANV, XL1200CA, XL1200CB, XL1200CP, XL1200V, XL1200X, XL883L, XL883N, XL883R
41	72164-94A	WEATHER PLUG, 4-way	XL1200C, XL1200C ANV, XL1200CA, XL1200CB, XL1200CP, XL1200V, XL1200X, XL883L, XL883N, XL883R
42	72167-07BK	HOUSING, 16-way, pin (black)	XL1200C, XL1200C ANV, XL1200CA, XL1200CB, XL1200CP, XL1200V, XL1200X, XL883L, XL883N, XL883R
43	72168-07	TERMINAL, socket, 18-20 gauge (26)	XL1200C, XL1200C ANV, XL1200CA, XL1200CB, XL1200CP, XL1200V, XL1200X, XL883L, XL883N, XL883R
44	72169-07	TERMINAL, pin, 16-20 gauge (16)	XL1200C, XL1200C ANV, XL1200CA, XL1200CB, XL1200CP, XL1200V, XL1200X, XL883L, XL883N, XL883R

45	72175-07BK	HOUSING, pin, 4-way (black)	XL1200C, XL1200C ANV, XL1200CA, XL1200CB, XL1200CP, XL1200V, XL1200X, XL883L, XL883N, XL883R
46	72190-94	TERMINAL, pin, 16-18 gauge (3)	XL1200C, XL1200C ANV, XL1200CA, XL1200CB, XL1200CP, XL1200V, XL1200X, XL883L, XL883N, XL883R
47	72191-94	TERMINAL, socket, 16-18 gauge (12)	XL1200C, XL1200C ANV, XL1200CA, XL1200CB, XL1200CP, XL1200V, XL1200X, XL883L, XL883N, XL883R
48	72195-94	SEAL, pin, 4-way	XL1200C, XL1200C ANV, XL1200CA, XL1200CB, XL1200CP, XL1200V, XL1200X, XL883L, XL883N, XL883R
49	72199-94	CONNECTOR ANCHOR (2)	XL1200C, XL1200C ANV, XL1200CA, XL1200CB, XL1200CP, XL1200V, XL1200X, XL883L, XL883N, XL883R
50	72260-04	HOUSING, female, 1-way (gray)	XL1200C, XL1200C ANV, XL1200CA, XL1200CB, XL1200CP, XL1200V, XL1200X, XL883L, XL883N, XL883R

WIRING HARNESS, MAIN - 883L/N/R, 1200C/CA/CB/CP/V/X (3 OF 4)



View interactive image

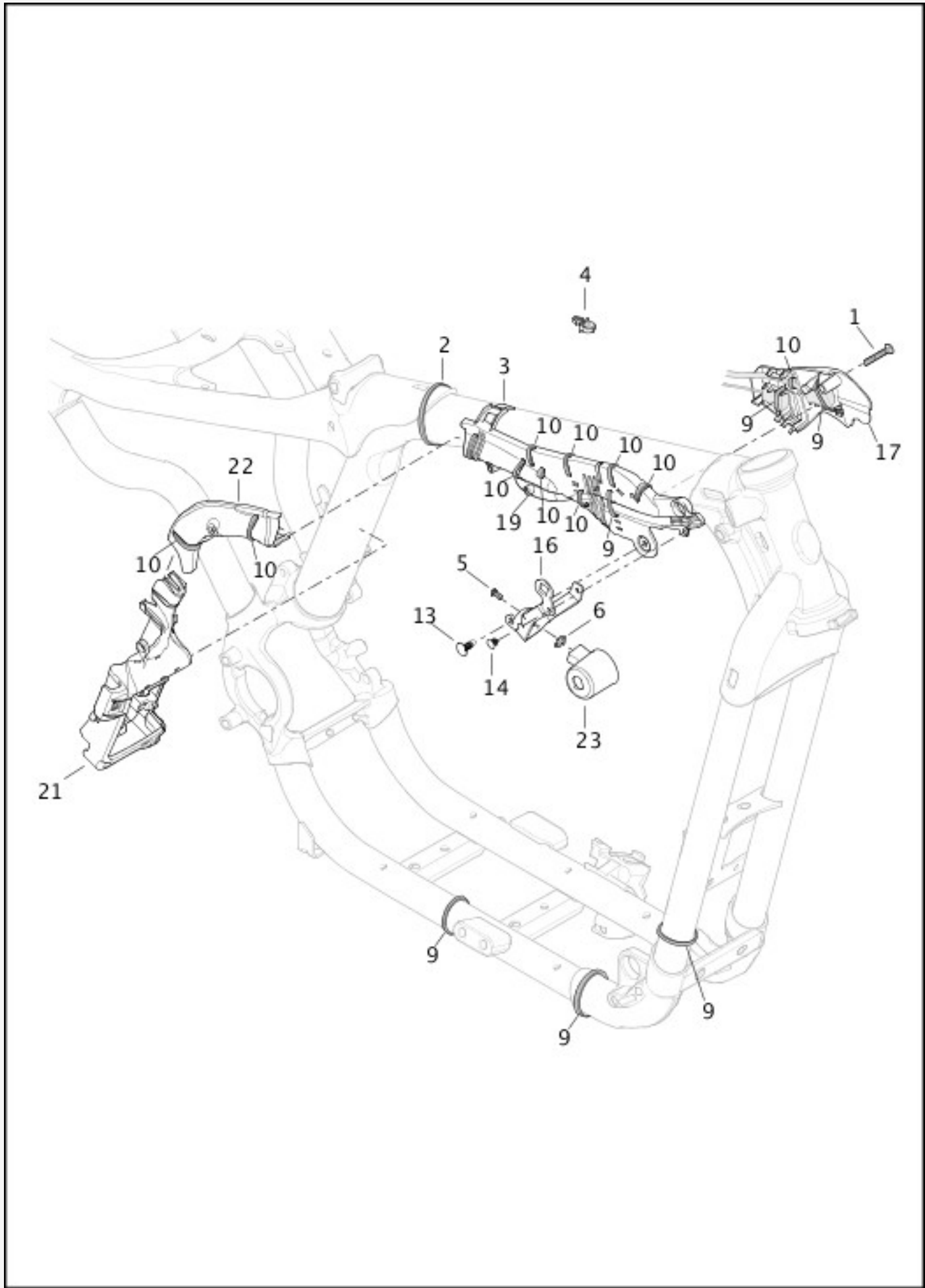
View interactive table

INDEX NO.	PART NO.	DESCRIPTION	MODEL(S)
	69200317	WIRING HARNESS, main (continued)	XL1200C, XL1200C ANV, XL1200CA, XL1200CB, XL1200CP, XL1200V, XL1200X, XL883L, XL883N, XL883R

NOTE: Includes the following parts.			
51	72272-07	TERMINAL, socket, 14-16 gauge (6)	XL1200C, XL1200C ANV, XL1200CA, XL1200CB, XL1200CP, XL1200V, XL1200X, XL883L, XL883N, XL883R
52	72289-04	TERMINAL, female, 10-12 gauge	XL1200C, XL1200C ANV, XL1200CA, XL1200CB, XL1200CP, XL1200V, XL1200X, XL883L, XL883N, XL883R
53	72290-94	TERMINAL, insulated (2)	XL1200C, XL1200C ANV, XL1200CA, XL1200CB, XL1200CP, XL1200V, XL1200X, XL883L, XL883N, XL883R
54	72291-94	TERMINAL, female spade, 14-16 gauge	XL1200C, XL1200C ANV, XL1200CA, XL1200CB, XL1200CP, XL1200V, XL1200X, XL883L, XL883N, XL883R
55	72295-94	TERMINAL HOUSING, 1-way	XL1200C, XL1200C ANV, XL1200CA, XL1200CB, XL1200CP, XL1200V, XL1200X, XL883L, XL883N, XL883R
56	72312-04	HOUSING, socket, 3-way	XL1200C, XL1200C ANV, XL1200CA, XL1200CB, XL1200CP, XL1200V, XL1200X, XL883L, XL883N, XL883R
57	72330-95	FUSE, 15 amp (6)	XL1200C, XL1200C ANV, XL1200CA, XL1200CB, XL1200CP, XL1200V, XL1200X, XL883L, XL883N, XL883R
58	72335-10	TERMINAL, socket, 20-22 gauge (3)	XL1200C, XL1200C ANV, XL1200CA, XL1200CB, XL1200CP, XL1200V, XL1200X, XL883L, XL883N, XL883R
59	72378-04	CAP, red	XL1200C, XL1200C ANV, XL1200CA, XL1200CB, XL1200CP, XL1200V, XL1200X, XL883L, XL883N, XL883R
60	72405-98BK	PUSH ON WIRE ASSEMBLY, right angle molded, w/ 60 in. wire lead (black)	XL1200C, XL1200C ANV, XL1200CA, XL1200CB, XL1200CP, XL1200V, XL1200X, XL883L, XL883N, XL883R
61	72414-07BK	HOUSING, socket, 6-way (black)	XL1200C, XL1200C ANV, XL1200CA, XL1200CB, XL1200CP, XL1200V, XL1200X, XL883L, XL883N, XL883R
62	72430-00	FUSEBLOCK MOUNTING, relay, 9 fuses	XL1200C, XL1200C ANV, XL1200CA, XL1200CB, XL1200CP, XL1200V, XL1200X, XL883L, XL883N, XL883R
63	72434-00	TERMINAL, 14-16 gauge (12)	XL1200C, XL1200C ANV, XL1200CA, XL1200CB, XL1200CP, XL1200V, XL1200X, XL883L, XL883N, XL883R
64	72441-04	TERMINAL, 12-14 gauge (2)	XL1200C, XL1200C ANV, XL1200CA, XL1200CB, XL1200CP, XL1200V, XL1200X, XL883L, XL883N, XL883R
65	72445-99TN	TERMINAL, female (tan)	XL1200C, XL1200C ANV, XL1200CA, XL1200CB, XL1200CP, XL1200V, XL1200X, XL883L, XL883N, XL883R
66	72484-08	TERMINAL, socket, 20 gauge (2)	XL1200C, XL1200C ANV, XL1200CA, XL1200CB, XL1200CP, XL1200V, XL1200X, XL883L, XL883N, XL883R
67	72469-07GY	HOUSING, socket, 8-way (gray)	XL1200C, XL1200C ANV, XL1200CA, XL1200CB, XL1200CP, XL1200V, XL1200X, XL883L, XL883N, XL883R
68	72473-07	SEAL PIN (4)	XL1200C, XL1200C ANV, XL1200CA, XL1200CB, XL1200CP, XL1200V, XL1200X, XL883L, XL883N, XL883R
69	72486-08	WIRE SEAL, 20 gauge (green) (4)	XL1200C, XL1200C ANV, XL1200CA, XL1200CB, XL1200CP, XL1200V, XL1200X, XL883L, XL883N, XL883R

70	72487-07BK	HOUSING, socket, 12-way (black)	XL1200C, XL1200C ANV, XL1200CA, XL1200CB, XL1200CP, XL1200V, XL1200X, XL883L, XL883N, XL883R
71	72512-07BK	HOUSING, socket, 3-way (black) (2)	XL1200C, XL1200C ANV, XL1200CA, XL1200CB, XL1200CP, XL1200V, XL1200X, XL883L, XL883N, XL883R
72	72516-01	DUSTCAP	XL1200C, XL1200C ANV, XL1200CA, XL1200CB, XL1200CP, XL1200V, XL1200X, XL883L, XL883N, XL883R
73	72519-09BK	DUSTCAP, 3-way socket	XL1200C, XL1200C ANV, XL1200CA, XL1200CB, XL1200CP, XL1200V, XL1200X, XL883L, XL883N, XL883R
74	72543-07BK	SOCKET HOUSING, 3-way (black)	XL1200C, XL1200C ANV, XL1200CA, XL1200CB, XL1200CP, XL1200V, XL1200X, XL883L, XL883N, XL883R
75	72544-07	SECONDARY LOCK, 3-way, female	XL1200C, XL1200C ANV, XL1200CA, XL1200CB, XL1200CP, XL1200V, XL1200X, XL883L, XL883N, XL883R

WIRING HARNESS, MAIN - 883L/N/R, 1200C/CA/CB/CP/V/X (4 OF 4)



[View interactive image](#)

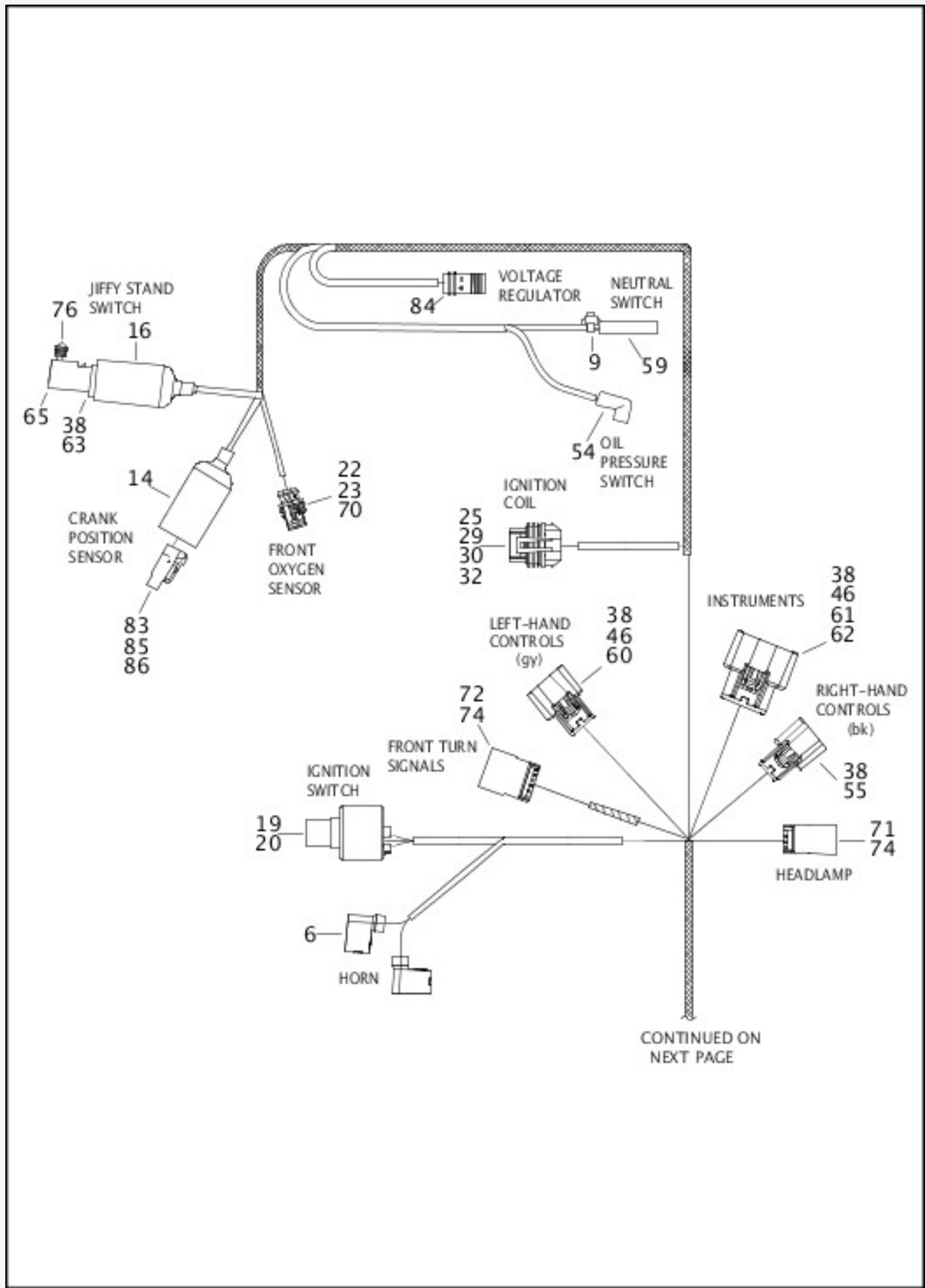
[View interactive table](#)

INDEX NO.	PART NO.	DESCRIPTION	MODEL(S)
	69200317	WIRING HARNESS, main (continued)	XL1200C, XL1200C ANV, XL1200CA, XL1200CB, XL1200CP, XL1200V, XL1200X, XL883L, XL883N, XL883R

NOTE: Includes the following parts.

76	72545-08	RESISTOR ASSEMBLY, fuel sender	XL1200C, XL1200C ANV, XL1200CA, XL1200CB, XL1200CP, XL1200V, XL1200X, XL883L, XL883N, XL883R
77	72568-08	TERMINAL, socket, 20-22 gauge (22)	XL1200C, XL1200C ANV, XL1200CA, XL1200CB, XL1200CP, XL1200V, XL1200X, XL883L, XL883N, XL883R
78	72592-10	TERMINAL, socket, 18 gauge (4)	XL1200C, XL1200C ANV, XL1200CA, XL1200CB, XL1200CP, XL1200V, XL1200X, XL883L, XL883N, XL883R
79	72611-07	TERMINAL, socket, 16-20 gauge (4)	XL1200C, XL1200C ANV, XL1200CA, XL1200CB, XL1200CP, XL1200V, XL1200X, XL883L, XL883N, XL883R
80	73104-96BK	CONNECTOR, 4-way (black)	XL1200C, XL1200C ANV, XL1200CA, XL1200CB, XL1200CP, XL1200V, XL1200X, XL883L, XL883N, XL883R
81	73106-96BK	CONNECTOR, 6-way (black) (2)	XL1200C, XL1200C ANV, XL1200CA, XL1200CB, XL1200CP, XL1200V, XL1200X, XL883L, XL883N, XL883R
82	73190-96	TERMINAL, pin, 20-16 gauge (16)	XL1200C, XL1200C ANV, XL1200CA, XL1200CB, XL1200CP, XL1200V, XL1200X, XL883L, XL883N, XL883R
83	73213-07	RETAINER	XL1200C, XL1200C ANV, XL1200CA, XL1200CB, XL1200CP, XL1200V, XL1200X, XL883L, XL883N, XL883R
84	73214-10	COVER ASSEMBLY, fuseblock	XL1200C, XL1200C ANV, XL1200CA, XL1200CB, XL1200CP, XL1200V, XL1200X, XL883L, XL883N, XL883R
85	73301-04	HOUSING, 2-way, female	XL1200C, XL1200C ANV, XL1200CA, XL1200CB, XL1200CP, XL1200V, XL1200X, XL883L, XL883N, XL883R
86	73302-04	COVER, maxi-fuse, fuse block	XL1200C, XL1200C ANV, XL1200CA, XL1200CB, XL1200CP, XL1200V, XL1200X, XL883L, XL883N, XL883R
87	73303-04	SECONDARY LOCK, 2-way, female	XL1200C, XL1200C ANV, XL1200CA, XL1200CB, XL1200CP, XL1200V, XL1200X, XL883L, XL883N, XL883R
88	73304-04	TERMINAL, female, 10 gauge (2)	XL1200C, XL1200C ANV, XL1200CA, XL1200CB, XL1200CP, XL1200V, XL1200X, XL883L, XL883N, XL883R
89	73305-04	SEAL WIRE, 10 gauge (blue) (2)	XL1200C, XL1200C ANV, XL1200CA, XL1200CB, XL1200CP, XL1200V, XL1200X, XL883L, XL883N, XL883R
90	74112-98BK	SOCKET HOUSING, 2-way (black)	XL1200C, XL1200C ANV, XL1200CA, XL1200CB, XL1200CP, XL1200V, XL1200X, XL883L, XL883N, XL883R
91	74120-08	DC LEAD ASSEMBLY	XL1200C, XL1200C ANV, XL1200CA, XL1200CB, XL1200CP, XL1200V, XL1200X, XL883L, XL883N, XL883R
92	74152-98	SECONDARY LOCK, 2-way	XL1200C, XL1200C ANV, XL1200CA, XL1200CB, XL1200CP, XL1200V, XL1200X, XL883L, XL883N, XL883R
93	74191-98	SOCKET TERMINAL (2)	XL1200C, XL1200C ANV, XL1200CA, XL1200CB, XL1200CP, XL1200V, XL1200X, XL883L, XL883N, XL883R

WIRING HARNESS, MAIN - XR1200X (1 OF 3)



[View interactive image](#)

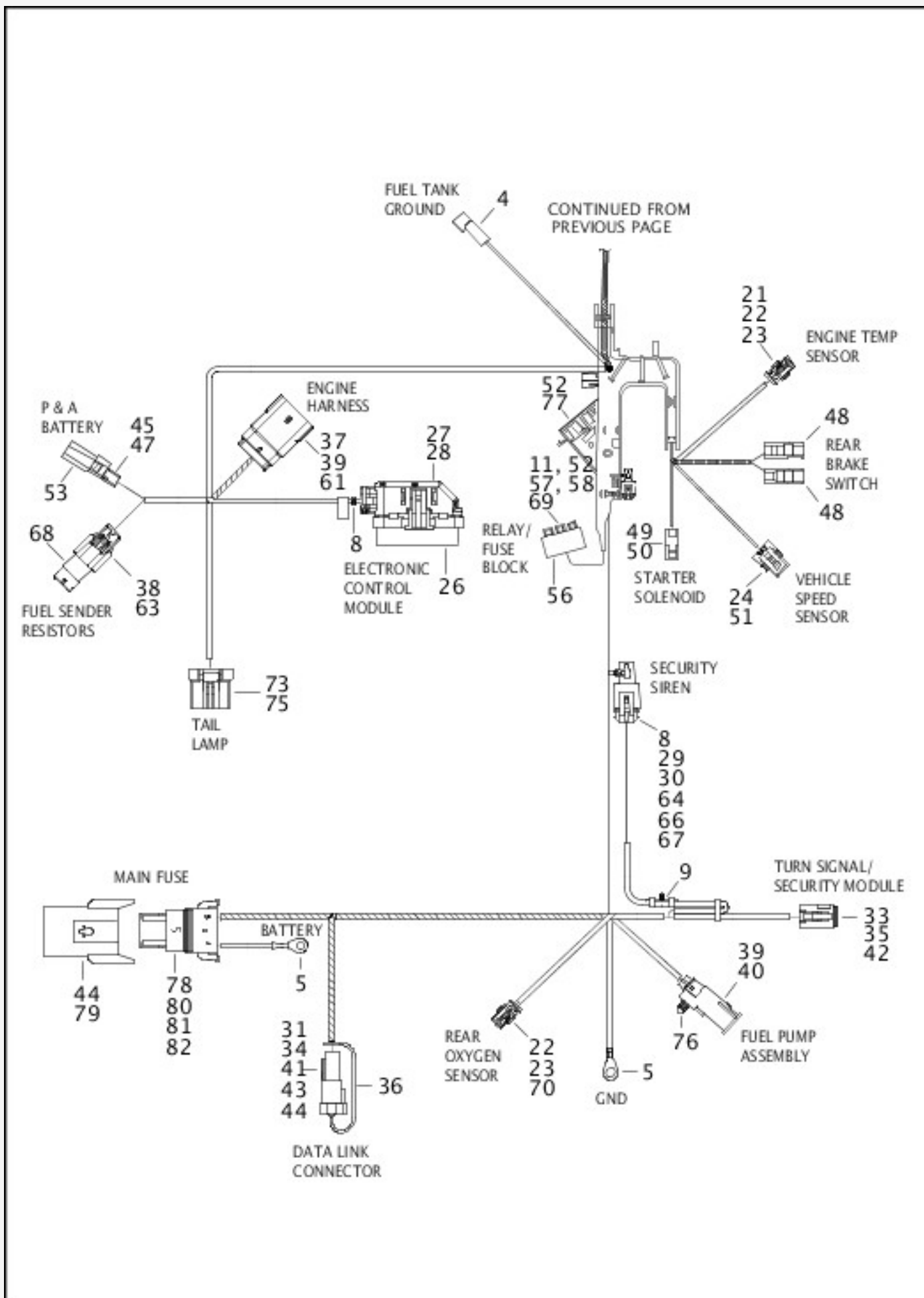
[View interactive table](#)

INDEX NO.	PART NO.	DESCRIPTION	MODEL(S)
1	56073-83	RETAINER, h-clip	XR1200X
	69200316	WIRING HARNESS, main	XR1200X

NOTE: Includes the following parts.

2	3124	SCREW	XR1200X
3	7220	LOCKWASHER	XR1200X
4	9810	OVERMOLD, fuel tank, ground	XR1200X
5	9838	TERMINAL RING, 1/4, 10-12 gauge (2)	XR1200X
6	9898	TERMINAL FLAG (2)	XR1200X
7	10006	CABLE STRAP (as required)	XR1200X
8	10065	CABLE STRAP (as required)	XR1200X
9	10279	CLIP, harness mount	XR1200X
10	10287	CABLE STRAP (as required)	XR1200X
11	31586-07	RELAY (2)	XR1200X
12	31806-08A	BRACKET ASSEMBLY	XR1200X
13	70368-08	WIRE HARNESS CADDY	XR1200X
14	70598-99	BOOT, temperature sensor	XR1200X
15	70632-08	CADDY COVER	XR1200X
16	70664-08	BOOT, jiffy stand sensor	XR1200X
17	71341-10	CADDY	XR1200X
18	71510-04	HOUSING, ignition switch	XR1200X
19	71550-94	LABEL, ignition switch	XR1200X
20	71552-94	FACE NUT, ignition switch (2)	XR1200X
21	72006-05	TERMINAL, 16-20 gauge (2)	XR1200X
22	72007-05	HOUSING, socket, 2-way (3)	XR1200X
23	72011-05	WIRE SEAL, 16-20 gauge (yellow) (6)	XR1200X
24	72033-93	TERMINAL, socket, 16-20 gauge (3)	XR1200X
25	72066-06A	SOCKET HOUSING, 4-way	XR1200X
26	72076-00	TERMINAL, socket (27)	XR1200X
27	72077-00	SEAL PIN (9)	XR1200X
28	72078-00	KIT, connector, 36-position socket housing	XR1200X
29	72094-06	TERMINAL, socket, female, 18 gauge (7)	XR1200X
30	72096-06	SEAL WIRE, 18-20 AWG (yellow) (7)	XR1200X

WIRING HARNESS, MAIN - XR1200X (2 OF 3)



[View interactive image](#)

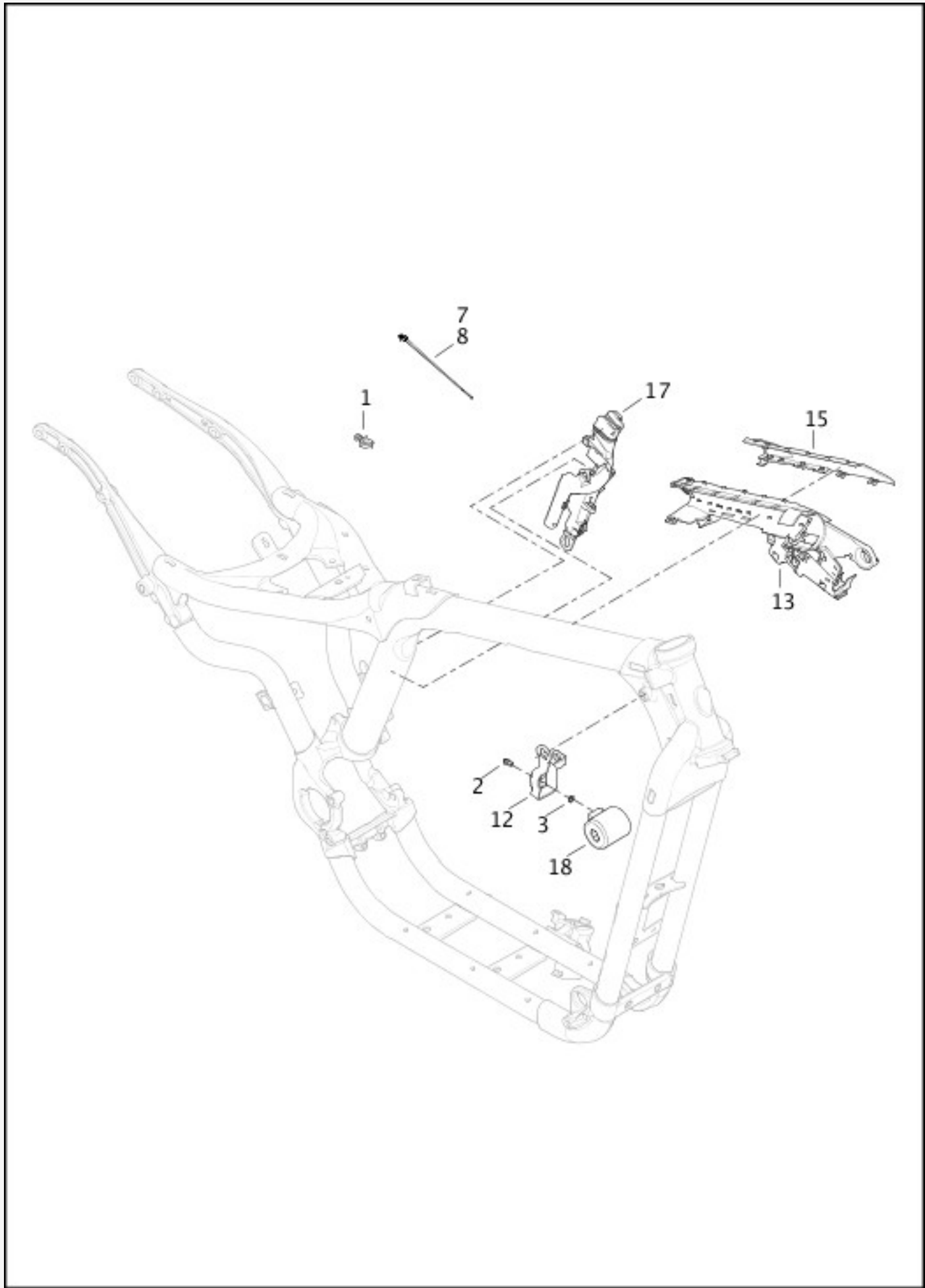
[View interactive table](#)

INDEX NO.	PART NO.	DESCRIPTION	MODEL(S)
-----------	----------	-------------	----------

	69200316	WIRING HARNESS, main (continued)	XR1200X
NOTE: Includes the following parts.			
31	72124-94GY	SOCKET HOUSING, 4-way (gray)	XR1200X
32	72135-06	SECONDARY LOCK, 4-way, female (gray)	XR1200X
33	72139-94GY	SOCKET HOUSING, 12-way, w/ 72179-94 (gray)	XR1200X
34	72144-94	SECONDARY LOCK, 4-way	XR1200X
35	72159-94	SECONDARY LOCK, pin, 12-way	XR1200X
36	72164-94A	WEATHER PLUG, 4-way	XR1200X
37	72167-07BK	HOUSING, 16-way, pin (black)	XR1200X
38	72168-07	TERMINAL, socket, 18-20 gauge (25)	XR1200X
39	72169-07	TERMINAL, pin, 16-20 gauge (17)	XR1200X
40	72175-07BK	HOUSING, pin, 4-way (black)	XR1200X
41	72190-94	TERMINAL, pin, 16-18 gauge (3)	XR1200X
42	72191-94	TERMINAL, socket, 16-18 gauge (12)	XR1200X
43	72195-94	SEAL, pin, 4-way	XR1200X
44	72199-94	CONNECTOR ANCHOR (2)	XR1200X
45	72260-04	HOUSING, female, 1-way (gray)	XR1200X
46	72272-07	TERMINAL, socket, 14-16 gauge (6)	XR1200X
47	72289-04	TERMINAL, female, 10-12 gauge	XR1200X
48	72290-94	TERMINAL, insulated (2)	XR1200X
49	72291-94	TERMINAL, female spade, 14-16 gauge	XR1200X
50	72295-94	TERMINAL HOUSING, 1-way	XR1200X
51	72312-04	HOUSING, socket, 3-way	XR1200X
52	72330-95	FUSE, 15-amp (6)	XR1200X
53	72378-04	CAP, red	XR1200X
54	72405-98BK	PUSH ON WIRE ASSEMBLY, right angle molded, w/ 60 in. wire lead (black)	XR1200X
55	72414-07BK	HOUSING, socket, 6-way (black)	XR1200X
56	72430-00	FUSEBLOCK MOUNTING, relay, 9 fuses	XR1200X
57	72434-00	TERMINAL, 14-16 gauge (12)	XR1200X

58	72441-04	TERMINAL, 12-14 gauge (2)	XR1200X
59	72445-99TN	TERMINAL, female (tan)	XR1200X
60	72469-07GY	HOUSING, socket, 8-way (gray)	XR1200X

WIRING HARNESS, MAIN - XR1200X (3 OF 3)



[View interactive image](#)

[View interactive table](#)

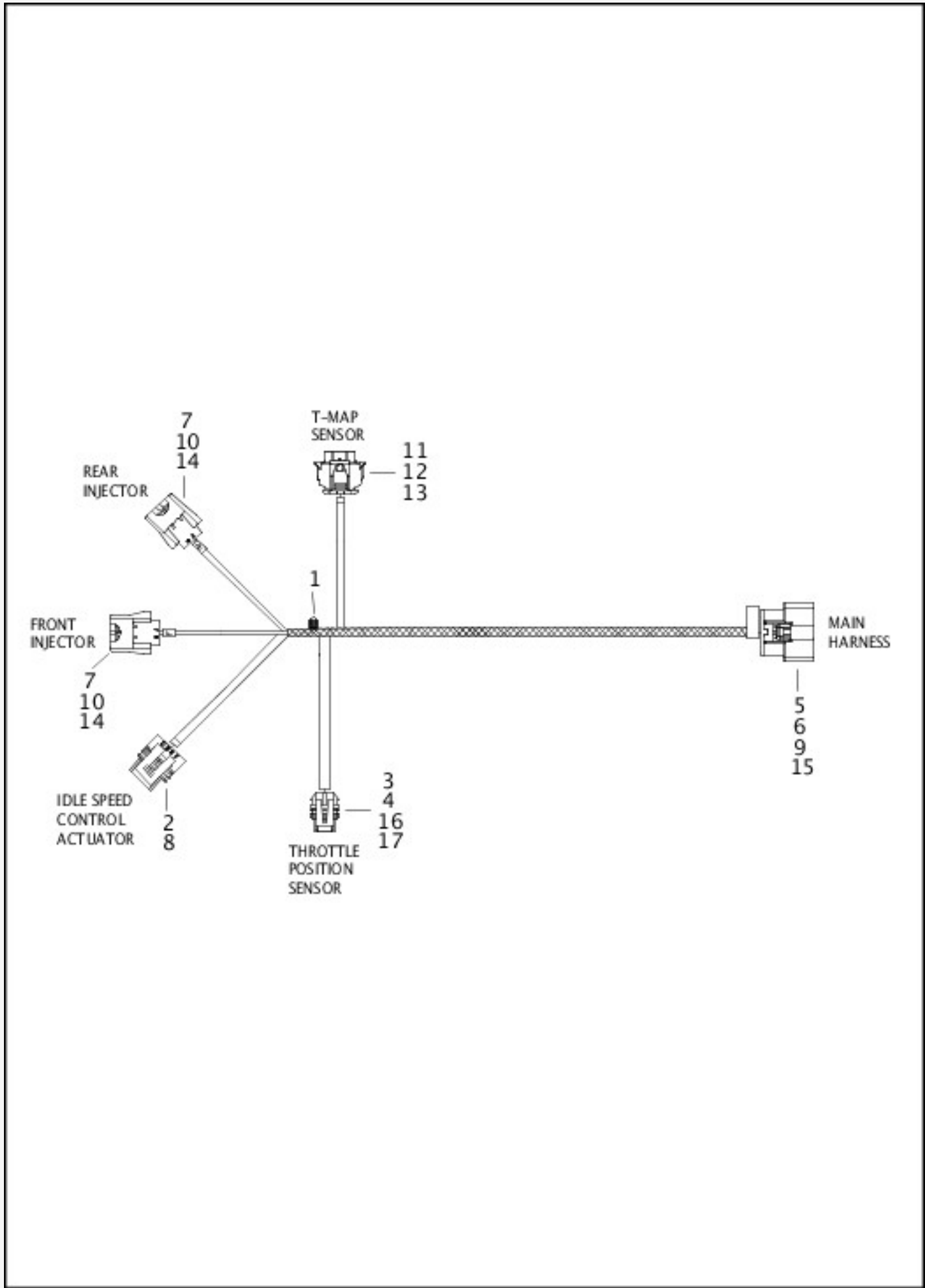
INDEX NO.	PART NO.	DESCRIPTION	MODEL(S)
	69200316	WIRING HARNESS, main (continued)	XR1200X

NOTE: Includes the following parts.

--	--	--	--

61	72473-07	SEAL PIN (4)	XR1200X
62	72487-07BK	HOUSING, socket, 12-way (black)	XR1200X
63	72512-07BK	HOUSING, socket, 3-way (black) (2)	XR1200X
64	72516-01	DUSTCAP	XR1200X
65	72519-09BK	CAP	XR1200X
66	72543-07BK	HOUSING, socket, 3-way (black)	XR1200X
67	72544-07	SECONDARY LOCK, 3-way, female	XR1200X
68	72545-08	RESISTOR ASSEMBLY, fuel sender	XR1200X
69	72592-10	TERMINAL, socket, 18 gauge (4)	XR1200X
70	72611-07	TERMINAL, socket, 16-20 gauge (gold) (4)	XR1200X
71	73104-96BK	CONNECTOR, 4-way (black)	XR1200X
72	73106-96BK	CONNECTOR, 6-way (black)	XR1200X
73	73156-96BK	SOCKET HOUSING, 6-way (black)	XR1200X
74	73190-96	TERMINAL, pin, 16-20 gauge (10)	XR1200X
75	73191-96	SOCKET TERMINAL, 16-20 awg (6)	XR1200X
76	73213-07	RETAINER (2)	XR1200X
77	73228-10	COVER, fuseblock	XR1200X
78	73301-04	HOUSING, 2-way, female	XR1200X
79	73302-04	COVER, maxi-fuse, fuse block	XR1200X
80	73303-04	SECONDARY LOCK, 2-way, female	XR1200X
81	73304-04	TERMINAL, female, 10 gauge (2)	XR1200X
82	73305-04	SEAL WIRE, 10 gauge (blue) (2)	XR1200X
83	74112-98BK	SOCKET HOUSING, 2-way (black)	XR1200X
84	74120-08	DC LEAD ASSEMBLY	XR1200X
85	74152-98	SECONDARY LOCK, 2-way	XR1200X
86	74191-98	SOCKET TERMINAL (2)	XR1200X

WIRING HARNESS, ENGINE - 883L/N/R, 1200C/CA/CB/CP/V/X



[View interactive image](#)

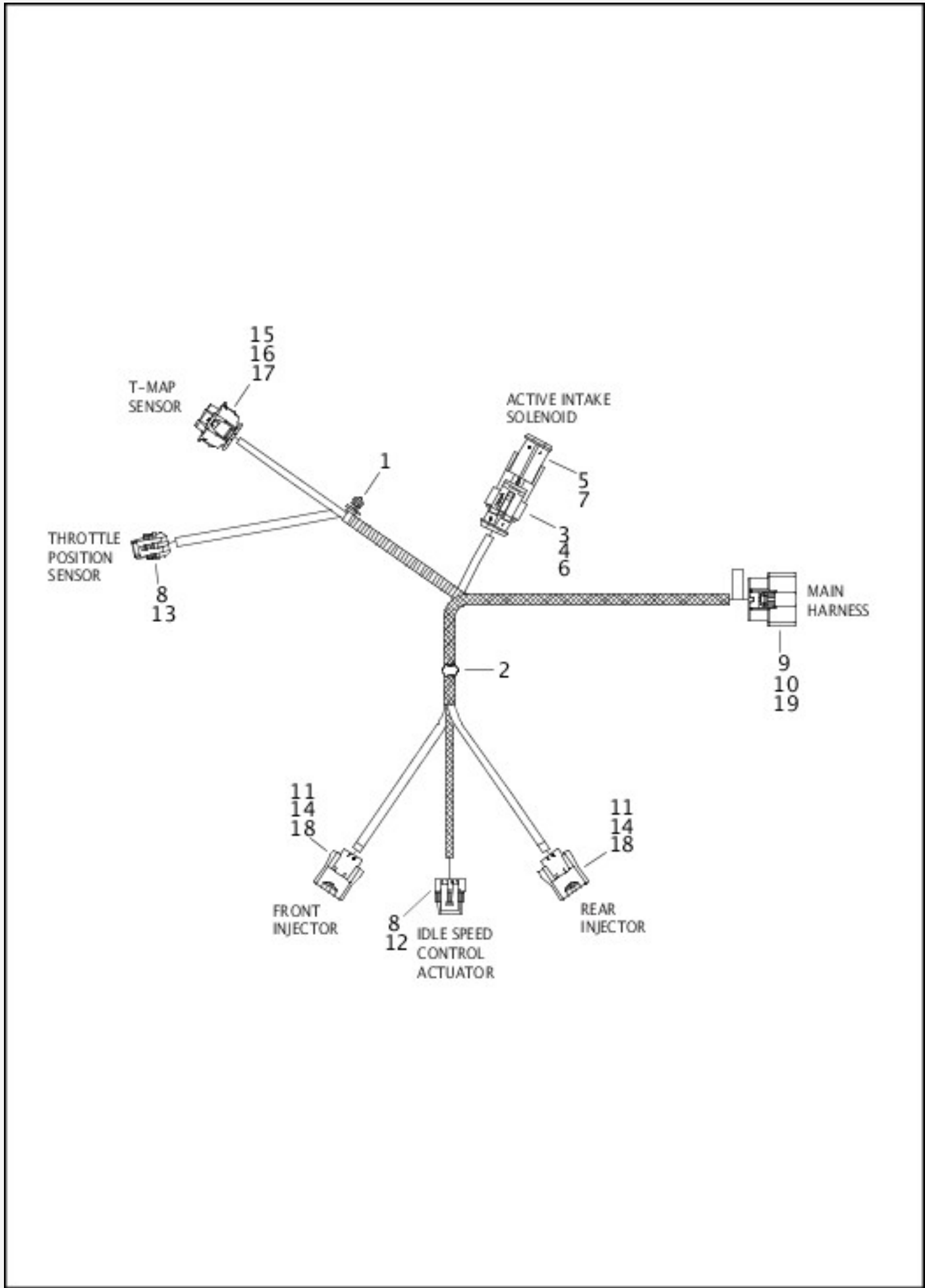
[View interactive table](#)

INDEX NO.	PART NO.	DESCRIPTION	MODEL(S)
	70167-08A	WIRING HARNESS, engine	XL1200C, XL1200C ANV, XL1200CA, XL1200CB, XL1200CP, XL1200V, XL1200X, XL883L, XL883N, XL883R

NOTE: Includes the following parts.

1	10279	CLIP, harness mount	XL1200C, XL1200C ANV, XL1200CA, XL1200CB, XL1200CP, XL1200V, XL1200X, XL883L, XL883N, XL883R
2	72033-93	TERMINAL, socket, 16-20 gauge (4)	XL1200C, XL1200C ANV, XL1200CA, XL1200CB, XL1200CP, XL1200V, XL1200X, XL883L, XL883N, XL883R
3	72094-06	TERMINAL, socket, 18 gauge (3)	XL1200C, XL1200C ANV, XL1200CA, XL1200CB, XL1200CP, XL1200V, XL1200X, XL883L, XL883N, XL883R
4	72096-06	SEAL WIRE, 18-20 AWG (yellow) (3)	XL1200C, XL1200C ANV, XL1200CA, XL1200CB, XL1200CP, XL1200V, XL1200X, XL883L, XL883N, XL883R
5	72166-07BK	HOUSING, 16-way, socket (black)	XL1200C, XL1200C ANV, XL1200CA, XL1200CB, XL1200CP, XL1200V, XL1200X, XL883L, XL883N, XL883R
6	72168-07	TERMINAL, socket, 18-20 gauge (10)	XL1200C, XL1200C ANV, XL1200CA, XL1200CB, XL1200CP, XL1200V, XL1200X, XL883L, XL883N, XL883R
7	72251-07	SECONDARY LOCK, 2-way (2)	XL1200C, XL1200C ANV, XL1200CA, XL1200CB, XL1200CP, XL1200V, XL1200X, XL883L, XL883N, XL883R
8	72263-95	HOUSING, 4-way, socket (black)	XL1200C, XL1200C ANV, XL1200CA, XL1200CB, XL1200CP, XL1200V, XL1200X, XL883L, XL883N, XL883R
9	72272-07	TERMINAL, socket, 14-16 gauge (2)	XL1200C, XL1200C ANV, XL1200CA, XL1200CB, XL1200CP, XL1200V, XL1200X, XL883L, XL883N, XL883R
10	72402-07	HOUSING, 2-way, socket (black) (2)	XL1200C, XL1200C ANV, XL1200CA, XL1200CB, XL1200CP, XL1200V, XL1200X, XL883L, XL883N, XL883R
11	72406-07A	HOUSING, 4-way, socket	XL1200C, XL1200C ANV, XL1200CA, XL1200CB, XL1200CP, XL1200V, XL1200X, XL883L, XL883N, XL883R
12	72407-07	TERMINAL, socket, 16-20 gauge (4)	XL1200C, XL1200C ANV, XL1200CA, XL1200CB, XL1200CP, XL1200V, XL1200X, XL883L, XL883N, XL883R
13	72408-07	SEAL WIRE, 16-20 gauge (blue) (4)	XL1200C, XL1200C ANV, XL1200CA, XL1200CB, XL1200CP, XL1200V, XL1200X, XL883L, XL883N, XL883R
14	72413-07	TERMINAL, socket, 18-20 gauge (4)	XL1200C, XL1200C ANV, XL1200CA, XL1200CB, XL1200CP, XL1200V, XL1200X, XL883L, XL883N, XL883R
15	72473-07	SEAL PIN (4)	XL1200C, XL1200C ANV, XL1200CA, XL1200CB, XL1200CP, XL1200V, XL1200X, XL883L, XL883N, XL883R
16	72543-07BK	HOUSING, 3-way, socket (black)	XL1200C, XL1200C ANV, XL1200CA, XL1200CB, XL1200CP, XL1200V, XL1200X, XL883L, XL883N, XL883R
17	72544-07	SECONDARY LOCK, 3-way	XL1200C, XL1200C ANV, XL1200CA, XL1200CB, XL1200CP, XL1200V, XL1200X, XL883L, XL883N, XL883R

WIRING HARNESS, ENGINE - XR1200X



[View interactive image](#)

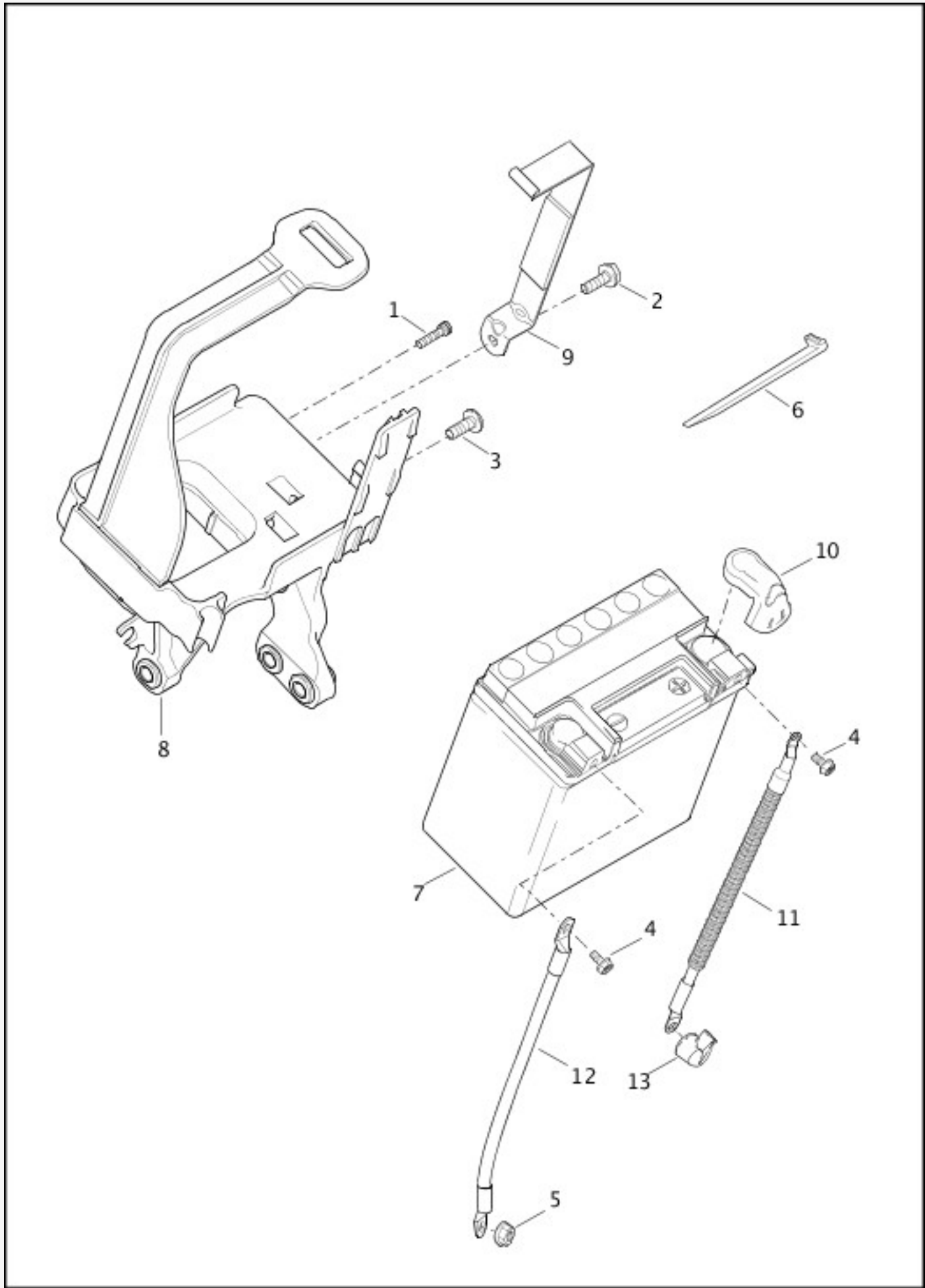
[View interactive table](#)

INDEX NO.	PART NO.	DESCRIPTION	MODEL(S)
	70163-10	WIRING HARNESS, engine	XR1200X

NOTE: Includes the following parts.

1	10177	CABLE STRAP (as required)	XR1200X
2	10279	CLIP	XR1200X
3	72006-05	TERMINAL, socket, 16-20 gauge (2)	XR1200X
4	72007-05	HOUSING, socket, 2-way	XR1200X
5	72009-05	HOUSING, pin, 2-way	XR1200X
6	72011-05	WIRE SEAL, 16-20 gauge (yellow) (2)	XR1200X
7	72014-07	SEAL PIN (2)	XR1200X
8	72033-93	TERMINAL, socket, 16-20 gauge (4)	XR1200X
9	72166-07BK	HOUSING, socket, 16-way (black)	XR1200X
10	72168-07	TERMINAL, socket, 18-20 gauge (14)	XR1200X
11	72251-07	SECONDARY LOCK, 2-way (2)	XR1200X
12	72263-95	HOUSING, 4-way, socket (black)	XR1200X
13	72312-04	HOUSING, 3-way, socket	XR1200X
14	72402-07	HOUSING, 2-way, socket (black) (2)	XR1200X
15	72406-07A	HOUSING, 4-way, socket	XR1200X
16	72407-07	TERMINAL, socket, 16-20 gauge (4)	XR1200X
17	72408-07	SEAL WIRE, 16-20 gauge (blue) (4)	XR1200X
18	72413-07	TERMINAL, socket, 18-20 gauge (4)	XR1200X
19	72473-07	SEAL PIN (2)	XR1200X

BATTERY



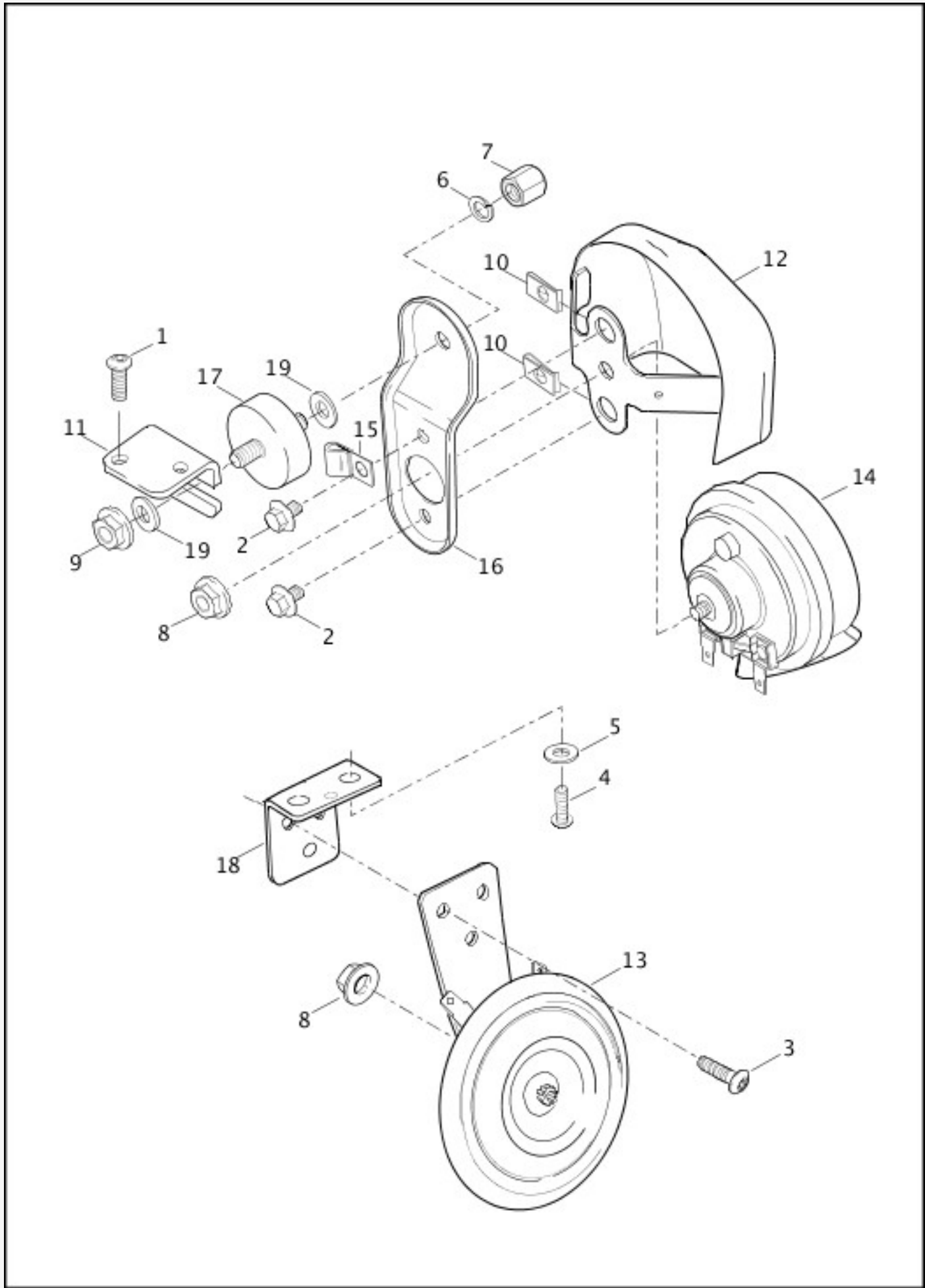
[View interactive image](#)

[View interactive table](#)

INDEX NO.	PART NO.	DESCRIPTION	MODEL(S)
1	2535	SCREW (3)	ALL
2	3588	SCREW	ALL

3	3696	SCREW	ALL
4	4312C	SCREW (2)	ALL
5	7792	NUT	ALL
6	10006	CABLE STRAP (as required)	ALL
7	65958-04A	BATTERY, w/ 4312C	ALL
8	66194-04D	TRAY	ALL
9	66476-04A	STRAP	ALL
10	70003-04	COVER, terminal	ALL
11	70295-10	CABLE, battery-to-starter, w/ 70578-89	ALL
12	70296-04A	CABLE, battery-to-ground	ALL
13	70578-89	RUBBER BOOT	ALL

HORN



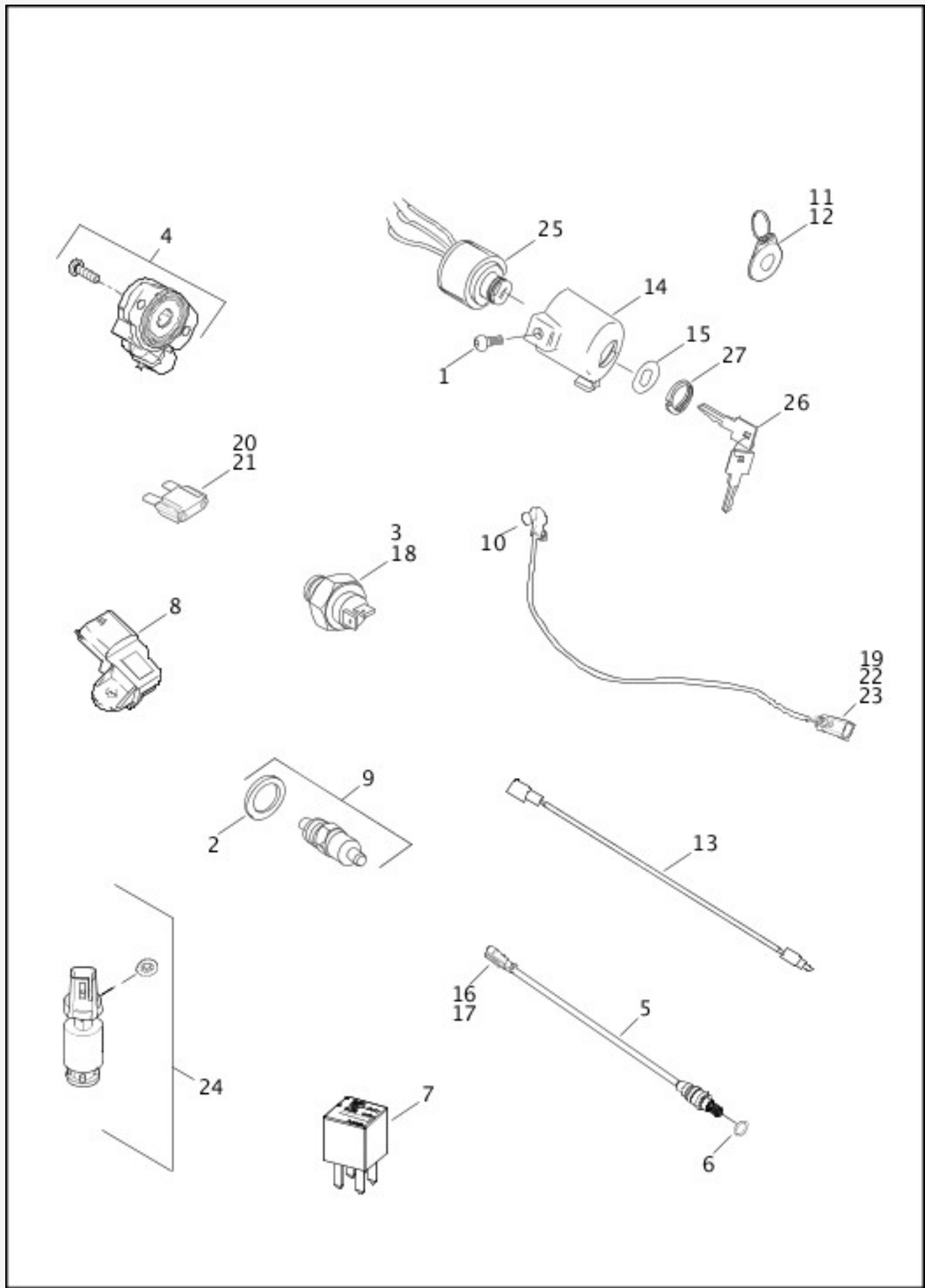
[View interactive image](#)

[View interactive table](#)

INDEX NO.	PART NO.	DESCRIPTION	MODEL(S)
1	3026	SCREW (2)	XL1200C, XL1200C ANV, XL1200CA, XL1200CB, XL1200CP, XL1200V

2	3563	SCREW (2)	XL1200C, XL1200C ANV, XL1200CA, XL1200CB, XL1200CP, XL1200V
3	3124	SCREW (3)	XL1200X, XL883L, XL883N, XL883R, XR1200X
4	4180	SCREW (2)	XL1200X, XL883L, XL883N, XL883R, XR1200X
5	6026	WASHER (2)	XL1200X, XL883L, XL883N, XL883R, XR1200X
6	7041	LOCKWASHER	XL1200C, XL1200C ANV, XL1200CA, XL1200CB, XL1200CP, XL1200V
7	7549A	ACORN NUT	XL1200C, XL1200C ANV, XL1200CA, XL1200CB, XL1200CP, XL1200V
8	7495	NUT	ALL
9	7531	LOCKNUT	XL1200C, XL1200C ANV, XL1200CA, XL1200CB, XL1200CP, XL1200V
10	8108	SPEEDNUT (2)	XL1200C, XL1200C ANV, XL1200CA, XL1200CB, XL1200CP, XL1200V
11	69049-07	BRACKET, horn	XL1200C, XL1200C ANV, XL1200CA, XL1200CB, XL1200CP, XL1200V
12	69012-93A	COVER	XL1200C, XL1200C ANV, XL1200CA, XL1200CB, XL1200CP, XL1200V
13	69000014	HORN, complete, w/ bracket & 7495	XL1200X, XL883L, XL883N, XL883R, XR1200X
14	69060-90F	HORN, w/ 7495	XL1200C, XL1200C ANV, XL1200CA, XL1200CB, XL1200CP, XL1200V
15	69062-91A	CLAMP, horn wire	XL1200C, XL1200C ANV, XL1200CA, XL1200CB, XL1200CP, XL1200V
16	69120-91	HORN BRACKET	XL1200C, XL1200C ANV, XL1200CA, XL1200CB, XL1200CP, XL1200V
17	69123-92A	RUBBER MOUNT	XL1200C, XL1200C ANV, XL1200CA, XL1200CB, XL1200CP, XL1200V
18	69135-04	HORN BRACKET	XL1200X, XL883L, XL883N, XL883R, XR1200X
19	6237	WASHER (2)	XL1200C, XL1200C ANV, XL1200CA, XL1200CB, XL1200CP, XL1200V

SWITCHES



[View interactive image](#)

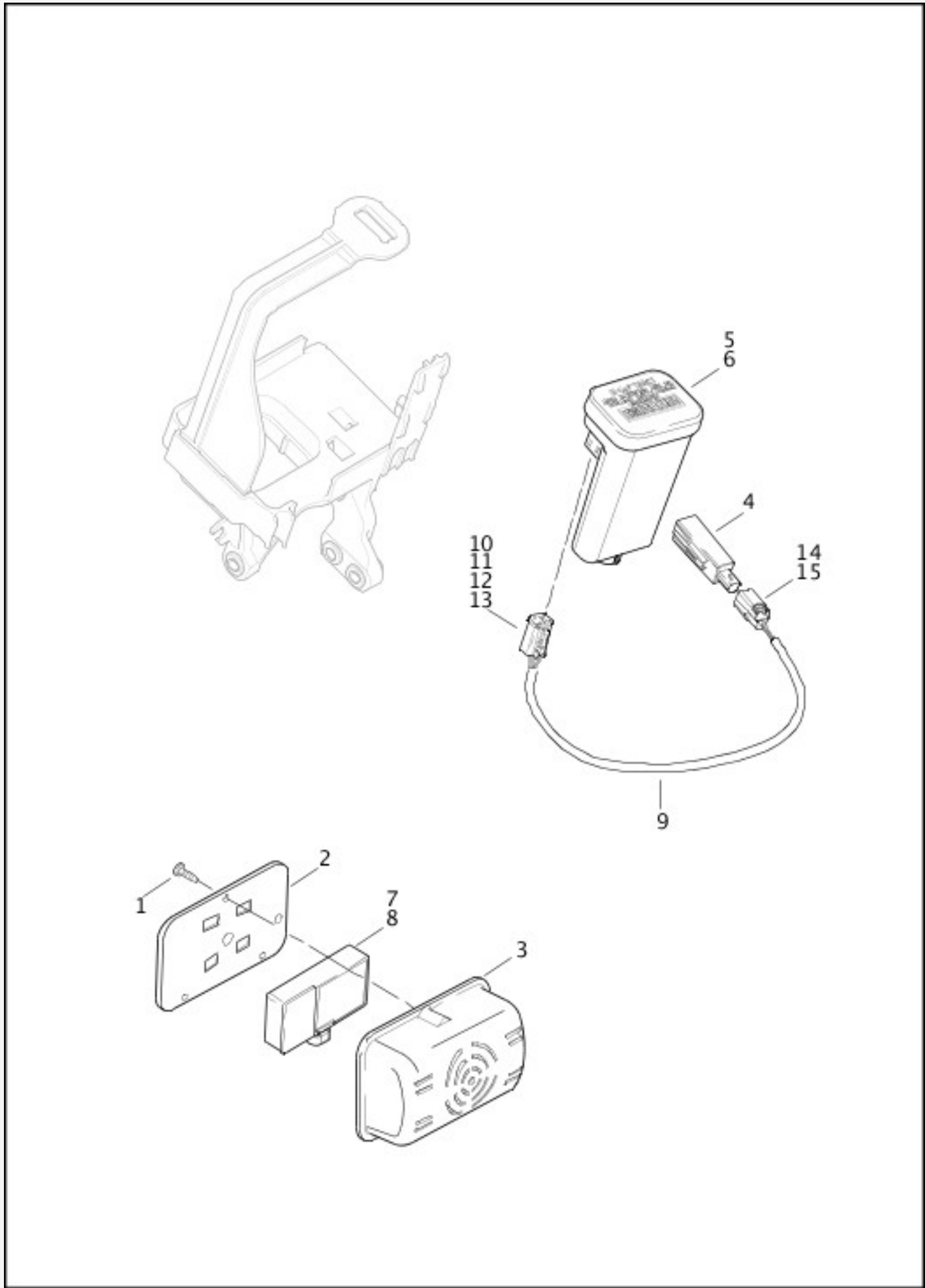
[View interactive table](#)

INDEX NO.	PART NO.	DESCRIPTION	MODEL(S)
1	3658	SCREW	ALL
2	6288	WASHER	ALL

3	9907	TERMINAL, wire (2)	ALL
4	27629-01A	THROTTLE POSITION SENSOR KIT	ALL
5	27690-08	SENSOR, oxygen, w/ 27714-06, 72009-05, 72011-05 (2)	XR1200X
	27719-07	SENSOR, oxygen, w/ 27714-06, 72009-05, 72011-05 (2)	XL1200C, XL1200C ANV, XL1200CA, XL1200CB, XL1200CP, XL1200V, XL1200X, XL883L, XL883N, XL883R
6	27714-06	SEAL RING (2)	ALL
7	31586-07	RELAY (2)	ALL
8	32319-07	T-MAP SENSOR	ALL
9	33900-99	SWITCH, neutral indicator, w/ washer	ALL
10	50126-08A	SENSOR, jiffystand (HDI, England) w/ 72169-07, 72511-07BK, 73213-07	ALL
11	66373-06	BATTERY, 3V, CR2032	ALL
12	68926-07	REMOTE CONTROL FOB, w/ 66373-06	ALL
	68939-00	REMOTE CONTROL FOB, w/ 66373-06 (Japan)	ALL
13	70247-07	JUMPER WIRE, neutral switch	ALL
14	71510-04	HOUSING, ignition switch	ALL
15	71550-94	LABEL, ignition switch	ALL
16	72009-05	HOUSING, 2-way pin (2)	ALL
17	72011-05	WIRE SEAL, 16-20 gauge (yellow) (4)	ALL
18	72023-51E	BRAKE LIGHT SWITCH, w/ 9907	ALL
19	72169-07	TERMINAL, pin, 16-20 gauge (HDI, England) (3)	ALL
20	72318-04	FUSE, 30A	ALL
21	72330-95	FUSE, 15A (6)	ALL
22	72511-07BK	HOUSING (HDI, England)	ALL
23	73213-07	RETAINER (HDI, England)	ALL
24	75302-07B	SENSOR, fuel level	ALL

25	71400058	IGNITION SWITCH, w/ 90300035 & 90300036 (specify key code)	ALL
26	90300034	KEY SET (specify key code)	ALL
27	90300036	FACE NUT, ignition switch (2)	ALL
	90300037	LOCKSET ASSEMBLY, complete (not shown)	ALL

TURN SIGNAL MODULE & SECURITY SIREN



[View interactive image](#)

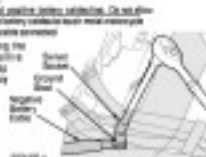
[View interactive table](#)

INDEX NO.	PART NO.	DESCRIPTION	MODEL(S)
1	3732	SCREW (HDI) (3)	ALL
2	66523-	PLATE, siren mounting bracket	ALL

	06	(HDI)	
3	66524-06	COVER, siren (HDI)	ALL
4	68956-07	ANTENNA MODULE, security system	ALL
5	68920-07	TURN SIGNAL MODULE, standard	ALL
6	68924-07	MODULE, security system	ALL
7	68958-07C	SIREN (HDI)	ALL
8	69309-10	BATTERY REPLACEMENT KIT, siren	ALL
9	70617-07	HARNESS, security module w/ 10, 11, 12, 13, 14, 15	XR1200X
	70619-07	HARNESS, security module w/ 10, 11, 12, 13, 14, 15	XL1200C, XL1200C ANV, XL1200CA, XL1200CB, XL1200CP, XL1200V, XL1200X, XL883L, XL883N, XL883R
10	72114-94BK	HOUSING, 4-way (black)	ALL
11	72154-94	LOCK, secondary, 4-way	ALL
12	72191-94	TERMINAL, socket, 16-18 gauge (3)	ALL
13	72195-94	SEAL, pin, 4-way	ALL
14	72720-07	HOUSING, socket, 2-way	ALL
15	72721-07	TERMINAL, socket, 18-20 gauge	ALL

LABELS

4

<p>⚠ WARNING</p> <p>Battery Removal</p> <p>Sparks can cause battery explosion. Death or serious injury could occur.</p> <p>Disconnect negative battery cable first.</p> <p>Disconnect only the correct cable.</p> <p>Use an Allen key to loosen the battery cable nut. Do not use a screwdriver or other metal tool to loosen the nut. If the vehicle is equipped with optional security alarm, verify that the alarm is deactivated before disconnecting the battery.</p> <ol style="list-style-type: none"> 1. Disconnect and remove negative battery cable from engine (see Figure 1). Keep end of negative battery cable away from metal parts. 2. Loosen bolt and remove positive battery cable from battery (see Figure 2). 3. Loosen bolt and remove battery hold-down strap. 4. Slide battery out until the battery regulator is visible in accessible. Disconnect the negative cable at the battery (1) terminal. Disconnect the cable at the vehicle. 	<p>⚠ WARNING</p> <p>Battery Installation</p> <p>Sparks can cause battery explosion. Death or serious injury could occur.</p> <p>TO: BOLT - BATTERY</p> <p>• Connect and install positive battery terminal. Do not allow terminals to touch each other or touch metal parts of the motorcycle frame with negative cable connected.</p> <p>• While connected, tug the positive cable to ensure it is seated properly. Tighten the nut. Do not use an Allen key to tighten the nut. Do not use a screwdriver or other metal tool to tighten the nut.</p> 	<p>CAUTION</p> <p>Failure to connect cables to the correct battery terminals could result in damage to the motorcycle electrical system.</p> <p>Over-tightening battery terminal bolts could cause damage to battery terminals. Use recommended torque values.</p> <ol style="list-style-type: none"> 1. Pass the fully charged battery into the battery bag. 2. Insert bolt through negative battery cable and the headlight of battery-negative (+) terminal. Tighten bolt to 20 ft-lbs (27 N-m). Keep negative cable away from metal parts and the ground stud until the metal contact positive cables are attached. 3. Insert bolt through the metal positive battery cable and the headlight of battery-positive (+) terminal. Tighten bolt to 20 ft-lbs (27 N-m). 4. Pass the negative battery cable into ground stud from bottom connector against cable stop in chassis. Tighten bolt to 20 ft-lbs (27 N-m).
--	---	---

2

⚠ WARNING

A connected battery can cause a spark or motorcycle startup while servicing. Death or serious injury could occur.

- Disconnect negative cable before servicing.
- Keep cable away from terminal while servicing.

XXXXXX-XX

3

⚠ WARNING

Motorcycles are different from other vehicles. They operate, steer, handle and brake differently. Unskilled or improper use could result in loss of control, death or serious injury.

- Take a rider training course.
- Read Owner's Manual before riding, adding accessories or servicing.
- Wear a helmet, eye protection and protective clothing.
- Never tow a trailer.

To be removed by customer only.

XXXXXX-XX

1

1 - (N) - 2 - 3 - 4 - 5

5

⚠ WARNING

Motorcycles are different from other vehicles. They operate, steer, handle and brake differently. Unskilled or improper use could result in loss of control, death or serious injury.

- Take a rider training course.
- Read Owner's Manual before riding, adding accessories or servicing.
- Wear a helmet, eye protection and protective clothing.
- Never tow a trailer.

For a manual, find nearest dealer at 1-800-643-2133 or www.harley-davidson.com

XXXXXX-XX

View interactive image

View interactive table

INDEX NO.	PART NO.	DESCRIPTION	MODEL(S)
1	14270-92	LABEL, shift (Japan)	XL1200C, XL1200C ANV, XL1200CA, XL1200CB, XL1200V, XL1200X, XL883L, XL883N, XL883R

2	15368-01A	LABEL, battery warning	ALL
3	15370-01A	LABEL, mirror warning	ALL
4	15376-06A	LABEL, battery removal	ALL
5	29127-95B	LABEL, air cleaner	XL1200C, XL1200C ANV, XL1200CA, XL1200CB, XL1200CP, XL1200V, XL883L
	29147-07	LABEL, air cleaner	XL1200X, XL883N, XL883R
	29466-08	LABEL, air cleaner	XR1200X

NOTE: When ordering any V.I.N., Emissions, or Noise Labels you must contact your local dealer with the V.I.N. number and model year of your motorcycle and the label type needed. Replacement V.I.N. and Emissions labels can only be ordered for warranty purposes through h-dnet Service eForm.

Hardware List

[View interactive table](#)

PART NO.	DESCRIPTION
1028	SCREW 5/16-18 X 2-1/2 SEMS socket head, with lockpatch
1039	SCREW 5/16-18 X 2-1/2 hex flange head (Grade 8)
1048	SCREW 5/16-18 X 1-1/2 hex flange head
1081A	SCREW 10-24 X 0.895 SEMS pan head
1091	SCREW 10-24 X 9.5 SEMS socket head
1751	SCREW No. 1/4-20 X 3.0 hex socket
2325	SCREW No. 6 X 3/4 cross recess pan head, self-tapping
2361	SCREW No. 8-32 X 3/8 socket countersink head, with lockpatch
2362	SCREW No. 10 X 3/4 hex head, self-tapping
2407	SCREW No. 8 X 1/2 pan head, Phillips drive, plastite
2441	SCREW No. 10-24 X 1/2 TORX pan head
2445	SCREW 1/4-20 X 9/16 button head
2446	SCREW 1/4-20 X 5/8 TORX socket button head
2460	SCREW 5/16-18 X 1/2 socket countersink head
2481M	SCREW M5 X 0.8 X 16 TORX head, self-tapping
2486	SCREW 1/4-20 X 1 hex socket, SEMS/Lock

2487	SCREW 6-32 X 3/8 hex washer head, self-tapping
2501A	SCREW No. 8-32 X 3/8 hex head, self-tapping
2508	SCREW No. 10-32 X 1/2 socket head
2513	SCREW 1/4-20 X 1-1/4 socket head (black)
2535	SCREW 5/16-18 X 1 socket head
2586A	SCREW M4 X 0.7 X 12 flat head
2607	SCREW 1/4-20 X 3/4 Pozidriv pan head (Grade 2)
2612	SCREW No. 8-32 X 1/2 Pozidriv pan head (Grade 2)
2653	SCREW No. 10-24 X 7/8 fillister head
2708A	SCREW 5/16-18 X 1 socket head
2773	SCREW 1/4-20 X 1/2 Pozidriv pan head (Grade 2)
2872W	BOLT 1/4-20 X 1-1/2 hex head (Grade 5)
2952A	SCREW 1/4-20 X 1/2 SEMS truss head
2955	SCREW No. 6-32 X 1/4 Phillips pan head, with lockwasher
3018A	SCREW 10-24 X 3/8 TORX head
3022A	SCREW 1/4-20 X 5/8 socket fillister head, with lockpatch
3026	SCREW No. 10-32 X 1/2 socket button head
3029	SCREW No. 10-24 X 1 TORX head, with adhesive
3048	SCREW No. 10-24 X 3/8 hex button head
3056	SCREW 3/8-16 X 1-1/2 TORX button head
3059	SCREW 10-24 X 1/2 hex flat head
3060	SCREW 10-24 X 3/4 hex flat head
3085	SCREW 1/4-20 X 1/2 with washer
3123	SCREW 10-14 X 1.0 torx pan head
3124	SCREW 10-24 X 1/2 torx pan head with lock patch
3162	SCREW 5/16-18 X 1-1/4 hex head
3210A	SCREW 5/16-18 X 1-1/4 knurled head
3214	SCREW 3/8-16 X 1-1/4 socket head, thread-cutting
3244	SCREW M8 X 1.25 X 12
3480A	SCREW 1/4-20 X 1-3/4 knurled head (Grade 8)
3485A	SCREW 5/16-18 X 1-3/4 knurled head (Grade 8)

3514	SCREW No. 8-32 X 1 fillister head (Grade 5)
35211-91B	NUT 1-1/2-24 X .350 X 1-7/8 hex head
3563	SCREW 1/4-20 X 3/8 hex flange head (Grade 5)
3574	SCREW 1/4-20 X 3/4 flange
3579A	SCREW 1/4-28 X 1/4 SEMS hex head, self-tapping (Grade 2)
3588	SCREW 1/4-20 X 1/2 hex flange head
3594	SCREW 1/4-20 X 5/8 knurled head (Grade 8)
3605	BOLT 1/2-13 X 2-1/2 hex head (Grade 5)
3615	SCREW No. 8-32 X 1, pan head, thread-cutting
3655A	SCREW 5/16-18 X 7/8 TORX pan head, with lockpatch (Grade 8)
3658	SCREW No. 10-24 X 1/2 TORX head (Grade 5)
3666A	SCREW No. 10-24 X 1.500 TORX recessed head, with washer
3696	SCREW 5/16 X 3/4 TORX pan head (Grade 5)
3706M	SCREW M6 X 1.0 X 20 hex head
3708M	SCREW M6 X 1.0 X30 hex head
3728	SCREW 1/4-20 X 1/2 hex head
3731M	SCREW M6 X 1.0 X 12 socket button head, with lockpatch
3732	SCREW 3/16-16 X 5/8 TORX pan head
3802W	BOLT 1/4-20 X 7/8 hex head (Grade 5)
3814	SCREW 7/16-14 X 1-3/4 hex head, with washer (Grade 8)
3849	SCREW 1/4-20 X 1-1/4 SEMS hex head (Grade 8)
3854	SCREW 7/16-14 X 1, hex head (Grade 8)
3880	SCREW 1/2-13 X 2-1/4 TORX recessed button head
3899	SCREW 7/16-14 X 1-3/4 hex head, with lockpatch
3976	SCREW 1/4-20 X 1 hex flange head (Grade 5)
3987	BOLT 5/16-18 X 3/4 hex head (Grade 5)
4016	SCREW 5/16-18 X 1.0 socket button head
4017	BOLT 5/16-18 X 1 hex head (Grade 5)
4029A	SCREW 3/8-16 X 2-1/4 socket head (black)
4032A	SCREW 3/8-16 X 2-1/2 socket head

4076	SCREW 3/8-16 X 1/2 socket head
4091	SCREW No. 10-24 X 1/2 hex head, with washer, self-tapping (zinc)
41191-74A	SCREW 1/2-20 X 5/8 hex socket flat head, with lockpatch
4132	SCREW 1/4-20 X 1-1/8 TORX button head (Grade 5) (black)
4180	SCREW 3/8-16 X 1-1/2 TORX button head
4188	SCREW 3/8-16 X 1-1/4 TORX button head
4250M	SCREW M8 X 1.25 X 25 hex socket head cap
4266A	SCREW 3/8-16 X 7/8 button head (Grade 5)
4269	SCREW 5/16-18 X 3/4, flange head
4290	SCREW 3/8-16 X 1-1/4, TORX button head (Grade 5)
4312C	SCREW M6 X 1.0 X 14mm, SEMS flange head (stainless)
4326A	SCREW 5/16-18 X 2 socket head
4329	SCREW 1/4-20 X 3/4 hex head with washer, self-tapping
4350A	SCREW 3/8-16 X 1-1/2 socket head
4351	SCREW 3/8-16 X 1-1/2 TORX head, self-tapping (Grade 8)
4352	SCREW 3/8-16 X 1-1/2 TORX, self-tapping (Grade 8)
4354	SCREW 1/2-20 X 2-1/2, TORX button head
43567-92	SCREW 3/8-16 X 1 TORX pan head, with lockpatch
4359	SCREW 5/16-18 X 7/8 socket button head
4363	SCREW 1/4-20 X 1/2 socket button head
4365	SCREW 1/4-20 X 1/2 socket button head (Grade 8)
4420	SCREW 3/8-16 X 2.75 hex head (Grade 5)
4499M	BOLT M10 X 1.25 X 35 socket head
45405-75A	SCREW M8 X 1.25 x 27 hex socket head
4549	SCREW 5/16-18 X 1-3/4 TORX button head (Grade 5)
4551	SCREW 1/2-13 X 1-1/8 hex socket head, with adhesive
4553	SCREW 5/16-18 X 6.0 socket head cap
4589	SCREW 9/16-12 X 2-5/16 hex flange head
4678	SCREW 1/2-13 X 1-3/4 hex flange
4705	SCREW 1/4-20 X 11/16 SEMS socket head, with lockpatch

4717A	SCREW 1/4-20 X 2-1/4 knurled head, with lockpatch
4718A	SCREW 1/4-20 X 1-1/2 knurled head, with lockpatch
4724	BOLT 3/8-24 X 1-1/2 hex head (Grade 5)
4740A	SCREW 1/4-20 X 1-1/4 knurled head, with lockpatch (Grade 8)
4741A	SCREW 1/4-20 X 1 socket head, with lockpatch
4748	SCREW 3/8-16 X 1-1/8 socket head (Grade 8)
4751	SCREW 1/4-20 X 3/4 hex head, with lockpatch (Grade 8) (zinc)
4758A	SCREW 5/16-18 X 3.48 socket head (Grade 8)
4765	SCREW 1/4-20 X 2-5/8 SEMS socket head, with lockpatch (Grade 8) (zinc)
4771	SCREW 5/16-18 X 4-1/4 socket head (Grade 5)
4778	SCREW 5/16-18 X 1-3/8 TORX button head
4779	SCREW 5/16-18 X 1-3/4 TORX button head
4798	SCREW 1/4-20 X 5/8
4816A	SCREW 5/16-18 X 1-1/2 socket head
4820A	SCREW 1/4-20 X 2 socket head
4822A	SCREW 1/4-20 X 2-3/4 knurled head, with lockpatch
4859	SCREW 5/16-18 X 2.0 hex flange head
4871	SCREW 1/4-20 X 29/64 flange head
4897	SCREW 1/4-20 X 5/8 TORX socket button head (black)
4975M	SCREW M6 X 1.0 X 20 hex socket head cap with lock patch
4978	SCREW 5/16-18 X 1.5 hex socket head cap
4991	SCREW M6 torx pan head,
5403B	BOLT 1/4-20 X 3/8 carriage
5414	BOLT 3/8-16 X 7/8 carriage (Grade 5)
5416	BOLT 3/8-16 X 1/8 carriage (Grade 5)
54321-85	NUT No. 8-32 X 1/2 X 1/8 (brass)
6003	WASHER 1-3/16 X 1-3/8 X 11/16
6026	WASHER 3/8 X 7/8 X 7/64
6099	WASHER 1/4 X 7/16 X 1/16
6101	WASHER 17/64 X 27/64 X 1/16
6109	WASHER 5/16 X 11/16 X 1/8

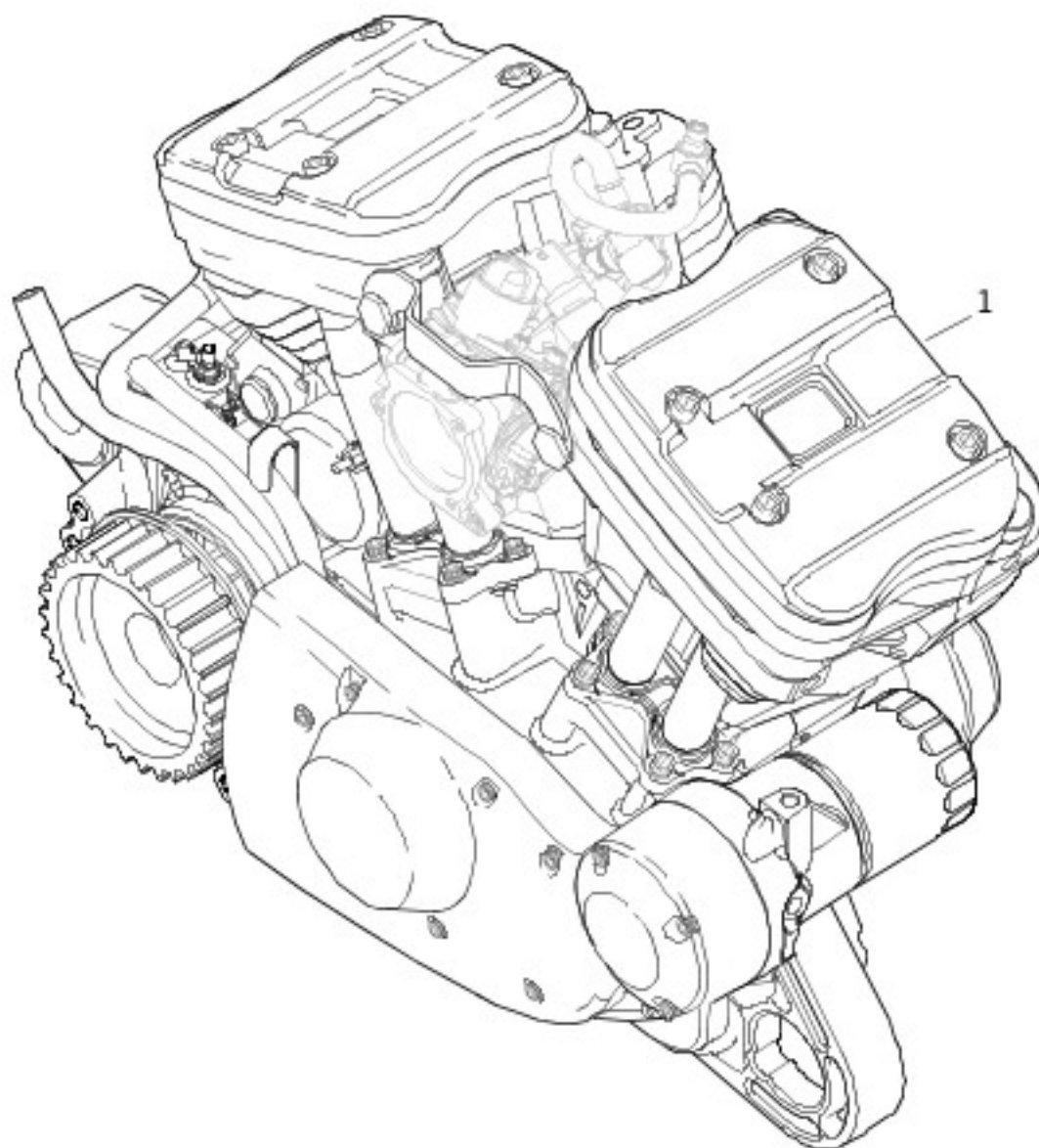
6110	WASHER 9/32 X 5/8 X 1/16
6139	WASHER 3/8 X 7/8 X 1/16
6152	SPACER 13/32 X 1.0 X 5/16
6157	WASHER 27/64 X 5/8 X 1/64 heat treated
6192	WASHER No. 8 X 7/16 X 3/64
6237	WASHER 5/16 X 1-1/8 X 5/64
6288	WASHER 17/32 X 25/32 X 1/32
6302	WASHER 5/16 X 11/16 X 19/32
6400HB	WASHER 5/16 X 13/16 X 3/32
6445	WASHER 1/2 X 2 X 0.300
6516HW	WASHER 7/16 X 1-1/8 X 1/8
6551	WASHER 1 X 1-5/8 X 1/8 hardened
6590HW	WASHER 1/2 X 1-1/8 X 3/32
6594	WASHER 5/8 X 1-1/8 X 3/32
6610	WASHER 0.375 X 0.7 X 0.035
6701	WASHER 3/8 X 13/16 X 1/16
6702	WASHER 5/16 X 11/16 X 1/16
6703	WASHER 1/4 X 5/8 X 1/16
6716	WASHER No. 10 X 1/2 X 3/64
6718	WASHER 1/2 X 1-1/16 X 3/32
6738	WASHER 17/32 X 7/8 X 7/64
675	SCREW 3/8-16 X 3-1/4 socket head
6787	WASHER 7/16 X 13/16 X 5/64 flat
6798	WASHER 5/16 X 1/2 X 1/32
68026-99	SCREW No. 8-32 X 1 Phillips pan head (stainless)
68042-99	SCREW No. 8-32 X 3/8 TORX head
68120-00	SCREW No. 8-32 x 1-2 TORX head, self-tapping
6874	WASHER 25/64 X 5/8 X 1/16
6930	WASHER 0.344 X 1-1/8 X 0.078 heat treated
7038	LOCKWASHER 3/8

7039	LOCKWASHER 7/16
7041	LOCKWASHER 5/16
7045	LOCKWASHER 3/8 high collar
7068	LOCKWASHER 1/2
7073	LOCKWASHER 1/4 external tooth
7080	WASHER 9/16 X 3/4 X 1/4
7124	LOCKWASHER 1/4 internal tooth
7155	LOCKWASHER 5/16 internal tooth (black)
7220	LOCKWASHER No. 10 external tooth
7230	LOCKWASHER 1/4 external tooth
7331	ACORN NUT 5/16-24
7357	BULLET NUT 5/16-24 (black)
7477	NUT M8 X 1.25
7495	NUT M6 flange
7531	LOCKNUT 5/16-18 X 9/32 X 1/2 flange
7549A	ACORN NUT 5/16-18 X 9/16 X 1/2
7593	NUT 5/16-24 flange
7601	LOCKNUT 3/8-16 flange
7606	LOCKNUT No. 8-32 X 1/4 X 1/4 hex (chrome)
7624	LOCKNUT No. 10-24 X 1/4 X 3/8
7686	LOCKNUT 1/4-20 X 5/16 X 7/16
7716	LOCKNUT 1/4-20 X 7/16 flange
7725	LOCKNUT 5/16-24 X 11/32 X 1/2
7766	LOCKNUT 5/16-18 flange
7778	LOCKNUT 3/8-16 X 7/16 X 9/16
7783	NUT 3/8-16 X 5/16 X 9/16 (Grade 2)
7792	NUT 1/4-20 X 1/4 (Grade 2)
7800W	NUT 3/8-24 X 5/16 X 9/16 (Grade 2)
7804	LOCKNUT 1/2-13 X 15/32 X 7/8 self-sealing
7813A	NUT 5/8-18 X 9/16 X 15/16 (Grade 2)

7824	LOCKNUT 1/2-20 X 1/4 (Grade 2)
7839	NUT 3/4-16 X 21/32 flange (Grade 2)
7862	ACORN NUT 3/8-16 (chrome)
7880	NUT 1/2-13 X 7/16 X 3/4 (Grade 2)
7900	CLIP NUT 1/4-20
7916A	JAMNUT 5/8-18
8020	NUT M24 X 2.0 X 15
8102	SPEEDNUT 5/16-18
8108	SPEEDNUT 1/4-20
8190	NUT M24 X 2.0
835	SCREW 5/16-18 X 3 flange head, with lockpatch
855B	SCREW 3/8-16 X 2 knurled head
882	SCREW 1/4-20 X 7/8 knurled head, with washer (Grade 8)
8972	WASHER 1-1/4 X 1-53/64 X 1/8
927A	SCREW 1/4-20 X 3/4 button head (Grade 8)
930	SCREW 10-24 X 1-1/4 fillister head
940	SCREW 1/4-20 X 3/4 TORX button head
942	SCREW 1/4-20 X 3/4 TORX button head, with lockpatch (Grade 8)
943	SCREW 1/4-20 X 5/8 socket button head
946	SCREW 1/4-20 X 2-1/4 socket button head, with lockpatch (Grade 8)
995	SCREW 5/16-18 X 5/8 TORX button head
997	SCREW 5/16-18 X 1 TORX button head
DA0600.12FAZB	LOCKNUT 3/8-24 flange (Grade 5)

New Parts List

ENGINE ASSEMBLY

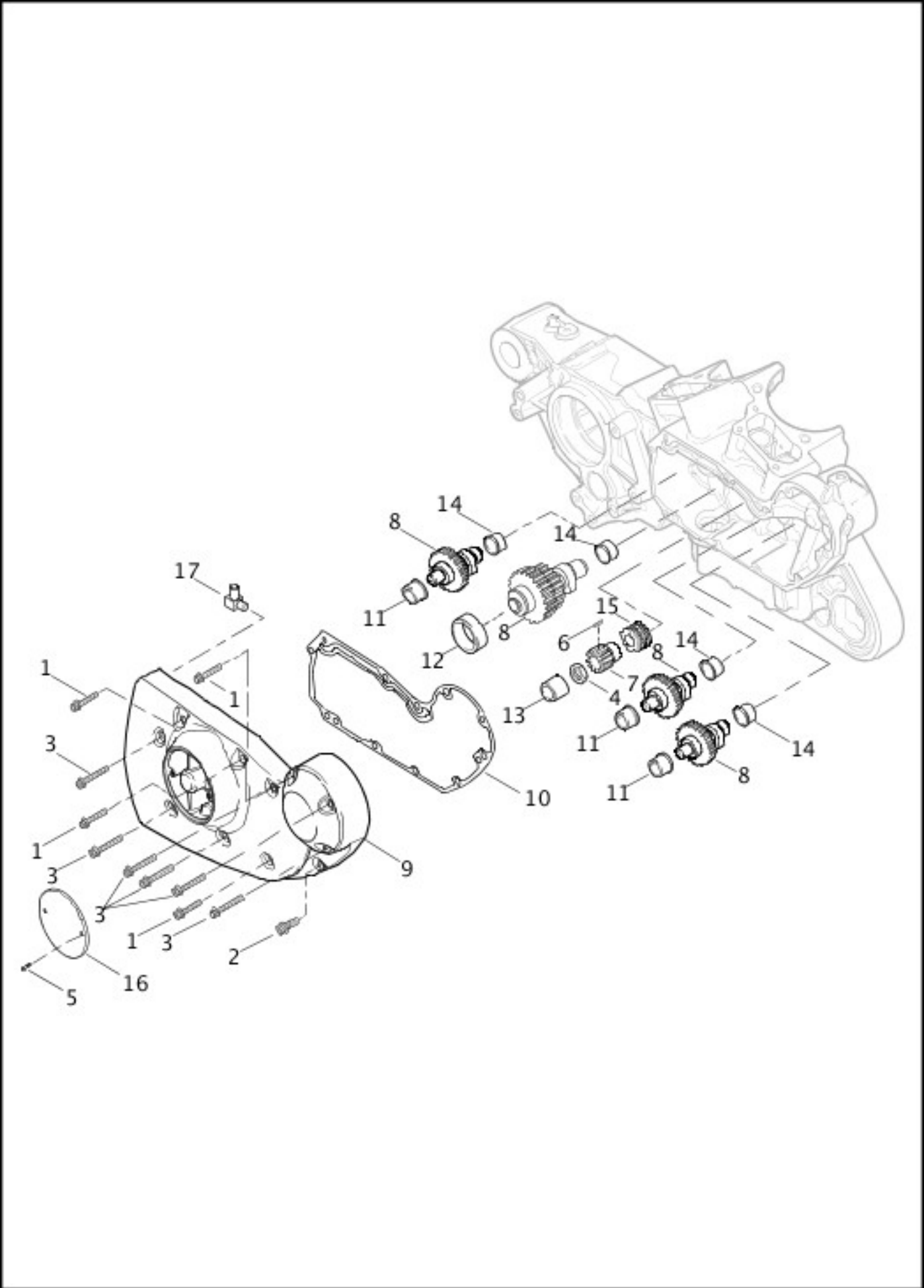


[View interactive table](#)

INDEX NO.	PART NO.	DESCRIPTION	MODEL(S)
1	19519-13	ENGINE ASSEMBLY (883cc) (World)	XL883N, XL883R
	19527-13	ENGINE ASSEMBLY (1200cc) (Domestic, California, Canada) (1200CP - Chrome Chrome)	XL1200C, XL1200C ANV, XL1200CP

	19566-13	ENGINE ASSEMBLY (883cc) (World)	XL883L
	19606-13	ENGINE ASSEMBLY (1200cc) (HDI)	XL1200C, XL1200C ANV
	19766-13	ENGINE ASSEMBLY (1200cc) (Domestic, California, Canada)	XL1200X
	19767-13	ENGINE ASSEMBLY (1200cc) (HDI)	XL1200X
	19768-13	ENGINE ASSEMBLY (1200cc) (Domestic, California, Canada, HDI) (not shown)	XR1200X
	19778-13	ENGINE ASSEMBLY (1200cc) (Domestic, California, Canada)	XL1200V
	19779-13	ENGINE ASSEMBLY (1200cc) (HDI)	XL1200V
	19905-13	ENGINE ASSEMBLY (1200cc) (HDI)	XL1200CA, XL1200CB
	19927-13	ENGINE ASSEMBLY (1200cc) (Domestic, California, Canada) (1200CP - Black Engine)	XL1200CP

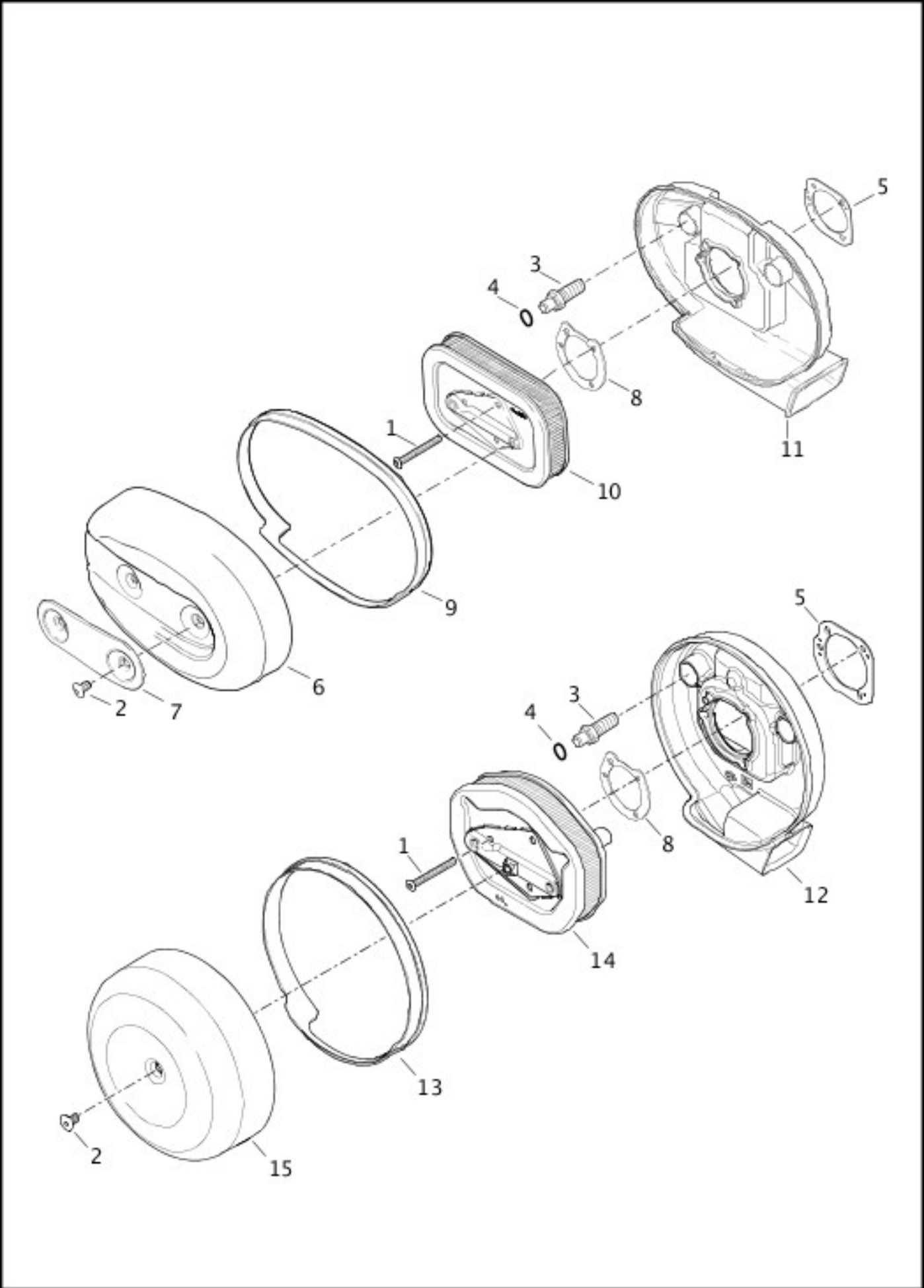
CAMSHAFTS & GEAR COVER - 883L/N/R, 1200C/CA/CB/CP/V/X



[View interactive table](#)

INDEX NO.	PART NO.	DESCRIPTION	MODEL(S)
	25600017	TIMER COVER	XL1200C ANV

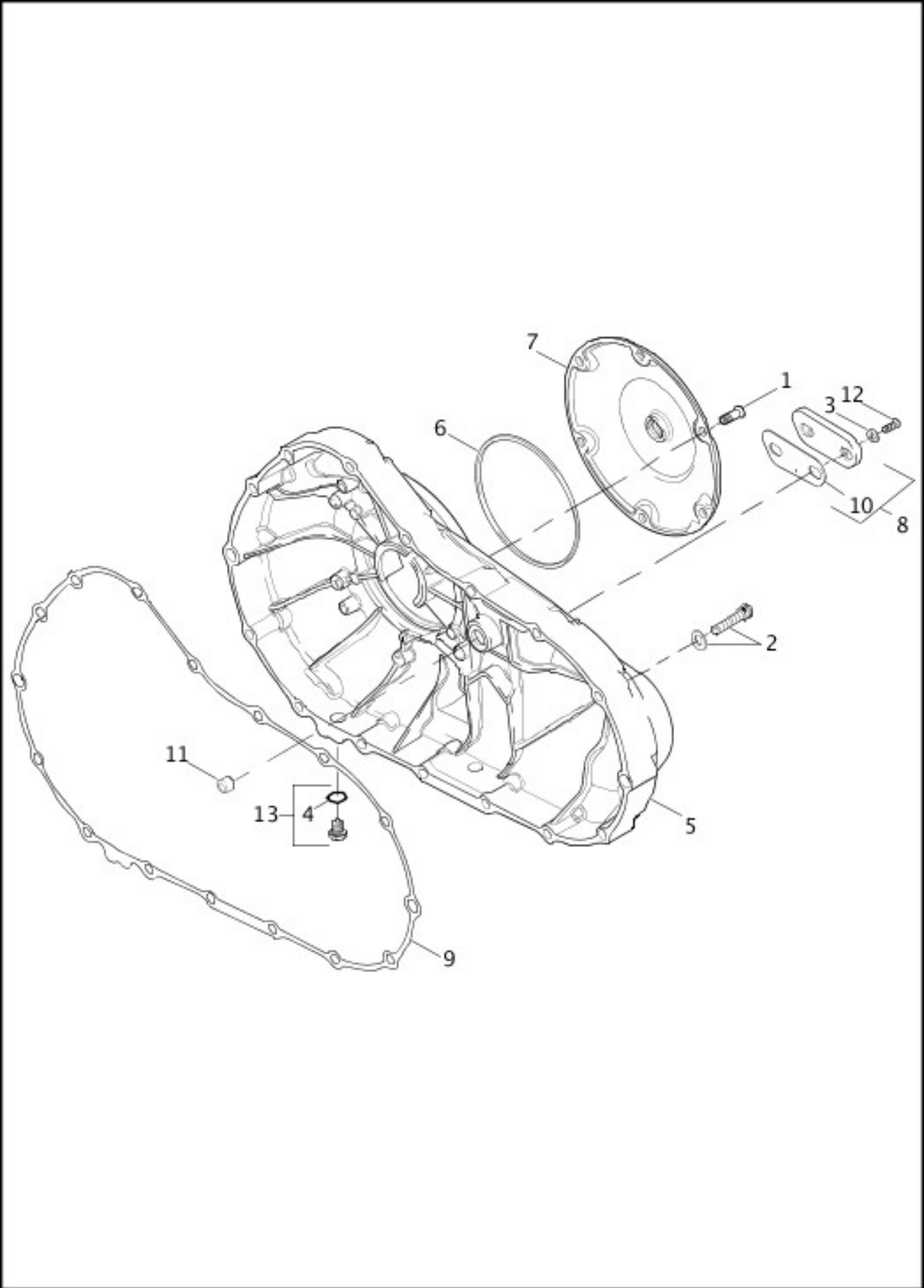
[AIR CLEANER - 883L/N/R, 1200C/CA/CB/CP/V/X](#)



[View interactive table](#)

INDEX NO.	PART NO.	DESCRIPTION	MODEL(S)
	29200023	TRIM INSERT **RESTRICTED SALES PART**	XL1200C ANV

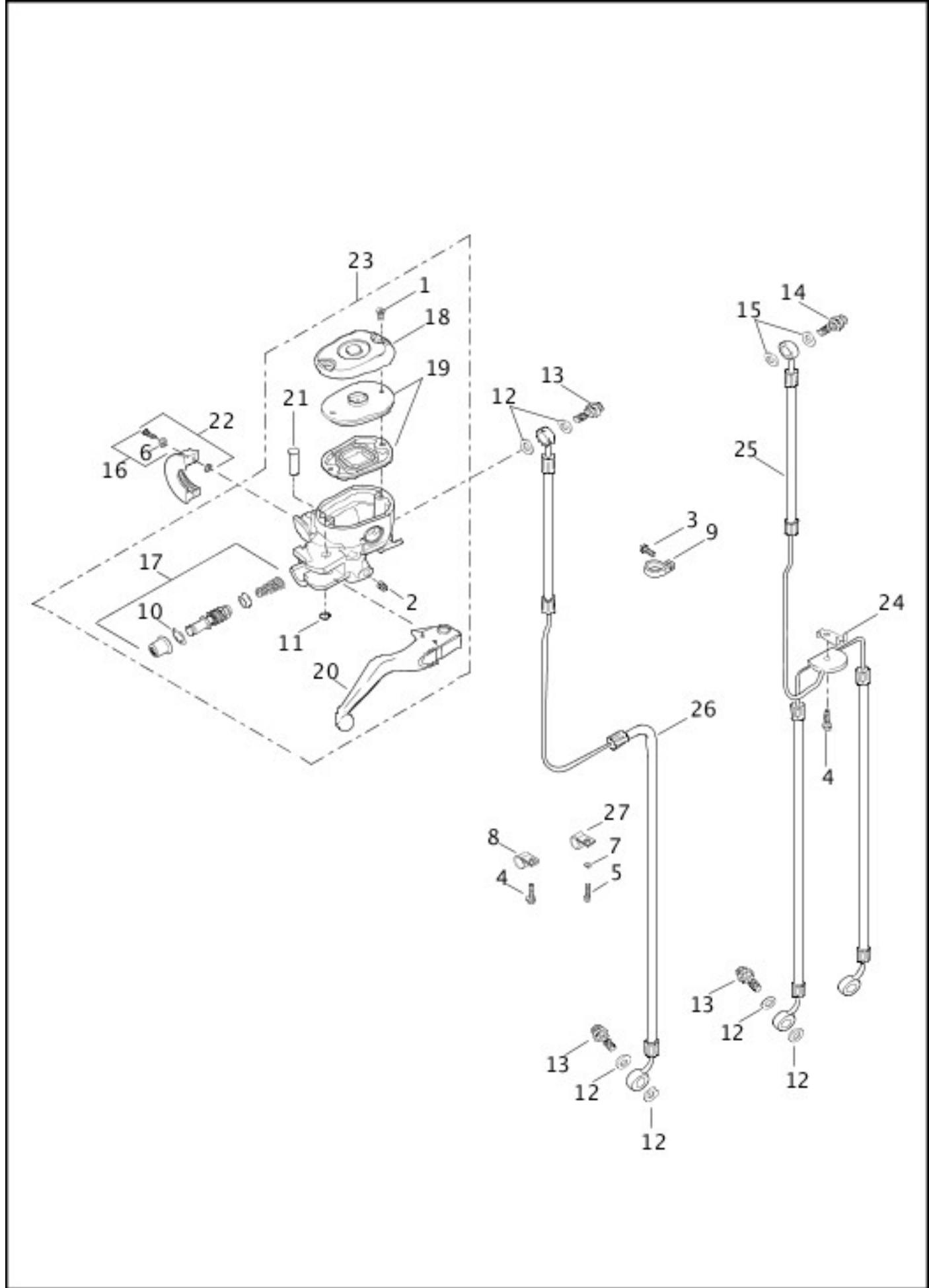
INSPECTION COVER & PRIMARY COVER



[View interactive table](#)

INDEX NO.	PART NO.	DESCRIPTION	MODEL(S)
	25700171	INSPECTION COVER, clutch	XL1200C ANV

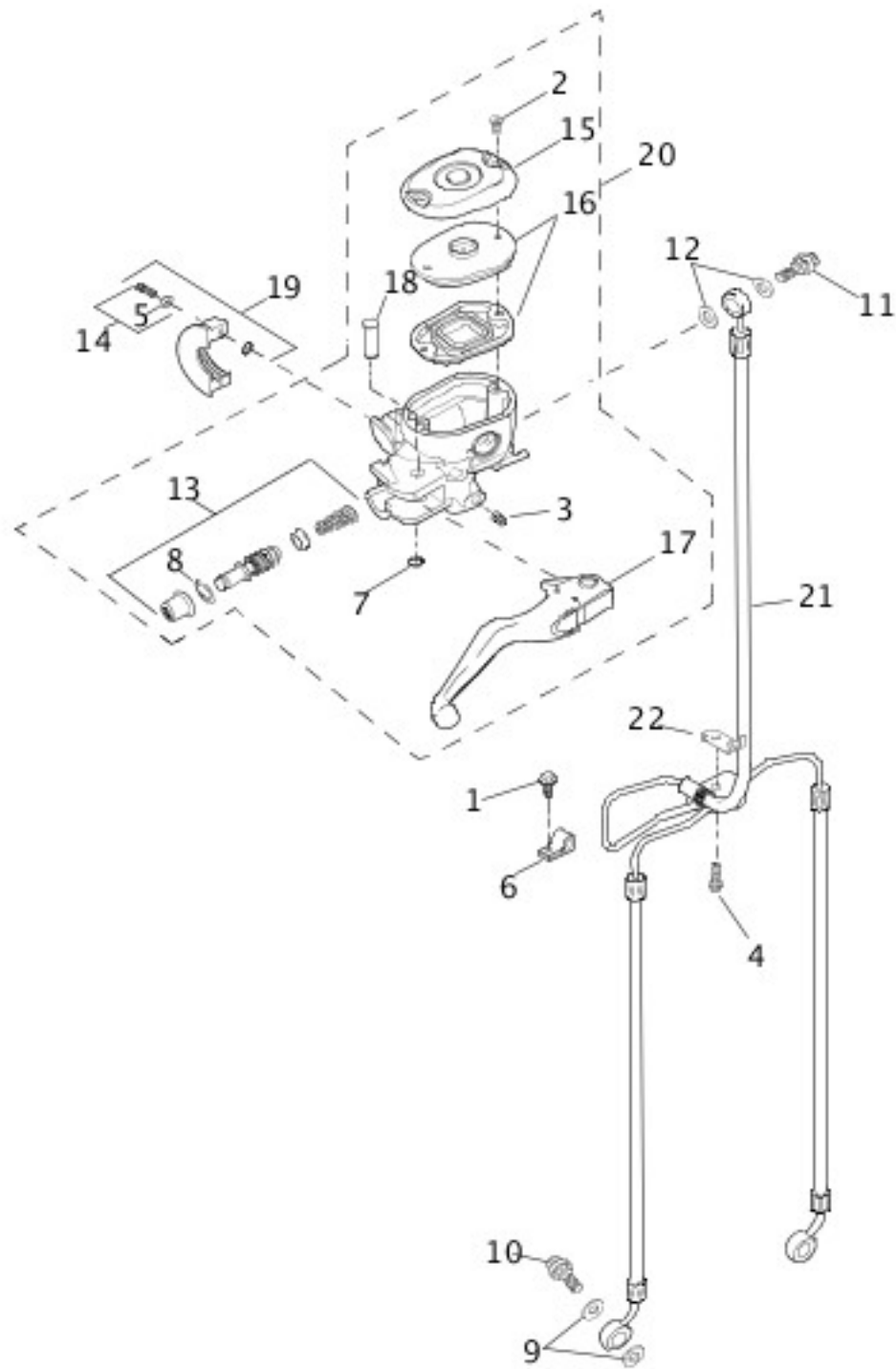
[BRAKE CONTROL, FRONT - 883L/N/R, 1200C/CA/CB/CP/V/X](#)



[View interactive table](#)

INDEX NO.	PART NO.	DESCRIPTION	MODEL(S)
3	2441	SCREW	XL1200C, XL1200C ANV, XL1200CA, XL1200CB, XL1200CP, XL1200V, XL1200X, XL883L, XL883N, XL883R

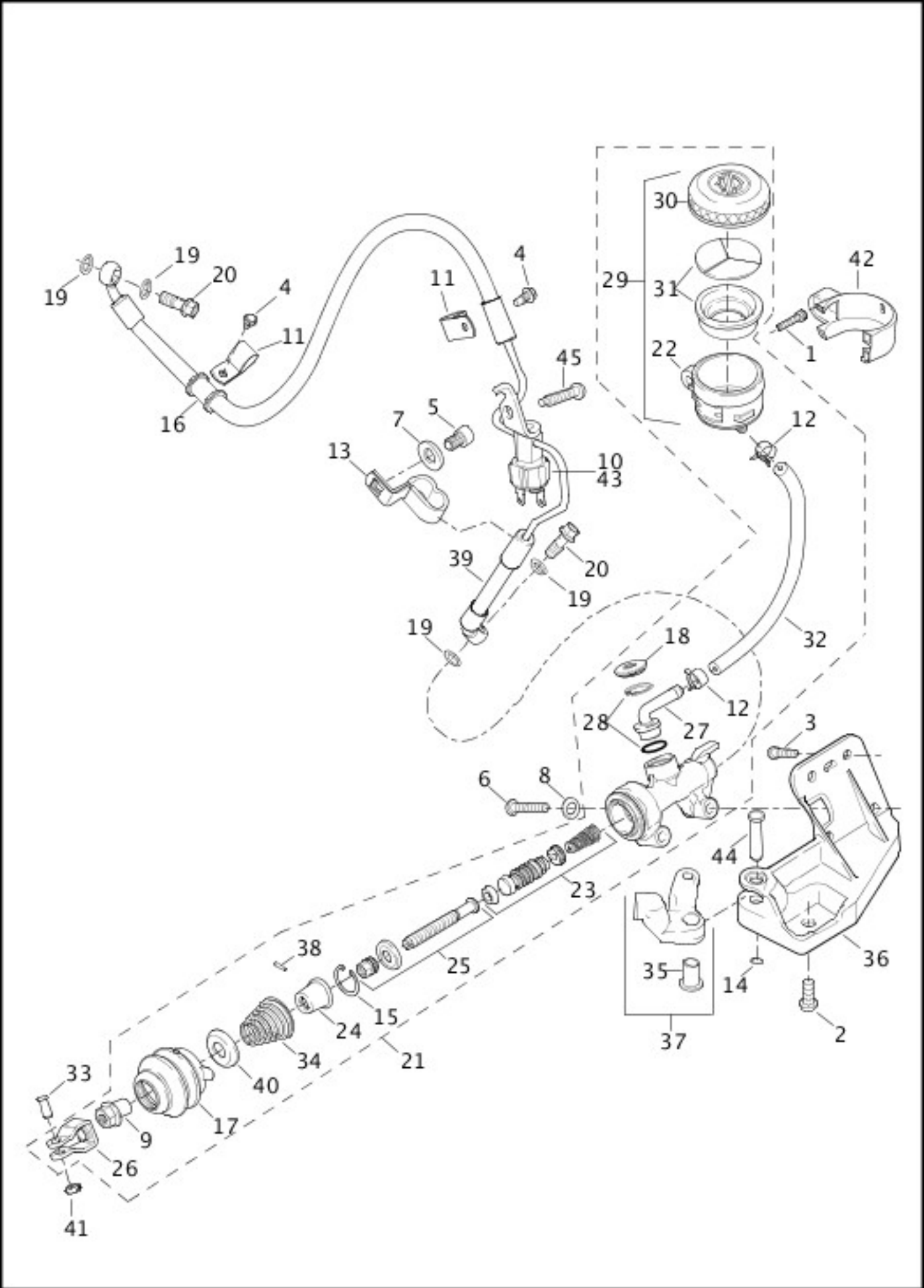
[BRAKE CONTROL, FRONT - XR1200X](#)



[View interactive table](#)

INDEX NO.	PART NO.	DESCRIPTION	MODEL(S)
1	2441	SCREW	XR1200X

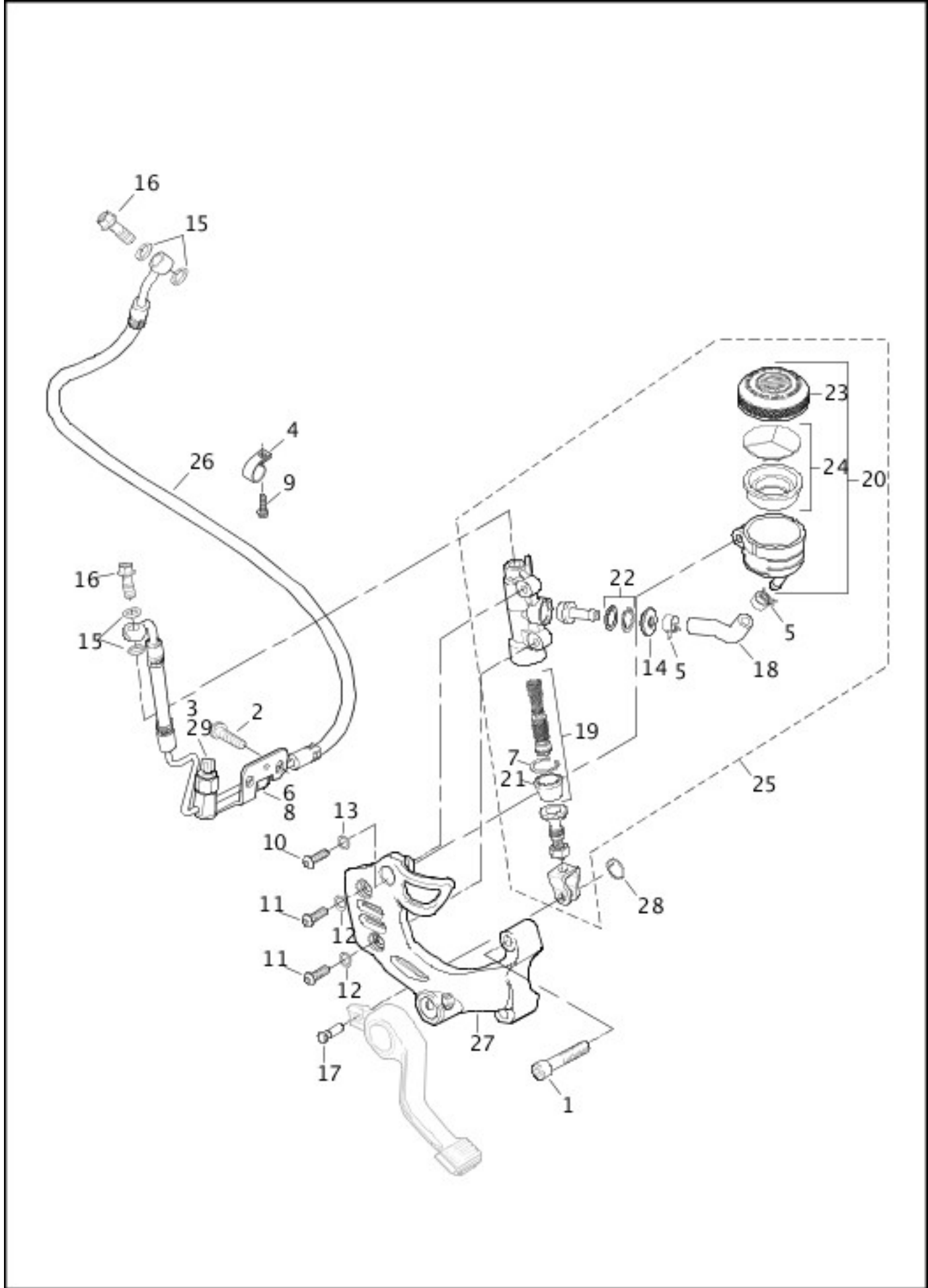
**[BRAKE, MASTER CYLINDER, REAR - 883L/N/R,
1200C/CA/CB/CP/V/X \(2 OF 2\)](#)**



[View interactive table](#)

INDEX NO.	PART NO.	DESCRIPTION	MODEL(S)
43	72023-51E	BRAKE LIGHT SWITCH, w/ 9907	XL1200C, XL1200C ANV, XL1200CA, XL1200CB, XL1200CP, XL1200V, XL1200X, XL883L, XL883N, XL883R

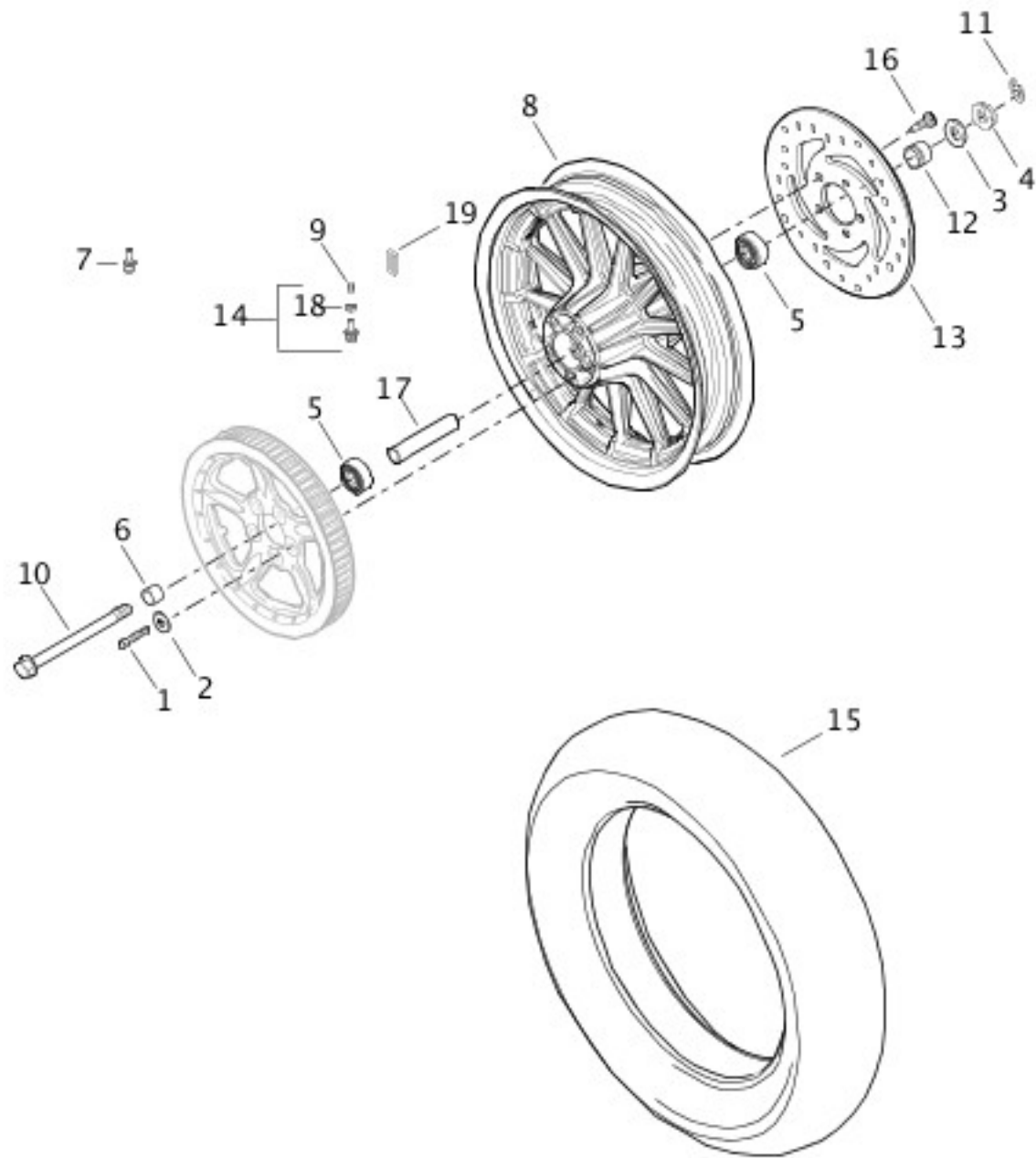
[BRAKE, MASTER CYLINDER, REAR - XR1200X](#)



[View interactive table](#)

INDEX NO.	PART NO.	DESCRIPTION	MODEL(S)
29	72023-51E	BRAKE LIGHT SWITCH, w/ 9907	XR1200X

[WHEELS, REAR, CAST - 883L/N/R, 1200C/CA/CP](#)

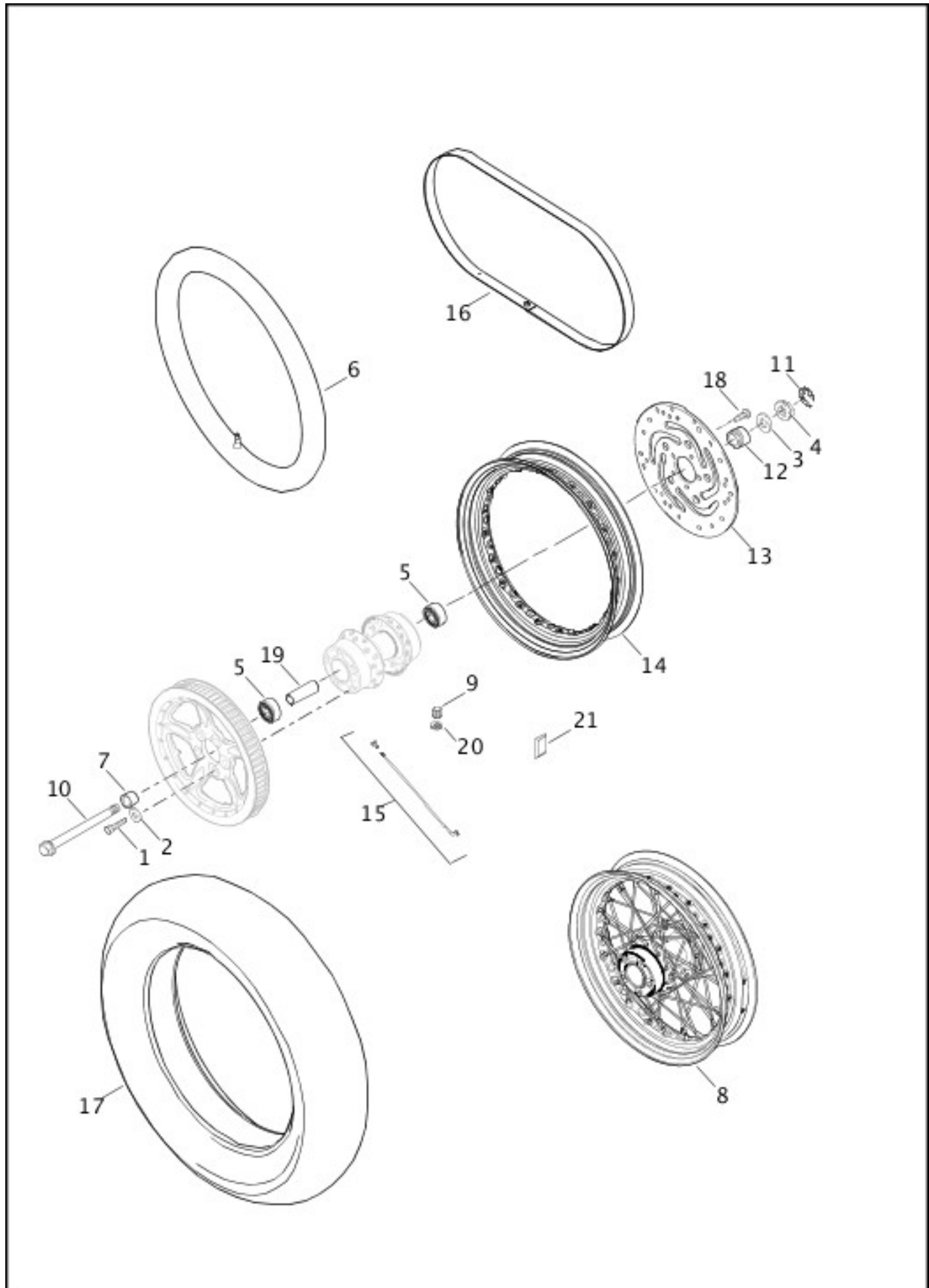


[View interactive table](#)

INDEX NO.	PART NO.	DESCRIPTION	MODEL(S)
4	8020	NUT	XL1200C, XL1200C ANV, XL1200CA, XL1200CP, XL883L, XL883N, XL883R
	55019-11A	WHEEL ASSEMBLY, 16 in. (5 spoke) (chrome) w/o bearings & sleeves (not shown)	XL1200C, XL1200C ANV, XL1200CP

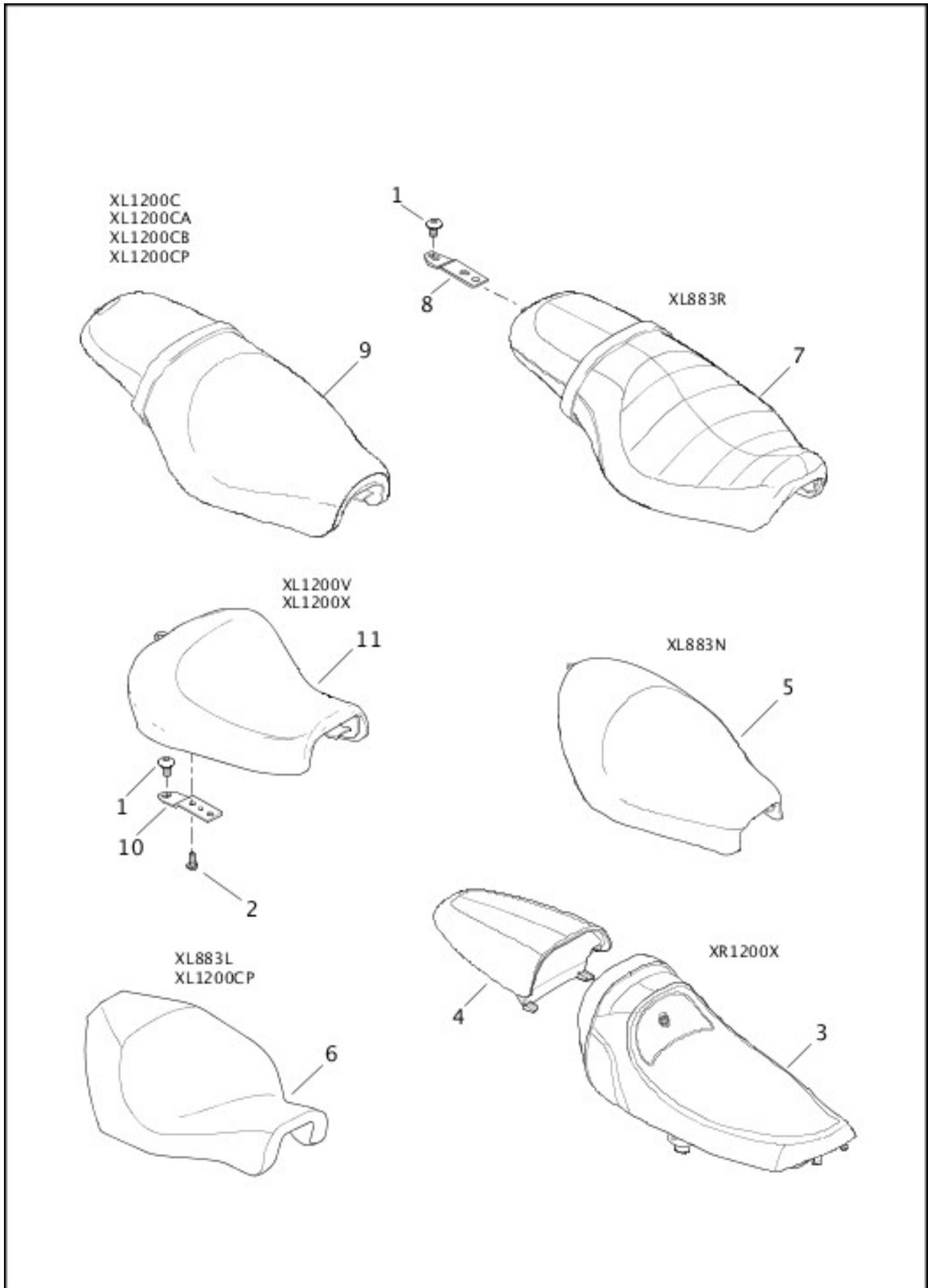
55076-11A	WHEEL ASSEMBLY, 16 in. (5 spoke) (black) w/o bearings & sleeves (not shown)	XL1200CA, XL1200CP
44012-11A	WHEEL ASSEMBLY, 17 in. (5 spoke) (black) w/o bearings & sleeves (not shown)	XL883L

WHEELS, REAR, LACED - 1200C/CB/CP/V/X



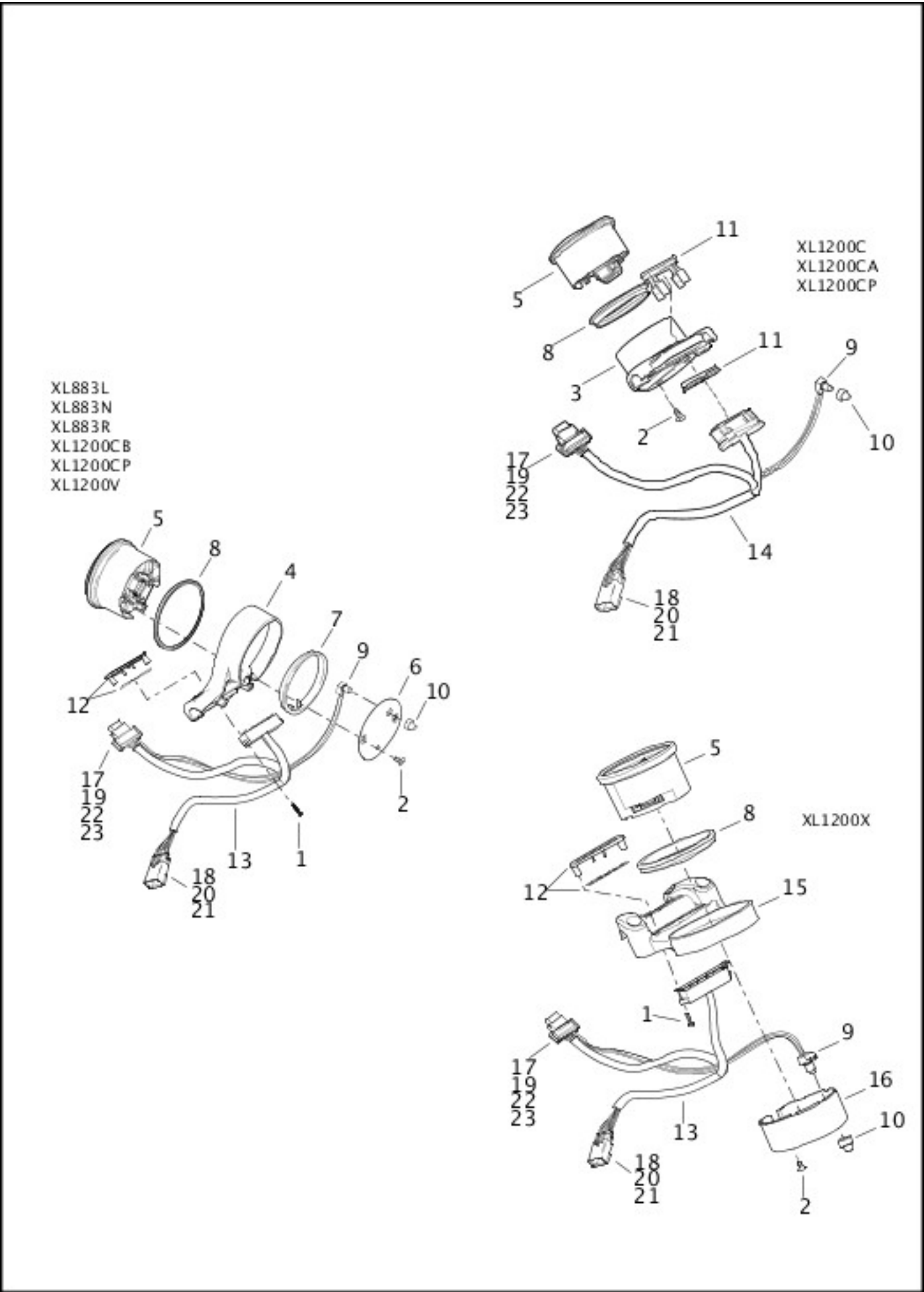
INDEX NO.	PART NO.	DESCRIPTION	MODEL(S)
8	41082-08A	WHEEL ASSEMBLY, 16 in. (chrome) w/o bearings & sleeves	XL1200C, XL1200CP, XL1200V
	41478-10A	WHEEL ASSEMBLY, 16 in. (black) w/o bearings & sleeves	XL1200CB, XL1200CP, XL1200X

SEATS



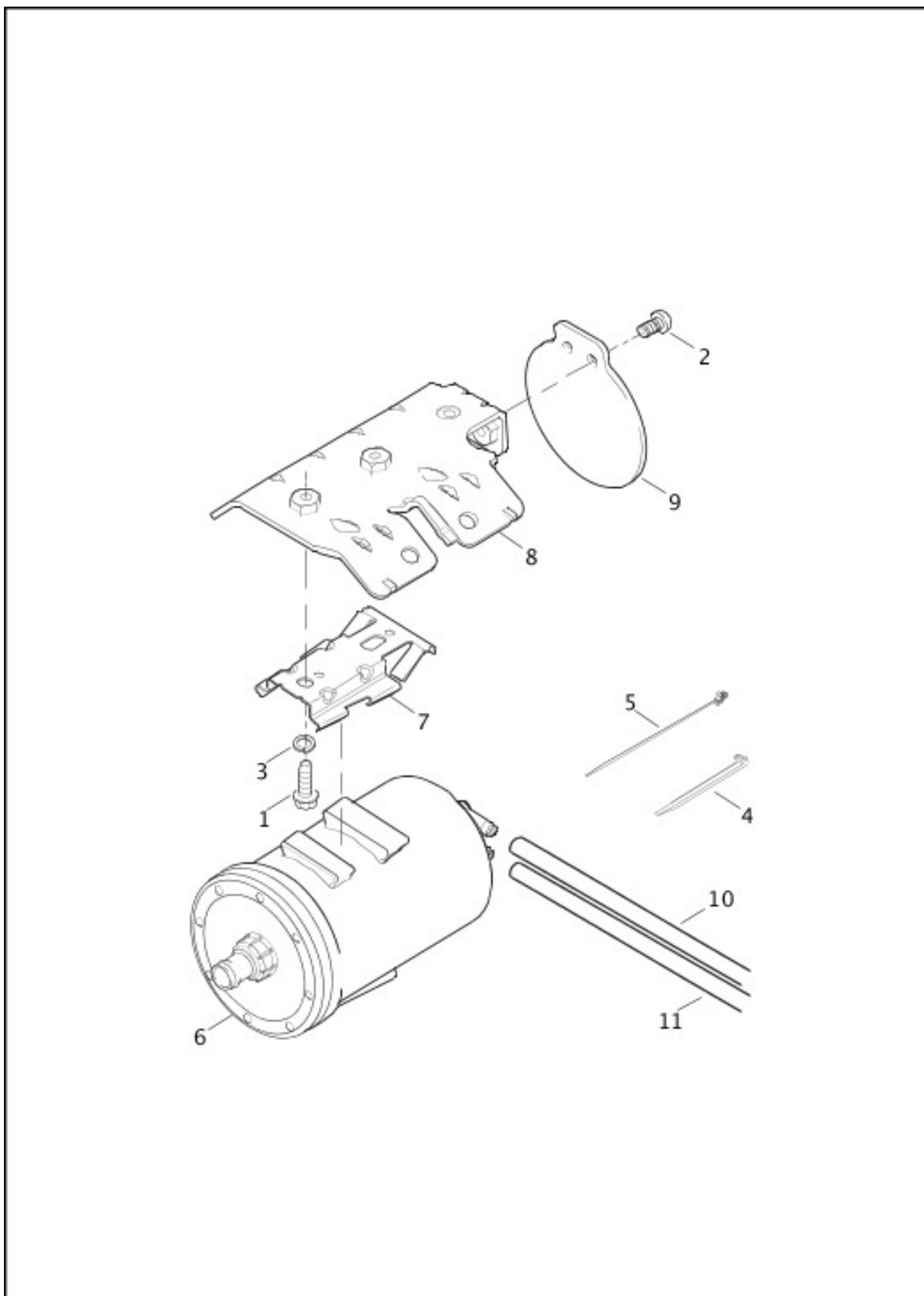
INDEX NO.	PART NO.	DESCRIPTION	MODEL(S)
	52000070	SEAT ASSEMBLY, w/ 51652-97A **RESTRICTED SALES PART**	XL1200C ANV

SPEEDOMETER - 883L/N/R, 1200C/CA/CB/CP/V/X



INDEX NO.	PART NO.	DESCRIPTION	MODEL(S)
11	68382-07B	BEZEL ASSEMBLY, indicator lamps	XL1200C, XL1200C ANV, XL1200CA, XL1200CP
12	68513-07A	BEZEL, indicator lamps	XL1200CB, XL1200CP, XL1200V, XL1200X, XL883L, XL883N, XL883R

EVAPORATIVE EMISSIONS COMPONENTS



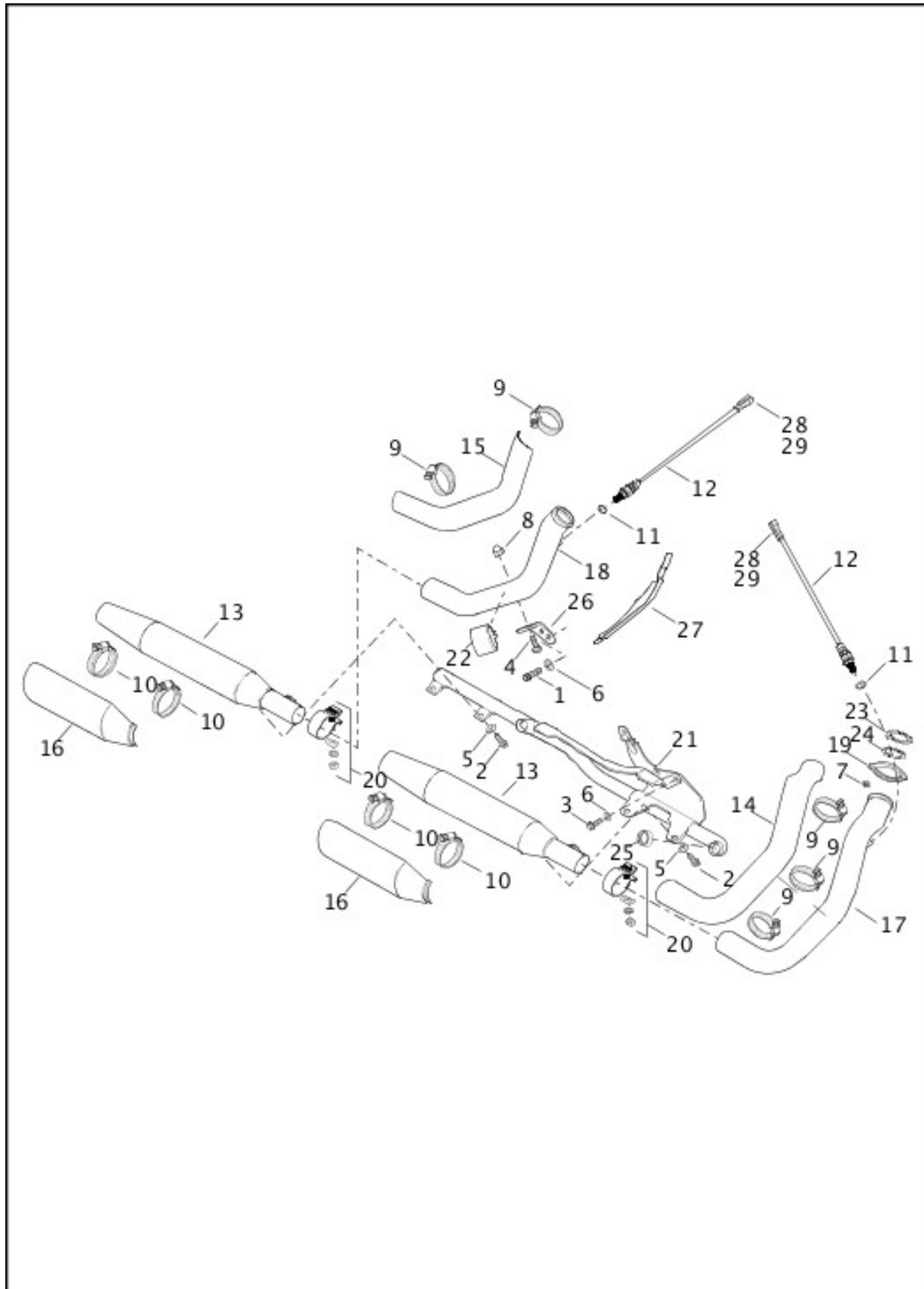
INDEX NO.	PART NO.	DESCRIPTION	MODEL(S)
1	3728	SCREW (2)	ALL

FUEL TANK TRIM



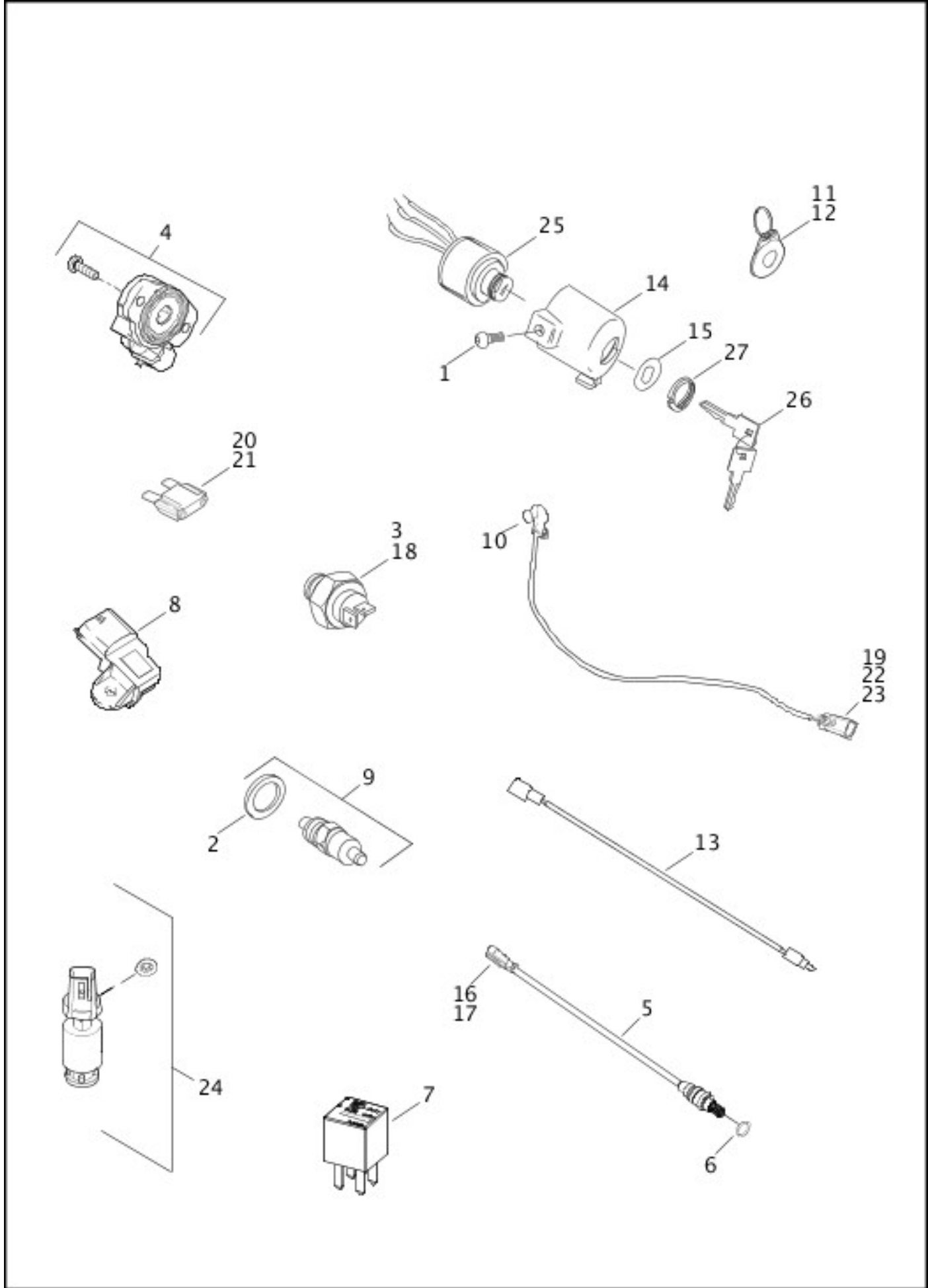
INDEX NO.	PART NO.	DESCRIPTION	MODEL(S)
3	14100255	MEDALLION, fuel tank (left) **RESTRICTED SALES PART**	XL1200C ANV
	14100256	MEDALLION, fuel tank (right) **RESTRICTED SALES PART**	XL1200C ANV
4	14100270	BADGE, serialized **RESTRICTED SALES PART**	XL1200C ANV

EXHAUST SYSTEM - 883L/N/R, 1200C/CA/CB/CP/V/X (2 OF 2)



INDEX NO.	PART NO.	DESCRIPTION	MODEL(S)
14	64846-04B	HEAT SHIELD, front exhaust pipe	XL1200C, XL1200C ANV, XL1200CA, XL1200CB, XL1200CP, XL1200V, XL1200X, XL883L, XL883N, XL883R
15	64847-04B	HEAT SHIELD, rear exhaust pipe, chrome	XL1200C, XL1200C ANV, XL1200CA, XL1200CB, XL1200CP, XL1200V, XL1200X, XL883L, XL883N, XL883R
16	64889-04A	HEAT SHIELD, muffler (HDI, England, India, Japan, Asia-Pacific) (2)	XL1200C, XL1200C ANV, XL1200V, XL1200X, XL883L, XL883N, XL883R

SWITCHES



[View interactive table](#)

INDEX NO.	PART NO.	DESCRIPTION	MODEL(S)
18	72023-51E	BRAKE LIGHT SWITCH, w/ 9907	ALL

Numerical Index

[View interactive table](#)

10006	FRAME & JIFFY STAND - XR1200X
-------	---

	EVAPORATIVE EMISSIONS COMPONENTS HANDLEBAR & THROTTLE CONTROL - 1200C/CA/CB/CP/V WIRING HARNESS, MAIN - 883L/N/R, 1200C/CA/CB/CP/V/X (1 OF 4) WIRING HARNESS, MAIN - XR1200X (1 OF 3) BATTERY
10014	OIL TANK & LINES - 883L/N/R, 1200C/CA/CB/CP/V/X OIL TANK & LINES- XR1200X
10031	BRAKE CONTROL, FRONT - 883L/N/R, 1200C/CA/CB/CP/V/X BRAKE CONTROL, FRONT - XR1200X BRAKE, MASTER CYLINDER, REAR - 883L/N/R, 1200C/CA/CB/CP/V/X (1 OF 2) BRAKE, MASTER CYLINDER, REAR - XR1200X
10039	WIRING HARNESS, MAIN - 883L/N/R, 1200C/CA/CB/CP/V/X (1 OF 4)
10053	BRAKE CONTROL, FRONT - 883L/N/R, 1200C/CA/CB/CP/V/X BRAKE CONTROL, FRONT - 883L/N/R, 1200C/CA/CB/CP/V/X
10065	TAIL LAMP & TURN SIGNALS, REAR WIRING HARNESS, MAIN - 883L/N/R, 1200C/CA/CB/CP/V/X (1 OF 4) WIRING HARNESS, MAIN - XR1200X (1 OF 3)
10074	EXHAUST SYSTEM - 883L/N/R, 1200C/CA/CB/CP/V/X (1 OF 2)
10080	CRANKCASE & GEARCASE - 883L/N/R, 1200C/CA/CB/CP/V/X (1 OF 2) CRANKCASE & GEARCASE - XR1200X OIL TANK & LINES - 883L/N/R, 1200C/CA/CB/CP/V/X
10092	BRAKE, MASTER CYLINDER, REAR - XR1200X
10142	OIL TANK & LINES - 883L/N/R, 1200C/CA/CB/CP/V/X OIL TANK & LINES- XR1200X
10177	CRANKCASE & GEARCASE - 883L/N/R, 1200C/CA/CB/CP/V/X (1 OF 2) CRANKCASE & GEARCASE - XR1200X ALTERNATOR & REGULATOR ELECTRONIC IGNITION SYSTEM - 883L/N/R, 1200C/CA/CB/CP/V/X EVAPORATIVE EMISSIONS COMPONENTS WIRING HARNESS, ENGINE - XR1200X
10179A	FRAME & JIFFY STAND - 883L/N/R, 1200C/CA/CB/CP/V/X (1 OF 2) FRAME & JIFFY STAND - XR1200X
10181	FUEL PUMP SWITCHES, HANDLEBAR
10200	FENDERS, REAR - 883L/R/1200C/CA/CB/CP (ALL), 883N/1200V/X (CANADA ONLY)
10242	FENDERS, REAR - 883L/R/1200C/CA/CB/CP (ALL), 883N/1200V/X (CANADA ONLY)
10252	BRAKE, MASTER CYLINDER, REAR - 883L/N/R, 1200C/CA/CB/CP/V/X (1 OF 2) BRAKE, MASTER CYLINDER, REAR - XR1200X
10255	BRAKE, MASTER CYLINDER, REAR - 883L/N/R, 1200C/CA/CB/CP/V/X (1 OF 2)
10279	WIRING HARNESS, MAIN - 883L/N/R, 1200C/CA/CB/CP/V/X (1 OF 4) WIRING HARNESS, MAIN - XR1200X (1 OF 3) WIRING HARNESS, ENGINE - 883L/N/R, 1200C/CA/CB/CP/V/X

	<u>WIRING HARNESS, ENGINE - XR1200X</u>
1028	<u>CRANKCASE & GEARCASE - 883L/N/R, 1200C/CA/CB/CP/V/X (1 OF 2)</u> <u>CRANKCASE & GEARCASE - XR1200X</u>
10287	<u>WIRING HARNESS, MAIN - 883L/N/R, 1200C/CA/CB/CP/V/X (1 OF 4)</u> <u>WIRING HARNESS, MAIN - XR1200X (1 OF 3)</u>
10289A	<u>FRAME & JIFFY STAND - 883L/N/R, 1200C/CA/CB/CP/V/X (1 OF 2)</u> <u>FRAME & JIFFY STAND - XR1200X</u>
10303	<u>FUEL PUMP</u>
10304	<u>FUEL PUMP</u>
10323	<u>FENDERS, REAR - 883N/1200V/X (ALL EXCEPT CANADA)</u>
10344	<u>OIL TANK & LINES- XR1200X</u> <u>OIL LINES & COOLER - XR1200X</u>
1039	<u>ROCKER ARM ASSEMBLY & PUSHRODS - 883L/N/R, 1200C/CA/CB/CP/V/X (1 OF 2)</u> <u>ROCKER ARM ASSEMBLY & PUSHRODS - XR1200X</u>
10417	<u>FORK, FRONT - 883L/R, 1200C/CA/CB/CP/V/X</u>
10418	<u>FORK, FRONT - XR1200X</u>
1048	<u>CRANKCASE & GEARCASE - 883L/N/R, 1200C/CA/CB/CP/V/X (1 OF 2)</u> <u>CRANKCASE & GEARCASE - XR1200X</u>
10627	<u>FORK, FRONT - 883L/R, 1200C/CA/CB/CP/V/X</u>
10628	<u>FORK, FRONT - XR1200X</u>
10800003	<u>BRAKE CONTROL, FRONT - 883L/N/R, 1200C/CA/CB/CP/V/X</u>
10800006	<u>LICENSE PLATE BRACKETS</u>
1081A	<u>FUEL TANK - XR1200X</u> <u>FUEL PUMP</u>
1091	<u>FUEL PUMP</u>
10926	<u>FORK, FRONT - XR1200X</u>
1094	<u>OIL LINES & COOLER - XR1200X</u>
10966	<u>OIL PUMP - XR1200X</u>
10967	<u>OIL PUMP - XR1200X</u>
10969	<u>OIL PUMP - XR1200X</u>
10970	<u>OIL LINES & COOLER - XR1200X</u>
10971	<u>OIL PUMP - XR1200X</u>
10972	<u>OIL LINES & COOLER - XR1200X</u>

10984	<u>TRANSMISSION GEARS</u>
11002	<u>OIL PUMP - 883L/N/R, 1200C/CA/CB/CP/V/X</u>
11031	<u>BRAKE, MASTER CYLINDER, REAR - 883L/N/R, 1200C/CA/CB/CP/V/X (1 OF 2)</u>
11046	<u>CLUTCH - 883L/N/R, 1200C/CA/CB/CP/V/X</u> <u>CLUTCH - XR1200X</u>
11067	<u>TRANSMISSION GEARS</u>
11105	<u>INSPECTION COVER & PRIMARY COVER</u>
11110	<u>OIL PUMP - XR1200X</u> <u>OIL LINES & COOLER - XR1200X</u>
11113	<u>TRANSMISSION GEARS</u>
11120	<u>OIL TANK & LINES - 883L/N/R, 1200C/CA/CB/CP/V/X</u> <u>OIL TANK & LINES- XR1200X</u>
11121	<u>BRAKE, MASTER CYLINDER, REAR - 883L/N/R, 1200C/CA/CB/CP/V/X (1 OF 2)</u> <u>BRAKE, MASTER CYLINDER, REAR - XR1200X</u>
11140	<u>OIL PUMP - XR1200X</u> <u>OIL LINES & COOLER - XR1200X</u>
11142	<u>BRAKE CONTROL, FRONT - 883L/N/R, 1200C/CA/CB/CP/V/X</u> <u>BRAKE CONTROL, FRONT - XR1200X</u>
11155	<u>SWITCHES, HANDLEBAR</u>
11161	<u>TRANSMISSION GEARS</u>
11171	<u>INSPECTION COVER & PRIMARY COVER</u>
11177A	<u>PISTONS & FLYWHEEL ASSEMBLY</u> <u>CRANKCASE & GEARCASE - 883L/N/R, 1200C/CA/CB/CP/V/X (1 OF 2)</u> <u>CRANKCASE & GEARCASE - XR1200X</u>
11179	<u>CLUTCH CONTROL</u>
11190	<u>CYLINDERS, HEADS & VALVES - 883L/N/R, 1200C/CA/CB/CP/V/X (1 OF 2)</u> <u>ROCKER ARM ASSEMBLY & PUSHRODS - 883L/N/R, 1200C/CA/CB/CP/V/X (1 OF 2)</u> <u>ROCKER ARM ASSEMBLY & PUSHRODS - XR1200X</u>
11202	<u>AIR CLEANER - 883L/N/R, 1200C/CA/CB/CP/V/X</u>
11250	<u>CLUTCH - 883L/N/R, 1200C/CA/CB/CP/V/X</u> <u>CLUTCH - XR1200X</u>
11271	<u>HANDLEBAR & THROTTLE CONTROL - 883L/N/R, 1200X, XR1200X</u> <u>HANDLEBAR & THROTTLE CONTROL - 1200C/CA/CB/CP/V</u>
11272	<u>HANDLEBAR & THROTTLE CONTROL - 883L/N/R, 1200X, XR1200X</u> <u>HANDLEBAR & THROTTLE CONTROL - 1200C/CA/CB/CP/V</u>
11282	<u>FORK, REAR, DEBRIS DEFLECTOR & BELT GUARD</u>

11289A	ENGINE SENSORS & SWITCHES
11290	CRANKCASE & GEARCASE - XR1200X OIL PUMP - XR1200X ENGINE SENSORS & SWITCHES OIL LINES & COOLER - XR1200X
11304	FOOTRESTS - 883L/N/R, 1200C/CA/CB/CP/V/X FOOTRESTS - 883L/N/R, 1200C/CA/CB/CP/V/X FOOTRESTS - XR1200X
11317	PISTONS & FLYWHEEL ASSEMBLY CAMSHAFTS & GEAR COVER - 883L/N/R, 1200C/CA/CB/CP/V/X CAMSHAFTS & GEAR COVER - XR1200X
11326	OIL PUMP - XR1200X
11351	OIL LINES & COOLER - XR1200X
11377	ROCKER ARM ASSEMBLY & PUSHRODS - 883L/N/R, 1200C/CA/CB/CP/V/X (1 OF 2) ROCKER ARM ASSEMBLY & PUSHRODS - XR1200X
11379	CLUTCH CONTROL BRAKE CONTROL, FRONT - 883L/N/R, 1200C/CA/CB/CP/V/X BRAKE CONTROL, FRONT - XR1200X
11384K	OIL PUMP - XR1200X OIL LINES & COOLER - XR1200X
11390	FOOTRESTS - 883L/N/R, 1200C/CA/CB/CP/V/X
11407	BRAKE, MASTER CYLINDER, REAR - 883L/N/R, 1200C/CA/CB/CP/V/X (1 OF 2) BRAKE, MASTER CYLINDER, REAR - XR1200X
11408	OIL PUMP - XR1200X OIL LINES & COOLER - XR1200X
11474	FENDERS, REAR - 883L/R/1200C/CA/CB/CP (ALL), 883N/1200V/X (CANADA ONLY) FENDERS, REAR - 883N/1200V/X (ALL EXCEPT CANADA)
11491A	FRAME & JIFFY STAND - XR1200X
11570	FUEL TANK - XR1200X
11598	FRAME & JIFFY STAND - XR1200X
11621	ROCKER ARM ASSEMBLY & PUSHRODS - XR1200X
11625	ROCKER ARM ASSEMBLY & PUSHRODS - XR1200X
11631	TRANSMISSION GEARS
11652	OIL LINES & COOLER - XR1200X
11668	FUEL TANK - XR1200X
11730A	CLUTCH - 883L/N/R, 1200C/CA/CB/CP/V/X CLUTCH - XR1200X

11765Y	CLUTCH - 883L/N/R, 1200C/CA/CB/CP/V/X CLUTCH - XR1200X
11778	WIRING HARNESS, MAIN - 883L/N/R, 1200C/CA/CB/CP/V/X (1 OF 4)
11785	WIRING HARNESS, MAIN - 883L/N/R, 1200C/CA/CB/CP/V/X (1 OF 4)
11804	WHEELS, FRONT, CAST - 883L/N/R, 1200C/CA/CP WHEEL, FRONT, CAST - XR1200X WHEELS, FRONT, LACED - 1200C/CB/CP/V/X
11888	WHEELS, FRONT, CAST - 883L/N/R, 1200C/CA/CP WHEELS, FRONT, LACED - 1200C/CB/CP/V/X
11954	TAIL LAMPS
12030	TRANSMISSION GEARS
12068	CRANKCASE & GEARCASE - 883L/N/R, 1200C/CA/CB/CP/V/X (1 OF 2) CRANKCASE & GEARCASE - XR1200X
12074	TRANSMISSION GEARS
12085	FORK, FRONT - XR1200X
12200	FORK, FRONT - XR1200X
12201	FORK, FRONT - XR1200X
13566-05	FUEL TANK TRIM
13567-05	FUEL TANK TRIM
14100255	FUEL TANK TRIM
14100256	FUEL TANK TRIM
14100270	FUEL TANK TRIM
14270-92	LABELS
14448-94	HANDLEBAR & THROTTLE CONTROL - 1200C/CA/CB/CP/V
15368-01A	LABELS
15370-01A	LABELS
15376-06A	LABELS
1594	FRAME & JIFFY STAND - 883L/N/R, 1200C/CA/CB/CP/V/X (1 OF 2) FRAME & JIFFY STAND - XR1200X
16232-04B	ENGINE MOUNTS
16287-04	ENGINE MOUNTS
16291-04	ENGINE MOUNTS
16301-08	ENGINE MOUNTS

16353-04	<u>CYLINDERS, HEADS & VALVES - 883L/N/R, 1200C/CA/CB/CP/V/X (1 OF 2)</u>
16360-08	<u>INDUCTION MODULE, FUEL - XR1200X</u>
16361-07	<u>INDUCTION MODULE, FUEL - 883L/N/R, 1200C/CA/CB/CP/V/X</u>
16443-04	<u>CYLINDERS, HEADS & VALVES - 883L/N/R, 1200C/CA/CB/CP/V/X (1 OF 2)</u>
16452-05	<u>CYLINDERS, HEADS & VALVES - 883L/N/R, 1200C/CA/CB/CP/V/X (1 OF 2)</u>
16463-04	<u>CYLINDERS, HEADS & VALVES - 883L/N/R, 1200C/CA/CB/CP/V/X (1 OF 2)</u>
16465-06	<u>CYLINDERS, HEADS & VALVES - 883L/N/R, 1200C/CA/CB/CP/V/X (1 OF 2)</u> <u>CYLINDERS, HEADS & VALVES - XR1200X</u>
16468-08	<u>CYLINDERS, HEADS & VALVES - XR1200X</u>
16469-10	<u>CYLINDERS, HEADS & VALVES - 883L/N/R, 1200C/CA/CB/CP/V/X (1 OF 2)</u>
16478-85A	<u>CYLINDERS, HEADS & VALVES - 883L/N/R, 1200C/CA/CB/CP/V/X (1 OF 2)</u> <u>CYLINDERS, HEADS & VALVES - XR1200X</u>
16480-92A	<u>CYLINDERS, HEADS & VALVES - 883L/N/R, 1200C/CA/CB/CP/V/X (1 OF 2)</u> <u>CYLINDERS, HEADS & VALVES - XR1200X</u>
16500068	<u>CYLINDERS, HEADS & VALVES - 883L/N/R, 1200C/CA/CB/CP/V/X (1 OF 2)</u>
16500071	<u>CYLINDERS, HEADS & VALVES - 883L/N/R, 1200C/CA/CB/CP/V/X (1 OF 2)</u>
16573-83A	<u>CYLINDERS, HEADS & VALVES - 883L/N/R, 1200C/CA/CB/CP/V/X (1 OF 2)</u> <u>CYLINDERS, HEADS & VALVES - XR1200X</u>
16660-07	<u>CYLINDERS, HEADS & VALVES - 883L/N/R, 1200C/CA/CB/CP/V/X (1 OF 2)</u>
16661-07	<u>CYLINDERS, HEADS & VALVES - 883L/N/R, 1200C/CA/CB/CP/V/X (1 OF 2)</u>
16664-86D	<u>CYLINDERS, HEADS & VALVES - 883L/N/R, 1200C/CA/CB/CP/V/X (1 OF 2)</u>
16666-07	<u>CYLINDERS, HEADS & VALVES - 883L/N/R, 1200C/CA/CB/CP/V/X (1 OF 2)</u>
16667-07	<u>CYLINDERS, HEADS & VALVES - 883L/N/R, 1200C/CA/CB/CP/V/X (1 OF 2)</u>
16699-06	<u>CYLINDERS, HEADS & VALVES - 883L/N/R, 1200C/CA/CB/CP/V/X (1 OF 2)</u> <u>CYLINDERS, HEADS & VALVES - XR1200X</u>
16715-83	<u>CYLINDERS, HEADS & VALVES - 883L/N/R, 1200C/CA/CB/CP/V/X (1 OF 2)</u> <u>CYLINDERS, HEADS & VALVES - XR1200X</u>
16770-84F	<u>CYLINDERS, HEADS & VALVES - 883L/N/R, 1200C/CA/CB/CP/V/X (1 OF 2)</u>
16771-08	<u>CYLINDERS, HEADS & VALVES - XR1200X</u>
16789-04	<u>CYLINDERS, HEADS & VALVES - 883L/N/R, 1200C/CA/CB/CP/V/X (1 OF 2)</u> <u>CYLINDERS, HEADS & VALVES - XR1200X</u>
16800-84A	<u>ROCKER ARM ASSEMBLY & PUSHRODS - 883L/N/R, 1200C/CA/CB/CP/V/X (1 OF 2)</u> <u>ROCKER ARM ASSEMBLY & PUSHRODS - XR1200X</u>

16800019	<u>CYLINDERS, HEADS & VALVES - 883L/N/R, 1200C/CA/CB/CP/V/X (1 OF 2)</u>
16832-86C	<u>CYLINDERS, HEADS & VALVES - 883L/N/R, 1200C/CA/CB/CP/V/X (1 OF 2)</u> <u>CYLINDERS, HEADS & VALVES - XR1200X</u>
16865-07	<u>CYLINDERS, HEADS & VALVES - 883L/N/R, 1200C/CA/CB/CP/V/X (1 OF 2)</u>
16867-07	<u>CYLINDERS, HEADS & VALVES - 883L/N/R, 1200C/CA/CB/CP/V/X (1 OF 2)</u>
16899-02	<u>CRANKCASE & GEARCASE - XR1200X</u>
17027-08	<u>CYLINDERS, HEADS & VALVES - 883L/N/R, 1200C/CA/CB/CP/V/X (1 OF 2)</u> <u>CYLINDERS, HEADS & VALVES - XR1200X</u>
17036-08	<u>ROCKER ARM ASSEMBLY & PUSHRODS - 883L/N/R, 1200C/CA/CB/CP/V/X (1 OF 2)</u> <u>ROCKER ARM ASSEMBLY & PUSHRODS - XR1200X</u>
17049-08	<u>CYLINDERS, HEADS & VALVES - 883L/N/R, 1200C/CA/CB/CP/V/X (1 OF 2)</u> <u>CYLINDERS, HEADS & VALVES - XR1200X</u>
17360-83A	<u>ROCKER ARM ASSEMBLY & PUSHRODS - 883L/N/R, 1200C/CA/CB/CP/V/X (1 OF 2)</u> <u>ROCKER ARM ASSEMBLY & PUSHRODS - XR1200X</u>
17362-07B	<u>ROCKER ARM ASSEMBLY & PUSHRODS - 883L/N/R, 1200C/CA/CB/CP/V/X (1 OF 2)</u>
17375-83A	<u>ROCKER ARM ASSEMBLY & PUSHRODS - 883L/N/R, 1200C/CA/CB/CP/V/X (1 OF 2)</u> <u>ROCKER ARM ASSEMBLY & PUSHRODS - XR1200X</u>
17393-07	<u>ROCKER ARM ASSEMBLY & PUSHRODS - 883L/N/R, 1200C/CA/CB/CP/V/X (1 OF 2)</u>
17429-91	<u>ROCKER ARM ASSEMBLY & PUSHRODS - 883L/N/R, 1200C/CA/CB/CP/V/X (1 OF 2)</u> <u>ROCKER ARM ASSEMBLY & PUSHRODS - XR1200X</u>
17485-07	<u>CYLINDERS, HEADS & VALVES - 883L/N/R, 1200C/CA/CB/CP/V/X (1 OF 2)</u>
17488-07	<u>CYLINDERS, HEADS & VALVES - 883L/N/R, 1200C/CA/CB/CP/V/X (1 OF 2)</u>
17501-04	<u>ROCKER ARM ASSEMBLY & PUSHRODS - 883L/N/R, 1200C/CA/CB/CP/V/X (1 OF 2)</u>
1751	<u>BELT & SPROCKETS - XR1200X</u>
17525-08	<u>CRANKCASE & GEARCASE - XR1200X</u>
17532-07A	<u>ROCKER ARM ASSEMBLY & PUSHRODS - 883L/N/R, 1200C/CA/CB/CP/V/X (1 OF 2)</u>
17537-07A	<u>ROCKER ARM ASSEMBLY & PUSHRODS - 883L/N/R, 1200C/CA/CB/CP/V/X (1 OF 2)</u>
17551-04	<u>ROCKER ARM ASSEMBLY & PUSHRODS - 883L/N/R, 1200C/CA/CB/CP/V/X (1 OF 2)</u>
17562-10	<u>CYLINDERS, HEADS & VALVES - XR1200X</u>
17565-10	<u>CYLINDERS, HEADS & VALVES - XR1200X</u>
17569-08	<u>ROCKER ARM ASSEMBLY & PUSHRODS - XR1200X</u>
17591-10	<u>ROCKER ARM ASSEMBLY & PUSHRODS - XR1200X</u>
17611-83	<u>ROCKER ARM ASSEMBLY & PUSHRODS - 883L/N/R, 1200C/CA/CB/CP/V/X (1 OF 2)</u>

	<u>ROCKER ARM ASSEMBLY & PUSHRODS - XR1200X</u>
17614-07A	<u>ROCKER ARM ASSEMBLY & PUSHRODS - 883L/N/R, 1200C/CA/CB/CP/V/X (1 OF 2)</u>
17615-10	<u>ROCKER ARM ASSEMBLY & PUSHRODS - XR1200X</u>
17633-08B	<u>ROCKER ARM ASSEMBLY & PUSHRODS - XR1200X</u>
17655-05	<u>ROCKER ARM ASSEMBLY & PUSHRODS - 883L/N/R, 1200C/CA/CB/CP/V/X (1 OF 2)</u>
17695-07B	<u>ROCKER ARM ASSEMBLY & PUSHRODS - 883L/N/R, 1200C/CA/CB/CP/V/X (1 OF 2)</u> <u>ROCKER ARM ASSEMBLY & PUSHRODS - XR1200X</u>
17903-10	<u>ROCKER ARM ASSEMBLY & PUSHRODS - XR1200X</u>
17908-02	<u>ROCKER ARM ASSEMBLY & PUSHRODS - 883L/N/R, 1200C/CA/CB/CP/V/X (2 OF 2)</u> <u>ROCKER ARM ASSEMBLY & PUSHRODS - XR1200X</u>
17909-02	<u>ROCKER ARM ASSEMBLY & PUSHRODS - 883L/N/R, 1200C/CA/CB/CP/V/X (2 OF 2)</u> <u>ROCKER ARM ASSEMBLY & PUSHRODS - XR1200X</u>
17911-10	<u>ROCKER ARM ASSEMBLY & PUSHRODS - XR1200X</u>
17946-04	<u>ROCKER ARM ASSEMBLY & PUSHRODS - 883L/N/R, 1200C/CA/CB/CP/V/X (2 OF 2)</u>
17963-10	<u>ROCKER ARM ASSEMBLY & PUSHRODS - XR1200X</u>
17972-04	<u>ROCKER ARM ASSEMBLY & PUSHRODS - 883L/N/R, 1200C/CA/CB/CP/V/X (1 OF 2)</u>
17976-04	<u>ROCKER ARM ASSEMBLY & PUSHRODS - 883L/N/R, 1200C/CA/CB/CP/V/X (2 OF 2)</u> <u>ROCKER ARM ASSEMBLY & PUSHRODS - XR1200X</u>
17981-04	<u>ROCKER ARM ASSEMBLY & PUSHRODS - 883L/N/R, 1200C/CA/CB/CP/V/X (1 OF 2)</u>
18011-86	<u>CYLINDERS, HEADS & VALVES - 883L/N/R, 1200C/CA/CB/CP/V/X (2 OF 2)</u> <u>CYLINDERS, HEADS & VALVES - XR1200X</u>
18012-87A	<u>CYLINDERS, HEADS & VALVES - 883L/N/R, 1200C/CA/CB/CP/V/X (2 OF 2)</u>
18020-07	<u>CYLINDERS, HEADS & VALVES - 883L/N/R, 1200C/CA/CB/CP/V/X (2 OF 2)</u> <u>CYLINDERS, HEADS & VALVES - XR1200X</u>
18021-87A	<u>CYLINDERS, HEADS & VALVES - 883L/N/R, 1200C/CA/CB/CP/V/X (2 OF 2)</u>
18053-04	<u>CYLINDERS, HEADS & VALVES - 883L/N/R, 1200C/CA/CB/CP/V/X (2 OF 2)</u>
18059-04	<u>CYLINDERS, HEADS & VALVES - 883L/N/R, 1200C/CA/CB/CP/V/X (2 OF 2)</u>
18094-02A	<u>CYLINDERS, HEADS & VALVES - 883L/N/R, 1200C/CA/CB/CP/V/X (2 OF 2)</u> <u>CYLINDERS, HEADS & VALVES - XR1200X</u>
18245-02	<u>CYLINDERS, HEADS & VALVES - 883L/N/R, 1200C/CA/CB/CP/V/X (2 OF 2)</u> <u>CYLINDERS, HEADS & VALVES - XR1200X</u>
18258-02	<u>CYLINDERS, HEADS & VALVES - 883L/N/R, 1200C/CA/CB/CP/V/X (2 OF 2)</u> <u>CYLINDERS, HEADS & VALVES - XR1200X</u>
18260-02	<u>CYLINDERS, HEADS & VALVES - 883L/N/R, 1200C/CA/CB/CP/V/X (2 OF 2)</u>

	<u>CYLINDERS, HEADS & VALVES - XR1200X</u>
18505-06	<u>ROCKER ARM ASSEMBLY & PUSHRODS - 883L/N/R, 1200C/CA/CB/CP/V/X (2 OF 2)</u> <u>ROCKER ARM ASSEMBLY & PUSHRODS - XR1200X</u>
18538-99C	<u>ROCKER ARM ASSEMBLY & PUSHRODS - 883L/N/R, 1200C/CA/CB/CP/V/X (2 OF 2)</u> <u>ROCKER ARM ASSEMBLY & PUSHRODS - XR1200X</u>
18690-02	<u>CYLINDERS, HEADS & VALVES - 883L/N/R, 1200C/CA/CB/CP/V/X (2 OF 2)</u> <u>CYLINDERS, HEADS & VALVES - XR1200X</u>
18691-02	<u>CYLINDERS, HEADS & VALVES - 883L/N/R, 1200C/CA/CB/CP/V/X (2 OF 2)</u> <u>CYLINDERS, HEADS & VALVES - XR1200X</u>
19519-13	<u>ENGINE ASSEMBLY</u>
19527-13	<u>ENGINE ASSEMBLY</u>
19566-13	<u>ENGINE ASSEMBLY</u>
19606-13	<u>ENGINE ASSEMBLY</u>
19766-13	<u>ENGINE ASSEMBLY</u>
19767-13	<u>ENGINE ASSEMBLY</u>
19768-13	<u>ENGINE ASSEMBLY</u>
19778-13	<u>ENGINE ASSEMBLY</u>
19779-13	<u>ENGINE ASSEMBLY</u>
19905-13	<u>ENGINE ASSEMBLY</u>
19927-13	<u>ENGINE ASSEMBLY</u>
215	<u>CRANKCASE & GEARCASE - 883L/N/R, 1200C/CA/CB/CP/V/X (1 OF 2)</u> <u>CRANKCASE & GEARCASE - XR1200X</u>
21948-02	<u>PISTONS & FLYWHEEL ASSEMBLY</u>
21965-08	<u>BRAKE CALIPER, FRONT - XR1200X</u>
22221-04	<u>PISTONS & FLYWHEEL ASSEMBLY</u>
22223-04	<u>PISTONS & FLYWHEEL ASSEMBLY</u>
22224-04	<u>PISTONS & FLYWHEEL ASSEMBLY</u>
22227-04	<u>PISTONS & FLYWHEEL ASSEMBLY</u>
22228-04	<u>PISTONS & FLYWHEEL ASSEMBLY</u>
22230-04	<u>PISTONS & FLYWHEEL ASSEMBLY</u>
22231-04	<u>PISTONS & FLYWHEEL ASSEMBLY</u>
22238-04	<u>PISTONS & FLYWHEEL ASSEMBLY</u>

22244-04A	<u>PISTONS & FLYWHEEL ASSEMBLY</u>
22261-86	<u>PISTONS & FLYWHEEL ASSEMBLY</u>
22266-86	<u>PISTONS & FLYWHEEL ASSEMBLY</u>
22271-86	<u>PISTONS & FLYWHEEL ASSEMBLY</u>
22589-83B	<u>PISTONS & FLYWHEEL ASSEMBLY</u>
22719-04	<u>PISTONS & FLYWHEEL ASSEMBLY</u>
22765-02	<u>PISTONS & FLYWHEEL ASSEMBLY</u>
232	<u>CRANKCASE & GEARCASE - XR1200X</u>
2325	<u>SPEEDOMETER - 883L/N/R, 1200C/CA/CB/CP/V/X</u> <u>SPEEDOMETER & TACHOMETER - XR1200X</u>
2361	<u>SPEEDOMETER - 883L/N/R, 1200C/CA/CB/CP/V/X</u> <u>SPEEDOMETER & TACHOMETER - XR1200X</u>
2362	<u>TAIL LAMPS</u>
23905-04B	<u>PISTONS & FLYWHEEL ASSEMBLY</u>
23999-08	<u>PISTONS & FLYWHEEL ASSEMBLY</u>
24047-00	<u>CAMSHAFTS & GEAR COVER - 883L/N/R, 1200C/CA/CB/CP/V/X</u> <u>CAMSHAFTS & GEAR COVER - XR1200X</u>
2407	<u>AIR BOX - XR1200X</u>
24332-36	<u>PISTONS & FLYWHEEL ASSEMBLY</u>
2441	<u>ROCKER ARM ASSEMBLY & PUSHRODS - 883L/N/R, 1200C/CA/CB/CP/V/X (1 OF 2)</u> <u>BRAKE CONTROL, FRONT - 883L/N/R, 1200C/CA/CB/CP/V/X</u> <u>BRAKE CONTROL, FRONT - XR1200X</u>
2445	<u>FORK BRACKETS, FRONT - XR1200X</u> <u>FORK, REAR, DEBRIS DEFLECTOR & BELT GUARD</u> <u>FENDERS, REAR - XR1200X</u> <u>HEADLAMP - 1200C/CA/CB/CP/V</u>
2446	<u>FENDERS, REAR - 883N/1200V/X (ALL EXCEPT CANADA)</u>
24466-06B	<u>CRANKCASE & GEARCASE - 883L/N/R, 1200C/CA/CB/CP/V/X (1 OF 2)</u>
24470-06B	<u>CRANKCASE & GEARCASE - 883L/N/R, 1200C/CA/CB/CP/V/X (1 OF 2)</u>
24475-08	<u>CRANKCASE & GEARCASE - XR1200X</u>
2460	<u>AIR CLEANER - 883L/N/R, 1200C/CA/CB/CP/V/X</u>
24605-07	<u>CRANKCASE & GEARCASE - 883L/N/R, 1200C/CA/CB/CP/V/X (1 OF 2)</u> <u>CRANKCASE & GEARCASE - XR1200X</u>
24647-87	<u>CRANKCASE & GEARCASE - 883L/N/R, 1200C/CA/CB/CP/V/X (1 OF 2)</u> <u>CRANKCASE & GEARCASE - XR1200X</u>

24650-87	<u>CRANKCASE & GEARCASE - 883L/N/R, 1200C/CA/CB/CP/V/X (1 OF 2)</u> <u>CRANKCASE & GEARCASE - XR1200X</u>
24658-87	<u>PISTONS & FLYWHEEL ASSEMBLY</u>
24659-87	<u>CRANKCASE & GEARCASE - 883L/N/R, 1200C/CA/CB/CP/V/X (1 OF 2)</u> <u>CRANKCASE & GEARCASE - XR1200X</u>
24660-87	<u>CRANKCASE & GEARCASE - 883L/N/R, 1200C/CA/CB/CP/V/X (1 OF 2)</u> <u>CRANKCASE & GEARCASE - XR1200X</u>
24745-07A	<u>CRANKCASE & GEARCASE - 883L/N/R, 1200C/CA/CB/CP/V/X (1 OF 2)</u>
24754-75A	<u>CRANKCASE & GEARCASE - 883L/N/R, 1200C/CA/CB/CP/V/X (1 OF 2)</u> <u>CRANKCASE & GEARCASE - XR1200X</u>
2481M	<u>INDUCTION MODULE, FUEL - 883L/N/R, 1200C/CA/CB/CP/V/X</u> <u>INDUCTION MODULE, FUEL - XR1200X</u>
2486	<u>ROCKER ARM ASSEMBLY & PUSHRODS - 883L/N/R, 1200C/CA/CB/CP/V/X (1 OF 2)</u> <u>ROCKER ARM ASSEMBLY & PUSHRODS - XR1200X</u>
2487	<u>CRANKCASE & GEARCASE - XR1200X</u>
2501A	<u>BRAKE, MASTER CYLINDER, REAR - 883L/N/R, 1200C/CA/CB/CP/V/X (1 OF 2)</u>
2508	<u>LICENSE PLATE BRACKETS</u> <u>TAIL LAMPS</u>
2513	<u>ELECTRONIC IGNITION SYSTEM - 883L/N/R, 1200C/CA/CB/CP/V/X</u>
25194-06	<u>CAMSHAFTS & GEAR COVER - 883L/N/R, 1200C/CA/CB/CP/V/X</u>
25213-04	<u>CAMSHAFTS & GEAR COVER - 883L/N/R, 1200C/CA/CB/CP/V/X</u>
25219-04	<u>CAMSHAFTS & GEAR COVER - 883L/N/R, 1200C/CA/CB/CP/V/X</u>
25250-10	<u>CAMSHAFTS & GEAR COVER - XR1200X</u>
25263-90D	<u>CAMSHAFTS & GEAR COVER - 883L/N/R, 1200C/CA/CB/CP/V/X</u>
25271-08	<u>CAMSHAFTS & GEAR COVER - XR1200X</u>
25279-08	<u>OIL PUMP - XR1200X</u>
25307-06	<u>INSPECTION COVER & PRIMARY COVER</u>
2535	<u>BATTERY</u>
25394-08	<u>ENGINE SENSORS & SWITCHES</u>
25409-94B	<u>CLUTCH - 883L/N/R, 1200C/CA/CB/CP/V/X</u> <u>CLUTCH - XR1200X</u>
25430-06	<u>INSPECTION COVER & PRIMARY COVER</u>
25453-87A	<u>CLUTCH - 883L/N/R, 1200C/CA/CB/CP/V/X</u> <u>CLUTCH - XR1200X</u>

25460-06	<u>INSPECTION COVER & PRIMARY COVER</u>
25463-94A	<u>INSPECTION COVER & PRIMARY COVER</u>
25486-05	<u>CAMSHAFTS & GEAR COVER - 883L/N/R, 1200C/CA/CB/CP/V/X</u>
25586-37	<u>CAMSHAFTS & GEAR COVER - 883L/N/R, 1200C/CA/CB/CP/V/X</u>
25588-91	<u>CAMSHAFTS & GEAR COVER - 883L/N/R, 1200C/CA/CB/CP/V/X</u>
25593-74	<u>CAMSHAFTS & GEAR COVER - 883L/N/R, 1200C/CA/CB/CP/V/X</u>
25598-91	<u>CAMSHAFTS & GEAR COVER - 883L/N/R, 1200C/CA/CB/CP/V/X</u>
25600007	<u>CAMSHAFTS & GEAR COVER - 883L/N/R, 1200C/CA/CB/CP/V/X</u>
25600017	<u>CAMSHAFTS & GEAR COVER - 883L/N/R, 1200C/CA/CB/CP/V/X</u>
25700171	<u>INSPECTION COVER & PRIMARY COVER</u>
2586A	<u>BRAKE CONTROL, FRONT - 883L/N/R, 1200C/CA/CB/CP/V/X</u> <u>BRAKE CONTROL, FRONT - XR1200X</u>
26010-04	<u>ROCKER ARM ASSEMBLY & PUSHRODS - 883L/N/R, 1200C/CA/CB/CP/V/X (2 OF 2)</u>
26011-04	<u>ROCKER ARM ASSEMBLY & PUSHRODS - 883L/N/R, 1200C/CA/CB/CP/V/X (2 OF 2)</u>
26012-07	<u>ROCKER ARM ASSEMBLY & PUSHRODS - 883L/N/R, 1200C/CA/CB/CP/V/X (2 OF 2)</u>
26016-08	<u>ROCKER ARM ASSEMBLY & PUSHRODS - XR1200X</u>
26020-07	<u>ROCKER ARM ASSEMBLY & PUSHRODS - 883L/N/R, 1200C/CA/CB/CP/V/X (2 OF 2)</u>
26064-08	<u>OIL PUMP - XR1200X</u> <u>OIL LINES & COOLER - XR1200X</u>
2607	<u>LICENSE PLATE BRACKETS</u>
2612	<u>AIR BOX - XR1200X</u>
26162-08	<u>AIR BOX - XR1200X</u>
26169-08	<u>AIR BOX - XR1200X</u>
26182-08	<u>OIL PUMP - XR1200X</u>
26183-08	<u>OIL LINES & COOLER - XR1200X</u>
26184-08	<u>OIL PUMP - XR1200X</u>
26204-91A	<u>OIL PUMP - 883L/N/R, 1200C/CA/CB/CP/V/X</u>
26210-99	<u>OIL PUMP - XR1200X</u>
26239-07	<u>OIL PUMP - 883L/N/R, 1200C/CA/CB/CP/V/X</u>
26318-88A	<u>CAMSHAFTS & GEAR COVER - 883L/N/R, 1200C/CA/CB/CP/V/X</u>

26332-08	<u>CAMSHAFTS & GEAR COVER - XR1200X</u>
26400-82B	<u>OIL PUMP - XR1200X</u>
26432-76A	<u>OIL PUMP - XR1200X</u>
26434-91	<u>OIL PUMP - 883L/N/R, 1200C/CA/CB/CP/V/X</u>
26436-90A	<u>CRANKCASE & GEARCASE - 883L/N/R, 1200C/CA/CB/CP/V/X (1 OF 2)</u> <u>CRANKCASE & GEARCASE - XR1200X</u>
26437-86B	<u>CRANKCASE & GEARCASE - 883L/N/R, 1200C/CA/CB/CP/V/X (1 OF 2)</u> <u>CRANKCASE & GEARCASE - XR1200X</u>
26495-89B	<u>OIL PUMP - 883L/N/R, 1200C/CA/CB/CP/V/X</u>
26496-75A	<u>OIL PUMP - 883L/N/R, 1200C/CA/CB/CP/V/X</u>
26502-07	<u>OIL PUMP - 883L/N/R, 1200C/CA/CB/CP/V/X</u>
26503-07	<u>OIL PUMP - 883L/N/R, 1200C/CA/CB/CP/V/X</u>
26522-08	<u>OIL PUMP - XR1200X</u>
26525-08	<u>OIL PUMP - XR1200X</u>
26526-08	<u>OIL PUMP - XR1200X</u>
26529-08	<u>OIL PUMP - XR1200X</u>
2653	<u>FENDERS, REAR - XR1200X</u>
26546-08	<u>OIL PUMP - XR1200X</u>
26554-77B	<u>ENGINE SENSORS & SWITCHES</u>
26592-08	<u>OIL PUMP - XR1200X</u>
26638-00Y	<u>CRANKCASE & GEARCASE - 883L/N/R, 1200C/CA/CB/CP/V/X (1 OF 2)</u> <u>CRANKCASE & GEARCASE - XR1200X</u>
26856-89A	<u>ROCKER ARM ASSEMBLY & PUSHRODS - XR1200X</u>
26995-86B	<u>INDUCTION MODULE, FUEL - 883L/N/R, 1200C/CA/CB/CP/V/X</u> <u>INDUCTION MODULE, FUEL - XR1200X</u>
27042-84A	<u>EVAPORATIVE EMISSIONS COMPONENTS</u>
27047-84B	<u>EVAPORATIVE EMISSIONS COMPONENTS</u>
27067-07A	<u>FUEL TANK - 883L/N/R, 1200C/CA/CB/CP/V/X</u>
27071-10	<u>FUEL TANK - 883L/N/R, 1200C/CA/CB/CP/V/X</u>
2708A	<u>SHIFTER LEVER</u> <u>GUARDS, SAREE</u> <u>FORK, REAR, DEBRIS DEFLECTOR & BELT GUARD</u> <u>HEADLAMP - 1200C/CA/CB/CP/V</u>

27096-04A	FUEL TANK - 883L/N/R, 1200C/CA/CB/CP/V/X FUEL TANK - XR1200X
27200-08	FUEL TANK - XR1200X
27216-95	INDUCTION MODULE, FUEL - 883L/N/R, 1200C/CA/CB/CP/V/X INDUCTION MODULE, FUEL - XR1200X
27250-96B	FUEL TANK - 883L/N/R, 1200C/CA/CB/CP/V/X
27327-07	INDUCTION MODULE, FUEL - 883L/N/R, 1200C/CA/CB/CP/V/X INDUCTION MODULE, FUEL - XR1200X
27628-01A	INDUCTION MODULE, FUEL - 883L/N/R, 1200C/CA/CB/CP/V/X INDUCTION MODULE, FUEL - XR1200X
27629-01A	INDUCTION MODULE, FUEL - 883L/N/R, 1200C/CA/CB/CP/V/X INDUCTION MODULE, FUEL - XR1200X SWITCHES
27690-08	EXHAUST SYSTEM - XR1200X SWITCHES
27693-07	INDUCTION MODULE, FUEL - 883L/N/R, 1200C/CA/CB/CP/V/X
27695-08	INDUCTION MODULE, FUEL - XR1200X
27698-08A	INDUCTION MODULE, FUEL - XR1200X
27700-07	INDUCTION MODULE, FUEL - 883L/N/R, 1200C/CA/CB/CP/V/X
27701-07A	INDUCTION MODULE, FUEL - 883L/N/R, 1200C/CA/CB/CP/V/X
27704-07	INDUCTION MODULE, FUEL - 883L/N/R, 1200C/CA/CB/CP/V/X INDUCTION MODULE, FUEL - XR1200X
27706-07A	INDUCTION MODULE, FUEL - 883L/N/R, 1200C/CA/CB/CP/V/X INDUCTION MODULE, FUEL - XR1200X
27707-07	INDUCTION MODULE, FUEL - 883L/N/R, 1200C/CA/CB/CP/V/X
27714-06	EXHAUST SYSTEM - 883L/N/R, 1200C/CA/CB/CP/V/X (1 OF 2) EXHAUST SYSTEM - XR1200X SWITCHES
27719-07	EXHAUST SYSTEM - 883L/N/R, 1200C/CA/CB/CP/V/X (1 OF 2) SWITCHES
2773	LICENSE PLATE BRACKETS
27792-08	INDUCTION MODULE, FUEL - XR1200X
27794-08	ELECTRONIC IGNITION SYSTEM - XR1200X
27795-07	INDUCTION MODULE, FUEL - 883L/N/R, 1200C/CA/CB/CP/V/X
27829-10	INDUCTION MODULE, FUEL - 883L/N/R, 1200C/CA/CB/CP/V/X

2872W	FENDERS, REAR - XR1200X
28790-10	AIR CLEANER - 883L/N/R, 1200C/CA/CB/CP/V/X
28792-10	AIR CLEANER - 883L/N/R, 1200C/CA/CB/CP/V/X
28794-10	AIR CLEANER - 883L/N/R, 1200C/CA/CB/CP/V/X
28822-07A	EVAPORATIVE EMISSIONS COMPONENTS
28908-04A	EVAPORATIVE EMISSIONS COMPONENTS
28909-04	EVAPORATIVE EMISSIONS COMPONENTS
28911-04A	FUEL TANK - 883L/N/R, 1200C/CA/CB/CP/V/X EVAPORATIVE EMISSIONS COMPONENTS
29000015	AIR CLEANER - 883L/N/R, 1200C/CA/CB/CP/V/X
29000016	AIR CLEANER - 883L/N/R, 1200C/CA/CB/CP/V/X
29062-95B	AIR CLEANER - 883L/N/R, 1200C/CA/CB/CP/V/X
29123-07	AIR CLEANER - 883L/N/R, 1200C/CA/CB/CP/V/X
29127-95B	LABELS
29147-07	LABELS
29200001	AIR CLEANER - 883L/N/R, 1200C/CA/CB/CP/V/X
29200023	AIR CLEANER - 883L/N/R, 1200C/CA/CB/CP/V/X
29313-95	AIR CLEANER - 883L/N/R, 1200C/CA/CB/CP/V/X
29315-04	AIR CLEANER - 883L/N/R, 1200C/CA/CB/CP/V/X
29331-04	AIR CLEANER - 883L/N/R, 1200C/CA/CB/CP/V/X
29346-07	AIR CLEANER - 883L/N/R, 1200C/CA/CB/CP/V/X
29355-07	AIR CLEANER - 883L/N/R, 1200C/CA/CB/CP/V/X
29369-07A	AIR CLEANER - 883L/N/R, 1200C/CA/CB/CP/V/X
29371-08	AIR BOX - XR1200X
29377-08	AIR BOX - XR1200X
29379-08	AIR BOX - XR1200X
29380-08	AIR BOX - XR1200X
29400015	AIR CLEANER - 883L/N/R, 1200C/CA/CB/CP/V/X
29466-08	LABELS
2952A	SEATS

	<u>FENDERS, REAR - 883N/1200V/X (ALL EXCEPT CANADA)</u>
2955	<u>SWITCHES, HANDLEBAR</u>
29950-91	<u>CRANKCASE & GEARCASE - 883L/N/R, 1200C/CA/CB/CP/V/X (1 OF 2)</u> <u>CRANKCASE & GEARCASE - XR1200X</u>
29997-07A	<u>ALTERNATOR & REGULATOR</u>
30018-08	<u>ALTERNATOR & REGULATOR</u> <u>BELT & SPROCKETS - XR1200X</u>
3018A	<u>FENDERS, FRONT</u>
3022A	<u>TAIL LAMPS</u>
3026	<u>HORN</u>
3029	<u>ALTERNATOR & REGULATOR</u>
3048	<u>FOOTRESTS - XR1200X</u>
3056	<u>FORK BRACKETS, FRONT - 883L/N/R, 1200C/CA/CB/CP/V/X</u>
3059	<u>FUEL TANK - XR1200X</u>
3060	<u>FUEL TANK - XR1200X</u>
3085	<u>FENDERS, REAR - 883N/1200V/X (ALL EXCEPT CANADA)</u> <u>LICENSE PLATE BRACKETS</u>
3123	<u>WIRING HARNESS, MAIN - 883L/N/R, 1200C/CA/CB/CP/V/X (1 OF 4)</u>
3124	<u>ELECTRONIC IGNITION SYSTEM - 883L/N/R, 1200C/CA/CB/CP/V/X</u> <u>WIRING HARNESS, MAIN - 883L/N/R, 1200C/CA/CB/CP/V/X (1 OF 4)</u> <u>WIRING HARNESS, MAIN - XR1200X (1 OF 3)</u> <u>HORN</u>
31390-91F	<u>STARTER MOTOR</u>
31488-81C	<u>STARTER MOTOR</u>
31512-04	<u>OIL TANK & LINES - 883L/N/R, 1200C/CA/CB/CP/V/X</u>
31556-91D	<u>STARTER MOTOR</u>
31586-07	<u>WIRING HARNESS, MAIN - 883L/N/R, 1200C/CA/CB/CP/V/X (1 OF 4)</u> <u>WIRING HARNESS, MAIN - XR1200X (1 OF 3)</u> <u>SWITCHES</u>
31602-08	<u>BELT & SPROCKETS - XR1200X</u>
31603-91	<u>STARTER MOTOR</u>
3162	<u>FOOTRESTS - 883L/N/R, 1200C/CA/CB/CP/V/X</u> <u>FOOTRESTS - XR1200X</u>
31630-08	<u>BELT & SPROCKETS - XR1200X</u>

31656-07	ELECTRONIC IGNITION SYSTEM - 883L/N/R, 1200C/CA/CB/CP/V/X ELECTRONIC IGNITION SYSTEM - XR1200X
31698-08	BELT & SPROCKETS - XR1200X
31699-08	BELT & SPROCKETS - XR1200X
31753-07	ELECTRONIC IGNITION SYSTEM - 883L/N/R, 1200C/CA/CB/CP/V/X ELECTRONIC IGNITION SYSTEM - XR1200X
31797-07	WIRING HARNESS, MAIN - 883L/N/R, 1200C/CA/CB/CP/V/X (1 OF 4)
31801-08	ELECTRONIC IGNITION SYSTEM - XR1200X
31806-08A	WIRING HARNESS, MAIN - XR1200X (1 OF 3)
31807-07	ELECTRONIC IGNITION SYSTEM - 883L/N/R, 1200C/CA/CB/CP/V/X
32003-07	ELECTRONIC IGNITION SYSTEM - 883L/N/R, 1200C/CA/CB/CP/V/X
32004-08	ELECTRONIC IGNITION SYSTEM - XR1200X
32005-08A	ELECTRONIC IGNITION SYSTEM - XR1200X
32006-07	ELECTRONIC IGNITION SYSTEM - 883L/N/R, 1200C/CA/CB/CP/V/X
3210A	FENDERS, FRONT HANDLEBAR & THROTTLE CONTROL - 883L/N/R, 1200X, XR1200X HANDLEBAR & THROTTLE CONTROL - 1200C/CA/CB/CP/V
3214	FOOTRESTS - 883L/N/R, 1200C/CA/CB/CP/V/X
32319-07	INDUCTION MODULE, FUEL - 883L/N/R, 1200C/CA/CB/CP/V/X INDUCTION MODULE, FUEL - XR1200X SWITCHES
32362-04	ELECTRONIC IGNITION SYSTEM - 883L/N/R, 1200C/CA/CB/CP/V/X
3244	CLUTCH CONTROL BRAKE CONTROL, FRONT - 883L/N/R, 1200C/CA/CB/CP/V/X BRAKE CONTROL, FRONT - XR1200X
32472-10	ENGINE SENSORS & SWITCHES
32493-02B	ALTERNATOR & REGULATOR BELT & SPROCKETS - 883L/N/R, 1200C/CA/CB/CP/V/X
32494-04B	ALTERNATOR & REGULATOR BELT & SPROCKETS - 883L/N/R, 1200C/CA/CB/CP/V/X
32506-90	CAMSHAFTS & GEAR COVER - 883L/N/R, 1200C/CA/CB/CP/V/X
32514-04	CAMSHAFTS & GEAR COVER - 883L/N/R, 1200C/CA/CB/CP/V/X
32531-07	CAMSHAFTS & GEAR COVER - 883L/N/R, 1200C/CA/CB/CP/V/X
32534-11	ELECTRONIC IGNITION SYSTEM - 883L/N/R, 1200C/CA/CB/CP/V/X ELECTRONIC IGNITION SYSTEM - XR1200X

32707-01C	<u>ENGINE SENSORS & SWITCHES</u>
33032-99	<u>FOOTRESTS - 883L/N/R, 1200C/CA/CB/CP/V/X</u>
33048-72	<u>FOOTRESTS - 883L/N/R, 1200C/CA/CB/CP/V/X</u>
33084-06	<u>FOOTRESTS - XR1200X</u>
33117-91A	<u>CRANKCASE & GEARCASE - 883L/N/R, 1200C/CA/CB/CP/V/X (1 OF 2)</u> <u>CRANKCASE & GEARCASE - XR1200X</u>
33123-06A	<u>OIL TANK & LINES - 883L/N/R, 1200C/CA/CB/CP/V/X</u> <u>OIL TANK & LINES- XR1200X</u>
33130-07A	<u>FOOTRESTS - 883L/N/R, 1200C/CA/CB/CP/V/X</u> <u>FOOTRESTS - XR1200X</u>
33133-06	<u>FOOTRESTS - 883L/N/R, 1200C/CA/CB/CP/V/X</u> <u>FOOTRESTS - XR1200X</u>
33134-07CAZ	<u>FOOTRESTS - 883L/N/R, 1200C/CA/CB/CP/V/X</u> <u>FOOTRESTS - XR1200X</u>
33135-07CAZ	<u>FOOTRESTS - 883L/N/R, 1200C/CA/CB/CP/V/X</u> <u>FOOTRESTS - XR1200X</u>
33138-06	<u>OIL TANK & LINES - 883L/N/R, 1200C/CA/CB/CP/V/X</u> <u>OIL TANK & LINES- XR1200X</u>
33189-63	<u>FOOTRESTS - 883L/N/R, 1200C/CA/CB/CP/V/X</u>
33216-99	<u>FOOTRESTS - 883L/N/R, 1200C/CA/CB/CP/V/X</u>
33354-08	<u>TRANSMISSION GEARS</u>
33540-06	<u>SHIFTER, GEAR</u>
33641-06	<u>SHIFTER, GEAR</u>
33832-08	<u>SHIFTER LEVER</u>
33875-08	<u>SHIFTER LEVER</u>
33900-99	<u>SWITCHES</u>
34014-06A	<u>SHIFTER, GEAR</u>
34064-00C	<u>SHIFTER, GEAR</u>
34076-02A	<u>SHIFTER, GEAR</u>
34157-06	<u>SHIFTER, GEAR</u>
34162-06	<u>SHIFTER, GEAR</u>
34163-02	<u>SHIFTER, GEAR</u>
34483-06	<u>SHIFTER, GEAR</u>

34491-02A	<u>SHIFTER, GEAR</u>
34572-04	<u>SHIFTER LEVER</u>
34573-04	<u>SHIFTER LEVER</u>
34581-04	<u>BRAKE CONTROL, REAR</u>
34582-04	<u>BRAKE CONTROL, REAR</u>
34611-65A	<u>SHIFTER LEVER</u>
34660-04A	<u>SHIFTER LEVER</u>
34663-10	<u>SHIFTER LEVER</u>
34665-10	<u>SHIFTER LEVER</u>
34670-06	<u>SHIFTER LEVER</u>
34672-08	<u>SHIFTER LEVER</u>
34721-07	<u>SHIFTER LEVER</u>
34723-10	<u>SHIFTER LEVER</u>
34724-10	<u>SHIFTER LEVER</u>
34760-04	<u>INSPECTION COVER & PRIMARY COVER</u>
34761-04A	<u>INSPECTION COVER & PRIMARY COVER</u>
34794-05A	<u>INSPECTION COVER & PRIMARY COVER</u>
3480A	<u>CAMSHAFTS & GEAR COVER - 883L/N/R, 1200C/CA/CB/CP/V/X</u> <u>CAMSHAFTS & GEAR COVER - XR1200X</u> <u>ELECTRONIC IGNITION SYSTEM - 883L/N/R, 1200C/CA/CB/CP/V/X</u> <u>ELECTRONIC IGNITION SYSTEM - XR1200X</u> <u>BELT & SPROCKETS - 883L/N/R, 1200C/CA/CB/CP/V/X</u> <u>BELT & SPROCKETS - XR1200X</u>
3485A	<u>FUEL TANK - XR1200X</u>
34911-04	<u>BELT & SPROCKETS - 883L/N/R, 1200C/CA/CB/CP/V/X</u>
34920-86A	<u>CLUTCH - 883L/N/R, 1200C/CA/CB/CP/V/X</u> <u>CLUTCH - XR1200X</u>
34932-04	<u>BELT & SPROCKETS - 883L/N/R, 1200C/CA/CB/CP/V/X</u>
34943-05	<u>BELT & SPROCKETS - 883L/N/R, 1200C/CA/CB/CP/V/X</u>
34955-04	<u>INSPECTION COVER & PRIMARY COVER</u>
34981-02A	<u>SHIFTER, GEAR</u>
34982-02A	<u>SHIFTER, GEAR</u>

34990-08	<u>INSPECTION COVER & PRIMARY COVER</u>
34992-04	<u>INSPECTION COVER & PRIMARY COVER</u>
34993-04A	<u>INSPECTION COVER & PRIMARY COVER</u>
35030-89A	<u>TRANSMISSION GEARS</u>
35038-89A	<u>TRANSMISSION GEARS</u>
35051-89A	<u>TRANSMISSION GEARS</u>
35077-10	<u>INSPECTION COVER & PRIMARY COVER</u>
35087-99A	<u>TRANSMISSION GEARS</u>
35107-06	<u>TRANSMISSION GEARS</u>
35114-02	<u>CRANKCASE & GEARCASE - 883L/N/R, 1200C/CA/CB/CP/V/X (2 OF 2)</u> <u>CRANKCASE & GEARCASE - XR1200X</u>
35118-03	<u>CRANKCASE & GEARCASE - 883L/N/R, 1200C/CA/CB/CP/V/X (2 OF 2)</u> <u>CRANKCASE & GEARCASE - XR1200X</u>
3514	<u>HEADLAMP - 883L/N/R, 1200X, XR1200X</u>
35159-06	<u>TRANSMISSION GEARS</u>
35163-06	<u>TRANSMISSION GEARS</u>
35165-06	<u>TRANSMISSION GEARS</u>
35167-06	<u>TRANSMISSION GEARS</u>
35172-06	<u>TRANSMISSION GEARS</u>
35174-06	<u>TRANSMISSION GEARS</u>
35190-06	<u>TRANSMISSION GEARS</u>
35191-06	<u>TRANSMISSION GEARS</u>
35193-06	<u>TRANSMISSION GEARS</u>
35196-06	<u>TRANSMISSION GEARS</u>
35197-06	<u>TRANSMISSION GEARS</u>
35211-91B	<u>BELT & SPROCKETS - 883L/N/R, 1200C/CA/CB/CP/V/X</u> <u>BELT & SPROCKETS - XR1200X</u>
35234-08	<u>TRANSMISSION GEARS</u>
3563	<u>HORN</u>
3565	<u>AIR CLEANER - 883L/N/R, 1200C/CA/CB/CP/V/X</u>
3574	<u>SEATS</u> <u>FENDERS, REAR - XR1200X</u>

3579A	BRAKE, MASTER CYLINDER, REAR - XR1200X FORK, REAR, DEBRIS DEFLECTOR & BELT GUARD
358	CRANKCASE & GEARCASE - 883L/N/R, 1200C/CA/CB/CP/V/X (1 OF 2) CRANKCASE & GEARCASE - XR1200X
3588	OIL TANK & LINES - 883L/N/R, 1200C/CA/CB/CP/V/X OIL TANK & LINES- XR1200X BATTERY
3594	BELT & SPROCKETS - 883L/N/R, 1200C/CA/CB/CP/V/X BELT & SPROCKETS - XR1200X
3605	HANDLEBAR & THROTTLE CONTROL - 883L/N/R, 1200X, XR1200X HANDLEBAR & THROTTLE CONTROL - 1200C/CA/CB/CP/V
3615	HEADLAMP - 1200C/CA/CB/CP/V
3655A	WHEELS, FRONT, CAST - 883L/N/R, 1200C/CA/CP WHEEL, FRONT, CAST - XR1200X WHEELS, FRONT, LACED - 1200C/CB/CP/V/X HEADLAMP - 883L/N/R, 1200X, XR1200X
3658	SWITCHES, HANDLEBAR SWITCHES
3666A	HANDLEBAR & THROTTLE CONTROL - 1200C/CA/CB/CP/V
36715-94	CLUTCH - 883L/N/R, 1200C/CA/CB/CP/V/X CLUTCH - XR1200X
36731-91	CLUTCH - 883L/N/R, 1200C/CA/CB/CP/V/X CLUTCH - XR1200X
36785-91	CLUTCH - 883L/N/R, 1200C/CA/CB/CP/V/X
36790-04	CLUTCH - 883L/N/R, 1200C/CA/CB/CP/V/X
36799-91	CLUTCH - 883L/N/R, 1200C/CA/CB/CP/V/X
36802-84B	CLUTCH - 883L/N/R, 1200C/CA/CB/CP/V/X CLUTCH - XR1200X
3696	FRAME & JIFFY STAND - XR1200X OIL TANK & LINES - 883L/N/R, 1200C/CA/CB/CP/V/X OIL TANK & LINES- XR1200X BATTERY
37000041	CLUTCH CONTROL
3706M	FENDERS, REAR - XR1200X
3708M	ELECTRONIC IGNITION SYSTEM - XR1200X
37107-06	SHIFTER, GEAR
3728	EVAPORATIVE EMISSIONS COMPONENTS

3731M	FENDERS, FRONT
3732	TURN SIGNAL MODULE & SECURITY SIREN
37495-91	CLUTCH - 883L/N/R, 1200C/CA/CB/CP/V/X CLUTCH - XR1200X
37716-10	BELT & SPROCKETS - XR1200X
37718-10	INSPECTION COVER & PRIMARY COVER
37870-91	CLUTCH - 883L/N/R, 1200C/CA/CB/CP/V/X CLUTCH - XR1200X
37872-90	CLUTCH - 883L/N/R, 1200C/CA/CB/CP/V/X CLUTCH - XR1200X
37890-02	CLUTCH - XR1200X
37891-02	CLUTCH - XR1200X
37892-02	CLUTCH - XR1200X
37894-02	CLUTCH - XR1200X
37895-02	CLUTCH - XR1200X
37896-02	CLUTCH - XR1200X
37897-02	CLUTCH - XR1200X
37898-02A	CLUTCH - XR1200X
37899-02A	CLUTCH - XR1200X
37904-90	CLUTCH - 883L/N/R, 1200C/CA/CB/CP/V/X
37905-90	CLUTCH - 883L/N/R, 1200C/CA/CB/CP/V/X
37908-90	CLUTCH - 883L/N/R, 1200C/CA/CB/CP/V/X CLUTCH - XR1200X
37909-90	CLUTCH - 883L/N/R, 1200C/CA/CB/CP/V/X CLUTCH - XR1200X
37910-04B	CLUTCH - 883L/N/R, 1200C/CA/CB/CP/V/X
37911-90	CLUTCH - 883L/N/R, 1200C/CA/CB/CP/V/X CLUTCH - XR1200X
37912-91	CLUTCH - 883L/N/R, 1200C/CA/CB/CP/V/X
37913-90	CLUTCH - 883L/N/R, 1200C/CA/CB/CP/V/X CLUTCH - XR1200X
37924-04A	CLUTCH - 883L/N/R, 1200C/CA/CB/CP/V/X
37934-06	CLUTCH - XR1200X

37977-90	CLUTCH - 883L/N/R, 1200C/CA/CB/CP/V/X
3802W	FENDERS, REAR - XR1200X
3814	BELT & SPROCKETS - 883L/N/R, 1200C/CA/CB/CP/V/X
3849	ROCKER ARM ASSEMBLY & PUSHRODS - 883L/N/R, 1200C/CA/CB/CP/V/X (1 OF 2) ROCKER ARM ASSEMBLY & PUSHRODS - XR1200X
3854	ENGINE MOUNTS
38630-88	CLUTCH CONTROL
38653-01	HANDLEBAR & THROTTLE CONTROL - 883L/N/R, 1200X, XR1200X HANDLEBAR & THROTTLE CONTROL - 1200C/CA/CB/CP/V
38671-04	CLUTCH CONTROL
38699-04C	CLUTCH CONTROL
38786-08A	CLUTCH CONTROL
3880	SHOCK ABSORBERS, REAR
3899	BELT & SPROCKETS - 883L/N/R, 1200C/CA/CB/CP/V/X BELT & SPROCKETS - XR1200X WHEELS, REAR, CAST - 883L/N/R, 1200C/CA/CP WHEEL, REAR, CAST - XR1200X WHEELS, REAR, LACED - 1200C/CB/CP/V/X
38999-11	HEADLAMP - 1200C/CA/CB/CP/V
3976	ROCKER ARM ASSEMBLY & PUSHRODS - 883L/N/R, 1200C/CA/CB/CP/V/X (1 OF 2) ROCKER ARM ASSEMBLY & PUSHRODS - XR1200X
3987	INDUCTION MODULE, FUEL - 883L/N/R, 1200C/CA/CB/CP/V/X INDUCTION MODULE, FUEL - XR1200X
3990	TRANSMISSION GEARS
40005-57B	BELT & SPROCKETS - 883L/N/R, 1200C/CA/CB/CP/V/X
40039-02C	BELT & SPROCKETS - 883L/N/R, 1200C/CA/CB/CP/V/X BELT & SPROCKETS - XR1200X
40057-08	BELT & SPROCKETS - XR1200X
40147-04	BELT & SPROCKETS - 883L/N/R, 1200C/CA/CB/CP/V/X
4016	SHIFTER LEVER
4017	FENDERS, REAR - 883L/R/1200C/CA/CB/CP (ALL), 883N/1200V/X (CANADA ONLY) FENDERS, REAR - 883N/1200V/X (ALL EXCEPT CANADA)
40241-02A	ALTERNATOR & REGULATOR BELT & SPROCKETS - 883L/N/R, 1200C/CA/CB/CP/V/X
40251-92A	BELT & SPROCKETS - 883L/N/R, 1200C/CA/CB/CP/V/X BELT & SPROCKETS - XR1200X

40254-02	CRANKCASE & GEARCASE - 883L/N/R, 1200C/CA/CB/CP/V/X (2 OF 2) CRANKCASE & GEARCASE - XR1200X BELT & SPROCKETS - 883L/N/R, 1200C/CA/CB/CP/V/X BELT & SPROCKETS - XR1200X
40290-04A	ALTERNATOR & REGULATOR BELT & SPROCKETS - 883L/N/R, 1200C/CA/CB/CP/V/X
4029A	FORK, FRONT - 883L/R, 1200C/CA/CB/CP/V/X FORK, FRONT - 883N
4032A	EXHAUST SYSTEM - 883L/N/R, 1200C/CA/CB/CP/V/X (1 OF 2)
40350-07	BELT & SPROCKETS - 883L/N/R, 1200C/CA/CB/CP/V/X BELT & SPROCKETS - XR1200X
40379-04	BELT & SPROCKETS - XR1200X
40380-04	BELT & SPROCKETS - 883L/N/R, 1200C/CA/CB/CP/V/X
40409-04	BELT & SPROCKETS - 883L/N/R, 1200C/CA/CB/CP/V/X
40444-07	BELT & SPROCKETS - 883L/N/R, 1200C/CA/CB/CP/V/X
40518-08	BELT & SPROCKETS - 883L/N/R, 1200C/CA/CB/CP/V/X
40558-82	WHEELS, FRONT, LACED - 1200C/CB/CP/V/X WHEELS, REAR, LACED - 1200C/CB/CP/V/X
40560-05	BELT & SPROCKETS - 883L/N/R, 1200C/CA/CB/CP/V/X
40561-05	BELT & SPROCKETS - 883L/N/R, 1200C/CA/CB/CP/V/X
40562-05	BELT & SPROCKETS - 883L/N/R, 1200C/CA/CB/CP/V/X
40572-11	WHEELS, FRONT, LACED - 1200C/CB/CP/V/X WHEELS, REAR, LACED - 1200C/CB/CP/V/X
40574-06	INSPECTION COVER & PRIMARY COVER
40591-07	BELT & SPROCKETS - 883L/N/R, 1200C/CA/CB/CP/V/X BELT & SPROCKETS - XR1200X
40759-05	WHEELS, FRONT, LACED - 1200C/CB/CP/V/X
4076	BRAKE, MASTER CYLINDER, REAR - 883L/N/R, 1200C/CA/CB/CP/V/X (1 OF 2) FRAME & JIFFY STAND - 883L/N/R, 1200C/CA/CB/CP/V/X (1 OF 2) FRAME & JIFFY STAND - XR1200X
40760-05	WHEELS, FRONT, LACED - 1200C/CB/CP/V/X
40875-11	WHEELS, FRONT, LACED - 1200C/CB/CP/V/X WHEELS, REAR, LACED - 1200C/CB/CP/V/X
40878-11	WHEELS, REAR, CAST - 883L/N/R, 1200C/CA/CP WHEELS, REAR, CAST - 883L/N/R, 1200C/CA/CP WHEELS, REAR, LACED - 1200C/CB/CP/V/X

40879-11A	WHEELS, FRONT, CAST - 883L/N/R, 1200C/CA/CP WHEEL, FRONT, CAST - XR1200X
4091	CRANKCASE & GEARCASE - 883L/N/R, 1200C/CA/CB/CP/V/X (1 OF 2) CRANKCASE & GEARCASE - XR1200X
40930-05	WHEELS, REAR, CAST - 883L/N/R, 1200C/CA/CP WHEEL, REAR, CAST - XR1200X WHEELS, REAR, LACED - 1200C/CB/CP/V/X
40946-04	BRAKE, MASTER CYLINDER, REAR - 883L/N/R, 1200C/CA/CB/CP/V/X (1 OF 2)
40948-04	BRAKE, MASTER CYLINDER, REAR - 883L/N/R, 1200C/CA/CB/CP/V/X (1 OF 2) BRAKE, MASTER CYLINDER, REAR - XR1200X
40968-11	BRAKE CALIPER, REAR - 883L/N/R, 1200C/CA/CB/CP/V/X
40999-87	WHEELS, FRONT, CAST - 883L/N/R, 1200C/CA/CP WHEELS, REAR, CAST - 883L/N/R, 1200C/CA/CP
41012-08	WHEELS, REAR, CAST - 883L/N/R, 1200C/CA/CP
41082-08A	WHEELS, REAR, LACED - 1200C/CB/CP/V/X
41123-79	WHEELS, FRONT, CAST - 883L/N/R, 1200C/CA/CP WHEEL, FRONT, CAST - XR1200X WHEELS, FRONT, LACED - 1200C/CB/CP/V/X WHEELS, REAR, CAST - 883L/N/R, 1200C/CA/CP WHEEL, REAR, CAST - XR1200X WHEELS, REAR, LACED - 1200C/CB/CP/V/X
41176-08	WHEELS, REAR, CAST - 883L/N/R, 1200C/CA/CP WHEELS, REAR, LACED - 1200C/CB/CP/V/X
41191-74A	INSPECTION COVER & PRIMARY COVER
41229-08	WHEELS, REAR, CAST - 883L/N/R, 1200C/CA/CP WHEEL, REAR, CAST - XR1200X WHEELS, REAR, LACED - 1200C/CB/CP/V/X
41242-08	WHEELS, FRONT, CAST - 883L/N/R, 1200C/CA/CP WHEELS, FRONT, LACED - 1200C/CB/CP/V/X WHEELS, REAR, CAST - 883L/N/R, 1200C/CA/CP WHEELS, REAR, LACED - 1200C/CB/CP/V/X
4132	OIL PUMP - 883L/N/R, 1200C/CA/CB/CP/V/X
41388-10	WHEELS, FRONT, LACED - 1200C/CB/CP/V/X
41389-10	WHEELS, FRONT, LACED - 1200C/CB/CP/V/X
41478-10A	WHEELS, REAR, LACED - 1200C/CB/CP/V/X
41561-04	ENGINE MOUNTS
41562-04	ENGINE MOUNTS
41568-04	ENGINE MOUNTS

41573-05	FORK, REAR, DEBRIS DEFLECTOR & BELT GUARD FORK, REAR, DEBRIS DEFLECTOR & BELT GUARD
41623-05	FORK, REAR, DEBRIS DEFLECTOR & BELT GUARD
41626-08	FORK, REAR, DEBRIS DEFLECTOR & BELT GUARD
41627-08	WHEEL, REAR, CAST - XR1200X
41628-08	WHEELS, FRONT, CAST - 883L/N/R, 1200C/CA/CP WHEEL, FRONT, CAST - XR1200X WHEELS, FRONT, LACED - 1200C/CB/CP/V/X
41698-04	FORK, REAR, DEBRIS DEFLECTOR & BELT GUARD
41699-04	ENGINE MOUNTS
41730-08	WHEEL, REAR, CAST - XR1200X
41732-04	BRAKE CONTROL, FRONT - 883L/N/R, 1200C/CA/CB/CP/V/X BRAKE CONTROL, FRONT - XR1200X BRAKE, MASTER CYLINDER, REAR - 883L/N/R, 1200C/CA/CB/CP/V/X (1 OF 2) BRAKE, MASTER CYLINDER, REAR - XR1200X
41736-04	BRAKE CONTROL, FRONT - 883L/N/R, 1200C/CA/CB/CP/V/X BRAKE CONTROL, FRONT - XR1200X BRAKE, MASTER CYLINDER, REAR - 883L/N/R, 1200C/CA/CB/CP/V/X (1 OF 2) BRAKE, MASTER CYLINDER, REAR - XR1200X
41737-04	BRAKE CONTROL, FRONT - 883L/N/R, 1200C/CA/CB/CP/V/X BRAKE CONTROL, FRONT - XR1200X
41743-04	BRAKE CONTROL, FRONT - 883L/N/R, 1200C/CA/CB/CP/V/X BRAKE CONTROL, FRONT - XR1200X
41748-08	WHEEL, FRONT, CAST - XR1200X
4180	ENGINE MOUNTS HORN
41822-10	WHEEL, FRONT, CAST - XR1200X
41833-08	WHEELS, REAR, CAST - 883L/N/R, 1200C/CA/CP WHEEL, REAR, CAST - XR1200X WHEELS, REAR, LACED - 1200C/CB/CP/V/X
41858-08	WHEEL, REAR, CAST - XR1200X
4188	ENGINE MOUNTS
42028-07	BRAKE CALIPER, FRONT - 883L/N/R, 1200C/CA/CB/CP/V/X
42029-07	BRAKE CALIPER, REAR - 883L/N/R, 1200C/CA/CB/CP/V/X
42310-08	BRAKE CALIPER, REAR - XR1200X
42341-07	BRAKE CONTROL, REAR
42425-05	CLUTCH CONTROL

	BRAKE CONTROL, FRONT - 883L/N/R, 1200C/CA/CB/CP/V/X BRAKE CONTROL, FRONT - XR1200X BRAKE, MASTER CYLINDER, REAR - XR1200X
42443-80A	SHIFTER LEVER BRAKE CONTROL, REAR
42460-80B	BRAKE, MASTER CYLINDER, REAR - 883L/N/R, 1200C/CA/CB/CP/V/X (2 OF 2) BRAKE, MASTER CYLINDER, REAR - XR1200X
4250M	FORK, FRONT - XR1200X FENDERS, FRONT
42521-07	BRAKE, MASTER CYLINDER, REAR - 883L/N/R, 1200C/CA/CB/CP/V/X (1 OF 2)
42541-04	FOOTRESTS - 883L/N/R, 1200C/CA/CB/CP/V/X
42569-03	SHIFTER LEVER BRAKE CONTROL, REAR
42593-04	BRAKE, MASTER CYLINDER, REAR - 883L/N/R, 1200C/CA/CB/CP/V/X (2 OF 2)
42595-04	BRAKE, MASTER CYLINDER, REAR - 883L/N/R, 1200C/CA/CB/CP/V/X (1 OF 2)
42645-07	BRAKE CONTROL, REAR
42649-07	BRAKE CONTROL, REAR
42651-04	FOOTRESTS - 883L/N/R, 1200C/CA/CB/CP/V/X
42652-04	FOOTRESTS - 883L/N/R, 1200C/CA/CB/CP/V/X
4266A	CYLINDERS, HEADS & VALVES - 883L/N/R, 1200C/CA/CB/CP/V/X (1 OF 2) CYLINDERS, HEADS & VALVES - XR1200X
42685-04	BRAKE CONTROL, REAR
4269	EXHAUST SYSTEM - 883L/N/R, 1200C/CA/CB/CP/V/X (1 OF 2) EXHAUST SYSTEM - XR1200X
42736-08	BRAKE CONTROL, FRONT - XR1200X
42737-08	BRAKE, MASTER CYLINDER, REAR - XR1200X
42738-08	BRAKE, MASTER CYLINDER, REAR - XR1200X
42739-08	BRAKE CALIPER, FRONT - XR1200X
42744-08	BRAKE, MASTER CYLINDER, REAR - XR1200X
42745-07	BRAKE CONTROL, FRONT - 883L/N/R, 1200C/CA/CB/CP/V/X
42803-07A	BRAKE CONTROL, FRONT - 883L/N/R, 1200C/CA/CB/CP/V/X
42804-07	BRAKE CONTROL, FRONT - 883L/N/R, 1200C/CA/CB/CP/V/X BRAKE CONTROL, FRONT - XR1200X

42805-04	BRAKE CONTROL, FRONT - 883L/N/R, 1200C/CA/CB/CP/V/X BRAKE CONTROL, FRONT - XR1200X
42806-04	BRAKE CONTROL, FRONT - 883L/N/R, 1200C/CA/CB/CP/V/X
42807-04	CLUTCH CONTROL BRAKE CONTROL, FRONT - 883L/N/R, 1200C/CA/CB/CP/V/X BRAKE CONTROL, FRONT - XR1200X
42808-04	CLUTCH CONTROL BRAKE CONTROL, FRONT - 883L/N/R, 1200C/CA/CB/CP/V/X BRAKE CONTROL, FRONT - XR1200X
42809-07A	BRAKE CONTROL, FRONT - 883L/N/R, 1200C/CA/CB/CP/V/X
42810-07A	BRAKE, MASTER CYLINDER, REAR - 883L/N/R, 1200C/CA/CB/CP/V/X (1 OF 2)
42811-04	BRAKE, MASTER CYLINDER, REAR - 883L/N/R, 1200C/CA/CB/CP/V/X (1 OF 2) BRAKE, MASTER CYLINDER, REAR - XR1200X
42812-04	BRAKE, MASTER CYLINDER, REAR - 883L/N/R, 1200C/CA/CB/CP/V/X (2 OF 2)
42813-04	BRAKE, MASTER CYLINDER, REAR - 883L/N/R, 1200C/CA/CB/CP/V/X (2 OF 2)
42814-04	BRAKE, MASTER CYLINDER, REAR - 883L/N/R, 1200C/CA/CB/CP/V/X (2 OF 2)
42815-04	BRAKE, MASTER CYLINDER, REAR - 883L/N/R, 1200C/CA/CB/CP/V/X (2 OF 2) BRAKE, MASTER CYLINDER, REAR - XR1200X
42816-07	BRAKE, MASTER CYLINDER, REAR - 883L/N/R, 1200C/CA/CB/CP/V/X (2 OF 2)
42817-07	BRAKE, MASTER CYLINDER, REAR - 883L/N/R, 1200C/CA/CB/CP/V/X (2 OF 2) BRAKE, MASTER CYLINDER, REAR - XR1200X
42821-04	BRAKE, MASTER CYLINDER, REAR - 883L/N/R, 1200C/CA/CB/CP/V/X (2 OF 2)
42823-04	BRAKE CALIPER, FRONT - 883L/N/R, 1200C/CA/CB/CP/V/X BRAKE CALIPER, REAR - 883L/N/R, 1200C/CA/CB/CP/V/X
42824-04	BRAKE CALIPER, FRONT - 883L/N/R, 1200C/CA/CB/CP/V/X BRAKE CALIPER, REAR - 883L/N/R, 1200C/CA/CB/CP/V/X BRAKE CALIPER, REAR - XR1200X
42825-04	BRAKE CALIPER, FRONT - 883L/N/R, 1200C/CA/CB/CP/V/X
42827-04	BRAKE CALIPER, FRONT - 883L/N/R, 1200C/CA/CB/CP/V/X BRAKE CALIPER, FRONT - XR1200X
42828-04	BRAKE CALIPER, FRONT - 883L/N/R, 1200C/CA/CB/CP/V/X BRAKE CALIPER, FRONT - XR1200X
42829-04	BRAKE CALIPER, FRONT - 883L/N/R, 1200C/CA/CB/CP/V/X
42831-04A	BRAKE CALIPER, FRONT - 883L/N/R, 1200C/CA/CB/CP/V/X
42832-04	BRAKE CALIPER, FRONT - 883L/N/R, 1200C/CA/CB/CP/V/X
42834-04	BRAKE CALIPER, REAR - 883L/N/R, 1200C/CA/CB/CP/V/X BRAKE CALIPER, REAR - XR1200X

42837-04	BRAKE CALIPER, REAR - 883L/N/R, 1200C/CA/CB/CP/V/X BRAKE CALIPER, REAR - XR1200X
42838-04	BRAKE CALIPER, FRONT - 883L/N/R, 1200C/CA/CB/CP/V/X BRAKE CALIPER, REAR - 883L/N/R, 1200C/CA/CB/CP/V/X BRAKE CALIPER, REAR - XR1200X
42839-04	BRAKE CALIPER, REAR - 883L/N/R, 1200C/CA/CB/CP/V/X BRAKE CALIPER, REAR - XR1200X
42840-04	BRAKE CALIPER, REAR - 883L/N/R, 1200C/CA/CB/CP/V/X BRAKE CALIPER, REAR - XR1200X
42845-07	BRAKE, MASTER CYLINDER, REAR - 883L/N/R, 1200C/CA/CB/CP/V/X (2 OF 2) BRAKE, MASTER CYLINDER, REAR - XR1200X
42846-04	BRAKE, MASTER CYLINDER, REAR - 883L/N/R, 1200C/CA/CB/CP/V/X (2 OF 2)
42875-07	BRAKE CALIPER, FRONT - 883L/N/R, 1200C/CA/CB/CP/V/X BRAKE CALIPER, FRONT - XR1200X BRAKE CALIPER, REAR - 883L/N/R, 1200C/CA/CB/CP/V/X BRAKE CALIPER, REAR - XR1200X
42877-10	BRAKE CALIPER, FRONT - 883L/N/R, 1200C/CA/CB/CP/V/X
42878-10	BRAKE CALIPER, FRONT - 883L/N/R, 1200C/CA/CB/CP/V/X
42879-10	BRAKE CALIPER, FRONT - 883L/N/R, 1200C/CA/CB/CP/V/X
42880-10	BRAKE CALIPER, FRONT - 883L/N/R, 1200C/CA/CB/CP/V/X
42881-11	BRAKE CALIPER, REAR - 883L/N/R, 1200C/CA/CB/CP/V/X
42892-08	BRAKE CALIPER, REAR - XR1200X
42893-07	BRAKE CALIPER, FRONT - 883L/N/R, 1200C/CA/CB/CP/V/X BRAKE CALIPER, FRONT - XR1200X BRAKE CALIPER, REAR - 883L/N/R, 1200C/CA/CB/CP/V/X BRAKE CALIPER, REAR - XR1200X
42899-08	BRAKE CALIPER, FRONT - XR1200X
4290	ENGINE MOUNTS
42900-08	BRAKE CALIPER, REAR - XR1200X
42941-10	BRAKE CONTROL, FRONT - XR1200X
42942-08A	BRAKE CONTROL, FRONT - XR1200X
42943-08	BRAKE CALIPER, FRONT - XR1200X
42944-08	BRAKE CALIPER, FRONT - XR1200X
42945-08	BRAKE, MASTER CYLINDER, REAR - XR1200X
42948-08	BRAKE CALIPER, REAR - XR1200X

42949-08A	<u>BRAKE CONTROL, REAR</u>
42969-04	<u>BRAKE CONTROL, REAR</u>
42971-04	<u>FOOTRESTS - 883L/N/R, 1200C/CA/CB/CP/V/X</u>
42972-04	<u>FOOTRESTS - 883L/N/R, 1200C/CA/CB/CP/V/X</u>
42975-08A	<u>BRAKE, MASTER CYLINDER, REAR - XR1200X</u>
42976-04	<u>BRAKE, MASTER CYLINDER, REAR - 883L/N/R, 1200C/CA/CB/CP/V/X (2 OF 2)</u>
42979-04	<u>BRAKE, MASTER CYLINDER, REAR - 883L/N/R, 1200C/CA/CB/CP/V/X (2 OF 2)</u>
43017-07	<u>WHEELS, REAR, LACED - 1200C/CB/CP/V/X</u>
43085-97	<u>WHEELS, REAR, LACED - 1200C/CB/CP/V/X</u>
43100004	<u>WHEELS, FRONT, LACED - 1200C/CB/CP/V/X</u>
4312C	<u>BATTERY</u>
43140-80	<u>WHEELS, FRONT, LACED - 1200C/CB/CP/V/X</u>
43147-40	<u>WHEELS, REAR, LACED - 1200C/CB/CP/V/X</u>
43157-83A	<u>WHEELS, FRONT, CAST - 883L/N/R, 1200C/CA/CP</u> <u>WHEEL, FRONT, CAST - XR1200X</u> <u>WHEELS, REAR, CAST - 883L/N/R, 1200C/CA/CP</u> <u>WHEEL, REAR, CAST - XR1200X</u>
43200007	<u>WHEELS, REAR, LACED - 1200C/CB/CP/V/X</u>
43200011	<u>WHEEL, REAR, CAST - XR1200X</u>
43216-11	<u>WHEELS, REAR, CAST - 883L/N/R, 1200C/CA/CP</u>
43241-05	<u>WHEELS, REAR, LACED - 1200C/CB/CP/V/X</u>
43258-07B	<u>WHEELS, FRONT, CAST - 883L/N/R, 1200C/CA/CP</u>
4326A	<u>HANDLEBAR & THROTTLE CONTROL - 883L/N/R, 1200X, XR1200X</u>
4329	<u>ALTERNATOR & REGULATOR</u>
43343-10	<u>WHEEL, FRONT, CAST - XR1200X</u>
43348-10	<u>WHEEL, REAR, CAST - XR1200X</u>
43355-00	<u>WHEELS, FRONT, CAST - 883L/N/R, 1200C/CA/CP</u>
43358-08	<u>WHEELS, FRONT, CAST - 883L/N/R, 1200C/CA/CP</u> <u>WHEELS, FRONT, LACED - 1200C/CB/CP/V/X</u>
43359-00	<u>WHEELS, FRONT, CAST - 883L/N/R, 1200C/CA/CP</u>
43499-08	<u>WHEELS, FRONT, CAST - 883L/N/R, 1200C/CA/CP</u>

4350A	FOOTRESTS - XR1200X
4351	TURN SIGNALS, FRONT
4352	FORK BRACKETS, FRONT - 883L/N/R, 1200C/CA/CB/CP/V/X FORK BRACKETS, FRONT - XR1200X
43522-08	WHEELS, FRONT, CAST - 883L/N/R, 1200C/CA/CP WHEELS, FRONT, LACED - 1200C/CB/CP/V/X
43528-04	BRAKE CALIPER, REAR - 883L/N/R, 1200C/CA/CB/CP/V/X BRAKE CALIPER, REAR - XR1200X
4354	SHOCK ABSORBERS, REAR
43557-08	WHEELS, FRONT, LACED - 1200C/CB/CP/V/X
43567-92	WHEELS, REAR, CAST - 883L/N/R, 1200C/CA/CP WHEEL, REAR, CAST - XR1200X WHEELS, REAR, LACED - 1200C/CB/CP/V/X
4359	SHIFTER LEVER FORK BRACKETS, FRONT - 883L/N/R, 1200C/CA/CB/CP/V/X
4363	EVAPORATIVE EMISSIONS COMPONENTS
4365	TAIL LAMPS
43662-80B	WHEELS, FRONT, LACED - 1200C/CB/CP/V/X
43689-11	WHEELS, FRONT, CAST - 883L/N/R, 1200C/CA/CP
43895-08	WHEELS, FRONT, CAST - 883L/N/R, 1200C/CA/CP WHEELS, FRONT, LACED - 1200C/CB/CP/V/X
43905-08	WHEELS, REAR, CAST - 883L/N/R, 1200C/CA/CP WHEELS, REAR, LACED - 1200C/CB/CP/V/X
43906-08	WHEELS, FRONT, CAST - 883L/N/R, 1200C/CA/CP WHEELS, FRONT, LACED - 1200C/CB/CP/V/X
43939-89	WHEELS, FRONT, LACED - 1200C/CB/CP/V/X
44012-11A	WHEELS, REAR, CAST - 883L/N/R, 1200C/CA/CP
44121-07A	BRAKE CALIPER, FRONT - 883L/N/R, 1200C/CA/CB/CP/V/X
44136-00	WHEELS, FRONT, CAST - 883L/N/R, 1200C/CA/CP
44156-00	WHEELS, FRONT, CAST - 883L/N/R, 1200C/CA/CP WHEELS, FRONT, LACED - 1200C/CB/CP/V/X
44160-00	BRAKE CALIPER, FRONT - 883L/N/R, 1200C/CA/CB/CP/V/X BRAKE CALIPER, FRONT - 883L/N/R, 1200C/CA/CB/CP/V/X BRAKE CALIPER, FRONT - XR1200X FORK, FRONT - XR1200X
44178-04	BRAKE CALIPER, REAR - 883L/N/R, 1200C/CA/CB/CP/V/X

44184-04	BRAKE CALIPER, REAR - 883L/N/R, 1200C/CA/CB/CP/V/X BRAKE CALIPER, REAR - XR1200X
44189-04	BRAKE, MASTER CYLINDER, REAR - 883L/N/R, 1200C/CA/CB/CP/V/X (2 OF 2)
4420	HEADLAMP - 1200C/CA/CB/CP/V
44429-11	BRAKE, MASTER CYLINDER, REAR - 883L/N/R, 1200C/CA/CB/CP/V/X (2 OF 2)
44440-04	BRAKE CALIPER, FRONT - 883L/N/R, 1200C/CA/CB/CP/V/X BRAKE CALIPER, REAR - 883L/N/R, 1200C/CA/CB/CP/V/X
44590-04	BRAKE, MASTER CYLINDER, REAR - 883L/N/R, 1200C/CA/CB/CP/V/X (2 OF 2)
4499M	FORK, FRONT - XR1200X
45041-01A	FOOTRESTS - 883L/N/R, 1200C/CA/CB/CP/V/X FOOTRESTS - 883L/N/R, 1200C/CA/CB/CP/V/X FOOTRESTS - XR1200X
45052-07A	BRAKE CONTROL, FRONT - 883L/N/R, 1200C/CA/CB/CP/V/X
45065-06	FOOTRESTS - XR1200X
45067-06	FOOTRESTS - XR1200X
45074-95	BRAKE CONTROL, FRONT - 883L/N/R, 1200C/CA/CB/CP/V/X BRAKE CONTROL, FRONT - XR1200X
45146-07	BRAKE CONTROL, FRONT - 883L/N/R, 1200C/CA/CB/CP/V/X
45155-08	FORK BRACKETS, FRONT - XR1200X
45319-04D	BRAKE CONTROL, FRONT - 883L/N/R, 1200C/CA/CB/CP/V/X
45356-07	CLUTCH CONTROL
45361-90	FORK, FRONT - 883L/R, 1200C/CA/CB/CP/V/X FORK, FRONT - 883N
45374-87	FORK, FRONT - 883L/R, 1200C/CA/CB/CP/V/X FORK, FRONT - 883N
45376-09	FORK, FRONT - 883L/R, 1200C/CA/CB/CP/V/X
45377-87	FORK, FRONT - 883N
45378-87	FORK, FRONT - 883N
45395-09	FORK, FRONT - 883L/R, 1200C/CA/CB/CP/V/X
45400041	FORK, FRONT - 883L/R, 1200C/CA/CB/CP/V/X
45400042	FORK, FRONT - 883L/R, 1200C/CA/CB/CP/V/X
45401-87	FORK, FRONT - 883N
45405-75A	FORK, FRONT - 883N

45449-04C	BRAKE CONTROL, FRONT - 883L/N/R, 1200C/CA/CB/CP/V/X
45451-07	FORK, FRONT - 883N
45458-09	FORK, FRONT - 883L/R, 1200C/CA/CB/CP/V/X
45461-87	FORK, FRONT - 883N
45462-87	FORK, FRONT - 883N
45465-87	FORK, FRONT - 883N
4549	FRAME & JIFFY STAND - XR1200X EXHAUST SYSTEM - XR1200X
45500142	FORK, FRONT - 883L/R, 1200C/CA/CB/CP/V/X
4551	INDUCTION MODULE, FUEL - XR1200X
4553	FUEL TANK - XR1200X
45600014	FRAME & JIFFY STAND - 883L/N/R, 1200C/CA/CB/CP/V/X (2 OF 2) FRAME & JIFFY STAND - XR1200X
45611-86	FORK BRACKETS, FRONT - 883L/N/R, 1200C/CA/CB/CP/V/X FORK BRACKETS, FRONT - XR1200X
45690-10	FORK, FRONT - XR1200X
45693-10	FORK, FRONT - XR1200X
45790-80	FORK, FRONT - 883L/R, 1200C/CA/CB/CP/V/X FORK, FRONT - 883N
45799-04	CLUTCH CONTROL
45800-04	CLUTCH CONTROL
45801-04	CLUTCH CONTROL
45830-48	CRANKCASE & GEARCASE - 883L/N/R, 1200C/CA/CB/CP/V/X (2 OF 2) CRANKCASE & GEARCASE - XR1200X
45842-77A	FORK, FRONT - XR1200X
4589	BELT & SPROCKETS - XR1200X
45902-00	STARTER MOTOR
45905-87	FORK, FRONT - 883N
45925-09	FORK, FRONT - 883L/R, 1200C/CA/CB/CP/V/X
45938-92	FORK, FRONT - 883L/R, 1200C/CA/CB/CP/V/X
45966-04	FORK BRACKETS, FRONT - 883L/N/R, 1200C/CA/CB/CP/V/X
45968-10	FORK, FRONT - 883L/R, 1200C/CA/CB/CP/V/X

45984-87	FORK, FRONT - 883N
45988-10	FORK, FRONT - 883L/R, 1200C/CA/CB/CP/V/X
45996-87	FORK, FRONT - 883L/R, 1200C/CA/CB/CP/V/X FORK, FRONT - 883N
46002-87	FORK, FRONT - 883L/R, 1200C/CA/CB/CP/V/X
46009-10	FORK BRACKETS, FRONT - 883L/N/R, 1200C/CA/CB/CP/V/X
46014-10	FORK BRACKETS, FRONT - 883L/N/R, 1200C/CA/CB/CP/V/X
46075-04	FORK, FRONT - 883L/R, 1200C/CA/CB/CP/V/X
46076-04	FORK, FRONT - 883L/R, 1200C/CA/CB/CP/V/X
46126-04	FORK BRACKETS, FRONT - 883L/N/R, 1200C/CA/CB/CP/V/X
46218-05	FORK, FRONT - 883L/R, 1200C/CA/CB/CP/V/X FORK, FRONT - 883N
46245-09	FORK, FRONT - 883L/R, 1200C/CA/CB/CP/V/X
46267-05	FORK, FRONT - 883L/R, 1200C/CA/CB/CP/V/X
46268-04	CLUTCH CONTROL
46329-06	FORK, FRONT - XR1200X
46343-06	FORK, FRONT - XR1200X
46346-06	FORK, FRONT - XR1200X
46372-10	FORK, FRONT - XR1200X
46400-04C	BRAKE CONTROL, FRONT - 883L/N/R, 1200C/CA/CB/CP/V/X
46417-10A	BRAKE CONTROL, FRONT - 883L/N/R, 1200C/CA/CB/CP/V/X
46420-10	FENDERS, FRONT
46449-08	FORK, FRONT - 883L/R, 1200C/CA/CB/CP/V/X
46450-08	FORK, FRONT - 883L/R, 1200C/CA/CB/CP/V/X
46453-09	FORK, FRONT - 883L/R, 1200C/CA/CB/CP/V/X
46454-09	FORK, FRONT - 883L/R, 1200C/CA/CB/CP/V/X
46680-11	BRAKE CONTROL, FRONT - 883L/N/R, 1200C/CA/CB/CP/V/X
46681-10	FORK, FRONT - XR1200X
46688-11	BRAKE CONTROL, FRONT - 883L/N/R, 1200C/CA/CB/CP/V/X
46758-07	FORK BRACKETS, FRONT - 883L/N/R, 1200C/CA/CB/CP/V/X

46767-07	FORK BRACKETS, FRONT - 883L/N/R, 1200C/CA/CB/CP/V/X
4678	BELT & SPROCKETS - XR1200X
46927-10	FORK BRACKETS, FRONT - XR1200X
46928-10	FORK BRACKETS, FRONT - XR1200X
46945-07A	CLUTCH CONTROL
46946-06A	BRAKE CONTROL, FRONT - 883L/N/R, 1200C/CA/CB/CP/V/X BRAKE CONTROL, FRONT - XR1200X
46986-11	BRAKE CONTROL, FRONT - 883L/N/R, 1200C/CA/CB/CP/V/X
46997-11	FORK BRACKETS, FRONT - 883L/N/R, 1200C/CA/CB/CP/V/X
46998-11	FORK BRACKETS, FRONT - 883L/N/R, 1200C/CA/CB/CP/V/X
4705	ENGINE SENSORS & SWITCHES OIL TANK & LINES- XR1200X OIL LINES & COOLER - XR1200X
4717A	CAMSHAFTS & GEAR COVER - 883L/N/R, 1200C/CA/CB/CP/V/X CAMSHAFTS & GEAR COVER - XR1200X BELT & SPROCKETS - 883L/N/R, 1200C/CA/CB/CP/V/X
4718A	ROCKER ARM ASSEMBLY & PUSHRODS - 883L/N/R, 1200C/CA/CB/CP/V/X (1 OF 2) ROCKER ARM ASSEMBLY & PUSHRODS - XR1200X OIL PUMP - XR1200X
47200177	GUARDS, SAREE
4724	HEADLAMP - 883L/N/R, 1200X, XR1200X
47299-07	FORK, FRONT - 883N
47313-07	FORK, FRONT - 883N
4740A	CAMSHAFTS & GEAR COVER - 883L/N/R, 1200C/CA/CB/CP/V/X CAMSHAFTS & GEAR COVER - XR1200X
4741A	ROCKER ARM ASSEMBLY & PUSHRODS - 883L/N/R, 1200C/CA/CB/CP/V/X (1 OF 2) ROCKER ARM ASSEMBLY & PUSHRODS - XR1200X OIL PUMP - XR1200X BRAKE CONTROL, FRONT - 883L/N/R, 1200C/CA/CB/CP/V/X BRAKE CONTROL, FRONT - XR1200X
47470-04	ENGINE MOUNTS
47471-04A	ENGINE MOUNTS
4748	CYLINDERS, HEADS & VALVES - 883L/N/R, 1200C/CA/CB/CP/V/X (1 OF 2) BRAKE CONTROL, FRONT - 883L/N/R, 1200C/CA/CB/CP/V/X HEADLAMP - 883L/N/R, 1200X, XR1200X HEADLAMP - 1200C/CA/CB/CP/V EXHAUST SYSTEM - 883L/N/R, 1200C/CA/CB/CP/V/X (1 OF 2) EXHAUST SYSTEM - XR1200X

4751	ALTERNATOR & REGULATOR BELT & SPROCKETS - 883L/N/R, 1200C/CA/CB/CP/V/X BELT & SPROCKETS - XR1200X
47587-05	FORK, REAR, DEBRIS DEFLECTOR & BELT GUARD
4758A	FUEL TANK - 883L/N/R, 1200C/CA/CB/CP/V/X
4765	OIL PUMP - 883L/N/R, 1200C/CA/CB/CP/V/X
47682-10	FORK, REAR, DEBRIS DEFLECTOR & BELT GUARD
4771	FUEL TANK - 883L/N/R, 1200C/CA/CB/CP/V/X
4778	GUARDS, SAREE FENDERS, REAR - 883L/R/1200C/CA/CB/CP (ALL), 883N/1200V/X (CANADA ONLY) FENDERS, REAR - 883N/1200V/X (ALL EXCEPT CANADA)
4779	GUARDS, SAREE FENDERS, REAR - 883L/R/1200C/CA/CB/CP (ALL), 883N/1200V/X (CANADA ONLY) FENDERS, REAR - 883N/1200V/X (ALL EXCEPT CANADA)
47875-09A	WHEELS, FRONT, CAST - 883L/N/R, 1200C/CA/CP
47878-09A	WHEELS, REAR, CAST - 883L/N/R, 1200C/CA/CP
47887-10	WHEELS, FRONT, LACED - 1200C/CB/CP/V/X
4798	INDUCTION MODULE, FUEL - 883L/N/R, 1200C/CA/CB/CP/V/X INDUCTION MODULE, FUEL - XR1200X
4802	AIR BOX - XR1200X
48027-99	FRAME & JIFFY STAND - 883L/N/R, 1200C/CA/CB/CP/V/X (1 OF 2) FRAME & JIFFY STAND - XR1200X
4816A	BRAKE, MASTER CYLINDER, REAR - 883L/N/R, 1200C/CA/CB/CP/V/X (1 OF 2) HANDLEBAR & THROTTLE CONTROL - 883L/N/R, 1200X, XR1200X
48184-01	FORK BRACKETS, FRONT - 883L/N/R, 1200C/CA/CB/CP/V/X FORK BRACKETS, FRONT - XR1200X
4820A	INSPECTION COVER & PRIMARY COVER
4822A	CAMSHAFTS & GEAR COVER - XR1200X
48300-60	FORK BRACKETS, FRONT - 883L/N/R, 1200C/CA/CB/CP/V/X FORK BRACKETS, FRONT - XR1200X
48315-60	FORK BRACKETS, FRONT - 883L/N/R, 1200C/CA/CB/CP/V/X FORK BRACKETS, FRONT - XR1200X FRAME & JIFFY STAND - 883L/N/R, 1200C/CA/CB/CP/V/X (1 OF 2) FRAME & JIFFY STAND - XR1200X
48390-06	FENDERS, REAR - XR1200X
48463-04A	ENGINE MOUNTS
48492-04A	ENGINE MOUNTS

4859	EXHAUST SYSTEM - XR1200X
4871	FRAME & JIFFY STAND - 883L/N/R, 1200C/CA/CB/CP/V/X (1 OF 2) FRAME & JIFFY STAND - XR1200X
48714-08	FORK, FRONT - 883N
48715-08	FORK, FRONT - 883N
48716-08	FORK, FRONT - 883N
48726-08	FORK, FRONT - 883N
48737-07	FORK, FRONT - 883N
48738-07	FORK, FRONT - 883L/R, 1200C/CA/CB/CP/V/X FORK, FRONT - 883N
48771-10	FORK, FRONT - XR1200X
48778-10	FORK, FRONT - XR1200X
48785-10	FORK, FRONT - XR1200X
48786-10	FORK, FRONT - XR1200X
48791-09	FORK, FRONT - 883L/R, 1200C/CA/CB/CP/V/X
48849-10	FORK, FRONT - 883L/R, 1200C/CA/CB/CP/V/X
48850-10	FORK, FRONT - 883L/R, 1200C/CA/CB/CP/V/X
4886	OIL LINES & COOLER - XR1200X
48879-08A	FRAME & JIFFY STAND - XR1200X
4897	OIL LINES & COOLER - XR1200X
49314-04	FOOTRESTS - 883L/N/R, 1200C/CA/CB/CP/V/X
49315-04	FOOTRESTS - 883L/N/R, 1200C/CA/CB/CP/V/X
49372-10	FORK, FRONT - XR1200X
49376-11	FRAME & JIFFY STAND - 883L/N/R, 1200C/CA/CB/CP/V/X (1 OF 2)
49378-09	FORK, FRONT - 883L/R, 1200C/CA/CB/CP/V/X FORK, FRONT - 883N
49382-11	FORK, FRONT - 883L/R, 1200C/CA/CB/CP/V/X
49400-11	FORK, FRONT - 883L/R, 1200C/CA/CB/CP/V/X
49401-11	FORK, FRONT - 883L/R, 1200C/CA/CB/CP/V/X
49403-11	FORK, FRONT - 883L/R, 1200C/CA/CB/CP/V/X
49406-10	FORK, FRONT - XR1200X

49409-11	FORK, FRONT - 883L/R, 1200C/CA/CB/CP/V/X
49410-11	FORK, FRONT - 883L/R, 1200C/CA/CB/CP/V/X
49411-11	FORK, FRONT - 883L/R, 1200C/CA/CB/CP/V/X
49412-11	FORK, FRONT - 883L/R, 1200C/CA/CB/CP/V/X
49419-11	FORK BRACKETS, FRONT - 883L/N/R, 1200C/CA/CB/CP/V/X
49422-11	FORK BRACKETS, FRONT - 883L/N/R, 1200C/CA/CB/CP/V/X
49735-08	FRAME & JIFFY STAND - 883L/N/R, 1200C/CA/CB/CP/V/X (1 OF 2) FRAME & JIFFY STAND - XR1200X
4975M	BRAKE, MASTER CYLINDER, REAR - XR1200X
4977	FORK, FRONT - XR1200X
4978	FENDERS, FRONT
4991	FRAME & JIFFY STAND - 883L/N/R, 1200C/CA/CB/CP/V/X (1 OF 2)
4993	FORK BRACKETS, FRONT - 883L/N/R, 1200C/CA/CB/CP/V/X FORK BRACKETS, FRONT - XR1200X
50000025BHP	FRAME & JIFFY STAND - 883L/N/R, 1200C/CA/CB/CP/V/X (1 OF 2)
50003-89B	FRAME & JIFFY STAND - 883L/N/R, 1200C/CA/CB/CP/V/X (1 OF 2) FRAME & JIFFY STAND - XR1200X
50005-85A	FRAME & JIFFY STAND - 883L/N/R, 1200C/CA/CB/CP/V/X (1 OF 2) FRAME & JIFFY STAND - XR1200X
50124-09BHP	FRAME & JIFFY STAND - 883L/N/R, 1200C/CA/CB/CP/V/X (1 OF 2) FRAME & JIFFY STAND - XR1200X
50126-08A	FRAME & JIFFY STAND - 883L/N/R, 1200C/CA/CB/CP/V/X (2 OF 2) FRAME & JIFFY STAND - XR1200X SWITCHES
50185-04C	FRAME & JIFFY STAND - 883L/N/R, 1200C/CA/CB/CP/V/X (1 OF 2)
50500227	GUARDS, SAREE
50912-72	FOOTRESTS - 883L/N/R, 1200C/CA/CB/CP/V/X FOOTRESTS - 883L/N/R, 1200C/CA/CB/CP/V/X FOOTRESTS - XR1200X
51044-08	FOOTRESTS - XR1200X
51045-08	BRAKE, MASTER CYLINDER, REAR - XR1200X BRAKE CONTROL, REAR
51046-09	FOOTRESTS - XR1200X
51048-08	FOOTRESTS - XR1200X
51049-08	FOOTRESTS - XR1200X

51323-08	FOOTRESTS - 883L/N/R, 1200C/CA/CB/CP/V/X
51327-08	FOOTRESTS - 883L/N/R, 1200C/CA/CB/CP/V/X
51382-08	SEATS
51383-08	SEATS
51530-07	SEATS
51532-07	SEATS
51550-11	SEATS
51551-07	SEATS
51652-97A	SEATS
51710-08	FENDERS, REAR - XR1200X
51730-10	FOOTRESTS - 883L/N/R, 1200C/CA/CB/CP/V/X
51731-10	FOOTRESTS - 883L/N/R, 1200C/CA/CB/CP/V/X
51740-10	SEATS
51911-10	SEATS
51938-04	BRAKE, MASTER CYLINDER, REAR - 883L/N/R, 1200C/CA/CB/CP/V/X (2 OF 2) BRAKE, MASTER CYLINDER, REAR - XR1200X
52000070	SEATS
52429-08	FENDERS, REAR - XR1200X
52441-95	TAIL LAMPS
53176-08	FRAME & JIFFY STAND - 883L/N/R, 1200C/CA/CB/CP/V/X (1 OF 2) FRAME & JIFFY STAND - XR1200X
53436-97	HEADLAMP - 883L/N/R, 1200X, XR1200X HEADLAMP - 1200C/CA/CB/CP/V
5403B	LICENSE PLATE BRACKETS
5414	EXHAUST SYSTEM - 883L/N/R, 1200C/CA/CB/CP/V/X (1 OF 2)
5416	EXHAUST SYSTEM - XR1200X
54321-85	WHEELS, FRONT, CAST - 883L/N/R, 1200C/CA/CP WHEEL, FRONT, CAST - XR1200X WHEELS, FRONT, LACED - 1200C/CB/CP/V/X WHEELS, REAR, CAST - 883L/N/R, 1200C/CA/CP WHEEL, REAR, CAST - XR1200X WHEELS, REAR, LACED - 1200C/CB/CP/V/X
54550-10	SHOCK ABSORBERS, REAR

54568-09	<u>SHOCK ABSORBERS, REAR</u>
54570-09	<u>SHOCK ABSORBERS, REAR</u>
54671-10	<u>SHOCK ABSORBERS, REAR</u>
54700-10	<u>SHOCK ABSORBERS, REAR</u>
54724-04	<u>SHOCK ABSORBERS, REAR</u>
54741-07	<u>SHOCK ABSORBERS, REAR</u>
55018-11	<u>WHEELS, FRONT, CAST - 883L/N/R, 1200C/CA/CP</u>
55019-11A	<u>WHEELS, REAR, CAST - 883L/N/R, 1200C/CA/CP</u>
55035-11	<u>WHEELS, FRONT, CAST - 883L/N/R, 1200C/CA/CP</u> <u>WHEELS, FRONT, LACED - 1200C/CB/CP/V/X</u>
55074-11	<u>WHEELS, FRONT, CAST - 883L/N/R, 1200C/CA/CP</u>
55076-11A	<u>WHEELS, REAR, CAST - 883L/N/R, 1200C/CA/CP</u>
55126-11	<u>WHEELS, FRONT, LACED - 1200C/CB/CP/V/X</u>
55127-11	<u>WHEELS, FRONT, LACED - 1200C/CB/CP/V/X</u>
5531	<u>FENDERS, REAR - 883N/1200V/X (ALL EXCEPT CANADA)</u> <u>TAIL LAMP & TURN SIGNALS, REAR</u>
554A	<u>FRAME & JIFFY STAND - 883L/N/R, 1200C/CA/CB/CP/V/X (1 OF 2)</u> <u>FRAME & JIFFY STAND - XR1200X</u>
55785-11	<u>HANDLEBAR & THROTTLE CONTROL - 1200C/CA/CB/CP/V</u>
55786-11	<u>HANDLEBAR & THROTTLE CONTROL - 1200C/CA/CB/CP/V</u>
55840-04A	<u>HANDLEBAR & THROTTLE CONTROL - 1200C/CA/CB/CP/V</u>
55842-04	<u>HANDLEBAR & THROTTLE CONTROL - 1200C/CA/CB/CP/V</u>
55844-04	<u>SPEEDOMETER - 883L/N/R, 1200C/CA/CB/CP/V/X</u>
55846-05A	<u>SPEEDOMETER - 883L/N/R, 1200C/CA/CB/CP/V/X</u>
55847-05A	<u>SPEEDOMETER - 883L/N/R, 1200C/CA/CB/CP/V/X</u>
56014-09A	<u>HANDLEBAR & THROTTLE CONTROL - 883L/N/R, 1200X, XR1200X</u>
56017-04	<u>HANDLEBAR & THROTTLE CONTROL - 1200C/CA/CB/CP/V</u>
56073-83	<u>WIRING HARNESS, MAIN - 883L/N/R, 1200C/CA/CB/CP/V/X (1 OF 4)</u> <u>WIRING HARNESS, MAIN - XR1200X (1 OF 3)</u>
56079-93	<u>HANDLEBAR & THROTTLE CONTROL - 1200C/CA/CB/CP/V</u>
56085-83A	<u>HANDLEBAR & THROTTLE CONTROL - 883L/N/R, 1200X, XR1200X</u>
56104-02	<u>GUARDS, SAREE</u>

	<u>FENDERS, REAR - 883L/R/1200C/CA/CB/CP (ALL), 883N/1200V/X (CANADA ONLY)</u> <u>TAIL LAMP & TURN SIGNALS, REAR</u>
56115-95	<u>HANDLEBAR & THROTTLE CONTROL - 883L/N/R, 1200X, XR1200X</u>
56116-82A	<u>HANDLEBAR & THROTTLE CONTROL - 883L/N/R, 1200X, XR1200X</u>
56117-82A	<u>HANDLEBAR & THROTTLE CONTROL - 883L/N/R, 1200X, XR1200X</u>
56394-74	<u>SWITCHES, HANDLEBAR</u>
56396-74A	<u>SWITCHES, HANDLEBAR</u>
56397-74C	<u>SWITCHES, HANDLEBAR</u>
56402-83A	<u>SWITCHES, HANDLEBAR</u>
56508-76	<u>HANDLEBAR & THROTTLE CONTROL - 883L/N/R, 1200X, XR1200X</u> <u>HANDLEBAR & THROTTLE CONTROL - 1200C/CA/CB/CP/V</u>
56541-86A	<u>HANDLEBAR & THROTTLE CONTROL - 1200C/CA/CB/CP/V</u>
56542-86A	<u>HANDLEBAR & THROTTLE CONTROL - 1200C/CA/CB/CP/V</u>
56637-08	<u>HANDLEBAR & THROTTLE CONTROL - 883L/N/R, 1200X, XR1200X</u>
56639-08	<u>HANDLEBAR & THROTTLE CONTROL - 883L/N/R, 1200X, XR1200X</u>
56666-04	<u>HANDLEBAR & THROTTLE CONTROL - 883L/N/R, 1200X, XR1200X</u> <u>HANDLEBAR & THROTTLE CONTROL - 1200C/CA/CB/CP/V</u>
56667-04	<u>HANDLEBAR & THROTTLE CONTROL - 883L/N/R, 1200X, XR1200X</u> <u>HANDLEBAR & THROTTLE CONTROL - 1200C/CA/CB/CP/V</u>
56871-08	<u>FUEL PUMP</u>
56884-07	<u>HANDLEBAR & THROTTLE CONTROL - 883L/N/R, 1200X, XR1200X</u> <u>HANDLEBAR & THROTTLE CONTROL - 1200C/CA/CB/CP/V</u>
56885-07	<u>HANDLEBAR & THROTTLE CONTROL - 883L/N/R, 1200X, XR1200X</u> <u>HANDLEBAR & THROTTLE CONTROL - 1200C/CA/CB/CP/V</u>
57209-11	<u>HANDLEBAR & THROTTLE CONTROL - 883L/N/R, 1200X, XR1200X</u>
57472-11	<u>HANDLEBAR & THROTTLE CONTROL - 1200C/CA/CB/CP/V</u>
5845	<u>FUEL TANK - XR1200X</u>
58998-83E	<u>FENDERS, FRONT</u>
59022-07BDK	<u>FENDERS, FRONT</u>
59256-84A	<u>FENDERS, REAR - 883L/R/1200C/CA/CB/CP (ALL), 883N/1200V/X (CANADA ONLY)</u> <u>FENDERS, REAR - 883N/1200V/X (ALL EXCEPT CANADA)</u> <u>FENDERS, REAR - XR1200X</u>
59259-90	<u>FENDERS, REAR - 883L/R/1200C/CA/CB/CP (ALL), 883N/1200V/X (CANADA ONLY)</u> <u>FENDERS, REAR - XR1200X</u> <u>LICENSE PLATE BRACKETS</u>

59287-92	<u>FENDERS, REAR - 883L/R/1200C/CA/CB/CP (ALL), 883N/1200V/X (CANADA ONLY)</u>
59288-92	<u>FENDERS, REAR - 883L/R/1200C/CA/CB/CP (ALL), 883N/1200V/X (CANADA ONLY)</u>
59359-06	<u>FENDERS, REAR - 883N/1200V/X (ALL EXCEPT CANADA)</u>
59400-08	<u>FRAME & JIFFY STAND - XR1200X</u>
59401-08	<u>FRAME & JIFFY STAND - XR1200X</u>
59441-10	<u>FENDERS, FRONT</u>
59481-00	<u>FORK, FRONT - 883L/R, 1200C/CA/CB/CP/V/X</u> <u>FORK, FRONT - 883N</u>
59482-00	<u>FORK, FRONT - 883L/R, 1200C/CA/CB/CP/V/X</u> <u>FORK, FRONT - 883N</u>
59500034	<u>FENDERS, REAR - 883L/R/1200C/CA/CB/CP (ALL), 883N/1200V/X (CANADA ONLY)</u>
59502-04A	<u>FENDERS, REAR - 883L/R/1200C/CA/CB/CP (ALL), 883N/1200V/X (CANADA ONLY)</u> <u>FENDERS, REAR - 883N/1200V/X (ALL EXCEPT CANADA)</u>
59673-04A	<u>FENDERS, REAR - 883L/R/1200C/CA/CB/CP (ALL), 883N/1200V/X (CANADA ONLY)</u>
59712-07A	<u>FENDERS, FRONT</u>
59723-04	<u>FENDERS, REAR - 883L/R/1200C/CA/CB/CP (ALL), 883N/1200V/X (CANADA ONLY)</u> <u>FENDERS, REAR - 883N/1200V/X (ALL EXCEPT CANADA)</u>
59727-07	<u>FENDERS, REAR - 883N/1200V/X (ALL EXCEPT CANADA)</u>
59768-97	<u>FENDERS, REAR - 883L/R/1200C/CA/CB/CP (ALL), 883N/1200V/X (CANADA ONLY)</u> <u>FENDERS, REAR - 883N/1200V/X (ALL EXCEPT CANADA)</u>
59847-10	<u>FENDERS, REAR - 883L/R/1200C/CA/CB/CP (ALL), 883N/1200V/X (CANADA ONLY)</u>
59865-10	<u>FENDERS, REAR - 883N/1200V/X (ALL EXCEPT CANADA)</u>
59885-11	<u>FENDERS, REAR - 883L/R/1200C/CA/CB/CP (ALL), 883N/1200V/X (CANADA ONLY)</u>
59901-08BDK	<u>FENDERS, REAR - XR1200X</u>
59902-04	<u>FENDERS, REAR - 883L/R/1200C/CA/CB/CP (ALL), 883N/1200V/X (CANADA ONLY)</u>
59903-04	<u>FENDERS, REAR - 883L/R/1200C/CA/CB/CP (ALL), 883N/1200V/X (CANADA ONLY)</u>
59916-08	<u>FENDERS, REAR - XR1200X</u>
59984-73	<u>LICENSE PLATE BRACKETS</u>
59986-75	<u>LICENSE PLATE BRACKETS</u>
59988-72A	<u>LICENSE PLATE BRACKETS</u>
60001-55	<u>LICENSE PLATE BRACKETS</u>
6003	<u>TRANSMISSION GEARS</u>

60183-08	FENDERS, REAR - XR1200X
60188-08	LICENSE PLATE BRACKETS
60203-06	FENDERS, REAR - 883L/R/1200C/CA/CB/CP (ALL), 883N/1200V/X (CANADA ONLY) FENDERS, REAR - 883N/1200V/X (ALL EXCEPT CANADA)
60204-06	FENDERS, REAR - 883L/R/1200C/CA/CB/CP (ALL), 883N/1200V/X (CANADA ONLY) FENDERS, REAR - 883N/1200V/X (ALL EXCEPT CANADA)
6021	TRANSMISSION GEARS
60225-08BHP	LICENSE PLATE BRACKETS
6026	ENGINE MOUNTS HORN
60300007	GUARDS, SAREE
60300008	GUARDS, SAREE
60300009	GUARDS, SAREE
60318-07	LICENSE PLATE BRACKETS
60328-98B	INSPECTION COVER & PRIMARY COVER
60330-08	CRANKCASE & GEARCASE - XR1200X OIL PUMP - XR1200X
60367-04	FORK, REAR, DEBRIS DEFLECTOR & BELT GUARD
60375-10	LICENSE PLATE BRACKETS
60379-09	FORK, REAR, DEBRIS DEFLECTOR & BELT GUARD
60403-08	FORK, REAR, DEBRIS DEFLECTOR & BELT GUARD
60416-08	FORK, REAR, DEBRIS DEFLECTOR & BELT GUARD
60435-04A	FORK, REAR, DEBRIS DEFLECTOR & BELT GUARD
60574-10	FENDERS, FRONT
60836-10	INSPECTION COVER & PRIMARY COVER
60901-07	LICENSE PLATE BRACKETS
60955-11	FENDERS, FRONT
6099	BRAKE, MASTER CYLINDER, REAR - XR1200X EVAPORATIVE EMISSIONS COMPONENTS
6101	CLUTCH CONTROL BRAKE CONTROL, FRONT - 883L/N/R, 1200C/CA/CB/CP/V/X BRAKE CONTROL, FRONT - XR1200X
61015-04A	FUEL PUMP

6109	<u>GUARDS, SAREE</u>
6110	<u>OIL LINES & COOLER - XR1200X</u>
61109-85D	<u>FUEL TANK - 883L/N/R, 1200C/CA/CB/CP/V/X</u>
61213-04A	<u>FUEL PUMP</u>
61272-92C	<u>FUEL TANK - 883L/N/R, 1200C/CA/CB/CP/V/X</u>
61289-07A	<u>FUEL TANK - 883L/N/R, 1200C/CA/CB/CP/V/X</u>
61300131	<u>AIR CLEANER - 883L/N/R, 1200C/CA/CB/CP/V/X</u>
6139	<u>EXHAUST SYSTEM - 883L/N/R, 1200C/CA/CB/CP/V/X (1 OF 2)</u>
61392-08	<u>FUEL TANK - XR1200X</u>
61405-07	<u>FUEL TANK - 883L/N/R, 1200C/CA/CB/CP/V/X</u>
6152	<u>ENGINE MOUNTS</u>
6157	<u>OIL PUMP - 883L/N/R, 1200C/CA/CB/CP/V/X</u>
61572-08A	<u>FUEL TANK - XR1200X</u>
61573-08A	<u>FUEL TANK - XR1200X</u>
61574-08	<u>FUEL TANK - XR1200X</u>
61576-08	<u>FUEL TANK - XR1200X</u>
61577-08	<u>FUEL TANK - XR1200X</u>
61724-10	<u>FUEL TANK - 883L/N/R, 1200C/CA/CB/CP/V/X</u>
6192	<u>FENDERS, REAR - 883L/R/1200C/CA/CB/CP (ALL), 883N/1200V/X (CANADA ONLY)</u> <u>FENDERS, REAR - 883N/1200V/X (ALL EXCEPT CANADA)</u>
62122-89A	<u>FRAME & JIFFY STAND - 883L/N/R, 1200C/CA/CB/CP/V/X (1 OF 2)</u> <u>FRAME & JIFFY STAND - XR1200X</u>
62150-85	<u>FUEL TANK - 883L/N/R, 1200C/CA/CB/CP/V/X</u>
62213-07	<u>FUEL TANK - 883L/N/R, 1200C/CA/CB/CP/V/X</u>
62338-01Y	<u>OIL TANK & LINES - 883L/N/R, 1200C/CA/CB/CP/V/X</u>
62360-04A	<u>OIL TANK & LINES- XR1200X</u>
62360-10	<u>OIL TANK & LINES - 883L/N/R, 1200C/CA/CB/CP/V/X</u>
62361-10	<u>OIL TANK & LINES - 883L/N/R, 1200C/CA/CB/CP/V/X</u>
6237	<u>HORN</u>
62375-57A	<u>CAMSHAFTS & GEAR COVER - 883L/N/R, 1200C/CA/CB/CP/V/X</u>

62426-11	FUEL TANK TRIM
62439-11	FUEL TANK TRIM
62534-07	FRAME & JIFFY STAND - 883L/N/R, 1200C/CA/CB/CP/V/X (1 OF 2)
62580-11	FUEL TANK TRIM
62581-11	FUEL TANK TRIM
62592-07A	OIL TANK & LINES - 883L/N/R, 1200C/CA/CB/CP/V/X
62601-91A	OIL PUMP - 883L/N/R, 1200C/CA/CB/CP/V/X
62651-04	CRANKCASE & GEARCASE - 883L/N/R, 1200C/CA/CB/CP/V/X (2 OF 2)
62700013	CRANKCASE & GEARCASE - XR1200X
62700014	CRANKCASE & GEARCASE - 883L/N/R, 1200C/CA/CB/CP/V/X (2 OF 2)
6288	SWITCHES
62881-00	FUEL TANK - XR1200X
62888-08A	OIL TANK & LINES- XR1200X
62954-10	OIL TANK & LINES - 883L/N/R, 1200C/CA/CB/CP/V/X
63000-04B	OIL TANK & LINES - 883L/N/R, 1200C/CA/CB/CP/V/X
63008-08	OIL TANK & LINES- XR1200X
6302	FRAME & JIFFY STAND - XR1200X
63050-08A	OIL LINES & COOLER - XR1200X
63080-08	OIL LINES & COOLER - XR1200X
63081-08	OIL LINES & COOLER - XR1200X
63097-08	OIL LINES & COOLER - XR1200X
63098-08	OIL LINES & COOLER - XR1200X
63099-08	OIL TANK & LINES- XR1200X
63103-08	OIL TANK & LINES- XR1200X
63108-08	OIL LINES & COOLER - XR1200X
63110-08	OIL LINES & COOLER - XR1200X
63111-08	OIL LINES & COOLER - XR1200X
63112-08	OIL LINES & COOLER - XR1200X
63116-08	OIL LINES & COOLER - XR1200X
63119-08	OIL LINES & COOLER - XR1200X

63120-08	<u>OIL LINES & COOLER - XR1200X</u>
63125-08	<u>OIL LINES & COOLER - XR1200X</u>
63508-04	<u>CRANKCASE & GEARCASE - 883L/N/R, 1200C/CA/CB/CP/V/X (2 OF 2)</u> <u>CRANKCASE & GEARCASE - XR1200X</u>
63533-41A	<u>CRANKCASE & GEARCASE - 883L/N/R, 1200C/CA/CB/CP/V/X (2 OF 2)</u> <u>CRANKCASE & GEARCASE - XR1200X</u> <u>OIL PUMP - 883L/N/R, 1200C/CA/CB/CP/V/X</u>
63548-08	<u>ROCKER ARM ASSEMBLY & PUSHRODS - XR1200X</u>
63596-06	<u>OIL TANK & LINES - 883L/N/R, 1200C/CA/CB/CP/V/X</u> <u>OIL TANK & LINES- XR1200X</u>
63796-77A	<u>CRANKCASE & GEARCASE - 883L/N/R, 1200C/CA/CB/CP/V/X (2 OF 2)</u>
63805-80A	<u>CRANKCASE & GEARCASE - 883L/N/R, 1200C/CA/CB/CP/V/X (2 OF 2)</u> <u>CRANKCASE & GEARCASE - XR1200X</u>
6400HB	<u>BELT & SPROCKETS - XR1200X</u> <u>FOOTRESTS - XR1200X</u> <u>FUEL TANK - XR1200X</u>
6445	<u>BELT & SPROCKETS - XR1200X</u>
64737-09	<u>EXHAUST SYSTEM - 883L/N/R, 1200C/CA/CB/CP/V/X (1 OF 2)</u> <u>EXHAUST SYSTEM - 883L/N/R, 1200C/CA/CB/CP/V/X (1 OF 2)</u> <u>EXHAUST SYSTEM - 883L/N/R, 1200C/CA/CB/CP/V/X (1 OF 2)</u> <u>EXHAUST SYSTEM - 883L/N/R, 1200C/CA/CB/CP/V/X (1 OF 2)</u>
64738-09	<u>EXHAUST SYSTEM - 883L/N/R, 1200C/CA/CB/CP/V/X (1 OF 2)</u> <u>EXHAUST SYSTEM - 883L/N/R, 1200C/CA/CB/CP/V/X (1 OF 2)</u>
64842-04	<u>EXHAUST SYSTEM - 883L/N/R, 1200C/CA/CB/CP/V/X (1 OF 2)</u>
64846-04B	<u>EXHAUST SYSTEM - 883L/N/R, 1200C/CA/CB/CP/V/X (2 OF 2)</u>
64847-04B	<u>EXHAUST SYSTEM - 883L/N/R, 1200C/CA/CB/CP/V/X (2 OF 2)</u>
64850-08	<u>EXHAUST SYSTEM - XR1200X</u>
64851-09	<u>EXHAUST SYSTEM - XR1200X</u>
64853-04	<u>EXHAUST SYSTEM - 883L/N/R, 1200C/CA/CB/CP/V/X (1 OF 2)</u> <u>EXHAUST SYSTEM - 883L/N/R, 1200C/CA/CB/CP/V/X (1 OF 2)</u>
64854-04	<u>EXHAUST SYSTEM - 883L/N/R, 1200C/CA/CB/CP/V/X (1 OF 2)</u>
64889-04A	<u>EXHAUST SYSTEM - 883L/N/R, 1200C/CA/CB/CP/V/X (2 OF 2)</u>
64891-04A	<u>EXHAUST SYSTEM - 883L/N/R, 1200C/CA/CB/CP/V/X (1 OF 2)</u> <u>EXHAUST SYSTEM - 883L/N/R, 1200C/CA/CB/CP/V/X (1 OF 2)</u> <u>EXHAUST SYSTEM - 883L/N/R, 1200C/CA/CB/CP/V/X (1 OF 2)</u> <u>EXHAUST SYSTEM - 883L/N/R, 1200C/CA/CB/CP/V/X (1 OF 2)</u> <u>EXHAUST SYSTEM - 883L/N/R, 1200C/CA/CB/CP/V/X (1 OF 2)</u>

64893-04A	EXHAUST SYSTEM - 883L/N/R, 1200C/CA/CB/CP/V/X (1 OF 2)
64942-07	EXHAUST SYSTEM - 883L/N/R, 1200C/CA/CB/CP/V/X (2 OF 2)
64943-07	EXHAUST SYSTEM - 883L/N/R, 1200C/CA/CB/CP/V/X (2 OF 2)
64965-08A	EXHAUST SYSTEM - XR1200X
65088-04	CRANKCASE & GEARCASE - 883L/N/R, 1200C/CA/CB/CP/V/X (2 OF 2) CRANKCASE & GEARCASE - XR1200X
65168-10	EXHAUST SYSTEM - XR1200X
6516HW	BELT & SPROCKETS - 883L/N/R, 1200C/CA/CB/CP/V/X BELT & SPROCKETS - XR1200X WHEELS, REAR, CAST - 883L/N/R, 1200C/CA/CP WHEEL, REAR, CAST - XR1200X WHEELS, REAR, LACED - 1200C/CB/CP/V/X
65176-10	EXHAUST SYSTEM - XR1200X
65184-02	EXHAUST SYSTEM - 883L/N/R, 1200C/CA/CB/CP/V/X (2 OF 2)
65189-10	EXHAUST SYSTEM - XR1200X
65197-10	EXHAUST SYSTEM - XR1200X
65198-10	EXHAUST SYSTEM - XR1200X
65218-10	EXHAUST SYSTEM - XR1200X EXHAUST SYSTEM - XR1200X
65219-10	EXHAUST SYSTEM - XR1200X EXHAUST SYSTEM - XR1200X
65240-08	EXHAUST SYSTEM - XR1200X
65257-08	EXHAUST SYSTEM - XR1200X
65258-08	AIR BOX - XR1200X
65296-95A	EXHAUST SYSTEM - 883L/N/R, 1200C/CA/CB/CP/V/X (2 OF 2)
65302-82A	EXHAUST SYSTEM - 883L/N/R, 1200C/CA/CB/CP/V/X (2 OF 2)
65316-08	FRAME & JIFFY STAND - XR1200X EXHAUST SYSTEM - XR1200X
65317-08A	EXHAUST SYSTEM - XR1200X
65324-83B	EXHAUST SYSTEM - 883L/N/R, 1200C/CA/CB/CP/V/X (2 OF 2) EXHAUST SYSTEM - XR1200X
65325-83A	EXHAUST SYSTEM - 883L/N/R, 1200C/CA/CB/CP/V/X (2 OF 2) EXHAUST SYSTEM - XR1200X
65328-83A	EXHAUST SYSTEM - XR1200X

65339-04	EXHAUST SYSTEM - 883L/N/R, 1200C/CA/CB/CP/V/X (2 OF 2)
65453-08	EXHAUST SYSTEM - XR1200X
6551	WHEELS, REAR, CAST - 883L/N/R, 1200C/CA/CP WHEEL, REAR, CAST - XR1200X WHEELS, REAR, LACED - 1200C/CB/CP/V/X
6589	ROCKER ARM ASSEMBLY & PUSHRODS - 883L/N/R, 1200C/CA/CB/CP/V/X (1 OF 2) ROCKER ARM ASSEMBLY & PUSHRODS - XR1200X
6590HW	HANDLEBAR & THROTTLE CONTROL - 883L/N/R, 1200X, XR1200X HANDLEBAR & THROTTLE CONTROL - 1200C/CA/CB/CP/V
65927-00	EXHAUST SYSTEM - 883L/N/R, 1200C/CA/CB/CP/V/X (2 OF 2)
6594	WHEELS, FRONT, CAST - 883L/N/R, 1200C/CA/CP WHEEL, FRONT, CAST - XR1200X WHEELS, FRONT, LACED - 1200C/CB/CP/V/X
65958-04A	BATTERY
65974-04A	EXHAUST SYSTEM - 883L/N/R, 1200C/CA/CB/CP/V/X (2 OF 2)
6610	TURN SIGNALS, FRONT
6611	FORK BRACKETS, FRONT - 883L/N/R, 1200C/CA/CB/CP/V/X FORK BRACKETS, FRONT - XR1200X
66194-04D	BATTERY
66199-10	OIL TANK & LINES - 883L/N/R, 1200C/CA/CB/CP/V/X OIL TANK & LINES- XR1200X
66251-04A	FRAME & JIFFY STAND - 883L/N/R, 1200C/CA/CB/CP/V/X (1 OF 2)
66252-04A	FRAME & JIFFY STAND - 883L/N/R, 1200C/CA/CB/CP/V/X (1 OF 2)
66269-08BDK	FRAME & JIFFY STAND - XR1200X
66269-08CHJ	FRAME & JIFFY STAND - XR1200X
66270-08BDK	FRAME & JIFFY STAND - XR1200X
66270-08CHJ	FRAME & JIFFY STAND - XR1200X
66271-08BDK	FUEL TANK - XR1200X
66272-05A	FRAME & JIFFY STAND - 883L/N/R, 1200C/CA/CB/CP/V/X (1 OF 2)
66273-05A	FRAME & JIFFY STAND - 883L/N/R, 1200C/CA/CB/CP/V/X (1 OF 2)
66373-06	SWITCHES
66476-04A	BATTERY
66523-06	TURN SIGNAL MODULE & SECURITY SIREN

66524-06	<u>TURN SIGNAL MODULE & SECURITY SIREN</u>
66851-07	<u>EXHAUST SYSTEM - 883L/N/R, 1200C/CA/CB/CP/V/X (2 OF 2)</u>
6701	<u>BELT & SPROCKETS - XR1200X</u> <u>BRAKE, MASTER CYLINDER, REAR - 883L/N/R, 1200C/CA/CB/CP/V/X (1 OF 2)</u> <u>FORK, FRONT - 883L/R, 1200C/CA/CB/CP/V/X</u> <u>FORK, FRONT - 883N</u> <u>HEADLAMP - 883L/N/R, 1200X, XR1200X</u> <u>HEADLAMP - 1200C/CA/CB/CP/V</u> <u>EXHAUST SYSTEM - 883L/N/R, 1200C/CA/CB/CP/V/X (1 OF 2)</u> <u>EXHAUST SYSTEM - XR1200X</u>
6702	<u>BRAKE, MASTER CYLINDER, REAR - 883L/N/R, 1200C/CA/CB/CP/V/X (1 OF 2)</u> <u>FORK, REAR, DEBRIS DEFLECTOR & BELT GUARD</u> <u>FENDERS, REAR - 883L/R/1200C/CA/CB/CP (ALL), 883N/1200V/X (CANADA ONLY)</u> <u>FENDERS, REAR - 883N/1200V/X (ALL EXCEPT CANADA)</u> <u>FUEL TANK - 883L/N/R, 1200C/CA/CB/CP/V/X</u> <u>HEADLAMP - 883L/N/R, 1200X, XR1200X</u> <u>HEADLAMP - 1200C/CA/CB/CP/V</u> <u>HANDLEBAR & THROTTLE CONTROL - 883L/N/R, 1200X, XR1200X</u> <u>EXHAUST SYSTEM - XR1200X</u>
6703	<u>AIR BOX - XR1200X</u> <u>FENDERS, REAR - 883N/1200V/X (ALL EXCEPT CANADA)</u> <u>FENDERS, REAR - XR1200X</u> <u>LICENSE PLATE BRACKETS</u>
67037-08	<u>SPEEDOMETER - 883L/N/R, 1200C/CA/CB/CP/V/X</u>
67041-08	<u>SPEEDOMETER - 883L/N/R, 1200C/CA/CB/CP/V/X</u>
67089-05	<u>SPEEDOMETER - 883L/N/R, 1200C/CA/CB/CP/V/X</u>
67091-08	<u>SPEEDOMETER & TACHOMETER - XR1200X</u>
67104-95	<u>SPEEDOMETER - 883L/N/R, 1200C/CA/CB/CP/V/X</u>
67121-95A	<u>SPEEDOMETER - 883L/N/R, 1200C/CA/CB/CP/V/X</u> <u>SPEEDOMETER & TACHOMETER - XR1200X</u>
67157-08	<u>SPEEDOMETER & TACHOMETER - XR1200X</u>
6716	<u>LICENSE PLATE BRACKETS</u>
67170-08	<u>SPEEDOMETER & TACHOMETER - XR1200X</u>
67174-08	<u>SPEEDOMETER & TACHOMETER - XR1200X</u>
6718	<u>SHOCK ABSORBERS, REAR</u> <u>SHOCK ABSORBERS, REAR</u>
67290-08	<u>SPEEDOMETER - 883L/N/R, 1200C/CA/CB/CP/V/X</u>
673	<u>AIR BOX - XR1200X</u>
67320-95	<u>SPEEDOMETER - 883L/N/R, 1200C/CA/CB/CP/V/X</u>
6738	<u>SHOCK ABSORBERS, REAR</u>

67415-08	SPEEDOMETER - 883L/N/R, 1200C/CA/CB/CP/V/X
67416-08	SPEEDOMETER - 883L/N/R, 1200C/CA/CB/CP/V/X
67436-08	SPEEDOMETER - 883L/N/R, 1200C/CA/CB/CP/V/X
675	BELT & SPROCKETS - XR1200X
67601-94A	HEADLAMP - 1200C/CA/CB/CP/V
67603-94A	HEADLAMP - 1200C/CA/CB/CP/V
67667-05	HEADLAMP - 883L/N/R, 1200X, XR1200X HEADLAMP - 1200C/CA/CB/CP/V
67700094	HEADLAMP - 883L/N/R, 1200X, XR1200X
67746-11	HEADLAMP - 1200C/CA/CB/CP/V
67790-93A	HEADLAMP - 883L/N/R, 1200X, XR1200X
67800070	TURN SIGNALS, FRONT
67804-04	BRAKE, MASTER CYLINDER, REAR - 883L/N/R, 1200C/CA/CB/CP/V/X (2 OF 2)
67805-92	HEADLAMP - 883L/N/R, 1200X, XR1200X
67815-59A	HEADLAMP - 883L/N/R, 1200X, XR1200X
67834-83	HEADLAMP - 883L/N/R, 1200X, XR1200X
67854-98	SPEEDOMETER - 883L/N/R, 1200C/CA/CB/CP/V/X SPEEDOMETER & TACHOMETER - XR1200X
67865-89	HEADLAMP - 883L/N/R, 1200X, XR1200X
6787	CYLINDERS, HEADS & VALVES - 883L/N/R, 1200C/CA/CB/CP/V/X (1 OF 2)
67880-94	SPEEDOMETER - 883L/N/R, 1200C/CA/CB/CP/V/X SPEEDOMETER & TACHOMETER - XR1200X
67883-04A	HEADLAMP - 883L/N/R, 1200X, XR1200X
67894-93A	HEADLAMP - 1200C/CA/CB/CP/V
67900006	FENDERS, REAR - 883L/R/1200C/CA/CB/CP (ALL), 883N/1200V/X (CANADA ONLY)
67900079	LICENSE PLATE BRACKETS
67900088	LICENSE PLATE BRACKETS
67900089	LICENSE PLATE BRACKETS
67900093	LICENSE PLATE BRACKETS
67963-05	HEADLAMP - 883L/N/R, 1200X, XR1200X
67972-98	HEADLAMP - 883L/N/R, 1200X, XR1200X

6798	GUARDS, SAREE FENDERS, REAR - 883L/R/1200C/CA/CB/CP (ALL), 883N/1200V/X (CANADA ONLY) FENDERS, REAR - 883N/1200V/X (ALL EXCEPT CANADA)
68026-99	TAIL LAMPS
68041-04	FORK BRACKETS, FRONT - 883L/N/R, 1200C/CA/CB/CP/V/X
68042-99	CRANKCASE & GEARCASE - 883L/N/R, 1200C/CA/CB/CP/V/X (1 OF 2) CRANKCASE & GEARCASE - XR1200X
68066-99A	TAIL LAMPS
68120-00	CAMSHAFTS & GEAR COVER - 883L/N/R, 1200C/CA/CB/CP/V/X
68140-04	TAIL LAMPS
68141-04	TAIL LAMPS
68163-84	TURN SIGNALS, FRONT TAIL LAMP & TURN SIGNALS, REAR
68167-04	TAIL LAMPS
68168-89A	TURN SIGNALS, FRONT TAIL LAMP & TURN SIGNALS, REAR
68257-08	LICENSE PLATE BRACKETS
68265-04	TURN SIGNALS, FRONT
68277-07	TAIL LAMP & TURN SIGNALS, REAR
68278-07	TAIL LAMP & TURN SIGNALS, REAR
68296-99A	TAIL LAMPS
68297-05	HEADLAMP - 883L/N/R, 1200X, XR1200X HEADLAMP - 1200C/CA/CB/CP/V
68299-07	TAIL LAMP & TURN SIGNALS, REAR
68329-03	HEADLAMP - 883L/N/R, 1200X, XR1200X HEADLAMP - 1200C/CA/CB/CP/V
68335-05	HEADLAMP - 883L/N/R, 1200X, XR1200X HEADLAMP - 1200C/CA/CB/CP/V
68341-05	HEADLAMP - 883L/N/R, 1200X, XR1200X HEADLAMP - 1200C/CA/CB/CP/V
68369-03	TAIL LAMPS
68370-03A	TAIL LAMPS
68372-03	TAIL LAMPS
68380-05	HEADLAMP - 883L/N/R, 1200X, XR1200X HEADLAMP - 1200C/CA/CB/CP/V

68382-07B	<u>SPEEDOMETER - 883L/N/R, 1200C/CA/CB/CP/V/X</u>
68443-07A	<u>HEADLAMP - 883L/N/R, 1200X, XR1200X</u>
68449-07	<u>TAIL LAMP & TURN SIGNALS, REAR</u>
68461-09	<u>TAIL LAMP & TURN SIGNALS, REAR</u>
68480-02	<u>TAIL LAMP & TURN SIGNALS, REAR</u>
68497-07	<u>TAIL LAMP & TURN SIGNALS, REAR</u>
68513-07	<u>SPEEDOMETER & TACHOMETER - XR1200X</u>
68513-07A	<u>SPEEDOMETER - 883L/N/R, 1200C/CA/CB/CP/V/X</u>
68559-07	<u>TAIL LAMP & TURN SIGNALS, REAR</u>
68561-09	<u>LICENSE PLATE BRACKETS</u>
68572-64B	<u>TAIL LAMP & TURN SIGNALS, REAR</u>
6863	<u>FORK, REAR, DEBRIS DEFLECTOR & BELT GUARD</u>
6864A	<u>FORK, REAR, DEBRIS DEFLECTOR & BELT GUARD</u>
68653-05	<u>HEADLAMP - 883L/N/R, 1200X, XR1200X</u> <u>HEADLAMP - 1200C/CA/CB/CP/V</u>
68702-07	<u>LICENSE PLATE BRACKETS</u>
68704-07	<u>FENDERS, REAR - 883N/1200V/X (ALL EXCEPT CANADA)</u>
68724-07	<u>FENDERS, REAR - 883N/1200V/X (ALL EXCEPT CANADA)</u>
68730-07	<u>TURN SIGNALS, FRONT</u>
6874	<u>FOOTRESTS - XR1200X</u>
68755-07	<u>TURN SIGNALS, FRONT</u> <u>TAIL LAMP & TURN SIGNALS, REAR</u>
68804-06	<u>TURN SIGNALS, FRONT</u>
68813-07	<u>SPEEDOMETER - 883L/N/R, 1200C/CA/CB/CP/V/X</u>
68814-07	<u>SPEEDOMETER - 883L/N/R, 1200C/CA/CB/CP/V/X</u>
68830-99A	<u>TAIL LAMPS</u>
68838-06	<u>TURN SIGNALS, FRONT</u>
68857-07	<u>FENDERS, REAR - 883N/1200V/X (ALL EXCEPT CANADA)</u>
68899-04A	<u>TAIL LAMP & TURN SIGNALS, REAR</u> <u>TAIL LAMPS</u>
68904-00	<u>TURN SIGNALS, FRONT</u>

68920-07	<u>TURN SIGNAL MODULE & SECURITY SIREN</u>
68924-07	<u>TURN SIGNAL MODULE & SECURITY SIREN</u>
68926-07	<u>SWITCHES</u>
68939-00	<u>SWITCHES</u>
68955-08	<u>TAIL LAMP & TURN SIGNALS, REAR</u>
68956-07	<u>TURN SIGNAL MODULE & SECURITY SIREN</u>
68958-07C	<u>TURN SIGNAL MODULE & SECURITY SIREN</u>
68966-08	<u>FENDERS, REAR - 883N/1200V/X (ALL EXCEPT CANADA)</u>
68972-00	<u>TURN SIGNALS, FRONT</u>
68973-00	<u>TURN SIGNALS, FRONT</u> <u>TAIL LAMP & TURN SIGNALS, REAR</u>
68975-00	<u>TURN SIGNALS, FRONT</u>
68978-00	<u>TAIL LAMP & TURN SIGNALS, REAR</u>
68984-01	<u>TAIL LAMP & TURN SIGNALS, REAR</u>
69000014	<u>HORN</u>
69012-93A	<u>HORN</u>
69049-07	<u>HORN</u>
69060-90F	<u>HORN</u>
69062-91A	<u>HORN</u>
69066-01A	<u>TAIL LAMP & TURN SIGNALS, REAR</u>
69110-01	<u>TAIL LAMP & TURN SIGNALS, REAR</u>
69120-91	<u>HORN</u>
69123-92A	<u>HORN</u>
69135-04	<u>HORN</u>
69148-01	<u>FENDERS, REAR - XR1200X</u>
69187-03A	<u>TAIL LAMPS</u>
69200316	<u>WIRING HARNESS, MAIN - XR1200X (1 OF 3)</u> <u>WIRING HARNESS, MAIN - XR1200X (2 OF 3)</u> <u>WIRING HARNESS, MAIN - XR1200X (3 OF 3)</u>
69200317	<u>WIRING HARNESS, MAIN - 883L/N/R, 1200C/CA/CB/CP/V/X (1 OF 4)</u> <u>WIRING HARNESS, MAIN - 883L/N/R, 1200C/CA/CB/CP/V/X (2 OF 4)</u> <u>WIRING HARNESS, MAIN - 883L/N/R, 1200C/CA/CB/CP/V/X (3 OF 4)</u>

	<u>WIRING HARNESS, MAIN - 883L/N/R, 1200C/CA/CB/CP/V/X (4 OF 4)</u>
6930	<u>EXHAUST SYSTEM - XR1200X</u>
69302-11	<u>FENDERS, REAR - 883L/R/1200C/CA/CB/CP (ALL), 883N/1200V/X (CANADA ONLY)</u>
69309-10	<u>TURN SIGNAL MODULE & SECURITY SIREN</u>
69352-11	<u>TAIL LAMPS</u>
69361-11	<u>TAIL LAMPS</u>
69362-08	<u>TURN SIGNALS, FRONT</u>
69386-08	<u>HEADLAMP - 883L/N/R, 1200X, XR1200X</u>
69397-08	<u>HEADLAMP - 883L/N/R, 1200X, XR1200X</u>
69406-09	<u>TAIL LAMP & TURN SIGNALS, REAR</u>
69449-05	<u>HEADLAMP - 883L/N/R, 1200X, XR1200X</u>
69490-07	<u>FENDERS, REAR - 883N/1200V/X (ALL EXCEPT CANADA)</u>
69498-08	<u>FENDERS, REAR - 883N/1200V/X (ALL EXCEPT CANADA)</u>
69530-08	<u>TAIL LAMP & TURN SIGNALS, REAR</u>
69681-07B	<u>HEADLAMP - 1200C/CA/CB/CP/V</u>
69774-07A	<u>HEADLAMP - 883L/N/R, 1200X, XR1200X</u>
69861-07	<u>FORK, FRONT - XR1200X</u>
69862-07	<u>FORK, FRONT - XR1200X</u>
69864-08	<u>TAIL LAMPS</u>
70003-04	<u>BATTERY</u>
70025-11	<u>TAIL LAMP & TURN SIGNALS, REAR</u> <u>TAIL LAMPS</u>
70163-10	<u>WIRING HARNESS, ENGINE - XR1200X</u>
70167-08A	<u>WIRING HARNESS, ENGINE - 883L/N/R, 1200C/CA/CB/CP/V/X</u>
70247-07	<u>SWITCHES</u>
70295-10	<u>BATTERY</u>
70296-04A	<u>BATTERY</u>
70297-04A	<u>ENGINE MOUNTS</u>
70345-84	<u>SWITCHES, HANDLEBAR</u> <u>HANDLEBAR & THROTTLE CONTROL - 883L/N/R, 1200X, XR1200X</u> <u>HANDLEBAR & THROTTLE CONTROL - 1200C/CA/CB/CP/V</u>

70368-08	WIRING HARNESS, MAIN - XR1200X (1 OF 3)
7038	FORK, FRONT - 883L/R, 1200C/CA/CB/CP/V/X FORK, FRONT - 883N HEADLAMP - 883L/N/R, 1200X, XR1200X TURN SIGNALS, FRONT
7039	ENGINE MOUNTS
7041	HORN
70417-04C	FRAME & JIFFY STAND - 883L/N/R, 1200C/CA/CB/CP/V/X (1 OF 2)
7045	BRAKE CONTROL, FRONT - 883L/N/R, 1200C/CA/CB/CP/V/X HEADLAMP - 883L/N/R, 1200X, XR1200X HEADLAMP - 1200C/CA/CB/CP/V
70466-07A	WIRING HARNESS, MAIN - 883L/N/R, 1200C/CA/CB/CP/V/X (1 OF 4)
70503-10	OIL TANK & LINES - 883L/N/R, 1200C/CA/CB/CP/V/X
70504-81	HANDLEBAR & THROTTLE CONTROL - 883L/N/R, 1200X, XR1200X HANDLEBAR & THROTTLE CONTROL - 1200C/CA/CB/CP/V
70578-89	BATTERY
70598-99	WIRING HARNESS, MAIN - 883L/N/R, 1200C/CA/CB/CP/V/X (1 OF 4) WIRING HARNESS, MAIN - XR1200X (1 OF 3)
70617-07	TURN SIGNAL MODULE & SECURITY SIREN
70619-07	TURN SIGNAL MODULE & SECURITY SIREN
70632-08	WIRING HARNESS, MAIN - XR1200X (1 OF 3)
70633-08	FRAME & JIFFY STAND - XR1200X
70640-07	WIRING HARNESS, MAIN - 883L/N/R, 1200C/CA/CB/CP/V/X (1 OF 4)
70642-07	WIRING HARNESS, MAIN - 883L/N/R, 1200C/CA/CB/CP/V/X (1 OF 4)
70664-08	WIRING HARNESS, MAIN - 883L/N/R, 1200C/CA/CB/CP/V/X (1 OF 4) WIRING HARNESS, MAIN - XR1200X (1 OF 3)
70679-10	WIRING HARNESS, MAIN - 883L/N/R, 1200C/CA/CB/CP/V/X (1 OF 4)
7068	HEADLAMP - 883L/N/R, 1200X, XR1200X
70680-10	WIRING HARNESS, MAIN - 883L/N/R, 1200C/CA/CB/CP/V/X (1 OF 4)
70714-10	SPEEDOMETER & TACHOMETER - XR1200X
7073	HEADLAMP - 883L/N/R, 1200X, XR1200X
7080	SHIFTER, GEAR
70903-04	FUEL TANK - 883L/N/R, 1200C/CA/CB/CP/V/X
70904-04	FUEL TANK - 883L/N/R, 1200C/CA/CB/CP/V/X

70917-04	FUEL TANK - 883L/N/R, 1200C/CA/CB/CP/V/X
70919-04	FUEL TANK - 883L/N/R, 1200C/CA/CB/CP/V/X
7124	BRAKE, MASTER CYLINDER, REAR - XR1200X
71287-08	FRAME & JIFFY STAND - XR1200X
71341-10	WIRING HARNESS, MAIN - XR1200X (1 OF 3)
71400058	SWITCHES
71472-04	FRAME & JIFFY STAND - 883L/N/R, 1200C/CA/CB/CP/V/X (1 OF 2)
71478-08	FRAME & JIFFY STAND - XR1200X
71510-04	WIRING HARNESS, MAIN - 883L/N/R, 1200C/CA/CB/CP/V/X (1 OF 4) WIRING HARNESS, MAIN - XR1200X (1 OF 3) SWITCHES
7155	MIRRORS
71550-94	WIRING HARNESS, MAIN - 883L/N/R, 1200C/CA/CB/CP/V/X (1 OF 4) WIRING HARNESS, MAIN - XR1200X (1 OF 3) SWITCHES
71552-94	WIRING HARNESS, MAIN - 883L/N/R, 1200C/CA/CB/CP/V/X (1 OF 4) WIRING HARNESS, MAIN - XR1200X (1 OF 3)
71563-96	SWITCHES, HANDLEBAR
71564-96	SWITCHES, HANDLEBAR
71567-96	SWITCHES, HANDLEBAR
71568-96A	SWITCHES, HANDLEBAR
71587-04	SWITCHES, HANDLEBAR
71620-08	SWITCHES, HANDLEBAR
71621-08	SWITCHES, HANDLEBAR
71682-06A	SWITCHES, HANDLEBAR
71683-06A	SWITCHES, HANDLEBAR
71684-06A	SWITCHES, HANDLEBAR
71685-06A	SWITCHES, HANDLEBAR
71980-10	SPEEDOMETER - 883L/N/R, 1200C/CA/CB/CP/V/X
71988-10	SPEEDOMETER - 883L/N/R, 1200C/CA/CB/CP/V/X
72006-05	WIRING HARNESS, MAIN - 883L/N/R, 1200C/CA/CB/CP/V/X (2 OF 4) WIRING HARNESS, MAIN - XR1200X (1 OF 3) WIRING HARNESS, ENGINE - XR1200X

72007-05	WIRING HARNESS, MAIN - 883L/N/R, 1200C/CA/CB/CP/V/X (2 OF 4) WIRING HARNESS, MAIN - XR1200X (1 OF 3) WIRING HARNESS, ENGINE - XR1200X
72009-05	ENGINE SENSORS & SWITCHES EXHAUST SYSTEM - 883L/N/R, 1200C/CA/CB/CP/V/X (2 OF 2) EXHAUST SYSTEM - XR1200X WIRING HARNESS, ENGINE - XR1200X SWITCHES
72011-05	ENGINE SENSORS & SWITCHES EXHAUST SYSTEM - 883L/N/R, 1200C/CA/CB/CP/V/X (2 OF 2) EXHAUST SYSTEM - XR1200X WIRING HARNESS, MAIN - 883L/N/R, 1200C/CA/CB/CP/V/X (2 OF 4) WIRING HARNESS, MAIN - XR1200X (1 OF 3) WIRING HARNESS, ENGINE - XR1200X SWITCHES
72014-07	WIRING HARNESS, ENGINE - XR1200X
72023-51E	BRAKE, MASTER CYLINDER, REAR - 883L/N/R, 1200C/CA/CB/CP/V/X (2 OF 2) BRAKE, MASTER CYLINDER, REAR - XR1200X SWITCHES
72024-08	WIRING HARNESS, MAIN - 883L/N/R, 1200C/CA/CB/CP/V/X (2 OF 4)
72032-93	SPEEDOMETER & TACHOMETER - XR1200X
72033-93	SPEEDOMETER & TACHOMETER - XR1200X WIRING HARNESS, MAIN - XR1200X (1 OF 3) WIRING HARNESS, ENGINE - 883L/N/R, 1200C/CA/CB/CP/V/X WIRING HARNESS, ENGINE - XR1200X
72056-92	HEADLAMP - 883L/N/R, 1200X, XR1200X HEADLAMP - 1200C/CA/CB/CP/V
72066-06A	WIRING HARNESS, MAIN - 883L/N/R, 1200C/CA/CB/CP/V/X (2 OF 4) WIRING HARNESS, MAIN - XR1200X (1 OF 3)
72076-00	WIRING HARNESS, MAIN - 883L/N/R, 1200C/CA/CB/CP/V/X (2 OF 4) WIRING HARNESS, MAIN - XR1200X (1 OF 3)
72077-00	WIRING HARNESS, MAIN - 883L/N/R, 1200C/CA/CB/CP/V/X (2 OF 4) WIRING HARNESS, MAIN - XR1200X (1 OF 3)
72078-00	WIRING HARNESS, MAIN - 883L/N/R, 1200C/CA/CB/CP/V/X (2 OF 4) WIRING HARNESS, MAIN - XR1200X (1 OF 3)
72094-06	WIRING HARNESS, MAIN - 883L/N/R, 1200C/CA/CB/CP/V/X (2 OF 4) WIRING HARNESS, MAIN - XR1200X (1 OF 3) WIRING HARNESS, ENGINE - 883L/N/R, 1200C/CA/CB/CP/V/X
72096-06	WIRING HARNESS, MAIN - 883L/N/R, 1200C/CA/CB/CP/V/X (2 OF 4) WIRING HARNESS, MAIN - XR1200X (1 OF 3) WIRING HARNESS, ENGINE - 883L/N/R, 1200C/CA/CB/CP/V/X
72114-94BK	TURN SIGNAL MODULE & SECURITY SIREN

72124-94GY	<u>WIRING HARNESS, MAIN - 883L/N/R, 1200C/CA/CB/CP/V/X (2 OF 4)</u> <u>WIRING HARNESS, MAIN - XR1200X (2 OF 3)</u>
72130-04	<u>SPEEDOMETER - 883L/N/R, 1200C/CA/CB/CP/V/X</u> <u>SPEEDOMETER & TACHOMETER - XR1200X</u>
72135-06	<u>WIRING HARNESS, MAIN - 883L/N/R, 1200C/CA/CB/CP/V/X (2 OF 4)</u> <u>WIRING HARNESS, MAIN - XR1200X (2 OF 3)</u>
72139-94GY	<u>WIRING HARNESS, MAIN - 883L/N/R, 1200C/CA/CB/CP/V/X (2 OF 4)</u> <u>WIRING HARNESS, MAIN - XR1200X (2 OF 3)</u>
72144-94	<u>WIRING HARNESS, MAIN - 883L/N/R, 1200C/CA/CB/CP/V/X (2 OF 4)</u> <u>WIRING HARNESS, MAIN - XR1200X (2 OF 3)</u>
72154-94	<u>TURN SIGNAL MODULE & SECURITY SIREN</u>
72159-94	<u>WIRING HARNESS, MAIN - 883L/N/R, 1200C/CA/CB/CP/V/X (2 OF 4)</u> <u>WIRING HARNESS, MAIN - XR1200X (2 OF 3)</u>
72164-94A	<u>WIRING HARNESS, MAIN - 883L/N/R, 1200C/CA/CB/CP/V/X (2 OF 4)</u> <u>WIRING HARNESS, MAIN - XR1200X (2 OF 3)</u>
72166-07BK	<u>WIRING HARNESS, ENGINE - 883L/N/R, 1200C/CA/CB/CP/V/X</u> <u>WIRING HARNESS, ENGINE - XR1200X</u>
72167-07BK	<u>WIRING HARNESS, MAIN - 883L/N/R, 1200C/CA/CB/CP/V/X (2 OF 4)</u> <u>WIRING HARNESS, MAIN - XR1200X (2 OF 3)</u>
72168-07	<u>WIRING HARNESS, MAIN - 883L/N/R, 1200C/CA/CB/CP/V/X (2 OF 4)</u> <u>WIRING HARNESS, MAIN - XR1200X (2 OF 3)</u> <u>WIRING HARNESS, ENGINE - 883L/N/R, 1200C/CA/CB/CP/V/X</u> <u>WIRING HARNESS, ENGINE - XR1200X</u>
72169-07	<u>FRAME & JIFFY STAND - 883L/N/R, 1200C/CA/CB/CP/V/X (2 OF 2)</u> <u>FRAME & JIFFY STAND - XR1200X</u> <u>SPEEDOMETER - 883L/N/R, 1200C/CA/CB/CP/V/X</u> <u>SPEEDOMETER & TACHOMETER - XR1200X</u> <u>SWITCHES, HANDLEBAR</u> <u>WIRING HARNESS, MAIN - 883L/N/R, 1200C/CA/CB/CP/V/X (2 OF 4)</u> <u>WIRING HARNESS, MAIN - XR1200X (2 OF 3)</u> <u>SWITCHES</u>
72175-07BK	<u>WIRING HARNESS, MAIN - 883L/N/R, 1200C/CA/CB/CP/V/X (2 OF 4)</u> <u>WIRING HARNESS, MAIN - XR1200X (2 OF 3)</u>
72188-07BK	<u>SWITCHES, HANDLEBAR</u>
72189-04	<u>SPEEDOMETER - 883L/N/R, 1200C/CA/CB/CP/V/X</u> <u>SPEEDOMETER & TACHOMETER - XR1200X</u>
72190-94	<u>WIRING HARNESS, MAIN - 883L/N/R, 1200C/CA/CB/CP/V/X (2 OF 4)</u> <u>WIRING HARNESS, MAIN - XR1200X (2 OF 3)</u>
72191-94	<u>WIRING HARNESS, MAIN - 883L/N/R, 1200C/CA/CB/CP/V/X (2 OF 4)</u> <u>WIRING HARNESS, MAIN - XR1200X (2 OF 3)</u> <u>TURN SIGNAL MODULE & SECURITY SIREN</u>
72195-94	<u>ALTERNATOR & REGULATOR</u> <u>WIRING HARNESS, MAIN - 883L/N/R, 1200C/CA/CB/CP/V/X (2 OF 4)</u>

	<u>WIRING HARNESS, MAIN - XR1200X (2 OF 3)</u> <u>TURN SIGNAL MODULE & SECURITY SIREN</u>
72199-94	<u>WIRING HARNESS, MAIN - 883L/N/R, 1200C/CA/CB/CP/V/X (2 OF 4)</u> <u>WIRING HARNESS, MAIN - XR1200X (2 OF 3)</u>
7220	<u>ELECTRONIC IGNITION SYSTEM - 883L/N/R, 1200C/CA/CB/CP/V/X</u> <u>WIRING HARNESS, MAIN - 883L/N/R, 1200C/CA/CB/CP/V/X (1 OF 4)</u> <u>WIRING HARNESS, MAIN - XR1200X (1 OF 3)</u>
72251-07	<u>WIRING HARNESS, ENGINE - 883L/N/R, 1200C/CA/CB/CP/V/X</u> <u>WIRING HARNESS, ENGINE - XR1200X</u>
72260-04	<u>WIRING HARNESS, MAIN - 883L/N/R, 1200C/CA/CB/CP/V/X (2 OF 4)</u> <u>WIRING HARNESS, MAIN - XR1200X (2 OF 3)</u>
72263-95	<u>WIRING HARNESS, ENGINE - 883L/N/R, 1200C/CA/CB/CP/V/X</u> <u>WIRING HARNESS, ENGINE - XR1200X</u>
72266-94	<u>SWITCHES, HANDLEBAR</u>
72272-07	<u>WIRING HARNESS, MAIN - 883L/N/R, 1200C/CA/CB/CP/V/X (3 OF 4)</u> <u>WIRING HARNESS, MAIN - XR1200X (2 OF 3)</u> <u>WIRING HARNESS, ENGINE - 883L/N/R, 1200C/CA/CB/CP/V/X</u>
72289-04	<u>WIRING HARNESS, MAIN - 883L/N/R, 1200C/CA/CB/CP/V/X (3 OF 4)</u> <u>WIRING HARNESS, MAIN - XR1200X (2 OF 3)</u>
72290-94	<u>WIRING HARNESS, MAIN - 883L/N/R, 1200C/CA/CB/CP/V/X (3 OF 4)</u> <u>WIRING HARNESS, MAIN - XR1200X (2 OF 3)</u>
72291-94	<u>WIRING HARNESS, MAIN - 883L/N/R, 1200C/CA/CB/CP/V/X (3 OF 4)</u> <u>WIRING HARNESS, MAIN - XR1200X (2 OF 3)</u>
72295-94	<u>WIRING HARNESS, MAIN - 883L/N/R, 1200C/CA/CB/CP/V/X (3 OF 4)</u> <u>WIRING HARNESS, MAIN - XR1200X (2 OF 3)</u>
7230	<u>HEADLAMP - 883L/N/R, 1200X, XR1200X</u>
72312-04	<u>WIRING HARNESS, MAIN - 883L/N/R, 1200C/CA/CB/CP/V/X (3 OF 4)</u> <u>WIRING HARNESS, MAIN - XR1200X (2 OF 3)</u> <u>WIRING HARNESS, ENGINE - XR1200X</u>
72318-04	<u>SWITCHES</u>
72329-08	<u>SPEEDOMETER & TACHOMETER - XR1200X</u>
72330-95	<u>WIRING HARNESS, MAIN - 883L/N/R, 1200C/CA/CB/CP/V/X (3 OF 4)</u> <u>WIRING HARNESS, MAIN - XR1200X (2 OF 3)</u> <u>SWITCHES</u>
72335-10	<u>WIRING HARNESS, MAIN - 883L/N/R, 1200C/CA/CB/CP/V/X (3 OF 4)</u>
72378-04	<u>WIRING HARNESS, MAIN - 883L/N/R, 1200C/CA/CB/CP/V/X (3 OF 4)</u> <u>WIRING HARNESS, MAIN - XR1200X (2 OF 3)</u>
72402-07	<u>WIRING HARNESS, ENGINE - 883L/N/R, 1200C/CA/CB/CP/V/X</u> <u>WIRING HARNESS, ENGINE - XR1200X</u>

72405-98BK	WIRING HARNESS, MAIN - 883L/N/R, 1200C/CA/CB/CP/V/X (3 OF 4) WIRING HARNESS, MAIN - XR1200X (2 OF 3)
72406-07A	WIRING HARNESS, ENGINE - 883L/N/R, 1200C/CA/CB/CP/V/X WIRING HARNESS, ENGINE - XR1200X
72407-07	WIRING HARNESS, ENGINE - 883L/N/R, 1200C/CA/CB/CP/V/X WIRING HARNESS, ENGINE - XR1200X
72408-07	WIRING HARNESS, ENGINE - 883L/N/R, 1200C/CA/CB/CP/V/X WIRING HARNESS, ENGINE - XR1200X
72413-07	WIRING HARNESS, ENGINE - 883L/N/R, 1200C/CA/CB/CP/V/X WIRING HARNESS, ENGINE - XR1200X
72414-07BK	WIRING HARNESS, MAIN - 883L/N/R, 1200C/CA/CB/CP/V/X (3 OF 4) WIRING HARNESS, MAIN - XR1200X (2 OF 3)
72430-00	WIRING HARNESS, MAIN - 883L/N/R, 1200C/CA/CB/CP/V/X (3 OF 4) WIRING HARNESS, MAIN - XR1200X (2 OF 3)
72434-00	WIRING HARNESS, MAIN - 883L/N/R, 1200C/CA/CB/CP/V/X (3 OF 4) WIRING HARNESS, MAIN - XR1200X (2 OF 3)
72441-04	WIRING HARNESS, MAIN - 883L/N/R, 1200C/CA/CB/CP/V/X (3 OF 4) WIRING HARNESS, MAIN - XR1200X (2 OF 3)
72445-99TN	WIRING HARNESS, MAIN - 883L/N/R, 1200C/CA/CB/CP/V/X (3 OF 4) WIRING HARNESS, MAIN - XR1200X (2 OF 3)
72447-07GY	SWITCHES, HANDLEBAR
72469-07GY	WIRING HARNESS, MAIN - 883L/N/R, 1200C/CA/CB/CP/V/X (3 OF 4) WIRING HARNESS, MAIN - XR1200X (2 OF 3)
72473-07	WIRING HARNESS, MAIN - 883L/N/R, 1200C/CA/CB/CP/V/X (3 OF 4) WIRING HARNESS, MAIN - XR1200X (3 OF 3) WIRING HARNESS, ENGINE - 883L/N/R, 1200C/CA/CB/CP/V/X WIRING HARNESS, ENGINE - XR1200X
72484-08	WIRING HARNESS, MAIN - 883L/N/R, 1200C/CA/CB/CP/V/X (3 OF 4)
72486-08	WIRING HARNESS, MAIN - 883L/N/R, 1200C/CA/CB/CP/V/X (3 OF 4)
72487-07BK	WIRING HARNESS, MAIN - 883L/N/R, 1200C/CA/CB/CP/V/X (3 OF 4) WIRING HARNESS, MAIN - XR1200X (3 OF 3)
72488-07BK	SPEEDOMETER - 883L/N/R, 1200C/CA/CB/CP/V/X SPEEDOMETER & TACHOMETER - XR1200X
72511-07BK	FRAME & JIFFY STAND - 883L/N/R, 1200C/CA/CB/CP/V/X (2 OF 2) FRAME & JIFFY STAND - XR1200X SWITCHES
72512-07BK	WIRING HARNESS, MAIN - 883L/N/R, 1200C/CA/CB/CP/V/X (3 OF 4) WIRING HARNESS, MAIN - XR1200X (3 OF 3)
72516-01	WIRING HARNESS, MAIN - 883L/N/R, 1200C/CA/CB/CP/V/X (3 OF 4) WIRING HARNESS, MAIN - XR1200X (3 OF 3)

72519-09BK	WIRING HARNESS, MAIN - 883L/N/R, 1200C/CA/CB/CP/V/X (3 OF 4) WIRING HARNESS, MAIN - XR1200X (3 OF 3)
72543-07BK	WIRING HARNESS, MAIN - 883L/N/R, 1200C/CA/CB/CP/V/X (3 OF 4) WIRING HARNESS, MAIN - XR1200X (3 OF 3) WIRING HARNESS, ENGINE - 883L/N/R, 1200C/CA/CB/CP/V/X
72544-07	WIRING HARNESS, MAIN - 883L/N/R, 1200C/CA/CB/CP/V/X (3 OF 4) WIRING HARNESS, MAIN - XR1200X (3 OF 3) WIRING HARNESS, ENGINE - 883L/N/R, 1200C/CA/CB/CP/V/X
72545-08	WIRING HARNESS, MAIN - 883L/N/R, 1200C/CA/CB/CP/V/X (4 OF 4) WIRING HARNESS, MAIN - XR1200X (3 OF 3)
72549-07	SPEEDOMETER - 883L/N/R, 1200C/CA/CB/CP/V/X SPEEDOMETER & TACHOMETER - XR1200X
72568-08	WIRING HARNESS, MAIN - 883L/N/R, 1200C/CA/CB/CP/V/X (4 OF 4)
72592-10	WIRING HARNESS, MAIN - 883L/N/R, 1200C/CA/CB/CP/V/X (4 OF 4) WIRING HARNESS, MAIN - XR1200X (3 OF 3)
72611-07	WIRING HARNESS, MAIN - 883L/N/R, 1200C/CA/CB/CP/V/X (4 OF 4) WIRING HARNESS, MAIN - XR1200X (3 OF 3)
72720-07	TURN SIGNAL MODULE & SECURITY SIREN
72721-07	TURN SIGNAL MODULE & SECURITY SIREN
72904-01BK	TAIL LAMP & TURN SIGNALS, REAR
72914-01BK	TAIL LAMP & TURN SIGNALS, REAR
72990-01	TAIL LAMP & TURN SIGNALS, REAR
72991-01	TAIL LAMP & TURN SIGNALS, REAR
73102-96BK	TAIL LAMP & TURN SIGNALS, REAR
73103-96BK	TAIL LAMP & TURN SIGNALS, REAR
73104-96BK	WIRING HARNESS, MAIN - 883L/N/R, 1200C/CA/CB/CP/V/X (4 OF 4) WIRING HARNESS, MAIN - XR1200X (3 OF 3)
73106-96BK	WIRING HARNESS, MAIN - 883L/N/R, 1200C/CA/CB/CP/V/X (4 OF 4) WIRING HARNESS, MAIN - XR1200X (3 OF 3)
73152-96BK	LICENSE PLATE BRACKETS TAIL LAMP & TURN SIGNALS, REAR TAIL LAMPS
73152-96WE	TAIL LAMP & TURN SIGNALS, REAR
73153-96BK	TAIL LAMPS
73154-96BK	HEADLAMP - 883L/N/R, 1200X, XR1200X HEADLAMP - 1200C/CA/CB/CP/V TAIL LAMPS

73156-96BK	TURN SIGNALS, FRONT TAIL LAMP & TURN SIGNALS, REAR TAIL LAMPS WIRING HARNESS, MAIN - XR1200X (3 OF 3)
73190-96	TAIL LAMP & TURN SIGNALS, REAR WIRING HARNESS, MAIN - 883L/N/R, 1200C/CA/CB/CP/V/X (4 OF 4) WIRING HARNESS, MAIN - XR1200X (3 OF 3)
73191-96	LICENSE PLATE BRACKETS HEADLAMP - 883L/N/R, 1200X, XR1200X HEADLAMP - 1200C/CA/CB/CP/V TURN SIGNALS, FRONT TAIL LAMP & TURN SIGNALS, REAR TAIL LAMPS WIRING HARNESS, MAIN - XR1200X (3 OF 3)
73213-07	FRAME & JIFFY STAND - 883L/N/R, 1200C/CA/CB/CP/V/X (2 OF 2) FRAME & JIFFY STAND - XR1200X WIRING HARNESS, MAIN - 883L/N/R, 1200C/CA/CB/CP/V/X (4 OF 4) WIRING HARNESS, MAIN - XR1200X (3 OF 3) SWITCHES
73214-10	WIRING HARNESS, MAIN - 883L/N/R, 1200C/CA/CB/CP/V/X (4 OF 4)
73227-10	ELECTRONIC IGNITION SYSTEM - 883L/N/R, 1200C/CA/CB/CP/V/X
73228-10	WIRING HARNESS, MAIN - XR1200X (3 OF 3)
73246-11	HEADLAMP - 1200C/CA/CB/CP/V
73264-10	HEADLAMP - 883L/N/R, 1200X, XR1200X
73266-10	HEADLAMP - 883L/N/R, 1200X, XR1200X
73267-10	TURN SIGNALS, FRONT
73282-10	TURN SIGNALS, FRONT
73284-10	TURN SIGNALS, FRONT
73301-04	WIRING HARNESS, MAIN - 883L/N/R, 1200C/CA/CB/CP/V/X (4 OF 4) WIRING HARNESS, MAIN - XR1200X (3 OF 3)
73302-04	WIRING HARNESS, MAIN - 883L/N/R, 1200C/CA/CB/CP/V/X (4 OF 4) WIRING HARNESS, MAIN - XR1200X (3 OF 3)
73303-04	WIRING HARNESS, MAIN - 883L/N/R, 1200C/CA/CB/CP/V/X (4 OF 4) WIRING HARNESS, MAIN - XR1200X (3 OF 3)
73304-04	WIRING HARNESS, MAIN - 883L/N/R, 1200C/CA/CB/CP/V/X (4 OF 4) WIRING HARNESS, MAIN - XR1200X (3 OF 3)
73305-04	WIRING HARNESS, MAIN - 883L/N/R, 1200C/CA/CB/CP/V/X (4 OF 4) WIRING HARNESS, MAIN - XR1200X (3 OF 3)
7331	MIRRORS
73318-09	TAIL LAMP & TURN SIGNALS, REAR

73358-12	<u>TAIL LAMP & TURN SIGNALS, REAR</u>
7341M	<u>FORK, FRONT - XR1200X</u>
73504-11	<u>FENDERS, REAR - 883N/1200V/X (ALL EXCEPT CANADA)</u> <u>TAIL LAMPS</u>
7357	<u>MIRRORS</u>
74112-98BK	<u>WIRING HARNESS, MAIN - 883L/N/R, 1200C/CA/CB/CP/V/X (4 OF 4)</u> <u>WIRING HARNESS, MAIN - XR1200X (3 OF 3)</u>
74120-08	<u>WIRING HARNESS, MAIN - 883L/N/R, 1200C/CA/CB/CP/V/X (4 OF 4)</u> <u>WIRING HARNESS, MAIN - XR1200X (3 OF 3)</u>
74152-98	<u>WIRING HARNESS, MAIN - 883L/N/R, 1200C/CA/CB/CP/V/X (4 OF 4)</u> <u>WIRING HARNESS, MAIN - XR1200X (3 OF 3)</u>
74191-98	<u>WIRING HARNESS, MAIN - 883L/N/R, 1200C/CA/CB/CP/V/X (4 OF 4)</u> <u>WIRING HARNESS, MAIN - XR1200X (3 OF 3)</u>
74194-98	<u>ENGINE SENSORS & SWITCHES</u>
74196-04	<u>SPEEDOMETER - 883L/N/R, 1200C/CA/CB/CP/V/X</u> <u>SPEEDOMETER & TACHOMETER - XR1200X</u>
74197-04	<u>SPEEDOMETER - 883L/N/R, 1200C/CA/CB/CP/V/X</u> <u>SPEEDOMETER & TACHOMETER - XR1200X</u>
74402-05B	<u>ENGINE SENSORS & SWITCHES</u>
74711-08	<u>ALTERNATOR & REGULATOR</u>
74714-10	<u>SPEEDOMETER & TACHOMETER - XR1200X</u>
7477	<u>BRAKE, MASTER CYLINDER, REAR - 883L/N/R, 1200C/CA/CB/CP/V/X (1 OF 2)</u>
7495	<u>FENDERS, FRONT</u> <u>HORN</u>
75268-07E	<u>FUEL PUMP</u>
75301-07	<u>FUEL PUMP</u>
75302-07B	<u>FUEL PUMP</u> <u>SWITCHES</u>
75304-07A	<u>FUEL PUMP</u>
75305-07A	<u>FUEL PUMP</u>
75309-07	<u>FUEL PUMP</u>
7531	<u>GUARDS, SAREE</u> <u>FRAME & JIFFY STAND - XR1200X</u> <u>FORK, REAR, DEBRIS DEFLECTOR & BELT GUARD</u> <u>FENDERS, FRONT</u> <u>FENDERS, REAR - 883L/R/1200C/CA/CB/CP (ALL), 883N/1200V/X (CANADA ONLY)</u> <u>FENDERS, REAR - 883N/1200V/X (ALL EXCEPT CANADA)</u>

	FUEL TANK - 883L/N/R, 1200C/CA/CB/CP/V/X FUEL TANK - XR1200X HORN
75317-07	FUEL PUMP
7549A	HORN
7593	EXHAUST SYSTEM - 883L/N/R, 1200C/CA/CB/CP/V/X (1 OF 2) EXHAUST SYSTEM - XR1200X
7601	EXHAUST SYSTEM - XR1200X
7606	HEADLAMP - 883L/N/R, 1200X, XR1200X
761	FENDERS, REAR - 883L/R/1200C/CA/CB/CP (ALL), 883N/1200V/X (CANADA ONLY)
7624	OIL TANK & LINES - 883L/N/R, 1200C/CA/CB/CP/V/X
7686	OIL LINES & COOLER - XR1200X
7716	FENDERS, REAR - 883N/1200V/X (ALL EXCEPT CANADA) LICENSE PLATE BRACKETS HEADLAMP - 883L/N/R, 1200X, XR1200X
7725	MIRRORS
7766	FORK, REAR, DEBRIS DEFLECTOR & BELT GUARD
7778	HEADLAMP - 1200C/CA/CB/CP/V
7783	FORK, FRONT - 883L/R, 1200C/CA/CB/CP/V/X FORK, FRONT - 883N TURN SIGNALS, FRONT
7792	LICENSE PLATE BRACKETS BATTERY
7800W	HEADLAMP - 883L/N/R, 1200X, XR1200X
7804	BELT & SPROCKETS - 883L/N/R, 1200C/CA/CB/CP/V/X BELT & SPROCKETS - XR1200X
7813A	WHEELS, FRONT, CAST - 883L/N/R, 1200C/CA/CP WHEEL, FRONT, CAST - XR1200X WHEELS, FRONT, LACED - 1200C/CB/CP/V/X
7824	SHOCK ABSORBERS, REAR
7839	BELT & SPROCKETS - 883L/N/R, 1200C/CA/CB/CP/V/X
7862	EXHAUST SYSTEM - 883L/N/R, 1200C/CA/CB/CP/V/X (1 OF 2)
7880	HEADLAMP - 883L/N/R, 1200X, XR1200X
7882	FENDERS, REAR - 883L/R/1200C/CA/CB/CP (ALL), 883N/1200V/X (CANADA ONLY) FENDERS, REAR - 883N/1200V/X (ALL EXCEPT CANADA)
7900	FENDERS, REAR - XR1200X

7916A	<u>CAMSHAFTS & GEAR COVER - 883L/N/R, 1200C/CA/CB/CP/V/X</u> <u>CAMSHAFTS & GEAR COVER - XR1200X</u>
7964	<u>TAIL LAMPS</u>
8020	<u>WHEELS, REAR, CAST - 883L/N/R, 1200C/CA/CP</u> <u>WHEELS, REAR, LACED - 1200C/CB/CP/V/X</u>
80399-04	<u>EXHAUST SYSTEM - 883L/N/R, 1200C/CA/CB/CP/V/X (1 OF 2)</u> <u>EXHAUST SYSTEM - 883L/N/R, 1200C/CA/CB/CP/V/X (1 OF 2)</u>
8102	<u>FUEL TANK - XR1200X</u>
8108	<u>HORN</u>
8135B	<u>FRAME & JIFFY STAND - 883L/N/R, 1200C/CA/CB/CP/V/X (1 OF 2)</u>
8190	<u>WHEEL, REAR, CAST - XR1200X</u>
835	<u>CRANKCASE & GEARCASE - 883L/N/R, 1200C/CA/CB/CP/V/X (1 OF 2)</u> <u>CRANKCASE & GEARCASE - XR1200X</u>
855B	<u>BRAKE, MASTER CYLINDER, REAR - XR1200X</u> <u>BRAKE CONTROL, REAR</u> <u>FOOTRESTS - XR1200X</u>
8692	<u>FENDERS, REAR - 883L/R/1200C/CA/CB/CP (ALL), 883N/1200V/X (CANADA ONLY)</u> <u>FENDERS, REAR - 883N/1200V/X (ALL EXCEPT CANADA)</u>
882	<u>BRAKE, MASTER CYLINDER, REAR - 883L/N/R, 1200C/CA/CB/CP/V/X (1 OF 2)</u> <u>OIL LINES & COOLER - XR1200X</u>
8862	<u>TRANSMISSION GEARS</u>
8873	<u>CLUTCH - 883L/N/R, 1200C/CA/CB/CP/V/X</u> <u>CLUTCH - XR1200X</u>
8881	<u>CRANKCASE & GEARCASE - 883L/N/R, 1200C/CA/CB/CP/V/X (1 OF 2)</u> <u>CRANKCASE & GEARCASE - XR1200X</u>
8884	<u>TRANSMISSION GEARS</u>
8885	<u>CLUTCH - 883L/N/R, 1200C/CA/CB/CP/V/X</u> <u>CLUTCH - XR1200X</u>
8956	<u>TRANSMISSION GEARS</u>
89579-91	<u>FORK, REAR, DEBRIS DEFLECTOR & BELT GUARD</u> <u>FUEL TANK - 883L/N/R, 1200C/CA/CB/CP/V/X</u>
89586-04	<u>FORK, REAR, DEBRIS DEFLECTOR & BELT GUARD</u> <u>FUEL TANK - 883L/N/R, 1200C/CA/CB/CP/V/X</u> <u>FUEL TANK - XR1200X</u>
8964	<u>TRANSMISSION GEARS</u>
8966	<u>TRANSMISSION GEARS</u>
8970A	<u>TRANSMISSION GEARS</u>

8972	CRANKCASE & GEARCASE - 883L/N/R, 1200C/CA/CB/CP/V/X (1 OF 2) CRANKCASE & GEARCASE - XR1200X
90300034	SWITCHES
90300036	SWITCHES
90300037	FRAME & JIFFY STAND - 883L/N/R, 1200C/CA/CB/CP/V/X (2 OF 2) FRAME & JIFFY STAND - XR1200X SWITCHES
90383-98	INDUCTION MODULE, FUEL - 883L/N/R, 1200C/CA/CB/CP/V/X INDUCTION MODULE, FUEL - XR1200X
90493-83	FOOTRESTS - 883L/N/R, 1200C/CA/CB/CP/V/X
90520-07	FRAME & JIFFY STAND - 883L/N/R, 1200C/CA/CB/CP/V/X (2 OF 2) FOOTRESTS - XR1200X
9187A	SHIFTER, GEAR
91960-10	MIRRORS
91961-10	MIRRORS
91982-03B	MIRRORS
91983-03B	MIRRORS
9209	FORK, REAR, DEBRIS DEFLECTOR & BELT GUARD
9214	CLUTCH - XR1200X
92376-09	MIRRORS
92377-09	MIRRORS
92381-09	MIRRORS
92400-09	MIRRORS
92401-09	MIRRORS
92402-09	MIRRORS
92500-10	FENDERS, REAR - XR1200X
9254	BELT & SPROCKETS - 883L/N/R, 1200C/CA/CB/CP/V/X
9276A	WHEELS, FRONT, CAST - 883L/N/R, 1200C/CA/CP WHEEL, FRONT, CAST - XR1200X WHEELS, FRONT, LACED - 1200C/CB/CP/V/X WHEELS, REAR, CAST - 883L/N/R, 1200C/CA/CP WHEEL, REAR, CAST - XR1200X WHEELS, REAR, LACED - 1200C/CB/CP/V/X
927A	LICENSE PLATE BRACKETS

930	<u>TAIL LAMPS</u>
93511-10	<u>GUARDS, SAREE</u>
940	<u>ENGINE MOUNTS</u>
942	<u>OIL PUMP - XR1200X</u>
943	<u>ROCKER ARM ASSEMBLY & PUSHRODS - XR1200X</u> <u>INSPECTION COVER & PRIMARY COVER</u>
94432-04	<u>BRAKE, MASTER CYLINDER, REAR - 883L/N/R, 1200C/CA/CB/CP/V/X (2 OF 2)</u>
94435-10	<u>GUARDS, SAREE</u>
946	<u>AIR CLEANER - 883L/N/R, 1200C/CA/CB/CP/V/X</u>
94612-04	<u>BRAKE, MASTER CYLINDER, REAR - 883L/N/R, 1200C/CA/CB/CP/V/X (2 OF 2)</u>
95594-84A	<u>WHEEL, FRONT, CAST - XR1200X</u> <u>WHEELS, FRONT, LACED - 1200C/CB/CP/V/X</u> <u>WHEELS, REAR, CAST - 883L/N/R, 1200C/CA/CP</u> <u>WHEEL, REAR, CAST - XR1200X</u> <u>WHEELS, REAR, LACED - 1200C/CB/CP/V/X</u>
95595-84A	<u>WHEELS, FRONT, CAST - 883L/N/R, 1200C/CA/CP</u> <u>WHEELS, FRONT, LACED - 1200C/CB/CP/V/X</u> <u>WHEELS, REAR, CAST - 883L/N/R, 1200C/CA/CP</u> <u>WHEELS, REAR, LACED - 1200C/CB/CP/V/X</u>
9704	<u>BELT & SPROCKETS - XR1200X</u>
9742	<u>FORK, FRONT - XR1200X</u>
9810	<u>WIRING HARNESS, MAIN - XR1200X (1 OF 3)</u>
9838	<u>WIRING HARNESS, MAIN - 883L/N/R, 1200C/CA/CB/CP/V/X (1 OF 4)</u> <u>WIRING HARNESS, MAIN - XR1200X (1 OF 3)</u>
9847	<u>HEADLAMP - 883L/N/R, 1200X, XR1200X</u> <u>HEADLAMP - 1200C/CA/CB/CP/V</u>
9848	<u>HEADLAMP - 883L/N/R, 1200X, XR1200X</u> <u>HEADLAMP - 1200C/CA/CB/CP/V</u>
9898	<u>HEADLAMP - 883L/N/R, 1200X, XR1200X</u> <u>HEADLAMP - 1200C/CA/CB/CP/V</u> <u>WIRING HARNESS, MAIN - 883L/N/R, 1200C/CA/CB/CP/V/X (1 OF 4)</u> <u>WIRING HARNESS, MAIN - XR1200X (1 OF 3)</u>
9907	<u>BRAKE, MASTER CYLINDER, REAR - 883L/N/R, 1200C/CA/CB/CP/V/X (1 OF 2)</u> <u>BRAKE, MASTER CYLINDER, REAR - XR1200X</u> <u>SWITCHES</u>
995	<u>BRAKE, MASTER CYLINDER, REAR - 883L/N/R, 1200C/CA/CB/CP/V/X (1 OF 2)</u>
9955	<u>EXHAUST SYSTEM - 883L/N/R, 1200C/CA/CB/CP/V/X (1 OF 2)</u> <u>EXHAUST SYSTEM - XR1200X</u>

9956	EXHAUST SYSTEM - XR1200X
9969	OIL TANK & LINES - 883L/N/R, 1200C/CA/CB/CP/V/X OIL TANK & LINES- XR1200X
997	BRAKE, MASTER CYLINDER, REAR - 883L/N/R, 1200C/CA/CB/CP/V/X (1 OF 2) BRAKE, MASTER CYLINDER, REAR - XR1200X
C2045.1AK	FENDERS, REAR - XR1200X
C2050.1AM	FENDERS, REAR - XR1200X
C2051.1AM	FENDERS, REAR - XR1200X
DA0600.12FAZB	BELT & SPROCKETS - XR1200X
J8130.3A8	FORK, FRONT - XR1200X

Component Types and Introduction Dates

[View interactive table](#)

101A1 - Generic Nuts	
7725	Unknown
7839	Unknown
7624	Unknown
7792	2012
8135B	Unknown
7813A	Unknown
7778	Unknown
7862	Unknown
7477	Unknown
7916A	Unknown
7766	Unknown
7900	Unknown
7824	Unknown
11730A	Unknown
8190	Unknown
7495	1994
7880	Unknown
7331	Unknown

7964	Unknown
37495-91	1991
7341M	2010
8020	2002
8108	Unknown
7593	1991
7549A	Unknown
7601	1990
102A1 - Generic Screws	
2446	Unknown
3899	1999
4678	Unknown
3802W	2009
4266A	Unknown
4188	Unknown
3244	Unknown
4250M	Unknown
4765	1998
3579A	Unknown
3990	2006
4180	Unknown
2872W	2009
675	Unknown
3854	2009
882	2000
3987	Unknown
4771	Unknown
3048	2016
68026-99	1999
3162	Unknown
3849	Unknown

3018A	2010
4741A	1994
2481M	Unknown
94612-04	2004
3655A	Unknown
3976	2004
3056	2011
1081A	Unknown
5416	Unknown
4718A	1994
3731M	Unknown
2955	1996
3485A	Unknown
4897	2008
4993	Unknown
5414	Unknown
3022A	Unknown
4991	2009
43567-92	1992
4802	2009
3514	Unknown
4499M	Unknown
4350A	Unknown
942	1992
42827-04	2004
4551	Unknown
940	Unknown
4748	2009
943	Unknown
4553	Unknown

4091	Unknown
4886	Unknown
2653	1972
3615	Unknown
4326A	1990
2325	Unknown
2773	Unknown
4549	Unknown
4751	Unknown
4705	2005
4132	Unknown
4740A	1994
2586A	Unknown
3059	2008
3658	Unknown
45405-75A	1975
930	Unknown
1048	Unknown
4975M	Unknown
2508	Unknown
3605	2009
2952A	2003
3060	2008
4822A	1994
68120-00	2000
4724	2009
2487	2008
2486	Unknown
45996-87	1987
3814	Unknown

3594	1992
835	Unknown
4290	Unknown
3708M	2011
3085	Unknown
2708A	Unknown
2513	1990
4816A	Unknown
68042-99	1999
4859	Unknown
4076	Unknown
3728	2014
1039	Unknown
2607	Unknown
4029A	1990
42875-07	2007
4420	2009
45902-00	2000
3588	1990
2612	1973
3563	1999
4017	2009
4589	Unknown
3706M	Unknown
2501A	Unknown
1028	Unknown
4016	Unknown
4032A	Unknown
3124	Unknown
2535	2004
4269	Unknown

45800-04	2004
4351	Unknown
3210A	Unknown
4820A	Unknown
1091	Unknown
4354	Unknown
4352	Unknown
56402-83A	1983
1094	Unknown
2361	Unknown
3732	1998
3666A	1997
2362	Unknown
3480A	Unknown
4717A	Unknown
2441	Unknown
927A	Unknown
3574	Unknown
3214	Unknown
946	Unknown
4871	Unknown
855B	2014
4363	Unknown
4758A	Unknown
4365	Unknown
4312C	Unknown
4798	Unknown
3565	Unknown
1751	2006
3123	Unknown

997	Unknown
16478-85A	1985
995	2009
4359	Unknown
56397-74C	1974
3880	2004
5403B	Unknown
4329	Unknown
3029	Unknown
4778	Unknown
4779	Unknown
2407	2008
27216-95	1995
45790-80	1980
2460	Unknown
3026	Unknown
16480-92A	1992
2445	Unknown
3696	Unknown
103A1 - Generic Washers	
41732-04	2004
6718	Unknown
6026	Unknown
27714-06	2006
6445	Unknown
6611	Unknown
6157	Unknown
6302	Unknown
41743-04	2004
6610	Unknown

6551	Unknown
36802-84B	1984
8972	Unknown
6110	Unknown
6787	Unknown
6288	Unknown
37891-02	2002
6930	2008
6099	2011
6798	2012
10972	2008
6109	1980
6101	2011
6594	Unknown
6139	Unknown
67815-59A	1959
37890-02	2002
6589	Unknown
6590HW	Unknown
7230	Unknown
6516HW	Unknown
7220	Unknown
7068	Unknown
7038	1998
7039	Unknown
65453-08	2008
7073	Unknown
6738	Unknown
6237	2014
6192	Unknown

7041	1958
6703	1970
6701	Unknown
6702	Unknown
42425-05	2005
7045	Unknown
6400HB	Unknown
6716	Unknown
104A1 - Custom Nuts	
54321-85	1985
7606	1983
105A1 - Custom Screws	
41191-74A	1974
94432-04	2004
106A1 - Custom Washers	
7080	Unknown
6003	2010
7124	Unknown
108A1 - Hose Clamps	
42808-04	2004
10053	2010
10252	2004
10031	2010
55847-05A	2005
10344	Unknown
31512-04	2004
10014	Unknown
61576-08	2008
29379-08	2008
9956	1972
9955	Unknown

10080	Unknown
10304	Unknown
10074	Unknown
10303	Unknown
108B1 - P Clamps	
70417-04C	2004
10255	2004
10179A	Unknown
10800003	2011
10800006	2011
10323	Unknown
10092	2010
10142	Unknown
109A1 - Studs	
16715-83	1983
16832-86C	1986
16899-02	2002
65088-04	2004
110B1 - Plain Bushings	
25586-37	1937
9214	Unknown
34982-02A	2011
35030-89A	1989
62881-00	2000
40574-06	2006
8966	Unknown
34076-02A	2002
17429-91	1991
9254	2006
45801-04	2004

25598-91	1991
25593-74	1974
24647-87	1987
45465-87	1987
42569-03	2003
53176-08	2008
9742	2010
8885	Unknown
25588-91	1991
42443-80A	1980
42846-04	2004
110C1 - Radial Shaft Seals	
37107-06	2006
12068	Unknown
12074	Unknown
67104-95	1995
110D1 - Rolling Element Bearings	
9209	2003
8956	Unknown
8964	2006
24650-87	1987
24605-07	2007
8970A	2012
8884	Unknown
9276A	2011
24659-87	1987
9187A	2011
8862	Unknown
24660-87	1987
111A1 - Adhesive	

73304-04	2004
9907	Unknown
72990-01	2001
9838	Unknown
74196-04	2004
111C1 - Insulating Tape	
11668	Unknown
116A1 - Banjo Bolts	
41737-04	2004
41736-04	2004
117A1 - Coil Springs	
56396-74A	1974
119A1 - O-Rings	
11570	Unknown
10926	2010
11631	Unknown
46329-06	2006
11621	Unknown
11625	Unknown
11326	Unknown
26432-76A	1976
11105	Unknown
11351	2001
11113	Unknown
11110	Unknown
10967	Unknown
10966	Unknown
11140	1982
10969	Unknown
11289A	Unknown
10971	Unknown

10970	2008
11202	Unknown
61573-08A	2008
48027-99	1999
11120	Unknown
11190	Unknown
11290	1998
45984-87	1987
11377	Unknown
26434-91	1991
11171	Unknown
11179	1986
11317	Unknown
120A1 - Pins	
232	2008
215	Unknown
16573-83A	1983
42460-80B	1980
9704	Unknown
50003-89B	1989
1594	1998
24754-75A	1975
45041-01A	2001
51938-04	2004
358	Unknown
121A1 - Grommets	
11474	Unknown
11491A	2012
11407	Unknown
121B1 - Press-Fit Plugs	

67865-89	1989
42838-04	2004
6863	Unknown
90383-98	1998
761	1996
72164-94A	1994
6864A	2010
90520-07	2007
122A1 - Retaining Rings	
8102	Unknown
11271	Unknown
11272	Unknown
673	Unknown
10279	Unknown
35118-03	2003
11598	2007
11002	Unknown
35114-02	2002
65325-83A	1983
45611-86	1986
35087-99A	1999
11031	Unknown
11155	Unknown
11142	Unknown
11408	Unknown
10984	Unknown
70640-07	2007
11390	Unknown
11046	Unknown
61213-04A	2004

11121	2008
11177A	1996
11304	Unknown
11282	Unknown
11067	Unknown
11379	2002
16699-06	2006
11384K	Unknown
11250	1992
44590-04	2004
35038-89A	1989
41229-08	2008
10242	2004
11161	Unknown
123A1 - Sealing Washers	
26436-90A	1990
123B1 - Spring Washers	
7155	Unknown
48738-07	2007
124A1 - Spacers	
48390-06	2006
6021	Unknown
33354-08	2008
6152	Unknown
11804	Unknown
46346-06	2006
40562-05	2005
45377-87	1987
7882	Unknown
35107-06	2006
125A1 - Tie Straps	

10065	1985
10287	2004
10039	1981
10177	1996
10181	1996
10006	1960
126A1 - Miscellaneous Hardware	
42593-04	2004
45799-04	2004
12030	Unknown
90493-83	1983
42899-08	2008
12200	Unknown
12201	Unknown
42829-04	2004
48737-07	2007
69148-01	2001
33540-06	2006
45065-06	2006
48791-09	2009
56394-74	1974
8873	1984
42839-04	2004
126B1 - Rivets Fasteners	
8692	Unknown
11778	Unknown
11785	Unknown
127A1 - Miscellaneous, Non-System-Specific Component	
93511-10	2010
127B1 - Generic Mounting Bracket	

51652-97A	1997
140A1 - Battery Warning Label	
15368-01A	2001
15376-06A	2006
140A2 - General Warning Label	
29466-08	2008
29147-07	2007
140A3 - Other Special Warning Label	
15370-01A	2001
140G2 - EPA Label	
29127-95B	1995
141A1 - Medallion	
13567-05	2005
62581-11	2011
14100270	2013
67667-05	2005
71550-94	1994
14270-92	1992
62439-11	2011
14448-94	1994
13566-05	2005
62580-11	2011
62426-11	2011
44440-04	2004
14100255	2013
14100256	2013
149A1 - Tool	
C2045.1AK	2006
C2051.1AM	2008
92500-10	2010

C2050.1AM	2008
94435-10	2010
161A1 - Powertrain Assembly	
19767-13	2013
19927-13	2013
19606-13	2013
19905-13	2013
19766-13	2013
19566-13	2013
19778-13	2013
19519-13	2013
19779-13	2013
19768-13	2013
162D1 - Engine Assembly	
19527-13	2013
163B1 - Engine Isolator Mount	
16353-04	2004
41562-04	2004
16287-04	2004
48492-04A	2004
48463-04A	2004
16301-08	2008
16291-04	2004
41561-04	2004
164A1 - Engine Mount Bracket	
63110-08	2008
63119-08	2008
164B1 - Engine Mount Bracket sub-component	
7716	1990
16232-04B	2004
7783	Unknown

7531	1980
DA0600.12FAZB	Unknown
7804	Unknown
7686	Unknown
7357	Unknown
7800W	Unknown
164D1 - Tiebar Mount	
47471-04A	2004
165A1 - Cylinder Head	
17565-10	2010
16500068	2012
16500071	2012
16667-07	2007
17488-07	2007
16867-07	2007
18011-86	1986
16661-07	2007
18020-07	2007
16865-07	2007
16660-07	2007
17562-10	2010
17485-07	2007
16666-07	2007
165B1 - Cylinder Head and Base Gaskets	
16664-86D	1986
16789-04	2004
16770-84F	1984
16771-08	2008
167A1 - PT Assembly Miscellaneous Component	
37934-06	2006

37896-02	2002
36731-91	1991
168A1 - Cylinder	
16463-04	2004
16800019	2012
16443-04	2004
16452-05	2005
16468-08	2008
16469-10	2010
179A1 - Lifters	
17981-04	2004
17972-04	2004
17903-10	2010
17911-10	2010
18538-99C	2011
179B1 - Push Rod	
17908-02	2002
17909-02	2002
179C1 - Lifter Anti-Rotation Device	
18505-06	2006
180A1 - Valves	
18690-02	2002
18053-04	2004
18021-87A	1987
18059-04	2004
181B1 - Valve Seals	
18012-87A	1987
16465-06	2006
18094-02A	2002
181C1 - Valve Collars	

18260-02	2002
184A1 - PT Camdrive and Valvetrain Miscellaneous Component	
17569-08	2008
18245-02	2002
18258-02	2002
219A1 - Piston	
21965-08	2008
22244-04A	2004
220A1 - Piston Ring	
22266-86	1986
22224-04	2004
22223-04	2004
22231-04	2004
21948-02	2002
22261-86	1986
22238-04	2004
22271-86	1986
22221-04	2004
22227-04	2004
22228-04	2004
22230-04	2004
221A1 - Piston Pin	
22589-83B	1983
22765-02	2002
22719-04	2004
237B1 - Connecting Rod sub-component	
24332-36	1936
239A1 - PT Lower End Miscellaneous Component	
24658-87	1987
241A1 - Flywheel	
23999-08	2008

23905-04B	2007
244A1 - Crankcase	
24470-06B	2006
24745-07A	2008
24466-06B	2006
24475-08	2008
244D1 - Crankcase sub-component	
17525-08	2008
24047-00	2000
8881	Unknown
254A1 - Camdrive Gear	
25271-08	2008
25194-06	2006
255C1 - Camdrive Chain Tensioner	
40039-02C	2007
256A1 - Timer Cover	
32506-90	1990
25600007	2012
25600017	2013
32531-07	2007
32514-04	2004
257B1 - Clutch Cover	
37718-10	2010
34992-04	2004
34760-04	2004
25700171	2013
257D1 - Clutch Inspection Cover	
34993-04A	2004
34794-05A	2005
34761-04A	2006

35077-10	2010
257E1 - Cover Gaskets	
67121-95A	1995
65324-83B	2009
75301-07	2007
25279-08	2008
17393-07	2007
17695-07B	2011
34955-04	2004
67174-08	2008
17362-07B	2011
16800-84A	1984
61109-85D	1985
26638-00Y	2000
25463-94A	1994
67601-94A	1994
17027-08	2008
17976-04	2004
29313-95	1995
12085	Unknown
29062-95B	1995
17036-08	2008
17633-08B	2011
34990-08	2008
45378-87	1987
17049-08	2008
25263-90D	1990
257L1 - Primary Cover	
60836-10	2010
25486-05	2005
25430-06	2006

25307-06	2006
25460-06	2006
257M1 - Push Rod Cover	
17946-04	2004
17963-10	2010
257N1 - Rocker-Arm / Valve Cover	
17501-04	2004
17375-83A	1983
17615-10	2010
17537-07A	2007
17611-83	1983
17551-04	2004
17360-83A	1983
17532-07A	2007
17655-05	2005
17591-10	2010
17614-07A	2008
258A1 - PT Covers Miscellaneous Component	
25250-10	2010
25219-04	2004
25213-04	2004
265A1 - Vent / Breather Line	
63508-04	2004
26162-08	2008
62360-10	2010
62360-04A	2004
26169-08	2008
63103-08	2008
271C1 - Intercooler Gasket	
65927-00	2000

272B1 - Throttle Body / Intake Manifold	
27695-08	2008
16360-08	2008
27795-07	2007
16361-07	2007
273A1 - Intake Manifold	
27707-07	2007
273A2 - Intake Manifold to Cylinder Head Seal	
27327-07	2007
273E1 - Idle Air Control Actuator	
27628-01A	2001
273K1 - Throttle Body to Manifold Seal	
26995-86B	1986
273M1 - Throttle Cable Bracket	
27698-08A	2008
27701-07A	2007
56871-08	2008
273N1 - Throttle Cable Retention Bracket	
56508-76	1976
274B1 - Fuel Rail	
27704-07	2007
274C1 - Fuel Injector	
27706-07A	2007
275A1 - PT Upper End Miscellaneous Component	
27700-07	2007
290A1 - Airbox Baseplate	
29369-07A	2007
29000015	2012
290C1 - Airbox Baseplate sub-component	
29123-07	2007
29355-07	2007

290D1 - Airbox Seal	
29315-04	2004
29000016	2012
292A1 - Air Duct	
28794-10	2010
292B1 - Air Duct Bezel	
29200023	2013
29200001	2011
294A1 - Air Filter Element	
29371-08	2008
29400015	2012
29377-08	2008
29331-04	2004
294F1 - Engine Breather Valve	
26016-08	2008
295A1 - Intake Miscellaneous Component	
26011-04	2004
28911-04A	2004
26020-07	2007
26012-07	2007
29380-08	2008
26010-04	2004
299C1 - Charging Rotor	
30018-08	2008
32493-02B	2008
32494-04B	2008
299F1 - Stator Assembly	
29997-07A	2008
314E1 - Starter Friction Clutch	
31556-91D	2010

314F1 - Starter Motor	
31390-91F	1991
314G1 - Starter Motor sub-component	
31488-81C	2008
314H1 - Starter Solenoid	
31603-91	1991
314L1 - Starter Motor Drive	
33189-63	1963
315B1 - Exhaust Valve Actuator	
18691-02	2002
316A1 - Ignition Coil	
31656-07	2007
316B1 - Spark Plug Cable	
32003-07	2007
32004-08	2008
32005-08A	2008
32006-07	2007
316C1 - Spark Plug	
32362-04	2004
27794-08	2008
327B1 - Chemical / Gas Sensor	
27719-07	2007
27690-08	2008
327C1 - Pressure Sensor	
26554-77B	1977
327D1 - Proximity Sensor	
50126-08A	2008
74402-05B	2012
32707-01C	2007
327E1 - Temperature Sensor	

32472-10	2010
32319-07	2007
327F1 - Throttle Position Sensor	
27629-01A	2001
336A1 - Shift Linkage Rod Assembly	
34723-10	2010
34663-10	2010
336B1 - Shift Linkage Connection Rod	
33832-08	2008
336C1 - Shift Linkage Rod End	
34573-04	2004
336F1 - Toepeg	
34611-65A	1965
336G1 - Toepeg Rubber	
34672-08	2008
33133-06	2006
339A1 - Shift Lever	
34572-04	2004
34670-06	2006
34660-04A	2004
34721-07	2007
33875-08	2008
339C1 - Shifter Drum	
33641-06	2006
339D1 - Shifter Fork	
34162-06	2006
34157-06	2006
34981-02A	2002
339F1 - Shifter Index Lever	
34724-10	2010
34014-06A	2006

339H1 - Shifter Mechanism Components (internal)	
34064-00C	2000
34491-02A	2002
34665-10	2010
34483-06	2006
34163-02	2002
348A1 - Transmission Output Sprocket Cover	
34932-04	2004
34911-04	2004
37716-10	2010
34943-05	2005
350A1 - Transmission Output Sprocket	
40380-04	2004
40409-04	2004
40379-04	2004
350B1 - Transmission Output Sprocket Compensating Cushion	
37899-02A	2002
350C1 - Transmission Output Sprocket Compensator Driving Element	
40560-05	2005
350E1 - Transmission Gear	
35167-06	2006
35159-06	2006
35234-08	2008
35165-06	2006
350F1 - Transmission Mainshaft	
35163-06	2006
356A1 - Transmission Countershaft	
35197-06	2006
35191-06	2006
35172-06	2006

35193-06	2006
35174-06	2006
356B1 - Transmission Dog Ring	
35196-06	2006
35190-06	2006
363A1 - PT Driveline Miscellaneous Component	
35051-89A	1989
35211-91B	1991
365A1 - Primary Chain	
40147-04	2004
40005-57B	1957
40057-08	2008
365C1 - Primary Drive Assembly	
40254-02	2002
40290-04A	2004
40241-02A	2003
40251-92A	1992
367A1 - Clutch Lever	
45356-07	2007
46945-07A	2007
367E1 - Clutch Lever Mount Clamp	
38671-04	2004
367H1 - Clutch Lever sub-component	
34920-86A	1986
37892-02	2002
37904-90	1990
37870-91	1991
36715-94	1994
38630-88	1988
37872-90	1990
37905-90	1990

37909-90	1990
37910-04B	2006
37895-02	2002
36799-91	1991
37977-90	1990
46268-04	2004
37908-90	1990
370A1 - Clutch Assembly	
37924-04A	2006
37000041	2011
370B1 - Clutch Friction Plate	
37897-02	2002
37911-90	1990
370C1 - Clutch Hub	
36785-91	1991
37898-02A	2002
370F1 - Clutch Pressure Plate	
37912-91	1991
37913-90	1990
370F3 - Clutch Diaphragm Spring	
37894-02	2002
370G1 - Clutch Shell	
36790-04	2004
372A1 - Clutch Actuation Screw	
11765Y	Unknown
372D1 - Clutch Cable	
38786-08A	2008
38699-04C	2004
38999-11	2011
372K2 - Clutch Ramp	

25453-87A	1987
25409-94B	1994
400A1 - Drive-Belt	
40591-07	2007
400B1 - Idler Pulley Assembly	
31602-08	2008
31630-08	2008
400C1 - Idler Pulley	
31698-08	2008
400E1 - Idler Pulley Bracket	
31699-08	2008
409A1 - Rear Wheel	
44012-11A	2012
41012-08	2008
55019-11A	2012
43348-10	2010
41478-10A	2012
55076-11A	2012
41082-08A	2012
410D1 - Electronic Control Module (ECM)	
32534-11	2011
68920-07	2007
68278-07	2007
410G1 - Security System Control Module	
68924-07	2007
70617-07	2007
413A1 - Brake Caliper	
42892-08	2008
42948-08	2008
42881-11	2011
40968-11	2011

42944-08	2008
44121-07A	2008
44160-00	2000
42877-10	2010
42943-08	2008
42879-10	2010
413C1 - Brake Caliper sub-component	
42823-04	2004
42824-04	2004
45401-87	1987
40948-04	2004
413D1 - Brake Pad	
42029-07	2007
415B1 - Brake Rotor	
44136-00	2000
44156-00	2000
41833-08	2008
41822-10	2010
416A1 - Brakes Miscellaneous Component	
34582-04	2004
45067-06	2006
42837-04	2004
72023-51E	2012
42807-04	2004
416B1 - Brake Mounting Bracket	
42825-04	2004
42878-10	2010
42880-10	2010
417A1 - Brake Master Cylinder Assembly	
42813-04	2004

42805-04	2004
42814-04	2004
42945-08	2008
417B1 - Brake Master Cylinder	
45146-07	2007
45052-07A	2008
42941-10	2010
42745-07	2007
417C1 - Brake Master Cylinder Piston Set	
42834-04	2004
42028-07	2007
417D1 - Brake Master Cylinder sub-Component	
42809-07A	2008
67804-04	2004
42900-08	2008
40946-04	2004
42736-08	2008
42893-07	2007
42832-04	2004
44178-04	2004
44189-04	2004
42803-07A	2008
42811-04	2004
42738-08	2008
42595-04	2004
42804-07	2007
42815-04	2004
42810-07A	2008
42976-04	2004
42979-04	2004

42645-07	2007
42828-04	2004
44184-04	2004
43528-04	2004
42817-07	2007
417E1 - Brake Master Cylinder Hose	
42821-04	2004
42737-08	2008
417F1 - Brake Master Cylinder Reservoir	
42816-07	2007
42521-07	2007
42845-07	2007
42744-08	2008
417G1 - Front Brake Lever	
46946-06A	2006
42806-04	2004
418B1 - Brake Line	
46986-11	2011
45319-04D	2011
42942-08A	2008
45449-04C	2011
46417-10A	2011
45074-95	1995
46400-04C	2011
46688-11	2011
46680-11	2011
42975-08A	2008
44429-11	2011
420A1 - Wheel Rim	
41389-10	2010
43017-07	2007

43662-80B	1983
43085-97	1997
55127-11	2011
421A1 - Wheel Spoke with Nipple	
40760-05	2005
43241-05	2005
40759-05	2005
47887-10	2010
422B1 - Wheel Sprocket	
40444-07	2007
40350-07	2007
40518-08	2008
422C1 - Wheel Sprocket Compensating Cushion	
40561-05	2005
423C1 - Rim Strip	
43939-89	1989
43147-40	1940
40875-11	2011
423D1 - Tire Inner Tube	
43140-80	1980
40558-82	1982
40572-11	2011
423G1 - Valve Stem	
40999-87	1987
43157-83A	1983
423H1 - Valve Stem Cap	
41123-79	1979
423K1 - Wheel Weights	
95595-84A	2010
95594-84A	2010

424A1 - Wheels, Tires and Final Drive Miscellaneous Component

47878-09A	2010
-----------	------

55126-11	2011
----------	------

430B1 - Rear Axle Carrier / Adjuster

41626-08	2008
----------	------

430D1 - Front Axle

43895-08	2008
----------	------

41628-08	2008
----------	------

430E1 - Rear Axle

41176-08	2008
----------	------

41573-05	2005
----------	------

41623-05	2005
----------	------

41627-08	2008
----------	------

431A1 - Front Tire

43258-07B	2011
-----------	------

40879-11A	2012
-----------	------

55035-11	2011
----------	------

43100004	2012
----------	------

432A1 - Rear Tire

43200011	2012
----------	------

43200007	2012
----------	------

40878-11	2011
----------	------

43216-11	2011
----------	------

433A1 - Front Wheel

43355-00	2000
----------	------

43557-08	2008
----------	------

55074-11	2011
----------	------

43359-00	2000
----------	------

43343-10	2010
----------	------

47875-09A	2010
-----------	------

43689-11	2011
43499-08	2008
55018-11	2011
41388-10	2010
433B1 - Front Wheel Bearing Spacer	
40930-05	2005
43358-08	2008
41858-08	2008
43906-08	2008
43522-08	2008
41748-08	2008
43905-08	2008
41730-08	2008
41242-08	2008
454A1 - Front Telescopic Fork	
48715-08	2008
49378-09	2009
49409-11	2011
45400041	2013
45400042	2013
45968-10	2010
46453-09	2009
48778-10	2010
49382-11	2011
49400-11	2011
49406-10	2010
45988-10	2010
49410-11	2011
48771-10	2010
48714-08	2008
454B1 - Springer Fork	

47299-07	2007
10417	Unknown
455A1 - Front Telescopic Fork Slider	
45395-09	2009
48786-10	2010
48849-10	2010
49403-11	2011
46075-04	2004
48716-08	2008
48850-10	2010
46218-05	2005
48726-08	2008
49411-11	2011
46076-04	2004
49412-11	2011
49401-11	2011
46450-08	2008
46449-08	2008
48785-10	2010
455B1 - Front Telescopic Fork Spring	
45500142	2013
49372-10	2010
46267-05	2005
10418	2010
45376-09	2009
455C1 - Front Telescopic Fork sub-component	
45374-87	1987
45462-87	1987
46343-06	2006
45690-10	2010

45461-87	1987
45361-90	1990
46002-87	1987
46372-10	2010
45938-92	1992
10628	Unknown
45905-87	1987
J8130.3A8	2005
45693-10	2010
46681-10	2010
456A1 - Fork Protector	
45451-07	2007
456B1 - Fork Brace	
46420-10	2010
49419-11	2011
456C1 - Fork Lock	
45600014	2012
457D1 - Steering Stem	
4977	Unknown
457E1 - Steering Stem Bearing Insert Cup	
48315-60	1960
48300-60	1960
458A1 - Front Suspension and Steering Miscellaneous Component	
45458-09	2009
4978	Unknown
46245-09	2009
45842-77A	1977
48184-01	2001
68041-04	2004
459A1 - Upper Triple Clamp	

46009-10	2010
46928-10	2010
45966-04	2004
46758-07	2007
46997-11	2011
459B1 - Lower Triple Clamp	
46998-11	2011
46014-10	2010
46767-07	2007
46126-04	2004
46927-10	2010
49422-11	2011
470A1 - Frame	
48879-08A	2011
49376-11	2011
472C1 - Front Fairing Support Bracket	
42972-04	2004
60204-06	2006
60203-06	2006
472D1 - Chassis Structure Miscellaneous Component	
47313-07	2007
472D2 - Chassis Structure Mounting Bracket	
59903-04	2004
59902-04	2004
59502-04A	2004
47470-04	2004
472E1 - Frame Cover	
47200177	2012
474C1 - Swingarm	
47587-05	2005

474D1 - Rear Lift Stand Spool	
47682-10	2010
475B1 - Swingarm Pivot Shaft	
41698-04	2004
41699-04	2004
41568-04	2004
500A1 - Sidestand Assembly	
50185-04C	2011
50000025BHP	2011
500D1 - Sidestand Leg	
50124-09BHP	2011
500E1 - Sidestand Leg sub-component	
49735-08	2008
62122-89A	1989
50005-85A	1985
500F1 - Sidestand Pivot Pin	
554A	2002
505B1 - Footpeg Mount Bracket	
51044-08	2008
33048-72	1972
42651-04	2004
51049-08	2008
51048-08	2008
49315-04	2004
42652-04	2004
51045-08	2008
49314-04	2004
42971-04	2004
505C1 - Heel Guard / Pad	
33084-06	2006
505D1 - Passenger Footpeg	

50500227	2012
51327-08	2008
33134-07CAZ	2007
33032-99	1999
33135-07CAZ	2007
51323-08	2008
505K1 - Footpeg Wear Peg	
33130-07A	2007
33216-99	1999
506A1 - Brake Pedal	
42969-04	2004
50912-72	1972
42812-04	2004
42685-04	2004
42341-07	2007
42649-07	2007
34581-04	2004
42949-08A	2008
507A1 - Rider Interface Miscellaneous Component	
51731-10	2010
51730-10	2010
42541-04	2004
51046-09	2009
520A1 - Rider Seat or Full Seat	
51551-07	2007
51382-08	2008
52000070	2013
51911-10	2010
51532-07	2007
51550-11	2011

51530-07	2007
520B1 - Rider/Full Seat Assembly sub-component	
51740-10	2010
521A1 - Seat Support Structure	
52429-08	2008
51710-08	2008
521C1 - Seat Suspension Damper	
42840-04	2004
45925-09	2009
10627	Unknown
524A1 - Passenger Grab Handle	
59723-04	2004
524B1 - Passenger Seat	
51383-08	2008
540B1 - Rear Shock	
54570-09	2009
46454-09	2009
54568-09	2009
54550-10	2010
54700-10	2010
54671-10	2010
540E1 - Rear Shock sub-component	
54741-07	2007
54724-04	2004
540L2 - Rear Suspension Mounting Bracket	
42831-04A	2005
42739-08	2008
42310-08	2008
558A1 - Handlebar	
55840-04A	2004
56014-09A	2010

56079-93	1993
57472-11	2011
56085-83A	1983
558B1 - Handlebar Tube	
57209-11	2011
559D1 - Lower Handlebar Clamp	
55842-04	2004
56542-86A	1986
56017-04	2004
56541-86A	1986
56117-82A	1982
56116-82A	1982
559E1 - Upper Handlebar Clamp	
56115-95	1995
560A1 - Mirror	
92401-09	2009
92400-09	2009
92376-09	2009
92377-09	2009
91983-03B	2003
91961-10	2010
92381-09	2009
91960-10	2010
91982-03B	2003
92402-09	2009
561A1 - Throttle Cable	
56637-08	2008
56884-07	2007
45155-08	2008
56885-07	2007

56639-08	2008
561B1 - Left Hand Grip	
56667-04	2004
561C1 - Throttle Assembly w/Grip	
56666-04	2004
561D1 - Throttle Assembly sub-component	
38653-01	2001
571C1 - Fairing Side	
66269-08BDK	2008
571D1 - Debris Deflector	
60435-04A	2011
572E1 - Side Cover	
66270-08BDK	2008
66269-08CHJ	2008
66272-05A	2005
66251-04A	2004
66252-04A	2004
66270-08CHJ	2008
66273-05A	2005
589A1 - Front Fender	
59022-07BDK	2007
58998-83E	2008
59441-10	2010
60574-10	2010
59712-07A	2007
60955-11	2011
595D1 - Rear Fender	
59673-04A	2004
59885-11	2011
59901-08BDK	2008

59400-08	2008
59401-08	2008
59916-08	2008
59727-07	2007
59865-10	2010
59768-97	1997
59847-10	2010
595E1 - Rear Fender Support	
59500034	2011
603B1 - Belt / Chain Guard	
60367-04	2004
60300008	2012
60300007	2012
60300009	2012
60416-08	2008
60403-08	2008
60379-09	2009
608A1 - Carbon Canister	
28908-04A	2004
28909-04	2004
27042-84A	1995
608B1 - Carbon Canister Hose	
28822-07A	2007
27200-08	2008
27067-07A	2007
609A1 - Fuel Miscellaneous Component	
5845	Unknown
89586-04	2004
89579-91	1991
75317-07	2007
27047-84B	1984

610A1 - Fuel Tank	
61724-10	2010
61405-07	2007
62213-07	2007
61392-08	2008
611A1 - Filler Neck Trim	
71478-08	2008
611B1 - Fuel Cap	
61289-07A	2011
61572-08A	2008
61272-92C	1992
611F1 - Fuel Tank Vapor Vent Hose	
27071-10	2010
27096-04A	2004
612A1 - Fuel Filter	
75304-07A	2007
612B1 - Fuel Level Sensor	
75302-07B	2011
612B2 - Fuel Valve	
75309-07	2007
61015-04A	2004
62150-85	1985
612C1 - Fuel Line	
27693-07	2007
27792-08	2008
27829-10	2010
612F1 - Fuel Pump	
75268-07E	2011
75305-07A	2007
612K1 - Fuel Pump sub-component	

61574-08	2008
613B1 - Horn Cover	
69012-93A	1993
613C1 - Intake / Fuel Tank Cover	
66271-08BDK	2008
28792-10	2010
613K1 - Airbox Cover	
61300131	2012
28790-10	2010
614C1 - Trim	
62534-07	2007
70919-04	2004
70904-04	2004
70917-04	2004
70903-04	2004
29346-07	2007
61577-08	2008
71472-04	2004
624A1 - Oil Pump Assembly	
26204-91A	1991
26592-08	2008
624B1 - Oil Pump Assembly sub-component	
62601-91A	1991
26332-08	2008
26182-08	2008
26239-07	2007
26210-99	1999
26495-89B	1989
26437-86B	1986
62651-04	2004

33117-91A	1991
26502-07	2007
26526-08	2008
11652	Unknown
45830-48	1948
26546-08	2008
26400-82B	1982
26503-07	2007
624D1 - Oil Pump Drive Gear	
26318-88A	1988
624E1 - Oil Pump Internal Cover	
26522-08	2008
625B1 - Oil Tank	
62954-10	2010
62888-08A	2008
627A1 - Oil Cooler	
63050-08A	2008
627B1 - Oil Drain Plug	
33123-06A	2006
60330-08	2008
60328-98B	1998
627E1 - Oil Filler Plug / Dipstick	
63008-08	2008
62592-07A	2007
63000-04B	2004
627F1 - Oil Filter	
63796-77A	1977
63805-80A	1980
627G1 - Oil Jet	
62700013	2011

62700014	2011
627H1 - Oil Line	
62338-01Y	2001
63081-08	2008
62361-10	2010
63120-08	2008
63099-08	2008
63080-08	2008
33138-06	2006
63596-06	2006
63097-08	2008
9969	Unknown
63098-08	2008
63111-08	2008
627K1 - Oil Line Fitting	
26496-75A	1975
63548-08	2008
26184-08	2008
25394-08	2008
26064-08	2008
26183-08	2008
62375-57A	1957
26525-08	2008
63533-41A	1941
627M1 - Oil Pressure Regulator Valve	
26856-89A	1989
627P1 - Oil Thermostat	
26529-08	2008
628A1 - PT Lubrication and Cooling Miscellaneous Component	
63116-08	2008
70503-10	2010

66199-10	2010
63125-08	2008
63112-08	2008
628B1 - PT Lubrication and Cooling Mounting Bracket	
63108-08	2008
648K1 - Exhaust Miscellaneous Component	
65258-08	2008
64850-08	2008
649A1 - Muffler	
64842-04	2004
65219-10	2010
65218-10	2010
64893-04A	2004
64738-09	2009
64891-04A	2004
80399-04	2004
64737-09	2009
653A1 - Muffler sub-component	
65240-08	2008
654A1 - Exhaust Shield	
64889-04A	2013
66851-07	2007
64847-04B	2013
64846-04B	2013
65198-10	2010
65176-10	2010
65168-10	2010
65189-10	2010
65197-10	2010
655A1 - Muffler Mount	

65316-08	2008
655C1 - Exhaust Mounting Bracket	
65339-04	2004
65974-04A	2004
656C1 - Header	
64851-09	2009
656E1 - Header Pipe	
64965-08A	2010
64943-07	2007
64942-07	2007
658A1 - Exhaust Catalyst	
64853-04	2004
64854-04	2004
659A1 - Exhaust Clamp	
65296-95A	1995
65302-82A	1982
65257-08	2008
659B1 - Exhaust Flange	
65328-83A	2010
65184-02	2002
659C1 - Exhaust Gasket	
65317-08A	2009
660A1 - Battery	
65958-04A	2004
66373-06	2006
660C1 - Battery Pan	
66194-04D	2004
660D1 - Battery Strap	
66476-04A	2004
660E1 - Ground Strap	

70297-04A	2004
660F1 - Negative Battery Cable	
70296-04A	2004
660G1 - Positive Battery Cable	
70295-10	2010
660H1 - Positive Battery Cable Boot	
70003-04	2004
670A1 - Tachometer	
74714-10	2010
677A1 - Headlight	
68335-05	2005
67603-94A	1994
67883-04A	2004
69774-07A	2007
73266-10	2010
67963-05	2005
69449-05	2005
68341-05	2005
67894-93A	1993
67834-83	1983
67790-93A	1993
67972-98	1998
73264-10	2010
69386-08	2008
68297-05	2005
68443-07A	2007
69397-08	2008
677B1 - Headlight sub-component	
68380-05	2005
67700094	2011

69681-07B	2011
67880-94	1994
73246-11	2011
677C1 - Headlight Support Bracket	
67805-92	1992
67746-11	2011
678A1 - Taillight	
68066-99A	2004
69187-03A	2003
68369-03	2003
69352-11	2011
68830-99A	1999
69864-08	2008
68372-03	2003
69361-11	2011
68296-99A	2004
68140-04	2004
68370-03A	2003
68141-04	2004
678B1 - Taillight Housing	
68513-07	2010
68513-07A	2012
678D1 - Turnsignal	
68975-00	2000
68804-06	2006
68730-07	2007
68265-04	2004
68480-02	2002
69066-01A	2002
5531	Unknown

68978-00	2000
69530-08	2008
68984-01	2001
68277-07	2007
73318-09	2009
68972-00	2000
73284-10	2010
56104-02	2002
73358-12	2012
73282-10	2010
68838-06	2006
68497-07	2007
73267-10	2010
68461-09	2009
69406-09	2009
68449-07	2007
69362-08	2008
67800070	2011
678E1 - Turnsignal Lens	
68973-00	2000
69110-01	2001
68755-07	2007
68559-07	2007
679B1 - Reflector	
60183-08	2008
69490-07	2007
59359-06	2006
59287-92	1992
59259-90	1990
59482-00	2000
59481-00	2000

69862-07	2007
59256-84A	1984
68561-09	2009
59288-92	1992
69861-07	2007
68704-07	2007
59988-72A	1972
69498-08	2008
60188-08	2008
68724-07	2007
679C1 - Reflector Mount Bracket / Holder	
67900006	2011
679D1 - License Plate Bracket	
67900079	2011
68257-08	2008
67900089	2011
67900088	2011
67900093	2011
60001-55	1955
59986-75	1975
68702-07	2007
60318-07	2007
60901-07	2007
59984-73	1973
68857-07	2007
60225-08BHP	2008
68966-08	2008
68299-07	2007
679E1 - License Plate Light	
73504-11	2011

60375-10	2010
680C1 - Incandescent Bulb	
68572-64B	1964
68168-89A	1989
53436-97	1997
68163-84	1984
68329-03	2003
68167-04	2004
52441-95	1995
690A1 - Emergency Siren	
68958-07C	2010
690B1 - Emergency Siren sub-component	
69309-10	2010
690C1 - Horn	
69000014	2011
692C1 - Electrical Miscellaneous Component	
70368-08	2008
11954	2011
72378-04	2004
71552-94	1994
70633-08	2008
68382-07B	2012
72189-04	2004
70632-08	2008
10289A	Unknown
70466-07A	2007
692C2 - Electrical Mounting Bracket	
31797-07	2007
71980-10	2010
69123-92A	1992
70642-07	2007

69135-04	2004
69049-07	2007
73227-10	2010
71341-10	2010
70680-10	2010
67157-08	2008
69120-91	1991
31801-08	2008
69060-90F	2010
67089-05	2005
71988-10	2010
67170-08	2008
67320-95	1995
66523-06	2006
31807-07	2007
31806-08A	2008
66524-06	2006
31753-07	2007
69062-91A	1991
692D1 - Fuse	
72318-04	2004
72330-95	1995
692E1 - Fuse / Relay Block	
31586-07	2007
72430-00	2000
692E2 - Fuse / Relay Block Cover	
73214-10	2010
73302-04	2004
73228-10	2010
692F1 - Wire Harness	

68814-07	2007
70247-07	2007
68955-08	2008
67091-08	2008
68813-07	2007
70167-08A	2008
70163-10	2010
70619-07	2007
68899-04A	2004
69200316	2012
70025-11	2011
69200317	2012
55844-04	2004
692G1 - Conduit / Sheathing / Sleeving	
11888	2010
72266-94	1994
692G2 - Wire Guide	
29950-91	1991
71287-08	2008
692H1 - Connector	
73152-96BK	1996
72519-09BK	2009
72114-94BK	1994
72159-94	1994
72144-94	1994
72312-04	2004
27250-96B	1996
72124-94GY	1994
9848	Unknown
9847	Unknown

72260-04	2004
72009-05	2005
72139-94GY	1994
72007-05	2005
72078-00	2000
73301-04	2004
72516-01	2001
72130-04	2004
72199-94	1994
692H2 - Terminal	
72076-00	2000
72272-07	2007
72441-04	2004
72549-07	2007
9810	Unknown
72289-04	2004
72592-10	2010
72413-07	2007
72335-10	2010
9898	Unknown
72484-08	2008
72407-07	2007
72024-08	2008
72721-07	2007
72290-94	1994
72169-07	2007
72168-07	2007
72291-94	1994
72094-06	2006
72434-00	2000
72991-01	2001

72611-07	2007
74194-98	1998
72445-99TN	1999
72568-08	2008
692K1 - Connector / Terminal Seal	
68904-00	2000
73303-04	2004
72006-05	2005
72154-94	1994
74197-04	2004
68653-05	2005
692L1 - Wire Harness sub-component	
74191-98	1998
73213-07	2007
72487-07BK	2007
70345-84	1984
72512-07BK	2007
72263-95	1995
72488-07BK	2007
72077-00	2000
74152-98	1998
72195-94	1994
72402-07	2007
72175-07BK	2007
72473-07	2007
70504-81	1981
73190-96	1996
72511-07BK	2007
73103-96BK	1996
73156-96BK	1996

73106-96BK	1996
72904-01BK	2001
70598-99	1999
73152-96WE	1996
74120-08	2008
72486-08	2008
72408-07	2007
72251-07	2007
72167-07BK	2007
72166-07BK	2007
73153-96BK	1996
72032-93	1993
72720-07	2007
72033-93	1993
10200	Unknown
72011-05	2005
72405-98BK	1998
72066-06A	2006
73191-96	1996
70664-08	2008
72447-07GY	2007
72190-94	1994
56073-83	1983
72096-06	2006
72188-07BK	2007
72543-07BK	2007
73104-96BK	1996
72469-07GY	2007
73305-04	2004
72544-07	2007

73102-96BK	1996
72014-07	2007
72056-92	1992
72545-08	2008
72295-94	1994
70578-89	1989
72191-94	1994
72329-08	2008
72406-07A	2007
74112-98BK	1998
73154-96BK	1996
72414-07BK	2007
72135-06	2006
72914-01BK	2001
692M1 - Electrical Component / Wire Cover	
70679-10	2010
69302-11	2011
709B1 - Instrument Cluster or Speedometer	
67436-08	2008
67041-08	2008
70714-10	2010
67416-08	2008
67037-08	2008
67290-08	2008
67415-08	2008
714A1 - Ignition Switch	
71400058	2012
714B1 - Mechanical Switch	
33900-99	1999
715A1 - Hand Control	
71684-06A	2006

67854-98	1998
71587-04	2004
71510-04	2004
55786-11	2011
71683-06A	2006
71564-96	1996
55846-05A	2005
71563-96	1996
71568-96A	1996
55785-11	2011
71685-06A	2006
71682-06A	2006
71620-08	2008
71567-96	1996
71621-08	2008
747A1 - Voltage Regulator	
74711-08	2008
760B1 - Antenna	
68956-07	2007
903A1 - Lockset	
90300036	2012
90300037	2012
903C1 - Key Transponder	
68926-07	2007
68939-00	2000

Common Service Parts

AUDIO & INSTRUMENTATION

[View interactive table](#)

PART NO.	DESCRIPTION	PART AND MODEL(S)
----------	-------------	-------------------

67880-94

BOOT

SPEEDOMETER - 883L/N/R, 1200C/CA/CB/CP/V/X:

[XL883L](#)[XL883R](#)[XL883N](#)[XL1200X](#)[XL1200C](#)[XL1200C ANV](#)[XL1200CP](#)[XL1200V](#)[XL1200CB](#)[XL1200CA](#)

SPEEDOMETER & TACHOMETER - XR1200X:

[XR1200X](#)

BEARINGS, SEALS & HARDWARE

[View interactive table](#)

PART NO.	DESCRIPTION	PART AND MODEL(S)
10014	CLAMP	<p><i>OIL TANK & LINES - 883L/N/R, 1200C/CA/CB/CP/V/X:</i></p> <p>XL883L</p> <p>XL883R</p> <p>XL1200C</p> <p>XL1200C ANV</p> <p>XL1200CP</p> <p>XL1200CA</p> <p>XL1200CB</p> <p>XL883N</p> <p>XL1200X</p> <p>XL1200V</p> <p><i>OIL TANK & LINES- XR1200X:</i></p> <p>XR1200X</p>
10080	CLAMP	<p><i>CRANKCASE & GEARCASE - 883L/N/R, 1200C/CA/CB/CP/V/X (1 OF 2):</i></p> <p>XL883L</p> <p>XL883R</p> <p>XL1200C</p> <p>XL1200C ANV</p> <p>XL1200V</p> <p>XL1200CP</p> <p>XL1200CA</p> <p>XL1200CB</p> <p>XL883N</p> <p>XL1200X</p> <p><i>CRANKCASE & GEARCASE - XR1200X:</i></p> <p>XR1200X</p> <p><i>OIL TANK & LINES - 883L/N/R, 1200C/CA/CB/CP/V/X:</i></p> <p>XL883L</p> <p>XL883R</p> <p>XL1200C</p> <p>XL1200C ANV</p> <p>XL1200CP</p> <p>XL1200CA</p> <p>XL1200CB</p> <p>XL883N</p> <p>XL1200X</p> <p>XL1200V</p>

11105	O-RING	<u>INSPECTION COVER & PRIMARY COVER: All Models</u>
11171	O-RING	<u>INSPECTION COVER & PRIMARY COVER: All Models</u>
11304	RETAINING RING	<p>FOOTRESTS - 883L/N/R, 1200C/CA/CB/CP/VIX:</p> <p><u>XL883L</u></p> <p><u>XL1200C</u></p> <p><u>XL1200C ANV</u></p> <p><u>XL1200CP</u></p> <p><u>XL1200CB</u></p> <p><u>XL1200CA</u></p> <p><u>XL1200V</u></p> <p><u>XL883N</u></p> <p><u>XL1200X</u></p> <p>FOOTRESTS - 883L/N/R, 1200C/CA/CB/CP/VIX:</p> <p><u>XL883R</u></p> <p>FOOTRESTS - XR1200X:</p> <p><u>XR1200X</u></p>
11379	RETAINING RING	<p><u>CLUTCH CONTROL: All Models</u></p> <p>BRAKE CONTROL, FRONT - 883L/N/R, 1200C/CA/CB/CP/VIX:</p> <p><u>XL883L</u></p> <p><u>XL883R</u></p> <p><u>XL1200C</u></p> <p><u>XL1200C ANV</u></p> <p><u>XL1200V</u></p> <p><u>XL1200CP</u></p> <p><u>XL1200CA</u></p> <p><u>XL1200CB</u></p> <p><u>XL883N</u></p> <p><u>XL1200X</u></p> <p>BRAKE CONTROL, FRONT - XR1200X:</p> <p><u>XR1200X</u></p>
11491A	GROMMET	<p>FRAME & JIFFY STAND - XR1200X:</p> <p><u>XR1200X</u></p>
12074	OIL SEAL	<u>TRANSMISSION GEARS: All Models</u>
16715-83	STUD	<p>CYLINDERS, HEADS & VALVES - 883L/N/R, 1200C/CA/CB/CP/VIX (1 OF 2):</p> <p><u>XL883L</u></p> <p><u>XL883R</u></p> <p><u>XL883N</u></p> <p><u>XL1200X</u></p> <p><u>XL1200C</u></p> <p><u>XL1200C ANV</u></p> <p><u>XL1200V</u></p> <p><u>XL1200CP</u></p> <p><u>XL1200CA</u></p> <p><u>XL1200CB</u></p> <p>CYLINDERS, HEADS & VALVES - XR1200X:</p> <p><u>XR1200X</u></p>
16800-84A	GASKET	<p>ROCKER ARM ASSEMBLY & PUSHRODS - 883L/N/R, 1200C/CA/CB/CP/VIX (1 OF 2):</p> <p><u>XL883L</u></p> <p><u>XL883R</u></p> <p><u>XL883N</u></p> <p><u>XL1200X</u></p>

[XL1200C](#)
[XL1200C ANV](#)
[XL1200V](#)
[XL1200CP](#)
[XL1200CA](#)
[XL1200CB](#)
ROCKER ARM ASSEMBLY & PUSHRODS - XR1200X:
[XR1200X](#)

2445	SCREW	<p><i>FORK BRACKETS, FRONT - XR1200X:</i> XR1200X</p> <p><i>FORK, REAR, DEBRIS DEFLECTOR & BELT GUARD:</i> XR1200X</p> <p><i>FENDERS, REAR - XR1200X:</i> XR1200X</p> <p><i>HEADLAMP - 1200C/CA/CB/CP/V:</i> XL1200C XL1200C ANV XL1200CP XL1200CA XL1200CB</p>
2446	SCREW	<p><i>FENDERS, REAR - 883N/1200V/X (ALL EXCEPT CANADA):</i> XL883N XL1200X XL1200V</p>
25463-94A	GASKET	<p>INSPECTION COVER & PRIMARY COVER: All Models</p>
26995-86B	SEAL	<p><i>INDUCTION MODULE, FUEL - 883L/N/R, 1200C/CA/CB/CP/V/X:</i> XL883L XL883R XL1200C XL1200C ANV XL1200V XL1200CP XL1200CA XL1200CB XL883N XL1200X</p> <p><i>INDUCTION MODULE, FUEL - XR1200X:</i> XR1200X</p>
2952A	SCREW	<p><i>SEATS:</i> XL883L XL883R XL1200C XL1200C ANV XL1200CP XL1200CA XL1200CB XL883N XL1200X XL1200V</p> <p><i>FENDERS, REAR - 883N/1200V/X (ALL EXCEPT CANADA):</i> XL883N XL1200X XL1200V</p>
34990-08	GASKET	<p>INSPECTION COVER & PRIMARY COVER: All Models</p>

3655A	SCREW	<p>WHEELS, FRONT, CAST - 883L/N/R, 1200C/CA/CP: XL883L XL883R XL1200C XL1200C ANV XL1200CP XL1200CA XL883N</p> <p>WHEEL, FRONT, CAST - XR1200X: XR1200X</p> <p>WHEELS, FRONT, LACED - 1200C/CB/CP/VIX: XL1200X XL1200C XL1200V XL1200CP XL1200CB</p> <p>HEADLAMP - 883L/N/R, 1200X, XR1200X: XL883L XL883R XL883N</p>
3658	SCREW	<p>SWITCHES, HANDLEBAR: All Models SWITCHES: All Models</p>
4132	SCREW	<p>OIL PUMP - 883L/N/R, 1200C/CA/CB/CP/VIX: XL883L XL883R XL1200C XL1200C ANV XL1200V XL1200CP XL1200CA XL1200CB XL883N XL1200X</p>
43567-92	SCREW	<p>WHEELS, REAR, CAST - 883L/N/R, 1200C/CA/CP: XL883L XL883R XL1200C XL1200C ANV XL1200CP XL1200CA XL883N</p> <p>WHEEL, REAR, CAST - XR1200X: XR1200X</p> <p>WHEELS, REAR, LACED - 1200C/CB/CP/VIX: XL1200V XL1200X XL1200C XL1200CP XL1200CB</p>
45378-87	OIL SEAL	<p>FORK, FRONT - 883N: XL883N</p>
45405-75A	SCREW	<p>FORK, FRONT - 883N: XL883N</p>
4740A	SCREW	<p>CAMSHAFTS & GEAR COVER - 883L/N/R, 1200C/CA/CB/CP/VIX: XL883L</p>

[XL883R](#)
[XL1200C](#)
[XL1200C ANV](#)
[XL1200V](#)
[XL1200CP](#)
[XL1200CA](#)
[XL1200CB](#)
[XL883N](#)
[XL1200X](#)

CAMSHAFTS & GEAR COVER - XR1200X:

[XR1200X](#)

48300-60 ROLLER BEARING

FORK BRACKETS, FRONT - 883L/N/R, 1200C/CA/CB/CP/V/X:

[XL883R](#)
[XL883L](#)
[XL1200C](#)
[XL1200C ANV](#)
[XL1200CP](#)
[XL1200CA](#)
[XL1200CB](#)
[XL1200V](#)
[XL883N](#)
[XL1200X](#)

FORK BRACKETS, FRONT - XR1200X:

[XR1200X](#)

59768-97 FENDER SEAT NUT KIT

FENDERS, REAR - 883L/R/1200C/CA/CB/CP (ALL), 883N/1200V/X
(CANADA ONLY):

[XL883R](#)
[XL1200V](#)
[XL883L](#)
[XL1200C](#)
[XL1200C ANV](#)
[XL1200CP](#)
[XL1200CA](#)
[XL1200CB](#)
[XL883N](#)
[XL1200X](#)

FENDERS, REAR - 883N/1200V/X (ALL EXCEPT CANADA):

[XL883N](#)
[XL1200X](#)
[XL1200V](#)

6516HW WASHER

BELT & SPROCKETS - 883L/N/R, 1200C/CA/CB/CP/V/X:

[XL883L](#)
[XL883R](#)
[XL1200C](#)
[XL1200C ANV](#)
[XL1200V](#)
[XL1200CP](#)
[XL1200CA](#)
[XL1200CB](#)
[XL883N](#)
[XL1200X](#)

BELT & SPROCKETS - XR1200X:

[XR1200X](#)

WHEELS, REAR, CAST - 883L/N/R, 1200C/CA/CP:

[XL883L](#)
[XL883R](#)
[XL883N](#)

[XL1200C](#)

[XL1200C ANV](#)

[XL1200CP](#)

[XL1200CA](#)

WHEEL, REAR, CAST - XR1200X:

[XR1200X](#)

WHEELS, REAR, LACED - 1200C/CB/CP/VIX:

[XL1200V](#)

[XL1200X](#)

[XL1200C](#)

[XL1200CP](#)

[XL1200CB](#)

65324-83B GASKET

EXHAUST SYSTEM - 883L/N/R, 1200C/CA/CB/CP/VIX (2 OF 2):

[XL883L](#)

[XL883R](#)

[XL1200C](#)

[XL1200C ANV](#)

[XL1200CP](#)

[XL1200CA](#)

[XL1200CB](#)

[XL1200V](#)

[XL883N](#)

[XL1200X](#)

EXHAUST SYSTEM - XR1200X:

[XR1200X](#)

65325-83A RETAINING RING

EXHAUST SYSTEM - 883L/N/R, 1200C/CA/CB/CP/VIX (2 OF 2):

[XL883L](#)

[XL883R](#)

[XL1200C](#)

[XL1200C ANV](#)

[XL1200CP](#)

[XL1200CA](#)

[XL1200CB](#)

[XL1200V](#)

[XL883N](#)

[XL1200X](#)

EXHAUST SYSTEM - XR1200X:

[XR1200X](#)

65927-00 GASKET

EXHAUST SYSTEM - 883L/N/R, 1200C/CA/CB/CP/VIX (2 OF 2):

[XL883L](#)

[XL883R](#)

[XL1200C](#)

[XL1200C ANV](#)

[XL1200CP](#)

[XL1200CA](#)

[XL1200CB](#)

[XL1200V](#)

[XL883N](#)

[XL1200X](#)

6702 WASHER

BRAKE, MASTER CYLINDER, REAR - 883L/N/R,
1200C/CA/CB/CP/VIX (1 OF 2):

[XL883R](#)

[XL883L](#)

[XL1200C](#)

[XL1200C ANV](#)

[XL1200V](#)

[XL1200CP](#)

[XL1200CA](#)

[XL1200CB](#)

[XL883N](#)

[XL1200X](#)

FORK, REAR, DEBRIS DEFLECTOR & BELT GUARD:

[XL883R](#)

[XL883L](#)

[XL1200C](#)

[XL1200C ANV](#)

[XL1200CP](#)

[XL1200CA](#)

[XL1200CB](#)

[XL1200V](#)

[XL883N](#)

[XL1200X](#)

*FENDERS, REAR - 883L/R/1200C/CA/CB/CP (ALL), 883N/1200V/X
(CANADA ONLY):*

[XL883R](#)

[XL1200V](#)

[XL883L](#)

[XL1200C](#)

[XL1200C ANV](#)

[XL1200CP](#)

[XL1200CA](#)

[XL1200CB](#)

[XL883N](#)

[XL1200X](#)

FENDERS, REAR - 883N/1200V/X (ALL EXCEPT CANADA):

[XL883N](#)

[XL1200X](#)

[XL1200V](#)

FUEL TANK - 883L/N/R, 1200C/CA/CB/CP/V/X:

[XL883L](#)

[XL883R](#)

[XL1200C](#)

[XL1200C ANV](#)

[XL1200CP](#)

[XL1200CA](#)

[XL1200CB](#)

[XL883N](#)

[XL1200X](#)

HEADLAMP - 883L/N/R, 1200X, XR1200X:

[XL883L](#)

[XL883R](#)

[XL883N](#)

HEADLAMP - 1200C/CA/CB/CP/V:

[XL1200C](#)

[XL1200C ANV](#)

[XL1200CP](#)

[XL1200CA](#)

[XL1200CB](#)

HANDLEBAR & THROTTLE CONTROL - 883L/N/R, 1200X, XR1200X:

[XR1200X](#)

EXHAUST SYSTEM - XR1200X:

[XR1200X](#)

[XL1200CA](#)
[XL1200CB](#)
[XL1200V](#)

7593	NUT	<p>EXHAUST SYSTEM - 883L/N/R, 1200C/CA/CB/CP/V/X (1 OF 2):</p> <p>XL883L XL883R XL1200C XL1200C ANV XL1200CP XL1200CA XL1200CB XL1200V XL883N XL1200X</p> <p>EXHAUST SYSTEM - XR1200X:</p> <p>XR1200X</p>
7716	LOCKNUT	<p>FENDERS, REAR - 883N/1200V/X (ALL EXCEPT CANADA):</p> <p>XL883N XL1200X XL1200V</p> <p>LICENSE PLATE BRACKETS:</p> <p>XL883N XL1200X XL1200V</p> <p>HEADLAMP - 883L/N/R, 1200X, XR1200X:</p> <p>XL1200X</p>
8692	RIVET	<p>FENDERS, REAR - 883L/R/1200C/CA/CB/CP (ALL), 883N/1200V/X (CANADA ONLY):</p> <p>XL883R XL1200V XL883L XL1200C XL1200C ANV XL1200CP XL1200CA XL1200CB XL883N XL1200X</p> <p>FENDERS, REAR - 883N/1200V/X (ALL EXCEPT CANADA):</p> <p>XL883N XL1200X XL1200V</p>
9276A	BALL BEARING	<p>WHEELS, FRONT, CAST - 883L/N/R, 1200C/CA/CP:</p> <p>XL883L XL883R XL1200C XL1200C ANV XL1200CP XL1200CA XL883N</p> <p>WHEEL, FRONT, CAST - XR1200X:</p> <p>XR1200X</p> <p>WHEELS, FRONT, LACED - 1200C/CB/CP/V/X:</p> <p>XL1200X XL1200C XL1200V</p>

[XL1200CP](#)

[XL1200CB](#)

WHEELS, REAR, CAST - 883L/N/R, 1200C/CA/CP:

[XL883L](#)

[XL883R](#)

[XL883N](#)

[XL1200C](#)

[XL1200C ANV](#)

[XL1200CP](#)

[XL1200CA](#)

WHEEL, REAR, CAST - XR1200X:

[XR1200X](#)

WHEELS, REAR, LACED - 1200C/CB/CP/VIX:

[XL1200V](#)

[XL1200X](#)

[XL1200C](#)

[XL1200CP](#)

[XL1200CB](#)

943	SCREW	ROCKER ARM ASSEMBLY & PUSHRODS - XR1200X: XR1200X INSPECTION COVER & PRIMARY COVER: All Models
9955	CLAMP	EXHAUST SYSTEM - 883L/N/R, 1200C/CA/CB/CP/VIX (1 OF 2): XL883L XL883R XL1200C XL1200C ANV XL1200CP XL1200CA XL1200CB XL1200V XL883N XL1200X EXHAUST SYSTEM - XR1200X: XR1200X

CHASSIS & COMPONENTS

View interactive table

PART NO.	DESCRIPTION	PART AND MODEL(S)
50005-85A	SPRING	FRAME & JIFFY STAND - 883L/N/R, 1200C/CA/CB/CP/VIX (1 OF 2): XL883L XL883R XL1200C XL1200C ANV XL1200CP XL1200CA XL1200CB XL1200V XL883N XL1200X FRAME & JIFFY STAND - XR1200X: XR1200X

ELECTRICAL

[View interactive table](#)

PART NO.	DESCRIPTION	PART AND MODEL(S)
70345-84	RETAINER	SWITCHES, HANDLEBAR: All Models HANDLEBAR & THROTTLE CONTROL - 883L/N/R, 1200X, XR1200X: XL883L XL883R XR1200X XL883N XL1200X HANDLEBAR & THROTTLE CONTROL - 1200C/CA/CB/CP/IV: XL1200C XL1200C ANV XL1200CP XL1200CB XL1200CA XL1200V
71621-08	SWITCH ASSEMBLY	SWITCHES, HANDLEBAR: All Models
72023-51E	BRAKE LIGHT SWITCH	BRAKE, MASTER CYLINDER, REAR - 883L/N/R, 1200C/CA/CB/CP/VIX (2 OF 2): XL883R XL883L XL1200C XL1200C ANV XL1200V XL1200CP XL1200CA XL1200CB XL883N XL1200X BRAKE, MASTER CYLINDER, REAR - XR1200X: XR1200X SWITCHES: All Models
72330-95	FUSE	WIRING HARNESS, MAIN - 883L/N/R, 1200C/CA/CB/CP/VIX (3 OF 4): XL883L XL883R XL1200C XL1200C ANV XL1200CP XL1200CA XL1200CB XL883N XL1200X XL1200V WIRING HARNESS, MAIN - XR1200X (2 OF 3): XR1200X SWITCHES: All Models

ENGINE, TRANSMISSION & PRIMARY

[View interactive table](#)

PART NO.	DESCRIPTION	PART AND MODEL(S)
18538-99C	TAPPET	ROCKER ARM ASSEMBLY & PUSHRODS - 883L/N/R,

1200C/CA/CB/CP/VIX (2 OF 2):

[XL883L](#)

[XL883R](#)

[XL883N](#)

[XL1200X](#)

[XL1200C](#)

[XL1200C ANV](#)

[XL1200V](#)

[XL1200CP](#)

[XL1200CA](#)

[XL1200CB](#)

ROCKER ARM ASSEMBLY & PUSHRODS - XR1200X:

[XR1200X](#)

37909-90

RETAINING RING

CLUTCH - 883L/N/R, 1200C/CA/CB/CP/VIX:

[XL883L](#)

[XL883R](#)

[XL1200C](#)

[XL1200C ANV](#)

[XL1200V](#)

[XL1200CP](#)

[XL1200CA](#)

[XL1200CB](#)

[XL883N](#)

[XL1200X](#)

CLUTCH - XR1200X:

[XR1200X](#)

37911-90

FRICITION PLATE

CLUTCH - 883L/N/R, 1200C/CA/CB/CP/VIX:

[XL883L](#)

[XL883R](#)

[XL1200C](#)

[XL1200C ANV](#)

[XL1200V](#)

[XL1200CP](#)

[XL1200CA](#)

[XL1200CB](#)

[XL883N](#)

[XL1200X](#)

CLUTCH - XR1200X:

[XR1200X](#)

FOOT CONTROLS

View interactive table

PART NO.	DESCRIPTION	PART AND MODEL(S)
34611-65A	SHIFTER TOE PEG KIT	SHIFTER LEVER: XL883L XL883R XL1200C XL1200C ANV XL1200V XL1200CP XL1200CB XL883N XL1200X XL1200CA

INTAKE, EXHAUST & FUEL MGMT

[View interactive table](#)

PART NO.	DESCRIPTION	PART AND MODEL(S)
29331-04	FILTER ELEMENT	<i>AIR CLEANER - 883L/N/R, 1200C/CA/CB/CP/VIX:</i> XL883L XL883R XL1200C XL1200C ANV XL1200CP XL1200CA XL1200CB XL883N XL1200X
65296-95A	CLAMP	<i>EXHAUST SYSTEM - 883L/N/R, 1200C/CA/CB/CP/VIX (2 OF 2):</i> XL883L XL883R XL1200C XL1200C ANV XL1200CP XL1200CA XL1200CB XL1200V XL883N XL1200X

LIGHTING

[View interactive table](#)

PART NO.	DESCRIPTION	PART AND MODEL(S)
68168-89A	BULB	<i>TURN SIGNALS, FRONT:</i> XR1200X XL883N XL1200X XL883R XL883L XL1200C XL1200C ANV XL1200CA XL1200CB XL1200V <i>TAIL LAMP & TURN SIGNALS, REAR:</i> XL1200X XL883N XL1200V
68329-03	BULB	<i>HEADLAMP - 883L/N/R, 1200X, XR1200X:</i> XL883L XL883R XL883N XR1200X XL1200X <i>HEADLAMP - 1200C/CA/CB/CP/V:</i> XL1200C

		XL1200C ANV XL1200CP XL1200V XL1200CA XL1200CB
68572-64B	BULB	TAIL LAMP & TURN SIGNALS, REAR: XL1200X XL883N
68973-00	LENS	TURN SIGNALS, FRONT: XR1200X XL883R XL883L XL1200C XL1200C ANV XL1200CA XL1200CB XL1200V TAIL LAMP & TURN SIGNALS, REAR: XL883R XL883L XL1200C XL1200C ANV XL1200CP XL1200V XL1200CA XL1200CB

MAINTENANCE & TOOLS

View interactive table

PART NO.	DESCRIPTION	PART AND MODEL(S)
32362-04	SPARK PLUG	ELECTRONIC IGNITION SYSTEM - 883L/N/R, 1200C/CA/CB/CP/VIX: XL883L XL883R XL1200C XL1200C ANV XL1200V XL1200CP XL1200CA XL1200CB XL883N XL1200X
63796-77A	OIL FILTER	CRANKCASE & GEARCASE - 883L/N/R, 1200C/CA/CB/CP/VIX (2 OF 2): XL1200C XL1200C ANV XL1200V XL1200CP
63805-80A	OIL FILTER	CRANKCASE & GEARCASE - 883L/N/R, 1200C/CA/CB/CP/VIX (2 OF 2): XL883L XL883R XL1200CP

[XL1200CA](#)

[XL1200CB](#)

[XL883N](#)

[XL1200X](#)

CRANKCASE & GEARCASE - XR1200X:

[XR1200X](#)

65958-04A	BATTERY	BATTERY: All Models
66373-06	BATTERY	SWITCHES: All Models
95594-84A	WHEEL WEIGHT	<p>WHEEL, FRONT, CAST - XR1200X: XR1200X</p> <p>WHEELS, FRONT, LACED - 1200C/CB/CP/VIX: XL1200X XL1200C XL1200CP XL1200CB</p> <p>WHEELS, REAR, CAST - 883L/N/R, 1200C/CA/CP: XL1200CP XL1200CA</p> <p>WHEEL, REAR, CAST - XR1200X: XR1200X</p> <p>WHEELS, REAR, LACED - 1200C/CB/CP/VIX: XL1200X XL1200CP XL1200CB</p>
95595-84A	WHEEL WEIGHT	<p>WHEELS, FRONT, CAST - 883L/N/R, 1200C/CA/CP: XL883L XL883R XL1200C XL1200C ANV XL1200CP XL1200CA XL883N</p> <p>WHEELS, FRONT, LACED - 1200C/CB/CP/VIX: XL1200V</p> <p>WHEELS, REAR, CAST - 883L/N/R, 1200C/CA/CP: XL883L XL883R XL1200C XL1200C ANV XL1200CP XL883N</p> <p>WHEELS, REAR, LACED - 1200C/CB/CP/VIX: XL1200V XL1200C XL1200CP</p>

SECURITY & STORAGE

View interactive table

PART NO.	DESCRIPTION	PART AND MODEL(S)
68926-07	REMOTE CONTROL FOB	SWITCHES: All Models

TIRES

View interactive table

PART NO.	DESCRIPTION	PART AND MODEL(S)
40558-82	INNER TUBE	<i>WHEELS, FRONT, LACED - 1200C/CB/CP/VIX:</i> XL1200X <i>WHEELS, REAR, LACED - 1200C/CB/CP/VIX:</i> XL1200V
40999-87	VALVE STEM	<i>WHEELS, FRONT, CAST - 883L/N/R, 1200C/CA/CP:</i> XL1200C XL1200C ANV XL1200CP XL1200CA <i>WHEELS, REAR, CAST - 883L/N/R, 1200C/CA/CP:</i> XL1200C XL1200C ANV XL1200CP XL1200CA
43140-80	INNER TUBE	<i>WHEELS, FRONT, LACED - 1200C/CB/CP/VIX:</i> XL1200V
43147-40	RIM STRIP	<i>WHEELS, REAR, LACED - 1200C/CB/CP/VIX:</i> XL1200V
43157-83A	VALVE STEM ASSEMBLY	<i>WHEELS, FRONT, CAST - 883L/N/R, 1200C/CA/CP:</i> XL883L XL883R XL883N <i>WHEEL, FRONT, CAST - XR1200X:</i> XR1200X <i>WHEELS, REAR, CAST - 883L/N/R, 1200C/CA/CP:</i> XL883L XL883R XL883N <i>WHEEL, REAR, CAST - XR1200X:</i> XR1200X
43939-89	RIM STRIP	<i>WHEELS, FRONT, LACED - 1200C/CB/CP/VIX:</i> XL1200V