

2012 Sportster Models Parts Catalog

Alphabetical List

Parts

Hardware List

New Parts List

Numerical Index

Component Types and Introduction Dates

Common Service Parts

READER'S COMMENTS

The Harley-Davidson Service Communications Department maintains a continuous effort to improve the quality and usefulness of its publications. To do this effectively, we need user feedback - your critical evaluation of this manual.

Please comment on the completeness, accuracy, organization, usability, and readability of this manual.

Please list the page, item, and part number(s) of any errors you find in this manual.

Please tell us how we can improve this manual.

| | |
|------------|-----------------------|
| Name | Document 99451-12A |
| Occupation | Dealership |

GENERAL INFORMATION

THIS IS NOT AN ASSEMBLY MANUAL AND SHOULD NOT BE USED AS SUCH.

About this manual

This Parts Catalog has been prepared to make it easier for you to order parts for your motorcycles. The numbers shown in the illustrations correspond to the numbers in the "INDEX NO." column in the parts lists. Consult the illustrations when ordering parts to make sure that you receive all the required parts. The number in parentheses following the part description is the quantity needed for complete assembly. If there is no number in parentheses, only one is used. Prices of parts in this catalog are published separately.

When ordering parts, the following instructions should be followed carefully.

- Make sure to specify the correct part number for each item. The part numbers appear under the "PART NO." column in the parts lists.
- Orders may be placed via your computer for all parts. Review your system documentation on placing orders electronically. All non-warranty replacement crankcase orders require return of the complete left crankcase half with vehicle identification number (VIN). All non-warranty replacement frame orders require return of the steering neck with vehicle identification number (VIN). Non-compliance will result in a fine. See non-warranty frame and crankcase policy or contact Dealer Services.
- The sale or use of these parts or accessories does not grant the purchaser a license or other right under any Harley-Davidson patent.
- For all 2008 and later painted parts, refer to the Service Section of h-dnet.com which features a listing of painted part numbers, except CVO (Custom Vehicle Operations) models which are located in their own respective catalogs.
- All parts that were added for the new model year will have the entire line shaded on the parts list page. This can be used to identify any new parts that are unique to a specific model, and help distinguish new and previous model year parts.
- Parts marked "**RESTRICTED SALE PART**" are limited edition items and can only be ordered as direct replacements.
- Orientation symbols are used when the illustration is not in the standard "Right-Front" orientation. The

symbol is a motorcycle with an arrow in the front indicating the direction of view. The symbol is at the bottom left or right side of the illustration page.

- To request a missing or loose part, simply submit a Return Material Authorization (RMA) claim on h-dnet.com with code "T-part not included with vehicle" for all vehicle missing parts claims. Then place an order for the missing item on your next Parts and Accessories order. Upon filing the RMA claim, your dealership will be credited for the dealer net cost of the part. The Vehicle Identification Number must be included on the RMA claim in order for you to receive credit. This process is to be used for vehicles manufactured at all plants.

To the best knowledge of Harley-Davidson Motor Company, the material contained herein is accurate as of the date this publication was approved for printing. Harley-Davidson Motor Company reserves the right to change specifications, equipment or designs at any time without notice and without incurring obligation.

2018 TFD

GENERAL INFORMATION

LOOSE PARTS

The Loose Parts section is located at the back of this parts catalog. This section lists the parts which are shipped unfastened with the vehicles covered in this catalog.

HARDWARE LIST

The Hardware List is located at the back of this parts catalog. This section contains the information for each piece of hardware found in each parts list.

NEW PARTS LIST

The New Parts List is located at the back of this parts catalog. This list serves as a summary of new parts.

NUMERICAL INDEX

The Numerical Index is located at the back of this parts catalog. This index includes all part numbers used in this catalog and the page numbers of where they can be found.

COMPONENT TYPES AND INTRODUCTION DATES

The Component Types and Introduction Dates section is located at the back of this parts catalog. This section contains a list of component part numbers and year of introduction.

COMMON SERVICE PARTS

The Common Service Parts section is located at the back of this parts catalog. This section contains the most commonly ordered parts for service on vehicles covered in this catalog. These parts are ordered through the normal ordering process.

IF (SERVICE INFORMATION PORTAL)

For the latest updates to these manuals, see the Service Information Portal.

VEHICLE IDENTIFICATION NUMBER

See Figure 1. A unique 17-digit serial, or vehicle identification number (VIN), is assigned to each motorcycle. For a description of each digit in the vehicle identification number (VIN), refer to Table 1.

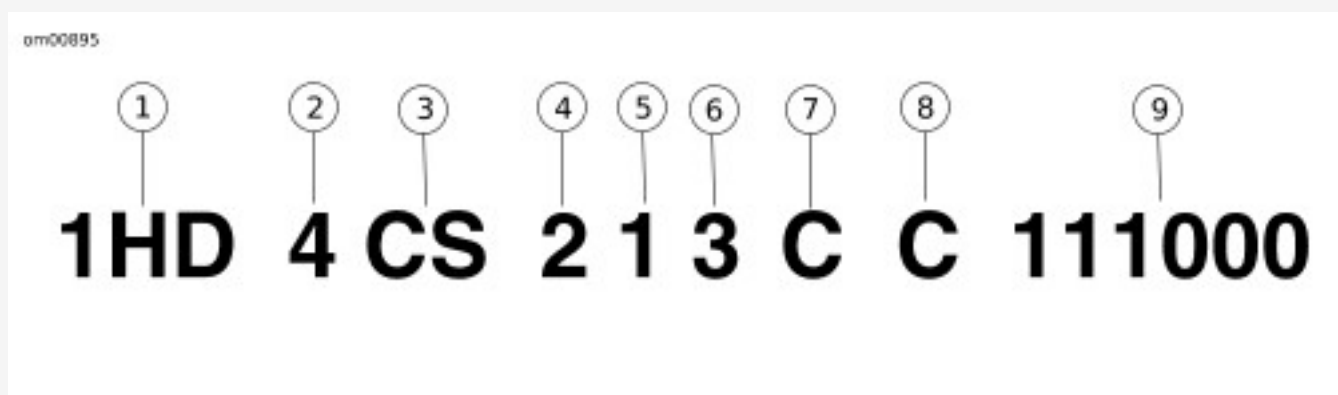
For all models except V-Rod the full 17-digit serial, or vehicle identification number (VIN), is stamped on the right side of the frame backbone at the rear of the steering head. The vehicle identification number (VIN) is also printed on a label on the right front downtube. An abbreviated vehicle identification number (VIN) is stamped on the left side crankcase between the front and rear cylinders.

For V-Rod models only the full 17-digit serial, or vehicle identification number (VIN), is stamped on the right side of the steering head. The vehicle identification number (VIN) is also printed on a label on the left frame tube above the front engine cylinder. An abbreviated vehicle identification number (VIN) is stamped on the left side crankcase below the rear cylinder head.

Always give the full 17-digit vehicle identification number (VIN) when ordering parts or making any inquiry about your motorcycle.

012 SPORTSTER MODELS

VIN MODEL CODES



[View interactive image](#)

Figure 1. Typical Harley-Davidson VIN

Table 1. Harley-Davidson VIN Breakdown

| POSITION | DESCRIPTION | POSSIBLE VALUES |
|----------|-------------------------------|---|
| 1 | World manufacturer identifier | 1HD=Originally manufactured for sale within the United States 5HD=Originally manufactured for sale outside of the United States 932=Originally manufactured in and for sale only in Brazil market MEG=Originally manufactured in and for sale only in India market |
| 2 | Motorcycle type | 1=Heavyweight motorcycle (901 cm ³ or larger) 4=Middleweight motorcycle (351 cm ³ to 900 cm ³) |
| 3 | Model | See model table |
| 4 | Engine type | 2=Evolution [®] 883 cm ³ air-cooled, fuel-injected 3=Evolution [®] 1202 cm ³ air-cooled, fuel-injected |

| | | | | |
|--|---|---|--|---|
| | | 6=Evolution [®] 1202 cm ³ precision-cooled, fuel-injected | | |
| 5 | Introduction date/Configuration and calibration recognition | <table border="1"> <tr> <td> Normal Introduction 1=Domestic 3=California A=Canada C=HDI E=Japan G=Australia J=Brazil L=Asia Pacific N=India </td> <td> Mid-year or Special Introduction 2, 4=Domestic 5, 6=California B=Canada D=HDI F=Japan H=Australia K=Brazil M=Asia Pacific P=India </td> </tr> </table> | Normal Introduction 1=Domestic 3=California A=Canada C=HDI E=Japan G=Australia J=Brazil L=Asia Pacific N=India | Mid-year or Special Introduction 2, 4=Domestic 5, 6=California B=Canada D=HDI F=Japan H=Australia K=Brazil M=Asia Pacific P=India |
| Normal Introduction 1=Domestic 3=California A=Canada C=HDI E=Japan G=Australia J=Brazil L=Asia Pacific N=India | Mid-year or Special Introduction 2, 4=Domestic 5, 6=California B=Canada D=HDI F=Japan H=Australia K=Brazil M=Asia Pacific P=India | | | |
| 6 | VIN check digit | Can be 0-9 or X | | |
| 7 | Model year | C=2012 | | |
| 8 | Assembly plant | C=Kansas City, MO U.S.A. D=H-D Brazil-Manaus, Brazil (CKD) N=Haryana India (Bawal District Rewari) | | |
| 9 | Sequential number | Varies | | |

Table 2. VIN Model Codes

| CODE | MODEL | NAME | CODE | MODEL | NAME |
|------|-----------|-----------------------|------|----------|--------------------------|
| CR | XL 883L | SuperLow [®] | CZ | XL 1200N | Nightster [®] |
| CS | XL 883R | 883 Roadster | LF | XL 1200V | Seventy-Two [™] |
| LE | XL 883N | Iron 883 [™] | LC | XL 1200X | Forty-Eight [™] |
| CT | XL 1200C | 1200 Custom | LD | XR 1200X | XR 1200X [™] |
| LH | XL 1200CP | 1200 Custom | | | |

NOTES

AIR BOX - XR1200X

AIR CLEANER - 883L/N/R, 1200C/CP/N/V/X

ALTERNATOR & REGULATOR

BATTERY

BELT & SPROCKETS - 883L/N/R, 1200C/CP/N/V/X

BELT & SPROCKETS - XR1200X

BRAKE CALIPER, FRONT - 883L/N/R, 1200C/CP/N/V/X

BRAKE CALIPER, FRONT - XR1200X

BRAKE CALIPER, REAR - 883L/N/R, 1200C/CP/N/V/X

BRAKE CALIPER, REAR - XR1200X

BRAKE CONTROL, FRONT - 883L/N/R, 1200C/CP/N/V/X

BRAKE CONTROL, FRONT - XR1200X
BRAKE CONTROL, REAR
BRAKE DISC, REAR - 1200C/CP/N/X
BRAKE DISC, REAR - 883L/N/R, 1200C/CP
BRAKE DISC, REAR - XR1200X
BRAKE LINE, FRONT - 883L/N/R, 1200C/CP/N/X
BRAKE LINE, FRONT - XR1200X
BRAKE LINE, REAR - 883L/N/R, 1200C/CP/N/X
BRAKE LINE, REAR - XR1200X
BRAKE, MASTER CYLINDER, FRONT - 883L/N/R, 1200C/CP/N/X
BRAKE, MASTER CYLINDER, FRONT - XR1200X
BRAKE, MASTER CYLINDER, REAR - 883L/N/R, 1200C/CP/N/V/X
BRAKE, MASTER CYLINDER, REAR - XR1200X
CAMSHAFTS & GEAR COVER - 883L/N/R, 1200C/CP/N/V/X
CAMSHAFTS & GEAR COVER - XR1200X
CHAIN, PRIMARY - 883L/N/R, 1200C/CP/N/X
CHAIN, PRIMARY - XR1200X
CLUTCH - 883L/N/R, 1200C/CP/N/V/X
CLUTCH - XR1200X
CLUTCH CABLE
CLUTCH CONTROL
COVER, PUSH RODS - 883L/N/R, 1200C/CP/N/X
COVER, PUSH RODS - XR1200X
CRANKCASE & GEARCASE - 883L/N/R, 1200C/CP/N/V/X
CRANKCASE & GEARCASE - XR1200X
CYLINDERS, HEADS & VALVES - 883L/N/R, 1200C/CP/N/V/X
CYLINDERS, HEADS & VALVES - XR1200X
ELECTRONIC IGNITION SYSTEM - 883L/N/R, 1200C/CP/N/V/X
ELECTRONIC IGNITION SYSTEM - XR1200X
ENGINE ASSEMBLY
ENGINE MOUNTS
ENGINE SENSORS & SWITCHES
EVAPORATIVE EMISSIONS COMPONENTS
EXHAUST SYSTEM - 883L/N/R, 1200C/CP/N/V/X
EXHAUST SYSTEM - XR1200X
FENDERS, FRONT
FENDERS, REAR - 883L/R/1200C/CP (ALL), 883N/1200N/V/X (CANADA ONLY)
FENDERS, REAR - 883N/1200N/V/X (ALL EXCEPT CANADA)
FENDERS, REAR - XR1200X
FLYWHEEL ASSEMBLY
FOOTRESTS - 883L/N/R, 1200C/CP/N/V/X
FOOTRESTS - XR1200X
FORK BRACKETS, FRONT - 883L/N/R, 1200C/CP/N/V/X
FORK BRACKETS, FRONT - XR1200X
FORK, FRONT - 883L/R, 1200C/CP/V/X
FORK, FRONT - 883N, 1200N
FORK, FRONT - XR1200X
FORK, REAR, DEBRIS DEFLECTOR & BELT GUARD
FRAME & JIFFY STAND - 883L/N/R, 1200C/CP/N/V/X
FRAME & JIFFY STAND - XR1200X
FUEL FILTER

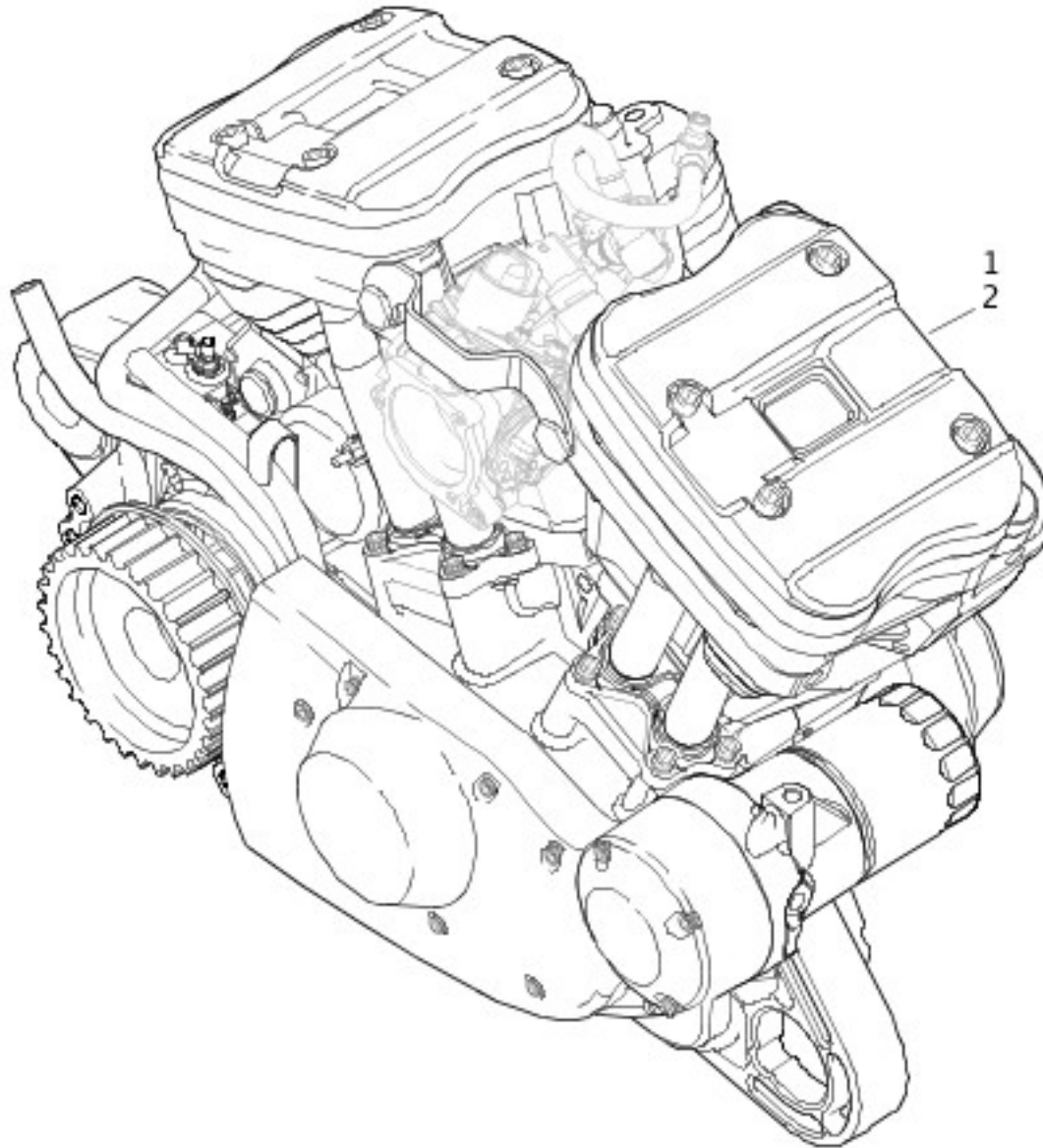
FUEL INJECTOR - 883L/N/R, 1200C/CP/N/X
FUEL INJECTOR - XR1200X
FUEL PUMP
FUEL TANK - 883L/N/R, 1200C/CP/N/V/X
FUEL TANK - XR1200X
FUEL TANK TRIM
FUUSE, 30 AMP
GUARDS, SAREE
HANDLEBAR & THROTTLE CONTROL - 1200C/CP/V
HANDLEBAR & THROTTLE CONTROL - 883L/N/R, 1200N/X, XR1200X
HEADLAMP - 1200C/CP/V
HEADLAMP - 883L/N/R, 1200N/X, XR1200X
HORN
IGNITION COIL - 883L/N/R, 1200C/CP/N/X
IGNITION COIL - XR1200X
INDUCTION MODULE, FUEL - 883L/N/R, 1200C/CP/N/V/X
INDUCTION MODULE, FUEL - XR1200X
INNER TUBE, FRONT
INNER TUBE, REAR
INSPECTION COVER & PRIMARY COVER
JET, PISTON COOLING - 883C/L/N/R, 1200C/CP/N/X
JET, PISTON COOLING - XR1200X
JIFFY STAND - 883L/N/R, 1200C/CP/N/X
JIFFY STAND - XR1200X
LABELS
LICENSE PLATE BRACKETS
LIFTER, HYDRAULIC - 883L/N/R, 1200C/CP/N/X
LIFTER, HYDRAULIC - XR1200X
LOCK SET COMPLETE - XR1200X
MIRRORS
MODULE, SECURITY SYSTEM
MODULE, TURN SIGNAL CANCELLER
MUFFLERS - 883L/N/R, 1200C/CP/N/X
MUFFLERS - XR1200X
OIL FILTER, ENGINE - 883C/L/N/R, 1200C/CP/N/X
OIL FILTER, ENGINE - XR1200X
OIL LINES & COOLER - XR1200X
OIL PUMP - 883L/N/R, 1200C/CP/N/V/X
OIL PUMP - XR1200X
OIL TANK & LINES - 883L/N/R, 1200C/CP/N/V/X
OIL TANK & LINES- XR1200X
PISTONS & FLYWHEEL ASSEMBLY
REGULATOR, VOLTAGE
REMOTE CONTROL FOB
ROCKER ARM ASSEMBLY & PUSH RODS - 883L/N/R, 1200C/CP/N/V/X
ROCKER ARM ASSEMBLY & PUSH RODS - XR1200X
SEATS
SENSOR, CRANKSHAFT POSITION
SENSOR, SPEED
SHIFTER CAM
SHIFTER FORK

SHIFTER LEVER
SHIFTER, GEAR
SHOCK ABSORBERS, REAR
SIDE COVER, OIL TANK - 883L/N/R, 1200C/CP/N/V/X
SIDE COVER, OIL TANK - XR1200X
SPARK PLUGS - 883L/N/R, 1200C/CP/N/X
SPARK PLUGS - XR1200X
SPEEDOMETER & TACHOMETER - XR1200X
SPEEDOMETER - 883L/N/R, 1200C/CP/N/V/X
SPROCKET - 883L/N/R, 1200C/CP/N/X
SPROCKET - XR1200X
SPROCKET, TRANSMISSION - 883L/N/R, 1200C/CP/N/X
SPROCKET, TRANSMISSION - XR1200X
STARTER MOTOR
SWITCH ASSEMBLY, DIRECTIONAL
SWITCH, IGNITION
SWITCH, NEUTRAL INDICATOR
SWITCHES
SWITCHES, HANDLEBAR
TAIL LAMP & TURN SIGNALS, REAR
TAIL LAMPS
THROTTLE CONTROL - 883L/N/R, 1200N/X, XR1200X
TRANSMISSION GEARS
TURN SIGNAL MODULE & SECURITY SIREN
TURN SIGNALS, FRONT
WHEEL, FRONT, CAST - XR1200X
WHEEL, REAR, CAST - XR1200X
WHEELS, FRONT, CAST - 883L/N/R, 1200C/CP
WHEELS, FRONT, LACED - 1200C/CP/N/V/X
WHEELS, REAR, CAST - 883L/N/R, 1200C/CP
WHEELS, REAR, LACED - 1200C/CP/N/V/X
WIRING HARNESS, ENGINE - 883L/N/R, 1200C/CP/N/V/X
WIRING HARNESS, ENGINE - XR1200X
WIRING HARNESS, MAIN - 883L/N/R, 1200C/CP/N/V/X (1 OF 3)
WIRING HARNESS, MAIN - 883L/N/R, 1200C/CP/N/V/X (2 OF 3)
WIRING HARNESS, MAIN - 883L/N/R, 1200C/CP/N/V/X (3 OF 3)
WIRING HARNESS, MAIN - XR1200X (1 OF 3)
WIRING HARNESS, MAIN - XR1200X (2 OF 3)
WIRING HARNESS, MAIN - XR1200X (3 OF 3)

Parts

ENGINE ASSEMBLY

ENGINE ASSEMBLY



[View interactive image](#)

[View interactive table](#)

| INDEX NO. | PART NO. | DESCRIPTION | MODEL(S) |
|-----------|----------|---------------------------------|-------------------|
| 1 | 19519-12 | ENGINE ASSEMBLY (883cc) (World) | XL883N, XL883R |

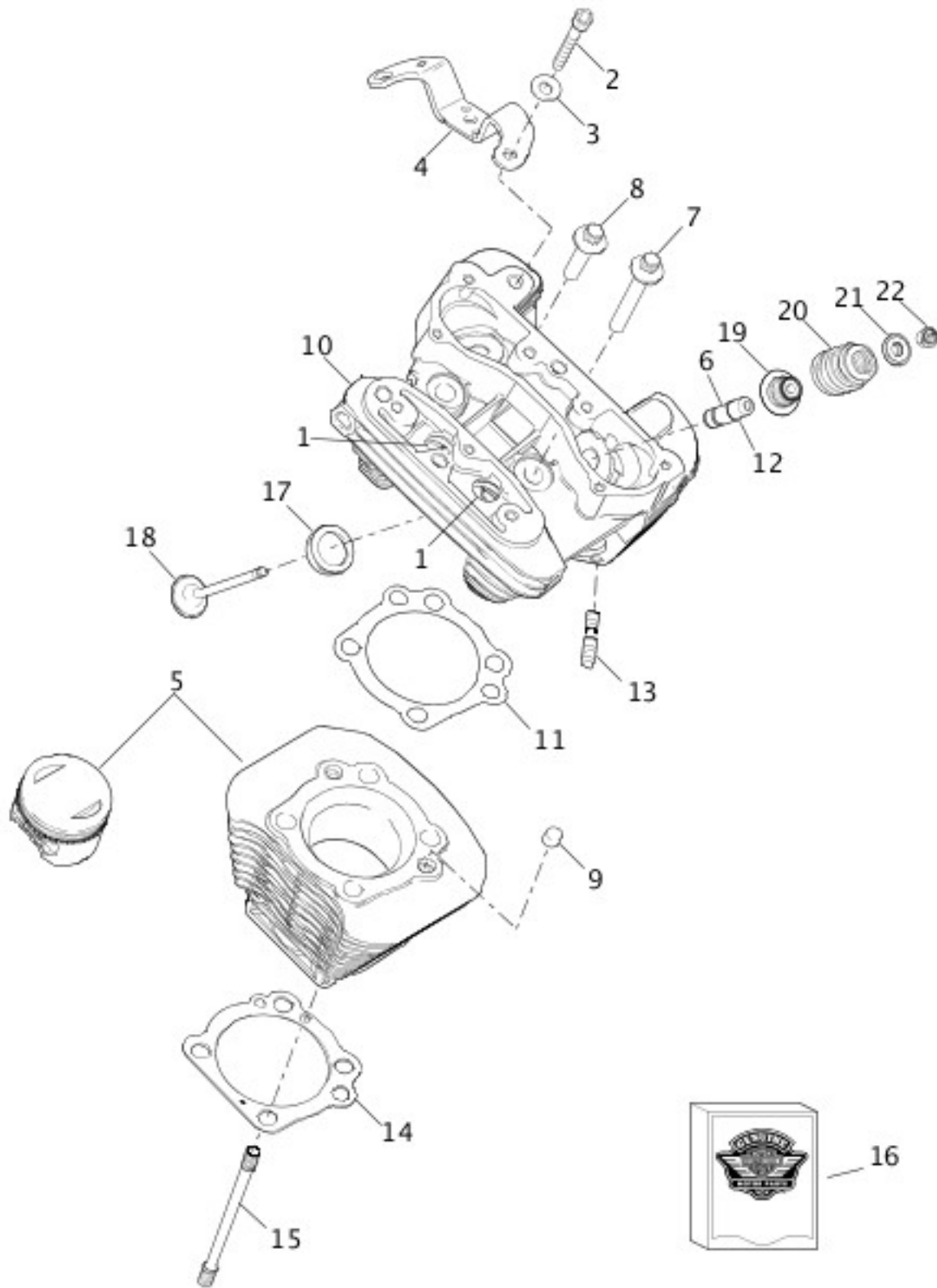
| | | | |
|--|----------|---|-------------------|
| | 19527-12 | ENGINE ASSEMBLY (1200cc) (Domestic, California, Canada) (1200CP - Chrome Engine w/ Drag or Pull Back Handlebar) | XL1200C, XL1200CP |
| | 19566-12 | ENGINE ASSEMBLY (883cc) (World) | XL883L |
| | 19637-12 | ENGINE ASSEMBLY (1200cc) (Domestic, California, Canada) | XL1200N |
| | 19766-12 | ENGINE ASSEMBLY (1200cc) (Domestic, California, Canada) | XL1200X |
| | 19768-12 | ENGINE ASSEMBLY (1200cc) (Domestic, California, Canada, HDI) (not shown) | XR1200X |
| | 19778-12 | ENGINE ASSEMBLY (1200cc) (Domestic, California, Canada) | XL1200V |
| | 19925-12 | ENGINE ASSEMBLY (1200cc) (Domestic, California, Canada) (1200CP - Chrome Engine w/ Mini-Ape Handlebar) | XL1200CP |
| | 19926-12 | ENGINE ASSEMBLY (1200cc) (Domestic, California, Canada) (1200CP - Black Engine w/ Drag or Pull Back Handlebar) | XL1200CP |
| | 19927-12 | ENGINE ASSEMBLY (1200cc) (Domestic, California, Canada) (1200CP - Black Engine w/ Mini-Ape Handlebar) | XL1200CP |

INTERNATIONAL MODELS ONLY

| | | | |
|---|----------|--------------------------------|---------|
| 2 | 19606-12 | ENGINE ASSEMBLY (1200cc) (HDI) | XL1200C |
| | 19734-12 | ENGINE ASSEMBLY (1200cc) (HDI) | XL1200N |
| | 19767-12 | ENGINE ASSEMBLY (1200cc) (HDI) | XL1200X |
| | 19779-12 | ENGINE ASSEMBLY (1200cc) (HDI) | XL1200V |

CYLINDERS, HEADS & VALVES - 883L/N/R, 1200C/CP/N/V/X

CYLINDERS, HEADS & VALVES – 883L/N/R, 1200C/CP/N/V



[View interactive image](#)

[View interactive table](#)

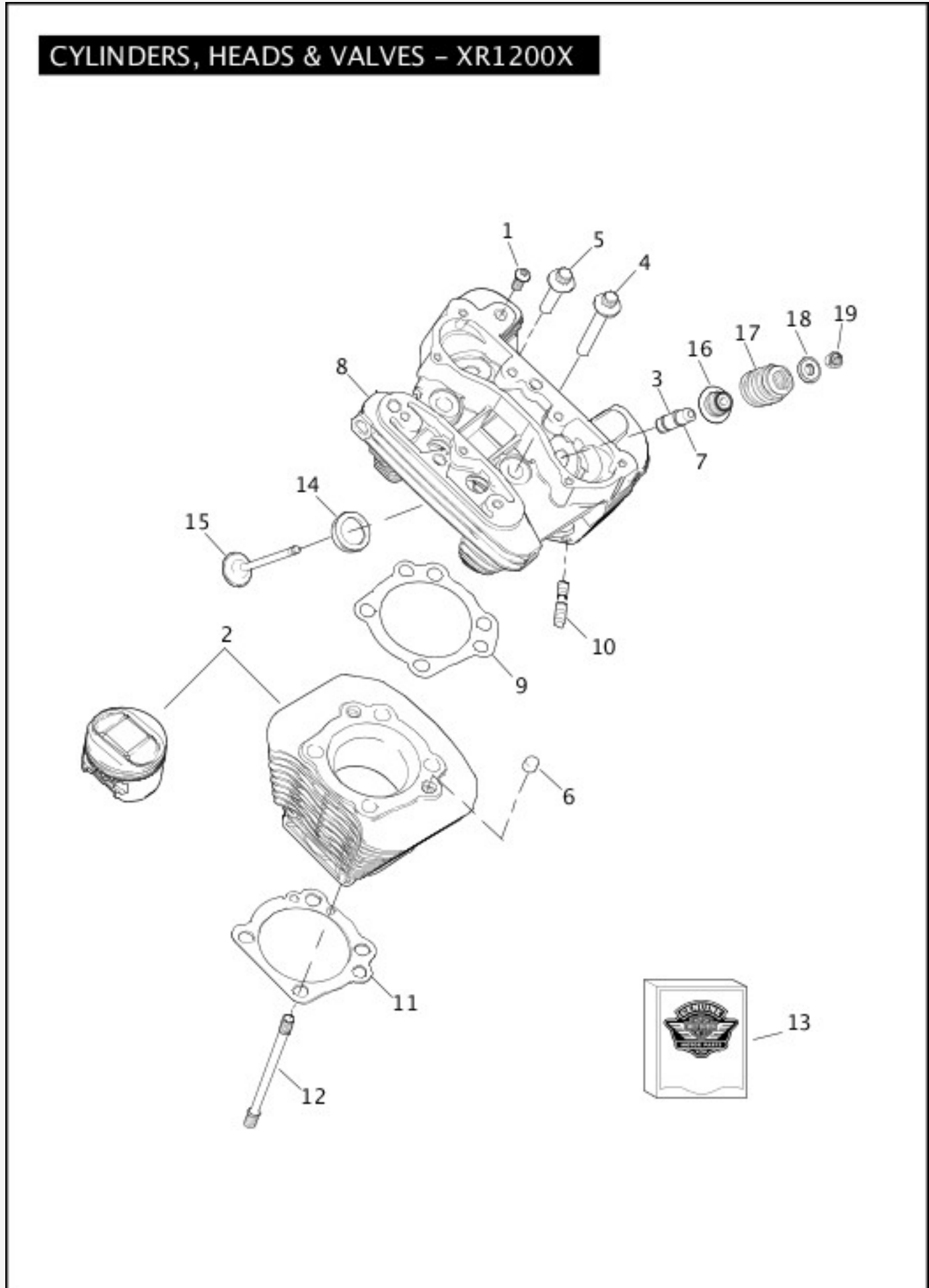
| INDEX NO. | PART NO. | DESCRIPTION | MODEL(S) |
|-----------|----------|-------------|--|
| 1 | 11190 | O-RING (4) | XL1200C, XL1200CP, XL1200N, XL1200V, XL1200X, XL883L, XL883N, XL883R |

| | | | |
|----|-----------|---|--|
| 2 | 4266A | SCREW (not illustrated) (2) | XL1200N, XL883L, XL883N, XL883R |
| | 4748 | SCREW (2) | XL1200C, XL1200CP, XL1200V, XL1200X |
| 3 | 6787 | WASHER (2) | XL1200C, XL1200CP, XL1200V, XL1200X |
| 4 | 16353-04 | BRACKET, center engine mount | XL1200C, XL1200CP, XL1200V |
| 5 | 16443-04 | CYLINDER, w/ piston (883 cc) (silver) (2) | XL883L |
| | 16452-05 | CYLINDER, w/ piston (883 cc) (black) (2) | XL883N, XL883R |
| | 16463-04 | CYLINDER, w/ piston (1200 cc) (LH - black w/ fin highlights) (2) | XL1200C, XL1200CP |
| | 16469-10 | CYLINDER, w/ piston (1200 cc) (LH - black w/o fin highlights) (2) | XL1200CP, XL1200X |
| | 17496-07 | CYLINDER, w/ piston (1200 cc) (gray) (2) | XL1200N |
| | 16800019 | CYLINDER, w/ piston (1200 cc) (gray) (2) | XL1200V |
| 6 | 16465-06 | VALVE GUIDE, w/ 16699-06 (4) | XL1200C, XL1200CP, XL1200N, XL1200V, XL1200X, XL883L, XL883N, XL883R |
| 7 | 16478-85A | SCREW (4) | XL1200C, XL1200CP, XL1200N, XL1200V, XL1200X, XL883L, XL883N, XL883R |
| 8 | 16480-92A | SCREW (4) | XL1200C, XL1200CP, XL1200N, XL1200V, XL1200X, XL883L, XL883N, XL883R |
| 9 | 16573-83A | DOWEL (4) | XL1200C, XL1200CP, XL1200N, XL1200V, XL1200X, XL883L, XL883N, XL883R |
| 10 | 16660-07 | HEAD, rear cylinder (883 cc) (silver), w/ valve guides & seats | XL883L |
| | 16661-07 | HEAD, front cylinder (883 cc) (silver), w/ valve guides & seats | XL883L |
| | 16865-07 | HEAD, rear cylinder (883 cc) (black), w/ valve guides & seats | XL883N, XL883R |
| | 16867-07 | HEAD, front cylinder (883 cc) (black), w/ valve guides & seats | XL883N, XL883R |
| | 16666-07 | HEAD, rear cylinder (1200 cc) (LH - black w/ fin highlights), w/ valve guides & seats | XL1200C, XL1200CP |
| | 16667-07 | HEAD, front cylinder (1200 cc) (LH - black w/ fin highlights), w/ valve guides & seats | XL1200C, XL1200CP |
| | 17485-07 | HEAD, front cylinder (1200 cc) (LH - black w/o fin highlights), w/ valve guides & seats | XL1200CP, XL1200N, XL1200X |
| | 17488-07 | HEAD, rear cylinder (1200 cc) (LH - black w/o fin highlights), w/ valve guides & seats | XL1200CP, XL1200N, XL1200X |
| | 16500068 | HEAD, front cylinder (1200 cc) (gray), w/ valve | XL1200V |

| | | | |
|----|-----------|---|--|
| | | guides & seats | |
| | 16500071 | HEAD, rear cylinder (1200 cc) (gray), w/ valve guides & seats | XL1200V |
| 11 | 16664-86D | GASKET, cylinder head (2) | XL883L, XL883N, XL883R |
| | 16770-84F | GASKET, cylinder head (2) | XL1200C, XL1200CP, XL1200N, XL1200V, XL1200X |
| 12 | 16699-06 | SNAP RING (4) | XL1200C, XL1200CP, XL1200N, XL1200V, XL1200X, XL883L, XL883N, XL883R |
| 13 | 16715-83 | STUD, exhaust port (4) | XL1200C, XL1200CP, XL1200N, XL1200V, XL1200X, XL883L, XL883N, XL883R |
| 14 | 16789-04 | GASKET, cylinder base (2) | XL1200C, XL1200CP, XL1200N, XL1200V, XL1200X, XL883L, XL883N, XL883R |
| 15 | 16832-86C | STUD, cylinder base (8) | XL1200C, XL1200CP, XL1200N, XL1200V, XL1200X, XL883L, XL883N, XL883R |
| 16 | 17027-08 | GASKET KIT, engine overhaul | XL1200C, XL1200CP, XL1200N, XL1200V, XL1200X, XL883L, XL883N, XL883R |
| | 17049-08 | GASKET KIT, top overhaul | XL1200C, XL1200CP, XL1200N, XL1200V, XL1200X, XL883L, XL883N, XL883R |
| 17 | 18011-86 | INSERT, exhaust valve seat (2) | XL1200C, XL1200CP, XL1200N, XL1200V, XL1200X |
| | 18012-87A | INSERT, exhaust valve seat (2) | XL883L, XL883N, XL883R |
| | 18020-07 | INSERT, intake valve seat (2) | XL1200C, XL1200CP, XL1200N, XL1200V, XL1200X |
| | 18021-87A | INSERT, intake valve seat (2) | XL883L, XL883N, XL883R |
| 18 | 18053-04 | INTAKE VALVE, 7mm (2) | XL883L, XL883N, XL883R |
| | 18690-02 | INTAKE VALVE, 7mm (2) | XL1200C, XL1200CP, XL1200N, XL1200V, XL1200X |
| | 18059-04 | EXHAUST VALVE, 7mm (2) | XL883L, XL883N, XL883R |
| | 18691-02 | EXHAUST VALVE, 7mm (2) | XL1200C, XL1200CP, XL1200N, XL1200V, XL1200X |
| 19 | 18094-02A | SEAL, valve (4) | XL1200C, XL1200CP, XL1200N, XL1200V, XL1200X, XL883L, XL883N, XL883R |
| 20 | 18245-02 | VALVE SPRING (4) | XL1200C, XL1200CP, XL1200N, XL1200V, XL1200X, XL883L, XL883N, XL883R |
| 21 | 18258-02 | COLLAR, valve spring - upper (4) | XL1200C, XL1200CP, XL1200N, XL1200V, XL1200X, XL883L, XL883N, XL883R |

| | | | |
|----|----------|--------------------------|--|
| 22 | 18260-02 | KEEPER, valve collar (8) | XL1200C, XL1200CP, XL1200N, XL1200V, XL1200X, XL883L, XL883N, XL883R |
|----|----------|--------------------------|--|

CYLINDERS, HEADS & VALVES - XR1200X

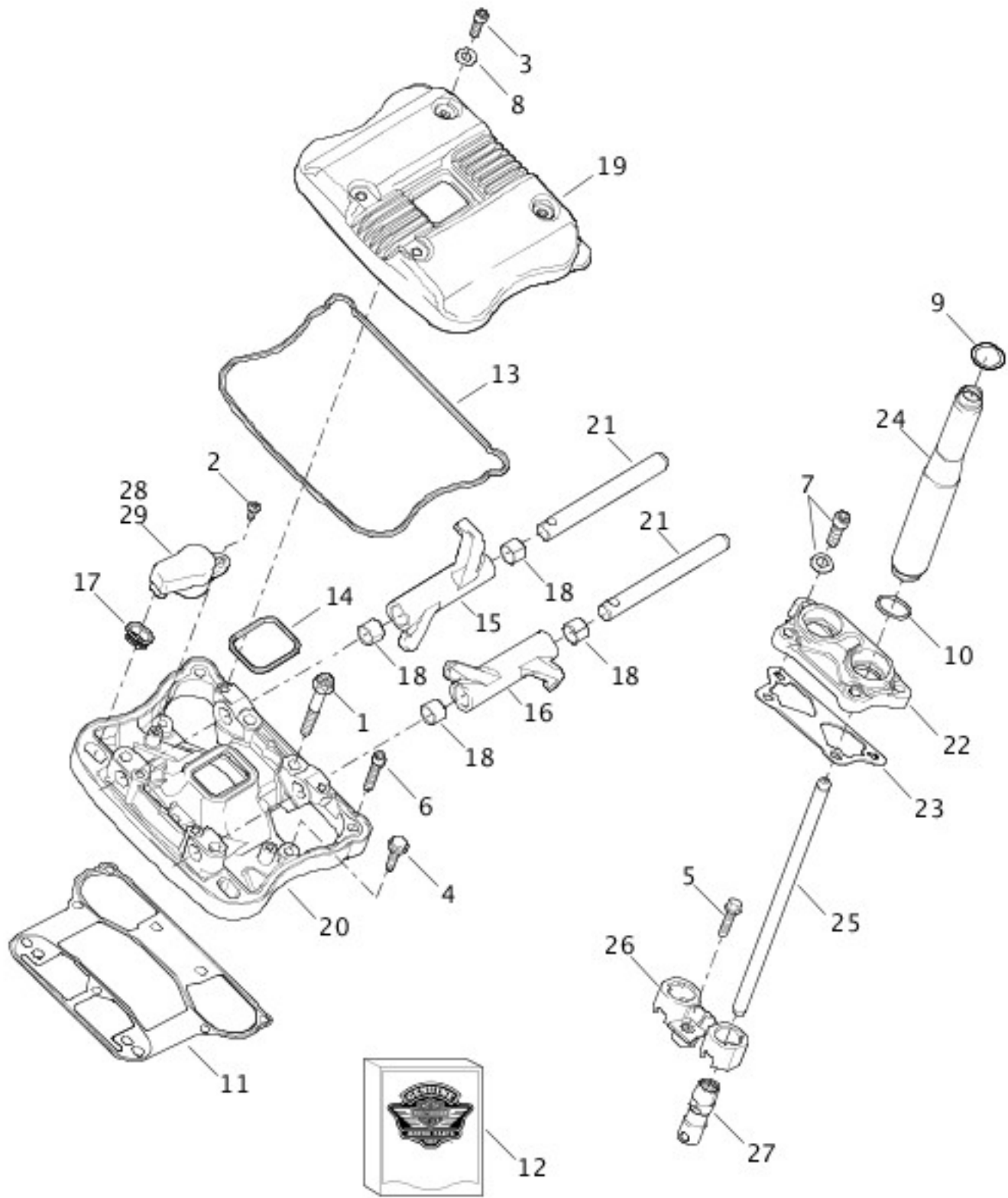


[View interactive image](#)

| INDEX NO. | PART NO. | DESCRIPTION | MODEL(S) |
|-----------|-----------|---|----------|
| 1 | 4266A | SCREW (2) | XR1200X |
| 2 | 16468-08 | CYLINDER, w/ piston & rings (black) (2) | XR1200X |
| 3 | 16465-06 | VALVE GUIDE, w/ 16699-06 (4) | XR1200X |
| 4 | 16478-85A | SCREW (4) | XR1200X |
| 5 | 16480-92A | SCREW (4) | XR1200X |
| 6 | 16573-83A | DOWEL (4) | XR1200X |
| 7 | 16699-06 | SNAP RING (4) | XR1200X |
| 8 | 17562-10 | HEAD, front cylinder (black), w/ valve guides & seats | XR1200X |
| | 17565-10 | HEAD, rear cylinder (black), w/ valve guides & seats | XR1200X |
| 9 | 16771-08 | GASKET, cylinder head (2) | XR1200X |
| 10 | 16715-83 | STUD, exhaust port (4) | XR1200X |
| 11 | 16789-04 | GASKET, cylinder base (2) | XR1200X |
| 12 | 16832-86C | STUD, cylinder base (8) | XR1200X |
| 13 | 17027-08 | GASKET KIT, engine overhaul | XR1200X |
| | 17049-08 | GASKET KIT, top overhaul | XR1200X |
| 14 | 18011-86 | INSERT, exhaust valve seat (2) | XR1200X |
| | 18020-07 | INSERT, intake valve seat (2) | XR1200X |
| 15 | 18690-02 | INTAKE VALVE, 7mm (2) | XR1200X |
| | 18691-02 | EXHAUST VALVE, 7mm (2) | XR1200X |
| 16 | 18094-02A | SEAL, valve (4) | XR1200X |
| 17 | 18245-02 | VALVE SPRING (4) | XR1200X |
| 18 | 18258-02 | COLLAR, valve spring - upper (4) | XR1200X |
| 19 | 18260-02 | KEEPER, valve collar (8) | XR1200X |

ROCKER ARM ASSEMBLY & PUSH RODS - 883L/N/R, 1200C/CP/N/V/X

ROCKER ARM ASSEMBLY & PUSH RODS – 883L/N/R, 1200C/CP/N/V/



[View interactive image](#)

[View interactive table](#)

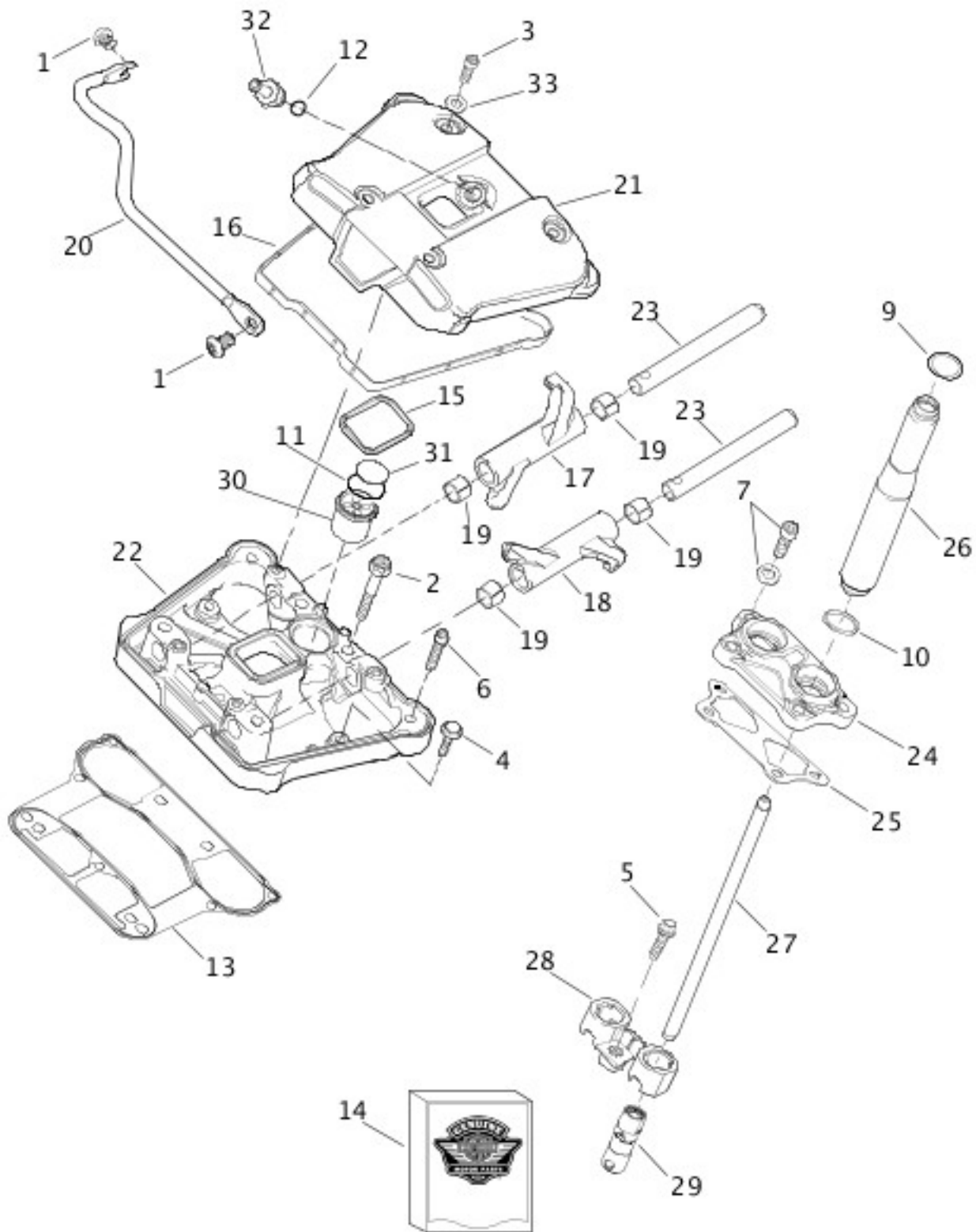
| INDEX NO. | PART NO. | DESCRIPTION | MODEL(S) |
|-----------|----------|-------------|--|
| 1 | 1039 | SCREW (8) | XL1200C, XL1200CP, XL1200N, XL1200V, XL1200X, XL883L, XL883N, XL883R |

| | | | |
|----|-----------|---|--|
| 2 | 2441 | SCREW (2) | XL1200C, XL1200CP, XL1200N, XL1200V, XL1200X, XL883L, XL883N, XL883R |
| 3 | 2486 | SCREW (8) | XL1200C, XL1200CP, XL1200N, XL1200V, XL1200X, XL883L, XL883N, XL883R |
| 4 | 3849 | SCREW (6) | XL1200C, XL1200CP, XL1200N, XL1200V, XL1200X, XL883L, XL883N, XL883R |
| 5 | 3976 | SCREW (2) | XL1200C, XL1200CP, XL1200N, XL1200V, XL1200X, XL883L, XL883N, XL883R |
| 6 | 4718A | SCREW (4) | XL1200C, XL1200CP, XL1200N, XL1200V, XL1200X, XL883L, XL883N, XL883R |
| 7 | 4741A | SCREW (8) | XL1200C, XL1200CP, XL1200N, XL1200V, XL1200X, XL883L, XL883N, XL883R |
| 8 | 6589 | WASHER (8) | XL1200C, XL1200CP, XL1200N, XL1200V, XL1200X, XL883L, XL883N, XL883R |
| 9 | 11190 | O-RING (4) | XL1200C, XL1200CP, XL1200N, XL1200V, XL1200X, XL883L, XL883N, XL883R |
| 10 | 11377 | O-RING (4) | XL1200C, XL1200CP, XL1200N, XL1200V, XL1200X, XL883L, XL883N, XL883R |
| 11 | 16800-84A | GASKET (2) | XL1200C, XL1200CP, XL1200N, XL1200V, XL1200X, XL883L, XL883N, XL883R |
| 12 | 17036-08 | GASKET KIT | XL1200C, XL1200CP, XL1200N, XL1200V, XL1200X, XL883L, XL883N, XL883R |
| 13 | 17362-07B | GASKET, lower (2) | XL1200C, XL1200CP, XL1200N, XL1200V, XL1200X, XL883L, XL883N, XL883R |
| 14 | 17695-07B | GASKET, inner (2) | XL1200C, XL1200CP, XL1200N, XL1200V, XL1200X, XL883L, XL883N, XL883R |
| 15 | 17360-83A | ROCKER ARM, front intake & rear exhaust (2) | XL1200C, XL1200CP, XL1200N, XL1200V, XL1200X, XL883L, XL883N, XL883R |
| 16 | 17375-83A | ROCKER ARM, front exhaust & rear intake (2) | XL1200C, XL1200CP, XL1200N, XL1200V, XL1200X, XL883L, XL883N, XL883R |
| 17 | 17393-07 | SEAL | XL1200C, XL1200CP, XL1200N, XL1200V, XL1200X, XL883L, XL883N, XL883R |
| 18 | 17429-91 | BUSHING (4) | XL1200C, XL1200CP, XL1200N, XL1200V, XL1200X, XL883L, XL883N, XL883R |
| 19 | 17501-04 | ROCKER COVER, outer (polished) (2) | XL1200N, XL1200X, XL883L |
| | 17551-04 | ROCKER COVER, outer (chrome) (2) | XL1200C, XL1200CP, XL1200V |
| | 17655-05 | ROCKER COVER, outer (black) (2) | XL1200CP, XL883N, XL883R |

| | | | |
|----|-----------|------------------------------------|--|
| 20 | 17532-07A | ROCKER COVER, inner (polished) (2) | XL1200N, XL1200X, XL883L |
| | 17537-07A | ROCKER COVER, inner (chrome) (2) | XL1200C, XL1200CP, XL1200V |
| | 17614-07A | ROCKER COVER, inner (silver) (2) | XL1200CP, XL883N, XL883R |
| 21 | 17611-83 | SHAFT (4) | XL1200C, XL1200CP, XL1200N, XL1200V, XL1200X, XL883L, XL883N, XL883R |
| 22 | 17972-04 | TAPPET COVER, front | XL1200C, XL1200CP, XL1200N, XL1200V, XL1200X, XL883L, XL883N, XL883R |
| | 17981-04 | TAPPET COVER, rear | XL1200C, XL1200CP, XL1200N, XL1200V, XL1200X, XL883L, XL883N, XL883R |
| 23 | 17976-04 | GASKET (2) | XL1200C, XL1200CP, XL1200N, XL1200V, XL1200X, XL883L, XL883N, XL883R |
| 24 | 17946-04 | COVER (chrome) (4) | XL1200C, XL1200CP, XL1200N, XL1200V, XL1200X, XL883L, XL883N, XL883R |
| 25 | 17908-02 | PUSH ROD, exhaust (2) | XL1200C, XL1200CP, XL1200N, XL1200V, XL1200X, XL883L, XL883N, XL883R |
| | 17909-02 | PUSH ROD, intake (2) | XL1200C, XL1200CP, XL1200N, XL1200V, XL1200X, XL883L, XL883N, XL883R |
| 26 | 18505-06 | ANTI-ROTATION DEVICE | XL1200C, XL1200CP, XL1200N, XL1200V, XL1200X, XL883L, XL883N, XL883R |
| 27 | 18538-99C | TAPPET, w/ roller (4) | XL1200C, XL1200CP, XL1200N, XL1200V, XL1200X, XL883L, XL883N, XL883R |
| 28 | 26010-04 | BREATHER, front | XL1200C, XL1200CP, XL1200N, XL1200V, XL1200X, XL883L, XL883N, XL883R |
| | 26011-04 | BREATHER, rear | XL1200C, XL1200CP, XL1200N, XL1200V, XL1200X, XL883L, XL883N, XL883R |
| 29 | 26012-07 | BREATHER, front w/ seal | XL1200C, XL1200CP, XL1200N, XL1200V, XL1200X, XL883L, XL883N, XL883R |
| | 26020-07 | BREATHER, rear w/ seal | XL1200C, XL1200CP, XL1200N, XL1200V, XL1200X, XL883L, XL883N, XL883R |

ROCKER ARM ASSEMBLY & PUSH RODS - XR1200X

ROCKER ARM ASSEMBLY & PUSH RODS – XR1200X



[View interactive image](#)

[View interactive table](#)

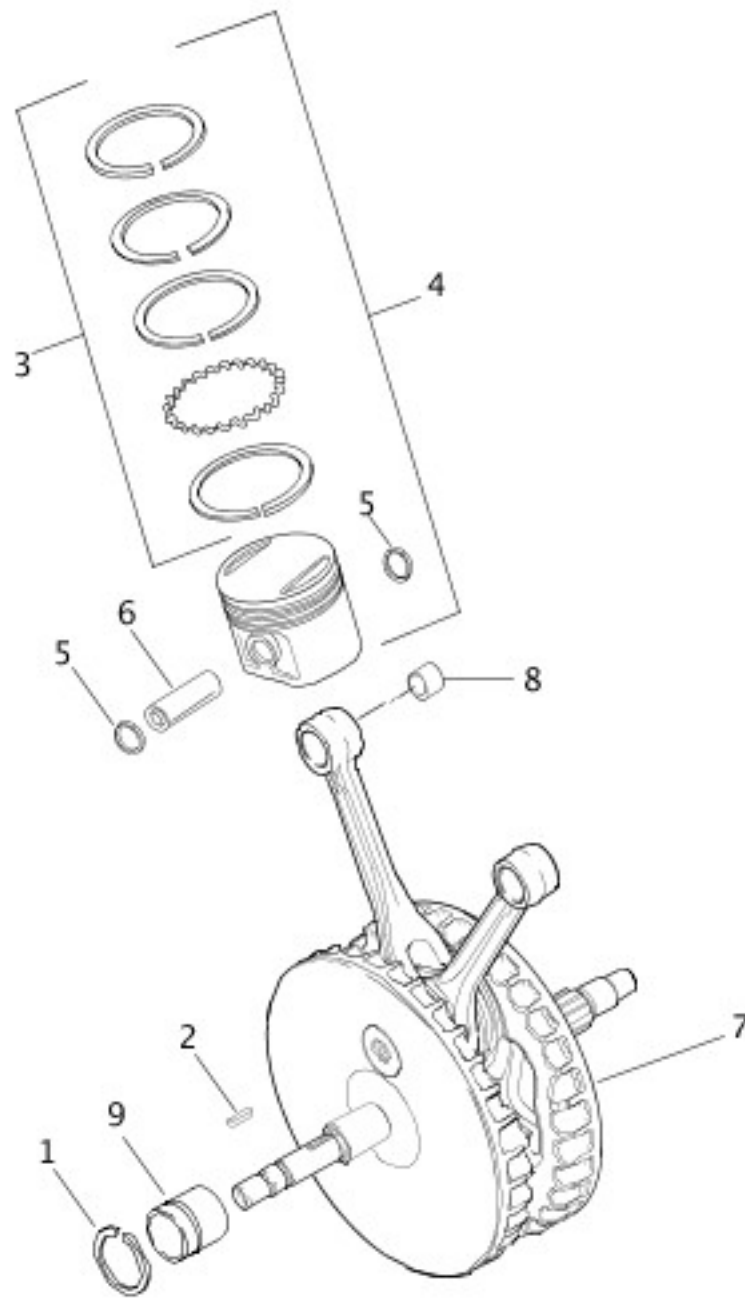
| INDEX NO. | PART NO. | DESCRIPTION | MODEL(S) |
|-----------|----------|-------------|----------|
| 1 | 943 | SCREW (2) | XR1200X |
| 2 | 1039 | SCREW (8) | XR1200X |
| | | | |

| | | | |
|----|-----------|---|---------|
| 3 | 2486 | SCREW (8) | XR1200X |
| 4 | 3849 | SCREW (6) | XR1200X |
| 5 | 3976 | SCREW (2) | XR1200X |
| 6 | 4718A | SCREW (4) | XR1200X |
| 7 | 4741A | SCREW (8) | XR1200X |
| 8 | 6589 | WASHER (8) | XR1200X |
| 9 | 11190 | O-RING (4) | XR1200X |
| 10 | 11377 | O-RING (4) | XR1200X |
| 11 | 11621 | O-RING (2) | XR1200X |
| 12 | 11625 | O-RING (2) | XR1200X |
| 13 | 16800-84A | GASKET (2) | XR1200X |
| 14 | 17036-08 | GASKET KIT | XR1200X |
| 15 | 17695-07B | GASKET, inner (2) | XR1200X |
| 16 | 17633-08B | GASKET, lower (2) | XR1200X |
| 17 | 17360-83A | ROCKER ARM, front intake & rear exhaust (2) | XR1200X |
| 18 | 17375-83A | ROCKER ARM, front exhaust & rear intake (2) | XR1200X |
| 19 | 17429-91 | BUSHING (4) | XR1200X |
| 20 | 17569-08 | ROCKER BOX GUARD | XR1200X |
| 21 | 17615-10 | ROCKER COVER, outer (black) (2) | XR1200X |
| 22 | 17591-10 | ROCKER COVER, inner (black) (2) | XR1200X |
| 23 | 17611-83 | SHAFT (4) | XR1200X |
| 24 | 17903-10 | TAPPET COVER, front (black) | XR1200X |
| | 17911-10 | TAPPET COVER, rear (black) | XR1200X |
| 25 | 17976-04 | GASKET (2) | XR1200X |
| 26 | 17963-10 | COVER (black) (4) | XR1200X |
| 27 | 17908-02 | PUSH ROD, exhaust (2) | XR1200X |
| | 17909-02 | PUSH ROD, intake (2) | XR1200X |
| 28 | 18505-06 | ANTI-ROTATION DEVICE | XR1200X |
| 29 | 18538-99C | TAPPET, w/ roller (4) | XR1200X |
| 30 | 26016-08 | BREATHER (2) | XR1200X |

| | | | |
|----|-----------|---------------------------------|---------|
| | | | |
| 31 | 26856-89A | VALVE, umbrella-check, breather | XR1200X |
| 32 | 63548-08 | FITTING (2) | XR1200X |

PISTONS & FLYWHEEL ASSEMBLY

PISTONS & FLYWHEEL ASSEMBLY



[View interactive image](#)

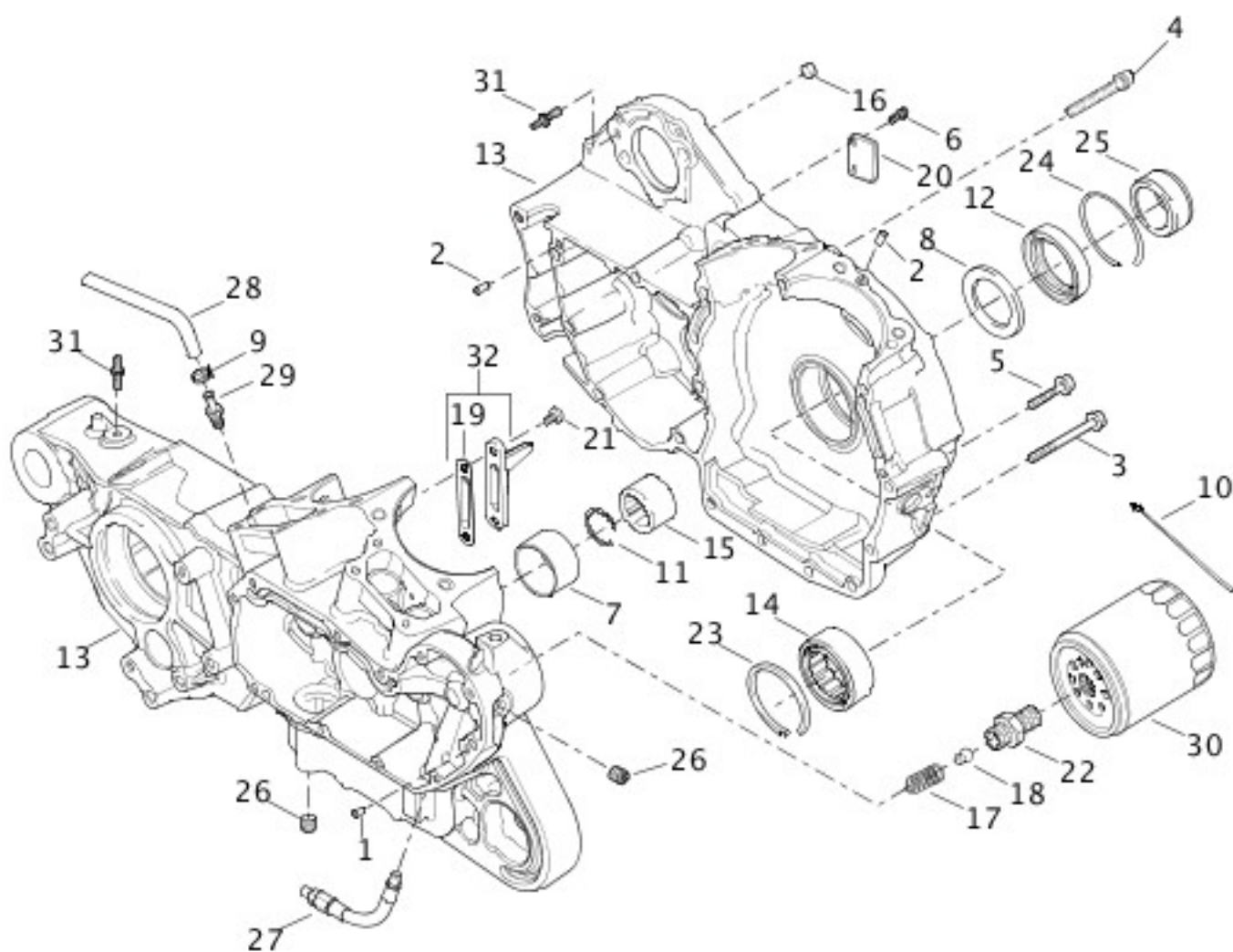
[View interactive table](#)

| INDEX NO. | PART NO. | DESCRIPTION | MODEL(S) |
|-----------|----------|----------------|----------|
| 1 | 11177A | RETAINING RING | ALL |
| 2 | 11317 | KEY | ALL |

| | | | |
|---|-----------|---|--|
| 3 | 22266-86 | PISTON RING SET, standard (2) | XL883L, XL883N, XL883R |
| | 22261-86 | PISTON RING SET, 0.010 O.S. (2) | XL883L, XL883N, XL883R |
| | 22271-86 | PISTON RING SET, 0.005 O.S. (2) | XL883L, XL883N, XL883R |
| | 21948-02 | PISTON RING SET, standard (2) | XL1200C, XL1200CP, XL1200N, XL1200V, XL1200X |
| | 22231-04 | PISTON RING SET, 0.005 O.S. (2) | XL1200C, XL1200CP, XL1200N, XL1200V, XL1200X |
| | 22238-04 | PISTON RING SET, 0.010 O.S. (2) | XL1200C, XL1200CP, XL1200N, XL1200V, XL1200X |
| 4 | 22221-04 | PISTON & RINGS ASSEMBLY, standard (2) | XL883L, XL883N, XL883R |
| | 22224-04 | PISTON & RINGS ASSEMBLY, 0.005 O.S. (2) | XL883L, XL883N, XL883R |
| | 22228-04 | PISTON & RINGS ASSEMBLY, 0.010 O.S. (2) | XL883L, XL883N, XL883R |
| | 22223-04 | PISTON & RINGS ASSEMBLY, standard (2) | XL1200C, XL1200CP, XL1200N, XL1200V, XL1200X |
| | 22227-04 | PISTON & RINGS ASSEMBLY, 0.005 O.S. (2) | XL1200C, XL1200CP, XL1200N, XL1200V, XL1200X |
| | 22230-04 | PISTON & RINGS ASSEMBLY, 0.010 O.S. (2) | XL1200C, XL1200CP, XL1200N, XL1200V, XL1200X |
| | 22244-04A | PISTON & RINGS ASSEMBLY, standard (2) | XR1200X |
| 5 | 22589-83B | LOCK RING (4) | ALL |
| 6 | 22719-04 | PISTON PIN (2) | XL883L, XL883N, XL883R |
| | 22765-02 | PISTON PIN (2) | XL1200C, XL1200CP, XL1200N, XL1200V, XL1200X |
| 7 | 23905-04B | FLYWHEELS & CONNECTING ROD ASSEMBLY, w/ 11317 | XL1200C, XL1200CP, XL1200N, XL1200V, XL1200X, XL883L, XL883N, XL883R |
| | 23999-08 | FLYWHEELS & CONNECTING ROD ASSEMBLY, w/ 11317 | XR1200X |
| 8 | 24332-36 | BUSHING, 0.01 O.S. (2) | ALL |
| 9 | 24658-87 | INNER RING | ALL |

CRANKCASE & GEARCASE - 883L/N/R, 1200C/CP/N/V/X

CRANKCASE & GEARCASE - 883L/N/R, 1200C/CP/N/V/X



[View interactive image](#)

[View interactive table](#)

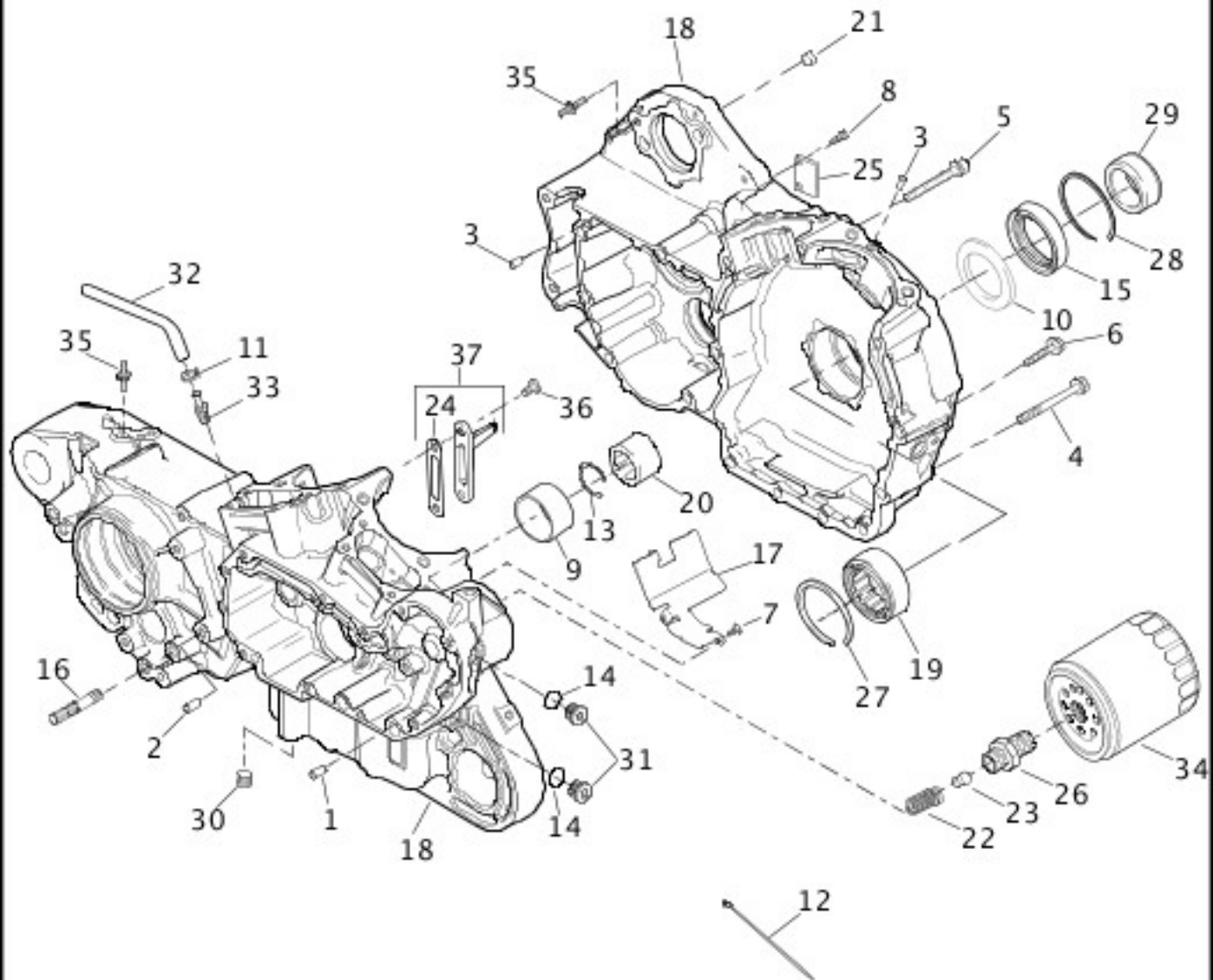
| INDEX | PART | DESCRIPTION | MODEL(S) |
|-------|------|-------------|----------|
|-------|------|-------------|----------|

| NO. | NO. | | |
|-----|-----------|-------------------------------------|--|
| 1 | 215 | PIN (2) | XL1200C, XL1200CP, XL1200N, XL1200V, XL1200X, XL883L, XL883N, XL883R |
| 2 | 358 | DOWEL PIN (4) | XL1200C, XL1200CP, XL1200N, XL1200V, XL1200X, XL883L, XL883N, XL883R |
| 3 | 835 | SCREW (11) | XL1200C, XL1200CP, XL1200N, XL1200V, XL1200X, XL883L, XL883N, XL883R |
| 4 | 1028 | SCREW | XL1200C, XL1200CP, XL1200N, XL1200V, XL1200X, XL883L, XL883N, XL883R |
| 5 | 1048 | SCREW (4) | XL1200C, XL1200CP, XL1200N, XL1200V, XL1200X, XL883L, XL883N, XL883R |
| 6 | 4091 | SCREW (2) | XL1200C, XL1200CP, XL1200N, XL1200V, XL1200X, XL883L, XL883N, XL883R |
| 7 | 8881 | BEARING RACE | XL1200C, XL1200CP, XL1200N, XL1200V, XL1200X, XL883L, XL883N, XL883R |
| 8 | 8972 | WASHER | XL1200C, XL1200CP, XL1200N, XL1200V, XL1200X, XL883L, XL883N, XL883R |
| 9 | 10080 | CLAMP | XL1200C, XL1200CP, XL1200N, XL1200V, XL1200X, XL883L, XL883N, XL883R |
| 10 | 10177 | CABLE STRAP (as required) | XL1200C, XL1200CP, XL1200N, XL1200V, XL1200X, XL883L, XL883N, XL883R |
| 11 | 11177A | RETAINING RING | XL1200C, XL1200CP, XL1200N, XL1200V, XL1200X, XL883L, XL883N, XL883R |
| 12 | 12068 | OIL SEAL | XL1200C, XL1200CP, XL1200N, XL1200V, XL1200X, XL883L, XL883N, XL883R |
| 13 | 24466-06B | CRANKCASE SET, w/ bearings (black) | XL1200C, XL1200CP, XL1200X, XL883N, XL883R |
| | 24470-06B | CRANKCASE SET, w/ bearings (silver) | XL883L |
| | 24745-07A | CRANKCASE SET, w/ bearings (gray) | XL1200N, XL1200V |
| 14 | 24605-07 | BEARING | XL1200C, XL1200CP, XL1200N, XL1200V, XL1200X, XL883L, XL883N, XL883R |
| 15 | 24647-87 | BEARING (blue) | XL1200C, XL1200CP, XL1200N, XL1200V, XL1200X, XL883L, XL883N, XL883R |
| | 24650-87 | BEARING (red) | XL1200C, XL1200CP, XL1200N, XL1200V, XL1200X, XL883L, XL883N, XL883R |
| | 24659-87 | BEARING (white/gray) | XL1200C, XL1200CP, XL1200N, XL1200V, XL1200X, XL883L, XL883N, XL883R |
| | | | |

| | | | |
|----|-----------|-------------------------|--|
| | 24660-87 | BEARING (green) | XL1200C, XL1200CP, XL1200N, XL1200V, XL1200X, XL883L, XL883N, XL883R |
| 16 | 24754-75A | DOWEL PIN (2) | XL1200C, XL1200CP, XL1200N, XL1200V, XL1200X, XL883L, XL883N, XL883R |
| 17 | 26436-90A | SPRING | XL1200C, XL1200CP, XL1200N, XL1200V, XL1200X, XL883L, XL883N, XL883R |
| 18 | 26437-86B | BALL | XL1200C, XL1200CP, XL1200N, XL1200V, XL1200X, XL883L, XL883N, XL883R |
| 19 | 26638-00Y | GASKET (2) | XL1200C, XL1200CP, XL1200N, XL1200V, XL1200X, XL883L, XL883N, XL883R |
| 20 | 29950-91 | COVER | XL1200C, XL1200CP, XL1200N, XL1200V, XL1200X, XL883L, XL883N, XL883R |
| 21 | 68042-99 | SCREW (4) | XL1200C, XL1200CP, XL1200N, XL1200V, XL1200X, XL883L, XL883N, XL883R |
| 22 | 33117-91A | ADAPTER | XL1200C, XL1200CP, XL1200N, XL1200V, XL1200X, XL883L, XL883N, XL883R |
| 23 | 35114-02 | RETAINING RING | XL1200C, XL1200CP, XL1200N, XL1200V, XL1200X, XL883L, XL883N, XL883R |
| 24 | 35118-03 | RETAINING RING | XL1200C, XL1200CP, XL1200N, XL1200V, XL1200X, XL883L, XL883N, XL883R |
| 25 | 40254-02 | SPACER | XL1200C, XL1200CP, XL1200N, XL1200V, XL1200X, XL883L, XL883N, XL883R |
| 26 | 45830-48 | PLUG (2) | XL1200C, XL1200CP, XL1200N, XL1200V, XL1200X, XL883L, XL883N, XL883R |
| 27 | 62651-04 | LINE, oil pump | XL1200C, XL1200CP, XL1200N, XL1200V, XL1200X, XL883L, XL883N, XL883R |
| 28 | 63508-04 | HOSE, transmission vent | XL1200C, XL1200CP, XL1200N, XL1200V, XL1200X, XL883L, XL883N, XL883R |
| 29 | 63533-41A | FITTING | XL1200C, XL1200CP, XL1200N, XL1200V, XL1200X, XL883L, XL883N, XL883R |
| 30 | 63805-80A | OIL FILTER (black) | XL1200CP, XL1200N, XL1200X, XL883L, XL883N, XL883R |
| | 63796-77A | OIL FILTER (chrome) | XL1200C, XL1200CP, XL1200V |
| 31 | 65088-04 | STUD, ground (2) | XL1200C, XL1200CP, XL1200N, XL1200V, XL1200X, XL883L, XL883N, XL883R |
| 32 | 62700014 | OIL JET ASSEMBLY (2) | XL1200C, XL1200CP, XL1200N, XL1200V, XL1200X, XL883L, XL883N, XL883R |

CRANKCASE & GEARCASE - XR1200X

CRANKCASE & GEARCASE - XR1200X



[View interactive image](#)

[View interactive table](#)

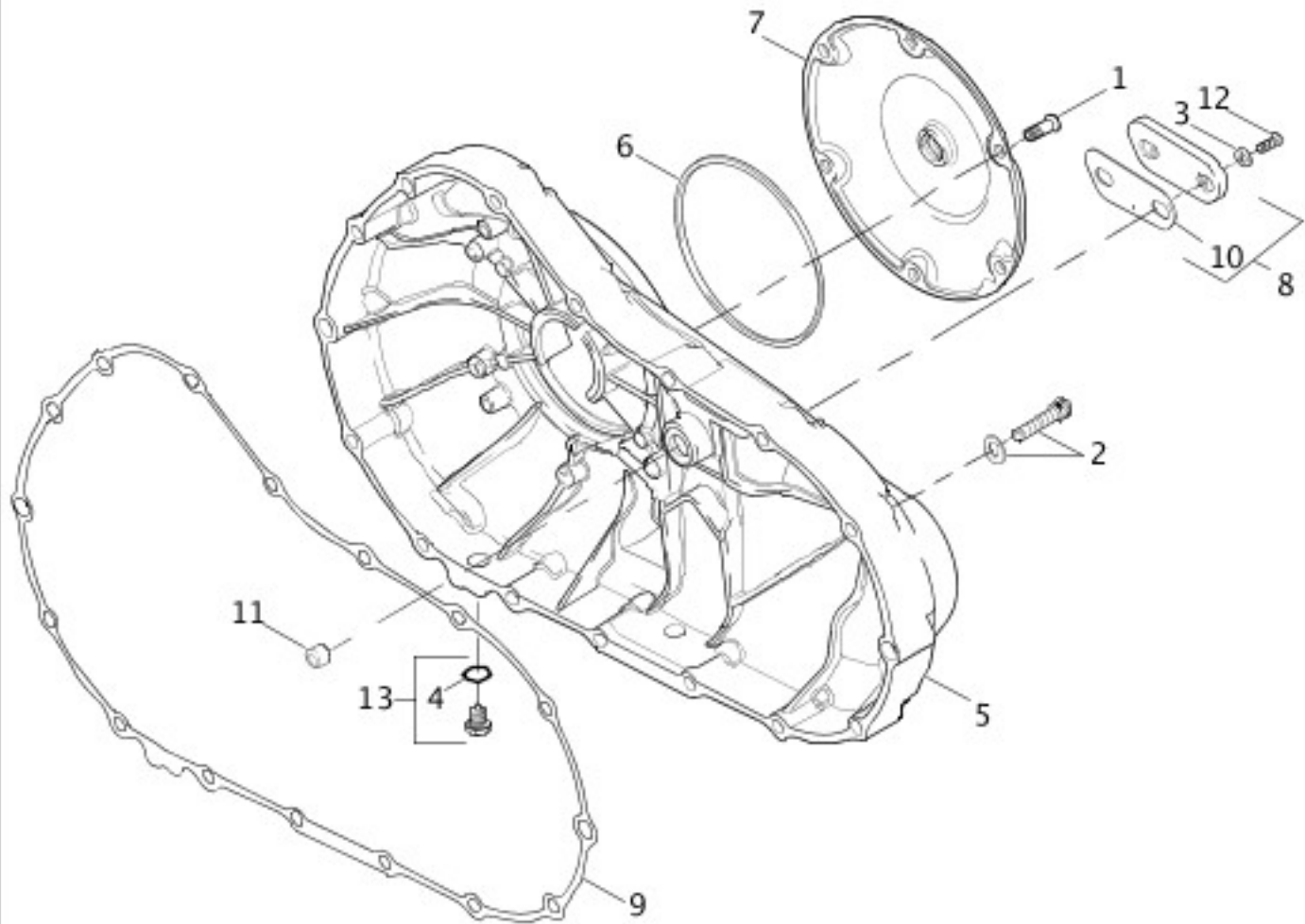
| INDEX NO. | PART NO. | DESCRIPTION | MODEL(S) |
|-----------|----------|-------------|----------|
| 1 | 215 | PIN | XR1200X |
| 2 | 232 | PIN | XR1200X |
| | | | |

| | | | |
|----|-----------|------------------------------------|---------|
| 3 | 358 | DOWEL PIN (4) | XR1200X |
| 4 | 835 | SCREW (12) | XR1200X |
| 5 | 1028 | SCREW | XR1200X |
| 6 | 1048 | SCREW (4) | XR1200X |
| 7 | 2487 | SCREW (3) | XR1200X |
| 8 | 4091 | SCREW (2) | XR1200X |
| 9 | 8881 | BEARING RACE | XR1200X |
| 10 | 8972 | WASHER | XR1200X |
| 11 | 10080 | CLAMP (2) | XR1200X |
| 12 | 10177 | CABLE STRAP (as required) | XR1200X |
| 13 | 11177A | RETAINING RING | XR1200X |
| 14 | 11290 | O-RING | XR1200X |
| 15 | 12068 | OIL SEAL | XR1200X |
| 16 | 16899-02 | STUD (2) | XR1200X |
| 17 | 17525-08 | PLATE | XR1200X |
| 18 | 24475-08 | CRANKCASE SET, w/ bearings (black) | XR1200X |
| 19 | 24605-07 | BEARING | XR1200X |
| 20 | 24647-87 | BEARING (blue) | XR1200X |
| | 24650-87 | BEARING (red) | XR1200X |
| | 24659-87 | BEARING (white/gray) | XR1200X |
| | 24660-87 | BEARING (green) | XR1200X |
| 21 | 24754-75A | DOWEL PIN (2) | XR1200X |
| 22 | 26436-90A | SPRING | XR1200X |
| 23 | 26437-86B | BALL | XR1200X |
| 24 | 26638-00Y | GASKET (2) | XR1200X |
| 25 | 29950-91 | COVER | XR1200X |
| 26 | 33117-91A | ADAPTOR | XR1200X |
| 27 | 35114-02 | RETAINING RING | XR1200X |
| 28 | 35118-03 | RETAINING RING | XR1200X |
| 29 | 40254-02 | SPACER | XR1200X |

| | | | |
|----|-----------|---------------------------------|---------|
| | | | |
| 30 | 45830-48 | PLUG | XR1200X |
| 31 | 60330-08 | PLUG, w/ O-ring (2) | XR1200X |
| 32 | 63508-04 | HOSE, transmission vent | XR1200X |
| 33 | 63533-41A | FITTING | XR1200X |
| 34 | 63805-80A | OIL FILTER | XR1200X |
| 35 | 65088-04 | STUD, ground (2) | XR1200X |
| 36 | 68042-99 | SCREW (4) | XR1200X |
| 37 | 62700013 | OIL JET ASSEMBLY, w/ gasket (2) | XR1200X |

INSPECTION COVER & PRIMARY COVER

INSPECTION COVER & PRIMARY COVER



[View interactive image](#)

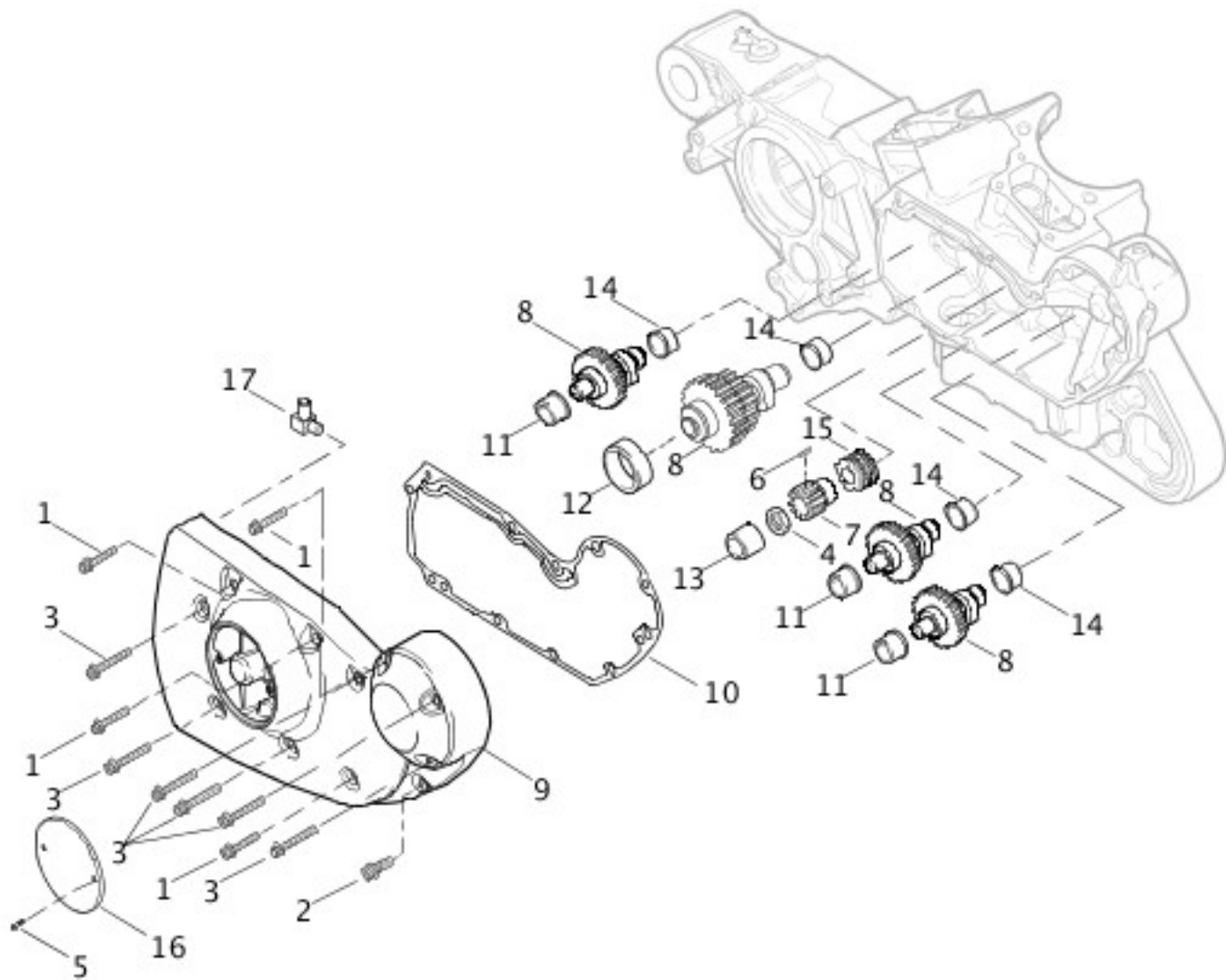
[View interactive table](#)

| INDEX NO. | PART NO. | DESCRIPTION | MODEL(S) |
|-----------|----------|-------------|----------|
| 1 | 943 | SCREW (6) | ALL |
| 2 | 4820A | SCREW (16) | ALL |

| | | | |
|----|-----------|---|--|
| 3 | 11171 | O-RING (2) | ALL |
| 4 | 11105 | O-RING | ALL |
| 5 | 25307-06 | PRIMARY COVER (black) w/ 40574-06 | XL1200CP, XL1200X, XL883N, XL883R |
| | 25430-06 | PRIMARY COVER (polished) w/ 40574-06 | XL883L |
| | 25460-06 | PRIMARY COVER (chrome) w/ 40574-06 | XL1200C, XL1200CP, XL1200V |
| | 60830-07 | PRIMARY COVER (gray) w/ 40574-06 | XL1200N |
| | 60836-10 | PRIMARY COVER (black) w/ 40574-06 | XR1200X |
| 6 | 25463-94A | GASKET | ALL |
| 7 | 34760-04 | INSPECTION COVER, clutch (chrome) | XL1200C, XL1200CP, XL1200V |
| | 34992-04 | INSPECTION COVER, clutch (polished) | XL1200CP, XL1200N, XL1200X, XL883L, XL883N, XL883R |
| | 37718-10 | INSPECTION COVER, clutch (black) | XR1200X |
| 8 | 34993-04A | INSPECTION COVER, chain, w/ gasket (polished) | XL1200CP, XL1200N, XL1200X, XL883L |
| | 34761-04A | INSPECTION COVER, chain, w/ gasket (chrome) | XL1200C, XL1200CP, XL1200V |
| | 34794-05A | INSPECTION COVER, chain, w/ gasket (polished) | XL883N, XL883R |
| | 35077-10 | INSPECTION COVER, chain, w/ gasket (black) | XR1200X |
| 9 | 34955-04 | GASKET | ALL |
| 10 | 34990-08 | GASKET | ALL |
| 11 | 40574-06 | BUSHING | ALL |
| 12 | 41191-74A | SCREW (2) | ALL |
| 13 | 60328-98B | OIL DRAIN PLUG ASSEMBLY | ALL |

CAMSHAFTS & GEAR COVER - 883L/N/R, 1200C/CP/N/V/X

CAMSHAFTS & GEAR COVER – 883L/N/R, 1200C/CP/N/V,



[View interactive image](#)

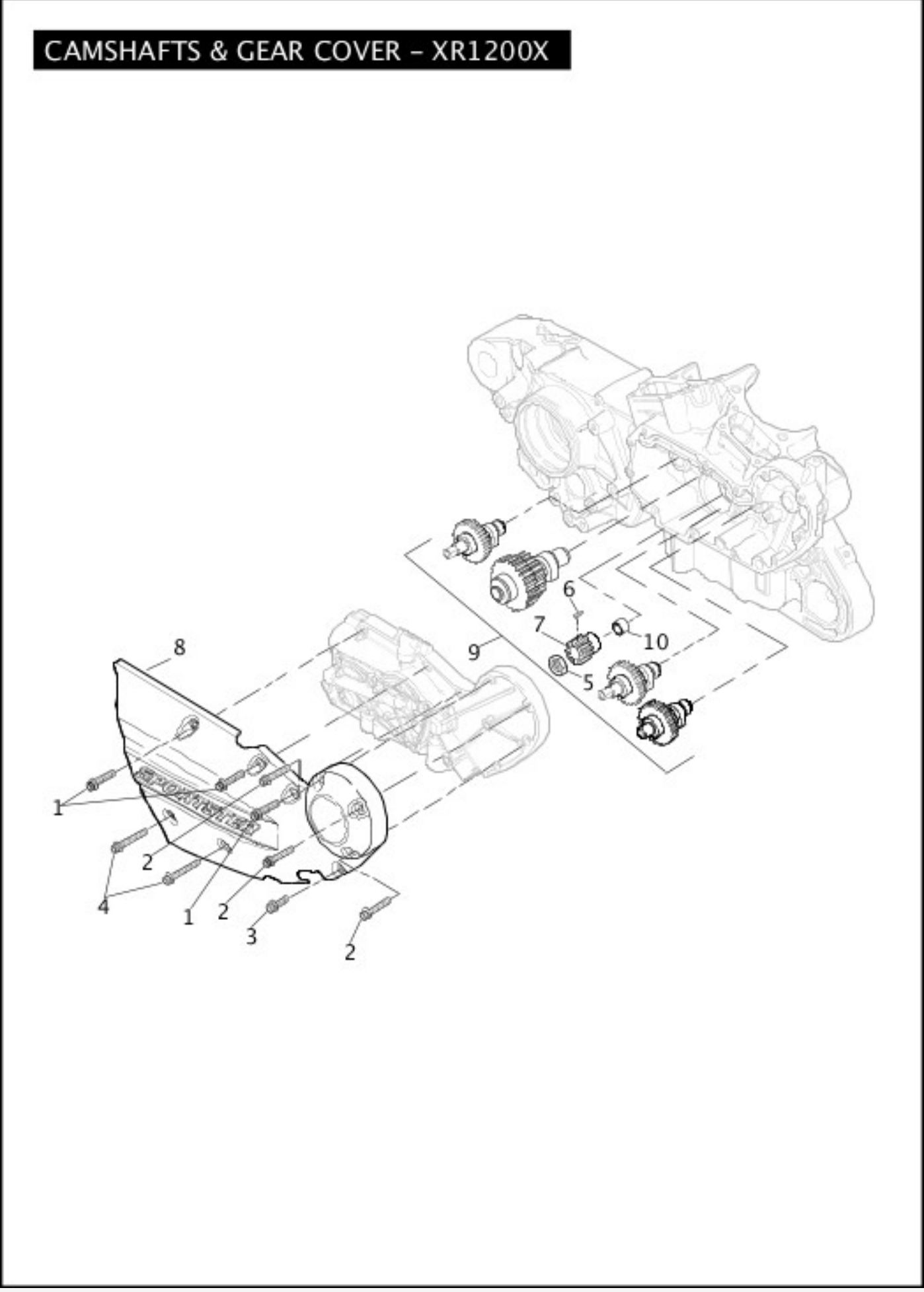
[View interactive table](#)

| INDEX NO. | PART NO. | DESCRIPTION | MODEL(S) |
|-----------|----------|-------------|--|
| 1 | 3480A | SCREW (4) | XL1200C, XL1200CP, XL1200N, XL1200V, XL1200X, XL883L, XL883N, XL883R |

| | | | |
|----|-----------|--|--|
| 2 | 4740A | SCREW | XL1200C, XL1200CP, XL1200N, XL1200V, XL1200X, XL883L, XL883N, XL883R |
| 3 | 4717A | SCREW (6) | XL1200C, XL1200CP, XL1200N, XL1200V, XL1200X, XL883L, XL883N, XL883R |
| 4 | 7916A | JAM NUT | XL1200C, XL1200CP, XL1200N, XL1200V, XL1200X, XL883L, XL883N, XL883R |
| 5 | 68120-00 | SCREW (2) | XL1200C, XL1200CP, XL1200N, XL1200V, XL1200X, XL883L, XL883N, XL883R |
| 6 | 11317 | T-KEY | XL1200C, XL1200CP, XL1200N, XL1200V, XL1200X, XL883L, XL883N, XL883R |
| 7 | 24047-00 | PINION GEAR | XL1200C, XL1200CP, XL1200N, XL1200V, XL1200X, XL883L, XL883N, XL883R |
| 8 | 25194-06 | CAM GEAR SET, complete, w/ pinion gear | XL1200C, XL1200CP, XL1200N, XL1200V, XL1200X, XL883L, XL883N, XL883R |
| 9 | 25219-04 | COVER ASSEMBLY (polished), w/ 62375-57A & bushings | XL883L |
| | 25213-04 | COVER ASSEMBLY (chrome), w/ 62375-57A & bushings | XL1200C, XL1200CP, XL1200V |
| | 25486-05 | COVER ASSEMBLY (black), w/ 62375-57A & bushings | XL1200CP, XL1200X, XL883N, XL883R |
| | 25546-07 | COVER ASSEMBLY (gray), w/ 62375-57A & bushings | XL1200N |
| 10 | 25263-90D | GASKET | XL1200C, XL1200CP, XL1200N, XL1200V, XL1200X, XL883L, XL883N, XL883R |
| 11 | 25586-37 | OUTER BUSHING, cam gear shafts (3) | XL1200C, XL1200CP, XL1200N, XL1200V, XL1200X, XL883L, XL883N, XL883R |
| 12 | 25588-91 | BUSHING, rear intake cam gear shaft | XL1200C, XL1200CP, XL1200N, XL1200V, XL1200X, XL883L, XL883N, XL883R |
| 13 | 25593-74 | BUSHING, flywheel gear shaft | XL1200C, XL1200CP, XL1200N, XL1200V, XL1200X, XL883L, XL883N, XL883R |
| 14 | 25598-91 | INNER BUSHING, camshaft gear (4) | XL1200C, XL1200CP, XL1200N, XL1200V, XL1200X, XL883L, XL883N, XL883R |
| 15 | 26318-88A | DRIVE GEAR, oil pump | XL1200C, XL1200CP, XL1200N, XL1200V, XL1200X, XL883L, XL883N, XL883R |
| 16 | 32506-90 | TIMER COVER | XL883L |
| | 32514-04 | TIMER COVER | XL1200C, XL1200CP, XL883N, XL883R |
| | 32531-07 | TIMER COVER | XL1200N, XL1200X |
| | 25600007 | TIMER COVER | XL1200V |
| | | | |

| | | | |
|----|-----------|------------------------|--|
| 17 | 62375-57A | FITTING, oil vent hose | XL1200C, XL1200CP, XL1200N, XL1200V, XL1200X, XL883L, XL883N, XL883R |
|----|-----------|------------------------|--|

CAMSHAFTS & GEAR COVER - XR1200X

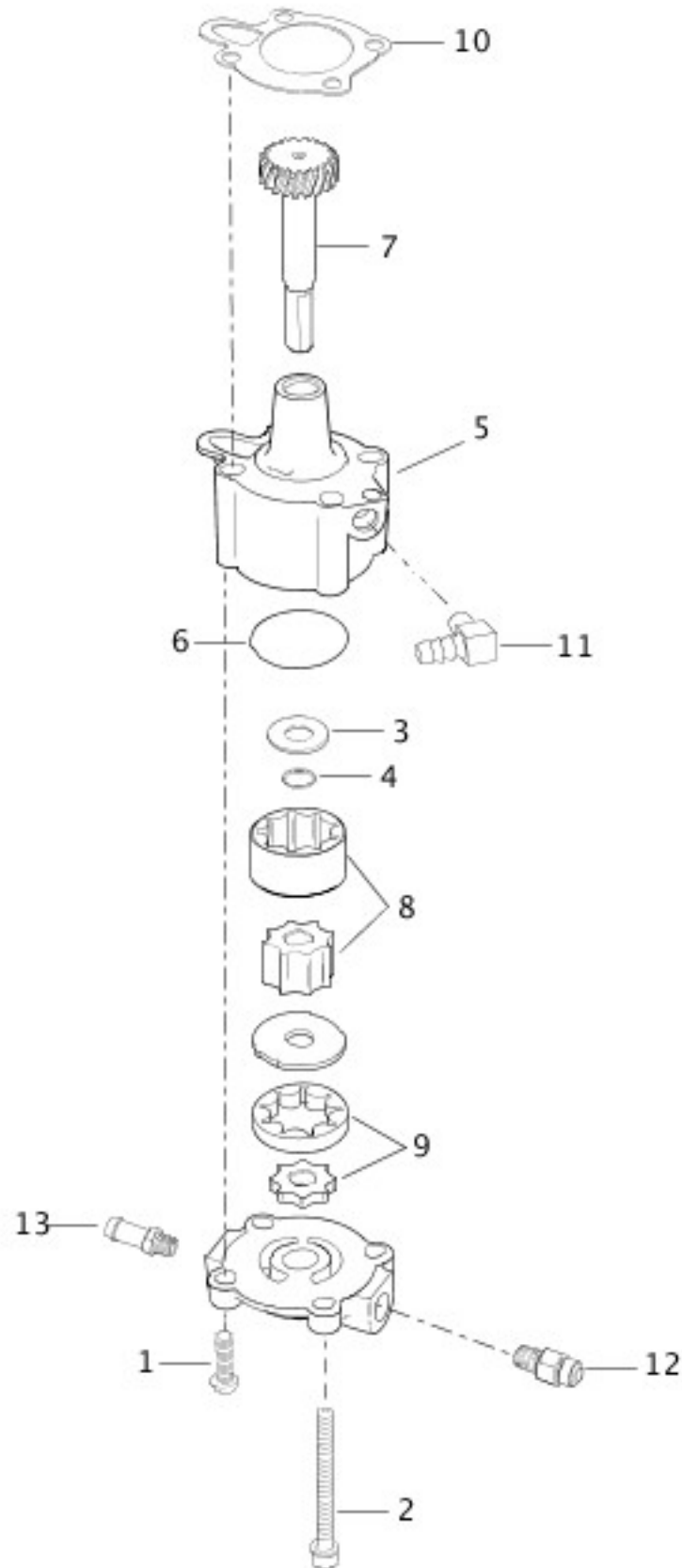


[View interactive image](#)

| INDEX NO. | PART NO. | DESCRIPTION | MODEL(S) |
|-----------|----------|--|----------|
| 1 | 3480A | SCREW (3) | XR1200X |
| 2 | 4717A | SCREW (3) | XR1200X |
| 3 | 4740A | SCREW | XR1200X |
| 4 | 4822A | SCREW | XR1200X |
| 5 | 7916A | JAM NUT | XR1200X |
| 6 | 11317 | T-KEY | XR1200X |
| 7 | 24047-00 | PINION GEAR | XR1200X |
| 8 | 25250-10 | COVER (black) | XR1200X |
| 9 | 25271-08 | CAM GEAR SET, complete, w/ pinion gear | XR1200X |
| 10 | 26332-08 | SPACER | XR1200X |

OIL PUMP - 883L/N/R, 1200C/CP/N/V/X

OIL PUMP – 883L/N/R, 1200C/CP/N/V



[View interactive image](#)

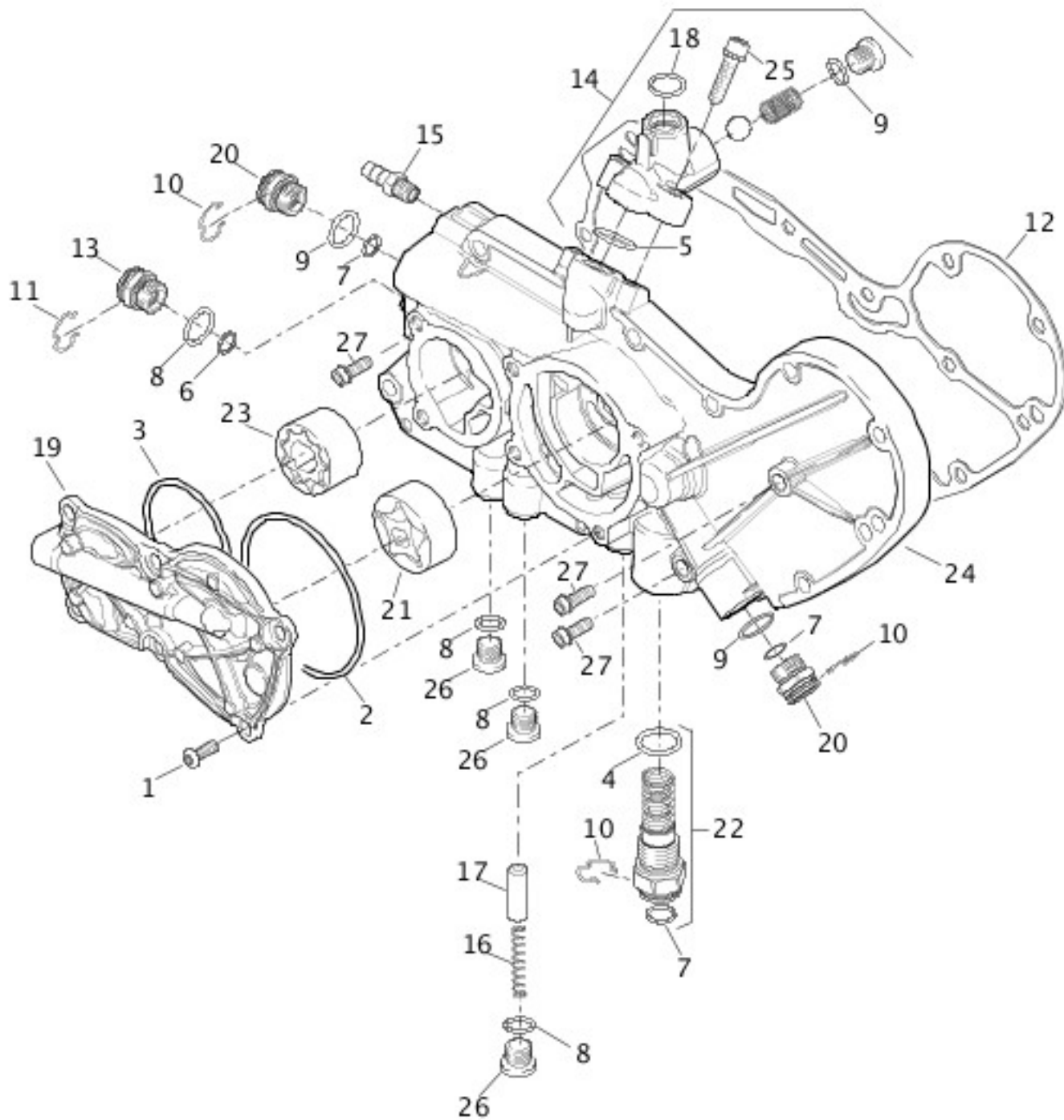
[View interactive table](#)

| INDEX NO. | PART NO. | DESCRIPTION | MODEL(S) |
|-----------|----------|-------------|--|
| 1 | 4132 | SCREW (2) | XL1200C, XL1200CP, XL1200N, XL1200V, XL1200X, XL883L, XL883N, XL883R |

| | | | |
|----|-----------|---------------------|--|
| 2 | 4765 | SCREW (2) | XL1200C, XL1200CP, XL1200N, XL1200V, XL1200X, XL883L, XL883N, XL883R |
| 3 | 6157 | WASHER | XL1200C, XL1200CP, XL1200N, XL1200V, XL1200X, XL883L, XL883N, XL883R |
| 4 | 11002 | RETAINING RING | XL1200C, XL1200CP, XL1200N, XL1200V, XL1200X, XL883L, XL883N, XL883R |
| 5 | 26204-91A | OIL PUMP, complete | XL1200C, XL1200CP, XL1200N, XL1200V, XL1200X, XL883L, XL883N, XL883R |
| 6 | 26434-91 | O-RING | XL1200C, XL1200CP, XL1200N, XL1200V, XL1200X, XL883L, XL883N, XL883R |
| 7 | 26239-07 | GEAR SHAFT | XL1200C, XL1200CP, XL1200N, XL1200V, XL1200X, XL883L, XL883N, XL883R |
| 8 | 26502-07 | GEROTOR SET, return | XL1200C, XL1200CP, XL1200N, XL1200V, XL1200X, XL883L, XL883N, XL883R |
| 9 | 26503-07 | GEROTOR SET, feed | XL1200C, XL1200CP, XL1200N, XL1200V, XL1200X, XL883L, XL883N, XL883R |
| 10 | 26495-89B | GASKET | XL1200C, XL1200CP, XL1200N, XL1200V, XL1200X, XL883L, XL883N, XL883R |
| 11 | 26496-75A | FITTING | XL1200C, XL1200CP, XL1200N, XL1200V, XL1200X, XL883L, XL883N, XL883R |
| 12 | 62601-91A | FITTING, front | XL1200C, XL1200CP, XL1200N, XL1200V, XL1200X, XL883L, XL883N, XL883R |
| 13 | 63533-41A | FITTING, rear | XL1200C, XL1200CP, XL1200N, XL1200V, XL1200X, XL883L, XL883N, XL883R |

OIL PUMP - XR1200X

OIL PUMP - XR1200X



[View interactive image](#)

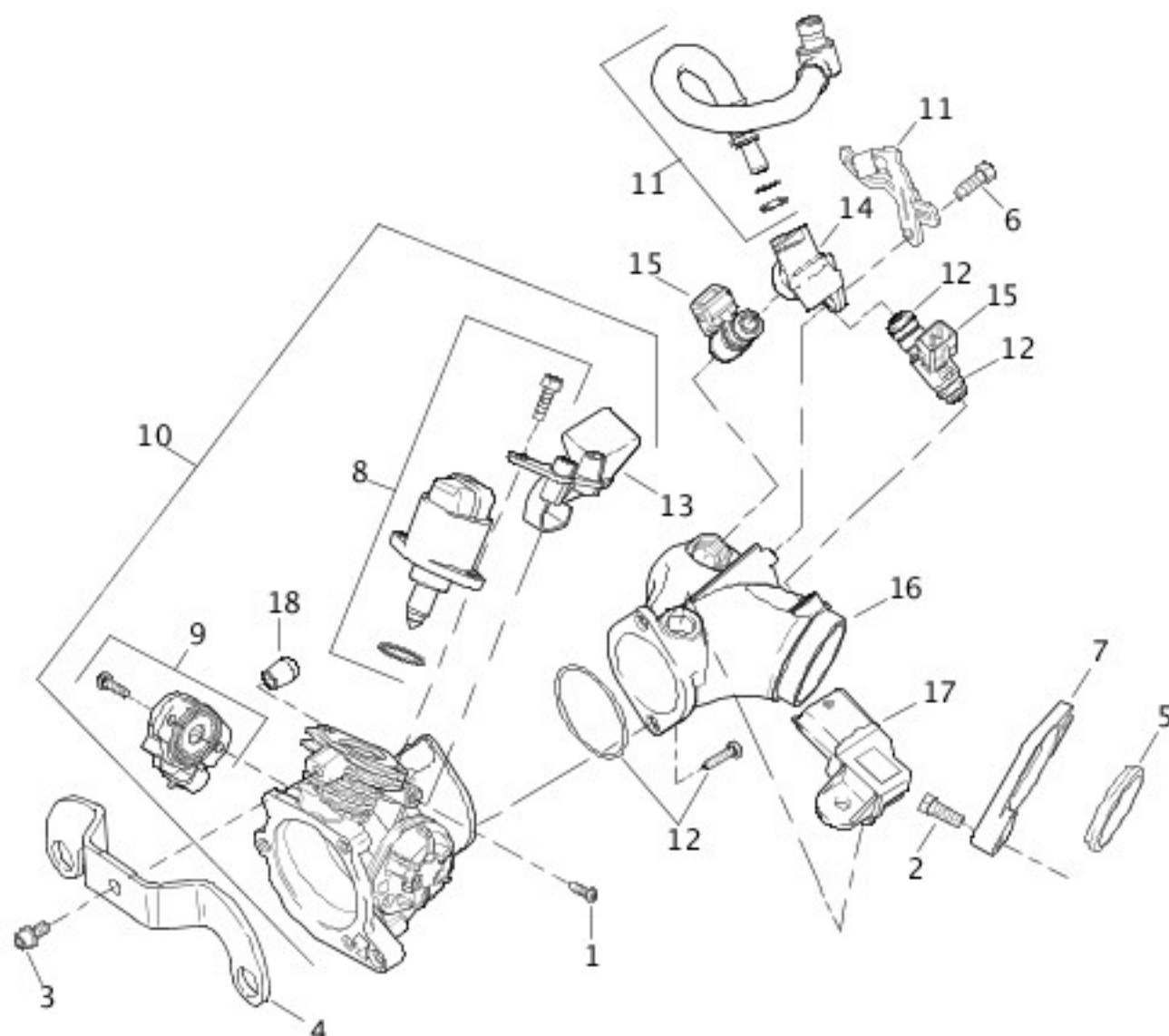
[View interactive table](#)

| INDEX NO. | PART NO. | DESCRIPTION | MODEL(S) |
|-----------|----------|-------------|----------|
| 1 | 942 | SCREW (6) | XR1200X |
| 2 | 10966 | O-RING | XR1200X |

| | | | |
|----|-----------|---|---------|
| 3 | 10967 | O-RING | XR1200X |
| 4 | 10969 | O-RING | XR1200X |
| 5 | 10971 | O-RING | XR1200X |
| 6 | 11110 | O-RING | XR1200X |
| 7 | 11140 | O-RING (2) | XR1200X |
| 8 | 11290 | O-RING (4) | XR1200X |
| 9 | 11326 | O-RING (2) | XR1200X |
| 10 | 11384K | RETAINER (2) | XR1200X |
| 11 | 11408 | RETAINER | XR1200X |
| 12 | 25279-08 | GASKET | XR1200X |
| 13 | 26064-08 | FITTING ASSEMBLY, w/ 11110, 11290 & 11408 | XR1200X |
| 14 | 26182-08 | CHECK VALVE ASSEMBLY, w/ 10971 | XR1200X |
| 15 | 26184-08 | FITTING | XR1200X |
| 16 | 26210-99 | SPRING, compression | XR1200X |
| 17 | 26400-82B | VALVE, bypass - oil pump | XR1200X |
| 18 | 26432-76A | O-RING | XR1200X |
| 19 | 26522-08 | COVER ASSEMBLY | XR1200X |
| 20 | 26525-08 | FITTING ASSEMBLY, w/ 11140, 11326 & 11384K (2) | XR1200X |
| 21 | 26526-08 | GEROTOR ASSEMBLY, feed | XR1200X |
| 22 | 26529-08 | THERMOSTAT ASSEMBLY | XR1200X |
| 23 | 26546-08 | GEROTOR ASSEMBLY, return | XR1200X |
| 24 | 26592-08 | OIL PUMP ASSEMBLY, w/ 13, 14, 15, 16, 17, 20, 22, 25 & 26 | XR1200X |
| 25 | 4741A | SCREW (2) | XR1200X |
| 26 | 60330-08 | PLUG, w/ 11290 (3) | XR1200X |
| 27 | 4718A | SCREW (3) | XR1200X |

INDUCTION MODULE, FUEL - 883L/N/R, 1200C/CP/N/V/X

INDUCTION MODULE, FUEL – 883L/N/R, 1200C/CP/N/V



[View interactive image](#)

[View interactive table](#)

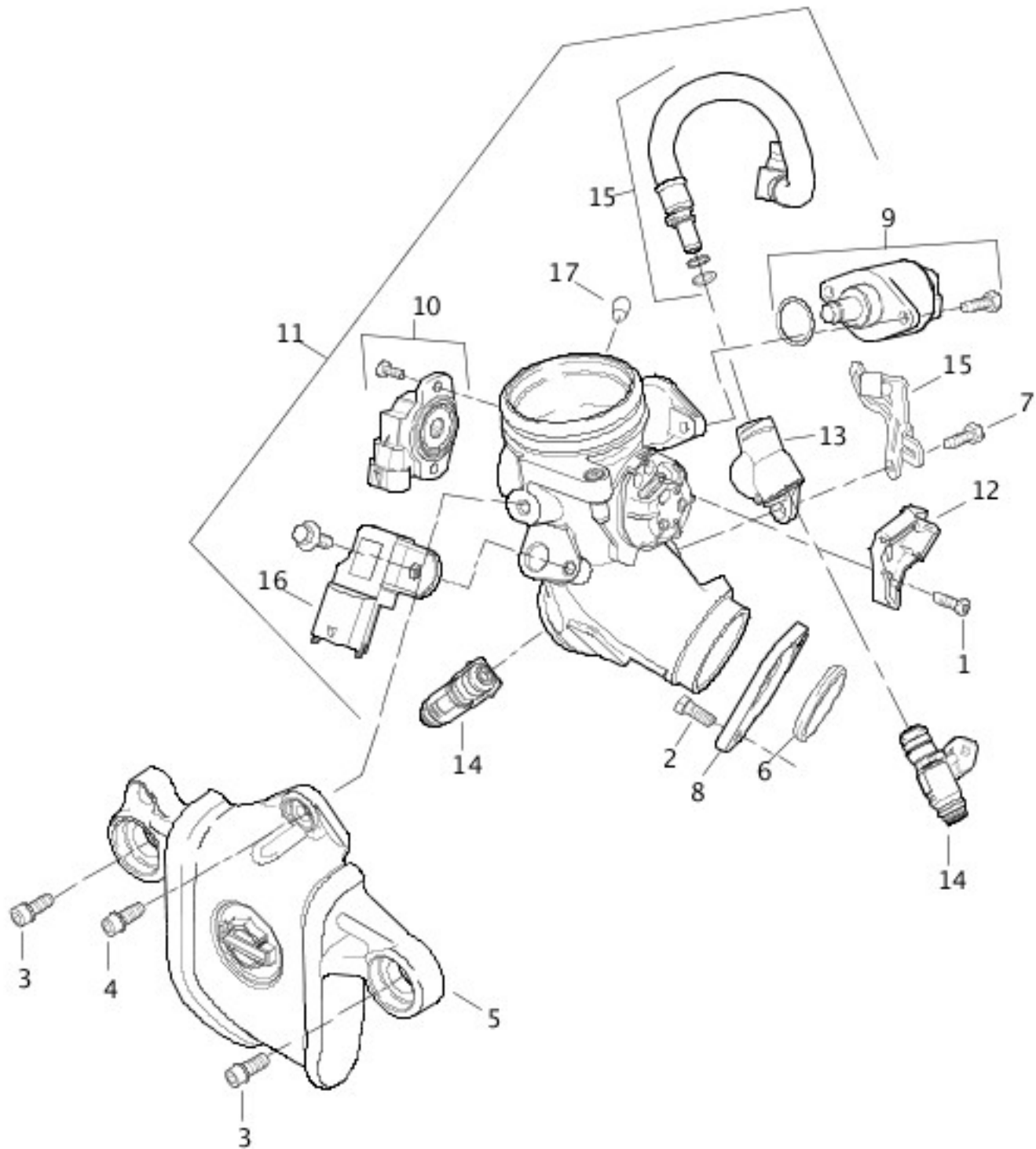
| INDEX NO. | PART NO. | DESCRIPTION | MODEL(S) |
|-----------|----------|-------------|--|
| 1 | 2481M | SCREW | XL1200C, XL1200CP, XL1200N, XL1200V, XL1200X, XL883L, XL883N, XL883R |

| | | | |
|----|-----------|---|--|
| 2 | 3987 | BOLT (4) | XL1200C, XL1200CP, XL1200N, XL1200V, XL1200X, XL883L, XL883N, XL883R |
| 3 | 4798 | SCREW | XL1200C, XL1200CP, XL1200N, XL1200V, XL1200X, XL883L, XL883N, XL883R |
| 4 | 16361-07 | BRACKET | XL1200C, XL1200CP, XL1200N, XL1200V, XL1200X, XL883L, XL883N, XL883R |
| 5 | 26995-86B | SEAL (2) | XL1200C, XL1200CP, XL1200N, XL1200V, XL1200X, XL883L, XL883N, XL883R |
| 6 | 27216-95 | SCREW | XL1200C, XL1200CP, XL1200N, XL1200V, XL1200X, XL883L, XL883N, XL883R |
| 7 | 27327-07 | FLANGE (2) | XL1200C, XL1200CP, XL1200N, XL1200V, XL1200X, XL883L, XL883N, XL883R |
| 8 | 27628-01A | KIT, IAC motor | XL1200C, XL1200CP, XL1200N, XL1200V, XL1200X, XL883L, XL883N, XL883R |
| 9 | 27629-01A | KIT, throttle position sensor | XL1200C, XL1200CP, XL1200N, XL1200V, XL1200X, XL883L, XL883N, XL883R |
| 10 | 27795-07 | INDUCTION MODULE ASSEMBLY, w/ fuel rail, fuel injector, intake manifold, TMAP sensor, cap, IAC Kit, TPS Kit, hardware kit | XL1200C, XL1200CP, XL1200N, XL1200V, XL1200X, XL883L, XL883N, XL883R |
| 11 | 27693-07 | FUEL LINE KIT, w/ 27216-95 & bracket | XL1200C, XL1200CP, XL1200N, XL883L, XL883N, XL883R |
| | 27829-10 | FUEL LINE KIT, w/ 27216-95 & bracket | XL1200V, XL1200X |
| 12 | 27700-07 | KIT, hardware & O-rings | XL1200C, XL1200CP, XL1200N, XL1200V, XL1200X, XL883L, XL883N, XL883R |
| 13 | 27701-07A | CABLE BRACKET | XL1200C, XL1200CP, XL1200N, XL1200V, XL1200X, XL883L, XL883N, XL883R |
| 14 | 27704-07 | FUEL RAIL | XL1200C, XL1200CP, XL1200N, XL1200V, XL1200X, XL883L, XL883N, XL883R |
| 15 | 27706-07A | FUEL INJECTOR, w/ O-ring (2) | XL1200C, XL1200CP, XL1200N, XL1200V, XL1200X, XL883L, XL883N, XL883R |
| 16 | 27707- | INTAKE MANIFOLD | XL1200C, XL1200CP, XL1200N, |

| | | | |
|----|----------|--------------|--|
| | 07 | | XL1200V, XL1200X, XL883L, XL883N, XL883R |
| 17 | 32319-07 | T-MAP SENSOR | XL1200C, XL1200CP, XL1200N, XL1200V, XL1200X, XL883L, XL883N, XL883R |
| 18 | 90383-98 | CAP | XL1200C, XL1200CP, XL1200N, XL1200V, XL1200X, XL883L, XL883N, XL883R |

INDUCTION MODULE, FUEL - XR1200X

INDUCTION MODULE, FUEL - XR1200X



[View interactive image](#)

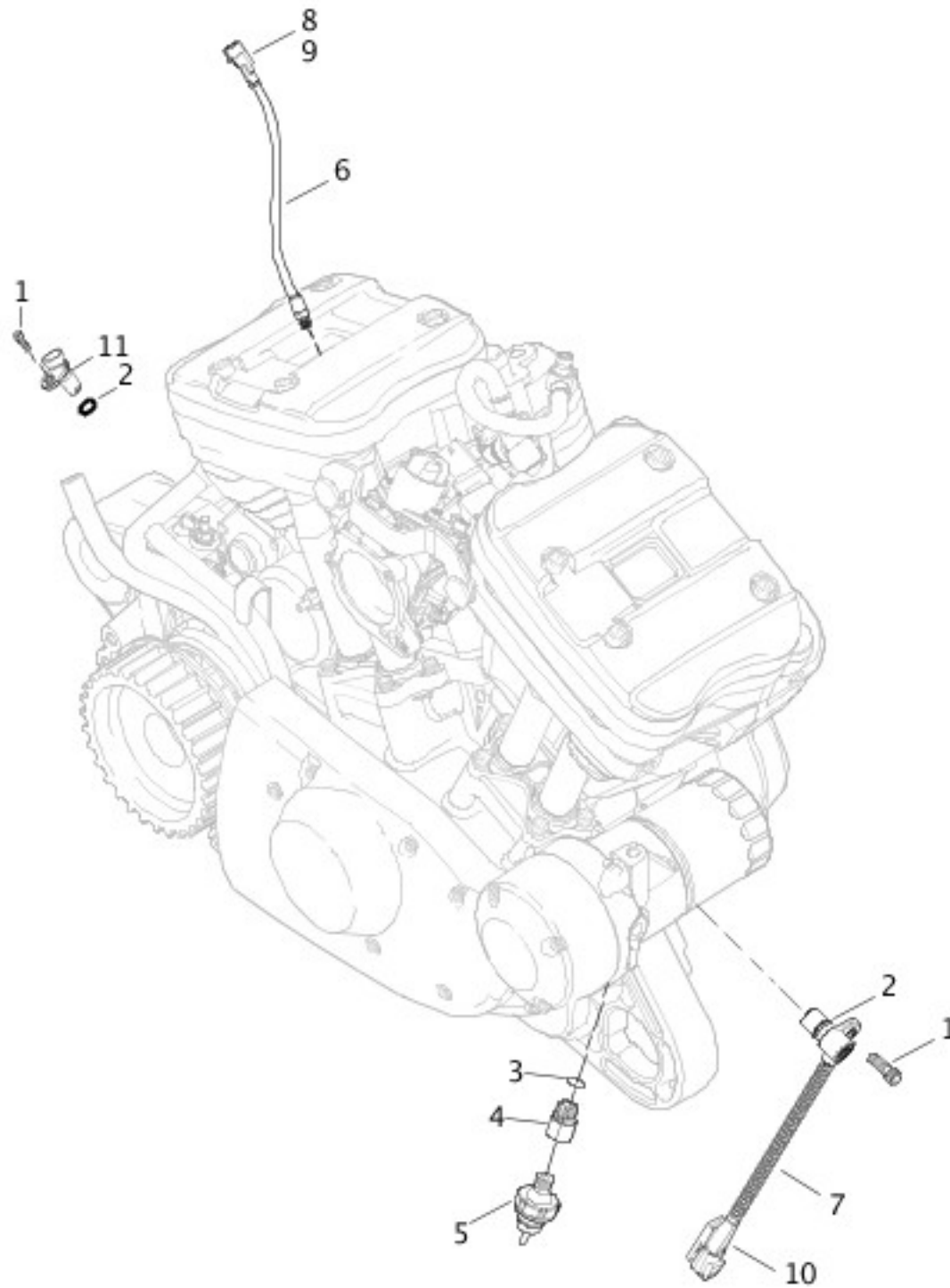
[View interactive table](#)

| INDEX NO. | PART NO. | DESCRIPTION | MODEL(S) |
|-----------|----------|-------------|----------|
| 1 | 2481M | SCREW | XR1200X |
| 2 | 3987 | BOLT (4) | XR1200X |

| | | | |
|----------------------------------|-----------|---|---------|
| 3 | 4551 | SCREW (2) | XR1200X |
| 4 | 4798 | SCREW | XR1200X |
| 5 | 16360-08 | COVER (black) | XR1200X |
| 6 | 26995-86B | SEAL (2) | XR1200X |
| 7 | 27216-95 | SCREW | XR1200X |
| 8 | 27327-07 | FLANGE (2) | XR1200X |
| 9 | 27628-01A | KIT, IAC motor | XR1200X |
| 10 | 27629-01A | KIT, throttle position sensor | XR1200X |
| 11 | 27695-08 | INDUCTION MODULE ASSEMBLY, w/ fuel rail, fuel injector, intake manifold, TMAP sensor, cap, IAC Kit, TPS Kit | XR1200X |
| 12 | 27698-08A | BRACKET | XR1200X |
| 13 | 27704-07 | FUEL RAIL | XR1200X |
| 14 | 27706-07A | FUEL INJECTOR, w/ O-ring (2) | XR1200X |
| 15 | 27792-08 | FUEL LINE KIT, w/ 27216-95 & bracket | XR1200X |
| 16 | 32319-07 | T-MAP SENSOR | XR1200X |
| 17 | 90383-98 | CAP | XR1200X |
| INTERNATIONAL MODELS ONLY | | | |
| | 27300029 | RESTRICTOR PLATE KIT (HDI) (not shown) | XR1200X |

ENGINE SENSORS & SWITCHES

ENGINE SENSORS & SWITCHES



[View interactive image](#)

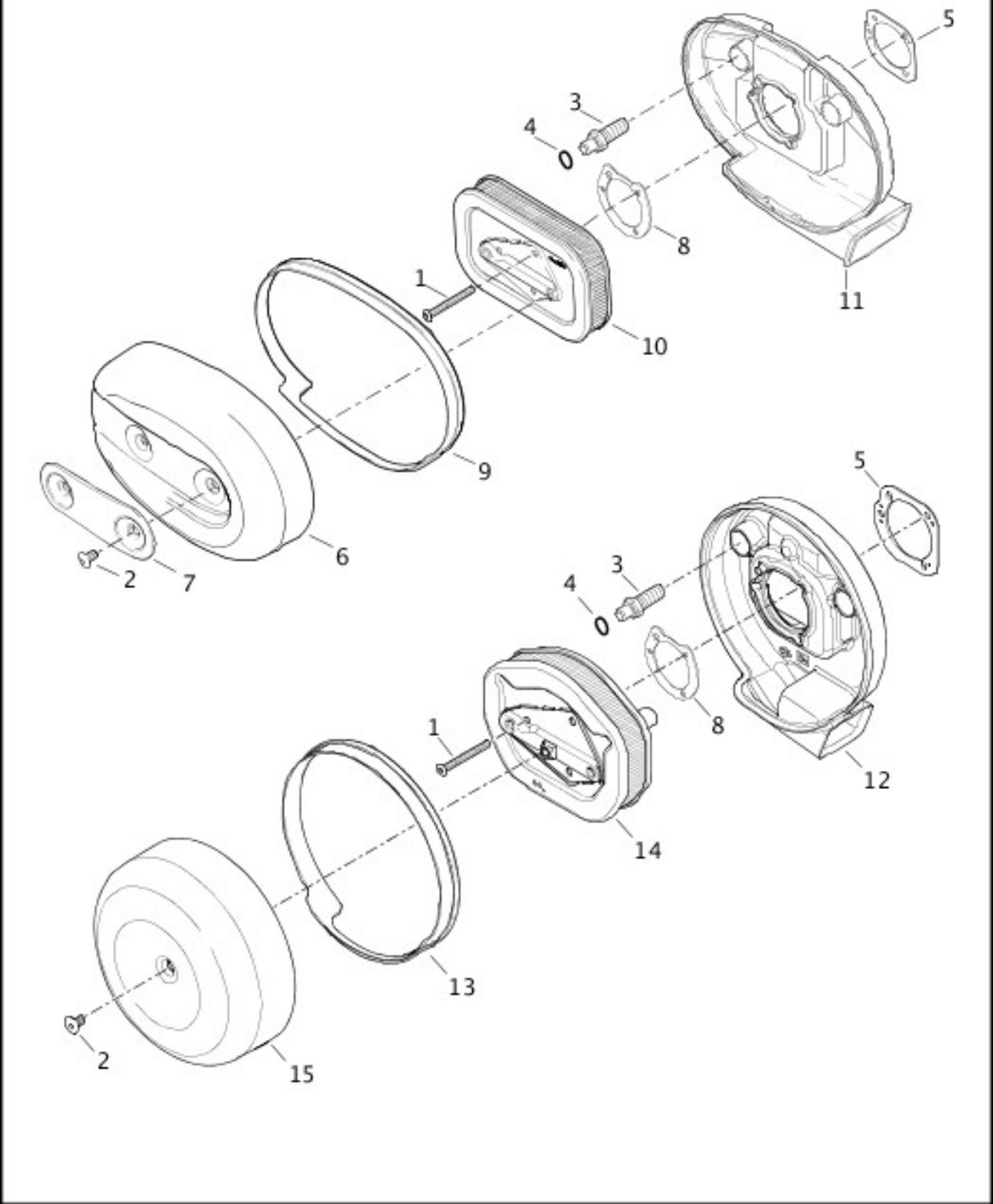
[View interactive table](#)

| INDEX NO. | PART NO. | DESCRIPTION | MODEL(S) |
|-----------|----------|-------------|----------|
| 1 | 4705 | SCREW (2) | ALL |
| 2 | 11289A | O-RING (2) | ALL |

| | | | |
|----|-----------|--|---------|
| 3 | 11290 | O-RING | XR1200X |
| 4 | 25394-08 | PIPE ADAPTER, w/ 11290 | XR1200X |
| 5 | 26554-77B | SWITCH, oil pressure | ALL |
| 6 | 32472-10 | SENSOR, engine temperature w/ 72009-05, 72011-05 & cable strap | ALL |
| 7 | 32707-01C | SENSOR, crank position w/ 11289A & 74194-98 | ALL |
| 8 | 72009-05 | HOUSING, 2-way pin | ALL |
| 9 | 72011-05 | WIRE SEAL, 16-20 gauge (yellow) (2) | ALL |
| 10 | 74194-98 | TERMINAL | ALL |
| 11 | 74402-05B | SENSOR, vehicle speed, w/ 11289A | ALL |

AIR CLEANER - 883L/N/R, 1200C/CP/N/V/X

AIR CLEANER – 883L/N/R, 1200C/CP/N/V



[View interactive image](#)

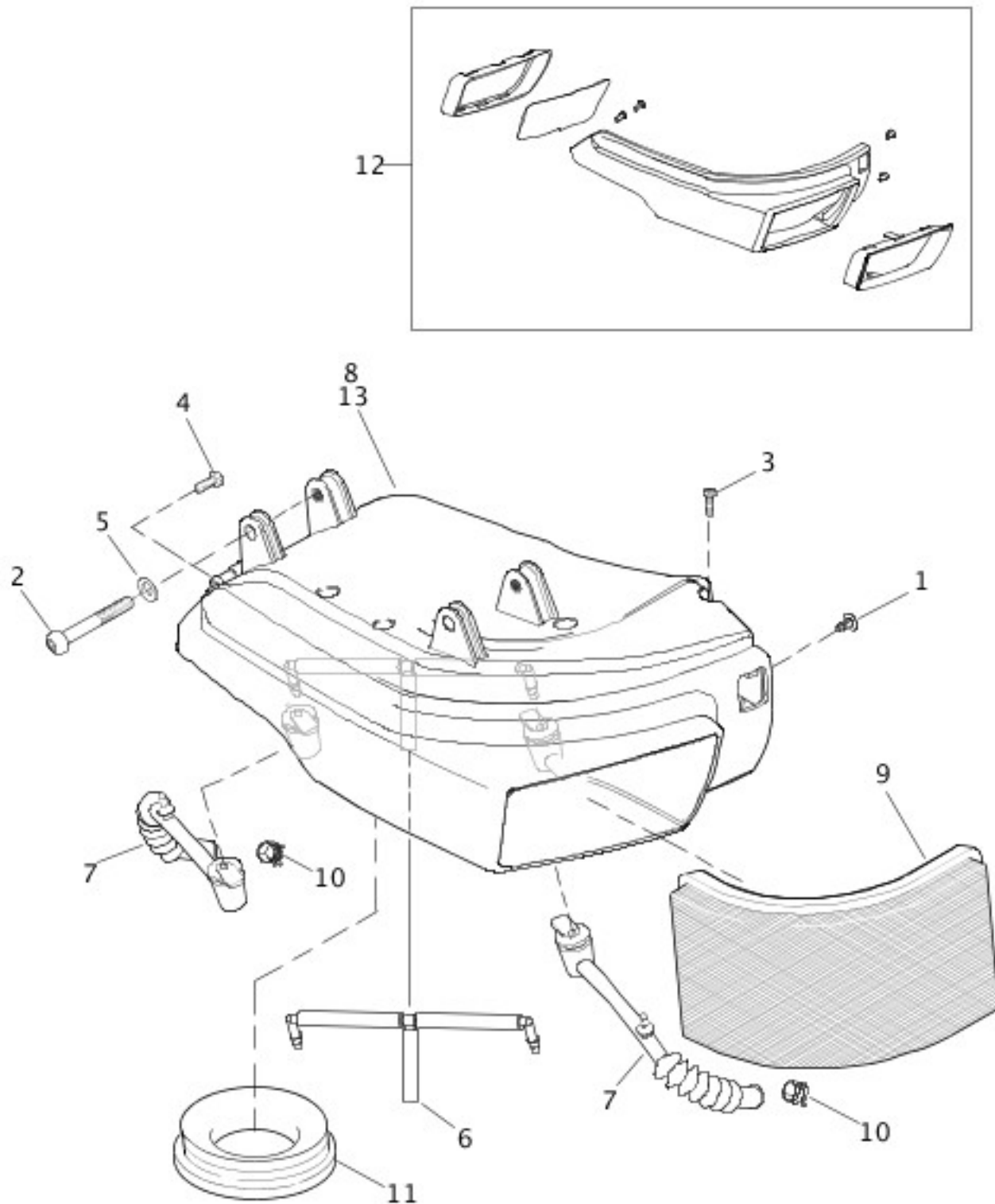
[View interactive table](#)

| INDEX NO. | PART NO. | DESCRIPTION | MODEL(S) |
|-----------|----------|-------------|--|
| 1 | 946 | SCREW (3) | XL1200C, XL1200CP, XL1200N, XL1200V, XL1200X, XL883L, XL883N, XL883R |

| | | | |
|----|-----------|------------------------------|--|
| 2 | 2460 | SCREW (2) | XL1200C, XL1200CP, XL1200N, XL1200V, XL1200X, XL883L, XL883N, XL883R |
| 3 | 3565 | SCREW, breather (2) | XL1200C, XL1200CP, XL1200N, XL1200V, XL1200X, XL883L, XL883N, XL883R |
| 4 | 11202 | O-RING (2) | XL1200C, XL1200CP, XL1200N, XL1200V, XL1200X, XL883L, XL883N, XL883R |
| 5 | 29062-95B | GASKET | XL1200C, XL1200CP, XL1200N, XL1200V, XL1200X, XL883L, XL883N, XL883R |
| 6 | 28794-10 | COVER (gloss black) w/ label | XL1200X |
| | 28792-10 | COVER (chrome) w/ label | XL1200C, XL1200CP, XL883L |
| | 28793-10 | COVER (gray) w/ label | XL1200N |
| | 28790-10 | COVER (black) w/ label | XL883N, XL883R |
| 7 | 29123-07 | TRIM INSERT | XL883L |
| | 29200001 | TRIM INSERT | XL883N, XL883R |
| | 29355-07 | TRIM INSERT | XL1200N, XL1200X |
| | 29346-07 | TRIM INSERT | XL1200C, XL1200CP |
| 8 | 29313-95 | GASKET | XL1200C, XL1200CP, XL1200N, XL1200V, XL1200X, XL883L, XL883N, XL883R |
| 9 | 29315-04 | SEAL | XL1200C, XL1200CP, XL1200N, XL1200X, XL883L, XL883N, XL883R |
| 10 | 29331-04 | FILTER ELEMENT, w/ 29313-95 | XL1200C, XL1200CP, XL1200N, XL1200X, XL883L, XL883N, XL883R |
| 11 | 29369-07A | BACKPLATE ASSEMBLY | XL1200C, XL1200CP, XL1200N, XL1200X, XL883L, XL883N, XL883R |
| 12 | 29000015 | BACKPLATE ASSEMBLY | XL1200V |
| 13 | 29000016 | SEAL | XL1200V |
| 14 | 29400015 | FILTER ELEMENT, w/ 29313-95 | XL1200V |
| 15 | 61300131 | COVER (chrome) w/ label | XL1200V |

AIR BOX - XR1200X

AIR BOX - XR1200X



[View interactive image](#)

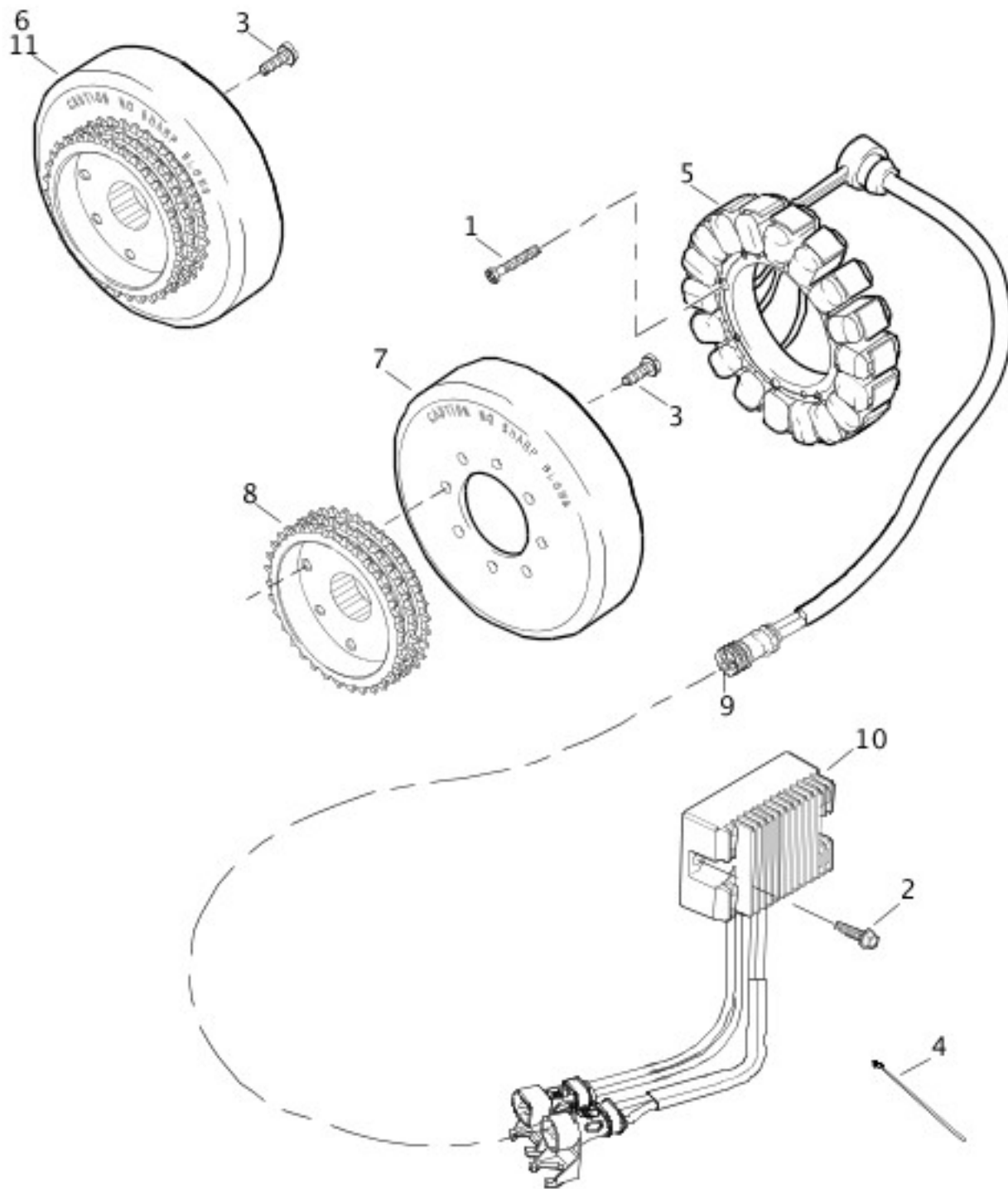
[View interactive table](#)

| INDEX NO. | PART NO. | DESCRIPTION | MODEL(S) |
|-----------|----------|-------------|----------|
| 1 | 673 | CLIP (2) | XR1200X |
| 2 | 4802 | SCREW (2) | XR1200X |

| | | | |
|----------------------------------|----------|---|---------|
| 3 | 2407 | SCREW (9) | XR1200X |
| 4 | 2612 | SCREW (2) | XR1200X |
| 5 | 6703 | WASHER (2) | XR1200X |
| 6 | 26162-08 | BREATHER HOSE ASSEMBLY | XR1200X |
| 7 | 26169-08 | HOSE, breather (2) | XR1200X |
| 8 | 29867-09 | AIR BOX ASSEMBLY, w/ 1, 3, 4, 6, 7, 9, & 10 (Domestic, Canada, Australia, Asia-Pacific) | XR1200X |
| 9 | 29377-08 | ELEMENT | XR1200X |
| 10 | 29379-08 | CLAMP (2) | XR1200X |
| 11 | 29380-08 | COUPLING | XR1200X |
| 12 | 65258-08 | AIR BOX FASCIA KIT | XR1200X |
| INTERNATIONAL MODELS ONLY | | | |
| 13 | 29371-08 | AIR BOX ASSEMBLY, w/ 1, 3, 4, 6, 7, 9, & 10 (HDI, England, Japan) | XR1200X |

ALTERNATOR & REGULATOR

ALTERNATOR & REGULATOR



[View interactive image](#)

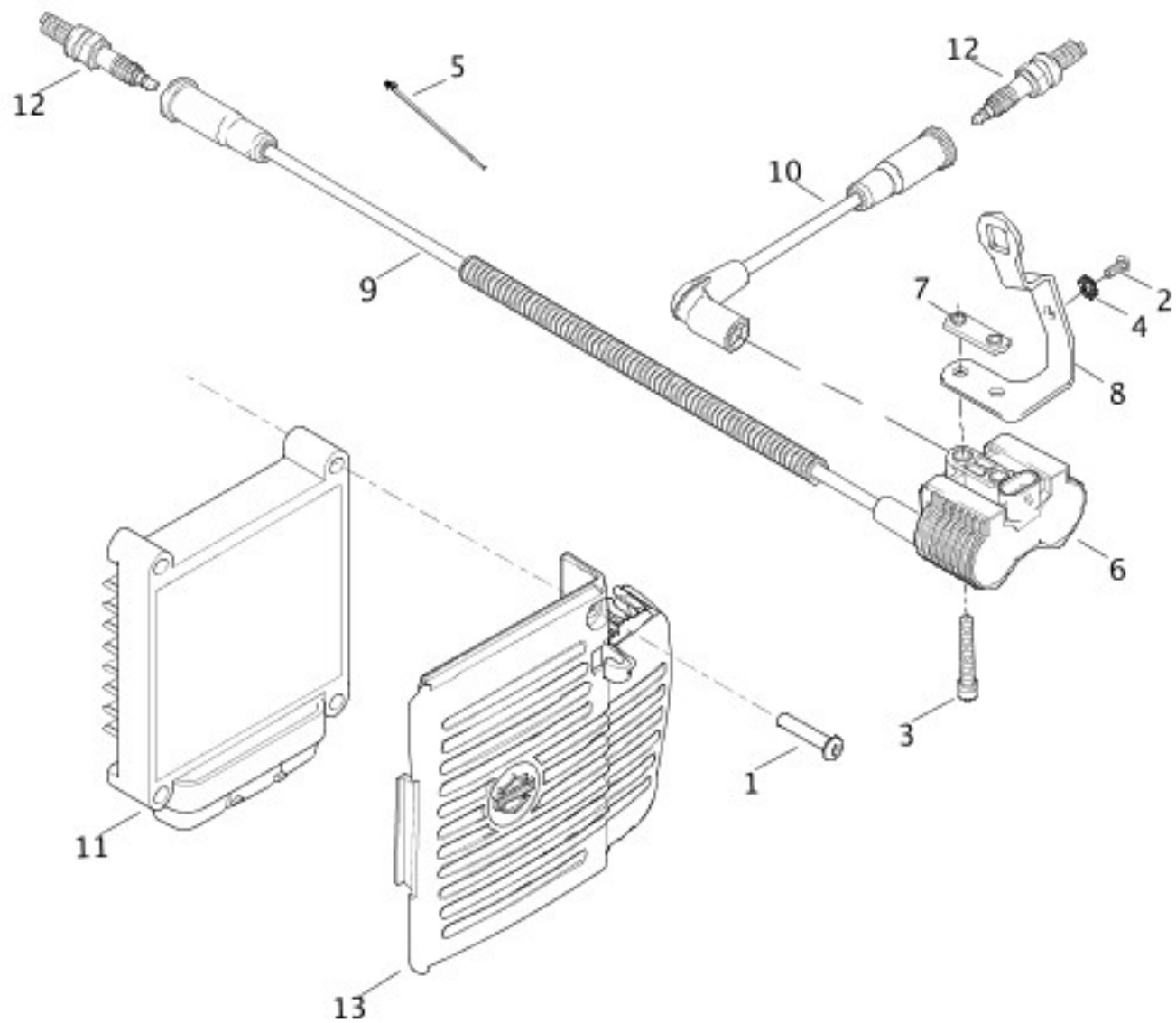
[View interactive table](#)

| INDEX NO. | PART NO. | DESCRIPTION | MODEL(S) |
|-----------|----------|-------------|----------|
| 1 | 3029 | SCREW (4) | ALL |
| 2 | 4329 | SCREW (2) | ALL |

| | | | |
|----------------------------------|-----------|---|--|
| 3 | 4751 | SCREW (8) | ALL |
| 4 | 10177 | STRAP (3) | ALL |
| 5 | 29997-07A | STATOR | ALL |
| 6 | 30018-08 | ROTOR SPROCKET ASSEMBLY, w/ 4751 & sprocket | XR1200X |
| 7 | 32493-02B | ROTOR SPROCKET ASSEMBLY, w/ 4751 & 40241-02A | XL883L, XL883N, XL883R |
| | 32494-04B | ROTOR SPROCKET ASSEMBLY, w/ 4751 & 40290-04A | XL1200C, XL1200CP, XL1200N, XL1200V, XL1200X |
| 8 | 40241-02A | SPROCKET, 34T | XL883L, XL883N, XL883R |
| | 40290-04A | SPROCKET, 38T | XL1200C, XL1200CP, XL1200N, XL1200V, XL1200X |
| 9 | 72195-94 | SEAL, pin, 4-way | ALL |
| 10 | 74711-08 | REGULATOR, w/ 10177 | ALL |
| INTERNATIONAL MODELS ONLY | | | |
| 11 | 30029-08 | ROTOR SPROCKET ASSEMBLY, w/ 4751 & sprocket (Japan, Brazil) | XR1200X |

ELECTRONIC IGNITION SYSTEM - 883L/N/R, 1200C/CP/N/V/X

ELECTRONIC IGNITION SYSTEM – 883L/N/R, 1200C/CP/N/V



[View interactive image](#)

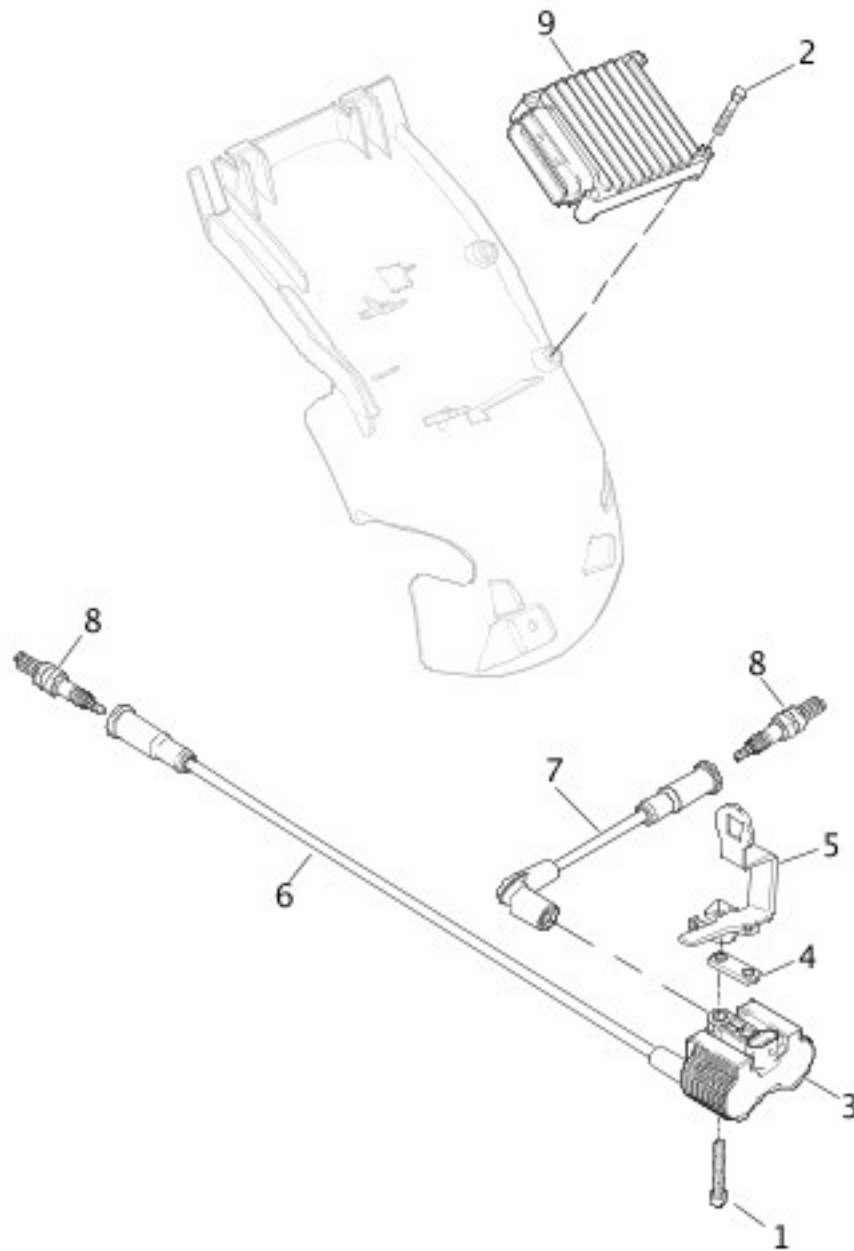
[View interactive table](#)

| INDEX NO. | PART NO. | DESCRIPTION | MODEL(S) |
|-----------|----------|-------------|--|
| 1 | 2513 | SCREW | XL1200C, XL1200CP, XL1200N, XL1200V, XL1200X, XL883L, XL883N, XL883R |

| | | | |
|----|----------|----------------------------------|--|
| 2 | 3124 | SCREW | XL1200C, XL1200CP, XL1200N, XL1200V, XL1200X, XL883L, XL883N, XL883R |
| 3 | 3480A | SCREW (2) | XL1200C, XL1200CP, XL1200N, XL1200V, XL1200X, XL883L, XL883N, XL883R |
| 4 | 7220 | LOCKWASHER | XL1200C, XL1200CP, XL1200N, XL1200V, XL1200X, XL883L, XL883N, XL883R |
| 5 | 10177 | STRAP | XL1200C, XL1200CP, XL1200N, XL1200V, XL1200X, XL883L, XL883N, XL883R |
| 6 | 31656-07 | IGNITION COIL | XL1200C, XL1200CP, XL1200N, XL1200V, XL1200X, XL883L, XL883N, XL883R |
| 7 | 31753-07 | PLATE, nut | XL1200C, XL1200CP, XL1200N, XL1200V, XL1200X, XL883L, XL883N, XL883R |
| 8 | 31807-07 | BRACKET | XL1200C, XL1200CP, XL1200N, XL1200V, XL1200X, XL883L, XL883N, XL883R |
| 9 | 32006-07 | CABLE, spark plug, rear (long) | XL1200C, XL1200CP, XL1200N, XL1200V, XL1200X, XL883L, XL883N, XL883R |
| 10 | 32003-07 | CABLE, spark plug, front (short) | XL1200C, XL1200CP, XL1200N, XL1200V, XL1200X, XL883L, XL883N, XL883R |
| 11 | 32534-11 | ELECTRONIC CONTROL MODULE | XL1200C, XL1200CP, XL1200N, XL1200V, XL1200X, XL883L, XL883N, XL883R |
| 12 | 32362-04 | SPARK PLUG (2) | XL1200C, XL1200CP, XL1200N, XL1200V, XL1200X, XL883L, XL883N, XL883R |
| 13 | 73227-10 | COVER | XL1200C, XL1200CP, XL1200N, XL1200V, XL1200X, XL883L, XL883N, XL883R |

ELECTRONIC IGNITION SYSTEM - XR1200X

ELECTRONIC IGNITION SYSTEM – XR1200X



[View interactive image](#)

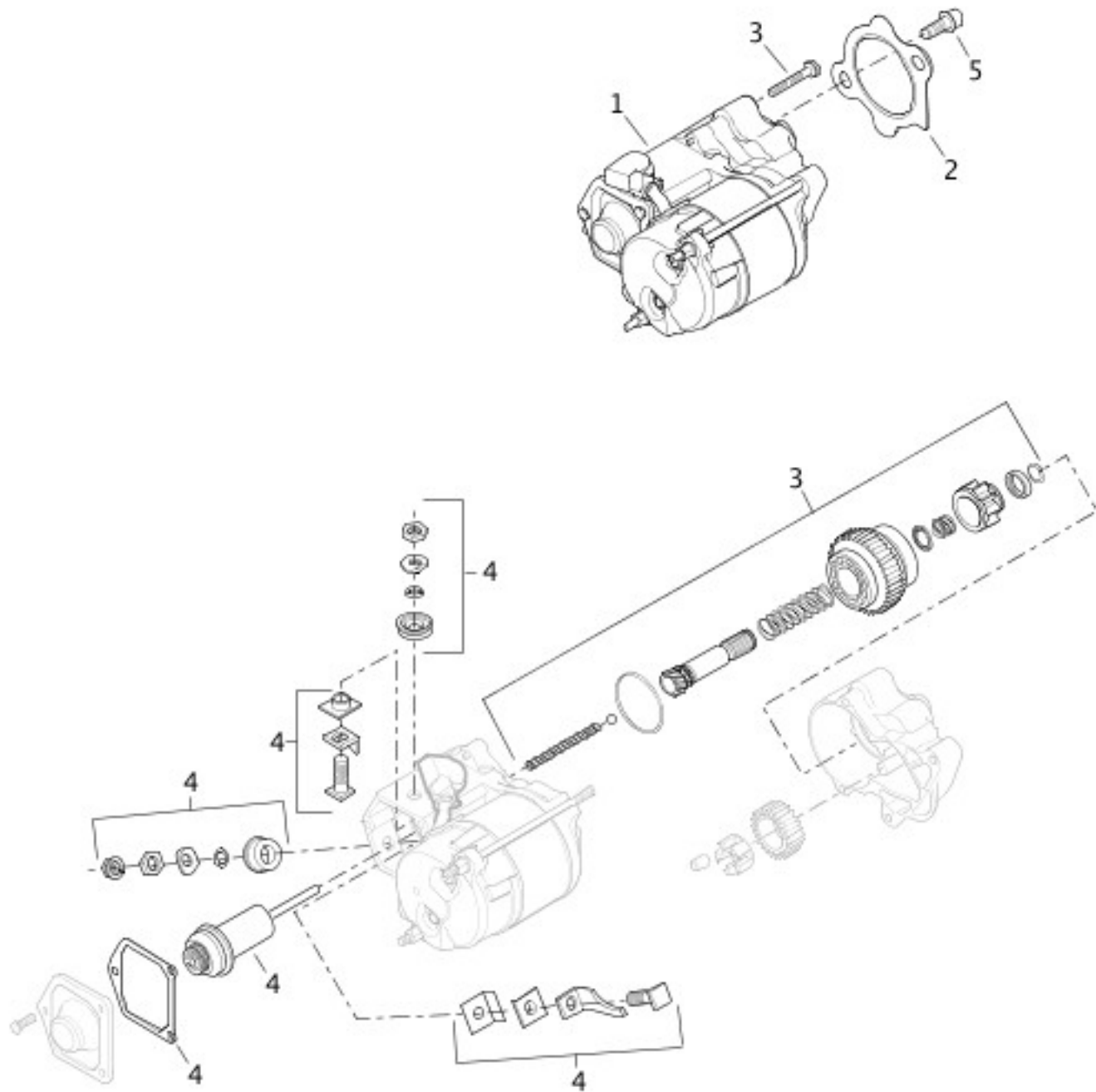
[View interactive table](#)

| INDEX NO. | PART NO. | DESCRIPTION | MODEL(S) |
|-----------|----------|-------------|----------|
| 1 | 3480A | SCREW (2) | XR1200X |
| 2 | 3708M | SCREW (2) | XR1200X |
| | | | |

| | | | |
|---|-----------|----------------------------------|---------|
| 3 | 31656-07 | IGNITION COIL | XR1200X |
| 4 | 31753-07 | PLATE, nut | XR1200X |
| 5 | 31801-08 | BRACKET | XR1200X |
| 6 | 32004-08 | CABLE, spark plug, rear (long) | XR1200X |
| 7 | 32005-08A | CABLE, spark plug, front (short) | XR1200X |
| 8 | 27794-08 | SPARK PLUG (2) | XR1200X |
| 9 | 32534-11 | ELECTRONIC CONTROL MODULE | XR1200X |

STARTER MOTOR

STARTER MOTOR



[View interactive image](#)

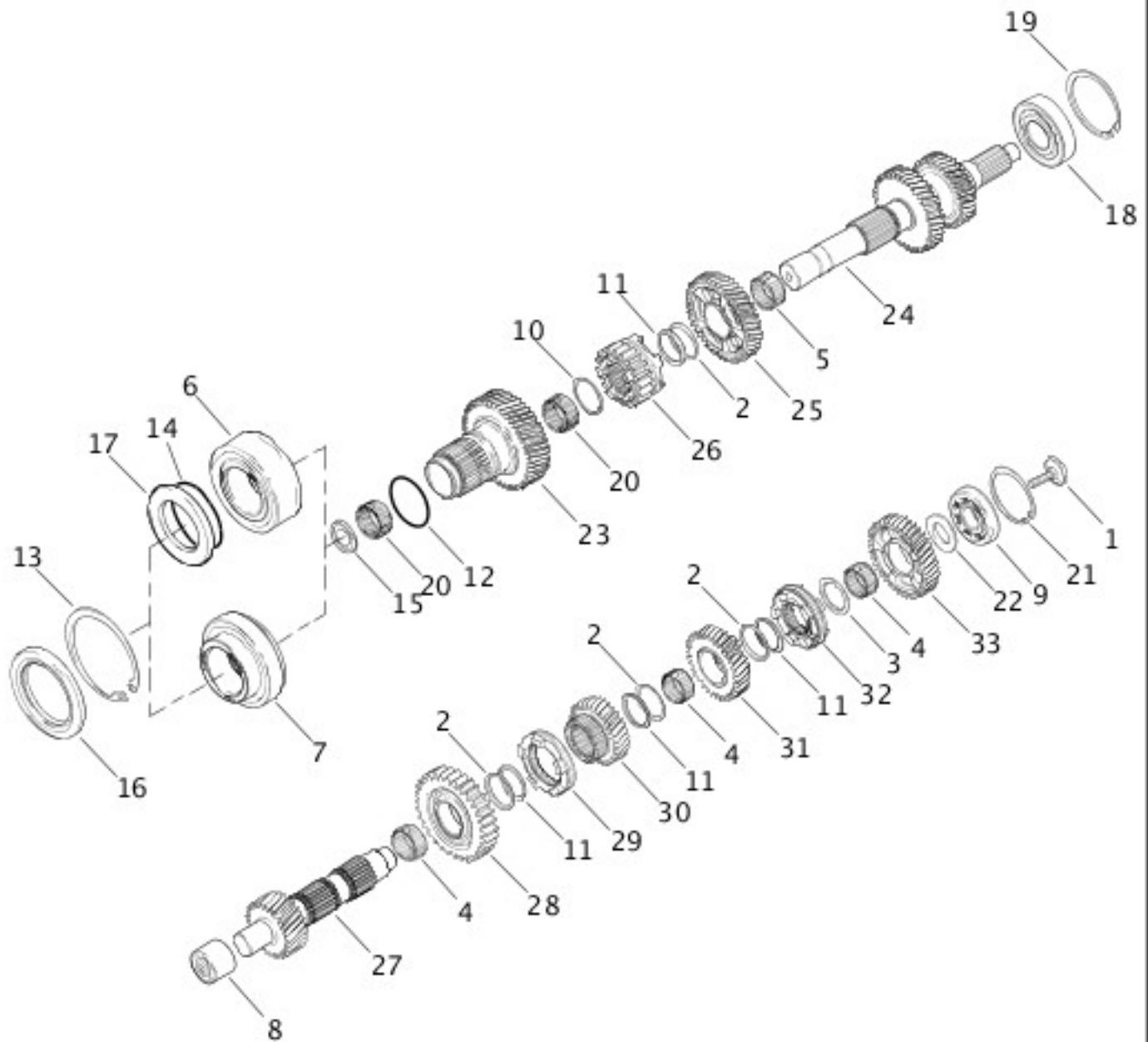
[View interactive table](#)

| INDEX NO. | PART NO. | DESCRIPTION | MODEL(S) |
|-----------|-----------|-------------------------|----------|
| 1 | 31390-91F | STARTER MOTOR, complete | ALL |
| 2 | 31488-81C | GASKET | ALL |
| | | | |

| | | | |
|---|-----------|------------------------------|-----|
| 3 | 31556-91D | CLUTCH SUB-ASSEMBLY | ALL |
| 4 | 31603-91 | REPAIR KIT, starter solenoid | ALL |
| 5 | 45902-00 | SCREW (2) | ALL |

TRANSMISSION GEARS

TRANSMISSION GEARS



[View interactive image](#)

[View interactive table](#)

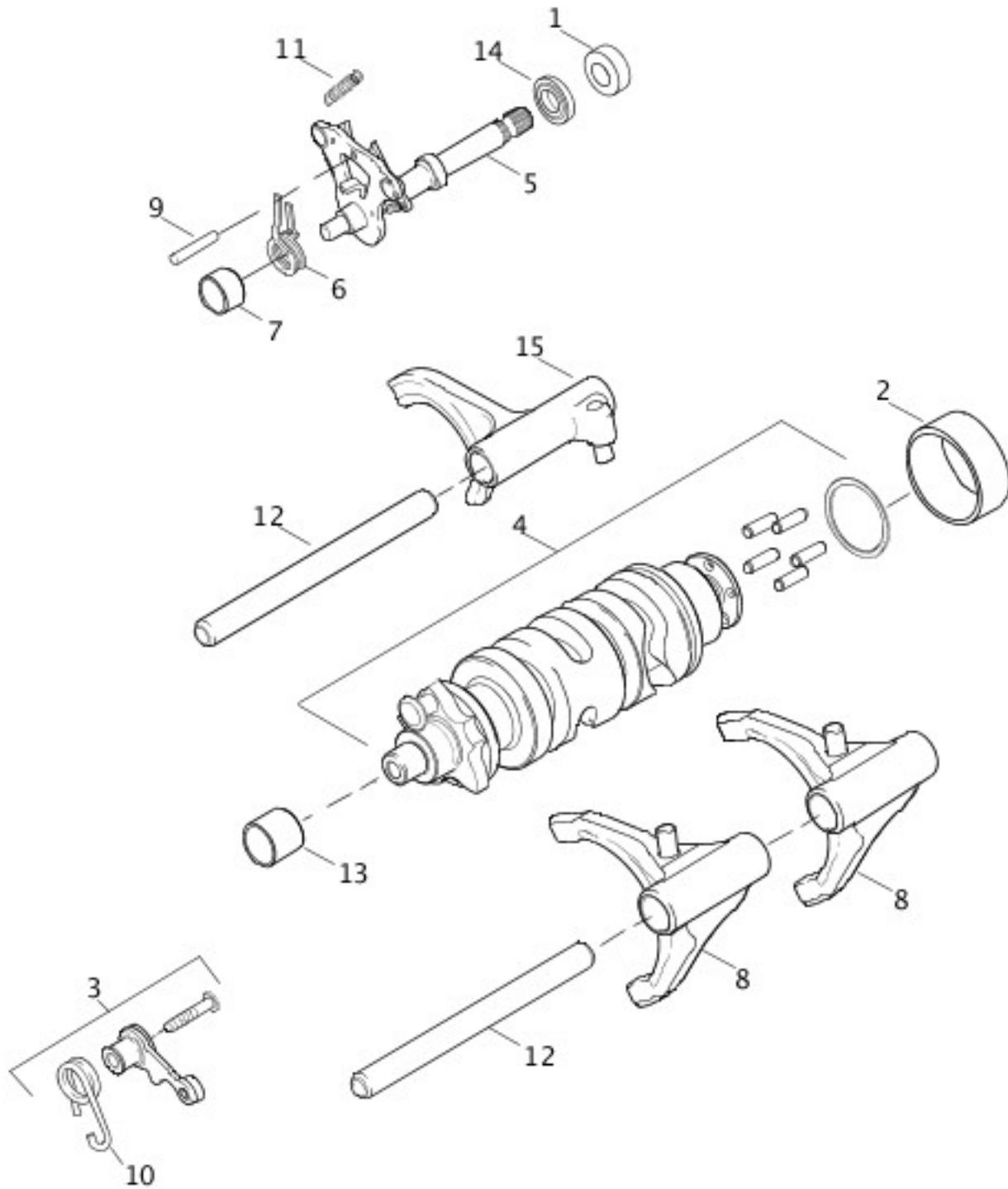
| INDEX NO. | PART NO. | DESCRIPTION | MODEL(S) |
|-----------|----------|-------------|----------|
| 1 | 3990 | SCREW | ALL |
| 2 | 6003 | WASHER (4) | ALL |

| | | | |
|----|-----------|------------------------|--|
| 3 | 6021 | SPACER | ALL |
| 4 | 8862 | BEARING (3) | ALL |
| 5 | 8884 | BEARING | ALL |
| 6 | 8956 | ROLLER BEARING | XR1200X |
| 7 | 8964 | BALL BEARING | XL1200C, XL1200CP, XL1200N, XL1200V, XL1200X, XL883L, XL883N, XL883R |
| 8 | 8966 | BEARING, closed end | ALL |
| 9 | 8970A | BALL BEARING | ALL |
| 10 | 10984 | SNAP RING | ALL |
| 11 | 11067 | RETAINING RING (4) | ALL |
| 12 | 11113 | O-RING | ALL |
| 13 | 11161 | RETAINING RING | ALL |
| 14 | 11631 | O-RING | XR1200X |
| 15 | 12030 | SEAL | ALL |
| 16 | 12074 | OIL SEAL | ALL |
| 17 | 33354-08 | SPACER | XR1200X |
| 18 | 35030-89A | BEARING, mainshaft | ALL |
| 19 | 35038-89A | RETAINING RING | ALL |
| 20 | 35051-89A | NEEDLE BEARING (2) | ALL |
| 21 | 35087-99A | RETAINING RING | ALL |
| 22 | 35107-06 | SPACER | ALL |
| 23 | 35159-06 | GEAR, fifth-mainshaft | XL1200C, XL1200CP, XL1200N, XL1200V, XL1200X, XL883L, XL883N, XL883R |
| | 35234-08 | GEAR, fifth-mainshaft | XR1200X |
| 24 | 35163-06 | GEAR, mainshaft | ALL |
| 25 | 35165-06 | GEAR, fourth-mainshaft | ALL |
| 26 | 35167-06 | GEAR, first-mainshaft | ALL |
| 27 | 35172-06 | GEAR, countershaft | ALL |
| | | | |

| | | | |
|----|----------|---------------------------|-----|
| 28 | 35174-06 | GEAR, first-countershaft | ALL |
| 29 | 35190-06 | DOG RING | ALL |
| 30 | 35191-06 | GEAR, fourth-countershaft | ALL |
| 31 | 35193-06 | GEAR, third-countershaft | ALL |
| 32 | 35196-06 | DOG RING | ALL |
| 33 | 35197-06 | GEAR, second-countershaft | ALL |

SHIFTER, GEAR

SHIFTER, GEAR



[View interactive image](#)

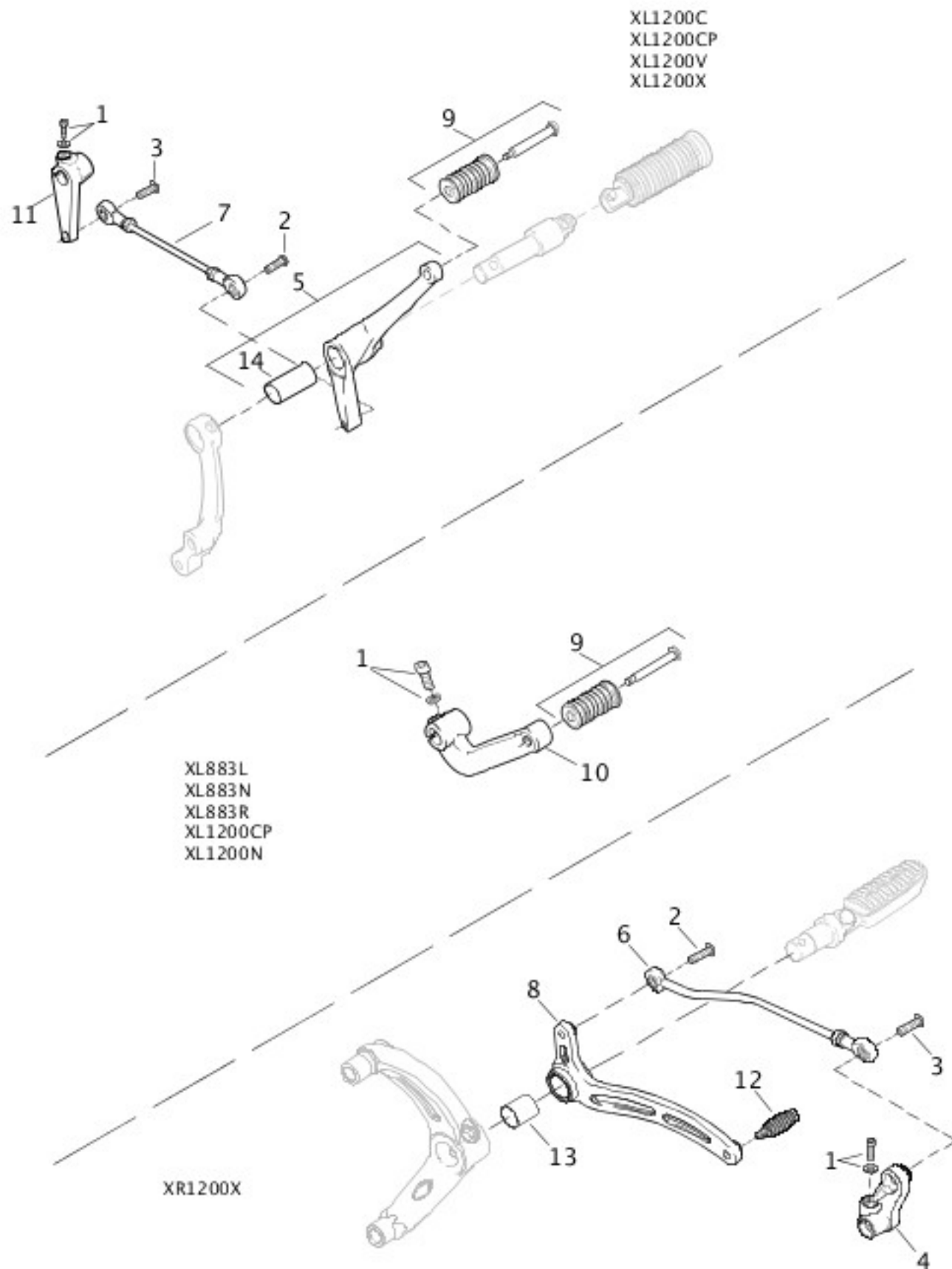
[View interactive table](#)

| INDEX NO. | PART NO. | DESCRIPTION | MODEL(S) |
|-----------|----------|-------------|----------|
| 1 | 7080 | WASHER | ALL |
| 2 | 9187A | BEARING | ALL |

| | | | |
|----|-----------|--|-----|
| 3 | 33540-06 | SPRING SLEEVE ASSEMBLY, detent | ALL |
| 4 | 33641-06 | SHIFTER CAM ASSEMBLY | ALL |
| 5 | 34014-06A | SHIFTER LEVER ASSEMBLY, w/ 34064-00C & 34491-02A | ALL |
| 6 | 34064-00C | SPRING, shifter return | ALL |
| 7 | 34076-02A | BUSHING | ALL |
| 8 | 34157-06 | FORK ASSEMBLY, shifter (2) | ALL |
| 9 | 34163-02 | PIN, shifter stop | ALL |
| 10 | 34483-06 | SPRING, detent | ALL |
| 11 | 34491-02A | SPRING, extension (2) | ALL |
| 12 | 34981-02A | SHAFT, shifter forks (2) | ALL |
| 13 | 34982-02A | BUSHING, right hand crankcase | ALL |
| 14 | 37107-06 | OIL SEAL | ALL |
| 15 | 34162-06 | FORK ASSEMBLY, shifter | ALL |

SHIFTER LEVER

SHIFTER LEVER



[View interactive image](#)

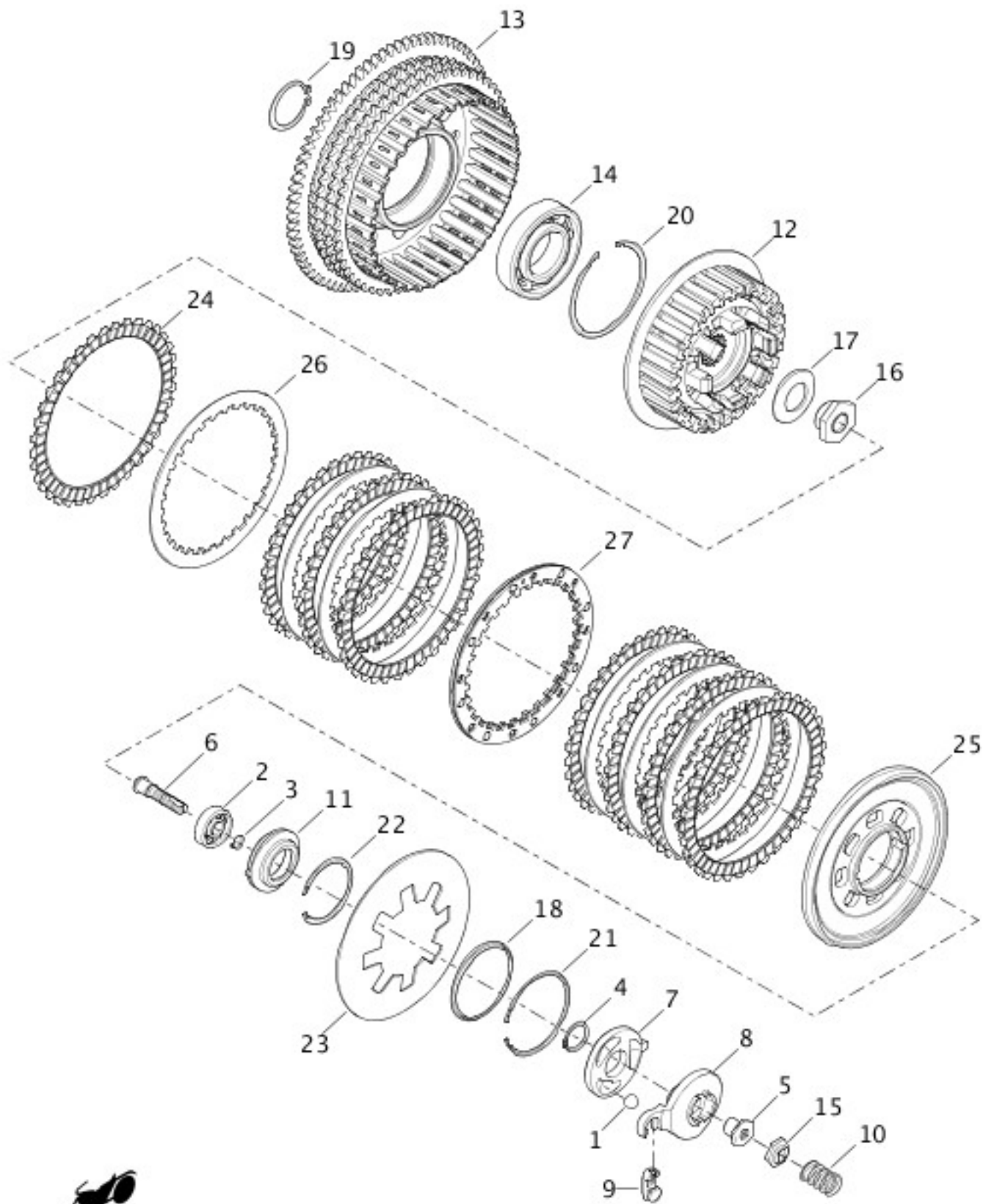
[View interactive table](#)

| INDEX NO. | PART NO. | DESCRIPTION | MODEL(S) |
|-----------|----------|-------------|--|
| 1 | 2708A | SCREW | ALL |
| 2 | 4016 | SCREW | XL1200C, XL1200CP, XL1200V, XL1200X, XR1200X |

| | | | |
|----|-----------|--|--|
| 3 | 4359 | SCREW | XL1200C, XL1200CP, XL1200V, XL1200X, XR1200X |
| 4 | 34665-10 | SHIFTER ARM (black) | XR1200X |
| 5 | 34572-04 | LEVER ASSEMBLY, w/ 42569-03 (1200CP - Forward Foot Controls) | XL1200C, XL1200CP, XL1200V |
| | 34723-10 | LEVER ASSEMBLY, w/ 42569-03 | XL1200X |
| 6 | 33832-08 | SHIFTER LINK | XR1200X |
| 7 | 34573-04 | SHIFTER ROD LINK | XL1200C, XL1200CP, XL1200V |
| | 34663-10 | SHIFTER ROD LINK | XL1200X |
| 8 | 33875-08 | SHIFTER LEVER ASSEMBLY, w/ 42443-80A | XR1200X |
| 9 | 34611-65A | SHIFTER TOE PEG KIT | XL1200C, XL1200CP, XL1200N, XL1200V, XL1200X, XL883L, XL883N, XL883R |
| 10 | 34660-04A | SHIFT LEVER (chrome) (1200CP - Mid Foot Controls) | XL1200CP, XL883L |
| | 34721-07 | SHIFT LEVER (black) | XL1200N, XL883N, XL883R |
| 11 | 34670-06 | SHIFT LEVER (chrome) | XL1200C, XL1200CP, XL1200V |
| | 34724-10 | SHIFT LEVER (gloss black) | XL1200X |
| 12 | 34672-08 | TOE PEG ASSEMBLY | XR1200X |
| 13 | 42443-80A | BUSHING | XR1200X |
| 14 | 42569-03 | BUSHING | XL1200C, XL1200CP, XL1200V, XL1200X |

CLUTCH - 883L/N/R, 1200C/CP/N/V/X

CLUTCH - 883L/N/R, 1200C/CP/N/V



[View interactive image](#)

[View interactive table](#)

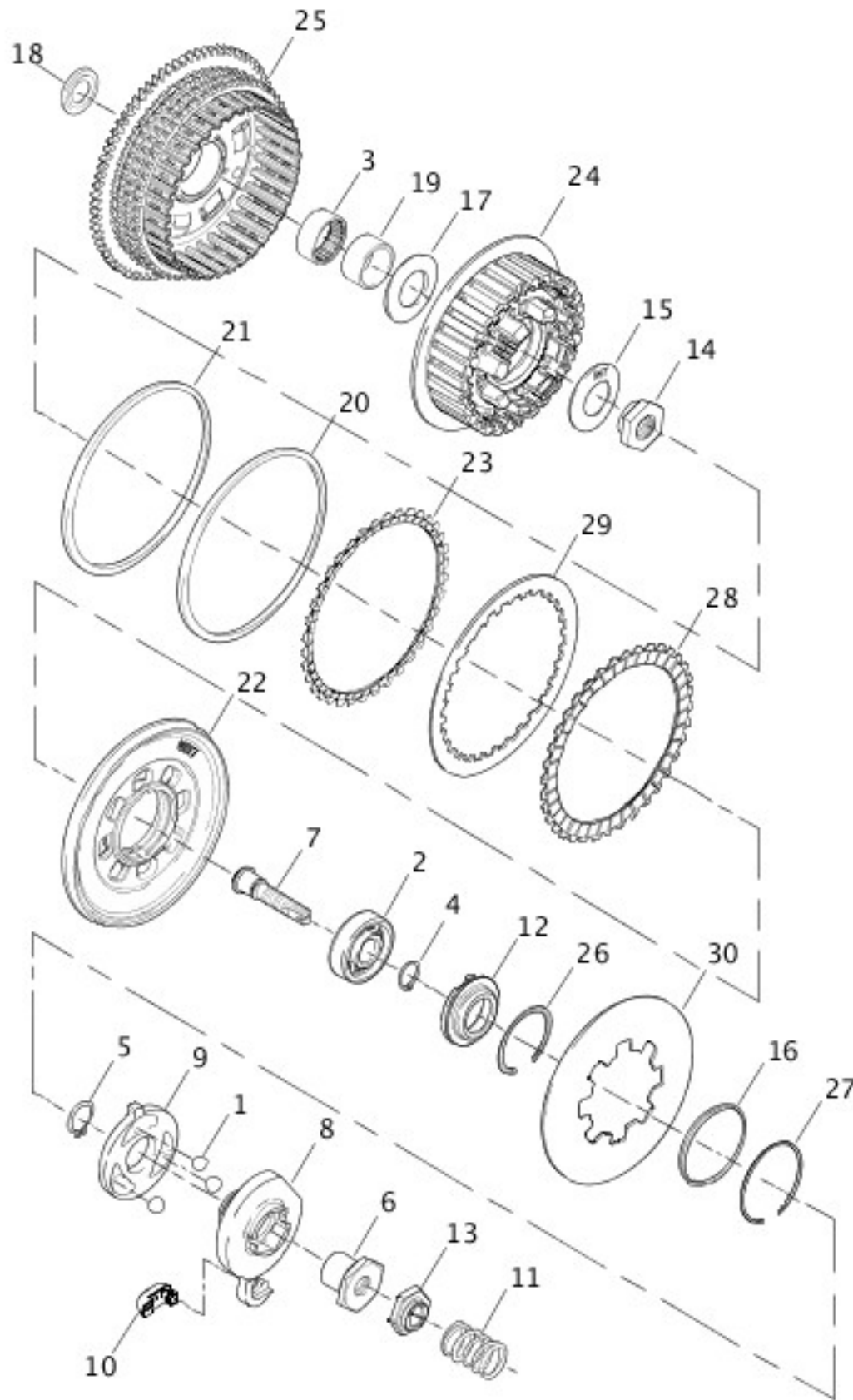
| INDEX NO. | PART NO. | DESCRIPTION | MODEL(S) |
|-----------|----------|-------------|--|
| 1 | 8873 | BALL (3) | XL1200C, XL1200CP, XL1200N, XL1200V, XL1200X, XL883L, XL883N, XL883R |

| | | | |
|----|-----------|---|--|
| 2 | 8885 | BEARING | XL1200C, XL1200CP, XL1200N, XL1200V, XL1200X, XL883L, XL883N, XL883R |
| 3 | 11046 | RETAINING RING | XL1200C, XL1200CP, XL1200N, XL1200V, XL1200X, XL883L, XL883N, XL883R |
| 4 | 11250 | RETAINING RING | XL1200C, XL1200CP, XL1200N, XL1200V, XL1200X, XL883L, XL883N, XL883R |
| 5 | 11730A | WELL NUT | XL1200C, XL1200CP, XL1200N, XL1200V, XL1200X, XL883L, XL883N, XL883R |
| 6 | 11765Y | ADJUSTMENT SCREW | XL1200C, XL1200CP, XL1200N, XL1200V, XL1200X, XL883L, XL883N, XL883R |
| 7 | 25453-87A | RAMP, inner | XL1200C, XL1200CP, XL1200N, XL1200V, XL1200X, XL883L, XL883N, XL883R |
| 8 | 25409-94B | RAMP, outer | XL1200C, XL1200CP, XL1200N, XL1200V, XL1200X, XL883L, XL883N, XL883R |
| 9 | 34920-86A | COUPLING, clutch cable | XL1200C, XL1200CP, XL1200N, XL1200V, XL1200X, XL883L, XL883N, XL883R |
| 10 | 36715-94 | SPRING, clutch adjustment | XL1200C, XL1200CP, XL1200N, XL1200V, XL1200X, XL883L, XL883N, XL883R |
| 11 | 36731-91 | RELEASE PLATE, w/ 8885 | XL1200C, XL1200CP, XL1200N, XL1200V, XL1200X, XL883L, XL883N, XL883R |
| 12 | 36785-91 | CLUTCH HUB | XL1200C, XL1200CP, XL1200N, XL1200V, XL1200X, XL883L, XL883N, XL883R |
| 13 | 36790-04 | CLUTCH SHELL & SPROCKET, w/ 36799-91 & 37905-90 | XL1200C, XL1200CP, XL1200N, XL1200V, XL1200X, XL883L, XL883N, XL883R |
| 14 | 36799-91 | BALL BEARING | XL1200C, XL1200CP, XL1200N, XL1200V, XL1200X, XL883L, XL883N, XL883R |
| 15 | 36802-84B | LOCKPLATE, well type | XL1200C, XL1200CP, XL1200N, XL1200V, XL1200X, XL883L, XL883N, XL883R |
| 16 | 37495-91 | NUT, main shaft | XL1200C, XL1200CP, XL1200N, XL1200V, XL1200X, XL883L, XL883N, XL883R |
| 17 | 37870-91 | SPRING WASHER | XL1200C, XL1200CP, XL1200N, XL1200V, XL1200X, XL883L, XL883N, XL883R |
| 18 | 37872-90 | SEAT, spring-inner | XL1200C, XL1200CP, XL1200N, XL1200V, XL1200X, XL883L, XL883N, XL883R |
| 19 | 37904-90 | RETAINING RING | XL1200C, XL1200CP, XL1200N, XL1200V, XL1200X, XL883L, XL883N, XL883R |
| 20 | 37905-90 | RETAINING RING | XL1200C, XL1200CP, XL1200N, XL1200V, XL1200X, XL883L, XL883N, XL883R |
| 21 | 37908-90 | RETAINING RING | XL1200C, XL1200CP, XL1200N, XL1200V, XL1200X, XL883L, XL883N, XL883R |

| | | | |
|----|-----------|-----------------------------|--|
| 22 | 37909-90 | RETAINING RING | XL1200C, XL1200CP, XL1200N, XL1200V, XL1200X, XL883L, XL883N, XL883R |
| 23 | 37910-04B | SPRING, clutch plate | XL883L, XL883N, XL883R |
| | 37924-04A | SPRING, clutch plate | XL1200C, XL1200CP, XL1200N, XL1200V, XL1200X |
| 24 | 37911-90 | FRICITION PLATE (paper) (8) | XL1200C, XL1200CP, XL1200N, XL1200V, XL1200X, XL883L, XL883N, XL883R |
| 25 | 37912-91 | PRESSURE PLATE | XL1200C, XL1200CP, XL1200N, XL1200V, XL1200X, XL883L, XL883N, XL883R |
| 26 | 37913-90 | STEEL PLATE (6) | XL1200C, XL1200CP, XL1200N, XL1200V, XL1200X, XL883L, XL883N, XL883R |
| 27 | 37977-90 | SPRING PLATE | XL1200C, XL1200CP, XL1200N, XL1200V, XL1200X, XL883L, XL883N, XL883R |

CLUTCH - XR1200X

CLUTCH - XR1200X



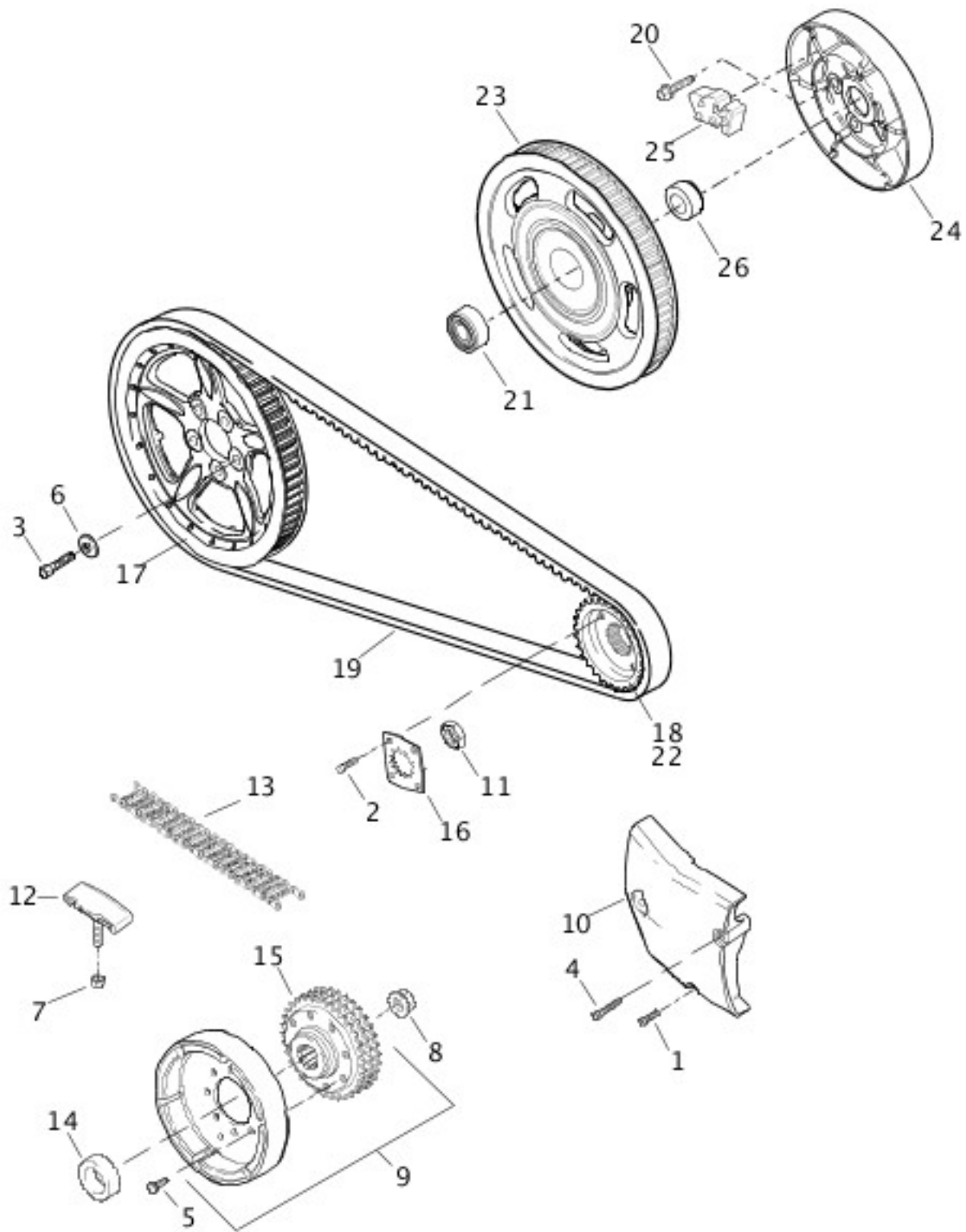
[View interactive image](#)

[View interactive table](#)

| INDEX NO. | PART NO. | DESCRIPTION | MODEL(S) |
|-----------|----------|-------------|----------|
| 1 | 8873 | BALL (3) | XR1200X |
| 2 | 8885 | BEARING | XR1200X |
| | | | |

| | | | |
|----|-----------|----------------------------------|---------|
| 3 | 9214 | BEARING | XR1200X |
| 4 | 11046 | RETAINING RING | XR1200X |
| 5 | 11250 | RETAINING RING | XR1200X |
| 6 | 11730A | WELL NUT | XR1200X |
| 7 | 11765Y | ADJUSTMENT SCREW | XR1200X |
| 8 | 25409-94B | RAMP, outer | XR1200X |
| 9 | 25453-87A | RAMP, inner | XR1200X |
| 10 | 34920-86A | COUPLING, clutch cable | XR1200X |
| 11 | 36715-94 | SPRING, clutch adjustment | XR1200X |
| 12 | 36731-91 | RELEASE PLATE, w/ 8885 | XR1200X |
| 13 | 36802-84B | LOCKPLATE, well type | XR1200X |
| 14 | 37495-91 | NUT, main shaft | XR1200X |
| 15 | 37870-91 | SPRING WASHER | XR1200X |
| 16 | 37872-90 | SEAT, spring-inner | XR1200X |
| 17 | 37890-02 | THRUST WASHER, inner | XR1200X |
| 18 | 37891-02 | THRUST WASHER, outer | XR1200X |
| 19 | 37892-02 | INNER RACE, needle bearing | XR1200X |
| 20 | 37894-02 | SPRING, clutch | XR1200X |
| 21 | 37895-02 | SEAT, damper spring | XR1200X |
| 22 | 37896-02 | PRESSURE PLATE | XR1200X |
| 23 | 37897-02 | FRICTION PLATE, narrow | XR1200X |
| 24 | 37898-02A | CLUTCH HUB | XR1200X |
| 25 | 37899-02A | CLUTCH SHELL & SPROCKET, w/ 9214 | XR1200X |
| 26 | 37908-90 | RETAINING RING | XR1200X |
| 27 | 37909-90 | RETAINING RING | XR1200X |
| 28 | 37911-90 | FRICTION PLATE (paper) (7) | XR1200X |
| 29 | 37913-90 | STEEL PLATE (7) | XR1200X |
| 30 | 37934-06 | SPRING, clutch | XR1200X |

BELT & SPROCKETS – 883L/N/R, 1200C/CP/N/V/



[View interactive image](#)

[View interactive table](#)

| INDEX NO. | PART NO. | DESCRIPTION | MODEL(S) |
|-----------|----------|-------------|--|
| 1 | 3480A | SCREW | XL1200C, XL1200CP, XL1200N, XL1200V, XL1200X, XL883L, XL883N, XL883R |

| | | | |
|----|-----------|--|--|
| 2 | 3594 | SCREW (2) | XL1200C, XL1200CP, XL1200N, XL1200V, XL1200X, XL883L, XL883N, XL883R |
| 3 | 3899 | SCREW (5) | XL1200C, XL1200CP, XL1200N, XL1200V, XL1200X, XL883L, XL883N, XL883R |
| 4 | 4717A | SCREW | XL1200C, XL1200CP, XL1200N, XL1200V, XL1200X, XL883L, XL883N, XL883R |
| 5 | 4751 | SCREW | XL1200C, XL1200CP, XL1200N, XL1200V, XL1200X, XL883L, XL883N, XL883R |
| 6 | 6516HW | WASHER (5) | XL1200C, XL1200CP, XL1200N, XL1200V, XL1200X, XL883L, XL883N, XL883R |
| 7 | 7804 | LOCKNUT | XL1200C, XL1200CP, XL1200N, XL1200V, XL1200X, XL883L, XL883N, XL883R |
| 8 | 7839 | NUT | XL1200C, XL1200CP, XL1200N, XL1200V, XL1200X, XL883L, XL883N, XL883R |
| 9 | 32493-02B | ROTOR SPROCKET ASSEMBLY, w/ 4751 & 40241-02A | XL883L, XL883N, XL883R |
| | 32494-04B | ROTOR SPROCKET ASSEMBLY, w/ 4751 & 40290-04A | XL1200C, XL1200CP, XL1200N, XL1200V, XL1200X |
| 10 | 34911-04 | SPROCKET COVER | XL883L |
| | 34932-04 | SPROCKET COVER | XL1200C, XL1200CP, XL1200V |
| | 34943-05 | SPROCKET COVER | XL1200X, XL883N, XL883R |
| | 34954-07 | SPROCKET COVER (gray) | XL1200N |
| 11 | 35211-91B | NUT | XL1200C, XL1200CP, XL1200N, XL1200V, XL1200X, XL883L, XL883N, XL883R |
| 12 | 40039-02C | CHAIN ADJUSTER ASSEMBLY | XL1200C, XL1200CP, XL1200N, XL1200V, XL1200X, XL883L, XL883N, XL883R |
| 13 | 40005-57B | PRIMARY CHAIN, 94 links | XL883L, XL883N, XL883R |
| | 40147-04 | PRIMARY CHAIN, 96 links | XL1200C, XL1200CP, XL1200N, XL1200V, XL1200X |
| 14 | 40254-02 | SPACER, sprocket | XL1200C, XL1200CP, XL1200N, XL1200V, XL1200X, XL883L, XL883N, XL883R |
| 15 | 40241-02A | SPROCKET, triple row - 34T | XL883L, XL883N, XL883R |
| | 40290-04A | SPROCKET, triple row - 38T | XL1200C, XL1200CP, XL1200N, XL1200V, XL1200X |

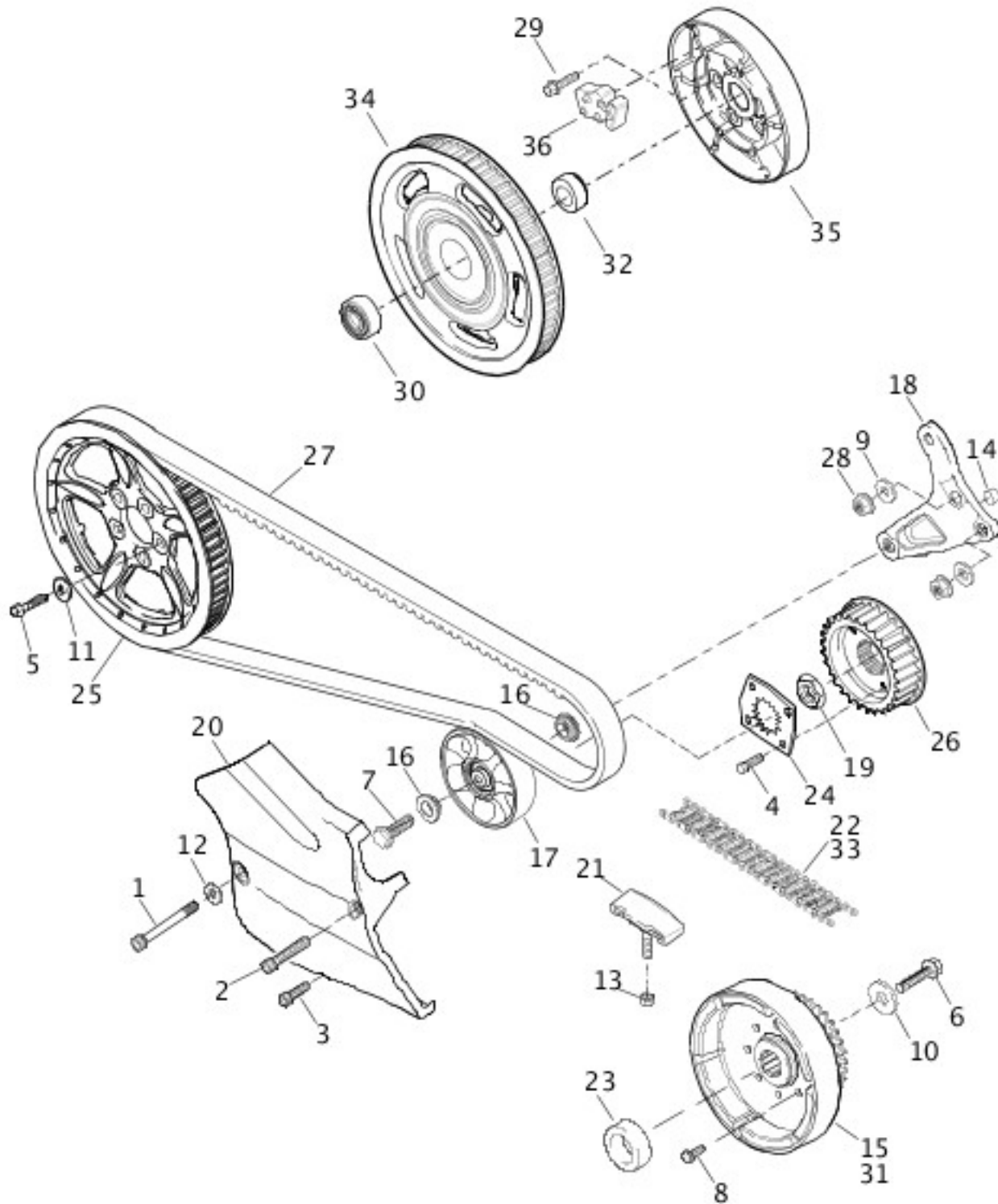
| | | | |
|----|-----------|--|--|
| 16 | 40251-92A | RETENTION PLATE | XL1200C, XL1200CP, XL1200N, XL1200V, XL1200X, XL883L, XL883N, XL883R |
| 17 | 40350-07 | SPROCKET, belt - 68T (black) | XL1200C, XL1200CP, XL1200V, XL883L, XL883R |
| | 40444-07 | SPROCKET, belt - 68T (black) | XL1200N, XL1200X, XL883N |
| 18 | 40409-04 | SPROCKET, transmission - 29T (Domestic - CT/CZ/LC/LF/LH, World - CR/CS/LE) | XL1200C, XL1200CP, XL1200N, XL1200V, XL1200X, XL883L, XL883N, XL883R |
| 19 | 40591-07 | BELT, 137T | XL1200C, XL1200CP, XL1200N, XL1200V, XL1200X, XL883L, XL883N, XL883R |

INTERNATIONAL MODELS ONLY

| | | | |
|----|----------|---|--|
| 20 | 3814 | SCREW (Japan) (5) | XL1200C, XL1200N, XL1200V, XL1200X, XL883L, XL883N, XL883R |
| 21 | 9254 | BEARING (Japan) | XL1200C, XL1200N, XL1200V, XL1200X, XL883L, XL883N, XL883R |
| 22 | 40380-04 | SPROCKET, transmission - 30T (HDI) | XL1200C, XL1200CP, XL1200N, XL1200V, XL1200X |
| 23 | 40518-08 | SPROCKET ASSEMBLY, final drive, w/ bearing - 68T (black) (Japan/Asia-Pacific) | XL1200C, XL1200N, XL1200V, XL1200X, XL883L, XL883N, XL883R |
| 24 | 40560-05 | BOWL COMPENSATOR (Japan) | XL1200C, XL1200N, XL1200V, XL1200X, XL883L, XL883N, XL883R |
| 25 | 40561-05 | ISOLATOR (Japan) (6) | XL1200C, XL1200N, XL1200V, XL1200X, XL883L, XL883N, XL883R |
| 26 | 40562-05 | SPACER (Japan) | XL1200C, XL1200N, XL1200V, XL1200X, XL883L, XL883N, XL883R |

BELT & SPROCKETS - XR1200X

BELT & SPROCKETS - XR1200X



[View interactive image](#)

[View interactive table](#)

| INDEX NO. | PART NO. | DESCRIPTION | MODEL(S) |
|-----------|----------|-------------|----------|
| 1 | 675 | SCREW | XR1200X |
| 2 | 1751 | SCREW (2) | XR1200X |

| | | | |
|----|---------------|--|---------|
| 3 | 3480A | SCREW | XR1200X |
| 4 | 3594 | SCREW (2) | XR1200X |
| 5 | 3899 | SCREW (5) | XR1200X |
| 6 | 4589 | SCREW | XR1200X |
| 7 | 4678 | SCREW | XR1200X |
| 8 | 4751 | SCREW (8) | XR1200X |
| 9 | 6400HB | WASHER (2) | XR1200X |
| 10 | 6445 | WASHER | XR1200X |
| 11 | 6516HW | WASHER (5) | XR1200X |
| 12 | 6701 | WASHER | XR1200X |
| 13 | 7804 | LOCKNUT | XR1200X |
| 14 | 9704 | DOWEL PIN, idler locating | XR1200X |
| 15 | 30018-08 | ROTOR SPROCKET ASSEMBLY, w/ 4751 & sprocket | XR1200X |
| 16 | 31630-08 | BUSHING (2) | XR1200X |
| 17 | 31698-08 | IDLER | XR1200X |
| 18 | 31699-08 | BRACKET ASSEMBLY, idler, w/ 9704 | XR1200X |
| | 31602-08 | IDLER WHEEL KIT, w/ 7, 9, 14, 16, 17, 18, & 28 | XR1200X |
| 19 | 35211-91B | NUT | XR1200X |
| 20 | 37716-10 | SPROCKET COVER (black) | XR1200X |
| 21 | 40039-02C | CHAIN ADJUSTER ASSEMBLY | XR1200X |
| 22 | 40057-08 | PRIMARY CHAIN, 94 links | XR1200X |
| 23 | 40254-02 | SPACER | XR1200X |
| 24 | 40251-92A | RETENTION PLATE | XR1200X |
| 25 | 40350-07 | SPROCKET, belt - 68T (black) | XR1200X |
| 26 | 40379-04 | SPROCKET, transmission - 28T | XR1200X |
| 27 | 40591-07 | BELT, 137T | XR1200X |
| 28 | DA0600.12FAZB | LOCKNUT (2) | XR1200X |

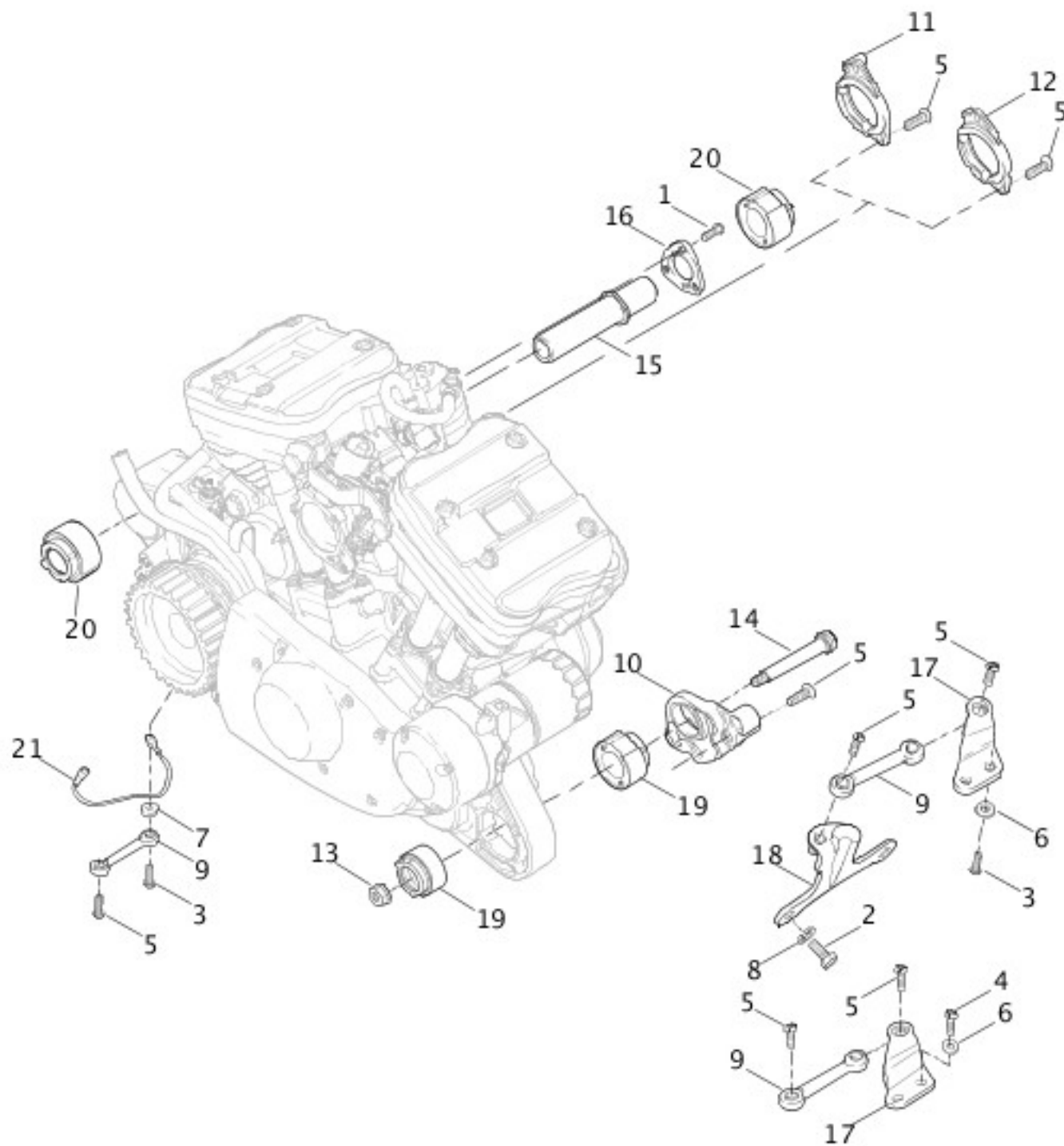
INTERNATIONAL MODELS ONLY

| | | | |
|----|------|-------------------|---------|
| 29 | 3814 | SCREW (Japan) (5) | XR1200X |
| 30 | 9254 | BEARING (Japan) | XR1200X |

| | | | |
|----|----------|---|---------|
| 31 | 30029-08 | ROTOR SPROCKET ASSEMBLY, w/ 4751 & sprocket (Japan, Brazil) | XR1200X |
| 32 | 37797-09 | SPACER (Japan) | XR1200X |
| 33 | 40147-04 | PRIMARY CHAIN, 96 links (Japan, Brazil) | XR1200X |
| 34 | 40518-08 | SPROCKET ASSEMBLY, 68T (Japan) | XR1200X |
| 35 | 40560-05 | BOWL COMPENSATOR (Japan) | XR1200X |
| 36 | 40561-05 | ISOLATOR (Japan) | XR1200X |

ENGINE MOUNTS

ENGINE MOUNTS



[View interactive image](#)

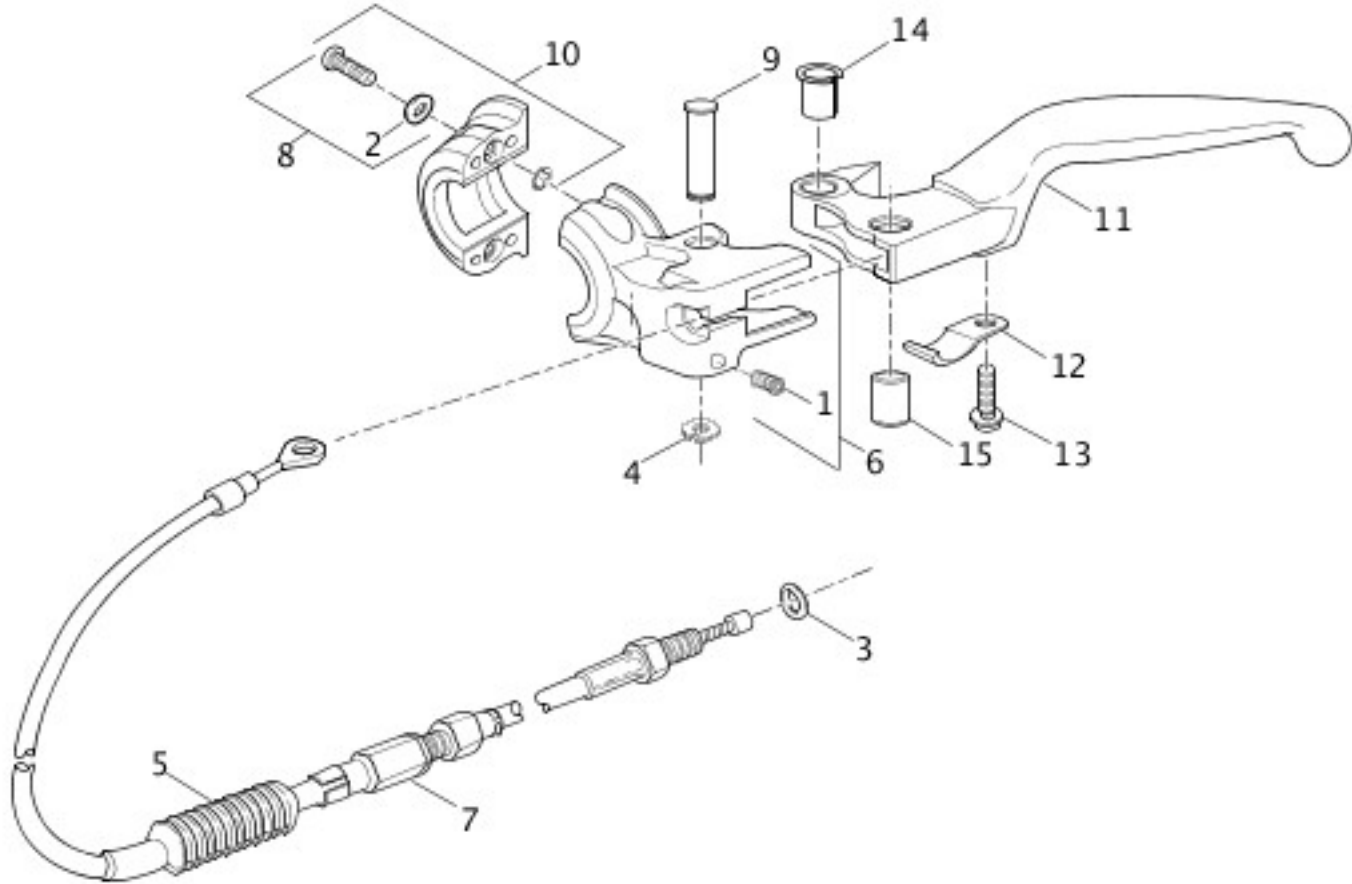
[View interactive table](#)

| INDEX NO. | PART NO. | DESCRIPTION | MODEL(S) |
|-----------|----------|-------------|----------|
| 1 | 940 | SCREW (3) | ALL |
| 2 | 3854 | SCREW (2) | ALL |

| | | | |
|----|-----------|---------------------------|--|
| 3 | 4180 | SCREW (3) | ALL |
| 4 | 4188 | SCREW (2) | ALL |
| 5 | 4290 | SCREW (9) | ALL |
| 6 | 6026 | WASHER (4) | ALL |
| 7 | 6152 | SPACER | ALL |
| 8 | 7039 | LOCKWASHER (2) | ALL |
| 9 | 16232-04B | TIE-LINK (3) | ALL |
| 10 | 16287-04 | MOUNT, front isolator | ALL |
| 11 | 16291-04 | MOUNT, rear isolator | XL1200C, XL1200CP, XL1200N, XL1200V, XL1200X, XL883L, XL883N, XL883R |
| 12 | 16301-08 | MOUNT, rear isolator | XR1200X |
| 13 | 41561-04 | NUT | ALL |
| 14 | 41562-04 | BOLT | ALL |
| 15 | 41568-04 | SHAFT, swing arm pivot | ALL |
| 16 | 41699-04 | LOCKPLATE | ALL |
| 17 | 47470-04 | BRACKET (2) | ALL |
| 18 | 47471-04A | BRACKET | ALL |
| 19 | 48463-04A | ISOLATOR, front mount (2) | ALL |
| 20 | 48492-04A | ISOLATOR, rear mount (2) | ALL |
| 21 | 70297-04A | STRAP, grounding | ALL |

CLUTCH CONTROL

CLUTCH CONTROL



[View interactive image](#)

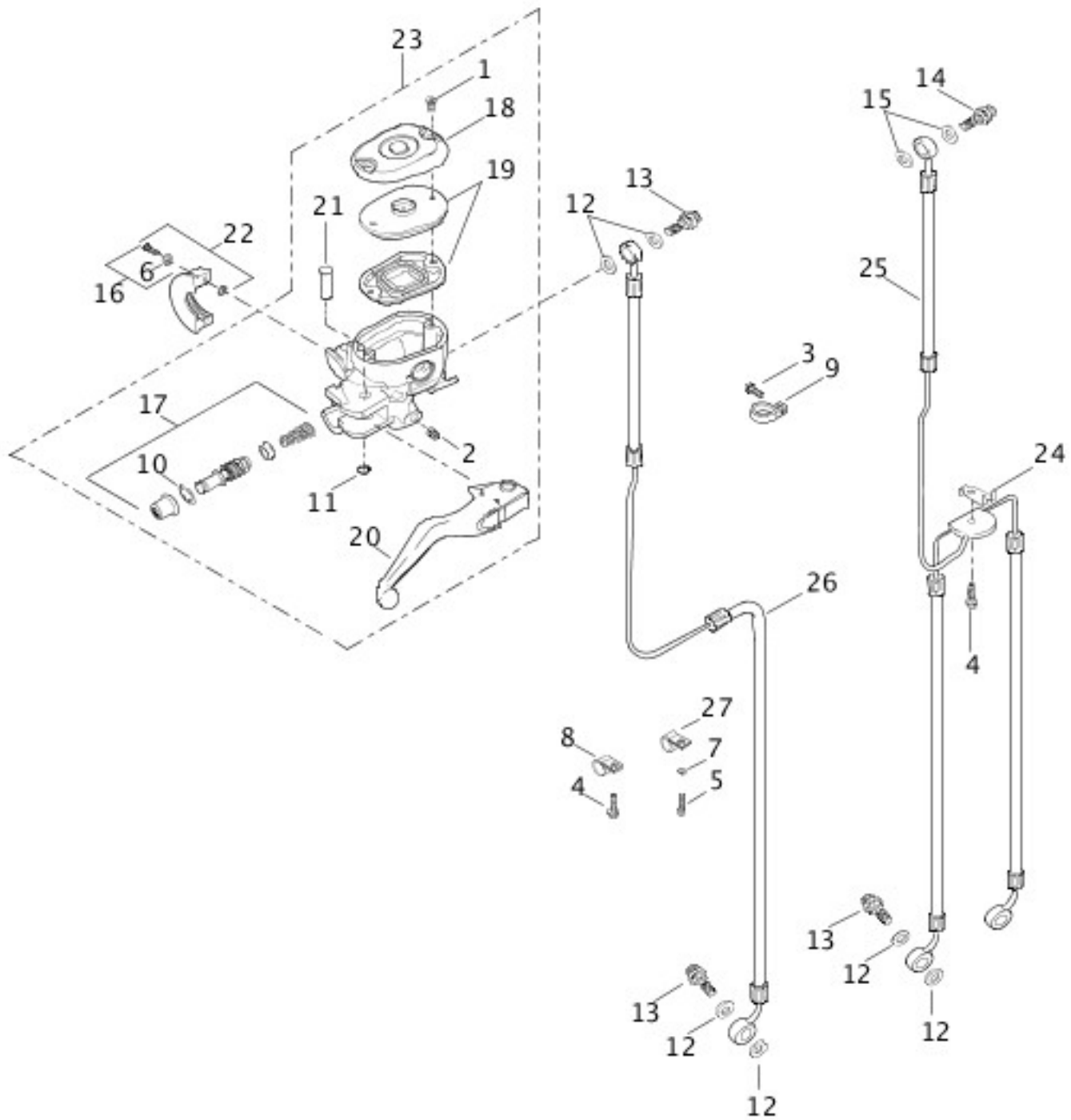
[View interactive table](#)

| INDEX NO. | PART NO. | DESCRIPTION | MODEL(S) |
|-----------|----------|-------------|----------|
| 1 | 3244 | SCREW | ALL |
| 2 | 6101 | WASHER (2) | ALL |

| | | | |
|----|-----------|---|--|
| 3 | 11179 | O-RING | ALL |
| 4 | 11379 | RETAINING RING | ALL |
| 5 | 38630-88 | BOOT | ALL |
| 6 | 38671-04 | BRACKET | ALL |
| 7 | 38699-04C | CABLE ASSEMBLY, w/ 11179, 11379, 38630-88, & 46268-04 (1200CP - Pullback or Drag Handlebar) | XL1200C, XL1200CP, XL1200X, XL883L, XL883N, XL883R |
| | 38702-05C | CABLE ASSEMBLY, w/ 11179, 11379, 38630-88, & 46268-04 | XL1200N |
| | 38786-08A | CABLE ASSEMBLY, w/ 11179, 11379, 38630-88, & 46268-04 | XR1200X |
| | 37000041 | CABLE ASSEMBLY, w/ 11179, 11379, 38630-88, & 46268-04 (1200CP - Mini-Ape Handlebar) | XL1200CP, XL1200V |
| 8 | 42425-05 | KIT, w/ 6101 (2) & screw (2) | ALL |
| 9 | 42807-04 | BOLT | ALL |
| 10 | 42808-04 | CLAMP | ALL |
| 11 | 45356-07 | HAND LEVER, w/ 45799-04, 45800-04, & 45801-04 | XL1200C, XL1200CP, XL1200V, XL883L, XL883R |
| | 46945-07A | HAND LEVER, w/ 45799-04, 45800-04, & 45801-04 | XL1200N, XL1200X, XL883N, XR1200X |
| 12 | 45799-04 | SPRING, anti-rattle | ALL |
| 13 | 45800-04 | SCREW | ALL |
| 14 | 45801-04 | BUSHING | ALL |
| 15 | 46268-04 | PIN | ALL |

BRAKE CONTROL, FRONT - 883L/N/R, 1200C/CP/N/V/X

BRAKE CONTROL, FRONT - 883L/N/R, 1200C/CP/N/V



[View interactive image](#)

[View interactive table](#)

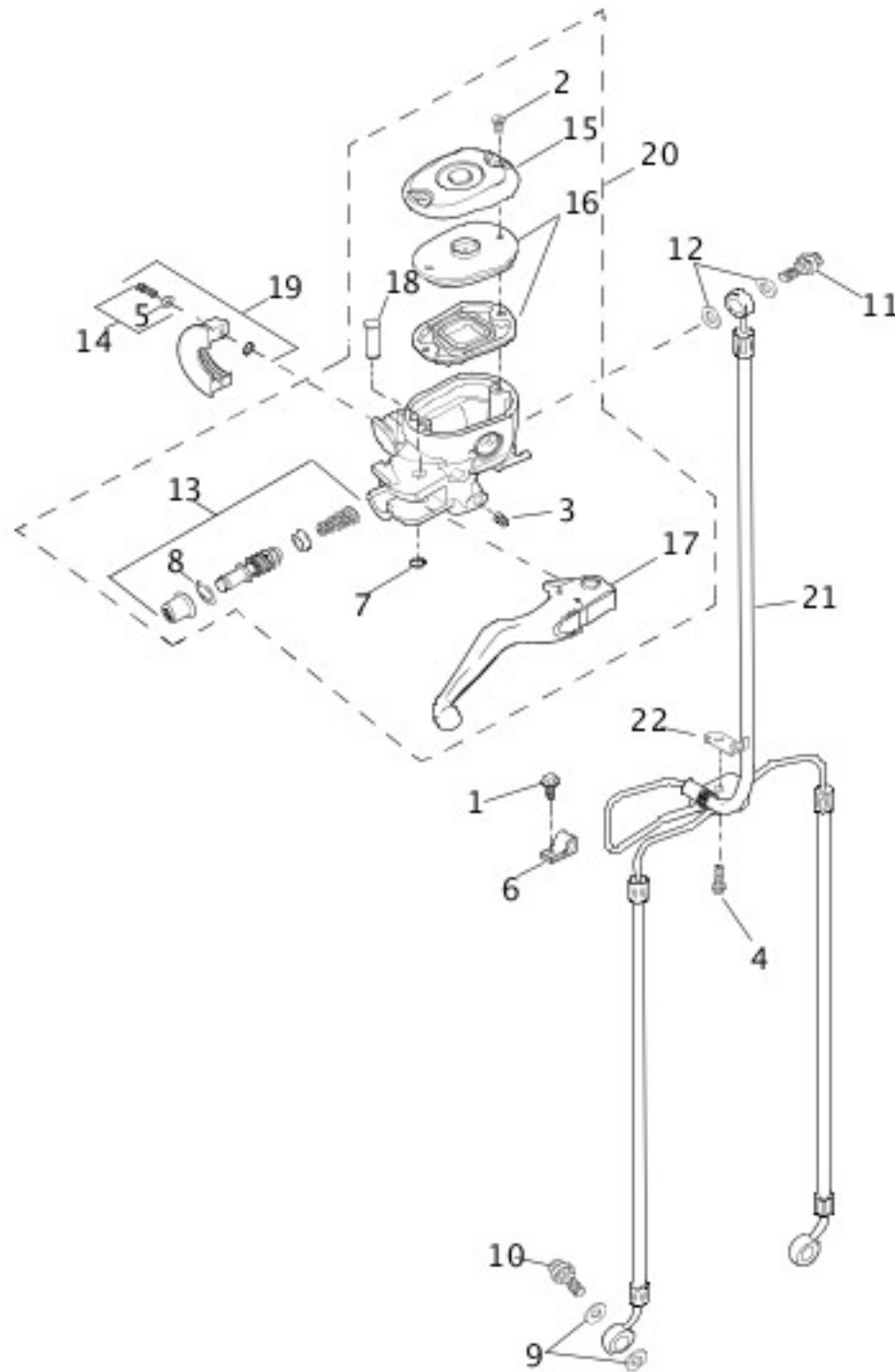
| INDEX NO. | PART NO. | DESCRIPTION | MODEL(S) |
|-----------|----------|-------------|--|
| 1 | 2586A | SCREW (2) | XL1200C, XL1200CP, XL1200N, XL1200V, XL1200X, XL883L, XL883N, XL883R |

| | | | |
|----|-----------|------------------------------------|--|
| 2 | 3244 | SCREW | XL1200C, XL1200CP, XL1200N, XL1200V, XL1200X, XL883L, XL883N, XL883R |
| 3 | 4240 | SCREW | XL1200C, XL1200CP, XL1200N, XL1200V, XL1200X, XL883L, XL883N, XL883R |
| 4 | 4741A | SCREW | XL1200C, XL1200CP, XL1200N, XL1200V, XL1200X, XL883L, XL883N, XL883R |
| 5 | 4748 | SCREW | XL1200C, XL1200CP, XL1200V |
| 6 | 6101 | WASHER (2) | XL1200C, XL1200CP, XL1200N, XL1200V, XL1200X, XL883L, XL883N, XL883R |
| 7 | 7045 | LOCKWASHER | XL1200C, XL1200CP, XL1200V |
| 8 | 10053 | CLAMP | XL1200C, XL1200CP, XL1200N, XL1200V, XL1200X, XL883L, XL883N |
| 9 | 10031 | CLAMP | XL1200C, XL1200CP, XL1200N, XL1200V, XL1200X, XL883L, XL883N, XL883R |
| 10 | 11142 | RETAINING RING | XL1200C, XL1200CP, XL1200N, XL1200V, XL1200X, XL883L, XL883N, XL883R |
| 11 | 11379 | RETAINING RING | XL1200C, XL1200CP, XL1200N, XL1200V, XL1200X, XL883L, XL883N, XL883R |
| 12 | 41732-04 | SEALING WASHER, 10mm (4) | XL1200C, XL1200CP, XL1200N, XL1200V, XL1200X, XL883L, XL883N, XL883R |
| 13 | 41736-04 | BANJO BOLT, 10mm (2) | XL1200C, XL1200CP, XL1200N, XL1200V, XL1200X, XL883L, XL883N, XL883R |
| 14 | 41737-04 | BANJO BOLT, 12mm | XL883R |
| 15 | 41743-04 | SEALING WASHER, 12mm (2) | XL883R |
| 16 | 42425-05 | KIT, w/ 6101 (2) & screw (2) | XL1200C, XL1200CP, XL1200N, XL1200V, XL1200X, XL883L, XL883N, XL883R |
| 17 | 42803-07A | REBUILD KIT, single, w/ 10, 11, 12 | XL1200C, XL1200CP, XL1200N, XL1200V, XL1200X, XL883L, XL883N |
| | 42809-07A | REBUILD KIT, dual, w/ 10, 11, 15 | XL883R |
| 18 | 42804-07 | CAP, w/ decal | XL1200C, XL1200CP, XL1200N, XL1200V, XL1200X, XL883L, XL883N, XL883R |
| 19 | 42805-04 | GASKET KIT | XL1200C, XL1200CP, XL1200N, XL1200V, XL1200X, XL883L, XL883N, XL883R |
| 20 | 42806-04 | LEVER | XL1200C, XL1200CP, XL1200V, XL883L, XL883R |
| | 46946-06A | LEVER (black) | XL1200N, XL1200X, XL883N |
| 21 | 42807-04 | BOLT | XL1200C, XL1200CP, XL1200N, XL1200V, XL1200X, |

| | | | |
|----|-----------|---|--|
| | | | XL883L, XL883N, XL883R |
| 22 | 42808-04 | CLAMP | XL1200C, XL1200CP, XL1200N, XL1200V, XL1200X, XL883L, XL883N, XL883R |
| 23 | 45052-07A | MASTER CYLINDER ASSEMBLY, dual | XL883R |
| | 45146-07 | MASTER CYLINDER ASSEMBLY, single | XL1200C, XL1200CP, XL1200V, XL883L |
| | 42745-07 | MASTER CYLINDER ASSEMBLY, single (black) | XL1200N, XL1200X, XL883N |
| 24 | 45074-95 | GUIDE | XL883R |
| 25 | 45319-04D | BRAKELINE, dual | XL883R |
| 26 | 45449-04C | BRAKELINE, single (1200CP - Pullback Handlebar) | XL1200C, XL1200CP, XL1200N |
| | 46400-04C | BRAKELINE, single | XL883N |
| | 46417-10A | BRAKELINE, single | XL1200X |
| | 46688-11 | BRAKELINE, single (not shown) (1200CP - Mini-Ape Handlebar) | XL1200CP, XL1200V |
| | 46680-11 | BRAKELINE, single | XL883L |
| | 46986-11 | BRAKELINE, single (not shown) (1200CP - Drag Handlebar) | XL1200CP |
| 27 | 10800003 | P-CLAMP (1200CP - Drag or Mini-Ape Handlebar) | XL1200CP, XL1200V |
| | 10053 | P-CLAMP (1200CP - Pullback Handlebar) | XL1200C, XL1200CP |

BRAKE CONTROL, FRONT - XR1200X

BRAKE CONTROL, FRONT - XR1200X



[View interactive image](#)

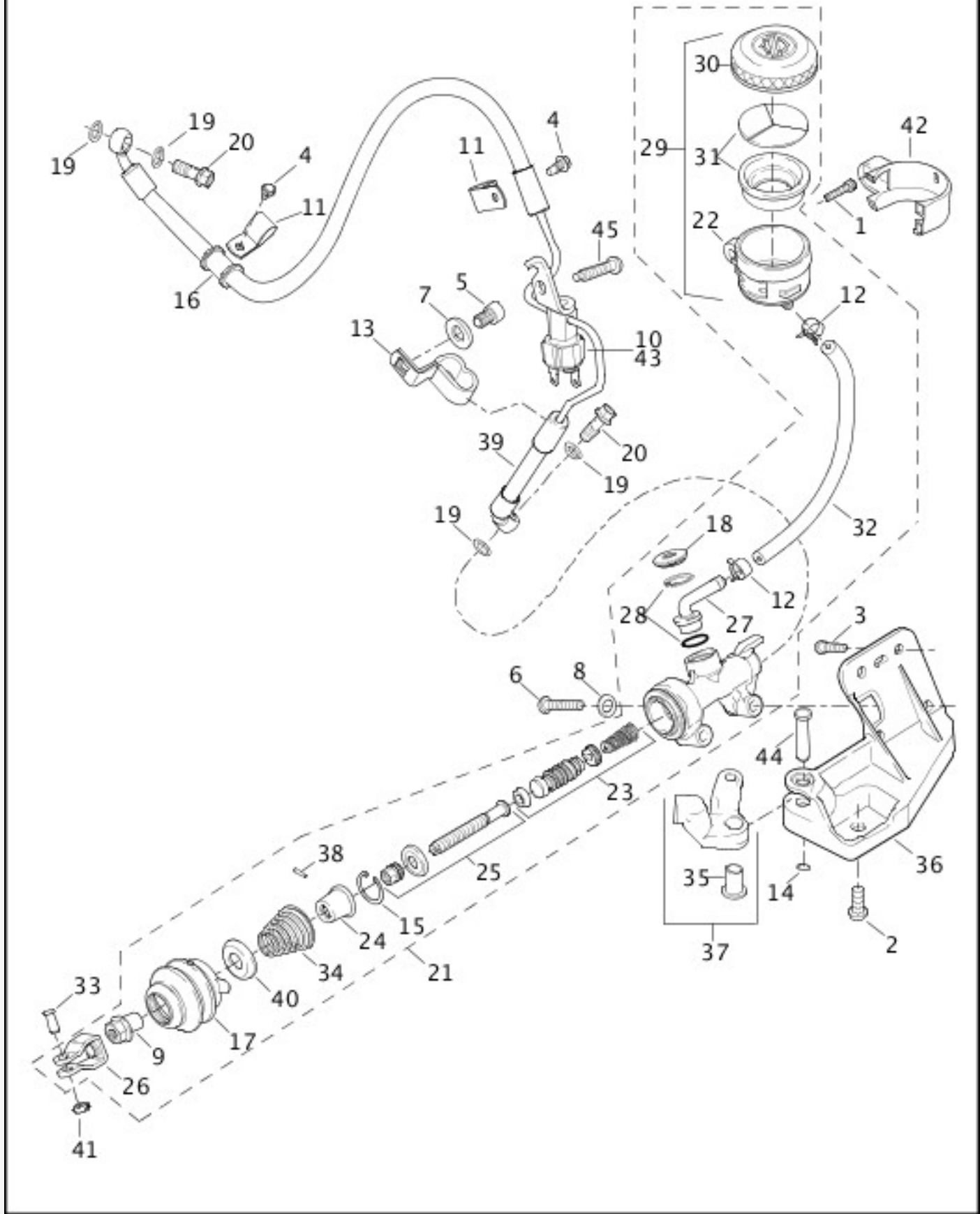
[View interactive table](#)

| INDEX NO. | PART NO. | DESCRIPTION | MODEL(S) |
|-----------|----------|-------------|----------|
| 1 | 4240 | SCREW | XR1200X |
| 2 | 2586A | SCREW | XR1200X |
| | | | |

| | | | |
|----|-----------|------------------------------|---------|
| 3 | 3244 | SCREW | XR1200X |
| 4 | 4741A | SCREW | XR1200X |
| 5 | 6101 | WASHER (2) | XR1200X |
| 6 | 10031 | CLAMP | XR1200X |
| 7 | 11379 | RETAINING RING | XR1200X |
| 8 | 11142 | RETAINING RING | XR1200X |
| 9 | 41732-04 | SEALING WASHER, 10mm (4) | XR1200X |
| 10 | 41736-04 | BANJO BOLT, 10mm (2) | XR1200X |
| 11 | 41737-04 | BANJO BOLT, 12mm | XR1200X |
| 12 | 41743-04 | SEALING WASHER, 12mm (2) | XR1200X |
| 13 | 42736-08 | REBUILD KIT, w/ 7 & 8 | XR1200X |
| 14 | 42425-05 | KIT, w/ 6101 (2) & screw (2) | XR1200X |
| 15 | 42804-07 | CAP, w/ decal | XR1200X |
| 16 | 42805-04 | GASKET KIT | XR1200X |
| 17 | 46946-06A | LEVER (black) | XR1200X |
| 18 | 42807-04 | BOLT | XR1200X |
| 19 | 42808-04 | CLAMP | XR1200X |
| 20 | 42941-10 | MASTER CYLINDER ASSEMBLY | XR1200X |
| 21 | 42942-08A | BRAKELINE | XR1200X |
| 22 | 45074-95 | GUIDE | XR1200X |

BRAKE, MASTER CYLINDER, REAR - 883L/N/R, 1200C/CP/N/V/X

BRAKE, MASTER CYLINDER, REAR - 883L/N/R, 1200C/CP/N/V/X



[View interactive image](#)

[View interactive table](#)

| INDEX NO. | PART NO. | DESCRIPTION | MODEL(S) |
|-----------|----------|-------------|--|
| 1 | 882 | SCREW | XL1200C, XL1200CP, XL1200N, XL1200V, XL1200X, XL883L, XL883N, XL883R |

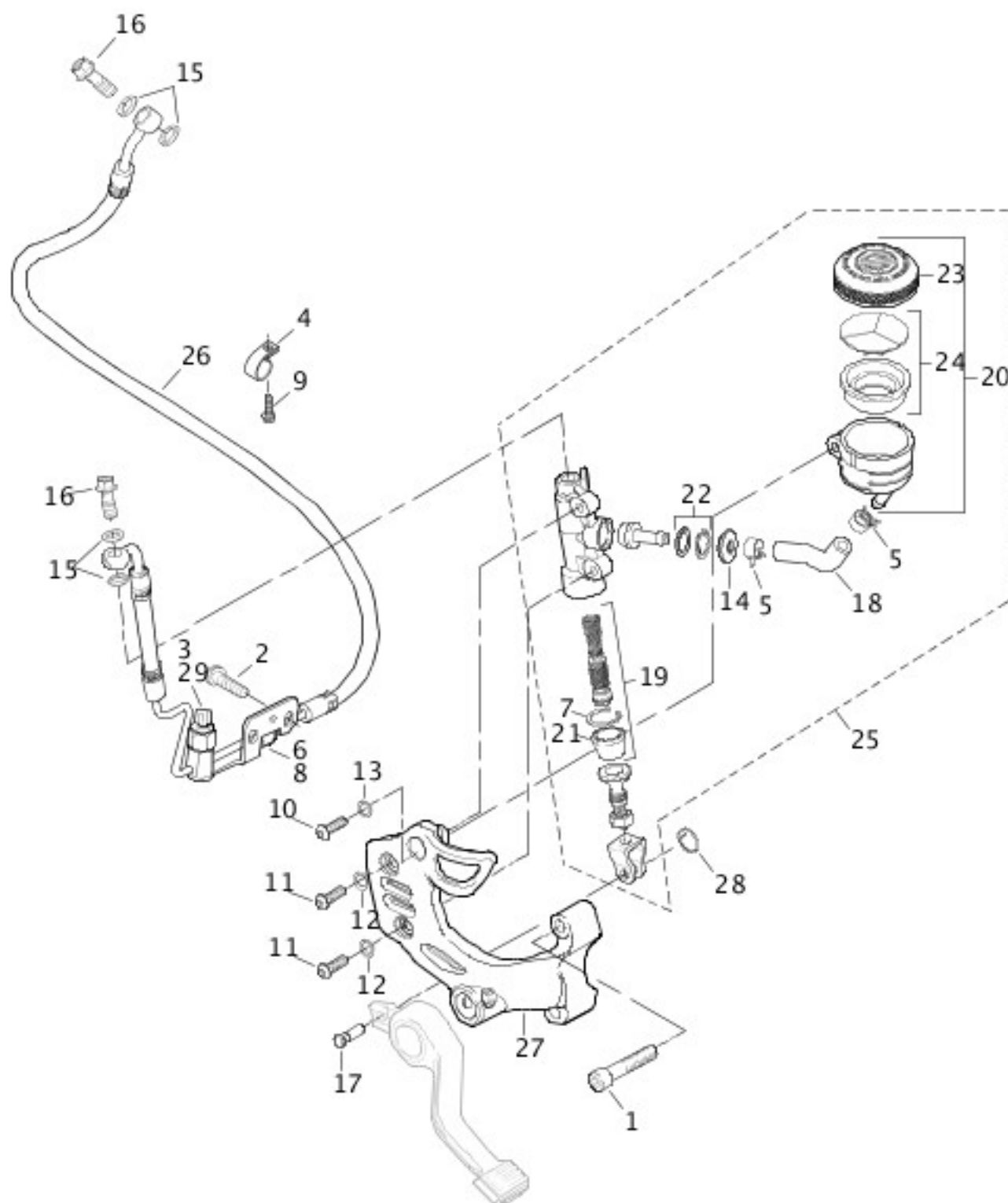
| | | | |
|----|----------|--|--|
| 2 | 995 | SCREW | XL1200C, XL1200CP, XL1200N, XL1200V, XL1200X, XL883L, XL883N, XL883R |
| 3 | 997 | SCREW (2) | XL1200C, XL1200CP, XL1200N, XL1200V, XL1200X, XL883L, XL883N, XL883R |
| 4 | 2501A | SCREW (2) | XL1200C, XL1200CP, XL1200N, XL1200V, XL1200X, XL883L, XL883N, XL883R |
| 5 | 4076 | SCREW | XL1200C, XL1200CP, XL1200V, XL1200X, XL883L, XL883N |
| 6 | 4816A | SCREW (2) | XL1200C, XL1200CP, XL1200N, XL1200V, XL1200X, XL883L, XL883N, XL883R |
| 7 | 6701 | WASHER | XL1200C, XL1200CP, XL1200N, XL1200V, XL1200X, XL883L, XL883N, XL883R |
| 8 | 6702 | WASHER (2) | XL1200C, XL1200CP, XL1200N, XL1200V, XL1200X, XL883L, XL883N, XL883R |
| 9 | 7477 | NUT | XL1200C, XL1200CP, XL1200N, XL1200V, XL1200X, XL883L, XL883N, XL883R |
| 10 | 9907 | TERMINAL | XL1200C, XL1200CP, XL1200N, XL1200V, XL1200X, XL883L, XL883N, XL883R |
| 11 | 10031 | CLAMP (2) | XL1200C, XL1200CP, XL1200N, XL1200V, XL1200X, XL883L, XL883N, XL883R |
| 12 | 10252 | CLAMP (2) | XL1200C, XL1200CP, XL1200N, XL1200V, XL1200X, XL883L, XL883N, XL883R |
| 13 | 10255 | CLAMP | XL1200C, XL1200CP, XL1200N, XL1200V, XL1200X, XL883L, XL883N, XL883R |
| 14 | 11031 | RETAINING RING | XL1200C, XL1200CP, XL1200N, XL1200V, XL1200X, XL883L, XL883N, XL883R |
| 15 | 11121 | RETAINING RING | XL1200C, XL1200CP, XL1200N, XL1200V, XL1200X, XL883L, XL883N, XL883R |
| 16 | 11407 | GROMMET | XL1200C, XL1200CP, XL1200N, XL1200V, XL1200X, XL883L, XL883N, XL883R |
| 17 | 40946-04 | BOOT | XL1200C, XL1200CP, XL1200N, XL1200V, XL1200X, XL883L, XL883N, XL883R |
| 18 | 40948-04 | DUSTCOVER | XL1200C, XL1200CP, XL1200N, XL1200V, XL1200X, XL883L, XL883N, XL883R |
| 19 | 41732-04 | SEALING WASHER, 10mm (4) | XL1200C, XL1200CP, XL1200N, XL1200V, XL1200X, XL883L, XL883N, XL883R |
| 20 | 41736-04 | BANJO BOLT, 10mm (2) | XL1200C, XL1200CP, XL1200N, XL1200V, XL1200X, XL883L, XL883N, XL883R |
| 21 | 42521-07 | MASTER CYLINDER AND RESERVOIR ASSEMBLY | XL1200C, XL1200CP, XL1200N, XL1200V, XL1200X, XL883L, XL883N, XL883R |

| | | | |
|----|-----------|---|--|
| 22 | 42595-04 | TANK | XL1200C, XL1200CP, XL1200N, XL1200V, XL1200X, XL883L, XL883N, XL883R |
| 23 | 42810-07A | REBUILD KIT, w/ 11121, 41732-04, 42811-04, & 44189-04 | XL1200C, XL1200CP, XL1200N, XL1200V, XL1200X, XL883L, XL883N, XL883R |
| 24 | 42811-04 | BOOT | XL1200C, XL1200CP, XL1200N, XL1200V, XL1200X, XL883L, XL883N, XL883R |
| 25 | 42812-04 | PUSH ROD ASSEMBLY | XL1200C, XL1200CP, XL1200N, XL1200V, XL1200X, XL883L, XL883N, XL883R |
| 26 | 42813-04 | YOKE | XL1200C, XL1200CP, XL1200N, XL1200V, XL1200X, XL883L, XL883N, XL883R |
| 27 | 42814-04 | PORT | XL1200C, XL1200CP, XL1200N, XL1200V, XL1200X, XL883L, XL883N, XL883R |
| 28 | 42815-04 | SEAL KIT, w/ retaining ring & O-ring | XL1200C, XL1200CP, XL1200N, XL1200V, XL1200X, XL883L, XL883N, XL883R |
| 29 | 42816-07 | RESERVOIR ASSEMBLY, w/ 42595-04, 42817-07, & 42845-07 | XL1200C, XL1200CP, XL1200N, XL1200V, XL1200X, XL883L, XL883N, XL883R |
| 30 | 42817-07 | CAP | XL1200C, XL1200CP, XL1200N, XL1200V, XL1200X, XL883L, XL883N, XL883R |
| 31 | 42845-07 | GASKET KIT | XL1200C, XL1200CP, XL1200N, XL1200V, XL1200X, XL883L, XL883N, XL883R |
| 32 | 42821-04 | HOSE | XL1200C, XL1200CP, XL1200N, XL1200V, XL1200X, XL883L, XL883N, XL883R |
| 33 | 42460-80B | PIN | XL1200C, XL1200CP, XL1200N, XL1200V, XL1200X, XL883L, XL883N, XL883R |
| 34 | 42593-04 | SPRING | XL1200C, XL1200CP, XL1200N, XL1200V, XL1200X, XL883L, XL883N, XL883R |
| 35 | 42846-04 | BUSHING | XL1200C, XL1200CP, XL1200N, XL1200V, XL1200X, XL883L, XL883N, XL883R |
| 36 | 42976-04 | BRACKET, mounting | XL1200C, XL1200CP, XL1200N, XL1200V, XL1200X, XL883L, XL883N, XL883R |
| 37 | 42979-04 | BELL CRANK ASSEMBLY, w/ 42846-04 | XL1200C, XL1200CP, XL1200N, XL1200V, XL1200X, XL883L, XL883N, XL883R |
| 38 | 44189-04 | SPRING PIN | XL1200C, XL1200CP, XL1200N, XL1200V, XL1200X, XL883L, XL883N, XL883R |
| 39 | 44429-11 | BRAKELINE ASSEMBLY, w/ 11407 | XL1200C, XL1200CP, XL1200N, XL1200V, XL1200X, XL883L, XL883N, XL883R |
| 40 | 44590-04 | RETAINER SPRING | XL1200C, XL1200CP, XL1200N, XL1200V, XL1200X, XL883L, XL883N, XL883R |
| 41 | 51938-04 | COTTER CIRCLE | XL1200C, XL1200CP, XL1200N, XL1200V, XL1200X, XL883L, XL883N, XL883R |

| | | | |
|----|-----------|-----------------------------|--|
| 42 | 67804-04 | COVER, reservoir | XL1200C, XL1200CP, XL1200N, XL1200V, XL1200X, XL883L, XL883N, XL883R |
| 43 | 72023-51D | BRAKE LIGHT SWITCH, w/ 9907 | XL1200C, XL1200CP, XL1200N, XL1200V, XL1200X, XL883L, XL883N, XL883R |
| 44 | 94432-04 | SHOULDER BOLT | XL1200C, XL1200CP, XL1200N, XL1200V, XL1200X, XL883L, XL883N, XL883R |
| 45 | 94612-04 | SCREW | XL1200C, XL1200CP, XL1200N, XL1200V, XL1200X, XL883L, XL883N, XL883R |

BRAKE, MASTER CYLINDER, REAR - XR1200X

BRAKE, MASTER CYLINDER, REAR - XR1200X



[View interactive image](#)

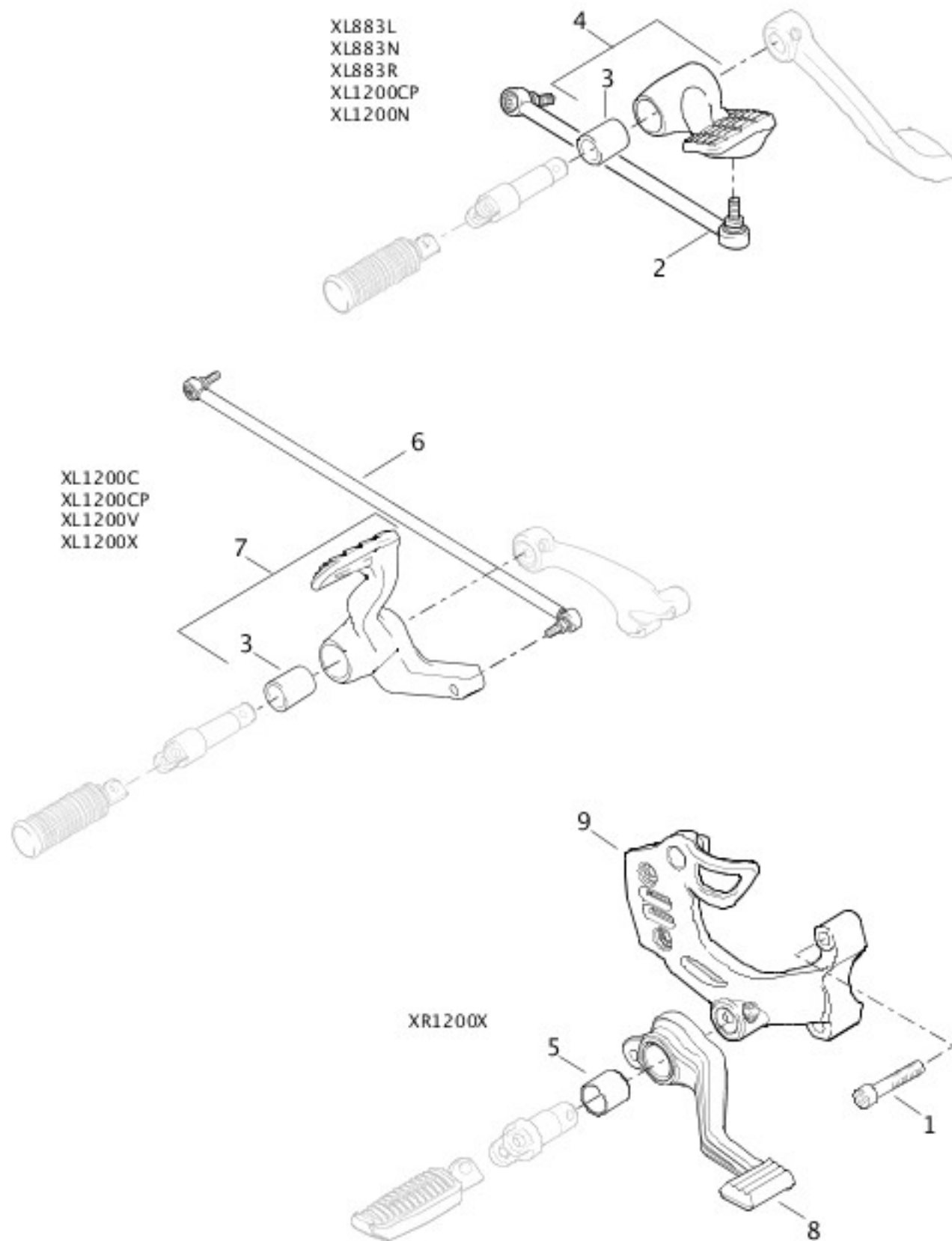
[View interactive table](#)

| INDEX NO. | PART NO. | DESCRIPTION | MODEL(S) |
|-----------|----------|-------------|----------|
| 1 | 855B | SCREW | XR1200X |
| 2 | 997 | SCREW (2) | XR1200X |

| | | | |
|----|-----------|---|---------|
| 3 | 9907 | TERMINAL | XR1200X |
| 4 | 10092 | CLAMP (2) | XR1200X |
| 5 | 10252 | CLAMP (2) | XR1200X |
| 6 | 10031 | RETAINING RING | XR1200X |
| 7 | 11121 | RETAINING RING | XR1200X |
| 8 | 11407 | GROMMET | XR1200X |
| 9 | 3579A | SCREW | XR1200X |
| 10 | 42425-05 | KIT, screw & washer | XR1200X |
| 11 | 4975M | SCREW (2) | XR1200X |
| 12 | 6099 | WASHER (2) | XR1200X |
| 13 | 7124 | LOCKWASHER | XR1200X |
| 14 | 40948-04 | DUSTCOVER | XR1200X |
| 15 | 41732-04 | SEALING WASHER, 10mm (4) | XR1200X |
| 16 | 41736-04 | BANJO BOLT (2) | XR1200X |
| 17 | 42460-80B | CLEVIS PIN | XR1200X |
| 18 | 42737-08 | HOSE | XR1200X |
| 19 | 42738-08 | REBUILD KIT, w/ 11121, 42811-04 | XR1200X |
| 20 | 42744-08 | RESERVOIR ASSEMBLY KIT, w/ 42817-07, 42845-07 | XR1200X |
| 21 | 42811-04 | BOOT | XR1200X |
| 22 | 42815-04 | SEAL KIT, w/ O-ring | XR1200X |
| 23 | 42817-07 | CAP | XR1200X |
| 24 | 42845-07 | GASKET KIT | XR1200X |
| 25 | 42945-08 | MASTER CYLINDER ASSEMBLY, rear | XR1200X |
| 26 | 42975-08A | BRAKELINE ASSEMBLY, w/ 10031, 11407 | XR1200X |
| 27 | 51045-08 | BRACKET | XR1200X |
| 28 | 51938-04 | COTTER CIRCLE | XR1200X |
| 29 | 72023-51D | BRAKE LIGHT SWITCH, w/ 9907 | XR1200X |

BRAKE CONTROL, REAR

BRAKE CONTROL, REAR



[View interactive image](#)

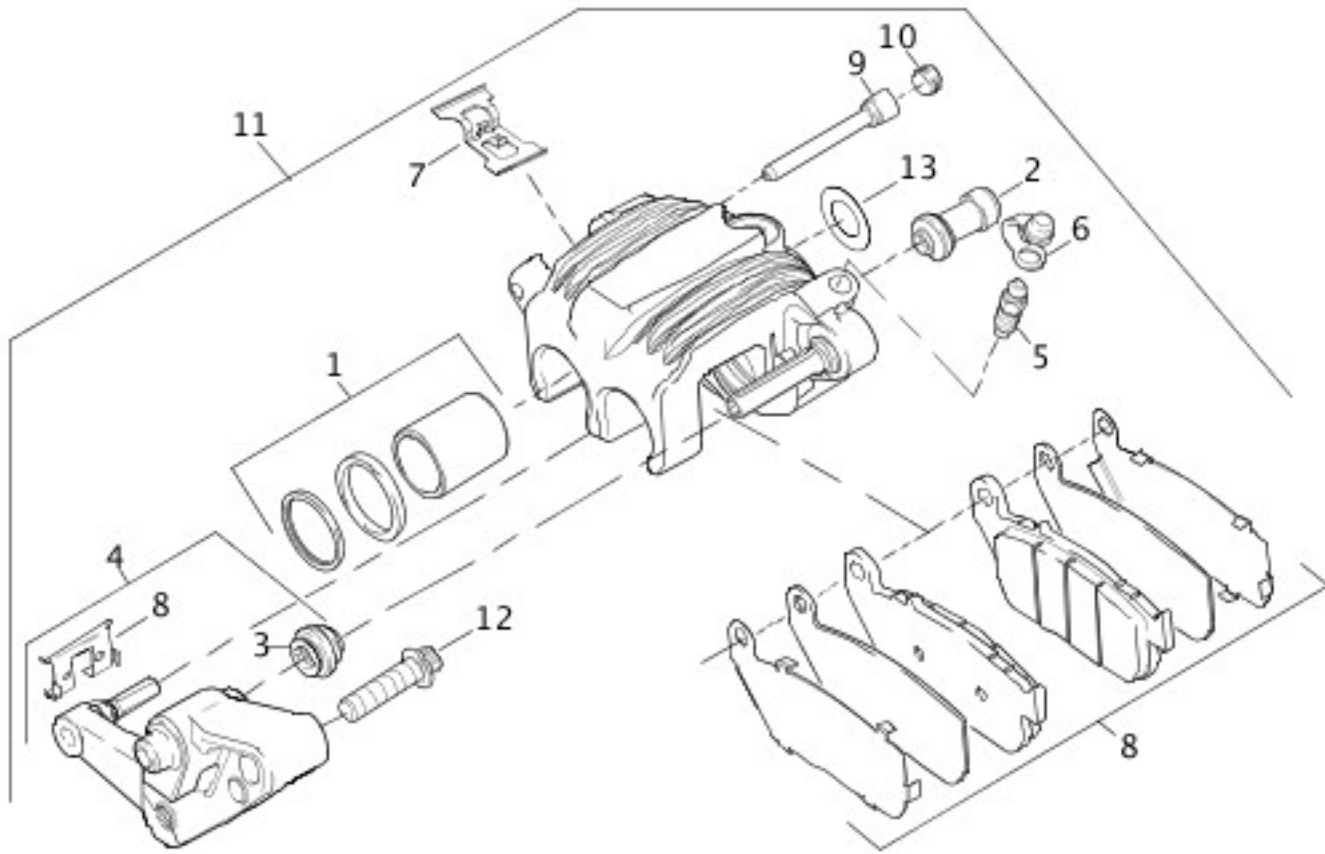
[View interactive table](#)

| INDEX NO. | PART NO. | DESCRIPTION | MODEL(S) |
|-----------|----------|--------------------|---|
| 1 | 855B | SCREW (2) | XR1200X |
| 2 | 34582- | BRAKE ROD ASSEMBLY | XL1200CP, XL1200N, XL883L, XL883N, XL883R |

| | | | |
|---|-----------|--|--|
| | 04 | | |
| 3 | 42569-03 | BUSHING | XL1200C, XL1200CP, XL1200N, XL1200V, XL1200X, XL883L, XL883N, XL883R |
| 4 | 42969-04 | PEDAL ASSEMBLY, w/ 42569-03 (1200CP - Mid Foot Controls) | XL1200CP, XL883L |
| | 42341-07 | PEDAL ASSEMBLY, w/ 42569-03 | XL1200N, XL883N, XL883R |
| 5 | 42443-80A | BUSHING | XR1200X |
| 6 | 34581-04 | BRAKE ROD ASSEMBLY | XL1200C, XL1200CP, XL1200V |
| | 42645-07 | BRAKE ROD ASSEMBLY | XL1200C, XL1200X |
| 7 | 42649-07 | PEDAL ASSEMBLY, w/ 42569-03 | XL1200C, XL1200X |
| | 42685-04 | PEDAL ASSEMBLY, w/ 42569-03 (1200CP - Forward Foot Controls) | XL1200C, XL1200CP, XL1200V |
| 8 | 42949-08A | BRAKE PEDAL, w/ 42443-80A | XR1200X |
| 9 | 51045-08 | BRACKET | XR1200X |

BRAKE CALIPER, FRONT - 883L/N/R, 1200C/CP/N/V/X

BRAKE CALIPER, FRONT – 883L/N/R, 1200C/CP/N/V/



[View interactive image](#)

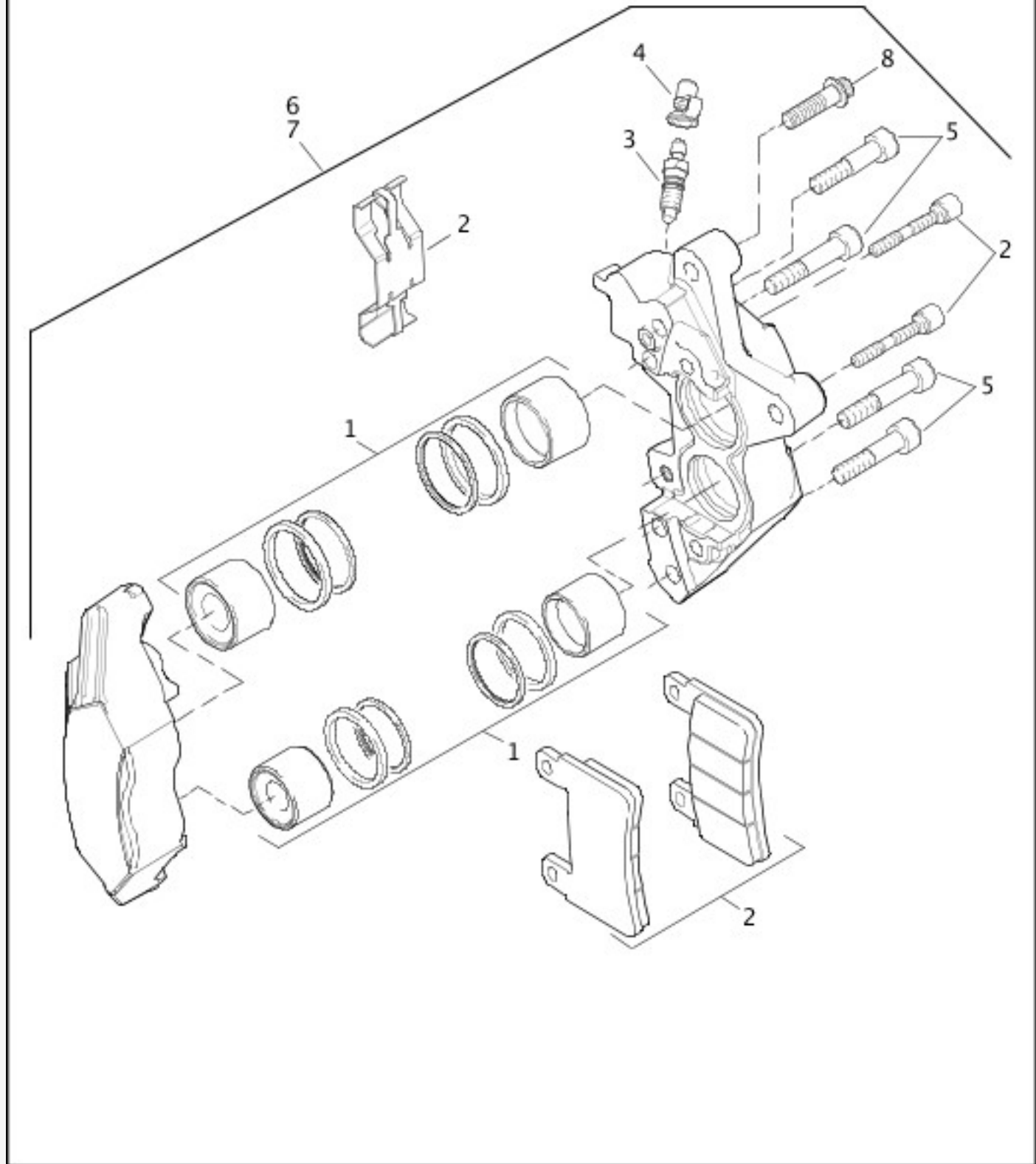
[View interactive table](#)

| INDEX NO. | PART NO. | DESCRIPTION | MODEL(S) |
|-----------|----------|-------------|--|
| 1 | 42028-07 | PISTON KIT | XL1200C, XL1200CP, XL1200N, XL1200V, XL1200X, XL883L, XL883N, XL883R |

| | | | |
|----|-----------|--|--|
| 2 | 42823-04 | BOOT, bushing | XL1200C, XL1200CP, XL1200N, XL1200V, XL1200X, XL883L, XL883N, XL883R |
| 3 | 42824-04 | BOOT, pin | XL1200C, XL1200CP, XL1200N, XL1200V, XL1200X, XL883L, XL883N, XL883R |
| 4 | 42825-04 | CALIPER BRACKET ASSEMBLY, left, w/ 42824-04 | XL1200C, XL1200CP, XL1200V, XL883L |
| | 42880-10 | CALIPER BRACKET ASSEMBLY, left, w/ 42824-04 | XL1200N, XL1200X, XL883N, XL883R |
| | 42878-10 | CALIPER BRACKET ASSEMBLY, right, w/ 42824-04 (not shown) | XL883R |
| 5 | 42875-07 | BLEEDER SCREW, w/ O-ring, left | XL1200C, XL1200CP, XL1200N, XL1200V, XL1200X, XL883L, XL883N, XL883R |
| | 42827-04 | BLEEDER SCREW, right | XL883R |
| 6 | 42828-04 | CAP, right | XL883R |
| | 42893-07 | CAP, left | XL1200C, XL1200CP, XL1200N, XL1200V, XL1200X, XL883L, XL883N, XL883R |
| 7 | 42829-04 | SPRING | XL1200C, XL1200CP, XL1200N, XL1200V, XL1200X, XL883L, XL883N, XL883R |
| 8 | 42831-04A | PAD KIT, w/ retainer clip | XL1200C, XL1200CP, XL1200N, XL1200V, XL1200X, XL883L, XL883N, XL883R |
| 9 | 42832-04 | PAD PIN | XL1200C, XL1200CP, XL1200N, XL1200V, XL1200X, XL883L, XL883N, XL883R |
| 10 | 42838-04 | PLUG | XL1200C, XL1200CP, XL1200N, XL1200V, XL1200X, XL883L, XL883N, XL883R |
| 11 | 44121-07A | CALIPER ASSEMBLY, left | XL1200C, XL1200CP, XL1200V, XL883L |
| | 42877-10 | CALIPER ASSEMBLY, right (not shown) | XL883R |
| | 42879-10 | CALIPER ASSEMBLY, left | XL1200N, XL1200X, XL883N, XL883R |
| 12 | 44160-00 | BOLT (2-CR/CT/LF/LH/CZ/LE/LC, 4-CS) | XL1200C, XL1200CP, XL1200N, XL1200V, XL1200X, XL883L, XL883N, XL883R |
| 13 | 44440-04 | DECAL | XL1200C, XL1200CP, XL1200N, XL1200V, XL1200X, XL883L, XL883N, XL883R |

BRAKE CALIPER, FRONT - XR1200X

BRAKE CALIPER, FRONT - XR1200X



[View interactive image](#)

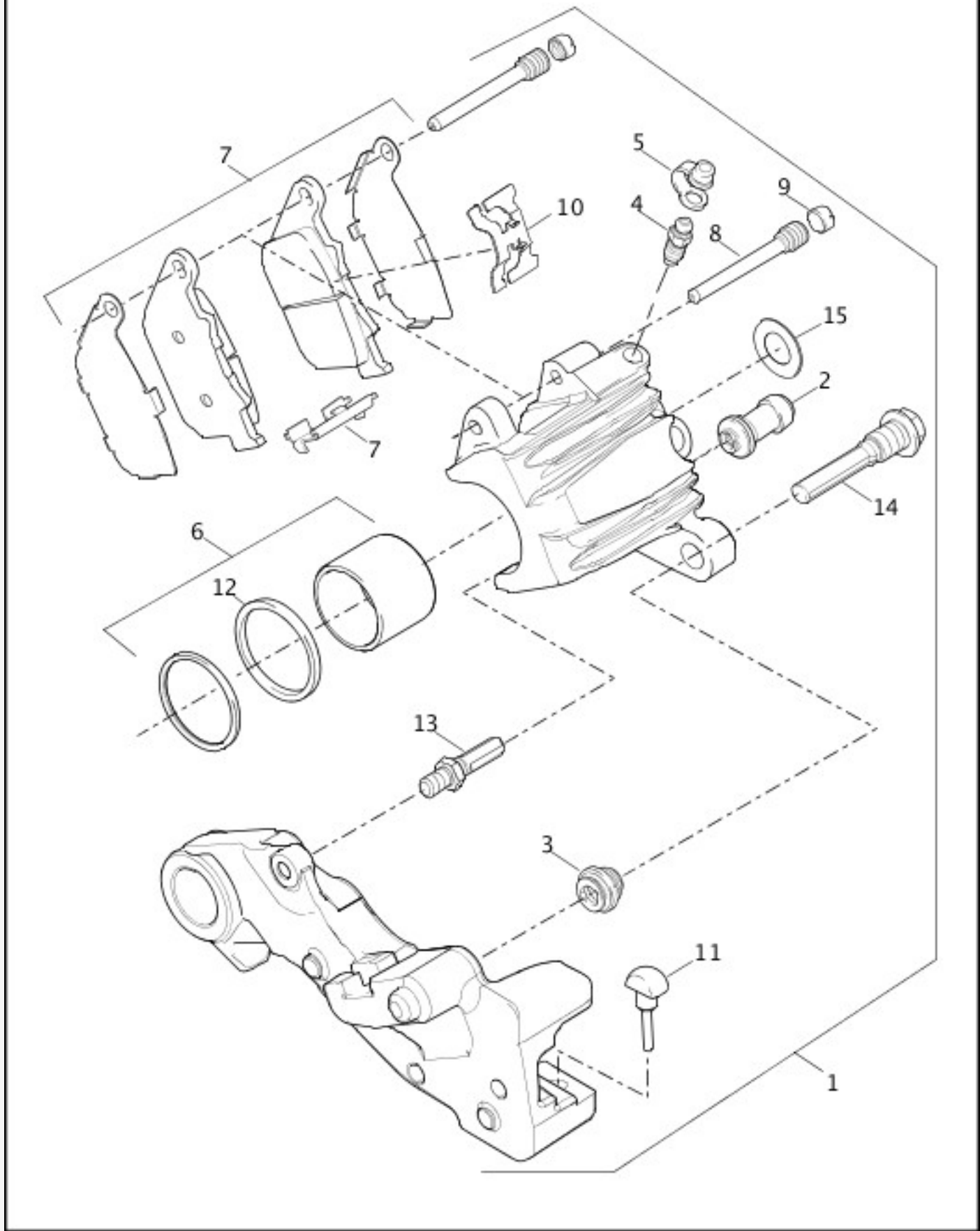
[View interactive table](#)

| INDEX NO. | PART NO. | DESCRIPTION | MODEL(S) |
|-----------|----------|---------------------------|----------|
| 1 | 21965-08 | PISTON KIT | XR1200X |
| 2 | 42739-08 | PAD KIT, w/ spring & pins | XR1200X |

| | | | |
|---|----------|--------------------------------|---------|
| 3 | 42827-04 | BLEEDER SCREW, right | XR1200X |
| | 42875-07 | BLEEDER SCREW, left, w/ O-ring | XR1200X |
| 4 | 42828-04 | CAP, right | XR1200X |
| | 42893-07 | CAP, left | XR1200X |
| 5 | 42899-08 | BOLT KIT (4) | XR1200X |
| 6 | 42943-08 | CALIPER ASSEMBLY, left | XR1200X |
| 7 | 42944-08 | CALIPER ASSEMBLY, right | XR1200X |
| 8 | 44160-00 | BOLT (2) | XR1200X |

BRAKE CALIPER, REAR - 883L/N/R, 1200C/CP/N/V/X

BRAKE CALIPER, REAR – 883L/N/R, 1200C/CP/N/V/



[View interactive image](#)

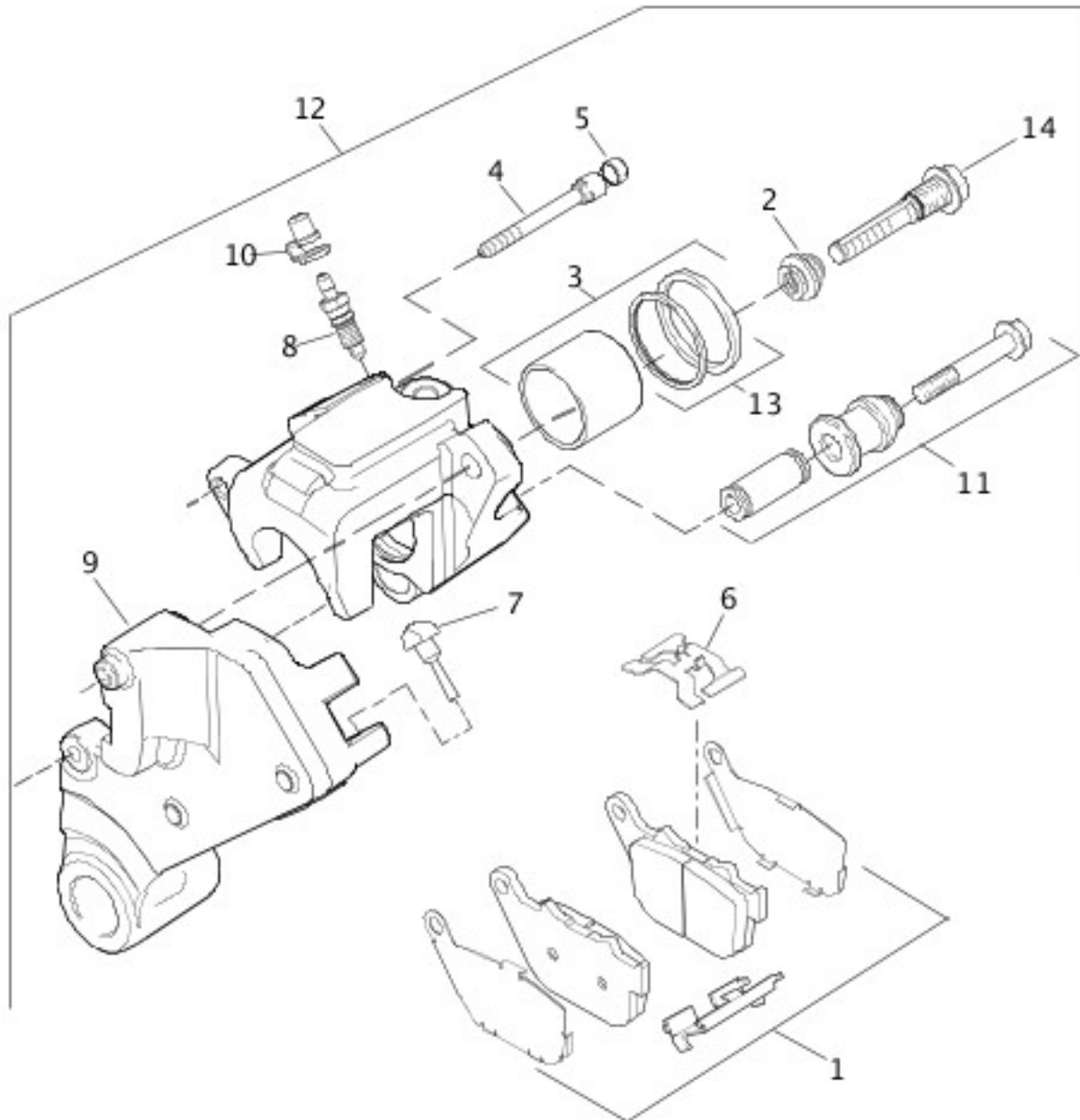
[View interactive table](#)

| INDEX NO. | PART NO. | DESCRIPTION | MODEL(S) |
|-----------|----------|---------------------------|------------------------------------|
| 1 | 40968-11 | CALIPER ASSEMBLY (silver) | XL1200C, XL1200CP, XL1200V, XL883L |

| | | | |
|----|----------|------------------------------|---|
| | 42881-11 | CALIPER ASSEMBLY (black) | XL1200N, XL1200X, XL883N, XL883R |
| 2 | 42823-04 | BOOT, bushing | XL1200C, XL1200CP, XL1200N, XL1200V, XL1200X, XL883L, XL883N, XL883R |
| 3 | 42824-04 | BOOT, pin | XL1200C, XL1200CP, XL1200N, XL1200V, XL1200X, XL883L, XL883N, XL883R |
| 4 | 42875-07 | BLEEDER SCREW, w/ O- ring | XL1200C, XL1200CP, XL1200N, XL1200V, XL1200X, XL883L, XL883N, XL883R |
| 5 | 42893-07 | CAP | XL1200C, XL1200CP, XL1200N, XL1200V, XL1200X, XL883L, XL883N, XL883R |
| 6 | 42834-04 | PISTON KIT | XL1200C, XL1200CP, XL1200N, XL1200V, XL1200X, XL883L, XL883N, XL883R |
| 7 | 42029-07 | PAD KIT | XL1200C, XL1200CP, XL1200N, XL1200V, XL1200X, XL883L, XL883N, XL883R |
| 8 | 42837-04 | PAD PIN | XL1200C, XL1200CP, XL1200N, XL1200V, XL1200X, XL883L, XL883N, XL883R |
| 9 | 42838-04 | PLUG | XL1200C, XL1200CP, XL1200N, XL1200V, XL1200X, XL883L, XL883N, XL883R |
| 10 | 42839-04 | SPRING | XL1200C, XL1200CP, XL1200N, XL1200V, XL1200X, XL883L, XL883N, XL883R |
| 11 | 42840-04 | DAMPER | XL1200C, XL1200CP, XL1200N, XL1200V, XL1200X, XL883L, XL883N, XL883R |
| 12 | 43528-04 | SEAL KIT | XL1200C, XL1200CP, XL1200N, XL1200V, XL1200X, XL883L, XL883N, XL883R |
| 13 | 44178-04 | PIN | XL1200C, XL1200CP, XL1200N, XL1200V, XL1200X, XL883L, XL883N, XL883R |
| 14 | 44184-04 | PIN | XL1200C, XL1200CP, XL1200N, XL1200V, XL1200X, XL883L, XL883N, XL883R |
| 15 | 44440-04 | DECAL | XL1200C, XL1200CP, XL1200N, XL1200V, XL1200X, XL883L, XL883N, XL883R |

BRAKE CALIPER, REAR - XR1200X

BRAKE CALIPER, REAR – XR1200X



[View interactive image](#)

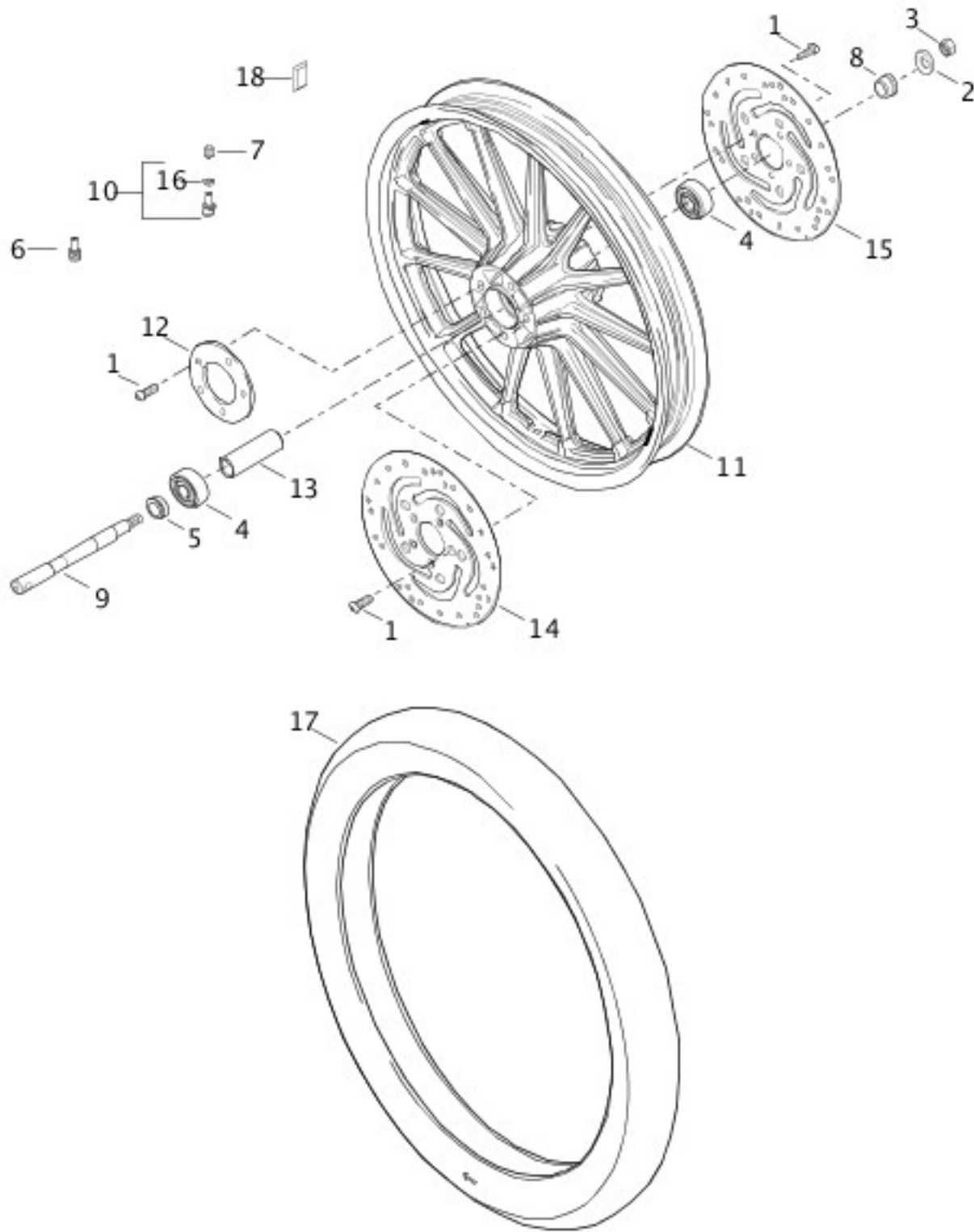
[View interactive table](#)

| INDEX NO. | PART NO. | DESCRIPTION | MODEL(S) |
|-----------|----------|-------------|----------|
| 1 | 42310-08 | PAD KIT | XR1200X |
| 2 | 42824-04 | BOOT, pin | XR1200X |
| | | | |

| | | | |
|----|----------|---|---------|
| 3 | 42834-04 | PISTON KIT, w/ 43528-04 | XR1200X |
| 4 | 42837-04 | PAD PIN | XR1200X |
| 5 | 42838-04 | PLUG | XR1200X |
| 6 | 42839-04 | SPRING | XR1200X |
| 7 | 42840-04 | DAMPER | XR1200X |
| 8 | 42875-07 | BLEEDER SCREW, w/ O-ring | XR1200X |
| 9 | 42892-08 | BRACKET ASSEMBLY, w/ 42824-04, 42840-04 | XR1200X |
| 10 | 42893-07 | CAP | XR1200X |
| 11 | 42900-08 | BOLT & SLEEVE KIT | XR1200X |
| 12 | 42948-08 | CALIPER ASSEMBLY, w/ 1, 3, 4, 5, 6, 8, 9, 10, 11 & 14 | XR1200X |
| 13 | 43528-04 | SEAL KIT | XR1200X |
| 14 | 44184-04 | PIN | XR1200X |

WHEELS, FRONT, CAST - 883L/N/R, 1200C/CP

WHEELS, FRONT, CAST – 883L/N/R, 1200C/CP



[View interactive image](#)

[View interactive table](#)

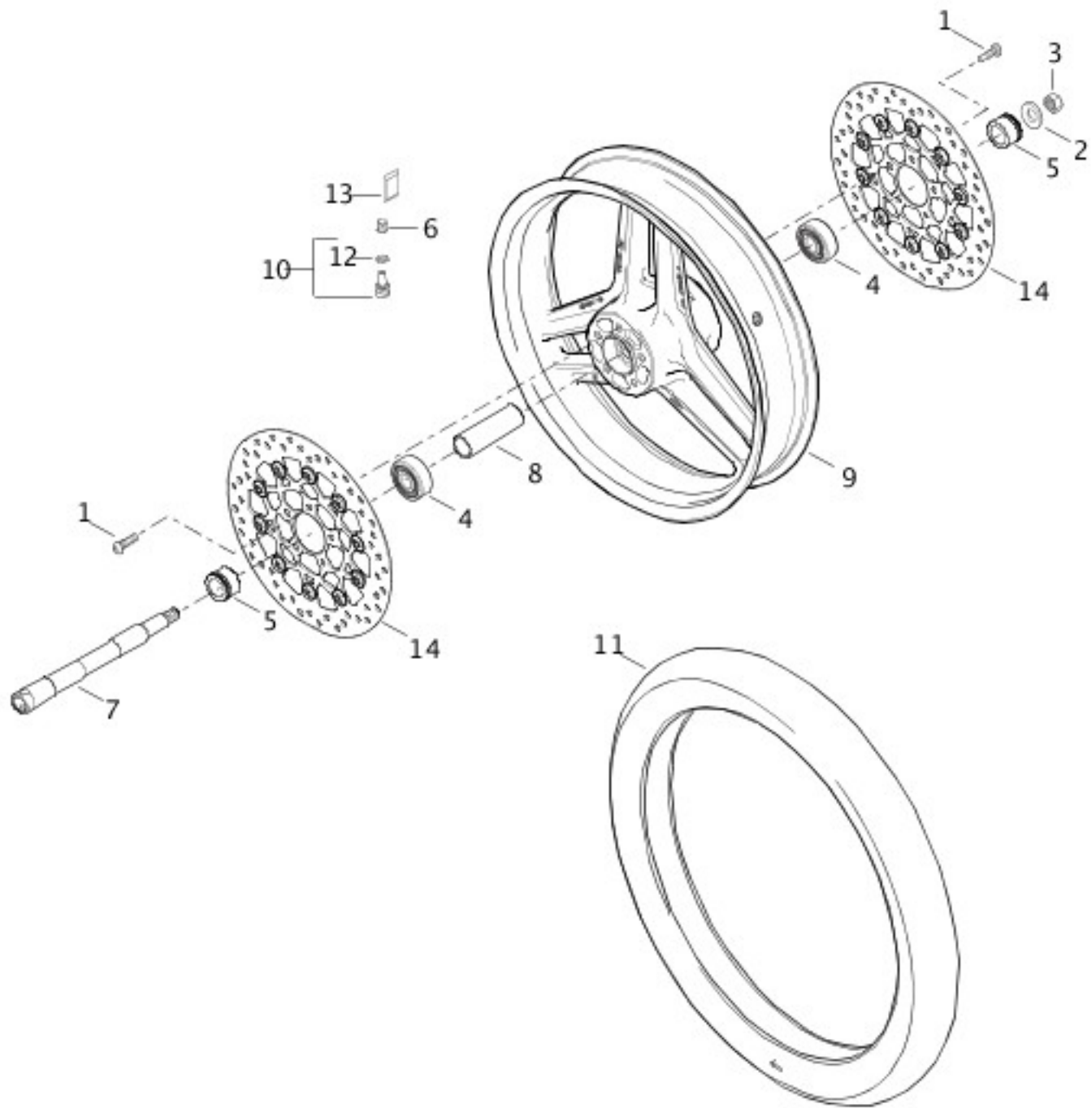
| INDEX NO. | PART NO. | DESCRIPTION | MODEL(S) |
|-----------|----------|-------------|---|
| 1 | 3655A | SCREW (10) | XL1200C, XL1200CP, XL883L, XL883N, XL883R |

| | | | |
|----|-----------|--|---|
| 2 | 6594 | WASHER | XL1200C, XL1200CP, XL883L, XL883N, XL883R |
| 3 | 7813A | NUT | XL1200C, XL1200CP, XL883L, XL883N, XL883R |
| 4 | 9276A | BALL BEARING, 25mm (2) | XL1200C, XL1200CP, XL883L, XL883N, XL883R |
| 5 | 11804 | SPACER, right | XL1200C, XL1200CP, XL883L |
| | 43358-08 | SPACER, right | XL883N, XL883R |
| 6 | 40999-87 | VALVE STEM | XL1200C, XL1200CP |
| 7 | 41123-79 | VALVE CAP | XL1200C, XL1200CP, XL883L, XL883N, XL883R |
| 8 | 41242-08 | SPACER, left | XL1200C, XL1200CP, XL883L |
| | 43522-08 | SPACER, left | XL883N, XL883R |
| 9 | 41628-08 | AXLE | XL1200C, XL1200CP, XL883L |
| | 43895-08 | AXLE | XL883N, XL883R |
| 10 | 43157-83A | VALVE STEM ASSEMBLY, w/ 54321-85 | XL883L, XL883N, XL883R |
| 11 | 43499-08 | WHEEL ASSEMBLY, 19 in. (13 spoke) (black) w/o bearings & sleeves | XL883R |
| | 47875-09A | WHEEL ASSEMBLY, 19 in. (13 spoke) (black) w/o bearings & sleeves | XL883N |
| | 43689-11 | WHEEL ASSEMBLY, 18 in. (5 spoke) (black) w/o bearings & sleeves (not shown) | XL883L |
| | 55018-11 | WHEEL ASSEMBLY, 16 in. (5 spoke) (chrome) w/o bearings & sleeves (not shown) | XL1200C, XL1200CP |
| | 55074-11 | WHEEL ASSEMBLY, 16 in. (5 spoke) (black) w/o bearings & sleeves (not shown) | XL1200CP |
| 12 | 43355-00 | HUB PLATE (flat black) | XL883N |
| | 43359-00 | HUB PLATE (silver) | XL883L |
| 13 | 43906-08 | SPACER | XL883N, XL883R |
| | | | |

| | | | |
|----|-----------|--------------------------------|---|
| | 11888 | SPACER | XL1200C, XL1200CP, XL883L |
| 14 | 44136-00 | BRAKE DISC, right | XL883R |
| 15 | 44156-00 | BRAKE DISC, left | XL1200C, XL1200CP, XL883L, XL883N, XL883R |
| 16 | 54321-85 | NUT | XL883L, XL883N, XL883R |
| 17 | 40879-11A | TIRE | XL883L |
| | 43258-07B | TIRE | XL883N, XL883R |
| | 55035-11 | TIRE | XL1200C, XL1200CP |
| 18 | 95595-84A | WHEEL WEIGHT, 5 grams (silver) | XL1200C, XL1200CP, XL883L, XL883N, XL883R |

WHEEL, FRONT, CAST - XR1200X

WHEEL, FRONT, CAST - XR1200X



[View interactive image](#)

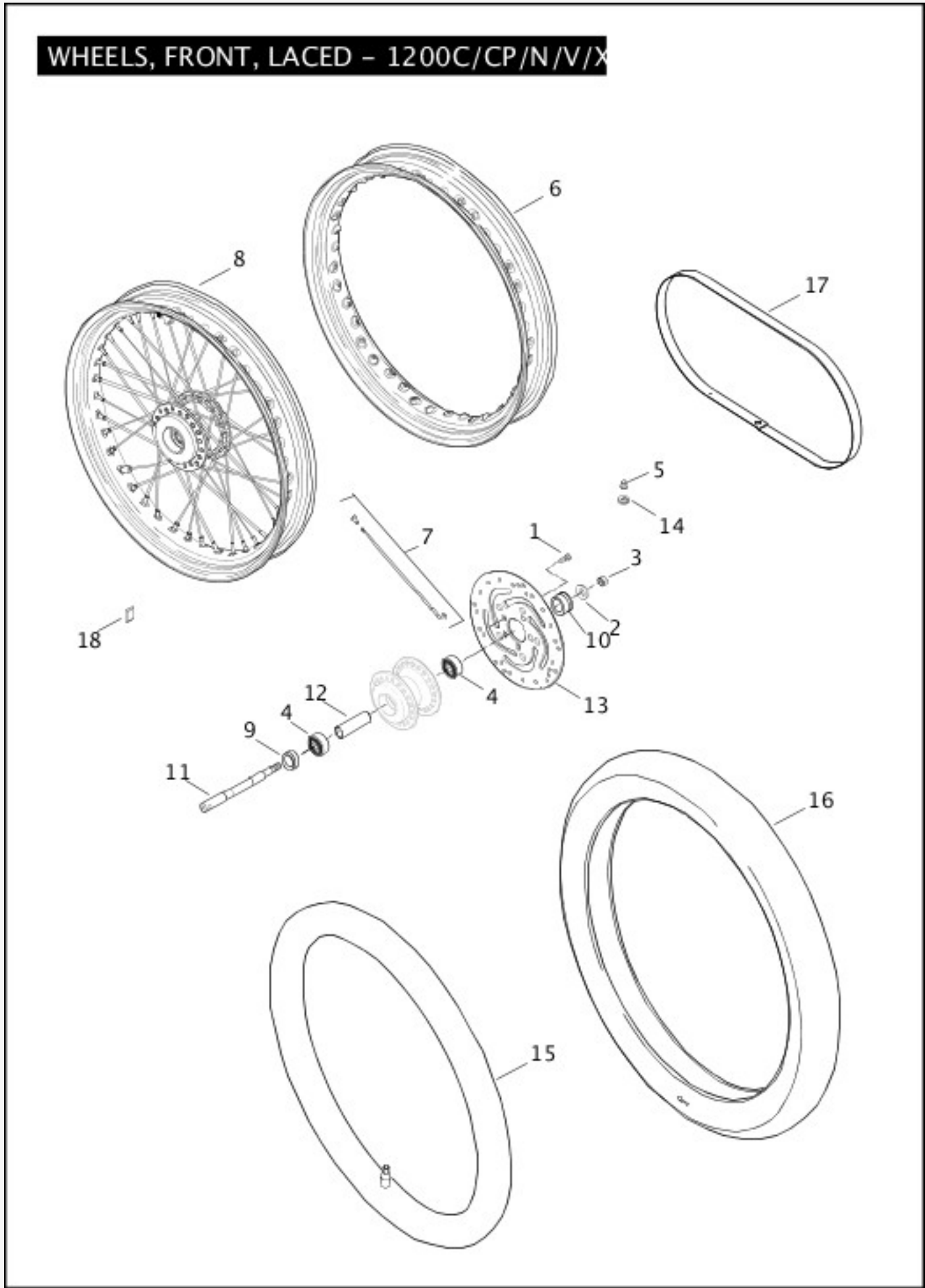
[View interactive table](#)

| INDEX NO. | PART NO. | DESCRIPTION | MODEL(S) |
|-----------|----------|-------------|----------|
| 1 | 3655A | SCREW (10) | XR1200X |
| 2 | 6594 | WASHER | XR1200X |

| | | | |
|----|-----------|---|---------|
| 3 | 7813A | NUT | XR1200X |
| 4 | 9276A | BALL BEARING, 25mm (2) | XR1200X |
| 5 | 11804 | SPACER (2) | XR1200X |
| 6 | 41123-79 | VALVE CAP | XR1200X |
| 7 | 41628-08 | AXLE (front) | XR1200X |
| 8 | 41748-08 | SLEEVE | XR1200X |
| 9 | 43343-10 | WHEEL ASSEMBLY, 18 in. (3 spoke) (black w/ stripe) w/o bearings & sleeves | XR1200X |
| 10 | 43157-83A | VALVE STEM ASSEMBLY, w/ 54321-85 | XR1200X |
| 11 | 40879-11A | TIRE | XR1200X |
| 12 | 54321-85 | NUT | XR1200X |
| 13 | 95594-84A | WHEEL WEIGHT, 5 grams (black) | XR1200X |
| 14 | 41822-10 | BRAKE DISC (2) | XR1200X |

WHEELS, FRONT, LACED - 1200C/CP/N/V/X

WHEELS, FRONT, LACED - 1200C/CP/N/V/X



[View interactive image](#)

[View interactive table](#)

| INDEX NO. | PART NO. | DESCRIPTION | MODEL(S) |
|-----------|----------|-------------|--|
| 1 | 3655A | SCREW (5) | XL1200C, XL1200CP, XL1200N, XL1200V, XL1200X |

| | | | |
|----|-----------|--|--|
| 2 | 6594 | WASHER | XL1200C, XL1200CP, XL1200N, XL1200V, XL1200X |
| 3 | 7813A | NUT | XL1200C, XL1200CP, XL1200N, XL1200V, XL1200X |
| 4 | 9276A | BALL BEARING, 25mm (2) | XL1200C, XL1200CP, XL1200N, XL1200V, XL1200X |
| 5 | 41123-79 | VALVE CAP | XL1200C, XL1200CP, XL1200N, XL1200V, XL1200X |
| 6 | 41426-07 | RIM, 19 in. (black) | XL1200N |
| | 41389-10 | RIM, 16 in. (black) | XL1200CP, XL1200X |
| | 43662-80B | RIM, 21 in. (chrome) | XL1200V |
| | 55127-11 | RIM, 16 in. (chrome) | XL1200C, XL1200CP |
| 7 | 40759-05 | SPOKE & NIPPLE KIT, 21 in. rim - long (chrome) (set of 20) | XL1200V |
| | 40760-05 | SPOKE & NIPPLE KIT, 21 in. rim - short (chrome) (set of 20) | XL1200V |
| | 40762-05 | SPOKE & NIPPLE KIT, 19 in. rim - long (chrome) (set of 20) | XL1200N |
| | 40761-05 | SPOKE & NIPPLE KIT, 19 in. rim - short (chrome) (set of 20) | XL1200N |
| | 47887-10 | SPOKE & NIPPLE KIT, 16 in. rim (set of 32) | XL1200C, XL1200CP, XL1200X |
| 8 | 43831-08 | WHEEL ASSEMBLY, 19 in.(black) w/o bearings & sleeves | XL1200N |
| | 41388-10 | WHEEL ASSEMBLY, 16 in. (black) w/o bearings & sleeves | XL1200CP, XL1200X |
| | 43557-08 | WHEEL ASSEMBLY, 21 in. (chrome) w/o bearings & sleeves | XL1200V |
| | 55126-11 | WHEEL ASSEMBLY, 16 in. (chrome) w/o bearings & sleeves | XL1200C, XL1200CP |
| 9 | 43358-08 | SPACER, right | XL1200N, XL1200V |
| | 11804 | SPACER, right | XL1200C, XL1200CP, XL1200X |
| 10 | 43522-08 | SPACER, left | XL1200N, XL1200V |
| | 41242-08 | SPACER, left | XL1200C, XL1200CP, XL1200X |
| 11 | 43895-08 | AXLE | XL1200N, XL1200V |
| | 41628-08 | AXLE | XL1200C, XL1200CP, XL1200X |
| | | | |

| | | | |
|----|-----------|--------------------------------|--|
| 12 | 43906-08 | SPACER | XL1200N, XL1200V |
| | 11888 | SPACER | XL1200C, XL1200CP, XL1200X |
| 13 | 44156-00 | BRAKE DISC | XL1200C, XL1200CP, XL1200N, XL1200V, XL1200X |
| 14 | 54321-85 | NUT | XL1200C, XL1200CP, XL1200N, XL1200V, XL1200X |
| 15 | 41188-06 | INNER TUBE | XL1200N |
| | 40558-82 | INNER TUBE | XL1200X |
| | 40572-11 | INNER TUBE | XL1200C, XL1200CP |
| | 43140-80 | INNER TUBE | XL1200V |
| 16 | 43258-07B | TIRE | XL1200N |
| | 55035-11 | TIRE | XL1200C, XL1200CP, XL1200X |
| | 43100004 | TIRE | XL1200V |
| 17 | 43145-47 | RIM STRIP | XL1200N |
| | 40875-11 | RIM STRIP | XL1200C, XL1200CP, XL1200X |
| | 43939-89 | RIM STRIP | XL1200V |
| 18 | 95595-84A | WHEEL WEIGHT, 5 grams (silver) | XL1200N, XL1200V |
| | 95594-84A | WHEEL WEIGHT, 5 grams (black) | XL1200C, XL1200CP, XL1200X |

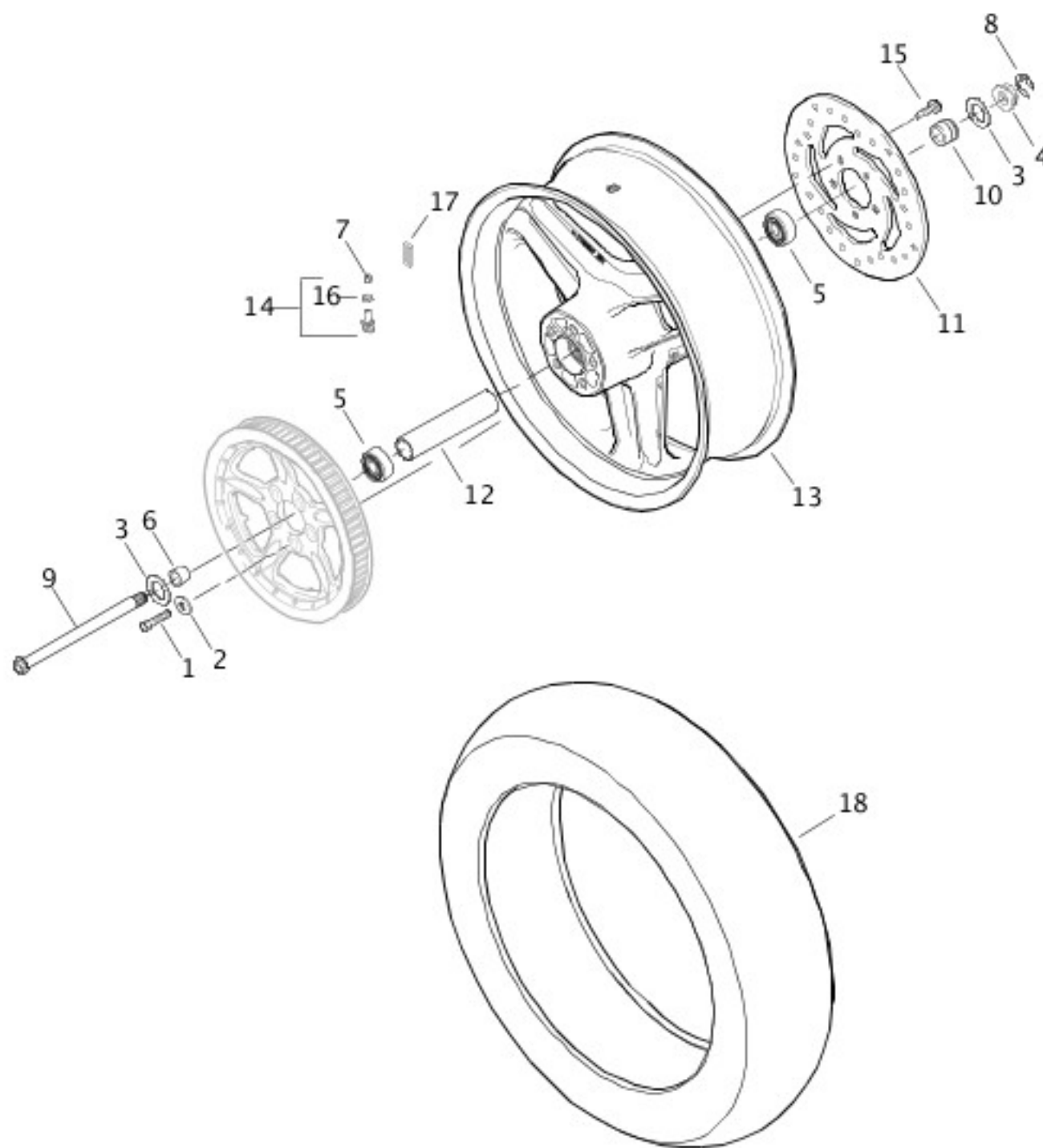
WHEELS, REAR, CAST - 883L/N/R, 1200C/CP

| | | | |
|----|-----------|--|---|
| 2 | 6516HW | WASHER (5) | XL1200C, XL1200CP, XL883L, XL883N, XL883R |
| 3 | 6551 | WASHER | XL1200C, XL1200CP, XL883L, XL883N, XL883R |
| 4 | 8190 | NUT | XL1200C, XL1200CP, XL883L, XL883N, XL883R |
| 5 | 9276A | BALL BEARING, 25mm (2) | XL1200C, XL1200CP, XL883L, XL883N, XL883R |
| 7 | 40930-05 | SPACER, right | XL1200C, XL1200CP, XL883L, XL883N, XL883R |
| 8 | 40999-87 | VALVE STEM | XL1200C, XL1200CP |
| 9 | 41012-08 | WHEEL ASSEMBLY, 16 in. (13 spoke) (black) w/o bearings & sleeves | XL883R |
| | 47878-09A | WHEEL ASSEMBLY, 16 in. (13 spoke) (black) w/o bearings & sleeves | XL883N |
| | 55019-11 | WHEEL ASSEMBLY, 16 in. (5 spoke) (chrome) w/o bearings & sleeves (not shown) | XL1200C, XL1200CP |
| | 55076-11 | WHEEL ASSEMBLY, 16 in. (5 spoke) (black) w/o bearings & sleeves (not shown) | XL1200CP |
| | 44012-11 | WHEEL ASSEMBLY, 17 in. (5 spoke) (black) w/o bearings & sleeves (not shown) | XL883L |
| 10 | 41123-79 | VALVE CAP | XL1200C, XL1200CP, XL883L, XL883N, XL883R |
| 11 | 41176-08 | AXLE ASSEMBLY | XL1200C, XL1200CP, XL883L, XL883N, XL883R |
| 12 | 41229-08 | RETAINING RING | XL1200C, XL1200CP, XL883L, XL883N, XL883R |
| 13 | 41242-08 | SPACER, left | XL1200C, XL1200CP, XL883L, XL883N, XL883R |
| 14 | 41833-08 | BRAKE DISC | XL1200C, XL1200CP, XL883L, XL883N, XL883R |
| 15 | 43157-83A | VALVE STEM ASSEMBLY, w/ 54321-85 | XL883L, XL883N, XL883R |
| 16 | 40878-11 | TIRE | XL883N, XL883R |
| | 43216-11 | TIRE | XL883L |
| | 40878-11 | TIRE | XL1200C, XL1200CP |

| | | | |
|----|-----------|------------------------------------|---|
| 17 | 43567-92 | SCREW (5) | XL1200C, XL1200CP, XL883L, XL883N, XL883R |
| 18 | 43905-08 | SLEEVE | XL1200C, XL1200CP, XL883L, XL883N, XL883R |
| 19 | 54321-85 | NUT | XL883L, XL883N, XL883R |
| 20 | 95594-84A | WHEEL WEIGHT, 5 grams (black) (5) | XL1200CP |
| | 95595-84A | WHEEL WEIGHT, 5 grams (silver) (4) | XL1200C, XL1200CP, XL883L, XL883N, XL883R |

WHEEL, REAR, CAST - XR1200X

WHEEL, REAR, CAST - XR1200X



[View interactive image](#)

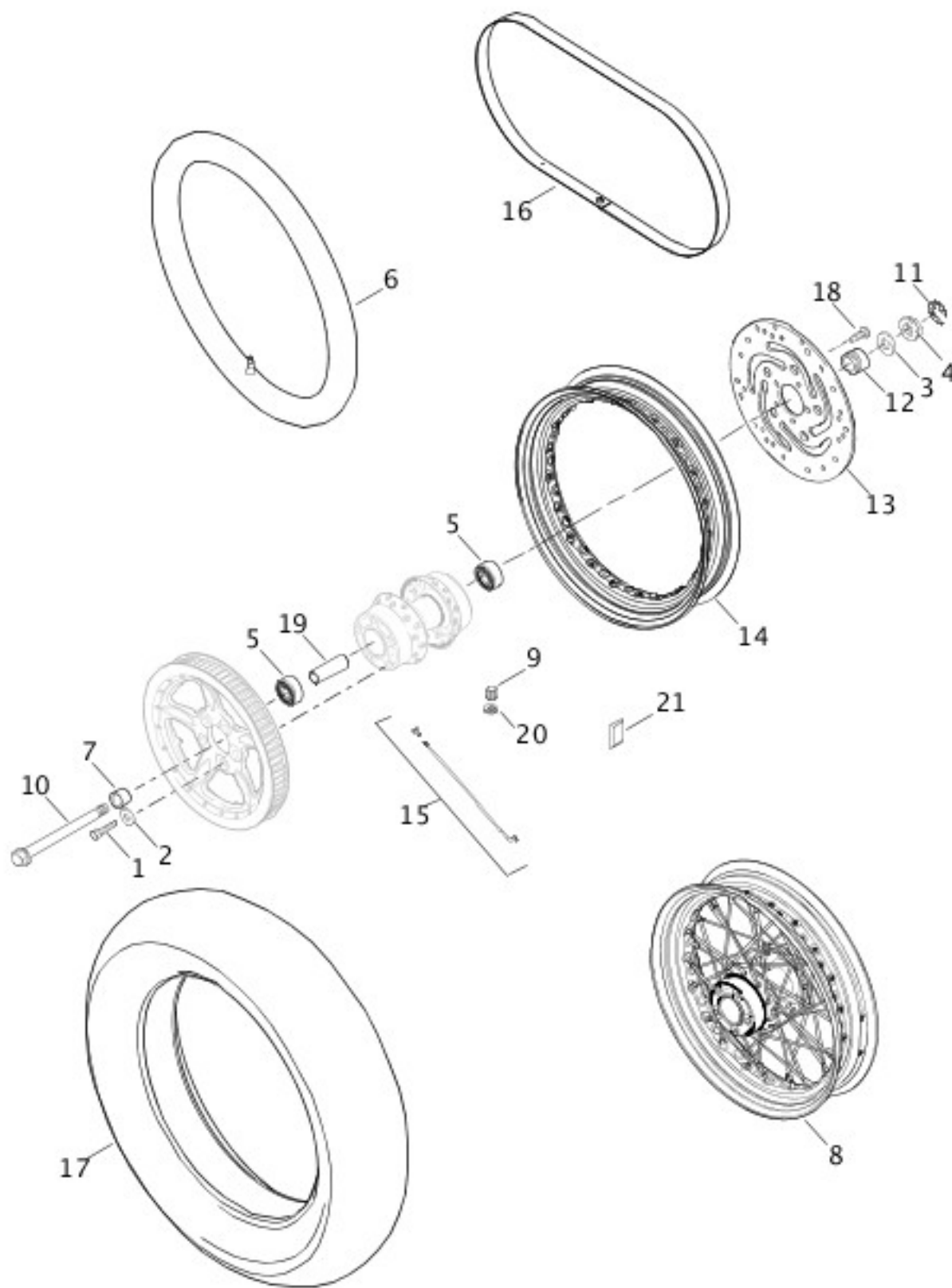
[View interactive table](#)

| INDEX NO. | PART NO. | DESCRIPTION | MODEL(S) |
|-----------|----------|-------------|----------|
| 1 | 3899 | SCREW (5) | XR1200X |
| 2 | 6516HW | WASHER (5) | XR1200X |
| | | | |

| | | | |
|----|-----------|---|---------|
| 3 | 6551 | WASHER (2) | XR1200X |
| 4 | 8190 | NUT | XR1200X |
| 5 | 9276A | BALL BEARING, 25mm (2) | XR1200X |
| 6 | 40930-05 | SPACER, left | XR1200X |
| 7 | 41123-79 | VALVE CAP | XR1200X |
| 8 | 41229-08 | RETAINING RING | XR1200X |
| 9 | 41627-08 | AXLE ASSEMBLY | XR1200X |
| 10 | 41730-08 | SPACER, right | XR1200X |
| 11 | 41833-08 | BRAKE DISC | XR1200X |
| 12 | 41858-08 | SLEEVE | XR1200X |
| 13 | 43348-10 | WHEEL ASSEMBLY, 17 in., w/o bearings & sleeve | XR1200X |
| 14 | 43157-83A | VALVE STEM ASSEMBLY, w/ 54321-85 | XR1200X |
| 15 | 43567-92 | SCREW (5) | XR1200X |
| 16 | 54321-85 | NUT | XR1200X |
| 17 | 95594-84A | WHEEL WEIGHT, 5 grams (4) | XR1200X |
| 18 | 43200011 | TIRE | XR1200X |

WHEELS, REAR, LACED - 1200C/CP/N/V/X

WHEELS, REAR, LACED – 1200C/CP/N/V/X



[View interactive image](#)

[View interactive table](#)

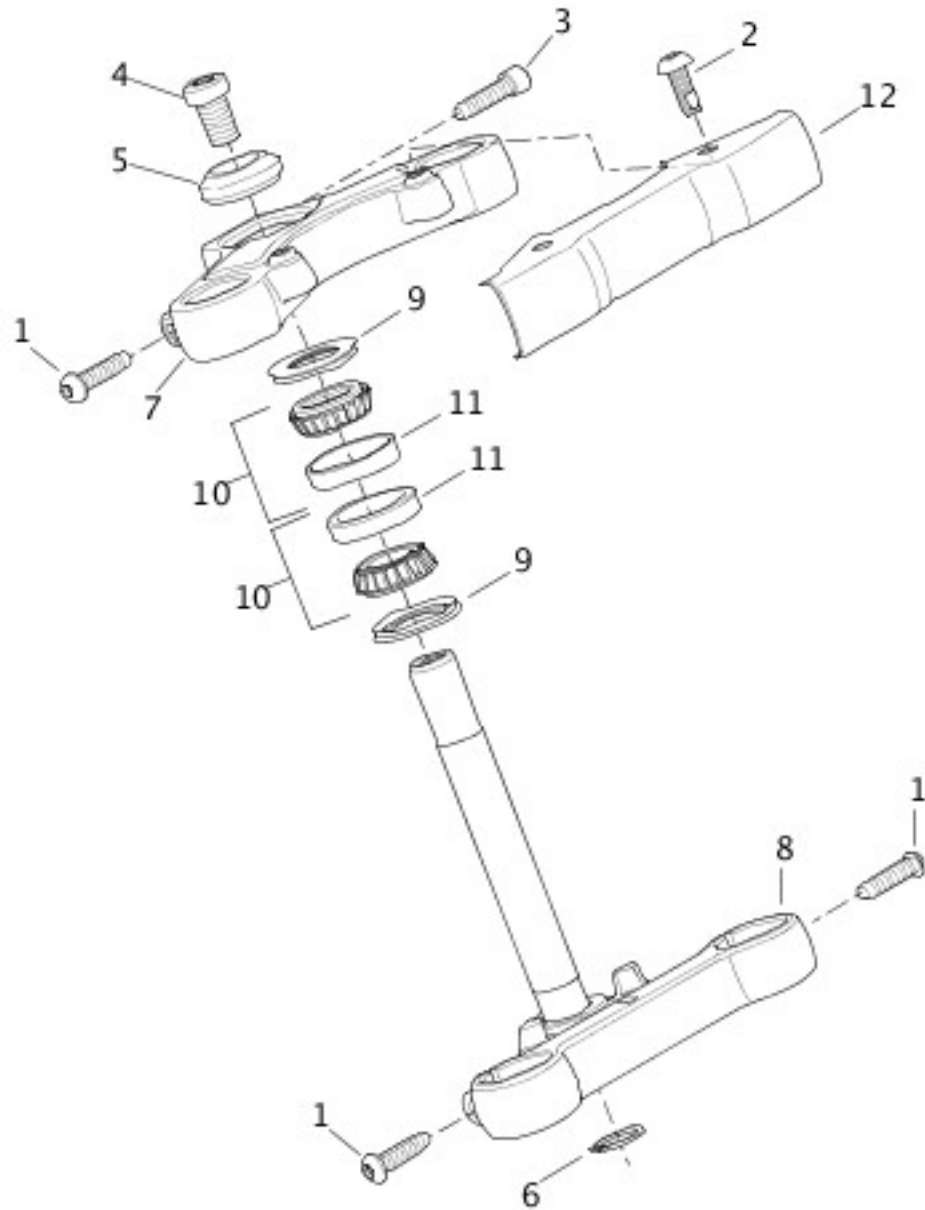
| INDEX NO. | PART NO. | DESCRIPTION | MODEL(S) |
|-----------|----------|-------------|--|
| 1 | 3899 | SCREW (5) | XL1200C, XL1200CP, XL1200N, XL1200V, XL1200X |

| | | | |
|----|----------|--|--|
| 2 | 6516HW | WASHER (5) | XL1200C, XL1200CP, XL1200N, XL1200V, XL1200X |
| 3 | 6551 | WASHER | XL1200C, XL1200CP, XL1200N, XL1200V, XL1200X |
| 4 | 8190 | NUT | XL1200C, XL1200CP, XL1200N, XL1200V, XL1200X |
| 5 | 9276A | BALL BEARING, 25mm (2) | XL1200C, XL1200CP, XL1200N, XL1200V, XL1200X |
| 6 | 40558-82 | INNER TUBE | XL1200V |
| | 40572-11 | INNER TUBE | XL1200C, XL1200CP, XL1200N, XL1200X |
| 7 | 40930-05 | SPACER, wheel bearing, sprocket side | XL1200C, XL1200CP, XL1200N, XL1200V, XL1200X |
| 8 | 41082-08 | WHEEL ASSEMBLY, 16 in. (chrome) w/o bearings & sleeves | XL1200C, XL1200CP, XL1200V |
| | 41478-10 | WHEEL ASSEMBLY, 16 in. (black) w/o bearings & sleeves | XL1200CP, XL1200X |
| | 43832-08 | WHEEL ASSEMBLY, 16 in. (black) w/o bearings & sleeves | XL1200N |
| 9 | 41123-79 | VALVE CAP | XL1200C, XL1200CP, XL1200N, XL1200V, XL1200X |
| 10 | 41176-08 | AXLE ASSEMBLY | XL1200C, XL1200CP, XL1200N, XL1200V, XL1200X |
| 11 | 41229-08 | RETAINING RING | XL1200C, XL1200CP, XL1200N, XL1200V, XL1200X |
| 12 | 41242-08 | SPACER, disk side | XL1200C, XL1200CP, XL1200N, XL1200V, XL1200X |
| 13 | 41833-08 | BRAKE DISC | XL1200C, XL1200CP, XL1200N, XL1200V, XL1200X |
| 14 | 43017-07 | RIM, laced wheel, 16 in. (black) | XL1200CP, XL1200N, XL1200X |
| | 43085-97 | RIM, laced wheel, 16 in. (chrome) | XL1200C, XL1200CP, XL1200V |
| 15 | 43241-05 | SPOKE & NIPPLE KIT, 16 in. rim (chrome) (set of 40) | XL1200C, XL1200CP, XL1200N, XL1200V, XL1200X |
| 16 | 43147-40 | RIM STRIP | XL1200V |
| | 40875-11 | RIM STRIP | XL1200C, XL1200CP, XL1200N, XL1200X |
| 17 | 40878-11 | TIRE | XL1200C, XL1200CP, XL1200N, XL1200X |
| | 43200007 | TIRE | XL1200V |
| 18 | 43567-92 | SCREW (5) | XL1200C, XL1200CP, XL1200N, XL1200V, |

| | | | |
|----|-----------|--|--|
| | | | XL1200X |
| 19 | 43905-08 | SLEEVE, bearing spacer | XL1200C, XL1200CP, XL1200N, XL1200V, XL1200X |
| 20 | 54321-85 | NUT | XL1200C, XL1200CP, XL1200N, XL1200V, XL1200X |
| 21 | 95595-84A | WHEEL WEIGHT, 5 grams (silver) (LH - chrome wheel) | XL1200C, XL1200CP, XL1200N, XL1200V |
| | 95594-84A | WHEEL WEIGHT, 5 grams (black) (LH - black wheel) | XL1200CP, XL1200X |

FORK BRACKETS, FRONT - 883L/N/R, 1200C/CP/N/V/X

FORK BRACKETS, FRONT - 883L/N/R, 1200C/CP/N/V/



[View interactive image](#)

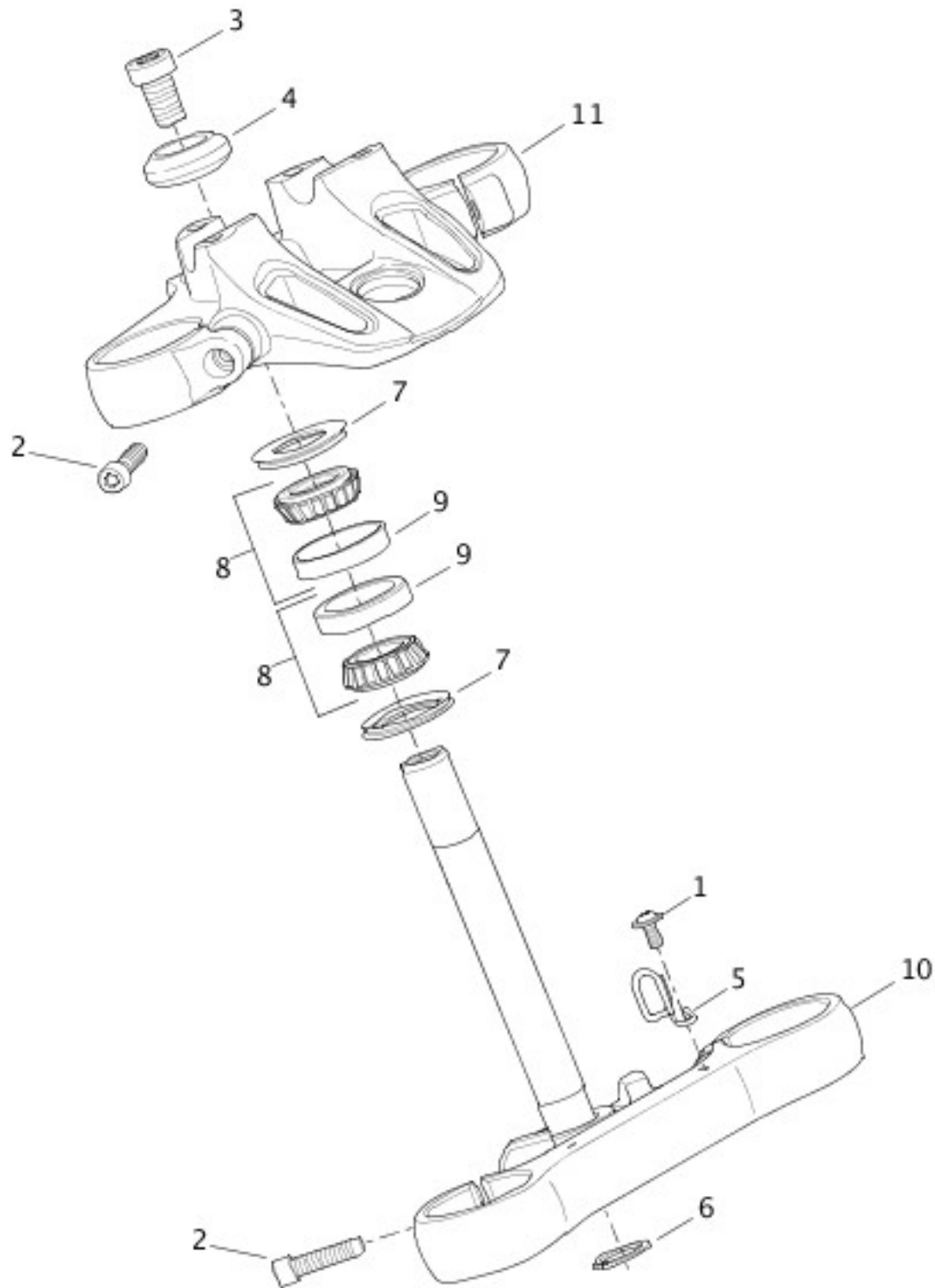
[View interactive table](#)

| INDEX NO. | PART NO. | DESCRIPTION | MODEL(S) |
|-----------|----------|-------------|--|
| 1 | 3056 | SCREW (4) | XL1200C, XL1200CP, XL1200N, XL1200V, XL1200X, XL883L, XL883N, XL883R |

| | | | |
|----|----------|---|--|
| 2 | 4359 | SCREW (2) | XL1200V |
| 3 | 4352 | SCREW | XL1200C, XL1200CP, XL1200N, XL1200V, XL1200X, XL883L, XL883N, XL883R |
| 4 | 4993 | BOLT | XL1200C, XL1200CP, XL1200N, XL1200V, XL1200X, XL883L, XL883N, XL883R |
| 5 | 6611 | WASHER | XL1200C, XL1200CP, XL1200N, XL1200V, XL1200X, XL883L, XL883N, XL883R |
| 6 | 45611-86 | RETAINING RING | XL1200C, XL1200CP, XL1200N, XL1200V, XL1200X, XL883L, XL883N, XL883R |
| 7 | 45966-04 | BRACKET, upper | XL1200V |
| | 46009-10 | BRACKET, upper (not shown) | XL1200X |
| | 46758-07 | BRACKET, upper (black) | XL1200N, XL883N, XL883R |
| | 46997-11 | BRACKET, upper (not shown) | XL883L |
| | 49419-11 | BRACKET, upper (not shown) | XL1200C, XL1200CP |
| 8 | 46014-10 | BRACKET, lower, w/ bearing, seal & retaining ring (not shown) | XL1200X |
| | 46126-04 | BRACKET, lower, w/ bearing, seal & retaining ring | XL1200V |
| | 46767-07 | BRACKET, lower, w/ bearing, seal & retaining ring | XL1200N, XL883N, XL883R |
| | 46998-11 | BRACKET, lower, w/ bearing, seal & retaining ring | XL883L |
| | 49422-11 | BRACKET, lower, w/ bearing, seal & retaining ring | XL1200C, XL1200CP |
| 9 | 48184-01 | SEAL, tapered bearing | XL1200C, XL1200CP, XL1200N, XL1200V, XL1200X, XL883L, XL883N, XL883R |
| 10 | 48300-60 | ROLLER BEARING, w/ cup (2) | XL1200C, XL1200CP, XL1200N, XL1200V, XL1200X, XL883L, XL883N, XL883R |
| 11 | 48315-60 | BEARING CUP (2) | XL1200C, XL1200CP, XL1200N, XL1200V, XL1200X, XL883L, XL883N, XL883R |
| 12 | 68041-04 | COVER, upper triple clamp | XL1200V |

FORK BRACKETS, FRONT - XR1200X

FORK BRACKETS, FRONT - XR1200X



[View interactive image](#)

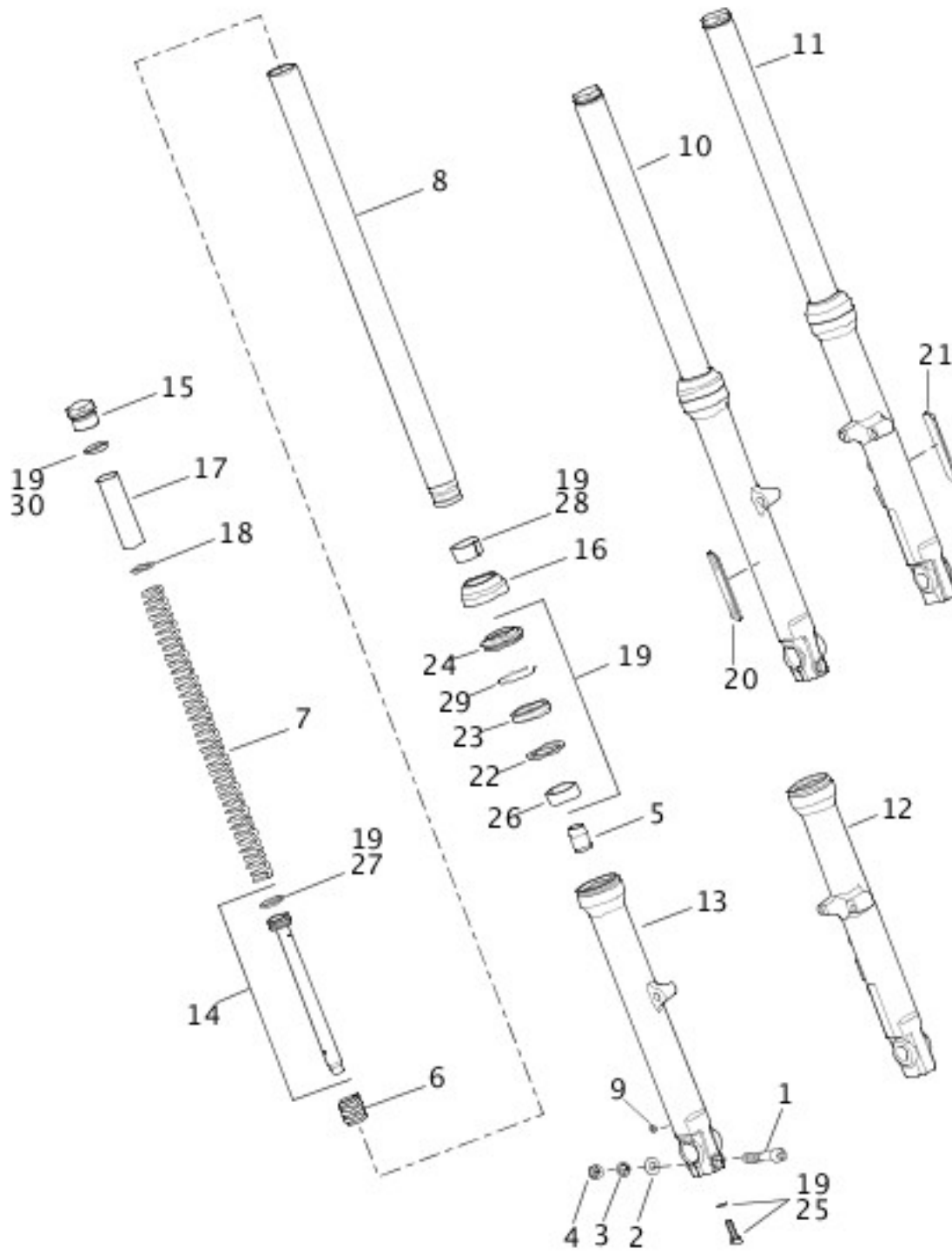
[View interactive table](#)

| INDEX NO. | PART NO. | DESCRIPTION | MODEL(S) |
|-----------|----------|-------------|----------|
| 1 | 2445 | SCREW | XR1200X |
| 2 | 4352 | SCREW (5) | XR1200X |
| | | | |

| | | | |
|----|----------|---|---------|
| 3 | 4993 | BOLT | XR1200X |
| 4 | 6611 | WASHER | XR1200X |
| 5 | 45155-08 | GUIDE | XR1200X |
| 6 | 45611-86 | RETAINING RING | XR1200X |
| 7 | 48184-01 | SEAL, tapered bearing (2) | XR1200X |
| 8 | 48300-60 | ROLLER BEARING, w/ cup (2) | XR1200X |
| 9 | 48315-60 | BEARING CUP (2) | XR1200X |
| 10 | 46927-10 | BRACKET, lower, w/ bearing, seal & retaining ring | XR1200X |
| 11 | 46928-10 | BRACKET, upper | XR1200X |

FORK, FRONT - 883L/R, 1200C/CP/V/X

FORK, FRONT - 883L/R, 1200C/CP/V



[View interactive image](#)

[View interactive table](#)

| INDEX NO. | PART NO. | DESCRIPTION | MODEL(S) |
|-----------|----------|-------------|---|
| 1 | 4029A | SCREW | XL1200C, XL1200CP, XL1200V, XL1200X, XL883L, XL883R |

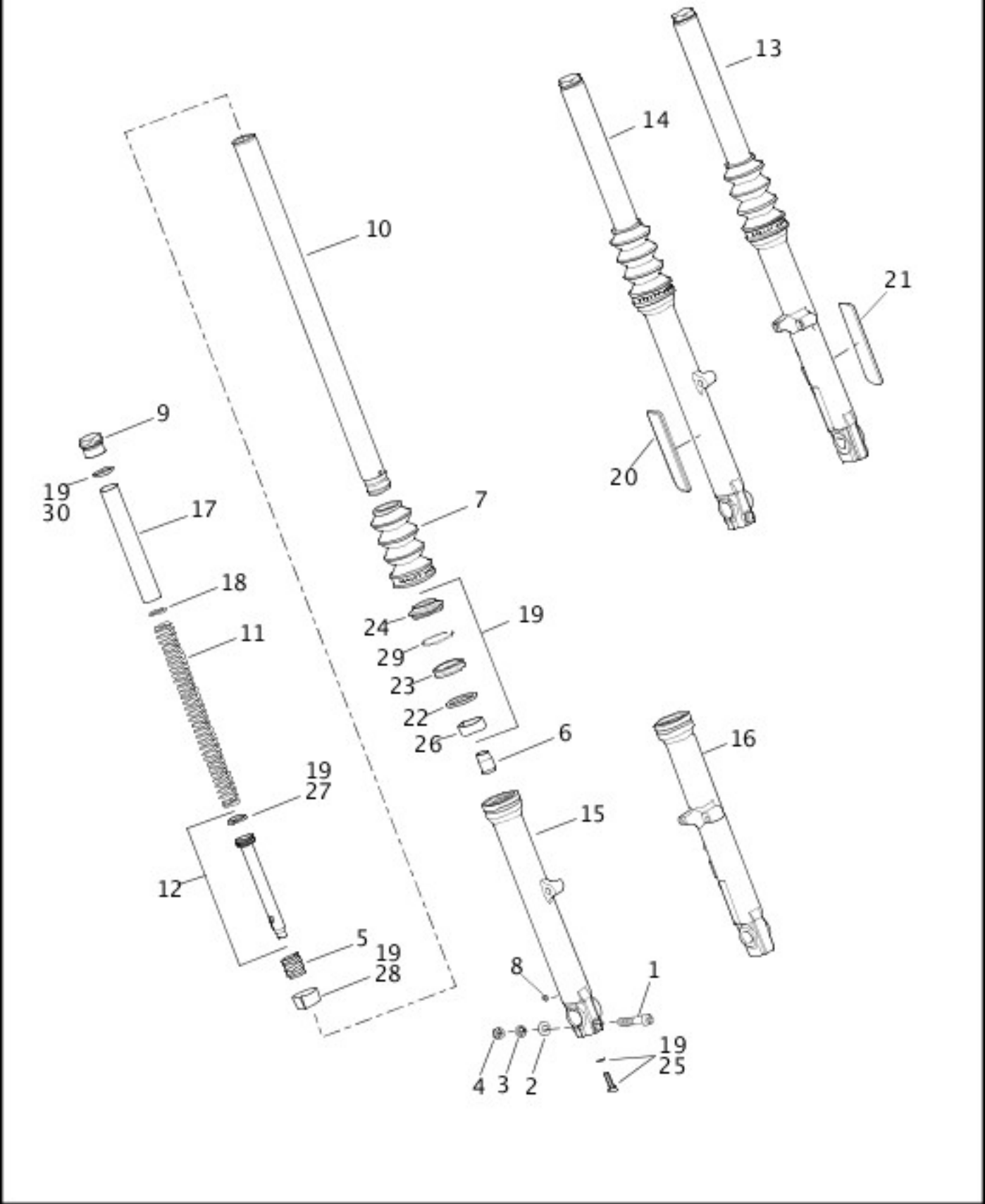
| | | | |
|----|----------|--|---|
| 2 | 6701 | WASHER | XL1200C, XL1200CP, XL1200V, XL1200X, XL883L, XL883R |
| 3 | 7038 | LOCKWASHER | XL1200C, XL1200CP, XL1200V, XL1200X, XL883L, XL883R |
| 4 | 7783 | NUT | XL1200C, XL1200CP, XL1200V, XL1200X, XL883L, XL883R |
| 5 | 45361-90 | LOWER STOP (2) | XL1200C, XL1200CP, XL1200V, XL1200X, XL883L, XL883R |
| 6 | 45374-87 | SPRING (2) | XL1200C, XL1200CP, XL1200V, XL1200X, XL883L, XL883R |
| 7 | 10417 | SPRING (2) | XL1200X |
| | 45376-09 | SPRING (2) | XL883R |
| | 46245-09 | SPRING (2) | XL1200C, XL1200CP |
| | 46267-05 | SPRING (2) | XL883L |
| | 45500142 | SPRING (2) | XL1200V |
| 8 | 45395-09 | SLIDER TUBE, w/ bushing (2) | XL1200C, XL1200CP, XL1200V, XL1200X, XL883R |
| | 46218-05 | SLIDER TUBE, w/ bushing (2) | XL883L |
| 9 | 45790-80 | DRAIN SCREW, w/ washer (2) | XL1200V, XL883R |
| 10 | 49400-11 | FORK SLIDER & TUBE ASSEMBLY, right | XL883L |
| | 49410-11 | FORK SLIDER & TUBE ASSEMBLY, right (not shown) | XL1200C, XL1200CP |
| | 45988-10 | FORK SLIDER & TUBE ASSEMBLY, right (not shown) | XL1200X |
| | 46453-09 | FORK SLIDER & TUBE ASSEMBLY, right (not shown) | XL883R |
| | 45400042 | FORK SLIDER & TUBE ASSEMBLY, right (not shown) | XL1200V |
| 11 | 49382-11 | FORK SLIDER & TUBE ASSEMBLY, left | XL883L |
| | 49409-11 | FORK SLIDER & TUBE ASSEMBLY, left (not shown) | XL1200C, XL1200CP |
| | 45968-10 | FORK SLIDER & TUBE ASSEMBLY, left (not shown) | XL1200X |
| | 46454-09 | FORK SLIDER & TUBE ASSEMBLY, left (not shown) | XL883R |
| | 45400041 | FORK SLIDER & TUBE ASSEMBLY, left (not shown) | XL1200V |
| | | | |

| | | | |
|----|-----------|------------------------------------|---|
| 12 | 49401-11 | SLIDER ASSEMBLY, left | XL883L |
| | 46075-04 | SLIDER ASSEMBLY, left (not shown) | XL1200V |
| | 46450-08 | SLIDER ASSEMBLY, left (not shown) | XL883R |
| | 48850-10 | SLIDER ASSEMBLY, left (not shown) | XL1200X |
| | 49411-11 | SLIDER ASSEMBLY, left (not shown) | XL1200C, XL1200CP |
| 13 | 49403-11 | SLIDER ASSEMBLY, right | XL883L |
| | 46076-04 | SLIDER ASSEMBLY, right (not shown) | XL1200V |
| | 46449-08 | SLIDER ASSEMBLY, right (not shown) | XL883R |
| | 48849-10 | SLIDER ASSEMBLY, right (not shown) | XL1200X |
| | 49412-11 | SLIDER ASSEMBLY, right (not shown) | XL1200C, XL1200CP |
| 14 | 10627 | DAMPER TUBE, w/ ring (2) | XL1200X |
| | 45458-09 | DAMPER TUBE, w/ ring (2) | XL1200C, XL1200CP |
| | 45925-09 | DAMPER TUBE, w/ ring (2) | XL1200V, XL883R |
| | 45938-92 | DAMPER TUBE, w/ ring (2) | XL883L |
| 15 | 45996-87 | CAP (2) | XL1200C, XL1200CP, XL1200V, XL1200X, XL883L, XL883R |
| 16 | 46002-87 | COVER (2) | XL1200C, XL1200CP, XL1200V, XL1200X, XL883L, XL883R |
| 17 | 48791-09 | SPRING COLLAR (2) | XL1200C, XL1200CP, XL1200V, XL883R |
| 18 | 48738-07 | WASHER (2) | XL1200C, XL1200CP, XL1200V, XL883R |
| 19 | 49378-09 | FRONT FORK SERVICE KIT | XL1200C, XL1200CP, XL1200V, XL1200X, XL883L, XL883R |
| 20 | 59481-00 | REFLECTOR, amber - right | XL1200C, XL1200CP, XL1200V, XL1200X, XL883L, XL883R |
| 21 | 59482-00 | REFLECTOR, amber - left | XL1200C, XL1200CP, XL1200V, XL1200X, XL883L, XL883R |
| 22 | 45377-87 | SPACER SEAL | XL1200C, XL1200CP, XL1200V, XL1200X, XL883L, XL883R |
| 23 | 45378-87 | OIL SEAL | XL1200C, XL1200CP, XL1200V, XL1200X, XL883L, XL883R |
| 24 | 45401-87 | DUST SEAL | XL1200C, XL1200CP, XL1200V, XL1200X, XL883L, XL883R |
| 25 | 45405-75A | SCREW | XL1200C, XL1200CP, XL1200V, XL1200X, XL883L, XL883R |
| | | | |

| | | | |
|----|----------|-----------------|--|
| 26 | 45461-87 | GUIDE BUSHING | XL1200C, XL1200CP, XL1200V, XL1200X, XL883L, XL883R |
| 27 | 45460-90 | PISTON RING (2) | XL1200C, XL1200CP, XL883L |
| | 45462-87 | PISTON RING (2) | XL1200V, XL1200X, XL883R |
| 28 | 45465-87 | SLIDE BUSHING | XL1200C, XL1200CP, XL1200V, XL1200X, XL883L, XL883R |
| 29 | 45905-87 | STOPPER RING | XL1200C, XL1200CP, XL1200V, XL1200X, XL883L, XL883R |
| 30 | 45984-87 | O-RING | XL1200C, XL1200CP, XL1200V, XL1200X, XL883L, XL883R |

FORK, FRONT - 883N, 1200N

FORK, FRONT - 883N, 1200N



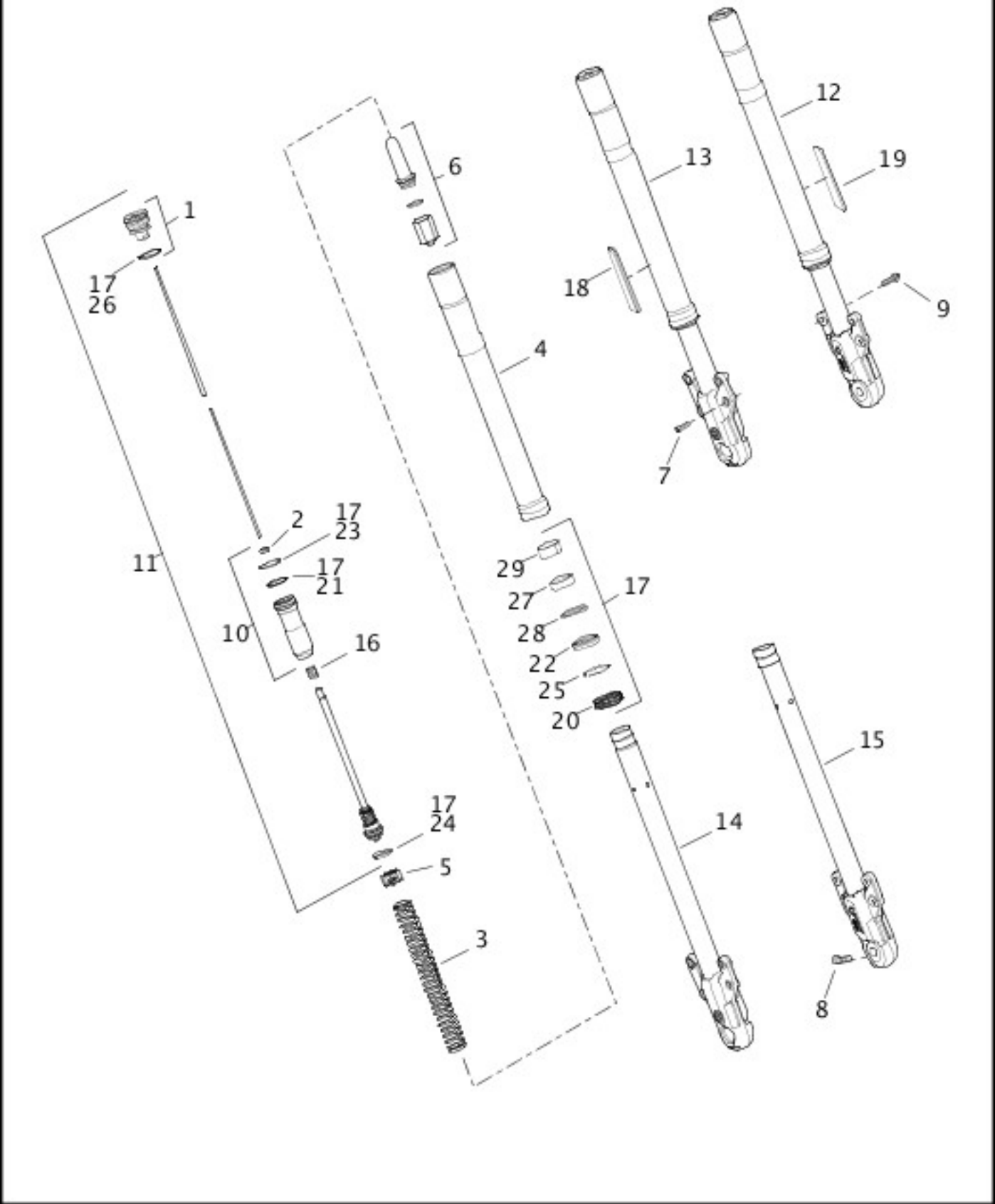
[View interactive image](#)

[View interactive table](#)

| INDEX NO. | PART NO. | DESCRIPTION | MODEL(S) |
|-----------|----------|-------------|-----------------|
| 1 | 4029A | SCREW | XL1200N, XL883N |
| 2 | 6701 | WASHER | XL1200N, XL883N |

| | | | |
|----|-----------|-------------------------------|-----------------|
| 3 | 7038 | LOCKWASHER | XL1200N, XL883N |
| 4 | 7783 | NUT | XL1200N, XL883N |
| 5 | 45374-87 | SPRING (2) | XL1200N, XL883N |
| 6 | 45361-90 | LOWER STOP (2) | XL1200N, XL883N |
| 7 | 45451-07 | FORK GAITERS (2) | XL1200N, XL883N |
| 8 | 45790-80 | DRAIN SCREW, w/ washer (2) | XL1200N, XL883N |
| 9 | 45996-87 | CAP (2) | XL1200N, XL883N |
| 10 | 46218-05 | SLIDER TUBE, w/ bushing (2) | XL1200N, XL883N |
| 11 | 47299-07 | SPRING (2) | XL1200N, XL883N |
| 12 | 47313-07 | COMPRESSION PIPE, w/ ring (2) | XL1200N, XL883N |
| 13 | 48714-08 | FORK ASSEMBLY, left | XL1200N, XL883N |
| 14 | 48715-08 | FORK ASSEMBLY, right | XL1200N, XL883N |
| 15 | 48716-08 | SLIDER ASSEMBLY, right | XL1200N, XL883N |
| 16 | 48726-08 | SLIDER ASSEMBLY, left | XL1200N, XL883N |
| 17 | 48737-07 | COLLAR (2) | XL1200N, XL883N |
| 18 | 48738-07 | WASHER (2) | XL1200N, XL883N |
| 19 | 49378-09 | FRONT FORK SERVICE KIT | XL1200N, XL883N |
| 20 | 59481-00 | REFLECTOR, amber - right | XL1200N, XL883N |
| 21 | 59482-00 | REFLECTOR, amber - left | XL1200N, XL883N |
| 22 | 45377-87 | SPACER SEAL | XL1200N, XL883N |
| 23 | 45378-87 | OIL SEAL | XL1200N, XL883N |
| 24 | 45401-87 | DUST SEAL | XL1200N, XL883N |
| 25 | 45405-75A | SCREW | XL1200N, XL883N |
| 26 | 45461-87 | GUIDE BUSHING | XL1200N, XL883N |
| 27 | 45462-87 | PISTON RING (2) | XL1200N, XL883N |
| 28 | 45465-87 | SLIDE BUSHING | XL1200N, XL883N |
| 29 | 45905-87 | STOPPER RING | XL1200N, XL883N |
| 30 | 45984-87 | O-RING | XL1200N, XL883N |

FORK, FRONT - XR1200X



[View interactive image](#)

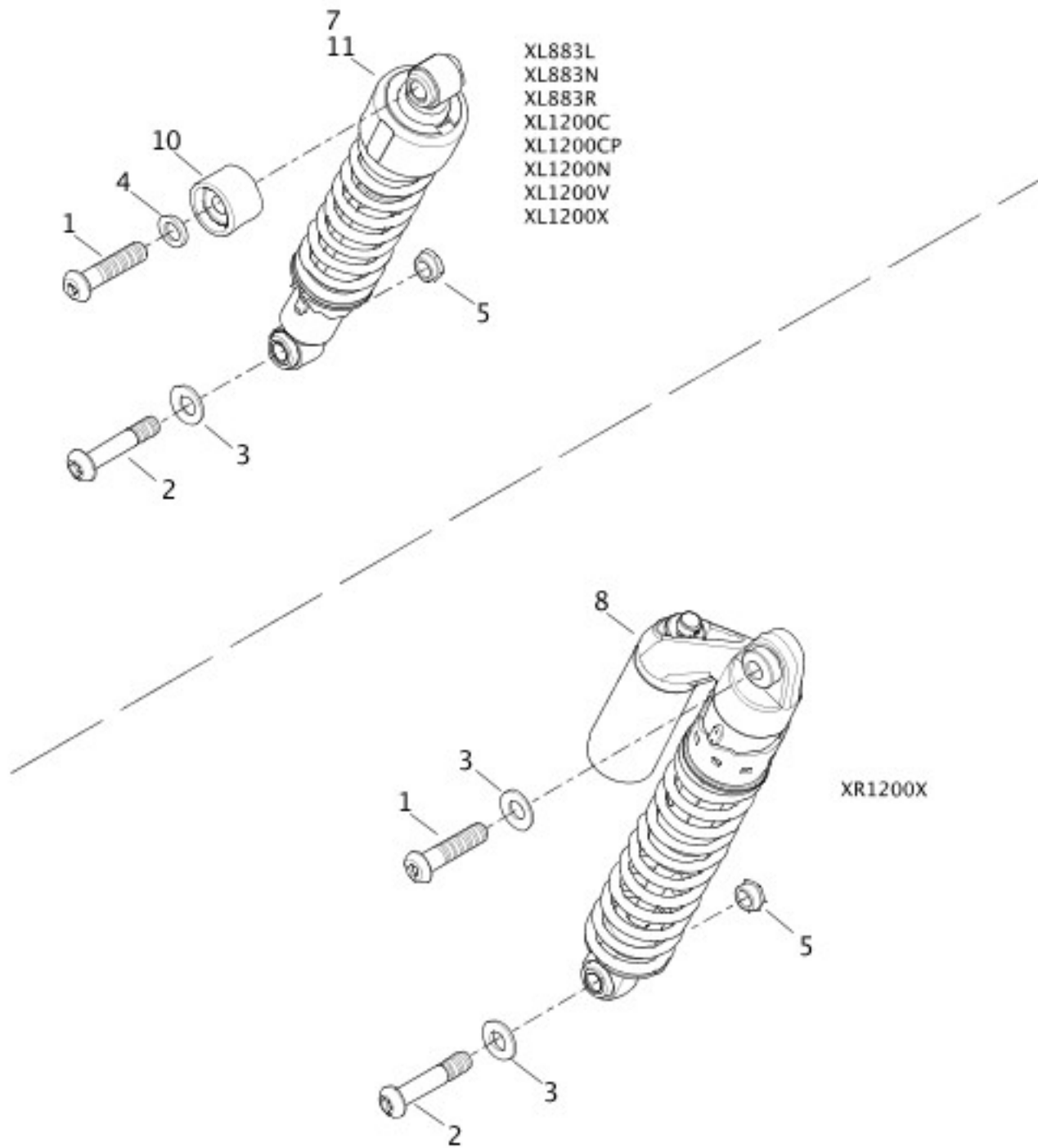
[View interactive table](#)

| INDEX NO. | PART NO. | DESCRIPTION | MODEL(S) |
|-----------|----------|-------------|----------|
| 1 | 4977 | BOLT (2) | XR1200X |
| 2 | 7341M | NUT (2) | XR1200X |
| | | | |

| | | | |
|----|-----------|---------------------------------------|---------|
| 3 | 10418 | SPRING (2) | XR1200X |
| 4 | 10628 | OUTER TUBE (2) | XR1200X |
| 5 | 12200 | SPRING COLLAR (2) | XR1200X |
| 6 | 12201 | SPRING COLLAR (2) | XR1200X |
| 7 | 4250M | SCREW (4) | XR1200X |
| 8 | 4499M | BOLT | XR1200X |
| 9 | 44160-00 | BOLT (4) | XR1200X |
| 10 | 46372-10 | ROD GUIDE CASE (2) | XR1200X |
| 11 | 46681-10 | PISTON ROD, complete (2) | XR1200X |
| 12 | 48771-10 | FORK ASSEMBLY, left | XR1200X |
| 13 | 48778-10 | FORK ASSEMBLY, right | XR1200X |
| 14 | 48785-10 | SLIDER, right | XR1200X |
| 15 | 48786-10 | SLIDER, left | XR1200X |
| 16 | 49372-10 | REBOUND SPRING (2) | XR1200X |
| 17 | 49406-10 | FRONT FORK SERVICE KIT (2) | XR1200X |
| 18 | 69861-07 | REFLECTOR, amber w/black base - right | XR1200X |
| 19 | 69862-07 | REFLECTOR, amber w/black base - left | XR1200X |
| 20 | J8130.3A8 | DUST SEAL | XR1200X |
| 21 | 10926 | O-RING | XR1200X |
| 22 | 12085 | OIL SEAL | XR1200X |
| 23 | 45690-10 | PISTON RING 'B' | XR1200X |
| 24 | 45693-10 | PISTON RING | XR1200X |
| 25 | 45842-77A | RETAINING RING | XR1200X |
| 26 | 46329-06 | O-RING | XR1200X |
| 27 | 46343-06 | GUIDE BUSHING | XR1200X |
| 28 | 46346-06 | SEAL SPACER | XR1200X |
| 29 | 9742 | SLIDE BUSHING | XR1200X |

SHOCK ABSORBERS, REAR

SHOCK ABSORBERS, REAR



[View interactive image](#)

[View interactive table](#)

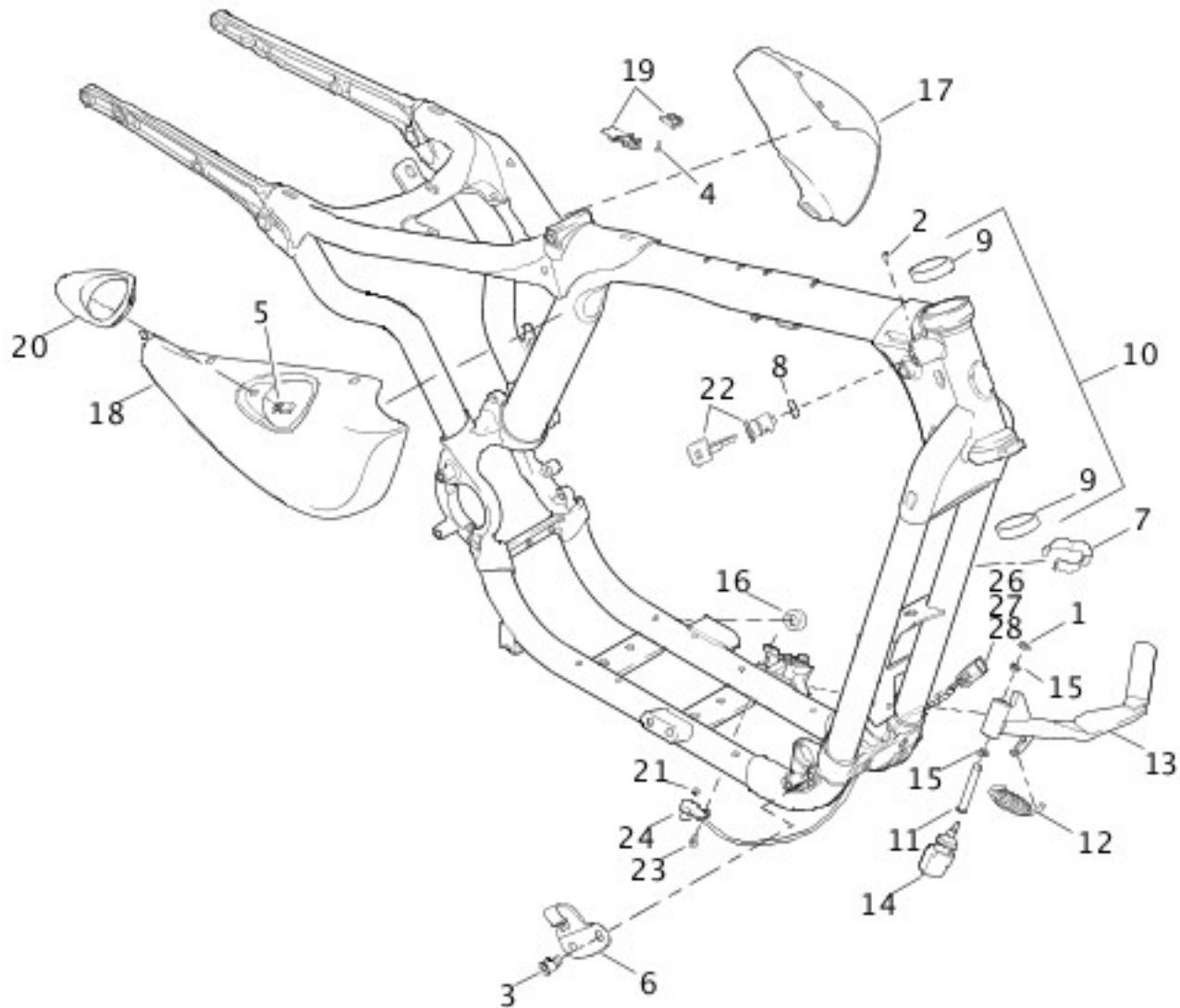
| INDEX NO. | PART NO. | DESCRIPTION | MODEL(S) |
|-----------|----------|-------------|----------|
| 1 | 3880 | SCREW (2) | ALL |
| 2 | 4354 | SCREW (2) | ALL |

| | | | |
|----------------------------------|----------|---|--|
| 3 | 6718 | WASHER (2) | XL1200C, XL1200CP, XL1200N, XL1200V, XL1200X, XL883L, XL883N, XL883R |
| | 6718 | WASHER (4) | XR1200X |
| 4 | 6738 | WASHER (2) | XL1200C, XL1200CP, XL1200N, XL1200V, XL1200X, XL883L, XL883N, XL883R |
| 5 | 7824 | LOCKNUT (2) | ALL |
| 7 | 54568-09 | SHOCK ABSORBER, complete, w/ bushings (LC - HDI, England) (2) | XL1200C, XL1200CP, XL1200V, XL1200X, XL883L |
| | 54570-09 | SHOCK ABSORBER, complete, w/ bushings (2) | XL883R |
| | 54550-10 | SHOCK ABSORBER, complete, w/ bushings (LC - Domestic) (2) | XL1200N, XL1200X, XL883N |
| 8 | 54671-10 | SHOCK ABSORBER, complete, left, w/ bushings | XR1200X |
| | 54700-10 | SHOCK ABSORBER, complete, right, w/ bushings | XR1200X |
| 10 | 54724-04 | COVER (chrome) (2) | XL1200C, XL1200CP, XL1200V, XL883R |
| | 54741-07 | COVER (black) (2) | XL1200N, XL1200X, XL883L, XL883N |
| INTERNATIONAL MODELS ONLY | | | |
| 11 | 54570-09 | SHOCK ABSORBER, complete, w/ bushings (HDI, England, Australia, Asia-Pacific) (2) | XL1200N, XL883N |

Index number 6 is not used in this illustration. Index number 9 is not used in this illustration.

FRAME & JIFFY STAND - 883L/N/R, 1200C/CP/N/V/X

FRAME & JIFFY STAND – 883L/N/R, 1200C/CP/N/V



[View interactive image](#)

[View interactive table](#)

| INDEX NO. | PART NO. | DESCRIPTION | MODEL(S) |
|-----------|----------|--------------|--|
| 1 | 554A | PRETZEL CLIP | XL1200C, XL1200CP, XL1200N, XL1200V, XL1200X, XL883L, XL883N, XL883R |

| | | | |
|----|-------------|--|--|
| 2 | 1594 | PIN LOCK | XL1200C, XL1200CP, XL1200N, XL1200V, XL1200X, XL883L, XL883N, XL883R |
| 3 | 4076 | SCREW (2) | XL1200C, XL1200CP, XL1200N, XL1200V, XL1200X, XL883L, XL883N, XL883R |
| 4 | 4991 | SCREW (2) | XL1200C, XL1200CP, XL1200N, XL1200V, XL1200X, XL883L, XL883N, XL883R |
| 5 | 8135B | PUSH NUT | XL1200C, XL1200CP, XL1200N, XL1200V, XL1200X, XL883L, XL883N, XL883R |
| 6 | 10179A | J-CLIP | XL1200C, XL1200CP, XL1200N, XL1200V, XL1200X, XL883L, XL883N, XL883R |
| 7 | 10289A | CLIP (2) | XL1200C, XL1200CP, XL1200N, XL1200V, XL1200X, XL883L, XL883N, XL883R |
| 8 | 48027-99 | O-RING | XL1200C, XL1200CP, XL1200N, XL1200V, XL1200X, XL883L, XL883N, XL883R |
| 9 | 48315-60 | BEARING CUP (2) | XL1200C, XL1200CP, XL1200N, XL1200V, XL1200X, XL883L, XL883N, XL883R |
| 10 | 49376-11 | FRAME, w/ bearing cups | XL1200C, XL1200CP, XL1200N, XL1200V, XL1200X, XL883L, XL883N, XL883R |
| 11 | 50003-89B | PIN | XL1200C, XL1200CP, XL1200N, XL1200V, XL1200X, XL883L, XL883N, XL883R |
| 12 | 50005-85A | SPRING | XL1200C, XL1200CP, XL1200N, XL1200V, XL1200X, XL883L, XL883N, XL883R |
| 13 | 50124-09BHP | JIFFY STAND | XL883R |
| | 50000025BHP | JIFFY STAND (CZ/LE - Domestic, HDI, Japan) | XL1200C, XL1200CP, XL1200N, XL1200X, XL883L, XL883N |
| | 50185-04C | JIFFY STAND (CZ/LE - England, Australia, Asia-Pacific) | XL1200N, XL1200V, XL883N |
| 14 | 49735-08 | BUMPER | XL1200C, XL1200CP, XL1200N, XL1200V, XL1200X, XL883L, XL883N, XL883R |
| 15 | 53176-08 | BUSHING (2) | XL1200C, XL1200CP, XL1200N, XL1200V, XL1200X, XL883L, XL883N, XL883R |
| 16 | 62122-89A | BUMPER | XL1200C, XL1200CP, XL1200N, XL1200V, XL1200X, XL883L, XL883N, XL883R |
| 17 | 66251-04A | SIDE COVER, left (use w/ all paint except denim) | XL1200C, XL1200CP, XL1200N, XL1200V, XL1200X, XL883L, XL883N, XL883R |
| | 66272-05A | SIDE COVER, left (use w/ black denim paint) | XL1200CP, XL1200N, XL1200V, XL883N |
| 18 | 66252-04A | SIDE COVER, right (use w/ all paint except denim) | XL1200C, XL1200CP, XL1200N, XL1200V, XL1200X, XL883L, XL883N, XL883R |
| | | | |

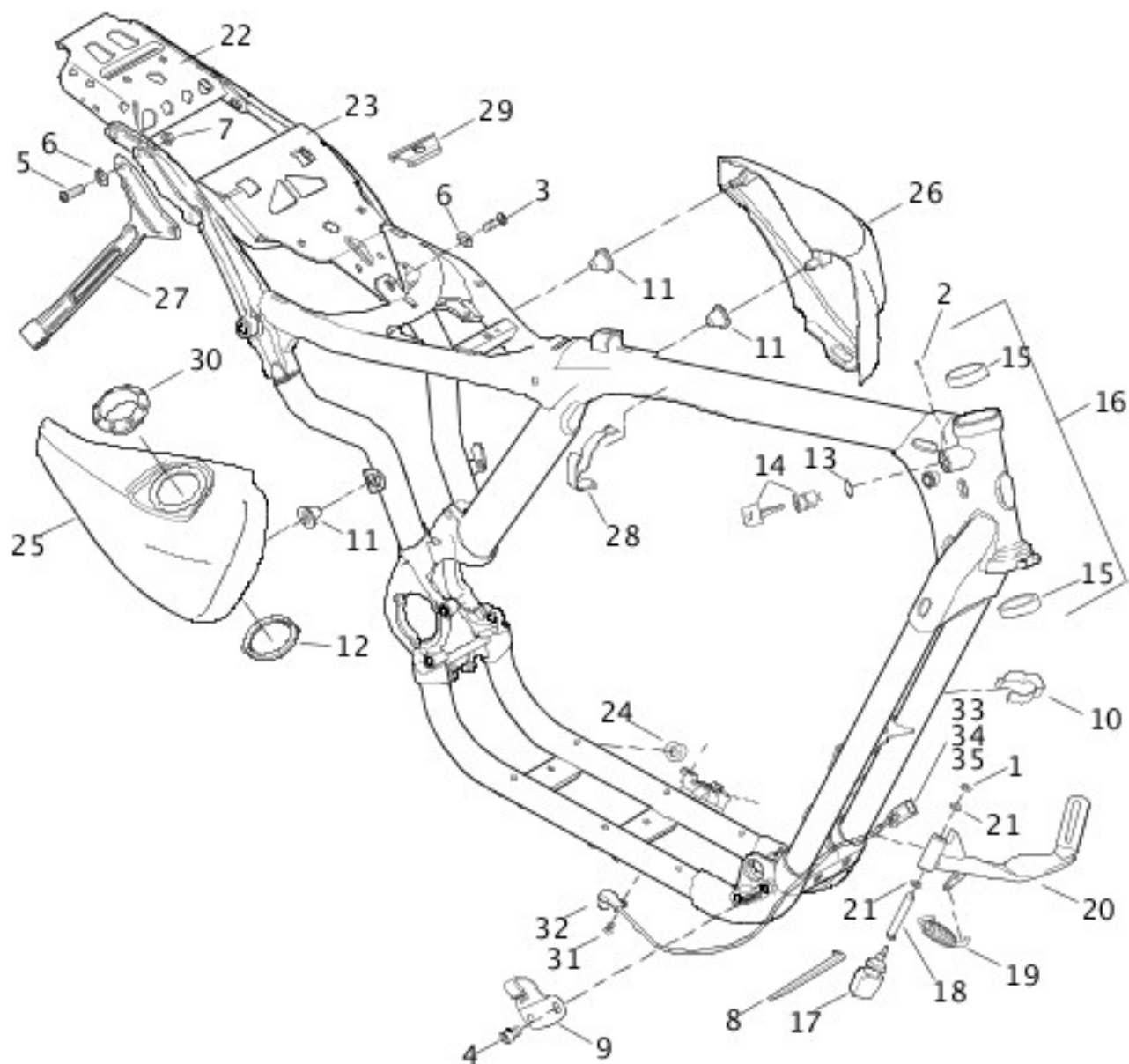
| | | | |
|----|-----------|--|--|
| | 66273-05A | SIDE COVER, right (use w/ black denim paint) | XL1200CP, XL1200N, XL1200V, XL883N |
| 19 | 70417-04C | SIDE COVER MOUNTING KIT | XL1200C, XL1200CP, XL1200N, XL1200V, XL1200X, XL883L, XL883N, XL883R |
| 20 | 71472-04 | BEZEL (chrome) | XL1200C, XL1200CP, XL1200V, XL1200X, XL883L, XL883R |
| | 62534-07 | BEZEL (satin chrome) | XL1200N, XL883N |
| 21 | 90520-07 | PLUG | XL1200C, XL1200CP, XL1200N, XL1200V, XL1200X, XL883L, XL883N, XL883R |
| 22 | 45600014 | FORK LOCK KIT, w/ 1594 & 48027-99 (specify key code) | XL1200C, XL1200CP, XL1200N, XL1200V, XL1200X, XL883L, XL883N, XL883R |
| | 90300037 | LOCKSET ASSEMBLY, complete (not shown) | XL1200C, XL1200CP, XL1200N, XL1200V, XL1200X, XL883L, XL883N, XL883R |

INTERNATIONAL MODELS ONLY

| | | | |
|----|------------|---|--|
| 23 | 4871 | SCREW (HDI, England) | XL1200C, XL1200CP, XL1200N, XL1200V, XL1200X, XL883L, XL883N, XL883R |
| 24 | 50126-08A | SENSOR (HDI, England), w/ 25, 26, 27 | XL1200C, XL1200CP, XL1200N, XL1200V, XL1200X, XL883L, XL883N, XL883R |
| 25 | 72169-07 | TERMINAL, pin, 16-20 gauge (HDI, England) | XL1200C, XL1200CP, XL1200N, XL1200V, XL1200X, XL883L, XL883N, XL883R |
| 26 | 72511-07BK | HOUSING (HDI, England) | XL1200C, XL1200CP, XL1200N, XL1200V, XL1200X, XL883L, XL883N, XL883R |
| 27 | 73213-07 | RETAINER (HDI, England) | XL1200C, XL1200CP, XL1200N, XL1200V, XL1200X, XL883L, XL883N, XL883R |

FRAME & JIFFY STAND - XR1200X

FRAME & JIFFY STAND - XR1200X



[View interactive image](#)

[View interactive table](#)

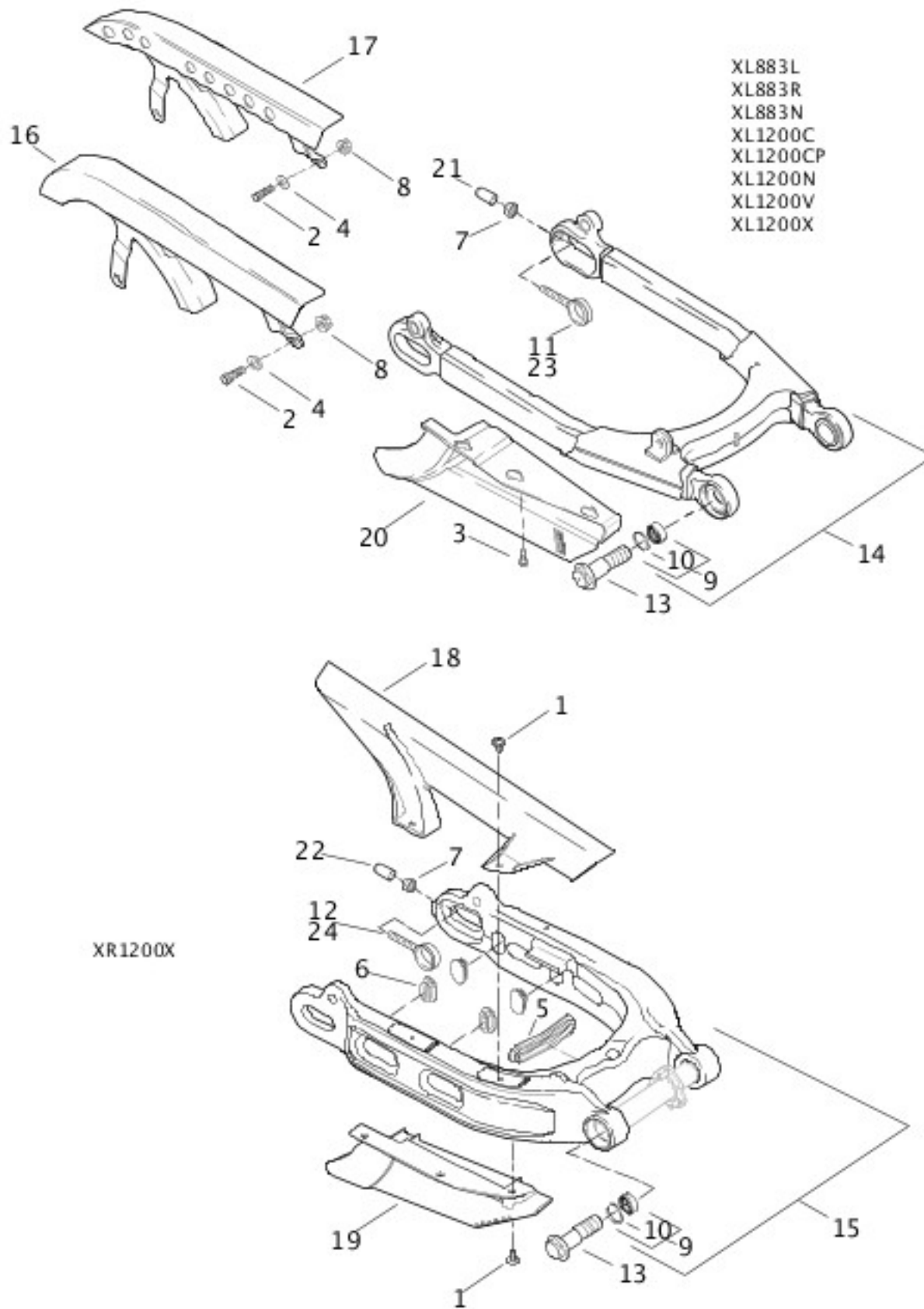
| INDEX NO. | PART NO. | DESCRIPTION | MODEL(S) |
|-----------|----------|--------------|----------|
| 1 | 554A | PRETZEL CLIP | XR1200X |
| 2 | 1594 | PIN LOCK | XR1200X |
| | | | |

| | | | |
|----|-------------|--|---------|
| 3 | 3696 | SCREW | XR1200X |
| 4 | 4076 | SCREW (4) | XR1200X |
| 5 | 4549 | SCREW (6) | XR1200X |
| 6 | 6302 | WASHER (7) | XR1200X |
| 7 | 7531 | LOCKNUT (2) | XR1200X |
| 8 | 10006 | CABLE STRAP (as required) | XR1200X |
| 9 | 10179A | J-CLIP (2) | XR1200X |
| 10 | 10289A | CLIP | XR1200X |
| 11 | 11491A | GROMMET (3) | XR1200X |
| 12 | 11598 | SNAP RING | XR1200X |
| 13 | 48027-99 | O-RING | XR1200X |
| 14 | 45600014 | FORK LOCK KIT, w/ 1594 & 48027-99 (specify key code) | XR1200X |
| | 90300037 | LOCKSET ASSEMBLY, complete (not shown) | XR1200X |
| 15 | 48315-60 | BEARING CUP (2) | XR1200X |
| 16 | 48879-08A | FRAME, w/ bearing cups | XR1200X |
| 17 | 49735-08 | BUMPER | XR1200X |
| 18 | 50003-89B | PIN | XR1200X |
| 19 | 50005-85A | SPRING | XR1200X |
| 20 | 50124-09BHP | JIFFY STAND | XR1200X |
| 21 | 53176-08 | BUSHING (2) | XR1200X |
| 22 | 59400-08 | REAR FENDER SUPPORT | XR1200X |
| 23 | 59401-08 | MIDDLE FENDER SUPPORT | XR1200X |
| 24 | 62122-89A | BUMPER | XR1200X |
| 25 | 66269-08BDK | SIDE COVER, right (primed) | XR1200X |
| | 66269-08CHJ | SIDE COVER, right (black) | XR1200X |
| 26 | 66270-08BDK | SIDE COVER, left (primed) | XR1200X |
| | 66270-08CHJ | SIDE COVER, left (black) | XR1200X |
| 27 | 65316-08 | SUPPORT, muffler | XR1200X |
| 28 | 70633-08 | CLIP | XR1200X |
| 29 | 71287-08 | WIRE GUARD | XR1200X |

| | | | |
|----------------------------------|------------|---|---------|
| 30 | 71478-08 | BEZEL (chrome) | XR1200X |
| INTERNATIONAL MODELS ONLY | | | |
| 31 | 4871 | SCREW (HDI, England, Asia-Pacific) | XR1200X |
| 32 | 50126-08A | SENSOR (HDI, England, Asia-Pacific) | XR1200X |
| 33 | 72169-07 | TERMINAL, pin, 16-20 gauge (HDI, England, Asia-Pacific) (3) | XR1200X |
| 34 | 72511-07BK | HOUSING (HDI, England, Asia-Pacific) | XR1200X |
| 35 | 73213-07 | RETAINER (HDI, England, Asia-Pacific) | XR1200X |

FORK, REAR, DEBRIS DEFLECTOR & BELT GUARD

FORK, REAR, DEBRIS DEFLECTOR & BELT GUARD



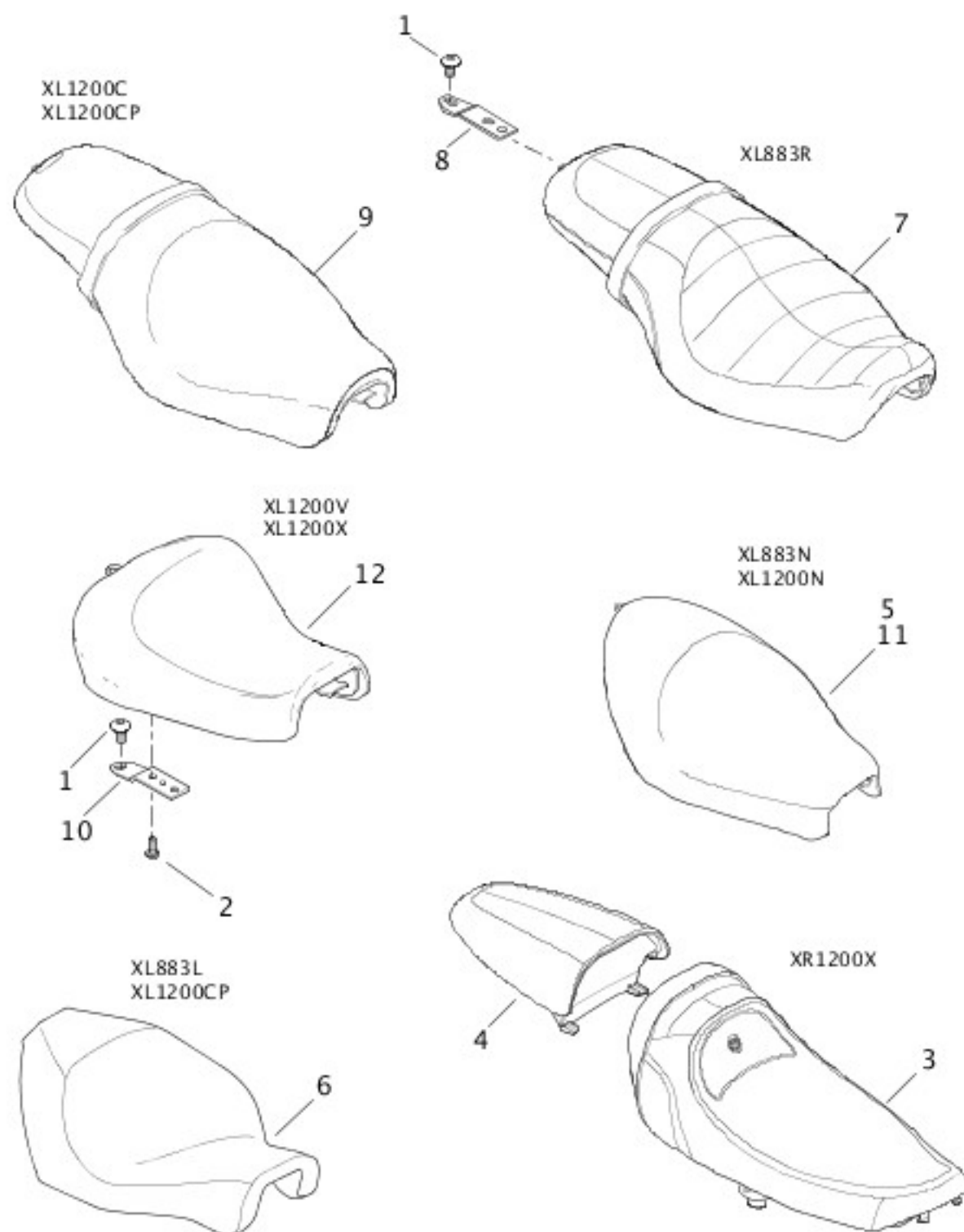
[View interactive image](#)

[View interactive table](#)

| INDEX NO. | PART NO. | DESCRIPTION | MODEL(S) |
|-----------|----------|-------------|---|
| 1 | 2445 | SCREW (5) | XR1200X |
| 2 | 2708A | SCREW | XL1200C, XL1200CP, XL1200N, XL1200V, XL1200X, XL883L, |

| | | | |
|----------------------------------|-----------|-------------------------------------|--|
| | | | XL883N, XL883R |
| 3 | 3579A | SCREW (3) | XL1200C, XL1200CP, XL1200N, XL1200V, XL1200X, XL883L, XL883N, XL883R |
| 4 | 6702 | WASHER | XL1200C, XL1200CP, XL1200N, XL1200V, XL1200X, XL883L, XL883N, XL883R |
| 5 | 6863 | PLUG | XR1200X |
| 6 | 6864A | PLUG (4) | XR1200X |
| 7 | 7766 | LOCKNUT (2) | ALL |
| 8 | 7531 | LOCKNUT | XL1200C, XL1200CP, XL1200N, XL1200V, XL1200X, XL883L, XL883N, XL883R |
| 9 | 9209 | BEARING, w/ 11282 (2) | ALL |
| 10 | 11282 | RETAINING RING (2) | ALL |
| 11 | 41573-05 | ADJUSTER (2) (1-Japan, left) | XL1200C, XL1200CP, XL1200N, XL1200V, XL1200X, XL883L, XL883N, XL883R |
| 12 | 41626-08 | ADJUSTER (2) (1-Japan, left) | XR1200X |
| 13 | 41698-04 | BOLT (2) | ALL |
| 14 | 47587-05 | REAR FORK, w/ bearings & 9209 | XL1200C, XL1200CP, XL1200N, XL1200V, XL1200X, XL883L, XL883N, XL883R |
| 15 | 47682-10 | REAR FORK, w/ bearings (black) | XR1200X |
| 16 | 60367-04 | BELT GUARD | XL1200C, XL1200CP, XL1200V, XL883L, XL883N, XL883R |
| 17 | 60379-09 | BELT GUARD | XL1200N, XL1200X |
| 18 | 60403-08 | BELT GUARD | XR1200X |
| 19 | 60416-08 | DEBRIS DEFLECTOR | XR1200X |
| 20 | 60435-04A | DEBRIS DEFLECTOR | XL1200C, XL1200CP, XL1200N, XL1200V, XL1200X, XL883L, XL883N, XL883R |
| 21 | 89579-91 | CAP (2) | XL1200C, XL1200CP, XL1200N, XL1200V, XL1200X, XL883L, XL883N, XL883R |
| 22 | 89586-04 | CAP (2) | XR1200X |
| INTERNATIONAL MODELS ONLY | | | |
| 23 | 41623-05 | ADJUSTER, right (Japan) (not shown) | XL1200C, XL1200CP, XL1200N, XL1200V, XL883L, XL883N, XL883R |
| 24 | 42174-09 | ADJUSTER, right (Japan) (not shown) | XR1200X |

SEATS

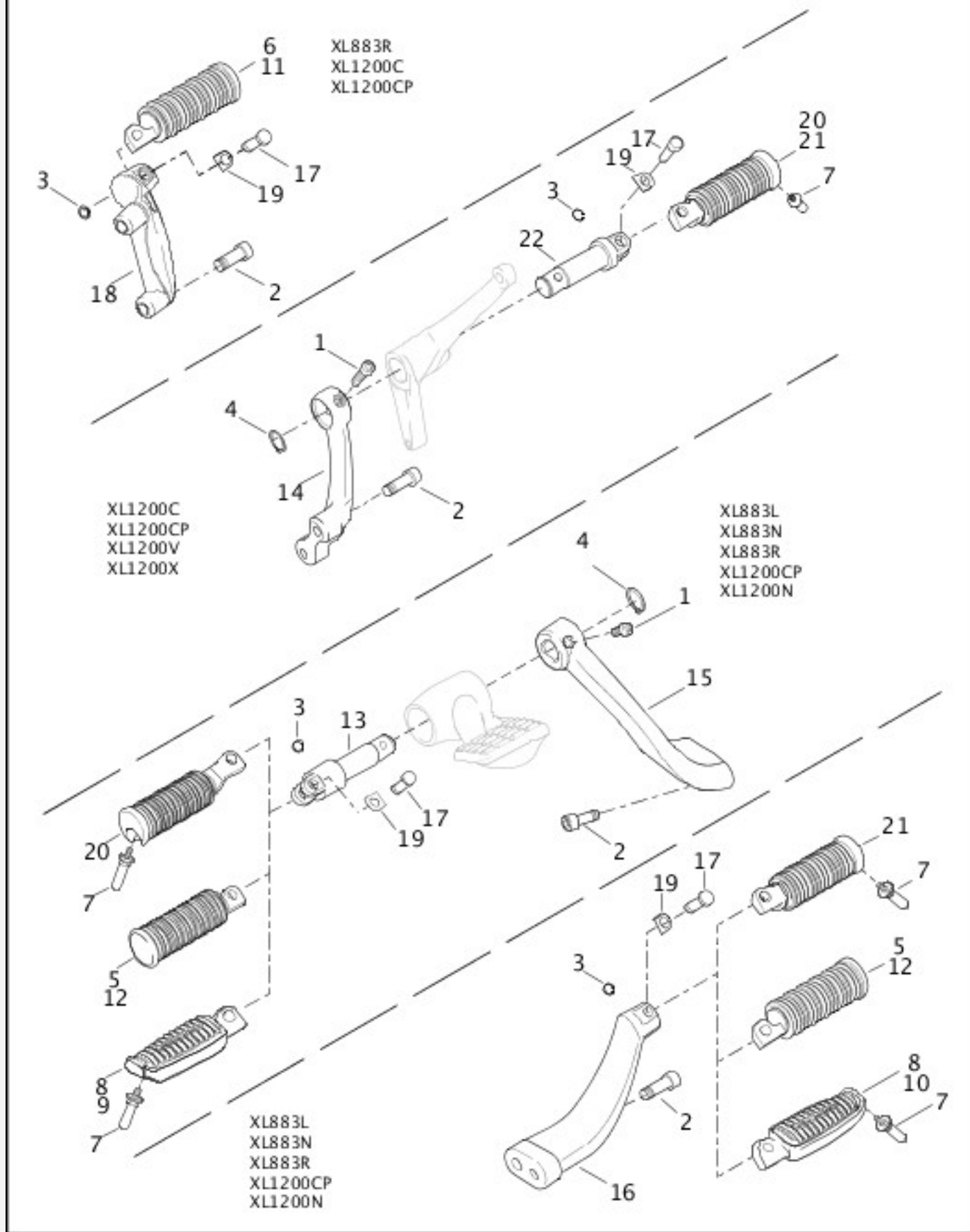

[View interactive image](#)
[View interactive table](#)

| INDEX NO. | PART NO. | DESCRIPTION | MODEL(S) |
|-----------|----------|-------------|---|
| 1 | 2952A | SCREW | XL1200C, XL1200CP, XL1200N, XL1200V, XL1200X, |

| | | | |
|----|-----------|--|--|
| | | | XL883L, XL883N, XL883R |
| 2 | 3574 | SCREW (2) | XL1200V, XL1200X, XL883L |
| 3 | 51382-08 | SEAT, rider | XR1200X |
| 4 | 51383-08 | SEAT, pillion | XR1200X |
| 5 | 51532-07 | SEAT ASSEMBLY, w/ 51652-97A | XL883N |
| 6 | 51550-11 | SEAT ASSEMBLY, w/ 3574 & 51652-97A (1200CP - Solo) | XL1200CP, XL883L |
| 7 | 51551-07 | SEAT ASSEMBLY, w/ 51652-97A | XL883R |
| 8 | 51652-97A | BRACKET | XL1200C, XL1200CP, XL1200N, XL883L, XL883N, XL883R |
| 9 | 51530-07 | SEAT ASSEMBLY, w/ 51652-97A (1200CP - 2-Up) | XL1200C, XL1200CP |
| 10 | 51740-10 | BRACKET | XL1200V, XL1200X |
| 11 | 51899-07 | SEAT ASSEMBLY, w/ 51652-97A | XL1200N |
| 12 | 51911-10 | SEAT ASSEMBLY, w/ 3574 & 51740-10 | XL1200V, XL1200X |

FOOTRESTS - 883L/N/R, 1200C/CP/N/V/X

FOOTRESTS - 883L/N/R, 1200C/CP/N/V



[View interactive image](#)

[View interactive table](#)

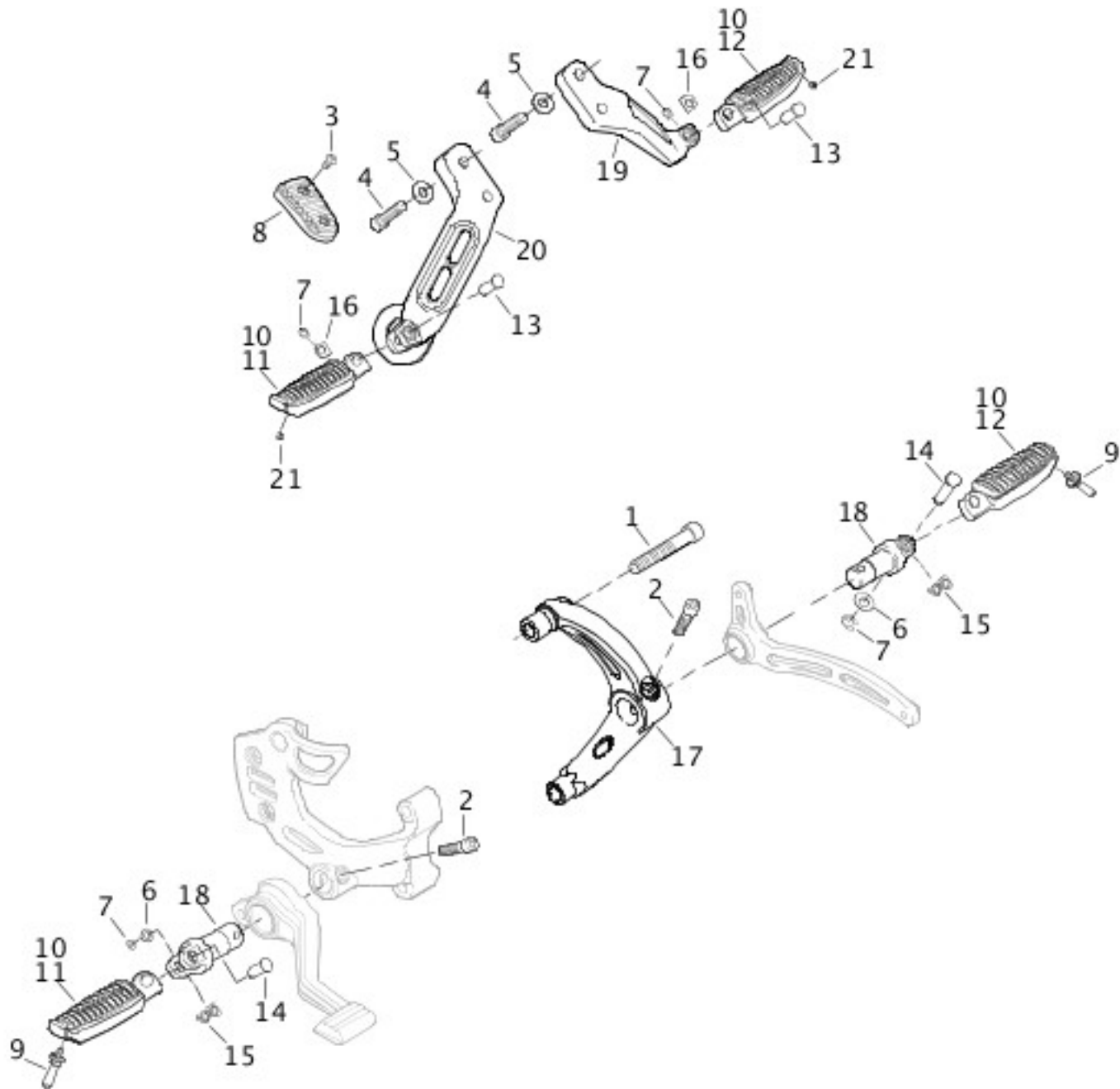
| INDEX NO. | PART NO. | DESCRIPTION | MODEL(S) |
|-----------|----------|-------------|--|
| 1 | 3162 | SCREW | XL1200C, XL1200CP, XL1200N, XL1200V, XL1200X, XL883L, XL883N, XL883R |

| | | | |
|----|-------------|---|--|
| 2 | 3214 | SCREW (4) | XL1200C, XL1200CP, XL1200N, XL1200V, XL1200X, XL883L, XL883N, XL883R |
| 3 | 11304 | RETAINING RING (2) | XL1200C, XL1200CP, XL1200N, XL1200V, XL1200X, XL883L, XL883N |
| | 11304 | RETAINING RING (4) | XL883R |
| 4 | 11390 | RETAINING RING (2) | XL1200C, XL1200CP, XL1200N, XL1200V, XL1200X, XL883L, XL883N, XL883R |
| 5 | 33032-99 | FOOTPEG ASSEMBLY, w/ 33216-06 (2) | XL883R |
| 6 | 33048-72 | FOOTPEG ASSEMBLY, w/ 33189-63 (2) | XL1200C, XL1200CP, XL883R |
| 7 | 33130-07A | WEAR PEG (2) | XL1200C, XL1200CP, XL1200N, XL1200V, XL1200X, XL883L, XL883N |
| 8 | 33133-06 | RUBBER, footpegs (2) | XL1200N, XL883N |
| 9 | 33134-07CAZ | FOOTPEG ASSEMBLY, w/ 33133-06, right (black) | XL1200N, XL883N |
| 10 | 33135-07CAZ | FOOTPEG ASSEMBLY, w/ 33133-06, left (black) | XL1200N, XL883N |
| 11 | 33189-63 | RUBBER, footrest (2) | XL1200C, XL1200CP, XL883R |
| 12 | 33216-99 | RUBBER, footrest (2) | XL883R |
| 13 | 42541-04 | CLEVIS, right | XL1200CP, XL1200N, XL883L, XL883N, XL883R |
| 14 | 42651-04 | SUPPORT BRACKET, left (1200CP - Forward Foot Controls) | XL1200C, XL1200CP, XL1200V, XL1200X |
| | 42652-04 | SUPPORT BRACKET, right (not shown) (1200CP - Forward Foot Controls) | XL1200C, XL1200CP, XL1200V, XL1200X |
| 15 | 42971-04 | BRACKET, right (1200CP - Mid Foot Controls) | XL1200CP, XL1200N, XL883L, XL883N, XL883R |
| 16 | 42972-04 | BRACKET, left (1200CP - Mid Foot Controls) | XL1200CP, XL1200N, XL883L, XL883N, XL883R |
| 17 | 45041-01A | CLEVIS PIN (2) | XL1200C, XL1200CP, XL1200N, XL1200V, XL1200X, XL883L, XL883N |
| | 45041-01A | CLEVIS PIN (4) | XL883R |
| 18 | 49314-04 | BRACKET, right (not shown) (1200CP - 2Up) | XL1200C, XL1200CP, XL883R |
| | | | |

| | | | |
|----|----------|---|--|
| | 49315-04 | BRACKET, left (1200CP - 2Up) | XL1200C, XL1200CP, XL883R |
| 19 | 50912-72 | SPRING WASHER (2) | XL1200C, XL1200CP, XL1200N, XL1200V, XL1200X, XL883L, XL883N |
| | 50912-72 | SPRING WASHER (4) | XL883R |
| 20 | 51323-08 | FOOTPEG ASSEMBLY, right | XL1200C, XL1200CP, XL1200V, XL1200X, XL883L |
| 21 | 51327-08 | FOOTPEG ASSEMBLY, left | XL1200C, XL1200CP, XL1200V, XL1200X, XL883L |
| 22 | 51731-10 | CLEVIS, right (not shown) | XL1200C, XL1200CP, XL1200V, XL1200X |
| | 51730-10 | CLEVIS, left | XL1200C, XL1200CP, XL1200V, XL1200X |
| | 90493-83 | HOLE PLUG (not illustrated) (as required) | XL1200C, XL1200CP, XL1200V, XL883L, XL883R |

FOOTRESTS - XR1200X

FOOTRESTS - XR1200X



[View interactive image](#)

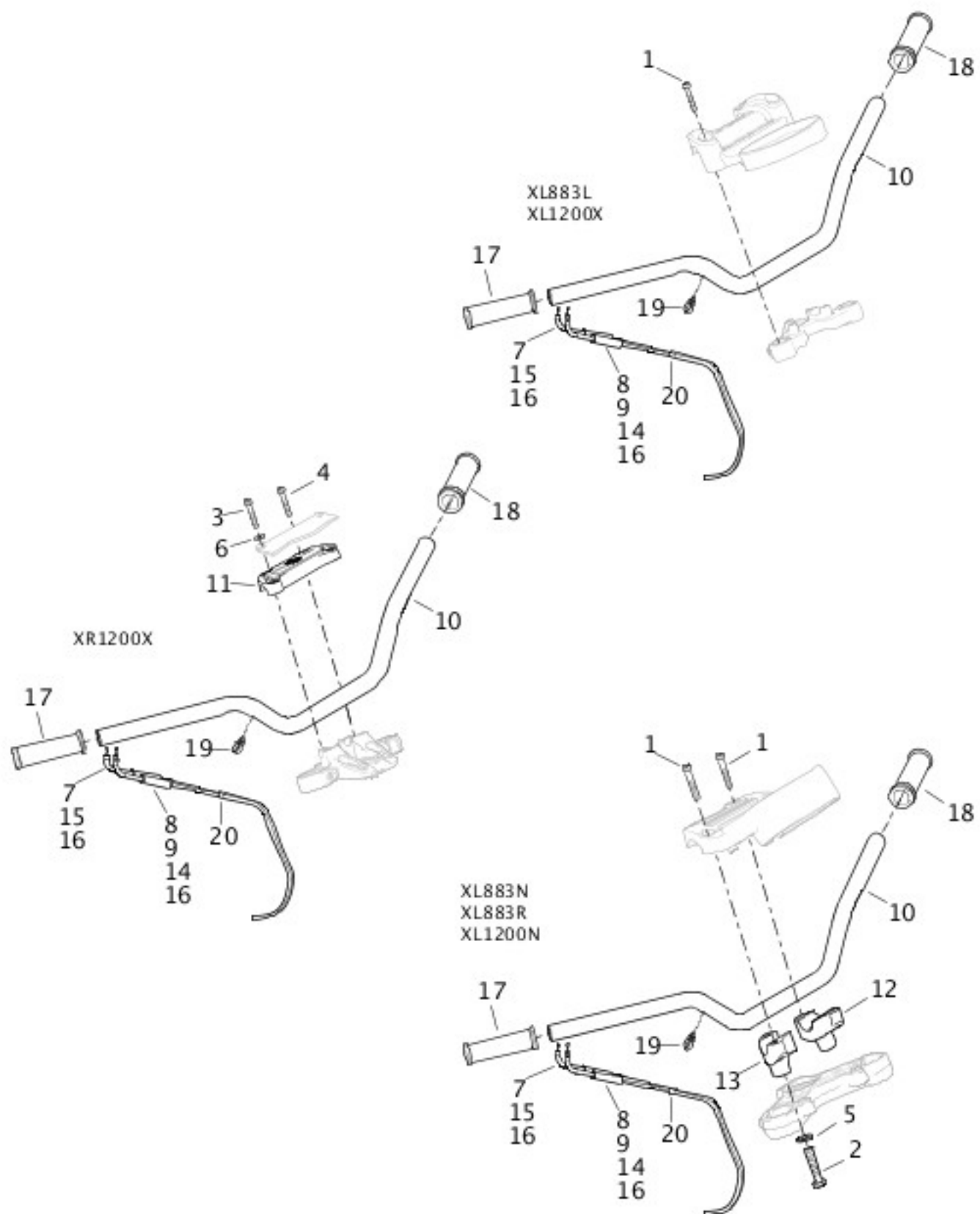
[View interactive table](#)

| INDEX NO. | PART NO. | DESCRIPTION | MODEL(S) |
|-----------|----------|-------------|----------|
| 1 | 855B | SCREW (2) | XR1200X |
| 2 | 3162 | SCREW (2) | XR1200X |

| | | | |
|----|-------------|--|---------|
| 3 | 3048 | SCREW (2) | XR1200X |
| 4 | 4350A | SCREW (2) | XR1200X |
| 5 | 6400HB | WASHER (2) | XR1200X |
| 6 | 6874 | WASHER (2) | XR1200X |
| 7 | 11304 | RETAINING RING (4) | XR1200X |
| 8 | 33084-06 | HEEL REST | XR1200X |
| 9 | 33130-07A | WEAR PEG (2) | XR1200X |
| 10 | 33133-06 | RUBBER (4) | XR1200X |
| 11 | 33134-07CAZ | FOOTPEG ASSEMBLY, w/ 33133-06, right (2) | XR1200X |
| 12 | 33135-07CAZ | FOOTPEG ASSEMBLY, w/ 33133-06, left (2) | XR1200X |
| 13 | 45041-01A | CLEVIS PIN (2) | XR1200X |
| 14 | 45067-06 | CLEVIS PIN (4) | XR1200X |
| 15 | 45065-06 | RETURN SPRING (2) | XR1200X |
| 16 | 50912-72 | SPRING WASHER (2) | XR1200X |
| 17 | 51044-08 | BRACKET, left | XR1200X |
| 18 | 51046-09 | CLEVIS (2) | XR1200X |
| 19 | 51048-08 | BRACKET, left | XR1200X |
| 20 | 51049-08 | BRACKET, right | XR1200X |
| 21 | 90520-07 | PLUG (2) | XR1200X |

HANDLEBAR & THROTTLE CONTROL - 883L/N/R, 1200N/X, XR1200X

HANDLEBAR & THROTTLE CONTROL – 883L/N/R, 1200N/X, XR1200

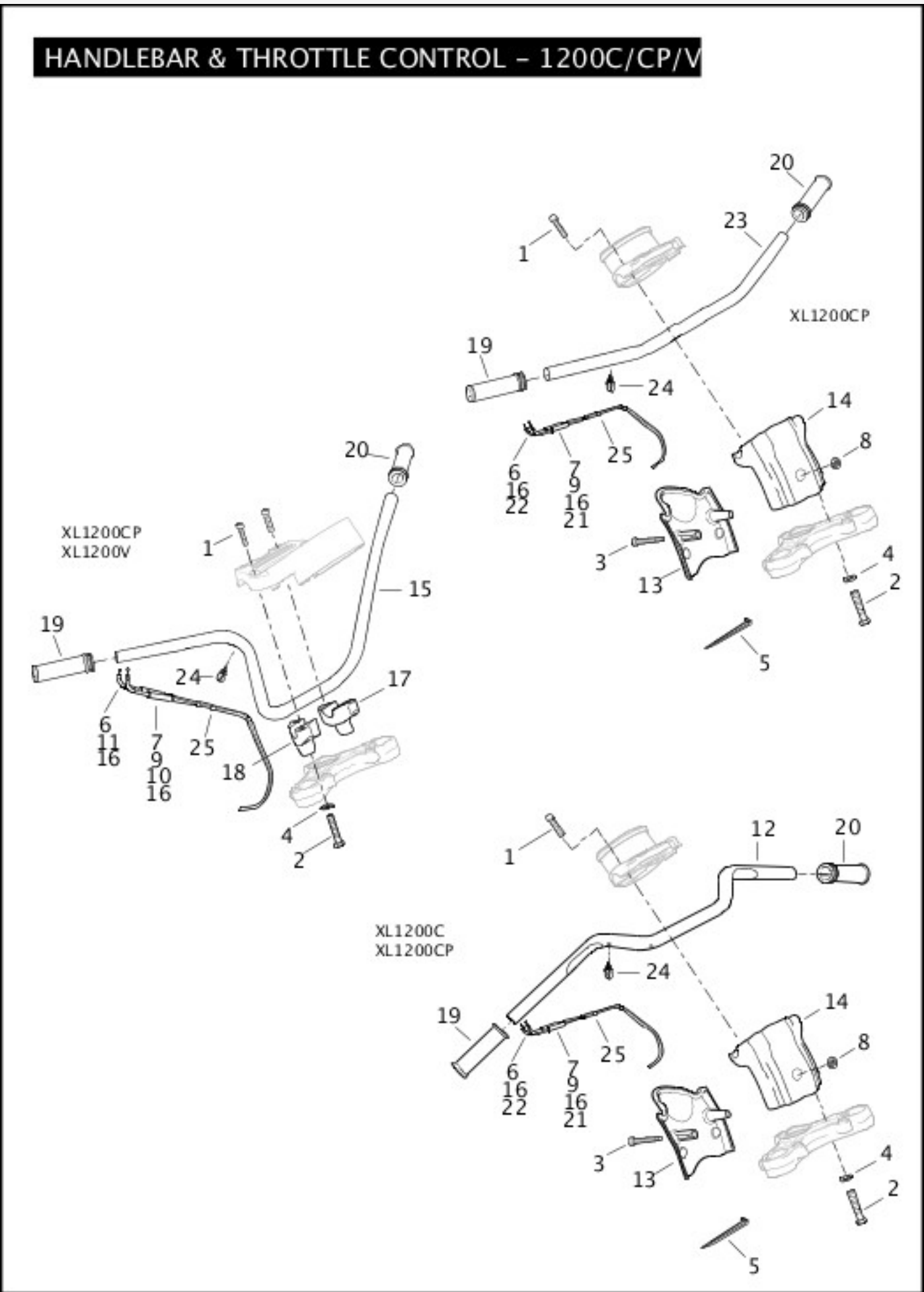


[View interactive image](#)

[View interactive table](#)

| INDEX NO. | PART NO. | DESCRIPTION | MODEL(S) |
|-----------|----------|-------------|----------------------------------|
| 1 | 3210A | SCREW (4) | XL1200N, XL1200X, XL883L, XL883N |
| 2 | 3605 | BOLT (2) | XL1200N, XL883N, XL883R |

| | | | |
|----|-----------|--|---|
| 3 | 4326A | SCREW (2) | XL883R, XR1200X |
| 4 | 4816A | SCREW (2) | XL883R, XR1200X |
| 5 | 6590HW | WASHER (2) | XL1200N, XL883N, XL883R |
| 6 | 6702 | WASHER (2) | XL883R, XR1200X |
| 7 | 11271 | RING RETAINER, idle | XL1200N, XL1200X, XL883L, XL883N, XL883R, XR1200X |
| 8 | 11272 | RING RETAINER, throttle | XL1200N, XL1200X, XL883L, XL883N, XL883R, XR1200X |
| 9 | 38653-01 | BOOT, throttle | XL1200N, XL1200X, XL883L, XL883N, XL883R, XR1200X |
| 10 | 56014-09A | HANDLEBAR | XL1200X, XL883N |
| | 56085-83A | HANDLEBAR | XL1200N, XL883R, XR1200X |
| | 57209-11 | HANDLEBAR | XL883L |
| 11 | 56115-95 | CLAMP, upper (black) | XL883R, XR1200X |
| 12 | 56116-82A | CLAMP, lower left | XL1200N, XL883N, XL883R |
| 13 | 56117-82A | CLAMP, lower right | XL1200N, XL883N, XL883R |
| 14 | 56637-08 | THROTTLE CONTROL ASSEMBLY, w/ 11272 & 38653-01 | XR1200X |
| | 56884-07 | THROTTLE CONTROL ASSEMBLY, w/ 11272 & 38653-01 | XL1200N, XL1200X, XL883L, XL883N, XL883R |
| 15 | 56639-08 | IDLE CONTROL ASSEMBLY, w/ 11271 | XR1200X |
| | 56885-07 | IDLE CONTROL ASSEMBLY, w/ 11271 | XL1200N, XL1200X, XL883L, XL883N, XL883R |
| 16 | 56508-76 | FERRULE (2) | XL1200N, XL1200X, XL883L, XL883N, XL883R, XR1200X |
| 17 | 56666-04 | GRIP & SLEEVE, throttle | XL1200N, XL1200X, XL883L, XL883N, XL883R, XR1200X |
| 18 | 56667-04 | HANDLEBAR GRIP | XL1200N, XL1200X, XL883L, XL883N, XL883R, XR1200X |
| 19 | 70345-84 | RETAINER (4) | XL1200N, XL1200X, XL883L, XL883N, XL883R, XR1200X |
| 20 | 70504-81 | CLIP (2) | XL1200N, XL1200X, XL883L, XL883N, XL883R, XR1200X |



[View interactive image](#)

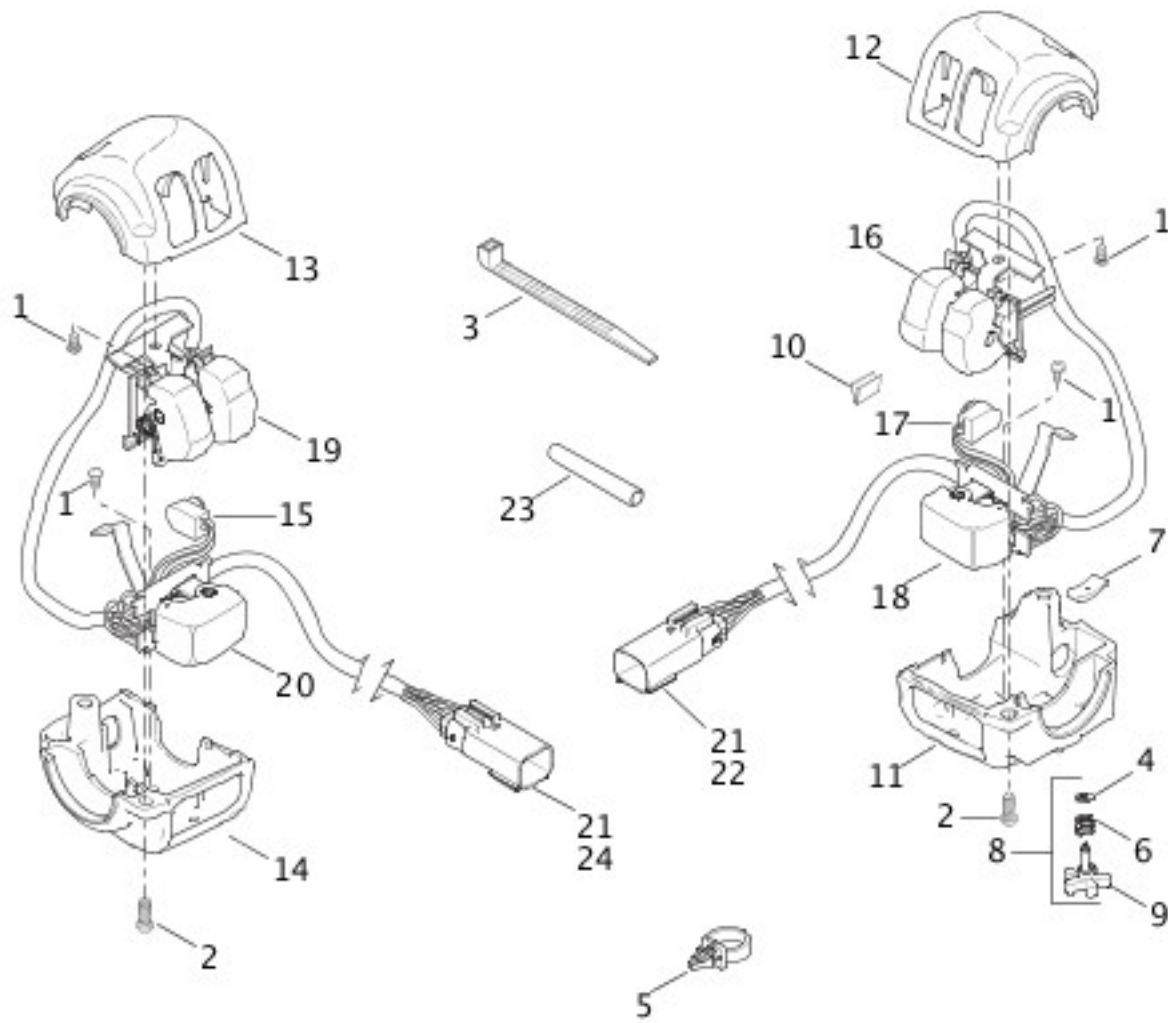
[View interactive table](#)

| INDEX NO. | PART NO. | DESCRIPTION | MODEL(S) |
|-----------|----------|-------------|----------------------------|
| 1 | 3210A | SCREW (4) | XL1200C, XL1200CP, XL1200V |

| | | | |
|----|-----------|--|----------------------------|
| 2 | 3605 | BOLT (2) | XL1200C, XL1200CP, XL1200V |
| 3 | 3666A | SCREW (2) | XL1200C, XL1200CP |
| 4 | 6590HW | WASHER (2) | XL1200C, XL1200CP, XL1200V |
| 5 | 10006 | CABLE STRAP (as required) | XL1200C, XL1200CP |
| 6 | 11271 | RING RETAINER, idle | XL1200C, XL1200CP, XL1200V |
| 7 | 11272 | RING RETAINER, throttle | XL1200C, XL1200CP, XL1200V |
| 8 | 14448-94 | LOGO BAR & SHIELD | XL1200C, XL1200CP |
| 9 | 38653-01 | BOOT, throttle | XL1200C, XL1200CP, XL1200V |
| 10 | 55785-11 | THROTTLE CONTROL ASSEMBLY, w/ 11272 & 38653-11 | XL1200CP, XL1200V |
| 11 | 55786-11 | IDLE CONTROL ASSEMBLY, w/ 11271 | XL1200CP, XL1200V |
| 12 | 55840-04A | HANDLEBAR (1200CP - Pull Back) | XL1200C, XL1200CP |
| 13 | 55842-04 | COVER, riser | XL1200C, XL1200CP |
| 14 | 56017-04 | RISER ASSEMBLY, w/ 14448-94 | XL1200C, XL1200CP |
| 15 | 56079-93 | HANDLEBAR (1200CP - Mini-Ape) | XL1200CP, XL1200V |
| 16 | 56508-76 | FERRULE (2) | XL1200C, XL1200CP, XL1200V |
| 17 | 56541-86A | CLAMP, lower left | XL1200CP, XL1200V |
| 18 | 56542-86A | CLAMP, lower right | XL1200CP, XL1200V |
| 19 | 56666-04 | GRIP & SLEEVE, throttle | XL1200C, XL1200CP, XL1200V |
| 20 | 56667-04 | HANDLEBAR GRIP | XL1200C, XL1200CP, XL1200V |
| 21 | 56884-07 | THROTTLE CONTROL ASSEMBLY, w/ 11272 & 38653-11 | XL1200C, XL1200CP |
| 22 | 56885-07 | IDLE CONTROL ASSEMBLY, w/ 11271 | XL1200C, XL1200CP |
| 23 | 57472-11 | HANDLEBAR (1200CP - Drag) | XL1200CP |
| 24 | 70345-84 | RETAINER (4) | XL1200C, XL1200CP, XL1200V |
| 25 | 70504-81 | CLIP (2) | XL1200C, XL1200CP, XL1200V |

SWITCHES, HANDLEBAR

SWITCHES, HANDLEBAR



[View interactive image](#)

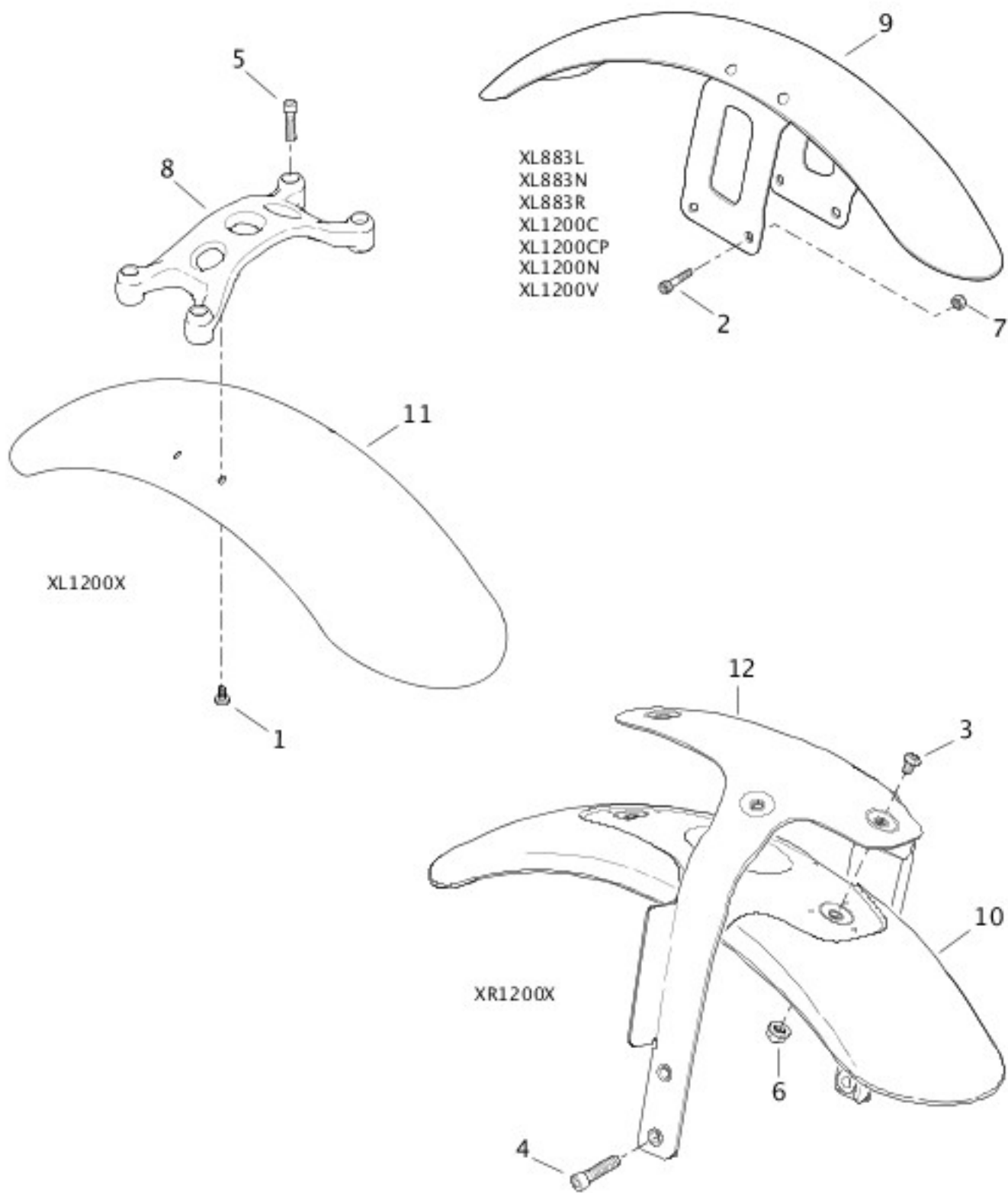
[View interactive table](#)

| INDEX NO. | PART NO. | DESCRIPTION | MODEL(S) |
|-----------|----------|-------------|----------|
| 1 | 2955 | SCREW (4) | ALL |
| 2 | 3658 | SCREW (4) | ALL |

| | | | |
|----|------------|---|-----|
| 3 | 10181 | CABLE STRAP (as required) | ALL |
| 4 | 11155 | RETAINING RING | ALL |
| 5 | 70345-84 | RETAINER, wiring harness (4) | ALL |
| 6 | 56394-74 | SPRING | ALL |
| 7 | 56396-74A | FRICTION SPRING | ALL |
| 8 | 56397-74C | THROTTLE ADJUSTING SCREW KIT, w/ 11155, 56394-74, & 56402-83A | ALL |
| 9 | 56402-83A | ADJUSTING SCREW | ALL |
| 10 | 71587-04 | CLIP | ALL |
| 11 | 71563-96 | HOUSING, lower right | ALL |
| 12 | 71564-96 | HOUSING, upper right | ALL |
| 13 | 71567-96 | HOUSING, upper left | ALL |
| 14 | 71568-96A | HOUSING, lower left | ALL |
| 15 | 71620-08 | SWITCH, clutch, w/ 10181 & 72266-94 | ALL |
| 16 | 71684-06A | SWITCH ASSEMBLY, engine stop & start, w/ 10181 & 72266-94 | ALL |
| 17 | 71621-08 | SWITCH ASSEMBLY, stoplight, w/ 10181 & 72266-94 | ALL |
| 18 | 71683-06A | SWITCH ASSEMBLY, right directional, w/ 10181 | ALL |
| 19 | 71682-06A | SWITCH ASSEMBLY, dimmer & horn, w/ 10181 & 72266-94 | ALL |
| 20 | 71685-06A | SWITCH ASSEMBLY, left directional, w/ 10181 | ALL |
| 21 | 72169-07 | TERMINAL, pin, 16-20 gauge (14) | ALL |
| 22 | 72188-07BK | HOUSING, 6-way pin (black) | ALL |
| 23 | 72266-94 | SHRINK TUBE (as required) | ALL |
| 24 | 72447-07GY | HOUSING, 8-way pin (gray) | ALL |

FENDERS, FRONT

FENDERS, FRONT



[View interactive image](#)

[View interactive table](#)

| INDEX NO. | PART NO. | DESCRIPTION | MODEL(S) |
|-----------|----------|-------------|----------|
|-----------|----------|-------------|----------|

NOTE: Refer to Painted Parts Book for painted part numbers.

| | | | |
|---|-------|-----------|---------|
| 1 | 3018A | SCREW (4) | XL1200X |
|---|-------|-----------|---------|

| | | | |
|----|-------------|------------------------|---|
| 2 | 3210A | SCREW (4) | XL1200C, XL1200CP, XL1200N, XL1200V, XL883L, XL883N, XL883R |
| 3 | 3731M | SCREW (4) | XR1200X |
| 4 | 4250M | SCREW (4) | XR1200X |
| 5 | 4978 | SCREW (4) | XL1200X |
| 6 | 7495 | NUT (4) | XR1200X |
| 7 | 7531 | LOCKNUT (4) | XL1200C, XL1200CP, XL1200N, XL1200V, XL883L, XL883N, XL883R |
| 8 | 46420-10 | BRACE | XL1200X |
| 9 | 58998-83E | FRONT FENDER, prime | XL883N, XL883R |
| | 60955-11 | FRONT FENDER, prime | XL1200C, XL1200CP, XL883L |
| | 59712-07A | FRONT FENDER, prime | XL1200N, XL1200V |
| 10 | 59022-07BDK | FRONT FENDER, prime | XR1200X |
| 11 | 60574-10 | FRONT FENDER, prime | XL1200X |
| 12 | 59441-10 | FENDER SUPPORT | XR1200X |

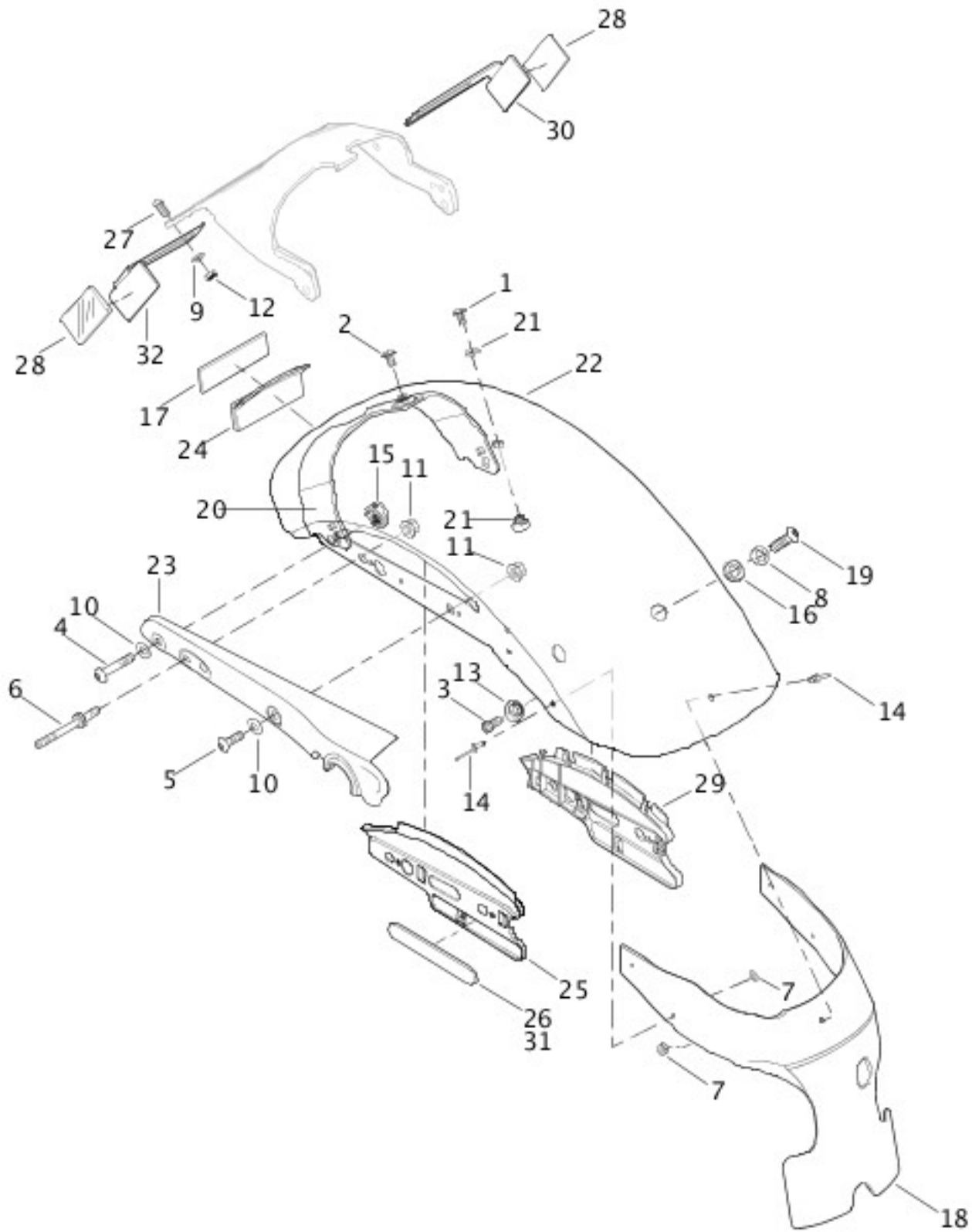
FENDERS, REAR - 883L/R/1200C/CP (ALL), 883N/1200N/V/X (CANADA ONLY)

| | | | |
|----|-----------|-----------------------------|--|
| | | | XL883L, XL883N, XL883R |
| 2 | 4017 | BOLT | XL1200C, XL1200CP, XL1200N, XL1200V, XL1200X, XL883L, XL883N, XL883R |
| 3 | 4778 | SCREW (2) | XL1200C, XL1200CP, XL1200N, XL1200V, XL1200X, XL883L, XL883N, XL883R |
| 4 | 4779 | SCREW (2) | XL1200C, XL1200CP, XL1200N, XL1200V, XL1200X, XL883L, XL883N, XL883R |
| 5 | 6192 | WASHER (5) | XL1200C, XL1200CP, XL1200N, XL1200V, XL1200X, XL883L, XL883N, XL883R |
| 6 | 6702 | WASHER (2) | XL1200C, XL1200CP, XL1200N, XL1200V, XL1200X, XL883L, XL883N, XL883R |
| 7 | 6798 | WASHER (4) | XL1200C, XL1200CP, XL1200N, XL1200V, XL1200X, XL883L, XL883N, XL883R |
| 8 | 7531 | LOCKNUT (4) | XL1200C, XL1200CP, XL1200N, XL1200V, XL1200X, XL883L, XL883N, XL883R |
| 9 | 7882 | TEE SPACER | XL1200C, XL1200CP, XL1200N, XL1200V, XL1200X, XL883L, XL883N, XL883R |
| 10 | 8692 | RIVET (7) | XL1200C, XL1200CP, XL1200N, XL1200V, XL1200X, XL883L, XL883N, XL883R |
| 11 | 10200 | BRACKET, wire retention (2) | XL1200C, XL1200CP, XL1200N, XL1200V, XL1200X, XL883L, XL883N, XL883R |
| 12 | 10242 | CLIP, threaded | XL1200C, XL1200CP, XL1200N, XL1200V, XL1200X, XL883L, XL883N, XL883R |
| 13 | 11474 | GROMMET | XL1200C, XL1200CP, XL1200N, XL1200V, XL1200X, XL883L, XL883N, XL883R |
| 14 | 56104-02 | SCREW (2) | XL1200C, XL1200CP, XL1200N, XL1200V, XL1200X, XL883L, XL883N, XL883R |
| 15 | 59259-90 | REFLECTOR, red | XL1200C, XL1200CP |
| 16 | 59287-92 | REFLECTOR, right (red) | XL1200C, XL1200CP, XL1200N, XL1200V, XL1200X, XL883L, XL883N, XL883R |
| | 59288-92 | REFLECTOR, left (red) | XL1200C, XL1200CP, XL1200N, XL1200V, XL1200X, XL883L, XL883N, XL883R |
| 17 | 59502-04A | REAR FENDER EXTENSION | XL1200C, XL1200CP, XL1200N, XL1200V, XL1200X, XL883L, XL883N, XL883R |
| 18 | 59673-04A | FENDER SUPPORT | XL1200N, XL1200V, XL1200X, XL883L, XL883N, XL883R |
| | 59500034 | FENDER SUPPORT | XL1200C, XL1200CP |
| 19 | 59723-04 | SEAT POST | XL1200C, XL1200CP, XL1200N, XL1200V, XL1200X, XL883L, XL883N, XL883R |

| | | | |
|----------------------------------|-----------|---|--|
| 20 | 59768-97 | FENDER SEAT NUT KIT | XL1200C, XL1200CP, XL1200N, XL1200V, XL1200X, XL883L, XL883N, XL883R |
| 21 | 59847-10 | FENDER, rear (prime) | XL1200N, XL1200V, XL1200X, XL883L, XL883N, XL883R |
| | 59885-11 | FENDER, rear (prime) | XL1200C, XL1200CP |
| 22 | 59902-04 | COVER, rear fender support - right (chrome) | XL1200C, XL1200CP, XL1200V, XL883R |
| | 59903-04 | COVER, rear fender support - left (chrome) (not shown) | XL1200C, XL1200CP, XL1200V, XL883R |
| | 60203-06 | COVER, rear fender support - right (vivid black) | XL1200N, XL1200X, XL883L, XL883N |
| | 60204-06 | COVER, rear fender support - left (vivid black) (not shown) | XL1200N, XL1200X, XL883L, XL883N |
| 23 | 69302-11 | WIRE GUIDE (2) | XL1200C, XL1200CP |
| 24 | 67900006 | BRACKET, reflector | XL1200C, XL1200CP |
| INTERNATIONAL MODELS ONLY | | | |
| 25 | 59256-84A | REFLECTOR, amber (HDI) (2) | XL1200C, XL1200N, XL883L, XL883R |

FENDERS, REAR - 883N/1200N/V/X (ALL EXCEPT CANADA)

FENDERS, REAR – 883N/1200N/V/X (ALL EXCEPT CANADA)



[View interactive image](#)

[View interactive table](#)

| INDEX NO. | PART NO. | DESCRIPTION | MODEL(S) |
|--|----------|-------------|----------------------------|
| NOTE: Refer to Painted Parts Book for painted part numbers. | | | |
| 1 | 2952A | SCREW | XL1200N, XL1200V, XL1200X, |

| | | | |
|----|-----------|-----------------------|-----------------------------------|
| | | | XL883N |
| 2 | 3085 | SCREW | XL1200N, XL1200V, XL1200X, XL883N |
| 3 | 4017 | BOLT | XL1200N, XL1200V, XL1200X, XL883N |
| 4 | 4778 | SCREW (2) | XL1200N, XL1200V, XL1200X, XL883N |
| 5 | 4779 | SCREW (2) | XL1200N, XL1200V, XL1200X, XL883N |
| 6 | 5531 | SCREW (2) | XL1200N, XL1200V, XL1200X, XL883N |
| 7 | 6192 | WASHER (5) | XL1200N, XL1200V, XL1200X, XL883N |
| 8 | 6702 | WASHER (2) | XL1200N, XL1200V, XL1200X, XL883N |
| 9 | 6703 | WASHER | XL1200N, XL1200V, XL1200X, XL883N |
| 10 | 6798 | WASHER (4) | XL1200N, XL1200V, XL1200X, XL883N |
| 11 | 7531 | LOCKNUT (4) | XL1200N, XL1200V, XL1200X, XL883N |
| 12 | 7716 | LOCKNUT | XL1200N, XL1200V, XL1200X, XL883N |
| 13 | 7882 | TEE SPACER | XL1200N, XL1200V, XL1200X, XL883N |
| 14 | 8692 | RIVET (9) | XL1200N, XL1200V, XL1200X, XL883N |
| 15 | 10323 | CLIP, threaded (2) | XL1200N, XL1200V, XL1200X, XL883N |
| 16 | 11474 | GROMMET | XL1200N, XL1200V, XL1200X, XL883N |
| 17 | 59359-06 | REFLECTOR (red) | XL1200N, XL1200V, XL1200X, XL883N |
| 18 | 59502-04A | REAR FENDER EXTENSION | XL1200N, XL1200V, XL1200X, XL883N |
| 19 | 59723-04 | SEAT POST | XL1200N, XL1200V, XL1200X, XL883N |
| 20 | 59727-07 | FENDER SUPPORT | XL1200N, XL1200V, XL1200X, XL883N |
| | | | |

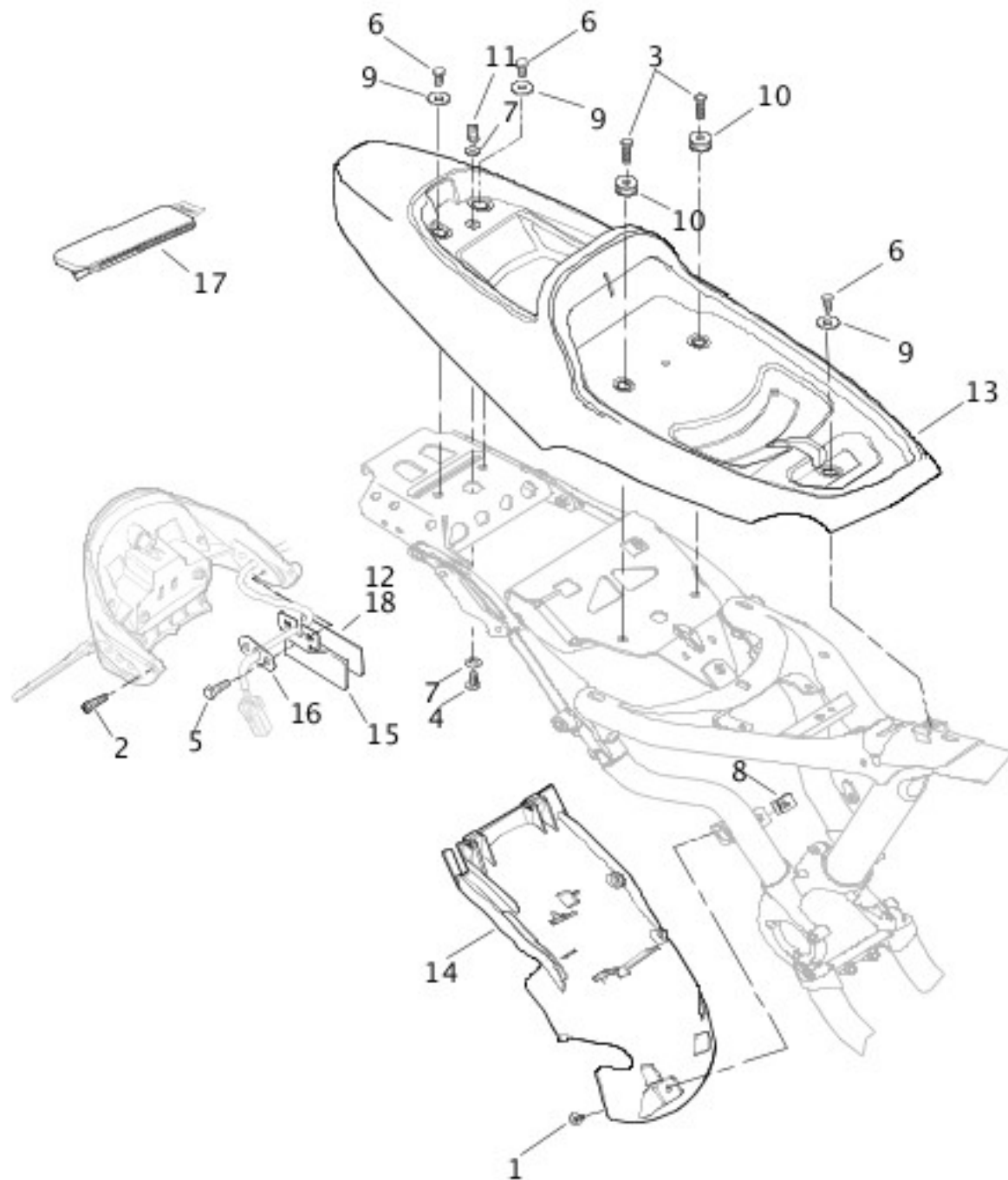
| | | | |
|----|----------|---|--------------------------------------|
| 21 | 59768-97 | FENDER SEAT NUT KIT | XL1200N, XL1200V, XL1200X, XL883N |
| 22 | 59865-10 | FENDER, rear (prime) | XL1200N, XL1200V, XL1200X, XL883N |
| 23 | 60203-06 | COVER, rear fender support - right (vivid black) | XL1200N, XL1200V, XL1200X, XL883N |
| | 60204-06 | COVER, rear fender support - left (vivid black) (not shown) | XL1200N, XL1200V, XL1200X, XL883N |
| 24 | 68724-07 | MOUNTING BLOCK, w/ tape | XL1200N, XL1200V, XL1200X, XL883N |
| 25 | 68704-07 | BRACKET REFLECTOR MOUNT, right | XL1200N, XL1200V, XL1200X, XL883N |
| 26 | 69490-07 | REFLECTOR (red) (2) | XL1200N, XL1200V, XL1200X, XL883N |

INTERNATIONAL MODELS ONLY

| | | | |
|----|-----------|--------------------------------------|--------------------------------------|
| 27 | 2446 | SCREW (HDI) (2) | XL1200N, XL1200V, XL1200X, XL883N |
| 28 | 59256-84A | REFLECTOR (amber) (HDI) (2) | XL1200N, XL1200V, XL1200X, XL883N |
| 29 | 68857-07 | BRACKET, reflector mount, left (HDI) | XL1200N, XL1200V, XL1200X, XL883N |
| 30 | 68966-08 | BRACKET, reflector, LH (HDI) | XL1200N, XL1200V, XL1200X, XL883N |
| 31 | 69498-08 | COVER, side reflector (HDI) (2) | XL1200N, XL1200V, XL1200X, XL883N |
| 32 | 73504-11 | BRACKET, reflector, RH (HDI) | XL1200N, XL1200V, XL1200X, XL883N |

FENDERS, REAR - XR1200X

FENDERS, REAR - XR1200X



[View interactive image](#)

[View interactive table](#)

| INDEX NO. | PART NO. | DESCRIPTION | MODEL(S) |
|-----------|----------|-------------|----------|
|-----------|----------|-------------|----------|

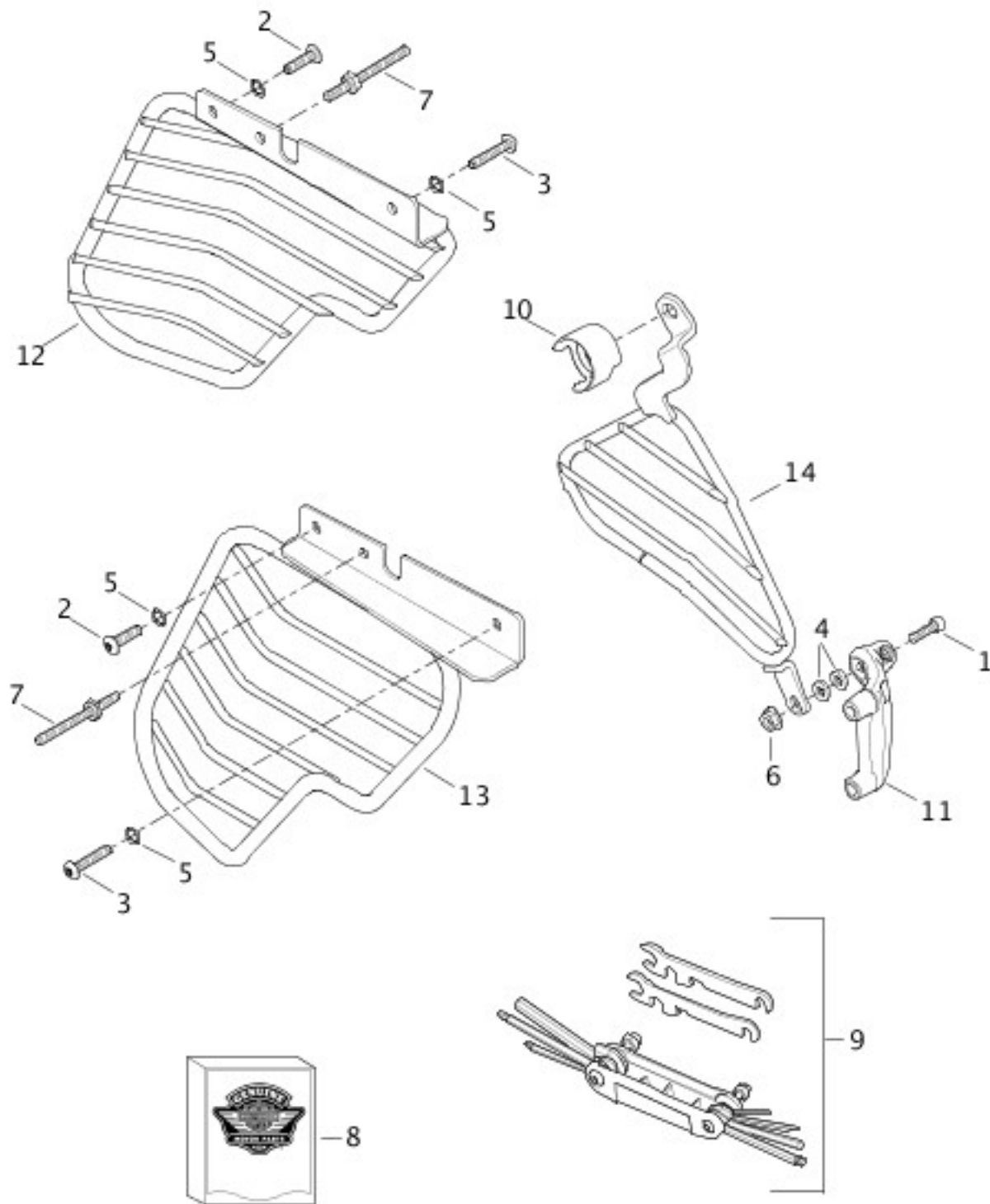
NOTE: Refer to Painted Parts Book for painted part numbers.

| | | | |
|---|------|-------|---------|
| 1 | 2445 | SCREW | XR1200X |
|---|------|-------|---------|

| | | | |
|----------------------------------|-------------|---|---------|
| 2 | 2653 | SCREW (2) | XR1200X |
| 3 | 2872W | BOLT (2) | XR1200X |
| 4 | 3574 | SCREW | XR1200X |
| 5 | 3706M | SCREW (4) | XR1200X |
| 6 | 3802W | BOLT (3) | XR1200X |
| 7 | 6703 | WASHER (2) | XR1200X |
| 8 | 7900 | LOCKNUT | XR1200X |
| 9 | 48390-06 | SPACER (3) | XR1200X |
| 10 | 51710-08 | POST, grabstrap (2) | XR1200X |
| 11 | 52429-08 | SEAT POST | XR1200X |
| 12 | 59259-90 | REFLECTOR, red (HDI) | XR1200X |
| | 59259-90 | REFLECTOR, red (domestic) (2) | XR1200X |
| 13 | 59901-08BDK | FENDER, rear (prime) | XR1200X |
| 14 | 59916-08 | FENDER ASSEMBLY, inner | XR1200X |
| 15 | 60183-08 | BRACKET, reflector (2) | XR1200X |
| 16 | 69148-01 | SUPPORT PLATE (2) | XR1200X |
| 17 | 92500-10 | TOOL KIT, w/ C2045.1AK, C2050.1AM, C2051.1AM | XR1200X |
| | C2045.1AK | HEX KEY, 5mm (tool kit) (not illustrated) | XR1200X |
| | C2050.1AM | WRENCH, rear shock (tool kit) (not illustrated) | XR1200X |
| | C2051.1AM | HANDLE, wrench (tool kit) (not illustrated) | XR1200X |
| INTERNATIONAL MODELS ONLY | | | |
| 18 | 59256-84A | REFLECTOR, amber (HDI) (2) | XR1200X |

GUARDS, SAREE

GUARDS, SAREE



[View interactive image](#)

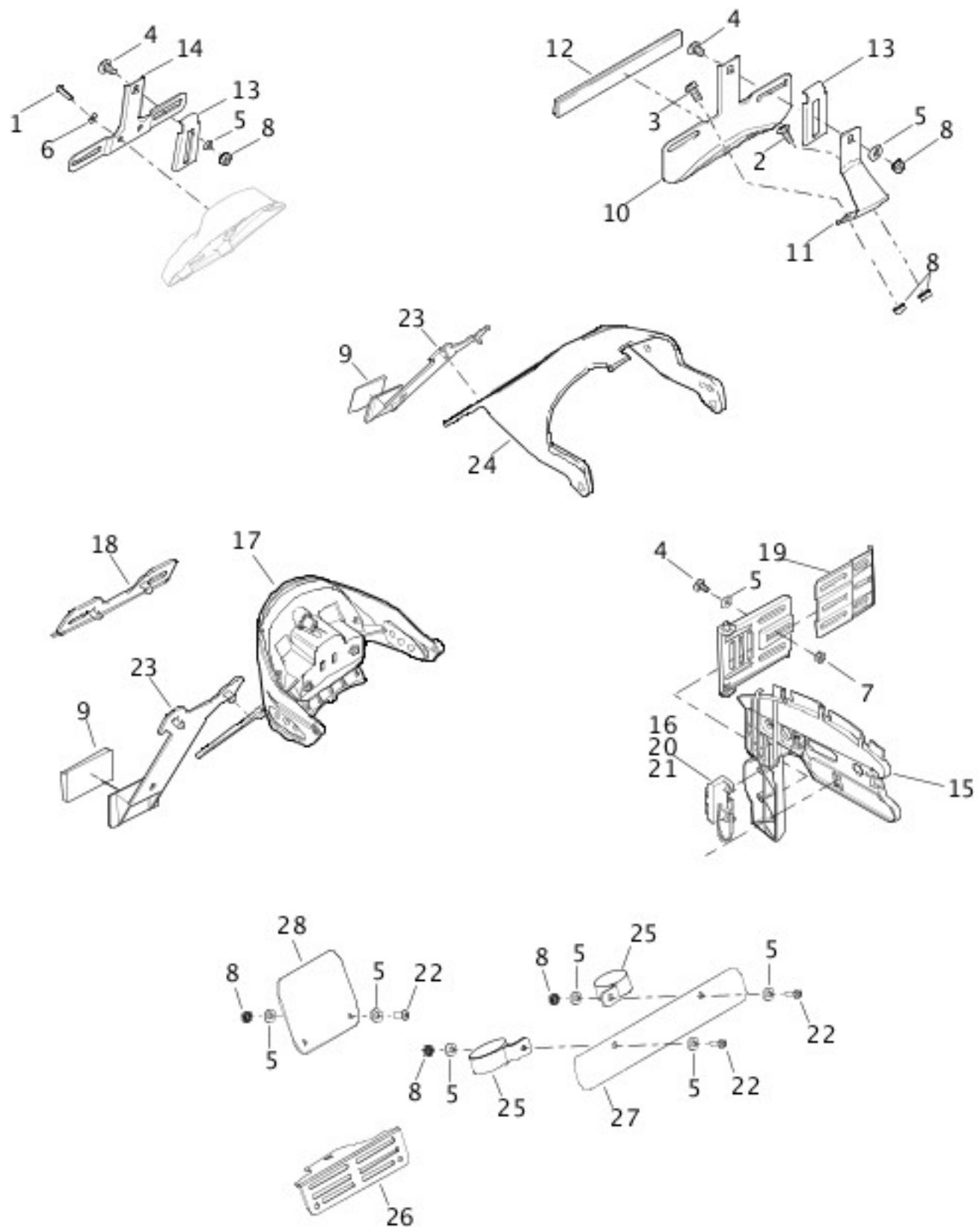
[View interactive table](#)

| INDEX NO. | PART NO. | DESCRIPTION | MODEL(S) |
|---|----------|-------------|----------|
| NOTE: These parts are required for motorcycles sold in the India market. | | | |
| 1 | 2708A | SCREW | XL883R |
| | | | |

| | | | |
|----|----------|---------------------------|--------|
| 2 | 4778 | SCREW (2) | XL883R |
| 3 | 4779 | SCREW (2) | XL883R |
| 4 | 6109 | WASHER (2) | XL883R |
| 5 | 6798 | WASHER (4) | XL883R |
| 6 | 7531 | LOCKNUT | XL883R |
| 7 | 56104-02 | SCREW (2) | XL883R |
| 8 | 93511-10 | FIRST AID KIT | XL883R |
| 9 | 94435-10 | FOLDING TOOL | XL883R |
| 10 | 47200177 | COVER, shock stud | XL883R |
| 11 | 50500227 | BRACKET, support | XL883R |
| 12 | 60300007 | SAREE GUARD, left - rear | XL883R |
| 13 | 60300008 | SAREE GUARD, right | XL883R |
| 14 | 60300009 | SAREE GUARD, left - front | XL883R |

LICENSE PLATE BRACKETS

LICENSE PLATE BRACKETS



[View interactive image](#)

[View interactive table](#)

| INDEX NO. | PART NO. | DESCRIPTION | MODEL(S) |
|-----------|----------|-------------|------------------------------------|
| 1 | 2508 | SCREW | XL1200C, XL1200CP |
| 2 | 2607 | SCREW | XL1200N, XL1200V, XL1200X, XL883L, |

| | | | |
|----|-------------|--|--|
| | | | XL883N, XL883R |
| | 3085 | SCREW | XL1200C, XL1200CP |
| 3 | 2773 | SCREW (2) | XL1200N, XL1200V, XL1200X, XL883L, XL883N, XL883R |
| 4 | 5403B | BOLT | XL1200C, XL1200CP, XL1200N, XL1200V, XL1200X, XL883L, XL883N, XL883R |
| 5 | 6703 | WASHER | XL1200C, XL1200CP, XL1200N, XL1200V, XL1200X, XL883L, XL883N, XL883R |
| 6 | 6716 | WASHER (2) | XL1200C, XL1200CP |
| 7 | 7716 | LOCKNUT | XL1200N, XL1200V, XL1200X, XL883N |
| 8 | 7792 | NUT (4) | XL1200C, XL1200CP, XL1200N, XL1200V, XL1200X, XL883L, XL883N, XL883R |
| 9 | 59259-90 | REFLECTOR, red | XL1200N, XL1200X, XL883N, XR1200X |
| 10 | 59984-73 | BRACKET, license plate | XL1200N, XL1200V, XL1200X, XL883L, XL883N, XL883R |
| 11 | 59986-75 | SUPPORT, license plate bracket | XL1200N, XL1200V, XL1200X, XL883L, XL883N, XL883R |
| 12 | 59988-72A | REFLECTOR, license plate bracket | XL1200N, XL1200V, XL1200X, XL883L, XL883N, XL883R |
| 13 | 60001-55 | CLAMP, license plate bracket | XL1200C, XL1200CP, XL1200N, XL1200V, XL1200X, XL883L, XL883N, XL883R |
| 14 | 60225-08BHP | BRACKET, license plate | XL1200C, XL1200CP |
| 15 | 60318-07 | LICENSE PLATE BRACKET MOUNT ASSEMBLY, left w/ 5403B, 7716, 60375-10 & 68702-07 | XL1200N, XL1200V, XL1200X, XL883N |
| 16 | 60375-10 | ILLUMINATOR, license plate w/ 73152-96BK, & 73191-96 | XL1200N, XL1200V, XL1200X, XL883N |
| 17 | 68257-08 | LICENSE PLATE MODULE | XR1200X |
| 18 | 68561-09 | BRACKET, reflector | XR1200X |
| 19 | 68702-07 | BRACKET ADJUST, license plate | XL1200N, XL1200V, XL1200X, XL883N |
| 20 | 73152-96BK | SOCKET HOUSING, 2-way (black) | XL1200N, XL1200V, XL1200X, XL883N |
| 21 | 73191-96 | SOCKET TERMINAL, 16-20 awg (2) | XL1200N, XL1200V, XL1200X, XL883N |

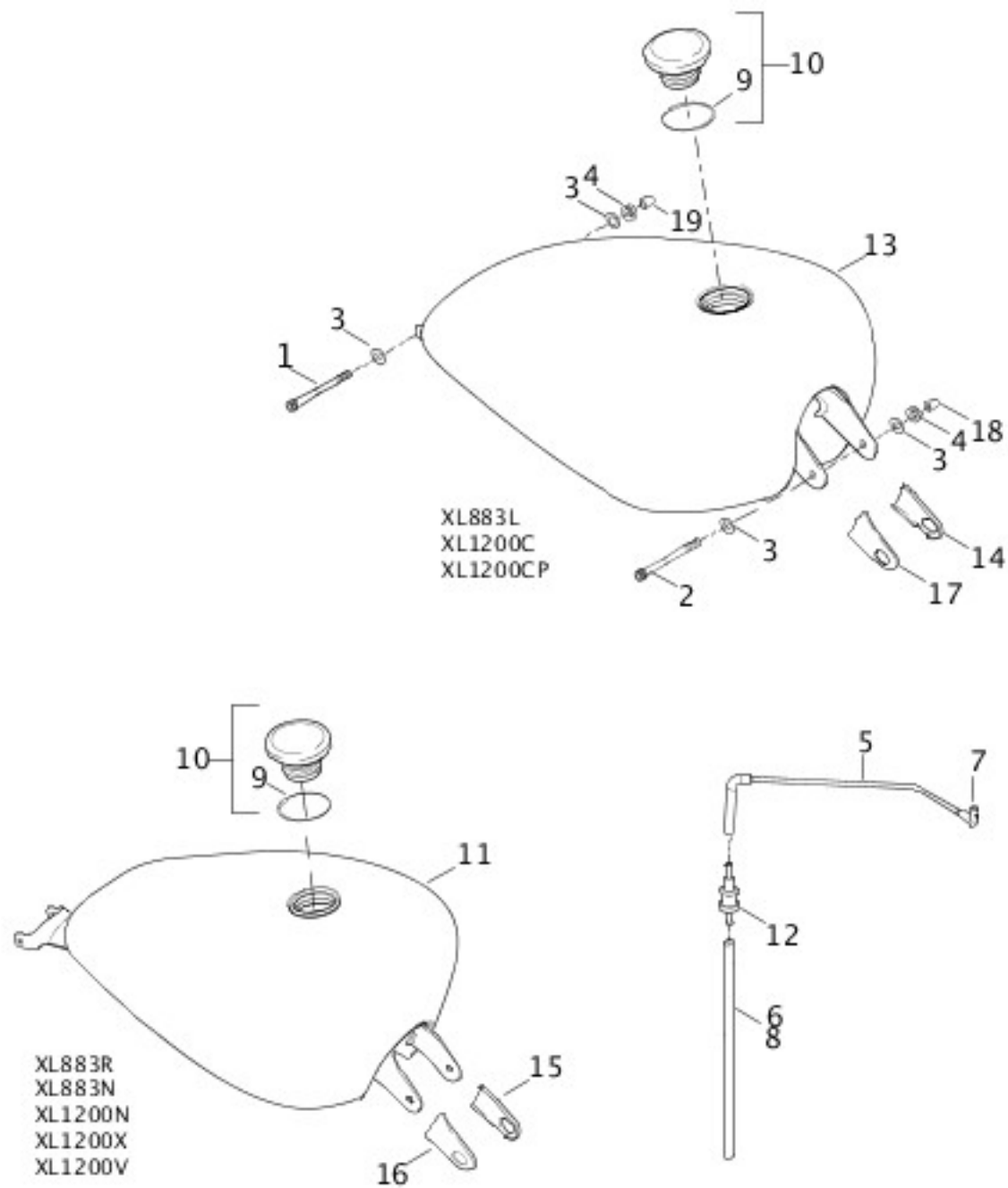
INTERNATIONAL MODELS ONLY

| | | | |
|----|------|---------------|--|
| 22 | 927A | SCREW (India) | XL1200N, XL1200X, XL883L, XL883N, XL883R |
|----|------|---------------|--|

| | | | |
|----|----------|--|--|
| 23 | 60188-08 | BRACKET, w/ 59259-90 (HDI, England, Japan, Asia-Pacific) | XL1200N, XL1200X, XL883N, XR1200X |
| 24 | 60901-07 | LICENSE PLATE MODULE (HDI) | XL1200N, XL1200X, XL883N |
| 25 | 10800006 | P-CLAMP, 39mm (India) | XL1200N, XL883L, XL883N, XL883R |
| 26 | 67900079 | BRACKET (India) | XL1200X |
| 27 | 67900088 | LICENSE PLATE, front (India) | XL1200N, XL883N, XL883R |
| | 67900089 | LICENSE PLATE, front (India) | XL1200X, XL883L |
| 28 | 67900093 | LICENSE PLATE, rear (India) | XL1200N, XL1200X, XL883L, XL883N, XL883R |

FUEL TANK - 883L/N/R, 1200C/CP/N/V/X

FUEL TANK – 883L/N/R, 1200C/CP/N/V



[View interactive image](#)

[View interactive table](#)

| INDEX NO. | PART NO. | DESCRIPTION | MODEL(S) |
|-----------|----------|-------------|----------|
|-----------|----------|-------------|----------|

NOTE: Refer to Painted Parts Book for painted part numbers.

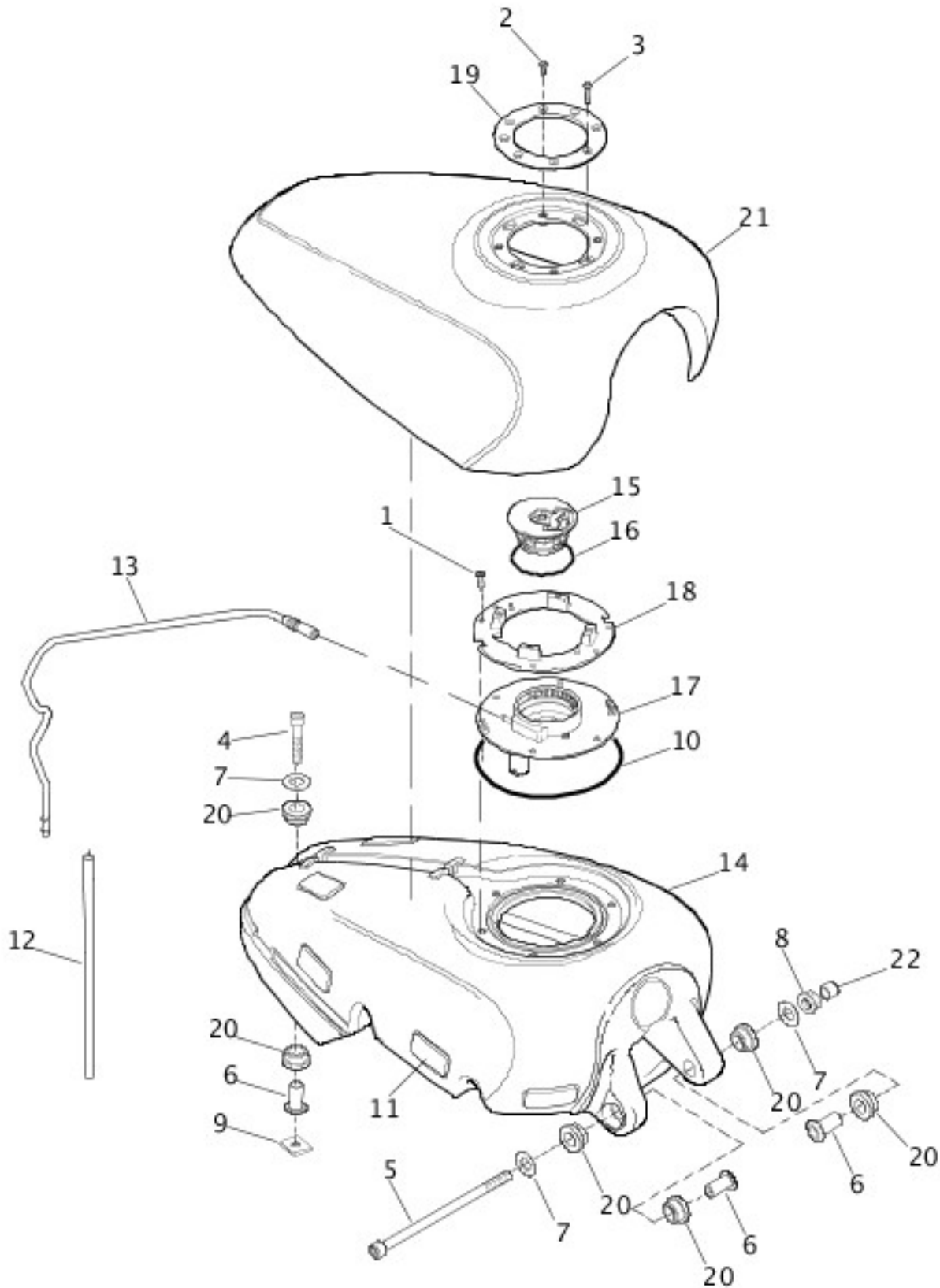
| | | | |
|---|-------|-------|--|
| 1 | 4758A | SCREW | XL1200C, XL1200CP, XL1200N, XL1200X, XL883L, |
|---|-------|-------|--|

| | | | |
|----|-----------|--|--|
| | | | XL883N, XL883R |
| 2 | 4771 | SCREW | XL1200C, XL1200CP, XL1200N, XL1200X, XL883L, XL883N, XL883R |
| 3 | 6702 | WASHER (4) | XL1200C, XL1200CP, XL1200N, XL1200X, XL883L, XL883N, XL883R |
| 4 | 7531 | LOCKNUT (2) | XL1200C, XL1200CP, XL1200N, XL1200X, XL883L, XL883N, XL883R |
| 5 | 27067-07A | VENTLINE, tank-to-valve, w/ 27250-96B | XL1200C, XL1200CP, XL1200N, XL883L, XL883N, XL883R |
| | 27071-10 | VENTLINE, tank-to-valve, w/ 27250-96B | XL1200V, XL1200X |
| 6 | 27096-04A | VENTLINE, vapor valve-to-atmosphere | XL1200C, XL1200CP, XL1200N, XL1200V, XL1200X, XL883L, XL883N, XL883R |
| 7 | 27250-96B | CONNECTOR, 90 degree | XL1200C, XL1200CP, XL1200N, XL1200V, XL883L, XL883N, XL883R |
| 8 | 28911-04A | HOSE, vapor valve-to-evaporative canister (California) | XL1200C, XL1200CP, XL1200N, XL1200V, XL883L, XL883N, XL883R |
| 9 | 61109-85D | GASKET | XL1200C, XL1200CP, XL1200N, XL1200V, XL1200X, XL883L, XL883N, XL883R |
| 10 | 61272-92C | FUEL CAP ASSEMBLY, w/ 61109-85D | XL1200C, XL1200CP, XL1200V, XL1200X, XL883L, XL883R |
| | 61289-07A | FUEL CAP ASSEMBLY, vented, w/ 61109-85D | XL1200N, XL883N |
| 11 | 61405-07 | FUEL TANK ASSEMBLY (prime) | XL1200N, XL883N, XL883R |
| | 61724-10 | FUEL TANK ASSEMBLY (prime) | XL1200V, XL1200X |
| 12 | 62150-85 | VAPOR VALVE | XL1200C, XL1200CP, XL1200N, XL1200V, XL1200X, XL883L, XL883N, XL883R |
| 13 | 62213-07 | FUEL TANK ASSEMBLY (prime) | XL1200C, XL1200CP, XL883L |
| 14 | 70903-04 | TRIM, left | XL1200C, XL1200CP, XL883L |
| 15 | 70904-04 | TRIM, left | XL1200N, XL1200V, XL1200X, XL883N, XL883R |
| 16 | 70917-04 | TRIM, right | XL1200N, XL1200V, XL1200X, XL883N, XL883R |
| 17 | 70919-04 | TRIM, right | XL1200C, XL1200CP, XL883L |
| | | | |

| | | | |
|----|----------|-----|---|
| 18 | 89579-91 | CAP | XL1200C, XL1200CP, XL1200N, XL1200X, XL883L, XL883N, XL883R |
| 19 | 89586-04 | CAP | XL1200C, XL1200CP, XL1200N, XL1200X, XL883L, XL883N, XL883R |

FUEL TANK - XR1200X

FUEL TANK - XR1200X



[View interactive image](#)

[View interactive table](#)

| INDEX NO. | PART NO. | DESCRIPTION | MODEL(S) |
|-----------|----------|-------------|----------|
|-----------|----------|-------------|----------|

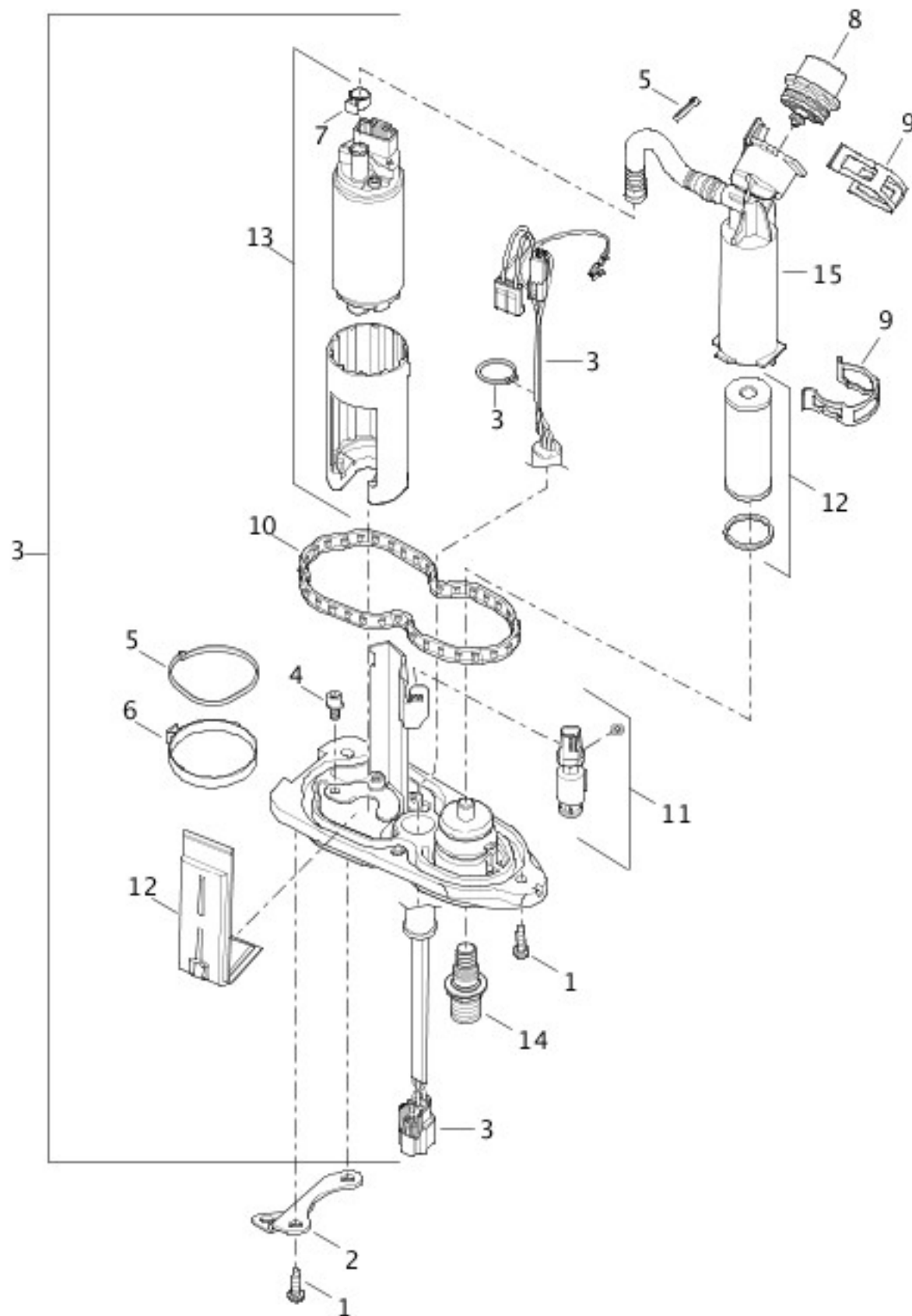
NOTE: Refer to Painted Parts Book for painted part numbers.

| | | | |
|---|-------|-----------|---------|
| 1 | 1081A | SCREW (6) | XR1200X |
|---|-------|-----------|---------|

| | | | |
|----|-------------|--------------------------------------|---------|
| 2 | 3059 | SCREW (4) | XR1200X |
| 3 | 3060 | SCREW (4) | XR1200X |
| 4 | 3485A | SCREW | XR1200X |
| 5 | 4553 | SCREW | XR1200X |
| 6 | 5845 | BUSHING (3) | XR1200X |
| 7 | 6400HB | WASHER (3) | XR1200X |
| 8 | 7531 | LOCKNUT | XR1200X |
| 9 | 8102 | SPEEDNUT | XR1200X |
| 10 | 11570 | O-RING | XR1200X |
| 11 | 11668 | PAD (8) | XR1200X |
| 12 | 27096-04A | VENT LINE, vapor valve-to-atmosphere | XR1200X |
| 13 | 27200-08 | VENT LINE, fuel tank | XR1200X |
| 14 | 61392-08 | FUEL TANK | XR1200X |
| 15 | 61572-08A | FILLER CAP | XR1200X |
| 16 | 61573-08A | O-RING | XR1200X |
| 17 | 61574-08 | TOP PLATE | XR1200X |
| 18 | 61576-08 | CLAMP RING | XR1200X |
| 19 | 61577-08 | TRIM RING | XR1200X |
| 20 | 62881-00 | BUSHING, rubber (6) | XR1200X |
| 21 | 66271-08BDK | COVER, fuel cell (primed) | XR1200X |
| 22 | 89586-04 | CAP | XR1200X |

FUEL PUMP

FUEL PUMP



[View interactive image](#)

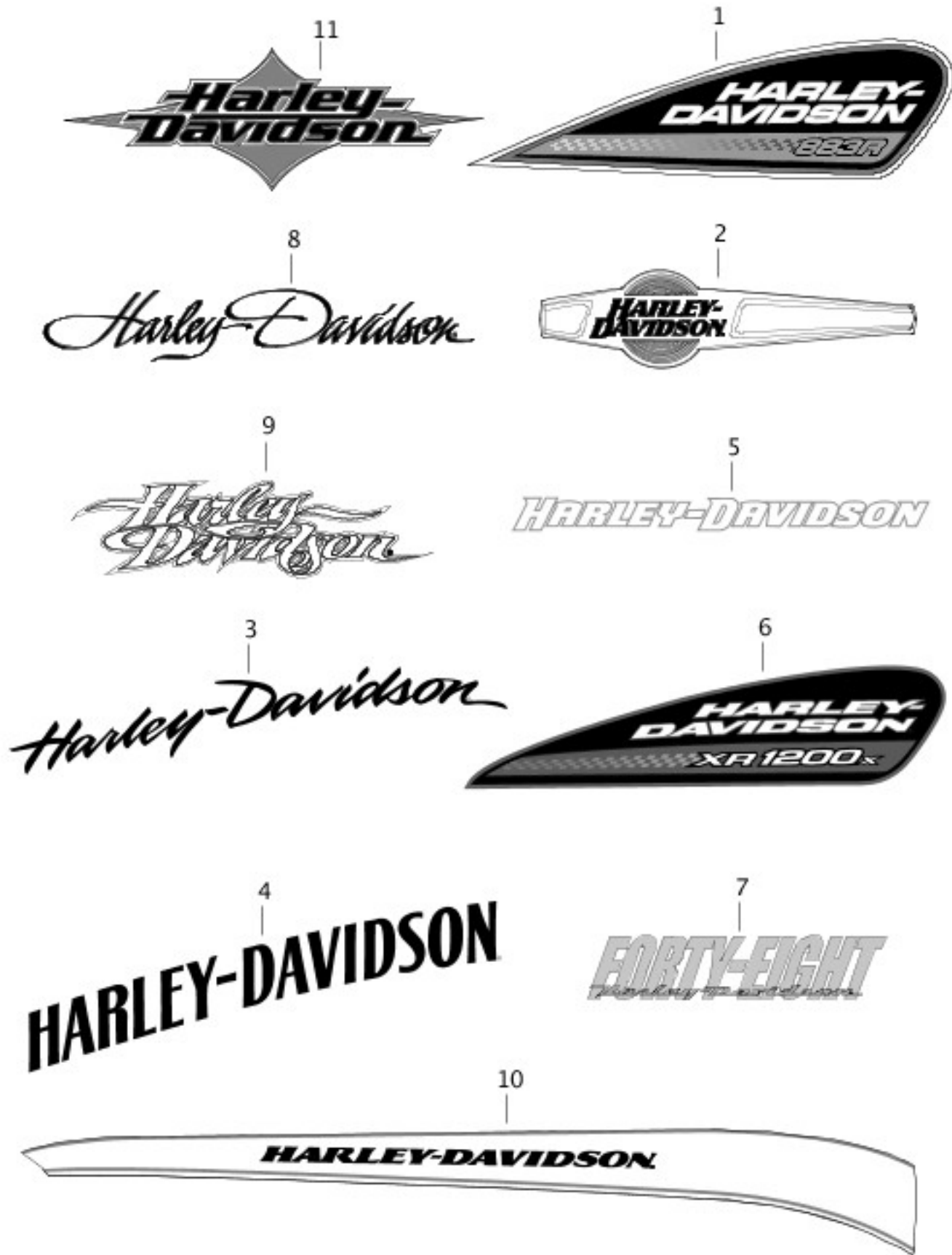
[View interactive table](#)

| INDEX NO. | PART NO. | DESCRIPTION | MODEL(S) |
|-----------|----------|-------------|----------|
| 1 | 1081A | SCREW (5) | ALL |
| 2 | 56871-08 | BRACKET | XR1200X |

| | | | |
|--|-----------|---|-----|
| 3 | 75268-07E | FUEL PUMP MODULE, w/ fuel sender harness | ALL |
| NOTE: Includes the following parts. | | | |
| 4 | 1091 | SCREW (3) | ALL |
| 5 | 10181 | CABLE STRAP (3) | ALL |
| 6 | 10303 | CLAMP, pump assembly | ALL |
| 7 | 10304 | CLAMP, tube | ALL |
| 8 | 61015-04A | PRESSURE REGULATOR ASSEMBLY | ALL |
| 9 | 61213-04A | RETAINING CLIP (2) | ALL |
| 10 | 75301-07 | SEAL, cover plate | ALL |
| 11 | 75302-07B | SENSOR, fuel level w/ retaining ring | ALL |
| 12 | 75304-07A | FUEL FILTER KIT, w/ 10181, 10303, strainer & filter element | ALL |
| 13 | 75305-07A | FUEL PUMP, w/ 1091, 10181, 10303 & 10304 | ALL |
| 14 | 75309-07 | VALVE ASSEMBLY | ALL |
| 15 | 75317-07 | FILTER HOUSING | ALL |

FUEL TANK TRIM

FUEL TANK TRIM



[View interactive image](#)

[View interactive table](#)

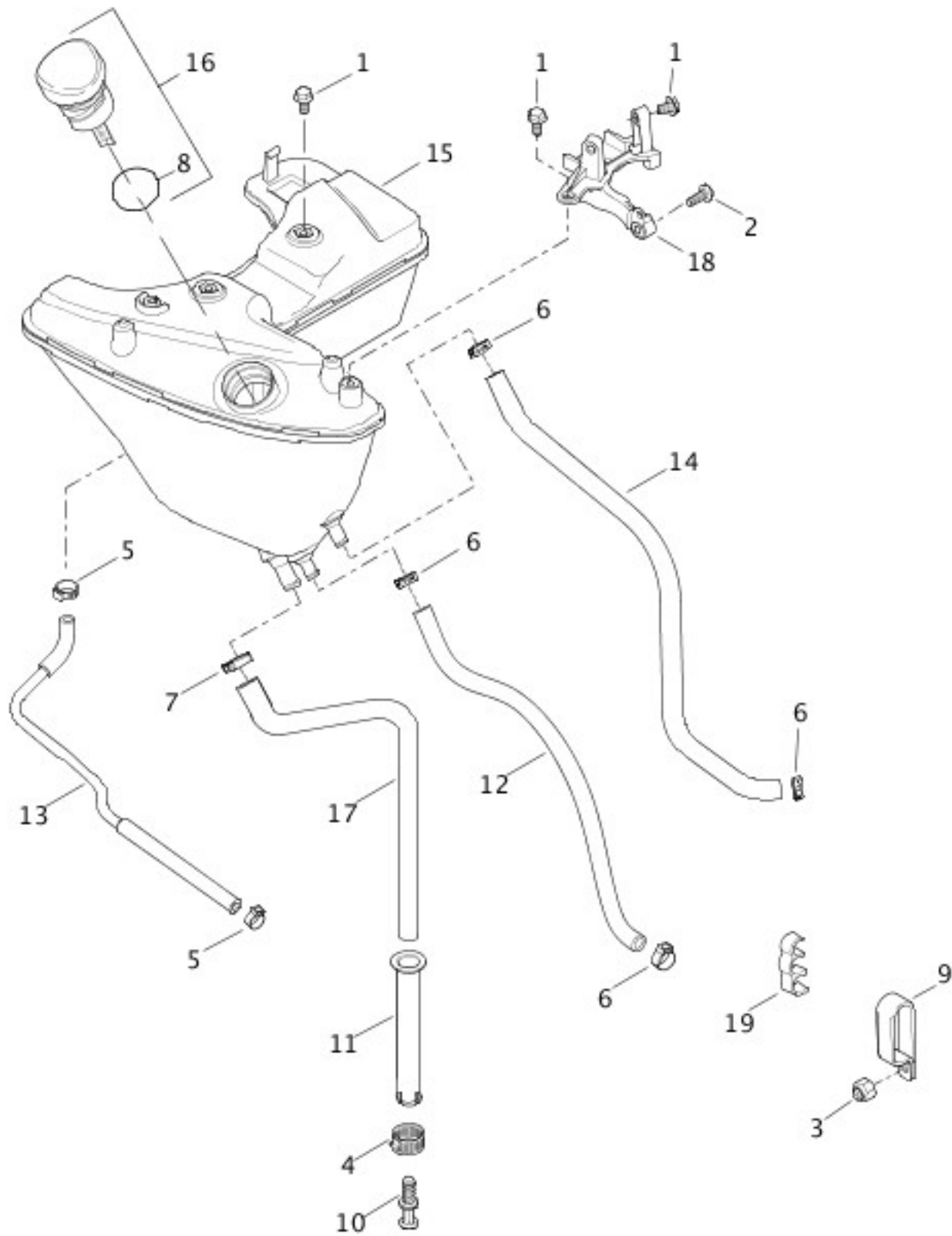
| INDEX NO. | PART NO. | DESCRIPTION | MODEL(S) |
|-----------|----------|--------------------------|----------|
| 1 | 13566-05 | DECAL, fuel tank (left) | XL883R |
| | 13567-05 | DECAL, fuel tank (right) | XL883R |

| | | | |
|---|----------|---|-------------------|
| 2 | 62426-11 | MEDALLION, fuel tank (left) (red/black) | XL1200C, XL1200CP |
| | 62439-11 | MEDALLION, fuel tank (right) (red/black) | XL1200C, XL1200CP |
| | 62580-11 | MEDALLION, fuel tank (left) (blue/black) | XL1200CP |
| | 62581-11 | MEDALLION, fuel tank (right) (blue/black) | XL1200CP |

Index 3Silkscreen that is only sold as part of XL883L fuel tank assemblies.Index 4Silkscreen that is only sold as part of XL1200N fuel tank assemblies.Index 5Silkscreen that is only sold as part of XL883N fuel tank assemblies.Index 6Silkscreen that is only sold as part of XR1200X fuel tank assemblies.Index 7Silkscreen that is only sold as part of XL1200X fuel tank assemblies.Index 8Silkscreen that is only sold as part of XL1200CP fuel tank assemblies.Index 9Silkscreen that is only sold as part of XL1200CP fuel tank assemblies.Index 10Silkscreen that is only sold as part of XL1200CP fuel tank assemblies.Index 11Silkscreen that is only sold as part of XL1200V fuel tank assemblies.

OIL TANK & LINES - 883L/N/R, 1200C/CP/N/V/X

OIL TANK & LINES – 883L/N/R, 1200C/CP/N/V



[View interactive image](#)

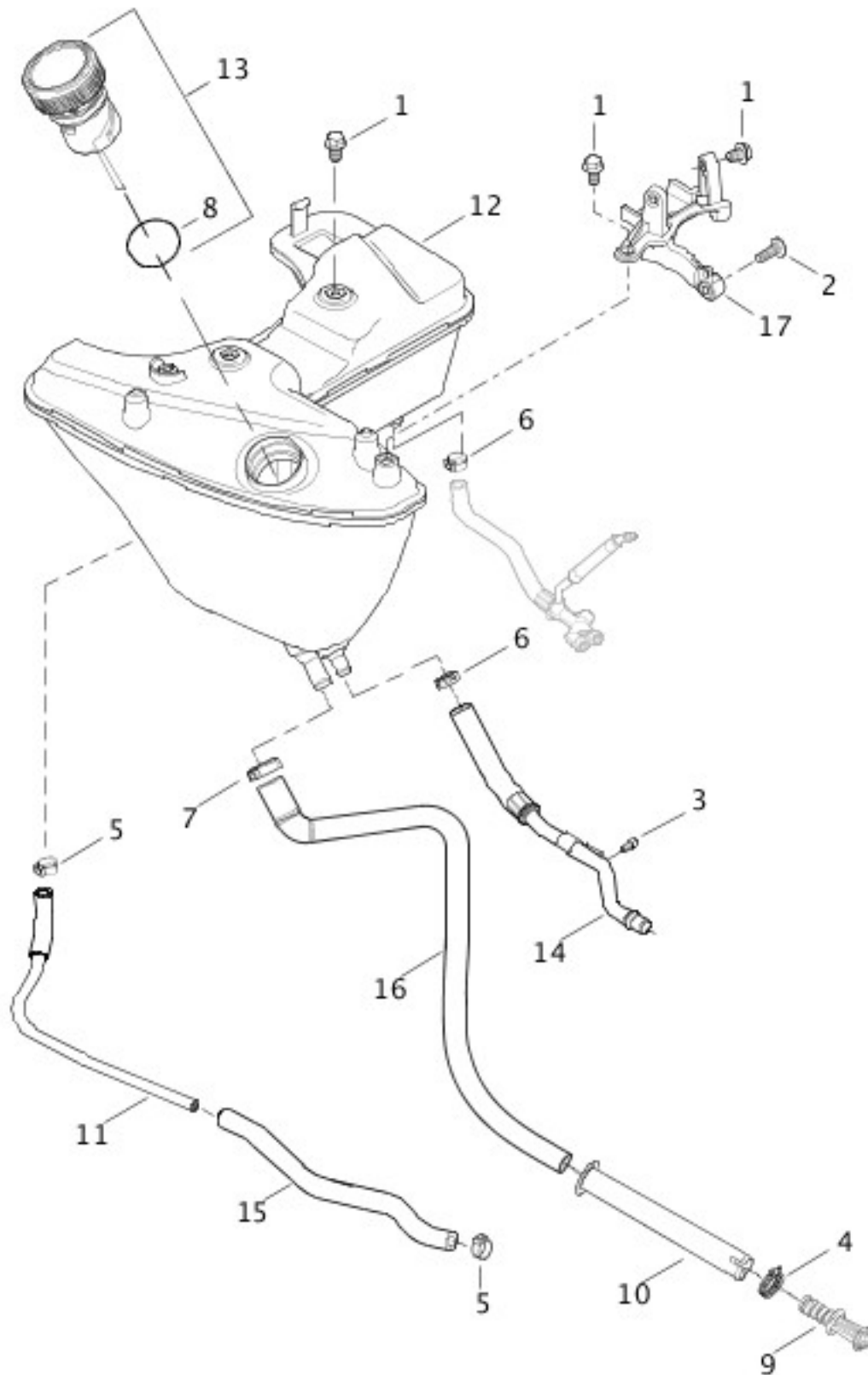
[View interactive table](#)

| INDEX NO. | PART NO. | DESCRIPTION | MODEL(S) |
|-----------|----------|-------------|--|
| 1 | 3588 | SCREW (5) | XL1200C, XL1200CP, XL1200N, XL1200V, XL1200X, XL883L, XL883N, XL883R |

| | | | |
|----|-----------|-----------------------------|--|
| 2 | 3696 | SCREW | XL1200C, XL1200CP, XL1200N, XL1200V, XL1200X, XL883L, XL883N, XL883R |
| 3 | 7624 | LOCKNUT | XL1200C, XL1200CP, XL1200N, XL1200V, XL1200X, XL883L, XL883N, XL883R |
| 4 | 9969 | HOSE CLAMP | XL1200C, XL1200CP, XL1200N, XL1200V, XL1200X, XL883L, XL883N, XL883R |
| 5 | 10014 | CLAMP (2) | XL1200C, XL1200CP, XL1200N, XL1200V, XL1200X, XL883L, XL883N, XL883R |
| 6 | 10080 | CLAMP (4) | XL1200C, XL1200CP, XL1200N, XL1200V, XL1200X, XL883L, XL883N, XL883R |
| 7 | 10142 | CLAMP | XL1200C, XL1200CP, XL1200N, XL1200V, XL1200X, XL883L, XL883N, XL883R |
| 8 | 11120 | O-RING | XL1200C, XL1200CP, XL1200N, XL1200V, XL1200X, XL883L, XL883N, XL883R |
| 9 | 31512-04 | HOSE CLAMP | XL1200C, XL1200CP, XL1200N, XL1200V, XL1200X, XL883L, XL883N, XL883R |
| 10 | 33123-06A | PLUG, oil tank drain | XL1200C, XL1200CP, XL1200N, XL1200V, XL1200X, XL883L, XL883N, XL883R |
| 11 | 33138-06 | SLEEVE, oil drain line | XL1200C, XL1200CP, XL1200N, XL1200V, XL1200X, XL883L, XL883N, XL883R |
| 12 | 62338-01Y | LINE, oil feed | XL1200C, XL1200CP, XL1200N, XL1200V, XL1200X, XL883L, XL883N, XL883R |
| 13 | 62360-10 | LINE, vent tube, w/ 10014 | XL1200C, XL1200CP, XL1200N, XL1200V, XL1200X, XL883L, XL883N, XL883R |
| 14 | 62361-10 | LINE, oil return | XL1200C, XL1200CP, XL1200N, XL1200V, XL1200X, XL883L, XL883N, XL883R |
| 15 | 62954-10 | OIL TANK ASSEMBLY | XL1200C, XL1200CP, XL1200N, XL1200V, XL1200X, XL883L, XL883N, XL883R |
| 16 | 63000-04B | DIPSTICK ASSEMBLY, w/ 11120 | XL1200C, XL1200CP, XL1200V, XL1200X, XL883L, XL883R |
| | 62592-07A | DIPSTICK ASSEMBLY, w/ 11120 | XL1200N, XL883N |
| 17 | 63596-06 | LINE, oil drain | XL1200C, XL1200CP, XL1200N, XL1200V, XL1200X, XL883L, XL883N, XL883R |
| 18 | 66199-10 | BRACKET | XL1200C, XL1200CP, XL1200N, XL1200V, XL1200X, XL883L, XL883N, XL883R |
| 19 | 70503-10 | HOSE CLIP | XL1200C, XL1200CP, XL1200N, XL1200V, XL1200X, XL883L, XL883N, XL883R |

OIL TANK & LINES- XR1200X

OIL TANK & LINES - XR1200X



[View interactive image](#)

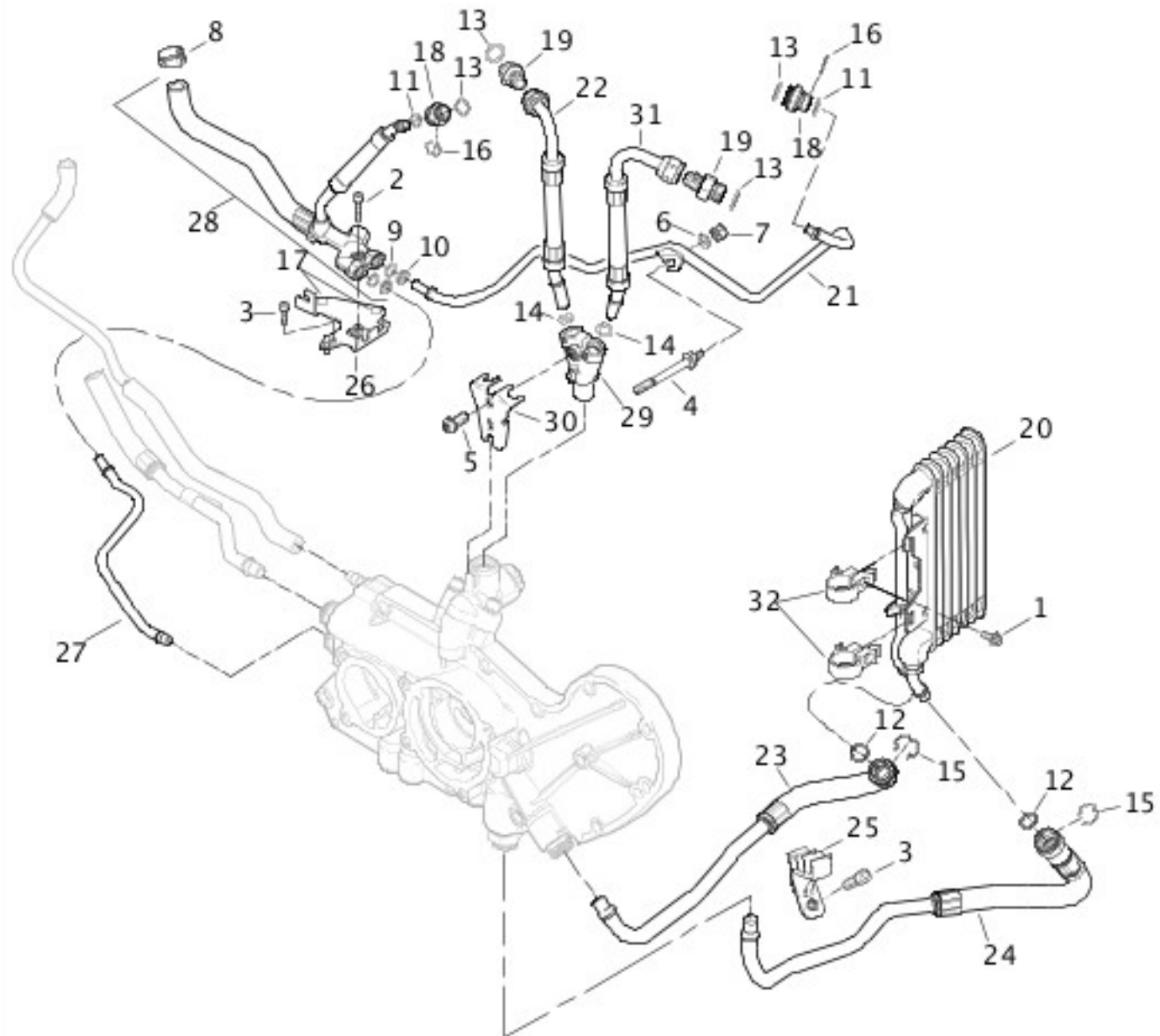
[View interactive table](#)

| INDEX NO. | PART NO. | DESCRIPTION | MODEL(S) |
|-----------|----------|-------------|----------|
| 1 | 3588 | SCREW (5) | XR1200X |
| 2 | 3696 | SCREW | XR1200X |
| | | | |

| | | | |
|----|-----------|---------------------------------|---------|
| 3 | 4705 | SCREW | XR1200X |
| 4 | 9969 | HOSE CLAMP | XR1200X |
| 5 | 10014 | CLAMP (2) | XR1200X |
| 6 | 10344 | CLAMP (2) | XR1200X |
| 7 | 10142 | CLAMP | XR1200X |
| 8 | 11120 | O-RING | XR1200X |
| 9 | 33123-06A | PLUG, oil tank drain | XR1200X |
| 10 | 33138-06 | SLEEVE, oil drain line | XR1200X |
| 11 | 62360-04A | LINE, oil vent, upper, w/ 10014 | XR1200X |
| 12 | 62888-08A | OIL TANK ASSEMBLY | XR1200X |
| 13 | 63008-08 | DIPSTICK ASSEMBLY, w/ 11120 | XR1200X |
| 14 | 63099-08 | LINE, oil feed | XR1200X |
| 15 | 63103-08 | LINE, oil vent, lower | XR1200X |
| 16 | 63596-06 | LINE, oil drain | XR1200X |
| 17 | 66199-10 | BRACKET | XR1200X |

OIL LINES & COOLER - XR1200X

OIL LINES & COOLER - XR1200X



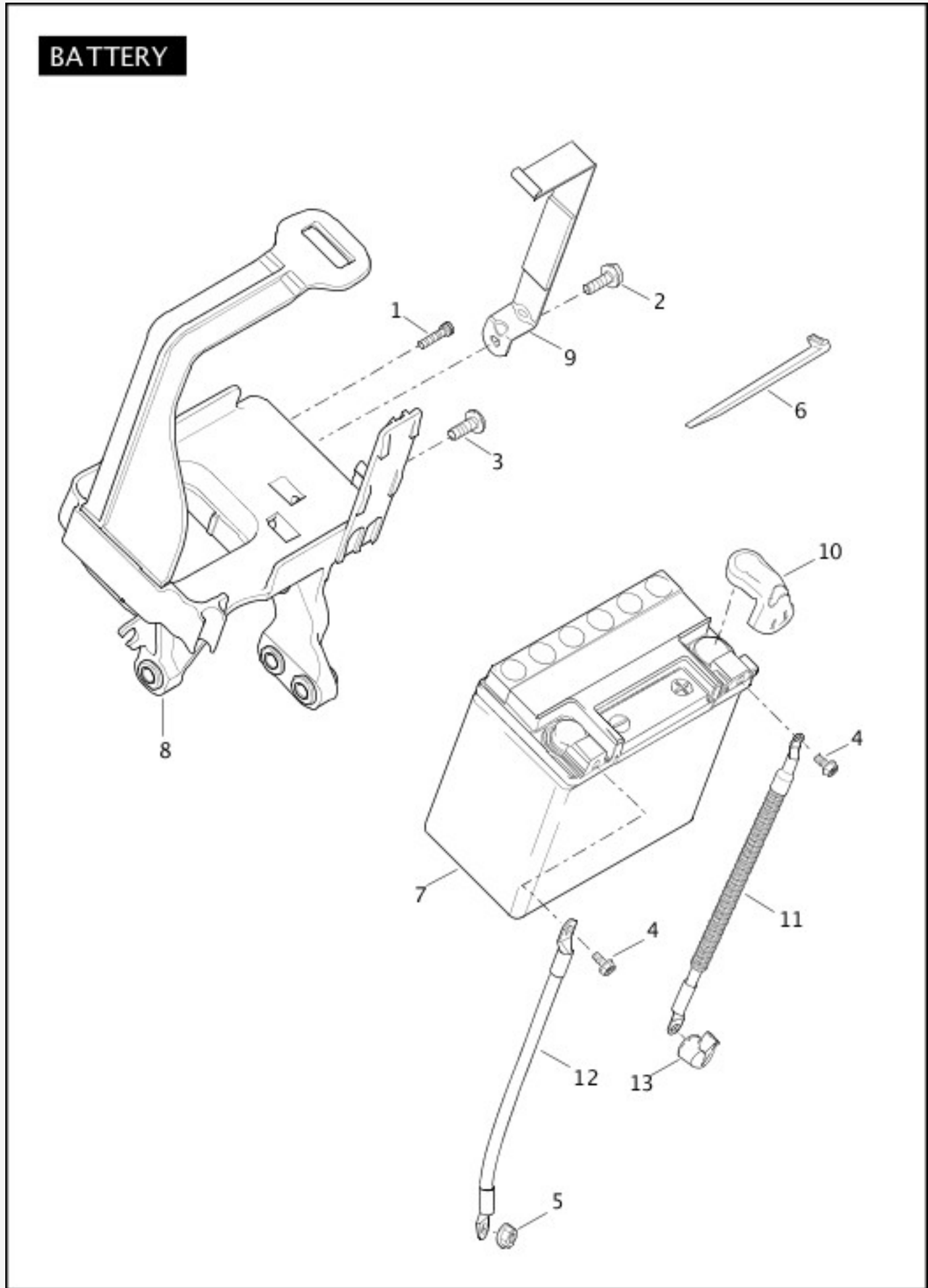
[View interactive image](#)

[View interactive table](#)

| INDEX NO. | PART NO. | DESCRIPTION | MODEL(S) |
|-----------|----------|-------------|----------|
| 1 | 882 | SCREW (2) | XR1200X |
| 2 | 1094 | SCREW (2) | XR1200X |

| | | | |
|----|-----------|---|---------|
| 3 | 4705 | SCREW (2) | XR1200X |
| 4 | 4886 | SCREW | XR1200X |
| 5 | 4897 | SCREW | XR1200X |
| 6 | 6110 | WASHER | XR1200X |
| 7 | 7686 | LOCKNUT | XR1200X |
| 8 | 10344 | CLAMP | XR1200X |
| 9 | 10970 | O-RING (2) | XR1200X |
| 10 | 10972 | SPACER (2) | XR1200X |
| 11 | 11110 | O-RING (2) | XR1200X |
| 12 | 11140 | O-RING (2) | XR1200X |
| 13 | 11290 | O-RING (4) | XR1200X |
| 14 | 11351 | O-RING (2) | XR1200X |
| 15 | 11384K | RETAINER, wire clip (2) | XR1200X |
| 16 | 11408 | RETAINER, wire clip (2) | XR1200X |
| 17 | 11652 | BUMPER, rubber (2) | XR1200X |
| 18 | 26064-08 | FITTING ASSEMBLY, w/ 11110, 11290 & 11408 (2) | XR1200X |
| 19 | 26183-08 | FITTING, w/ 11290 (2) | XR1200X |
| 20 | 63050-08A | OIL COOLER | XR1200X |
| 21 | 63080-08 | LINE, front head return | XR1200X |
| 22 | 63081-08 | LINE, rear cylinder head | XR1200X |
| 23 | 63097-08 | LINE, oil cooler feed, w/ 11140, 11384K & quick connect fitting | XR1200X |
| 24 | 63098-08 | LINE, oil cooler return, w/ 11140, 11384K & quick connect fitting | XR1200X |
| 25 | 63108-08 | CLAMP | XR1200X |
| 26 | 63110-08 | BRACKET ASSEMBLY, manifold, w/ 11652 | XR1200X |
| 27 | 63111-08 | LINE, scavenge return | XR1200X |
| 28 | 63112-08 | MANIFOLD ASSEMBLY, oil tank return, w/ 10970 & 10972 | XR1200X |
| 29 | 63116-08 | MANIFOLD | XR1200X |
| 30 | 63119-08 | BRACKET | XR1200X |
| 31 | 63120-08 | LINE, front cylinder head | XR1200X |
| 32 | 63125-08 | CLAMP (2) | XR1200X |

BATTERY



[View interactive image](#)

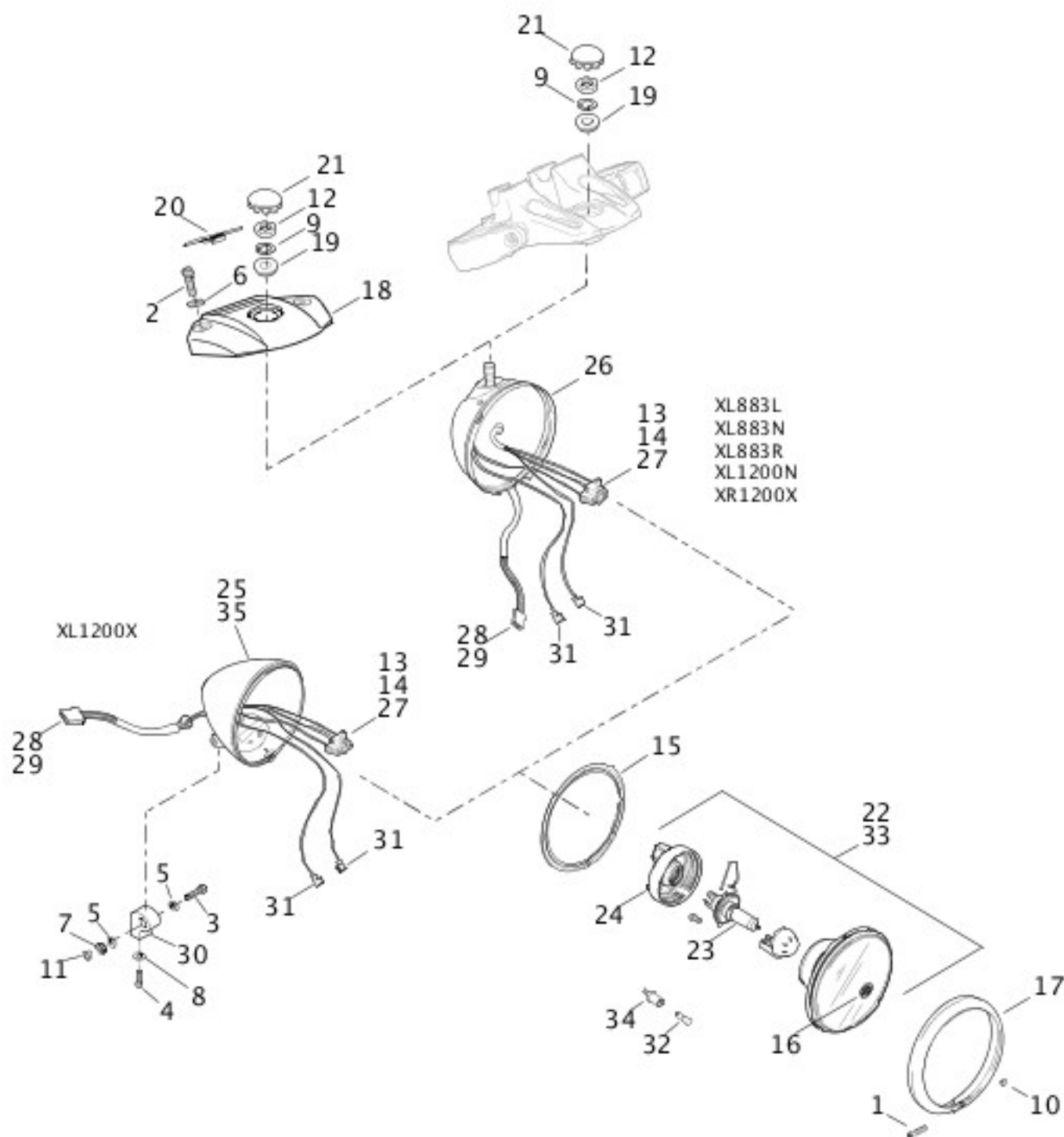
[View interactive table](#)

| INDEX NO. | PART NO. | DESCRIPTION | MODEL(S) |
|-----------|----------|-------------|----------|
|-----------|----------|-------------|----------|

| | | | |
|----|-----------|--|-----|
| 1 | 2535 | SCREW (3) | ALL |
| 2 | 3588 | SCREW | ALL |
| 3 | 3696 | SCREW | ALL |
| 4 | 4312C | SCREW (2) | ALL |
| 5 | 7792 | NUT | ALL |
| 6 | 10006 | CABLE STRAP (as required) | ALL |
| 7 | 65958-04A | BATTERY, w/ 4312C | ALL |
| 8 | 66194-04D | TRAY | ALL |
| 9 | 66476-04A | STRAP | ALL |
| 10 | 70003-04 | COVER, terminal | ALL |
| 11 | 70295-10 | CABLE, battery-to-starter, w/ 70578-89 | ALL |
| 12 | 70296-04A | CABLE, battery-to-ground | ALL |
| 13 | 70578-89 | RUBBER BOOT | ALL |

HEADLAMP - 883L/N/R, 1200N/X, XR1200X

HEADLAMP – 883L/N/R, 1200N/X, XR1200



[View interactive image](#)

[View interactive table](#)

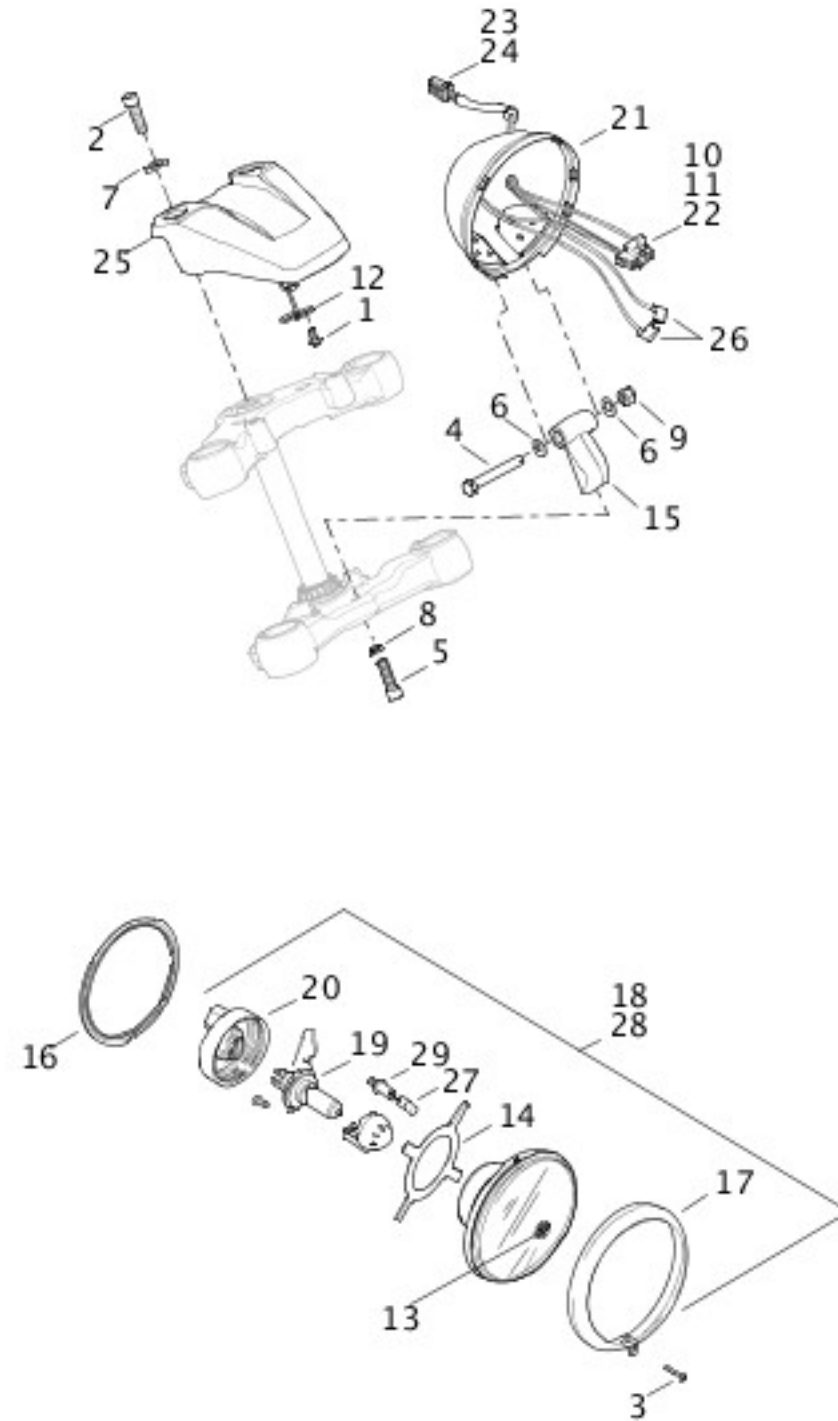
| INDEX NO. | PART NO. | DESCRIPTION | MODEL(S) |
|-----------|----------|-------------|---|
| 1 | 3514 | SCREW | XL1200N, XL1200X, XL883L, XL883N, XL883R, XR1200X |

| | | | |
|----|-----------|-------------------------------|---|
| 2 | 3655A | SCREW (2) | XL1200N, XL883L, XL883N, XL883R |
| 3 | 4724 | BOLT | XL1200X |
| 4 | 4748 | SCREW | XL1200X |
| 5 | 6701 | WASHER (2) | XL1200X |
| 6 | 6702 | WASHER (2) | XL1200N, XL883L, XL883N, XL883R |
| 7 | 7038 | LOCKWASHER | XL1200X |
| 8 | 7045 | LOCKWASHER | XL1200X |
| 9 | 7068 | LOCKWASHER | XL1200N, XL883L, XL883N, XL883R, XR1200X |
| 10 | 7606 | LOCKNUT | XL1200N, XL1200X, XL883L, XL883N, XL883R, XR1200X |
| 11 | 7800W | NUT | XL1200X |
| 12 | 7880 | NUT | XL1200N, XL883L, XL883N, XL883R, XR1200X |
| 13 | 9847 | CONNECTOR, right | XL1200N, XL1200X, XL883L, XL883N, XL883R, XR1200X |
| 14 | 9848 | CONNECTOR, left | XL1200N, XL1200X, XL883L, XL883N, XL883R, XR1200X |
| 15 | 67883-04A | ADAPTER RING | XL1200N, XL1200X, XL883L, XL883N, XL883R, XR1200X |
| 16 | 67667-05 | MEDALLION | XL1200N, XL1200X, XL883L, XL883N, XL883R, XR1200X |
| 17 | 67790-93A | BEZEL (chrome) | XL1200X, XL883L, XL883R |
| | 68443-07A | BEZEL (satin chrome) | XL1200N, XL883N |
| | 69397-08 | BEZEL (black) | XR1200X |
| 18 | 67805-92 | BRACKET (polished) | XL883L |
| | 67963-05 | BRACKET (denim black / satin) | XL1200N, XL883N, XL883R |
| 19 | 67815-59A | WASHER | XL1200N, XL883L, XL883N, XL883R, XR1200X |
| 20 | 67834-83 | TRIM (brushed) | XL883L |
| | 67972-98 | TRIM (gloss black) | XL1200N, XL883N, XL883R |
| 21 | 67865-89 | PLUG (chrome) | XL883L |
| | 69449-05 | PLUG (denim black / satin) | XL1200N, XL883N, XL883R, XR1200X |

| | | | |
|----------------------------------|------------|--|---|
| 22 | 68297-05 | LAMP ASSEMBLY, w/ 16, 23 & 24 | XL1200N, XL1200X, XL883L, XL883N, XL883R, XR1200X |
| 23 | 68329-03 | BULB | XL1200N, XL1200X, XL883L, XL883N, XL883R, XR1200X |
| 24 | 68380-05 | BOOT | XL1200N, XL1200X, XL883L, XL883N, XL883R, XR1200X |
| 25 | 73264-10 | HEADLAMP SHELL, w/ 13, 14, 27, 28, 29, 31 (black) | XL1200X |
| 26 | 69386-08 | HEADLAMP SHELL, w/ 13, 14, 27, 28, 29, 31 (black) | XR1200X |
| | 69774-07A | HEADLAMP SHELL, w/ 13, 14, 27, 28, 29, 31 (black) | XL1200N, XL883L, XL883N, XL883R |
| 27 | 72056-92 | HOUSING, female | XL1200N, XL1200X, XL883L, XL883N, XL883R, XR1200X |
| 28 | 73154-96BK | SOCKET HOUSING, 4-way (black) | XL1200N, XL1200X, XL883L, XL883N, XL883R, XR1200X |
| 29 | 73191-96 | SOCKET TERMINAL, 16-20 awg (4) | XL1200N, XL1200X, XL883L, XL883N, XL883R, XR1200X |
| 30 | 73266-10 | MOUNT | XL1200X |
| INTERNATIONAL MODELS ONLY | | | |
| | 7073 | LOCKWASHER (not shown) (India) (3) | XL1200X |
| | 7230 | LOCKWASHER (not shown) (India) (6) | XL1200X |
| | 7716 | LOCKNUT (not shown) (India) (3) | XL1200X |
| 31 | 9898 | TERMINAL FLAG (2) | XL1200N, XL1200X, XL883L, XL883N, XL883R, XR1200X |
| 32 | 53436-97 | BULB | XL1200N, XL1200X, XL883L, XL883N, XL883R, XR1200X |
| 33 | 68335-05 | LAMP ASSEMBLY, left (Australia, England, Japan), w/ 16, 23, 24, 32 & 34 | XL1200N, XL1200X, XL883L, XL883N, XL883R, XR1200X |
| | 68341-05 | LAMP ASSEMBLY, right (HDI, Asia-Pacific), w/ 16, 23, 24, 32 & 34 | XL1200N, XL1200X, XL883L, XL883N, XL883R, XR1200X |
| 34 | 68653-05 | SOCKET, bulb (2 spade) | XL1200N, XL1200X, XL883L, XL883N, XL883R, XR1200X |
| 35 | 67700094 | HEADLAMP SHELL, w/ 13, 14, 27, 28, 29, 31, 7073, 7230 & 7716 (India) (not shown) | XL1200X |

HEADLAMP - 1200C/CP/V

HEADLAMP - 1200C/CP/V



[View interactive image](#)

[View interactive table](#)

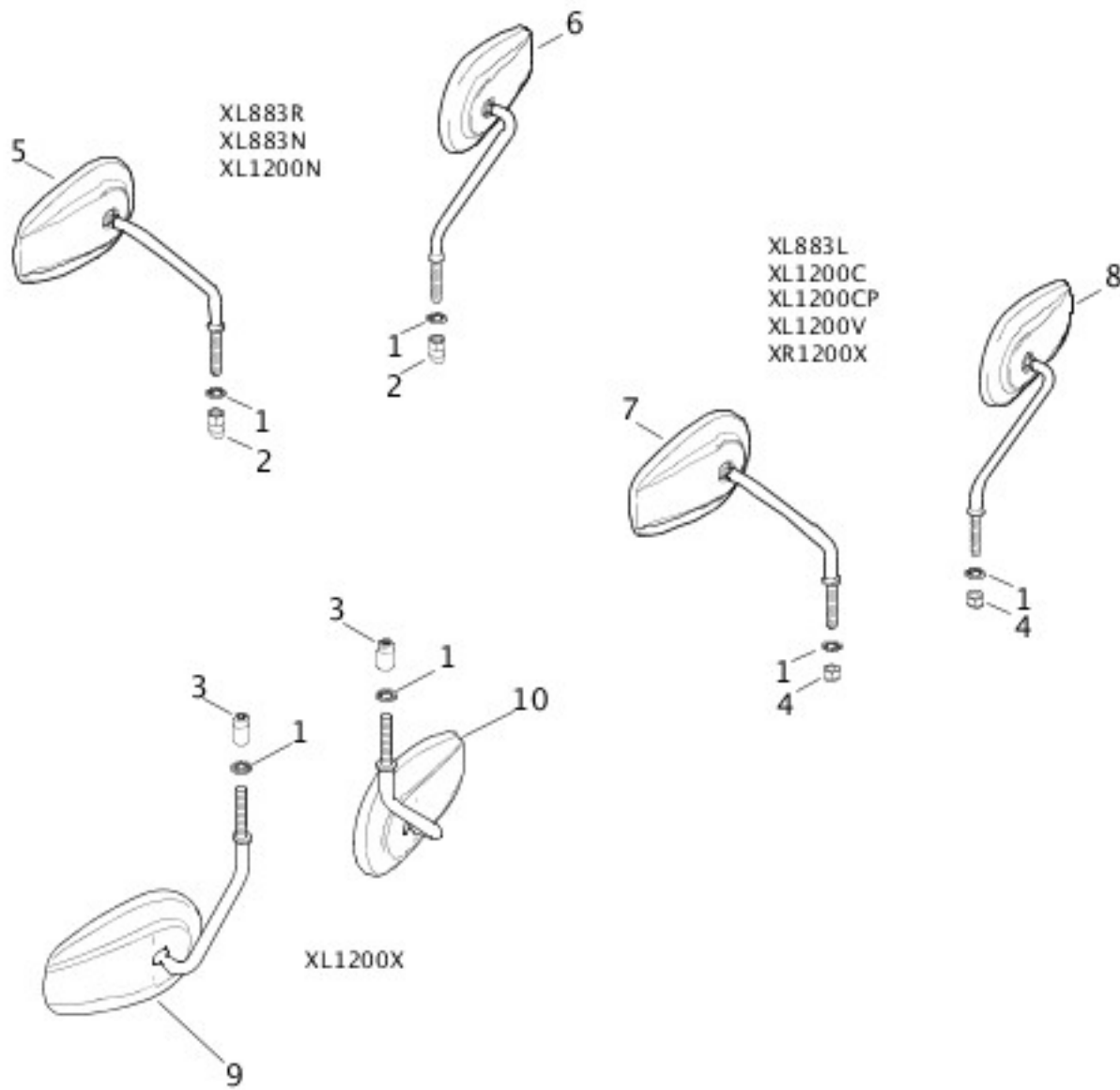
| INDEX NO. | PART NO. | DESCRIPTION | MODEL(S) |
|-----------|----------|-------------|-------------------|
| 1 | 2445 | SCREW | XL1200C, XL1200CP |
| 2 | 2708A | SCREW (2) | XL1200C, XL1200CP |

| | | | |
|----|-----------|--|----------------------------|
| 3 | 3615 | SCREW | XL1200C, XL1200CP, XL1200V |
| 4 | 4420 | SCREW | XL1200C, XL1200CP, XL1200V |
| 5 | 4748 | SCREW | XL1200C, XL1200CP, XL1200V |
| 6 | 6701 | WASHER (2) | XL1200C, XL1200CP, XL1200V |
| 7 | 6702 | WASHER (2) | XL1200C, XL1200CP |
| 8 | 7045 | LOCKWASHER | XL1200C, XL1200CP, XL1200V |
| 9 | 7778 | LOCKNUT | XL1200C, XL1200CP, XL1200V |
| 10 | 9847 | CONNECTOR, right | XL1200C, XL1200CP, XL1200V |
| 11 | 9848 | CONNECTOR, left | XL1200C, XL1200CP, XL1200V |
| 12 | 38999-11 | GUIDE, clutch cable | XL1200C, XL1200CP |
| 13 | 67667-05 | MEDALLION | XL1200C, XL1200CP, XL1200V |
| 14 | 67601-94A | GASKET (This gasket is sold seperately and is not part of items 18 & 28) | XL1200C, XL1200CP, XL1200V |
| 15 | 67746-11 | MOUNT | XL1200C, XL1200CP, XL1200V |
| 16 | 67603-94A | ADAPTER RING | XL1200CP, XL1200V |
| | 67883-04A | ADAPTER RING | XL1200C |
| 17 | 67894-93A | BEZEL | XL1200C, XL1200CP, XL1200V |
| 18 | 68297-05 | LAMP ASSEMBLY, w/ 13, 19 & 20 | XL1200C, XL1200CP, XL1200V |
| 19 | 68329-03 | BULB | XL1200C, XL1200CP, XL1200V |
| 20 | 68380-05 | BOOT | XL1200C, XL1200CP, XL1200V |
| 21 | 69681-07B | HEADLAMP SHELL, w/ 10, 11, 22, 23, 24 & 26 | XL1200C, XL1200CP, XL1200V |
| 22 | 72056-92 | HOUSING, female | XL1200C, XL1200CP, XL1200V |

| | | | |
|----------------------------------|------------|---|----------------------------|
| 23 | 73154-96BK | SOCKET HOUSING, 4-way (black) | XL1200C, XL1200CP, XL1200V |
| 24 | 73191-96 | SOCKET TERMINAL, 16-20 awg (4) | XL1200C, XL1200CP, XL1200V |
| 25 | 73246-11 | VISOR | XL1200C, XL1200CP |
| INTERNATIONAL MODELS ONLY | | | |
| 26 | 9898 | TERMINAL FLAG (2) | XL1200C, XL1200V |
| 27 | 53436-97 | BULB | XL1200C, XL1200V |
| 28 | 68335-05 | LAMP ASSEMBLY, left (Australia, England, Japan), w/ 13, 19, 20, 27 & 29 | XL1200C, XL1200V |
| | 68341-05 | LAMP ASSEMBLY, right (HDI, Asia-Pacific), w/ 13, 19, 20, 27 & 29 | XL1200C, XL1200V |
| 29 | 68653-05 | SOCKET, bulb (2 spade) | XL1200C, XL1200V |

MIRRORS

MIRRORS



[View interactive image](#)

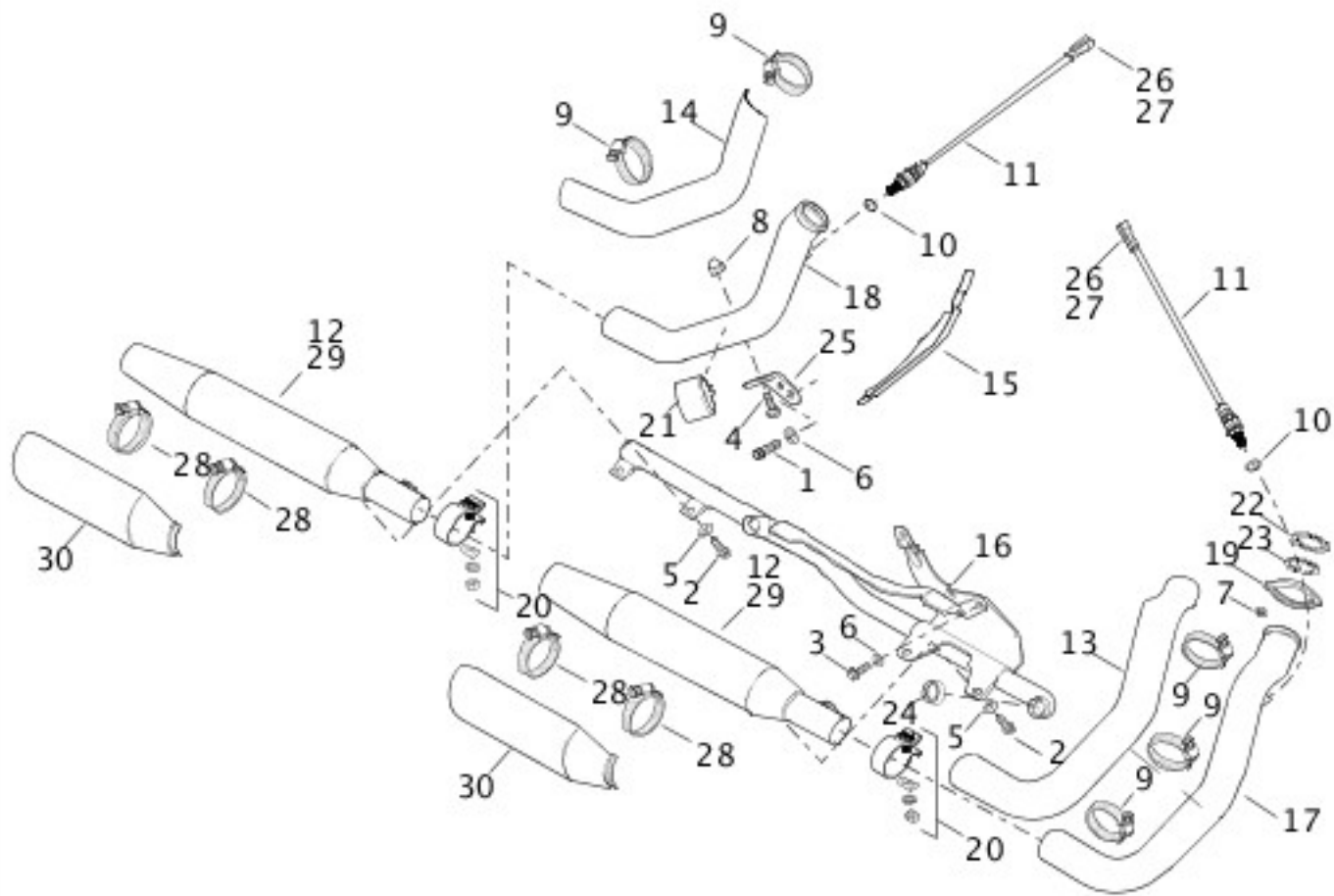
[View interactive table](#)

| INDEX NO. | PART NO. | DESCRIPTION | MODEL(S) |
|-----------|----------|----------------|-------------------------|
| 1 | 7155 | LOCKWASHER (2) | ALL |
| 2 | 7331 | ACORN NUT (2) | XL1200N, XL883N, XL883R |

| | | | |
|----|-----------|---|---|
| 3 | 7357 | BULLET NUT (2) | XL1200X |
| 4 | 7725 | LOCKNUT (2) | XL1200C, XL1200CP, XL1200V, XL883L, XR1200X |
| 5 | 91982-03B | MIRROR KIT, right, short (black), w/ 1, 2 | XL1200N, XL883N, XL883R |
| 6 | 91983-03B | MIRROR KIT, left, short (black), w/ 1, 2 | XL1200N, XL883N, XL883R |
| 7 | 92381-09 | MIRROR KIT, right, long (chrome), w/ 1, 4 (LH - Pull Back & Drag Handlebar) | XL1200C, XL1200CP |
| | 92401-09 | MIRROR KIT, right, short (chrome), w/ 1, 4 (LH - Mini-Ape Handlebar) | XL1200CP, XL1200V, XL883L |
| | 92376-09 | MIRROR KIT, right, short (black), w/ 1, 4 | XR1200X |
| 8 | 92400-09 | MIRROR KIT, left, long (chrome), w/ 1, 4 (LH - Pull Back & Drag Handlebar) | XL1200C, XL1200CP |
| | 92402-09 | MIRROR KIT, left, short (chrome), w/ 1, 4 (LH - Mini-Ape Handlebar) | XL1200CP, XL1200V, XL883L |
| | 92377-09 | MIRROR KIT, left, short (black), w/ 1, 4 | XR1200X |
| 9 | 91960-10 | MIRROR KIT, right, short (black), w/ 1, 3 | XL1200X |
| 10 | 91961-10 | MIRROR KIT, left, short (black), w/ 1, 3 | XL1200X |

EXHAUST SYSTEM - 883L/N/R, 1200C/CP/N/V/X

EXHAUST SYSTEM – 883L/N/R, 1200C/CP/N/V



[View interactive image](#)

[View interactive table](#)

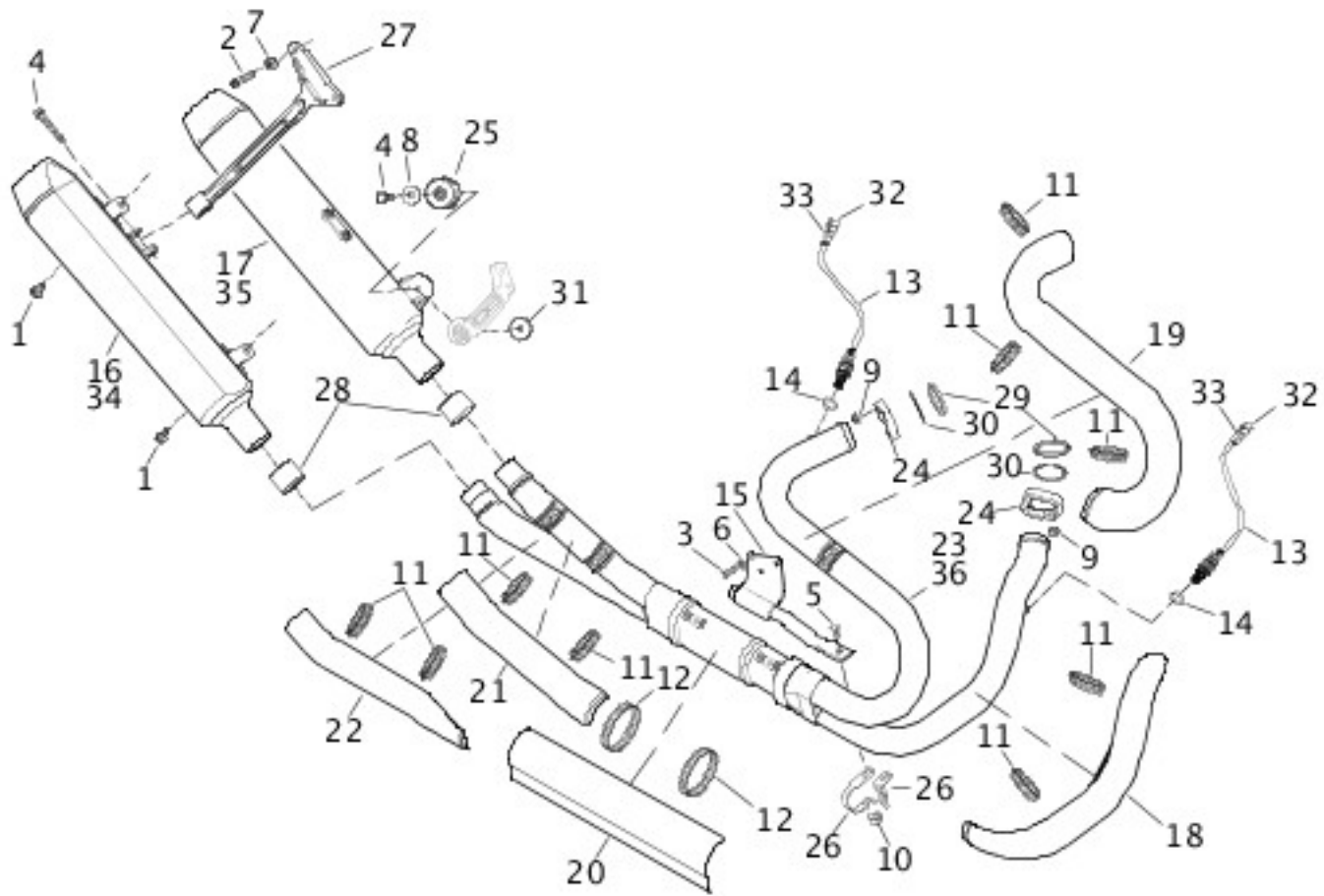
| INDEX NO. | PART NO. | DESCRIPTION | MODEL(S) |
|-----------|----------|-------------|--|
| 1 | 4032A | SCREW | XL1200C, XL1200CP, XL1200N, XL1200V, XL1200X, XL883L, XL883N, XL883R |

| | | | |
|----|-----------|--|--|
| 2 | 4269 | SCREW (4) | XL1200C, XL1200CP, XL1200N, XL1200V, XL1200X, XL883L, XL883N, XL883R |
| 3 | 4748 | SCREW (3) | XL1200C, XL1200CP, XL1200N, XL1200V, XL1200X, XL883L, XL883N, XL883R |
| 4 | 5414 | BOLT | XL1200C, XL1200CP, XL1200N, XL1200V, XL1200X, XL883L, XL883N, XL883R |
| 5 | 6139 | WASHER (4) | XL1200C, XL1200CP, XL1200N, XL1200V, XL1200X, XL883L, XL883N, XL883R |
| 6 | 6701 | WASHER (4) | XL1200C, XL1200CP, XL1200N, XL1200V, XL1200X, XL883L, XL883N, XL883R |
| 7 | 7593 | NUT (4) | XL1200C, XL1200CP, XL1200N, XL1200V, XL1200X, XL883L, XL883N, XL883R |
| 8 | 7862 | ACORN NUT | XL1200C, XL1200CP, XL1200N, XL1200V, XL1200X, XL883L, XL883N, XL883R |
| 9 | 9955 | CLAMP, heat shield (5) | XL1200C, XL1200CP, XL1200N, XL1200V, XL1200X, XL883L, XL883N, XL883R |
| 10 | 27714-06 | SEAL RING (2) | XL1200C, XL1200CP, XL1200N, XL1200V, XL1200X, XL883L, XL883N, XL883R |
| 11 | 27719-07 | SENSOR, oxygen, w/ 27714-06, 72009-05, 72011-05 (2) | XL1200C, XL1200CP, XL1200N, XL1200V, XL1200X, XL883L, XL883N, XL883R |
| 12 | 64842-04 | MUFFLER, front (CR/CS/LE), rear (CR/LE) | XL883L, XL883N, XL883R |
| | 64890-04 | MUFFLER, rear (CS) | XL883R |
| | 80399-04 | MUFFLER, front & rear | XL1200C, XL1200CP, XL1200N, XL1200V, XL1200X |
| 13 | 64846-04A | HEAT SHIELD, front exhaust pipe | XL1200C, XL1200CP, XL1200N, XL1200V, XL1200X, XL883L, XL883N, XL883R |
| 14 | 64847-04A | HEAT SHIELD, rear exhaust pipe, chrome | XL1200C, XL1200CP, XL1200N, XL1200V, XL1200X, XL883L, XL883N, XL883R |
| 15 | 66851-07 | HEAT SHIELD, upper rear exhaust pipe, stainless steel (LH - Mid Foot Controls) | XL1200CP, XL1200N, XL1200V, XL883L, XL883N, XL883R |
| 16 | 65339-04 | MUFFLER INTERCONNECT BRACKET | XL1200C, XL1200CP, XL1200N, XL1200V, XL1200X, XL883L, XL883N, XL883R |
| 17 | 64942-07 | EXHAUST PIPE, front (chrome) | XL1200C, XL1200CP, XL1200N, XL1200V, XL1200X, XL883L, XL883N, XL883R |
| 18 | 64943-07 | EXHAUST PIPE, rear (chrome) | XL1200C, XL1200CP, XL1200N, XL1200V, XL1200X, XL883L, XL883N, XL883R |
| 19 | 65184-02 | FLANGE, exhaust pipe (2) | XL1200C, XL1200CP, XL1200N, XL1200V, XL1200X, XL883L, XL883N, XL883R |

| | | | |
|----------------------------------|-----------|---|--|
| 20 | 65296-95A | CLAMP, muffler (2) | XL1200C, XL1200CP, XL1200N, XL1200V, XL1200X, XL883L, XL883N, XL883R |
| 21 | 65302-82A | CLAMP, exhaust pipe | XL1200C, XL1200CP, XL1200N, XL1200V, XL1200X, XL883L, XL883N, XL883R |
| 22 | 65324-83B | GASKET, exhaust port (2) | XL1200C, XL1200CP, XL1200N, XL1200V, XL1200X, XL883L, XL883N, XL883R |
| 23 | 65325-83A | RETAINING RING, exhaust gasket (2) | XL1200C, XL1200CP, XL1200N, XL1200V, XL1200X, XL883L, XL883N, XL883R |
| 24 | 65927-00 | GASKET, exhaust interconnect (2) | XL1200C, XL1200CP, XL1200N, XL1200V, XL1200X, XL883L, XL883N, XL883R |
| 25 | 65974-04A | BRACKET, exhaust clamp | XL1200C, XL1200CP, XL1200N, XL1200V, XL1200X, XL883L, XL883N, XL883R |
| 26 | 72009-05 | HOUSING, 2-way pin (2) | XL1200C, XL1200CP, XL1200N, XL1200V, XL1200X, XL883L, XL883N, XL883R |
| 27 | 72011-05 | WIRE SEAL, 16-20 gauge (yellow) (4) | XL1200C, XL1200CP, XL1200N, XL1200V, XL1200X, XL883L, XL883N, XL883R |
| INTERNATIONAL MODELS ONLY | | | |
| 28 | 10074 | CLAMP, muffler heat shield (HDI, England, Japan, Asia-Pacific, CZ - Brazil) (4) | XL1200C, XL1200N, XL1200V, XL1200X, XL883L, XL883N, XL883R |
| 29 | 64737-09 | MUFFLER, front (Japan), rear (CR/CT/CZ/LE/LF - Japan, CZ - Brazil) | XL1200C, XL1200N, XL1200V, XL883L, XL883N, XL883R |
| | 64738-09 | MUFFLER, rear (CS - Japan, CZ - Brazil) | XL1200N, XL883R |
| | 64853-04 | MUFFLER, front (Australia), rear (CR/CT/CZ/LF - Australia) | XL1200C, XL1200N, XL1200V, XL883L, XL883N, XL883R |
| | 64854-04 | MUFFLER, rear (Australia) | XL1200N, XL883N, XL883R |
| | 64891-04A | MUFFLER, front (HDI, England, Asia-Pacific), rear (CR/CT - HDI, England) | XL1200C, XL1200N, XL1200V, XL1200X, XL883L, XL883N, XL883R |
| | 64893-04A | MUFFLER, rear (HDI, England, Asia-Pacific) | XL1200N, XL883N, XL883R |
| 30 | 64889-04 | HEAT SHIELD, muffler, (HDI, England, Japan, Asia-Pacific, CZ - Brazil) (2) | XL1200C, XL1200N, XL1200V, XL1200X, XL883L, XL883N, XL883R |

EXHAUST SYSTEM - XR1200X

EXHAUST SYSTEM - XR1200X



[View interactive image](#)

[View interactive table](#)

| INDEX NO. | PART NO. | DESCRIPTION | MODEL(S) |
|-----------|----------|-------------|----------|
| 1 | 4269 | SCREW (2) | XR1200X |
| 2 | 4549 | SCREW (2) | XR1200X |
| | | | |

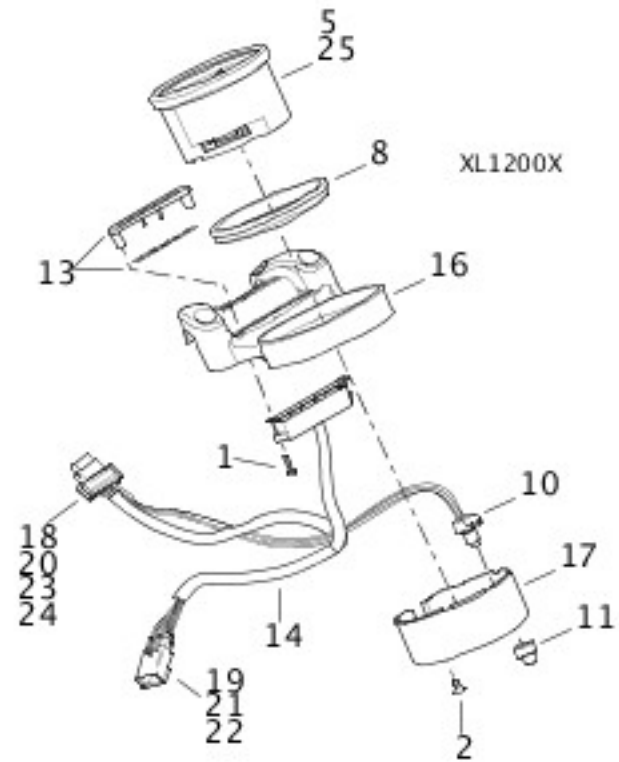
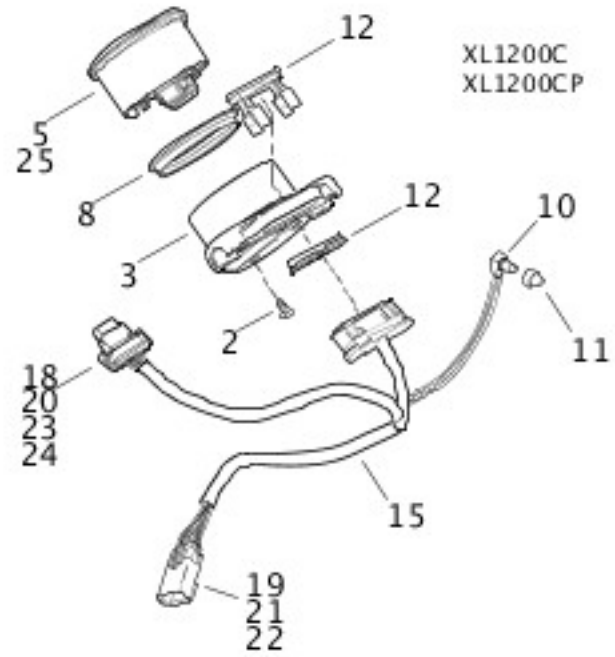
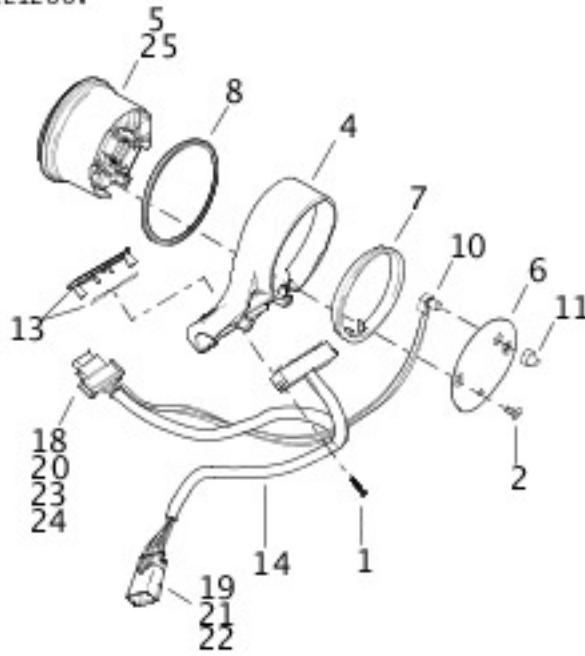
| | | | |
|----|-----------|---|---------|
| 3 | 4748 | SCREW (3) | XR1200X |
| 4 | 4859 | SCREW | XR1200X |
| 5 | 5416 | BOLT | XR1200X |
| 6 | 6701 | WASHER (2) | XR1200X |
| 7 | 6702 | WASHER (3) | XR1200X |
| 8 | 6930 | WASHER | XR1200X |
| 9 | 7593 | NUT (4) | XR1200X |
| 10 | 7601 | LOCKNUT | XR1200X |
| 11 | 9955 | CLAMP, heat shield (9) | XR1200X |
| 12 | 9956 | CLAMP, heat shield (2) | XR1200X |
| 13 | 27690-08 | SENSOR, oxygen, w/ 27714-06, 72009-05, 72011-05 (2) | XR1200X |
| 14 | 27714-06 | SEAL RING (2) | XR1200X |
| 15 | 64850-08 | SUPPORT BAR ASSEMBLY, exhaust | XR1200X |
| 16 | 65218-10 | MUFFLER, lower (black) | XR1200X |
| 17 | 65219-10 | MUFFLER, upper (black) | XR1200X |
| 18 | 65168-10 | HEAT SHIELD, lower (black) | XR1200X |
| 19 | 65176-10 | HEAT SHIELD, upper (black) | XR1200X |
| 20 | 65189-10 | SHIELD, collector (black) | XR1200X |
| 21 | 65197-10 | EXHAUST SHIELD ASSEMBLY, upper (black) | XR1200X |
| 22 | 65198-10 | EXHAUST SHIELD ASSEMBLY, lower (black) | XR1200X |
| 23 | 64851-09 | EXHAUST ASSEMBLY | XR1200X |
| 24 | 65328-83A | FLANGE, exhaust pipe (2) | XR1200X |
| 25 | 65240-08 | KIT, exhaust isolator w/ 4859, 6930 & 65453-08 | XR1200X |
| 26 | 65257-08 | CLAMP | XR1200X |
| 27 | 65316-08 | SUPPORT, muffler, rear | XR1200X |
| 28 | 65317-08A | GASKET, muffler inlet (2) | XR1200X |
| 29 | 65324-83B | GASKET, exhaust port (2) | XR1200X |
| 30 | 65325-83A | RETAINING RING, exhaust gasket (2) | XR1200X |
| 31 | 65453-08 | WASHER, snubbing | XR1200X |
| 32 | 72009-05 | HOUSING, 2-way pin (2) | XR1200X |

| | | | |
|----------------------------------|-----------|--|---------|
| | | | |
| 33 | 72011-05 | WIRE SEAL, 16-20 gauge (yellow) (4) | XR1200X |
| INTERNATIONAL MODELS ONLY | | | |
| 34 | 65218-10 | MUFFLER, lower (England, HDI, Asia-Pacific) (black) | XR1200X |
| 35 | 65219-10 | MUFFLER, upper (England, HDI, Asia-Pacific) (black) | XR1200X |
| 36 | 64965-08A | EXHAUST ASSEMBLY (HDI, England, Japan, Asia-Pacific) | XR1200X |

SPEEDOMETER - 883L/N/R, 1200C/CP/N/V/X

SPEEDOMETER – 883L/N/R, 1200C/CP/N/V,

XL883L
XL883N
XL883R
XL1200CP
XL1200N
XL1200V



[View interactive image](#)

[View interactive table](#)

| INDEX NO. | PART NO. | DESCRIPTION | MODEL(S) |
|-----------|----------|-------------|---|
| 1 | 2325 | SCREW (2) | XL1200CP, XL1200N, XL1200V, XL1200X, XL883L, XL883N, XL883R |

| | | | |
|----|-----------|---|--|
| 2 | 2361 | SCREW (2) | XL1200C, XL1200CP, XL1200N, XL1200V, XL1200X, XL883L, XL883N, XL883R |
| 3 | 55844-04 | HOUSING, instrument (chrome) (1200CP - Drag & Pullback Handlebar) | XL1200C, XL1200CP |
| 4 | 55846-05A | BRACKET, speedometer (chrome) (1200CP - Mini-Ape Handlebar) | XL1200CP, XL1200V |
| | 55847-05A | BRACKET, speedometer (black) (1200CP - Mini-Ape Handlebar) | XL1200CP, XL1200N, XL883L, XL883N, XL883R |
| 5 | 67037-08 | SPEEDOMETER, mph | XL1200N, XL1200X, XL883L, XL883N, XL883R |
| | 67436-08 | SPEEDOMETER, mph | XL1200C, XL1200CP, XL1200V |
| 6 | 67089-05 | COVER, speedometer back (chrome) | XL1200V |
| | 67320-95 | COVER, speedometer back (black) | XL1200CP, XL1200N, XL883L, XL883N, XL883R |
| 7 | 67104-95 | CUSHION, rear | XL1200CP, XL1200N, XL1200V, XL883L, XL883N, XL883R |
| 8 | 67121-95A | CUSHION, front | XL1200C, XL1200CP, XL1200N, XL1200V, XL1200X, XL883L, XL883N, XL883R |
| 10 | 67854-98 | SWITCH, reset | XL1200C, XL1200CP, XL1200N, XL1200V, XL1200X, XL883L, XL883N, XL883R |
| 11 | 67880-94 | BOOT, reset switch | XL1200C, XL1200CP, XL1200N, XL1200V, XL1200X, XL883L, XL883N, XL883R |
| 12 | 68382-07A | BEZEL ASSEMBLY, indicator lamps | XL1200C, XL1200CP |
| 13 | 68513-07 | BEZEL, indicator lamps | XL1200CP, XL1200N, XL1200V, XL1200X, XL883L, XL883N, XL883R |
| 14 | 68813-07 | HARNESS, w/ LED indicator | XL1200CP, XL1200N, XL1200V, XL1200X, XL883L, XL883N, XL883R |
| 15 | 68814-07 | HARNESS, w/ LED indicator | XL1200C, XL1200CP |
| 16 | 71980-10 | BRACKET, speedometer | XL1200X |
| 17 | 71988-10 | COVER, speedometer back | XL1200X |
| 18 | 72130-04 | HOUSING, socket 12-way (black) | XL1200C, XL1200CP, XL1200N, XL1200V, XL1200X, XL883L, XL883N, XL883R |
| 19 | 72169-07 | TERMINAL, pin, 16-20 gauge (7) | XL1200C, XL1200CP, XL1200N, XL1200V, XL1200X, XL883L, XL883N, XL883R |

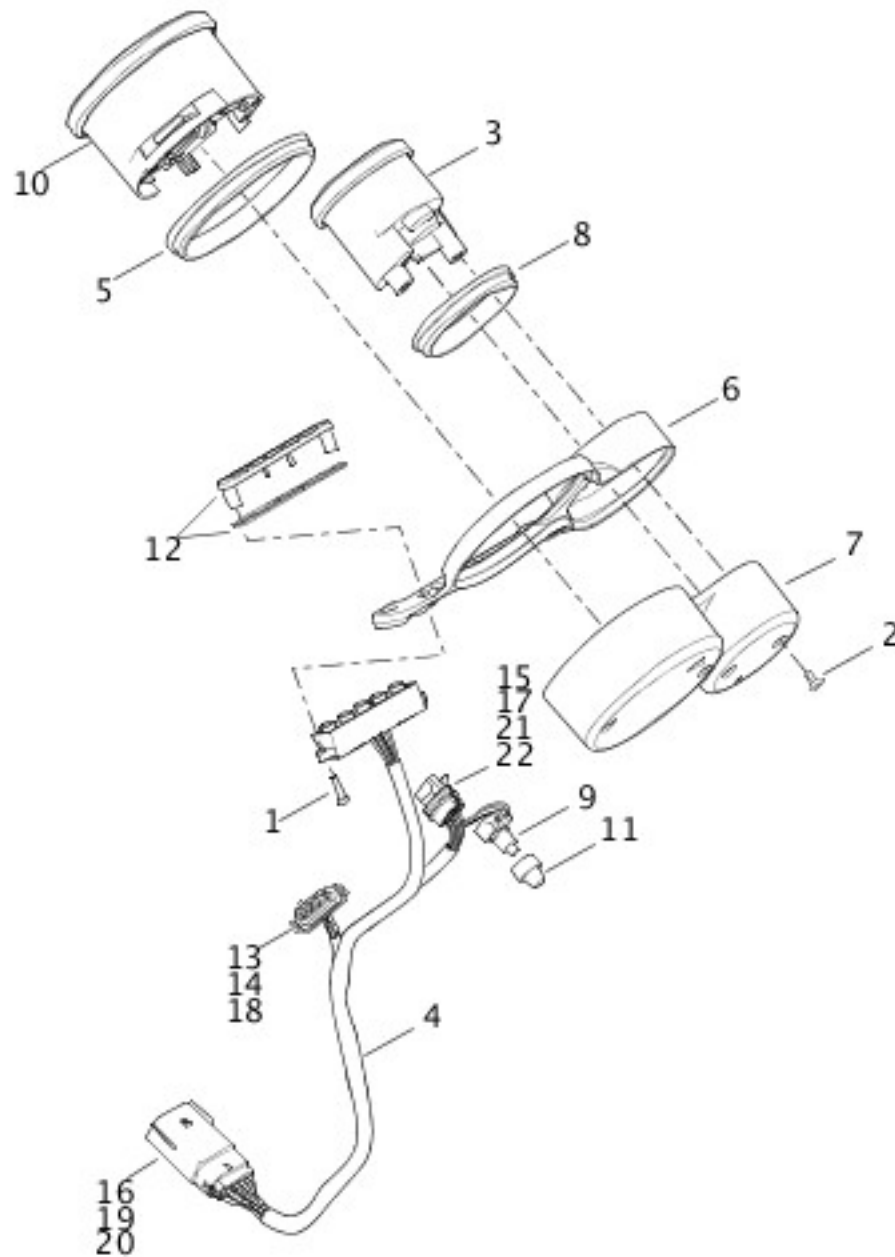
| | | | |
|----|------------|--------------------------------|--|
| 20 | 72189-04 | SEAL, pin | XL1200C, XL1200CP, XL1200N, XL1200V, XL1200X, XL883L, XL883N, XL883R |
| 21 | 72488-07BK | HOUSING, 12-way (black) | XL1200C, XL1200CP, XL1200N, XL1200V, XL1200X, XL883L, XL883N, XL883R |
| 22 | 72549-07 | TERMINAL, pin, 22 AWG (5) | XL1200C, XL1200CP, XL1200N, XL1200V, XL1200X, XL883L, XL883N, XL883R |
| 23 | 74196-04 | TERMINAL, socket, 20 AWG | XL1200C, XL1200CP, XL1200N, XL1200V, XL1200X, XL883L, XL883N, XL883R |
| 24 | 74197-04 | SOCKET LOCK, secondary, 12-way | XL1200C, XL1200CP, XL1200N, XL1200V, XL1200X, XL883L, XL883N, XL883R |

INTERNATIONAL MODELS ONLY

| | | | |
|----|----------|--|--|
| 25 | 67041-08 | SPEEDOMETER, kph (Canada, HDI, Australia, Japan, Asia-Pacific) | XL1200N, XL1200X, XL883L, XL883N, XL883R |
| | 67290-08 | SPEEDOMETER, mph/kph (England) | XL1200N, XL1200X, XL883L, XL883N, XL883R |
| | 67415-08 | SPEEDOMETER, mph/kph (England) | XL1200C, XL1200V |
| | 67416-08 | SPEEDOMETER, kph (Australia, Canada, HDI, Japan, Asia-Pacific) | XL1200C, XL1200V |

SPEEDOMETER & TACHOMETER - XR1200X

SPEEDOMETER AND TACHOMETER – XR1200X



[View interactive image](#)

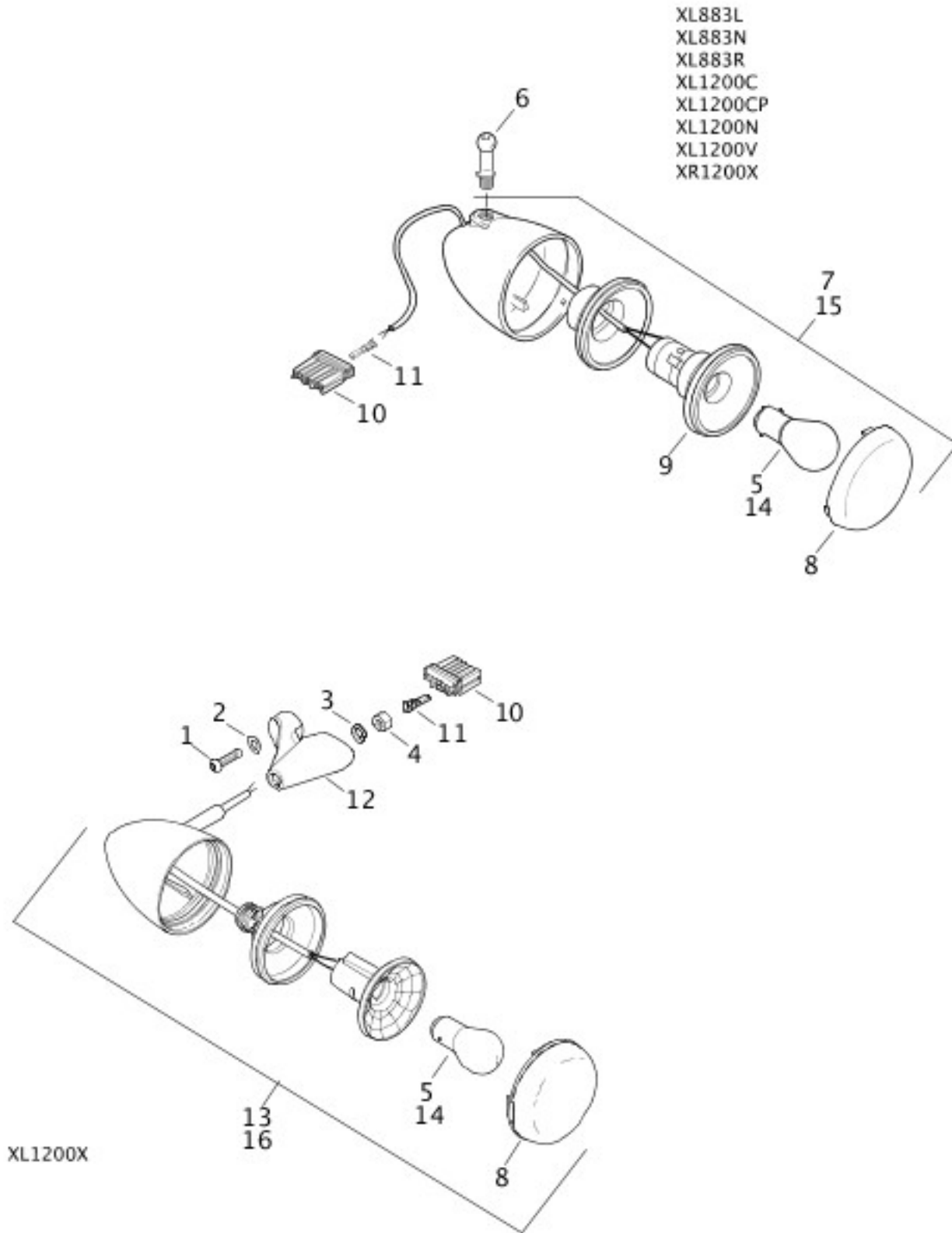
[View interactive table](#)

| INDEX NO. | PART NO. | DESCRIPTION | MODEL(S) |
|-----------|----------|-------------|----------|
| 1 | 2325 | SCREW (2) | XR1200X |
| 2 | 2361 | SCREW (4) | XR1200X |
| | | | |

| | | | |
|----|------------|--------------------------------|---------|
| 3 | 70714-10 | SPEEDOMETER (black) | XR1200X |
| 4 | 67091-08 | HARNESS, instrument assembly | XR1200X |
| 5 | 67121-95A | GASKET, tachometer | XR1200X |
| 6 | 67157-08 | BRACKET, instrument mounting | XR1200X |
| 7 | 67170-08 | BACK COVER, instrument | XR1200X |
| 8 | 67174-08 | GASKET, speedometer | XR1200X |
| 9 | 67854-98 | SWITCH, reset | XR1200X |
| 10 | 74714-10 | TACHOMETER | XR1200X |
| 11 | 67880-94 | BOOT, reset switch | XR1200X |
| 12 | 68513-07 | BEZEL, indicator lamps | XR1200X |
| 13 | 72032-93 | PLUG, connector | XR1200X |
| 14 | 72033-93 | TERMINAL, socket 16-20 AWG (4) | XR1200X |
| 15 | 72130-04 | HOUSING, socket 12-way (black) | XR1200X |
| 16 | 72169-07 | TERMINAL, pin, 16-20 gauge (7) | XR1200X |
| 17 | 72189-04 | SEAL, pin (3) | XR1200X |
| 18 | 72329-08 | HOUSING, socket 5-way | XR1200X |
| 19 | 72488-07BK | HOUSING, pin 12-way (black) | XR1200X |
| 20 | 72549-07 | TERMINAL, pin, 22 AWG (5) | XR1200X |
| 21 | 74196-04 | TERMINAL, socket, 20 AWG (9) | XR1200X |
| 22 | 74197-04 | SOCKET LOCK, secondary, 12-way | XR1200X |

TURN SIGNALS, FRONT

TURN SIGNALS, FRONT

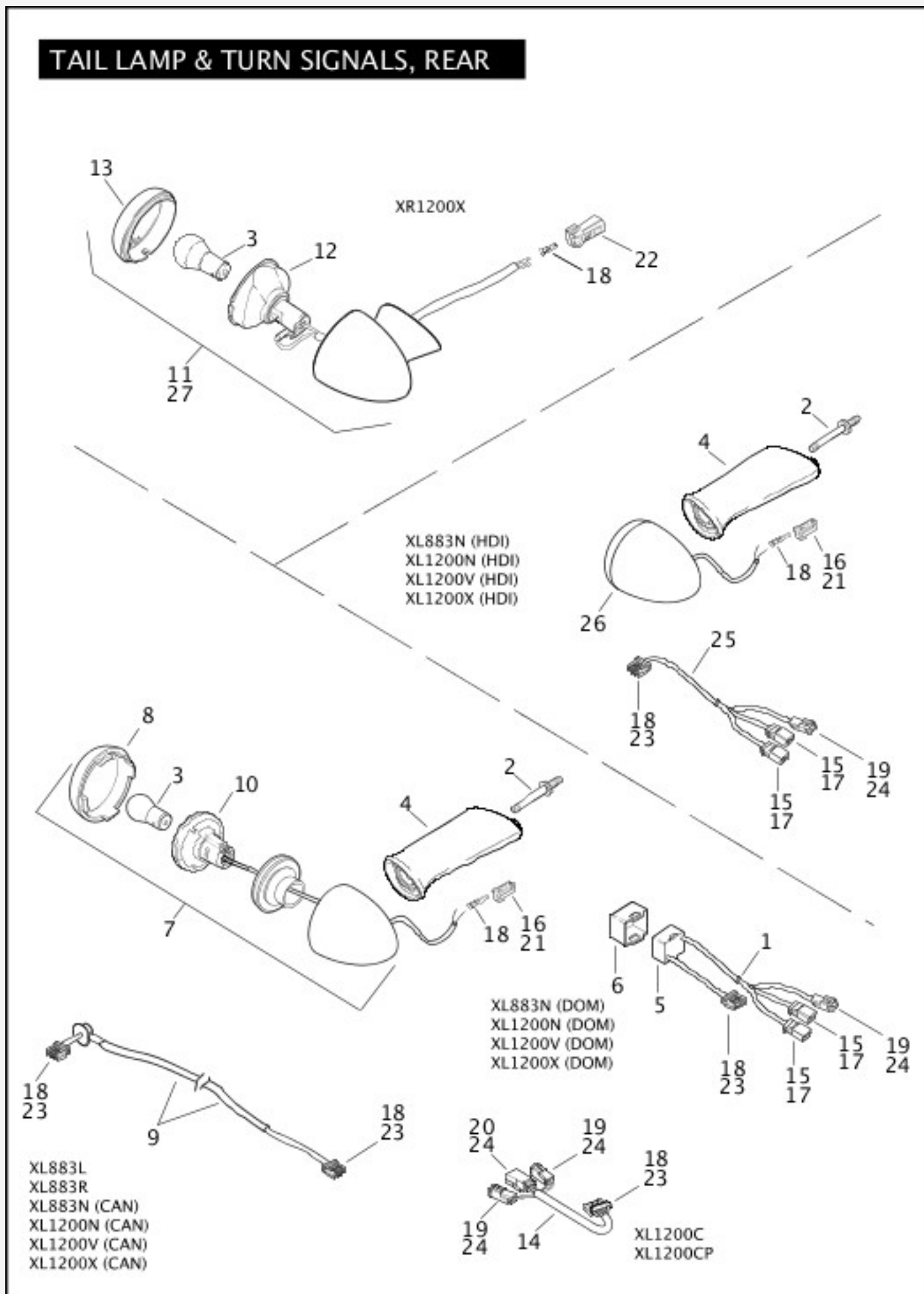


[View interactive image](#)

[View interactive table](#)

| INDEX NO. | PART NO. | DESCRIPTION | MODEL(S) |
|-----------|----------|-------------|----------|
| 1 | 4351 | SCREW (2) | XL1200X |
| 2 | 6610 | WASHER (2) | XL1200X |

| | | | |
|----------------------------------|------------|---|---|
| 3 | 7038 | LOCKWASHER (2) | XL1200X |
| 4 | 7783 | NUT (2) | XL1200X |
| 5 | 68168-89A | BULB, dual contact | XL1200C, XL1200CP, XL1200N, XL1200V, XL1200X, XL883L, XL883N, XL883R, XR1200X |
| 6 | 68265-04 | BALL STUD (1200CP - Mini Ape & Pullback Handlebar) (2) | XL1200C, XL1200CP, XL1200N, XL1200V, XL883L, XL883N, XL883R, XR1200X |
| | 67800070 | BALL STUD (1200CP - Drag Handlebar) (2) | XL1200CP |
| 7 | 68730-07 | TURN SIGNAL ASSEMBLY, w/ socket & vibration mount (2) | XL1200N, XL883N |
| | 68804-06 | TURN SIGNAL ASSEMBLY, w/ socket & vibration mount (2) | XR1200X |
| | 68972-00 | TURN SIGNAL ASSEMBLY, w/ socket & vibration mount (2) | XL1200C, XL1200CP, XL1200V, XL883L, XL883R |
| 8 | 68755-07 | LENS (2) | XL1200N, XL1200X, XL883N |
| | 68973-00 | LENS (2) | XL1200C, XL1200CP, XL1200V, XL883L, XL883R, XR1200X |
| 9 | 68904-00 | SOCKET ASSEMBLY, w/ vibration mount (All HDI & CZ,LC,LE Domestic - not sold seperately) (2) | XL1200C, XL1200CP, XL1200V, XL883L, XL883R, XR1200X |
| 10 | 73156-96BK | SOCKET HOUSING, 6-way (black) (2) | XL1200C, XL1200CP, XL1200N, XL1200V, XL1200X, XL883L, XL883N, XL883R, XR1200X |
| 11 | 73191-96 | SOCKET TERMINAL, 16-20 awg | XL1200C, XL1200CP, XL1200N, XL1200V, XL1200X, XL883L, XL883N, XL883R, XR1200X |
| 12 | 73267-10 | MOUNT, turn signal (2) | XL1200X |
| 13 | 73282-10 | TURN SIGNAL ASSEMBLY, w/ socket & vibration mount (2) | XL1200X |
| INTERNATIONAL MODELS ONLY | | | |
| 14 | 68163-84 | BULB, single contact (HDI) (2) | XL1200C, XL1200N, XL1200V, XL1200X, XL883L, XL883N, XL883R, XR1200X |
| 15 | 68838-06 | TURN SIGNAL ASSEMBLY, w/ socket & vibration mount (HDI) (2) | XR1200X |
| | 68975-00 | TURN SIGNAL ASSEMBLY, w/ socket & vibration mount (HDI) (2) | XL1200C, XL1200V, XL883L, XL883R |
| | 69362-08 | TURN SIGNAL ASSEMBLY, w/ socket & vibration mount (HDI) (2) | XL1200N, XL883N |
| 16 | 73284-10 | TURN SIGNAL ASSEMBLY, w/ socket & vibration mount (HDI) (2) | XL1200X |



[View interactive image](#)

[View interactive table](#)

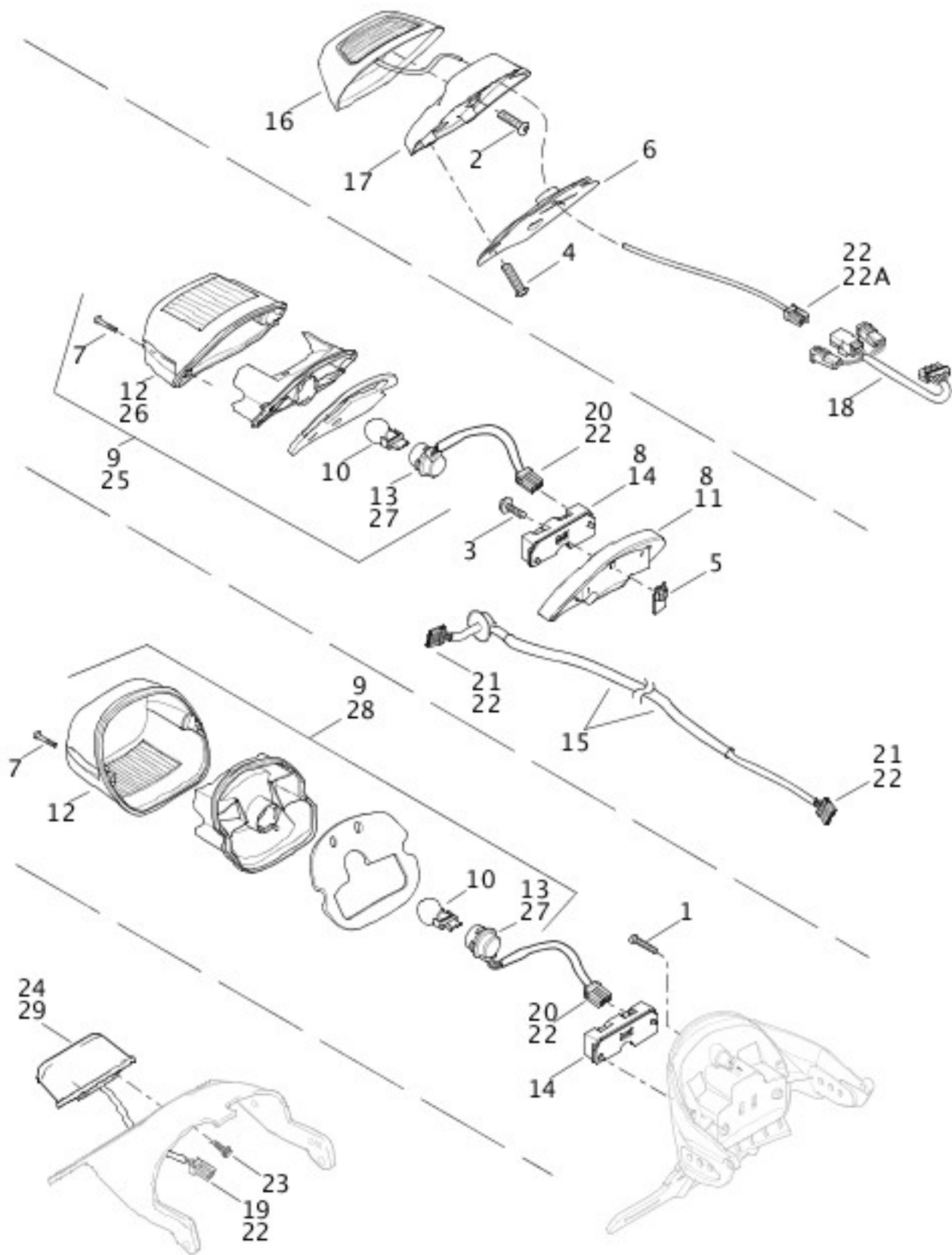
| INDEX NO. | PART NO. | DESCRIPTION | MODEL(S) |
|-----------|----------|---------------------------|-----------------------------------|
| 1 | 10065 | CABLE STRAP (as required) | XL1200N, XL1200V, XL1200X, XL883N |

| | | | |
|----|-----------|---|---|
| 2 | 5531 | SCREW (2) | XL1200N, XL1200X, XL883N |
| | 56104-02 | SCREW (2) | XL1200C, XL1200CP, XL1200V, XL883L, XL883R |
| 3 | 68163-84 | BULB, single contact (LF - Canada) (2) | XL1200C, XL1200CP, XL1200V, XL883L, XL883R, XR1200X |
| | 68168-89A | BULB, dual contact (Domestic) (2) | XL1200N, XL1200V, XL1200X, XL883N |
| | 68572-64B | BULB, single contact (Canada) (2) | XL1200N, XL1200X, XL883N |
| 4 | 68277-07 | SUPPORT (2) | XL1200N, XL1200X, XL883N |
| | 68480-02 | SUPPORT (2) | XL1200C, XL1200CP, XL1200V, XL883L, XL883R |
| 5 | 68278-07 | HARNESS | XL1200N, XL1200V, XL1200X, XL883N |
| 6 | 68299-07 | HOLDER, harness | XL1200N, XL1200V, XL1200X, XL883N |
| 7 | 68449-07 | TURN SIGNAL ASSEMBLY (Domestic), w/ 68168-89A, 68559-07, 68497-07 (2) | XL1200N, XL1200X, XL883N |
| | 73318-09 | TURN SIGNAL ASSEMBLY (Canada), w/ 68572-64B, 68755-07 (2) | XL1200N, XL1200X, XL883N |
| | 68978-00 | TURN SIGNAL ASSEMBLY, w/ 68163-84, 68979-00 (LF - Canada) (2) | XL1200C, XL1200CP, XL1200V, XL883L, XL883R |
| | 68461-09 | TURN SIGNAL ASSEMBLY, w/ 68168-89A, 68497-07, 68559-07 (2) | XL1200V |
| 8 | 68559-07 | LENS (Domestic) (2) | XL1200N, XL1200V, XL1200X, XL883N |
| | 68755-07 | LENS (Canada) (2) | XL1200N, XL1200X, XL883N |
| | 68973-00 | LENS (LF - Canada) (2) | XL1200C, XL1200CP, XL1200V, XL883L, XL883R |
| 9 | 68899-04A | HARNESS | XL1200N, XL1200V, XL1200X, XL883L, XL883N, XL883R |
| 10 | 68497-07 | SOCKET ASSEMBLY (CR,CS,CT,LH - All & CZ,LC,LE - Canada - not sold seperately) (2) | XL1200N, XL1200V, XL1200X, XL883N |
| 11 | 68984-01 | TURN SIGNAL ASSEMBLY, w/ 68163-84, 69066-01A, 69110-01 (2) | XR1200X |
| 12 | 69066-01A | SOCKET ASSEMBLY (HDI - not sold seperately) (2) | XR1200X |

| | | | |
|----------------------------------|------------|---|--|
| 13 | 69110-01 | LENS (2) | XR1200X |
| 14 | 70025-11 | HARNESS (2) | XL1200C, XL1200CP |
| 15 | 72904-01BK | HOUSING, pin, 4-way (black) (2) | XL1200N, XL1200V, XL1200X, XL883N |
| 16 | 72914-01BK | HOUSING, socket, 4-way (black) (2) | XL1200C, XL1200CP, XL1200N, XL1200V, XL1200X |
| 17 | 72990-01 | TERMINAL, pin (6) | XL1200N, XL1200V, XL1200X, XL883N |
| 18 | 72991-01 | TERMINAL, socket, 18-22 awg (4) | XL1200C, XL1200CP, XL1200N, XL1200V, XL1200X, XL883N |
| | 73191-96 | TERMINAL, socket, 16-20 awg (4) | XL1200N, XL1200V, XL1200X, XL883L, XL883N, XL883R, XR1200X |
| 19 | 73102-96BK | HOUSING, pin, 2-way (black) | XL1200N, XL1200V, XL1200X, XL883N |
| 20 | 73103-96BK | HOUSING, pin, 3-way | XL1200C, XL1200CP |
| 21 | 73152-96BK | HOUSING, socket, 2-way (black) | XL1200C, XL1200CP, XL1200N, XL1200V, XL1200X, XL883L, XL883N, XL883R |
| 22 | 73152-96WE | HOUSING, socket, 2-way (white) | XR1200X |
| 23 | 73156-96BK | HOUSING, socket, 6-way (black) | XL1200N, XL1200V, XL1200X, XL883N |
| 24 | 73190-96 | TERMINAL, pin (2) | XL1200N, XL1200V, XL1200X, XL883N |
| INTERNATIONAL MODELS ONLY | | | |
| 25 | 68955-08 | HARNESS (HDI) | XL1200N, XL1200V, XL1200X, XL883N |
| 26 | 69406-09 | TURN SIGNAL ASSEMBLY, w/ 72991-01 (HDI) (2) | XL1200N, XL1200X, XL883N |
| | 73358-12 | TURN SIGNAL ASSEMBLY, w/ 72991-01 (HDI) (2) | XL1200V |
| 27 | 69530-08 | TURN SIGNAL ASSEMBLY, w/ 68163-84, 69110-01, 73191-96 (HDI) (2) | XR1200X |

TAIL LAMPS

TAIL LAMPS



[View interactive image](#)

[View interactive table](#)

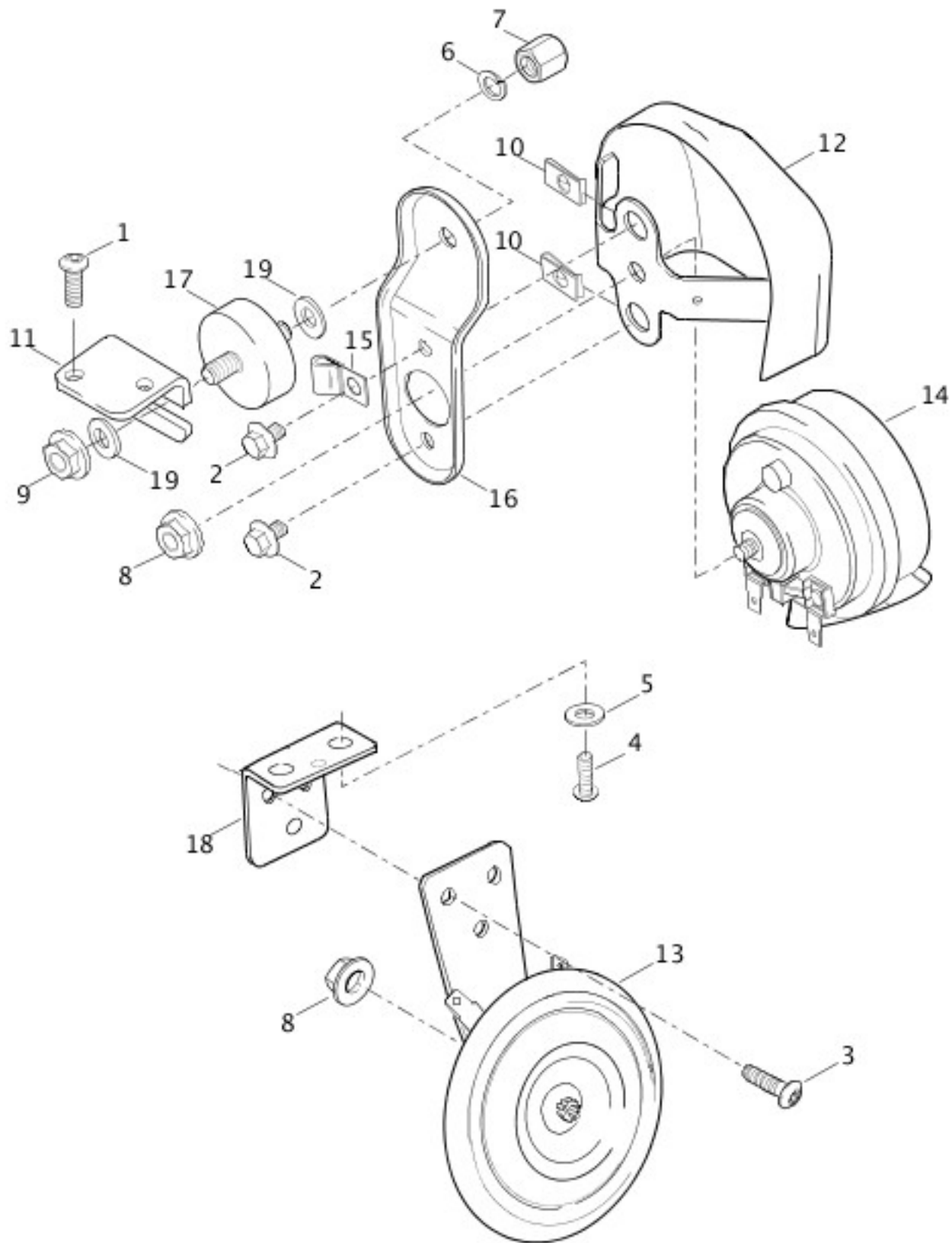
| INDEX NO. | PART NO. | DESCRIPTION | MODEL(S) |
|-----------|----------|-------------|-------------------|
| 1 | 930 | SCREW | XR1200X |
| 2 | 2508 | SCREW (4) | XL1200C, XL1200CP |

| | | | |
|-----|------------|---|--|
| 3 | 3022A | SCREW | XL1200V, XL883L, XL883R |
| 4 | 4365 | SCREW (3) | XL1200C, XL1200CP |
| 5 | 7964 | CLIP NUT | XL1200V, XL883L, XL883R |
| 6 | 11954 | GASKET | XL1200C, XL1200CP |
| 7 | 68026-99 | SCREW (2) | XL1200V, XL883L, XL883R, XR1200X |
| 8 | 68066-99A | BASE ASSEMBLY, chromed, w/ 68296-99A & 68830-99A | XL1200V, XL883L, XL883R |
| 9 | 68140-04 | LIGHT ASSEMBLY, w/ 68369-03 & 68370-03A | XL1200N, XL1200V, XL1200X, XL883L, XL883N, XR1200X |
| 10 | 68167-04 | BULB | XL1200V, XL883L, XL883R, XR1200X |
| 11 | 68296-99A | BASE TAIL LAMP, chrome | XL1200V, XL883L, XL883R |
| 12 | 68369-03 | LENS, w/ 68026-99 (LD - HDI not sold seperately) | XL1200V, XL883L, XL883R, XR1200X |
| 13 | 68370-03A | BULB SOCKET ASSEMBLY, w/ 68167-04, 73154-96BK, 73191-96 | XL1200V, XL883L, XL883R, XR1200X |
| 14 | 68830-99A | CIRCUIT BOARD & COVER ASSEMBLY | XL1200V, XL883L, XL883R, XR1200X |
| 15 | 68899-04A | HARNESS, rear lighting, w/ 73156-96BK & 73191-96 | XL1200V, XL883L, XL883R |
| 16 | 69352-11 | TAIL LAMP | XL1200C, XL1200CP |
| 17 | 69361-11 | TAIL LAMP BASE | XL1200C, XL1200CP |
| 18 | 70025-11 | HARNESS | XL1200C, XL1200CP, XL1200V |
| 19 | 73152-96BK | SOCKET HOUSING, 2-way (black) | XL1200N, XL1200X, XL883N |
| 20 | 73154-96BK | SOCKET HOUSING, 4-way (black) | XL1200V, XL883L, XL883R, XR1200X |
| 21 | 73156-96BK | SOCKET HOUSING, 6-way (black) | XL1200V, XL883L, XL883R |
| 22 | 73191-96 | SOCKET TERMINAL, 16-20 awg | ALL |
| 22A | 73153-96BK | SOCKET HOUSING, 3-way (black) | XL1200C, XL1200CP |

| INTERNATIONAL MODELS ONLY | | | |
|---------------------------|-----------|---|----------------------------------|
| 23 | 2362 | SCREW (HDI) (2) | XL1200N, XL1200X, XL883N |
| 24 | 52441-95 | BULB (HDI) | XL1200N, XL1200X, XL883N |
| 25 | 68141-04 | LIGHT ASSEMBLY (HDI), w/ 68372-03 & 69187-03A | XL1200V, XL883L, XL883R |
| 26 | 68372-03 | LENS, w/ 68026-99 (HDI) | XL1200V, XL883L, XL883R |
| 27 | 69187-03A | BULB SOCKET ASSEMBLY, w/ 68167-04, 73154-96BK, 73191-96 (HDI) | XL1200V, XL883L, XL883R, XR1200X |
| 28 | 69864-08 | TAIL LAMP ENVELOPE (HDI), w/ 68026-99 | XR1200X |
| 29 | 73504-11 | ILLUMINATOR, license plate w/ 73191-96 (HDI) | XL1200N, XL1200X, XL883N |

HORN

HORN



[View interactive image](#)

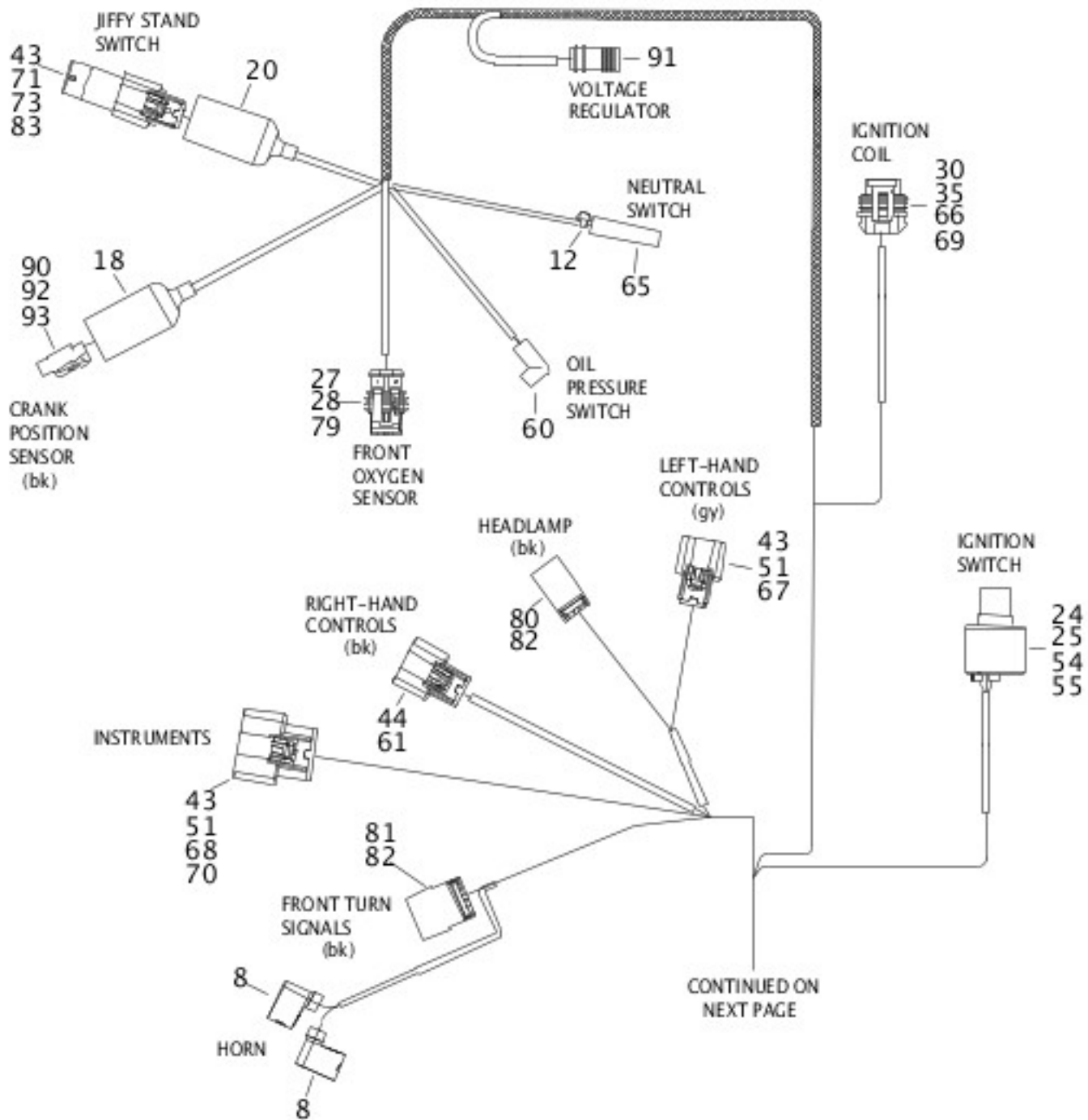
[View interactive table](#)

| INDEX NO. | PART NO. | DESCRIPTION | MODEL(S) |
|-----------|----------|-------------|----------------------------|
| 1 | 3026 | SCREW (2) | XL1200C, XL1200CP, XL1200V |
| 2 | 3563 | SCREW (2) | XL1200C, XL1200CP, XL1200V |

| | | | |
|----|-----------|-----------------------------------|---|
| 3 | 3124 | SCREW (3) | XL1200N, XL1200X, XL883L, XL883N, XL883R, XR1200X |
| 4 | 4180 | SCREW (2) | XL1200N, XL1200X, XL883L, XL883N, XL883R, XR1200X |
| 5 | 6026 | WASHER (2) | XL1200N, XL1200X, XL883L, XL883N, XL883R, XR1200X |
| 6 | 7041 | LOCKWASHER | XL1200C, XL1200CP, XL1200V |
| 7 | 7549A | ACORN NUT | XL1200C, XL1200CP, XL1200V |
| 8 | 7495 | NUT | ALL |
| 9 | 7531 | LOCKNUT | XL1200C, XL1200CP, XL1200V |
| 10 | 8108 | SPEEDNUT (2) | XL1200C, XL1200CP, XL1200V |
| 11 | 69049-07 | BRACKET, horn | XL1200C, XL1200CP, XL1200V |
| 12 | 69012-93A | COVER | XL1200C, XL1200CP, XL1200V |
| 13 | 69000014 | HORN, complete, w/ bracket & 7495 | XL1200N, XL1200X, XL883L, XL883N, XL883R, XR1200X |
| 14 | 69060-90F | HORN, w/ 7495 | XL1200C, XL1200CP, XL1200V |
| 15 | 69062-91A | CLAMP, horn wire | XL1200C, XL1200CP, XL1200V |
| 16 | 69120-91 | HORN BRACKET | XL1200C, XL1200CP, XL1200V |
| 17 | 69123-92A | RUBBER MOUNT | XL1200C, XL1200CP, XL1200V |
| 18 | 69135-04 | HORN BRACKET | XL1200N, XL1200X, XL883L, XL883N, XL883R, XR1200X |
| 19 | 6237 | WASHER (2) | XL1200C, XL1200CP, XL1200V |

WIRING HARNESS, MAIN - 883L/N/R, 1200C/CP/N/V/X (1 OF 3)

WIRING HARNESS, MAIN - 883L/N/R, 1200C/CP/N/V



[View interactive image](#)

[View interactive table](#)

| INDEX NO. | PART NO. | DESCRIPTION | MODEL(S) |
|-----------|----------|-------------|--|
| 1 | 3123 | SCREW | XL1200C, XL1200CP, XL1200N, XL1200V, XL1200X, XL883L, XL883N, XL883R |

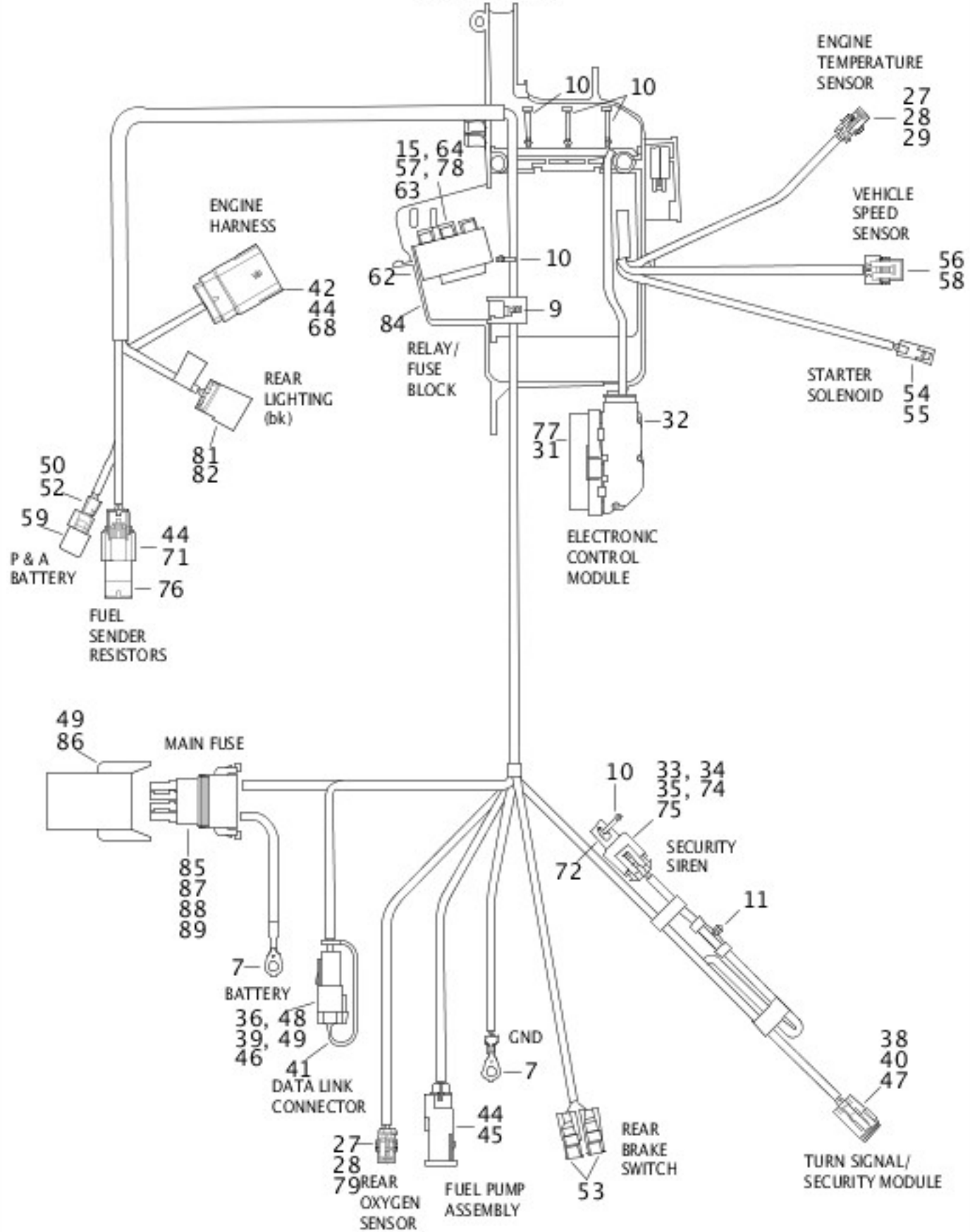
| | | | |
|--|-----------|-------------------------------------|--|
| 2 | 10039 | CABLE STRAP | XL1200V, XL1200X |
| 3 | 70640-07 | CLIP, caddy | XL1200C, XL1200CP, XL1200N, XL1200V, XL1200X, XL883L, XL883N, XL883R |
| 4 | 56073-83 | RETAINER, h-clip | XL1200C, XL1200CP, XL1200N, XL1200V, XL1200X, XL883L, XL883N, XL883R |
| | 69200317 | WIRING HARNESS, main | XL1200C, XL1200CP, XL1200N, XL1200V, XL1200X, XL883L, XL883N, XL883R |
| NOTE: Includes the following parts. | | | |
| 5 | 3124 | SCREW | XL1200C, XL1200CP, XL1200N, XL1200V, XL1200X, XL883L, XL883N, XL883R |
| 6 | 7220 | LOCKWASHER | XL1200C, XL1200CP, XL1200N, XL1200V, XL1200X, XL883L, XL883N, XL883R |
| 7 | 9838 | TERMINAL RING, 1/4, 10-12 gauge (2) | XL1200C, XL1200CP, XL1200N, XL1200V, XL1200X, XL883L, XL883N, XL883R |
| 8 | 9898 | TERMINAL FLAG (2) | XL1200C, XL1200CP, XL1200N, XL1200V, XL1200X, XL883L, XL883N, XL883R |
| 9 | 10006 | CABLE STRAP (5) | XL1200C, XL1200CP, XL1200N, XL1200V, XL1200X, XL883L, XL883N, XL883R |
| 10 | 10065 | CABLE STRAP (15) | XL1200C, XL1200CP, XL1200N, XL1200V, XL1200X, XL883L, XL883N, XL883R |
| 11 | 10279 | CLIP, harness mount | XL1200C, XL1200CP, XL1200N, XL1200V, XL1200X, XL883L, XL883N, XL883R |
| 12 | 10287 | CABLE STRAP (as required) | XL1200C, XL1200CP, XL1200N, XL1200V, XL1200X, XL883L, XL883N, XL883R |
| 13 | 11778 | FASTENER, push in | XL1200C, XL1200CP, XL1200N, XL1200V, XL1200X, XL883L, XL883N, XL883R |
| 14 | 11785 | CLIP, push in fastener | XL1200C, XL1200CP, XL1200N, XL1200V, XL1200X, XL883L, XL883N, XL883R |
| 15 | 31586-07 | RELAY (2) | XL1200C, XL1200CP, XL1200N, XL1200V, XL1200X, XL883L, XL883N, XL883R |
| 16 | 31797-07 | BRACKET ASSEMBLY, ignition switch | XL1200C, XL1200CP, XL1200N, XL1200V, XL1200X, XL883L, XL883N, XL883R |
| 17 | 70466-07A | WIRE HARNESS CADDY, left | XL1200C, XL1200CP, XL1200N, XL1200V, XL1200X, XL883L, XL883N, XL883R |
| 18 | 70598-99 | BOOT, temperature sensor | XL1200C, XL1200CP, XL1200N, XL1200V, XL1200X, XL883L, XL883N, XL883R |
| 19 | 70642-07 | WIRE HARNESS CADDY, right | XL1200C, XL1200CP, XL1200N, XL1200V, XL1200X, XL883L, XL883N, XL883R |
| 20 | 70664-08 | BOOT, jiffy stand sensor | XL1200C, XL1200CP, XL1200N, XL1200V, XL1200X, XL883L, XL883N, XL883R |

| | | | |
|----|-----------|---------------------------------------|--|
| | | | XL883N, XL883R |
| 21 | 70679-10 | CADDY, ECM & wire distribution | XL1200C, XL1200CP, XL1200N, XL1200V, XL1200X, XL883L, XL883N, XL883R |
| 22 | 70680-10 | CADDY, RH | XL1200C, XL1200CP, XL1200N, XL1200V, XL1200X, XL883L, XL883N, XL883R |
| 23 | 71510-04 | HOUSING, IGNITION SWITCH | XL1200C, XL1200CP, XL1200N, XL1200V, XL1200X, XL883L, XL883N, XL883R |
| 24 | 71550-94 | LABEL, ignition switch | XL1200C, XL1200CP, XL1200N, XL1200V, XL1200X, XL883L, XL883N, XL883R |
| 25 | 71552-94 | FACE NUT, ignition switch | XL1200C, XL1200CP, XL1200N, XL1200V, XL1200X, XL883L, XL883N, XL883R |
| 26 | 72006-05 | TERMINAL, 16-20 gauge | XL1200C, XL1200CP, XL1200N, XL1200V, XL1200X, XL883L, XL883N, XL883R |
| 27 | 72007-05 | HOUSING, socket, 2-way (3) | XL1200C, XL1200CP, XL1200N, XL1200V, XL1200X, XL883L, XL883N, XL883R |
| 28 | 72011-05 | WIRE SEAL, 16-20 gauge (yellow) (6) | XL1200C, XL1200CP, XL1200N, XL1200V, XL1200X, XL883L, XL883N, XL883R |
| 29 | 72024-08 | TERMINAL, socket, 20-22 gauge (2) | XL1200C, XL1200CP, XL1200N, XL1200V, XL1200X, XL883L, XL883N, XL883R |
| 30 | 72066-06A | SOCKET HOUSING, 4-way, female (black) | XL1200C, XL1200CP, XL1200N, XL1200V, XL1200X, XL883L, XL883N, XL883R |
| 31 | 72076-00 | TERMINAL, socket (4) | XL1200C, XL1200CP, XL1200N, XL1200V, XL1200X, XL883L, XL883N, XL883R |
| 32 | 72077-00 | SEAL PIN (10) | XL1200C, XL1200CP, XL1200N, XL1200V, XL1200X, XL883L, XL883N, XL883R |
| 33 | 72094-06 | TERMINAL, socket, 18 gauge (5) | XL1200C, XL1200CP, XL1200N, XL1200V, XL1200X, XL883L, XL883N, XL883R |
| 34 | 72078-00 | CONNECTOR KIT, 36 position socket | XL1200C, XL1200CP, XL1200N, XL1200V, XL1200X, XL883L, XL883N, XL883R |

WIRING HARNESS, MAIN - 883L/N/R, 1200C/CP/N/V/X (2 OF 3)

WIRING HARNESS, MAIN - 883L/N/R, 1200C/CP/N/V

CONTINUED FROM
PREVIOUS PAGE



[View interactive image](#)

[View interactive table](#)

| INDEX NO. | PART NO. | DESCRIPTION | MODEL(S) |
|-----------|----------|----------------------------------|--|
| | 69200317 | WIRING HARNESS, main (continued) | XL1200C, XL1200CP, XL1200N, XL1200V, XL1200X, XL883L, XL883N, XL883R |

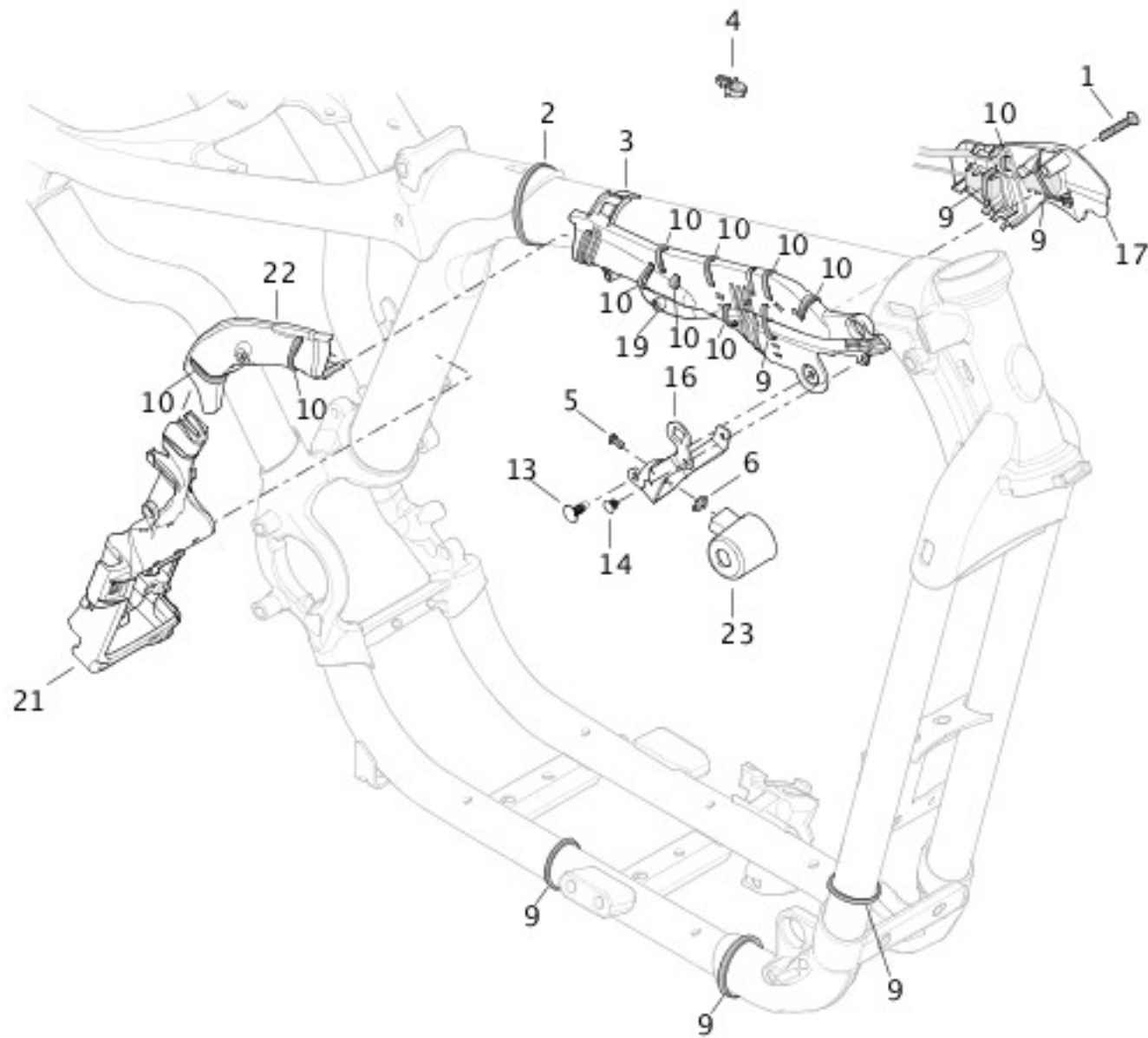
NOTE: Includes the following parts.

| | | | |
|----|------------|--|--|
| 35 | 72096-06 | SEAL WIRE, 18-20 AWG (yellow) (3) | XL1200C, XL1200CP, XL1200N, XL1200V, XL1200X, XL883L, XL883N, XL883R |
| 36 | 72124-94GY | SOCKET HOUSING, 4-way (gray) | XL1200C, XL1200CP, XL1200N, XL1200V, XL1200X, XL883L, XL883N, XL883R |
| 37 | 72135-06 | SECONDARY LOCK, 4-way, female (gray) | XL1200C, XL1200CP, XL1200N, XL1200V, XL1200X, XL883L, XL883N, XL883R |
| 38 | 72139-94GY | SOCKET HOUSING, 12-way, w/ 72179-94 (gray) | XL1200C, XL1200CP, XL1200N, XL1200V, XL1200X, XL883L, XL883N, XL883R |
| 39 | 72144-94 | SECONDARY LOCK, 4-way | XL1200C, XL1200CP, XL1200N, XL1200V, XL1200X, XL883L, XL883N, XL883R |
| 40 | 72159-94 | SECONDARY LOCK, pin, 12-way | XL1200C, XL1200CP, XL1200N, XL1200V, XL1200X, XL883L, XL883N, XL883R |
| 41 | 72164-94A | WEATHER PLUG, 4-way | XL1200C, XL1200CP, XL1200N, XL1200V, XL1200X, XL883L, XL883N, XL883R |
| 42 | 72167-07BK | HOUSING, 16-way, pin (black) | XL1200C, XL1200CP, XL1200N, XL1200V, XL1200X, XL883L, XL883N, XL883R |
| 43 | 72168-07 | TERMINAL, socket, 18-20 gauge (26) | XL1200C, XL1200CP, XL1200N, XL1200V, XL1200X, XL883L, XL883N, XL883R |
| 44 | 72169-07 | TERMINAL, pin, 16-20 gauge (16) | XL1200C, XL1200CP, XL1200N, XL1200V, XL1200X, XL883L, XL883N, XL883R |
| 45 | 72175-07BK | HOUSING, pin, 4-way (black) | XL1200C, XL1200CP, XL1200N, XL1200V, XL1200X, XL883L, XL883N, XL883R |
| 46 | 72190-94 | TERMINAL, pin, 16-18 gauge (3) | XL1200C, XL1200CP, XL1200N, XL1200V, XL1200X, XL883L, XL883N, XL883R |
| 47 | 72191-94 | TERMINAL, socket, 16-18 gauge (12) | XL1200C, XL1200CP, XL1200N, XL1200V, XL1200X, XL883L, XL883N, XL883R |
| 48 | 72195-94 | SEAL, pin, 4-way | XL1200C, XL1200CP, XL1200N, XL1200V, XL1200X, XL883L, XL883N, XL883R |
| 49 | 72199-94 | CONNECTOR ANCHOR (2) | XL1200C, XL1200CP, XL1200N, XL1200V, XL1200X, XL883L, XL883N, XL883R |
| 50 | 72260-04 | HOUSING, female, 1-way (gray) | XL1200C, XL1200CP, XL1200N, XL1200V, XL1200X, XL883L, XL883N, XL883R |
| 51 | 72272-07 | TERMINAL, socket, 14-16 gauge (6) | XL1200C, XL1200CP, XL1200N, XL1200V, XL1200X, XL883L, XL883N, XL883R |
| 52 | 72289-04 | TERMINAL, female, 10-12 gauge | XL1200C, XL1200CP, XL1200N, XL1200V, XL1200X, XL883L, XL883N, XL883R |
| 53 | 72290-94 | TERMINAL, insulated (2) | XL1200C, XL1200CP, XL1200N, XL1200V, XL1200X, XL883L, XL883N, XL883R |
| | | | |

| | | | |
|----|------------|--|--|
| 54 | 72291-94 | TERMINAL, female spade, 14-16 gauge | XL1200C, XL1200CP, XL1200N, XL1200V, XL1200X, XL883L, XL883N, XL883R |
| 55 | 72295-94 | TERMINAL HOUSING, 1-way | XL1200C, XL1200CP, XL1200N, XL1200V, XL1200X, XL883L, XL883N, XL883R |
| 56 | 72312-04 | HOUSING, socket, 3-way | XL1200C, XL1200CP, XL1200N, XL1200V, XL1200X, XL883L, XL883N, XL883R |
| 57 | 72330-95 | FUSE, 15 amp (6) | XL1200C, XL1200CP, XL1200N, XL1200V, XL1200X, XL883L, XL883N, XL883R |
| 58 | 72335-10 | TERMINAL, socket, 20-22 gauge (3) | XL1200C, XL1200CP, XL1200N, XL1200V, XL1200X, XL883L, XL883N, XL883R |
| 59 | 72378-04 | CAP, red | XL1200C, XL1200CP, XL1200N, XL1200V, XL1200X, XL883L, XL883N, XL883R |
| 60 | 72405-98BK | PUSH ON WIRE ASSEMBLY, right angle molded, w/ 60 in. wire lead (black) | XL1200C, XL1200CP, XL1200N, XL1200V, XL1200X, XL883L, XL883N, XL883R |
| 61 | 72414-07BK | HOUSING, socket, 6-way (black) | XL1200C, XL1200CP, XL1200N, XL1200V, XL1200X, XL883L, XL883N, XL883R |
| 62 | 72430-00 | FUSEBLOCK MOUNTING, relay, 9 fuses | XL1200C, XL1200CP, XL1200N, XL1200V, XL1200X, XL883L, XL883N, XL883R |
| 63 | 72434-00 | TERMINAL, 14-16 gauge (12) | XL1200C, XL1200CP, XL1200N, XL1200V, XL1200X, XL883L, XL883N, XL883R |
| 64 | 72441-04 | TERMINAL, 12-14 gauge (2) | XL1200C, XL1200CP, XL1200N, XL1200V, XL1200X, XL883L, XL883N, XL883R |

WIRING HARNESS, MAIN - 883L/N/R, 1200C/CP/N/V/X (3 OF 3)

WIRING HARNESS, MAIN - 883L/N/R, 1200C/CP/N/V



[View interactive image](#)

[View interactive table](#)

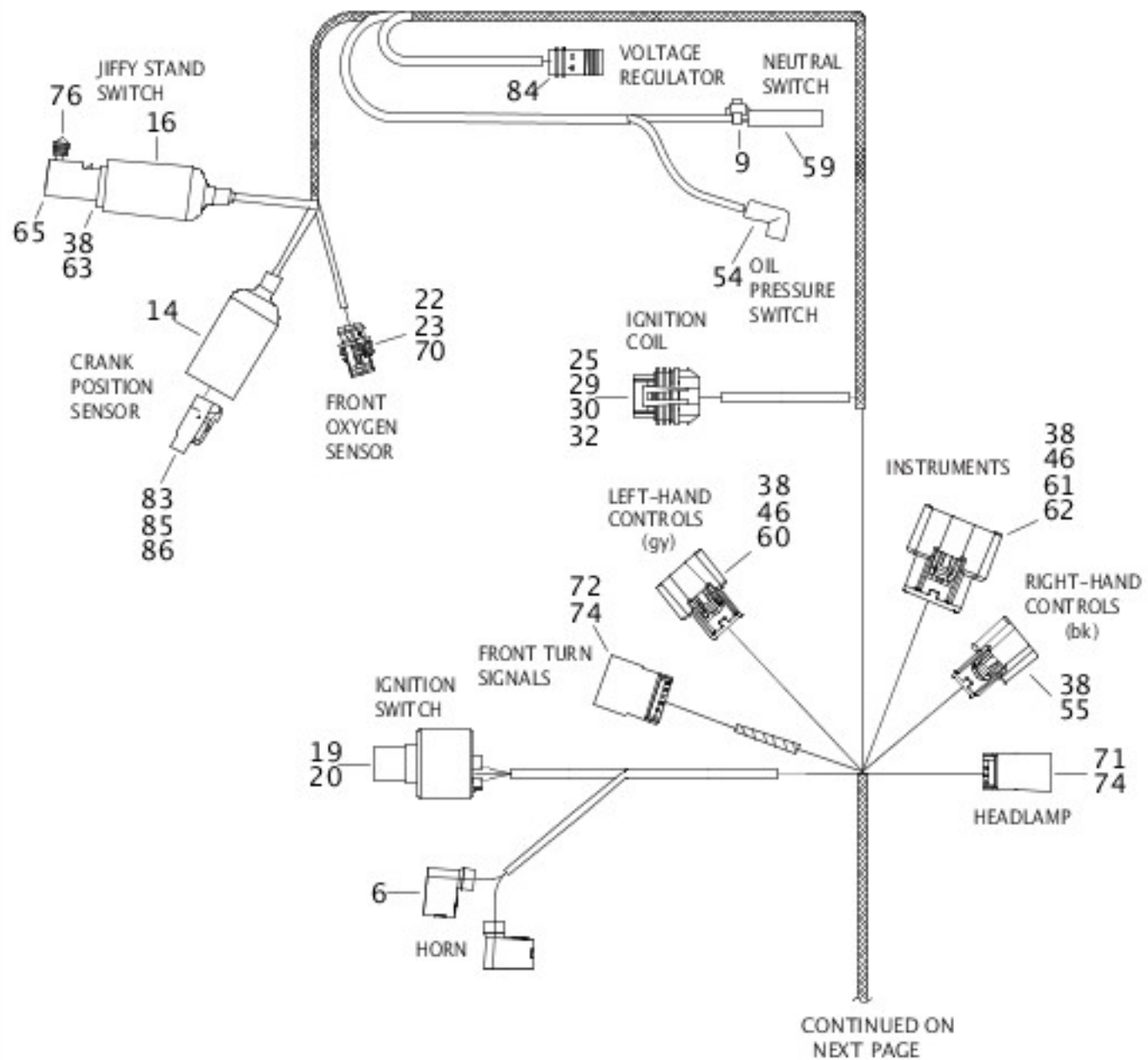
| INDEX NO. | PART NO. | DESCRIPTION | MODEL(S) |
|-----------|----------|----------------------------------|--|
| | 69200317 | WIRING HARNESS, main (continued) | XL1200C, XL1200CP, XL1200N, XL1200V, XL1200X, XL883L, XL883N, XL883R |

| NOTE: Includes the following parts. | | | |
|-------------------------------------|------------|------------------------------------|--|
| 65 | 72445-99TN | TERMINAL, female (tan) | XL1200C, XL1200CP, XL1200N, XL1200V, XL1200X, XL883L, XL883N, XL883R |
| 66 | 72484-08 | TERMINAL, socket, 20 gauge (2) | XL1200C, XL1200CP, XL1200N, XL1200V, XL1200X, XL883L, XL883N, XL883R |
| 67 | 72469-07GY | HOUSING, socket, 8-way (gray) | XL1200C, XL1200CP, XL1200N, XL1200V, XL1200X, XL883L, XL883N, XL883R |
| 68 | 72473-07 | SEAL PIN (4) | XL1200C, XL1200CP, XL1200N, XL1200V, XL1200X, XL883L, XL883N, XL883R |
| 69 | 72486-08 | WIRE SEAL, 20 gauge (green) (4) | XL1200C, XL1200CP, XL1200N, XL1200V, XL1200X, XL883L, XL883N, XL883R |
| 70 | 72487-07BK | HOUSING, socket, 12-way (black) | XL1200C, XL1200CP, XL1200N, XL1200V, XL1200X, XL883L, XL883N, XL883R |
| 71 | 72512-07BK | HOUSING, socket, 3-way (black) (2) | XL1200C, XL1200CP, XL1200N, XL1200V, XL1200X, XL883L, XL883N, XL883R |
| 72 | 72516-01 | DUSTCAP | XL1200C, XL1200CP, XL1200N, XL1200V, XL1200X, XL883L, XL883N, XL883R |
| 73 | 72519-09BK | DUSTCAP, 3-way socket | XL1200C, XL1200CP, XL1200N, XL1200V, XL1200X, XL883L, XL883N, XL883R |
| 74 | 72543-07BK | SOCKET HOUSING, 3-way (black) | XL1200C, XL1200CP, XL1200N, XL1200V, XL1200X, XL883L, XL883N, XL883R |
| 75 | 72544-07 | SECONDARY LOCK, 3-way, female | XL1200C, XL1200CP, XL1200N, XL1200V, XL1200X, XL883L, XL883N, XL883R |
| 76 | 72545-08 | RESISTOR ASSEMBLY, fuel sender | XL1200C, XL1200CP, XL1200N, XL1200V, XL1200X, XL883L, XL883N, XL883R |
| 77 | 72568-08 | TERMINAL, socket, 20-22 gauge (22) | XL1200C, XL1200CP, XL1200N, XL1200V, XL1200X, XL883L, XL883N, XL883R |
| 78 | 72592-10 | TERMINAL, socket, 18 gauge (4) | XL1200C, XL1200CP, XL1200N, XL1200V, XL1200X, XL883L, XL883N, XL883R |
| 79 | 72611-07 | TERMINAL, socket, 16-20 gauge (4) | XL1200C, XL1200CP, XL1200N, XL1200V, XL1200X, XL883L, XL883N, XL883R |
| 80 | 73104-96BK | CONNECTOR, 4-way (black) | XL1200C, XL1200CP, XL1200N, XL1200V, XL1200X, XL883L, XL883N, XL883R |
| 81 | 73106-96BK | CONNECTOR, 6-way (black) (2) | XL1200C, XL1200CP, XL1200N, XL1200V, XL1200X, XL883L, XL883N, XL883R |
| 82 | 73190-96 | TERMINAL, pin, 20-16 gauge (16) | XL1200C, XL1200CP, XL1200N, XL1200V, XL1200X, XL883L, XL883N, XL883R |
| 83 | 73213-07 | RETAINER | XL1200C, XL1200CP, XL1200N, XL1200V, XL1200X, XL883L, XL883N, XL883R |
| | | | |

| | | | |
|----|------------|--------------------------------|--|
| 84 | 73214-10 | COVER ASSEMBLY, fuseblock | XL1200C, XL1200CP, XL1200N, XL1200V, XL1200X, XL883L, XL883N, XL883R |
| 85 | 73301-04 | HOUSING, 2-way, female | XL1200C, XL1200CP, XL1200N, XL1200V, XL1200X, XL883L, XL883N, XL883R |
| 86 | 73302-04 | COVER, maxi-fuse, fuse block | XL1200C, XL1200CP, XL1200N, XL1200V, XL1200X, XL883L, XL883N, XL883R |
| 87 | 73303-04 | SECONDARY LOCK, 2-way, female | XL1200C, XL1200CP, XL1200N, XL1200V, XL1200X, XL883L, XL883N, XL883R |
| 88 | 73304-04 | TERMINAL, female, 10 gauge (2) | XL1200C, XL1200CP, XL1200N, XL1200V, XL1200X, XL883L, XL883N, XL883R |
| 89 | 73305-04 | SEAL WIRE, 10 gauge (blue) (2) | XL1200C, XL1200CP, XL1200N, XL1200V, XL1200X, XL883L, XL883N, XL883R |
| 90 | 74112-98BK | SOCKET HOUSING, 2-way (black) | XL1200C, XL1200CP, XL1200N, XL1200V, XL1200X, XL883L, XL883N, XL883R |
| 91 | 74120-08 | DC LEAD ASSEMBLY | XL1200C, XL1200CP, XL1200N, XL1200V, XL1200X, XL883L, XL883N, XL883R |
| 92 | 74152-98 | SECONDARY LOCK, 2-way | XL1200C, XL1200CP, XL1200N, XL1200V, XL1200X, XL883L, XL883N, XL883R |
| 93 | 74191-98 | SOCKET TERMINAL (2) | XL1200C, XL1200CP, XL1200N, XL1200V, XL1200X, XL883L, XL883N, XL883R |

WIRING HARNESS, MAIN - XR1200X (1 OF 3)

WIRING HARNESS, MAIN - XR1200X



[View interactive image](#)

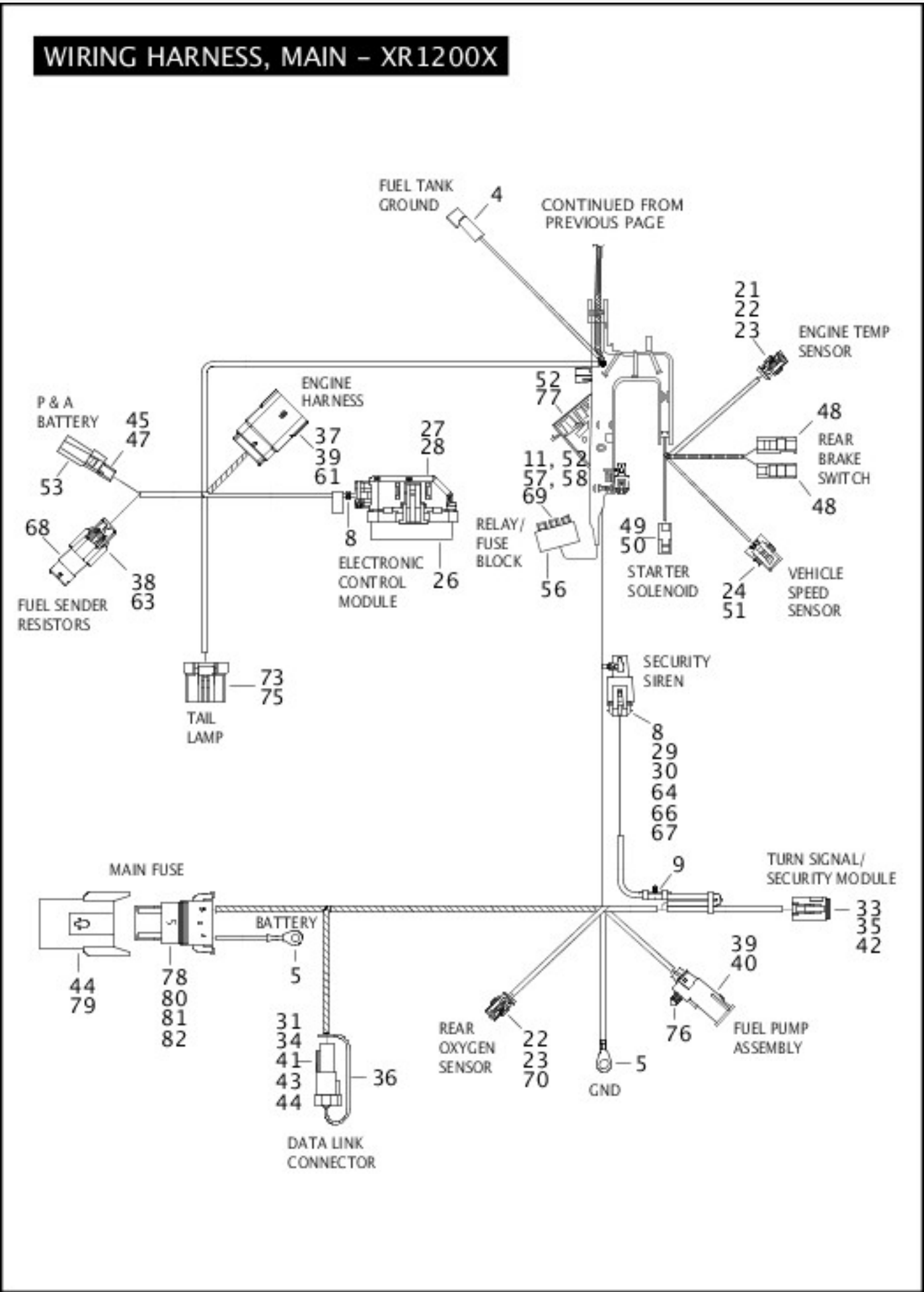
[View interactive table](#)

| INDEX NO. | PART NO. | DESCRIPTION | MODEL(S) |
|-----------|----------|----------------------|----------|
| 1 | 56073-83 | RETAINER, h-clip | XR1200X |
| | 69200316 | WIRING HARNESS, main | XR1200X |

NOTE: Includes the following parts.

| | | | |
|----|-----------|--|---------|
| 2 | 3124 | SCREW | XR1200X |
| 3 | 7220 | LOCKWASHER | XR1200X |
| 4 | 9810 | OVERMOLD, fuel tank, ground | XR1200X |
| 5 | 9838 | TERMINAL RING, 1/4, 10-12 gauge (2) | XR1200X |
| 6 | 9898 | TERMINAL FLAG (2) | XR1200X |
| 7 | 10006 | CABLE STRAP (as required) | XR1200X |
| 8 | 10065 | CABLE STRAP (as required) | XR1200X |
| 9 | 10279 | CLIP, harness mount | XR1200X |
| 10 | 10287 | CABLE STRAP (as required) | XR1200X |
| 11 | 31586-07 | RELAY (2) | XR1200X |
| 12 | 31806-08A | BRACKET ASSEMBLY | XR1200X |
| 13 | 70368-08 | WIRE HARNESS CADDY | XR1200X |
| 14 | 70598-99 | BOOT, temperature sensor | XR1200X |
| 15 | 70632-08 | CADDY COVER | XR1200X |
| 16 | 70664-08 | BOOT, jiffy stand sensor | XR1200X |
| 17 | 71341-10 | CADDY | XR1200X |
| 18 | 71510-04 | HOUSING, ignition switch | XR1200X |
| 19 | 71550-94 | LABEL, ignition switch | XR1200X |
| 20 | 71552-94 | FACE NUT, ignition switch (2) | XR1200X |
| 21 | 72006-05 | TERMINAL, 16-20 gauge (2) | XR1200X |
| 22 | 72007-05 | HOUSING, socket, 2-way (3) | XR1200X |
| 23 | 72011-05 | WIRE SEAL, 16-20 gauge (yellow) (6) | XR1200X |
| 24 | 72033-93 | TERMINAL, socket, 16-20 gauge (3) | XR1200X |
| 25 | 72066-06A | SOCKET HOUSING, 4-way | XR1200X |
| 26 | 72076-00 | TERMINAL, socket (27) | XR1200X |
| 27 | 72077-00 | SEAL PIN (9) | XR1200X |
| 28 | 72078-00 | KIT, connector, 36-position socket housing | XR1200X |
| 29 | 72094-06 | TERMINAL, socket, female, 18 gauge (7) | XR1200X |
| 30 | 72096-06 | SEAL WIRE, 18-20 AWG (yellow) (7) | XR1200X |

WIRING HARNESS, MAIN - XR1200X (2 OF 3)



[View interactive image](#)

[View interactive table](#)

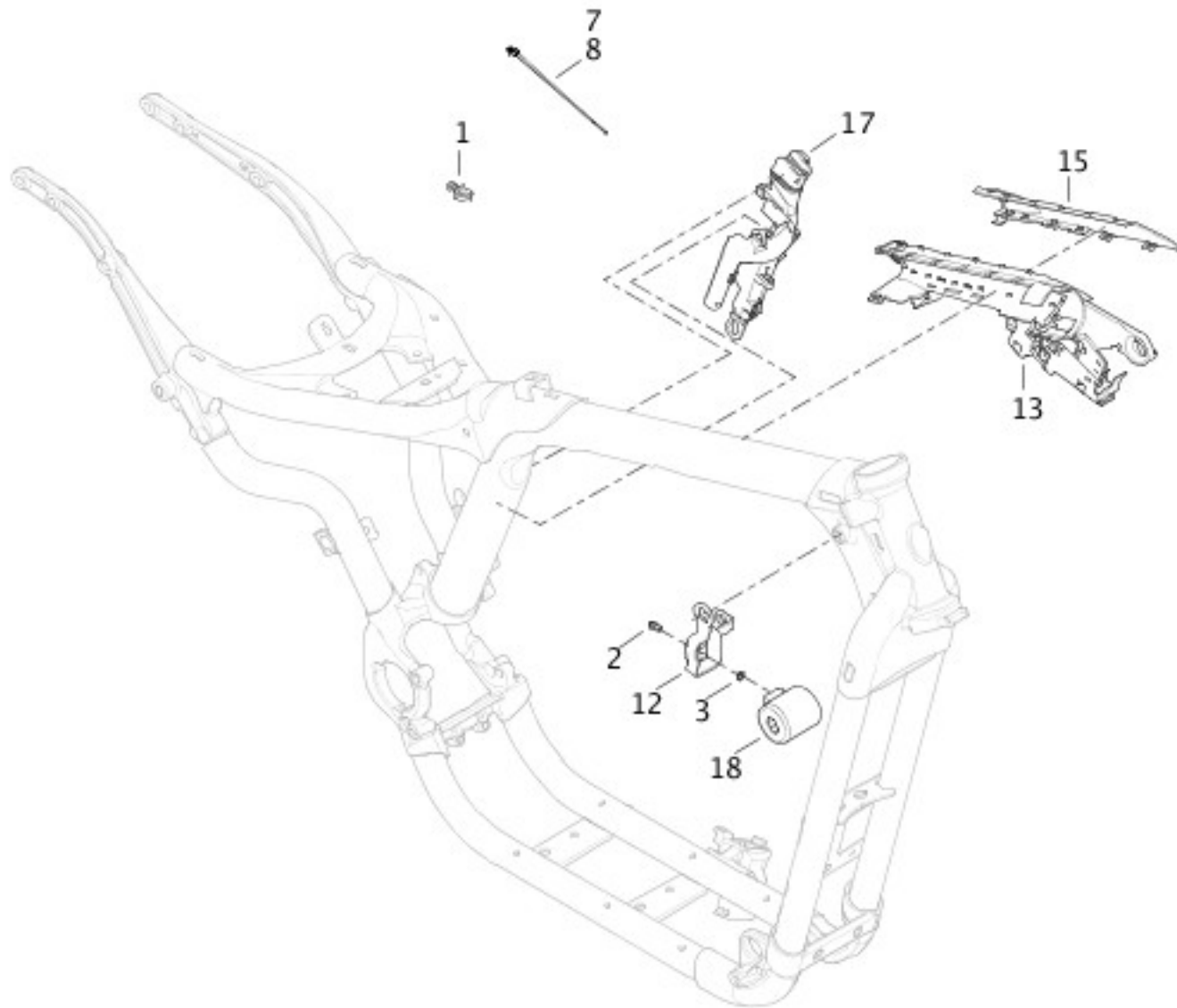
| INDEX NO. | PART NO. | DESCRIPTION | MODEL(S) |
|-----------|----------|-------------|----------|
|-----------|----------|-------------|----------|

| | | | |
|--|------------|--|---------|
| | 69200316 | WIRING HARNESS, main (continued) | XR1200X |
| NOTE: Includes the following parts. | | | |
| 31 | 72124-94GY | SOCKET HOUSING, 4-way (gray) | XR1200X |
| 32 | 72135-06 | SECONDARY LOCK, 4-way, female (gray) | XR1200X |
| 33 | 72139-94GY | SOCKET HOUSING, 12-way, w/ 72179-94 (gray) | XR1200X |
| 34 | 72144-94 | SECONDARY LOCK, 4-way | XR1200X |
| 35 | 72159-94 | SECONDARY LOCK, pin, 12-way | XR1200X |
| 36 | 72164-94A | WEATHER PLUG, 4-way | XR1200X |
| 37 | 72167-07BK | HOUSING, 16-way, pin (black) | XR1200X |
| 38 | 72168-07 | TERMINAL, socket, 18-20 gauge (25) | XR1200X |
| 39 | 72169-07 | TERMINAL, pin, 16-20 gauge (17) | XR1200X |
| 40 | 72175-07BK | HOUSING, pin, 4-way (black) | XR1200X |
| 41 | 72190-94 | TERMINAL, pin, 16-18 gauge (3) | XR1200X |
| 42 | 72191-94 | TERMINAL, socket, 16-18 gauge (12) | XR1200X |
| 43 | 72195-94 | SEAL, pin, 4-way | XR1200X |
| 44 | 72199-94 | CONNECTOR ANCHOR (2) | XR1200X |
| 45 | 72260-04 | HOUSING, female, 1-way (gray) | XR1200X |
| 46 | 72272-07 | TERMINAL, socket, 14-16 gauge (6) | XR1200X |
| 47 | 72289-04 | TERMINAL, female, 10-12 gauge | XR1200X |
| 48 | 72290-94 | TERMINAL, insulated (2) | XR1200X |
| 49 | 72291-94 | TERMINAL, female spade, 14-16 gauge | XR1200X |
| 50 | 72295-94 | TERMINAL HOUSING, 1-way | XR1200X |
| 51 | 72312-04 | HOUSING, socket, 3-way | XR1200X |
| 52 | 72330-95 | FUSE, 15-amp (6) | XR1200X |
| 53 | 72378-04 | CAP, red | XR1200X |
| 54 | 72405-98BK | PUSH ON WIRE ASSEMBLY, right angle molded, w/ 60 in. wire lead (black) | XR1200X |
| 55 | 72414-07BK | HOUSING, socket, 6-way (black) | XR1200X |
| 56 | 72430-00 | FUSEBLOCK MOUNTING, relay, 9 fuses | XR1200X |
| 57 | 72434-00 | TERMINAL, 14-16 gauge (12) | XR1200X |
| | | | |

| | | | |
|----|------------|-------------------------------|---------|
| 58 | 72441-04 | TERMINAL, 12-14 gauge (2) | XR1200X |
| 59 | 72445-99TN | TERMINAL, female (tan) | XR1200X |
| 60 | 72469-07GY | HOUSING, socket, 8-way (gray) | XR1200X |

WIRING HARNESS, MAIN - XR1200X (3 OF 3)

WIRING HARNESS, MAIN - XR1200X



[View interactive image](#)

[View interactive table](#)

| INDEX NO. | PART NO. | DESCRIPTION | MODEL(S) |
|-----------|----------|----------------------------------|----------|
| | 69200316 | WIRING HARNESS, main (continued) | XR1200X |

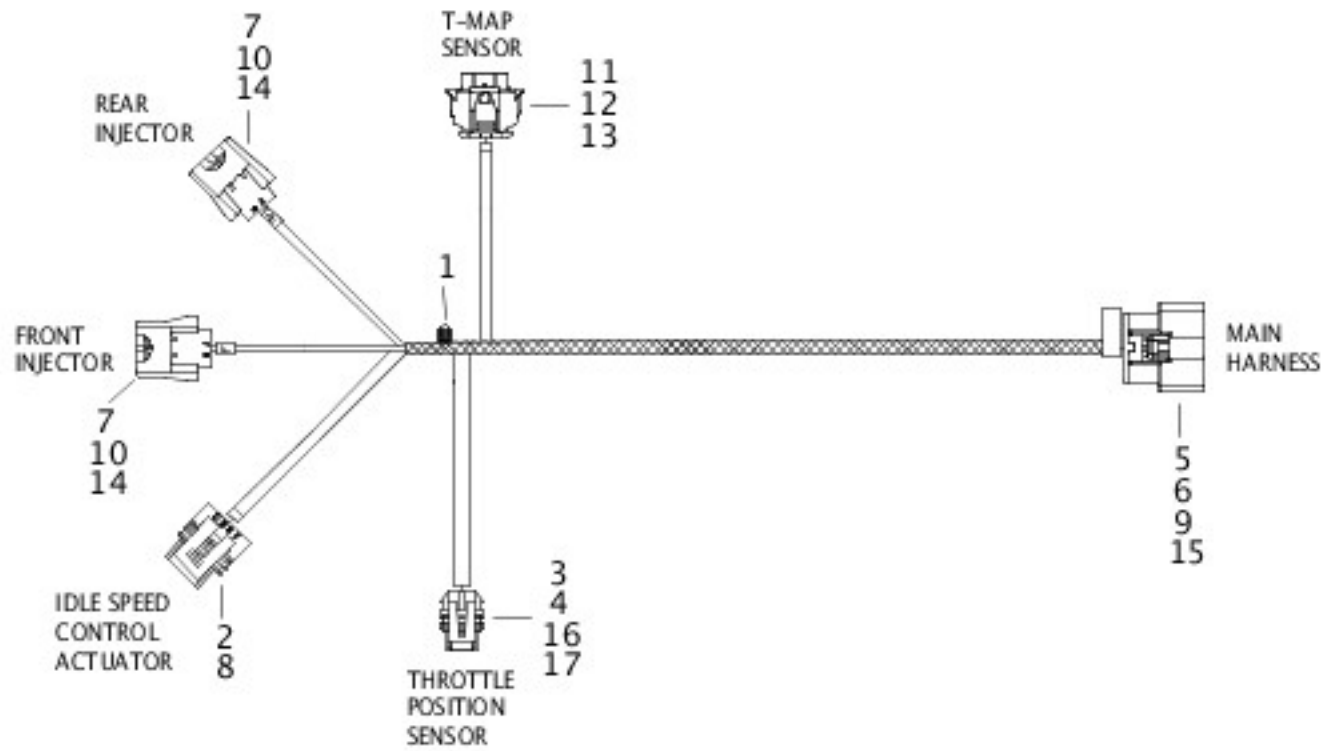
NOTE: Includes the following parts.

| | | | |
|--|--|--|--|
| | | | |
|--|--|--|--|

| | | | |
|----|------------|--|---------|
| 61 | 72473-07 | SEAL PIN (4) | XR1200X |
| 62 | 72487-07BK | HOUSING, socket, 12-way (black) | XR1200X |
| 63 | 72512-07BK | HOUSING, socket, 3-way (black) (2) | XR1200X |
| 64 | 72516-01 | DUSTCAP | XR1200X |
| 65 | 72519-09BK | CAP | XR1200X |
| 66 | 72543-07BK | HOUSING, socket, 3-way (black) | XR1200X |
| 67 | 72544-07 | SECONDARY LOCK, 3-way, female | XR1200X |
| 68 | 72545-08 | RESISTOR ASSEMBLY, fuel sender | XR1200X |
| 69 | 72592-10 | TERMINAL, socket, 18 gauge (4) | XR1200X |
| 70 | 72611-07 | TERMINAL, socket, 16-20 gauge (gold) (4) | XR1200X |
| 71 | 73104-96BK | CONNECTOR, 4-way (black) | XR1200X |
| 72 | 73106-96BK | CONNECTOR, 6-way (black) | XR1200X |
| 73 | 73156-96BK | SOCKET HOUSING, 6-way (black) | XR1200X |
| 74 | 73190-96 | TERMINAL, pin, 16-20 gauge (10) | XR1200X |
| 75 | 73191-96 | SOCKET TERMINAL, 16-20 awg (6) | XR1200X |
| 76 | 73213-07 | RETAINER (2) | XR1200X |
| 77 | 73228-10 | COVER, fuseblock | XR1200X |
| 78 | 73301-04 | HOUSING, 2-way, female | XR1200X |
| 79 | 73302-04 | COVER, maxi-fuse, fuse block | XR1200X |
| 80 | 73303-04 | SECONDARY LOCK, 2-way, female | XR1200X |
| 81 | 73304-04 | TERMINAL, female, 10 gauge (2) | XR1200X |
| 82 | 73305-04 | SEAL WIRE, 10 gauge (blue) (2) | XR1200X |
| 83 | 74112-98BK | SOCKET HOUSING, 2-way (black) | XR1200X |
| 84 | 74120-08 | DC LEAD ASSEMBLY | XR1200X |
| 85 | 74152-98 | SECONDARY LOCK, 2-way | XR1200X |
| 86 | 74191-98 | SOCKET TERMINAL (2) | XR1200X |

WIRING HARNESS, ENGINE - 883L/N/R, 1200C/CP/N/V/X

WIRING HARNESS, ENGINE – 883L/N/R, 1200C/CP/N/V



[View interactive image](#)

[View interactive table](#)

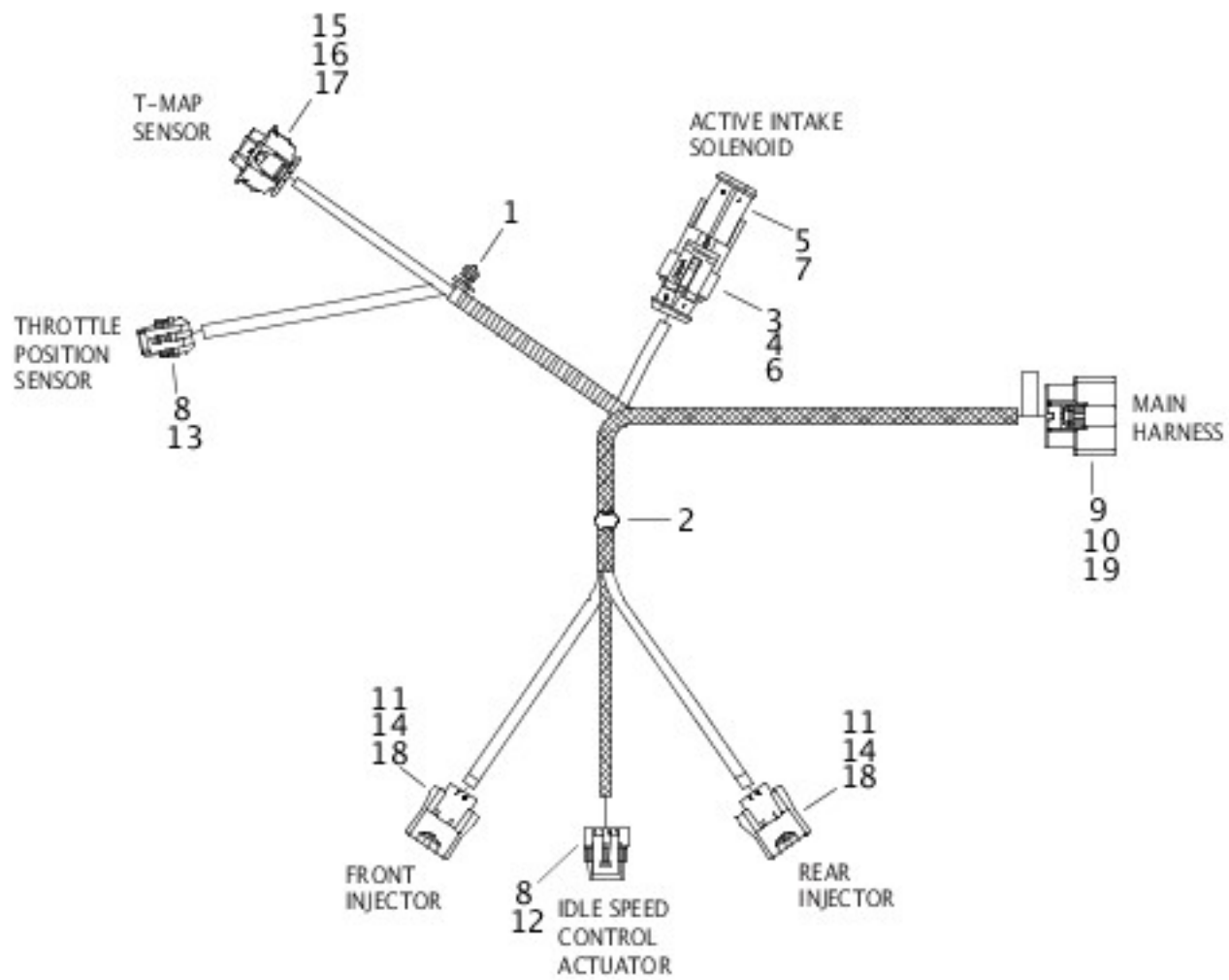
| INDEX NO. | PART NO. | DESCRIPTION | MODEL(S) |
|-----------|-----------|------------------------|--|
| | 70167-08A | WIRING HARNESS, engine | XL1200C, XL1200CP, XL1200N, XL1200V, XL1200X, XL883L, XL883N, XL883R |

NOTE: Includes the following parts.

| | | | |
|----|------------|------------------------------------|--|
| 1 | 10279 | CLIP, harness mount | XL1200C, XL1200CP, XL1200N, XL1200V, XL1200X, XL883L, XL883N, XL883R |
| 2 | 72033-93 | TERMINAL, socket, 16-20 gauge (4) | XL1200C, XL1200CP, XL1200N, XL1200V, XL1200X, XL883L, XL883N, XL883R |
| 3 | 72094-06 | TERMINAL, socket, 18 gauge (3) | XL1200C, XL1200CP, XL1200N, XL1200V, XL1200X, XL883L, XL883N, XL883R |
| 4 | 72096-06 | SEAL WIRE, 18-20 AWG (yellow) (3) | XL1200C, XL1200CP, XL1200N, XL1200V, XL1200X, XL883L, XL883N, XL883R |
| 5 | 72166-07BK | HOUSING, 16-way, socket (black) | XL1200C, XL1200CP, XL1200N, XL1200V, XL1200X, XL883L, XL883N, XL883R |
| 6 | 72168-07 | TERMINAL, socket, 18-20 gauge (10) | XL1200C, XL1200CP, XL1200N, XL1200V, XL1200X, XL883L, XL883N, XL883R |
| 7 | 72251-07 | SECONDARY LOCK, 2-way (2) | XL1200C, XL1200CP, XL1200N, XL1200V, XL1200X, XL883L, XL883N, XL883R |
| 8 | 72263-95 | HOUSING, 4-way, socket (black) | XL1200C, XL1200CP, XL1200N, XL1200V, XL1200X, XL883L, XL883N, XL883R |
| 9 | 72272-07 | TERMINAL, socket, 14-16 gauge (2) | XL1200C, XL1200CP, XL1200N, XL1200V, XL1200X, XL883L, XL883N, XL883R |
| 10 | 72402-07 | HOUSING, 2-way, socket (black) (2) | XL1200C, XL1200CP, XL1200N, XL1200V, XL1200X, XL883L, XL883N, XL883R |
| 11 | 72406-07A | HOUSING, 4-way, socket | XL1200C, XL1200CP, XL1200N, XL1200V, XL1200X, XL883L, XL883N, XL883R |
| 12 | 72407-07 | TERMINAL, socket, 16-20 gauge (4) | XL1200C, XL1200CP, XL1200N, XL1200V, XL1200X, XL883L, XL883N, XL883R |
| 13 | 72408-07 | SEAL WIRE, 16-20 gauge (blue) (4) | XL1200C, XL1200CP, XL1200N, XL1200V, XL1200X, XL883L, XL883N, XL883R |
| 14 | 72413-07 | TERMINAL, socket, 18-20 gauge (4) | XL1200C, XL1200CP, XL1200N, XL1200V, XL1200X, XL883L, XL883N, XL883R |
| 15 | 72473-07 | SEAL PIN (4) | XL1200C, XL1200CP, XL1200N, XL1200V, XL1200X, XL883L, XL883N, XL883R |
| 16 | 72543-07BK | HOUSING, 3-way, socket (black) | XL1200C, XL1200CP, XL1200N, XL1200V, XL1200X, XL883L, XL883N, XL883R |
| 17 | 72544-07 | SECONDARY LOCK, 3-way | XL1200C, XL1200CP, XL1200N, XL1200V, XL1200X, XL883L, XL883N, XL883R |

WIRING HARNESS, ENGINE - XR1200X

WIRING HARNESS, ENGINE – XR1200X



[View interactive image](#)

[View interactive table](#)

| INDEX NO. | PART NO. | DESCRIPTION | MODEL(S) |
|-----------|----------|------------------------|----------|
| | 70163-10 | WIRING HARNESS, engine | XR1200X |

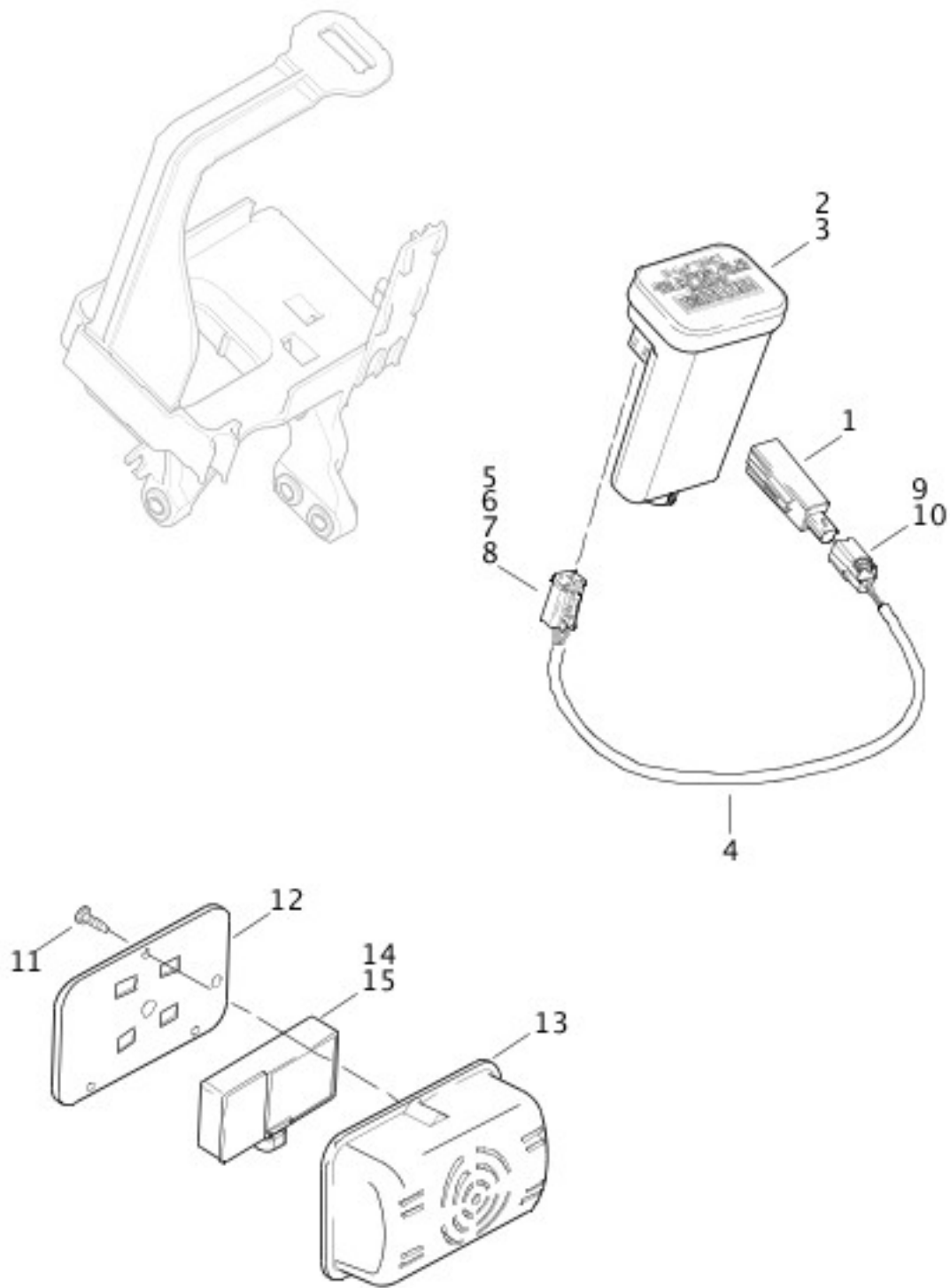
NOTE: Includes the following parts.

| | | | |
|--|--|--|--|
| | | | |
|--|--|--|--|

| | | | |
|----|------------|-------------------------------------|---------|
| 1 | 10177 | CABLE STRAP (as required) | XR1200X |
| 2 | 10279 | CLIP | XR1200X |
| 3 | 72006-05 | TERMINAL, socket, 16-20 gauge (2) | XR1200X |
| 4 | 72007-05 | HOUSING, socket, 2-way | XR1200X |
| 5 | 72009-05 | HOUSING, pin, 2-way | XR1200X |
| 6 | 72011-05 | WIRE SEAL, 16-20 gauge (yellow) (2) | XR1200X |
| 7 | 72014-07 | SEAL PIN (2) | XR1200X |
| 8 | 72033-93 | TERMINAL, socket, 16-20 gauge (4) | XR1200X |
| 9 | 72166-07BK | HOUSING, socket, 16-way (black) | XR1200X |
| 10 | 72168-07 | TERMINAL, socket, 18-20 gauge (14) | XR1200X |
| 11 | 72251-07 | SECONDARY LOCK, 2-way (2) | XR1200X |
| 12 | 72263-95 | HOUSING, 4-way, socket (black) | XR1200X |
| 13 | 72312-04 | HOUSING, 3-way, socket | XR1200X |
| 14 | 72402-07 | HOUSING, 2-way, socket (black) (2) | XR1200X |
| 15 | 72406-07A | HOUSING, 4-way, socket | XR1200X |
| 16 | 72407-07 | TERMINAL, socket, 16-20 gauge (4) | XR1200X |
| 17 | 72408-07 | SEAL WIRE, 16-20 gauge (blue) (4) | XR1200X |
| 18 | 72413-07 | TERMINAL, socket, 18-20 gauge (4) | XR1200X |
| 19 | 72473-07 | SEAL PIN (2) | XR1200X |

TURN SIGNAL MODULE & SECURITY SIREN

TURN SIGNAL MODULE & SECURITY SIREN



[View interactive image](#)

[View interactive table](#)

| INDEX NO. | PART NO. | DESCRIPTION | MODEL(S) |
|-----------|----------|---------------------------------|----------|
| 1 | 68956-07 | ANTENNA MODULE, security system | ALL |

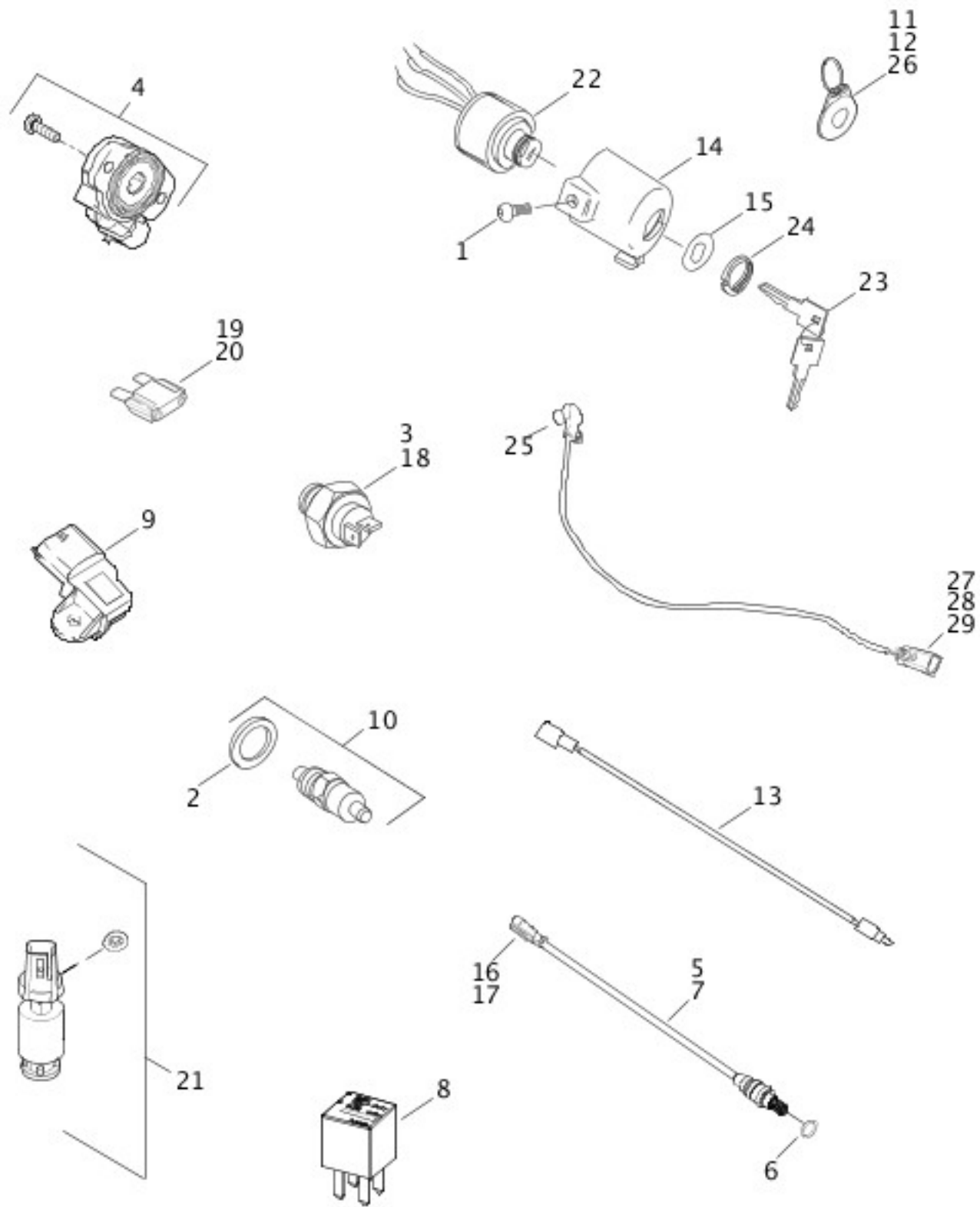
| | | | |
|----|------------|---|--|
| 2 | 68920-07 | TURN SIGNAL MODULE, standard | ALL |
| 3 | 68924-07 | MODULE, security system | ALL |
| 4 | 70617-07 | HARNESS, security module w/ 5, 6, 7, 8, 9, 10 | XR1200X |
| | 70619-07 | HARNESS, security module w/ 5, 6, 7, 8, 9, 10 | XL1200C, XL1200CP, XL1200N, XL1200V, XL1200X, XL883L, XL883N, XL883R |
| 5 | 72114-94BK | HOUSING, 4-way (black) | ALL |
| 6 | 72154-94 | LOCK, secondary, 4-way | ALL |
| 7 | 72191-94 | TERMINAL, socket, 16-18 gauge (3) | ALL |
| 8 | 72195-94 | SEAL, pin, 4-way | ALL |
| 9 | 72720-07 | HOUSING, socket, 2-way | ALL |
| 10 | 72721-07 | TERMINAL, socket, 18-20 gauge | ALL |

INTERNATIONAL MODELS ONLY

| | | | |
|----|-----------|-------------------------------------|-----|
| 11 | 3732 | SCREW (HDI) (3) | ALL |
| 12 | 66523-06 | PLATE, siren mounting bracket (HDI) | ALL |
| 13 | 66524-06 | COVER, siren (HDI) | ALL |
| 14 | 68958-07C | SIREN (HDI) | ALL |
| 15 | 69309-10 | BATTERY REPLACEMENT KIT, siren | ALL |

SWITCHES

SWITCHES



[View interactive image](#)

[View interactive table](#)

| INDEX NO. | PART NO. | DESCRIPTION | MODEL(S) |
|-----------|----------|-------------|----------|
| 1 | 3658 | SCREW | ALL |
| 2 | 6288 | WASHER | ALL |

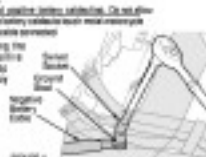
| | | | |
|----------------------------------|-----------|---|--|
| 3 | 9907 | TERMINAL, wire (2) | ALL |
| 4 | 27629-01A | THROTTLE POSITION SENSOR KIT | ALL |
| 5 | 27690-08 | SENSOR, oxygen, w/ 27714-06, 72009-05, 72011-05 (2) | XR1200X |
| 6 | 27714-06 | SEAL RING (2) | ALL |
| 7 | 27719-07 | SENSOR, oxygen, w/ 27714-06, 72009-05, 72011-05 (2) | XL1200C, XL1200CP, XL1200N, XL1200V, XL1200X, XL883L, XL883N, XL883R |
| 8 | 31586-07 | RELAY (2) | ALL |
| 9 | 32319-07 | T-MAP SENSOR | ALL |
| 10 | 33900-99 | SWITCH, neutral indicator, w/ washer | ALL |
| 11 | 66373-06 | BATTERY, 3V, CR2032 | ALL |
| 12 | 68926-07 | REMOTE CONTROL FOB, w/ 66373-06 | ALL |
| 13 | 70247-07 | JUMPER WIRE, neutral switch | ALL |
| 14 | 71510-04 | HOUSING, ignition switch | ALL |
| 15 | 71550-94 | LABEL, ignition switch | ALL |
| 16 | 72009-05 | HOUSING, 2-way pin (2) | ALL |
| 17 | 72011-05 | WIRE SEAL, 16-20 gauge (yellow) (4) | ALL |
| 18 | 72023-51D | BRAKE LIGHT SWITCH, w/ 9907 | ALL |
| 19 | 72318-04 | FUSE, 30A | ALL |
| 20 | 72330-95 | FUSE, 15A (6) | ALL |
| 21 | 75302-07B | SENSOR, fuel level | ALL |
| 22 | 71400058 | IGNITION SWITCH, w/ 90300035 & 90300036 (specify key code) | ALL |
| 23 | 90300034 | KEY SET (specify key code) | ALL |
| 24 | 90300036 | FACE NUT, ignition switch (2) | ALL |
| | 90300037 | LOCKSET ASSEMBLY, complete (not shown) | ALL |
| INTERNATIONAL MODELS ONLY | | | |
| 25 | 50126-08A | SENSOR, jiffystand (HDI, England) w/ 72169-07, 72511-07BK, 73213-07 | ALL |
| 26 | 68939-00 | REMOTE CONTROL FOB, w/ 66373-06 | ALL |

| | | | |
|----|------------|---|-----|
| | | (Japan) | |
| 27 | 72169-07 | TERMINAL, pin, 16-20 gauge (HDI, England) (3) | ALL |
| 28 | 72511-07BK | HOUSING (HDI, England) | ALL |
| 29 | 73213-07 | RETAINER (HDI, England) | ALL |

LABELS

LABELS

3

| | | |
|---|--|--|
| <p>⚠ WARNING</p> <p>Battery Removal</p> <p>Sparks can cause battery explosion. Death or serious injury could occur.</p> <p>Always apply:</p> <ul style="list-style-type: none"> - Disconnect negative battery cable first. - Disconnect only the correct cable. - Use an insulated tool to disconnect a battery cable from metal motorcycle parts with negative cables connected. - If vehicle is equipped with optional security alarm, verify that it is a prearranged option before disconnecting battery. <ol style="list-style-type: none"> 1. Disconnect and remove negative battery cable from engine as shown in Figure 1. Keep end of negative battery cable away from metal parts. 2. Uncover fuel and remove air from positive battery cables that battery cables in position. 3. Uncover fuel and remove battery hold-down strap. 4. Slide battery out until the battery regulator is visible to facilitate disconnecting the negative cable at the battery terminal. Disconnect the negative cable at the battery terminal. Disconnect the cable at the vehicle. | <p>⚠ WARNING</p> <p>Battery Installation</p> <p>Sparks can cause battery explosion. Death or serious injury could occur.</p> <p>TO: BOLT - BATTERY</p> <ul style="list-style-type: none"> - Connect and install positive battery terminal. Do not allow terminals contact with battery cable or other metal motorcycle parts with negative cable connected. - While connected, tug the positive cable to ensure positive cable is seated. - Tighten cable nut. - Negative cable only has metal parts.  | <p>CAUTION</p> <p>Failure to connect cables to the correct battery terminals could result in damage to the motorcycle electrical system.</p> <p>Over-tightening battery terminal bolts could cause damage to battery terminals. Use recommended torque values.</p> <ol style="list-style-type: none"> 1. Pass the fully charged battery through battery bag. 2. Insert bolt through negative battery cable and the head of the battery negative (-) terminal. Tighten bolt to 20 ft-lbs (27 N-m). Keep negative cable away from metal parts and the ground stud until the metal contact positive cables are attached. 3. Insert bolt through the metal positive battery cable and the head of the battery positive (+) terminal. Tighten bolt to 20 ft-lbs (27 N-m). 4. Pass the negative battery cable over ground stud then connect to negative cable stud in charge. Tighten bolt to 20 ft-lbs (27 N-m). |
|---|--|--|

1

⚠ WARNING

A connected battery can cause a spark or motorcycle startup while servicing. Death or serious injury could occur.

- Disconnect negative cable before servicing.
- Keep cable away from terminal while servicing.

XXXXX-XX

2

⚠ WARNING

Motorcycles are different from other vehicles. They operate, steer, handle and brake differently. Unskilled or improper use could result in loss of control, death or serious injury.

- Take a rider training course.
- Read Owner's Manual before riding, adding accessories or servicing.
- Wear a helmet, eye protection and protective clothing.
- Never tow a trailer.

To be removed by customer only.

XXXXX-XX

5

1 - (N) - 2 - 3 - 4 - 5

4

⚠ WARNING

Motorcycles are different from other vehicles. They operate, steer, handle and brake differently. Unskilled or improper use could result in loss of control, death or serious injury.

- Take a rider training course.
- Read Owner's Manual before riding, adding accessories or servicing.
- Wear a helmet, eye protection and protective clothing.
- Never tow a trailer.

For a manual, find nearest dealer at 1-800-643-2133 or www.harley-davidson.com

XXXXX-XX

View interactive image

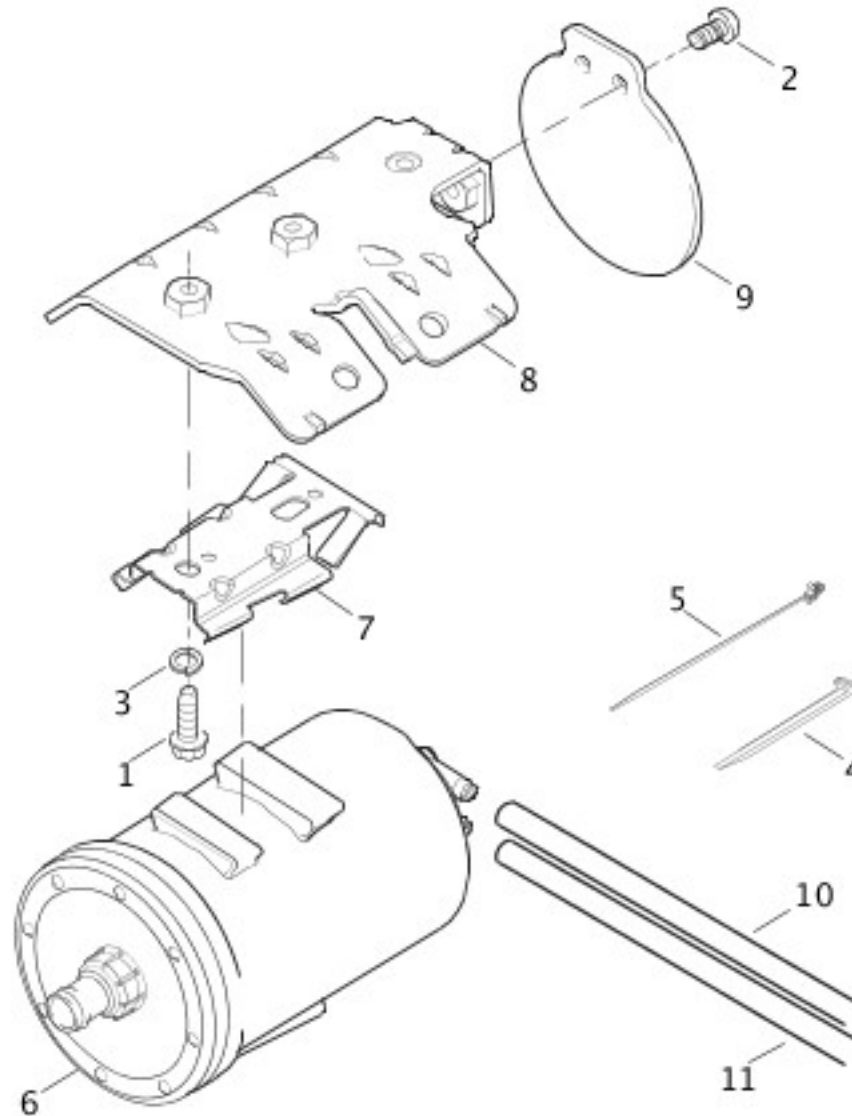
View interactive table

| INDEX NO. | PART NO. | DESCRIPTION | MODEL(S) |
|-----------|-----------|------------------------|----------|
| 1 | 15368-01A | LABEL, battery warning | ALL |
| 2 | 15370-01A | LABEL, mirror warning | ALL |
| | | | |

| | | | |
|----------------------------------|-----------|------------------------|------------------------------------|
| 3 | 15376-06A | LABEL, battery removal | ALL |
| 4 | 29127-95B | LABEL, air cleaner | XL1200C, XL1200CP, XL1200V, XL883L |
| | 29147-07 | LABEL, air cleaner | XL1200N, XL1200X, XL883N, XL883R |
| | 29466-08 | LABEL, air cleaner | XR1200X |
| INTERNATIONAL MODELS ONLY | | | |
| 5 | 14270-92 | LABEL, shift (Japan) | ALL |

EVAPORATIVE EMISSIONS COMPONENTS

EVAPORATIVE EMISSIONS COMPONENTS



[View interactive image](#)

[View interactive table](#)

| INDEX NO. | PART NO. | DESCRIPTION | MODEL(S) |
|--|----------|-------------|----------|
| NOTE: These parts are required for motorcycles sold in the state of California. | | | |
| NOTE: These parts are required for motorcycles sold in Asia-Pacific markets. | | | |
| | | | |

| | | | |
|----|-----------|-------------------------------|-----|
| 1 | 3767B | BOLT (2) | ALL |
| 2 | 4363 | SCREW (2) | ALL |
| 3 | 6099 | WASHER (2) | ALL |
| 4 | 10006 | CABLE STRAP (as required) | ALL |
| 5 | 10177 | CABLE STRAP (as required) | ALL |
| 6 | 27042-84A | CANNISTER | ALL |
| 7 | 27047-84B | BRACKET, mounting | ALL |
| 8 | 28908-04A | BRACKET | ALL |
| 9 | 28909-04 | GUARD | ALL |
| 10 | 28822-07A | HOSE, canister-to-manifold | ALL |
| 11 | 28911-04A | HOSE, canister-to-vapor valve | ALL |

Hardware List

[View interactive table](#)

| PART NO. | DESCRIPTION |
|----------|--|
| 1028 | SCREW 5/16-18 X 2-1/2 SEMS socket head, with lockpatch |
| 1039 | SCREW 5/16-18 X 2-1/2 hex flange head (Grade 8) |
| 1048 | SCREW 5/16-18 X 1-1/2 hex flange head |
| 1081A | SCREW 10-24 X 0.895 SEMS pan head |
| 1091 | SCREW 10-24 X 9.5 SEMS socket head |
| 1751 | SCREW No. 1/4-20 X 3.0 hex socket |
| 2325 | SCREW No. 6 X 3/4 cross recess pan head, self-tapping |
| 2361 | SCREW No. 8-32 X 3/8 socket countersink head, with lockpatch |
| 2362 | SCREW No. 10 X 3/4 hex head, self-tapping |
| 2407 | SCREW No. 8 X 1/2 pan head, Phillips drive, plastite |
| 2441 | SCREW No. 10-24 X 1/2 TORX pan head |
| 2445 | SCREW 1/4-20 X 9/16 button head |
| 2446 | SCREW 1/4-20 X 5/8 TORX socket button head |
| 2460 | SCREW 5/16-18 X 1/2 socket countersink head |
| 2481M | SCREW M5 X 0.8 X 16 TORX head, self-tapping |
| 2486 | SCREW 1/4-20 X 1 hex socket, SEMS/Lock |

| | |
|-------|--|
| 2487 | SCREW 6-32 X 3/8 hex washer head, self-tapping |
| 2501A | SCREW No. 8-32 X 3/8 hex head, self-tapping |
| 2508 | SCREW No. 10-32 X 1/2 socket head |
| 2513 | SCREW 1/4-20 X 1-1/4 socket head (black) |
| 2535 | SCREW 5/16-18 X 1 socket head |
| 2586A | SCREW M4 X 0.7 X 12 flat head |
| 2607 | SCREW 1/4-20 X 3/4 Pozidriv pan head (Grade 2) |
| 2612 | SCREW No. 8-32 X 1/2 Pozidriv pan head (Grade 2) |
| 2653 | SCREW No. 10-24 X 7/8 fillister head |
| 2708A | SCREW 5/16-18 X 1 socket head |
| 2773 | SCREW 1/4-20 X 1/2 Pozidriv pan head (Grade 2) |
| 2872W | BOLT 1/4-20 X 1-1/2 hex head (Grade 5) |
| 2952A | SCREW 1/4-20 X 1/2 SEMS truss head |
| 2955 | SCREW No. 6-32 X 1/4 Phillips pan head, with lockwasher |
| 3018A | SCREW 10-24 X 3/8 TORX head |
| 3022A | SCREW 1/4-20 X 5/8 socket fillister head, with lockpatch |
| 3026 | SCREW No. 10-32 X 1/2 socket button head |
| 3029 | SCREW No. 10-24 X 1 TORX head, with adhesive |
| 3048 | SCREW No. 10-24 X 3/8 hex button head |
| 3056 | SCREW 3/8-16 X 1-1/2 TORX button head |
| 3059 | SCREW 10-24 X 1/2 hex flat head |
| 3060 | SCREW 10-24 X 3/4 hex flat head |
| 3085 | SCREW 1/4-20 X 1/2 with washer |
| 3123 | SCREW 10-14 X 1.0 torx pan head |
| 3124 | SCREW 10-24 X 1/2 torx pan head with lock patch |
| 3162 | SCREW 5/16-18 X 1-1/4 hex head |
| 3210A | SCREW 5/16-18 X 1-1/4 knurled head |
| 3214 | SCREW 3/8-16 X 1-1/4 socket head, thread-cutting |
| 3244 | SCREW M8 X 1.25 X 12 |
| 3480A | SCREW 1/4-20 X 1-3/4 knurled head (Grade 8) |

| | |
|-----------|---|
| 3485A | SCREW 5/16-18 X 1-3/4 knurled head (Grade 8) |
| 3514 | SCREW No. 8-32 X 1 fillister head (Grade 5) |
| 35211-91B | NUT 1-1/2-24 X .350 X 1-7/8 hex head |
| 3563 | SCREW 1/4-20 X 3/8 hex flange head (Grade 5) |
| 3574 | SCREW 1/4-20 X 3/4 flange |
| 3579A | SCREW 1/4-28 X 1/4 SEMS hex head, self-tapping (Grade 2) |
| 3588 | SCREW 1/4-20 X 1/2 hex flange head |
| 3594 | SCREW 1/4-20 X 5/8 knurled head (Grade 8) |
| 3605 | BOLT 1/2-13 X 2-1/2 hex head (Grade 5) |
| 3615 | SCREW No. 8-32 X 1, pan head, thread-cutting |
| 3655A | SCREW 5/16-18 X 7/8 TORX pan head, with lockpatch (Grade 8) |
| 3658 | SCREW No. 10-24 X 1/2 TORX head (Grade 5) |
| 3666A | SCREW No. 10-24 X 1.500 TORX recessed head, with washer |
| 3696 | SCREW 5/16 X 3/4 TORX pan head (Grade 5) |
| 3706M | SCREW M6 X 1.0 X 20 hex head |
| 3708M | SCREW M6 X 1.0 X30 hex head |
| 3731M | SCREW M6 X 1.0 X 12 socket button head, with lockpatch |
| 3732 | SCREW 3/16-16 X 5/8 TORX pan head |
| 3767B | BOLT 1/4-20 X 5/8 hex head (Grade 5) |
| 3802W | BOLT 1/4-20 X 7/8 hex head (Grade 5) |
| 3814 | SCREW 7/16-14 X 1-3/4 hex head, with washer (Grade 8) |
| 3849 | SCREW 1/4-20 X 1-1/4 SEMS hex head (Grade 8) |
| 3854 | SCREW 7/16-14 X 1, hex head (Grade 8) |
| 3880 | SCREW 1/2-13 X 2-1/4 TORX recessed button head |
| 3899 | SCREW 7/16-14 X 1-3/4 hex head, with lockpatch |
| 3976 | SCREW 1/4-20 X 1 hex flange head (Grade 5) |
| 3987 | BOLT 5/16-18 X 3/4 hex head (Grade 5) |
| 4016 | SCREW 5/16-18 X 1.0 socket button head |
| 4017 | BOLT 5/16-18 X 1 hex head (Grade 5) |
| 4029A | SCREW 3/8-16 X 2-1/4 socket head (black) |
| 4032A | SCREW 3/8-16 X 2-1/2 socket head |

| | |
|-----------|--|
| 4076 | SCREW 3/8-16 X 1/2 socket head |
| 4091 | SCREW No. 10-24 X 1/2 hex head, with washer, self-tapping (zinc) |
| 41191-74A | SCREW 1/2-20 X 5/8 hex socket flat head, with lockpatch |
| 4132 | SCREW 1/4-20 X 1-1/8 TORX button head (Grade 5) (black) |
| 4180 | SCREW 3/8-16 X 1-1/2 TORX button head |
| 4188 | SCREW 3/8-16 X 1-1/4 TORX button head |
| 4240 | SCREW No. 10-24 X 3/16 hex head, with washer |
| 4250M | SCREW M8 X 1.25 X 25 hex socket head cap |
| 4266A | SCREW 3/8-16 X 7/8 button head (Grade 5) |
| 4269 | SCREW 5/16-18 X 3/4, flange head |
| 4290 | SCREW 3/8-16 X 1-1/4, TORX button head (Grade 5) |
| 4312C | SCREW M6 X 1.0 X 14mm, SEMS flange head (stainless) |
| 4326A | SCREW 5/16-18 X 2 socket head |
| 4329 | SCREW 1/4-20 X 3/4 hex head with washer, self-tapping |
| 4350A | SCREW 3/8-16 X 1-1/2 socket head |
| 4351 | SCREW 3/8-16 X 1-1/2 TORX head, self-tapping (Grade 8) |
| 4352 | SCREW 3/8-16 X 1-1/2 TORX, self-tapping (Grade 8) |
| 4354 | SCREW 1/2-20 X 2-1/2, TORX button head |
| 43567-92 | SCREW 3/8-16 X 1 TORX pan head, with lockpatch |
| 4359 | SCREW 5/16-18 X 7/8 socket button head |
| 4363 | SCREW 1/4-20 X 1/2 socket button head |
| 4365 | SCREW 1/4-20 X 1/2 socket button head (Grade 8) |
| 4420 | SCREW 3/8-16 X 2.75 hex head (Grade 5) |
| 4499M | BOLT M10 X 1.25 X 35 socket head |
| 45405-75A | SCREW M8 X 1.25 x 27 hex socket head |
| 4549 | SCREW 5/16-18 X 1-3/4 TORX button head (Grade 5) |
| 4551 | SCREW 1/2-13 X 1-1/8 hex socket head, with adhesive |
| 4553 | SCREW 5/16-18 X 6.0 socket head cap |
| 4589 | SCREW 9/16-12 X 2-5/16 hex flange head |
| 4678 | SCREW 1/2-13 X 1-3/4 hex flange |

| | |
|----------|--|
| 4705 | SCREW 1/4-20 X 1 1/16 SEMS socket head, with lockpatch |
| 4717A | SCREW 1/4-20 X 2-1/4 knurled head, with lockpatch |
| 4718A | SCREW 1/4-20 X 1-1/2 knurled head, with lockpatch |
| 4724 | BOLT 3/8-24 X 1-1/2 hex head (Grade 5) |
| 4740A | SCREW 1/4-20 X 1-1/4 knurled head, with lockpatch (Grade 8) |
| 4741A | SCREW 1/4-20 X 1 socket head, with lockpatch |
| 4748 | SCREW 3/8-16 X 1-1/8 socket head (Grade 8) |
| 4751 | SCREW 1/4-20 X 3/4 hex head, with lockpatch (Grade 8) (zinc) |
| 4758A | SCREW 5/16-18 X 3.48 socket head (Grade 8) |
| 4765 | SCREW 1/4-20 X 2-5/8 SEMS socket head, with lockpatch (Grade 8) (zinc) |
| 4771 | SCREW 5/16-18 X 4-1/4 socket head (Grade 5) |
| 4778 | SCREW 5/16-18 X 1-3/8 TORX button head |
| 4779 | SCREW 5/16-18 X 1-3/4 TORX button head |
| 4798 | SCREW 1/4-20 X 5/8 |
| 4816A | SCREW 5/16-18 X 1-1/2 socket head |
| 4820A | SCREW 1/4-20 X 2 socket head |
| 4822A | SCREW 1/4-20 X 2-3/4 knurled head, with lockpatch |
| 4859 | SCREW 5/16-18 X 2.0 hex flange head |
| 4871 | SCREW 1/4-20 X 29/64 flange head |
| 4897 | SCREW 1/4-20 X 5/8 TORX socket button head (black) |
| 4975M | SCREW M6 X 1.0 X 20 hex socket head cap with lock patch |
| 4978 | SCREW 5/16-18 X 1.5 hex socket head cap |
| 4991 | SCREW M6 torx pan head, |
| 5403B | BOLT 1/4-20 X 3/8 carriage |
| 5414 | BOLT 3/8-16 X 7/8 carriage (Grade 5) |
| 5416 | BOLT 3/8-16 X 1/8 carriage (Grade 5) |
| 54321-85 | NUT No. 8-32 X 1/2 X 1/8 (brass) |
| 6003 | WASHER 1-3/16 X 1-3/8 X 11/16 |
| 6026 | WASHER 3/8 X 7/8 X 7/64 |
| 6099 | WASHER 1/4 X 7/16 X 1/16 |

| | |
|----------|--|
| 6101 | WASHER 17/64 X 27/64 X 1/16 |
| 6109 | WASHER 5/16 X 11/16 X 1/8 |
| 6110 | WASHER 9/32 X 5/8 X 1/16 |
| 6139 | WASHER 3/8 X 7/8 X 1/16 |
| 6152 | SPACER 13/32 X 1.0 X 5/16 |
| 6157 | WASHER 27/64 X 5/8 X 1/64 heat treated |
| 6192 | WASHER No. 8 X 7/16 X 3/64 |
| 6237 | WASHER 5/16 X 1-1/8 X 5/64 |
| 6288 | WASHER 17/32 X 25/32 X 1/32 |
| 6302 | WASHER 5/16 X 11/16 X 19/32 |
| 6400HB | WASHER 5/16 X 13/16 X 3/32 |
| 6445 | WASHER 1/2 X 2 X 0.300 |
| 6516HW | WASHER 7/16 X 1-1/8 X 1/8 |
| 6551 | WASHER 1 X 1-5/8 X 1/8 hardened |
| 6590HW | WASHER 1/2 X 1-1/8 X 3/32 |
| 6594 | WASHER 5/8 X 1-1/8 X 3/32 |
| 6610 | WASHER 0.375 X 0.7 X 0.035 |
| 6701 | WASHER 3/8 X 13/16 X 1/16 |
| 6702 | WASHER 5/16 X 11/16 X 1/16 |
| 6703 | WASHER 1/4 X 5/8 X 1/16 |
| 6716 | WASHER No. 10 X 1/2 X 3/64 |
| 6718 | WASHER 1/2 X 1-1/16 X 3/32 |
| 6738 | WASHER 17/32 X 7/8 X 7/64 |
| 675 | SCREW 3/8-16 X 3-1/4 socket head |
| 6787 | WASHER 7/16 X 13/16 X 5/64 flat |
| 6798 | WASHER 5/16 X 1/2 X 1/32 |
| 68026-99 | SCREW No. 8-32 X 1 Phillips pan head (stainless) |
| 68042-99 | SCREW No. 8-32 X 3/8 TORX head |
| 68120-00 | SCREW No. 8-32 x 1-2 TORX head, self-tapping |
| 6874 | WASHER 25/64 X 5/8 X 1/16 |

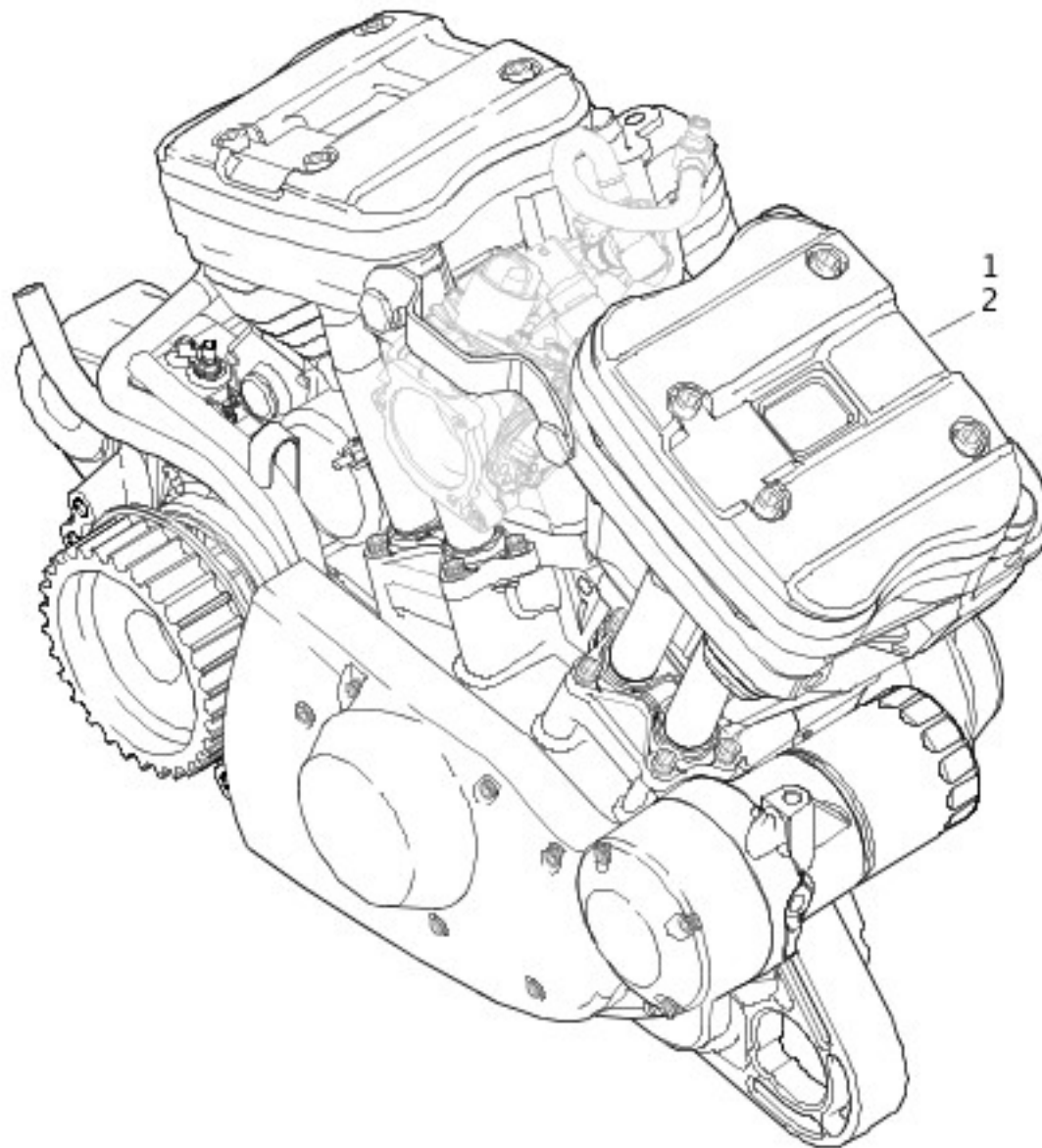
| | |
|-------|---|
| 6930 | WASHER 0.344 X 1-1/8 X 0.078 heat treated |
| 7038 | LOCKWASHER 3/8 |
| 7039 | LOCKWASHER 7/16 |
| 7041 | LOCKWASHER 5/16 |
| 7045 | LOCKWASHER 3/8 high collar |
| 7068 | LOCKWASHER 1/2 |
| 7073 | LOCKWASHER 1/4 external tooth |
| 7080 | WASHER 9/16 X 3/4 X 1/4 |
| 7124 | LOCKWASHER 1/4 internal tooth |
| 7155 | LOCKWASHER 5/16 internal tooth (black) |
| 7220 | LOCKWASHER No. 10 external tooth |
| 7230 | LOCKWASHER 1/4 external tooth |
| 7331 | ACORN NUT 5/16-24 |
| 7357 | BULLET NUT 5/16-24 (black) |
| 7477 | NUT M8 X 1.25 |
| 7495 | NUT M6 flange |
| 7531 | LOCKNUT 5/16-18 X 9/32 X 1/2 flange |
| 7549A | ACORN NUT 5/16-18 X 9/16 X 1/2 |
| 7593 | NUT 5/16-24 flange |
| 7601 | LOCKNUT 3/8-16 flange |
| 7606 | LOCKNUT No. 8-32 X 1/4 X 1/4 hex (chrome) |
| 7624 | LOCKNUT No. 10-24 X 1/4 X 3/8 |
| 7686 | LOCKNUT 1/4-20 X 5/16 X 7/16 |
| 7716 | LOCKNUT 1/4-20 X 7/16 flange |
| 7725 | LOCKNUT 5/16-24 X 11/32 X 1/2 |
| 7766 | LOCKNUT 5/16-18 flange |
| 7778 | LOCKNUT 3/8-16 X 7/16 X 9/16 |
| 7783 | NUT 3/8-16 X 5/16 X 9/16 (Grade 2) |
| 7792 | NUT 1/4-20 X 1/4 (Grade 2) |
| 7800W | NUT 3/8-24 X 5/16 X 9/16 (Grade 2) |
| 7804 | LOCKNUT 1/2-13 X 15/32 X 7/8 self-sealing |

| | |
|---------------|---|
| 7813A | NUT 5/8-18 X 9/16 X 15/16 (Grade 2) |
| 7824 | LOCKNUT 1/2-20 X 1/4 (Grade 2) |
| 7839 | NUT 3/4-16 X 21/32 flange (Grade 2) |
| 7862 | ACORN NUT 3/8-16 (chrome) |
| 7880 | NUT 1/2-13 X 7/16 X 3/4 (Grade 2) |
| 7900 | CLIP NUT 1/4-20 |
| 7916A | JAMNUT 5/8-18 |
| 8102 | SPEEDNUT 5/16-18 |
| 8108 | SPEEDNUT 1/4-20 |
| 8190 | NUT M24 X 2.0 |
| 835 | SCREW 5/16-18 X 3 flange head, with lockpatch |
| 855B | SCREW 3/8-16 X 2 knurled head |
| 882 | SCREW 1/4-20 X 7/8 knurled head, with washer (Grade 8) |
| 8972 | WASHER 1-1/4 X 1-53/64 X 1/8 |
| 927A | SCREW 1/4-20 X 3/4 button head (Grade 8) |
| 930 | SCREW 10-24 X 1-1/4 fillister head |
| 940 | SCREW 1/4-20 X 3/4 TORX button head |
| 942 | SCREW 1/4-20 X 3/4 TORX button head, with lockpatch (Grade 8) |
| 943 | SCREW 1/4-20 X 5/8 socket button head |
| 946 | SCREW 1/4-20 X 2-1/4 socket button head, with lockpatch (Grade 8) |
| 995 | SCREW 5/16-18 X 5/8 TORX button head |
| 997 | SCREW 5/16-18 X 1 TORX button head |
| DA0600.12FAZB | LOCKNUT 3/8-24 flange (Grade 5) |

New Parts List

ENGINE ASSEMBLY

ENGINE ASSEMBLY

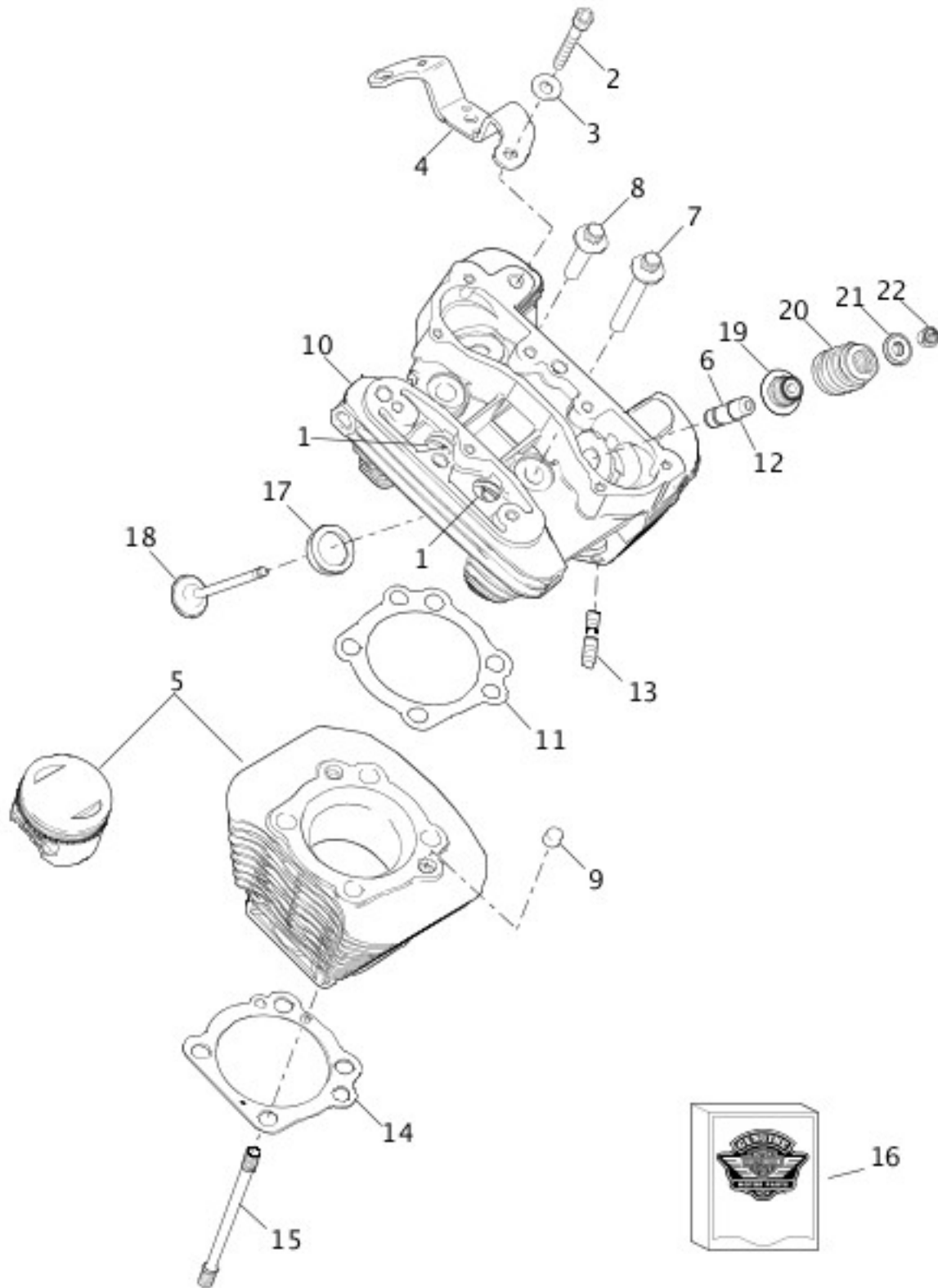


[View interactive table](#)

| INDEX NO. | PART NO. | DESCRIPTION | MODEL(S) |
|-----------|----------|---|----------|
| | 19778-12 | ENGINE ASSEMBLY (1200cc) (Domestic, California, Canada) | XL1200V |
| | 19779-12 | ENGINE ASSEMBLY (1200cc) (HDI) | XL1200V |

[CYLINDERS, HEADS & VALVES - 883L/N/R, 1200C/CP/N/V/X](#)

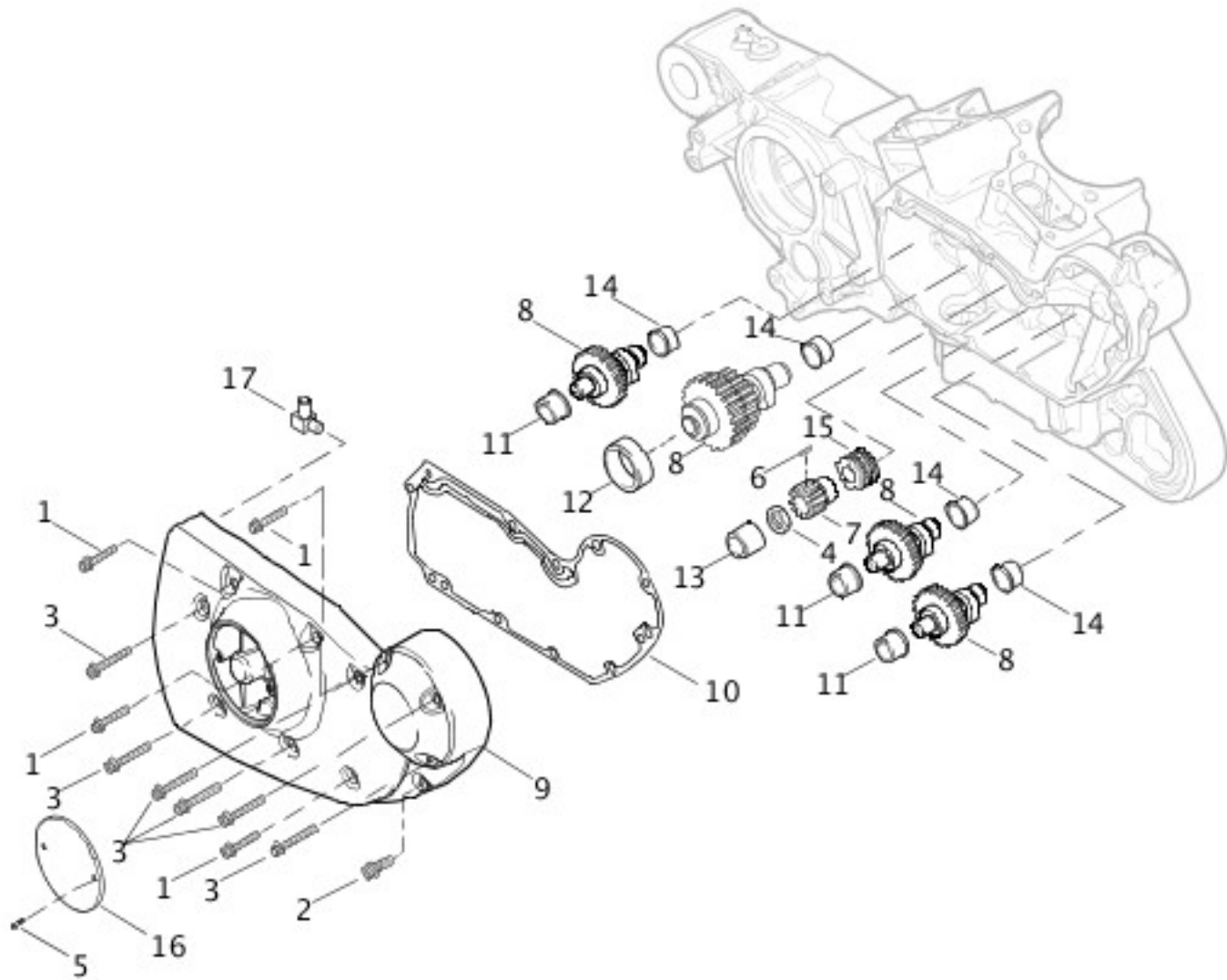
CYLINDERS, HEADS & VALVES - 883L/N/R, 1200C/CP/N/V



[View interactive table](#)

| INDEX NO. | PART NO. | DESCRIPTION | MODEL(S) |
|-----------|----------|--|----------|
| | 16800019 | CYLINDER, w/ piston (1200 cc) (gray) (2) | XL1200V |
| | 16500068 | HEAD, front cylinder (1200 cc) (gray), w/ valve guides & seats | XL1200V |
| | 16500071 | HEAD, rear cylinder (1200 cc) (gray), w/ valve guides & seats | XL1200V |

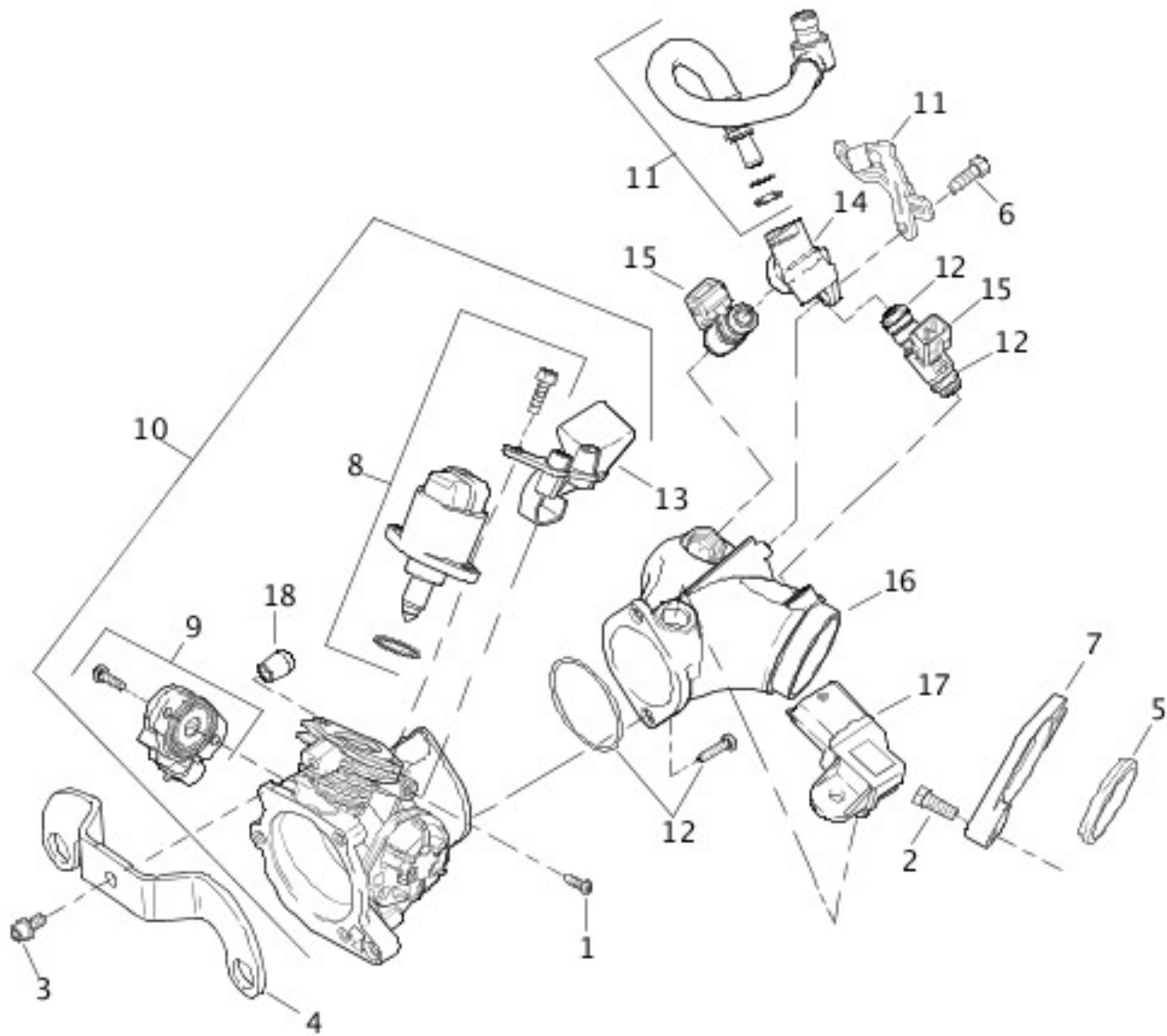
CAMSHAFTS & GEAR COVER - 883L/N/R, 1200C/CP/N/V



[View interactive table](#)

| INDEX NO. | PART NO. | DESCRIPTION | MODEL(S) |
|-----------|----------|-------------|----------|
| | 25600007 | TIMER COVER | XL1200V |

INDUCTION MODULE, FUEL - 883L/N/R, 1200C/CP/N/V

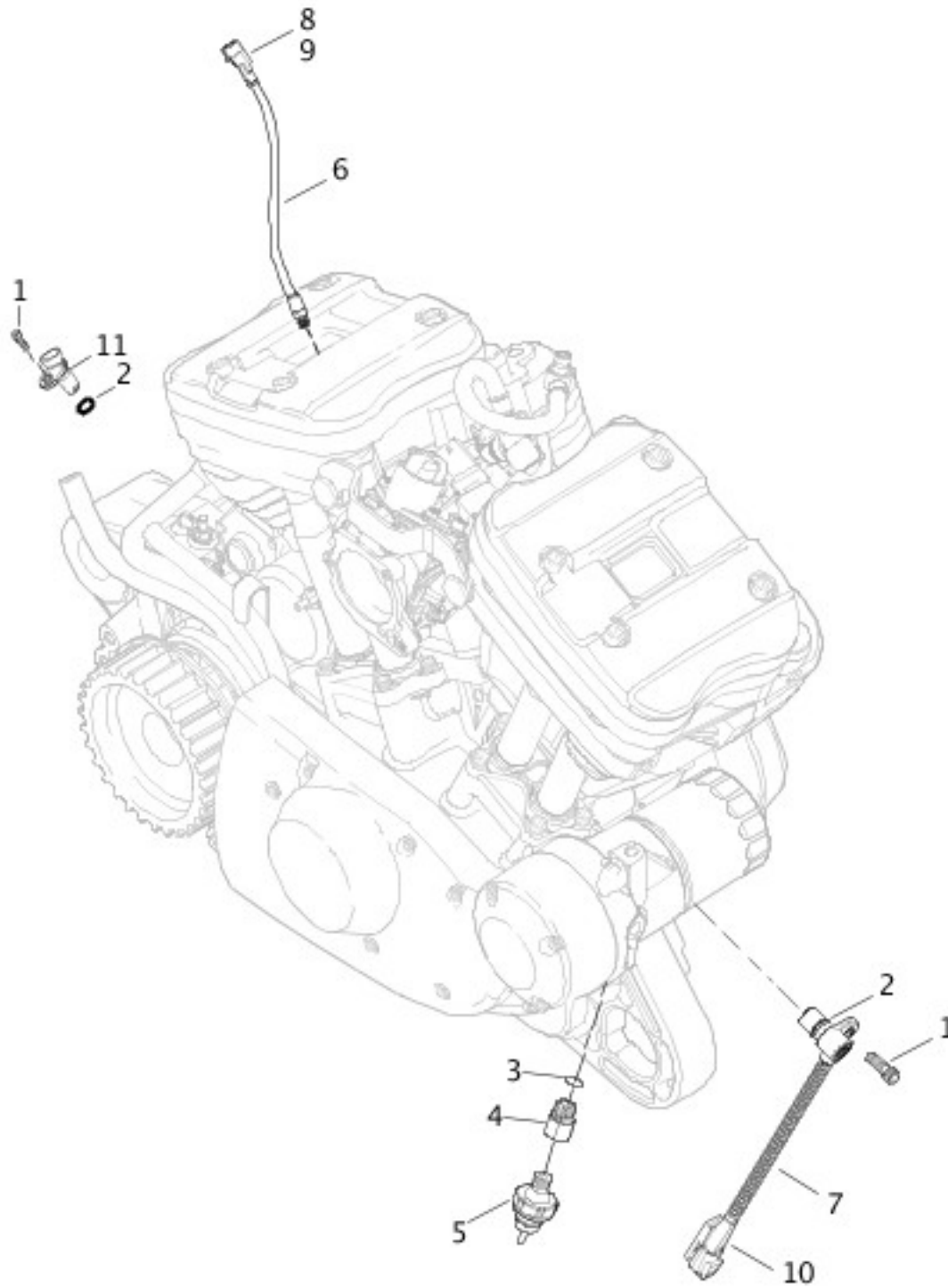


[View interactive table](#)

| INDEX NO. | PART NO. | DESCRIPTION | MODEL(S) |
|-----------|----------|--------------------------------------|------------------|
| | 27829-10 | FUEL LINE KIT, w/ 27216-95 & bracket | XL1200V, XL1200X |

[ENGINE SENSORS & SWITCHES](#)

ENGINE SENSORS & SWITCHES

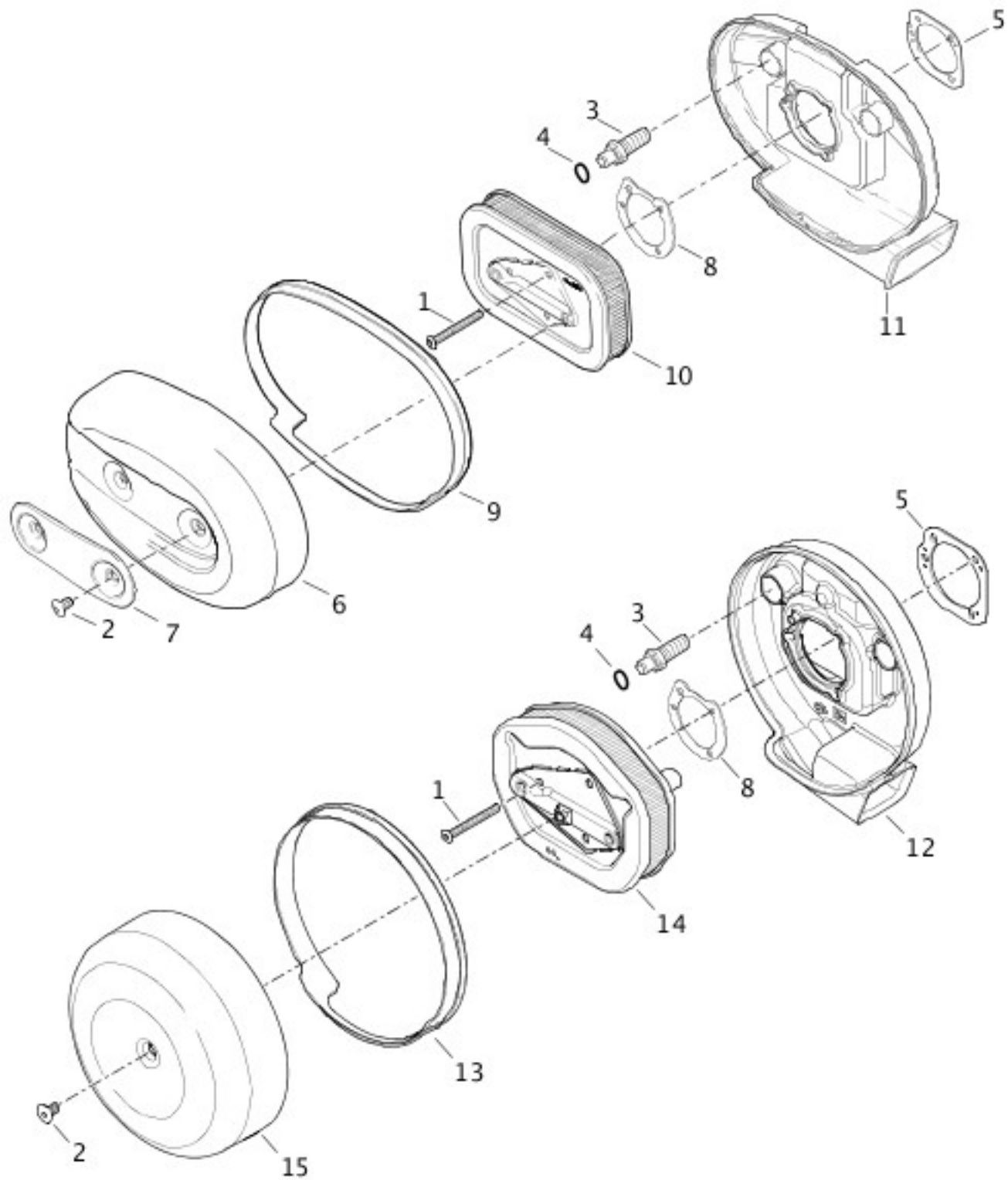


[View interactive table](#)

| INDEX NO. | PART NO. | DESCRIPTION | MODEL(S) |
|-----------|-----------|----------------------------------|----------|
| 11 | 74402-05B | SENSOR, vehicle speed, w/ 11289A | ALL |

[AIR CLEANER - 883L/N/R, 1200C/CP/N/V/X](#)

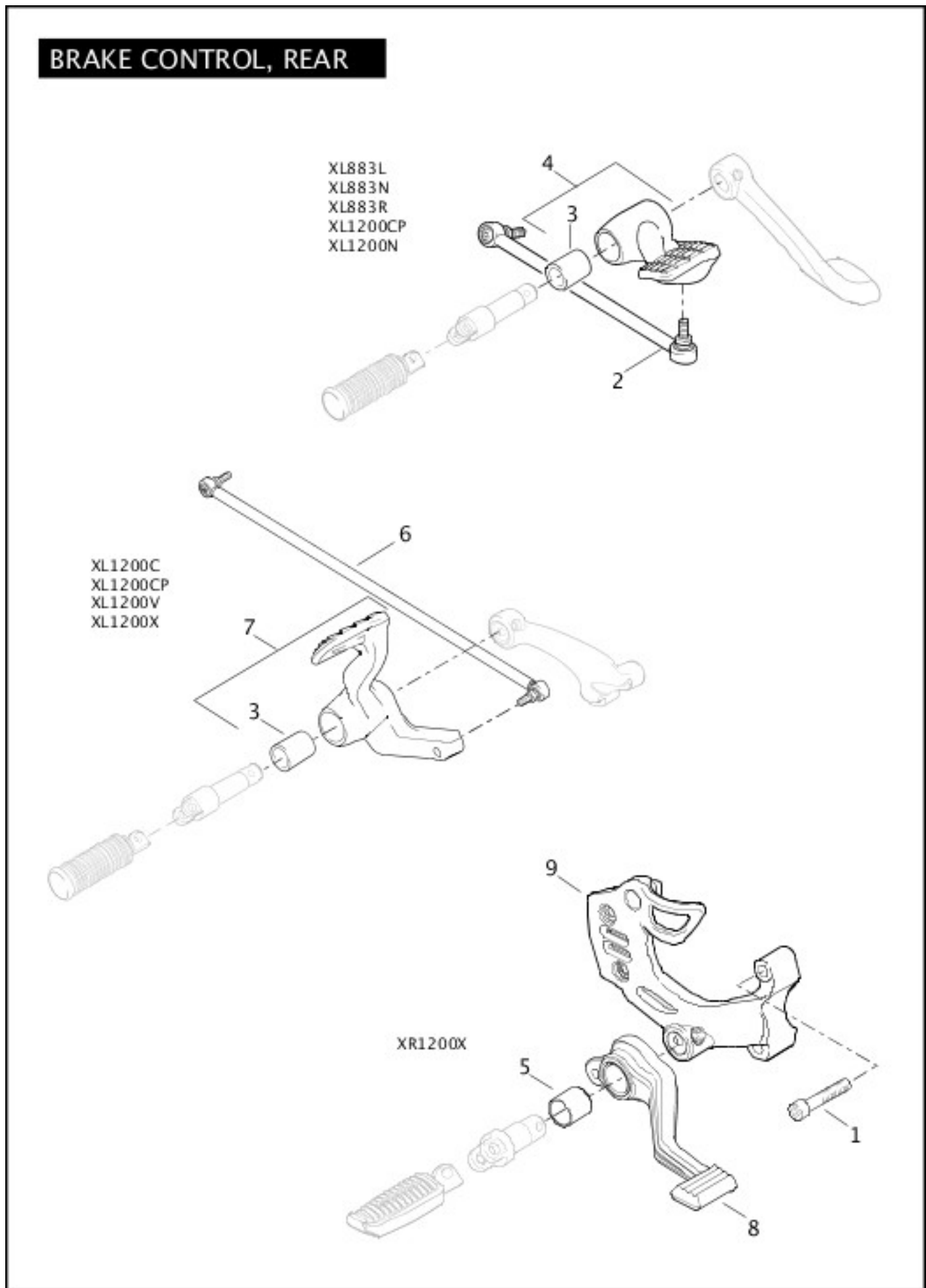
AIR CLEANER – 883L/N/R, 1200C/CP/N/V



[View interactive table](#)

| INDEX NO. | PART NO. | DESCRIPTION | MODEL(S) |
|-----------|----------|-----------------------------|----------|
| 12 | 29000015 | BACKPLATE ASSEMBLY | XL1200V |
| 13 | 29000016 | SEAL | XL1200V |
| 14 | 29400015 | FILTER ELEMENT, w/ 29313-95 | XL1200V |
| 15 | 61300131 | COVER (chrome) w/ label | XL1200V |

[BRAKE CONTROL, REAR](#)

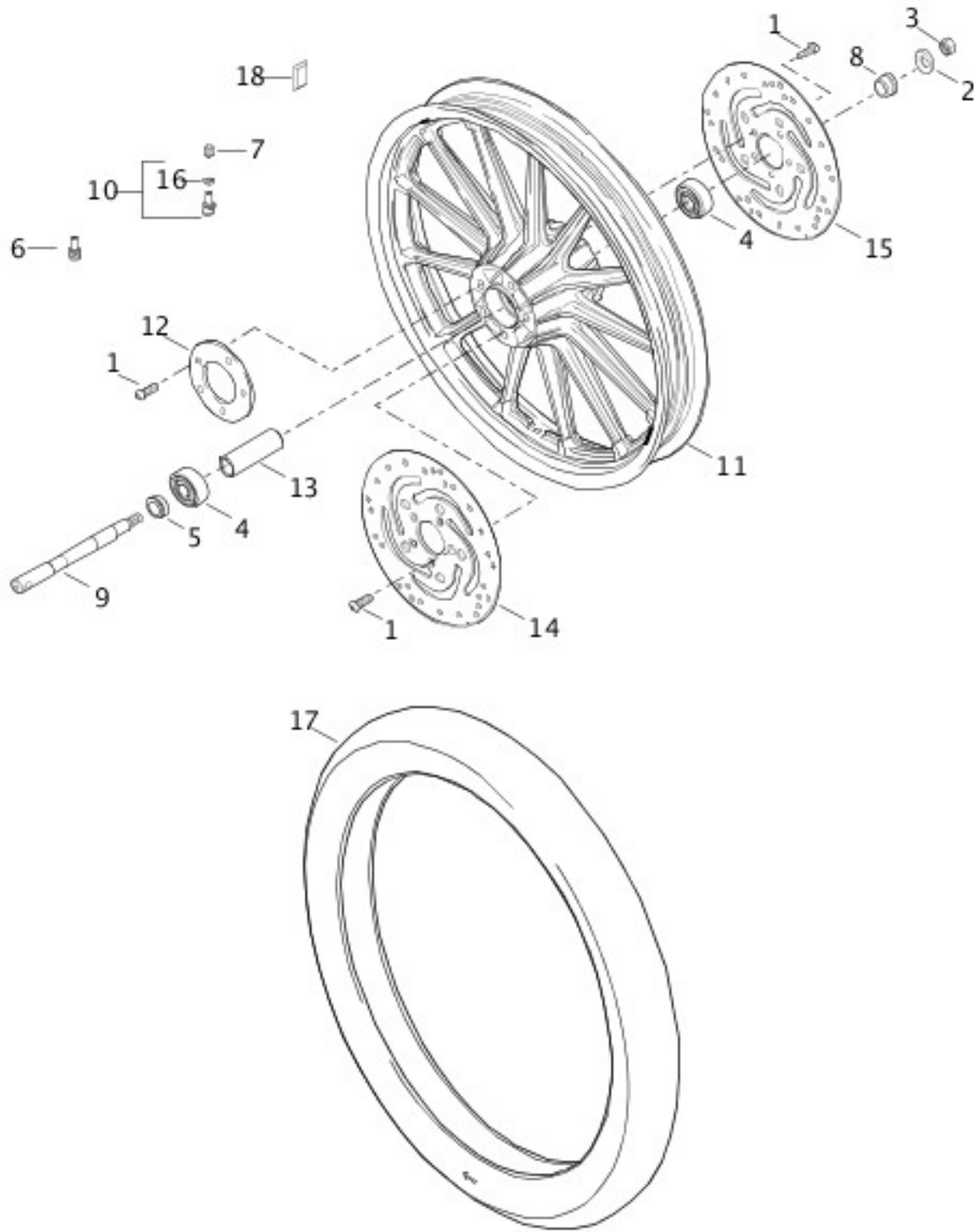


[View interactive table](#)

| INDEX NO. | PART NO. | DESCRIPTION | MODEL(S) |
|-----------|-----------|---------------------------|----------|
| 8 | 42949-08A | BRAKE PEDAL, w/ 42443-80A | XR1200X |

[WHEELS, FRONT, CAST - 883L/N/R, 1200C/CP](#)

WHEELS, FRONT, CAST - 883L/N/R, 1200C/CP

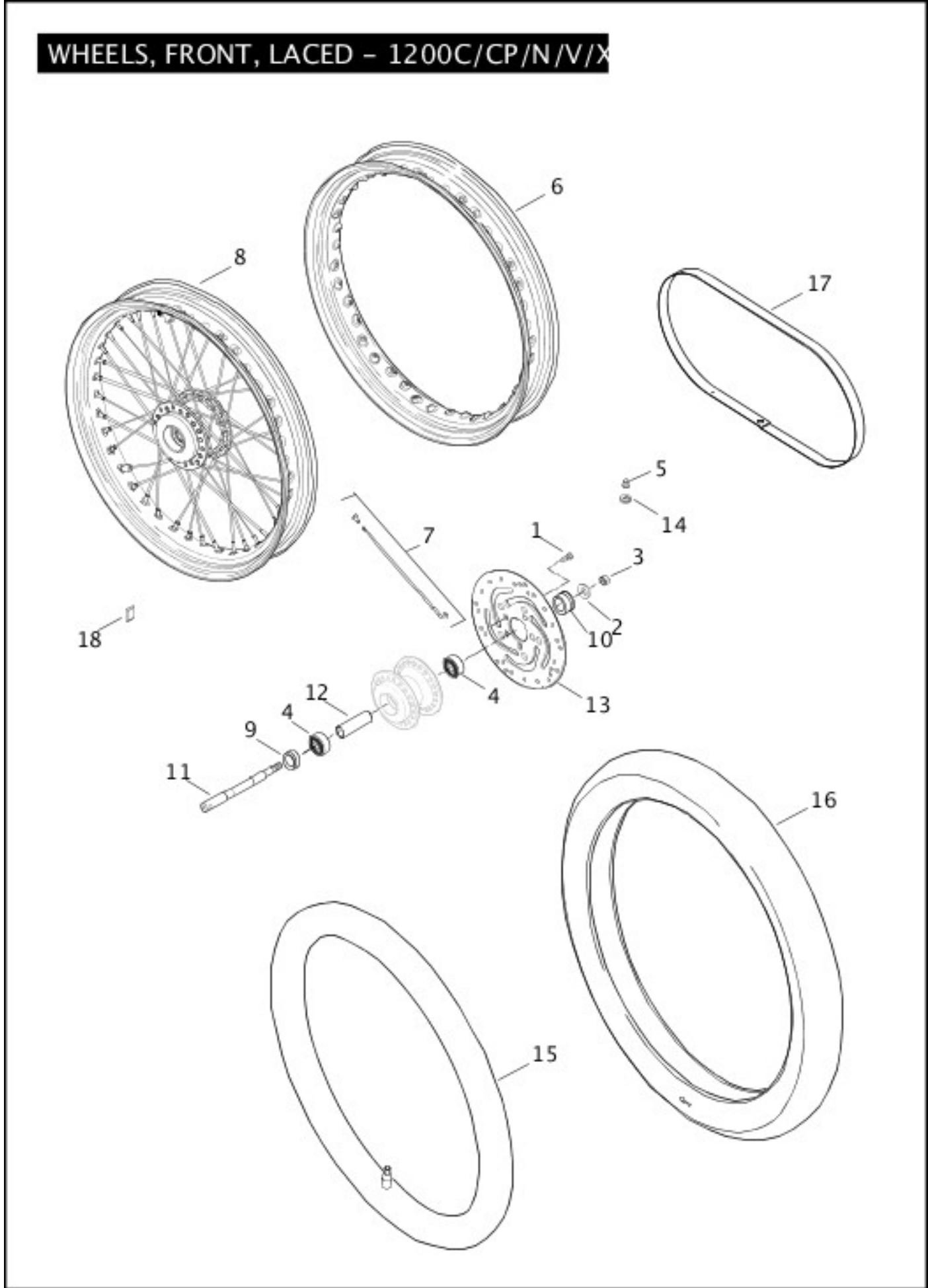


[View interactive table](#)

| INDEX NO. | PART NO. | DESCRIPTION | MODEL(S) |
|-----------|-----------|-------------|----------|
| 17 | 40879-11A | TIRE | XL883L |

[WHEELS, FRONT, LACED - 1200C/CP/N/V/X](#)

WHEELS, FRONT, LACED - 1200C/CP/N/V/X

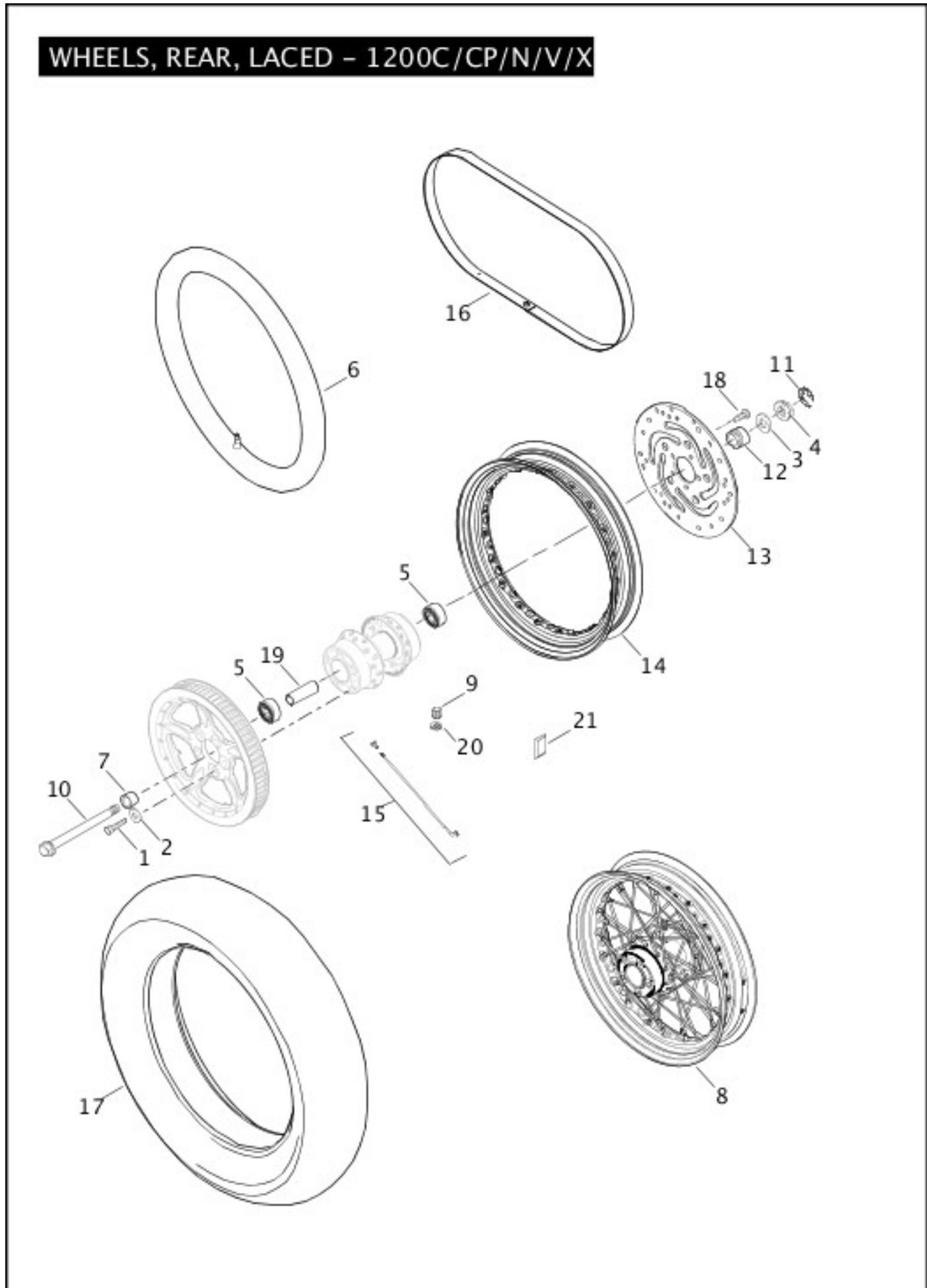


[View interactive table](#)

| INDEX NO. | PART NO. | DESCRIPTION | MODEL(S) |
|-----------|-----------|---|----------|
| | 43662-80B | RIM, 21 in. (chrome) | XL1200V |
| 7 | 40759-05 | SPOKE & NIPPLE KIT, 21 in. rim - long (chrome) (set of 20) | XL1200V |
| | 40760-05 | SPOKE & NIPPLE KIT, 21 in. rim - short (chrome) (set of 20) | XL1200V |
| | 43557-08 | WHEEL ASSEMBLY, 21 in. (chrome) w/o bearings & sleeves | XL1200V |

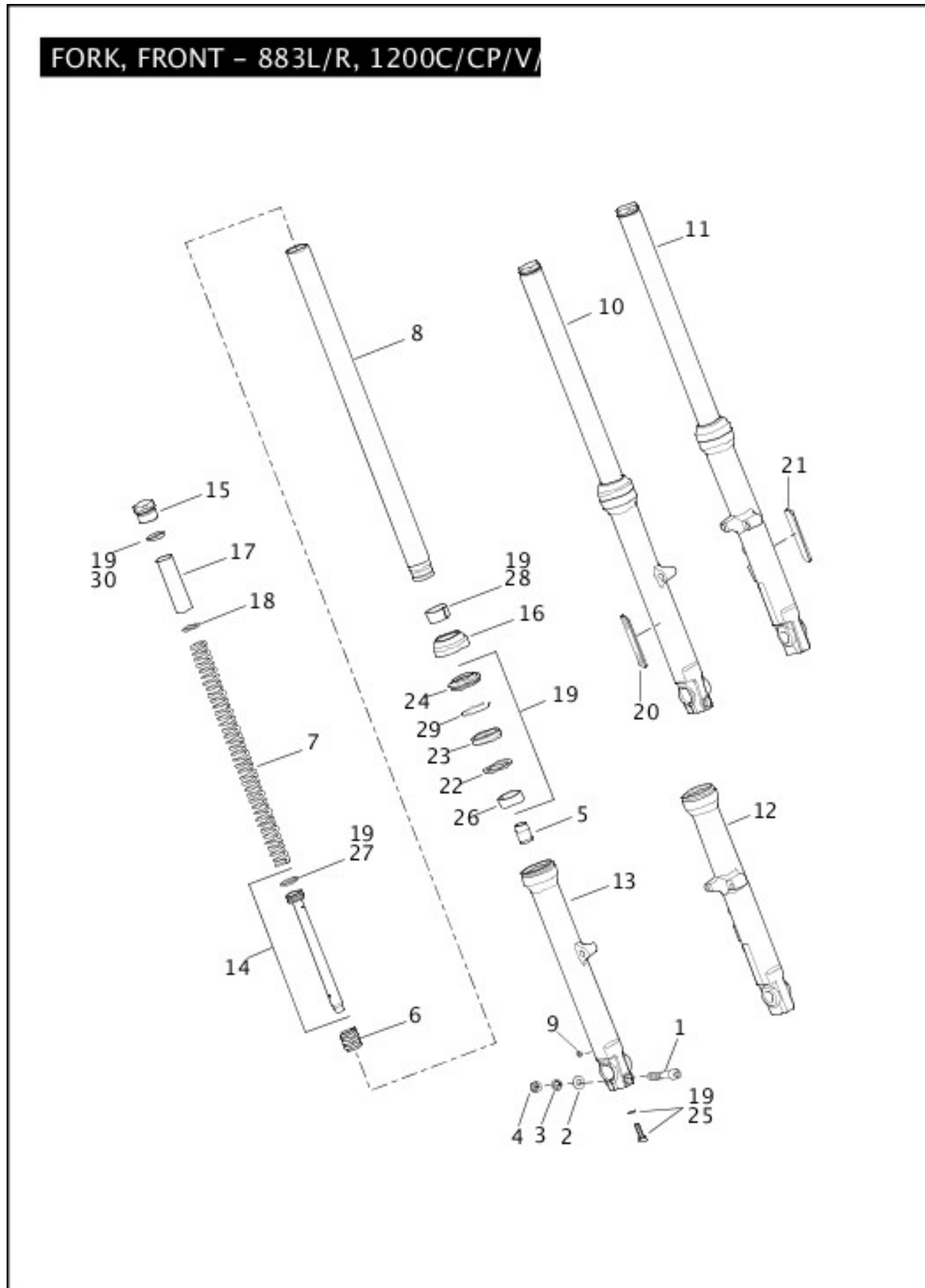
| | | | |
|--|----------|------------|---------|
| | 43140-80 | INNER TUBE | XL1200V |
| | 43100004 | TIRE | XL1200V |
| | 43939-89 | RIM STRIP | XL1200V |

WHEELS, REAR, LACED - 1200C/CP/N/V/X



| INDEX NO. | PART NO. | DESCRIPTION | MODEL(S) |
|-----------|----------|-------------|----------|
| | 43200007 | TIRE | XL1200V |

[FORK, FRONT - 883L/R, 1200C/CP/V/X](#)

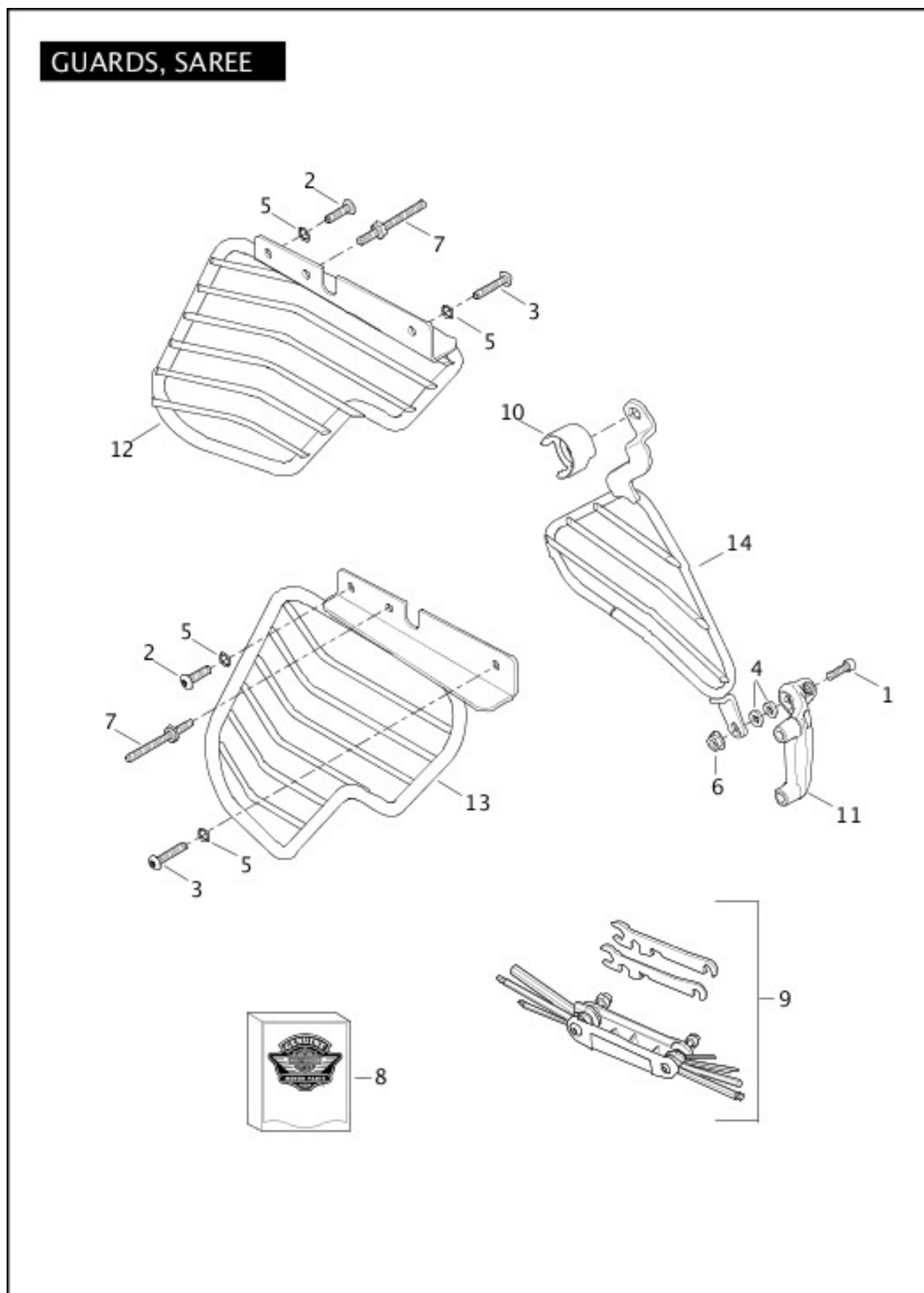


[View interactive table](#)

| INDEX NO. | PART NO. | DESCRIPTION | MODEL(S) |
|-----------|----------|-------------|----------|
|-----------|----------|-------------|----------|

| | | | |
|--|----------|--|---------|
| | 45400042 | FORK SLIDER & TUBE ASSEMBLY, right (not shown) | XL1200V |
| | 45400041 | FORK SLIDER & TUBE ASSEMBLY, left (not shown) | XL1200V |
| | 46075-04 | SLIDER ASSEMBLY, left (not shown) | XL1200V |
| | 46076-04 | SLIDER ASSEMBLY, right (not shown) | XL1200V |

GUARDS, SAREE



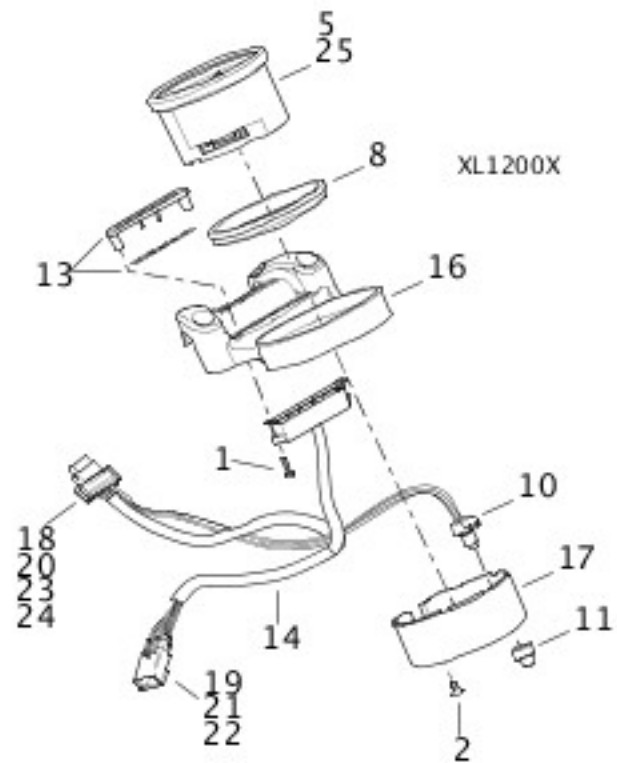
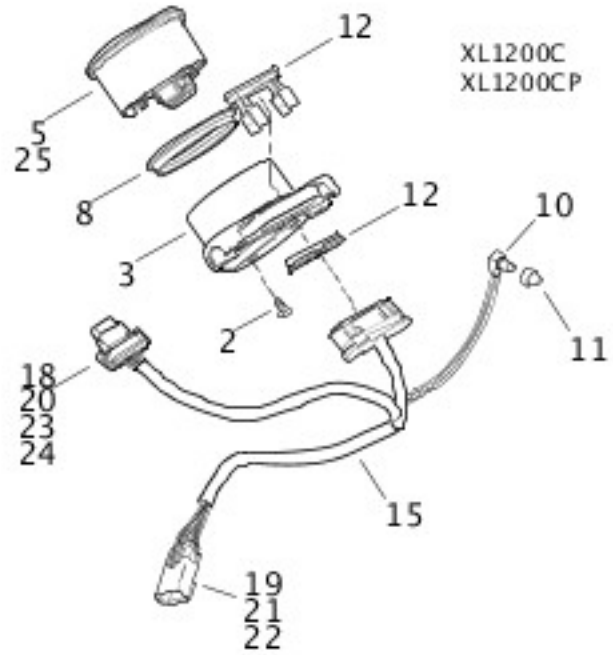
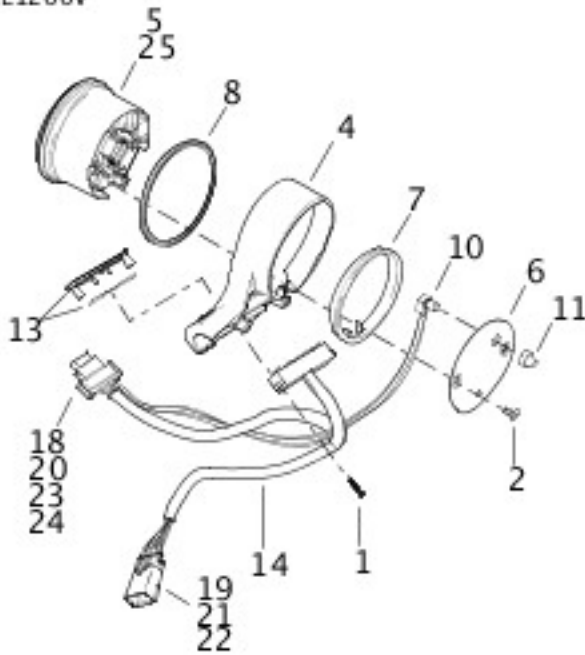
View interactive table

| INDEX NO. | PART NO. | DESCRIPTION | MODEL(S) |
|-----------|----------|---------------------------|----------|
| 8 | 93511-10 | FIRST AID KIT | XL883R |
| 9 | 94435-10 | FOLDING TOOL | XL883R |
| 10 | 47200177 | COVER, shock stud | XL883R |
| 11 | 50500227 | BRACKET, support | XL883R |
| 12 | 60300007 | SAREE GUARD, left - rear | XL883R |
| 13 | 60300008 | SAREE GUARD, right | XL883R |
| 14 | 60300009 | SAREE GUARD, left - front | XL883R |

[SPEEDOMETER - 883L/N/R, 1200C/CP/N/V/X](#)

SPEEDOMETER - 883L/N/R, 1200C/CP/N/V

XL883L
XL883N
XL883R
XL1200CP
XL1200N
XL1200V

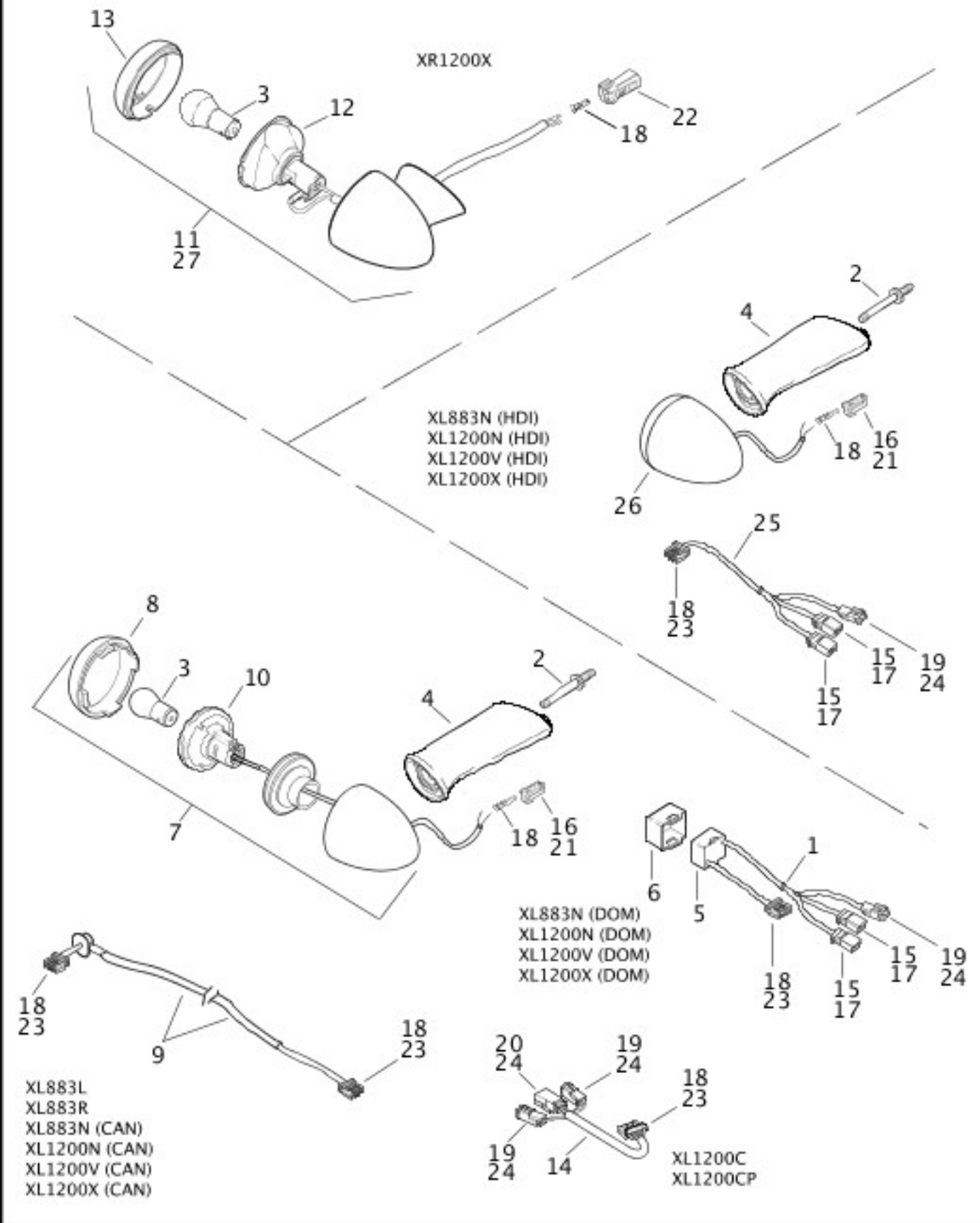


[View interactive table](#)

| INDEX NO. | PART NO. | DESCRIPTION | MODEL(S) |
|-----------|-----------|---|-------------------|
| 4 | 55846-05A | BRACKET, speedometer (chrome) (1200CP - Mini-Ape Handlebar) | XL1200CP, XL1200V |
| 6 | 67089-05 | COVER, speedometer back (chrome) | XL1200V |

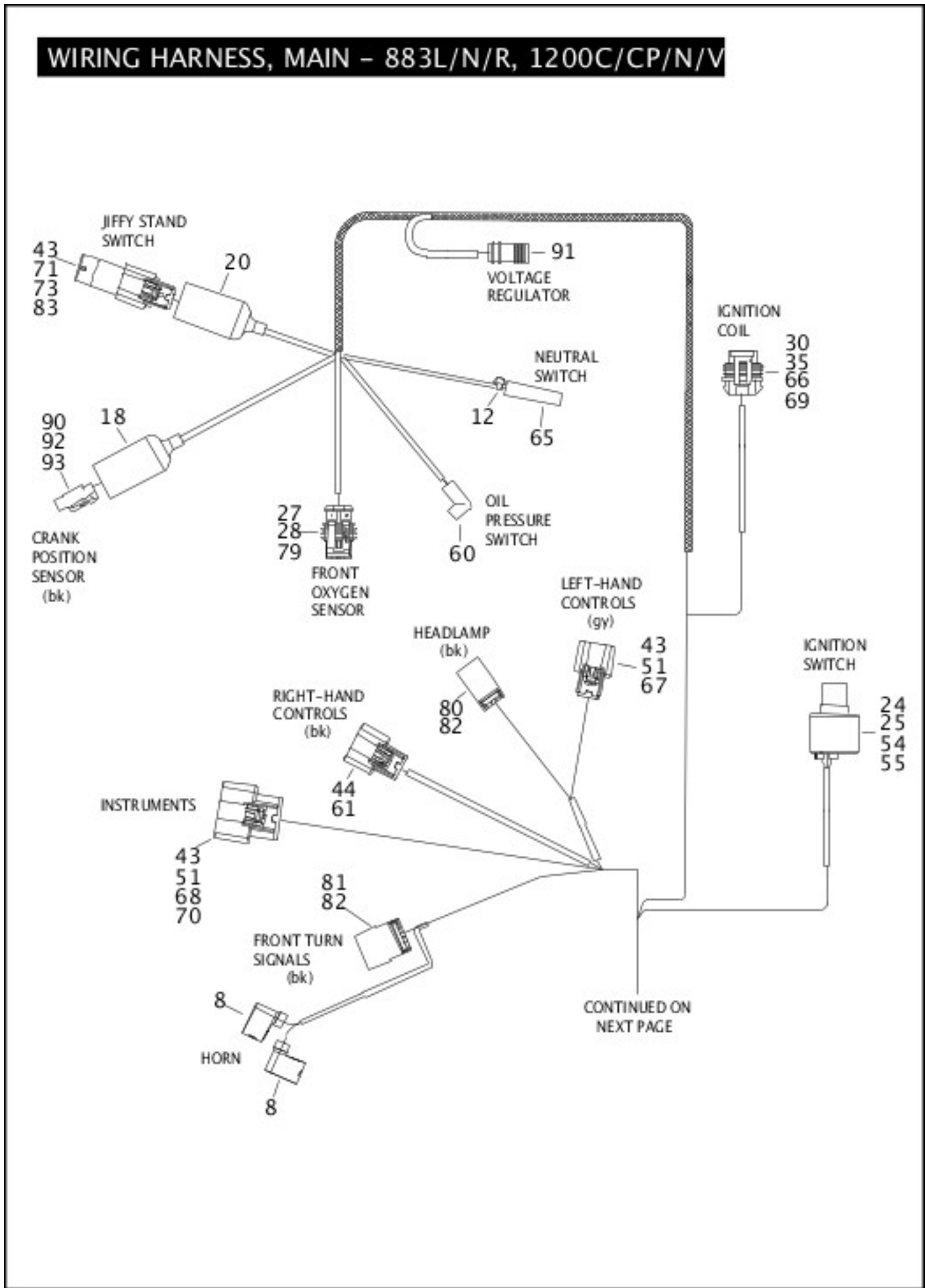
[TAIL LAMP & TURN SIGNALS, REAR](#)

TAIL LAMP & TURN SIGNALS, REAR



[View interactive table](#)

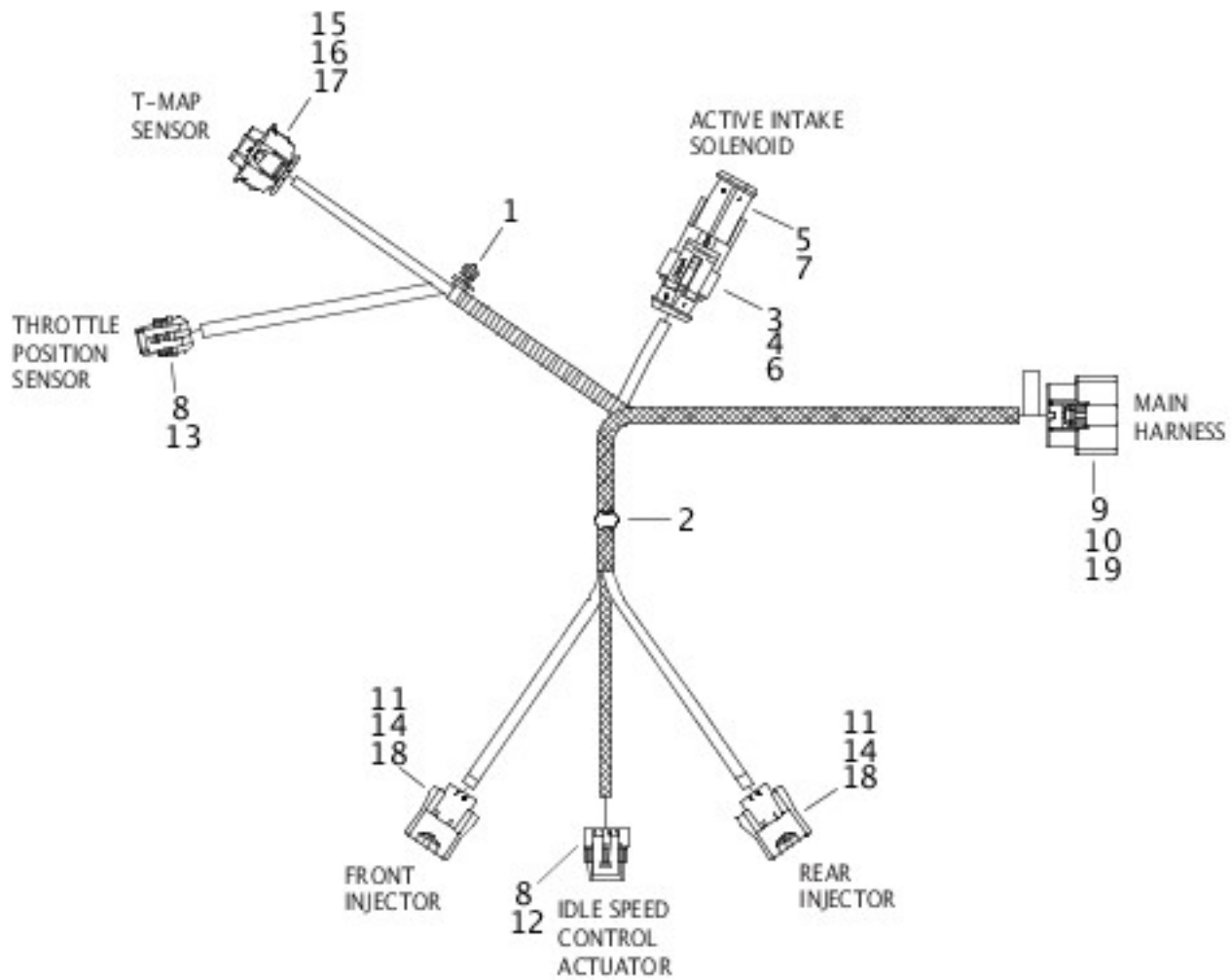
| INDEX NO. | PART NO. | DESCRIPTION | MODEL(S) |
|-----------|------------|--|-------------------|
| | 68461-09 | TURN SIGNAL ASSEMBLY, w/ 68168-89A, 68497-07, 68559-07 (2) | XL1200V |
| 20 | 73103-96BK | HOUSING, pin, 3-way | XL1200C, XL1200CP |
| | 73358-12 | TURN SIGNAL ASSEMBLY, w/ 72991-01 (HDI) (2) | XL1200V |



[View interactive table](#)

| INDEX NO. | PART NO. | DESCRIPTION | MODEL(S) |
|-----------|----------|-------------|------------------|
| 2 | 10039 | CABLE STRAP | XL1200V, XL1200X |

WIRING HARNESS, ENGINE - XR1200X



[View interactive table](#)

| INDEX NO. | PART NO. | DESCRIPTION | MODEL(S) |
|-----------|-----------|------------------------|----------|
| 15 | 72406-07A | HOUSING, 4-way, socket | XR1200X |

Numerical Index

[View interactive table](#)

| | |
|-------|---|
| 10006 | FRAME & JIFFY STAND - XR1200X |
|-------|---|

| | |
|--------|--|
| | HANDLEBAR & THROTTLE CONTROL - 1200C/CP/V BATTERY WIRING HARNESS, MAIN - 883L/N/R, 1200C/CP/N/V/X (1 OF 3) WIRING HARNESS, MAIN - XR1200X (1 OF 3) EVAPORATIVE EMISSIONS COMPONENTS |
| 10014 | OIL TANK & LINES - 883L/N/R, 1200C/CP/N/V/X OIL TANK & LINES- XR1200X |
| 10031 | BRAKE CONTROL, FRONT - 883L/N/R, 1200C/CP/N/V/X BRAKE CONTROL, FRONT - XR1200X BRAKE, MASTER CYLINDER, REAR - 883L/N/R, 1200C/CP/N/V/X BRAKE, MASTER CYLINDER, REAR - XR1200X |
| 10039 | WIRING HARNESS, MAIN - 883L/N/R, 1200C/CP/N/V/X (1 OF 3) |
| 10053 | BRAKE CONTROL, FRONT - 883L/N/R, 1200C/CP/N/V/X BRAKE CONTROL, FRONT - 883L/N/R, 1200C/CP/N/V/X |
| 10065 | TAIL LAMP & TURN SIGNALS, REAR WIRING HARNESS, MAIN - 883L/N/R, 1200C/CP/N/V/X (1 OF 3) WIRING HARNESS, MAIN - XR1200X (1 OF 3) |
| 10074 | EXHAUST SYSTEM - 883L/N/R, 1200C/CP/N/V/X |
| 10080 | CRANKCASE & GEARCASE - 883L/N/R, 1200C/CP/N/V/X CRANKCASE & GEARCASE - XR1200X OIL TANK & LINES - 883L/N/R, 1200C/CP/N/V/X |
| 10092 | BRAKE, MASTER CYLINDER, REAR - XR1200X |
| 10142 | OIL TANK & LINES - 883L/N/R, 1200C/CP/N/V/X OIL TANK & LINES- XR1200X |
| 10177 | CRANKCASE & GEARCASE - 883L/N/R, 1200C/CP/N/V/X CRANKCASE & GEARCASE - XR1200X ALTERNATOR & REGULATOR ELECTRONIC IGNITION SYSTEM - 883L/N/R, 1200C/CP/N/V/X WIRING HARNESS, ENGINE - XR1200X EVAPORATIVE EMISSIONS COMPONENTS |
| 10179A | FRAME & JIFFY STAND - 883L/N/R, 1200C/CP/N/V/X FRAME & JIFFY STAND - XR1200X |
| 10181 | SWITCHES, HANDLEBAR FUEL PUMP |
| 10200 | FENDERS, REAR - 883L/R/1200C/CP (ALL), 883N/1200N/V/X (CANADA ONLY) |
| 10242 | FENDERS, REAR - 883L/R/1200C/CP (ALL), 883N/1200N/V/X (CANADA ONLY) |
| 10252 | BRAKE, MASTER CYLINDER, REAR - 883L/N/R, 1200C/CP/N/V/X BRAKE, MASTER CYLINDER, REAR - XR1200X |
| 10255 | BRAKE, MASTER CYLINDER, REAR - 883L/N/R, 1200C/CP/N/V/X |
| 10279 | WIRING HARNESS, MAIN - 883L/N/R, 1200C/CP/N/V/X (1 OF 3) WIRING HARNESS, MAIN - XR1200X (1 OF 3) WIRING HARNESS, ENGINE - 883L/N/R, 1200C/CP/N/V/X WIRING HARNESS, ENGINE - XR1200X |

| | |
|----------|---|
| 1028 | CRANKCASE & GEARCASE - 883L/N/R, 1200C/CP/N/V/X CRANKCASE & GEARCASE - XR1200X |
| 10287 | WIRING HARNESS, MAIN - 883L/N/R, 1200C/CP/N/V/X (1 OF 3) WIRING HARNESS, MAIN - XR1200X (1 OF 3) |
| 10289A | FRAME & JIFFY STAND - 883L/N/R, 1200C/CP/N/V/X FRAME & JIFFY STAND - XR1200X |
| 10303 | FUEL PUMP |
| 10304 | FUEL PUMP |
| 10323 | FENDERS, REAR - 883N/1200N/V/X (ALL EXCEPT CANADA) |
| 10344 | OIL TANK & LINES- XR1200X OIL LINES & COOLER - XR1200X |
| 1039 | ROCKER ARM ASSEMBLY & PUSH RODS - 883L/N/R, 1200C/CP/N/V/X ROCKER ARM ASSEMBLY & PUSH RODS - XR1200X |
| 10417 | FORK, FRONT - 883L/R, 1200C/CP/V/X |
| 10418 | FORK, FRONT - XR1200X |
| 1048 | CRANKCASE & GEARCASE - 883L/N/R, 1200C/CP/N/V/X CRANKCASE & GEARCASE - XR1200X |
| 10627 | FORK, FRONT - 883L/R, 1200C/CP/V/X |
| 10628 | FORK, FRONT - XR1200X |
| 10800003 | BRAKE CONTROL, FRONT - 883L/N/R, 1200C/CP/N/V/X |
| 10800006 | LICENSE PLATE BRACKETS |
| 1081A | FUEL TANK - XR1200X FUEL PUMP |
| 1091 | FUEL PUMP |
| 10926 | FORK, FRONT - XR1200X |
| 1094 | OIL LINES & COOLER - XR1200X |
| 10966 | OIL PUMP - XR1200X |
| 10967 | OIL PUMP - XR1200X |
| 10969 | OIL PUMP - XR1200X |
| 10970 | OIL LINES & COOLER - XR1200X |
| 10971 | OIL PUMP - XR1200X |
| 10972 | OIL LINES & COOLER - XR1200X |
| | |

| | |
|--------|--|
| 10984 | <u>TRANSMISSION GEARS</u> |
| 11002 | <u>OIL PUMP - 883L/N/R, 1200C/CP/N/V/X</u> |
| 11031 | <u>BRAKE, MASTER CYLINDER, REAR - 883L/N/R, 1200C/CP/N/V/X</u> |
| 11046 | <u>CLUTCH - 883L/N/R, 1200C/CP/N/V/X</u> <u>CLUTCH - XR1200X</u> |
| 11067 | <u>TRANSMISSION GEARS</u> |
| 11105 | <u>INSPECTION COVER & PRIMARY COVER</u> |
| 11110 | <u>OIL PUMP - XR1200X</u> <u>OIL LINES & COOLER - XR1200X</u> |
| 11113 | <u>TRANSMISSION GEARS</u> |
| 11120 | <u>OIL TANK & LINES - 883L/N/R, 1200C/CP/N/V/X</u> <u>OIL TANK & LINES- XR1200X</u> |
| 11121 | <u>BRAKE, MASTER CYLINDER, REAR - 883L/N/R, 1200C/CP/N/V/X</u> <u>BRAKE, MASTER CYLINDER, REAR - XR1200X</u> |
| 11140 | <u>OIL PUMP - XR1200X</u> <u>OIL LINES & COOLER - XR1200X</u> |
| 11142 | <u>BRAKE CONTROL, FRONT - 883L/N/R, 1200C/CP/N/V/X</u> <u>BRAKE CONTROL, FRONT - XR1200X</u> |
| 11155 | <u>SWITCHES, HANDLEBAR</u> |
| 11161 | <u>TRANSMISSION GEARS</u> |
| 11171 | <u>INSPECTION COVER & PRIMARY COVER</u> |
| 11177A | <u>PISTONS & FLYWHEEL ASSEMBLY</u> <u>CRANKCASE & GEARCASE - 883L/N/R, 1200C/CP/N/V/X</u> <u>CRANKCASE & GEARCASE - XR1200X</u> |
| 11179 | <u>CLUTCH CONTROL</u> |
| 11190 | <u>CYLINDERS, HEADS & VALVES - 883L/N/R, 1200C/CP/N/V/X</u> <u>ROCKER ARM ASSEMBLY & PUSH RODS - 883L/N/R, 1200C/CP/N/V/X</u> <u>ROCKER ARM ASSEMBLY & PUSH RODS - XR1200X</u> |
| 11202 | <u>AIR CLEANER - 883L/N/R, 1200C/CP/N/V/X</u> |
| 11250 | <u>CLUTCH - 883L/N/R, 1200C/CP/N/V/X</u> <u>CLUTCH - XR1200X</u> |
| 11271 | <u>HANDLEBAR & THROTTLE CONTROL - 883L/N/R, 1200N/X, XR1200X</u> <u>HANDLEBAR & THROTTLE CONTROL - 1200C/CP/V</u> |
| 11272 | <u>HANDLEBAR & THROTTLE CONTROL - 883L/N/R, 1200N/X, XR1200X</u> <u>HANDLEBAR & THROTTLE CONTROL - 1200C/CP/V</u> |
| 11282 | <u>FORK, REAR, DEBRIS DEFLECTOR & BELT GUARD</u> |
| | |

| | |
|--------|---|
| 11289A | <u>ENGINE SENSORS & SWITCHES</u> |
| 11290 | <u>CRANKCASE & GEARCASE - XR1200X</u> <u>OIL PUMP - XR1200X</u> <u>ENGINE SENSORS & SWITCHES</u> <u>OIL LINES & COOLER - XR1200X</u> |
| 11304 | <u>FOOTRESTS - 883L/N/R, 1200C/CP/N/V/X</u> <u>FOOTRESTS - 883L/N/R, 1200C/CP/N/V/X</u> <u>FOOTRESTS - XR1200X</u> |
| 11317 | <u>PISTONS & FLYWHEEL ASSEMBLY</u> <u>CAMSHAFTS & GEAR COVER - 883L/N/R, 1200C/CP/N/V/X</u> <u>CAMSHAFTS & GEAR COVER - XR1200X</u> |
| 11326 | <u>OIL PUMP - XR1200X</u> |
| 11351 | <u>OIL LINES & COOLER - XR1200X</u> |
| 11377 | <u>ROCKER ARM ASSEMBLY & PUSH RODS - 883L/N/R, 1200C/CP/N/V/X</u> <u>ROCKER ARM ASSEMBLY & PUSH RODS - XR1200X</u> |
| 11379 | <u>CLUTCH CONTROL</u> <u>BRAKE CONTROL, FRONT - 883L/N/R, 1200C/CP/N/V/X</u> <u>BRAKE CONTROL, FRONT - XR1200X</u> |
| 11384K | <u>OIL PUMP - XR1200X</u> <u>OIL LINES & COOLER - XR1200X</u> |
| 11390 | <u>FOOTRESTS - 883L/N/R, 1200C/CP/N/V/X</u> |
| 11407 | <u>BRAKE, MASTER CYLINDER, REAR - 883L/N/R, 1200C/CP/N/V/X</u> <u>BRAKE, MASTER CYLINDER, REAR - XR1200X</u> |
| 11408 | <u>OIL PUMP - XR1200X</u> <u>OIL LINES & COOLER - XR1200X</u> |
| 11474 | <u>FENDERS, REAR - 883L/R/1200C/CP (ALL), 883N/1200N/V/X (CANADA ONLY)</u> <u>FENDERS, REAR - 883N/1200N/V/X (ALL EXCEPT CANADA)</u> |
| 11491A | <u>FRAME & JIFFY STAND - XR1200X</u> |
| 11570 | <u>FUEL TANK - XR1200X</u> |
| 11598 | <u>FRAME & JIFFY STAND - XR1200X</u> |
| 11621 | <u>ROCKER ARM ASSEMBLY & PUSH RODS - XR1200X</u> |
| 11625 | <u>ROCKER ARM ASSEMBLY & PUSH RODS - XR1200X</u> |
| 11631 | <u>TRANSMISSION GEARS</u> |
| 11652 | <u>OIL LINES & COOLER - XR1200X</u> |
| 11668 | <u>FUEL TANK - XR1200X</u> |
| 11730A | <u>CLUTCH - 883L/N/R, 1200C/CP/N/V/X</u> <u>CLUTCH - XR1200X</u> |
| | |

| | |
|-----------|---|
| 11765Y | CLUTCH - 883L/N/R, 1200C/CP/N/V/X CLUTCH - XR1200X |
| 11778 | WIRING HARNESS, MAIN - 883L/N/R, 1200C/CP/N/V/X (1 OF 3) |
| 11785 | WIRING HARNESS, MAIN - 883L/N/R, 1200C/CP/N/V/X (1 OF 3) |
| 11804 | WHEELS, FRONT, CAST - 883L/N/R, 1200C/CP WHEEL, FRONT, CAST - XR1200X WHEELS, FRONT, LACED - 1200C/CP/N/V/X |
| 11888 | WHEELS, FRONT, CAST - 883L/N/R, 1200C/CP WHEELS, FRONT, LACED - 1200C/CP/N/V/X |
| 11954 | TAIL LAMPS |
| 12030 | TRANSMISSION GEARS |
| 12068 | CRANKCASE & GEARCASE - 883L/N/R, 1200C/CP/N/V/X CRANKCASE & GEARCASE - XR1200X |
| 12074 | TRANSMISSION GEARS |
| 12085 | FORK, FRONT - XR1200X |
| 12200 | FORK, FRONT - XR1200X |
| 12201 | FORK, FRONT - XR1200X |
| 13566-05 | FUEL TANK TRIM |
| 13567-05 | FUEL TANK TRIM |
| 14270-92 | LABELS |
| 14448-94 | HANDLEBAR & THROTTLE CONTROL - 1200C/CP/V |
| 15368-01A | LABELS |
| 15370-01A | LABELS |
| 15376-06A | LABELS |
| 1594 | FRAME & JIFFY STAND - 883L/N/R, 1200C/CP/N/V/X FRAME & JIFFY STAND - XR1200X |
| 16232-04B | ENGINE MOUNTS |
| 16287-04 | ENGINE MOUNTS |
| 16291-04 | ENGINE MOUNTS |
| 16301-08 | ENGINE MOUNTS |
| 16353-04 | CYLINDERS, HEADS & VALVES - 883L/N/R, 1200C/CP/N/V/X |
| 16360-08 | INDUCTION MODULE, FUEL - XR1200X |
| | |

| | |
|-----------|---|
| 16361-07 | <u>INDUCTION MODULE, FUEL - 883L/N/R, 1200C/CP/N/V/X</u> |
| 16443-04 | <u>CYLINDERS, HEADS & VALVES - 883L/N/R, 1200C/CP/N/V/X</u> |
| 16452-05 | <u>CYLINDERS, HEADS & VALVES - 883L/N/R, 1200C/CP/N/V/X</u> |
| 16463-04 | <u>CYLINDERS, HEADS & VALVES - 883L/N/R, 1200C/CP/N/V/X</u> |
| 16465-06 | <u>CYLINDERS, HEADS & VALVES - 883L/N/R, 1200C/CP/N/V/X</u> <u>CYLINDERS, HEADS & VALVES - XR1200X</u> |
| 16468-08 | <u>CYLINDERS, HEADS & VALVES - XR1200X</u> |
| 16469-10 | <u>CYLINDERS, HEADS & VALVES - 883L/N/R, 1200C/CP/N/V/X</u> |
| 16478-85A | <u>CYLINDERS, HEADS & VALVES - 883L/N/R, 1200C/CP/N/V/X</u> <u>CYLINDERS, HEADS & VALVES - XR1200X</u> |
| 16480-92A | <u>CYLINDERS, HEADS & VALVES - 883L/N/R, 1200C/CP/N/V/X</u> <u>CYLINDERS, HEADS & VALVES - XR1200X</u> |
| 16500068 | <u>CYLINDERS, HEADS & VALVES - 883L/N/R, 1200C/CP/N/V/X</u> |
| 16500071 | <u>CYLINDERS, HEADS & VALVES - 883L/N/R, 1200C/CP/N/V/X</u> |
| 16573-83A | <u>CYLINDERS, HEADS & VALVES - 883L/N/R, 1200C/CP/N/V/X</u> <u>CYLINDERS, HEADS & VALVES - XR1200X</u> |
| 16660-07 | <u>CYLINDERS, HEADS & VALVES - 883L/N/R, 1200C/CP/N/V/X</u> |
| 16661-07 | <u>CYLINDERS, HEADS & VALVES - 883L/N/R, 1200C/CP/N/V/X</u> |
| 16664-86D | <u>CYLINDERS, HEADS & VALVES - 883L/N/R, 1200C/CP/N/V/X</u> |
| 16666-07 | <u>CYLINDERS, HEADS & VALVES - 883L/N/R, 1200C/CP/N/V/X</u> |
| 16667-07 | <u>CYLINDERS, HEADS & VALVES - 883L/N/R, 1200C/CP/N/V/X</u> |
| 16699-06 | <u>CYLINDERS, HEADS & VALVES - 883L/N/R, 1200C/CP/N/V/X</u> <u>CYLINDERS, HEADS & VALVES - XR1200X</u> |
| 16715-83 | <u>CYLINDERS, HEADS & VALVES - 883L/N/R, 1200C/CP/N/V/X</u> <u>CYLINDERS, HEADS & VALVES - XR1200X</u> |
| 16770-84F | <u>CYLINDERS, HEADS & VALVES - 883L/N/R, 1200C/CP/N/V/X</u> |
| 16771-08 | <u>CYLINDERS, HEADS & VALVES - XR1200X</u> |
| 16789-04 | <u>CYLINDERS, HEADS & VALVES - 883L/N/R, 1200C/CP/N/V/X</u> <u>CYLINDERS, HEADS & VALVES - XR1200X</u> |
| 16800-84A | <u>ROCKER ARM ASSEMBLY & PUSH RODS - 883L/N/R, 1200C/CP/N/V/X</u> <u>ROCKER ARM ASSEMBLY & PUSH RODS - XR1200X</u> |
| 16800019 | <u>CYLINDERS, HEADS & VALVES - 883L/N/R, 1200C/CP/N/V/X</u> |
| 16832-86C | <u>CYLINDERS, HEADS & VALVES - 883L/N/R, 1200C/CP/N/V/X</u> <u>CYLINDERS, HEADS & VALVES - XR1200X</u> |
| | |

| | |
|-----------|---|
| 16865-07 | <u>CYLINDERS, HEADS & VALVES - 883L/N/R, 1200C/CP/N/V/X</u> |
| 16867-07 | <u>CYLINDERS, HEADS & VALVES - 883L/N/R, 1200C/CP/N/V/X</u> |
| 16899-02 | <u>CRANKCASE & GEARCASE - XR1200X</u> |
| 17027-08 | <u>CYLINDERS, HEADS & VALVES - 883L/N/R, 1200C/CP/N/V/X</u> <u>CYLINDERS, HEADS & VALVES - XR1200X</u> |
| 17036-08 | <u>ROCKER ARM ASSEMBLY & PUSH RODS - 883L/N/R, 1200C/CP/N/V/X</u> <u>ROCKER ARM ASSEMBLY & PUSH RODS - XR1200X</u> |
| 17049-08 | <u>CYLINDERS, HEADS & VALVES - 883L/N/R, 1200C/CP/N/V/X</u> <u>CYLINDERS, HEADS & VALVES - XR1200X</u> |
| 17360-83A | <u>ROCKER ARM ASSEMBLY & PUSH RODS - 883L/N/R, 1200C/CP/N/V/X</u> <u>ROCKER ARM ASSEMBLY & PUSH RODS - XR1200X</u> |
| 17362-07B | <u>ROCKER ARM ASSEMBLY & PUSH RODS - 883L/N/R, 1200C/CP/N/V/X</u> |
| 17375-83A | <u>ROCKER ARM ASSEMBLY & PUSH RODS - 883L/N/R, 1200C/CP/N/V/X</u> <u>ROCKER ARM ASSEMBLY & PUSH RODS - XR1200X</u> |
| 17393-07 | <u>ROCKER ARM ASSEMBLY & PUSH RODS - 883L/N/R, 1200C/CP/N/V/X</u> |
| 17429-91 | <u>ROCKER ARM ASSEMBLY & PUSH RODS - 883L/N/R, 1200C/CP/N/V/X</u> <u>ROCKER ARM ASSEMBLY & PUSH RODS - XR1200X</u> |
| 17485-07 | <u>CYLINDERS, HEADS & VALVES - 883L/N/R, 1200C/CP/N/V/X</u> |
| 17488-07 | <u>CYLINDERS, HEADS & VALVES - 883L/N/R, 1200C/CP/N/V/X</u> |
| 17496-07 | <u>CYLINDERS, HEADS & VALVES - 883L/N/R, 1200C/CP/N/V/X</u> |
| 17501-04 | <u>ROCKER ARM ASSEMBLY & PUSH RODS - 883L/N/R, 1200C/CP/N/V/X</u> |
| 1751 | <u>BELT & SPROCKETS - XR1200X</u> |
| 17525-08 | <u>CRANKCASE & GEARCASE - XR1200X</u> |
| 17532-07A | <u>ROCKER ARM ASSEMBLY & PUSH RODS - 883L/N/R, 1200C/CP/N/V/X</u> |
| 17537-07A | <u>ROCKER ARM ASSEMBLY & PUSH RODS - 883L/N/R, 1200C/CP/N/V/X</u> |
| 17551-04 | <u>ROCKER ARM ASSEMBLY & PUSH RODS - 883L/N/R, 1200C/CP/N/V/X</u> |
| 17562-10 | <u>CYLINDERS, HEADS & VALVES - XR1200X</u> |
| 17565-10 | <u>CYLINDERS, HEADS & VALVES - XR1200X</u> |
| 17569-08 | <u>ROCKER ARM ASSEMBLY & PUSH RODS - XR1200X</u> |
| 17591-10 | <u>ROCKER ARM ASSEMBLY & PUSH RODS - XR1200X</u> |
| 17611-83 | <u>ROCKER ARM ASSEMBLY & PUSH RODS - 883L/N/R, 1200C/CP/N/V/X</u> <u>ROCKER ARM ASSEMBLY & PUSH RODS - XR1200X</u> |
| 17614-07A | <u>ROCKER ARM ASSEMBLY & PUSH RODS - 883L/N/R, 1200C/CP/N/V/X</u> |
| | |

| | |
|-----------|---|
| 17615-10 | <u>ROCKER ARM ASSEMBLY & PUSH RODS - XR1200X</u> |
| 17633-08B | <u>ROCKER ARM ASSEMBLY & PUSH RODS - XR1200X</u> |
| 17655-05 | <u>ROCKER ARM ASSEMBLY & PUSH RODS - 883L/N/R, 1200C/CP/N/V/X</u> |
| 17695-07B | <u>ROCKER ARM ASSEMBLY & PUSH RODS - 883L/N/R, 1200C/CP/N/V/X</u> <u>ROCKER ARM ASSEMBLY & PUSH RODS - XR1200X</u> |
| 17903-10 | <u>ROCKER ARM ASSEMBLY & PUSH RODS - XR1200X</u> |
| 17908-02 | <u>ROCKER ARM ASSEMBLY & PUSH RODS - 883L/N/R, 1200C/CP/N/V/X</u> <u>ROCKER ARM ASSEMBLY & PUSH RODS - XR1200X</u> |
| 17909-02 | <u>ROCKER ARM ASSEMBLY & PUSH RODS - 883L/N/R, 1200C/CP/N/V/X</u> <u>ROCKER ARM ASSEMBLY & PUSH RODS - XR1200X</u> |
| 17911-10 | <u>ROCKER ARM ASSEMBLY & PUSH RODS - XR1200X</u> |
| 17946-04 | <u>ROCKER ARM ASSEMBLY & PUSH RODS - 883L/N/R, 1200C/CP/N/V/X</u> |
| 17963-10 | <u>ROCKER ARM ASSEMBLY & PUSH RODS - XR1200X</u> |
| 17972-04 | <u>ROCKER ARM ASSEMBLY & PUSH RODS - 883L/N/R, 1200C/CP/N/V/X</u> |
| 17976-04 | <u>ROCKER ARM ASSEMBLY & PUSH RODS - 883L/N/R, 1200C/CP/N/V/X</u> <u>ROCKER ARM ASSEMBLY & PUSH RODS - XR1200X</u> |
| 17981-04 | <u>ROCKER ARM ASSEMBLY & PUSH RODS - 883L/N/R, 1200C/CP/N/V/X</u> |
| 18011-86 | <u>CYLINDERS, HEADS & VALVES - 883L/N/R, 1200C/CP/N/V/X</u> <u>CYLINDERS, HEADS & VALVES - XR1200X</u> |
| 18012-87A | <u>CYLINDERS, HEADS & VALVES - 883L/N/R, 1200C/CP/N/V/X</u> |
| 18020-07 | <u>CYLINDERS, HEADS & VALVES - 883L/N/R, 1200C/CP/N/V/X</u> <u>CYLINDERS, HEADS & VALVES - XR1200X</u> |
| 18021-87A | <u>CYLINDERS, HEADS & VALVES - 883L/N/R, 1200C/CP/N/V/X</u> |
| 18053-04 | <u>CYLINDERS, HEADS & VALVES - 883L/N/R, 1200C/CP/N/V/X</u> |
| 18059-04 | <u>CYLINDERS, HEADS & VALVES - 883L/N/R, 1200C/CP/N/V/X</u> |
| 18094-02A | <u>CYLINDERS, HEADS & VALVES - 883L/N/R, 1200C/CP/N/V/X</u> <u>CYLINDERS, HEADS & VALVES - XR1200X</u> |
| 18245-02 | <u>CYLINDERS, HEADS & VALVES - 883L/N/R, 1200C/CP/N/V/X</u> <u>CYLINDERS, HEADS & VALVES - XR1200X</u> |
| 18258-02 | <u>CYLINDERS, HEADS & VALVES - 883L/N/R, 1200C/CP/N/V/X</u> <u>CYLINDERS, HEADS & VALVES - XR1200X</u> |
| 18260-02 | <u>CYLINDERS, HEADS & VALVES - 883L/N/R, 1200C/CP/N/V/X</u> <u>CYLINDERS, HEADS & VALVES - XR1200X</u> |
| 18505-06 | <u>ROCKER ARM ASSEMBLY & PUSH RODS - 883L/N/R, 1200C/CP/N/V/X</u> <u>ROCKER ARM ASSEMBLY & PUSH RODS - XR1200X</u> |

| | |
|-----------|---|
| 18538-99C | ROCKER ARM ASSEMBLY & PUSH RODS - 883L/N/R, 1200C/CP/N/V/X ROCKER ARM ASSEMBLY & PUSH RODS - XR1200X |
| 18690-02 | CYLINDERS, HEADS & VALVES - 883L/N/R, 1200C/CP/N/V/X CYLINDERS, HEADS & VALVES - XR1200X |
| 18691-02 | CYLINDERS, HEADS & VALVES - 883L/N/R, 1200C/CP/N/V/X CYLINDERS, HEADS & VALVES - XR1200X |
| 19519-12 | ENGINE ASSEMBLY |
| 19527-12 | ENGINE ASSEMBLY |
| 19566-12 | ENGINE ASSEMBLY |
| 19606-12 | ENGINE ASSEMBLY |
| 19637-12 | ENGINE ASSEMBLY |
| 19734-12 | ENGINE ASSEMBLY |
| 19766-12 | ENGINE ASSEMBLY |
| 19767-12 | ENGINE ASSEMBLY |
| 19768-12 | ENGINE ASSEMBLY |
| 19778-12 | ENGINE ASSEMBLY |
| 19779-12 | ENGINE ASSEMBLY |
| 19925-12 | ENGINE ASSEMBLY |
| 19926-12 | ENGINE ASSEMBLY |
| 19927-12 | ENGINE ASSEMBLY |
| 215 | CRANKCASE & GEARCASE - 883L/N/R, 1200C/CP/N/V/X CRANKCASE & GEARCASE - XR1200X |
| 21948-02 | PISTONS & FLYWHEEL ASSEMBLY |
| 21965-08 | BRAKE CALIPER, FRONT - XR1200X |
| 22221-04 | PISTONS & FLYWHEEL ASSEMBLY |
| 22223-04 | PISTONS & FLYWHEEL ASSEMBLY |
| 22224-04 | PISTONS & FLYWHEEL ASSEMBLY |
| 22227-04 | PISTONS & FLYWHEEL ASSEMBLY |
| 22228-04 | PISTONS & FLYWHEEL ASSEMBLY |
| 22230-04 | PISTONS & FLYWHEEL ASSEMBLY |
| 22231-04 | PISTONS & FLYWHEEL ASSEMBLY |
| | |

| | |
|-----------|---|
| 22238-04 | PISTONS & FLYWHEEL ASSEMBLY |
| 22244-04A | PISTONS & FLYWHEEL ASSEMBLY |
| 22261-86 | PISTONS & FLYWHEEL ASSEMBLY |
| 22266-86 | PISTONS & FLYWHEEL ASSEMBLY |
| 22271-86 | PISTONS & FLYWHEEL ASSEMBLY |
| 22589-83B | PISTONS & FLYWHEEL ASSEMBLY |
| 22719-04 | PISTONS & FLYWHEEL ASSEMBLY |
| 22765-02 | PISTONS & FLYWHEEL ASSEMBLY |
| 232 | CRANKCASE & GEARCASE - XR1200X |
| 2325 | SPEEDOMETER - 883L/N/R, 1200C/CP/N/V/X SPEEDOMETER & TACHOMETER - XR1200X |
| 2361 | SPEEDOMETER - 883L/N/R, 1200C/CP/N/V/X SPEEDOMETER & TACHOMETER - XR1200X |
| 2362 | TAIL LAMPS |
| 23905-04B | PISTONS & FLYWHEEL ASSEMBLY |
| 23999-08 | PISTONS & FLYWHEEL ASSEMBLY |
| 24047-00 | CAMSHAFTS & GEAR COVER - 883L/N/R, 1200C/CP/N/V/X CAMSHAFTS & GEAR COVER - XR1200X |
| 2407 | AIR BOX - XR1200X |
| 24332-36 | PISTONS & FLYWHEEL ASSEMBLY |
| 2441 | ROCKER ARM ASSEMBLY & PUSH RODS - 883L/N/R, 1200C/CP/N/V/X |
| 2445 | FORK BRACKETS, FRONT - XR1200X FORK, REAR, DEBRIS DEFLECTOR & BELT GUARD FENDERS, REAR - XR1200X HEADLAMP - 1200C/CP/V |
| 2446 | FENDERS, REAR - 883N/1200N/V/X (ALL EXCEPT CANADA) |
| 24466-06B | CRANKCASE & GEARCASE - 883L/N/R, 1200C/CP/N/V/X |
| 24470-06B | CRANKCASE & GEARCASE - 883L/N/R, 1200C/CP/N/V/X |
| 24475-08 | CRANKCASE & GEARCASE - XR1200X |
| 2460 | AIR CLEANER - 883L/N/R, 1200C/CP/N/V/X |
| 24605-07 | CRANKCASE & GEARCASE - 883L/N/R, 1200C/CP/N/V/X CRANKCASE & GEARCASE - XR1200X |
| 24647-87 | CRANKCASE & GEARCASE - 883L/N/R, 1200C/CP/N/V/X |

| | |
|-----------|---|
| | <u>CRANKCASE & GEARCASE - XR1200X</u> |
| 24650-87 | <u>CRANKCASE & GEARCASE - 883L/N/R, 1200C/CP/N/V/X</u> <u>CRANKCASE & GEARCASE - XR1200X</u> |
| 24658-87 | <u>PISTONS & FLYWHEEL ASSEMBLY</u> |
| 24659-87 | <u>CRANKCASE & GEARCASE - 883L/N/R, 1200C/CP/N/V/X</u> <u>CRANKCASE & GEARCASE - XR1200X</u> |
| 24660-87 | <u>CRANKCASE & GEARCASE - 883L/N/R, 1200C/CP/N/V/X</u> <u>CRANKCASE & GEARCASE - XR1200X</u> |
| 24745-07A | <u>CRANKCASE & GEARCASE - 883L/N/R, 1200C/CP/N/V/X</u> |
| 24754-75A | <u>CRANKCASE & GEARCASE - 883L/N/R, 1200C/CP/N/V/X</u> <u>CRANKCASE & GEARCASE - XR1200X</u> |
| 2481M | <u>INDUCTION MODULE, FUEL - 883L/N/R, 1200C/CP/N/V/X</u> <u>INDUCTION MODULE, FUEL - XR1200X</u> |
| 2486 | <u>ROCKER ARM ASSEMBLY & PUSH RODS - 883L/N/R, 1200C/CP/N/V/X</u> <u>ROCKER ARM ASSEMBLY & PUSH RODS - XR1200X</u> |
| 2487 | <u>CRANKCASE & GEARCASE - XR1200X</u> |
| 2501A | <u>BRAKE, MASTER CYLINDER, REAR - 883L/N/R, 1200C/CP/N/V/X</u> |
| 2508 | <u>LICENSE PLATE BRACKETS</u> <u>TAIL LAMPS</u> |
| 2513 | <u>ELECTRONIC IGNITION SYSTEM - 883L/N/R, 1200C/CP/N/V/X</u> |
| 25194-06 | <u>CAMSHAFTS & GEAR COVER - 883L/N/R, 1200C/CP/N/V/X</u> |
| 25213-04 | <u>CAMSHAFTS & GEAR COVER - 883L/N/R, 1200C/CP/N/V/X</u> |
| 25219-04 | <u>CAMSHAFTS & GEAR COVER - 883L/N/R, 1200C/CP/N/V/X</u> |
| 25250-10 | <u>CAMSHAFTS & GEAR COVER - XR1200X</u> |
| 25263-90D | <u>CAMSHAFTS & GEAR COVER - 883L/N/R, 1200C/CP/N/V/X</u> |
| 25271-08 | <u>CAMSHAFTS & GEAR COVER - XR1200X</u> |
| 25279-08 | <u>OIL PUMP - XR1200X</u> |
| 25307-06 | <u>INSPECTION COVER & PRIMARY COVER</u> |
| 2535 | <u>BATTERY</u> |
| 25394-08 | <u>ENGINE SENSORS & SWITCHES</u> |
| 25409-94B | <u>CLUTCH - 883L/N/R, 1200C/CP/N/V/X</u> <u>CLUTCH - XR1200X</u> |
| 25430-06 | <u>INSPECTION COVER & PRIMARY COVER</u> |
| 25453-87A | <u>CLUTCH - 883L/N/R, 1200C/CP/N/V/X</u> |

| | |
|-----------|---|
| | <u>CLUTCH - XR1200X</u> |
| 25460-06 | <u>INSPECTION COVER & PRIMARY COVER</u> |
| 25463-94A | <u>INSPECTION COVER & PRIMARY COVER</u> |
| 25486-05 | <u>CAMSHAFTS & GEAR COVER - 883L/N/R, 1200C/CP/N/V/X</u> |
| 25546-07 | <u>CAMSHAFTS & GEAR COVER - 883L/N/R, 1200C/CP/N/V/X</u> |
| 25586-37 | <u>CAMSHAFTS & GEAR COVER - 883L/N/R, 1200C/CP/N/V/X</u> |
| 25588-91 | <u>CAMSHAFTS & GEAR COVER - 883L/N/R, 1200C/CP/N/V/X</u> |
| 25593-74 | <u>CAMSHAFTS & GEAR COVER - 883L/N/R, 1200C/CP/N/V/X</u> |
| 25598-91 | <u>CAMSHAFTS & GEAR COVER - 883L/N/R, 1200C/CP/N/V/X</u> |
| 25600007 | <u>CAMSHAFTS & GEAR COVER - 883L/N/R, 1200C/CP/N/V/X</u> |
| 2586A | <u>BRAKE CONTROL, FRONT - 883L/N/R, 1200C/CP/N/V/X</u> <u>BRAKE CONTROL, FRONT - XR1200X</u> |
| 26010-04 | <u>ROCKER ARM ASSEMBLY & PUSH RODS - 883L/N/R, 1200C/CP/N/V/X</u> |
| 26011-04 | <u>ROCKER ARM ASSEMBLY & PUSH RODS - 883L/N/R, 1200C/CP/N/V/X</u> |
| 26012-07 | <u>ROCKER ARM ASSEMBLY & PUSH RODS - 883L/N/R, 1200C/CP/N/V/X</u> |
| 26016-08 | <u>ROCKER ARM ASSEMBLY & PUSH RODS - XR1200X</u> |
| 26020-07 | <u>ROCKER ARM ASSEMBLY & PUSH RODS - 883L/N/R, 1200C/CP/N/V/X</u> |
| 26064-08 | <u>OIL PUMP - XR1200X</u> <u>OIL LINES & COOLER - XR1200X</u> |
| 2607 | <u>LICENSE PLATE BRACKETS</u> |
| 2612 | <u>AIR BOX - XR1200X</u> |
| 26162-08 | <u>AIR BOX - XR1200X</u> |
| 26169-08 | <u>AIR BOX - XR1200X</u> |
| 26182-08 | <u>OIL PUMP - XR1200X</u> |
| 26183-08 | <u>OIL LINES & COOLER - XR1200X</u> |
| 26184-08 | <u>OIL PUMP - XR1200X</u> |
| 26204-91A | <u>OIL PUMP - 883L/N/R, 1200C/CP/N/V/X</u> |
| 26210-99 | <u>OIL PUMP - XR1200X</u> |
| 26239-07 | <u>OIL PUMP - 883L/N/R, 1200C/CP/N/V/X</u> |
| 26318-88A | <u>CAMSHAFTS & GEAR COVER - 883L/N/R, 1200C/CP/N/V/X</u> |
| 26332-08 | <u>CAMSHAFTS & GEAR COVER - XR1200X</u> |

| | |
|-----------|--|
| 26400-82B | <u>OIL PUMP - XR1200X</u> |
| 26432-76A | <u>OIL PUMP - XR1200X</u> |
| 26434-91 | <u>OIL PUMP - 883L/N/R, 1200C/CP/N/V/X</u> |
| 26436-90A | <u>CRANKCASE & GEARCASE - 883L/N/R, 1200C/CP/N/V/X</u> <u>CRANKCASE & GEARCASE - XR1200X</u> |
| 26437-86B | <u>CRANKCASE & GEARCASE - 883L/N/R, 1200C/CP/N/V/X</u> <u>CRANKCASE & GEARCASE - XR1200X</u> |
| 26495-89B | <u>OIL PUMP - 883L/N/R, 1200C/CP/N/V/X</u> |
| 26496-75A | <u>OIL PUMP - 883L/N/R, 1200C/CP/N/V/X</u> |
| 26502-07 | <u>OIL PUMP - 883L/N/R, 1200C/CP/N/V/X</u> |
| 26503-07 | <u>OIL PUMP - 883L/N/R, 1200C/CP/N/V/X</u> |
| 26522-08 | <u>OIL PUMP - XR1200X</u> |
| 26525-08 | <u>OIL PUMP - XR1200X</u> |
| 26526-08 | <u>OIL PUMP - XR1200X</u> |
| 26529-08 | <u>OIL PUMP - XR1200X</u> |
| 2653 | <u>FENDERS, REAR - XR1200X</u> |
| 26546-08 | <u>OIL PUMP - XR1200X</u> |
| 26554-77B | <u>ENGINE SENSORS & SWITCHES</u> |
| 26592-08 | <u>OIL PUMP - XR1200X</u> |
| 26638-00Y | <u>CRANKCASE & GEARCASE - 883L/N/R, 1200C/CP/N/V/X</u> <u>CRANKCASE & GEARCASE - XR1200X</u> |
| 26856-89A | <u>ROCKER ARM ASSEMBLY & PUSH RODS - XR1200X</u> |
| 26995-86B | <u>INDUCTION MODULE, FUEL - 883L/N/R, 1200C/CP/N/V/X</u> <u>INDUCTION MODULE, FUEL - XR1200X</u> |
| 27042-84A | <u>EVAPORATIVE EMISSIONS COMPONENTS</u> |
| 27047-84B | <u>EVAPORATIVE EMISSIONS COMPONENTS</u> |
| 27067-07A | <u>FUEL TANK - 883L/N/R, 1200C/CP/N/V/X</u> |
| 27071-10 | <u>FUEL TANK - 883L/N/R, 1200C/CP/N/V/X</u> |
| 2708A | <u>SHIFTER LEVER</u> <u>FORK, REAR, DEBRIS DEFLECTOR & BELT GUARD</u> <u>GUARDS, SAREE</u> <u>HEADLAMP - 1200C/CP/V</u> |
| 27096-04A | <u>FUEL TANK - 883L/N/R, 1200C/CP/N/V/X</u> |

| | |
|-----------|--|
| | <u>FUEL TANK - XR1200X</u> |
| 27200-08 | <u>FUEL TANK - XR1200X</u> |
| 27216-95 | <u>INDUCTION MODULE, FUEL - 883L/N/R, 1200C/CP/N/V/X</u> <u>INDUCTION MODULE, FUEL - XR1200X</u> |
| 27250-96B | <u>FUEL TANK - 883L/N/R, 1200C/CP/N/V/X</u> |
| 27300029 | <u>INDUCTION MODULE, FUEL - XR1200X</u> |
| 27327-07 | <u>INDUCTION MODULE, FUEL - 883L/N/R, 1200C/CP/N/V/X</u> <u>INDUCTION MODULE, FUEL - XR1200X</u> |
| 27628-01A | <u>INDUCTION MODULE, FUEL - 883L/N/R, 1200C/CP/N/V/X</u> <u>INDUCTION MODULE, FUEL - XR1200X</u> |
| 27629-01A | <u>INDUCTION MODULE, FUEL - 883L/N/R, 1200C/CP/N/V/X</u> <u>INDUCTION MODULE, FUEL - XR1200X</u> <u>SWITCHES</u> |
| 27690-08 | <u>EXHAUST SYSTEM - XR1200X</u> <u>SWITCHES</u> |
| 27693-07 | <u>INDUCTION MODULE, FUEL - 883L/N/R, 1200C/CP/N/V/X</u> |
| 27695-08 | <u>INDUCTION MODULE, FUEL - XR1200X</u> |
| 27698-08A | <u>INDUCTION MODULE, FUEL - XR1200X</u> |
| 27700-07 | <u>INDUCTION MODULE, FUEL - 883L/N/R, 1200C/CP/N/V/X</u> |
| 27701-07A | <u>INDUCTION MODULE, FUEL - 883L/N/R, 1200C/CP/N/V/X</u> |
| 27704-07 | <u>INDUCTION MODULE, FUEL - 883L/N/R, 1200C/CP/N/V/X</u> <u>INDUCTION MODULE, FUEL - XR1200X</u> |
| 27706-07A | <u>INDUCTION MODULE, FUEL - 883L/N/R, 1200C/CP/N/V/X</u> <u>INDUCTION MODULE, FUEL - XR1200X</u> |
| 27707-07 | <u>INDUCTION MODULE, FUEL - 883L/N/R, 1200C/CP/N/V/X</u> |
| 27714-06 | <u>EXHAUST SYSTEM - 883L/N/R, 1200C/CP/N/V/X</u> <u>EXHAUST SYSTEM - XR1200X</u> <u>SWITCHES</u> |
| 27719-07 | <u>EXHAUST SYSTEM - 883L/N/R, 1200C/CP/N/V/X</u> <u>SWITCHES</u> |
| 2773 | <u>LICENSE PLATE BRACKETS</u> |
| 27792-08 | <u>INDUCTION MODULE, FUEL - XR1200X</u> |
| 27794-08 | <u>ELECTRONIC IGNITION SYSTEM - XR1200X</u> |
| 27795-07 | <u>INDUCTION MODULE, FUEL - 883L/N/R, 1200C/CP/N/V/X</u> |
| 27829-10 | <u>INDUCTION MODULE, FUEL - 883L/N/R, 1200C/CP/N/V/X</u> |
| | |

| | |
|-----------|--|
| 2872W | FENDERS, REAR - XR1200X |
| 28790-10 | AIR CLEANER - 883L/N/R, 1200C/CP/N/V/X |
| 28792-10 | AIR CLEANER - 883L/N/R, 1200C/CP/N/V/X |
| 28793-10 | AIR CLEANER - 883L/N/R, 1200C/CP/N/V/X |
| 28794-10 | AIR CLEANER - 883L/N/R, 1200C/CP/N/V/X |
| 28822-07A | EVAPORATIVE EMISSIONS COMPONENTS |
| 28908-04A | EVAPORATIVE EMISSIONS COMPONENTS |
| 28909-04 | EVAPORATIVE EMISSIONS COMPONENTS |
| 28911-04A | FUEL TANK - 883L/N/R, 1200C/CP/N/V/X EVAPORATIVE EMISSIONS COMPONENTS |
| 29000015 | AIR CLEANER - 883L/N/R, 1200C/CP/N/V/X |
| 29000016 | AIR CLEANER - 883L/N/R, 1200C/CP/N/V/X |
| 29062-95B | AIR CLEANER - 883L/N/R, 1200C/CP/N/V/X |
| 29123-07 | AIR CLEANER - 883L/N/R, 1200C/CP/N/V/X |
| 29127-95B | LABELS |
| 29147-07 | LABELS |
| 29200001 | AIR CLEANER - 883L/N/R, 1200C/CP/N/V/X |
| 29313-95 | AIR CLEANER - 883L/N/R, 1200C/CP/N/V/X |
| 29315-04 | AIR CLEANER - 883L/N/R, 1200C/CP/N/V/X |
| 29331-04 | AIR CLEANER - 883L/N/R, 1200C/CP/N/V/X |
| 29346-07 | AIR CLEANER - 883L/N/R, 1200C/CP/N/V/X |
| 29355-07 | AIR CLEANER - 883L/N/R, 1200C/CP/N/V/X |
| 29369-07A | AIR CLEANER - 883L/N/R, 1200C/CP/N/V/X |
| 29371-08 | AIR BOX - XR1200X |
| 29377-08 | AIR BOX - XR1200X |
| 29379-08 | AIR BOX - XR1200X |
| 29380-08 | AIR BOX - XR1200X |
| 29400015 | AIR CLEANER - 883L/N/R, 1200C/CP/N/V/X |
| 29466-08 | LABELS |
| 2952A | SEATS FENDERS, REAR - 883N/1200N/V/X (ALL EXCEPT CANADA) |

| | |
|-----------|--|
| 2955 | <u>SWITCHES, HANDLEBAR</u> |
| 29867-09 | <u>AIR BOX - XR1200X</u> |
| 29950-91 | <u>CRANKCASE & GEARCASE - 883L/N/R, 1200C/CP/N/V/X</u> <u>CRANKCASE & GEARCASE - XR1200X</u> |
| 29997-07A | <u>ALTERNATOR & REGULATOR</u> |
| 30018-08 | <u>ALTERNATOR & REGULATOR</u> <u>BELT & SPROCKETS - XR1200X</u> |
| 30029-08 | <u>ALTERNATOR & REGULATOR</u> <u>BELT & SPROCKETS - XR1200X</u> |
| 3018A | <u>FENDERS, FRONT</u> |
| 3022A | <u>TAIL LAMPS</u> |
| 3026 | <u>HORN</u> |
| 3029 | <u>ALTERNATOR & REGULATOR</u> |
| 3048 | <u>FOOTRESTS - XR1200X</u> |
| 3056 | <u>FORK BRACKETS, FRONT - 883L/N/R, 1200C/CP/N/V/X</u> |
| 3059 | <u>FUEL TANK - XR1200X</u> |
| 3060 | <u>FUEL TANK - XR1200X</u> |
| 3085 | <u>FENDERS, REAR - 883N/1200N/V/X (ALL EXCEPT CANADA)</u> <u>LICENSE PLATE BRACKETS</u> |
| 3123 | <u>WIRING HARNESS, MAIN - 883L/N/R, 1200C/CP/N/V/X (1 OF 3)</u> |
| 3124 | <u>ELECTRONIC IGNITION SYSTEM - 883L/N/R, 1200C/CP/N/V/X</u> <u>HORN</u> <u>WIRING HARNESS, MAIN - 883L/N/R, 1200C/CP/N/V/X (1 OF 3)</u> <u>WIRING HARNESS, MAIN - XR1200X (1 OF 3)</u> |
| 31390-91F | <u>STARTER MOTOR</u> |
| 31488-81C | <u>STARTER MOTOR</u> |
| 31512-04 | <u>OIL TANK & LINES - 883L/N/R, 1200C/CP/N/V/X</u> |
| 31556-91D | <u>STARTER MOTOR</u> |
| 31586-07 | <u>WIRING HARNESS, MAIN - 883L/N/R, 1200C/CP/N/V/X (1 OF 3)</u> <u>WIRING HARNESS, MAIN - XR1200X (1 OF 3)</u> <u>SWITCHES</u> |
| 31602-08 | <u>BELT & SPROCKETS - XR1200X</u> |
| 31603-91 | <u>STARTER MOTOR</u> |
| 3162 | <u>FOOTRESTS - 883L/N/R, 1200C/CP/N/V/X</u> |

| | |
|-----------|---|
| | <u>FOOTRESTS - XR1200X</u> |
| 31630-08 | <u>BELT & SPROCKETS - XR1200X</u> |
| 31656-07 | <u>ELECTRONIC IGNITION SYSTEM - 883L/N/R, 1200C/CP/N/V/X</u> <u>ELECTRONIC IGNITION SYSTEM - XR1200X</u> |
| 31698-08 | <u>BELT & SPROCKETS - XR1200X</u> |
| 31699-08 | <u>BELT & SPROCKETS - XR1200X</u> |
| 31753-07 | <u>ELECTRONIC IGNITION SYSTEM - 883L/N/R, 1200C/CP/N/V/X</u> <u>ELECTRONIC IGNITION SYSTEM - XR1200X</u> |
| 31797-07 | <u>WIRING HARNESS, MAIN - 883L/N/R, 1200C/CP/N/V/X (1 OF 3)</u> |
| 31801-08 | <u>ELECTRONIC IGNITION SYSTEM - XR1200X</u> |
| 31806-08A | <u>WIRING HARNESS, MAIN - XR1200X (1 OF 3)</u> |
| 31807-07 | <u>ELECTRONIC IGNITION SYSTEM - 883L/N/R, 1200C/CP/N/V/X</u> |
| 32003-07 | <u>ELECTRONIC IGNITION SYSTEM - 883L/N/R, 1200C/CP/N/V/X</u> |
| 32004-08 | <u>ELECTRONIC IGNITION SYSTEM - XR1200X</u> |
| 32005-08A | <u>ELECTRONIC IGNITION SYSTEM - XR1200X</u> |
| 32006-07 | <u>ELECTRONIC IGNITION SYSTEM - 883L/N/R, 1200C/CP/N/V/X</u> |
| 3210A | <u>HANDLEBAR & THROTTLE CONTROL - 883L/N/R, 1200N/X, XR1200X</u> <u>HANDLEBAR & THROTTLE CONTROL - 1200C/CP/V</u> <u>FENDERS, FRONT</u> |
| 3214 | <u>FOOTRESTS - 883L/N/R, 1200C/CP/N/V/X</u> |
| 32319-07 | <u>INDUCTION MODULE, FUEL - 883L/N/R, 1200C/CP/N/V/X</u> <u>INDUCTION MODULE, FUEL - XR1200X</u> <u>SWITCHES</u> |
| 32362-04 | <u>ELECTRONIC IGNITION SYSTEM - 883L/N/R, 1200C/CP/N/V/X</u> |
| 3244 | <u>CLUTCH CONTROL</u> <u>BRAKE CONTROL, FRONT - 883L/N/R, 1200C/CP/N/V/X</u> <u>BRAKE CONTROL, FRONT - XR1200X</u> |
| 32472-10 | <u>ENGINE SENSORS & SWITCHES</u> |
| 32493-02B | <u>ALTERNATOR & REGULATOR</u> <u>BELT & SPROCKETS - 883L/N/R, 1200C/CP/N/V/X</u> |
| 32494-04B | <u>ALTERNATOR & REGULATOR</u> <u>BELT & SPROCKETS - 883L/N/R, 1200C/CP/N/V/X</u> |
| 32506-90 | <u>CAMSHAFTS & GEAR COVER - 883L/N/R, 1200C/CP/N/V/X</u> |
| 32514-04 | <u>CAMSHAFTS & GEAR COVER - 883L/N/R, 1200C/CP/N/V/X</u> |
| 32531-07 | <u>CAMSHAFTS & GEAR COVER - 883L/N/R, 1200C/CP/N/V/X</u> |

| | |
|-------------|---|
| 32534-11 | ELECTRONIC IGNITION SYSTEM - 883L/N/R, 1200C/CP/N/V/X ELECTRONIC IGNITION SYSTEM - XR1200X |
| 32707-01C | ENGINE SENSORS & SWITCHES |
| 33032-99 | FOOTRESTS - 883L/N/R, 1200C/CP/N/V/X |
| 33048-72 | FOOTRESTS - 883L/N/R, 1200C/CP/N/V/X |
| 33084-06 | FOOTRESTS - XR1200X |
| 33117-91A | CRANKCASE & GEARCASE - 883L/N/R, 1200C/CP/N/V/X CRANKCASE & GEARCASE - XR1200X |
| 33123-06A | OIL TANK & LINES - 883L/N/R, 1200C/CP/N/V/X OIL TANK & LINES- XR1200X |
| 33130-07A | FOOTRESTS - 883L/N/R, 1200C/CP/N/V/X FOOTRESTS - XR1200X |
| 33133-06 | FOOTRESTS - 883L/N/R, 1200C/CP/N/V/X FOOTRESTS - XR1200X |
| 33134-07CAZ | FOOTRESTS - 883L/N/R, 1200C/CP/N/V/X FOOTRESTS - XR1200X |
| 33135-07CAZ | FOOTRESTS - 883L/N/R, 1200C/CP/N/V/X FOOTRESTS - XR1200X |
| 33138-06 | OIL TANK & LINES - 883L/N/R, 1200C/CP/N/V/X OIL TANK & LINES- XR1200X |
| 33189-63 | FOOTRESTS - 883L/N/R, 1200C/CP/N/V/X |
| 33216-99 | FOOTRESTS - 883L/N/R, 1200C/CP/N/V/X |
| 33354-08 | TRANSMISSION GEARS |
| 33540-06 | SHIFTER, GEAR |
| 33641-06 | SHIFTER, GEAR |
| 33832-08 | SHIFTER LEVER |
| 33875-08 | SHIFTER LEVER |
| 33900-99 | SWITCHES |
| 34014-06A | SHIFTER, GEAR |
| 34064-00C | SHIFTER, GEAR |
| 34076-02A | SHIFTER, GEAR |
| 34157-06 | SHIFTER, GEAR |
| 34162-06 | SHIFTER, GEAR |
| | |

| | |
|-----------|---|
| 34163-02 | SHIFTER, GEAR |
| 34483-06 | SHIFTER, GEAR |
| 34491-02A | SHIFTER, GEAR |
| 34572-04 | SHIFTER LEVER |
| 34573-04 | SHIFTER LEVER |
| 34581-04 | BRAKE CONTROL, REAR |
| 34582-04 | BRAKE CONTROL, REAR |
| 34611-65A | SHIFTER LEVER |
| 34660-04A | SHIFTER LEVER |
| 34663-10 | SHIFTER LEVER |
| 34665-10 | SHIFTER LEVER |
| 34670-06 | SHIFTER LEVER |
| 34672-08 | SHIFTER LEVER |
| 34721-07 | SHIFTER LEVER |
| 34723-10 | SHIFTER LEVER |
| 34724-10 | SHIFTER LEVER |
| 34760-04 | INSPECTION COVER & PRIMARY COVER |
| 34761-04A | INSPECTION COVER & PRIMARY COVER |
| 34794-05A | INSPECTION COVER & PRIMARY COVER |
| 3480A | CAMSHAFTS & GEAR COVER - 883L/N/R, 1200C/CP/N/V/X CAMSHAFTS & GEAR COVER - XR1200X ELECTRONIC IGNITION SYSTEM - 883L/N/R, 1200C/CP/N/V/X ELECTRONIC IGNITION SYSTEM - XR1200X BELT & SPROCKETS - 883L/N/R, 1200C/CP/N/V/X BELT & SPROCKETS - XR1200X |
| 3485A | FUEL TANK - XR1200X |
| 34911-04 | BELT & SPROCKETS - 883L/N/R, 1200C/CP/N/V/X |
| 34920-86A | CLUTCH - 883L/N/R, 1200C/CP/N/V/X CLUTCH - XR1200X |
| 34932-04 | BELT & SPROCKETS - 883L/N/R, 1200C/CP/N/V/X |
| 34943-05 | BELT & SPROCKETS - 883L/N/R, 1200C/CP/N/V/X |
| 34954-07 | BELT & SPROCKETS - 883L/N/R, 1200C/CP/N/V/X |
| 34955-04 | INSPECTION COVER & PRIMARY COVER |

| | |
|-----------|---|
| 34981-02A | <u>SHIFTER, GEAR</u> |
| 34982-02A | <u>SHIFTER, GEAR</u> |
| 34990-08 | <u>INSPECTION COVER & PRIMARY COVER</u> |
| 34992-04 | <u>INSPECTION COVER & PRIMARY COVER</u> |
| 34993-04A | <u>INSPECTION COVER & PRIMARY COVER</u> |
| 35030-89A | <u>TRANSMISSION GEARS</u> |
| 35038-89A | <u>TRANSMISSION GEARS</u> |
| 35051-89A | <u>TRANSMISSION GEARS</u> |
| 35077-10 | <u>INSPECTION COVER & PRIMARY COVER</u> |
| 35087-99A | <u>TRANSMISSION GEARS</u> |
| 35107-06 | <u>TRANSMISSION GEARS</u> |
| 35114-02 | <u>CRANKCASE & GEARCASE - 883L/N/R, 1200C/CP/N/V/X</u> <u>CRANKCASE & GEARCASE - XR1200X</u> |
| 35118-03 | <u>CRANKCASE & GEARCASE - 883L/N/R, 1200C/CP/N/V/X</u> <u>CRANKCASE & GEARCASE - XR1200X</u> |
| 3514 | <u>HEADLAMP - 883L/N/R, 1200N/X, XR1200X</u> |
| 35159-06 | <u>TRANSMISSION GEARS</u> |
| 35163-06 | <u>TRANSMISSION GEARS</u> |
| 35165-06 | <u>TRANSMISSION GEARS</u> |
| 35167-06 | <u>TRANSMISSION GEARS</u> |
| 35172-06 | <u>TRANSMISSION GEARS</u> |
| 35174-06 | <u>TRANSMISSION GEARS</u> |
| 35190-06 | <u>TRANSMISSION GEARS</u> |
| 35191-06 | <u>TRANSMISSION GEARS</u> |
| 35193-06 | <u>TRANSMISSION GEARS</u> |
| 35196-06 | <u>TRANSMISSION GEARS</u> |
| 35197-06 | <u>TRANSMISSION GEARS</u> |
| 35211-91B | <u>BELT & SPROCKETS - 883L/N/R, 1200C/CP/N/V/X</u> <u>BELT & SPROCKETS - XR1200X</u> |
| 35234-08 | <u>TRANSMISSION GEARS</u> |
| 3563 | <u>HORN</u> |

| | |
|-----------|--|
| 3565 | AIR CLEANER - 883L/N/R, 1200C/CP/N/V/X |
| 3574 | SEATS FENDERS, REAR - XR1200X |
| 3579A | BRAKE, MASTER CYLINDER, REAR - XR1200X FORK, REAR, DEBRIS DEFLECTOR & BELT GUARD |
| 358 | CRANKCASE & GEARCASE - 883L/N/R, 1200C/CP/N/V/X CRANKCASE & GEARCASE - XR1200X |
| 3588 | OIL TANK & LINES - 883L/N/R, 1200C/CP/N/V/X OIL TANK & LINES- XR1200X BATTERY |
| 3594 | BELT & SPROCKETS - 883L/N/R, 1200C/CP/N/V/X BELT & SPROCKETS - XR1200X |
| 3605 | HANDLEBAR & THROTTLE CONTROL - 883L/N/R, 1200N/X, XR1200X HANDLEBAR & THROTTLE CONTROL - 1200C/CP/V |
| 3615 | HEADLAMP - 1200C/CP/V |
| 3655A | WHEELS, FRONT, CAST - 883L/N/R, 1200C/CP WHEEL, FRONT, CAST - XR1200X WHEELS, FRONT, LACED - 1200C/CP/N/V/X HEADLAMP - 883L/N/R, 1200N/X, XR1200X |
| 3658 | SWITCHES, HANDLEBAR SWITCHES |
| 3666A | HANDLEBAR & THROTTLE CONTROL - 1200C/CP/V |
| 36715-94 | CLUTCH - 883L/N/R, 1200C/CP/N/V/X CLUTCH - XR1200X |
| 36731-91 | CLUTCH - 883L/N/R, 1200C/CP/N/V/X CLUTCH - XR1200X |
| 36785-91 | CLUTCH - 883L/N/R, 1200C/CP/N/V/X |
| 36790-04 | CLUTCH - 883L/N/R, 1200C/CP/N/V/X |
| 36799-91 | CLUTCH - 883L/N/R, 1200C/CP/N/V/X |
| 36802-84B | CLUTCH - 883L/N/R, 1200C/CP/N/V/X CLUTCH - XR1200X |
| 3696 | FRAME & JIFFY STAND - XR1200X OIL TANK & LINES - 883L/N/R, 1200C/CP/N/V/X OIL TANK & LINES- XR1200X BATTERY |
| 37000041 | CLUTCH CONTROL |
| 3706M | FENDERS, REAR - XR1200X |
| 3708M | ELECTRONIC IGNITION SYSTEM - XR1200X |

| | |
|-----------|---|
| 37107-06 | <u>SHIFTER, GEAR</u> |
| 3731M | <u>FENDERS, FRONT</u> |
| 3732 | <u>TURN SIGNAL MODULE & SECURITY SIREN</u> |
| 37495-91 | <u>CLUTCH - 883L/N/R, 1200C/CP/N/V/X</u> <u>CLUTCH - XR1200X</u> |
| 3767B | <u>EVAPORATIVE EMISSIONS COMPONENTS</u> |
| 37716-10 | <u>BELT & SPROCKETS - XR1200X</u> |
| 37718-10 | <u>INSPECTION COVER & PRIMARY COVER</u> |
| 37797-09 | <u>BELT & SPROCKETS - XR1200X</u> |
| 37870-91 | <u>CLUTCH - 883L/N/R, 1200C/CP/N/V/X</u> <u>CLUTCH - XR1200X</u> |
| 37872-90 | <u>CLUTCH - 883L/N/R, 1200C/CP/N/V/X</u> <u>CLUTCH - XR1200X</u> |
| 37890-02 | <u>CLUTCH - XR1200X</u> |
| 37891-02 | <u>CLUTCH - XR1200X</u> |
| 37892-02 | <u>CLUTCH - XR1200X</u> |
| 37894-02 | <u>CLUTCH - XR1200X</u> |
| 37895-02 | <u>CLUTCH - XR1200X</u> |
| 37896-02 | <u>CLUTCH - XR1200X</u> |
| 37897-02 | <u>CLUTCH - XR1200X</u> |
| 37898-02A | <u>CLUTCH - XR1200X</u> |
| 37899-02A | <u>CLUTCH - XR1200X</u> |
| 37904-90 | <u>CLUTCH - 883L/N/R, 1200C/CP/N/V/X</u> |
| 37905-90 | <u>CLUTCH - 883L/N/R, 1200C/CP/N/V/X</u> |
| 37908-90 | <u>CLUTCH - 883L/N/R, 1200C/CP/N/V/X</u> <u>CLUTCH - XR1200X</u> |
| 37909-90 | <u>CLUTCH - 883L/N/R, 1200C/CP/N/V/X</u> <u>CLUTCH - XR1200X</u> |
| 37910-04B | <u>CLUTCH - 883L/N/R, 1200C/CP/N/V/X</u> |
| 37911-90 | <u>CLUTCH - 883L/N/R, 1200C/CP/N/V/X</u> <u>CLUTCH - XR1200X</u> |
| 37912-91 | <u>CLUTCH - 883L/N/R, 1200C/CP/N/V/X</u> |
| | |

| | |
|-----------|---|
| 37913-90 | CLUTCH - 883L/N/R, 1200C/CP/N/V/X CLUTCH - XR1200X |
| 37924-04A | CLUTCH - 883L/N/R, 1200C/CP/N/V/X |
| 37934-06 | CLUTCH - XR1200X |
| 37977-90 | CLUTCH - 883L/N/R, 1200C/CP/N/V/X |
| 3802W | FENDERS, REAR - XR1200X |
| 3814 | BELT & SPROCKETS - 883L/N/R, 1200C/CP/N/V/X BELT & SPROCKETS - XR1200X |
| 3849 | ROCKER ARM ASSEMBLY & PUSH RODS - 883L/N/R, 1200C/CP/N/V/X ROCKER ARM ASSEMBLY & PUSH RODS - XR1200X |
| 3854 | ENGINE MOUNTS |
| 38630-88 | CLUTCH CONTROL |
| 38653-01 | HANDLEBAR & THROTTLE CONTROL - 883L/N/R, 1200N/X, XR1200X HANDLEBAR & THROTTLE CONTROL - 1200C/CP/V |
| 38671-04 | CLUTCH CONTROL |
| 38699-04C | CLUTCH CONTROL |
| 38702-05C | CLUTCH CONTROL |
| 38786-08A | CLUTCH CONTROL |
| 3880 | SHOCK ABSORBERS, REAR |
| 3899 | BELT & SPROCKETS - 883L/N/R, 1200C/CP/N/V/X BELT & SPROCKETS - XR1200X WHEELS, REAR, CAST - 883L/N/R, 1200C/CP WHEEL, REAR, CAST - XR1200X WHEELS, REAR, LACED - 1200C/CP/N/V/X |
| 38999-11 | HEADLAMP - 1200C/CP/V |
| 3976 | ROCKER ARM ASSEMBLY & PUSH RODS - 883L/N/R, 1200C/CP/N/V/X ROCKER ARM ASSEMBLY & PUSH RODS - XR1200X |
| 3987 | INDUCTION MODULE, FUEL - 883L/N/R, 1200C/CP/N/V/X INDUCTION MODULE, FUEL - XR1200X |
| 3990 | TRANSMISSION GEARS |
| 40005-57B | BELT & SPROCKETS - 883L/N/R, 1200C/CP/N/V/X |
| 40039-02C | BELT & SPROCKETS - 883L/N/R, 1200C/CP/N/V/X BELT & SPROCKETS - XR1200X |
| 40057-08 | BELT & SPROCKETS - XR1200X |
| 40147-04 | BELT & SPROCKETS - 883L/N/R, 1200C/CP/N/V/X BELT & SPROCKETS - XR1200X |

| | |
|-----------|--|
| 4016 | <u>SHIFTER LEVER</u> |
| 4017 | <u>FENDERS, REAR - 883L/R/1200C/CP (ALL), 883N/1200N/V/X (CANADA ONLY)</u> <u>FENDERS, REAR - 883N/1200N/V/X (ALL EXCEPT CANADA)</u> |
| 40241-02A | <u>ALTERNATOR & REGULATOR</u> <u>BELT & SPROCKETS - 883L/N/R, 1200C/CP/N/V/X</u> |
| 40251-92A | <u>BELT & SPROCKETS - 883L/N/R, 1200C/CP/N/V/X</u> <u>BELT & SPROCKETS - XR1200X</u> |
| 40254-02 | <u>CRANKCASE & GEARCASE - 883L/N/R, 1200C/CP/N/V/X</u> <u>CRANKCASE & GEARCASE - XR1200X</u> <u>BELT & SPROCKETS - 883L/N/R, 1200C/CP/N/V/X</u> <u>BELT & SPROCKETS - XR1200X</u> |
| 40290-04A | <u>ALTERNATOR & REGULATOR</u> <u>BELT & SPROCKETS - 883L/N/R, 1200C/CP/N/V/X</u> |
| 4029A | <u>FORK, FRONT - 883L/R, 1200C/CP/V/X</u> <u>FORK, FRONT - 883N, 1200N</u> |
| 4032A | <u>EXHAUST SYSTEM - 883L/N/R, 1200C/CP/N/V/X</u> |
| 40350-07 | <u>BELT & SPROCKETS - 883L/N/R, 1200C/CP/N/V/X</u> <u>BELT & SPROCKETS - XR1200X</u> |
| 40379-04 | <u>BELT & SPROCKETS - XR1200X</u> |
| 40380-04 | <u>BELT & SPROCKETS - 883L/N/R, 1200C/CP/N/V/X</u> |
| 40409-04 | <u>BELT & SPROCKETS - 883L/N/R, 1200C/CP/N/V/X</u> |
| 40444-07 | <u>BELT & SPROCKETS - 883L/N/R, 1200C/CP/N/V/X</u> |
| 40518-08 | <u>BELT & SPROCKETS - 883L/N/R, 1200C/CP/N/V/X</u> <u>BELT & SPROCKETS - XR1200X</u> |
| 40558-82 | <u>WHEELS, FRONT, LACED - 1200C/CP/N/V/X</u> <u>WHEELS, REAR, LACED - 1200C/CP/N/V/X</u> |
| 40560-05 | <u>BELT & SPROCKETS - 883L/N/R, 1200C/CP/N/V/X</u> <u>BELT & SPROCKETS - XR1200X</u> |
| 40561-05 | <u>BELT & SPROCKETS - 883L/N/R, 1200C/CP/N/V/X</u> <u>BELT & SPROCKETS - XR1200X</u> |
| 40562-05 | <u>BELT & SPROCKETS - 883L/N/R, 1200C/CP/N/V/X</u> |
| 40572-11 | <u>WHEELS, FRONT, LACED - 1200C/CP/N/V/X</u> <u>WHEELS, REAR, LACED - 1200C/CP/N/V/X</u> |
| 40574-06 | <u>INSPECTION COVER & PRIMARY COVER</u> |
| 40591-07 | <u>BELT & SPROCKETS - 883L/N/R, 1200C/CP/N/V/X</u> <u>BELT & SPROCKETS - XR1200X</u> |
| 40759-05 | <u>WHEELS, FRONT, LACED - 1200C/CP/N/V/X</u> |

| | |
|-----------|---|
| 4076 | BRAKE, MASTER CYLINDER, REAR - 883L/N/R, 1200C/CP/N/V/X FRAME & JIFFY STAND - 883L/N/R, 1200C/CP/N/V/X FRAME & JIFFY STAND - XR1200X |
| 40760-05 | WHEELS, FRONT, LACED - 1200C/CP/N/V/X |
| 40761-05 | WHEELS, FRONT, LACED - 1200C/CP/N/V/X |
| 40762-05 | WHEELS, FRONT, LACED - 1200C/CP/N/V/X |
| 40875-11 | WHEELS, FRONT, LACED - 1200C/CP/N/V/X WHEELS, REAR, LACED - 1200C/CP/N/V/X |
| 40878-11 | WHEELS, REAR, CAST - 883L/N/R, 1200C/CP WHEELS, REAR, CAST - 883L/N/R, 1200C/CP WHEELS, REAR, LACED - 1200C/CP/N/V/X |
| 40879-11A | WHEELS, FRONT, CAST - 883L/N/R, 1200C/CP WHEEL, FRONT, CAST - XR1200X |
| 4091 | CRANKCASE & GEARCASE - 883L/N/R, 1200C/CP/N/V/X CRANKCASE & GEARCASE - XR1200X |
| 40930-05 | WHEELS, REAR, CAST - 883L/N/R, 1200C/CP WHEEL, REAR, CAST - XR1200X WHEELS, REAR, LACED - 1200C/CP/N/V/X |
| 40946-04 | BRAKE, MASTER CYLINDER, REAR - 883L/N/R, 1200C/CP/N/V/X |
| 40948-04 | BRAKE, MASTER CYLINDER, REAR - 883L/N/R, 1200C/CP/N/V/X BRAKE, MASTER CYLINDER, REAR - XR1200X |
| 40968-11 | BRAKE CALIPER, REAR - 883L/N/R, 1200C/CP/N/V/X |
| 40999-87 | WHEELS, FRONT, CAST - 883L/N/R, 1200C/CP WHEELS, REAR, CAST - 883L/N/R, 1200C/CP |
| 41012-08 | WHEELS, REAR, CAST - 883L/N/R, 1200C/CP |
| 41082-08 | WHEELS, REAR, LACED - 1200C/CP/N/V/X |
| 41123-79 | WHEELS, FRONT, CAST - 883L/N/R, 1200C/CP WHEEL, FRONT, CAST - XR1200X WHEELS, FRONT, LACED - 1200C/CP/N/V/X WHEELS, REAR, CAST - 883L/N/R, 1200C/CP WHEEL, REAR, CAST - XR1200X WHEELS, REAR, LACED - 1200C/CP/N/V/X |
| 41176-08 | WHEELS, REAR, CAST - 883L/N/R, 1200C/CP WHEELS, REAR, LACED - 1200C/CP/N/V/X |
| 41188-06 | WHEELS, FRONT, LACED - 1200C/CP/N/V/X |
| 41191-74A | INSPECTION COVER & PRIMARY COVER |
| 41229-08 | WHEELS, REAR, CAST - 883L/N/R, 1200C/CP WHEEL, REAR, CAST - XR1200X WHEELS, REAR, LACED - 1200C/CP/N/V/X |
| | |

| | |
|----------|--|
| 41242-08 | WHEELS, FRONT, CAST - 883L/N/R, 1200C/CP WHEELS, FRONT, LACED - 1200C/CP/N/V/X WHEELS, REAR, CAST - 883L/N/R, 1200C/CP WHEELS, REAR, LACED - 1200C/CP/N/V/X |
| 4132 | OIL PUMP - 883L/N/R, 1200C/CP/N/V/X |
| 41388-10 | WHEELS, FRONT, LACED - 1200C/CP/N/V/X |
| 41389-10 | WHEELS, FRONT, LACED - 1200C/CP/N/V/X |
| 41426-07 | WHEELS, FRONT, LACED - 1200C/CP/N/V/X |
| 41478-10 | WHEELS, REAR, LACED - 1200C/CP/N/V/X |
| 41561-04 | ENGINE MOUNTS |
| 41562-04 | ENGINE MOUNTS |
| 41568-04 | ENGINE MOUNTS |
| 41573-05 | FORK, REAR, DEBRIS DEFLECTOR & BELT GUARD |
| 41623-05 | FORK, REAR, DEBRIS DEFLECTOR & BELT GUARD |
| 41626-08 | FORK, REAR, DEBRIS DEFLECTOR & BELT GUARD |
| 41627-08 | WHEEL, REAR, CAST - XR1200X |
| 41628-08 | WHEELS, FRONT, CAST - 883L/N/R, 1200C/CP WHEEL, FRONT, CAST - XR1200X WHEELS, FRONT, LACED - 1200C/CP/N/V/X |
| 41698-04 | FORK, REAR, DEBRIS DEFLECTOR & BELT GUARD |
| 41699-04 | ENGINE MOUNTS |
| 41730-08 | WHEEL, REAR, CAST - XR1200X |
| 41732-04 | BRAKE CONTROL, FRONT - 883L/N/R, 1200C/CP/N/V/X BRAKE CONTROL, FRONT - XR1200X BRAKE, MASTER CYLINDER, REAR - 883L/N/R, 1200C/CP/N/V/X BRAKE, MASTER CYLINDER, REAR - XR1200X |
| 41736-04 | BRAKE CONTROL, FRONT - 883L/N/R, 1200C/CP/N/V/X BRAKE CONTROL, FRONT - XR1200X BRAKE, MASTER CYLINDER, REAR - 883L/N/R, 1200C/CP/N/V/X BRAKE, MASTER CYLINDER, REAR - XR1200X |
| 41737-04 | BRAKE CONTROL, FRONT - 883L/N/R, 1200C/CP/N/V/X BRAKE CONTROL, FRONT - XR1200X |
| 41743-04 | BRAKE CONTROL, FRONT - 883L/N/R, 1200C/CP/N/V/X BRAKE CONTROL, FRONT - XR1200X |
| 41748-08 | WHEEL, FRONT, CAST - XR1200X |
| 4180 | ENGINE MOUNTS |

| | |
|-----------|---|
| | <u>HORN</u> |
| 41822-10 | <u>WHEEL, FRONT, CAST - XR1200X</u> |
| 41833-08 | <u>WHEELS, REAR, CAST - 883L/N/R, 1200C/CP</u> <u>WHEEL, REAR, CAST - XR1200X</u> <u>WHEELS, REAR, LACED - 1200C/CP/N/V/X</u> |
| 41858-08 | <u>WHEEL, REAR, CAST - XR1200X</u> |
| 4188 | <u>ENGINE MOUNTS</u> |
| 42028-07 | <u>BRAKE CALIPER, FRONT - 883L/N/R, 1200C/CP/N/V/X</u> |
| 42029-07 | <u>BRAKE CALIPER, REAR - 883L/N/R, 1200C/CP/N/V/X</u> |
| 42174-09 | <u>FORK, REAR, DEBRIS DEFLECTOR & BELT GUARD</u> |
| 42310-08 | <u>BRAKE CALIPER, REAR - XR1200X</u> |
| 42341-07 | <u>BRAKE CONTROL, REAR</u> |
| 4240 | <u>BRAKE CONTROL, FRONT - 883L/N/R, 1200C/CP/N/V/X</u> <u>BRAKE CONTROL, FRONT - XR1200X</u> |
| 42425-05 | <u>CLUTCH CONTROL</u> <u>BRAKE CONTROL, FRONT - 883L/N/R, 1200C/CP/N/V/X</u> <u>BRAKE CONTROL, FRONT - XR1200X</u> <u>BRAKE, MASTER CYLINDER, REAR - XR1200X</u> |
| 42443-80A | <u>SHIFTER LEVER</u> <u>BRAKE CONTROL, REAR</u> |
| 42460-80B | <u>BRAKE, MASTER CYLINDER, REAR - 883L/N/R, 1200C/CP/N/V/X</u> <u>BRAKE, MASTER CYLINDER, REAR - XR1200X</u> |
| 4250M | <u>FORK, FRONT - XR1200X</u> <u>FENDERS, FRONT</u> |
| 42521-07 | <u>BRAKE, MASTER CYLINDER, REAR - 883L/N/R, 1200C/CP/N/V/X</u> |
| 42541-04 | <u>FOOTRESTS - 883L/N/R, 1200C/CP/N/V/X</u> |
| 42569-03 | <u>SHIFTER LEVER</u> <u>BRAKE CONTROL, REAR</u> |
| 42593-04 | <u>BRAKE, MASTER CYLINDER, REAR - 883L/N/R, 1200C/CP/N/V/X</u> |
| 42595-04 | <u>BRAKE, MASTER CYLINDER, REAR - 883L/N/R, 1200C/CP/N/V/X</u> |
| 42645-07 | <u>BRAKE CONTROL, REAR</u> |
| 42649-07 | <u>BRAKE CONTROL, REAR</u> |
| 42651-04 | <u>FOOTRESTS - 883L/N/R, 1200C/CP/N/V/X</u> |
| 42652-04 | <u>FOOTRESTS - 883L/N/R, 1200C/CP/N/V/X</u> |
| | |

| | |
|-----------|---|
| 4266A | CYLINDERS, HEADS & VALVES - 883L/N/R, 1200C/CP/N/V/X CYLINDERS, HEADS & VALVES - XR1200X |
| 42685-04 | BRAKE CONTROL, REAR |
| 4269 | EXHAUST SYSTEM - 883L/N/R, 1200C/CP/N/V/X EXHAUST SYSTEM - XR1200X |
| 42736-08 | BRAKE CONTROL, FRONT - XR1200X |
| 42737-08 | BRAKE, MASTER CYLINDER, REAR - XR1200X |
| 42738-08 | BRAKE, MASTER CYLINDER, REAR - XR1200X |
| 42739-08 | BRAKE CALIPER, FRONT - XR1200X |
| 42744-08 | BRAKE, MASTER CYLINDER, REAR - XR1200X |
| 42745-07 | BRAKE CONTROL, FRONT - 883L/N/R, 1200C/CP/N/V/X |
| 42803-07A | BRAKE CONTROL, FRONT - 883L/N/R, 1200C/CP/N/V/X |
| 42804-07 | BRAKE CONTROL, FRONT - 883L/N/R, 1200C/CP/N/V/X BRAKE CONTROL, FRONT - XR1200X |
| 42805-04 | BRAKE CONTROL, FRONT - 883L/N/R, 1200C/CP/N/V/X BRAKE CONTROL, FRONT - XR1200X |
| 42806-04 | BRAKE CONTROL, FRONT - 883L/N/R, 1200C/CP/N/V/X |
| 42807-04 | CLUTCH CONTROL BRAKE CONTROL, FRONT - 883L/N/R, 1200C/CP/N/V/X BRAKE CONTROL, FRONT - XR1200X |
| 42808-04 | CLUTCH CONTROL BRAKE CONTROL, FRONT - 883L/N/R, 1200C/CP/N/V/X BRAKE CONTROL, FRONT - XR1200X |
| 42809-07A | BRAKE CONTROL, FRONT - 883L/N/R, 1200C/CP/N/V/X |
| 42810-07A | BRAKE, MASTER CYLINDER, REAR - 883L/N/R, 1200C/CP/N/V/X |
| 42811-04 | BRAKE, MASTER CYLINDER, REAR - 883L/N/R, 1200C/CP/N/V/X BRAKE, MASTER CYLINDER, REAR - XR1200X |
| 42812-04 | BRAKE, MASTER CYLINDER, REAR - 883L/N/R, 1200C/CP/N/V/X |
| 42813-04 | BRAKE, MASTER CYLINDER, REAR - 883L/N/R, 1200C/CP/N/V/X |
| 42814-04 | BRAKE, MASTER CYLINDER, REAR - 883L/N/R, 1200C/CP/N/V/X |
| 42815-04 | BRAKE, MASTER CYLINDER, REAR - 883L/N/R, 1200C/CP/N/V/X BRAKE, MASTER CYLINDER, REAR - XR1200X |
| 42816-07 | BRAKE, MASTER CYLINDER, REAR - 883L/N/R, 1200C/CP/N/V/X |
| 42817-07 | BRAKE, MASTER CYLINDER, REAR - 883L/N/R, 1200C/CP/N/V/X BRAKE, MASTER CYLINDER, REAR - XR1200X |

| | |
|-----------|--|
| 42821-04 | <u>BRAKE, MASTER CYLINDER, REAR - 883L/N/R, 1200C/CP/N/V/X</u> |
| 42823-04 | <u>BRAKE CALIPER, FRONT - 883L/N/R, 1200C/CP/N/V/X</u> <u>BRAKE CALIPER, REAR - 883L/N/R, 1200C/CP/N/V/X</u> |
| 42824-04 | <u>BRAKE CALIPER, FRONT - 883L/N/R, 1200C/CP/N/V/X</u> <u>BRAKE CALIPER, REAR - 883L/N/R, 1200C/CP/N/V/X</u> <u>BRAKE CALIPER, REAR - XR1200X</u> |
| 42825-04 | <u>BRAKE CALIPER, FRONT - 883L/N/R, 1200C/CP/N/V/X</u> |
| 42827-04 | <u>BRAKE CALIPER, FRONT - 883L/N/R, 1200C/CP/N/V/X</u> <u>BRAKE CALIPER, FRONT - XR1200X</u> |
| 42828-04 | <u>BRAKE CALIPER, FRONT - 883L/N/R, 1200C/CP/N/V/X</u> <u>BRAKE CALIPER, FRONT - XR1200X</u> |
| 42829-04 | <u>BRAKE CALIPER, FRONT - 883L/N/R, 1200C/CP/N/V/X</u> |
| 42831-04A | <u>BRAKE CALIPER, FRONT - 883L/N/R, 1200C/CP/N/V/X</u> |
| 42832-04 | <u>BRAKE CALIPER, FRONT - 883L/N/R, 1200C/CP/N/V/X</u> |
| 42834-04 | <u>BRAKE CALIPER, REAR - 883L/N/R, 1200C/CP/N/V/X</u> <u>BRAKE CALIPER, REAR - XR1200X</u> |
| 42837-04 | <u>BRAKE CALIPER, REAR - 883L/N/R, 1200C/CP/N/V/X</u> <u>BRAKE CALIPER, REAR - XR1200X</u> |
| 42838-04 | <u>BRAKE CALIPER, FRONT - 883L/N/R, 1200C/CP/N/V/X</u> <u>BRAKE CALIPER, REAR - 883L/N/R, 1200C/CP/N/V/X</u> <u>BRAKE CALIPER, REAR - XR1200X</u> |
| 42839-04 | <u>BRAKE CALIPER, REAR - 883L/N/R, 1200C/CP/N/V/X</u> <u>BRAKE CALIPER, REAR - XR1200X</u> |
| 42840-04 | <u>BRAKE CALIPER, REAR - 883L/N/R, 1200C/CP/N/V/X</u> <u>BRAKE CALIPER, REAR - XR1200X</u> |
| 42845-07 | <u>BRAKE, MASTER CYLINDER, REAR - 883L/N/R, 1200C/CP/N/V/X</u> <u>BRAKE, MASTER CYLINDER, REAR - XR1200X</u> |
| 42846-04 | <u>BRAKE, MASTER CYLINDER, REAR - 883L/N/R, 1200C/CP/N/V/X</u> |
| 42875-07 | <u>BRAKE CALIPER, FRONT - 883L/N/R, 1200C/CP/N/V/X</u> <u>BRAKE CALIPER, FRONT - XR1200X</u> <u>BRAKE CALIPER, REAR - 883L/N/R, 1200C/CP/N/V/X</u> <u>BRAKE CALIPER, REAR - XR1200X</u> |
| 42877-10 | <u>BRAKE CALIPER, FRONT - 883L/N/R, 1200C/CP/N/V/X</u> |
| 42878-10 | <u>BRAKE CALIPER, FRONT - 883L/N/R, 1200C/CP/N/V/X</u> |
| 42879-10 | <u>BRAKE CALIPER, FRONT - 883L/N/R, 1200C/CP/N/V/X</u> |
| 42880-10 | <u>BRAKE CALIPER, FRONT - 883L/N/R, 1200C/CP/N/V/X</u> |
| 42881-11 | <u>BRAKE CALIPER, REAR - 883L/N/R, 1200C/CP/N/V/X</u> |
| | |

| | |
|-----------|--|
| 42892-08 | BRAKE CALIPER, REAR - XR1200X |
| 42893-07 | BRAKE CALIPER, FRONT - 883L/N/R, 1200C/CP/N/V/X BRAKE CALIPER, FRONT - XR1200X BRAKE CALIPER, REAR - 883L/N/R, 1200C/CP/N/V/X BRAKE CALIPER, REAR - XR1200X |
| 42899-08 | BRAKE CALIPER, FRONT - XR1200X |
| 4290 | ENGINE MOUNTS |
| 42900-08 | BRAKE CALIPER, REAR - XR1200X |
| 42941-10 | BRAKE CONTROL, FRONT - XR1200X |
| 42942-08A | BRAKE CONTROL, FRONT - XR1200X |
| 42943-08 | BRAKE CALIPER, FRONT - XR1200X |
| 42944-08 | BRAKE CALIPER, FRONT - XR1200X |
| 42945-08 | BRAKE, MASTER CYLINDER, REAR - XR1200X |
| 42948-08 | BRAKE CALIPER, REAR - XR1200X |
| 42949-08A | BRAKE CONTROL, REAR |
| 42969-04 | BRAKE CONTROL, REAR |
| 42971-04 | FOOTRESTS - 883L/N/R, 1200C/CP/N/V/X |
| 42972-04 | FOOTRESTS - 883L/N/R, 1200C/CP/N/V/X |
| 42975-08A | BRAKE, MASTER CYLINDER, REAR - XR1200X |
| 42976-04 | BRAKE, MASTER CYLINDER, REAR - 883L/N/R, 1200C/CP/N/V/X |
| 42979-04 | BRAKE, MASTER CYLINDER, REAR - 883L/N/R, 1200C/CP/N/V/X |
| 43017-07 | WHEELS, REAR, LACED - 1200C/CP/N/V/X |
| 43085-97 | WHEELS, REAR, LACED - 1200C/CP/N/V/X |
| 43100004 | WHEELS, FRONT, LACED - 1200C/CP/N/V/X |
| 4312C | BATTERY |
| 43140-80 | WHEELS, FRONT, LACED - 1200C/CP/N/V/X |
| 43145-47 | WHEELS, FRONT, LACED - 1200C/CP/N/V/X |
| 43147-40 | WHEELS, REAR, LACED - 1200C/CP/N/V/X |
| 43157-83A | WHEELS, FRONT, CAST - 883L/N/R, 1200C/CP WHEEL, FRONT, CAST - XR1200X WHEELS, REAR, CAST - 883L/N/R, 1200C/CP WHEEL, REAR, CAST - XR1200X |
| 43200007 | WHEELS, REAR, LACED - 1200C/CP/N/V/X |

| | |
|-----------|---|
| 43200011 | <u>WHEEL, REAR, CAST - XR1200X</u> |
| 43216-11 | <u>WHEELS, REAR, CAST - 883L/N/R, 1200C/CP</u> |
| 43241-05 | <u>WHEELS, REAR, LACED - 1200C/CP/N/V/X</u> |
| 43258-07B | <u>WHEELS, FRONT, CAST - 883L/N/R, 1200C/CP</u> <u>WHEELS, FRONT, LACED - 1200C/CP/N/V/X</u> |
| 4326A | <u>HANDLEBAR & THROTTLE CONTROL - 883L/N/R, 1200N/X, XR1200X</u> |
| 4329 | <u>ALTERNATOR & REGULATOR</u> |
| 43343-10 | <u>WHEEL, FRONT, CAST - XR1200X</u> |
| 43348-10 | <u>WHEEL, REAR, CAST - XR1200X</u> |
| 43355-00 | <u>WHEELS, FRONT, CAST - 883L/N/R, 1200C/CP</u> |
| 43358-08 | <u>WHEELS, FRONT, CAST - 883L/N/R, 1200C/CP</u> <u>WHEELS, FRONT, LACED - 1200C/CP/N/V/X</u> |
| 43359-00 | <u>WHEELS, FRONT, CAST - 883L/N/R, 1200C/CP</u> |
| 43499-08 | <u>WHEELS, FRONT, CAST - 883L/N/R, 1200C/CP</u> |
| 4350A | <u>FOOTRESTS - XR1200X</u> |
| 4351 | <u>TURN SIGNALS, FRONT</u> |
| 4352 | <u>FORK BRACKETS, FRONT - 883L/N/R, 1200C/CP/N/V/X</u> <u>FORK BRACKETS, FRONT - XR1200X</u> |
| 43522-08 | <u>WHEELS, FRONT, CAST - 883L/N/R, 1200C/CP</u> <u>WHEELS, FRONT, LACED - 1200C/CP/N/V/X</u> |
| 43528-04 | <u>BRAKE CALIPER, REAR - 883L/N/R, 1200C/CP/N/V/X</u> <u>BRAKE CALIPER, REAR - XR1200X</u> |
| 4354 | <u>SHOCK ABSORBERS, REAR</u> |
| 43557-08 | <u>WHEELS, FRONT, LACED - 1200C/CP/N/V/X</u> |
| 43567-92 | <u>WHEELS, REAR, CAST - 883L/N/R, 1200C/CP</u> <u>WHEEL, REAR, CAST - XR1200X</u> <u>WHEELS, REAR, LACED - 1200C/CP/N/V/X</u> |
| 4359 | <u>SHIFTER LEVER</u> <u>FORK BRACKETS, FRONT - 883L/N/R, 1200C/CP/N/V/X</u> |
| 4363 | <u>EVAPORATIVE EMISSIONS COMPONENTS</u> |
| 4365 | <u>TAIL LAMPS</u> |
| 43662-80B | <u>WHEELS, FRONT, LACED - 1200C/CP/N/V/X</u> |
| 43689-11 | <u>WHEELS, FRONT, CAST - 883L/N/R, 1200C/CP</u> |
| | |

| | |
|-----------|--|
| 43831-08 | WHEELS, FRONT, LACED - 1200C/CP/N/V/X |
| 43832-08 | WHEELS, REAR, LACED - 1200C/CP/N/V/X |
| 43895-08 | WHEELS, FRONT, CAST - 883L/N/R, 1200C/CP WHEELS, FRONT, LACED - 1200C/CP/N/V/X |
| 43905-08 | WHEELS, REAR, CAST - 883L/N/R, 1200C/CP WHEELS, REAR, LACED - 1200C/CP/N/V/X |
| 43906-08 | WHEELS, FRONT, CAST - 883L/N/R, 1200C/CP WHEELS, FRONT, LACED - 1200C/CP/N/V/X |
| 43939-89 | WHEELS, FRONT, LACED - 1200C/CP/N/V/X |
| 44012-11 | WHEELS, REAR, CAST - 883L/N/R, 1200C/CP |
| 44121-07A | BRAKE CALIPER, FRONT - 883L/N/R, 1200C/CP/N/V/X |
| 44136-00 | WHEELS, FRONT, CAST - 883L/N/R, 1200C/CP |
| 44156-00 | WHEELS, FRONT, CAST - 883L/N/R, 1200C/CP WHEELS, FRONT, LACED - 1200C/CP/N/V/X |
| 44160-00 | BRAKE CALIPER, FRONT - 883L/N/R, 1200C/CP/N/V/X BRAKE CALIPER, FRONT - XR1200X FORK, FRONT - XR1200X |
| 44178-04 | BRAKE CALIPER, REAR - 883L/N/R, 1200C/CP/N/V/X |
| 44184-04 | BRAKE CALIPER, REAR - 883L/N/R, 1200C/CP/N/V/X BRAKE CALIPER, REAR - XR1200X |
| 44189-04 | BRAKE, MASTER CYLINDER, REAR - 883L/N/R, 1200C/CP/N/V/X |
| 4420 | HEADLAMP - 1200C/CP/V |
| 44429-11 | BRAKE, MASTER CYLINDER, REAR - 883L/N/R, 1200C/CP/N/V/X |
| 44440-04 | BRAKE CALIPER, FRONT - 883L/N/R, 1200C/CP/N/V/X BRAKE CALIPER, REAR - 883L/N/R, 1200C/CP/N/V/X |
| 44590-04 | BRAKE, MASTER CYLINDER, REAR - 883L/N/R, 1200C/CP/N/V/X |
| 4499M | FORK, FRONT - XR1200X |
| 45041-01A | FOOTRESTS - 883L/N/R, 1200C/CP/N/V/X FOOTRESTS - 883L/N/R, 1200C/CP/N/V/X FOOTRESTS - XR1200X |
| 45052-07A | BRAKE CONTROL, FRONT - 883L/N/R, 1200C/CP/N/V/X |
| 45065-06 | FOOTRESTS - XR1200X |
| 45067-06 | FOOTRESTS - XR1200X |
| 45074-95 | BRAKE CONTROL, FRONT - 883L/N/R, 1200C/CP/N/V/X BRAKE CONTROL, FRONT - XR1200X |
| | |

| | |
|-----------|---|
| 45146-07 | BRAKE CONTROL, FRONT - 883L/N/R, 1200C/CP/N/V/X |
| 45155-08 | FORK BRACKETS, FRONT - XR1200X |
| 45319-04D | BRAKE CONTROL, FRONT - 883L/N/R, 1200C/CP/N/V/X |
| 45356-07 | CLUTCH CONTROL |
| 45361-90 | FORK, FRONT - 883L/R, 1200C/CP/V/X FORK, FRONT - 883N, 1200N |
| 45374-87 | FORK, FRONT - 883L/R, 1200C/CP/V/X FORK, FRONT - 883N, 1200N |
| 45376-09 | FORK, FRONT - 883L/R, 1200C/CP/V/X |
| 45377-87 | FORK, FRONT - 883L/R, 1200C/CP/V/X FORK, FRONT - 883N, 1200N |
| 45378-87 | FORK, FRONT - 883L/R, 1200C/CP/V/X FORK, FRONT - 883N, 1200N |
| 45395-09 | FORK, FRONT - 883L/R, 1200C/CP/V/X |
| 45400041 | FORK, FRONT - 883L/R, 1200C/CP/V/X |
| 45400042 | FORK, FRONT - 883L/R, 1200C/CP/V/X |
| 45401-87 | FORK, FRONT - 883L/R, 1200C/CP/V/X FORK, FRONT - 883N, 1200N |
| 45405-75A | FORK, FRONT - 883L/R, 1200C/CP/V/X FORK, FRONT - 883N, 1200N |
| 45449-04C | BRAKE CONTROL, FRONT - 883L/N/R, 1200C/CP/N/V/X |
| 45451-07 | FORK, FRONT - 883N, 1200N |
| 45458-09 | FORK, FRONT - 883L/R, 1200C/CP/V/X |
| 45460-90 | FORK, FRONT - 883L/R, 1200C/CP/V/X |
| 45461-87 | FORK, FRONT - 883L/R, 1200C/CP/V/X FORK, FRONT - 883N, 1200N |
| 45462-87 | FORK, FRONT - 883L/R, 1200C/CP/V/X FORK, FRONT - 883N, 1200N |
| 45465-87 | FORK, FRONT - 883L/R, 1200C/CP/V/X FORK, FRONT - 883N, 1200N |
| 4549 | FRAME & JIFFY STAND - XR1200X EXHAUST SYSTEM - XR1200X |
| 45500142 | FORK, FRONT - 883L/R, 1200C/CP/V/X |
| 4551 | INDUCTION MODULE, FUEL - XR1200X |
| 4553 | FUEL TANK - XR1200X |

| | |
|-----------|---|
| 45600014 | FRAME & JIFFY STAND - 883L/N/R, 1200C/CP/N/V/X FRAME & JIFFY STAND - XR1200X |
| 45611-86 | FORK BRACKETS, FRONT - 883L/N/R, 1200C/CP/N/V/X FORK BRACKETS, FRONT - XR1200X |
| 45690-10 | FORK, FRONT - XR1200X |
| 45693-10 | FORK, FRONT - XR1200X |
| 45790-80 | FORK, FRONT - 883L/R, 1200C/CP/V/X FORK, FRONT - 883N, 1200N |
| 45799-04 | CLUTCH CONTROL |
| 45800-04 | CLUTCH CONTROL |
| 45801-04 | CLUTCH CONTROL |
| 45830-48 | CRANKCASE & GEARCASE - 883L/N/R, 1200C/CP/N/V/X CRANKCASE & GEARCASE - XR1200X |
| 45842-77A | FORK, FRONT - XR1200X |
| 4589 | BELT & SPROCKETS - XR1200X |
| 45902-00 | STARTER MOTOR |
| 45905-87 | FORK, FRONT - 883L/R, 1200C/CP/V/X FORK, FRONT - 883N, 1200N |
| 45925-09 | FORK, FRONT - 883L/R, 1200C/CP/V/X |
| 45938-92 | FORK, FRONT - 883L/R, 1200C/CP/V/X |
| 45966-04 | FORK BRACKETS, FRONT - 883L/N/R, 1200C/CP/N/V/X |
| 45968-10 | FORK, FRONT - 883L/R, 1200C/CP/V/X |
| 45984-87 | FORK, FRONT - 883L/R, 1200C/CP/V/X FORK, FRONT - 883N, 1200N |
| 45988-10 | FORK, FRONT - 883L/R, 1200C/CP/V/X |
| 45996-87 | FORK, FRONT - 883L/R, 1200C/CP/V/X FORK, FRONT - 883N, 1200N |
| 46002-87 | FORK, FRONT - 883L/R, 1200C/CP/V/X |
| 46009-10 | FORK BRACKETS, FRONT - 883L/N/R, 1200C/CP/N/V/X |
| 46014-10 | FORK BRACKETS, FRONT - 883L/N/R, 1200C/CP/N/V/X |
| 46075-04 | FORK, FRONT - 883L/R, 1200C/CP/V/X |
| 46076-04 | FORK, FRONT - 883L/R, 1200C/CP/V/X |
| 46126-04 | FORK BRACKETS, FRONT - 883L/N/R, 1200C/CP/N/V/X |

| | |
|-----------|---|
| 46218-05 | FORK, FRONT - 883L/R, 1200C/CP/V/X FORK, FRONT - 883N, 1200N |
| 46245-09 | FORK, FRONT - 883L/R, 1200C/CP/V/X |
| 46267-05 | FORK, FRONT - 883L/R, 1200C/CP/V/X |
| 46268-04 | CLUTCH CONTROL |
| 46329-06 | FORK, FRONT - XR1200X |
| 46343-06 | FORK, FRONT - XR1200X |
| 46346-06 | FORK, FRONT - XR1200X |
| 46372-10 | FORK, FRONT - XR1200X |
| 46400-04C | BRAKE CONTROL, FRONT - 883L/N/R, 1200C/CP/N/V/X |
| 46417-10A | BRAKE CONTROL, FRONT - 883L/N/R, 1200C/CP/N/V/X |
| 46420-10 | FENDERS, FRONT |
| 46449-08 | FORK, FRONT - 883L/R, 1200C/CP/V/X |
| 46450-08 | FORK, FRONT - 883L/R, 1200C/CP/V/X |
| 46453-09 | FORK, FRONT - 883L/R, 1200C/CP/V/X |
| 46454-09 | FORK, FRONT - 883L/R, 1200C/CP/V/X |
| 46680-11 | BRAKE CONTROL, FRONT - 883L/N/R, 1200C/CP/N/V/X |
| 46681-10 | FORK, FRONT - XR1200X |
| 46688-11 | BRAKE CONTROL, FRONT - 883L/N/R, 1200C/CP/N/V/X |
| 46758-07 | FORK BRACKETS, FRONT - 883L/N/R, 1200C/CP/N/V/X |
| 46767-07 | FORK BRACKETS, FRONT - 883L/N/R, 1200C/CP/N/V/X |
| 4678 | BELT & SPROCKETS - XR1200X |
| 46927-10 | FORK BRACKETS, FRONT - XR1200X |
| 46928-10 | FORK BRACKETS, FRONT - XR1200X |
| 46945-07A | CLUTCH CONTROL |
| 46946-06A | BRAKE CONTROL, FRONT - 883L/N/R, 1200C/CP/N/V/X BRAKE CONTROL, FRONT - XR1200X |
| 46986-11 | BRAKE CONTROL, FRONT - 883L/N/R, 1200C/CP/N/V/X |
| 46997-11 | FORK BRACKETS, FRONT - 883L/N/R, 1200C/CP/N/V/X |
| 46998-11 | FORK BRACKETS, FRONT - 883L/N/R, 1200C/CP/N/V/X |
| 4705 | ENGINE SENSORS & SWITCHES |

| | |
|-----------|--|
| | OIL TANK & LINES- XR1200X OIL LINES & COOLER - XR1200X |
| 4717A | CAMSHAFTS & GEAR COVER - 883L/N/R, 1200C/CP/N/V/X CAMSHAFTS & GEAR COVER - XR1200X BELT & SPROCKETS - 883L/N/R, 1200C/CP/N/V/X |
| 4718A | ROCKER ARM ASSEMBLY & PUSH RODS - 883L/N/R, 1200C/CP/N/V/X ROCKER ARM ASSEMBLY & PUSH RODS - XR1200X OIL PUMP - XR1200X |
| 47200177 | GUARDS, SAREE |
| 4724 | HEADLAMP - 883L/N/R, 1200N/X, XR1200X |
| 47299-07 | FORK, FRONT - 883N, 1200N |
| 47313-07 | FORK, FRONT - 883N, 1200N |
| 4740A | CAMSHAFTS & GEAR COVER - 883L/N/R, 1200C/CP/N/V/X CAMSHAFTS & GEAR COVER - XR1200X |
| 4741A | ROCKER ARM ASSEMBLY & PUSH RODS - 883L/N/R, 1200C/CP/N/V/X ROCKER ARM ASSEMBLY & PUSH RODS - XR1200X OIL PUMP - XR1200X BRAKE CONTROL, FRONT - 883L/N/R, 1200C/CP/N/V/X BRAKE CONTROL, FRONT - XR1200X |
| 47470-04 | ENGINE MOUNTS |
| 47471-04A | ENGINE MOUNTS |
| 4748 | CYLINDERS, HEADS & VALVES - 883L/N/R, 1200C/CP/N/V/X BRAKE CONTROL, FRONT - 883L/N/R, 1200C/CP/N/V/X HEADLAMP - 883L/N/R, 1200N/X, XR1200X HEADLAMP - 1200C/CP/V EXHAUST SYSTEM - 883L/N/R, 1200C/CP/N/V/X EXHAUST SYSTEM - XR1200X |
| 4751 | ALTERNATOR & REGULATOR BELT & SPROCKETS - 883L/N/R, 1200C/CP/N/V/X BELT & SPROCKETS - XR1200X |
| 47587-05 | FORK, REAR, DEBRIS DEFLECTOR & BELT GUARD |
| 4758A | FUEL TANK - 883L/N/R, 1200C/CP/N/V/X |
| 4765 | OIL PUMP - 883L/N/R, 1200C/CP/N/V/X |
| 47682-10 | FORK, REAR, DEBRIS DEFLECTOR & BELT GUARD |
| 4771 | FUEL TANK - 883L/N/R, 1200C/CP/N/V/X |
| 4778 | FENDERS, REAR - 883L/R/1200C/CP (ALL), 883N/1200N/V/X (CANADA ONLY) FENDERS, REAR - 883N/1200N/V/X (ALL EXCEPT CANADA) GUARDS, SAREE |
| 4779 | FENDERS, REAR - 883L/R/1200C/CP (ALL), 883N/1200N/V/X (CANADA ONLY) FENDERS, REAR - 883N/1200N/V/X (ALL EXCEPT CANADA) |

| | |
|-----------|--|
| | <u>GUARDS, SAREE</u> |
| 47875-09A | <u>WHEELS, FRONT, CAST - 883L/N/R, 1200C/CP</u> |
| 47878-09A | <u>WHEELS, REAR, CAST - 883L/N/R, 1200C/CP</u> |
| 47887-10 | <u>WHEELS, FRONT, LACED - 1200C/CP/N/V/X</u> |
| 4798 | <u>INDUCTION MODULE, FUEL - 883L/N/R, 1200C/CP/N/V/X</u> <u>INDUCTION MODULE, FUEL - XR1200X</u> |
| 4802 | <u>AIR BOX - XR1200X</u> |
| 48027-99 | <u>FRAME & JIFFY STAND - 883L/N/R, 1200C/CP/N/V/X</u> <u>FRAME & JIFFY STAND - XR1200X</u> |
| 4816A | <u>BRAKE, MASTER CYLINDER, REAR - 883L/N/R, 1200C/CP/N/V/X</u> <u>HANDLEBAR & THROTTLE CONTROL - 883L/N/R, 1200N/X, XR1200X</u> |
| 48184-01 | <u>FORK BRACKETS, FRONT - 883L/N/R, 1200C/CP/N/V/X</u> <u>FORK BRACKETS, FRONT - XR1200X</u> |
| 4820A | <u>INSPECTION COVER & PRIMARY COVER</u> |
| 4822A | <u>CAMSHAFTS & GEAR COVER - XR1200X</u> |
| 48300-60 | <u>FORK BRACKETS, FRONT - 883L/N/R, 1200C/CP/N/V/X</u> <u>FORK BRACKETS, FRONT - XR1200X</u> |
| 48315-60 | <u>FORK BRACKETS, FRONT - 883L/N/R, 1200C/CP/N/V/X</u> <u>FORK BRACKETS, FRONT - XR1200X</u> <u>FRAME & JIFFY STAND - 883L/N/R, 1200C/CP/N/V/X</u> <u>FRAME & JIFFY STAND - XR1200X</u> |
| 48390-06 | <u>FENDERS, REAR - XR1200X</u> |
| 48463-04A | <u>ENGINE MOUNTS</u> |
| 48492-04A | <u>ENGINE MOUNTS</u> |
| 4859 | <u>EXHAUST SYSTEM - XR1200X</u> |
| 4871 | <u>FRAME & JIFFY STAND - 883L/N/R, 1200C/CP/N/V/X</u> <u>FRAME & JIFFY STAND - XR1200X</u> |
| 48714-08 | <u>FORK, FRONT - 883N, 1200N</u> |
| 48715-08 | <u>FORK, FRONT - 883N, 1200N</u> |
| 48716-08 | <u>FORK, FRONT - 883N, 1200N</u> |
| 48726-08 | <u>FORK, FRONT - 883N, 1200N</u> |
| 48737-07 | <u>FORK, FRONT - 883N, 1200N</u> |
| 48738-07 | <u>FORK, FRONT - 883L/R, 1200C/CP/V/X</u> <u>FORK, FRONT - 883N, 1200N</u> |
| | |

| | |
|-----------|---|
| 48771-10 | FORK, FRONT - XR1200X |
| 48778-10 | FORK, FRONT - XR1200X |
| 48785-10 | FORK, FRONT - XR1200X |
| 48786-10 | FORK, FRONT - XR1200X |
| 48791-09 | FORK, FRONT - 883L/R, 1200C/CP/V/X |
| 48849-10 | FORK, FRONT - 883L/R, 1200C/CP/V/X |
| 48850-10 | FORK, FRONT - 883L/R, 1200C/CP/V/X |
| 4886 | OIL LINES & COOLER - XR1200X |
| 48879-08A | FRAME & JIFFY STAND - XR1200X |
| 4897 | OIL LINES & COOLER - XR1200X |
| 49314-04 | FOOTRESTS - 883L/N/R, 1200C/CP/N/V/X |
| 49315-04 | FOOTRESTS - 883L/N/R, 1200C/CP/N/V/X |
| 49372-10 | FORK, FRONT - XR1200X |
| 49376-11 | FRAME & JIFFY STAND - 883L/N/R, 1200C/CP/N/V/X |
| 49378-09 | FORK, FRONT - 883L/R, 1200C/CP/V/X FORK, FRONT - 883N, 1200N |
| 49382-11 | FORK, FRONT - 883L/R, 1200C/CP/V/X |
| 49400-11 | FORK, FRONT - 883L/R, 1200C/CP/V/X |
| 49401-11 | FORK, FRONT - 883L/R, 1200C/CP/V/X |
| 49403-11 | FORK, FRONT - 883L/R, 1200C/CP/V/X |
| 49406-10 | FORK, FRONT - XR1200X |
| 49409-11 | FORK, FRONT - 883L/R, 1200C/CP/V/X |
| 49410-11 | FORK, FRONT - 883L/R, 1200C/CP/V/X |
| 49411-11 | FORK, FRONT - 883L/R, 1200C/CP/V/X |
| 49412-11 | FORK, FRONT - 883L/R, 1200C/CP/V/X |
| 49419-11 | FORK BRACKETS, FRONT - 883L/N/R, 1200C/CP/N/V/X |
| 49422-11 | FORK BRACKETS, FRONT - 883L/N/R, 1200C/CP/N/V/X |
| 49735-08 | FRAME & JIFFY STAND - 883L/N/R, 1200C/CP/N/V/X FRAME & JIFFY STAND - XR1200X |
| 4975M | BRAKE, MASTER CYLINDER, REAR - XR1200X |
| 4977 | FORK, FRONT - XR1200X |

| | |
|-------------|---|
| 4978 | FENDERS, FRONT |
| 4991 | FRAME & JIFFY STAND - 883L/N/R, 1200C/CP/N/V/X |
| 4993 | FORK BRACKETS, FRONT - 883L/N/R, 1200C/CP/N/V/X FORK BRACKETS, FRONT - XR1200X |
| 50000025BHP | FRAME & JIFFY STAND - 883L/N/R, 1200C/CP/N/V/X |
| 50003-89B | FRAME & JIFFY STAND - 883L/N/R, 1200C/CP/N/V/X FRAME & JIFFY STAND - XR1200X |
| 50005-85A | FRAME & JIFFY STAND - 883L/N/R, 1200C/CP/N/V/X FRAME & JIFFY STAND - XR1200X |
| 50124-09BHP | FRAME & JIFFY STAND - 883L/N/R, 1200C/CP/N/V/X FRAME & JIFFY STAND - XR1200X |
| 50126-08A | FRAME & JIFFY STAND - 883L/N/R, 1200C/CP/N/V/X FRAME & JIFFY STAND - XR1200X SWITCHES |
| 50185-04C | FRAME & JIFFY STAND - 883L/N/R, 1200C/CP/N/V/X |
| 50500227 | GUARDS, SAREE |
| 50912-72 | FOOTRESTS - 883L/N/R, 1200C/CP/N/V/X FOOTRESTS - 883L/N/R, 1200C/CP/N/V/X FOOTRESTS - XR1200X |
| 51044-08 | FOOTRESTS - XR1200X |
| 51045-08 | BRAKE, MASTER CYLINDER, REAR - XR1200X BRAKE CONTROL, REAR |
| 51046-09 | FOOTRESTS - XR1200X |
| 51048-08 | FOOTRESTS - XR1200X |
| 51049-08 | FOOTRESTS - XR1200X |
| 51323-08 | FOOTRESTS - 883L/N/R, 1200C/CP/N/V/X |
| 51327-08 | FOOTRESTS - 883L/N/R, 1200C/CP/N/V/X |
| 51382-08 | SEATS |
| 51383-08 | SEATS |
| 51530-07 | SEATS |
| 51532-07 | SEATS |
| 51550-11 | SEATS |
| 51551-07 | SEATS |
| 51652-97A | SEATS |

| | |
|----------|---|
| 51710-08 | FENDERS, REAR - XR1200X |
| 51730-10 | FOOTRESTS - 883L/N/R, 1200C/CP/N/V/X |
| 51731-10 | FOOTRESTS - 883L/N/R, 1200C/CP/N/V/X |
| 51740-10 | SEATS |
| 51899-07 | SEATS |
| 51911-10 | SEATS |
| 51938-04 | BRAKE, MASTER CYLINDER, REAR - 883L/N/R, 1200C/CP/N/V/X BRAKE, MASTER CYLINDER, REAR - XR1200X |
| 52429-08 | FENDERS, REAR - XR1200X |
| 52441-95 | TAIL LAMPS |
| 53176-08 | FRAME & JIFFY STAND - 883L/N/R, 1200C/CP/N/V/X FRAME & JIFFY STAND - XR1200X |
| 53436-97 | HEADLAMP - 883L/N/R, 1200N/X, XR1200X HEADLAMP - 1200C/CP/V |
| 5403B | LICENSE PLATE BRACKETS |
| 5414 | EXHAUST SYSTEM - 883L/N/R, 1200C/CP/N/V/X |
| 5416 | EXHAUST SYSTEM - XR1200X |
| 54321-85 | WHEELS, FRONT, CAST - 883L/N/R, 1200C/CP WHEEL, FRONT, CAST - XR1200X WHEELS, FRONT, LACED - 1200C/CP/N/V/X WHEELS, REAR, CAST - 883L/N/R, 1200C/CP WHEEL, REAR, CAST - XR1200X WHEELS, REAR, LACED - 1200C/CP/N/V/X |
| 54550-10 | SHOCK ABSORBERS, REAR |
| 54568-09 | SHOCK ABSORBERS, REAR |
| 54570-09 | SHOCK ABSORBERS, REAR SHOCK ABSORBERS, REAR |
| 54671-10 | SHOCK ABSORBERS, REAR |
| 54700-10 | SHOCK ABSORBERS, REAR |
| 54724-04 | SHOCK ABSORBERS, REAR |
| 54741-07 | SHOCK ABSORBERS, REAR |
| 55018-11 | WHEELS, FRONT, CAST - 883L/N/R, 1200C/CP |
| 55019-11 | WHEELS, REAR, CAST - 883L/N/R, 1200C/CP |
| | |

| | |
|-----------|--|
| 55035-11 | WHEELS, FRONT, CAST - 883L/N/R, 1200C/CP WHEELS, FRONT, LACED - 1200C/CP/N/V/X |
| 55074-11 | WHEELS, FRONT, CAST - 883L/N/R, 1200C/CP |
| 55076-11 | WHEELS, REAR, CAST - 883L/N/R, 1200C/CP |
| 55126-11 | WHEELS, FRONT, LACED - 1200C/CP/N/V/X |
| 55127-11 | WHEELS, FRONT, LACED - 1200C/CP/N/V/X |
| 5531 | FENDERS, REAR - 883N/1200N/V/X (ALL EXCEPT CANADA) TAIL LAMP & TURN SIGNALS, REAR |
| 554A | FRAME & JIFFY STAND - 883L/N/R, 1200C/CP/N/V/X FRAME & JIFFY STAND - XR1200X |
| 55785-11 | HANDLEBAR & THROTTLE CONTROL - 1200C/CP/V |
| 55786-11 | HANDLEBAR & THROTTLE CONTROL - 1200C/CP/V |
| 55840-04A | HANDLEBAR & THROTTLE CONTROL - 1200C/CP/V |
| 55842-04 | HANDLEBAR & THROTTLE CONTROL - 1200C/CP/V |
| 55844-04 | SPEEDOMETER - 883L/N/R, 1200C/CP/N/V/X |
| 55846-05A | SPEEDOMETER - 883L/N/R, 1200C/CP/N/V/X |
| 55847-05A | SPEEDOMETER - 883L/N/R, 1200C/CP/N/V/X |
| 56014-09A | HANDLEBAR & THROTTLE CONTROL - 883L/N/R, 1200N/X, XR1200X |
| 56017-04 | HANDLEBAR & THROTTLE CONTROL - 1200C/CP/V |
| 56073-83 | WIRING HARNESS, MAIN - 883L/N/R, 1200C/CP/N/V/X (1 OF 3) WIRING HARNESS, MAIN - XR1200X (1 OF 3) |
| 56079-93 | HANDLEBAR & THROTTLE CONTROL - 1200C/CP/V |
| 56085-83A | HANDLEBAR & THROTTLE CONTROL - 883L/N/R, 1200N/X, XR1200X |
| 56104-02 | FENDERS, REAR - 883L/R/1200C/CP (ALL), 883N/1200N/V/X (CANADA ONLY) GUARDS, SAREE TAIL LAMP & TURN SIGNALS, REAR |
| 56115-95 | HANDLEBAR & THROTTLE CONTROL - 883L/N/R, 1200N/X, XR1200X |
| 56116-82A | HANDLEBAR & THROTTLE CONTROL - 883L/N/R, 1200N/X, XR1200X |
| 56117-82A | HANDLEBAR & THROTTLE CONTROL - 883L/N/R, 1200N/X, XR1200X |
| 56394-74 | SWITCHES, HANDLEBAR |
| 56396-74A | SWITCHES, HANDLEBAR |
| 56397-74C | SWITCHES, HANDLEBAR |
| 56402-83A | SWITCHES, HANDLEBAR |

| | |
|-------------|---|
| 56508-76 | HANDLEBAR & THROTTLE CONTROL - 883L/N/R, 1200N/X, XR1200X HANDLEBAR & THROTTLE CONTROL - 1200C/CP/V |
| 56541-86A | HANDLEBAR & THROTTLE CONTROL - 1200C/CP/V |
| 56542-86A | HANDLEBAR & THROTTLE CONTROL - 1200C/CP/V |
| 56637-08 | HANDLEBAR & THROTTLE CONTROL - 883L/N/R, 1200N/X, XR1200X |
| 56639-08 | HANDLEBAR & THROTTLE CONTROL - 883L/N/R, 1200N/X, XR1200X |
| 56666-04 | HANDLEBAR & THROTTLE CONTROL - 883L/N/R, 1200N/X, XR1200X HANDLEBAR & THROTTLE CONTROL - 1200C/CP/V |
| 56667-04 | HANDLEBAR & THROTTLE CONTROL - 883L/N/R, 1200N/X, XR1200X HANDLEBAR & THROTTLE CONTROL - 1200C/CP/V |
| 56871-08 | FUEL PUMP |
| 56884-07 | HANDLEBAR & THROTTLE CONTROL - 883L/N/R, 1200N/X, XR1200X HANDLEBAR & THROTTLE CONTROL - 1200C/CP/V |
| 56885-07 | HANDLEBAR & THROTTLE CONTROL - 883L/N/R, 1200N/X, XR1200X HANDLEBAR & THROTTLE CONTROL - 1200C/CP/V |
| 57209-11 | HANDLEBAR & THROTTLE CONTROL - 883L/N/R, 1200N/X, XR1200X |
| 57472-11 | HANDLEBAR & THROTTLE CONTROL - 1200C/CP/V |
| 5845 | FUEL TANK - XR1200X |
| 58998-83E | FENDERS, FRONT |
| 59022-07BDK | FENDERS, FRONT |
| 59256-84A | FENDERS, REAR - 883L/R/1200C/CP (ALL), 883N/1200N/V/X (CANADA ONLY) FENDERS, REAR - 883N/1200N/V/X (ALL EXCEPT CANADA) FENDERS, REAR - XR1200X |
| 59259-90 | FENDERS, REAR - 883L/R/1200C/CP (ALL), 883N/1200N/V/X (CANADA ONLY) FENDERS, REAR - XR1200X FENDERS, REAR - XR1200X LICENSE PLATE BRACKETS |
| 59287-92 | FENDERS, REAR - 883L/R/1200C/CP (ALL), 883N/1200N/V/X (CANADA ONLY) |
| 59288-92 | FENDERS, REAR - 883L/R/1200C/CP (ALL), 883N/1200N/V/X (CANADA ONLY) |
| 59359-06 | FENDERS, REAR - 883N/1200N/V/X (ALL EXCEPT CANADA) |
| 59400-08 | FRAME & JIFFY STAND - XR1200X |
| 59401-08 | FRAME & JIFFY STAND - XR1200X |
| 59441-10 | FENDERS, FRONT |
| 59481-00 | FORK, FRONT - 883L/R, 1200C/CP/V/X FORK, FRONT - 883N, 1200N |

| | |
|-------------|---|
| 59482-00 | FORK, FRONT - 883L/R, 1200C/CP/V/X FORK, FRONT - 883N, 1200N |
| 59500034 | FENDERS, REAR - 883L/R/1200C/CP (ALL), 883N/1200N/V/X (CANADA ONLY) |
| 59502-04A | FENDERS, REAR - 883L/R/1200C/CP (ALL), 883N/1200N/V/X (CANADA ONLY) FENDERS, REAR - 883N/1200N/V/X (ALL EXCEPT CANADA) |
| 59673-04A | FENDERS, REAR - 883L/R/1200C/CP (ALL), 883N/1200N/V/X (CANADA ONLY) |
| 59712-07A | FENDERS, FRONT |
| 59723-04 | FENDERS, REAR - 883L/R/1200C/CP (ALL), 883N/1200N/V/X (CANADA ONLY) FENDERS, REAR - 883N/1200N/V/X (ALL EXCEPT CANADA) |
| 59727-07 | FENDERS, REAR - 883N/1200N/V/X (ALL EXCEPT CANADA) |
| 59768-97 | FENDERS, REAR - 883L/R/1200C/CP (ALL), 883N/1200N/V/X (CANADA ONLY) FENDERS, REAR - 883N/1200N/V/X (ALL EXCEPT CANADA) |
| 59847-10 | FENDERS, REAR - 883L/R/1200C/CP (ALL), 883N/1200N/V/X (CANADA ONLY) |
| 59865-10 | FENDERS, REAR - 883N/1200N/V/X (ALL EXCEPT CANADA) |
| 59885-11 | FENDERS, REAR - 883L/R/1200C/CP (ALL), 883N/1200N/V/X (CANADA ONLY) |
| 59901-08BDK | FENDERS, REAR - XR1200X |
| 59902-04 | FENDERS, REAR - 883L/R/1200C/CP (ALL), 883N/1200N/V/X (CANADA ONLY) |
| 59903-04 | FENDERS, REAR - 883L/R/1200C/CP (ALL), 883N/1200N/V/X (CANADA ONLY) |
| 59916-08 | FENDERS, REAR - XR1200X |
| 59984-73 | LICENSE PLATE BRACKETS |
| 59986-75 | LICENSE PLATE BRACKETS |
| 59988-72A | LICENSE PLATE BRACKETS |
| 60001-55 | LICENSE PLATE BRACKETS |
| 6003 | TRANSMISSION GEARS |
| 60183-08 | FENDERS, REAR - XR1200X |
| 60188-08 | LICENSE PLATE BRACKETS |
| 60203-06 | FENDERS, REAR - 883L/R/1200C/CP (ALL), 883N/1200N/V/X (CANADA ONLY) FENDERS, REAR - 883N/1200N/V/X (ALL EXCEPT CANADA) |
| 60204-06 | FENDERS, REAR - 883L/R/1200C/CP (ALL), 883N/1200N/V/X (CANADA ONLY) FENDERS, REAR - 883N/1200N/V/X (ALL EXCEPT CANADA) |
| 6021 | TRANSMISSION GEARS |
| 60225-08BHP | LICENSE PLATE BRACKETS |
| | |

| | |
|-----------|---|
| 6026 | ENGINE MOUNTS HORN |
| 60300007 | GUARDS, SAREE |
| 60300008 | GUARDS, SAREE |
| 60300009 | GUARDS, SAREE |
| 60318-07 | LICENSE PLATE BRACKETS |
| 60328-98B | INSPECTION COVER & PRIMARY COVER |
| 60330-08 | CRANKCASE & GEARCASE - XR1200X OIL PUMP - XR1200X |
| 60367-04 | FORK, REAR, DEBRIS DEFLECTOR & BELT GUARD |
| 60375-10 | LICENSE PLATE BRACKETS |
| 60379-09 | FORK, REAR, DEBRIS DEFLECTOR & BELT GUARD |
| 60403-08 | FORK, REAR, DEBRIS DEFLECTOR & BELT GUARD |
| 60416-08 | FORK, REAR, DEBRIS DEFLECTOR & BELT GUARD |
| 60435-04A | FORK, REAR, DEBRIS DEFLECTOR & BELT GUARD |
| 60574-10 | FENDERS, FRONT |
| 60830-07 | INSPECTION COVER & PRIMARY COVER |
| 60836-10 | INSPECTION COVER & PRIMARY COVER |
| 60901-07 | LICENSE PLATE BRACKETS |
| 60955-11 | FENDERS, FRONT |
| 6099 | BRAKE, MASTER CYLINDER, REAR - XR1200X EVAPORATIVE EMISSIONS COMPONENTS |
| 6101 | CLUTCH CONTROL BRAKE CONTROL, FRONT - 883L/N/R, 1200C/CP/N/V/X BRAKE CONTROL, FRONT - XR1200X |
| 61015-04A | FUEL PUMP |
| 6109 | GUARDS, SAREE |
| 6110 | OIL LINES & COOLER - XR1200X |
| 61109-85D | FUEL TANK - 883L/N/R, 1200C/CP/N/V/X |
| 61213-04A | FUEL PUMP |
| 61272-92C | FUEL TANK - 883L/N/R, 1200C/CP/N/V/X |
| 61289-07A | FUEL TANK - 883L/N/R, 1200C/CP/N/V/X |

| | |
|-----------|---|
| 61300131 | <u>AIR CLEANER - 883L/N/R, 1200C/CP/N/V/X</u> |
| 6139 | <u>EXHAUST SYSTEM - 883L/N/R, 1200C/CP/N/V/X</u> |
| 61392-08 | <u>FUEL TANK - XR1200X</u> |
| 61405-07 | <u>FUEL TANK - 883L/N/R, 1200C/CP/N/V/X</u> |
| 6152 | <u>ENGINE MOUNTS</u> |
| 6157 | <u>OIL PUMP - 883L/N/R, 1200C/CP/N/V/X</u> |
| 61572-08A | <u>FUEL TANK - XR1200X</u> |
| 61573-08A | <u>FUEL TANK - XR1200X</u> |
| 61574-08 | <u>FUEL TANK - XR1200X</u> |
| 61576-08 | <u>FUEL TANK - XR1200X</u> |
| 61577-08 | <u>FUEL TANK - XR1200X</u> |
| 61724-10 | <u>FUEL TANK - 883L/N/R, 1200C/CP/N/V/X</u> |
| 6192 | <u>FENDERS, REAR - 883L/R/1200C/CP (ALL), 883N/1200N/V/X (CANADA ONLY)</u> <u>FENDERS, REAR - 883N/1200N/V/X (ALL EXCEPT CANADA)</u> |
| 62122-89A | <u>FRAME & JIFFY STAND - 883L/N/R, 1200C/CP/N/V/X</u> <u>FRAME & JIFFY STAND - XR1200X</u> |
| 62150-85 | <u>FUEL TANK - 883L/N/R, 1200C/CP/N/V/X</u> |
| 62213-07 | <u>FUEL TANK - 883L/N/R, 1200C/CP/N/V/X</u> |
| 62338-01Y | <u>OIL TANK & LINES - 883L/N/R, 1200C/CP/N/V/X</u> |
| 62360-04A | <u>OIL TANK & LINES- XR1200X</u> |
| 62360-10 | <u>OIL TANK & LINES - 883L/N/R, 1200C/CP/N/V/X</u> |
| 62361-10 | <u>OIL TANK & LINES - 883L/N/R, 1200C/CP/N/V/X</u> |
| 6237 | <u>HORN</u> |
| 62375-57A | <u>CAMSHAFTS & GEAR COVER - 883L/N/R, 1200C/CP/N/V/X</u> |
| 62426-11 | <u>FUEL TANK TRIM</u> |
| 62439-11 | <u>FUEL TANK TRIM</u> |
| 62534-07 | <u>FRAME & JIFFY STAND - 883L/N/R, 1200C/CP/N/V/X</u> |
| 62580-11 | <u>FUEL TANK TRIM</u> |
| 62581-11 | <u>FUEL TANK TRIM</u> |
| 62592-07A | <u>OIL TANK & LINES - 883L/N/R, 1200C/CP/N/V/X</u> |
| | |

| | |
|-----------|---|
| 62601-91A | <u>OIL PUMP - 883L/N/R, 1200C/CP/N/V/X</u> |
| 62651-04 | <u>CRANKCASE & GEARCASE - 883L/N/R, 1200C/CP/N/V/X</u> |
| 62700013 | <u>CRANKCASE & GEARCASE - XR1200X</u> |
| 62700014 | <u>CRANKCASE & GEARCASE - 883L/N/R, 1200C/CP/N/V/X</u> |
| 6288 | <u>SWITCHES</u> |
| 62881-00 | <u>FUEL TANK - XR1200X</u> |
| 62888-08A | <u>OIL TANK & LINES- XR1200X</u> |
| 62954-10 | <u>OIL TANK & LINES - 883L/N/R, 1200C/CP/N/V/X</u> |
| 63000-04B | <u>OIL TANK & LINES - 883L/N/R, 1200C/CP/N/V/X</u> |
| 63008-08 | <u>OIL TANK & LINES- XR1200X</u> |
| 6302 | <u>FRAME & JIFFY STAND - XR1200X</u> |
| 63050-08A | <u>OIL LINES & COOLER - XR1200X</u> |
| 63080-08 | <u>OIL LINES & COOLER - XR1200X</u> |
| 63081-08 | <u>OIL LINES & COOLER - XR1200X</u> |
| 63097-08 | <u>OIL LINES & COOLER - XR1200X</u> |
| 63098-08 | <u>OIL LINES & COOLER - XR1200X</u> |
| 63099-08 | <u>OIL TANK & LINES- XR1200X</u> |
| 63103-08 | <u>OIL TANK & LINES- XR1200X</u> |
| 63108-08 | <u>OIL LINES & COOLER - XR1200X</u> |
| 63110-08 | <u>OIL LINES & COOLER - XR1200X</u> |
| 63111-08 | <u>OIL LINES & COOLER - XR1200X</u> |
| 63112-08 | <u>OIL LINES & COOLER - XR1200X</u> |
| 63116-08 | <u>OIL LINES & COOLER - XR1200X</u> |
| 63119-08 | <u>OIL LINES & COOLER - XR1200X</u> |
| 63120-08 | <u>OIL LINES & COOLER - XR1200X</u> |
| 63125-08 | <u>OIL LINES & COOLER - XR1200X</u> |
| 63508-04 | <u>CRANKCASE & GEARCASE - 883L/N/R, 1200C/CP/N/V/X</u> <u>CRANKCASE & GEARCASE - XR1200X</u> |
| 63533-41A | <u>CRANKCASE & GEARCASE - 883L/N/R, 1200C/CP/N/V/X</u> <u>CRANKCASE & GEARCASE - XR1200X</u> <u>OIL PUMP - 883L/N/R, 1200C/CP/N/V/X</u> |

| | |
|-----------|--|
| 63548-08 | <u>ROCKER ARM ASSEMBLY & PUSH RODS - XR1200X</u> |
| 63596-06 | <u>OIL TANK & LINES - 883L/N/R, 1200C/CP/N/V/X</u> <u>OIL TANK & LINES- XR1200X</u> |
| 63796-77A | <u>CRANKCASE & GEARCASE - 883L/N/R, 1200C/CP/N/V/X</u> |
| 63805-80A | <u>CRANKCASE & GEARCASE - 883L/N/R, 1200C/CP/N/V/X</u> <u>CRANKCASE & GEARCASE - XR1200X</u> |
| 6400HB | <u>BELT & SPROCKETS - XR1200X</u> <u>FOOTRESTS - XR1200X</u> <u>FUEL TANK - XR1200X</u> |
| 6445 | <u>BELT & SPROCKETS - XR1200X</u> |
| 64737-09 | <u>EXHAUST SYSTEM - 883L/N/R, 1200C/CP/N/V/X</u> |
| 64738-09 | <u>EXHAUST SYSTEM - 883L/N/R, 1200C/CP/N/V/X</u> |
| 64842-04 | <u>EXHAUST SYSTEM - 883L/N/R, 1200C/CP/N/V/X</u> |
| 64846-04A | <u>EXHAUST SYSTEM - 883L/N/R, 1200C/CP/N/V/X</u> |
| 64847-04A | <u>EXHAUST SYSTEM - 883L/N/R, 1200C/CP/N/V/X</u> |
| 64850-08 | <u>EXHAUST SYSTEM - XR1200X</u> |
| 64851-09 | <u>EXHAUST SYSTEM - XR1200X</u> |
| 64853-04 | <u>EXHAUST SYSTEM - 883L/N/R, 1200C/CP/N/V/X</u> |
| 64854-04 | <u>EXHAUST SYSTEM - 883L/N/R, 1200C/CP/N/V/X</u> |
| 64889-04 | <u>EXHAUST SYSTEM - 883L/N/R, 1200C/CP/N/V/X</u> |
| 64890-04 | <u>EXHAUST SYSTEM - 883L/N/R, 1200C/CP/N/V/X</u> |
| 64891-04A | <u>EXHAUST SYSTEM - 883L/N/R, 1200C/CP/N/V/X</u> |
| 64893-04A | <u>EXHAUST SYSTEM - 883L/N/R, 1200C/CP/N/V/X</u> |
| 64942-07 | <u>EXHAUST SYSTEM - 883L/N/R, 1200C/CP/N/V/X</u> |
| 64943-07 | <u>EXHAUST SYSTEM - 883L/N/R, 1200C/CP/N/V/X</u> |
| 64965-08A | <u>EXHAUST SYSTEM - XR1200X</u> |
| 65088-04 | <u>CRANKCASE & GEARCASE - 883L/N/R, 1200C/CP/N/V/X</u> <u>CRANKCASE & GEARCASE - XR1200X</u> |
| 65168-10 | <u>EXHAUST SYSTEM - XR1200X</u> |
| 6516HW | <u>BELT & SPROCKETS - 883L/N/R, 1200C/CP/N/V/X</u> <u>BELT & SPROCKETS - XR1200X</u> <u>WHEELS, REAR, CAST - 883L/N/R, 1200C/CP</u> <u>WHEEL, REAR, CAST - XR1200X</u> <u>WHEELS, REAR, LACED - 1200C/CP/N/V/X</u> |
| | |

| | |
|-----------|---|
| 65176-10 | EXHAUST SYSTEM - XR1200X |
| 65184-02 | EXHAUST SYSTEM - 883L/N/R, 1200C/CP/N/V/X |
| 65189-10 | EXHAUST SYSTEM - XR1200X |
| 65197-10 | EXHAUST SYSTEM - XR1200X |
| 65198-10 | EXHAUST SYSTEM - XR1200X |
| 65218-10 | EXHAUST SYSTEM - XR1200X EXHAUST SYSTEM - XR1200X |
| 65219-10 | EXHAUST SYSTEM - XR1200X EXHAUST SYSTEM - XR1200X |
| 65240-08 | EXHAUST SYSTEM - XR1200X |
| 65257-08 | EXHAUST SYSTEM - XR1200X |
| 65258-08 | AIR BOX - XR1200X |
| 65296-95A | EXHAUST SYSTEM - 883L/N/R, 1200C/CP/N/V/X |
| 65302-82A | EXHAUST SYSTEM - 883L/N/R, 1200C/CP/N/V/X |
| 65316-08 | FRAME & JIFFY STAND - XR1200X EXHAUST SYSTEM - XR1200X |
| 65317-08A | EXHAUST SYSTEM - XR1200X |
| 65324-83B | EXHAUST SYSTEM - 883L/N/R, 1200C/CP/N/V/X EXHAUST SYSTEM - XR1200X |
| 65325-83A | EXHAUST SYSTEM - 883L/N/R, 1200C/CP/N/V/X EXHAUST SYSTEM - XR1200X |
| 65328-83A | EXHAUST SYSTEM - XR1200X |
| 65339-04 | EXHAUST SYSTEM - 883L/N/R, 1200C/CP/N/V/X |
| 65453-08 | EXHAUST SYSTEM - XR1200X |
| 6551 | WHEELS, REAR, CAST - 883L/N/R, 1200C/CP WHEEL, REAR, CAST - XR1200X WHEELS, REAR, LACED - 1200C/CP/N/V/X |
| 6589 | ROCKER ARM ASSEMBLY & PUSH RODS - 883L/N/R, 1200C/CP/N/V/X ROCKER ARM ASSEMBLY & PUSH RODS - XR1200X |
| 6590HW | HANDLEBAR & THROTTLE CONTROL - 883L/N/R, 1200N/X, XR1200X HANDLEBAR & THROTTLE CONTROL - 1200C/CP/V |
| 65927-00 | EXHAUST SYSTEM - 883L/N/R, 1200C/CP/N/V/X |
| 6594 | WHEELS, FRONT, CAST - 883L/N/R, 1200C/CP WHEEL, FRONT, CAST - XR1200X WHEELS, FRONT, LACED - 1200C/CP/N/V/X |
| | |

| | |
|-------------|--|
| 65958-04A | <u>BATTERY</u> |
| 65974-04A | <u>EXHAUST SYSTEM - 883L/N/R, 1200C/CP/N/V/X</u> |
| 6610 | <u>TURN SIGNALS, FRONT</u> |
| 6611 | <u>FORK BRACKETS, FRONT - 883L/N/R, 1200C/CP/N/V/X</u> <u>FORK BRACKETS, FRONT - XR1200X</u> |
| 66194-04D | <u>BATTERY</u> |
| 66199-10 | <u>OIL TANK & LINES - 883L/N/R, 1200C/CP/N/V/X</u> <u>OIL TANK & LINES- XR1200X</u> |
| 66251-04A | <u>FRAME & JIFFY STAND - 883L/N/R, 1200C/CP/N/V/X</u> |
| 66252-04A | <u>FRAME & JIFFY STAND - 883L/N/R, 1200C/CP/N/V/X</u> |
| 66269-08BDK | <u>FRAME & JIFFY STAND - XR1200X</u> |
| 66269-08CHJ | <u>FRAME & JIFFY STAND - XR1200X</u> |
| 66270-08BDK | <u>FRAME & JIFFY STAND - XR1200X</u> |
| 66270-08CHJ | <u>FRAME & JIFFY STAND - XR1200X</u> |
| 66271-08BDK | <u>FUEL TANK - XR1200X</u> |
| 66272-05A | <u>FRAME & JIFFY STAND - 883L/N/R, 1200C/CP/N/V/X</u> |
| 66273-05A | <u>FRAME & JIFFY STAND - 883L/N/R, 1200C/CP/N/V/X</u> |
| 66373-06 | <u>SWITCHES</u> |
| 66476-04A | <u>BATTERY</u> |
| 66523-06 | <u>TURN SIGNAL MODULE & SECURITY SIREN</u> |
| 66524-06 | <u>TURN SIGNAL MODULE & SECURITY SIREN</u> |
| 66851-07 | <u>EXHAUST SYSTEM - 883L/N/R, 1200C/CP/N/V/X</u> |
| 6701 | <u>BELT & SPROCKETS - XR1200X</u> <u>BRAKE, MASTER CYLINDER, REAR - 883L/N/R, 1200C/CP/N/V/X</u> <u>FORK, FRONT - 883L/R, 1200C/CP/V/X</u> <u>FORK, FRONT - 883N, 1200N</u> <u>HEADLAMP - 883L/N/R, 1200N/X, XR1200X</u> <u>HEADLAMP - 1200C/CP/V</u> <u>EXHAUST SYSTEM - 883L/N/R, 1200C/CP/N/V/X</u> <u>EXHAUST SYSTEM - XR1200X</u> |
| 6702 | <u>BRAKE, MASTER CYLINDER, REAR - 883L/N/R, 1200C/CP/N/V/X</u> <u>FORK, REAR, DEBRIS DEFLECTOR & BELT GUARD</u> <u>HANDLEBAR & THROTTLE CONTROL - 883L/N/R, 1200N/X, XR1200X</u> <u>FENDERS, REAR - 883L/R/1200C/CP (ALL), 883N/1200N/V/X (CANADA ONLY)</u> <u>FENDERS, REAR - 883N/1200N/V/X (ALL EXCEPT CANADA)</u> <u>FUEL TANK - 883L/N/R, 1200C/CP/N/V/X</u> <u>HEADLAMP - 883L/N/R, 1200N/X, XR1200X</u> <u>HEADLAMP - 1200C/CP/V</u> |

| | |
|-----------|--|
| | <u>EXHAUST SYSTEM - XR1200X</u> |
| 6703 | <u>AIR BOX - XR1200X</u> <u>FENDERS, REAR - 883N/1200N/V/X (ALL EXCEPT CANADA)</u> <u>FENDERS, REAR - XR1200X</u> <u>LICENSE PLATE BRACKETS</u> |
| 67037-08 | <u>SPEEDOMETER - 883L/N/R, 1200C/CP/N/V/X</u> |
| 67041-08 | <u>SPEEDOMETER - 883L/N/R, 1200C/CP/N/V/X</u> |
| 67089-05 | <u>SPEEDOMETER - 883L/N/R, 1200C/CP/N/V/X</u> |
| 67091-08 | <u>SPEEDOMETER & TACHOMETER - XR1200X</u> |
| 67104-95 | <u>SPEEDOMETER - 883L/N/R, 1200C/CP/N/V/X</u> |
| 67121-95A | <u>SPEEDOMETER - 883L/N/R, 1200C/CP/N/V/X</u> <u>SPEEDOMETER & TACHOMETER - XR1200X</u> |
| 67157-08 | <u>SPEEDOMETER & TACHOMETER - XR1200X</u> |
| 6716 | <u>LICENSE PLATE BRACKETS</u> |
| 67170-08 | <u>SPEEDOMETER & TACHOMETER - XR1200X</u> |
| 67174-08 | <u>SPEEDOMETER & TACHOMETER - XR1200X</u> |
| 6718 | <u>SHOCK ABSORBERS, REAR</u> <u>SHOCK ABSORBERS, REAR</u> |
| 67290-08 | <u>SPEEDOMETER - 883L/N/R, 1200C/CP/N/V/X</u> |
| 673 | <u>AIR BOX - XR1200X</u> |
| 67320-95 | <u>SPEEDOMETER - 883L/N/R, 1200C/CP/N/V/X</u> |
| 6738 | <u>SHOCK ABSORBERS, REAR</u> |
| 67415-08 | <u>SPEEDOMETER - 883L/N/R, 1200C/CP/N/V/X</u> |
| 67416-08 | <u>SPEEDOMETER - 883L/N/R, 1200C/CP/N/V/X</u> |
| 67436-08 | <u>SPEEDOMETER - 883L/N/R, 1200C/CP/N/V/X</u> |
| 675 | <u>BELT & SPROCKETS - XR1200X</u> |
| 67601-94A | <u>HEADLAMP - 1200C/CP/V</u> |
| 67603-94A | <u>HEADLAMP - 1200C/CP/V</u> |
| 67667-05 | <u>HEADLAMP - 883L/N/R, 1200N/X, XR1200X</u> <u>HEADLAMP - 1200C/CP/V</u> |
| 67700094 | <u>HEADLAMP - 883L/N/R, 1200N/X, XR1200X</u> |
| 67746-11 | <u>HEADLAMP - 1200C/CP/V</u> |
| 67790-93A | <u>HEADLAMP - 883L/N/R, 1200N/X, XR1200X</u> |

| | |
|-----------|--|
| 67800070 | TURN SIGNALS, FRONT |
| 67804-04 | BRAKE, MASTER CYLINDER, REAR - 883L/N/R, 1200C/CP/N/V/X |
| 67805-92 | HEADLAMP - 883L/N/R, 1200N/X, XR1200X |
| 67815-59A | HEADLAMP - 883L/N/R, 1200N/X, XR1200X |
| 67834-83 | HEADLAMP - 883L/N/R, 1200N/X, XR1200X |
| 67854-98 | SPEEDOMETER - 883L/N/R, 1200C/CP/N/V/X SPEEDOMETER & TACHOMETER - XR1200X |
| 67865-89 | HEADLAMP - 883L/N/R, 1200N/X, XR1200X |
| 6787 | CYLINDERS, HEADS & VALVES - 883L/N/R, 1200C/CP/N/V/X |
| 67880-94 | SPEEDOMETER - 883L/N/R, 1200C/CP/N/V/X SPEEDOMETER & TACHOMETER - XR1200X |
| 67883-04A | HEADLAMP - 883L/N/R, 1200N/X, XR1200X HEADLAMP - 1200C/CP/V |
| 67894-93A | HEADLAMP - 1200C/CP/V |
| 67900006 | FENDERS, REAR - 883L/R/1200C/CP (ALL), 883N/1200N/V/X (CANADA ONLY) |
| 67900079 | LICENSE PLATE BRACKETS |
| 67900088 | LICENSE PLATE BRACKETS |
| 67900089 | LICENSE PLATE BRACKETS |
| 67900093 | LICENSE PLATE BRACKETS |
| 67963-05 | HEADLAMP - 883L/N/R, 1200N/X, XR1200X |
| 67972-98 | HEADLAMP - 883L/N/R, 1200N/X, XR1200X |
| 6798 | FENDERS, REAR - 883L/R/1200C/CP (ALL), 883N/1200N/V/X (CANADA ONLY) FENDERS, REAR - 883N/1200N/V/X (ALL EXCEPT CANADA) GUARDS, SAREE |
| 68026-99 | TAIL LAMPS |
| 68041-04 | FORK BRACKETS, FRONT - 883L/N/R, 1200C/CP/N/V/X |
| 68042-99 | CRANKCASE & GEARCASE - 883L/N/R, 1200C/CP/N/V/X CRANKCASE & GEARCASE - XR1200X |
| 68066-99A | TAIL LAMPS |
| 68120-00 | CAMSHAFTS & GEAR COVER - 883L/N/R, 1200C/CP/N/V/X |
| 68140-04 | TAIL LAMPS |
| 68141-04 | TAIL LAMPS |
| | |

| | |
|-----------|--|
| 68163-84 | TURN SIGNALS, FRONT TAIL LAMP & TURN SIGNALS, REAR |
| 68167-04 | TAIL LAMPS |
| 68168-89A | TURN SIGNALS, FRONT TAIL LAMP & TURN SIGNALS, REAR |
| 68257-08 | LICENSE PLATE BRACKETS |
| 68265-04 | TURN SIGNALS, FRONT |
| 68277-07 | TAIL LAMP & TURN SIGNALS, REAR |
| 68278-07 | TAIL LAMP & TURN SIGNALS, REAR |
| 68296-99A | TAIL LAMPS |
| 68297-05 | HEADLAMP - 883L/N/R, 1200N/X, XR1200X HEADLAMP - 1200C/CP/V |
| 68299-07 | TAIL LAMP & TURN SIGNALS, REAR |
| 68329-03 | HEADLAMP - 883L/N/R, 1200N/X, XR1200X HEADLAMP - 1200C/CP/V |
| 68335-05 | HEADLAMP - 883L/N/R, 1200N/X, XR1200X HEADLAMP - 1200C/CP/V |
| 68341-05 | HEADLAMP - 883L/N/R, 1200N/X, XR1200X HEADLAMP - 1200C/CP/V |
| 68369-03 | TAIL LAMPS |
| 68370-03A | TAIL LAMPS |
| 68372-03 | TAIL LAMPS |
| 68380-05 | HEADLAMP - 883L/N/R, 1200N/X, XR1200X HEADLAMP - 1200C/CP/V |
| 68382-07A | SPEEDOMETER - 883L/N/R, 1200C/CP/N/V/X |
| 68443-07A | HEADLAMP - 883L/N/R, 1200N/X, XR1200X |
| 68449-07 | TAIL LAMP & TURN SIGNALS, REAR |
| 68461-09 | TAIL LAMP & TURN SIGNALS, REAR |
| 68480-02 | TAIL LAMP & TURN SIGNALS, REAR |
| 68497-07 | TAIL LAMP & TURN SIGNALS, REAR |
| 68513-07 | SPEEDOMETER - 883L/N/R, 1200C/CP/N/V/X SPEEDOMETER & TACHOMETER - XR1200X |
| 68559-07 | TAIL LAMP & TURN SIGNALS, REAR |
| 68561-09 | LICENSE PLATE BRACKETS |

| | |
|-----------|--|
| 68572-64B | <u>TAIL LAMP & TURN SIGNALS, REAR</u> |
| 6863 | <u>FORK, REAR, DEBRIS DEFLECTOR & BELT GUARD</u> |
| 6864A | <u>FORK, REAR, DEBRIS DEFLECTOR & BELT GUARD</u> |
| 68653-05 | <u>HEADLAMP - 883L/N/R, 1200N/X, XR1200X</u> <u>HEADLAMP - 1200C/CP/V</u> |
| 68702-07 | <u>LICENSE PLATE BRACKETS</u> |
| 68704-07 | <u>FENDERS, REAR - 883N/1200N/V/X (ALL EXCEPT CANADA)</u> |
| 68724-07 | <u>FENDERS, REAR - 883N/1200N/V/X (ALL EXCEPT CANADA)</u> |
| 68730-07 | <u>TURN SIGNALS, FRONT</u> |
| 6874 | <u>FOOTRESTS - XR1200X</u> |
| 68755-07 | <u>TURN SIGNALS, FRONT</u> <u>TAIL LAMP & TURN SIGNALS, REAR</u> |
| 68804-06 | <u>TURN SIGNALS, FRONT</u> |
| 68813-07 | <u>SPEEDOMETER - 883L/N/R, 1200C/CP/N/V/X</u> |
| 68814-07 | <u>SPEEDOMETER - 883L/N/R, 1200C/CP/N/V/X</u> |
| 68830-99A | <u>TAIL LAMPS</u> |
| 68838-06 | <u>TURN SIGNALS, FRONT</u> |
| 68857-07 | <u>FENDERS, REAR - 883N/1200N/V/X (ALL EXCEPT CANADA)</u> |
| 68899-04A | <u>TAIL LAMP & TURN SIGNALS, REAR</u> <u>TAIL LAMPS</u> |
| 68904-00 | <u>TURN SIGNALS, FRONT</u> |
| 68920-07 | <u>TURN SIGNAL MODULE & SECURITY SIREN</u> |
| 68924-07 | <u>TURN SIGNAL MODULE & SECURITY SIREN</u> |
| 68926-07 | <u>SWITCHES</u> |
| 68939-00 | <u>SWITCHES</u> |
| 68955-08 | <u>TAIL LAMP & TURN SIGNALS, REAR</u> |
| 68956-07 | <u>TURN SIGNAL MODULE & SECURITY SIREN</u> |
| 68958-07C | <u>TURN SIGNAL MODULE & SECURITY SIREN</u> |
| 68966-08 | <u>FENDERS, REAR - 883N/1200N/V/X (ALL EXCEPT CANADA)</u> |
| 68972-00 | <u>TURN SIGNALS, FRONT</u> |
| | |

| | |
|-----------|--|
| 68973-00 | TURN SIGNALS, FRONT TAIL LAMP & TURN SIGNALS, REAR |
| 68975-00 | TURN SIGNALS, FRONT |
| 68978-00 | TAIL LAMP & TURN SIGNALS, REAR |
| 68984-01 | TAIL LAMP & TURN SIGNALS, REAR |
| 69000014 | HORN |
| 69012-93A | HORN |
| 69049-07 | HORN |
| 69060-90F | HORN |
| 69062-91A | HORN |
| 69066-01A | TAIL LAMP & TURN SIGNALS, REAR |
| 69110-01 | TAIL LAMP & TURN SIGNALS, REAR |
| 69120-91 | HORN |
| 69123-92A | HORN |
| 69135-04 | HORN |
| 69148-01 | FENDERS, REAR - XR1200X |
| 69187-03A | TAIL LAMPS |
| 69200316 | WIRING HARNESS, MAIN - XR1200X (1 OF 3) WIRING HARNESS, MAIN - XR1200X (2 OF 3) WIRING HARNESS, MAIN - XR1200X (3 OF 3) |
| 69200317 | WIRING HARNESS, MAIN - 883L/N/R, 1200C/CP/N/V/X (1 OF 3) WIRING HARNESS, MAIN - 883L/N/R, 1200C/CP/N/V/X (2 OF 3) WIRING HARNESS, MAIN - 883L/N/R, 1200C/CP/N/V/X (3 OF 3) |
| 6930 | EXHAUST SYSTEM - XR1200X |
| 69302-11 | FENDERS, REAR - 883L/R/1200C/CP (ALL), 883N/1200N/V/X (CANADA ONLY) |
| 69309-10 | TURN SIGNAL MODULE & SECURITY SIREN |
| 69352-11 | TAIL LAMPS |
| 69361-11 | TAIL LAMPS |
| 69362-08 | TURN SIGNALS, FRONT |
| 69386-08 | HEADLAMP - 883L/N/R, 1200N/X, XR1200X |
| 69397-08 | HEADLAMP - 883L/N/R, 1200N/X, XR1200X |
| 69406-09 | TAIL LAMP & TURN SIGNALS, REAR |

| | |
|-----------|---|
| 69449-05 | HEADLAMP - 883L/N/R, 1200N/X, XR1200X |
| 69490-07 | FENDERS, REAR - 883N/1200N/V/X (ALL EXCEPT CANADA) |
| 69498-08 | FENDERS, REAR - 883N/1200N/V/X (ALL EXCEPT CANADA) |
| 69530-08 | TAIL LAMP & TURN SIGNALS, REAR |
| 69681-07B | HEADLAMP - 1200C/CP/V |
| 69774-07A | HEADLAMP - 883L/N/R, 1200N/X, XR1200X |
| 69861-07 | FORK, FRONT - XR1200X |
| 69862-07 | FORK, FRONT - XR1200X |
| 69864-08 | TAIL LAMPS |
| 70003-04 | BATTERY |
| 70025-11 | TAIL LAMP & TURN SIGNALS, REAR TAIL LAMPS |
| 70163-10 | WIRING HARNESS, ENGINE - XR1200X |
| 70167-08A | WIRING HARNESS, ENGINE - 883L/N/R, 1200C/CP/N/V/X |
| 70247-07 | SWITCHES |
| 70295-10 | BATTERY |
| 70296-04A | BATTERY |
| 70297-04A | ENGINE MOUNTS |
| 70345-84 | HANDLEBAR & THROTTLE CONTROL - 883L/N/R, 1200N/X, XR1200X HANDLEBAR & THROTTLE CONTROL - 1200C/CP/V SWITCHES, HANDLEBAR |
| 70368-08 | WIRING HARNESS, MAIN - XR1200X (1 OF 3) |
| 7038 | FORK, FRONT - 883L/R, 1200C/CP/V/X FORK, FRONT - 883N, 1200N HEADLAMP - 883L/N/R, 1200N/X, XR1200X TURN SIGNALS, FRONT |
| 7039 | ENGINE MOUNTS |
| 7041 | HORN |
| 70417-04C | FRAME & JIFFY STAND - 883L/N/R, 1200C/CP/N/V/X |
| 7045 | BRAKE CONTROL, FRONT - 883L/N/R, 1200C/CP/N/V/X HEADLAMP - 883L/N/R, 1200N/X, XR1200X HEADLAMP - 1200C/CP/V |
| 70466-07A | WIRING HARNESS, MAIN - 883L/N/R, 1200C/CP/N/V/X (1 OF 3) |
| | |

| | |
|----------|--|
| 70503-10 | <u>OIL TANK & LINES - 883L/N/R, 1200C/CP/N/V/X</u> |
| 70504-81 | <u>HANDLEBAR & THROTTLE CONTROL - 883L/N/R, 1200N/X, XR1200X</u> <u>HANDLEBAR & THROTTLE CONTROL - 1200C/CP/V</u> |
| 70578-89 | <u>BATTERY</u> |
| 70598-99 | <u>WIRING HARNESS, MAIN - 883L/N/R, 1200C/CP/N/V/X (1 OF 3)</u> <u>WIRING HARNESS, MAIN - XR1200X (1 OF 3)</u> |
| 70617-07 | <u>TURN SIGNAL MODULE & SECURITY SIREN</u> |
| 70619-07 | <u>TURN SIGNAL MODULE & SECURITY SIREN</u> |
| 70632-08 | <u>WIRING HARNESS, MAIN - XR1200X (1 OF 3)</u> |
| 70633-08 | <u>FRAME & JIFFY STAND - XR1200X</u> |
| 70640-07 | <u>WIRING HARNESS, MAIN - 883L/N/R, 1200C/CP/N/V/X (1 OF 3)</u> |
| 70642-07 | <u>WIRING HARNESS, MAIN - 883L/N/R, 1200C/CP/N/V/X (1 OF 3)</u> |
| 70664-08 | <u>WIRING HARNESS, MAIN - 883L/N/R, 1200C/CP/N/V/X (1 OF 3)</u> <u>WIRING HARNESS, MAIN - XR1200X (1 OF 3)</u> |
| 70679-10 | <u>WIRING HARNESS, MAIN - 883L/N/R, 1200C/CP/N/V/X (1 OF 3)</u> |
| 7068 | <u>HEADLAMP - 883L/N/R, 1200N/X, XR1200X</u> |
| 70680-10 | <u>WIRING HARNESS, MAIN - 883L/N/R, 1200C/CP/N/V/X (1 OF 3)</u> |
| 70714-10 | <u>SPEEDOMETER & TACHOMETER - XR1200X</u> |
| 7073 | <u>HEADLAMP - 883L/N/R, 1200N/X, XR1200X</u> |
| 7080 | <u>SHIFTER, GEAR</u> |
| 70903-04 | <u>FUEL TANK - 883L/N/R, 1200C/CP/N/V/X</u> |
| 70904-04 | <u>FUEL TANK - 883L/N/R, 1200C/CP/N/V/X</u> |
| 70917-04 | <u>FUEL TANK - 883L/N/R, 1200C/CP/N/V/X</u> |
| 70919-04 | <u>FUEL TANK - 883L/N/R, 1200C/CP/N/V/X</u> |
| 7124 | <u>BRAKE, MASTER CYLINDER, REAR - XR1200X</u> |
| 71287-08 | <u>FRAME & JIFFY STAND - XR1200X</u> |
| 71341-10 | <u>WIRING HARNESS, MAIN - XR1200X (1 OF 3)</u> |
| 71400058 | <u>SWITCHES</u> |
| 71472-04 | <u>FRAME & JIFFY STAND - 883L/N/R, 1200C/CP/N/V/X</u> |
| 71478-08 | <u>FRAME & JIFFY STAND - XR1200X</u> |
| 71510-04 | <u>WIRING HARNESS, MAIN - 883L/N/R, 1200C/CP/N/V/X (1 OF 3)</u> <u>WIRING HARNESS, MAIN - XR1200X (1 OF 3)</u> |

| | |
|-----------|--|
| | <u>SWITCHES</u> |
| 7155 | <u>MIRRORS</u> |
| 71550-94 | <u>WIRING HARNESS, MAIN - 883L/N/R, 1200C/CP/N/V/X (1 OF 3)</u> <u>WIRING HARNESS, MAIN - XR1200X (1 OF 3)</u> <u>SWITCHES</u> |
| 71552-94 | <u>WIRING HARNESS, MAIN - 883L/N/R, 1200C/CP/N/V/X (1 OF 3)</u> <u>WIRING HARNESS, MAIN - XR1200X (1 OF 3)</u> |
| 71563-96 | <u>SWITCHES, HANDLEBAR</u> |
| 71564-96 | <u>SWITCHES, HANDLEBAR</u> |
| 71567-96 | <u>SWITCHES, HANDLEBAR</u> |
| 71568-96A | <u>SWITCHES, HANDLEBAR</u> |
| 71587-04 | <u>SWITCHES, HANDLEBAR</u> |
| 71620-08 | <u>SWITCHES, HANDLEBAR</u> |
| 71621-08 | <u>SWITCHES, HANDLEBAR</u> |
| 71682-06A | <u>SWITCHES, HANDLEBAR</u> |
| 71683-06A | <u>SWITCHES, HANDLEBAR</u> |
| 71684-06A | <u>SWITCHES, HANDLEBAR</u> |
| 71685-06A | <u>SWITCHES, HANDLEBAR</u> |
| 71980-10 | <u>SPEEDOMETER - 883L/N/R, 1200C/CP/N/V/X</u> |
| 71988-10 | <u>SPEEDOMETER - 883L/N/R, 1200C/CP/N/V/X</u> |
| 72006-05 | <u>WIRING HARNESS, MAIN - 883L/N/R, 1200C/CP/N/V/X (1 OF 3)</u> <u>WIRING HARNESS, MAIN - XR1200X (1 OF 3)</u> <u>WIRING HARNESS, ENGINE - XR1200X</u> |
| 72007-05 | <u>WIRING HARNESS, MAIN - 883L/N/R, 1200C/CP/N/V/X (1 OF 3)</u> <u>WIRING HARNESS, MAIN - XR1200X (1 OF 3)</u> <u>WIRING HARNESS, ENGINE - XR1200X</u> |
| 72009-05 | <u>ENGINE SENSORS & SWITCHES</u> <u>EXHAUST SYSTEM - 883L/N/R, 1200C/CP/N/V/X</u> <u>EXHAUST SYSTEM - XR1200X</u> <u>WIRING HARNESS, ENGINE - XR1200X</u> <u>SWITCHES</u> |
| 72011-05 | <u>ENGINE SENSORS & SWITCHES</u> <u>EXHAUST SYSTEM - 883L/N/R, 1200C/CP/N/V/X</u> <u>EXHAUST SYSTEM - XR1200X</u> <u>WIRING HARNESS, MAIN - 883L/N/R, 1200C/CP/N/V/X (1 OF 3)</u> <u>WIRING HARNESS, MAIN - XR1200X (1 OF 3)</u> <u>WIRING HARNESS, ENGINE - XR1200X</u> <u>SWITCHES</u> |
| | |

| | |
|------------|--|
| 72014-07 | WIRING HARNESS, ENGINE - XR1200X |
| 72023-51D | BRAKE, MASTER CYLINDER, REAR - 883L/N/R, 1200C/CP/N/V/X BRAKE, MASTER CYLINDER, REAR - XR1200X SWITCHES |
| 72024-08 | WIRING HARNESS, MAIN - 883L/N/R, 1200C/CP/N/V/X (1 OF 3) |
| 72032-93 | SPEEDOMETER & TACHOMETER - XR1200X |
| 72033-93 | SPEEDOMETER & TACHOMETER - XR1200X WIRING HARNESS, MAIN - XR1200X (1 OF 3) WIRING HARNESS, ENGINE - 883L/N/R, 1200C/CP/N/V/X WIRING HARNESS, ENGINE - XR1200X |
| 72056-92 | HEADLAMP - 883L/N/R, 1200N/X, XR1200X HEADLAMP - 1200C/CP/V |
| 72066-06A | WIRING HARNESS, MAIN - 883L/N/R, 1200C/CP/N/V/X (1 OF 3) WIRING HARNESS, MAIN - XR1200X (1 OF 3) |
| 72076-00 | WIRING HARNESS, MAIN - 883L/N/R, 1200C/CP/N/V/X (1 OF 3) WIRING HARNESS, MAIN - XR1200X (1 OF 3) |
| 72077-00 | WIRING HARNESS, MAIN - 883L/N/R, 1200C/CP/N/V/X (1 OF 3) WIRING HARNESS, MAIN - XR1200X (1 OF 3) |
| 72078-00 | WIRING HARNESS, MAIN - 883L/N/R, 1200C/CP/N/V/X (1 OF 3) WIRING HARNESS, MAIN - XR1200X (1 OF 3) |
| 72094-06 | WIRING HARNESS, MAIN - 883L/N/R, 1200C/CP/N/V/X (1 OF 3) WIRING HARNESS, MAIN - XR1200X (1 OF 3) WIRING HARNESS, ENGINE - 883L/N/R, 1200C/CP/N/V/X |
| 72096-06 | WIRING HARNESS, MAIN - 883L/N/R, 1200C/CP/N/V/X (2 OF 3) WIRING HARNESS, MAIN - XR1200X (1 OF 3) WIRING HARNESS, ENGINE - 883L/N/R, 1200C/CP/N/V/X |
| 72114-94BK | TURN SIGNAL MODULE & SECURITY SIREN |
| 72124-94GY | WIRING HARNESS, MAIN - 883L/N/R, 1200C/CP/N/V/X (2 OF 3) WIRING HARNESS, MAIN - XR1200X (2 OF 3) |
| 72130-04 | SPEEDOMETER - 883L/N/R, 1200C/CP/N/V/X SPEEDOMETER & TACHOMETER - XR1200X |
| 72135-06 | WIRING HARNESS, MAIN - 883L/N/R, 1200C/CP/N/V/X (2 OF 3) WIRING HARNESS, MAIN - XR1200X (2 OF 3) |
| 72139-94GY | WIRING HARNESS, MAIN - 883L/N/R, 1200C/CP/N/V/X (2 OF 3) WIRING HARNESS, MAIN - XR1200X (2 OF 3) |
| 72144-94 | WIRING HARNESS, MAIN - 883L/N/R, 1200C/CP/N/V/X (2 OF 3) WIRING HARNESS, MAIN - XR1200X (2 OF 3) |
| 72154-94 | TURN SIGNAL MODULE & SECURITY SIREN |
| 72159-94 | WIRING HARNESS, MAIN - 883L/N/R, 1200C/CP/N/V/X (2 OF 3) WIRING HARNESS, MAIN - XR1200X (2 OF 3) |

| | |
|------------|---|
| 72164-94A | WIRING HARNESS, MAIN - 883L/N/R, 1200C/CP/N/V/X (2 OF 3) WIRING HARNESS, MAIN - XR1200X (2 OF 3) |
| 72166-07BK | WIRING HARNESS, ENGINE - 883L/N/R, 1200C/CP/N/V/X WIRING HARNESS, ENGINE - XR1200X |
| 72167-07BK | WIRING HARNESS, MAIN - 883L/N/R, 1200C/CP/N/V/X (2 OF 3) WIRING HARNESS, MAIN - XR1200X (2 OF 3) |
| 72168-07 | WIRING HARNESS, MAIN - 883L/N/R, 1200C/CP/N/V/X (2 OF 3) WIRING HARNESS, MAIN - XR1200X (2 OF 3) WIRING HARNESS, ENGINE - 883L/N/R, 1200C/CP/N/V/X WIRING HARNESS, ENGINE - XR1200X |
| 72169-07 | FRAME & JIFFY STAND - 883L/N/R, 1200C/CP/N/V/X FRAME & JIFFY STAND - XR1200X SWITCHES, HANDLEBAR SPEEDOMETER - 883L/N/R, 1200C/CP/N/V/X SPEEDOMETER & TACHOMETER - XR1200X WIRING HARNESS, MAIN - 883L/N/R, 1200C/CP/N/V/X (2 OF 3) WIRING HARNESS, MAIN - XR1200X (2 OF 3) SWITCHES |
| 72175-07BK | WIRING HARNESS, MAIN - 883L/N/R, 1200C/CP/N/V/X (2 OF 3) WIRING HARNESS, MAIN - XR1200X (2 OF 3) |
| 72188-07BK | SWITCHES, HANDLEBAR |
| 72189-04 | SPEEDOMETER - 883L/N/R, 1200C/CP/N/V/X SPEEDOMETER & TACHOMETER - XR1200X |
| 72190-94 | WIRING HARNESS, MAIN - 883L/N/R, 1200C/CP/N/V/X (2 OF 3) WIRING HARNESS, MAIN - XR1200X (2 OF 3) |
| 72191-94 | WIRING HARNESS, MAIN - 883L/N/R, 1200C/CP/N/V/X (2 OF 3) WIRING HARNESS, MAIN - XR1200X (2 OF 3) TURN SIGNAL MODULE & SECURITY SIREN |
| 72195-94 | ALTERNATOR & REGULATOR WIRING HARNESS, MAIN - 883L/N/R, 1200C/CP/N/V/X (2 OF 3) WIRING HARNESS, MAIN - XR1200X (2 OF 3) TURN SIGNAL MODULE & SECURITY SIREN |
| 72199-94 | WIRING HARNESS, MAIN - 883L/N/R, 1200C/CP/N/V/X (2 OF 3) WIRING HARNESS, MAIN - XR1200X (2 OF 3) |
| 7220 | ELECTRONIC IGNITION SYSTEM - 883L/N/R, 1200C/CP/N/V/X WIRING HARNESS, MAIN - 883L/N/R, 1200C/CP/N/V/X (1 OF 3) WIRING HARNESS, MAIN - XR1200X (1 OF 3) |
| 72251-07 | WIRING HARNESS, ENGINE - 883L/N/R, 1200C/CP/N/V/X WIRING HARNESS, ENGINE - XR1200X |
| 72260-04 | WIRING HARNESS, MAIN - 883L/N/R, 1200C/CP/N/V/X (2 OF 3) WIRING HARNESS, MAIN - XR1200X (2 OF 3) |
| 72263-95 | WIRING HARNESS, ENGINE - 883L/N/R, 1200C/CP/N/V/X WIRING HARNESS, ENGINE - XR1200X |
| | |

| | |
|------------|--|
| 72266-94 | SWITCHES, HANDLEBAR |
| 72272-07 | WIRING HARNESS, MAIN - 883L/N/R, 1200C/CP/N/V/X (2 OF 3) WIRING HARNESS, MAIN - XR1200X (2 OF 3) WIRING HARNESS, ENGINE - 883L/N/R, 1200C/CP/N/V/X |
| 72289-04 | WIRING HARNESS, MAIN - 883L/N/R, 1200C/CP/N/V/X (2 OF 3) WIRING HARNESS, MAIN - XR1200X (2 OF 3) |
| 72290-94 | WIRING HARNESS, MAIN - 883L/N/R, 1200C/CP/N/V/X (2 OF 3) WIRING HARNESS, MAIN - XR1200X (2 OF 3) |
| 72291-94 | WIRING HARNESS, MAIN - 883L/N/R, 1200C/CP/N/V/X (2 OF 3) WIRING HARNESS, MAIN - XR1200X (2 OF 3) |
| 72295-94 | WIRING HARNESS, MAIN - 883L/N/R, 1200C/CP/N/V/X (2 OF 3) WIRING HARNESS, MAIN - XR1200X (2 OF 3) |
| 7230 | HEADLAMP - 883L/N/R, 1200N/X, XR1200X |
| 72312-04 | WIRING HARNESS, MAIN - 883L/N/R, 1200C/CP/N/V/X (2 OF 3) WIRING HARNESS, MAIN - XR1200X (2 OF 3) WIRING HARNESS, ENGINE - XR1200X |
| 72318-04 | SWITCHES |
| 72329-08 | SPEEDOMETER & TACHOMETER - XR1200X |
| 72330-95 | WIRING HARNESS, MAIN - 883L/N/R, 1200C/CP/N/V/X (2 OF 3) WIRING HARNESS, MAIN - XR1200X (2 OF 3) SWITCHES |
| 72335-10 | WIRING HARNESS, MAIN - 883L/N/R, 1200C/CP/N/V/X (2 OF 3) |
| 72378-04 | WIRING HARNESS, MAIN - 883L/N/R, 1200C/CP/N/V/X (2 OF 3) WIRING HARNESS, MAIN - XR1200X (2 OF 3) |
| 72402-07 | WIRING HARNESS, ENGINE - 883L/N/R, 1200C/CP/N/V/X WIRING HARNESS, ENGINE - XR1200X |
| 72405-98BK | WIRING HARNESS, MAIN - 883L/N/R, 1200C/CP/N/V/X (2 OF 3) WIRING HARNESS, MAIN - XR1200X (2 OF 3) |
| 72406-07A | WIRING HARNESS, ENGINE - 883L/N/R, 1200C/CP/N/V/X WIRING HARNESS, ENGINE - XR1200X |
| 72407-07 | WIRING HARNESS, ENGINE - 883L/N/R, 1200C/CP/N/V/X WIRING HARNESS, ENGINE - XR1200X |
| 72408-07 | WIRING HARNESS, ENGINE - 883L/N/R, 1200C/CP/N/V/X WIRING HARNESS, ENGINE - XR1200X |
| 72413-07 | WIRING HARNESS, ENGINE - 883L/N/R, 1200C/CP/N/V/X WIRING HARNESS, ENGINE - XR1200X |
| 72414-07BK | WIRING HARNESS, MAIN - 883L/N/R, 1200C/CP/N/V/X (2 OF 3) WIRING HARNESS, MAIN - XR1200X (2 OF 3) |
| 72430-00 | WIRING HARNESS, MAIN - 883L/N/R, 1200C/CP/N/V/X (2 OF 3) |

| | |
|------------|--|
| | WIRING HARNESS, MAIN - XR1200X (2 OF 3) |
| 72434-00 | WIRING HARNESS, MAIN - 883L/N/R, 1200C/CP/N/V/X (2 OF 3) WIRING HARNESS, MAIN - XR1200X (2 OF 3) |
| 72441-04 | WIRING HARNESS, MAIN - 883L/N/R, 1200C/CP/N/V/X (2 OF 3) WIRING HARNESS, MAIN - XR1200X (2 OF 3) |
| 72445-99TN | WIRING HARNESS, MAIN - 883L/N/R, 1200C/CP/N/V/X (3 OF 3) WIRING HARNESS, MAIN - XR1200X (2 OF 3) |
| 72447-07GY | SWITCHES, HANDLEBAR |
| 72469-07GY | WIRING HARNESS, MAIN - 883L/N/R, 1200C/CP/N/V/X (3 OF 3) WIRING HARNESS, MAIN - XR1200X (2 OF 3) |
| 72473-07 | WIRING HARNESS, MAIN - 883L/N/R, 1200C/CP/N/V/X (3 OF 3) WIRING HARNESS, MAIN - XR1200X (3 OF 3) WIRING HARNESS, ENGINE - 883L/N/R, 1200C/CP/N/V/X WIRING HARNESS, ENGINE - XR1200X |
| 72484-08 | WIRING HARNESS, MAIN - 883L/N/R, 1200C/CP/N/V/X (3 OF 3) |
| 72486-08 | WIRING HARNESS, MAIN - 883L/N/R, 1200C/CP/N/V/X (3 OF 3) |
| 72487-07BK | WIRING HARNESS, MAIN - 883L/N/R, 1200C/CP/N/V/X (3 OF 3) WIRING HARNESS, MAIN - XR1200X (3 OF 3) |
| 72488-07BK | SPEEDOMETER - 883L/N/R, 1200C/CP/N/V/X SPEEDOMETER & TACHOMETER - XR1200X |
| 72511-07BK | FRAME & JIFFY STAND - 883L/N/R, 1200C/CP/N/V/X FRAME & JIFFY STAND - XR1200X SWITCHES |
| 72512-07BK | WIRING HARNESS, MAIN - 883L/N/R, 1200C/CP/N/V/X (3 OF 3) WIRING HARNESS, MAIN - XR1200X (3 OF 3) |
| 72516-01 | WIRING HARNESS, MAIN - 883L/N/R, 1200C/CP/N/V/X (3 OF 3) WIRING HARNESS, MAIN - XR1200X (3 OF 3) |
| 72519-09BK | WIRING HARNESS, MAIN - 883L/N/R, 1200C/CP/N/V/X (3 OF 3) WIRING HARNESS, MAIN - XR1200X (3 OF 3) |
| 72543-07BK | WIRING HARNESS, MAIN - 883L/N/R, 1200C/CP/N/V/X (3 OF 3) WIRING HARNESS, MAIN - XR1200X (3 OF 3) WIRING HARNESS, ENGINE - 883L/N/R, 1200C/CP/N/V/X |
| 72544-07 | WIRING HARNESS, MAIN - 883L/N/R, 1200C/CP/N/V/X (3 OF 3) WIRING HARNESS, MAIN - XR1200X (3 OF 3) WIRING HARNESS, ENGINE - 883L/N/R, 1200C/CP/N/V/X |
| 72545-08 | WIRING HARNESS, MAIN - 883L/N/R, 1200C/CP/N/V/X (3 OF 3) WIRING HARNESS, MAIN - XR1200X (3 OF 3) |
| 72549-07 | SPEEDOMETER - 883L/N/R, 1200C/CP/N/V/X SPEEDOMETER & TACHOMETER - XR1200X |
| 72568-08 | WIRING HARNESS, MAIN - 883L/N/R, 1200C/CP/N/V/X (3 OF 3) |

| | |
|------------|--|
| 72592-10 | WIRING HARNESS, MAIN - 883L/N/R, 1200C/CP/N/V/X (3 OF 3) WIRING HARNESS, MAIN - XR1200X (3 OF 3) |
| 72611-07 | WIRING HARNESS, MAIN - 883L/N/R, 1200C/CP/N/V/X (3 OF 3) WIRING HARNESS, MAIN - XR1200X (3 OF 3) |
| 72720-07 | TURN SIGNAL MODULE & SECURITY SIREN |
| 72721-07 | TURN SIGNAL MODULE & SECURITY SIREN |
| 72904-01BK | TAIL LAMP & TURN SIGNALS, REAR |
| 72914-01BK | TAIL LAMP & TURN SIGNALS, REAR |
| 72990-01 | TAIL LAMP & TURN SIGNALS, REAR |
| 72991-01 | TAIL LAMP & TURN SIGNALS, REAR |
| 73102-96BK | TAIL LAMP & TURN SIGNALS, REAR |
| 73103-96BK | TAIL LAMP & TURN SIGNALS, REAR |
| 73104-96BK | WIRING HARNESS, MAIN - 883L/N/R, 1200C/CP/N/V/X (3 OF 3) WIRING HARNESS, MAIN - XR1200X (3 OF 3) |
| 73106-96BK | WIRING HARNESS, MAIN - 883L/N/R, 1200C/CP/N/V/X (3 OF 3) WIRING HARNESS, MAIN - XR1200X (3 OF 3) |
| 73152-96BK | LICENSE PLATE BRACKETS TAIL LAMP & TURN SIGNALS, REAR TAIL LAMPS |
| 73152-96WE | TAIL LAMP & TURN SIGNALS, REAR |
| 73153-96BK | TAIL LAMPS |
| 73154-96BK | HEADLAMP - 883L/N/R, 1200N/X, XR1200X HEADLAMP - 1200C/CP/V TAIL LAMPS |
| 73156-96BK | TURN SIGNALS, FRONT TAIL LAMP & TURN SIGNALS, REAR TAIL LAMPS WIRING HARNESS, MAIN - XR1200X (3 OF 3) |
| 73190-96 | TAIL LAMP & TURN SIGNALS, REAR WIRING HARNESS, MAIN - 883L/N/R, 1200C/CP/N/V/X (3 OF 3) WIRING HARNESS, MAIN - XR1200X (3 OF 3) |
| 73191-96 | LICENSE PLATE BRACKETS HEADLAMP - 883L/N/R, 1200N/X, XR1200X HEADLAMP - 1200C/CP/V TURN SIGNALS, FRONT TAIL LAMP & TURN SIGNALS, REAR TAIL LAMPS WIRING HARNESS, MAIN - XR1200X (3 OF 3) |
| 73213-07 | FRAME & JIFFY STAND - 883L/N/R, 1200C/CP/N/V/X |

| | |
|------------|--|
| | FRAME & JIFFY STAND - XR1200X WIRING HARNESS, MAIN - 883L/N/R, 1200C/CP/N/V/X (3 OF 3) WIRING HARNESS, MAIN - XR1200X (3 OF 3) SWITCHES |
| 73214-10 | WIRING HARNESS, MAIN - 883L/N/R, 1200C/CP/N/V/X (3 OF 3) |
| 73227-10 | ELECTRONIC IGNITION SYSTEM - 883L/N/R, 1200C/CP/N/V/X |
| 73228-10 | WIRING HARNESS, MAIN - XR1200X (3 OF 3) |
| 73246-11 | HEADLAMP - 1200C/CP/V |
| 73264-10 | HEADLAMP - 883L/N/R, 1200N/X, XR1200X |
| 73266-10 | HEADLAMP - 883L/N/R, 1200N/X, XR1200X |
| 73267-10 | TURN SIGNALS, FRONT |
| 73282-10 | TURN SIGNALS, FRONT |
| 73284-10 | TURN SIGNALS, FRONT |
| 73301-04 | WIRING HARNESS, MAIN - 883L/N/R, 1200C/CP/N/V/X (3 OF 3) WIRING HARNESS, MAIN - XR1200X (3 OF 3) |
| 73302-04 | WIRING HARNESS, MAIN - 883L/N/R, 1200C/CP/N/V/X (3 OF 3) WIRING HARNESS, MAIN - XR1200X (3 OF 3) |
| 73303-04 | WIRING HARNESS, MAIN - 883L/N/R, 1200C/CP/N/V/X (3 OF 3) WIRING HARNESS, MAIN - XR1200X (3 OF 3) |
| 73304-04 | WIRING HARNESS, MAIN - 883L/N/R, 1200C/CP/N/V/X (3 OF 3) WIRING HARNESS, MAIN - XR1200X (3 OF 3) |
| 73305-04 | WIRING HARNESS, MAIN - 883L/N/R, 1200C/CP/N/V/X (3 OF 3) WIRING HARNESS, MAIN - XR1200X (3 OF 3) |
| 7331 | MIRRORS |
| 73318-09 | TAIL LAMP & TURN SIGNALS, REAR |
| 73358-12 | TAIL LAMP & TURN SIGNALS, REAR |
| 7341M | FORK, FRONT - XR1200X |
| 73504-11 | FENDERS, REAR - 883N/1200N/V/X (ALL EXCEPT CANADA) TAIL LAMPS |
| 7357 | MIRRORS |
| 74112-98BK | WIRING HARNESS, MAIN - 883L/N/R, 1200C/CP/N/V/X (3 OF 3) WIRING HARNESS, MAIN - XR1200X (3 OF 3) |
| 74120-08 | WIRING HARNESS, MAIN - 883L/N/R, 1200C/CP/N/V/X (3 OF 3) WIRING HARNESS, MAIN - XR1200X (3 OF 3) |
| 74152-98 | WIRING HARNESS, MAIN - 883L/N/R, 1200C/CP/N/V/X (3 OF 3) WIRING HARNESS, MAIN - XR1200X (3 OF 3) |

| | |
|-----------|---|
| 74191-98 | WIRING HARNESS, MAIN - 883L/N/R, 1200C/CP/N/V/X (3 OF 3) WIRING HARNESS, MAIN - XR1200X (3 OF 3) |
| 74194-98 | ENGINE SENSORS & SWITCHES |
| 74196-04 | SPEEDOMETER - 883L/N/R, 1200C/CP/N/V/X SPEEDOMETER & TACHOMETER - XR1200X |
| 74197-04 | SPEEDOMETER - 883L/N/R, 1200C/CP/N/V/X SPEEDOMETER & TACHOMETER - XR1200X |
| 74402-05B | ENGINE SENSORS & SWITCHES |
| 74711-08 | ALTERNATOR & REGULATOR |
| 74714-10 | SPEEDOMETER & TACHOMETER - XR1200X |
| 7477 | BRAKE, MASTER CYLINDER, REAR - 883L/N/R, 1200C/CP/N/V/X |
| 7495 | FENDERS, FRONT HORN |
| 75268-07E | FUEL PUMP |
| 75301-07 | FUEL PUMP |
| 75302-07B | FUEL PUMP SWITCHES |
| 75304-07A | FUEL PUMP |
| 75305-07A | FUEL PUMP |
| 75309-07 | FUEL PUMP |
| 7531 | FRAME & JIFFY STAND - XR1200X FORK, REAR, DEBRIS DEFLECTOR & BELT GUARD FENDERS, FRONT FENDERS, REAR - 883L/R/1200C/CP (ALL), 883N/1200N/V/X (CANADA ONLY) FENDERS, REAR - 883N/1200N/V/X (ALL EXCEPT CANADA) GUARDS, SAREE FUEL TANK - 883L/N/R, 1200C/CP/N/V/X FUEL TANK - XR1200X HORN |
| 75317-07 | FUEL PUMP |
| 7549A | HORN |
| 7593 | EXHAUST SYSTEM - 883L/N/R, 1200C/CP/N/V/X EXHAUST SYSTEM - XR1200X |
| 7601 | EXHAUST SYSTEM - XR1200X |
| 7606 | HEADLAMP - 883L/N/R, 1200N/X, XR1200X |
| 761 | FENDERS, REAR - 883L/R/1200C/CP (ALL), 883N/1200N/V/X (CANADA ONLY) |
| 7624 | OIL TANK & LINES - 883L/N/R, 1200C/CP/N/V/X |

| | |
|----------|--|
| 7686 | <u>OIL LINES & COOLER - XR1200X</u> |
| 7716 | <u>FENDERS, REAR - 883N/1200N/V/X (ALL EXCEPT CANADA)</u> <u>LICENSE PLATE BRACKETS</u> <u>HEADLAMP - 883L/N/R, 1200N/X, XR1200X</u> |
| 7725 | <u>MIRRORS</u> |
| 7766 | <u>FORK, REAR, DEBRIS DEFLECTOR & BELT GUARD</u> |
| 7778 | <u>HEADLAMP - 1200C/CP/V</u> |
| 7783 | <u>FORK, FRONT - 883L/R, 1200C/CP/V/X</u> <u>FORK, FRONT - 883N, 1200N</u> <u>TURN SIGNALS, FRONT</u> |
| 7792 | <u>LICENSE PLATE BRACKETS</u> <u>BATTERY</u> |
| 7800W | <u>HEADLAMP - 883L/N/R, 1200N/X, XR1200X</u> |
| 7804 | <u>BELT & SPROCKETS - 883L/N/R, 1200C/CP/N/V/X</u> <u>BELT & SPROCKETS - XR1200X</u> |
| 7813A | <u>WHEELS, FRONT, CAST - 883L/N/R, 1200C/CP</u> <u>WHEEL, FRONT, CAST - XR1200X</u> <u>WHEELS, FRONT, LACED - 1200C/CP/N/V/X</u> |
| 7824 | <u>SHOCK ABSORBERS, REAR</u> |
| 7839 | <u>BELT & SPROCKETS - 883L/N/R, 1200C/CP/N/V/X</u> |
| 7862 | <u>EXHAUST SYSTEM - 883L/N/R, 1200C/CP/N/V/X</u> |
| 7880 | <u>HEADLAMP - 883L/N/R, 1200N/X, XR1200X</u> |
| 7882 | <u>FENDERS, REAR - 883L/R/1200C/CP (ALL), 883N/1200N/V/X (CANADA ONLY)</u> <u>FENDERS, REAR - 883N/1200N/V/X (ALL EXCEPT CANADA)</u> |
| 7900 | <u>FENDERS, REAR - XR1200X</u> |
| 7916A | <u>CAMSHAFTS & GEAR COVER - 883L/N/R, 1200C/CP/N/V/X</u> <u>CAMSHAFTS & GEAR COVER - XR1200X</u> |
| 7964 | <u>TAIL LAMPS</u> |
| 80399-04 | <u>EXHAUST SYSTEM - 883L/N/R, 1200C/CP/N/V/X</u> |
| 8102 | <u>FUEL TANK - XR1200X</u> |
| 8108 | <u>HORN</u> |
| 8135B | <u>FRAME & JIFFY STAND - 883L/N/R, 1200C/CP/N/V/X</u> |
| 8190 | <u>WHEELS, REAR, CAST - 883L/N/R, 1200C/CP</u> <u>WHEEL, REAR, CAST - XR1200X</u> <u>WHEELS, REAR, LACED - 1200C/CP/N/V/X</u> |
| | |

| | |
|----------|---|
| 835 | <u>CRANKCASE & GEARCASE - 883L/N/R, 1200C/CP/N/V/X</u> <u>CRANKCASE & GEARCASE - XR1200X</u> |
| 855B | <u>BRAKE, MASTER CYLINDER, REAR - XR1200X</u> <u>BRAKE CONTROL, REAR</u> <u>FOOTRESTS - XR1200X</u> |
| 8692 | <u>FENDERS, REAR - 883L/R/1200C/CP (ALL), 883N/1200N/V/X (CANADA ONLY)</u> <u>FENDERS, REAR - 883N/1200N/V/X (ALL EXCEPT CANADA)</u> |
| 882 | <u>BRAKE, MASTER CYLINDER, REAR - 883L/N/R, 1200C/CP/N/V/X</u> <u>OIL LINES & COOLER - XR1200X</u> |
| 8862 | <u>TRANSMISSION GEARS</u> |
| 8873 | <u>CLUTCH - 883L/N/R, 1200C/CP/N/V/X</u> <u>CLUTCH - XR1200X</u> |
| 8881 | <u>CRANKCASE & GEARCASE - 883L/N/R, 1200C/CP/N/V/X</u> <u>CRANKCASE & GEARCASE - XR1200X</u> |
| 8884 | <u>TRANSMISSION GEARS</u> |
| 8885 | <u>CLUTCH - 883L/N/R, 1200C/CP/N/V/X</u> <u>CLUTCH - XR1200X</u> |
| 8956 | <u>TRANSMISSION GEARS</u> |
| 89579-91 | <u>FORK, REAR, DEBRIS DEFLECTOR & BELT GUARD</u> <u>FUEL TANK - 883L/N/R, 1200C/CP/N/V/X</u> |
| 89586-04 | <u>FORK, REAR, DEBRIS DEFLECTOR & BELT GUARD</u> <u>FUEL TANK - 883L/N/R, 1200C/CP/N/V/X</u> <u>FUEL TANK - XR1200X</u> |
| 8964 | <u>TRANSMISSION GEARS</u> |
| 8966 | <u>TRANSMISSION GEARS</u> |
| 8970A | <u>TRANSMISSION GEARS</u> |
| 8972 | <u>CRANKCASE & GEARCASE - 883L/N/R, 1200C/CP/N/V/X</u> <u>CRANKCASE & GEARCASE - XR1200X</u> |
| 90300034 | <u>SWITCHES</u> |
| 90300036 | <u>SWITCHES</u> |
| 90300037 | <u>FRAME & JIFFY STAND - 883L/N/R, 1200C/CP/N/V/X</u> <u>FRAME & JIFFY STAND - XR1200X</u> <u>SWITCHES</u> |
| 90383-98 | <u>INDUCTION MODULE, FUEL - 883L/N/R, 1200C/CP/N/V/X</u> <u>INDUCTION MODULE, FUEL - XR1200X</u> |
| 90493-83 | <u>FOOTRESTS - 883L/N/R, 1200C/CP/N/V/X</u> |
| 90520-07 | <u>FRAME & JIFFY STAND - 883L/N/R, 1200C/CP/N/V/X</u> <u>FOOTRESTS - XR1200X</u> |

| | |
|-----------|---|
| 9187A | SHIFTER, GEAR |
| 91960-10 | MIRRORS |
| 91961-10 | MIRRORS |
| 91982-03B | MIRRORS |
| 91983-03B | MIRRORS |
| 9209 | FORK, REAR, DEBRIS DEFLECTOR & BELT GUARD |
| 9214 | CLUTCH - XR1200X |
| 92376-09 | MIRRORS |
| 92377-09 | MIRRORS |
| 92381-09 | MIRRORS |
| 92400-09 | MIRRORS |
| 92401-09 | MIRRORS |
| 92402-09 | MIRRORS |
| 92500-10 | FENDERS, REAR - XR1200X |
| 9254 | BELT & SPROCKETS - 883L/N/R, 1200C/CP/N/V/X BELT & SPROCKETS - XR1200X |
| 9276A | WHEELS, FRONT, CAST - 883L/N/R, 1200C/CP WHEEL, FRONT, CAST - XR1200X WHEELS, FRONT, LACED - 1200C/CP/N/V/X WHEELS, REAR, CAST - 883L/N/R, 1200C/CP WHEEL, REAR, CAST - XR1200X WHEELS, REAR, LACED - 1200C/CP/N/V/X |
| 927A | LICENSE PLATE BRACKETS |
| 930 | TAIL LAMPS |
| 93511-10 | GUARDS, SAREE |
| 940 | ENGINE MOUNTS |
| 942 | OIL PUMP - XR1200X |
| 943 | ROCKER ARM ASSEMBLY & PUSH RODS - XR1200X INSPECTION COVER & PRIMARY COVER |
| 94432-04 | BRAKE, MASTER CYLINDER, REAR - 883L/N/R, 1200C/CP/N/V/X |
| 94435-10 | GUARDS, SAREE |
| 946 | AIR CLEANER - 883L/N/R, 1200C/CP/N/V/X |
| 94612-04 | BRAKE, MASTER CYLINDER, REAR - 883L/N/R, 1200C/CP/N/V/X |
| | |

| | |
|---------------|---|
| 95594-84A | WHEEL, FRONT, CAST - XR1200X WHEELS, FRONT, LACED - 1200C/CP/N/V/X WHEELS, REAR, CAST - 883L/N/R, 1200C/CP WHEEL, REAR, CAST - XR1200X WHEELS, REAR, LACED - 1200C/CP/N/V/X |
| 95595-84A | WHEELS, FRONT, CAST - 883L/N/R, 1200C/CP WHEELS, FRONT, LACED - 1200C/CP/N/V/X WHEELS, REAR, CAST - 883L/N/R, 1200C/CP WHEELS, REAR, LACED - 1200C/CP/N/V/X |
| 9704 | BELT & SPROCKETS - XR1200X |
| 9742 | FORK, FRONT - XR1200X |
| 9810 | WIRING HARNESS, MAIN - XR1200X (1 OF 3) |
| 9838 | WIRING HARNESS, MAIN - 883L/N/R, 1200C/CP/N/V/X (1 OF 3) WIRING HARNESS, MAIN - XR1200X (1 OF 3) |
| 9847 | HEADLAMP - 883L/N/R, 1200N/X, XR1200X HEADLAMP - 1200C/CP/V |
| 9848 | HEADLAMP - 883L/N/R, 1200N/X, XR1200X HEADLAMP - 1200C/CP/V |
| 9898 | HEADLAMP - 883L/N/R, 1200N/X, XR1200X HEADLAMP - 1200C/CP/V WIRING HARNESS, MAIN - 883L/N/R, 1200C/CP/N/V/X (1 OF 3) WIRING HARNESS, MAIN - XR1200X (1 OF 3) |
| 9907 | BRAKE, MASTER CYLINDER, REAR - 883L/N/R, 1200C/CP/N/V/X BRAKE, MASTER CYLINDER, REAR - XR1200X SWITCHES |
| 995 | BRAKE, MASTER CYLINDER, REAR - 883L/N/R, 1200C/CP/N/V/X |
| 9955 | EXHAUST SYSTEM - 883L/N/R, 1200C/CP/N/V/X EXHAUST SYSTEM - XR1200X |
| 9956 | EXHAUST SYSTEM - XR1200X |
| 9969 | OIL TANK & LINES - 883L/N/R, 1200C/CP/N/V/X OIL TANK & LINES- XR1200X |
| 997 | BRAKE, MASTER CYLINDER, REAR - 883L/N/R, 1200C/CP/N/V/X BRAKE, MASTER CYLINDER, REAR - XR1200X |
| C2045.1AK | FENDERS, REAR - XR1200X |
| C2050.1AM | FENDERS, REAR - XR1200X |
| C2051.1AM | FENDERS, REAR - XR1200X |
| DA0600.12FAZB | BELT & SPROCKETS - XR1200X |
| J8130.3A8 | FORK, FRONT - XR1200X |

Component Types and Introduction Dates

View interactive table

| | |
|------------------------|---------|
| 101A1 - Generic Nuts | |
| 7725 | Unknown |
| 7839 | Unknown |
| 7624 | Unknown |
| 7792 | 2012 |
| 8135B | Unknown |
| 7813A | Unknown |
| 7778 | Unknown |
| 7862 | Unknown |
| 7477 | Unknown |
| 7916A | Unknown |
| 7766 | Unknown |
| 7900 | Unknown |
| 7824 | Unknown |
| 11730A | Unknown |
| 8190 | Unknown |
| 7495 | 1994 |
| 7880 | Unknown |
| 7331 | Unknown |
| 7964 | Unknown |
| 37495-91 | 1991 |
| 7341M | 2010 |
| 8108 | Unknown |
| 7593 | 1991 |
| 7549A | Unknown |
| 7601 | 1990 |
| 102A1 - Generic Screws | |
| 2446 | Unknown |
| 3899 | 1999 |

| | |
|----------|---------|
| 4678 | Unknown |
| 3802W | 2009 |
| 4266A | Unknown |
| 4188 | Unknown |
| 3244 | Unknown |
| 4250M | Unknown |
| 4765 | 1998 |
| 3579A | Unknown |
| 3990 | 2006 |
| 4180 | Unknown |
| 2872W | 2009 |
| 675 | Unknown |
| 3854 | 2009 |
| 882 | 2000 |
| 3987 | Unknown |
| 4771 | Unknown |
| 3048 | 2016 |
| 68026-99 | 1999 |
| 3162 | Unknown |
| 3849 | Unknown |
| 3018A | 2010 |
| 4741A | 1994 |
| 2481M | Unknown |
| 94612-04 | 2004 |
| 3655A | Unknown |
| 3976 | 2004 |
| 3056 | 2011 |
| 1081A | Unknown |
| 5416 | Unknown |
| 4718A | 1994 |
| | |

| | |
|----------|---------|
| 3731M | Unknown |
| 2955 | 1996 |
| 3485A | Unknown |
| 4897 | 2008 |
| 4993 | Unknown |
| 5414 | Unknown |
| 3022A | Unknown |
| 4991 | 2009 |
| 43567-92 | 1992 |
| 4802 | 2009 |
| 3514 | Unknown |
| 4499M | Unknown |
| 4350A | Unknown |
| 942 | 1992 |
| 42827-04 | 2004 |
| 4551 | Unknown |
| 940 | Unknown |
| 4748 | 2009 |
| 943 | Unknown |
| 4553 | Unknown |
| 4091 | Unknown |
| 4886 | Unknown |
| 2653 | 1972 |
| 3615 | Unknown |
| 4326A | 1990 |
| 2325 | Unknown |
| 2773 | Unknown |
| 4549 | Unknown |
| 4751 | Unknown |
| 4705 | 2005 |
| 4132 | Unknown |

| | |
|-----------|---------|
| 4740A | 1994 |
| 2586A | Unknown |
| 3059 | 2008 |
| 3658 | Unknown |
| 45405-75A | 1975 |
| 930 | Unknown |
| 1048 | Unknown |
| 4240 | Unknown |
| 4975M | Unknown |
| 2508 | Unknown |
| 3605 | 2009 |
| 2952A | 2003 |
| 3060 | 2008 |
| 4822A | 1994 |
| 68120-00 | 2000 |
| 4724 | 2009 |
| 2487 | 2008 |
| 2486 | Unknown |
| 45996-87 | 1987 |
| 3814 | Unknown |
| 3594 | 1992 |
| 835 | Unknown |
| 4290 | Unknown |
| 3708M | 2011 |
| 3085 | Unknown |
| 2708A | Unknown |
| 2513 | 1990 |
| 4816A | Unknown |
| 68042-99 | 1999 |
| 4859 | Unknown |

| | |
|-----------|---------|
| 4076 | Unknown |
| 1039 | Unknown |
| 2607 | Unknown |
| 4029A | 1990 |
| 42875-07 | 2007 |
| 4420 | 2009 |
| 45902-00 | 2000 |
| 3588 | 1990 |
| 2612 | 1973 |
| 3563 | 1999 |
| 4017 | 2009 |
| 4589 | Unknown |
| 3706M | Unknown |
| 2501A | Unknown |
| 1028 | Unknown |
| 4016 | Unknown |
| 4032A | Unknown |
| 3124 | Unknown |
| 2535 | 2004 |
| 4269 | Unknown |
| 45800-04 | 2004 |
| 4351 | Unknown |
| 3210A | Unknown |
| 4820A | Unknown |
| 1091 | Unknown |
| 4354 | Unknown |
| 4352 | Unknown |
| 56402-83A | 1983 |
| 1094 | Unknown |
| 2361 | Unknown |

| | |
|-----------|---------|
| 3732 | 1998 |
| 3666A | 1997 |
| 2362 | Unknown |
| 3480A | Unknown |
| 4717A | Unknown |
| 2441 | Unknown |
| 3767B | 2009 |
| 927A | Unknown |
| 3574 | Unknown |
| 3214 | Unknown |
| 946 | Unknown |
| 4871 | Unknown |
| 855B | 2014 |
| 4363 | Unknown |
| 4758A | Unknown |
| 4365 | Unknown |
| 4312C | Unknown |
| 4798 | Unknown |
| 3565 | Unknown |
| 1751 | 2006 |
| 3123 | Unknown |
| 997 | Unknown |
| 16478-85A | 1985 |
| 995 | 2009 |
| 4359 | Unknown |
| 56397-74C | 1974 |
| 3880 | 2004 |
| 5403B | Unknown |
| 4329 | Unknown |
| 3029 | Unknown |
| 4778 | Unknown |

| | |
|-------------------------|---------|
| 4779 | Unknown |
| 2407 | 2008 |
| 27216-95 | 1995 |
| 45790-80 | 1980 |
| 2460 | Unknown |
| 3026 | Unknown |
| 16480-92A | 1992 |
| 2445 | Unknown |
| 3696 | Unknown |
| 103A1 - Generic Washers | |
| 41732-04 | 2004 |
| 6718 | Unknown |
| 6026 | Unknown |
| 27714-06 | 2006 |
| 6445 | Unknown |
| 6611 | Unknown |
| 6157 | Unknown |
| 6302 | Unknown |
| 41743-04 | 2004 |
| 6610 | Unknown |
| 6551 | Unknown |
| 36802-84B | 1984 |
| 8972 | Unknown |
| 6110 | Unknown |
| 6787 | Unknown |
| 6288 | Unknown |
| 37891-02 | 2002 |
| 6930 | 2008 |
| 6099 | 2011 |
| 6798 | 2012 |

| | |
|---------------------|---------|
| 10972 | 2008 |
| 6109 | 1980 |
| 6101 | 2011 |
| 6594 | Unknown |
| 6139 | Unknown |
| 67815-59A | 1959 |
| 37890-02 | 2002 |
| 6589 | Unknown |
| 6590HW | Unknown |
| 7230 | Unknown |
| 6516HW | Unknown |
| 7220 | Unknown |
| 7068 | Unknown |
| 7038 | 1998 |
| 7039 | Unknown |
| 65453-08 | 2008 |
| 7073 | Unknown |
| 6738 | Unknown |
| 6237 | 2014 |
| 6192 | Unknown |
| 7041 | 1958 |
| 6703 | 1970 |
| 6701 | Unknown |
| 6702 | Unknown |
| 42425-05 | 2005 |
| 7045 | Unknown |
| 6400HB | Unknown |
| 6716 | Unknown |
| 104A1 - Custom Nuts | |
| 54321-85 | 1985 |

| | |
|------------------------|---------|
| 7606 | 1983 |
| 105A1 - Custom Screws | |
| 41191-74A | 1974 |
| 94432-04 | 2004 |
| 106A1 - Custom Washers | |
| 7080 | Unknown |
| 6003 | 2010 |
| 7124 | Unknown |
| 108A1 - Hose Clamps | |
| 42808-04 | 2004 |
| 10053 | 2010 |
| 10252 | 2004 |
| 10031 | 2010 |
| 55847-05A | 2005 |
| 10344 | Unknown |
| 31512-04 | 2004 |
| 10014 | Unknown |
| 61576-08 | 2008 |
| 29379-08 | 2008 |
| 9956 | 1972 |
| 9955 | Unknown |
| 10080 | Unknown |
| 10304 | Unknown |
| 10074 | Unknown |
| 10303 | Unknown |
| 108B1 - P Clamps | |
| 70417-04C | 2004 |
| 10255 | 2004 |
| 10179A | Unknown |
| 10800003 | 2011 |

| | |
|------------------------|---------|
| 10800006 | 2011 |
| 10323 | Unknown |
| 10092 | 2010 |
| 10142 | Unknown |
| 109A1 - Studs | |
| 16715-83 | 1983 |
| 16832-86C | 1986 |
| 16899-02 | 2002 |
| 65088-04 | 2004 |
| 110B1 - Plain Bushings | |
| 25586-37 | 1937 |
| 9214 | Unknown |
| 34982-02A | 2011 |
| 35030-89A | 1989 |
| 62881-00 | 2000 |
| 40574-06 | 2006 |
| 8966 | Unknown |
| 34076-02A | 2002 |
| 17429-91 | 1991 |
| 9254 | 2006 |
| 45801-04 | 2004 |
| 25598-91 | 1991 |
| 25593-74 | 1974 |
| 24647-87 | 1987 |
| 45465-87 | 1987 |
| 42569-03 | 2003 |
| 53176-08 | 2008 |
| 9742 | 2010 |
| 8885 | Unknown |
| 25588-91 | 1991 |
| 42443-80A | 1980 |

| | |
|----------------------------------|---------|
| 42846-04 | 2004 |
| 110C1 - Radial Shaft Seals | |
| 37107-06 | 2006 |
| 12068 | Unknown |
| 12074 | Unknown |
| 67104-95 | 1995 |
| 110D1 - Rolling Element Bearings | |
| 9209 | 2003 |
| 8956 | Unknown |
| 8964 | 2006 |
| 24650-87 | 1987 |
| 24605-07 | 2007 |
| 8970A | 2012 |
| 8884 | Unknown |
| 9276A | 2011 |
| 24659-87 | 1987 |
| 9187A | 2011 |
| 8862 | Unknown |
| 24660-87 | 1987 |
| 111A1 - Adhesive | |
| 73304-04 | 2004 |
| 9907 | Unknown |
| 72990-01 | 2001 |
| 9838 | Unknown |
| 74196-04 | 2004 |
| 111C1 - Insulating Tape | |
| 11668 | Unknown |
| 116A1 - Banjo Bolts | |
| 41737-04 | 2004 |
| 41736-04 | 2004 |

117A1 - Coil Springs

56396-74A

1974

119A1 - O-Rings

11570

Unknown

10926

2010

11631

Unknown

46329-06

2006

11621

Unknown

11625

Unknown

11326

Unknown

26432-76A

1976

11105

Unknown

11351

2001

11113

Unknown

11110

Unknown

10967

Unknown

10966

Unknown

11140

1982

10969

Unknown

11289A

Unknown

10971

Unknown

10970

2008

11202

Unknown

61573-08A

2008

48027-99

1999

11120

Unknown

11190

Unknown

11290

1998

45984-87

1987

11377

Unknown

26434-91

1991

| | |
|-------------------------|---------|
| 11171 | Unknown |
| 11179 | 1986 |
| 11317 | Unknown |
| 120A1 - Pins | |
| 232 | 2008 |
| 215 | Unknown |
| 16573-83A | 1983 |
| 42460-80B | 1980 |
| 9704 | Unknown |
| 50003-89B | 1989 |
| 1594 | 1998 |
| 24754-75A | 1975 |
| 45041-01A | 2001 |
| 51938-04 | 2004 |
| 358 | Unknown |
| 121A1 - Grommets | |
| 11474 | Unknown |
| 11491A | 2012 |
| 11407 | Unknown |
| 121B1 - Press-Fit Plugs | |
| 67865-89 | 1989 |
| 42838-04 | 2004 |
| 6863 | Unknown |
| 90383-98 | 1998 |
| 761 | 1996 |
| 72164-94A | 1994 |
| 6864A | 2010 |
| 90520-07 | 2007 |
| 122A1 - Retaining Rings | |
| 8102 | Unknown |

| | |
|-----------|---------|
| 11271 | Unknown |
| 11272 | Unknown |
| 673 | Unknown |
| 10279 | Unknown |
| 35118-03 | 2003 |
| 11598 | 2007 |
| 11002 | Unknown |
| 35114-02 | 2002 |
| 65325-83A | 1983 |
| 45611-86 | 1986 |
| 35087-99A | 1999 |
| 11031 | Unknown |
| 11155 | Unknown |
| 11142 | Unknown |
| 11408 | Unknown |
| 10984 | Unknown |
| 70640-07 | 2007 |
| 11390 | Unknown |
| 11046 | Unknown |
| 61213-04A | 2004 |
| 11121 | 2008 |
| 11177A | 1996 |
| 11304 | Unknown |
| 11282 | Unknown |
| 11067 | Unknown |
| 11379 | 2002 |
| 16699-06 | 2006 |
| 11384K | Unknown |
| 11250 | 1992 |
| 44590-04 | 2004 |
| | |

| | |
|--------------------------------|---------|
| 35038-89A | 1989 |
| 41229-08 | 2008 |
| 10242 | 2004 |
| 11161 | Unknown |
| 123A1 - Sealing Washers | |
| 26436-90A | 1990 |
| 123B1 - Spring Washers | |
| 7155 | Unknown |
| 48738-07 | 2007 |
| 124A1 - Spacers | |
| 48390-06 | 2006 |
| 6021 | Unknown |
| 33354-08 | 2008 |
| 6152 | Unknown |
| 11804 | Unknown |
| 46346-06 | 2006 |
| 40562-05 | 2005 |
| 37797-09 | 2009 |
| 45377-87 | 1987 |
| 7882 | Unknown |
| 35107-06 | 2006 |
| 125A1 - Tie Straps | |
| 10065 | 1985 |
| 10287 | 2004 |
| 10039 | 1981 |
| 10177 | 1996 |
| 10181 | 1996 |
| 10006 | 1960 |
| 126A1 - Miscellaneous Hardware | |
| 42593-04 | 2004 |
| 45799-04 | 2004 |

| | |
|--|---------|
| 12030 | Unknown |
| 90493-83 | 1983 |
| 42899-08 | 2008 |
| 12200 | Unknown |
| 12201 | Unknown |
| 42829-04 | 2004 |
| 48737-07 | 2007 |
| 69148-01 | 2001 |
| 33540-06 | 2006 |
| 45065-06 | 2006 |
| 48791-09 | 2009 |
| 56394-74 | 1974 |
| 8873 | 1984 |
| 42839-04 | 2004 |
| 126B1 - Rivets Fasteners | |
| 8692 | Unknown |
| 11778 | Unknown |
| 11785 | Unknown |
| 127A1 - Miscellaneous, Non-System-Specific Component | |
| 93511-10 | 2010 |
| 127B1 - Generic Mounting Bracket | |
| 51652-97A | 1997 |
| 140A1 - Battery Warning Label | |
| 15368-01A | 2001 |
| 15376-06A | 2006 |
| 140A2 - General Warning Label | |
| 29466-08 | 2008 |
| 29147-07 | 2007 |
| 140A3 - Other Special Warning Label | |
| 15370-01A | 2001 |

| | |
|-----------------------------|------|
| 140G2 - EPA Label | |
| 29127-95B | 1995 |
| 141A1 - Medallion | |
| 13567-05 | 2005 |
| 62581-11 | 2011 |
| 67667-05 | 2005 |
| 71550-94 | 1994 |
| 14270-92 | 1992 |
| 62439-11 | 2011 |
| 14448-94 | 1994 |
| 13566-05 | 2005 |
| 62580-11 | 2011 |
| 62426-11 | 2011 |
| 44440-04 | 2004 |
| 149A1 - Tool | |
| C2045.1AK | 2006 |
| C2051.1AM | 2008 |
| 92500-10 | 2010 |
| C2050.1AM | 2008 |
| 94435-10 | 2010 |
| 161A1 - Powertrain Assembly | |
| 19766-12 | 2012 |
| 19767-12 | 2012 |
| 19927-12 | 2012 |
| 19606-12 | 2012 |
| 19637-12 | 2012 |
| 19566-12 | 2012 |
| 19778-12 | 2012 |
| 19519-12 | 2012 |
| 19734-12 | 2012 |

| | |
|--|---------|
| 19779-12 | 2012 |
| 19527-12 | 2012 |
| 19926-12 | 2012 |
| 19768-12 | 2012 |
| 19925-12 | 2012 |
| 163B1 - Engine Isolator Mount | |
| 16353-04 | 2004 |
| 41562-04 | 2004 |
| 16287-04 | 2004 |
| 48492-04A | 2004 |
| 48463-04A | 2004 |
| 16301-08 | 2008 |
| 16291-04 | 2004 |
| 41561-04 | 2004 |
| 164A1 - Engine Mount Bracket | |
| 63110-08 | 2008 |
| 63119-08 | 2008 |
| 164B1 - Engine Mount Bracket sub-component | |
| 7716 | 1990 |
| 16232-04B | 2004 |
| 7783 | Unknown |
| 7531 | 1980 |
| DA0600.12FAZB | Unknown |
| 7804 | Unknown |
| 7686 | Unknown |
| 7357 | Unknown |
| 7800W | Unknown |
| 164D1 - Tiebar Mount | |
| 47471-04A | 2004 |
| 165A1 - Cylinder Head | |
| 17565-10 | 2010 |

| | |
|---|------|
| 16500068 | 2012 |
| 16500071 | 2012 |
| 16667-07 | 2007 |
| 17488-07 | 2007 |
| 16867-07 | 2007 |
| 18011-86 | 1986 |
| 16661-07 | 2007 |
| 18020-07 | 2007 |
| 16865-07 | 2007 |
| 16660-07 | 2007 |
| 17562-10 | 2010 |
| 17485-07 | 2007 |
| 16666-07 | 2007 |
| 165B1 - Cylinder Head and Base Gaskets | |
| 16664-86D | 1986 |
| 16789-04 | 2004 |
| 16770-84F | 1984 |
| 16771-08 | 2008 |
| 167A1 - PT Assembly Miscellaneous Component | |
| 37934-06 | 2006 |
| 37896-02 | 2002 |
| 36731-91 | 1991 |
| 168A1 - Cylinder | |
| 16463-04 | 2004 |
| 17496-07 | 2007 |
| 16800019 | 2012 |
| 16443-04 | 2004 |
| 16452-05 | 2005 |
| 16468-08 | 2008 |
| 16469-10 | 2010 |

| | |
|--|------|
| 179A1 - Lifters | |
| 17981-04 | 2004 |
| 17972-04 | 2004 |
| 17903-10 | 2010 |
| 17911-10 | 2010 |
| 18538-99C | 2011 |
| 179B1 - Push Rod | |
| 17908-02 | 2002 |
| 17909-02 | 2002 |
| 179C1 - Lifter Anti-Rotation Device | |
| 18505-06 | 2006 |
| 180A1 - Valves | |
| 18690-02 | 2002 |
| 18053-04 | 2004 |
| 18021-87A | 1987 |
| 18059-04 | 2004 |
| 181B1 - Valve Seals | |
| 18012-87A | 1987 |
| 16465-06 | 2006 |
| 18094-02A | 2002 |
| 181C1 - Valve Collars | |
| 18260-02 | 2002 |
| 184A1 - PT Camdrive and Valvetrain Miscellaneous Component | |
| 17569-08 | 2008 |
| 18245-02 | 2002 |
| 18258-02 | 2002 |
| 219A1 - Piston | |
| 21965-08 | 2008 |
| 22244-04A | 2004 |
| 220A1 - Piston Ring | |

| | |
|--|------|
| 22266-86 | 1986 |
| 22224-04 | 2004 |
| 22223-04 | 2004 |
| 22231-04 | 2004 |
| 21948-02 | 2002 |
| 22261-86 | 1986 |
| 22238-04 | 2004 |
| 22271-86 | 1986 |
| 22221-04 | 2004 |
| 22227-04 | 2004 |
| 22228-04 | 2004 |
| 22230-04 | 2004 |
| 221A1 - Piston Pin | |
| 22589-83B | 1983 |
| 22765-02 | 2002 |
| 22719-04 | 2004 |
| 237B1 - Connecting Rod sub-component | |
| 24332-36 | 1936 |
| 239A1 - PT Lower End Miscellaneous Component | |
| 24658-87 | 1987 |
| 241A1 - Flywheel | |
| 23999-08 | 2008 |
| 23905-04B | 2007 |
| 244A1 - Crankcase | |
| 24470-06B | 2006 |
| 24745-07A | 2008 |
| 24466-06B | 2006 |
| 24475-08 | 2008 |
| 244D1 - Crankcase sub-component | |
| 17525-08 | 2008 |
| 24047-00 | 2000 |

| | |
|----------------------------------|---------|
| 8881 | Unknown |
| 254A1 - Camdrive Gear | |
| 25271-08 | 2008 |
| 25194-06 | 2006 |
| 255C1 - Camdrive Chain Tensioner | |
| 40039-02C | 2007 |
| 256A1 - Timer Cover | |
| 32506-90 | 1990 |
| 25600007 | 2012 |
| 32531-07 | 2007 |
| 32514-04 | 2004 |
| 257B1 - Clutch Cover | |
| 37718-10 | 2010 |
| 34992-04 | 2004 |
| 34760-04 | 2004 |
| 257D1 - Clutch Inspection Cover | |
| 34993-04A | 2004 |
| 34794-05A | 2005 |
| 34761-04A | 2006 |
| 35077-10 | 2010 |
| 257E1 - Cover Gaskets | |
| 67121-95A | 1995 |
| 65324-83B | 2009 |
| 75301-07 | 2007 |
| 25279-08 | 2008 |
| 17393-07 | 2007 |
| 17695-07B | 2011 |
| 34955-04 | 2004 |
| 67174-08 | 2008 |
| 17362-07B | 2011 |

| | |
|----------------------------------|---------|
| 16800-84A | 1984 |
| 61109-85D | 1985 |
| 26638-00Y | 2000 |
| 25463-94A | 1994 |
| 67601-94A | 1994 |
| 17027-08 | 2008 |
| 17976-04 | 2004 |
| 29313-95 | 1995 |
| 12085 | Unknown |
| 29062-95B | 1995 |
| 17036-08 | 2008 |
| 17633-08B | 2011 |
| 34990-08 | 2008 |
| 45378-87 | 1987 |
| 17049-08 | 2008 |
| 25263-90D | 1990 |
| 257L1 - Primary Cover | |
| 60836-10 | 2010 |
| 25486-05 | 2005 |
| 25430-06 | 2006 |
| 25546-07 | 2007 |
| 60830-07 | 2007 |
| 25307-06 | 2006 |
| 25460-06 | 2006 |
| 257M1 - Push Rod Cover | |
| 17946-04 | 2004 |
| 17963-10 | 2010 |
| 257N1 - Rocker-Arm / Valve Cover | |
| 17501-04 | 2004 |
| 17375-83A | 1983 |

| | |
|---|------|
| 17615-10 | 2010 |
| 17537-07A | 2007 |
| 17611-83 | 1983 |
| 17551-04 | 2004 |
| 17360-83A | 1983 |
| 17532-07A | 2007 |
| 17655-05 | 2005 |
| 17591-10 | 2010 |
| 17614-07A | 2008 |
| 258A1 - PT Covers Miscellaneous Component | |
| 25250-10 | 2010 |
| 25219-04 | 2004 |
| 25213-04 | 2004 |
| 265A1 - Vent / Breather Line | |
| 63508-04 | 2004 |
| 26162-08 | 2008 |
| 62360-10 | 2010 |
| 62360-04A | 2004 |
| 26169-08 | 2008 |
| 63103-08 | 2008 |
| 271C1 - Intercooler Gasket | |
| 65927-00 | 2000 |
| 272B1 - Throttle Body / Intake Manifold | |
| 27695-08 | 2008 |
| 16360-08 | 2008 |
| 27795-07 | 2007 |
| 16361-07 | 2007 |
| 273A1 - Intake Manifold | |
| 27707-07 | 2007 |
| 273A2 - Intake Manifold to Cylinder Head Seal | |

| | |
|---|------|
| 27327-07 | 2007 |
| 273C1 - Throttle Body/Intake Manifold sub-component | |
| 27300029 | 2011 |
| 273E1 - Idle Air Control Actuator | |
| 27628-01A | 2001 |
| 273K1 - Throttle Body to Manifold Seal | |
| 26995-86B | 1986 |
| 273M1 - Throttle Cable Bracket | |
| 27698-08A | 2008 |
| 27701-07A | 2007 |
| 56871-08 | 2008 |
| 273N1 - Throttle Cable Retention Bracket | |
| 56508-76 | 1976 |
| 274B1 - Fuel Rail | |
| 27704-07 | 2007 |
| 274C1 - Fuel Injector | |
| 27706-07A | 2007 |
| 275A1 - PT Upper End Miscellaneous Component | |
| 27700-07 | 2007 |
| 290A1 - Airbox Baseplate | |
| 29369-07A | 2007 |
| 29000015 | 2012 |
| 290C1 - Airbox Baseplate sub-component | |
| 29123-07 | 2007 |
| 29355-07 | 2007 |
| 290D1 - Airbox Seal | |
| 29315-04 | 2004 |
| 29000016 | 2012 |
| 290E1 - Airbox Helmholtz Chamber | |
| 29867-09 | 2009 |

| | |
|--|------|
| 292A1 - Air Duct | |
| 28794-10 | 2010 |
| 292B1 - Air Duct Bezel | |
| 29200001 | 2011 |
| 294A1 - Air Filter Element | |
| 29371-08 | 2008 |
| 29400015 | 2012 |
| 29377-08 | 2008 |
| 29331-04 | 2004 |
| 294F1 - Engine Breather Valve | |
| 26016-08 | 2008 |
| 295A1 - Intake Miscellaneous Component | |
| 26011-04 | 2004 |
| 28911-04A | 2004 |
| 26020-07 | 2007 |
| 26012-07 | 2007 |
| 29380-08 | 2008 |
| 26010-04 | 2004 |
| 299C1 - Charging Rotor | |
| 30018-08 | 2008 |
| 30029-08 | 2008 |
| 32493-02B | 2008 |
| 32494-04B | 2008 |
| 299F1 - Stator Assembly | |
| 29997-07A | 2008 |
| 314E1 - Starter Friction Clutch | |
| 31556-91D | 2010 |
| 314F1 - Starter Motor | |
| 31390-91F | 1991 |
| 314G1 - Starter Motor sub-component | |

| | |
|----------------------------------|------|
| 31488-81C | 2008 |
| 314H1 - Starter Solenoid | |
| 31603-91 | 1991 |
| 314L1 - Starter Motor Drive | |
| 33189-63 | 1963 |
| 315B1 - Exhaust Valve Actuator | |
| 18691-02 | 2002 |
| 316A1 - Ignition Coil | |
| 31656-07 | 2007 |
| 316B1 - Spark Plug Cable | |
| 32003-07 | 2007 |
| 32004-08 | 2008 |
| 32005-08A | 2008 |
| 32006-07 | 2007 |
| 316C1 - Spark Plug | |
| 32362-04 | 2004 |
| 27794-08 | 2008 |
| 327B1 - Chemical / Gas Sensor | |
| 27719-07 | 2007 |
| 27690-08 | 2008 |
| 327C1 - Pressure Sensor | |
| 26554-77B | 1977 |
| 327D1 - Proximity Sensor | |
| 50126-08A | 2008 |
| 74402-05B | 2012 |
| 32707-01C | 2007 |
| 327E1 - Temperature Sensor | |
| 32472-10 | 2010 |
| 32319-07 | 2007 |
| 327F1 - Throttle Position Sensor | |

| | |
|---|------|
| 27629-01A | 2001 |
| 336A1 - Shift Linkage Rod Assembly | |
| 34723-10 | 2010 |
| 34663-10 | 2010 |
| 336B1 - Shift Linkage Connection Rod | |
| 33832-08 | 2008 |
| 336C1 - Shift Linkage Rod End | |
| 34573-04 | 2004 |
| 336F1 - Toepeg | |
| 34611-65A | 1965 |
| 336G1 - Toepeg Rubber | |
| 34672-08 | 2008 |
| 33133-06 | 2006 |
| 339A1 - Shift Lever | |
| 34572-04 | 2004 |
| 34670-06 | 2006 |
| 34660-04A | 2004 |
| 34721-07 | 2007 |
| 33875-08 | 2008 |
| 339C1 - Shifter Drum | |
| 33641-06 | 2006 |
| 339D1 - Shifter Fork | |
| 34162-06 | 2006 |
| 34157-06 | 2006 |
| 34981-02A | 2002 |
| 339F1 - Shifter Index Lever | |
| 34724-10 | 2010 |
| 34014-06A | 2006 |
| 339H1 - Shifter Mechanism Components (internal) | |
| 34064-00C | 2000 |
| 34491-02A | 2002 |

| | |
|--|------|
| 34665-10 | 2010 |
| 34483-06 | 2006 |
| 34163-02 | 2002 |
| 348A1 - Transmission Output Sprocket Cover | |
| 34932-04 | 2004 |
| 34954-07 | 2007 |
| 34911-04 | 2004 |
| 37716-10 | 2010 |
| 34943-05 | 2005 |
| 350A1 - Transmission Output Sprocket | |
| 40380-04 | 2004 |
| 40409-04 | 2004 |
| 40379-04 | 2004 |
| 350B1 - Transmission Output Sprocket Compensating Cushion | |
| 37899-02A | 2002 |
| 350C1 - Transmission Output Sprocket Compensator Driving Element | |
| 40560-05 | 2005 |
| 350E1 - Transmission Gear | |
| 35167-06 | 2006 |
| 35159-06 | 2006 |
| 35234-08 | 2008 |
| 35165-06 | 2006 |
| 350F1 - Transmission Mainshaft | |
| 35163-06 | 2006 |
| 356A1 - Transmission Countershaft | |
| 35197-06 | 2006 |
| 35191-06 | 2006 |
| 35172-06 | 2006 |
| 35193-06 | 2006 |
| 35174-06 | 2006 |

| | |
|--|------|
| 356B1 - Transmission Dog Ring | |
| 35196-06 | 2006 |
| 35190-06 | 2006 |
| 363A1 - PT Driveline Miscellaneous Component | |
| 35051-89A | 1989 |
| 35211-91B | 1991 |
| 365A1 - Primary Chain | |
| 40147-04 | 2004 |
| 40005-57B | 1957 |
| 40057-08 | 2008 |
| 365C1 - Primary Drive Assembly | |
| 40254-02 | 2002 |
| 40290-04A | 2004 |
| 40241-02A | 2003 |
| 40251-92A | 1992 |
| 367A1 - Clutch Lever | |
| 45356-07 | 2007 |
| 46945-07A | 2007 |
| 367E1 - Clutch Lever Mount Clamp | |
| 38671-04 | 2004 |
| 367H1 - Clutch Lever sub-component | |
| 34920-86A | 1986 |
| 37892-02 | 2002 |
| 37904-90 | 1990 |
| 37870-91 | 1991 |
| 36715-94 | 1994 |
| 38630-88 | 1988 |
| 37872-90 | 1990 |
| 37905-90 | 1990 |
| 37909-90 | 1990 |

| | |
|---------------------------------|---------|
| 37910-04B | 2006 |
| 37895-02 | 2002 |
| 36799-91 | 1991 |
| 37977-90 | 1990 |
| 46268-04 | 2004 |
| 37908-90 | 1990 |
| 370A1 - Clutch Assembly | |
| 37924-04A | 2006 |
| 37000041 | 2011 |
| 370B1 - Clutch Friction Plate | |
| 37897-02 | 2002 |
| 37911-90 | 1990 |
| 370C1 - Clutch Hub | |
| 36785-91 | 1991 |
| 37898-02A | 2002 |
| 370F1 - Clutch Pressure Plate | |
| 37912-91 | 1991 |
| 37913-90 | 1990 |
| 370F3 - Clutch Diaphragm Spring | |
| 37894-02 | 2002 |
| 370G1 - Clutch Shell | |
| 36790-04 | 2004 |
| 372A1 - Clutch Actuation Screw | |
| 11765Y | Unknown |
| 372D1 - Clutch Cable | |
| 38702-05C | 2005 |
| 38786-08A | 2008 |
| 38699-04C | 2004 |
| 38999-11 | 2011 |
| 372K2 - Clutch Ramp | |

| | |
|---|------|
| 25453-87A | 1987 |
| 25409-94B | 1994 |
| 400A1 - Drive-Belt | |
| 40591-07 | 2007 |
| 400B1 - Idler Pulley Assembly | |
| 31602-08 | 2008 |
| 31630-08 | 2008 |
| 400C1 - Idler Pulley | |
| 31698-08 | 2008 |
| 400E1 - Idler Pulley Bracket | |
| 31699-08 | 2008 |
| 409A1 - Rear Wheel | |
| 41012-08 | 2008 |
| 43348-10 | 2010 |
| 55076-11 | 2011 |
| 41082-08 | 2008 |
| 41478-10 | 2010 |
| 44012-11 | 2011 |
| 43832-08 | 2008 |
| 55019-11 | 2011 |
| 410D1 - Electronic Control Module (ECM) | |
| 32534-11 | 2011 |
| 68920-07 | 2007 |
| 68278-07 | 2007 |
| 410G1 - Security System Control Module | |
| 68924-07 | 2007 |
| 70617-07 | 2007 |
| 413A1 - Brake Caliper | |
| 42892-08 | 2008 |
| 42948-08 | 2008 |
| 42881-11 | 2011 |

| | |
|--|------|
| 40968-11 | 2011 |
| 42944-08 | 2008 |
| 44121-07A | 2008 |
| 44160-00 | 2000 |
| 42877-10 | 2010 |
| 42943-08 | 2008 |
| 42879-10 | 2010 |
| 413C1 - Brake Caliper sub-component | |
| 42823-04 | 2004 |
| 42824-04 | 2004 |
| 45401-87 | 1987 |
| 40948-04 | 2004 |
| 413D1 - Brake Pad | |
| 42029-07 | 2007 |
| 415B1 - Brake Rotor | |
| 44136-00 | 2000 |
| 44156-00 | 2000 |
| 41833-08 | 2008 |
| 41822-10 | 2010 |
| 416A1 - Brakes Miscellaneous Component | |
| 34582-04 | 2004 |
| 45067-06 | 2006 |
| 42837-04 | 2004 |
| 72023-51D | 2004 |
| 42807-04 | 2004 |
| 416B1 - Brake Mounting Bracket | |
| 42825-04 | 2004 |
| 42878-10 | 2010 |
| 42880-10 | 2010 |
| 417A1 - Brake Master Cylinder Assembly | |

| | |
|---|------|
| 42813-04 | 2004 |
| 42805-04 | 2004 |
| 42814-04 | 2004 |
| 42945-08 | 2008 |
| 417B1 - Brake Master Cylinder | |
| 45146-07 | 2007 |
| 45052-07A | 2008 |
| 42941-10 | 2010 |
| 42745-07 | 2007 |
| 417C1 - Brake Master Cylinder Piston Set | |
| 42834-04 | 2004 |
| 42028-07 | 2007 |
| 417D1 - Brake Master Cylinder sub-Component | |
| 42809-07A | 2008 |
| 67804-04 | 2004 |
| 42900-08 | 2008 |
| 40946-04 | 2004 |
| 42736-08 | 2008 |
| 42893-07 | 2007 |
| 42832-04 | 2004 |
| 44178-04 | 2004 |
| 44189-04 | 2004 |
| 42803-07A | 2008 |
| 42811-04 | 2004 |
| 42738-08 | 2008 |
| 42595-04 | 2004 |
| 42804-07 | 2007 |
| 42815-04 | 2004 |
| 42810-07A | 2008 |
| 42976-04 | 2004 |

| | |
|---|------|
| 42979-04 | 2004 |
| 42645-07 | 2007 |
| 42828-04 | 2004 |
| 44184-04 | 2004 |
| 43528-04 | 2004 |
| 42817-07 | 2007 |
| 417E1 - Brake Master Cylinder Hose | |
| 42821-04 | 2004 |
| 42737-08 | 2008 |
| 417F1 - Brake Master Cylinder Reservoir | |
| 42816-07 | 2007 |
| 42521-07 | 2007 |
| 42845-07 | 2007 |
| 42744-08 | 2008 |
| 417G1 - Front Brake Lever | |
| 46946-06A | 2006 |
| 42806-04 | 2004 |
| 418B1 - Brake Line | |
| 46986-11 | 2011 |
| 45319-04D | 2011 |
| 42942-08A | 2008 |
| 45449-04C | 2011 |
| 46417-10A | 2011 |
| 45074-95 | 1995 |
| 46400-04C | 2011 |
| 46688-11 | 2011 |
| 46680-11 | 2011 |
| 42975-08A | 2008 |
| 44429-11 | 2011 |
| 420A1 - Wheel Rim | |
| 41389-10 | 2010 |

| | |
|---|------|
| 43017-07 | 2007 |
| 43662-80B | 1983 |
| 41426-07 | 2007 |
| 43085-97 | 1997 |
| 55127-11 | 2011 |
| 421A1 - Wheel Spoke with Nipple | |
| 40760-05 | 2005 |
| 40761-05 | 2005 |
| 43241-05 | 2005 |
| 40762-05 | 2005 |
| 40759-05 | 2005 |
| 47887-10 | 2010 |
| 422B1 - Wheel Sprocket | |
| 40444-07 | 2007 |
| 40350-07 | 2007 |
| 40518-08 | 2008 |
| 422C1 - Wheel Sprocket Compensating Cushion | |
| 40561-05 | 2005 |
| 423C1 - Rim Strip | |
| 43145-47 | 1947 |
| 43939-89 | 1989 |
| 43147-40 | 1940 |
| 40875-11 | 2011 |
| 423D1 - Tire Inner Tube | |
| 43140-80 | 1980 |
| 41188-06 | 2006 |
| 40558-82 | 1982 |
| 40572-11 | 2011 |
| 423G1 - Valve Stem | |
| 40999-87 | 1987 |

| | |
|---|------|
| 43157-83A | 1983 |
| 423H1 - Valve Stem Cap | |
| 41123-79 | 1979 |
| 423K1 - Wheel Weights | |
| 95595-84A | 2010 |
| 95594-84A | 2010 |
| 424A1 - Wheels, Tires and Final Drive Miscellaneous Component | |
| 47878-09A | 2010 |
| 55126-11 | 2011 |
| 430B1 - Rear Axle Carrier / Adjuster | |
| 42174-09 | 2009 |
| 41626-08 | 2008 |
| 430D1 - Front Axle | |
| 43895-08 | 2008 |
| 41628-08 | 2008 |
| 430E1 - Rear Axle | |
| 41176-08 | 2008 |
| 41573-05 | 2005 |
| 41623-05 | 2005 |
| 41627-08 | 2008 |
| 431A1 - Front Tire | |
| 43258-07B | 2011 |
| 40879-11A | 2012 |
| 55035-11 | 2011 |
| 43100004 | 2012 |
| 432A1 - Rear Tire | |
| 43200011 | 2012 |
| 43200007 | 2012 |
| 40878-11 | 2011 |
| 43216-11 | 2011 |
| 433A1 - Front Wheel | |

| | |
|------------------------------------|------|
| 43355-00 | 2000 |
| 43557-08 | 2008 |
| 55074-11 | 2011 |
| 43359-00 | 2000 |
| 43343-10 | 2010 |
| 47875-09A | 2010 |
| 43689-11 | 2011 |
| 43499-08 | 2008 |
| 43831-08 | 2008 |
| 55018-11 | 2011 |
| 41388-10 | 2010 |
| 433B1 - Front Wheel Bearing Spacer | |
| 40930-05 | 2005 |
| 43358-08 | 2008 |
| 41858-08 | 2008 |
| 43906-08 | 2008 |
| 43522-08 | 2008 |
| 41748-08 | 2008 |
| 43905-08 | 2008 |
| 41730-08 | 2008 |
| 41242-08 | 2008 |
| 454A1 - Front Telescopic Fork | |
| 48715-08 | 2008 |
| 49378-09 | 2009 |
| 49409-11 | 2011 |
| 45400041 | 2013 |
| 45400042 | 2013 |
| 45968-10 | 2010 |
| 46453-09 | 2009 |
| 48778-10 | 2010 |

| | |
|--------------------------------------|---------|
| 49382-11 | 2011 |
| 49400-11 | 2011 |
| 49406-10 | 2010 |
| 45988-10 | 2010 |
| 49410-11 | 2011 |
| 48771-10 | 2010 |
| 48714-08 | 2008 |
| 454B1 - Springer Fork | |
| 47299-07 | 2007 |
| 10417 | Unknown |
| 455A1 - Front Telescopic Fork Slider | |
| 45395-09 | 2009 |
| 48786-10 | 2010 |
| 48849-10 | 2010 |
| 49403-11 | 2011 |
| 46075-04 | 2004 |
| 48716-08 | 2008 |
| 48850-10 | 2010 |
| 46218-05 | 2005 |
| 48726-08 | 2008 |
| 49411-11 | 2011 |
| 46076-04 | 2004 |
| 49412-11 | 2011 |
| 49401-11 | 2011 |
| 46450-08 | 2008 |
| 46449-08 | 2008 |
| 48785-10 | 2010 |
| 455B1 - Front Telescopic Fork Spring | |
| 45500142 | 2013 |
| 49372-10 | 2010 |
| 46267-05 | 2005 |

| | |
|---|---------|
| 10418 | 2010 |
| 45376-09 | 2009 |
| 455C1 - Front Telescopic Fork sub-component | |
| 45374-87 | 1987 |
| 45462-87 | 1987 |
| 46343-06 | 2006 |
| 45690-10 | 2010 |
| 45461-87 | 1987 |
| 45361-90 | 1990 |
| 45460-90 | 1990 |
| 46002-87 | 1987 |
| 46372-10 | 2010 |
| 45938-92 | 1992 |
| 10628 | Unknown |
| 45905-87 | 1987 |
| J8130.3A8 | 2005 |
| 45693-10 | 2010 |
| 46681-10 | 2010 |
| 456A1 - Fork Protector | |
| 45451-07 | 2007 |
| 456B1 - Fork Brace | |
| 46420-10 | 2010 |
| 49419-11 | 2011 |
| 456C1 - Fork Lock | |
| 45600014 | 2012 |
| 457D1 - Steering Stem | |
| 4977 | Unknown |
| 457E1 - Steering Stem Bearing Insert Cup | |
| 48315-60 | 1960 |
| 48300-60 | 1960 |

458A1 - Front Suspension and Steering Miscellaneous Component

| | |
|----------|------|
| 45458-09 | 2009 |
|----------|------|

| | |
|------|---------|
| 4978 | Unknown |
|------|---------|

| | |
|----------|------|
| 46245-09 | 2009 |
|----------|------|

| | |
|-----------|------|
| 45842-77A | 1977 |
|-----------|------|

| | |
|----------|------|
| 48184-01 | 2001 |
|----------|------|

| | |
|----------|------|
| 68041-04 | 2004 |
|----------|------|

459A1 - Upper Triple Clamp

| | |
|----------|------|
| 46009-10 | 2010 |
|----------|------|

| | |
|----------|------|
| 46928-10 | 2010 |
|----------|------|

| | |
|----------|------|
| 45966-04 | 2004 |
|----------|------|

| | |
|----------|------|
| 46758-07 | 2007 |
|----------|------|

| | |
|----------|------|
| 46997-11 | 2011 |
|----------|------|

459B1 - Lower Triple Clamp

| | |
|----------|------|
| 46998-11 | 2011 |
|----------|------|

| | |
|----------|------|
| 46014-10 | 2010 |
|----------|------|

| | |
|----------|------|
| 46767-07 | 2007 |
|----------|------|

| | |
|----------|------|
| 46126-04 | 2004 |
|----------|------|

| | |
|----------|------|
| 46927-10 | 2010 |
|----------|------|

| | |
|----------|------|
| 49422-11 | 2011 |
|----------|------|

470A1 - Frame

| | |
|-----------|------|
| 48879-08A | 2011 |
|-----------|------|

| | |
|----------|------|
| 49376-11 | 2011 |
|----------|------|

472C1 - Front Fairing Support Bracket

| | |
|----------|------|
| 42972-04 | 2004 |
|----------|------|

| | |
|----------|------|
| 60204-06 | 2006 |
|----------|------|

| | |
|----------|------|
| 60203-06 | 2006 |
|----------|------|

472D1 - Chassis Structure Miscellaneous Component

| | |
|----------|------|
| 47313-07 | 2007 |
|----------|------|

472D2 - Chassis Structure Mounting Bracket

| | |
|-------------------------------------|------|
| 59903-04 | 2004 |
| 59902-04 | 2004 |
| 59502-04A | 2004 |
| 47470-04 | 2004 |
| 472E1 - Frame Cover | |
| 47200177 | 2012 |
| 474C1 - Swingarm | |
| 47587-05 | 2005 |
| 474D1 - Rear Lift Stand Spool | |
| 47682-10 | 2010 |
| 475B1 - Swingarm Pivot Shaft | |
| 41698-04 | 2004 |
| 41699-04 | 2004 |
| 41568-04 | 2004 |
| 500A1 - Sidestand Assembly | |
| 50185-04C | 2011 |
| 50000025BHP | 2011 |
| 500D1 - Sidestand Leg | |
| 50124-09BHP | 2011 |
| 500E1 - Sidestand Leg sub-component | |
| 49735-08 | 2008 |
| 62122-89A | 1989 |
| 50005-85A | 1985 |
| 500F1 - Sidestand Pivot Pin | |
| 554A | 2002 |
| 505B1 - Footpeg Mount Bracket | |
| 51044-08 | 2008 |
| 33048-72 | 1972 |
| 42651-04 | 2004 |
| 51049-08 | 2008 |
| 51048-08 | 2008 |

| | |
|---|------|
| 49315-04 | 2004 |
| 42652-04 | 2004 |
| 51045-08 | 2008 |
| 49314-04 | 2004 |
| 42971-04 | 2004 |
| 505C1 - Heel Guard / Pad | |
| 33084-06 | 2006 |
| 505D1 - Passenger Footpeg | |
| 50500227 | 2012 |
| 51327-08 | 2008 |
| 33134-07CAZ | 2007 |
| 33032-99 | 1999 |
| 33135-07CAZ | 2007 |
| 51323-08 | 2008 |
| 505K1 - Footpeg Wear Peg | |
| 33130-07A | 2007 |
| 33216-99 | 1999 |
| 506A1 - Brake Pedal | |
| 42969-04 | 2004 |
| 50912-72 | 1972 |
| 42812-04 | 2004 |
| 42685-04 | 2004 |
| 42341-07 | 2007 |
| 42649-07 | 2007 |
| 34581-04 | 2004 |
| 42949-08A | 2008 |
| 507A1 - Rider Interface Miscellaneous Component | |
| 51731-10 | 2010 |
| 51730-10 | 2010 |
| 42541-04 | 2004 |

| | |
|--|---------|
| 51046-09 | 2009 |
| 520A1 - Rider Seat or Full Seat | |
| 51551-07 | 2007 |
| 51899-07 | 2007 |
| 51382-08 | 2008 |
| 51911-10 | 2010 |
| 51532-07 | 2007 |
| 51550-11 | 2011 |
| 51530-07 | 2007 |
| 520B1 - Rider/Full Seat Assembly sub-component | |
| 51740-10 | 2010 |
| 521A1 - Seat Support Structure | |
| 52429-08 | 2008 |
| 51710-08 | 2008 |
| 521C1 - Seat Suspension Damper | |
| 42840-04 | 2004 |
| 45925-09 | 2009 |
| 10627 | Unknown |
| 524A1 - Passenger Grab Handle | |
| 59723-04 | 2004 |
| 524B1 - Passenger Seat | |
| 51383-08 | 2008 |
| 540B1 - Rear Shock | |
| 54570-09 | 2009 |
| 46454-09 | 2009 |
| 54568-09 | 2009 |
| 54550-10 | 2010 |
| 54700-10 | 2010 |
| 54671-10 | 2010 |
| 540E1 - Rear Shock sub-component | |

| | |
|--|------|
| 54741-07 | 2007 |
| 54724-04 | 2004 |
| 540L2 - Rear Suspension Mounting Bracket | |
| 42831-04A | 2005 |
| 42739-08 | 2008 |
| 42310-08 | 2008 |
| 558A1 - Handlebar | |
| 55840-04A | 2004 |
| 56014-09A | 2010 |
| 56079-93 | 1993 |
| 57472-11 | 2011 |
| 56085-83A | 1983 |
| 558B1 - Handlebar Tube | |
| 57209-11 | 2011 |
| 559D1 - Lower Handlebar Clamp | |
| 55842-04 | 2004 |
| 56542-86A | 1986 |
| 56017-04 | 2004 |
| 56541-86A | 1986 |
| 56117-82A | 1982 |
| 56116-82A | 1982 |
| 559E1 - Upper Handlebar Clamp | |
| 56115-95 | 1995 |
| 560A1 - Mirror | |
| 92401-09 | 2009 |
| 92400-09 | 2009 |
| 92376-09 | 2009 |
| 92377-09 | 2009 |
| 91983-03B | 2003 |
| 91961-10 | 2010 |

| | |
|---|------|
| 92381-09 | 2009 |
| 91960-10 | 2010 |
| 91982-03B | 2003 |
| 92402-09 | 2009 |
| 561A1 - Throttle Cable | |
| 56637-08 | 2008 |
| 56884-07 | 2007 |
| 45155-08 | 2008 |
| 56885-07 | 2007 |
| 56639-08 | 2008 |
| 561B1 - Left Hand Grip | |
| 56667-04 | 2004 |
| 561C1 - Throttle Assembly w/Grip | |
| 56666-04 | 2004 |
| 561D1 - Throttle Assembly sub-component | |
| 38653-01 | 2001 |
| 571C1 - Fairing Side | |
| 66269-08BDK | 2008 |
| 571D1 - Debris Deflector | |
| 60435-04A | 2011 |
| 572E1 - Side Cover | |
| 66270-08BDK | 2008 |
| 66269-08CHJ | 2008 |
| 66272-05A | 2005 |
| 66251-04A | 2004 |
| 66252-04A | 2004 |
| 66270-08CHJ | 2008 |
| 66273-05A | 2005 |
| 589A1 - Front Fender | |
| 59022-07BDK | 2007 |
| 58998-83E | 2008 |

| | |
|------------------------------|------|
| 59441-10 | 2010 |
| 60574-10 | 2010 |
| 59712-07A | 2007 |
| 60955-11 | 2011 |
| 595D1 - Rear Fender | |
| 59673-04A | 2004 |
| 59885-11 | 2011 |
| 59901-08BDK | 2008 |
| 59400-08 | 2008 |
| 59401-08 | 2008 |
| 59916-08 | 2008 |
| 59727-07 | 2007 |
| 59865-10 | 2010 |
| 59768-97 | 1997 |
| 59847-10 | 2010 |
| 595E1 - Rear Fender Support | |
| 59500034 | 2011 |
| 603B1 - Belt / Chain Guard | |
| 60367-04 | 2004 |
| 60300008 | 2012 |
| 60300007 | 2012 |
| 60300009 | 2012 |
| 60416-08 | 2008 |
| 60403-08 | 2008 |
| 60379-09 | 2009 |
| 608A1 - Carbon Canister | |
| 28908-04A | 2004 |
| 28909-04 | 2004 |
| 27042-84A | 1995 |
| 608B1 - Carbon Canister Hose | |

| | |
|--------------------------------------|---------|
| 28822-07A | 2007 |
| 27200-08 | 2008 |
| 27067-07A | 2007 |
| 609A1 - Fuel Miscellaneous Component | |
| 5845 | Unknown |
| 89586-04 | 2004 |
| 89579-91 | 1991 |
| 75317-07 | 2007 |
| 27047-84B | 1984 |
| 610A1 - Fuel Tank | |
| 61724-10 | 2010 |
| 61405-07 | 2007 |
| 62213-07 | 2007 |
| 61392-08 | 2008 |
| 611A1 - Filler Neck Trim | |
| 71478-08 | 2008 |
| 611B1 - Fuel Cap | |
| 61289-07A | 2011 |
| 61572-08A | 2008 |
| 61272-92C | 1992 |
| 611F1 - Fuel Tank Vapor Vent Hose | |
| 27071-10 | 2010 |
| 27096-04A | 2004 |
| 612A1 - Fuel Filter | |
| 75304-07A | 2007 |
| 612B1 - Fuel Level Sensor | |
| 75302-07B | 2011 |
| 612B2 - Fuel Valve | |
| 75309-07 | 2007 |
| 61015-04A | 2004 |

| | |
|----------------------------------|------|
| 62150-85 | 1985 |
| 612C1 - Fuel Line | |
| 27693-07 | 2007 |
| 27792-08 | 2008 |
| 27829-10 | 2010 |
| 612F1 - Fuel Pump | |
| 75268-07E | 2011 |
| 75305-07A | 2007 |
| 612K1 - Fuel Pump sub-component | |
| 61574-08 | 2008 |
| 613B1 - Horn Cover | |
| 69012-93A | 1993 |
| 613C1 - Intake / Fuel Tank Cover | |
| 66271-08BDK | 2008 |
| 28792-10 | 2010 |
| 613K1 - Airbox Cover | |
| 61300131 | 2012 |
| 28793-10 | 2010 |
| 28790-10 | 2010 |
| 614C1 - Trim | |
| 62534-07 | 2007 |
| 70919-04 | 2004 |
| 70904-04 | 2004 |
| 70917-04 | 2004 |
| 70903-04 | 2004 |
| 29346-07 | 2007 |
| 61577-08 | 2008 |
| 71472-04 | 2004 |
| 624A1 - Oil Pump Assembly | |
| 26204-91A | 1991 |

| | |
|---|---------|
| 26592-08 | 2008 |
| 624B1 - Oil Pump Assembly sub-component | |
| 62601-91A | 1991 |
| 26332-08 | 2008 |
| 26182-08 | 2008 |
| 26239-07 | 2007 |
| 26210-99 | 1999 |
| 26495-89B | 1989 |
| 26437-86B | 1986 |
| 62651-04 | 2004 |
| 33117-91A | 1991 |
| 26502-07 | 2007 |
| 26526-08 | 2008 |
| 11652 | Unknown |
| 45830-48 | 1948 |
| 26546-08 | 2008 |
| 26400-82B | 1982 |
| 26503-07 | 2007 |
| 624D1 - Oil Pump Drive Gear | |
| 26318-88A | 1988 |
| 624E1 - Oil Pump Internal Cover | |
| 26522-08 | 2008 |
| 625B1 - Oil Tank | |
| 62954-10 | 2010 |
| 62888-08A | 2008 |
| 627A1 - Oil Cooler | |
| 63050-08A | 2008 |
| 627B1 - Oil Drain Plug | |
| 33123-06A | 2006 |
| 60330-08 | 2008 |
| 60328-98B | 1998 |

| | |
|------------------------------------|---------|
| 627E1 - Oil Filler Plug / Dipstick | |
| 63008-08 | 2008 |
| 62592-07A | 2007 |
| 63000-04B | 2004 |
| 627F1 - Oil Filter | |
| 63796-77A | 1977 |
| 63805-80A | 1980 |
| 627G1 - Oil Jet | |
| 62700013 | 2011 |
| 62700014 | 2011 |
| 627H1 - Oil Line | |
| 62338-01Y | 2001 |
| 63081-08 | 2008 |
| 62361-10 | 2010 |
| 63120-08 | 2008 |
| 63099-08 | 2008 |
| 63080-08 | 2008 |
| 33138-06 | 2006 |
| 63596-06 | 2006 |
| 63097-08 | 2008 |
| 9969 | Unknown |
| 63098-08 | 2008 |
| 63111-08 | 2008 |
| 627K1 - Oil Line Fitting | |
| 26496-75A | 1975 |
| 63548-08 | 2008 |
| 26184-08 | 2008 |
| 25394-08 | 2008 |
| 26064-08 | 2008 |
| 26183-08 | 2008 |

| | |
|--|------|
| 62375-57A | 1957 |
| 26525-08 | 2008 |
| 63533-41A | 1941 |
| 627M1 - Oil Pressure Regulator Valve | |
| 26856-89A | 1989 |
| 627P1 - Oil Thermostat | |
| 26529-08 | 2008 |
| 628A1 - PT Lubrication and Cooling Miscellaneous Component | |
| 63116-08 | 2008 |
| 70503-10 | 2010 |
| 66199-10 | 2010 |
| 63125-08 | 2008 |
| 63112-08 | 2008 |
| 628B1 - PT Lubrication and Cooling Mounting Bracket | |
| 63108-08 | 2008 |
| 648K1 - Exhaust Miscellaneous Component | |
| 65258-08 | 2008 |
| 64850-08 | 2008 |
| 649A1 - Muffler | |
| 64842-04 | 2004 |
| 65219-10 | 2010 |
| 65218-10 | 2010 |
| 64893-04A | 2004 |
| 64738-09 | 2009 |
| 64891-04A | 2004 |
| 80399-04 | 2004 |
| 64890-04 | 2004 |
| 64737-09 | 2009 |
| 653A1 - Muffler sub-component | |
| 65240-08 | 2008 |
| 654A1 - Exhaust Shield | |

| | |
|----------------------------------|------|
| 66851-07 | 2007 |
| 64847-04A | 2004 |
| 64846-04A | 2004 |
| 65198-10 | 2010 |
| 64889-04 | 2004 |
| 65176-10 | 2010 |
| 65168-10 | 2010 |
| 65189-10 | 2010 |
| 65197-10 | 2010 |
| 655A1 - Muffler Mount | |
| 65316-08 | 2008 |
| 655C1 - Exhaust Mounting Bracket | |
| 65339-04 | 2004 |
| 65974-04A | 2004 |
| 656C1 - Header | |
| 64851-09 | 2009 |
| 656E1 - Header Pipe | |
| 64965-08A | 2010 |
| 64943-07 | 2007 |
| 64942-07 | 2007 |
| 658A1 - Exhaust Catalyst | |
| 64853-04 | 2004 |
| 64854-04 | 2004 |
| 659A1 - Exhaust Clamp | |
| 65296-95A | 1995 |
| 65302-82A | 1982 |
| 65257-08 | 2008 |
| 659B1 - Exhaust Flange | |
| 65328-83A | 2010 |
| 65184-02 | 2002 |

| | |
|-------------------------------------|------|
| 659C1 - Exhaust Gasket | |
| 65317-08A | 2009 |
| 660A1 - Battery | |
| 65958-04A | 2004 |
| 66373-06 | 2006 |
| 660C1 - Battery Pan | |
| 66194-04D | 2004 |
| 660D1 - Battery Strap | |
| 66476-04A | 2004 |
| 660E1 - Ground Strap | |
| 70297-04A | 2004 |
| 660F1 - Negative Battery Cable | |
| 70296-04A | 2004 |
| 660G1 - Positive Battery Cable | |
| 70295-10 | 2010 |
| 660H1 - Positive Battery Cable Boot | |
| 70003-04 | 2004 |
| 670A1 - Tachometer | |
| 74714-10 | 2010 |
| 677A1 - Headlight | |
| 68335-05 | 2005 |
| 67603-94A | 1994 |
| 67883-04A | 2004 |
| 69774-07A | 2007 |
| 73266-10 | 2010 |
| 67963-05 | 2005 |
| 69449-05 | 2005 |
| 68341-05 | 2005 |
| 67894-93A | 1993 |
| 67834-83 | 1983 |
| 67790-93A | 1993 |

| | |
|-----------------------------------|------|
| 67972-98 | 1998 |
| 73264-10 | 2010 |
| 69386-08 | 2008 |
| 68297-05 | 2005 |
| 68443-07A | 2007 |
| 69397-08 | 2008 |
| 677B1 - Headlight sub-component | |
| 68380-05 | 2005 |
| 67700094 | 2011 |
| 69681-07B | 2011 |
| 67880-94 | 1994 |
| 73246-11 | 2011 |
| 677C1 - Headlight Support Bracket | |
| 67805-92 | 1992 |
| 67746-11 | 2011 |
| 678A1 - Taillight | |
| 68066-99A | 2004 |
| 69187-03A | 2003 |
| 68369-03 | 2003 |
| 69352-11 | 2011 |
| 68830-99A | 1999 |
| 69864-08 | 2008 |
| 68372-03 | 2003 |
| 69361-11 | 2011 |
| 68296-99A | 2004 |
| 68140-04 | 2004 |
| 68370-03A | 2003 |
| 68141-04 | 2004 |
| 678B1 - Taillight Housing | |
| 68513-07 | 2010 |

678D1 - Turnsignal

| | |
|----------|------|
| 68975-00 | 2000 |
|----------|------|

| | |
|----------|------|
| 68804-06 | 2006 |
|----------|------|

| | |
|----------|------|
| 68730-07 | 2007 |
|----------|------|

| | |
|----------|------|
| 68265-04 | 2004 |
|----------|------|

| | |
|----------|------|
| 68480-02 | 2002 |
|----------|------|

| | |
|-----------|------|
| 69066-01A | 2002 |
|-----------|------|

| | |
|------|---------|
| 5531 | Unknown |
|------|---------|

| | |
|----------|------|
| 68978-00 | 2000 |
|----------|------|

| | |
|----------|------|
| 69530-08 | 2008 |
|----------|------|

| | |
|----------|------|
| 68984-01 | 2001 |
|----------|------|

| | |
|----------|------|
| 68277-07 | 2007 |
|----------|------|

| | |
|----------|------|
| 73318-09 | 2009 |
|----------|------|

| | |
|----------|------|
| 68972-00 | 2000 |
|----------|------|

| | |
|----------|------|
| 73284-10 | 2010 |
|----------|------|

| | |
|----------|------|
| 56104-02 | 2002 |
|----------|------|

| | |
|----------|------|
| 73358-12 | 2012 |
|----------|------|

| | |
|----------|------|
| 73282-10 | 2010 |
|----------|------|

| | |
|----------|------|
| 68838-06 | 2006 |
|----------|------|

| | |
|----------|------|
| 68497-07 | 2007 |
|----------|------|

| | |
|----------|------|
| 73267-10 | 2010 |
|----------|------|

| | |
|----------|------|
| 68461-09 | 2009 |
|----------|------|

| | |
|----------|------|
| 69406-09 | 2009 |
|----------|------|

| | |
|----------|------|
| 68449-07 | 2007 |
|----------|------|

| | |
|----------|------|
| 69362-08 | 2008 |
|----------|------|

| | |
|----------|------|
| 67800070 | 2011 |
|----------|------|

678E1 - Turnsignal Lens

| | |
|----------|------|
| 68973-00 | 2000 |
|----------|------|

| | |
|----------|------|
| 69110-01 | 2001 |
|----------|------|

| | |
|----------|------|
| 68755-07 | 2007 |
|----------|------|

| | |
|--|------|
| 68559-07 | 2007 |
| 679B1 - Reflector | |
| 60183-08 | 2008 |
| 69490-07 | 2007 |
| 59359-06 | 2006 |
| 59287-92 | 1992 |
| 59259-90 | 1990 |
| 59482-00 | 2000 |
| 59481-00 | 2000 |
| 69862-07 | 2007 |
| 59256-84A | 1984 |
| 68561-09 | 2009 |
| 59288-92 | 1992 |
| 69861-07 | 2007 |
| 68704-07 | 2007 |
| 59988-72A | 1972 |
| 69498-08 | 2008 |
| 60188-08 | 2008 |
| 68724-07 | 2007 |
| 679C1 - Reflector Mount Bracket / Holder | |
| 67900006 | 2011 |
| 679D1 - License Plate Bracket | |
| 67900079 | 2011 |
| 68257-08 | 2008 |
| 67900089 | 2011 |
| 67900088 | 2011 |
| 67900093 | 2011 |
| 60001-55 | 1955 |
| 59986-75 | 1975 |
| 68702-07 | 2007 |
| 60318-07 | 2007 |

| | |
|--|------|
| 60901-07 | 2007 |
| 59984-73 | 1973 |
| 68857-07 | 2007 |
| 60225-08BHP | 2008 |
| 68966-08 | 2008 |
| 68299-07 | 2007 |
| 679E1 - License Plate Light | |
| 73504-11 | 2011 |
| 60375-10 | 2010 |
| 680C1 - Incandescent Bulb | |
| 68572-64B | 1964 |
| 68168-89A | 1989 |
| 53436-97 | 1997 |
| 68163-84 | 1984 |
| 68329-03 | 2003 |
| 68167-04 | 2004 |
| 52441-95 | 1995 |
| 690A1 - Emergency Siren | |
| 68958-07C | 2010 |
| 690B1 - Emergency Siren sub-component | |
| 69309-10 | 2010 |
| 690C1 - Horn | |
| 69000014 | 2011 |
| 692C1 - Electrical Miscellaneous Component | |
| 70368-08 | 2008 |
| 11954 | 2011 |
| 72378-04 | 2004 |
| 71552-94 | 1994 |
| 70633-08 | 2008 |
| 68382-07A | 2010 |

| | |
|-------------------------------------|---------|
| 72189-04 | 2004 |
| 70632-08 | 2008 |
| 10289A | Unknown |
| 70466-07A | 2007 |
| 692C2 - Electrical Mounting Bracket | |
| 31797-07 | 2007 |
| 71980-10 | 2010 |
| 69123-92A | 1992 |
| 70642-07 | 2007 |
| 69135-04 | 2004 |
| 69049-07 | 2007 |
| 73227-10 | 2010 |
| 71341-10 | 2010 |
| 70680-10 | 2010 |
| 67157-08 | 2008 |
| 69120-91 | 1991 |
| 31801-08 | 2008 |
| 69060-90F | 2010 |
| 67089-05 | 2005 |
| 71988-10 | 2010 |
| 67170-08 | 2008 |
| 67320-95 | 1995 |
| 66523-06 | 2006 |
| 31807-07 | 2007 |
| 31806-08A | 2008 |
| 66524-06 | 2006 |
| 31753-07 | 2007 |
| 69062-91A | 1991 |
| 692D1 - Fuse | |
| 72318-04 | 2004 |
| 72330-95 | 1995 |

| | |
|--|------|
| 692E1 - Fuse / Relay Block | |
| 31586-07 | 2007 |
| 72430-00 | 2000 |
| 692E2 - Fuse / Relay Block Cover | |
| 73214-10 | 2010 |
| 73302-04 | 2004 |
| 73228-10 | 2010 |
| 692F1 - Wire Harness | |
| 68814-07 | 2007 |
| 70247-07 | 2007 |
| 68955-08 | 2008 |
| 67091-08 | 2008 |
| 68813-07 | 2007 |
| 70167-08A | 2008 |
| 70163-10 | 2010 |
| 70619-07 | 2007 |
| 68899-04A | 2004 |
| 69200316 | 2012 |
| 70025-11 | 2011 |
| 69200317 | 2012 |
| 55844-04 | 2004 |
| 692G1 - Conduit / Sheathing / Sleeving | |
| 11888 | 2010 |
| 72266-94 | 1994 |
| 692G2 - Wire Guide | |
| 29950-91 | 1991 |
| 71287-08 | 2008 |
| 692H1 - Connector | |
| 73152-96BK | 1996 |
| 72519-09BK | 2009 |

| | |
|------------------|---------|
| 72114-94BK | 1994 |
| 72159-94 | 1994 |
| 72144-94 | 1994 |
| 72312-04 | 2004 |
| 27250-96B | 1996 |
| 72124-94GY | 1994 |
| 9848 | Unknown |
| 9847 | Unknown |
| 72260-04 | 2004 |
| 72009-05 | 2005 |
| 72139-94GY | 1994 |
| 72007-05 | 2005 |
| 72078-00 | 2000 |
| 73301-04 | 2004 |
| 72516-01 | 2001 |
| 72130-04 | 2004 |
| 72199-94 | 1994 |
| 692H2 - Terminal | |
| 72076-00 | 2000 |
| 72272-07 | 2007 |
| 72441-04 | 2004 |
| 72549-07 | 2007 |
| 9810 | Unknown |
| 72289-04 | 2004 |
| 72592-10 | 2010 |
| 72413-07 | 2007 |
| 72335-10 | 2010 |
| 9898 | Unknown |
| 72484-08 | 2008 |
| 72407-07 | 2007 |

| | |
|------------------------------------|------|
| 72024-08 | 2008 |
| 72721-07 | 2007 |
| 72290-94 | 1994 |
| 72169-07 | 2007 |
| 72168-07 | 2007 |
| 72291-94 | 1994 |
| 72094-06 | 2006 |
| 72434-00 | 2000 |
| 72991-01 | 2001 |
| 72611-07 | 2007 |
| 74194-98 | 1998 |
| 72445-99TN | 1999 |
| 72568-08 | 2008 |
| 692K1 - Connector / Terminal Seal | |
| 68904-00 | 2000 |
| 73303-04 | 2004 |
| 72006-05 | 2005 |
| 72154-94 | 1994 |
| 74197-04 | 2004 |
| 68653-05 | 2005 |
| 692L1 - Wire Harness sub-component | |
| 74191-98 | 1998 |
| 73213-07 | 2007 |
| 72487-07BK | 2007 |
| 70345-84 | 1984 |
| 72512-07BK | 2007 |
| 72263-95 | 1995 |
| 72488-07BK | 2007 |
| 72077-00 | 2000 |
| 74152-98 | 1998 |
| 72195-94 | 1994 |

| | |
|------------|---------|
| 72402-07 | 2007 |
| 72175-07BK | 2007 |
| 72473-07 | 2007 |
| 70504-81 | 1981 |
| 73190-96 | 1996 |
| 72511-07BK | 2007 |
| 73103-96BK | 1996 |
| 73156-96BK | 1996 |
| 73106-96BK | 1996 |
| 72904-01BK | 2001 |
| 70598-99 | 1999 |
| 73152-96WE | 1996 |
| 74120-08 | 2008 |
| 72486-08 | 2008 |
| 72408-07 | 2007 |
| 72251-07 | 2007 |
| 72167-07BK | 2007 |
| 72166-07BK | 2007 |
| 73153-96BK | 1996 |
| 72032-93 | 1993 |
| 72720-07 | 2007 |
| 72033-93 | 1993 |
| 10200 | Unknown |
| 72011-05 | 2005 |
| 72405-98BK | 1998 |
| 72066-06A | 2006 |
| 73191-96 | 1996 |
| 70664-08 | 2008 |
| 72447-07GY | 2007 |
| 72190-94 | 1994 |

| | |
|---|------|
| 56073-83 | 1983 |
| 72096-06 | 2006 |
| 72188-07BK | 2007 |
| 72543-07BK | 2007 |
| 73104-96BK | 1996 |
| 72469-07GY | 2007 |
| 73305-04 | 2004 |
| 72544-07 | 2007 |
| 73102-96BK | 1996 |
| 72014-07 | 2007 |
| 72056-92 | 1992 |
| 72545-08 | 2008 |
| 72295-94 | 1994 |
| 70578-89 | 1989 |
| 72191-94 | 1994 |
| 72329-08 | 2008 |
| 72406-07A | 2007 |
| 74112-98BK | 1998 |
| 73154-96BK | 1996 |
| 72414-07BK | 2007 |
| 72135-06 | 2006 |
| 72914-01BK | 2001 |
| 692M1 - Electrical Component / Wire Cover | |
| 70679-10 | 2010 |
| 69302-11 | 2011 |
| 709B1 - Instrument Cluster or Speedometer | |
| 67436-08 | 2008 |
| 67041-08 | 2008 |
| 70714-10 | 2010 |
| 67416-08 | 2008 |

| | |
|---------------------------|------|
| 67037-08 | 2008 |
| 67290-08 | 2008 |
| 67415-08 | 2008 |
| 714A1 - Ignition Switch | |
| 71400058 | 2012 |
| 714B1 - Mechanical Switch | |
| 33900-99 | 1999 |
| 715A1 - Hand Control | |
| 71684-06A | 2006 |
| 67854-98 | 1998 |
| 71587-04 | 2004 |
| 71510-04 | 2004 |
| 55786-11 | 2011 |
| 71683-06A | 2006 |
| 71564-96 | 1996 |
| 55846-05A | 2005 |
| 71563-96 | 1996 |
| 71568-96A | 1996 |
| 55785-11 | 2011 |
| 71685-06A | 2006 |
| 71682-06A | 2006 |
| 71620-08 | 2008 |
| 71567-96 | 1996 |
| 71621-08 | 2008 |
| 747A1 - Voltage Regulator | |
| 74711-08 | 2008 |
| 760B1 - Antenna | |
| 68956-07 | 2007 |
| 903A1 - Lockset | |
| 90300036 | 2012 |
| 90300037 | 2012 |

| | |
|-------------------------|------|
| 903C1 - Key Transponder | |
| 68926-07 | 2007 |
| 68939-00 | 2000 |

Common Service Parts

AUDIO & INSTRUMENTATION

[View interactive table](#)

| PART NO. | DESCRIPTION | PART AND MODEL(S) |
|----------|-------------|---|
| 67880-94 | BOOT | SPEEDOMETER - 883L/N/R, 1200C/CP/N/V/X: XL883L XL883R XL1200N XL883N XL1200X XL1200C XL1200CP XL1200V SPEEDOMETER & TACHOMETER - XR1200X: XR1200X |

BEARINGS, SEALS & HARDWARE

[View interactive table](#)

| PART NO. | DESCRIPTION | PART AND MODEL(S) |
|----------|-------------|--|
| 10014 | CLAMP | OIL TANK & LINES - 883L/N/R, 1200C/CP/N/V/X: XL883L XL883R XL1200C XL1200CP XL1200N XL883N XL1200X XL1200V OIL TANK & LINES- XR1200X: XR1200X |
| 10080 | CLAMP | CRANKCASE & GEARCASE - 883L/N/R, 1200C/CP/N/V/X: XL883L XL883R XL1200C XL1200V XL1200CP XL1200N XL883N XL1200X CRANKCASE & GEARCASE - XR1200X: XR1200X OIL TANK & LINES - 883L/N/R, 1200C/CP/N/V/X: XL883L |

[XL883R](#)
[XL1200C](#)
[XL1200CP](#)
[XL1200N](#)
[XL883N](#)
[XL1200X](#)
[XL1200V](#)

11105 O-RING [INSPECTION COVER & PRIMARY COVER: All Models](#)

11171 O-RING [INSPECTION COVER & PRIMARY COVER: All Models](#)

11304 RETAINING RING
FOOTRESTS - 883L/N/R, 1200C/CP/N/V/X:
[XL883L](#)
[XL1200C](#)
[XL1200CP](#)
[XL1200V](#)
[XL1200N](#)
[XL883N](#)
[XL1200X](#)
FOOTRESTS - 883L/N/R, 1200C/CP/N/V/X:
[XL883R](#)
FOOTRESTS - XR1200X:
[XR1200X](#)

11379 RETAINING RING
[CLUTCH CONTROL: All Models](#)
BRAKE CONTROL, FRONT - 883L/N/R, 1200C/CP/N/V/X:
[XL883L](#)
[XL883R](#)
[XL1200C](#)
[XL1200V](#)
[XL1200CP](#)
[XL1200N](#)
[XL883N](#)
[XL1200X](#)
BRAKE CONTROL, FRONT - XR1200X:
[XR1200X](#)

11491A GROMMET
FRAME & JIFFY STAND - XR1200X:
[XR1200X](#)

12074 OIL SEAL [TRANSMISSION GEARS: All Models](#)

16715-83 STUD
CYLINDERS, HEADS & VALVES - 883L/N/R, 1200C/CP/N/V/X:
[XL1200N](#)
[XL883L](#)
[XL883R](#)
[XL883N](#)
[XL1200X](#)
[XL1200C](#)
[XL1200V](#)
[XL1200CP](#)
CYLINDERS, HEADS & VALVES - XR1200X:
[XR1200X](#)

16800-84A GASKET
ROCKER ARM ASSEMBLY & PUSH RODS - 883L/N/R, 1200C/CP/N/V/X:
[XL883L](#)
[XL1200N](#)
[XL883R](#)
[XL883N](#)

[XL1200X](#)

[XL1200C](#)

[XL1200V](#)

[XL1200CP](#)

ROCKER ARM ASSEMBLY & PUSH RODS - XR1200X:

[XR1200X](#)

2445 SCREW

FORK BRACKETS, FRONT - XR1200X:

[XR1200X](#)

FORK, REAR, DEBRIS DEFLECTOR & BELT GUARD:

[XR1200X](#)

FENDERS, REAR - XR1200X:

[XR1200X](#)

HEADLAMP - 1200C/CP/V:

[XL1200C](#)

[XL1200CP](#)

2446 SCREW

FENDERS, REAR - 883N/1200N/V/X (ALL EXCEPT CANADA):

[XL1200N](#)

[XL883N](#)

[XL1200X](#)

[XL1200V](#)

25463-94A GASKET

[INSPECTION COVER & PRIMARY COVER: All Models](#)

26995-86B SEAL

INDUCTION MODULE, FUEL - 883L/N/R, 1200C/CP/N/V/X:

[XL883L](#)

[XL883R](#)

[XL1200C](#)

[XL1200V](#)

[XL1200CP](#)

[XL1200N](#)

[XL883N](#)

[XL1200X](#)

INDUCTION MODULE, FUEL - XR1200X:

[XR1200X](#)

2952A SCREW

SEATS:

[XL883L](#)

[XL883R](#)

[XL1200C](#)

[XL1200CP](#)

[XL1200N](#)

[XL883N](#)

[XL1200X](#)

[XL1200V](#)

FENDERS, REAR - 883N/1200N/V/X (ALL EXCEPT CANADA):

[XL1200N](#)

[XL883N](#)

[XL1200X](#)

[XL1200V](#)

34990-08 GASKET

[INSPECTION COVER & PRIMARY COVER: All Models](#)

3655A SCREW

WHEELS, FRONT, CAST - 883L/N/R, 1200C/CP:

[XL883L](#)

[XL883R](#)

[XL1200C](#)

[XL1200CP](#)

[XL883N](#)

WHEEL, FRONT, CAST - XR1200X:

[XR1200X](#)

WHEELS, FRONT, LACED - 1200C/CP/N/VIX:

[XL1200N](#)

[XL1200X](#)

[XL1200C](#)

[XL1200V](#)

[XL1200CP](#)

HEADLAMP - 883L/N/R, 1200N/X, XR1200X:

[XL883L](#)

[XL883R](#)

[XL1200N](#)

[XL883N](#)

3658

SCREW

[SWITCHES, HANDLEBAR: All Models](#)

[SWITCHES: All Models](#)

4132

SCREW

OIL PUMP - 883L/N/R, 1200C/CP/N/VIX:

[XL883L](#)

[XL883R](#)

[XL1200C](#)

[XL1200V](#)

[XL1200CP](#)

[XL1200N](#)

[XL883N](#)

[XL1200X](#)

43567-92

SCREW

WHEELS, REAR, CAST - 883L/N/R, 1200C/CP:

[XL883L](#)

[XL883R](#)

[XL1200C](#)

[XL1200CP](#)

[XL883N](#)

WHEEL, REAR, CAST - XR1200X:

[XR1200X](#)

WHEELS, REAR, LACED - 1200C/CP/N/VIX:

[XL1200N](#)

[XL1200V](#)

[XL1200X](#)

[XL1200C](#)

[XL1200CP](#)

45378-87

OIL SEAL

FORK, FRONT - 883L/R, 1200C/CP/VIX:

[XL883R](#)

[XL1200V](#)

[XL883L](#)

[XL1200C](#)

[XL1200CP](#)

[XL1200X](#)

FORK, FRONT - 883N, 1200N:

[XL1200N](#)

[XL883N](#)

45405-75A

SCREW

FORK, FRONT - 883L/R, 1200C/CP/VIX:

[XL883R](#)

[XL1200V](#)

[XL883L](#)

[XL1200C](#)

[XL1200CP](#)

[XL1200X](#)

FORK, FRONT - 883N, 1200N:

[XL1200N](#)
[XL883N](#)

4740A SCREW
CAMSHAFTS & GEAR COVER - 883L/N/R, 1200C/CP/N/V/X:
[XL883L](#)
[XL883R](#)
[XL1200C](#)
[XL1200V](#)
[XL1200CP](#)
[XL1200N](#)
[XL883N](#)
[XL1200X](#)
CAMSHAFTS & GEAR COVER - XR1200X:
[XR1200X](#)

48300-60 ROLLER BEARING
FORK BRACKETS, FRONT - 883L/N/R, 1200C/CP/N/V/X:
[XL883R](#)
[XL883L](#)
[XL1200C](#)
[XL1200CP](#)
[XL1200N](#)
[XL1200V](#)
[XL883N](#)
[XL1200X](#)
FORK BRACKETS, FRONT - XR1200X:
[XR1200X](#)

59768-97 FENDER SEAT NUT KIT
FENDERS, REAR - 883L/R/1200C/CP (ALL), 883N/1200N/V/X
(CANADA ONLY):
[XL883R](#)
[XL1200V](#)
[XL883L](#)
[XL1200C](#)
[XL1200CP](#)
[XL1200N](#)
[XL883N](#)
[XL1200X](#)
FENDERS, REAR - 883N/1200N/V/X (ALL EXCEPT CANADA):
[XL1200N](#)
[XL883N](#)
[XL1200X](#)
[XL1200V](#)

6516HW WASHER
BELT & SPROCKETS - 883L/N/R, 1200C/CP/N/V/X:
[XL883L](#)
[XL883R](#)
[XL1200C](#)
[XL1200V](#)
[XL1200CP](#)
[XL1200N](#)
[XL883N](#)
[XL1200X](#)
BELT & SPROCKETS - XR1200X:
[XR1200X](#)
WHEELS, REAR, CAST - 883L/N/R, 1200C/CP:
[XL883L](#)
[XL883R](#)
[XL883N](#)
[XL1200C](#)
[XL1200CP](#)

WHEEL, REAR, CAST - XR1200X:

[XR1200X](#)

WHEELS, REAR, LACED - 1200C/CP/N/V/X:

[XL1200N](#)

[XL1200V](#)

[XL1200X](#)

[XL1200C](#)

[XL1200CP](#)

65324-83B GASKET

EXHAUST SYSTEM - 883L/N/R, 1200C/CP/N/V/X:

[XL883L](#)

[XL883R](#)

[XL1200C](#)

[XL1200CP](#)

[XL1200N](#)

[XL1200V](#)

[XL883N](#)

[XL1200X](#)

EXHAUST SYSTEM - XR1200X:

[XR1200X](#)

65325-83A RETAINING RING

EXHAUST SYSTEM - 883L/N/R, 1200C/CP/N/V/X:

[XL883L](#)

[XL883R](#)

[XL1200C](#)

[XL1200CP](#)

[XL1200N](#)

[XL1200V](#)

[XL883N](#)

[XL1200X](#)

EXHAUST SYSTEM - XR1200X:

[XR1200X](#)

65927-00 GASKET

EXHAUST SYSTEM - 883L/N/R, 1200C/CP/N/V/X:

[XL883L](#)

[XL883R](#)

[XL1200C](#)

[XL1200CP](#)

[XL1200N](#)

[XL1200V](#)

[XL883N](#)

[XL1200X](#)

6702 WASHER

BRAKE, MASTER CYLINDER, REAR - 883L/N/R, 1200C/CP/N/V/X:

[XL883R](#)

[XL883L](#)

[XL1200C](#)

[XL1200V](#)

[XL1200CP](#)

[XL1200N](#)

[XL883N](#)

[XL1200X](#)

FORK, REAR, DEBRIS DEFLECTOR & BELT GUARD:

[XL883R](#)

[XL883L](#)

[XL1200C](#)

[XL1200CP](#)

[XL1200V](#)

[XL1200N](#)

[XL883N](#)

[XL1200X](#)

HANDLEBAR & THROTTLE CONTROL - 883L/N/R, 1200N/X,
XR1200X:

[XL883R](#)

[XR1200X](#)

FENDERS, REAR - 883L/R/1200C/CP (ALL), 883N/1200N/V/X
(CANADA ONLY):

[XL883R](#)

[XL1200V](#)

[XL883L](#)

[XL1200C](#)

[XL1200CP](#)

[XL1200N](#)

[XL883N](#)

[XL1200X](#)

FENDERS, REAR - 883N/1200N/V/X (ALL EXCEPT CANADA):

[XL1200N](#)

[XL883N](#)

[XL1200X](#)

[XL1200V](#)

FUEL TANK - 883L/N/R, 1200C/CP/N/V/X:

[XL883L](#)

[XL883R](#)

[XL1200C](#)

[XL1200CP](#)

[XL1200N](#)

[XL883N](#)

[XL1200X](#)

HEADLAMP - 883L/N/R, 1200N/X, XR1200X:

[XL883L](#)

[XL883R](#)

[XL1200N](#)

[XL883N](#)

HEADLAMP - 1200C/CP/V:

[XL1200C](#)

[XL1200CP](#)

EXHAUST SYSTEM - XR1200X:

[XR1200X](#)

7041

LOCKWASHER

HORN:

[XL1200C](#)

[XL1200CP](#)

[XL1200V](#)

7593

NUT

EXHAUST SYSTEM - 883L/N/R, 1200C/CP/N/V/X:

[XL883L](#)

[XL883R](#)

[XL1200C](#)

[XL1200CP](#)

[XL1200N](#)

[XL1200V](#)

[XL883N](#)

[XL1200X](#)

EXHAUST SYSTEM - XR1200X:

[XR1200X](#)

7716

LOCKNUT

FENDERS, REAR - 883N/1200N/V/X (ALL EXCEPT CANADA):

[XL1200N](#)

[XL883N](#)

[XL1200X](#)

[XL1200V](#)

LICENSE PLATE BRACKETS:

[XL1200N](#)

[XL883N](#)

[XL1200X](#)

[XL1200V](#)

HEADLAMP - 883L/N/R, 1200N/X, XR1200X:

[XL1200X](#)

| | | |
|------|-------|---|
| 8692 | RIVET | <p>FENDERS, REAR - 883L/R/1200C/CP (ALL), 883N/1200N/V/X (CANADA ONLY):</p> <p>XL883R</p> <p>XL1200V</p> <p>XL883L</p> <p>XL1200C</p> <p>XL1200CP</p> <p>XL1200N</p> <p>XL883N</p> <p>XL1200X</p> <p>FENDERS, REAR - 883N/1200N/V/X (ALL EXCEPT CANADA):</p> <p>XL1200N</p> <p>XL883N</p> <p>XL1200X</p> <p>XL1200V</p> |
|------|-------|---|

| | | |
|-------|--------------|--|
| 9276A | BALL BEARING | <p>WHEELS, FRONT, CAST - 883L/N/R, 1200C/CP:</p> <p>XL883L</p> <p>XL883R</p> <p>XL1200C</p> <p>XL1200CP</p> <p>XL883N</p> <p>WHEEL, FRONT, CAST - XR1200X:</p> <p>XR1200X</p> <p>WHEELS, FRONT, LACED - 1200C/CP/N/V/X:</p> <p>XL1200N</p> <p>XL1200X</p> <p>XL1200C</p> <p>XL1200V</p> <p>XL1200CP</p> <p>WHEELS, REAR, CAST - 883L/N/R, 1200C/CP:</p> <p>XL883L</p> <p>XL883R</p> <p>XL883N</p> <p>XL1200C</p> <p>XL1200CP</p> <p>WHEEL, REAR, CAST - XR1200X:</p> <p>XR1200X</p> <p>WHEELS, REAR, LACED - 1200C/CP/N/V/X:</p> <p>XL1200N</p> <p>XL1200V</p> <p>XL1200X</p> <p>XL1200C</p> <p>XL1200CP</p> |
|-------|--------------|--|

| | | |
|-----|-------|---|
| 943 | SCREW | <p>ROCKER ARM ASSEMBLY & PUSH RODS - XR1200X:</p> <p>XR1200X</p> <p>INSPECTION COVER & PRIMARY COVER: All Models</p> |
|-----|-------|---|

| | | |
|------|-------|--|
| 9955 | CLAMP | <p>EXHAUST SYSTEM - 883L/N/R, 1200C/CP/N/V/X:</p> <p>XL883L</p> <p>XL883R</p> <p>XL1200C</p> |
|------|-------|--|

[XL1200CP](#)

[XL1200N](#)

[XL1200V](#)

[XL883N](#)

[XL1200X](#)

EXHAUST SYSTEM - XR1200X:

[XR1200X](#)

CHASSIS & COMPONENTS

View interactive table

| PART NO. | DESCRIPTION | PART AND MODEL(S) |
|-----------|-------------|--|
| 50005-85A | SPRING | <i>FRAME & JIFFY STAND - 883L/N/R, 1200C/CP/N/V/X:</i> XL883L XL883R XL1200C XL1200CP XL1200N XL1200V XL883N XL1200X <i>FRAME & JIFFY STAND - XR1200X:</i> XR1200X |

ELECTRICAL

View interactive table

| PART NO. | DESCRIPTION | PART AND MODEL(S) |
|----------|-----------------|--|
| 70345-84 | RETAINER | <i>HANDLEBAR & THROTTLE CONTROL - 883L/N/R, 1200N/X, XR1200X:</i> XL883L XL883R XL1200N XR1200X XL883N XL1200X <i>HANDLEBAR & THROTTLE CONTROL - 1200C/CP/V:</i> XL1200C XL1200CP XL1200V SWITCHES, HANDLEBAR: All Models |
| 71621-08 | SWITCH ASSEMBLY | SWITCHES, HANDLEBAR: All Models |
| 72330-95 | FUSE | <i>WIRING HARNESS, MAIN - 883L/N/R, 1200C/CP/N/V/X (2 OF 3):</i> XL883L XL883R XL1200C XL1200CP XL1200N XL883N XL1200X XL1200V <i>WIRING HARNESS, MAIN - XR1200X (2 OF 3):</i> |

ENGINE, TRANSMISSION & PRIMARY

View interactive table

| PART NO. | DESCRIPTION | PART AND MODEL(S) |
|-----------|-----------------|--|
| 18538-99C | TAPPET | <i>ROCKER ARM ASSEMBLY & PUSH RODS - 883L/N/R, 1200C/CP/N/V/X:</i> XL883L XL1200N XL883R XL883N XL1200X XL1200C XL1200V XL1200CP <i>ROCKER ARM ASSEMBLY & PUSH RODS - XR1200X:</i> XR1200X |
| 37909-90 | RETAINING RING | <i>CLUTCH - 883L/N/R, 1200C/CP/N/V/X:</i> XL883L XL883R XL1200C XL1200V XL1200CP XL1200N XL883N XL1200X <i>CLUTCH - XR1200X:</i> XR1200X |
| 37911-90 | FRICITION PLATE | <i>CLUTCH - 883L/N/R, 1200C/CP/N/V/X:</i> XL883L XL883R XL1200C XL1200V XL1200CP XL1200N XL883N XL1200X <i>CLUTCH - XR1200X:</i> XR1200X |

FOOT CONTROLS

View interactive table

| PART NO. | DESCRIPTION | PART AND MODEL(S) |
|-----------|---------------------|---|
| 34611-65A | SHIFTER TOE PEG KIT | <i>SHIFTER LEVER:</i> XL883L XL883R XL1200C XL1200V XL1200CP |

[XL1200N](#)
[XL883N](#)
[XL1200X](#)

INTAKE, EXHAUST & FUEL MGMT

View interactive table

| PART NO. | DESCRIPTION | PART AND MODEL(S) |
|-----------|----------------|---|
| 29331-04 | FILTER ELEMENT | <i>AIR CLEANER - 883L/N/R, 1200C/CP/N/V/X:</i> XL883L XL883R XL1200C XL1200CP XL1200N XL883N XL1200X |
| 65296-95A | CLAMP | <i>EXHAUST SYSTEM - 883L/N/R, 1200C/CP/N/V/X:</i> XL883L XL883R XL1200C XL1200CP XL1200N XL1200V XL883N XL1200X |

LIGHTING

View interactive table

| PART NO. | DESCRIPTION | PART AND MODEL(S) |
|-----------|-------------|---|
| 68168-89A | BULB | <i>TURN SIGNALS, FRONT:</i> XR1200X XL1200N XL883N XL1200X XL883R XL883L XL1200C XL1200CP XL1200V <i>TAIL LAMP & TURN SIGNALS, REAR:</i> XL1200N XL1200X XL883N XL1200V |
| 68329-03 | BULB | <i>HEADLAMP - 883L/N/R, 1200N/X, XR1200X:</i> XL883L XL883R XL1200N XL883N XR1200X XL1200X |

| | | |
|-----------|------|--|
| | | HEADLAMP - 1200C/CP/V: XL1200C XL1200CP XL1200V |
| 68572-64B | BULB | TAIL LAMP & TURN SIGNALS, REAR: XL1200N XL1200X XL883N |
| 68973-00 | LENS | TURN SIGNALS, FRONT: XR1200X XL883R XL883L XL1200C XL1200CP XL1200V TAIL LAMP & TURN SIGNALS, REAR: XL883R XL883L XL1200C XL1200CP XL1200V |

MAINTENANCE & TOOLS

View interactive table

| PART NO. | DESCRIPTION | PART AND MODEL(S) |
|-----------|-------------|--|
| 32362-04 | SPARK PLUG | ELECTRONIC IGNITION SYSTEM - 883L/N/R, 1200C/CP/N/V/X: XL883L XL883R XL1200C XL1200V XL1200CP XL1200N XL883N XL1200X |
| 63796-77A | OIL FILTER | CRANKCASE & GEARCASE - 883L/N/R, 1200C/CP/N/V/X: XL1200C XL1200V XL1200CP |
| 63805-80A | OIL FILTER | CRANKCASE & GEARCASE - 883L/N/R, 1200C/CP/N/V/X: XL883L XL883R XL1200CP XL1200N XL883N XL1200X CRANKCASE & GEARCASE - XR1200X: XR1200X |
| 65958-04A | BATTERY | BATTERY: All Models |
| 66373-06 | BATTERY | SWITCHES: All Models |

95594-84A

WHEEL WEIGHT

WHEEL, FRONT, CAST - XR1200X:

[XR1200X](#)

WHEELS, FRONT, LACED - 1200C/CP/N/VIX:

[XL1200X](#)[XL1200C](#)[XL1200CP](#)

WHEELS, REAR, CAST - 883L/N/R, 1200C/CP:

[XL1200CP](#)

WHEEL, REAR, CAST - XR1200X:

[XR1200X](#)

WHEELS, REAR, LACED - 1200C/CP/N/VIX:

[XL1200X](#)[XL1200CP](#)

95595-84A

WHEEL WEIGHT

WHEELS, FRONT, CAST - 883L/N/R, 1200C/CP:

[XL883L](#)[XL883R](#)[XL1200C](#)[XL1200CP](#)[XL883N](#)

WHEELS, FRONT, LACED - 1200C/CP/N/VIX:

[XL1200N](#)[XL1200V](#)

WHEELS, REAR, CAST - 883L/N/R, 1200C/CP:

[XL883L](#)[XL883R](#)[XL1200C](#)[XL1200CP](#)[XL883N](#)

WHEELS, REAR, LACED - 1200C/CP/N/VIX:

[XL1200N](#)[XL1200V](#)[XL1200C](#)[XL1200CP](#)

SECURITY & STORAGE

[View interactive table](#)

| PART NO. | DESCRIPTION | PART AND MODEL(S) |
|----------|--------------------|--------------------------------------|
| 68926-07 | REMOTE CONTROL FOB | SWITCHES: All Models |

TIRES

[View interactive table](#)

| PART NO. | DESCRIPTION | PART AND MODEL(S) |
|----------|-------------|--|
| 40558-82 | INNER TUBE | WHEELS, FRONT, LACED - 1200C/CP/N/VIX: XL1200X WHEELS, REAR, LACED - 1200C/CP/N/VIX: XL1200V |
| 40999-87 | VALVE STEM | WHEELS, FRONT, CAST - 883L/N/R, 1200C/CP: XL1200C XL1200CP WHEELS, REAR, CAST - 883L/N/R, 1200C/CP: |

[XL1200C](#)
[XL1200CP](#)

| | | |
|-----------|---------------------|--|
| 43140-80 | INNER TUBE | <i>WHEELS, FRONT, LACED - 1200C/CP/N/V/X:</i> XL1200V |
| 43147-40 | RIM STRIP | <i>WHEELS, REAR, LACED - 1200C/CP/N/V/X:</i> XL1200V |
| 43157-83A | VALVE STEM ASSEMBLY | <i>WHEELS, FRONT, CAST - 883L/N/R, 1200C/CP:</i> XL883L XL883R XL883N <i>WHEEL, FRONT, CAST - XR1200X:</i> XR1200X <i>WHEELS, REAR, CAST - 883L/N/R, 1200C/CP:</i> XL883L XL883R XL883N <i>WHEEL, REAR, CAST - XR1200X:</i> XR1200X |
| 43939-89 | RIM STRIP | <i>WHEELS, FRONT, LACED - 1200C/CP/N/V/X:</i> XL1200V |