

# 2010 Sportster Models Parts Catalog

Alphabetical List

Parts

Hardware List

New Parts List

Numerical Index

Component Types and Introduction Dates

Common Service Parts

## READER'S COMMENTS

The Harley-Davidson Service Communications Department maintains a continuous effort to improve the quality and usefulness of its publications. To do this effectively, we need user feedback - your critical evaluation of this manual.

Please comment on the completeness, accuracy, organization, usability, and readability of this manual.

---

---

---

---

Please list the page, item, and part number(s) of any errors you find in this manual.

---

---

---

---

Please tell us how we can improve this manual.

---

---

---

---

Name	Document 99451-10B
Occupation	Dealership



---

---

---

---

---

---

---

---

---

---

## GENERAL INFORMATION

**THIS IS NOT AN ASSEMBLY MANUAL AND SHOULD NOT BE USED AS SUCH.**

**About this manual**

This Parts Catalog has been prepared to make it easier for you to order parts for your motorcycles. The numbers shown in the illustrations correspond to the numbers in the "INDEX NO." column in the parts lists. Consult the illustrations when ordering parts to make sure that you receive all the required parts. The number in parentheses following the part description is the quantity needed for complete assembly. If there is no number in parentheses, only one is used. Prices of parts in this catalog are published separately.

When ordering parts, the following instructions should be followed carefully.

- Make sure to specify the correct part number for each item. The part numbers appear under the "PART NO." column in the parts lists.
- Orders may be placed via your computer for all parts. Review your system documentation on placing orders electronically. All non-warranty replacement crankcase orders require return of the complete left crankcase half with vehicle identification number (VIN). All non-warranty replacement frame orders require return of the steering neck with vehicle identification number (VIN). Non-compliance will result in a fine. See non-warranty frame and crankcase policy or contact Dealer Services.
- The sale or use of these parts or accessories does not grant the purchaser a license or other right under any Harley-Davidson patent.
- For all 2008 and later painted parts, refer to the Service Section of [h-dnet.com](http://h-dnet.com) which features a listing of painted part numbers, except CVO (Custom Vehicle Operations) models which are located in their own respective catalogs.
- All parts that were added for the new model year will have the entire line shaded on the parts list page. This can be used to identify any new parts that are unique to a specific model, and help distinguish new and previous model year parts.
- Parts marked "**RESTRICTED SALE PART**" are limited edition items and can only be ordered as direct replacements.
- Orientation symbols are used when the illustration is not in the standard "Right-Front" orientation. The

symbol is a motorcycle with an arrow in the front indicating the direction of view. The symbol is at the bottom left or right side of the illustration page.

- To request a missing or loose part, simply submit a Return Material Authorization (RMA) claim on h-dnet.com with code "T-part not included with vehicle" for all vehicle missing parts claims. Then place an order for the missing item on your next Parts and Accessories order. Upon filing the RMA claim, your dealership will be credited for the dealer net cost of the part. The Vehicle Identification Number must be included on the RMA claim in order for you to receive credit. This process is to be used for vehicles manufactured at all plants.

To the best knowledge of Harley-Davidson Motor Company, the material contained herein is accurate as of the date this publication was approved for printing. Harley-Davidson Motor Company reserves the right to change specifications, equipment or designs at any time without notice and without incurring obligation.

**2018 TFD.**

## **GENERAL INFORMATION**

### **LOOSE PARTS**

The Loose Parts section is located at the back of this parts catalog. This section lists the parts which are shipped unfastened with the vehicles covered in this catalog.

### **HARDWARE LIST**

The Hardware List is located at the back of this parts catalog. This section contains the information for each piece of hardware found in each parts list.

### **NEW PARTS LIST**

The New Parts List is located at the back of this parts catalog. This list serves as a summary of new parts.

### **NUMERICAL INDEX**

The Numerical Index is located at the back of this parts catalog. This index includes all part numbers used in this catalog and the page numbers of where they can be found.

### **COMPONENT TYPES AND INTRODUCTION DATES**

The Component Types and Introduction Dates section is located at the back of this parts catalog. This section contains a list of component part numbers and year of introduction.

### **COMMON SERVICE PARTS**

The Common Service Parts section is located at the back of this parts catalog. This section contains the most commonly ordered parts for service on vehicles covered in this catalog. These parts are ordered through the normal ordering process.

### **IF (SERVICE INFORMATION PORTAL)**

For the latest updates to these manuals, see the Service Information Portal.

## VEHICLE IDENTIFICATION NUMBER

See Figure 1. A unique 17-digit serial, or vehicle identification number (VIN), is assigned to each motorcycle. For a description of each digit in the vehicle identification number (VIN), refer to Table 1.

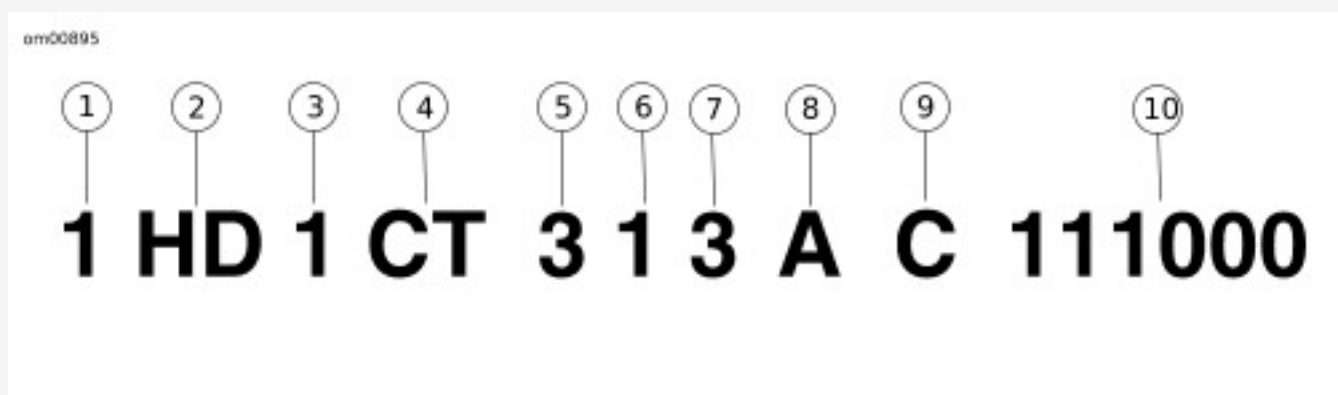
For all models except V-Rod the full 17-digit serial, or vehicle identification number (VIN), is stamped on the right side of the frame backbone at the rear of the steering head. The vehicle identification number (VIN) is also printed on a label on the right front downtube. An abbreviated vehicle identification number (VIN) is stamped on the left side crankcase between the front and rear cylinders.

For V-Rod models only the full 17-digit serial, or vehicle identification number (VIN), is stamped on the right side of the steering head. The vehicle identification number (VIN) is also printed on a label on the left frame tube above the front engine cylinder. An abbreviated vehicle identification number (VIN) is stamped on the left side crankcase below the rear cylinder head.

Always give the full 17-digit vehicle identification number (VIN) when ordering parts or making any inquiry about your motorcycle.

## 010 SPORTSTER MODELS

### VIN MODEL CODES



[View interactive image](#)

Figure 1. Typical Harley-Davidson VIN

Table 1. Harley-Davidson VIN Breakdown

POSITION	DESCRIPTION	POSSIBLE VALUES	
1	Market designation	1=Originally manufactured for sale <b>within</b> the United States 5=Originally manufactured for sale <b>outside</b> of the United States	
2	Manufacturer/vehicle type	HD=Harley-Davidson motorcycle	
3	Motorcycle type	1=Heavyweight motorcycle (901 cm <sup>3</sup> or larger) 4=Middleweight motorcycle (351 cm <sup>3</sup> to 900 cm <sup>3</sup> )	
4	Model	See VIN model table	
5	Engine type	2=Evolution <sup>®</sup> 883 cm <sup>3</sup> air-cooled, fuel-injected 3=Evolution <sup>®</sup> 1200 cm <sup>3</sup> air-cooled, fuel-injected 6=Evolution <sup>®</sup> 1200 cm <sup>3</sup> precision-cooled, fuel-injected	
6	Introduction date/calibration	<b>Normal Introduction</b> 1=Domestic	<b>Mid-year or Special Introduction</b> 2, 4=Domestic

		3=California A=Canada C=HDI E=Japan G=Australia J=Brazil	5, 6=California B=Canada D=HDI F=Japan H=Australia K=Brazil
7	VIN check digit	Can be 0-9 or X	
8	Model year	A=2010	
9	Assembly plant	C=Kansas City, MO U.S.A.	
10	Sequential number	Varies	

Table 2. VIN Model Codes

CODE	MODEL	CODE	MODEL
CP	XL 883C Sportster® 883 Custom	CX	XL 1200L Sportster® 1200 Low
CR	XL 883L Sportster® 883 Low	CZ	XL 1200N Nightster®
CS	XL 883R Sportster® 883R	LC	XL 1200X Forty-Eight™
LE	XL 883N Iron 883®	LA	Sportster® XR 1200™
CT	XL 1200C Sportster® 1200 Custom	LD	Sportster® XR 1200X™

## NOTES

AIR BOX - XR1200/X

AIR CLEANER - 883C/L/N/R, 1200C/L/N/X

ALTERNATOR & REGULATOR

AXLE, FRONT (CAST) - 883L/N/R, 1200L

AXLE, FRONT (CAST) - XR1200/X

AXLE, FRONT (LACED & PROFILE LACED) - 883C/L, 1200C/N/X

AXLE, REAR (CAST) - 883L/N/R, 1200C/L

AXLE, REAR (CAST) - XR1200/X

AXLE, REAR (LACED & PROFILE LACED) - 883C/L, 1200C/L/N/X

BATTERY

BELTS & SPROCKETS - 883C/L/N/R, 1200C/L/N/X

BELTS & SPROCKETS - XR1200/X

BRAKE CONTROL, REAR

BRAKE DISC, REAR (CAST WHEEL) - 883L/N/R, 1200C/L

BRAKE DISC, REAR (CAST WHEEL) - XR1200/X

BRAKE DISC, REAR (LACED) - 883C/L, 1200C/L/N/X

BRAKELINE, FRONT - 883C/L/N/R, 1200C/L/N/X

BRAKELINE, FRONT - XR1200/X

BRAKELINE, REAR - 883C/L/N/R, 1200C/L/N/X  
BRAKELINE, REAR - XR1200/X  
BUSHINGS, CAM - 883C/L/N/R, 1200C/L/N/X  
CABLE, CLUTCH CONTROL  
CABLES, BATTERY  
CALIPER, FRONT - 883C/L/N/R, 1200C/L/N/X  
CALIPER, FRONT - XR1200/X  
CALIPER, REAR - 883C/L/N/R, 1200C/L/N/X  
CALIPER, REAR - XR1200/X  
CAMSHAFTS & GEAR COVER - 883C/L/N/R, 1200C/L/N/X  
CAMSHAFTS & GEAR COVER - XR1200/X  
CLAMP, HANDLEBAR - 883C, 1200C  
CLAMP, HANDLEBAR - 883L/N/R, 1200L/N/X, XR1200/X  
CLUTCH - 883C/L/N/R, 1200C/L/N/X  
CLUTCH - XR1200/X  
CLUTCH CONTROL  
COIL, IGNITION - 883C/L/N/R, 1200C/L/N/X  
COIL, IGNITION - XR1200/X  
CRANKCASE & GEARCASE - 883C/L/N/R, 1200C/L/N/X  
CRANKCASE & GEARCASE - XR1200/X  
CYLINDER, HEAD, & VALVES - 883C/L/N/R, 1200C/L/N/X  
CYLINDER, HEAD, & VALVES - XR1200/X  
DRIVE GEAR, OIL PUMP - 883C/L/N/R, 1200C/L/N/X  
DRIVE GEAR, OIL PUMP - XR1200/X  
ELECTRONIC IGNITION SYSTEM - 883C/L/N/R, 1200C/L/N/X  
ELECTRONIC IGNITION SYSTEM - XR1200/X  
ENGINE ASSEMBLY  
ENGINE MOUNTS  
ENGINE SENSORS & SWITCHES  
EVAPORATIVE EMISSIONS  
EXHAUST SYSTEM - 883C/L/N/R, 1200C/L/N/X  
EXHAUST SYSTEM - XR1200/X  
FENDER, FRONT  
FENDER, REAR - 883C/L/R, 1200C/L/X, 883N/1200N (CANADA)  
FENDER, REAR - 883N/1200N/X (NON-CANADA)  
FENDER, REAR - XR1200/X  
FILTER, AIR - 883C/L/N/R, 1200C/L/N/X  
FILTER, AIR - XR1200/X  
FILTER, OIL - 883C/L/N/R, 1200C/L/N/X  
FILTER, OIL - XR1200/X  
FLYWHEEL  
FOOTRESTS - 883C/L/N/R, 1200C/L/N/X  
FOOTRESTS - XR1200/X  
FORK, FRONT - 883C/L/R, 1200C/L/X  
FORK, FRONT - 883N, 1200N  
FRAME & JIFFY STAND - 883C/L/N/R, 1200C/L/N/X  
FRAME & JIFFY STAND - XR1200/X  
FRONT BRAKE CALIPER - 883C/L/N/R, 1200C/L/N/X  
FRONT BRAKE CALIPER - XR1200/X  
FRONT BRAKE CONTROL - 883C/L/N/R, 1200C/L/N/X  
FRONT BRAKE CONTROL - XR1200/X

FRONT FENDER  
FRONT FORK - 883C/L/R, 1200C/L/X  
FRONT FORK - 883N, 1200N  
FRONT FORK - XR1200  
FRONT FORK - XR1200X  
FRONT WHEEL, CAST - 883L/N/R, 1200L  
FRONT WHEEL, CAST - XR1200/X  
FRONT WHEEL, LACED & PROFILE LACED - 883C/L/R, 1200C/N/L/X  
FUEL PUMP  
FUEL TANK - 883C/L/N/R, 1200C/L/N/X  
FUEL TANK - XR1200/X  
FUEL TANK TRIM  
FUSES  
GASKET KIT, ENGINE OVERHAUL - 883C/L/N/R, 1200C/L/N/X  
GASKET KIT, ENGINE OVERHAUL - XR1200/X  
GASKET KIT, FRONT MASTER CYLINDER - 883C/L/N/R, 1200C/L/N/X  
GASKET KIT, FRONT MASTER CYLINDER - XR1200/X  
GASKET KIT, REAR MASTER CYLINDER - 883C/L/N/R, 1200C/L/N/X  
GASKET KIT, REAR MASTER CYLINDER - XR1200/X  
GEARS, TRANSMISSION  
HAND LEVER, CLUTCH CONTROL  
HAND LEVER, FRONT BRAKE CONTROL - 883C/L/N/R, 1200C/L/N/X  
HAND LEVER, FRONT BRAKE CONTROL - XR1200/X  
HANDLEBAR & THROTTLE CONTROL - 883C, 1200C  
HANDLEBAR & THROTTLE CONTROL - 883L/N/R, 1200L/N/X, XR1200/X  
HANDLEBAR SWITCHES  
HEAD, CYLINDER - 883C/L/N/R, 1200C/L/N/X  
HEAD, CYLINDER - XR1200/X  
HEADLAMPS  
HORN  
INDUCTION MODULE - 883C/L/N/R, 1200C/L/N/X  
INDUCTION MODULE - XR1200/X  
INSPECTION COVER & PRIMARY COVER  
JIFFY STAND - 883C/L/N/R, 1200C/L/N/X  
JIFFY STAND - XR1200/X  
LABELS  
LEVER, SHIFTER  
LOCKSET ASSEMBLY - 883C/L/N/R, 1200C/L/N/X  
LOCKSET ASSEMBLY - XR1200/X  
MASTER CYLINDER ASSEMBLY, FRONT - 883C/L/N/R, 1200C/L/N/X  
MASTER CYLINDER ASSEMBLY, FRONT - XR1200/X  
MASTER CYLINDER ASSEMBLY, REAR - 883C/L/N/R, 1200C/L/N/X  
MASTER CYLINDER ASSEMBLY, REAR - XR1200/X  
MIRROR  
MODULE, SECURITY SYSTEM/TURN SIGNAL CANCELLER  
MOUNTS, ENGINE  
MUFFLER - 883C/L/N/R, 1200C/L/N/X  
MUFFLER - XR1200/X  
OIL FILTER - 883C/L/N/R, 1200C/L/N/X  
OIL FILTER - XR1200/X  
OIL JET ASSEMBLY - 883C/L/N/R, 1200C/L/N/X



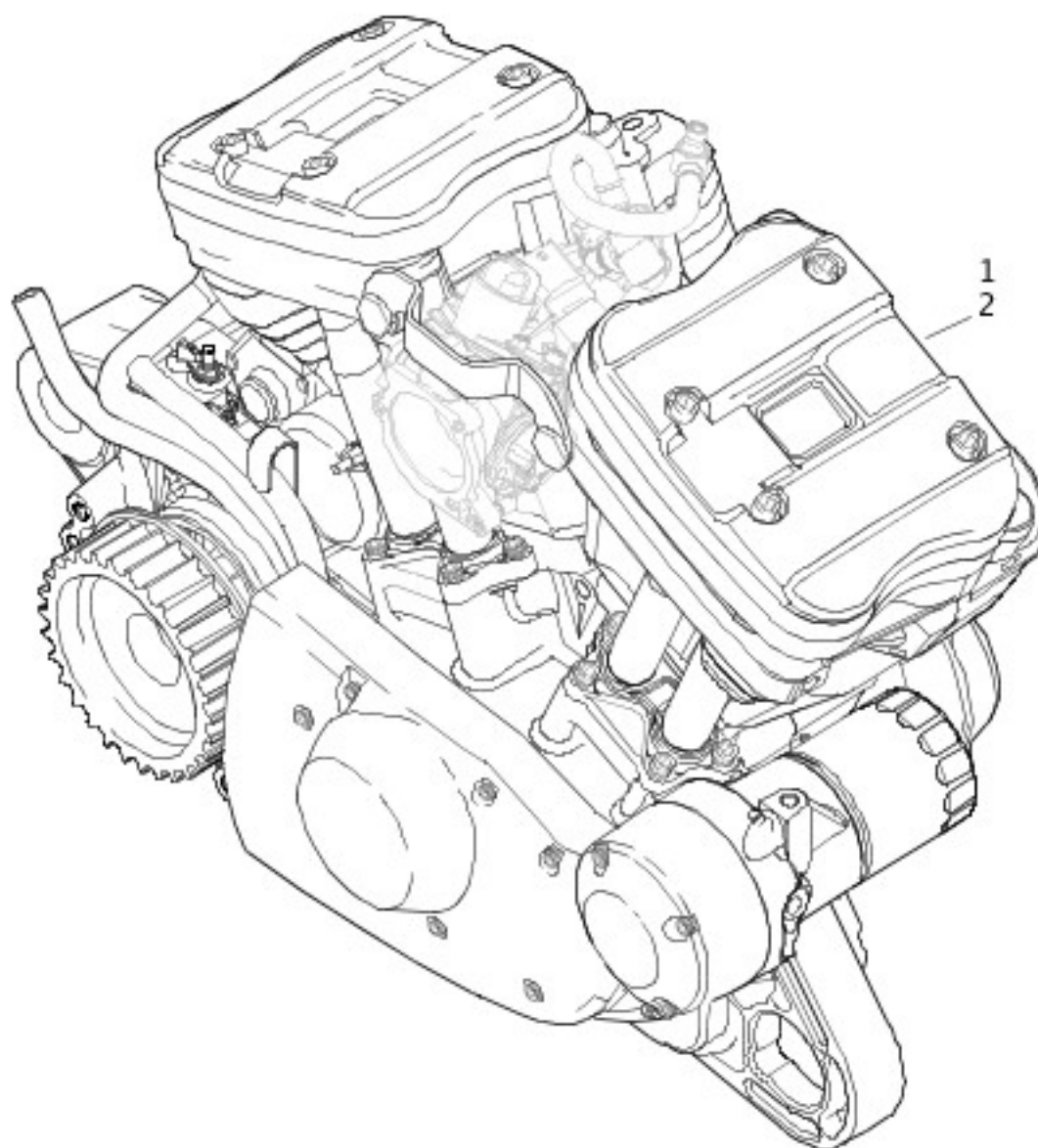
OIL JET ASSEMBLY - XR1200/X  
OIL LINES & COOLER - XR1200/X  
OIL PUMP - 883C/L/N/R, 1200C/L/N/X  
OIL PUMP - XR1200/X  
OIL TANK - 883C/L/N/R, 1200C/L/N/X  
OIL TANK - XR1200/X  
PISTONS & FLYWHEEL ASSEMBLY  
PRIMARY CHAIN - 883C/L/N/R, 1200C/L/N/X  
PRIMARY CHAIN - XR1200/X  
PUMP, OIL - 883C/L/N/R, 1200C/L/N/X  
PUMP, OIL - XR1200/X  
PUSH ROD - 883C/L/N/R, 1200C/L/N/X  
PUSH ROD - XR1200/X  
REAR BRAKE CALIPER - 883C/L/N/R, 1200C/L/N/X  
REAR BRAKE CALIPER - XR1200/X  
REAR BRAKE CONTROL  
REAR BRAKE MASTER CYLINDER - 883C/L/N/R, 1200C/L/N/X  
REAR BRAKE MASTER CYLINDER - XR1200/X  
REAR FENDER & LICENSE PLATE BRACKET - 883N/1200N/X (NON-CANADA)  
REAR FENDER & LICENSE PLATE BRKT - 883C/L/R, 1200C/L/X, 883N/1200N (CAN)  
REAR FENDER - XR1200/X  
REAR FORK, DEBRIS DEFLECTOR & BELT GUARD  
REAR WHEEL, CAST - 883L/N/R, 1200C/L  
REAR WHEEL, CAST - XR1200/X  
REAR WHEEL, LACED & PROFILE LACED - 883C/L/R, 1200C/L/N/X  
REGULATOR, VOLTAGE  
RISER, HANDLEBAR - 883C, 1200C  
ROCKER ARMS, COVERS, & PUSH RODS - 883C/L/N/R, 1200C/L/N/X  
ROCKER ARMS, COVERS, & PUSH RODS - XR1200/X  
SEATS  
SECURITY SIREN  
SHIFT LEVER  
SHIFTER  
SHOCK ABSORBERS  
SIDE COVER, OIL TANK - 883C/L/N/R, 1200C/L/N/X  
SIDE COVER, OIL TANK - XR1200/X  
SPARK PLUG - 883C/L/N/R, 1200C/L/N/X  
SPARK PLUG - XR1200/X  
SPEEDOMETER & TACHOMETER - XR1200/X  
SPEEDOMETER - 883C, 1200C  
SPEEDOMETER - 883L/N/R, 1200L/N/X  
SPROCKET - 883C/L/N/R, 1200C/L/N/X  
SPROCKET - XR1200/X  
STARTER MOTOR  
STEERING HEAD BRACKET ASSEMBLY - 883C/L/N/R, 1200C/L/N/X  
STEERING HEAD BRACKET ASSEMBLY - XR1200/X  
SWITCH ASSEMBLY, DIRECTIONAL  
SWITCHES, SENSORS & ELECTRICAL CONNECTORS  
TACHOMETER - XR1200/X  
TAIL LAMP - XR1200/X  
TAPPET - 883C/L/N/R, 1200C/L/N/X

TAPPET - XR1200/X  
THROTTLE CONTROL - 883C, 1200C  
THROTTLE CONTROL - 883L/N/R, 1200L/N/X, XR1200/X  
TRANSMISSION GEARS  
TRAY, BATTERY  
TURN SIGNAL MODULE & SECURITY SIREN  
TURN SIGNALS & TAIL LAMP - 883C/L/R, 1200C/L  
TURN SIGNALS & TAIL LAMP - 883N, 1200N/X  
TURN SIGNALS, TAIL LAMP & LICENSE PLATE BRACKET - XR1200/X  
VALVES AND GUIDES - 883C/L/N/R, 1200C/L/N/X  
VALVES AND GUIDES - XR1200/X  
VOLTAGE REGULATOR  
WHEELS, FRONT (CAST) - 883L/N/R, 1200L  
WHEELS, FRONT (CAST) - XR1200/X  
WHEELS, FRONT (LACED & PROFILE LACED) - 883C/L, 1200C/N/X  
WHEELS, REAR (CAST) - 883L/N/R, 1200C/L  
WHEELS, REAR (CAST) - XR1200/X  
WHEELS, REAR (LACED & PROFILE LACED) - 883C/L, 1200C/L/N/X  
WIRING HARNESS, ENGINE - 883C/L/N/R, 1200C/L/N/X  
WIRING HARNESS, ENGINE - XR1200/X  
WIRING HARNESS, MAIN - 883C/L/N/R, 1200C/L/N/X (1 OF 2)  
WIRING HARNESS, MAIN - 883C/L/N/R, 1200C/L/N/X (1 OF 2)  
WIRING HARNESS, MAIN - 883C/L/N/R, 1200C/L/N/X (2 OF 2)  
WIRING HARNESS, MAIN - XR1200/X (1 OF 2)  
WIRING HARNESS, MAIN - XR1200/X (2 OF 2)

Parts

## **ENGINE ASSEMBLY**

## ENGINE ASSEMBLY



[View interactive image](#)

[View interactive table](#)

INDEX NO.	PART NO.	DESCRIPTION	MODEL(S)
1	19519-13B	ENGINE ASSEMBLY (883cc) (World)	XL883N, XL883R
	19527-13B	ENGINE ASSEMBLY (1200cc) (Domestic, California, Canada)	XL1200C
	19566-10C	ENGINE ASSEMBLY (883cc) (World)	XL883L
	19567-	ENGINE ASSEMBLY (883cc) (World)	XL883C

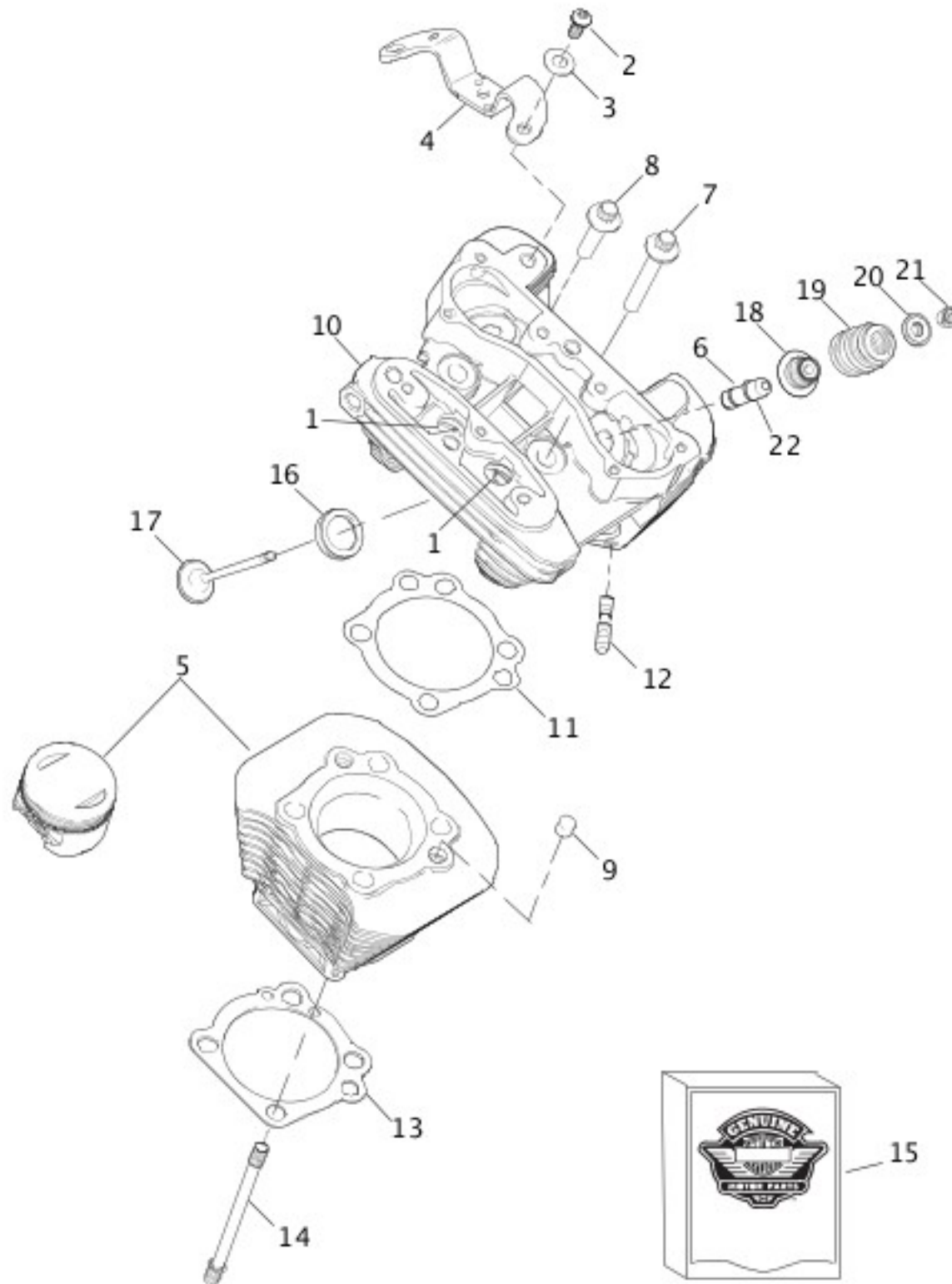
	10C		
	19604-11C	ENGINE ASSEMBLY (1200cc) (Domestic, California, Canada)	XL1200L
	19637-12C	ENGINE ASSEMBLY (1200cc) (Domestic, California, Canada)	XL1200N
	19638-10C	ENGINE ASSEMBLY (1200cc) (Domestic, California, Canada, HDI, Australia, England) (not shown)	XR1200
	19766-13B	ENGINE ASSEMBLY (1200cc) (Domestic, California, Canada)	XL1200X
	19768-13B	ENGINE ASSEMBLY (1200cc) (Domestic, Canada, Australia, HDI, England) (not shown)	XR1200X

**INTERNATIONAL MODELS ONLY**

2	19606-13B	ENGINE ASSEMBLY (1200cc) (HDI)	XL1200C
	19622-11C	ENGINE ASSEMBLY (1200cc) (HDI)	XL1200L
	19639-10C	ENGINE ASSEMBLY (1200cc) (Japan, Brazil) (not shown)	XR1200
	19734-12C	ENGINE ASSEMBLY (1200cc) (HDI)	XL1200N
	19767-13B	ENGINE ASSEMBLY (1200cc) (HDI)	XL1200X
	19771-12C	ENGINE ASSEMBLY (1200cc) (Japan) (not shown)	XR1200X

**CYLINDER, HEAD, & VALVES - 883C/L/N/R, 1200C/L/N/X**

# CYLINDER, HEAD, & VALVES – 883C/L/N/R, 1200C/L/N/R



[View interactive image](#)

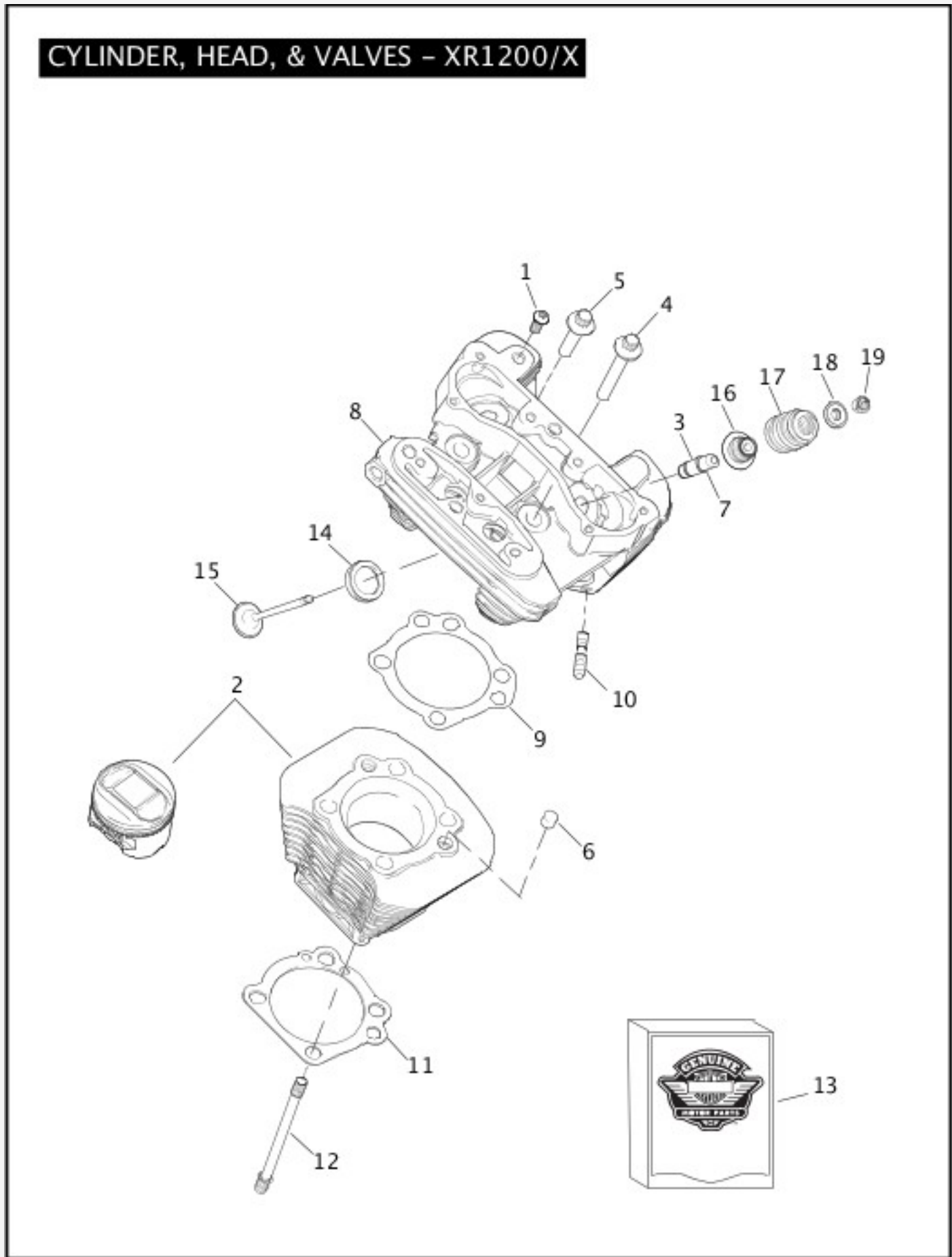
[View interactive table](#)

INDEX NO.	PART NO.	DESCRIPTION	MODEL(S)
1	11190	O-RING (4)	XL1200L, XL1200N, XL1200X, XL883C, XL883L, XL883N, XL883R
2	4266A	SCREW (2)	XL1200L, XL1200N, XL883C, XL883L, XL883N, XL883R

	4748	SCREW (2)	XL1200C, XL1200X
3	6787	WASHER (2)	XL1200C, XL1200X
4	16353-04	BRACKET, center engine mount	XL1200C
5	16443-04	CYLINDER, w/ piston (883 cc) (silver) (2)	XL883C, XL883L
	16452-05	CYLINDER, w/ piston (883 cc) (black) (2)	XL883N, XL883R
	16463-04	CYLINDER, w/ piston (1200 cc) (black) (2)	XL1200C, XL1200L
	16469-10	CYLINDER, w/ piston (1200 cc) (black) (2)	XL1200X
	17496-07	CYLINDER, w/ piston (1200 cc) (gray) (2)	XL1200N
6	16465-06	VALVE GUIDE, intake & exhaust, w/ 16699-06 (4)	XL1200C, XL1200L, XL1200N, XL1200X, XL883C, XL883L, XL883N, XL883R
7	16478-85A	SCREW, internal thread (4)	XL1200C, XL1200L, XL1200N, XL1200X, XL883C, XL883L, XL883N, XL883R
8	16480-92A	SCREW, internal thread (4)	XL1200C, XL1200L, XL1200N, XL1200X, XL883C, XL883L, XL883N, XL883R
9	16573-83A	DOWEL (4)	XL1200C, XL1200L, XL1200N, XL1200X, XL883C, XL883L, XL883N, XL883R
10	16660-07	HEAD, rear cylinder (883 cc) (silver), w/ valve guides & seats	XL883C, XL883L
	16661-07	HEAD, front cylinder (883 cc) (silver), w/ valve guides & seats	XL883C, XL883L
	16666-07	HEAD, rear cylinder (1200 cc) (black), w/ valve guides & seats	XL1200C, XL1200L
	16667-07	HEAD, front cylinder (1200 cc) (black), w/ valve guides & seats	XL1200C, XL1200L
	16865-07	HEAD, rear cylinder (883 cc) (black), w/ valve guides & seats	XL883N, XL883R
	16867-07	HEAD, front cylinder (883 cc) (black), w/ valve guides & seats	XL883N, XL883R
	17488-07	HEAD, rear cylinder (1200 cc) (black w/o fin highlights), w/ valve guides & seats	XL1200N, XL1200X
	17485-07	HEAD, front cylinder (1200 cc) (black w/o fin highlights), w/ valve guides & seats	XL1200N, XL1200X
11	16664-	GASKET, cylinder head (2)	XL883C, XL883L, XL883N, XL883R

	86D		
	16770-84F	GASKET, cylinder head (2)	XL1200C, XL1200L, XL1200N, XL1200X
12	16715-83	STUD, exhaust port (4)	XL1200C, XL1200L, XL1200N, XL1200X, XL883C, XL883L, XL883N, XL883R
13	16789-04	GASKET, cylinder base (2)	XL1200C, XL1200L, XL1200N, XL1200X, XL883C, XL883L, XL883N, XL883R
14	16832-86C	STUD, cylinder base (8)	XL1200C, XL1200L, XL1200N, XL1200X, XL883C, XL883L, XL883N, XL883R
15	17027-08	GASKET KIT, engine overhaul	XL1200C, XL1200L, XL1200N, XL1200X, XL883C, XL883L, XL883N, XL883R
	17049-08	GASKET KIT, top overhaul	XL1200C, XL1200L, XL1200N, XL1200X, XL883C, XL883L, XL883N, XL883R
16	18011-86	INSERT, exhaust valve seat (2)	XL1200C, XL1200L, XL1200N, XL1200X
	18012-87A	INSERT, exhaust valve seat (2)	XL883C, XL883L, XL883N, XL883R
	18020-07	INSERT, intake valve seat (2)	XL1200C, XL1200L, XL1200N, XL1200X
	18021-87A	INSERT, intake valve seat (2)	XL883C, XL883L, XL883N, XL883R
17	18053-04	INTAKE VALVE, 7mm (2)	XL883C, XL883L, XL883N, XL883R
	18690-02	INTAKE VALVE, 7mm (2)	XL1200C, XL1200L, XL1200N, XL1200X
	18059-04	EXHAUST VALVE, 7mm (2)	XL883C, XL883L, XL883N, XL883R
	18691-02	EXHAUST VALVE, 7mm (2)	XL1200C, XL1200L, XL1200N, XL1200X
18	18094-02A	SEAL, valve (4)	XL1200C, XL1200L, XL1200N, XL1200X, XL883C, XL883L, XL883N, XL883R
19	18245-02	VALVE SPRING (4)	XL1200C, XL1200L, XL1200N, XL1200X, XL883C, XL883L, XL883N, XL883R
20	18258-02	COLLAR, valve spring - upper (4)	XL1200C, XL1200L, XL1200N, XL1200X, XL883C, XL883L, XL883N, XL883R
21	18260-02	KEEPER, valve collar (8)	XL1200C, XL1200L, XL1200N, XL1200X, XL883C, XL883L, XL883N, XL883R
22	16699-06	SNAP RING (4)	XL1200C, XL1200L, XL1200N, XL1200X, XL883C, XL883L, XL883N, XL883R

# CYLINDER, HEAD, & VALVES - XR1200/X



[View interactive image](#)

[View interactive table](#)

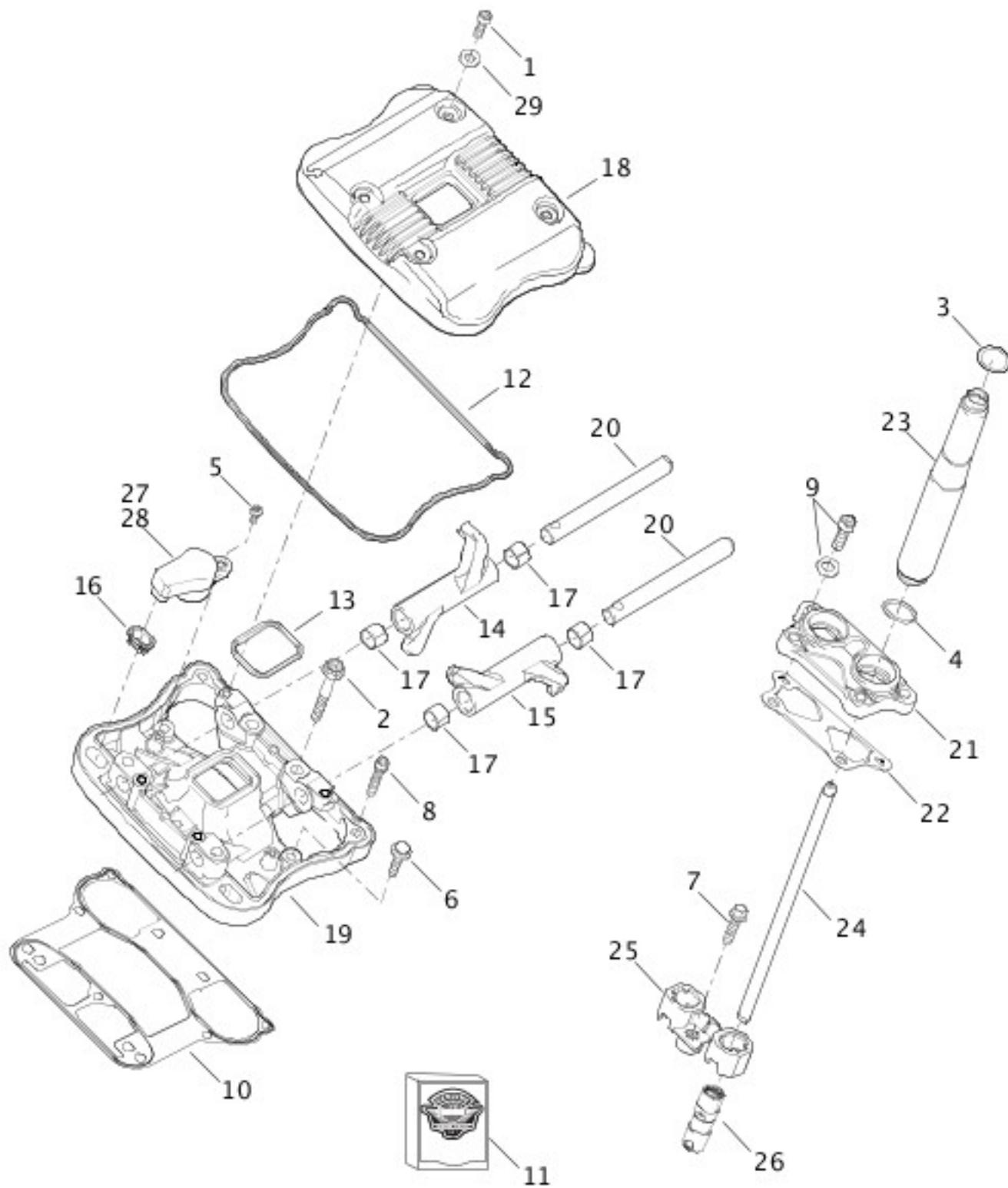
INDEX NO.	PART NO.	DESCRIPTION	MODEL(S)
1	4266A	SCREW (2)	XR1200, XR1200X
2	16466-04A	CYLINDER, w/ piston & rings (silver) (2)	XR1200



	16468-08	CYLINDER, w/ piston & rings (black) (2)	XR1200X
3	16465-06	VALVE GUIDE (4)	XR1200, XR1200X
4	16478-85A	SCREW, internal thread (4)	XR1200, XR1200X
5	16480-92A	SCREW, internal thread (4)	XR1200, XR1200X
6	16573-83A	DOWEL (4)	XR1200, XR1200X
7	16699-06	SNAP RING (4)	XR1200, XR1200X
8	17523-08	HEAD, front cylinder (silver), w/ valve guides & seats	XR1200
	17524-08	HEAD, rear cylinder (silver), w/ valve guides & seats	XR1200
	17562-10	HEAD, front cylinder (black), w/ valve guides & seats	XR1200X
	17565-10	HEAD, rear cylinder (black), w/ valve guides & seats	XR1200X
9	16771-08	GASKET, cylinder head (2)	XR1200, XR1200X
10	16715-83	STUD, exhaust port (4)	XR1200, XR1200X
11	16789-04	GASKET, cylinder base (2)	XR1200, XR1200X
12	16832-86C	STUD, cylinder base (8)	XR1200, XR1200X
13	17027-08	GASKET KIT, engine overhaul	XR1200, XR1200X
	17049-08	GASKET KIT, top overhaul	XR1200, XR1200X
14	18011-86	INSERT, exhaust valve seat (2)	XR1200, XR1200X
	18020-07	INSERT, intake valve seat (2)	XR1200, XR1200X
15	18690-02	INTAKE VALVE, 7mm (2)	XR1200, XR1200X
	18691-02	EXHAUST VALVE, 7mm (2)	XR1200, XR1200X
16	18094-02A	SEAL, valve (4)	XR1200, XR1200X
17	18245-02	VALVE SPRING (4)	XR1200, XR1200X
18	18258-02	COLLAR, valve spring - upper (4)	XR1200, XR1200X
19	18260-02	KEEPER, valve collar (8)	XR1200, XR1200X

## ROCKER ARMS, COVERS, & PUSH RODS - 883C/L/N/R, 1200C/L/N/X

# ROCKER ARMS, COVERS, & PUSH RODS - 883C/L/N/R, 1200C/L/N/R



[View interactive image](#)

[View interactive table](#)

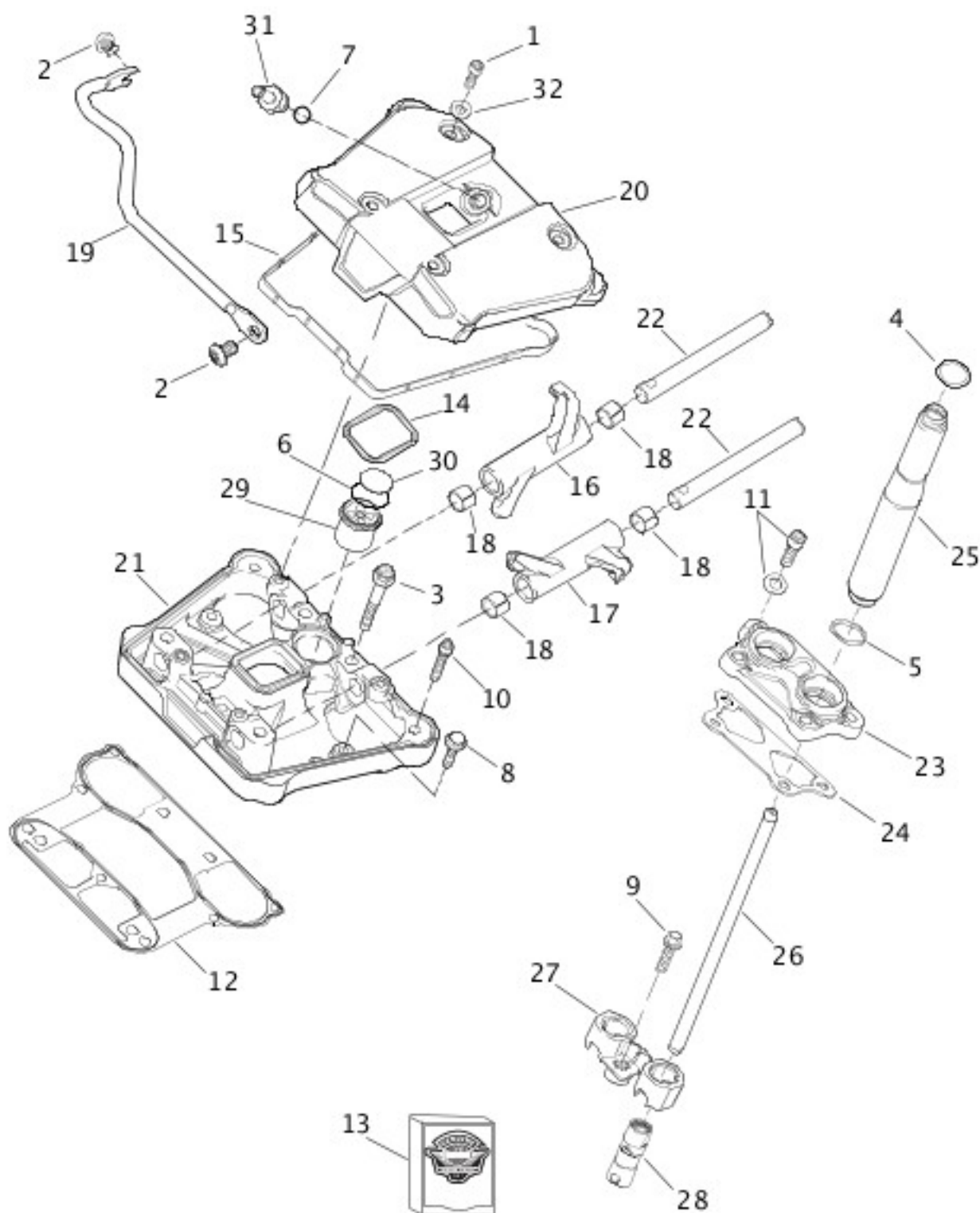
INDEX NO.	PART NO.	DESCRIPTION	MODEL(S)
1	2486	SCREW (8)	XL1200C, XL1200L, XL1200N, XL1200X, XL883C, XL883L, XL883N, XL883R
2	1039	SCREW (8)	XL1200C, XL1200L, XL1200N, XL1200X, XL883C, XL883L, XL883N, XL883R
3	11190	O-RING, push rod cover-upper (4)	XL1200C, XL1200L, XL1200N, XL1200X, XL883C, XL883L,

			XL883N, XL883R
4	11377	O-RING (4)	XL1200C, XL1200L, XL1200N, XL1200X, XL883C, XL883L, XL883N, XL883R
5	2441	SCREW, pan head (2)	XL1200C, XL1200L, XL1200N, XL1200X, XL883C, XL883L, XL883N, XL883R
6	3849	SCREW, w/ washer (6)	XL1200C, XL1200L, XL1200N, XL1200X, XL883C, XL883L, XL883N, XL883R
7	3976	SCREW (2)	XL1200C, XL1200L, XL1200N, XL1200X, XL883C, XL883L, XL883N, XL883R
8	4718A	SCREW, w/ washer (4)	XL1200C, XL1200L, XL1200N, XL1200X, XL883C, XL883L, XL883N, XL883R
9	4741A	SCREW (8)	XL1200C, XL1200L, XL1200N, XL1200X, XL883C, XL883L, XL883N, XL883R
10	16800-84B	GASKET, rocker box (2)	XL1200C, XL1200L, XL1200N, XL1200X, XL883C, XL883L, XL883N, XL883R
11	17036-08	GASKET KIT, rocker cover	XL1200C, XL1200L, XL1200N, XL1200X, XL883C, XL883L, XL883N, XL883R
12	17362-07B	GASKET, rocker cover - lower (2)	XL1200C, XL1200L, XL1200N, XL1200X, XL883C, XL883L, XL883N, XL883R
13	17695-07B	GASKET, rocker cover - inner (2)	XL1200C, XL1200L, XL1200N, XL1200X, XL883C, XL883L, XL883N, XL883R
14	17360-83A	ROCKER ARM, front intake & rear exhaust (2)	XL1200C, XL1200L, XL1200N, XL1200X, XL883C, XL883L, XL883N, XL883R
15	17375-83A	ROCKER ARM, front exhaust & rear intake (2)	XL1200C, XL1200L, XL1200N, XL1200X, XL883C, XL883L, XL883N, XL883R
16	17393-07	SEAL, breather	XL1200C, XL1200L, XL1200N, XL1200X, XL883C, XL883L, XL883N, XL883R
17	17429-91	BUSHING, rocker arm (4)	XL1200C, XL1200L, XL1200N, XL1200X, XL883C, XL883L, XL883N, XL883R
18	17501-04	ROCKER COVER, outer (polished) (2)	XL1200N, XL1200X, XL883C, XL883L
	17551-04	ROCKER COVER, outer (chrome) (2)	XL1200C, XL1200L
	17655-05	ROCKER COVER, outer (black) (2)	XL883N, XL883R
19	17532-07A	ROCKER COVER, inner (polished) (2)	XL1200N, XL1200X, XL883C, XL883L
	17537-07A	ROCKER COVER, inner (chrome) (2)	XL1200C, XL1200L

	17614-07A	ROCKER COVER, inner (silver) (2)	XL883N, XL883R
20	17611-83	SHAFT, rocker arm (4)	XL1200C, XL1200L, XL1200N, XL1200X, XL883C, XL883L, XL883N, XL883R
21	17972-04	TAPPET COVER, front	XL1200C, XL1200L, XL1200N, XL1200X, XL883C, XL883L, XL883N, XL883R
	17981-04	TAPPET COVER, rear	XL1200C, XL1200L, XL1200N, XL1200X, XL883C, XL883L, XL883N, XL883R
22	17976-04	GASKET, tappet cover (2)	XL1200C, XL1200L, XL1200N, XL1200X, XL883C, XL883L, XL883N, XL883R
23	17946-04	COVER, push rod (chrome) (4)	XL1200C, XL1200L, XL1200N, XL1200X, XL883C, XL883L, XL883N, XL883R
24	17908-02	PUSH ROD, exhaust (2)	XL1200C, XL1200L, XL1200N, XL1200X, XL883C, XL883L, XL883N, XL883R
	17909-02	PUSH ROD, intake (2)	XL1200C, XL1200L, XL1200N, XL1200X, XL883C, XL883L, XL883N, XL883R
25	18505-06	ANTI-ROTATION DEVICE	XL1200C, XL1200L, XL1200N, XL1200X, XL883C, XL883L, XL883N, XL883R
26	18538-99C	TAPPET, w/ roller (4)	XL1200C, XL1200L, XL1200N, XL1200X, XL883C, XL883L, XL883N, XL883R
27	26010-04	BREATHER, front	XL1200C, XL1200L, XL1200N, XL1200X, XL883C, XL883L, XL883N, XL883R
	26011-04	BREATHER, rear	XL1200C, XL1200L, XL1200N, XL1200X, XL883C, XL883L, XL883N, XL883R
28	26012-07	BREATHER, front w/ seal	XL1200C, XL1200L, XL1200N, XL1200X, XL883C, XL883L, XL883N, XL883R
	26020-07	BREATHER, rear w/ seal	XL1200C, XL1200L, XL1200N, XL1200X, XL883C, XL883L, XL883N, XL883R
29	6589	WASHER, bonded/sealing (8)	XL1200C, XL1200L, XL1200N, XL1200X, XL883C, XL883L, XL883N, XL883R

## ROCKER ARMS, COVERS, & PUSH RODS - XR1200/X

## ROCKER ARMS, COVERS, & PUSH RODS – XR1200/X



[View interactive image](#)

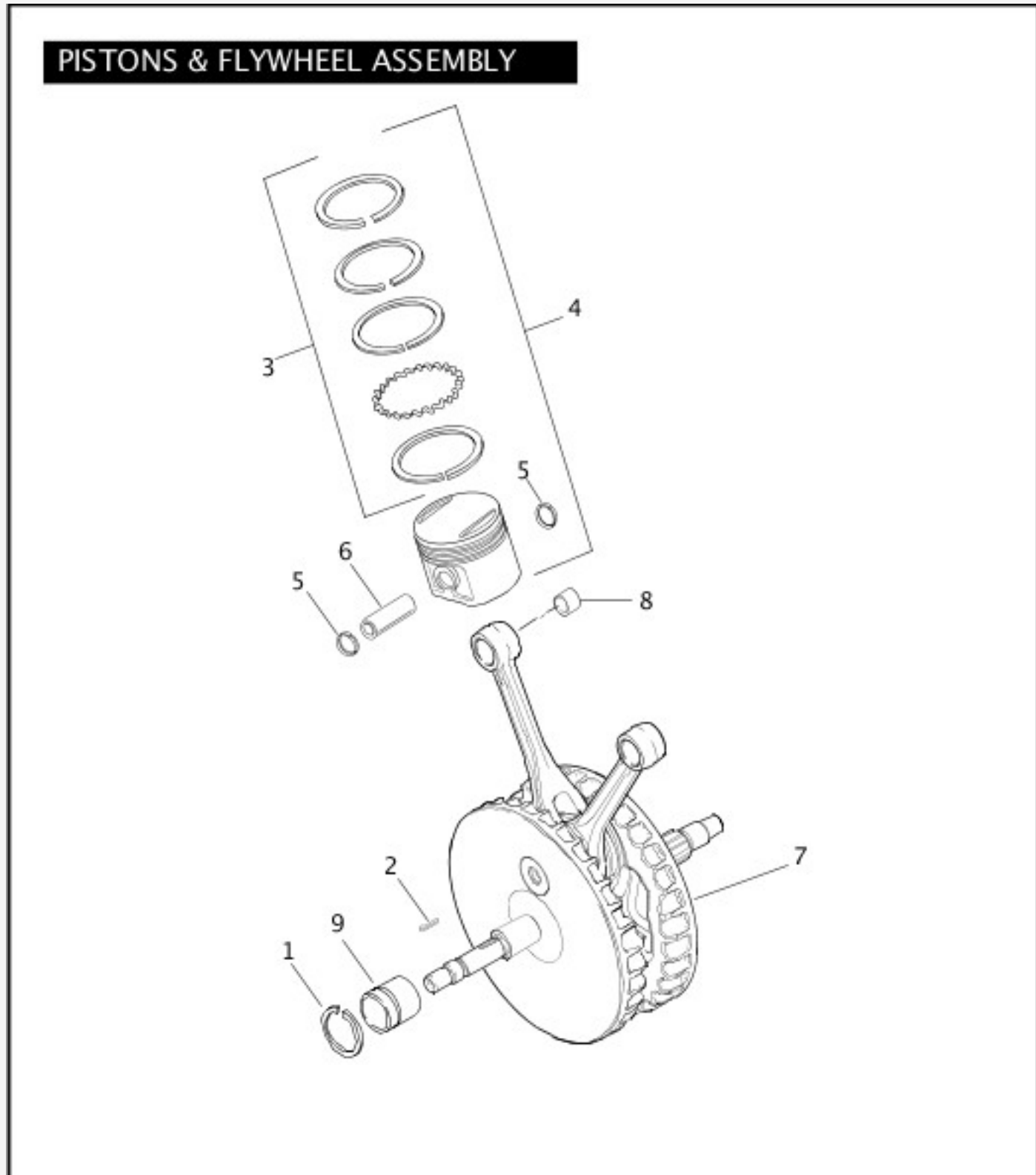
[View interactive table](#)

INDEX NO.	PART NO.	DESCRIPTION	MODEL(S)
1	2486	SCREW (8)	XR1200, XR1200X
2	943	SCREW (2)	XR1200, XR1200X
3	1039	SCREW (8)	XR1200, XR1200X
4	11190	O-RING, push rod cover-upper (4)	XR1200, XR1200X

5	11377	O-RING (4)	XR1200, XR1200X
6	11621	O-RING (2)	XR1200, XR1200X
7	11625	O-RING (2)	XR1200, XR1200X
8	3849	SCREW, w/ washer (6)	XR1200, XR1200X
9	3976	SCREW (2)	XR1200, XR1200X
10	4718A	SCREW, w/ washer (4)	XR1200, XR1200X
11	4741A	SCREW (8)	XR1200, XR1200X
12	16800-84B	GASKET, rocker box (2)	XR1200, XR1200X
13	17036-08	GASKET KIT, rocker cover	XR1200, XR1200X
14	17695-07B	GASKET, rocker cover - inner (2)	XR1200, XR1200X
15	17633-08B	GASKET, rocker cover - lower (2)	XR1200, XR1200X
16	17360-83A	ROCKER ARM, front intake & rear exhaust (2)	XR1200, XR1200X
17	17375-83A	ROCKER ARM, front exhaust & rear intake (2)	XR1200, XR1200X
18	17429-91	BUSHING, rocker arm (4)	XR1200, XR1200X
19	17569-08	ROCKER BOX GUARD, rear cyclinder	XR1200, XR1200X
20	17585-08	ROCKER COVER, outer (silver) (2)	XR1200
	17615-10	ROCKER COVER, outer (black) (2)	XR1200X
21	17590-08A	ROCKER COVER, inner (silver) (2)	XR1200
	17591-10	ROCKER COVER, inner (black) (2)	XR1200X
22	17611-83	SHAFT, rocker arm (4)	XR1200, XR1200X
23	17956-08	TAPPET COVER, front (silver)	XR1200
	17957-08	TAPPET COVER, rear (silver)	XR1200
	17903-10	TAPPET COVER, front (black)	XR1200X
	17911-10	TAPPET COVER, rear (black)	XR1200X
24	17976-04	GASKET, tappet cover (2)	XR1200, XR1200X
25	17954-08	COVER, push rod (silver) (4)	XR1200
	17963-10	COVER, push rod (black) (4)	XR1200X
26	17908-02	PUSH ROD, exhaust (2)	XR1200, XR1200X
	17909-02	PUSH ROD, intake (2)	XR1200, XR1200X
27	18505-06	ANTI-ROTATION DEVICE	XR1200, XR1200X

28	18538-99C	TAPPET, w/ roller (4)	XR1200, XR1200X
29	26016-08	BREATHER (2)	XR1200, XR1200X
30	26856-89A	VALVE, umbrella-check, breather	XR1200, XR1200X
31	63548-08	FITTING (2)	XR1200, XR1200X
32	6589	WASHER, bonded/sealing (8)	XR1200, XR1200X

## PISTONS & FLYWHEEL ASSEMBLY



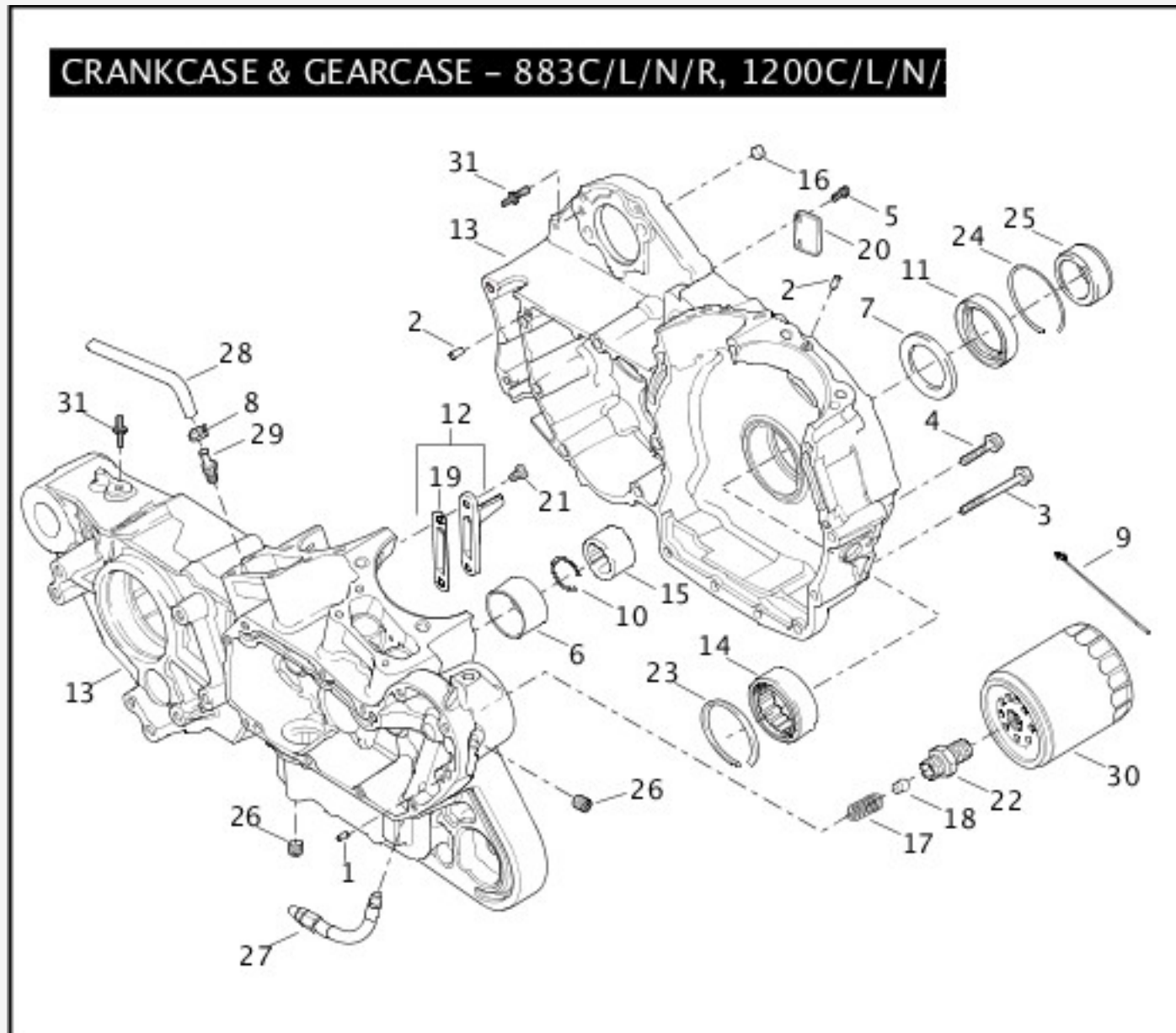
[View interactive image](#)

INDEX NO.	PART NO.	DESCRIPTION	MODEL(S)
1	11177A	RETAINING RING	ALL
2	11317	KEY	ALL
3	21948-02	PISTON RING SET, standard (2)	XL1200C, XL1200L, XL1200N, XL1200X, XR1200, XR1200X
	22231-04	PISTON RING SET, 0.005 O.S. (2)	XL1200C, XL1200L, XL1200N, XL1200X, XR1200, XR1200X
	22238-04	PISTON RING SET, 0.010 O.S. (2)	XL1200C, XL1200L, XL1200N, XL1200X, XR1200, XR1200X
	22266-86	PISTON RING SET, standard (2)	XL883C, XL883L, XL883N, XL883R
	22261-86	PISTON RING SET, 0.010 O.S. (2)	XL883C, XL883L, XL883N, XL883R
	22271-86	PISTON RING SET, 0.005 O.S. (2)	XL883C, XL883L, XL883N, XL883R
4	22221-04	PISTON & RINGS ASSEMBLY, standard (2)	XL883C, XL883L, XL883N, XL883R
	22224-04	PISTON & RINGS ASSEMBLY, 0.005 O.S. (2)	XL883C, XL883L, XL883N, XL883R
	22228-04	PISTON & RINGS ASSEMBLY, 0.010 O.S. (2)	XL883C, XL883L, XL883N, XL883R
	22223-04	PISTON & RINGS ASSEMBLY, standard (2)	XL1200C, XL1200L, XL1200N, XL1200X
	22227-04	PISTON & RINGS ASSEMBLY, 0.005 O.S. (2)	XL1200C, XL1200L, XL1200N, XL1200X
	22230-04	PISTON & RINGS ASSEMBLY, 0.010 O.S. (2)	XL1200C, XL1200L, XL1200N, XL1200X
	22244-04A	PISTON & RINGS ASSEMBLY, standard (2)	XR1200, XR1200X
5	22589-83B	LOCK RING, piston pin (4)	ALL
6	22719-04	PISTON PIN (2)	XL883C, XL883L, XL883N, XL883R
	22765-02	PISTON PIN (2)	XL1200C, XL1200L, XL1200N, XL1200X, XR1200
7	23905-04B	FLYWHEELS & CONNECTING ROD ASSEMBLY, w/ 11317	XL1200C, XL1200L, XL1200N, XL1200X, XL883C, XL883L, XL883N, XL883R
	23999-	FLYWHEELS & CONNECTING ROD	XR1200, XR1200X



	08	ASSEMBLY, w/ 11317	
8	24331-36	BUSHING, piston pin - 0.002 O.S. (2)	ALL
	24332-36	BUSHING, piston pin - 0.01 O.S. (2)	ALL
9	24658-87	INNER RING	ALL

## CRANKCASE & GEARCASE - 883C/L/N/R, 1200C/L/N/X



[View interactive image](#)

[View interactive table](#)

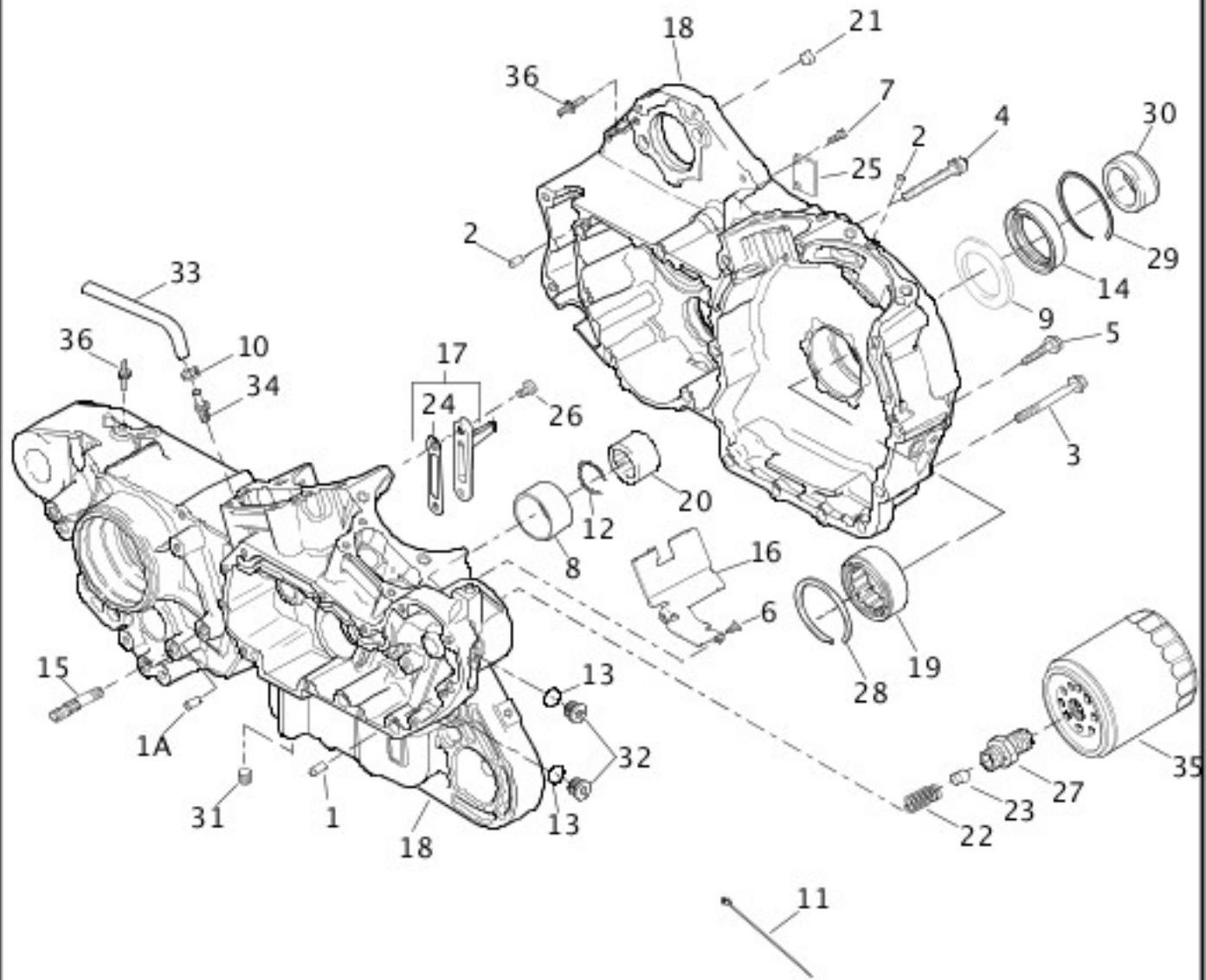
INDEX NO.	PART NO.	DESCRIPTION	MODEL(S)
1	215	PIN (2)	XL1200C, XL1200L, XL1200N, XL1200X, XL883C, XL883L, XL883N, XL883R
2	358	DOWEL PIN (4)	XL1200C, XL1200L, XL1200N, XL1200X, XL883C, XL883L, XL883N, XL883R

3	835	SCREW (11)	XL1200C, XL1200L, XL1200N, XL1200X, XL883C, XL883L, XL883N, XL883R
4	1048	SCREW (4)	XL1200C, XL1200L, XL1200N, XL1200X, XL883C, XL883L, XL883N, XL883R
5	4091	SCREW (2)	XL1200C, XL1200L, XL1200N, XL1200X, XL883C, XL883L, XL883N, XL883R
6	8881	BEARING RACE	XL1200C, XL1200L, XL1200N, XL1200X, XL883C, XL883L, XL883N, XL883R
7	8972	WASHER	XL1200C, XL1200L, XL1200N, XL1200X, XL883C, XL883L, XL883N, XL883R
8	10080	CLAMP, hose	XL1200C, XL1200L, XL1200N, XL1200X, XL883C, XL883L, XL883N, XL883R
9	10177	CABLE STRAP (as required)	XL1200C, XL1200L, XL1200N, XL1200X, XL883C, XL883L, XL883N, XL883R
10	11177A	RETAINING RING	XL1200C, XL1200L, XL1200N, XL1200X, XL883C, XL883L, XL883N, XL883R
11	12068	OIL SEAL	XL1200C, XL1200L, XL1200N, XL1200X, XL883C, XL883L, XL883N, XL883R
12	62700014	OIL JET ASSEMBLY, complete (2)	XL1200C, XL1200L, XL1200N, XL1200X, XL883C, XL883L, XL883N, XL883R
13	24466-06B	CRANKCASE SET, w/ bearings (black)	XL1200C, XL1200L, XL1200X, XL883N, XL883R
	24470-06B	CRANKCASE SET, w/ bearings (silver)	XL883C, XL883L
	24745-07A	CRANKCASE SET, w/ bearings (gray)	XL1200N
14	24605-07	BEARING	XL1200C, XL1200L, XL1200N, XL1200X, XL883C, XL883L, XL883N, XL883R
15	24647-87	BEARING, gear shaft (blue)	XL1200C, XL1200L, XL1200N, XL1200X, XL883C, XL883L, XL883N, XL883R
	24650-87	BEARING, gear shaft (red)	XL1200C, XL1200L, XL1200N, XL1200X, XL883C, XL883L, XL883N, XL883R
	24659-87	BEARING, gear shaft (white/gray)	XL1200C, XL1200L, XL1200N, XL1200X, XL883C, XL883L, XL883N, XL883R
	24660-87	BEARING, gear shaft (green)	XL1200C, XL1200L, XL1200N, XL1200X, XL883C, XL883L, XL883N, XL883R
16	24754-75A	DOWEL PIN (2)	XL1200C, XL1200L, XL1200N, XL1200X, XL883C, XL883L, XL883N, XL883R
17	26436-90A	SPRING	XL1200C, XL1200L, XL1200N, XL1200X, XL883C, XL883L, XL883N, XL883R

18	26437-86B	BALL	XL1200C, XL1200L, XL1200N, XL1200X, XL883C, XL883L, XL883N, XL883R
19	26638-00Y	GASKET, oil jet (2)	XL1200C, XL1200L, XL1200N, XL1200X, XL883C, XL883L, XL883N, XL883R
20	29950-91	COVER, stator wires	XL1200C, XL1200L, XL1200N, XL1200X, XL883C, XL883L, XL883N, XL883R
21	32617-00Y	SCREW, self-tapping (4)	XL1200C, XL1200L, XL1200N, XL1200X, XL883C, XL883L, XL883N, XL883R
22	33117-91A	ADAPTER, oil filter	XL1200C, XL1200L, XL1200N, XL1200X, XL883C, XL883L, XL883N, XL883R
23	35114-02	RING, retaining	XL1200C, XL1200L, XL1200N, XL1200X, XL883C, XL883L, XL883N, XL883R
24	35118-03	RING, retaining	XL1200C, XL1200L, XL1200N, XL1200X, XL883C, XL883L, XL883N, XL883R
25	40254-02	SPACER, sprocket shaft	XL1200C, XL1200L, XL1200N, XL1200X, XL883C, XL883L, XL883N, XL883R
26	45830-48	PLUG (2)	XL1200C, XL1200L, XL1200N, XL1200X, XL883C, XL883L, XL883N, XL883R
27	62651-04	LINE, oil pump	XL1200C, XL1200L, XL1200N, XL1200X, XL883C, XL883L, XL883N, XL883R
28	63508-04	HOSE, transmission vent	XL1200C, XL1200L, XL1200N, XL1200X, XL883C, XL883L, XL883N, XL883R
29	63533-41A	FITTING, connector - vent	XL1200C, XL1200L, XL1200N, XL1200X, XL883C, XL883L, XL883N, XL883R
30	63805-80A	OIL FILTER	XL1200L, XL1200N, XL1200X, XL883C, XL883L, XL883N, XL883R
	63796-77A	OIL FILTER (chrome)	XL1200C
31	65088-04	STUD, ground (2)	XL1200C, XL1200L, XL1200N, XL1200X, XL883C, XL883L, XL883N, XL883R

## CRANKCASE & GEARCASE - XR1200/X

## CRANKCASE & GEARCASE – XR1200/X



[View interactive image](#)

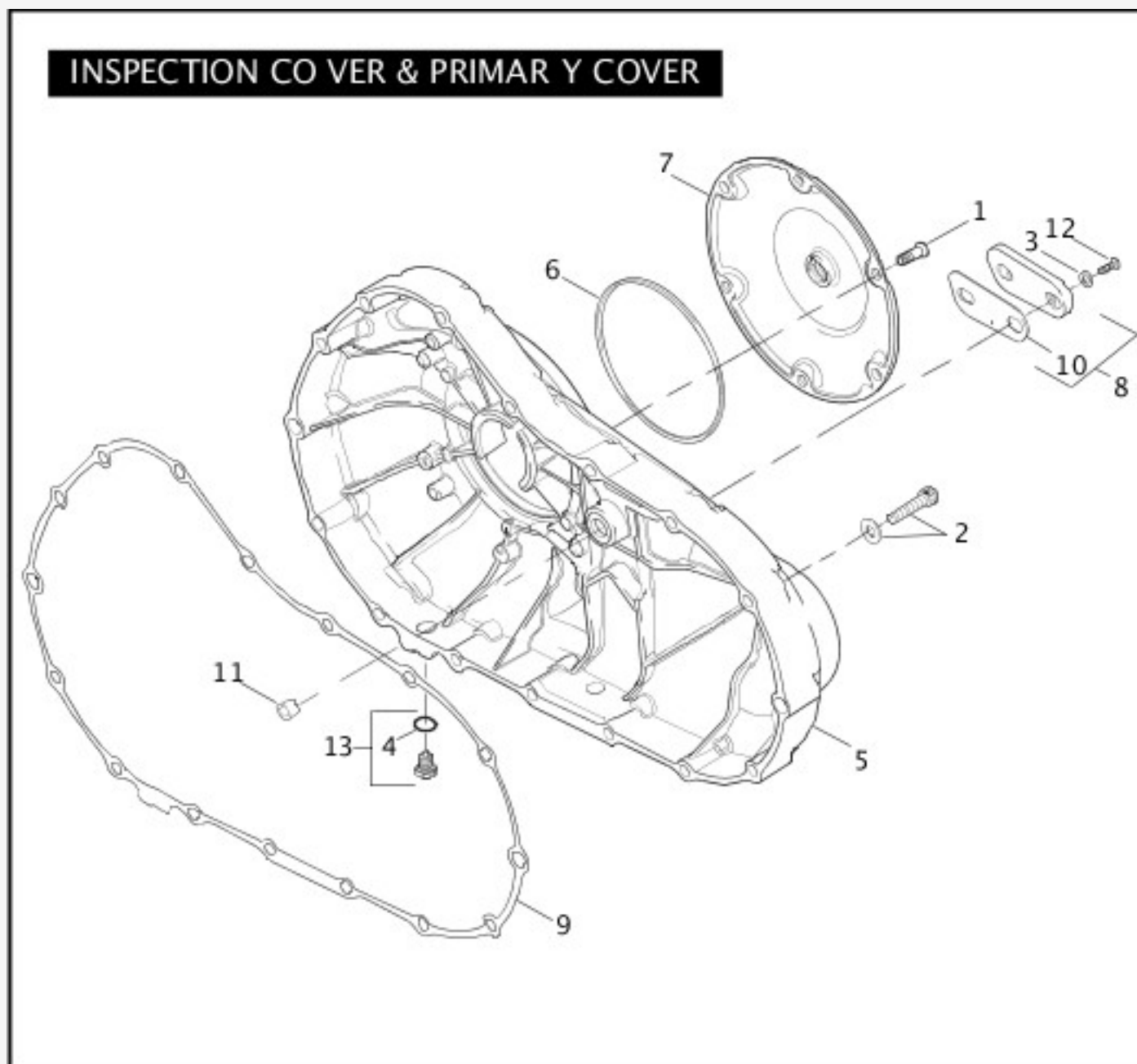
[View interactive table](#)

INDEX NO.	PART NO.	DESCRIPTION	MODEL(S)
1	215	PIN	XR1200, XR1200X
1A	232	PIN	XR1200, XR1200X
2	358	DOWEL PIN (4)	XR1200, XR1200X
3	835	SCREW (12)	XR1200, XR1200X
4	1028	SCREW	XR1200, XR1200X
5	1048	SCREW (4)	XR1200, XR1200X
6	2487	SCREW (3)	XR1200, XR1200X

7	4091	SCREW (2)	XR1200, XR1200X
8	8881	BEARING RACE	XR1200, XR1200X
9	8972	WASHER	XR1200, XR1200X
10	10080	CLAMP, hose (2)	XR1200, XR1200X
11	10177	CABLE STRAP (as required)	XR1200, XR1200X
12	11177A	RETAINING RING	XR1200, XR1200X
13	11290	O-RING	XR1200, XR1200X
14	12068	OIL SEAL	XR1200, XR1200X
15	16899-02	STUD, tap end (2)	XR1200, XR1200X
16	17525-08	PLATE, oil deflector	XR1200, XR1200X
17	62700013	OIL JET ASSEMBLY, w/ gasket (2)	XR1200, XR1200X
18	24475-08	CRANKCASE SET, w/ bearings (black)	XR1200, XR1200X
19	24605-07	BEARING	XR1200, XR1200X
20	24647-87	BEARING, gear shaft (blue)	XR1200, XR1200X
	24650-87	BEARING, gear shaft (red)	XR1200, XR1200X
	24659-87	BEARING, gear shaft (white/gray)	XR1200, XR1200X
	24660-87	BEARING, gear shaft (green)	XR1200, XR1200X
21	24754-75A	DOWEL PIN (2)	XR1200, XR1200X
22	26436-90A	SPRING	XR1200, XR1200X
23	26437-86B	BALL	XR1200, XR1200X
24	26638-00Y	GASKET (1)	XR1200, XR1200X
25	29950-91	COVER, stator wires	XR1200, XR1200X
26	32617-00Y	SCREW, self-tapping (4)	XR1200, XR1200X
27	33117-91A	ADAPTOR, oil filter	XR1200, XR1200X
28	35114-02	RING, retaining	XR1200, XR1200X
29	35118-03	RING, retaining	XR1200, XR1200X
30	40254-02	SPACER, sprocket shaft	XR1200, XR1200X
31	45830-48	PLUG	XR1200, XR1200X
32	60330-08	PLUG, w/ o-ring (2)	XR1200, XR1200X

33	63508-04	HOSE, transmission - vent	XR1200, XR1200X
34	63533-41A	FITTING, connector - vent	XR1200, XR1200X
35	63805-80A	OIL FILTER	XR1200, XR1200X
36	65088-04	STUD, ground (2)	XR1200, XR1200X

## INSPECTION COVER & PRIMARY COVER



[View interactive image](#)

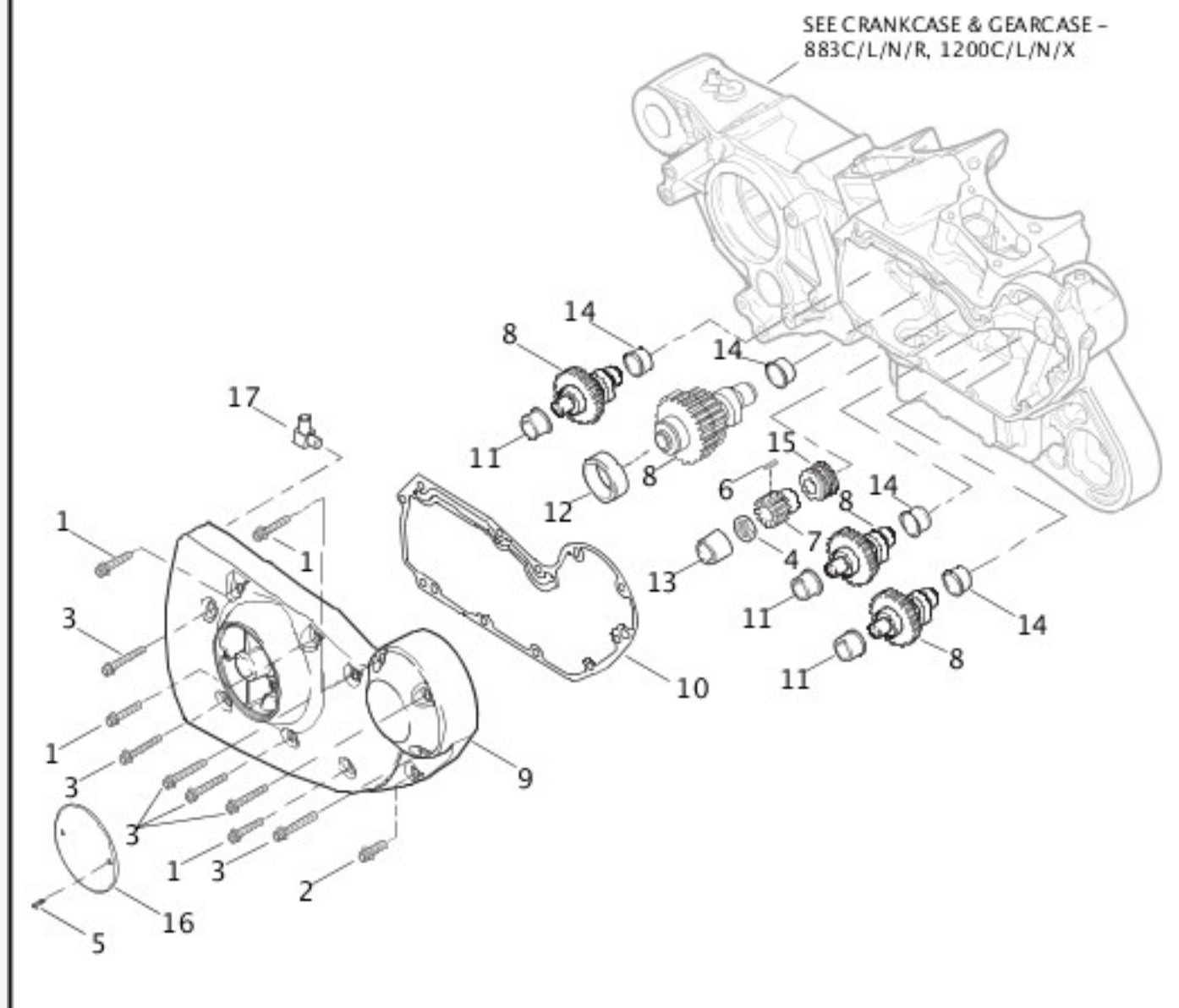
[View interactive table](#)

INDEX NO.	PART NO.	DESCRIPTION	MODEL(S)
1	943	SCREW (6)	ALL
2	4820A	SCREW (16)	ALL
3	11171	O-RING, inspection cover screws (2)	ALL

4	11105	O-RING, drain plug	ALL
5	25307-06	PRIMARY COVER (black) w/ 40574-06	XL1200X, XL883N, XL883R
	25430-06	PRIMARY COVER (polished) w/ 40574-06	XL883L
	25460-06	PRIMARY COVER (chrome) w/ 40574-06	XL1200C, XL1200L
	25471-06	PRIMARY COVER (silver) w/ 40574-06	XL883C, XR1200
	60830-07	PRIMARY COVER (gray) w/ 40574-06	XL1200N
	60836-10	PRIMARY COVER (black) w/ 40574-06	XR1200X
6	25463-94A	GASKET, clutch inspection cover	ALL
7	34760-04	INSPECTION COVER, clutch (chrome)	XL1200C, XL1200L
	34992-04	INSPECTION COVER, clutch (polished)	XL1200N, XL1200X, XL883C, XL883L, XL883N, XL883R, XR1200
	37718-10	INSPECTION COVER, clutch (black)	XR1200X
8	34993-04A	INSPECTION COVER, w/ gasket, chain (polished)	XL1200N, XL1200X, XL883C, XL883L, XR1200
	34761-04A	INSPECTION COVER, w/ gasket, chain (chrome)	XL1200C, XL1200L
	34794-05A	INSPECTION COVER, w/ gasket, chain (polished)	XL883N, XL883R
	35077-10	INSPECTION COVER, w/ gasket, chain (black)	XR1200X
9	34955-04	GASKET, primary cover	ALL
10	34990-08	GASKET, chain inspection cover	ALL
11	40574-06	BUSHING	ALL
12	41191-74A	SCREW, inspection covers (2)	ALL
13	60328-98B	OIL DRAIN PLUG ASSEMBLY	ALL

## CAMSHAFTS & GEAR COVER - 883C/L/N/R, 1200C/L/N/X

## CAMSHAFTS & GEAR COVER – 883C/L/N/R, 1200C/L/N/



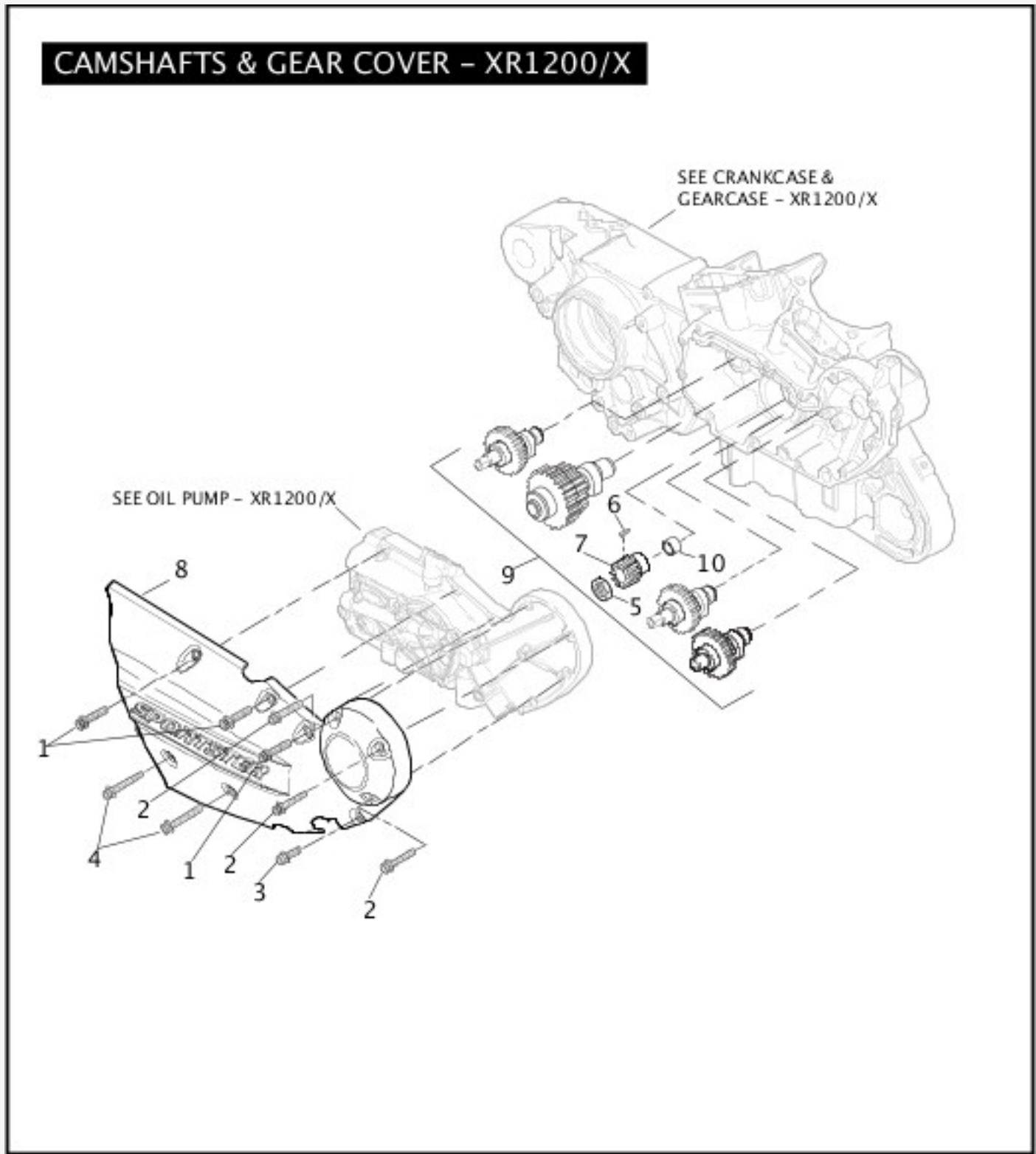
[View interactive image](#)

[View interactive table](#)

INDEX NO.	PART NO.	DESCRIPTION	MODEL(S)
1	3480A	SCREW (4)	XL1200C, XL1200L, XL1200N, XL1200X, XL883C, XL883L, XL883N, XL883R
2	4740A	SCREW	XL1200C, XL1200L, XL1200N, XL1200X, XL883C, XL883L, XL883N, XL883R
3	4717A	SCREW (6)	XL1200C, XL1200L, XL1200N, XL1200X, XL883C, XL883L, XL883N, XL883R
4	7916A	JAMNUT	XL1200C, XL1200L, XL1200N, XL1200X, XL883C, XL883L, XL883N, XL883R
5	8679	SCREW (2)	XL1200C, XL1200L, XL1200N, XL1200X, XL883C, XL883L, XL883N, XL883R
6	11317	T-KEY	XL1200C, XL1200L, XL1200N, XL1200X, XL883C,



			XL883L, XL883N, XL883R
7	24047-00	PINION GEAR	XL1200C, XL1200L, XL1200N, XL1200X, XL883C, XL883L, XL883N, XL883R
8	25194-06	CAM GEAR SET, complete, w/ pinion gear	XL1200C, XL1200L, XL1200N, XL1200X, XL883C, XL883L, XL883N, XL883R
9	25219-04	COVER ASSEMBLY, gearcase (polished), w/ 62375-57A & bushings	XL883L
	25213-04	COVER ASSEMBLY, gearcase (chrome), w/ 62375-57A & bushings	XL1200C, XL1200L
	25252-04	COVER ASSEMBLY, gearcase (silver), w/ 62375-57A & bushings	XL883C
	25486-05	COVER ASSEMBLY, gearcase (black), w/ 62375-57A & bushings	XL1200X, XL883N, XL883R
	25546-07	COVER ASSEMBLY, gearcase (gray), w/ 62375-57A & bushings	XL1200N
10	25263-90D	GASKET, gearcase cover	XL1200C, XL1200L, XL1200N, XL1200X, XL883C, XL883L, XL883N, XL883R
11	25586-37	OUTER BUSHING, cam gear shafts (3)	XL1200C, XL1200L, XL1200N, XL1200X, XL883C, XL883L, XL883N, XL883R
12	25588-91	BUSHING, rear intake cam gear shaft	XL1200C, XL1200L, XL1200N, XL1200X, XL883C, XL883L, XL883N, XL883R
13	25593-74	BUSHING, flywheel gear shaft	XL1200C, XL1200L, XL1200N, XL1200X, XL883C, XL883L, XL883N, XL883R
14	25598-91	INNER BUSHING, camshaft gear (4)	XL1200C, XL1200L, XL1200N, XL1200X, XL883C, XL883L, XL883N, XL883R
15	26318-88A	DRIVE GEAR, oil pump	XL1200C, XL1200L, XL1200N, XL1200X, XL883C, XL883L, XL883N, XL883R
16	32506-90	TIMER COVER	XL883L
	32514-04	TIMER COVER	XL1200C, XL883C, XL883N
	32531-07	TIMER COVER	XL1200N, XL1200X
	32587-06	TIMER COVER	XL1200L
	32699-05	TIMER COVER	XL883R
17	62375-57A	FITTING, oil vent hose	XL1200C, XL1200L, XL1200N, XL1200X, XL883C, XL883L, XL883N, XL883R



[View interactive image](#)

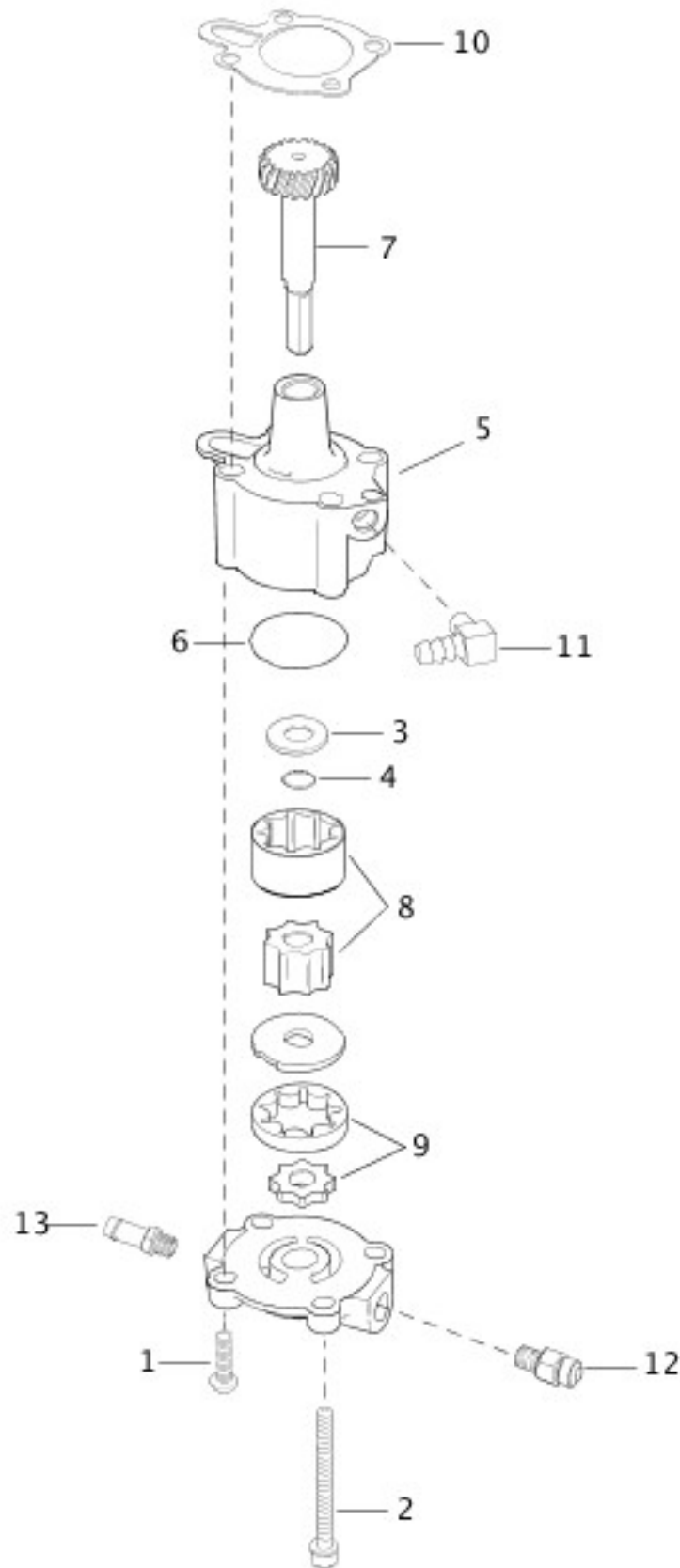
[View interactive table](#)

INDEX NO.	PART NO.	DESCRIPTION	MODEL(S)
1	3480A	SCREW (3)	XR1200, XR1200X
2	4717A	SCREW (3)	XR1200, XR1200X
3	4740A	SCREW	XR1200, XR1200X
4	4822A	SCREW	XR1200, XR1200X
5	7916A	JAMNUT	XR1200, XR1200X
6	11317	T-KEY	XR1200, XR1200X

7	24047-00	PINION GEAR	XR1200, XR1200X
8	25246-08	COVER, gear (silver)	XR1200
	25250-10	COVER, gear (black)	XR1200X
9	25271-08	CAM GEAR SET, complete, w/ pinion gear	XR1200, XR1200X
10	26332-08	SPACER, oil gear	XR1200, XR1200X

**OIL PUMP - 883C/L/N/R, 1200C/L/N/X**

## OIL PUMP – 883C/L/N/R, 1200C/L/N



[View interactive image](#)

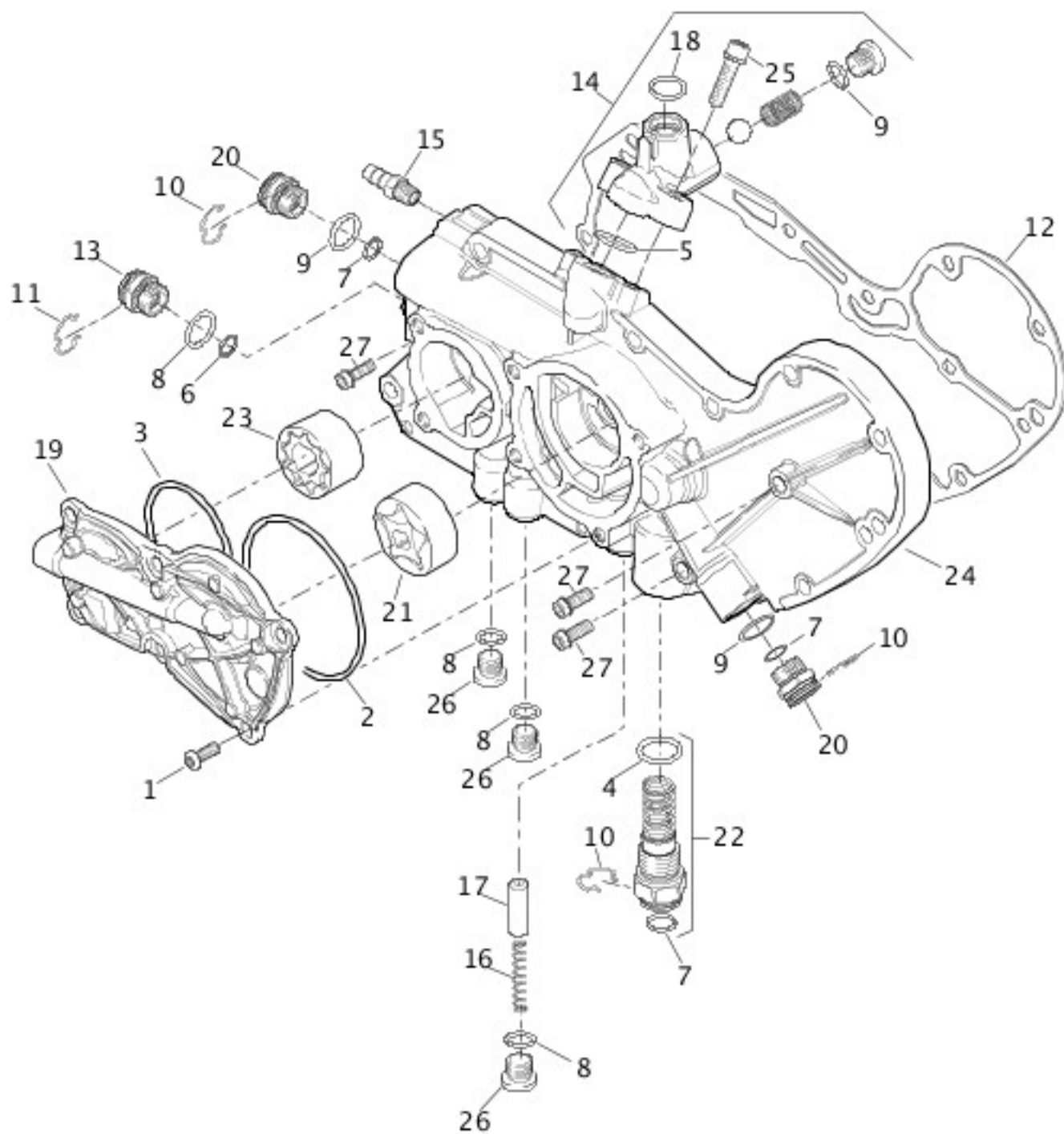
[View interactive table](#)

INDEX NO.	PART NO.	DESCRIPTION	MODEL(S)
1	4132	SCREW (2)	XL1200C, XL1200L, XL1200N, XL1200X, XL883C, XL883L, XL883N, XL883R
2	4765	SCREW, w/ washer (2)	XL1200C, XL1200L, XL1200N, XL1200X, XL883C, XL883L, XL883N, XL883R

3	6157	WASHER, thrust	XL1200C, XL1200L, XL1200N, XL1200X, XL883C, XL883L, XL883N, XL883R
4	11002	RETAINING RING	XL1200C, XL1200L, XL1200N, XL1200X, XL883C, XL883L, XL883N, XL883R
5	26204-91A	OIL PUMP, complete	XL1200C, XL1200L, XL1200N, XL1200X, XL883C, XL883L, XL883N, XL883R
6	26434-91	O-RING	XL1200C, XL1200L, XL1200N, XL1200X, XL883C, XL883L, XL883N, XL883R
7	26239-07	GEAR SHAFT	XL1200C, XL1200L, XL1200N, XL1200X, XL883C, XL883L, XL883N, XL883R
8	26502-07	GEROTOR SET, return	XL1200C, XL1200L, XL1200N, XL1200X, XL883C, XL883L, XL883N, XL883R
9	26503-07	GEROTOR SET, feed	XL1200C, XL1200L, XL1200N, XL1200X, XL883C, XL883L, XL883N, XL883R
10	26495-89B	GASKET, pump mounting	XL1200C, XL1200L, XL1200N, XL1200X, XL883C, XL883L, XL883N, XL883R
11	26496-75A	FITTING, 90 degree	XL1200C, XL1200L, XL1200N, XL1200X, XL883C, XL883L, XL883N, XL883R
12	62601-91A	FITTING, connector - front	XL1200C, XL1200L, XL1200N, XL1200X, XL883C, XL883L, XL883N, XL883R
13	63533-41A	FITTING, connector - rear	XL1200C, XL1200L, XL1200N, XL1200X, XL883C, XL883L, XL883N, XL883R

## OIL PUMP - XR1200/X

## OIL PUMP - XR1200/X



[View interactive image](#)

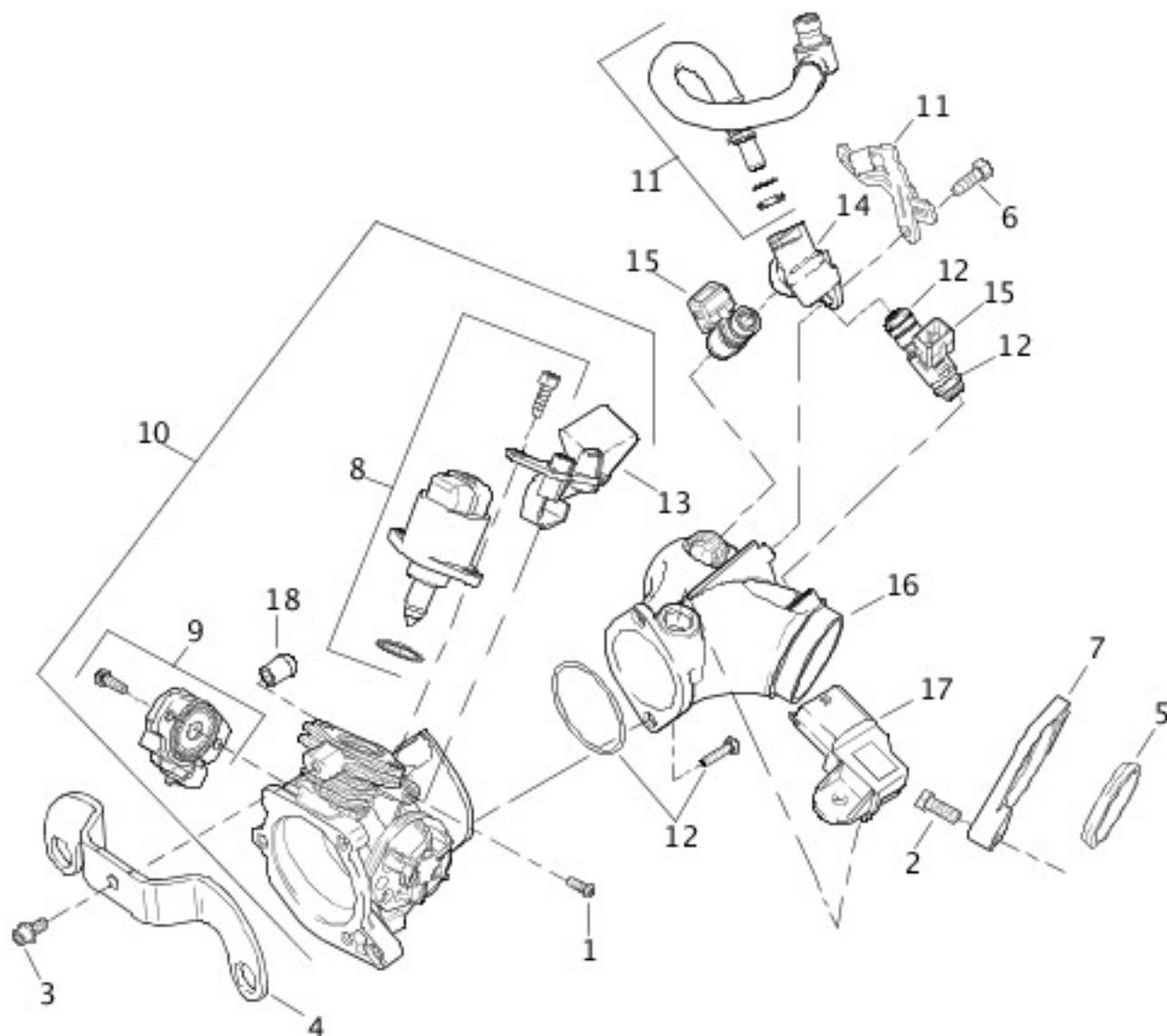
[View interactive table](#)

INDEX NO.	PART NO.	DESCRIPTION	MODEL(S)
1	942	SCREW (6)	XR1200, XR1200X
2	10966	O-RING	XR1200, XR1200X
3	10967	O-RING	XR1200, XR1200X

4	10969	O-RING	XR1200, XR1200X
5	10971	O-RING	XR1200, XR1200X
6	11110	O-RING	XR1200, XR1200X
7	11140	O-RING (2)	XR1200, XR1200X
8	11290	O-RING (4)	XR1200, XR1200X
9	11326	O-RING (2)	XR1200, XR1200X
10	11384K	RETAINER, wire clip (2)	XR1200, XR1200X
11	11408	RETAINER, wire clip	XR1200, XR1200X
12	25279-08	GASKET, gear cover	XR1200, XR1200X
13	26064-08	FITTING ASSEMBLY, oil pump, w/ 11110, 11290 & 11408	XR1200, XR1200X
14	26182-08	CHECK VALVE ASSEMBLY, w/ 10971	XR1200, XR1200X
15	26184-08	FITTING	XR1200, XR1200X
16	26210-99	SPRING, compression	XR1200, XR1200X
17	26400-82B	VALVE, bypass - oil pump	XR1200, XR1200X
18	26432-76A	O-RING	XR1200, XR1200X
19	26522-08	COVER ASSEMBLY, oil pump	XR1200, XR1200X
20	26525-08	FITTING ASSEMBLY, oil pump, w/ 11140, 11326 & 11384K (2)	XR1200, XR1200X
21	26526-08	GEROTOR ASSEMBLY, feed	XR1200, XR1200X
22	26529-08	THERMOSTAT ASSEMBLY	XR1200, XR1200X
23	26546-08	GEROTOR ASSEMBLY, return	XR1200, XR1200X
24	26592-08	OIL PUMP ASSEMBLY	XR1200, XR1200X
25	4741A	SCREW (2)	XR1200, XR1200X
26	60330-08	PLUG, w/ 11290 (3)	XR1200, XR1200X
27	4718A	SCREW (3)	XR1200, XR1200X

## INDUCTION MODULE - 883C/L/N/R, 1200C/L/N/X

## INDUCTION MODULE - 883C/L/N/R, 1200C/L/N



[View interactive image](#)

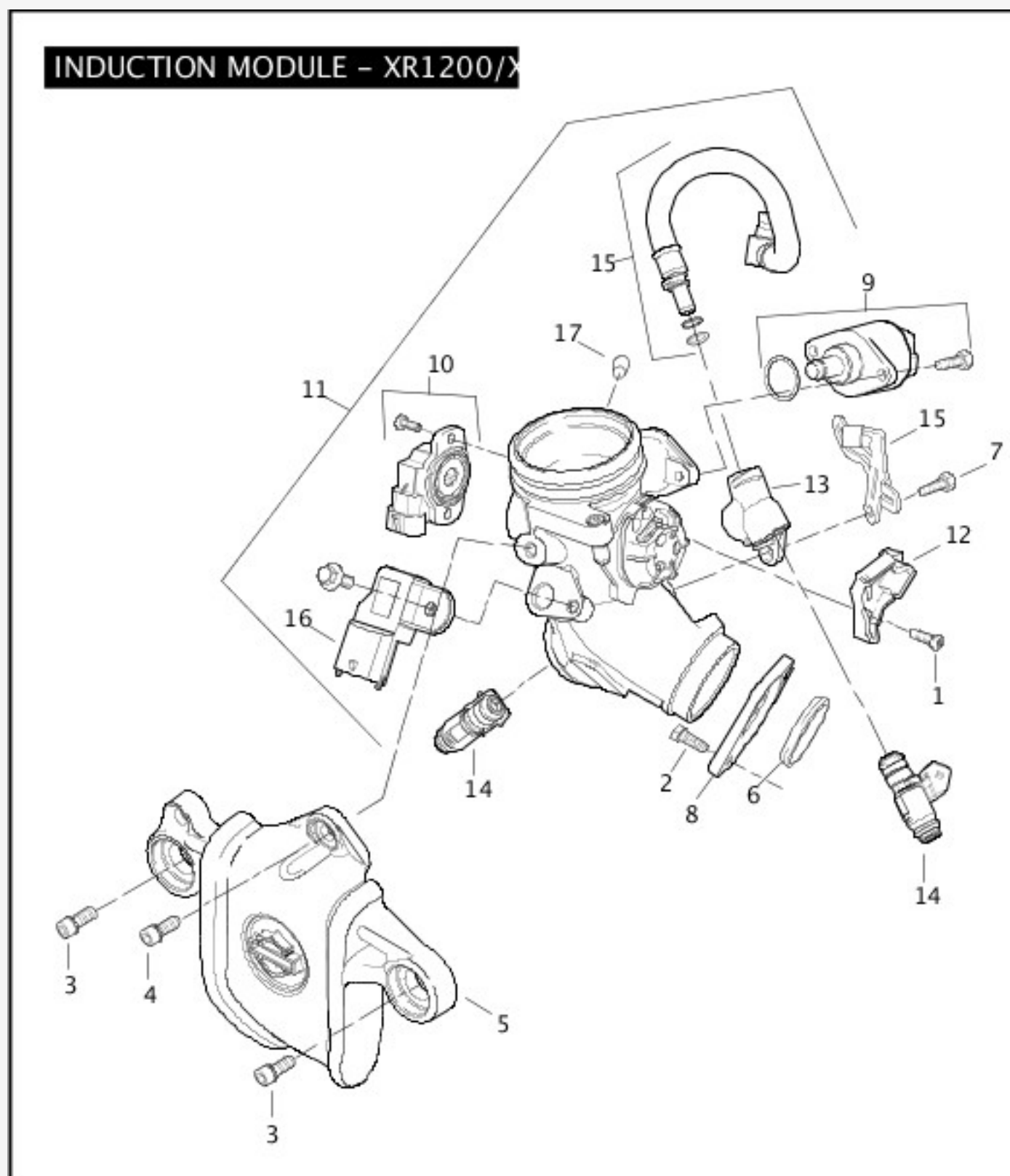
[View interactive table](#)

INDEX NO.	PART NO.	DESCRIPTION	MODEL(S)
1	2481M	SCREW	XL1200C, XL1200L, XL1200N, XL1200X, XL883C, XL883L, XL883N, XL883R
2	3987	BOLT, flange (4)	XL1200C, XL1200L, XL1200N, XL1200X, XL883C, XL883L, XL883N, XL883R
3	4798	SCREW, bracket throttle body	XL1200C, XL1200L, XL1200N, XL1200X, XL883C, XL883L, XL883N, XL883R



4	16361-07	BRACKET, throttle body	XL1200C, XL1200L, XL1200N, XL1200X, XL883C, XL883L, XL883N, XL883R
5	26995-86B	SEAL, intake (2)	XL1200C, XL1200L, XL1200N, XL1200X, XL883C, XL883L, XL883N, XL883R
6	27216-95	SCREW	XL1200C, XL1200L, XL1200N, XL1200X, XL883C, XL883L, XL883N, XL883R
7	27327-07A	FLANGE, intake (2)	XL1200C, XL1200L, XL1200N, XL1200X, XL883C, XL883L, XL883N, XL883R
8	27628-01A	KIT, IAC motor	XL1200C, XL1200L, XL1200N, XL1200X, XL883C, XL883L, XL883N, XL883R
9	27629-01A	KIT, throttle position sensor	XL1200C, XL1200L, XL1200N, XL1200X, XL883C, XL883L, XL883N, XL883R
10	27795-07	INDUCTION MODULE ASSEMBLY, w/ fuel rail, fuel injector, intake manifold, TMAP sensor, cap, IAC Kit, TPS Kit, hardware kit	XL1200C, XL1200L, XL1200N, XL1200X, XL883C, XL883L, XL883N, XL883R
11	27693-07	FUEL LINE KIT, w/ 27216-95 & bracket	XL1200C, XL1200L, XL1200N, XL1200X, XL883C, XL883L, XL883N, XL883R
12	27700-07	KIT, hardware & o-rings	XL1200C, XL1200L, XL1200N, XL1200X, XL883C, XL883L, XL883N, XL883R
13	27701-07A	CABLE BRACKET	XL1200C, XL1200L, XL1200N, XL1200X, XL883C, XL883L, XL883N, XL883R
14	27704-07	FUEL RAIL	XL1200C, XL1200L, XL1200N, XL1200X, XL883C, XL883L, XL883N, XL883R
15	27706-07A	FUEL INJECTOR, w/ o-ring (2)	XL1200C, XL1200L, XL1200N, XL1200X, XL883C, XL883L, XL883N, XL883R
16	27707-07	INTAKE MANIFOLD	XL1200C, XL1200L, XL1200N, XL1200X, XL883C, XL883L, XL883N, XL883R
17	32319-07A	T-MAP SENSOR	XL1200C, XL1200L, XL1200N, XL1200X, XL883C, XL883L, XL883N, XL883R
18	90383-98	CAP	XL1200C, XL1200L, XL1200N, XL1200X, XL883C, XL883L, XL883N, XL883R

## INDUCTION MODULE - XR1200/X

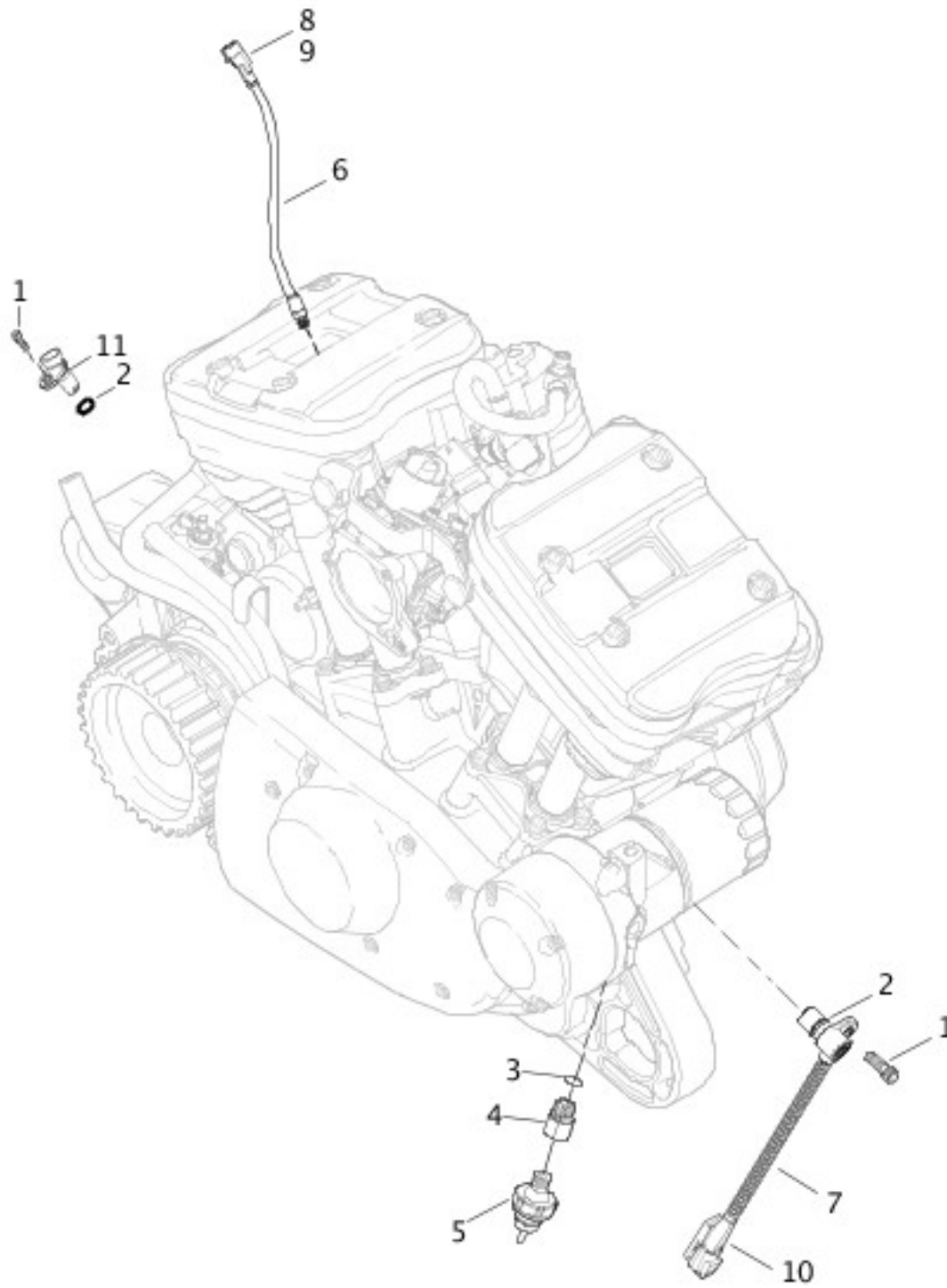

[View interactive image](#)
[View interactive table](#)

INDEX NO.	PART NO.	DESCRIPTION	MODEL(S)
1	2481M	SCREW	XR1200, XR1200X
2	3987	BOLT, flange (4)	XR1200, XR1200X

3	4551	SCREW (2)	XR1200, XR1200X
4	4798	SCREW, bracket throttle body	XR1200, XR1200X
5	16360-08	COVER, induction module (black)	XR1200, XR1200X
6	26995-86B	SEAL, intake (2)	XR1200, XR1200X
7	27216-95	SCREW	XR1200, XR1200X
8	27327-07A	FLANGE, intake (2)	XR1200, XR1200X
9	27628-01A	KIT, IAC motor	XR1200, XR1200X
10	27629-01A	KIT, throttle position sensor	XR1200, XR1200X
11	27695-08	INDUCTION MODULE ASSEMBLY, w/ fuel rail, fuel injector, intake manifold, TMAP sensor, cap, IAC Kit, TPS Kit	XR1200, XR1200X
12	27698-08A	BRACKET, throttle cable	XR1200, XR1200X
13	27704-07	FUEL RAIL	XR1200, XR1200X
14	27706-07A	FUEL INJECTOR, w/ o-ring (2)	XR1200, XR1200X
15	27792-08	FUEL LINE KIT, w/ 27216-95 & bracket	XR1200, XR1200X
16	32319-07A	T-MAP SENSOR	XR1200, XR1200X
17	90383-98	CAP	XR1200, XR1200X

## ENGINE SENSORS & SWITCHES

## ENGINE SENSORS & SWITCHES



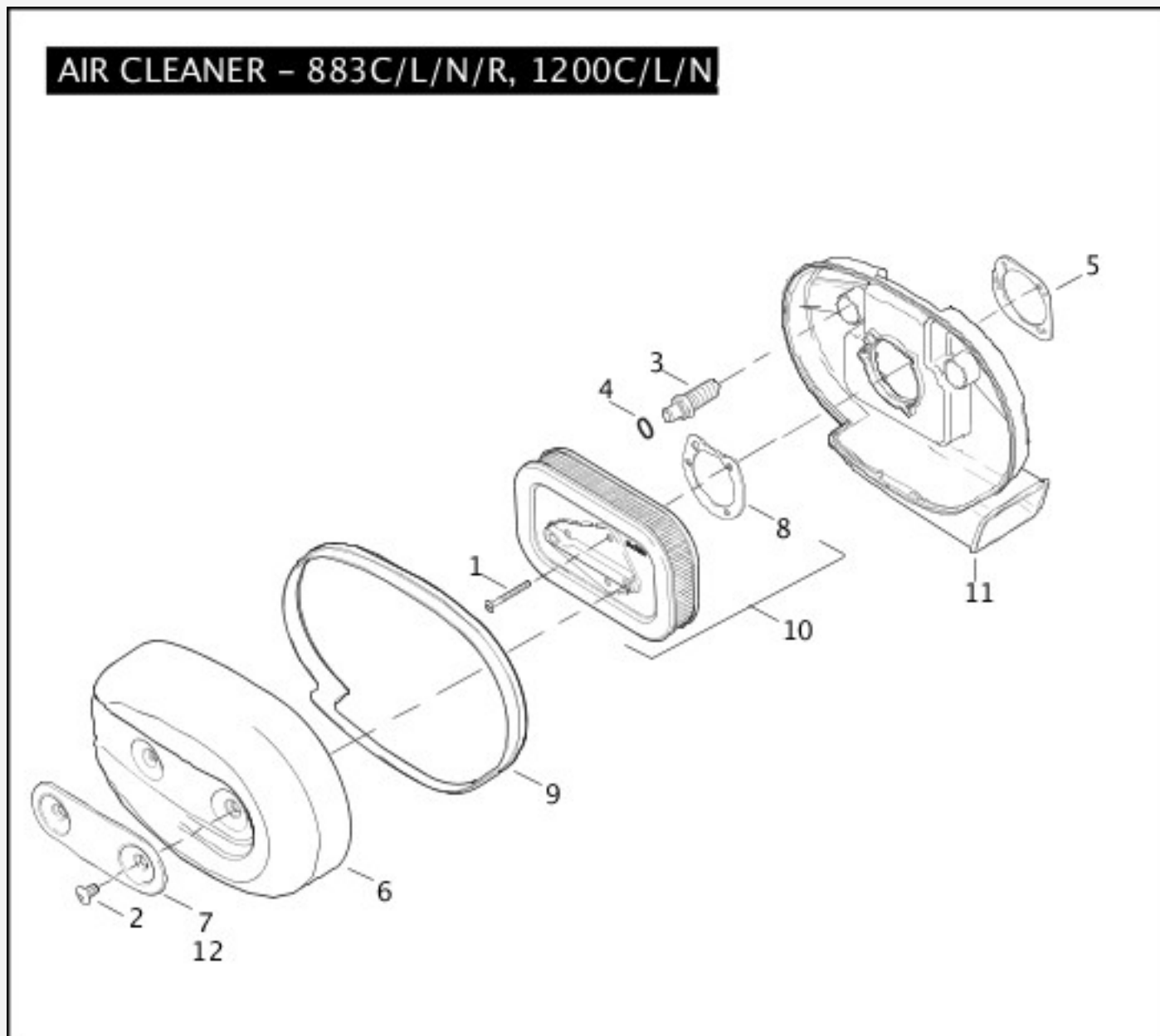
[View interactive image](#)

[View interactive table](#)

INDEX NO.	PART NO.	DESCRIPTION	MODEL(S)
1	3594	SCREW	ALL
2	11289A	O-RING (2)	ALL

3	11290	O-RING	XR1200, XR1200X
4	25394-08	PIPE ADAPTER, w/ 11290	XR1200, XR1200X
5	26554-77C	SWITCH, oil pressure	ALL
6	32472-10	SENSOR, engine temperature w/ 72009-05, 72011-05 & cable strap	ALL
7	32707-01C	SENSOR, crank position w/ 11289A & 74194-98	ALL
8	72009-05	HOUSING, 2-way pin	ALL
9	72011-05	WIRE SEAL, 16-20 gauge (yellow) (2)	ALL
10	74194-98	TERMINAL	ALL
11	74402-05B	SENSOR, vehicle speed, w/ 11289A	ALL

## AIR CLEANER - 883C/L/N/R, 1200C/L/N/X

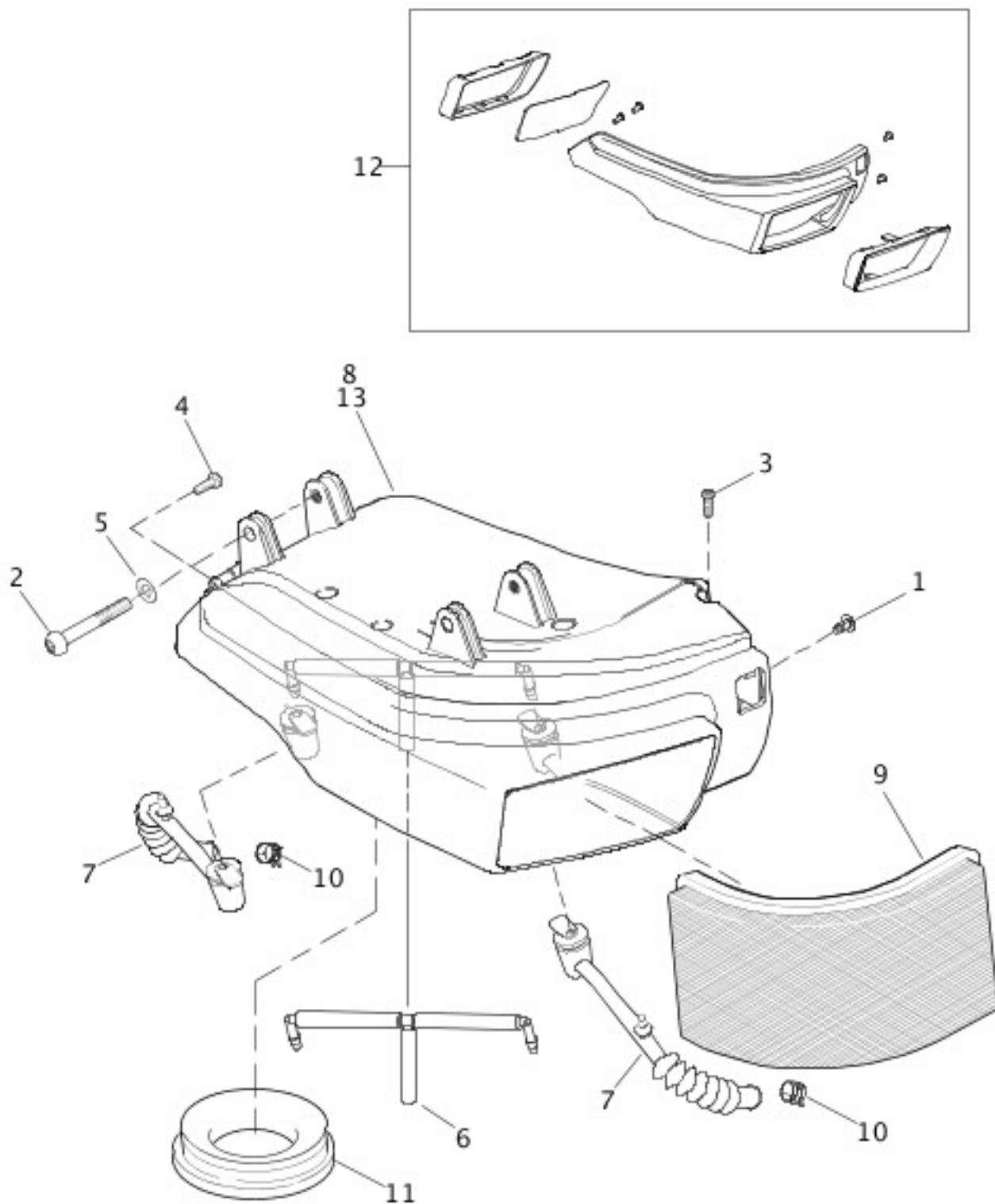


[View interactive image](#)

[View interactive table](#)

INDEX NO.	PART NO.	DESCRIPTION	MODEL(S)
1	946	SCREW (3)	XL1200C, XL1200L, XL1200N, XL1200X, XL883C, XL883L, XL883N, XL883R
2	2460	SCREW (2)	XL1200C, XL1200L, XL1200N, XL1200X, XL883C, XL883L, XL883N, XL883R
3	3565	SCREW, breather (2)	XL1200C, XL1200L, XL1200N, XL1200X, XL883C, XL883L, XL883N, XL883R
4	11202	O-RING (2)	XL1200C, XL1200L, XL1200N, XL1200X, XL883C, XL883L, XL883N, XL883R
5	29062-95B	GASKET, backplate	XL1200C, XL1200L, XL1200N, XL1200X, XL883C, XL883L, XL883N, XL883R
6	28794-10	COVER, air cleaner (gloss black) w/ label	XL1200X
	28792-10	COVER, air cleaner (chrome) w/ label	XL1200C, XL1200L, XL883C, XL883L
	28793-10	COVER, air cleaner (gray) w/ label	XL1200N
	28790-10	COVER, air cleaner (black) w/ label	XL883N, XL883R
7	29123-07	TRIM INSERT, air cleaner	XL883L
	29125-07	TRIM INSERT, air cleaner	XL883R
	29346-07	TRIM INSERT, air cleaner	XL1200C
	29354-07	TRIM INSERT, air cleaner	XL1200L
	29355-07	TRIM INSERT, air cleaner	XL1200N, XL1200X
	27955-09	TRIM INSERT, air cleaner	XL883N
8	29313-95	GASKET, filter element	XL1200C, XL1200L, XL1200N, XL1200X, XL883C, XL883L, XL883N, XL883R
9	29315-04	SEAL, air cleaner	XL1200C, XL1200L, XL1200N, XL1200X, XL883C, XL883L, XL883N, XL883R
10	29331-04	FILTER ELEMENT, w/ 29313-95	XL1200C, XL1200L, XL1200N, XL1200X, XL883C, XL883L, XL883N, XL883R
11	29369-07A	BACKPLATE ASSEMBLY, air cleaner	XL1200C, XL1200L, XL1200N, XL1200X, XL883C, XL883L, XL883N, XL883R
<b>INTERNATIONAL MODELS ONLY</b>			
12	29802-07	TRIM INSERT, air cleaner	XL883C

AIR BOX - XR1200/X



[View interactive image](#)

[View interactive table](#)

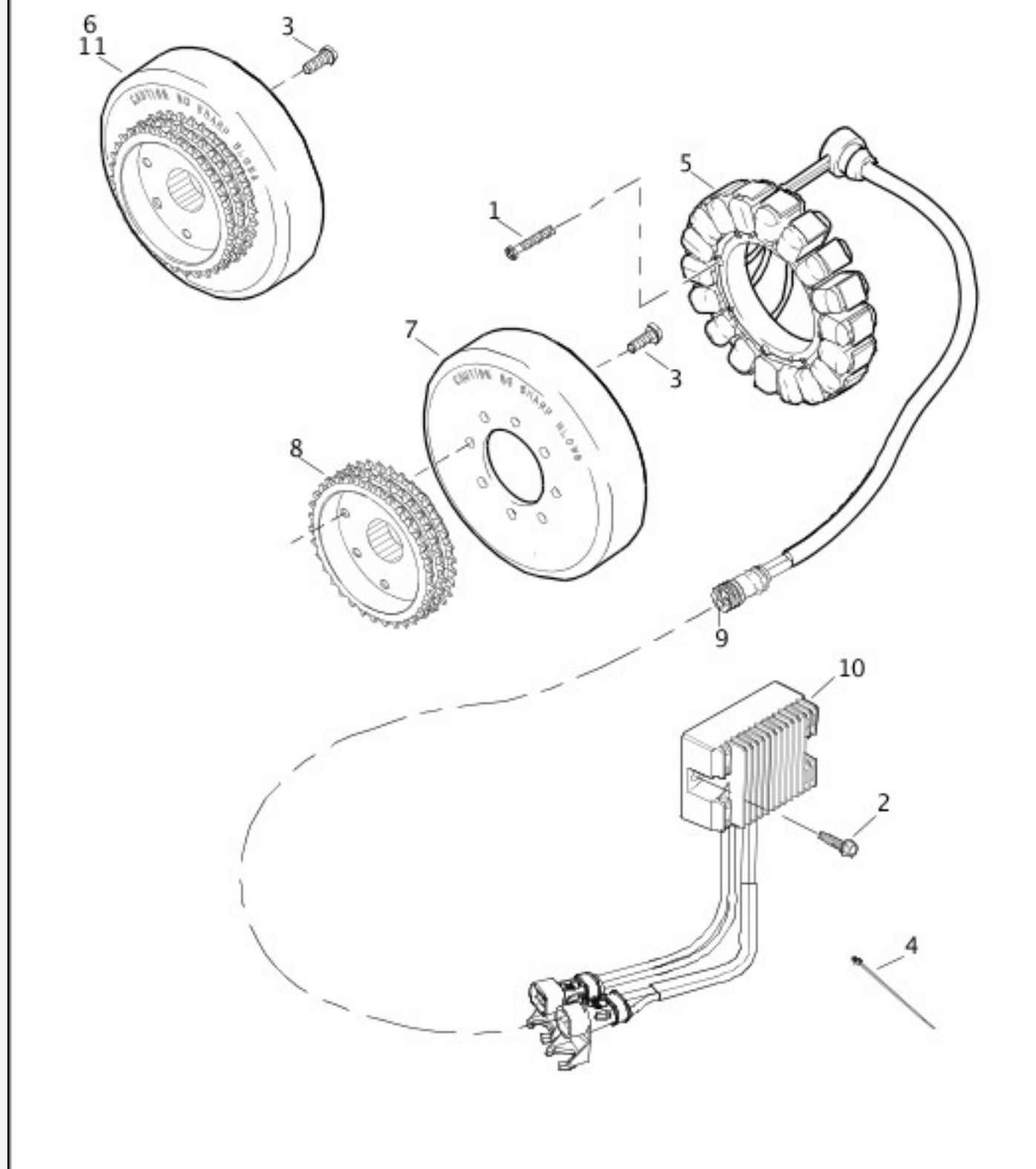
INDEX NO.	PART NO.	DESCRIPTION	MODEL(S)
1	673	CLIP, canoe, truss head (2)	XR1200, XR1200X
2	4802	SCREW (2)	XR1200, XR1200X

3	2407	SCREW (9)	XR1200, XR1200X
4	2612	SCREW (2)	XR1200, XR1200X
5	6703	WASHER (2)	XR1200, XR1200X
6	26162-08	BREATHER HOSE ASSEMBLY	XR1200, XR1200X
7	26169-08	HOSE, breather (2)	XR1200, XR1200X
8	29867-09	AIR BOX ASSEMBLY, w/ 1, 3, 4, 6, 7, 9, & 10 (Domestic, Canada, Australia)	XR1200, XR1200X
9	29377-08	ELEMENT, air filter	XR1200, XR1200X
10	29379-08	CLAMP, hose (2)	XR1200, XR1200X
11	29380-08	COUPLING, air box to induction module	XR1200, XR1200X
12	65258-08	AIR BOX FASCIA KIT	XR1200, XR1200X
<b>INTERNATIONAL MODELS ONLY</b>			
13	29371-08	AIR BOX ASSEMBLY, w/ 1, 3, 4, 6, 7, 9, & 10 (HDI, England, Japan)	XR1200, XR1200X

## **ALTERNATOR & REGULATOR**



## ALTERNATOR & REGULATOR



[View interactive image](#)

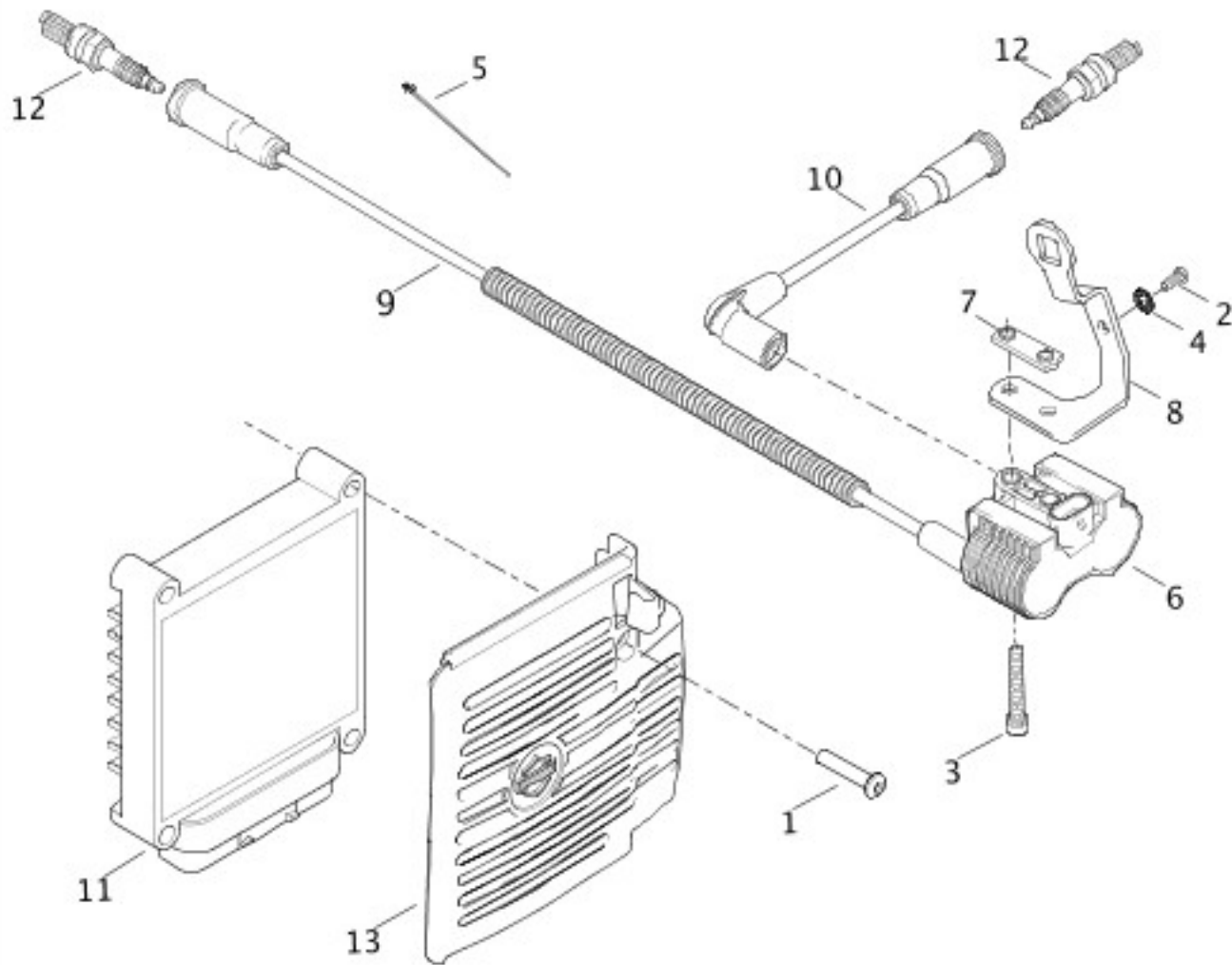
[View interactive table](#)

INDEX NO.	PART NO.	DESCRIPTION	MODEL(S)
1	3029	SCREW (4)	ALL
2	4329	SCREW (2)	ALL
3	4751	SCREW (8)	ALL
4	10177	STRAP (3)	ALL

5	29997-07A	STATOR	ALL
6	30018-08	ROTOR SPROCKET ASSEMBLY, w/ 4751 & sprocket	XR1200, XR1200X
7	32493-02B	ROTOR SPROCKET ASSEMBLY, w/ 4751 & 40241-02A	XL883C, XL883L, XL883N, XL883R
	32494-04B	ROTOR SPROCKET ASSEMBLY, w/ 4751 & 40290-04A	XL1200C, XL1200L, XL1200N, XL1200X
8	40241-02A	SPROCKET, triple row, 34T	XL883C, XL883L, XL883N, XL883R
	40290-04A	SPROCKET, triple row, 38T	XL1200C, XL1200L, XL1200N, XL1200X
9	72195-94	SEAL, pin, 4-way	ALL
10	74711-08	REGULATOR, w/ 10177	ALL
<b>INTERNATIONAL MODELS ONLY</b>			
11	30029-08	ROTOR SPROCKET ASSEMBLY, w/ 4751 & sprocket (Japan, Brazil)	XR1200, XR1200X

## **ELECTRONIC IGNITION SYSTEM - 883C/L/N/R, 1200C/L/N/X**

## ELECTRONIC IGNITION SYSTEM – 883C/L/N/R, 1200C/L/N/



[View interactive image](#)

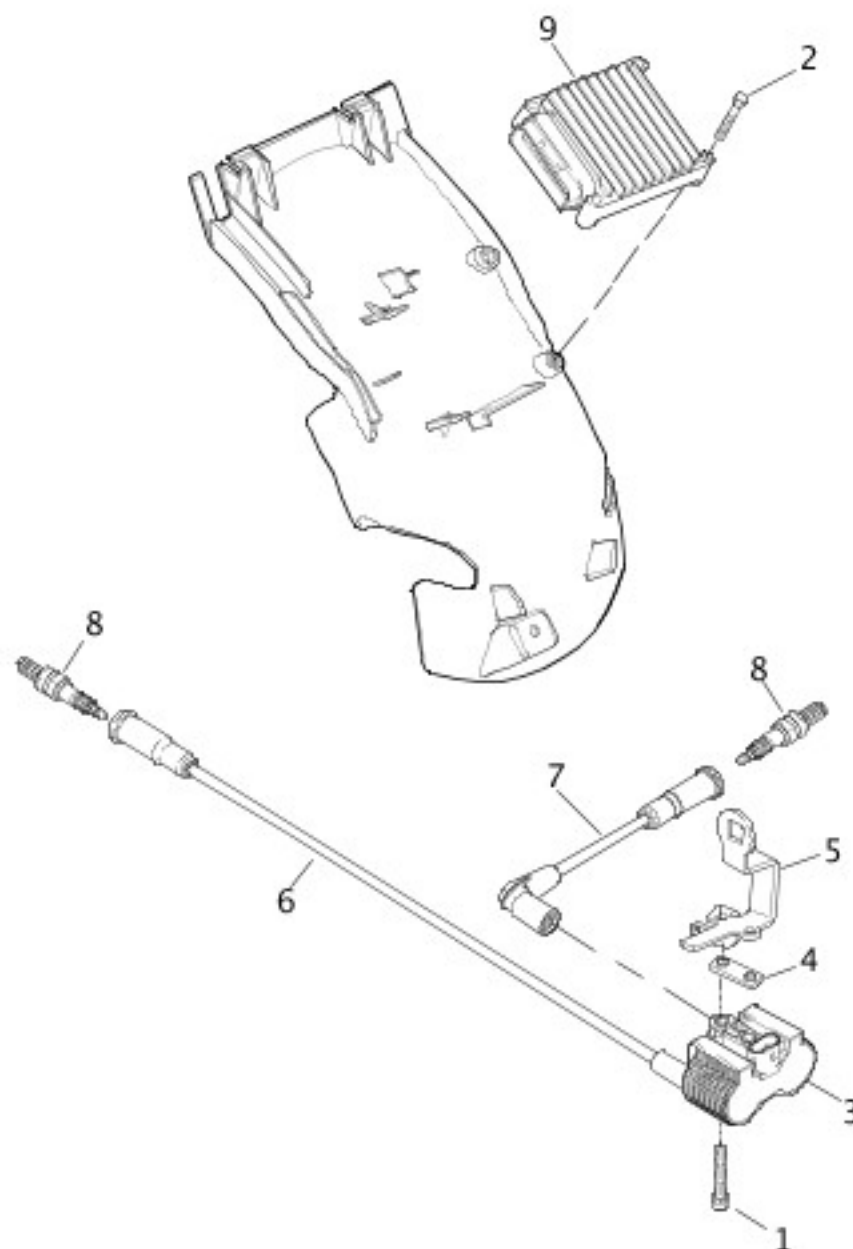
[View interactive table](#)

INDEX NO.	PART NO.	DESCRIPTION	MODEL(S)
1	2513	SCREW	XL1200C, XL1200L, XL1200N, XL1200X, XL883C, XL883L, XL883N, XL883R
2	3124	SCREW	XL1200C, XL1200L, XL1200N, XL1200X, XL883C, XL883L, XL883N, XL883R
3	3480A	SCREW (2)	XL1200C, XL1200L, XL1200N, XL1200X, XL883C, XL883L, XL883N, XL883R
4	7220	LOCKWASHER	XL1200C, XL1200L, XL1200N, XL1200X, XL883C, XL883L, XL883N, XL883R
5	10177	STRAP	XL1200C, XL1200L, XL1200N, XL1200X, XL883C, XL883L, XL883N, XL883R

6	31656-07	COIL, ignition	XL1200C, XL1200L, XL1200N, XL1200X, XL883C, XL883L, XL883N, XL883R
7	31753-07	PLATE, nut	XL1200C, XL1200L, XL1200N, XL1200X, XL883C, XL883L, XL883N, XL883R
8	31807-07	BRACKET	XL1200C, XL1200L, XL1200N, XL1200X, XL883C, XL883L, XL883N, XL883R
9	32006-07	CABLE, spark plug, rear (long)	XL1200C, XL1200L, XL1200N, XL1200X, XL883C, XL883L, XL883N, XL883R
10	32003-07	CABLE, spark plug, front (short)	XL1200C, XL1200L, XL1200N, XL1200X, XL883C, XL883L, XL883N, XL883R
11	32534-11	ELECTRONIC CONTROL MODULE	XL1200C, XL1200L, XL1200N, XL1200X, XL883C, XL883L, XL883N, XL883R
12	32362-04	SPARK PLUG (2)	XL1200C, XL1200L, XL1200N, XL1200X, XL883C, XL883L, XL883N, XL883R
13	69200405	COVER, ECM	XL1200C, XL1200L, XL1200N, XL1200X, XL883C, XL883L, XL883N, XL883R

## **ELECTRONIC IGNITION SYSTEM - XR1200/X**

## ELECTRONIC IGNITION SYSTEM – XR1200/X

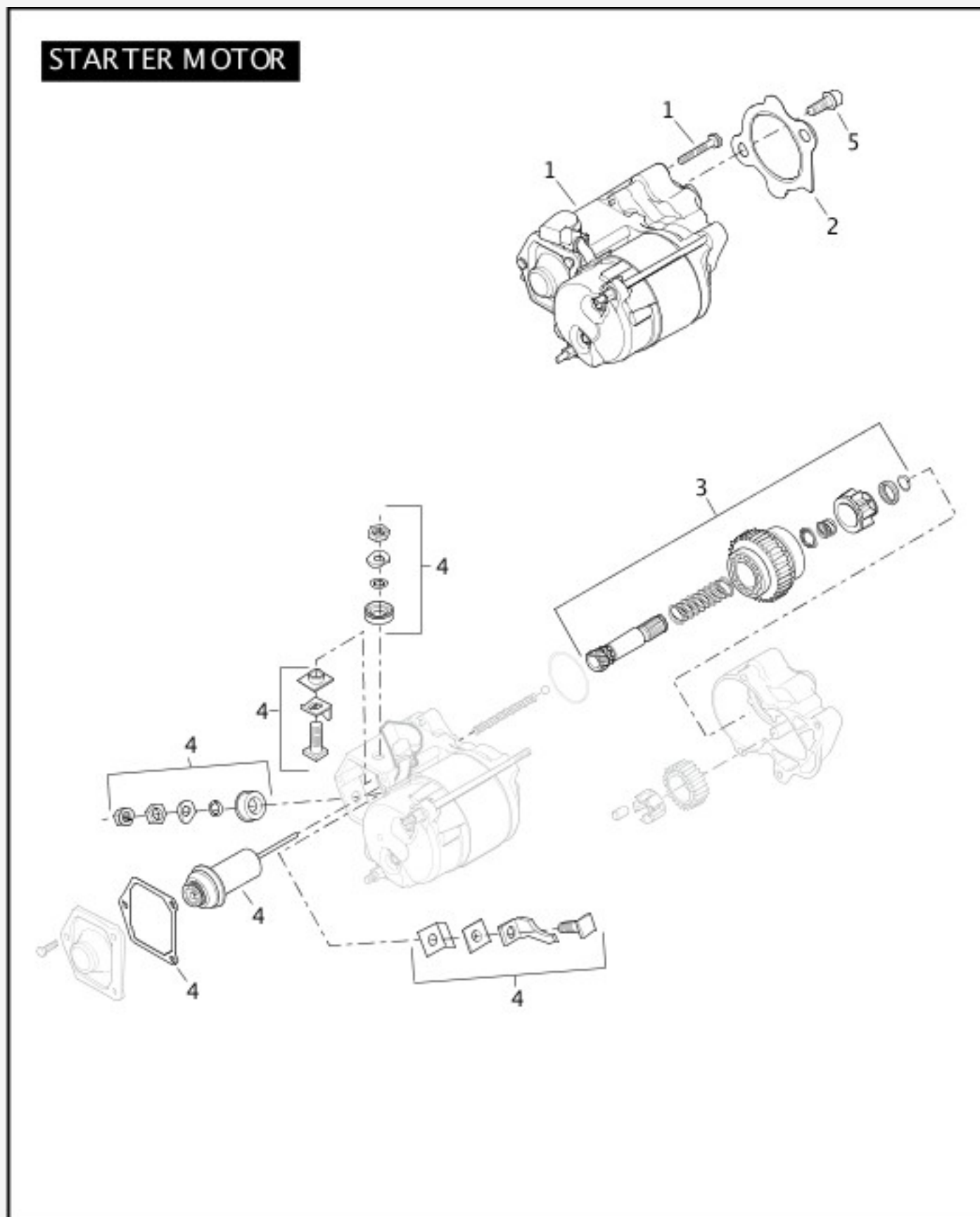


[View interactive image](#)

[View interactive table](#)

INDEX NO.	PART NO.	DESCRIPTION	MODEL(S)
1	3480A	SCREW (2)	XR1200, XR1200X
2	3708M	SCREW	XR1200, XR1200X
3	31656-07	COIL, ignition	XR1200, XR1200X
4	31753-07	PLATE, nut	XR1200, XR1200X
5	31801-08	BRACKET	XR1200, XR1200X
6	32004-08	CABLE, spark plug, rear (long)	XR1200, XR1200X
7	32005-08A	CABLE, spark plug, front (short)	XR1200, XR1200X
8	27794-08	SPARK PLUG (2)	XR1200, XR1200X

## STARTER MOTOR



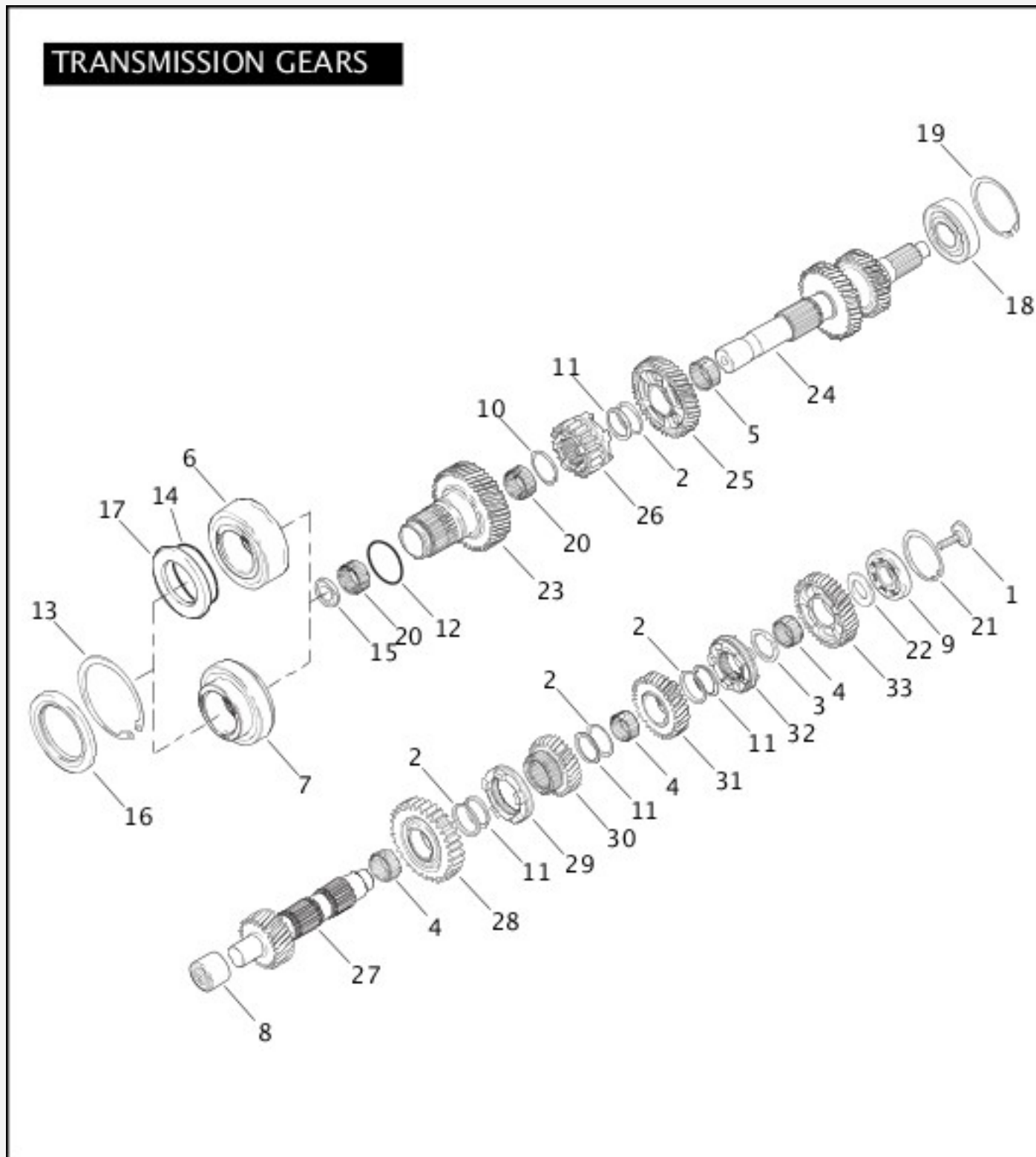
[View interactive image](#)

[View interactive table](#)

INDEX NO.	PART NO.	DESCRIPTION	MODEL(S)
1	31390-91F	STARTER MOTOR, complete	ALL
2	31488-81C	GASKET	ALL

3	31556-91D	CLUTCH SUB-ASSEMBLY	ALL
4	31603-91	REPAIR KIT, starter solenoid	ALL
5	45902-00	SCREW (2)	ALL

## TRANSMISSION GEARS



[View interactive image](#)

[View interactive table](#)

INDEX NO.	PART NO.	DESCRIPTION	MODEL(S)
1	3990	SCREW	ALL

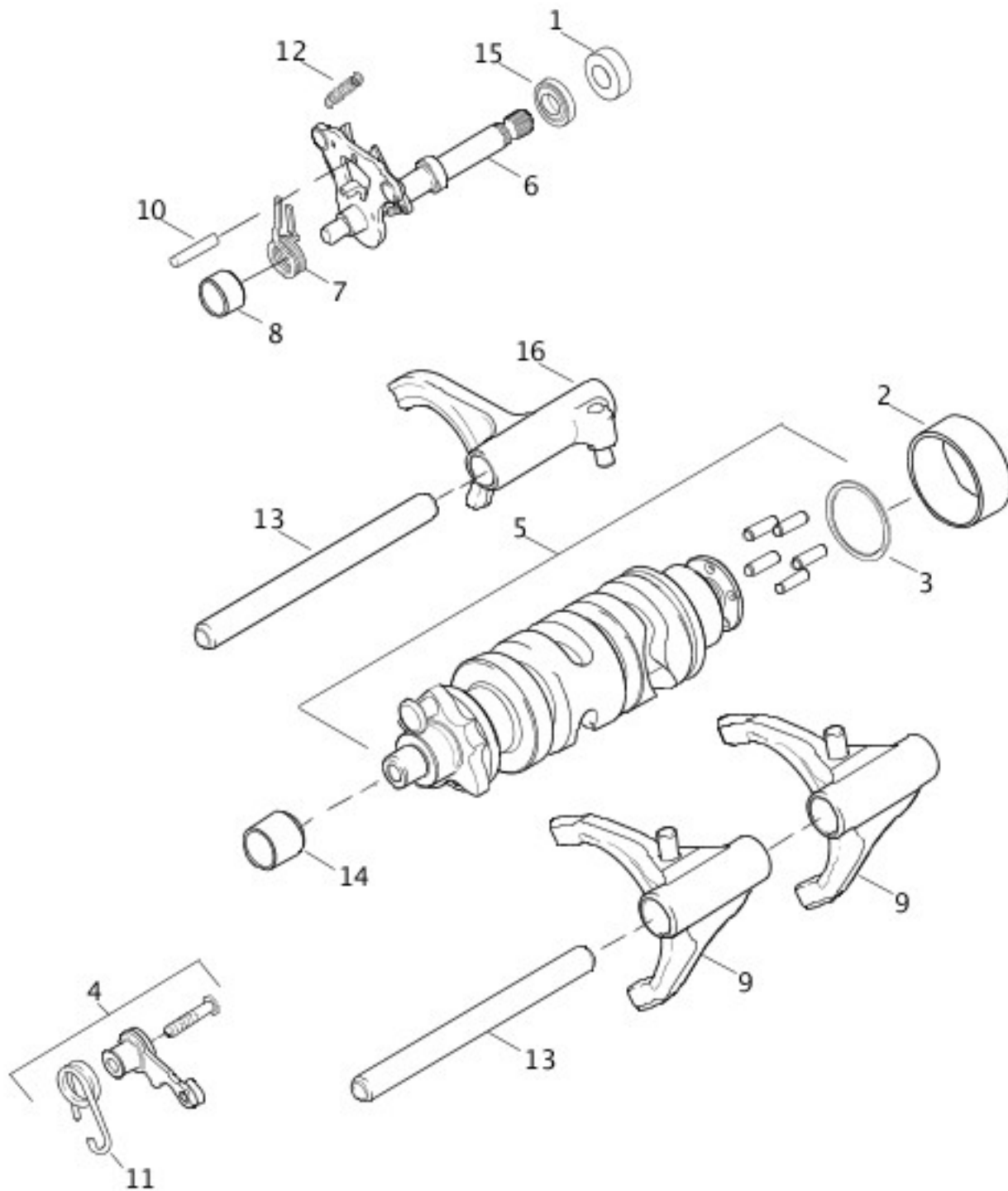
2	6003	WASHER, thrust (4)	ALL
3	6021	SPACER	ALL
4	8862	BEARING (3)	ALL
5	8884	BEARING	ALL
6	8956	BEARING, ball	XR1200, XR1200X
7	8964	BEARING, ball	XL1200C, XL1200L, XL1200N, XL1200X, XL883C, XL883L, XL883N, XL883R
8	8966	BEARING, closed end	ALL
9	8970A	BEARING, ball	ALL
10	10984	SNAP RING	ALL
11	11067	RETAINING RING (4)	ALL
12	11113	O-RING	ALL
13	11161	RETAINING RING	ALL
14	11631	O-RING	XR1200, XR1200X
15	12030	SEAL	ALL
16	12074	OIL SEAL	ALL
17	33354-08	SPACER	XR1200, XR1200X
18	35030-89A	BEARING, mainshaft	ALL
19	35038-89A	RETAINING RING	ALL
20	35051-89A	BEARING, needle (2)	ALL
21	35087-99A	RETAINING RING	ALL
22	35107-06	SPACER	ALL
23	35159-06	GEAR, fifth-mainshaft	XL1200C, XL1200L, XL1200N, XL1200X, XL883C, XL883L, XL883N, XL883R
	35234-08	GEAR, fifth-mainshaft	XR1200, XR1200X
24	35163-06	GEAR, mainshaft	ALL
25	35165-06	GEAR, fourth-mainshaft	ALL
26	35167-06	GEAR, first-mainshaft	ALL
27	35172-06	GEAR, countershaft	ALL



28	35174-06	GEAR, first-countershaft	ALL
29	35190-06	RING, dog	ALL
30	35191-06	GEAR, fourth-countershaft	ALL
31	35193-06	GEAR, third-countershaft	ALL
32	35196-06	RING, dog	ALL
33	35197-06	GEAR, second-countershaft	ALL

## SHIFTER

## SHIFTER



[View interactive image](#)

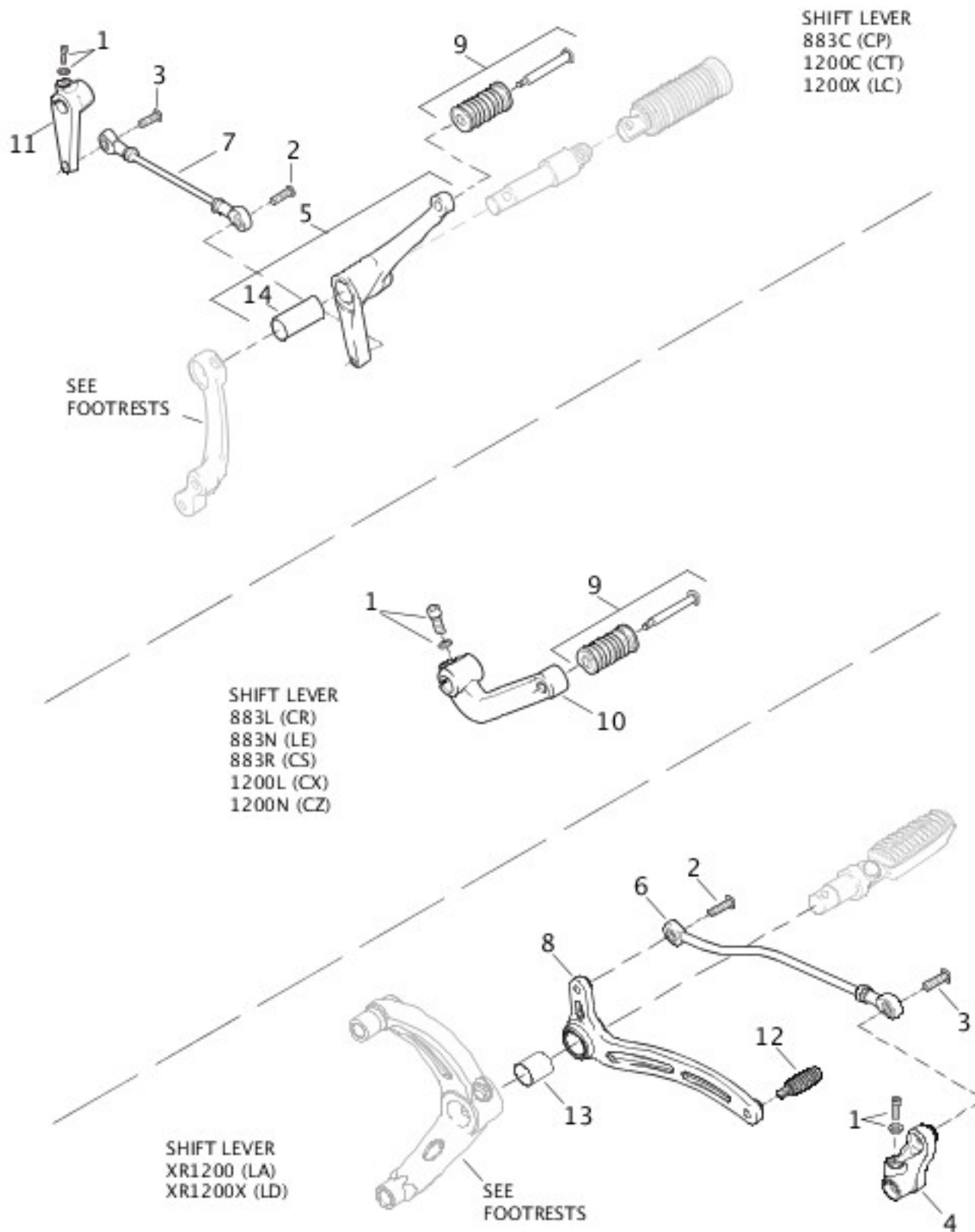
[View interactive table](#)

INDEX NO.	PART NO.	DESCRIPTION	MODEL(S)
1	7080	WASHER, non-metallic	ALL
2	9187	BEARING	ALL
3	11360	RING, retaining	ALL
4	33540-06	SPRING SLEEVE ASSEMBLY, detent	ALL

5	33641-06	SHIFTER CAM ASSEMBLY, w/ 11360	ALL
6	34014-06A	SHIFTER LEVER ASSEMBLY, w/ 34064-00C & 34491-02A (2)	ALL
7	34064-00C	SPRING, shifter return	ALL
8	34076-02A	BUSHING	ALL
9	34157-06	FORK ASSEMBLY, shifter (2)	ALL
10	34163-02	PIN, shifter stop	ALL
11	34483-06	SPRING, detent	ALL
12	34491-02A	SPRING, extension (2)	ALL
13	34981-02A	SHAFT, shifter forks (2)	ALL
14	34982-02A	BUSHING, right hand crankcase	ALL
15	37107-06	OIL SEAL	ALL
16	34162-06	FORK ASSEMBLY, shifter	ALL

## SHIFT LEVER

## SHIFT LEVER



[View interactive image](#)

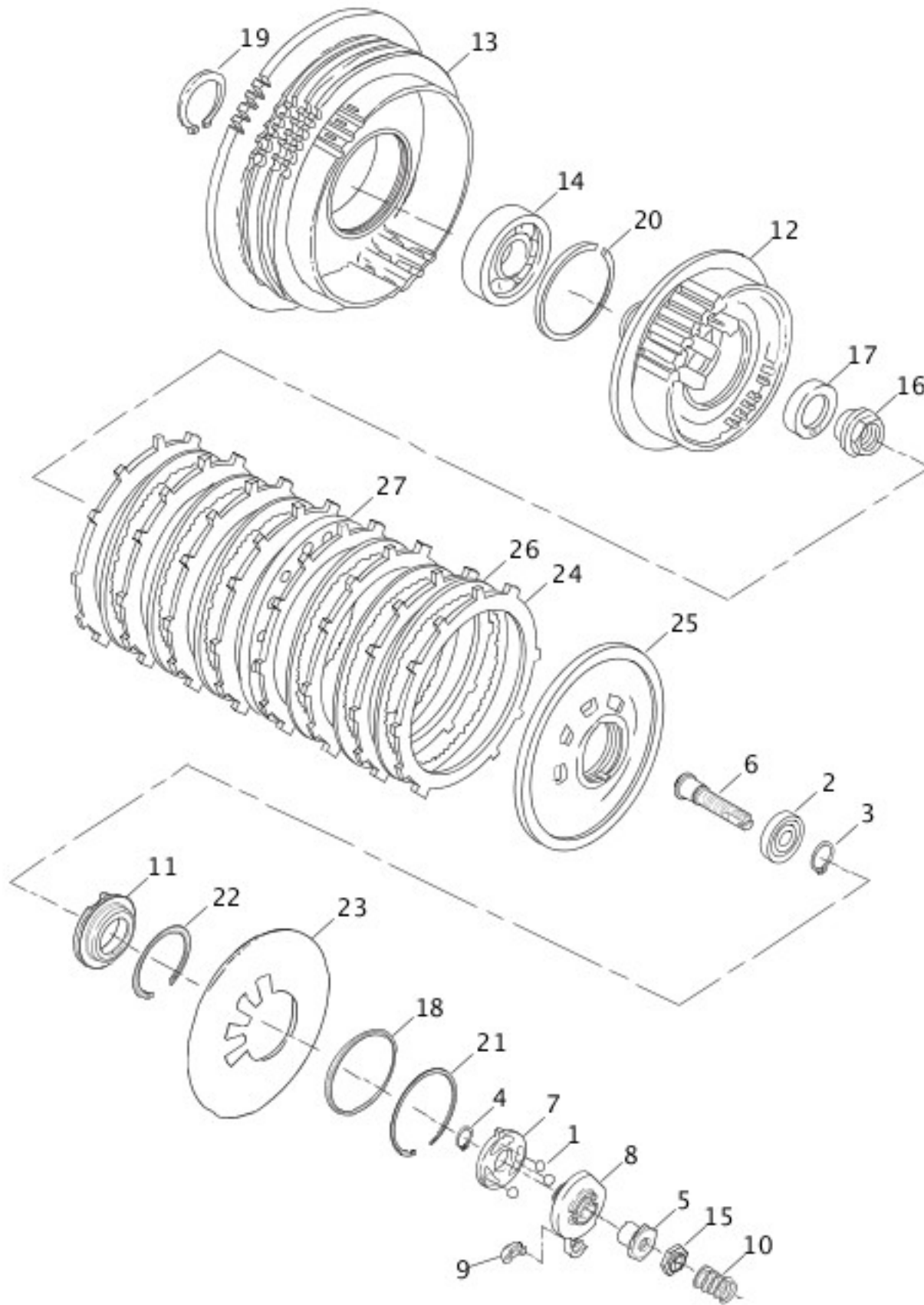
[View interactive table](#)

INDEX NO.	PART NO.	DESCRIPTION	MODEL(S)
1	2708A	SCREW, w/ washer	ALL
2	4016	SCREW	XL1200C, XL1200X, XL883C, XR1200, XR1200X
3	4359	SCREW	XL1200C, XL1200X, XL883C, XR1200, XR1200X

4	33831-08	SHIFTER ARM (chrome)	XR1200
	34665-10	SHIFTER ARM (black)	XR1200X
5	34572-04	LEVER ASSEMBLY, shifter, w/ 42569-03	XL1200C, XL883C
	34723-10	LEVER ASSEMBLY, shifter, w/ 42569-03	XL1200X
6	33832-08	SHIFTER LINK	XR1200, XR1200X
7	34573-04	SHIFTER ROD LINK	XL1200C, XL883C
	34663-10	SHIFTER ROD LINK	XL1200X
8	33875-08	SHIFTER LEVER ASSEMBLY, w/ 42443-80A	XR1200, XR1200X
9	34611-65A	SHIFTER TOE PEG KIT	XL1200C, XL1200L, XL1200N, XL1200X, XL883C, XL883L, XL883N, XL883R
10	34660-04A	SHIFT LEVER, foot (chrome)	XL1200L, XL883L
	34721-07	SHIFT LEVER, foot (black)	XL1200N, XL883N, XL883R
11	34670-06	SHIFT LEVER	XL1200C, XL883C
	34724-10	SHIFT LEVER (gloss black)	XL1200X
12	34672-08	TOE PEG ASSEMBLY	XR1200, XR1200X
13	42443-80A	BUSHING	XR1200, XR1200X
14	42569-03	BUSHING	XL1200C, XL1200X, XL883C

## CLUTCH - 883C/L/N/R, 1200C/L/N/X

## CLUTCH - 883C/L/N/R, 1200C/L/N



[View interactive image](#)

[View interactive table](#)

INDEX NO.	PART NO.	DESCRIPTION	MODEL(S)
1	8873	BALL (3)	XL1200C, XL1200L, XL1200N, XL1200X, XL883C, XL883L, XL883N, XL883R
2	8885	BEARING	XL1200C, XL1200L, XL1200N, XL1200X, XL883C, XL883L, XL883N, XL883R

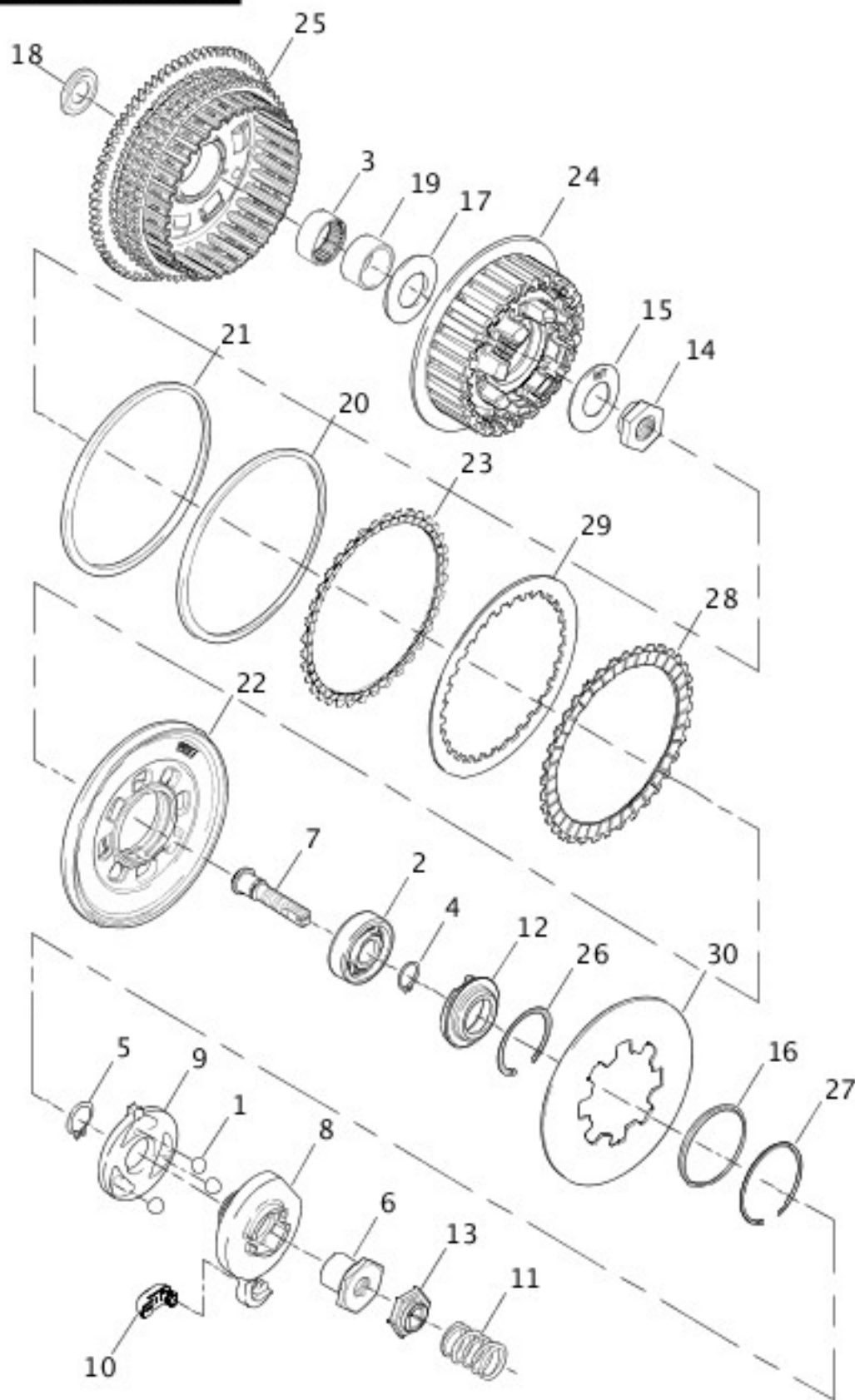
3	11046	RETAINING RING	XL1200C, XL1200L, XL1200N, XL1200X, XL883C, XL883L, XL883N, XL883R
4	11250	RETAINING RING	XL1200C, XL1200L, XL1200N, XL1200X, XL883C, XL883L, XL883N, XL883R
5	11730A	WELL NUT	XL1200C, XL1200L, XL1200N, XL1200X, XL883C, XL883L, XL883N, XL883R
6	11765Y	ADJUSTMENT SCREW	XL1200C, XL1200L, XL1200N, XL1200X, XL883C, XL883L, XL883N, XL883R
7	25453-87A	RAMP, inner	XL1200C, XL1200L, XL1200N, XL1200X, XL883C, XL883L, XL883N, XL883R
8	25409-94B	RAMP, outer	XL1200C, XL1200L, XL1200N, XL1200X, XL883C, XL883L, XL883N, XL883R
9	34920-86A	COUPLING, clutch cable	XL1200C, XL1200L, XL1200N, XL1200X, XL883C, XL883L, XL883N, XL883R
10	36715-94	SPRING, clutch adjustment	XL1200C, XL1200L, XL1200N, XL1200X, XL883C, XL883L, XL883N, XL883R
11	36731-91	RELEASE PLATE, w/ 8885	XL1200C, XL1200L, XL1200N, XL1200X, XL883C, XL883L, XL883N, XL883R
12	36785-91	CLUTCH HUB	XL1200C, XL1200L, XL1200N, XL1200X, XL883C, XL883L, XL883N, XL883R
13	36790-04	CLUTCH SHELL & SPROCKET, w/ 36799-91 & 37905-90	XL1200C, XL1200L, XL1200N, XL1200X, XL883C, XL883L, XL883N, XL883R
14	36799-91	BALL BEARING	XL1200C, XL1200L, XL1200N, XL1200X, XL883C, XL883L, XL883N, XL883R
15	36802-84B	LOCKPLATE, well type	XL1200C, XL1200L, XL1200N, XL1200X, XL883C, XL883L, XL883N, XL883R
16	37495-91	NUT, main shaft	XL1200C, XL1200L, XL1200N, XL1200X, XL883C, XL883L, XL883N, XL883R
17	37870-91	SPRING WASHER	XL1200C, XL1200L, XL1200N, XL1200X, XL883C, XL883L, XL883N, XL883R
18	37872-90	SEAT, spring-inner	XL1200C, XL1200L, XL1200N, XL1200X, XL883C, XL883L, XL883N, XL883R
19	37904-90	RETAINING RING	XL1200C, XL1200L, XL1200N, XL1200X, XL883C, XL883L, XL883N, XL883R
20	37905-90	RETAINING RING	XL1200C, XL1200L, XL1200N, XL1200X, XL883C, XL883L, XL883N, XL883R
21	37908-90	RETAINING RING	XL1200C, XL1200L, XL1200N, XL1200X, XL883C, XL883L, XL883N, XL883R
22	37909-90	RETAINING RING	XL1200C, XL1200L, XL1200N, XL1200X, XL883C, XL883L, XL883N, XL883R

23	37910-04B	SPRING, clutch plate	XL883C, XL883L, XL883N, XL883R
	37924-04A	SPRING, clutch plate	XL1200C, XL1200L, XL1200N, XL1200X
24	37911-90	FRICTION PLATE (paper) (8)	XL1200C, XL1200L, XL1200N, XL1200X, XL883C, XL883L, XL883N, XL883R
25	37912-91	PRESSURE PLATE	XL1200C, XL1200L, XL1200N, XL1200X, XL883C, XL883L, XL883N, XL883R
26	37913-90	STEEL PLATE (6)	XL1200C, XL1200L, XL1200N, XL1200X, XL883C, XL883L, XL883N, XL883R
27	37977-90	SPRING PLATE	XL1200C, XL1200L, XL1200N, XL1200X, XL883C, XL883L, XL883N, XL883R

## CLUTCH - XR1200/X



## CLUTCH - XR1200/X



[View interactive image](#)

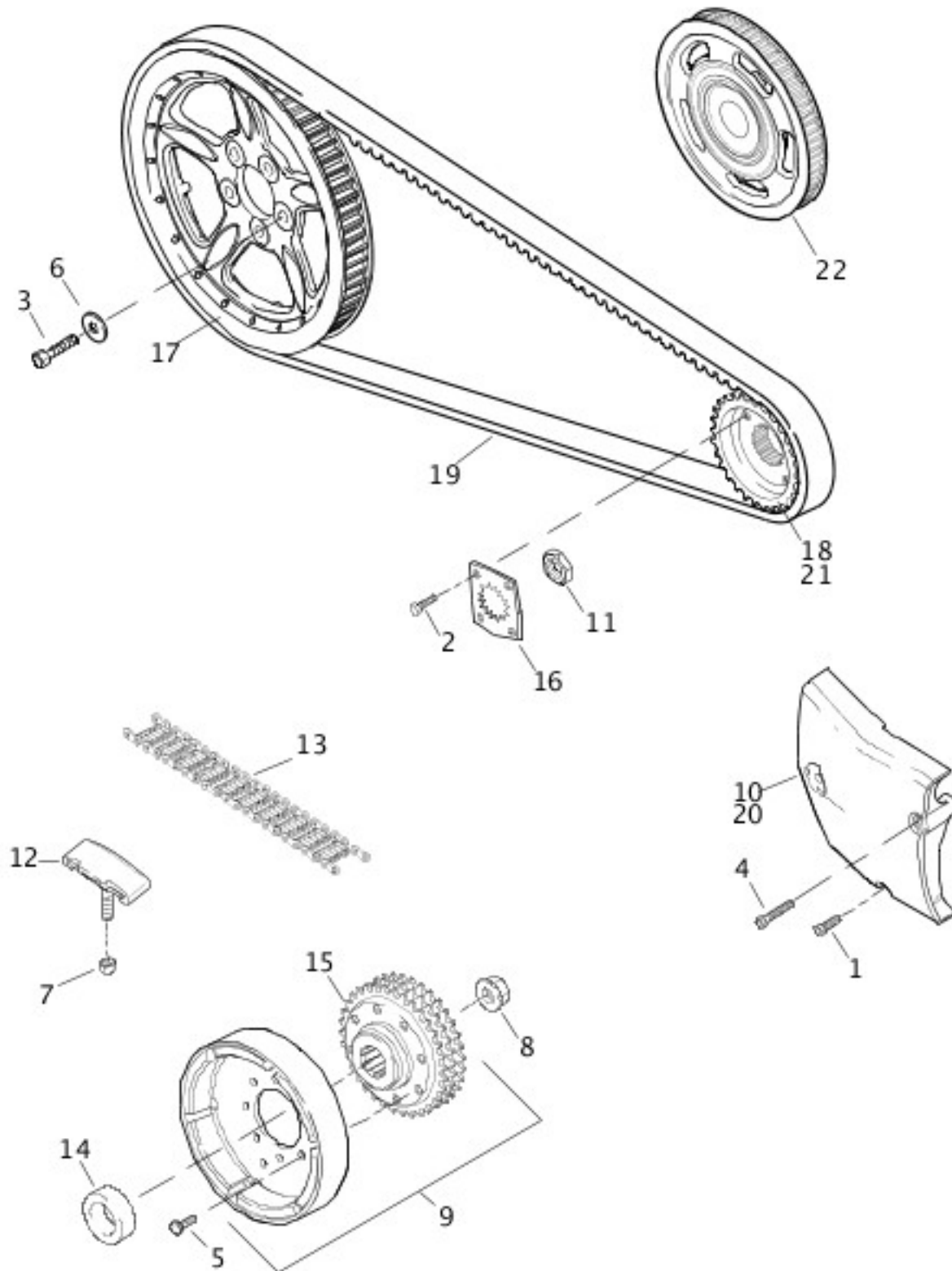
[View interactive table](#)

INDEX NO.	PART NO.	DESCRIPTION	MODEL(S)
1	8873	BALL (3)	XR1200, XR1200X
2	8885	BEARING	XR1200, XR1200X
3	9214	BEARING	XR1200, XR1200X

4	11046	RETAINING RING	XR1200, XR1200X
5	11250	RETAINING RING	XR1200, XR1200X
6	11730A	WELL NUT	XR1200, XR1200X
7	11765Y	ADJUSTMENT SCREW	XR1200, XR1200X
8	25409-94B	RAMP, outer	XR1200, XR1200X
9	25453-87A	RAMP, inner	XR1200, XR1200X
10	34920-86A	COUPLING, clutch cable	XR1200, XR1200X
11	36715-94	SPRING, clutch adjustment	XR1200, XR1200X
12	36731-91	RELEASE PLATE, w/ 8885	XR1200, XR1200X
13	36802-84B	LOCKPLATE, well type	XR1200, XR1200X
14	37495-91	NUT, main shaft	XR1200, XR1200X
15	37870-91	SPRING WASHER	XR1200, XR1200X
16	37872-90	SEAT, spring-inner	XR1200, XR1200X
17	37890-02	THRUST WASHER, inner	XR1200, XR1200X
18	37891-02	THRUST WASHER, outer	XR1200, XR1200X
19	37892-02	INNER RACE, needle bearing	XR1200, XR1200X
20	37894-02	SPRING, clutch	XR1200, XR1200X
21	37895-02	SEAT, damper spring	XR1200, XR1200X
22	37896-02	PRESSURE PLATE	XR1200, XR1200X
23	37897-02	FRICITION PLATE, narrow	XR1200, XR1200X
24	37898-02A	CLUTCH HUB	XR1200, XR1200X
25	37899-02A	CLUTCH SHELL & SPROCKET, w/ 9214	XR1200, XR1200X
26	37908-90	RETAINING RING	XR1200, XR1200X
27	37909-90	RETAINING RING	XR1200, XR1200X
28	37911-90	FRICITION PLATE (paper) (7)	XR1200, XR1200X
29	37913-90	STEEL PLATE (7)	XR1200, XR1200X
30	37934-06	SPRING, clutch	XR1200, XR1200X

## BELTS & SPROCKETS - 883C/L/N/R, 1200C/L/N/X

## BELTS & SPROCKETS - 883C/L/N/R, 1200C/L/N/



[View interactive image](#)

[View interactive table](#)

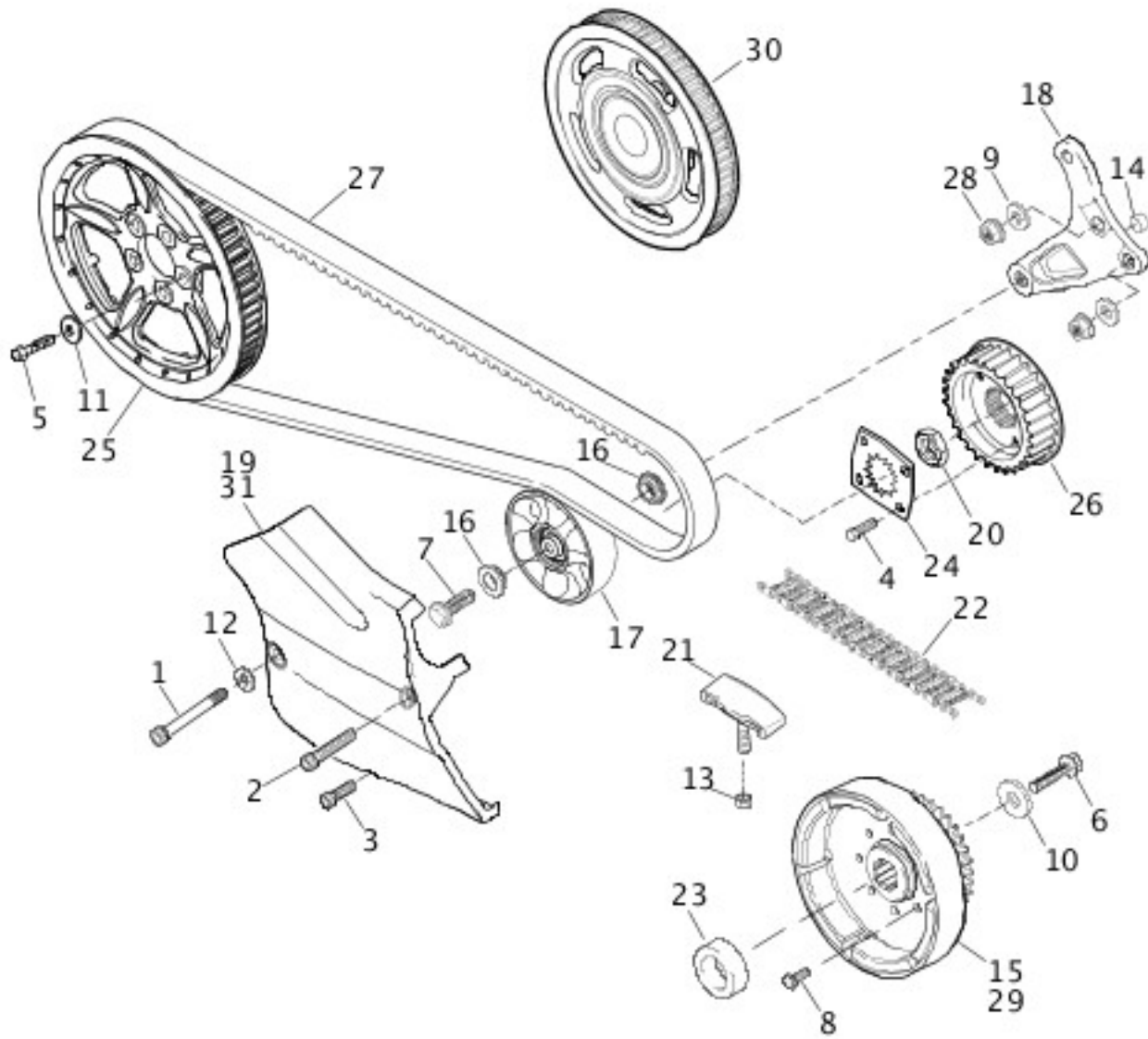
INDEX NO.	PART NO.	DESCRIPTION	MODEL(S)
1	3480A	SCREW	XL1200C, XL1200L, XL1200N, XL1200X, XL883C, XL883L, XL883N, XL883R
2	3594	SCREW (2)	XL1200C, XL1200L, XL1200N, XL1200X, XL883C, XL883L, XL883N, XL883R

3	3899	SCREW (for Japan see REAR WHEEL - LACED & PROFILE LACED) (5)	XL1200C, XL1200L, XL1200N, XL883C, XL883L, XL883N, XL883R
4	4717A	SCREW	XL1200C, XL1200L, XL1200N, XL1200X, XL883C, XL883L, XL883N, XL883R
5	4751	SCREW	XL1200C, XL1200L, XL1200N, XL1200X, XL883C, XL883L, XL883N, XL883R
6	6516HW	WASHER (for Japan see REAR WHEEL - LACED & PROFILE LACED) (5)	XL1200C, XL1200L, XL1200N, XL883C, XL883L, XL883N, XL883R
7	7804	LOCKNUT	XL1200C, XL1200L, XL1200N, XL1200X, XL883C, XL883L, XL883N, XL883R
8	7839	NUT, engine sprocket	XL1200C, XL1200L, XL1200N, XL1200X, XL883C, XL883L, XL883N, XL883R
9	32493-02B	ROTOR SPROCKET ASSEMBLY, w/ 4751 & 40241-02A	XL883C, XL883L, XL883N, XL883R
	32494-04B	ROTOR SPROCKET ASSEMBLY, w/ 4751 & 40290-04A	XL1200C, XL1200L, XL1200N, XL1200X
10	34911-04	SPROCKET COVER	XL883L
	34932-04	SPROCKET COVER	XL1200C, XL1200L
	34943-05	SPROCKET COVER	XL1200X, XL883N, XL883R
	34954-07	SPROCKET COVER (gray)	XL1200N
11	35211-91B	NUT, transmission sprocket	XL1200C, XL1200L, XL1200N, XL1200X, XL883C, XL883L, XL883N, XL883R
12	40039-02C	CHAIN ADJUSTER ASSEMBLY	XL1200C, XL1200L, XL1200N, XL1200X, XL883C, XL883L, XL883N, XL883R
13	40005-57B	PRIMARY CHAIN, 94 links	XL883C, XL883L, XL883N, XL883R
	40147-04	PRIMARY CHAIN, 96 links	XL1200C, XL1200L, XL1200N, XL1200X
14	40254-02	SPACER, sprocket	XL1200C, XL1200L, XL1200N, XL1200X, XL883C, XL883L, XL883N, XL883R
15	40241-02A	SPROCKET, triple row - 34T	XL883C, XL883L, XL883N, XL883R
	40290-04A	SPROCKET, triple row - 38T	XL1200C, XL1200L, XL1200N, XL1200X
16	40251-92A	RETENTION PLATE	XL1200C, XL1200L, XL1200N, XL1200X, XL883C, XL883L, XL883N, XL883R

17	40350-07	SPROCKET, belt - 68T (black)	XL1200C, XL1200L, XL883R
	40352-07	SPROCKET, belt - 68T (silver)	XL883C, XL883L
	40353-08	SPROCKET, belt - 68T (black)	XL883N
	40444-07	SPROCKET, belt - 68T (black)	XL1200N, XL1200X
18	40379-04	SPROCKET, transmission - 28T (World)	XL883C, XL883L, XL883N, XL883R
	40409-04	SPROCKET, transmission - 29T (50 State)	XL1200C, XL1200L, XL1200N, XL1200X
19	40371-07	BELT, 136T	XL883C, XL883L, XL883N, XL883R
	40591-07	BELT, 137T	XL1200C, XL1200L, XL1200N, XL1200X
<b>INTERNATIONAL MODELS ONLY</b>			
20	34938-04	SPROCKET COVER	XL883C
21	40380-04	SPROCKET, transmission - 30T (HDI)	XL1200C, XL1200L, XL1200N, XL1200X
22	37799-09	SPROCKET ASSEMBLY, final drive, w/ bearing - 68T (black) (Japan)	XL883N
	40518-08	SPROCKET ASSEMBLY, final drive, w/ bearing - 68T (black) (Japan)	XL1200C, XL1200L, XL1200N, XL883R
	40544-08	SPROCKET ASSEMBLY, final drive, w/ bearing - 68T (silver) (Japan)	XL883C, XL883L

## **BELTS & SPROCKETS - XR1200/X**

## BELTS & SPROCKETS - XR1200/X



[View interactive image](#)

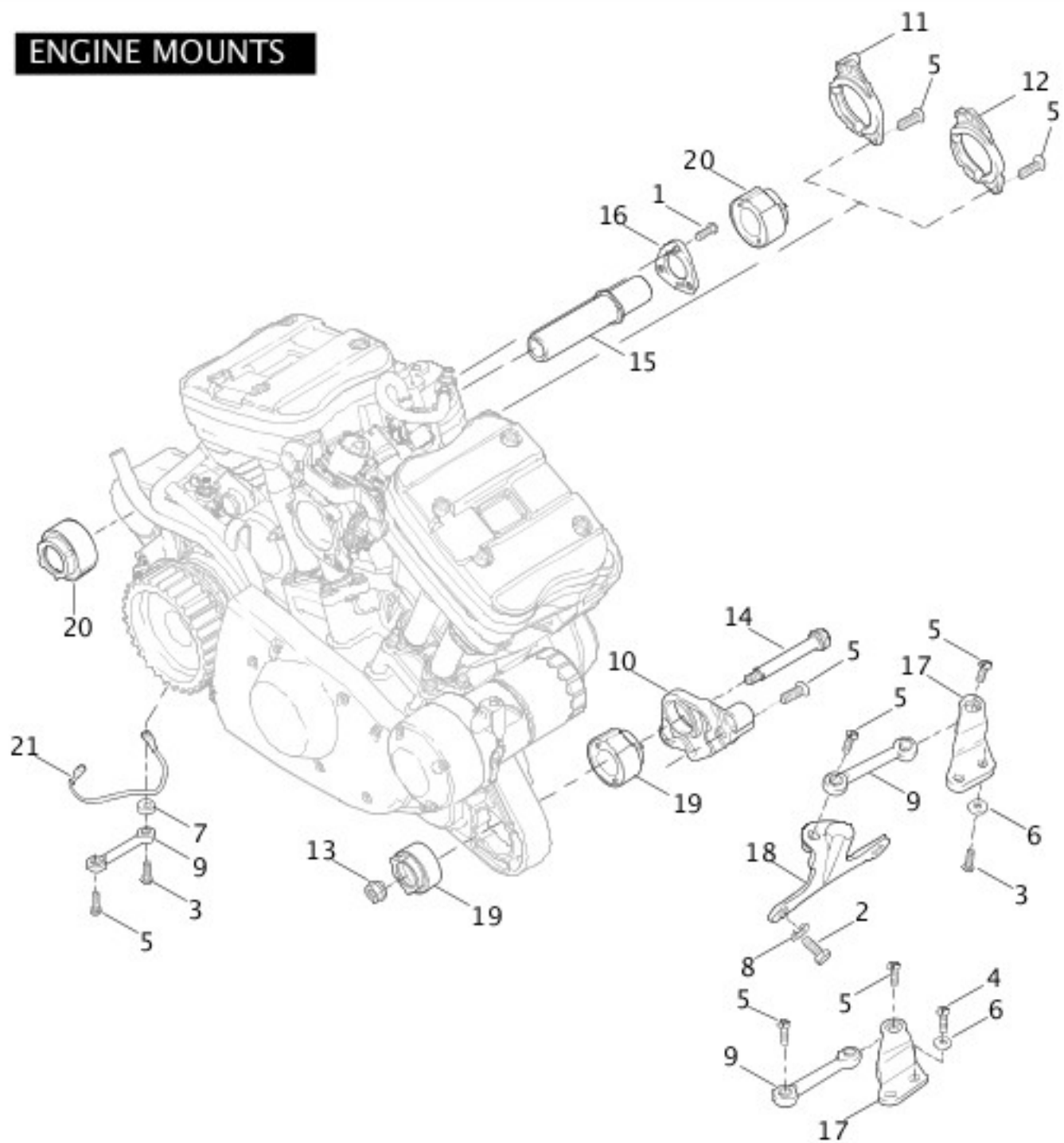
[View interactive table](#)

INDEX NO.	PART NO.	DESCRIPTION	MODEL(S)
1	675	SCREW	XR1200, XR1200X
2	1753	SCREW (2)	XR1200, XR1200X
3	3480A	SCREW	XR1200, XR1200X
4	3594	SCREW (2)	XR1200, XR1200X
5	3899	SCREW (5)	XR1200, XR1200X
6	4589	SCREW	XR1200, XR1200X
7	4678	SCREW	XR1200, XR1200X
8	4751	SCREW (8)	XR1200, XR1200X
9	6400HB	WASHER (2)	XR1200, XR1200X

10	6445	WASHER	XR1200, XR1200X
11	6516HW	WASHER (5)	XR1200, XR1200X
12	6701	WASHER	XR1200, XR1200X
13	7804	LOCKNUT	XR1200, XR1200X
14	9704	DOWEL PIN, idler locating	XR1200, XR1200X
15	30018-08	ROTOR SPROCKET ASSEMBLY, w/ 4751 & sprocket	XR1200, XR1200X
16	31630-08	BUSHING, idler (2)	XR1200, XR1200X
17	31698-08	IDLER	XR1200, XR1200X
18	31699-08	BRACKET ASSEMBLY, idler, w/ 9704	XR1200, XR1200X
	31602-08	IDLER WHEEL KIT, w/ 7, 9, 14, 16, 17, 18, & 28	XR1200, XR1200X
19	34941-08	SPROCKET COVER, silver	XR1200
20	35211-91B	NUT, transmission sprocket	XR1200, XR1200X
21	40039-02C	CHAIN ADJUSTER ASSEMBLY	XR1200, XR1200X
22	40057-08	PRIMARY CHAIN, 94 links	XR1200, XR1200X
	40147-04	PRIMARY CHAIN, 96 links (Japan, Brazil)	XR1200, XR1200X
23	40254-02	SPACER, sprocket	XR1200, XR1200X
24	40251-92A	RETENTION PLATE	XR1200, XR1200X
25	40353-08	SPROCKET, belt - 68T (black)	XR1200, XR1200X
26	40379-04	SPROCKET, transmission - 28T	XR1200, XR1200X
27	40591-07	BELT, 137T	XR1200, XR1200X
28	DA0600.12FAZB	LOCKNUT (2)	XR1200, XR1200X
<b>INTERNATIONAL MODELS ONLY</b>			
29	30029-08	ROTOR SPROCKET ASSEMBLY, w/ 4751 & sprocket (Japan, Brazil)	XR1200, XR1200X
30	37799-09	SPROCKET ASSEMBLY, 68T (Japan)	XR1200
	40518-08	SPROCKET ASSEMBLY, 68T (Japan)	XR1200X
31	37716-10	SPROCKET COVER, black	XR1200X

## ENGINE MOUNTS

## ENGINE MOUNTS



[View interactive image](#)

[View interactive table](#)

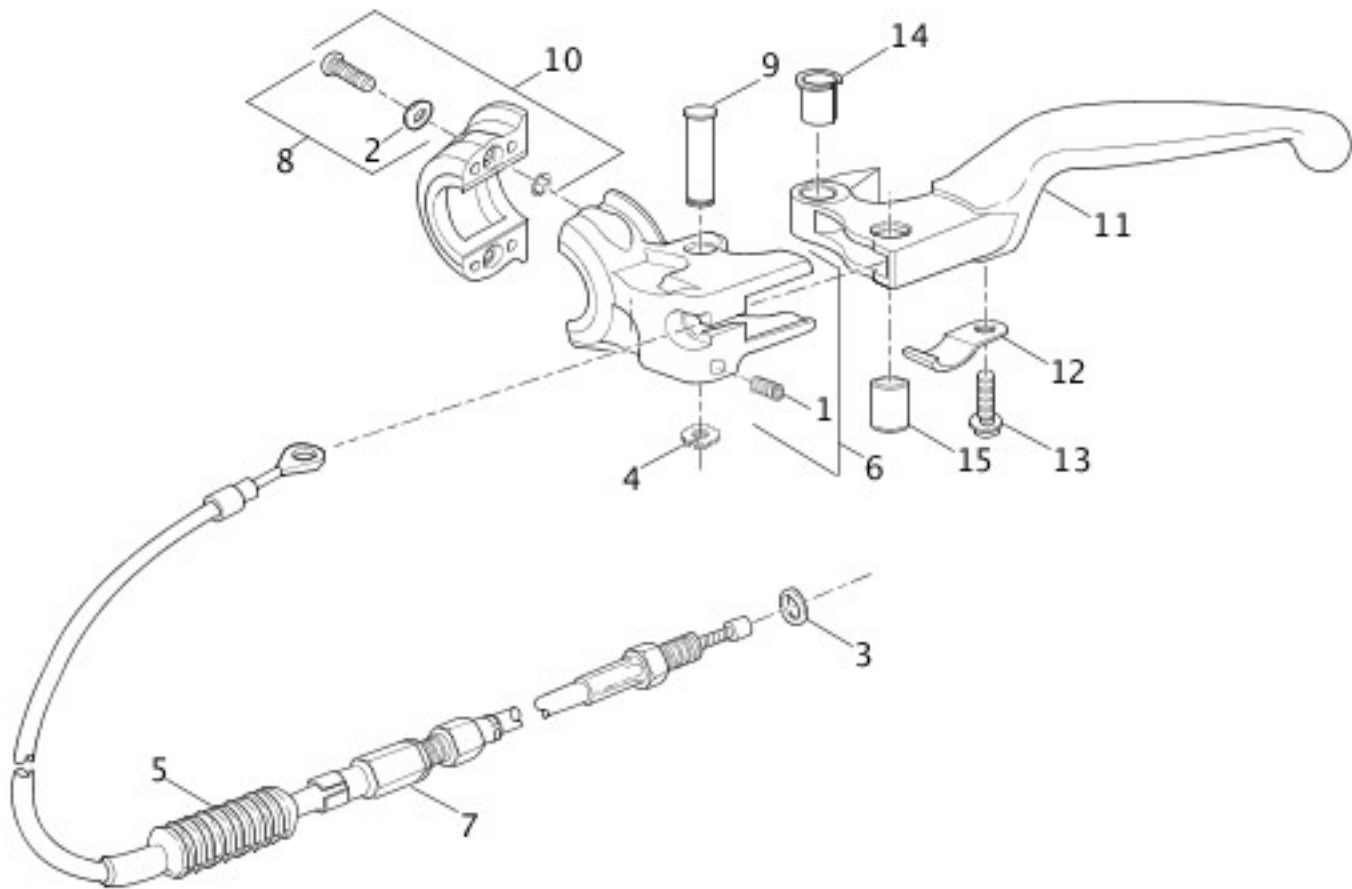
INDEX NO.	PART NO.	DESCRIPTION	MODEL(S)
1	940	SCREW (3)	ALL
2	3854	SCREW (2)	ALL
3	4180	SCREW (3)	ALL
4	4188	SCREW (2)	ALL
5	4290	SCREW (9)	ALL
6	6026	WASHER, flat (4)	ALL



7	6152	SPACER	ALL
8	7039	LOCKWASHER (2)	ALL
9	16232-04B	TIE-LINK (3)	ALL
10	16287-04	MOUNT, front isolator	ALL
11	16291-04	MOUNT, rear isolator	XL1200C, XL1200L, XL1200N, XL883C, XL883L, XL883N, XL883R
12	16301-08	MOUNT, rear isolator	XR1200, XR1200X
13	41561-04	NUT, lower front motor mount	ALL
14	41562-04	BOLT, lower front motor mount	ALL
15	41568-04	SHAFT, swing arm pivot	ALL
16	41699-04	LOCKPLATE, rear pivot	ALL
17	47470-04	BRACKET, tie-link (2)	ALL
18	47471-04A	BRACKET, tie-link mounting, engine	ALL
19	48463-04A	ISOLATOR, front mount (2)	ALL
20	48492-04A	ISOLATOR, rear mount (2)	ALL
21	70297-04A	STRAP, grounding	ALL

## CLUTCH CONTROL

## CLUTCH CONTROL



[View interactive image](#)

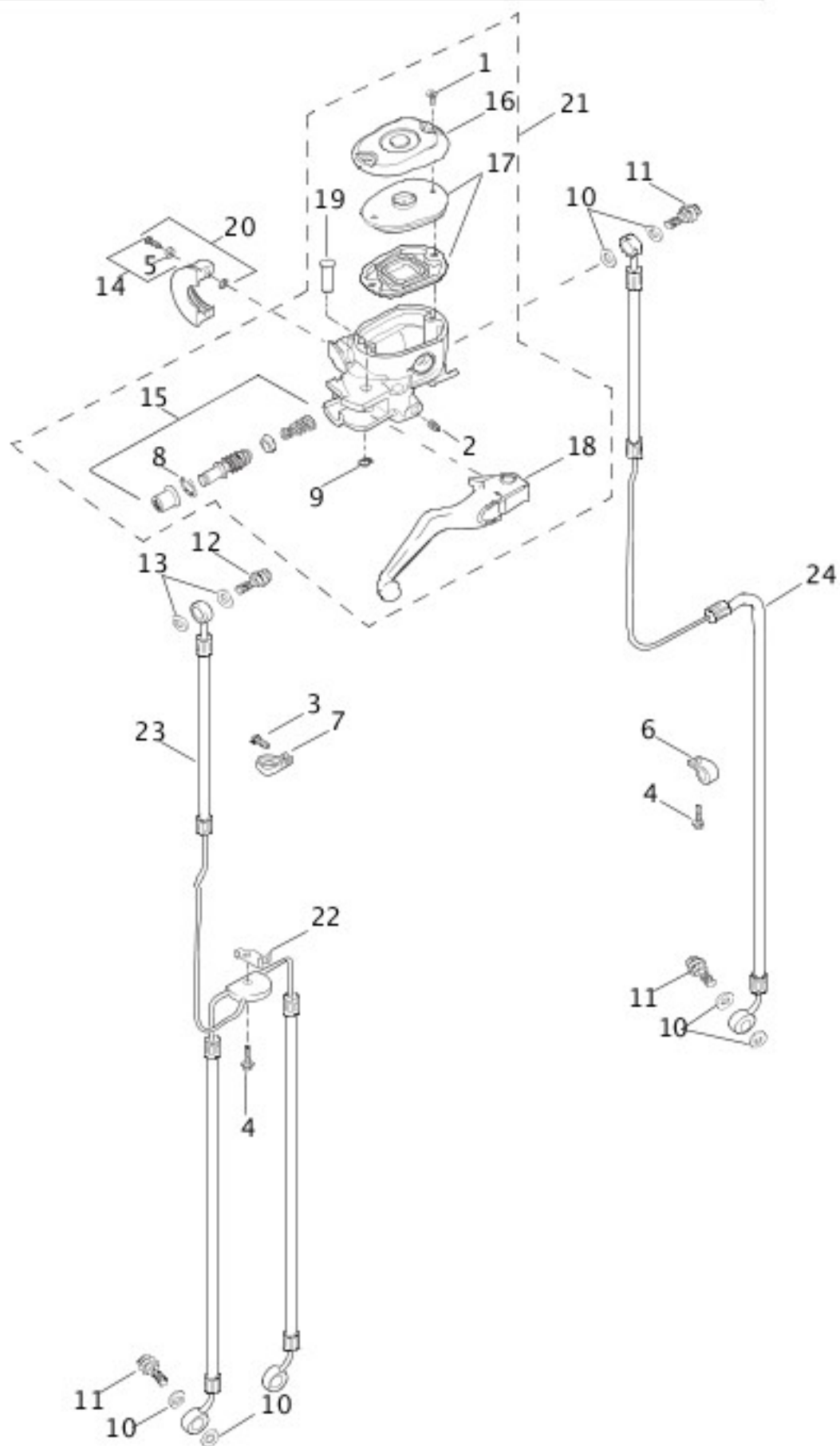
[View interactive table](#)

INDEX NO.	PART NO.	DESCRIPTION	MODEL(S)
1	3244	SCREW, set	ALL
2	6101	WASHER (2)	ALL
3	11179	O-RING	ALL
4	11379	RETAINING RING	ALL
5	38630-88	BOOT, clutch cable	ALL
6	38671-04	BRACKET, clutch lever	ALL
7	38699-04D	CABLE ASSEMBLY, w/ 11179, 11379, 38630-88, & 46268-04	XL1200C, XL1200X, XL883C, XL883N, XL883R
	38702-05C	CABLE ASSEMBLY, w/ 11179, 11379, 38630-88, & 46268-04	XL1200L, XL1200N, XL883L
	38786-08A	CABLE ASSEMBLY, w/ 11179, 11379, 38630-88, & 46268-04	XR1200, XR1200X

8	42425-05	KIT, w/ 6101 (2) & screw (2)	ALL
9	42807-04	BOLT	ALL
10	42808-04	CLAMP, clutch control w/ 6101	ALL
11	45356-07	HAND LEVER, w/ 45799-04, 45800-04, & 45801-04	XL1200C, XL1200L, XL883C, XL883L, XL883R
	46945-07A	HAND LEVER, w/ 45799-04, 45800-04, & 45801-04	XL1200N, XL1200X, XL883N, XR1200, XR1200X
12	45799-04	SPRING, anti-rattle	ALL
13	45800-04	SCREW, spring - clutch lever	ALL
14	45801-04	BUSHING	ALL
15	46268-04	PIN, clutch cable	ALL

**FRONT BRAKE CONTROL - 883C/L/N/R, 1200C/L/N/X**

# FRONT BRAKE CONTROL- 883C/L/N/R, 1200C/L/N,



[View interactive image](#)

[View interactive table](#)

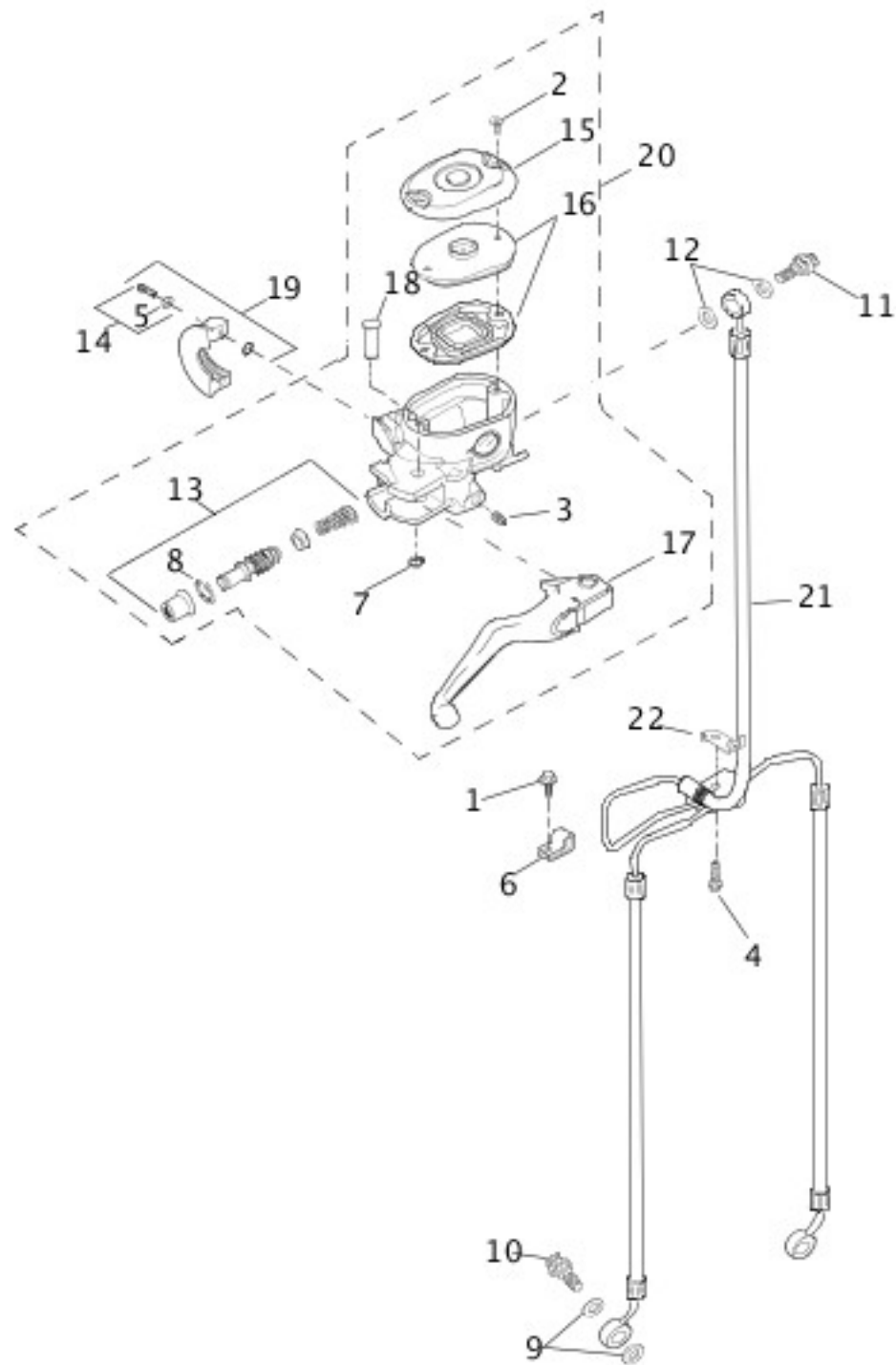
INDEX NO.	PART NO.	DESCRIPTION	MODEL(S)
1	2586A	SCREW, flat (2)	XL1200C, XL1200L, XL1200N, XL1200X, XL883C, XL883L, XL883N, XL883R

2	3244	SCREW, w/ thread lock	XL1200C, XL1200L, XL1200N, XL1200X, XL883C, XL883L, XL883N, XL883R
3	4240	SCREW	XL1200C, XL1200L, XL1200N, XL1200X, XL883C, XL883L, XL883N, XL883R
4	4741A	SCREW	XL1200C, XL1200L, XL1200N, XL1200X, XL883C, XL883L, XL883N, XL883R
5	6101	WASHER (2)	XL1200C, XL1200L, XL1200N, XL1200X, XL883C, XL883L, XL883N, XL883R
6	10053	CLAMP	XL1200C, XL1200L, XL1200N, XL1200X, XL883C, XL883L, XL883N
7	10031	CLAMP	XL1200C, XL1200L, XL1200N, XL1200X, XL883C, XL883L, XL883N, XL883R
8	11142	RETAINING RING	XL1200C, XL1200L, XL1200N, XL1200X, XL883C, XL883L, XL883N, XL883R
9	11379	RETAINING RING, lever pivot	XL1200C, XL1200L, XL1200N, XL1200X, XL883C, XL883L, XL883N, XL883R
10	41732-04	SEALING WASHER, 10mm (4)	XL1200C, XL1200L, XL1200N, XL1200X, XL883C, XL883L, XL883N, XL883R
11	41736-04	BANJO BOLT, 10mm (2)	XL1200C, XL1200L, XL1200N, XL1200X, XL883C, XL883L, XL883N, XL883R
12	41737-04	BANJO BOLT, 12mm	XL883R
13	41743-04	SEALING WASHER, 12mm (2)	XL883R
14	42425-05	KIT, w/ 6101 (2) & screw (2)	XL1200C, XL1200L, XL1200N, XL1200X, XL883C, XL883L, XL883N, XL883R
15	42803-07A	REBUILD KIT, front master cylinder, single, w/ 8, 9, 10	XL1200C, XL1200L, XL1200N, XL1200X, XL883C, XL883L, XL883N
	42809-07A	REBUILD KIT, front master cylinder, dual, w/ 8, 9, 13	XL883R
16	42804-07	CAP, front master cylinder, w/ decal	XL1200C, XL1200L, XL1200N, XL1200X, XL883C, XL883L, XL883N, XL883R
17	42805-04	GASKET KIT, master cylinder	XL1200C, XL1200L, XL1200N, XL1200X, XL883C, XL883L, XL883N, XL883R
18	42806-04	LEVER, front brake	XL1200C, XL1200L, XL883C, XL883L, XL883R
	46946-06A	LEVER, front brake (black)	XL1200N, XL1200X, XL883N
19	42807-04	BOLT, lever	XL1200C, XL1200L, XL1200N, XL1200X, XL883C, XL883L, XL883N, XL883R

20	42808-04	CLAMP, master cylinder	XL1200C, XL1200L, XL1200N, XL1200X, XL883C, XL883L, XL883N, XL883R
21	45052-07A	MASTER CYLINDER ASSEMBLY, dual, front	XL883R
	45146-07	MASTER CYLINDER ASSEMBLY, single, front	XL1200C, XL1200L, XL883C, XL883L
	42745-07	MASTER CYLINDER ASSEMBLY, single, front (black)	XL1200N, XL1200X, XL883N
22	45074-95	GUIDE, front brakeline	XL883R
23	45319-04D	BRAKELINE, front, dual	XL883R
24	45449-04C	BRAKELINE, front, single	XL1200C, XL1200N, XL883C
	46400-04C	BRAKELINE, front, single	XL883N
	46411-05E	BRAKELINE, front, single	XL1200L, XL883L
	46417-10A	BRAKELINE, front, single	XL1200X

## FRONT BRAKE CONTROL - XR1200/X

## FRONT BRAKE CONTROL - XR1200/X



[View interactive image](#)

[View interactive table](#)

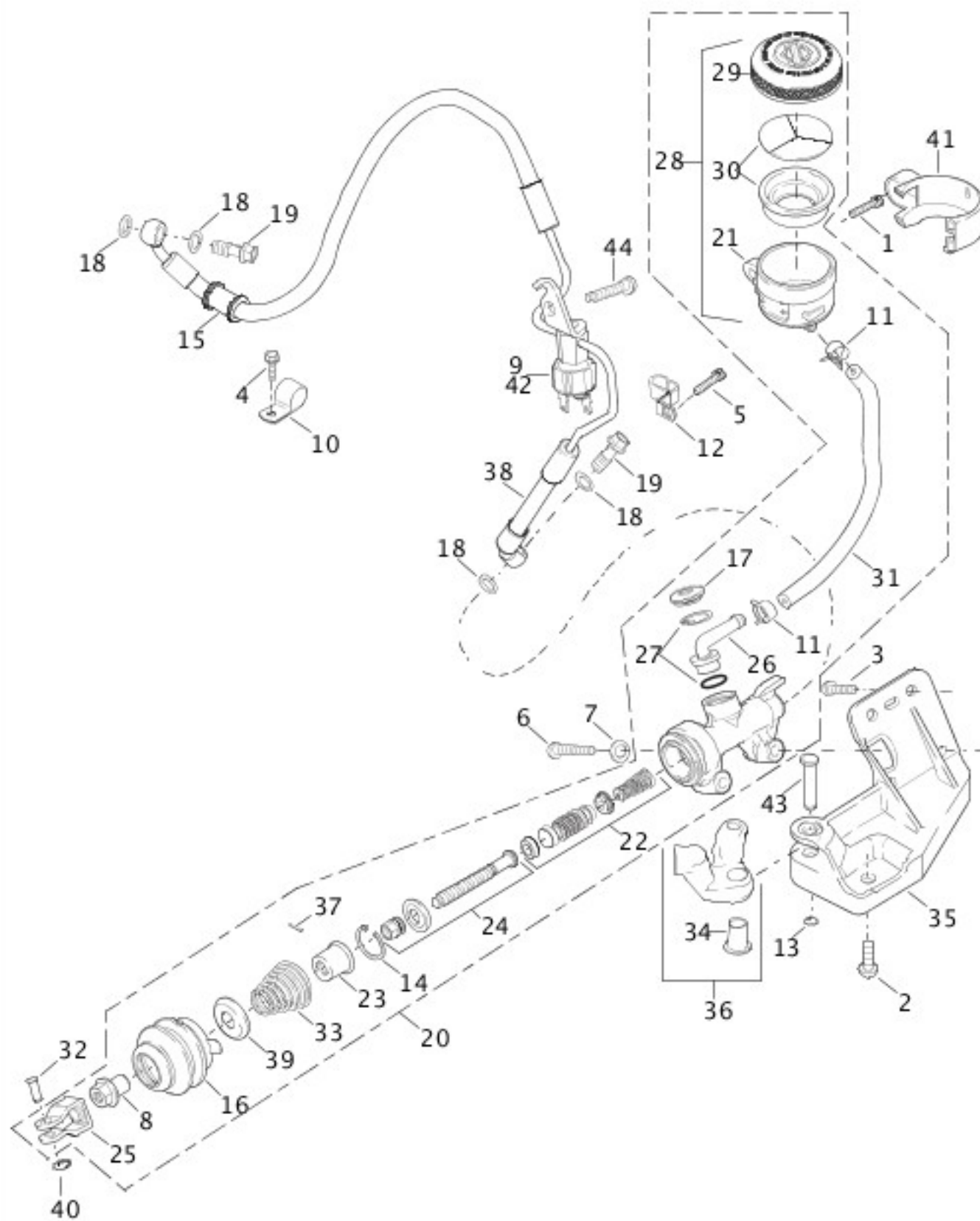
INDEX NO.	PART NO.	DESCRIPTION	MODEL(S)
1	4240	SCREW, hex head	XR1200, XR1200X
2	2586A	SCREW	XR1200, XR1200X
3	3244	SCREW	XR1200, XR1200X
4	4741A	SCREW	XR1200, XR1200X
5	6101	WASHER (2)	XR1200, XR1200X
6	10031	CLAMP	XR1200, XR1200X

7	11379	RETAINING RING, lever pivot	XR1200, XR1200X
8	11142	RETAINING RING	XR1200, XR1200X
9	41732-04	SEALING WASHER, 10mm (4)	XR1200, XR1200X
10	41736-04	BANJO BOLT, 10mm (2)	XR1200, XR1200X
11	41737-04	BANJO BOLT, 12mm	XR1200, XR1200X
12	41743-04	SEALING WASHER, 12mm (2)	XR1200, XR1200X
13	42736-08	REBUILD KIT, front master cylinder, dual, w/ 6, 7, 8	XR1200, XR1200X
14	42425-05	KIT, w/ 6101 (2) & screw (2)	XR1200, XR1200X
15	42804-07	CAP, front master cylinder, w/ decal	XR1200, XR1200X
16	42805-04	GASKET KIT, master cylinder	XR1200, XR1200X
17	46946-06A	LEVER, front brake (black)	XR1200, XR1200X
18	42807-04	BOLT, lever	XR1200, XR1200X
19	42808-04	CLAMP, master cylinder	XR1200, XR1200X
20	42941-10	MASTER CYLINDER ASSEMBLY, dual, front	XR1200, XR1200X
21	42942-08B	BRAKELINE, front, dual	XR1200, XR1200X
22	45074-95	GUIDE, front brakeline	XR1200, XR1200X

## REAR BRAKE MASTER CYLINDER - 883C/L/N/R, 1200C/L/N/X



## REAR BRAKE MASTER CYLINDER - 883C/L/N/R, 1200C/L/N/X



[View interactive image](#)

[View interactive table](#)

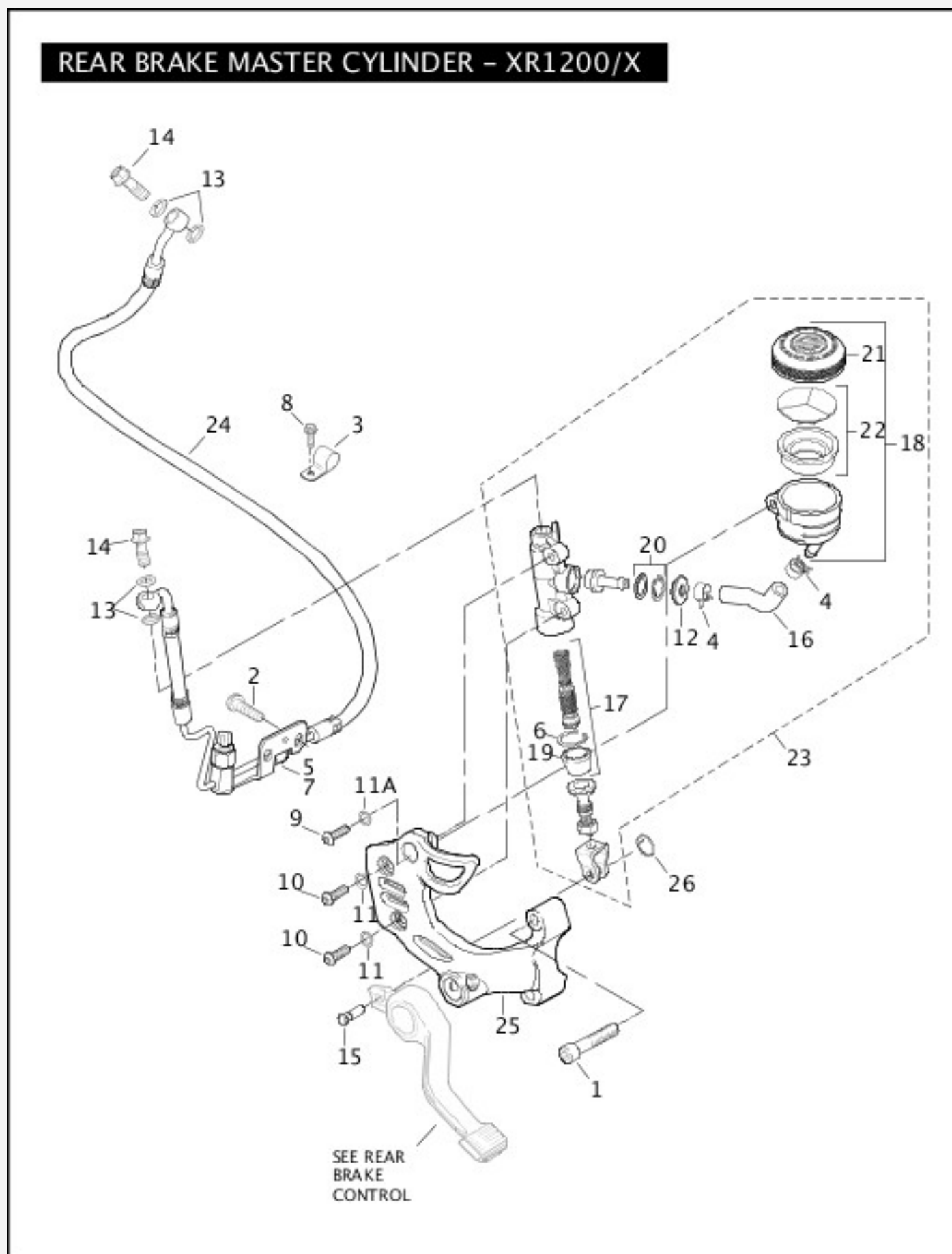
INDEX NO.	PART NO.	DESCRIPTION	MODEL(S)
1	882	SCREW	XL1200C, XL1200L, XL1200N, XL1200X, XL883C, XL883L, XL883N, XL883R
2	995	SCREW	XL1200C, XL1200L, XL1200N, XL1200X, XL883C, XL883L, XL883N, XL883R

3	997	SCREW, hex socket, button head (2)	XL1200C, XL1200L, XL1200N, XL1200X, XL883C, XL883L, XL883N, XL883R
4	2501A	SCREW (2)	XL1200C, XL1200L, XL1200N, XL1200X, XL883C, XL883L, XL883N, XL883R
5	4076	SCREW	XL1200X, XL883L, XL883N
6	4816A	SCREW (2)	XL1200C, XL1200L, XL1200N, XL1200X, XL883C, XL883L, XL883N, XL883R
7	6702	WASHER (2)	XL1200C, XL1200L, XL1200N, XL1200X, XL883C, XL883L, XL883N, XL883R
8	7477	NUT, hex, 8mm	XL1200C, XL1200L, XL1200N, XL1200X, XL883C, XL883L, XL883N, XL883R
9	9907	TERMINAL, wire	XL1200C, XL1200L, XL1200N, XL1200X, XL883C, XL883L, XL883N, XL883R
10	10031	CLAMP (2)	XL1200C, XL1200L, XL1200N, XL1200X, XL883C, XL883L, XL883N, XL883R
11	10252	CLAMP, reservoir (2)	XL1200C, XL1200L, XL1200N, XL1200X, XL883C, XL883L, XL883N, XL883R
12	10255	CLAMP, double tube	XL1200C, XL1200L, XL1200N, XL1200X, XL883C, XL883L, XL883N, XL883R
13	11031	RETAINING RING	XL1200C, XL1200L, XL1200N, XL1200X, XL883C, XL883L, XL883N, XL883R
14	11121	RETAINING RING	XL1200C, XL1200L, XL1200N, XL1200X, XL883C, XL883L, XL883N, XL883R
15	11407	GROMMET, external	XL1200C, XL1200L, XL1200N, XL1200X, XL883C, XL883L, XL883N, XL883R
16	40946-04	BOOT, external	XL1200C, XL1200L, XL1200N, XL1200X, XL883C, XL883L, XL883N, XL883R
17	40948-04	DUSTCOVER	XL1200C, XL1200L, XL1200N, XL1200X, XL883C, XL883L, XL883N, XL883R
18	41732-04	SEALING WASHER, 10mm (4)	XL1200C, XL1200L, XL1200N, XL1200X, XL883C, XL883L, XL883N, XL883R
19	41736-04	BANJO BOLT, 10mm (2)	XL1200C, XL1200L, XL1200N, XL1200X, XL883C, XL883L, XL883N, XL883R
20	42521-07	MASTER CYLINDER AND RESERVOIR ASSEMBLY, rear	XL1200C, XL1200L, XL1200N, XL1200X, XL883C, XL883L, XL883N, XL883R
21	42595-04	TANK, rear brake reservoir	XL1200C, XL1200L, XL1200N, XL1200X, XL883C, XL883L, XL883N, XL883R
22	42810-07A	REBUILD KIT, master cylinder, w/ 11121, 41732-04, 42811-04, & 44189-04	XL1200C, XL1200L, XL1200N, XL1200X, XL883C, XL883L, XL883N, XL883R

23	42811-04	BOOT, master cylinder, rear	XL1200C, XL1200L, XL1200N, XL1200X, XL883C, XL883L, XL883N, XL883R
24	42812-04	PUSH ROD ASSEMBLY	XL1200C, XL1200L, XL1200N, XL1200X, XL883C, XL883L, XL883N, XL883R
25	42813-04	YOKE, master cylinder	XL1200C, XL1200L, XL1200N, XL1200X, XL883C, XL883L, XL883N, XL883R
26	42814-04	PORT, rear master cylinder	XL1200C, XL1200L, XL1200N, XL1200X, XL883C, XL883L, XL883N, XL883R
27	42815-04	SEAL KIT, port, w/ retaining ring & o-ring	XL1200C, XL1200L, XL1200N, XL1200X, XL883C, XL883L, XL883N, XL883R
28	42816-07	RESERVOIR ASSEMBLY, brake, w/ 42595-04, 42817-07, & 42845-07	XL1200C, XL1200L, XL1200N, XL1200X, XL883C, XL883L, XL883N, XL883R
29	42817-07	CAP, rear brake reservoir	XL1200C, XL1200L, XL1200N, XL1200X, XL883C, XL883L, XL883N, XL883R
30	42845-07	GASKET KIT, rear brake reservoir	XL1200C, XL1200L, XL1200N, XL1200X, XL883C, XL883L, XL883N, XL883R
31	42821-04	HOSE	XL1200C, XL1200L, XL1200N, XL1200X, XL883C, XL883L, XL883N, XL883R
32	42460-80B	PIN, brake lever	XL1200C, XL1200L, XL1200N, XL1200X, XL883C, XL883L, XL883N, XL883R
33	42593-04	SPRING, external return	XL1200C, XL1200L, XL1200N, XL1200X, XL883C, XL883L, XL883N, XL883R
34	42846-04	BUSHING, bell crank	XL1200C, XL1200L, XL1200N, XL1200X, XL883C, XL883L, XL883N, XL883R
35	42976-04	BRACKET, mounting, rear master cylinder	XL1200C, XL1200L, XL1200N, XL1200X, XL883C, XL883L, XL883N, XL883R
36	42979-04	BELL CRANK ASSEMBLY, w/ 42846-04	XL1200C, XL1200L, XL1200N, XL1200X, XL883C, XL883L, XL883N, XL883R
37	44189-04	SPRING PIN	XL1200C, XL1200L, XL1200N, XL1200X, XL883C, XL883L, XL883N, XL883R
38	44429-06B	BRAKELINE ASSEMBLY, w/ 11407	XL1200C, XL1200L, XL1200N, XL1200X, XL883C, XL883L, XL883N, XL883R
39	44590-04	RETAINER, spring	XL1200C, XL1200L, XL1200N, XL1200X, XL883C, XL883L, XL883N, XL883R
40	51938-04	COTTER CIRCLE	XL1200C, XL1200L, XL1200N, XL1200X, XL883C, XL883L, XL883N, XL883R
41	67804-04	COVER, reservoir	XL1200C, XL1200L, XL1200N, XL1200X, XL883C, XL883L, XL883N, XL883R
42	72023-51E	BRAKE LIGHT SWITCH, w/ 9907	XL1200C, XL1200L, XL1200N, XL1200X, XL883C, XL883L, XL883N, XL883R

43	94432-04	SHOULDER BOLT, bell crank	XL1200C, XL1200L, XL1200N, XL1200X, XL883C, XL883L, XL883N, XL883R
44	94612-04	SCREW, dog point	XL1200C, XL1200L, XL1200N, XL1200X, XL883C, XL883L, XL883N, XL883R

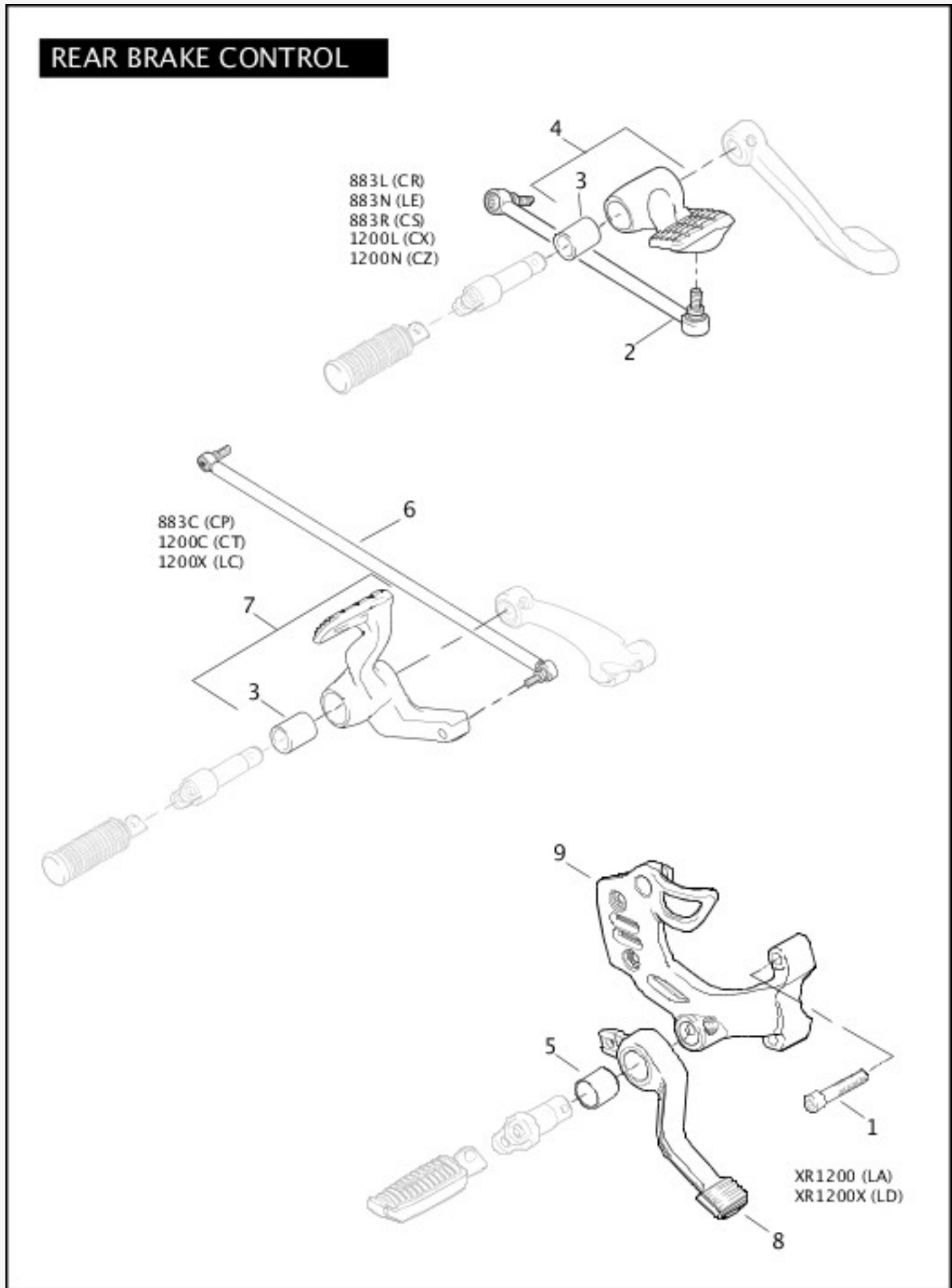
## REAR BRAKE MASTER CYLINDER - XR1200/X



[View interactive image](#)

INDEX NO.	PART NO.	DESCRIPTION	MODEL(S)
1	855B	SCREW	XR1200, XR1200X
2	997	SCREW (2)	XR1200, XR1200X
3	10092	CLAMP	XR1200, XR1200X
4	10252	CLAMP (2)	XR1200, XR1200X
5	10031	RETAINING RING	XR1200, XR1200X
6	11121	RETAINING RING	XR1200, XR1200X
7	11407	GROMMET	XR1200, XR1200X
8	3579A	SCREW	XR1200, XR1200X
9	42425-05	KIT, screw & washer	XR1200, XR1200X
10	4975M	SCREW (2)	XR1200, XR1200X
11	6099	WASHER (2)	XR1200, XR1200X
11A	7124	LOCKWASHER	XR1200, XR1200X
12	40948-04	DUSTCOVER	XR1200, XR1200X
13	41732-04	SEALING WASHER, 10mm (4)	XR1200, XR1200X
14	41736-04	BANJO BOLT (2)	XR1200, XR1200X
15	42460-80B	CLEVIS PIN	XR1200, XR1200X
16	42737-08	HOSE	XR1200, XR1200X
17	42738-08	REBUILD KIT, w/ 11121, 42811-04	XR1200, XR1200X
18	42744-08	RESERVOIR ASSEMBLY KIT, w/ 42817-07, 42845-07	XR1200, XR1200X
19	42811-04	BOOT, master cylinder	XR1200, XR1200X
20	42815-04	SEAL KIT, w/ o-ring	XR1200, XR1200X
21	42817-07	CAP, reservoir	XR1200, XR1200X
22	42845-07	GASKET KIT, rear brake reservoir	XR1200, XR1200X
23	42945-08	MASTER CYLINDER ASSEMBLY, rear	XR1200, XR1200X
24	42975-08B	BRAKELINE ASSEMBLY, rear, w/ 10031, 11407	XR1200, XR1200X
25	51045-08	BRACKET, footpeg support	XR1200, XR1200X
26	51938-04	COTTER CIRCLE	XR1200, XR1200X

# REAR BRAKE CONTROL



[View interactive image](#)

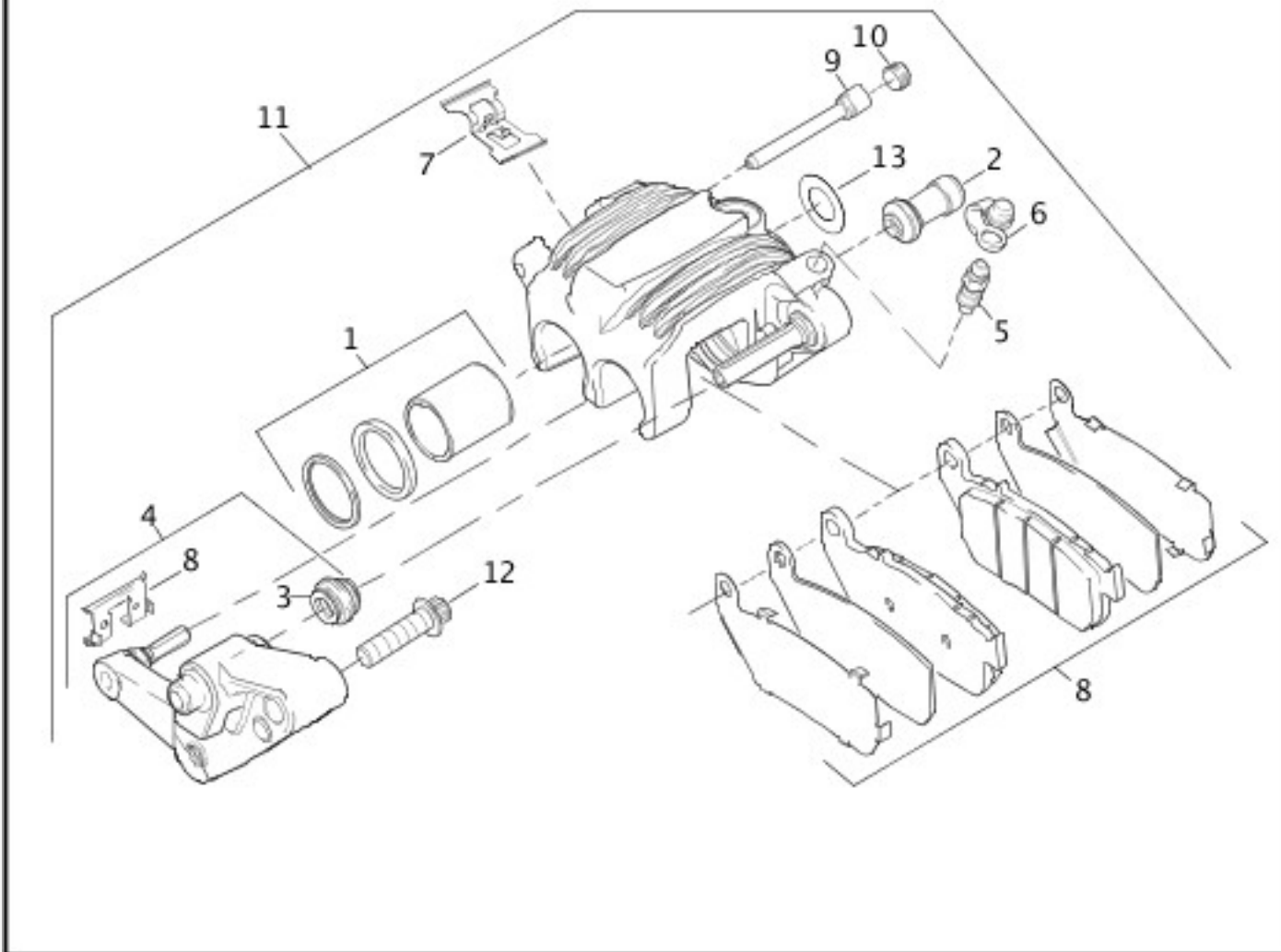
[View interactive table](#)

INDEX NO.	PART NO.	DESCRIPTION	MODEL(S)
1	855B	SCREW (2)	XR1200, XR1200X

2	34582-04	BRAKE ROD ASSEMBLY	XL1200L, XL1200N, XL883L, XL883N, XL883R
3	42569-03	BUSHING	XL1200C, XL1200L, XL1200N, XL1200X, XL883C, XL883L, XL883N, XL883R
4	42969-04	PEDAL ASSEMBLY, w/ 42569-03	XL1200L, XL883L
	42341-07	PEDAL ASSEMBLY, w/ 42569-03	XL1200N, XL883N, XL883R
5	42443-80A	BUSHING	XR1200, XR1200X
6	42645-07	BRAKE ROD ASSEMBLY	XL1200X
	34581-04	BRAKE ROD ASSEMBLY	XL1200C, XL883C
7	42685-04	PEDAL ASSEMBLY, w/ 42569-03	XL1200C, XL883C
	42649-07	PEDAL ASSEMBLY, w/ 42569-03 (black)	XL1200X
8	42949-08A	BRAKE PEDAL, rear, w/ 42443-80A	XR1200, XR1200X
9	51045-08	BRACKET, footpeg support	XR1200, XR1200X

## FRONT BRAKE CALIPER - 883C/L/N/R, 1200C/L/N/X

## FRONT BRAKE CALIPER – 883C/L/N/R, 1200C/L/N/



[View interactive image](#)

[View interactive table](#)

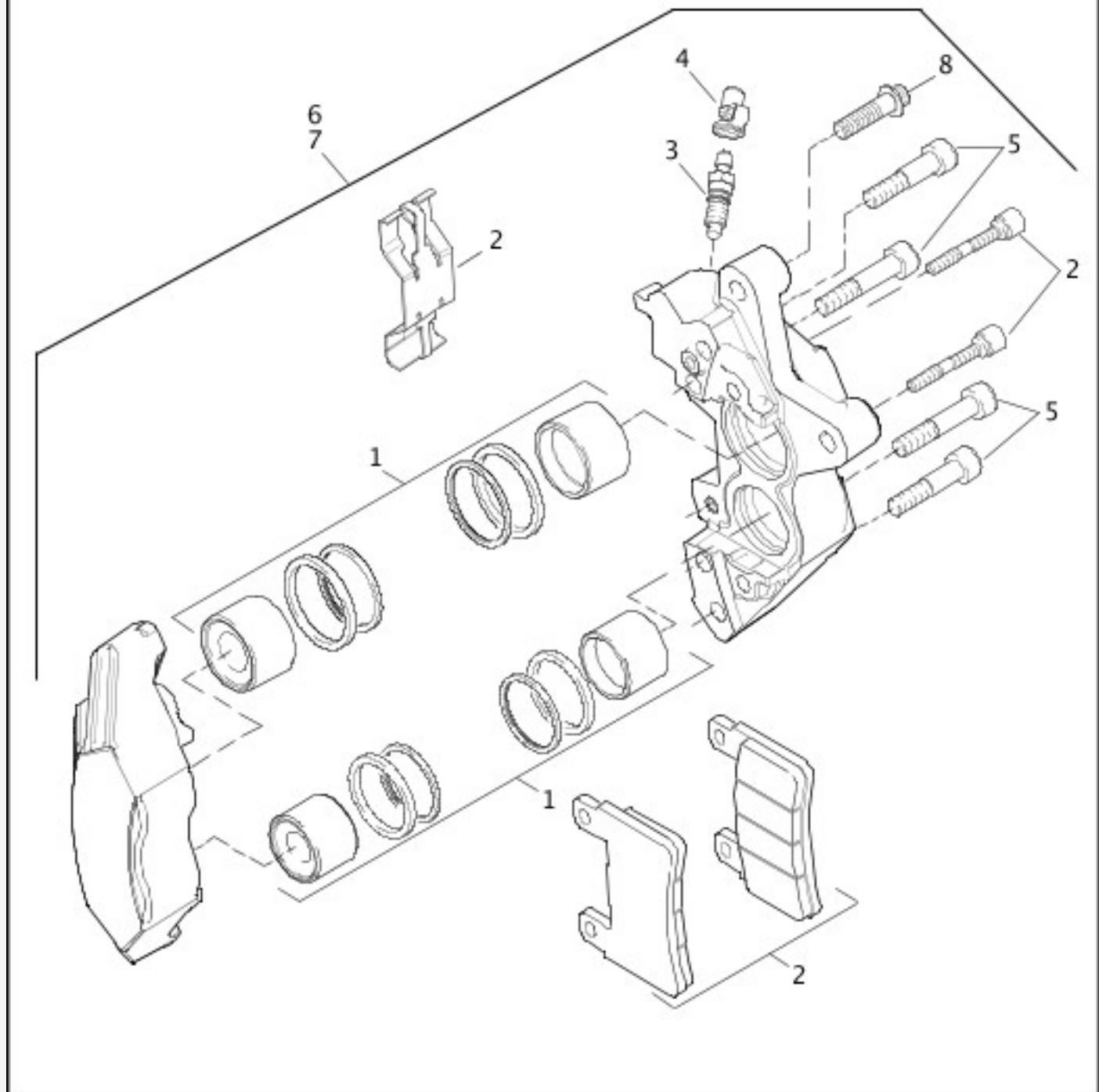
INDEX NO.	PART NO.	DESCRIPTION	MODEL(S)
1	42028-07	PISTON KIT, front brake	XL1200C, XL1200L, XL1200N, XL1200X, XL883C, XL883L, XL883N, XL883R
2	42823-04	BOOT, caliper bushing	XL1200C, XL1200L, XL1200N, XL1200X, XL883C, XL883L, XL883N, XL883R
3	42824-04	BOOT, caliper pin	XL1200C, XL1200L, XL1200N, XL1200X, XL883C, XL883L, XL883N, XL883R
4	42825-04	CALIPER BRACKET ASSEMBLY, front left, w/ 42824-04	XL1200C, XL1200L, XL883C, XL883L
	42880-10	CALIPER BRACKET ASSEMBLY, front left, w/ 42824-04	XL1200N, XL1200X, XL883N, XL883R
	42878-10	CALIPER BRACKET ASSEMBLY, front right, w/ 42824-04 (not shown)	XL883R
5	42875-07	SCREW, bleeder w/ o-ring, front left	XL1200C, XL1200L, XL1200N, XL1200X, XL883C, XL883L, XL883N, XL883R



	42827-04	SCREW, bleeder, front right	XL883R
6	42828-04	CAP, bleeder screw, front right	XL883R
	42893-07	CAP, bleeder screw, front left	XL1200C, XL1200L, XL1200N, XL1200X, XL883C, XL883L, XL883N, XL883R
7	42829-04	SPRING, pad, front	XL1200C, XL1200L, XL1200N, XL1200X, XL883C, XL883L, XL883N, XL883R
8	42831-04A	PAD KIT, front w/ retainer clip	XL1200C, XL1200L, XL1200N, XL1200X, XL883C, XL883L, XL883N, XL883R
9	42832-04	PAD PIN, front caliper	XL1200C, XL1200L, XL1200N, XL1200X, XL883C, XL883L, XL883N, XL883R
10	42838-04	PLUG, pad pin	XL1200C, XL1200L, XL1200N, XL1200X, XL883C, XL883L, XL883N, XL883R
11	44121-07A	CALIPER ASSEMBLY, front left	XL1200C, XL1200L, XL883C, XL883L
	42877-10	CALIPER ASSEMBLY, front right (not shown)	XL883R
	42879-10	CALIPER ASSEMBLY, front left	XL1200N, XL1200X, XL883N, XL883R
12	44160-00	BOLT, caliper mounting (2-CP/CR/CT/CX/CZ/LE/LC, 4-CS)	XL1200C, XL1200L, XL1200N, XL1200X, XL883C, XL883L, XL883N, XL883R
13	44440-04	DECAL, caliper	XL1200C, XL1200L, XL1200N, XL1200X, XL883C, XL883L, XL883N, XL883R

## FRONT BRAKE CALIPER - XR1200/X

## FRONT BRAKE CALIPER – XR1200/X



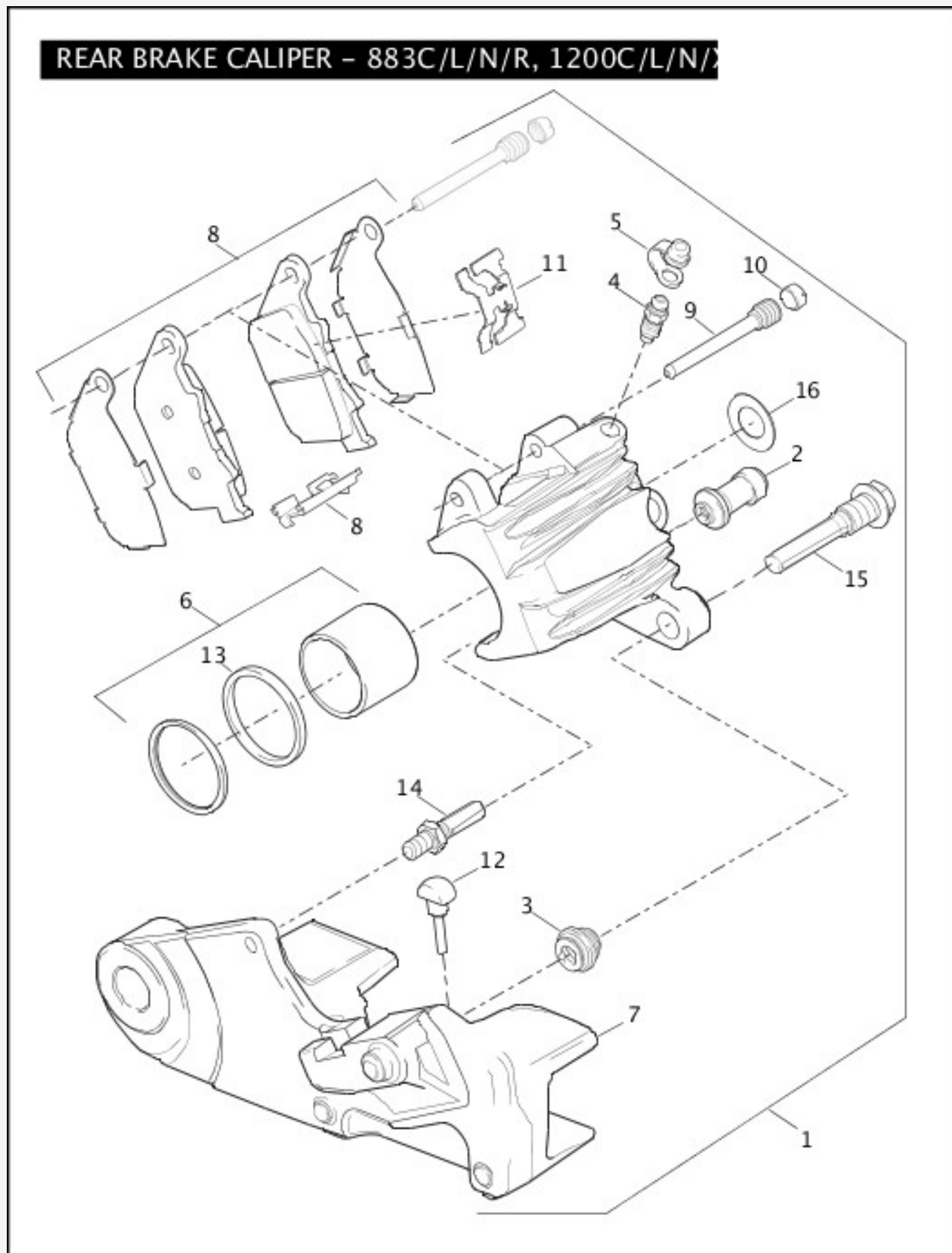
[View interactive image](#)

[View interactive table](#)

INDEX NO.	PART NO.	DESCRIPTION	MODEL(S)
1	21965-08	PISTON KIT, front w/ 42820-04	XR1200, XR1200X
2	42739-08	PAD Kit, front w/ spring & pins	XR1200, XR1200X
3	42827-04	SCREW, bleeder, right caliper	XR1200, XR1200X
	42875-07	SCREW, bleeder w/ o-ring, left caliper	XR1200, XR1200X
4	42828-04	CAP, bleeder screw, right caliper	XR1200, XR1200X
	42893-07	CAP, bleeder screw, left caliper	XR1200, XR1200X
5	42899-08	BOLT KIT, front caliper (4)	XR1200, XR1200X

6	42943-08	CALIPER ASSEMBLY, front left	XR1200, XR1200X
7	42944-08	CALIPER ASSEMBLY, front right	XR1200, XR1200X
8	44160-00	BOLT, caliper mounting (2)	XR1200, XR1200X

## REAR BRAKE CALIPER - 883C/L/N/R, 1200C/L/N/X

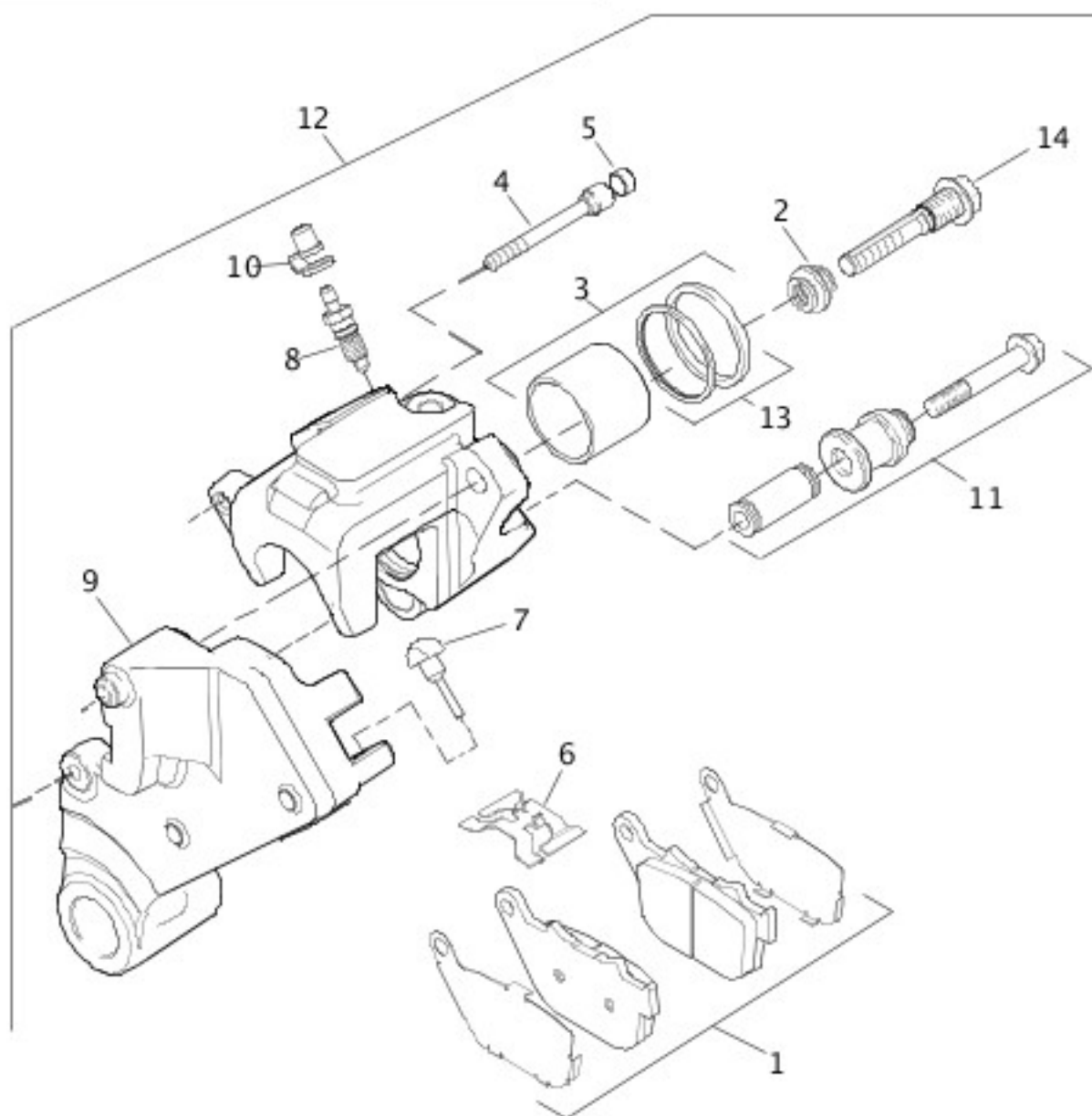


[View interactive image](#)

INDEX NO.	PART NO.	DESCRIPTION	MODEL(S)
1	40968-08A	CALIPER ASSEMBLY, rear	XL1200C, XL1200L, XL883C, XL883L
	42881-10	CALIPER ASSEMBLY, rear	XL1200N, XL1200X, XL883N, XL883R
2	42823-04	BOOT, caliper bushing	XL1200C, XL1200L, XL1200N, XL1200X, XL883C, XL883L, XL883N, XL883R
3	42824-04	BOOT, caliper pin	XL1200C, XL1200L, XL1200N, XL1200X, XL883C, XL883L, XL883N, XL883R
4	42875-07	SCREW, bleeder w/ o-ring	XL1200C, XL1200L, XL1200N, XL1200X, XL883C, XL883L, XL883N, XL883R
5	42893-07	CAP, bleeder screw	XL1200C, XL1200L, XL1200N, XL1200X, XL883C, XL883L, XL883N, XL883R
6	42834-04	PISTON KIT, rear caliper	XL1200C, XL1200L, XL1200N, XL1200X, XL883C, XL883L, XL883N, XL883R
7	42835-08	BRACKET ASSEMBLY, rear caliper, w/ 42824-04, 42840-04, & 44178-04	XL1200C, XL1200L, XL1200N, XL1200X, XL883C, XL883L, XL883N, XL883R
8	42029-07	PAD KIT, rear w/ retainer clip	XL1200C, XL1200L, XL1200N, XL1200X, XL883C, XL883L, XL883N, XL883R
9	42837-04	PAD PIN, rear caliper	XL1200C, XL1200L, XL1200N, XL1200X, XL883C, XL883L, XL883N, XL883R
10	42838-04	PLUG, pad pin	XL1200C, XL1200L, XL1200N, XL1200X, XL883C, XL883L, XL883N, XL883R
11	42839-04	SPRING, pad, rear	XL1200C, XL1200L, XL1200N, XL1200X, XL883C, XL883L, XL883N, XL883R
12	42840-04	DAMPER	XL1200C, XL1200L, XL1200N, XL1200X, XL883C, XL883L, XL883N, XL883R
13	43528-04	SEAL KIT	XL1200C, XL1200L, XL1200N, XL1200X, XL883C, XL883L, XL883N, XL883R
14	44178-04	PIN, bolt	XL1200C, XL1200L, XL1200N, XL1200X, XL883C, XL883L, XL883N, XL883R
15	44184-04	PIN, bolt	XL1200C, XL1200L, XL1200N, XL1200X, XL883C, XL883L, XL883N, XL883R
16	44440-04	DECAL, caliper	XL1200C, XL1200L, XL1200N, XL1200X, XL883C, XL883L, XL883N, XL883R

**REAR BRAKE CALIPER - XR1200/X**

## REAR BRAKE CALIPER – XR1200/X



[View interactive image](#)

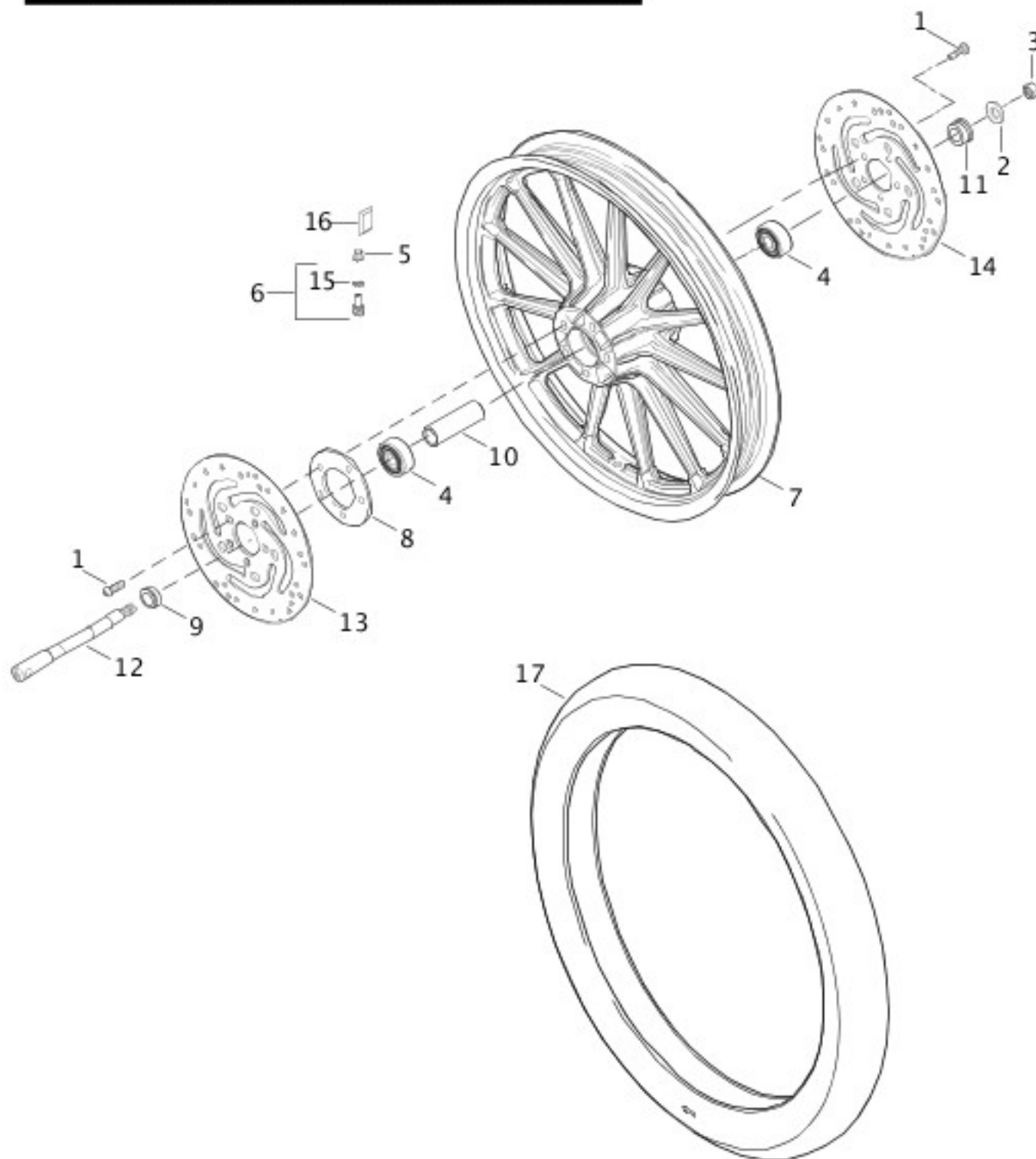
[View interactive table](#)

INDEX NO.	PART NO.	DESCRIPTION	MODEL(S)
1	42310-08	PAD KIT, rear	XR1200, XR1200X
2	42824-04	BOOT, caliper pin	XR1200, XR1200X
3	42834-04	PISTON KIT, rear caliper, w/ 43528-04	XR1200, XR1200X
4	42837-04	PAD PIN, rear caliper	XR1200, XR1200X
5	42838-04	PLUG, pad pin	XR1200, XR1200X
6	42839-04	SPRING, pad, rear	XR1200, XR1200X
7	42840-04	DAMPER	XR1200, XR1200X
8	42875-07	SCREW, bleeder w/ o-ring	XR1200, XR1200X

9	42892-08	BRACKET ASSEMBLY, rear caliper, w/ 42824-04, 42840-04	XR1200, XR1200X
10	42893-07	CAP, bleeder screw	XR1200, XR1200X
11	42900-08	BOOT, rear	XR1200, XR1200X
12	42948-08	CALIPER ASSEMBLY, rear w/ 1, 3, 4, 5, 6, 8, 9, 10, 11 & 14	XR1200, XR1200X
13	43528-04	SEAL KIT	XR1200, XR1200X
14	44184-04	PIN, bolt	XR1200, XR1200X

**FRONT WHEEL, CAST - 883L/N/R, 1200L**

## FRONT WHEEL, CAST - 883L/N/R, 1200L



[View interactive image](#)

[View interactive table](#)

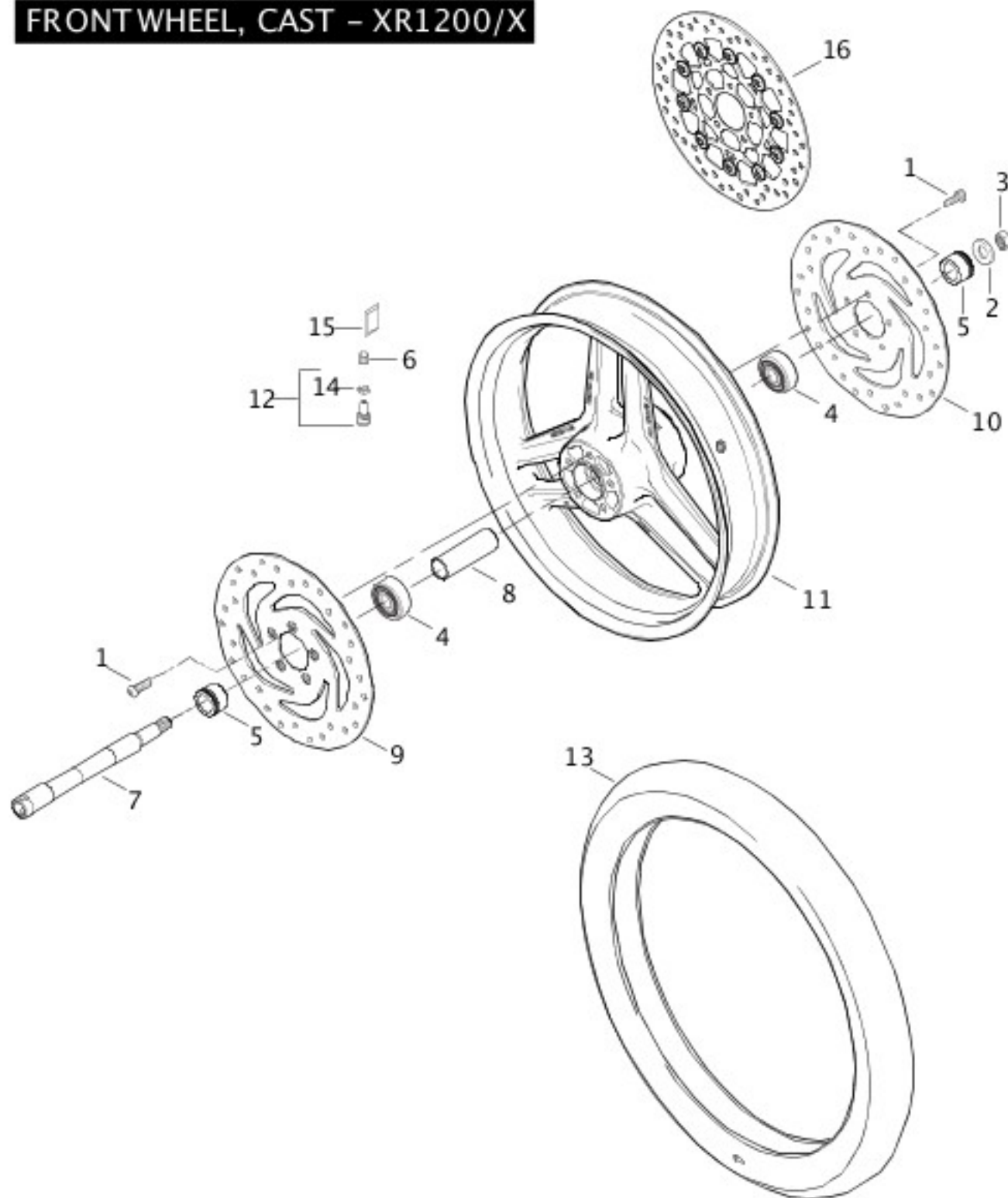
INDEX NO.	PART NO.	DESCRIPTION	MODEL(S)
1	3655A	SCREW (10)	XL1200L, XL883L, XL883N, XL883R
2	6594	WASHER	XL1200L, XL883L, XL883N, XL883R
3	7813A	NUT	XL1200L, XL883L, XL883N,

			XL883R
4	9276A	BALL BEARING, 25mm (2)	XL1200L, XL883L, XL883N, XL883R
5	41123-79	VALVE CAP	XL1200L, XL883L, XL883N, XL883R
6	43157-83A	VALVE STEM ASSEMBLY, w/ 54321-85	XL1200L, XL883L, XL883N, XL883R
7	43499-08	WHEEL ASSEMBLY, 19 in. (13 spoke) (black) w/o bearings & sleeves	XL883R
	41659-08	WHEEL ASSEMBLY, 19 in. (13 spoke) (black) w/o bearings & sleeves	XL1200L
	43594-08	WHEEL ASSEMBLY, 19 in. (13 spoke) (silver) w/o bearings & sleeves	XL883L
	47875-09A	WHEEL ASSEMBLY, 19 in. (13 spoke) (black) w/o bearings & sleeves	XL883N
8	43355-00	HUB PLATE (flat black)	XL1200L, XL883N
	43359-00	HUB PLATE (silver)	XL883L
9	43358-08	SPACER, bearing - RH	XL1200L, XL883L, XL883N, XL883R
10	43906-08	SPACER, hub	XL1200L, XL883L, XL883N, XL883R
11	43522-08	SPACER, bearing - LH	XL1200L, XL883L, XL883N, XL883R
12	43895-08	AXLE (front)	XL1200L, XL883L, XL883N, XL883R
13	44136-00	DISC, brake - RH	XL883R
14	44156-00	DISC, brake - LH	XL1200L, XL883L, XL883N, XL883R
15	54321-85	NUT, hex	XL1200L, XL883L, XL883N, XL883R
16	95595-84B	WHEEL WEIGHT, 5 grams (silver)	XL1200L, XL883L, XL883N, XL883R
17	43112-91A	TIRE	XL1200L, XL883L, XL883N, XL883R

## FRONT WHEEL, CAST - XR1200/X



## FRONT WHEEL, CAST - XR1200/X



[View interactive image](#)

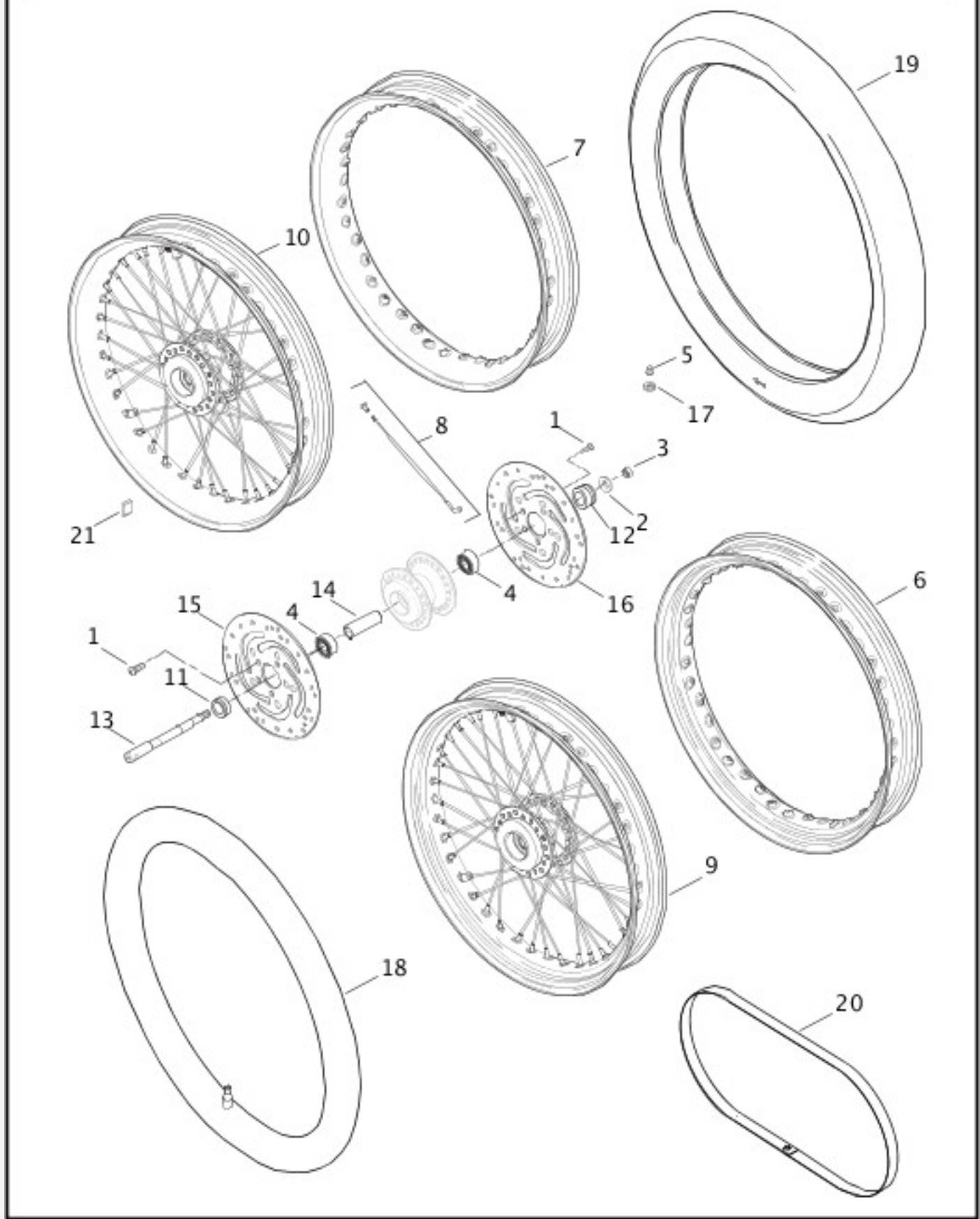
[View interactive table](#)

INDEX NO.	PART NO.	DESCRIPTION	MODEL(S)
1	3655A	SCREW (10)	XR1200, XR1200X
2	6594	WASHER	XR1200, XR1200X
3	7813A	NUT	XR1200,

			XR1200X
4	9276A	BALL BEARING, 25mm (2)	XR1200, XR1200X
5	11804	SPACER, bearing (2)	XR1200, XR1200X
6	41123-79	VALVE CAP	XR1200, XR1200X
7	41628-08	AXLE (front)	XR1200, XR1200X
8	41748-08	SLEEVE, bearing spacer	XR1200, XR1200X
9	41820-08A	DISC, brake - RH	XR1200
10	41821-08A	DISC, brake - LH	XR1200
11	43103-08	WHEEL ASSEMBLY, 18 in. (3 spoke) (black) w/o bearings & sleeves	XR1200
	43343-10	WHEEL ASSEMBLY, 18 in. (3 spoke) (black w/ stripe) w/o bearings & sleeves	XR1200X
12	43157-83A	VALVE STEM ASSEMBLY, w/ 54321-85	XR1200, XR1200X
13	43229-08	TIRE	XR1200, XR1200X
14	54321-85	NUT, hex	XR1200, XR1200X
15	95594-84B	WHEEL WEIGHT, 5 grams (black)	XR1200, XR1200X
16	41822-10	DISC, brake (2)	XR1200X

**FRONT WHEEL, LACED & PROFILE LACED - 883C/L/R, 1200C/N/L/X**

# FRONT WHEEL, LACED & PROFILE LACED – 883C/L/R, 1200C/L/N/X



[View interactive image](#)

[View interactive table](#)

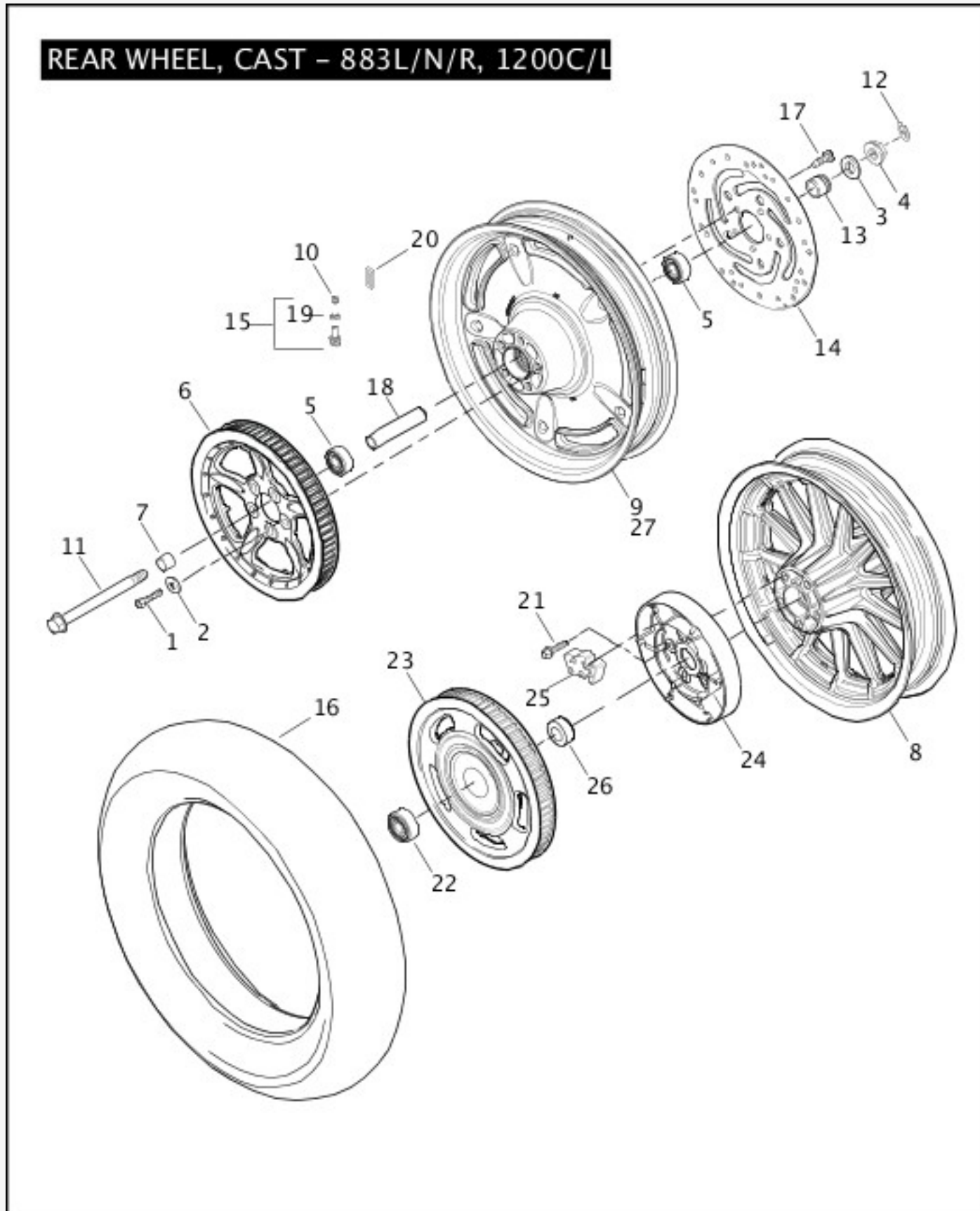
INDEX NO.	PART NO.	DESCRIPTION	MODEL(S)
1	3655A	SCREW (5)	XL1200C, XL1200L, XL1200N, XL1200X, XL883C, XL883L, XL883N
	3655A	SCREW (10)	XL883R

2	6594	WASHER	XL1200C, XL1200L, XL1200N, XL1200X, XL883C, XL883L, XL883N, XL883R
3	7813A	NUT	XL1200C, XL1200L, XL1200N, XL1200X, XL883C, XL883L, XL883N, XL883R
4	9276A	BALL BEARING, 25mm (2)	XL1200C, XL1200L, XL1200N, XL1200X, XL883C, XL883L, XL883N, XL883R
5	41123-79	VALVE CAP	XL1200C, XL1200L, XL1200N, XL1200X, XL883C, XL883L, XL883N, XL883R
6	41426-07	RIM, laced wheel, 19 in. (black)	XL1200N
	43001-06	RIM, laced wheel, 19 in. (steel)	XL1200L, XL883L, XL883R
	43662-80B	RIM, laced wheel, 21 in. (chrome)	XL1200C, XL883C
	41389-10	RIM, laced wheel, 16 in. (black)	XL1200X
7	43445-05	RIM, profile laced wheel, 21 in. (chrome)	XL1200C, XL883C
8	40762-05	SPOKE & NIPPLE KIT, 19 in. rim - long (chrome) (set of 20)	XL1200L, XL1200N, XL883L, XL883R
	40761-05	SPOKE & NIPPLE KIT, 19 in. rim - short (chrome) (set of 20)	XL1200L, XL1200N, XL883L, XL883R
	40760-05	SPOKE & NIPPLE KIT, 21 in. rim - short (chrome) (set of 20)	XL1200C, XL883C
	40759-05	SPOKE & NIPPLE KIT, 21 in. rim - long (chrome) (set of 20)	XL1200C, XL883C
	43056-05	SPOKE & NIPPLE KIT, profile laced wheel, 21 in. rim - long (set of 20)	XL1200C, XL883C
	43064-05	SPOKE & NIPPLE KIT, profile laced wheel, 21 in. rim - short (set of 20)	XL1200C, XL883C
	47887-10	SPOKE & NIPPLE KIT, profile laced wheel, 16 in. rim (set of 32)	XL1200X
9	43312-08	WHEEL ASSEMBLY, laced wheel, single disc, 19 in. w/o bearings & sleeves	XL1200L, XL883L
	43547-08	WHEEL ASSEMBLY, laced wheel, dual disc, 19 in. w/o bearings & sleeves	XL883R
	43557-08	WHEEL ASSEMBLY, laced wheel, 21 in. w/o bearings & sleeves	XL1200C, XL883C
	43831-08	WHEEL ASSEMBLY, laced wheel, 19 in.(black) w/o bearings & sleeves	XL1200N

	41388-10	WHEEL ASSEMBLY, laced wheel, 16 in. w/o bearings & sleeves	XL1200X
10	44610-08	WHEEL ASSEMBLY, profile laced wheel, 21 in. w/o bearings & sleeves	XL1200C, XL883C
11	43358-08	SPACER, bearing - RH	XL1200C, XL1200L, XL1200N, XL883C, XL883L, XL883R
	11804	SPACER, bearing - RH	XL1200X
12	43522-08	SPACER, bearing - LH	XL1200C, XL1200L, XL1200N, XL883C, XL883L, XL883R
	41242-08	SPACER, bearing - LH	XL1200X
13	43895-08	AXLE (front)	XL1200C, XL1200L, XL1200N, XL883C, XL883L, XL883R
	41628-08	AXLE (front)	XL1200X
14	43906-08	SPACER, hub	XL1200C, XL1200L, XL1200N, XL883C, XL883L, XL883R
	11888	SPACER, hub	XL1200X
15	44136-00	DISC, brake - RH	XL883R
16	44156-00	DISC, brake - LH	XL1200C, XL1200L, XL1200N, XL1200X, XL883C, XL883L, XL883N, XL883R
17	54321-85	NUT, valve stem	XL1200C, XL1200L, XL1200N, XL1200X, XL883C, XL883L, XL883N, XL883R
18	41188-06	INNER TUBE	XL1200L, XL1200N, XL883L, XL883R
	43140-80	INNER TUBE	XL1200C, XL883C
	40558-82	INNER TUBE	XL1200X
19	43104-93A	TIRE	XL1200C, XL883C
	43112-91A	TIRE	XL1200L, XL1200N, XL883L, XL883R
	43022-91A	TIRE	XL1200X
20	43145-47	RIM FLAP	XL1200L, XL1200N, XL1200X, XL883L, XL883N, XL883R
	43939-	RIM FLAP	XL1200C, XL883C

	89		
21	95595-84B	WHEEL WEIGHT, 5 grams (silver)	XL1200C, XL1200L, XL1200N, XL883C, XL883L, XL883R
	95594-84B	WHEEL WEIGHT, 5 grams (black)	XL1200X

## REAR WHEEL, CAST - 883L/N/R, 1200C/L



[View interactive image](#)

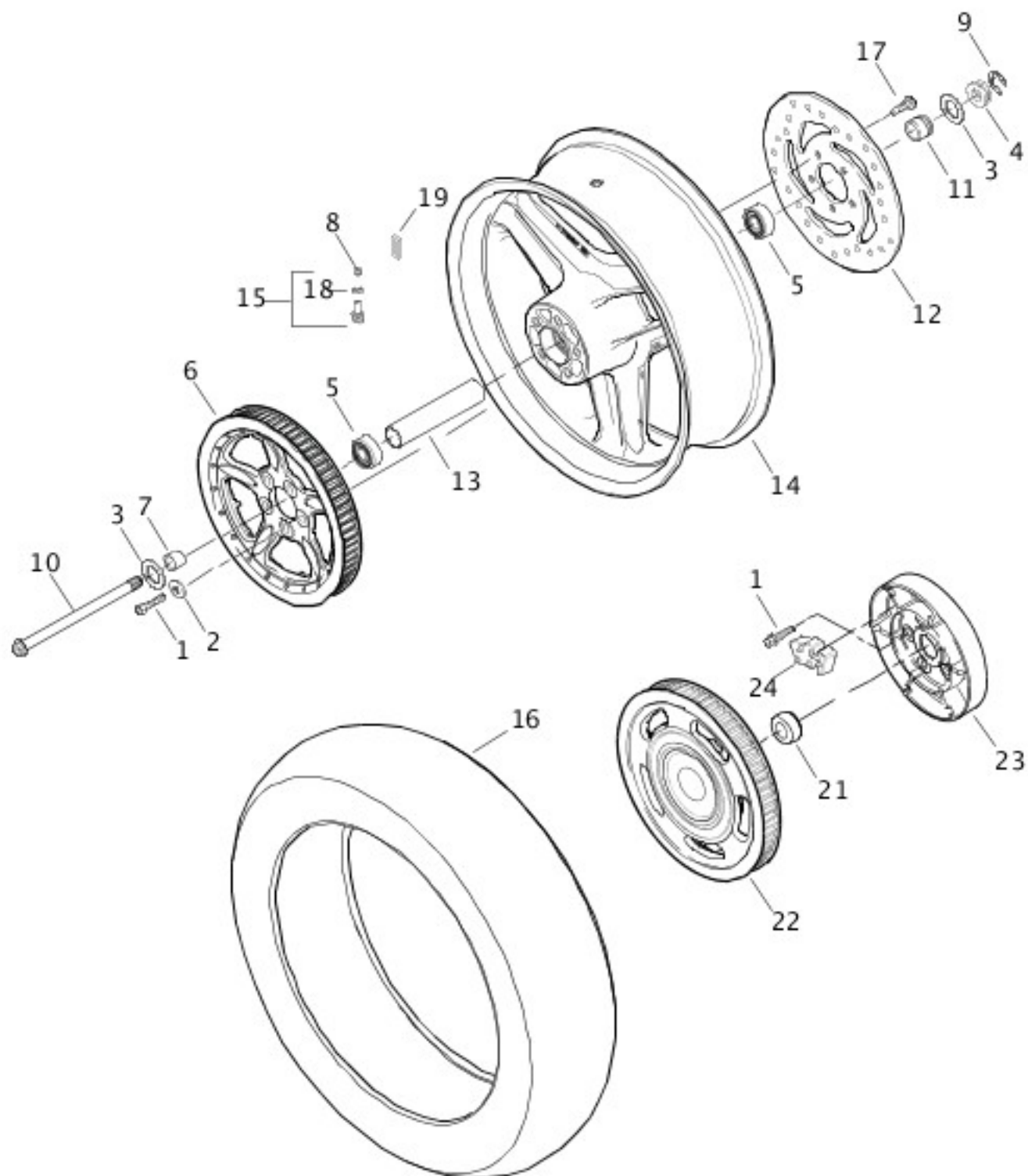
INDEX NO.	PART NO.	DESCRIPTION	MODEL(S)
1	3899	SCREW (5)	XL1200C, XL1200L, XL883C, XL883L, XL883N, XL883R
2	6516HW	WASHER (5)	XL1200C, XL1200L, XL883C, XL883L, XL883N, XL883R
3	6551	WASHER, left side, rear axle	XL1200C, XL1200L, XL883C, XL883L, XL883N, XL883R
4	8190	NUT, flange	XL1200C, XL1200L, XL883C, XL883L, XL883N, XL883R
5	9276A	BALL BEARING, 25mm (2)	XL1200C, XL1200L, XL883C, XL883L, XL883N, XL883R
6	40350-07	SPROCKET, belt - 68T (black)	XL1200C, XL1200L, XL883R
	40352-07	SPROCKET, belt - 68T (silver)	XL883C, XL883L
	40353-08	SPROCKET, belt - 68T (black)	XL883N
7	40930-05	SPACER, wheel bearing, sprocket side	XL1200C, XL1200L, XL883C, XL883L, XL883N, XL883R
8	40992-08	WHEEL ASSEMBLY, 16 in. (13 spoke) (silver) w/o bearings & sleeves	XL883L
	41012-08	WHEEL ASSEMBLY, 16 in. (13 spoke) (black) w/o bearings & sleeves	XL883R
	41660-08	WHEEL ASSEMBLY, 16 in. (13 spoke) (matte black) w/o bearings & sleeves	XL1200L
	47878-09B	WHEEL ASSEMBLY, 16 in. (13 spoke) (black) w/o bearings & sleeves	XL883N
9	41013-09	WHEEL ASSEMBLY, solid w/ slots (chrome) w/o bearings & sleeves	XL1200C
10	41123-79	VALVE CAP	XL1200C, XL1200L, XL883C, XL883L, XL883N, XL883R
11	41176-08	AXLE ASSEMBLY	XL1200C, XL1200L, XL883C, XL883L, XL883N, XL883R
12	41229-08	RETAINING RING	XL1200C, XL1200L, XL883C, XL883L, XL883N, XL883R
13	41730-08	SPACER, disk side	XL1200C, XL1200L, XL883C, XL883L, XL883N, XL883R
14	41797-00	BRAKE DISC	XL1200C, XL1200L, XL883C, XL883L, XL883N, XL883R

15	43157-83A	VALVE STEM ASSEMBLY, w/ 54321-85	XL1200C, XL1200L, XL883C, XL883L, XL883N, XL883R
16	43264-02	TIRE	XL1200C, XL1200L, XL883C, XL883L, XL883N, XL883R
17	43567-92	SCREW, brake disc (5)	XL1200C, XL1200L, XL883C, XL883L, XL883N, XL883R
18	43905-08	SLEEVE, spacer	XL1200C, XL1200L, XL883C, XL883L, XL883N, XL883R
19	54321-85	NUT, valve stem	XL1200C, XL1200L, XL883C, XL883L, XL883N, XL883R
20	95595-84B	WHEEL WEIGHT, 5 grams (silver) (4)	XL1200C, XL1200L, XL883C, XL883L, XL883N, XL883R
<b>INTERNATIONAL MODELS ONLY</b>			
21	3814	SCREW, w/ washer (Japan) (5)	XL1200C, XL1200L, XL883C, XL883L, XL883N, XL883R
22	9254	BEARING (Japan)	XL1200C, XL1200L, XL883C, XL883L, XL883N, XL883R
23	37799-09	SPROCKET ASSEMBLY, final drive, w/ bearing - 68T (black) (Japan)	XL883N
	40518-08	SPROCKET ASSEMBLY, final drive, w/ bearing - 68T (black) (Japan)	XL1200C, XL1200L, XL883R
	40544-08	SPROCKET ASSEMBLY, final drive, w/ bearing - 68T (silver) (Japan)	XL883C, XL883L
24	40560-05	BOWL COMPENSATOR (Japan)	XL1200C, XL1200L, XL883C, XL883L, XL883N, XL883R
25	40561-05	ISOLATOR, rubber (Japan) (6)	XL1200C, XL1200L, XL883C, XL883L, XL883N, XL883R
26	40562-05	SPACER (Japan)	XL1200C, XL1200L, XL883C, XL883L, XL883N, XL883R
27	41058-09	WHEEL ASSEMBLY, solid, w/ holes (silver) w/o bearings & sleeves (HDI)	XL883C

## REAR WHEEL, CAST - XR1200/X



## REAR WHEEL, CAST - XR1200/X



[View interactive image](#)

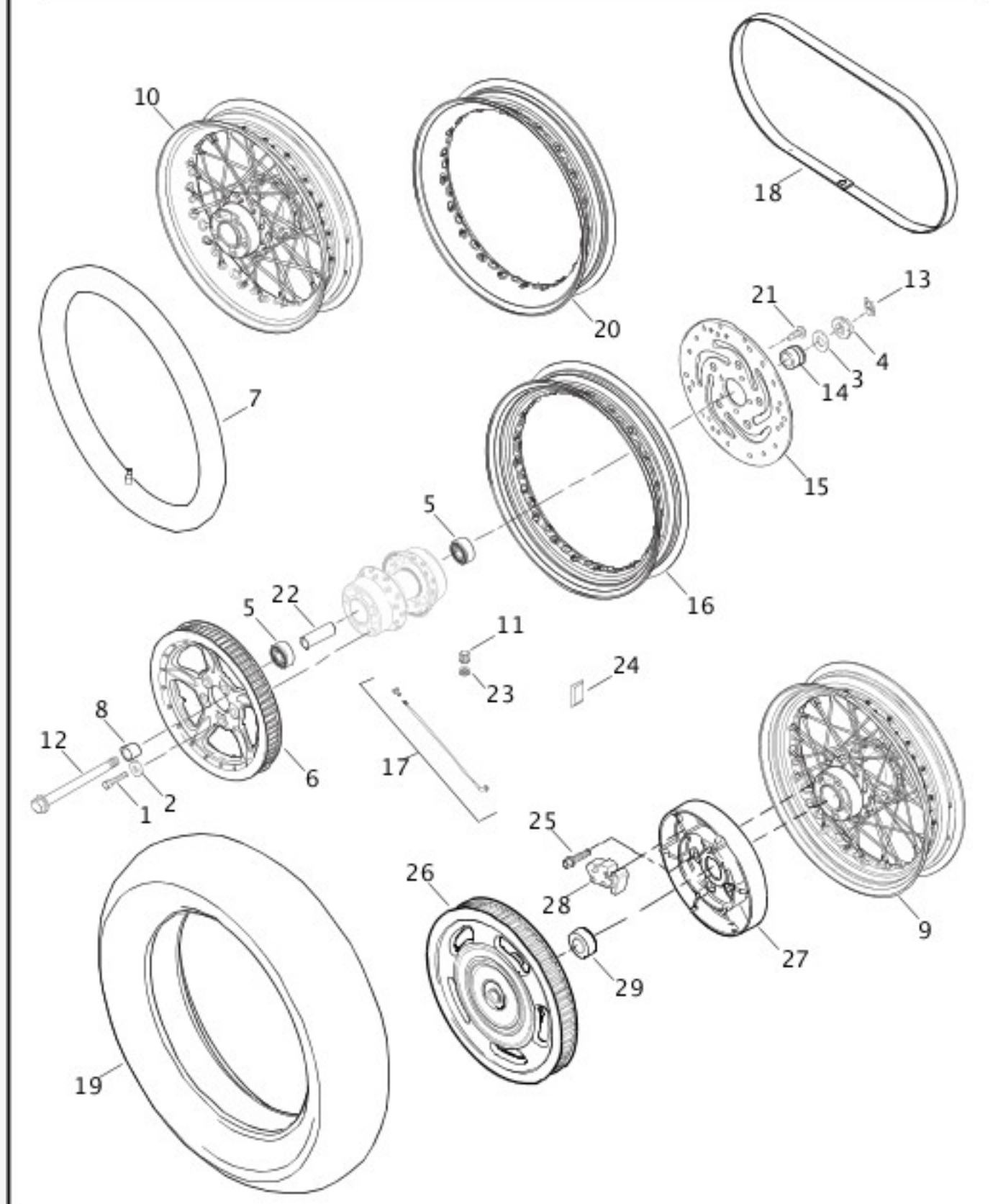
[View interactive table](#)

INDEX NO.	PART NO.	DESCRIPTION	MODEL(S)
1	3899	SCREW (5)	XR1200, XR1200X
2	6516HW	WASHER (5)	XR1200, XR1200X
3	6551	WASHER, rear axle (2)	XR1200, XR1200X
4	8190	NUT	XR1200, XR1200X
5	9276A	BALL BEARING, 25mm (2)	XR1200, XR1200X

6	40350-07	SPROCKET, belt - 68T (black)	XR1200, XR1200X
7	40930-05	SPACER, wheel bearing, sprocket side	XR1200, XR1200X
8	41123-79	VALVE CAP	XR1200, XR1200X
9	41229-08	RETAINING RING	XR1200, XR1200X
10	41627-08	AXLE ASSEMBLY	XR1200, XR1200X
11	41730-08	SPACER, disk side	XR1200, XR1200X
12	41833-08	BRAKE DISC	XR1200, XR1200X
13	41858-08	SLEEVE, spacer	XR1200, XR1200X
14	43107-08	WHEEL ASSEMBLY, 17 in. (3 spoke) (black) w/o bearings & sleeve	XR1200
	43348-10	WHEEL ASSEMBLY, 17 in. (3 spoke) (black) w/o bearings & sleeve	XR1200X
15	43157-83A	VALVE STEM ASSEMBLY, w/ 54321-85	XR1200, XR1200X
16	43231-08	TIRE	XR1200, XR1200X
17	43567-92	SCREW, brake disc (5)	XR1200, XR1200X
18	54321-85	NUT, valve stem	XR1200, XR1200X
19	95594-84B	WHEEL WEIGHT, 5 grams (black) (4)	XR1200, XR1200X
<b>INTERNATIONAL MODELS ONLY</b>			
20	3814	SCREW (Japan) (5)	XR1200, XR1200X
21	37797-09	SPACER (Japan)	XR1200, XR1200X
22	37799-09	SPROCKET ASSEMBLY, 68T (Japan)	XR1200
	40518-08	SPROCKET ASSEMBLY, 68T (Japan)	XR1200X
23	40560-05	BOWL, compensator (Japan)	XR1200, XR1200X
24	40561-05	ISOLATOR, rubber (Japan)	XR1200, XR1200X

**REAR WHEEL, LACED & PROFILE LACED - 883C/L/R, 1200C/L/N/X**

## REAR WHEEL, LACED & PROFILE LACED – 883C/L/R, 1200C/L/N/X



[View interactive image](#)

[View interactive table](#)

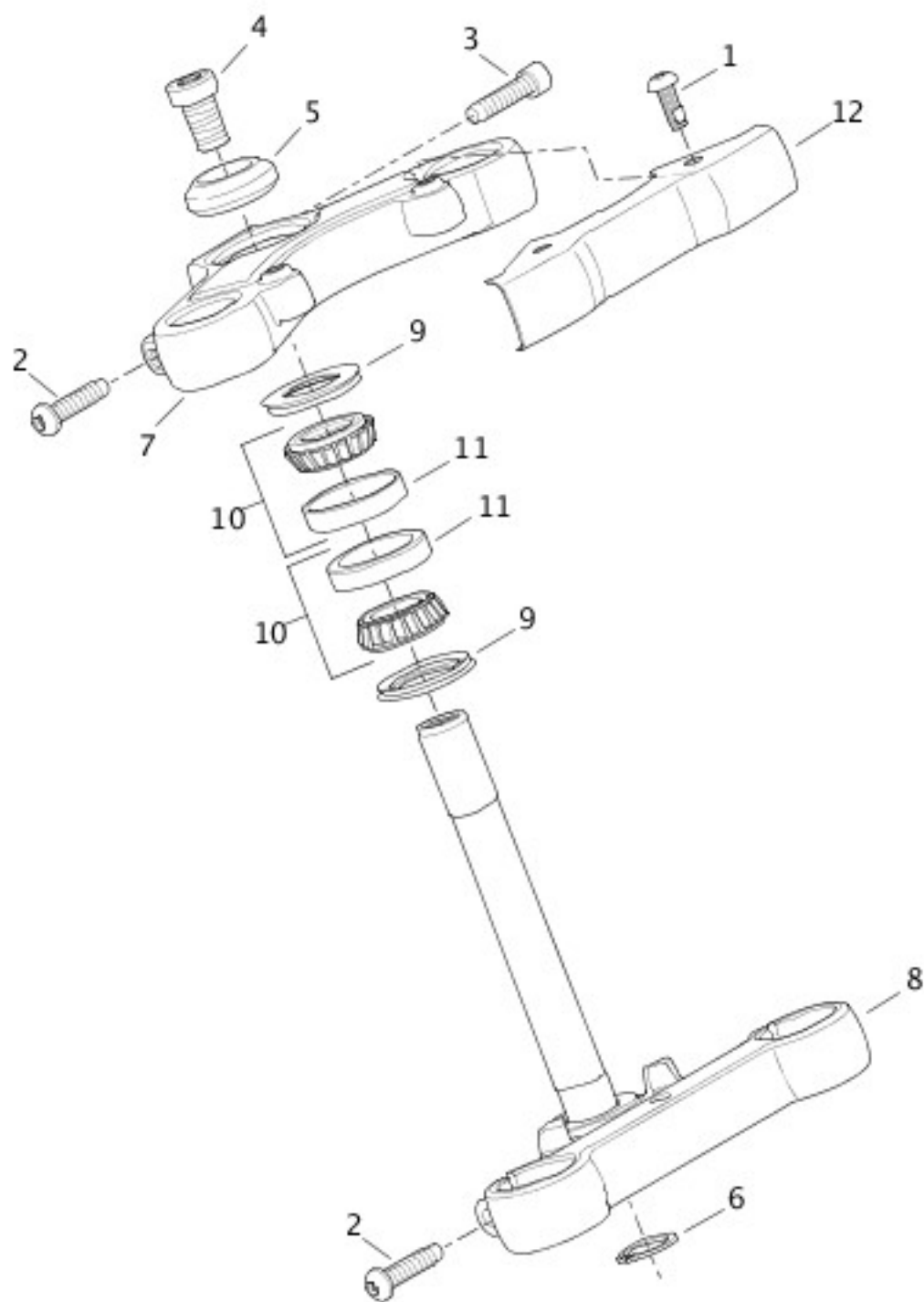
INDEX NO.	PART NO.	DESCRIPTION	MODEL(S)
1	3899	SCREW (5)	XL1200C, XL1200L, XL1200N, XL1200X, XL883C, XL883L, XL883R
2	6516HW	WASHER (5)	XL1200C, XL1200L, XL1200N, XL1200X, XL883C, XL883L, XL883R

3	6551	WASHER, left side, rear axle	XL1200C, XL1200L, XL1200N, XL1200X, XL883C, XL883L, XL883R
4	8190	NUT, flange	XL1200C, XL1200L, XL1200N, XL1200X, XL883C, XL883L, XL883R
5	9276A	BALL BEARING, 25mm (2)	XL1200C, XL1200L, XL1200N, XL1200X, XL883C, XL883L, XL883R
6	40350-07	SPROCKET, belt - 68T (black)	XL1200C, XL1200L, XL883C, XL883L, XL883R
	40444-07	SPROCKET, belt - 68T (black)	XL1200N, XL1200X
7	40558-82	INNER TUBE	XL1200L, XL1200N, XL1200X, XL883L, XL883R
	40575-05	INNER TUBE	XL1200C, XL883C
8	40930-05	SPACER, wheel bearing, sprocket side	XL1200C, XL1200L, XL1200N, XL1200X, XL883C, XL883L, XL883R
9	41082-08A	WHEEL ASSEMBLY, laced, 16 in. (chrome) w/o bearings & sleeves	XL1200L, XL883L, XL883R
	41478-10A	WHEEL ASSEMBLY, laced, 16 in. (black) w/o bearings & sleeves	XL1200X
	43832-08A	WHEEL ASSEMBLY, laced, 16 in. (black) w/o bearings & sleeves	XL1200N
10	41083-08	WHEEL ASSEMBLY, profile laced, 16 in. (chrome) w/o bearings & sleeves	XL1200C, XL883C
11	41123-79	VALVE CAP	XL1200C, XL1200L, XL1200N, XL1200X, XL883C, XL883L, XL883R
12	41176-08	AXLE ASSEMBLY	XL1200C, XL1200L, XL1200N, XL1200X, XL883C, XL883L, XL883R
13	41229-08	RETAINING RING	XL1200C, XL1200L, XL1200N, XL1200X, XL883C, XL883L, XL883R
14	41730-08	SPACER, disk side	XL1200C, XL1200L, XL1200N, XL1200X, XL883C, XL883L, XL883R
15	41797-00	BRAKE DISC	XL1200C, XL1200L, XL1200N, XL1200X, XL883C, XL883L, XL883R
16	43017-07	RIM, laced wheel, 16 in. (black)	XL1200N, XL1200X
	43085-97	RIM, laced wheel, 16 in. (chrome)	XL1200L, XL883L, XL883R
17	43052-05A	SPOKE & NIPPLE KIT, profile laced wheel, 16 in. rim (set of 40)	XL1200C, XL883C

	43241-05	SPOKE & NIPPLE KIT, laced wheel, 16 in. rim (chrome) (set of 40)	XL1200L, XL1200N, XL1200X, XL883L, XL883R
18	43147-40	RIM FLAP	XL1200L, XL1200N, XL1200X, XL883L, XL883R
	43164-05	RIM FLAP	XL1200C, XL883C
19	43264-02	TIRE	XL1200C, XL1200L, XL1200N, XL1200X, XL883C, XL883L, XL883R
20	43440-05A	RIM, profile laced wheel, 16 in. (chrome)	XL1200C, XL883C
21	43567-92	SCREW, brake disc (5)	XL1200C, XL1200L, XL1200N, XL1200X, XL883C, XL883L, XL883R
22	43905-08	SLEEVE, bearing spacer	XL1200C, XL1200L, XL1200N, XL1200X, XL883C, XL883L, XL883R
23	54321-85	NUT, valve stem	XL1200C, XL1200L, XL1200N, XL1200X, XL883C, XL883L, XL883R
24	95595-84B	WHEEL WEIGHT, 5 grams (silver)	XL1200C, XL1200L, XL1200N, XL883C, XL883L, XL883R
	95594-84B	WHEEL WEIGHT, 5 grams (black)	XL1200X
<b>INTERNATIONAL MODELS ONLY</b>			
25	3814	SCREW, w/ washer (Japan) (5)	XL1200N
26	40518-08	SPROCKET ASSEMBLY, final drive, w/ bearing - 68T (black) (Japan)	XL1200N
27	40560-05	BOWL COMPENSATOR (Japan)	XL1200N
28	40561-05	ISOLATOR, rubber (Japan) (6)	XL1200N
29	40562-05	SPACER (Japan)	XL1200N

## **STEERING HEAD BRACKET ASSEMBLY - 883C/L/N/R, 1200C/L/N/X**

## STEERING HEAD BRACKET ASSEMBLY – 883C/L/N/R, 1200C/L/N/X



[View interactive image](#)

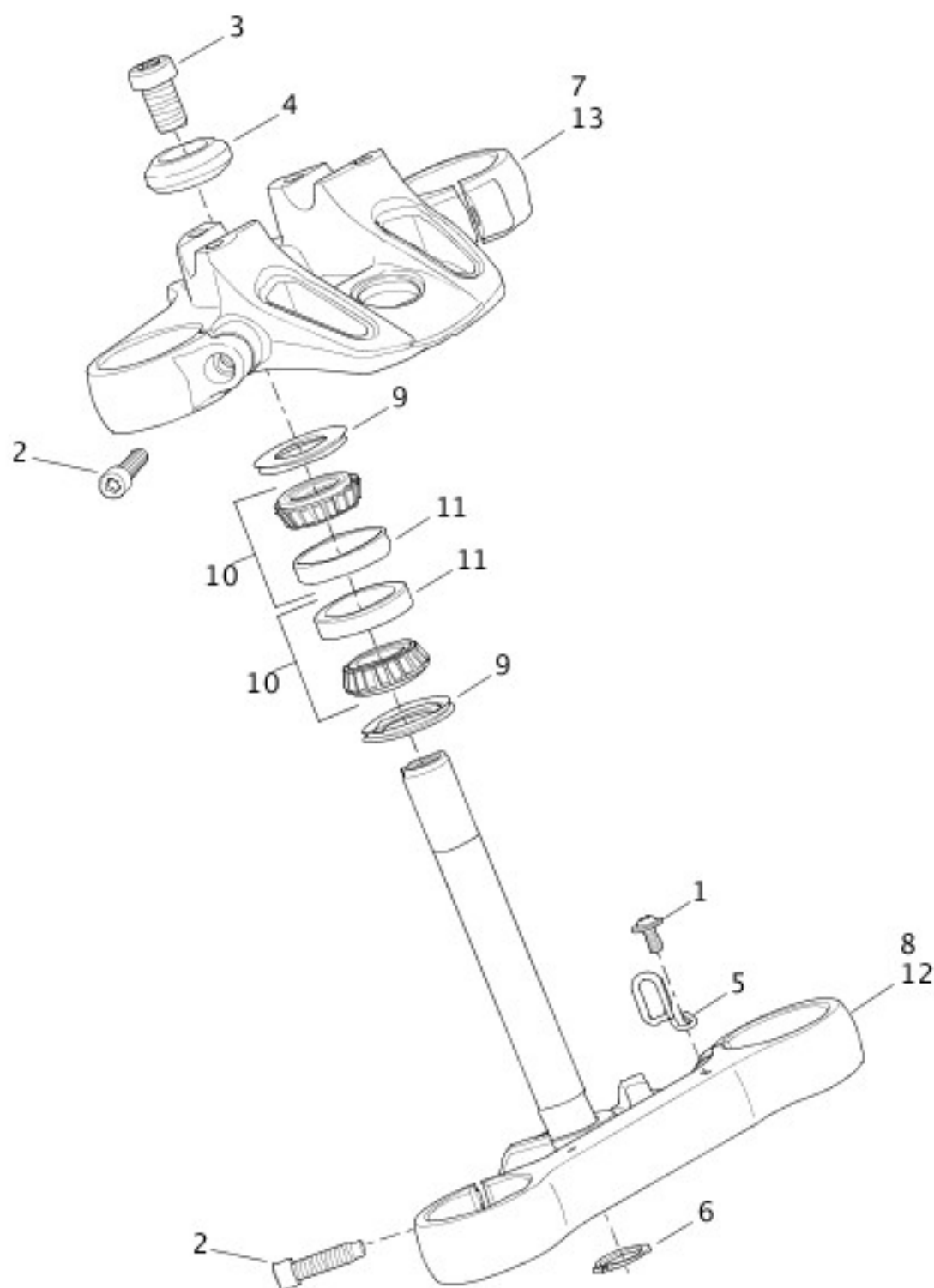
[View interactive table](#)

INDEX NO.	PART NO.	DESCRIPTION	MODEL(S)
1	3655A	SCREW (2)	XL1200C, XL883C
2	4351	SCREW (4)	XL1200C, XL1200L, XL1200N, XL1200X, XL883C, XL883L, XL883N, XL883R

3	4352	SCREW	XL1200C, XL1200L, XL1200N, XL1200X, XL883C, XL883L, XL883N, XL883R
4	4993	BOLT	XL1200C, XL1200L, XL1200N, XL1200X, XL883C, XL883L, XL883N, XL883R
5	6611	WASHER	XL1200C, XL1200L, XL1200N, XL1200X, XL883C, XL883L, XL883N, XL883R
6	45611-86	RETAINING RING	XL1200C, XL1200L, XL1200N, XL1200X, XL883C, XL883L, XL883N, XL883R
7	45966-04	BRACKET, upper	XL1200C, XL1200L, XL883C, XL883L, XL883R
	46009-10	BRACKET, upper (not shown)	XL1200X
	46758-07	BRACKET, upper (black)	XL1200N, XL883N
8	46014-10	BRACKET, lower, w/ bearing, seal & retaining ring (not shown)	XL1200X
	46126-04	BRACKET, lower, w/ bearing, seal & retaining ring	XL1200C, XL883C
	46127-04	BRACKET, lower, w/ bearing, seal & retaining ring	XL1200L, XL883L, XL883R
	46767-07	BRACKET, lower, w/ bearing, seal & retaining ring	XL1200N, XL883N
9	48184-01	SEAL, tapered bearing	XL1200C, XL1200L, XL1200N, XL1200X, XL883C, XL883L, XL883N, XL883R
10	48300-60	ROLLER BEARING, w/ cup (2)	XL1200C, XL1200L, XL1200N, XL1200X, XL883C, XL883L, XL883N, XL883R
11	48315-60	BEARING CUP (2)	XL1200C, XL1200L, XL1200N, XL1200X, XL883C, XL883L, XL883N, XL883R
12	68041-04	COVER, upper triple clamp	XL1200C, XL883C

## STEERING HEAD BRACKET ASSEMBLY - XR1200/X

## STEERING HEAD BRACKET ASSEMBLY – XR1200/X



[View interactive image](#)

[View interactive table](#)

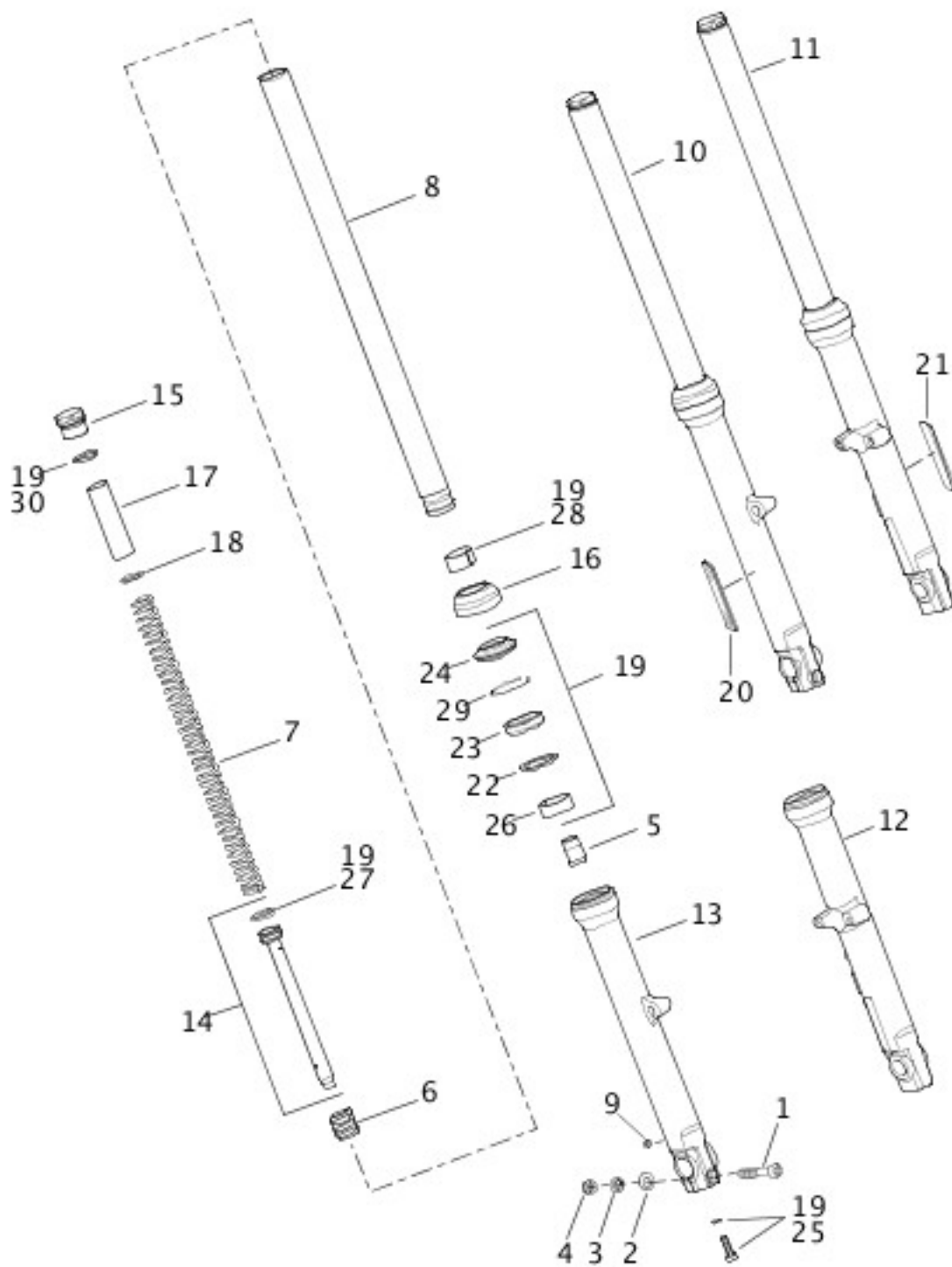
INDEX NO.	PART NO.	DESCRIPTION	MODEL(S)
1	2445	SCREW	XR1200, XR1200X
2	4352	SCREW (5)	XR1200, XR1200X
3	4993	BOLT	XR1200, XR1200X



4	6611	WASHER	XR1200, XR1200X
5	45155-08	GUIDE, control cable	XR1200, XR1200X
6	45611-86	RETAINING RING	XR1200, XR1200X
7	46028-08	BRACKET, upper	XR1200
8	46050-08	BRACKET, lower, w/ bearing, seal & retaining ring	XR1200
9	48184-01	SEAL, tapered bearing (2)	XR1200, XR1200X
10	48300-60	ROLLER BEARING, w/ cup (2)	XR1200, XR1200X
11	48315-60	BEARING CUP (2)	XR1200, XR1200X
<b>INTERNATIONAL MODELS ONLY</b>			
12	46927-10	BRACKET, lower, w/ bearing, seal & retaining ring (black)	XR1200X
13	46928-10	BRACKET, upper (black)	XR1200X

**FRONT FORK - 883C/L/R, 1200C/L/X**

# FRONT FORK - 883C/L/R, 1200C/L/R



[View interactive image](#)

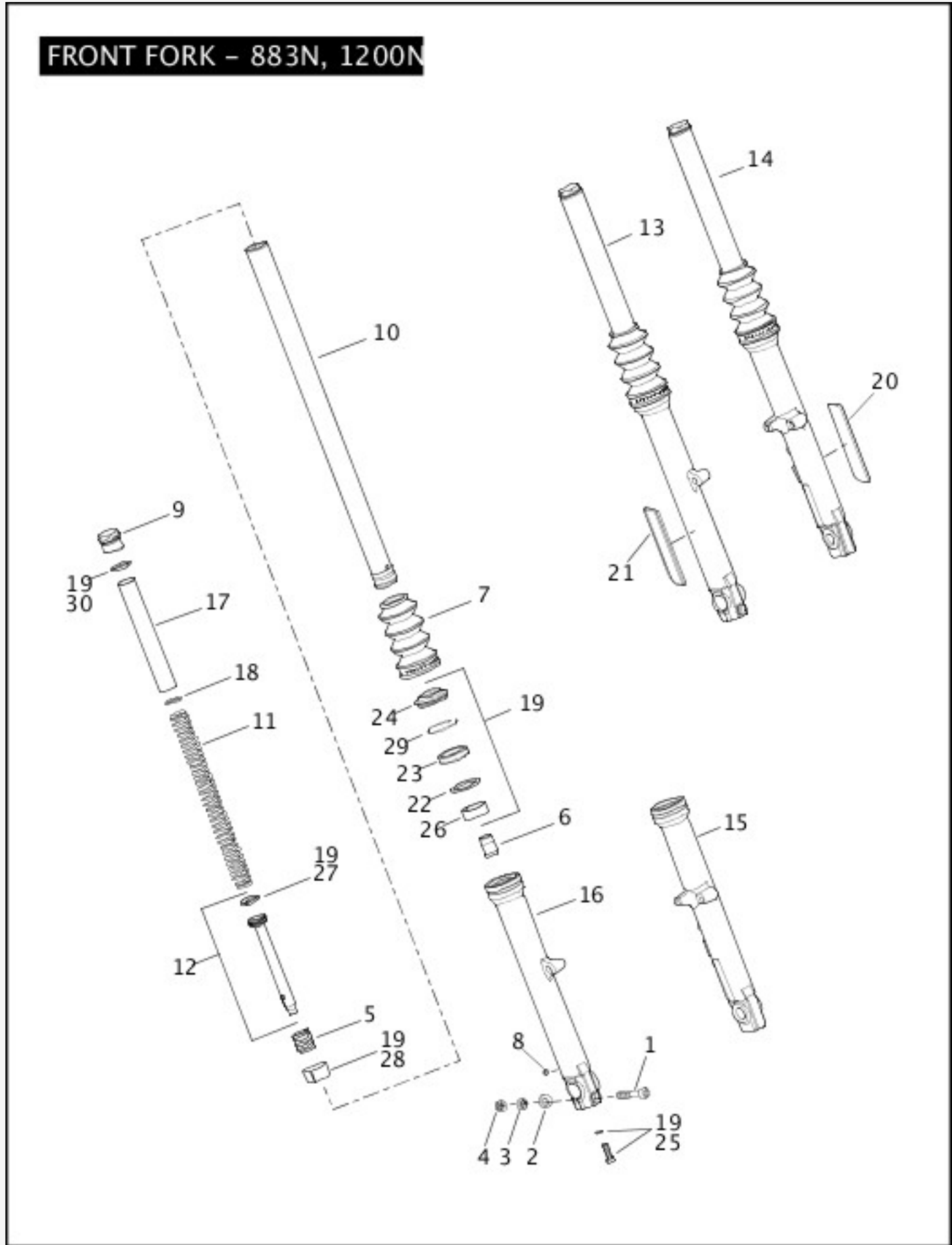
[View interactive table](#)

INDEX NO.	PART NO.	DESCRIPTION	MODEL(S)
1	4029A	SCREW	XL1200C, XL1200L, XL1200X, XL883C, XL883L, XL883R
2	6701	WASHER	XL1200C, XL1200L, XL1200X, XL883C, XL883L, XL883R

3	7038	LOCKWASHER	XL1200C, XL1200L, XL1200X, XL883C, XL883L, XL883R
4	7783	NUT	XL1200C, XL1200L, XL1200X, XL883C, XL883L, XL883R
5	45361-90	LOWER STOP (2)	XL1200C, XL1200L, XL1200X, XL883C, XL883L, XL883R
6	45374-87	SPRING, slider (2)	XL1200C, XL1200L, XL1200X, XL883C, XL883L, XL883R
7	10417	SPRING (2)	XL1200X
	45376-09	SPRING (2)	XL1200C, XL883C, XL883R
	46267-05	SPRING (2)	XL1200L
	47299-07	SPRING (2)	XL883L
8	45395-09	SLIDER TUBE, w/ bushing (2)	XL1200C, XL1200X, XL883C, XL883R
	46218-05	SLIDER TUBE, w/ bushing (2)	XL1200L, XL883L
9	45790-80	DRAIN SCREW, w/ washer (2)	XL1200C, XL1200L, XL883C, XL883L, XL883R
10	45900-09	FORK SLIDER & TUBE ASSEMBLY, right	XL1200C, XL883C
	46307-08	FORK SLIDER & TUBE ASSEMBLY, right	XL1200L
	46390-08	FORK SLIDER & TUBE ASSEMBLY, right	XL883L
	45988-10	FORK SLIDER & TUBE ASSEMBLY, right (not shown)	XL1200X
	46453-09	FORK SLIDER & TUBE ASSEMBLY, right (not shown)	XL883R
11	45901-09	FORK SLIDER & TUBE ASSEMBLY, left	XL1200C, XL883C
	46308-08	FORK SLIDER & TUBE ASSEMBLY, left	XL1200L
	46394-08	FORK SLIDER & TUBE ASSEMBLY, left	XL883L
	45968-10	FORK SLIDER & TUBE ASSEMBLY, left (not shown)	XL1200X
	46454-09	FORK SLIDER & TUBE ASSEMBLY, left (not shown)	XL883R
12	46075-04	SLIDER ASSEMBLY, left	XL1200C, XL1200L, XL883C, XL883L
	46450-08	SLIDER ASSEMBLY, left (not shown)	XL883R
	48850-10	SLIDER ASSEMBLY, left (not shown)	XL1200X
13	46076-04	SLIDER ASSEMBLY, right	XL1200C, XL1200L, XL883C, XL883L
	46449-08	SLIDER ASSEMBLY, right (not shown)	XL883R

	48849-10	SLIDER ASSEMBLY, right (not shown)	XL1200X
14	10627	DAMPER TUBE, w/ ring (2)	XL1200X
	45925-09	DAMPER TUBE, w/ ring (2)	XL1200C, XL883C, XL883R
	45938-92	DAMPER TUBE, w/ ring (2)	XL1200L
	47313-07	DAMPER TUBE, w/ ring (2)	XL883L
15	45996-87	CAP, slider tube (2)	XL1200C, XL1200L, XL1200X, XL883C, XL883L, XL883R
16	46002-87	COVER, slider (2)	XL1200C, XL1200L, XL1200X, XL883C, XL883L, XL883R
17	48737-07	SPRING COLLAR (2)	XL883L
	48791-09	SPRING COLLAR (2)	XL1200C, XL883C, XL883R
18	48738-07	WASHER, spring (2)	XL1200C, XL883C, XL883L, XL883R
19	49378-09	FRONT FORK SERVICE KIT	XL1200C, XL1200L, XL1200X, XL883C, XL883L, XL883R
20	59481-00	REFLECTOR, amber - right	XL1200C, XL1200L, XL883C, XL883L, XL883R
	69861-07	REFLECTOR, amber - right, w/ black base	XL1200X
21	59482-00	REFLECTOR, amber - left	XL1200C, XL1200L, XL883C, XL883L, XL883R
	69862-07	REFLECTOR, amber - left, w/ black base	XL1200X
22	45377-87	SPACER SEAL	XL1200C, XL1200L, XL1200X, XL883C, XL883L, XL883R
23	45378-87	OIL SEAL	XL1200C, XL1200L, XL1200X, XL883C, XL883L, XL883R
24	45401-87	DUST SEAL	XL1200C, XL1200L, XL1200X, XL883C, XL883L, XL883R
25	45405-75A	SCREW	XL1200C, XL1200L, XL1200X, XL883C, XL883L, XL883R
26	45461-87	GUIDE BUSHING	XL1200C, XL1200L, XL1200X, XL883C, XL883L, XL883R
27	45460-90	PISTON RING (2)	XL1200L
	45462-87	PISTON RING (2)	XL1200C, XL1200X, XL883C, XL883L, XL883R
28	45465-87	SLIDE BUSHING	XL1200C, XL1200L, XL1200X, XL883C, XL883L, XL883R
29	45905-87	STOPPER RING	XL1200C, XL1200L, XL1200X, XL883C, XL883L, XL883R

# FRONT FORK - 883N, 1200N



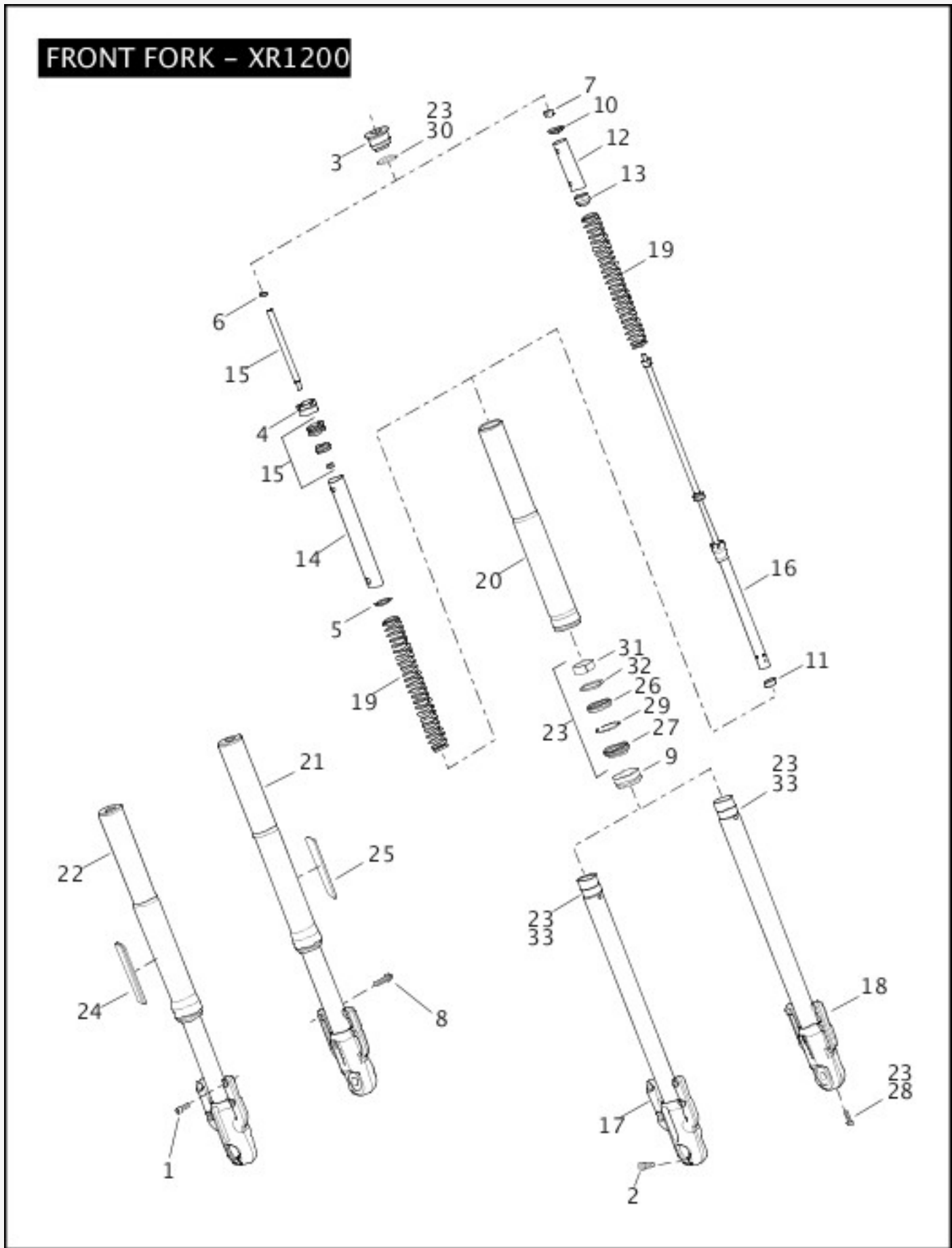
[View interactive image](#)

[View interactive table](#)

INDEX NO.	PART NO.	DESCRIPTION	MODEL(S)

1	4029A	SCREW	XL1200N, XL883N
2	6701	WASHER	XL1200N, XL883N
3	7038	LOCKWASHER	XL1200N, XL883N
4	7783	NUT	XL1200N, XL883N
5	45374-87	SPRING, slider (2)	XL1200N, XL883N
6	45361-90	LOWER STOP (2)	XL1200N, XL883N
7	45451-07	FORK GAITERS, front fork (2)	XL1200N, XL883N
8	45790-80	DRAIN SCREW, w/ washer (2)	XL1200N, XL883N
9	45996-87	CAP, slider tube (2)	XL1200N, XL883N
10	46218-05	SLIDER TUBE, w/ bushing (2)	XL1200N, XL883N
11	47299-07	SPRING (2)	XL1200N, XL883N
12	47313-07	PIPE, compression w/ ring (2)	XL1200N, XL883N
13	48714-08	FORK ASSEMBLY, left	XL1200N, XL883N
14	48715-08	FORK ASSEMBLY, right	XL1200N, XL883N
15	48716-08	SLIDER ASSEMBLY, right	XL1200N, XL883N
16	48726-08	SLIDER ASSEMBLY, left	XL1200N, XL883N
17	48737-07	COLLAR, spring (2)	XL1200N, XL883N
18	48738-07	WASHER, spring (2)	XL1200N, XL883N
19	49378-09	FRONT FORK SERVICE KIT	XL1200N, XL883N
20	69861-07	REFLECTOR, amber - right	XL1200N, XL883N
21	69862-07	REFLECTOR, amber - left	XL1200N, XL883N
22	45377-87	SPACER SEAL	XL1200N, XL883N
23	45378-87	OIL SEAL	XL1200N, XL883N
24	45401-87	DUST SEAL	XL1200N, XL883N
25	45405-75A	SCREW	XL1200N, XL883N
26	45461-87	GUIDE BUSHING	XL1200N, XL883N
27	45462-87	PISTON RING (2)	XL1200N, XL883N
28	45465-87	SLIDE BUSHING	XL1200N, XL883N
29	45905-87	STOPPER RING	XL1200N, XL883N
30	45984-87	O-RING	XL1200N, XL883N

# FRONT FORK - XR1200



[View interactive image](#)

[View interactive table](#)

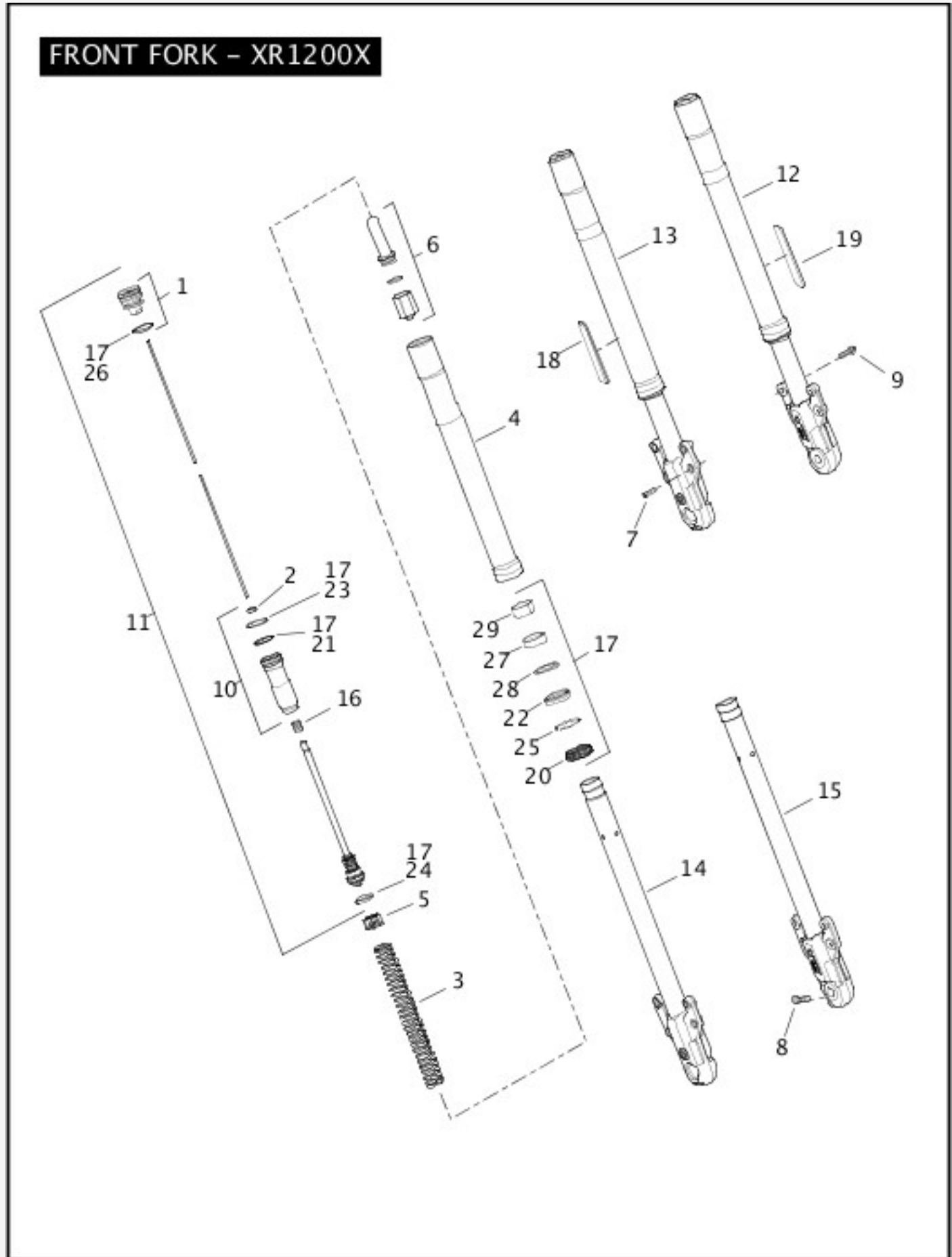
INDEX NO.	PART NO.	DESCRIPTION	MODEL(S)
1	4250M	SCREW (4)	XR1200

2	4499M	BOLT, right only	XR1200
3	4574	BOLT, fork (2)	XR1200
4	4575	BOLT, inner fork, right only	XR1200
5	5925	WASHER, right only	XR1200
6	7468M	NUT, right only	XR1200
7	7469	NUT, left only	XR1200
8	44160-00	BOLT, caliper mounting (4)	XR1200
9	46344-06	COVER, slider (2)	XR1200
10	46352-06	SPRING SEAT, left only	XR1200
11	46353-06	CENTERING PLATE, left only	XR1200
12	46354-06	SPRING COLLAR, left only	XR1200
13	46355-06	SPRING JOINT, left only	XR1200
14	46358-06	SPRING COLLAR, right only	XR1200
15	46359-06	JOINT ROD, right only	XR1200
16	46878-08	DAMPER COMP, left only, w/ 7469	XR1200
17	46879-08	SLIDER, right	XR1200
18	46880-08	SLIDER, left	XR1200
19	46882-08	SPRING (2)	XR1200
20	46884-08	OUTER TUBE (black) (2)	XR1200
21	46886-08	FORK ASSEMBLY, left, complete	XR1200
22	46887-08	FORK ASSEMBLY, right, complete	XR1200
23	49380-09	FRONT FORK SERVICE KIT	XR1200
24	69861-07	REFLECTOR, amber w/black base - right hand	XR1200
25	69862-07	REFLECTOR, amber w/black base - left hand	XR1200
26	J8127.3A8	OIL SEAL	XR1200
27	J8130.3A8	DUST SEAL	XR1200
28	45405-75A	SCREW	XR1200
29	45842-77A	RETAINING RING	XR1200
30	46329-06	O-RING	XR1200
31	46343-06	GUIDE BUSHING	XR1200



32	46346-06	SEAL SPACER	XR1200
33	46348-06	BUSHING	XR1200

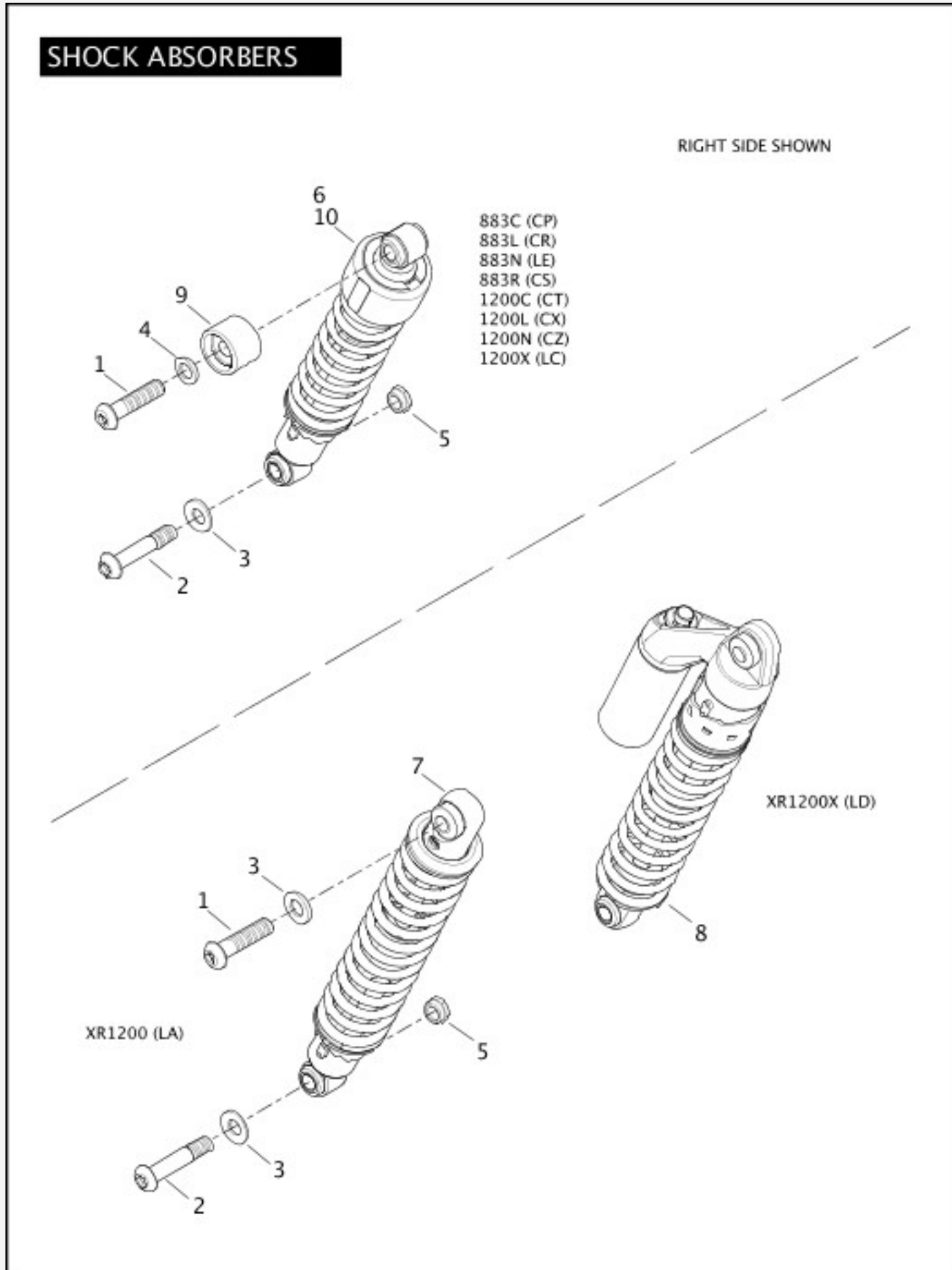
## FRONT FORK - XR1200X



[View interactive image](#)

INDEX NO.	PART NO.	DESCRIPTION	MODEL(S)
1	4977	BOLT	XR1200X
2	7341M	NUT	XR1200X
3	10418	SPRING	XR1200X
4	10628	OUTER TUBE	XR1200X
5	12200	SPRING COLLAR	XR1200X
6	12201	SPRING COLLAR	XR1200X
7	4250M	SCREW (4)	XR1200X
8	4499M	BOLT	XR1200X
9	44160-00	BOLT, caliper mounting (4)	XR1200X
10	46372-10	ROD GUIDE CASE	XR1200X
11	46681-10	PISTON ROD, complete	XR1200X
12	48771-10	FORK ASSEMBLY, left	XR1200X
13	48778-10	FORK ASSEMBLY, right	XR1200X
14	48785-10	SLIDER, right	XR1200X
15	48786-10	SLIDER, left	XR1200X
16	49372-10	REBOUND SPRING	XR1200X
17	49406-10	FRONT FORK SERVICE KIT	XR1200X
18	69861-07	REFLECTOR, amber w/black base - right	XR1200X
19	69862-07	REFLECTOR, amber w/black base - left	XR1200X
20	J8130.3A8	DUST SEAL	XR1200X
21	10926	O-RING	XR1200X
22	12085	OIL SEAL	XR1200X
23	45690-10	PISTON RING 'B'	XR1200X
24	45693-10	PISTON RING	XR1200X
25	45842-77A	RETAINING RING	XR1200X
26	46329-06	O-RING	XR1200X
27	46343-06	GUIDE BUSHING	XR1200X
28	46346-06	SEAL SPACER	XR1200X
29	9742	SLIDE BUSHING	XR1200X

# SHOCK ABSORBERS



[View interactive image](#)

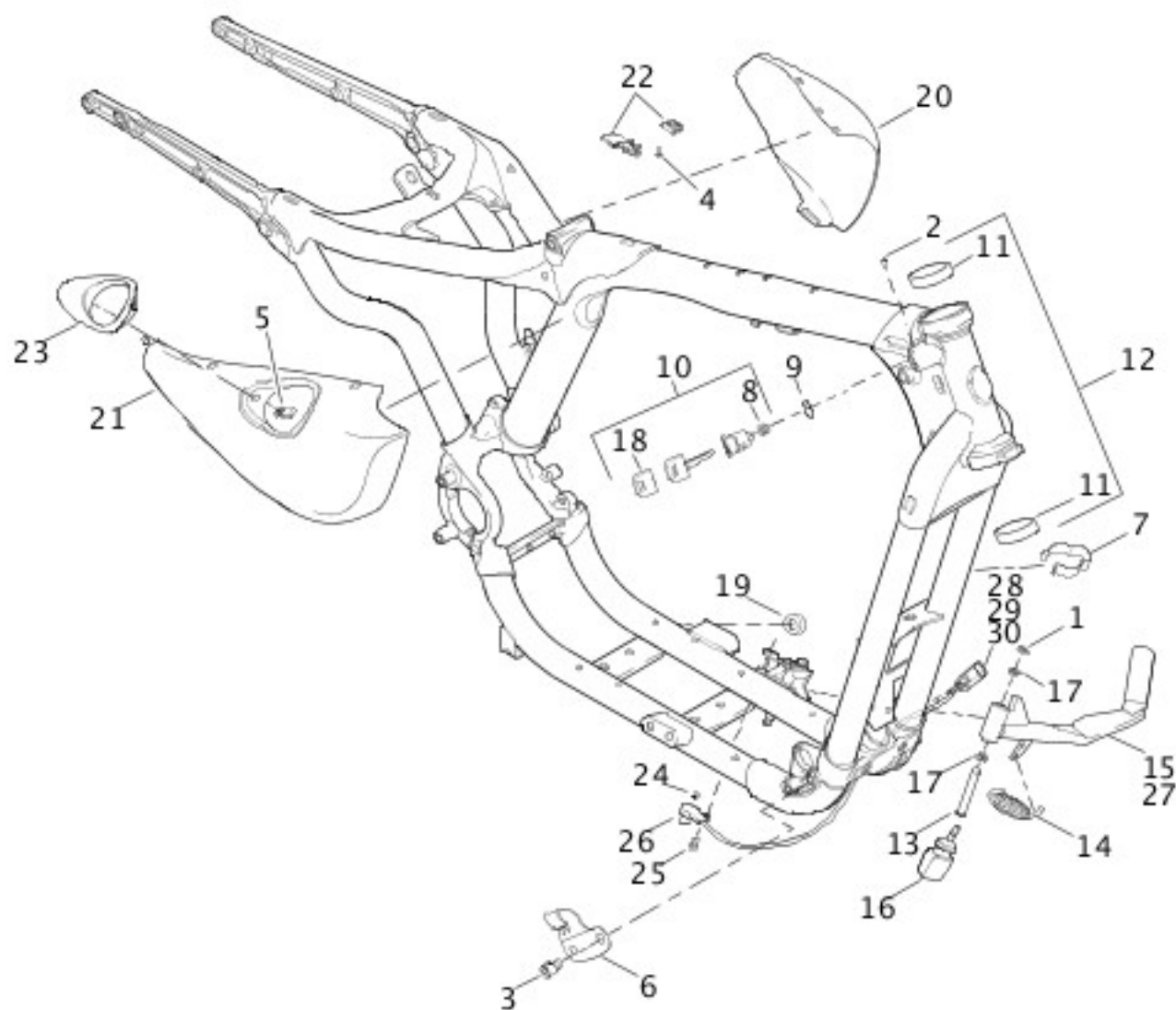
[View interactive table](#)

INDEX NO.	PART NO.	DESCRIPTION	MODEL(S)

1	3880	SCREW, upper (2)	ALL
2	4354	SCREW, lower (2)	ALL
3	6718	WASHER (2)	ALL
4	6738	WASHER (2)	XL1200C, XL1200L, XL1200N, XL1200X, XL883C, XL883L, XL883N, XL883R
5	7824	LOCKNUT (2)	ALL
6	54568-09	SHOCK ABSORBER, complete, w/ bushings (LC - HDI, England) (2)	XL1200C, XL1200L, XL1200X, XL883C
	54626-07	SHOCK ABSORBER, complete, w/ bushings (2)	XL883L
	54570-09	SHOCK ABSORBER, complete, w/ bushings (2)	XL883R
	54550-10	SHOCK ABSORBER, complete, w/ bushings (LC - Domestic) (2)	XL1200N, XL1200X, XL883N
7	54668-08	SHOCK ABSORBER, complete, w/ bushings (2)	XR1200
8	54671-10	SHOCK ABSORBER, complete, left, w/ bushings	XR1200X
	54700-10	SHOCK ABSORBER, complete, right, w/ bushings	XR1200X
9	54724-04	COVER, shock absorber stud (2)	XL1200C, XL1200L, XL883C, XL883L, XL883R
	54741-07	COVER, shock absorber stud (black) (2)	XL1200N, XL1200X, XL883N
<b>INTERNATIONAL MODELS ONLY</b>			
10	54570-09	SHOCK ABSORBER, complete, w/ bushings (HDI, England, Australia) (2)	XL1200N, XL883N

## FRAME & JIFFY STAND - 883C/L/N/R, 1200C/L/N/X

## FRAME & JIFFY STAND – 883C/L/N/R, 1200C/L/N/R



[View interactive image](#)

[View interactive table](#)

INDEX NO.	PART NO.	DESCRIPTION	MODEL(S)
1	554A	PRETZEL CLIP	XL1200C, XL1200L, XL1200N, XL1200X, XL883C, XL883L, XL883N, XL883R
2	1594	PIN, lock	XL1200C, XL1200L, XL1200N, XL1200X, XL883C, XL883L, XL883N, XL883R
3	4076	SCREW, hex socket (2)	XL1200L, XL1200N, XL1200X, XL883L, XL883N, XL883R
	4748	SCREW, socket head (4)	XL1200C, XL883C
4	4991	SCREW (2)	XL1200C, XL1200L, XL1200N, XL1200X, XL883C, XL883L, XL883N, XL883R

5	8135B	PUSH NUT	XL1200C, XL1200L, XL1200N, XL1200X, XL883C, XL883L, XL883N, XL883R
6	10179A	J-CLIP	XL1200C, XL1200L, XL1200N, XL1200X, XL883C, XL883L, XL883N, XL883R
7	10289A	CLIP, clutch cable (2)	XL1200C, XL1200L, XL1200N, XL1200X, XL883C, XL883L, XL883N, XL883R
8	43595-99	SPRING, fork lock	XL1200C, XL1200L, XL1200N, XL1200X, XL883C, XL883L, XL883N, XL883R
9	48027-99	O-RING, fork lock	XL1200C, XL1200L, XL1200N, XL1200X, XL883C, XL883L, XL883N, XL883R
	48154-05A	LOCKSET ASSEMBLY, complete	XL1200C, XL1200L, XL1200N, XL1200X, XL883C, XL883L, XL883N, XL883R
10	48153-02B	FORK LOCK KIT, w/ 1594, 43595-99, 61459-97 (specify key code)	XL1200C, XL1200L, XL1200N, XL1200X, XL883C, XL883L, XL883N, XL883R
11	48315-60	BEARING CUP, steering head (2)	XL1200C, XL1200L, XL1200N, XL1200X, XL883C, XL883L, XL883N, XL883R
12	49376-11	FRAME, w/ bearing cups	XL1200L, XL1200N, XL1200X, XL883L, XL883N, XL883R
	49439-10	FRAME, w/ bearing cups	XL1200C, XL883C
13	50003-89B	PIN, clevis	XL1200C, XL1200L, XL1200N, XL1200X, XL883C, XL883L, XL883N, XL883R
14	50005-85A	SPRING, jiffy stand	XL1200C, XL1200L, XL1200N, XL1200X, XL883C, XL883L, XL883N, XL883R
15	50185-04C	JIFFY STAND	XL1200C, XL1200L, XL883C
	50000025BHP	JIFFY STAND (CZ/LC - Domestic, California, Canada)	XL1200N, XL1200X, XL883L, XL883N
	50124-09BHP	JIFFY STAND	XL883R
16	49735-08	BUMPER, jiffy stand sensor	XL1200C, XL1200L, XL1200N, XL1200X, XL883C, XL883L, XL883N, XL883R
17	53176-08	BUSHING (2)	XL1200C, XL1200L, XL1200N, XL1200X, XL883C, XL883L, XL883N, XL883R
18	61459-97	COVER, key head set	XL1200C, XL1200L, XL1200N, XL1200X, XL883C, XL883L, XL883N, XL883R
19	62122-89A	BUMPER	XL1200C, XL1200L, XL1200N, XL1200X, XL883C, XL883L, XL883N, XL883R
20	66251-04A	SIDE COVER, left (black)	XL1200C, XL1200L, XL1200N, XL883C, XL883L
	66272-05A	SIDE COVER, left (satin)	XL1200X, XL883N, XL883R

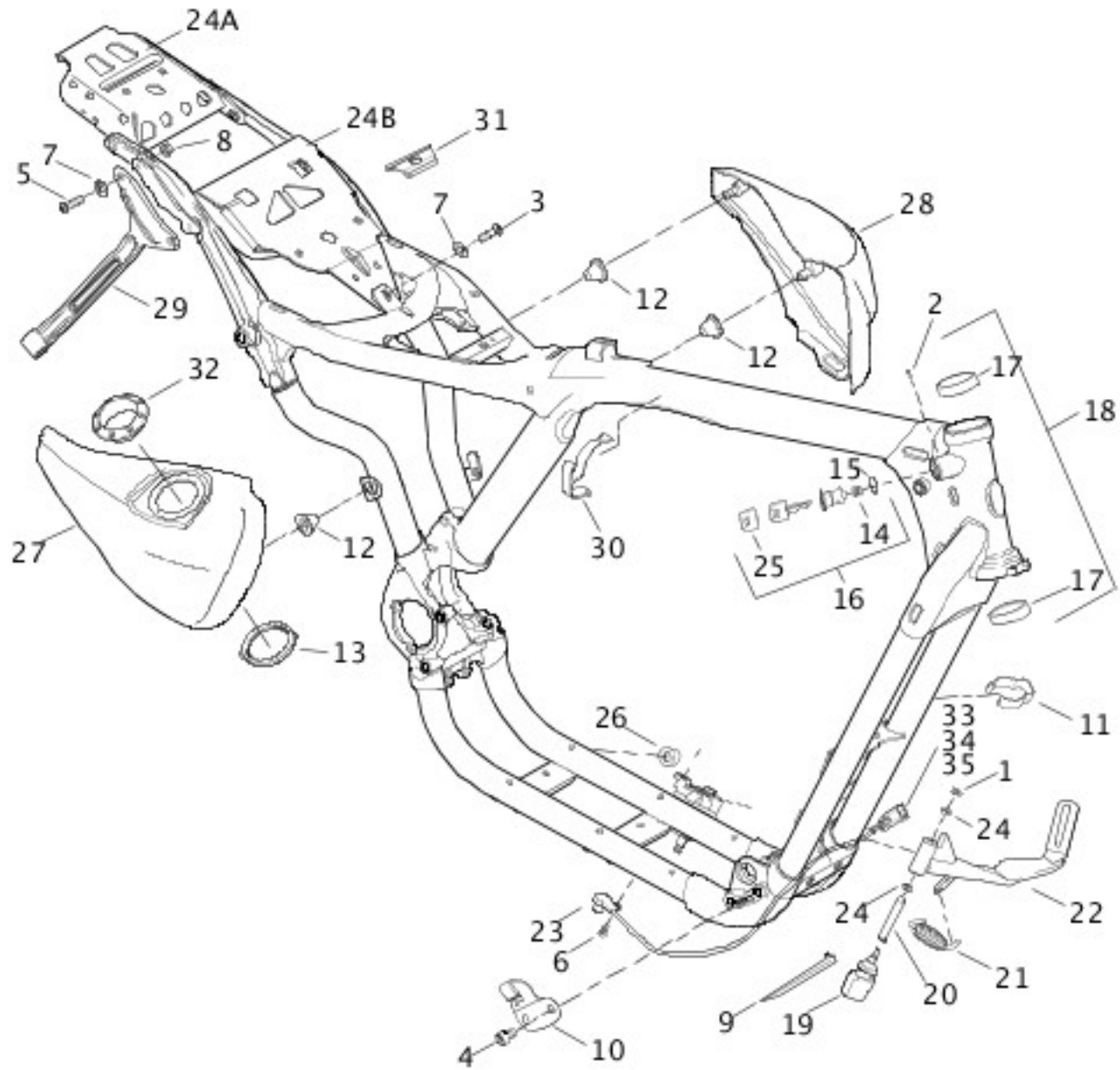
21	57200092DH	SIDE COVER, right (black)	XL1200C, XL1200L, XL1200N, XL883C, XL883L
	57200092BYM	SIDE COVER, right (satin)	XL1200X, XL883N, XL883R
22	70417-04C	KIT, clip, side cover mounting	XL1200C, XL1200L, XL1200N, XL1200X, XL883C, XL883L, XL883N, XL883R
23	71472-04	BEZEL, oil tank filler (chrome)	XL1200C, XL1200L, XL1200X, XL883C, XL883L, XL883R
	62534-07	BEZEL, oil tank filler (satin chrome)	XL1200N, XL883N
24	90520-07	PLUG, jiffy stand	XL1200C, XL1200L, XL1200N, XL1200X, XL883C, XL883L, XL883N, XL883R

#### **INTERNATIONAL MODELS ONLY**

25	4871	SCREW, jiffy stand switch (HDI, England)	XL1200C, XL1200L, XL1200N, XL1200X, XL883C, XL883L, XL883N, XL883R
26	50126-08A	SENSOR, jiffy stand (HDI, England), w/ 28, 29, 30	XL1200C, XL1200L, XL1200N, XL1200X, XL883C, XL883L, XL883N, XL883R
27	50185-04C	JIFFY STAND (HDI, England, Australia)	XL1200N, XL1200X, XL883N
	50000025BHP	JIFFY STAND (Japan)	XL1200N, XL883N
28	72169-07	TERMINAL, pin, 16-20 gauge (HDI, England)	XL1200C, XL1200L, XL1200N, XL1200X, XL883C, XL883L, XL883N, XL883R
29	72511-07BK	HOUSING (HDI, England)	XL1200C, XL1200L, XL1200N, XL1200X, XL883C, XL883L, XL883N, XL883R
30	73213-07	RETAINER, jiffy stand (HDI, England)	XL1200C, XL1200L, XL1200N, XL1200X, XL883C, XL883L, XL883N, XL883R

#### **FRAME & JIFFY STAND - XR1200/X**

## FRAME & JIFFY STAND – XR1200/X



[View interactive image](#)

[View interactive table](#)

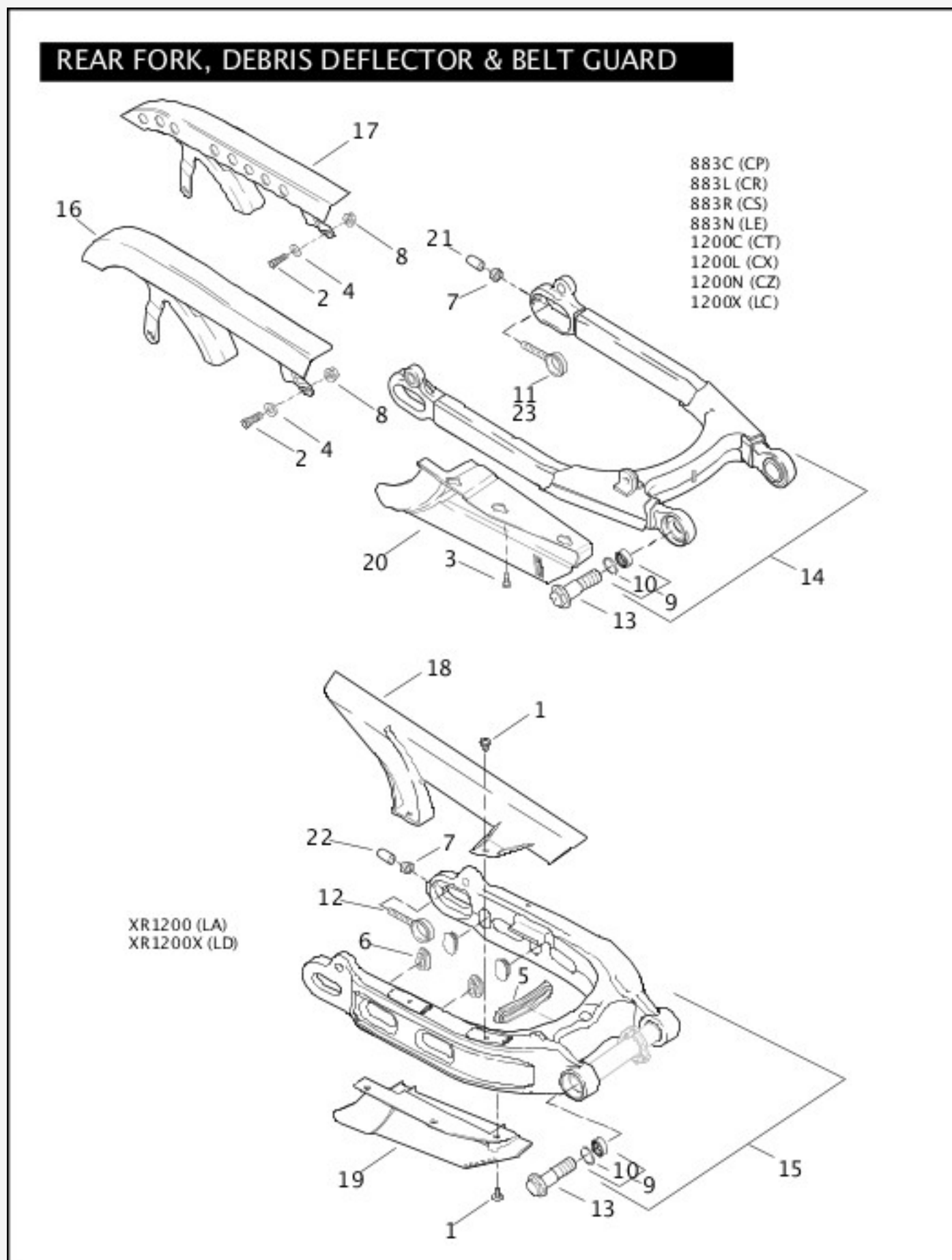
INDEX NO.	PART NO.	DESCRIPTION	MODEL(S)
1	554A	PRETZEL CLIP	XR1200, XR1200X
2	1594	PIN, lock	XR1200, XR1200X
3	3696	SCREW	XR1200, XR1200X
4	4076	SCREW (4)	XR1200, XR1200X
5	4549	SCREW (6)	XR1200, XR1200X
6	4871	SCREW, jiffy stand switch	XR1200, XR1200X
7	6302	WASHER (7)	XR1200, XR1200X
8	7531	LOCKNUT (2)	XR1200, XR1200X



9	10006	CABLE STRAP (as required)	XR1200, XR1200X
10	10179A	J-CLIP (2)	XR1200, XR1200X
11	10289A	CLIP, clutch cable	XR1200, XR1200X
12	11491A	GROMMET, side cover (3)	XR1200, XR1200X
13	11598	SNAP RING	XR1200, XR1200X
14	43595-99	SPRING, fork lock	XR1200, XR1200X
15	48027-99	O-RING, fork lock	XR1200, XR1200X
	48154-05A	LOCKSET ASSEMBLY, complete	XR1200, XR1200X
16	48153-02B	FORK LOCK KIT, w/ 1594, 43595-99, 61459-97 (specify key code)	XR1200, XR1200X
17	48315-60	BEARING CUP, steering head (2)	XR1200, XR1200X
18	48879-08A	FRAME, w/ bearing cups	XR1200, XR1200X
19	49735-08	BUMPER, jiffy stand sensor	XR1200, XR1200X
20	50003-89B	PIN, clevis	XR1200, XR1200X
21	50005-85A	SPRING, jiffy stand	XR1200, XR1200X
22	50124-09BHP	JIFFY STAND	XR1200, XR1200X
23	50126-08A	SENSOR, jiffy stand (HDI, England)	XR1200, XR1200X
24	53176-08	BUSHING (2)	XR1200, XR1200X
24A	59400-08	REAR FENDER SUPPORT	XR1200X
24B	59401-08	MIDDLE FENDER SUPPORT	XR1200X
25	61459-97	COVER, key head set	XR1200, XR1200X
26	62122-89A	BUMPER	XR1200, XR1200X
27	66269-08BDK	SIDE COVER, right (primed)	XR1200, XR1200X
	66269-08CHJ	SIDE COVER, right (black)	XR1200, XR1200X
28	66270-08BDK	SIDE COVER, left (primed)	XR1200, XR1200X
	66270-08CHJ	SIDE COVER, left (black)	XR1200, XR1200X
29	65316-08	SUPPORT, muffler, rear	XR1200, XR1200X
30	70633-08	CLIP, caddy	XR1200, XR1200X
31	71287-08	WIRE GUARD	XR1200, XR1200X
32	71478-08	BEZEL, oil tank filler (chrome)	XR1200, XR1200X
33	72169-07	TERMINAL, pin, 16-20 gauge (3)	XR1200, XR1200X

34	72511-07BK	HOUSING	XR1200, XR1200X
35	73213-07	RETAINER, jiffy stand	XR1200, XR1200X

## REAR FORK, DEBRIS DEFLECTOR & BELT GUARD



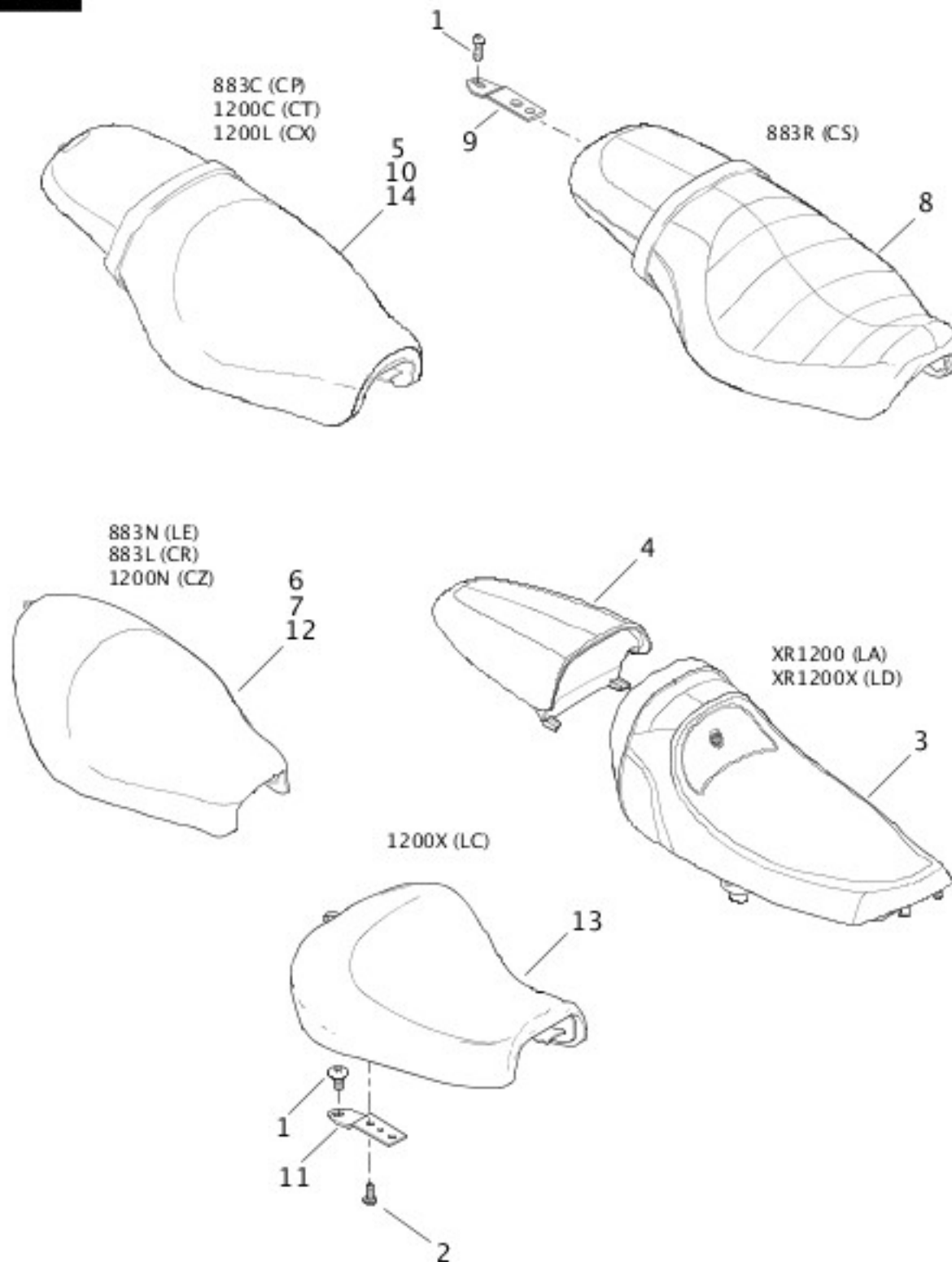
[View interactive image](#)

INDEX NO.	PART NO.	DESCRIPTION	MODEL(S)
1	2445	SCREW (5)	XR1200, XR1200X
2	2708A	SCREW	XL1200C, XL1200L, XL1200N, XL1200X, XL883C, XL883L, XL883N, XL883R
3	3579A	SCREW (3)	XL1200C, XL1200L, XL1200N, XL1200X, XL883C, XL883L, XL883N, XL883R
4	6702	WASHER	XL1200C, XL1200L, XL1200N, XL1200X, XL883C, XL883L, XL883N, XL883R
5	6863	PLUG, swing arm, large	XR1200, XR1200X
6	6864A	PLUG, swing arm, small (4)	XR1200, XR1200X
7	7766	LOCKNUT (2)	ALL
8	7531	LOCKNUT	XL1200C, XL1200L, XL1200N, XL1200X, XL883C, XL883L, XL883N, XL883R
9	9209	BEARING, swing arm, w/ 11282 (2)	ALL
10	11282	RETAINING RING (2)	ALL
11	41573-05	ADJUSTER, rear axle (2) (1-Japan, left)	XL1200C, XL1200L, XL1200N, XL1200X, XL883C, XL883L, XL883N, XL883R
12	41626-08	ADJUSTER, rear axle (2)	XR1200, XR1200X
13	41698-04	BOLT, swing arm pivot (2)	ALL
14	47587-05A	REAR FORK, w/ bearings & 9209	XL1200C, XL1200L, XL1200N, XL1200X, XL883C, XL883L, XL883N, XL883R
15	47674-08A	REAR FORK, w/ bearings & 9209 (silver)	XR1200
	47682-10	REAR FORK, w/ bearings (black)	XR1200X
16	60367-04	BELT GUARD	XL1200C, XL1200L, XL883C, XL883L, XL883N, XL883R
17	60379-09	BELT GUARD	XL1200N, XL1200X
18	60403-08	BELT GUARD	XR1200, XR1200X
19	60416-08	DEBRIS DEFLECTOR	XR1200, XR1200X
20	60435-04B	DEBRIS DEFLECTOR	XL1200C, XL1200L, XL1200N, XL1200X, XL883C, XL883L, XL883N, XL883R

21	89579-91	CAP, protective (2)	XL1200C, XL1200L, XL1200N, XL1200X, XL883C, XL883L, XL883N, XL883R
22	89586-04	CAP, protective (2)	XR1200, XR1200X
<b>INTERNATIONAL MODELS ONLY</b>			
23	41623-05	ADJUSTER, rear axle, right (Japan) (not shown)	XL1200C, XL1200L, XL1200N, XL883C, XL883L, XL883N, XL883R

## SEATS

## SEATS



[View interactive image](#)

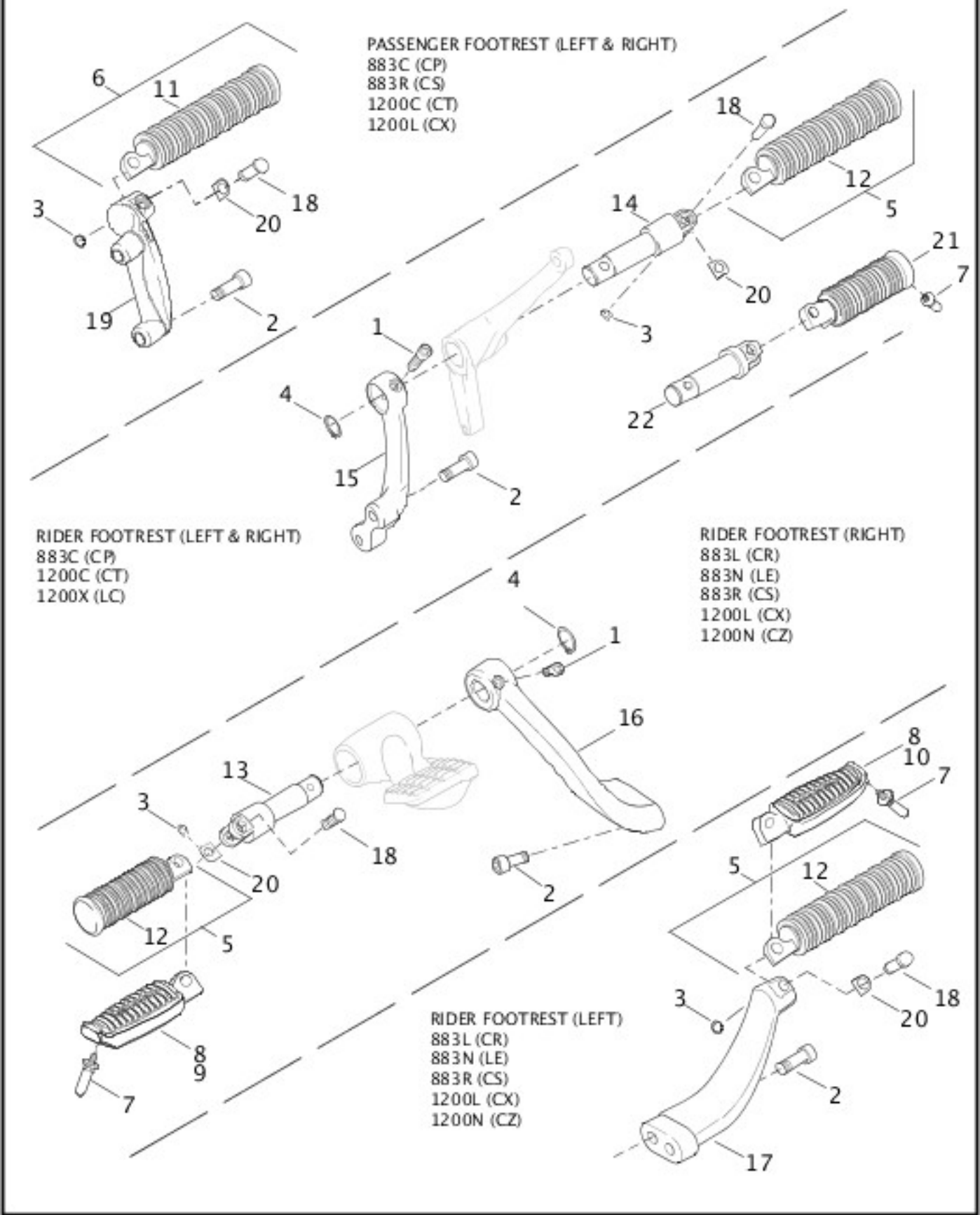
[View interactive table](#)

INDEX NO.	PART NO.	DESCRIPTION	MODEL(S)
1	2952A	SCREW, seat mounting	XL1200C, XL1200L, XL1200N, XL1200X, XL883C, XL883L, XL883N, XL883R
2	3574	SCREW	XL1200X
3	51382-08	SEAT, rider	XR1200, XR1200X

4	51383-08	SEAT, pillion	XR1200, XR1200X
5	51530-07	SEAT ASSEMBLY, w/ 51652-97A	XL1200C
6	51532-07	SEAT ASSEMBLY, w/ 51652-97A	XL883N
7	51550-07	SEAT ASSEMBLY, w/ 51652-97A	XL883L
8	51551-07	SEAT ASSEMBLY, w/ 51652-97A	XL883R
9	51652-97A	BRACKET, seat mounting	XL1200C, XL1200L, XL1200N, XL883C, XL883L, XL883N, XL883R
10	51706-07	SEAT ASSEMBLY, w/ 51652-97A	XL1200L
11	51740-10	BRACKET, seat mounting	XL1200X
12	51899-07	SEAT ASSEMBLY, w/ 51652-97A	XL1200N
13	51911-10	SEAT ASSEMBLY, w/ 3574 & 51740-10	XL1200X
<b>INTERNATIONAL MODELS ONLY</b>			
14	52608-07	SEAT ASSEMBLY, w/ 51652-97A	XL883C

**FOOTRESTS - 883C/L/N/R, 1200C/L/N/X**

# FOOTRESTS - 883C/L/N/R, 1200C/L/N



[View interactive image](#)

[View interactive table](#)

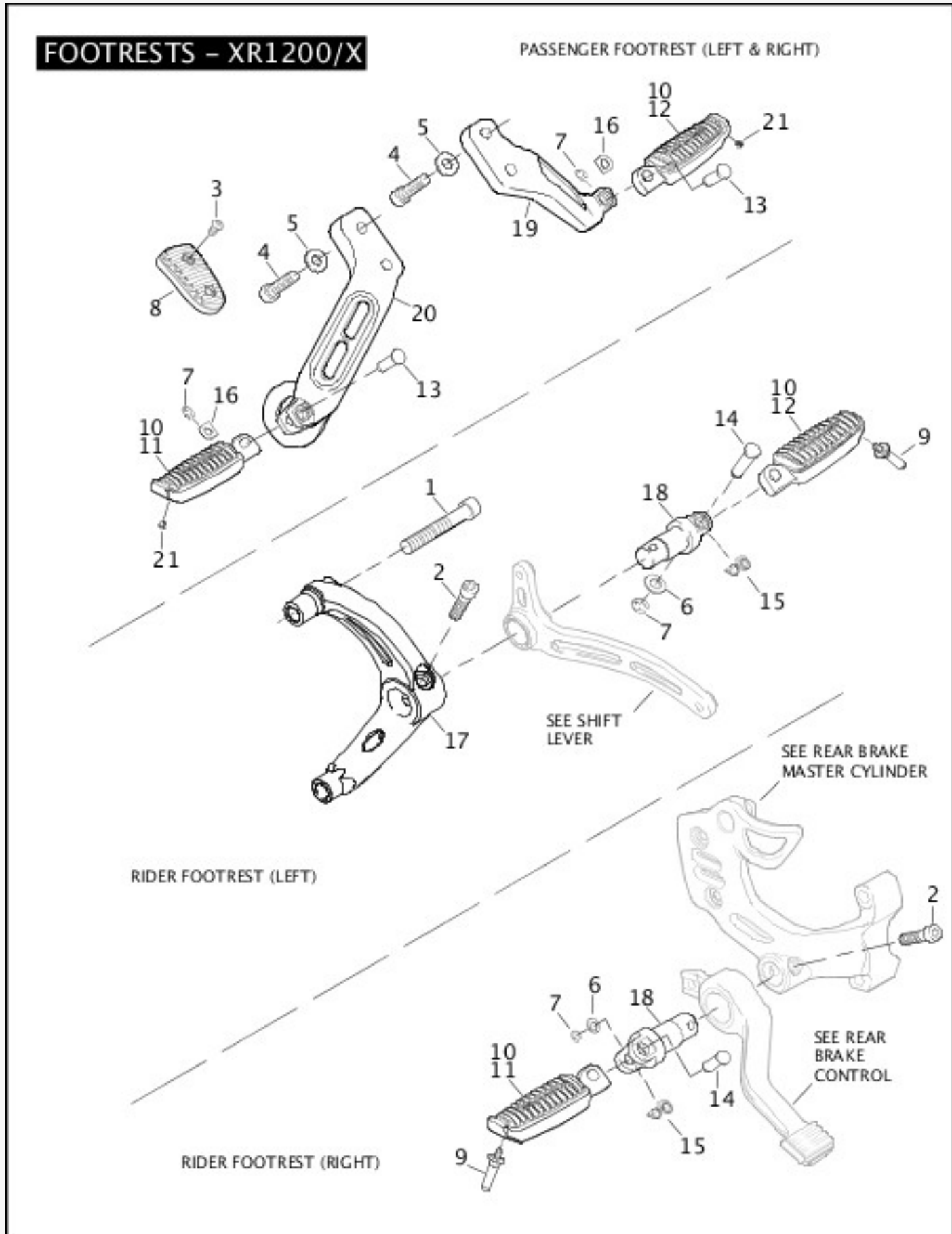
INDEX NO.	PART NO.	DESCRIPTION	MODEL(S)
	90493-83	HOLE PLUG (not illustrated) (as required)	XL1200C, XL1200L, XL883C, XL883L, XL883R
1	3162	SCREW	XL1200L, XL1200N, XL1200X, XL883L, XL883N, XL883R

	3162	SCREW (2)	XL1200C, XL883C
2	3214	SCREW, socket head (4)	XL1200C, XL1200L, XL1200N, XL1200X, XL883C, XL883L, XL883N, XL883R
3	11304	RETAINING RING (2)	XL1200C, XL1200L, XL1200N, XL1200X, XL883C, XL883L, XL883N, XL883R
4	11390	RETAINING RING (2)	XL1200C, XL1200L, XL1200N, XL1200X, XL883C, XL883L, XL883N, XL883R
5	33032-99	FOOTPEG ASSEMBLY, w/ 33216-06, front (2)	XL1200C, XL1200L, XL883C, XL883R
6	33048-72	FOOTPEG ASSEMBLY, w/ 33189-63, rear (2)	XL1200C, XL1200L, XL883C, XL883R
7	33130-07A	WEAR PEG, footrest (2)	XL1200N, XL1200X, XL883L, XL883N
8	33133-06	RUBBER, footpegs (2)	XL1200N, XL883L, XL883N
9	33134-07CAZ	FOOTPEG ASSEMBLY, RH, w/ 33133-06 (black)	XL1200N, XL883L, XL883N
10	33135-07CAZ	FOOTPEG ASSEMBLY, LH, w/ 33133-06 (black)	XL1200N, XL883L, XL883N
11	33189-63	RUBBER, footrest, rear (2)	XL1200C, XL1200L, XL883C, XL883R
12	33216-99	RUBBER, footrest, front	XL1200C, XL1200L, XL883C, XL883R
13	42541-04	CLEVIS, right rider footpeg	XL1200L, XL1200N, XL883L, XL883N, XL883R
14	42541-04	CLEVIS, left rider footpeg	XL1200C, XL883C
	42566-04	CLEVIS, right rider footpeg (not shown)	XL1200C, XL883C
15	42651-04	SUPPORT BRACKET, left rider footpeg	XL1200C, XL1200X, XL883C
	42652-04	SUPPORT BRACKET, right rider footpeg (not shown)	XL1200C, XL1200X, XL883C
16	42971-04	BRACKET, rider footrest support - right	XL1200L, XL1200N, XL883L, XL883N, XL883R
17	42972-04	BRACKET, rider footrest support - left	XL1200L, XL1200N, XL883L, XL883N, XL883R
18	45041-01A	CLEVIS PIN (2-CR/CZ/LC/LE, 4-CP/CS/CT/CX)	XL1200C, XL1200L, XL1200N, XL1200X, XL883C, XL883L, XL883N, XL883R
19	49314-04	BRACKET, passenger footrest - right (not shown)	XL1200C, XL1200L, XL883C, XL883R
	49315-04	BRACKET, passenger footrest - left	XL1200C, XL1200L, XL883C, XL883R
20	50912-72	SPRING WASHER (2-CR/CZ/LC/LE, 4-CP/CS/CT/CX) (2)	XL1200C, XL1200L, XL1200N, XL1200X, XL883C, XL883L, XL883N, XL883R
21	51323-08	FOOTPEG ASSEMBLY, RH	XL1200X



	51327-08	FOOTPEG ASSEMBLY, LH	XL1200X
22	51731-10	CLEVIS, RH	XL1200X
	51730-10	CLEVIS, LH	XL1200X

## FOOTRESTS - XR1200/X

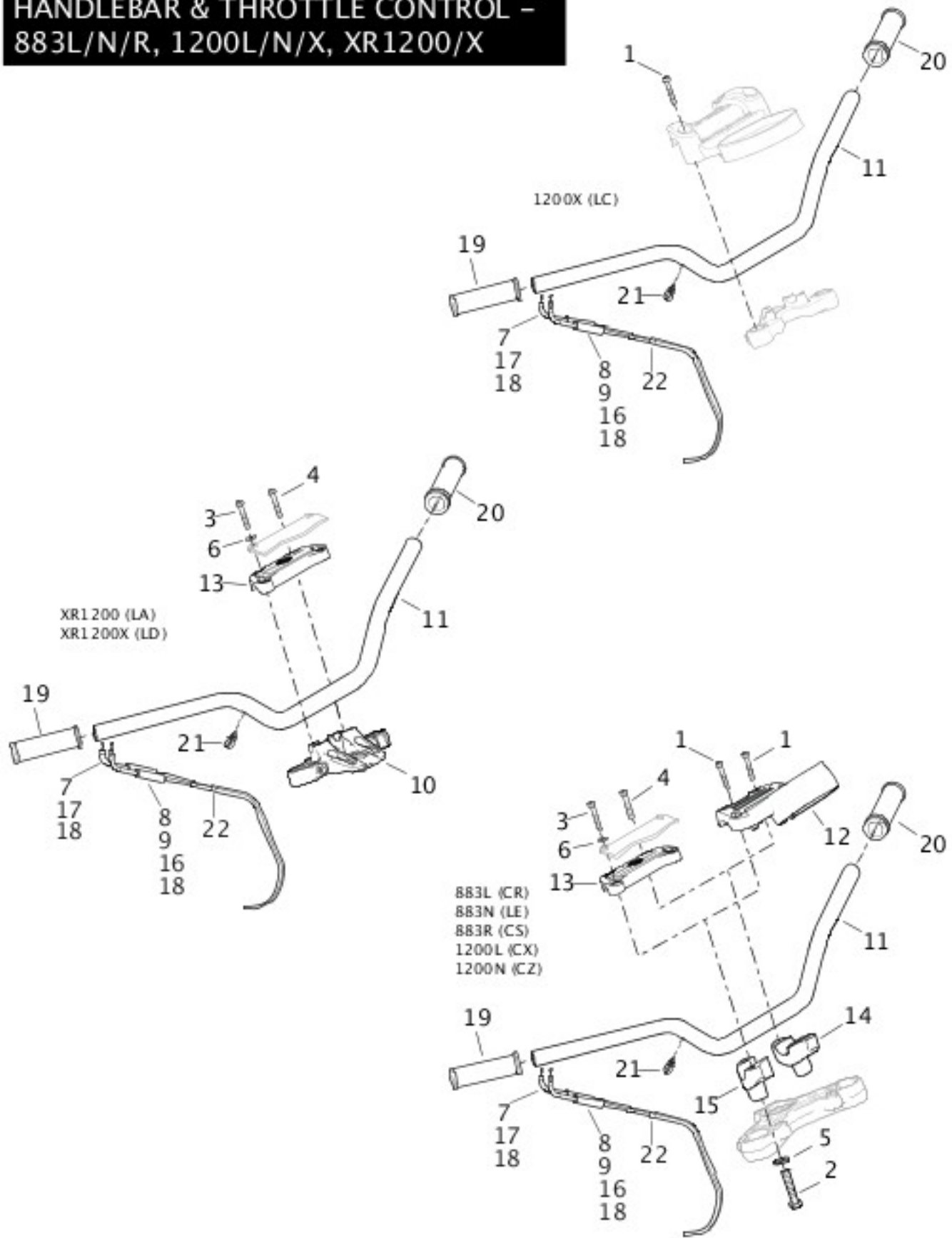


[View interactive image](#)

INDEX NO.	PART NO.	DESCRIPTION	MODEL(S)
1	855B	SCREW (2)	XR1200, XR1200X
2	3162	SCREW (2)	XR1200, XR1200X
3	3048	SCREW (2)	XR1200, XR1200X
4	4350A	SCREW (2)	XR1200, XR1200X
5	6400HB	WASHER (2)	XR1200, XR1200X
6	6379W	WASHER (2)	XR1200, XR1200X
7	11304	RETAINING RING (4)	XR1200, XR1200X
8	33084-06	HEEL REST	XR1200, XR1200X
9	33130-07A	WEAR PEG, footrest (2)	XR1200, XR1200X
10	33133-06	RUBBER, footpeg (4)	XR1200, XR1200X
11	33134-07CAZ	FOOTPEG ASSEMBLY, RH, w/ 33133-06 (2)	XR1200, XR1200X
12	33135-07CAZ	FOOTPEG ASSEMBLY, LH, w/ 33133-06 (2)	XR1200, XR1200X
13	45041-01A	CLEVIS PIN (2)	XR1200, XR1200X
14	45067-06	CLEVIS PIN (4)	XR1200, XR1200X
15	45065-06	RETURN SPRING, footpeg (2)	XR1200, XR1200X
16	50912-72	SPRING WASHER (2)	XR1200, XR1200X
17	51044-08	BRACKET, rider support, LH	XR1200, XR1200X
18	51046-09	CLEVIS, rider footpeg (2)	XR1200, XR1200X
19	51048-08	BRACKET, passenger support, LH	XR1200, XR1200X
20	51049-08	BRACKET, passenger support, RH	XR1200, XR1200X
21	90520-07	PLUG, passenger (2)	XR1200, XR1200X

## HANDLEBAR & THROTTLE CONTROL - 883L/N/R, 1200L/N/X, XR1200/X

# HANDLEBAR & THROTTLE CONTROL - 883L/N/R, 1200L/N/X, XR1200/X



[View interactive image](#)

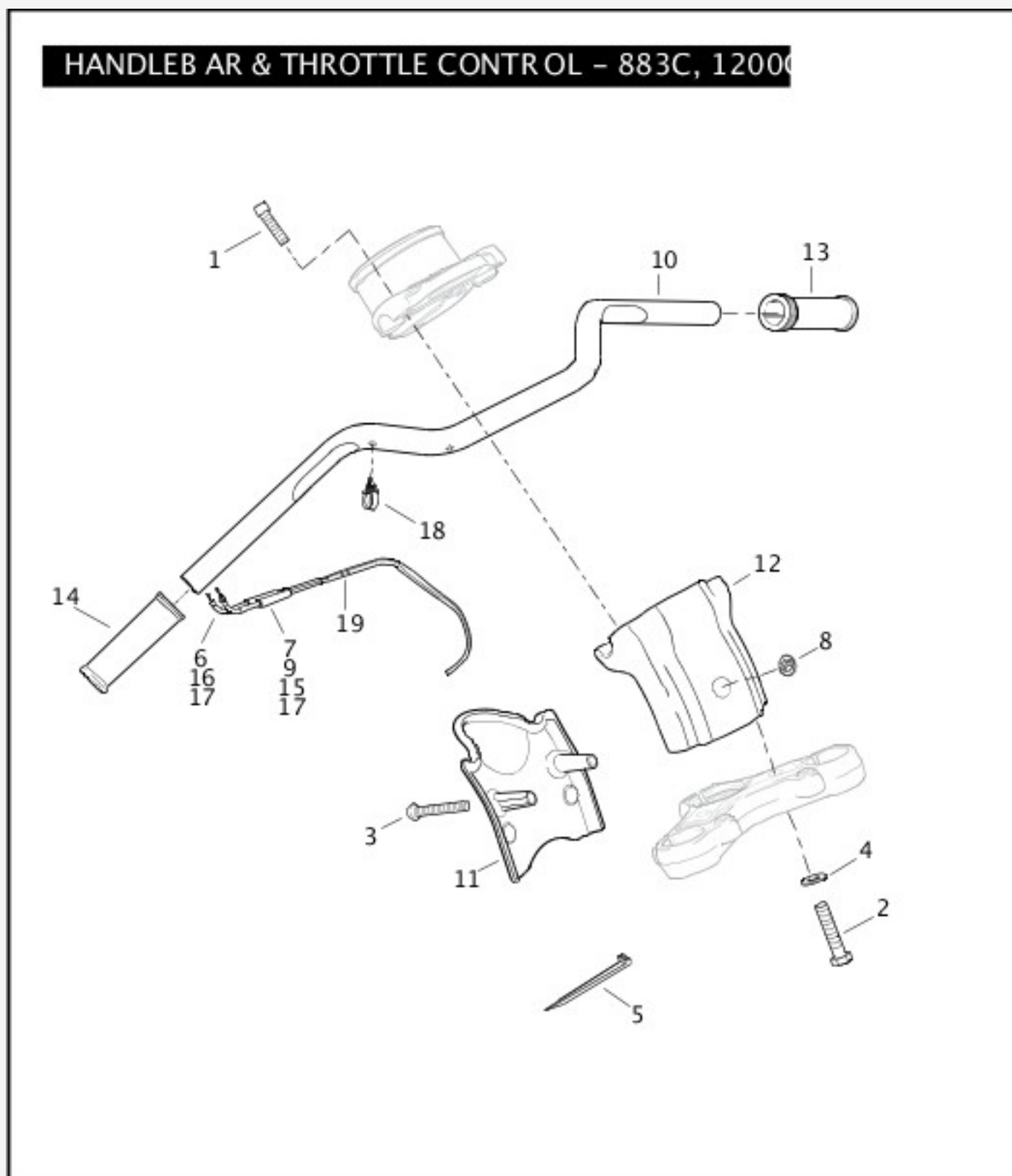
[View interactive table](#)

INDEX NO.	PART NO.	DESCRIPTION	MODEL(S)
1	3210A	SCREW (4)	XL1200L, XL1200N, XL1200X, XL883N
2	3605	BOLT (2)	XL1200L, XL1200N, XL883L, XL883N, XL883R

3	4326A	SCREW (2)	XL883L, XL883R, XR1200, XR1200X
4	4816A	SCREW (2)	XL883L, XL883R, XR1200, XR1200X
5	6590HW	WASHER (2)	XL1200L, XL1200N, XL883L, XL883N, XL883R
6	6702	WASHER (2)	XL883L, XL883R, XR1200, XR1200X
7	11271	RING RETAINER, idle	XL1200L, XL1200N, XL1200X, XL883L, XL883N, XL883R, XR1200, XR1200X
8	11272	RING RETAINER, retainer - throttle	XL1200L, XL1200N, XL1200X, XL883L, XL883N, XL883R, XR1200, XR1200X
9	38653-01	BOOT, cable, throttle	XL1200L, XL1200N, XL1200X, XL883L, XL883N, XL883R, XR1200, XR1200X
10	46028-08	BRACKET, upper	XR1200, XR1200X
11	55800345	HANDLEBAR	XL1200X, XL883N
	56051-06	HANDLEBAR	XL1200L, XL883L
	56085-83A	HANDLEBAR	XL1200N, XL883R, XR1200, XR1200X
12	55846-05A	BRACKET, handlebar - upper (chrome)	XL1200L
	55847-05A	BRACKET, handlebar - upper (black wrinkle)	XL1200N, XL883N
13	56115-95	CLAMP, handlebar - upper (black)	XL883L, XL883R, XR1200, XR1200X
14	56116-82A	CLAMP, handlebar - lower left	XL1200N, XL883L, XL883N, XL883R
	56541-86A	CLAMP, handlebar - lower left	XL1200L
15	56117-82A	CLAMP, handlebar - lower right	XL1200N, XL883L, XL883N, XL883R
	56542-86A	CLAMP, handlebar - lower right	XL1200L
16	56637-08	THROTTLE CONTROL ASSEMBLY, w/ 11272 & 38653-01	XR1200, XR1200X
	56884-07	THROTTLE CONTROL ASSEMBLY, w/ 11272 & 38653-01	XL1200L, XL1200N, XL1200X, XL883L, XL883N, XL883R
17	56639-08	IDLE CONTROL ASSEMBLY, w/ 11271	XR1200, XR1200X
	56885-07	IDLE CONTROL ASSEMBLY, w/ 11271	XL1200L, XL1200N, XL1200X, XL883L, XL883N, XL883R
18	56508-76	FERRULE (2)	XL1200L, XL1200N, XL1200X, XL883L, XL883N, XL883R, XR1200, XR1200X

19	56666-04	GRIP & SLEEVE, throttle	XL1200L, XL1200N, XL1200X, XL883L, XL883N, XL883R, XR1200, XR1200X
20	56667-04	HANDLEBAR GRIP	XL1200L, XL1200N, XL1200X, XL883L, XL883N, XL883R, XR1200, XR1200X
21	70345-84	RETAINER, wire harness (4)	XL1200L, XL1200N, XL1200X, XL883L, XL883N, XL883R, XR1200, XR1200X
22	70504-81	CLIP, throttle cables (2)	XL1200L, XL1200N, XL1200X, XL883L, XL883N, XL883R, XR1200, XR1200X

## HANDLEBAR & THROTTLE CONTROL - 883C, 1200C

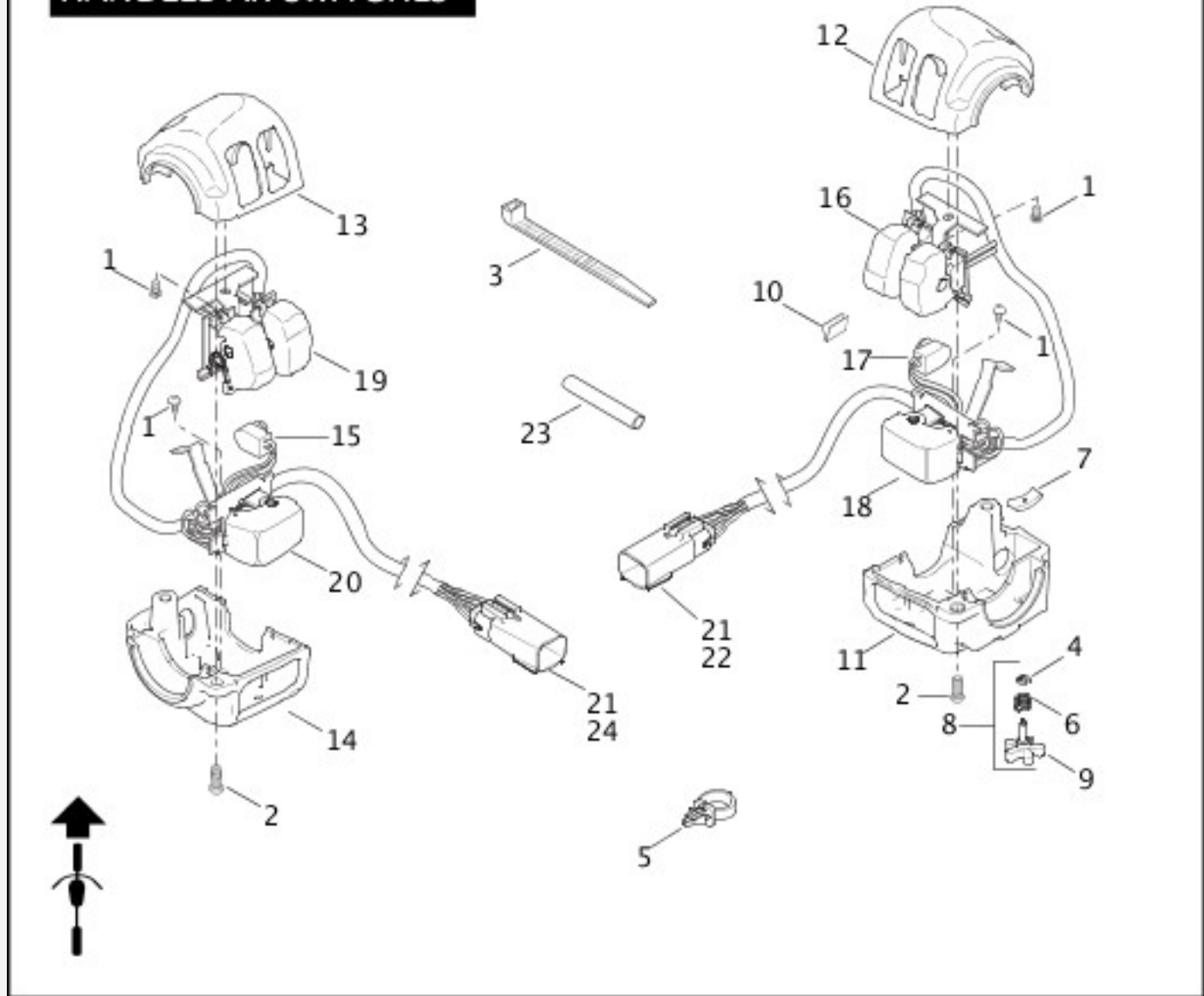


[View interactive image](#)

INDEX NO.	PART NO.	DESCRIPTION	MODEL(S)
1	3210A	SCREW (4)	XL1200C, XL883C
2	3605	BOLT (2)	XL1200C, XL883C
3	3666A	SCREW (2)	XL1200C, XL883C
4	6590HW	WASHER (2)	XL1200C, XL883C
5	10006	CABLE STRAP (as required)	XL1200C, XL883C
6	11271	RING RETAINER (idle)	XL1200C, XL883C
7	11272	RING RETAINER (throttle)	XL1200C, XL883C
8	14448-94	LOGO BAR & SHIELD	XL1200C, XL883C
9	38653-01	BOOT, cable, throttle	XL1200C, XL883C
10	55840-04A	HANDLEBAR	XL1200C, XL883C
11	55842-04	COVER, riser	XL1200C, XL883C
12	56017-04	RISER ASSEMBLY, handlebar, w/ 14448-94	XL1200C, XL883C
13	56667-04	HANDLEBAR GRIP	XL1200C, XL883C
14	56666-04	GRIP & SLEEVE, throttle	XL1200C, XL883C
15	56884-07	THROTTLE CONTROL ASSEMBLY	XL1200C, XL883C
16	56885-07	IDLE CONTROL ASSEMBLY	XL1200C, XL883C
17	56508-76	FERRULE (2)	XL1200C, XL883C
18	70345-84	RETAINER, wire harness (4)	XL1200C, XL883C
19	70504-81	CLIP, throttle cables (2)	XL1200C, XL883C

## HANDLEBAR SWITCHES

## HANDLEB AR SWITCHES



[View interactive image](#)

[View interactive table](#)

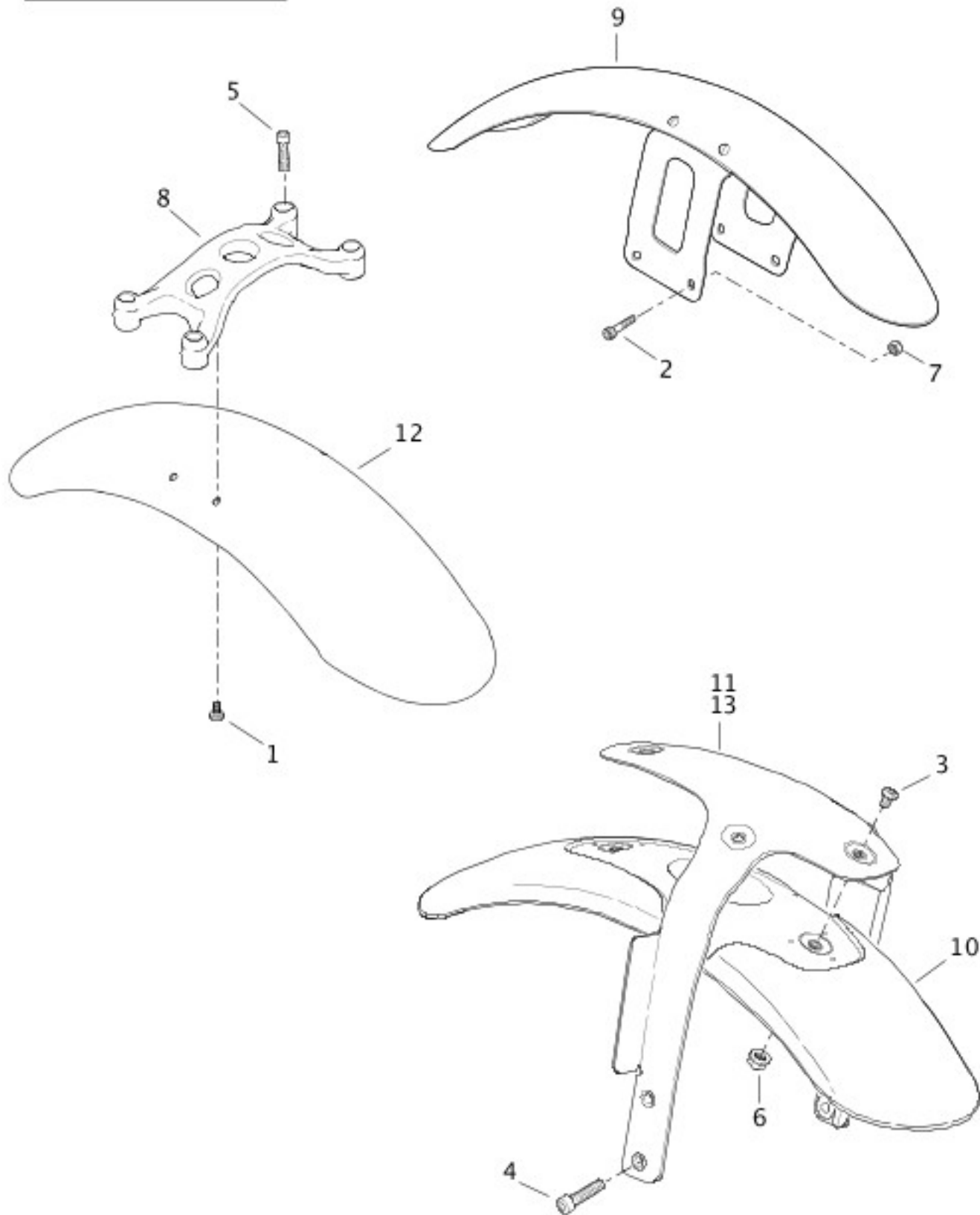
INDEX NO.	PART NO.	DESCRIPTION	MODEL(S)
1	2955	SCREW (4)	ALL
2	3658	SCREW (4)	ALL
3	10181	CABLE STRAP (as required)	ALL
4	11155	RETAINING RING	ALL
5	70345-84	RETAINER, wiring harness (4)	ALL
6	56394-74	SPRING, throttle adjusting screw	ALL
7	56396-74A	FRICTION SPRING, throttle adjusting	ALL
8	56397-74C	KIT, throttle adjusting screw, w/ 11155, 56394-74, & 56402-83A	ALL
9	56402-83A	ADJUSTING SCREW	ALL
10	71587-04	CLIP	ALL

11	71563-96	HOUSING, lower right	ALL
12	71564-96	HOUSING, upper right	ALL
13	71567-96	HOUSING, upper left	ALL
14	71568-96A	HOUSING, lower left	ALL
15	71620-08	SWITCH, clutch, w/ 10181 & 72266-94	ALL
16	71684-06A	SWITCH ASSEMBLY, engine stop & start, w/ 10181 & 72266-94	ALL
17	71621-08	SWITCH ASSEMBLY, stoplight, w/ 10181 & 72266-94	ALL
18	71683-06A	SWITCH ASSEMBLY, right directional, w/ 10181	ALL
19	71682-06A	SWITCH ASSEMBLY, dimmer & horn, w/ 10181 & 72266-94	ALL
20	71685-06A	SWITCH ASSEMBLY, left directional, w/ 10181	ALL
21	72169-07	TERMINAL, pin, 16-20 gauge (14)	ALL
22	72188-07BK	HOUSING, 6-way pin (black)	ALL
23	72266-94	SHRINK TUBE (as required)	ALL
24	72447-07GY	HOUSING, 8-way pin (gray)	ALL

## FRONT FENDER



## FRONT FENDER



[View interactive image](#)

[View interactive table](#)

INDEX NO.	PART NO.	DESCRIPTION	MODEL(S)
-----------	----------	-------------	----------

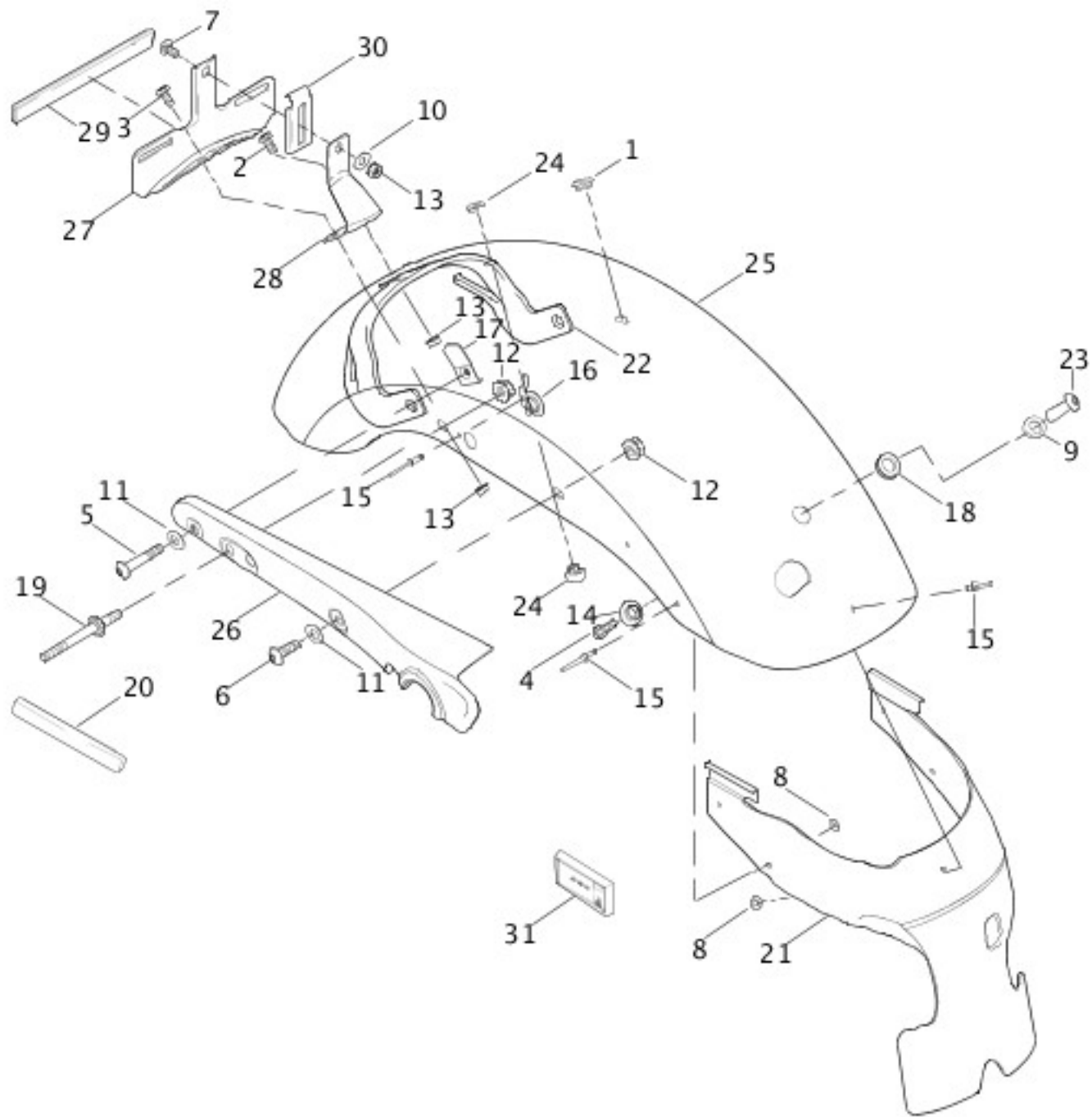
**NOTE: Refer to Painted Parts Book for painted part numbers.**

1	3018A	SCREW (4)	XL1200X
2	3210A	SCREW (4)	XL1200C, XL1200L, XL1200N, XL883C, XL883L, XL883N, XL883R

3	3731M	SCREW (4)	XR1200, XR1200X
4	4250M	SCREW (4)	XR1200, XR1200X
5	4978	SCREW (4)	XL1200X
6	7495	NUT (4)	XR1200, XR1200X
7	7531	LOCKNUT (4)	XL1200C, XL1200L, XL1200N, XL883C, XL883L, XL883N, XL883R
8	46420-10	BRACE	XL1200X
9	58998-83E	FRONT FENDER, prime	XL1200C, XL1200L, XL883C, XL883L, XL883N, XL883R
	59712-07A	FRONT FENDER, prime	XL1200N
10	59022-07BDK	FRONT FENDER, prime	XR1200, XR1200X
11	59403-08	FENDER SUPPORT	XR1200
12	60574-10	FRONT FENDER, prime	XL1200X
<b>INTERNATIONAL MODELS ONLY</b>			
13	59441-10	FENDER SUPPORT	XR1200X

**REAR FENDER & LICENSE PLATE BRKT - 883C/L/R, 1200C/L/X, 883N/1200N (CAN)**

**REAR FENDER & LICENSE PLATE BRKT -  
883C/L/R, 1200C/L/X, 883N/1200N (CANADA)**



[View interactive image](#)

[View interactive table](#)

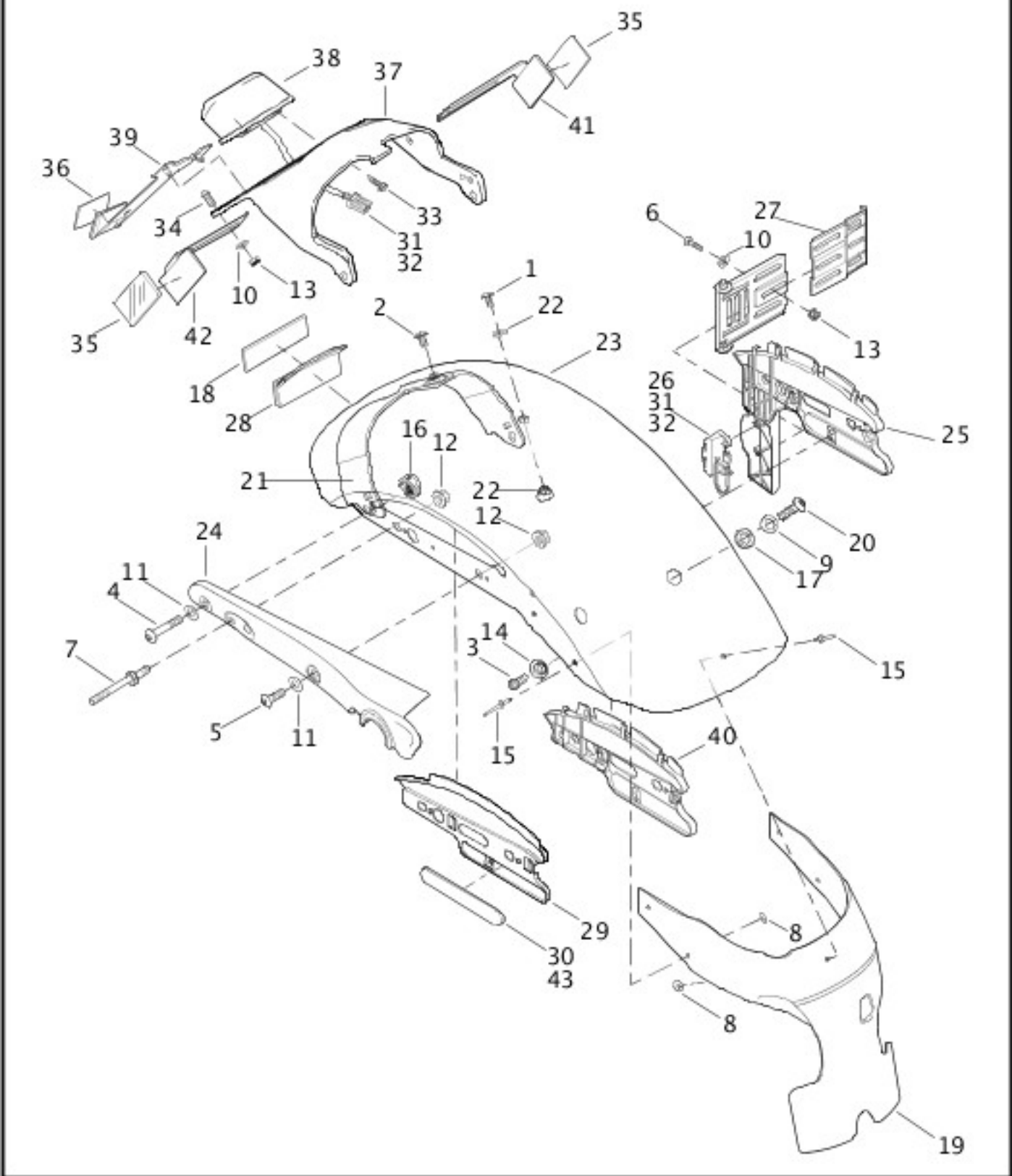
INDEX NO.	PART NO.	DESCRIPTION	MODEL(S)
<b>NOTE: Refer to Painted Parts Book for painted part numbers.</b>			
1	761	PLUG (black)	XL1200C, XL1200L, XL1200N, XL1200X, XL883C, XL883L, XL883N, XL883R
2	2607	SCREW	XL1200C, XL1200L, XL1200N, XL1200X, XL883C, XL883L, XL883N, XL883R
3	2773	SCREW (2)	XL1200C, XL1200L, XL1200N, XL1200X, XL883C,

			XL883L, XL883N, XL883R
4	4017	BOLT	XL1200C, XL1200L, XL1200N, XL1200X, XL883C, XL883L, XL883N, XL883R
5	4778	SCREW (2)	XL1200C, XL1200L, XL1200N, XL1200X, XL883C, XL883L, XL883N, XL883R
6	4779	SCREW (2)	XL1200C, XL1200L, XL1200N, XL1200X, XL883C, XL883L, XL883N, XL883R
7	5403B	BOLT, carriage	XL1200C, XL1200L, XL1200N, XL1200X, XL883C, XL883L, XL883N, XL883R
8	6192	WASHER (5)	XL1200C, XL1200L, XL1200N, XL1200X, XL883C, XL883L, XL883N, XL883R
9	6702	WASHER (2)	XL1200C, XL1200L, XL1200N, XL1200X, XL883C, XL883L, XL883N, XL883R
10	6703	WASHER	XL1200C, XL1200L, XL1200N, XL1200X, XL883C, XL883L, XL883N, XL883R
11	6798	WASHER (4)	XL1200C, XL1200L, XL1200N, XL1200X, XL883C, XL883L, XL883N, XL883R
12	7531	LOCKNUT (4)	XL1200C, XL1200L, XL1200N, XL1200X, XL883C, XL883L, XL883N, XL883R
13	7792	NUT (4)	XL1200C, XL1200L, XL1200N, XL1200X, XL883C, XL883L, XL883N, XL883R
14	7882	TEE SPACER	XL1200C, XL1200L, XL1200N, XL1200X, XL883C, XL883L, XL883N, XL883R
15	8692	RIVET (7)	XL1200C, XL1200L, XL1200N, XL1200X, XL883C, XL883L, XL883N, XL883R
16	10200	BRACKET, wire retention (2)	XL1200C, XL1200L, XL1200N, XL1200X, XL883C, XL883L, XL883N, XL883R
17	10242	CLIP, threaded	XL1200C, XL1200L, XL1200N, XL1200X, XL883C, XL883L, XL883N, XL883R
18	11474	GROMMET	XL1200C, XL1200L, XL1200N, XL1200X, XL883C, XL883L, XL883N, XL883R
19	56104-02	SCREW, rear fender (2)	XL1200C, XL1200L, XL1200N, XL1200X, XL883C, XL883L, XL883N, XL883R
20	59287-92	REFLECTOR, right (red)	XL1200C, XL1200L, XL1200N, XL1200X, XL883C, XL883L, XL883N, XL883R
	59288-92	REFLECTOR, left (red)	XL1200C, XL1200L, XL1200N, XL1200X, XL883C, XL883L, XL883N, XL883R
21	59502-04B	REAR FENDER EXTENSION	XL1200C, XL1200L, XL1200N, XL1200X, XL883C, XL883L, XL883N, XL883R

22	59673-04A	FENDER SUPPORT	XL1200C, XL1200L, XL1200N, XL1200X, XL883C, XL883L, XL883N, XL883R
23	59723-04	SEAT POST	XL1200C, XL1200L, XL1200N, XL1200X, XL883C, XL883L, XL883N, XL883R
24	59768-97	FENDER SEAT NUT KIT	XL1200C, XL1200L, XL1200N, XL1200X, XL883C, XL883L, XL883N, XL883R
25	59847-10	FENDER, rear (prime)	XL1200C, XL1200L, XL1200N, XL1200X, XL883C, XL883L, XL883N, XL883R
26	59902-04	COVER, rear fender support - right (chrome)	XL1200C, XL883C, XL883L, XL883R
	59903-04	COVER, rear fender support - left (chrome) (not shown)	XL1200C, XL883C, XL883L, XL883R
	60203-06	COVER, rear fender support - right (vivid black)	XL1200L, XL1200N, XL1200X, XL883N
	60204-06	COVER, rear fender support - left (vivid black) (not shown)	XL1200L, XL1200N, XL1200X, XL883N
27	59984-73	BRACKET, license plate	XL1200C, XL1200L, XL1200N, XL1200X, XL883C, XL883L, XL883N, XL883R
28	59986-75	SUPPORT, license plate bracket	XL1200C, XL1200L, XL1200N, XL1200X, XL883C, XL883L, XL883N, XL883R
29	59988-72A	REFLECTOR, license plate bracket	XL1200C, XL1200L, XL1200N, XL1200X, XL883C, XL883L, XL883N, XL883R
30	60001-55	CLAMP, license plate bracket	XL1200C, XL1200L, XL1200N, XL1200X, XL883C, XL883L, XL883N, XL883R
<b>INTERNATIONAL MODELS ONLY</b>			
31	59254-91	REFLECTOR, amber (HDI) (2)	XL1200C, XL1200L, XL1200N, XL883C, XL883L, XL883R

## **REAR FENDER & LICENSE PLATE BRACKET - 883N/1200N/X (NON-CANADA)**

## REAR FENDER & LICENSE PLATE BRACKET - 883N/1200N/X (NON-CANADA)



[View interactive image](#)

[View interactive table](#)

INDEX NO.	PART NO.	DESCRIPTION	MODEL(S)
<b>NOTE: Refer to Painted Parts Book for painted part numbers.</b>			
1	2952A	SCREW	XL1200N, XL1200X, XL883N
2	3085	SCREW	XL1200N, XL1200X,

			XL883N
3	4017	BOLT	XL1200N, XL1200X, XL883N
4	4778	SCREW (2)	XL1200N, XL1200X, XL883N
5	4779	SCREW (2)	XL1200N, XL1200X, XL883N
6	5403B	BOLT, carriage	XL1200N, XL1200X, XL883N
7	5531	SCREW, rear fender (2)	XL1200N, XL1200X, XL883N
8	6192	WASHER (5)	XL1200N, XL1200X, XL883N
9	6702	WASHER (2)	XL1200N, XL1200X, XL883N
10	6703	WASHER	XL1200N, XL1200X, XL883N
11	6798	WASHER (4)	XL1200N, XL1200X, XL883N
12	7531	LOCKNUT (4)	XL1200N, XL1200X, XL883N
13	7716	LOCKNUT	XL1200N, XL1200X, XL883N
14	7882	TEE SPACER	XL1200N, XL1200X, XL883N
15	8692	RIVET (9)	XL1200N, XL1200X, XL883N
16	10323	CLIP, threaded (2)	XL1200N, XL1200X, XL883N
17	11474	GROMMET	XL1200N, XL1200X, XL883N
18	59359-06	REFLECTOR (red)	XL1200N, XL1200X, XL883N
19	59502-04B	REAR FENDER EXTENSION	XL1200N, XL1200X, XL883N
20	59723-04	SEAT POST	XL1200N, XL1200X, XL883N
21	59727-07	FENDER SUPPORT	XL1200N, XL1200X, XL883N

22	59768-97	FENDER SEAT NUT KIT	XL1200N, XL1200X, XL883N
23	59865-10	FENDER, rear (prime)	XL1200N, XL1200X, XL883N
24	60203-06	COVER, rear fender support - right (vivid black)	XL1200N, XL1200X, XL883N
	60204-06	COVER, rear fender support - left (vivid black) (not shown)	XL1200N, XL1200X, XL883N
25	60318-07	LICENSE PLATE BRACKET MOUNT ASSEMBLY, left w/ 5403B, 7716, 60375-10 & 68702-07	XL1200N, XL1200X, XL883N
26	60375-10	ILLUMINATOR, license plate w/ 73152-96BK, & 73191-96	XL1200N, XL1200X, XL883N
27	68702-07	BRACKET ADJUST, license plate	XL1200N, XL1200X, XL883N
28	68724-07	MOUNTING BLOCK, w/ tape	XL1200N, XL1200X, XL883N
29	68704-07	BRACKET REFLECTOR MOUNT, right	XL1200N, XL1200X, XL883N
30	69490-07	REFLECTOR (red) (2)	XL1200N, XL1200X, XL883N
31	73152-96BK	SOCKET HOUSING, 2-way (black)	XL1200N, XL1200X, XL883N
32	73191-96	SOCKET TERMINAL, 16-20 awg (2)	XL1200N, XL1200X, XL883N

**INTERNATIONAL MODELS ONLY**

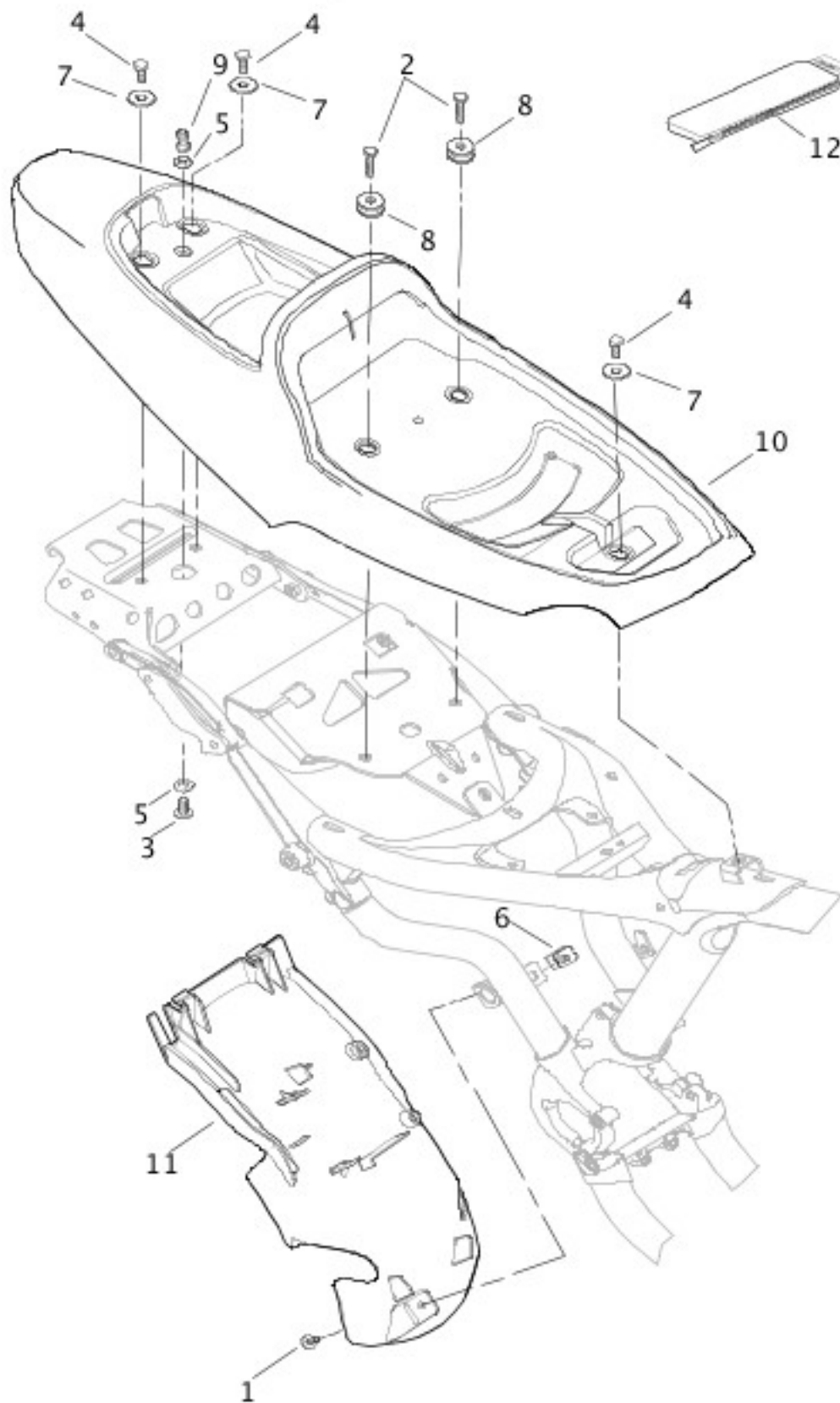
33	2362	SCREW (HDI) (2)	XL1200N, XL1200X, XL883N
34	2446	SCREW (HDI) (2)	XL1200N, XL1200X, XL883N
35	59256-84A	REFLECTOR (amber) (HDI) (2)	XL1200N, XL1200X, XL883N
36	59259-90	REFLECTOR (red) (HDI)	XL1200N, XL1200X, XL883N
37	60901-07	LICENSE PLATE MODULE (HDI)	XL1200N, XL1200X, XL883N
38	73504-11	ILLUMINATOR, license plate w/ 73191-96 (HDI)	XL1200N, XL1200X, XL883N
39	60188-08	BRACKET, reflector w/ 59259-90 (HDI)	XL1200N, XL1200X, XL883N



40	68857-07	BRACKET, reflector mount, left (HDI)	XL1200N, XL1200X, XL883N
41	68966-08	BRACKET, reflector, LH (HDI)	XL1200N, XL1200X, XL883N
42	68992-08	BRACKET, reflector, RH (HDI)	XL1200N, XL1200X, XL883N
43	69498-08	COVER, side reflector (HDI) (2)	XL1200N, XL1200X, XL883N

## REAR FENDER - XR1200/X

## REAR FENDER - XR1200/X



[View interactive image](#)

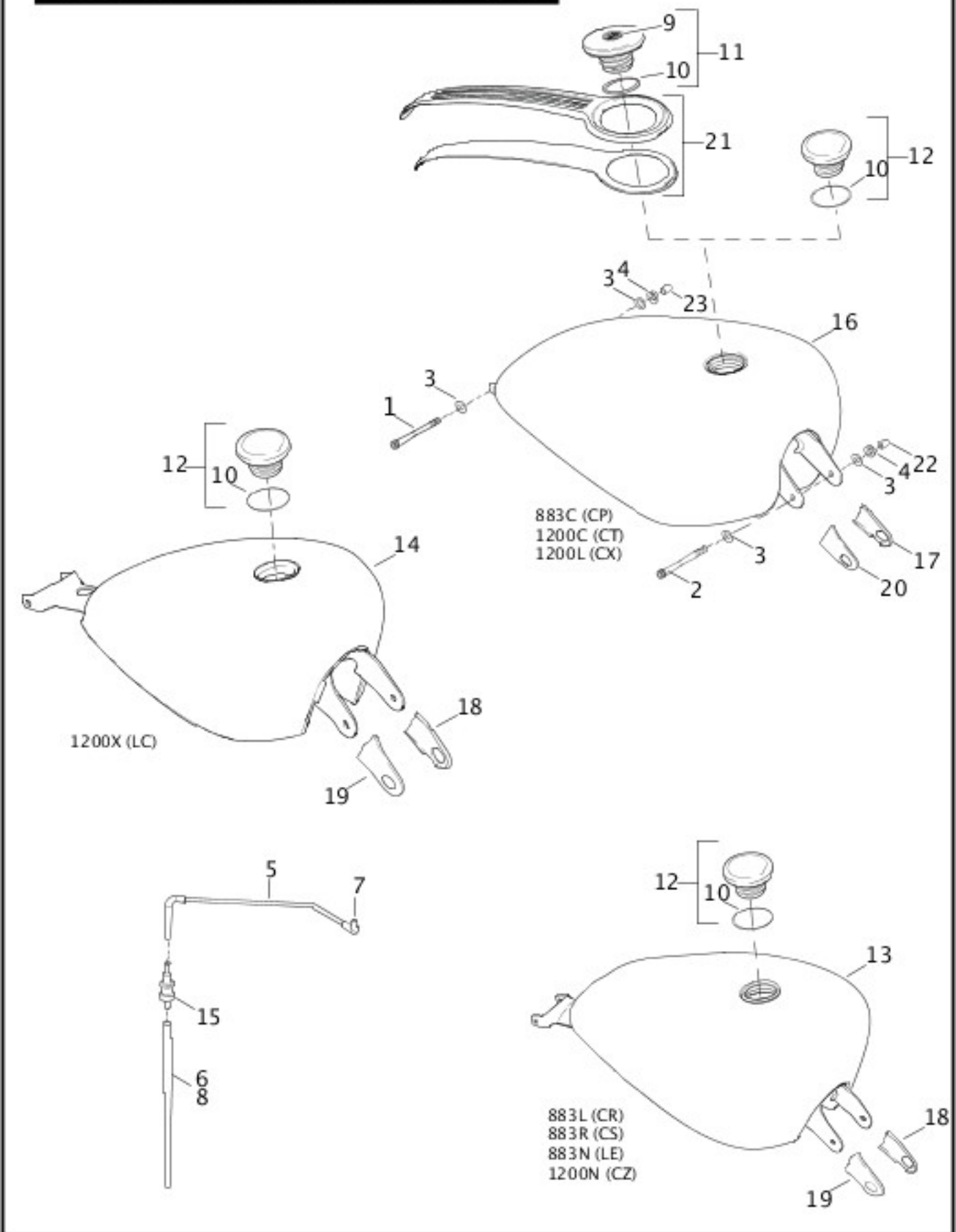
[View interactive table](#)

INDEX NO.	PART NO.	DESCRIPTION	MODEL(S)
<b>NOTE: Refer to Painted Parts Book for painted part numbers.</b>			
1	2445	SCREW	XR1200, XR1200X
2	2872W	BOLT (2)	XR1200, XR1200X
3	3574	SCREW	XR1200, XR1200X

4	3802W	BOLT (3)	XR1200, XR1200X
5	6703	WASHER (2)	XR1200, XR1200X
6	7900	CLIP NUT	XR1200, XR1200X
7	48390-06	SPACER (3)	XR1200, XR1200X
8	51710-08	POST, seat, grabstrap (2)	XR1200, XR1200X
9	52429-08	SEAT POST	XR1200, XR1200X
10	59901-08BDK	FENDER, rear (prime)	XR1200, XR1200X
11	59916-08	FENDER ASSEMBLY, inner	XR1200, XR1200X
12	92500-10	TOOL KIT, w/ C2045.1AK, C2050.1AM, C2051.1AM	XR1200X
	C2045.1AK	HEX KEY, 5mm (tool kit) (not illustrated)	XR1200X
	C2050.1AM	WRENCH, rear shock (tool kit) (not illustrated)	XR1200X
	C2051.1AM	HANDLE, wrench (tool kit) (not illustrated)	XR1200X

**FUEL TANK - 883C/L/N/R, 1200C/L/N/X**

# FUEL TANK - 883C/L/N/R, 1200C/L/N



[View interactive image](#)

[View interactive table](#)

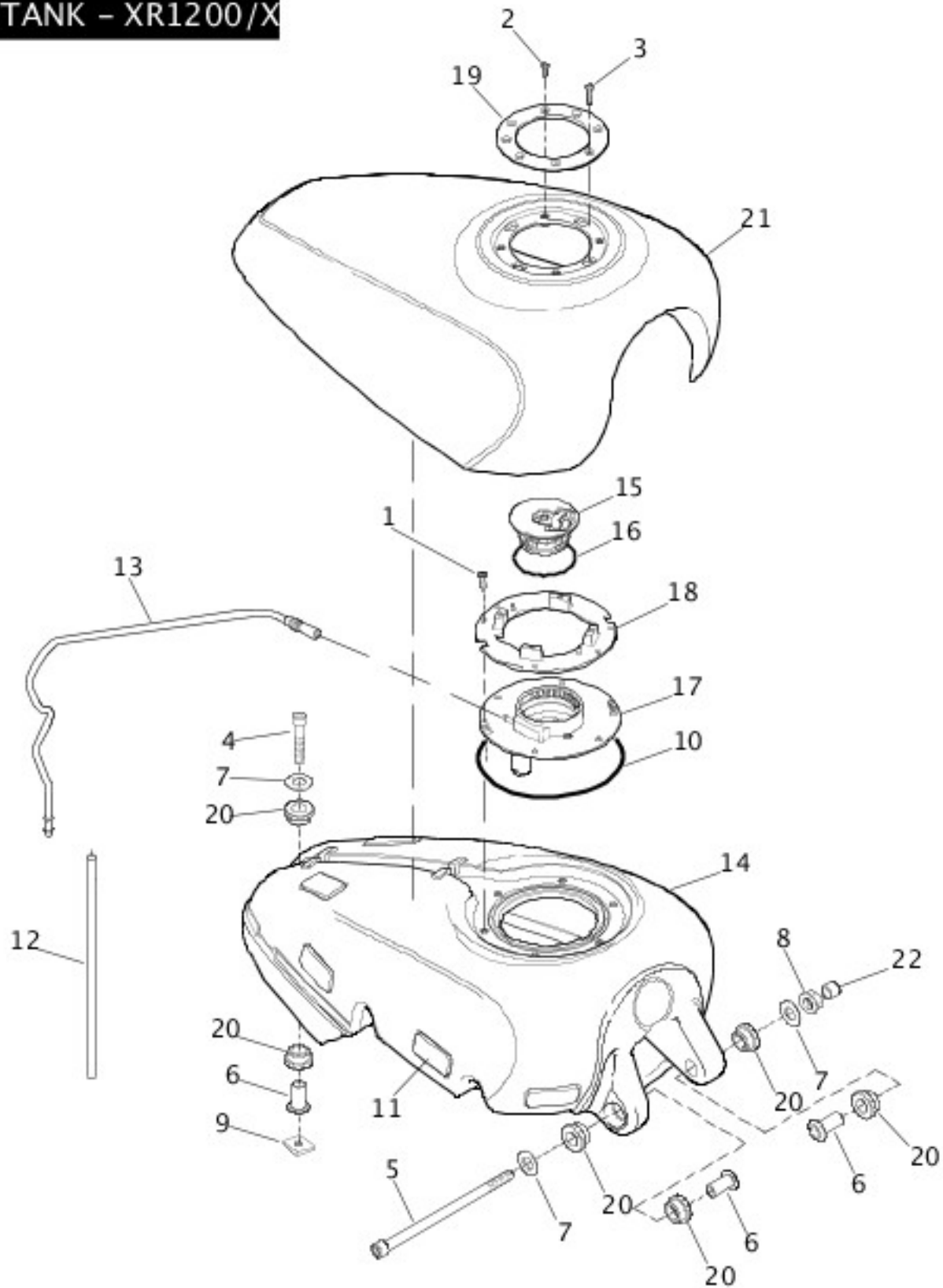
INDEX NO.	PART NO.	DESCRIPTION	MODEL(S)
<b>NOTE: Refer to Painted Parts Book for painted part numbers.</b>			
1	4758A	SCREW	XL1200C, XL1200L, XL1200N, XL1200X, XL883C, XL883L, XL883N, XL883R

2	4771	SCREW	XL1200C, XL1200L, XL1200N, XL1200X, XL883C, XL883L, XL883N, XL883R
3	6702	WASHER (4)	XL1200C, XL1200L, XL1200N, XL1200X, XL883C, XL883L, XL883N, XL883R
4	7531	LOCKNUT, flange (2)	XL1200C, XL1200L, XL1200N, XL1200X, XL883C, XL883L, XL883N, XL883R
5	27067-07A	VENTLINE, tank-to-valve, w/ 27250-96B	XL1200C, XL1200L, XL1200N, XL883C, XL883L, XL883N, XL883R
	27071-10	VENTLINE, tank-to-valve, w/ 27250-96B	XL1200X
6	27096-04A	VENTLINE, vapor valve-to-atmosphere	XL1200C, XL1200L, XL1200N, XL1200X, XL883C, XL883L, XL883N, XL883R
7	27250-96B	CONNECTOR, 90 degree	XL1200C, XL1200L, XL1200N, XL883C, XL883L, XL883N, XL883R
8	28911-04A	HOSE, vapor valve-to-evaporative canister (California)	XL1200C, XL1200L, XL1200N, XL883C, XL883L, XL883N, XL883R
9	52494-04	FUEL CAP, medallion	XL1200C, XL1200L, XL883C
10	61109-85D	GASKET, fuel cap	XL1200C, XL1200L, XL1200N, XL1200X, XL883C, XL883L, XL883N, XL883R
11	61260-04A	FUEL CAP ASSEMBLY, vented, w/ 52494-04 & 61109-85D	XL1200C, XL1200L, XL883C
12	61272-92C	FUEL CAP ASSEMBLY, w/ 61109-85D	XL1200X, XL883L, XL883R
	61289-07	FUEL CAP ASSEMBLY, vented, w/ 61109-85D	XL1200N, XL883N
13	61405-07	FUEL TANK ASSEMBLY (prime)	XL1200N, XL883L, XL883N, XL883R
14	61724-10	FUEL TANK ASSEMBLY (prime)	XL1200X
15	62150-85	VAPOR VALVE	XL1200C, XL1200L, XL1200N, XL1200X, XL883C, XL883L, XL883N, XL883R
16	62213-07	FUEL TANK ASSEMBLY (prime)	XL1200C, XL1200L, XL883C
17	70903-04	TRIM, left front	XL1200C, XL1200L, XL883C
18	70904-04	TRIM, left front	XL1200N, XL1200X, XL883L, XL883N, XL883R
19	70917-04	TRIM, right front	XL1200N, XL1200X, XL883L, XL883N, XL883R

20	70919-04	TRIM, right front	XL1200C, XL1200L, XL883C
21	71276-04A	CONSOLE ASSEMBLY, fuel tank	XL1200C
22	89579-91	CAP, protective	XL1200C, XL1200L, XL1200N, XL1200X, XL883C, XL883L, XL883N, XL883R
23	89586-04	CAP, protective	XL1200C, XL1200L, XL1200N, XL1200X, XL883C, XL883L, XL883N, XL883R
	48493-01	TAPE, protective (not shown)	XL883L, XL883R

## FUEL TANK - XR1200/X

# FUEL TANK - XR1200/X



[View interactive image](#)

[View interactive table](#)

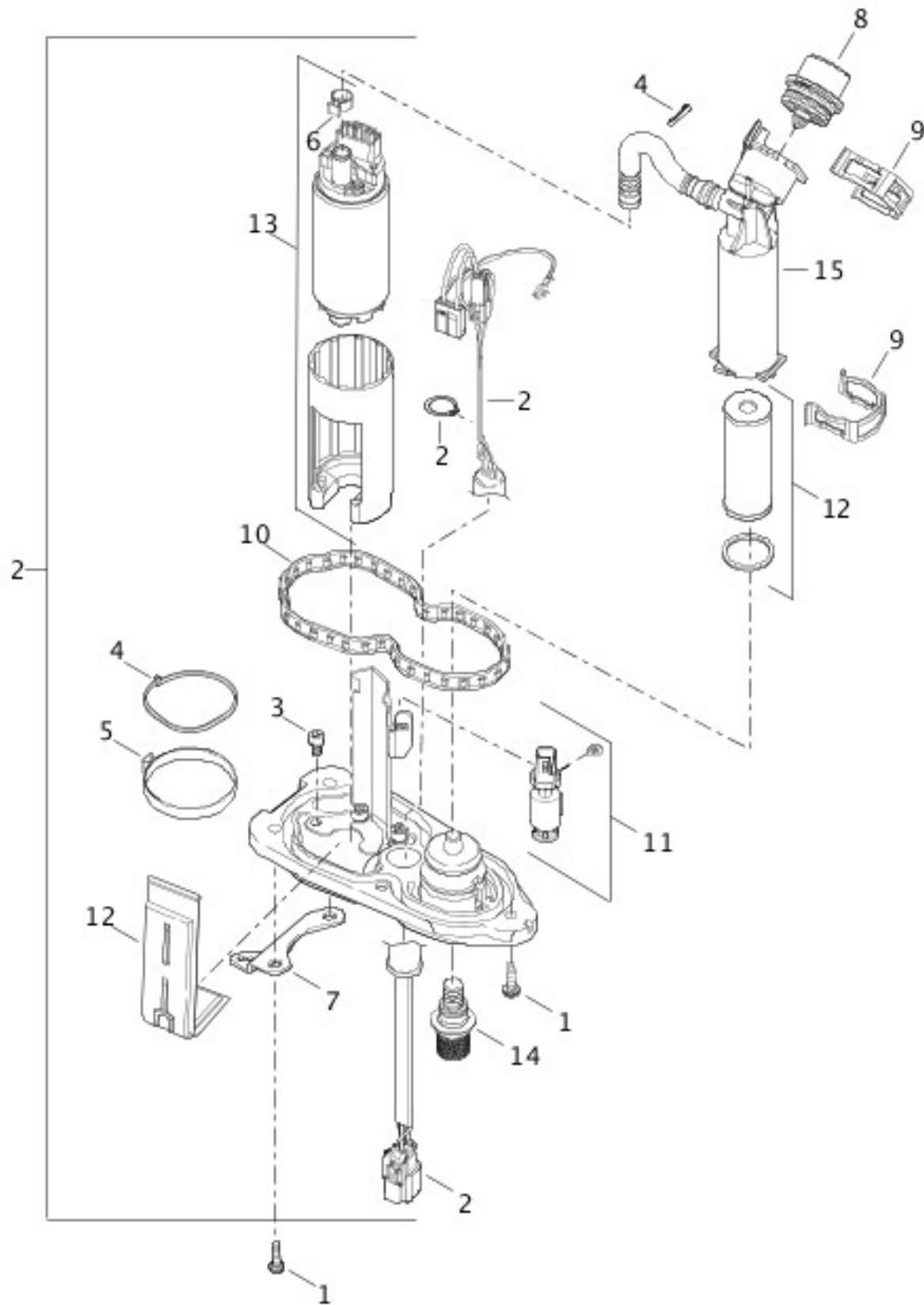
INDEX NO.	PART NO.	DESCRIPTION	MODEL(S)
<b>NOTE: Refer to Painted Parts Book for painted part numbers.</b>			
1	1081A	SCREW (6)	XR1200, XR1200X
2	3059	SCREW (4)	XR1200, XR1200X

3	3060	SCREW (4)	XR1200, XR1200X
4	3485A	SCREW	XR1200, XR1200X
5	4553	SCREW	XR1200, XR1200X
6	5845	BUSHING, tank mount (3)	XR1200, XR1200X
7	6400HB	WASHER, ferrous (3)	XR1200, XR1200X
8	7531	LOCKNUT, flange	XR1200, XR1200X
9	8102	SPEEDNUT	XR1200, XR1200X
10	11570	O-RING, fuel tank seal	XR1200, XR1200X
11	11668	PAD, fuel tank (8)	XR1200, XR1200X
12	27096-04A	VENT LINE, vapor valve-to-atmosphere	XR1200, XR1200X
13	27200-08	VENT LINE, fuel tank	XR1200, XR1200X
14	61392-08	FUEL TANK	XR1200, XR1200X
15	61572-08A	FILLER CAP	XR1200, XR1200X
16	61573-08A	O-RING	XR1200, XR1200X
17	61574-08	TOP PLATE	XR1200, XR1200X
18	61576-08	CLAMP RING	XR1200, XR1200X
19	61577-08	TRIM RING	XR1200, XR1200X
20	62881-00	BUSHING, rubber (6)	XR1200, XR1200X
21	66271-08BDK	COVER, fuel cell (primed)	XR1200, XR1200X
22	89586-04	CAP, protective	XR1200, XR1200X

## FUEL PUMP



## FUEL PUMP



[View interactive image](#)

[View interactive table](#)

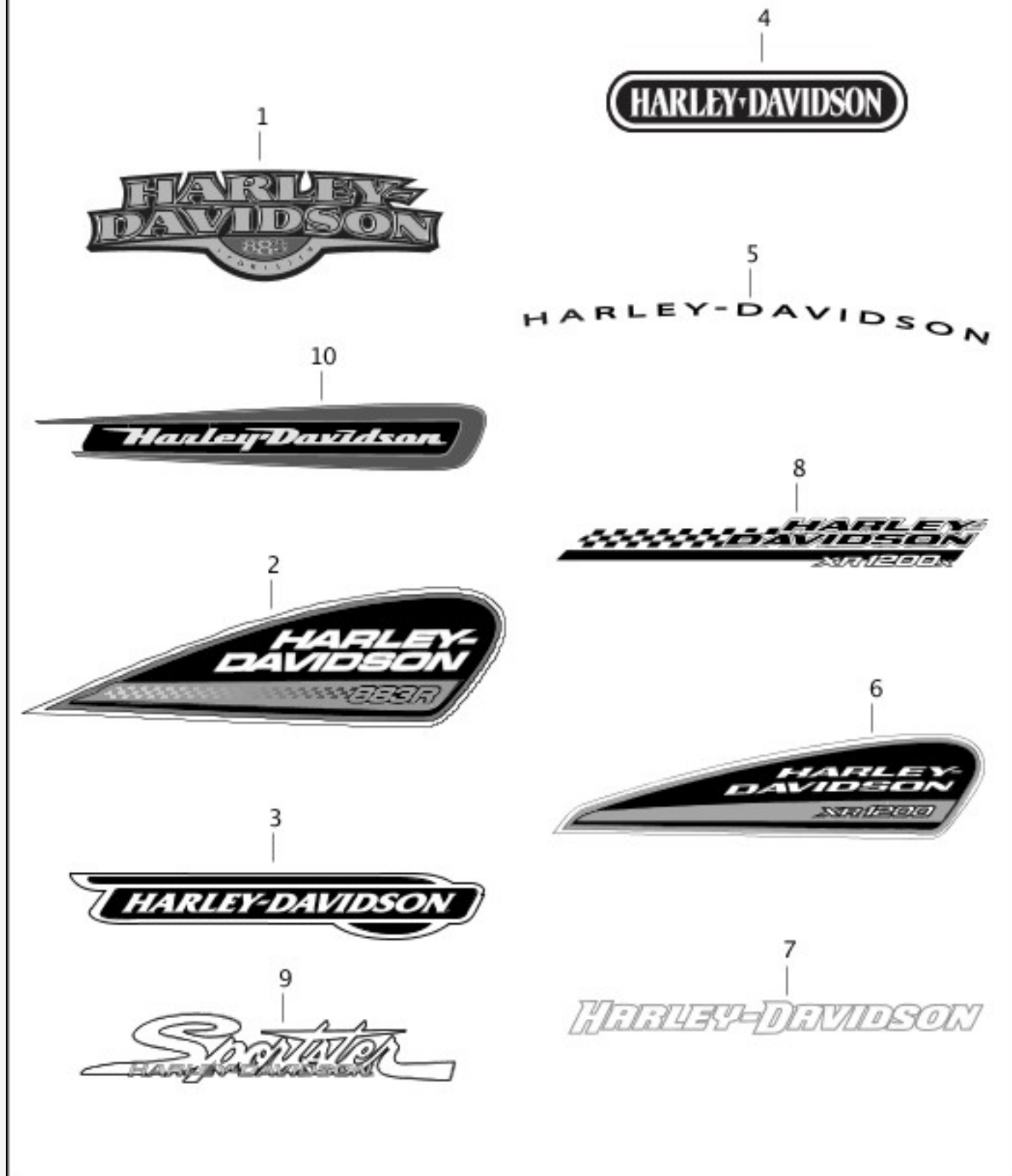
INDEX NO.	PART NO.	DESCRIPTION	MODEL(S)
1	1081A	SCREW (5)	ALL
2	75268-07F	FUEL PUMP MODULE	ALL

**NOTE:** Includes the following parts.

3	1091	SCREW (3)	ALL
4	10181	CABLE STRAP (3)	ALL
5	10303	CLAMP, pump assembly	ALL
6	10304	CLAMP, tube	ALL
7	56871-08	BRACKET, throttle cable guide (not included in pump)	XR1200, XR1200X
8	61015-04A	PRESSURE REGULATOR ASSEMBLY	ALL
9	61213-04A	RETAINING CLIP (2)	ALL
10	75301-07	SEAL, cover plate	ALL
11	75302-07B	SENSOR, fuel level w/ retaining ring	ALL
12	75304-07A	FUEL FILTER KIT, w/ 10181, 10303, strainer & filter element	ALL
13	75305-07A	FUEL PUMP, w/ 1091, 10181, 10303 & 10304	ALL
14	75309-07A	VALVE ASSEMBLY	ALL
15	75317-07	FILTER HOUSING	ALL

## FUEL TANK TRIM

## FUEL TANK TRIM



[View interactive image](#)

[View interactive table](#)

INDEX NO.	PART NO.	DESCRIPTION	MODEL(S)
1	13304-08	DECAL, fuel tank (gold, burgundy)	XL883L
	13305-08	DECAL, fuel tank (silver, blue)	XL883L
2	13566-05	DECAL, fuel tank (LH)	XL883R
	13567-05	DECAL, fuel tank (RH)	XL883R

3	62260-08	MEDALLION, fuel tank, LH (red)	XL1200C
	62261-08	MEDALLION, fuel tank, RH (red)	XL1200C
	62262-08	MEDALLION, fuel tank LH (blue)	XL1200C
	62263-08	MEDALLION, fuel tank, RH (blue)	XL1200C
4	62320-06	MEDALLION, fuel tank, LH	XL1200L
	62321-06	MEDALLION, fuel tank, RH	XL1200L

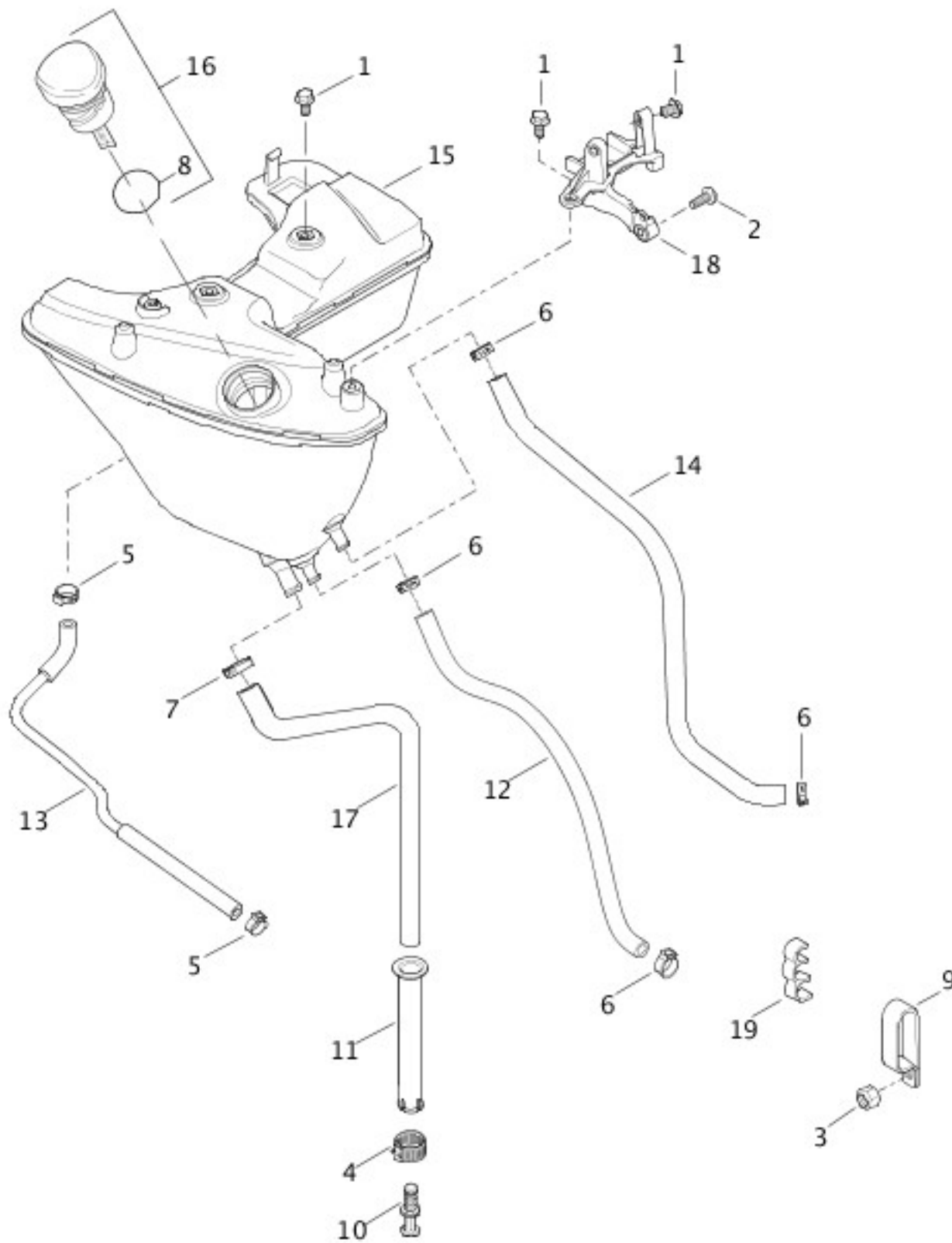
**INTERNATIONAL MODELS ONLY**

10	13342-08	DECAL, fuel tank, LH (silver, burgandy)	XL883C
	13343-08	DECAL, fuel tank, RH (silver, burgandy)	XL883C
	13386-08	DECAL, fuel tank, LH (silver, blue)	XL883C
	13397-08	DECAL, fuel tank, RH (silver, blue)	XL883C
	13578-08	DECAL, fuel tank, LH (gold, burgandy)	XL883C
	13579-08	DECAL, fuel tank, RH (gold, burgandy)	XL883C

Index 5Silkscreen that is only sold as part of XL1200N fuel tank assemblies.Index 6Silkscreen that is only sold as part of XR1200 fuel tank assemblies.Index 7Silkscreen that is only sold as part of XL883N fuel tank assemblies.Index 8Silkscreen that is only sold as part of XR1200X fuel tank assemblies.Index 9Silkscreen that is only sold as part of XL1200X fuel tank assemblies.

**OIL TANK - 883C/L/N/R, 1200C/L/N/X**

## OIL TANK - 883C/L/N/R, 1200C/L/N



[View interactive image](#)

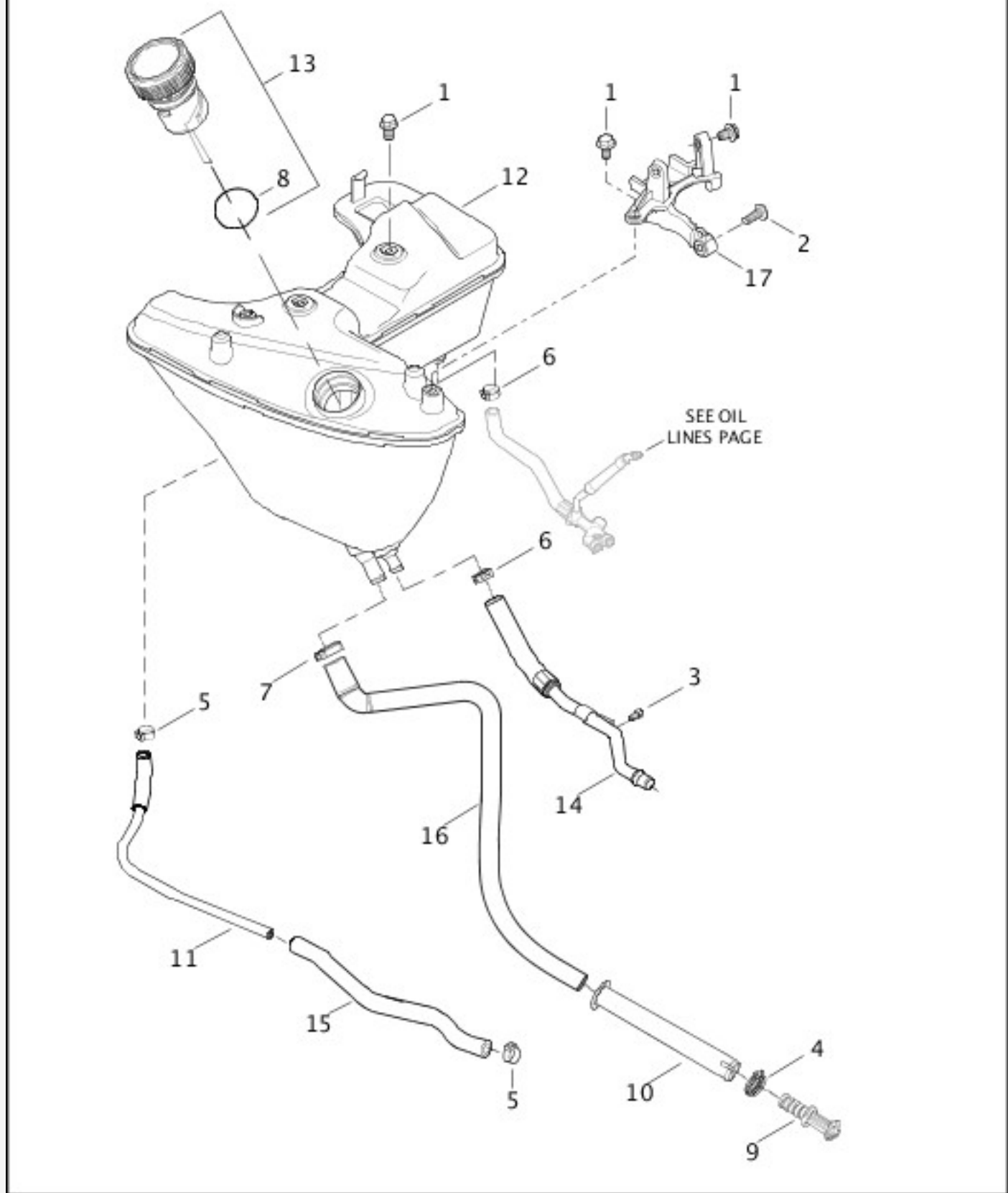
[View interactive table](#)

INDEX NO.	PART NO.	DESCRIPTION	MODEL(S)
1	3588	SCREW, flange (5)	XL1200C, XL1200L, XL1200N, XL1200X, XL883C, XL883L, XL883N, XL883R
2	3696	SCREW	XL1200C, XL1200L, XL1200N, XL1200X, XL883C, XL883L, XL883N, XL883R

3	7624	LOCKNUT	XL1200C, XL1200L, XL1200N, XL1200X, XL883C, XL883L, XL883N, XL883R
4	9969	HOSE CLAMP	XL1200C, XL1200L, XL1200N, XL1200X, XL883C, XL883L, XL883N, XL883R
5	10014	CLAMP (2)	XL1200C, XL1200L, XL1200N, XL1200X, XL883C, XL883L, XL883N, XL883R
6	10080	CLAMP (4)	XL1200C, XL1200L, XL1200N, XL1200X, XL883C, XL883L, XL883N, XL883R
7	10142	CLAMP	XL1200C, XL1200L, XL1200N, XL1200X, XL883C, XL883L, XL883N, XL883R
8	11120	O-RING	XL1200C, XL1200L, XL1200N, XL1200X, XL883C, XL883L, XL883N, XL883R
9	31512-04	HOSE CLAMP	XL1200C, XL1200L, XL1200N, XL1200X, XL883C, XL883L, XL883N, XL883R
10	33123-06A	PLUG, oil tank drain	XL1200C, XL1200L, XL1200N, XL1200X, XL883C, XL883L, XL883N, XL883R
11	33138-06	SLEEVE, oil drain line	XL1200C, XL1200L, XL1200N, XL1200X, XL883C, XL883L, XL883N, XL883R
12	62338-01Y	LINE, oil feed	XL1200C, XL1200L, XL1200N, XL1200X, XL883C, XL883L, XL883N, XL883R
13	62360-10	LINE, vent tube, w/ 10014	XL1200C, XL1200L, XL1200N, XL1200X, XL883C, XL883L, XL883N, XL883R
14	62361-10	LINE, oil return	XL1200C, XL1200L, XL1200N, XL1200X, XL883C, XL883L, XL883N, XL883R
15	62954-10	OIL TANK ASSEMBLY	XL1200C, XL1200L, XL1200N, XL1200X, XL883C, XL883L, XL883N, XL883R
16	63000-04B	DIPSTICK ASSEMBLY, oil tank, w/ 11120	XL1200C, XL1200L, XL1200X, XL883C, XL883L, XL883R
	62592-07A	DIPSTICK ASSEMBLY, oil tank, w/ 11120	XL1200N, XL883N
17	63596-06	LINE, oil drain	XL1200C, XL1200L, XL1200N, XL1200X, XL883C, XL883L, XL883N, XL883R
18	66199-10	BRACKET, oil tank	XL1200C, XL1200L, XL1200N, XL1200X, XL883C, XL883L, XL883N, XL883R
19	70503-10	HOSE CLIP	XL1200C, XL1200L, XL1200N, XL1200X, XL883C, XL883L, XL883N, XL883R

## OIL TANK - XR1200/X

## OIL TANK - XR1200/X



[View interactive image](#)

[View interactive table](#)

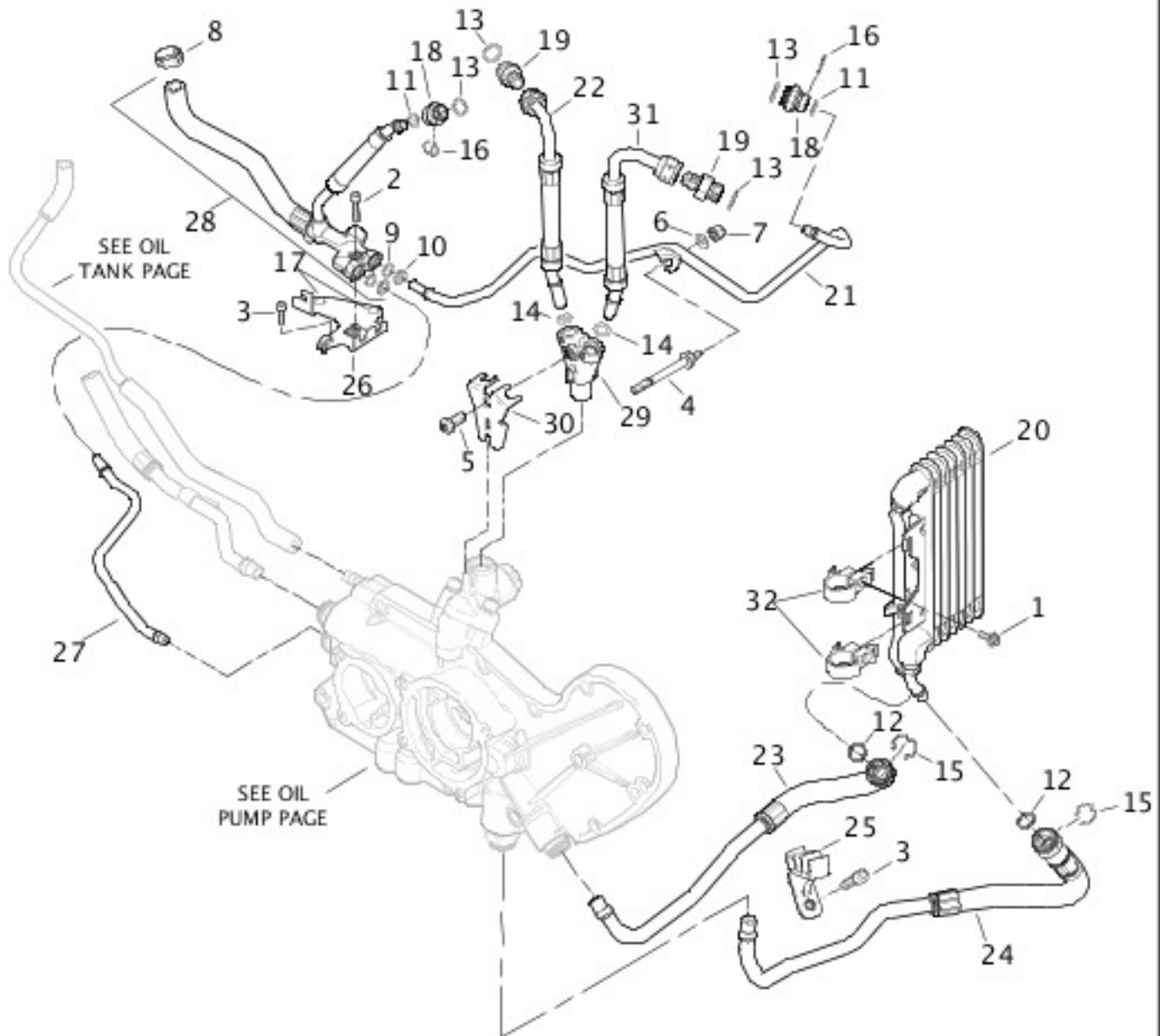
INDEX NO.	PART NO.	DESCRIPTION	MODEL(S)
1	3588	SCREW, flange (5)	XR1200, XR1200X
2	3696	SCREW	XR1200, XR1200X
3	4705	SCREW	XR1200, XR1200X
4	9969	HOSE CLAMP	XR1200, XR1200X

5	10014	CLAMP (2)	XR1200, XR1200X
6	10344	CLAMP (2)	XR1200, XR1200X
7	10142	CLAMP	XR1200, XR1200X
8	11120	O-RING	XR1200, XR1200X
9	33123-06A	PLUG, oil tank drain	XR1200, XR1200X
10	33138-06	SLEEVE, oil drain line	XR1200, XR1200X
11	62360-04A	LINE, oil vent, upper, w/ 10014	XR1200, XR1200X
12	62888-08A	OIL TANK ASSEMBLY	XR1200, XR1200X
13	63008-08	DIPSTICK ASSEMBLY, oil tank, w/ 11120	XR1200, XR1200X
14	63099-08	LINE, oil feed	XR1200, XR1200X
15	63103-08	LINE, oil vent, lower	XR1200, XR1200X
16	63596-06	LINE, oil drain	XR1200, XR1200X
17	66199-10	BRACKET, oil tank	XR1200, XR1200X

## OIL LINES & COOLER - XR1200/X



## OIL LINES & COOLER - XR1200/X



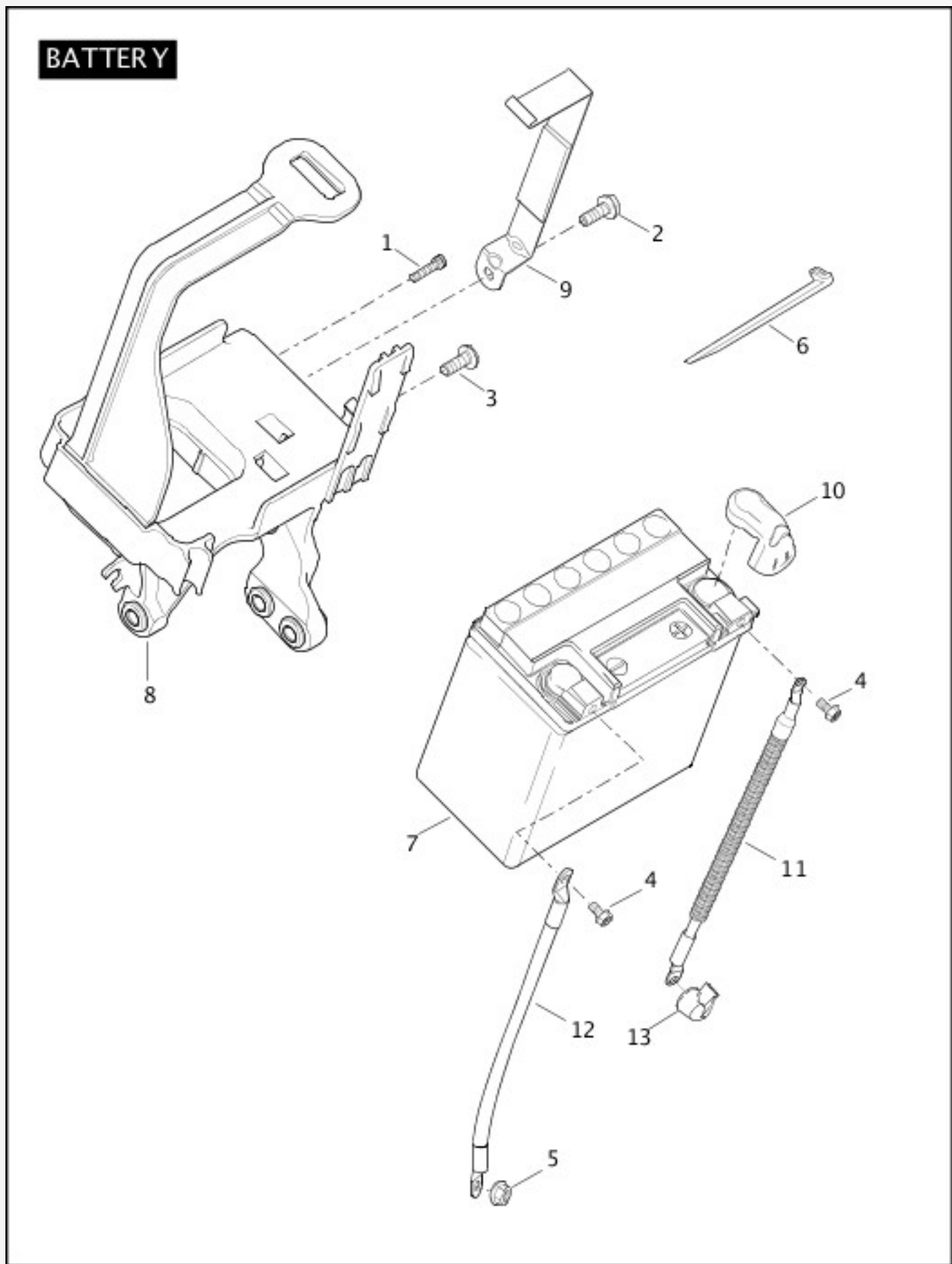
[View interactive image](#)

[View interactive table](#)

INDEX NO.	PART NO.	DESCRIPTION	MODEL(S)
1	882	SCREW (2)	XR1200, XR1200X
2	1094	SCREW (2)	XR1200, XR1200X
3	4705	SCREW (2)	XR1200, XR1200X
4	4886	SCREW, special	XR1200, XR1200X

5	4897	SCREW	XR1200, XR1200X
6	6110	WASHER	XR1200, XR1200X
7	7686	LOCKNUT	XR1200, XR1200X
8	10344	CLAMP	XR1200, XR1200X
9	10970	O-RING (2)	XR1200, XR1200X
10	10972	SPACER (2)	XR1200, XR1200X
11	11110	O-RING (2)	XR1200, XR1200X
12	11140	O-RING (2)	XR1200, XR1200X
13	11290	O-RING (4)	XR1200, XR1200X
14	11351	O-RING (2)	XR1200, XR1200X
15	11384K	RETAINER, wire clip (2)	XR1200, XR1200X
16	11408	RETAINER, wire clip (2)	XR1200, XR1200X
17	11652	BUMPER, rubber (2)	XR1200, XR1200X
18	26064-08	FITTING ASSEMBLY, w/ 11110, 11290 & 11408 (2)	XR1200, XR1200X
19	26183-08	FITTING, w/ 11290 (2)	XR1200, XR1200X
20	63050-08A	OIL COOLER	XR1200, XR1200X
21	63080-08	LINE, oil, front head return	XR1200, XR1200X
22	63081-08	LINE, oil, rear cylinder head	XR1200, XR1200X
23	63097-08	LINE, oil cooler feed, w/ 11140, 11384K & quick connect fitting	XR1200, XR1200X
24	63098-08	LINE, oil cooler return, w/ 11140, 11384K & quick connect fitting	XR1200, XR1200X
25	63108-08	CLAMP	XR1200, XR1200X
26	63110-08	BRACKET ASSEMBLY, manifold, w/ 11652	XR1200, XR1200X
27	63111-08	LINE, oil, savenge return	XR1200, XR1200X
28	63112-08	MANIFOLD ASSEMBLY, oil tank return, w/ 10970 & 10972	XR1200, XR1200X
29	63116-08	MANIFOLD	XR1200, XR1200X
30	63119-08	BRACKET	XR1200, XR1200X
31	63120-08	LINE, oil, front cylinder head	XR1200, XR1200X
32	63125-08	CLAMP (2)	XR1200, XR1200X

# BATTERY



[View interactive image](#)

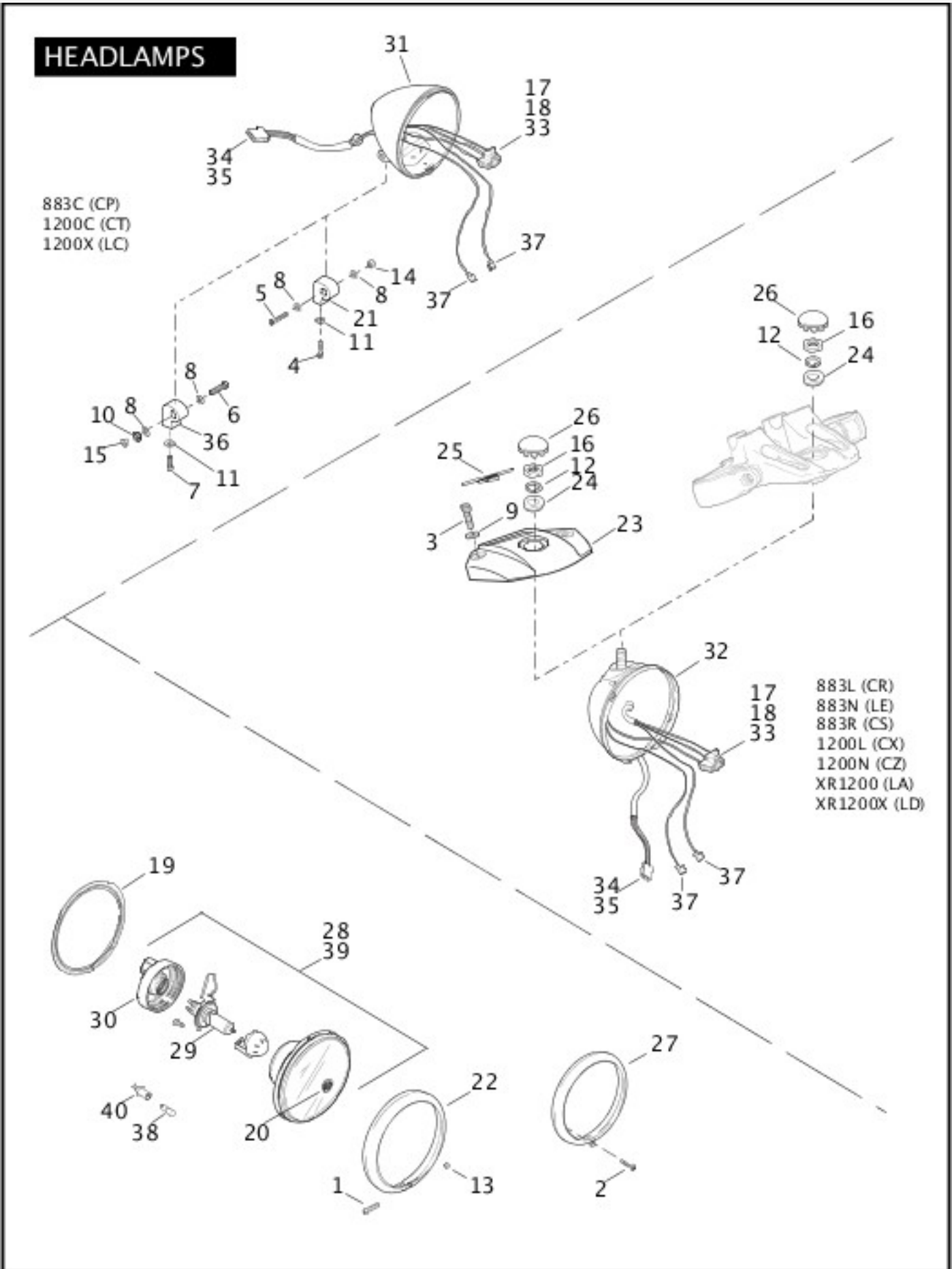
[View interactive table](#)

INDEX NO.	PART NO.	DESCRIPTION	MODEL(S)
1	2535	SCREW (3)	ALL
2	3588	SCREW, flange	ALL

3	3696	SCREW	ALL
4	4312C	SCREW, flange (2)	ALL
5	7770	NUT, flange	ALL
6	10006	CABLE STRAP (as required)	ALL
7	65958-04A	BATTERY, w/ 4312C	ALL
8	66194-04D	TRAY, battery	ALL
9	66476-04A	STRAP, battery	ALL
10	70003-04	COVER, battery terminal	ALL
11	70295-10	CABLE, battery-to-starter, w/ 70578-89	ALL
12	70296-04A	CABLE, battery-to-ground	ALL
13	70578-89	RUBBER BOOT	ALL

## HEADLAMPS

# HEADLAMPS



[View interactive image](#)

[View interactive table](#)

INDEX NO.	PART NO.	DESCRIPTION	MODEL(S)
1	3514	SCREW	XL1200L, XL1200N, XL1200X, XL883L, XL883N, XL883R, XR1200, XR1200X
2	3615	SCREW	XL1200C, XL883C

3	3655A	SCREW (2)	XL1200L, XL1200N, XL883L, XL883N, XL883R
4	4350A	SCREW	XL1200C, XL883C
5	4420	SCREW	XL1200C, XL883C
6	4724	BOLT	XL1200X
7	4748	SCREW	XL1200X
8	6701	WASHER (2)	XL1200C, XL883C
9	6702	WASHER (2)	XL1200L, XL1200N, XL883L, XL883N, XL883R
10	7038	LOCKWASHER	XL1200X
11	7045	LOCKWASHER	XL1200C, XL1200X, XL883C
12	7068	LOCKWASHER	XL1200L, XL1200N, XL883L, XL883N, XL883R, XR1200, XR1200X
13	7606	LOCKNUT	XL1200L, XL1200N, XL1200X, XL883L, XL883N, XL883R, XR1200, XR1200X
14	7778	LOCKNUT	XL1200C, XL883C
15	7800W	NUT	XL1200X
16	7880	NUT	XL1200L, XL1200N, XL883L, XL883N, XL883R, XR1200, XR1200X
17	9847	CONNECTOR, right	ALL
18	9848	CONNECTOR, left	ALL
19	67603-94A	ADAPTER RING	XL1200C, XL883C
	67883-04A	ADAPTER RING	XL1200L, XL1200N, XL1200X, XL883L, XL883N, XL883R, XR1200, XR1200X
20	67667-05	MEDALLION	ALL
21	67742-06	MOUNT, headlamp	XL1200C, XL883C
22	67790-93A	BEZEL (chrome)	XL1200L, XL1200X, XL883L, XL883R
	68443-07A	BEZEL (satin chrome)	XL1200N, XL883N
	69397-08	BEZEL (black)	XR1200, XR1200X
23	67805-92	BRACKET, headlamp (polished)	XL883L

	67963-05A	BRACKET, headlamp (denim black / satin)	XL1200N, XL883N, XL883R
	69709-00	BRACKET, headlamp (chrome)	XL1200L
24	67815-59A	WASHER	XL1200L, XL1200N, XL883L, XL883N, XL883R, XR1200, XR1200X
25	67834-83	TRIM (brushed)	XL883L
	67972-98	TRIM (gloss black)	XL1200N, XL883N, XL883R
26	67865-89	PLUG (chrome)	XL1200L, XL883L, XR1200
	69449-05	PLUG (denim black / satin)	XL1200N, XL883N, XL883R, XR1200X
27	67894-93A	BEZEL	XL1200C, XL883C
28	68297-05A	LAMP ASSEMBLY, w/ 20, 29 & 30	ALL
29	68329-03	BULB	ALL
30	68380-05	BOOT, headlamp connector	ALL
31	69681-07B	HEADLAMP SHELL, w/ 17, 18, 33, 34, 35, 37 (chrome)	XL1200C, XL883C
	73264-10	HEADLAMP SHELL, w/ 17, 18, 33, 34, 35, 37 (black)	XL1200X
32	69386-08	HEADLAMP SHELL, w/ 17, 18, 33, 34, 35, 37 (black)	XR1200, XR1200X
	69774-07A	HEADLAMP SHELL, w/ 17, 18, 33, 34, 35, 37 (black)	XL1200L, XL1200N, XL883L, XL883N, XL883R
33	72056-92	HOUSING, female	ALL
34	73154-96BK	SOCKET HOUSING, 4-way (black)	ALL
35	73191-96	SOCKET TERMINAL, 16-20 awg (4)	ALL
36	73266-10	MOUNT, headlamp	XL1200X

**INTERNATIONAL MODELS ONLY**

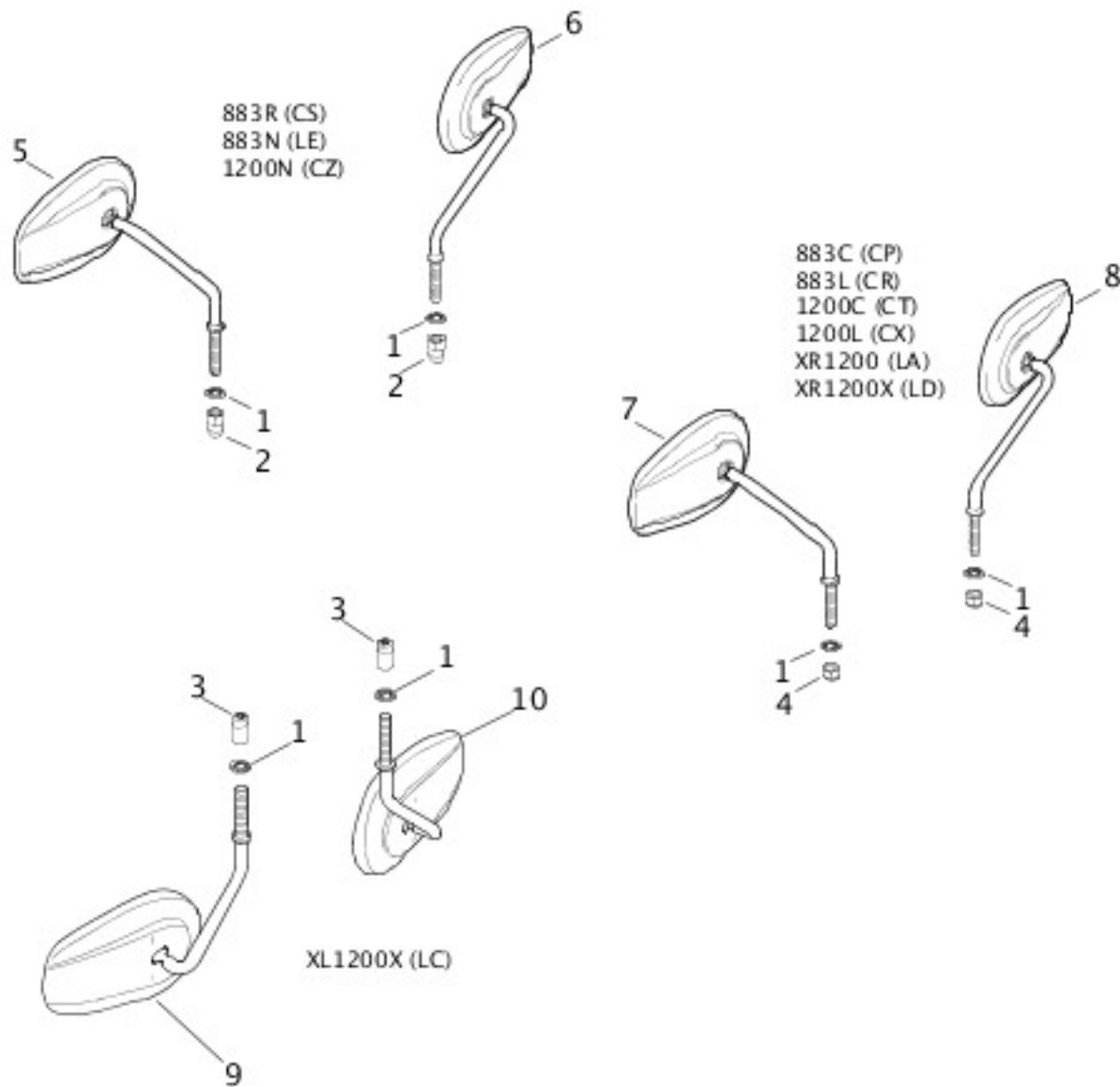
--	--	--	--

37	9898	TERMINAL FLAG (2)	ALL
38	53436-97	BULB	ALL
39	68335-05A	LAMP ASSEMBLY, left (Australia, England, Japan), w/ 20, 29, 30, 38 & 40	ALL
	68341-05A	LAMP ASSEMBLY, right (HDI), w/ 20, 29, 30, 38 & 40	ALL
40	68653-05	SOCKET, bulb (2 spade)	ALL

## MIRROR



## MIRRORS



[View interactive image](#)

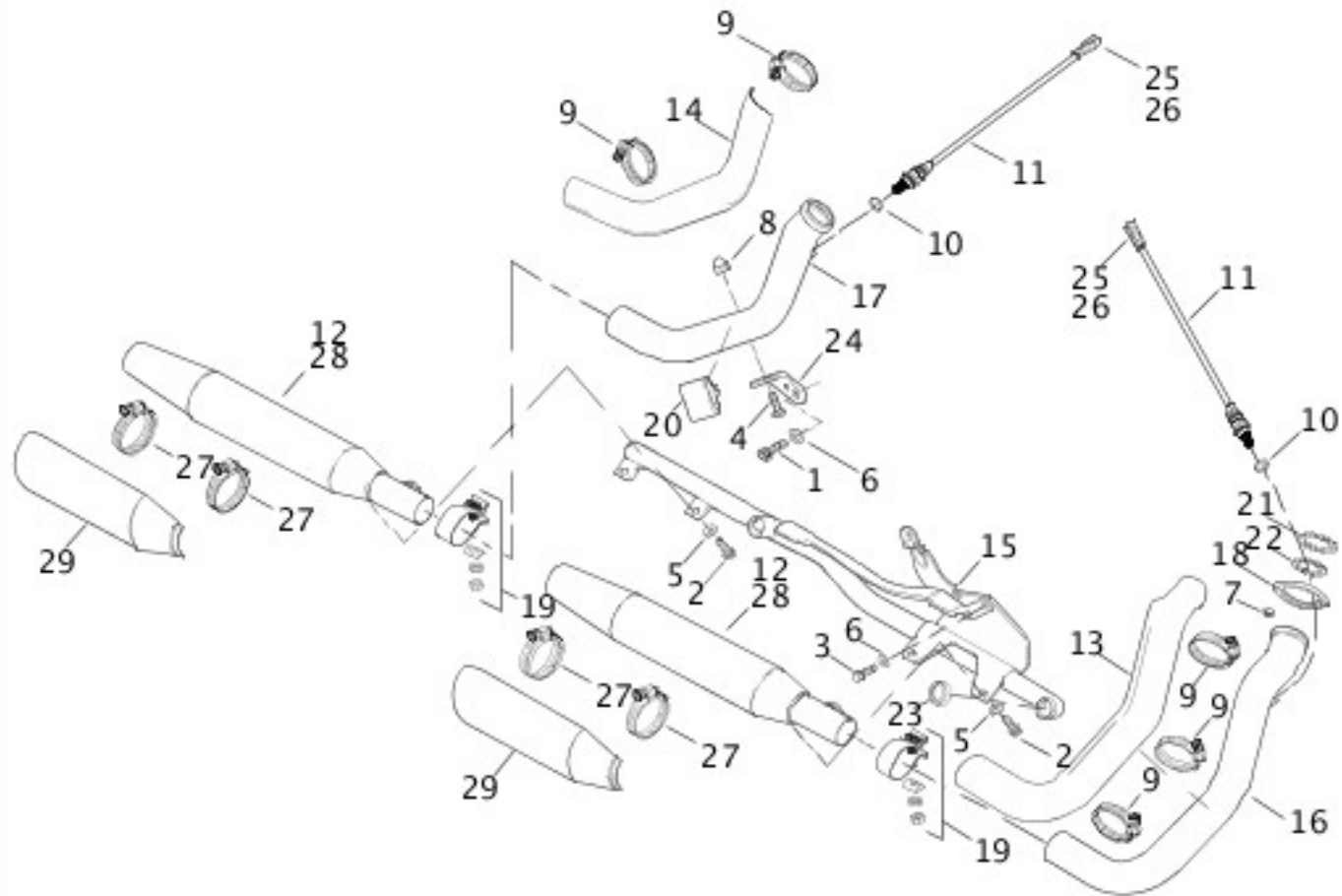
[View interactive table](#)

INDEX NO.	PART NO.	DESCRIPTION	MODEL(S)
1	7155	LOCKWASHER (2)	ALL
2	7331	ACORN NUT (2)	XL1200N, XL883N, XL883R
3	7357	BULLET NUT (2)	XL1200X
4	7725	LOCKNUT (2)	XL1200C, XL1200L, XL883C, XL883L, XR1200, XR1200X

5	91982-03B	MIRROR KIT, right, short (black), w/ 1, 2	XL1200N, XL883N, XL883R
6	91983-03B	MIRROR KIT, left, short (black), w/ 1, 2	XL1200N, XL883N, XL883R
7	92381-09	MIRROR KIT, right, long (chrome), w/ 1, 4	XL1200C, XL883C
	92401-09	MIRROR KIT, right, short (chrome), w/ 1, 4	XL1200L, XL883L
	92376-09	MIRROR KIT, right, short (black), w/ 1, 4	XR1200, XR1200X
8	92400-09	MIRROR KIT, left, long (chrome), w/ 1, 4	XL1200C, XL883C
	92402-09	MIRROR KIT, left, short (chrome), w/ 1, 4	XL1200L, XL883L
	92377-09	MIRROR KIT, left, short (black), w/ 1, 4	XR1200, XR1200X
9	91960-10	MIRROR KIT, right, short (black), w/ 1, 3	XL1200X
10	91961-10	MIRROR KIT, left, short (black), w/ 1, 3	XL1200X

**EXHAUST SYSTEM - 883C/L/N/R, 1200C/L/N/X**

## EXHAUST SYSTEM – 883C/L/N/R, 1200C/L/N



[View interactive image](#)

[View interactive table](#)

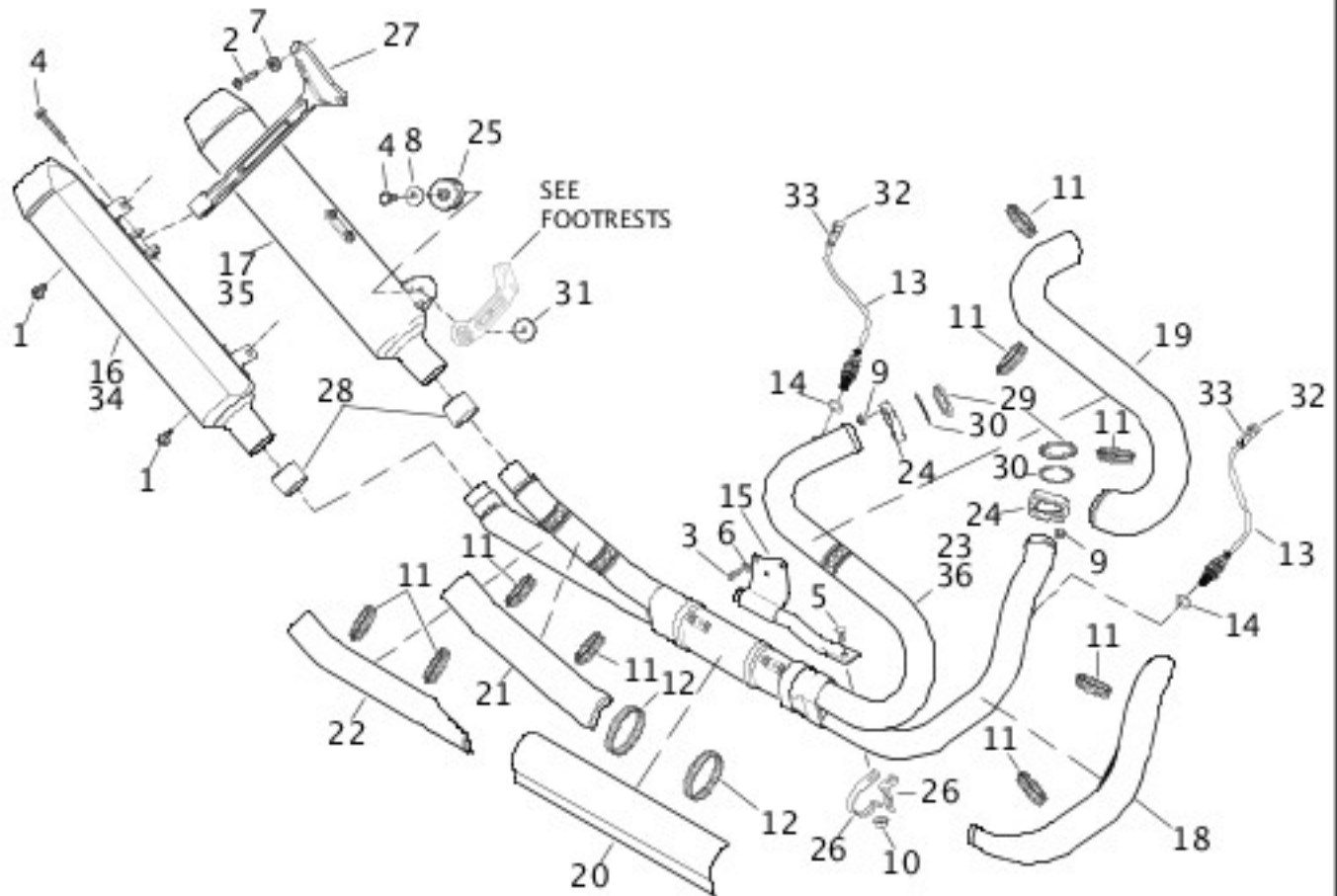
INDEX NO.	PART NO.	DESCRIPTION	MODEL(S)
1	4032A	SCREW	XL1200C, XL1200L, XL1200N, XL1200X, XL883C, XL883L, XL883N, XL883R
2	4269	SCREW, flanged (4)	XL1200C, XL1200L, XL1200N, XL1200X, XL883C, XL883L, XL883N, XL883R
3	4748	SCREW (3)	XL1200C, XL1200L, XL1200N, XL1200X, XL883C, XL883L, XL883N, XL883R
4	5414	BOLT, carriage	XL1200C, XL1200L, XL1200N, XL1200X, XL883C, XL883L, XL883N, XL883R
5	6139	WASHER (4)	XL1200C, XL1200L, XL1200N, XL1200X, XL883C, XL883L, XL883N, XL883R
6	6701	WASHER (4)	XL1200C, XL1200L, XL1200N, XL1200X, XL883C, XL883L, XL883N, XL883R
7	7593	NUT (4)	XL1200C, XL1200L, XL1200N, XL1200X, XL883C, XL883L, XL883N, XL883R

			XL883L, XL883N, XL883R
8	7862	ACORN NUT, w/ lock	XL1200C, XL1200L, XL1200N, XL1200X, XL883C, XL883L, XL883N, XL883R
9	9955	CLAMP, heat shield (5)	XL1200C, XL1200L, XL1200N, XL1200X, XL883C, XL883L, XL883N, XL883R
10	27714-06	SEAL RING (2)	XL1200C, XL1200L, XL1200N, XL1200X, XL883C, XL883L, XL883N, XL883R
11	27719-07	SENSOR, oxygen, w/ 27714-06, 72009-05, 72011-05 (2)	XL1200C, XL1200L, XL1200N, XL1200X, XL883C, XL883L, XL883N, XL883R
12	64842-04	MUFFLER, front (CP/CR/CS/CT/CX/LE), rear (CP/CR/CT/CX/LE)	XL1200C, XL1200L, XL883C, XL883L, XL883N, XL883R
	64890-04	MUFFLER, rear (CS)	XL883R
	80399-04	MUFFLER, front & rear	XL1200N, XL1200X
13	64846-04B	HEAT SHIELD, front exhaust pipe	XL1200C, XL1200L, XL1200N, XL1200X, XL883C, XL883L, XL883N, XL883R
14	64847-04B	HEAT SHIELD, rear exhaust pipe, chrome	XL1200C, XL1200L, XL1200N, XL1200X, XL883C, XL883L, XL883N, XL883R
	66851-07	HEAT SHIELD, upper rear exhaust pipe, stainless steel (not illustrated)	XL1200L, XL1200N, XL883L, XL883N, XL883R
15	65339-04	MUFFLER INTERCONNECT BRACKET	XL1200C, XL1200L, XL1200N, XL1200X, XL883C, XL883L, XL883N, XL883R
16	64942-07	EXHAUST PIPE, front (chrome)	XL1200C, XL1200L, XL1200N, XL1200X, XL883C, XL883L, XL883N, XL883R
17	64943-07	EXHAUST PIPE, rear (chrome)	XL1200C, XL1200L, XL1200N, XL1200X, XL883C, XL883L, XL883N, XL883R
18	65184-02	FLANGE, exhaust pipe (2)	XL1200C, XL1200L, XL1200N, XL1200X, XL883C, XL883L, XL883N, XL883R
19	65296-95A	CLAMP, muffler (2)	XL1200C, XL1200L, XL1200N, XL1200X, XL883C, XL883L, XL883N, XL883R
20	65302-82A	CLAMP, exhaust pipe	XL1200C, XL1200L, XL1200N, XL1200X, XL883C, XL883L, XL883N, XL883R
21	65324-83B	GASKET, exhaust port (2)	XL1200C, XL1200L, XL1200N, XL1200X, XL883C, XL883L, XL883N, XL883R
22	65325-83A	RETAINING RING, exhaust gasket (2)	XL1200C, XL1200L, XL1200N, XL1200X, XL883C, XL883L, XL883N, XL883R
23	65927-00	GASKET, exhaust interconnect (2)	XL1200C, XL1200L, XL1200N, XL1200X, XL883C, XL883L, XL883N, XL883R

24	65974-04A	BRACKET, exhaust clamp	XL1200C, XL1200L, XL1200N, XL1200X, XL883C, XL883L, XL883N, XL883R
25	72009-05	HOUSING, 2-way pin (2)	XL1200C, XL1200L, XL1200N, XL1200X, XL883C, XL883L, XL883N, XL883R
26	72011-05	WIRE SEAL, 16-20 gauge (yellow) (4)	XL1200C, XL1200L, XL1200N, XL1200X, XL883C, XL883L, XL883N, XL883R
<b>INTERNATIONAL MODELS ONLY</b>			
27	10074	CLAMP, muffler heat shield (HDI, England, Japan, CZ - Brazil) (4)	XL1200C, XL1200L, XL1200N, XL1200X, XL883C, XL883L, XL883N, XL883R
28	64737-09	MUFFLER, front (Japan), rear (CP/CR/CT/CX/CZ/LE - Japan, CZ - Brazil)	XL1200C, XL1200L, XL1200N, XL883C, XL883L, XL883N, XL883R
	64738-09	MUFFLER, rear (CS - Japan, CZ - Brazil)	XL1200N, XL883R
	64853-04	MUFFLER, front (Australia), rear (CP/CR/CT/CX/CZ - Australia)	XL1200C, XL1200L, XL1200N, XL883C, XL883L, XL883N, XL883R
	64854-04	MUFFLER, rear (Australia)	XL1200N, XL883N, XL883R
	64891-04A	MUFFLER, front (HDI, England), rear (CP/CR/CT/CX - HDI, England)	XL1200C, XL1200L, XL1200N, XL1200X, XL883C, XL883L, XL883N, XL883R
	64893-04A	MUFFLER, rear (HDI, England)	XL1200N, XL883N, XL883R
29	64889-04A	HEAT SHIELD, muffler, (HDI, England, Japan, CZ - Brazil) (2)	XL1200C, XL1200L, XL1200N, XL1200X, XL883C, XL883L, XL883N, XL883R

## EXHAUST SYSTEM - XR1200/X

## EXHAUST SYSTEM - XR1200/X



[View interactive image](#)

[View interactive table](#)

INDEX NO.	PART NO.	DESCRIPTION	MODEL(S)
1	4269	SCREW, flanged (2)	XR1200, XR1200X
2	4549	SCREW (2)	XR1200, XR1200X
3	4748	SCREW (3)	XR1200, XR1200X
4	4859	SCREW, flanged	XR1200, XR1200X
5	5416	BOLT	XR1200, XR1200X
6	6701	WASHER (2)	XR1200, XR1200X
7	6702	WASHER (3)	XR1200, XR1200X
8	6930	WASHER	XR1200, XR1200X
9	7593	NUT (4)	XR1200, XR1200X
10	7601	LOCKNUT	XR1200, XR1200X

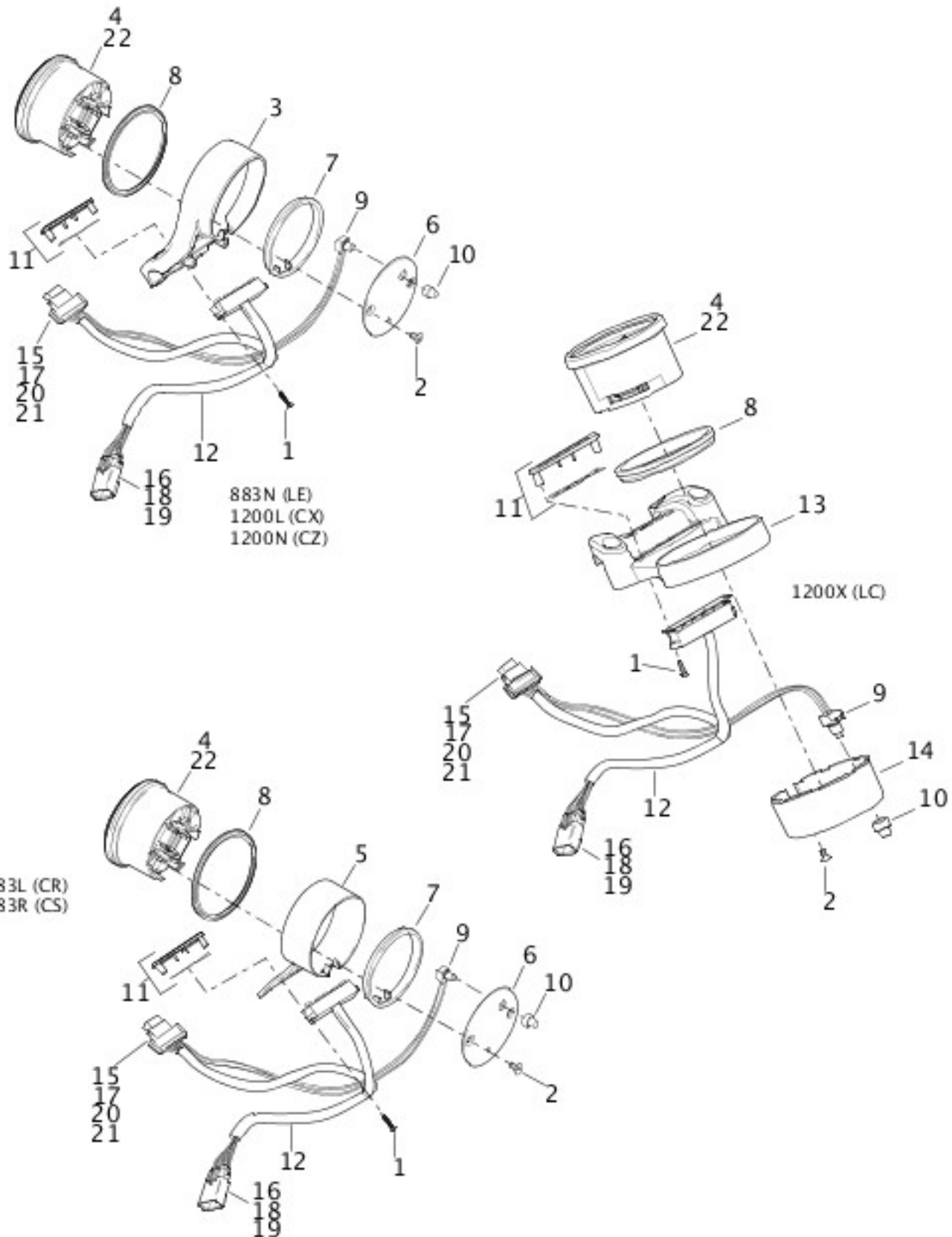
11	9955	CLAMP, heat shield (9)	XR1200, XR1200X
12	9956	CLAMP, heat shield (2)	XR1200, XR1200X
13	27690-08	SENSOR, oxygen, w/ 27714-06, 72009-05, 72011-05 (2)	XR1200, XR1200X
14	27714-06	SEAL RING (2)	XR1200, XR1200X
15	64850-08	SUPPORT BAR ASSEMBLY, exhaust	XR1200, XR1200X
16	64859-08	MUFFLER, lower (chrome)	XR1200
	65218-10	MUFFLER, lower (black)	XR1200X
17	64883-08	MUFFLER, upper (chrome)	XR1200
	65219-10	MUFFLER, upper (black)	XR1200X
18	64927-08A	HEAT SHIELD, lower (chrome)	XR1200
	65168-10	HEAT SHIELD, lower (black)	XR1200X
19	64934-08A	HEAT SHIELD, upper (chrome)	XR1200
	65176-10	HEAT SHIELD, upper (black)	XR1200X
20	64935-08A	SHIELD, collector (chrome)	XR1200
	65189-10	SHIELD, collector (black)	XR1200X
21	64936-08A	EXHAUST SHIELD ASSEMBLY, upper (chrome)	XR1200
	65197-10	EXHAUST SHIELD ASSEMBLY, upper (black)	XR1200X
22	64954-08A	EXHAUST SHIELD ASSEMBLY, lower (chrome)	XR1200
	65198-10	EXHAUST SHIELD ASSEMBLY, lower (black)	XR1200X
23	64851-09	EXHAUST ASSEMBLY	XR1200, XR1200X
24	65328-83A	FLANGE, exhaust pipe (2)	XR1200, XR1200X
25	65240-08	KIT, exhaust isolator w/ 4859, 6930 & 65453-08	XR1200, XR1200X
26	65257-08	CLAMP	XR1200, XR1200X
27	65316-08	SUPPORT, muffler, rear	XR1200, XR1200X
28	65317-08A	GASKET, muffler inlet (2)	XR1200, XR1200X
29	65324-83B	GASKET, exhaust port (2)	XR1200, XR1200X
30	65325-83A	RETAINING RING, exhaust gasket (2)	XR1200, XR1200X
31	65453-08	WASHER, snubbing	XR1200, XR1200X
32	72009-05	HOUSING, 2-way pin (2)	XR1200, XR1200X
33	72011-05	WIRE SEAL, 16-20 gauge (yellow) (4)	XR1200, XR1200X

<b>INTERNATIONAL MODELS ONLY</b>			
34	64746-09	MUFFLER, lower (Japan) (chrome)	XR1200
	65218-10	MUFFLER, lower (England, HDI) (black)	XR1200X
	65222-10	MUFFLER, lower (Japan) (black)	XR1200X
35	64747-09	MUFFLER, upper (Japan) (chrome)	XR1200
	65219-10	MUFFLER, upper (England, HDI) (black)	XR1200X
	65227-10	MUFFLER, upper (Japan) (black)	XR1200X
36	64965-08A	EXHAUST ASSEMBLY (HDI, England, Japan)	XR1200, XR1200X

**SPEEDOMETER - 883L/N/R, 1200L/N/X**



# SPEEDOMETER - 883L/N/R, 1200L/N/X



[View interactive image](#)

[View interactive table](#)

INDEX NO.	PART NO.	DESCRIPTION	MODEL(S)
1	2325	SCREW (2)	XL1200L, XL1200N, XL1200X, XL883L, XL883N, XL883R
2	2361	SCREW (2)	XL1200N, XL1200X, XL883L, XL883N, XL883R

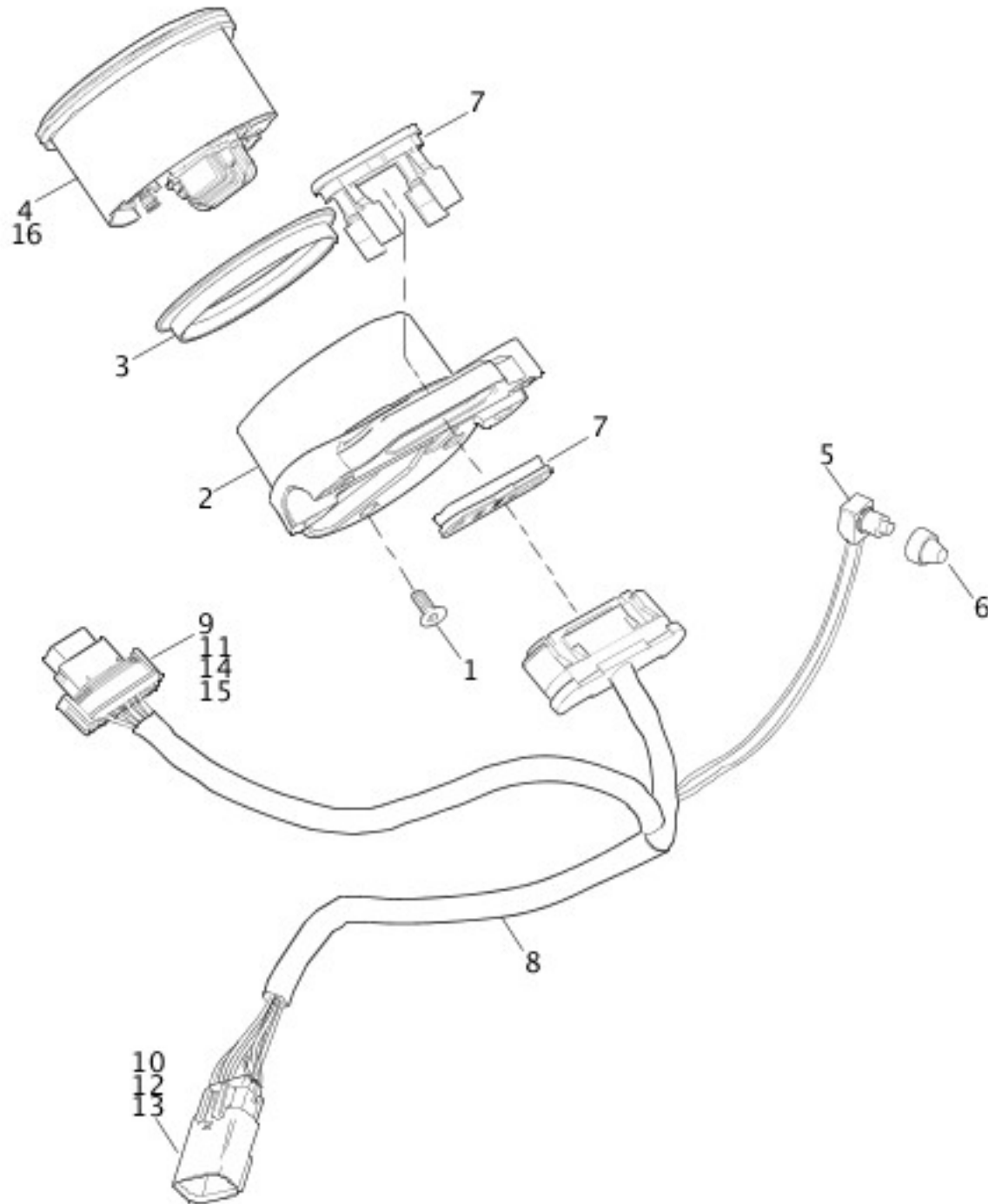
	2548	SCREW (2)	XL1200L
3	55846-05A	BRACKET, speedometer (chrome)	XL1200L
	55847-05A	BRACKET, speedometer (black)	XL1200N, XL883N
4	67037-08	SPEEDOMETER, mph	XL1200N, XL1200X, XL883L, XL883N, XL883R
	67436-08	SPEEDOMETER, mph	XL1200L
5	67053-95	BRACKET, speedometer	XL883L, XL883R
6	67089-05	COVER, speedometer back (chrome)	XL1200L
	67320-95	COVER, speedometer back (black)	XL1200N, XL883L, XL883N, XL883R
7	67104-95	CUSHION, rear	XL1200L, XL1200N, XL883L, XL883N, XL883R
8	67121-95A	CUSHION, front	XL1200L, XL1200N, XL1200X, XL883L, XL883N, XL883R
9	67854-98	SWITCH, reset	XL1200L, XL1200N, XL1200X, XL883L, XL883N, XL883R
10	67880-94	BOOT, reset switch	XL1200L, XL1200N, XL1200X, XL883L, XL883N, XL883R
11	68513-07A	BEZEL, indicator lamps	XL1200L, XL1200N, XL1200X, XL883L, XL883N, XL883R
12	68813-07	HARNESS, warning lamp assembly, w/ LED indicator	XL1200L, XL1200N, XL1200X, XL883L, XL883N, XL883R
13	71980-10	BRACKET, speedometer	XL1200X
14	71988-10	COVER, speedometer back	XL1200X
15	72130-04	HOUSING, socket 12-way (black)	XL1200L, XL1200N, XL1200X, XL883L, XL883N, XL883R
16	72169-07	TERMINAL, pin, 16-20 gauge (7)	XL1200L, XL1200N, XL1200X, XL883L, XL883N, XL883R
17	72189-04	SEAL, pin	XL1200L, XL1200N, XL1200X, XL883L, XL883N, XL883R
18	72488-07BK	HOUSING, 12-way (black)	XL1200L, XL1200N, XL1200X, XL883L, XL883N, XL883R
19	72549-07	TERMINAL, pin, 22 AWG (5)	XL1200L, XL1200N, XL1200X, XL883L, XL883N, XL883R
20	74196-04	TERMINAL, socket, 20 AWG	XL1200L, XL1200N, XL1200X, XL883L, XL883N, XL883R
21	74197-04	SOCKET LOCK, secondary, 12-way	XL1200L, XL1200N, XL1200X, XL883L, XL883N, XL883R

**INTERNATIONAL MODELS ONLY**

22	67041-08	SPEEDOMETER, kph (Canada/HDI/Australia/Japan)	XL1200N, XL1200X, XL883L, XL883N, XL883R
	67290-08	SPEEDOMETER, mph/kph (England)	XL1200N, XL1200X, XL883L, XL883N, XL883R
	67415-08	SPEEDOMETER, mph/kph (England)	XL1200L
	67416-08	SPEEDOMETER, kph (Canada/HDI/Australia/Japan)	XL1200L

**SPEEDOMETER - 883C, 1200C**

## SPEEDOMETER - 883C, 1200C



[View interactive image](#)

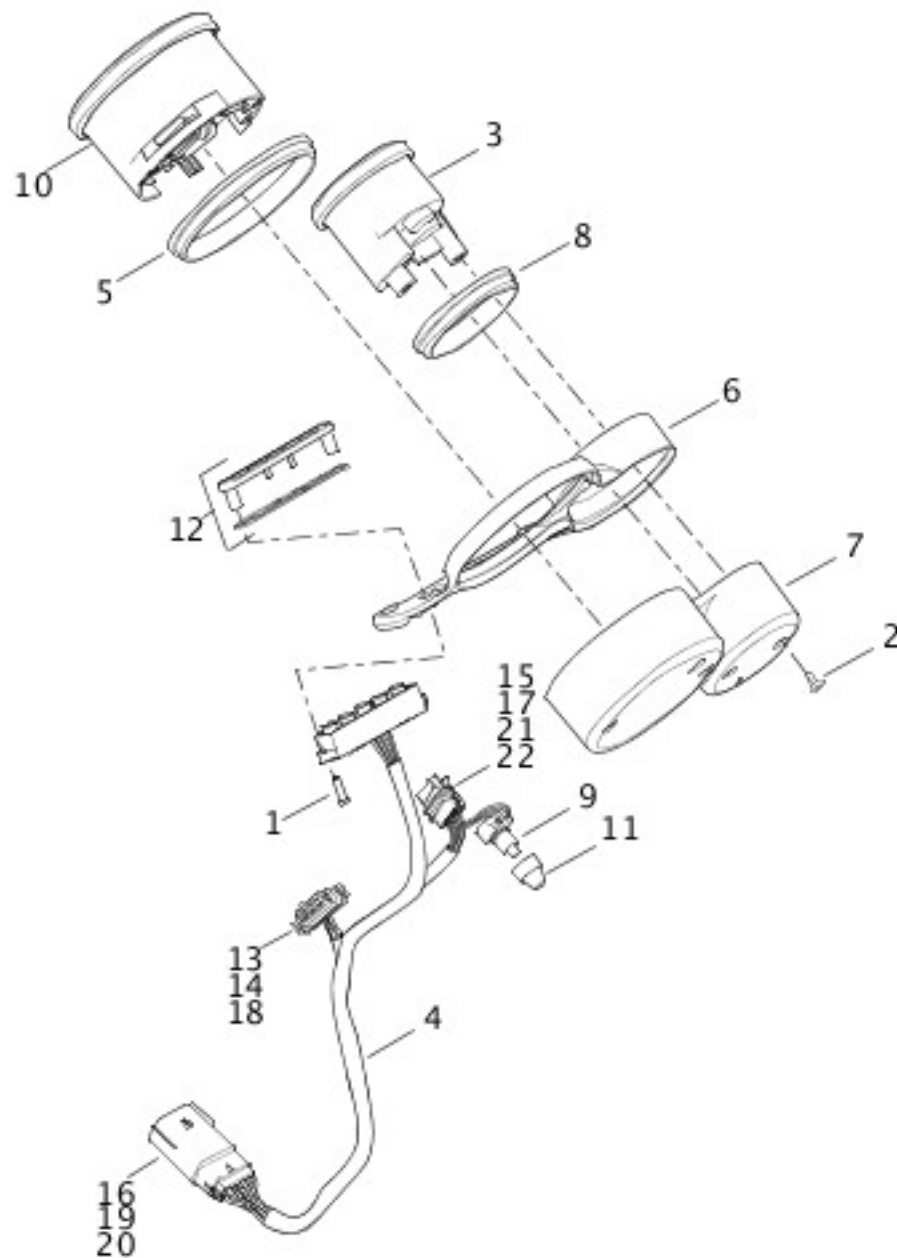
[View interactive table](#)

INDEX NO.	PART NO.	DESCRIPTION	MODEL(S)
1	2548	SCREW, countersunk	XL1200C, XL883C
2	55844-04	HOUSING, instrument (chrome)	XL1200C, XL883C
3	67121-95A	GASKET, shock, front	XL1200C, XL883C

4	67436-08	SPEEDOMETER, mph (Domestic)	XL1200C, XL883C
5	67854-98	SWITCH, trip reset	XL1200C, XL883C
6	67880-94	BOOT, reset switch	XL1200C, XL883C
7	68382-07B	BEZEL ASSEMBLY, indicator lamps	XL1200C, XL883C
8	68814-07	INSTRUMENT HARNESS ASSEMBLY, w/ LED indicator	XL1200C, XL883C
9	72130-04	HOUSING, socket 12-way (black)	XL1200C, XL883C
10	72169-07	TERMINAL, pin, 16-20 gauge (7)	XL1200C, XL883C
11	72189-04	SEAL, pin (4)	XL1200C, XL883C
12	72488-07BK	HOUSING, socket 12-way (black)	XL1200C, XL883C
13	72549-07	TERMINAL, pin, 22 AWG (5)	XL1200C, XL883C
14	74196-04	TERMINAL, 22 AWG. (9)	XL1200C, XL883C
15	74197-04	SOCKET LOCK, secondary, 12-way	XL1200C, XL883C
<b>INTERNATIONAL MODELS ONLY</b>			
16	67415-08	SPEEDOMETER, mph/kph (England)	XL1200C, XL883C
	67416-08	SPEEDOMETER, kph (Australia, Canada, HDI, Japan)	XL1200C, XL883C

## **SPEEDOMETER & TACHOMETER - XR1200/X**

## SPEEDOMETER AND TACHOMETER - XR1200/X



[View interactive image](#)

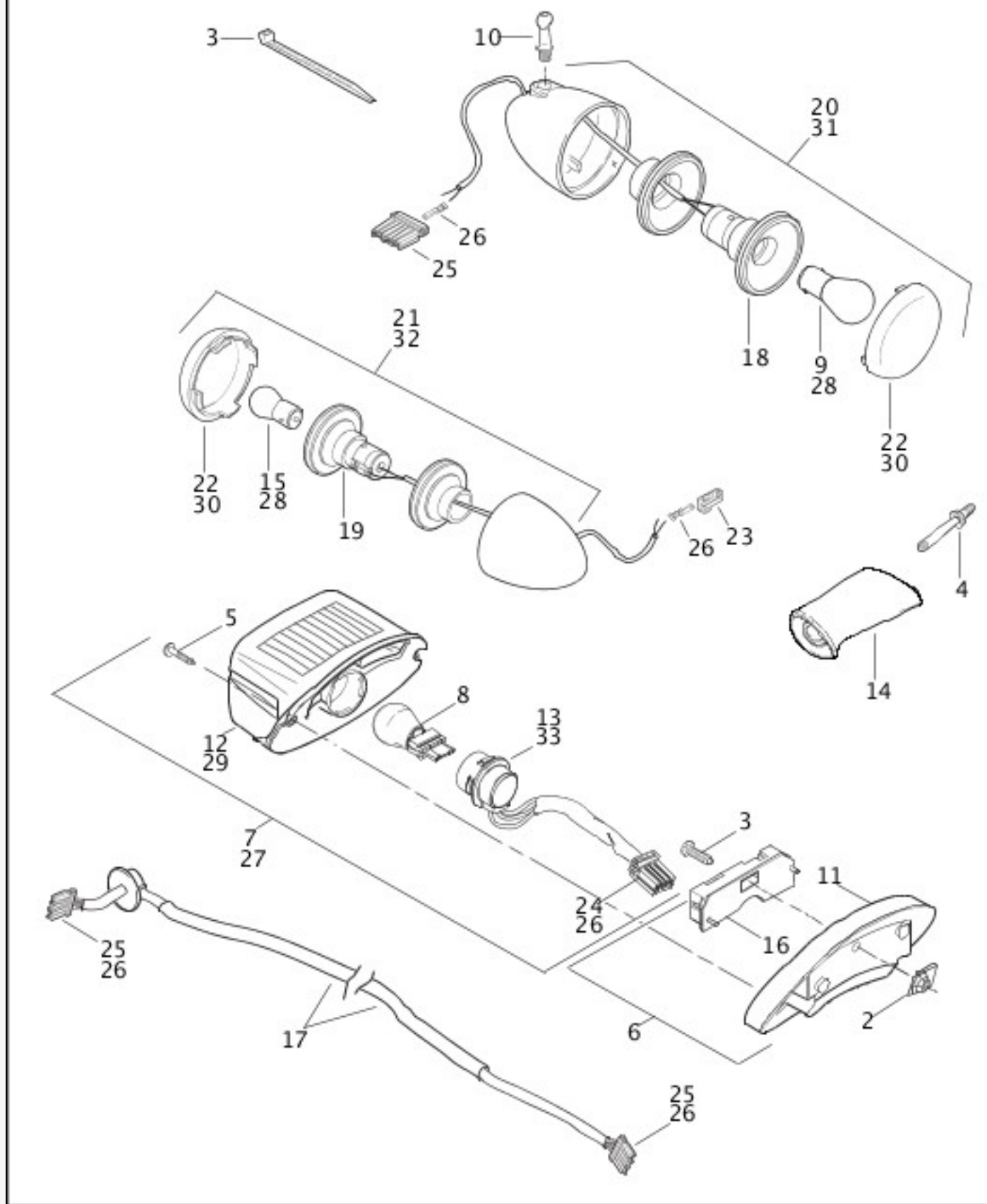
[View interactive table](#)

INDEX NO.	PART NO.	DESCRIPTION	MODEL(S)
1	2325	SCREW (2)	XR1200, XR1200X
2	2361	SCREW (4)	XR1200, XR1200X
3	67087-08	SPEEDOMETER, speedometer (chrome)	XR1200

	70714-10	SPEEDOMETER, speedometer (black)	XR1200X
4	67091-08	HARNESS, instrument assembly	XR1200, XR1200X
5	67121-95A	GASKET, tachometer	XR1200, XR1200X
6	67157-08	BRACKET, instrument mounting	XR1200, XR1200X
7	67170-08	BACK COVER, instrument	XR1200, XR1200X
8	67174-08	GASKET, speedometer	XR1200, XR1200X
9	67854-98	SWITCH, reset	XR1200, XR1200X
10	67576-08	TACHOMETER	XR1200
	74714-10	TACHOMETER	XR1200X
11	67880-94	BOOT, reset switch	XR1200, XR1200X
12	68513-07A	BEZEL, indicator lamps	XR1200, XR1200X
13	72032-93	PLUG, connector	XR1200, XR1200X
14	72033-93	TERMINAL, socket 16-20 AWG (4)	XR1200, XR1200X
15	72130-04	HOUSING, socket 12-way (black)	XR1200, XR1200X
16	72169-07	TERMINAL, pin, 16-20 gauge (7)	XR1200, XR1200X
17	72189-04	SEAL, pin (3)	XR1200, XR1200X
18	72329-08	HOUSING, socket 5-way	XR1200, XR1200X
19	72488-07BK	HOUSING, pin 12-way (black)	XR1200, XR1200X
20	72549-07	TERMINAL, pin, 22 AWG (5)	XR1200, XR1200X
21	74196-04	TERMINAL, socket, 20 AWG (9)	XR1200, XR1200X
22	74197-04	SOCKET LOCK, secondary, 12-way	XR1200, XR1200X

## TURN SIGNALS & TAIL LAMP - 883C/L/R, 1200C/L

## TURN SIGNALS & TAIL LAMP - 883C/L/R, 1200C/



[View interactive image](#)

[View interactive table](#)

INDEX NO.	PART NO.	DESCRIPTION	MODEL(S)
1	3022A	SCREW	XL1200C, XL1200L, XL883C, XL883L, XL883R
2	7964	CLIP NUT	XL1200C, XL1200L, XL883C, XL883L, XL883R

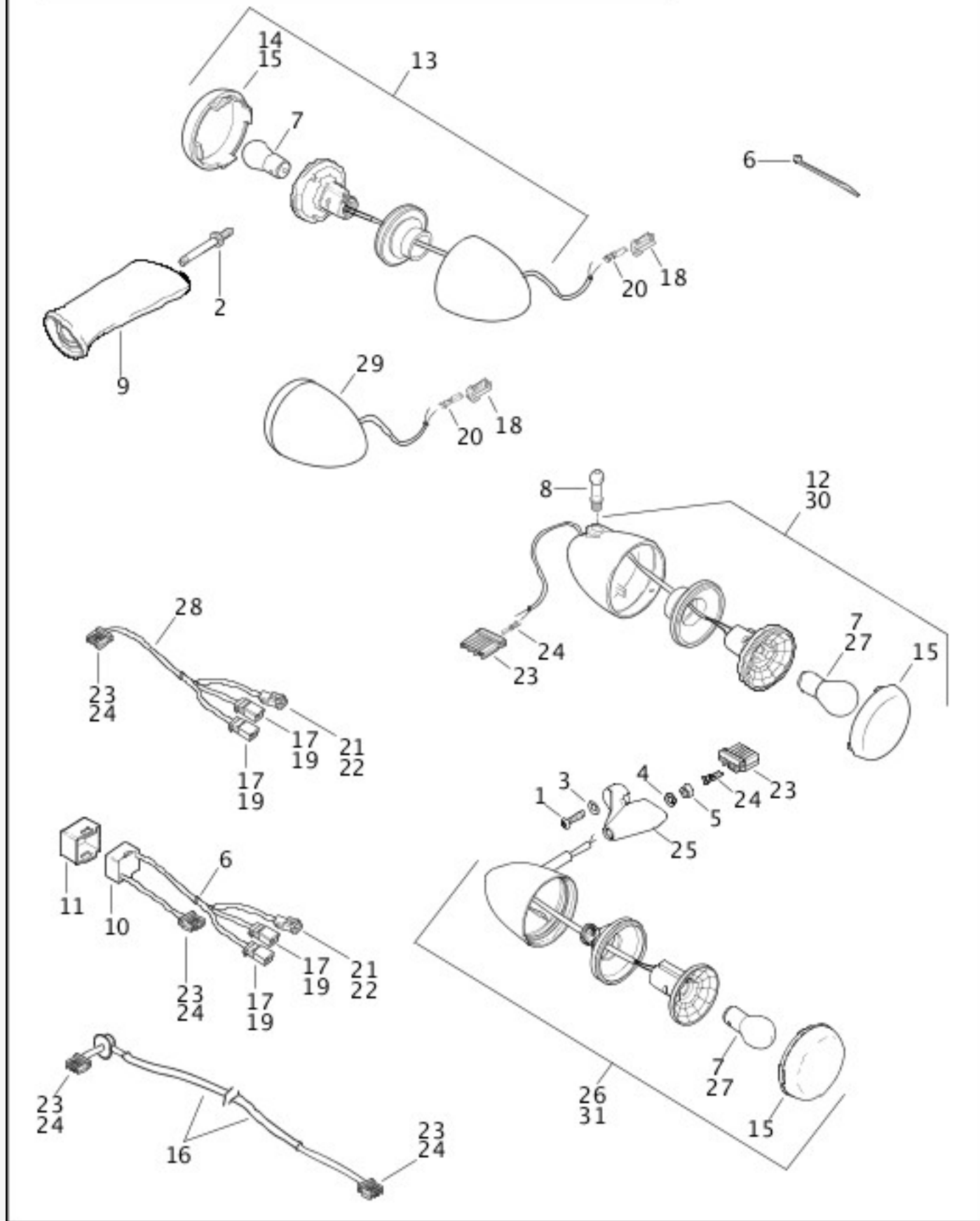


3	10065	CABLE STRAP (as required)	XL1200C, XL1200L, XL883C, XL883L, XL883R
4	56104-02	SCREW, rear turn signal (2)	XL1200C, XL1200L, XL883C, XL883L, XL883R
5	68026-99	SCREW, tail lamp (2)	XL1200C, XL1200L, XL883C, XL883L, XL883R
6	68066-99A	BASE ASSEMBLY, chromed, w/ 11, 16	XL1200C, XL1200L, XL883C, XL883L, XL883R
7	68140-04	LIGHT ASSEMBLY, tail lamp	XL1200C, XL1200L, XL883C, XL883L, XL883R
8	68167-04	BULB, tail lamp, wedge mount	XL1200C, XL1200L, XL883C, XL883L, XL883R
9	68168-89A	BULB, front turn signal (2)	XL1200C, XL1200L, XL883C, XL883L, XL883R
10	68265-04	BALL STUD (2)	XL1200C, XL1200L, XL883C, XL883L, XL883R
11	68296-99A	BASE TAIL LAMP, chrome	XL1200C, XL1200L, XL883C, XL883L, XL883R
12	68369-03	LENS, tail lamp, w/ 68026-99	XL1200C, XL1200L, XL883C, XL883L, XL883R
13	68370-03A	BULB SOCKET ASSEMBLY, w/ 8, 24, 26	XL1200C, XL1200L, XL883C, XL883L, XL883R
14	68480-02	SUPPORT, rear turn signal (2)	XL1200C, XL1200L, XL883C, XL883L, XL883R
15	68572-64B	BULB, rear turn signal (2)	XL1200C, XL1200L, XL883C, XL883L, XL883R
16	68830-99A	CIRCUIT BOARD/COVER ASSEMBLY	XL1200C, XL1200L, XL883C, XL883L, XL883R
17	68899-04A	HARNESS, rear lighting, w/ 25, 26	XL1200C, XL1200L, XL883C, XL883L, XL883R
18	68904-00	SOCKET ASSEMBLY, front (2)	XL1200C, XL1200L, XL883C, XL883L, XL883R
19	68905-00	SOCKET ASSEMBLY, rear (2)	XL1200C, XL1200L, XL883C, XL883L, XL883R
20	68972-00	TURN SIGNAL ASSEMBLY, front (amber) (2)	XL1200C, XL1200L, XL883C, XL883L, XL883R
21	68977-00	TURN SIGNAL ASSEMBLY, rear (amber) (2)	XL1200C, XL1200L, XL883C, XL883L, XL883R
22	68973-00	LENS (4)	XL1200C, XL1200L, XL883C, XL883L, XL883R

23	73152-96BK	SOCKET HOUSING, 2-way (black), right	XL1200C, XL1200L, XL883C, XL883L, XL883R
	73152-96WE	SOCKET HOUSING, 2-way (white), left	XL1200C, XL1200L, XL883C, XL883L, XL883R
24	73154-96BK	SOCKET HOUSING, 4-way (black)	XL1200C, XL1200L, XL883C, XL883L, XL883R
25	73156-96BK	SOCKET HOUSING, 6-way (black) (4)	XL1200C, XL1200L, XL883C, XL883L, XL883R
26	73191-96	SOCKET TERMINAL, 16-20 awg (as required)	XL1200C, XL1200L, XL883C, XL883L, XL883R
<b>INTERNATIONAL MODELS ONLY</b>			
27	68141-04	LIGHT ASSEMBLY, tail lamp (HDI)	XL1200C, XL1200L, XL883C, XL883L, XL883R
28	68163-84	BULB, front turn signal (HDI) (4)	XL1200C, XL1200L, XL883C, XL883L, XL883R
29	68372-03	LENS, tail lamp, w/ 68026-99 (HDI)	XL1200C, XL1200L, XL883C, XL883L, XL883R
30	68973-00	LENS, front (HDI) (2)	XL1200C, XL1200L, XL883C, XL883L, XL883R
31	68975-00	TURN SIGNAL ASSEMBLY, front (amber) (HDI) (2)	XL1200C, XL1200L, XL883C, XL883L, XL883R
32	68978-00	TURN SIGNAL ASSEMBLY, rear (amber) (HDI) (2)	XL1200C, XL1200L, XL883C, XL883L, XL883R
33	69187-03A	BULB SOCKET ASSEMBLY, w/ 8,24,26 (HDI)	XL1200C, XL1200L, XL883C, XL883L, XL883R

## **TURN SIGNALS & TAIL LAMP - 883N, 1200N/X**

## TURN SIGNALS & TAIL LAMP – 883N, 1200N/X



[View interactive image](#)

[View interactive table](#)

INDEX NO.	PART NO.	DESCRIPTION	MODEL(S)
1	4351	SCREW (2)	XL1200X
2	5531	SCREW, rear turn signal (2)	XL1200N, XL1200X, XL883N
3	6610	WASHER (2)	XL1200X

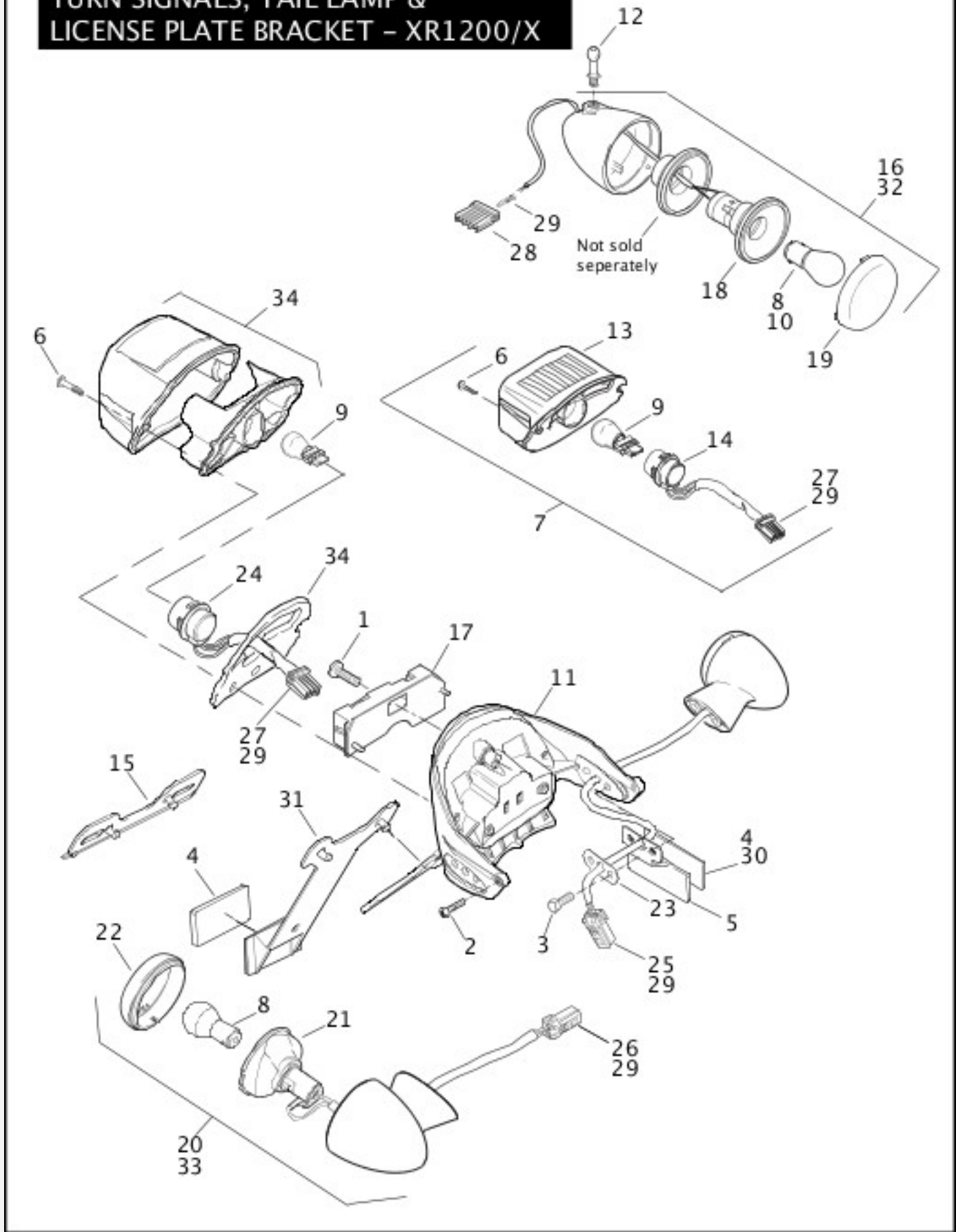
4	7038	LOCKWASHER (2)	XL1200X
5	7783	NUT (2)	XL1200X
6	10065	CABLE STRAP (as required)	XL1200N, XL1200X, XL883N
7	68168-89A	BULB, rear (LE/LC - 50-State), front (2)	XL1200N, XL1200X, XL883N
	68572-64B	BULB, rear (Canada) (2)	XL1200X, XL883N
8	68265-04	BALL STUD (2)	XL1200N, XL883N
9	68277-07	SUPPORT, rear turn signal (2)	XL1200N, XL1200X, XL883N
10	68278-07	CONVERTER MODULE, rear turn signal & tail lamp	XL1200N, XL1200X, XL883N
11	68299-07	HOLDER, module	XL1200N, XL1200X, XL883N
12	68730-07	TURN SIGNAL ASSEMBLY, front (2)	XL1200N, XL883N
13	68449-07	TURN SIGNAL ASSEMBLY, rear (LE/LC - 50-State) (2)	XL1200N, XL1200X, XL883N
	73318-09	TURN SIGNAL ASSEMBLY, rear (Canada) (2)	XL1200X, XL883N
14	68559-07	LENS, rear (CZ - Domestic / LE/LC - 50-State) (2)	XL1200N, XL1200X, XL883N
15	68755-07	LENS, rear (LE/LC - Canada), front (Domestic, HDI) (2)	XL1200N, XL1200X, XL883N
16	68899-04A	HARNESS, rear lighting (Canada)	XL1200N, XL1200X, XL883N
17	72904-01BK	HOUSING, pin, 4-way (black) (2)	XL1200N, XL1200X, XL883N
18	72914-01BK	SOCKET HOUSING, 4-way (black) (LE/LC - 50-State) (2)	XL1200N, XL1200X, XL883N
	73152-96BK	SOCKET HOUSING, 2-way (black) (Canada) (2)	XL1200X, XL883N
19	72990-01	TERMINAL, pin (6)	XL1200N, XL1200X, XL883N
20	72991-01	TERMINAL, socket (rear) (domestic) (6)	XL1200N, XL1200X, XL883N
	72991-01	TERMINAL, socket (rear) (Japan) (4)	XL1200N, XL1200X, XL883N
21	73102-96BK	HOUSING, pin, 2-way (black)	XL1200N, XL1200X, XL883N
22	73190-96	TERMINAL, pin (2)	XL1200N, XL1200X, XL883N
23	73156-96BK	SOCKET HOUSING, 6-way (black) (module)	XL1200N, XL1200X, XL883N
	73156-96BK	SOCKET HOUSING, 6-way (black) (front turn signal) (2)	XL1200N, XL1200X, XL883N
24	73191-96	SOCKET TERMINAL, 16-20 gauge (module) (6)	XL1200N, XL1200X, XL883N
	73191-96	SOCKET TERMINAL, 16-20 gauge (front turn signal) (6)	XL1200N, XL1200X, XL883N
25	73267-10	MOUNT, turn signal (2)	XL1200X
26	73282-10	TURN SIGNAL, front (2)	XL1200X

**INTERNATIONAL MODELS ONLY**

27	68163-84	BULB, turn signal (HDI, Japan) (2)	XL1200N, XL1200X, XL883N
28	68955-08	HARNESS, rear turn signal & tail lamp (HDI) (2)	XL1200N, XL1200X, XL883N
29	69406-09	TURN SIGNAL, rear w/ 72991-01 (HDI) (2)	XL1200N, XL1200X, XL883N
30	69362-08	TURN SIGNAL, front (HDI, Japan) (2)	XL1200N, XL883N
31	73284-10	TURN SIGNAL, front (HDI) (2)	XL1200X

**TURN SIGNALS, TAIL LAMP & LICENSE PLATE BRACKET - XR1200/X**

# TURN SIGNALS, TAIL LAMP & LICENSE PLATE BRACKET - XR1200/X



[View interactive image](#)

[View interactive table](#)

INDEX NO.	PART NO.	DESCRIPTION	MODEL(S)
1	930	SCREW	XR1200, XR1200X
2	2653	SCREW (2)	XR1200, XR1200X
3	3706M	SCREW (4)	XR1200, XR1200X

4	59259-90	REFLECTOR, red (domestic) (2)	XR1200, XR1200X
4	59259-90	REFLECTOR, red (HDI)	XR1200, XR1200X
5	60183-08	BRACKET, side reflector mount (2)	XR1200, XR1200X
6	68026-99	SCREW (2)	XR1200, XR1200X
7	68140-04	TAIL LAMP ENVELOPE	XR1200, XR1200X
8	68163-84	BULB, single contact	XR1200, XR1200X
9	68167-04	BULB	XR1200, XR1200X
10	68168-89A	BULB, dual contact	XR1200, XR1200X
11	68257-08	LICENSE PLATE, module	XR1200, XR1200X
12	68265-04	BALL STUD (2)	XR1200, XR1200X
13	68369-03	LENS, tail lamp, w/ 68026-99	XR1200, XR1200X
14	68370-03A	SOCKET ASSEMBLY, tail lamp, rear, w/ 9, 27 & 29	XR1200, XR1200X
15	68561-09	BRACKET, reflector	XR1200, XR1200X
16	68804-06	TURN SIGNAL SUB-ASSEMBLY, black (2)	XR1200, XR1200X
17	68830-99A	CIRCUIT BOARD & COVER ASSEMBLY	XR1200, XR1200X
18	68904-00	SOCKET ASSEMBLY (DOM) (HDI - not sold seperately) (2)	XR1200, XR1200X
19	68973-00	LENS (2)	XR1200, XR1200X
20	68984-01	TURN SIGNAL ASSEMBLY, w/ 8, 20,21 & 29 (2)	XR1200, XR1200X
21	69066-01A	SOCKET ASSEMBLY (DOM) (HDI - not sold seperately) (2)	XR1200, XR1200X
22	69110-01	LENS (2)	XR1200, XR1200X
23	69148-01	PLATE, support (2)	XR1200, XR1200X
24	69187-03A	SOCKET ASSEMBLY, tail lamp, rear, w/ 9, 27 & 29	XR1200, XR1200X
25	73152-96BK	SOCKET HOUSING, 2-way (black)	XR1200, XR1200X
26	73152-96WE	SOCKET HOUSING, 2-way (white)	XR1200, XR1200X
27	73154-96BK	SOCKET HOUSING, 4-way (black)	XR1200, XR1200X
28	73156-96BK	SOCKET HOUSING, 6-way (black) (2)	XR1200, XR1200X
29	73191-96	SOCKET TERMINAL, 16-20 awg (2)	XR1200, XR1200X

**INTERNATIONAL MODELS ONLY**

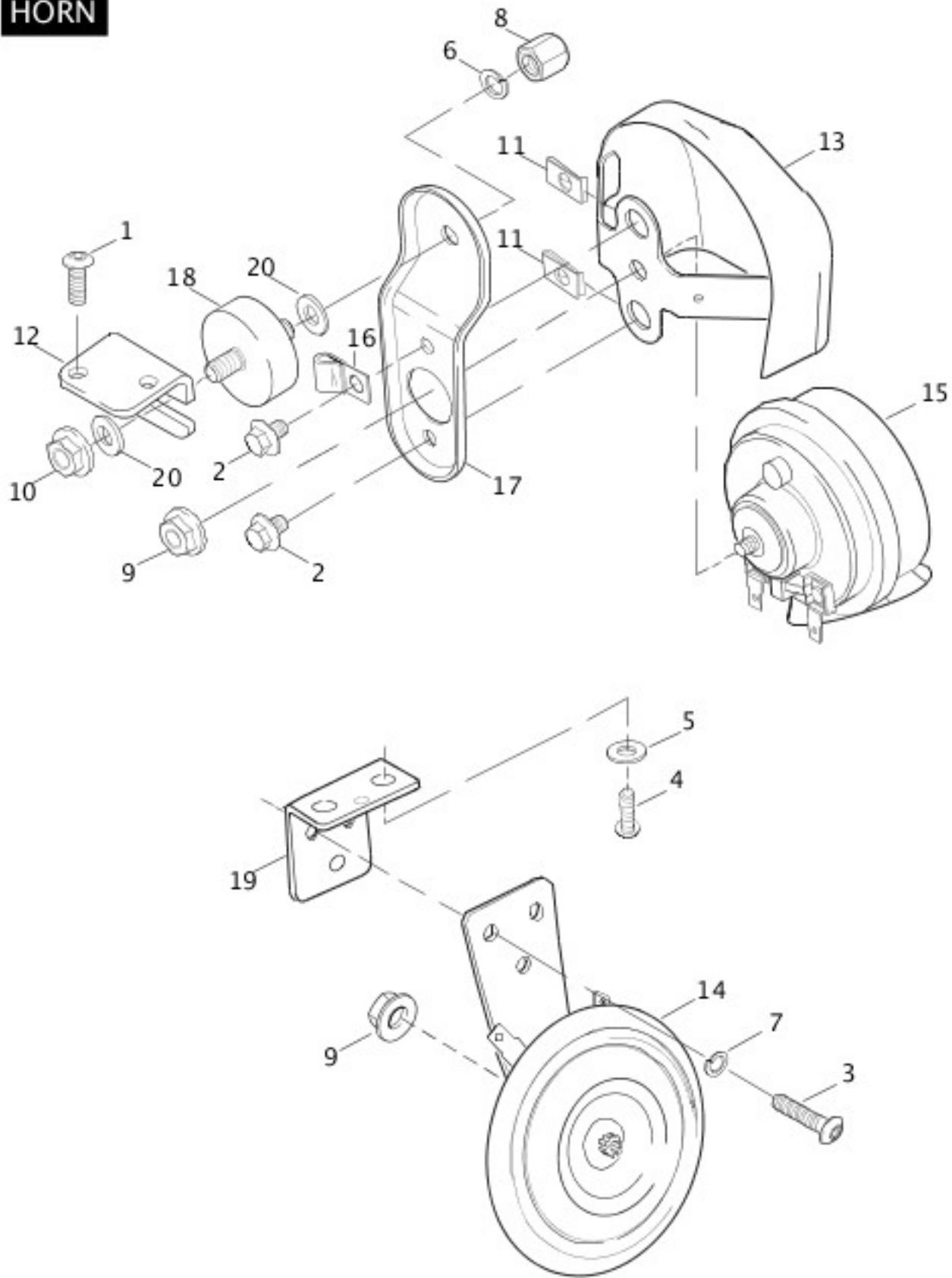
30	59256-84A	REFLECTOR, amber (HDI) (2)	XR1200, XR1200X
----	-----------	----------------------------	-----------------

31	60188-08	BRACKET, reflector w/ 59259-90 (HDI)	XR1200, XR1200X
32	68838-06	TURN SIGNAL SUB-ASSEMBLY, black (HDI) (2)	XR1200, XR1200X
33	69530-08	TURN SIGNAL ASSEMBLY, w/ 8, 21 & 29 (HDI) (2)	XR1200, XR1200X
34	69864-08	TAIL LAMP ENVELOPE (HDI)	XR1200, XR1200X

## HORN



# HORN



[View interactive image](#)

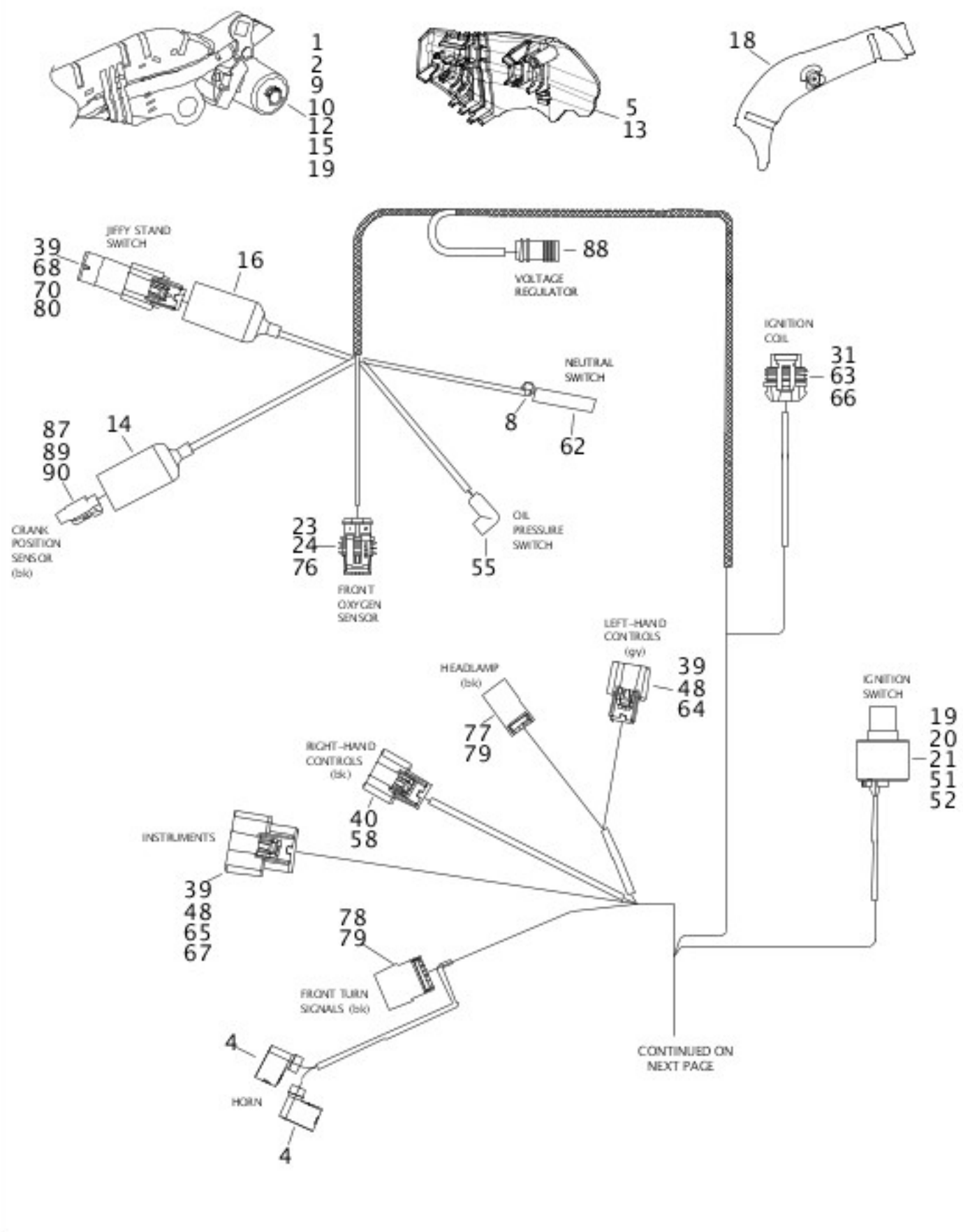
[View interactive table](#)

INDEX NO.	PART NO.	DESCRIPTION	MODEL(S)
1	3026	SCREW (2)	XL1200C
2	3563	SCREW (2)	XL1200C
3	3658	SCREW (3)	XL1200L, XL1200N, XL1200X, XL883C, XL883L, XL883N, XL883R,

			XR1200, XR1200X
4	4180	SCREW (2)	XL1200L, XL1200N, XL1200X, XL883C, XL883L, XL883N, XL883R, XR1200, XR1200X
5	6026	WASHER (2)	XL1200L, XL1200N, XL1200X, XL883C, XL883L, XL883N, XL883R, XR1200, XR1200X
6	7041	LOCKWASHER	XL1200C
7	7069	LOCKWASHER (3)	XL1200L, XL1200N, XL1200X, XL883C, XL883L, XL883N, XL883R, XR1200, XR1200X
8	7481	ACORN NUT	XL1200C
9	7495	NUT	ALL
10	7531	LOCKNUT	XL1200C
11	8108	SPEEDNUT (2)	XL1200C
12	69049-07	BRACKET, horn	XL1200C
13	61300478	COVER, horn (chrome)	XL1200C
14	69000014	HORN, complete, w/ bracket & 7495	XL1200L, XL1200N, XL1200X, XL883C, XL883L, XL883N, XL883R, XR1200, XR1200X
15	69060-90H	HORN, w/ 7495	XL1200C
16	69062-91A	CLAMP, horn wire	XL1200C
17	69120-91	HORN BRACKET	XL1200C
18	69123-92A	RUBBER MOUNT	XL1200C
19	69135-04	HORN BRACKET	XL1200L, XL1200N, XL1200X, XL883C, XL883L, XL883N, XL883R, XR1200, XR1200X
20	6237	WASHER (2)	XL1200C

**WIRING HARNESS, MAIN - 883C/L/N/R, 1200C/L/N/X (1 OF 2)**

# WIRING HARNESS, MAIN - 883C/L/N/R, 1200C/L/N/



[View interactive image](#)

[View interactive table](#)

INDEX NO.	PART NO.	DESCRIPTION	MODEL(S)
	70181-10	WIRING HARNESS, main	XL1200C, XL1200L, XL1200N, XL1200X, XL883C, XL883L, XL883N, XL883R

**NOTE:** Includes the following parts.

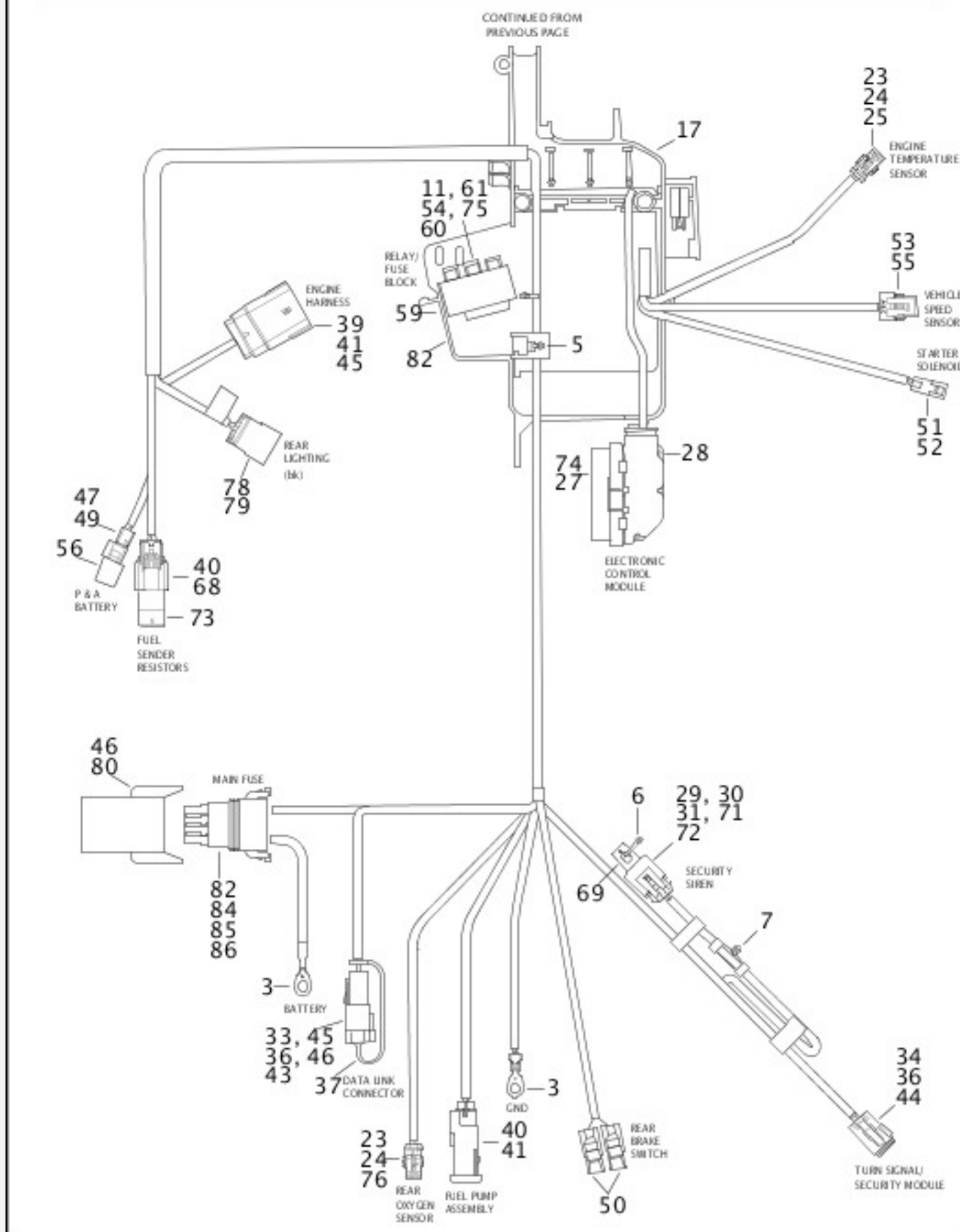
	3123	SCREW, caddy mount (not part of wiring harness) (not illustrated)	XL1200C, XL1200L, XL1200N, XL1200X, XL883C, XL883L, XL883N, XL883R
1	3124	SCREW	XL1200C, XL1200L, XL1200N, XL1200X, XL883C, XL883L, XL883N, XL883R
2	7220	LOCKWASHER	XL1200C, XL1200L, XL1200N, XL1200X, XL883C, XL883L, XL883N, XL883R
3	9838	TERMINAL RING, 1/4, 10-12 gauge (2)	XL1200C, XL1200L, XL1200N, XL1200X, XL883C, XL883L, XL883N, XL883R
4	9898	TERMINAL FLAG (2)	XL1200C, XL1200L, XL1200N, XL1200X, XL883C, XL883L, XL883N, XL883R
5	10006	CABLE STRAP (as required)	XL1200C, XL1200L, XL1200N, XL1200X, XL883C, XL883L, XL883N, XL883R
6	10065	CABLE STRAP (as required)	XL1200C, XL1200L, XL1200N, XL1200X, XL883C, XL883L, XL883N, XL883R
7	10279	CLIP, harness mount	XL1200C, XL1200L, XL1200N, XL1200X, XL883C, XL883L, XL883N, XL883R
8	10287	CABLE STRAP (as required)	XL1200C, XL1200L, XL1200N, XL1200X, XL883C, XL883L, XL883N, XL883R
9	11778	FASTENER, push in	XL1200C, XL1200L, XL1200N, XL1200X, XL883C, XL883L, XL883N, XL883R
10	11785	CLIP, push in fastener	XL1200C, XL1200L, XL1200N, XL1200X, XL883C, XL883L, XL883N, XL883R
11	31586-07	RELAY (2)	XL1200C, XL1200L, XL1200N, XL1200X, XL883C, XL883L, XL883N, XL883R
12	31797-07	BRACKET ASSEMBLY, ignition switch	XL1200C, XL1200L, XL1200N, XL1200X, XL883C, XL883L, XL883N, XL883R
	56073-83	RETAINER, h-clip (not part of wiring harness) (not illustrated)	XL1200C, XL1200L, XL1200N, XL1200X, XL883C, XL883L, XL883N, XL883R
13	69200402	WIRE HARNESS CADDY, left	XL1200C, XL1200L, XL1200N, XL1200X, XL883C, XL883L, XL883N, XL883R
14	70598-99	BOOT, temperature sensor	XL1200C, XL1200L, XL1200N, XL1200X, XL883C, XL883L, XL883N, XL883R
	70640-07	CLIP, caddy (not part of wiring harness) (not illustrated)	XL1200C, XL1200L, XL1200N, XL1200X, XL883C, XL883L, XL883N, XL883R
15	70642-07	WIRE HARNESS CADDY, right	XL1200C, XL1200L, XL1200N, XL1200X, XL883C, XL883L, XL883N, XL883R
16	70664-08	BOOT, jiffy stand sensor	XL1200C, XL1200L, XL1200N, XL1200X, XL883C, XL883L, XL883N, XL883R
17	70679-10	CADDY, ECM & wire distribution	XL1200C, XL1200L, XL1200N, XL1200X, XL883C,

			XL883L, XL883N, XL883R
18	70680-10	CADDY, RH	XL1200C, XL1200L, XL1200N, XL1200X, XL883C, XL883L, XL883N, XL883R
19	71510-04	HOUSING, IGNITION SWITCH	XL1200C, XL1200L, XL1200N, XL1200X, XL883C, XL883L, XL883N, XL883R
20	71550-94	LABEL, ignition switch	XL1200C, XL1200L, XL1200N, XL1200X, XL883C, XL883L, XL883N, XL883R
21	71552-94	FACE NUT, ignition switch	XL1200C, XL1200L, XL1200N, XL1200X, XL883C, XL883L, XL883N, XL883R
22	72006-05	TERMINAL, 16-20 gauge	XL1200C, XL1200L, XL1200N, XL1200X, XL883C, XL883L, XL883N, XL883R
23	72007-05	HOUSING, socket, 2-way (3)	XL1200C, XL1200L, XL1200N, XL1200X, XL883C, XL883L, XL883N, XL883R
24	72011-05	WIRE SEAL, 16-20 gauge (yellow) (6)	XL1200C, XL1200L, XL1200N, XL1200X, XL883C, XL883L, XL883N, XL883R
25	72024-08	TERMINAL, socket, 20-22 gauge (2)	XL1200C, XL1200L, XL1200N, XL1200X, XL883C, XL883L, XL883N, XL883R
26	72066-06A	SOCKET HOUSING, 4-way, female (black)	XL1200C, XL1200L, XL1200N, XL1200X, XL883C, XL883L, XL883N, XL883R
27	72076-00	TERMINAL, socket (4)	XL1200C, XL1200L, XL1200N, XL1200X, XL883C, XL883L, XL883N, XL883R
28	72077-00	SEAL PIN (10)	XL1200C, XL1200L, XL1200N, XL1200X, XL883C, XL883L, XL883N, XL883R
29	72094-06	TERMINAL, socket, 18 gauge (5)	XL1200C, XL1200L, XL1200N, XL1200X, XL883C, XL883L, XL883N, XL883R
30	72078-00	CONNECTOR KIT, 36 position socket	XL1200C, XL1200L, XL1200N, XL1200X, XL883C, XL883L, XL883N, XL883R
31	72096-06	SEAL WIRE, 18-20 AWG (yellow) (3)	XL1200C, XL1200L, XL1200N, XL1200X, XL883C, XL883L, XL883N, XL883R
32	72124-94GY	SOCKET HOUSING, 4-way (gray)	XL1200C, XL1200L, XL1200N, XL1200X, XL883C, XL883L, XL883N, XL883R
33	72135-06	SECONDARY LOCK, 4-way, female (gray)	XL1200C, XL1200L, XL1200N, XL1200X, XL883C, XL883L, XL883N, XL883R
34	72139-94GY	SOCKET HOUSING, 12-way, w/ 72179-94 (gray)	XL1200C, XL1200L, XL1200N, XL1200X, XL883C, XL883L, XL883N, XL883R
35	72144-94	SECONDARY LOCK, 4-way	XL1200C, XL1200L, XL1200N, XL1200X, XL883C, XL883L, XL883N, XL883R
36	72159-94	SECONDARY LOCK, pin, 12-way	XL1200C, XL1200L, XL1200N, XL1200X, XL883C, XL883L, XL883N, XL883R

37	72164-94A	WEATHER PLUG, 4-way	XL1200C, XL1200L, XL1200N, XL1200X, XL883C, XL883L, XL883N, XL883R
38	72167-07BK	HOUSING, 16-way, pin (black)	XL1200C, XL1200L, XL1200N, XL1200X, XL883C, XL883L, XL883N, XL883R
39	72168-07	TERMINAL, socket, 18-20 gauge (26)	XL1200C, XL1200L, XL1200N, XL1200X, XL883C, XL883L, XL883N, XL883R
40	72169-07	TERMINAL, pin, 16-20 gauge (16)	XL1200C, XL1200L, XL1200N, XL1200X, XL883C, XL883L, XL883N, XL883R
41	72175-07BK	HOUSING, pin, 4-way (black)	XL1200C, XL1200L, XL1200N, XL1200X, XL883C, XL883L, XL883N, XL883R
42	72179-94	SEAL (2)	XL1200C, XL1200L, XL1200N, XL1200X, XL883C, XL883L, XL883N, XL883R
43	72190-94	TERMINAL, pin, 16-18 gauge (3)	XL1200C, XL1200L, XL1200N, XL1200X, XL883C, XL883L, XL883N, XL883R
44	72191-94	TERMINAL, socket, 16-18 gauge (12)	XL1200C, XL1200L, XL1200N, XL1200X, XL883C, XL883L, XL883N, XL883R
45	72195-94	SEAL, pin, 4-way	XL1200C, XL1200L, XL1200N, XL1200X, XL883C, XL883L, XL883N, XL883R

**WIRING HARNESS, MAIN - 883C/L/N/R, 1200C/L/N/X (2 OF 2)**

# WIRING HARNESS, MAIN - 883C/L/N/R, 1200C/L/N/X (CONTINUED)



[View interactive image](#)

[View interactive table](#)

INDEX NO.	PART NO.	DESCRIPTION	MODEL(S)
	70181-10	WIRING HARNESS, main (continued)	XL1200C, XL1200L, XL1200N, XL1200X, XL883C, XL883L, XL883N, XL883R

**NOTE:** Includes the following parts.

46	72199-94	CONNECTOR ANCHOR (2)	XL1200C, XL1200L, XL1200N, XL1200X, XL883C, XL883L, XL883N, XL883R
47	72260-04	HOUSING, female, 1-way (gray)	XL1200C, XL1200L, XL1200N, XL1200X, XL883C, XL883L, XL883N, XL883R
48	72272-07	TERMINAL, socket, 14-16 gauge (6)	XL1200C, XL1200L, XL1200N, XL1200X, XL883C, XL883L, XL883N, XL883R
49	72289-04	TERMINAL, female, 10-12 gauge	XL1200C, XL1200L, XL1200N, XL1200X, XL883C, XL883L, XL883N, XL883R
50	72290-94	TERMINAL, insulated (2)	XL1200C, XL1200L, XL1200N, XL1200X, XL883C, XL883L, XL883N, XL883R
51	72291-94	TERMINAL, female spade, 14-16 gauge	XL1200C, XL1200L, XL1200N, XL1200X, XL883C, XL883L, XL883N, XL883R
52	72295-94	TERMINAL HOUSING, 1-way	XL1200C, XL1200L, XL1200N, XL1200X, XL883C, XL883L, XL883N, XL883R
53	72312-04	HOUSING, socket, 3-way	XL1200C, XL1200L, XL1200N, XL1200X, XL883C, XL883L, XL883N, XL883R
54	72330-95	FUSE, 15 amp (6)	XL1200C, XL1200L, XL1200N, XL1200X, XL883C, XL883L, XL883N, XL883R
55	72335-10	TERMINAL, socket, 20-22 gauge (3)	XL1200C, XL1200L, XL1200N, XL1200X, XL883C, XL883L, XL883N, XL883R
56	72378-04	CAP, red	XL1200C, XL1200L, XL1200N, XL1200X, XL883C, XL883L, XL883N, XL883R
57	72405-98BK	PUSH ON WIRE ASSEMBLY, right angle molded, w/ 60 in. wire lead (black)	XL1200C, XL1200L, XL1200N, XL1200X, XL883C, XL883L, XL883N, XL883R
58	72414-07BK	HOUSING, socket, 6-way (black)	XL1200C, XL1200L, XL1200N, XL1200X, XL883C, XL883L, XL883N, XL883R
59	72430-00	FUSEBLOCK MOUNTING, relay, 9 fuses	XL1200C, XL1200L, XL1200N, XL1200X, XL883C, XL883L, XL883N, XL883R
60	72434-00	TERMINAL, 14-16 gauge (12)	XL1200C, XL1200L, XL1200N, XL1200X, XL883C, XL883L, XL883N, XL883R
61	72441-04	TERMINAL, 12-14 gauge (2)	XL1200C, XL1200L, XL1200N, XL1200X, XL883C, XL883L, XL883N, XL883R
62	72445-99TN	TERMINAL, female (tan)	XL1200C, XL1200L, XL1200N, XL1200X, XL883C, XL883L, XL883N, XL883R
63	72484-08	TERMINAL, socket, 20 gauge (2)	XL1200C, XL1200L, XL1200N, XL1200X, XL883C, XL883L, XL883N, XL883R
64	72469-07GY	HOUSING, socket, 8-way (gray)	XL1200C, XL1200L, XL1200N, XL1200X, XL883C, XL883L, XL883N, XL883R
65	72473-	SEAL PIN (4)	XL1200C, XL1200L, XL1200N, XL1200X, XL883C,

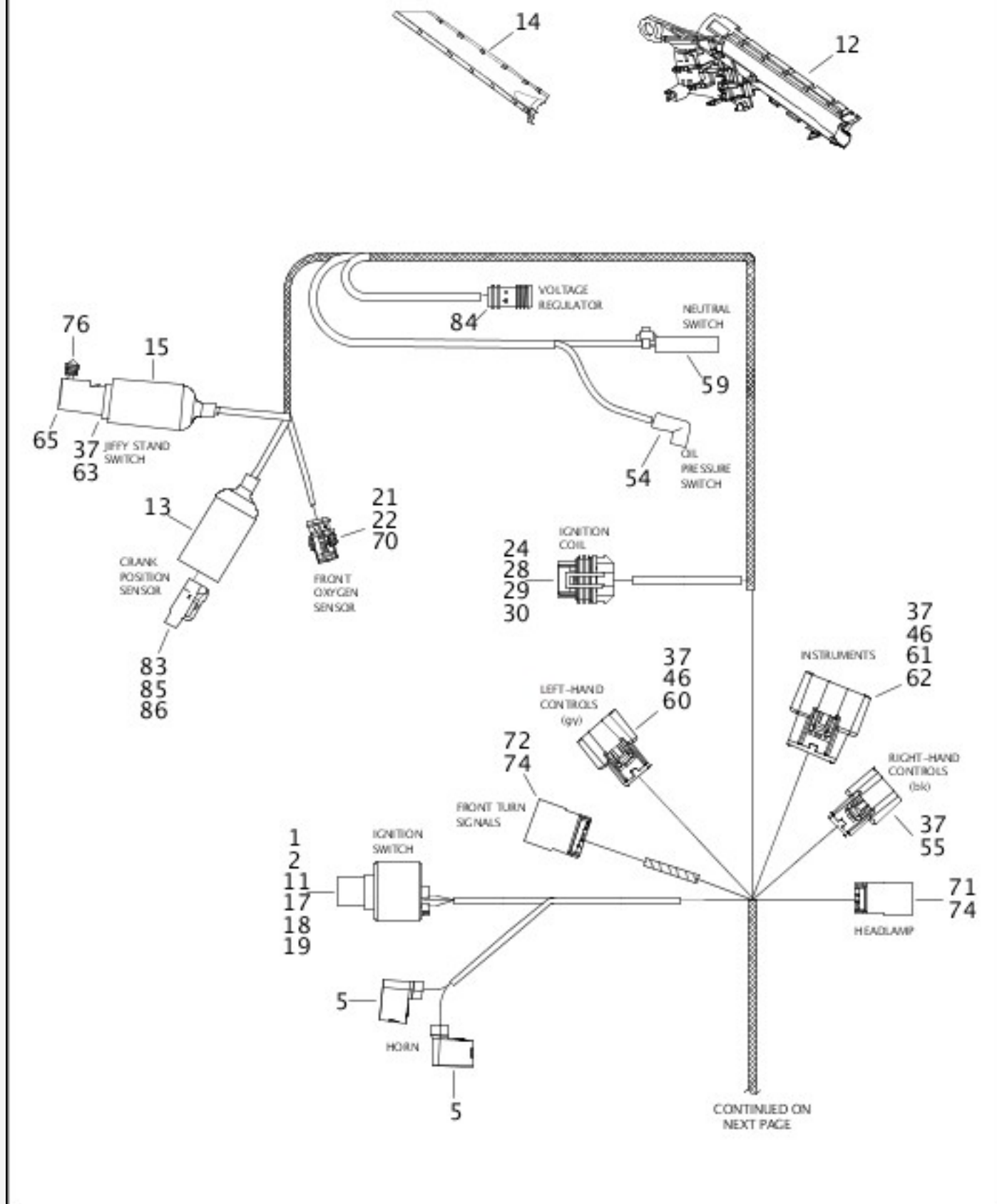


	07		XL883L, XL883N, XL883R
66	72486-08	WIRE SEAL, 20 gauge (green) (4)	XL1200C, XL1200L, XL1200N, XL1200X, XL883C, XL883L, XL883N, XL883R
67	72487-07BK	HOUSING, socket, 12-way (black)	XL1200C, XL1200L, XL1200N, XL1200X, XL883C, XL883L, XL883N, XL883R
68	72512-07BK	HOUSING, socket, 3-way (black) (2)	XL1200C, XL1200L, XL1200N, XL1200X, XL883C, XL883L, XL883N, XL883R
69	72516-01	DUSTCAP	XL1200C, XL1200L, XL1200N, XL1200X, XL883C, XL883L, XL883N, XL883R
70	72519-09BK	DUSTCAP, 3-way socket	XL1200C, XL1200L, XL1200N, XL1200X, XL883C, XL883L, XL883N, XL883R
71	72543-07BK	SOCKET HOUSING, 3-way (black)	XL1200C, XL1200L, XL1200N, XL1200X, XL883C, XL883L, XL883N, XL883R
72	72544-07	SECONDARY LOCK, 3-way, female	XL1200C, XL1200L, XL1200N, XL1200X, XL883C, XL883L, XL883N, XL883R
73	72545-08	RESISTOR ASSEMBLY, fuel sender	XL1200C, XL1200L, XL1200N, XL1200X, XL883C, XL883L, XL883N, XL883R
74	72568-08	TERMINAL, socket, 20-22 gauge (22)	XL1200C, XL1200L, XL1200N, XL1200X, XL883C, XL883L, XL883N, XL883R
75	72592-10	TERMINAL, socket, 18 gauge (4)	XL1200C, XL1200L, XL1200N, XL1200X, XL883C, XL883L, XL883N, XL883R
76	72611-07	TERMINAL, socket, 16-20 gauge (4)	XL1200C, XL1200L, XL1200N, XL1200X, XL883C, XL883L, XL883N, XL883R
77	73104-96BK	CONNECTOR, 4-way (black)	XL1200C, XL1200L, XL1200N, XL1200X, XL883C, XL883L, XL883N, XL883R
78	73106-96BK	CONNECTOR, 6-way (black) (2)	XL1200C, XL1200L, XL1200N, XL1200X, XL883C, XL883L, XL883N, XL883R
79	73190-96	TERMINAL, pin, 20-16 gauge (16)	XL1200C, XL1200L, XL1200N, XL1200X, XL883C, XL883L, XL883N, XL883R
80	73213-07	RETAINER	XL1200C, XL1200L, XL1200N, XL1200X, XL883C, XL883L, XL883N, XL883R
81	73214-10	COVER ASSEMBLY, fuseblock	XL1200C, XL1200L, XL1200N, XL1200X, XL883C, XL883L, XL883N, XL883R
82	73301-04	HOUSING, 2-way, female	XL1200C, XL1200L, XL1200N, XL1200X, XL883C, XL883L, XL883N, XL883R
83	73302-04	COVER, maxi-fuse, fuse block	XL1200C, XL1200L, XL1200N, XL1200X, XL883C, XL883L, XL883N, XL883R
84	73303-04	SECONDARY LOCK, 2-way, female	XL1200C, XL1200L, XL1200N, XL1200X, XL883C, XL883L, XL883N, XL883R

85	73304-04	TERMINAL, female, 10 gauge (2)	XL1200C, XL1200L, XL1200N, XL1200X, XL883C, XL883L, XL883N, XL883R
86	73305-04	SEAL WIRE, 10 gauge (blue) (2)	XL1200C, XL1200L, XL1200N, XL1200X, XL883C, XL883L, XL883N, XL883R
87	74112-98BK	SOCKET HOUSING, 2-way (black)	XL1200C, XL1200L, XL1200N, XL1200X, XL883C, XL883L, XL883N, XL883R
88	74120-08	DC LEAD ASSEMBLY	XL1200C, XL1200L, XL1200N, XL1200X, XL883C, XL883L, XL883N, XL883R
89	74152-98	SECONDARY LOCK, 2-way	XL1200C, XL1200L, XL1200N, XL1200X, XL883C, XL883L, XL883N, XL883R
90	74191-98	SOCKET TERMINAL (2)	XL1200C, XL1200L, XL1200N, XL1200X, XL883C, XL883L, XL883N, XL883R

**WIRING HARNESS, MAIN - XR1200/X (1 OF 2)**

# WIRING HARNESS, MAIN - XR1200/X



[View interactive image](#)

[View interactive table](#)

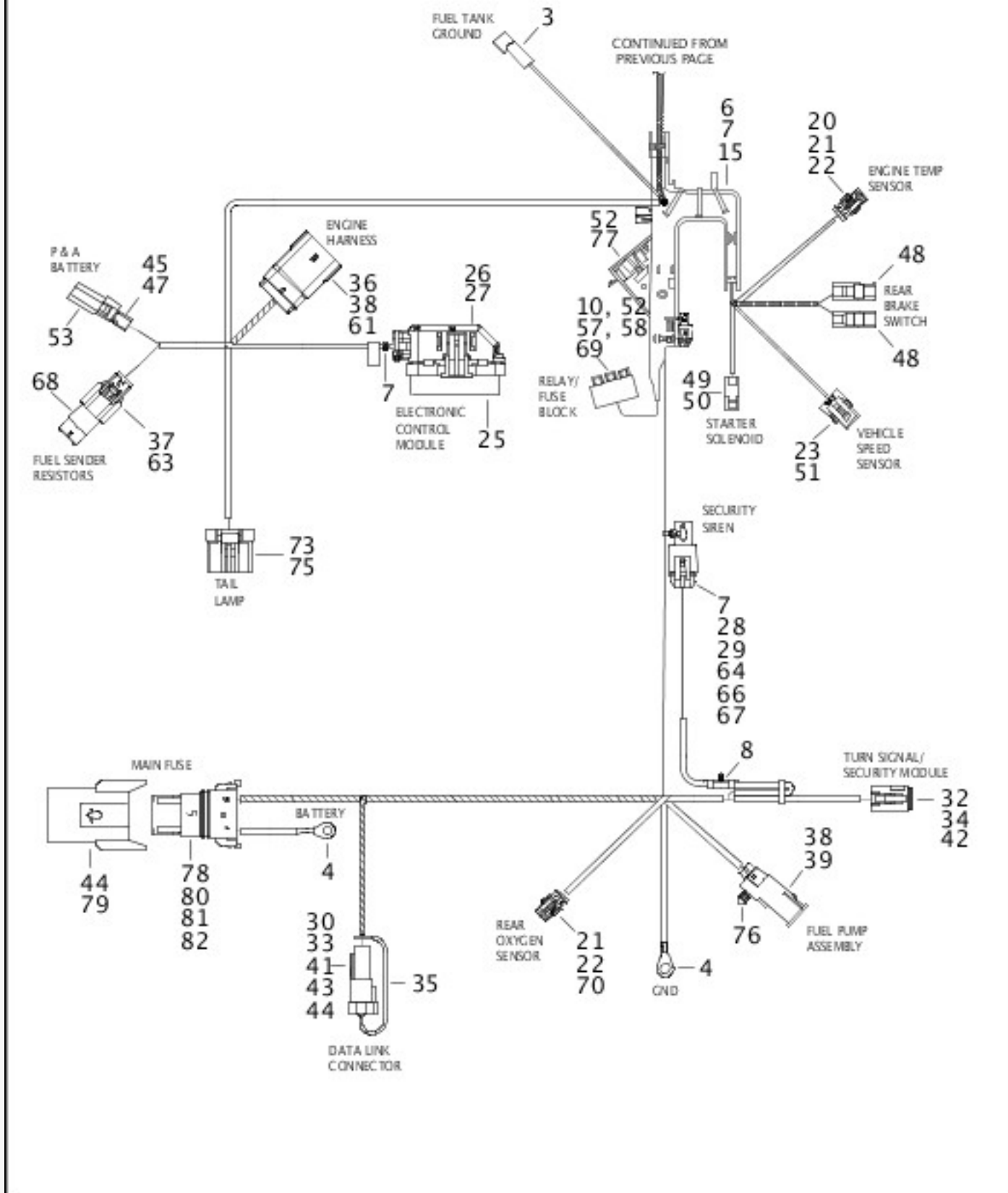
INDEX NO.	PART NO.	DESCRIPTION	MODEL(S)
	70225-10	WIRING HARNESS, main	XR1200, XR1200X
<b>NOTE: Includes the following parts.</b>			
1	3124	SCREW	XR1200, XR1200X

2	7220	LOCKWASHER	XR1200, XR1200X
3	9810	OVERMOLD, fuel tank, ground	XR1200, XR1200X
4	9838	TERMINAL RING, 1/4, 10-12 gauge (2)	XR1200, XR1200X
5	9898	TERMINAL FLAG (2)	XR1200, XR1200X
6	10006	CABLE STRAP (as required)	XR1200, XR1200X
7	10065	CABLE STRAP (as required)	XR1200, XR1200X
8	10279	CLIP, harness mount	XR1200, XR1200X
9	10287	CABLE STRAP (as required)	XR1200, XR1200X
10	31586-07	RELAY (2)	XR1200, XR1200X
11	31806-08A	BRACKET ASSEMBLY	XR1200, XR1200X
	56073-83	RETAINER, h-clip (not part of wiring harness) (not illustrated)	XR1200, XR1200X
12	70368-08	WIRE HARNESS CADDY	XR1200, XR1200X
13	70598-99	BOOT, temperature sensor	XR1200, XR1200X
14	70632-08	CADDY COVER	XR1200, XR1200X
15	70664-08	BOOT, jiffy stand sensor	XR1200, XR1200X
16	71341-10	CADDY	XR1200, XR1200X
17	71510-04	HOUSING, ignition switch	XR1200, XR1200X
18	71550-94	LABEL, ignition switch	XR1200, XR1200X
19	71552-94	FACE NUT, ignition switch (2)	XR1200, XR1200X
20	72006-05	TERMINAL, 16-20 gauge (2)	XR1200, XR1200X
21	72007-05	HOUSING, socket, 2-way (3)	XR1200, XR1200X
22	72011-05	WIRE SEAL, 16-20 gauge (yellow) (6)	XR1200, XR1200X
23	72033-93	TERMINAL, socket, 16-20 gauge (3)	XR1200, XR1200X
24	72066-06A	SOCKET HOUSING, 4-way	XR1200, XR1200X
25	72076-00	TERMINAL, socket (27)	XR1200, XR1200X
26	72077-00	SEAL PIN (9)	XR1200, XR1200X
27	72078-00	KIT, connector, 36-position socket housing	XR1200, XR1200X
28	72094-06	TERMINAL, socket, female, 18 gauge (7)	XR1200, XR1200X
29	72096-06	SEAL WIRE, 18-20 AWG (yellow) (7)	XR1200, XR1200X

30	72124-94GY	SOCKET HOUSING, 4-way (gray)	XR1200, XR1200X
31	72135-06	SECONDARY LOCK, 4-way, female (gray)	XR1200, XR1200X
32	72139-94GY	SOCKET HOUSING, 12-way, w/ 72179-94 (gray)	XR1200, XR1200X
33	72144-94	SECONDARY LOCK, 4-way	XR1200, XR1200X
34	72159-94	SECONDARY LOCK, pin, 12-way	XR1200, XR1200X
35	72164-94A	WEATHER PLUG, 4-way	XR1200, XR1200X
36	72167-07BK	HOUSING, 16-way, pin (black)	XR1200, XR1200X
37	72168-07	TERMINAL, socket, 18-20 gauge (25)	XR1200, XR1200X
38	72169-07	TERMINAL, pin, 16-20 gauge (17)	XR1200, XR1200X
39	72175-07BK	HOUSING, pin, 4-way (black)	XR1200, XR1200X
40	72179-94	SEAL (2)	XR1200, XR1200X
41	72190-94	TERMINAL, pin, 16-18 gauge (3)	XR1200, XR1200X
42	72191-94	TERMINAL, socket, 16-18 gauge (12)	XR1200, XR1200X
43	72195-94	SEAL, pin, 4-way	XR1200, XR1200X
44	72199-94	CONNECTOR ANCHOR (2)	XR1200, XR1200X

## WIRING HARNESS, MAIN - XR1200/X (2 OF 2)

# WIRING HARNESS, MAIN - XR1200/X (CONTINUED)



[View interactive image](#)

[View interactive table](#)

INDEX NO.	PART NO.	DESCRIPTION	MODEL(S)
	70225-10	WIRING HARNESS, main (continued)	XR1200, XR1200X

**NOTE:** Includes the following parts.

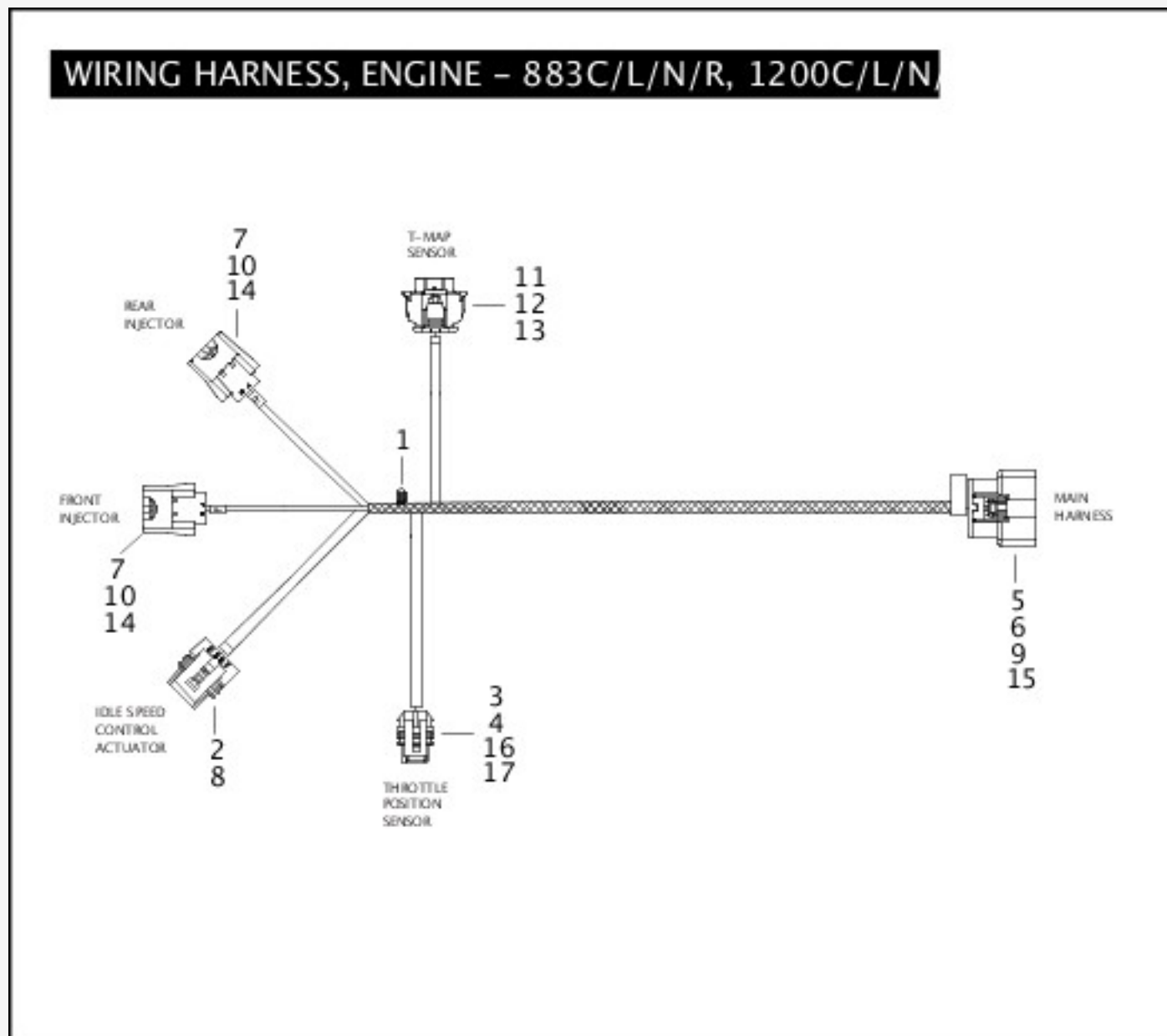
45	72260-04	HOUSING, female, 1-way (gray)	XR1200, XR1200X
46	72272-07	TERMINAL, socket, 14-16 gauge (6)	XR1200, XR1200X
47	72289-04	TERMINAL, female, 10-12 gauge	XR1200, XR1200X
48	72290-94	TERMINAL, insulated (2)	XR1200, XR1200X
49	72291-94	TERMINAL, female spade, 14-16 gauge	XR1200, XR1200X
50	72295-94	TERMINAL HOUSING, 1-way	XR1200, XR1200X
51	72312-04	HOUSING, socket, 3-way	XR1200, XR1200X
52	72330-95	FUSE, 15-amp (6)	XR1200, XR1200X
53	72378-04	CAP, red	XR1200, XR1200X
54	72405-98BK	PUSH ON WIRE ASSEMBLY, right angle molded, w/ 60 in. wire lead (black)	XR1200, XR1200X
55	72414-07BK	HOUSING, socket, 6-way (black)	XR1200, XR1200X
56	72430-00	FUSEBLOCK MOUNTING, relay, 9 fuses	XR1200, XR1200X
57	72434-00	TERMINAL, 14-16 gauge (12)	XR1200, XR1200X
58	72441-04	TERMINAL, 12-14 gauge (2)	XR1200, XR1200X
59	72445-99TN	TERMINAL, female (tan)	XR1200, XR1200X
60	72469-07GY	HOUSING, socket, 8-way (gray)	XR1200, XR1200X
61	72473-07	SEAL PIN (4)	XR1200, XR1200X
62	72487-07BK	HOUSING, socket, 12-way (black)	XR1200, XR1200X
63	72512-07BK	HOUSING, socket, 3-way (black) (2)	XR1200, XR1200X
64	72516-01	DUSTCAP	XR1200,

			XR1200X
65	72519-09BK	CAP	XR1200, XR1200X
66	72543-07BK	HOUSING, socket, 3-way (black)	XR1200, XR1200X
67	72544-07	SECONDARY LOCK, 3-way, female	XR1200, XR1200X
68	72545-08	RESISTOR ASSEMBLY, fuel sender	XR1200, XR1200X
69	72592-10	TERMINAL, socket, 18 gauge (4)	XR1200, XR1200X
70	72611-07	TERMINAL, socket, 16-20 gauge (gold) (4)	XR1200, XR1200X
71	73104-96BK	CONNECTOR, 4-way (black)	XR1200, XR1200X
72	73106-96BK	CONNECTOR, 6-way (black)	XR1200, XR1200X
73	73156-96BK	SOCKET HOUSING, 6-way (black)	XR1200, XR1200X
74	73190-96	TERMINAL, pin, 16-20 gauge (10)	XR1200, XR1200X
75	73191-96	SOCKET TERMINAL, 16-20 awg (6)	XR1200, XR1200X
76	73213-07	RETAINER (2)	XR1200, XR1200X
77	73228-10	COVER, fuseblock	XR1200, XR1200X
78	73301-04	HOUSING, 2-way, female	XR1200, XR1200X
79	73302-04	COVER, maxi-fuse, fuse block	XR1200, XR1200X
80	73303-04	SECONDARY LOCK, 2-way, female	XR1200, XR1200X
81	73304-04	TERMINAL, female, 10 gauge (2)	XR1200, XR1200X
82	73305-04	SEAL WIRE, 10 gauge (blue) (2)	XR1200, XR1200X
83	74112-98BK	SOCKET HOUSING, 2-way (black)	XR1200, XR1200X



84	74120-08	DC LEAD ASSEMBLY	XR1200, XR1200X
85	74152-98	SECONDARY LOCK, 2-way	XR1200, XR1200X
86	74191-98	SOCKET TERMINAL (2)	XR1200, XR1200X

## WIRING HARNESS, ENGINE - 883C/L/N/R, 1200C/L/N/X



[View interactive image](#)

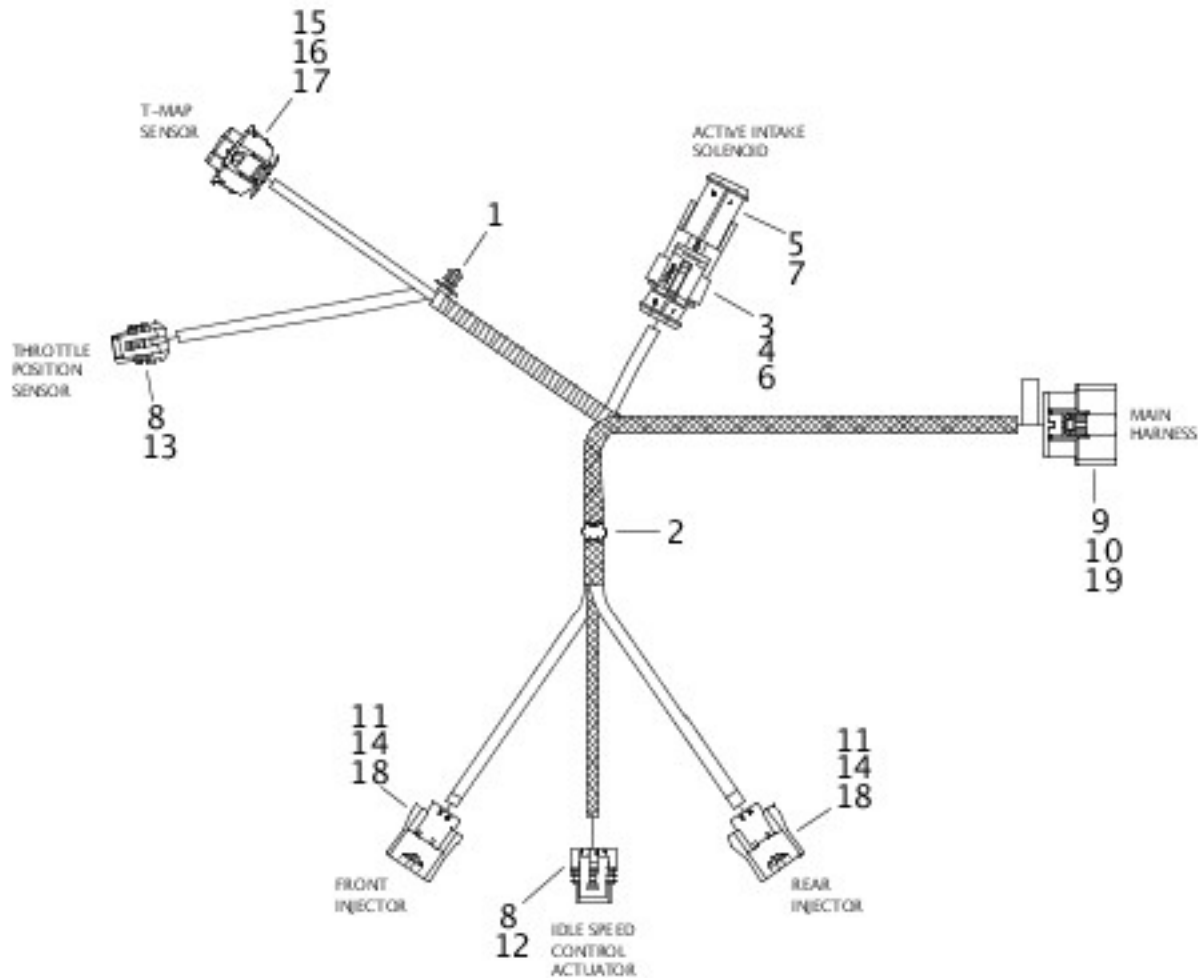
[View interactive table](#)

INDEX NO.	PART NO.	DESCRIPTION	MODEL(S)
	70167-08A	WIRING HARNESS, engine	XL1200C, XL1200L, XL1200N, XL1200X, XL883C, XL883L, XL883N, XL883R
<b>NOTE: Includes the following parts.</b>			
1	10279	CLIP, harness mount	XL1200C, XL1200L, XL1200N, XL1200X, XL883C, XL883L, XL883N, XL883R

2	72033-93	TERMINAL, socket, 16-20 gauge (4)	XL1200C, XL1200L, XL1200N, XL1200X, XL883C, XL883L, XL883N, XL883R
3	72094-06	TERMINAL, socket, 18 gauge (3)	XL1200C, XL1200L, XL1200N, XL1200X, XL883C, XL883L, XL883N, XL883R
4	72096-06	SEAL WIRE, 18-20 AWG (yellow) (3)	XL1200C, XL1200L, XL1200N, XL1200X, XL883C, XL883L, XL883N, XL883R
5	72166-07BK	HOUSING, 16-way, socket (black)	XL1200C, XL1200L, XL1200N, XL1200X, XL883C, XL883L, XL883N, XL883R
6	72168-07	TERMINAL, socket, 18-20 gauge (10)	XL1200C, XL1200L, XL1200N, XL1200X, XL883C, XL883L, XL883N, XL883R
7	72251-07	SECONDARY LOCK, 2-way (2)	XL1200C, XL1200L, XL1200N, XL1200X, XL883C, XL883L, XL883N, XL883R
8	72263-95	HOUSING, 4-way, socket (black)	XL1200C, XL1200L, XL1200N, XL1200X, XL883C, XL883L, XL883N, XL883R
9	72272-07	TERMINAL, socket, 14-16 gauge (2)	XL1200C, XL1200L, XL1200N, XL1200X, XL883C, XL883L, XL883N, XL883R
10	72402-07	HOUSING, 2-way, socket (black) (2)	XL1200C, XL1200L, XL1200N, XL1200X, XL883C, XL883L, XL883N, XL883R
11	72406-07A	HOUSING, 4-way, socket	XL1200C, XL1200L, XL1200N, XL1200X, XL883C, XL883L, XL883N, XL883R
12	72407-07	TERMINAL, socket, 16-20 gauge (4)	XL1200C, XL1200L, XL1200N, XL1200X, XL883C, XL883L, XL883N, XL883R
13	72408-07	SEAL WIRE, 16-20 gauge (blue) (4)	XL1200C, XL1200L, XL1200N, XL1200X, XL883C, XL883L, XL883N, XL883R
14	72413-07	TERMINAL, socket, 18-20 gauge (4)	XL1200C, XL1200L, XL1200N, XL1200X, XL883C, XL883L, XL883N, XL883R
15	72473-07	SEAL PIN (4)	XL1200C, XL1200L, XL1200N, XL1200X, XL883C, XL883L, XL883N, XL883R
16	72543-07BK	HOUSING, 3-way, socket (black)	XL1200C, XL1200L, XL1200N, XL1200X, XL883C, XL883L, XL883N, XL883R
17	72544-07	SECONDARY LOCK, 3-way	XL1200C, XL1200L, XL1200N, XL1200X, XL883C, XL883L, XL883N, XL883R

## WIRING HARNESS, ENGINE - XR1200/X

## WIRING HARNESS, ENGINE – XR1200/X



[View interactive image](#)

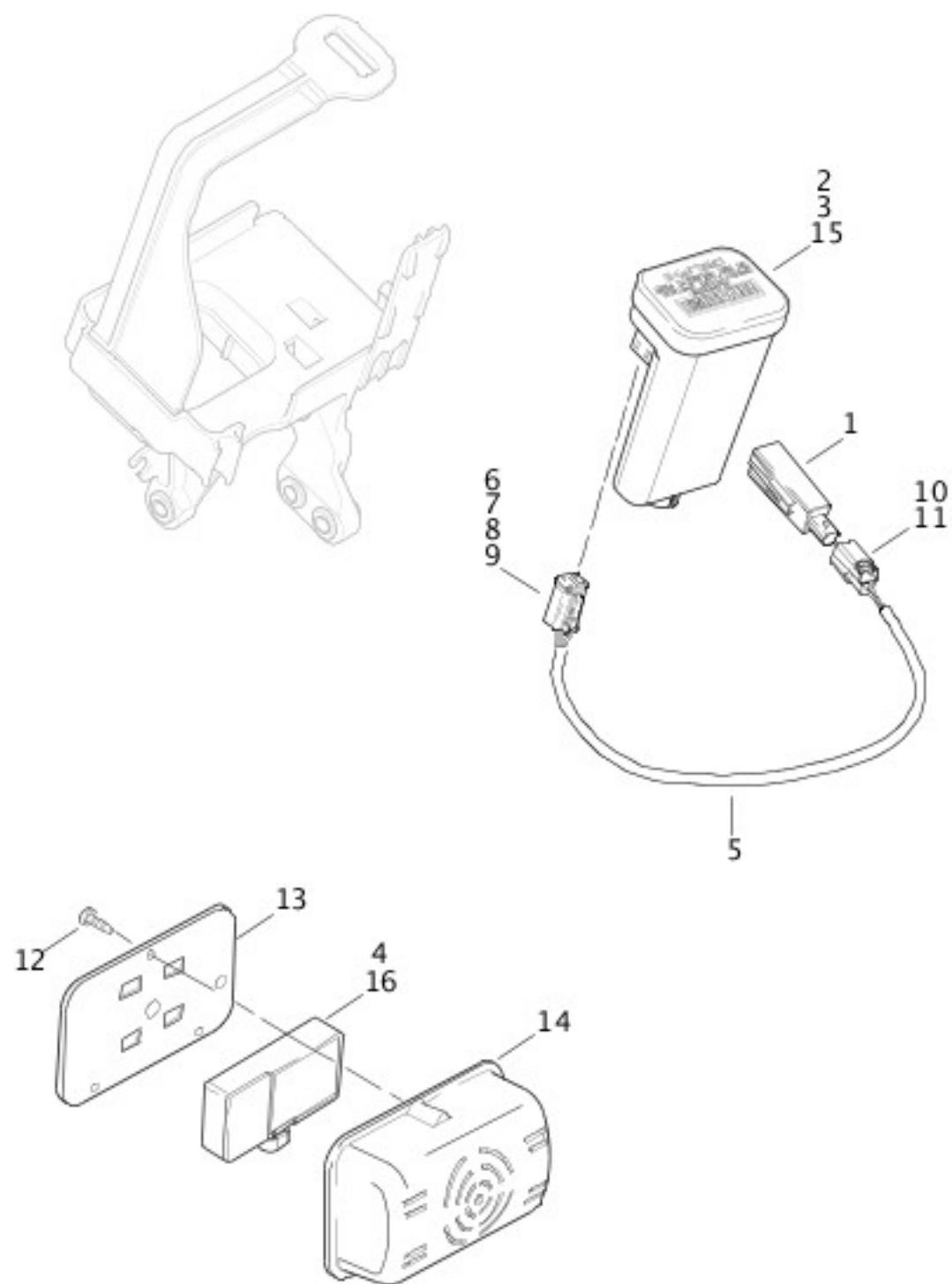
[View interactive table](#)

INDEX NO.	PART NO.	DESCRIPTION	MODEL(S)
	70163-10	WIRING HARNESS, engine	XR1200, XR1200X
<b>NOTE: Includes the following parts.</b>			
1	10177	CABLE STRAP (as required)	XR1200, XR1200X
2	10279	CLIP	XR1200, XR1200X
3	72006-05	TERMINAL, socket, 16-20 gauge (2)	XR1200, XR1200X
4	72007-05	HOUSING, socket, 2-way	XR1200, XR1200X
5	72009-05	HOUSING, pin, 2-way	XR1200, XR1200X
6	72011-05	WIRE SEAL, 16-20 gauge (yellow) (2)	XR1200, XR1200X

7	72014-07	SEAL PIN (2)	XR1200, XR1200X
8	72033-93	TERMINAL, socket, 16-20 gauge (4)	XR1200, XR1200X
9	72166-07BK	HOUSING, socket, 16-way (black)	XR1200, XR1200X
10	72168-07	TERMINAL, socket, 18-20 gauge (14)	XR1200, XR1200X
11	72251-07	SECONDARY LOCK, 2-way (2)	XR1200, XR1200X
12	72263-95	HOUSING, 4-way, socket (black)	XR1200, XR1200X
13	72312-04	HOUSING, 3-way, socket	XR1200, XR1200X
14	72402-07	HOUSING, 2-way, socket (black) (2)	XR1200, XR1200X
15	72406-07A	HOUSING, 4-way, socket	XR1200, XR1200X
16	72407-07	TERMINAL, socket, 16-20 gauge (4)	XR1200, XR1200X
17	72408-07	SEAL WIRE, 16-20 gauge (blue) (4)	XR1200, XR1200X
18	72413-07	TERMINAL, socket, 18-20 gauge (4)	XR1200, XR1200X
19	72473-07	SEAL PIN (2)	XR1200, XR1200X

## TURN SIGNAL MODULE & SECURITY SIREN

## TURN SIGNAL MODULE & SECURITY SIREN



[View interactive image](#)

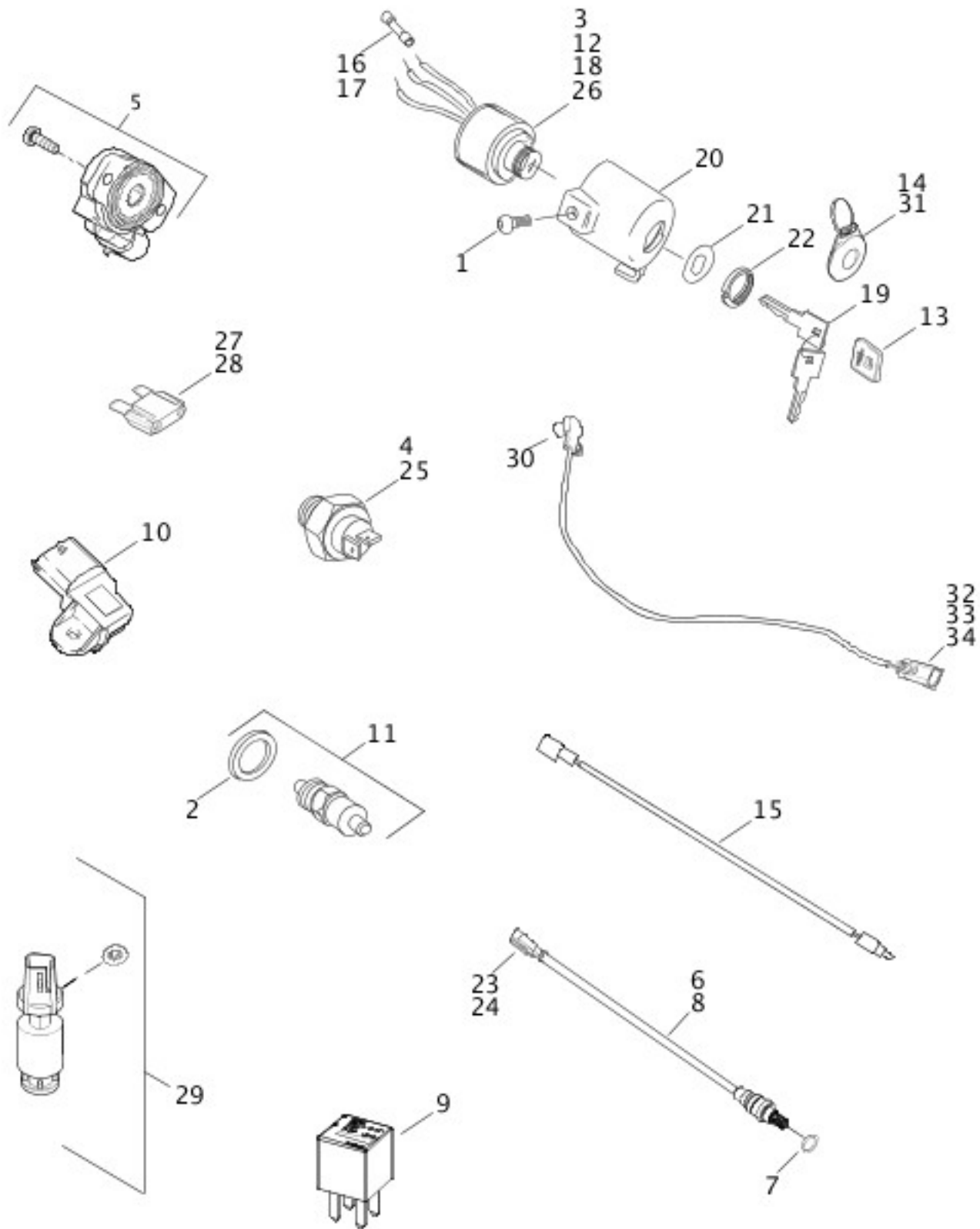
[View interactive table](#)

INDEX NO.	PART NO.	DESCRIPTION	MODEL(S)
1	68956-07	ANTENNA MODULE, security system	ALL
2	68920-07	TURN SIGNAL MODULE, standard	ALL
3	68924-07	MODULE, security system	ALL

4	69309-10	BATTERY REPLACEMENT KIT, siren	ALL
5	70617-07	HARNESS, security module w/ 6, 7, 8, 9, 10, 11	ALL
6	72114-94BK	HOUSING, 4-way (black)	ALL
7	72154-94	LOCK, secondary, 4-way	ALL
8	72191-94	TERMINAL, socket, 16-18 gauge (3)	ALL
9	72195-94	SEAL, pin, 4-way	ALL
10	72720-07	HOUSING, socket, 2-way	ALL
11	72721-07	TERMINAL, socket, 18-20 gauge	ALL
<b>INTERNATIONAL MODELS ONLY</b>			
12	3732	SCREW (HDI) (3)	ALL
13	66523-06	PLATE, siren mounting bracket (HDI)	ALL
14	66524-06	COVER, siren (HDI)	ALL
15	68922-07	MODULE, security system (Japan)	ALL
16	68958-07C	SIREN (HDI)	ALL

## **SWITCHES, SENSORS & ELECTRICAL CONNECTORS**

## SWITCHES, SENSORS & ELECTRICAL CONNECTORS



[View interactive image](#)

[View interactive table](#)

INDEX NO.	PART NO.	DESCRIPTION	MODEL(S)
1	3658	SCREW	ALL
2	6288	WASHER	XL1200N
3	9862	TERMINAL RING (3)	ALL

4	9907	TERMINAL, wire (2)	ALL
5	27629-01A	KIT, throttle position sensor	ALL
6	27690-08	SENSOR, oxygen, w/ 27714-06, 72009-05, 72011-05 (2)	XR1200, XR1200X
7	27714-06	SEAL RING (2)	ALL
8	27719-07	SENSOR, oxygen, w/ 27714-06, 72009-05, 72011-05 (2)	XL1200C, XL1200L, XL1200N, XL1200X, XL883C, XL883L, XL883N, XL883R
9	31586-07	RELAY (2)	ALL
10	32319-07A	T-MAP SENSOR	ALL
11	33900-99	SWITCH, neutral indicator, w/ washer	ALL
12	48154-05A	LOCKSET ASSEMBLY	ALL
13	61459-97	COVER, key head set	ALL
14	68926-07	FOB, remote control	ALL
15	70247-07	JUMPER WIRE, neutral switch	ALL
16	70586-93	CONNECTOR, butt splice (blue) (3)	ALL
17	70587-93	CONNECTOR, butt splice (yellow) (2)	ALL
18	71441-94	IGNITION SWITCH (specify key code)	ALL
19	71451-94A	KEY SET, ignition switch (specify key code)	ALL
20	71510-04	HOUSING, ignition switch	ALL
21	71550-94	LABEL, ignition switch	ALL
22	71552-94	FACE NUT, ignition switch (2)	ALL
23	72009-05	HOUSING, 2-way pin (2)	ALL



24	72011-05	WIRE SEAL, 16-20 gauge (yellow) (4)	ALL
25	72023-51E	BRAKE LIGHT SWITCH, w/ 9907	ALL
26	72268-94	SHRINK TUBE	ALL
27	72318-04	FUSE, 30A	ALL
28	72330-95	FUSE, 15A (6)	ALL
29	75302-07B	SENSOR, fuel level	ALL

**INTERNATIONAL MODELS ONLY**

30	50126-08A	SENSOR, jiffystand (HDI, England) w/ 72169-07, 72511-07BK, 73213-07	ALL
31	68939-00	FOB, remote control (Japan)	ALL
32	72169-07	TERMINAL, pin, 16-20 gauge (HDI, England) (3)	ALL
33	72511-07BK	HOUSING (HDI, England)	ALL
34	73213-07	RETAINER (HDI, England)	ALL

**LABELS**

# LABELS

**⚠ WARNING**

**BATTERY REMOVAL**

WASH YOUR HANDS BEFORE TOUCHING BATTERY. BATTERY IS TOXIC. ALWAYS WEAR PROTECTIVE GLOVES.

**WARNING**

NEVER REMOVE BATTERY COVER. NEVER REMOVE BATTERY COVER WHILE BATTERY IS CHARGING.

NEVER REMOVE BATTERY COVER WHILE BATTERY IS CHARGING.

NEVER REMOVE BATTERY COVER WHILE BATTERY IS CHARGING.

**⚠ WARNING**

**BATTERY INSTALLATION**

WASH YOUR HANDS BEFORE TOUCHING BATTERY. BATTERY IS TOXIC. ALWAYS WEAR PROTECTIVE GLOVES.

**WARNING**

NEVER REMOVE BATTERY COVER. NEVER REMOVE BATTERY COVER WHILE BATTERY IS CHARGING.

**WARNING**

NEVER REMOVE BATTERY COVER. NEVER REMOVE BATTERY COVER WHILE BATTERY IS CHARGING.

**CAUTION**

PLEASE DO NOT REMOVE COVER OF THE BATTERY COVER. ALWAYS WEAR PROTECTIVE GLOVES. ALWAYS WEAR PROTECTIVE GLOVES. ALWAYS WEAR PROTECTIVE GLOVES.

**CAUTION**

PLEASE DO NOT REMOVE COVER OF THE BATTERY COVER. ALWAYS WEAR PROTECTIVE GLOVES. ALWAYS WEAR PROTECTIVE GLOVES. ALWAYS WEAR PROTECTIVE GLOVES.

**⚠ WARNING**

A connected battery can cause a spark or motorcycle startup while servicing. Death or serious injury could occur.

- Disconnect negative cable before servicing.
- Keep cable away from terminal while servicing.

XXXXX-XX

**⚠ WARNING**

Motorcycles are different from other vehicles. They operate, steer, handle and brake differently. Unskilled or improper use could result in loss of control, death or serious injury.

- Take a rider training course.
- Read Owner's Manual before riding, adding accessories or servicing.
- Wear a helmet, eye protection and protective clothing.
- Never tow a trailer.

To be removed by customer only.

XXXXX-XX

1 - (N) - 2 - 3 - 4 - 5

**⚠ WARNING**

Motorcycles are different from other vehicles. They operate, steer, handle and brake differently. Unskilled or improper use could result in loss of control, death or serious injury.

- Take a rider training course.
- Read Owner's Manual before riding, adding accessories or servicing.
- Wear a helmet, eye protection and protective clothing.
- Never tow a trailer.

For a manual, find nearest dealer at 1-800-443-2103 or www.harley-davidson.com

XXXXX-XX

**STATIONARY NOISE TEST INFORMATION**

TESTED "A" DB(A) AT "B" RPM

**SILENCING SYSTEM: HARLEY-DAVIDSON**

IDENTIFICATION: "C"

IN ACCORDANCE WITH AUSTRALIAN ASR 8300

XXXXX-XX

**VEHICLE EMISSION CONTROL INFORMATION**

ENGINE DISPLACEMENT: "W"  
ENGINE FAMILY: "B"  
THIS VEHICLE CONFORMS TO USEPA REGULATIONS APPLICABLE TO 2010 MODEL YEAR NEW MOTORCYCLES AND IS CERTIFIED TO A "C" HC + NOX G/KM FEL ENGINE EXHAUST CONTROL SYSTEM "D" PERVEAION FAMILY: "C" ENGINE TUNE UP SPECIFICATIONS: SLOW IDLE: 1000 - 1050 RPM IGNITION TIMING: AUTOMATICALLY CONTROLLED NOT ADJUSTABLE FUEL: UNLEADED GASOLINE ONLY. "F" (91-93) PUMP OCTANE OR HIGHER OIL: SEE OWNER'S MANUAL

Harley-Davidson Motor Co.

THIS 2010 "G" MOTORCYCLE, 05621 MEETS ALL USEPA NOISE EMISSION REQUIREMENTS OF 69dB(A) AT 71RPM BY THE FEDERAL TEST PROCEDURE

WARNING: MODIFICATIONS WHICH CAUSE THIS MOTORCYCLE TO EXCEED FEDERAL NOISE AND EMISSIONS STANDARDS ARE PROHIBITED BY FEDERAL LAW. SEE OWNER'S MANUAL.

XXXXX-XX

[View interactive image](#)

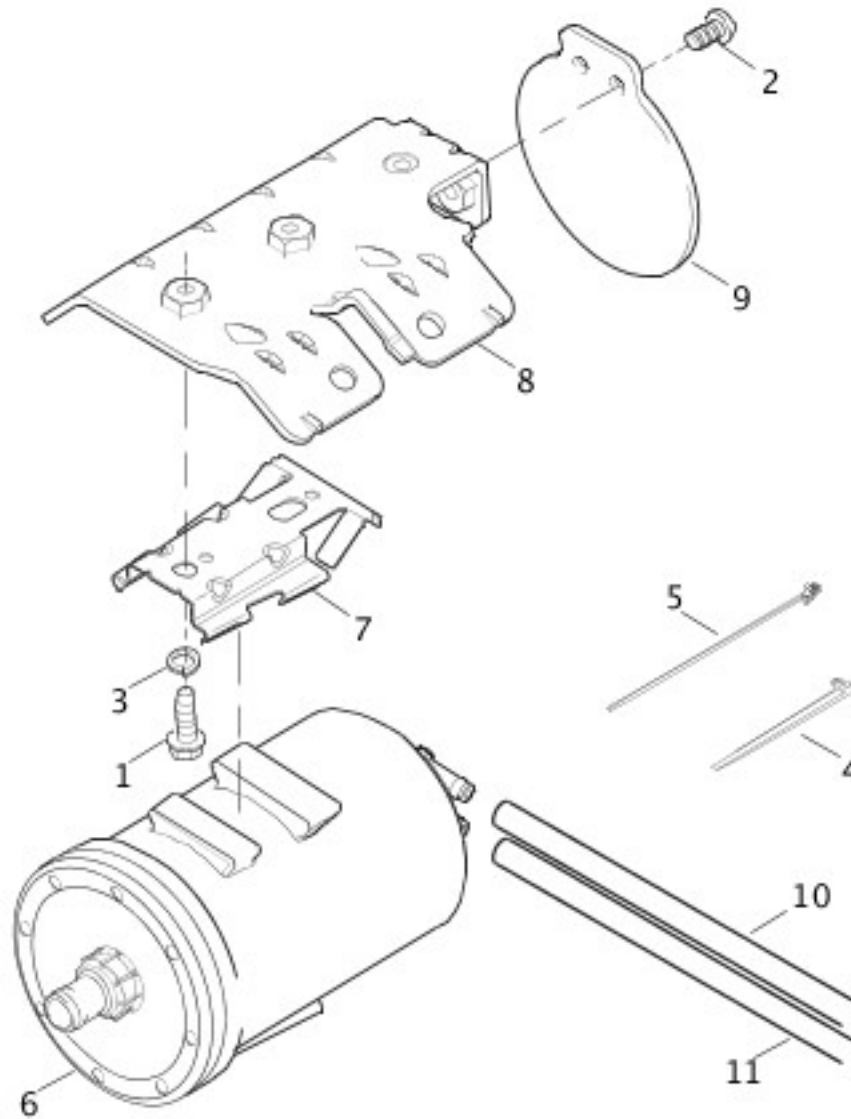
[View interactive table](#)

INDEX NO.	PART NO.	DESCRIPTION	MODEL(S)
1	13504-10	LABEL, emission <b>**RESTRICTED SALES PART**</b>	XR1200, XR1200X
	14708-10	LABEL, emission (Canada)	XR1200, XR1200X

		<b>**RESTRICTED SALES PART**</b>	
	14710-10	LABEL, emission (California) <b>**RESTRICTED SALES PART**</b>	XR1200, XR1200X
	14081-10	LABEL, emission <b>**RESTRICTED SALES PART**</b>	XL1200C, XL1200L, XL1200N, XL1200X
	14016-10	LABEL, emission (California) <b>**RESTRICTED SALES PART**</b>	XL1200C, XL1200L, XL1200N, XL1200X
	14680-10	LABEL, emission (Canada) <b>**RESTRICTED SALES PART**</b>	XL1200C, XL1200L, XL1200N, XL1200X
	14066-10	LABEL, emission <b>**RESTRICTED SALES PART**</b>	XL883C, XL883L, XL883N, XL883R
	14160-10	LABEL, emission (California) <b>**RESTRICTED SALES PART**</b>	XL883C, XL883L, XL883N, XL883R
	14679-10	LABEL, emission (Canada) <b>**RESTRICTED SALES PART**</b>	XL883C, XL883L, XL883N, XL883R
2	15368-01A	LABEL, battery warning	ALL
3	15370-01A	LABEL, mirror warning	ALL
4	15376-06A	LABEL, battery removal	ALL
5	29127-95B	LABEL, general warning, air cleaner	XL1200C, XL1200L, XL883C, XL883L
	29147-07	LABEL, general warning, air cleaner	XL1200N, XL1200X, XL883N
	29404-01A	LABEL, general warning, air cleaner	XL883R
	29466-08	LABEL, general warning, air cleaner	XR1200, XR1200X
<b>INTERNATIONAL MODELS ONLY</b>			
6	13594-10	LABEL, noise (Australia) <b>**RESTRICTED SALES PART**</b>	XR1200, XR1200X
	14258-10	LABEL, noise (Australia) <b>**RESTRICTED SALES PART**</b>	XL883C, XL883L, XL883N, XL883R
	14190-10	LABEL, noise (Australia) <b>**RESTRICTED SALES PART**</b>	XL1200C, XL1200N
7	14270-92	LABEL, shift (Japan)	ALL

## EVAPORATIVE EMISSIONS

## EVAPORATIVE EMISSIONS



[View interactive image](#)

[View interactive table](#)

INDEX NO.	PART NO.	DESCRIPTION	MODEL(S)
<b>NOTE: These parts are required for motorcycles sold in the state of California.</b>			
1	3767B	BOLT (2)	ALL
2	4363	SCREW (2)	ALL
3	6099	WASHER (2)	ALL
4	10006	CABLE STRAP (as required)	ALL
5	10177	CABLE STRAP (as required)	ALL

6	27042-84A	CANNISTER	ALL
7	27047-84B	BRACKET, canister mounting	ALL
8	28908-04A	BRACKET, canister	ALL
9	28909-04	GUARD, canister	ALL
10	28822-07A	HOSE, canister-to-manifold	ALL
11	28911-04A	HOSE, canister-to-vapor valve	ALL

## Hardware List

[View interactive table](#)

PART NO.	DESCRIPTION
1028	SCREW 5/16-18 X 2-1/2 SEMS socket head, with lockpatch
1039	SCREW 5/16-18 X 2-1/2 hex flange head (Grade 8)
1048	SCREW 5/16-18 X 1-1/2 hex flange head
1081A	SCREW 10-24 X 0.895 SEMS pan head
1091	SCREW 10-24 X 9.5 SEMS socket head
1753	SCREW No. 1/4-20 X 3.0 hex socket
2325	SCREW No. 6 X 3/4 cross recess pan head, self-tapping
2361	SCREW No. 8-32 X 3/8 socket countersink head, with lockpatch
2362	SCREW No. 10 X 3/4 hex head, self-tapping
2407	SCREW No. 8 X 1/2 pan head, Phillips drive, plastite
2441	SCREW No. 10-24 X 1/2 TORX pan head
2445	SCREW 1/4-20 X 9/16 button head
2446	SCREW 1/4-20 X 5/8 TORX socket button head
2460	SCREW 5/16-18 X 1/2 socket countersink head
2481M	SCREW M5 X 0.8 X 16 TORX head, self-tapping
2486	SCREW 1/4-20 X 1 hex socket, SEMS/Lock
2487	SCREW 6-32 X 3/8 hex washer head, self-tapping
2501A	SCREW No. 8-32 X 3/8 hex head, self-tapping
2513	SCREW 1/4-20 X 1-1/4 socket head (black)
2535	SCREW 5/16-18 X 1 socket head
2548	SCREW No.8-32 X 3/4 socket head, with lockpatch

2586A	SCREW M4 X 0.7 X 12 flat head
2607	SCREW 1/4-20 X 3/4 Pozidriv pan head (Grade 2)
2612	SCREW No. 8-32 X 1/2 Pozidriv pan head (Grade 2)
2653	SCREW No. 10-24 X 7/8 fillister head
2708A	SCREW 5/16-18 X 1 socket head
2773	SCREW 1/4-20 X 1/2 Pozidriv pan head (Grade 2)
2872W	BOLT 1/4-20 X 1-1/2 hex head (Grade 5)
2952A	SCREW 1/4-20 X 1/2 SEMS truss head
2955	SCREW No. 6-32 X 1/4 Phillips pan head, with lockwasher
3018A	SCREW 10-24 X 3/8 TORX head
3022A	SCREW 1/4-20 X 5/8 socket fillister head, with lockpatch
3026	SCREW No. 10-32 X 1/2 socket button head
3029	SCREW No. 10-24 X 1 TORX head, with adhesive
3048	SCREW No. 10-24 X 3/8 hex button head
3059	SCREW 10-24 X 1/2 hex flat head
3060	SCREW 10-24 X 3/4 hex flat head
3085	SCREW 1/4-20 X 1/2 with washer
3123	SCREW 10-14 X 1.0 torx pan head
3124	SCREW 10-24 X 1/2 torx pan head with lock patch
3162	SCREW 5/16-18 X 1-1/4 hex head
3210A	SCREW 5/16-18 X 1-1/4 knurled head
3214	SCREW 3/8-16 X 1-1/4 socket head, thread-cutting
3244	SCREW M8 X 1.25 X 12
3480A	SCREW 1/4-20 X 1-3/4 knurled head (Grade 8)
3485A	SCREW 5/16-18 X 1-3/4 knurled head (Grade 8)
3514	SCREW No. 8-32 X 1 fillister head (Grade 5)
35211-91B	NUT 1-1/2-24 X .350 X 1-7/8 hex head
3563	SCREW 1/4-20 X 3/8 hex flange head (Grade 5)
3574	SCREW 1/4-20 X 3/4 flange
3579A	SCREW 1/4-28 X 1/4 SEMS hex head, self-tapping (Grade 2)

3588	SCREW 1/4-20 X 1/2 hex flange head
3594	SCREW 1/4-20 X 5/8 knurled head (Grade 8)
3605	BOLT 1/2-13 X 2-1/2 hex head (Grade 5)
3615	SCREW No. 8-32 X 1, pan head, thread-cutting
3655A	SCREW 5/16-18 X 7/8 TORX pan head, with lockpatch (Grade 8)
3658	SCREW No. 10-24 X 1/2 TORX head (Grade 5)
3666A	SCREW No. 10-24 X 1.500 TORX recessed head, with washer
3696	SCREW 5/16 X 3/4 TORX pan head (Grade 5)
3706M	SCREW M6 X 1.0 X 20 hex head
3708M	SCREW M6 X 1.0 X30 hex head
3731M	SCREW M6 X 1.0 X 12 socket button head, with lockpatch
3732	SCREW 3/16-16 X 5/8 TORX pan head
3767B	BOLT 1/4-20 X 5/8 hex head (Grade 5)
3802W	BOLT 1/4-20 X 7/8 hex head (Grade 5)
3814	SCREW 7/16-14 X 1-3/4 hex head, with washer (Grade 8)
3849	SCREW 1/4-20 X 1-1/4 SEMS hex head (Grade 8)
3854	SCREW 7/16-14 X 1, hex head (Grade 8)
3880	SCREW 1/2-13 X 2-1/4 TORX recessed button head
3899	SCREW 7/16-14 X 1-3/4 hex head, with lockpatch
3976	SCREW 1/4-20 X 1 hex flange head (Grade 5)
3987	BOLT 5/16-18 X 3/4 hex head (Grade 5)
4016	SCREW 5/16-18 X 1.0 socket button head
4017	BOLT 5/16-18 X 1 hex head (Grade 5)
4029A	SCREW 3/8-16 X 2-1/4 socket head (black)
4032A	SCREW 3/8-16 X 2-1/2 socket head
4076	SCREW 3/8-16 X 1/2 socket head
4091	SCREW No. 10-24 X 1/2 hex head, with washer, self-tapping (zinc)
41191-74A	SCREW 1/2-20 X 5/8 hex socket flat head, with lockpatch
4132	SCREW 1/4-20 X 1-1/8 TORX button head (Grade 5) (black)
4180	SCREW 3/8-16 X 1-1/2 TORX button head
4188	SCREW 3/8-16 X 1-1/4 TORX button head

4240	SCREW No. 10-24 X 3/16 hex head, with washer
4250M	SCREW M8 X 1.25 X 25 hex socket head cap
4266A	SCREW 3/8-16 X 7/8 button head (Grade 5)
4269	SCREW 5/16-18 X 3/4, flange head
4290	SCREW 3/8-16 X 1-1/4, TORX button head (Grade 5)
4312C	SCREW M6 X 1.0 X 14mm, SEMS flange head (stainless)
4326A	SCREW 5/16-18 X 2 socket head
4329	SCREW 1/4-20 X 3/4 hex head with washer, self-tapping
4350A	SCREW 3/8-16 X 1-1/2 socket head
4351	SCREW 3/8-16 X 1-1/2 TORX head, self-tapping (Grade 8)
4352	SCREW 3/8-16 X 1-1/2 TORX, self-tapping (Grade 8)
4354	SCREW 1/2-20 X 2-1/2, TORX button head
43567-92	SCREW 3/8-16 X 1 TORX pan head, with lockpatch
4359	SCREW 5/16-18 X 7/8 socket button head
4363	SCREW 1/4-20 X 1/2 socket button head
4420	SCREW 3/8-16 X 2.75 hex head (Grade 5)
4499M	BOLT M10 X 1.25 X 35 socket head
45405-75A	SCREW M8 X 1.25 x 27 hex socket head
4549	SCREW 5/16-18 X 1-3/4 TORX button head (Grade 5)
4551	SCREW 1/2-13 X 1-1/8 hex socket head, with adhesive
4553	SCREW 5/16-18 X 6.0 socket head cap
4589	SCREW 9/16-12 X 2-5/16 hex flange head
4678	SCREW 1/2-13 X 1-3/4 hex flange
4705	SCREW 1/4-20 X 11/16 SEMS socket head, with lockpatch
4717A	SCREW 1/4-20 X 2-1/4 knurled head, with lockpatch
4718A	SCREW 1/4-20 X 1-1/2 knurled head, with lockpatch
4724	BOLT 3/8-24 X 1-1/2 hex head (Grade 5)
4740A	SCREW 1/4-20 X 1-1/4 knurled head, with lockpatch (Grade 8)
4741A	SCREW 1/4-20 X 1 socket head, with lockpatch
4748	SCREW 3/8-16 X 1-1/8 socket head (Grade 8)



4751	SCREW 1/4-20 X 3/4 hex head, with lockpatch (Grade 8) (zinc)
4758A	SCREW 5/16-18 X 3.48 socket head (Grade 8)
4765	SCREW 1/4-20 X 2-5/8 SEMS socket head, with lockpatch (Grade 8) (zinc)
4771	SCREW 5/16-18 X 4-1/4 socket head (Grade 5)
4778	SCREW 5/16-18 X 1-3/8 TORX button head
4779	SCREW 5/16-18 X 1-3/4 TORX button head
4798	SCREW 1/4-20 X 5/8
4816A	SCREW 5/16-18 X 1-1/2 socket head
4820A	SCREW 1/4-20 X 2 socket head
4822A	SCREW 1/4-20 X 2-3/4 knurled head, with lockpatch
4859	SCREW 5/16-18 X 2.0 hex flange head
4871	SCREW 1/4-20 X 29/64 flange head
4897	SCREW 1/4-20 X 5/8 TORX socket button head (black)
4975M	SCREW M6 X 1.0 X 20 hex socket head cap with lock patch
4978	SCREW 5/16-18 X 1.5 hex socket head cap
4991	SCREW M6 torx pan head,
5403B	BOLT 1/4-20 X 3/8 carriage
5414	BOLT 3/8-16 X 7/8 carriage (Grade 5)
5416	BOLT 3/8-16 X 1/8 carriage (Grade 5)
54321-85	NUT No. 8-32 X 1/2 X 1/8 (brass)
5925	WASHER 29 X 39 X 2-19/64
6003	WASHER 1-3/16 X 1-3/8 X 11/16
6026	WASHER 3/8 X 7/8 X 7/64
6099	WASHER 1/4 X 7/16 X 1/16
6101	WASHER 17/64 X 27/64 X 1/16
6110	WASHER 9/32 X 5/8 X 1/16
6139	WASHER 3/8 X 7/8 X 1/16
6152	SPACER 13/32 X 1.0 X 5/16
6157	WASHER 27/64 X 5/8 X 1/64 heat treated
6192	WASHER No. 8 X 7/16 X 3/64

6237	WASHER 5/16 X 1-1/8 X 5/64
6288	WASHER 17/32 X 25/32 X 1/32
6302	WASHER 5/16 X 11/16 X 19/32
6379W	WASHER 3/8 X 5/8 X 3/64
6400HB	WASHER 5/16 X 13/16 X 3/32
6445	WASHER 1/2 X 2 X 0.300
6516HW	WASHER 7/16 X 1-1/8 X 1/8
6551	WASHER 1 X 1-5/8 X 1/8 hardened
6590HW	WASHER 1/2 X 1-1/8 X 3/32
6594	WASHER 5/8 X 1-1/8 X 3/32
6610	WASHER 0.375 X 0.7 X 0.035
6701	WASHER 3/8 X 13/16 X 1/16
6702	WASHER 5/16 X 11/16 X 1/16
6703	WASHER 1/4 X 5/8 X 1/16
6718	WASHER 1/2 X 1-1/16 X 3/32
6738	WASHER 17/32 X 7/8 X 7/64
675	SCREW 3/8-16 X 3-1/4 socket head
6787	WASHER 7/16 X 13/16 X 5/64 flat
6798	WASHER 5/16 X 1/2 X 1/32
68026-99	SCREW No. 8-32 X 1 Phillips pan head (stainless)
6930	WASHER 0.344 X 1-1/8 X 0.078 heat treated
7038	LOCKWASHER 3/8
7039	LOCKWASHER 7/16
7041	LOCKWASHER 5/16
7045	LOCKWASHER 3/8 high collar
7068	LOCKWASHER 1/2
7069	LOCKWASHER No. 10
7080	WASHER 9/16 X 3/4 X 1/4
7124	LOCKWASHER 1/4 internal tooth
7155	LOCKWASHER 5/16 internal tooth (black)
7220	LOCKWASHER No. 10 external tooth

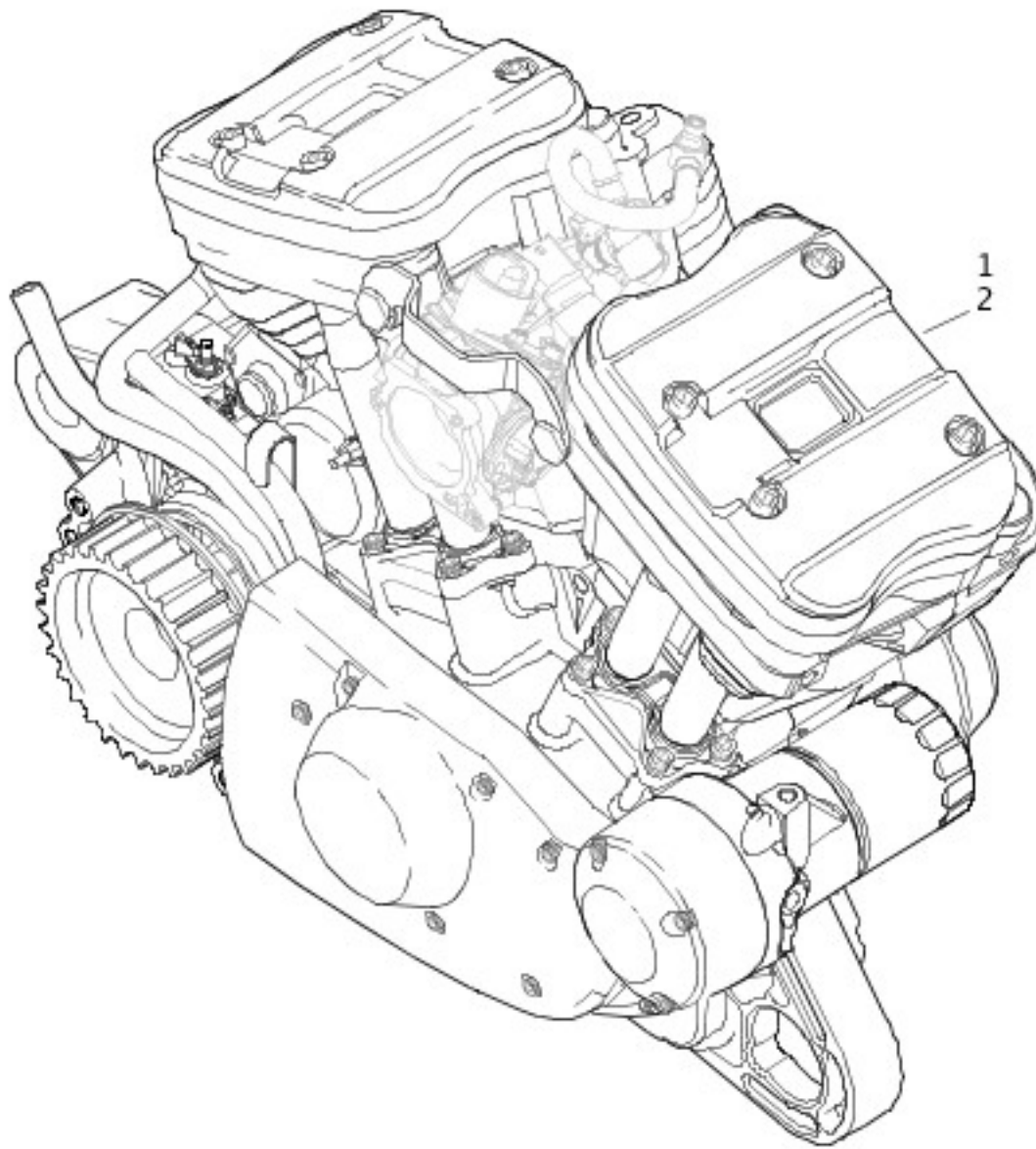
7331	ACORN NUT 5/16-24
7357	BULLET NUT 5/16-24 (black)
7468M	NUT M10 X 1 X 6
7469	NUT M10 X 1 X 11
7477	NUT M8 X 1.25
7481	ACORN NUT 5/16-18 X 5/8 X 1/2
7495	NUT M6 flange
7531	LOCKNUT 5/16-18 X 9/32 X 1/2 flange
7593	NUT 5/16-24 flange
7601	LOCKNUT 3/8-16 flange
7606	LOCKNUT No. 8-32 X 1/4 X 1/4 hex (chrome)
7624	LOCKNUT No. 10-24 X 1/4 X 3/8
7686	LOCKNUT 1/4-20 X 5/16 X 7/16
7716	LOCKNUT 1/4-20 X 7/16 flange
7725	LOCKNUT 5/16-24 X 11/32 X 1/2
7766	LOCKNUT 5/16-18 flange
7770	NUT 1/4-20 keps flat washer
7778	LOCKNUT 3/8-16 X 7/16 X 9/16
7783	NUT 3/8-16 X 5/16 X 9/16 (Grade 2)
7792	NUT 1/4-20 X 1/4 (Grade 2)
7800W	NUT 3/8-24 X 5/16 X 9/16 (Grade 2)
7804	LOCKNUT 1/2-13 X 15/32 X 7/8 self-sealing
7813A	NUT 5/8-18 X 9/16 X 15/16 (Grade 2)
7824	LOCKNUT 1/2-20 X 1/4 (Grade 2)
7839	NUT 3/4-16 X 21/32 flange (Grade 2)
7862	ACORN NUT 3/8-16 (chrome)
7880	NUT 1/2-13 X 7/16 X 3/4 (Grade 2)
7900	CLIP NUT 1/4-20
7916A	JAMNUT 5/8-18
8102	SPEEDNUT 5/16-18

8108	SPEEDNUT 1/4-20
8190	NUT M24 X 2.0
835	SCREW 5/16-18 X 3 flange head, with lockpatch
855B	SCREW 3/8-16 X 2 knurled head
8679	SCREW No. 8-32 X 7/16, TORX button head
882	SCREW 1/4-20 X 7/8 knurled head, with washer (Grade 8)
8972	WASHER 1-1/4 X 1-53/64 X 1/8
930	SCREW 10-24 X 1-1/4 fillister head
940	SCREW 1/4-20 X 3/4 TORX button head
942	SCREW 1/4-20 X 3/4 TORX button head, with lockpatch (Grade 8)
943	SCREW 1/4-20 X 5/8 socket button head
946	SCREW 1/4-20 X 2-1/4 socket button head, with lockpatch (Grade 8)
995	SCREW 5/16-18 X 5/8 TORX button head
997	SCREW 5/16-18 X 1 TORX button head
DA0600.12FAZB	LOCKNUT 3/8-24 flange (Grade 5)

New Parts List

## **ENGINE ASSEMBLY**

## ENGINE ASSEMBLY



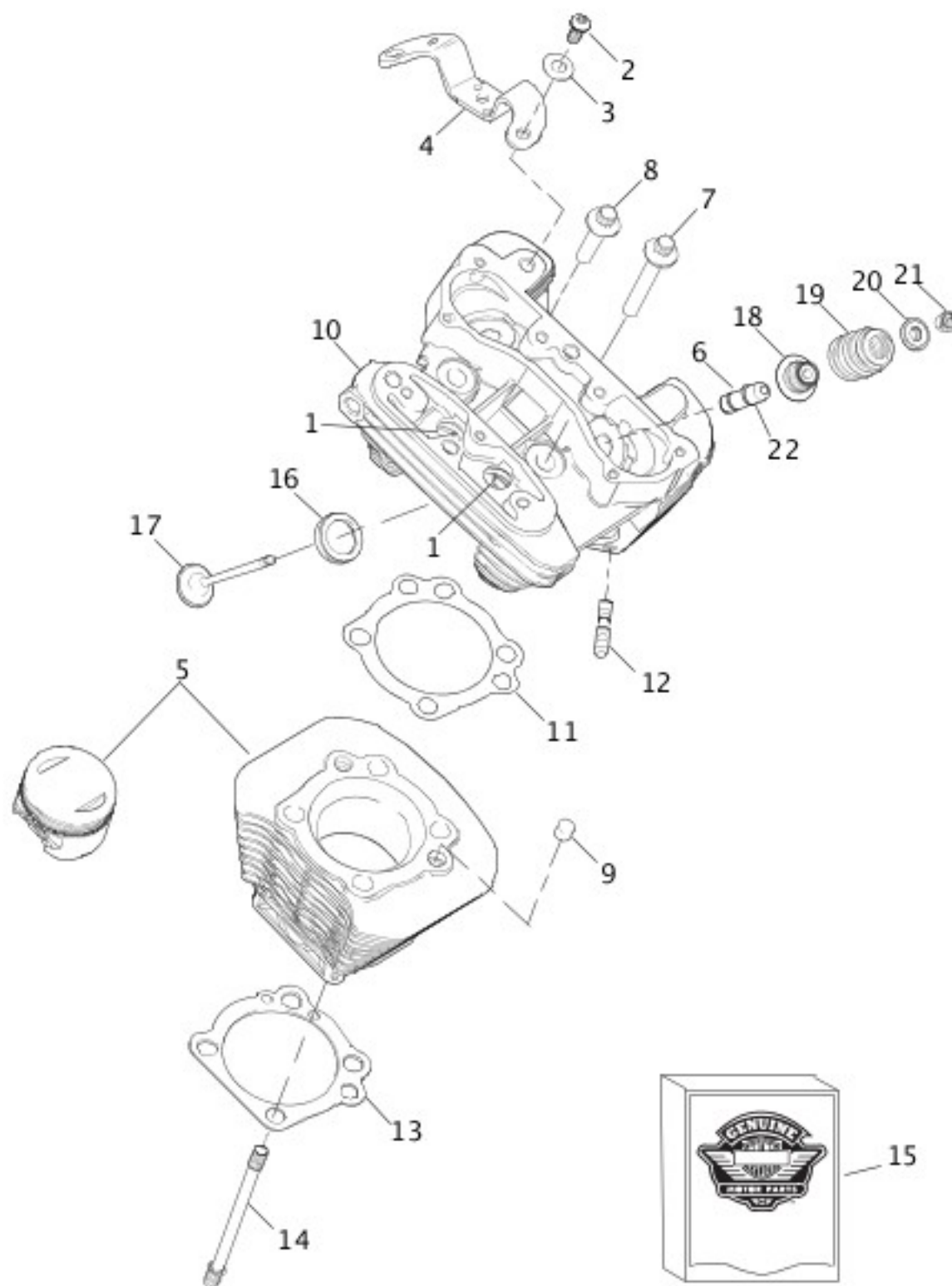
[View interactive table](#)

INDEX NO.	PART NO.	DESCRIPTION	MODEL(S)
1	19519-13B	ENGINE ASSEMBLY (883cc) (World)	XL883N, XL883R
	19527-13B	ENGINE ASSEMBLY (1200cc) (Domestic, California, Canada)	XL1200C
	19566-10C	ENGINE ASSEMBLY (883cc) (World)	XL883L
	19567-10C	ENGINE ASSEMBLY (883cc) (World)	XL883C
	19604-11C	ENGINE ASSEMBLY (1200cc) (Domestic, California, Canada)	XL1200L

	19637-12C	ENGINE ASSEMBLY (1200cc) (Domestic, California, Canada)	XL1200N
	19638-10C	ENGINE ASSEMBLY (1200cc) (Domestic, California, Canada, HDI, Australia, England) (not shown)	XR1200
	19766-13B	ENGINE ASSEMBLY (1200cc) (Domestic, California, Canada)	XL1200X
	19768-13B	ENGINE ASSEMBLY (1200cc) (Domestic, Canada, Australia, HDI, England) (not shown)	XR1200X
2	19606-13B	ENGINE ASSEMBLY (1200cc) (HDI)	XL1200C
	19622-11C	ENGINE ASSEMBLY (1200cc) (HDI)	XL1200L
	19639-10C	ENGINE ASSEMBLY (1200cc) (Japan, Brazil) (not shown)	XR1200
	19734-12C	ENGINE ASSEMBLY (1200cc) (HDI)	XL1200N
	19767-13B	ENGINE ASSEMBLY (1200cc) (HDI)	XL1200X
	19771-12C	ENGINE ASSEMBLY (1200cc) (Japan) (not shown)	XR1200X

**CYLINDER, HEAD, & VALVES - 883C/L/N/R, 1200C/L/N/X**

# CYLINDER, HEAD, & VALVES - 883C/L/N/R, 1200C/L/N,

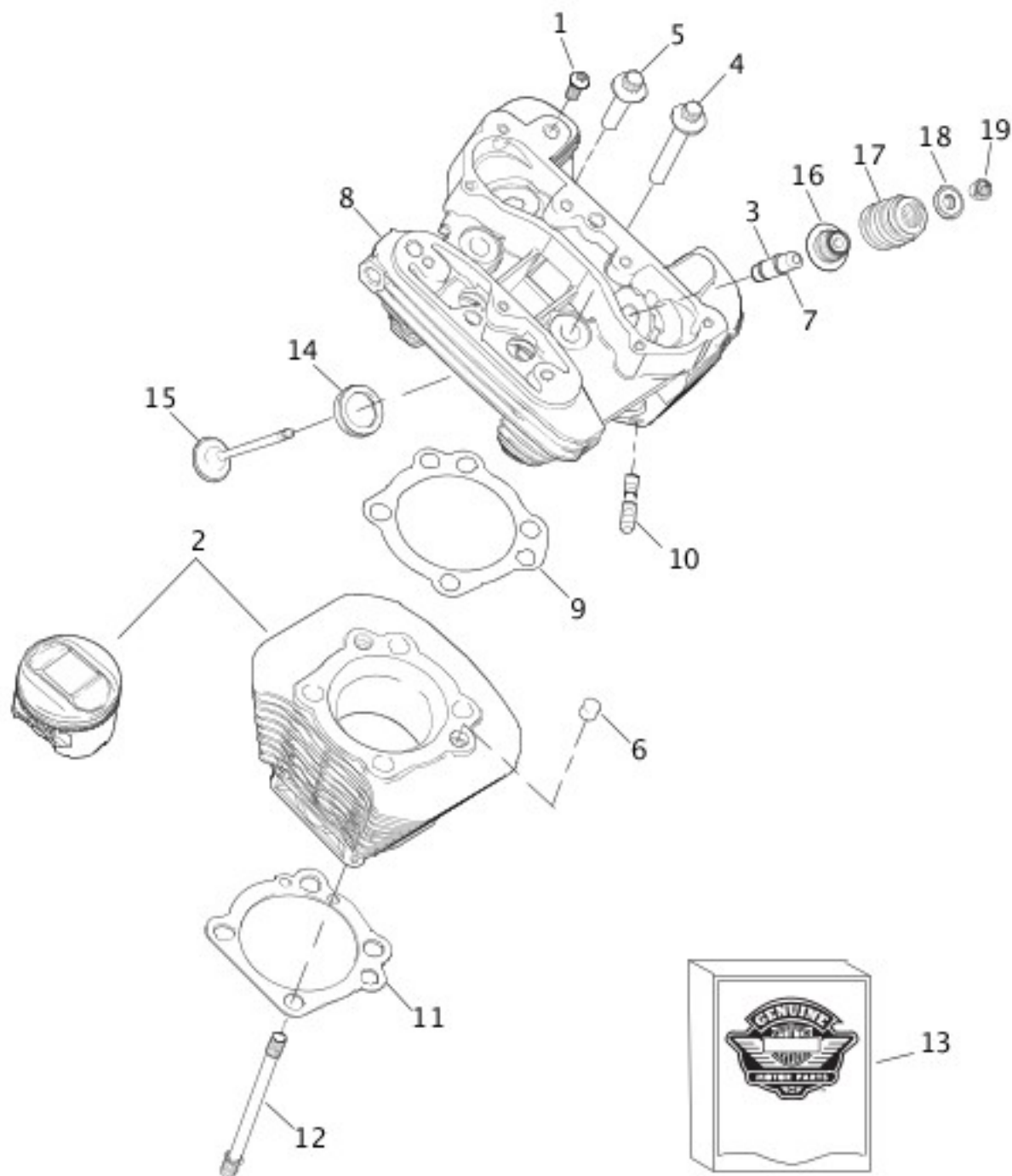


[View interactive table](#)

INDEX NO.	PART NO.	DESCRIPTION	MODEL(S)
	16469-10	CYLINDER, w/ piston (1200 cc) (black) (2)	XL1200X
6	16465-06	VALVE GUIDE, intake & exhaust, w/ 16699-06 (4)	XL1200C, XL1200L, XL1200N, XL1200X, XL883C, XL883L, XL883N, XL883R
22	16699-06	SNAP RING (4)	XL1200C, XL1200L, XL1200N, XL1200X, XL883C, XL883L, XL883N, XL883R

# CYLINDER, HEAD, & VALVES - XR1200/X

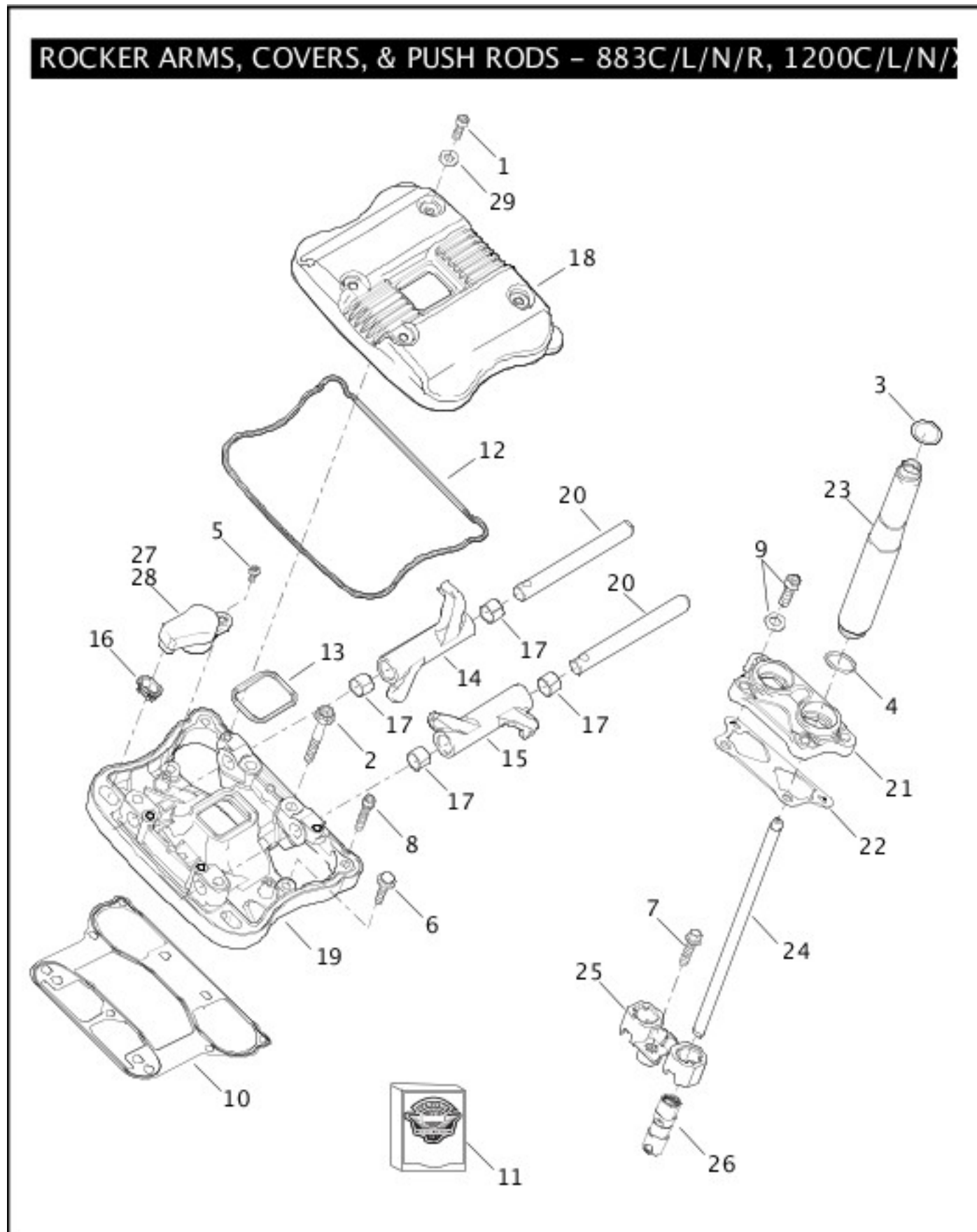
## CYLINDER, HEAD, & VALVES - XR1200/X



[View interactive table](#)

INDEX NO.	PART NO.	DESCRIPTION	MODEL(S)
	16468-08	CYLINDER, w/ piston & rings (black) (2)	XR1200X
3	16465-06	VALVE GUIDE (4)	XR1200, XR1200X
7	16699-06	SNAP RING (4)	XR1200, XR1200X
	17562-10	HEAD, front cylinder (black), w/ valve guides & seats	XR1200X



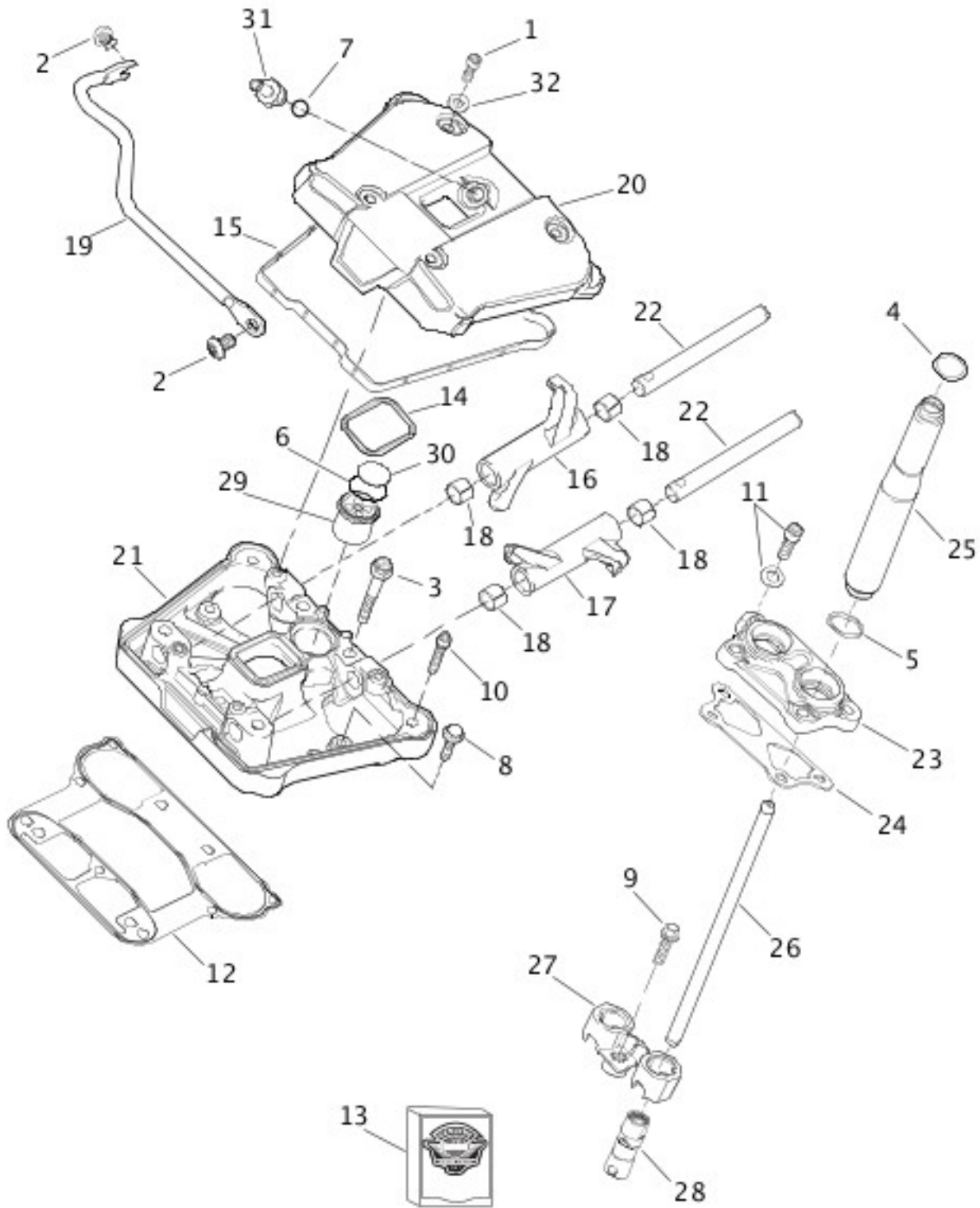
**ROCKER ARMS, COVERS, & PUSH RODS - 883C/L/N/R, 1200C/L/N/X**
[View interactive table](#)

INDEX NO.	PART NO.	DESCRIPTION	MODEL(S)
10	16800-84B	GASKET, rocker box (2)	XL1200C, XL1200L, XL1200N, XL1200X, XL883C, XL883L, XL883N, XL883R
12	17362-07B	GASKET, rocker cover - lower (2)	XL1200C, XL1200L, XL1200N, XL1200X, XL883C, XL883L, XL883N, XL883R

13	17695-07B	GASKET, rocker cover - inner (2)	XL1200C, XL1200L, XL1200N, XL1200X, XL883C, XL883L, XL883N, XL883R
17	17429-91	BUSHING, rocker arm (4)	XL1200C, XL1200L, XL1200N, XL1200X, XL883C, XL883L, XL883N, XL883R
19	17532-07A	ROCKER COVER, inner (polished) (2)	XL1200N, XL1200X, XL883C, XL883L
	17537-07A	ROCKER COVER, inner (chrome) (2)	XL1200C, XL1200L
	17614-07A	ROCKER COVER, inner (silver) (2)	XL883N, XL883R
26	18538-99C	TAPPET, w/ roller (4)	XL1200C, XL1200L, XL1200N, XL1200X, XL883C, XL883L, XL883N, XL883R

## **ROCKER ARMS, COVERS, & PUSH RODS - XR1200/X**

## ROCKER ARMS, COVERS, & PUSH RODS - XR1200/X

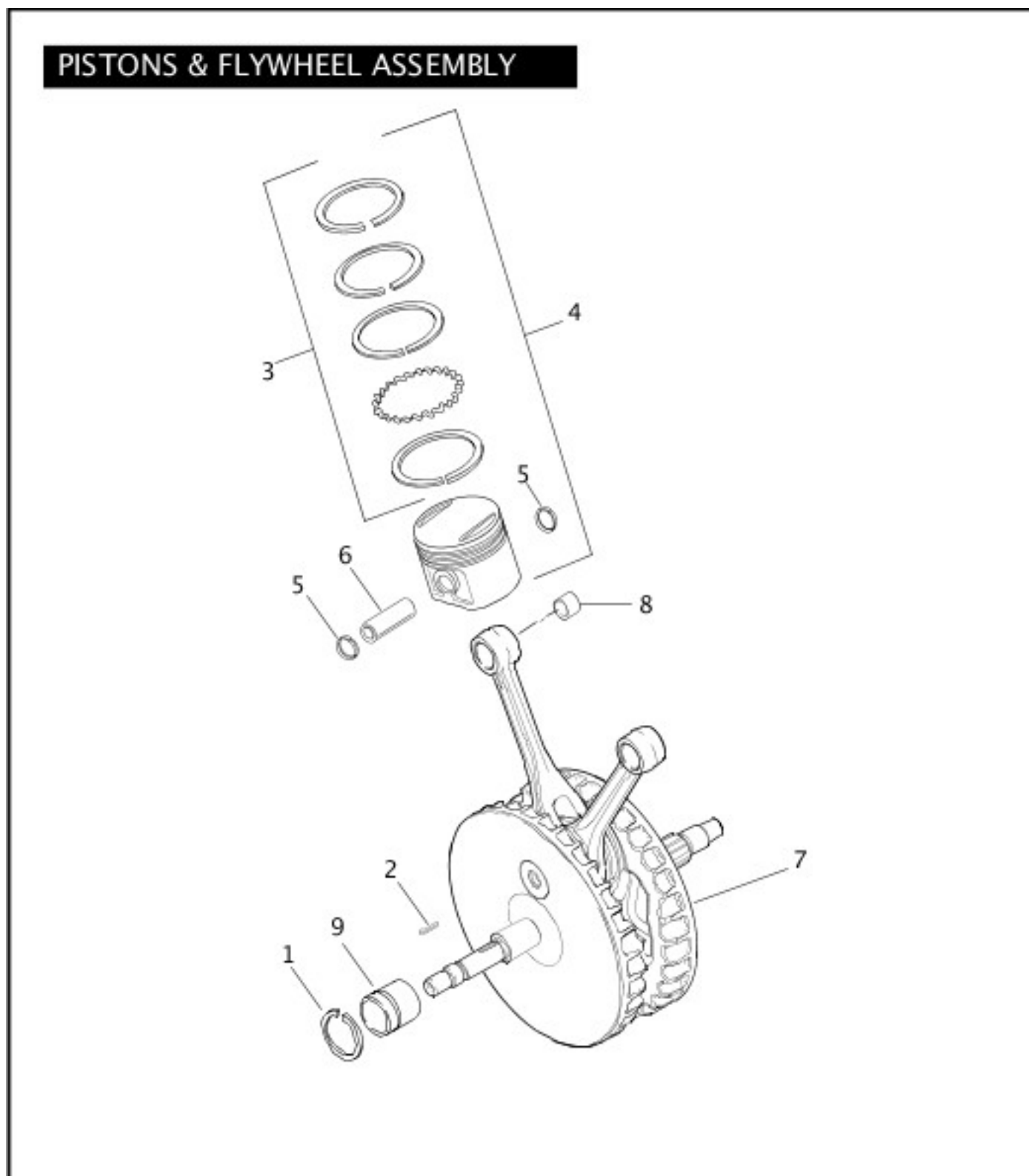


[View interactive table](#)

INDEX NO.	PART NO.	DESCRIPTION	MODEL(S)
12	16800-84B	GASKET, rocker box (2)	XR1200, XR1200X
14	17695-07B	GASKET, rocker cover - inner (2)	XR1200, XR1200X
15	17633-08B	GASKET, rocker cover - lower (2)	XR1200, XR1200X
18	17429-91	BUSHING, rocker arm (4)	XR1200, XR1200X
	17615-10	ROCKER COVER, outer (black) (2)	XR1200X
21	17590-08A	ROCKER COVER, inner (silver) (2)	XR1200

	17591-10	ROCKER COVER, inner (black) (2)	XR1200X
	17903-10	TAPPET COVER, front (black)	XR1200X
	17911-10	TAPPET COVER, rear (black)	XR1200X
	17963-10	COVER, push rod (black) (4)	XR1200X
28	18538-99C	TAPPET, w/ roller (4)	XR1200, XR1200X

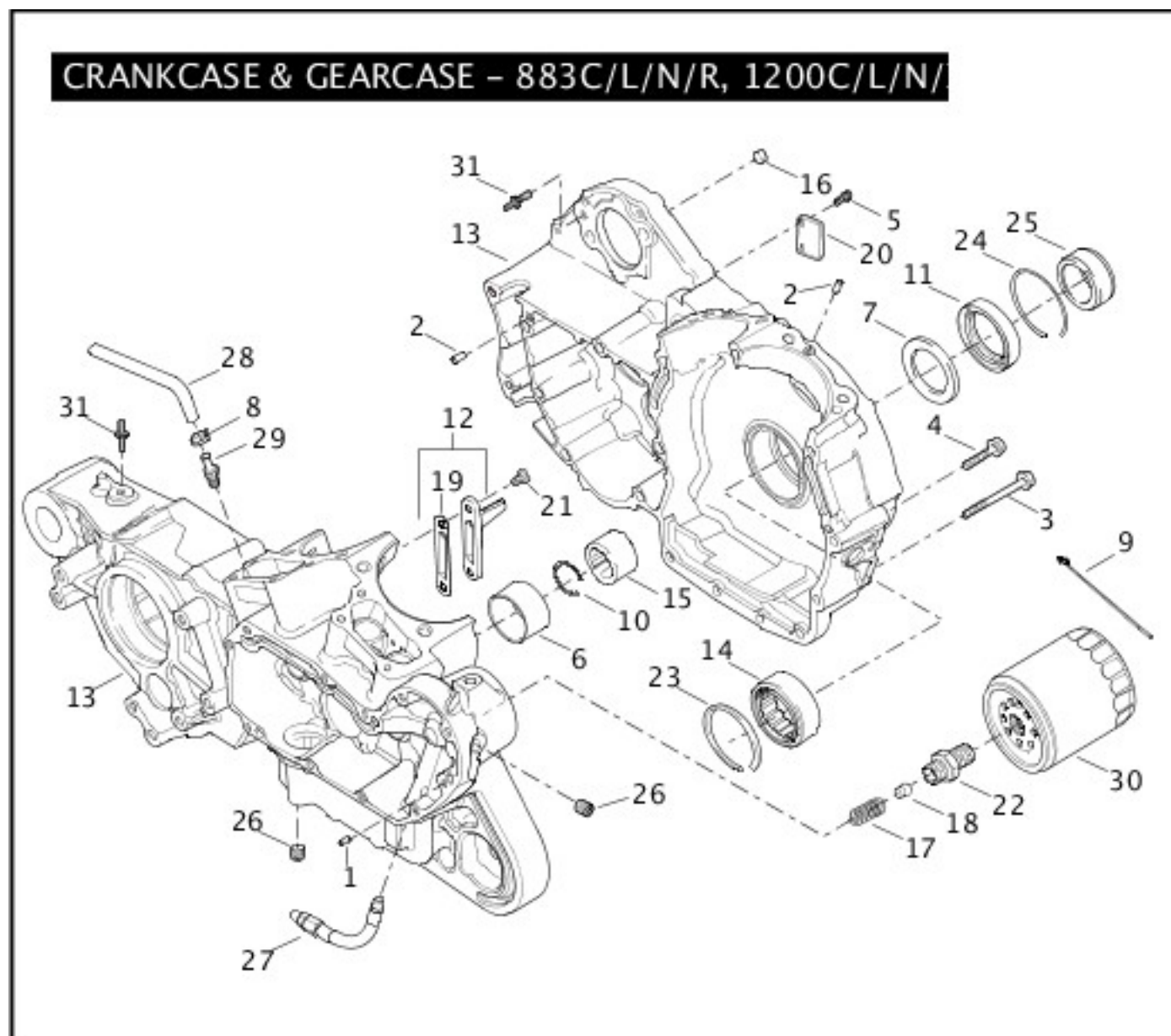
## PISTONS & FLYWHEEL ASSEMBLY



[View interactive table](#)

INDEX NO.	PART NO.	DESCRIPTION	MODEL(S)
7	23905-	FLYWHEELS & CONNECTING ROD	XL1200C, XL1200L, XL1200N, XL1200X, XL883C,

## CRANKCASE & GEARCASE - 883C/L/N/R, 1200C/L/N/X

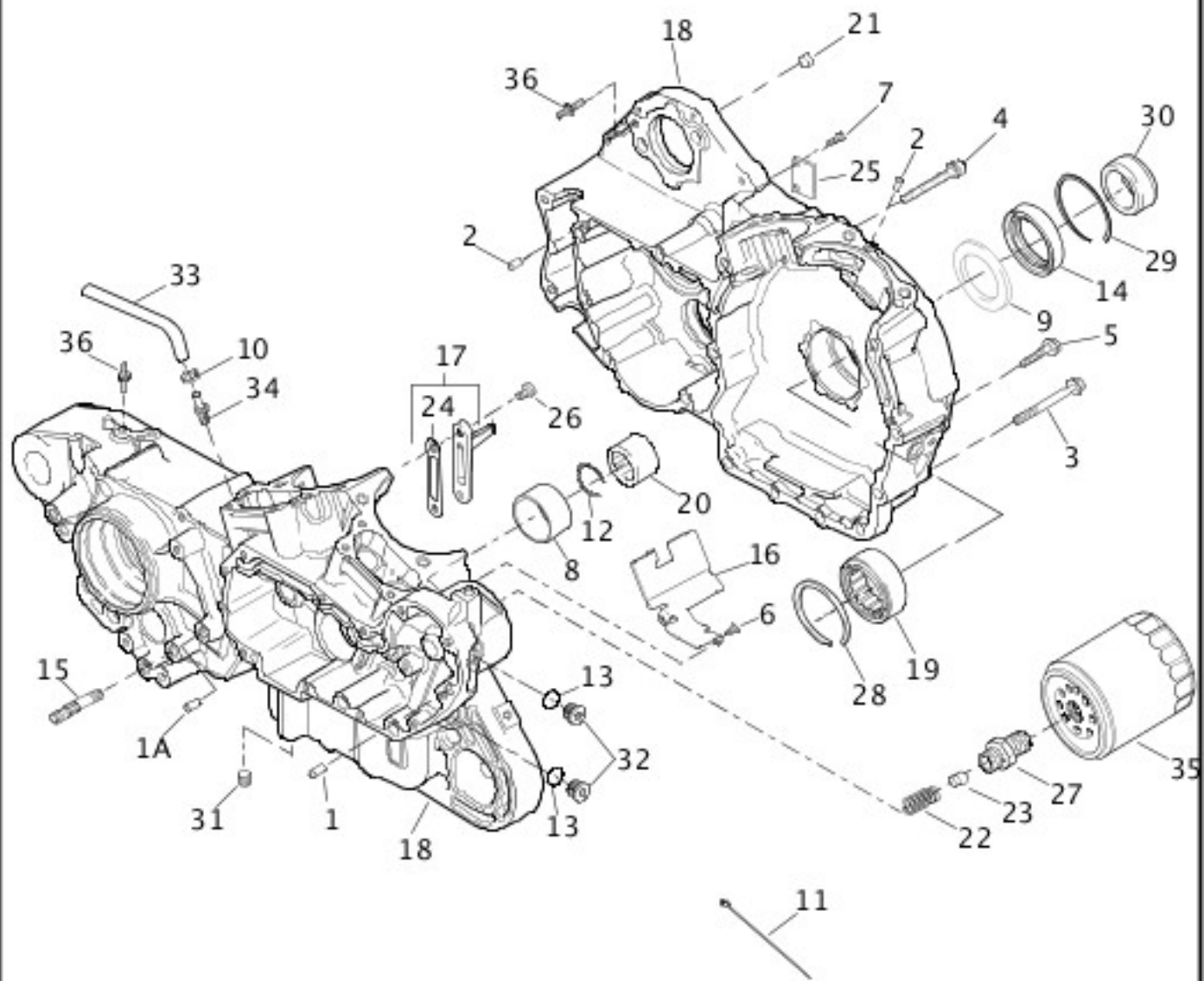


[View interactive table](#)

INDEX NO.	PART NO.	DESCRIPTION	MODEL(S)
12	62700014	OIL JET ASSEMBLY, complete (2)	XL1200C, XL1200L, XL1200N, XL1200X, XL883C, XL883L, XL883N, XL883R

## CRANKCASE & GEARCASE - XR1200/X

## CRANKCASE & GEARCASE - XR1200/X

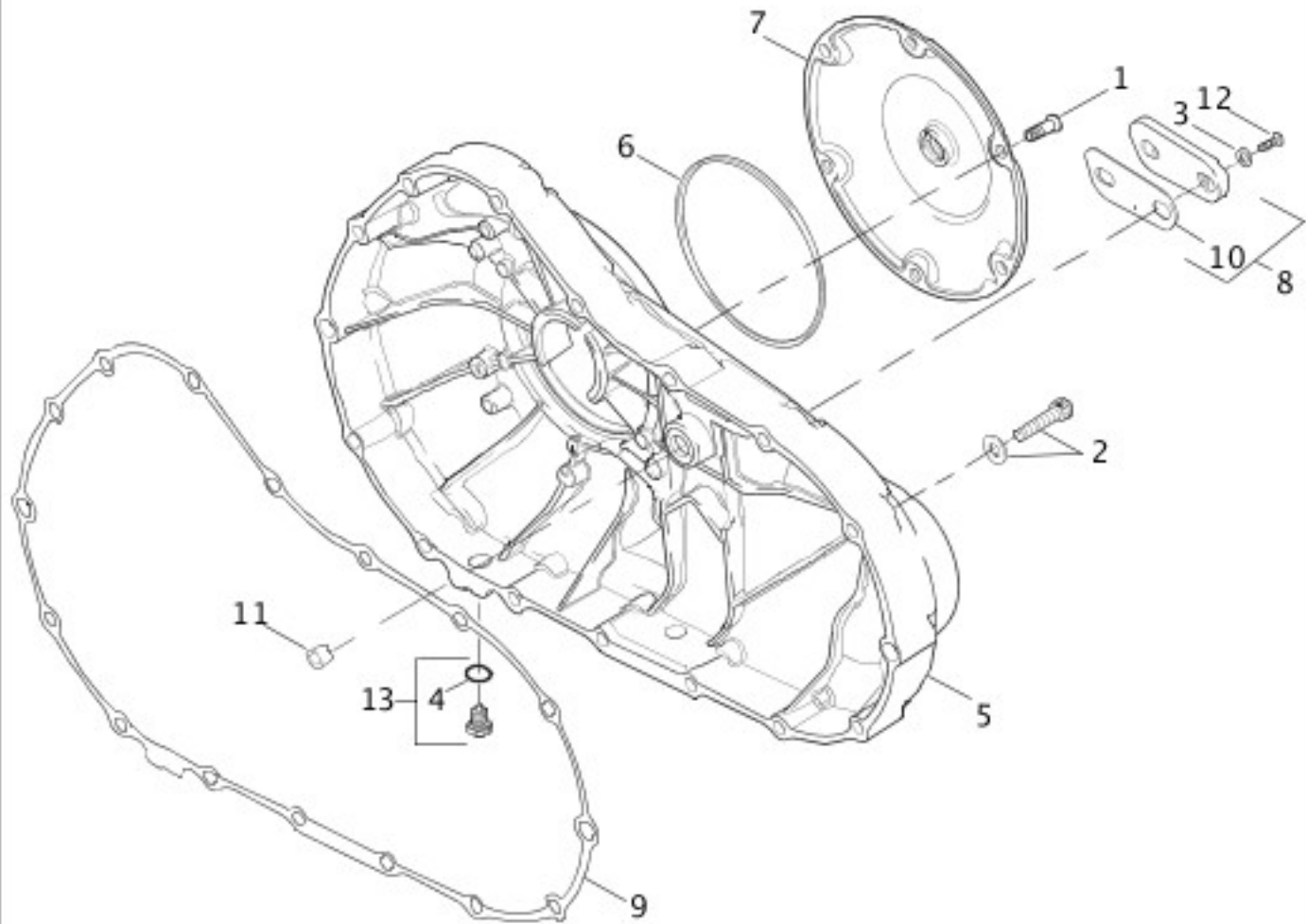


[View interactive table](#)

INDEX NO.	PART NO.	DESCRIPTION	MODEL(S)
6	2487	SCREW (3)	XR1200, XR1200X
17	62700013	OIL JET ASSEMBLY, w/ gasket (2)	XR1200, XR1200X

## [INSPECTION COVER & PRIMARY COVER](#)

## INSPECTION COVER & PRIMARY COVER

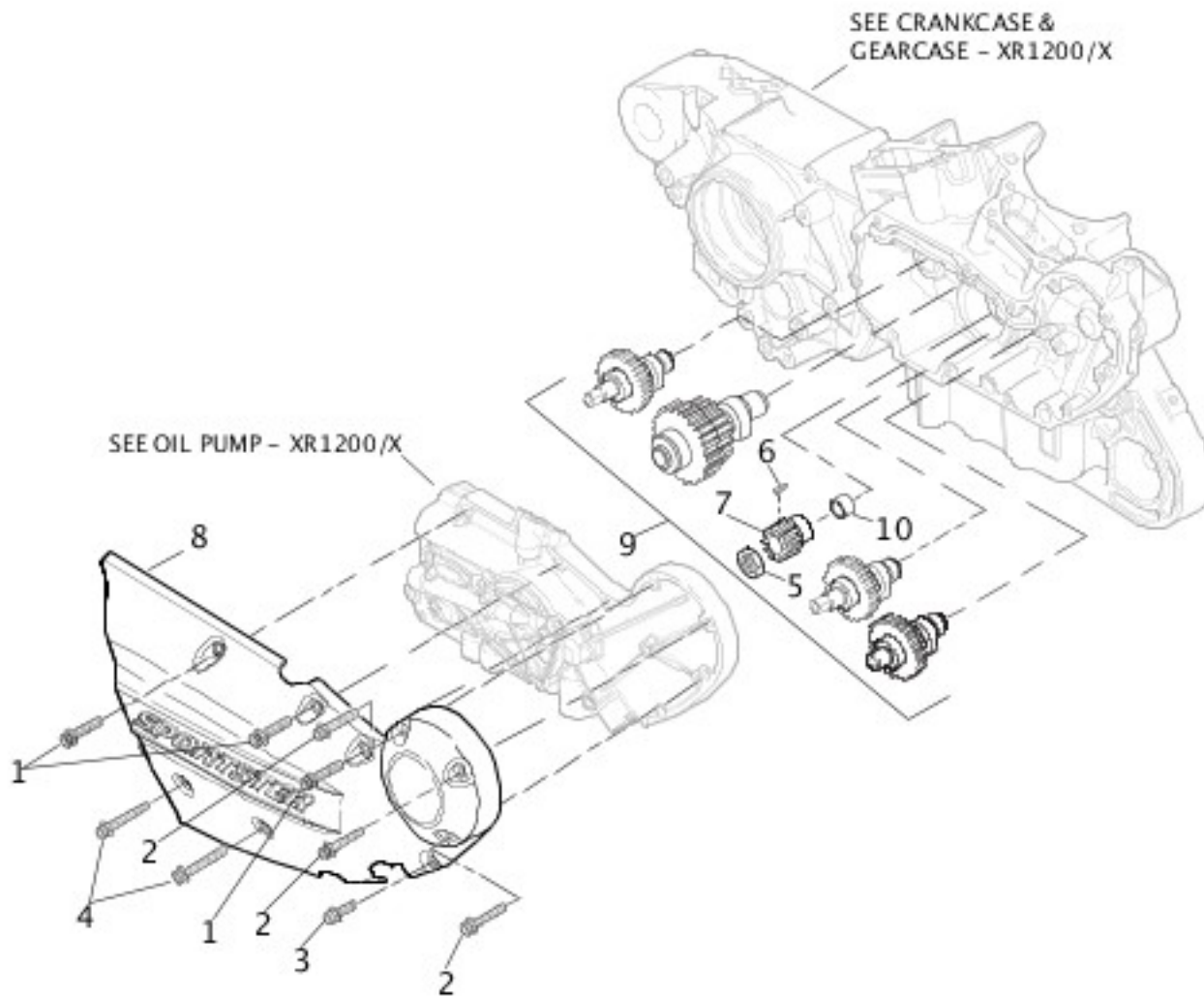


[View interactive table](#)

INDEX NO.	PART NO.	DESCRIPTION	MODEL(S)
	60836-10	PRIMARY COVER (black) w/ 40574-06	XR1200X
	34992-04	INSPECTION COVER, clutch (polished)	XL1200N, XL1200X, XL883C, XL883L, XL883N, XL883R, XR1200
	37718-10	INSPECTION COVER, clutch (black)	XR1200X
	34794-05A	INSPECTION COVER, w/ gasket, chain (polished)	XL883N, XL883R
	35077-10	INSPECTION COVER, w/ gasket, chain (black)	XR1200X

## [CAMSHAFTS & GEAR COVER - XR1200/X](#)

## CAMSHAFTS & GEAR COVER - XR1200/X



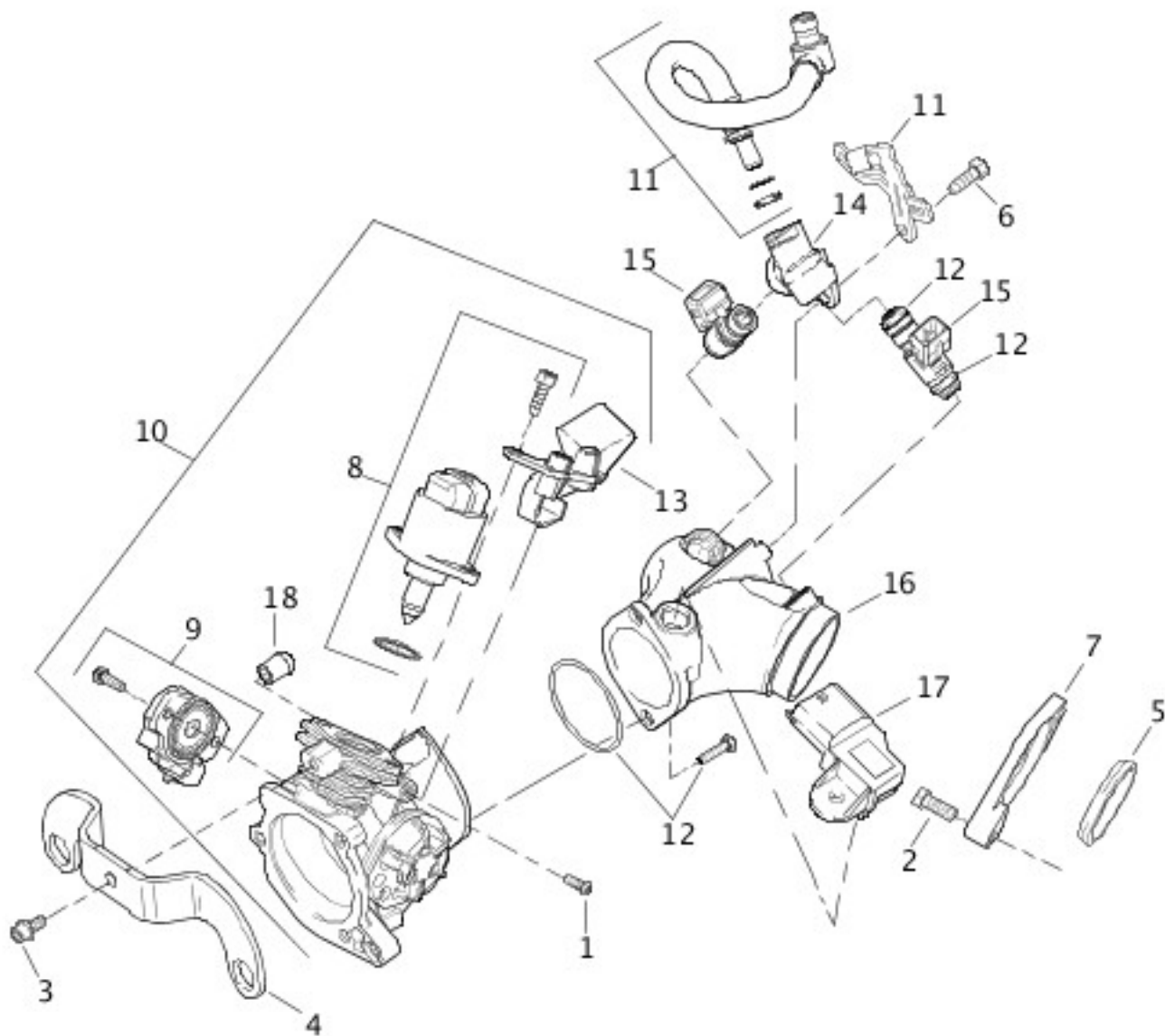
[View interactive table](#)

INDEX NO.	PART NO.	DESCRIPTION	MODEL(S)
	25250-10	COVER, gear (black)	XR1200X

[INDUCTION MODULE - 883C/L/N/R, 1200C/L/N/X](#)



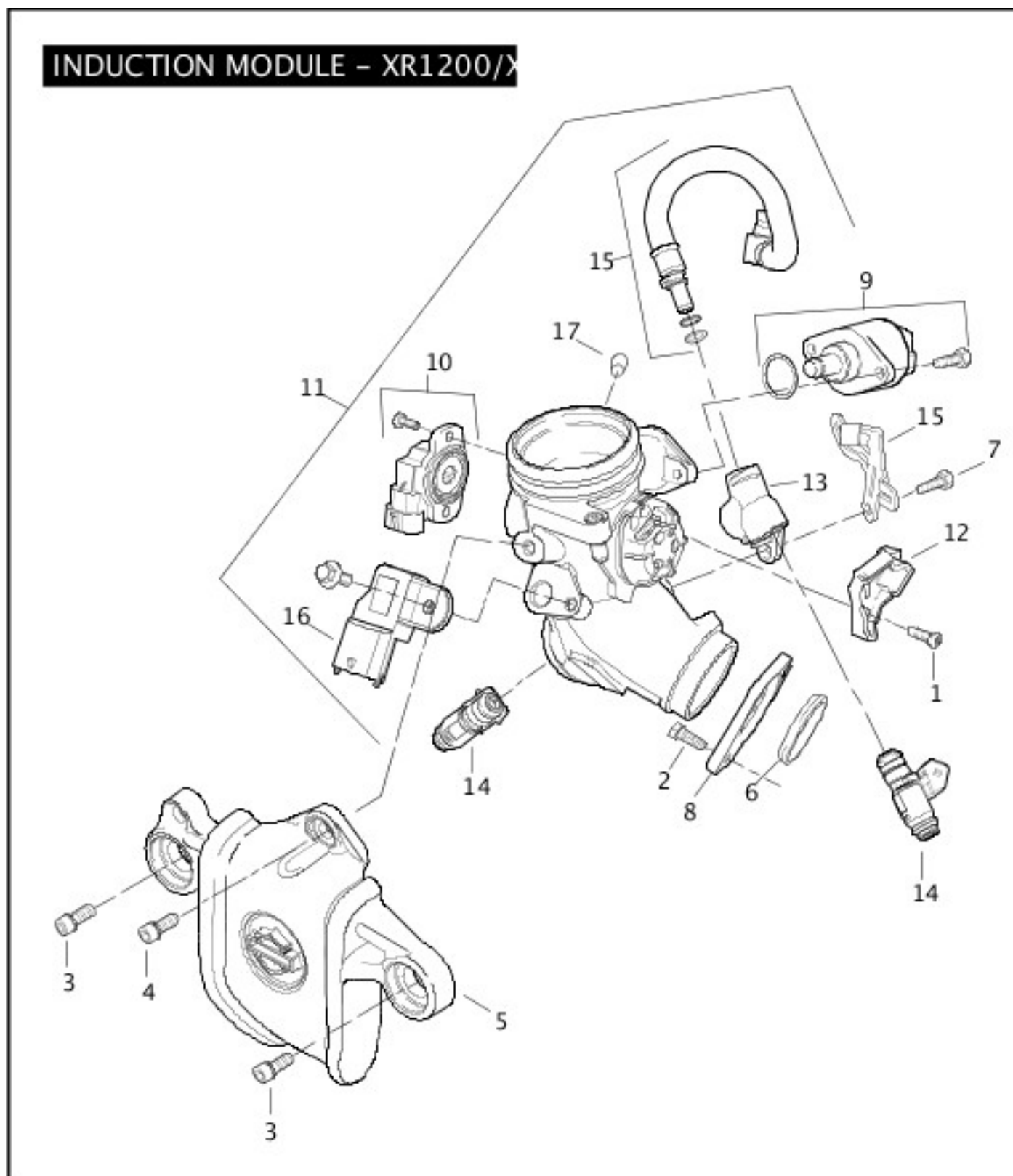
# INDUCTION MODULE - 883C/L/N/R, 1200C/L/N



[View interactive table](#)

INDEX NO.	PART NO.	DESCRIPTION	MODEL(S)
1	2481M	SCREW	XL1200C, XL1200L, XL1200N, XL1200X, XL883C, XL883L, XL883N, XL883R
7	27327-07A	FLANGE, intake (2)	XL1200C, XL1200L, XL1200N, XL1200X, XL883C, XL883L, XL883N, XL883R
8	27628-01A	KIT, IAC motor	XL1200C, XL1200L, XL1200N, XL1200X, XL883C, XL883L, XL883N, XL883R
17	32319-07A	T-MAP SENSOR	XL1200C, XL1200L, XL1200N, XL1200X, XL883C, XL883L, XL883N, XL883R

# INDUCTION MODULE - XR1200/X

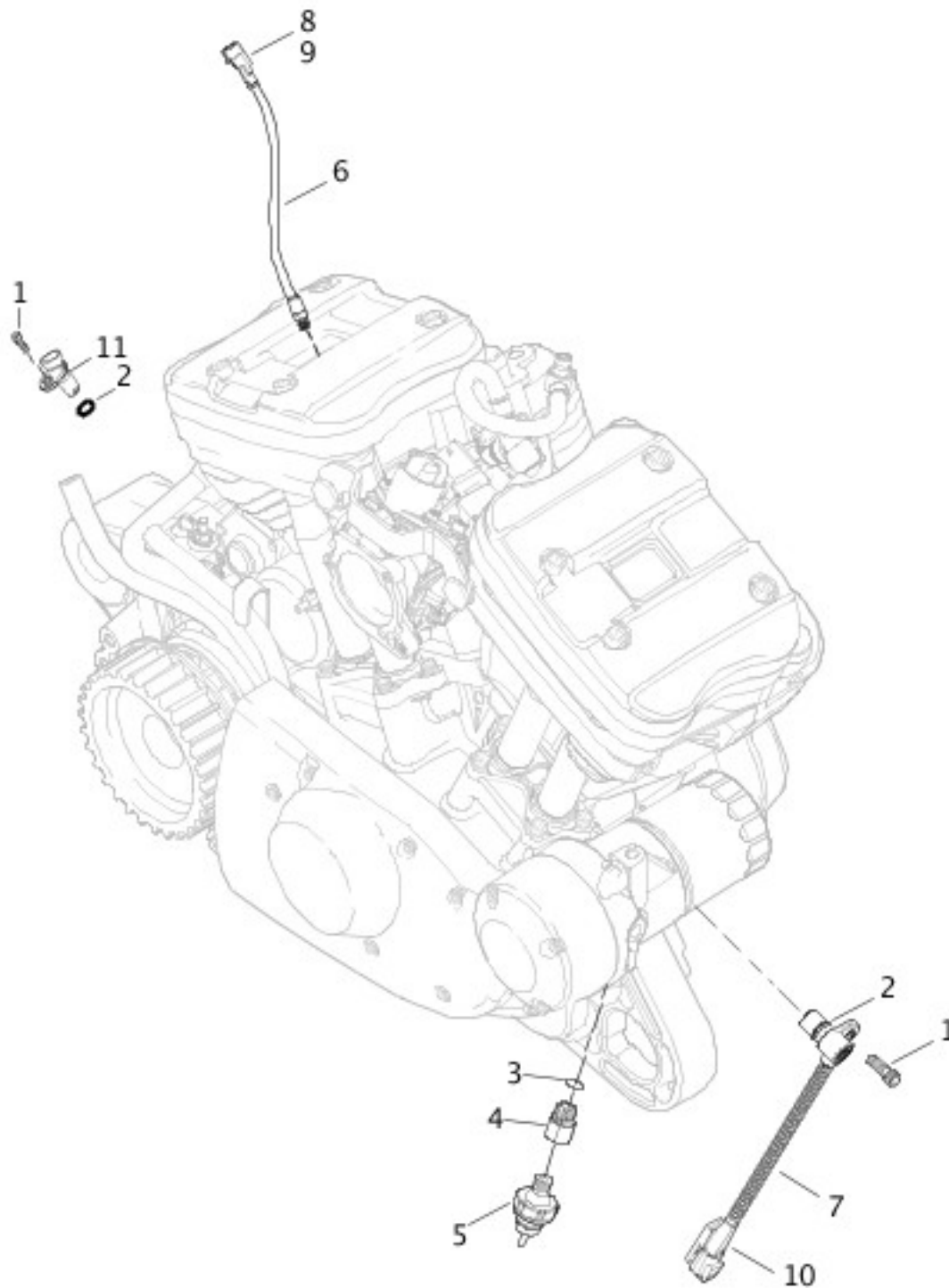


[View interactive table](#)

INDEX NO.	PART NO.	DESCRIPTION	MODEL(S)
1	2481M	SCREW	XR1200, XR1200X
8	27327-07A	FLANGE, intake (2)	XR1200, XR1200X
16	32319-07A	T-MAP SENSOR	XR1200, XR1200X

## ENGINE SENSORS & SWITCHES

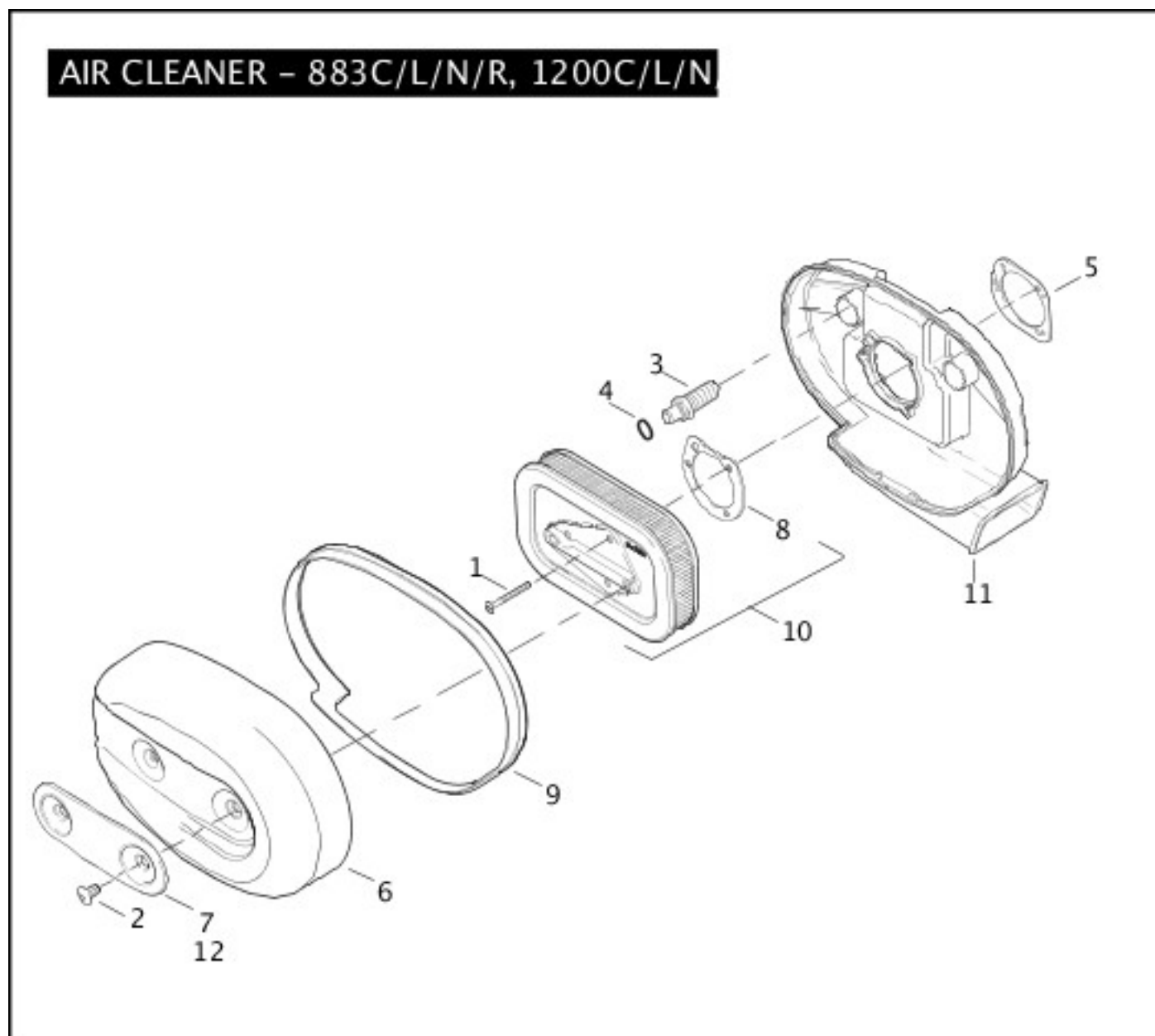
## ENGINE SENSORS & SWITCHES



[View interactive table](#)

INDEX NO.	PART NO.	DESCRIPTION	MODEL(S)
5	26554-77C	SWITCH, oil pressure	ALL
6	32472-10	SENSOR, engine temperature w/ 72009-05, 72011-05 & cable strap	ALL
7	32707-01C	SENSOR, crank position w/ 11289A & 74194-98	ALL
11	74402-05B	SENSOR, vehicle speed, w/ 11289A	ALL

# AIR CLEANER - 883C/L/N/R, 1200C/L/N/X

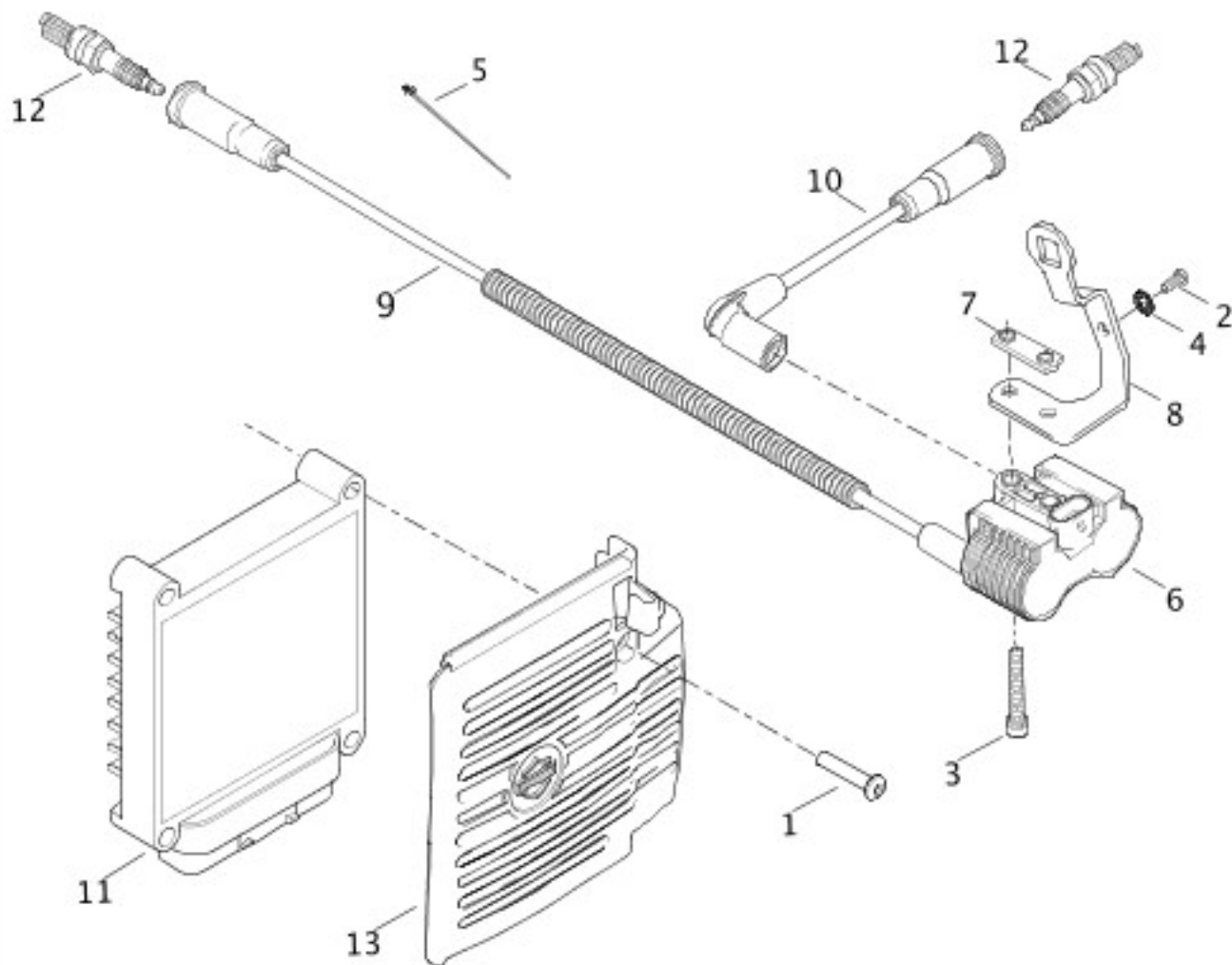


[View interactive table](#)

INDEX NO.	PART NO.	DESCRIPTION	MODEL(S)
6	28794-10	COVER, air cleaner (gloss black) w/ label	XL1200X
	28792-10	COVER, air cleaner (chrome) w/ label	XL1200C, XL1200L, XL883C, XL883L
	28793-10	COVER, air cleaner (gray) w/ label	XL1200N
	28790-10	COVER, air cleaner (black) w/ label	XL883N, XL883R

# ELECTRONIC IGNITION SYSTEM - 883C/L/N/R, 1200C/L/N/X

## ELECTRONIC IGNITION SYSTEM - 883C/L/N/R, 1200C/L/N/

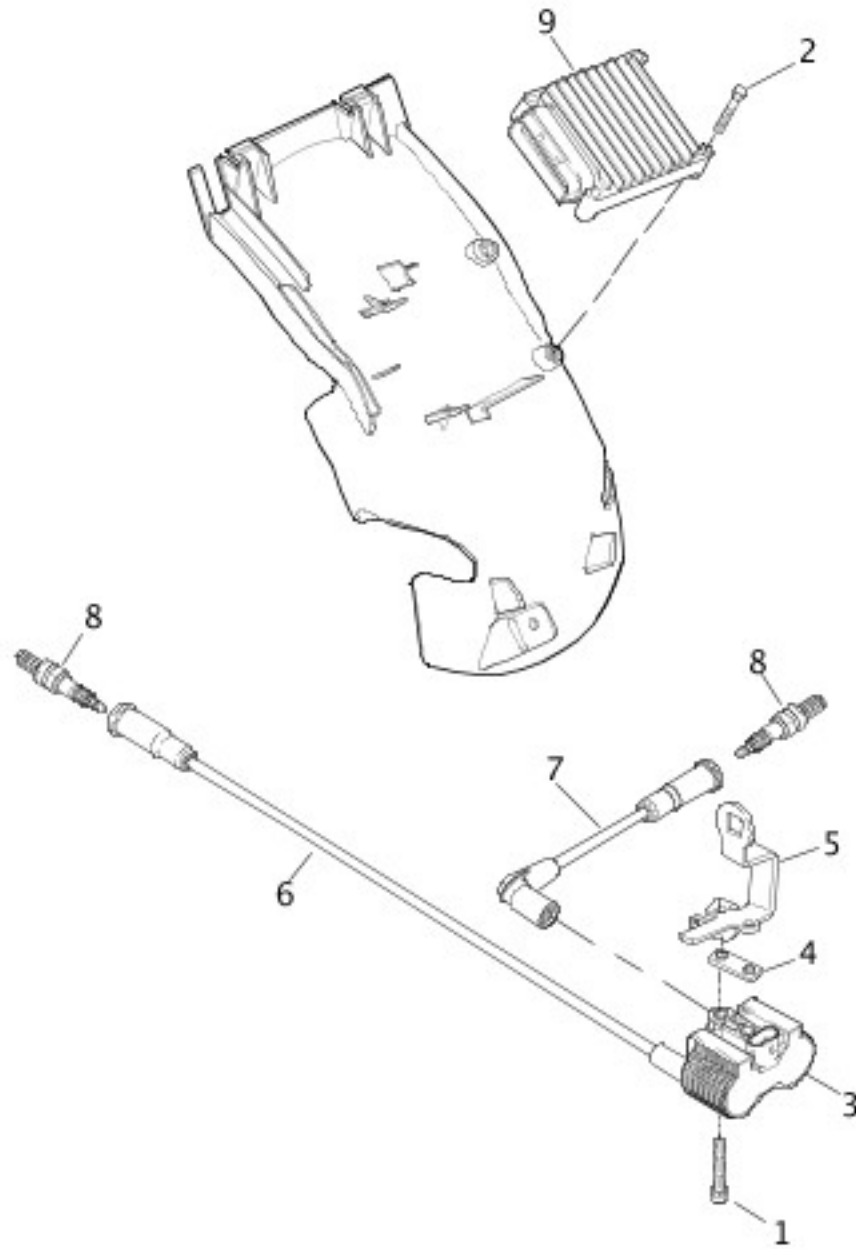


[View interactive table](#)

INDEX NO.	PART NO.	DESCRIPTION	MODEL(S)
1	2513	SCREW	XL1200C, XL1200L, XL1200N, XL1200X, XL883C, XL883L, XL883N, XL883R
11	32534-11	ELECTRONIC CONTROL MODULE	XL1200C, XL1200L, XL1200N, XL1200X, XL883C, XL883L, XL883N, XL883R
13	69200405	COVER, ECM	XL1200C, XL1200L, XL1200N, XL1200X, XL883C, XL883L, XL883N, XL883R

## [ELECTRONIC IGNITION SYSTEM - XR1200/X](#)

## ELECTRONIC IGNITION SYSTEM - XR1200/X

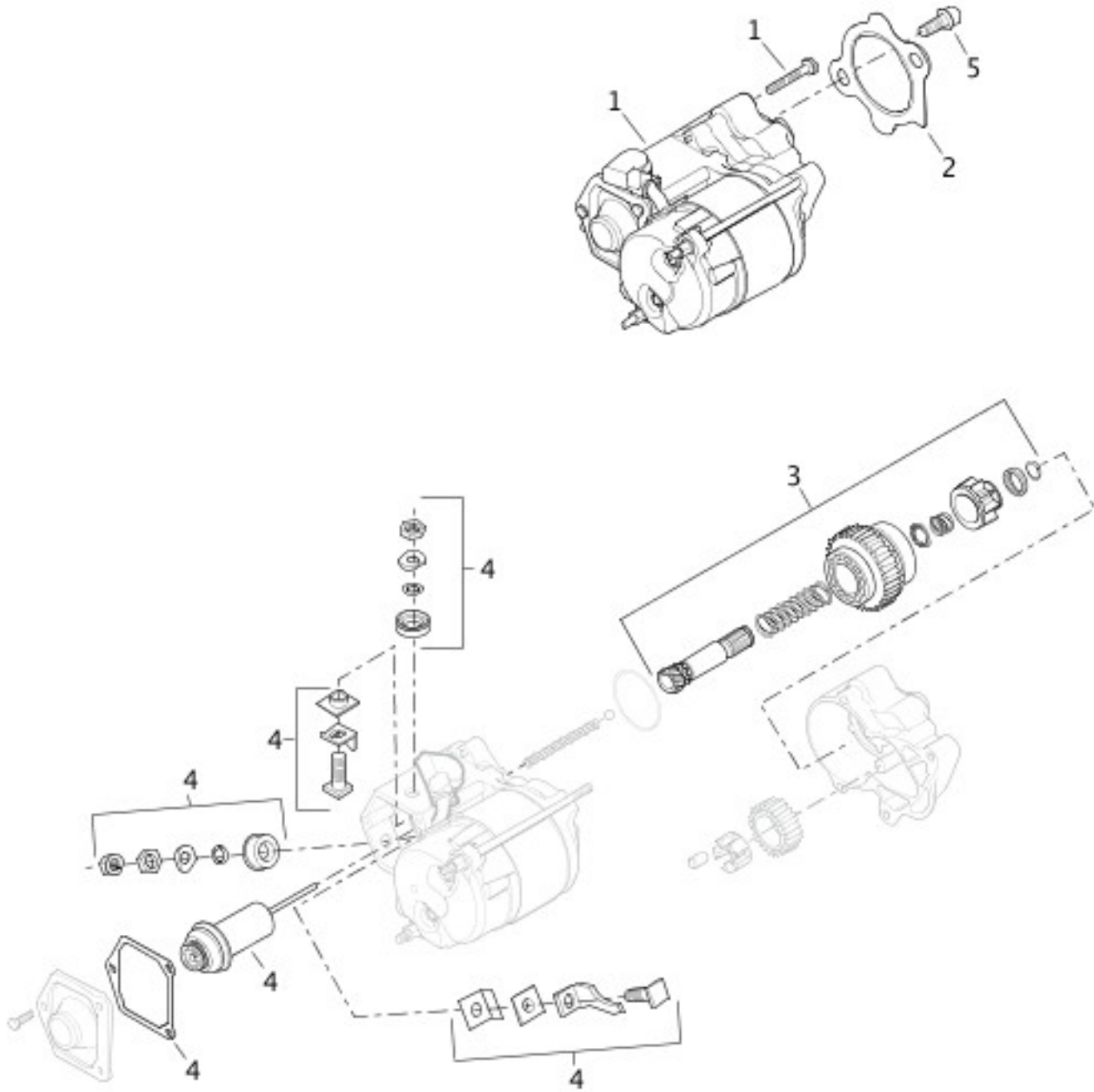


[View interactive table](#)

INDEX NO.	PART NO.	DESCRIPTION	MODEL(S)
9	32534-11	ELECTRONIC CONTROL MODULE	XR1200, XR1200X

[STARTER MOTOR](#)

## STARTER MOTOR

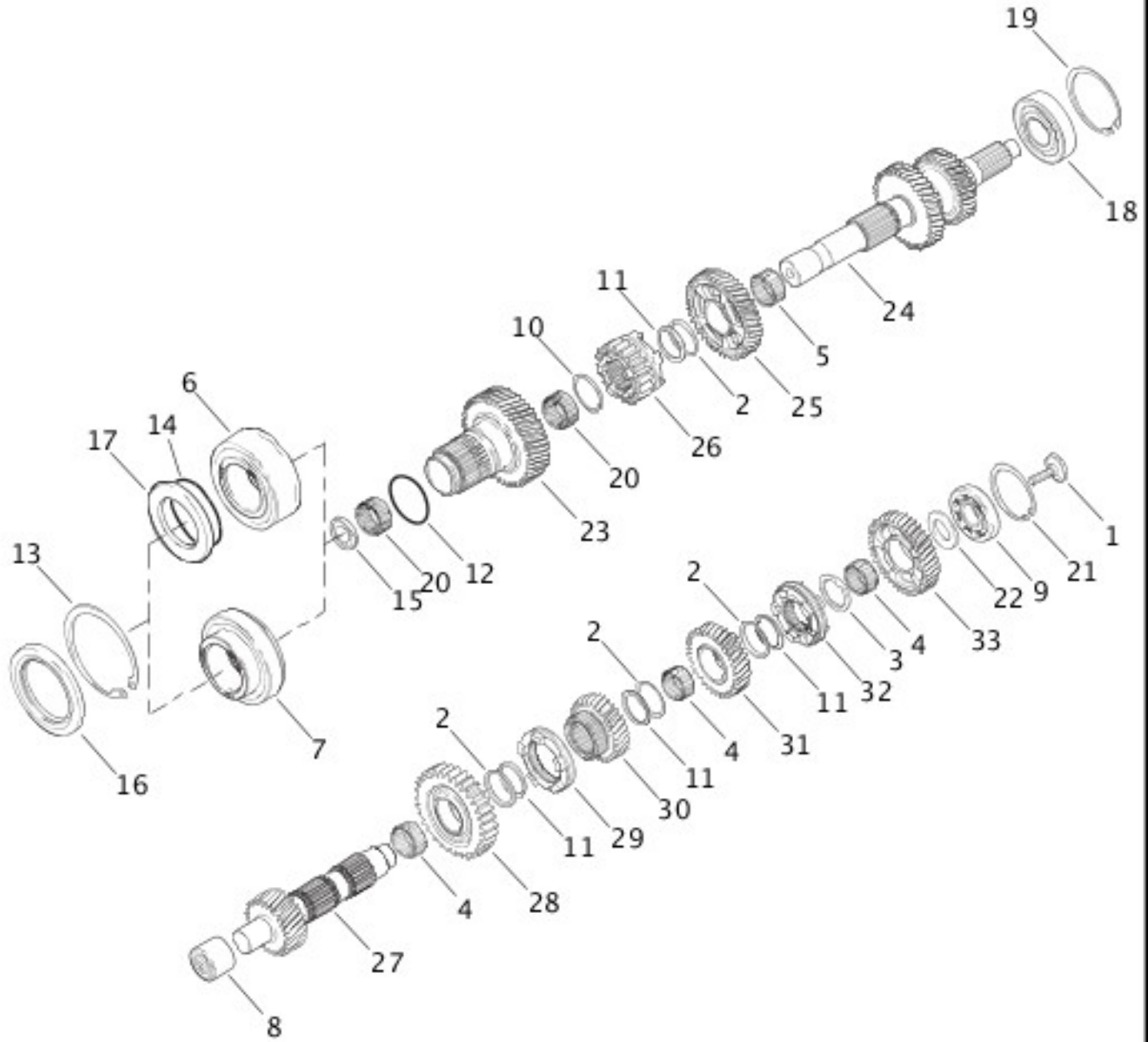


[View interactive table](#)

INDEX NO.	PART NO.	DESCRIPTION	MODEL(S)
3	31556-91D	CLUTCH SUB-ASSEMBLY	ALL

[TRANSMISSION GEARS](#)

# TRANSMISSION GEARS



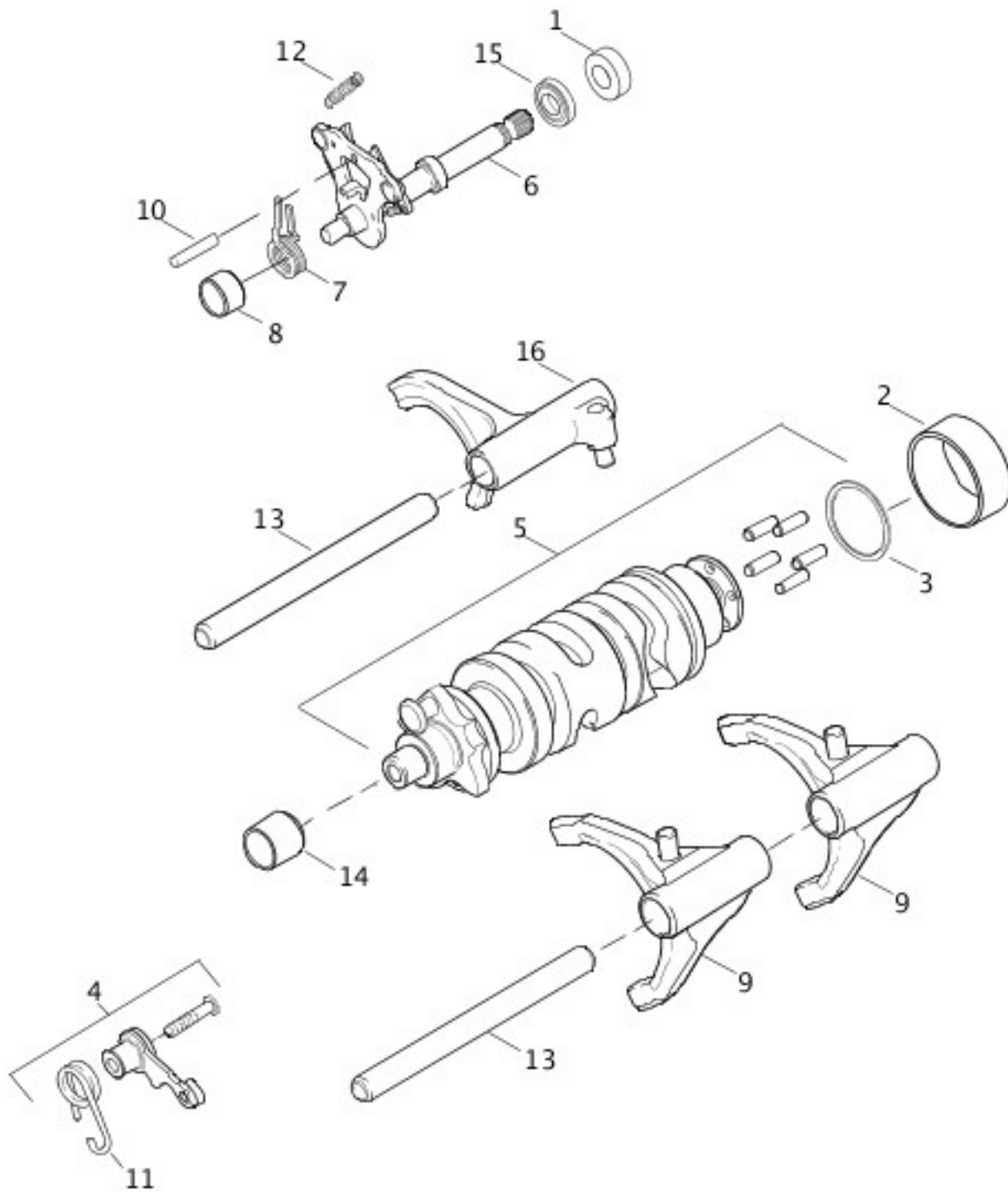
[View interactive table](#)

INDEX NO.	PART NO.	DESCRIPTION	MODEL(S)
9	8970A	BEARING, ball	ALL

**SHIFTER**



## SHIFTER

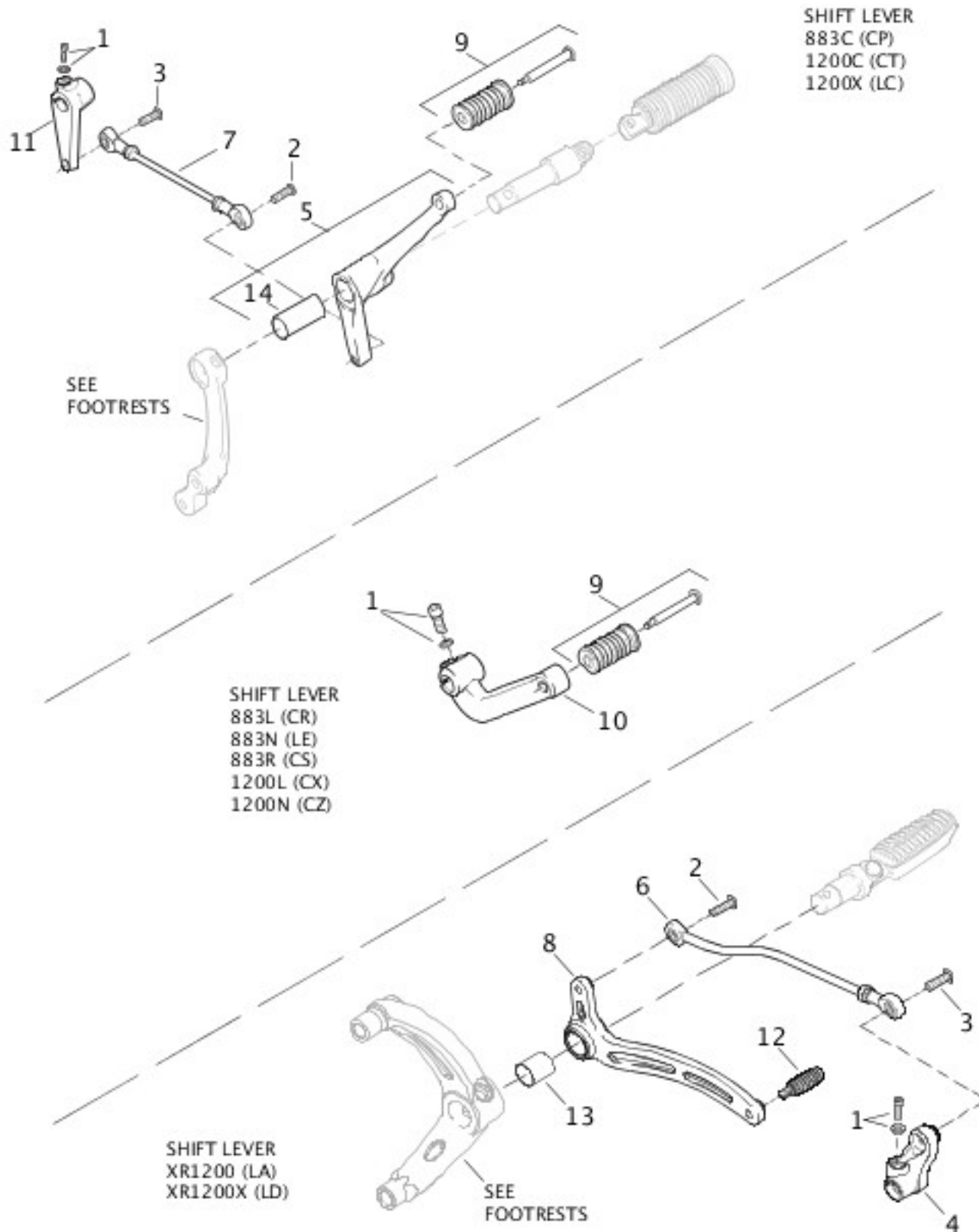


[View interactive table](#)

INDEX NO.	PART NO.	DESCRIPTION	MODEL(S)
14	34982-02A	BUSHING, right hand crankcase	ALL

**[SHIFT LEVER](#)**

## SHIFT LEVER

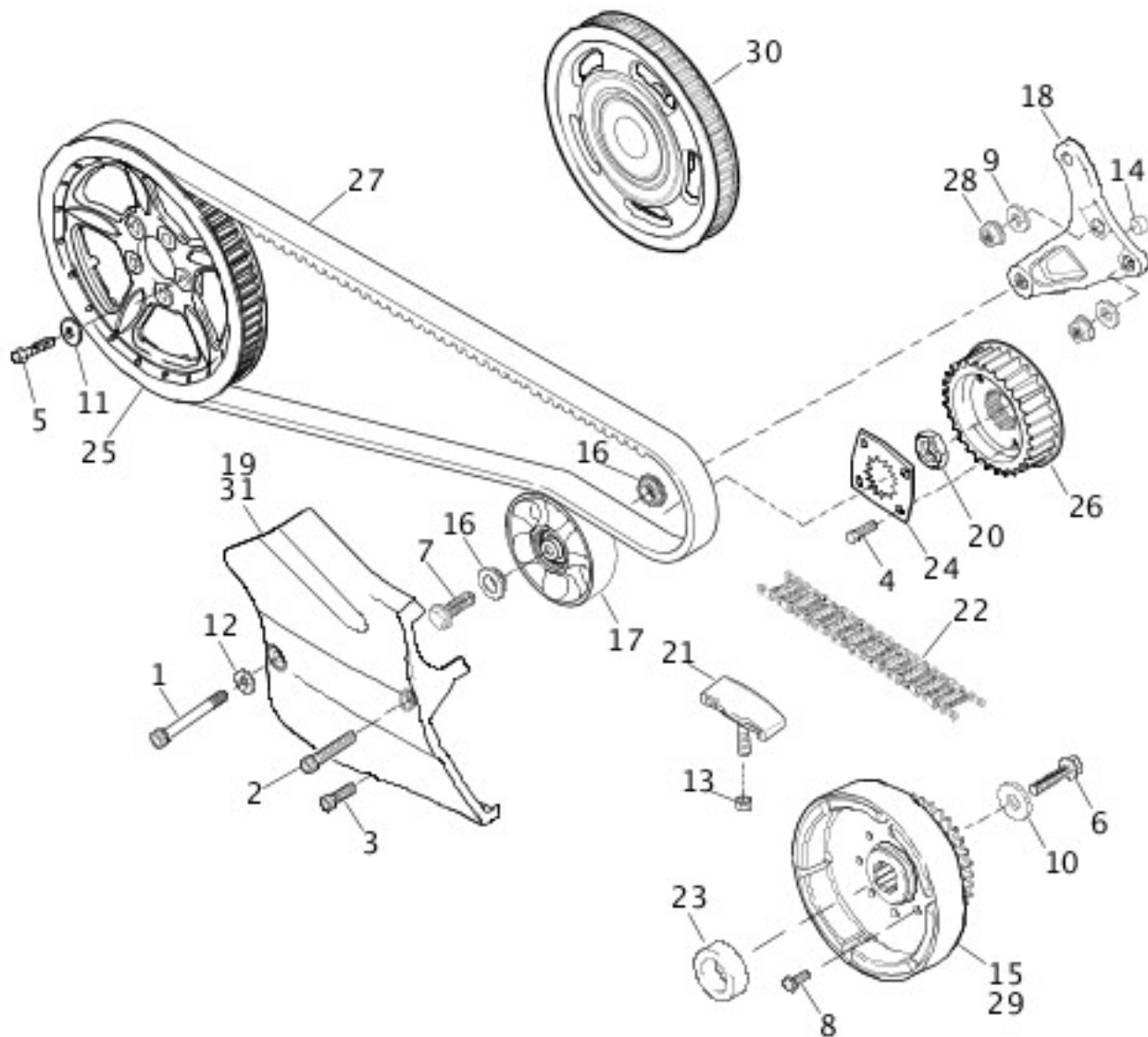


[View interactive table](#)

INDEX NO.	PART NO.	DESCRIPTION	MODEL(S)
	34665-10	SHIFTER ARM (black)	XR1200X

## [BELTS & SPROCKETS - XR1200/X](#)

## BELTS & SPROCKETS – XR1200/X

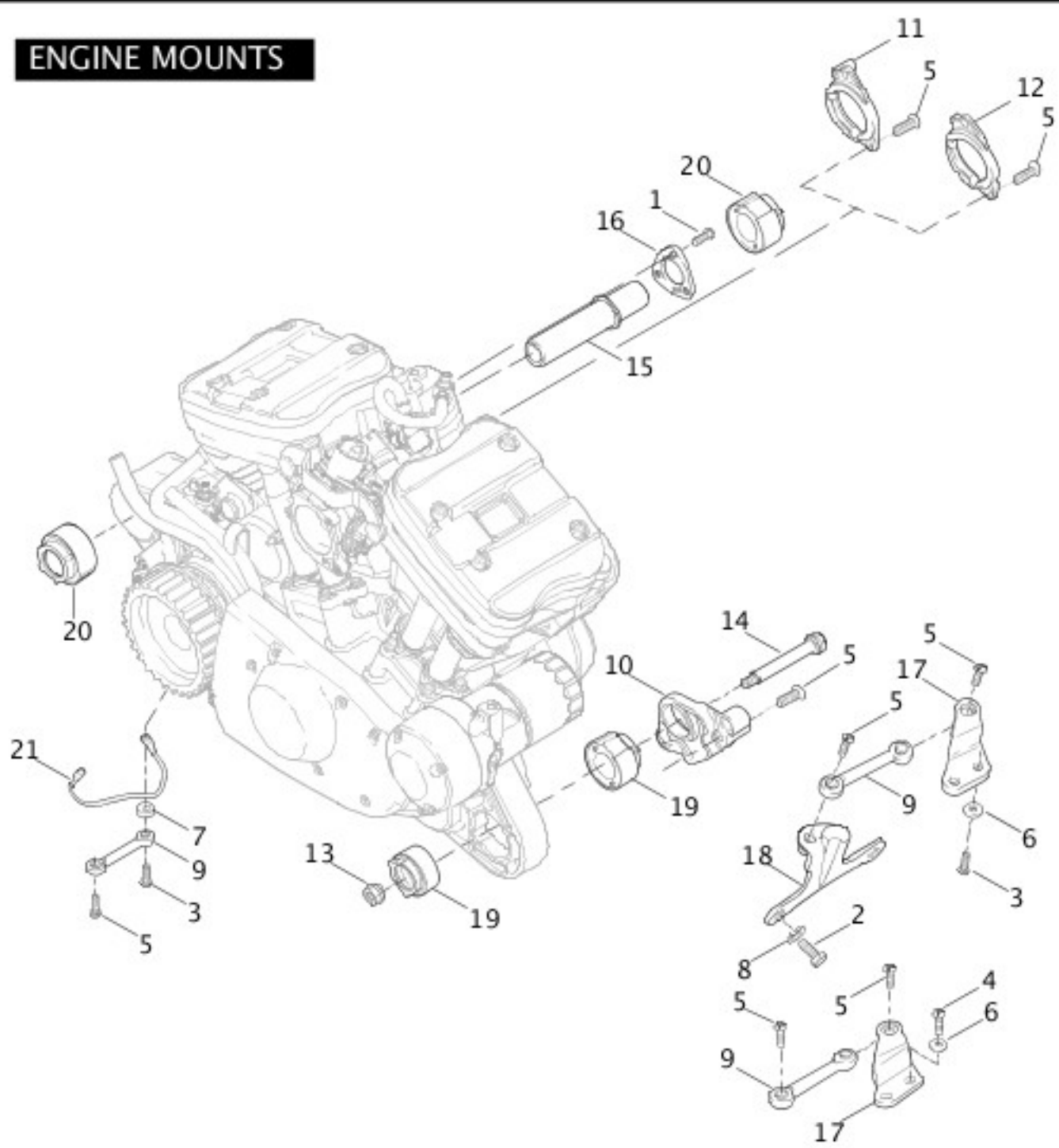


[View interactive table](#)

INDEX NO.	PART NO.	DESCRIPTION	MODEL(S)
2	1753	SCREW (2)	XR1200, XR1200X
31	37716-10	SPROCKET COVER, black	XR1200X

## [ENGINE MOUNTS](#)

## ENGINE MOUNTS

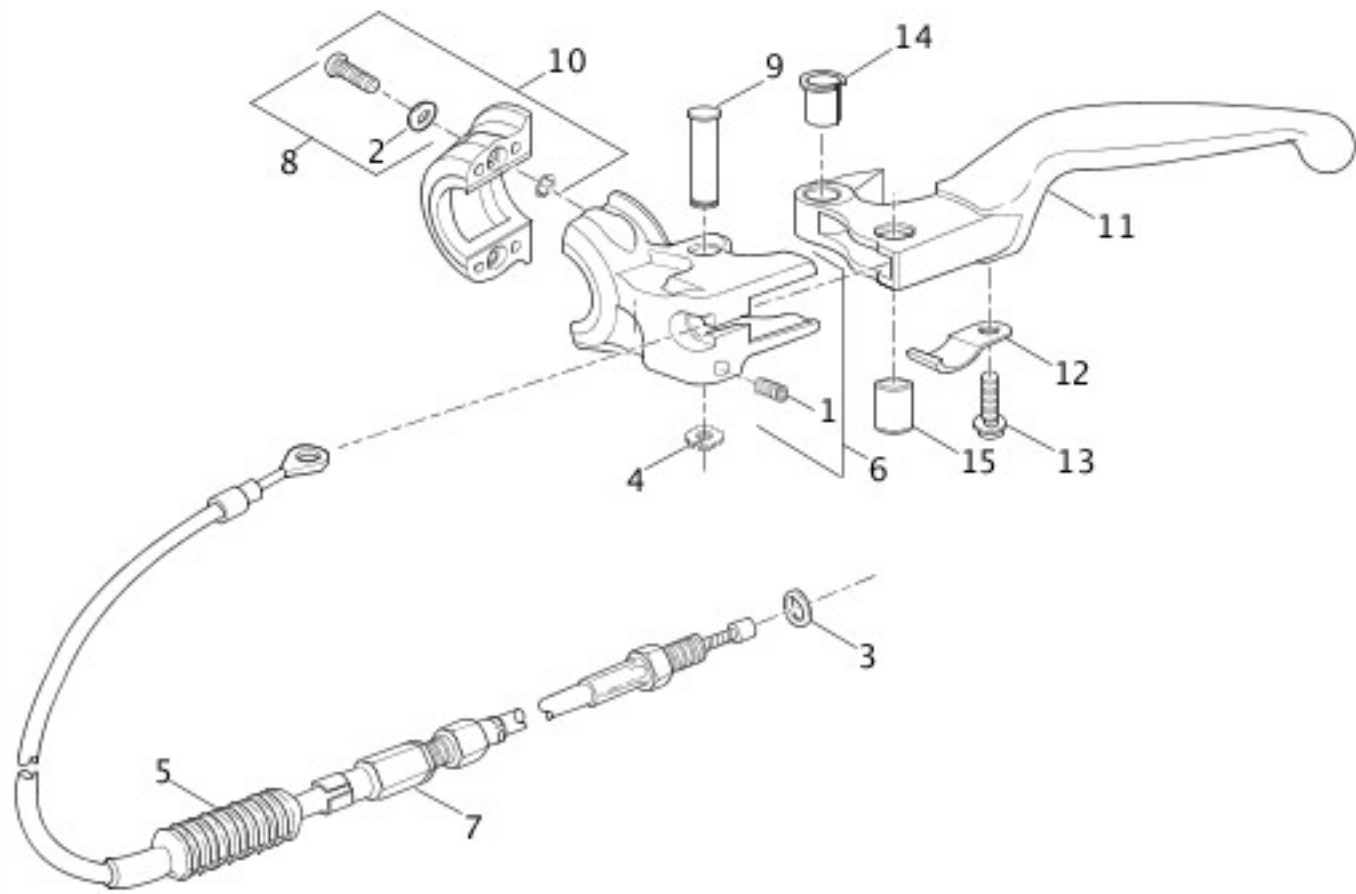


[View interactive table](#)

INDEX NO.	PART NO.	DESCRIPTION	MODEL(S)
9	16232-04B	TIE-LINK (3)	ALL
19	48463-04A	ISOLATOR, front mount (2)	ALL
20	48492-04A	ISOLATOR, rear mount (2)	ALL

## [CLUTCH CONTROL](#)

## CLUTCH CONTROL

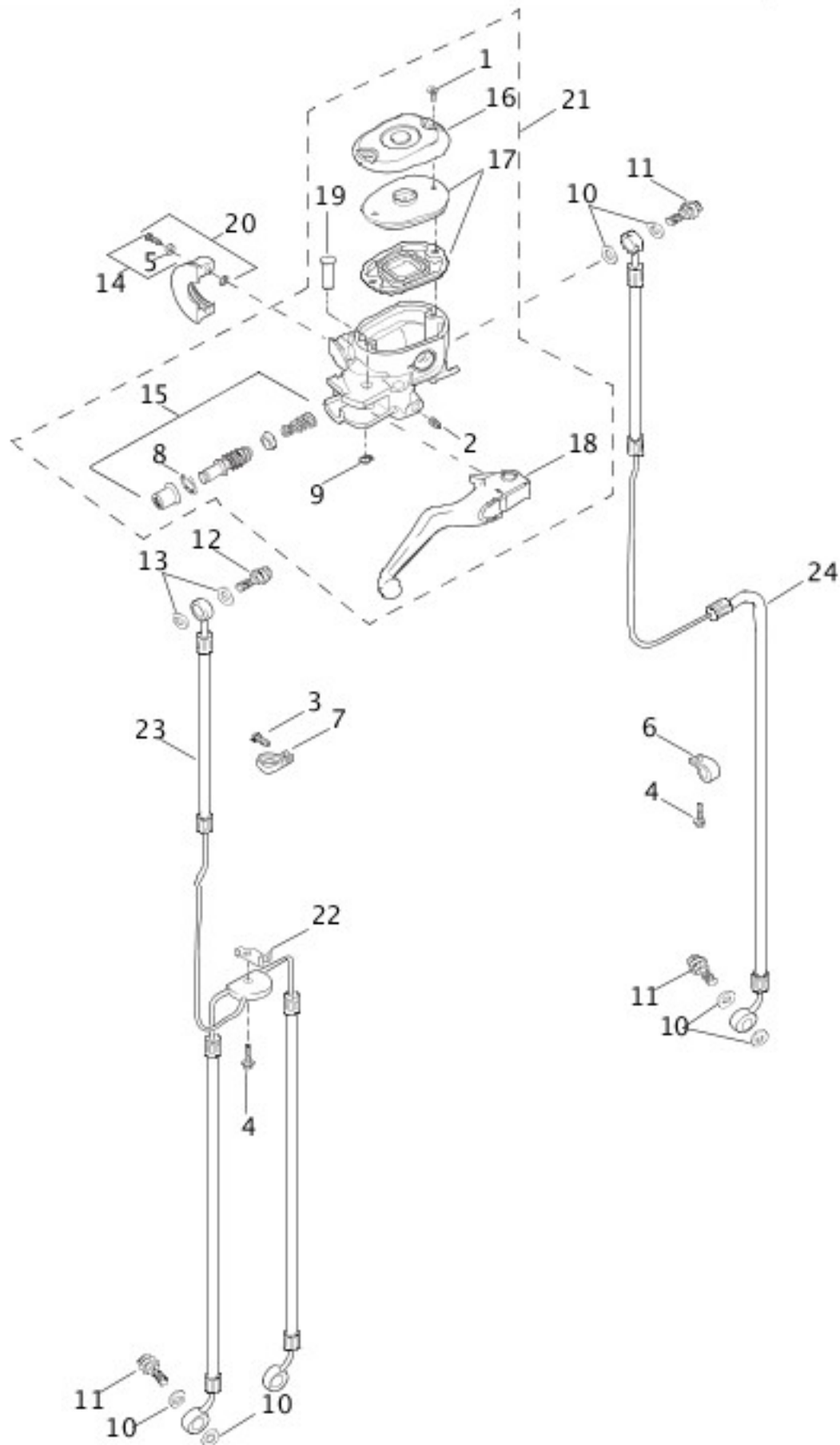


[View interactive table](#)

INDEX NO.	PART NO.	DESCRIPTION	MODEL(S)
7	38699-04D	CABLE ASSEMBLY, w/ 11179, 11379, 38630-88, & 46268-04	XL1200C, XL1200X, XL883C, XL883N, XL883R

[FRONT BRAKE CONTROL - 883C/L/N/R, 1200C/L/N/X](#)

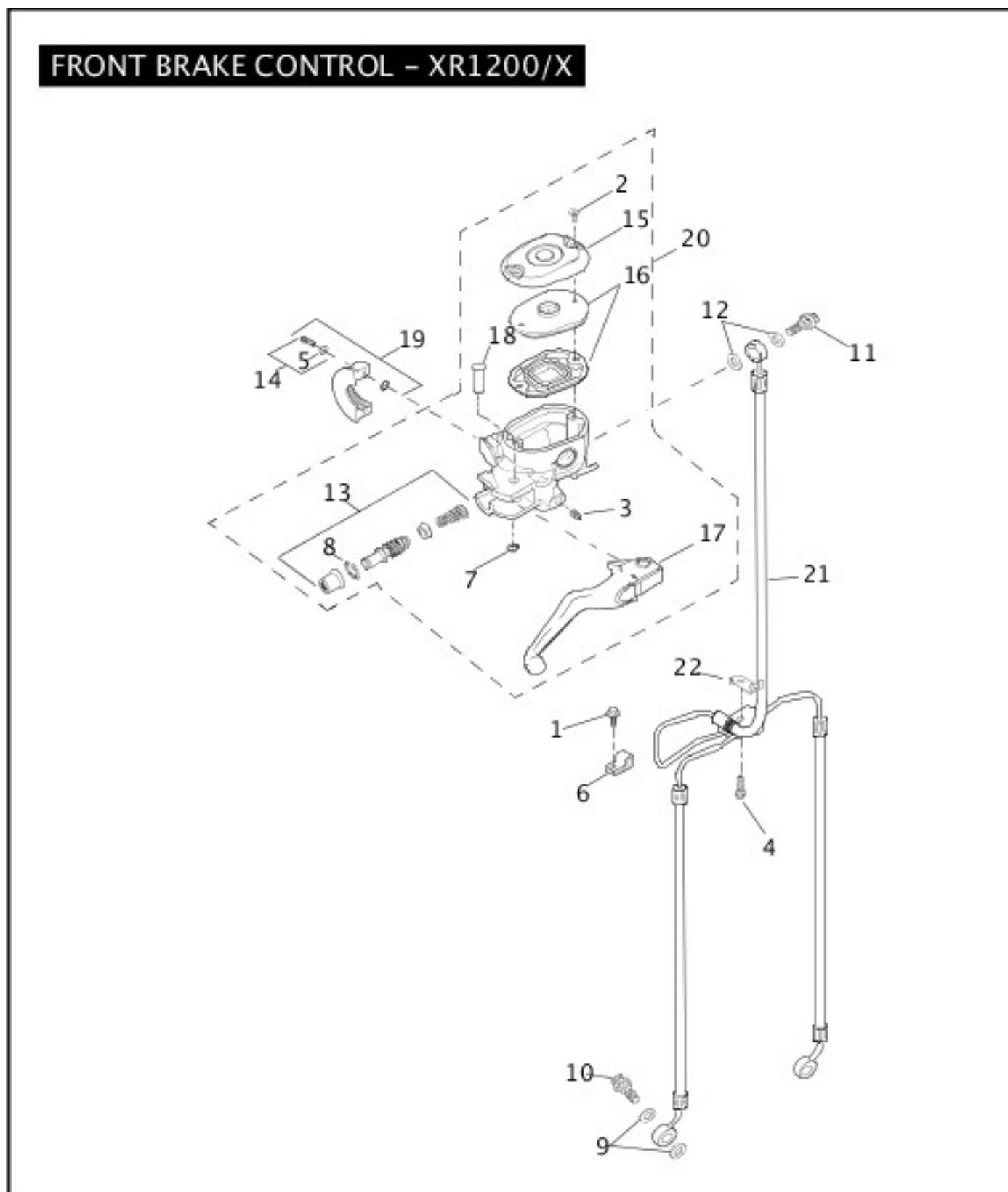
# FRONT BRAKE CONTROL- 883C/L/N/R, 1200C/L/N/



[View interactive table](#)

INDEX NO.	PART NO.	DESCRIPTION	MODEL(S)
23	45319-04D	BRAKELINE, front, dual	XL883R
24	45449-04C	BRAKELINE, front, single	XL1200C, XL1200N, XL883C
	46400-04C	BRAKELINE, front, single	XL883N
	46411-05E	BRAKELINE, front, single	XL1200L, XL883L

## FRONT BRAKE CONTROL - XR1200/X

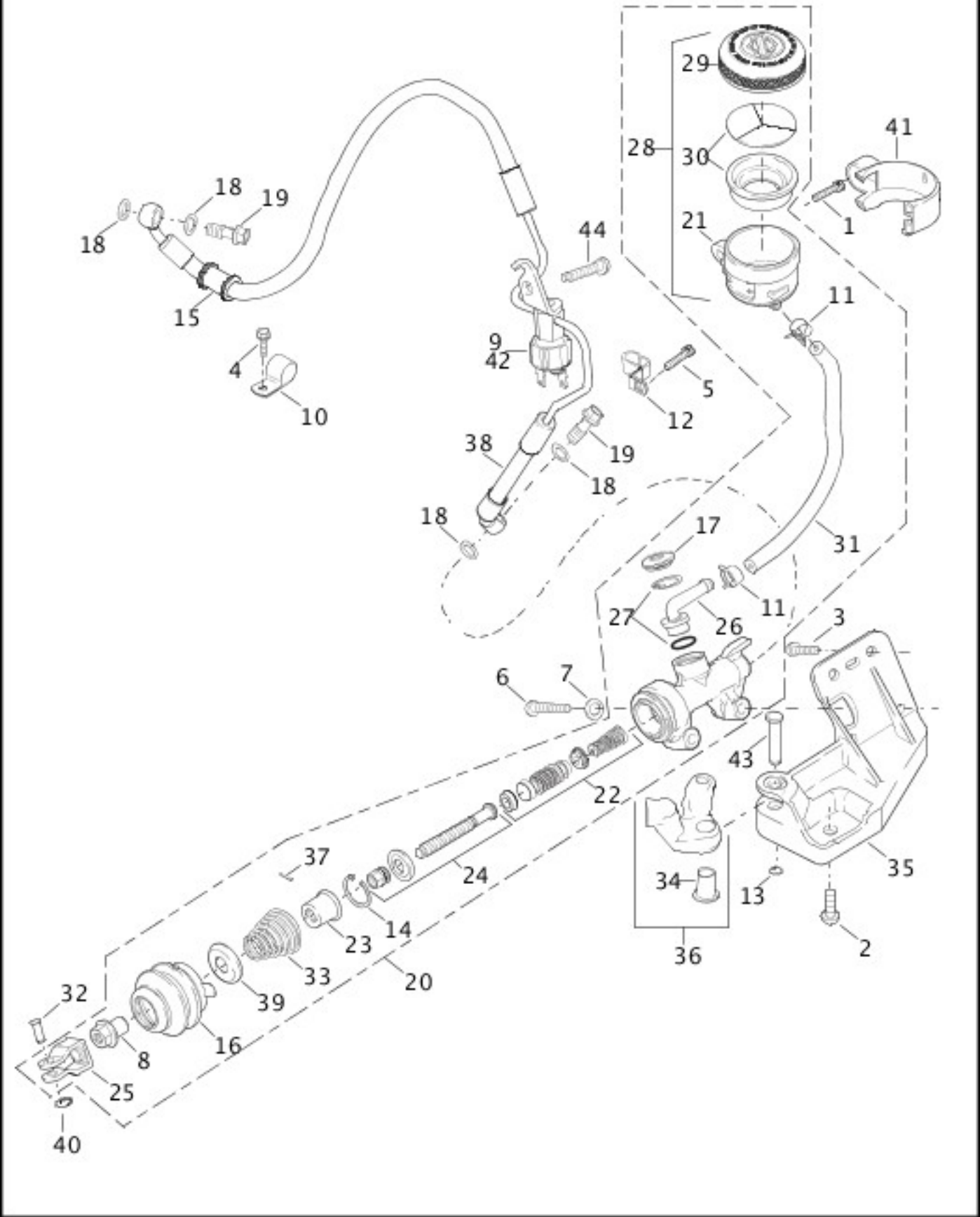


[View interactive table](#)

INDEX NO.	PART NO.	DESCRIPTION	MODEL(S)
17	46946-06A	LEVER, front brake (black)	XR1200, XR1200X
20	42941-10	MASTER CYLINDER ASSEMBLY, dual, front	XR1200, XR1200X
21	42942-08B	BRAKELINE, front, dual	XR1200, XR1200X

## REAR BRAKE MASTER CYLINDER - 883C/L/N/R, 1200C/L/N/X

# REAR BRAKE MASTER CYLINDER - 883C/L/N/R, 1200C/L/N/X



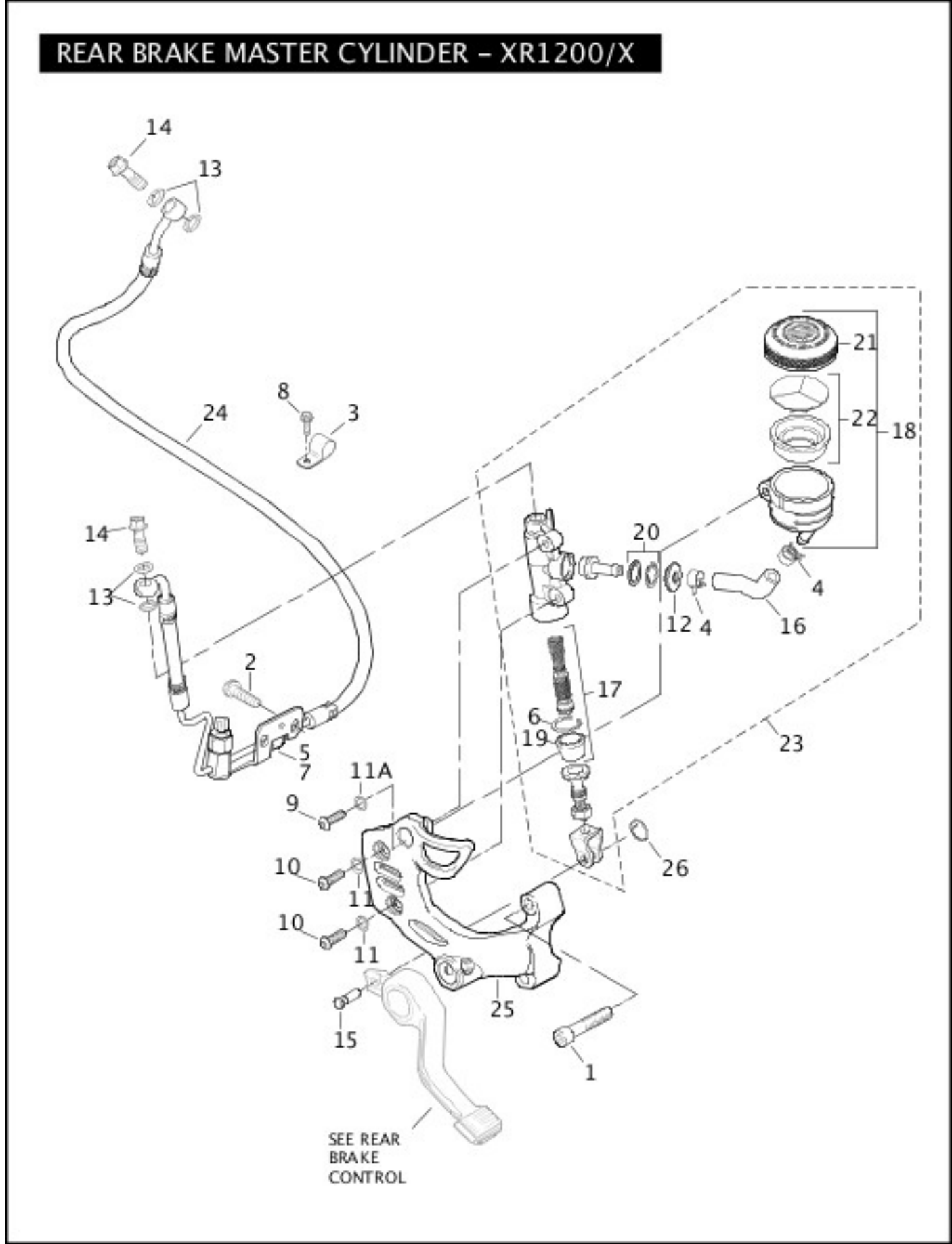
[View interactive table](#)

INDEX NO.	PART NO.	DESCRIPTION	MODEL(S)
42	72023-51E	BRAKE LIGHT SWITCH, w/ 9907	XL1200C, XL1200L, XL1200N, XL1200X, XL883C, XL883L, XL883N, XL883R

## [REAR BRAKE MASTER CYLINDER - XR1200/X](#)



## REAR BRAKE MASTER CYLINDER - XR1200/X

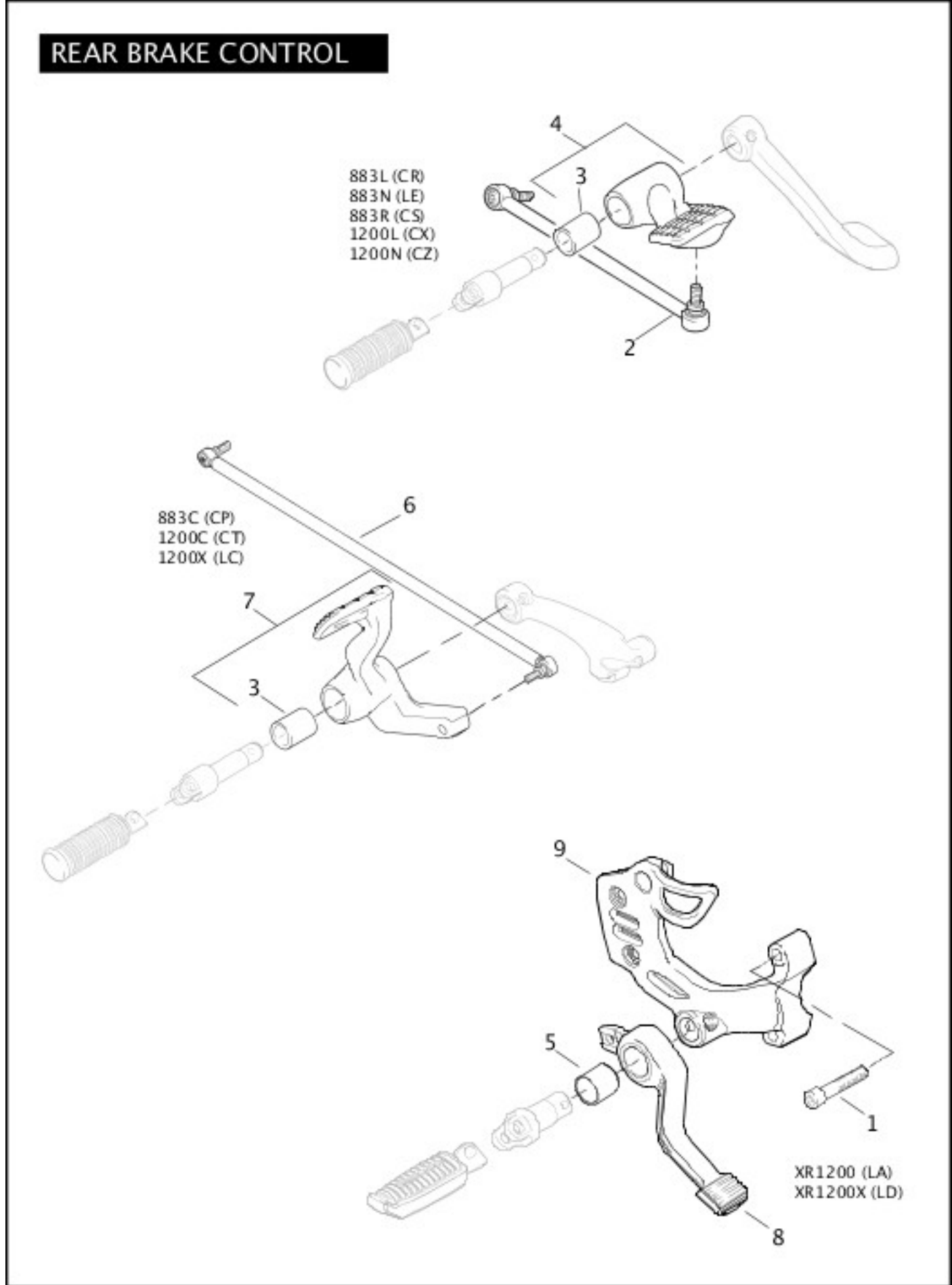


[View interactive table](#)

INDEX NO.	PART NO.	DESCRIPTION	MODEL(S)
9	42425-05	KIT, screw & washer	XR1200, XR1200X
24	42975-08B	BRAKELINE ASSEMBLY, rear, w/ 10031, 11407	XR1200, XR1200X

[REAR BRAKE CONTROL](#)

## REAR BRAKE CONTROL

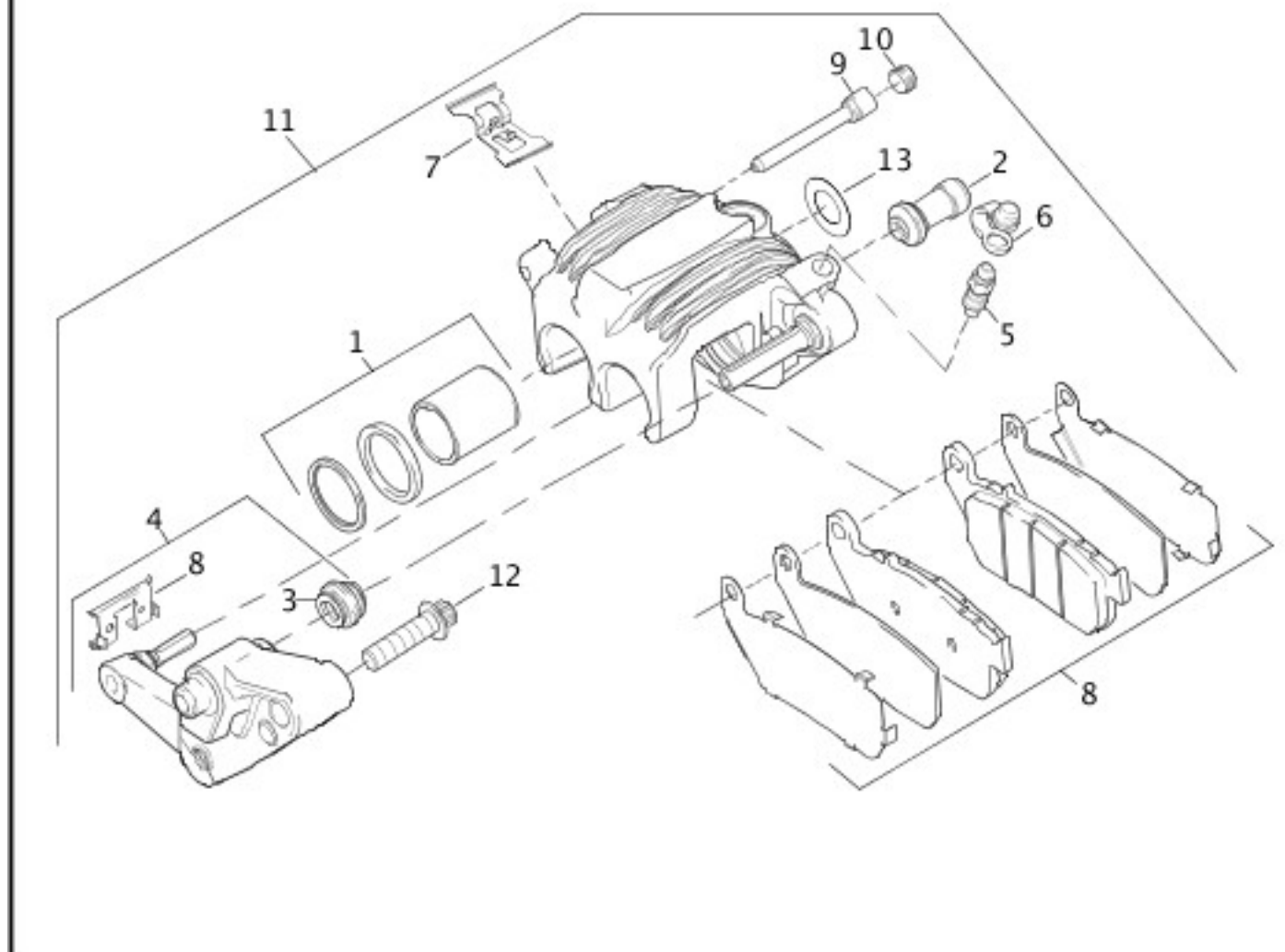


[View interactive table](#)

INDEX NO.	PART NO.	DESCRIPTION	MODEL(S)
6	42645-07	BRAKE ROD ASSEMBLY	XL1200X
	42649-07	PEDAL ASSEMBLY, w/ 42569-03 (black)	XL1200X
8	42949-08A	BRAKE PEDAL, rear, w/ 42443-80A	XR1200, XR1200X

**[FRONT BRAKE CALIPER - 883C/L/N/R, 1200C/L/N/X](#)**

## FRONT BRAKE CALIPER - 883C/L/N/R, 1200C/L/N/

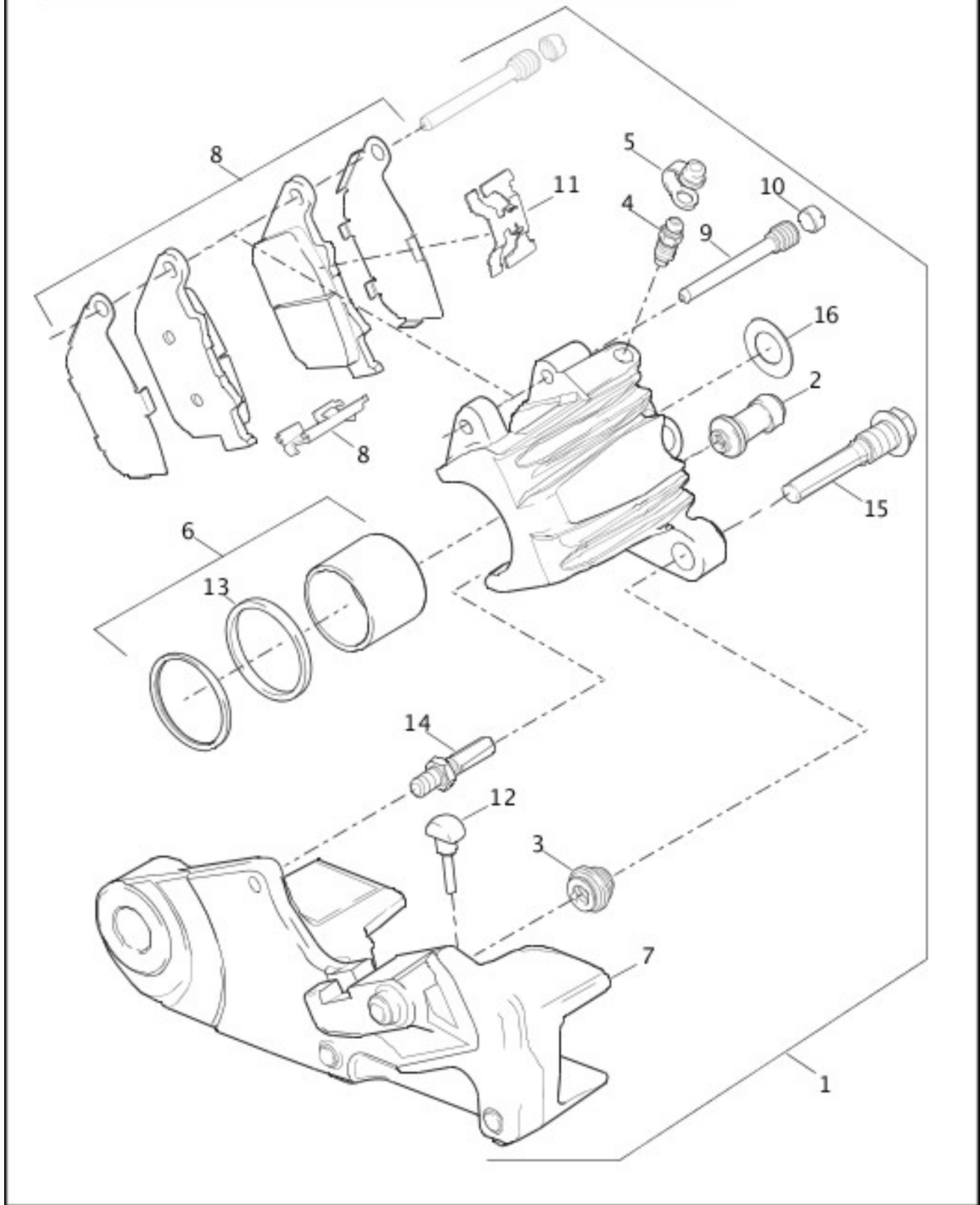


[View interactive table](#)

INDEX NO.	PART NO.	DESCRIPTION	MODEL(S)
	42880-10	CALIPER BRACKET ASSEMBLY, front left, w/ 42824-04	XL1200N, XL1200X, XL883N, XL883R
	42878-10	CALIPER BRACKET ASSEMBLY, front right, w/ 42824-04 (not shown)	XL883R
11	44121-07A	CALIPER ASSEMBLY, front left	XL1200C, XL1200L, XL883C, XL883L
	42877-10	CALIPER ASSEMBLY, front right (not shown)	XL883R
	42879-10	CALIPER ASSEMBLY, front left	XL1200N, XL1200X, XL883N, XL883R

## [REAR BRAKE CALIPER - 883C/L/N/R, 1200C/L/N/X](#)

# REAR BRAKE CALIPER - 883C/L/N/R, 1200C/L/N/R

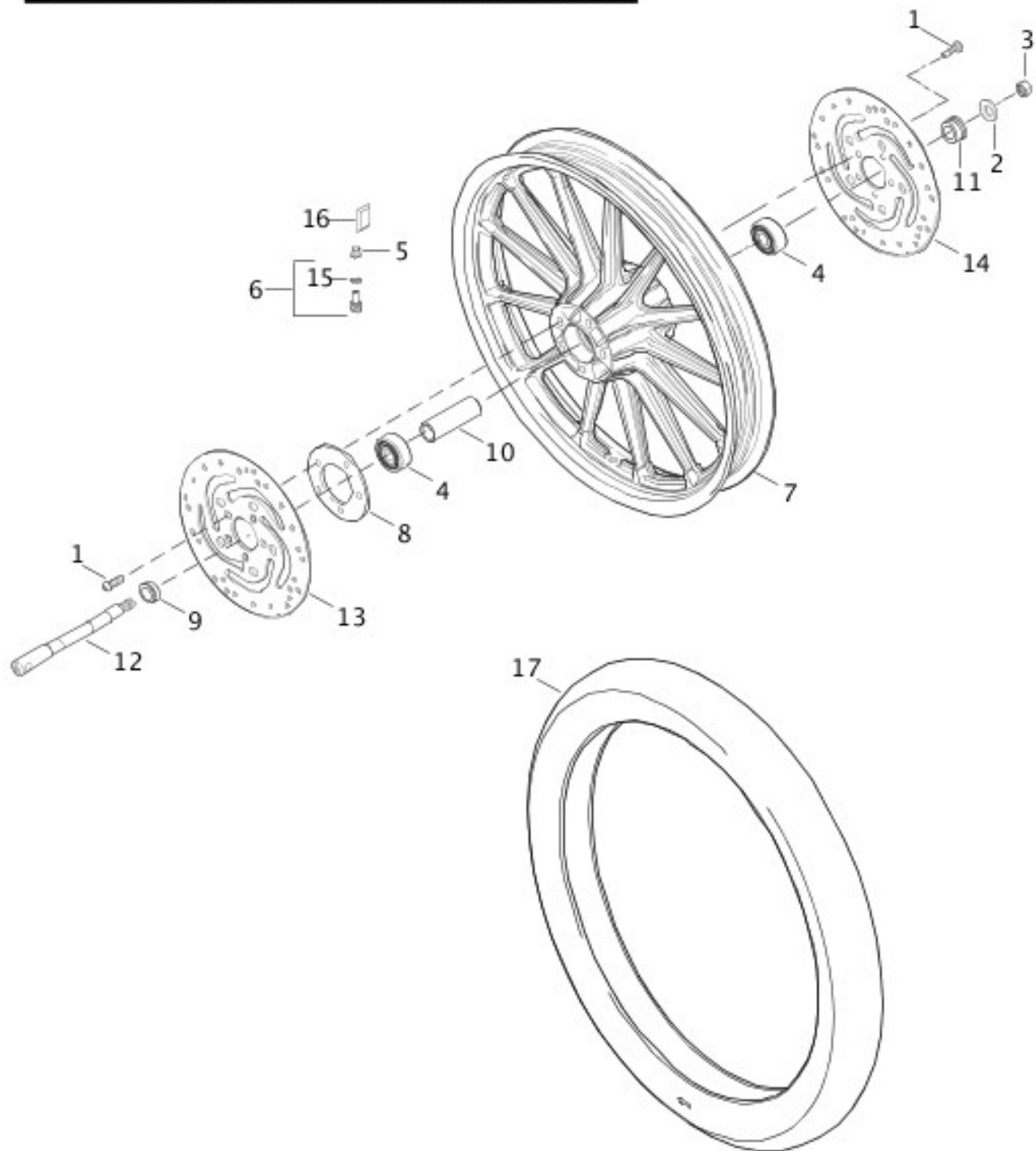


[View interactive table](#)

INDEX NO.	PART NO.	DESCRIPTION	MODEL(S)
	42881-10	CALIPER ASSEMBLY, rear	XL1200N, XL1200X, XL883N, XL883R
13	43528-04	SEAL KIT	XL1200C, XL1200L, XL1200N, XL1200X, XL883C, XL883L, XL883N, XL883R

[FRONT WHEEL, CAST - 883L/N/R, 1200L](#)

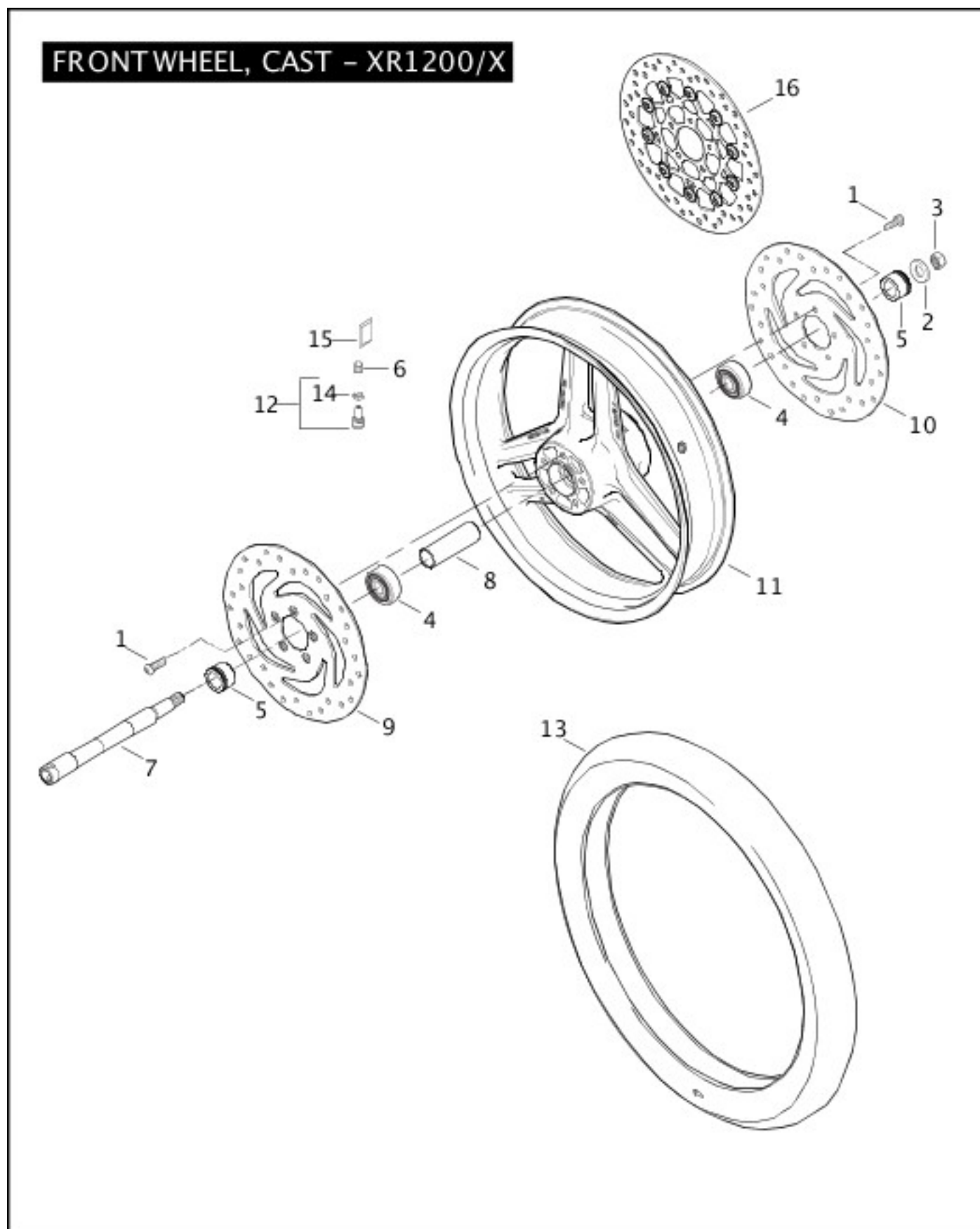
# FRONT WHEEL, CAST - 883L/N/R, 1200L



[View interactive table](#)

INDEX NO.	PART NO.	DESCRIPTION	MODEL(S)
4	9276A	BALL BEARING, 25mm (2)	XL1200L, XL883L, XL883N, XL883R
	47875-09A	WHEEL ASSEMBLY, 19 in. (13 spoke) (black) w/o bearings & sleeves	XL883N
16	95595-84B	WHEEL WEIGHT, 5 grams (silver)	XL1200L, XL883L, XL883N, XL883R

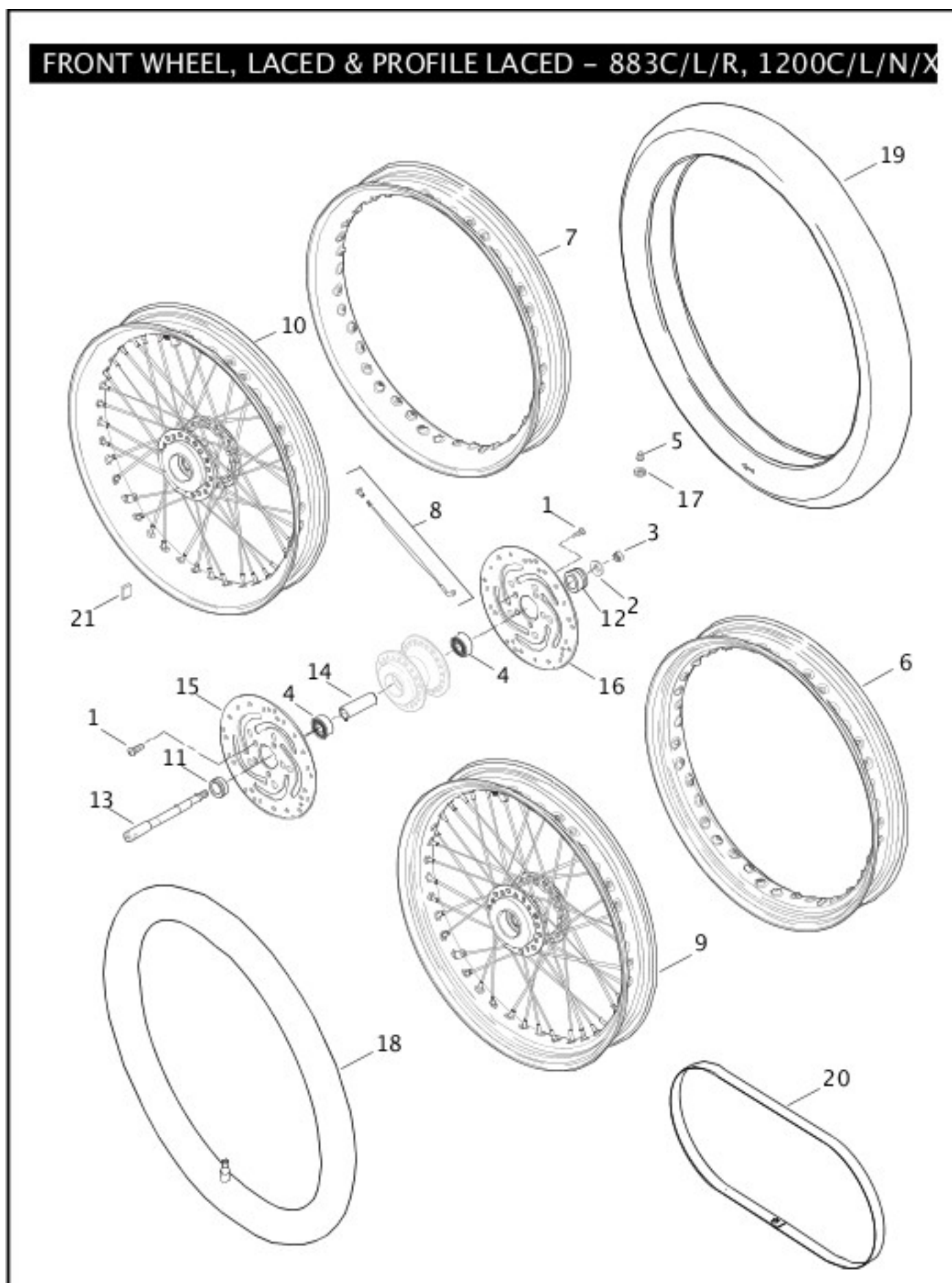
# FRONT WHEEL, CAST - XR1200/X



[View interactive table](#)

INDEX NO.	PART NO.	DESCRIPTION	MODEL(S)
4	9276A	BALL BEARING, 25mm (2)	XR1200, XR1200X
9	41820-08A	DISC, brake - RH	XR1200
10	41821-08A	DISC, brake - LH	XR1200
15	95594-84B	WHEEL WEIGHT, 5 grams (black)	XR1200, XR1200X
16	41822-10	DISC, brake (2)	XR1200X

# FRONT WHEEL, LACED & PROFILE LACED - 883C/L/R, 1200C/N/L/X



[View interactive table](#)

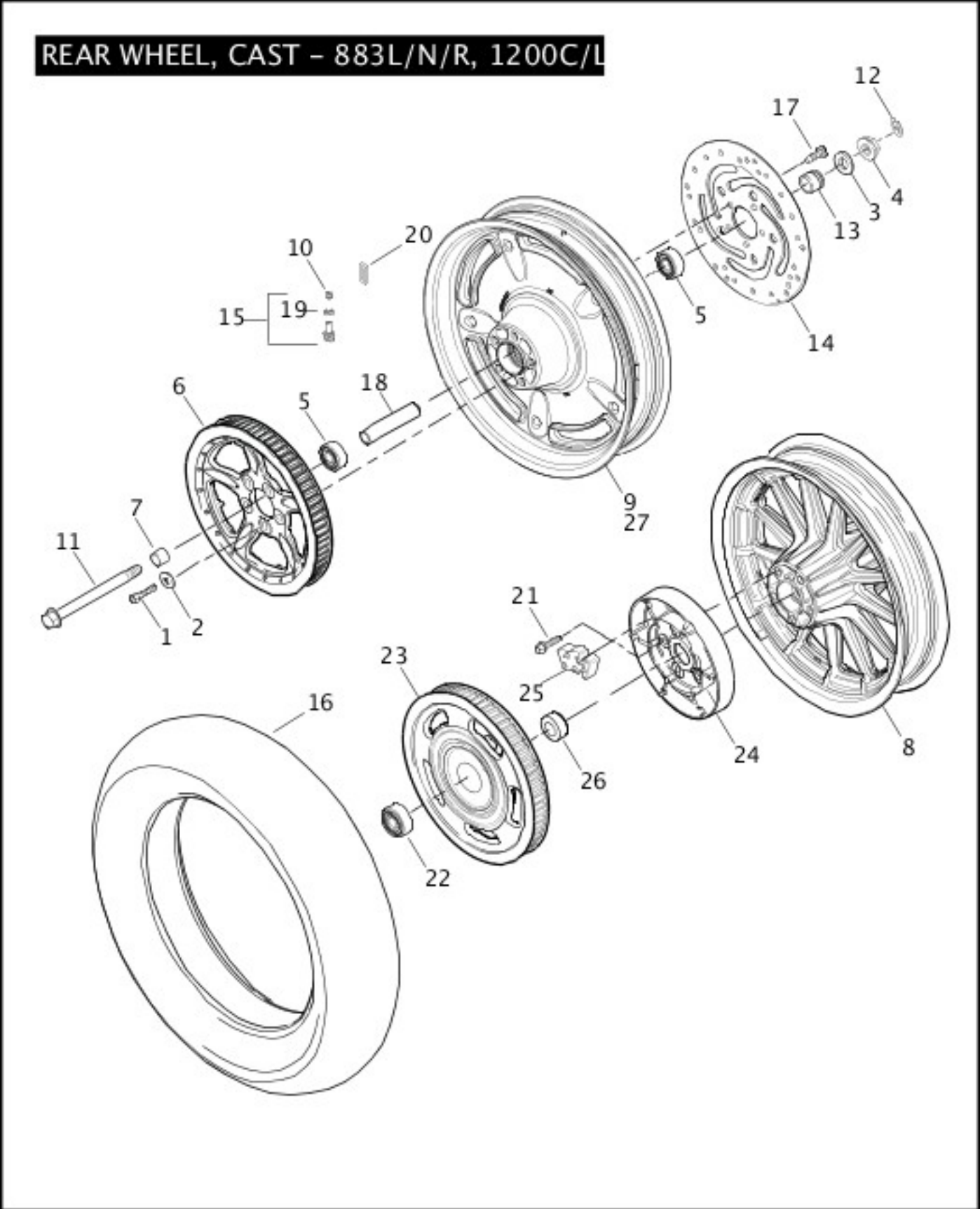
INDEX NO.	PART NO.	DESCRIPTION	MODEL(S)
4	9276A	BALL BEARING, 25mm (2)	XL1200C, XL1200L, XL1200N, XL1200X, XL883C, XL883L, XL883N, XL883R
	41389-10	RIM, laced wheel, 16 in. (black)	XL1200X

	47887-10	SPOKE & NIPPLE KIT, profile laced wheel, 16 in. rim (set of 32)	XL1200X
	41388-10	WHEEL ASSEMBLY, laced wheel, 16 in. w/o bearings & sleeves	XL1200X
	11804	SPACER, bearing - RH	XL1200X
	41242-08	SPACER, bearing - LH	XL1200X
	11888	SPACER, hub	XL1200X
	43022-91A	TIRE	XL1200X
21	95595-84B	WHEEL WEIGHT, 5 grams (silver)	XL1200C, XL1200L, XL1200N, XL883C, XL883L, XL883R
	95594-84B	WHEEL WEIGHT, 5 grams (black)	XL1200X

**REAR WHEEL, CAST - 883L/N/R, 1200C/L**



# REAR WHEEL, CAST - 883L/N/R, 1200C/L

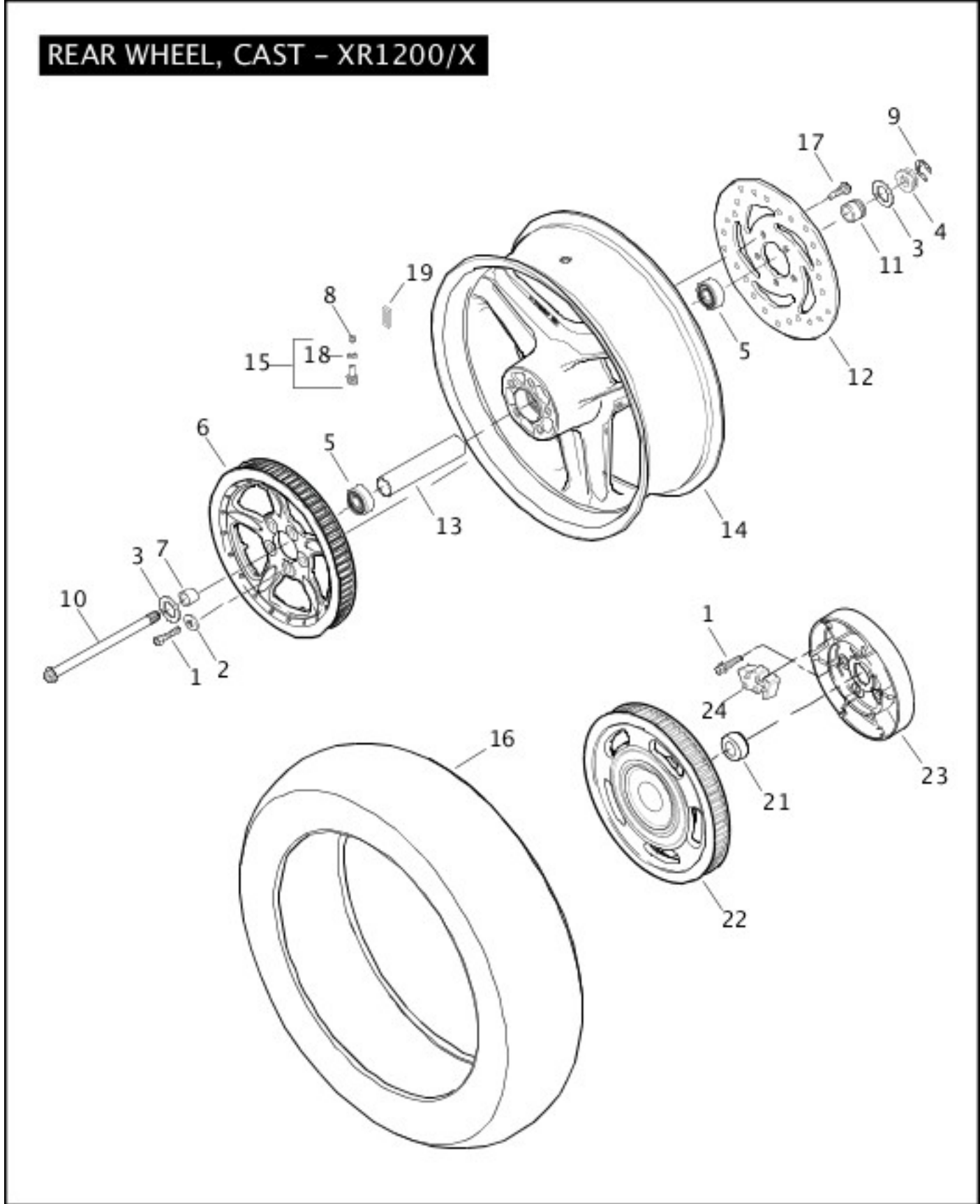


[View interactive table](#)

INDEX NO.	PART NO.	DESCRIPTION	MODEL(S)
5	9276A	BALL BEARING, 25mm (2)	XL1200C, XL1200L, XL883C, XL883L, XL883N, XL883R
	47878-09B	WHEEL ASSEMBLY, 16 in. (13 spoke) (black) w/o bearings & sleeves	XL883N
20	95595-84B	WHEEL WEIGHT, 5 grams (silver) (4)	XL1200C, XL1200L, XL883C, XL883L, XL883N, XL883R

## [REAR WHEEL, CAST - XR1200/X](#)

## REAR WHEEL, CAST - XR1200/X

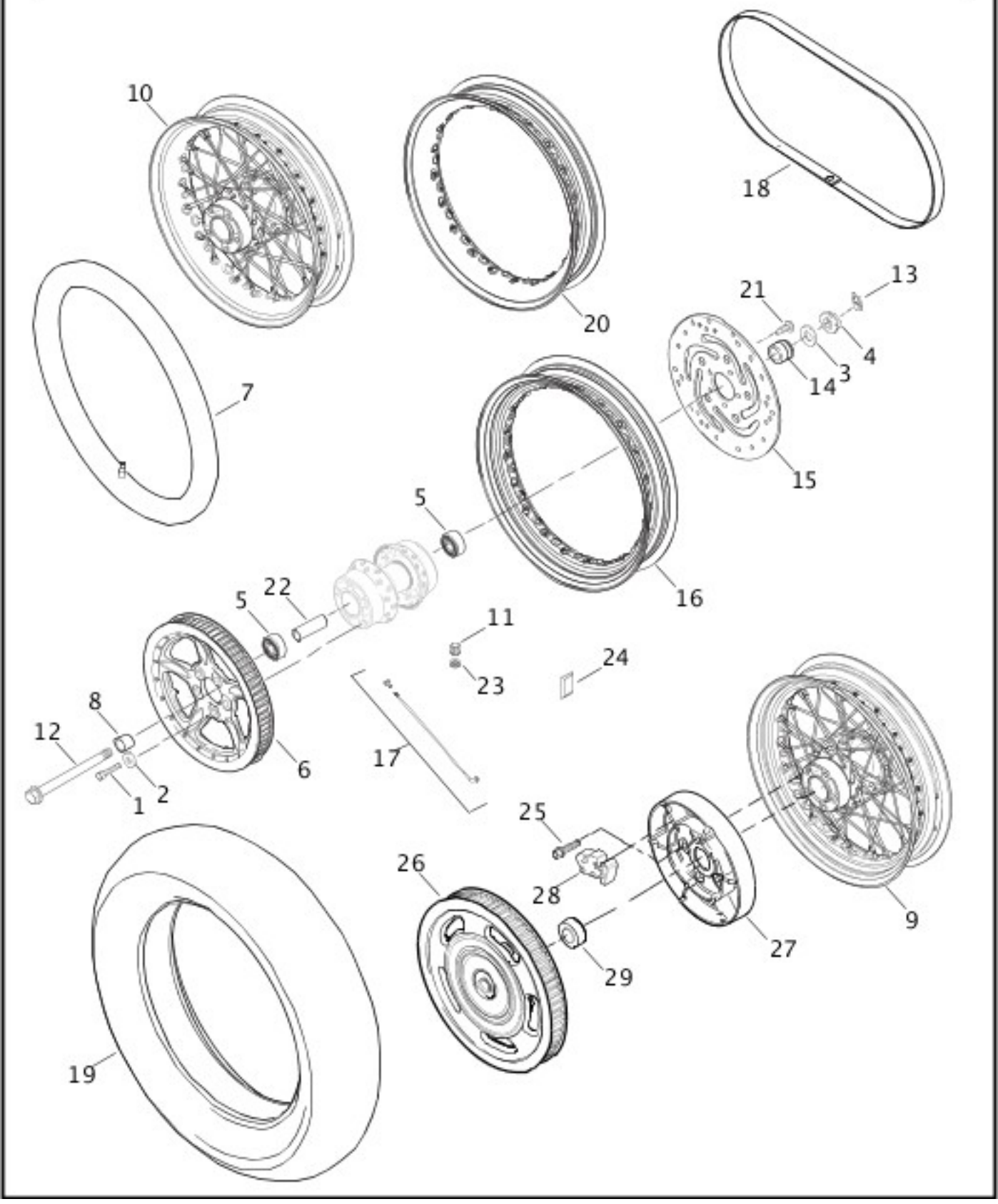


[View interactive table](#)

INDEX NO.	PART NO.	DESCRIPTION	MODEL(S)
5	9276A	BALL BEARING, 25mm (2)	XR1200, XR1200X
6	40350-07	SPROCKET, belt - 68T (black)	XR1200, XR1200X
	43348-10	WHEEL ASSEMBLY, 17 in. (3 spoke) (black) w/o bearings & sleeve	XR1200X
19	95594-84B	WHEEL WEIGHT, 5 grams (black) (4)	XR1200, XR1200X
	40518-08	SPROCKET ASSEMBLY, 68T (Japan)	XR1200X

[REAR WHEEL, LACED & PROFILE LACED - 883C/L/R, 1200C/L/N/X](#)

# REAR WHEEL, LACED & PROFILE LACED – 883C/L/R, 1200C/L/N/X

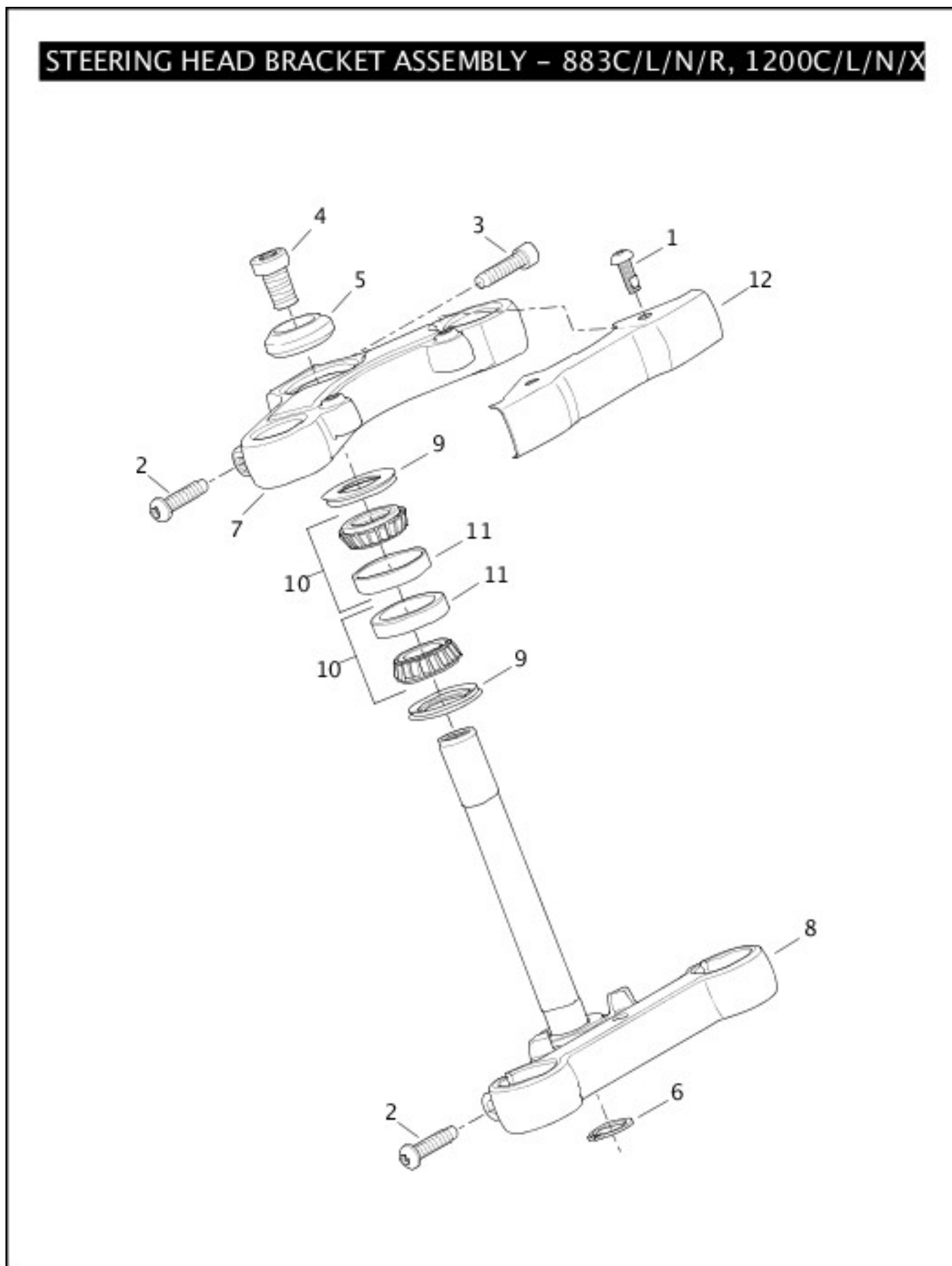


[View interactive table](#)

INDEX NO.	PART NO.	DESCRIPTION	MODEL(S)
5	9276A	BALL BEARING, 25mm (2)	XL1200C, XL1200L, XL1200N, XL1200X, XL883C, XL883L, XL883R
9	41082-08A	WHEEL ASSEMBLY, laced, 16 in. (chrome) w/o bearings & sleeves	XL1200L, XL883L, XL883R
	41478-10A	WHEEL ASSEMBLY, laced, 16 in. (black) w/o bearings & sleeves	XL1200X
	43832-	WHEEL ASSEMBLY, laced, 16 in. (black) w/o	XL1200N

	08A	bearings & sleeves	
24	95595-84B	WHEEL WEIGHT, 5 grams (silver)	XL1200C, XL1200L, XL1200N, XL883C, XL883L, XL883R
	95594-84B	WHEEL WEIGHT, 5 grams (black)	XL1200X

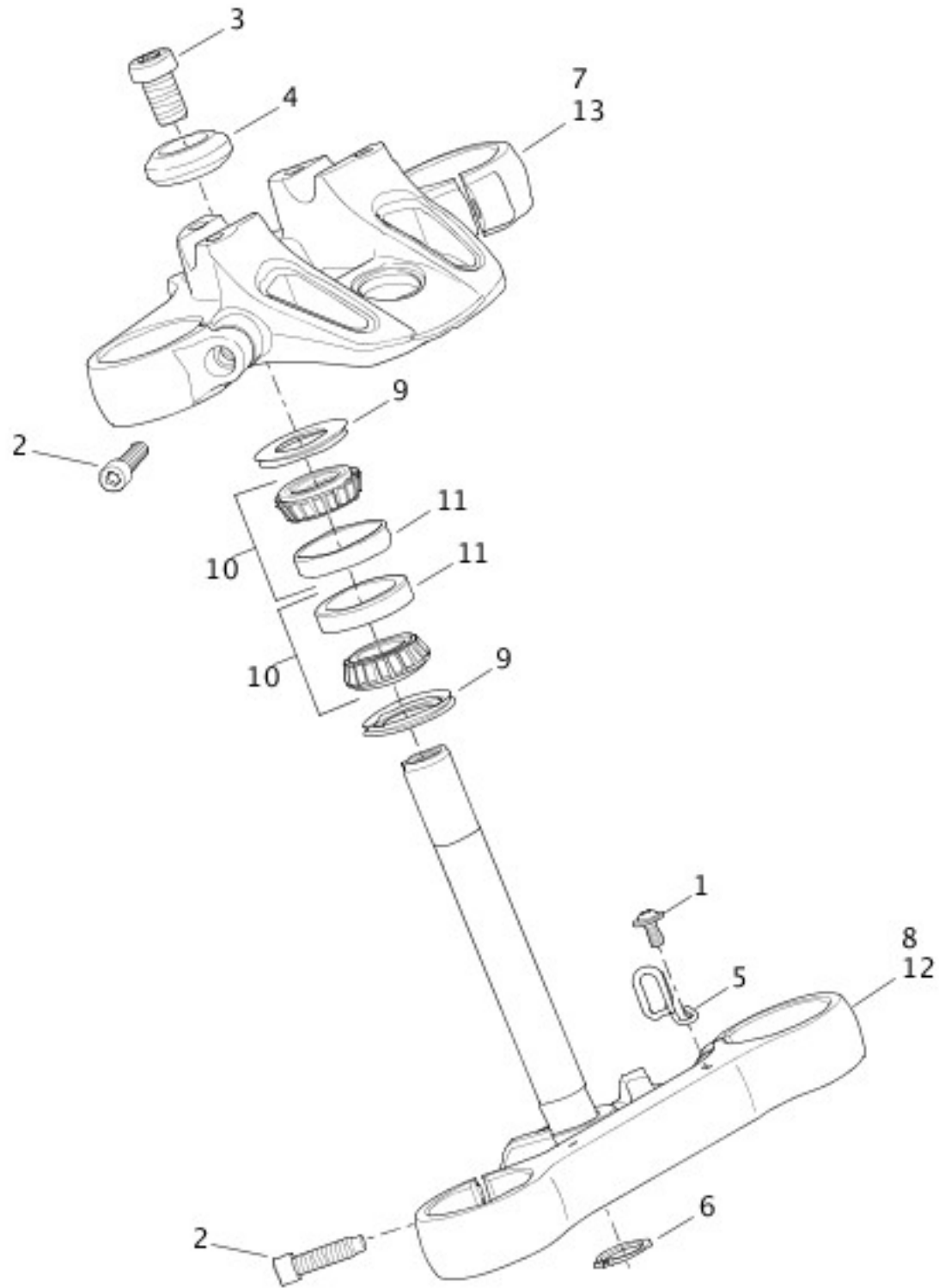
## [STEERING HEAD BRACKET ASSEMBLY - 883C/L/N/R, 1200C/L/N/X](#)



INDEX NO.	PART NO.	DESCRIPTION	MODEL(S)
4	4993	BOLT	XL1200C, XL1200L, XL1200N, XL1200X, XL883C, XL883L, XL883N, XL883R
5	6611	WASHER	XL1200C, XL1200L, XL1200N, XL1200X, XL883C, XL883L, XL883N, XL883R
	46009-10	BRACKET, upper (not shown)	XL1200X
8	46014-10	BRACKET, lower, w/ bearing, seal & retaining ring (not shown)	XL1200X

## **STEERING HEAD BRACKET ASSEMBLY - XR1200/X**

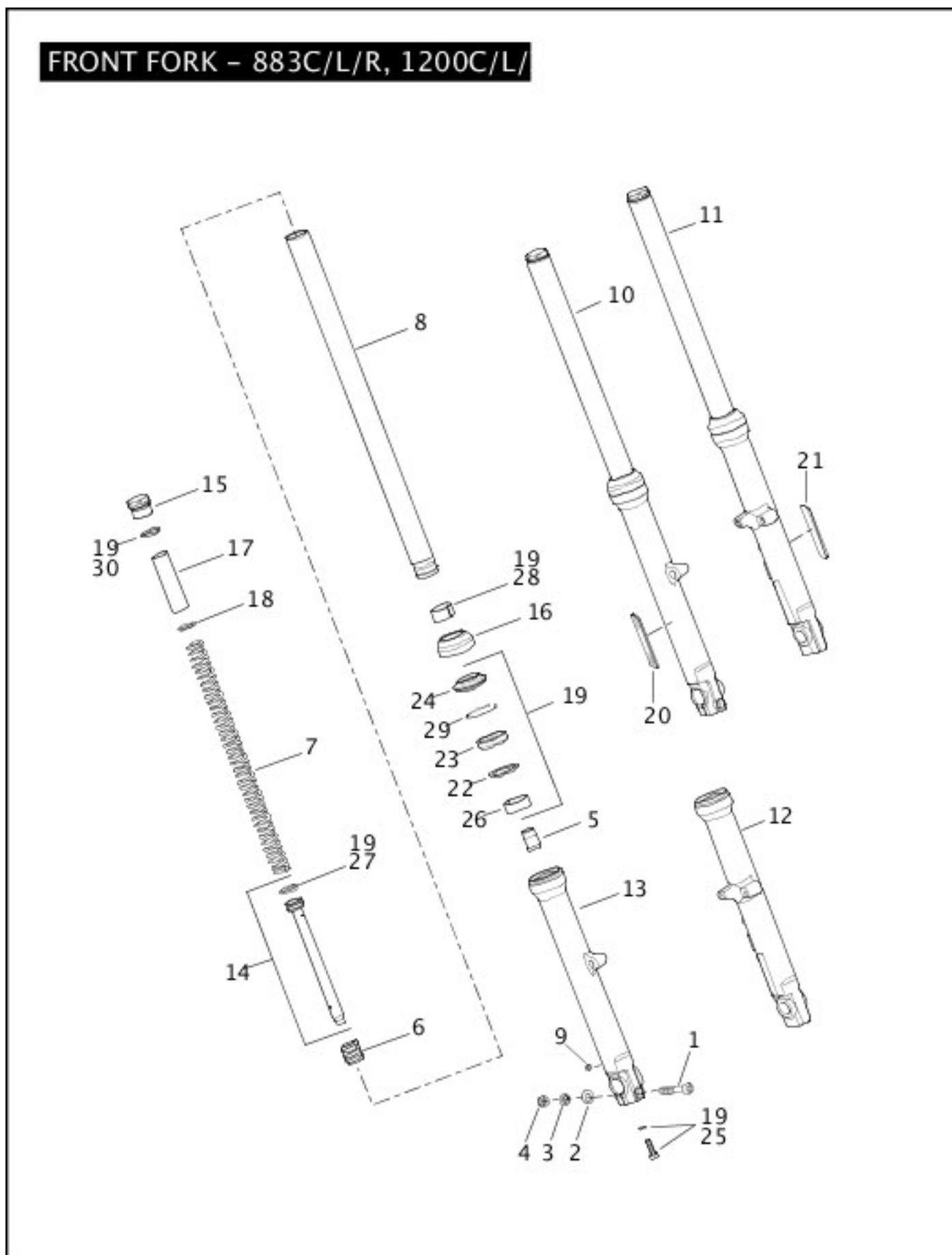
# STEERING HEAD BRACKET ASSEMBLY - XR1200/X



[View interactive table](#)

INDEX NO.	PART NO.	DESCRIPTION	MODEL(S)
3	4993	BOLT	XR1200, XR1200X
4	6611	WASHER	XR1200, XR1200X
12	46927-10	BRACKET, lower, w/ bearing, seal & retaining ring (black)	XR1200X
13	46928-10	BRACKET, upper (black)	XR1200X

# FRONT FORK - 883C/L/R, 1200C/L/X

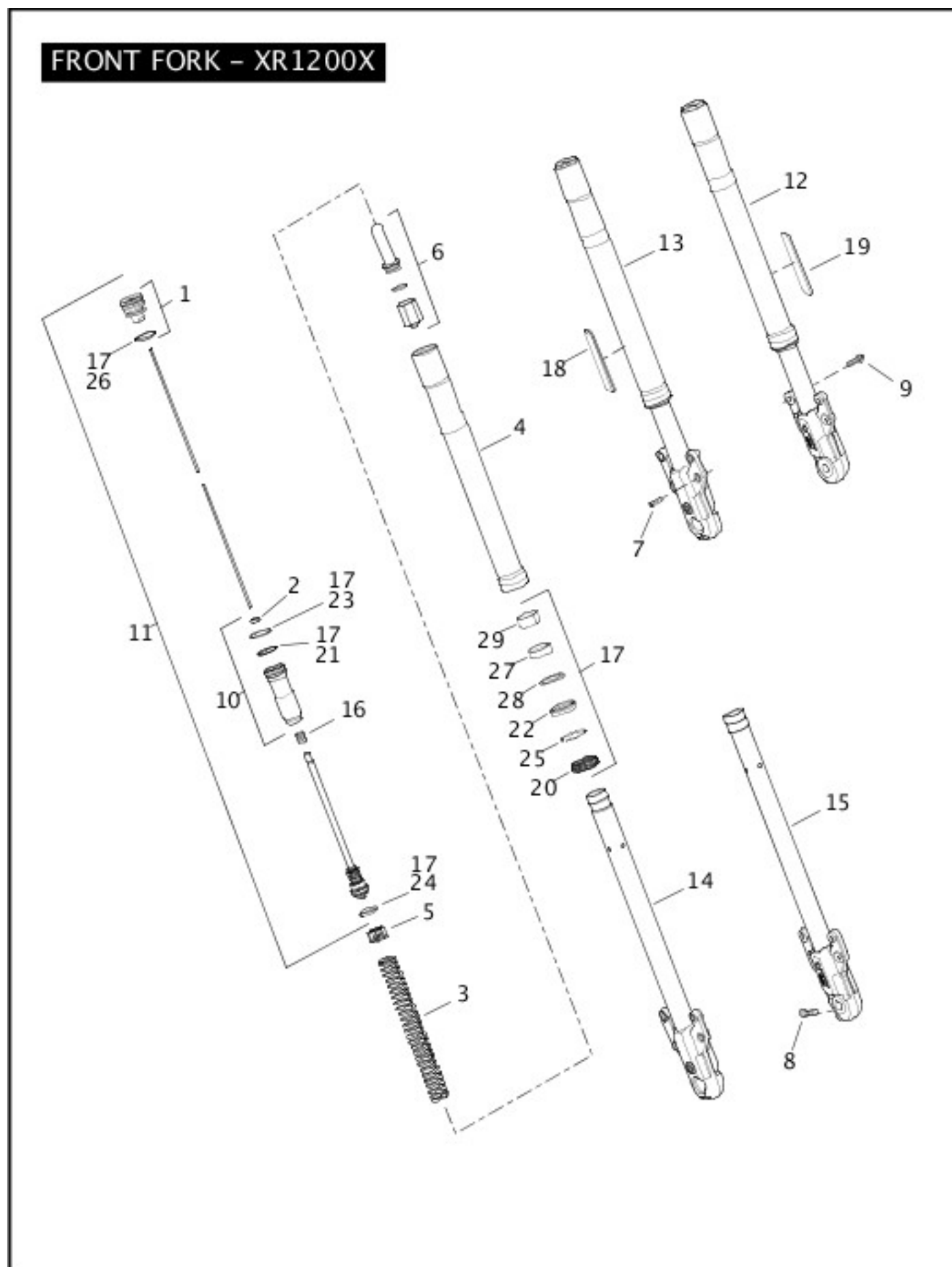


[View interactive table](#)

INDEX NO.	PART NO.	DESCRIPTION	MODEL(S)
7	10417	SPRING (2)	XL1200X
	45988-10	FORK SLIDER & TUBE ASSEMBLY, right (not shown)	XL1200X
	45968-10	FORK SLIDER & TUBE ASSEMBLY, left (not shown)	XL1200X
	48850-10	SLIDER ASSEMBLY, left (not shown)	XL1200X

	48849-10	SLIDER ASSEMBLY, right (not shown)	XL1200X
14	10627	DAMPER TUBE, w/ ring (2)	XL1200X
	69861-07	REFLECTOR, amber - right, w/ black base	XL1200X
	69862-07	REFLECTOR, amber - left, w/ black base	XL1200X

## FRONT FORK - XR1200X



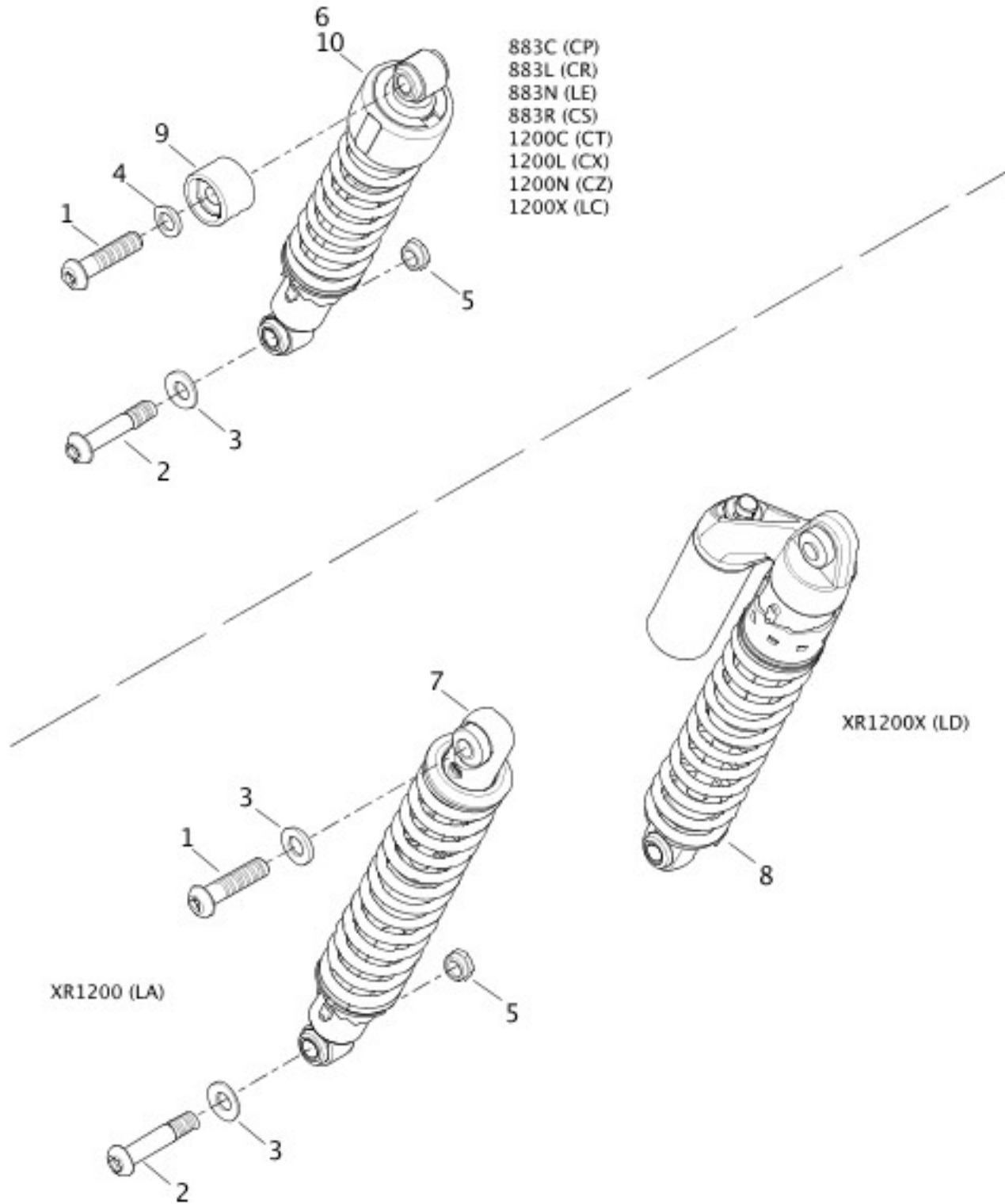


INDEX NO.	PART NO.	DESCRIPTION	MODEL(S)
1	4977	BOLT	XR1200X
2	7341M	NUT	XR1200X
3	10418	SPRING	XR1200X
4	10628	OUTER TUBE	XR1200X
5	12200	SPRING COLLAR	XR1200X
6	12201	SPRING COLLAR	XR1200X
8	4499M	BOLT	XR1200X
10	46372-10	ROD GUIDE CASE	XR1200X
11	46681-10	PISTON ROD, complete	XR1200X
12	48771-10	FORK ASSEMBLY, left	XR1200X
13	48778-10	FORK ASSEMBLY, right	XR1200X
14	48785-10	SLIDER, right	XR1200X
15	48786-10	SLIDER, left	XR1200X
16	49372-10	REBOUND SPRING	XR1200X
17	49406-10	FRONT FORK SERVICE KIT	XR1200X

## **SHOCK ABSORBERS**

# SHOCK ABSORBERS

RIGHT SIDE SHOWN

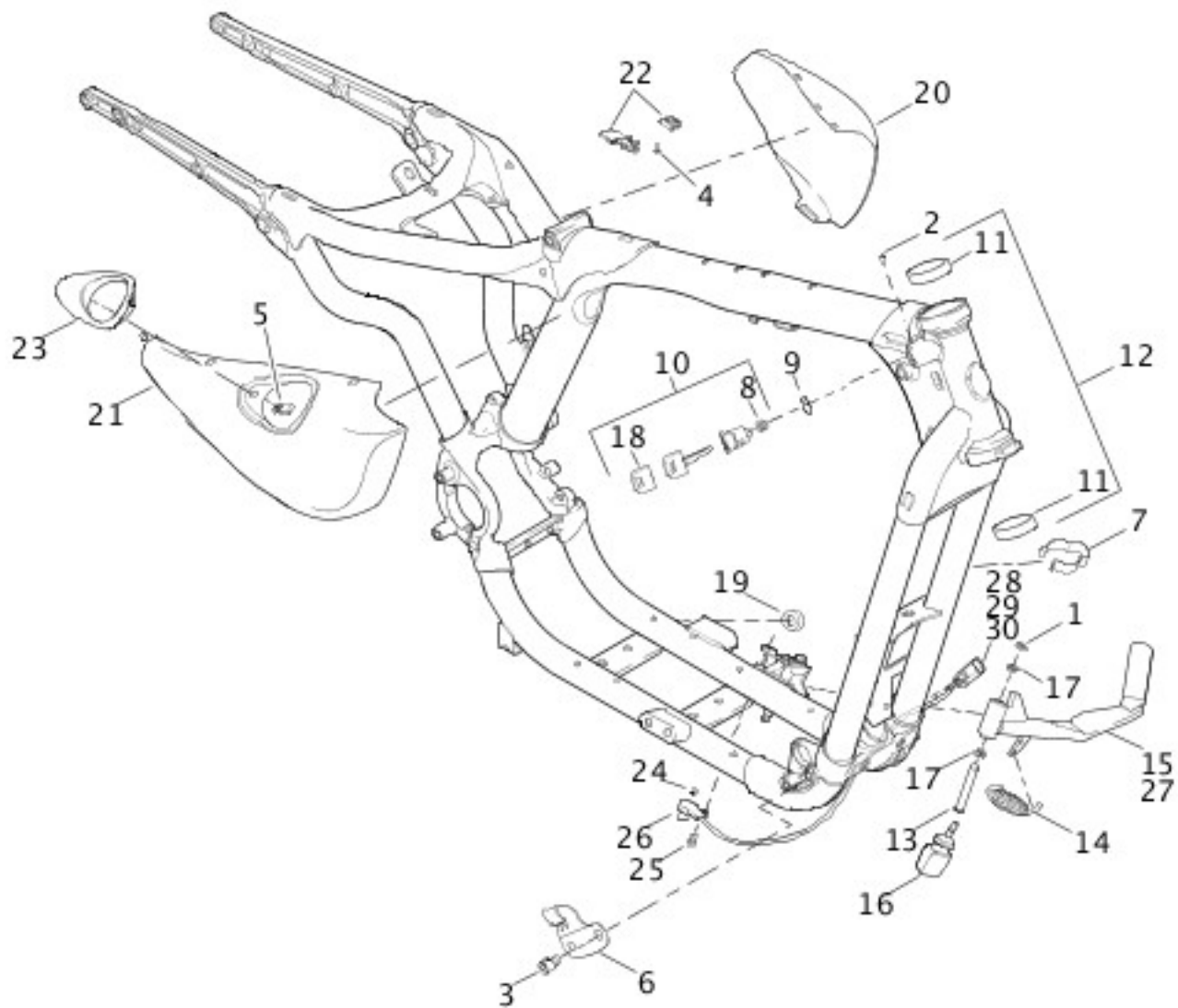


[View interactive table](#)

INDEX NO.	PART NO.	DESCRIPTION	MODEL(S)
	54550-10	SHOCK ABSORBER, complete, w/ bushings (LC - Domestic) (2)	XL1200N, XL1200X, XL883N
8	54671-10	SHOCK ABSORBER, complete, left, w/ bushings	XR1200X
	54700-10	SHOCK ABSORBER, complete, right, w/ bushings	XR1200X

# FRAME & JIFFY STAND - 883C/L/N/R, 1200C/L/N/X

## FRAME & JIFFY STAND - 883C/L/N/R, 1200C/L/N/X

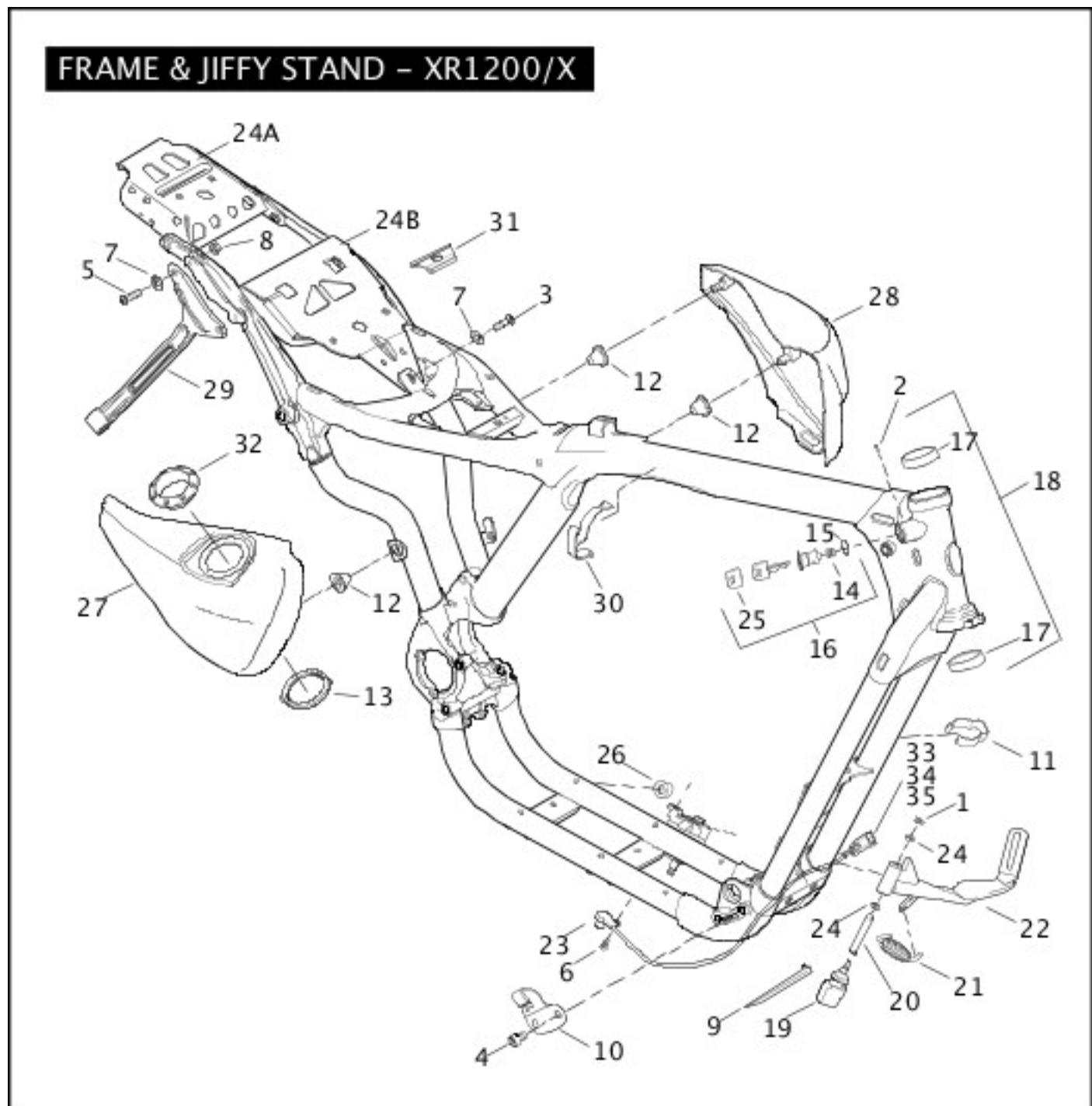


[View interactive table](#)

INDEX NO.	PART NO.	DESCRIPTION	MODEL(S)
4	4991	SCREW (2)	XL1200C, XL1200L, XL1200N, XL1200X, XL883C, XL883L, XL883N, XL883R
	48154-05A	LOCKSET ASSEMBLY, complete	XL1200C, XL1200L, XL1200N, XL1200X, XL883C, XL883L, XL883N, XL883R
10	48153-02B	FORK LOCK KIT, w/ 1594, 43595-99, 61459-97 (specify key code)	XL1200C, XL1200L, XL1200N, XL1200X, XL883C, XL883L, XL883N, XL883R
12	49376-11	FRAME, w/ bearing cups	XL1200L, XL1200N, XL1200X, XL883L, XL883N, XL883R
	49439-10	FRAME, w/ bearing cups	XL1200C, XL883C

15	50185-04C	JIFFY STAND	XL1200C, XL1200L, XL883C
	50000025BHP	JIFFY STAND (CZ/LC - Domestic, California, Canada)	XL1200N, XL1200X, XL883L, XL883N
20	66251-04A	SIDE COVER, left (black)	XL1200C, XL1200L, XL1200N, XL883C, XL883L
	66272-05A	SIDE COVER, left (satin)	XL1200X, XL883N, XL883R
21	57200092DH	SIDE COVER, right (black)	XL1200C, XL1200L, XL1200N, XL883C, XL883L
	57200092BYM	SIDE COVER, right (satin)	XL1200X, XL883N, XL883R
22	70417-04C	KIT, clip, side cover mounting	XL1200C, XL1200L, XL1200N, XL1200X, XL883C, XL883L, XL883N, XL883R
27	50185-04C	JIFFY STAND (HDI, England, Australia)	XL1200N, XL1200X, XL883N
	50000025BHP	JIFFY STAND (Japan)	XL1200N, XL883N

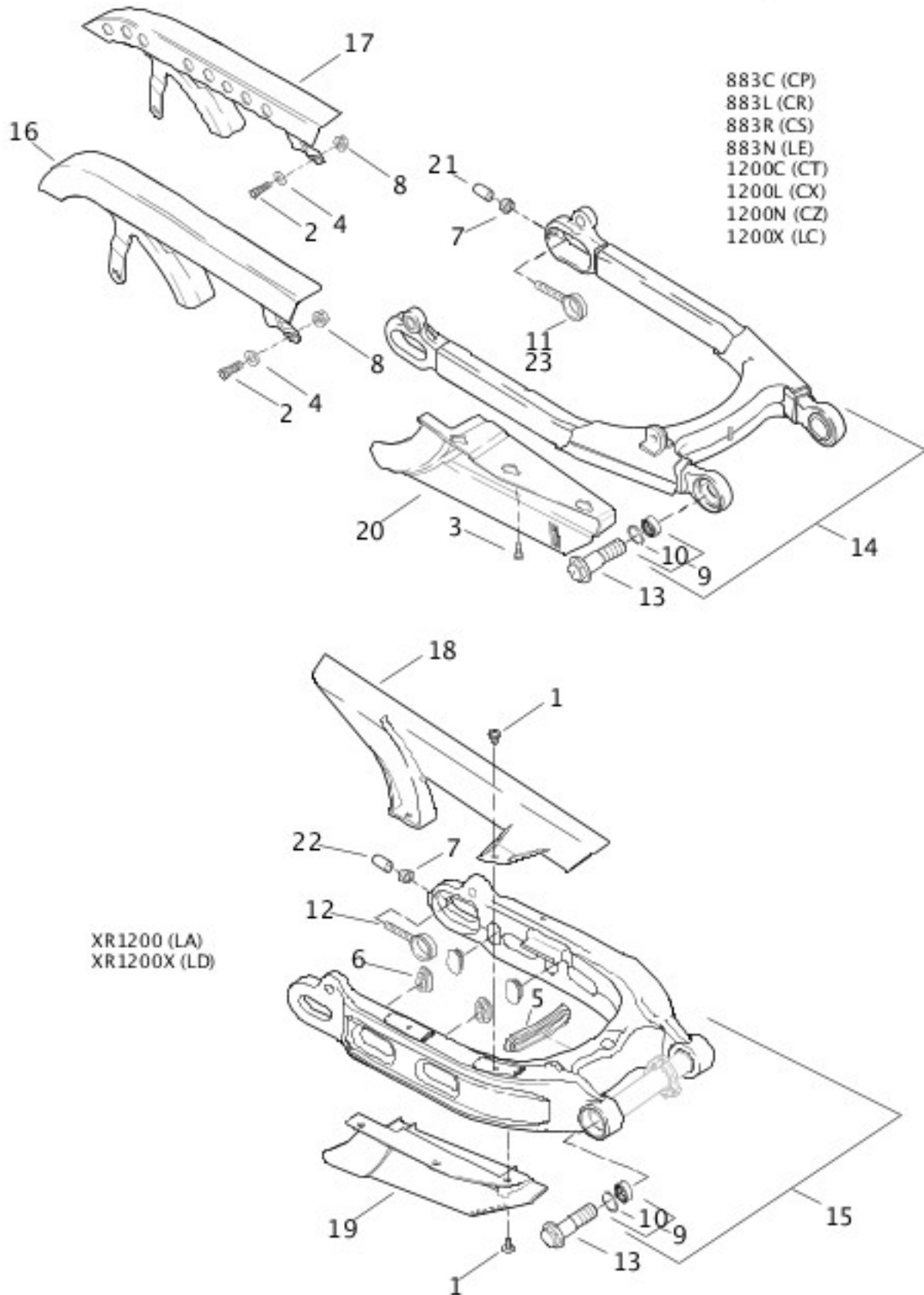
## **FRAME & JIFFY STAND - XR1200/X**



INDEX NO.	PART NO.	DESCRIPTION	MODEL(S)
10	10179A	J-CLIP (2)	XR1200, XR1200X
	48154-05A	LOCKSET ASSEMBLY, complete	XR1200, XR1200X
16	48153-02B	FORK LOCK KIT, w/ 1594, 43595-99, 61459-97 (specify key code)	XR1200, XR1200X
18	48879-08A	FRAME, w/ bearing cups	XR1200, XR1200X
24A	59400-08	REAR FENDER SUPPORT	XR1200X
24B	59401-08	MIDDLE FENDER SUPPORT	XR1200X

## [REAR FORK, DEBRIS DEFLECTOR & BELT GUARD](#)

## REAR FORK, DEBRIS DEFLECTOR & BELT GUARD

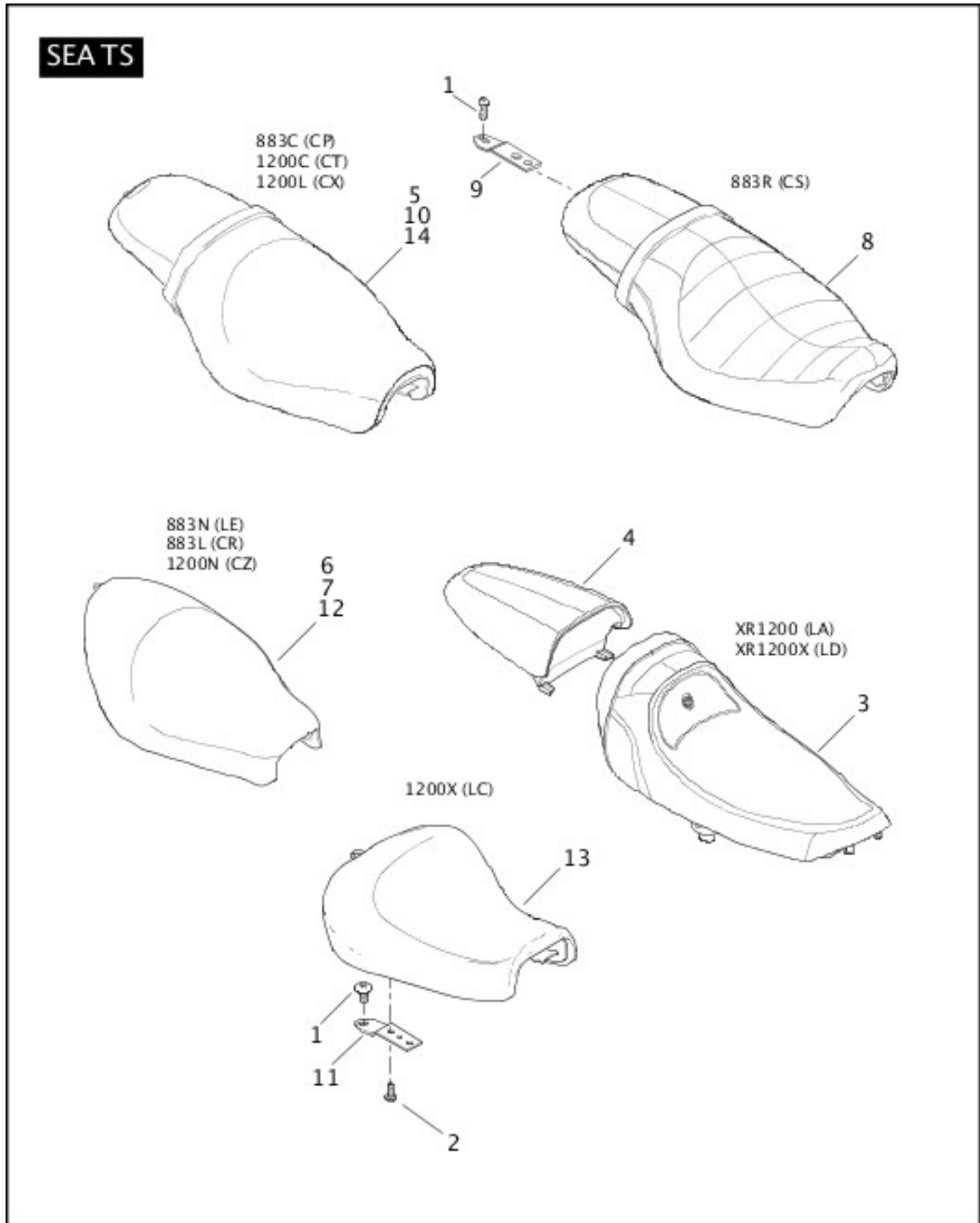


[View interactive table](#)

INDEX NO.	PART NO.	DESCRIPTION	MODEL(S)
6	6864A	PLUG, swing arm, small (4)	XR1200, XR1200X
14	47587-05A	REAR FORK, w/ bearings & 9209	XL1200C, XL1200L, XL1200N, XL1200X, XL883C, XL883L, XL883N, XL883R
15	47674-08A	REAR FORK, w/ bearings & 9209 (silver)	XR1200
	47682-10	REAR FORK, w/ bearings (black)	XR1200X

17	60379-09	BELT GUARD	XL1200N, XL1200X
20	60435-04B	DEBRIS DEFLECTOR	XL1200C, XL1200L, XL1200N, XL1200X, XL883C, XL883L, XL883N, XL883R

## SEATS

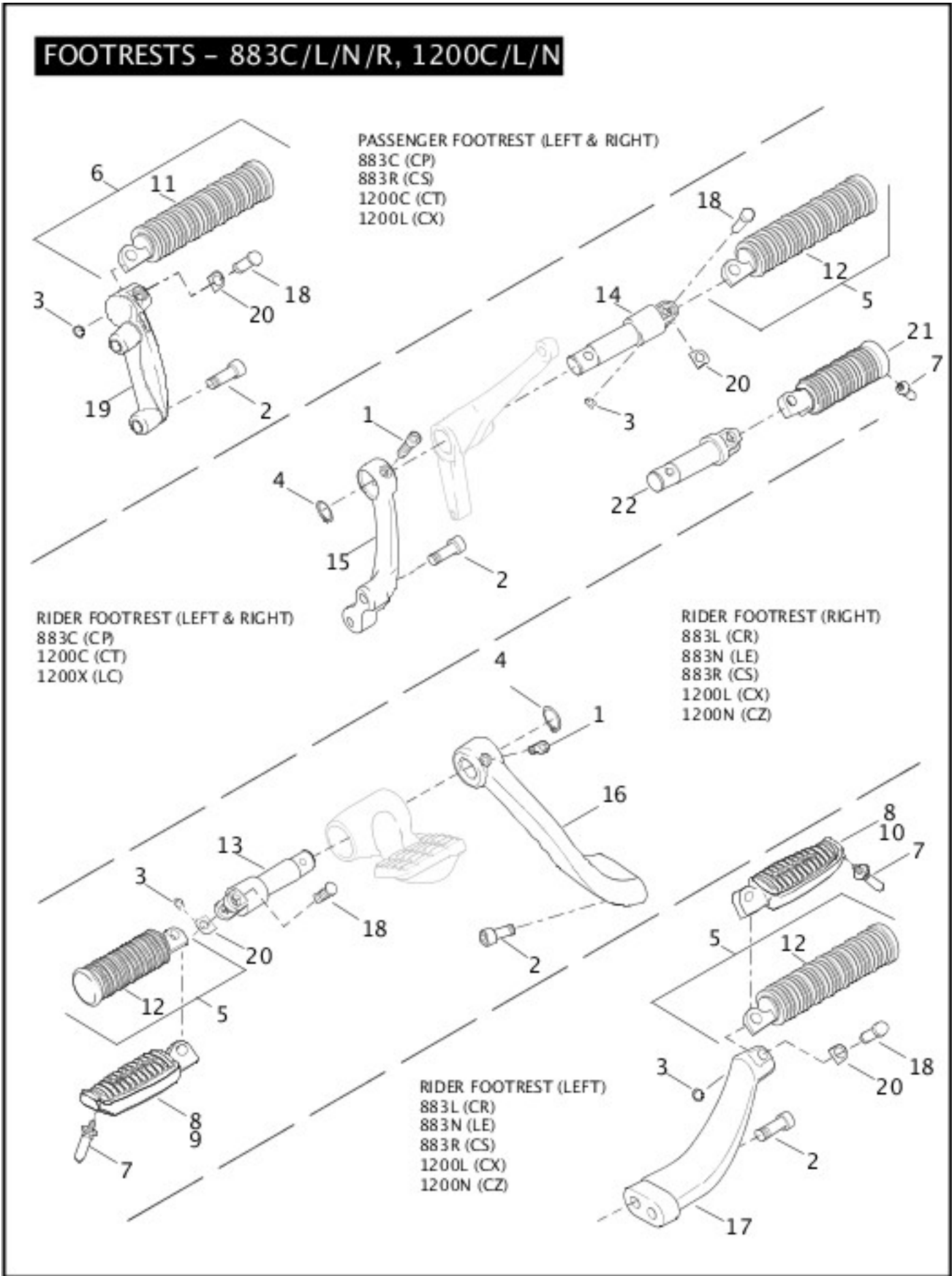


[View interactive table](#)

INDEX NO.	PART NO.	DESCRIPTION	MODEL(S)
2	3574	SCREW	XL1200X
11	51740-10	BRACKET, seat mounting	XL1200X

13	51911-10	SEAT ASSEMBLY, w/ 3574 & 51740-10	XL1200X
----	----------	-----------------------------------	---------

# FOOTRESTS - 883C/L/N/R, 1200C/L/N/X



[View interactive table](#)

INDEX NO.	PART NO.	DESCRIPTION	MODEL(S)
1	3162	SCREW	XL1200L, XL1200N, XL1200X, XL883L, XL883N, XL883R

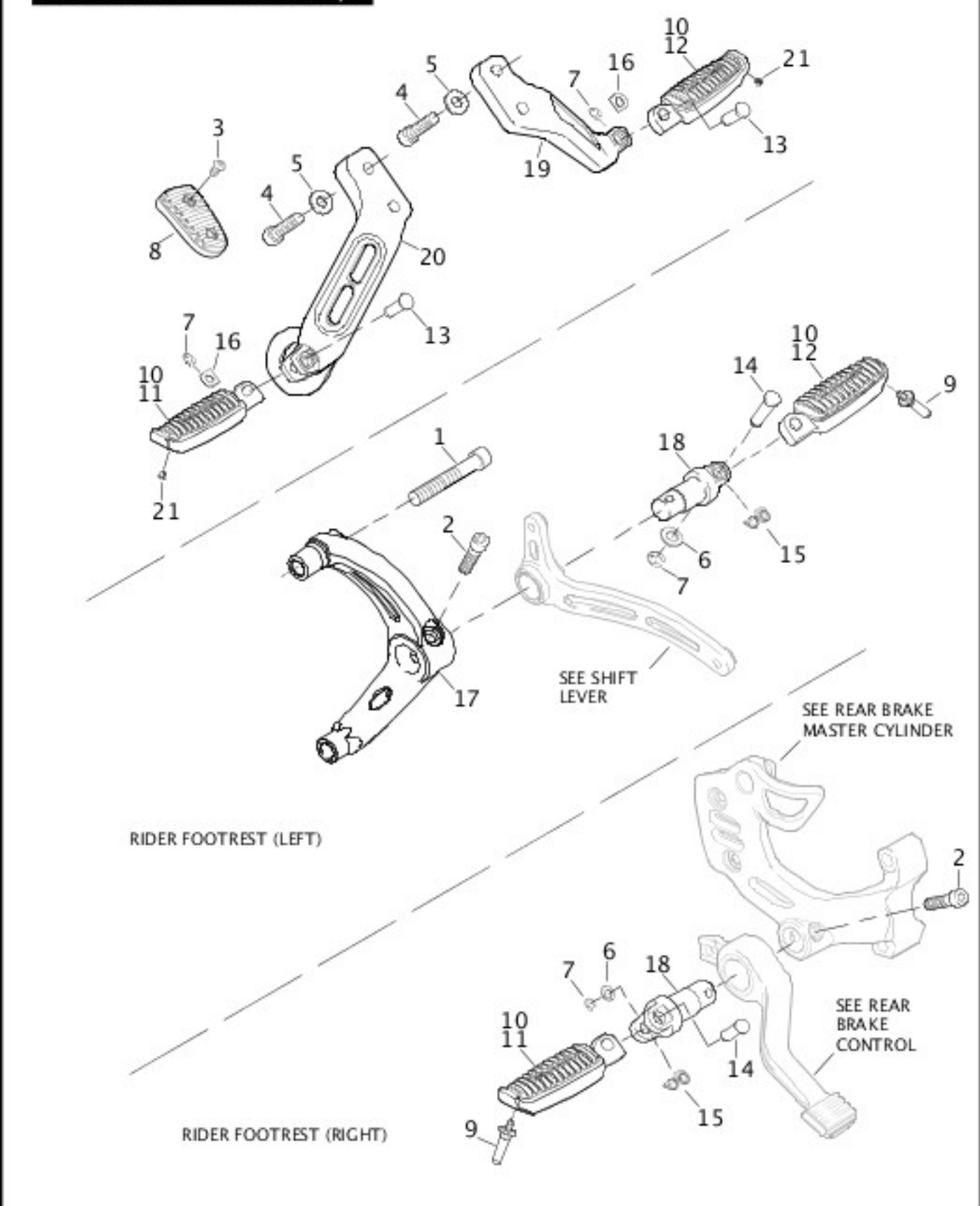


	3162	SCREW (2)	XL1200C, XL883C
2	3214	SCREW, socket head (4)	XL1200C, XL1200L, XL1200N, XL1200X, XL883C, XL883L, XL883N, XL883R
21	51323-08	FOOTPEG ASSEMBLY, RH	XL1200X
	51327-08	FOOTPEG ASSEMBLY, LH	XL1200X
22	51731-10	CLEVIS, RH	XL1200X
	51730-10	CLEVIS, LH	XL1200X

## **FOOTRESTS - XR1200/X**

# FOOTRESTS - XR1200/X

## PASSENGER FOOTREST (LEFT & RIGHT)

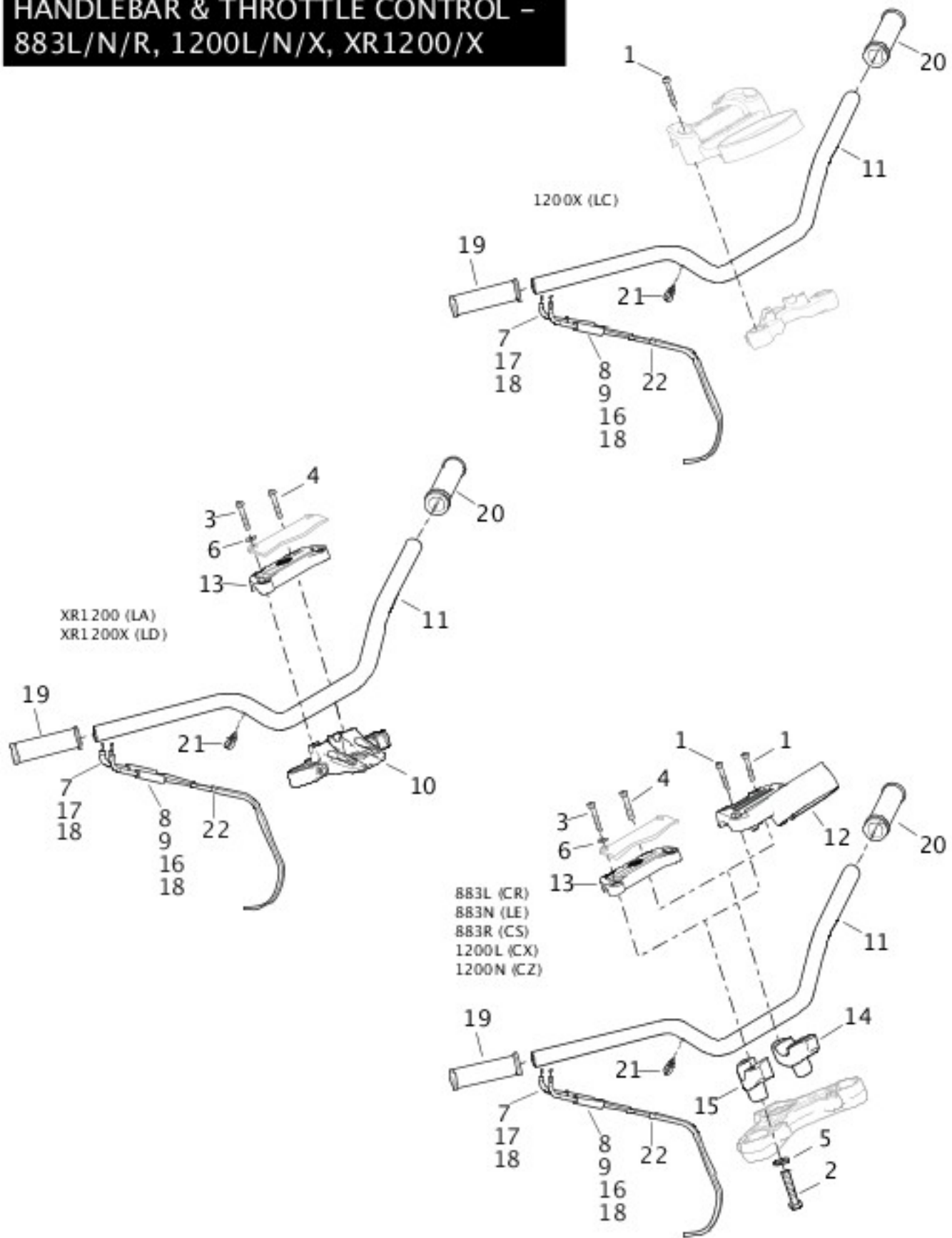


[View interactive table](#)

INDEX NO.	PART NO.	DESCRIPTION	MODEL(S)
2	3162	SCREW (2)	XR1200, XR1200X
6	6379W	WASHER (2)	XR1200, XR1200X

[HANDLEBAR & THROTTLE CONTROL - 883L/N/R, 1200L/N/X, XR1200/X](#)

**HANDLEBAR & THROTTLE CONTROL -  
883L/N/R, 1200L/N/X, XR1200/X**

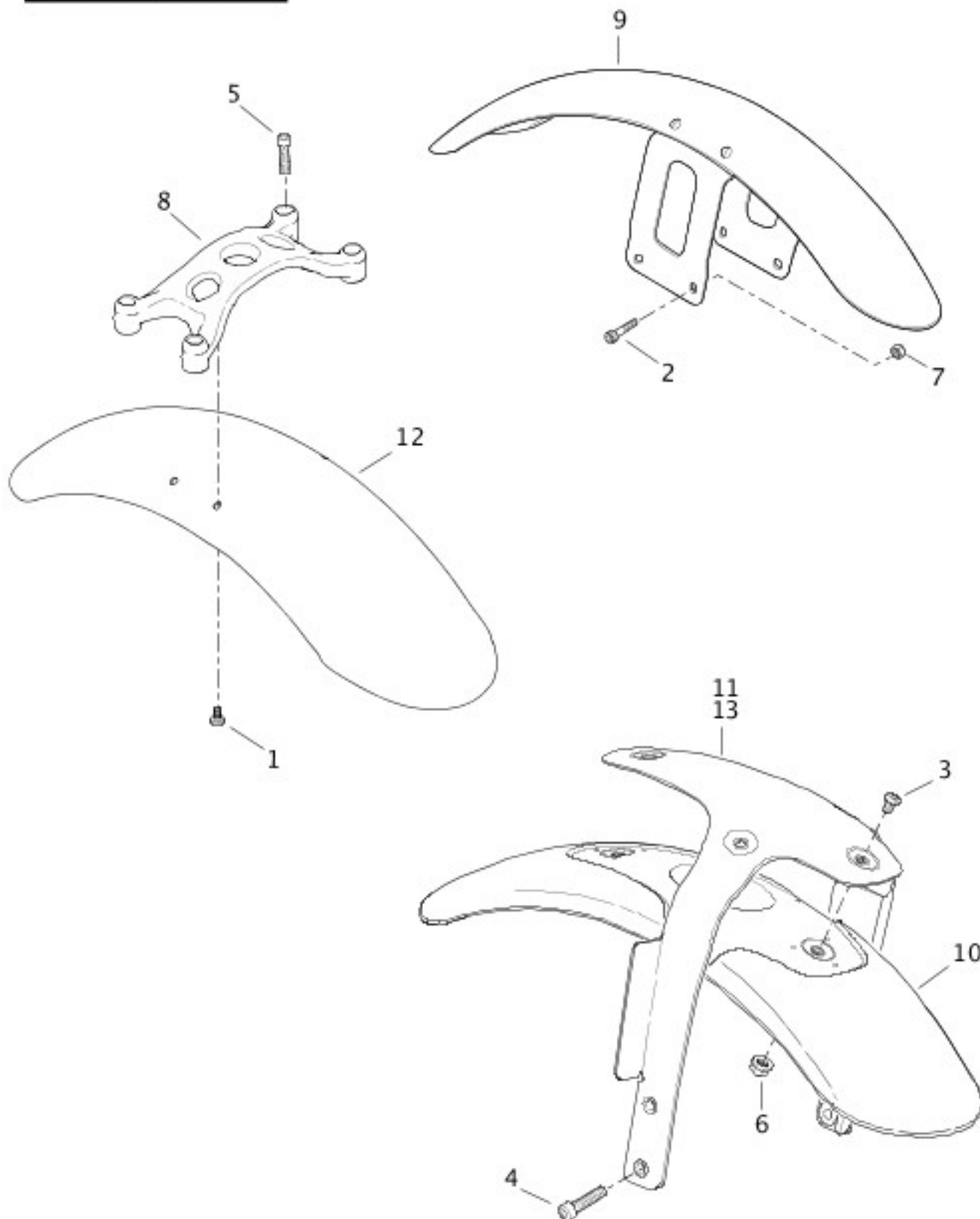


[View interactive table](#)

INDEX NO.	PART NO.	DESCRIPTION	MODEL(S)
11	55800345	HANDLEBAR	XL1200X, XL883N

**[FRONT FENDER](#)**

## FRONT FENDER

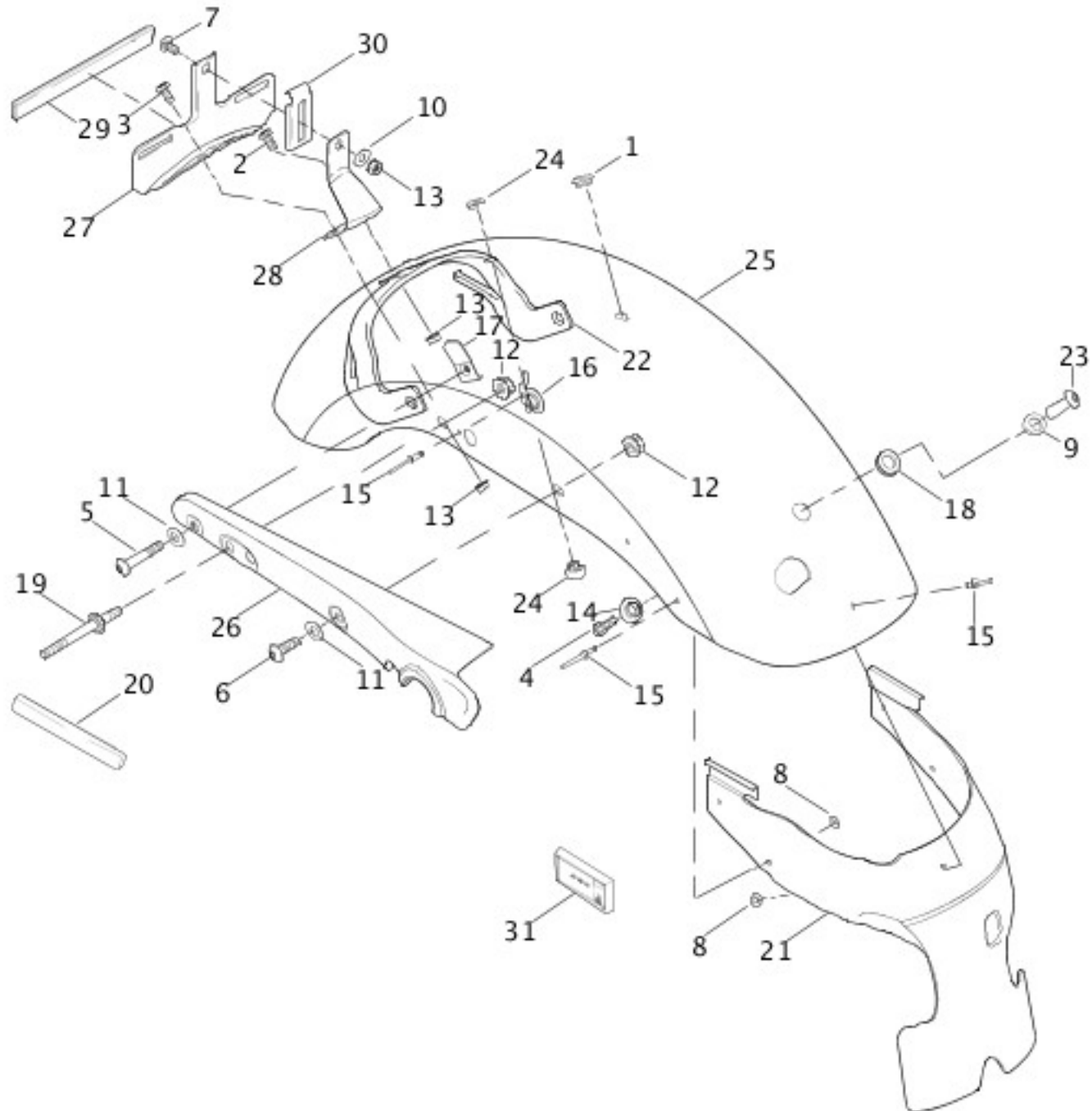


[View interactive table](#)

INDEX NO.	PART NO.	DESCRIPTION	MODEL(S)
8	46420-10	BRACE	XL1200X
12	60574-10	FRONT FENDER, prime	XL1200X
13	59441-10	FENDER SUPPORT	XR1200X

[REAR FENDER & LICENSE PLATE BRKT - 883C/L/R, 1200C/L/X, 883N/1200N \(CAN\)](#)

**REAR FENDER & LICENSE PLATE BRKT -  
883C/L/R, 1200C/L/X, 883N/1200N (CANA**

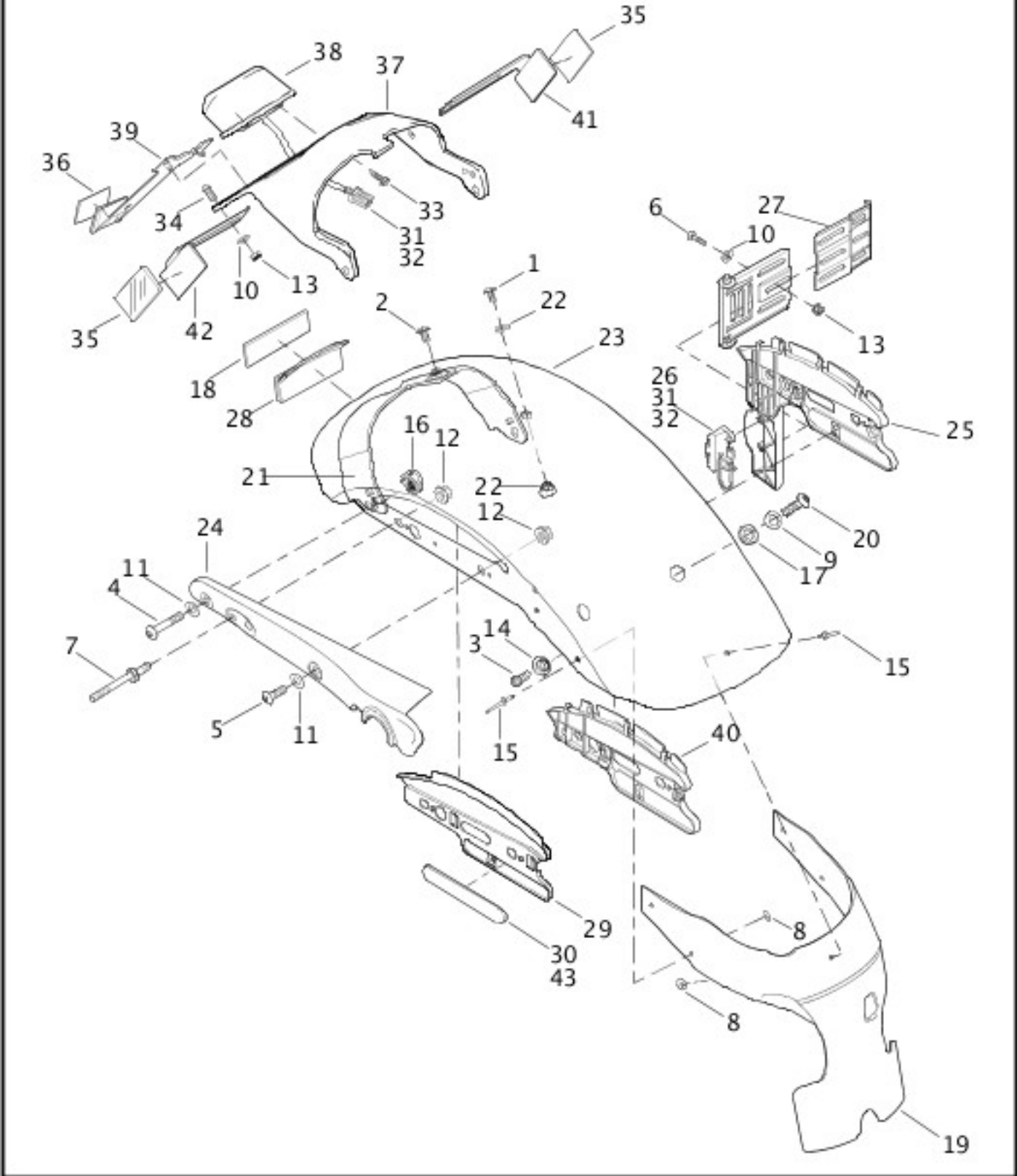


[View interactive table](#)

INDEX NO.	PART NO.	DESCRIPTION	MODEL(S)
21	59502-04B	REAR FENDER EXTENSION	XL1200C, XL1200L, XL1200N, XL1200X, XL883C, XL883L, XL883N, XL883R
22	59673-04A	FENDER SUPPORT	XL1200C, XL1200L, XL1200N, XL1200X, XL883C, XL883L, XL883N, XL883R
25	59847-10	FENDER, rear (prime)	XL1200C, XL1200L, XL1200N, XL1200X, XL883C, XL883L, XL883N, XL883R

**[REAR FENDER & LICENSE PLATE BRACKET - 883N/1200N/X \(NON-CANADA\)](#)**

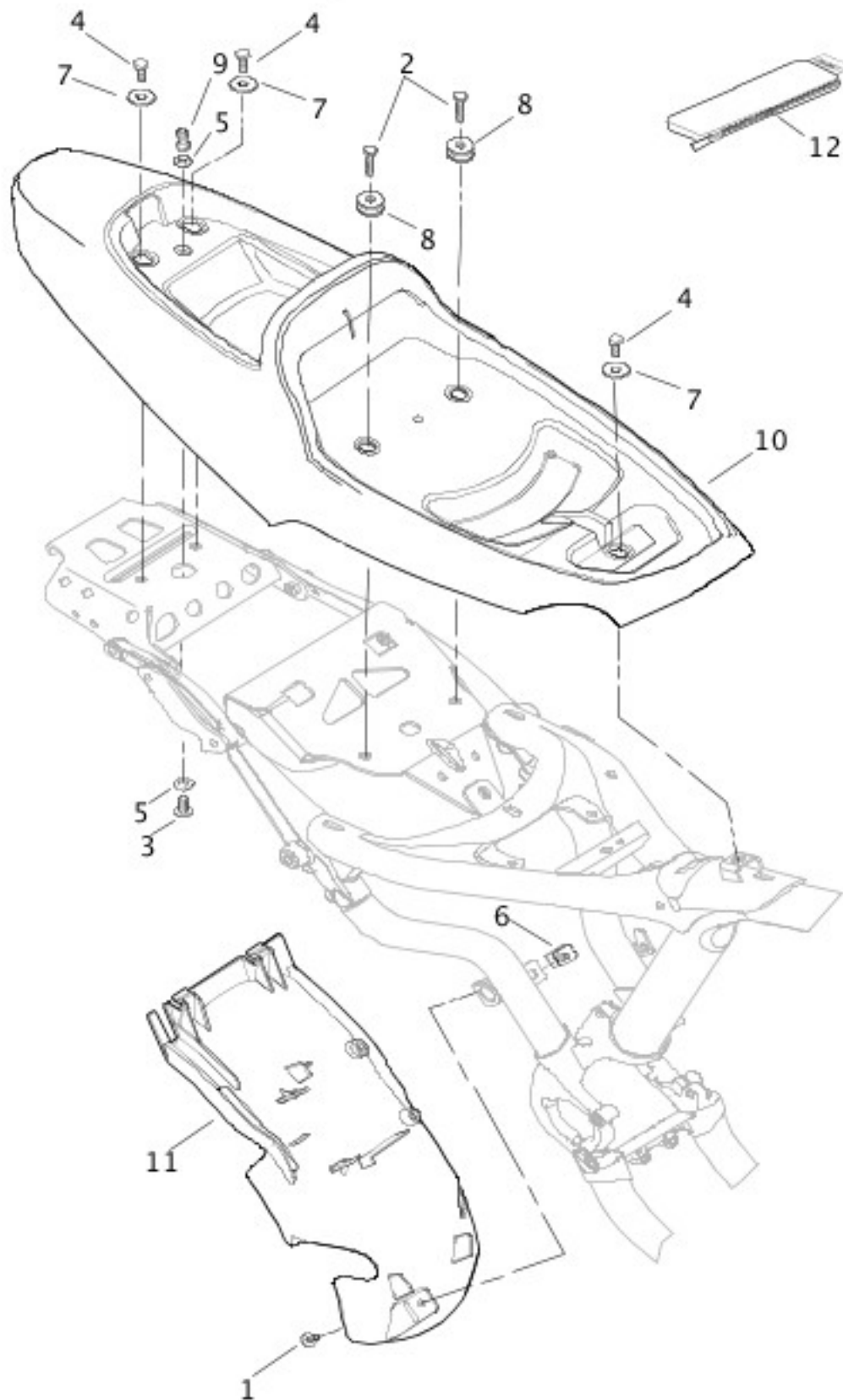
**REAR FENDER & LICENSE PLATE BRACKET -  
883N/1200N/X (NON-CANADA)**



[View interactive table](#)

INDEX NO.	PART NO.	DESCRIPTION	MODEL(S)
19	59502-04B	REAR FENDER EXTENSION	XL1200N, XL1200X, XL883N
23	59865-10	FENDER, rear (prime)	XL1200N, XL1200X, XL883N
26	60375-10	ILLUMINATOR, license plate w/ 73152-96BK, & 73191-96	XL1200N, XL1200X, XL883N
38	73504-11	ILLUMINATOR, license plate w/ 73191-96 (HDI)	XL1200N, XL1200X, XL883N

## REAR FENDER - XR1200/X

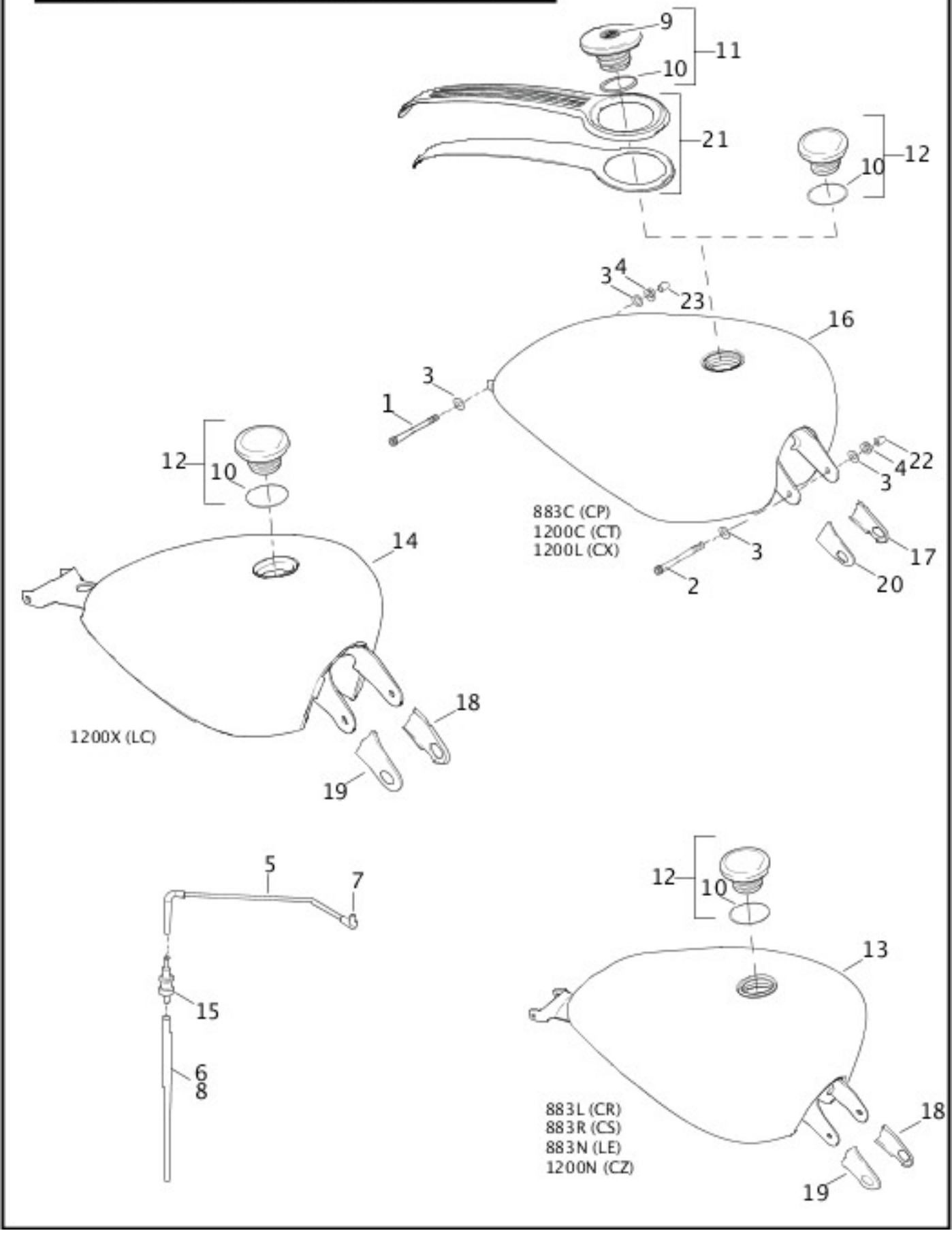


[View interactive table](#)

INDEX NO.	PART NO.	DESCRIPTION	MODEL(S)
	C2045.1AK	HEX KEY, 5mm (tool kit) (not illustrated)	XR1200X
	C2050.1AM	WRENCH, rear shock (tool kit) (not illustrated)	XR1200X
	C2051.1AM	HANDLE, wrench (tool kit) (not illustrated)	XR1200X

[FUEL TANK - 883C/L/N/R, 1200C/L/N/X](#)

# FUEL TANK - 883C/L/N/R, 1200C/L/N

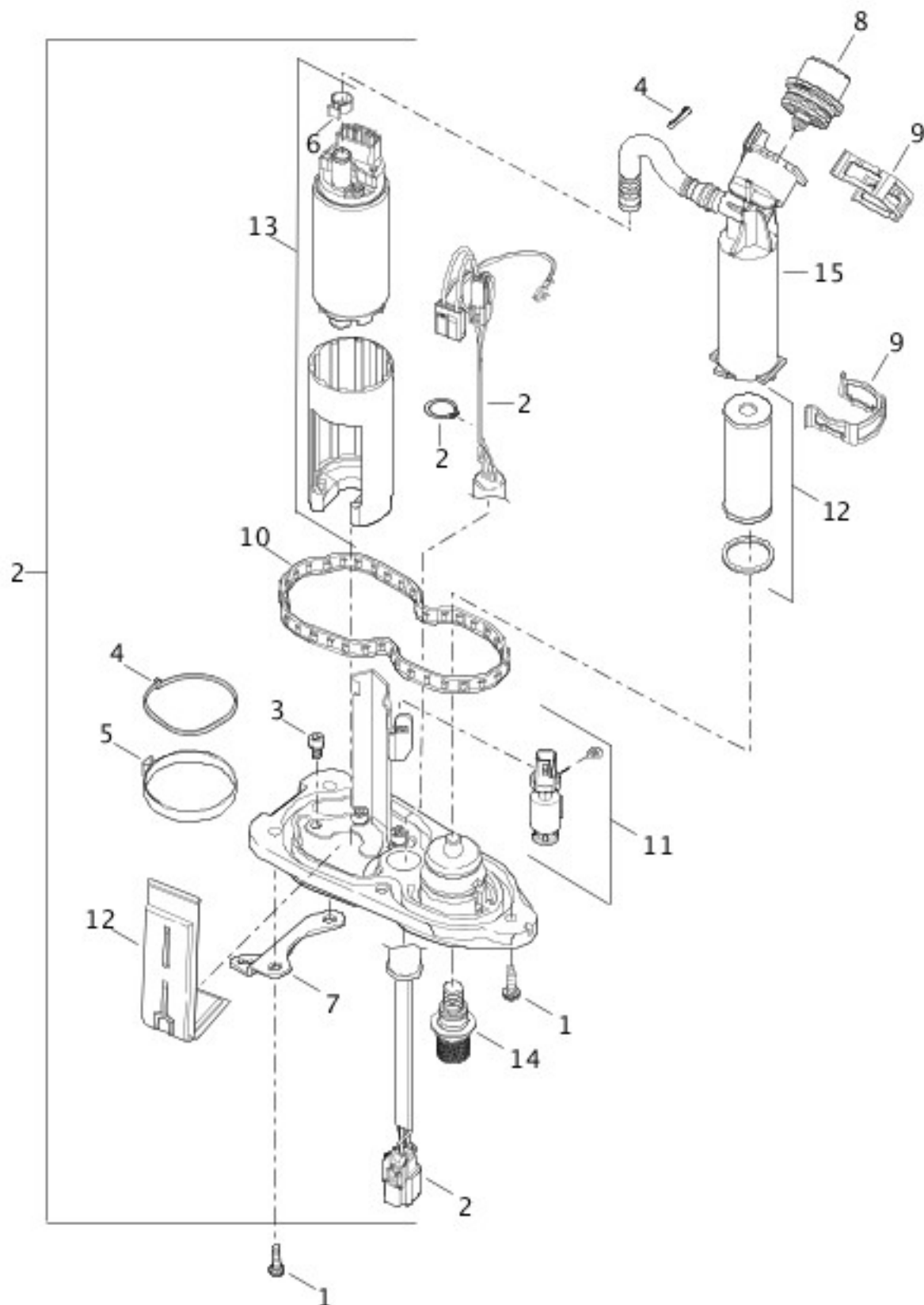


[View interactive table](#)

INDEX NO.	PART NO.	DESCRIPTION	MODEL(S)
	27071-10	VENTLINE, tank-to-valve, w/ 27250-96B	XL1200X
11	61260-04A	FUEL CAP ASSEMBLY, vented, w/ 52494-04 & 61109-85D	XL1200C, XL1200L, XL883C
12	61272-92C	FUEL CAP ASSEMBLY, w/ 61109-85D	XL1200X, XL883L, XL883R



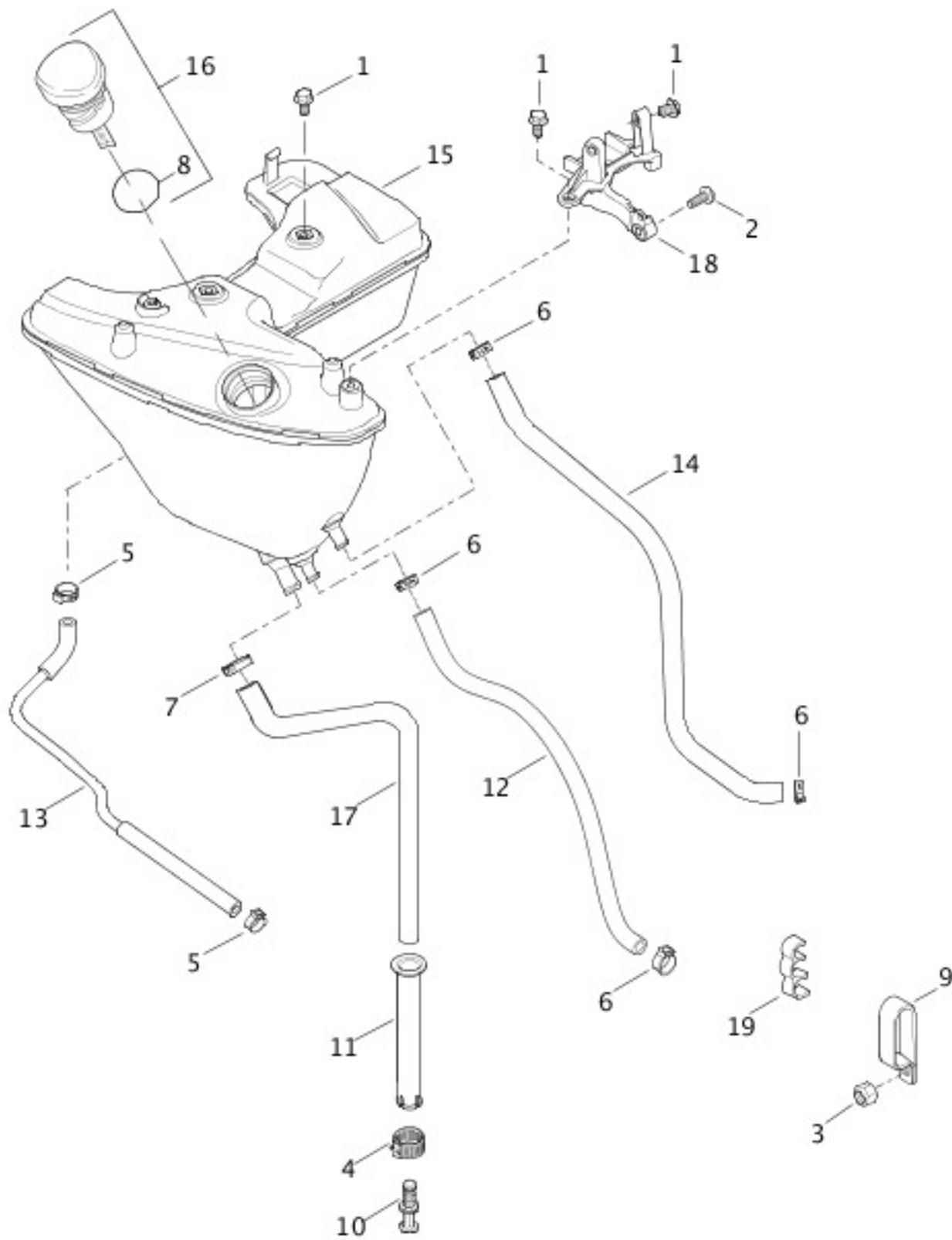
## FUEL PUMP



[View interactive table](#)

INDEX NO.	PART NO.	DESCRIPTION	MODEL(S)
2	75268-07F	FUEL PUMP MODULE	ALL
11	75302-07B	SENSOR, fuel level w/ retaining ring	ALL
14	75309-07A	VALVE ASSEMBLY	ALL

# OIL TANK - 883C/L/N/R, 1200C/L/N

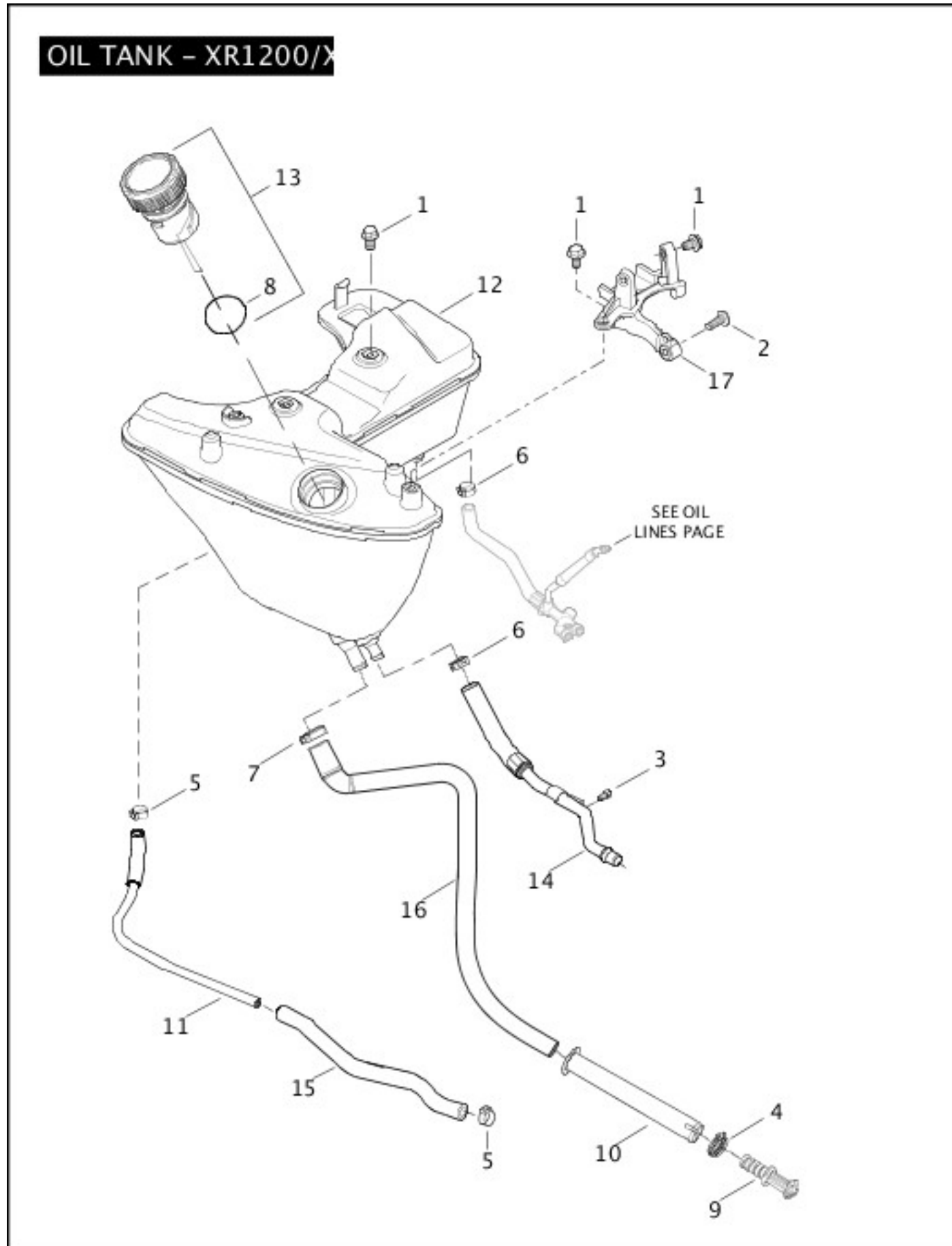


[View interactive table](#)

INDEX NO.	PART NO.	DESCRIPTION	MODEL(S)
2	3696	SCREW	XL1200C, XL1200L, XL1200N, XL1200X, XL883C, XL883L, XL883N, XL883R
13	62360-10	LINE, vent tube, w/ 10014	XL1200C, XL1200L, XL1200N, XL1200X, XL883C, XL883L, XL883N, XL883R
14	62361-10	LINE, oil return	XL1200C, XL1200L, XL1200N, XL1200X, XL883C, XL883L, XL883N, XL883R

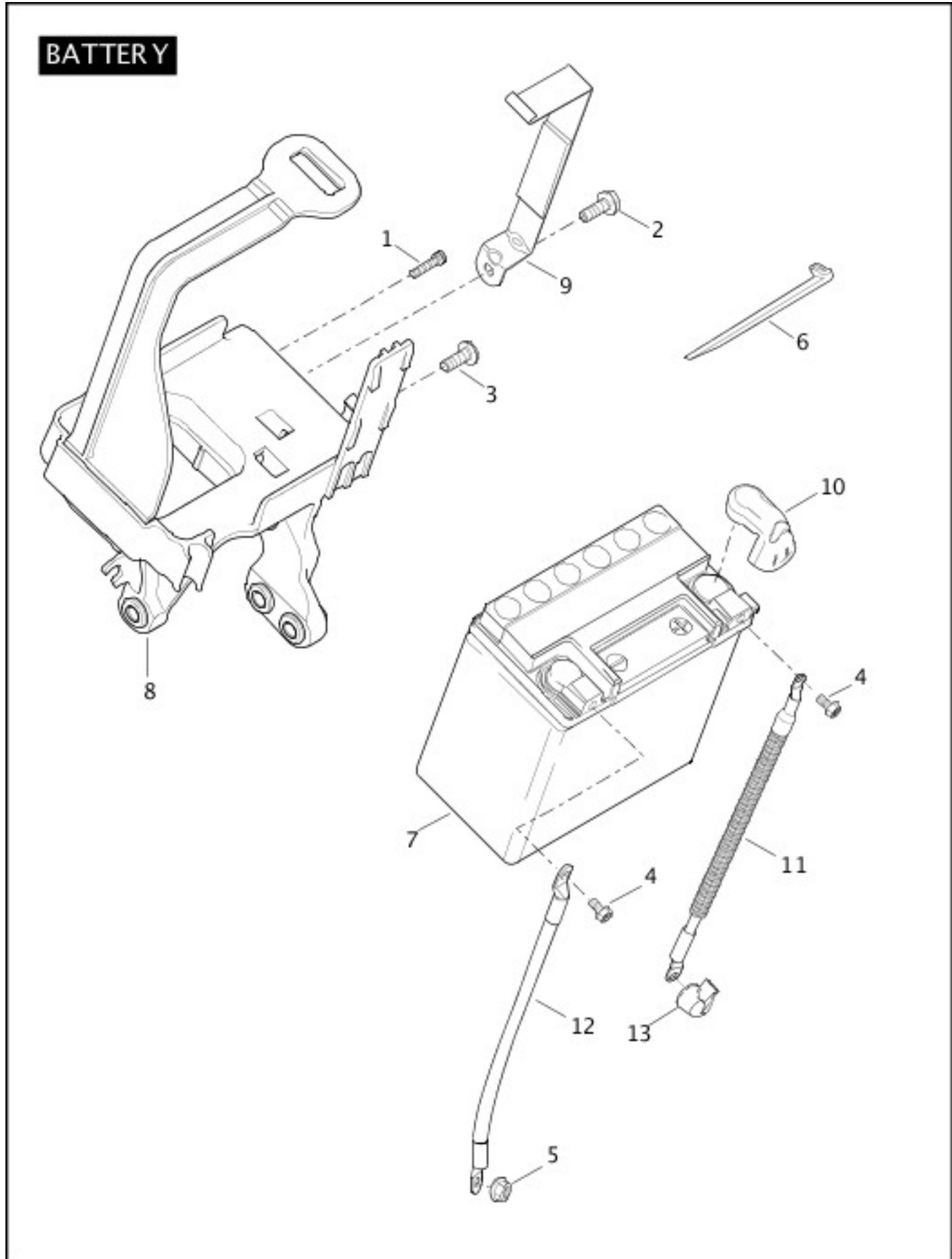
15	62954-10	OIL TANK ASSEMBLY	XL1200L, XL1200N, XL1200X, XL883C, XL883L, XL883N, XL883R
18	66199-10	BRACKET, oil tank	XL1200C, XL1200L, XL1200N, XL1200X, XL883C, XL883L, XL883N, XL883R
19	70503-10	HOSE CLIP	XL1200C, XL1200L, XL1200N, XL1200X, XL883C, XL883L, XL883N, XL883R

## [OIL TANK - XR1200/X](#)



INDEX NO.	PART NO.	DESCRIPTION	MODEL(S)
12	62888-08A	OIL TANK ASSEMBLY	XR1200, XR1200X
17	66199-10	BRACKET, oil tank	XR1200, XR1200X

## BATTERY

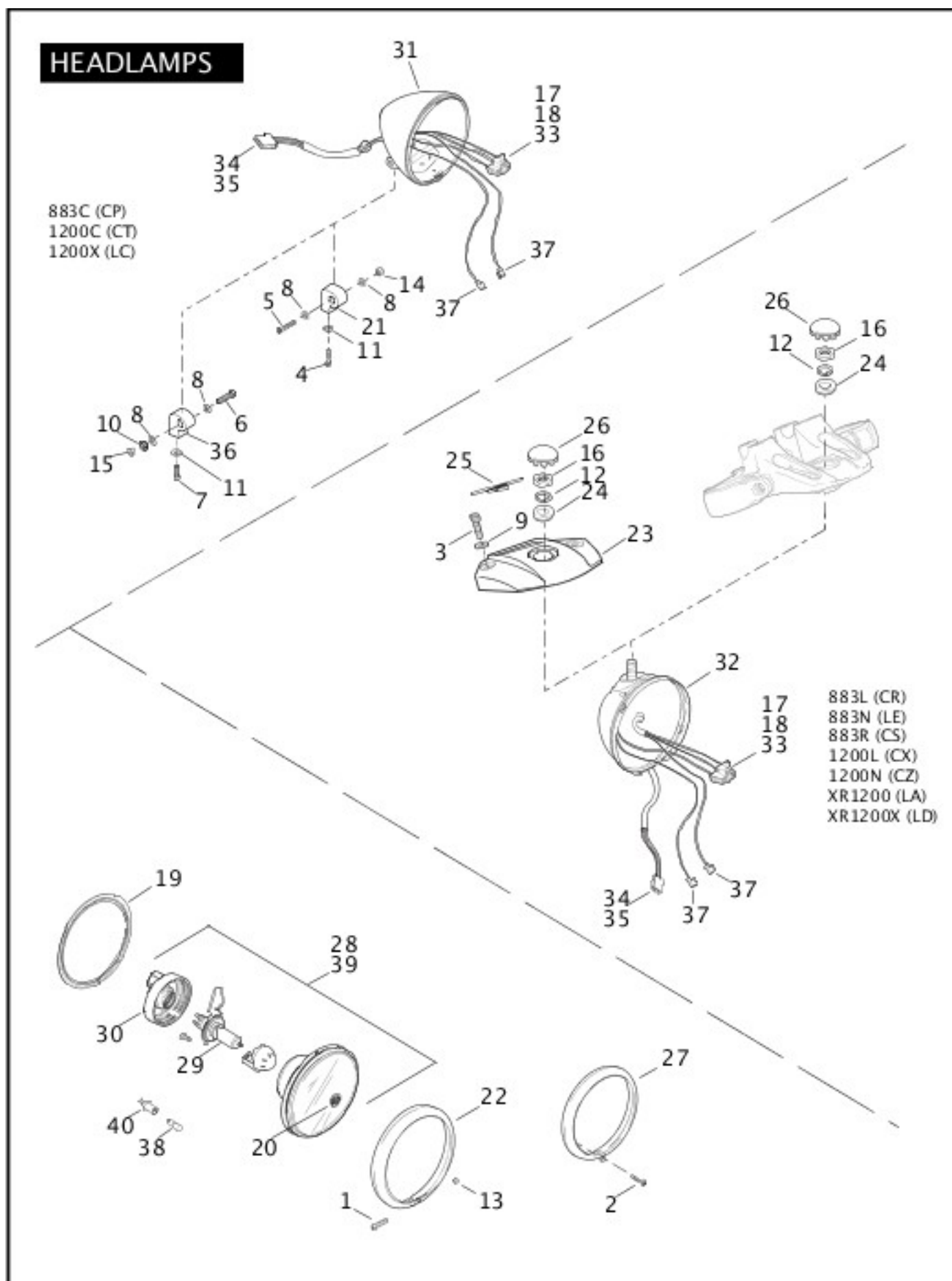


[View interactive table](#)

INDEX NO.	PART NO.	DESCRIPTION	MODEL(S)

3	3696	SCREW	ALL
8	66194-04D	TRAY, battery	ALL
11	70295-10	CABLE, battery-to-starter, w/ 70578-89	ALL

## HEADLAMPS

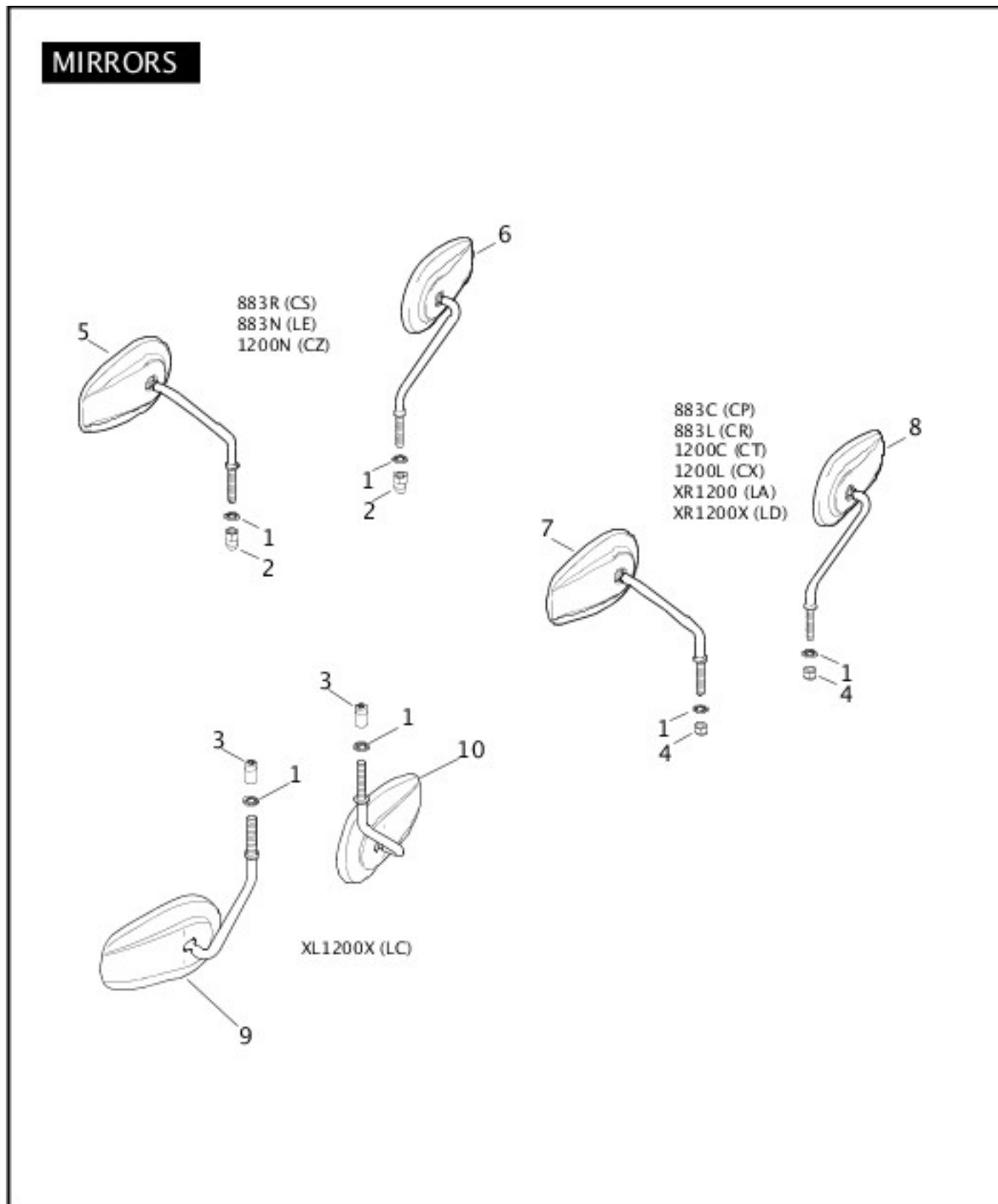


[View interactive table](#)

INDEX NO.	PART NO.	DESCRIPTION	MODEL(S)
-----------	----------	-------------	----------

	67963-05A	BRACKET, headlamp (denim black / satin)	XL1200N, XL883N, XL883R
28	68297-05A	LAMP ASSEMBLY, w/ 20, 29 & 30	ALL
31	69681-07B	HEADLAMP SHELL, w/ 17, 18, 33, 34, 35, 37 (chrome)	XL1200C, XL883C
	73264-10	HEADLAMP SHELL, w/ 17, 18, 33, 34, 35, 37 (black)	XL1200X
36	73266-10	MOUNT, headlamp	XL1200X
39	68335-05A	LAMP ASSEMBLY, left (Australia, England, Japan), w/ 20, 29, 30, 38 & 40	ALL
	68341-05A	LAMP ASSEMBLY, right (HDI), w/ 20, 29, 30, 38 & 40	ALL

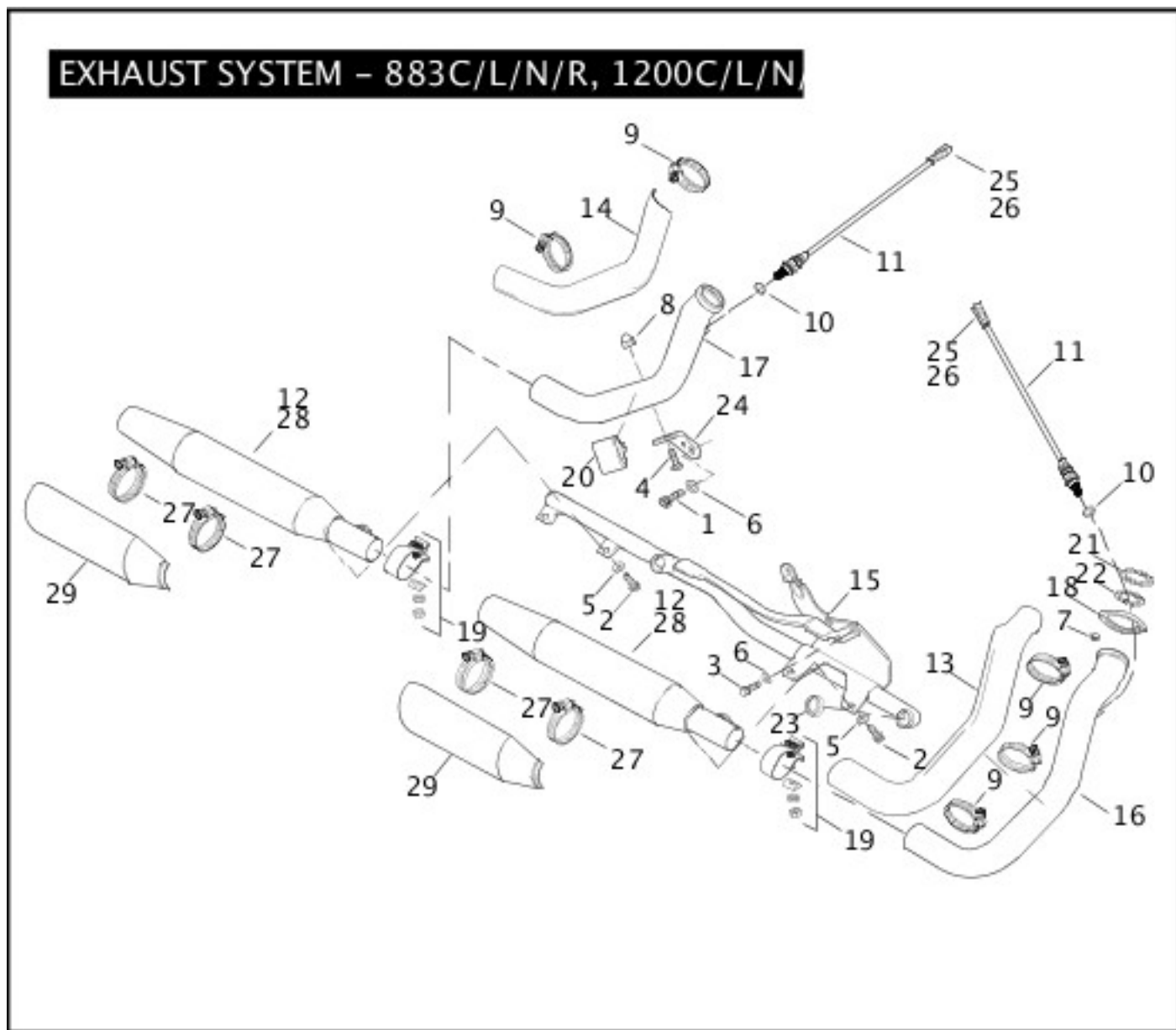
## MIRROR



View interactive table

INDEX NO.	PART NO.	DESCRIPTION	MODEL(S)
1	7155	LOCKWASHER (2)	ALL
2	7331	ACORN NUT (2)	XL1200N, XL883N, XL883R
5	91982-03B	MIRROR KIT, right, short (black), w/ 1, 2	XL1200N, XL883N, XL883R
6	91983-03B	MIRROR KIT, left, short (black), w/ 1, 2	XL1200N, XL883N, XL883R
	92376-09	MIRROR KIT, right, short (black), w/ 1, 4	XR1200, XR1200X
	92377-09	MIRROR KIT, left, short (black), w/ 1, 4	XR1200, XR1200X

## [EXHAUST SYSTEM - 883C/L/N/R, 1200C/L/N/X](#)

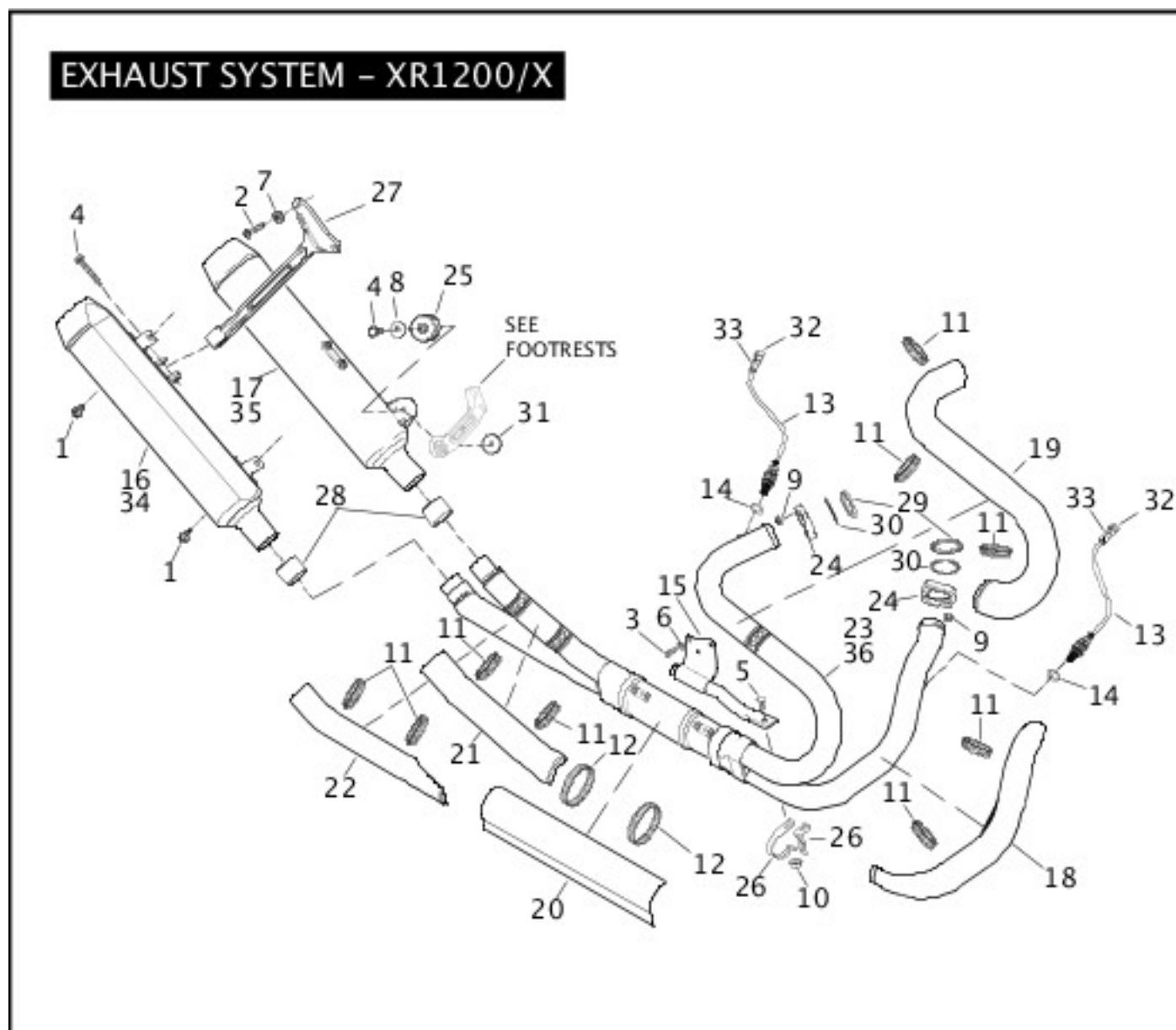


View interactive table

INDEX NO.	PART NO.	DESCRIPTION	MODEL(S)
13	64846-04B	HEAT SHIELD, front exhaust pipe	XL1200C, XL1200L, XL1200N, XL1200X, XL883C, XL883L, XL883N, XL883R

14	64847-04B	HEAT SHIELD, rear exhaust pipe, chrome	XL1200C, XL1200L, XL1200N, XL1200X, XL883C, XL883L, XL883N, XL883R
29	64889-04A	HEAT SHIELD, muffler, (HDI, England, Japan, CZ - Brazil) (2)	XL1200C, XL1200L, XL1200N, XL1200X, XL883C, XL883L, XL883N, XL883R

## EXHAUST SYSTEM - XR1200/X



[View interactive table](#)

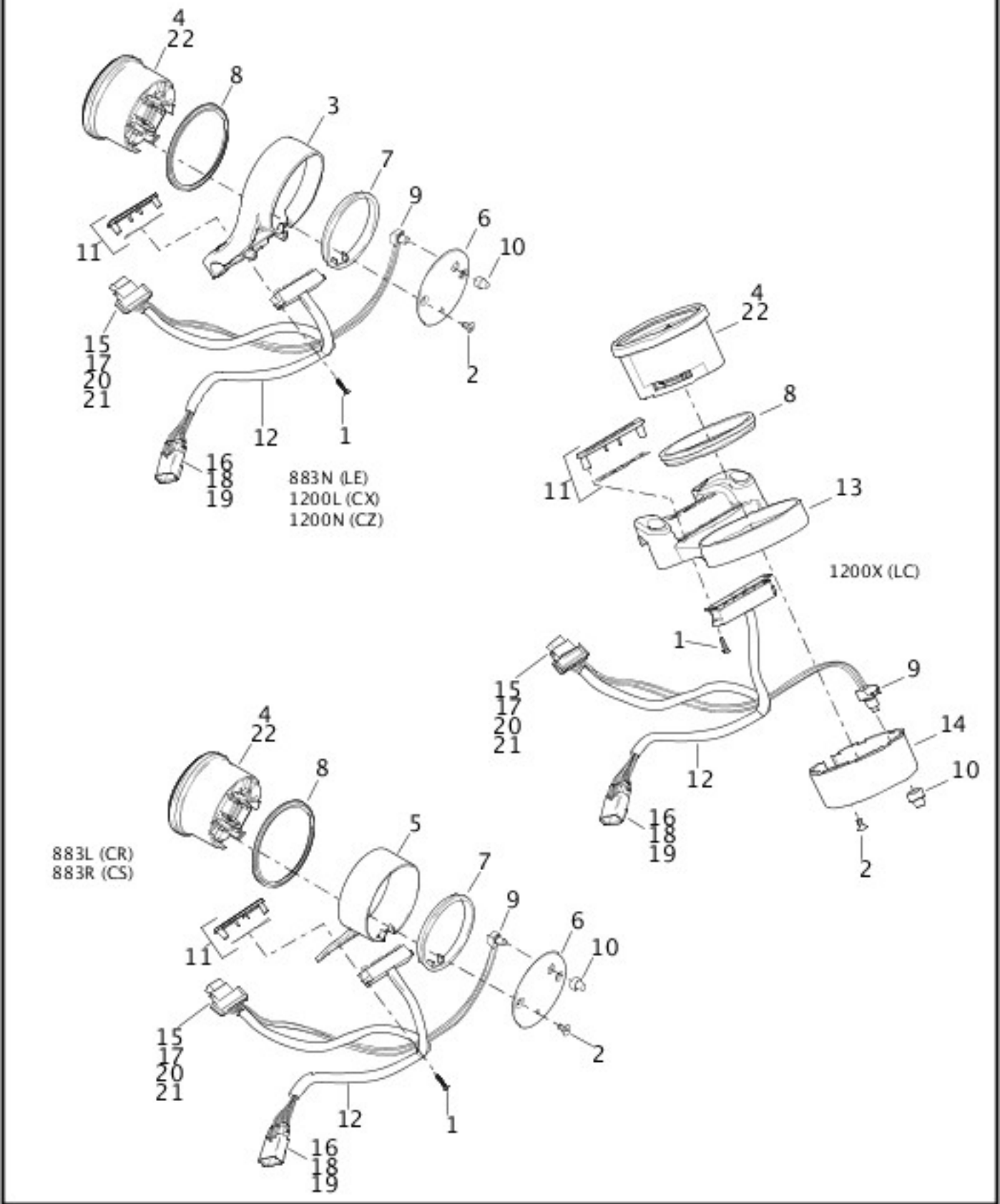
INDEX NO.	PART NO.	DESCRIPTION	MODEL(S)
18	64927-08A	HEAT SHIELD, lower (chrome)	XR1200
	65168-10	HEAT SHIELD, lower (black)	XR1200X
19	64934-08A	HEAT SHIELD, upper (chrome)	XR1200
	65176-10	HEAT SHIELD, upper (black)	XR1200X
20	64935-08A	SHIELD, collector (chrome)	XR1200
	65189-10	SHIELD, collector (black)	XR1200X
21	64936-08A	EXHAUST SHIELD ASSEMBLY, upper (chrome)	XR1200



	65197-10	EXHAUST SHIELD ASSEMBLY, upper (black)	XR1200X
22	64954-08A	EXHAUST SHIELD ASSEMBLY, lower (chrome)	XR1200
	65198-10	EXHAUST SHIELD ASSEMBLY, lower (black)	XR1200X
24	65328-83A	FLANGE, exhaust pipe (2)	XR1200, XR1200X
28	65317-08A	GASKET, muffler inlet (2)	XR1200, XR1200X
	65218-10	MUFFLER, lower (England, HDI) (black)	XR1200X
	65222-10	MUFFLER, lower (Japan) (black)	XR1200X
	65219-10	MUFFLER, upper (England, HDI) (black)	XR1200X
	65227-10	MUFFLER, upper (Japan) (black)	XR1200X
36	64965-08A	EXHAUST ASSEMBLY (HDI, England, Japan)	XR1200, XR1200X

## **SPEEDOMETER - 883L/N/R, 1200L/N/X**

# SPEEDOMETER - 883L/N/R, 1200L/N/

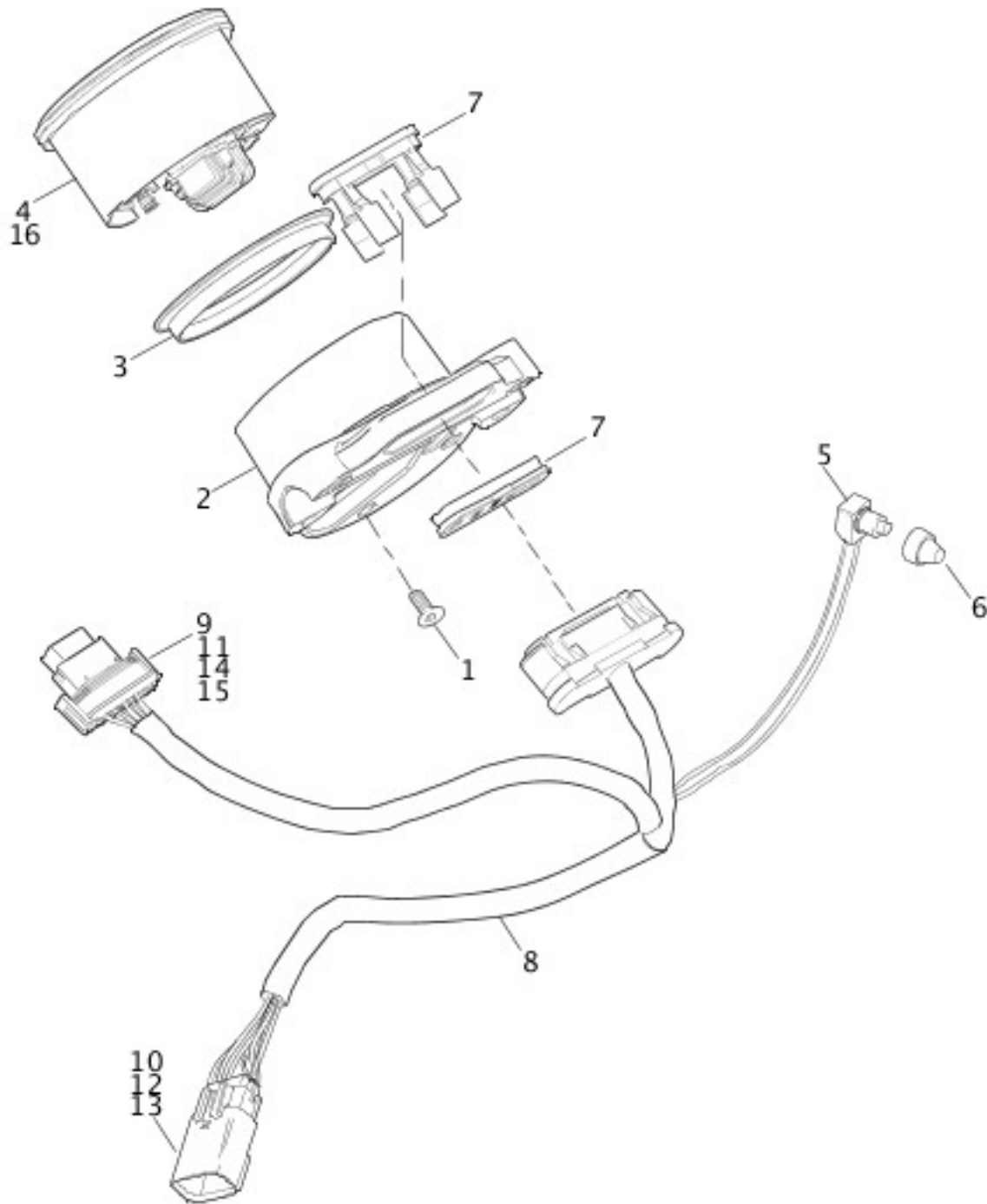


[View interactive table](#)

INDEX NO.	PART NO.	DESCRIPTION	MODEL(S)
11	68513-07A	BEZEL, indicator lamps	XL1200L, XL1200N, XL1200X, XL883L, XL883N, XL883R
13	71980-10	BRACKET, speedometer	XL1200X
14	71988-10	COVER, speedometer back	XL1200X

## [SPEEDOMETER - 883C, 1200C](#)

## SPEEDOMETER - 883C, 1200C

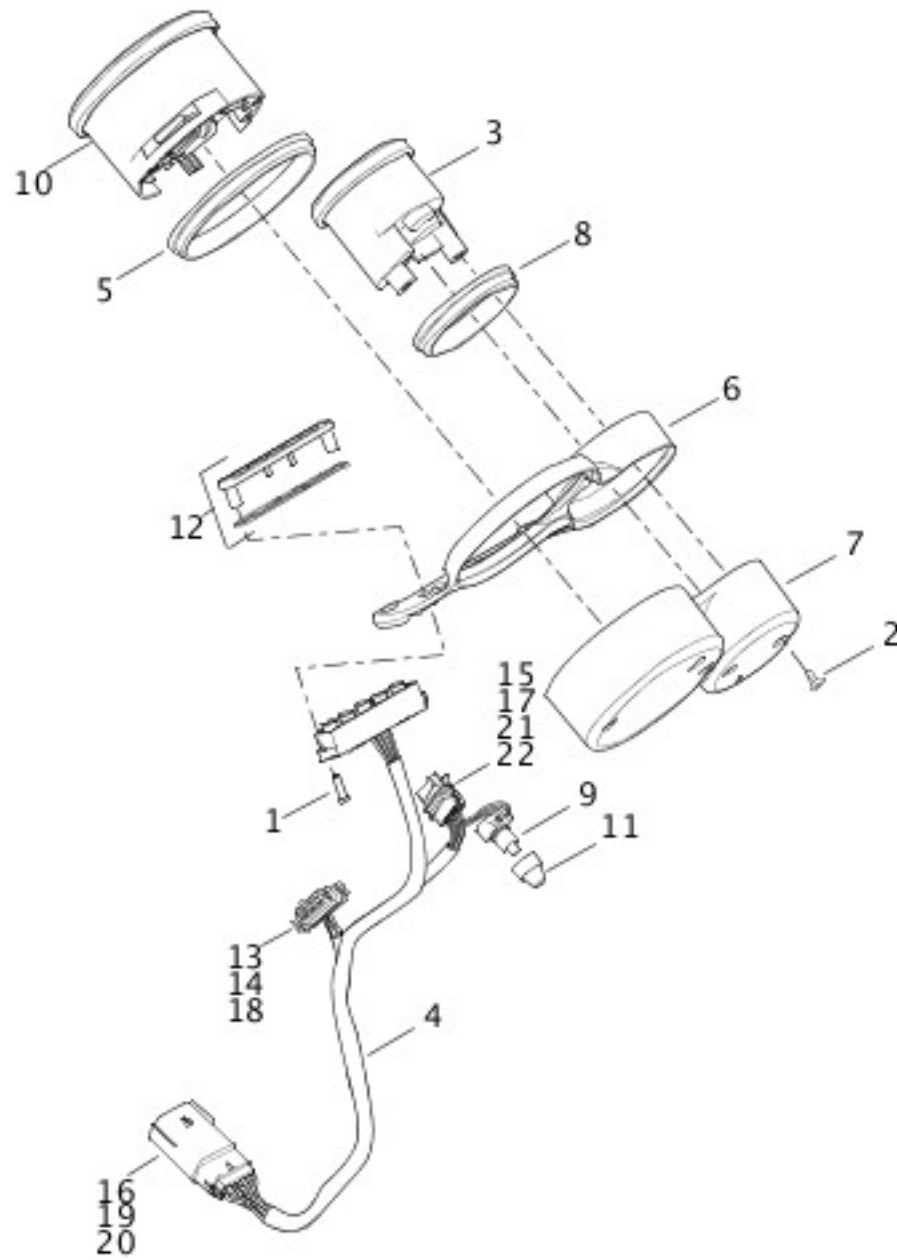


[View interactive table](#)

INDEX NO.	PART NO.	DESCRIPTION	MODEL(S)
7	68382-07B	BEZEL ASSEMBLY, indicator lamps	XL1200C, XL883C

[SPEEDOMETER & TACHOMETER - XR1200/X](#)

## SPEEDOMETER AND TACHOMETER - XR1200/X

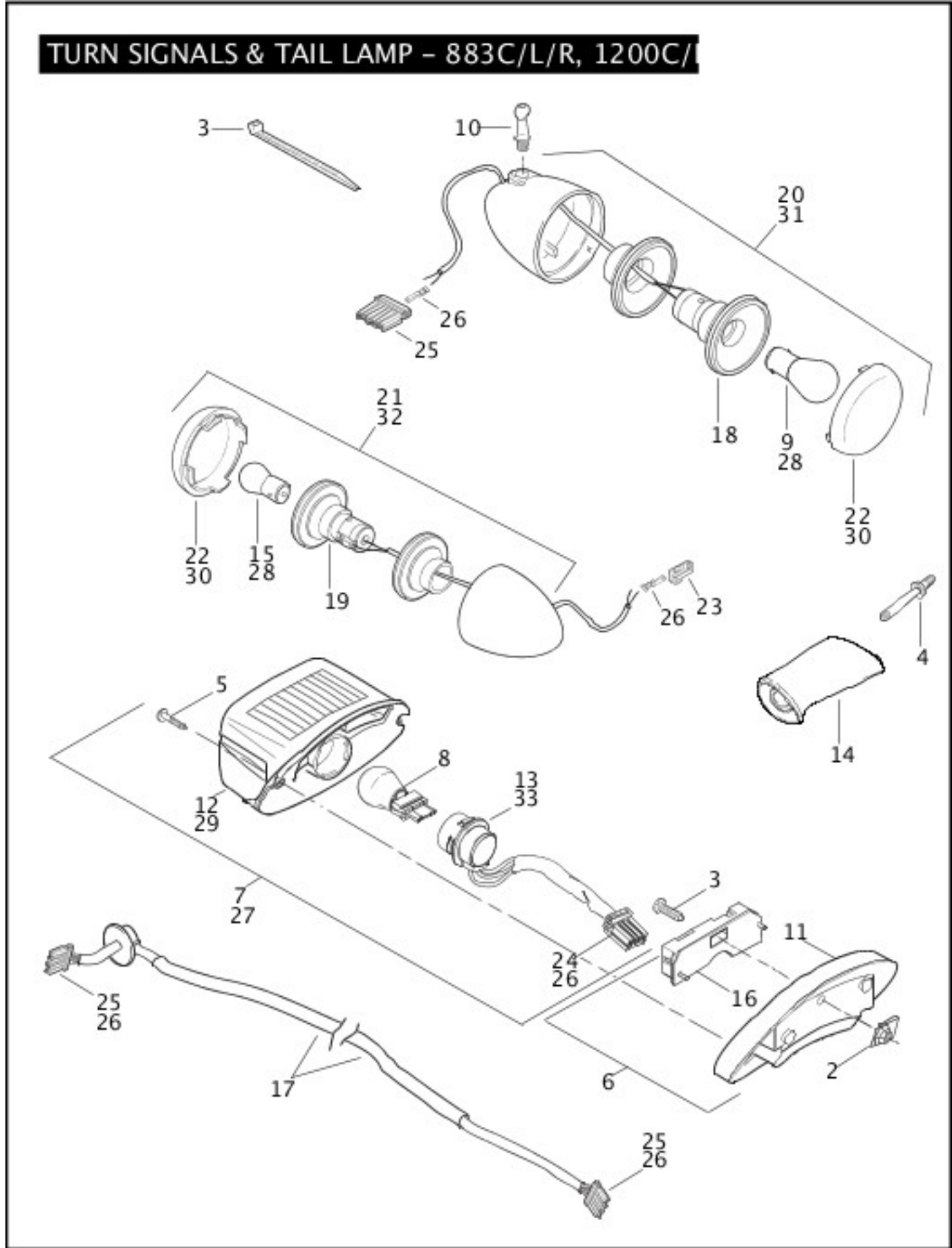


[View interactive table](#)

INDEX NO.	PART NO.	DESCRIPTION	MODEL(S)
	70714-10	SPEEDOMETER, speedometer (black)	XR1200X
9	67854-98	SWITCH, reset	XR1200, XR1200X
12	68513-07A	BEZEL, indicator lamps	XR1200, XR1200X

[TURN SIGNALS & TAIL LAMP - 883C/L/R, 1200C/L](#)

## TURN SIGNALS & TAIL LAMP - 883C/L/R, 1200C/L

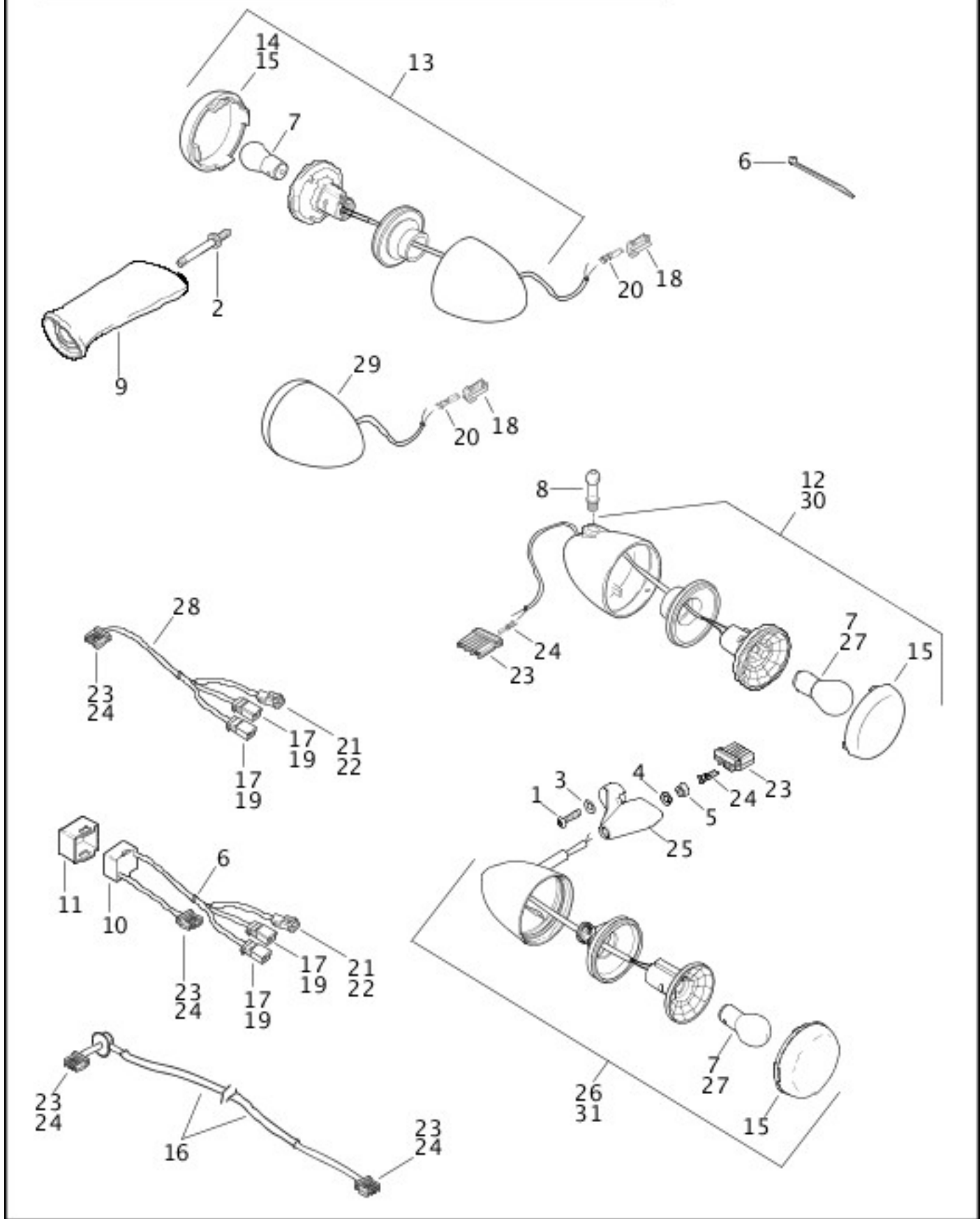


[View interactive table](#)

INDEX NO.	PART NO.	DESCRIPTION	MODEL(S)
17	68899-04A	HARNESS, rear lighting, w/ 25, 26	XL1200C, XL1200L, XL883C, XL883L, XL883R

## [TURN SIGNALS & TAIL LAMP - 883N, 1200N/X](#)

# TURN SIGNALS & TAIL LAMP - 883N, 1200N/X

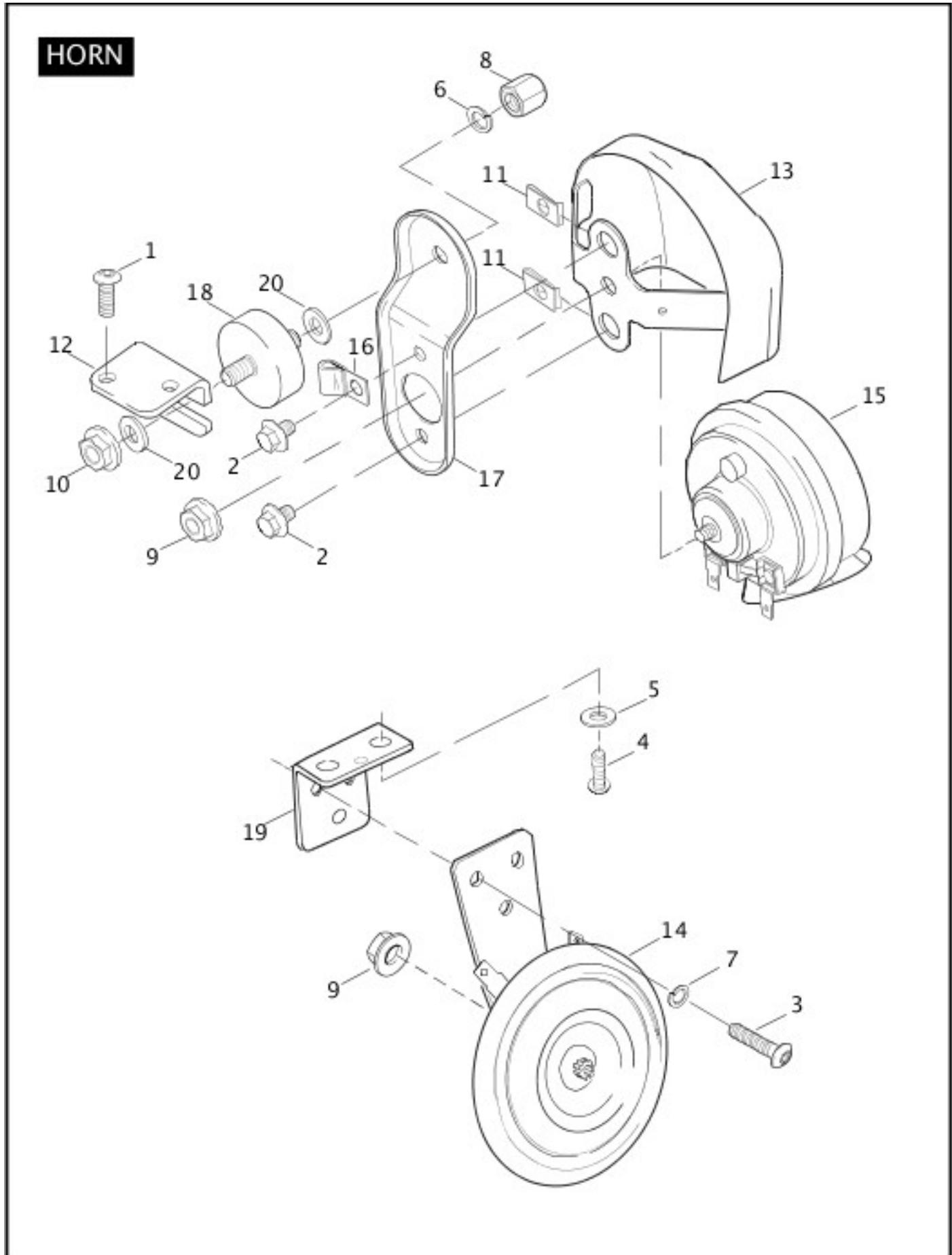


[View interactive table](#)

INDEX NO.	PART NO.	DESCRIPTION	MODEL(S)
1	4351	SCREW (2)	XL1200X
3	6610	WASHER (2)	XL1200X
4	7038	LOCKWASHER (2)	XL1200X
5	7783	NUT (2)	XL1200X
16	68899-04A	HARNESSES, rear lighting (Canada)	XL1200N, XL1200X, XL883N

25	73267-10	MOUNT, turn signal (2)	XL1200X
26	73282-10	TURN SIGNAL, front (2)	XL1200X
31	73284-10	TURN SIGNAL, front (HDI) (2)	XL1200X

## HORN



[View interactive table](#)

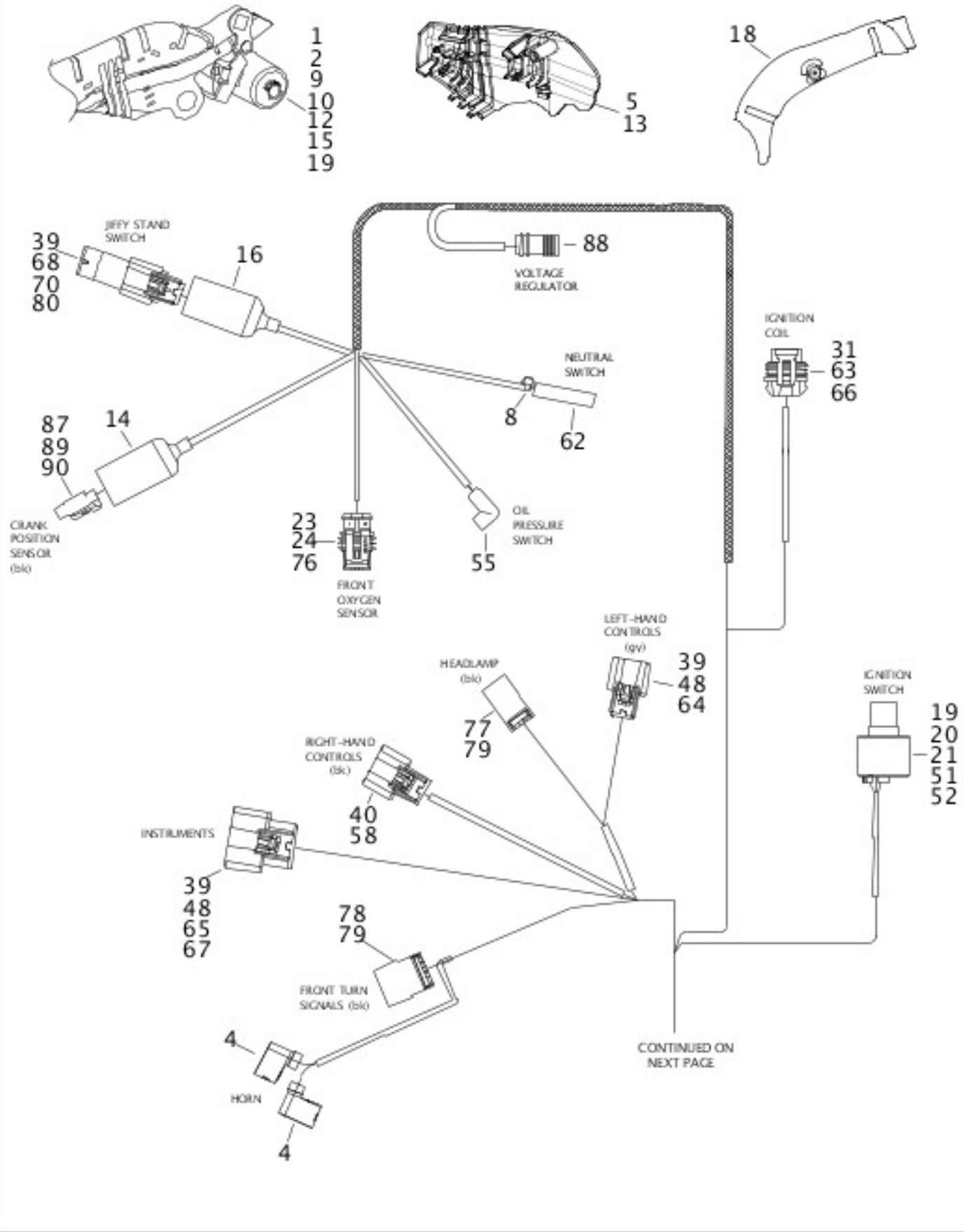
INDEX	PART	DESCRIPTION	MODEL(S)
-------	------	-------------	----------

NO.	NO.		
13	61300478	COVER, horn (chrome)	XL1200C
14	69000014	HORN, complete, w/ bracket & 7495	XL1200L, XL1200N, XL1200X, XL883C, XL883L, XL883N, XL883R, XR1200, XR1200X
15	69060- 90H	HORN, w/ 7495	XL1200C
18	69123- 92A	RUBBER MOUNT	XL1200C

**WIRING HARNESS, MAIN - 883C/L/N/R, 1200C/L/N/X (1 OF 2)**



# WIRING HARNESS, MAIN - 883C/L/N/R, 1200C/L/N/



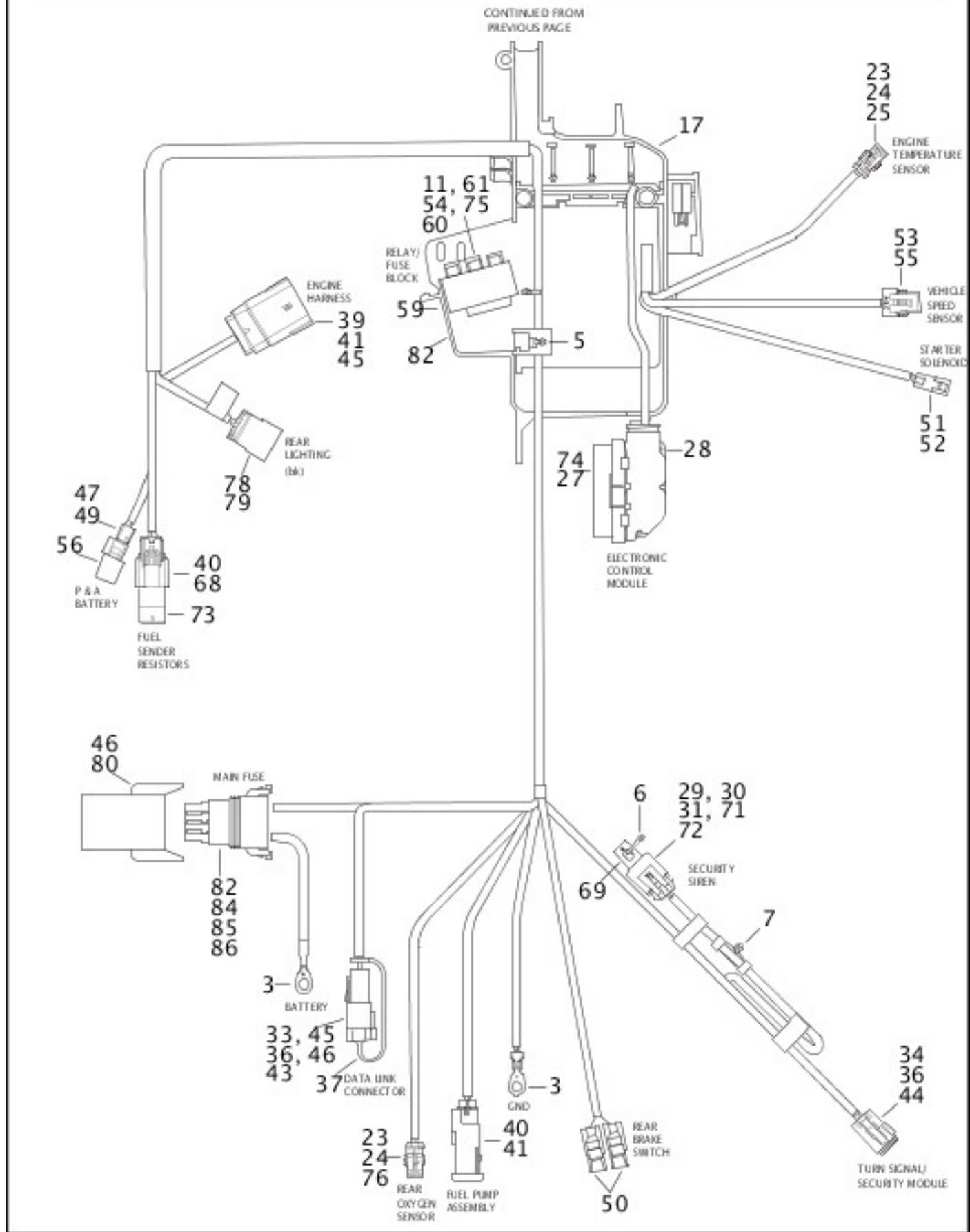
[View interactive table](#)

INDEX NO.	PART NO.	DESCRIPTION	MODEL(S)
	70181-10	WIRING HARNESS, main	XL1200C, XL1200L, XL1200N, XL1200X, XL883C, XL883L, XL883N, XL883R
11	31586-07	RELAY (2)	XL1200C, XL1200L, XL1200N, XL1200X, XL883C, XL883L, XL883N, XL883R
13	69200402	WIRE HARNESS CADDY, left	XL1200C, XL1200L, XL1200N, XL1200X, XL883C, XL883L,

			XL883N, XL883R
17	70679-10	CADDY, ECM & wire distribution	XL1200C, XL1200L, XL1200N, XL1200X, XL883C, XL883L, XL883N, XL883R
18	70680-10	CADDY, RH	XL1200C, XL1200L, XL1200N, XL1200X, XL883C, XL883L, XL883N, XL883R
25	72024-08	TERMINAL, socket, 20-22 gauge (2)	XL1200C, XL1200L, XL1200N, XL1200X, XL883C, XL883L, XL883N, XL883R
26	72066-06A	SOCKET HOUSING, 4-way, female (black)	XL1200C, XL1200L, XL1200N, XL1200X, XL883C, XL883L, XL883N, XL883R

**WIRING HARNESS, MAIN - 883C/L/N/R, 1200C/L/N/X (2 OF 2)**

# WIRING HARNESS, MAIN - 883C/L/N/R, 1200C/L/N/X (CONTINUED)



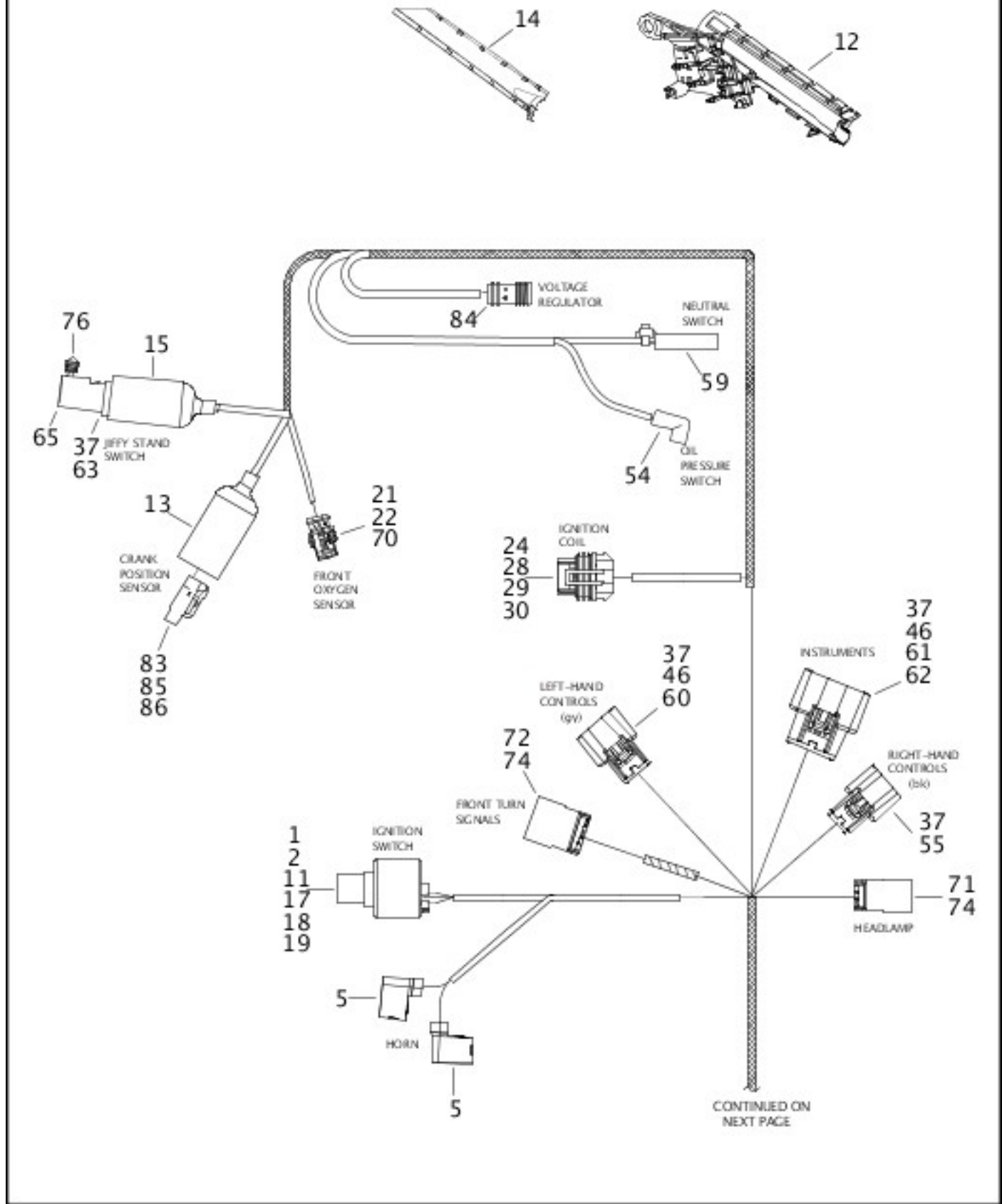
[View interactive table](#)

INDEX NO.	PART NO.	DESCRIPTION	MODEL(S)
	70181-10	WIRING HARNESS, main (continued)	XL1200C, XL1200L, XL1200N, XL1200X, XL883C, XL883L, XL883N, XL883R
55	72335-10	TERMINAL, socket, 20-22 gauge (3)	XL1200C, XL1200L, XL1200N, XL1200X, XL883C, XL883L, XL883N, XL883R
56	72378-04	CAP, red	XL1200C, XL1200L, XL1200N, XL1200X, XL883C, XL883L,

			XL883N, XL883R
63	72484-08	TERMINAL, socket, 20 gauge (2)	XL1200C, XL1200L, XL1200N, XL1200X, XL883C, XL883L, XL883N, XL883R
74	72568-08	TERMINAL, socket, 20-22 gauge (22)	XL1200C, XL1200L, XL1200N, XL1200X, XL883C, XL883L, XL883N, XL883R
75	72592-10	TERMINAL, socket, 18 gauge (4)	XL1200C, XL1200L, XL1200N, XL1200X, XL883C, XL883L, XL883N, XL883R
81	73214-10	COVER ASSEMBLY, fuseblock	XL1200C, XL1200L, XL1200N, XL1200X, XL883C, XL883L, XL883N, XL883R

**WIRING HARNESS, MAIN - XR1200/X (1 OF 2)**

# WIRING HARNESS, MAIN - XR1200/X

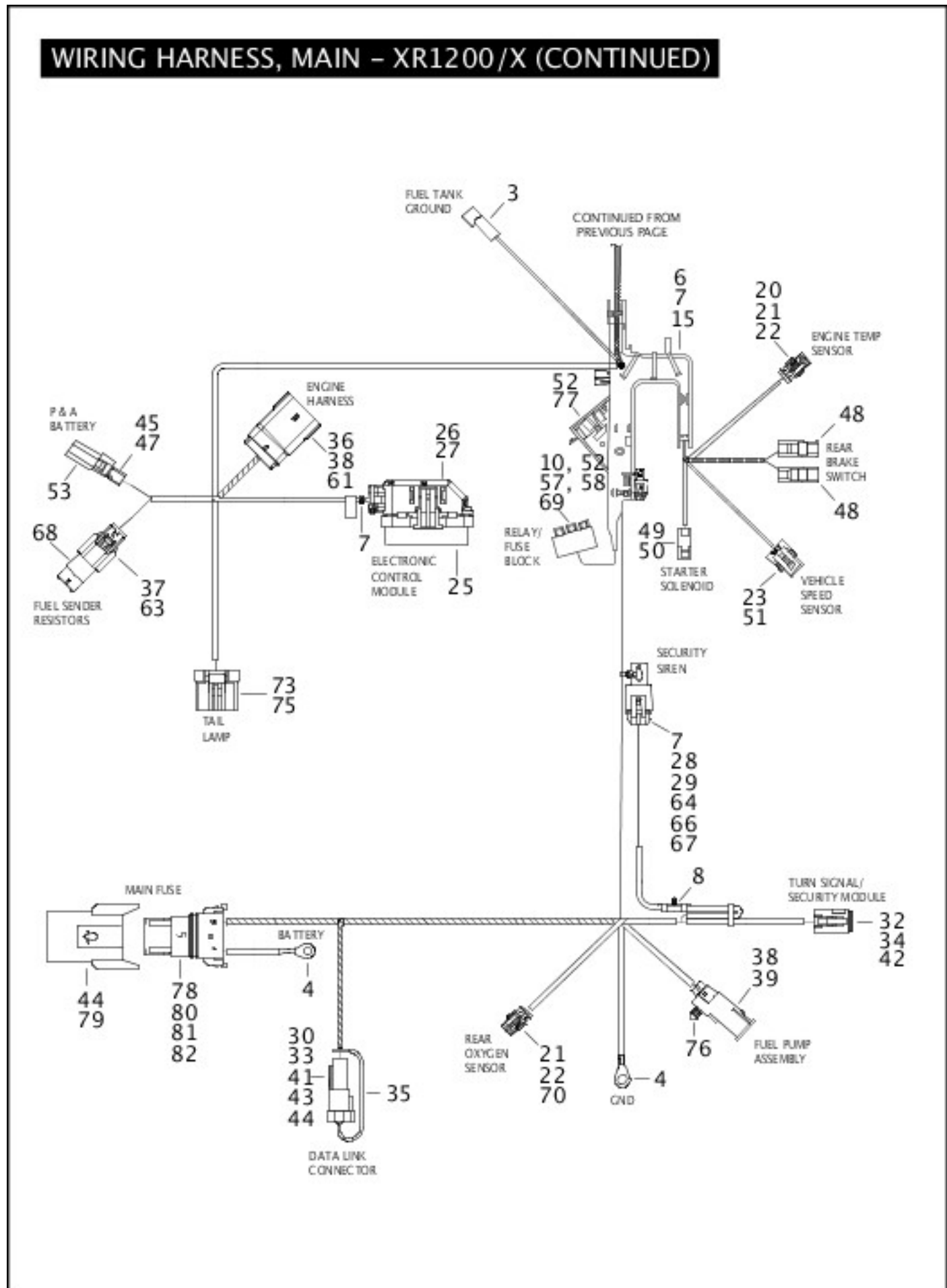


[View interactive table](#)

INDEX NO.	PART NO.	DESCRIPTION	MODEL(S)
	70225-10	WIRING HARNESS, main	XR1200, XR1200X
9	10287	CABLE STRAP (as required)	XR1200, XR1200X
10	31586-07	RELAY (2)	XR1200, XR1200X
11	31806-08A	BRACKET ASSEMBLY	XR1200, XR1200X

16	71341-10	CADDY	XR1200, XR1200X
24	72066-06A	SOCKET HOUSING, 4-way	XR1200, XR1200X
27	72078-00	KIT, connector, 36-position socket housing	XR1200, XR1200X

## [WIRING HARNESS, MAIN - XR1200/X \(2 OF 2\)](#)

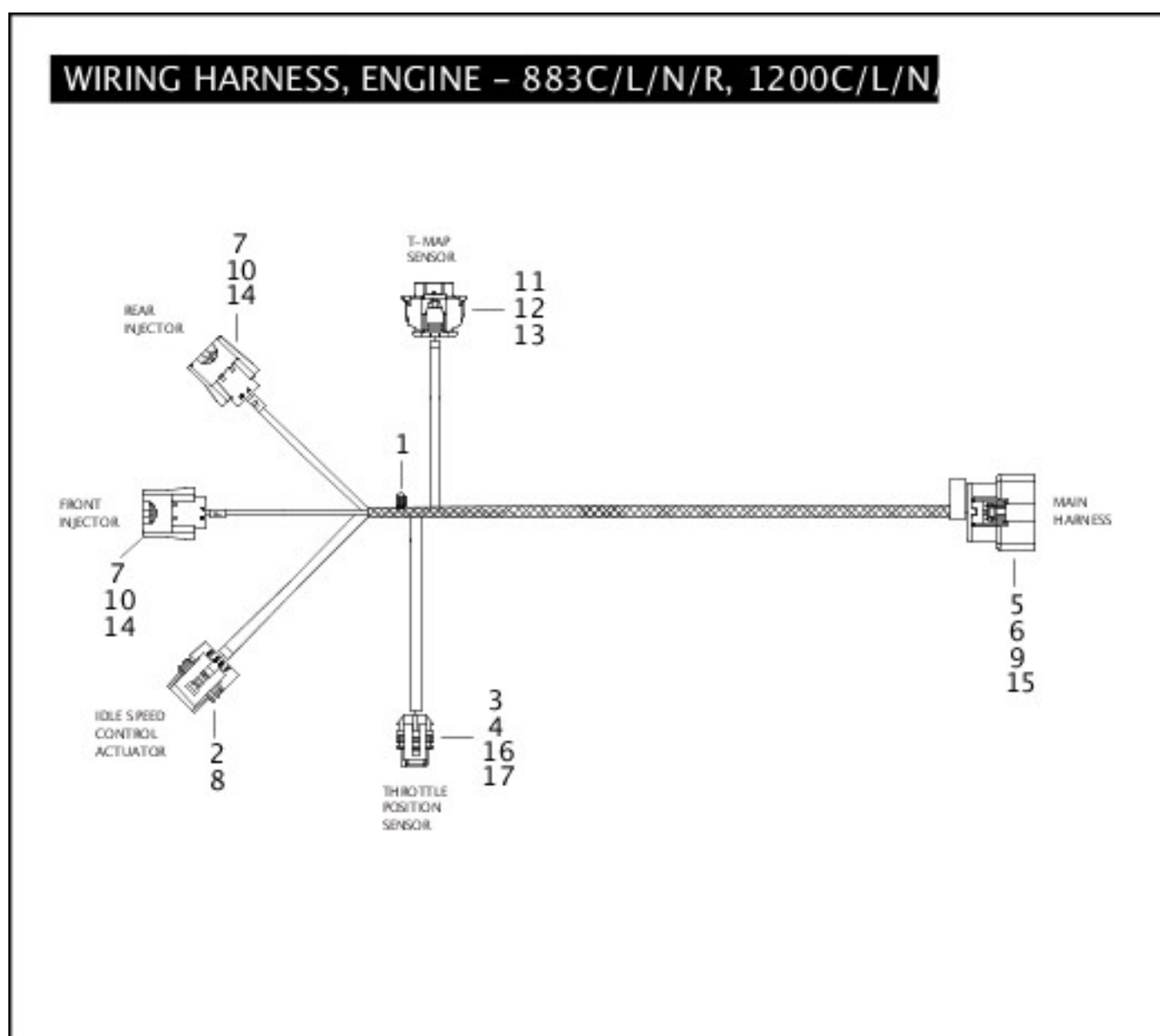


[View interactive table](#)

INDEX NO.	PART NO.	DESCRIPTION	MODEL(S)
-----------	----------	-------------	----------

	70225-10	WIRING HARNESS, main (continued)	XR1200, XR1200X
53	72378-04	CAP, red	XR1200, XR1200X
65	72519-09BK	CAP	XR1200, XR1200X
69	72592-10	TERMINAL, socket, 18 gauge (4)	XR1200, XR1200X
77	73228-10	COVER, fuseblock	XR1200, XR1200X

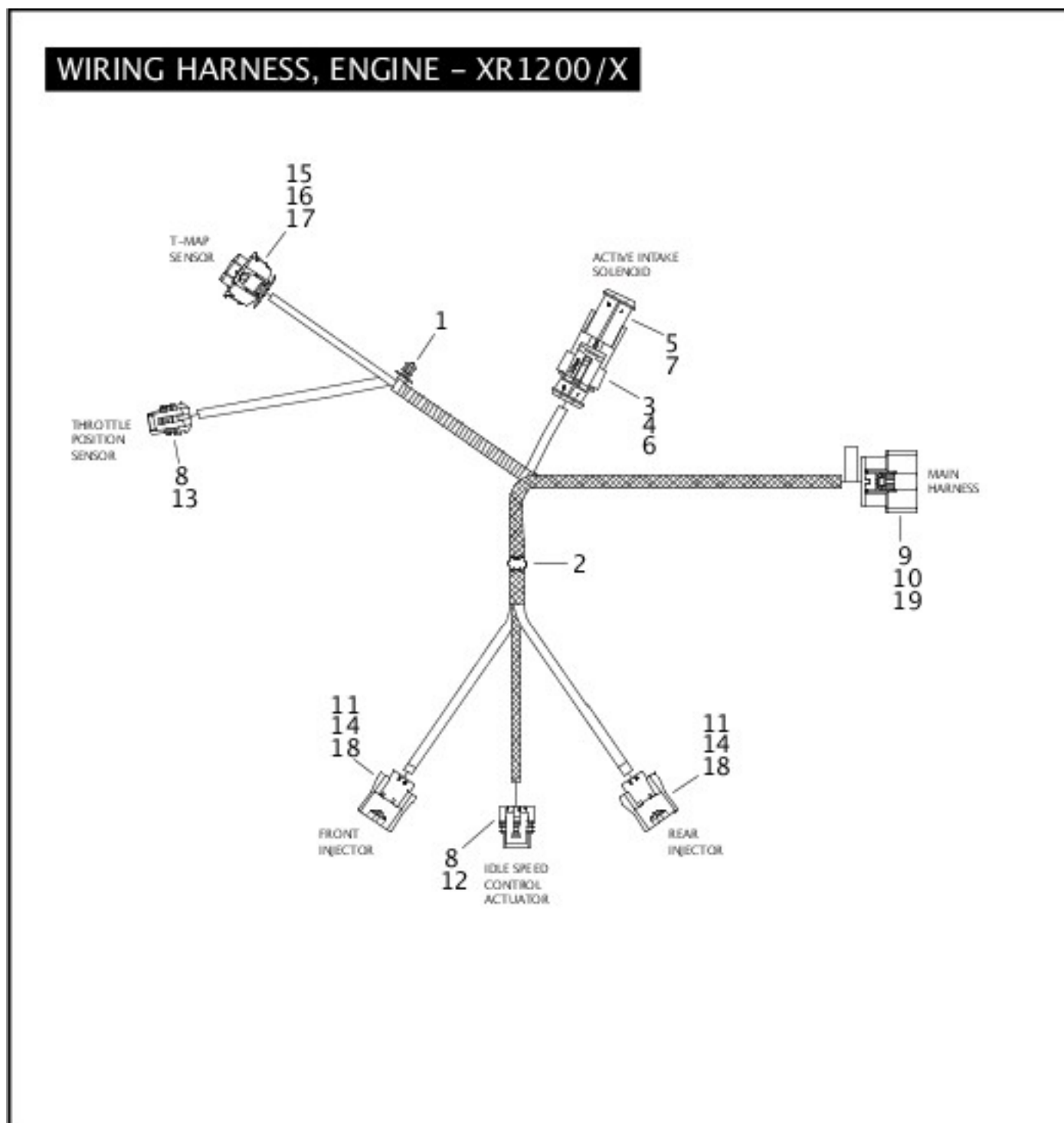
## WIRING HARNESS, ENGINE - 883C/L/N/R, 1200C/L/N/X



[View interactive table](#)

INDEX NO.	PART NO.	DESCRIPTION	MODEL(S)
	70167-08A	WIRING HARNESS, engine	XL1200C, XL1200L, XL1200N, XL1200X, XL883C, XL883L, XL883N, XL883R
9	72272-07	TERMINAL, socket, 14-16 gauge (2)	XL1200C, XL1200L, XL1200N, XL1200X, XL883C, XL883L, XL883N, XL883R
11	72406-07A	HOUSING, 4-way, socket	XL1200C, XL1200L, XL1200N, XL1200X, XL883C, XL883L, XL883N, XL883R

# WIRING HARNESS, ENGINE - XR1200/X



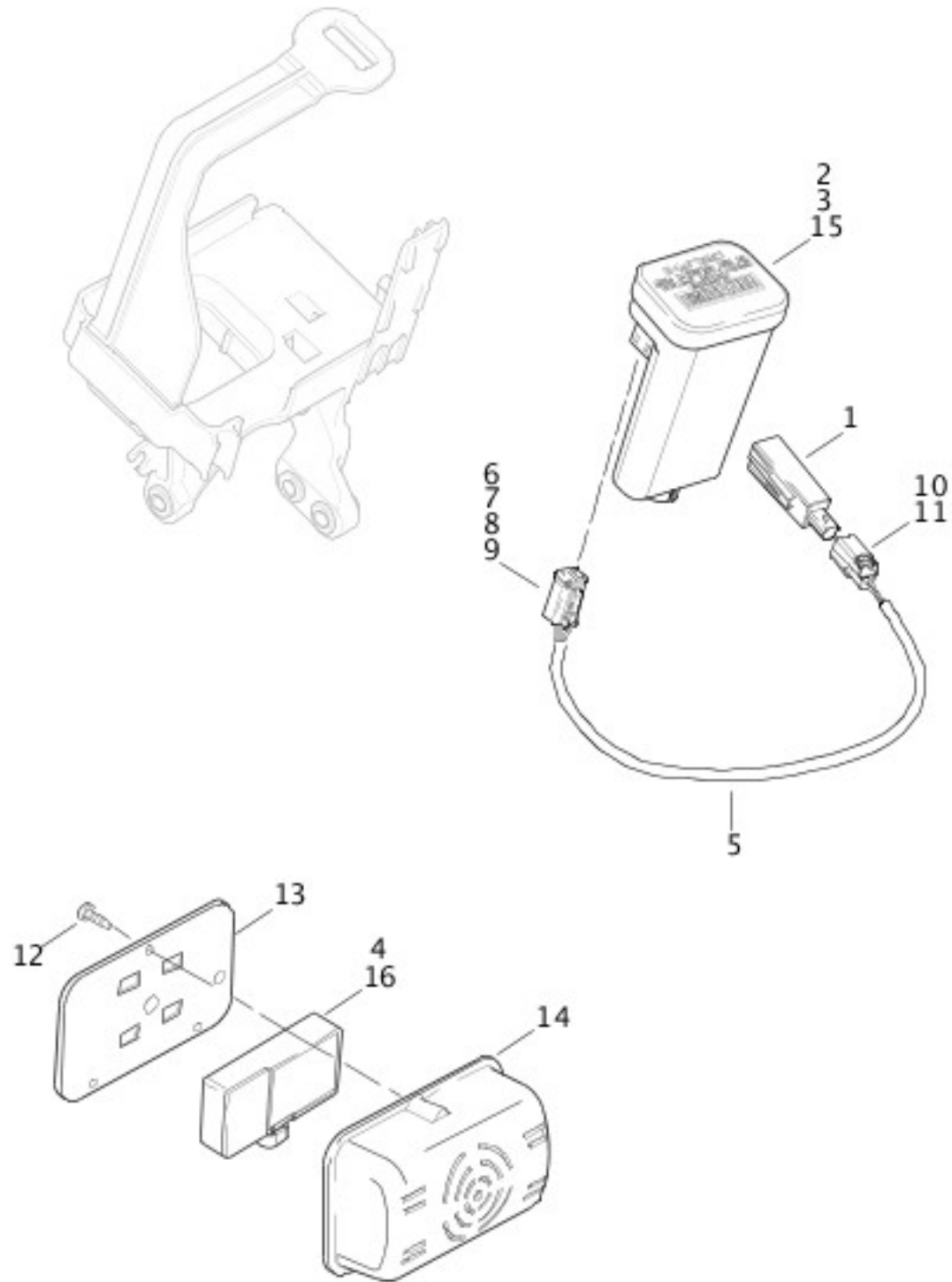
[View interactive table](#)

INDEX NO.	PART NO.	DESCRIPTION	MODEL(S)
	70163-10	WIRING HARNESS, engine	XR1200, XR1200X
2	10279	CLIP	XR1200, XR1200X
5	72009-05	HOUSING, pin, 2-way	XR1200, XR1200X
7	72014-07	SEAL PIN (2)	XR1200, XR1200X
13	72312-04	HOUSING, 3-way, socket	XR1200, XR1200X
15	72406-07A	HOUSING, 4-way, socket	XR1200, XR1200X

# TURN SIGNAL MODULE & SECURITY SIREN



## TURN SIGNAL MODULE & SECURITY SIREN

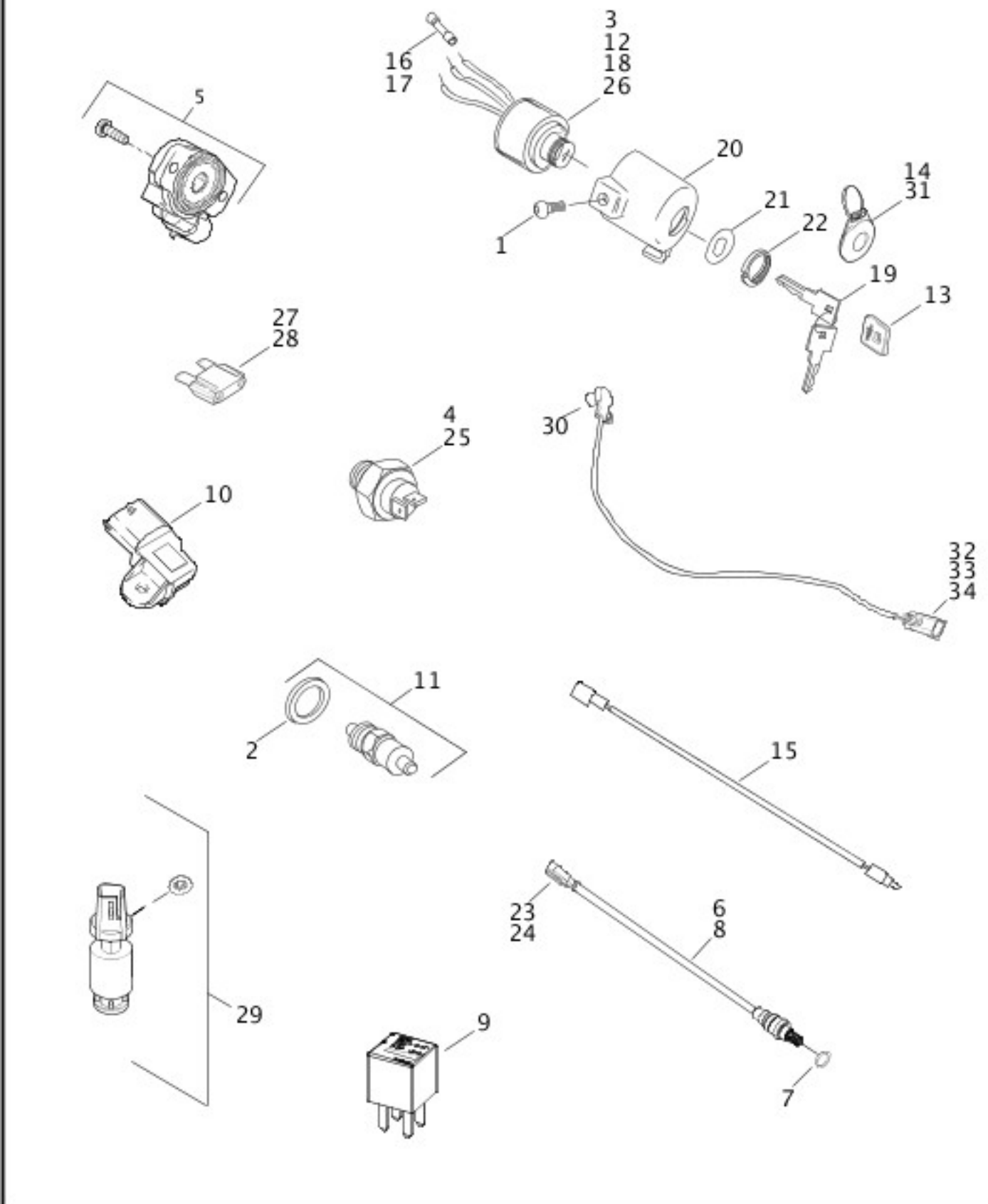


[View interactive table](#)

INDEX NO.	PART NO.	DESCRIPTION	MODEL(S)
4	69309-10	BATTERY REPLACEMENT KIT, siren	ALL
16	68958-07C	SIREN (HDI)	ALL

[SWITCHES, SENSORS & ELECTRICAL CONNECTORS](#)

# SWITCHES, SENSORS & ELECTRICAL CONNECTORS



[View interactive table](#)

INDEX NO.	PART NO.	DESCRIPTION	MODEL(S)
10	32319-07A	T-MAP SENSOR	ALL
12	48154-05A	LOCKSET ASSEMBLY	ALL
25	72023-51E	BRAKE LIGHT SWITCH, w/ 9907	ALL
29	75302-07B	SENSOR, fuel level	ALL

**WARNING**

**BATTERY REMOVAL**

WARRANTY VOID IF BATTERY IS REMOVED OR RECONNECTED INCORRECTLY. ALWAYS WEAR YOUR SAFETY GEAR AND HELMET WHEN RIDING.

ALWAYS WEAR YOUR SAFETY GEAR AND HELMET WHEN RIDING.

ALWAYS WEAR YOUR SAFETY GEAR AND HELMET WHEN RIDING.

ALWAYS WEAR YOUR SAFETY GEAR AND HELMET WHEN RIDING.

**WARNING**

**BATTERY INSTALLATION**

WARRANTY VOID IF BATTERY IS REMOVED OR RECONNECTED INCORRECTLY. ALWAYS WEAR YOUR SAFETY GEAR AND HELMET WHEN RIDING.

ALWAYS WEAR YOUR SAFETY GEAR AND HELMET WHEN RIDING.

ALWAYS WEAR YOUR SAFETY GEAR AND HELMET WHEN RIDING.

ALWAYS WEAR YOUR SAFETY GEAR AND HELMET WHEN RIDING.


**CAUTION**

PLEASE DO NOT REMOVE THE BATTERY COVER OR BATTERY FROM THE MOTORCYCLE. THE BATTERY COVER IS A SAFETY FEATURE THAT HELPS PROTECT YOU FROM THE BATTERY. ALWAYS WEAR YOUR SAFETY GEAR AND HELMET WHEN RIDING.

ALWAYS WEAR YOUR SAFETY GEAR AND HELMET WHEN RIDING.

ALWAYS WEAR YOUR SAFETY GEAR AND HELMET WHEN RIDING.

ALWAYS WEAR YOUR SAFETY GEAR AND HELMET WHEN RIDING.



**VEHICLE EMISSION CONTROL INFORMATION**

ENGINE DISPLACEMENT: "W"  
ENGINE FAMILY: "B"  
THIS VEHICLE CONFORMS TO USEPA REGULATIONS APPLICABLE TO 2010 MODEL YEAR NEW MOTORCYCLES AND IS CERTIFIED TO A  
"C" HC + NOX G/KM FEL  
ENGINE EXHAUST CONTROL SYSTEM: "D"  
PERFORMANCE FAMILY: "E"  
ENGINE TUNE UP SPECIFICATIONS:  
SLOW IDLE: 1000 - 1050 RPM  
IGNITION TIMING: AUTOMATICALLY CONTROLLED NOT ADJUSTABLE  
FUEL: UNLEADED GASOLINE ONLY  
"F" 91+M/2 PUMP OCTANE OR HIGHER OIL: SEE OWNER'S MANUAL

Harley-Davidson Motor Co.

THIS 2010 "G" MOTORCYCLE, D5621 MEETS ALL USEPA NOISE EMISSION REQUIREMENTS OF 69dB(A) AT 70RPM BY THE FEDERAL TEST PROCEDURE

WARNING: MODIFICATIONS WHICH CAUSE THIS MOTORCYCLE TO EXCEED FEDERAL NOISE AND EMISSIONS STANDARDS ARE PROHIBITED BY FEDERAL LAW. SEE OWNER'S MANUAL.

XXXXX-XX

**WARNING**

A connected battery can cause a spark or motorcycle startup while servicing. Death or serious injury could occur.

- Disconnect negative cable before servicing.
- Keep cable away from terminal while servicing.

XXXXX-XX

**WARNING**

Motorcycles are different from other vehicles. They operate, steer, handle and brake differently. Unskilled or improper use could result in loss of control, death or serious injury.

- Take a rider training course.
- Read Owner's Manual before riding, adding accessories or servicing.
- Wear a helmet, eye protection and protective clothing.
- Never tow a trailer.

To be removed by customer only.

XXXXX-XX

**WARNING**

Motorcycles are different from other vehicles. They operate, steer, handle and brake differently. Unskilled or improper use could result in loss of control, death or serious injury.

- Take a rider training course.
- Read Owner's Manual before riding, adding accessories or servicing.
- Wear a helmet, eye protection and protective clothing.
- Never tow a trailer.

For a manual, find nearest dealer at 1-800-443-2103 or www.harley-davidson.com

XXXXX-XX

**STATIONARY NOISE TEST INFORMATION**

TESTED "A" DB(A) AT "B" RPM  
SILENCING SYSTEM: HARLEY-DAVIDSON  
IDENTIFICATION: "C"

IN ACCORDANCE WITH AUSTRALIAN ADR 6100  
XXXXX-XX

1 - (N) - 2 - 3 - 4 - 5

View interactive table

INDEX NO.	PART NO.	DESCRIPTION	MODEL(S)
1	13504-10	LABEL, emission <b>**RESTRICTED SALES PART**</b>	XR1200, XR1200X
	14708-10	LABEL, emission (Canada) <b>**RESTRICTED SALES PART**</b>	XR1200, XR1200X

	14710-10	LABEL, emission (California) <b>**RESTRICTED SALES PART**</b>	XR1200, XR1200X
	14081-10	LABEL, emission <b>**RESTRICTED SALES PART**</b>	XL1200C, XL1200L, XL1200N, XL1200X
	14016-10	LABEL, emission (California) <b>**RESTRICTED SALES PART**</b>	XL1200C, XL1200L, XL1200N, XL1200X
	14680-10	LABEL, emission (Canada) <b>**RESTRICTED SALES PART**</b>	XL1200C, XL1200L, XL1200N, XL1200X
	14066-10	LABEL, emission <b>**RESTRICTED SALES PART**</b>	XL883C, XL883L, XL883N, XL883R
	14160-10	LABEL, emission (California) <b>**RESTRICTED SALES PART**</b>	XL883C, XL883L, XL883N, XL883R
	14679-10	LABEL, emission (Canada) <b>**RESTRICTED SALES PART**</b>	XL883C, XL883L, XL883N, XL883R
4	15376-06A	LABEL, battery removal	ALL
6	13594-10	LABEL, noise (Australia) <b>**RESTRICTED SALES PART**</b>	XR1200, XR1200X
	14258-10	LABEL, noise (Australia) <b>**RESTRICTED SALES PART**</b>	XL883C, XL883L, XL883N, XL883R
	14190-10	LABEL, noise (Australia) <b>**RESTRICTED SALES PART**</b>	XL1200C, XL1200N

## Numerical Index

[View interactive table](#)

10006	<a href="#">FRAME &amp; JIFFY STAND - XR1200/X</a> <a href="#">HANDLEBAR &amp; THROTTLE CONTROL - 883C, 1200C</a> <a href="#">BATTERY</a> <a href="#">WIRING HARNESS, MAIN - 883C/L/N/R, 1200C/L/N/X (1 OF 2)</a> <a href="#">WIRING HARNESS, MAIN - XR1200/X (1 OF 2)</a> <a href="#">EVAPORATIVE EMISSIONS</a>
10014	<a href="#">OIL TANK - 883C/L/N/R, 1200C/L/N/X</a> <a href="#">OIL TANK - XR1200/X</a>
10031	<a href="#">FRONT BRAKE CONTROL - 883C/L/N/R, 1200C/L/N/X</a> <a href="#">FRONT BRAKE CONTROL - XR1200/X</a> <a href="#">REAR BRAKE MASTER CYLINDER - 883C/L/N/R, 1200C/L/N/X</a> <a href="#">REAR BRAKE MASTER CYLINDER - XR1200/X</a>
10053	<a href="#">FRONT BRAKE CONTROL - 883C/L/N/R, 1200C/L/N/X</a>
10065	<a href="#">TURN SIGNALS &amp; TAIL LAMP - 883C/L/R, 1200C/L</a> <a href="#">TURN SIGNALS &amp; TAIL LAMP - 883N, 1200N/X</a> <a href="#">WIRING HARNESS, MAIN - 883C/L/N/R, 1200C/L/N/X (1 OF 2)</a> <a href="#">WIRING HARNESS, MAIN - XR1200/X (1 OF 2)</a>
10074	<a href="#">EXHAUST SYSTEM - 883C/L/N/R, 1200C/L/N/X</a>

10080	<a href="#">CRANKCASE &amp; GEARCASE - 883C/L/N/R, 1200C/L/N/X</a> <a href="#">CRANKCASE &amp; GEARCASE - XR1200/X</a> <a href="#">OIL TANK - 883C/L/N/R, 1200C/L/N/X</a>
10092	<a href="#">REAR BRAKE MASTER CYLINDER - XR1200/X</a>
10142	<a href="#">OIL TANK - 883C/L/N/R, 1200C/L/N/X</a> <a href="#">OIL TANK - XR1200/X</a>
10177	<a href="#">CRANKCASE &amp; GEARCASE - 883C/L/N/R, 1200C/L/N/X</a> <a href="#">CRANKCASE &amp; GEARCASE - XR1200/X</a> <a href="#">ALTERNATOR &amp; REGULATOR</a> <a href="#">ELECTRONIC IGNITION SYSTEM - 883C/L/N/R, 1200C/L/N/X</a> <a href="#">WIRING HARNESS, ENGINE - XR1200/X</a> <a href="#">EVAPORATIVE EMISSIONS</a>
10179A	<a href="#">FRAME &amp; JIFFY STAND - 883C/L/N/R, 1200C/L/N/X</a> <a href="#">FRAME &amp; JIFFY STAND - XR1200/X</a>
10181	<a href="#">HANDLEBAR SWITCHES</a> <a href="#">FUEL PUMP</a>
10200	<a href="#">REAR FENDER &amp; LICENSE PLATE BRKT - 883C/L/R, 1200C/L/X, 883N/1200N (CAN)</a>
10242	<a href="#">REAR FENDER &amp; LICENSE PLATE BRKT - 883C/L/R, 1200C/L/X, 883N/1200N (CAN)</a>
10252	<a href="#">REAR BRAKE MASTER CYLINDER - 883C/L/N/R, 1200C/L/N/X</a> <a href="#">REAR BRAKE MASTER CYLINDER - XR1200/X</a>
10255	<a href="#">REAR BRAKE MASTER CYLINDER - 883C/L/N/R, 1200C/L/N/X</a>
10279	<a href="#">WIRING HARNESS, MAIN - 883C/L/N/R, 1200C/L/N/X (1 OF 2)</a> <a href="#">WIRING HARNESS, MAIN - XR1200/X (1 OF 2)</a> <a href="#">WIRING HARNESS, ENGINE - 883C/L/N/R, 1200C/L/N/X</a> <a href="#">WIRING HARNESS, ENGINE - XR1200/X</a>
1028	<a href="#">CRANKCASE &amp; GEARCASE - XR1200/X</a>
10287	<a href="#">WIRING HARNESS, MAIN - 883C/L/N/R, 1200C/L/N/X (1 OF 2)</a> <a href="#">WIRING HARNESS, MAIN - XR1200/X (1 OF 2)</a>
10289A	<a href="#">FRAME &amp; JIFFY STAND - 883C/L/N/R, 1200C/L/N/X</a> <a href="#">FRAME &amp; JIFFY STAND - XR1200/X</a>
10303	<a href="#">FUEL PUMP</a>
10304	<a href="#">FUEL PUMP</a>
10323	<a href="#">REAR FENDER &amp; LICENSE PLATE BRACKET - 883N/1200N/X (NON-CANADA)</a>
10344	<a href="#">OIL TANK - XR1200/X</a> <a href="#">OIL LINES &amp; COOLER - XR1200/X</a>
1039	<a href="#">ROCKER ARMS, COVERS, &amp; PUSH RODS - 883C/L/N/R, 1200C/L/N/X</a> <a href="#">ROCKER ARMS, COVERS, &amp; PUSH RODS - XR1200/X</a>
10417	<a href="#">FRONT FORK - 883C/L/R, 1200C/L/X</a>
10418	<a href="#">FRONT FORK - XR1200X</a>

1048	<a href="#">CRANKCASE &amp; GEARCASE - 883C/L/N/R, 1200C/L/N/X</a> <a href="#">CRANKCASE &amp; GEARCASE - XR1200/X</a>
10627	<a href="#">FRONT FORK - 883C/L/R, 1200C/L/X</a>
10628	<a href="#">FRONT FORK - XR1200X</a>
1081A	<a href="#">FUEL TANK - XR1200/X</a> <a href="#">FUEL PUMP</a>
1091	<a href="#">FUEL PUMP</a>
10926	<a href="#">FRONT FORK - XR1200X</a>
1094	<a href="#">OIL LINES &amp; COOLER - XR1200/X</a>
10966	<a href="#">OIL PUMP - XR1200/X</a>
10967	<a href="#">OIL PUMP - XR1200/X</a>
10969	<a href="#">OIL PUMP - XR1200/X</a>
10970	<a href="#">OIL LINES &amp; COOLER - XR1200/X</a>
10971	<a href="#">OIL PUMP - XR1200/X</a>
10972	<a href="#">OIL LINES &amp; COOLER - XR1200/X</a>
10984	<a href="#">TRANSMISSION GEARS</a>
11002	<a href="#">OIL PUMP - 883C/L/N/R, 1200C/L/N/X</a>
11031	<a href="#">REAR BRAKE MASTER CYLINDER - 883C/L/N/R, 1200C/L/N/X</a>
11046	<a href="#">CLUTCH - 883C/L/N/R, 1200C/L/N/X</a> <a href="#">CLUTCH - XR1200/X</a>
11067	<a href="#">TRANSMISSION GEARS</a>
11105	<a href="#">INSPECTION COVER &amp; PRIMARY COVER</a>
11110	<a href="#">OIL PUMP - XR1200/X</a> <a href="#">OIL LINES &amp; COOLER - XR1200/X</a>
11113	<a href="#">TRANSMISSION GEARS</a>
11120	<a href="#">OIL TANK - 883C/L/N/R, 1200C/L/N/X</a> <a href="#">OIL TANK - XR1200/X</a>
11121	<a href="#">REAR BRAKE MASTER CYLINDER - 883C/L/N/R, 1200C/L/N/X</a> <a href="#">REAR BRAKE MASTER CYLINDER - XR1200/X</a>
11140	<a href="#">OIL PUMP - XR1200/X</a> <a href="#">OIL LINES &amp; COOLER - XR1200/X</a>
11142	<a href="#">FRONT BRAKE CONTROL - 883C/L/N/R, 1200C/L/N/X</a> <a href="#">FRONT BRAKE CONTROL - XR1200/X</a>

11155	<a href="#">HANDLEBAR SWITCHES</a>
11161	<a href="#">TRANSMISSION GEARS</a>
11171	<a href="#">INSPECTION COVER &amp; PRIMARY COVER</a>
11177A	<a href="#">PISTONS &amp; FLYWHEEL ASSEMBLY</a> <a href="#">CRANKCASE &amp; GEARCASE - 883C/L/N/R, 1200C/L/N/X</a> <a href="#">CRANKCASE &amp; GEARCASE - XR1200/X</a>
11179	<a href="#">CLUTCH CONTROL</a>
11190	<a href="#">CYLINDER, HEAD, &amp; VALVES - 883C/L/N/R, 1200C/L/N/X</a> <a href="#">ROCKER ARMS, COVERS, &amp; PUSH RODS - 883C/L/N/R, 1200C/L/N/X</a> <a href="#">ROCKER ARMS, COVERS, &amp; PUSH RODS - XR1200/X</a>
11202	<a href="#">AIR CLEANER - 883C/L/N/R, 1200C/L/N/X</a>
11250	<a href="#">CLUTCH - 883C/L/N/R, 1200C/L/N/X</a> <a href="#">CLUTCH - XR1200/X</a>
11271	<a href="#">HANDLEBAR &amp; THROTTLE CONTROL - 883L/N/R, 1200L/N/X, XR1200/X</a> <a href="#">HANDLEBAR &amp; THROTTLE CONTROL - 883C, 1200C</a>
11272	<a href="#">HANDLEBAR &amp; THROTTLE CONTROL - 883L/N/R, 1200L/N/X, XR1200/X</a> <a href="#">HANDLEBAR &amp; THROTTLE CONTROL - 883C, 1200C</a>
11282	<a href="#">REAR FORK, DEBRIS DEFLECTOR &amp; BELT GUARD</a>
11289A	<a href="#">ENGINE SENSORS &amp; SWITCHES</a>
11290	<a href="#">CRANKCASE &amp; GEARCASE - XR1200/X</a> <a href="#">OIL PUMP - XR1200/X</a> <a href="#">ENGINE SENSORS &amp; SWITCHES</a> <a href="#">OIL LINES &amp; COOLER - XR1200/X</a>
11304	<a href="#">FOOTRESTS - 883C/L/N/R, 1200C/L/N/X</a> <a href="#">FOOTRESTS - XR1200/X</a>
11317	<a href="#">PISTONS &amp; FLYWHEEL ASSEMBLY</a> <a href="#">CAMSHAFTS &amp; GEAR COVER - 883C/L/N/R, 1200C/L/N/X</a> <a href="#">CAMSHAFTS &amp; GEAR COVER - XR1200/X</a>
11326	<a href="#">OIL PUMP - XR1200/X</a>
11351	<a href="#">OIL LINES &amp; COOLER - XR1200/X</a>
11360	<a href="#">SHIFTER</a>
11377	<a href="#">ROCKER ARMS, COVERS, &amp; PUSH RODS - 883C/L/N/R, 1200C/L/N/X</a> <a href="#">ROCKER ARMS, COVERS, &amp; PUSH RODS - XR1200/X</a>
11379	<a href="#">CLUTCH CONTROL</a> <a href="#">FRONT BRAKE CONTROL - 883C/L/N/R, 1200C/L/N/X</a> <a href="#">FRONT BRAKE CONTROL - XR1200/X</a>
11384K	<a href="#">OIL PUMP - XR1200/X</a> <a href="#">OIL LINES &amp; COOLER - XR1200/X</a>

11390	<a href="#">FOOTRESTS - 883C/L/N/R, 1200C/L/N/X</a>
11407	<a href="#">REAR BRAKE MASTER CYLINDER - 883C/L/N/R, 1200C/L/N/X</a> <a href="#">REAR BRAKE MASTER CYLINDER - XR1200/X</a>
11408	<a href="#">OIL PUMP - XR1200/X</a> <a href="#">OIL LINES &amp; COOLER - XR1200/X</a>
11474	<a href="#">REAR FENDER &amp; LICENSE PLATE BRKT - 883C/L/R, 1200C/L/X, 883N/1200N (CAN)</a> <a href="#">REAR FENDER &amp; LICENSE PLATE BRACKET - 883N/1200N/X (NON-CANADA)</a>
11491A	<a href="#">FRAME &amp; JIFFY STAND - XR1200/X</a>
11570	<a href="#">FUEL TANK - XR1200/X</a>
11598	<a href="#">FRAME &amp; JIFFY STAND - XR1200/X</a>
11621	<a href="#">ROCKER ARMS, COVERS, &amp; PUSH RODS - XR1200/X</a>
11625	<a href="#">ROCKER ARMS, COVERS, &amp; PUSH RODS - XR1200/X</a>
11631	<a href="#">TRANSMISSION GEARS</a>
11652	<a href="#">OIL LINES &amp; COOLER - XR1200/X</a>
11668	<a href="#">FUEL TANK - XR1200/X</a>
11730A	<a href="#">CLUTCH - 883C/L/N/R, 1200C/L/N/X</a> <a href="#">CLUTCH - XR1200/X</a>
11765Y	<a href="#">CLUTCH - 883C/L/N/R, 1200C/L/N/X</a> <a href="#">CLUTCH - XR1200/X</a>
11778	<a href="#">WIRING HARNESS, MAIN - 883C/L/N/R, 1200C/L/N/X (1 OF 2)</a>
11785	<a href="#">WIRING HARNESS, MAIN - 883C/L/N/R, 1200C/L/N/X (1 OF 2)</a>
11804	<a href="#">FRONT WHEEL, CAST - XR1200/X</a> <a href="#">FRONT WHEEL, LACED &amp; PROFILE LACED - 883C/L/R, 1200C/N/L/X</a>
11888	<a href="#">FRONT WHEEL, LACED &amp; PROFILE LACED - 883C/L/R, 1200C/N/L/X</a>
12030	<a href="#">TRANSMISSION GEARS</a>
12068	<a href="#">CRANKCASE &amp; GEARCASE - 883C/L/N/R, 1200C/L/N/X</a> <a href="#">CRANKCASE &amp; GEARCASE - XR1200/X</a>
12074	<a href="#">TRANSMISSION GEARS</a>
12085	<a href="#">FRONT FORK - XR1200X</a>
12200	<a href="#">FRONT FORK - XR1200X</a>
12201	<a href="#">FRONT FORK - XR1200X</a>
13304-08	<a href="#">FUEL TANK TRIM</a>
13305-08	<a href="#">FUEL TANK TRIM</a>



13342-08	<a href="#">FUEL TANK TRIM</a>
13343-08	<a href="#">FUEL TANK TRIM</a>
13386-08	<a href="#">FUEL TANK TRIM</a>
13397-08	<a href="#">FUEL TANK TRIM</a>
13504-10	<a href="#">LABELS</a>
13566-05	<a href="#">FUEL TANK TRIM</a>
13567-05	<a href="#">FUEL TANK TRIM</a>
13578-08	<a href="#">FUEL TANK TRIM</a>
13579-08	<a href="#">FUEL TANK TRIM</a>
13594-10	<a href="#">LABELS</a>
14016-10	<a href="#">LABELS</a>
14066-10	<a href="#">LABELS</a>
14081-10	<a href="#">LABELS</a>
14160-10	<a href="#">LABELS</a>
14190-10	<a href="#">LABELS</a>
14258-10	<a href="#">LABELS</a>
14270-92	<a href="#">LABELS</a>
14448-94	<a href="#">HANDLEBAR &amp; THROTTLE CONTROL - 883C, 1200C</a>
14679-10	<a href="#">LABELS</a>
14680-10	<a href="#">LABELS</a>
14708-10	<a href="#">LABELS</a>
14710-10	<a href="#">LABELS</a>
15368-01A	<a href="#">LABELS</a>
15370-01A	<a href="#">LABELS</a>
15376-06A	<a href="#">LABELS</a>
1594	<a href="#">FRAME &amp; JIFFY STAND - 883C/L/N/R, 1200C/L/N/X</a> <a href="#">FRAME &amp; JIFFY STAND - XR1200/X</a>
16232-04B	<a href="#">ENGINE MOUNTS</a>
16287-04	<a href="#">ENGINE MOUNTS</a>
16291-04	<a href="#">ENGINE MOUNTS</a>

16301-08	<a href="#"><u>ENGINE MOUNTS</u></a>
16353-04	<a href="#"><u>CYLINDER, HEAD, &amp; VALVES - 883C/L/N/R, 1200C/L/N/X</u></a>
16360-08	<a href="#"><u>INDUCTION MODULE - XR1200/X</u></a>
16361-07	<a href="#"><u>INDUCTION MODULE - 883C/L/N/R, 1200C/L/N/X</u></a>
16443-04	<a href="#"><u>CYLINDER, HEAD, &amp; VALVES - 883C/L/N/R, 1200C/L/N/X</u></a>
16452-05	<a href="#"><u>CYLINDER, HEAD, &amp; VALVES - 883C/L/N/R, 1200C/L/N/X</u></a>
16463-04	<a href="#"><u>CYLINDER, HEAD, &amp; VALVES - 883C/L/N/R, 1200C/L/N/X</u></a>
16465-06	<a href="#"><u>CYLINDER, HEAD, &amp; VALVES - 883C/L/N/R, 1200C/L/N/X</u></a> <a href="#"><u>CYLINDER, HEAD, &amp; VALVES - XR1200/X</u></a>
16466-04A	<a href="#"><u>CYLINDER, HEAD, &amp; VALVES - XR1200/X</u></a>
16468-08	<a href="#"><u>CYLINDER, HEAD, &amp; VALVES - XR1200/X</u></a>
16469-10	<a href="#"><u>CYLINDER, HEAD, &amp; VALVES - 883C/L/N/R, 1200C/L/N/X</u></a>
16478-85A	<a href="#"><u>CYLINDER, HEAD, &amp; VALVES - 883C/L/N/R, 1200C/L/N/X</u></a> <a href="#"><u>CYLINDER, HEAD, &amp; VALVES - XR1200/X</u></a>
16480-92A	<a href="#"><u>CYLINDER, HEAD, &amp; VALVES - 883C/L/N/R, 1200C/L/N/X</u></a> <a href="#"><u>CYLINDER, HEAD, &amp; VALVES - XR1200/X</u></a>
16573-83A	<a href="#"><u>CYLINDER, HEAD, &amp; VALVES - 883C/L/N/R, 1200C/L/N/X</u></a> <a href="#"><u>CYLINDER, HEAD, &amp; VALVES - XR1200/X</u></a>
16660-07	<a href="#"><u>CYLINDER, HEAD, &amp; VALVES - 883C/L/N/R, 1200C/L/N/X</u></a>
16661-07	<a href="#"><u>CYLINDER, HEAD, &amp; VALVES - 883C/L/N/R, 1200C/L/N/X</u></a>
16664-86D	<a href="#"><u>CYLINDER, HEAD, &amp; VALVES - 883C/L/N/R, 1200C/L/N/X</u></a>
16666-07	<a href="#"><u>CYLINDER, HEAD, &amp; VALVES - 883C/L/N/R, 1200C/L/N/X</u></a>
16667-07	<a href="#"><u>CYLINDER, HEAD, &amp; VALVES - 883C/L/N/R, 1200C/L/N/X</u></a>
16699-06	<a href="#"><u>CYLINDER, HEAD, &amp; VALVES - 883C/L/N/R, 1200C/L/N/X</u></a> <a href="#"><u>CYLINDER, HEAD, &amp; VALVES - XR1200/X</u></a>
16715-83	<a href="#"><u>CYLINDER, HEAD, &amp; VALVES - 883C/L/N/R, 1200C/L/N/X</u></a> <a href="#"><u>CYLINDER, HEAD, &amp; VALVES - XR1200/X</u></a>
16770-84F	<a href="#"><u>CYLINDER, HEAD, &amp; VALVES - 883C/L/N/R, 1200C/L/N/X</u></a>
16771-08	<a href="#"><u>CYLINDER, HEAD, &amp; VALVES - XR1200/X</u></a>
16789-04	<a href="#"><u>CYLINDER, HEAD, &amp; VALVES - 883C/L/N/R, 1200C/L/N/X</u></a> <a href="#"><u>CYLINDER, HEAD, &amp; VALVES - XR1200/X</u></a>
16800-84B	<a href="#"><u>ROCKER ARMS, COVERS, &amp; PUSH RODS - 883C/L/N/R, 1200C/L/N/X</u></a> <a href="#"><u>ROCKER ARMS, COVERS, &amp; PUSH RODS - XR1200/X</u></a>

16832-86C	<a href="#">CYLINDER, HEAD, &amp; VALVES - 883C/L/N/R, 1200C/L/N/X</a> <a href="#">CYLINDER, HEAD, &amp; VALVES - XR1200/X</a>
16865-07	<a href="#">CYLINDER, HEAD, &amp; VALVES - 883C/L/N/R, 1200C/L/N/X</a>
16867-07	<a href="#">CYLINDER, HEAD, &amp; VALVES - 883C/L/N/R, 1200C/L/N/X</a>
16899-02	<a href="#">CRANKCASE &amp; GEARCASE - XR1200/X</a>
17027-08	<a href="#">CYLINDER, HEAD, &amp; VALVES - 883C/L/N/R, 1200C/L/N/X</a> <a href="#">CYLINDER, HEAD, &amp; VALVES - XR1200/X</a>
17036-08	<a href="#">ROCKER ARMS, COVERS, &amp; PUSH RODS - 883C/L/N/R, 1200C/L/N/X</a> <a href="#">ROCKER ARMS, COVERS, &amp; PUSH RODS - XR1200/X</a>
17049-08	<a href="#">CYLINDER, HEAD, &amp; VALVES - 883C/L/N/R, 1200C/L/N/X</a> <a href="#">CYLINDER, HEAD, &amp; VALVES - XR1200/X</a>
17360-83A	<a href="#">ROCKER ARMS, COVERS, &amp; PUSH RODS - 883C/L/N/R, 1200C/L/N/X</a> <a href="#">ROCKER ARMS, COVERS, &amp; PUSH RODS - XR1200/X</a>
17362-07B	<a href="#">ROCKER ARMS, COVERS, &amp; PUSH RODS - 883C/L/N/R, 1200C/L/N/X</a>
17375-83A	<a href="#">ROCKER ARMS, COVERS, &amp; PUSH RODS - 883C/L/N/R, 1200C/L/N/X</a> <a href="#">ROCKER ARMS, COVERS, &amp; PUSH RODS - XR1200/X</a>
17393-07	<a href="#">ROCKER ARMS, COVERS, &amp; PUSH RODS - 883C/L/N/R, 1200C/L/N/X</a>
17429-91	<a href="#">ROCKER ARMS, COVERS, &amp; PUSH RODS - 883C/L/N/R, 1200C/L/N/X</a> <a href="#">ROCKER ARMS, COVERS, &amp; PUSH RODS - XR1200/X</a>
17485-07	<a href="#">CYLINDER, HEAD, &amp; VALVES - 883C/L/N/R, 1200C/L/N/X</a>
17488-07	<a href="#">CYLINDER, HEAD, &amp; VALVES - 883C/L/N/R, 1200C/L/N/X</a>
17496-07	<a href="#">CYLINDER, HEAD, &amp; VALVES - 883C/L/N/R, 1200C/L/N/X</a>
17501-04	<a href="#">ROCKER ARMS, COVERS, &amp; PUSH RODS - 883C/L/N/R, 1200C/L/N/X</a>
17523-08	<a href="#">CYLINDER, HEAD, &amp; VALVES - XR1200/X</a>
17524-08	<a href="#">CYLINDER, HEAD, &amp; VALVES - XR1200/X</a>
17525-08	<a href="#">CRANKCASE &amp; GEARCASE - XR1200/X</a>
1753	<a href="#">BELTS &amp; SPROCKETS - XR1200/X</a>
17532-07A	<a href="#">ROCKER ARMS, COVERS, &amp; PUSH RODS - 883C/L/N/R, 1200C/L/N/X</a>
17537-07A	<a href="#">ROCKER ARMS, COVERS, &amp; PUSH RODS - 883C/L/N/R, 1200C/L/N/X</a>
17551-04	<a href="#">ROCKER ARMS, COVERS, &amp; PUSH RODS - 883C/L/N/R, 1200C/L/N/X</a>
17562-10	<a href="#">CYLINDER, HEAD, &amp; VALVES - XR1200/X</a>
17565-10	<a href="#">CYLINDER, HEAD, &amp; VALVES - XR1200/X</a>
17569-08	<a href="#">ROCKER ARMS, COVERS, &amp; PUSH RODS - XR1200/X</a>

17585-08	<a href="#">ROCKER ARMS, COVERS, &amp; PUSH RODS - XR1200/X</a>
17590-08A	<a href="#">ROCKER ARMS, COVERS, &amp; PUSH RODS - XR1200/X</a>
17591-10	<a href="#">ROCKER ARMS, COVERS, &amp; PUSH RODS - XR1200/X</a>
17611-83	<a href="#">ROCKER ARMS, COVERS, &amp; PUSH RODS - 883C/L/N/R, 1200C/L/N/X</a> <a href="#">ROCKER ARMS, COVERS, &amp; PUSH RODS - XR1200/X</a>
17614-07A	<a href="#">ROCKER ARMS, COVERS, &amp; PUSH RODS - 883C/L/N/R, 1200C/L/N/X</a>
17615-10	<a href="#">ROCKER ARMS, COVERS, &amp; PUSH RODS - XR1200/X</a>
17633-08B	<a href="#">ROCKER ARMS, COVERS, &amp; PUSH RODS - XR1200/X</a>
17655-05	<a href="#">ROCKER ARMS, COVERS, &amp; PUSH RODS - 883C/L/N/R, 1200C/L/N/X</a>
17695-07B	<a href="#">ROCKER ARMS, COVERS, &amp; PUSH RODS - 883C/L/N/R, 1200C/L/N/X</a> <a href="#">ROCKER ARMS, COVERS, &amp; PUSH RODS - XR1200/X</a>
17903-10	<a href="#">ROCKER ARMS, COVERS, &amp; PUSH RODS - XR1200/X</a>
17908-02	<a href="#">ROCKER ARMS, COVERS, &amp; PUSH RODS - 883C/L/N/R, 1200C/L/N/X</a> <a href="#">ROCKER ARMS, COVERS, &amp; PUSH RODS - XR1200/X</a>
17909-02	<a href="#">ROCKER ARMS, COVERS, &amp; PUSH RODS - 883C/L/N/R, 1200C/L/N/X</a> <a href="#">ROCKER ARMS, COVERS, &amp; PUSH RODS - XR1200/X</a>
17911-10	<a href="#">ROCKER ARMS, COVERS, &amp; PUSH RODS - XR1200/X</a>
17946-04	<a href="#">ROCKER ARMS, COVERS, &amp; PUSH RODS - 883C/L/N/R, 1200C/L/N/X</a>
17954-08	<a href="#">ROCKER ARMS, COVERS, &amp; PUSH RODS - XR1200/X</a>
17956-08	<a href="#">ROCKER ARMS, COVERS, &amp; PUSH RODS - XR1200/X</a>
17957-08	<a href="#">ROCKER ARMS, COVERS, &amp; PUSH RODS - XR1200/X</a>
17963-10	<a href="#">ROCKER ARMS, COVERS, &amp; PUSH RODS - XR1200/X</a>
17972-04	<a href="#">ROCKER ARMS, COVERS, &amp; PUSH RODS - 883C/L/N/R, 1200C/L/N/X</a>
17976-04	<a href="#">ROCKER ARMS, COVERS, &amp; PUSH RODS - 883C/L/N/R, 1200C/L/N/X</a> <a href="#">ROCKER ARMS, COVERS, &amp; PUSH RODS - XR1200/X</a>
17981-04	<a href="#">ROCKER ARMS, COVERS, &amp; PUSH RODS - 883C/L/N/R, 1200C/L/N/X</a>
18011-86	<a href="#">CYLINDER, HEAD, &amp; VALVES - 883C/L/N/R, 1200C/L/N/X</a> <a href="#">CYLINDER, HEAD, &amp; VALVES - XR1200/X</a>
18012-87A	<a href="#">CYLINDER, HEAD, &amp; VALVES - 883C/L/N/R, 1200C/L/N/X</a>
18020-07	<a href="#">CYLINDER, HEAD, &amp; VALVES - 883C/L/N/R, 1200C/L/N/X</a> <a href="#">CYLINDER, HEAD, &amp; VALVES - XR1200/X</a>
18021-87A	<a href="#">CYLINDER, HEAD, &amp; VALVES - 883C/L/N/R, 1200C/L/N/X</a>
18053-04	<a href="#">CYLINDER, HEAD, &amp; VALVES - 883C/L/N/R, 1200C/L/N/X</a>

18059-04	<a href="#">CYLINDER, HEAD, &amp; VALVES - 883C/L/N/R, 1200C/L/N/X</a>
18094-02A	<a href="#">CYLINDER, HEAD, &amp; VALVES - 883C/L/N/R, 1200C/L/N/X</a> <a href="#">CYLINDER, HEAD, &amp; VALVES - XR1200/X</a>
18245-02	<a href="#">CYLINDER, HEAD, &amp; VALVES - 883C/L/N/R, 1200C/L/N/X</a> <a href="#">CYLINDER, HEAD, &amp; VALVES - XR1200/X</a>
18258-02	<a href="#">CYLINDER, HEAD, &amp; VALVES - 883C/L/N/R, 1200C/L/N/X</a> <a href="#">CYLINDER, HEAD, &amp; VALVES - XR1200/X</a>
18260-02	<a href="#">CYLINDER, HEAD, &amp; VALVES - 883C/L/N/R, 1200C/L/N/X</a> <a href="#">CYLINDER, HEAD, &amp; VALVES - XR1200/X</a>
18505-06	<a href="#">ROCKER ARMS, COVERS, &amp; PUSH RODS - 883C/L/N/R, 1200C/L/N/X</a> <a href="#">ROCKER ARMS, COVERS, &amp; PUSH RODS - XR1200/X</a>
18538-99C	<a href="#">ROCKER ARMS, COVERS, &amp; PUSH RODS - 883C/L/N/R, 1200C/L/N/X</a> <a href="#">ROCKER ARMS, COVERS, &amp; PUSH RODS - XR1200/X</a>
18690-02	<a href="#">CYLINDER, HEAD, &amp; VALVES - 883C/L/N/R, 1200C/L/N/X</a> <a href="#">CYLINDER, HEAD, &amp; VALVES - XR1200/X</a>
18691-02	<a href="#">CYLINDER, HEAD, &amp; VALVES - 883C/L/N/R, 1200C/L/N/X</a> <a href="#">CYLINDER, HEAD, &amp; VALVES - XR1200/X</a>
19519-13B	<a href="#">ENGINE ASSEMBLY</a>
19527-13B	<a href="#">ENGINE ASSEMBLY</a>
19566-10C	<a href="#">ENGINE ASSEMBLY</a>
19567-10C	<a href="#">ENGINE ASSEMBLY</a>
19604-11C	<a href="#">ENGINE ASSEMBLY</a>
19606-13B	<a href="#">ENGINE ASSEMBLY</a>
19622-11C	<a href="#">ENGINE ASSEMBLY</a>
19637-12C	<a href="#">ENGINE ASSEMBLY</a>
19638-10C	<a href="#">ENGINE ASSEMBLY</a>
19639-10C	<a href="#">ENGINE ASSEMBLY</a>
19734-12C	<a href="#">ENGINE ASSEMBLY</a>
19766-13B	<a href="#">ENGINE ASSEMBLY</a>
19767-13B	<a href="#">ENGINE ASSEMBLY</a>
19768-13B	<a href="#">ENGINE ASSEMBLY</a>
19771-12C	<a href="#">ENGINE ASSEMBLY</a>
215	<a href="#">CRANKCASE &amp; GEARCASE - 883C/L/N/R, 1200C/L/N/X</a> <a href="#">CRANKCASE &amp; GEARCASE - XR1200/X</a>

21948-02	<a href="#"><u>PISTONS &amp; FLYWHEEL ASSEMBLY</u></a>
21965-08	<a href="#"><u>FRONT BRAKE CALIPER - XR1200/X</u></a>
22221-04	<a href="#"><u>PISTONS &amp; FLYWHEEL ASSEMBLY</u></a>
22223-04	<a href="#"><u>PISTONS &amp; FLYWHEEL ASSEMBLY</u></a>
22224-04	<a href="#"><u>PISTONS &amp; FLYWHEEL ASSEMBLY</u></a>
22227-04	<a href="#"><u>PISTONS &amp; FLYWHEEL ASSEMBLY</u></a>
22228-04	<a href="#"><u>PISTONS &amp; FLYWHEEL ASSEMBLY</u></a>
22230-04	<a href="#"><u>PISTONS &amp; FLYWHEEL ASSEMBLY</u></a>
22231-04	<a href="#"><u>PISTONS &amp; FLYWHEEL ASSEMBLY</u></a>
22238-04	<a href="#"><u>PISTONS &amp; FLYWHEEL ASSEMBLY</u></a>
22244-04A	<a href="#"><u>PISTONS &amp; FLYWHEEL ASSEMBLY</u></a>
22261-86	<a href="#"><u>PISTONS &amp; FLYWHEEL ASSEMBLY</u></a>
22266-86	<a href="#"><u>PISTONS &amp; FLYWHEEL ASSEMBLY</u></a>
22271-86	<a href="#"><u>PISTONS &amp; FLYWHEEL ASSEMBLY</u></a>
22589-83B	<a href="#"><u>PISTONS &amp; FLYWHEEL ASSEMBLY</u></a>
22719-04	<a href="#"><u>PISTONS &amp; FLYWHEEL ASSEMBLY</u></a>
22765-02	<a href="#"><u>PISTONS &amp; FLYWHEEL ASSEMBLY</u></a>
232	<a href="#"><u>CRANKCASE &amp; GEARCASE - XR1200/X</u></a>
2325	<a href="#"><u>SPEEDOMETER - 883L/N/R, 1200L/N/X</u></a> <a href="#"><u>SPEEDOMETER &amp; TACHOMETER - XR1200/X</u></a>
2361	<a href="#"><u>SPEEDOMETER - 883L/N/R, 1200L/N/X</u></a> <a href="#"><u>SPEEDOMETER &amp; TACHOMETER - XR1200/X</u></a>
2362	<a href="#"><u>REAR FENDER &amp; LICENSE PLATE BRACKET - 883N/1200N/X (NON-CANADA)</u></a>
23905-04B	<a href="#"><u>PISTONS &amp; FLYWHEEL ASSEMBLY</u></a>
23999-08	<a href="#"><u>PISTONS &amp; FLYWHEEL ASSEMBLY</u></a>
24047-00	<a href="#"><u>CAMSHAFTS &amp; GEAR COVER - 883C/L/N/R, 1200C/L/N/X</u></a> <a href="#"><u>CAMSHAFTS &amp; GEAR COVER - XR1200/X</u></a>
2407	<a href="#"><u>AIR BOX - XR1200/X</u></a>
24331-36	<a href="#"><u>PISTONS &amp; FLYWHEEL ASSEMBLY</u></a>
24332-36	<a href="#"><u>PISTONS &amp; FLYWHEEL ASSEMBLY</u></a>
2441	<a href="#"><u>ROCKER ARMS, COVERS, &amp; PUSH RODS - 883C/L/N/R, 1200C/L/N/X</u></a>

2445	<a href="#"><u>STEERING HEAD BRACKET ASSEMBLY - XR1200/X</u></a> <a href="#"><u>REAR FORK, DEBRIS DEFLECTOR &amp; BELT GUARD</u></a> <a href="#"><u>REAR FENDER - XR1200/X</u></a>
2446	<a href="#"><u>REAR FENDER &amp; LICENSE PLATE BRACKET - 883N/1200N/X (NON-CANADA)</u></a>
24466-06B	<a href="#"><u>CRANKCASE &amp; GEARCASE - 883C/L/N/R, 1200C/L/N/X</u></a>
24470-06B	<a href="#"><u>CRANKCASE &amp; GEARCASE - 883C/L/N/R, 1200C/L/N/X</u></a>
24475-08	<a href="#"><u>CRANKCASE &amp; GEARCASE - XR1200/X</u></a>
2460	<a href="#"><u>AIR CLEANER - 883C/L/N/R, 1200C/L/N/X</u></a>
24605-07	<a href="#"><u>CRANKCASE &amp; GEARCASE - 883C/L/N/R, 1200C/L/N/X</u></a> <a href="#"><u>CRANKCASE &amp; GEARCASE - XR1200/X</u></a>
24647-87	<a href="#"><u>CRANKCASE &amp; GEARCASE - 883C/L/N/R, 1200C/L/N/X</u></a> <a href="#"><u>CRANKCASE &amp; GEARCASE - XR1200/X</u></a>
24650-87	<a href="#"><u>CRANKCASE &amp; GEARCASE - 883C/L/N/R, 1200C/L/N/X</u></a> <a href="#"><u>CRANKCASE &amp; GEARCASE - XR1200/X</u></a>
24658-87	<a href="#"><u>PISTONS &amp; FLYWHEEL ASSEMBLY</u></a>
24659-87	<a href="#"><u>CRANKCASE &amp; GEARCASE - 883C/L/N/R, 1200C/L/N/X</u></a> <a href="#"><u>CRANKCASE &amp; GEARCASE - XR1200/X</u></a>
24660-87	<a href="#"><u>CRANKCASE &amp; GEARCASE - 883C/L/N/R, 1200C/L/N/X</u></a> <a href="#"><u>CRANKCASE &amp; GEARCASE - XR1200/X</u></a>
24745-07A	<a href="#"><u>CRANKCASE &amp; GEARCASE - 883C/L/N/R, 1200C/L/N/X</u></a>
24754-75A	<a href="#"><u>CRANKCASE &amp; GEARCASE - 883C/L/N/R, 1200C/L/N/X</u></a> <a href="#"><u>CRANKCASE &amp; GEARCASE - XR1200/X</u></a>
2481M	<a href="#"><u>INDUCTION MODULE - 883C/L/N/R, 1200C/L/N/X</u></a> <a href="#"><u>INDUCTION MODULE - XR1200/X</u></a>
2486	<a href="#"><u>ROCKER ARMS, COVERS, &amp; PUSH RODS - 883C/L/N/R, 1200C/L/N/X</u></a> <a href="#"><u>ROCKER ARMS, COVERS, &amp; PUSH RODS - XR1200/X</u></a>
2487	<a href="#"><u>CRANKCASE &amp; GEARCASE - XR1200/X</u></a>
2501A	<a href="#"><u>REAR BRAKE MASTER CYLINDER - 883C/L/N/R, 1200C/L/N/X</u></a>
2513	<a href="#"><u>ELECTRONIC IGNITION SYSTEM - 883C/L/N/R, 1200C/L/N/X</u></a>
25194-06	<a href="#"><u>CAMSHAFTS &amp; GEAR COVER - 883C/L/N/R, 1200C/L/N/X</u></a>
25213-04	<a href="#"><u>CAMSHAFTS &amp; GEAR COVER - 883C/L/N/R, 1200C/L/N/X</u></a>
25219-04	<a href="#"><u>CAMSHAFTS &amp; GEAR COVER - 883C/L/N/R, 1200C/L/N/X</u></a>
25246-08	<a href="#"><u>CAMSHAFTS &amp; GEAR COVER - XR1200/X</u></a>
25250-10	<a href="#"><u>CAMSHAFTS &amp; GEAR COVER - XR1200/X</u></a>
25252-04	<a href="#"><u>CAMSHAFTS &amp; GEAR COVER - 883C/L/N/R, 1200C/L/N/X</u></a>

25263-90D	<a href="#">CAMSHAFTS &amp; GEAR COVER - 883C/L/N/R, 1200C/L/N/X</a>
25271-08	<a href="#">CAMSHAFTS &amp; GEAR COVER - XR1200/X</a>
25279-08	<a href="#">OIL PUMP - XR1200/X</a>
25307-06	<a href="#">INSPECTION COVER &amp; PRIMARY COVER</a>
2535	<a href="#">BATTERY</a>
25394-08	<a href="#">ENGINE SENSORS &amp; SWITCHES</a>
25409-94B	<a href="#">CLUTCH - 883C/L/N/R, 1200C/L/N/X</a> <a href="#">CLUTCH - XR1200/X</a>
25430-06	<a href="#">INSPECTION COVER &amp; PRIMARY COVER</a>
25453-87A	<a href="#">CLUTCH - 883C/L/N/R, 1200C/L/N/X</a> <a href="#">CLUTCH - XR1200/X</a>
25460-06	<a href="#">INSPECTION COVER &amp; PRIMARY COVER</a>
25463-94A	<a href="#">INSPECTION COVER &amp; PRIMARY COVER</a>
25471-06	<a href="#">INSPECTION COVER &amp; PRIMARY COVER</a>
2548	<a href="#">SPEEDOMETER - 883L/N/R, 1200L/N/X</a> <a href="#">SPEEDOMETER - 883C, 1200C</a>
25486-05	<a href="#">CAMSHAFTS &amp; GEAR COVER - 883C/L/N/R, 1200C/L/N/X</a>
25546-07	<a href="#">CAMSHAFTS &amp; GEAR COVER - 883C/L/N/R, 1200C/L/N/X</a>
25586-37	<a href="#">CAMSHAFTS &amp; GEAR COVER - 883C/L/N/R, 1200C/L/N/X</a>
25588-91	<a href="#">CAMSHAFTS &amp; GEAR COVER - 883C/L/N/R, 1200C/L/N/X</a>
25593-74	<a href="#">CAMSHAFTS &amp; GEAR COVER - 883C/L/N/R, 1200C/L/N/X</a>
25598-91	<a href="#">CAMSHAFTS &amp; GEAR COVER - 883C/L/N/R, 1200C/L/N/X</a>
2586A	<a href="#">FRONT BRAKE CONTROL - 883C/L/N/R, 1200C/L/N/X</a> <a href="#">FRONT BRAKE CONTROL - XR1200/X</a>
26010-04	<a href="#">ROCKER ARMS, COVERS, &amp; PUSH RODS - 883C/L/N/R, 1200C/L/N/X</a>
26011-04	<a href="#">ROCKER ARMS, COVERS, &amp; PUSH RODS - 883C/L/N/R, 1200C/L/N/X</a>
26012-07	<a href="#">ROCKER ARMS, COVERS, &amp; PUSH RODS - 883C/L/N/R, 1200C/L/N/X</a>
26016-08	<a href="#">ROCKER ARMS, COVERS, &amp; PUSH RODS - XR1200/X</a>
26020-07	<a href="#">ROCKER ARMS, COVERS, &amp; PUSH RODS - 883C/L/N/R, 1200C/L/N/X</a>
26064-08	<a href="#">OIL PUMP - XR1200/X</a> <a href="#">OIL LINES &amp; COOLER - XR1200/X</a>



2607	<a href="#">REAR FENDER &amp; LICENSE PLATE BRKT - 883C/L/R, 1200C/L/X, 883N/1200N (CAN)</a>
2612	<a href="#">AIR BOX - XR1200/X</a>
26162-08	<a href="#">AIR BOX - XR1200/X</a>
26169-08	<a href="#">AIR BOX - XR1200/X</a>
26182-08	<a href="#">OIL PUMP - XR1200/X</a>
26183-08	<a href="#">OIL LINES &amp; COOLER - XR1200/X</a>
26184-08	<a href="#">OIL PUMP - XR1200/X</a>
26204-91A	<a href="#">OIL PUMP - 883C/L/N/R, 1200C/L/N/X</a>
26210-99	<a href="#">OIL PUMP - XR1200/X</a>
26239-07	<a href="#">OIL PUMP - 883C/L/N/R, 1200C/L/N/X</a>
26318-88A	<a href="#">CAMSHAFTS &amp; GEAR COVER - 883C/L/N/R, 1200C/L/N/X</a>
26332-08	<a href="#">CAMSHAFTS &amp; GEAR COVER - XR1200/X</a>
26400-82B	<a href="#">OIL PUMP - XR1200/X</a>
26432-76A	<a href="#">OIL PUMP - XR1200/X</a>
26434-91	<a href="#">OIL PUMP - 883C/L/N/R, 1200C/L/N/X</a>
26436-90A	<a href="#">CRANKCASE &amp; GEARCASE - 883C/L/N/R, 1200C/L/N/X</a> <a href="#">CRANKCASE &amp; GEARCASE - XR1200/X</a>
26437-86B	<a href="#">CRANKCASE &amp; GEARCASE - 883C/L/N/R, 1200C/L/N/X</a> <a href="#">CRANKCASE &amp; GEARCASE - XR1200/X</a>
26495-89B	<a href="#">OIL PUMP - 883C/L/N/R, 1200C/L/N/X</a>
26496-75A	<a href="#">OIL PUMP - 883C/L/N/R, 1200C/L/N/X</a>
26502-07	<a href="#">OIL PUMP - 883C/L/N/R, 1200C/L/N/X</a>
26503-07	<a href="#">OIL PUMP - 883C/L/N/R, 1200C/L/N/X</a>
26522-08	<a href="#">OIL PUMP - XR1200/X</a>
26525-08	<a href="#">OIL PUMP - XR1200/X</a>
26526-08	<a href="#">OIL PUMP - XR1200/X</a>
26529-08	<a href="#">OIL PUMP - XR1200/X</a>
2653	<a href="#">TURN SIGNALS, TAIL LAMP &amp; LICENSE PLATE BRACKET - XR1200/X</a>
26546-08	<a href="#">OIL PUMP - XR1200/X</a>
26554-77C	<a href="#">ENGINE SENSORS &amp; SWITCHES</a>
26592-08	<a href="#">OIL PUMP - XR1200/X</a>

26638-00Y	<a href="#"><u>CRANKCASE &amp; GEARCASE - 883C/L/N/R, 1200C/L/N/X</u></a> <a href="#"><u>CRANKCASE &amp; GEARCASE - XR1200/X</u></a>
26856-89A	<a href="#"><u>ROCKER ARMS, COVERS, &amp; PUSH RODS - XR1200/X</u></a>
26995-86B	<a href="#"><u>INDUCTION MODULE - 883C/L/N/R, 1200C/L/N/X</u></a> <a href="#"><u>INDUCTION MODULE - XR1200/X</u></a>
27042-84A	<a href="#"><u>EVAPORATIVE EMISSIONS</u></a>
27047-84B	<a href="#"><u>EVAPORATIVE EMISSIONS</u></a>
27067-07A	<a href="#"><u>FUEL TANK - 883C/L/N/R, 1200C/L/N/X</u></a>
27071-10	<a href="#"><u>FUEL TANK - 883C/L/N/R, 1200C/L/N/X</u></a>
2708A	<a href="#"><u>SHIFT LEVER</u></a> <a href="#"><u>REAR FORK, DEBRIS DEFLECTOR &amp; BELT GUARD</u></a>
27096-04A	<a href="#"><u>FUEL TANK - 883C/L/N/R, 1200C/L/N/X</u></a> <a href="#"><u>FUEL TANK - XR1200/X</u></a>
27200-08	<a href="#"><u>FUEL TANK - XR1200/X</u></a>
27216-95	<a href="#"><u>INDUCTION MODULE - 883C/L/N/R, 1200C/L/N/X</u></a> <a href="#"><u>INDUCTION MODULE - XR1200/X</u></a>
27250-96B	<a href="#"><u>FUEL TANK - 883C/L/N/R, 1200C/L/N/X</u></a>
27327-07A	<a href="#"><u>INDUCTION MODULE - 883C/L/N/R, 1200C/L/N/X</u></a> <a href="#"><u>INDUCTION MODULE - XR1200/X</u></a>
27628-01A	<a href="#"><u>INDUCTION MODULE - 883C/L/N/R, 1200C/L/N/X</u></a> <a href="#"><u>INDUCTION MODULE - XR1200/X</u></a>
27629-01A	<a href="#"><u>INDUCTION MODULE - 883C/L/N/R, 1200C/L/N/X</u></a> <a href="#"><u>INDUCTION MODULE - XR1200/X</u></a> <a href="#"><u>SWITCHES, SENSORS &amp; ELECTRICAL CONNECTORS</u></a>
27690-08	<a href="#"><u>EXHAUST SYSTEM - XR1200/X</u></a> <a href="#"><u>SWITCHES, SENSORS &amp; ELECTRICAL CONNECTORS</u></a>
27693-07	<a href="#"><u>INDUCTION MODULE - 883C/L/N/R, 1200C/L/N/X</u></a>
27695-08	<a href="#"><u>INDUCTION MODULE - XR1200/X</u></a>
27698-08A	<a href="#"><u>INDUCTION MODULE - XR1200/X</u></a>
27700-07	<a href="#"><u>INDUCTION MODULE - 883C/L/N/R, 1200C/L/N/X</u></a>
27701-07A	<a href="#"><u>INDUCTION MODULE - 883C/L/N/R, 1200C/L/N/X</u></a>
27704-07	<a href="#"><u>INDUCTION MODULE - 883C/L/N/R, 1200C/L/N/X</u></a> <a href="#"><u>INDUCTION MODULE - XR1200/X</u></a>
27706-07A	<a href="#"><u>INDUCTION MODULE - 883C/L/N/R, 1200C/L/N/X</u></a> <a href="#"><u>INDUCTION MODULE - XR1200/X</u></a>

27707-07	<a href="#">INDUCTION MODULE - 883C/L/N/R, 1200C/L/N/X</a>
27714-06	<a href="#">EXHAUST SYSTEM - 883C/L/N/R, 1200C/L/N/X</a> <a href="#">EXHAUST SYSTEM - XR1200/X</a> <a href="#">SWITCHES, SENSORS &amp; ELECTRICAL CONNECTORS</a>
27719-07	<a href="#">EXHAUST SYSTEM - 883C/L/N/R, 1200C/L/N/X</a> <a href="#">SWITCHES, SENSORS &amp; ELECTRICAL CONNECTORS</a>
2773	<a href="#">REAR FENDER &amp; LICENSE PLATE BRKT - 883C/L/R, 1200C/L/X, 883N/1200N (CAN)</a>
27792-08	<a href="#">INDUCTION MODULE - XR1200/X</a>
27794-08	<a href="#">ELECTRONIC IGNITION SYSTEM - XR1200/X</a>
27795-07	<a href="#">INDUCTION MODULE - 883C/L/N/R, 1200C/L/N/X</a>
27955-09	<a href="#">AIR CLEANER - 883C/L/N/R, 1200C/L/N/X</a>
2872W	<a href="#">REAR FENDER - XR1200/X</a>
28790-10	<a href="#">AIR CLEANER - 883C/L/N/R, 1200C/L/N/X</a>
28792-10	<a href="#">AIR CLEANER - 883C/L/N/R, 1200C/L/N/X</a>
28793-10	<a href="#">AIR CLEANER - 883C/L/N/R, 1200C/L/N/X</a>
28794-10	<a href="#">AIR CLEANER - 883C/L/N/R, 1200C/L/N/X</a>
28822-07A	<a href="#">EVAPORATIVE EMISSIONS</a>
28908-04A	<a href="#">EVAPORATIVE EMISSIONS</a>
28909-04	<a href="#">EVAPORATIVE EMISSIONS</a>
28911-04A	<a href="#">FUEL TANK - 883C/L/N/R, 1200C/L/N/X</a> <a href="#">EVAPORATIVE EMISSIONS</a>
29062-95B	<a href="#">AIR CLEANER - 883C/L/N/R, 1200C/L/N/X</a>
29123-07	<a href="#">AIR CLEANER - 883C/L/N/R, 1200C/L/N/X</a>
29125-07	<a href="#">AIR CLEANER - 883C/L/N/R, 1200C/L/N/X</a>
29127-95B	<a href="#">LABELS</a>
29147-07	<a href="#">LABELS</a>
29313-95	<a href="#">AIR CLEANER - 883C/L/N/R, 1200C/L/N/X</a>
29315-04	<a href="#">AIR CLEANER - 883C/L/N/R, 1200C/L/N/X</a>
29331-04	<a href="#">AIR CLEANER - 883C/L/N/R, 1200C/L/N/X</a>
29346-07	<a href="#">AIR CLEANER - 883C/L/N/R, 1200C/L/N/X</a>
29354-07	<a href="#">AIR CLEANER - 883C/L/N/R, 1200C/L/N/X</a>
29355-07	<a href="#">AIR CLEANER - 883C/L/N/R, 1200C/L/N/X</a>

29369-07A	<a href="#"><u>AIR CLEANER - 883C/L/N/R, 1200C/L/N/X</u></a>
29371-08	<a href="#"><u>AIR BOX - XR1200/X</u></a>
29377-08	<a href="#"><u>AIR BOX - XR1200/X</u></a>
29379-08	<a href="#"><u>AIR BOX - XR1200/X</u></a>
29380-08	<a href="#"><u>AIR BOX - XR1200/X</u></a>
29404-01A	<a href="#"><u>LABELS</u></a>
29466-08	<a href="#"><u>LABELS</u></a>
2952A	<a href="#"><u>SEATS</u></a> <a href="#"><u>REAR FENDER &amp; LICENSE PLATE BRACKET - 883N/1200N/X (NON-CANADA)</u></a>
2955	<a href="#"><u>HANDLEBAR SWITCHES</u></a>
29802-07	<a href="#"><u>AIR CLEANER - 883C/L/N/R, 1200C/L/N/X</u></a>
29867-09	<a href="#"><u>AIR BOX - XR1200/X</u></a>
29950-91	<a href="#"><u>CRANKCASE &amp; GEARCASE - 883C/L/N/R, 1200C/L/N/X</u></a> <a href="#"><u>CRANKCASE &amp; GEARCASE - XR1200/X</u></a>
29997-07A	<a href="#"><u>ALTERNATOR &amp; REGULATOR</u></a>
30018-08	<a href="#"><u>ALTERNATOR &amp; REGULATOR</u></a> <a href="#"><u>BELTS &amp; SPROCKETS - XR1200/X</u></a>
30029-08	<a href="#"><u>ALTERNATOR &amp; REGULATOR</u></a> <a href="#"><u>BELTS &amp; SPROCKETS - XR1200/X</u></a>
3018A	<a href="#"><u>FRONT FENDER</u></a>
3022A	<a href="#"><u>TURN SIGNALS &amp; TAIL LAMP - 883C/L/R, 1200C/L</u></a>
3026	<a href="#"><u>HORN</u></a>
3029	<a href="#"><u>ALTERNATOR &amp; REGULATOR</u></a>
3048	<a href="#"><u>FOOTRESTS - XR1200/X</u></a>
3059	<a href="#"><u>FUEL TANK - XR1200/X</u></a>
3060	<a href="#"><u>FUEL TANK - XR1200/X</u></a>
3085	<a href="#"><u>REAR FENDER &amp; LICENSE PLATE BRACKET - 883N/1200N/X (NON-CANADA)</u></a>
3123	<a href="#"><u>WIRING HARNESS, MAIN - 883C/L/N/R, 1200C/L/N/X (1 OF 2)</u></a>
3124	<a href="#"><u>ELECTRONIC IGNITION SYSTEM - 883C/L/N/R, 1200C/L/N/X</u></a> <a href="#"><u>WIRING HARNESS, MAIN - 883C/L/N/R, 1200C/L/N/X (1 OF 2)</u></a> <a href="#"><u>WIRING HARNESS, MAIN - XR1200/X (1 OF 2)</u></a>
31390-91F	<a href="#"><u>STARTER MOTOR</u></a>

31488-81C	<a href="#">STARTER MOTOR</a>
31512-04	<a href="#">OIL TANK - 883C/L/N/R, 1200C/L/N/X</a>
31556-91D	<a href="#">STARTER MOTOR</a>
31586-07	<a href="#">WIRING HARNESS, MAIN - 883C/L/N/R, 1200C/L/N/X (1 OF 2)</a> <a href="#">WIRING HARNESS, MAIN - XR1200/X (1 OF 2)</a> <a href="#">SWITCHES, SENSORS &amp; ELECTRICAL CONNECTORS</a>
31602-08	<a href="#">BELTS &amp; SPROCKETS - XR1200/X</a>
31603-91	<a href="#">STARTER MOTOR</a>
3162	<a href="#">FOOTRESTS - 883C/L/N/R, 1200C/L/N/X</a> <a href="#">FOOTRESTS - 883C/L/N/R, 1200C/L/N/X</a> <a href="#">FOOTRESTS - XR1200/X</a>
31630-08	<a href="#">BELTS &amp; SPROCKETS - XR1200/X</a>
31656-07	<a href="#">ELECTRONIC IGNITION SYSTEM - 883C/L/N/R, 1200C/L/N/X</a> <a href="#">ELECTRONIC IGNITION SYSTEM - XR1200/X</a>
31698-08	<a href="#">BELTS &amp; SPROCKETS - XR1200/X</a>
31699-08	<a href="#">BELTS &amp; SPROCKETS - XR1200/X</a>
31753-07	<a href="#">ELECTRONIC IGNITION SYSTEM - 883C/L/N/R, 1200C/L/N/X</a> <a href="#">ELECTRONIC IGNITION SYSTEM - XR1200/X</a>
31797-07	<a href="#">WIRING HARNESS, MAIN - 883C/L/N/R, 1200C/L/N/X (1 OF 2)</a>
31801-08	<a href="#">ELECTRONIC IGNITION SYSTEM - XR1200/X</a>
31806-08A	<a href="#">WIRING HARNESS, MAIN - XR1200/X (1 OF 2)</a>
31807-07	<a href="#">ELECTRONIC IGNITION SYSTEM - 883C/L/N/R, 1200C/L/N/X</a>
32003-07	<a href="#">ELECTRONIC IGNITION SYSTEM - 883C/L/N/R, 1200C/L/N/X</a>
32004-08	<a href="#">ELECTRONIC IGNITION SYSTEM - XR1200/X</a>
32005-08A	<a href="#">ELECTRONIC IGNITION SYSTEM - XR1200/X</a>
32006-07	<a href="#">ELECTRONIC IGNITION SYSTEM - 883C/L/N/R, 1200C/L/N/X</a>
3210A	<a href="#">HANDLEBAR &amp; THROTTLE CONTROL - 883L/N/R, 1200L/N/X, XR1200/X</a> <a href="#">HANDLEBAR &amp; THROTTLE CONTROL - 883C, 1200C</a> <a href="#">FRONT FENDER</a>
3214	<a href="#">FOOTRESTS - 883C/L/N/R, 1200C/L/N/X</a>
32319-07A	<a href="#">INDUCTION MODULE - 883C/L/N/R, 1200C/L/N/X</a> <a href="#">INDUCTION MODULE - XR1200/X</a> <a href="#">SWITCHES, SENSORS &amp; ELECTRICAL CONNECTORS</a>
32362-04	<a href="#">ELECTRONIC IGNITION SYSTEM - 883C/L/N/R, 1200C/L/N/X</a>

3244	<a href="#">CLUTCH CONTROL</a> <a href="#">FRONT BRAKE CONTROL - 883C/L/N/R, 1200C/L/N/X</a> <a href="#">FRONT BRAKE CONTROL - XR1200/X</a>
32472-10	<a href="#">ENGINE SENSORS &amp; SWITCHES</a>
32493-02B	<a href="#">ALTERNATOR &amp; REGULATOR</a> <a href="#">BELTS &amp; SPROCKETS - 883C/L/N/R, 1200C/L/N/X</a>
32494-04B	<a href="#">ALTERNATOR &amp; REGULATOR</a> <a href="#">BELTS &amp; SPROCKETS - 883C/L/N/R, 1200C/L/N/X</a>
32506-90	<a href="#">CAMSHAFTS &amp; GEAR COVER - 883C/L/N/R, 1200C/L/N/X</a>
32514-04	<a href="#">CAMSHAFTS &amp; GEAR COVER - 883C/L/N/R, 1200C/L/N/X</a>
32531-07	<a href="#">CAMSHAFTS &amp; GEAR COVER - 883C/L/N/R, 1200C/L/N/X</a>
32534-11	<a href="#">ELECTRONIC IGNITION SYSTEM - 883C/L/N/R, 1200C/L/N/X</a> <a href="#">ELECTRONIC IGNITION SYSTEM - XR1200/X</a>
32587-06	<a href="#">CAMSHAFTS &amp; GEAR COVER - 883C/L/N/R, 1200C/L/N/X</a>
32617-00Y	<a href="#">CRANKCASE &amp; GEARCASE - 883C/L/N/R, 1200C/L/N/X</a> <a href="#">CRANKCASE &amp; GEARCASE - XR1200/X</a>
32699-05	<a href="#">CAMSHAFTS &amp; GEAR COVER - 883C/L/N/R, 1200C/L/N/X</a>
32707-01C	<a href="#">ENGINE SENSORS &amp; SWITCHES</a>
33032-99	<a href="#">FOOTRESTS - 883C/L/N/R, 1200C/L/N/X</a>
33048-72	<a href="#">FOOTRESTS - 883C/L/N/R, 1200C/L/N/X</a>
33084-06	<a href="#">FOOTRESTS - XR1200/X</a>
33117-91A	<a href="#">CRANKCASE &amp; GEARCASE - 883C/L/N/R, 1200C/L/N/X</a> <a href="#">CRANKCASE &amp; GEARCASE - XR1200/X</a>
33123-06A	<a href="#">OIL TANK - 883C/L/N/R, 1200C/L/N/X</a> <a href="#">OIL TANK - XR1200/X</a>
33130-07A	<a href="#">FOOTRESTS - 883C/L/N/R, 1200C/L/N/X</a> <a href="#">FOOTRESTS - XR1200/X</a>
33133-06	<a href="#">FOOTRESTS - 883C/L/N/R, 1200C/L/N/X</a> <a href="#">FOOTRESTS - XR1200/X</a>
33134-07CAZ	<a href="#">FOOTRESTS - 883C/L/N/R, 1200C/L/N/X</a> <a href="#">FOOTRESTS - XR1200/X</a>
33135-07CAZ	<a href="#">FOOTRESTS - 883C/L/N/R, 1200C/L/N/X</a> <a href="#">FOOTRESTS - XR1200/X</a>
33138-06	<a href="#">OIL TANK - 883C/L/N/R, 1200C/L/N/X</a> <a href="#">OIL TANK - XR1200/X</a>
33189-63	<a href="#">FOOTRESTS - 883C/L/N/R, 1200C/L/N/X</a>

33216-99	<a href="#">FOOTRESTS - 883C/L/N/R, 1200C/L/N/X</a>
33354-08	<a href="#">TRANSMISSION GEARS</a>
33540-06	<a href="#">SHIFTER</a>
33641-06	<a href="#">SHIFTER</a>
33831-08	<a href="#">SHIFT LEVER</a>
33832-08	<a href="#">SHIFT LEVER</a>
33875-08	<a href="#">SHIFT LEVER</a>
33900-99	<a href="#">SWITCHES, SENSORS &amp; ELECTRICAL CONNECTORS</a>
34014-06A	<a href="#">SHIFTER</a>
34064-00C	<a href="#">SHIFTER</a>
34076-02A	<a href="#">SHIFTER</a>
34157-06	<a href="#">SHIFTER</a>
34162-06	<a href="#">SHIFTER</a>
34163-02	<a href="#">SHIFTER</a>
34483-06	<a href="#">SHIFTER</a>
34491-02A	<a href="#">SHIFTER</a>
34572-04	<a href="#">SHIFT LEVER</a>
34573-04	<a href="#">SHIFT LEVER</a>
34581-04	<a href="#">REAR BRAKE CONTROL</a>
34582-04	<a href="#">REAR BRAKE CONTROL</a>
34611-65A	<a href="#">SHIFT LEVER</a>
34660-04A	<a href="#">SHIFT LEVER</a>
34663-10	<a href="#">SHIFT LEVER</a>
34665-10	<a href="#">SHIFT LEVER</a>
34670-06	<a href="#">SHIFT LEVER</a>
34672-08	<a href="#">SHIFT LEVER</a>
34721-07	<a href="#">SHIFT LEVER</a>
34723-10	<a href="#">SHIFT LEVER</a>
34724-10	<a href="#">SHIFT LEVER</a>

34760-04	<a href="#"><u>INSPECTION COVER &amp; PRIMARY COVER</u></a>
34761-04A	<a href="#"><u>INSPECTION COVER &amp; PRIMARY COVER</u></a>
34794-05A	<a href="#"><u>INSPECTION COVER &amp; PRIMARY COVER</u></a>
3480A	<a href="#"><u>CAMSHAFTS &amp; GEAR COVER - 883C/L/N/R, 1200C/L/N/X</u></a> <a href="#"><u>CAMSHAFTS &amp; GEAR COVER - XR1200/X</u></a> <a href="#"><u>ELECTRONIC IGNITION SYSTEM - 883C/L/N/R, 1200C/L/N/X</u></a> <a href="#"><u>ELECTRONIC IGNITION SYSTEM - XR1200/X</u></a> <a href="#"><u>BELTS &amp; SPROCKETS - 883C/L/N/R, 1200C/L/N/X</u></a> <a href="#"><u>BELTS &amp; SPROCKETS - XR1200/X</u></a>
3485A	<a href="#"><u>FUEL TANK - XR1200/X</u></a>
34911-04	<a href="#"><u>BELTS &amp; SPROCKETS - 883C/L/N/R, 1200C/L/N/X</u></a>
34920-86A	<a href="#"><u>CLUTCH - 883C/L/N/R, 1200C/L/N/X</u></a> <a href="#"><u>CLUTCH - XR1200/X</u></a>
34932-04	<a href="#"><u>BELTS &amp; SPROCKETS - 883C/L/N/R, 1200C/L/N/X</u></a>
34938-04	<a href="#"><u>BELTS &amp; SPROCKETS - 883C/L/N/R, 1200C/L/N/X</u></a>
34941-08	<a href="#"><u>BELTS &amp; SPROCKETS - XR1200/X</u></a>
34943-05	<a href="#"><u>BELTS &amp; SPROCKETS - 883C/L/N/R, 1200C/L/N/X</u></a>
34954-07	<a href="#"><u>BELTS &amp; SPROCKETS - 883C/L/N/R, 1200C/L/N/X</u></a>
34955-04	<a href="#"><u>INSPECTION COVER &amp; PRIMARY COVER</u></a>
34981-02A	<a href="#"><u>SHIFTER</u></a>
34982-02A	<a href="#"><u>SHIFTER</u></a>
34990-08	<a href="#"><u>INSPECTION COVER &amp; PRIMARY COVER</u></a>
34992-04	<a href="#"><u>INSPECTION COVER &amp; PRIMARY COVER</u></a>
34993-04A	<a href="#"><u>INSPECTION COVER &amp; PRIMARY COVER</u></a>
35030-89A	<a href="#"><u>TRANSMISSION GEARS</u></a>
35038-89A	<a href="#"><u>TRANSMISSION GEARS</u></a>
35051-89A	<a href="#"><u>TRANSMISSION GEARS</u></a>
35077-10	<a href="#"><u>INSPECTION COVER &amp; PRIMARY COVER</u></a>
35087-99A	<a href="#"><u>TRANSMISSION GEARS</u></a>
35107-06	<a href="#"><u>TRANSMISSION GEARS</u></a>
35114-02	<a href="#"><u>CRANKCASE &amp; GEARCASE - 883C/L/N/R, 1200C/L/N/X</u></a> <a href="#"><u>CRANKCASE &amp; GEARCASE - XR1200/X</u></a>
35118-03	<a href="#"><u>CRANKCASE &amp; GEARCASE - 883C/L/N/R, 1200C/L/N/X</u></a>



	<a href="#"><u>CRANKCASE &amp; GEARCASE - XR1200/X</u></a>
3514	<a href="#"><u>HEADLAMPS</u></a>
35159-06	<a href="#"><u>TRANSMISSION GEARS</u></a>
35163-06	<a href="#"><u>TRANSMISSION GEARS</u></a>
35165-06	<a href="#"><u>TRANSMISSION GEARS</u></a>
35167-06	<a href="#"><u>TRANSMISSION GEARS</u></a>
35172-06	<a href="#"><u>TRANSMISSION GEARS</u></a>
35174-06	<a href="#"><u>TRANSMISSION GEARS</u></a>
35190-06	<a href="#"><u>TRANSMISSION GEARS</u></a>
35191-06	<a href="#"><u>TRANSMISSION GEARS</u></a>
35193-06	<a href="#"><u>TRANSMISSION GEARS</u></a>
35196-06	<a href="#"><u>TRANSMISSION GEARS</u></a>
35197-06	<a href="#"><u>TRANSMISSION GEARS</u></a>
35211-91B	<a href="#"><u>BELTS &amp; SPROCKETS - 883C/L/N/R, 1200C/L/N/X</u></a> <a href="#"><u>BELTS &amp; SPROCKETS - XR1200/X</u></a>
35234-08	<a href="#"><u>TRANSMISSION GEARS</u></a>
3563	<a href="#"><u>HORN</u></a>
3565	<a href="#"><u>AIR CLEANER - 883C/L/N/R, 1200C/L/N/X</u></a>
3574	<a href="#"><u>SEATS</u></a> <a href="#"><u>REAR FENDER - XR1200/X</u></a>
3579A	<a href="#"><u>REAR BRAKE MASTER CYLINDER - XR1200/X</u></a> <a href="#"><u>REAR FORK, DEBRIS DEFLECTOR &amp; BELT GUARD</u></a>
358	<a href="#"><u>CRANKCASE &amp; GEARCASE - 883C/L/N/R, 1200C/L/N/X</u></a> <a href="#"><u>CRANKCASE &amp; GEARCASE - XR1200/X</u></a>
3588	<a href="#"><u>OIL TANK - 883C/L/N/R, 1200C/L/N/X</u></a> <a href="#"><u>OIL TANK - XR1200/X</u></a> <a href="#"><u>BATTERY</u></a>
3594	<a href="#"><u>ENGINE SENSORS &amp; SWITCHES</u></a> <a href="#"><u>BELTS &amp; SPROCKETS - 883C/L/N/R, 1200C/L/N/X</u></a> <a href="#"><u>BELTS &amp; SPROCKETS - XR1200/X</u></a>
3605	<a href="#"><u>HANDLEBAR &amp; THROTTLE CONTROL - 883L/N/R, 1200L/N/X, XR1200/X</u></a> <a href="#"><u>HANDLEBAR &amp; THROTTLE CONTROL - 883C, 1200C</u></a>
3615	<a href="#"><u>HEADLAMPS</u></a>
3655A	<a href="#"><u>FRONT WHEEL, CAST - 883L/N/R, 1200L</u></a> <a href="#"><u>FRONT WHEEL, CAST - XR1200/X</u></a>

	<a href="#"><u>FRONT WHEEL, LACED &amp; PROFILE LACED - 883C/L/R, 1200C/N/L/X</u></a> <a href="#"><u>FRONT WHEEL, LACED &amp; PROFILE LACED - 883C/L/R, 1200C/N/L/X</u></a> <a href="#"><u>STEERING HEAD BRACKET ASSEMBLY - 883C/L/N/R, 1200C/L/N/X</u></a> <a href="#"><u>HEADLAMPS</u></a>
3658	<a href="#"><u>HANDLEBAR SWITCHES</u></a> <a href="#"><u>HORN</u></a> <a href="#"><u>SWITCHES, SENSORS &amp; ELECTRICAL CONNECTORS</u></a>
3666A	<a href="#"><u>HANDLEBAR &amp; THROTTLE CONTROL - 883C, 1200C</u></a>
36715-94	<a href="#"><u>CLUTCH - 883C/L/N/R, 1200C/L/N/X</u></a> <a href="#"><u>CLUTCH - XR1200/X</u></a>
36731-91	<a href="#"><u>CLUTCH - 883C/L/N/R, 1200C/L/N/X</u></a> <a href="#"><u>CLUTCH - XR1200/X</u></a>
36785-91	<a href="#"><u>CLUTCH - 883C/L/N/R, 1200C/L/N/X</u></a>
36790-04	<a href="#"><u>CLUTCH - 883C/L/N/R, 1200C/L/N/X</u></a>
36799-91	<a href="#"><u>CLUTCH - 883C/L/N/R, 1200C/L/N/X</u></a>
36802-84B	<a href="#"><u>CLUTCH - 883C/L/N/R, 1200C/L/N/X</u></a> <a href="#"><u>CLUTCH - XR1200/X</u></a>
3696	<a href="#"><u>FRAME &amp; JIFFY STAND - XR1200/X</u></a> <a href="#"><u>OIL TANK - 883C/L/N/R, 1200C/L/N/X</u></a> <a href="#"><u>OIL TANK - XR1200/X</u></a> <a href="#"><u>BATTERY</u></a>
3706M	<a href="#"><u>TURN SIGNALS, TAIL LAMP &amp; LICENSE PLATE BRACKET - XR1200/X</u></a>
3708M	<a href="#"><u>ELECTRONIC IGNITION SYSTEM - XR1200/X</u></a>
37107-06	<a href="#"><u>SHIFTER</u></a>
3731M	<a href="#"><u>FRONT FENDER</u></a>
3732	<a href="#"><u>TURN SIGNAL MODULE &amp; SECURITY SIREN</u></a>
37495-91	<a href="#"><u>CLUTCH - 883C/L/N/R, 1200C/L/N/X</u></a> <a href="#"><u>CLUTCH - XR1200/X</u></a>
3767B	<a href="#"><u>EVAPORATIVE EMISSIONS</u></a>
37716-10	<a href="#"><u>BELTS &amp; SPROCKETS - XR1200/X</u></a>
37718-10	<a href="#"><u>INSPECTION COVER &amp; PRIMARY COVER</u></a>
37797-09	<a href="#"><u>REAR WHEEL, CAST - XR1200/X</u></a>
37799-09	<a href="#"><u>BELTS &amp; SPROCKETS - 883C/L/N/R, 1200C/L/N/X</u></a> <a href="#"><u>BELTS &amp; SPROCKETS - XR1200/X</u></a> <a href="#"><u>REAR WHEEL, CAST - 883L/N/R, 1200C/L</u></a> <a href="#"><u>REAR WHEEL, CAST - XR1200/X</u></a>
37870-91	<a href="#"><u>CLUTCH - 883C/L/N/R, 1200C/L/N/X</u></a> <a href="#"><u>CLUTCH - XR1200/X</u></a>

37872-90	<a href="#">CLUTCH - 883C/L/N/R, 1200C/L/N/X</a> <a href="#">CLUTCH - XR1200/X</a>
37890-02	<a href="#">CLUTCH - XR1200/X</a>
37891-02	<a href="#">CLUTCH - XR1200/X</a>
37892-02	<a href="#">CLUTCH - XR1200/X</a>
37894-02	<a href="#">CLUTCH - XR1200/X</a>
37895-02	<a href="#">CLUTCH - XR1200/X</a>
37896-02	<a href="#">CLUTCH - XR1200/X</a>
37897-02	<a href="#">CLUTCH - XR1200/X</a>
37898-02A	<a href="#">CLUTCH - XR1200/X</a>
37899-02A	<a href="#">CLUTCH - XR1200/X</a>
37904-90	<a href="#">CLUTCH - 883C/L/N/R, 1200C/L/N/X</a>
37905-90	<a href="#">CLUTCH - 883C/L/N/R, 1200C/L/N/X</a>
37908-90	<a href="#">CLUTCH - 883C/L/N/R, 1200C/L/N/X</a> <a href="#">CLUTCH - XR1200/X</a>
37909-90	<a href="#">CLUTCH - 883C/L/N/R, 1200C/L/N/X</a> <a href="#">CLUTCH - XR1200/X</a>
37910-04B	<a href="#">CLUTCH - 883C/L/N/R, 1200C/L/N/X</a>
37911-90	<a href="#">CLUTCH - 883C/L/N/R, 1200C/L/N/X</a> <a href="#">CLUTCH - XR1200/X</a>
37912-91	<a href="#">CLUTCH - 883C/L/N/R, 1200C/L/N/X</a>
37913-90	<a href="#">CLUTCH - 883C/L/N/R, 1200C/L/N/X</a> <a href="#">CLUTCH - XR1200/X</a>
37924-04A	<a href="#">CLUTCH - 883C/L/N/R, 1200C/L/N/X</a>
37934-06	<a href="#">CLUTCH - XR1200/X</a>
37977-90	<a href="#">CLUTCH - 883C/L/N/R, 1200C/L/N/X</a>
3802W	<a href="#">REAR FENDER - XR1200/X</a>
3814	<a href="#">REAR WHEEL, CAST - 883L/N/R, 1200C/L</a> <a href="#">REAR WHEEL, CAST - XR1200/X</a> <a href="#">REAR WHEEL, LACED &amp; PROFILE LACED - 883C/L/R, 1200C/L/N/X</a>
3849	<a href="#">ROCKER ARMS, COVERS, &amp; PUSH RODS - 883C/L/N/R, 1200C/L/N/X</a> <a href="#">ROCKER ARMS, COVERS, &amp; PUSH RODS - XR1200/X</a>
3854	<a href="#">ENGINE MOUNTS</a>
38630-88	<a href="#">CLUTCH CONTROL</a>

38653-01	<a href="#">HANDLEBAR &amp; THROTTLE CONTROL - 883L/N/R, 1200L/N/X, XR1200/X</a> <a href="#">HANDLEBAR &amp; THROTTLE CONTROL - 883C, 1200C</a>
38671-04	<a href="#">CLUTCH CONTROL</a>
38699-04D	<a href="#">CLUTCH CONTROL</a>
38702-05C	<a href="#">CLUTCH CONTROL</a>
38786-08A	<a href="#">CLUTCH CONTROL</a>
3880	<a href="#">SHOCK ABSORBERS</a>
3899	<a href="#">BELTS &amp; SPROCKETS - 883C/L/N/R, 1200C/L/N/X</a> <a href="#">BELTS &amp; SPROCKETS - XR1200/X</a> <a href="#">REAR WHEEL, CAST - 883L/N/R, 1200C/L</a> <a href="#">REAR WHEEL, CAST - XR1200/X</a> <a href="#">REAR WHEEL, LACED &amp; PROFILE LACED - 883C/L/R, 1200C/L/N/X</a>
3976	<a href="#">ROCKER ARMS, COVERS, &amp; PUSH RODS - 883C/L/N/R, 1200C/L/N/X</a> <a href="#">ROCKER ARMS, COVERS, &amp; PUSH RODS - XR1200/X</a>
3987	<a href="#">INDUCTION MODULE - 883C/L/N/R, 1200C/L/N/X</a> <a href="#">INDUCTION MODULE - XR1200/X</a>
3990	<a href="#">TRANSMISSION GEARS</a>
40005-57B	<a href="#">BELTS &amp; SPROCKETS - 883C/L/N/R, 1200C/L/N/X</a>
40039-02C	<a href="#">BELTS &amp; SPROCKETS - 883C/L/N/R, 1200C/L/N/X</a> <a href="#">BELTS &amp; SPROCKETS - XR1200/X</a>
40057-08	<a href="#">BELTS &amp; SPROCKETS - XR1200/X</a>
40147-04	<a href="#">BELTS &amp; SPROCKETS - 883C/L/N/R, 1200C/L/N/X</a> <a href="#">BELTS &amp; SPROCKETS - XR1200/X</a>
4016	<a href="#">SHIFT LEVER</a>
4017	<a href="#">REAR FENDER &amp; LICENSE PLATE BRKT - 883C/L/R, 1200C/L/X, 883N/1200N (CAN)</a> <a href="#">REAR FENDER &amp; LICENSE PLATE BRACKET - 883N/1200N/X (NON-CANADA)</a>
40241-02A	<a href="#">ALTERNATOR &amp; REGULATOR</a> <a href="#">BELTS &amp; SPROCKETS - 883C/L/N/R, 1200C/L/N/X</a>
40251-92A	<a href="#">BELTS &amp; SPROCKETS - 883C/L/N/R, 1200C/L/N/X</a> <a href="#">BELTS &amp; SPROCKETS - XR1200/X</a>
40254-02	<a href="#">CRANKCASE &amp; GEARCASE - 883C/L/N/R, 1200C/L/N/X</a> <a href="#">CRANKCASE &amp; GEARCASE - XR1200/X</a> <a href="#">BELTS &amp; SPROCKETS - 883C/L/N/R, 1200C/L/N/X</a> <a href="#">BELTS &amp; SPROCKETS - XR1200/X</a>
40290-04A	<a href="#">ALTERNATOR &amp; REGULATOR</a> <a href="#">BELTS &amp; SPROCKETS - 883C/L/N/R, 1200C/L/N/X</a>
4029A	<a href="#">FRONT FORK - 883C/L/R, 1200C/L/X</a> <a href="#">FRONT FORK - 883N, 1200N</a>

4032A	<a href="#"><u>EXHAUST SYSTEM - 883C/L/N/R, 1200C/L/N/X</u></a>
40350-07	<a href="#"><u>BELTS &amp; SPROCKETS - 883C/L/N/R, 1200C/L/N/X</u></a> <a href="#"><u>REAR WHEEL, CAST - 883L/N/R, 1200C/L</u></a> <a href="#"><u>REAR WHEEL, CAST - XR1200/X</u></a> <a href="#"><u>REAR WHEEL, LACED &amp; PROFILE LACED - 883C/L/R, 1200C/L/N/X</u></a>
40352-07	<a href="#"><u>BELTS &amp; SPROCKETS - 883C/L/N/R, 1200C/L/N/X</u></a> <a href="#"><u>REAR WHEEL, CAST - 883L/N/R, 1200C/L</u></a>
40353-08	<a href="#"><u>BELTS &amp; SPROCKETS - 883C/L/N/R, 1200C/L/N/X</u></a> <a href="#"><u>BELTS &amp; SPROCKETS - XR1200/X</u></a> <a href="#"><u>REAR WHEEL, CAST - 883L/N/R, 1200C/L</u></a>
40371-07	<a href="#"><u>BELTS &amp; SPROCKETS - 883C/L/N/R, 1200C/L/N/X</u></a>
40379-04	<a href="#"><u>BELTS &amp; SPROCKETS - 883C/L/N/R, 1200C/L/N/X</u></a> <a href="#"><u>BELTS &amp; SPROCKETS - XR1200/X</u></a>
40380-04	<a href="#"><u>BELTS &amp; SPROCKETS - 883C/L/N/R, 1200C/L/N/X</u></a>
40409-04	<a href="#"><u>BELTS &amp; SPROCKETS - 883C/L/N/R, 1200C/L/N/X</u></a>
40444-07	<a href="#"><u>BELTS &amp; SPROCKETS - 883C/L/N/R, 1200C/L/N/X</u></a> <a href="#"><u>REAR WHEEL, LACED &amp; PROFILE LACED - 883C/L/R, 1200C/L/N/X</u></a>
40518-08	<a href="#"><u>BELTS &amp; SPROCKETS - 883C/L/N/R, 1200C/L/N/X</u></a> <a href="#"><u>BELTS &amp; SPROCKETS - XR1200/X</u></a> <a href="#"><u>REAR WHEEL, CAST - 883L/N/R, 1200C/L</u></a> <a href="#"><u>REAR WHEEL, CAST - XR1200/X</u></a> <a href="#"><u>REAR WHEEL, LACED &amp; PROFILE LACED - 883C/L/R, 1200C/L/N/X</u></a>
40544-08	<a href="#"><u>BELTS &amp; SPROCKETS - 883C/L/N/R, 1200C/L/N/X</u></a> <a href="#"><u>REAR WHEEL, CAST - 883L/N/R, 1200C/L</u></a>
40558-82	<a href="#"><u>FRONT WHEEL, LACED &amp; PROFILE LACED - 883C/L/R, 1200C/N/L/X</u></a> <a href="#"><u>REAR WHEEL, LACED &amp; PROFILE LACED - 883C/L/R, 1200C/L/N/X</u></a>
40560-05	<a href="#"><u>REAR WHEEL, CAST - 883L/N/R, 1200C/L</u></a> <a href="#"><u>REAR WHEEL, CAST - XR1200/X</u></a> <a href="#"><u>REAR WHEEL, LACED &amp; PROFILE LACED - 883C/L/R, 1200C/L/N/X</u></a>
40561-05	<a href="#"><u>REAR WHEEL, CAST - 883L/N/R, 1200C/L</u></a> <a href="#"><u>REAR WHEEL, CAST - XR1200/X</u></a> <a href="#"><u>REAR WHEEL, LACED &amp; PROFILE LACED - 883C/L/R, 1200C/L/N/X</u></a>
40562-05	<a href="#"><u>REAR WHEEL, CAST - 883L/N/R, 1200C/L</u></a> <a href="#"><u>REAR WHEEL, LACED &amp; PROFILE LACED - 883C/L/R, 1200C/L/N/X</u></a>
40574-06	<a href="#"><u>INSPECTION COVER &amp; PRIMARY COVER</u></a>
40575-05	<a href="#"><u>REAR WHEEL, LACED &amp; PROFILE LACED - 883C/L/R, 1200C/L/N/X</u></a>
40591-07	<a href="#"><u>BELTS &amp; SPROCKETS - 883C/L/N/R, 1200C/L/N/X</u></a> <a href="#"><u>BELTS &amp; SPROCKETS - XR1200/X</u></a>
40759-05	<a href="#"><u>FRONT WHEEL, LACED &amp; PROFILE LACED - 883C/L/R, 1200C/N/L/X</u></a>
4076	<a href="#"><u>REAR BRAKE MASTER CYLINDER - 883C/L/N/R, 1200C/L/N/X</u></a>

	<a href="#"><u>FRAME &amp; JIFFY STAND - 883C/L/N/R, 1200C/L/N/X</u></a> <a href="#"><u>FRAME &amp; JIFFY STAND - XR1200/X</u></a>
40760-05	<a href="#"><u>FRONT WHEEL, LACED &amp; PROFILE LACED - 883C/L/R, 1200C/N/L/X</u></a>
40761-05	<a href="#"><u>FRONT WHEEL, LACED &amp; PROFILE LACED - 883C/L/R, 1200C/N/L/X</u></a>
40762-05	<a href="#"><u>FRONT WHEEL, LACED &amp; PROFILE LACED - 883C/L/R, 1200C/N/L/X</u></a>
4091	<a href="#"><u>CRANKCASE &amp; GEARCASE - 883C/L/N/R, 1200C/L/N/X</u></a> <a href="#"><u>CRANKCASE &amp; GEARCASE - XR1200/X</u></a>
40930-05	<a href="#"><u>REAR WHEEL, CAST - 883L/N/R, 1200C/L</u></a> <a href="#"><u>REAR WHEEL, CAST - XR1200/X</u></a> <a href="#"><u>REAR WHEEL, LACED &amp; PROFILE LACED - 883C/L/R, 1200C/L/N/X</u></a>
40946-04	<a href="#"><u>REAR BRAKE MASTER CYLINDER - 883C/L/N/R, 1200C/L/N/X</u></a>
40948-04	<a href="#"><u>REAR BRAKE MASTER CYLINDER - 883C/L/N/R, 1200C/L/N/X</u></a> <a href="#"><u>REAR BRAKE MASTER CYLINDER - XR1200/X</u></a>
40968-08A	<a href="#"><u>REAR BRAKE CALIPER - 883C/L/N/R, 1200C/L/N/X</u></a>
40992-08	<a href="#"><u>REAR WHEEL, CAST - 883L/N/R, 1200C/L</u></a>
41012-08	<a href="#"><u>REAR WHEEL, CAST - 883L/N/R, 1200C/L</u></a>
41013-09	<a href="#"><u>REAR WHEEL, CAST - 883L/N/R, 1200C/L</u></a>
41058-09	<a href="#"><u>REAR WHEEL, CAST - 883L/N/R, 1200C/L</u></a>
41082-08A	<a href="#"><u>REAR WHEEL, LACED &amp; PROFILE LACED - 883C/L/R, 1200C/L/N/X</u></a>
41083-08	<a href="#"><u>REAR WHEEL, LACED &amp; PROFILE LACED - 883C/L/R, 1200C/L/N/X</u></a>
41123-79	<a href="#"><u>FRONT WHEEL, CAST - 883L/N/R, 1200L</u></a> <a href="#"><u>FRONT WHEEL, CAST - XR1200/X</u></a> <a href="#"><u>FRONT WHEEL, LACED &amp; PROFILE LACED - 883C/L/R, 1200C/N/L/X</u></a> <a href="#"><u>REAR WHEEL, CAST - 883L/N/R, 1200C/L</u></a> <a href="#"><u>REAR WHEEL, CAST - XR1200/X</u></a> <a href="#"><u>REAR WHEEL, LACED &amp; PROFILE LACED - 883C/L/R, 1200C/L/N/X</u></a>
41176-08	<a href="#"><u>REAR WHEEL, CAST - 883L/N/R, 1200C/L</u></a> <a href="#"><u>REAR WHEEL, LACED &amp; PROFILE LACED - 883C/L/R, 1200C/L/N/X</u></a>
41188-06	<a href="#"><u>FRONT WHEEL, LACED &amp; PROFILE LACED - 883C/L/R, 1200C/N/L/X</u></a>
41191-74A	<a href="#"><u>INSPECTION COVER &amp; PRIMARY COVER</u></a>
41229-08	<a href="#"><u>REAR WHEEL, CAST - 883L/N/R, 1200C/L</u></a> <a href="#"><u>REAR WHEEL, CAST - XR1200/X</u></a> <a href="#"><u>REAR WHEEL, LACED &amp; PROFILE LACED - 883C/L/R, 1200C/L/N/X</u></a>
41242-08	<a href="#"><u>FRONT WHEEL, LACED &amp; PROFILE LACED - 883C/L/R, 1200C/N/L/X</u></a>
4132	<a href="#"><u>OIL PUMP - 883C/L/N/R, 1200C/L/N/X</u></a>
41388-10	<a href="#"><u>FRONT WHEEL, LACED &amp; PROFILE LACED - 883C/L/R, 1200C/N/L/X</u></a>

41389-10	<a href="#">FRONT WHEEL, LACED &amp; PROFILE LACED - 883C/L/R, 1200C/N/L/X</a>
41426-07	<a href="#">FRONT WHEEL, LACED &amp; PROFILE LACED - 883C/L/R, 1200C/N/L/X</a>
41478-10A	<a href="#">REAR WHEEL, LACED &amp; PROFILE LACED - 883C/L/R, 1200C/L/N/X</a>
41561-04	<a href="#">ENGINE MOUNTS</a>
41562-04	<a href="#">ENGINE MOUNTS</a>
41568-04	<a href="#">ENGINE MOUNTS</a>
41573-05	<a href="#">REAR FORK, DEBRIS DEFLECTOR &amp; BELT GUARD</a>
41623-05	<a href="#">REAR FORK, DEBRIS DEFLECTOR &amp; BELT GUARD</a>
41626-08	<a href="#">REAR FORK, DEBRIS DEFLECTOR &amp; BELT GUARD</a>
41627-08	<a href="#">REAR WHEEL, CAST - XR1200/X</a>
41628-08	<a href="#">FRONT WHEEL, CAST - XR1200/X</a> <a href="#">FRONT WHEEL, LACED &amp; PROFILE LACED - 883C/L/R, 1200C/N/L/X</a>
41659-08	<a href="#">FRONT WHEEL, CAST - 883L/N/R, 1200L</a>
41660-08	<a href="#">REAR WHEEL, CAST - 883L/N/R, 1200C/L</a>
41698-04	<a href="#">REAR FORK, DEBRIS DEFLECTOR &amp; BELT GUARD</a>
41699-04	<a href="#">ENGINE MOUNTS</a>
41730-08	<a href="#">REAR WHEEL, CAST - 883L/N/R, 1200C/L</a> <a href="#">REAR WHEEL, CAST - XR1200/X</a> <a href="#">REAR WHEEL, LACED &amp; PROFILE LACED - 883C/L/R, 1200C/L/N/X</a>
41732-04	<a href="#">FRONT BRAKE CONTROL - 883C/L/N/R, 1200C/L/N/X</a> <a href="#">FRONT BRAKE CONTROL - XR1200/X</a> <a href="#">REAR BRAKE MASTER CYLINDER - 883C/L/N/R, 1200C/L/N/X</a> <a href="#">REAR BRAKE MASTER CYLINDER - XR1200/X</a>
41736-04	<a href="#">FRONT BRAKE CONTROL - 883C/L/N/R, 1200C/L/N/X</a> <a href="#">FRONT BRAKE CONTROL - XR1200/X</a> <a href="#">REAR BRAKE MASTER CYLINDER - 883C/L/N/R, 1200C/L/N/X</a> <a href="#">REAR BRAKE MASTER CYLINDER - XR1200/X</a>
41737-04	<a href="#">FRONT BRAKE CONTROL - 883C/L/N/R, 1200C/L/N/X</a> <a href="#">FRONT BRAKE CONTROL - XR1200/X</a>
41743-04	<a href="#">FRONT BRAKE CONTROL - 883C/L/N/R, 1200C/L/N/X</a> <a href="#">FRONT BRAKE CONTROL - XR1200/X</a>
41748-08	<a href="#">FRONT WHEEL, CAST - XR1200/X</a>
41797-00	<a href="#">REAR WHEEL, CAST - 883L/N/R, 1200C/L</a> <a href="#">REAR WHEEL, LACED &amp; PROFILE LACED - 883C/L/R, 1200C/L/N/X</a>
4180	<a href="#">ENGINE MOUNTS</a> <a href="#">HORN</a>

41820-08A	<a href="#">FRONT WHEEL, CAST - XR1200/X</a>
41821-08A	<a href="#">FRONT WHEEL, CAST - XR1200/X</a>
41822-10	<a href="#">FRONT WHEEL, CAST - XR1200/X</a>
41833-08	<a href="#">REAR WHEEL, CAST - XR1200/X</a>
41858-08	<a href="#">REAR WHEEL, CAST - XR1200/X</a>
4188	<a href="#">ENGINE MOUNTS</a>
42028-07	<a href="#">FRONT BRAKE CALIPER - 883C/L/N/R, 1200C/L/N/X</a>
42029-07	<a href="#">REAR BRAKE CALIPER - 883C/L/N/R, 1200C/L/N/X</a>
42310-08	<a href="#">REAR BRAKE CALIPER - XR1200/X</a>
42341-07	<a href="#">REAR BRAKE CONTROL</a>
4240	<a href="#">FRONT BRAKE CONTROL - 883C/L/N/R, 1200C/L/N/X</a> <a href="#">FRONT BRAKE CONTROL - XR1200/X</a>
42425-05	<a href="#">CLUTCH CONTROL</a> <a href="#">FRONT BRAKE CONTROL - 883C/L/N/R, 1200C/L/N/X</a> <a href="#">FRONT BRAKE CONTROL - XR1200/X</a> <a href="#">REAR BRAKE MASTER CYLINDER - XR1200/X</a>
42443-80A	<a href="#">SHIFT LEVER</a> <a href="#">REAR BRAKE CONTROL</a>
42460-80B	<a href="#">REAR BRAKE MASTER CYLINDER - 883C/L/N/R, 1200C/L/N/X</a> <a href="#">REAR BRAKE MASTER CYLINDER - XR1200/X</a>
4250M	<a href="#">FRONT FORK - XR1200</a> <a href="#">FRONT FORK - XR1200X</a> <a href="#">FRONT FENDER</a>
42521-07	<a href="#">REAR BRAKE MASTER CYLINDER - 883C/L/N/R, 1200C/L/N/X</a>
42541-04	<a href="#">FOOTRESTS - 883C/L/N/R, 1200C/L/N/X</a> <a href="#">FOOTRESTS - 883C/L/N/R, 1200C/L/N/X</a>
42566-04	<a href="#">FOOTRESTS - 883C/L/N/R, 1200C/L/N/X</a>
42569-03	<a href="#">SHIFT LEVER</a> <a href="#">REAR BRAKE CONTROL</a>
42593-04	<a href="#">REAR BRAKE MASTER CYLINDER - 883C/L/N/R, 1200C/L/N/X</a>
42595-04	<a href="#">REAR BRAKE MASTER CYLINDER - 883C/L/N/R, 1200C/L/N/X</a>
42645-07	<a href="#">REAR BRAKE CONTROL</a>
42649-07	<a href="#">REAR BRAKE CONTROL</a>
42651-04	<a href="#">FOOTRESTS - 883C/L/N/R, 1200C/L/N/X</a>
42652-04	<a href="#">FOOTRESTS - 883C/L/N/R, 1200C/L/N/X</a>



4266A	<a href="#">CYLINDER, HEAD, &amp; VALVES - 883C/L/N/R, 1200C/L/N/X</a> <a href="#">CYLINDER, HEAD, &amp; VALVES - XR1200/X</a>
42685-04	<a href="#">REAR BRAKE CONTROL</a>
4269	<a href="#">EXHAUST SYSTEM - 883C/L/N/R, 1200C/L/N/X</a> <a href="#">EXHAUST SYSTEM - XR1200/X</a>
42736-08	<a href="#">FRONT BRAKE CONTROL - XR1200/X</a>
42737-08	<a href="#">REAR BRAKE MASTER CYLINDER - XR1200/X</a>
42738-08	<a href="#">REAR BRAKE MASTER CYLINDER - XR1200/X</a>
42739-08	<a href="#">FRONT BRAKE CALIPER - XR1200/X</a>
42744-08	<a href="#">REAR BRAKE MASTER CYLINDER - XR1200/X</a>
42745-07	<a href="#">FRONT BRAKE CONTROL - 883C/L/N/R, 1200C/L/N/X</a>
42803-07A	<a href="#">FRONT BRAKE CONTROL - 883C/L/N/R, 1200C/L/N/X</a>
42804-07	<a href="#">FRONT BRAKE CONTROL - 883C/L/N/R, 1200C/L/N/X</a> <a href="#">FRONT BRAKE CONTROL - XR1200/X</a>
42805-04	<a href="#">FRONT BRAKE CONTROL - 883C/L/N/R, 1200C/L/N/X</a> <a href="#">FRONT BRAKE CONTROL - XR1200/X</a>
42806-04	<a href="#">FRONT BRAKE CONTROL - 883C/L/N/R, 1200C/L/N/X</a>
42807-04	<a href="#">CLUTCH CONTROL</a> <a href="#">FRONT BRAKE CONTROL - 883C/L/N/R, 1200C/L/N/X</a> <a href="#">FRONT BRAKE CONTROL - XR1200/X</a>
42808-04	<a href="#">CLUTCH CONTROL</a> <a href="#">FRONT BRAKE CONTROL - 883C/L/N/R, 1200C/L/N/X</a> <a href="#">FRONT BRAKE CONTROL - XR1200/X</a>
42809-07A	<a href="#">FRONT BRAKE CONTROL - 883C/L/N/R, 1200C/L/N/X</a>
42810-07A	<a href="#">REAR BRAKE MASTER CYLINDER - 883C/L/N/R, 1200C/L/N/X</a>
42811-04	<a href="#">REAR BRAKE MASTER CYLINDER - 883C/L/N/R, 1200C/L/N/X</a> <a href="#">REAR BRAKE MASTER CYLINDER - XR1200/X</a>
42812-04	<a href="#">REAR BRAKE MASTER CYLINDER - 883C/L/N/R, 1200C/L/N/X</a>
42813-04	<a href="#">REAR BRAKE MASTER CYLINDER - 883C/L/N/R, 1200C/L/N/X</a>
42814-04	<a href="#">REAR BRAKE MASTER CYLINDER - 883C/L/N/R, 1200C/L/N/X</a>
42815-04	<a href="#">REAR BRAKE MASTER CYLINDER - 883C/L/N/R, 1200C/L/N/X</a> <a href="#">REAR BRAKE MASTER CYLINDER - XR1200/X</a>
42816-07	<a href="#">REAR BRAKE MASTER CYLINDER - 883C/L/N/R, 1200C/L/N/X</a>
42817-07	<a href="#">REAR BRAKE MASTER CYLINDER - 883C/L/N/R, 1200C/L/N/X</a> <a href="#">REAR BRAKE MASTER CYLINDER - XR1200/X</a>

42821-04	<a href="#"><u>REAR BRAKE MASTER CYLINDER - 883C/L/N/R, 1200C/L/N/X</u></a>
42823-04	<a href="#"><u>FRONT BRAKE CALIPER - 883C/L/N/R, 1200C/L/N/X</u></a> <a href="#"><u>REAR BRAKE CALIPER - 883C/L/N/R, 1200C/L/N/X</u></a>
42824-04	<a href="#"><u>FRONT BRAKE CALIPER - 883C/L/N/R, 1200C/L/N/X</u></a> <a href="#"><u>REAR BRAKE CALIPER - 883C/L/N/R, 1200C/L/N/X</u></a> <a href="#"><u>REAR BRAKE CALIPER - XR1200/X</u></a>
42825-04	<a href="#"><u>FRONT BRAKE CALIPER - 883C/L/N/R, 1200C/L/N/X</u></a>
42827-04	<a href="#"><u>FRONT BRAKE CALIPER - 883C/L/N/R, 1200C/L/N/X</u></a> <a href="#"><u>FRONT BRAKE CALIPER - XR1200/X</u></a>
42828-04	<a href="#"><u>FRONT BRAKE CALIPER - 883C/L/N/R, 1200C/L/N/X</u></a> <a href="#"><u>FRONT BRAKE CALIPER - XR1200/X</u></a>
42829-04	<a href="#"><u>FRONT BRAKE CALIPER - 883C/L/N/R, 1200C/L/N/X</u></a>
42831-04A	<a href="#"><u>FRONT BRAKE CALIPER - 883C/L/N/R, 1200C/L/N/X</u></a>
42832-04	<a href="#"><u>FRONT BRAKE CALIPER - 883C/L/N/R, 1200C/L/N/X</u></a>
42834-04	<a href="#"><u>REAR BRAKE CALIPER - 883C/L/N/R, 1200C/L/N/X</u></a> <a href="#"><u>REAR BRAKE CALIPER - XR1200/X</u></a>
42835-08	<a href="#"><u>REAR BRAKE CALIPER - 883C/L/N/R, 1200C/L/N/X</u></a>
42837-04	<a href="#"><u>REAR BRAKE CALIPER - 883C/L/N/R, 1200C/L/N/X</u></a> <a href="#"><u>REAR BRAKE CALIPER - XR1200/X</u></a>
42838-04	<a href="#"><u>FRONT BRAKE CALIPER - 883C/L/N/R, 1200C/L/N/X</u></a> <a href="#"><u>REAR BRAKE CALIPER - 883C/L/N/R, 1200C/L/N/X</u></a> <a href="#"><u>REAR BRAKE CALIPER - XR1200/X</u></a>
42839-04	<a href="#"><u>REAR BRAKE CALIPER - 883C/L/N/R, 1200C/L/N/X</u></a> <a href="#"><u>REAR BRAKE CALIPER - XR1200/X</u></a>
42840-04	<a href="#"><u>REAR BRAKE CALIPER - 883C/L/N/R, 1200C/L/N/X</u></a> <a href="#"><u>REAR BRAKE CALIPER - XR1200/X</u></a>
42845-07	<a href="#"><u>REAR BRAKE MASTER CYLINDER - 883C/L/N/R, 1200C/L/N/X</u></a> <a href="#"><u>REAR BRAKE MASTER CYLINDER - XR1200/X</u></a>
42846-04	<a href="#"><u>REAR BRAKE MASTER CYLINDER - 883C/L/N/R, 1200C/L/N/X</u></a>
42875-07	<a href="#"><u>FRONT BRAKE CALIPER - 883C/L/N/R, 1200C/L/N/X</u></a> <a href="#"><u>FRONT BRAKE CALIPER - XR1200/X</u></a> <a href="#"><u>REAR BRAKE CALIPER - 883C/L/N/R, 1200C/L/N/X</u></a> <a href="#"><u>REAR BRAKE CALIPER - XR1200/X</u></a>
42877-10	<a href="#"><u>FRONT BRAKE CALIPER - 883C/L/N/R, 1200C/L/N/X</u></a>
42878-10	<a href="#"><u>FRONT BRAKE CALIPER - 883C/L/N/R, 1200C/L/N/X</u></a>
42879-10	<a href="#"><u>FRONT BRAKE CALIPER - 883C/L/N/R, 1200C/L/N/X</u></a>
42880-10	<a href="#"><u>FRONT BRAKE CALIPER - 883C/L/N/R, 1200C/L/N/X</u></a>

42881-10	<a href="#"><u>REAR BRAKE CALIPER - 883C/L/N/R, 1200C/L/N/X</u></a>
42892-08	<a href="#"><u>REAR BRAKE CALIPER - XR1200/X</u></a>
42893-07	<a href="#"><u>FRONT BRAKE CALIPER - 883C/L/N/R, 1200C/L/N/X</u></a> <a href="#"><u>FRONT BRAKE CALIPER - XR1200/X</u></a> <a href="#"><u>REAR BRAKE CALIPER - 883C/L/N/R, 1200C/L/N/X</u></a> <a href="#"><u>REAR BRAKE CALIPER - XR1200/X</u></a>
42899-08	<a href="#"><u>FRONT BRAKE CALIPER - XR1200/X</u></a>
4290	<a href="#"><u>ENGINE MOUNTS</u></a>
42900-08	<a href="#"><u>REAR BRAKE CALIPER - XR1200/X</u></a>
42941-10	<a href="#"><u>FRONT BRAKE CONTROL - XR1200/X</u></a>
42942-08B	<a href="#"><u>FRONT BRAKE CONTROL - XR1200/X</u></a>
42943-08	<a href="#"><u>FRONT BRAKE CALIPER - XR1200/X</u></a>
42944-08	<a href="#"><u>FRONT BRAKE CALIPER - XR1200/X</u></a>
42945-08	<a href="#"><u>REAR BRAKE MASTER CYLINDER - XR1200/X</u></a>
42948-08	<a href="#"><u>REAR BRAKE CALIPER - XR1200/X</u></a>
42949-08A	<a href="#"><u>REAR BRAKE CONTROL</u></a>
42969-04	<a href="#"><u>REAR BRAKE CONTROL</u></a>
42971-04	<a href="#"><u>FOOTRESTS - 883C/L/N/R, 1200C/L/N/X</u></a>
42972-04	<a href="#"><u>FOOTRESTS - 883C/L/N/R, 1200C/L/N/X</u></a>
42975-08B	<a href="#"><u>REAR BRAKE MASTER CYLINDER - XR1200/X</u></a>
42976-04	<a href="#"><u>REAR BRAKE MASTER CYLINDER - 883C/L/N/R, 1200C/L/N/X</u></a>
42979-04	<a href="#"><u>REAR BRAKE MASTER CYLINDER - 883C/L/N/R, 1200C/L/N/X</u></a>
43001-06	<a href="#"><u>FRONT WHEEL, LACED &amp; PROFILE LACED - 883C/L/R, 1200C/N/L/X</u></a>
43017-07	<a href="#"><u>REAR WHEEL, LACED &amp; PROFILE LACED - 883C/L/R, 1200C/L/N/X</u></a>
43022-91A	<a href="#"><u>FRONT WHEEL, LACED &amp; PROFILE LACED - 883C/L/R, 1200C/N/L/X</u></a>
43052-05A	<a href="#"><u>REAR WHEEL, LACED &amp; PROFILE LACED - 883C/L/R, 1200C/L/N/X</u></a>
43056-05	<a href="#"><u>FRONT WHEEL, LACED &amp; PROFILE LACED - 883C/L/R, 1200C/N/L/X</u></a>
43064-05	<a href="#"><u>FRONT WHEEL, LACED &amp; PROFILE LACED - 883C/L/R, 1200C/N/L/X</u></a>
43085-97	<a href="#"><u>REAR WHEEL, LACED &amp; PROFILE LACED - 883C/L/R, 1200C/L/N/X</u></a>
43103-08	<a href="#"><u>FRONT WHEEL, CAST - XR1200/X</u></a>
43104-93A	<a href="#"><u>FRONT WHEEL, LACED &amp; PROFILE LACED - 883C/L/R, 1200C/N/L/X</u></a>

43107-08	<a href="#">REAR WHEEL, CAST - XR1200/X</a>
43112-91A	<a href="#">FRONT WHEEL, CAST - 883L/N/R, 1200L</a> <a href="#">FRONT WHEEL, LACED &amp; PROFILE LACED - 883C/L/R, 1200C/N/L/X</a>
4312C	<a href="#">BATTERY</a>
43140-80	<a href="#">FRONT WHEEL, LACED &amp; PROFILE LACED - 883C/L/R, 1200C/N/L/X</a>
43145-47	<a href="#">FRONT WHEEL, LACED &amp; PROFILE LACED - 883C/L/R, 1200C/N/L/X</a>
43147-40	<a href="#">REAR WHEEL, LACED &amp; PROFILE LACED - 883C/L/R, 1200C/L/N/X</a>
43157-83A	<a href="#">FRONT WHEEL, CAST - 883L/N/R, 1200L</a> <a href="#">FRONT WHEEL, CAST - XR1200/X</a> <a href="#">REAR WHEEL, CAST - 883L/N/R, 1200C/L</a> <a href="#">REAR WHEEL, CAST - XR1200/X</a>
43164-05	<a href="#">REAR WHEEL, LACED &amp; PROFILE LACED - 883C/L/R, 1200C/L/N/X</a>
43229-08	<a href="#">FRONT WHEEL, CAST - XR1200/X</a>
43231-08	<a href="#">REAR WHEEL, CAST - XR1200/X</a>
43241-05	<a href="#">REAR WHEEL, LACED &amp; PROFILE LACED - 883C/L/R, 1200C/L/N/X</a>
43264-02	<a href="#">REAR WHEEL, CAST - 883L/N/R, 1200C/L</a> <a href="#">REAR WHEEL, LACED &amp; PROFILE LACED - 883C/L/R, 1200C/L/N/X</a>
4326A	<a href="#">HANDLEBAR &amp; THROTTLE CONTROL - 883L/N/R, 1200L/N/X, XR1200/X</a>
4329	<a href="#">ALTERNATOR &amp; REGULATOR</a>
43312-08	<a href="#">FRONT WHEEL, LACED &amp; PROFILE LACED - 883C/L/R, 1200C/N/L/X</a>
43343-10	<a href="#">FRONT WHEEL, CAST - XR1200/X</a>
43348-10	<a href="#">REAR WHEEL, CAST - XR1200/X</a>
43355-00	<a href="#">FRONT WHEEL, CAST - 883L/N/R, 1200L</a>
43358-08	<a href="#">FRONT WHEEL, CAST - 883L/N/R, 1200L</a> <a href="#">FRONT WHEEL, LACED &amp; PROFILE LACED - 883C/L/R, 1200C/N/L/X</a>
43359-00	<a href="#">FRONT WHEEL, CAST - 883L/N/R, 1200L</a>
43440-05A	<a href="#">REAR WHEEL, LACED &amp; PROFILE LACED - 883C/L/R, 1200C/L/N/X</a>
43445-05	<a href="#">FRONT WHEEL, LACED &amp; PROFILE LACED - 883C/L/R, 1200C/N/L/X</a>
43499-08	<a href="#">FRONT WHEEL, CAST - 883L/N/R, 1200L</a>
4350A	<a href="#">FOOTRESTS - XR1200/X</a> <a href="#">HEADLAMPS</a>
4351	<a href="#">STEERING HEAD BRACKET ASSEMBLY - 883C/L/N/R, 1200C/L/N/X</a> <a href="#">TURN SIGNALS &amp; TAIL LAMP - 883N, 1200N/X</a>
4352	<a href="#">STEERING HEAD BRACKET ASSEMBLY - 883C/L/N/R, 1200C/L/N/X</a>

	<a href="#"><u>STEERING HEAD BRACKET ASSEMBLY - XR1200/X</u></a>
43522-08	<a href="#"><u>FRONT WHEEL, CAST - 883L/N/R, 1200L</u></a> <a href="#"><u>FRONT WHEEL, LACED &amp; PROFILE LACED - 883C/L/R, 1200C/N/L/X</u></a>
43528-04	<a href="#"><u>REAR BRAKE CALIPER - 883C/L/N/R, 1200C/L/N/X</u></a> <a href="#"><u>REAR BRAKE CALIPER - XR1200/X</u></a>
4354	<a href="#"><u>SHOCK ABSORBERS</u></a>
43547-08	<a href="#"><u>FRONT WHEEL, LACED &amp; PROFILE LACED - 883C/L/R, 1200C/N/L/X</u></a>
43557-08	<a href="#"><u>FRONT WHEEL, LACED &amp; PROFILE LACED - 883C/L/R, 1200C/N/L/X</u></a>
43567-92	<a href="#"><u>REAR WHEEL, CAST - 883L/N/R, 1200C/L</u></a> <a href="#"><u>REAR WHEEL, CAST - XR1200/X</u></a> <a href="#"><u>REAR WHEEL, LACED &amp; PROFILE LACED - 883C/L/R, 1200C/L/N/X</u></a>
4359	<a href="#"><u>SHIFT LEVER</u></a>
43594-08	<a href="#"><u>FRONT WHEEL, CAST - 883L/N/R, 1200L</u></a>
43595-99	<a href="#"><u>FRAME &amp; JIFFY STAND - 883C/L/N/R, 1200C/L/N/X</u></a> <a href="#"><u>FRAME &amp; JIFFY STAND - XR1200/X</u></a>
4363	<a href="#"><u>EVAPORATIVE EMISSIONS</u></a>
43662-80B	<a href="#"><u>FRONT WHEEL, LACED &amp; PROFILE LACED - 883C/L/R, 1200C/N/L/X</u></a>
43831-08	<a href="#"><u>FRONT WHEEL, LACED &amp; PROFILE LACED - 883C/L/R, 1200C/N/L/X</u></a>
43832-08A	<a href="#"><u>REAR WHEEL, LACED &amp; PROFILE LACED - 883C/L/R, 1200C/L/N/X</u></a>
43895-08	<a href="#"><u>FRONT WHEEL, CAST - 883L/N/R, 1200L</u></a> <a href="#"><u>FRONT WHEEL, LACED &amp; PROFILE LACED - 883C/L/R, 1200C/N/L/X</u></a>
43905-08	<a href="#"><u>REAR WHEEL, CAST - 883L/N/R, 1200C/L</u></a> <a href="#"><u>REAR WHEEL, LACED &amp; PROFILE LACED - 883C/L/R, 1200C/L/N/X</u></a>
43906-08	<a href="#"><u>FRONT WHEEL, CAST - 883L/N/R, 1200L</u></a> <a href="#"><u>FRONT WHEEL, LACED &amp; PROFILE LACED - 883C/L/R, 1200C/N/L/X</u></a>
43939-89	<a href="#"><u>FRONT WHEEL, LACED &amp; PROFILE LACED - 883C/L/R, 1200C/N/L/X</u></a>
44121-07A	<a href="#"><u>FRONT BRAKE CALIPER - 883C/L/N/R, 1200C/L/N/X</u></a>
44136-00	<a href="#"><u>FRONT WHEEL, CAST - 883L/N/R, 1200L</u></a> <a href="#"><u>FRONT WHEEL, LACED &amp; PROFILE LACED - 883C/L/R, 1200C/N/L/X</u></a>
44156-00	<a href="#"><u>FRONT WHEEL, CAST - 883L/N/R, 1200L</u></a> <a href="#"><u>FRONT WHEEL, LACED &amp; PROFILE LACED - 883C/L/R, 1200C/N/L/X</u></a>
44160-00	<a href="#"><u>FRONT BRAKE CALIPER - 883C/L/N/R, 1200C/L/N/X</u></a> <a href="#"><u>FRONT BRAKE CALIPER - XR1200/X</u></a> <a href="#"><u>FRONT FORK - XR1200</u></a> <a href="#"><u>FRONT FORK - XR1200X</u></a>
44178-04	<a href="#"><u>REAR BRAKE CALIPER - 883C/L/N/R, 1200C/L/N/X</u></a>

44184-04	<a href="#">REAR BRAKE CALIPER - 883C/L/N/R, 1200C/L/N/X</a> <a href="#">REAR BRAKE CALIPER - XR1200/X</a>
44189-04	<a href="#">REAR BRAKE MASTER CYLINDER - 883C/L/N/R, 1200C/L/N/X</a>
4420	<a href="#">HEADLAMPS</a>
44429-06B	<a href="#">REAR BRAKE MASTER CYLINDER - 883C/L/N/R, 1200C/L/N/X</a>
44440-04	<a href="#">FRONT BRAKE CALIPER - 883C/L/N/R, 1200C/L/N/X</a> <a href="#">REAR BRAKE CALIPER - 883C/L/N/R, 1200C/L/N/X</a>
44590-04	<a href="#">REAR BRAKE MASTER CYLINDER - 883C/L/N/R, 1200C/L/N/X</a>
44610-08	<a href="#">FRONT WHEEL, LACED &amp; PROFILE LACED - 883C/L/R, 1200C/N/L/X</a>
4499M	<a href="#">FRONT FORK - XR1200</a> <a href="#">FRONT FORK - XR1200X</a>
45041-01A	<a href="#">FOOTRESTS - 883C/L/N/R, 1200C/L/N/X</a> <a href="#">FOOTRESTS - XR1200/X</a>
45052-07A	<a href="#">FRONT BRAKE CONTROL - 883C/L/N/R, 1200C/L/N/X</a>
45065-06	<a href="#">FOOTRESTS - XR1200/X</a>
45067-06	<a href="#">FOOTRESTS - XR1200/X</a>
45074-95	<a href="#">FRONT BRAKE CONTROL - 883C/L/N/R, 1200C/L/N/X</a> <a href="#">FRONT BRAKE CONTROL - XR1200/X</a>
45146-07	<a href="#">FRONT BRAKE CONTROL - 883C/L/N/R, 1200C/L/N/X</a>
45155-08	<a href="#">STEERING HEAD BRACKET ASSEMBLY - XR1200/X</a>
45319-04D	<a href="#">FRONT BRAKE CONTROL - 883C/L/N/R, 1200C/L/N/X</a>
45356-07	<a href="#">CLUTCH CONTROL</a>
45361-90	<a href="#">FRONT FORK - 883C/L/R, 1200C/L/X</a> <a href="#">FRONT FORK - 883N, 1200N</a>
45374-87	<a href="#">FRONT FORK - 883C/L/R, 1200C/L/X</a> <a href="#">FRONT FORK - 883N, 1200N</a>
45376-09	<a href="#">FRONT FORK - 883C/L/R, 1200C/L/X</a>
45377-87	<a href="#">FRONT FORK - 883C/L/R, 1200C/L/X</a> <a href="#">FRONT FORK - 883N, 1200N</a>
45378-87	<a href="#">FRONT FORK - 883C/L/R, 1200C/L/X</a> <a href="#">FRONT FORK - 883N, 1200N</a>
45395-09	<a href="#">FRONT FORK - 883C/L/R, 1200C/L/X</a>
45401-87	<a href="#">FRONT FORK - 883C/L/R, 1200C/L/X</a> <a href="#">FRONT FORK - 883N, 1200N</a>
45405-75A	<a href="#">FRONT FORK - 883C/L/R, 1200C/L/X</a>

	<a href="#"><u>FRONT FORK - 883N, 1200N</u></a> <a href="#"><u>FRONT FORK - XR1200</u></a>
45449-04C	<a href="#"><u>FRONT BRAKE CONTROL - 883C/L/N/R, 1200C/L/N/X</u></a>
45451-07	<a href="#"><u>FRONT FORK - 883N, 1200N</u></a>
45460-90	<a href="#"><u>FRONT FORK - 883C/L/R, 1200C/L/X</u></a>
45461-87	<a href="#"><u>FRONT FORK - 883C/L/R, 1200C/L/X</u></a> <a href="#"><u>FRONT FORK - 883N, 1200N</u></a>
45462-87	<a href="#"><u>FRONT FORK - 883C/L/R, 1200C/L/X</u></a> <a href="#"><u>FRONT FORK - 883N, 1200N</u></a>
45465-87	<a href="#"><u>FRONT FORK - 883C/L/R, 1200C/L/X</u></a> <a href="#"><u>FRONT FORK - 883N, 1200N</u></a>
4549	<a href="#"><u>FRAME &amp; JIFFY STAND - XR1200/X</u></a> <a href="#"><u>EXHAUST SYSTEM - XR1200/X</u></a>
4551	<a href="#"><u>INDUCTION MODULE - XR1200/X</u></a>
4553	<a href="#"><u>FUEL TANK - XR1200/X</u></a>
45611-86	<a href="#"><u>STEERING HEAD BRACKET ASSEMBLY - 883C/L/N/R, 1200C/L/N/X</u></a> <a href="#"><u>STEERING HEAD BRACKET ASSEMBLY - XR1200/X</u></a>
45690-10	<a href="#"><u>FRONT FORK - XR1200X</u></a>
45693-10	<a href="#"><u>FRONT FORK - XR1200X</u></a>
4574	<a href="#"><u>FRONT FORK - XR1200</u></a>
4575	<a href="#"><u>FRONT FORK - XR1200</u></a>
45790-80	<a href="#"><u>FRONT FORK - 883C/L/R, 1200C/L/X</u></a> <a href="#"><u>FRONT FORK - 883N, 1200N</u></a>
45799-04	<a href="#"><u>CLUTCH CONTROL</u></a>
45800-04	<a href="#"><u>CLUTCH CONTROL</u></a>
45801-04	<a href="#"><u>CLUTCH CONTROL</u></a>
45830-48	<a href="#"><u>CRANKCASE &amp; GEARCASE - 883C/L/N/R, 1200C/L/N/X</u></a> <a href="#"><u>CRANKCASE &amp; GEARCASE - XR1200/X</u></a>
45842-77A	<a href="#"><u>FRONT FORK - XR1200</u></a> <a href="#"><u>FRONT FORK - XR1200X</u></a>
4589	<a href="#"><u>BELTS &amp; SPROCKETS - XR1200/X</u></a>
45900-09	<a href="#"><u>FRONT FORK - 883C/L/R, 1200C/L/X</u></a>
45901-09	<a href="#"><u>FRONT FORK - 883C/L/R, 1200C/L/X</u></a>
45902-00	<a href="#"><u>STARTER MOTOR</u></a>

45905-87	<a href="#">FRONT FORK - 883C/L/R, 1200C/L/X</a> <a href="#">FRONT FORK - 883N, 1200N</a>
45925-09	<a href="#">FRONT FORK - 883C/L/R, 1200C/L/X</a>
45938-92	<a href="#">FRONT FORK - 883C/L/R, 1200C/L/X</a>
45966-04	<a href="#">STEERING HEAD BRACKET ASSEMBLY - 883C/L/N/R, 1200C/L/N/X</a>
45968-10	<a href="#">FRONT FORK - 883C/L/R, 1200C/L/X</a>
45984-87	<a href="#">FRONT FORK - 883C/L/R, 1200C/L/X</a> <a href="#">FRONT FORK - 883N, 1200N</a>
45988-10	<a href="#">FRONT FORK - 883C/L/R, 1200C/L/X</a>
45996-87	<a href="#">FRONT FORK - 883C/L/R, 1200C/L/X</a> <a href="#">FRONT FORK - 883N, 1200N</a>
46002-87	<a href="#">FRONT FORK - 883C/L/R, 1200C/L/X</a>
46009-10	<a href="#">STEERING HEAD BRACKET ASSEMBLY - 883C/L/N/R, 1200C/L/N/X</a>
46014-10	<a href="#">STEERING HEAD BRACKET ASSEMBLY - 883C/L/N/R, 1200C/L/N/X</a>
46028-08	<a href="#">STEERING HEAD BRACKET ASSEMBLY - XR1200/X</a> <a href="#">HANDLEBAR &amp; THROTTLE CONTROL - 883L/N/R, 1200L/N/X, XR1200/X</a>
46050-08	<a href="#">STEERING HEAD BRACKET ASSEMBLY - XR1200/X</a>
46075-04	<a href="#">FRONT FORK - 883C/L/R, 1200C/L/X</a>
46076-04	<a href="#">FRONT FORK - 883C/L/R, 1200C/L/X</a>
46126-04	<a href="#">STEERING HEAD BRACKET ASSEMBLY - 883C/L/N/R, 1200C/L/N/X</a>
46127-04	<a href="#">STEERING HEAD BRACKET ASSEMBLY - 883C/L/N/R, 1200C/L/N/X</a>
46218-05	<a href="#">FRONT FORK - 883C/L/R, 1200C/L/X</a> <a href="#">FRONT FORK - 883N, 1200N</a>
46267-05	<a href="#">FRONT FORK - 883C/L/R, 1200C/L/X</a>
46268-04	<a href="#">CLUTCH CONTROL</a>
46307-08	<a href="#">FRONT FORK - 883C/L/R, 1200C/L/X</a>
46308-08	<a href="#">FRONT FORK - 883C/L/R, 1200C/L/X</a>
46329-06	<a href="#">FRONT FORK - XR1200</a> <a href="#">FRONT FORK - XR1200X</a>
46343-06	<a href="#">FRONT FORK - XR1200</a> <a href="#">FRONT FORK - XR1200X</a>
46344-06	<a href="#">FRONT FORK - XR1200</a>
46346-06	<a href="#">FRONT FORK - XR1200</a> <a href="#">FRONT FORK - XR1200X</a>



46348-06	<a href="#">FRONT FORK - XR1200</a>
46352-06	<a href="#">FRONT FORK - XR1200</a>
46353-06	<a href="#">FRONT FORK - XR1200</a>
46354-06	<a href="#">FRONT FORK - XR1200</a>
46355-06	<a href="#">FRONT FORK - XR1200</a>
46358-06	<a href="#">FRONT FORK - XR1200</a>
46359-06	<a href="#">FRONT FORK - XR1200</a>
46372-10	<a href="#">FRONT FORK - XR1200X</a>
46390-08	<a href="#">FRONT FORK - 883C/L/R, 1200C/L/X</a>
46394-08	<a href="#">FRONT FORK - 883C/L/R, 1200C/L/X</a>
46400-04C	<a href="#">FRONT BRAKE CONTROL - 883C/L/N/R, 1200C/L/N/X</a>
46411-05E	<a href="#">FRONT BRAKE CONTROL - 883C/L/N/R, 1200C/L/N/X</a>
46417-10A	<a href="#">FRONT BRAKE CONTROL - 883C/L/N/R, 1200C/L/N/X</a>
46420-10	<a href="#">FRONT FENDER</a>
46449-08	<a href="#">FRONT FORK - 883C/L/R, 1200C/L/X</a>
46450-08	<a href="#">FRONT FORK - 883C/L/R, 1200C/L/X</a>
46453-09	<a href="#">FRONT FORK - 883C/L/R, 1200C/L/X</a>
46454-09	<a href="#">FRONT FORK - 883C/L/R, 1200C/L/X</a>
46681-10	<a href="#">FRONT FORK - XR1200X</a>
46758-07	<a href="#">STEERING HEAD BRACKET ASSEMBLY - 883C/L/N/R, 1200C/L/N/X</a>
46767-07	<a href="#">STEERING HEAD BRACKET ASSEMBLY - 883C/L/N/R, 1200C/L/N/X</a>
4678	<a href="#">BELTS &amp; SPROCKETS - XR1200/X</a>
46878-08	<a href="#">FRONT FORK - XR1200</a>
46879-08	<a href="#">FRONT FORK - XR1200</a>
46880-08	<a href="#">FRONT FORK - XR1200</a>
46882-08	<a href="#">FRONT FORK - XR1200</a>
46884-08	<a href="#">FRONT FORK - XR1200</a>
46886-08	<a href="#">FRONT FORK - XR1200</a>
46887-08	<a href="#">FRONT FORK - XR1200</a>

46927-10	<a href="#"><u>STEERING HEAD BRACKET ASSEMBLY - XR1200/X</u></a>
46928-10	<a href="#"><u>STEERING HEAD BRACKET ASSEMBLY - XR1200/X</u></a>
46945-07A	<a href="#"><u>CLUTCH CONTROL</u></a>
46946-06A	<a href="#"><u>FRONT BRAKE CONTROL - 883C/L/N/R, 1200C/L/N/X</u></a> <a href="#"><u>FRONT BRAKE CONTROL - XR1200/X</u></a>
4705	<a href="#"><u>OIL TANK - XR1200/X</u></a> <a href="#"><u>OIL LINES &amp; COOLER - XR1200/X</u></a>
4717A	<a href="#"><u>CAMSHAFTS &amp; GEAR COVER - 883C/L/N/R, 1200C/L/N/X</u></a> <a href="#"><u>CAMSHAFTS &amp; GEAR COVER - XR1200/X</u></a> <a href="#"><u>BELTS &amp; SPROCKETS - 883C/L/N/R, 1200C/L/N/X</u></a>
4718A	<a href="#"><u>ROCKER ARMS, COVERS, &amp; PUSH RODS - 883C/L/N/R, 1200C/L/N/X</u></a> <a href="#"><u>ROCKER ARMS, COVERS, &amp; PUSH RODS - XR1200/X</u></a> <a href="#"><u>OIL PUMP - XR1200/X</u></a>
4724	<a href="#"><u>HEADLAMPS</u></a>
47299-07	<a href="#"><u>FRONT FORK - 883C/L/R, 1200C/L/X</u></a> <a href="#"><u>FRONT FORK - 883N, 1200N</u></a>
47313-07	<a href="#"><u>FRONT FORK - 883C/L/R, 1200C/L/X</u></a> <a href="#"><u>FRONT FORK - 883N, 1200N</u></a>
4740A	<a href="#"><u>CAMSHAFTS &amp; GEAR COVER - 883C/L/N/R, 1200C/L/N/X</u></a> <a href="#"><u>CAMSHAFTS &amp; GEAR COVER - XR1200/X</u></a>
4741A	<a href="#"><u>ROCKER ARMS, COVERS, &amp; PUSH RODS - 883C/L/N/R, 1200C/L/N/X</u></a> <a href="#"><u>ROCKER ARMS, COVERS, &amp; PUSH RODS - XR1200/X</u></a> <a href="#"><u>OIL PUMP - XR1200/X</u></a> <a href="#"><u>FRONT BRAKE CONTROL - 883C/L/N/R, 1200C/L/N/X</u></a> <a href="#"><u>FRONT BRAKE CONTROL - XR1200/X</u></a>
47470-04	<a href="#"><u>ENGINE MOUNTS</u></a>
47471-04A	<a href="#"><u>ENGINE MOUNTS</u></a>
4748	<a href="#"><u>CYLINDER, HEAD, &amp; VALVES - 883C/L/N/R, 1200C/L/N/X</u></a> <a href="#"><u>FRAME &amp; JIFFY STAND - 883C/L/N/R, 1200C/L/N/X</u></a> <a href="#"><u>HEADLAMPS</u></a> <a href="#"><u>EXHAUST SYSTEM - 883C/L/N/R, 1200C/L/N/X</u></a> <a href="#"><u>EXHAUST SYSTEM - XR1200/X</u></a>
4751	<a href="#"><u>ALTERNATOR &amp; REGULATOR</u></a> <a href="#"><u>BELTS &amp; SPROCKETS - 883C/L/N/R, 1200C/L/N/X</u></a> <a href="#"><u>BELTS &amp; SPROCKETS - XR1200/X</u></a>
47587-05A	<a href="#"><u>REAR FORK, DEBRIS DEFLECTOR &amp; BELT GUARD</u></a>
4758A	<a href="#"><u>FUEL TANK - 883C/L/N/R, 1200C/L/N/X</u></a>
4765	<a href="#"><u>OIL PUMP - 883C/L/N/R, 1200C/L/N/X</u></a>
47674-08A	<a href="#"><u>REAR FORK, DEBRIS DEFLECTOR &amp; BELT GUARD</u></a>

47682-10	<a href="#"><u>REAR FORK, DEBRIS DEFLECTOR &amp; BELT GUARD</u></a>
4771	<a href="#"><u>FUEL TANK - 883C/L/N/R, 1200C/L/N/X</u></a>
4778	<a href="#"><u>REAR FENDER &amp; LICENSE PLATE BRKT - 883C/L/R, 1200C/L/X, 883N/1200N (CAN)</u></a> <a href="#"><u>REAR FENDER &amp; LICENSE PLATE BRACKET - 883N/1200N/X (NON-CANADA)</u></a>
4779	<a href="#"><u>REAR FENDER &amp; LICENSE PLATE BRKT - 883C/L/R, 1200C/L/X, 883N/1200N (CAN)</u></a> <a href="#"><u>REAR FENDER &amp; LICENSE PLATE BRACKET - 883N/1200N/X (NON-CANADA)</u></a>
47875-09A	<a href="#"><u>FRONT WHEEL, CAST - 883L/N/R, 1200L</u></a>
47878-09B	<a href="#"><u>REAR WHEEL, CAST - 883L/N/R, 1200C/L</u></a>
47887-10	<a href="#"><u>FRONT WHEEL, LACED &amp; PROFILE LACED - 883C/L/R, 1200C/N/L/X</u></a>
4798	<a href="#"><u>INDUCTION MODULE - 883C/L/N/R, 1200C/L/N/X</u></a> <a href="#"><u>INDUCTION MODULE - XR1200/X</u></a>
4802	<a href="#"><u>AIR BOX - XR1200/X</u></a>
48027-99	<a href="#"><u>FRAME &amp; JIFFY STAND - 883C/L/N/R, 1200C/L/N/X</u></a> <a href="#"><u>FRAME &amp; JIFFY STAND - XR1200/X</u></a>
48153-02B	<a href="#"><u>FRAME &amp; JIFFY STAND - 883C/L/N/R, 1200C/L/N/X</u></a> <a href="#"><u>FRAME &amp; JIFFY STAND - XR1200/X</u></a>
48154-05A	<a href="#"><u>FRAME &amp; JIFFY STAND - 883C/L/N/R, 1200C/L/N/X</u></a> <a href="#"><u>FRAME &amp; JIFFY STAND - XR1200/X</u></a> <a href="#"><u>SWITCHES, SENSORS &amp; ELECTRICAL CONNECTORS</u></a>
4816A	<a href="#"><u>REAR BRAKE MASTER CYLINDER - 883C/L/N/R, 1200C/L/N/X</u></a> <a href="#"><u>HANDLEBAR &amp; THROTTLE CONTROL - 883L/N/R, 1200L/N/X, XR1200/X</u></a>
48184-01	<a href="#"><u>STEERING HEAD BRACKET ASSEMBLY - 883C/L/N/R, 1200C/L/N/X</u></a> <a href="#"><u>STEERING HEAD BRACKET ASSEMBLY - XR1200/X</u></a>
4820A	<a href="#"><u>INSPECTION COVER &amp; PRIMARY COVER</u></a>
4822A	<a href="#"><u>CAMSHAFTS &amp; GEAR COVER - XR1200/X</u></a>
48300-60	<a href="#"><u>STEERING HEAD BRACKET ASSEMBLY - 883C/L/N/R, 1200C/L/N/X</u></a> <a href="#"><u>STEERING HEAD BRACKET ASSEMBLY - XR1200/X</u></a>
48315-60	<a href="#"><u>STEERING HEAD BRACKET ASSEMBLY - 883C/L/N/R, 1200C/L/N/X</u></a> <a href="#"><u>STEERING HEAD BRACKET ASSEMBLY - XR1200/X</u></a> <a href="#"><u>FRAME &amp; JIFFY STAND - 883C/L/N/R, 1200C/L/N/X</u></a> <a href="#"><u>FRAME &amp; JIFFY STAND - XR1200/X</u></a>
48390-06	<a href="#"><u>REAR FENDER - XR1200/X</u></a>
48463-04A	<a href="#"><u>ENGINE MOUNTS</u></a>
48492-04A	<a href="#"><u>ENGINE MOUNTS</u></a>
48493-01	<a href="#"><u>FUEL TANK - 883C/L/N/R, 1200C/L/N/X</u></a>
4859	<a href="#"><u>EXHAUST SYSTEM - XR1200/X</u></a>

4871	<a href="#">FRAME &amp; JIFFY STAND - 883C/L/N/R, 1200C/L/N/X</a> <a href="#">FRAME &amp; JIFFY STAND - XR1200/X</a>
48714-08	<a href="#">FRONT FORK - 883N, 1200N</a>
48715-08	<a href="#">FRONT FORK - 883N, 1200N</a>
48716-08	<a href="#">FRONT FORK - 883N, 1200N</a>
48726-08	<a href="#">FRONT FORK - 883N, 1200N</a>
48737-07	<a href="#">FRONT FORK - 883C/L/R, 1200C/L/X</a> <a href="#">FRONT FORK - 883N, 1200N</a>
48738-07	<a href="#">FRONT FORK - 883C/L/R, 1200C/L/X</a> <a href="#">FRONT FORK - 883N, 1200N</a>
48771-10	<a href="#">FRONT FORK - XR1200X</a>
48778-10	<a href="#">FRONT FORK - XR1200X</a>
48785-10	<a href="#">FRONT FORK - XR1200X</a>
48786-10	<a href="#">FRONT FORK - XR1200X</a>
48791-09	<a href="#">FRONT FORK - 883C/L/R, 1200C/L/X</a>
48849-10	<a href="#">FRONT FORK - 883C/L/R, 1200C/L/X</a>
48850-10	<a href="#">FRONT FORK - 883C/L/R, 1200C/L/X</a>
4886	<a href="#">OIL LINES &amp; COOLER - XR1200/X</a>
48879-08A	<a href="#">FRAME &amp; JIFFY STAND - XR1200/X</a>
4897	<a href="#">OIL LINES &amp; COOLER - XR1200/X</a>
49314-04	<a href="#">FOOTRESTS - 883C/L/N/R, 1200C/L/N/X</a>
49315-04	<a href="#">FOOTRESTS - 883C/L/N/R, 1200C/L/N/X</a>
49372-10	<a href="#">FRONT FORK - XR1200X</a>
49376-11	<a href="#">FRAME &amp; JIFFY STAND - 883C/L/N/R, 1200C/L/N/X</a>
49378-09	<a href="#">FRONT FORK - 883C/L/R, 1200C/L/X</a> <a href="#">FRONT FORK - 883N, 1200N</a>
49380-09	<a href="#">FRONT FORK - XR1200</a>
49406-10	<a href="#">FRONT FORK - XR1200X</a>
49439-10	<a href="#">FRAME &amp; JIFFY STAND - 883C/L/N/R, 1200C/L/N/X</a>
49735-08	<a href="#">FRAME &amp; JIFFY STAND - 883C/L/N/R, 1200C/L/N/X</a> <a href="#">FRAME &amp; JIFFY STAND - XR1200/X</a>
4975M	<a href="#">REAR BRAKE MASTER CYLINDER - XR1200/X</a>

4977	<a href="#"><u>FRONT FORK - XR1200X</u></a>
4978	<a href="#"><u>FRONT FENDER</u></a>
4991	<a href="#"><u>FRAME &amp; JIFFY STAND - 883C/L/N/R, 1200C/L/N/X</u></a>
4993	<a href="#"><u>STEERING HEAD BRACKET ASSEMBLY - 883C/L/N/R, 1200C/L/N/X</u></a> <a href="#"><u>STEERING HEAD BRACKET ASSEMBLY - XR1200/X</u></a>
50000025BHP	<a href="#"><u>FRAME &amp; JIFFY STAND - 883C/L/N/R, 1200C/L/N/X</u></a> <a href="#"><u>FRAME &amp; JIFFY STAND - 883C/L/N/R, 1200C/L/N/X</u></a>
50003-89B	<a href="#"><u>FRAME &amp; JIFFY STAND - 883C/L/N/R, 1200C/L/N/X</u></a> <a href="#"><u>FRAME &amp; JIFFY STAND - XR1200/X</u></a>
50005-85A	<a href="#"><u>FRAME &amp; JIFFY STAND - 883C/L/N/R, 1200C/L/N/X</u></a> <a href="#"><u>FRAME &amp; JIFFY STAND - XR1200/X</u></a>
50124-09BHP	<a href="#"><u>FRAME &amp; JIFFY STAND - 883C/L/N/R, 1200C/L/N/X</u></a> <a href="#"><u>FRAME &amp; JIFFY STAND - XR1200/X</u></a>
50126-08A	<a href="#"><u>FRAME &amp; JIFFY STAND - 883C/L/N/R, 1200C/L/N/X</u></a> <a href="#"><u>FRAME &amp; JIFFY STAND - XR1200/X</u></a> <a href="#"><u>SWITCHES, SENSORS &amp; ELECTRICAL CONNECTORS</u></a>
50185-04C	<a href="#"><u>FRAME &amp; JIFFY STAND - 883C/L/N/R, 1200C/L/N/X</u></a> <a href="#"><u>FRAME &amp; JIFFY STAND - 883C/L/N/R, 1200C/L/N/X</u></a>
50912-72	<a href="#"><u>FOOTRESTS - 883C/L/N/R, 1200C/L/N/X</u></a> <a href="#"><u>FOOTRESTS - XR1200/X</u></a>
51044-08	<a href="#"><u>FOOTRESTS - XR1200/X</u></a>
51045-08	<a href="#"><u>REAR BRAKE MASTER CYLINDER - XR1200/X</u></a> <a href="#"><u>REAR BRAKE CONTROL</u></a>
51046-09	<a href="#"><u>FOOTRESTS - XR1200/X</u></a>
51048-08	<a href="#"><u>FOOTRESTS - XR1200/X</u></a>
51049-08	<a href="#"><u>FOOTRESTS - XR1200/X</u></a>
51323-08	<a href="#"><u>FOOTRESTS - 883C/L/N/R, 1200C/L/N/X</u></a>
51327-08	<a href="#"><u>FOOTRESTS - 883C/L/N/R, 1200C/L/N/X</u></a>
51382-08	<a href="#"><u>SEATS</u></a>
51383-08	<a href="#"><u>SEATS</u></a>
51530-07	<a href="#"><u>SEATS</u></a>
51532-07	<a href="#"><u>SEATS</u></a>
51550-07	<a href="#"><u>SEATS</u></a>
51551-07	<a href="#"><u>SEATS</u></a>
51652-97A	<a href="#"><u>SEATS</u></a>

51706-07	<a href="#"><u>SEATS</u></a>
51710-08	<a href="#"><u>REAR FENDER - XR1200/X</u></a>
51730-10	<a href="#"><u>FOOTRESTS - 883C/L/N/R, 1200C/L/N/X</u></a>
51731-10	<a href="#"><u>FOOTRESTS - 883C/L/N/R, 1200C/L/N/X</u></a>
51740-10	<a href="#"><u>SEATS</u></a>
51899-07	<a href="#"><u>SEATS</u></a>
51911-10	<a href="#"><u>SEATS</u></a>
51938-04	<a href="#"><u>REAR BRAKE MASTER CYLINDER - 883C/L/N/R, 1200C/L/N/X</u></a> <a href="#"><u>REAR BRAKE MASTER CYLINDER - XR1200/X</u></a>
52429-08	<a href="#"><u>REAR FENDER - XR1200/X</u></a>
52494-04	<a href="#"><u>FUEL TANK - 883C/L/N/R, 1200C/L/N/X</u></a>
52608-07	<a href="#"><u>SEATS</u></a>
53176-08	<a href="#"><u>FRAME &amp; JIFFY STAND - 883C/L/N/R, 1200C/L/N/X</u></a> <a href="#"><u>FRAME &amp; JIFFY STAND - XR1200/X</u></a>
53436-97	<a href="#"><u>HEADLAMPS</u></a>
5403B	<a href="#"><u>REAR FENDER &amp; LICENSE PLATE BRKT - 883C/L/R, 1200C/L/X, 883N/1200N (CAN)</u></a> <a href="#"><u>REAR FENDER &amp; LICENSE PLATE BRACKET - 883N/1200N/X (NON-CANADA)</u></a>
5414	<a href="#"><u>EXHAUST SYSTEM - 883C/L/N/R, 1200C/L/N/X</u></a>
5416	<a href="#"><u>EXHAUST SYSTEM - XR1200/X</u></a>
54321-85	<a href="#"><u>FRONT WHEEL, CAST - 883L/N/R, 1200L</u></a> <a href="#"><u>FRONT WHEEL, CAST - XR1200/X</u></a> <a href="#"><u>FRONT WHEEL, LACED &amp; PROFILE LACED - 883C/L/R, 1200C/N/L/X</u></a> <a href="#"><u>REAR WHEEL, CAST - 883L/N/R, 1200C/L</u></a> <a href="#"><u>REAR WHEEL, CAST - XR1200/X</u></a> <a href="#"><u>REAR WHEEL, LACED &amp; PROFILE LACED - 883C/L/R, 1200C/L/N/X</u></a>
54550-10	<a href="#"><u>SHOCK ABSORBERS</u></a>
54568-09	<a href="#"><u>SHOCK ABSORBERS</u></a>
54570-09	<a href="#"><u>SHOCK ABSORBERS</u></a> <a href="#"><u>SHOCK ABSORBERS</u></a>
54626-07	<a href="#"><u>SHOCK ABSORBERS</u></a>
54668-08	<a href="#"><u>SHOCK ABSORBERS</u></a>
54671-10	<a href="#"><u>SHOCK ABSORBERS</u></a>
54700-10	<a href="#"><u>SHOCK ABSORBERS</u></a>
54724-04	<a href="#"><u>SHOCK ABSORBERS</u></a>

54741-07	<a href="#"><u>SHOCK ABSORBERS</u></a>
5531	<a href="#"><u>REAR FENDER &amp; LICENSE PLATE BRACKET - 883N/1200N/X (NON-CANADA)</u></a> <a href="#"><u>TURN SIGNALS &amp; TAIL LAMP - 883N, 1200N/X</u></a>
554A	<a href="#"><u>FRAME &amp; JIFFY STAND - 883C/L/N/R, 1200C/L/N/X</u></a> <a href="#"><u>FRAME &amp; JIFFY STAND - XR1200/X</u></a>
55800345	<a href="#"><u>HANDLEBAR &amp; THROTTLE CONTROL - 883L/N/R, 1200L/N/X, XR1200/X</u></a>
55840-04A	<a href="#"><u>HANDLEBAR &amp; THROTTLE CONTROL - 883C, 1200C</u></a>
55842-04	<a href="#"><u>HANDLEBAR &amp; THROTTLE CONTROL - 883C, 1200C</u></a>
55844-04	<a href="#"><u>SPEEDOMETER - 883C, 1200C</u></a>
55846-05A	<a href="#"><u>HANDLEBAR &amp; THROTTLE CONTROL - 883L/N/R, 1200L/N/X, XR1200/X</u></a> <a href="#"><u>SPEEDOMETER - 883L/N/R, 1200L/N/X</u></a>
55847-05A	<a href="#"><u>HANDLEBAR &amp; THROTTLE CONTROL - 883L/N/R, 1200L/N/X, XR1200/X</u></a> <a href="#"><u>SPEEDOMETER - 883L/N/R, 1200L/N/X</u></a>
56017-04	<a href="#"><u>HANDLEBAR &amp; THROTTLE CONTROL - 883C, 1200C</u></a>
56051-06	<a href="#"><u>HANDLEBAR &amp; THROTTLE CONTROL - 883L/N/R, 1200L/N/X, XR1200/X</u></a>
56073-83	<a href="#"><u>WIRING HARNESS, MAIN - 883C/L/N/R, 1200C/L/N/X (1 OF 2)</u></a> <a href="#"><u>WIRING HARNESS, MAIN - XR1200/X (1 OF 2)</u></a>
56085-83A	<a href="#"><u>HANDLEBAR &amp; THROTTLE CONTROL - 883L/N/R, 1200L/N/X, XR1200/X</u></a>
56104-02	<a href="#"><u>REAR FENDER &amp; LICENSE PLATE BRKT - 883C/L/R, 1200C/L/X, 883N/1200N (CAN)</u></a> <a href="#"><u>TURN SIGNALS &amp; TAIL LAMP - 883C/L/R, 1200C/L</u></a>
56115-95	<a href="#"><u>HANDLEBAR &amp; THROTTLE CONTROL - 883L/N/R, 1200L/N/X, XR1200/X</u></a>
56116-82A	<a href="#"><u>HANDLEBAR &amp; THROTTLE CONTROL - 883L/N/R, 1200L/N/X, XR1200/X</u></a>
56117-82A	<a href="#"><u>HANDLEBAR &amp; THROTTLE CONTROL - 883L/N/R, 1200L/N/X, XR1200/X</u></a>
56394-74	<a href="#"><u>HANDLEBAR SWITCHES</u></a>
56396-74A	<a href="#"><u>HANDLEBAR SWITCHES</u></a>
56397-74C	<a href="#"><u>HANDLEBAR SWITCHES</u></a>
56402-83A	<a href="#"><u>HANDLEBAR SWITCHES</u></a>
56508-76	<a href="#"><u>HANDLEBAR &amp; THROTTLE CONTROL - 883L/N/R, 1200L/N/X, XR1200/X</u></a> <a href="#"><u>HANDLEBAR &amp; THROTTLE CONTROL - 883C, 1200C</u></a>
56541-86A	<a href="#"><u>HANDLEBAR &amp; THROTTLE CONTROL - 883L/N/R, 1200L/N/X, XR1200/X</u></a>
56542-86A	<a href="#"><u>HANDLEBAR &amp; THROTTLE CONTROL - 883L/N/R, 1200L/N/X, XR1200/X</u></a>
56637-08	<a href="#"><u>HANDLEBAR &amp; THROTTLE CONTROL - 883L/N/R, 1200L/N/X, XR1200/X</u></a>
56639-08	<a href="#"><u>HANDLEBAR &amp; THROTTLE CONTROL - 883L/N/R, 1200L/N/X, XR1200/X</u></a>

56666-04	<a href="#">HANDLEBAR &amp; THROTTLE CONTROL - 883L/N/R, 1200L/N/X, XR1200/X</a> <a href="#">HANDLEBAR &amp; THROTTLE CONTROL - 883C, 1200C</a>
56667-04	<a href="#">HANDLEBAR &amp; THROTTLE CONTROL - 883L/N/R, 1200L/N/X, XR1200/X</a> <a href="#">HANDLEBAR &amp; THROTTLE CONTROL - 883C, 1200C</a>
56871-08	<a href="#">FUEL PUMP</a>
56884-07	<a href="#">HANDLEBAR &amp; THROTTLE CONTROL - 883L/N/R, 1200L/N/X, XR1200/X</a> <a href="#">HANDLEBAR &amp; THROTTLE CONTROL - 883C, 1200C</a>
56885-07	<a href="#">HANDLEBAR &amp; THROTTLE CONTROL - 883L/N/R, 1200L/N/X, XR1200/X</a> <a href="#">HANDLEBAR &amp; THROTTLE CONTROL - 883C, 1200C</a>
57200092BYM	<a href="#">FRAME &amp; JIFFY STAND - 883C/L/N/R, 1200C/L/N/X</a>
57200092DH	<a href="#">FRAME &amp; JIFFY STAND - 883C/L/N/R, 1200C/L/N/X</a>
5845	<a href="#">FUEL TANK - XR1200/X</a>
58998-83E	<a href="#">FRONT FENDER</a>
59022-07BDK	<a href="#">FRONT FENDER</a>
5925	<a href="#">FRONT FORK - XR1200</a>
59254-91	<a href="#">REAR FENDER &amp; LICENSE PLATE BRKT - 883C/L/R, 1200C/L/X, 883N/1200N (CAN)</a>
59256-84A	<a href="#">REAR FENDER &amp; LICENSE PLATE BRACKET - 883N/1200N/X (NON-CANADA)</a> <a href="#">TURN SIGNALS, TAIL LAMP &amp; LICENSE PLATE BRACKET - XR1200/X</a>
59259-90	<a href="#">REAR FENDER &amp; LICENSE PLATE BRACKET - 883N/1200N/X (NON-CANADA)</a> <a href="#">TURN SIGNALS, TAIL LAMP &amp; LICENSE PLATE BRACKET - XR1200/X</a> <a href="#">TURN SIGNALS, TAIL LAMP &amp; LICENSE PLATE BRACKET - XR1200/X</a>
59287-92	<a href="#">REAR FENDER &amp; LICENSE PLATE BRKT - 883C/L/R, 1200C/L/X, 883N/1200N (CAN)</a>
59288-92	<a href="#">REAR FENDER &amp; LICENSE PLATE BRKT - 883C/L/R, 1200C/L/X, 883N/1200N (CAN)</a>
59359-06	<a href="#">REAR FENDER &amp; LICENSE PLATE BRACKET - 883N/1200N/X (NON-CANADA)</a>
59400-08	<a href="#">FRAME &amp; JIFFY STAND - XR1200/X</a>
59401-08	<a href="#">FRAME &amp; JIFFY STAND - XR1200/X</a>
59403-08	<a href="#">FRONT FENDER</a>
59441-10	<a href="#">FRONT FENDER</a>
59481-00	<a href="#">FRONT FORK - 883C/L/R, 1200C/L/X</a>
59482-00	<a href="#">FRONT FORK - 883C/L/R, 1200C/L/X</a>
59502-04B	<a href="#">REAR FENDER &amp; LICENSE PLATE BRKT - 883C/L/R, 1200C/L/X, 883N/1200N (CAN)</a> <a href="#">REAR FENDER &amp; LICENSE PLATE BRACKET - 883N/1200N/X (NON-CANADA)</a>
59673-04A	<a href="#">REAR FENDER &amp; LICENSE PLATE BRKT - 883C/L/R, 1200C/L/X, 883N/1200N (CAN)</a>
59712-07A	<a href="#">FRONT FENDER</a>



59723-04	<a href="#">REAR FENDER &amp; LICENSE PLATE BRKT - 883C/L/R, 1200C/L/X, 883N/1200N (CAN)</a> <a href="#">REAR FENDER &amp; LICENSE PLATE BRACKET - 883N/1200N/X (NON-CANADA)</a>
59727-07	<a href="#">REAR FENDER &amp; LICENSE PLATE BRACKET - 883N/1200N/X (NON-CANADA)</a>
59768-97	<a href="#">REAR FENDER &amp; LICENSE PLATE BRKT - 883C/L/R, 1200C/L/X, 883N/1200N (CAN)</a> <a href="#">REAR FENDER &amp; LICENSE PLATE BRACKET - 883N/1200N/X (NON-CANADA)</a>
59847-10	<a href="#">REAR FENDER &amp; LICENSE PLATE BRKT - 883C/L/R, 1200C/L/X, 883N/1200N (CAN)</a>
59865-10	<a href="#">REAR FENDER &amp; LICENSE PLATE BRACKET - 883N/1200N/X (NON-CANADA)</a>
59901-08BDK	<a href="#">REAR FENDER - XR1200/X</a>
59902-04	<a href="#">REAR FENDER &amp; LICENSE PLATE BRKT - 883C/L/R, 1200C/L/X, 883N/1200N (CAN)</a>
59903-04	<a href="#">REAR FENDER &amp; LICENSE PLATE BRKT - 883C/L/R, 1200C/L/X, 883N/1200N (CAN)</a>
59916-08	<a href="#">REAR FENDER - XR1200/X</a>
59984-73	<a href="#">REAR FENDER &amp; LICENSE PLATE BRKT - 883C/L/R, 1200C/L/X, 883N/1200N (CAN)</a>
59986-75	<a href="#">REAR FENDER &amp; LICENSE PLATE BRKT - 883C/L/R, 1200C/L/X, 883N/1200N (CAN)</a>
59988-72A	<a href="#">REAR FENDER &amp; LICENSE PLATE BRKT - 883C/L/R, 1200C/L/X, 883N/1200N (CAN)</a>
60001-55	<a href="#">REAR FENDER &amp; LICENSE PLATE BRKT - 883C/L/R, 1200C/L/X, 883N/1200N (CAN)</a>
6003	<a href="#">TRANSMISSION GEARS</a>
60183-08	<a href="#">TURN SIGNALS, TAIL LAMP &amp; LICENSE PLATE BRACKET - XR1200/X</a>
60188-08	<a href="#">REAR FENDER &amp; LICENSE PLATE BRACKET - 883N/1200N/X (NON-CANADA)</a> <a href="#">TURN SIGNALS, TAIL LAMP &amp; LICENSE PLATE BRACKET - XR1200/X</a>
60203-06	<a href="#">REAR FENDER &amp; LICENSE PLATE BRKT - 883C/L/R, 1200C/L/X, 883N/1200N (CAN)</a> <a href="#">REAR FENDER &amp; LICENSE PLATE BRACKET - 883N/1200N/X (NON-CANADA)</a>
60204-06	<a href="#">REAR FENDER &amp; LICENSE PLATE BRKT - 883C/L/R, 1200C/L/X, 883N/1200N (CAN)</a> <a href="#">REAR FENDER &amp; LICENSE PLATE BRACKET - 883N/1200N/X (NON-CANADA)</a>
6021	<a href="#">TRANSMISSION GEARS</a>
6026	<a href="#">ENGINE MOUNTS</a> <a href="#">HORN</a>
60318-07	<a href="#">REAR FENDER &amp; LICENSE PLATE BRACKET - 883N/1200N/X (NON-CANADA)</a>
60328-98B	<a href="#">INSPECTION COVER &amp; PRIMARY COVER</a>
60330-08	<a href="#">CRANKCASE &amp; GEARCASE - XR1200/X</a> <a href="#">OIL PUMP - XR1200/X</a>
60367-04	<a href="#">REAR FORK, DEBRIS DEFLECTOR &amp; BELT GUARD</a>
60375-10	<a href="#">REAR FENDER &amp; LICENSE PLATE BRACKET - 883N/1200N/X (NON-CANADA)</a>
60379-09	<a href="#">REAR FORK, DEBRIS DEFLECTOR &amp; BELT GUARD</a>

60403-08	<a href="#"><u>REAR FORK, DEBRIS DEFLECTOR &amp; BELT GUARD</u></a>
60416-08	<a href="#"><u>REAR FORK, DEBRIS DEFLECTOR &amp; BELT GUARD</u></a>
60435-04B	<a href="#"><u>REAR FORK, DEBRIS DEFLECTOR &amp; BELT GUARD</u></a>
60574-10	<a href="#"><u>FRONT FENDER</u></a>
60830-07	<a href="#"><u>INSPECTION COVER &amp; PRIMARY COVER</u></a>
60836-10	<a href="#"><u>INSPECTION COVER &amp; PRIMARY COVER</u></a>
60901-07	<a href="#"><u>REAR FENDER &amp; LICENSE PLATE BRACKET - 883N/1200N/X (NON-CANADA)</u></a>
6099	<a href="#"><u>REAR BRAKE MASTER CYLINDER - XR1200/X</u></a> <a href="#"><u>EVAPORATIVE EMISSIONS</u></a>
6101	<a href="#"><u>CLUTCH CONTROL</u></a> <a href="#"><u>FRONT BRAKE CONTROL - 883C/L/N/R, 1200C/L/N/X</u></a> <a href="#"><u>FRONT BRAKE CONTROL - XR1200/X</u></a>
61015-04A	<a href="#"><u>FUEL PUMP</u></a>
6110	<a href="#"><u>OIL LINES &amp; COOLER - XR1200/X</u></a>
61109-85D	<a href="#"><u>FUEL TANK - 883C/L/N/R, 1200C/L/N/X</u></a>
61213-04A	<a href="#"><u>FUEL PUMP</u></a>
61260-04A	<a href="#"><u>FUEL TANK - 883C/L/N/R, 1200C/L/N/X</u></a>
61272-92C	<a href="#"><u>FUEL TANK - 883C/L/N/R, 1200C/L/N/X</u></a>
61289-07	<a href="#"><u>FUEL TANK - 883C/L/N/R, 1200C/L/N/X</u></a>
61300478	<a href="#"><u>HORN</u></a>
6139	<a href="#"><u>EXHAUST SYSTEM - 883C/L/N/R, 1200C/L/N/X</u></a>
61392-08	<a href="#"><u>FUEL TANK - XR1200/X</u></a>
61405-07	<a href="#"><u>FUEL TANK - 883C/L/N/R, 1200C/L/N/X</u></a>
61459-97	<a href="#"><u>FRAME &amp; JIFFY STAND - 883C/L/N/R, 1200C/L/N/X</u></a> <a href="#"><u>FRAME &amp; JIFFY STAND - XR1200/X</u></a> <a href="#"><u>SWITCHES, SENSORS &amp; ELECTRICAL CONNECTORS</u></a>
6152	<a href="#"><u>ENGINE MOUNTS</u></a>
6157	<a href="#"><u>OIL PUMP - 883C/L/N/R, 1200C/L/N/X</u></a>
61572-08A	<a href="#"><u>FUEL TANK - XR1200/X</u></a>
61573-08A	<a href="#"><u>FUEL TANK - XR1200/X</u></a>
61574-08	<a href="#"><u>FUEL TANK - XR1200/X</u></a>
61576-08	<a href="#"><u>FUEL TANK - XR1200/X</u></a>

61577-08	<a href="#">FUEL TANK - XR1200/X</a>
61724-10	<a href="#">FUEL TANK - 883C/L/N/R, 1200C/L/N/X</a>
6192	<a href="#">REAR FENDER &amp; LICENSE PLATE BRKT - 883C/L/R, 1200C/L/X, 883N/1200N (CAN)</a> <a href="#">REAR FENDER &amp; LICENSE PLATE BRACKET - 883N/1200N/X (NON-CANADA)</a>
62122-89A	<a href="#">FRAME &amp; JIFFY STAND - 883C/L/N/R, 1200C/L/N/X</a> <a href="#">FRAME &amp; JIFFY STAND - XR1200/X</a>
62150-85	<a href="#">FUEL TANK - 883C/L/N/R, 1200C/L/N/X</a>
62213-07	<a href="#">FUEL TANK - 883C/L/N/R, 1200C/L/N/X</a>
62260-08	<a href="#">FUEL TANK TRIM</a>
62261-08	<a href="#">FUEL TANK TRIM</a>
62262-08	<a href="#">FUEL TANK TRIM</a>
62263-08	<a href="#">FUEL TANK TRIM</a>
62320-06	<a href="#">FUEL TANK TRIM</a>
62321-06	<a href="#">FUEL TANK TRIM</a>
62338-01Y	<a href="#">OIL TANK - 883C/L/N/R, 1200C/L/N/X</a>
62360-04A	<a href="#">OIL TANK - XR1200/X</a>
62360-10	<a href="#">OIL TANK - 883C/L/N/R, 1200C/L/N/X</a>
62361-10	<a href="#">OIL TANK - 883C/L/N/R, 1200C/L/N/X</a>
6237	<a href="#">HORN</a>
62375-57A	<a href="#">CAMSHAFTS &amp; GEAR COVER - 883C/L/N/R, 1200C/L/N/X</a>
62534-07	<a href="#">FRAME &amp; JIFFY STAND - 883C/L/N/R, 1200C/L/N/X</a>
62592-07A	<a href="#">OIL TANK - 883C/L/N/R, 1200C/L/N/X</a>
62601-91A	<a href="#">OIL PUMP - 883C/L/N/R, 1200C/L/N/X</a>
62651-04	<a href="#">CRANKCASE &amp; GEARCASE - 883C/L/N/R, 1200C/L/N/X</a>
62700013	<a href="#">CRANKCASE &amp; GEARCASE - XR1200/X</a>
62700014	<a href="#">CRANKCASE &amp; GEARCASE - 883C/L/N/R, 1200C/L/N/X</a>
6288	<a href="#">SWITCHES, SENSORS &amp; ELECTRICAL CONNECTORS</a>
62881-00	<a href="#">FUEL TANK - XR1200/X</a>
62888-08A	<a href="#">OIL TANK - XR1200/X</a>
62954-10	<a href="#">OIL TANK - 883C/L/N/R, 1200C/L/N/X</a>

63000-04B	<a href="#">OIL TANK - 883C/L/N/R, 1200C/L/N/X</a>
63008-08	<a href="#">OIL TANK - XR1200/X</a>
6302	<a href="#">FRAME &amp; JIFFY STAND - XR1200/X</a>
63050-08A	<a href="#">OIL LINES &amp; COOLER - XR1200/X</a>
63080-08	<a href="#">OIL LINES &amp; COOLER - XR1200/X</a>
63081-08	<a href="#">OIL LINES &amp; COOLER - XR1200/X</a>
63097-08	<a href="#">OIL LINES &amp; COOLER - XR1200/X</a>
63098-08	<a href="#">OIL LINES &amp; COOLER - XR1200/X</a>
63099-08	<a href="#">OIL TANK - XR1200/X</a>
63103-08	<a href="#">OIL TANK - XR1200/X</a>
63108-08	<a href="#">OIL LINES &amp; COOLER - XR1200/X</a>
63110-08	<a href="#">OIL LINES &amp; COOLER - XR1200/X</a>
63111-08	<a href="#">OIL LINES &amp; COOLER - XR1200/X</a>
63112-08	<a href="#">OIL LINES &amp; COOLER - XR1200/X</a>
63116-08	<a href="#">OIL LINES &amp; COOLER - XR1200/X</a>
63119-08	<a href="#">OIL LINES &amp; COOLER - XR1200/X</a>
63120-08	<a href="#">OIL LINES &amp; COOLER - XR1200/X</a>
63125-08	<a href="#">OIL LINES &amp; COOLER - XR1200/X</a>
63508-04	<a href="#">CRANKCASE &amp; GEARCASE - 883C/L/N/R, 1200C/L/N/X</a> <a href="#">CRANKCASE &amp; GEARCASE - XR1200/X</a>
63533-41A	<a href="#">CRANKCASE &amp; GEARCASE - 883C/L/N/R, 1200C/L/N/X</a> <a href="#">CRANKCASE &amp; GEARCASE - XR1200/X</a> <a href="#">OIL PUMP - 883C/L/N/R, 1200C/L/N/X</a>
63548-08	<a href="#">ROCKER ARMS, COVERS, &amp; PUSH RODS - XR1200/X</a>
63596-06	<a href="#">OIL TANK - 883C/L/N/R, 1200C/L/N/X</a> <a href="#">OIL TANK - XR1200/X</a>
63796-77A	<a href="#">CRANKCASE &amp; GEARCASE - 883C/L/N/R, 1200C/L/N/X</a>
6379W	<a href="#">FOOTRESTS - XR1200/X</a>
63805-80A	<a href="#">CRANKCASE &amp; GEARCASE - 883C/L/N/R, 1200C/L/N/X</a> <a href="#">CRANKCASE &amp; GEARCASE - XR1200/X</a>
6400HB	<a href="#">BELTS &amp; SPROCKETS - XR1200/X</a> <a href="#">FOOTRESTS - XR1200/X</a> <a href="#">FUEL TANK - XR1200/X</a>

6445	<a href="#">BELTS &amp; SPROCKETS - XR1200/X</a>
64737-09	<a href="#">EXHAUST SYSTEM - 883C/L/N/R, 1200C/L/N/X</a>
64738-09	<a href="#">EXHAUST SYSTEM - 883C/L/N/R, 1200C/L/N/X</a>
64746-09	<a href="#">EXHAUST SYSTEM - XR1200/X</a>
64747-09	<a href="#">EXHAUST SYSTEM - XR1200/X</a>
64842-04	<a href="#">EXHAUST SYSTEM - 883C/L/N/R, 1200C/L/N/X</a>
64846-04B	<a href="#">EXHAUST SYSTEM - 883C/L/N/R, 1200C/L/N/X</a>
64847-04B	<a href="#">EXHAUST SYSTEM - 883C/L/N/R, 1200C/L/N/X</a>
64850-08	<a href="#">EXHAUST SYSTEM - XR1200/X</a>
64851-09	<a href="#">EXHAUST SYSTEM - XR1200/X</a>
64853-04	<a href="#">EXHAUST SYSTEM - 883C/L/N/R, 1200C/L/N/X</a>
64854-04	<a href="#">EXHAUST SYSTEM - 883C/L/N/R, 1200C/L/N/X</a>
64859-08	<a href="#">EXHAUST SYSTEM - XR1200/X</a>
64883-08	<a href="#">EXHAUST SYSTEM - XR1200/X</a>
64889-04A	<a href="#">EXHAUST SYSTEM - 883C/L/N/R, 1200C/L/N/X</a>
64890-04	<a href="#">EXHAUST SYSTEM - 883C/L/N/R, 1200C/L/N/X</a>
64891-04A	<a href="#">EXHAUST SYSTEM - 883C/L/N/R, 1200C/L/N/X</a>
64893-04A	<a href="#">EXHAUST SYSTEM - 883C/L/N/R, 1200C/L/N/X</a>
64927-08A	<a href="#">EXHAUST SYSTEM - XR1200/X</a>
64934-08A	<a href="#">EXHAUST SYSTEM - XR1200/X</a>
64935-08A	<a href="#">EXHAUST SYSTEM - XR1200/X</a>
64936-08A	<a href="#">EXHAUST SYSTEM - XR1200/X</a>
64942-07	<a href="#">EXHAUST SYSTEM - 883C/L/N/R, 1200C/L/N/X</a>
64943-07	<a href="#">EXHAUST SYSTEM - 883C/L/N/R, 1200C/L/N/X</a>
64954-08A	<a href="#">EXHAUST SYSTEM - XR1200/X</a>
64965-08A	<a href="#">EXHAUST SYSTEM - XR1200/X</a>
65088-04	<a href="#">CRANKCASE &amp; GEARCASE - 883C/L/N/R, 1200C/L/N/X</a> <a href="#">CRANKCASE &amp; GEARCASE - XR1200/X</a>
65168-10	<a href="#">EXHAUST SYSTEM - XR1200/X</a>
6516HW	<a href="#">BELTS &amp; SPROCKETS - 883C/L/N/R, 1200C/L/N/X</a> <a href="#">BELTS &amp; SPROCKETS - XR1200/X</a>

	<a href="#">REAR WHEEL, CAST - 883L/N/R, 1200C/L</a> <a href="#">REAR WHEEL, CAST - XR1200/X</a> <a href="#">REAR WHEEL, LACED &amp; PROFILE LACED - 883C/L/R, 1200C/L/N/X</a>
65176-10	<a href="#">EXHAUST SYSTEM - XR1200/X</a>
65184-02	<a href="#">EXHAUST SYSTEM - 883C/L/N/R, 1200C/L/N/X</a>
65189-10	<a href="#">EXHAUST SYSTEM - XR1200/X</a>
65197-10	<a href="#">EXHAUST SYSTEM - XR1200/X</a>
65198-10	<a href="#">EXHAUST SYSTEM - XR1200/X</a>
65218-10	<a href="#">EXHAUST SYSTEM - XR1200/X</a> <a href="#">EXHAUST SYSTEM - XR1200/X</a>
65219-10	<a href="#">EXHAUST SYSTEM - XR1200/X</a> <a href="#">EXHAUST SYSTEM - XR1200/X</a>
65222-10	<a href="#">EXHAUST SYSTEM - XR1200/X</a>
65227-10	<a href="#">EXHAUST SYSTEM - XR1200/X</a>
65240-08	<a href="#">EXHAUST SYSTEM - XR1200/X</a>
65257-08	<a href="#">EXHAUST SYSTEM - XR1200/X</a>
65258-08	<a href="#">AIR BOX - XR1200/X</a>
65296-95A	<a href="#">EXHAUST SYSTEM - 883C/L/N/R, 1200C/L/N/X</a>
65302-82A	<a href="#">EXHAUST SYSTEM - 883C/L/N/R, 1200C/L/N/X</a>
65316-08	<a href="#">FRAME &amp; JIFFY STAND - XR1200/X</a> <a href="#">EXHAUST SYSTEM - XR1200/X</a>
65317-08A	<a href="#">EXHAUST SYSTEM - XR1200/X</a>
65324-83B	<a href="#">EXHAUST SYSTEM - 883C/L/N/R, 1200C/L/N/X</a> <a href="#">EXHAUST SYSTEM - XR1200/X</a>
65325-83A	<a href="#">EXHAUST SYSTEM - 883C/L/N/R, 1200C/L/N/X</a> <a href="#">EXHAUST SYSTEM - XR1200/X</a>
65328-83A	<a href="#">EXHAUST SYSTEM - XR1200/X</a>
65339-04	<a href="#">EXHAUST SYSTEM - 883C/L/N/R, 1200C/L/N/X</a>
65453-08	<a href="#">EXHAUST SYSTEM - XR1200/X</a>
6551	<a href="#">REAR WHEEL, CAST - 883L/N/R, 1200C/L</a> <a href="#">REAR WHEEL, CAST - XR1200/X</a> <a href="#">REAR WHEEL, LACED &amp; PROFILE LACED - 883C/L/R, 1200C/L/N/X</a>
6589	<a href="#">ROCKER ARMS, COVERS, &amp; PUSH RODS - 883C/L/N/R, 1200C/L/N/X</a> <a href="#">ROCKER ARMS, COVERS, &amp; PUSH RODS - XR1200/X</a>
6590HW	<a href="#">HANDLEBAR &amp; THROTTLE CONTROL - 883L/N/R, 1200L/N/X, XR1200/X</a>

	<a href="#"><u>HANDLEBAR &amp; THROTTLE CONTROL - 883C, 1200C</u></a>
65927-00	<a href="#"><u>EXHAUST SYSTEM - 883C/L/N/R, 1200C/L/N/X</u></a>
6594	<a href="#"><u>FRONT WHEEL, CAST - 883L/N/R, 1200L</u></a> <a href="#"><u>FRONT WHEEL, CAST - XR1200/X</u></a> <a href="#"><u>FRONT WHEEL, LACED &amp; PROFILE LACED - 883C/L/R, 1200C/N/L/X</u></a>
65958-04A	<a href="#"><u>BATTERY</u></a>
65974-04A	<a href="#"><u>EXHAUST SYSTEM - 883C/L/N/R, 1200C/L/N/X</u></a>
6610	<a href="#"><u>TURN SIGNALS &amp; TAIL LAMP - 883N, 1200N/X</u></a>
6611	<a href="#"><u>STEERING HEAD BRACKET ASSEMBLY - 883C/L/N/R, 1200C/L/N/X</u></a> <a href="#"><u>STEERING HEAD BRACKET ASSEMBLY - XR1200/X</u></a>
66194-04D	<a href="#"><u>BATTERY</u></a>
66199-10	<a href="#"><u>OIL TANK - 883C/L/N/R, 1200C/L/N/X</u></a> <a href="#"><u>OIL TANK - XR1200/X</u></a>
66251-04A	<a href="#"><u>FRAME &amp; JIFFY STAND - 883C/L/N/R, 1200C/L/N/X</u></a>
66269-08BDK	<a href="#"><u>FRAME &amp; JIFFY STAND - XR1200/X</u></a>
66269-08CHJ	<a href="#"><u>FRAME &amp; JIFFY STAND - XR1200/X</u></a>
66270-08BDK	<a href="#"><u>FRAME &amp; JIFFY STAND - XR1200/X</u></a>
66270-08CHJ	<a href="#"><u>FRAME &amp; JIFFY STAND - XR1200/X</u></a>
66271-08BDK	<a href="#"><u>FUEL TANK - XR1200/X</u></a>
66272-05A	<a href="#"><u>FRAME &amp; JIFFY STAND - 883C/L/N/R, 1200C/L/N/X</u></a>
66476-04A	<a href="#"><u>BATTERY</u></a>
66523-06	<a href="#"><u>TURN SIGNAL MODULE &amp; SECURITY SIREN</u></a>
66524-06	<a href="#"><u>TURN SIGNAL MODULE &amp; SECURITY SIREN</u></a>
66851-07	<a href="#"><u>EXHAUST SYSTEM - 883C/L/N/R, 1200C/L/N/X</u></a>
6701	<a href="#"><u>BELTS &amp; SPROCKETS - XR1200/X</u></a> <a href="#"><u>FRONT FORK - 883C/L/R, 1200C/L/X</u></a> <a href="#"><u>FRONT FORK - 883N, 1200N</u></a> <a href="#"><u>HEADLAMPS</u></a> <a href="#"><u>EXHAUST SYSTEM - 883C/L/N/R, 1200C/L/N/X</u></a> <a href="#"><u>EXHAUST SYSTEM - XR1200/X</u></a>
6702	<a href="#"><u>REAR BRAKE MASTER CYLINDER - 883C/L/N/R, 1200C/L/N/X</u></a> <a href="#"><u>REAR FORK, DEBRIS DEFLECTOR &amp; BELT GUARD</u></a> <a href="#"><u>HANDLEBAR &amp; THROTTLE CONTROL - 883L/N/R, 1200L/N/X, XR1200/X</u></a> <a href="#"><u>REAR FENDER &amp; LICENSE PLATE BRKT - 883C/L/R, 1200C/L/X, 883N/1200N (CAN)</u></a> <a href="#"><u>REAR FENDER &amp; LICENSE PLATE BRACKET - 883N/1200N/X (NON-CANADA)</u></a> <a href="#"><u>FUEL TANK - 883C/L/N/R, 1200C/L/N/X</u></a> <a href="#"><u>HEADLAMPS</u></a> <a href="#"><u>EXHAUST SYSTEM - XR1200/X</u></a>

6703	<a href="#">AIR BOX - XR1200/X</a> <a href="#">REAR FENDER &amp; LICENSE PLATE BRKT - 883C/L/R, 1200C/L/X, 883N/1200N (CAN)</a> <a href="#">REAR FENDER &amp; LICENSE PLATE BRACKET - 883N/1200N/X (NON-CANADA)</a> <a href="#">REAR FENDER - XR1200/X</a>
67037-08	<a href="#">SPEEDOMETER - 883L/N/R, 1200L/N/X</a>
67041-08	<a href="#">SPEEDOMETER - 883L/N/R, 1200L/N/X</a>
67053-95	<a href="#">SPEEDOMETER - 883L/N/R, 1200L/N/X</a>
67087-08	<a href="#">SPEEDOMETER &amp; TACHOMETER - XR1200/X</a>
67089-05	<a href="#">SPEEDOMETER - 883L/N/R, 1200L/N/X</a>
67091-08	<a href="#">SPEEDOMETER &amp; TACHOMETER - XR1200/X</a>
67104-95	<a href="#">SPEEDOMETER - 883L/N/R, 1200L/N/X</a>
67121-95A	<a href="#">SPEEDOMETER - 883L/N/R, 1200L/N/X</a> <a href="#">SPEEDOMETER - 883C, 1200C</a> <a href="#">SPEEDOMETER &amp; TACHOMETER - XR1200/X</a>
67157-08	<a href="#">SPEEDOMETER &amp; TACHOMETER - XR1200/X</a>
67170-08	<a href="#">SPEEDOMETER &amp; TACHOMETER - XR1200/X</a>
67174-08	<a href="#">SPEEDOMETER &amp; TACHOMETER - XR1200/X</a>
6718	<a href="#">SHOCK ABSORBERS</a>
67290-08	<a href="#">SPEEDOMETER - 883L/N/R, 1200L/N/X</a>
673	<a href="#">AIR BOX - XR1200/X</a>
67320-95	<a href="#">SPEEDOMETER - 883L/N/R, 1200L/N/X</a>
6738	<a href="#">SHOCK ABSORBERS</a>
67415-08	<a href="#">SPEEDOMETER - 883L/N/R, 1200L/N/X</a> <a href="#">SPEEDOMETER - 883C, 1200C</a>
67416-08	<a href="#">SPEEDOMETER - 883L/N/R, 1200L/N/X</a> <a href="#">SPEEDOMETER - 883C, 1200C</a>
67436-08	<a href="#">SPEEDOMETER - 883L/N/R, 1200L/N/X</a> <a href="#">SPEEDOMETER - 883C, 1200C</a>
675	<a href="#">BELTS &amp; SPROCKETS - XR1200/X</a>
67576-08	<a href="#">SPEEDOMETER &amp; TACHOMETER - XR1200/X</a>
67603-94A	<a href="#">HEADLAMPS</a>
67667-05	<a href="#">HEADLAMPS</a>
67742-06	<a href="#">HEADLAMPS</a>



67790-93A	<a href="#">HEADLAMPS</a>
67804-04	<a href="#">REAR BRAKE MASTER CYLINDER - 883C/L/N/R, 1200C/L/N/X</a>
67805-92	<a href="#">HEADLAMPS</a>
67815-59A	<a href="#">HEADLAMPS</a>
67834-83	<a href="#">HEADLAMPS</a>
67854-98	<a href="#">SPEEDOMETER - 883L/N/R, 1200L/N/X</a> <a href="#">SPEEDOMETER - 883C, 1200C</a> <a href="#">SPEEDOMETER &amp; TACHOMETER - XR1200/X</a>
67865-89	<a href="#">HEADLAMPS</a>
6787	<a href="#">CYLINDER, HEAD, &amp; VALVES - 883C/L/N/R, 1200C/L/N/X</a>
67880-94	<a href="#">SPEEDOMETER - 883L/N/R, 1200L/N/X</a> <a href="#">SPEEDOMETER - 883C, 1200C</a> <a href="#">SPEEDOMETER &amp; TACHOMETER - XR1200/X</a>
67883-04A	<a href="#">HEADLAMPS</a>
67894-93A	<a href="#">HEADLAMPS</a>
67963-05A	<a href="#">HEADLAMPS</a>
67972-98	<a href="#">HEADLAMPS</a>
6798	<a href="#">REAR FENDER &amp; LICENSE PLATE BRKT - 883C/L/R, 1200C/L/X, 883N/1200N (CAN)</a> <a href="#">REAR FENDER &amp; LICENSE PLATE BRACKET - 883N/1200N/X (NON-CANADA)</a>
68026-99	<a href="#">TURN SIGNALS &amp; TAIL LAMP - 883C/L/R, 1200C/L</a> <a href="#">TURN SIGNALS, TAIL LAMP &amp; LICENSE PLATE BRACKET - XR1200/X</a>
68041-04	<a href="#">STEERING HEAD BRACKET ASSEMBLY - 883C/L/N/R, 1200C/L/N/X</a>
68066-99A	<a href="#">TURN SIGNALS &amp; TAIL LAMP - 883C/L/R, 1200C/L</a>
68140-04	<a href="#">TURN SIGNALS &amp; TAIL LAMP - 883C/L/R, 1200C/L</a> <a href="#">TURN SIGNALS, TAIL LAMP &amp; LICENSE PLATE BRACKET - XR1200/X</a>
68141-04	<a href="#">TURN SIGNALS &amp; TAIL LAMP - 883C/L/R, 1200C/L</a>
68163-84	<a href="#">TURN SIGNALS &amp; TAIL LAMP - 883C/L/R, 1200C/L</a> <a href="#">TURN SIGNALS &amp; TAIL LAMP - 883N, 1200N/X</a> <a href="#">TURN SIGNALS, TAIL LAMP &amp; LICENSE PLATE BRACKET - XR1200/X</a>
68167-04	<a href="#">TURN SIGNALS &amp; TAIL LAMP - 883C/L/R, 1200C/L</a> <a href="#">TURN SIGNALS, TAIL LAMP &amp; LICENSE PLATE BRACKET - XR1200/X</a>
68168-89A	<a href="#">TURN SIGNALS &amp; TAIL LAMP - 883C/L/R, 1200C/L</a> <a href="#">TURN SIGNALS &amp; TAIL LAMP - 883N, 1200N/X</a> <a href="#">TURN SIGNALS, TAIL LAMP &amp; LICENSE PLATE BRACKET - XR1200/X</a>
68257-08	<a href="#">TURN SIGNALS, TAIL LAMP &amp; LICENSE PLATE BRACKET - XR1200/X</a>

68265-04	<a href="#">TURN SIGNALS &amp; TAIL LAMP - 883C/L/R, 1200C/L</a> <a href="#">TURN SIGNALS &amp; TAIL LAMP - 883N, 1200N/X</a> <a href="#">TURN SIGNALS, TAIL LAMP &amp; LICENSE PLATE BRACKET - XR1200/X</a>
68277-07	<a href="#">TURN SIGNALS &amp; TAIL LAMP - 883N, 1200N/X</a>
68278-07	<a href="#">TURN SIGNALS &amp; TAIL LAMP - 883N, 1200N/X</a>
68296-99A	<a href="#">TURN SIGNALS &amp; TAIL LAMP - 883C/L/R, 1200C/L</a>
68297-05A	<a href="#">HEADLAMPS</a>
68299-07	<a href="#">TURN SIGNALS &amp; TAIL LAMP - 883N, 1200N/X</a>
68329-03	<a href="#">HEADLAMPS</a>
68335-05A	<a href="#">HEADLAMPS</a>
68341-05A	<a href="#">HEADLAMPS</a>
68369-03	<a href="#">TURN SIGNALS &amp; TAIL LAMP - 883C/L/R, 1200C/L</a> <a href="#">TURN SIGNALS, TAIL LAMP &amp; LICENSE PLATE BRACKET - XR1200/X</a>
68370-03A	<a href="#">TURN SIGNALS &amp; TAIL LAMP - 883C/L/R, 1200C/L</a> <a href="#">TURN SIGNALS, TAIL LAMP &amp; LICENSE PLATE BRACKET - XR1200/X</a>
68372-03	<a href="#">TURN SIGNALS &amp; TAIL LAMP - 883C/L/R, 1200C/L</a>
68380-05	<a href="#">HEADLAMPS</a>
68382-07B	<a href="#">SPEEDOMETER - 883C, 1200C</a>
68443-07A	<a href="#">HEADLAMPS</a>
68449-07	<a href="#">TURN SIGNALS &amp; TAIL LAMP - 883N, 1200N/X</a>
68480-02	<a href="#">TURN SIGNALS &amp; TAIL LAMP - 883C/L/R, 1200C/L</a>
68513-07A	<a href="#">SPEEDOMETER - 883L/N/R, 1200L/N/X</a> <a href="#">SPEEDOMETER &amp; TACHOMETER - XR1200/X</a>
68559-07	<a href="#">TURN SIGNALS &amp; TAIL LAMP - 883N, 1200N/X</a>
68561-09	<a href="#">TURN SIGNALS, TAIL LAMP &amp; LICENSE PLATE BRACKET - XR1200/X</a>
68572-64B	<a href="#">TURN SIGNALS &amp; TAIL LAMP - 883C/L/R, 1200C/L</a> <a href="#">TURN SIGNALS &amp; TAIL LAMP - 883N, 1200N/X</a>
6863	<a href="#">REAR FORK, DEBRIS DEFLECTOR &amp; BELT GUARD</a>
6864A	<a href="#">REAR FORK, DEBRIS DEFLECTOR &amp; BELT GUARD</a>
68653-05	<a href="#">HEADLAMPS</a>
68702-07	<a href="#">REAR FENDER &amp; LICENSE PLATE BRACKET - 883N/1200N/X (NON-CANADA)</a>
68704-07	<a href="#">REAR FENDER &amp; LICENSE PLATE BRACKET - 883N/1200N/X (NON-CANADA)</a>
68724-07	<a href="#">REAR FENDER &amp; LICENSE PLATE BRACKET - 883N/1200N/X (NON-CANADA)</a>

68730-07	<a href="#"><u>TURN SIGNALS &amp; TAIL LAMP - 883N, 1200N/X</u></a>
68755-07	<a href="#"><u>TURN SIGNALS &amp; TAIL LAMP - 883N, 1200N/X</u></a>
68804-06	<a href="#"><u>TURN SIGNALS, TAIL LAMP &amp; LICENSE PLATE BRACKET - XR1200/X</u></a>
68813-07	<a href="#"><u>SPEEDOMETER - 883L/N/R, 1200L/N/X</u></a>
68814-07	<a href="#"><u>SPEEDOMETER - 883C, 1200C</u></a>
68830-99A	<a href="#"><u>TURN SIGNALS &amp; TAIL LAMP - 883C/L/R, 1200C/L</u></a> <a href="#"><u>TURN SIGNALS, TAIL LAMP &amp; LICENSE PLATE BRACKET - XR1200/X</u></a>
68838-06	<a href="#"><u>TURN SIGNALS, TAIL LAMP &amp; LICENSE PLATE BRACKET - XR1200/X</u></a>
68857-07	<a href="#"><u>REAR FENDER &amp; LICENSE PLATE BRACKET - 883N/1200N/X (NON-CANADA)</u></a>
68899-04A	<a href="#"><u>TURN SIGNALS &amp; TAIL LAMP - 883C/L/R, 1200C/L</u></a> <a href="#"><u>TURN SIGNALS &amp; TAIL LAMP - 883N, 1200N/X</u></a>
68904-00	<a href="#"><u>TURN SIGNALS &amp; TAIL LAMP - 883C/L/R, 1200C/L</u></a> <a href="#"><u>TURN SIGNALS, TAIL LAMP &amp; LICENSE PLATE BRACKET - XR1200/X</u></a>
68905-00	<a href="#"><u>TURN SIGNALS &amp; TAIL LAMP - 883C/L/R, 1200C/L</u></a>
68920-07	<a href="#"><u>TURN SIGNAL MODULE &amp; SECURITY SIREN</u></a>
68922-07	<a href="#"><u>TURN SIGNAL MODULE &amp; SECURITY SIREN</u></a>
68924-07	<a href="#"><u>TURN SIGNAL MODULE &amp; SECURITY SIREN</u></a>
68926-07	<a href="#"><u>SWITCHES, SENSORS &amp; ELECTRICAL CONNECTORS</u></a>
68939-00	<a href="#"><u>SWITCHES, SENSORS &amp; ELECTRICAL CONNECTORS</u></a>
68955-08	<a href="#"><u>TURN SIGNALS &amp; TAIL LAMP - 883N, 1200N/X</u></a>
68956-07	<a href="#"><u>TURN SIGNAL MODULE &amp; SECURITY SIREN</u></a>
68958-07C	<a href="#"><u>TURN SIGNAL MODULE &amp; SECURITY SIREN</u></a>
68966-08	<a href="#"><u>REAR FENDER &amp; LICENSE PLATE BRACKET - 883N/1200N/X (NON-CANADA)</u></a>
68972-00	<a href="#"><u>TURN SIGNALS &amp; TAIL LAMP - 883C/L/R, 1200C/L</u></a>
68973-00	<a href="#"><u>TURN SIGNALS &amp; TAIL LAMP - 883C/L/R, 1200C/L</u></a> <a href="#"><u>TURN SIGNALS &amp; TAIL LAMP - 883C/L/R, 1200C/L</u></a> <a href="#"><u>TURN SIGNALS, TAIL LAMP &amp; LICENSE PLATE BRACKET - XR1200/X</u></a>
68975-00	<a href="#"><u>TURN SIGNALS &amp; TAIL LAMP - 883C/L/R, 1200C/L</u></a>
68977-00	<a href="#"><u>TURN SIGNALS &amp; TAIL LAMP - 883C/L/R, 1200C/L</u></a>
68978-00	<a href="#"><u>TURN SIGNALS &amp; TAIL LAMP - 883C/L/R, 1200C/L</u></a>
68984-01	<a href="#"><u>TURN SIGNALS, TAIL LAMP &amp; LICENSE PLATE BRACKET - XR1200/X</u></a>
68992-08	<a href="#"><u>REAR FENDER &amp; LICENSE PLATE BRACKET - 883N/1200N/X (NON-CANADA)</u></a>

69000014	<a href="#">HORN</a>
69049-07	<a href="#">HORN</a>
69060-90H	<a href="#">HORN</a>
69062-91A	<a href="#">HORN</a>
69066-01A	<a href="#">TURN SIGNALS, TAIL LAMP &amp; LICENSE PLATE BRACKET - XR1200/X</a>
69110-01	<a href="#">TURN SIGNALS, TAIL LAMP &amp; LICENSE PLATE BRACKET - XR1200/X</a>
69120-91	<a href="#">HORN</a>
69123-92A	<a href="#">HORN</a>
69135-04	<a href="#">HORN</a>
69148-01	<a href="#">TURN SIGNALS, TAIL LAMP &amp; LICENSE PLATE BRACKET - XR1200/X</a>
69187-03A	<a href="#">TURN SIGNALS &amp; TAIL LAMP - 883C/L/R, 1200C/L</a> <a href="#">TURN SIGNALS, TAIL LAMP &amp; LICENSE PLATE BRACKET - XR1200/X</a>
69200402	<a href="#">WIRING HARNESS, MAIN - 883C/L/N/R, 1200C/L/N/X (1 OF 2)</a>
69200405	<a href="#">ELECTRONIC IGNITION SYSTEM - 883C/L/N/R, 1200C/L/N/X</a>
6930	<a href="#">EXHAUST SYSTEM - XR1200/X</a>
69309-10	<a href="#">TURN SIGNAL MODULE &amp; SECURITY SIREN</a>
69362-08	<a href="#">TURN SIGNALS &amp; TAIL LAMP - 883N, 1200N/X</a>
69386-08	<a href="#">HEADLAMPS</a>
69397-08	<a href="#">HEADLAMPS</a>
69406-09	<a href="#">TURN SIGNALS &amp; TAIL LAMP - 883N, 1200N/X</a>
69449-05	<a href="#">HEADLAMPS</a>
69490-07	<a href="#">REAR FENDER &amp; LICENSE PLATE BRACKET - 883N/1200N/X (NON-CANADA)</a>
69498-08	<a href="#">REAR FENDER &amp; LICENSE PLATE BRACKET - 883N/1200N/X (NON-CANADA)</a>
69530-08	<a href="#">TURN SIGNALS, TAIL LAMP &amp; LICENSE PLATE BRACKET - XR1200/X</a>
69681-07B	<a href="#">HEADLAMPS</a>
69709-00	<a href="#">HEADLAMPS</a>
69774-07A	<a href="#">HEADLAMPS</a>
69861-07	<a href="#">FRONT FORK - 883C/L/R, 1200C/L/X</a> <a href="#">FRONT FORK - 883N, 1200N</a> <a href="#">FRONT FORK - XR1200</a> <a href="#">FRONT FORK - XR1200X</a>

69862-07	<a href="#">FRONT FORK - 883C/L/R, 1200C/L/X</a> <a href="#">FRONT FORK - 883N, 1200N</a> <a href="#">FRONT FORK - XR1200</a> <a href="#">FRONT FORK - XR1200X</a>
69864-08	<a href="#">TURN SIGNALS, TAIL LAMP &amp; LICENSE PLATE BRACKET - XR1200/X</a>
70003-04	<a href="#">BATTERY</a>
70163-10	<a href="#">WIRING HARNESS, ENGINE - XR1200/X</a>
70167-08A	<a href="#">WIRING HARNESS, ENGINE - 883C/L/N/R, 1200C/L/N/X</a>
70181-10	<a href="#">WIRING HARNESS, MAIN - 883C/L/N/R, 1200C/L/N/X (1 OF 2)</a> <a href="#">WIRING HARNESS, MAIN - 883C/L/N/R, 1200C/L/N/X (2 OF 2)</a>
70225-10	<a href="#">WIRING HARNESS, MAIN - XR1200/X (1 OF 2)</a> <a href="#">WIRING HARNESS, MAIN - XR1200/X (2 OF 2)</a>
70247-07	<a href="#">SWITCHES, SENSORS &amp; ELECTRICAL CONNECTORS</a>
70295-10	<a href="#">BATTERY</a>
70296-04A	<a href="#">BATTERY</a>
70297-04A	<a href="#">ENGINE MOUNTS</a>
70345-84	<a href="#">HANDLEBAR &amp; THROTTLE CONTROL - 883L/N/R, 1200L/N/X, XR1200/X</a> <a href="#">HANDLEBAR &amp; THROTTLE CONTROL - 883C, 1200C</a> <a href="#">HANDLEBAR SWITCHES</a>
70368-08	<a href="#">WIRING HARNESS, MAIN - XR1200/X (1 OF 2)</a>
7038	<a href="#">FRONT FORK - 883C/L/R, 1200C/L/X</a> <a href="#">FRONT FORK - 883N, 1200N</a> <a href="#">HEADLAMPS</a> <a href="#">TURN SIGNALS &amp; TAIL LAMP - 883N, 1200N/X</a>
7039	<a href="#">ENGINE MOUNTS</a>
7041	<a href="#">HORN</a>
70417-04C	<a href="#">FRAME &amp; JIFFY STAND - 883C/L/N/R, 1200C/L/N/X</a>
7045	<a href="#">HEADLAMPS</a>
70503-10	<a href="#">OIL TANK - 883C/L/N/R, 1200C/L/N/X</a>
70504-81	<a href="#">HANDLEBAR &amp; THROTTLE CONTROL - 883L/N/R, 1200L/N/X, XR1200/X</a> <a href="#">HANDLEBAR &amp; THROTTLE CONTROL - 883C, 1200C</a>
70578-89	<a href="#">BATTERY</a>
70586-93	<a href="#">SWITCHES, SENSORS &amp; ELECTRICAL CONNECTORS</a>
70587-93	<a href="#">SWITCHES, SENSORS &amp; ELECTRICAL CONNECTORS</a>
70598-99	<a href="#">WIRING HARNESS, MAIN - 883C/L/N/R, 1200C/L/N/X (1 OF 2)</a> <a href="#">WIRING HARNESS, MAIN - XR1200/X (1 OF 2)</a>

70617-07	<a href="#"><u>TURN SIGNAL MODULE &amp; SECURITY SIREN</u></a>
70632-08	<a href="#"><u>WIRING HARNESS, MAIN - XR1200/X (1 OF 2)</u></a>
70633-08	<a href="#"><u>FRAME &amp; JIFFY STAND - XR1200/X</u></a>
70640-07	<a href="#"><u>WIRING HARNESS, MAIN - 883C/L/N/R, 1200C/L/N/X (1 OF 2)</u></a>
70642-07	<a href="#"><u>WIRING HARNESS, MAIN - 883C/L/N/R, 1200C/L/N/X (1 OF 2)</u></a>
70664-08	<a href="#"><u>WIRING HARNESS, MAIN - 883C/L/N/R, 1200C/L/N/X (1 OF 2)</u></a> <a href="#"><u>WIRING HARNESS, MAIN - XR1200/X (1 OF 2)</u></a>
70679-10	<a href="#"><u>WIRING HARNESS, MAIN - 883C/L/N/R, 1200C/L/N/X (1 OF 2)</u></a>
7068	<a href="#"><u>HEADLAMPS</u></a>
70680-10	<a href="#"><u>WIRING HARNESS, MAIN - 883C/L/N/R, 1200C/L/N/X (1 OF 2)</u></a>
7069	<a href="#"><u>HORN</u></a>
70714-10	<a href="#"><u>SPEEDOMETER &amp; TACHOMETER - XR1200/X</u></a>
7080	<a href="#"><u>SHIFTER</u></a>
70903-04	<a href="#"><u>FUEL TANK - 883C/L/N/R, 1200C/L/N/X</u></a>
70904-04	<a href="#"><u>FUEL TANK - 883C/L/N/R, 1200C/L/N/X</u></a>
70917-04	<a href="#"><u>FUEL TANK - 883C/L/N/R, 1200C/L/N/X</u></a>
70919-04	<a href="#"><u>FUEL TANK - 883C/L/N/R, 1200C/L/N/X</u></a>
7124	<a href="#"><u>REAR BRAKE MASTER CYLINDER - XR1200/X</u></a>
71276-04A	<a href="#"><u>FUEL TANK - 883C/L/N/R, 1200C/L/N/X</u></a>
71287-08	<a href="#"><u>FRAME &amp; JIFFY STAND - XR1200/X</u></a>
71341-10	<a href="#"><u>WIRING HARNESS, MAIN - XR1200/X (1 OF 2)</u></a>
71441-94	<a href="#"><u>SWITCHES, SENSORS &amp; ELECTRICAL CONNECTORS</u></a>
71451-94A	<a href="#"><u>SWITCHES, SENSORS &amp; ELECTRICAL CONNECTORS</u></a>
71472-04	<a href="#"><u>FRAME &amp; JIFFY STAND - 883C/L/N/R, 1200C/L/N/X</u></a>
71478-08	<a href="#"><u>FRAME &amp; JIFFY STAND - XR1200/X</u></a>
71510-04	<a href="#"><u>WIRING HARNESS, MAIN - 883C/L/N/R, 1200C/L/N/X (1 OF 2)</u></a> <a href="#"><u>WIRING HARNESS, MAIN - XR1200/X (1 OF 2)</u></a> <a href="#"><u>SWITCHES, SENSORS &amp; ELECTRICAL CONNECTORS</u></a>
7155	<a href="#"><u>MIRROR</u></a>
71550-94	<a href="#"><u>WIRING HARNESS, MAIN - 883C/L/N/R, 1200C/L/N/X (1 OF 2)</u></a> <a href="#"><u>WIRING HARNESS, MAIN - XR1200/X (1 OF 2)</u></a> <a href="#"><u>SWITCHES, SENSORS &amp; ELECTRICAL CONNECTORS</u></a>

71552-94	<a href="#">WIRING HARNESS, MAIN - 883C/L/N/R, 1200C/L/N/X (1 OF 2)</a> <a href="#">WIRING HARNESS, MAIN - XR1200/X (1 OF 2)</a> <a href="#">SWITCHES, SENSORS &amp; ELECTRICAL CONNECTORS</a>
71563-96	<a href="#">HANDLEBAR SWITCHES</a>
71564-96	<a href="#">HANDLEBAR SWITCHES</a>
71567-96	<a href="#">HANDLEBAR SWITCHES</a>
71568-96A	<a href="#">HANDLEBAR SWITCHES</a>
71587-04	<a href="#">HANDLEBAR SWITCHES</a>
71620-08	<a href="#">HANDLEBAR SWITCHES</a>
71621-08	<a href="#">HANDLEBAR SWITCHES</a>
71682-06A	<a href="#">HANDLEBAR SWITCHES</a>
71683-06A	<a href="#">HANDLEBAR SWITCHES</a>
71684-06A	<a href="#">HANDLEBAR SWITCHES</a>
71685-06A	<a href="#">HANDLEBAR SWITCHES</a>
71980-10	<a href="#">SPEEDOMETER - 883L/N/R, 1200L/N/X</a>
71988-10	<a href="#">SPEEDOMETER - 883L/N/R, 1200L/N/X</a>
72006-05	<a href="#">WIRING HARNESS, MAIN - 883C/L/N/R, 1200C/L/N/X (1 OF 2)</a> <a href="#">WIRING HARNESS, MAIN - XR1200/X (1 OF 2)</a> <a href="#">WIRING HARNESS, ENGINE - XR1200/X</a>
72007-05	<a href="#">WIRING HARNESS, MAIN - 883C/L/N/R, 1200C/L/N/X (1 OF 2)</a> <a href="#">WIRING HARNESS, MAIN - XR1200/X (1 OF 2)</a> <a href="#">WIRING HARNESS, ENGINE - XR1200/X</a>
72009-05	<a href="#">ENGINE SENSORS &amp; SWITCHES</a> <a href="#">EXHAUST SYSTEM - 883C/L/N/R, 1200C/L/N/X</a> <a href="#">EXHAUST SYSTEM - XR1200/X</a> <a href="#">WIRING HARNESS, ENGINE - XR1200/X</a> <a href="#">SWITCHES, SENSORS &amp; ELECTRICAL CONNECTORS</a>
72011-05	<a href="#">ENGINE SENSORS &amp; SWITCHES</a> <a href="#">EXHAUST SYSTEM - 883C/L/N/R, 1200C/L/N/X</a> <a href="#">EXHAUST SYSTEM - XR1200/X</a> <a href="#">WIRING HARNESS, MAIN - 883C/L/N/R, 1200C/L/N/X (1 OF 2)</a> <a href="#">WIRING HARNESS, MAIN - XR1200/X (1 OF 2)</a> <a href="#">WIRING HARNESS, ENGINE - XR1200/X</a> <a href="#">SWITCHES, SENSORS &amp; ELECTRICAL CONNECTORS</a>
72014-07	<a href="#">WIRING HARNESS, ENGINE - XR1200/X</a>
72023-51E	<a href="#">REAR BRAKE MASTER CYLINDER - 883C/L/N/R, 1200C/L/N/X</a> <a href="#">SWITCHES, SENSORS &amp; ELECTRICAL CONNECTORS</a>
72024-08	<a href="#">WIRING HARNESS, MAIN - 883C/L/N/R, 1200C/L/N/X (1 OF 2)</a>

72032-93	<a href="#">SPEEDOMETER &amp; TACHOMETER - XR1200/X</a>
72033-93	<a href="#">SPEEDOMETER &amp; TACHOMETER - XR1200/X</a> <a href="#">WIRING HARNESS, MAIN - XR1200/X (1 OF 2)</a> <a href="#">WIRING HARNESS, ENGINE - 883C/L/N/R, 1200C/L/N/X</a> <a href="#">WIRING HARNESS, ENGINE - XR1200/X</a>
72056-92	<a href="#">HEADLAMPS</a>
72066-06A	<a href="#">WIRING HARNESS, MAIN - 883C/L/N/R, 1200C/L/N/X (1 OF 2)</a> <a href="#">WIRING HARNESS, MAIN - XR1200/X (1 OF 2)</a>
72076-00	<a href="#">WIRING HARNESS, MAIN - 883C/L/N/R, 1200C/L/N/X (1 OF 2)</a> <a href="#">WIRING HARNESS, MAIN - XR1200/X (1 OF 2)</a>
72077-00	<a href="#">WIRING HARNESS, MAIN - 883C/L/N/R, 1200C/L/N/X (1 OF 2)</a> <a href="#">WIRING HARNESS, MAIN - XR1200/X (1 OF 2)</a>
72078-00	<a href="#">WIRING HARNESS, MAIN - 883C/L/N/R, 1200C/L/N/X (1 OF 2)</a> <a href="#">WIRING HARNESS, MAIN - XR1200/X (1 OF 2)</a>
72094-06	<a href="#">WIRING HARNESS, MAIN - 883C/L/N/R, 1200C/L/N/X (1 OF 2)</a> <a href="#">WIRING HARNESS, MAIN - XR1200/X (1 OF 2)</a> <a href="#">WIRING HARNESS, ENGINE - 883C/L/N/R, 1200C/L/N/X</a>
72096-06	<a href="#">WIRING HARNESS, MAIN - 883C/L/N/R, 1200C/L/N/X (1 OF 2)</a> <a href="#">WIRING HARNESS, MAIN - XR1200/X (1 OF 2)</a> <a href="#">WIRING HARNESS, ENGINE - 883C/L/N/R, 1200C/L/N/X</a>
72114-94BK	<a href="#">TURN SIGNAL MODULE &amp; SECURITY SIREN</a>
72124-94GY	<a href="#">WIRING HARNESS, MAIN - 883C/L/N/R, 1200C/L/N/X (1 OF 2)</a> <a href="#">WIRING HARNESS, MAIN - XR1200/X (1 OF 2)</a>
72130-04	<a href="#">SPEEDOMETER - 883L/N/R, 1200L/N/X</a> <a href="#">SPEEDOMETER - 883C, 1200C</a> <a href="#">SPEEDOMETER &amp; TACHOMETER - XR1200/X</a>
72135-06	<a href="#">WIRING HARNESS, MAIN - 883C/L/N/R, 1200C/L/N/X (1 OF 2)</a> <a href="#">WIRING HARNESS, MAIN - XR1200/X (1 OF 2)</a>
72139-94GY	<a href="#">WIRING HARNESS, MAIN - 883C/L/N/R, 1200C/L/N/X (1 OF 2)</a> <a href="#">WIRING HARNESS, MAIN - XR1200/X (1 OF 2)</a>
72144-94	<a href="#">WIRING HARNESS, MAIN - 883C/L/N/R, 1200C/L/N/X (1 OF 2)</a> <a href="#">WIRING HARNESS, MAIN - XR1200/X (1 OF 2)</a>
72154-94	<a href="#">TURN SIGNAL MODULE &amp; SECURITY SIREN</a>
72159-94	<a href="#">WIRING HARNESS, MAIN - 883C/L/N/R, 1200C/L/N/X (1 OF 2)</a> <a href="#">WIRING HARNESS, MAIN - XR1200/X (1 OF 2)</a>
72164-94A	<a href="#">WIRING HARNESS, MAIN - 883C/L/N/R, 1200C/L/N/X (1 OF 2)</a> <a href="#">WIRING HARNESS, MAIN - XR1200/X (1 OF 2)</a>
72166-07BK	<a href="#">WIRING HARNESS, ENGINE - 883C/L/N/R, 1200C/L/N/X</a> <a href="#">WIRING HARNESS, ENGINE - XR1200/X</a>
72167-07BK	<a href="#">WIRING HARNESS, MAIN - 883C/L/N/R, 1200C/L/N/X (1 OF 2)</a>



	<a href="#"><u>WIRING HARNESS, MAIN - XR1200/X (1 OF 2)</u></a>
72168-07	<a href="#"><u>WIRING HARNESS, MAIN - 883C/L/N/R, 1200C/L/N/X (1 OF 2)</u></a> <a href="#"><u>WIRING HARNESS, MAIN - XR1200/X (1 OF 2)</u></a> <a href="#"><u>WIRING HARNESS, ENGINE - 883C/L/N/R, 1200C/L/N/X</u></a> <a href="#"><u>WIRING HARNESS, ENGINE - XR1200/X</u></a>
72169-07	<a href="#"><u>FRAME &amp; JIFFY STAND - 883C/L/N/R, 1200C/L/N/X</u></a> <a href="#"><u>FRAME &amp; JIFFY STAND - XR1200/X</u></a> <a href="#"><u>HANDLEBAR SWITCHES</u></a> <a href="#"><u>SPEEDOMETER - 883L/N/R, 1200L/N/X</u></a> <a href="#"><u>SPEEDOMETER - 883C, 1200C</u></a> <a href="#"><u>SPEEDOMETER &amp; TACHOMETER - XR1200/X</u></a> <a href="#"><u>WIRING HARNESS, MAIN - 883C/L/N/R, 1200C/L/N/X (1 OF 2)</u></a> <a href="#"><u>WIRING HARNESS, MAIN - XR1200/X (1 OF 2)</u></a> <a href="#"><u>SWITCHES, SENSORS &amp; ELECTRICAL CONNECTORS</u></a>
72175-07BK	<a href="#"><u>WIRING HARNESS, MAIN - 883C/L/N/R, 1200C/L/N/X (1 OF 2)</u></a> <a href="#"><u>WIRING HARNESS, MAIN - XR1200/X (1 OF 2)</u></a>
72179-94	<a href="#"><u>WIRING HARNESS, MAIN - 883C/L/N/R, 1200C/L/N/X (1 OF 2)</u></a> <a href="#"><u>WIRING HARNESS, MAIN - XR1200/X (1 OF 2)</u></a>
72188-07BK	<a href="#"><u>HANDLEBAR SWITCHES</u></a>
72189-04	<a href="#"><u>SPEEDOMETER - 883L/N/R, 1200L/N/X</u></a> <a href="#"><u>SPEEDOMETER - 883C, 1200C</u></a> <a href="#"><u>SPEEDOMETER &amp; TACHOMETER - XR1200/X</u></a>
72190-94	<a href="#"><u>WIRING HARNESS, MAIN - 883C/L/N/R, 1200C/L/N/X (1 OF 2)</u></a> <a href="#"><u>WIRING HARNESS, MAIN - XR1200/X (1 OF 2)</u></a>
72191-94	<a href="#"><u>WIRING HARNESS, MAIN - 883C/L/N/R, 1200C/L/N/X (1 OF 2)</u></a> <a href="#"><u>WIRING HARNESS, MAIN - XR1200/X (1 OF 2)</u></a> <a href="#"><u>TURN SIGNAL MODULE &amp; SECURITY SIREN</u></a>
72195-94	<a href="#"><u>ALTERNATOR &amp; REGULATOR</u></a> <a href="#"><u>WIRING HARNESS, MAIN - 883C/L/N/R, 1200C/L/N/X (1 OF 2)</u></a> <a href="#"><u>WIRING HARNESS, MAIN - XR1200/X (1 OF 2)</u></a> <a href="#"><u>TURN SIGNAL MODULE &amp; SECURITY SIREN</u></a>
72199-94	<a href="#"><u>WIRING HARNESS, MAIN - 883C/L/N/R, 1200C/L/N/X (2 OF 2)</u></a> <a href="#"><u>WIRING HARNESS, MAIN - XR1200/X (1 OF 2)</u></a>
7220	<a href="#"><u>ELECTRONIC IGNITION SYSTEM - 883C/L/N/R, 1200C/L/N/X</u></a> <a href="#"><u>WIRING HARNESS, MAIN - 883C/L/N/R, 1200C/L/N/X (1 OF 2)</u></a> <a href="#"><u>WIRING HARNESS, MAIN - XR1200/X (1 OF 2)</u></a>
72251-07	<a href="#"><u>WIRING HARNESS, ENGINE - 883C/L/N/R, 1200C/L/N/X</u></a> <a href="#"><u>WIRING HARNESS, ENGINE - XR1200/X</u></a>
72260-04	<a href="#"><u>WIRING HARNESS, MAIN - 883C/L/N/R, 1200C/L/N/X (2 OF 2)</u></a> <a href="#"><u>WIRING HARNESS, MAIN - XR1200/X (2 OF 2)</u></a>
72263-95	<a href="#"><u>WIRING HARNESS, ENGINE - 883C/L/N/R, 1200C/L/N/X</u></a> <a href="#"><u>WIRING HARNESS, ENGINE - XR1200/X</u></a>
72266-94	<a href="#"><u>HANDLEBAR SWITCHES</u></a>
72268-94	<a href="#"><u>SWITCHES, SENSORS &amp; ELECTRICAL CONNECTORS</u></a>

72272-07	<a href="#">WIRING HARNESS, MAIN - 883C/L/N/R, 1200C/L/N/X (2 OF 2)</a> <a href="#">WIRING HARNESS, MAIN - XR1200/X (2 OF 2)</a> <a href="#">WIRING HARNESS, ENGINE - 883C/L/N/R, 1200C/L/N/X</a>
72289-04	<a href="#">WIRING HARNESS, MAIN - 883C/L/N/R, 1200C/L/N/X (2 OF 2)</a> <a href="#">WIRING HARNESS, MAIN - XR1200/X (2 OF 2)</a>
72290-94	<a href="#">WIRING HARNESS, MAIN - 883C/L/N/R, 1200C/L/N/X (2 OF 2)</a> <a href="#">WIRING HARNESS, MAIN - XR1200/X (2 OF 2)</a>
72291-94	<a href="#">WIRING HARNESS, MAIN - 883C/L/N/R, 1200C/L/N/X (2 OF 2)</a> <a href="#">WIRING HARNESS, MAIN - XR1200/X (2 OF 2)</a>
72295-94	<a href="#">WIRING HARNESS, MAIN - 883C/L/N/R, 1200C/L/N/X (2 OF 2)</a> <a href="#">WIRING HARNESS, MAIN - XR1200/X (2 OF 2)</a>
72312-04	<a href="#">WIRING HARNESS, MAIN - 883C/L/N/R, 1200C/L/N/X (2 OF 2)</a> <a href="#">WIRING HARNESS, MAIN - XR1200/X (2 OF 2)</a> <a href="#">WIRING HARNESS, ENGINE - XR1200/X</a>
72318-04	<a href="#">SWITCHES, SENSORS &amp; ELECTRICAL CONNECTORS</a>
72329-08	<a href="#">SPEEDOMETER &amp; TACHOMETER - XR1200/X</a>
72330-95	<a href="#">WIRING HARNESS, MAIN - 883C/L/N/R, 1200C/L/N/X (2 OF 2)</a> <a href="#">WIRING HARNESS, MAIN - XR1200/X (2 OF 2)</a> <a href="#">SWITCHES, SENSORS &amp; ELECTRICAL CONNECTORS</a>
72335-10	<a href="#">WIRING HARNESS, MAIN - 883C/L/N/R, 1200C/L/N/X (2 OF 2)</a>
72378-04	<a href="#">WIRING HARNESS, MAIN - 883C/L/N/R, 1200C/L/N/X (2 OF 2)</a> <a href="#">WIRING HARNESS, MAIN - XR1200/X (2 OF 2)</a>
72402-07	<a href="#">WIRING HARNESS, ENGINE - 883C/L/N/R, 1200C/L/N/X</a> <a href="#">WIRING HARNESS, ENGINE - XR1200/X</a>
72405-98BK	<a href="#">WIRING HARNESS, MAIN - 883C/L/N/R, 1200C/L/N/X (2 OF 2)</a> <a href="#">WIRING HARNESS, MAIN - XR1200/X (2 OF 2)</a>
72406-07A	<a href="#">WIRING HARNESS, ENGINE - 883C/L/N/R, 1200C/L/N/X</a> <a href="#">WIRING HARNESS, ENGINE - XR1200/X</a>
72407-07	<a href="#">WIRING HARNESS, ENGINE - 883C/L/N/R, 1200C/L/N/X</a> <a href="#">WIRING HARNESS, ENGINE - XR1200/X</a>
72408-07	<a href="#">WIRING HARNESS, ENGINE - 883C/L/N/R, 1200C/L/N/X</a> <a href="#">WIRING HARNESS, ENGINE - XR1200/X</a>
72413-07	<a href="#">WIRING HARNESS, ENGINE - 883C/L/N/R, 1200C/L/N/X</a> <a href="#">WIRING HARNESS, ENGINE - XR1200/X</a>
72414-07BK	<a href="#">WIRING HARNESS, MAIN - 883C/L/N/R, 1200C/L/N/X (2 OF 2)</a> <a href="#">WIRING HARNESS, MAIN - XR1200/X (2 OF 2)</a>
72430-00	<a href="#">WIRING HARNESS, MAIN - 883C/L/N/R, 1200C/L/N/X (2 OF 2)</a> <a href="#">WIRING HARNESS, MAIN - XR1200/X (2 OF 2)</a>
72434-00	<a href="#">WIRING HARNESS, MAIN - 883C/L/N/R, 1200C/L/N/X (2 OF 2)</a>

	<a href="#"><u>WIRING HARNESS, MAIN - XR1200/X (2 OF 2)</u></a>
72441-04	<a href="#"><u>WIRING HARNESS, MAIN - 883C/L/N/R, 1200C/L/N/X (2 OF 2)</u></a> <a href="#"><u>WIRING HARNESS, MAIN - XR1200/X (2 OF 2)</u></a>
72445-99TN	<a href="#"><u>WIRING HARNESS, MAIN - 883C/L/N/R, 1200C/L/N/X (2 OF 2)</u></a> <a href="#"><u>WIRING HARNESS, MAIN - XR1200/X (2 OF 2)</u></a>
72447-07GY	<a href="#"><u>HANDLEBAR SWITCHES</u></a>
72469-07GY	<a href="#"><u>WIRING HARNESS, MAIN - 883C/L/N/R, 1200C/L/N/X (2 OF 2)</u></a> <a href="#"><u>WIRING HARNESS, MAIN - XR1200/X (2 OF 2)</u></a>
72473-07	<a href="#"><u>WIRING HARNESS, MAIN - 883C/L/N/R, 1200C/L/N/X (2 OF 2)</u></a> <a href="#"><u>WIRING HARNESS, MAIN - XR1200/X (2 OF 2)</u></a> <a href="#"><u>WIRING HARNESS, ENGINE - 883C/L/N/R, 1200C/L/N/X</u></a> <a href="#"><u>WIRING HARNESS, ENGINE - XR1200/X</u></a>
72484-08	<a href="#"><u>WIRING HARNESS, MAIN - 883C/L/N/R, 1200C/L/N/X (2 OF 2)</u></a>
72486-08	<a href="#"><u>WIRING HARNESS, MAIN - 883C/L/N/R, 1200C/L/N/X (2 OF 2)</u></a>
72487-07BK	<a href="#"><u>WIRING HARNESS, MAIN - 883C/L/N/R, 1200C/L/N/X (2 OF 2)</u></a> <a href="#"><u>WIRING HARNESS, MAIN - XR1200/X (2 OF 2)</u></a>
72488-07BK	<a href="#"><u>SPEEDOMETER - 883L/N/R, 1200L/N/X</u></a> <a href="#"><u>SPEEDOMETER - 883C, 1200C</u></a> <a href="#"><u>SPEEDOMETER &amp; TACHOMETER - XR1200/X</u></a>
72511-07BK	<a href="#"><u>FRAME &amp; JIFFY STAND - 883C/L/N/R, 1200C/L/N/X</u></a> <a href="#"><u>FRAME &amp; JIFFY STAND - XR1200/X</u></a> <a href="#"><u>SWITCHES, SENSORS &amp; ELECTRICAL CONNECTORS</u></a>
72512-07BK	<a href="#"><u>WIRING HARNESS, MAIN - 883C/L/N/R, 1200C/L/N/X (2 OF 2)</u></a> <a href="#"><u>WIRING HARNESS, MAIN - XR1200/X (2 OF 2)</u></a>
72516-01	<a href="#"><u>WIRING HARNESS, MAIN - 883C/L/N/R, 1200C/L/N/X (2 OF 2)</u></a> <a href="#"><u>WIRING HARNESS, MAIN - XR1200/X (2 OF 2)</u></a>
72519-09BK	<a href="#"><u>WIRING HARNESS, MAIN - 883C/L/N/R, 1200C/L/N/X (2 OF 2)</u></a> <a href="#"><u>WIRING HARNESS, MAIN - XR1200/X (2 OF 2)</u></a>
72543-07BK	<a href="#"><u>WIRING HARNESS, MAIN - 883C/L/N/R, 1200C/L/N/X (2 OF 2)</u></a> <a href="#"><u>WIRING HARNESS, MAIN - XR1200/X (2 OF 2)</u></a> <a href="#"><u>WIRING HARNESS, ENGINE - 883C/L/N/R, 1200C/L/N/X</u></a>
72544-07	<a href="#"><u>WIRING HARNESS, MAIN - 883C/L/N/R, 1200C/L/N/X (2 OF 2)</u></a> <a href="#"><u>WIRING HARNESS, MAIN - XR1200/X (2 OF 2)</u></a> <a href="#"><u>WIRING HARNESS, ENGINE - 883C/L/N/R, 1200C/L/N/X</u></a>
72545-08	<a href="#"><u>WIRING HARNESS, MAIN - 883C/L/N/R, 1200C/L/N/X (2 OF 2)</u></a> <a href="#"><u>WIRING HARNESS, MAIN - XR1200/X (2 OF 2)</u></a>
72549-07	<a href="#"><u>SPEEDOMETER - 883L/N/R, 1200L/N/X</u></a> <a href="#"><u>SPEEDOMETER - 883C, 1200C</u></a> <a href="#"><u>SPEEDOMETER &amp; TACHOMETER - XR1200/X</u></a>
72568-08	<a href="#"><u>WIRING HARNESS, MAIN - 883C/L/N/R, 1200C/L/N/X (2 OF 2)</u></a>

72592-10	<a href="#">WIRING HARNESS, MAIN - 883C/L/N/R, 1200C/L/N/X (2 OF 2)</a> <a href="#">WIRING HARNESS, MAIN - XR1200/X (2 OF 2)</a>
72611-07	<a href="#">WIRING HARNESS, MAIN - 883C/L/N/R, 1200C/L/N/X (2 OF 2)</a> <a href="#">WIRING HARNESS, MAIN - XR1200/X (2 OF 2)</a>
72720-07	<a href="#">TURN SIGNAL MODULE &amp; SECURITY SIREN</a>
72721-07	<a href="#">TURN SIGNAL MODULE &amp; SECURITY SIREN</a>
72904-01BK	<a href="#">TURN SIGNALS &amp; TAIL LAMP - 883N, 1200N/X</a>
72914-01BK	<a href="#">TURN SIGNALS &amp; TAIL LAMP - 883N, 1200N/X</a>
72990-01	<a href="#">TURN SIGNALS &amp; TAIL LAMP - 883N, 1200N/X</a>
72991-01	<a href="#">TURN SIGNALS &amp; TAIL LAMP - 883N, 1200N/X</a> <a href="#">TURN SIGNALS &amp; TAIL LAMP - 883N, 1200N/X</a>
73102-96BK	<a href="#">TURN SIGNALS &amp; TAIL LAMP - 883N, 1200N/X</a>
73104-96BK	<a href="#">WIRING HARNESS, MAIN - 883C/L/N/R, 1200C/L/N/X (2 OF 2)</a> <a href="#">WIRING HARNESS, MAIN - XR1200/X (2 OF 2)</a>
73106-96BK	<a href="#">WIRING HARNESS, MAIN - 883C/L/N/R, 1200C/L/N/X (2 OF 2)</a> <a href="#">WIRING HARNESS, MAIN - XR1200/X (2 OF 2)</a>
73152-96BK	<a href="#">REAR FENDER &amp; LICENSE PLATE BRACKET - 883N/1200N/X (NON-CANADA)</a> <a href="#">TURN SIGNALS &amp; TAIL LAMP - 883C/L/R, 1200C/L</a> <a href="#">TURN SIGNALS &amp; TAIL LAMP - 883N, 1200N/X</a> <a href="#">TURN SIGNALS, TAIL LAMP &amp; LICENSE PLATE BRACKET - XR1200/X</a>
73152-96WE	<a href="#">TURN SIGNALS &amp; TAIL LAMP - 883C/L/R, 1200C/L</a> <a href="#">TURN SIGNALS, TAIL LAMP &amp; LICENSE PLATE BRACKET - XR1200/X</a>
73154-96BK	<a href="#">HEADLAMPS</a> <a href="#">TURN SIGNALS &amp; TAIL LAMP - 883C/L/R, 1200C/L</a> <a href="#">TURN SIGNALS, TAIL LAMP &amp; LICENSE PLATE BRACKET - XR1200/X</a>
73156-96BK	<a href="#">TURN SIGNALS &amp; TAIL LAMP - 883C/L/R, 1200C/L</a> <a href="#">TURN SIGNALS &amp; TAIL LAMP - 883N, 1200N/X</a> <a href="#">TURN SIGNALS &amp; TAIL LAMP - 883N, 1200N/X</a> <a href="#">TURN SIGNALS, TAIL LAMP &amp; LICENSE PLATE BRACKET - XR1200/X</a> <a href="#">WIRING HARNESS, MAIN - XR1200/X (2 OF 2)</a>
73190-96	<a href="#">TURN SIGNALS &amp; TAIL LAMP - 883N, 1200N/X</a> <a href="#">WIRING HARNESS, MAIN - 883C/L/N/R, 1200C/L/N/X (2 OF 2)</a> <a href="#">WIRING HARNESS, MAIN - XR1200/X (2 OF 2)</a>
73191-96	<a href="#">REAR FENDER &amp; LICENSE PLATE BRACKET - 883N/1200N/X (NON-CANADA)</a> <a href="#">HEADLAMPS</a> <a href="#">TURN SIGNALS &amp; TAIL LAMP - 883C/L/R, 1200C/L</a> <a href="#">TURN SIGNALS &amp; TAIL LAMP - 883N, 1200N/X</a> <a href="#">TURN SIGNALS &amp; TAIL LAMP - 883N, 1200N/X</a> <a href="#">TURN SIGNALS, TAIL LAMP &amp; LICENSE PLATE BRACKET - XR1200/X</a> <a href="#">WIRING HARNESS, MAIN - XR1200/X (2 OF 2)</a>
73213-07	<a href="#">FRAME &amp; JIFFY STAND - 883C/L/N/R, 1200C/L/N/X</a> <a href="#">FRAME &amp; JIFFY STAND - XR1200/X</a>

	<a href="#">WIRING HARNESS, MAIN - 883C/L/N/R, 1200C/L/N/X (2 OF 2)</a> <a href="#">WIRING HARNESS, MAIN - XR1200/X (2 OF 2)</a> <a href="#">SWITCHES, SENSORS &amp; ELECTRICAL CONNECTORS</a>
73214-10	<a href="#">WIRING HARNESS, MAIN - 883C/L/N/R, 1200C/L/N/X (2 OF 2)</a>
73228-10	<a href="#">WIRING HARNESS, MAIN - XR1200/X (2 OF 2)</a>
73264-10	<a href="#">HEADLAMPS</a>
73266-10	<a href="#">HEADLAMPS</a>
73267-10	<a href="#">TURN SIGNALS &amp; TAIL LAMP - 883N, 1200N/X</a>
73282-10	<a href="#">TURN SIGNALS &amp; TAIL LAMP - 883N, 1200N/X</a>
73284-10	<a href="#">TURN SIGNALS &amp; TAIL LAMP - 883N, 1200N/X</a>
73301-04	<a href="#">WIRING HARNESS, MAIN - 883C/L/N/R, 1200C/L/N/X (2 OF 2)</a> <a href="#">WIRING HARNESS, MAIN - XR1200/X (2 OF 2)</a>
73302-04	<a href="#">WIRING HARNESS, MAIN - 883C/L/N/R, 1200C/L/N/X (2 OF 2)</a> <a href="#">WIRING HARNESS, MAIN - XR1200/X (2 OF 2)</a>
73303-04	<a href="#">WIRING HARNESS, MAIN - 883C/L/N/R, 1200C/L/N/X (2 OF 2)</a> <a href="#">WIRING HARNESS, MAIN - XR1200/X (2 OF 2)</a>
73304-04	<a href="#">WIRING HARNESS, MAIN - 883C/L/N/R, 1200C/L/N/X (2 OF 2)</a> <a href="#">WIRING HARNESS, MAIN - XR1200/X (2 OF 2)</a>
73305-04	<a href="#">WIRING HARNESS, MAIN - 883C/L/N/R, 1200C/L/N/X (2 OF 2)</a> <a href="#">WIRING HARNESS, MAIN - XR1200/X (2 OF 2)</a>
7331	<a href="#">MIRROR</a>
73318-09	<a href="#">TURN SIGNALS &amp; TAIL LAMP - 883N, 1200N/X</a>
7341M	<a href="#">FRONT FORK - XR1200X</a>
73504-11	<a href="#">REAR FENDER &amp; LICENSE PLATE BRACKET - 883N/1200N/X (NON-CANADA)</a>
7357	<a href="#">MIRROR</a>
74112-98BK	<a href="#">WIRING HARNESS, MAIN - 883C/L/N/R, 1200C/L/N/X (2 OF 2)</a> <a href="#">WIRING HARNESS, MAIN - XR1200/X (2 OF 2)</a>
74120-08	<a href="#">WIRING HARNESS, MAIN - 883C/L/N/R, 1200C/L/N/X (2 OF 2)</a> <a href="#">WIRING HARNESS, MAIN - XR1200/X (2 OF 2)</a>
74152-98	<a href="#">WIRING HARNESS, MAIN - 883C/L/N/R, 1200C/L/N/X (2 OF 2)</a> <a href="#">WIRING HARNESS, MAIN - XR1200/X (2 OF 2)</a>
74191-98	<a href="#">WIRING HARNESS, MAIN - 883C/L/N/R, 1200C/L/N/X (2 OF 2)</a> <a href="#">WIRING HARNESS, MAIN - XR1200/X (2 OF 2)</a>
74194-98	<a href="#">ENGINE SENSORS &amp; SWITCHES</a>
74196-04	<a href="#">SPEEDOMETER - 883L/N/R, 1200L/N/X</a> <a href="#">SPEEDOMETER - 883C, 1200C</a>

	<a href="#"><u>SPEEDOMETER &amp; TACHOMETER - XR1200/X</u></a>
74197-04	<a href="#"><u>SPEEDOMETER - 883L/N/R, 1200L/N/X</u></a> <a href="#"><u>SPEEDOMETER - 883C, 1200C</u></a> <a href="#"><u>SPEEDOMETER &amp; TACHOMETER - XR1200/X</u></a>
74402-05B	<a href="#"><u>ENGINE SENSORS &amp; SWITCHES</u></a>
7468M	<a href="#"><u>FRONT FORK - XR1200</u></a>
7469	<a href="#"><u>FRONT FORK - XR1200</u></a>
74711-08	<a href="#"><u>ALTERNATOR &amp; REGULATOR</u></a>
74714-10	<a href="#"><u>SPEEDOMETER &amp; TACHOMETER - XR1200/X</u></a>
7477	<a href="#"><u>REAR BRAKE MASTER CYLINDER - 883C/L/N/R, 1200C/L/N/X</u></a>
7481	<a href="#"><u>HORN</u></a>
7495	<a href="#"><u>FRONT FENDER</u></a> <a href="#"><u>HORN</u></a>
75268-07F	<a href="#"><u>FUEL PUMP</u></a>
75301-07	<a href="#"><u>FUEL PUMP</u></a>
75302-07B	<a href="#"><u>FUEL PUMP</u></a> <a href="#"><u>SWITCHES, SENSORS &amp; ELECTRICAL CONNECTORS</u></a>
75304-07A	<a href="#"><u>FUEL PUMP</u></a>
75305-07A	<a href="#"><u>FUEL PUMP</u></a>
75309-07A	<a href="#"><u>FUEL PUMP</u></a>
7531	<a href="#"><u>FRAME &amp; JIFFY STAND - XR1200/X</u></a> <a href="#"><u>REAR FORK, DEBRIS DEFLECTOR &amp; BELT GUARD</u></a> <a href="#"><u>FRONT FENDER</u></a> <a href="#"><u>REAR FENDER &amp; LICENSE PLATE BRKT - 883C/L/R, 1200C/L/X, 883N/1200N (CAN)</u></a> <a href="#"><u>REAR FENDER &amp; LICENSE PLATE BRACKET - 883N/1200N/X (NON-CANADA)</u></a> <a href="#"><u>FUEL TANK - 883C/L/N/R, 1200C/L/N/X</u></a> <a href="#"><u>FUEL TANK - XR1200/X</u></a> <a href="#"><u>HORN</u></a>
75317-07	<a href="#"><u>FUEL PUMP</u></a>
7593	<a href="#"><u>EXHAUST SYSTEM - 883C/L/N/R, 1200C/L/N/X</u></a> <a href="#"><u>EXHAUST SYSTEM - XR1200/X</u></a>
7601	<a href="#"><u>EXHAUST SYSTEM - XR1200/X</u></a>
7606	<a href="#"><u>HEADLAMPS</u></a>
761	<a href="#"><u>REAR FENDER &amp; LICENSE PLATE BRKT - 883C/L/R, 1200C/L/X, 883N/1200N (CAN)</u></a>
7624	<a href="#"><u>OIL TANK - 883C/L/N/R, 1200C/L/N/X</u></a>
7686	<a href="#"><u>OIL LINES &amp; COOLER - XR1200/X</u></a>

7716	<a href="#"><u>REAR FENDER &amp; LICENSE PLATE BRACKET - 883N/1200N/X (NON-CANADA)</u></a>
7725	<a href="#"><u>MIRROR</u></a>
7766	<a href="#"><u>REAR FORK, DEBRIS DEFLECTOR &amp; BELT GUARD</u></a>
7770	<a href="#"><u>BATTERY</u></a>
7778	<a href="#"><u>HEADLAMPS</u></a>
7783	<a href="#"><u>FRONT FORK - 883C/L/R, 1200C/L/X</u></a> <a href="#"><u>FRONT FORK - 883N, 1200N</u></a> <a href="#"><u>TURN SIGNALS &amp; TAIL LAMP - 883N, 1200N/X</u></a>
7792	<a href="#"><u>REAR FENDER &amp; LICENSE PLATE BRKT - 883C/L/R, 1200C/L/X, 883N/1200N (CAN)</u></a>
7800W	<a href="#"><u>HEADLAMPS</u></a>
7804	<a href="#"><u>BELTS &amp; SPROCKETS - 883C/L/N/R, 1200C/L/N/X</u></a> <a href="#"><u>BELTS &amp; SPROCKETS - XR1200/X</u></a>
7813A	<a href="#"><u>FRONT WHEEL, CAST - 883L/N/R, 1200L</u></a> <a href="#"><u>FRONT WHEEL, CAST - XR1200/X</u></a> <a href="#"><u>FRONT WHEEL, LACED &amp; PROFILE LACED - 883C/L/R, 1200C/N/L/X</u></a>
7824	<a href="#"><u>SHOCK ABSORBERS</u></a>
7839	<a href="#"><u>BELTS &amp; SPROCKETS - 883C/L/N/R, 1200C/L/N/X</u></a>
7862	<a href="#"><u>EXHAUST SYSTEM - 883C/L/N/R, 1200C/L/N/X</u></a>
7880	<a href="#"><u>HEADLAMPS</u></a>
7882	<a href="#"><u>REAR FENDER &amp; LICENSE PLATE BRKT - 883C/L/R, 1200C/L/X, 883N/1200N (CAN)</u></a> <a href="#"><u>REAR FENDER &amp; LICENSE PLATE BRACKET - 883N/1200N/X (NON-CANADA)</u></a>
7900	<a href="#"><u>REAR FENDER - XR1200/X</u></a>
7916A	<a href="#"><u>CAMSHAFTS &amp; GEAR COVER - 883C/L/N/R, 1200C/L/N/X</u></a> <a href="#"><u>CAMSHAFTS &amp; GEAR COVER - XR1200/X</u></a>
7964	<a href="#"><u>TURN SIGNALS &amp; TAIL LAMP - 883C/L/R, 1200C/L</u></a>
80399-04	<a href="#"><u>EXHAUST SYSTEM - 883C/L/N/R, 1200C/L/N/X</u></a>
8102	<a href="#"><u>FUEL TANK - XR1200/X</u></a>
8108	<a href="#"><u>HORN</u></a>
8135B	<a href="#"><u>FRAME &amp; JIFFY STAND - 883C/L/N/R, 1200C/L/N/X</u></a>
8190	<a href="#"><u>REAR WHEEL, CAST - 883L/N/R, 1200C/L</u></a> <a href="#"><u>REAR WHEEL, CAST - XR1200/X</u></a> <a href="#"><u>REAR WHEEL, LACED &amp; PROFILE LACED - 883C/L/R, 1200C/L/N/X</u></a>
835	<a href="#"><u>CRANKCASE &amp; GEARCASE - 883C/L/N/R, 1200C/L/N/X</u></a> <a href="#"><u>CRANKCASE &amp; GEARCASE - XR1200/X</u></a>

855B	<a href="#">REAR BRAKE MASTER CYLINDER - XR1200/X</a> <a href="#">REAR BRAKE CONTROL</a> <a href="#">FOOTRESTS - XR1200/X</a>
8679	<a href="#">CAMSHAFTS &amp; GEAR COVER - 883C/L/N/R, 1200C/L/N/X</a>
8692	<a href="#">REAR FENDER &amp; LICENSE PLATE BRKT - 883C/L/R, 1200C/L/X, 883N/1200N (CAN)</a> <a href="#">REAR FENDER &amp; LICENSE PLATE BRACKET - 883N/1200N/X (NON-CANADA)</a>
882	<a href="#">REAR BRAKE MASTER CYLINDER - 883C/L/N/R, 1200C/L/N/X</a> <a href="#">OIL LINES &amp; COOLER - XR1200/X</a>
8862	<a href="#">TRANSMISSION GEARS</a>
8873	<a href="#">CLUTCH - 883C/L/N/R, 1200C/L/N/X</a> <a href="#">CLUTCH - XR1200/X</a>
8881	<a href="#">CRANKCASE &amp; GEARCASE - 883C/L/N/R, 1200C/L/N/X</a> <a href="#">CRANKCASE &amp; GEARCASE - XR1200/X</a>
8884	<a href="#">TRANSMISSION GEARS</a>
8885	<a href="#">CLUTCH - 883C/L/N/R, 1200C/L/N/X</a> <a href="#">CLUTCH - XR1200/X</a>
8956	<a href="#">TRANSMISSION GEARS</a>
89579-91	<a href="#">REAR FORK, DEBRIS DEFLECTOR &amp; BELT GUARD</a> <a href="#">FUEL TANK - 883C/L/N/R, 1200C/L/N/X</a>
89586-04	<a href="#">REAR FORK, DEBRIS DEFLECTOR &amp; BELT GUARD</a> <a href="#">FUEL TANK - 883C/L/N/R, 1200C/L/N/X</a> <a href="#">FUEL TANK - XR1200/X</a>
8964	<a href="#">TRANSMISSION GEARS</a>
8966	<a href="#">TRANSMISSION GEARS</a>
8970A	<a href="#">TRANSMISSION GEARS</a>
8972	<a href="#">CRANKCASE &amp; GEARCASE - 883C/L/N/R, 1200C/L/N/X</a> <a href="#">CRANKCASE &amp; GEARCASE - XR1200/X</a>
90383-98	<a href="#">INDUCTION MODULE - 883C/L/N/R, 1200C/L/N/X</a> <a href="#">INDUCTION MODULE - XR1200/X</a>
90493-83	<a href="#">FOOTRESTS - 883C/L/N/R, 1200C/L/N/X</a>
90520-07	<a href="#">FRAME &amp; JIFFY STAND - 883C/L/N/R, 1200C/L/N/X</a> <a href="#">FOOTRESTS - XR1200/X</a>
9187	<a href="#">SHIFTER</a>
91960-10	<a href="#">MIRROR</a>
91961-10	<a href="#">MIRROR</a>
91982-03B	<a href="#">MIRROR</a>



91983-03B	<a href="#">MIRROR</a>
9209	<a href="#">REAR FORK, DEBRIS DEFLECTOR &amp; BELT GUARD</a>
9214	<a href="#">CLUTCH - XR1200/X</a>
92376-09	<a href="#">MIRROR</a>
92377-09	<a href="#">MIRROR</a>
92381-09	<a href="#">MIRROR</a>
92400-09	<a href="#">MIRROR</a>
92401-09	<a href="#">MIRROR</a>
92402-09	<a href="#">MIRROR</a>
92500-10	<a href="#">REAR FENDER - XR1200/X</a>
9254	<a href="#">REAR WHEEL, CAST - 883L/N/R, 1200C/L</a>
9276A	<a href="#">FRONT WHEEL, CAST - 883L/N/R, 1200L</a> <a href="#">FRONT WHEEL, CAST - XR1200/X</a> <a href="#">FRONT WHEEL, LACED &amp; PROFILE LACED - 883C/L/R, 1200C/N/L/X</a> <a href="#">REAR WHEEL, CAST - 883L/N/R, 1200C/L</a> <a href="#">REAR WHEEL, CAST - XR1200/X</a> <a href="#">REAR WHEEL, LACED &amp; PROFILE LACED - 883C/L/R, 1200C/L/N/X</a>
930	<a href="#">TURN SIGNALS, TAIL LAMP &amp; LICENSE PLATE BRACKET - XR1200/X</a>
940	<a href="#">ENGINE MOUNTS</a>
942	<a href="#">OIL PUMP - XR1200/X</a>
943	<a href="#">ROCKER ARMS, COVERS, &amp; PUSH RODS - XR1200/X</a> <a href="#">INSPECTION COVER &amp; PRIMARY COVER</a>
94432-04	<a href="#">REAR BRAKE MASTER CYLINDER - 883C/L/N/R, 1200C/L/N/X</a>
946	<a href="#">AIR CLEANER - 883C/L/N/R, 1200C/L/N/X</a>
94612-04	<a href="#">REAR BRAKE MASTER CYLINDER - 883C/L/N/R, 1200C/L/N/X</a>
95594-84B	<a href="#">FRONT WHEEL, CAST - XR1200/X</a> <a href="#">FRONT WHEEL, LACED &amp; PROFILE LACED - 883C/L/R, 1200C/N/L/X</a> <a href="#">REAR WHEEL, CAST - XR1200/X</a> <a href="#">REAR WHEEL, LACED &amp; PROFILE LACED - 883C/L/R, 1200C/L/N/X</a>
95595-84B	<a href="#">FRONT WHEEL, CAST - 883L/N/R, 1200L</a> <a href="#">FRONT WHEEL, LACED &amp; PROFILE LACED - 883C/L/R, 1200C/N/L/X</a> <a href="#">REAR WHEEL, CAST - 883L/N/R, 1200C/L</a> <a href="#">REAR WHEEL, LACED &amp; PROFILE LACED - 883C/L/R, 1200C/L/N/X</a>
9704	<a href="#">BELTS &amp; SPROCKETS - XR1200/X</a>
9742	<a href="#">FRONT FORK - XR1200X</a>
9810	<a href="#">WIRING HARNESS, MAIN - XR1200/X (1 OF 2)</a>

9838	<a href="#">WIRING HARNESS, MAIN - 883C/L/N/R, 1200C/L/N/X (1 OF 2)</a> <a href="#">WIRING HARNESS, MAIN - XR1200/X (1 OF 2)</a>
9847	<a href="#">HEADLAMPS</a>
9848	<a href="#">HEADLAMPS</a>
9862	<a href="#">SWITCHES, SENSORS &amp; ELECTRICAL CONNECTORS</a>
9898	<a href="#">HEADLAMPS</a> <a href="#">WIRING HARNESS, MAIN - 883C/L/N/R, 1200C/L/N/X (1 OF 2)</a> <a href="#">WIRING HARNESS, MAIN - XR1200/X (1 OF 2)</a>
9907	<a href="#">REAR BRAKE MASTER CYLINDER - 883C/L/N/R, 1200C/L/N/X</a> <a href="#">SWITCHES, SENSORS &amp; ELECTRICAL CONNECTORS</a>
995	<a href="#">REAR BRAKE MASTER CYLINDER - 883C/L/N/R, 1200C/L/N/X</a>
9955	<a href="#">EXHAUST SYSTEM - 883C/L/N/R, 1200C/L/N/X</a> <a href="#">EXHAUST SYSTEM - XR1200/X</a>
9956	<a href="#">EXHAUST SYSTEM - XR1200/X</a>
9969	<a href="#">OIL TANK - 883C/L/N/R, 1200C/L/N/X</a> <a href="#">OIL TANK - XR1200/X</a>
997	<a href="#">REAR BRAKE MASTER CYLINDER - 883C/L/N/R, 1200C/L/N/X</a> <a href="#">REAR BRAKE MASTER CYLINDER - XR1200/X</a>
C2045.1AK	<a href="#">REAR FENDER - XR1200/X</a>
C2050.1AM	<a href="#">REAR FENDER - XR1200/X</a>
C2051.1AM	<a href="#">REAR FENDER - XR1200/X</a>
DA0600.12FAZB	<a href="#">BELTS &amp; SPROCKETS - XR1200/X</a>
J8127.3A8	<a href="#">FRONT FORK - XR1200</a>
J8130.3A8	<a href="#">FRONT FORK - XR1200</a> <a href="#">FRONT FORK - XR1200X</a>

## Component Types and Introduction Dates

[View interactive table](#)

101A1 - Generic Nuts	
7725	Unknown
7839	Unknown
7624	Unknown
7792	2012
8135B	Unknown

7813A	Unknown
7778	Unknown
7862	Unknown
7477	Unknown
7469	2006
7916A	Unknown
7770	Unknown
7766	Unknown
7900	Unknown
7824	Unknown
11730A	Unknown
8190	Unknown
7495	1994
7880	Unknown
7331	Unknown
7964	Unknown
37495-91	1991
7468M	2006
7341M	2010
7481	Unknown
8108	Unknown
7593	1991
7601	1990
102A1 - Generic Screws	
2446	Unknown
3899	1999
4678	Unknown
3802W	2009
4266A	Unknown
4188	Unknown

3244	Unknown
4250M	Unknown
4765	1998
3579A	Unknown
3990	2006
4180	Unknown
2872W	2009
675	Unknown
3854	2009
882	2000
3987	Unknown
4771	Unknown
3048	2016
68026-99	1999
3162	Unknown
3849	Unknown
3018A	2010
4741A	1994
2481M	Unknown
94612-04	2004
3655A	Unknown
3976	2004
1081A	Unknown
5416	Unknown
4718A	1994
3731M	Unknown
2955	1996
3485A	Unknown
4897	2008
8679	Unknown
4993	Unknown

5414	Unknown
3022A	Unknown
4991	2009
43567-92	1992
4802	2009
3514	Unknown
4499M	Unknown
4350A	Unknown
942	1992
42827-04	2004
4551	Unknown
940	Unknown
4748	2009
943	Unknown
4553	Unknown
4091	Unknown
4886	Unknown
2653	1972
3615	Unknown
4326A	1990
2325	Unknown
2773	Unknown
2548	Unknown
4549	Unknown
4751	Unknown
4705	2005
4132	Unknown
4740A	1994
2586A	Unknown
3059	2008

3658	Unknown
45405-75A	1975
930	Unknown
1048	Unknown
4240	Unknown
4975M	Unknown
3605	2009
32617-00Y	2000
2952A	2003
3060	2008
4822A	1994
4724	2009
2487	2008
2486	Unknown
45996-87	1987
3814	Unknown
3594	1992
835	Unknown
4290	Unknown
3708M	2011
3085	Unknown
2708A	Unknown
2513	1990
4816A	Unknown
4859	Unknown
4076	Unknown
1039	Unknown
2607	Unknown
4029A	1990
42875-07	2007

4420	2009
45902-00	2000
3588	1990
2612	1973
3563	1999
4017	2009
4589	Unknown
3706M	Unknown
2501A	Unknown
1028	Unknown
4016	Unknown
4032A	Unknown
3124	Unknown
2535	2004
4269	Unknown
45800-04	2004
4351	Unknown
3210A	Unknown
4820A	Unknown
1091	Unknown
4354	Unknown
4352	Unknown
56402-83A	1983
1094	Unknown
2361	Unknown
3732	1998
3666A	1997
2362	Unknown
3480A	Unknown
4717A	Unknown

2441	Unknown
3767B	2009
3574	Unknown
3214	Unknown
946	Unknown
4871	Unknown
855B	2014
4363	2013
4758A	Unknown
4575	Unknown
4312C	Unknown
4798	Unknown
1753	2006
3565	Unknown
3123	Unknown
997	Unknown
16478-85A	1985
995	2009
4359	Unknown
56397-74C	1974
3880	2004
5403B	Unknown
4329	Unknown
3029	Unknown
4778	Unknown
4779	Unknown
2407	2008
27216-95	1995
45790-80	1980
2460	Unknown
3026	Unknown



16480-92A	1992
2445	Unknown
3696	Unknown
103A1 - Generic Washers	
41732-04	2004
6718	Unknown
6026	Unknown
27714-06	2006
6445	Unknown
6611	Unknown
6157	Unknown
6302	Unknown
41743-04	2004
6610	Unknown
6551	Unknown
36802-84B	1984
8972	Unknown
6379W	Unknown
6110	Unknown
6787	Unknown
6288	Unknown
37891-02	2002
6930	2008
6099	2011
6798	2012
10972	2008
6101	2011
6594	Unknown
6139	Unknown
67815-59A	1959

37890-02	2002
6589	Unknown
6590HW	Unknown
6516HW	Unknown
7220	Unknown
7068	Unknown
7038	1998
7039	Unknown
65453-08	2008
6738	Unknown
6237	2014
6192	Unknown
7041	1958
6703	1970
6701	Unknown
6702	Unknown
42425-05	2005
7045	Unknown
6400HB	Unknown
104A1 - Custom Nuts	
54321-85	1985
7606	1983
105A1 - Custom Screws	
41191-74A	1974
94432-04	2004
106A1 - Custom Washers	
7080	Unknown
6003	2010
7124	Unknown
108A1 - Hose Clamps	

42808-04	2004
10053	2010
10252	2004
10031	2010
55847-05A	2005
10344	Unknown
31512-04	2004
10014	Unknown
61576-08	2008
29379-08	2008
9956	1972
9955	Unknown
10080	Unknown
10304	Unknown
10074	Unknown
10303	Unknown
108B1 - P Clamps	
70417-04C	2004
10255	2004
10179A	Unknown
10323	Unknown
10092	2010
10142	Unknown
109A1 - Studs	
16715-83	1983
16832-86C	1986
16899-02	2002
65088-04	2004
110B1 - Plain Bushings	
25586-37	1937

9214	Unknown
34982-02A	2011
35030-89A	1989
62881-00	2000
40574-06	2006
8966	Unknown
34076-02A	2002
17429-91	1991
9254	2006
45801-04	2004
25598-91	1991
25593-74	1974
24647-87	1987
45465-87	1987
42569-03	2003
53176-08	2008
9742	2010
8885	Unknown
25588-91	1991
46348-06	2006
42443-80A	1980
42846-04	2004
110C1 - Radial Shaft Seals	
37107-06	2006
12068	Unknown
12074	Unknown
67104-95	1995
110D1 - Rolling Element Bearings	
9209	2003
8956	Unknown
9187	2000

8964	2006
24650-87	1987
24605-07	2007
8970A	2012
8884	Unknown
9276A	2011
24659-87	1987
8862	Unknown
24660-87	1987
111A1 - Adhesive	
73304-04	2004
9907	Unknown
72990-01	2001
9838	Unknown
9862	Unknown
74196-04	2004
111C1 - Insulating Tape	
11668	Unknown
116A1 - Banjo Bolts	
41737-04	2004
41736-04	2004
117A1 - Coil Springs	
56396-74A	1974
119A1 - O-Rings	
11570	Unknown
10926	2010
11631	Unknown
46329-06	2006
11621	Unknown
11625	Unknown

11326	Unknown
26432-76A	1976
11105	Unknown
11351	2001
11113	Unknown
11110	Unknown
10967	Unknown
10966	Unknown
11140	1982
10969	Unknown
11289A	Unknown
10971	Unknown
10970	2008
11202	Unknown
61573-08A	2008
48027-99	1999
11120	Unknown
11190	Unknown
11290	1998
45984-87	1987
11377	Unknown
26434-91	1991
11171	Unknown
11179	1986
11317	Unknown
120A1 - Pins	
232	2008
215	Unknown
16573-83A	1983
42460-80B	1980
9704	Unknown

50003-89B	1989
1594	1998
24754-75A	1975
45041-01A	2001
51938-04	2004
358	Unknown
121A1 - Grommets	
11474	Unknown
11491A	2012
11407	Unknown
121B1 - Press-Fit Plugs	
67865-89	1989
42838-04	2004
6863	Unknown
90383-98	1998
761	1996
72164-94A	1994
6864A	2010
90520-07	2007
122A1 - Retaining Rings	
8102	Unknown
11271	Unknown
11272	Unknown
673	Unknown
10279	Unknown
35118-03	2003
11598	2007
11002	Unknown
35114-02	2002
65325-83A	1983

45611-86	1986
35087-99A	1999
11031	Unknown
11155	Unknown
11142	Unknown
11408	Unknown
10984	Unknown
70640-07	2007
11390	Unknown
11046	Unknown
61213-04A	2004
11121	2008
11177A	1996
11304	Unknown
11282	Unknown
11067	Unknown
11379	2002
16699-06	2006
11360	Unknown
11384K	Unknown
11250	1992
44590-04	2004
35038-89A	1989
41229-08	2008
10242	2004
11161	1984
123A1 - Sealing Washers	
26436-90A	1990
123B1 - Spring Washers	
7155	Unknown



7069	Unknown
48738-07	2007
124A1 - Spacers	
48390-06	2006
5925	2006
6021	Unknown
33354-08	2008
6152	Unknown
11804	Unknown
46346-06	2006
40562-05	2005
37797-09	2009
45377-87	1987
7882	Unknown
35107-06	2006
125A1 - Tie Straps	
10065	1985
10287	2004
10177	1996
10181	1996
10006	1960
126A1 - Miscellaneous Hardware	
42593-04	2004
45799-04	2004
12030	Unknown
46354-06	2006
46358-06	2006
46355-06	2006
90493-83	1983
42899-08	2008
12200	Unknown

12201	Unknown
42829-04	2004
48737-07	2007
69148-01	2001
33540-06	2006
45065-06	2006
48791-09	2009
56394-74	1974
8873	1984
42839-04	2004
126B1 - Rivets Fasteners	
8692	Unknown
11778	Unknown
11785	Unknown
127B1 - Generic Mounting Bracket	
51652-97A	1997
67742-06	2006
140A1 - Battery Warning Label	
15368-01A	2001
15376-06A	2006
140A2 - General Warning Label	
29466-08	2008
29147-07	2007
140A3 - Other Special Warning Label	
15370-01A	2001
140G2 - EPA Label	
13504-10	2010
14680-10	2010
14679-10	2010
14016-10	2010

29404-01A	2001
14066-10	2010
14710-10	2010
14160-10	2010
14081-10	2010
14708-10	2010
29127-95B	1995
140G3 - Noise Label	
14190-10	2010
14258-10	2010
13594-10	2010
141A1 - Medallion	
52494-04	2004
13567-05	2005
67667-05	2005
71550-94	1994
13579-08	2008
62320-06	2006
13343-08	2008
14270-92	1992
13578-08	2008
14448-94	1994
62321-06	2006
13566-05	2005
13305-08	2008
13342-08	2008
13304-08	2008
44440-04	2004
13386-08	2008
149A1 - Tool	

C2045.1AK	2006
C2051.1AM	2008
92500-10	2010
C2050.1AM	2008
161A1 - Powertrain Assembly	
19622-11C	2014
19771-12C	2015
19567-10C	2013
19637-12C	2015
19734-12C	2015
19519-13B	2015
19606-13B	2015
19527-13B	2015
19766-13B	2015
19768-13B	2015
19604-11C	2014
19638-10C	2013
19767-13B	2015
19566-10C	2013
19639-10C	2013
163B1 - Engine Isolator Mount	
16353-04	2004
41562-04	2004
16287-04	2004
48492-04A	2004
48463-04A	2004
16301-08	2008
16291-04	2004
41561-04	2004
164A1 - Engine Mount Bracket	

63110-08	2008
63119-08	2008
164B1 - Engine Mount Bracket sub-component	
7716	1990
16232-04B	2004
7783	Unknown
7531	1980
DA0600.12FAZB	Unknown
7804	Unknown
7686	Unknown
7357	Unknown
7800W	Unknown
164D1 - Tiebar Mount	
47471-04A	2004
165A1 - Cylinder Head	
17565-10	2010
16667-07	2007
17488-07	2007
16867-07	2007
18011-86	1986
17524-08	2008
16661-07	2007
18020-07	2007
17523-08	2008
16865-07	2007
16660-07	2007
17562-10	2010
17485-07	2007
16666-07	2007
165B1 - Cylinder Head and Base Gaskets	
16800-84B	2013

16664-86D	1986
16789-04	2004
16770-84F	1984
16771-08	2008
167A1 - PT Assembly Miscellaneous Component	
37934-06	2006
37896-02	2002
36731-91	1991
168A1 - Cylinder	
16463-04	2004
17496-07	2007
16443-04	2004
16452-05	2005
16468-08	2008
16469-10	2010
179A1 - Lifters	
17981-04	2004
17956-08	2008
17972-04	2004
17903-10	2010
17911-10	2010
17957-08	2008
18538-99C	2011
179B1 - Push Rod	
17908-02	2002
17909-02	2002
179C1 - Lifter Anti-Rotation Device	
18505-06	2006
180A1 - Valves	
18690-02	2002

18053-04	2004
18021-87A	1987
18059-04	2004
181B1 - Valve Seals	
18012-87A	1987
16465-06	2006
18094-02A	2002
181C1 - Valve Collars	
18260-02	2002
184A1 - PT Camdrive and Valvetrain Miscellaneous Component	
17569-08	2008
18245-02	2002
18258-02	2002
219A1 - Piston	
21965-08	2008
16466-04A	2004
22244-04A	2004
220A1 - Piston Ring	
22266-86	1986
22224-04	2004
22223-04	2004
22231-04	2004
21948-02	2002
22261-86	1986
22238-04	2004
22271-86	1986
22221-04	2004
22227-04	2004
22228-04	2004
22230-04	2004
221A1 - Piston Pin	

22589-83B	1983
22765-02	2002
22719-04	2004
237B1 - Connecting Rod sub-component	
24332-36	1936
239A1 - PT Lower End Miscellaneous Component	
24331-36	1936
24658-87	1987
241A1 - Flywheel	
23999-08	2008
23905-04B	2007
244A1 - Crankcase	
24470-06B	2006
24745-07A	2008
24466-06B	2006
24475-08	2008
244D1 - Crankcase sub-component	
17525-08	2008
24047-00	2000
8881	Unknown
254A1 - Camdrive Gear	
25271-08	2008
25194-06	2006
255C1 - Camdrive Chain Tensioner	
40039-02C	2007
256A1 - Timer Cover	
32506-90	1990
32531-07	2007
32514-04	2004
257B1 - Clutch Cover	



37718-10	2010
34992-04	2004
34760-04	2004
257D1 - Clutch Inspection Cover	
34993-04A	2004
34794-05A	2005
34761-04A	2006
35077-10	2010
257E1 - Cover Gaskets	
67121-95A	1995
65324-83B	2009
75301-07	2007
25279-08	2008
17393-07	2007
17695-07B	2011
34955-04	2004
67174-08	2008
17362-07B	2011
61109-85D	1985
26638-00Y	2000
25463-94A	1994
17027-08	2008
17976-04	2004
29313-95	1995
12085	Unknown
29062-95B	1995
17036-08	2008
17633-08B	2011
34990-08	2008
45378-87	1987

17049-08	2008
25263-90D	1990
257G1 - Ignition Cover	
32587-06	2006
32699-05	2005
257L1 - Primary Cover	
60836-10	2010
25486-05	2005
25246-08	2008
25430-06	2006
25546-07	2007
25471-06	2006
25252-04	2004
60830-07	2007
25307-06	2006
25460-06	2006
257M1 - Push Rod Cover	
17954-08	2008
17946-04	2004
17963-10	2010
257N1 - Rocker-Arm / Valve Cover	
17501-04	2004
17375-83A	1983
17615-10	2010
17537-07A	2007
17611-83	1983
17551-04	2004
17360-83A	1983
17532-07A	2007
17590-08A	2008

17585-08	2008
17655-05	2005
17591-10	2010
17614-07A	2008
258A1 - PT Covers Miscellaneous Component	
25250-10	2010
25219-04	2004
25213-04	2004
265A1 - Vent / Breather Line	
63508-04	2004
26162-08	2008
62360-10	2010
62360-04A	2004
26169-08	2008
63103-08	2008
271C1 - Intercooler Gasket	
65927-00	2000
272B1 - Throttle Body / Intake Manifold	
27695-08	2008
16360-08	2008
27795-07	2007
16361-07	2007
273A1 - Intake Manifold	
27707-07	2007
273A2 - Intake Manifold to Cylinder Head Seal	
27327-07A	2013
273E1 - Idle Air Control Actuator	
27628-01A	2001
273K1 - Throttle Body to Manifold Seal	
26995-86B	1986
273M1 - Throttle Cable Bracket	

27698-08A	2008
27701-07A	2007
56871-08	2008
273N1 - Throttle Cable Retention Bracket	
56508-76	1976
274B1 - Fuel Rail	
27704-07	2007
274C1 - Fuel Injector	
27706-07A	2007
275A1 - PT Upper End Miscellaneous Component	
27700-07	2007
290A1 - Airbox Baseplate	
29369-07A	2007
290C1 - Airbox Baseplate sub-component	
29123-07	2007
29355-07	2007
29354-07	2007
29802-07	2007
290D1 - Airbox Seal	
29315-04	2004
290E1 - Airbox Helmholtz Chamber	
29867-09	2009
292A1 - Air Duct	
28794-10	2010
292B1 - Air Duct Bezel	
27955-09	2009
294A1 - Air Filter Element	
29371-08	2008
29377-08	2008
29331-04	2004

294F1 - Engine Breather Valve

26016-08

2008

295A1 - Intake Miscellaneous Component

26011-04

2004

28911-04A

2004

26020-07

2007

26012-07

2007

29380-08

2008

26010-04

2004

299C1 - Charging Rotor

30018-08

2008

30029-08

2008

32493-02B

2008

32494-04B

2008

299F1 - Stator Assembly

29997-07A

2008

314E1 - Starter Friction Clutch

31556-91D

2010

314F1 - Starter Motor

31390-91F

1991

314G1 - Starter Motor sub-component

31488-81C

2008

314H1 - Starter Solenoid

31603-91

1991

314L1 - Starter Motor Drive

33189-63

1963

315B1 - Exhaust Valve Actuator

18691-02

2002

316A1 - Ignition Coil

31656-07

2007

316B1 - Spark Plug Cable	
32003-07	2007
32004-08	2008
32005-08A	2008
32006-07	2007
316C1 - Spark Plug	
32362-04	2004
27794-08	2008
327B1 - Chemical / Gas Sensor	
27719-07	2007
27690-08	2008
327C1 - Pressure Sensor	
26554-77C	2015
327D1 - Proximity Sensor	
50126-08A	2008
74402-05B	2012
32707-01C	2007
327E1 - Temperature Sensor	
32472-10	2010
32319-07A	2014
327F1 - Throttle Position Sensor	
27629-01A	2001
336A1 - Shift Linkage Rod Assembly	
34723-10	2010
34663-10	2010
336B1 - Shift Linkage Connection Rod	
33832-08	2008
336C1 - Shift Linkage Rod End	
34573-04	2004
336F1 - Toepeg	
34611-65A	1965

336G1 - Toepeg Rubber	
34672-08	2008
33133-06	2006
339A1 - Shift Lever	
34572-04	2004
34670-06	2006
34660-04A	2004
34721-07	2007
33875-08	2008
339C1 - Shifter Drum	
33641-06	2006
339D1 - Shifter Fork	
34162-06	2006
34157-06	2006
34981-02A	2002
339F1 - Shifter Index Lever	
33831-08	2008
34724-10	2010
34014-06A	2006
339H1 - Shifter Mechanism Components (internal)	
34064-00C	2000
34491-02A	2002
34665-10	2010
34483-06	2006
34163-02	2002
348A1 - Transmission Output Sprocket Cover	
34938-04	2004
34932-04	2004
34954-07	2007
34911-04	2004

37716-10	2010
34941-08	2008
34943-05	2005
350A1 - Transmission Output Sprocket	
40380-04	2004
40409-04	2004
40379-04	2004
350B1 - Transmission Output Sprocket Compensating Cushion	
37899-02A	2002
350C1 - Transmission Output Sprocket Compensator Driving Element	
40560-05	2005
350E1 - Transmission Gear	
35167-06	2006
35159-06	2006
35234-08	2008
35165-06	2006
350F1 - Transmission Mainshaft	
35163-06	2006
356A1 - Transmission Countershaft	
35197-06	2006
35191-06	2006
35172-06	2006
35193-06	2006
35174-06	2006
356B1 - Transmission Dog Ring	
35196-06	2006
35190-06	2006
363A1 - PT Driveline Miscellaneous Component	
35051-89A	1989
35211-91B	1991



365A1 - Primary Chain

40147-04 2004

40005-57B 1957

40057-08 2008

365C1 - Primary Drive Assembly

40254-02 2002

40290-04A 2004

40241-02A 2003

40251-92A 1992

367A1 - Clutch Lever

45356-07 2007

46945-07A 2007

367E1 - Clutch Lever Mount Clamp

38671-04 2004

367H1 - Clutch Lever sub-component

34920-86A 1986

37892-02 2002

37904-90 1990

37870-91 1991

36715-94 1994

38630-88 1988

37872-90 1990

37905-90 1990

37909-90 1990

37910-04B 2006

37895-02 2002

36799-91 1991

37977-90 1990

46268-04 2004

37908-90 1990

370A1 - Clutch Assembly	
37924-04A	2006
370B1 - Clutch Friction Plate	
37897-02	2002
37911-90	1990
370C1 - Clutch Hub	
36785-91	1991
37898-02A	2002
370F1 - Clutch Pressure Plate	
37912-91	1991
37913-90	1990
370F3 - Clutch Diaphragm Spring	
37894-02	2002
370G1 - Clutch Shell	
36790-04	2004
372A1 - Clutch Actuation Screw	
11765Y	Unknown
372D1 - Clutch Cable	
38702-05C	2005
38786-08A	2008
38699-04D	2014
372K2 - Clutch Ramp	
25453-87A	1987
25409-94B	1994
400A1 - Drive-Belt	
40591-07	2007
40371-07	2007
400B1 - Idler Pulley Assembly	
31602-08	2008
31630-08	2008
400C1 - Idler Pulley	

31698-08	2008
400E1 - Idler Pulley Bracket	
31699-08	2008
401A1 - Engine Sprocket	
40353-08	2008
409A1 - Rear Wheel	
41012-08	2008
40992-08	2008
43348-10	2010
47878-09B	2012
41478-10A	2012
41058-09	2009
41013-09	2009
41082-08A	2012
41660-08	2008
43832-08A	2012
41083-08	2008
43107-08	2008
410D1 - Electronic Control Module (ECM)	
32534-11	2011
68920-07	2007
68278-07	2007
410G1 - Security System Control Module	
68924-07	2007
68922-07	2007
70617-07	2007
413A1 - Brake Caliper	
42892-08	2008
42948-08	2008
42881-10	2010

42944-08	2008
44121-07A	2008
40968-08A	2008
44160-00	2000
42877-10	2010
42943-08	2008
42835-08	2008
42879-10	2010
413C1 - Brake Caliper sub-component	
42823-04	2004
42824-04	2004
45401-87	1987
40948-04	2004
413D1 - Brake Pad	
42029-07	2007
415B1 - Brake Rotor	
44136-00	2000
41820-08A	2008
44156-00	2000
41797-00	2000
41833-08	2008
41821-08A	2008
41822-10	2010
416A1 - Brakes Miscellaneous Component	
34582-04	2004
45067-06	2006
42837-04	2004
72023-51E	2012
42807-04	2004
416B1 - Brake Mounting Bracket	

42825-04	2004
42878-10	2010
42880-10	2010
417A1 - Brake Master Cylinder Assembly	
42813-04	2004
42805-04	2004
42814-04	2004
42945-08	2008
417B1 - Brake Master Cylinder	
45146-07	2007
45052-07A	2008
42941-10	2010
42745-07	2007
417C1 - Brake Master Cylinder Piston Set	
42834-04	2004
42028-07	2007
417D1 - Brake Master Cylinder sub-Component	
42809-07A	2008
67804-04	2004
42900-08	2008
40946-04	2004
42736-08	2008
42893-07	2007
42832-04	2004
44178-04	2004
44189-04	2004
42803-07A	2008
42811-04	2004
42738-08	2008
42595-04	2004
42804-07	2007

42815-04	2004
42810-07A	2008
42976-04	2004
42979-04	2004
42645-07	2007
42828-04	2004
44184-04	2004
43528-04	2004
42817-07	2007
417E1 - Brake Master Cylinder Hose	
42821-04	2004
42737-08	2008
417F1 - Brake Master Cylinder Reservoir	
42816-07	2007
42521-07	2007
42845-07	2007
42744-08	2008
417G1 - Front Brake Lever	
46946-06A	2006
42806-04	2004
418B1 - Brake Line	
45319-04D	2011
42942-08B	2012
45449-04C	2011
46417-10A	2011
45074-95	1995
46400-04C	2011
44429-06B	2009
46411-05E	2011
42975-08B	2012

## 420A1 - Wheel Rim

43440-05A 2005

41389-10 2010

43017-07 2007

43662-80B 1983

43445-05 2005

41426-07 2007

43001-06 2006

43085-97 1997

## 421A1 - Wheel Spoke with Nipple

40760-05 2005

43064-05 2005

43052-05A 2005

40761-05 2005

43241-05 2005

40762-05 2005

40759-05 2005

47887-10 2010

43056-05 2005

## 422B1 - Wheel Sprocket

40544-08 2008

40444-07 2007

40350-07 2007

37799-09 2009

40518-08 2008

40352-07 2007

## 422C1 - Wheel Sprocket Compensating Cushion

40561-05 2005

## 423C1 - Rim Strip

43164-05 2005

43145-47 1947

43939-89	1989
43147-40	1940
423D1 - Tire Inner Tube	
43140-80	1980
41188-06	2006
40558-82	1982
40575-05	2005
423G1 - Valve Stem	
43157-83A	1983
423H1 - Valve Stem Cap	
41123-79	1979
423K1 - Wheel Weights	
95595-84B	2014
95594-84B	2014
424A1 - Wheels, Tires and Final Drive Miscellaneous Component	
43595-99	1999
430B1 - Rear Axle Carrier / Adjuster	
41626-08	2008
430D1 - Front Axle	
43895-08	2008
41628-08	2008
430E1 - Rear Axle	
41176-08	2008
41573-05	2005
41623-05	2005
41627-08	2008
431A1 - Front Tire	
43022-91A	1991
43104-93A	1993
43112-91A	1991



43229-08	2008
432A1 - Rear Tire	
43264-02	2002
43231-08	2008
433A1 - Front Wheel	
43355-00	2000
43557-08	2008
43359-00	2000
43343-10	2010
43594-08	2008
44610-08	2008
47875-09A	2010
43547-08	2008
43103-08	2008
43312-08	2008
43499-08	2008
43831-08	2008
41388-10	2010
41659-08	2008
433B1 - Front Wheel Bearing Spacer	
40930-05	2005
43358-08	2008
41858-08	2008
43906-08	2008
43522-08	2008
41748-08	2008
43905-08	2008
41730-08	2008
41242-08	2008
454A1 - Front Telescopic Fork	

46887-08	2008
46307-08	2008
48715-08	2008
49378-09	2009
46308-08	2008
45901-09	2009
45968-10	2010
46453-09	2009
48778-10	2010
46886-08	2008
46394-08	2008
49380-09	2009
45900-09	2009
46390-08	2008
49406-10	2010
45988-10	2010
48771-10	2010
48714-08	2008
454B1 - Springer Fork	
47299-07	2007
10417	Unknown
455A1 - Front Telescopic Fork Slider	
45395-09	2009
48786-10	2010
48849-10	2010
46880-08	2008
46075-04	2004
48716-08	2008
48850-10	2010
46218-05	2005
48726-08	2008

46879-08	2008
46076-04	2004
46450-08	2008
46449-08	2008
48785-10	2010
455B1 - Front Telescopic Fork Spring	
49372-10	2010
46882-08	2008
46267-05	2005
10418	2010
45376-09	2009
455C1 - Front Telescopic Fork sub-component	
46884-08	2008
45374-87	1987
45462-87	1987
46343-06	2006
J8127.3A8	2005
46359-06	2006
45690-10	2010
45461-87	1987
45361-90	1990
45460-90	1990
46002-87	1987
46353-06	2006
46344-06	2006
46878-08	2008
46372-10	2010
45938-92	1992
10628	Unknown
45905-87	1987

46352-06	2006
J8130.3A8	2005
45693-10	2010
46681-10	2010
456A1 - Fork Protector	
45451-07	2007
456B1 - Fork Brace	
46420-10	2010
456C1 - Fork Lock	
48153-02B	2010
48154-05A	2010
457D1 - Steering Stem	
4977	Unknown
4574	2008
457E1 - Steering Stem Bearing Insert Cup	
48315-60	1960
48300-60	1960
458A1 - Front Suspension and Steering Miscellaneous Component	
4978	Unknown
45842-77A	1977
48184-01	2001
68041-04	2004
458B1 - Front Suspension and Steering Mounting Bracket	
46028-08	2008
46050-08	2008
459A1 - Upper Triple Clamp	
46009-10	2010
46928-10	2010
45966-04	2004
46758-07	2007
459B1 - Lower Triple Clamp	

46127-04	2004
46014-10	2010
46767-07	2007
46126-04	2004
46927-10	2010
470A1 - Frame	
48879-08A	2011
49439-10	2011
49376-11	2011
472C1 - Front Fairing Support Bracket	
42972-04	2004
60204-06	2006
60203-06	2006
472D1 - Chassis Structure Miscellaneous Component	
47313-07	2007
472D2 - Chassis Structure Mounting Bracket	
59903-04	2004
59902-04	2004
47470-04	2004
474C1 - Swingarm	
47674-08A	2008
47587-05A	2014
474D1 - Rear Lift Stand Spool	
47682-10	2010
475B1 - Swingarm Pivot Shaft	
41698-04	2004
41699-04	2004
41568-04	2004
500A1 - Sidestand Assembly	
50185-04C	2011

50000025BHP	2011
500D1 - Sidestand Leg	
50124-09BHP	2011
500E1 - Sidestand Leg sub-component	
49735-08	2008
62122-89A	1989
50005-85A	1985
500F1 - Sidestand Pivot Pin	
554A	2002
505B1 - Footpeg Mount Bracket	
51044-08	2008
33048-72	1972
42651-04	2004
51049-08	2008
51048-08	2008
49315-04	2004
42652-04	2004
51045-08	2008
49314-04	2004
42971-04	2004
505C1 - Heel Guard / Pad	
33084-06	2006
505D1 - Passenger Footpeg	
51327-08	2008
33134-07CAZ	2007
33032-99	1999
33135-07CAZ	2007
51323-08	2008
505K1 - Footpeg Wear Peg	
33130-07A	2007
33216-99	1999

506A1 - Brake Pedal	
42969-04	2004
50912-72	1972
42812-04	2004
42685-04	2004
42341-07	2007
42649-07	2007
34581-04	2004
42949-08A	2008
507A1 - Rider Interface Miscellaneous Component	
51731-10	2010
51730-10	2010
42566-04	2004
42541-04	2004
51046-09	2009
520A1 - Rider Seat or Full Seat	
51706-07	2007
51551-07	2007
51899-07	2007
51382-08	2008
52608-07	2007
51911-10	2010
51532-07	2007
51550-07	2007
51530-07	2007
520B1 - Rider/Full Seat Assembly sub-component	
51740-10	2010
521A1 - Seat Support Structure	
52429-08	2008
51710-08	2008

521C1 - Seat Suspension Damper	
42840-04	2004
45925-09	2009
10627	Unknown
524A1 - Passenger Grab Handle	
59723-04	2004
524B1 - Passenger Seat	
51383-08	2008
540B1 - Rear Shock	
54570-09	2009
54626-07	2007
46454-09	2009
54568-09	2009
54550-10	2010
54700-10	2010
54668-08	2008
54671-10	2010
540E1 - Rear Shock sub-component	
54741-07	2007
54724-04	2004
540L2 - Rear Suspension Mounting Bracket	
42831-04A	2005
42739-08	2008
42310-08	2008
558A1 - Handlebar	
55840-04A	2004
56051-06	2006
55800345	2014
56085-83A	1983
559D1 - Lower Handlebar Clamp	



55842-04	2004
56542-86A	1986
56017-04	2004
56541-86A	1986
56117-82A	1982
56116-82A	1982
559E1 - Upper Handlebar Clamp	
56115-95	1995
560A1 - Mirror	
92401-09	2009
92400-09	2009
92376-09	2009
92377-09	2009
91983-03B	2003
91961-10	2010
92381-09	2009
91960-10	2010
91982-03B	2003
92402-09	2009
561A1 - Throttle Cable	
56637-08	2008
56884-07	2007
45155-08	2008
56885-07	2007
56639-08	2008
561B1 - Left Hand Grip	
56667-04	2004
561C1 - Throttle Assembly w/Grip	
56666-04	2004
561D1 - Throttle Assembly sub-component	

38653-01	2001
571C1 - Fairing Side	
66269-08BDK	2008
572E1 - Side Cover	
66270-08BDK	2008
66269-08CHJ	2008
66272-05A	2005
66251-04A	2004
57200092BYM	2015
66270-08CHJ	2008
57200092DH	2015
573B1 - Bodywork Mounting Bracket	
59403-08	2008
589A1 - Front Fender	
59022-07BDK	2007
58998-83E	2008
59441-10	2010
60574-10	2010
59712-07A	2007
595D1 - Rear Fender	
59673-04A	2004
59901-08BDK	2008
59400-08	2008
59401-08	2008
59916-08	2008
59727-07	2007
59865-10	2010
59768-97	1997
59847-10	2010
596A1 - Tire Mud Flap	
59502-04B	2014

603B1 - Belt / Chain Guard	
60367-04	2004
60416-08	2008
60403-08	2008
60379-09	2009
60435-04B	2014
608A1 - Carbon Canister	
28908-04A	2004
28909-04	2004
27042-84A	1995
608B1 - Carbon Canister Hose	
28822-07A	2007
27200-08	2008
27067-07A	2007
609A1 - Fuel Miscellaneous Component	
5845	Unknown
89586-04	2004
89579-91	1991
75317-07	2007
27047-84B	1984
610A1 - Fuel Tank	
61724-10	2010
61405-07	2007
62213-07	2007
61392-08	2008
611A1 - Filler Neck Trim	
71478-08	2008
611B1 - Fuel Cap	
61260-04A	2011
61572-08A	2008

61289-07	2007
61272-92C	1992
611F1 - Fuel Tank Vapor Vent Hose	
27071-10	2010
27096-04A	2004
612A1 - Fuel Filter	
75304-07A	2007
612B1 - Fuel Level Sensor	
75302-07B	2011
612B2 - Fuel Valve	
75309-07A	2014
61015-04A	2004
62150-85	1985
612C1 - Fuel Line	
27693-07	2007
27792-08	2008
612F1 - Fuel Pump	
75268-07F	2014
75305-07A	2007
612K1 - Fuel Pump sub-component	
61574-08	2008
613A1 - Trim Panel	
29125-07	2007
613B1 - Horn Cover	
61300478	2014
613C1 - Intake / Fuel Tank Cover	
66271-08BDK	2008
28792-10	2010
613K1 - Airbox Cover	
28793-10	2010

28790-10	2010
614C1 - Trim	
62534-07	2007
62263-08	2008
70919-04	2004
70904-04	2004
70917-04	2004
70903-04	2004
62262-08	2008
62260-08	2008
29346-07	2007
61577-08	2008
62261-08	2008
71472-04	2004
624A1 - Oil Pump Assembly	
26204-91A	1991
26592-08	2008
624B1 - Oil Pump Assembly sub-component	
62601-91A	1991
26332-08	2008
26182-08	2008
26239-07	2007
26210-99	1999
26495-89B	1989
26437-86B	1986
62651-04	2004
33117-91A	1991
26502-07	2007
26526-08	2008
11652	Unknown

45830-48	1948
26546-08	2008
26400-82B	1982
26503-07	2007
624D1 - Oil Pump Drive Gear	
26318-88A	1988
624E1 - Oil Pump Internal Cover	
26522-08	2008
625B1 - Oil Tank	
62954-10	2010
62888-08A	2008
627A1 - Oil Cooler	
63050-08A	2008
627B1 - Oil Drain Plug	
33123-06A	2006
60330-08	2008
60328-98B	1998
627E1 - Oil Filler Plug / Dipstick	
63008-08	2008
62592-07A	2007
63000-04B	2004
627F1 - Oil Filter	
63796-77A	1977
63805-80A	1980
627G1 - Oil Jet	
62700013	2011
62700014	2011
627H1 - Oil Line	
62338-01Y	2001
63081-08	2008

62361-10	2010
63120-08	2008
63099-08	2008
63080-08	2008
33138-06	2006
63596-06	2006
63097-08	2008
9969	Unknown
63098-08	2008
63111-08	2008
627K1 - Oil Line Fitting	
26496-75A	1975
63548-08	2008
26184-08	2008
25394-08	2008
26064-08	2008
26183-08	2008
62375-57A	1957
26525-08	2008
63533-41A	1941
627M1 - Oil Pressure Regulator Valve	
26856-89A	1989
627P1 - Oil Thermostat	
26529-08	2008
628A1 - PT Lubrication and Cooling Miscellaneous Component	
63116-08	2008
70503-10	2010
66199-10	2010
63125-08	2008
63112-08	2008
628B1 - PT Lubrication and Cooling Mounting Bracket	

63108-08	2008
648K1 - Exhaust Miscellaneous Component	
65258-08	2008
64850-08	2008
649A1 - Muffler	
64842-04	2004
65219-10	2010
65222-10	2010
65218-10	2010
64893-04A	2004
64859-08	2008
64746-09	2009
64738-09	2009
64891-04A	2004
80399-04	2004
64890-04	2004
64747-09	2009
64737-09	2009
64883-08	2008
65227-10	2010
653A1 - Muffler sub-component	
65240-08	2008
654A1 - Exhaust Shield	
64889-04A	2013
66851-07	2007
64927-08A	2008
64936-08A	2008
64935-08A	2008
64847-04B	2013
64846-04B	2013



65198-10	2010
65176-10	2010
65168-10	2010
64934-08A	2008
65189-10	2010
64954-08A	2008
65197-10	2010
655A1 - Muffler Mount	
65316-08	2008
655C1 - Exhaust Mounting Bracket	
65339-04	2004
65974-04A	2004
656C1 - Header	
64851-09	2009
656E1 - Header Pipe	
64965-08A	2010
64943-07	2007
64942-07	2007
658A1 - Exhaust Catalyst	
64853-04	2004
64854-04	2004
659A1 - Exhaust Clamp	
65296-95A	1995
65302-82A	1982
65257-08	2008
659B1 - Exhaust Flange	
65328-83A	2010
65184-02	2002
659C1 - Exhaust Gasket	
65317-08A	2009
660A1 - Battery	

65958-04A	2004
660C1 - Battery Pan	
66194-04D	2004
660D1 - Battery Strap	
66476-04A	2004
660E1 - Ground Strap	
70297-04A	2004
660F1 - Negative Battery Cable	
70296-04A	2004
660G1 - Positive Battery Cable	
70295-10	2010
660H1 - Positive Battery Cable Boot	
70003-04	2004
670A1 - Tachometer	
67576-08	2008
74714-10	2010
677A1 - Headlight	
67603-94A	1994
67883-04A	2004
69774-07A	2007
73266-10	2010
69449-05	2005
67894-93A	1993
67834-83	1983
67790-93A	1993
67972-98	1998
73264-10	2010
69386-08	2008
68443-07A	2007
69397-08	2008

677B1 - Headlight sub-component	
68380-05	2005
68297-05A	2014
68335-05A	2014
69681-07B	2011
67880-94	1994
68341-05A	2014
677C1 - Headlight Support Bracket	
67805-92	1992
69709-00	2000
67963-05A	2013
678A1 - Taillight	
68066-99A	2004
69187-03A	2003
68369-03	2003
68830-99A	1999
69864-08	2008
68372-03	2003
68296-99A	2004
68140-04	2004
68370-03A	2003
68141-04	2004
678B1 - Taillight Housing	
68513-07A	2012
678D1 - Turnsignal	
68975-00	2000
68804-06	2006
68730-07	2007
68265-04	2004
68480-02	2002

69066-01A	2002
5531	Unknown
68978-00	2000
69530-08	2008
68984-01	2001
68277-07	2007
68977-00	2000
73318-09	2009
68972-00	2000
73284-10	2010
56104-02	2002
73282-10	2010
68838-06	2006
73267-10	2010
69406-09	2009
68449-07	2007
69362-08	2008
678E1 - Turnsignal Lens	
68973-00	2000
69110-01	2001
68755-07	2007
68559-07	2007
679B1 - Reflector	
60183-08	2008
59254-91	1991
69490-07	2007
59359-06	2006
59287-92	1992
59259-90	1990
59482-00	2000
59481-00	2000

69862-07	2007
59256-84A	1984
68561-09	2009
59288-92	1992
69861-07	2007
68704-07	2007
59988-72A	1972
69498-08	2008
60188-08	2008
68724-07	2007
679D1 - License Plate Bracket	
68257-08	2008
68992-08	2008
60001-55	1955
59986-75	1975
68702-07	2007
60318-07	2007
60901-07	2007
59984-73	1973
68857-07	2007
68966-08	2008
68299-07	2007
679E1 - License Plate Light	
73504-11	2011
60375-10	2010
680C1 - Incandescent Bulb	
68572-64B	1964
68168-89A	1989
53436-97	1997
68163-84	1984

68329-03	2003
68167-04	2004
690A1 - Emergency Siren	
68958-07C	2010
690B1 - Emergency Siren sub-component	
69309-10	2010
690C1 - Horn	
69000014	2011
69060-90H	2014
692C1 - Electrical Miscellaneous Component	
70368-08	2008
72378-04	2004
71552-94	1994
70633-08	2008
68382-07B	2012
72189-04	2004
70632-08	2008
10289A	Unknown
692C2 - Electrical Mounting Bracket	
69200402	2014
31797-07	2007
69200405	2014
71980-10	2010
69123-92A	1992
70642-07	2007
69135-04	2004
69049-07	2007
67053-95	1995
71341-10	2010
70680-10	2010
67157-08	2008

69120-91	1991
31801-08	2008
67089-05	2005
71988-10	2010
67170-08	2008
67320-95	1995
66523-06	2006
31807-07	2007
31806-08A	2008
66524-06	2006
31753-07	2007
69062-91A	1991
692D1 - Fuse	
72318-04	2004
72330-95	1995
692E1 - Fuse / Relay Block	
31586-07	2007
72430-00	2000
692E2 - Fuse / Relay Block Cover	
73214-10	2010
73302-04	2004
73228-10	2010
692F1 - Wire Harness	
68814-07	2007
70247-07	2007
68955-08	2008
70225-10	2010
67091-08	2008
68813-07	2007
70167-08A	2008

70163-10	2010
70181-10	2010
68899-04A	2004
55844-04	2004
692G1 - Conduit / Sheathing / Sleeving	
11888	2010
72268-94	1994
72266-94	1994
692G2 - Wire Guide	
29950-91	1991
71287-08	2008
692H1 - Connector	
73152-96BK	1996
70586-93	1993
72519-09BK	2009
72114-94BK	1994
72159-94	1994
72144-94	1994
72312-04	2004
72179-94	1994
27250-96B	1996
72124-94GY	1994
9848	Unknown
9847	Unknown
72260-04	2004
72009-05	2005
72139-94GY	1994
72007-05	2005
70587-93	1993
72078-00	2000
73301-04	2004



72516-01	2001
72130-04	2004
72199-94	1994
692H2 - Terminal	
72076-00	2000
72272-07	2007
72441-04	2004
72549-07	2007
9810	Unknown
72289-04	2004
72592-10	2010
72413-07	2007
72335-10	2010
9898	Unknown
72484-08	2008
72407-07	2007
72024-08	2008
72721-07	2007
72290-94	1994
72169-07	2007
72168-07	2007
72291-94	1994
72094-06	2006
72434-00	2000
72991-01	2001
72611-07	2007
74194-98	1998
72445-99TN	1999
72568-08	2008
692K1 - Connector / Terminal Seal	

68904-00	2000
73303-04	2004
72006-05	2005
72154-94	1994
74197-04	2004
68905-00	2000
68653-05	2005
692L1 - Wire Harness sub-component	
74191-98	1998
73213-07	2007
72487-07BK	2007
70345-84	1984
72512-07BK	2007
72263-95	1995
72488-07BK	2007
72077-00	2000
74152-98	1998
72195-94	1994
72402-07	2007
72175-07BK	2007
72473-07	2007
70504-81	1981
73190-96	1996
72511-07BK	2007
73156-96BK	1996
73106-96BK	1996
72904-01BK	2001
70598-99	1999
73152-96WE	1996
74120-08	2008

72486-08	2008
72408-07	2007
72251-07	2007
72167-07BK	2007
72166-07BK	2007
72032-93	1993
72720-07	2007
72033-93	1993
10200	Unknown
72011-05	2005
72405-98BK	1998
72066-06A	2006
73191-96	1996
70664-08	2008
72447-07GY	2007
72190-94	1994
56073-83	1983
72096-06	2006
72188-07BK	2007
72543-07BK	2007
73104-96BK	1996
72469-07GY	2007
73305-04	2004
72544-07	2007
73102-96BK	1996
72014-07	2007
72056-92	1992
72545-08	2008
72295-94	1994
70578-89	1989

72191-94	1994
72329-08	2008
72406-07A	2007
74112-98BK	1998
73154-96BK	1996
72414-07BK	2007
72135-06	2006
72914-01BK	2001
692M1 - Electrical Component / Wire Cover	
70679-10	2010
709B1 - Instrument Cluster or Speedometer	
67436-08	2008
67041-08	2008
70714-10	2010
67087-08	2008
67416-08	2008
67037-08	2008
67290-08	2008
67415-08	2008
709E1 - Tank Console	
71276-04A	2004
714A1 - Ignition Switch	
71441-94	1994
714B1 - Mechanical Switch	
33900-99	1999
715A1 - Hand Control	
71684-06A	2006
67854-98	1998
71587-04	2004
71510-04	2004
71683-06A	2006

71564-96	1996
55846-05A	2005
71563-96	1996
71568-96A	1996
71685-06A	2006
71682-06A	2006
71620-08	2008
71567-96	1996
71621-08	2008
747A1 - Voltage Regulator	
74711-08	2008
760B1 - Antenna	
68956-07	2007
903B1 - Key or Key-set	
61459-97	1997
71451-94A	1994
903C1 - Key Transponder	
68926-07	2007
68939-00	2000

Common Service Parts

## AUDIO & INSTRUMENTATION

View interactive table

PART NO.	DESCRIPTION	PART AND MODEL(S)
67880-94	BOOT	SPEEDOMETER - 883L/N/R, 1200L/N/X: <a href="#">XL883L</a> <a href="#">XL883R</a> <a href="#">XL1200L</a> <a href="#">XL1200N</a> <a href="#">XL883N</a> <a href="#">XL1200X</a> SPEEDOMETER - 883C, 1200C: <a href="#">XL1200C</a> <a href="#">XL883C</a> SPEEDOMETER & TACHOMETER - XR1200/X: <a href="#">XR1200</a>

# BEARINGS, SEALS & HARDWARE

[View interactive table](#)

PART NO.	DESCRIPTION	PART AND MODEL(S)
10014	CLAMP	<p><i>OIL TANK - 883C/L/N/R, 1200C/L/N/X:</i></p> <p><a href="#">XL883C</a>  <a href="#">XL883L</a>  <a href="#">XL883R</a>  <a href="#">XL1200C</a>  <a href="#">XL1200L</a>  <a href="#">XL1200N</a>  <a href="#">XL883N</a>  <a href="#">XL1200X</a></p> <p><i>OIL TANK - XR1200/X:</i></p> <p><a href="#">XR1200</a>  <a href="#">XR1200X</a></p>
10080	CLAMP	<p><i>CRANKCASE &amp; GEARCASE - 883C/L/N/R, 1200C/L/N/X:</i></p> <p><a href="#">XL883C</a>  <a href="#">XL883L</a>  <a href="#">XL883R</a>  <a href="#">XL1200C</a>  <a href="#">XL1200L</a>  <a href="#">XL1200N</a>  <a href="#">XL883N</a>  <a href="#">XL1200X</a></p> <p><i>CRANKCASE &amp; GEARCASE - XR1200/X:</i></p> <p><a href="#">XR1200</a>  <a href="#">XR1200X</a></p> <p><i>OIL TANK - 883C/L/N/R, 1200C/L/N/X:</i></p> <p><a href="#">XL883C</a>  <a href="#">XL883L</a>  <a href="#">XL883R</a>  <a href="#">XL1200C</a>  <a href="#">XL1200L</a>  <a href="#">XL1200N</a>  <a href="#">XL883N</a>  <a href="#">XL1200X</a></p>
11105	O-RING	<a href="#">INSPECTION COVER &amp; PRIMARY COVER: All Models</a>
11171	O-RING	<a href="#">INSPECTION COVER &amp; PRIMARY COVER: All Models</a>
11304	RETAINING RING	<p><i>FOOTRESTS - 883C/L/N/R, 1200C/L/N/X:</i></p> <p><a href="#">XL883R</a>  <a href="#">XL883L</a>  <a href="#">XL1200L</a>  <a href="#">XL883C</a>  <a href="#">XL1200C</a>  <a href="#">XL1200N</a>  <a href="#">XL883N</a>  <a href="#">XL1200X</a></p> <p><i>FOOTRESTS - XR1200/X:</i></p> <p><a href="#">XR1200</a>  <a href="#">XR1200X</a></p>

11379	RETAINING RING	<p><b><a href="#">CLUTCH CONTROL: All Models</a></b>  <i>FRONT BRAKE CONTROL - 883C/L/N/R, 1200C/L/N/X:</i>  <a href="#">XL883C</a>  <a href="#">XL883L</a>  <a href="#">XL883R</a>  <a href="#">XL1200C</a>  <a href="#">XL1200L</a>  <a href="#">XL1200N</a>  <a href="#">XL883N</a>  <a href="#">XL1200X</a>  <i>FRONT BRAKE CONTROL - XR1200/X:</i>  <a href="#">XR1200</a>  <a href="#">XR1200X</a></p>
11491A	GROMMET	<p><i>FRAME &amp; JIFFY STAND - XR1200/X:</i>  <a href="#">XR1200</a>  <a href="#">XR1200X</a></p>
12074	OIL SEAL	<p><b><a href="#">TRANSMISSION GEARS: All Models</a></b></p>
16715-83	STUD	<p><i>CYLINDER, HEAD, &amp; VALVES - 883C/L/N/R, 1200C/L/N/X:</i>  <a href="#">XL1200C</a>  <a href="#">XL1200L</a>  <a href="#">XL1200N</a>  <a href="#">XL883L</a>  <a href="#">XL883C</a>  <a href="#">XL883R</a>  <a href="#">XL883N</a>  <a href="#">XL1200X</a>  <i>CYLINDER, HEAD, &amp; VALVES - XR1200/X:</i>  <a href="#">XR1200</a>  <a href="#">XR1200X</a></p>
2445	SCREW	<p><i>STEERING HEAD BRACKET ASSEMBLY - XR1200/X:</i>  <a href="#">XR1200</a>  <a href="#">XR1200X</a>  <i>REAR FORK, DEBRIS DEFLECTOR &amp; BELT GUARD:</i>  <a href="#">XR1200</a>  <a href="#">XR1200X</a>  <i>REAR FENDER - XR1200/X:</i>  <a href="#">XR1200</a>  <a href="#">XR1200X</a></p>
2446	SCREW	<p><i>REAR FENDER &amp; LICENSE PLATE BRACKET - 883N/1200N/X (NON-CANADA):</i>  <a href="#">XL1200N</a>  <a href="#">XL883N</a>  <a href="#">XL1200X</a></p>
25463-94A	GASKET	<p><b><a href="#">INSPECTION COVER &amp; PRIMARY COVER: All Models</a></b></p>
26995-86B	SEAL	<p><i>INDUCTION MODULE - 883C/L/N/R, 1200C/L/N/X:</i>  <a href="#">XL883C</a>  <a href="#">XL883L</a>  <a href="#">XL883R</a>  <a href="#">XL1200C</a>  <a href="#">XL1200L</a>  <a href="#">XL1200N</a>  <a href="#">XL883N</a>  <a href="#">XL1200X</a></p>

INDUCTION MODULE - XR1200/X:

[XR1200](#)

[XR1200X](#)

2952A SCREW

SEATS:

[XL883C](#)

[XL883L](#)

[XL883R](#)

[XL1200C](#)

[XL1200L](#)

[XL1200N](#)

[XL883N](#)

[XL1200X](#)

REAR FENDER & LICENSE PLATE BRACKET - 883N/1200N/X (NON-CANADA):

[XL1200N](#)

[XL883N](#)

[XL1200X](#)

34990-08 GASKET

[INSPECTION COVER & PRIMARY COVER: All Models](#)

3655A SCREW

FRONT WHEEL, CAST - 883L/N/R, 1200L:

[XL883L](#)

[XL883R](#)

[XL1200L](#)

[XL883N](#)

FRONT WHEEL, CAST - XR1200/X:

[XR1200](#)

[XR1200X](#)

FRONT WHEEL, LACED & PROFILE LACED - 883C/L/R, 1200C/N/L/X:

[XL883C](#)

[XL883L](#)

[XL1200C](#)

[XL1200N](#)

[XL1200L](#)

[XL883N](#)

[XL1200X](#)

FRONT WHEEL, LACED & PROFILE LACED - 883C/L/R, 1200C/N/L/X:

[XL883R](#)

STEERING HEAD BRACKET ASSEMBLY - 883C/L/N/R, 1200C/L/N/X:

[XL1200C](#)

[XL883C](#)

HEADLAMPS:

[XL883L](#)

[XL883R](#)

[XL1200L](#)

[XL1200N](#)

[XL883N](#)

3658 SCREW

[HANDLEBAR SWITCHES: All Models](#)

HORN:

[XL883C](#)

[XL883L](#)

[XL883R](#)

[XL1200L](#)

[XL1200N](#)

[XL883N](#)

[XR1200](#)

[XR1200X](#)

[XL1200X](#)

[SWITCHES, SENSORS & ELECTRICAL CONNECTORS: All Models](#)



4132	SCREW	<p>OIL PUMP - 883C/L/N/R, 1200C/L/N/X:</p> <p><a href="#">XL883C</a></p> <p><a href="#">XL883L</a></p> <p><a href="#">XL883R</a></p> <p><a href="#">XL1200C</a></p> <p><a href="#">XL1200L</a></p> <p><a href="#">XL1200N</a></p> <p><a href="#">XL883N</a></p> <p><a href="#">XL1200X</a></p>
43567-92	SCREW	<p>REAR WHEEL, CAST - 883L/N/R, 1200C/L:</p> <p><a href="#">XL883C</a></p> <p><a href="#">XL883L</a></p> <p><a href="#">XL883R</a></p> <p><a href="#">XL1200C</a></p> <p><a href="#">XL1200L</a></p> <p><a href="#">XL883N</a></p> <p>REAR WHEEL, CAST - XR1200/X:</p> <p><a href="#">XR1200</a></p> <p><a href="#">XR1200X</a></p> <p>REAR WHEEL, LACED &amp; PROFILE LACED - 883C/L/R, 1200C/L/N/X:</p> <p><a href="#">XL883C</a></p> <p><a href="#">XL883L</a></p> <p><a href="#">XL1200C</a></p> <p><a href="#">XL1200L</a></p> <p><a href="#">XL1200N</a></p> <p><a href="#">XL1200X</a></p> <p><a href="#">XL883R</a></p>
45378-87	OIL SEAL	<p>FRONT FORK - 883C/L/R, 1200C/L/X:</p> <p><a href="#">XL883R</a></p> <p><a href="#">XL883L</a></p> <p><a href="#">XL1200L</a></p> <p><a href="#">XL883C</a></p> <p><a href="#">XL1200C</a></p> <p><a href="#">XL1200X</a></p> <p>FRONT FORK - 883N, 1200N:</p> <p><a href="#">XL1200N</a></p> <p><a href="#">XL883N</a></p>
45405-75A	SCREW	<p>FRONT FORK - 883C/L/R, 1200C/L/X:</p> <p><a href="#">XL883R</a></p> <p><a href="#">XL883L</a></p> <p><a href="#">XL1200L</a></p> <p><a href="#">XL883C</a></p> <p><a href="#">XL1200C</a></p> <p><a href="#">XL1200X</a></p> <p>FRONT FORK - 883N, 1200N:</p> <p><a href="#">XL1200N</a></p> <p><a href="#">XL883N</a></p> <p>FRONT FORK - XR1200:</p> <p><a href="#">XR1200</a></p>
4740A	SCREW	<p>CAMSHAFTS &amp; GEAR COVER - 883C/L/N/R, 1200C/L/N/X:</p> <p><a href="#">XL883C</a></p> <p><a href="#">XL883L</a></p> <p><a href="#">XL883R</a></p> <p><a href="#">XL1200C</a></p> <p><a href="#">XL1200L</a></p>

[XL1200N](#)

[XL883N](#)

[XL1200X](#)

CAMSHAFTS & GEAR COVER - XR1200/X:

[XR1200](#)

[XR1200X](#)

48300-60 ROLLER BEARING

STEERING HEAD BRACKET ASSEMBLY - 883C/L/N/R, 1200C/L/N/X:

[XL883R](#)

[XL883L](#)

[XL1200L](#)

[XL883C](#)

[XL1200C](#)

[XL1200N](#)

[XL883N](#)

[XL1200X](#)

STEERING HEAD BRACKET ASSEMBLY - XR1200/X:

[XR1200](#)

[XR1200X](#)

59768-97 FENDER SEAT NUT KIT

REAR FENDER & LICENSE PLATE BRKT - 883C/L/R, 1200C/L/X,  
883N/1200N (CAN):

[XL883R](#)

[XL883L](#)

[XL1200L](#)

[XL1200N](#)

[XL883N](#)

[XL1200X](#)

[XL883C](#)

[XL1200C](#)

REAR FENDER & LICENSE PLATE BRACKET - 883N/1200N/X (NON-  
CANADA):

[XL1200N](#)

[XL883N](#)

[XL1200X](#)

6516HW WASHER

BELTS & SPROCKETS - 883C/L/N/R, 1200C/L/N/X:

[XL883C](#)

[XL883L](#)

[XL883R](#)

[XL1200C](#)

[XL1200L](#)

[XL1200N](#)

[XL883N](#)

BELTS & SPROCKETS - XR1200/X:

[XR1200](#)

[XR1200X](#)

REAR WHEEL, CAST - 883L/N/R, 1200C/L:

[XL883C](#)

[XL883L](#)

[XL883R](#)

[XL1200C](#)

[XL1200L](#)

[XL883N](#)

REAR WHEEL, CAST - XR1200/X:

[XR1200](#)

[XR1200X](#)

REAR WHEEL, LACED & PROFILE LACED - 883C/L/R, 1200C/L/N/X:

[XL883C](#)

[XL883L](#)

[XL1200C](#)

[XL1200L](#)  
[XL1200N](#)  
[XL1200X](#)  
[XL883R](#)

65324-83B GASKET

*EXHAUST SYSTEM - 883C/L/N/R, 1200C/L/N/X:*

[XL883C](#)  
[XL883L](#)  
[XL883R](#)  
[XL1200C](#)  
[XL1200L](#)  
[XL1200N](#)  
[XL883N](#)  
[XL1200X](#)

*EXHAUST SYSTEM - XR1200/X:*

[XR1200](#)  
[XR1200X](#)

65325-83A RETAINING RING

*EXHAUST SYSTEM - 883C/L/N/R, 1200C/L/N/X:*

[XL883C](#)  
[XL883L](#)  
[XL883R](#)  
[XL1200C](#)  
[XL1200L](#)  
[XL1200N](#)  
[XL883N](#)  
[XL1200X](#)

*EXHAUST SYSTEM - XR1200/X:*

[XR1200](#)  
[XR1200X](#)

65927-00 GASKET

*EXHAUST SYSTEM - 883C/L/N/R, 1200C/L/N/X:*

[XL883C](#)  
[XL883L](#)  
[XL883R](#)  
[XL1200C](#)  
[XL1200L](#)  
[XL1200N](#)  
[XL883N](#)  
[XL1200X](#)

6702 WASHER

*REAR BRAKE MASTER CYLINDER - 883C/L/N/R, 1200C/L/N/X:*

[XL883R](#)  
[XL883L](#)  
[XL1200L](#)  
[XL883C](#)  
[XL1200C](#)  
[XL1200N](#)  
[XL883N](#)  
[XL1200X](#)

*REAR FORK, DEBRIS DEFLECTOR & BELT GUARD:*

[XL883R](#)  
[XL883L](#)  
[XL1200L](#)  
[XL883C](#)  
[XL1200C](#)  
[XL1200N](#)  
[XL883N](#)  
[XL1200X](#)

*HANDLEBAR & THROTTLE CONTROL - 883L/N/R, 1200L/N/X,*

XR1200/X:

[XL883L](#)

[XL883R](#)

[XR1200](#)

[XR1200X](#)

REAR FENDER & LICENSE PLATE BRKT - 883C/L/R, 1200C/L/X,  
883N/1200N (CAN):

[XL883R](#)

[XL883L](#)

[XL1200L](#)

[XL1200N](#)

[XL883N](#)

[XL1200X](#)

[XL883C](#)

[XL1200C](#)

REAR FENDER & LICENSE PLATE BRACKET - 883N/1200N/X (NON-  
CANADA):

[XL1200N](#)

[XL883N](#)

[XL1200X](#)

FUEL TANK - 883C/L/N/R, 1200C/L/N/X:

[XL883C](#)

[XL883L](#)

[XL883R](#)

[XL1200C](#)

[XL1200L](#)

[XL1200N](#)

[XL883N](#)

[XL1200X](#)

HEADLAMPS:

[XL883L](#)

[XL883R](#)

[XL1200L](#)

[XL1200N](#)

[XL883N](#)

EXHAUST SYSTEM - XR1200/X:

[XR1200](#)

[XR1200X](#)

7041

LOCKWASHER

HORN:

[XL1200C](#)

7593

NUT

EXHAUST SYSTEM - 883C/L/N/R, 1200C/L/N/X:

[XL883C](#)

[XL883L](#)

[XL883R](#)

[XL1200C](#)

[XL1200L](#)

[XL1200N](#)

[XL883N](#)

[XL1200X](#)

EXHAUST SYSTEM - XR1200/X:

[XR1200](#)

[XR1200X](#)

7716

LOCKNUT

REAR FENDER & LICENSE PLATE BRACKET - 883N/1200N/X (NON-  
CANADA):

[XL1200N](#)

[XL883N](#)

[XL1200X](#)

8692

RIVET

REAR FENDER & LICENSE PLATE BRKT - 883C/L/R, 1200C/L/X,  
883N/1200N (CAN):

[XL883R](#)

[XL883L](#)

[XL1200L](#)

[XL1200N](#)

[XL883N](#)

[XL1200X](#)

[XL883C](#)

[XL1200C](#)

REAR FENDER & LICENSE PLATE BRACKET - 883N/1200N/X (NON-CANADA):

[XL1200N](#)

[XL883N](#)

[XL1200X](#)

9276A

BALL BEARING

FRONT WHEEL, CAST - 883L/N/R, 1200L:

[XL883L](#)

[XL883R](#)

[XL1200L](#)

[XL883N](#)

FRONT WHEEL, CAST - XR1200/X:

[XR1200](#)

[XR1200X](#)

FRONT WHEEL, LACED & PROFILE LACED - 883C/L/R, 1200C/N/L/X:

[XL883C](#)

[XL883L](#)

[XL883R](#)

[XL1200C](#)

[XL1200N](#)

[XL1200L](#)

[XL883N](#)

[XL1200X](#)

REAR WHEEL, CAST - 883L/N/R, 1200C/L:

[XL883C](#)

[XL883L](#)

[XL883R](#)

[XL1200C](#)

[XL1200N](#)

[XL1200L](#)

[XL883N](#)

REAR WHEEL, CAST - XR1200/X:

[XR1200](#)

[XR1200X](#)

REAR WHEEL, LACED & PROFILE LACED - 883C/L/R, 1200C/L/N/X:

[XL883C](#)

[XL883L](#)

[XL1200C](#)

[XL1200L](#)

[XL1200N](#)

[XL1200X](#)

[XL883R](#)

943

SCREW

ROCKER ARMS, COVERS, & PUSH RODS - XR1200/X:

[XR1200](#)

[XR1200X](#)

**[INSPECTION COVER & PRIMARY COVER: All Models](#)**

9955

CLAMP

EXHAUST SYSTEM - 883C/L/N/R, 1200C/L/N/X:

[XL883C](#)

[XL883L](#)

[XL883R](#)[XL1200C](#)[XL1200L](#)[XL1200N](#)[XL883N](#)[XL1200X](#)

EXHAUST SYSTEM - XR1200/X:

[XR1200](#)[XR1200X](#)

## CHASSIS & COMPONENTS

[View interactive table](#)

PART NO.	DESCRIPTION	PART AND MODEL(S)
50005-85A	SPRING	FRAME & JIFFY STAND - 883C/L/N/R, 1200C/L/N/X: <a href="#">XL883C</a> <a href="#">XL883L</a> <a href="#">XL883R</a> <a href="#">XL1200C</a> <a href="#">XL1200L</a> <a href="#">XL1200N</a> <a href="#">XL883N</a> <a href="#">XL1200X</a> FRAME & JIFFY STAND - XR1200/X: <a href="#">XR1200</a> <a href="#">XR1200X</a>

## ELECTRICAL

[View interactive table](#)

PART NO.	DESCRIPTION	PART AND MODEL(S)
70345-84	RETAINER	HANDLEBAR & THROTTLE CONTROL - 883L/N/R, 1200L/N/X, XR1200/X: <a href="#">XL883L</a> <a href="#">XL883R</a> <a href="#">XL1200L</a> <a href="#">XL1200N</a> <a href="#">XR1200</a> <a href="#">XR1200X</a> <a href="#">XL883N</a> <a href="#">XL1200X</a> HANDLEBAR & THROTTLE CONTROL - 883C, 1200C: <a href="#">XL1200C</a> <a href="#">XL883C</a> <a href="#">HANDLEBAR SWITCHES: All Models</a>
71621-08	SWITCH ASSEMBLY	<a href="#">HANDLEBAR SWITCHES: All Models</a>
72023-51E	BRAKE LIGHT SWITCH	REAR BRAKE MASTER CYLINDER - 883C/L/N/R, 1200C/L/N/X: <a href="#">XL883R</a> <a href="#">XL883L</a> <a href="#">XL1200L</a> <a href="#">XL883C</a> <a href="#">XL1200C</a>

[XL1200N](#)[XL883N](#)[XL1200X](#)[SWITCHES, SENSORS & ELECTRICAL CONNECTORS: All Models](#)

72330-95	FUSE	<p>WIRING HARNESS, MAIN - 883C/L/N/R, 1200C/L/N/X (2 OF 2):</p> <p><a href="#">XL883C</a></p> <p><a href="#">XL883L</a></p> <p><a href="#">XL883R</a></p> <p><a href="#">XL1200C</a></p> <p><a href="#">XL1200L</a></p> <p><a href="#">XL1200N</a></p> <p><a href="#">XL883N</a></p> <p><a href="#">XL1200X</a></p> <p>WIRING HARNESS, MAIN - XR1200/X (2 OF 2):</p> <p><a href="#">XR1200</a></p> <p><a href="#">XR1200X</a></p> <p><a href="#">SWITCHES, SENSORS &amp; ELECTRICAL CONNECTORS: All Models</a></p>
----------	------	--

## ENGINE, TRANSMISSION & PRIMARY

View interactive table

PART NO.	DESCRIPTION	PART AND MODEL(S)
18538-99C	TAPPET	<p>ROCKER ARMS, COVERS, &amp; PUSH RODS - 883C/L/N/R, 1200C/L/N/X:</p> <p><a href="#">XL883C</a></p> <p><a href="#">XL883L</a></p> <p><a href="#">XL1200C</a></p> <p><a href="#">XL1200L</a></p> <p><a href="#">XL1200N</a></p> <p><a href="#">XL883R</a></p> <p><a href="#">XL883N</a></p> <p><a href="#">XL1200X</a></p> <p>ROCKER ARMS, COVERS, &amp; PUSH RODS - XR1200/X:</p> <p><a href="#">XR1200</a></p> <p><a href="#">XR1200X</a></p>
37909-90	RETAINING RING	<p>CLUTCH - 883C/L/N/R, 1200C/L/N/X:</p> <p><a href="#">XL883C</a></p> <p><a href="#">XL883L</a></p> <p><a href="#">XL883R</a></p> <p><a href="#">XL1200C</a></p> <p><a href="#">XL1200L</a></p> <p><a href="#">XL1200N</a></p> <p><a href="#">XL883N</a></p> <p><a href="#">XL1200X</a></p> <p>CLUTCH - XR1200/X:</p> <p><a href="#">XR1200</a></p> <p><a href="#">XR1200X</a></p>
37911-90	FRICITION PLATE	<p>CLUTCH - 883C/L/N/R, 1200C/L/N/X:</p> <p><a href="#">XL883C</a></p> <p><a href="#">XL883L</a></p> <p><a href="#">XL883R</a></p> <p><a href="#">XL1200C</a></p> <p><a href="#">XL1200L</a></p> <p><a href="#">XL1200N</a></p>

[XL883N](#)[XL1200X](#)

CLUTCH - XR1200/X:

[XR1200](#)[XR1200X](#)

## FOOT CONTROLS

[View interactive table](#)

PART NO.	DESCRIPTION	PART AND MODEL(S)
34611-65A	SHIFTER TOE PEG KIT	SHIFT LEVER: <a href="#">XL883L</a> <a href="#">XL883R</a> <a href="#">XL1200L</a> <a href="#">XL1200N</a> <a href="#">XL1200C</a> <a href="#">XL883C</a> <a href="#">XL883N</a> <a href="#">XL1200X</a>

## INTAKE, EXHAUST & FUEL MGMT

[View interactive table](#)

PART NO.	DESCRIPTION	PART AND MODEL(S)
29331-04	FILTER ELEMENT	AIR CLEANER - 883C/L/N/R, 1200C/L/N/X: <a href="#">XL883C</a> <a href="#">XL883L</a> <a href="#">XL883R</a> <a href="#">XL1200C</a> <a href="#">XL1200L</a> <a href="#">XL1200N</a> <a href="#">XL883N</a> <a href="#">XL1200X</a>
65296-95A	CLAMP	EXHAUST SYSTEM - 883C/L/N/R, 1200C/L/N/X: <a href="#">XL883C</a> <a href="#">XL883L</a> <a href="#">XL883R</a> <a href="#">XL1200C</a> <a href="#">XL1200L</a> <a href="#">XL1200N</a> <a href="#">XL883N</a> <a href="#">XL1200X</a>

## LIGHTING

[View interactive table](#)

PART NO.	DESCRIPTION	PART AND MODEL(S)
68168-89A	BULB	TURN SIGNALS & TAIL LAMP - 883C/L/R, 1200C/L: <a href="#">XL883R</a> <a href="#">XL883L</a>



[XL1200L](#)

[XL883C](#)

[XL1200C](#)

TURN SIGNALS & TAIL LAMP - 883N, 1200N/X:

[XL1200N](#)

[XL883N](#)

[XL1200X](#)

TURN SIGNALS, TAIL LAMP & LICENSE PLATE BRACKET - XR1200/X:

[XR1200](#)

[XR1200X](#)

68329-03 BULB

[HEADLAMPS: All Models](#)

68572-64B BULB

TURN SIGNALS & TAIL LAMP - 883C/L/R, 1200C/L:

[XL883R](#)

[XL883L](#)

[XL1200L](#)

[XL883C](#)

[XL1200C](#)

TURN SIGNALS & TAIL LAMP - 883N, 1200N/X:

[XL883N](#)

[XL1200X](#)

68973-00 LENS

TURN SIGNALS & TAIL LAMP - 883C/L/R, 1200C/L:

[XL883R](#)

[XL883L](#)

[XL1200L](#)

[XL883C](#)

[XL1200C](#)

TURN SIGNALS & TAIL LAMP - 883C/L/R, 1200C/L:

[XL883R](#)

[XL883L](#)

[XL1200L](#)

[XL883C](#)

[XL1200C](#)

TURN SIGNALS, TAIL LAMP & LICENSE PLATE BRACKET - XR1200/X:

[XR1200](#)

[XR1200X](#)

## MAINTENANCE & TOOLS

[View interactive table](#)

**PART NO.**

**DESCRIPTION**

**PART AND MODEL(S)**

32362-04 SPARK PLUG

ELECTRONIC IGNITION SYSTEM - 883C/L/N/R, 1200C/L/N/X:

[XL883C](#)

[XL883L](#)

[XL883R](#)

[XL1200C](#)

[XL1200L](#)

[XL1200N](#)

[XL883N](#)

[XL1200X](#)

63796-77A OIL FILTER

CRANKCASE & GEARCASE - 883C/L/N/R, 1200C/L/N/X:

[XL1200C](#)

63805-80A	OIL FILTER	<p>CRANKCASE &amp; GEARCASE - 883C/L/N/R, 1200C/L/N/X:</p> <p><a href="#">XL883C</a></p> <p><a href="#">XL883L</a></p> <p><a href="#">XL883R</a></p> <p><a href="#">XL1200L</a></p> <p><a href="#">XL1200N</a></p> <p><a href="#">XL883N</a></p> <p><a href="#">XL1200X</a></p> <p>CRANKCASE &amp; GEARCASE - XR1200/X:</p> <p><a href="#">XR1200</a></p> <p><a href="#">XR1200X</a></p>
65958-04A	BATTERY	<a href="#">BATTERY: All Models</a>
95594-84B	WHEEL WEIGHT	<p>FRONT WHEEL, CAST - XR1200/X:</p> <p><a href="#">XR1200</a></p> <p><a href="#">XR1200X</a></p> <p>FRONT WHEEL, LACED &amp; PROFILE LACED - 883C/L/R, 1200C/N/L/X:</p> <p><a href="#">XL1200X</a></p> <p>REAR WHEEL, CAST - XR1200/X:</p> <p><a href="#">XR1200</a></p> <p><a href="#">XR1200X</a></p> <p>REAR WHEEL, LACED &amp; PROFILE LACED - 883C/L/R, 1200C/L/N/X:</p> <p><a href="#">XL1200X</a></p>
95595-84B	WHEEL WEIGHT	<p>FRONT WHEEL, CAST - 883L/N/R, 1200L:</p> <p><a href="#">XL883L</a></p> <p><a href="#">XL883R</a></p> <p><a href="#">XL1200L</a></p> <p><a href="#">XL883N</a></p> <p>FRONT WHEEL, LACED &amp; PROFILE LACED - 883C/L/R, 1200C/N/L/X:</p> <p><a href="#">XL883C</a></p> <p><a href="#">XL883L</a></p> <p><a href="#">XL883R</a></p> <p><a href="#">XL1200C</a></p> <p><a href="#">XL1200L</a></p> <p><a href="#">XL1200N</a></p> <p>REAR WHEEL, CAST - 883L/N/R, 1200C/L:</p> <p><a href="#">XL883C</a></p> <p><a href="#">XL883L</a></p> <p><a href="#">XL883R</a></p> <p><a href="#">XL1200C</a></p> <p><a href="#">XL1200L</a></p> <p><a href="#">XL883N</a></p> <p>REAR WHEEL, LACED &amp; PROFILE LACED - 883C/L/R, 1200C/L/N/X:</p> <p><a href="#">XL883C</a></p> <p><a href="#">XL883L</a></p> <p><a href="#">XL1200C</a></p> <p><a href="#">XL1200L</a></p> <p><a href="#">XL883R</a></p> <p><a href="#">XL1200N</a></p>

## SECURITY & STORAGE

[View interactive table](#)

PART NO.	DESCRIPTION	PART AND MODEL(S)
----------	-------------	-------------------

68926-07	FOB	<a href="#">SWITCHES, SENSORS &amp; ELECTRICAL CONNECTORS: All Models</a>
----------	-----	---

# TIRES

View interactive table

PART NO.	DESCRIPTION	PART AND MODEL(S)
40558-82	INNER TUBE	<p>FRONT WHEEL, LACED &amp; PROFILE LACED - 883C/L/R, 1200C/N/L/X:  <a href="#">XL1200X</a></p> <p>REAR WHEEL, LACED &amp; PROFILE LACED - 883C/L/R, 1200C/L/N/X:  <a href="#">XL883L</a>  <a href="#">XL1200L</a>  <a href="#">XL1200N</a>  <a href="#">XL1200X</a>  <a href="#">XL883R</a></p>
40575-05	INNER TUBE	<p>REAR WHEEL, LACED &amp; PROFILE LACED - 883C/L/R, 1200C/L/N/X:  <a href="#">XL883C</a>  <a href="#">XL1200C</a></p>
43022-91A	TIRE	<p>FRONT WHEEL, LACED &amp; PROFILE LACED - 883C/L/R, 1200C/N/L/X:  <a href="#">XL1200X</a></p>
43104-93A	TIRE	<p>FRONT WHEEL, LACED &amp; PROFILE LACED - 883C/L/R, 1200C/N/L/X:  <a href="#">XL1200C</a>  <a href="#">XL883C</a></p>
43112-91A	TIRE	<p>FRONT WHEEL, CAST - 883L/N/R, 1200L:  <a href="#">XL883L</a>  <a href="#">XL883R</a>  <a href="#">XL1200L</a>  <a href="#">XL883N</a></p> <p>FRONT WHEEL, LACED &amp; PROFILE LACED - 883C/L/R, 1200C/N/L/X:  <a href="#">XL883L</a>  <a href="#">XL1200N</a>  <a href="#">XL1200L</a>  <a href="#">XL883R</a></p>
43140-80	INNER TUBE	<p>FRONT WHEEL, LACED &amp; PROFILE LACED - 883C/L/R, 1200C/N/L/X:  <a href="#">XL1200C</a>  <a href="#">XL883C</a></p>
43147-40	RIM FLAP	<p>REAR WHEEL, LACED &amp; PROFILE LACED - 883C/L/R, 1200C/L/N/X:  <a href="#">XL883L</a>  <a href="#">XL1200L</a>  <a href="#">XL1200N</a>  <a href="#">XL1200X</a>  <a href="#">XL883R</a></p>
43157-83A	VALVE STEM ASSEMBLY	<p>FRONT WHEEL, CAST - 883L/N/R, 1200L:  <a href="#">XL883L</a>  <a href="#">XL883R</a>  <a href="#">XL1200L</a>  <a href="#">XL883N</a></p> <p>FRONT WHEEL, CAST - XR1200/X:  <a href="#">XR1200</a>  <a href="#">XR1200X</a></p> <p>REAR WHEEL, CAST - 883L/N/R, 1200C/L:  <a href="#">XL883C</a>  <a href="#">XL883L</a></p>

[XL883R](#)  
[XL1200C](#)  
[XL1200L](#)  
[XL883N](#)  
*REAR WHEEL, CAST - XR1200/X:*  
[XR1200](#)  
[XR1200X](#)

43164-05 RIM FLAP *REAR WHEEL, LACED & PROFILE LACED - 883C/L/R, 1200C/L/N/X:*  
[XL883C](#)  
[XL1200C](#)

43264-02 TIRE *REAR WHEEL, CAST - 883L/N/R, 1200C/L:*  
[XL883C](#)  
[XL883L](#)  
[XL883R](#)  
[XL1200C](#)  
[XL1200L](#)  
[XL883N](#)  
*REAR WHEEL, LACED & PROFILE LACED - 883C/L/R, 1200C/L/N/X:*  
[XL883C](#)  
[XL883L](#)  
[XL1200C](#)  
[XL1200L](#)  
[XL1200N](#)  
[XL1200X](#)  
[XL883R](#)

43939-89 RIM FLAP *FRONT WHEEL, LACED & PROFILE LACED - 883C/L/R, 1200C/N/L/X:*  
[XL1200C](#)  
[XL883C](#)