

2009 Sportster Models Parts Catalog

Alphabetical List

Parts

Hardware List

New Parts List

Numerical Index

Component Types and Introduction Dates

Common Service Parts

READER'S COMMENTS

The Harley-Davidson Service Communications Department maintains a continuous effort to improve the quality and usefulness of its publications. To do this effectively, we need user feedback - your critical evaluation of this manual.

Please comment on the completeness, accuracy, organization, usability, and readability of this manual.

Please list the page, item, and part number(s) of any errors you find in this manual.

Please tell us how we can improve this manual.

Name	Document 99451-09A
Occupation	Dealership

GENERAL INFORMATION

THIS IS NOT AN ASSEMBLY MANUAL AND SHOULD NOT BE USED AS SUCH.

About this manual

This Parts Catalog has been prepared to make it easier for you to order parts for your motorcycles. The numbers shown in the illustrations correspond to the numbers in the "INDEX NO." column in the parts lists. Consult the illustrations when ordering parts to make sure that you receive all the required parts. The number in parentheses following the part description is the quantity needed for complete assembly. If there is no number in parentheses, only one is used. Prices of parts in this catalog are published separately.

When ordering parts, the following instructions should be followed carefully.

- Make sure to specify the correct part number for each item. The part numbers appear under the "PART NO." column in the parts lists.
- Orders may be placed via your computer for all parts. Review your system documentation on placing orders electronically. All non-warranty replacement crankcase orders require return of the complete left crankcase half with vehicle identification number (VIN). All non-warranty replacement frame orders require return of the steering neck with vehicle identification number (VIN). Non-compliance will result in a fine. See non-warranty frame and crankcase policy or contact Dealer Services.
- The sale or use of these parts or accessories does not grant the purchaser a license or other right under any Harley-Davidson patent.
- For all 2008 and later painted parts, refer to the Service Section of h-dnet.com which features a listing of painted part numbers, except CVO (Custom Vehicle Operations) models which are located in their own respective catalogs.
- All parts that were added for the new model year will have the entire line shaded on the parts list page. This can be used to identify any new parts that are unique to a specific model, and help distinguish new and previous model year parts.
- Parts marked "**RESTRICTED SALE PART**" are limited edition items and can only be ordered as direct replacements.
- Orientation symbols are used when the illustration is not in the standard "Right-Front" orientation. The

symbol is a motorcycle with an arrow in the front indicating the direction of view. The symbol is at the bottom left or right side of the illustration page.

- To request a missing or loose part, simply submit a Return Material Authorization (RMA) claim on h-dnet.com with code "T-part not included with vehicle" for all vehicle missing parts claims. Then place an order for the missing item on your next Parts and Accessories order. Upon filing the RMA claim, your dealership will be credited for the dealer net cost of the part. The Vehicle Identification Number must be included on the RMA claim in order for you to receive credit. This process is to be used for vehicles manufactured at all plants.

To the best knowledge of Harley-Davidson Motor Company, the material contained herein is accurate as of the date this publication was approved for printing. Harley-Davidson Motor Company reserves the right to change specifications, equipment or designs at any time without notice and without incurring obligation.

2018 TFD.

GENERAL INFORMATION

LOOSE PARTS

The Loose Parts section is located at the back of this parts catalog. This section lists the parts which are shipped unfastened with the vehicles covered in this catalog.

HARDWARE LIST

The Hardware List is located at the back of this parts catalog. This section contains the information for each piece of hardware found in each parts list.

NEW PARTS LIST

The New Parts List is located at the back of this parts catalog. This list serves as a summary of new parts.

NUMERICAL INDEX

The Numerical Index is located at the back of this parts catalog. This index includes all part numbers used in this catalog and the page numbers of where they can be found.

COMPONENT TYPES AND INTRODUCTION DATES

The Component Types and Introduction Dates section is located at the back of this parts catalog. This section contains a list of component part numbers and year of introduction.

COMMON SERVICE PARTS

The Common Service Parts section is located at the back of this parts catalog. This section contains the most commonly ordered parts for service on vehicles covered in this catalog. These parts are ordered through the normal ordering process.

IF (SERVICE INFORMATION PORTAL)

For the latest updates to these manuals, see the Service Information Portal.

VEHICLE IDENTIFICATION NUMBER

See Figure 1. A unique 17-digit serial, or vehicle identification number (VIN), is assigned to each motorcycle. For a description of each digit in the vehicle identification number (VIN), refer to Table 1.

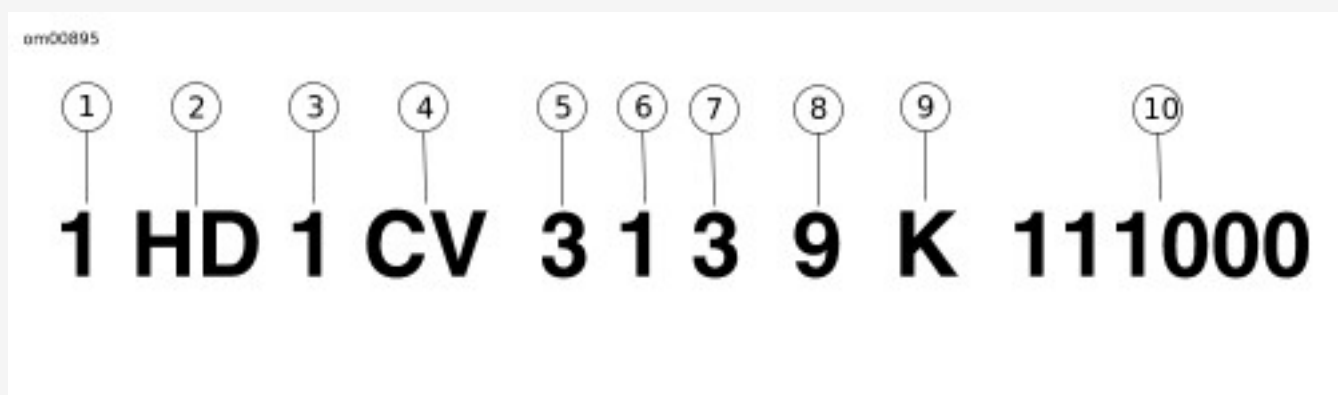
For all models except V-Rod the full 17-digit serial, or vehicle identification number (VIN), is stamped on the right side of the frame backbone at the rear of the steering head. The vehicle identification number (VIN) is also printed on a label on the right front downtube. An abbreviated vehicle identification number (VIN) is stamped on the left side crankcase between the front and rear cylinders.

For V-Rod models only the full 17-digit serial, or vehicle identification number (VIN), is stamped on the right side of the steering head. The vehicle identification number (VIN) is also printed on a label on the left frame tube above the front engine cylinder. An abbreviated vehicle identification number (VIN) is stamped on the left side crankcase below the rear cylinder head.

Always give the full 17-digit vehicle identification number (VIN) when ordering parts or making any inquiry about your motorcycle.

009 SPORTSTER MODELS

VIN MODEL CODES



[View interactive image](#)

Figure 1. Typical Harley-Davidson VIN

Table 1. Harley-Davidson V.I.N. Breakdown

POSITION	DESCRIPTION	POSSIBLE VALUES
1	Market designation	1=Originally manufactured for sale within the United States 5=Originally manufactured for sale outside of the United States
2	Manufacturer	HD=Harley-Davidson
3	Motorcycle type	1=Heavyweight motorcycle (901 cc or larger) 4=Middleweight motorcycle (351 cc to 900 cc)
4	Model	See V.I.N. model table
5	Engine type	2=Evolution [®] 883 cc air-cooled, fuel-injected 3=Evolution [®] 1200 cc air-cooled, fuel-injected 6=Evolution [®] 1200 cc precision-cooled, fuel-injected
6	Introduction date	1=Regular 2=Mid-year 3=California/regular

		4=Cosmetic changes and/or special introductory date 5=California/cosmetic changes and/or special introductory date 6=California/mid-year
7	V.I.N. check digit	Can be 0-9 or X
8	Model year	9=2009
9	Assembly plant	K=Kansas City, MO U.S.A.
10	Sequential number	Varies

Table 2. V.I.N. Model Codes

CODE	MODEL	CODE	MODEL
CN	XL 883 Sportster® 883	CT	XL 1200C Sportster® 1200 Custom
CP	XL 883C Sportster® 883 Custom	CV	XL 1200R Sportster® 1200 Roadster
CR	XL 883L Sportster® 883 Low	CX	XL 1200L Sportster® 1200 Low
CS	XL 883R Sportster® 883R	CZ	XL 1200N Sportster® 1200 Nightster™
LE	XL 883N Sportster® 883N	LA	XR 1200 Sportster® 1200

NOTES

AIR BOX - XR1200

AIR CLEANER - 883/C/L/N/R, 1200C/L/N/R

ALTERNATOR & REGULATOR

AXLE, FRONT (CAST) - 883/L/N/R, 1200L/R

AXLE, FRONT (CAST) - XR1200

AXLE, FRONT (LACED & PROFILE LACED) - 883/C/L, 1200C/N/R

AXLE, REAR (CAST) - 883/L/N/R, 1200C/L/R

AXLE, REAR (CAST) - XR1200

AXLE, REAR (LACED & PROFILE LACED) - 883/C/L, 1200C/L/N/R

BATTERY

BELTS & SPROCKETS - 883/C/L/N/R, 1200C/L/N/R

BELTS & SPROCKETS - XR1200

BRACKET, HORN

BRACKET, LICENSE PLATE - 1200N (NON-JAPAN)

BRACKET, LICENSE PLATE - 883/C/L/R, 1200C/L/R, 1200N (JAPAN)

BRACKET, LOWER STEERING HEAD - 883/C/L/N/R, 1200C/L/N/R

BRACKET, LOWER STEERING HEAD - XR1200

BRACKET, SPEEDOMETER - 883/L/N/R, 1200L/N/R

BRACKET, SPEEDOMETER - 883C, 1200C

BRACKET, SPEEDOMETER - XR1200

BRAKE CONTROL, REAR - 883/L/N/R, 1200L/N/R

BRAKE CONTROL, REAR - 883C, 1200C
BRAKE CONTROL, REAR - XR1200
BRAKE DISC, REAR (CAST WHEEL) - 883/L/N/R, 1200C/L/R
BRAKE DISC, REAR (CAST WHEEL) - XR1200
BRAKE DISC, REAR (LACED) - 883/C/L, 1200C/L/N/R
BRAKELINE, FRONT - 883/C/L/N/R, 1200C/L/N/R
BRAKELINE, FRONT - XR1200
BRAKELINE, REAR - 883/C/L/N/R, 1200C/L/N/R
BRAKELINE, REAR - XR1200
BUSHINGS, CAM - 883/C/L/N/R, 1200C/L/N/R
CABLE, CLUTCH CONTROL
CABLES, BATTERY
CALIPER, FRONT - 883/C/L/N/R, 1200C/L/N/R
CALIPER, FRONT - XR1200
CALIPER, REAR - 883/C/L/N/R, 1200C/L/N/R
CALIPER, REAR - XR1200
CAMSHAFTS & GEAR COVER - 883/C/L/N/R, 1200C/L/N/R
CAMSHAFTS & GEAR COVER - XR1200
CLAMP, HANDLEBAR - 883/L/N/R, 1200L/N/R, XR1200
CLAMP, HANDLEBAR - 883C, 1200C
CLUTCH - 883/C/L/N/R, 1200C/L/N/R
CLUTCH - XR1200
CLUTCH CONTROL
COIL, IGNITION - 883/C/L/N/R, 1200C/L/N/R
COIL, IGNITION - XR1200
CRANKCASE & GEARCASE - 883/C/L/N/R, 1200C/L/N/R
CRANKCASE & GEARCASE - XR1200
CYLINDER, HEAD, & VALVES - 883/C/L/N/R, 1200C/L/N/R
CYLINDER, HEAD, & VALVES - XR1200
DRIVE GEAR, OIL PUMP - 883/C/L/N/R, 1200C/L/N/R
DRIVE GEAR, OIL PUMP - XR1200
ELECTRONIC CONTROL MODULE - 883/C/L/N/R, 1200C/L/N/R
ELECTRONIC CONTROL MODULE - XR1200
ELECTRONIC IGNITION SYSTEM - 883/C/L/N/R, 1200C/L/N/R
ELECTRONIC IGNITION SYSTEM - XR1200
ENGINE ASSEMBLY
ENGINE MOUNTS
ENGINE SENSORS & SWITCHES
EVAPORATIVE EMISSIONS
EXHAUST SYSTEM - 883/C/L/N/R, 1200C/L/N/R
EXHAUST SYSTEM - XR1200
FENDER, FRONT
FENDER, REAR - 1200N (NON-JAPAN)
FENDER, REAR - 883/C/L/R, 1200C/L/R, 1200N (JAPAN)
FENDER, REAR - XR1200
FILTER, AIR BOX
FILTER, AIR
FILTER, OIL - 883/C/L/N/R, 1200C/L/N/R
FILTER, OIL - XR1200
FLYWHEEL
FOOTRESTS - 883/C/L/N/R, 1200C/L/N/R

FOOTRESTS - XR1200
FORK, FRONT - 883/C/L/R, 1200C/L/R
FORK, FRONT - 883N, 1200N
FRAME & JIFFY STAND - 883/C/L/N/R, 1200C/L/N/R
FRAME & JIFFY STAND - XR1200
FRONT BRAKE CALIPER - 883/C/L/N/R, 1200C/L/N/R
FRONT BRAKE CALIPER - XR1200
FRONT BRAKE CONTROL - 883/C/L/N/R, 1200C/L/N/R
FRONT BRAKE CONTROL - XR1200
FRONT FENDER
FRONT FORK - 883/C/L/R, 1200C/L/R
FRONT FORK - 883N, 1200N
FRONT FORK - XR1200
FRONT TURN SIGNALS - XR1200
FRONT WHEEL, CAST - 883/L/N/R, 1200L/R
FRONT WHEEL, CAST - XR1200
FRONT WHEEL, LACED & PROFILE LACED - 883/C/L/R, 1200C/N/L/R
FUEL PUMP
FUEL TANK - 883/C/L/N/R, 1200C/L/N/R
FUEL TANK - XR1200
FUEL TANK TRIM
FUSES
GASKET KIT, ENGINE OVERHAUL - 883/C/L/N/R, 1200C/L/N/R
GASKET KIT, ENGINE OVERHAUL - XR1200
GASKET KIT, FRONT MASTER CYLINDER - 883/C/L/N/R, 1200C/L/N/R
GASKET KIT, FRONT MASTER CYLINDER - XR1200
GASKET KIT, REAR MASTER CYLINDER - 883/C/L/N/R, 1200C/L/N/R
GASKET KIT, REAR MASTER CYLINDER - XR1200
GEARS, TRANSMISSION
HAND LEVER, CLUTCH CONTROL
HAND LEVER, FRONT BRAKE CONTROL - 883/C/L/N/R, 1200C/L/N/R
HAND LEVER, FRONT BRAKE CONTROL - XR1200
HANDLEBAR & THROTTLE CONTROL - 883/L/N/R, 1200L/N/R, XR1200
HANDLEBAR & THROTTLE CONTROL - 883C, 1200C
HANDLEBAR SWITCHES
HEAD, CYLINDER - 883/C/L/N/R, 1200C/L/N/R
HEAD, CYLINDER - XR1200
HEADLAMP & MIRROR - 883/L/N/R, 1200L/N/R
HEADLAMP & MIRROR - 883C, 1200C
HEADLAMP & MIRROR - XR1200
HORN
INDUCTION MODULE - 883/C/L/N/R, 1200C/L/N/R
INDUCTION MODULE - XR1200
INSPECTION COVER & PRIMARY COVER
JIFFY STAND - 883/C/L/N/R, 1200C/L/N/R
JIFFY STAND - XR1200
LABELS
LEVER, SHIFTER
LOCKSET ASSEMBLY - 883/C/L/N/R, 1200C/L/N/R
LOCKSET ASSEMBLY - XR1200
MASTER CYLINDER ASSEMBLY, FRONT - 883/C/L/N/R, 1200C/L/N/R

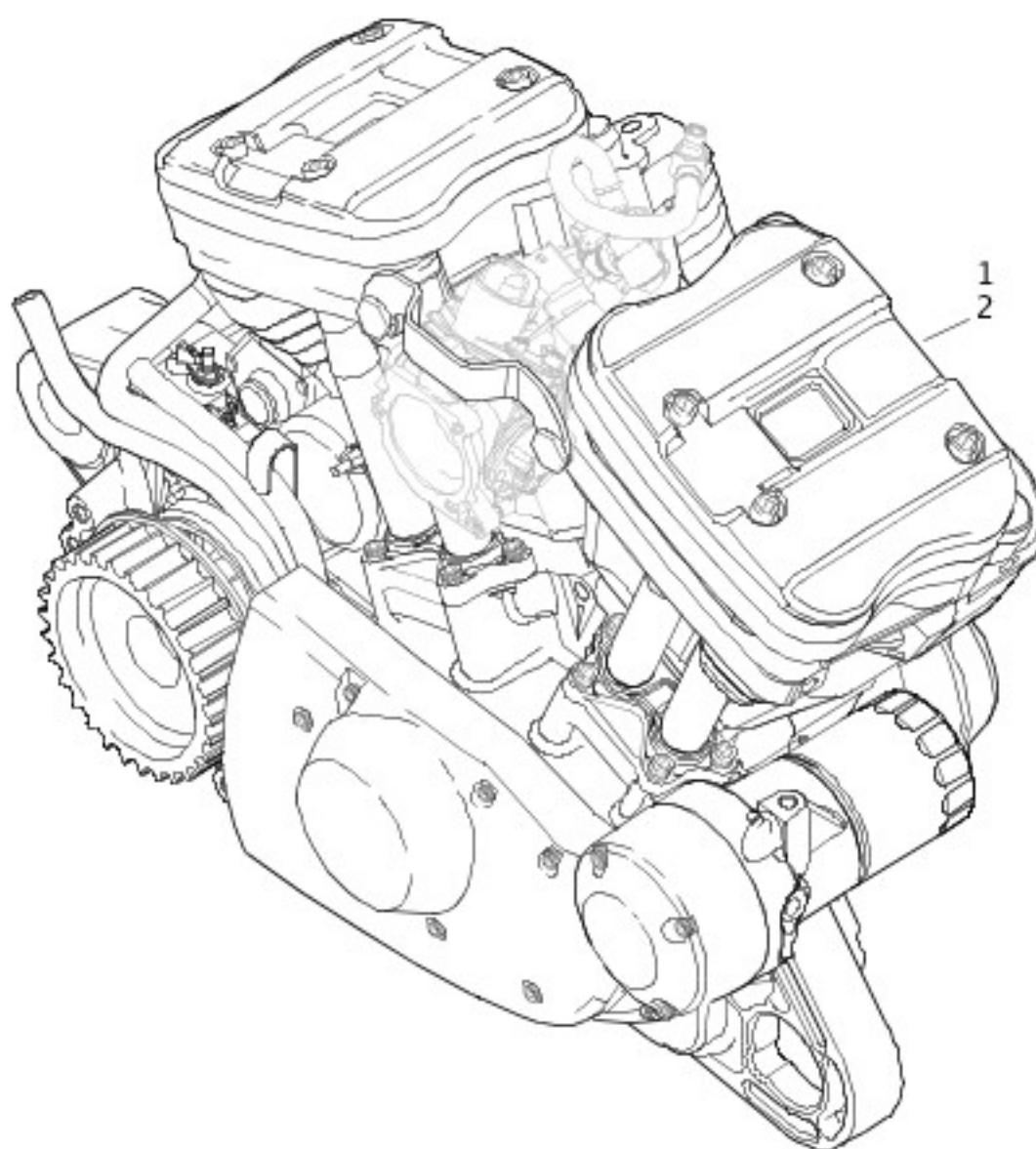
MASTER CYLINDER ASSEMBLY, FRONT - XR1200
MASTER CYLINDER ASSEMBLY, REAR - 883/C/L/N/R, 1200C/L/N/R
MASTER CYLINDER ASSEMBLY, REAR - XR1200
MIRRORS - 883/L/N/R, 1200L/N/R
MIRRORS - 883C, 1200C
MIRRORS - XR1200
MODULE, SECURITY SYSTEM/TURN SIGNAL CANCELLER
MOUNTS, ENGINE
MUFFLER - 883/C/L/N/R, 1200C/L/N/R
MUFFLER - XR1200
OIL FILTER - 883/C/L/N/R, 1200C/L/N/R
OIL FILTER - XR1200
OIL JET ASSEMBLY - 883/C/L/N/R, 1200C/L/N/R
OIL JET ASSEMBLY - XR1200
OIL LINES & COOLER - XR1200
OIL PUMP - 883/C/L/N/R, 1200C/L/N/R
OIL PUMP - XR1200
OIL TANK & FILTER - 883/C/L/N/R, 1200C/L/N/R
OIL TANK & FILTER - XR1200
PISTONS & FLYWHEEL ASSEMBLY
PRIMARY CHAIN - 883/C/L/N/R, 1200C/L/N/R
PRIMARY CHAIN - XR1200
PUMP, OIL - 883/C/L/N/R, 1200C/L/N/R
PUMP, OIL - XR1200
PUSH ROD - 883/C/L/N/R, 1200C/L/N/R
PUSH ROD - XR1200
REAR BRAKE CALIPER - 883/C/L/N/R, 1200C/L/N/R
REAR BRAKE CALIPER - XR1200
REAR BRAKE CONTROL - 883/L/N/R, 1200L/N/R
REAR BRAKE CONTROL - 883C, 1200C
REAR BRAKE CONTROL - XR1200
REAR BRAKE MASTER CYLINDER - 883/C/L/N/R, 1200C/L/N/R
REAR BRAKE MASTER CYLINDER - XR1200
REAR FENDER & LICENSE PLATE BRACKET - 883N (NON-CANADA), 1200N
REAR FENDER & LICENSE PLATE BRKT - 883/C/L/R, 1200C/L/R, 883N (CANADA)
REAR FENDER - XR1200
REAR FORK, DEBRIS DEFLECTOR & BELT GUARD
REAR TURN SIGNALS, TAIL LAMP & LICENSE PLATE BRACKET - XR1200
REAR WHEEL, CAST - 883/L/N/R, 1200C/L/R
REAR WHEEL, CAST - XR1200
REAR WHEEL, LACED & PROFILE LACED - 883/C/L/R, 1200C/L/N/R
REGULATOR, VOLTAGE
RISER, HANDLEBAR - 883C, 1200C
ROCKER ARMS, COVERS, & PUSH RODS - 883/C/L/N/R, 1200C/L/N/R
ROCKER ARMS, COVERS, & PUSH RODS - XR1200
SEATS
SECURITY SIREN
SHIFT LEVER
SHIFTER
SHOCK ABSORBERS - 883/C/L/N/R, 1200C/L/N/R
SHOCK ABSORBERS - XR1200

SIDE COVER, OIL TANK - 883/C/L/N/R, 1200C/L/N/R
SIDE COVER, OIL TANK - XR1200
SPARK PLUG - 883/C/L/N/R, 1200C/L/N/R
SPARK PLUG - XR1200
SPEEDOMETER & TACHOMETER - 883/L/N/R, 1200L/N/R
SPEEDOMETER & TACHOMETER - XR1200
SPEEDOMETER - 883C, 1200C
SPROCKET - 883/C/L/N/R, 1200C/L/N/R
SPROCKET - XR1200
STARTER MOTOR
STEERING HEAD BRACKET ASSEMBLY - 883/C/L/N/R, 1200C/L/N/R
STEERING HEAD BRACKET ASSEMBLY - XR1200
SWITCH ASSEMBLY, DIRECTIONAL
SWITCHES, SENSORS & ELECTRICAL CONNECTORS
TACHOMETER - 883/L/N/R, 1200L/N/R
TACHOMETER - XR1200
TAIL LAMP - 883/C/L/R, 1200C/L/R
TAIL LAMP - XR1200
TAPPET - 883/C/L/N/R, 1200C/L/N/R
TAPPET - XR1200
THROTTLE CONTROL - 883/L/N/R, 1200L/N/R, XR1200
THROTTLE CONTROL - 883C, 1200C
TRANSMISSION GEARS
TRAY, BATTERY
TURN SIGNAL MODULE & SECURITY SIREN
TURN SIGNALS & TAIL LAMP - 883N, 1200N
TURN SIGNALS - 883/C/L/R, 1200C/L/R
VALVES AND GUIDES - 883/C/L/N/R, 1200C/L/N/R
VALVES AND GUIDES - XR1200
VOLTAGE REGULATOR
WHEELS, FRONT (CAST) - 883/L/N/R, 1200L/R
WHEELS, FRONT (CAST) - XR1200
WHEELS, FRONT (LACED & PROFILE LACED) - 883/C/L, 1200C/N/R
WHEELS, REAR (CAST) - 883/L/N/R, 1200C/L/R
WHEELS, REAR (CAST) - XR1200
WHEELS, REAR (LACED & PROFILE LACED) - 883/C/L, 1200C/L/N/R
WIRING HARNESS, ENGINE - 883/C/L/N/R, 1200C/L/N/R
WIRING HARNESS, ENGINE - XR1200
WIRING HARNESS, MAIN - 883/C/L/N/R, 1200C/L/N/R (1 OF 2)
WIRING HARNESS, MAIN - 883/C/L/N/R, 1200C/L/N/R (2 OF 2)
WIRING HARNESS, MAIN - XR1200 (1 OF 2)
WIRING HARNESS, MAIN - XR1200 (2 OF 2)

Parts

ENGINE ASSEMBLY

ENGINE ASSEMBLY



[View interactive image](#)

[View interactive table](#)

INDEX NO.	PART NO.	DESCRIPTION	MODEL(S)
1	19518-09	ENGINE ASSEMBLY (883cc)	XL883
	19519-09	ENGINE ASSEMBLY (883cc)	XL883N, XL883R
	19527-09	ENGINE ASSEMBLY (1200cc) (Domestic, California, Canada)	XL1200C
	19528-09	ENGINE ASSEMBLY (1200cc) (Domestic, California, Canada)	XL1200R
	19566-09	ENGINE ASSEMBLY (883cc)	XL883L

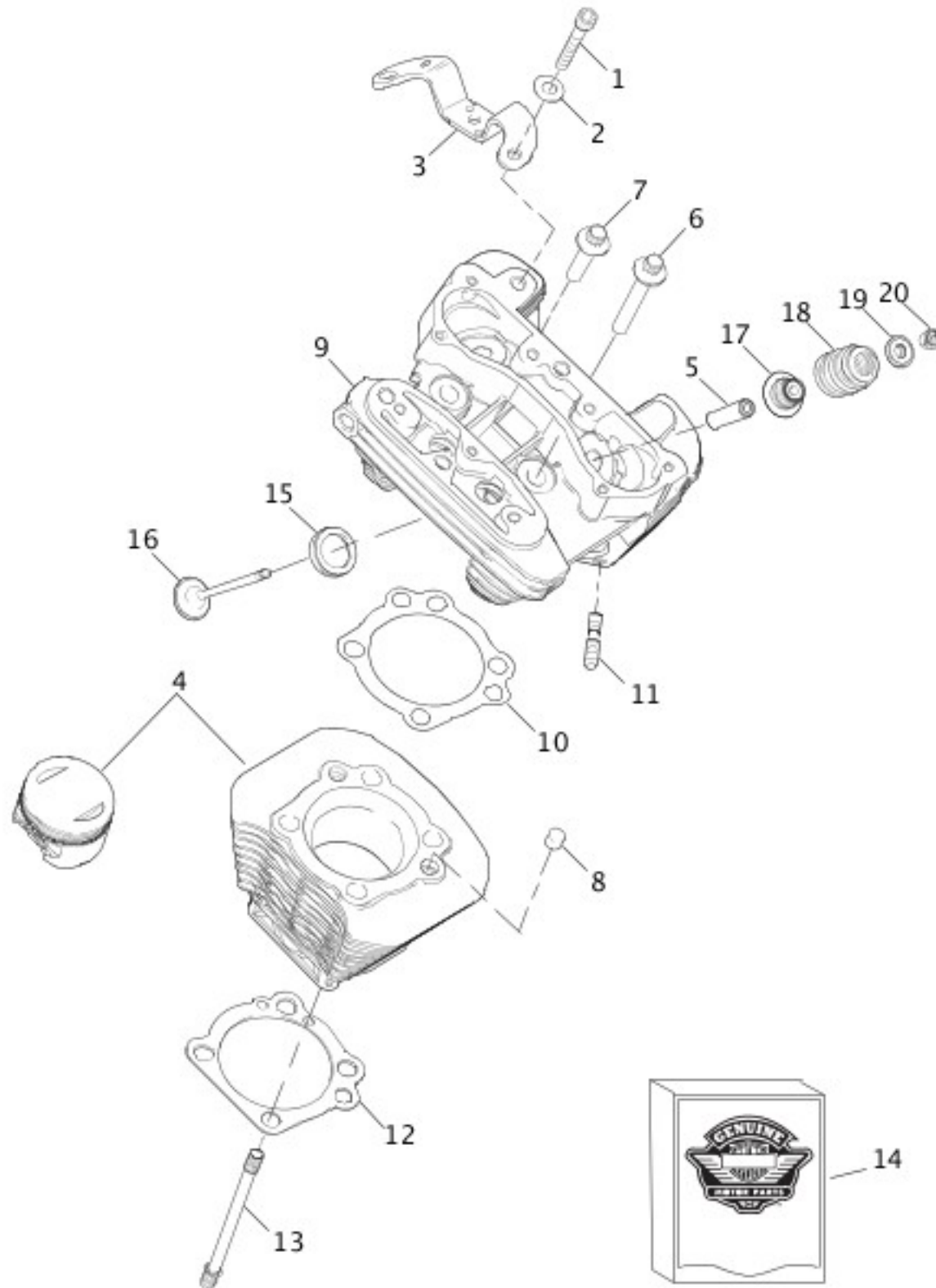
	19567-09	ENGINE ASSEMBLY (883cc)	XL883C
	19604-09	ENGINE ASSEMBLY (1200cc) (Domestic, California, Canada)	XL1200L
	19637-09	ENGINE ASSEMBLY (1200cc) (Domestic, California, Canada)	XL1200N
	19638-09	ENGINE ASSEMBLY (1200cc) (Domestic, California, Canada, HDI, Australia, England) (not shown)	XR1200

INTERNATIONAL MODELS ONLY

2	19606-09	ENGINE ASSEMBLY (1200cc) (HDI)	XL1200C
	19607-09	ENGINE ASSEMBLY (1200cc) (HDI)	XL1200R
	19622-09	ENGINE ASSEMBLY (1200cc) (HDI)	XL1200L
	19639-09	ENGINE ASSEMBLY (1200cc) (Japan, Brazil) (not shown)	XR1200
	19734-09	ENGINE ASSEMBLY (1200cc) (HDI)	XL1200N

CYLINDER, HEAD, & VALVES - 883/C/L/N/R, 1200C/L/N/R

CYLINDER, HEAD, & VALVES – 883/C/L/N/R, 1200C/L/N



[View interactive image](#)

[View interactive table](#)

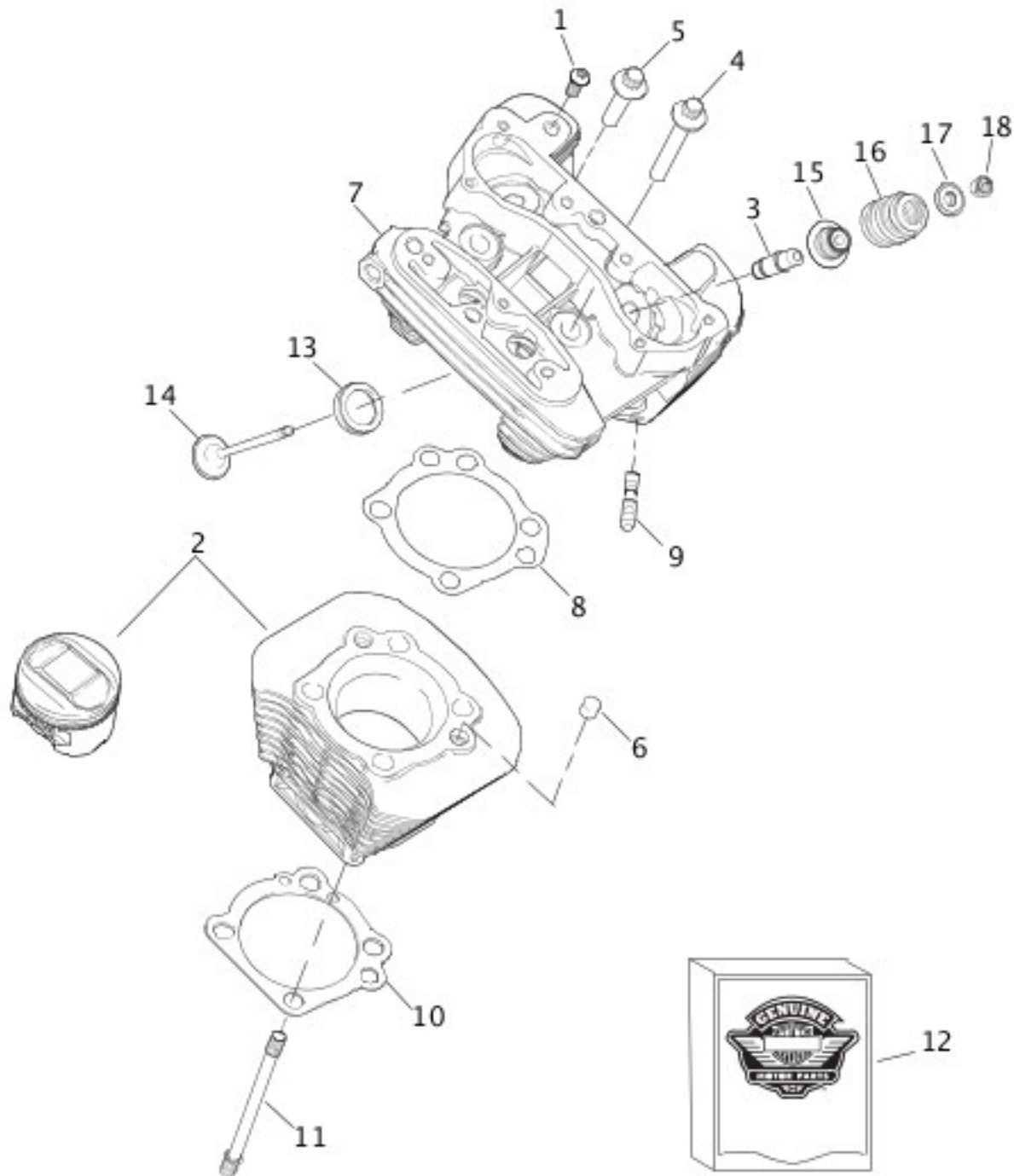
INDEX NO.	PART NO.	DESCRIPTION	MODEL(S)
1	4266A	SCREW (2)	XL1200L, XL1200N, XL1200R, XL883, XL883C, XL883L, XL883N, XL883R
	4748	SCREW (2)	XL1200C

2	6787	WASHER (2)	XL1200C
3	16353-04	BRACKET, center engine mount	XL1200C
4	16443-04	CYLINDER, w/ piston (883 cc) (silver) (2)	XL883, XL883C, XL883L
	16452-05	CYLINDER, w/ piston (883 cc) (black) (2)	XL883N, XL883R
	16463-04	CYLINDER, w/ piston (1200 cc) (black) (2)	XL1200C, XL1200L, XL1200R
	17496-07	CYLINDER, w/ piston (1200 cc) (gray) (2)	XL1200N
5	16461-02	VALVE GUIDE, intake & exhaust (4)	XL1200C, XL1200L, XL1200N, XL1200R, XL883, XL883C, XL883L, XL883N, XL883R
6	16478-85A	SCREW, internal thread (4)	XL1200C, XL1200L, XL1200N, XL1200R, XL883, XL883C, XL883L, XL883N, XL883R
7	16480-92A	SCREW, internal thread (4)	XL1200C, XL1200L, XL1200N, XL1200R, XL883, XL883C, XL883L, XL883N, XL883R
8	16573-83A	DOWEL (4)	XL1200C, XL1200L, XL1200N, XL1200R, XL883, XL883C, XL883L, XL883N, XL883R
9	16660-07	HEAD, rear cylinder (883 cc) (silver), w/ valve guides & seats	XL883, XL883C, XL883L
	16661-07	HEAD, front cylinder (883 cc) (silver), w/ valve guides & seats	XL883, XL883C, XL883L
	16666-07	HEAD, rear cylinder (1200 cc) (black), w/ valve guides & seats	XL1200C, XL1200L, XL1200R
	16667-07	HEAD, front cylinder (1200 cc) (black), w/ valve guides & seats	XL1200C, XL1200L, XL1200R
	16865-07	HEAD, rear cylinder (883 cc) (black), w/ valve guides & seats	XL883N, XL883R
	16867-07	HEAD, front cylinder (883 cc) (black), w/ valve guides & seats	XL883N, XL883R
	17488-07	HEAD, rear cylinder (1200 cc) (black w/o fin highlights), w/ valve guides & seats	XL1200N
	17485-07	HEAD, front cylinder (1200 cc) (black w/o fin highlights), w/ valve guides & seats	XL1200N
10	16664-86D	GASKET, cylinder head (2)	XL883, XL883C, XL883L, XL883N, XL883R
	16770-84F	GASKET, cylinder head (2)	XL1200C, XL1200L, XL1200N, XL1200R

11	16715-83	STUD, exhaust port (4)	XL1200C, XL1200L, XL1200N, XL1200R, XL883, XL883C, XL883L, XL883N, XL883R
12	16789-04	GASKET, cylinder base (2)	XL1200C, XL1200L, XL1200N, XL1200R, XL883, XL883C, XL883L, XL883N, XL883R
13	16832-86C	STUD, cylinder base (8)	XL1200C, XL1200L, XL1200N, XL1200R, XL883, XL883C, XL883L, XL883N, XL883R
14	17027-08	GASKET KIT, engine overhaul	XL1200C, XL1200L, XL1200N, XL1200R, XL883, XL883C, XL883L, XL883N, XL883R
	17049-08	GASKET KIT, top overhaul	XL1200C, XL1200L, XL1200N, XL1200R, XL883, XL883C, XL883L, XL883N, XL883R
15	18011-86	INSERT, exhaust valve seat (2)	XL1200C, XL1200L, XL1200N, XL1200R
	18012-87A	INSERT, exhaust valve seat (2)	XL883, XL883C, XL883L, XL883N, XL883R
	18020-07	INSERT, intake valve seat (2)	XL1200C, XL1200L, XL1200N, XL1200R
	18021-87A	INSERT, intake valve seat (2)	XL883, XL883C, XL883L, XL883N, XL883R
16	18053-04	INTAKE VALVE, 7mm (2)	XL883, XL883C, XL883L, XL883N, XL883R
	18690-02	INTAKE VALVE, 7mm (2)	XL1200C, XL1200L, XL1200N, XL1200R
	18059-04	EXHAUST VALVE, 7mm (2)	XL883, XL883C, XL883L, XL883N, XL883R
	18691-02	EXHAUST VALVE, 7mm (2)	XL1200C, XL1200L, XL1200N, XL1200R
17	18094-02A	SEAL, valve (4)	XL1200C, XL1200L, XL1200N, XL1200R, XL883, XL883C, XL883L, XL883N, XL883R
18	18245-02	VALVE SPRING (4)	XL1200C, XL1200L, XL1200N, XL1200R, XL883, XL883C, XL883L, XL883N, XL883R
19	18258-02	COLLAR, valve spring - upper (4)	XL1200C, XL1200L, XL1200N, XL1200R, XL883, XL883C, XL883L, XL883N, XL883R
20	18260-02	KEEPER, valve collar (8)	XL1200C, XL1200L, XL1200N, XL1200R, XL883, XL883C, XL883L, XL883N, XL883R

CYLINDER, HEAD, & VALVES - XR1200

CYLINDER, HEAD, & VALVES - XR1200



[View interactive image](#)

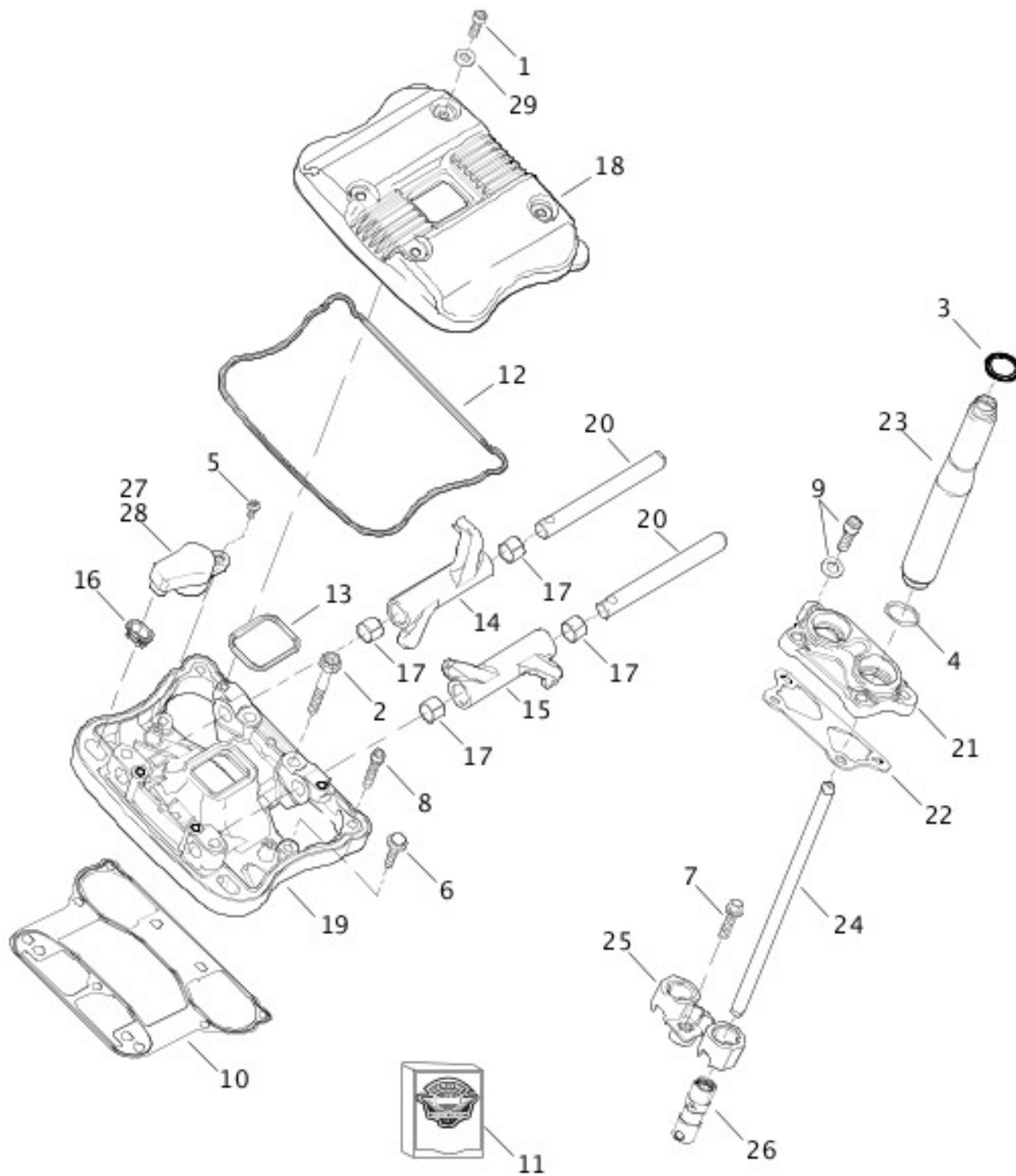
[View interactive table](#)

INDEX NO.	PART NO.	DESCRIPTION	MODEL(S)
1	4266A	SCREW (2)	XR1200
2	16466-04A	CYLINDER, w/ piston & rings (silver) (2)	XR1200
3	16465-06	VALVE GUIDE (4)	XR1200

4	16478-85A	SCREW, internal thread (4)	XR1200
5	16480-92A	SCREW, internal thread (4)	XR1200
6	16573-83A	DOWEL (4)	XR1200
7	17523-08	HEAD, front cylinder (silver), w/ valve guides & seats	XR1200
	17524-08	HEAD, rear cylinder (silver), w/ valve guides & seats	XR1200
8	16771-08	GASKET, cylinder head (2)	XR1200
9	16715-83	STUD, exhaust port (4)	XR1200
10	16789-04	GASKET, cylinder base (2)	XR1200
11	16832-86C	STUD, cylinder base (8)	XR1200
12	17027-08	GASKET KIT, engine overhaul	XR1200
	17049-08	GASKET KIT, top overhaul	XR1200
13	18011-86	INSERT, exhaust valve seat (2)	XR1200
	18020-07	INSERT, intake valve seat (2)	XR1200
14	18690-02	INTAKE VALVE, 7mm (2)	XR1200
	18691-02	EXHAUST VALVE, 7mm (2)	XR1200
15	18094-02A	SEAL, valve (4)	XR1200
16	18245-02	VALVE SPRING (4)	XR1200
17	18258-02	COLLAR, valve spring - upper (4)	XR1200
18	18260-02	KEEPER, valve collar (8)	XR1200

ROCKER ARMS, COVERS, & PUSH RODS - 883/C/L/N/R, 1200C/L/N/R

ROCKER ARMS, COVERS, & PUSH RODS – 883/C/L/N/R, 1200C/L/N/R



[View interactive image](#)

[View interactive table](#)

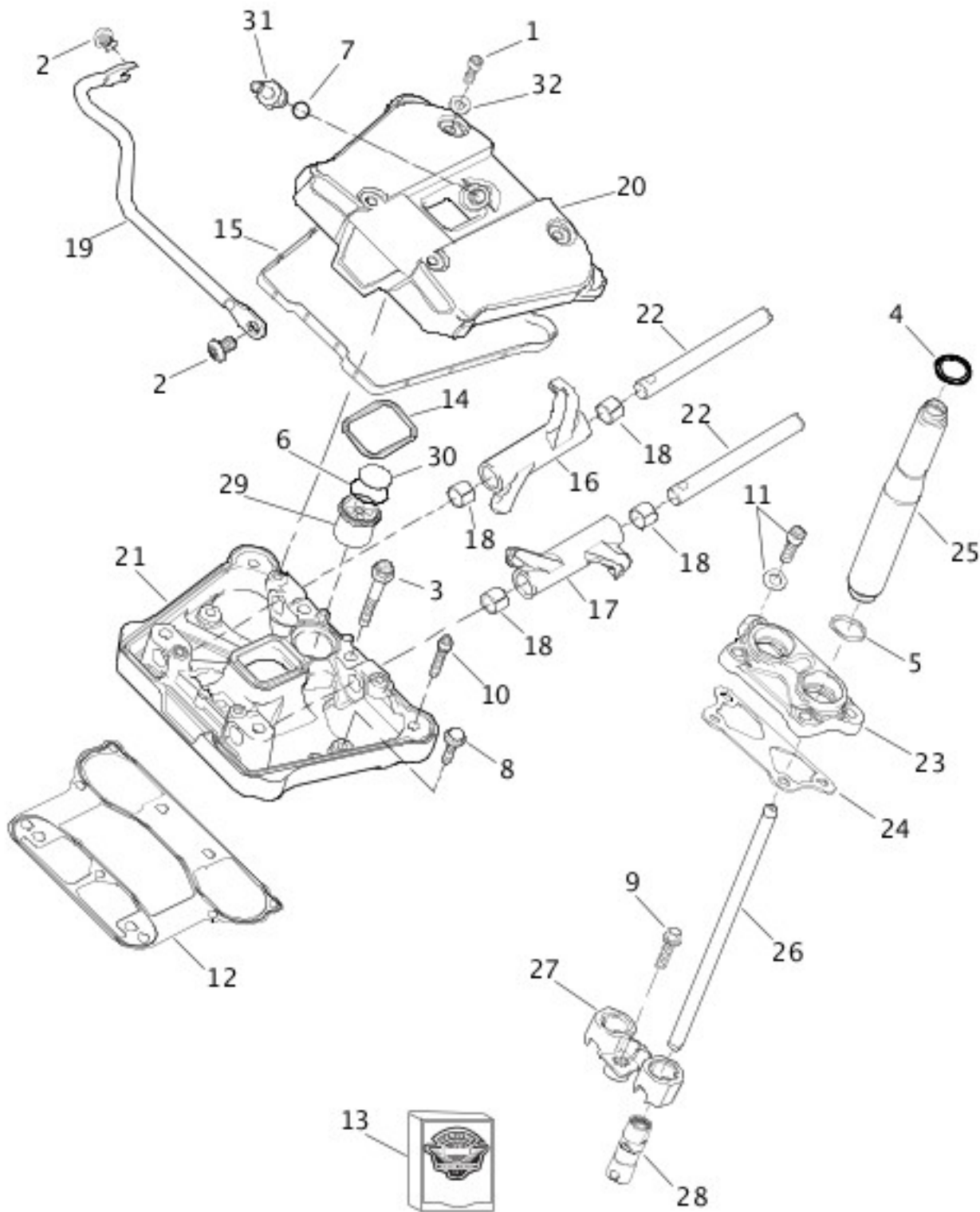
INDEX NO.	PART NO.	DESCRIPTION	MODEL(S)
1	2486	SCREW (8)	XL1200C, XL1200L, XL1200N, XL1200R, XL883, XL883C, XL883L, XL883N, XL883R
2	1039	SCREW (8)	XL1200C, XL1200L, XL1200N, XL1200R, XL883, XL883C, XL883L, XL883N, XL883R
3	11190	O-RING, push rod cover-upper (4)	XL1200C, XL1200L, XL1200N, XL1200R, XL883, XL883C,

			XL883L, XL883N, XL883R
4	11377	O-RING (4)	XL1200C, XL1200L, XL1200N, XL1200R, XL883, XL883C, XL883L, XL883N, XL883R
5	2441	SCREW, pan head (2)	XL1200C, XL1200L, XL1200N, XL1200R, XL883, XL883C, XL883L, XL883N, XL883R
6	3849	SCREW, w/ washer (6)	XL1200C, XL1200L, XL1200N, XL1200R, XL883, XL883C, XL883L, XL883N, XL883R
7	3976	SCREW (2)	XL1200C, XL1200L, XL1200N, XL1200R, XL883, XL883C, XL883L, XL883N, XL883R
8	4718A	SCREW, w/ washer (4)	XL1200C, XL1200L, XL1200N, XL1200R, XL883, XL883C, XL883L, XL883N, XL883R
9	4741A	SCREW (8)	XL1200C, XL1200L, XL1200N, XL1200R, XL883, XL883C, XL883L, XL883N, XL883R
10	16800-84A	GASKET, rocker box (2)	XL1200C, XL1200L, XL1200N, XL1200R, XL883, XL883C, XL883L, XL883N, XL883R
11	17036-08	GASKET KIT, rocker cover	XL1200C, XL1200L, XL1200N, XL1200R, XL883, XL883C, XL883L, XL883N, XL883R
12	17362-07A	GASKET, rocker cover - lower (2)	XL1200C, XL1200L, XL1200N, XL1200R, XL883, XL883C, XL883L, XL883N, XL883R
13	17695-07A	GASKET, rocker cover - inner (2)	XL1200C, XL1200L, XL1200N, XL1200R, XL883, XL883C, XL883L, XL883N, XL883R
14	17360-83A	ROCKER ARM, front intake & rear exhaust (2)	XL1200C, XL1200L, XL1200N, XL1200R, XL883, XL883C, XL883L, XL883N, XL883R
15	17375-83A	ROCKER ARM, front exhaust & rear intake (2)	XL1200C, XL1200L, XL1200N, XL1200R, XL883, XL883C, XL883L, XL883N, XL883R
16	17393-07	SEAL, breather	XL1200C, XL1200L, XL1200N, XL1200R, XL883, XL883C, XL883L, XL883N, XL883R
17	17428-57	BUSHING, rocker arm (4)	XL1200C, XL1200L, XL1200N, XL1200R, XL883, XL883C, XL883L, XL883N, XL883R
18	17501-04	ROCKER COVER, outer (polished) (2)	XL1200N, XL883, XL883C, XL883L
	17551-04	ROCKER COVER, outer (chrome) (2)	XL1200C, XL1200L
	17655-05	ROCKER COVER, outer (black) (2)	XL1200R, XL883N, XL883R
19	17532-07	ROCKER COVER, inner (polished) (2)	XL1200N, XL883, XL883C, XL883L
	17537-07	ROCKER COVER, inner (chrome) (2)	XL1200C, XL1200L

	17614-07	ROCKER COVER, inner (silver) (2)	XL883N, XL883R
	17645-07	ROCKER COVER, inner (black) (2)	XL1200R
20	17611-83	SHAFT, rocker arm (4)	XL1200C, XL1200L, XL1200N, XL1200R, XL883, XL883C, XL883L, XL883N, XL883R
21	17972-04	TAPPET COVER, front	XL1200C, XL1200L, XL1200N, XL1200R, XL883, XL883C, XL883L, XL883N, XL883R
	17981-04	TAPPET COVER, rear	XL1200C, XL1200L, XL1200N, XL1200R, XL883, XL883C, XL883L, XL883N, XL883R
22	17976-04	GASKET, tappet cover (2)	XL1200C, XL1200L, XL1200N, XL1200R, XL883, XL883C, XL883L, XL883N, XL883R
23	17946-04	COVER, push rod (chrome) (4)	XL1200C, XL1200L, XL1200N, XL1200R, XL883, XL883C, XL883L, XL883N, XL883R
24	17908-02	PUSH ROD, exhaust (2)	XL1200C, XL1200L, XL1200N, XL1200R, XL883, XL883C, XL883L, XL883N, XL883R
	17909-02	PUSH ROD, intake (2)	XL1200C, XL1200L, XL1200N, XL1200R, XL883, XL883C, XL883L, XL883N, XL883R
25	18505-06	ANTI-ROTATION DEVICE	XL1200C, XL1200L, XL1200N, XL1200R, XL883, XL883C, XL883L, XL883N, XL883R
26	18538-99B	TAPPET, w/ roller (4)	XL1200C, XL1200L, XL1200N, XL1200R, XL883, XL883C, XL883L, XL883N, XL883R
27	26010-04	BREATHER, front	XL1200C, XL1200L, XL1200N, XL1200R, XL883, XL883C, XL883L, XL883N, XL883R
	26011-04	BREATHER, rear	XL1200C, XL1200L, XL1200N, XL1200R, XL883, XL883C, XL883L, XL883N, XL883R
28	26012-07	BREATHER, front w/ seal	XL1200C, XL1200L, XL1200N, XL1200R, XL883, XL883C, XL883L, XL883N, XL883R
	26020-07	BREATHER, rear w/ seal	XL1200C, XL1200L, XL1200N, XL1200R, XL883, XL883C, XL883L, XL883N, XL883R
29	6589	WASHER, bonded/sealing (8)	XL1200C, XL1200L, XL1200N, XL1200R, XL883, XL883C, XL883L, XL883N, XL883R

ROCKER ARMS, COVERS, & PUSH RODS - XR1200

ROCKER ARMS, COVERS, & PUSH RODS - XR1200



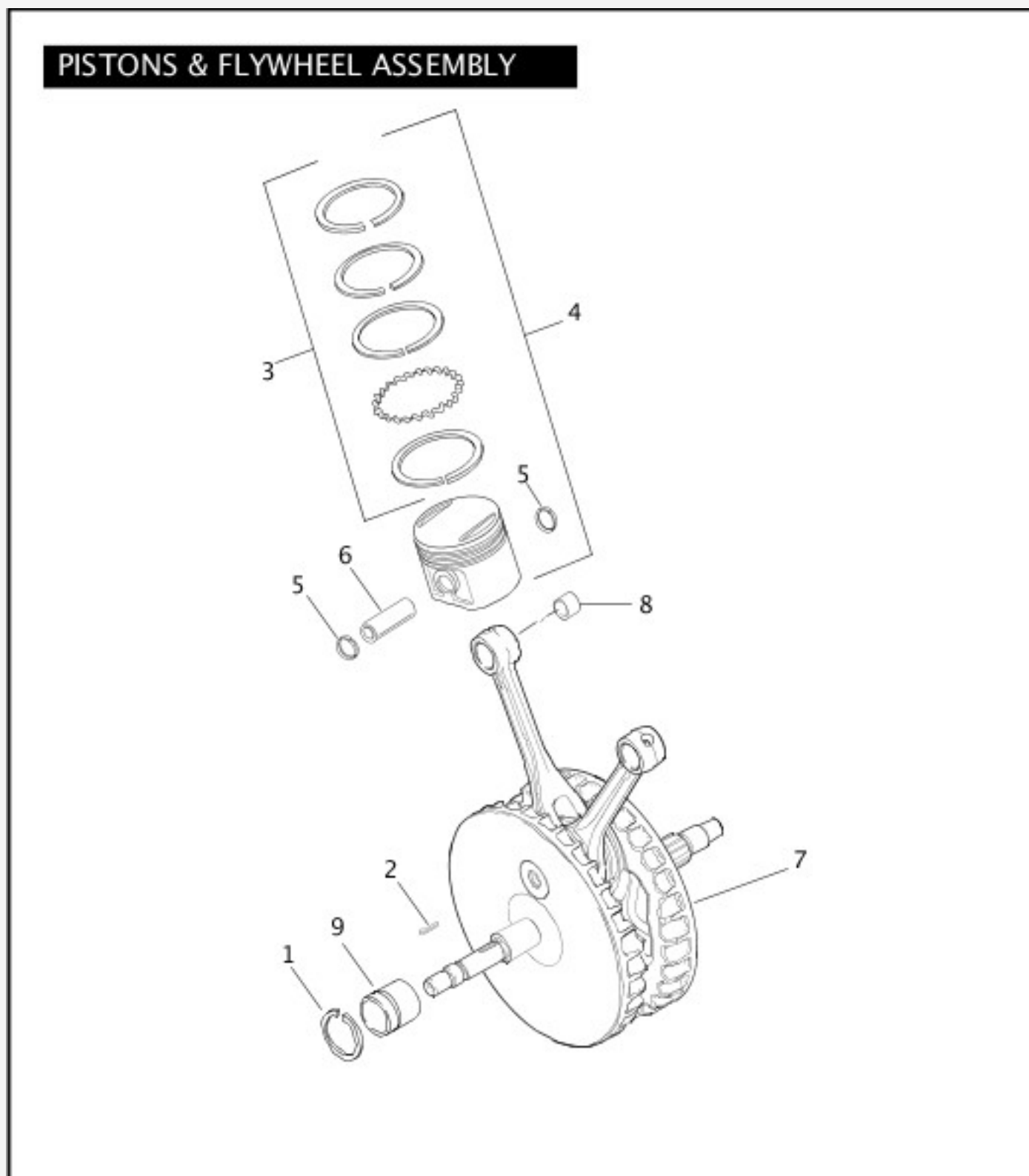
[View interactive image](#)

[View interactive table](#)

INDEX NO.	PART NO.	DESCRIPTION	MODEL(S)
1	2486	SCREW (8)	XR1200
2	943	SCREW (2)	XR1200
3	1039	SCREW (8)	XR1200
4	11190	O-RING, push rod cover-upper (4)	XR1200

5	11377	O-RING (4)	XR1200
6	11621	O-RING (2)	XR1200
7	11625	O-RING (2)	XR1200
8	3849	SCREW, w/ washer (6)	XR1200
9	3976	SCREW (2)	XR1200
10	4718A	SCREW, w/ washer (4)	XR1200
11	4741A	SCREW (8)	XR1200
12	16800-84A	GASKET, rocker box (2)	XR1200
13	17036-08	GASKET KIT, rocker cover	XR1200
14	17695-07A	GASKET, rocker cover - inner (2)	XR1200
15	17633-08A	GASKET, rocker cover - lower (2)	XR1200
16	17360-83A	ROCKER ARM, front intake & rear exhaust (2)	XR1200
17	17375-83A	ROCKER ARM, front exhaust & rear intake (2)	XR1200
18	17428-57	BUSHING, rocker arm (4)	XR1200
19	17569-08	ROCKER BOX GUARD, rear cyclinder	XR1200
20	17585-08	ROCKER COVER, outer (silver) (2)	XR1200
21	17590-08	ROCKER COVER, inner (silver) (2)	XR1200
22	17611-83	SHAFT, rocker arm (4)	XR1200
23	17956-08	TAPPET COVER, front	XR1200
	17957-08	TAPPET COVER, rear	XR1200
24	17976-04	GASKET, tappet cover (2)	XR1200
25	17954-08	COVER, push rod (silver) (4)	XR1200
26	17908-02	PUSH ROD, exhaust (2)	XR1200
	17909-02	PUSH ROD, intake (2)	XR1200
27	18505-06	ANTI-ROTATION DEVICE	XR1200
28	18538-99B	TAPPET, w/ roller (4)	XR1200
29	26016-08	BREATHER (2)	XR1200
30	26856-89A	VALVE, umbrella-check, breather	XR1200
31	63548-08	FITTING (2)	XR1200
32	6589	WASHER, bonded/sealing (8)	XR1200

PISTONS & FLYWHEEL ASSEMBLY



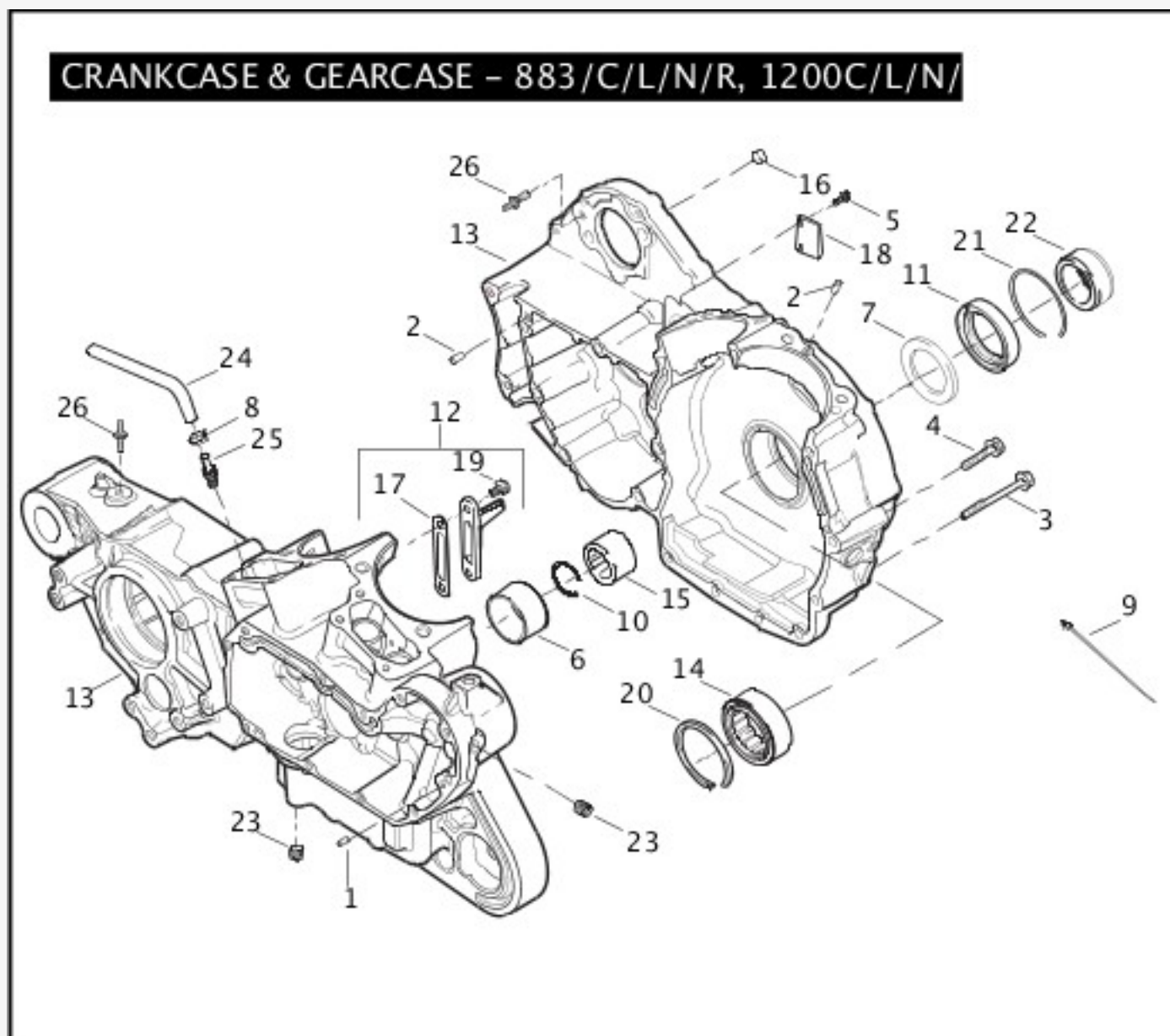
[View interactive image](#)

[View interactive table](#)

INDEX NO.	PART NO.	DESCRIPTION	MODEL(S)
1	11177A	RETAINING RING	ALL
2	11317	KEY	ALL
3	21948-02	PISTON RING SET, standard (2)	XL1200C, XL1200L, XL1200N, XL1200R, XR1200

	22231-04	PISTON RING SET, 0.005 O.S. (2)	XL1200C, XL1200L, XL1200N, XL1200R, XR1200
	22238-04	PISTON RING SET, 0.010 O.S. (2)	XL1200C, XL1200L, XL1200N, XL1200R, XR1200
	22266-86	PISTON RING SET, standard (2)	XL883, XL883C, XL883L, XL883N, XL883R
	22261-86	PISTON RING SET, 0.010 O.S. (2)	XL883, XL883C, XL883L, XL883N, XL883R
	22271-86	PISTON RING SET, 0.005 O.S. (2)	XL883, XL883C, XL883L, XL883N, XL883R
4	22221-04	PISTON & RINGS ASSEMBLY, standard (2)	XL883, XL883C, XL883L, XL883N, XL883R
	22224-04	PISTON & RINGS ASSEMBLY, 0.005 O.S. (2)	XL883, XL883C, XL883L, XL883N, XL883R
	22228-04	PISTON & RINGS ASSEMBLY, 0.010 O.S. (2)	XL883, XL883C, XL883L, XL883N, XL883R
	22223-04	PISTON & RINGS ASSEMBLY, standard (2)	XL1200C, XL1200L, XL1200N, XL1200R
	22227-04	PISTON & RINGS ASSEMBLY, 0.005 O.S. (2)	XL1200C, XL1200L, XL1200N, XL1200R
	22230-04	PISTON & RINGS ASSEMBLY, 0.010 O.S. (2)	XL1200C, XL1200L, XL1200N, XL1200R
	22244-04A	PISTON & RINGS ASSEMBLY, standard (2)	XR1200
5	22589-83B	LOCK RING, piston pin (4)	ALL
6	22719-04	PISTON PIN (2)	XL883, XL883C, XL883L, XL883N, XL883R
	22765-02	PISTON PIN (2)	XL1200C, XL1200L, XL1200N, XL1200R, XR1200
7	23905-04A	FLYWHEELS & CONNECTING ROD ASSEMBLY, w/ 11317	XL1200C, XL1200L, XL1200N, XL1200R, XL883, XL883C, XL883L, XL883N, XL883R
	23999-08	FLYWHEELS & CONNECTING ROD ASSEMBLY, w/ 11317	XR1200
8	24331-36	BUSHING, piston pin - 0.002 O.S. (2)	ALL
	24332-36	BUSHING, piston pin - 0.01 O.S. (2)	ALL
9	24658-87	INNER RING	ALL

CRANKCASE & GEARCASE - 883/C/L/N/R, 1200C/L/N/R



[View interactive image](#)

[View interactive table](#)

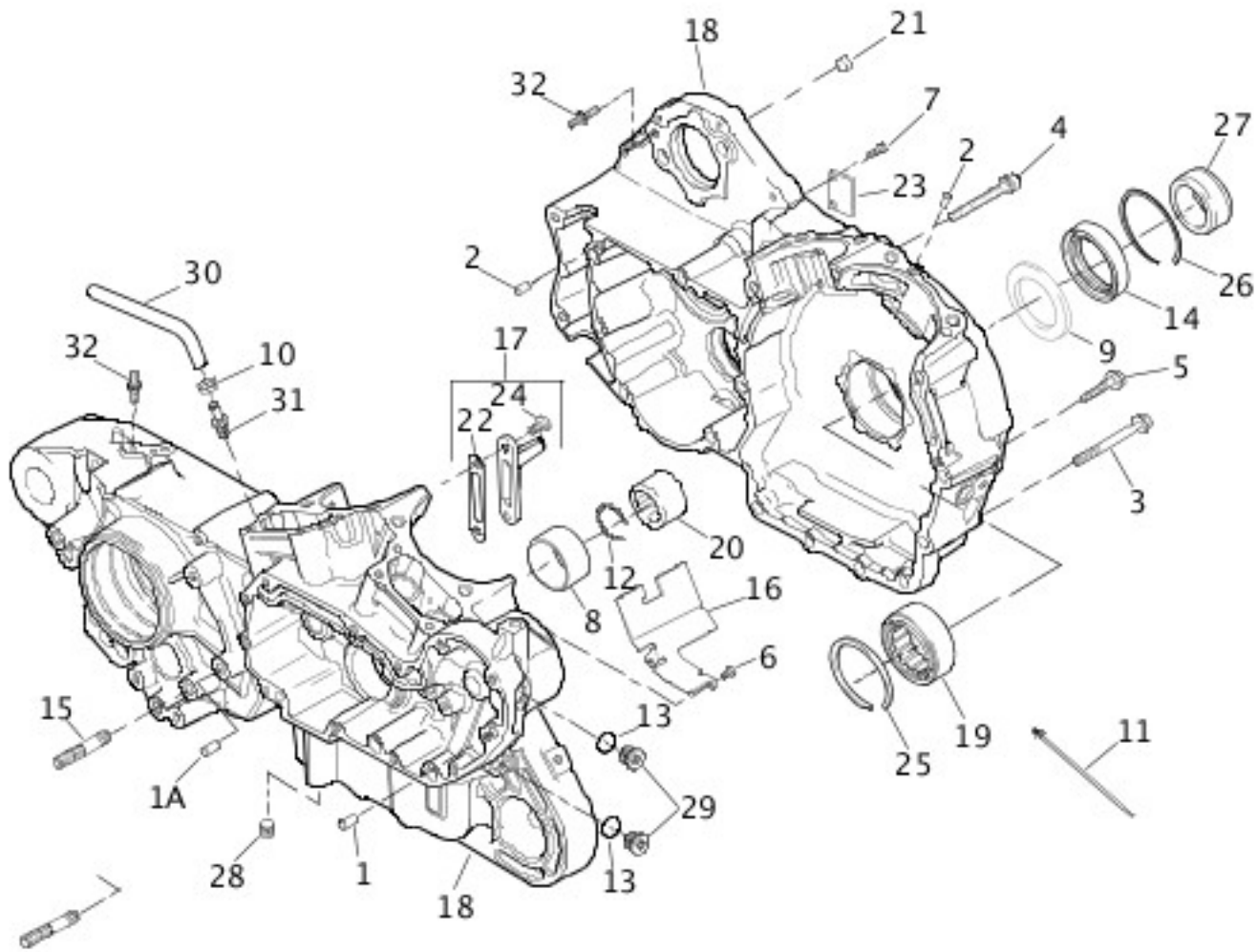
INDEX NO.	PART NO.	DESCRIPTION	MODEL(S)
1	215	PIN (2)	XL1200C, XL1200L, XL1200N, XL1200R, XL883, XL883C, XL883L, XL883N, XL883R
2	358	DOWEL PIN (4)	XL1200C, XL1200L, XL1200N, XL1200R, XL883, XL883C, XL883L, XL883N, XL883R
3	835	SCREW (11)	XL1200C, XL1200L, XL1200N, XL1200R, XL883, XL883C, XL883L, XL883N, XL883R
4	1048	SCREW (4)	XL1200C, XL1200L, XL1200N, XL1200R, XL883, XL883C, XL883L, XL883N, XL883R
5	4091	SCREW (2)	XL1200C, XL1200L, XL1200N, XL1200R, XL883, XL883C, XL883L, XL883N, XL883R
6	8881	BEARING RACE	XL1200C, XL1200L, XL1200N, XL1200R, XL883, XL883C, XL883L, XL883N, XL883R

7	8972	WASHER	XL1200C, XL1200L, XL1200N, XL1200R, XL883, XL883C, XL883L, XL883N, XL883R
8	10080	CLAMP, hose (3)	XL1200C, XL1200L, XL1200N, XL1200R, XL883, XL883C, XL883L, XL883N, XL883R
9	10177	CABLE STRAP (as required)	XL1200C, XL1200L, XL1200N, XL1200R, XL883, XL883C, XL883L, XL883N, XL883R
10	11177A	RETAINING RING	XL1200C, XL1200L, XL1200N, XL1200R, XL883, XL883C, XL883L, XL883N, XL883R
11	12068	OIL SEAL	XL1200C, XL1200L, XL1200N, XL1200R, XL883, XL883C, XL883L, XL883N, XL883R
12	22265-00Y	OIL JET ASSEMBLY, complete (2)	XL1200C, XL1200L, XL1200N, XL1200R, XL883, XL883C, XL883L, XL883N, XL883R
13	24466-06B	CRANKCASE SET, w/ bearings (black)	XL1200C, XL1200L, XL1200R, XL883N, XL883R
	24470-06B	CRANKCASE SET, w/ bearings (silver)	XL883, XL883C, XL883L
	24745-07A	CRANKCASE SET, w/ bearings (gray)	XL1200N
14	24605-07	BEARING	XL1200C, XL1200L, XL1200N, XL1200R, XL883, XL883C, XL883L, XL883N, XL883R
15	24647-87	BEARING, gear shaft (blue)	XL1200C, XL1200L, XL1200N, XL1200R, XL883, XL883C, XL883L, XL883N, XL883R
	24650-87	BEARING, gear shaft (red)	XL1200C, XL1200L, XL1200N, XL1200R, XL883, XL883C, XL883L, XL883N, XL883R
	24659-87	BEARING, gear shaft (white/gray)	XL1200C, XL1200L, XL1200N, XL1200R, XL883, XL883C, XL883L, XL883N, XL883R
	24660-87	BEARING, gear shaft (green)	XL1200C, XL1200L, XL1200N, XL1200R, XL883, XL883C, XL883L, XL883N, XL883R
16	24754-75A	DOWEL PIN (2)	XL1200C, XL1200L, XL1200N, XL1200R, XL883, XL883C, XL883L, XL883N, XL883R
17	26638-00Y	GASKET, oil jet (2)	XL1200C, XL1200L, XL1200N, XL1200R, XL883, XL883C, XL883L, XL883N, XL883R
18	29950-91	COVER, stator wires	XL1200C, XL1200L, XL1200N, XL1200R, XL883, XL883C, XL883L, XL883N, XL883R
19	32617-00Y	SCREW, self-tapping (4)	XL1200C, XL1200L, XL1200N, XL1200R, XL883, XL883C, XL883L, XL883N, XL883R
20	35114-02	RING, retaining	XL1200C, XL1200L, XL1200N, XL1200R, XL883, XL883C, XL883L, XL883N, XL883R
21	35118-03	RING, retaining	XL1200C, XL1200L, XL1200N, XL1200R, XL883, XL883C, XL883L, XL883N, XL883R

22	40254-02	SPACER, sprocket shaft	XL1200C, XL1200L, XL1200N, XL1200R, XL883, XL883C, XL883L, XL883N, XL883R
23	45830-48	PLUG (2)	XL1200C, XL1200L, XL1200N, XL1200R, XL883, XL883C, XL883L, XL883N, XL883R
24	63508-04	HOSE, transmission vent	XL1200C, XL1200L, XL1200N, XL1200R, XL883, XL883C, XL883L, XL883N, XL883R
25	63533-41A	FITTING, connector - vent	XL1200C, XL1200L, XL1200N, XL1200R, XL883, XL883C, XL883L, XL883N, XL883R
26	65088-04	STUD, ground (2)	XL1200C, XL1200L, XL1200N, XL1200R, XL883, XL883C, XL883L, XL883N, XL883R

CRANKCASE & GEARCASE - XR1200

CRANKCASE & GEARCASE - XR1200



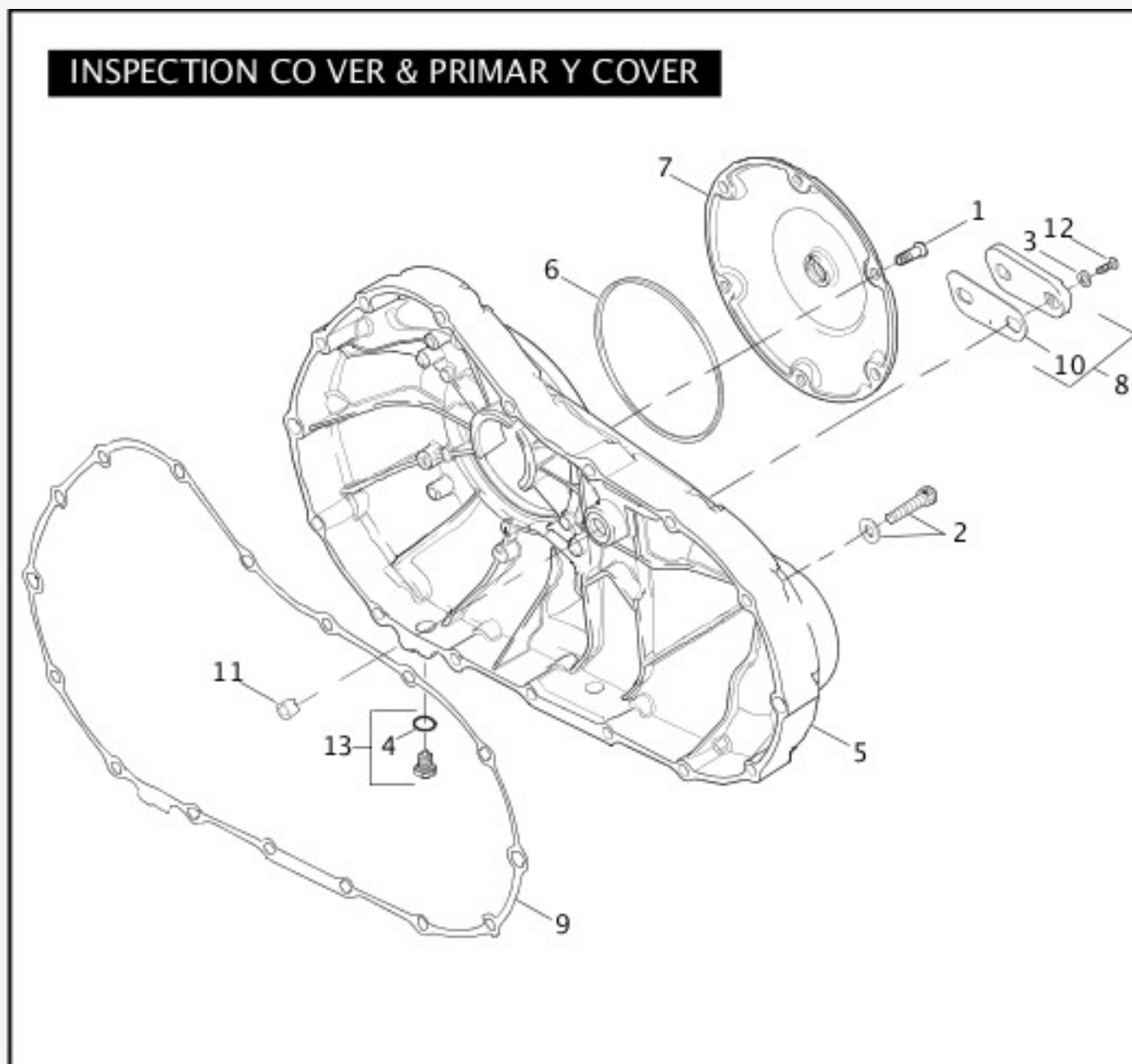
[View interactive image](#)

[View interactive table](#)

INDEX NO.	PART NO.	DESCRIPTION	MODEL(S)
1	215	PIN	XR1200
1A	232	PIN	XR1200
2	358	DOWEL PIN (4)	XR1200
3	835	SCREW (12)	XR1200
4	1028	SCREW	XR1200
5	1048	SCREW (4)	XR1200
6	2501A	SCREW (3)	XR1200

7	4091	SCREW (2)	XR1200
8	8881	BEARING RACE	XR1200
9	8972	WASHER	XR1200
10	10080	CLAMP, hose (2)	XR1200
11	10177	CABLE STRAP (as required)	XR1200
12	11177A	RETAINING RING	XR1200
13	11290	O-RING	XR1200
14	12068	OIL SEAL	XR1200
15	16899-02	STUD, tap end (2)	XR1200
16	17525-08	PLATE, oil deflector	XR1200
17	22267-07	OIL JET ASSEMBLY, w/ gasket (2)	XR1200
18	24475-08	CRANKCASE SET, w/ bearings (black)	XR1200
19	24605-07	BEARING	XR1200
20	24647-87	BEARING, gear shaft (blue)	XR1200
	24650-87	BEARING, gear shaft (red)	XR1200
	24659-87	BEARING, gear shaft (white/gray)	XR1200
	24660-87	BEARING, gear shaft (green)	XR1200
21	24754-75A	DOWEL PIN (2)	XR1200
22	26638-00Y	GASKET (1)	XR1200
23	29950-91	COVER, stator wires	XR1200
24	32617-00Y	SCREW, self-tapping (4)	XR1200
25	35114-02	RING, retaining	XR1200
26	35118-03	RING, retaining	XR1200
27	40254-02	SPACER, sprocket shaft	XR1200
28	45830-48	PLUG	XR1200
29	60330-08	PLUG, w/ o-ring (2)	XR1200
30	63508-04	HOSE, transmission - vent	XR1200
31	63533-41A	FITTING, connector - vent	XR1200
32	65088-04	STUD, ground (2)	XR1200

INSPECTION COVER & PRIMARY COVER



[View interactive image](#)

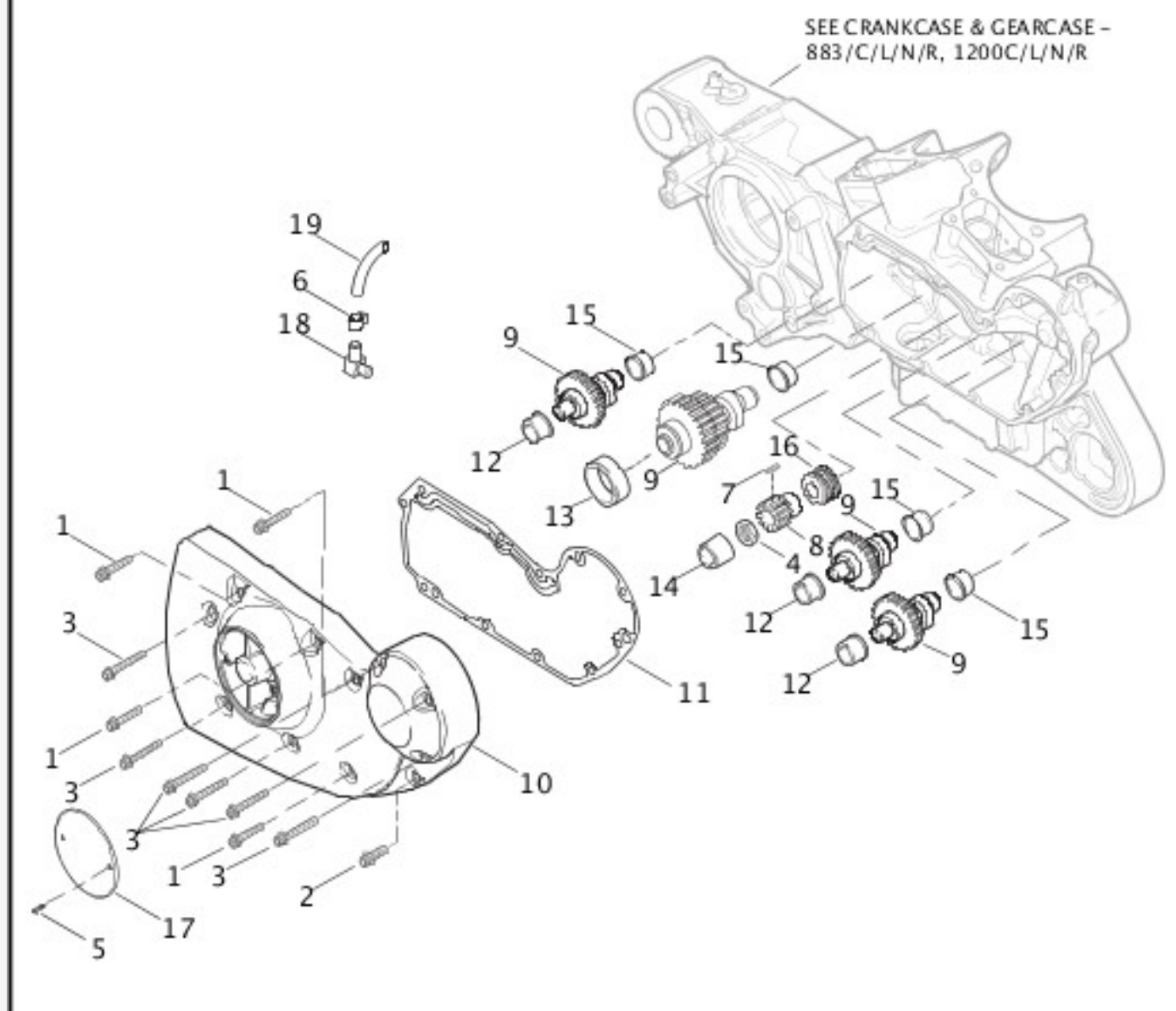
[View interactive table](#)

INDEX NO.	PART NO.	DESCRIPTION	MODEL(S)
1	943	SCREW (6)	ALL
2	4820A	SCREW (16)	ALL
3	11171	O-RING, inspection cover screws (2)	ALL
4	11105	O-RING, drain plug	ALL
5	25307-06	PRIMARY COVER (black) w/ 40574-06	XL1200R, XL883N, XL883R
	25430-06	PRIMARY COVER (polished) w/ 40574-06	XL883, XL883L
	25460-06	PRIMARY COVER (chrome) w/ 40574-06	XL1200C, XL1200L
	25471-06	PRIMARY COVER (silver) w/ 40574-06	XL883C, XR1200

	60830-07	PRIMARY COVER (gray) w/ 40574-06	XL1200N
6	25463-94A	GASKET, clutch inspection cover	ALL
7	34760-04	INSPECTION COVER, clutch (chrome)	XL1200C, XL1200L
	34790-05	INSPECTION COVER, clutch (black)	XL883N, XL883R
	34992-04	INSPECTION COVER, clutch (polished)	XL1200N, XL1200R, XL883, XL883C, XL883L, XR1200
8	34993-04A	INSPECTION COVER, w/ gasket, chain (polished)	XL1200N, XL1200R, XL883, XL883C, XL883L, XR1200
	34761-04A	INSPECTION COVER, w/ gasket, chain (chrome)	XL1200C, XL1200L
	34794-05A	INSPECTION COVER, w/ gasket, chain (black)	XL883N, XL883R
9	34955-04	GASKET, primary cover	ALL
10	34990-08	GASKET, chain inspection cover	ALL
11	40574-06	BUSHING	ALL
12	41191-74A	SCREW, inspection covers (2)	ALL
13	60328-98B	OIL DRAIN PLUG ASSEMBLY	ALL

CAMSHAFTS & GEAR COVER - 883/C/L/N/R, 1200C/L/N/R

CAMSHAFTS & GEAR COVER – 883/C/L/N/R, 1200C/L/N/R



[View interactive image](#)

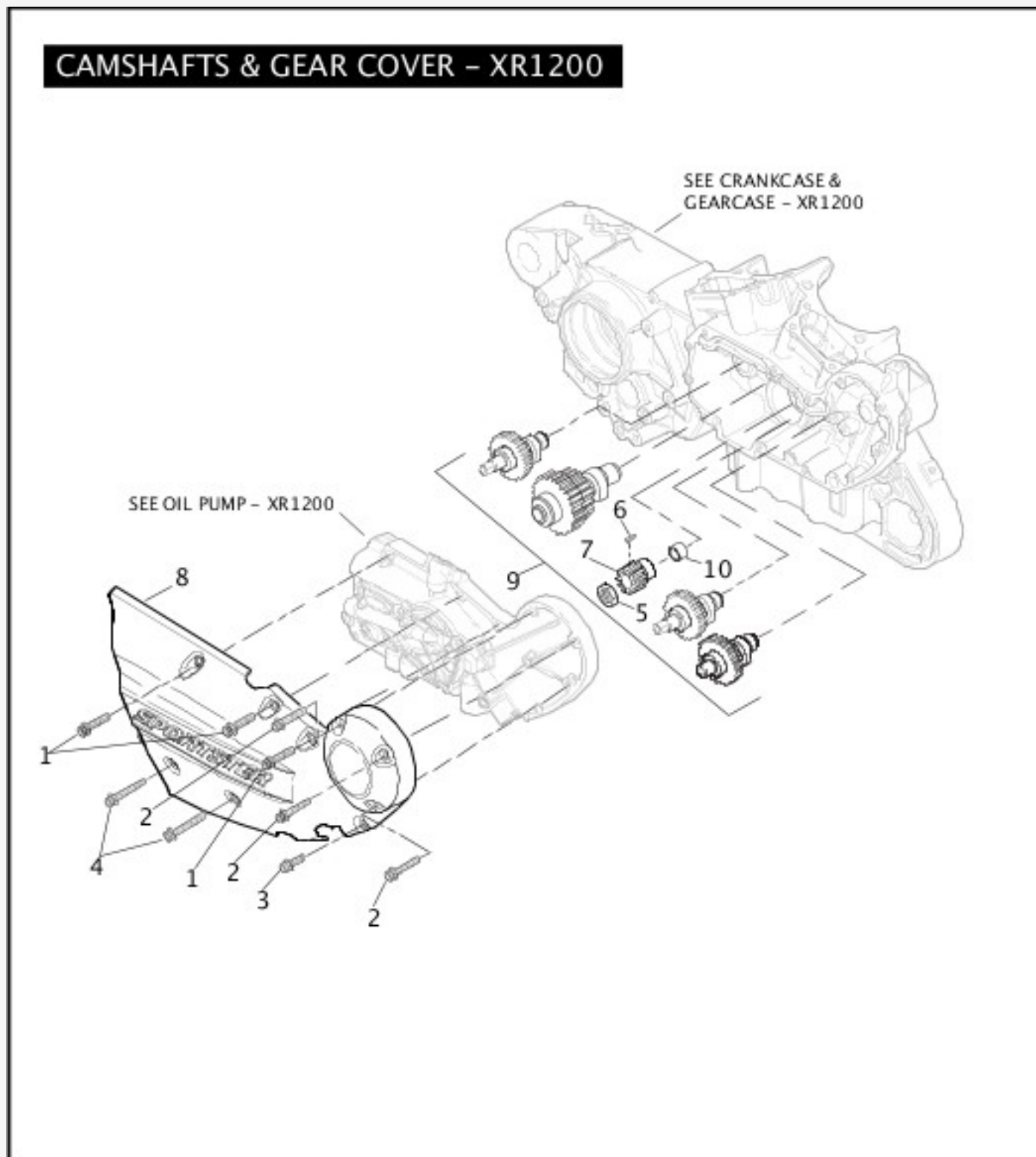
[View interactive table](#)

INDEX NO.	PART NO.	DESCRIPTION	MODEL(S)
1	3480A	SCREW (4)	XL1200C, XL1200L, XL1200N, XL1200R, XL883, XL883C, XL883L, XL883N, XL883R
2	4740A	SCREW	XL1200C, XL1200L, XL1200N, XL1200R, XL883, XL883C, XL883L, XL883N, XL883R
3	4717A	SCREW (6)	XL1200C, XL1200L, XL1200N, XL1200R, XL883, XL883C, XL883L, XL883N, XL883R
4	7916A	JAM NUT	XL1200C, XL1200L, XL1200N, XL1200R, XL883, XL883C, XL883L, XL883N, XL883R
5	8679	SCREW (2)	XL1200C, XL1200L, XL1200N, XL1200R, XL883, XL883C, XL883L, XL883N, XL883R
6	10014	CLAMP	XL1200C, XL1200L, XL1200N, XL1200R, XL883,

			XL883C, XL883L, XL883N, XL883R
7	11317	T-KEY	XL1200C, XL1200L, XL1200N, XL1200R, XL883, XL883C, XL883L, XL883N, XL883R
8	24047-00	PINION GEAR	XL1200C, XL1200L, XL1200N, XL1200R, XL883, XL883C, XL883L, XL883N, XL883R
9	25194-06	CAM GEAR SET, complete, w/ pinion gear	XL1200C, XL1200L, XL1200N, XL1200R, XL883, XL883C, XL883L, XL883N, XL883R
10	25219-04	COVER ASSEMBLY, gearcase (polished), w/ 62375-57A & bushings	XL883, XL883L
	25213-04	COVER ASSEMBLY, gearcase (chrome), w/ 62375-57A & bushings	XL1200C, XL1200L
	25252-04	COVER ASSEMBLY, gearcase (silver), w/ 62375-57A & bushings	XL883C
	25486-05	COVER ASSEMBLY, gearcase (black), w/ 62375-57A & bushings	XL1200R, XL883N, XL883R
	25546-07	COVER ASSEMBLY, gearcase (gray), w/ 62375-57A & bushings	XL1200N
11	25263-90D	GASKET, gearcase cover	XL1200C, XL1200L, XL1200N, XL1200R, XL883, XL883C, XL883L, XL883N, XL883R
12	25586-37	OUTER BUSHING, cam gear shafts (3)	XL1200C, XL1200L, XL1200N, XL1200R, XL883, XL883C, XL883L, XL883N, XL883R
13	25588-91	BUSHING, rear intake cam gear shaft	XL1200C, XL1200L, XL1200N, XL1200R, XL883, XL883C, XL883L, XL883N, XL883R
14	25593-74	BUSHING, flywheel gear shaft	XL1200C, XL1200L, XL1200N, XL1200R, XL883, XL883C, XL883L, XL883N, XL883R
15	25598-91	INNER BUSHING, camshaft gear (4)	XL1200C, XL1200L, XL1200N, XL1200R, XL883, XL883C, XL883L, XL883N, XL883R
16	26318-88A	DRIVE GEAR, oil pump	XL1200C, XL1200L, XL1200N, XL1200R, XL883, XL883C, XL883L, XL883N, XL883R
17	32506-90	TIMER COVER	XL883, XL883L
	32514-04	TIMER COVER	XL1200C, XL883C, XL883N
	32531-07	TIMER COVER	XL1200N
	32555-04	TIMER COVER	XL1200R
	32587-06	TIMER COVER	XL1200L

	32699-05	TIMER COVER	XL883R
18	62375-57A	FITTING, oil vent hose	XL1200C, XL1200L, XL1200N, XL1200R, XL883, XL883C, XL883L, XL883N, XL883R
NOTE: Hose or insulator is sold in bulk length under the following part numbers. Cut to length.			
19	62360-04A	LINE, vent tube, w/ 10014	XL1200C, XL1200L, XL1200N, XL1200R, XL883, XL883C, XL883L, XL883N, XL883R

CAMSHAFTS & GEAR COVER - XR1200

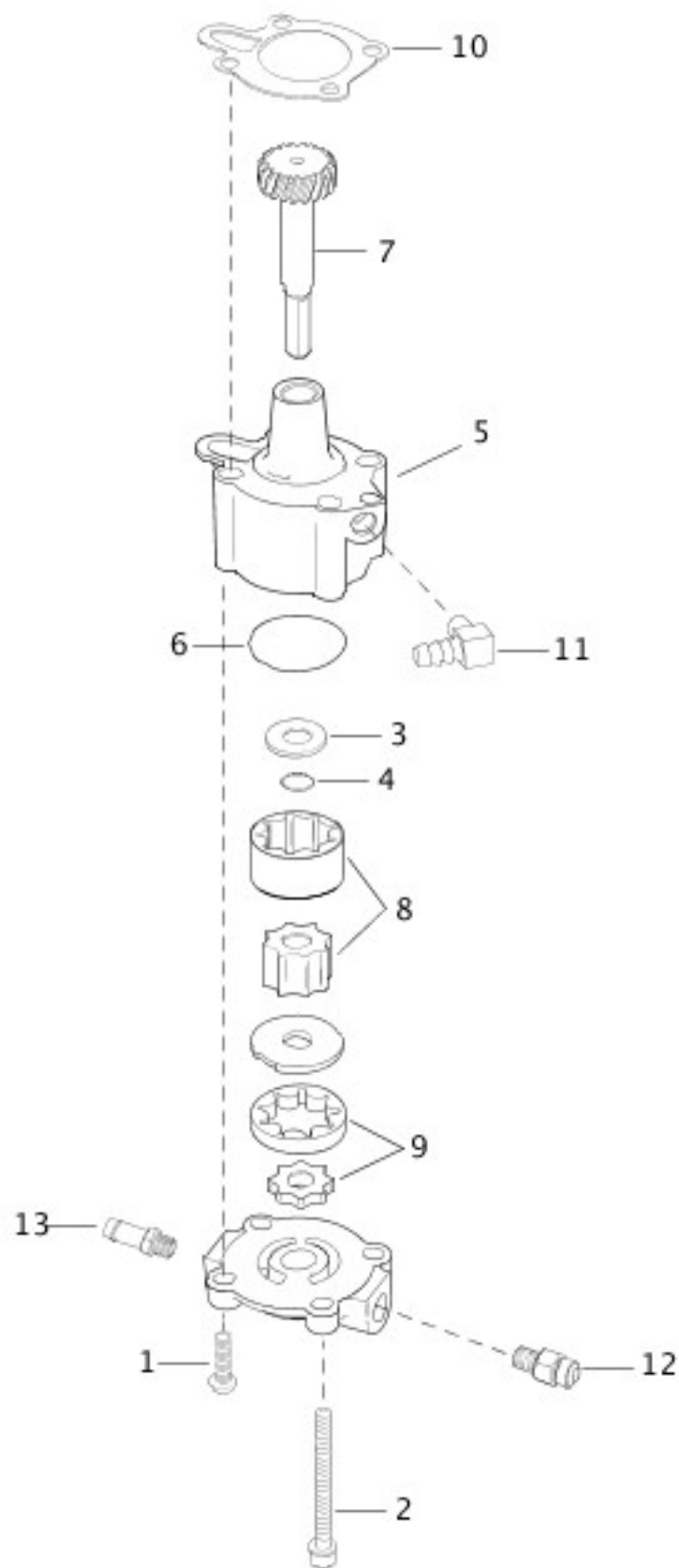


[View interactive image](#)

INDEX NO.	PART NO.	DESCRIPTION	MODEL(S)
1	3480A	SCREW (3)	XR1200
2	4717A	SCREW (3)	XR1200
3	4740A	SCREW	XR1200
4	4822A	SCREW	XR1200
5	7916A	JAM NUT	XR1200
6	11317	T-KEY	XR1200
7	24047-00	PINION GEAR	XR1200
8	25246-08	COVER, gear (silver)	XR1200
9	25271-08	CAM GEAR SET, complete, w/ pinion gear	XR1200
10	26332-08	SPACER, oil gear	XR1200

OIL PUMP - 883/C/L/N/R, 1200C/L/N/R

OIL PUMP - 883/C/L/N/R, 1200C/L/N



[View interactive image](#)

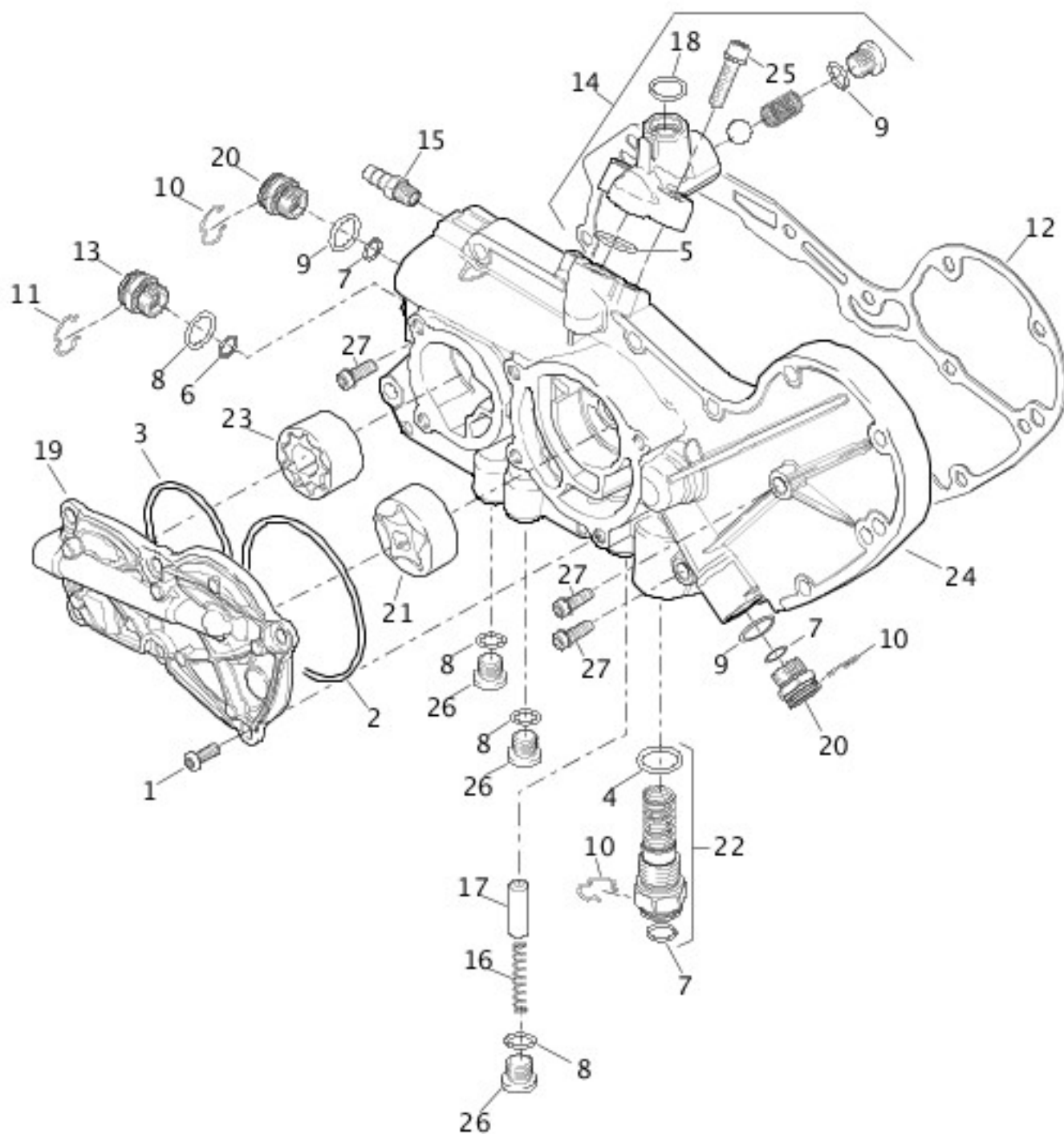
[View interactive table](#)

INDEX NO.	PART NO.	DESCRIPTION	MODEL(S)
1	4132	SCREW (2)	XL1200C, XL1200L, XL1200N, XL1200R, XL883, XL883C, XL883L, XL883N, XL883R
2	4765	SCREW, w/ washer (2)	XL1200C, XL1200L, XL1200N, XL1200R, XL883, XL883C, XL883L, XL883N, XL883R

3	6157	WASHER, thrust	XL1200C, XL1200L, XL1200N, XL1200R, XL883, XL883C, XL883L, XL883N, XL883R
4	11002	RETAINING RING	XL1200C, XL1200L, XL1200N, XL1200R, XL883, XL883C, XL883L, XL883N, XL883R
5	26204-91A	OIL PUMP, complete	XL1200C, XL1200L, XL1200N, XL1200R, XL883, XL883C, XL883L, XL883N, XL883R
6	26434-91	O-RING	XL1200C, XL1200L, XL1200N, XL1200R, XL883, XL883C, XL883L, XL883N, XL883R
7	26239-07	GEAR SHAFT	XL1200C, XL1200L, XL1200N, XL1200R, XL883, XL883C, XL883L, XL883N, XL883R
8	26502-07	GEROTOR SET, return	XL1200C, XL1200L, XL1200N, XL1200R, XL883, XL883C, XL883L, XL883N, XL883R
9	26503-07	GEROTOR SET, feed	XL1200C, XL1200L, XL1200N, XL1200R, XL883, XL883C, XL883L, XL883N, XL883R
10	26495-89B	GASKET, pump mounting	XL1200C, XL1200L, XL1200N, XL1200R, XL883, XL883C, XL883L, XL883N, XL883R
11	26496-75A	FITTING, 90 degree	XL1200C, XL1200L, XL1200N, XL1200R, XL883, XL883C, XL883L, XL883N, XL883R
12	62601-91A	FITTING, connector - front	XL1200C, XL1200L, XL1200N, XL1200R, XL883, XL883C, XL883L, XL883N, XL883R
13	63533-41A	FITTING, connector - rear	XL1200C, XL1200L, XL1200N, XL1200R, XL883, XL883C, XL883L, XL883N, XL883R

OIL PUMP - XR1200

OIL PUMP - XR1200



[View interactive image](#)

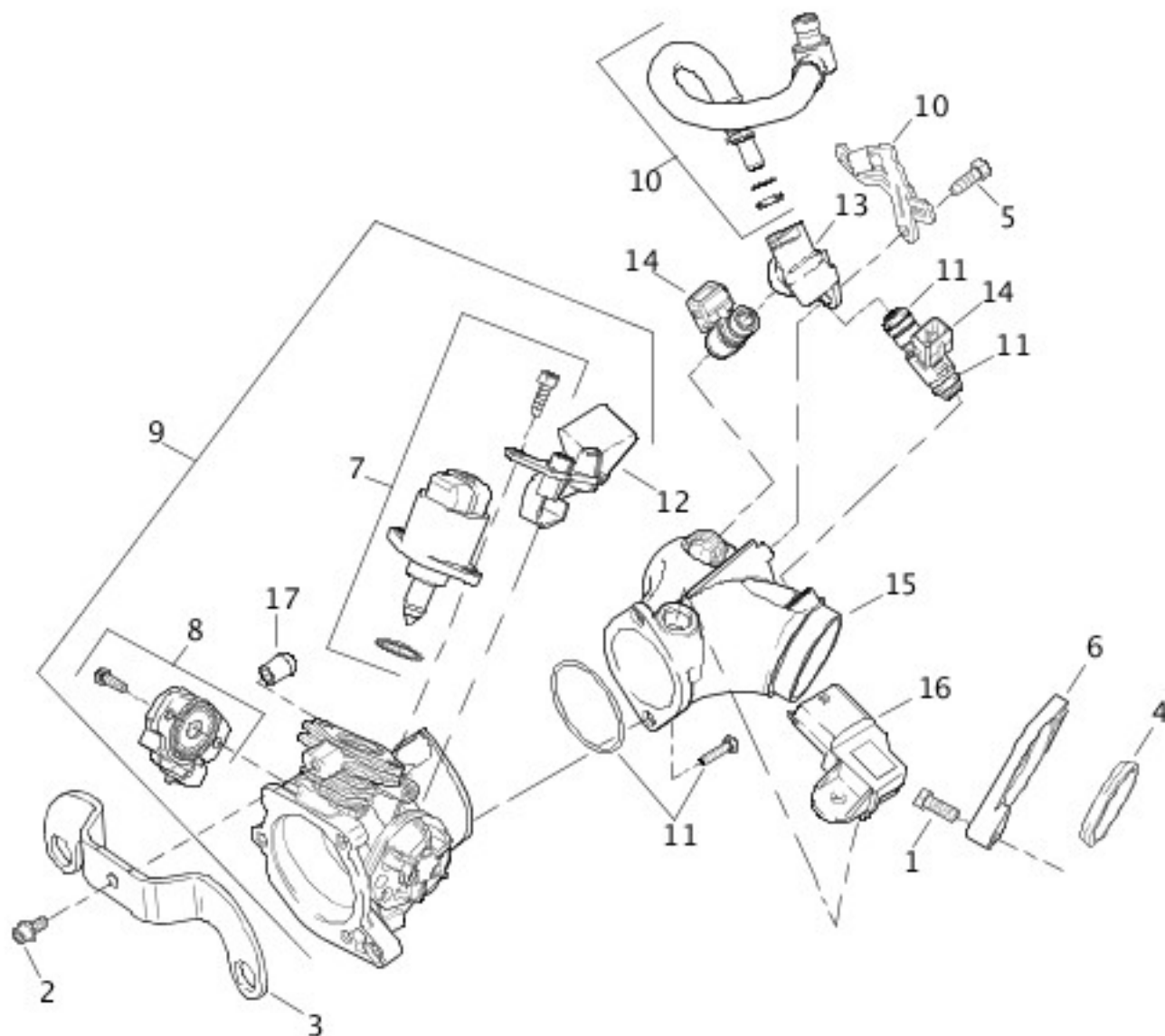
[View interactive table](#)

INDEX NO.	PART NO.	DESCRIPTION	MODEL(S)
1	942	SCREW (6)	XR1200
2	10966	O-RING	XR1200
3	10967	O-RING	XR1200

4	10969	O-RING	XR1200
5	10971	O-RING	XR1200
6	11110	O-RING	XR1200
7	11140	O-RING (2)	XR1200
8	11290	O-RING (4)	XR1200
9	11326	O-RING (2)	XR1200
10	11384K	RETAINER, wire clip (2)	XR1200
11	11408	RETAINER, wire clip	XR1200
12	25279-08	GASKET, gear cover	XR1200
13	26064-08	FITTING ASSEMBLY, oil pump, w/ 11110, 11290 & 11408	XR1200
14	26182-08	CHECK VALVE ASSEMBLY, w/ 10971	XR1200
15	26184-08	FITTING	XR1200
16	26210-99	SPRING, compression	XR1200
17	26400-82B	VALVE, bypass - oil pump	XR1200
18	26432-76A	O-RING	XR1200
19	26522-08	COVER ASSEMBLY, oil pump	XR1200
20	26525-08	FITTING ASSEMBLY, oil pump, w/ 11140, 11326 & 11384K (2)	XR1200
21	26526-08	GEROTOR ASSEMBLY, feed	XR1200
22	26529-08	THERMOSTAT ASSEMBLY	XR1200
23	26546-08	GEROTOR ASSEMBLY, return	XR1200
24	26592-08	OIL PUMP ASSEMBLY	XR1200
25	4741A	SCREW (2)	XR1200
26	60330-08	PLUG, w/ 11290 (3)	XR1200
27	4718A	SCREW (3)	XR1200

INDUCTION MODULE - 883/C/L/N/R, 1200C/L/N/R

INDUCTION MODULE – 883/C/L/N/R, 1200C/L/

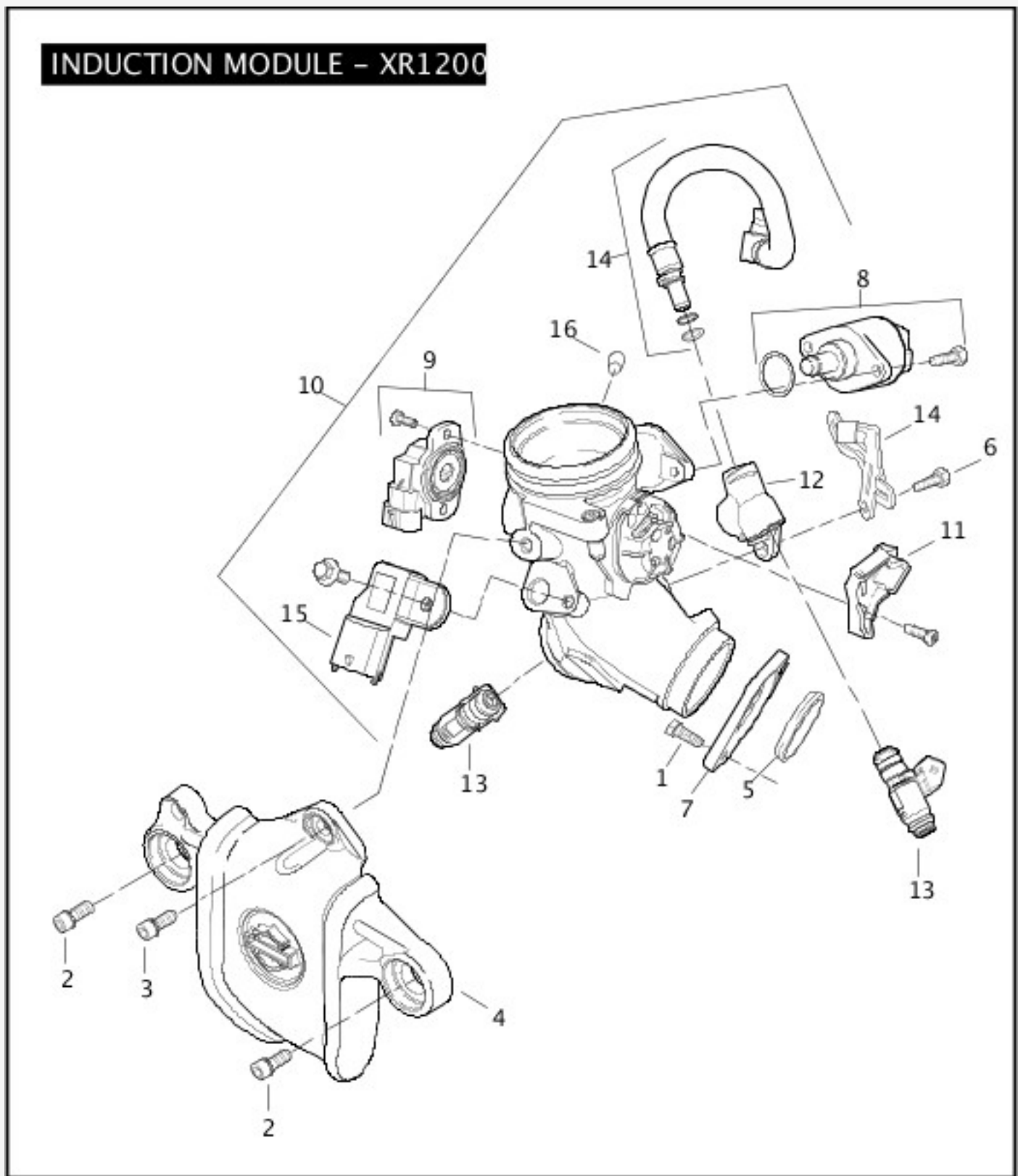


[View interactive image](#)

[View interactive table](#)

INDEX NO.	PART NO.	DESCRIPTION	MODEL(S)
1	3987	BOLT, flange (4)	XL1200C, XL1200L, XL1200N, XL1200R, XL883, XL883C, XL883L, XL883N, XL883R
2	4798	SCREW, bracket throttle body	XL1200C, XL1200L, XL1200N, XL1200R, XL883, XL883C, XL883L, XL883N, XL883R
3	16361-07	BRACKET, throttle body	XL1200C, XL1200L, XL1200N, XL1200R, XL883, XL883C, XL883L, XL883N, XL883R

4	26995-86B	SEAL, intake (2)	XL1200C, XL1200L, XL1200N, XL1200R, XL883, XL883C, XL883L, XL883N, XL883R
5	27216-95	SCREW	XL1200C, XL1200L, XL1200N, XL1200R, XL883, XL883C, XL883L, XL883N, XL883R
6	27327-07	FLANGE, intake (2)	XL1200C, XL1200L, XL1200N, XL1200R, XL883, XL883C, XL883L, XL883N, XL883R
7	27628-01A	KIT, IAC motor	XL1200C, XL1200L, XL1200N, XL1200R, XL883, XL883C, XL883L, XL883N, XL883R
8	27629-01A	KIT, throttle position sensor	XL1200C, XL1200L, XL1200N, XL1200R, XL883, XL883C, XL883L, XL883N, XL883R
9	27795-07	INDUCTION MODULE ASSEMBLY, w/ fuel rail, fuel injector, intake manifold, TMAP sensor, cap, IAC Kit, TPS Kit, hardware kit	XL1200C, XL1200L, XL1200N, XL1200R, XL883, XL883C, XL883L, XL883N, XL883R
10	27693-07	FUEL LINE KIT, w/ 27216-95 & bracket	XL1200C, XL1200L, XL1200R, XL883C
	27774-07	FUEL LINE KIT, w/ 27216-95 & bracket	XL1200N, XL883, XL883L, XL883N, XL883R
11	27700-07	KIT, hardware & o-rings	XL1200C, XL1200L, XL1200N, XL1200R, XL883, XL883C, XL883L, XL883N, XL883R
12	27701-07A	CABLE BRACKET	XL1200C, XL1200L, XL1200N, XL1200R, XL883, XL883C, XL883L, XL883N, XL883R
13	27704-07	FUEL RAIL	XL1200C, XL1200L, XL1200N, XL1200R, XL883, XL883C, XL883L, XL883N, XL883R
14	27706-07A	FUEL INJECTOR, w/ o-ring (2)	XL1200C, XL1200L, XL1200N, XL1200R, XL883, XL883C, XL883L, XL883N, XL883R
15	27707-07	INTAKE MANIFOLD	XL1200C, XL1200L, XL1200N, XL1200R, XL883, XL883C, XL883L, XL883N, XL883R
16	32319-07	T-MAP SENSOR	XL1200C, XL1200L, XL1200N, XL1200R, XL883, XL883C, XL883L, XL883N, XL883R
17	90383-98	CAP	XL1200C, XL1200L, XL1200N, XL1200R, XL883, XL883C, XL883L, XL883N, XL883R



[View interactive image](#)

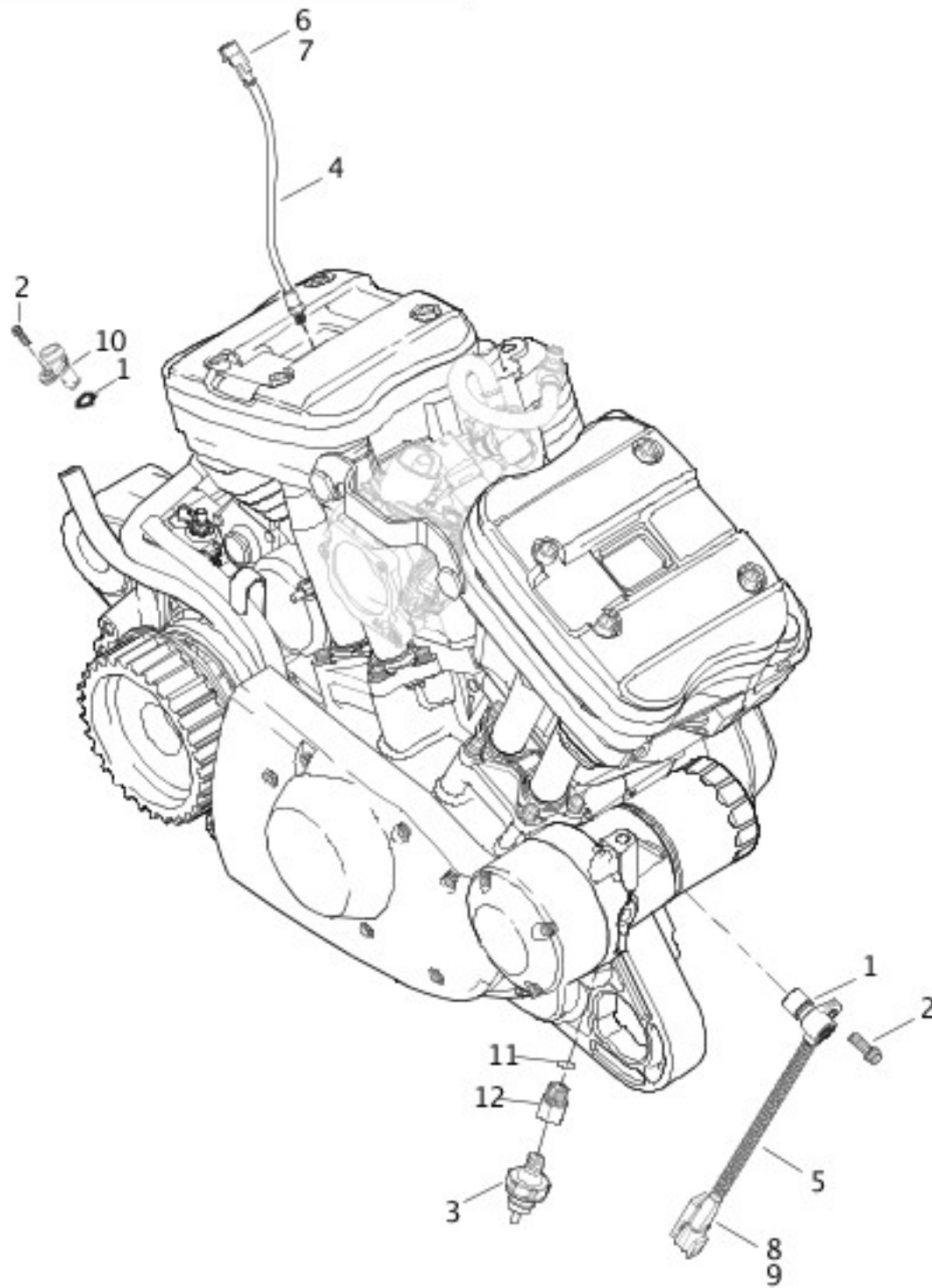
[View interactive table](#)

INDEX NO.	PART NO.	DESCRIPTION	MODEL(S)
1	3987	BOLT, flange (4)	XR1200
2	4551	SCREW (2)	XR1200
3	4798	SCREW, bracket throttle body	XR1200
4	16360-08	COVER, induction module (black)	XR1200

5	26995-86B	SEAL, intake (2)	XR1200
6	27216-95	SCREW	XR1200
7	27327-07	FLANGE, intake (2)	XR1200
8	27628-01A	KIT, IAC motor	XR1200
9	27629-01A	KIT, throttle position sensor	XR1200
10	27695-08	INDUCTION MODULE ASSEMBLY, w/ fuel rail, fuel injector, intake manifold, TMAP sensor, cap, IAC Kit, TPS Kit	XR1200
11	27698-08A	BRACKET, throttle cable	XR1200
12	27704-07	FUEL RAIL	XR1200
13	27706-07A	FUEL INJECTOR, w/ o-ring (2)	XR1200
14	27792-08	FUEL LINE KIT, w/ 27216-95 & bracket	XR1200
15	32319-07	T-MAP SENSOR	XR1200
16	90383-98	CAP	XR1200

ENGINE SENSORS & SWITCHES

ENGINE SENSORS & SWITCHES



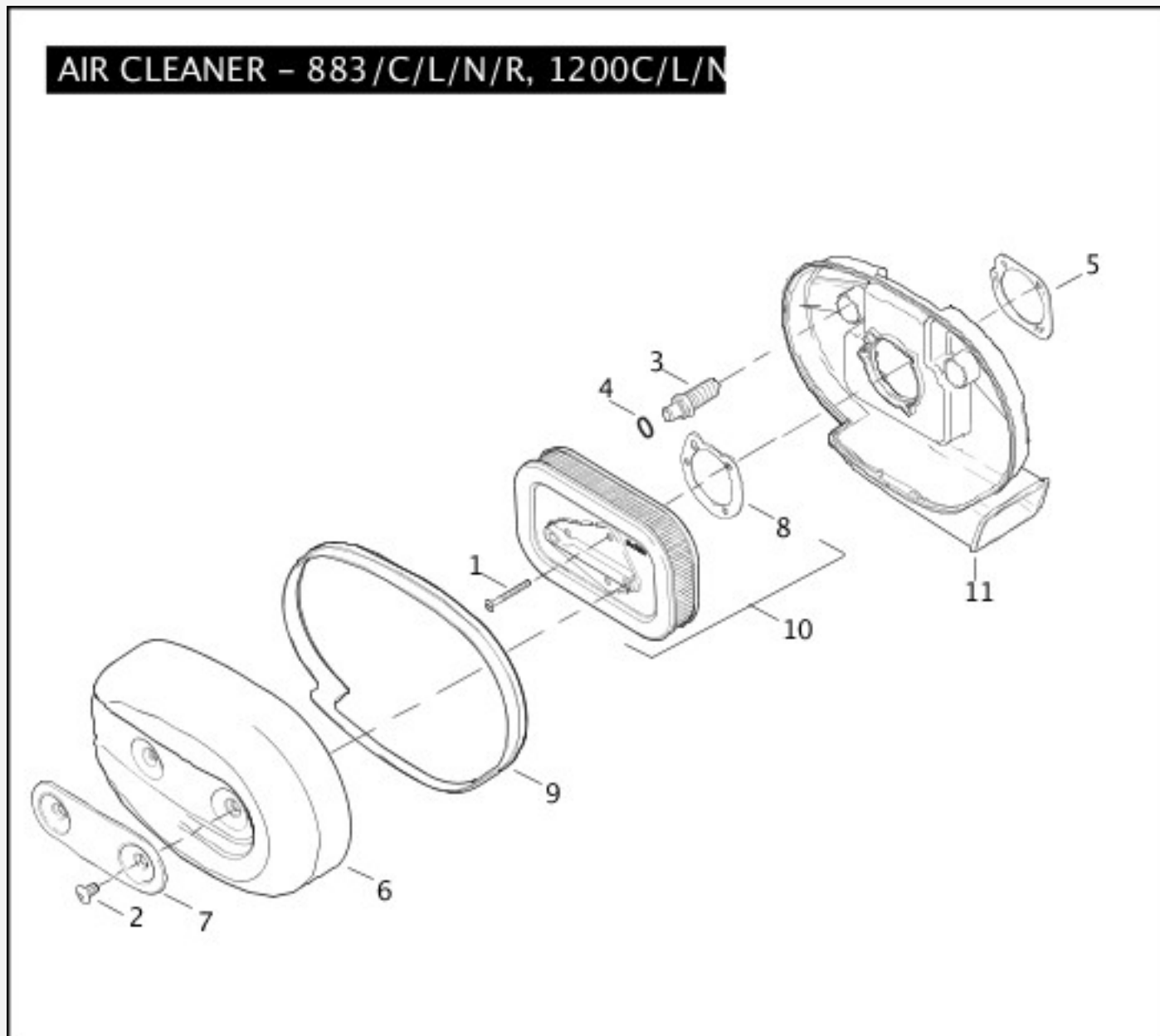
[View interactive image](#)

[View interactive table](#)

INDEX NO.	PART NO.	DESCRIPTION	MODEL(S)
1	11289A	O-RING	ALL
2	3594	SCREW	ALL
3	26554-77B	SWITCH, oil pressure	ALL
4	32472-07B	SENSOR, engine temperature w/ 72009-05, 72011-05	ALL
5	32707-01C	SENSOR, crank position w/ 11289A, 72199-94 & 74194-98	ALL
6	72009-05	HOUSING, 2-way pin	ALL

7	72011-05	WIRE SEAL, 16-20 gauge (yellow) (2)	ALL
8	72199-94	CONNECTOR ANCHOR	ALL
9	74194-98	TERMINAL	ALL
10	74402-05	SENSOR, vehicle speed, w/ 11289A	ALL
11	11290	O-RING	XR1200
12	25394-08	PIPE ADAPTER, w/ 11290	XR1200

AIR CLEANER - 883/C/L/N/R, 1200C/L/N/R



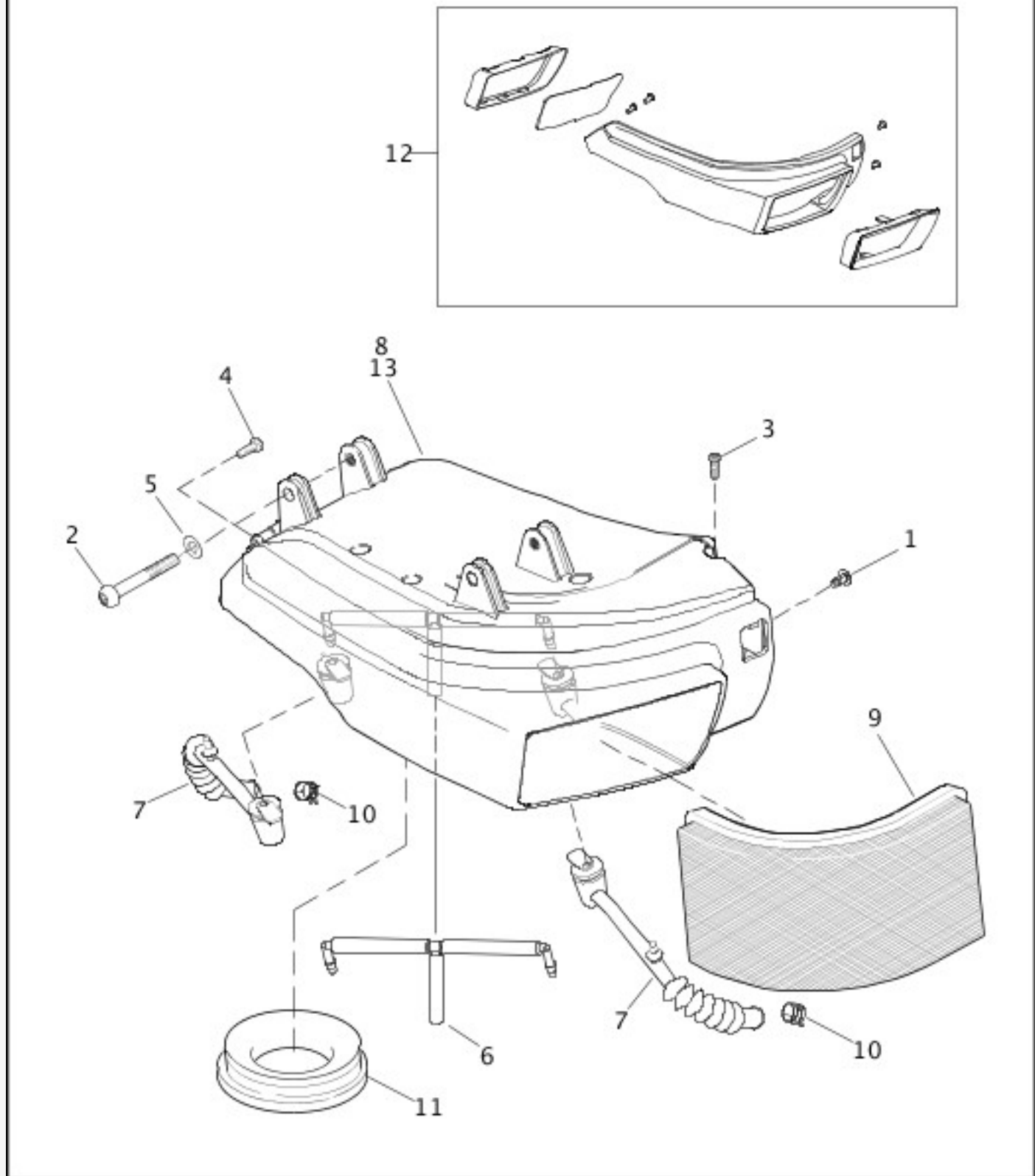
[View interactive image](#)

[View interactive table](#)

INDEX NO.	PART NO.	DESCRIPTION	MODEL(S)
1	946	SCREW (3)	XL1200C, XL1200L, XL1200N, XL1200R, XL883, XL883C, XL883L, XL883N, XL883R

2	2460	SCREW (2)	XL1200C, XL1200L, XL1200N, XL1200R, XL883, XL883C, XL883L, XL883N, XL883R
3	3565	SCREW, breather (2)	XL1200C, XL1200L, XL1200N, XL1200R, XL883, XL883C, XL883L, XL883N, XL883R
4	11202	O-RING (2)	XL1200C, XL1200L, XL1200N, XL1200R, XL883, XL883C, XL883L, XL883N, XL883R
5	29062-95B	GASKET, backplate	XL1200C, XL1200L, XL1200N, XL1200R, XL883, XL883C, XL883L, XL883N, XL883R
6	29084-04	COVER, air cleaner (chrome)	XL1200C, XL1200L, XL1200R, XL883, XL883C, XL883L
	29113-07	COVER, air cleaner (gray)	XL1200N
	29122-05	COVER, air cleaner (black)	XL883N, XL883R
7	29123-07	TRIM INSERT, air cleaner	XL883, XL883L
	29125-07	TRIM INSERT, air cleaner	XL883R
	29346-07	TRIM INSERT, air cleaner	XL1200C
	29352-07	TRIM INSERT, air cleaner	XL1200R
	29354-07	TRIM INSERT, air cleaner	XL1200L
	29355-07	TRIM INSERT, air cleaner	XL1200N
	29802-07	TRIM INSERT, air cleaner	XL883C
	27955-09	TRIM INSERT, air cleaner	XL883N
8	29313-95	GASKET, filter element	XL1200C, XL1200L, XL1200N, XL1200R, XL883, XL883C, XL883L, XL883N, XL883R
9	29315-04	SEAL, air cleaner	XL1200C, XL1200L, XL1200N, XL1200R, XL883, XL883C, XL883L, XL883N, XL883R
10	29331-04	FILTER ELEMENT, w/ 29313-95	XL1200C, XL1200L, XL1200N, XL1200R, XL883, XL883C, XL883L, XL883N, XL883R
11	29369-07A	BACKPLATE ASSEMBLY, air cleaner	XL1200C, XL1200L, XL1200N, XL1200R, XL883, XL883C, XL883L, XL883N, XL883R

AIR BOX - XR1200



[View interactive image](#)

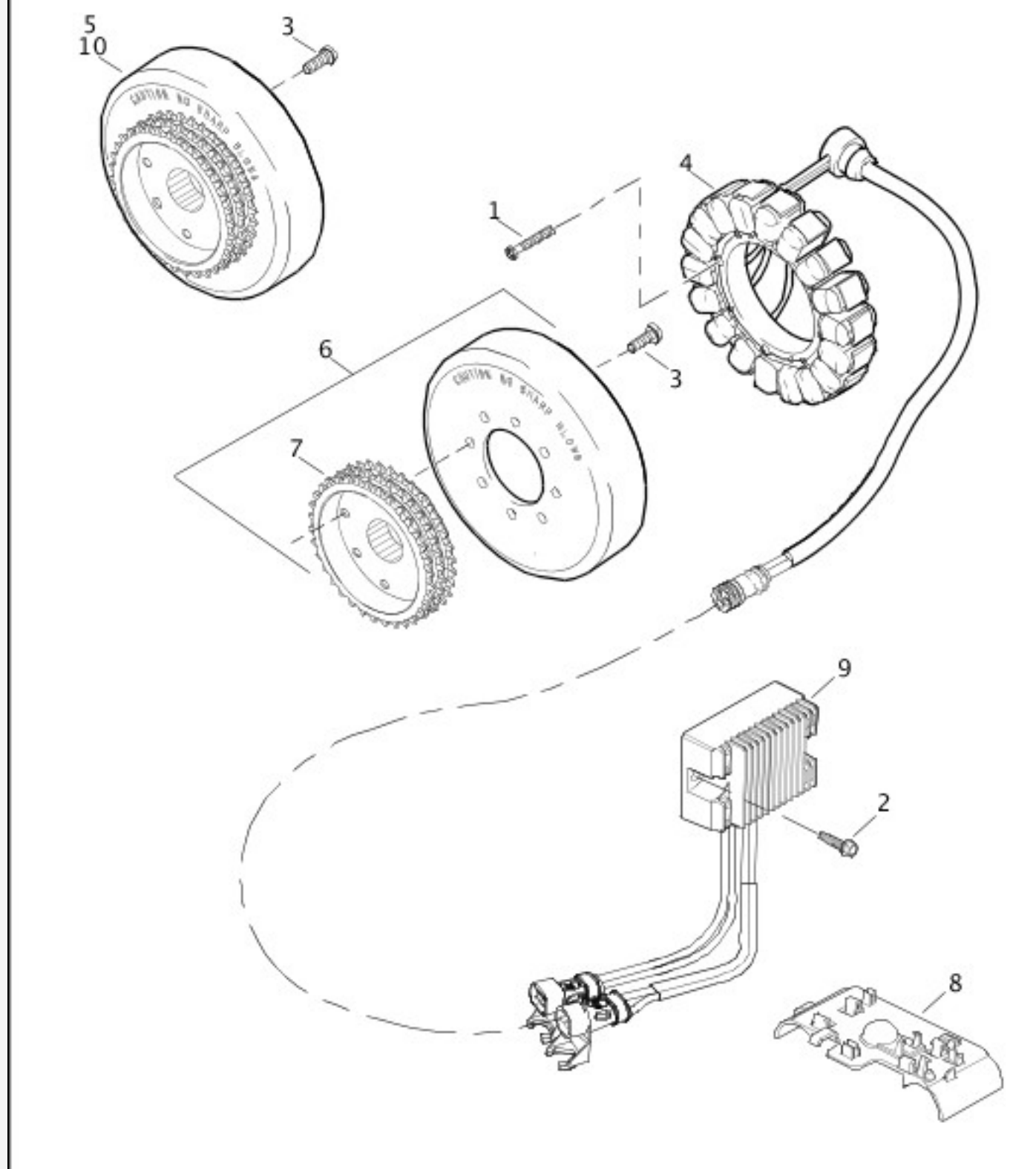
[View interactive table](#)

INDEX NO.	PART NO.	DESCRIPTION	MODEL(S)
1	673	CLIP, canoe, truss head (2)	XR1200
2	4802	SCREW (2)	XR1200
3	2407	SCREW (9)	XR1200
4	2612	SCREW (2)	XR1200

5	6703	WASHER (2)	XR1200
6	26162-08	BREATHER HOSE ASSEMBLY	XR1200
7	26169-08	HOSE, breather (2)	XR1200
8	29867-09	AIR BOX ASSEMBLY, w/ 1, 3, 4, 6, 7, 9, & 10	XR1200
9	29377-08	ELEMENT, air filter	XR1200
10	29379-08	CLAMP, hose (2)	XR1200
11	29380-08	COUPLING, air box to induction module	XR1200
12	65258-08	AIR BOX FASCIA KIT	XR1200
INTERNATIONAL MODELS ONLY			
13	29371-08	AIR BOX ASSEMBLY, w/ 1, 3, 4, 6, 7, 9, & 10 (HDI)	XR1200

ALTERNATOR & REGULATOR

ALTERNATOR & REGULATOR



[View interactive image](#)

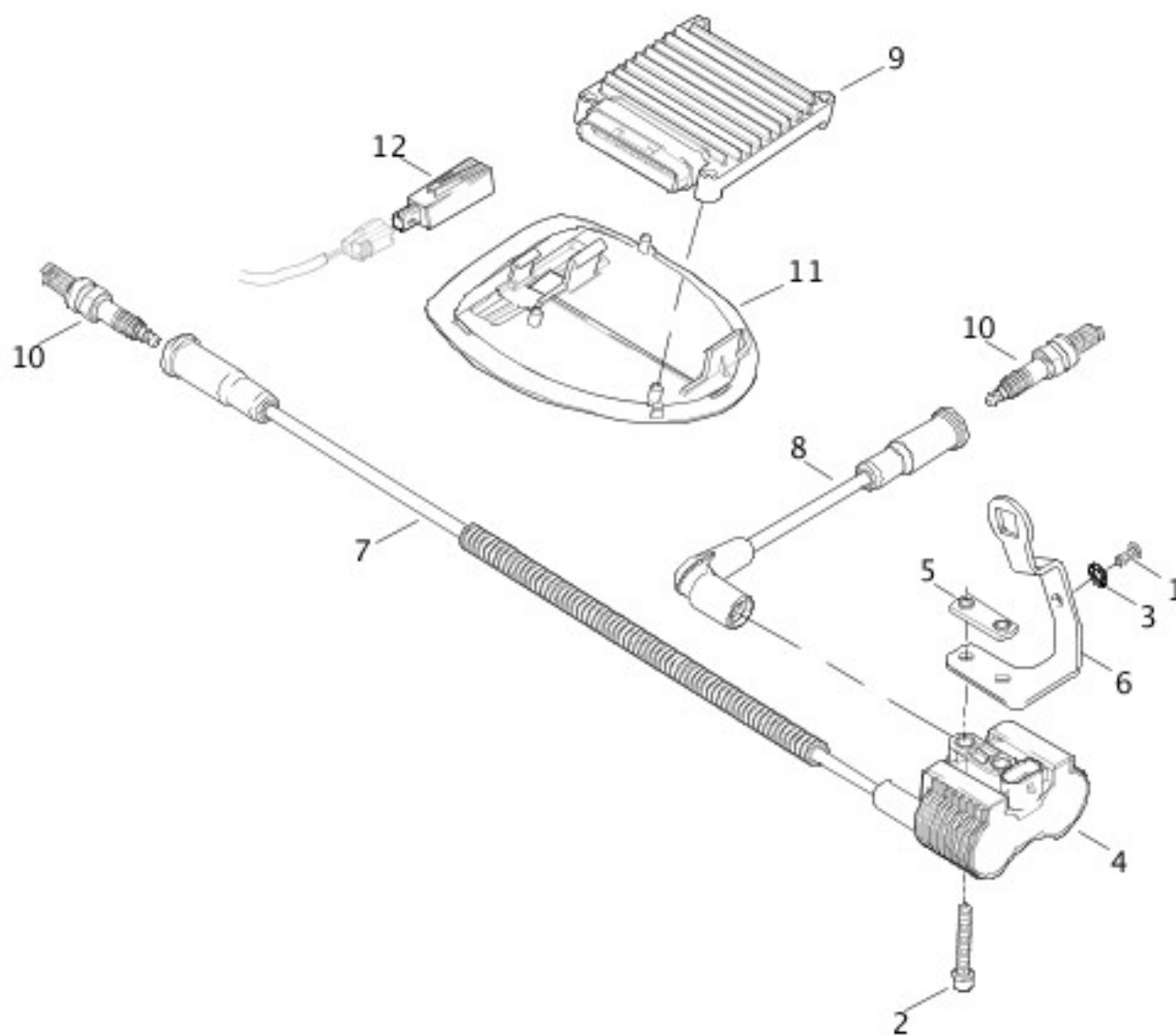
[View interactive table](#)

INDEX NO.	PART NO.	DESCRIPTION	MODEL(S)
1	3029	SCREW (4)	ALL
2	4329	SCREW (2)	ALL
3	4751	SCREW (8)	ALL
4	29997-	STATOR	ALL

	07A		
5	30018-08	ROTOR SPROCKET ASSEMBLY, w/ 4751 & sprocket	XR1200
6	32493-02B	ROTOR SPROCKET ASSEMBLY, w/ 4751 & 40241-02A	XL883, XL883C, XL883L, XL883N, XL883R
	32494-04B	ROTOR SPROCKET ASSEMBLY, w/ 4751 & 40290-04A	XL1200C, XL1200L, XL1200N, XL1200R
7	40241-02A	SPROCKET, triple row, 34T	XL883, XL883C, XL883L, XL883N, XL883R
	40290-04A	SPROCKET, triple row, 38T	XL1200C, XL1200L, XL1200N, XL1200R
8	70364-07	CADDY, voltage regulator	XL1200C, XL1200L, XL1200N, XL1200R, XL883, XL883C, XL883L, XL883N, XL883R
9	74711-08	REGULATOR	ALL
INTERNATIONAL MODELS ONLY			
10	30029-08	ROTOR SPROCKET ASSEMBLY, w/ 4751 & sprocket (Japan, Brazil)	XR1200

ELECTRONIC IGNITION SYSTEM - 883/C/L/N/R, 1200C/L/N/R

ELECTRONIC IGNITION SYSTEM – 883/C/L/N/R, 1200C/L/N



[View interactive image](#)

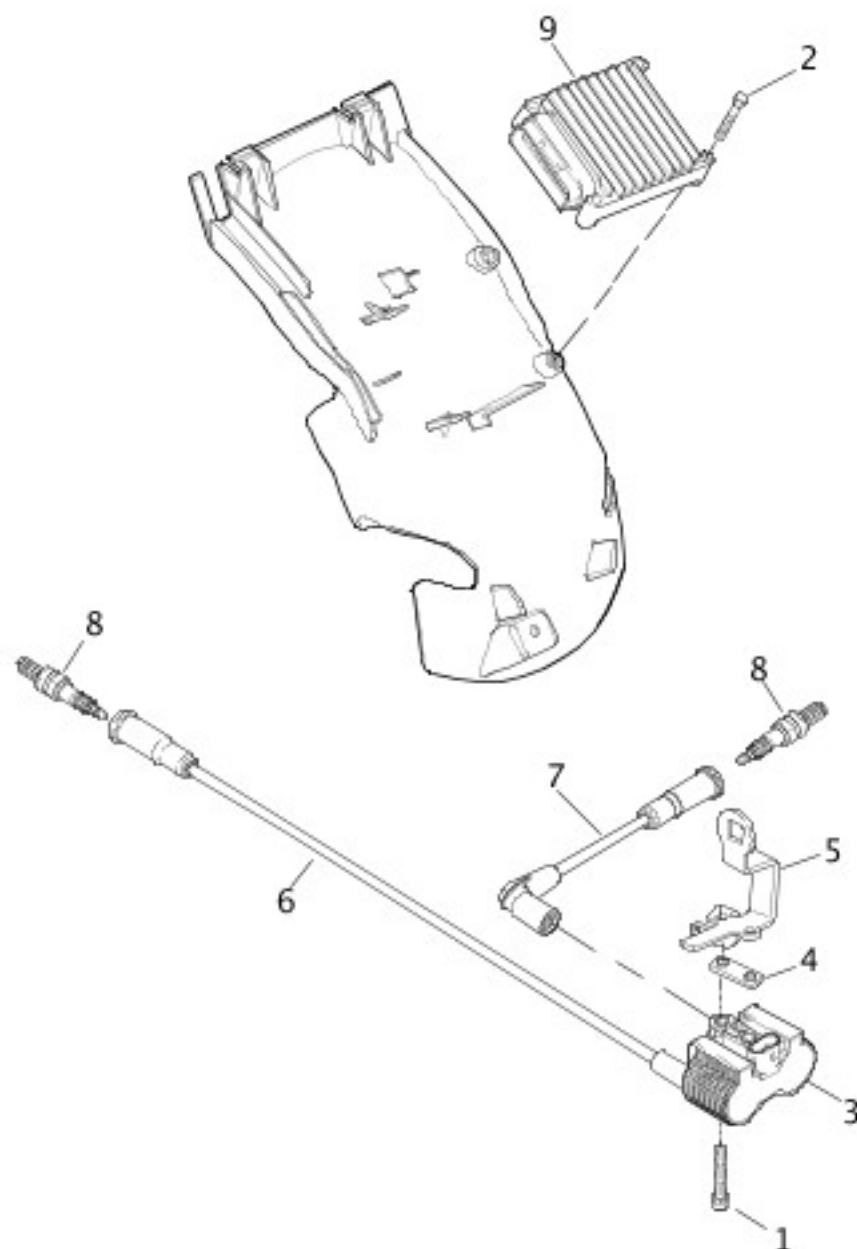
[View interactive table](#)

INDEX NO.	PART NO.	DESCRIPTION	MODEL(S)
1	3124	SCREW	XL1200C, XL1200L, XL1200N, XL1200R, XL883, XL883C, XL883L, XL883N, XL883R
2	3480A	SCREW (2)	XL1200C, XL1200L, XL1200N, XL1200R, XL883, XL883C, XL883L, XL883N, XL883R
3	7220	LOCKWASHER	XL1200C, XL1200L, XL1200N, XL1200R, XL883, XL883C, XL883L, XL883N, XL883R
4	31656-07	COIL, ignition	XL1200C, XL1200L, XL1200N, XL1200R, XL883, XL883C, XL883L, XL883N, XL883R
5	31753-07	PLATE, nut	XL1200C, XL1200L, XL1200N, XL1200R, XL883, XL883C, XL883L, XL883N, XL883R

6	31807-07	BRACKET	XL1200C, XL1200L, XL1200N, XL1200R, XL883, XL883C, XL883L, XL883N, XL883R
7	32006-07	CABLE, spark plug, rear (long)	XL1200C, XL1200L, XL1200N, XL1200R, XL883, XL883C, XL883L, XL883N, XL883R
8	32003-07	CABLE, spark plug, front (short)	XL1200C, XL1200L, XL1200N, XL1200R, XL883, XL883C, XL883L, XL883N, XL883R
9	32534-05C	ELECTRONIC CONTROL MODULE	XL1200C, XL1200L, XL1200N, XL1200R, XL883, XL883C, XL883L, XL883N, XL883R
10	32362-04	SPARK PLUG (2)	XL1200C, XL1200L, XL1200N, XL1200R, XL883, XL883C, XL883L, XL883N, XL883R
11	70444-07	MOUNTING, ECM	XL1200C, XL1200L, XL1200N, XL1200R, XL883, XL883C, XL883L, XL883N, XL883R
12	68919-07	PLUG, antenna module	XL1200C, XL1200L, XL1200N, XL1200R, XL883, XL883C, XL883L, XL883N, XL883R

ELECTRONIC IGNITION SYSTEM - XR1200

ELECTRONIC IGNITION SYSTEM - XR1200

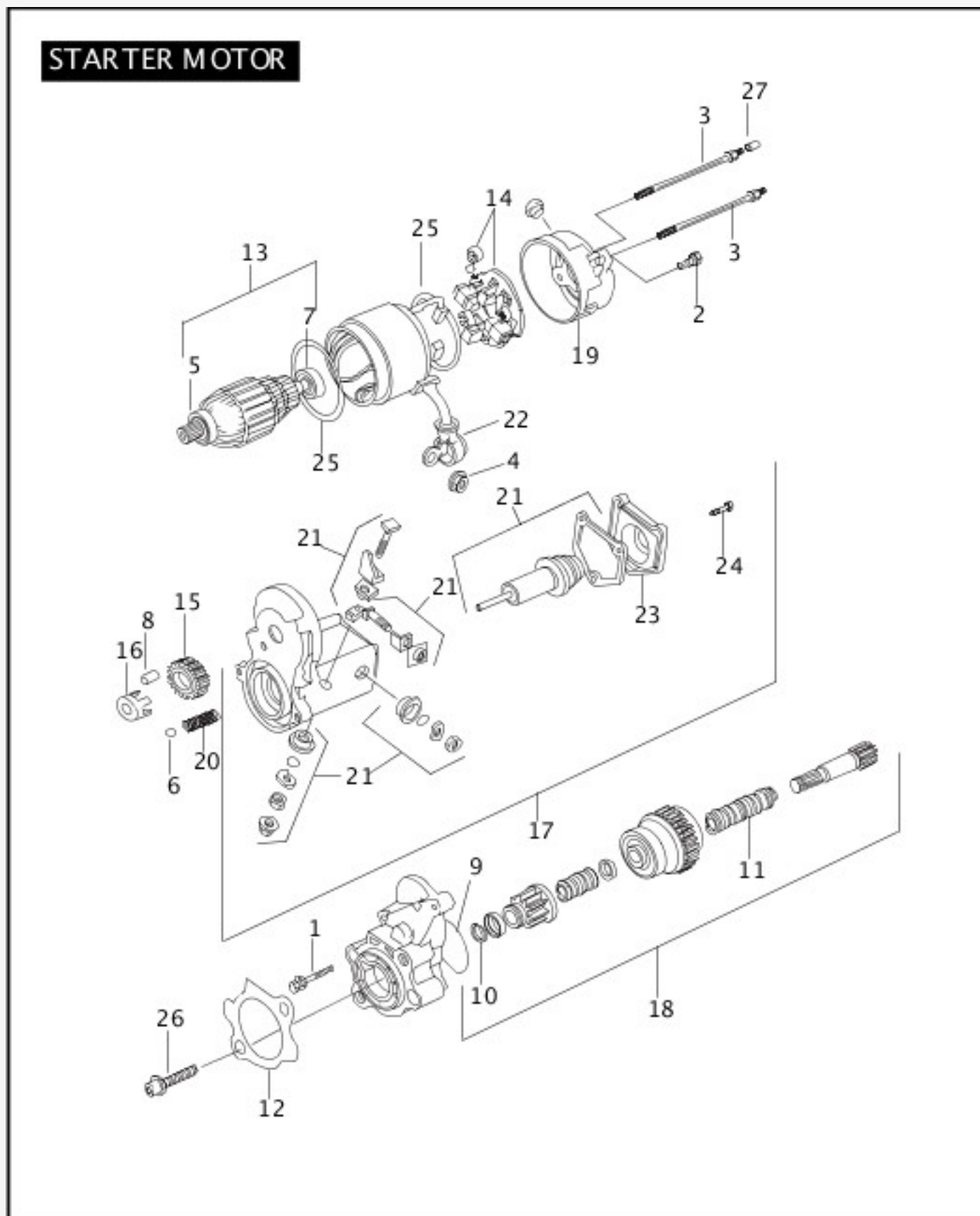


[View interactive image](#)

[View interactive table](#)

INDEX NO.	PART NO.	DESCRIPTION	MODEL(S)
1	3480A	SCREW (2)	XR1200
2	3708M	SCREW	XR1200
3	31656-07	COIL, ignition	XR1200
4	31753-07	PLATE, nut	XR1200
5	31801-08	BRACKET	XR1200
6	32004-08	CABLE, spark plug, rear (long)	XR1200
7	32005-08A	CABLE, spark plug, front (short)	XR1200
8	27794-08	SPARK PLUG (2)	XR1200

STARTER MOTOR



[View interactive image](#)

[View interactive table](#)

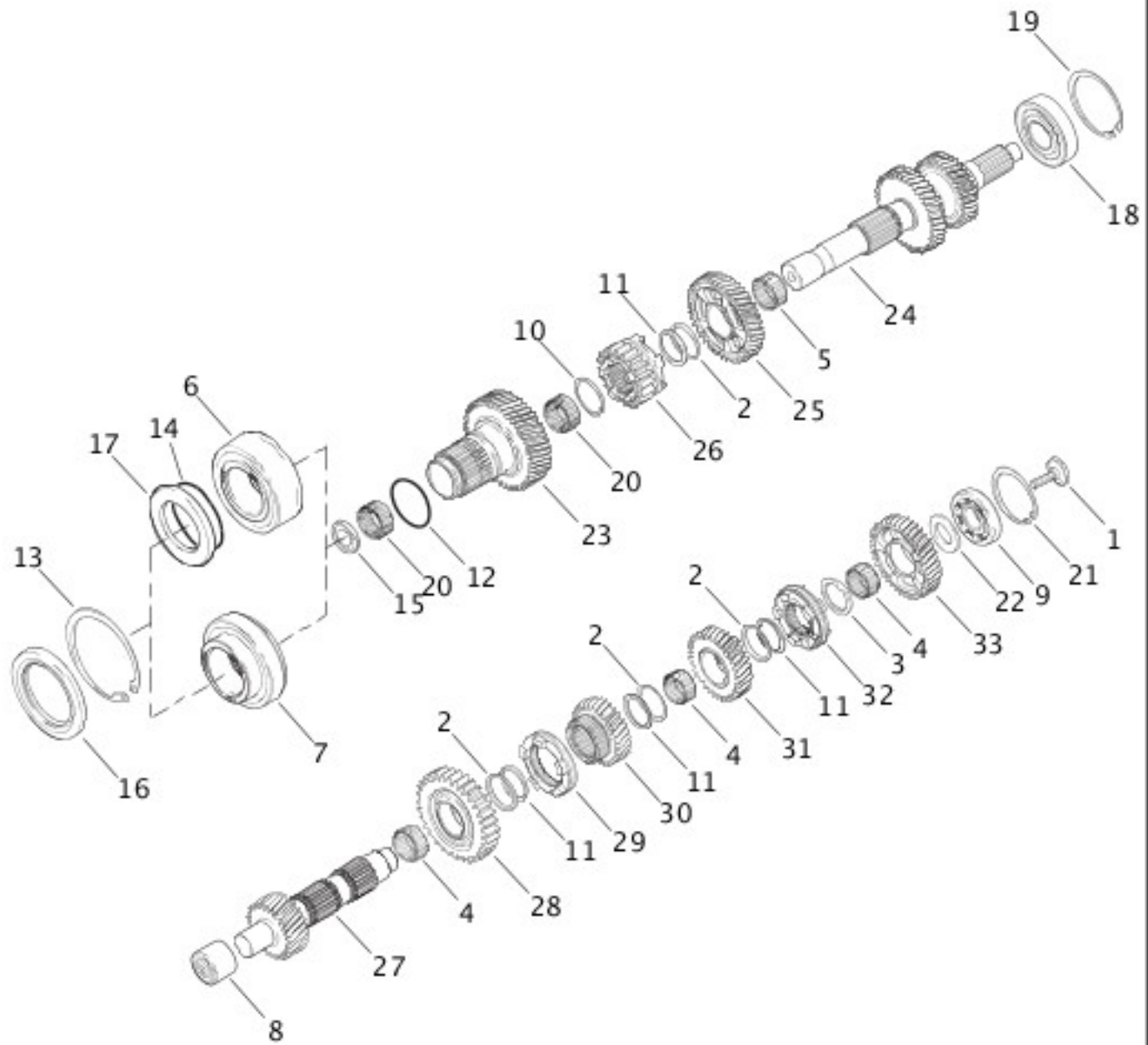
INDEX NO.	PART NO.	DESCRIPTION	MODEL(S)
	31390-91F	STARTER MOTOR, complete	ALL

NOTE: Includes the following parts.

1	928	BOLT, starter (2)	ALL
2	929A	SCREW (2)	ALL
3	3559	BOLT, through (2)	ALL
4	3403	LOCKNUT	ALL
5	8871	BALL BEARING	ALL
6	8879	BALL	ALL
7	8883	BALL BEARING	ALL
8	9077	CLUTCH ROLLER (5)	ALL
9	10957	O-RING	ALL
10	31328-91	RING, snap	ALL
11	31692-90	SPRING	ALL
12	31488-81C	GASKET, starter motor	ALL
13	31515-90	ARMATURE ASSEMBLY	ALL
14	31518-90	HOLDER ASSEMBLY, starter brush w/ spring	ALL
15	31525-90	GEAR, idler	ALL
16	31530-90	RETAINER, idler	ALL
17	31537-98	SWITCH ASSEMBLY, magnetic	ALL
18	31556-91C	CLUTCH SUB-ASSEMBLY, w/ 31328-91& 31692-90	ALL
19	31599-91	FRAME, starter end	ALL
20	31600-90	SPRING, return	ALL
21	31603-91	REPAIR KIT, starter solenoid	ALL
22	31662-90	CAP TERMINAL, rubber	ALL
23	31688-90	COVER, solenoid	ALL
24	31689-90	BOLT, w/ washer (3)	ALL
25	31695-90	O-RING, yoke (2)	ALL
26	45902-00	SCREW (2)	ALL
27	89581-04A	CAP, thread protector (2-LA)	ALL

TRANSMISSION GEARS

TRANSMISSION GEARS



[View interactive image](#)

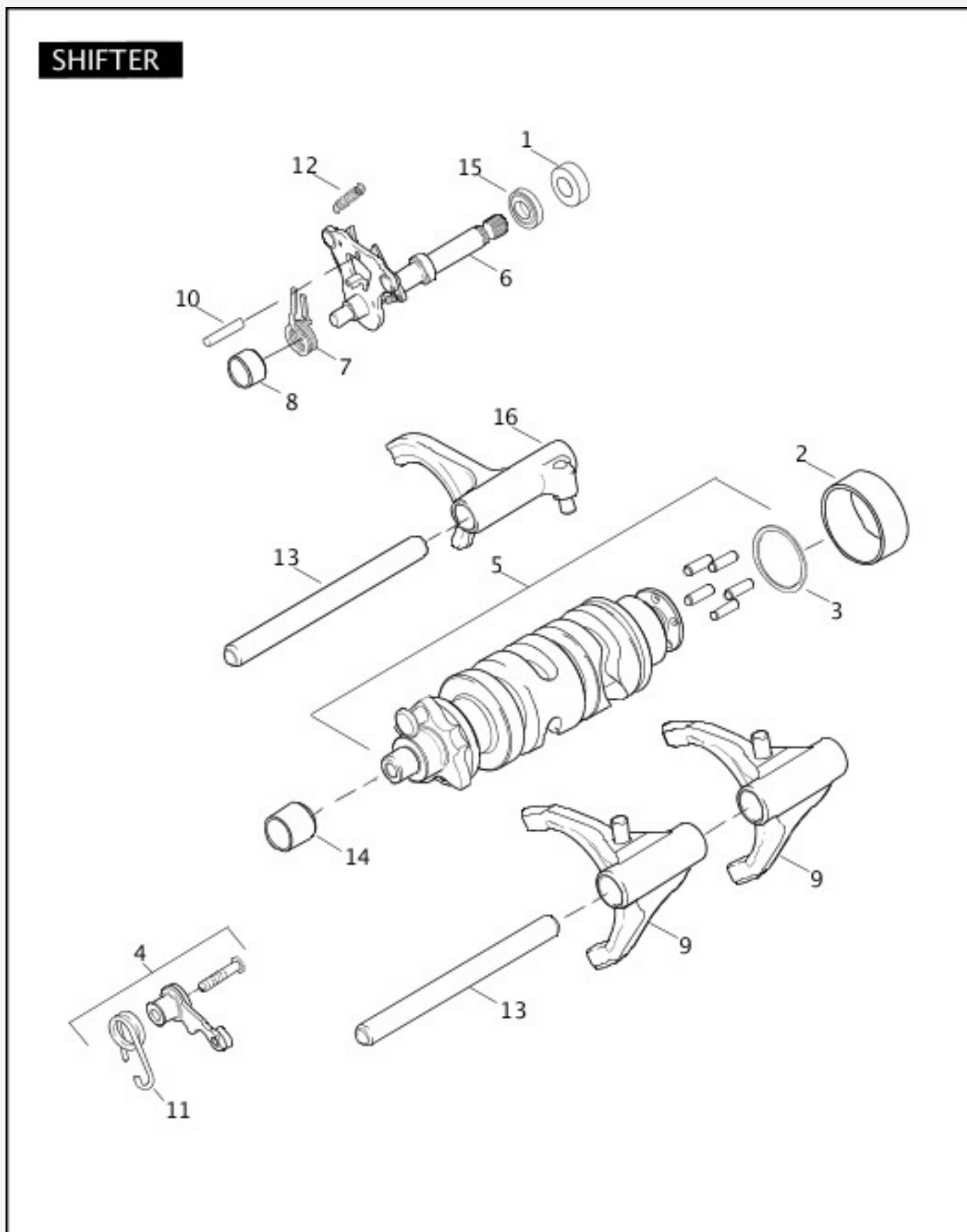
[View interactive table](#)

INDEX NO.	PART NO.	DESCRIPTION	MODEL(S)
1	3990	SCREW	ALL
2	6003	WASHER, thrust (4)	ALL
3	6021	SPACER	ALL
4	8862	BEARING (3)	ALL
5	8884	BEARING	ALL
6	8956	BEARING, ball	XR1200

7	8964	BEARING, ball	XL1200C, XL1200L, XL1200N, XL1200R, XL883, XL883C, XL883L, XL883N, XL883R
8	8966	BEARING, closed end	ALL
9	8970	BEARING, ball	ALL
10	10984	SNAP RING	ALL
11	11067	RETAINING RING (4)	ALL
12	11113	O-RING	ALL
13	11161	RETAINING RING	ALL
14	11631	O-RING	XR1200
15	12030	SEAL	ALL
16	12074	OIL SEAL	ALL
17	33354-08	SPACER	XR1200
18	35030-89A	BEARING, mainshaft	ALL
19	35038-89A	RETAINING RING	ALL
20	35051-89A	BEARING, needle (2)	ALL
21	35087-99A	RETAINING RING	ALL
22	35107-06	SPACER	ALL
23	35159-06	GEAR, fifth-mainshaft	XL1200C, XL1200L, XL1200N, XL1200R, XL883, XL883C, XL883L, XL883N, XL883R
	35234-08	GEAR, fifth-mainshaft	XR1200
24	35163-06	GEAR, mainshaft	ALL
25	35165-06	GEAR, fourth-mainshaft	ALL
26	35167-06	GEAR, first-mainshaft	ALL
27	35172-06	GEAR, countershaft	ALL
28	35174-06	GEAR, first-countershaft	ALL
29	35190-06	RING, dog	ALL
30	35191-06	GEAR, fourth-countershaft	ALL
31	35193-06	GEAR, third-	ALL

		countershaft	
32	35196-06	RING, dog	ALL
33	35197-06	GEAR, second-countershaft	ALL

SHIFTER

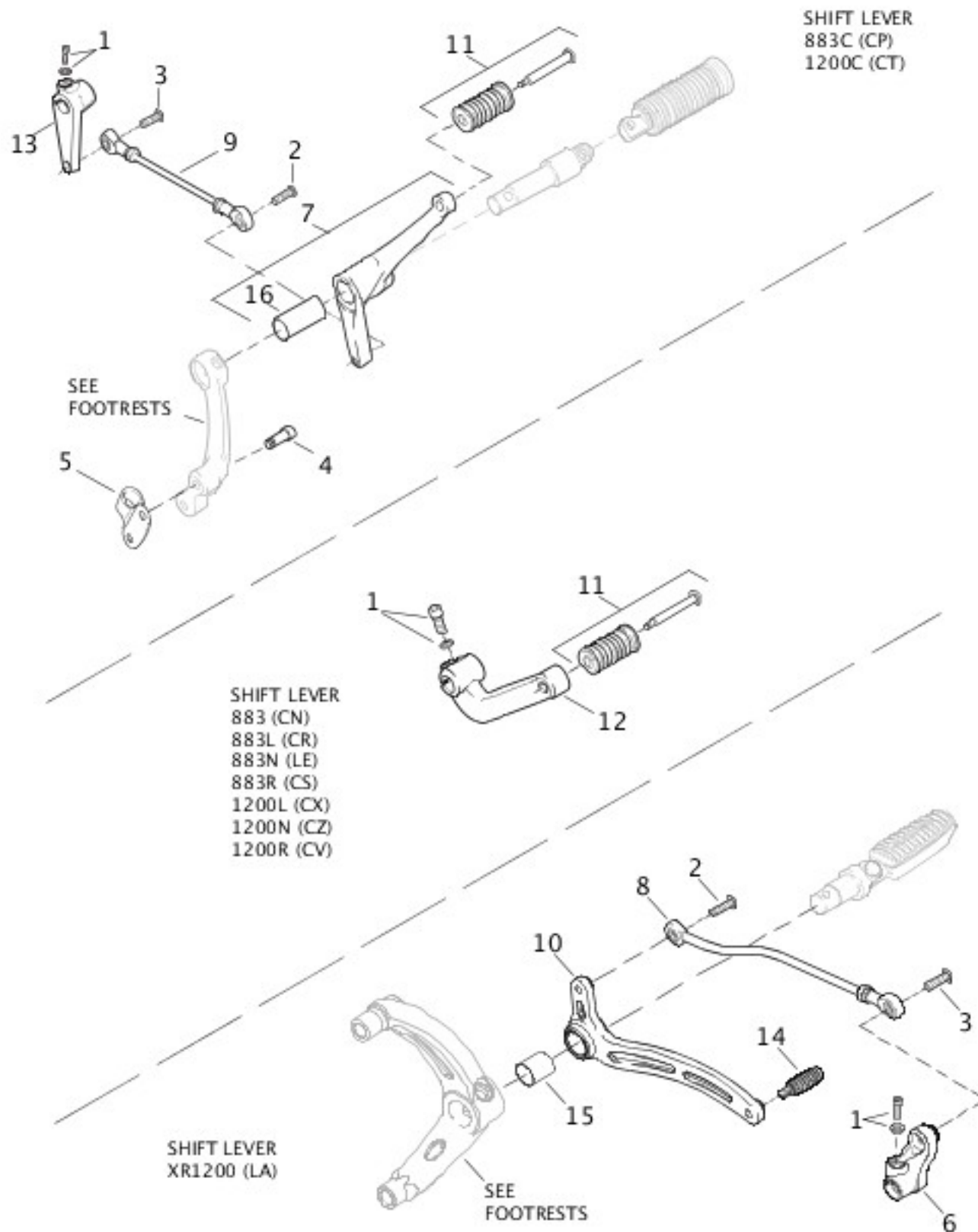


[View interactive image](#)

INDEX NO.	PART NO.	DESCRIPTION	MODEL(S)
1	7080	WASHER, non-metallic	ALL
2	9187	BEARING	ALL
3	11360	RING, retaining	ALL
4	33540-06	SPRING SLEEVE ASSEMBLY, detent	ALL
5	33641-06	SHIFTER CAM ASSEMBLY, w/ 11360	ALL
	33900-99	SWITCH, neutral (not illustrated)	ALL
6	34014-06A	SHIFTER LEVER ASSEMBLY, w/ 34064-00C & 34491-02A (2)	ALL
7	34064-00C	SPRING, shifter return	ALL
8	34076-02A	BUSHING	ALL
9	34157-06	FORK ASSEMBLY, shifter (2)	ALL
10	34163-02	PIN, shifter stop	ALL
11	34483-06	SPRING, detent	ALL
12	34491-02A	SPRING, extension (2)	ALL
13	34981-02A	SHAFT, shifter forks (2)	ALL
14	34982-02	BUSHING, right hand crankcase	ALL
15	37107-06	OIL SEAL	ALL
16	34162-06	FORK ASSEMBLY, shifter	ALL

SHIFT LEVER

SHIFT LEVER



[View interactive image](#)

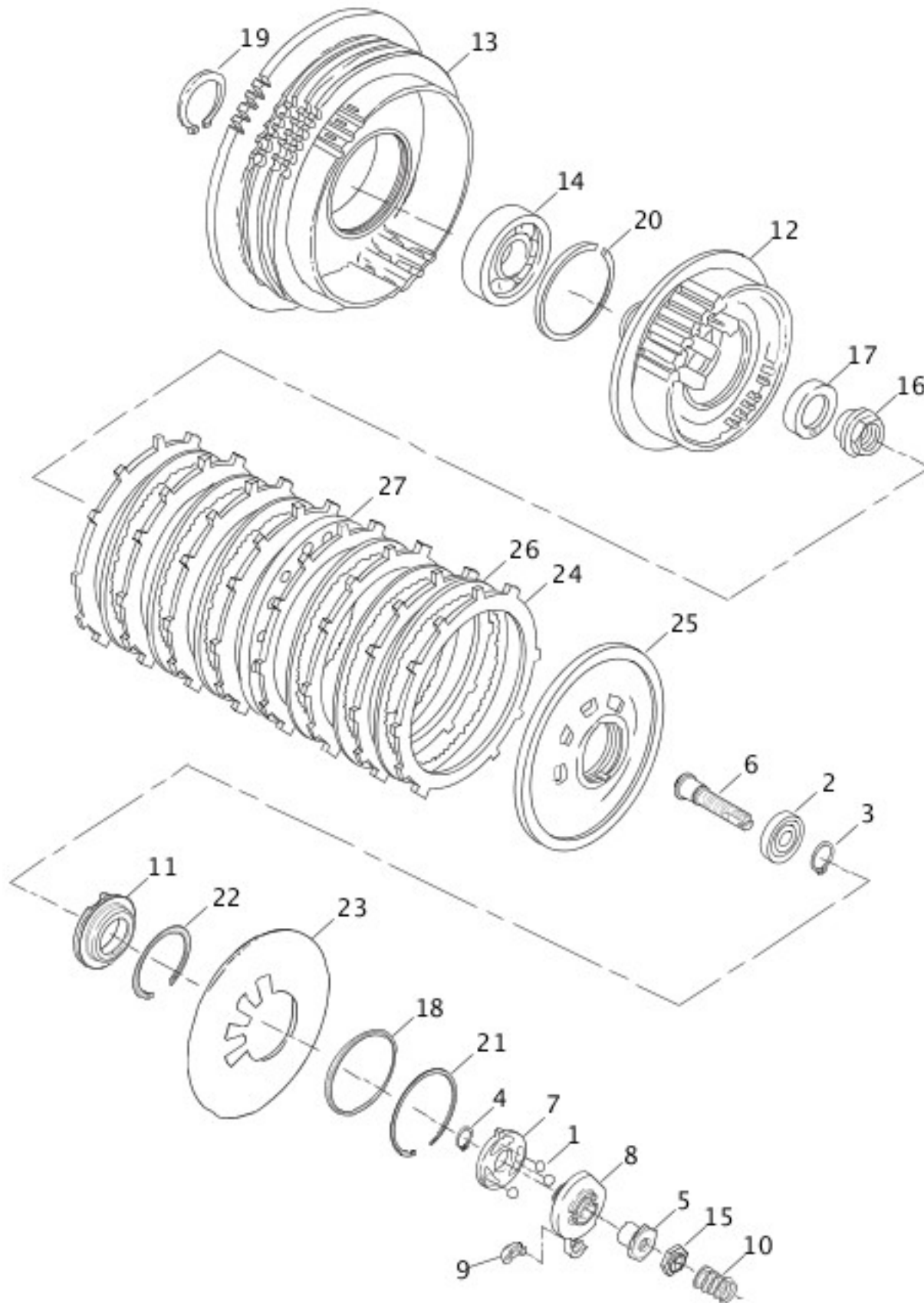
[View interactive table](#)

INDEX NO.	PART NO.	DESCRIPTION	MODEL(S)
1	2708A	SCREW, w/ washer	ALL
2	4016	SCREW	XL1200C, XL883C, XR1200
3	4359	SCREW	XL1200C, XL883C, XR1200

4	4748	SCREW, socket head (4)	XL1200C, XL883C
5	10179A	J-CLIP	XL1200C, XL883C
6	33831-08	SHIFTER ARM	XR1200
7	34572-04	LEVER ASSEMBLY, shifter, w/ 42569-03	XL1200C, XL883C
8	33832-08	SHIFTER LINK	XR1200
9	34573-04	SHIFTER ROD LINK	XL1200C, XL883C
10	33875-08	SHIFTER LEVER ASSEMBLY, w/ 42443-80A	XR1200
11	34611-65A	SHIFTER TOE PEG KIT	XL1200C, XL1200L, XL1200N, XL1200R, XL883, XL883C, XL883L, XL883N, XL883R
12	34660-04A	SHIFT LEVER, foot (chrome)	XL1200L, XL1200R, XL883, XL883L
	34721-07	SHIFT LEVER, foot (black)	XL1200N, XL883N, XL883R
13	34670-06	SHIFT LEVER	XL1200C, XL883C
14	34672-08	TOE PEG ASSEMBLY	XR1200
15	42443-80A	BUSHING	XR1200
16	42569-03	BUSHING	XL1200C, XL883C

CLUTCH - 883/C/L/N/R, 1200C/L/N/R

CLUTCH - 883/C/L/N/R, 1200C/L/



[View interactive image](#)

[View interactive table](#)

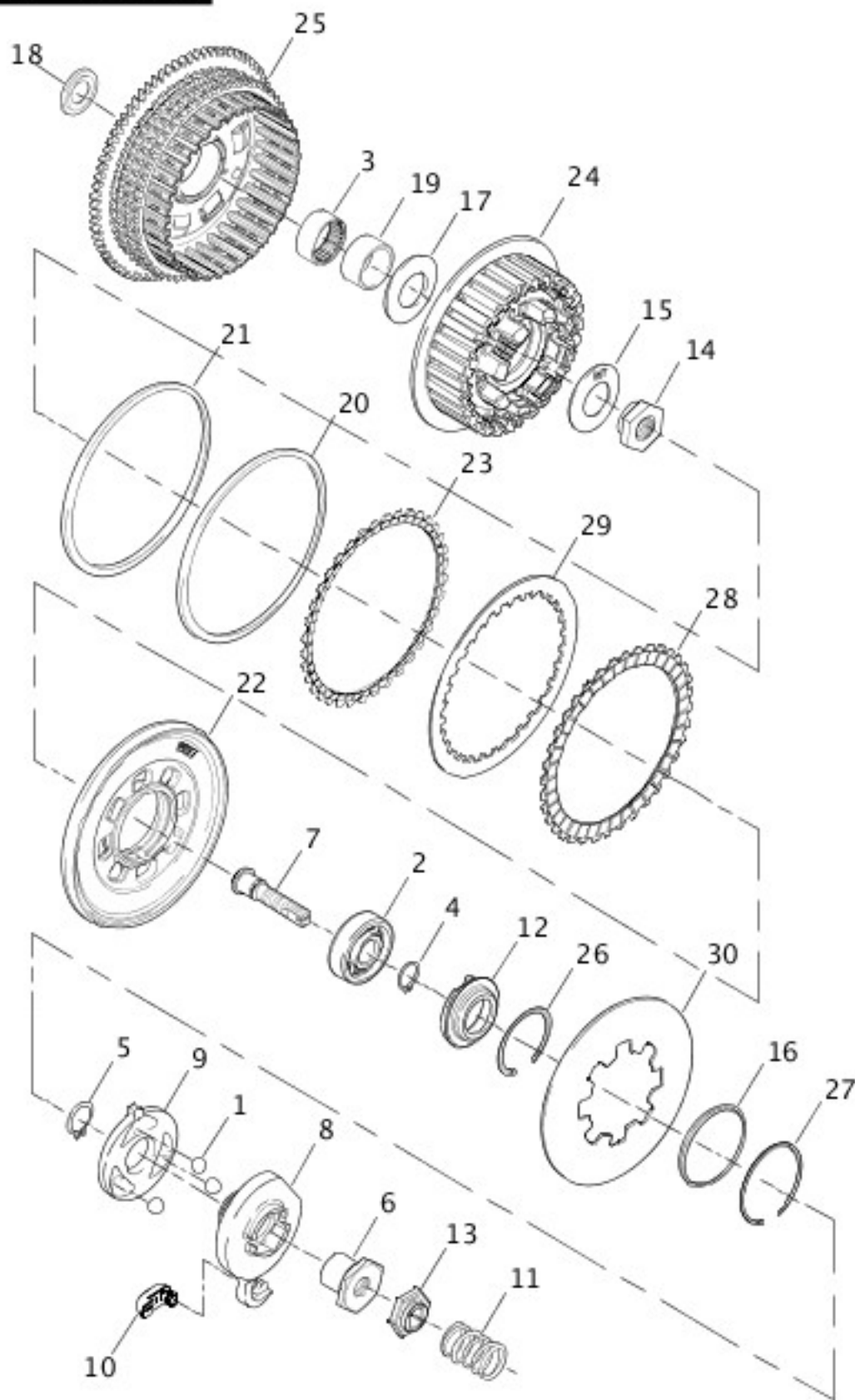
INDEX NO.	PART NO.	DESCRIPTION	MODEL(S)
1	8873	BALL (3)	XL1200C, XL1200L, XL1200N, XL1200R, XL883, XL883C, XL883L, XL883N, XL883R
2	8885	BEARING	XL1200C, XL1200L, XL1200N, XL1200R, XL883, XL883C, XL883L, XL883N, XL883R

3	11046	RETAINING RING	XL1200C, XL1200L, XL1200N, XL1200R, XL883, XL883C, XL883L, XL883N, XL883R
4	11250	RETAINING RING	XL1200C, XL1200L, XL1200N, XL1200R, XL883, XL883C, XL883L, XL883N, XL883R
5	11730A	WELL NUT	XL1200C, XL1200L, XL1200N, XL1200R, XL883, XL883C, XL883L, XL883N, XL883R
6	11765Y	ADJUSTMENT SCREW	XL1200C, XL1200L, XL1200N, XL1200R, XL883, XL883C, XL883L, XL883N, XL883R
7	25453-87A	RAMP, inner	XL1200C, XL1200L, XL1200N, XL1200R, XL883, XL883C, XL883L, XL883N, XL883R
8	25409-94B	RAMP, outer	XL1200C, XL1200L, XL1200N, XL1200R, XL883, XL883C, XL883L, XL883N, XL883R
9	34920-86A	COUPLING, clutch cable	XL1200C, XL1200L, XL1200N, XL1200R, XL883, XL883C, XL883L, XL883N, XL883R
10	36715-94	SPRING, clutch adjustment	XL1200C, XL1200L, XL1200N, XL1200R, XL883, XL883C, XL883L, XL883N, XL883R
11	36731-91	RELEASE PLATE, w/ 8885	XL1200C, XL1200L, XL1200N, XL1200R, XL883, XL883C, XL883L, XL883N, XL883R
12	36785-91	CLUTCH HUB	XL1200C, XL1200L, XL1200N, XL1200R, XL883, XL883C, XL883L, XL883N, XL883R
13	36790-04	CLUTCH SHELL & SPROCKET, w/ 36799-91 & 37905-90	XL1200C, XL1200L, XL1200N, XL1200R, XL883, XL883C, XL883L, XL883N, XL883R
14	36799-91	BALL BEARING	XL1200C, XL1200L, XL1200N, XL1200R, XL883, XL883C, XL883L, XL883N, XL883R
15	36802-84B	LOCKPLATE, well type	XL1200C, XL1200L, XL1200N, XL1200R, XL883, XL883C, XL883L, XL883N, XL883R
16	37495-91	NUT, main shaft	XL1200C, XL1200L, XL1200N, XL1200R, XL883, XL883C, XL883L, XL883N, XL883R
17	37870-91	SPRING WASHER	XL1200C, XL1200L, XL1200N, XL1200R, XL883, XL883C, XL883L, XL883N, XL883R
18	37872-90	SEAT, spring-inner	XL1200C, XL1200L, XL1200N, XL1200R, XL883, XL883C, XL883L, XL883N, XL883R
19	37904-90	RETAINING RING	XL1200C, XL1200L, XL1200N, XL1200R, XL883, XL883C, XL883L, XL883N, XL883R
20	37905-90	RETAINING RING	XL1200C, XL1200L, XL1200N, XL1200R, XL883, XL883C, XL883L, XL883N, XL883R
21	37908-90	RETAINING RING	XL1200C, XL1200L, XL1200N, XL1200R, XL883, XL883C, XL883L, XL883N, XL883R
22	37909-90	RETAINING RING	XL1200C, XL1200L, XL1200N, XL1200R, XL883, XL883C, XL883L, XL883N, XL883R

23	37910-04B	SPRING, clutch plate	XL883, XL883C, XL883L, XL883N, XL883R
	37924-04A	SPRING, clutch plate	XL1200C, XL1200L, XL1200N, XL1200R
24	37911-90	FRICTION PLATE (paper) (8)	XL1200C, XL1200L, XL1200N, XL1200R, XL883, XL883C, XL883L, XL883N, XL883R
25	37912-91	PRESSURE PLATE	XL1200C, XL1200L, XL1200N, XL1200R, XL883, XL883C, XL883L, XL883N, XL883R
26	37913-90	STEEL PLATE (6)	XL1200C, XL1200L, XL1200N, XL1200R, XL883, XL883C, XL883L, XL883N, XL883R
27	37977-90	SPRING PLATE	XL1200C, XL1200L, XL1200N, XL1200R, XL883, XL883C, XL883L, XL883N, XL883R

CLUTCH - XR1200

CLUTCH - XR1200



[View interactive image](#)

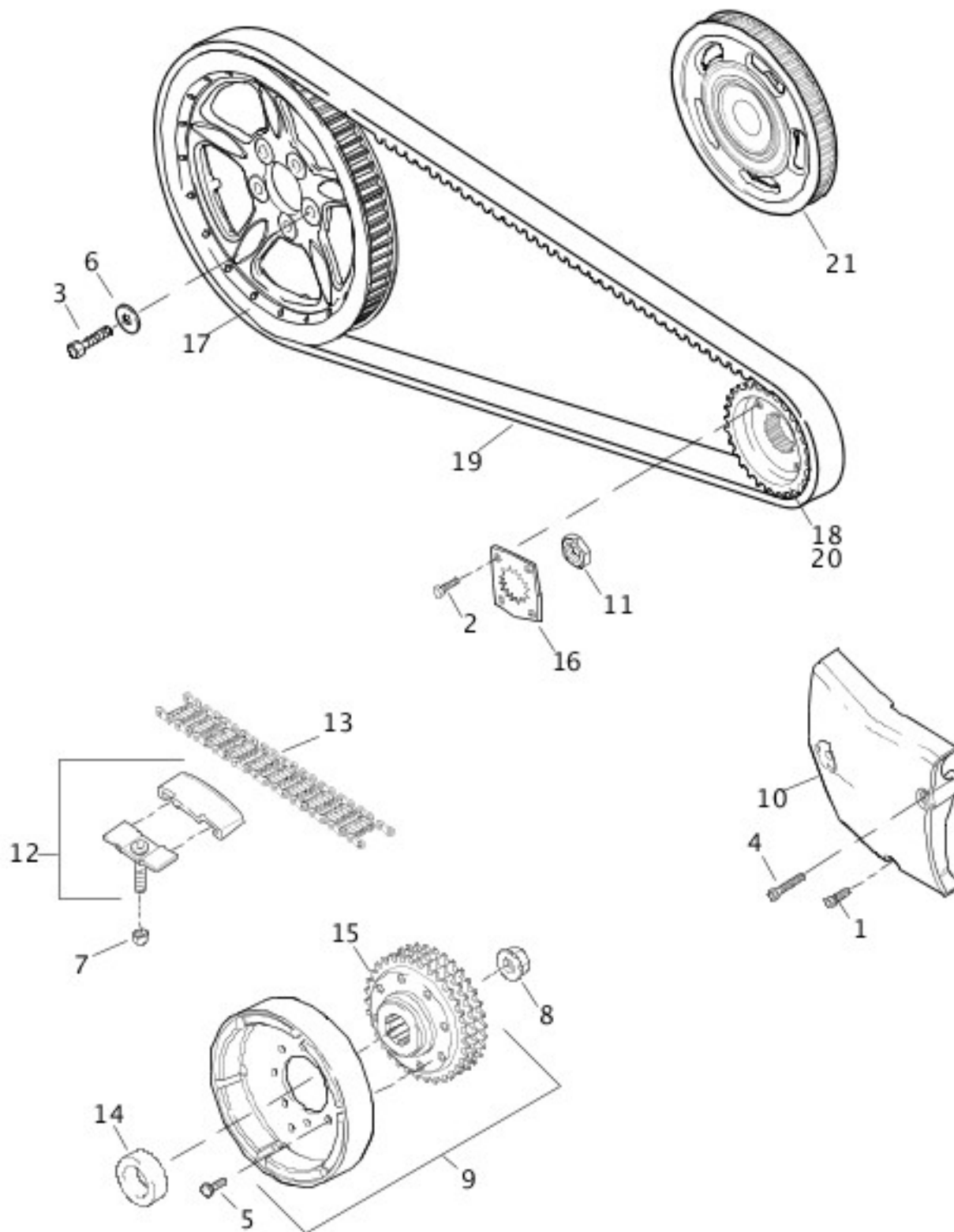
[View interactive table](#)

INDEX NO.	PART NO.	DESCRIPTION	MODEL(S)
1	8873	BALL (3)	XR1200
2	8885	BEARING	XR1200
3	9214	BEARING	XR1200

4	11046	RETAINING RING	XR1200
5	11250	RETAINING RING	XR1200
6	11730A	WELL NUT	XR1200
7	11765Y	ADJUSTMENT SCREW	XR1200
8	25409-94B	RAMP, outer	XR1200
9	25453-87A	RAMP, inner	XR1200
10	34920-86A	COUPLING, clutch cable	XR1200
11	36715-94	SPRING, clutch adjustment	XR1200
12	36731-91	RELEASE PLATE, w/ 8885	XR1200
13	36802-84B	LOCKPLATE, well type	XR1200
14	37495-91	NUT, main shaft	XR1200
15	37870-91	SPRING WASHER	XR1200
16	37872-90	SEAT, spring-inner	XR1200
17	37890-02	THRUST WASHER, inner	XR1200
18	37891-02	THRUST WASHER, outer	XR1200
19	37892-02	INNER RACE, needle bearing	XR1200
20	37894-02	SPRING, clutch	XR1200
21	37895-02	SEAT, damper spring	XR1200
22	37896-02	PRESSURE PLATE	XR1200
23	37897-02	FRICTION PLATE, narrow	XR1200
24	37898-02A	CLUTCH HUB	XR1200
25	37899-02A	CLUTCH SHELL & SPROCKET, w/ 9214	XR1200
26	37908-90	RETAINING RING	XR1200
27	37909-90	RETAINING RING	XR1200
28	37911-90	FRICTION PLATE (paper) (7)	XR1200
29	37913-90	STEEL PLATE (7)	XR1200
30	37934-06	SPRING, clutch	XR1200

BELTS & SPROCKETS - 883/C/L/N/R, 1200C/L/N/R

BELTS & SPROCKETS - 883/C/L/N/R, 1200C/L/N/R



[View interactive image](#)

[View interactive table](#)

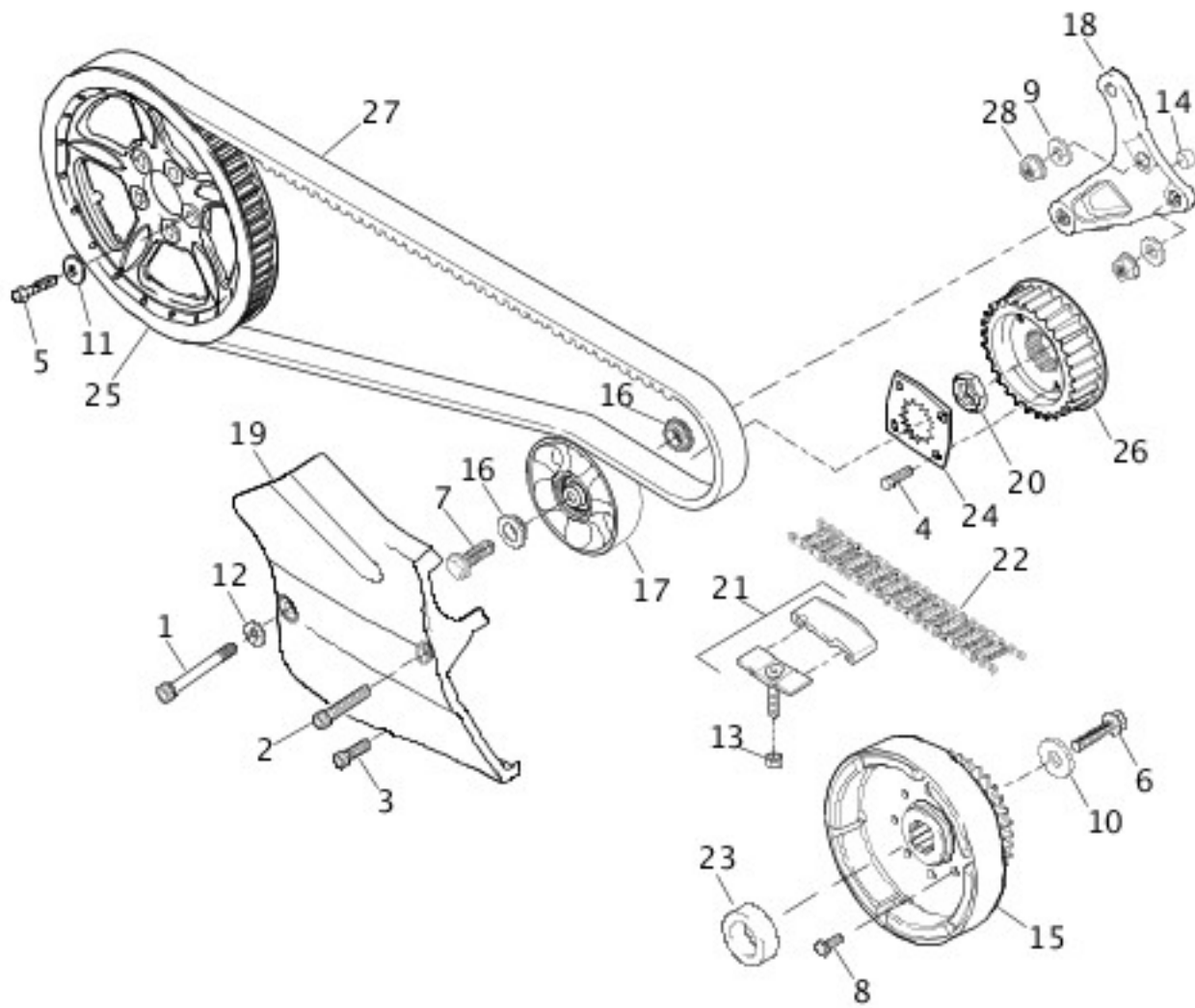
INDEX NO.	PART NO.	DESCRIPTION	MODEL(S)
1	3480A	SCREW	XL1200C, XL1200L, XL1200N, XL1200R, XL883, XL883C, XL883L, XL883N, XL883R
2	3594	SCREW (2)	XL1200C, XL1200L, XL1200N, XL1200R, XL883, XL883C, XL883L, XL883N, XL883R

3	3899	SCREW (for Japan see REAR WHEEL - LACED & PROFILE LACED) (5)	XL1200C, XL1200L, XL1200N, XL1200R, XL883, XL883C, XL883L, XL883N, XL883R
4	4717A	SCREW	XL1200C, XL1200L, XL1200N, XL1200R, XL883, XL883C, XL883L, XL883N, XL883R
5	4751	SCREW	XL1200C, XL1200L, XL1200N, XL1200R, XL883, XL883C, XL883L, XL883N, XL883R
6	6516HW	WASHER (for Japan see REAR WHEEL - LACED & PROFILE LACED) (5)	XL1200C, XL1200L, XL1200N, XL1200R, XL883, XL883C, XL883L, XL883N, XL883R
7	7804	LOCKNUT	XL1200C, XL1200L, XL1200N, XL1200R, XL883, XL883C, XL883L, XL883N, XL883R
8	7839	NUT, engine sprocket	XL1200C, XL1200L, XL1200N, XL1200R, XL883, XL883C, XL883L, XL883N, XL883R
9	32493-02B	ROTOR SPROCKET ASSEMBLY, w/ 4751 & 40241-02A	XL883, XL883C, XL883L, XL883N, XL883R
	32494-04B	ROTOR SPROCKET ASSEMBLY, w/ 4751 & 40290-04A	XL1200C, XL1200L, XL1200N, XL1200R
10	34911-04	SPROCKET COVER	XL883, XL883L
	34932-04	SPROCKET COVER	XL1200C, XL1200L
	34938-04	SPROCKET COVER	XL883C
	34943-05	SPROCKET COVER	XL1200R, XL883N, XL883R
	34954-07	SPROCKET COVER (gray)	XL1200N
11	35211-91B	NUT, transmission sprocket	XL1200C, XL1200L, XL1200N, XL1200R, XL883, XL883C, XL883L, XL883N, XL883R
12	40039-02C	CHAIN ADJUSTER ASSEMBLY	XL1200C, XL1200L, XL1200N, XL1200R, XL883, XL883C, XL883L, XL883N, XL883R
13	40005-57B	PRIMARY CHAIN, 94 links	XL883, XL883C, XL883L, XL883N, XL883R
	40147-04	PRIMARY CHAIN, 96 links	XL1200C, XL1200L, XL1200N, XL1200R
14	40254-02	SPACER, sprocket	XL1200C, XL1200L, XL1200N, XL1200R, XL883, XL883C, XL883L, XL883N, XL883R
15	40241-02A	SPROCKET, triple row - 34T	XL883, XL883C, XL883L, XL883N, XL883R
	40290-04A	SPROCKET, triple row - 38T	XL1200C, XL1200L, XL1200N, XL1200R

16	40251-92A	RETENTION PLATE	XL1200C, XL1200L, XL1200N, XL1200R, XL883, XL883C, XL883L, XL883N, XL883R
17	40350-07	SPROCKET, belt - 68T (black)	XL1200C, XL1200L, XL1200R, XL883R
	40352-07	SPROCKET, belt - 68T (silver)	XL883, XL883C, XL883L
	40353-08	SPROCKET, belt - 68T (black)	XL883N
	40444-07	SPROCKET, belt - 68T (black)	XL1200N
18	40379-04	SPROCKET, transmission - 28T (World)	XL883, XL883C, XL883L, XL883N, XL883R
	40409-04	SPROCKET, transmission - 29T (50 State)	XL1200C, XL1200L, XL1200N, XL1200R
19	40371-07	BELT, 136T	XL883, XL883C, XL883L, XL883N, XL883R
	40591-07	BELT, 137T	XL1200C, XL1200L, XL1200N, XL1200R
INTERNATIONAL MODELS ONLY			
20	40380-04	SPROCKET, transmission - 30T (HDI)	XL1200C, XL1200L, XL1200N, XL1200R
21	37799-09	SPROCKET ASSEMBLY, final drive, w/ bearing - 68T (black) (Japan)	XL883N
	40518-08	SPROCKET ASSEMBLY, final drive, w/ bearing - 68T (black) (Japan)	XL1200C, XL1200L, XL1200N, XL1200R, XL883R
	40544-08	SPROCKET ASSEMBLY, final drive, w/ bearing - 68T (silver) (Japan)	XL883, XL883C, XL883L

BELTS & SPROCKETS - XR1200

BELTS & SPRING ROLLERS - XR1200



[View interactive image](#)

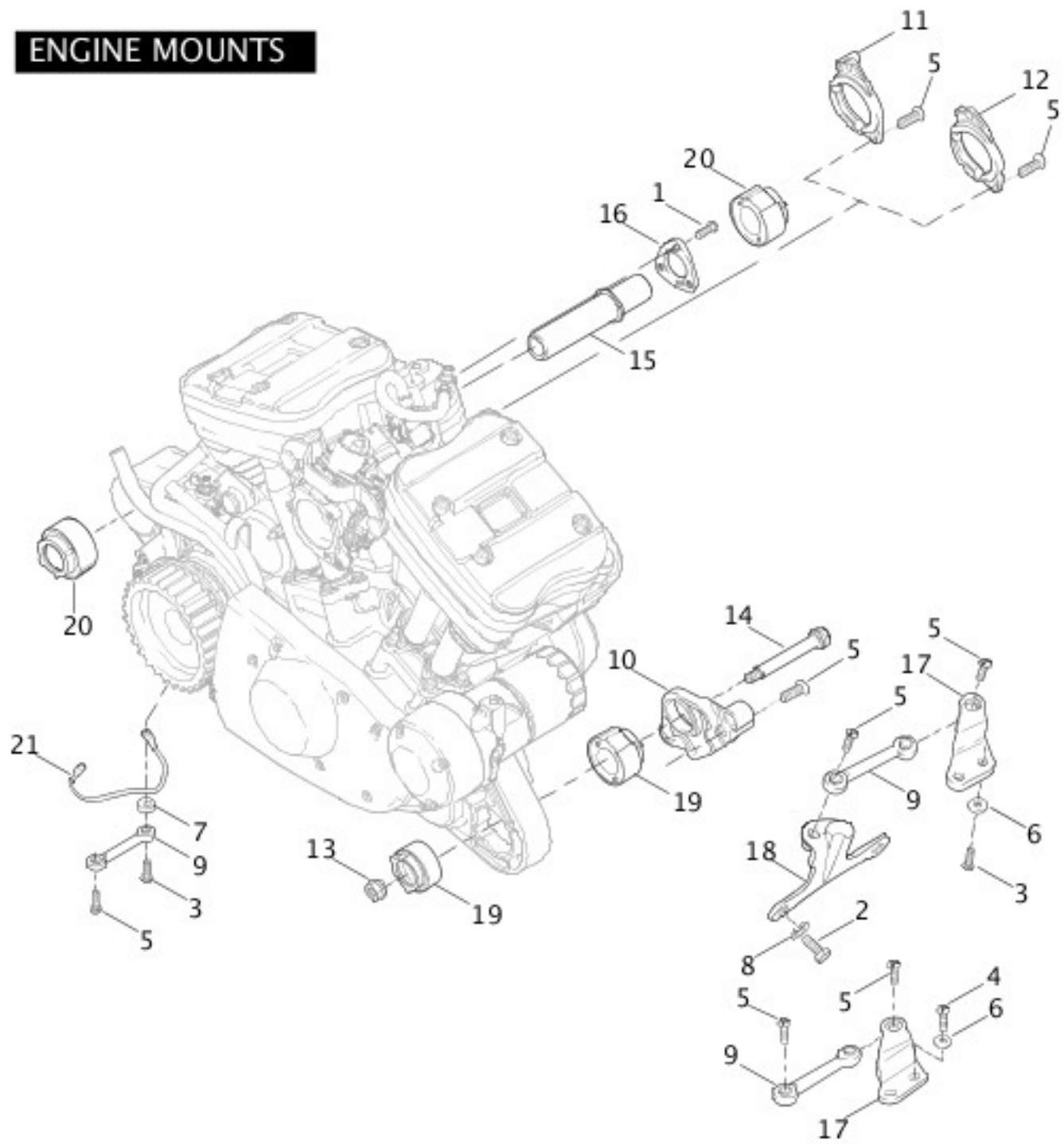
[View interactive table](#)

INDEX NO.	PART NO.	DESCRIPTION	MODEL(S)
1	675	SCREW	XR1200
2	1751	SCREW (2)	XR1200
3	3480A	SCREW	XR1200
4	3594	SCREW (2)	XR1200
5	3899	SCREW (5)	XR1200
6	4589	SCREW	XR1200
7	4678	SCREW	XR1200
8	4751	SCREW (8)	XR1200
9	6400HB	WASHER (2)	XR1200

10	6445	WASHER	XR1200
11	6516HW	WASHER (5)	XR1200
12	6701	WASHER	XR1200
13	7804	LOCKNUT	XR1200
14	9704	DOWEL PIN, idler locating	XR1200
15	30018-08	ROTOR SPROCKET ASSEMBLY, w/ 4751 & sprocket	XR1200
	30029-08	ROTOR SPROCKET ASSEMBLY, w/ 4751 & sprocket (Japan, Brazil)	XR1200
16	31630-08	BUSHING, idler (2)	XR1200
17	31698-08	IDLER	XR1200
18	31699-08	BRACKET ASSEMBLY, idler, w/ 9704	XR1200
	31602-08	IDLER WHEEL KIT, w/ 7, 9, 14, 16, 17, 18, & 28	XR1200
19	34941-08	SPROCKET COVER, silver	XR1200
20	35211-91B	NUT, transmission sprocket	XR1200
21	40039-02C	CHAIN ADJUSTER ASSEMBLY	XR1200
22	40057-08	PRIMARY CHAIN, 94 links	XR1200
	40147-04	PRIMARY CHAIN, 96 links (Japan, Brazil)	XR1200
23	40254-02	SPACER, sprocket	XR1200
24	40251-92A	RETENTION PLATE	XR1200
25	40353-08	SPROCKET, belt - 68T (black)	XR1200
26	40379-04	SPROCKET, transmission - 28T	XR1200
27	40591-07	BELT, 137T	XR1200
28	DA0600.12FAZB	LOCKNUT (2)	XR1200

ENGINE MOUNTS

ENGINE MOUNTS



[View interactive image](#)

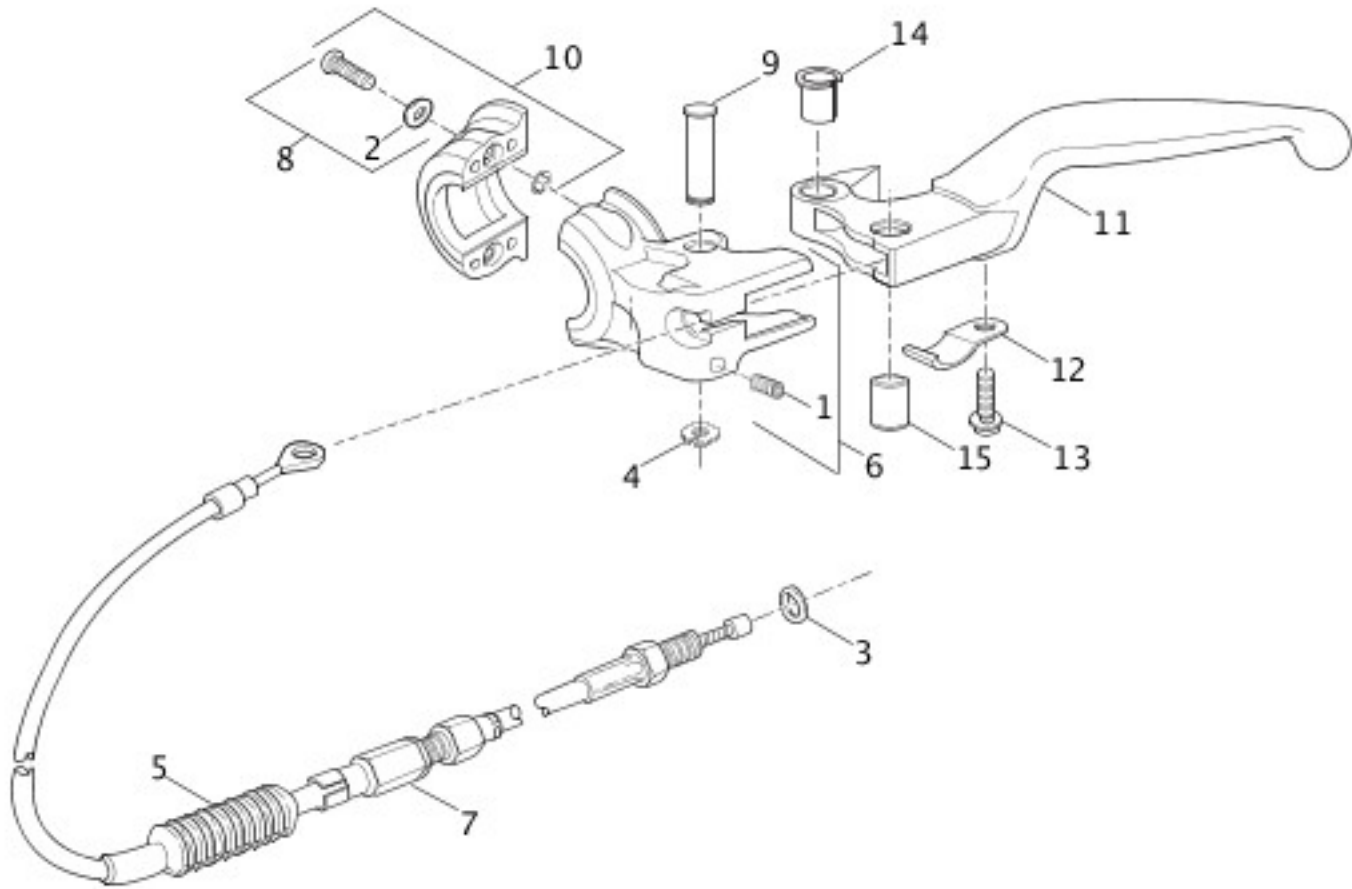
[View interactive table](#)

INDEX NO.	PART NO.	DESCRIPTION	MODEL(S)
1	940	SCREW (3)	ALL
2	3854	SCREW (2)	ALL
3	4180	SCREW (3)	ALL
4	4188	SCREW (2)	ALL
5	4290	SCREW (9)	ALL
6	6026	WASHER, flat (4)	ALL

7	6152	SPACER	ALL
8	7039	LOCKWASHER (2)	ALL
9	16232-04A	TIE-LINK (3)	ALL
10	16287-04	MOUNT, front isolator	ALL
11	16291-04	MOUNT, rear isolator	XL1200C, XL1200L, XL1200N, XL1200R, XL883, XL883C, XL883L, XL883N, XL883R
12	16301-08	MOUNT, rear isolator	XR1200
13	41561-04	NUT, lower front motor mount	ALL
14	41562-04	BOLT, lower front motor mount	ALL
15	41568-04	SHAFT, swing arm pivot	ALL
16	41699-04	LOCKPLATE, rear pivot	ALL
17	47470-04	BRACKET, tie-link (2)	ALL
18	47471-04A	BRACKET, tie-link mounting, engine	ALL
19	48463-04	ISOLATOR, front mount (2)	ALL
20	48492-04	ISOLATOR, rear mount (2)	ALL
21	70297-04A	STRAP, grounding	ALL

CLUTCH CONTROL

CLUTCH CONTROL



[View interactive image](#)

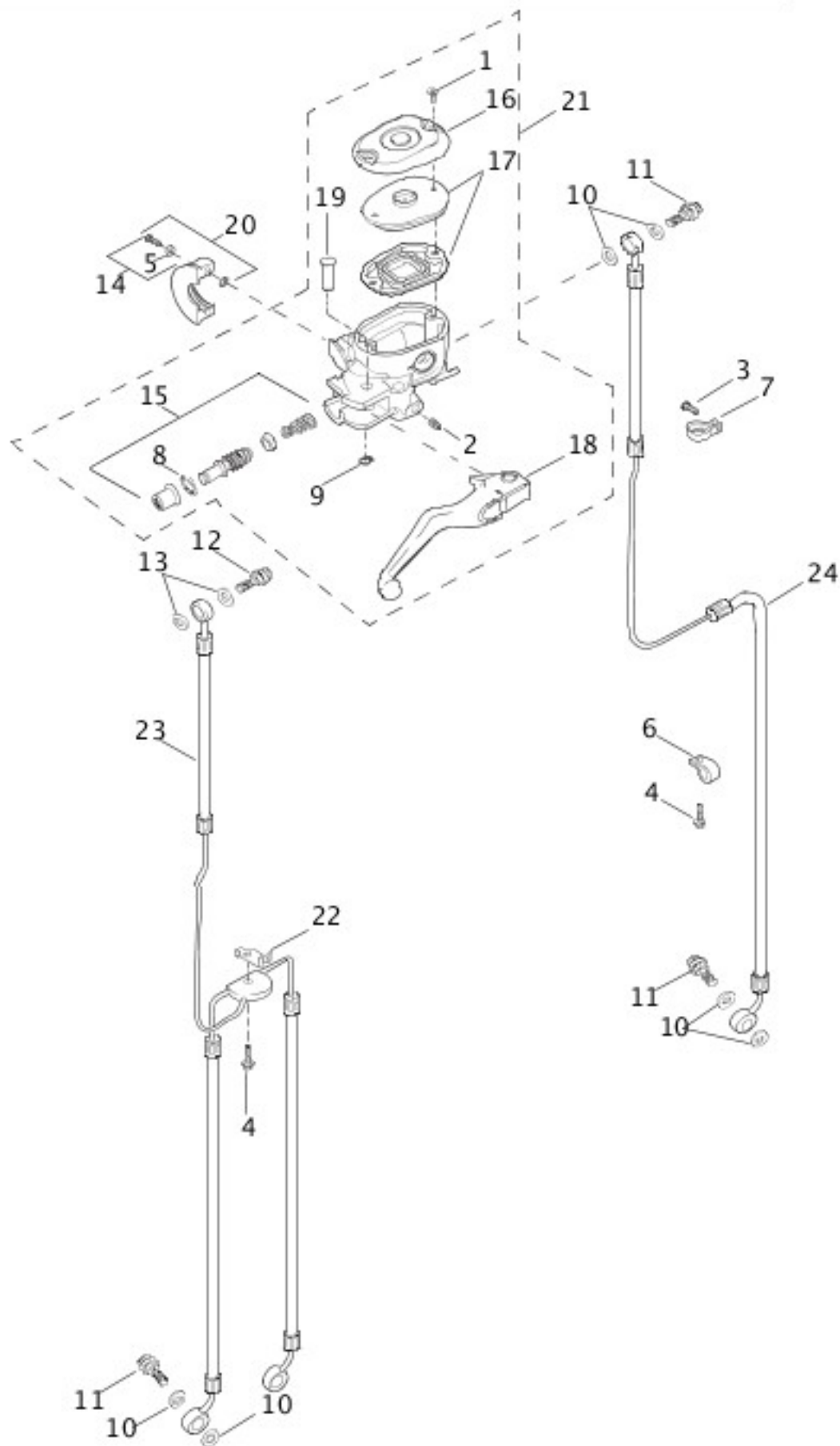
[View interactive table](#)

INDEX NO.	PART NO.	DESCRIPTION	MODEL(S)
1	3244	SCREW, set	ALL
2	6101	WASHER (2)	ALL
3	11179	O-RING	ALL
4	11379	RETAINING RING	ALL
5	38630-88	BOOT, clutch cable	ALL
6	38671-04	BRACKET, clutch lever	ALL
7	38699-04C	CABLE ASSEMBLY, w/ 11179, 11379, 38630-88, & 46268-04	XL1200C, XL1200R, XL883, XL883C, XL883N, XL883R
	38702-05C	CABLE ASSEMBLY, w/ 11179, 11379, 38630-88, & 46268-04	XL1200L, XL1200N, XL883L

	38786-08A	CABLE ASSEMBLY, w/ 11179, 11379, 38630-88, & 46268-04	XR1200
8	42425-05	KIT, w/ 6101 (2) & screw (2)	ALL
9	42807-04	BOLT	ALL
10	42808-04	CLAMP, clutch control	ALL
11	45356-07	HAND LEVER, w/ 45799-04, 45800-04, & 45801-04	XL1200C, XL1200L, XL1200R, XL883, XL883C, XL883L, XL883R, XR1200
	46945-07A	HAND LEVER, w/ 45799-04, 45800-04, & 45801-04	XL1200N, XL883N
12	45799-04	SPRING, anti-rattle	ALL
13	45800-04	SCREW, spring - clutch lever	ALL
14	45801-04	BUSHING	ALL
15	46268-04	PIN, clutch cable	ALL

FRONT BRAKE CONTROL - 883/C/L/N/R, 1200C/L/N/R

FRONT BRAKE CONTROL- 883/C/L/N/R, 1200C/L/N/



[View interactive image](#)

[View interactive table](#)

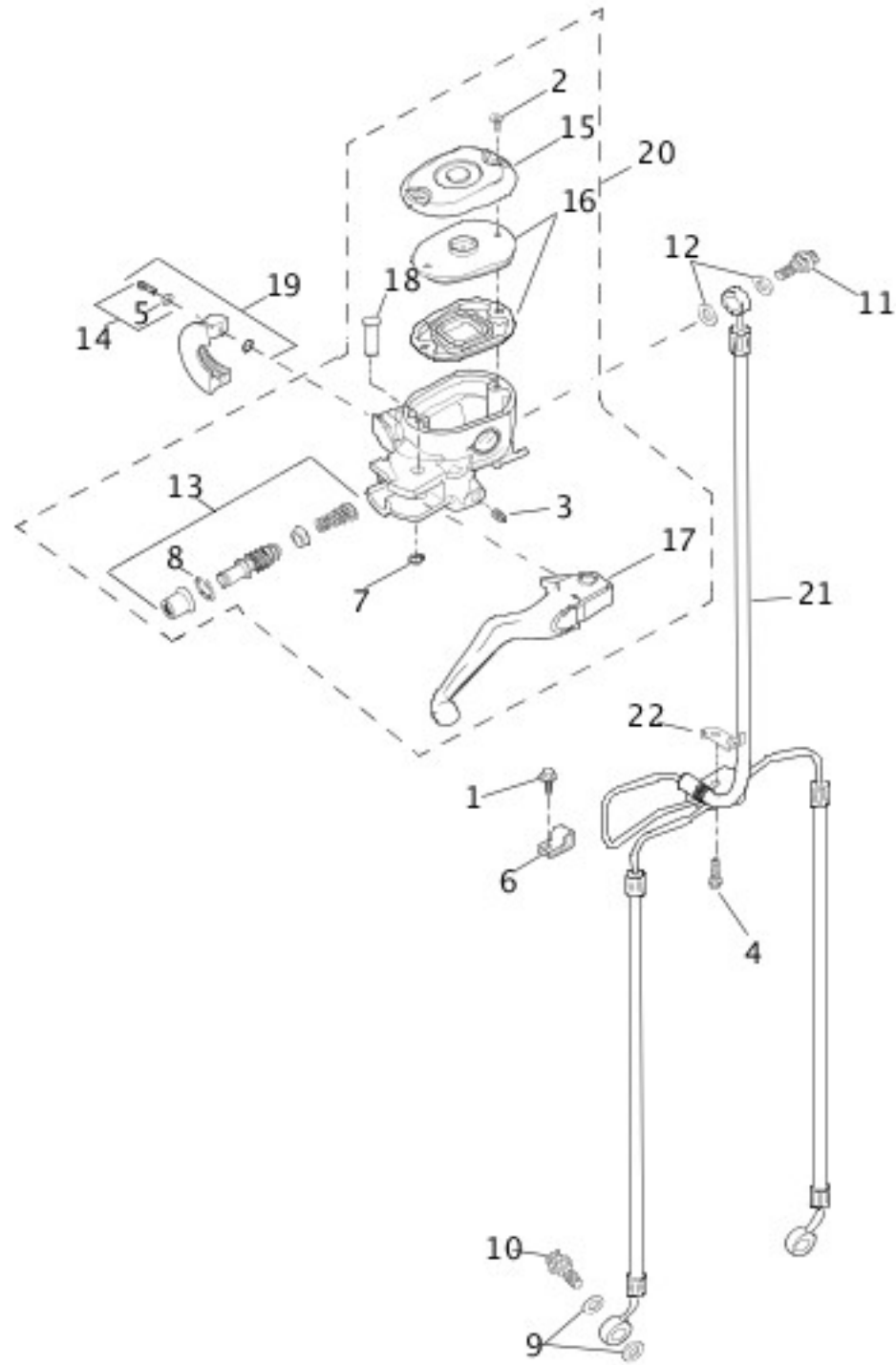
INDEX NO.	PART NO.	DESCRIPTION	MODEL(S)
1	2586A	SCREW, flat (2)	XL1200C, XL1200L, XL1200N, XL1200R, XL883, XL883C, XL883L, XL883N, XL883R

2	3244	SCREW, w/ thread lock	XL1200C, XL1200L, XL1200N, XL1200R, XL883, XL883C, XL883L, XL883N, XL883R
3	4240	SCREW	XL1200C, XL1200L, XL1200N, XL1200R, XL883, XL883C, XL883L, XL883N, XL883R
4	4741A	SCREW	XL1200C, XL1200L, XL1200N, XL1200R, XL883, XL883C, XL883L, XL883N, XL883R
5	6101	WASHER (2)	XL1200C, XL1200L, XL1200N, XL1200R, XL883, XL883C, XL883L, XL883N, XL883R
6	10053	CLAMP	XL1200C, XL1200L, XL1200N, XL883, XL883C, XL883L, XL883N
7	10031	CLAMP	XL1200C, XL1200L, XL1200N, XL1200R, XL883, XL883C, XL883L, XL883N, XL883R
8	11142	RETAINING RING	XL1200C, XL1200L, XL1200N, XL1200R, XL883, XL883C, XL883L, XL883N, XL883R
9	11379	RETAINING RING, lever pivot	XL1200C, XL1200L, XL1200N, XL1200R, XL883, XL883C, XL883L, XL883N, XL883R
10	41732-04	SEALING WASHER, 10mm (4)	XL1200C, XL1200L, XL1200N, XL1200R, XL883, XL883C, XL883L, XL883N, XL883R
11	41736-04	BANJO BOLT, 10mm (2)	XL1200C, XL1200L, XL1200N, XL1200R, XL883, XL883C, XL883L, XL883N, XL883R
12	41737-04	BANJO BOLT, 12mm	XL1200R, XL883R
13	41743-04	SEALING WASHER, 12mm (2)	XL1200R, XL883R
14	42425-05	KIT, w/ 6101 (2) & screw (2)	XL1200C, XL1200L, XL1200N, XL1200R, XL883, XL883C, XL883L, XL883N, XL883R
15	42803-07A	REBUILD KIT, front master cylinder, single, w/ 8, 9, 10	XL1200C, XL1200L, XL1200N, XL883, XL883C, XL883L, XL883N
	42809-07A	REBUILD KIT, front master cylinder, dual, w/ 8, 9, 13	XL1200R, XL883R
16	42804-07	CAP, front master cylinder, w/ decal	XL1200C, XL1200L, XL1200N, XL1200R, XL883, XL883C, XL883L, XL883N, XL883R
17	42805-04	GASKET KIT, master cylinder	XL1200C, XL1200L, XL1200N, XL1200R, XL883, XL883C, XL883L, XL883N, XL883R
18	42806-04	LEVER, front brake	XL1200C, XL1200L, XL1200R, XL883, XL883C, XL883L, XL883R
	46946-06A	LEVER, front brake (black)	XL1200N, XL883N
19	42807-04	BOLT, lever	XL1200C, XL1200L, XL1200N, XL1200R, XL883, XL883C, XL883L, XL883N, XL883R

20	42808-04	CLAMP, master cylinder	XL1200C, XL1200L, XL1200N, XL1200R, XL883, XL883C, XL883L, XL883N, XL883R
21	45052-07A	MASTER CYLINDER ASSEMBLY, dual, front	XL1200R, XL883R
	45146-07	MASTER CYLINDER ASSEMBLY, single, front	XL1200C, XL1200L, XL883, XL883C, XL883L
	42745-07	MASTER CYLINDER ASSEMBLY, single, front (black)	XL1200N, XL883N
22	45074-95	GUIDE, front brakeline	XL1200R, XL883R
23	45319-04C	BRAKELINE, front, dual	XL1200R, XL883R
24	45449-04A	BRAKELINE, front, single	XL1200C, XL1200N, XL883C
	46400-04B	BRAKELINE, front, single	XL883, XL883N
	46411-05C	BRAKELINE, front, single	XL1200L, XL883L

FRONT BRAKE CONTROL - XR1200

FRONT BRAKE CONTROL - XR1200



[View interactive image](#)

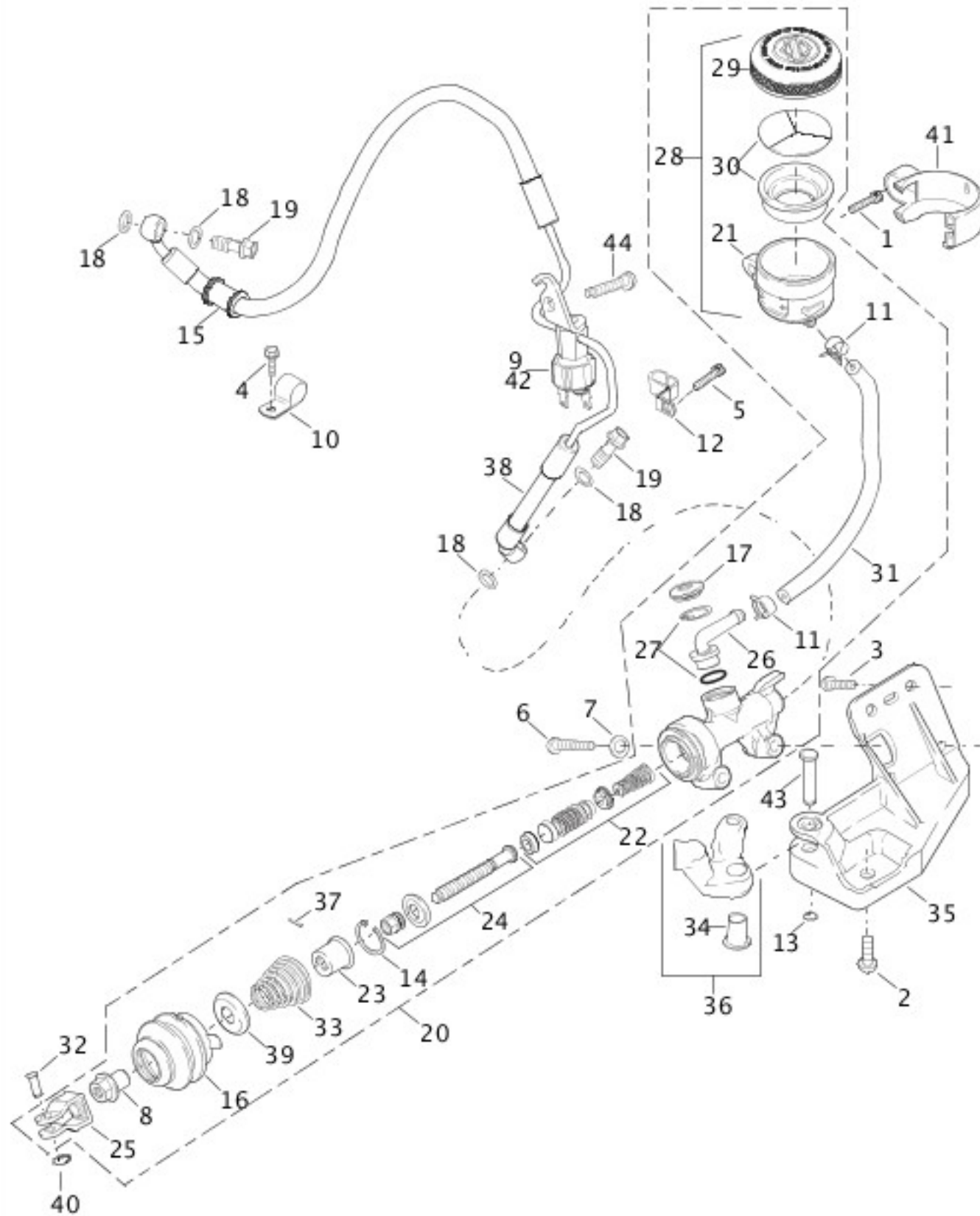
[View interactive table](#)

INDEX NO.	PART NO.	DESCRIPTION	MODEL(S)
1	4240	SCREW, hex head	XR1200
2	2586A	SCREW	XR1200
3	3244	SCREW	XR1200
4	4741A	SCREW	XR1200
5	6101	WASHER (2)	XR1200
6	10031	CLAMP	XR1200

7	11379	RETAINING RING, lever pivot	XR1200
8	11142	RETAINING RING	XR1200
9	41732-04	SEALING WASHER, 10mm (4)	XR1200
10	41736-04	BANJO BOLT, 10mm (2)	XR1200
11	41737-04	BANJO BOLT, 12mm	XR1200
12	41743-04	SEALING WASHER, 12mm (2)	XR1200
13	42736-08	REBUILD KIT, front master cylinder, dual, w/ 6, 7, 8	XR1200
14	42425-05	KIT, w/ 6101 (2) & screw (2)	XR1200
15	42804-07	CAP, front master cylinder, w/ decal	XR1200
16	42805-04	GASKET KIT, master cylinder	XR1200
17	42806-04	LEVER, front brake	XR1200
18	42807-04	BOLT, lever	XR1200
19	42808-04	CLAMP, master cylinder	XR1200
20	42941-08	MASTER CYLINDER ASSEMBLY, dual, front	XR1200
21	42942-08	BRAKELINE, front, dual	XR1200
22	45074-95	GUIDE, front brakeline	XR1200

REAR BRAKE MASTER CYLINDER - 883/C/L/N/R, 1200C/L/N/R

REAR BRAKE MASTER CYLINDER - 883/C/L/N/R, 1200C/L/N/R



[View interactive image](#)

[View interactive table](#)

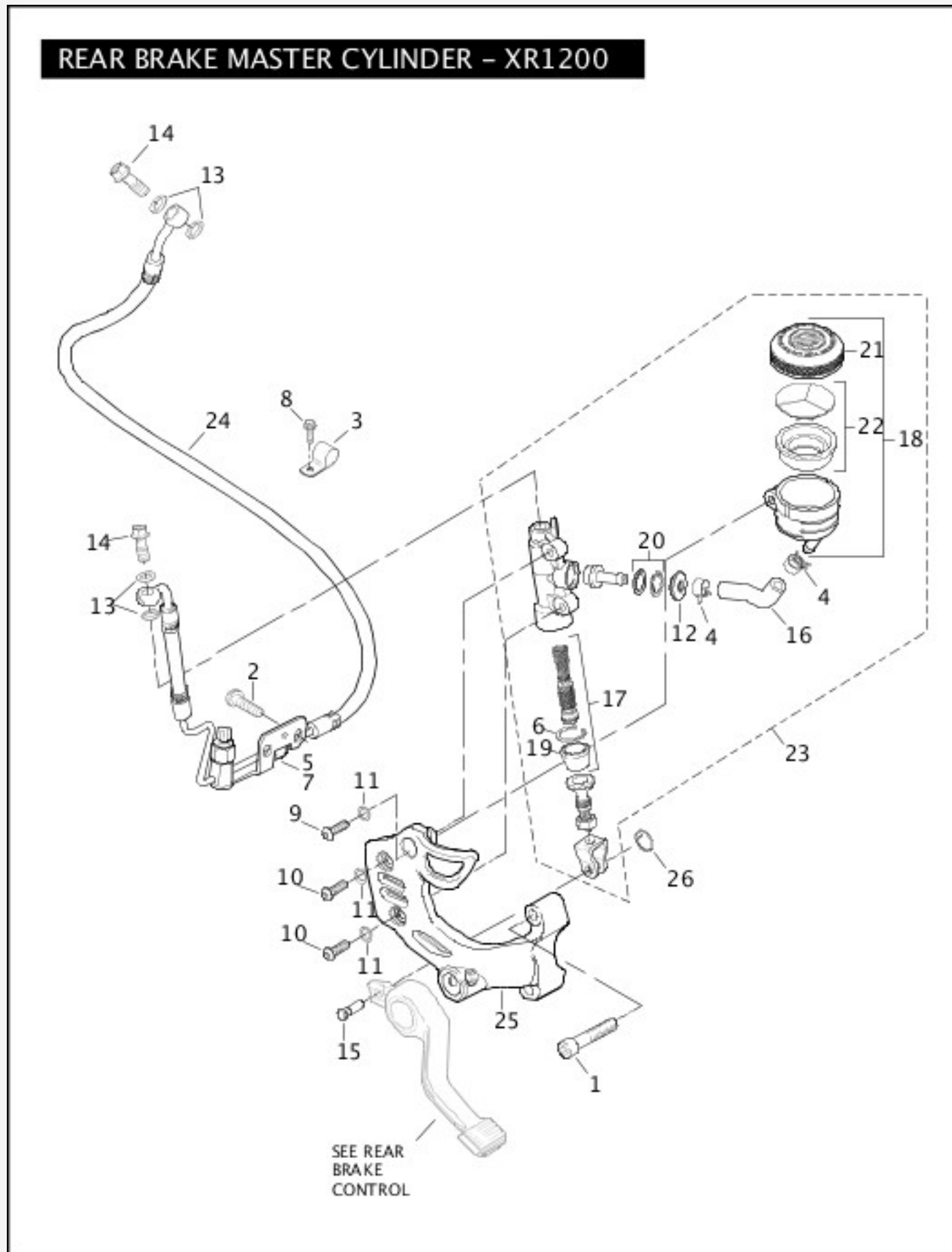
INDEX NO.	PART NO.	DESCRIPTION	MODEL(S)
1	882	SCREW	XL1200C, XL1200L, XL1200N, XL1200R, XL883, XL883C, XL883L, XL883N, XL883R
2	995	SCREW	XL1200C, XL1200L, XL1200N, XL1200R, XL883, XL883C, XL883L, XL883N, XL883R

3	997	SCREW, hex socket, button head (2)	XL1200C, XL1200L, XL1200N, XL1200R, XL883, XL883C, XL883L, XL883N, XL883R
4	2501A	SCREW (2)	XL1200C, XL1200L, XL1200N, XL1200R, XL883, XL883C, XL883L, XL883N, XL883R
5	4076	SCREW	XL883, XL883L, XL883N
6	4816A	SCREW (2)	XL1200C, XL1200L, XL1200N, XL1200R, XL883, XL883C, XL883L, XL883N, XL883R
7	6702	WASHER (2)	XL1200C, XL1200L, XL1200N, XL1200R, XL883, XL883C, XL883L, XL883N, XL883R
8	7477	NUT, hex, 8mm	XL1200C, XL1200L, XL1200N, XL1200R, XL883, XL883C, XL883L, XL883N, XL883R
9	9907	TERMINAL, wire	XL1200C, XL1200L, XL1200N, XL1200R, XL883, XL883C, XL883L, XL883N, XL883R
10	10031	CLAMP (2)	XL1200C, XL1200L, XL1200N, XL1200R, XL883, XL883C, XL883L, XL883N, XL883R
11	10252	CLAMP, reservoir (2)	XL1200C, XL1200L, XL1200N, XL1200R, XL883, XL883C, XL883L, XL883N, XL883R
12	10255	CLAMP, double tube	XL1200C, XL1200L, XL1200N, XL1200R, XL883, XL883C, XL883L, XL883N, XL883R
13	11031	RETAINING RING	XL1200C, XL1200L, XL1200N, XL1200R, XL883, XL883C, XL883L, XL883N, XL883R
14	11121	RETAINING RING	XL1200C, XL1200L, XL1200N, XL1200R, XL883, XL883C, XL883L, XL883N, XL883R
15	11407	GROMMET, external	XL1200C, XL1200L, XL1200N, XL1200R, XL883, XL883C, XL883L, XL883N, XL883R
16	40946-04	BOOT, external	XL1200C, XL1200L, XL1200N, XL1200R, XL883, XL883C, XL883L, XL883N, XL883R
17	40948-04	DUSTCOVER	XL1200C, XL1200L, XL1200N, XL1200R, XL883, XL883C, XL883L, XL883N, XL883R
18	41732-04	SEALING WASHER, 10mm (4)	XL1200C, XL1200L, XL1200N, XL1200R, XL883, XL883C, XL883L, XL883N, XL883R
19	41736-04	BANJO BOLT, 10mm (2)	XL1200C, XL1200L, XL1200N, XL1200R, XL883, XL883C, XL883L, XL883N, XL883R
20	42521-07	MASTER CYLINDER AND RESERVOIR ASSEMBLY, rear	XL1200C, XL1200L, XL1200N, XL1200R, XL883, XL883C, XL883L, XL883N, XL883R
21	42595-04	TANK, rear brake reservoir	XL1200C, XL1200L, XL1200N, XL1200R, XL883, XL883C, XL883L, XL883N, XL883R
22	42810-07A	REBUILD KIT, master cylinder, w/ 11121, 41732-04, 42811-04, & 44189-04	XL1200C, XL1200L, XL1200N, XL1200R, XL883, XL883C, XL883L, XL883N, XL883R

23	42811-04	BOOT, master cylinder, rear	XL1200C, XL1200L, XL1200N, XL1200R, XL883, XL883C, XL883L, XL883N, XL883R
24	42812-04	PUSH ROD ASSEMBLY	XL1200C, XL1200L, XL1200N, XL1200R, XL883, XL883C, XL883L, XL883N, XL883R
25	42813-04	YOKE, master cylinder	XL1200C, XL1200L, XL1200N, XL1200R, XL883, XL883C, XL883L, XL883N, XL883R
26	42814-04	PORT, rear master cylinder	XL1200C, XL1200L, XL1200N, XL1200R, XL883, XL883C, XL883L, XL883N, XL883R
27	42815-04	SEAL KIT, port, w/ retaining ring & o-ring	XL1200C, XL1200L, XL1200N, XL1200R, XL883, XL883C, XL883L, XL883N, XL883R
28	42816-07	RESERVOIR ASSEMBLY, brake, w/ 42595-04, 42817-07, & 42845-07	XL1200C, XL1200L, XL1200N, XL1200R, XL883, XL883C, XL883L, XL883N, XL883R
29	42817-07	CAP, rear brake reservoir	XL1200C, XL1200L, XL1200N, XL1200R, XL883, XL883C, XL883L, XL883N, XL883R
30	42845-07	GASKET KIT, rear brake reservoir	XL1200C, XL1200L, XL1200N, XL1200R, XL883, XL883C, XL883L, XL883N, XL883R
31	42821-04	HOSE	XL1200C, XL1200L, XL1200N, XL1200R, XL883, XL883C, XL883L, XL883N, XL883R
32	42460-80B	PIN, brake lever	XL1200C, XL1200L, XL1200N, XL1200R, XL883, XL883C, XL883L, XL883N, XL883R
33	42593-04	SPRING, external return	XL1200C, XL1200L, XL1200N, XL1200R, XL883, XL883C, XL883L, XL883N, XL883R
34	42846-04	BUSHING, bell crank	XL1200C, XL1200L, XL1200N, XL1200R, XL883, XL883C, XL883L, XL883N, XL883R
35	42976-04	BRACKET, mounting, rear master cylinder	XL1200C, XL1200L, XL1200N, XL1200R, XL883, XL883C, XL883L, XL883N, XL883R
36	42979-04	BELL CRANK ASSEMBLY, w/ 42846-04	XL1200C, XL1200L, XL1200N, XL1200R, XL883, XL883C, XL883L, XL883N, XL883R
37	44189-04	SPRING PIN	XL1200C, XL1200L, XL1200N, XL1200R, XL883, XL883C, XL883L, XL883N, XL883R
38	44429-06B	BRAKELINE ASSEMBLY, w/ 11407	XL1200C, XL1200L, XL1200N, XL1200R, XL883, XL883C, XL883L, XL883N, XL883R
39	44590-04	RETAINER, spring	XL1200C, XL1200L, XL1200N, XL1200R, XL883, XL883C, XL883L, XL883N, XL883R
40	51938-04	COTTER CIRCLE	XL1200C, XL1200L, XL1200N, XL1200R, XL883, XL883C, XL883L, XL883N, XL883R
41	67804-04	COVER, reservoir	XL1200C, XL1200L, XL1200N, XL1200R, XL883, XL883C, XL883L, XL883N, XL883R
42	72023-51D	BRAKE LIGHT SWITCH, w/ 9907	XL1200C, XL1200L, XL1200N, XL1200R, XL883, XL883C, XL883L, XL883N, XL883R

43	94432-04	SHOULDER BOLT, bell crank	XL1200C, XL1200L, XL1200N, XL1200R, XL883, XL883C, XL883L, XL883N, XL883R
44	94612-04	SCREW, dog point	XL1200C, XL1200L, XL1200N, XL1200R, XL883, XL883C, XL883L, XL883N, XL883R

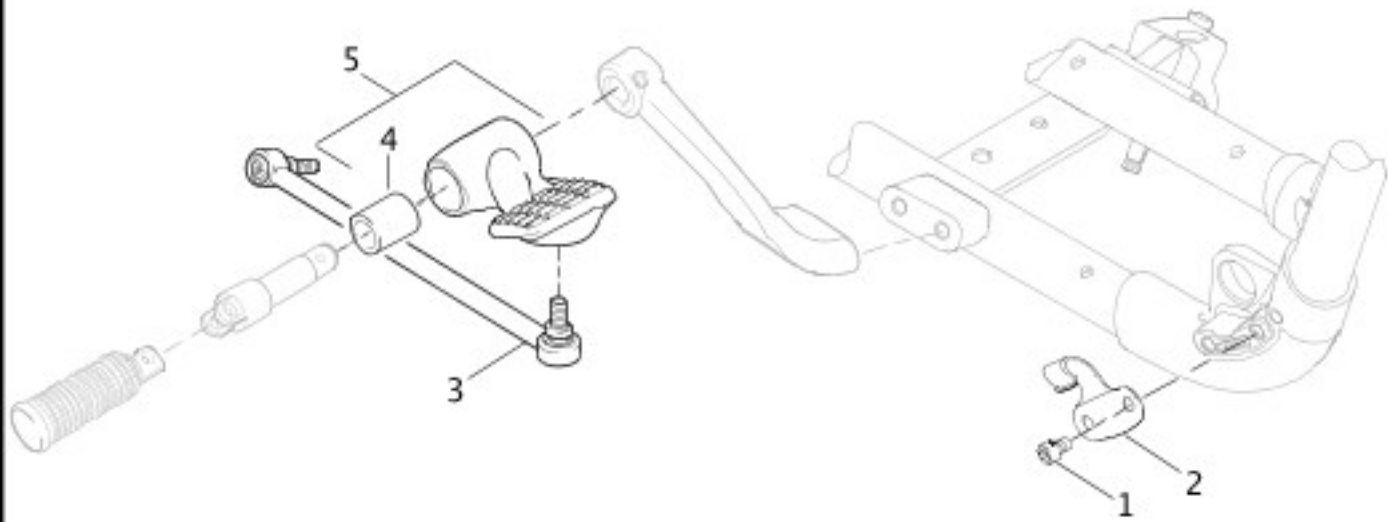
REAR BRAKE MASTER CYLINDER - XR1200



[View interactive image](#)

INDEX NO.	PART NO.	DESCRIPTION	MODEL(S)
1	855B	SCREW	XR1200
2	997	SCREW (2)	XR1200
3	10092	CLAMP	XR1200
4	10252	CLAMP (2)	XR1200
5	10031	RETAINING RING	XR1200
6	11121	RETAINING RING	XR1200
7	11407	GROMMET	XR1200
8	3579A	SCREW	XR1200
9	4535M	SCREW	XR1200
10	4975M	SCREW (2)	XR1200
11	6099	WASHER (3)	XR1200
12	40948-04	DUSTCOVER	XR1200
13	41732-04	SEALING WASHER, 10mm (4)	XR1200
14	41736-04	BANJO BOLT (2)	XR1200
15	42460-80B	CLEVIS PIN	XR1200
16	42737-08	HOSE	XR1200
17	42738-08	REBUILD KIT, w/ 11121, 42811-04	XR1200
18	42744-08	RESERVOIR ASSEMBLY KIT, w/ 42817-07, 42845-07	XR1200
19	42811-04	BOOT, master cylinder	XR1200
20	42815-04	SEAL KIT, w/ o-ring	XR1200
21	42817-07	CAP, reservoir	XR1200
22	42845-07	GASKET KIT, rear brake reservoir	XR1200
23	42945-08	MASTER CYLINDER ASSEMBLY, rear	XR1200
24	42975-08	BRAKELINE ASSEMBLY, rear, w/ 10031, 11407	XR1200
25	51045-08	BRACKET, footpeg support	XR1200
26	51938-04	COTTER CIRCLE	XR1200

REAR BRAKE CONTROL – 883 /L/N/R, 1200L/N/R

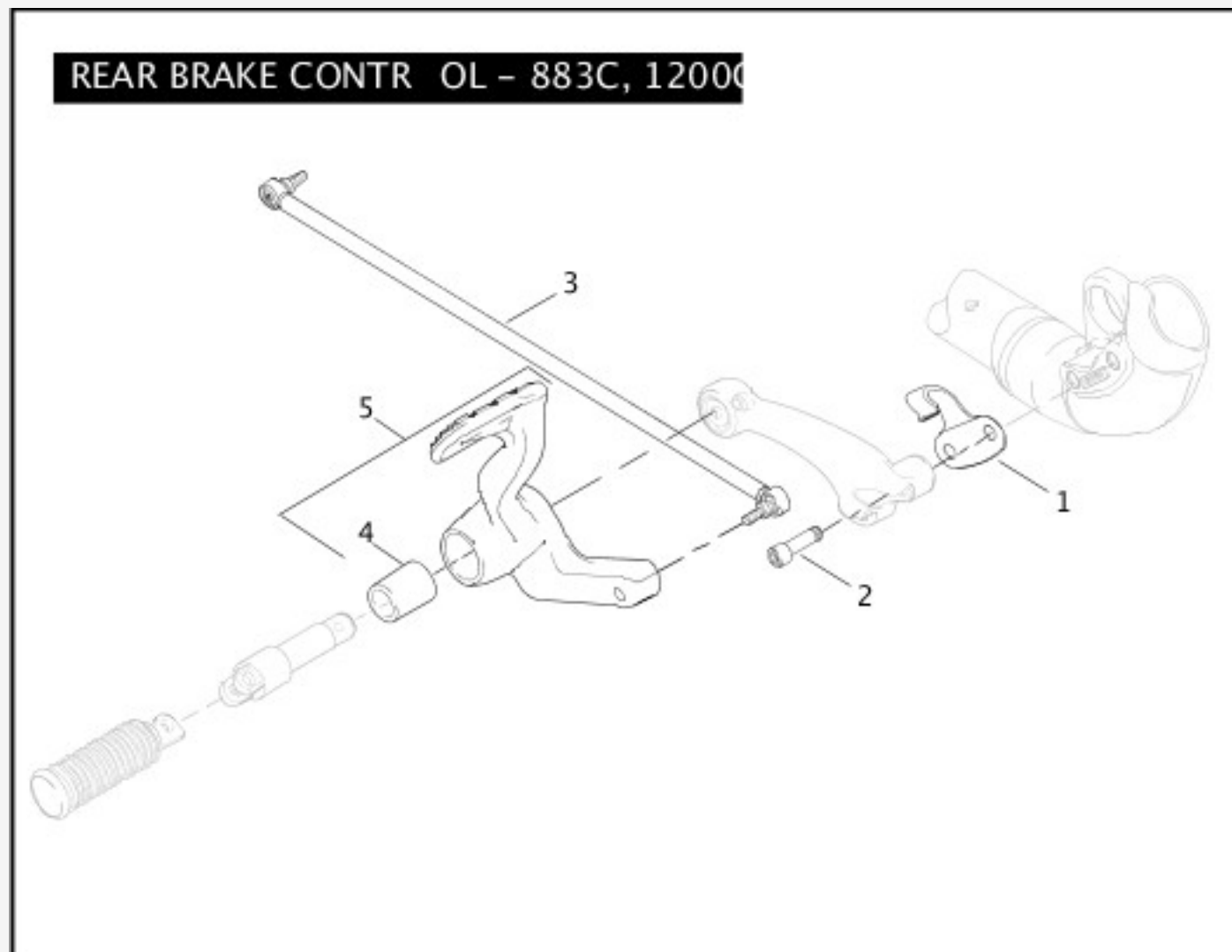


[View interactive image](#)

[View interactive table](#)

INDEX NO.	PART NO.	DESCRIPTION	MODEL(S)
1	4076	SCREW, hex socket (2)	XL1200L, XL1200N, XL1200R, XL883, XL883L, XL883N, XL883R
2	10179A	J-CLIP	XL1200L, XL1200N, XL1200R, XL883, XL883L, XL883N, XL883R
3	34582-04	BRAKE ROD ASSEMBLY	XL1200L, XL1200N, XL1200R, XL883, XL883L, XL883N, XL883R
4	42569-03	BUSHING	XL1200L, XL1200N, XL1200R, XL883, XL883L, XL883N, XL883R
5	42969-04	PEDAL ASSEMBLY, w/ 42569-03	XL1200L, XL1200R, XL883, XL883L
	42341-07	PEDAL ASSEMBLY, w/ 42569-03	XL1200N, XL883N, XL883R

REAR BRAKE CONTROL - 883C, 1200C



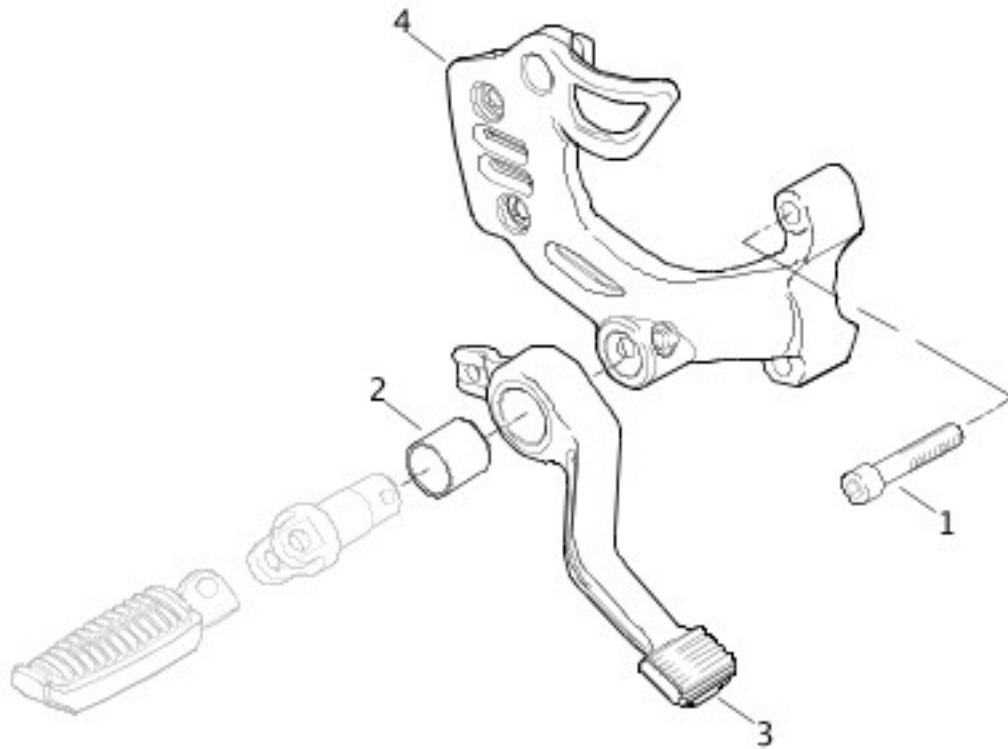
[View interactive image](#)

[View interactive table](#)

INDEX NO.	PART NO.	DESCRIPTION	MODEL(S)
1	10179A	J-CLIP	XL1200C, XL883C
2	4748	SCREW, socket head (4)	XL1200C, XL883C
3	34581-04	BRAKE ROD ASSEMBLY	XL1200C, XL883C
4	42569-03	BUSHING	XL1200C, XL883C
5	42685-04	PEDAL ASSEMBLY, w/ 42569-03	XL1200C, XL883C

REAR BRAKE CONTROL - XR1200

REAR BRAKE CONTROL - XR1200



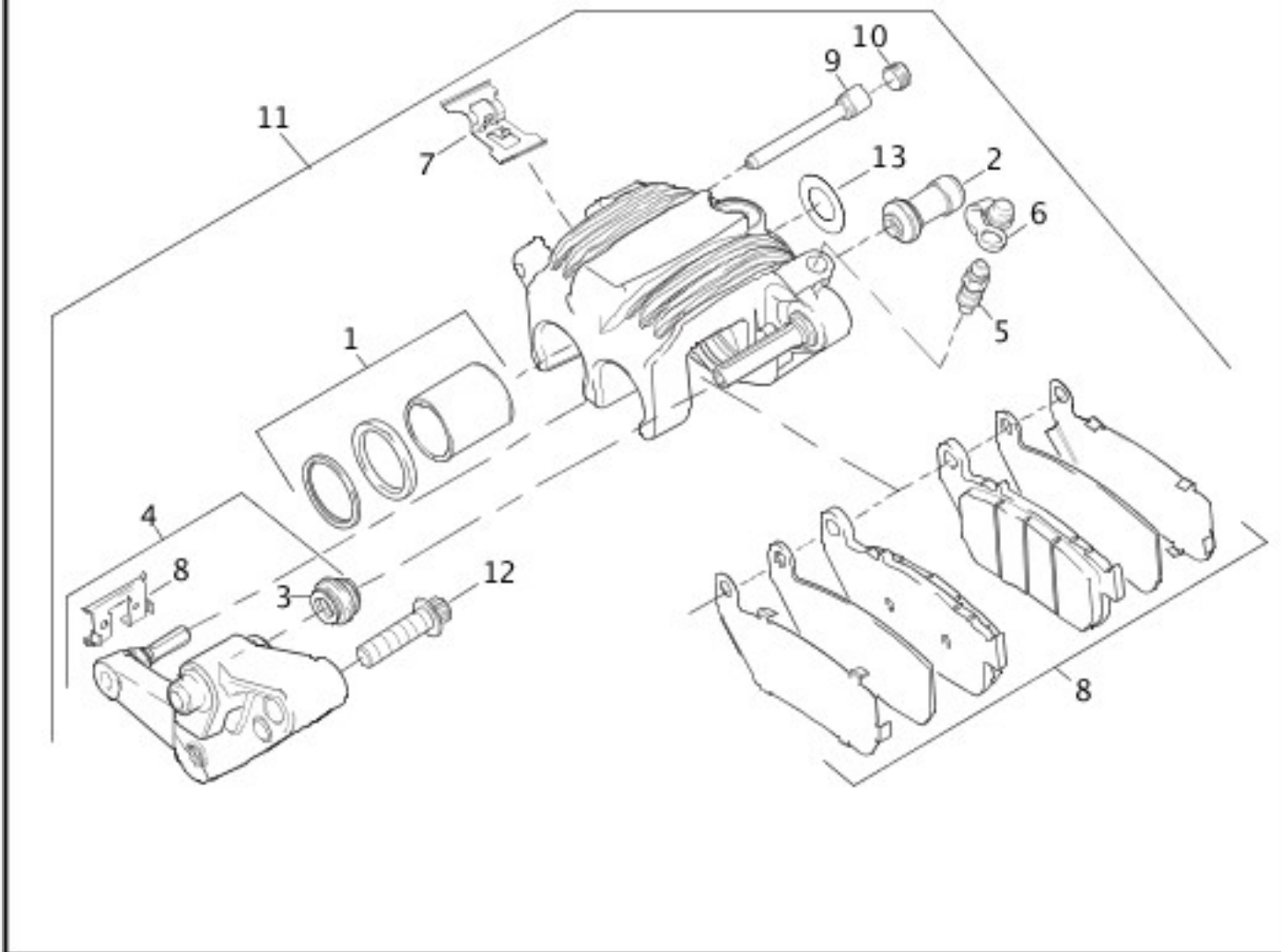
[View interactive image](#)

[View interactive table](#)

INDEX NO.	PART NO.	DESCRIPTION	MODEL(S)
1	855B	SCREW (2)	XR1200
2	42443-80A	BUSHING	XR1200
3	42949-08	BRAKE PEDAL, rear, w/ 42443-80A	XR1200
4	51045-08	BRACKET, footpeg support	XR1200

FRONT BRAKE CALIPER - 883/C/L/N/R, 1200C/L/N/R

FRONT BRAKE CALIPER – 883/C/L/N/R, 1200C/L/N/



[View interactive image](#)

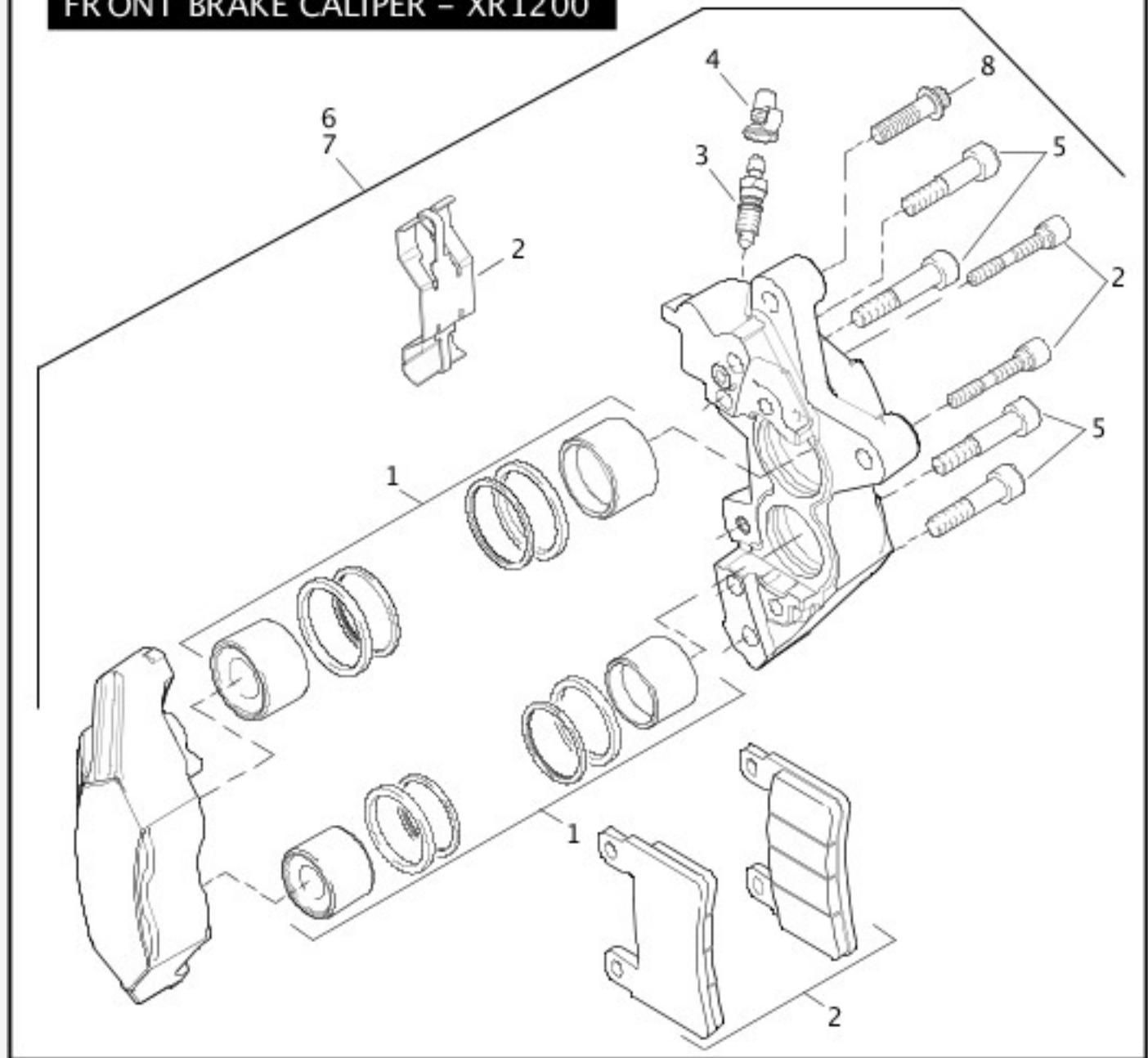
[View interactive table](#)

INDEX NO.	PART NO.	DESCRIPTION	MODEL(S)
1	42028-07	PISTON KIT, front brake	XL1200C, XL1200L, XL1200N, XL1200R, XL883, XL883C, XL883L, XL883N, XL883R
2	42823-04	BOOT, caliper bushing	XL1200C, XL1200L, XL1200N, XL1200R, XL883, XL883C, XL883L, XL883N, XL883R
3	42824-04	BOOT, caliper pin	XL1200C, XL1200L, XL1200N, XL1200R, XL883, XL883C, XL883L, XL883N, XL883R
4	42825-04	CALIPER BRACKET ASSEMBLY, front left, w/ 42824-04	XL1200C, XL1200L, XL1200R, XL883, XL883C, XL883L
	42826-04	CALIPER BRACKET ASSEMBLY, front right, w/ 42824-04 (not shown)	XL1200R
	42880-05	CALIPER BRACKET ASSEMBLY, front left, w/ 42824-04	XL1200N, XL883N, XL883R
	42878-05	CALIPER BRACKET ASSEMBLY, front right, w/ 42824-04 (not shown)	XL883R

5	42875-07	SCREW, bleeder w/ o-ring, front left	XL1200C, XL1200L, XL1200N, XL1200R, XL883, XL883C, XL883L, XL883N, XL883R
	42827-04	SCREW, bleeder, front right	XL1200R, XL883R
6	42828-04	CAP, bleeder screw, front right	XL1200R, XL883R
	42893-07	CAP, bleeder screw, front left	XL1200C, XL1200L, XL1200N, XL1200R, XL883, XL883C, XL883L, XL883N, XL883R
7	42829-04	SPRING, pad, front	XL1200C, XL1200L, XL1200N, XL1200R, XL883, XL883C, XL883L, XL883N, XL883R
8	42831-04A	PAD KIT, front w/ retainer clip	XL1200C, XL1200L, XL1200N, XL1200R, XL883, XL883C, XL883L, XL883N, XL883R
9	42832-04	PAD PIN, front caliper	XL1200C, XL1200L, XL1200N, XL1200R, XL883, XL883C, XL883L, XL883N, XL883R
10	42838-04	PLUG, pad pin	XL1200C, XL1200L, XL1200N, XL1200R, XL883, XL883C, XL883L, XL883N, XL883R
11	44119-07	CALIPER ASSEMBLY, front right (not shown)	XL1200R
	44121-07	CALIPER ASSEMBLY, front left	XL1200C, XL1200L, XL1200R, XL883, XL883C, XL883L
	42877-07	CALIPER ASSEMBLY, front right (not shown)	XL883R
	42879-07	CALIPER ASSEMBLY, front left	XL1200N, XL883N, XL883R
12	44160-00	BOLT, caliper mounting (2-CN/CP/CR/CT/CX/CZ/LE, 4-CS/CV)	XL1200C, XL1200L, XL1200N, XL1200R, XL883, XL883C, XL883L, XL883N, XL883R
13	44440-04	DECAL, caliper	XL1200C, XL1200L, XL1200N, XL1200R, XL883, XL883C, XL883L, XL883N, XL883R

FRONT BRAKE CALIPER - XR1200

FRONT BRAKE CALIPER – XR1200



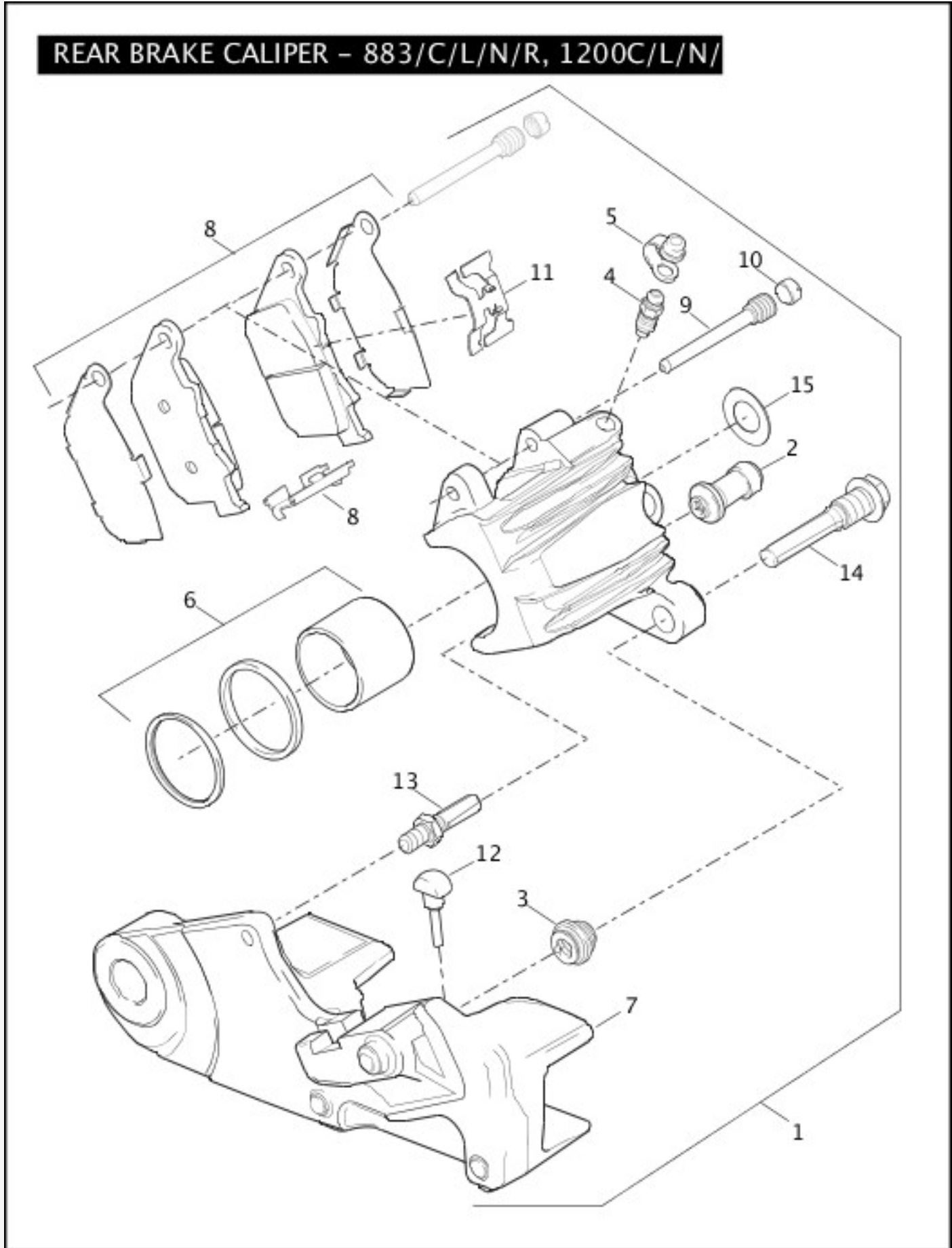
[View interactive image](#)

[View interactive table](#)

INDEX NO.	PART NO.	DESCRIPTION	MODEL(S)
1	21965-08	PISTON KIT, front w/ 42820-04	XR1200
2	42739-08	PAD Kit, front w/ spring & pins	XR1200
3	42827-04	SCREW, bleeder, right caliper	XR1200
	42875-07	SCREW, bleeder w/ o-ring, left caliper	XR1200
4	42828-04	CAP, bleeder screw, right caliper	XR1200
	42893-07	CAP, bleeder screw, left caliper	XR1200
5	42899-08	BOLT KIT, front caliper (4)	XR1200
6	42943-08	CALIPER ASSEMBLY, front left	XR1200
7	42944-08	CALIPER ASSEMBLY, front right	XR1200

8	44160-00	BOLT, caliper mounting (2)	XR1200
---	----------	----------------------------	--------

REAR BRAKE CALIPER - 883/C/L/N/R, 1200C/L/N/R



[View interactive image](#)

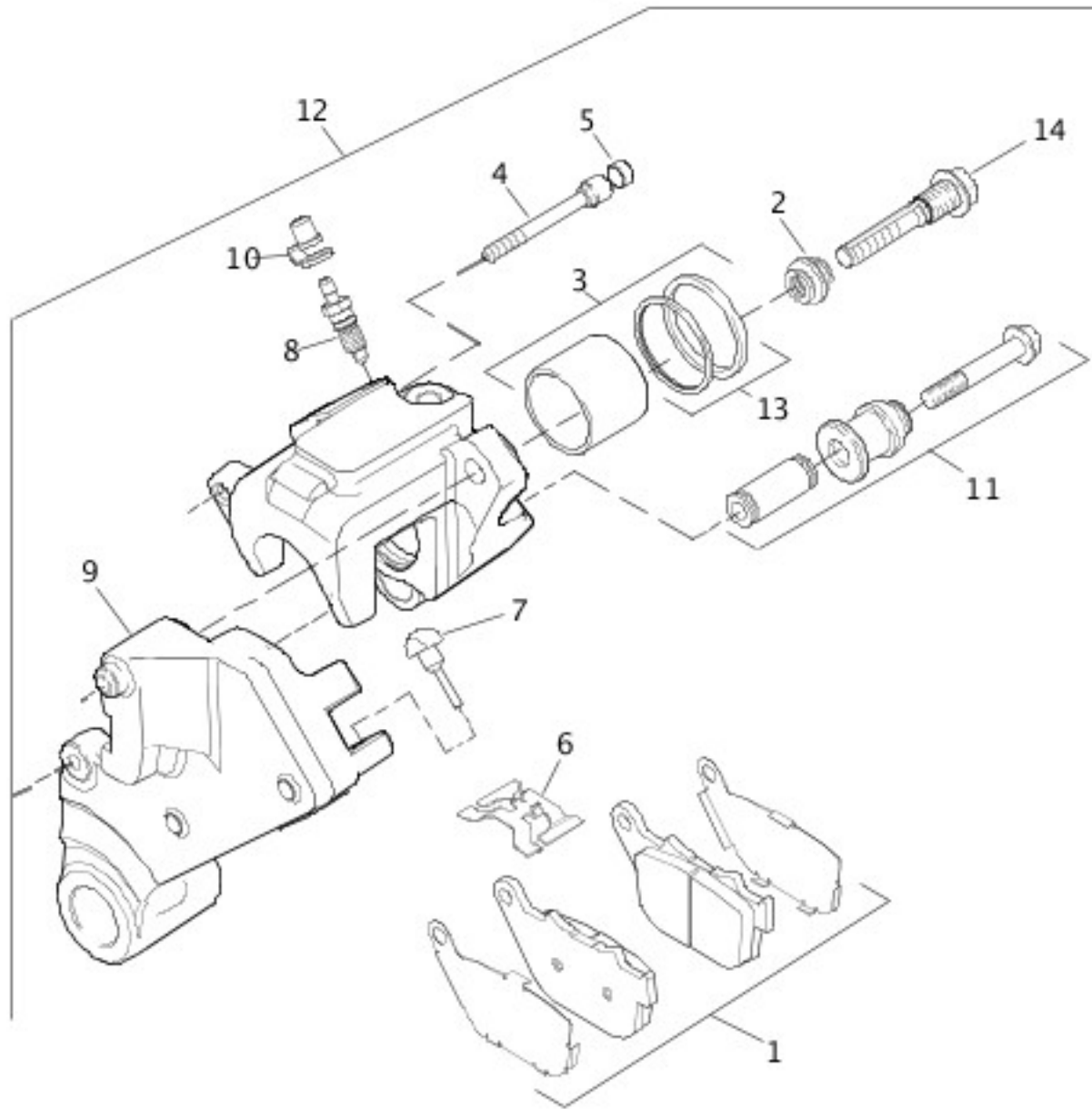
[View interactive table](#)

INDEX NO.	PART NO.	DESCRIPTION	MODEL(S)
-----------	----------	-------------	----------

1	40968-08A	CALIPER ASSEMBLY, rear	XL1200C, XL1200L, XL1200R, XL883, XL883C, XL883L
	42881-08	CALIPER ASSEMBLY, rear	XL1200N, XL883N, XL883R
2	42823-04	BOOT, caliper bushing	XL1200C, XL1200L, XL1200N, XL1200R, XL883, XL883C, XL883L, XL883N, XL883R
3	42824-04	BOOT, caliper pin	XL1200C, XL1200L, XL1200N, XL1200R, XL883, XL883C, XL883L, XL883N, XL883R
4	42875-07	SCREW, bleeder w/ o-ring	XL1200C, XL1200L, XL1200N, XL1200R, XL883, XL883C, XL883L, XL883N, XL883R
5	42893-07	CAP, bleeder screw	XL1200C, XL1200L, XL1200N, XL1200R, XL883, XL883C, XL883L, XL883N, XL883R
6	42834-04	PISTON KIT, rear caliper	XL1200C, XL1200L, XL1200N, XL1200R, XL883, XL883C, XL883L, XL883N, XL883R
7	42835-08	BRACKET ASSEMBLY, rear caliper, w/ 42824-04, 42840-04, & 44178-04	XL1200C, XL1200L, XL1200N, XL1200R, XL883, XL883C, XL883L, XL883N, XL883R
8	42029-07	PAD KIT, rear w/ retainer clip	XL1200C, XL1200L, XL1200N, XL1200R, XL883, XL883C, XL883L, XL883N, XL883R
9	42837-04	PAD PIN, rear caliper	XL1200C, XL1200L, XL1200N, XL1200R, XL883, XL883C, XL883L, XL883N, XL883R
10	42838-04	PLUG, pad pin	XL1200C, XL1200L, XL1200N, XL1200R, XL883, XL883C, XL883L, XL883N, XL883R
11	42839-04	SPRING, pad, rear	XL1200C, XL1200L, XL1200N, XL1200R, XL883, XL883C, XL883L, XL883N, XL883R
12	42840-04	DAMPER	XL1200C, XL1200L, XL1200N, XL1200R, XL883, XL883C, XL883L, XL883N, XL883R
13	44178-04	PIN, bolt	XL1200C, XL1200L, XL1200N, XL1200R, XL883, XL883C, XL883L, XL883N, XL883R
14	44184-04	PIN, bolt	XL1200C, XL1200L, XL1200N, XL1200R, XL883, XL883C, XL883L, XL883N, XL883R
15	44440-04	DECAL, caliper	XL1200C, XL1200L, XL1200N, XL1200R, XL883, XL883C, XL883L, XL883N, XL883R

REAR BRAKE CALIPER - XR1200

REAR BRAKE CALIPER – XR1200



[View interactive image](#)

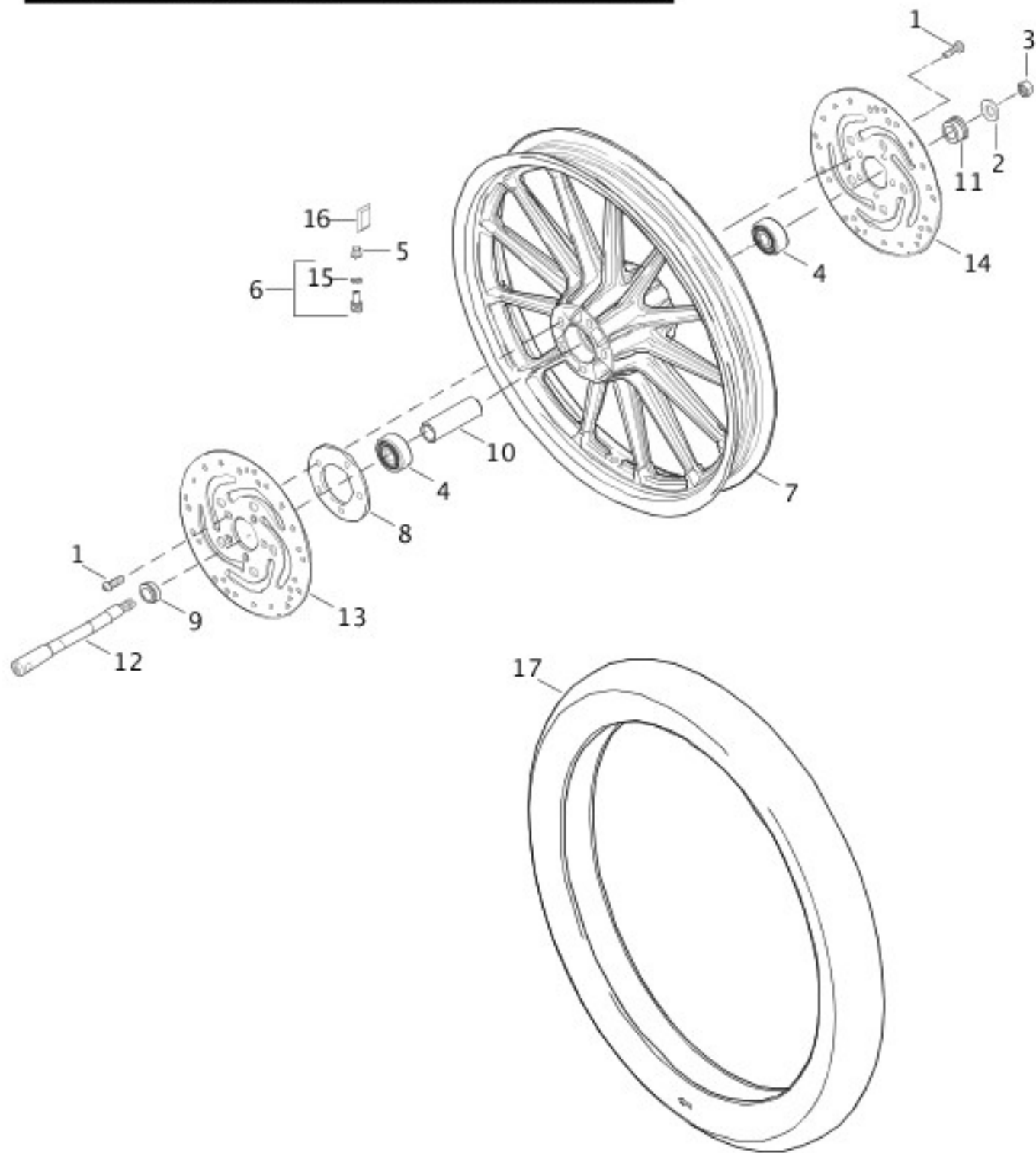
[View interactive table](#)

INDEX NO.	PART NO.	DESCRIPTION	MODEL(S)
1	42310-08	PAD KIT, rear	XR1200
2	42824-04	BOOT, caliper pin	XR1200
3	42834-04	PISTON KIT, rear caliper, w/ 43528-04	XR1200
4	42837-04	PAD PIN, rear caliper	XR1200
5	42838-04	PLUG, pad pin	XR1200
6	42839-04	SPRING, pad, rear	XR1200
7	42840-04	DAMPER	XR1200
8	42875-07	SCREW, bleeder w/ o-ring	XR1200

9	42892-08	BRACKET ASSEMBLY, rear caliper, w/ 42824-04, 42840-04	XR1200
10	42893-07	CAP, bleeder screw	XR1200
11	42900-08	BOOT, rear	XR1200
12	42948-08	CALIPER ASSEMBLY, rear w/ 1, 3, 4, 5, 6, 8, 9, 10, 11 & 14	XR1200
13	43528-04	SEAL KIT	XR1200
14	44184-04	PIN, bolt	XR1200

FRONT WHEEL, CAST - 883/L/N/R, 1200L/R

FRONT WHEEL, CAST - 883/L/N/R, 1200L/



[View interactive image](#)

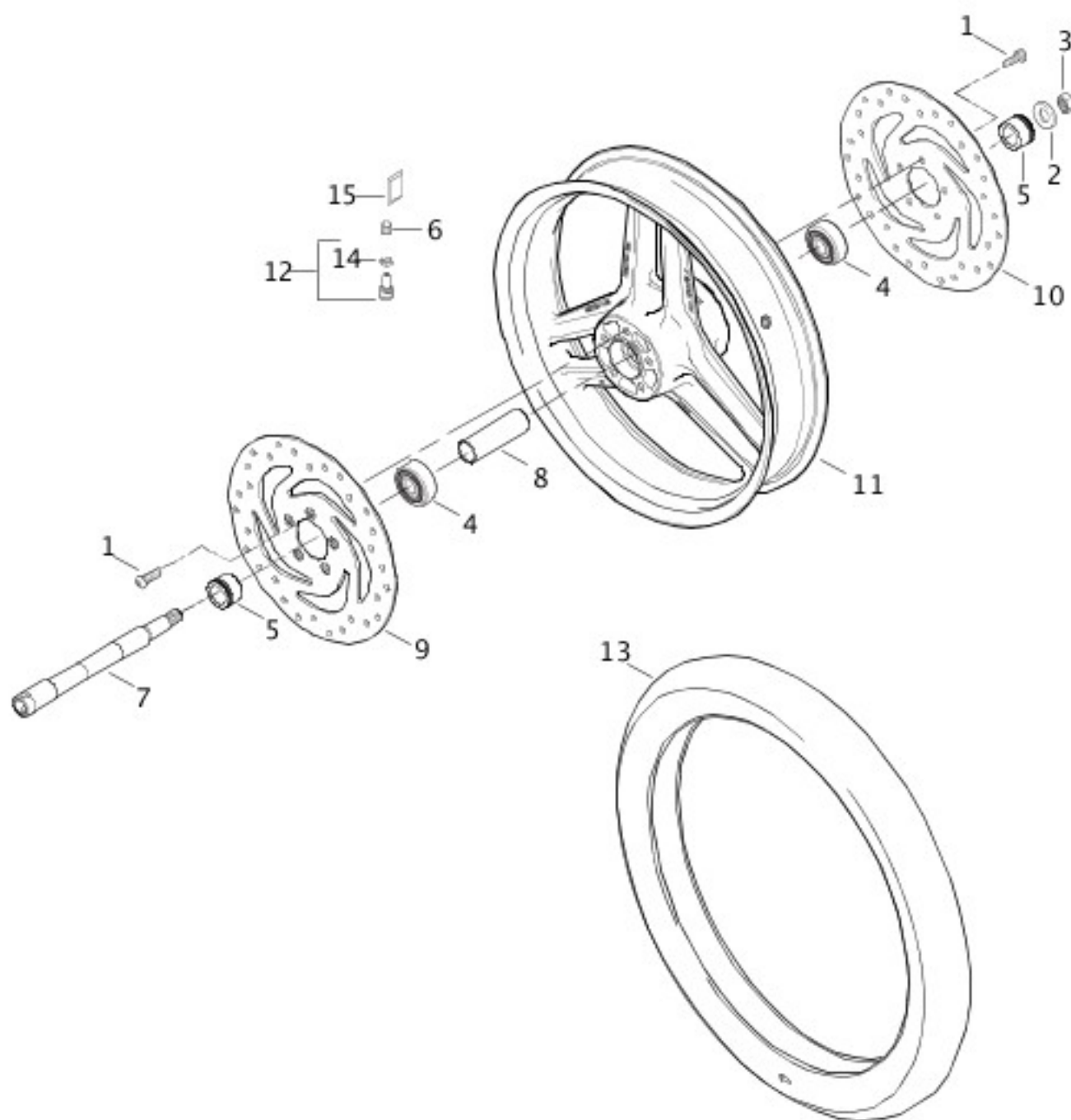
[View interactive table](#)

INDEX NO.	PART NO.	DESCRIPTION	MODEL(S)
1	3655A	SCREW (10)	XL1200L, XL1200R, XL883, XL883L, XL883N, XL883R
2	6594	WASHER	XL1200L, XL1200R, XL883, XL883L, XL883N, XL883R
3	7813A	NUT	XL1200L, XL1200R, XL883, XL883L,

			XL883N, XL883R
4	9276	BALL BEARING, 25mm (2)	XL1200L, XL1200R, XL883, XL883L, XL883N, XL883R
5	41123-79	VALVE CAP	XL1200L, XL1200R, XL883, XL883L, XL883N, XL883R
6	43157-83A	VALVE STEM ASSEMBLY, w/ 54321-85	XL1200L, XL1200R, XL883, XL883L, XL883N, XL883R
7	43499-08	WHEEL ASSEMBLY, 19 in. (13 spoke) (black) w/o bearings & sleeves	XL1200R, XL883R
	41659-08	WHEEL ASSEMBLY, 19 in. (13 spoke) (black) w/o bearings & sleeves	XL1200L
	43594-08	WHEEL ASSEMBLY, 19 in. (13 spoke) (silver) w/o bearings & sleeves	XL883, XL883L
	47875-09	WHEEL ASSEMBLY, 19 in. (13 spoke) (black) w/o bearings & sleeves	XL883N
8	43355-00	HUB PLATE (flat black)	XL1200L, XL883N
	43359-00	HUB PLATE (silver)	XL883, XL883L
9	43358-08	SPACER, bearing - RH	XL1200L, XL1200R, XL883, XL883L, XL883N, XL883R
10	43906-08	SPACER, hub	XL1200L, XL1200R, XL883, XL883L, XL883N, XL883R
11	43522-08	SPACER, bearing - LH	XL1200L, XL1200R, XL883, XL883L, XL883N, XL883R
12	43895-08	AXLE (front)	XL1200L, XL1200R, XL883, XL883L, XL883N, XL883R
13	44136-00	DISC, brake - RH	XL1200R, XL883R
14	44156-00	DISC, brake - LH	XL1200L, XL1200R, XL883, XL883L, XL883N, XL883R
15	54321-85	NUT, hex	XL1200L, XL1200R, XL883, XL883L, XL883N, XL883R
16	95595-84	WHEEL WEIGHT, 1/4 oz. (silver)	XL1200L, XL1200R, XL883, XL883L, XL883N, XL883R
17	43112-91A	TIRE	XL1200L, XL1200R, XL883, XL883L, XL883N, XL883R

FRONT WHEEL, CAST - XR1200

FRONT WHEEL, CAST - XR1200



[View interactive image](#)

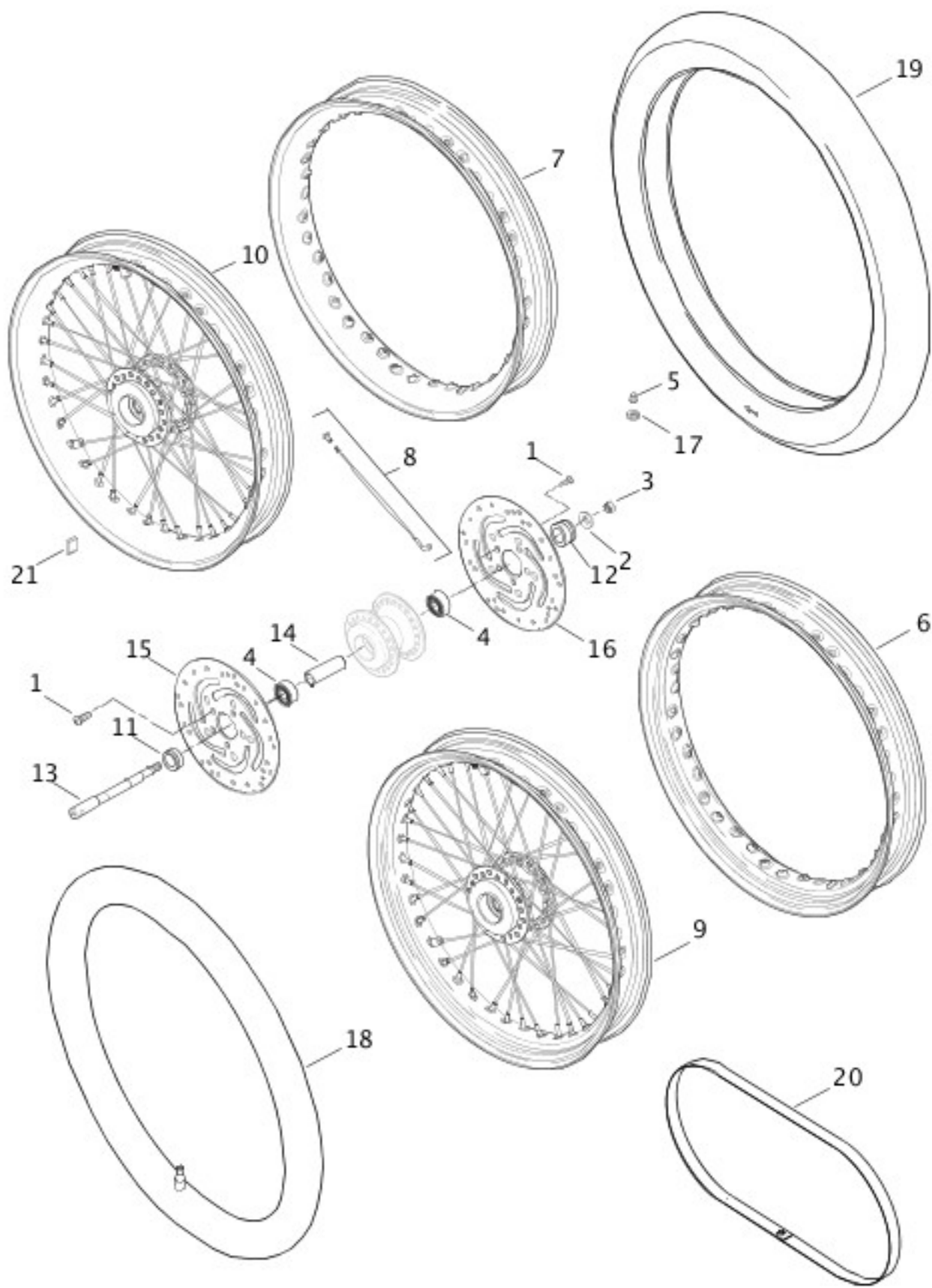
[View interactive table](#)

INDEX NO.	PART NO.	DESCRIPTION	MODEL(S)
1	3655A	SCREW (10)	XR1200
2	6594	WASHER	XR1200
3	7813A	NUT	XR1200
4	9276	BALL BEARING, 25mm (2)	XR1200

5	11804	SPACER, bearing (2)	XR1200
6	41123-79	VALVE CAP	XR1200
7	41628-08	AXLE (front)	XR1200
8	41748-08	SLEEVE, bearing spacer	XR1200
9	41820-08	DISC, brake - RH	XR1200
10	41821-08	DISC, brake - LH	XR1200
11	43103-08	WHEEL ASSEMBLY, 18 in. (3 spoke) (black) w/o bearings & sleeves	XR1200
12	43157-83A	VALVE STEM ASSEMBLY, w/ 54321-85	XR1200
13	43229-08	TIRE	XR1200
14	54321-85	NUT, hex	XR1200
15	95594-84	WHEEL WEIGHT, 1/4 oz. (black)	XR1200

FRONT WHEEL, LACED & PROFILE LACED - 883/C/L/R, 1200C/N/L/R

FRONT WHEEL, LACED & PROFILE LACED – 883/C/L/R, 1200C/L/N/R



[View interactive image](#)

[View interactive table](#)

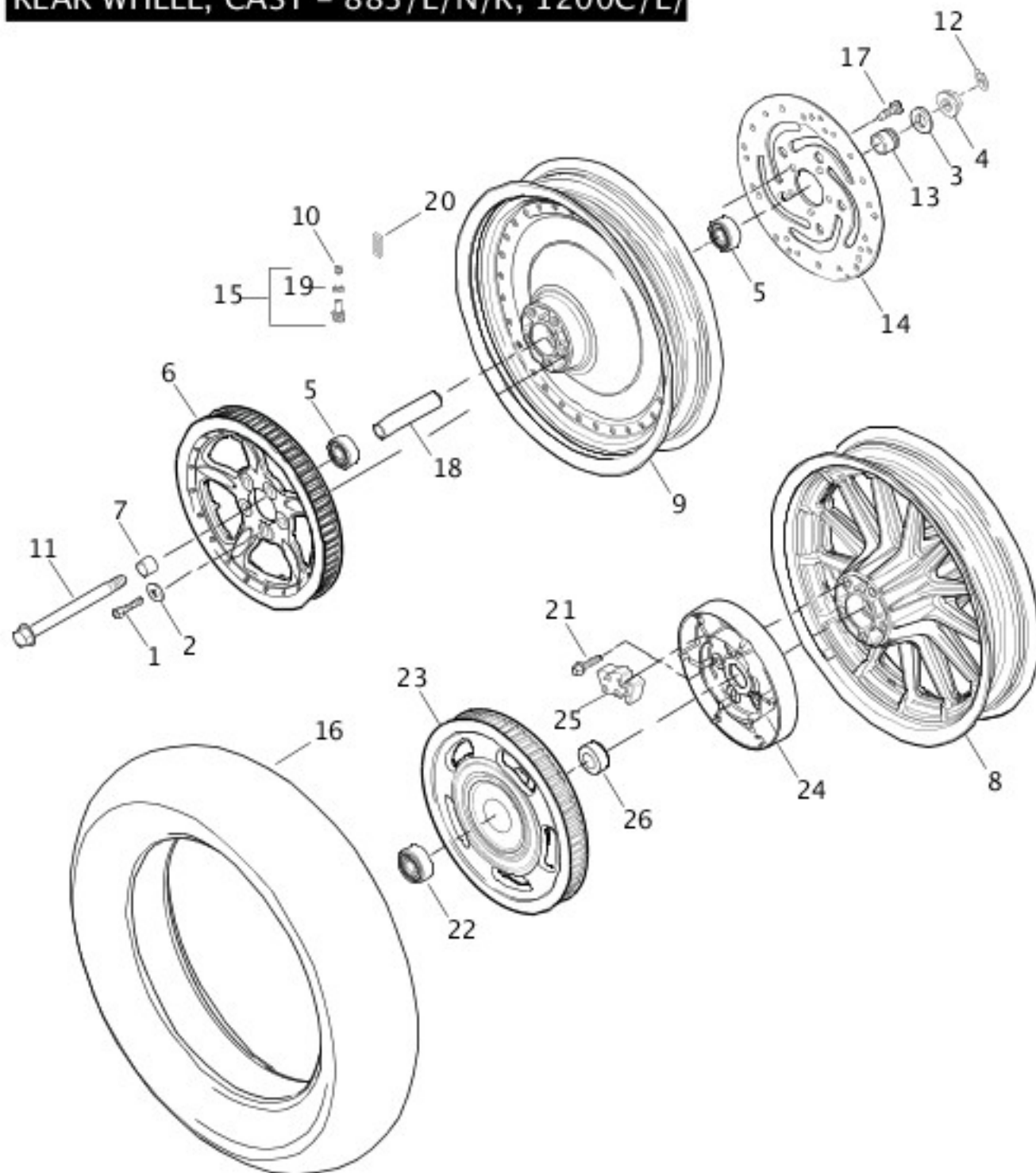
INDEX NO.	PART NO.	DESCRIPTION	MODEL(S)
1	3655A	SCREW (5)	XL1200C, XL1200L, XL1200N, XL883, XL883C, XL883L, XL883R
	3655A	SCREW (10)	XL1200R

2	6594	WASHER	XL1200C, XL1200L, XL1200N, XL1200R, XL883, XL883C, XL883L, XL883R
3	7813A	NUT	XL1200C, XL1200L, XL1200N, XL1200R, XL883, XL883C, XL883L, XL883R
4	9276	BALL BEARING, 25mm (2)	XL1200C, XL1200L, XL1200N, XL1200R, XL883, XL883C, XL883L, XL883R
5	41123-79	VALVE CAP	XL1200C, XL1200L, XL1200N, XL1200R, XL883, XL883C, XL883L, XL883R
6	41426-07	RIM, laced wheel, 19 in. (black)	XL1200N
	43001-06	RIM, laced wheel, 19 in. (steel)	XL1200L, XL1200R, XL883, XL883L, XL883R
	43662-80B	RIM, laced wheel, 21 in. (chrome)	XL1200C, XL883C
7	43445-05	RIM, profile laced wheel, 21 in. (chrome)	XL1200C, XL883C
8	40762-05	SPOKE & NIPPLE KIT, 19 in. rim - long (chrome) (set of 20)	XL1200L, XL1200N, XL1200R, XL883, XL883L, XL883R
	40761-05	SPOKE & NIPPLE KIT, 19 in. rim - short (chrome) (set of 20)	XL1200L, XL1200N, XL1200R, XL883, XL883L, XL883R
	40760-05	SPOKE & NIPPLE KIT, 21 in. rim - short (chrome) (set of 20)	XL1200C, XL883C
	40759-05	SPOKE & NIPPLE KIT, 21 in. rim - long (chrome) (set of 20)	XL1200C, XL883C
	43056-05	SPOKE & NIPPLE KIT, profile laced wheel, 21 in. rim - long (set of 20)	XL1200C, XL883C
	43064-05	SPOKE & NIPPLE KIT, profile laced wheel, 21 in. rim - short (set of 20)	XL1200C, XL883C
9	43312-08	WHEEL ASSEMBLY, laced wheel, single disc, 19 in. w/o bearings & sleeves	XL1200L, XL883, XL883L
	43547-08	WHEEL ASSEMBLY, laced wheel, dual disc, 19 in. w/o bearings & sleeves	XL1200R, XL883R
	43557-08	WHEEL ASSEMBLY, laced wheel, 21 in. w/o bearings & sleeves	XL1200C, XL883C
	43831-08	WHEEL ASSEMBLY, laced wheel, 19 in.(black) w/o bearings & sleeves	XL1200N
10	44610-08	WHEEL ASSEMBLY, profile laced wheel, 21 in. w/o bearings & sleeves	XL1200C, XL883C
11	43358-08	SPACER, bearing - RH	XL1200C, XL1200L, XL1200N, XL1200R, XL883, XL883C, XL883L, XL883R

12	43522-08	SPACER, bearing - LH	XL1200C, XL1200L, XL1200N, XL1200R, XL883, XL883C, XL883L, XL883R
13	43895-08	AXLE (front)	XL1200C, XL1200L, XL1200N, XL1200R, XL883, XL883C, XL883L, XL883R
14	43906-08	SPACER, hub	XL1200C, XL1200L, XL1200N, XL1200R, XL883, XL883C, XL883L, XL883R
15	44136-00	DISC, brake - RH	XL1200R, XL883R
16	44156-00	DISC, brake - LH	XL1200C, XL1200L, XL1200N, XL1200R, XL883, XL883C, XL883L, XL883R
17	54321-85	NUT, valve stem	XL1200C, XL1200L, XL1200N, XL1200R, XL883, XL883C, XL883L, XL883R
18	41188-06	INNER TUBE	XL1200L, XL1200N, XL1200R, XL883, XL883L, XL883R
	43140-80	INNER TUBE	XL1200C, XL883C
19	43104-93A	TIRE	XL1200C, XL883C
	43112-91A	TIRE	XL1200L, XL1200N, XL1200R, XL883, XL883L, XL883R
20	43145-47	RIM FLAP	XL1200L, XL1200N, XL1200R, XL883, XL883L, XL883R
	43939-89	RIM FLAP	XL1200C, XL883C
21	95595-84	WHEEL WEIGHT, 1/4 oz. (6)	XL1200C, XL1200L, XL1200N, XL1200R, XL883, XL883C, XL883L, XL883R

REAR WHEEL, CAST - 883/L/N/R, 1200C/L/R

REAR WHEEL, CAST – 883/L/N/R, 1200C/L/



[View interactive image](#)

[View interactive table](#)

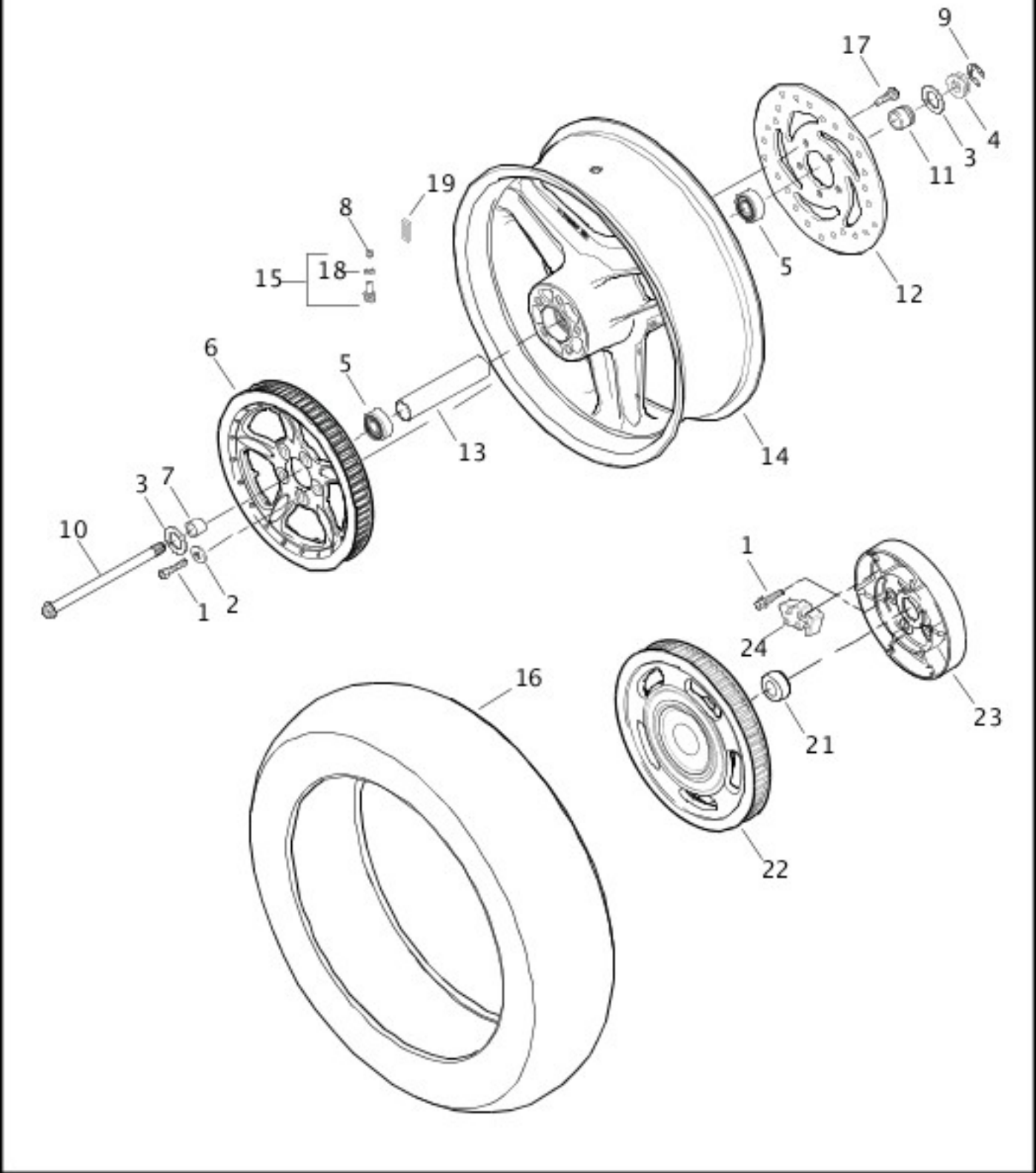
INDEX NO.	PART NO.	DESCRIPTION	MODEL(S)
1	3899	SCREW (5)	XL1200C, XL1200L, XL1200R, XL883, XL883C, XL883L, XL883N, XL883R
2	6516HW	WASHER (5)	XL1200C, XL1200L, XL1200R, XL883, XL883C, XL883L, XL883N, XL883R
3	6551	WASHER, left side, rear axle	XL1200C, XL1200L, XL1200R, XL883, XL883C, XL883L, XL883N, XL883R

4	8190	NUT, flange	XL1200C, XL1200L, XL1200R, XL883, XL883C, XL883L, XL883N, XL883R
5	9276	BALL BEARING, 25mm (2)	XL1200C, XL1200L, XL1200R, XL883, XL883C, XL883L, XL883N, XL883R
6	40350-07	SPROCKET, belt - 68T (black)	XL1200C, XL1200L, XL1200R, XL883R
	40352-07	SPROCKET, belt - 68T (silver)	XL883, XL883C, XL883L
	40353-08	SPROCKET, belt - 68T (black)	XL883N
7	40930-05	SPACER, wheel bearing, sprocket side	XL1200C, XL1200L, XL1200R, XL883, XL883C, XL883L, XL883N, XL883R
8	40992-08	WHEEL ASSEMBLY, 16 in. (13 spoke) (silver) w/o bearings & sleeves	XL883, XL883L
	41012-08	WHEEL ASSEMBLY, 16 in. (13 spoke) (black) w/o bearings & sleeves	XL1200R, XL883R
	41660-08	WHEEL ASSEMBLY, 16 in. (13 spoke) (matte black) w/o bearings & sleeves	XL1200L
	47878-09	WHEEL ASSEMBLY, 16 in. (13 spoke) (black) w/o bearings & sleeves	XL883N
9	41013-09	WHEEL ASSEMBLY, solid w/ slots (chrome) w/o bearings & sleeves	XL1200C
	41058-09	WHEEL ASSEMBLY, solid, w/ holes (silver) w/o bearings & sleeves	XL883C
10	41123-79	VALVE CAP	XL1200C, XL1200L, XL1200R, XL883, XL883C, XL883L, XL883N, XL883R
11	41176-08	AXLE ASSEMBLY	XL1200C, XL1200L, XL1200R, XL883, XL883C, XL883L, XL883N, XL883R
12	41229-08	RETAINING RING	XL1200C, XL1200L, XL1200R, XL883, XL883C, XL883L, XL883N, XL883R
13	41730-08	SPACER, disk side	XL1200C, XL1200L, XL1200R, XL883, XL883C, XL883L, XL883N, XL883R
14	41797-00	BRAKE DISC	XL1200C, XL1200L, XL1200R, XL883, XL883C, XL883L, XL883N, XL883R
15	43157-83A	VALVE STEM ASSEMBLY, w/ 54321-85	XL1200C, XL1200L, XL1200R, XL883, XL883C, XL883L, XL883N, XL883R
16	43264-02	TIRE	XL1200C, XL1200L, XL1200R, XL883, XL883C, XL883L, XL883N, XL883R
17	43567-92	SCREW, brake disc (5)	XL1200C, XL1200L, XL1200R, XL883, XL883C, XL883L, XL883N, XL883R

18	43905-08	SLEEVE, spacer	XL1200C, XL1200L, XL1200R, XL883, XL883C, XL883L, XL883N, XL883R
19	54321-85	NUT, valve stem	XL1200C, XL1200L, XL1200R, XL883, XL883C, XL883L, XL883N, XL883R
20	95595-84	WHEEL WEIGHT, 1/4 oz. (4)	XL1200C, XL1200L, XL1200R, XL883, XL883C, XL883L, XL883N, XL883R
INTERNATIONAL MODELS ONLY			
21	3814	SCREW, w/ washer (Japan) (5)	XL1200C, XL1200L, XL1200R, XL883, XL883C, XL883L, XL883N, XL883R
22	9254	BEARING (Japan)	XL1200C, XL1200L, XL1200R, XL883, XL883C, XL883L, XL883N, XL883R
23	37799-09	SPROCKET ASSEMBLY, final drive, w/ bearing - 68T (black) (Japan)	XL883N
	40518-08	SPROCKET ASSEMBLY, final drive, w/ bearing - 68T (black) (Japan)	XL1200C, XL1200L, XL1200R, XL883R
	40544-08	SPROCKET ASSEMBLY, final drive, w/ bearing - 68T (silver) (Japan)	XL883, XL883C, XL883L
24	40560-05	BOWL COMPENSATOR (Japan)	XL1200C, XL1200L, XL1200R, XL883, XL883C, XL883L, XL883N, XL883R
25	40561-05	ISOLATOR, rubber (Japan) (6)	XL1200C, XL1200L, XL1200R, XL883, XL883C, XL883L, XL883N, XL883R
26	40562-05	SPACER (Japan)	XL1200C, XL1200L, XL1200R, XL883, XL883C, XL883L, XL883N, XL883R

REAR WHEEL, CAST - XR1200

REAR WHEEL, CAST - XR1200



[View interactive image](#)

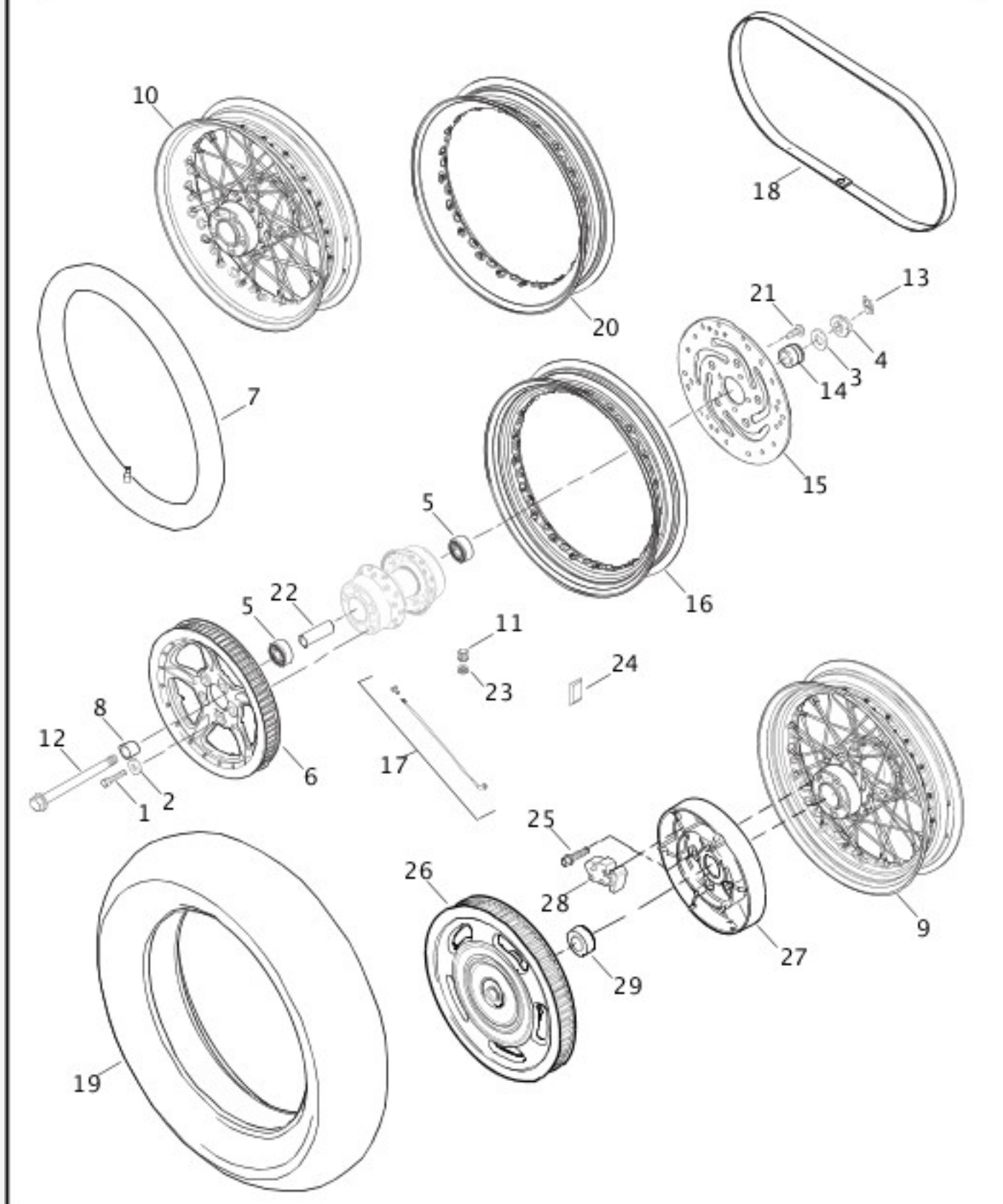
[View interactive table](#)

INDEX NO.	PART NO.	DESCRIPTION	MODEL(S)
1	3899	SCREW (5)	XR1200
2	6516HW	WASHER (5)	XR1200
3	6551	WASHER, rear axle (2)	XR1200
4	8190	NUT	XR1200
5	9276	BALL BEARING, 25mm (2)	XR1200

6	40353-08	SPROCKET, belt - 86T (black)	XR1200
7	40930-05	SPACER, wheel bearing, sprocket side	XR1200
8	41123-79	VALVE CAP	XR1200
9	41229-08	RETAINING RING	XR1200
10	41627-08	AXLE ASSEMBLY	XR1200
11	41730-08	SPACER, disk side	XR1200
12	41833-08	BRAKE DISC	XR1200
13	41858-08	SLEEVE, spacer	XR1200
14	43107-08	WHEEL ASSEMBLY, 17 in. (3 spoke) (black) w/o bearings & sleeve	XR1200
15	43157-83A	VALVE STEM ASSEMBLY, w/ 54321-85	XR1200
16	43231-08	TIRE	XR1200
17	43567-92	SCREW, brake disc (5)	XR1200
18	54321-85	NUT, valve stem	XR1200
19	95594-84	WHEEL WEIGHT, 1/4 oz. (black) (4)	XR1200
INTERNATIONAL MODELS ONLY			
20	3814	SCREW (Japan) (5)	XR1200
21	37797-09	SPACER (Japan)	XR1200
22	37799-09	SPROCKET ASSEMBLY, 68T (Japan)	XR1200
23	40560-05	BOWL, compensator (Japan)	XR1200
24	40561-05	ISOLATOR, rubber (Japan)	XR1200

REAR WHEEL, LACED & PROFILE LACED - 883/C/L/R, 1200C/L/N/R

REAR WHEEL, LACED & PROFILE LACED – 883/C/L/R, 1200C/L/N/R



[View interactive image](#)

[View interactive table](#)

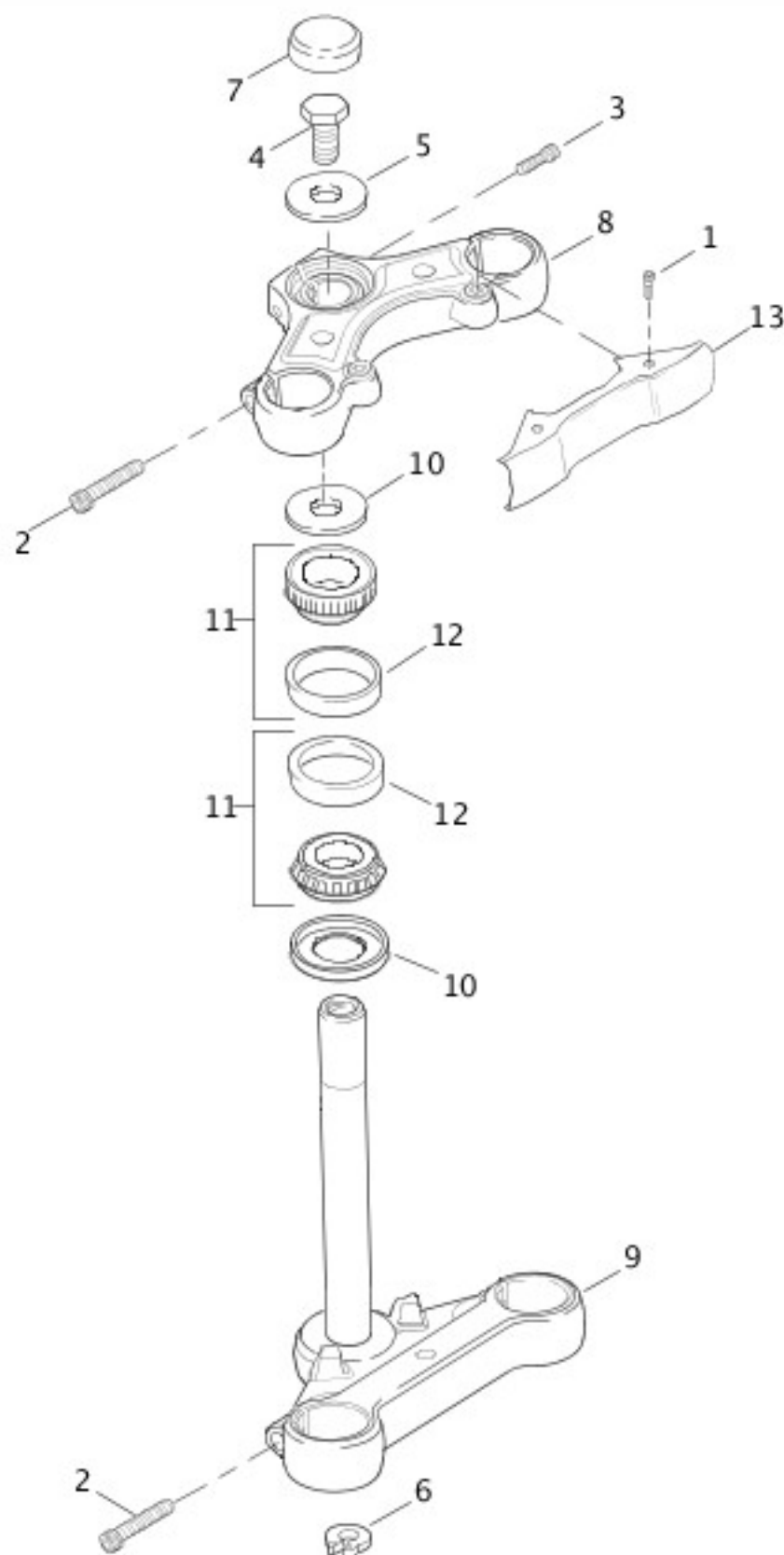
INDEX NO.	PART NO.	DESCRIPTION	MODEL(S)
1	3899	SCREW (5)	XL1200C, XL1200L, XL1200N, XL1200R, XL883, XL883C, XL883L, XL883R
2	6516HW	WASHER (5)	XL1200C, XL1200L, XL1200N, XL1200R, XL883, XL883C, XL883L, XL883R

3	6551	WASHER, left side, rear axle	XL1200C, XL1200L, XL1200N, XL1200R, XL883, XL883C, XL883L, XL883R
4	8190	NUT, flange	XL1200C, XL1200L, XL1200N, XL1200R, XL883, XL883C, XL883L, XL883R
5	9276	BALL BEARING, 25mm (2)	XL1200C, XL1200L, XL1200N, XL1200R, XL883, XL883C, XL883L, XL883R
6	40350-07	SPROCKET, belt - 68T (black)	XL1200C, XL1200L, XL1200R, XL883, XL883C, XL883L, XL883R
	40444-07	SPROCKET, belt - 68T (black)	XL1200N
7	40558-82	INNER TUBE	XL1200L, XL1200N, XL1200R, XL883, XL883L, XL883R
	40575-05	INNER TUBE	XL1200C, XL883C
8	40930-05	SPACER, wheel bearing, sprocket side	XL1200C, XL1200L, XL1200N, XL1200R, XL883, XL883C, XL883L, XL883R
9	41082-08	WHEEL ASSEMBLY, laced, 16 in. (chrome) w/o bearings & sleeves	XL1200L, XL1200R, XL883, XL883L, XL883R
	43832-08	WHEEL ASSEMBLY, laced, 16 in. (black) w/o bearings & sleeves	XL1200N
10	41083-08	WHEEL ASSEMBLY, profile laced, 16 in. (chrome) w/o bearings & sleeves	XL1200C, XL883C
11	41123-79	VALVE CAP	XL1200C, XL1200L, XL1200N, XL1200R, XL883, XL883C, XL883L, XL883R
12	41176-08	AXLE ASSEMBLY	XL1200C, XL1200L, XL1200N, XL1200R, XL883, XL883C, XL883L, XL883R
13	41229-08	RETAINING RING	XL1200C, XL1200L, XL1200N, XL1200R, XL883, XL883C, XL883L, XL883R
14	41730-08	SPACER, disk side	XL1200C, XL1200L, XL1200N, XL1200R, XL883, XL883C, XL883L, XL883R
15	41797-00	BRAKE DISC	XL1200C, XL1200L, XL1200N, XL1200R, XL883, XL883C, XL883L, XL883R
16	43017-07	RIM, laced wheel, 16 in. (black)	XL1200N
	43085-97	RIM, laced wheel, 16 in. (chrome)	XL1200L, XL1200R, XL883, XL883L, XL883R
17	43052-05A	SPOKE & NIPPLE KIT, profile laced wheel, 16 in. rim (set of 40)	XL1200C, XL883C
	43241-05	SPOKE & NIPPLE KIT, laced wheel, 16 in. rim (chrome) (set of 40)	XL1200L, XL1200N, XL1200R, XL883, XL883L, XL883R

18	43147-40	RIM FLAP	XL1200L, XL1200N, XL1200R, XL883, XL883L, XL883R
	43164-05	RIM FLAP	XL1200C, XL883C
19	43264-02	TIRE	XL1200C, XL1200L, XL1200N, XL1200R, XL883, XL883C, XL883L, XL883R
20	43440-05A	RIM, profile laced wheel, 16 in. (chrome)	XL1200C, XL883C
21	43567-92	SCREW, brake disc (5)	XL1200C, XL1200L, XL1200N, XL1200R, XL883, XL883C, XL883L, XL883R
22	43905-08	SLEEVE, bearing spacer	XL1200C, XL1200L, XL1200N, XL1200R, XL883, XL883C, XL883L, XL883R
23	54321-85	NUT, valve stem	XL1200C, XL1200L, XL1200N, XL1200R, XL883, XL883C, XL883L, XL883R
24	95595-84	WHEEL WEIGHT, 1/4 oz. (silver)	XL1200C, XL1200L, XL1200N, XL1200R, XL883, XL883C, XL883L, XL883R
INTERNATIONAL MODELS ONLY			
25	3814	SCREW, w/ washer (Japan) (5)	XL1200N
26	40518-08	SPROCKET ASSEMBLY, final drive, w/ bearing - 68T (black) (Japan)	XL1200N
27	40560-05	BOWL COMPENSATOR (Japan)	XL1200N
28	40561-05	ISOLATOR, rubber (Japan) (6)	XL1200N
29	40562-05	SPACER (Japan)	XL1200N

STEERING HEAD BRACKET ASSEMBLY - 883/C/L/N/R, 1200C/L/N/R

STEERING HEAD BRACKET ASSEMBLY – 883/C/L/N/R, 1200C/L/N/R



[View interactive image](#)

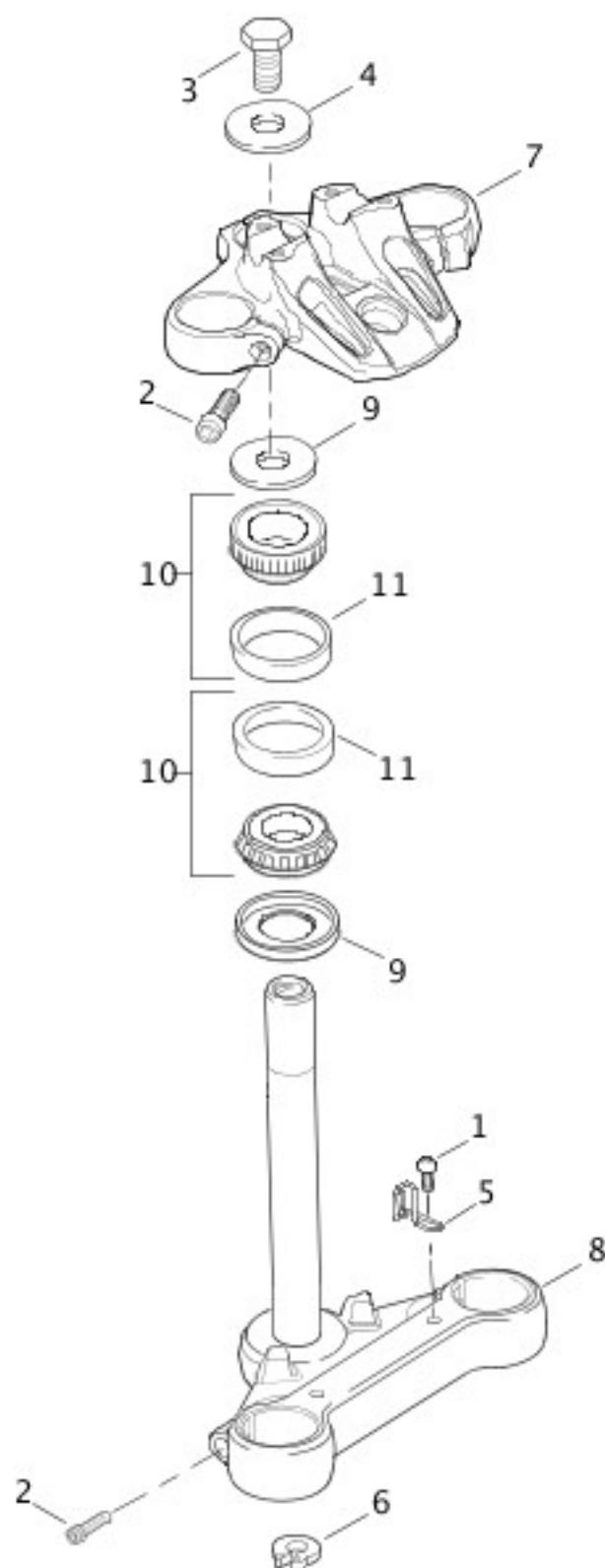
[View interactive table](#)

INDEX NO.	PART NO.	DESCRIPTION	MODEL(S)
1	3655A	SCREW (2)	XL1200C, XL883C
2	4351	SCREW (4)	XL1200C, XL1200L, XL1200N, XL1200R, XL883, XL883C, XL883L, XL883N, XL883R

3	4352	SCREW	XL1200C, XL1200L, XL1200N, XL1200R, XL883, XL883C, XL883L, XL883N, XL883R
4	4453	BOLT, tapped	XL1200L, XL1200R
	4460	BOLT	XL1200C, XL1200N, XL883, XL883C, XL883L, XL883N, XL883R
5	6655	WASHER	XL1200C, XL1200L, XL1200N, XL1200R, XL883, XL883C, XL883L, XL883N, XL883R
6	45611-86	RETAINING RING	XL1200C, XL1200L, XL1200N, XL1200R, XL883, XL883C, XL883L, XL883N, XL883R
7	45668-90	CAP, fork stem	XL1200L, XL1200R
8	45966-04	BRACKET, upper	XL1200C, XL1200L, XL1200R, XL883, XL883C, XL883L, XL883R
	46758-07	BRACKET, upper (black)	XL1200N, XL883N
9	46126-04	BRACKET, lower, w/ bearing, seal & retaining ring	XL1200C, XL883C
	46127-04	BRACKET, lower, w/ bearing, seal & retaining ring	XL1200L, XL1200R, XL883, XL883L, XL883R
	46767-07	BRACKET, lower, w/ bearing, seal & retaining ring	XL1200N, XL883N
10	48184-01	SEAL, tapered bearing	XL1200C, XL1200L, XL1200N, XL1200R, XL883, XL883C, XL883L, XL883N, XL883R
11	48300-60	ROLLER BEARING, w/ cup (2)	XL1200C, XL1200L, XL1200N, XL1200R, XL883, XL883C, XL883L, XL883N, XL883R
12	48315-60	BEARING CUP (2)	XL1200C, XL1200L, XL1200N, XL1200R, XL883, XL883C, XL883L, XL883N, XL883R
13	68041-04	COVER, upper triple clamp	XL1200C, XL883C

STEERING HEAD BRACKET ASSEMBLY - XR1200

STEERING HEAD BRACKET ASSEMBLY – XR1200



[View interactive image](#)

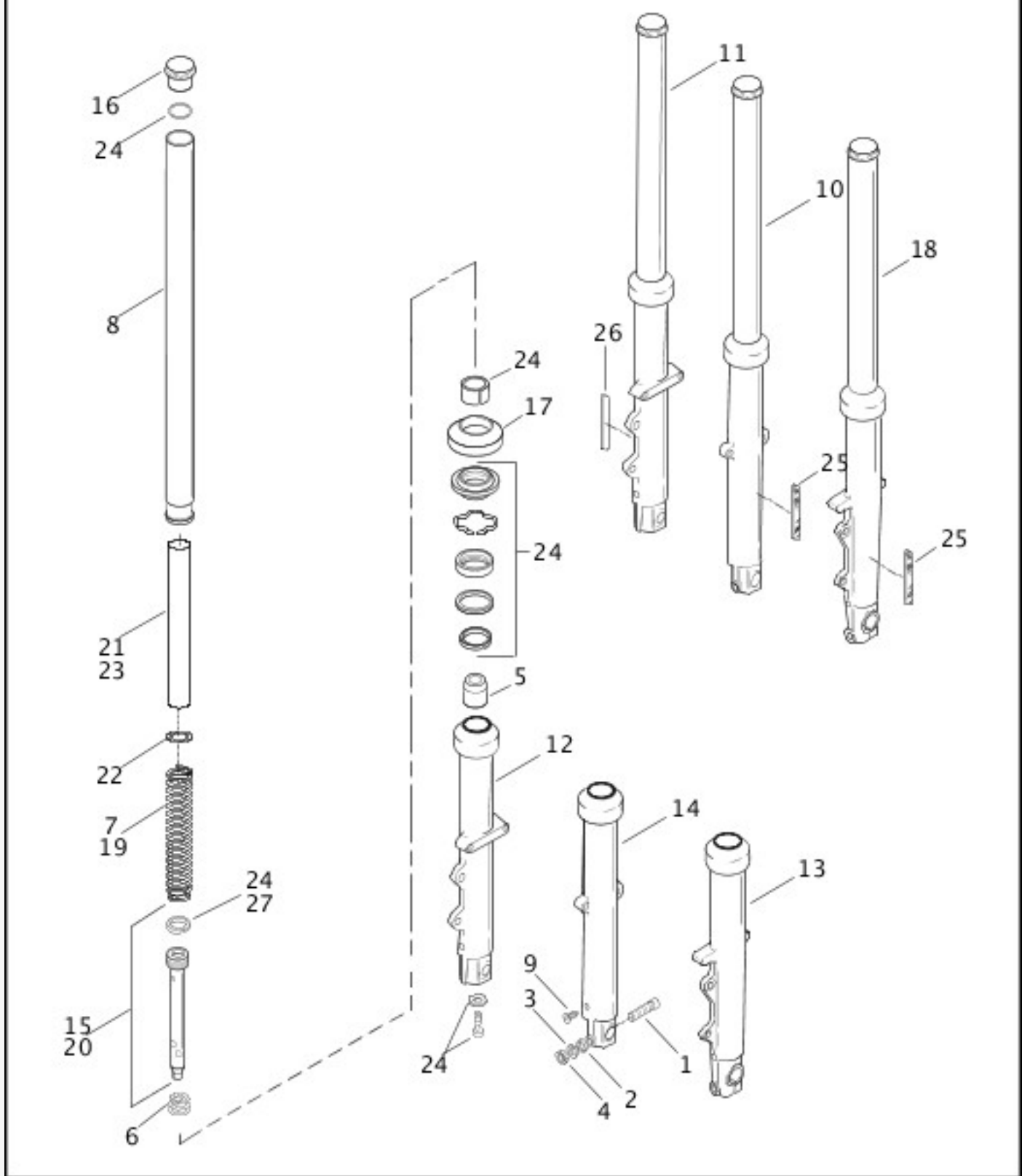
[View interactive table](#)

INDEX NO.	PART NO.	DESCRIPTION	MODEL(S)
1	2445	SCREW	XR1200
2	4352	SCREW (5)	XR1200
3	4460	BOLT	XR1200

4	6655	WASHER	XR1200
5	45155-08	GUIDE, control cable	XR1200
6	45611-86	RETAINING RING	XR1200
7	46028-08	BRACKET, upper	XR1200
8	46050-08	BRACKET, lower, w/ bearing, seal & retaining ring	XR1200
9	48184-01	SEAL, tapered bearing (2)	XR1200
10	48300-60	ROLLER BEARING, w/ cup (2)	XR1200
11	48315-60	BEARING CUP (2)	XR1200

FRONT FORK - 883/C/L/R, 1200C/L/R

FRONT FORK – 883/C/L/R, 1200C/L



[View interactive image](#)

[View interactive table](#)

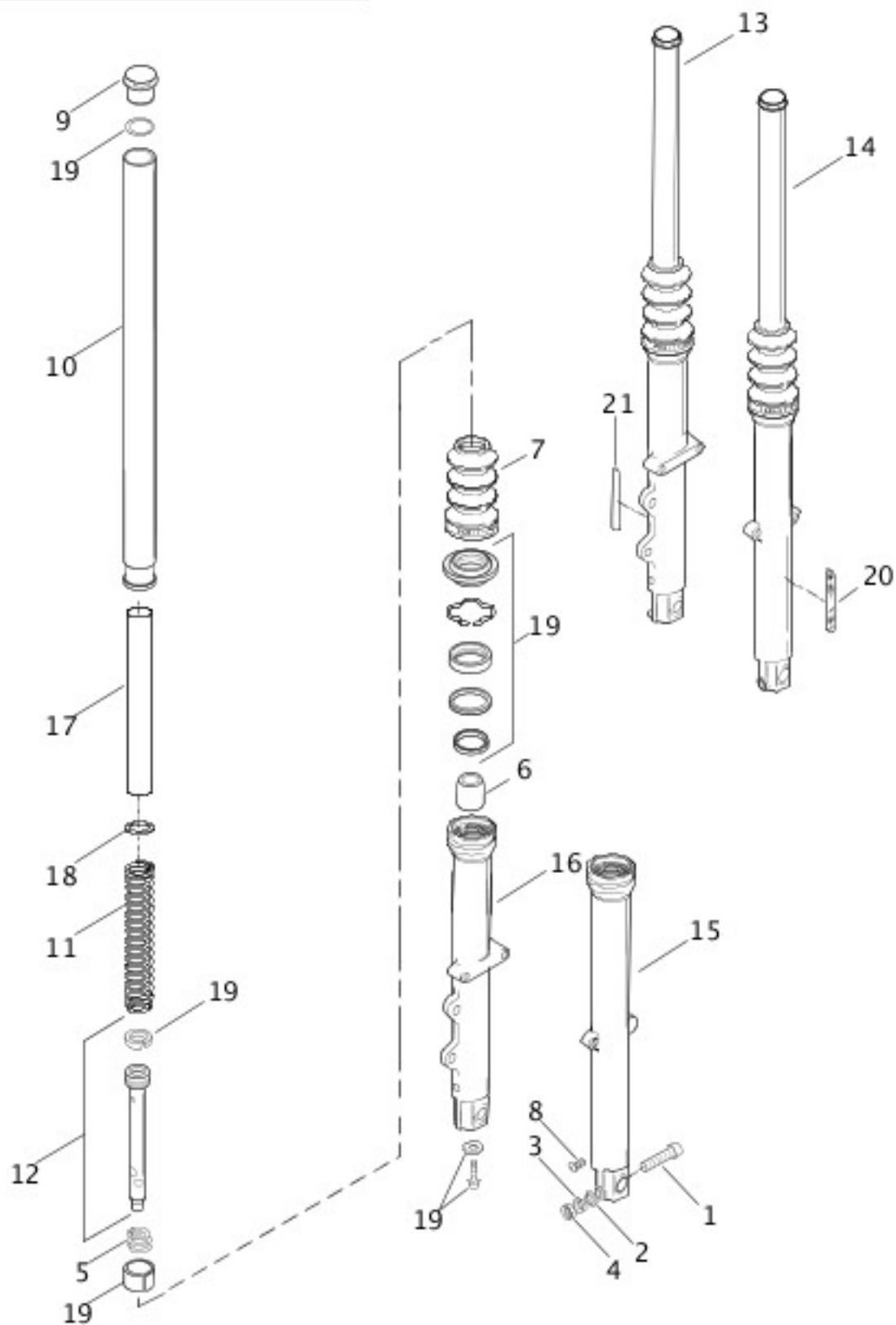
INDEX NO.	PART NO.	DESCRIPTION	MODEL(S)
1	4029A	SCREW	XL1200C, XL1200L, XL1200R, XL883, XL883C, XL883L, XL883R
2	6701	WASHER	XL1200C, XL1200L, XL1200R, XL883, XL883C, XL883L, XL883R

3	7038	LOCKWASHER	XL1200C, XL1200L, XL1200R, XL883, XL883C, XL883L, XL883R
4	7783	NUT	XL1200C, XL1200L, XL1200R, XL883, XL883C, XL883L, XL883R
5	45361-90	LOWER STOP (2)	XL1200C, XL1200L, XL1200R, XL883, XL883C, XL883L, XL883R
6	45374-87	SPRING, slider (2)	XL1200C, XL1200L, XL1200R, XL883, XL883C, XL883L, XL883R
7	45376-09	SPRING (2)	XL1200C, XL1200R, XL883, XL883C, XL883R
	46267-05	SPRING (2)	XL1200L
8	45395-09	SLIDER TUBE, w/ 45465-87 (2)	XL1200C, XL1200R, XL883, XL883C, XL883R
	46218-05	SLIDER TUBE, w/ 45465-87 (2)	XL1200L, XL883L
9	45790-80	DRAIN SCREW, w/ washer (2)	XL1200C, XL1200L, XL1200R, XL883, XL883C, XL883L, XL883R
10	45900-09	FORK SLIDER & TUBE ASSEMBLY, right	XL1200C, XL883, XL883C
	46307-08	FORK SLIDER & TUBE ASSEMBLY, right	XL1200L
	46390-08	FORK SLIDER & TUBE ASSEMBLY, right	XL883L
11	45901-09	FORK SLIDER & TUBE ASSEMBLY, left	XL1200C, XL1200R, XL883, XL883C
	46308-08	FORK SLIDER & TUBE ASSEMBLY, left	XL1200L
	46394-08	FORK SLIDER & TUBE ASSEMBLY, left	XL883L
	46454-09	FORK SLIDER & TUBE ASSEMBLY, left	XL883R
12	46075-04	SLIDER ASSEMBLY, left	XL1200C, XL1200L, XL1200R, XL883, XL883C, XL883L
	46450-08	SLIDER ASSEMBLY, left	XL883R
13	45922-08	SLIDER ASSEMBLY, right	XL1200R
	46449-08	SLIDER ASSEMBLY, right	XL883R
14	46076-04	SLIDER ASSEMBLY, right	XL1200C, XL1200L, XL883, XL883C, XL883L
15	45925-09	DAMPER TUBE, w/ 45462-87 (2)	XL1200C, XL1200R, XL883, XL883C, XL883R
	45938-92	DAMPER TUBE, w/ 45460-90 (2)	XL1200L
16	45996-87	CAP, slider tube (2)	XL1200C, XL1200L, XL1200R, XL883, XL883C, XL883L,

			XL883R
17	46002-87	COVER, slider (2)	XL1200C, XL1200L, XL1200R, XL883, XL883C, XL883L, XL883R
18	46029-09	FORK SLIDER & TUBE ASSEMBLY, right	XL1200R
	46453-09	FORK SLIDER & TUBE ASSEMBLY, right	XL883R
19	47299-07	SPRING (2)	XL883L
20	47313-07	DAMPER TUBE, w/ 45462-87 (2)	XL883L
21	48737-07	COLLAR, spring (2)	XL883L
22	48738-07	WASHER, spring (2)	XL1200C, XL1200R, XL883, XL883C, XL883L, XL883R
23	48791-09	SPRING COLLAR	XL1200C, XL1200R, XL883, XL883C, XL883R
24	49378-09	FRONT FORK SERVICE KIT	XL1200C, XL1200L, XL1200R, XL883, XL883C, XL883L, XL883R
25	59481-00	REFLECTOR, amber - right	XL1200C, XL1200L, XL1200R, XL883, XL883C, XL883L, XL883R
26	59482-00	REFLECTOR, amber - left	XL1200C, XL1200L, XL1200R, XL883, XL883C, XL883L, XL883R
INTERNATIONAL MODELS ONLY			
27	45460-90	RING, damper tube (Brazil)	XL883

FRONT FORK - 883N, 1200N

FRONT FORK - 883N, 1200N



[View interactive image](#)

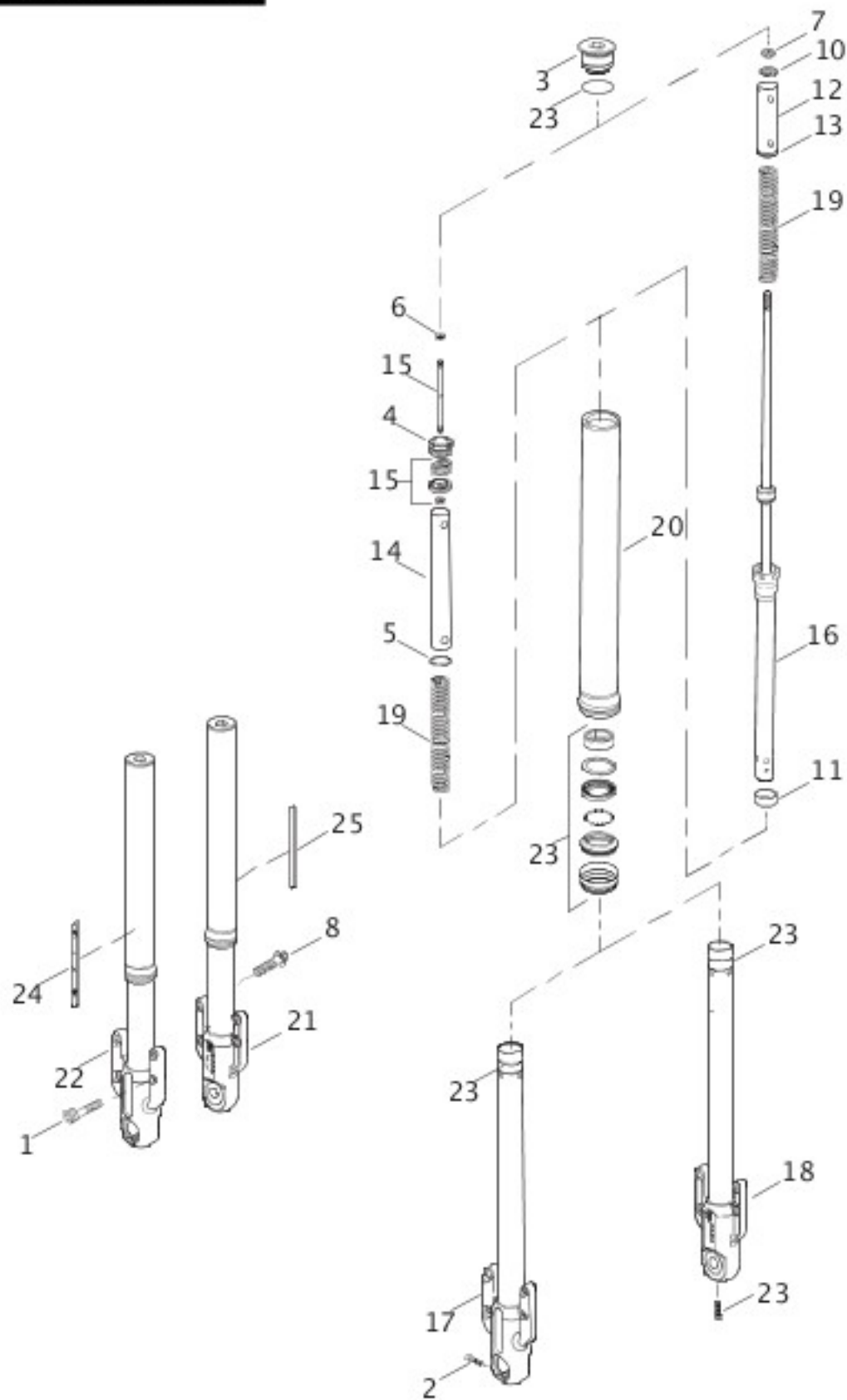
[View interactive table](#)

INDEX NO.	PART NO.	DESCRIPTION	MODEL(S)
1	4029A	SCREW	XL1200N, XL883N
2	6701	WASHER	XL1200N, XL883N
3	7038	LOCKWASHER	XL1200N, XL883N

4	7783	NUT	XL1200N, XL883N
5	45374-87	SPRING, slider (2)	XL1200N, XL883N
6	45361-90	LOWER STOP (2)	XL1200N, XL883N
7	45451-07	FORK GAITERS, front fork (2)	XL1200N, XL883N
8	45790-80	DRAIN SCREW, w/ washer (2)	XL1200N, XL883N
9	45996-87	CAP, slider tube (2)	XL1200N, XL883N
10	46218-05	SLIDER TUBE, w/ 45465-87 (2)	XL1200N, XL883N
11	47299-07	SPRING (2)	XL1200N, XL883N
12	47313-07	PIPE, compression w/ 45462-87 (2)	XL1200N, XL883N
13	48714-08	FORK ASSEMBLY, left	XL1200N, XL883N
14	48715-08	FORK ASSEMBLY, right	XL1200N, XL883N
15	48716-08	SLIDER ASSEMBLY, right	XL1200N, XL883N
16	48726-08	SLIDER ASSEMBLY, left	XL1200N, XL883N
17	48737-07	COLLAR, spring (2)	XL1200N, XL883N
18	48738-07	WASHER, spring (2)	XL1200N, XL883N
19	49378-09	FRONT FORK SERVICE KIT	XL1200N, XL883N
20	69861-07	REFLECTOR, amber - right	XL1200N, XL883N
21	69862-07	REFLECTOR, amber - left	XL1200N, XL883N

FRONT FORK - XR1200

FRONT FORK - XR1200



[View interactive image](#)

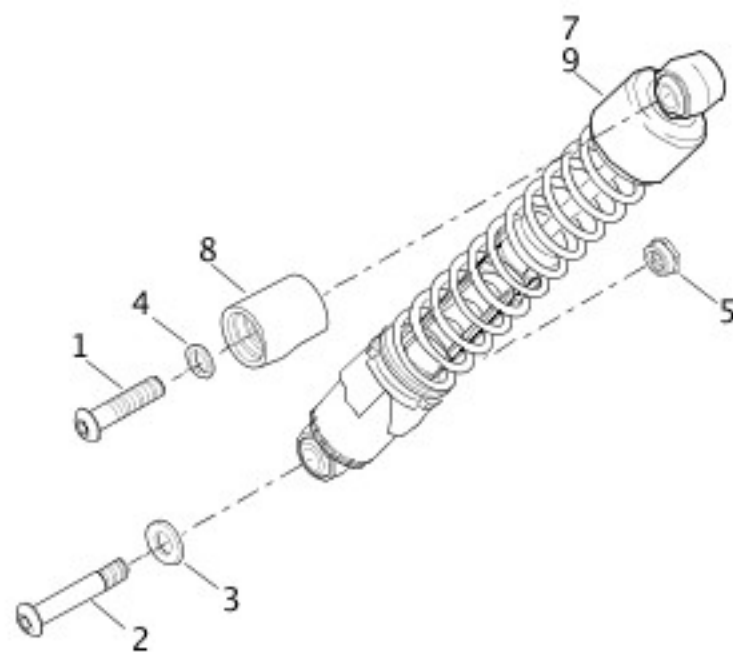
[View interactive table](#)

INDEX NO.	PART NO.	DESCRIPTION	MODEL(S)
1	4250M	SCREW (4)	XR1200
2	4499M	BOLT, right only	XR1200
3	4574	BOLT, fork (2)	XR1200

4	4575	BOLT, inner fork, right only	XR1200
5	5925	WASHER, right only	XR1200
6	7468M	NUT, right only	XR1200
7	7469	NUT, left only	XR1200
8	44160-00	BOLT, caliper mounting (4)	XR1200
9	46344-06	COVER, slider (2)	XR1200
10	46352-06	SPRING SEAT, left only	XR1200
11	46353-06	CENTERING PLATE, left only	XR1200
12	46354-06	SPRING COLLAR, left only	XR1200
13	46355-06	SPRING JOINT, left only	XR1200
14	46358-06	SPRING COLLAR, right only	XR1200
15	46359-06	JOINT ROD, right only	XR1200
16	46878-08	DAMPER COMP, left only, w/ 7469	XR1200
17	46879-08	SLIDER, right	XR1200
18	46880-08	SLIDER, left	XR1200
19	46882-08	SPRING (2)	XR1200
20	46884-08	OUTER TUBE (black) (2)	XR1200
21	46886-08	FORK ASSEMBLY, left, complete	XR1200
22	46887-08	FORK ASSEMBLY, right, complete	XR1200
23	49380-09	FRONT FORK SERVICE KIT	XR1200
24	69861-07	REFLECTOR, amber w/black base - right hand	XR1200
25	69862-07	REFLECTOR, amber w/black base - left hand	XR1200

SHOCK ABSORBERS - 883/C/L/N/R, 1200C/L/N/R

SHOCK ABSORBERS – 883 /C/L/N/R, 1200C/L/N/



RIGHT SIDE SHOWN

[View interactive image](#)

[View interactive table](#)

INDEX NO.	PART NO.	DESCRIPTION	MODEL(S)
1	3880	SCREW, upper (2)	XL1200C, XL1200L, XL1200N, XL1200R, XL883, XL883C, XL883L, XL883N, XL883R
2	4354	SCREW, lower (2)	XL1200C, XL1200L, XL1200N, XL1200R, XL883, XL883C, XL883L, XL883N, XL883R
3	6718	WASHER (2)	XL1200C, XL1200L, XL1200N, XL1200R, XL883, XL883C, XL883L, XL883N, XL883R
4	6738	WASHER (2)	XL1200C, XL1200L, XL1200N, XL1200R, XL883, XL883C, XL883L, XL883N, XL883R
5	7824	LOCKNUT (2)	XL1200C, XL1200L, XL1200N, XL1200R, XL883, XL883C, XL883L, XL883N, XL883R
7	54566-	SHOCK ABSORBER, complete, w/ bushings	XL1200R, XL883

	09	(2)	
	54568-09	SHOCK ABSORBER, complete, w/ bushings (2)	XL1200C, XL1200L, XL883C
	54626-07	SHOCK ABSORBER, complete, w/ bushings (2)	XL883L
	54570-09	SHOCK ABSORBER, complete, w/ bushings (2)	XL883R
	54540-07	SHOCK ABSORBER, complete, w/ bushings (2)	XL1200N, XL883N
8	54724-04	COVER, shock absorber stud (2)	XL1200C, XL1200L, XL1200R, XL883, XL883C, XL883L, XL883R
	54741-07	COVER, shock absorber stud, upper (black) (2)	XL1200N, XL883N

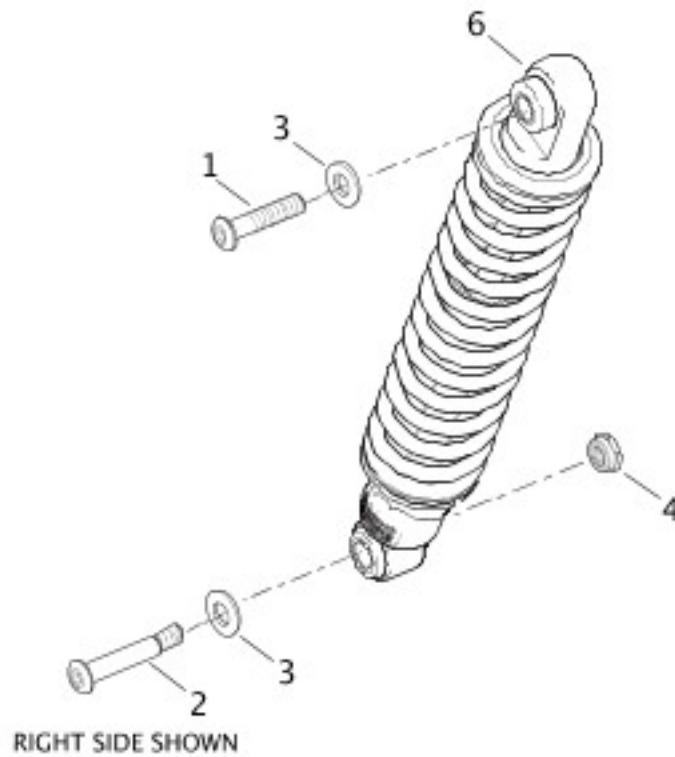
INTERNATIONAL MODELS ONLY

9	54570-09	SHOCK ABSORBER, complete, w/ bushings (HDI, England, Australia) (2)	XL1200N, XL883N
---	----------	---	-----------------

Index number 6 is not used in this illustration.

SHOCK ABSORBERS - XR1200

SHOCK ABSORBERS - XR1200



[View interactive image](#)

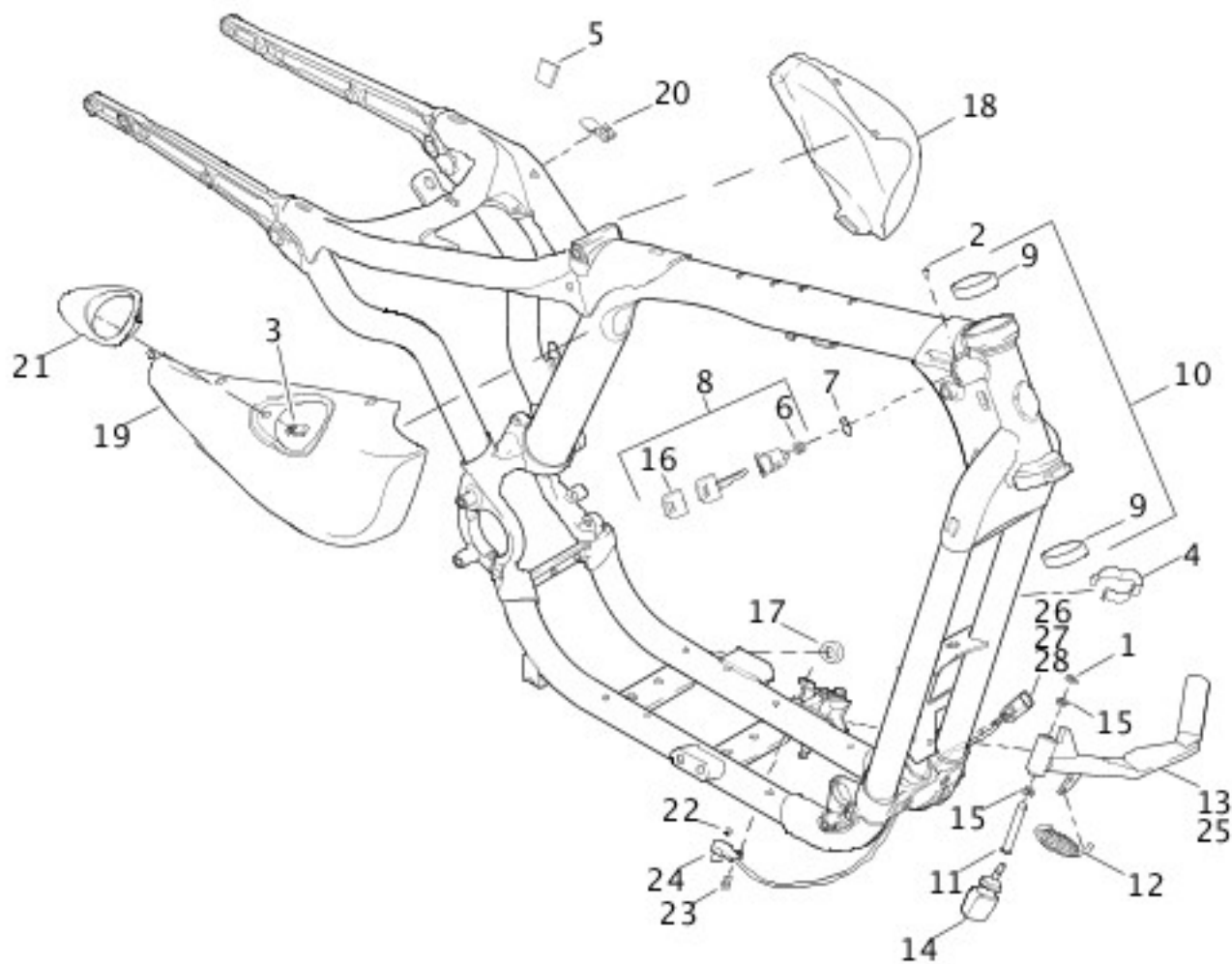
[View interactive table](#)

INDEX NO.	PART NO.	DESCRIPTION	MODEL(S)
1	3880	SCREW, upper (2)	XR1200
2	4354	SCREW, lower (2)	XR1200
3	6718	WASHER (4)	XR1200
4	7824	LOCKNUT (2)	XR1200
6	54668-08	SHOCK ABSORBER, complete, w/ bushings (2)	XR1200

Index number 5 is not used in this illustration. Index number 7 is not used in this illustration.

FRAME & JIFFY STAND - 883/C/L/N/R, 1200C/L/N/R

FRAME & JIFFY STAND – 883/C/L/N/R, 1200C/L/N



[View interactive image](#)

[View interactive table](#)

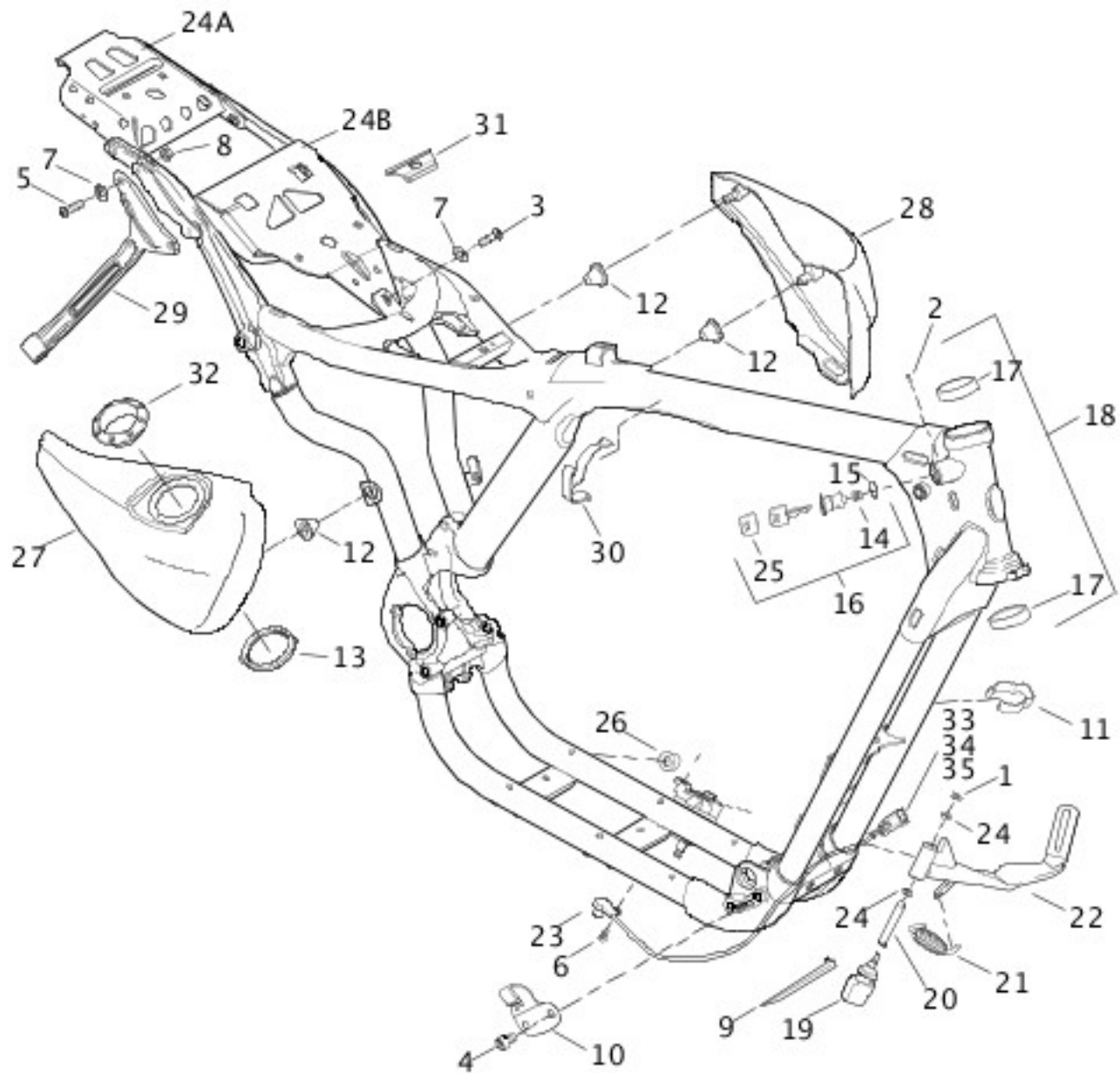
INDEX NO.	PART NO.	DESCRIPTION	MODEL(S)
1	554A	PRETZEL CLIP	XL1200C, XL1200L, XL1200N, XL1200R, XL883, XL883C, XL883L, XL883N, XL883R
2	1594	PIN, lock	XL1200C, XL1200L, XL1200N, XL1200R, XL883, XL883C, XL883L, XL883N, XL883R
3	8135B	PUSH NUT	XL1200C, XL1200L, XL1200N, XL1200R, XL883, XL883C, XL883L, XL883N, XL883R
4	10289A	CLIP, clutch cable (2)	XL1200C, XL1200L, XL1200N, XL1200R, XL883, XL883C, XL883L, XL883N, XL883R
5	11576	CUSHION, adhesive	XL1200C, XL1200L, XL1200N, XL1200R, XL883,

			XL883C, XL883L, XL883R
6	43595-99	SPRING, fork lock	XL1200C, XL1200L, XL1200N, XL1200R, XL883, XL883C, XL883L, XL883N, XL883R
7	48027-99	O-RING, fork lock	XL1200C, XL1200L, XL1200N, XL1200R, XL883, XL883C, XL883L, XL883N, XL883R
	48154-05	LOCKSET ASSEMBLY, complete	XL1200C, XL1200L, XL1200N, XL1200R, XL883, XL883C, XL883L, XL883N, XL883R
8	48153-02A	FORK LOCK KIT, w/ 1594, 43595-99, 61459-97 (specify key code)	XL1200C, XL1200L, XL1200N, XL1200R, XL883, XL883C, XL883L, XL883N, XL883R
9	48315-60	BEARING CUP, steering head (2)	XL1200C, XL1200L, XL1200N, XL1200R, XL883, XL883C, XL883L, XL883N, XL883R
10	49348-09	FRAME, w/ bearing cups	XL1200L, XL1200N, XL1200R, XL883, XL883L, XL883N, XL883R
	49439-10	FRAME, w/ bearing cups	XL1200C, XL883C
11	50003-89B	PIN, clevis	XL1200C, XL1200L, XL1200N, XL1200R, XL883, XL883C, XL883L, XL883N, XL883R
12	50005-85A	SPRING, jiffy stand	XL1200C, XL1200L, XL1200N, XL1200R, XL883, XL883C, XL883L, XL883N, XL883R
13	50185-04B	JIFFY STAND	XL1200C, XL1200L, XL883C
	50238-09BHP	JIFFY STAND (CZ - Domestic, California, Canada)	XL1200N, XL883L, XL883N
	50124-09BHP	JIFFY STAND	XL1200R, XL883, XL883R
14	49735-08	BUMPER, jiffy stand sensor	XL1200C, XL1200L, XL1200N, XL1200R, XL883, XL883C, XL883L, XL883N, XL883R
15	53176-08	BUSHING (2)	XL1200C, XL1200L, XL1200N, XL1200R, XL883, XL883C, XL883L, XL883N, XL883R
16	61459-97	COVER, key head set	XL1200C, XL1200L, XL1200N, XL1200R, XL883, XL883C, XL883L, XL883N, XL883R
17	62122-89A	BUMPER	XL1200C, XL1200L, XL1200N, XL1200R, XL883, XL883C, XL883L, XL883N, XL883R
18	66251-04	SIDE COVER, left (black)	XL1200C, XL1200L, XL1200N, XL1200R, XL883, XL883C, XL883L
	66272-05	SIDE COVER, left (satin)	XL883N, XL883R
19	66252-04	SIDE COVER, right (black)	XL1200C, XL1200L, XL1200N, XL1200R, XL883, XL883C, XL883L

	66273-05	SIDE COVER, right (satin)	XL883N, XL883R
20	70417-04B	CLIP, side cover, mounting (2)	XL1200C, XL1200L, XL1200N, XL1200R, XL883, XL883C, XL883L, XL883N, XL883R
21	71472-04	BEZEL, oil tank filler (chrome)	XL1200C, XL1200L, XL1200R, XL883, XL883C, XL883L, XL883R
	62534-07	BEZEL, oil tank filler (satin chrome)	XL1200N, XL883N
22	90520-07	PLUG, jiffy stand	XL1200C, XL1200L, XL1200N, XL1200R, XL883, XL883C, XL883L, XL883N, XL883R
INTERNATIONAL MODELS ONLY			
23	4871	SCREW, jiffy stand switch (HDI, England)	XL1200C, XL1200L, XL1200N, XL1200R, XL883, XL883C, XL883L, XL883N, XL883R
24	50126-08A	SENSOR, jiffy stand (HDI, England)	XL1200C, XL1200L, XL1200N, XL1200R, XL883, XL883C, XL883L, XL883N, XL883R
25	50185-04B	JIFFY STAND (HDI, England, Australia)	XL1200N, XL883N
	50238-09BHP	JIFFY STAND (Japan)	XL1200N, XL883N
26	72169-07	TERMINAL, pin, 16-20 gauge (HDI, England)	XL1200C, XL1200L, XL1200N, XL1200R, XL883, XL883C, XL883L, XL883N, XL883R
27	72511-07BK	HOUSING (HDI, England)	XL1200C, XL1200L, XL1200N, XL1200R, XL883, XL883C, XL883L, XL883N, XL883R
28	73213-07	RETAINER, jiffy stand (HDI, England)	XL1200C, XL1200L, XL1200N, XL1200R, XL883, XL883C, XL883L, XL883N, XL883R

FRAME & JIFFY STAND - XR1200

FRAME & JIFFY STAND - XR1200



[View interactive image](#)

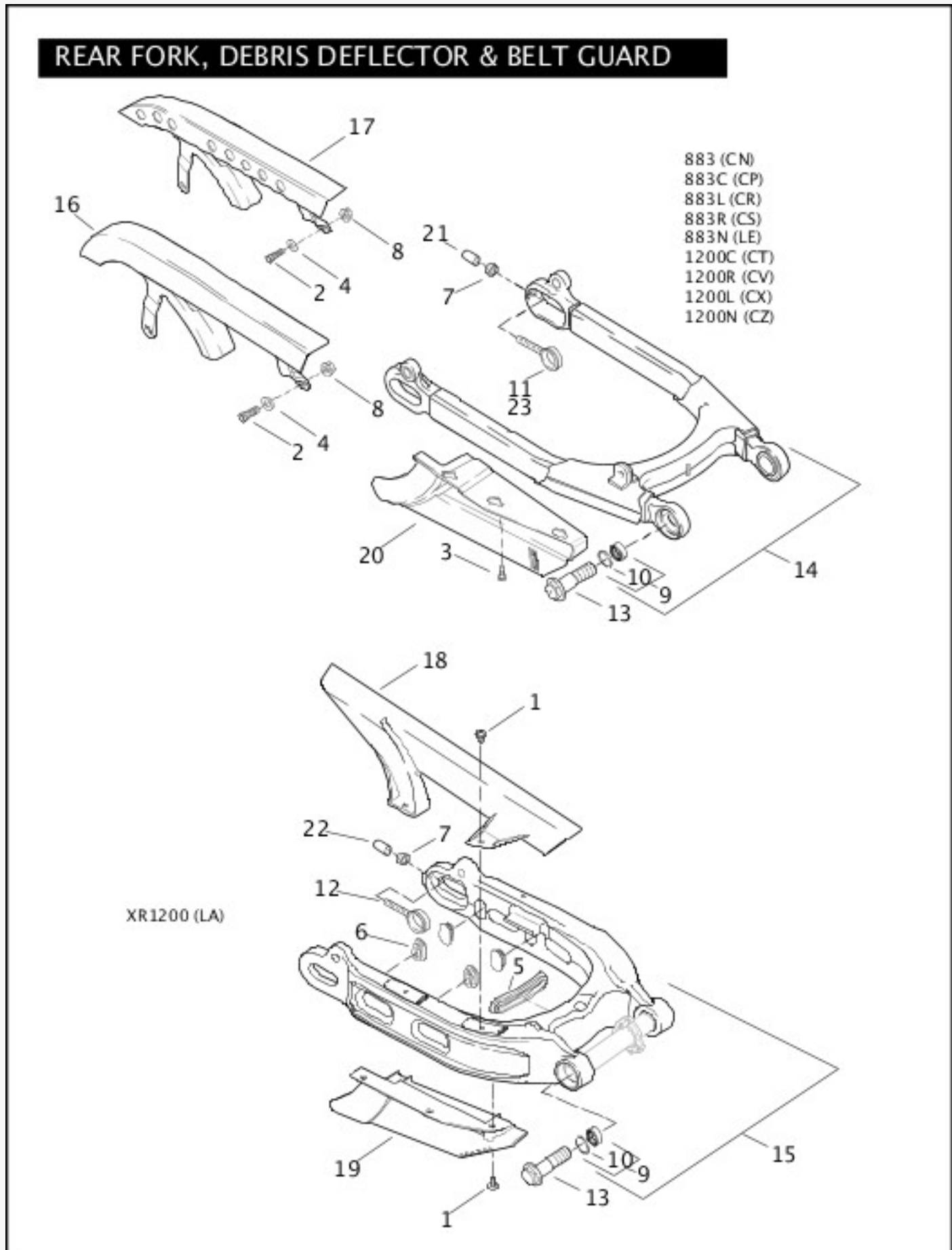
[View interactive table](#)

INDEX NO.	PART NO.	DESCRIPTION	MODEL(S)
1	554A	PRETZEL CLIP	XR1200
2	1594	PIN, lock	XR1200
3	3696	SCREW	XR1200
4	4076	SCREW (4)	XR1200
5	4549	SCREW (6)	XR1200
6	4871	SCREW, jiffy stand switch	XR1200
7	6302	WASHER (7)	XR1200
8	7531	LOCKNUT (2)	XR1200

9	10006	CABLE STRAP (as required)	XR1200
10	10179A	J-CLIP (2)	XR1200
11	10289A	CLIP, clutch cable	XR1200
12	11491A	GROMMET, side cover (3)	XR1200
13	11598	SNAP RING	XR1200
14	43595-99	SPRING, fork lock	XR1200
15	48027-99	O-RING, fork lock	XR1200
	48154-05	LOCKSET ASSEMBLY, complete	XR1200
16	48153-02A	FORK LOCK KIT, w/ 1594, 43595-99, 61459-97 (specify key code)	XR1200
17	48315-60	BEARING CUP, steering head (2)	XR1200
18	48879-08	FRAME, w/ bearing cups	XR1200
19	49735-08	BUMPER, jiffy stand sensor	XR1200
20	50003-89B	PIN, clevis	XR1200
21	50005-85A	SPRING, jiffy stand	XR1200
22	50124-09BHP	JIFFY STAND	XR1200
23	50126-08A	SENSOR, jiffy stand (HDI, England)	XR1200
24	53176-08	BUSHING (2)	XR1200
24A	59400-08	REAR FENDER SUPPORT	XR1200
24B	59401-08	MIDDLE FENDER SUPPORT	XR1200
25	61459-97	COVER, key head set	XR1200
26	62122-89A	BUMPER	XR1200
27	66269-08BDK	SIDE COVER, right (primed)	XR1200
	66269-08CHJ	SIDE COVER, right (black)	XR1200
28	66270-08BDK	SIDE COVER, left (primed)	XR1200
	66270-08CHJ	SIDE COVER, left (black)	XR1200
29	65316-08	SUPPORT, muffler, rear	XR1200
30	70633-08	CLIP, caddy	XR1200
31	71287-08	WIRE GUARD	XR1200
32	71478-08	BEZEL, oil tank filler (chrome)	XR1200
33	72169-07	TERMINAL, pin, 16-20 gauge (3)	XR1200

34	72511-07BK	HOUSING	XR1200
35	73213-07	RETAINER, jiffy stand	XR1200

REAR FORK, DEBRIS DEFLECTOR & BELT GUARD



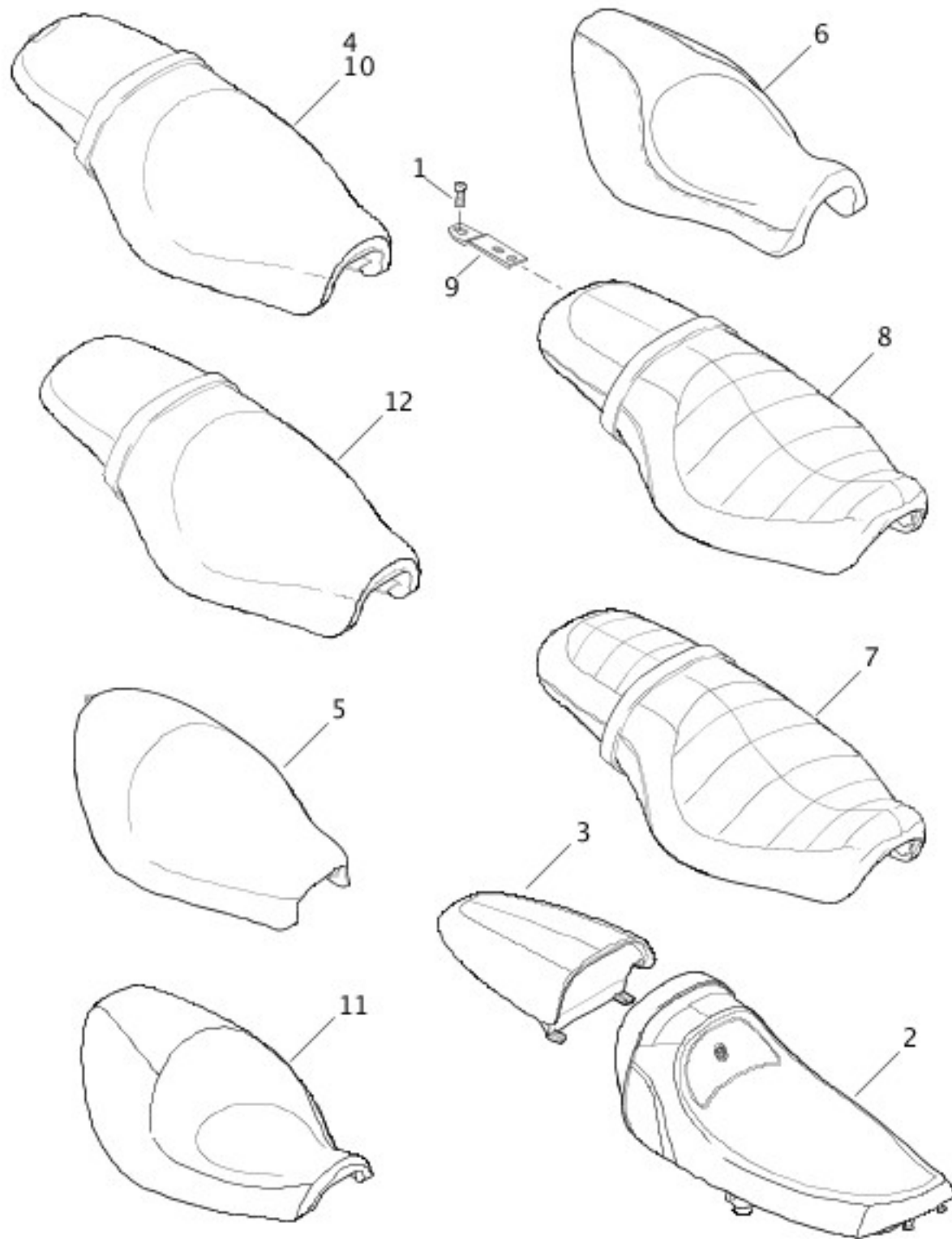
[View interactive image](#)

INDEX NO.	PART NO.	DESCRIPTION	MODEL(S)
1	2445	SCREW (5)	XR1200
2	2708A	SCREW	XL1200C, XL1200L, XL1200N, XL1200R, XL883, XL883C, XL883L, XL883N, XL883R
3	3579A	SCREW (3)	XL1200C, XL1200L, XL1200N, XL1200R, XL883, XL883C, XL883L, XL883N, XL883R
4	6702	WASHER	XL1200C, XL1200L, XL1200N, XL1200R, XL883, XL883C, XL883L, XL883N, XL883R
5	6863	PLUG, swing arm, large	XR1200
6	6864	PLUG, swing arm, small (4)	XR1200
7	7766	LOCKNUT (2)	XL1200C, XL1200L, XL1200N, XL1200R, XL883, XL883C, XL883L, XL883N, XL883R, XR1200
8	7531	LOCKNUT	XL1200C, XL1200L, XL1200N, XL1200R, XL883, XL883C, XL883L, XL883N, XL883R
9	9209	BEARING, swing arm, w/ 11282 (2)	XL1200C, XL1200L, XL1200N, XL1200R, XL883, XL883C, XL883L, XL883N, XL883R, XR1200
10	11282	RETAINING RING (2)	XL1200C, XL1200L, XL1200N, XL1200R, XL883, XL883C, XL883L, XL883N, XL883R, XR1200
11	41573-05	ADJUSTER, rear axle (2) (1-Japan, left)	XL1200C, XL1200L, XL1200N, XL1200R, XL883, XL883C, XL883L, XL883N, XL883R
12	41626-08	ADJUSTER, rear axle (2)	XR1200
13	41698-04	BOLT, swing arm pivot (2)	XL1200C, XL1200L, XL1200N, XL1200R, XL883, XL883C, XL883L, XL883N, XL883R, XR1200
14	47587-05	REAR FORK, w/ bearings	XL1200C, XL1200L, XL1200N, XL1200R, XL883, XL883C, XL883L, XL883N, XL883R
15	47674-08	REAR FORK, w/ bearings	XR1200
16	60367-04	BELT GUARD	XL1200C, XL1200L, XL1200R, XL883, XL883C, XL883L, XL883N, XL883R
17	60371-07	BELT GUARD	XL1200N
18	60403-08	BELT GUARD	XR1200
19	60416-08	DEBRIS DEFLECTOR	XR1200
20	60435-04	DEBRIS DEFLECTOR	XL1200C, XL1200L, XL1200N, XL1200R, XL883, XL883C, XL883L, XL883N, XL883R

21	89579-91	CAP, protective (2)	XL1200C, XL1200L, XL1200N, XL1200R, XL883, XL883C, XL883L, XL883N, XL883R
22	89586-04	CAP, protective (2)	XR1200
INTERNATIONAL MODELS ONLY			
23	41623-05	ADJUSTER, rear axle, right (Japan) (not shown)	XL1200C, XL1200L, XL1200N, XL1200R, XL883, XL883C, XL883L, XL883N, XL883R

SEATS

SEATS



[View interactive image](#)

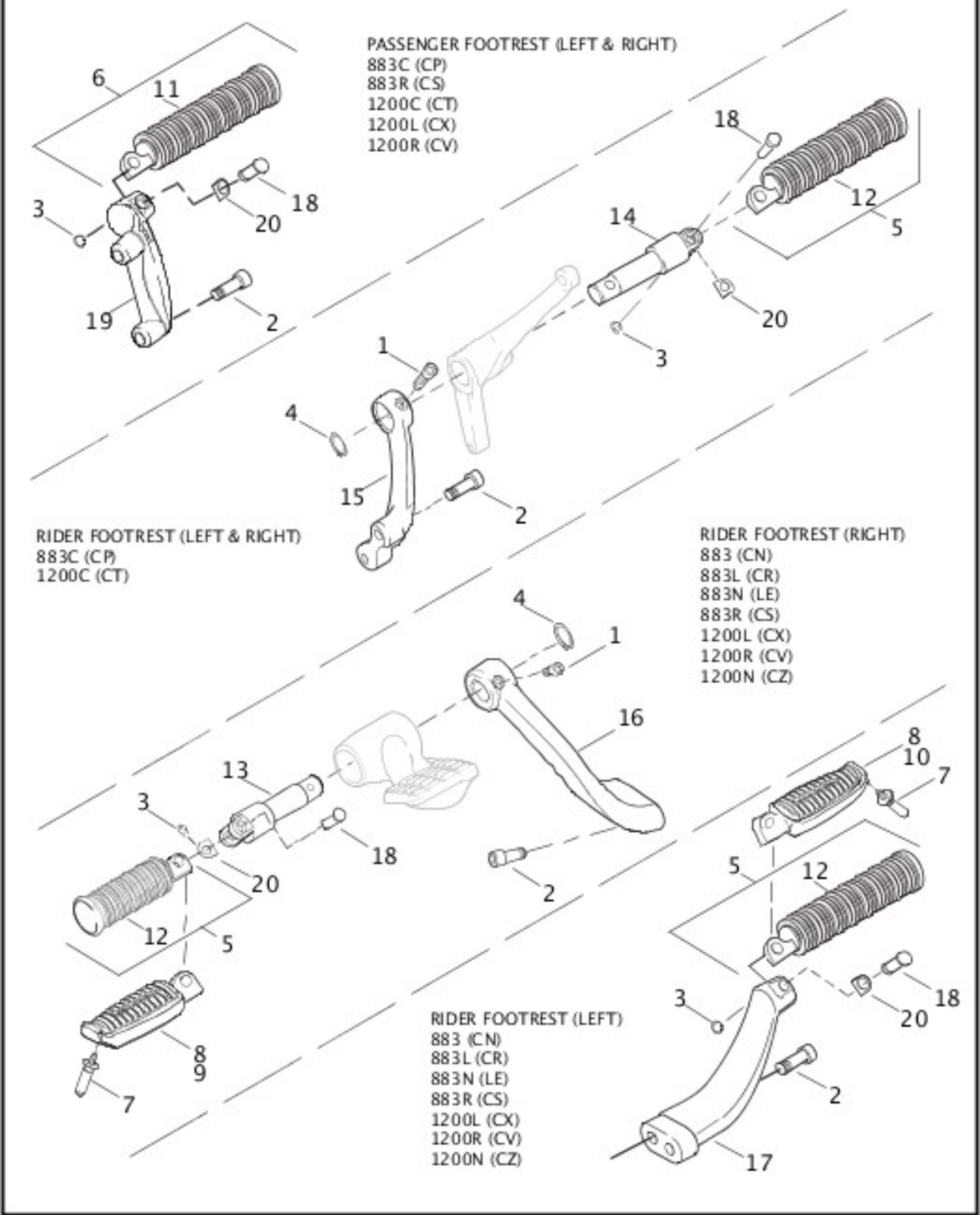
[View interactive table](#)

INDEX NO.	PART NO.	DESCRIPTION	MODEL(S)
1	2952A	SCREW, seat mounting	XL1200C, XL1200L, XL1200N, XL1200R, XL883, XL883C, XL883L, XL883N, XL883R
2	51382-08	SEAT, rider	XR1200
3	51383-08	SEAT, pillion	XR1200

4	51530-07	SEAT ASSEMBLY, w/ 51652-97A	XL1200C
5	51532-07	SEAT ASSEMBLY, w/ 51652-97A	XL883, XL883N
6	51550-07	SEAT ASSEMBLY, w/ 51652-97A	XL883L
7	51551-07	SEAT ASSEMBLY, w/ 51652-97A	XL883R
8	51558-08	SEAT ASSEMBLY, w/ 51652-97A	XL1200R
9	51652- 97A	BRACKET, seat mounting	XL1200C, XL1200L, XL1200N, XL1200R, XL883, XL883C, XL883L, XL883N, XL883R
10	51706-07	SEAT ASSEMBLY, w/ 51652-97A	XL1200L
11	51899-07	SEAT ASSEMBLY, w/ 51652-97A	XL1200N
12	52608-07	SEAT ASSEMBLY, w/ 51652-97A	XL883C

FOOTRESTS - 883/C/L/N/R, 1200C/L/N/R

FOOTRESTS - 883/C/L/N/R, 1200C/L/N



[View interactive image](#)

[View interactive table](#)

INDEX NO.	PART NO.	DESCRIPTION	MODEL(S)
	740	HOLE PLUG (not illustrated) (as required)	XL1200C, XL1200L, XL1200R, XL883, XL883C, XL883L, XL883R
1	3210A	SCREW	XL1200L, XL1200N, XL1200R, XL883, XL883L, XL883N, XL883R

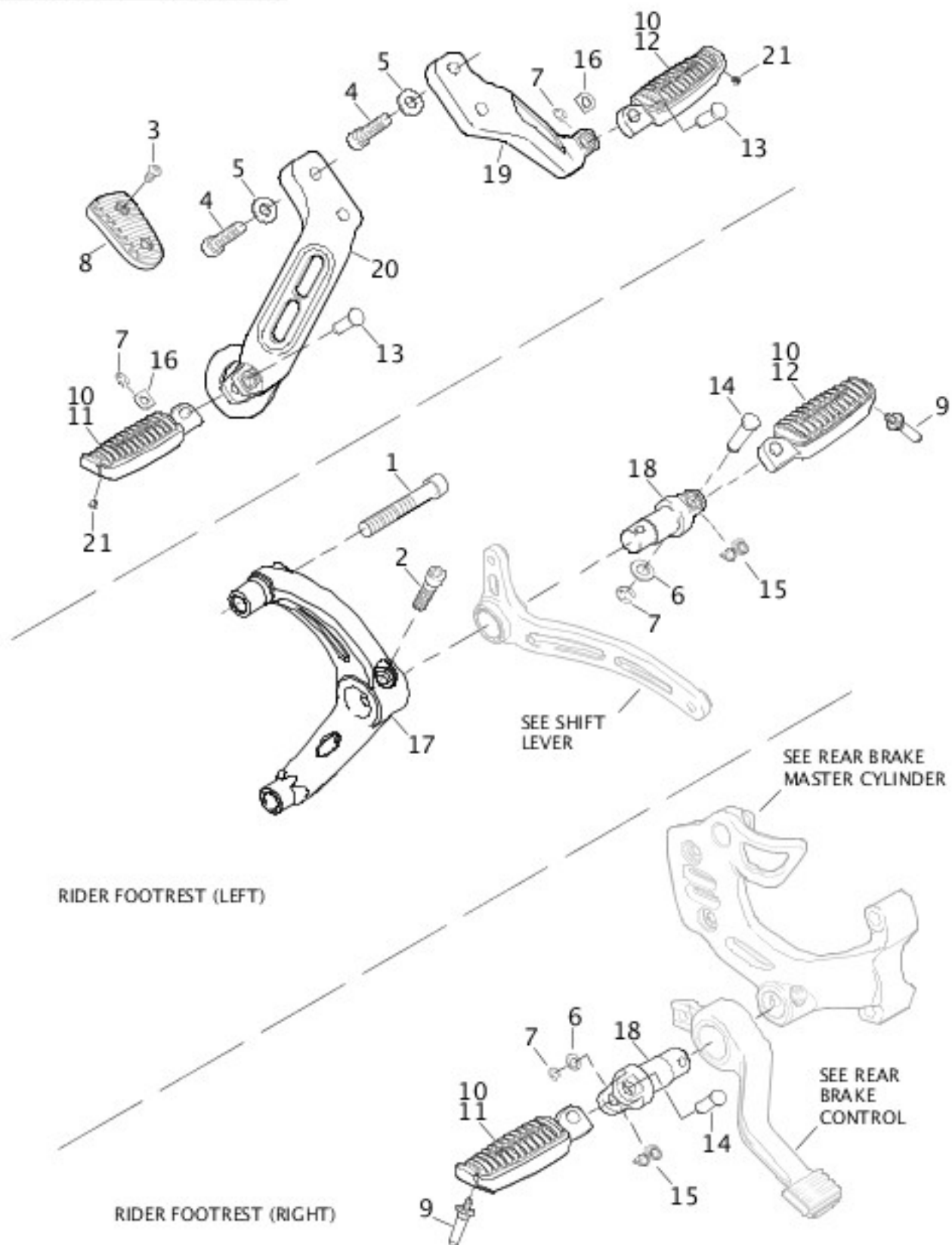
	3210A	SCREW (2)	XL1200C, XL883C
2	4748	SCREW, socket head (4)	XL1200C, XL1200L, XL1200N, XL1200R, XL883, XL883C, XL883L, XL883N, XL883R
3	11304	RETAINING RING (2)	XL1200C, XL1200L, XL1200N, XL1200R, XL883, XL883C, XL883L, XL883N, XL883R
4	11390	RETAINING RING (2)	XL1200C, XL1200L, XL1200N, XL1200R, XL883, XL883C, XL883L, XL883N, XL883R
5	33032-99	FOOTPEG ASSEMBLY, w/ 33216-06, front (2)	XL1200C, XL1200L, XL1200R, XL883, XL883C, XL883R
6	33048-72	FOOTPEG ASSEMBLY, w/ 33189-63, rear (2)	XL1200C, XL1200L, XL1200R, XL883C, XL883R
7	33130-07A	WEAR PEG, footrest - shown (2)	XL1200N, XL883L, XL883N
8	33133-06	RUBBER, footpegs (2)	XL1200N, XL883L, XL883N
9	33134-07CAZ	FOOTPEG ASSEMBLY, RH, w/ 33133-06 (black)	XL1200N, XL883L, XL883N
10	33135-07CAZ	FOOTPEG ASSEMBLY, LH, w/ 33133-06 (black)	XL1200N, XL883L, XL883N
11	33189-63	RUBBER, footrest, rear (2)	XL1200C, XL1200L, XL1200R, XL883C, XL883R
12	33216-99	RUBBER, footrest, front	XL1200C, XL1200L, XL1200R, XL883, XL883C, XL883R
13	42541-04	CLEVIS, right rider footpeg	XL1200L, XL1200N, XL1200R, XL883, XL883L, XL883N, XL883R
14	42541-04	CLEVIS, left rider footpeg	XL1200C, XL883C
	42566-04	CLEVIS, right rider footpeg (not shown)	XL1200C, XL883C
15	42651-04	SUPPORT BRACKET, left rider footpeg	XL1200C, XL883C
	42652-04	SUPPORT BRACKET, right rider footpeg (not shown)	XL1200C, XL883C
16	42971-04	BRACKET, rider footrest support - right	XL1200L, XL1200N, XL1200R, XL883, XL883L, XL883N, XL883R
17	42972-04	BRACKET, rider footrest support - left	XL1200L, XL1200N, XL1200R, XL883, XL883L, XL883N, XL883R
18	45041-01A	CLEVIS PIN (2)	XL1200C, XL1200L, XL1200N, XL1200R, XL883, XL883C, XL883L, XL883N, XL883R

19	49314-04	BRACKET, passenger footrest - right (not shown)	XL1200C, XL1200L, XL1200R, XL883C, XL883R
	49315-04	BRACKET, passenger footrest - left	XL1200C, XL1200L, XL1200R, XL883C, XL883R
20	50912-72	SPRING WASHER (2)	XL1200C, XL1200L, XL1200N, XL1200R, XL883, XL883C, XL883L, XL883N, XL883R

FOOTRESTS - XR1200

FOOTRESTS - XR1200

PASSENGER FOOTREST (LEFT & RIGHT)



[View interactive image](#)

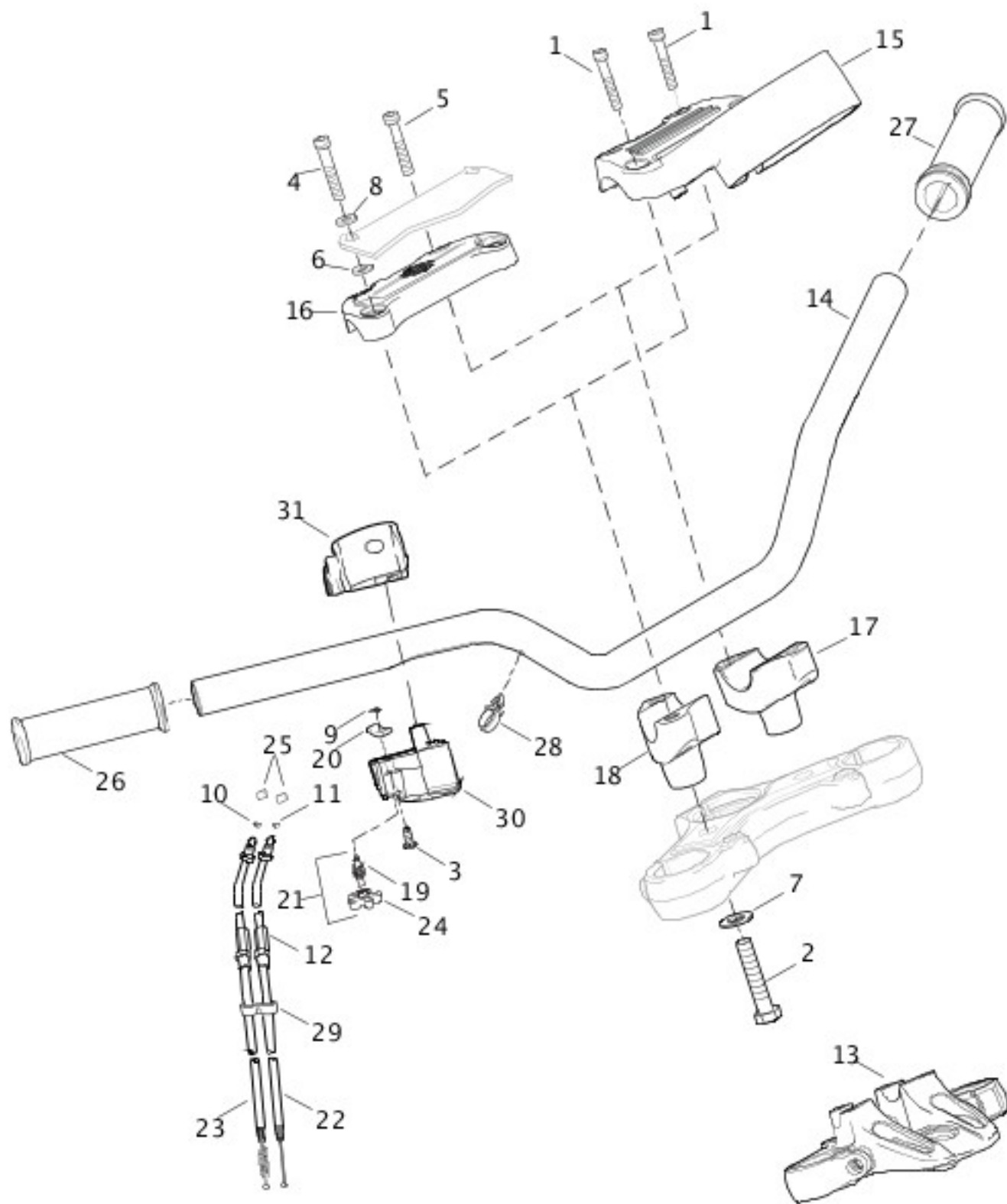
[View interactive table](#)

INDEX NO.	PART NO.	DESCRIPTION	MODEL(S)
1	855B	SCREW (2)	XR1200
2	3210A	SCREW	XR1200
3	3048	SCREW (2)	XR1200
4	4350A	SCREW (2)	XR1200

5	6400HB	WASHER (2)	XR1200
6	6874	WASHER (2)	XR1200
7	11304	RETAINING RING (4)	XR1200
8	33084-06	HEEL REST	XR1200
9	33130-07A	WEAR PEG, footrest (2)	XR1200
10	33133-06	RUBBER, footpeg (4)	XR1200
11	33134-07CAZ	FOOTPEG ASSEMBLY, RH, w/ 33133-06 (2)	XR1200
12	33135-07CAZ	FOOTPEG ASSEMBLY, LH, w/ 33133-06 (2)	XR1200
13	45041-01A	CLEVIS PIN (2)	XR1200
14	45067-06	CLEVIS PIN (4)	XR1200
15	45065-06	RETURN SPRING, footpeg (2)	XR1200
16	50912-72	SPRING WASHER (2)	XR1200
17	51044-08	BRACKET, rider support, LH	XR1200
18	51046-09	CLEVIS, rider footpeg (2)	XR1200
19	51048-08	BRACKET, passenger support, LH	XR1200
20	51049-08	BRACKET, passenger support, RH	XR1200
21	90520-07	PLUG, passenger (2)	XR1200

HANDLEBAR & THROTTLE CONTROL - 883/L/N/R, 1200L/N/R, XR1200

HANDLEBAR & THROTTLE CONTROL - 883/L/N/R, 1200L/N/R, XR1200



[View interactive image](#)

[View interactive table](#)

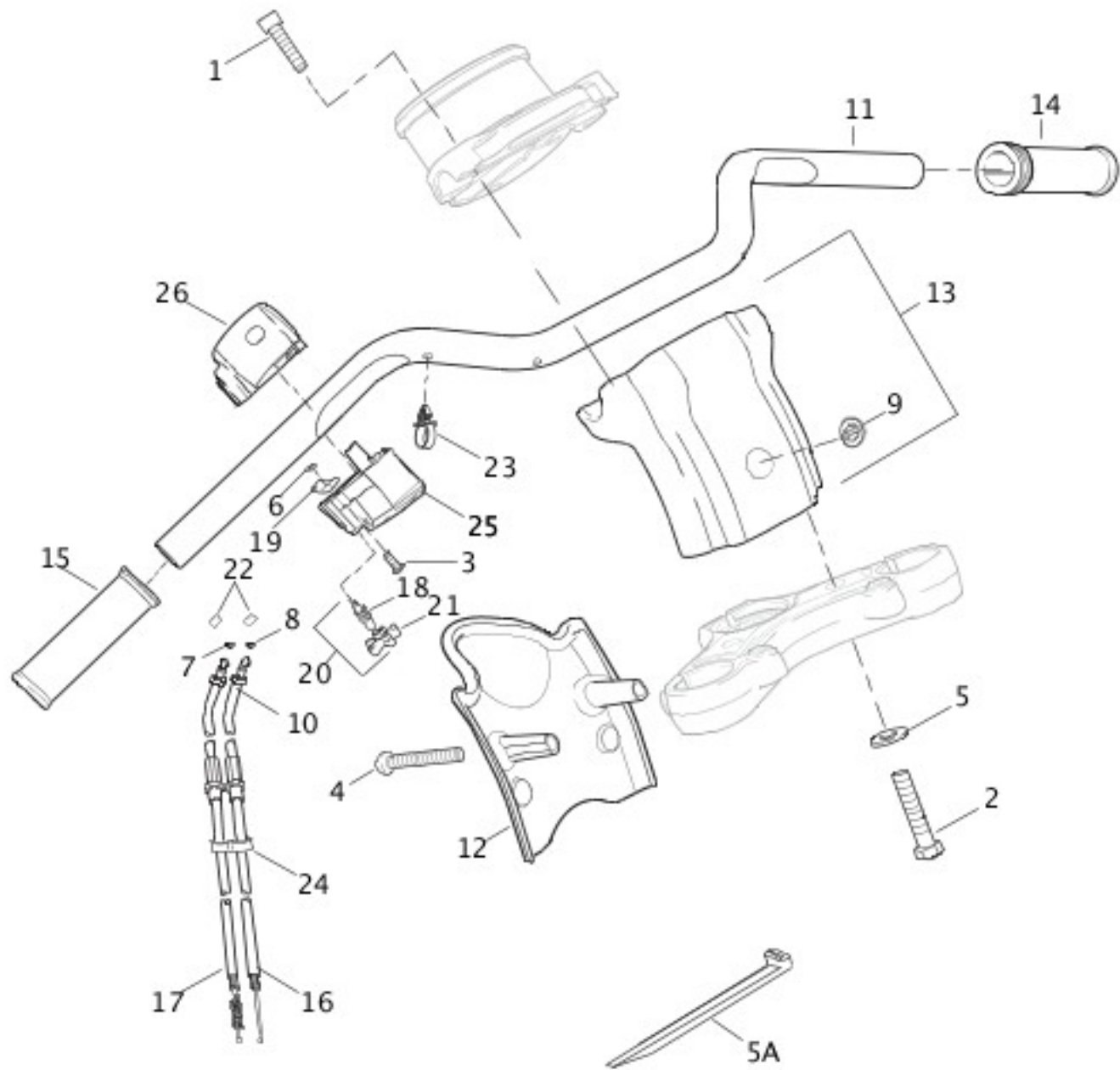
INDEX NO.	PART NO.	DESCRIPTION	MODEL(S)
1	3210A	SCREW (4)	XL1200L, XL1200N, XL883N
2	3605	BOLT (2)	XL1200L, XL1200N, XL1200R, XL883, XL883L, XL883N, XL883R

3	3658	SCREW (2)	XL1200L, XL1200N, XL1200R, XL883, XL883L, XL883N, XL883R
4	4326A	SCREW (2)	XL1200R, XL883, XL883L, XL883R, XR1200
5	4816A	SCREW (2)	XL1200R, XL883, XL883L, XL883R, XR1200
6	6109	WASHER (2)	XL1200R
7	6590HW	WASHER (2)	XL1200L, XL1200N, XL1200R, XL883, XL883L, XL883N, XL883R
8	6702	WASHER (2)	XL1200R, XL883, XL883L, XL883R, XR1200
9	11155	RETAINING RING	XL1200L, XL1200N, XL1200R, XL883, XL883L, XL883N, XL883R, XR1200
10	11271	RING RETAINER, idle	XL1200L, XL1200N, XL1200R, XL883, XL883L, XL883N, XL883R, XR1200
11	11272	RING RETAINER, retainer - throttle	XL1200L, XL1200N, XL1200R, XL883, XL883L, XL883N, XL883R, XR1200
12	38653-01	BOOT, cable, throttle	XL1200L, XL1200N, XL1200R, XL883, XL883L, XL883N, XL883R, XR1200
13	46028-08	BRACKET, upper	XR1200
14	55845-04	HANDLEBAR	XL883
	56004-00	HANDLEBAR	XL1200R
	56014-09	HANDLEBAR	XL883N
	56051-06	HANDLEBAR	XL1200L, XL883L
	56085-83A	HANDLEBAR	XL1200N, XL883R, XR1200
15	55846-05A	BRACKET, handlebar - upper (chrome)	XL1200L
	55847-05A	BRACKET, handlebar - upper (black wrinkle)	XL1200N, XL883N
16	56115-95	CLAMP, handlebar - upper (black)	XL883, XL883L, XL883R, XR1200
	56567-86B	CLAMP, handlebar - upper (chrome)	XL1200R
17	56116-82A	CLAMP, handlebar - lower left	XL1200N, XL883, XL883L, XL883N, XL883R

	56541-86A	CLAMP, handlebar - lower left	XL1200L, XL1200R
18	56117-82A	CLAMP, handlebar - lower right	XL1200N, XL883, XL883L, XL883N, XL883R
	56542-86A	CLAMP, handlebar - lower right	XL1200L, XL1200R
19	56394-74	SPRING, adjusting screw	XL1200L, XL1200N, XL1200R, XL883, XL883L, XL883N, XL883R, XR1200
20	56396-74A	FRICTION SPRING, throttle grip	XL1200L, XL1200N, XL1200R, XL883, XL883L, XL883N, XL883R, XR1200
21	56397-74C	KIT, throttle adjusting screw, w/ 11155, 56394-74 & 56402-83A	XL1200L, XL1200N, XL1200R, XL883, XL883L, XL883N, XL883R, XR1200
22	56637-08	THROTTLE CONTROL ASSEMBLY, w/ 11272 & 38653-01	XR1200
	56884-07	THROTTLE CONTROL ASSEMBLY, w/ 11272 & 38653-01	XL1200L, XL1200N, XL1200R, XL883, XL883L, XL883N, XL883R
23	56639-08	IDLE CONTROL ASSEMBLY, w/ 11271	XR1200
	56885-07	IDLE CONTROL ASSEMBLY, w/ 11271	XL1200L, XL1200N, XL1200R, XL883, XL883L, XL883N, XL883R
24	56402-83A	ADJUSTING SCREW, throttle	XL1200L, XL1200N, XL1200R, XL883, XL883L, XL883N, XL883R, XR1200
25	56508-76	FERRULE (2)	XL1200L, XL1200N, XL1200R, XL883, XL883L, XL883N, XL883R, XR1200
26	56666-04	GRIP & SLEEVE, throttle	XL1200L, XL1200N, XL1200R, XL883, XL883L, XL883N, XL883R, XR1200
27	56667-04	HANDLEBAR GRIP	XL1200L, XL1200N, XL1200R, XL883, XL883L, XL883N, XL883R, XR1200
28	70345-84	RETAINER, wire harness (4)	XL1200L, XL1200N, XL1200R, XL883, XL883L, XL883N, XL883R, XR1200
29	70504-81	CLIP, throttle cables (2)	XL1200L, XL1200N, XL1200R, XL883, XL883L, XL883N, XL883R, XR1200
30	71563-96	HOUSING, switches & throttle control - lower	XL1200L, XL1200N, XL1200R, XL883, XL883L, XL883N, XL883R, XR1200
31	71564-96	HOUSING, switches & throttle control - upper	XL1200L, XL1200N, XL1200R, XL883, XL883L, XL883N, XL883R, XR1200

HANDLEBAR & THROTTLE CONTROL - 883C, 1200C

HANDLEBAR & THROTTLE CONTROL - 883C, 1200C



[View interactive image](#)

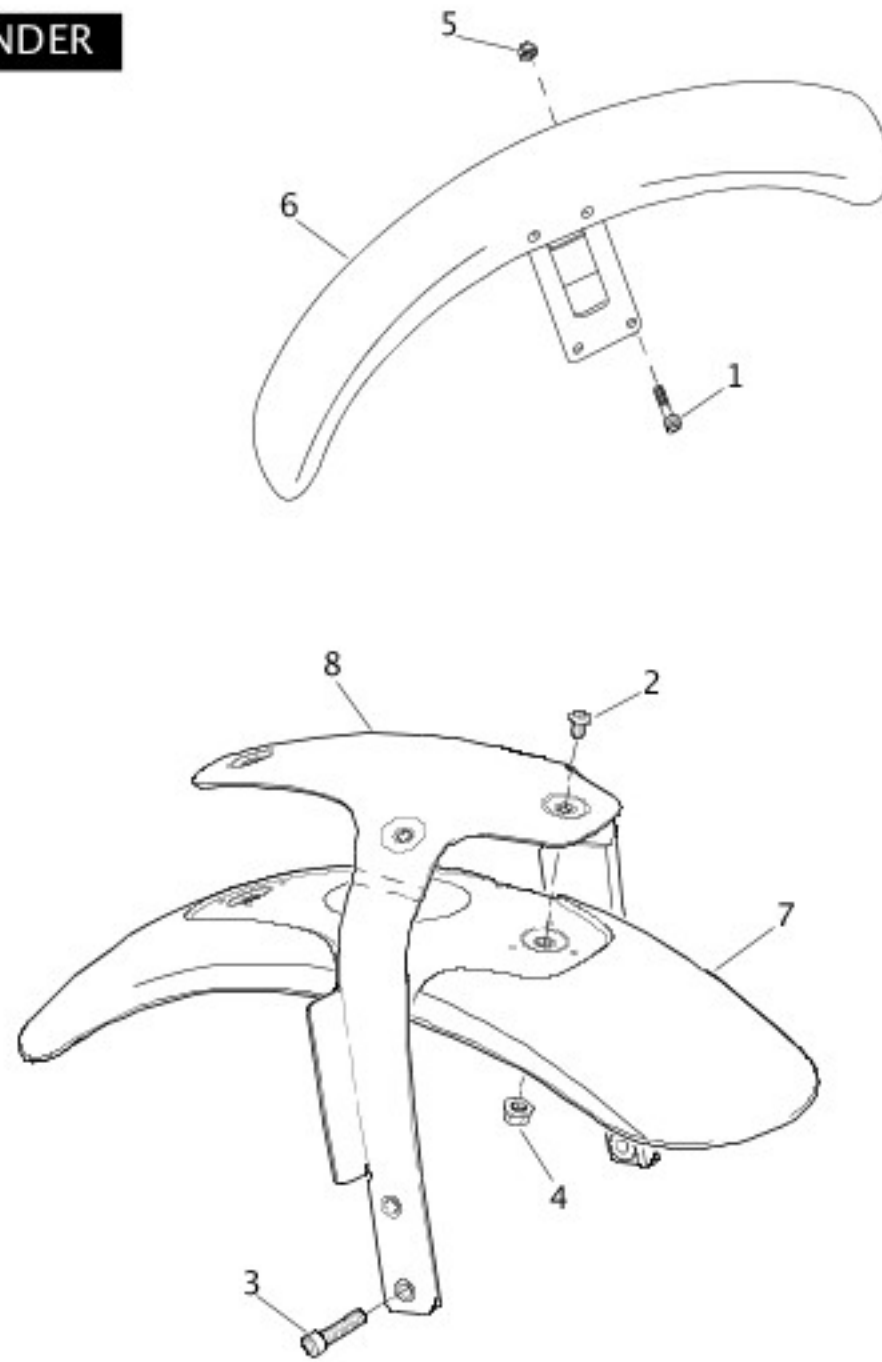
[View interactive table](#)

INDEX NO.	PART NO.	DESCRIPTION	MODEL(S)
1	3210A	SCREW (4)	XL1200C, XL883C
2	3605	BOLT (2)	XL1200C, XL883C
3	3658	SCREW (2)	XL1200C, XL883C
4	3666A	SCREW (2)	XL1200C, XL883C
5	6590HW	WASHER (2)	XL1200C, XL883C
5A	10006	CABLE STRAP (as required)	XL1200C, XL883C

6	11155	RETAINING RING	XL1200C, XL883C
7	11271	RING RETAINER (idle)	XL1200C, XL883C
8	11272	RING RETAINER (throttle)	XL1200C, XL883C
9	14448-94	LOGO BAR & SHIELD	XL1200C, XL883C
10	38653-01	BOOT, cable, throttle	XL1200C, XL883C
11	55840-04	HANDLEBAR	XL1200C, XL883C
12	55842-04	COVER, riser	XL1200C, XL883C
13	56017-04	RISER ASSEMBLY, handlebar, w/ 14448-94	XL1200C, XL883C
14	56667-04	HANDLEBAR GRIP	XL1200C, XL883C
15	56666-04	GRIP & SLEEVE, throttle	XL1200C, XL883C
16	56884-07	THROTTLE CONTROL ASSEMBLY	XL1200C, XL883C
17	56885-07	IDLE CONTROL ASSEMBLY	XL1200C, XL883C
18	56394-74	SPRING, adjusting screw	XL1200C, XL883C
19	56396-74A	FRICTION SPRING, throttle grip	XL1200C, XL883C
20	56397-74C	KIT, throttle adjusting screw, w/ 11155, 56394-74, & 56402-83A	XL1200C, XL883C
21	56402-83A	ADJUSTING SCREW, throttle	XL1200C, XL883C
22	56508-76	FERRULE (2)	XL1200C, XL883C
23	70345-84	RETAINER, wire harness (4)	XL1200C, XL883C
24	70504-81	CLIP, throttle cables (2)	XL1200C, XL883C
25	71563-96	HOUSING, switches & throttle control - lower	XL1200C, XL883C
26	71564-96	HOUSING, switches & throttle control - upper	XL1200C, XL883C

FRONT FENDER

FRONT FENDER



[View interactive image](#)

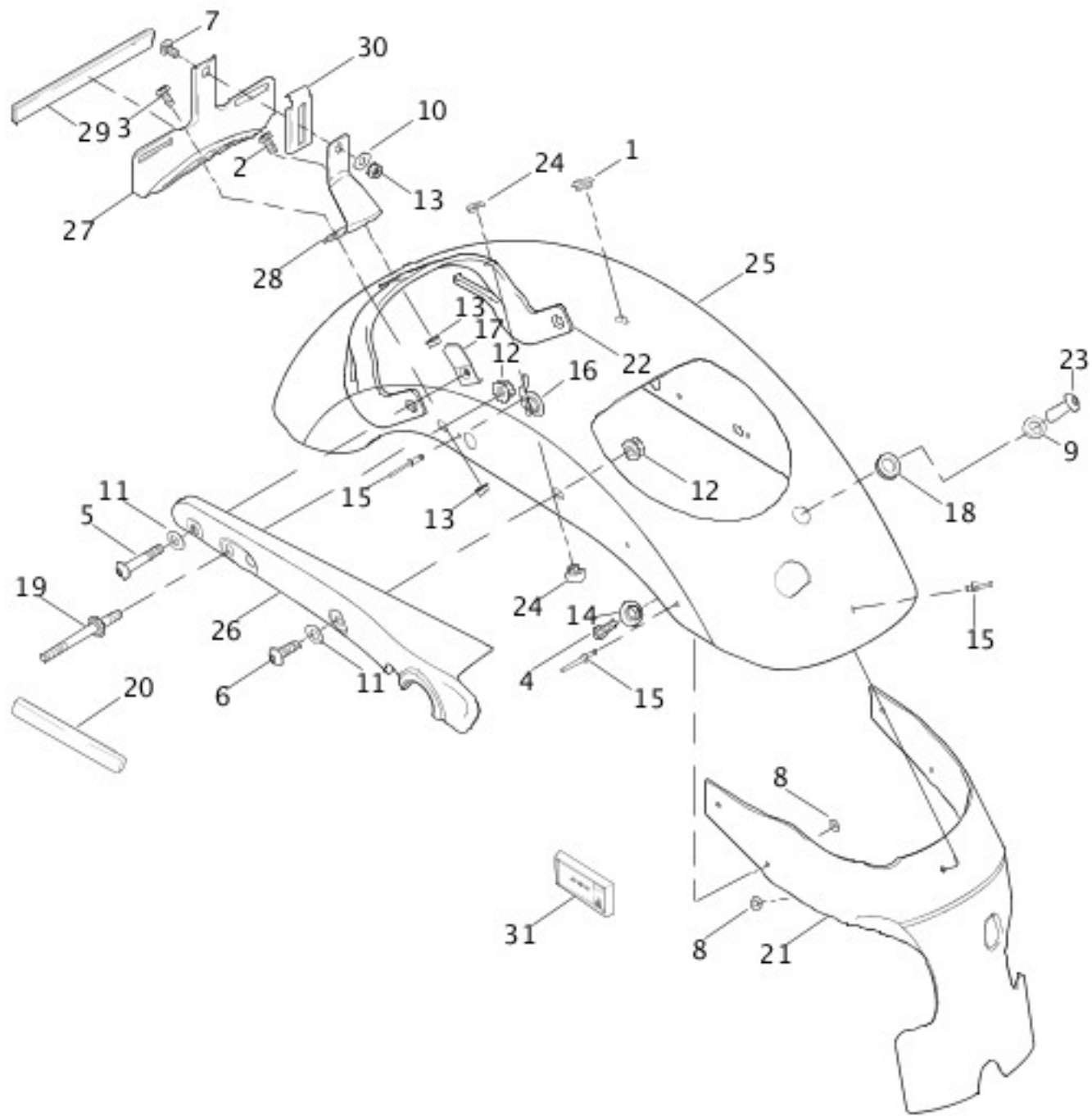
[View interactive table](#)

INDEX NO.	PART NO.	DESCRIPTION	MODEL(S)
NOTE: Refer to Painted Parts Book for painted part numbers.			
1	3210A	SCREW (4)	XL1200C, XL1200L, XL1200N, XL1200R, XL883, XL883C, XL883L, XL883N, XL883R
2	3731M	SCREW (4)	XR1200
3	4250M	SCREW (4)	XR1200
4	7495	NUT (4)	XR1200
5	7531	LOCKNUT (4)	XL1200C, XL1200L, XL1200N, XL1200R, XL883, XL883C, XL883L, XL883N, XL883R

6	58998-83E	FRONT FENDER, prime	XL1200C, XL1200L, XL1200R, XL883, XL883C, XL883L, XL883N, XL883R
	59712-07A	FRONT FENDER, prime	XL1200N
7	59022- 07BDK	FENDER, prime	XR1200
8	59403-08	FENDER SUPPORT	XR1200

REAR FENDER & LICENSE PLATE BRKT - 883/C/L/R, 1200C/L/R, 883N (CANADA)

**REAR FENDER & LICENSE PLATE BRKT -
883/C/L/R, 1200C/L/R, 883N (CANADA)**



[View interactive image](#)

[View interactive table](#)

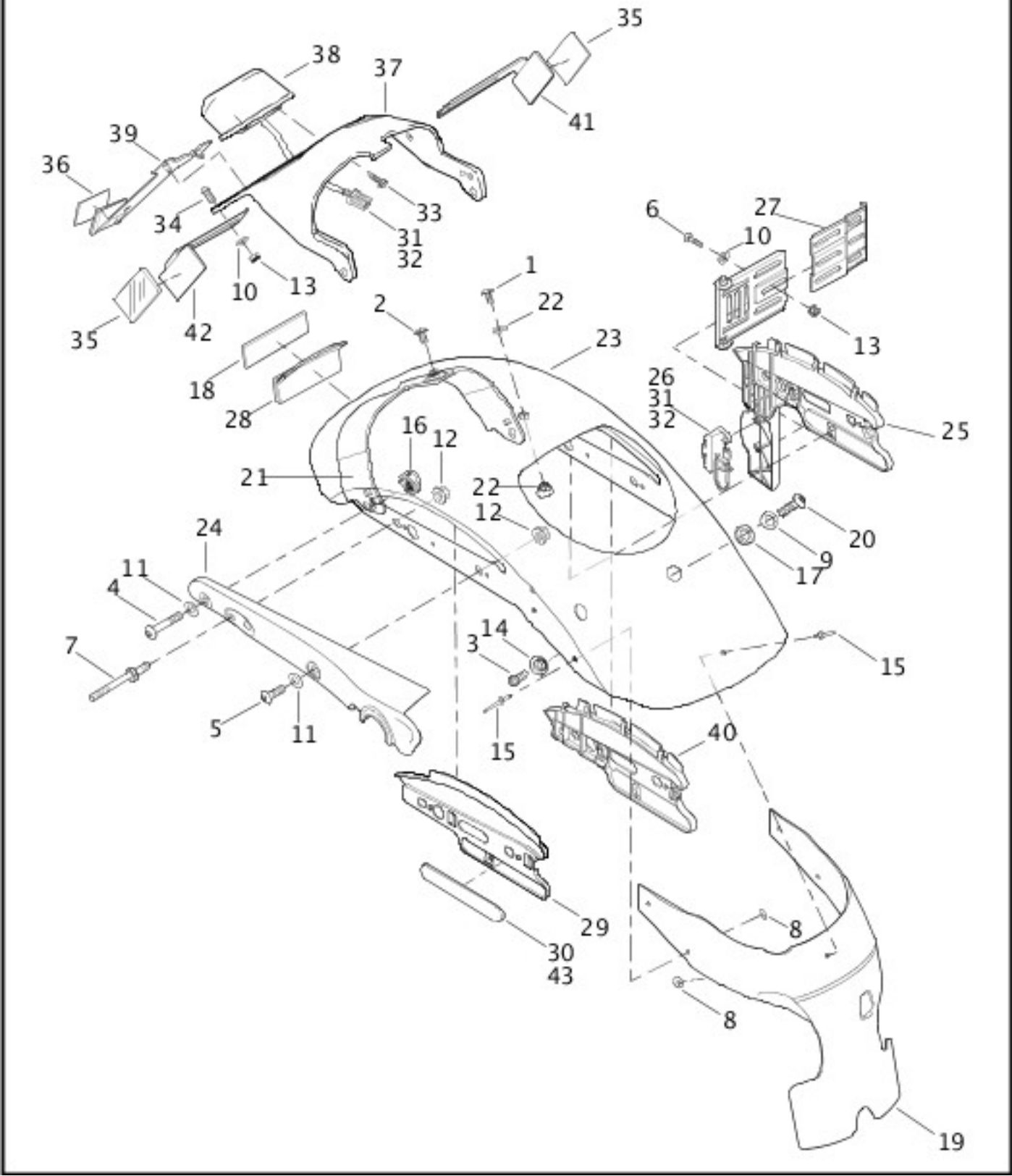
INDEX NO.	PART NO.	DESCRIPTION	MODEL(S)
NOTE: Refer to Painted Parts Book for painted part numbers.			
1	761	PLUG (black) (2)	XL1200C, XL1200L, XL1200R, XL883, XL883C, XL883L, XL883N, XL883R
2	2607	SCREW	XL1200C, XL1200L, XL1200R, XL883, XL883C, XL883L, XL883N, XL883R
3	2773	SCREW (2)	XL1200C, XL1200L, XL1200R, XL883, XL883C,

			XL883L, XL883N, XL883R
4	4017	BOLT	XL1200C, XL1200L, XL1200R, XL883, XL883C, XL883L, XL883N, XL883R
5	4778	SCREW (2)	XL1200C, XL1200L, XL1200R, XL883, XL883C, XL883L, XL883N, XL883R
6	4779	SCREW (2)	XL1200C, XL1200L, XL1200R, XL883, XL883C, XL883L, XL883N, XL883R
7	5403B	BOLT, carriage	XL1200C, XL1200L, XL1200R, XL883, XL883C, XL883L, XL883N, XL883R
8	6192	WASHER (5)	XL1200C, XL1200L, XL1200R, XL883, XL883C, XL883L, XL883N, XL883R
9	6702	WASHER (2)	XL1200C, XL1200L, XL1200R, XL883, XL883C, XL883L, XL883N, XL883R
10	6703	WASHER	XL1200C, XL1200L, XL1200R, XL883, XL883C, XL883L, XL883N, XL883R
11	6798	WASHER (4)	XL1200C, XL1200L, XL1200R, XL883, XL883C, XL883L, XL883N, XL883R
12	7531	LOCKNUT (4)	XL1200C, XL1200L, XL1200R, XL883, XL883C, XL883L, XL883N, XL883R
13	7792	NUT (4)	XL1200C, XL1200L, XL1200R, XL883, XL883C, XL883L, XL883N, XL883R
14	7882	TEE SPACER	XL1200C, XL1200L, XL1200R, XL883, XL883C, XL883L, XL883N, XL883R
15	8692	RIVET (7)	XL1200C, XL1200L, XL1200R, XL883, XL883C, XL883L, XL883N, XL883R
16	10200	BRACKET, wire retention (2)	XL1200C, XL1200L, XL1200R, XL883, XL883C, XL883L, XL883N, XL883R
17	10242	CLIP, threaded	XL1200C, XL1200L, XL1200R, XL883, XL883C, XL883L, XL883N, XL883R
18	11474	GROMMET	XL1200C, XL1200L, XL1200R, XL883, XL883C, XL883L, XL883N, XL883R
19	56104-02	SCREW, rear fender (2)	XL1200C, XL1200L, XL1200R, XL883, XL883C, XL883L, XL883N, XL883R
20	59287-92	REFLECTOR, right (red)	XL1200C, XL1200L, XL1200R, XL883, XL883C, XL883L, XL883N, XL883R
	59288-92	REFLECTOR, left (red)	XL1200C, XL1200L, XL1200R, XL883, XL883C, XL883L, XL883N, XL883R
21	59502-04A	REAR FENDER EXTENSION	XL1200C, XL1200L, XL1200R, XL883, XL883C, XL883L, XL883N, XL883R

22	59673-04	FENDER SUPPORT	XL1200C, XL1200L, XL1200R, XL883, XL883C, XL883L, XL883N, XL883R
23	59723-04	SEAT POST	XL1200C, XL1200L, XL1200R, XL883, XL883C, XL883L, XL883N, XL883R
24	59768-97	FENDER SEAT NUT KIT	XL1200C, XL1200L, XL1200R, XL883, XL883C, XL883L, XL883N, XL883R
25	59847-07	FENDER, rear (prime)	XL1200C, XL1200L, XL1200R, XL883, XL883C, XL883L, XL883N, XL883R
26	59902-04	COVER, rear fender support - right (chrome)	XL1200C, XL1200R, XL883, XL883C, XL883L, XL883R
	59903-04	COVER, rear fender support - left (chrome) (not shown)	XL1200C, XL1200R, XL883, XL883C, XL883L, XL883R
	60203-06	COVER, rear fender support - right (vivid black)	XL1200L, XL883N
	60204-06	COVER, rear fender support - left (vivid black) (not shown)	XL1200L, XL883N
27	59984-73	BRACKET, license plate	XL1200C, XL1200L, XL1200R, XL883, XL883C, XL883L, XL883N, XL883R
28	59986-75	SUPPORT, license plate bracket	XL1200C, XL1200L, XL1200R, XL883, XL883C, XL883L, XL883N, XL883R
29	59988-72A	REFLECTOR, license plate bracket	XL1200C, XL1200L, XL1200R, XL883, XL883C, XL883L, XL883N, XL883R
30	60001-55	CLAMP, license plate bracket	XL1200C, XL1200L, XL1200R, XL883, XL883C, XL883L, XL883N, XL883R
INTERNATIONAL MODELS ONLY			
31	59254-91	REFLECTOR, amber (HDI) (2)	XL1200C, XL1200L, XL1200R, XL883, XL883C, XL883L, XL883R

REAR FENDER & LICENSE PLATE BRACKET - 883N (NON-CANADA), 1200N

REAR FENDER & LICENSE PLATE BRACKET - 883N (NON-CANADA), 1200N



[View interactive image](#)

[View interactive table](#)

INDEX NO.	PART NO.	DESCRIPTION	MODEL(S)
NOTE: Refer to Painted Parts Book for painted part numbers.			
1	2952A	SCREW	XL1200N, XL883N
2	3085	SCREW	XL1200N,

			XL883N
3	4017	BOLT	XL1200N, XL883N
4	4778	SCREW (2)	XL1200N, XL883N
5	4779	SCREW (2)	XL1200N, XL883N
6	5403B	BOLT, carriage	XL1200N, XL883N
7	5531	SCREW, rear fender (2)	XL1200N, XL883N
8	6192	WASHER (5)	XL1200N, XL883N
9	6702	WASHER (2)	XL1200N, XL883N
10	6703	WASHER	XL1200N, XL883N
11	6798	WASHER (4)	XL1200N, XL883N
12	7531	LOCKNUT (4)	XL1200N, XL883N
13	7716	LOCKNUT	XL1200N, XL883N
14	7882	TEE SPACER	XL1200N, XL883N
15	8692	RIVET (9)	XL1200N, XL883N
16	10323	CLIP, threaded (2)	XL1200N, XL883N
17	11474	GROMMET	XL1200N, XL883N
18	59359-06	REFLECTOR (red)	XL1200N, XL883N
19	59502-04A	REAR FENDER EXTENSION	XL1200N, XL883N
20	59723-04	SEAT POST	XL1200N, XL883N
21	59727-07	FENDER SUPPORT	XL1200N, XL883N

22	59768-97	FENDER SEAT NUT KIT	XL1200N, XL883N
23	59865-07	FENDER, rear (prime)	XL1200N, XL883N
24	60203-06	COVER, rear fender support - right (vivid black)	XL1200N, XL883N
	60204-06	COVER, rear fender support - left (vivid black) (not shown)	XL1200N, XL883N
25	60318-07	LICENSE PLATE BRACKET MOUNT ASSEMBLY, left w/ 5403B, 7716, 68183-07 & 68702-07	XL1200N, XL883N
26	68183-07	ILLUMINATOR, license plate w/ 73152-96BK, & 73191-96	XL1200N, XL883N
27	68702-07	BRACKET ADJUST, license plate	XL1200N, XL883N
28	68724-07	MOUNTING BLOCK, w/ tape	XL1200N, XL883N
29	68704-07	BRACKET REFLECTOR MOUNT, right	XL1200N, XL883N
30	69490-07	REFLECTOR (red) (2)	XL1200N, XL883N
31	73152-96BK	SOCKET HOUSING, 2-way (black)	XL1200N, XL883N
32	73191-96	SOCKET TERMINAL, 16-20 awg (2)	XL1200N, XL883N

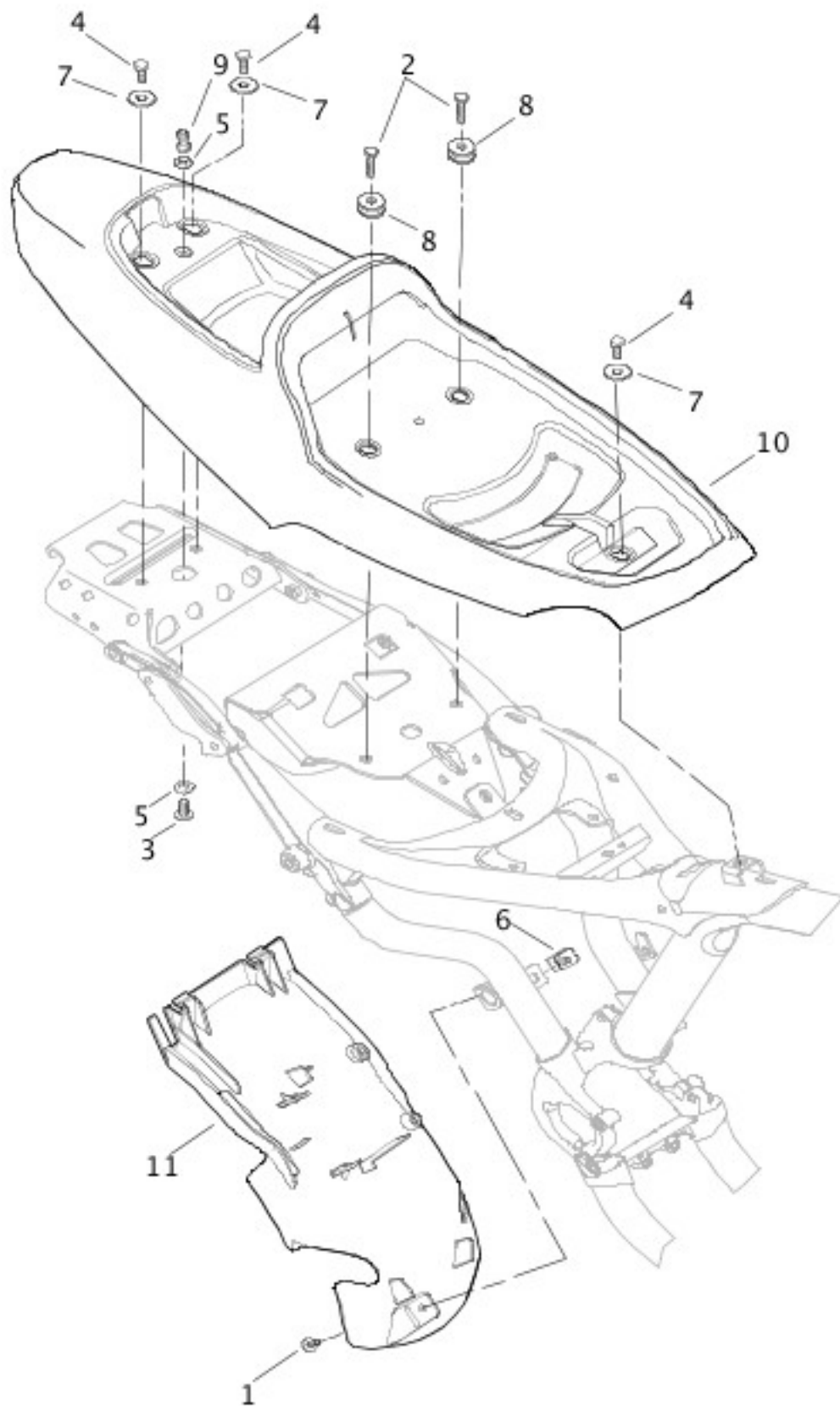
INTERNATIONAL MODELS ONLY

33	2362	SCREW (HDI) (2)	XL1200N, XL883N
34	2446	SCREW (HDI) (2)	XL1200N, XL883N
35	59256-84A	REFLECTOR (amber) (HDI) (2)	XL1200N, XL883N
36	59259-90	REFLECTOR (red) (HDI)	XL1200N, XL883N
37	60901-07	LICENSE PLATE MODULE (HDI)	XL1200N, XL883N
38	60903-08	ILLUMINATOR, license plate (HDI)	XL1200N, XL883N
39	60188-08	BRACKET, reflector w/ 59259-90 (HDI)	XL1200N, XL883N

40	68857-07	BRACKET, reflector mount, left (HDI)	XL1200N, XL883N
41	68966-08	BRACKET, reflector, LH (HDI)	XL1200N, XL883N
42	68992-08	BRACKET, reflector, RH (HDI)	XL1200N, XL883N
43	69498-08	COVER, side reflector (HDI) (2)	XL1200N, XL883N

REAR FENDER - XR1200

REAR FENDER - XR1200



[View interactive image](#)

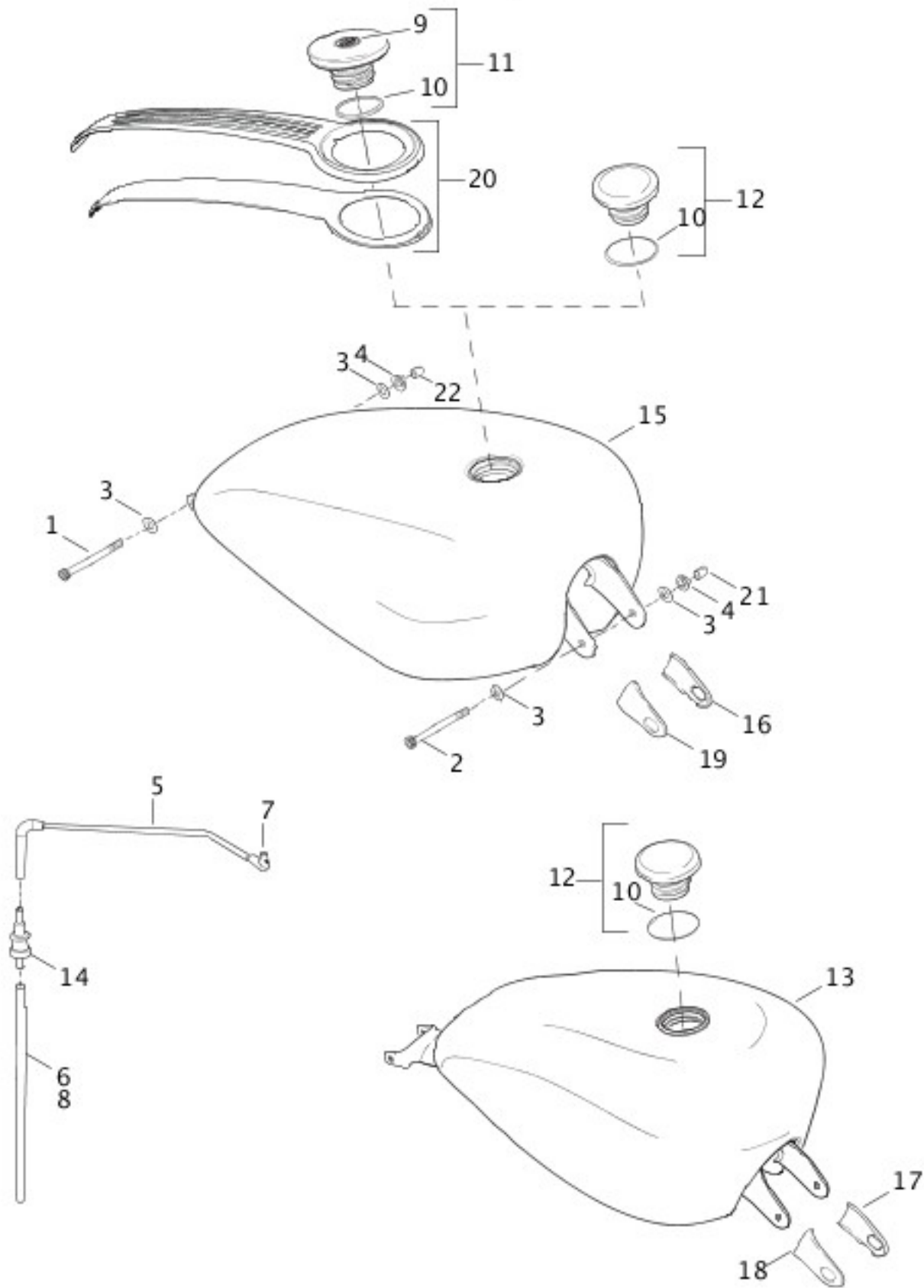
[View interactive table](#)

INDEX NO.	PART NO.	DESCRIPTION	MODEL(S)
NOTE: Refer to Painted Parts Book for painted part numbers.			
1	2445	SCREW	XR1200
2	2872W	BOLT (2)	XR1200
3	3574	SCREW	XR1200

4	3802W	BOLT (3)	XR1200
5	6703	WASHER (2)	XR1200
6	7900	LOCKNUT	XR1200
7	48390-06	SPACER (3)	XR1200
8	51710-08	POST, seat, grabstrap (2)	XR1200
9	52429-08	SEAT POST	XR1200
10	59901-08BDK	FENDER, rear (prime)	XR1200
11	59916-08	FENDER ASSEMBLY, inner	XR1200

FUEL TANK - 883/C/L/N/R, 1200C/L/N/R

FUEL TANK - 883/C/L/N/R, 1200C/L/N



[View interactive image](#)

[View interactive table](#)

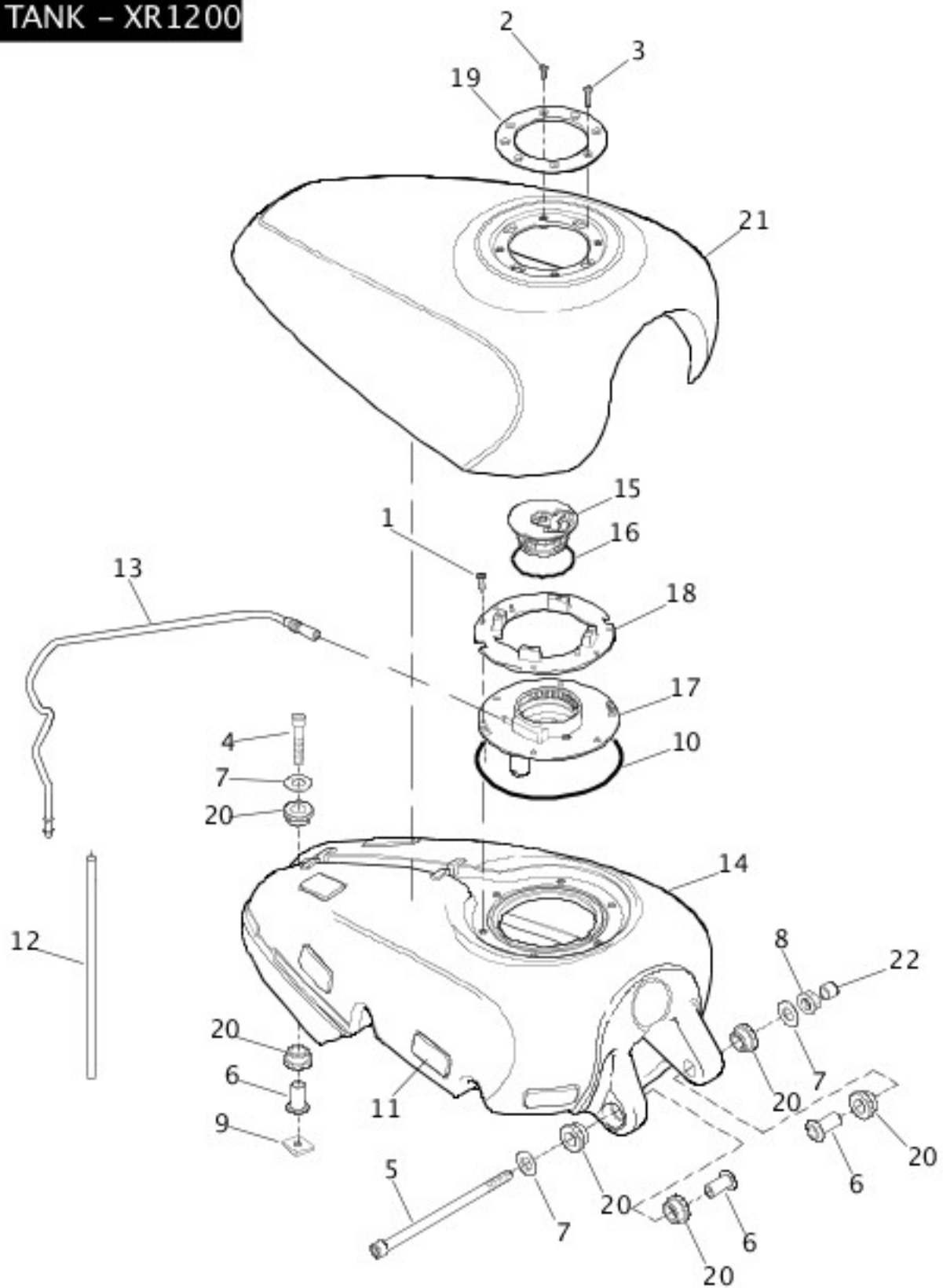
INDEX NO.	PART NO.	DESCRIPTION	MODEL(S)
NOTE: Refer to Painted Parts Book for painted part numbers.			
1	4758A	SCREW	XL1200C, XL1200L, XL1200N, XL1200R, XL883, XL883C, XL883L, XL883N, XL883R

2	4771	SCREW	XL1200C, XL1200L, XL1200N, XL1200R, XL883, XL883C, XL883L, XL883N, XL883R
3	6702	WASHER (4)	XL1200C, XL1200L, XL1200N, XL1200R, XL883, XL883C, XL883L, XL883N, XL883R
4	7531	LOCKNUT, flange (2)	XL1200C, XL1200L, XL1200N, XL1200R, XL883, XL883C, XL883L, XL883N, XL883R
5	27067-07A	VENTLINE, tank-to-valve, w/ 27250-96B	XL1200C, XL1200L, XL1200N, XL1200R, XL883, XL883C, XL883L, XL883N, XL883R
6	27096-04A	VENTLINE, vapor valve-to-atmosphere	XL1200C, XL1200L, XL1200N, XL1200R, XL883, XL883C, XL883L, XL883N, XL883R
7	27250-96B	CONNECTOR, 90 degree	XL1200C, XL1200L, XL1200N, XL1200R, XL883, XL883C, XL883L, XL883N, XL883R
8	28911-04A	HOSE, vapor valve-to-evaporative canister (California)	XL1200C, XL1200L, XL1200N, XL1200R, XL883, XL883C, XL883L, XL883N, XL883R
9	52494-04	FUEL CAP, medallion	XL1200C, XL1200L, XL883C
10	61109-85D	GASKET, fuel cap	XL1200C, XL1200L, XL1200N, XL1200R, XL883, XL883C, XL883L, XL883N, XL883R
11	61260-04	FUEL CAP ASSEMBLY, vented, w/ 52494-04 & 61109-85D	XL1200C, XL1200L, XL883C
12	61272-92B	FUEL CAP ASSEMBLY, w/ 61109-85D	XL1200R, XL883, XL883L, XL883R
	61289-07	FUEL CAP ASSEMBLY, vented, w/ 61109-85D	XL1200N, XL883N
13	61405-07	FUEL TANK ASSEMBLY (prime)	XL1200N, XL883, XL883L, XL883N, XL883R
14	62150-85	VAPOR VALVE	XL1200C, XL1200L, XL1200N, XL1200R, XL883, XL883C, XL883L, XL883N, XL883R
15	62213-07	FUEL TANK ASSEMBLY (prime)	XL1200C, XL1200L, XL1200R, XL883C
16	70903-04	TRIM, left front	XL1200C, XL1200L, XL1200R, XL883C
17	70904-04	TRIM, left front	XL1200N, XL883, XL883L, XL883N, XL883R
18	70917-04	TRIM, right front	XL1200N, XL883, XL883L, XL883N, XL883R
19	70919-04	TRIM, right front	XL1200C, XL1200L, XL1200R, XL883C
20	71276-04A	CONSOLE ASSEMBLY, fuel tank	XL1200C

21	89579-91	CAP, protective	XL1200C, XL1200L, XL1200N, XL1200R, XL883, XL883C, XL883L, XL883N, XL883R
22	89586-04	CAP, protective	XL1200C, XL1200L, XL1200N, XL1200R, XL883, XL883C, XL883L, XL883N, XL883R
	48493-01	TAPE, protective (not shown)	XL1200R, XL883, XL883L, XL883R

FUEL TANK - XR1200

FUEL TANK - XR1200



[View interactive image](#)

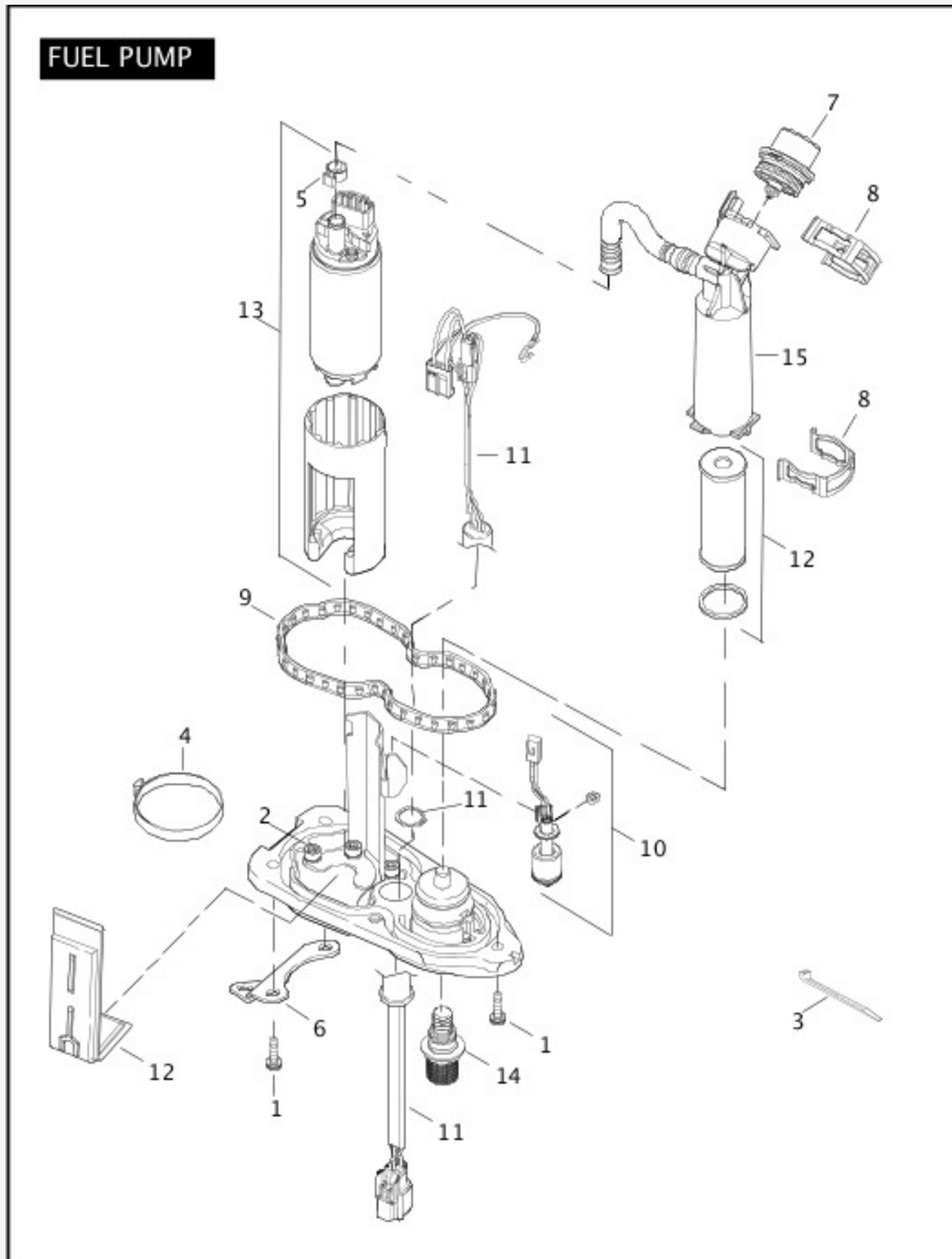
[View interactive table](#)

INDEX NO.	PART NO.	DESCRIPTION	MODEL(S)
NOTE: Refer to Painted Parts Book for painted part numbers.			
1	1081A	SCREW (6)	XR1200
2	3059	SCREW (4)	XR1200

3	3060	SCREW (4)	XR1200
4	3485A	SCREW	XR1200
5	4553	SCREW	XR1200
6	5845	BUSHING, tank mount (3)	XR1200
7	6400HB	WASHER, ferrous (3)	XR1200
8	7531	LOCKNUT, flange	XR1200
9	8102	SPEEDNUT	XR1200
10	11570	O-RING, fuel tank seal	XR1200
11	11668	PAD, fuel tank (8)	XR1200
12	27096-04A	VENT LINE, vapor valve-to-atmosphere	XR1200
13	27200-08	VENT LINE, fuel tank	XR1200
14	61392-08	FUEL TANK	XR1200
15	61572-08A	FILLER CAP	XR1200
16	61573-08A	O-RING	XR1200
17	61574-08	TOP PLATE	XR1200
18	61576-08	CLAMP RING	XR1200
19	61577-08	TRIM RING	XR1200
20	62881-00	BUSHING, rubber (6)	XR1200
21	66271-08BDK	COVER, fuel cell (primed)	XR1200
22	89586-04	CAP, protective	XR1200

FUEL PUMP

FUEL PUMP



[View interactive image](#)

[View interactive table](#)

INDEX NO.	PART NO.	DESCRIPTION	MODEL(S)
	75268-07C	FUEL PUMP MODULE	ALL
NOTE: Includes the following parts.			
1	1081A	SCREW (not included in pump) (5)	ALL

2	1091	SCREW (3)	ALL
3	10181	CABLE STRAP (as required)	ALL
4	10303	CLAMP, pump assembly	ALL
5	10304	CLAMP, tube	ALL
6	56871-08	BRACKET, throttle cable guide (not included in pump)	XR1200
7	61015-04A	PRESSURE REGULATOR ASSEMBLY	ALL
8	61213-04A	RETAINING CLIP (2)	ALL
9	75301-07	SEAL, cover plate	ALL
10	75302-07	SENSOR, fuel level w/ retaining ring	ALL
11	75303-07	HARNESS, fuel sender, w/ retaining ring	ALL
12	75304-07A	FUEL FILTER KIT, w/ 10181, 10303, strainer & filter element	ALL
13	75305-07A	FUEL PUMP, w/ 1091, 10181, 10303 & 10304	ALL
14	75309-07	VALVE ASSEMBLY	ALL
15	75317-07	FILTER HOUSING	ALL

FUEL TANK TRIM



[View interactive image](#)

[View interactive table](#)

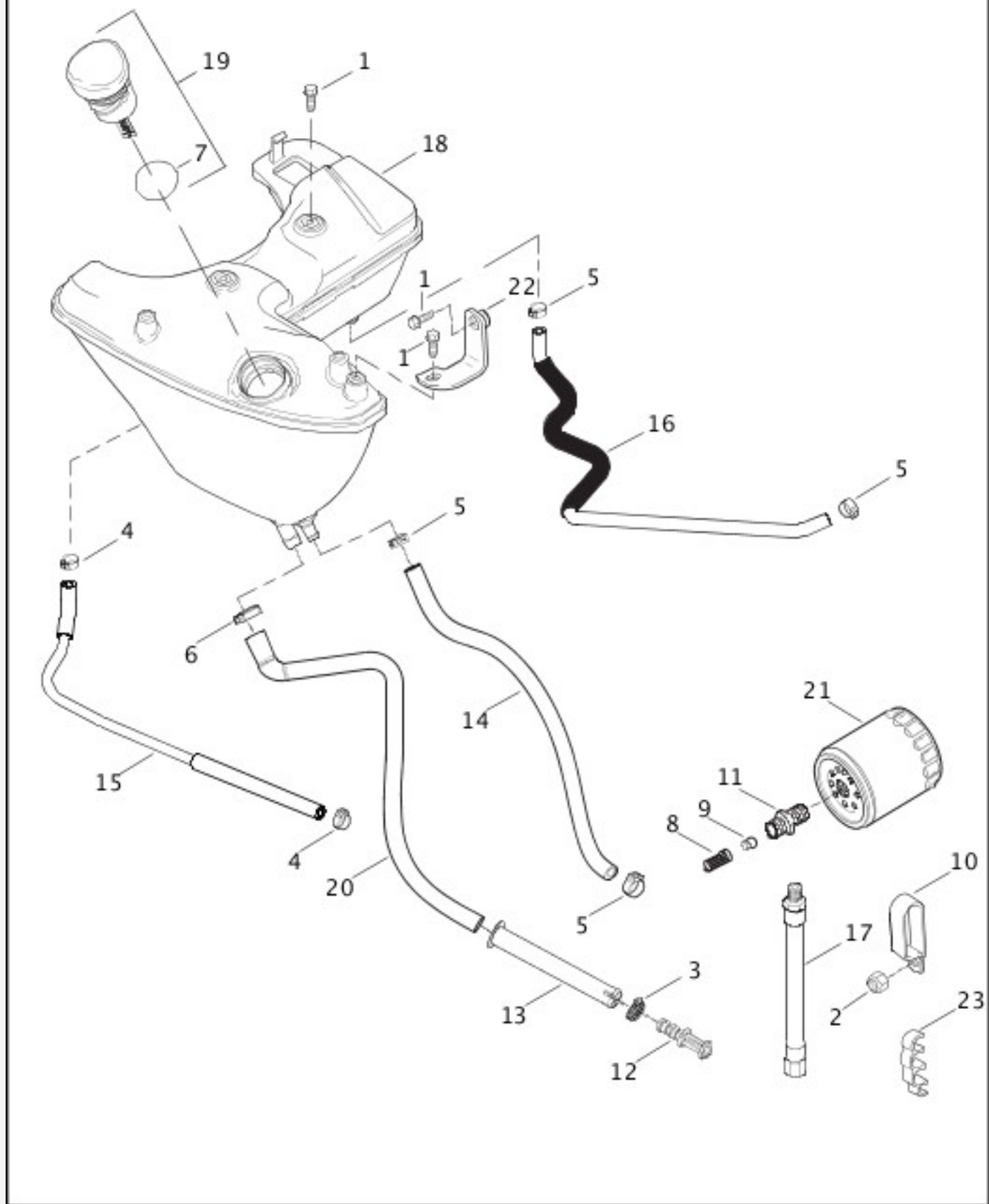
INDEX NO.	PART NO.	DESCRIPTION	MODEL(S)
1	13304-08	DECAL, fuel tank (gold, burgundy)	XL883L
	13305-08	DECAL, fuel tank (silver, blue)	XL883L
2	13340-08	DECAL, fuel tank (red, black, silver)	XL883
	13341-08	DECAL, fuel tank (blue, black, silver)	XL883

3	13342-08	DECAL, fuel tank, LH (silver, burgandy)	XL883C
	13343-08	DECAL, fuel tank, RH (silver, burgandy)	XL883C
	13386-08	DECAL, fuel tank, LH (silver, blue)	XL883C
	13397-08	DECAL, fuel tank, RH (silver, blue)	XL883C
	13578-08	DECAL, fuel tank, LH (gold, burgandy)	XL883C
	13579-08	DECAL, fuel tank, RH (gold, burgandy)	XL883C
4	13566-05	DECAL, fuel tank (LH)	XL883R
	13567-05	DECAL, fuel tank (RH)	XL883R
5	62260-08	MEDALLION, fuel tank, LH (red)	XL1200C
	62261-08	MEDALLION, fuel tank, RH (red)	XL1200C
	62262-08	MEDALLION, fuel tank LH (blue)	XL1200C
	62263-08	MEDALLION, fuel tank, RH (blue)	XL1200C
6	62320-06	MEDALLION, fuel tank, LH	XL1200L
	62321-06	MEDALLION, fuel tank, RH	XL1200L

Index 7Silkscreen that is only sold as part of vivid black, mirage orange pearl, brilliant silver denim, suede blue pearl, and olive pearl denim XL1200N fuel tank assemblies.Index 8Silkscreen that is only sold as part of vivid black, pacific blue pearl, crimson red sunglow, black pearl XL1200R fuel tank assemblies.Index 9Silkscreen that is only sold as part of mirage orange pearl, pewter pearl, pewter denim, dark blue pearl, pacific blue pearl XR1200 fuel tank assemblies.Index 10Silkscreen that is only sold as part of black denim, brilliant silver denim XL883N fuel tank assemblies.

OIL TANK & FILTER - 883/C/L/N/R, 1200C/L/N/R

OIL TANK & FILTER – 883/C/L/N/R, 1200C/L/N



[View interactive image](#)

[View interactive table](#)

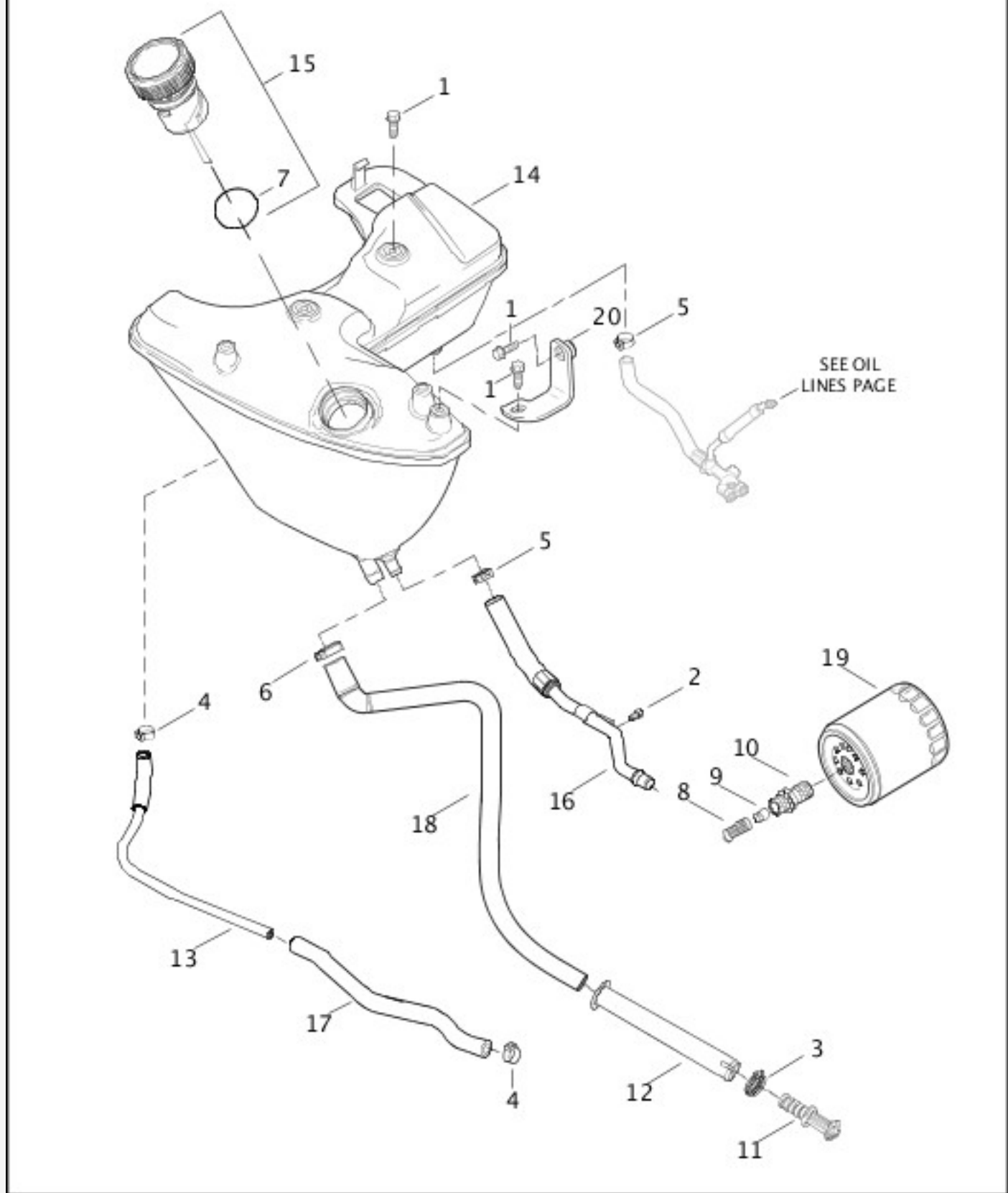
INDEX NO.	PART NO.	DESCRIPTION	MODEL(S)
1	3588	SCREW, flange (3)	XL1200C, XL1200L, XL1200N, XL1200R, XL883, XL883C, XL883L, XL883N, XL883R
2	7624	LOCKNUT	XL1200C, XL1200L, XL1200N, XL1200R, XL883, XL883C, XL883L, XL883N, XL883R

3	9969	HOSE CLAMP	XL1200C, XL1200L, XL1200N, XL1200R, XL883, XL883C, XL883L, XL883N, XL883R
4	10014	CLAMP (2)	XL1200C, XL1200L, XL1200N, XL1200R, XL883, XL883C, XL883L, XL883N, XL883R
5	10080	CLAMP (4)	XL1200C, XL1200L, XL1200N, XL1200R, XL883, XL883C, XL883L, XL883N, XL883R
6	10142	CLAMP	XL1200C, XL1200L, XL1200N, XL1200R, XL883, XL883C, XL883L, XL883N, XL883R
7	11120	O-RING	XL1200C, XL1200L, XL1200N, XL1200R, XL883, XL883C, XL883L, XL883N, XL883R
8	26436-90A	SPRING	XL1200C, XL1200L, XL1200N, XL1200R, XL883, XL883C, XL883L, XL883N, XL883R
9	26437-86B	BALL	XL1200C, XL1200L, XL1200N, XL1200R, XL883, XL883C, XL883L, XL883N, XL883R
10	31512-04	HOSE CLAMP	XL1200C, XL1200L, XL1200N, XL1200R, XL883, XL883C, XL883L, XL883N, XL883R
11	33117-91A	ADAPTOR, oil filter	XL1200C, XL1200L, XL1200N, XL1200R, XL883, XL883C, XL883L, XL883N, XL883R
12	33123-06A	PLUG, oil tank drain	XL1200C, XL1200L, XL1200N, XL1200R, XL883, XL883C, XL883L, XL883N, XL883R
13	33138-06	SLEEVE, oil drain line	XL1200C, XL1200L, XL1200N, XL1200R, XL883, XL883C, XL883L, XL883N, XL883R
14	62338-01Y	LINE, oil feed	XL1200C, XL1200L, XL1200N, XL1200R, XL883, XL883C, XL883L, XL883N, XL883R
15	62360-04A	LINE, vent tube, w/ 10014	XL1200C, XL1200L, XL1200N, XL1200R, XL883, XL883C, XL883L, XL883N, XL883R
16	62361-04	LINE, oil return	XL1200C, XL1200L, XL1200N, XL1200R, XL883, XL883C, XL883L, XL883N, XL883R
17	62651-04	LINE, oil pump	XL1200C, XL1200L, XL1200N, XL1200R, XL883, XL883C, XL883L, XL883N, XL883R
18	62888-04A	OIL TANK ASSEMBLY	XL1200C, XL1200L, XL1200N, XL1200R, XL883, XL883C, XL883L, XL883N, XL883R
19	63000-04B	DIPSTICK ASSEMBLY, oil tank, w/ 11120	XL1200C, XL1200L, XL1200R, XL883, XL883C, XL883L, XL883R
	62592-07A	DIPSTICK ASSEMBLY, oil tank, w/ 11120	XL1200N, XL883N
20	63596-06	LINE, oil drain	XL1200C, XL1200L, XL1200N, XL1200R, XL883, XL883C, XL883L, XL883N, XL883R
21	63805-80A	OIL FILTER	XL1200L, XL1200N, XL1200R, XL883, XL883C, XL883L, XL883N, XL883R

	63796-77A	OIL FILTER (chrome)	XL1200C
22	66199-04	BRACKET, oil tank	XL1200C, XL1200L, XL1200N, XL1200R, XL883, XL883C, XL883L, XL883N, XL883R
23	70503-04	HOSE CLIP	XL1200C, XL1200L, XL1200N, XL1200R, XL883, XL883C, XL883L, XL883N, XL883R

OIL TANK & FILTER - XR1200

OIL TANK & FILTER - XR1200



[View interactive image](#)

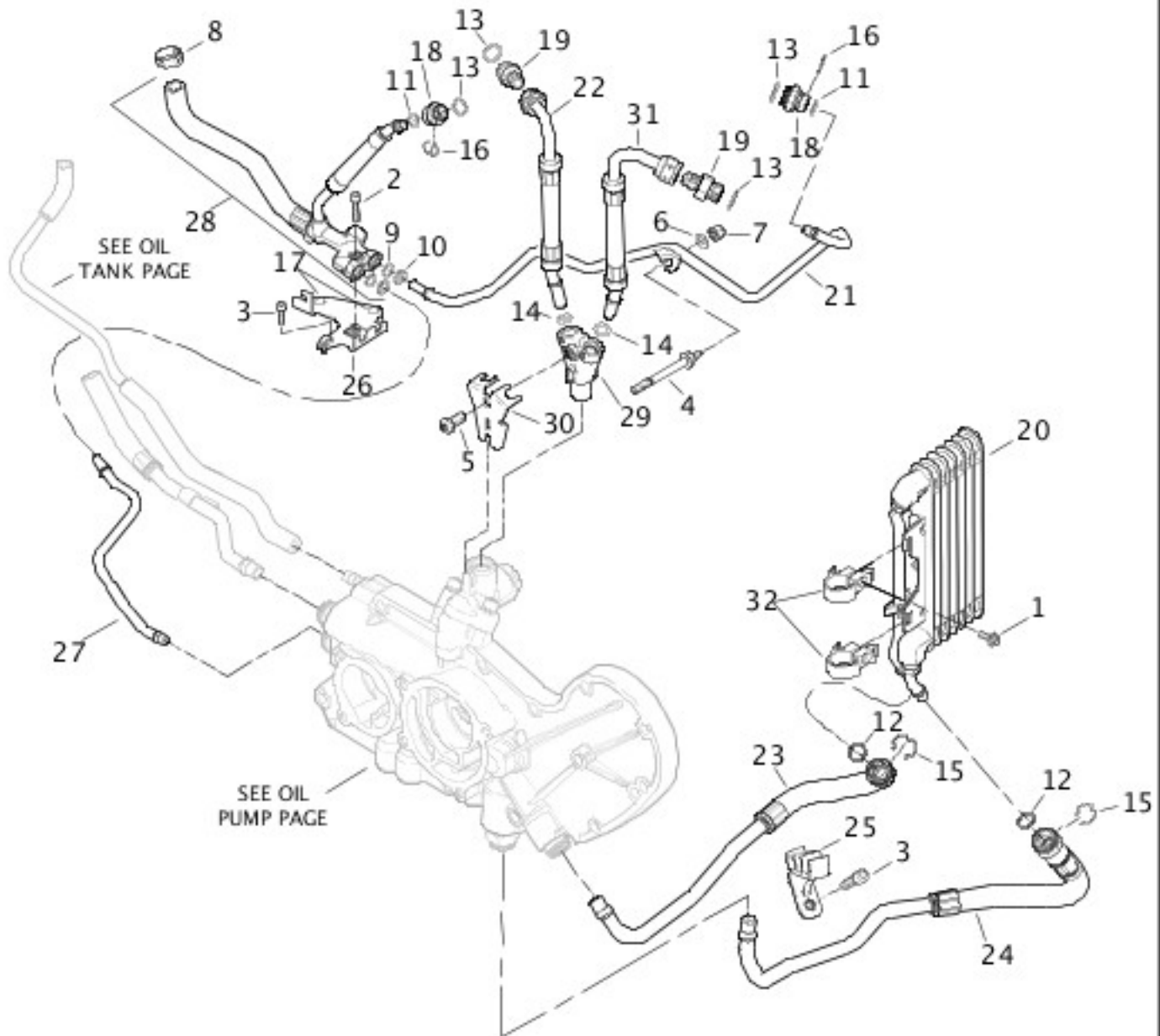
[View interactive table](#)

INDEX NO.	PART NO.	DESCRIPTION	MODEL(S)
1	3588	SCREW, flange (4)	XR1200
2	4705	SCREW	XR1200
3	9969	HOSE CLAMP	XR1200
4	10014	CLAMP (2)	XR1200

5	10344	CLAMP (2)	XR1200
6	10142	CLAMP	XR1200
7	11120	O-RING	XR1200
8	26436-90A	SPRING	XR1200
9	26437-86B	BALL	XR1200
10	33117-91A	ADAPTOR, oil filter	XR1200
11	33123-06A	PLUG, oil tank drain	XR1200
12	33138-06	SLEEVE, oil drain line	XR1200
13	62360-04A	LINE, oil vent, upper, w/ 10014	XR1200
14	62888-08	OIL TANK ASSEMBLY	XR1200
15	63008-08	DIPSTICK ASSEMBLY, oil tank, w/ 11120	XR1200
16	63099-08	LINE, oil feed	XR1200
17	63103-08	LINE, oil vent, lower	XR1200
18	63596-06	LINE, oil drain	XR1200
19	63805-80A	OIL FILTER	XR1200
20	66199-04	BRACKET, oil tank	XR1200

OIL LINES & COOLER - XR1200

OIL LINES & COOLER - XR1200

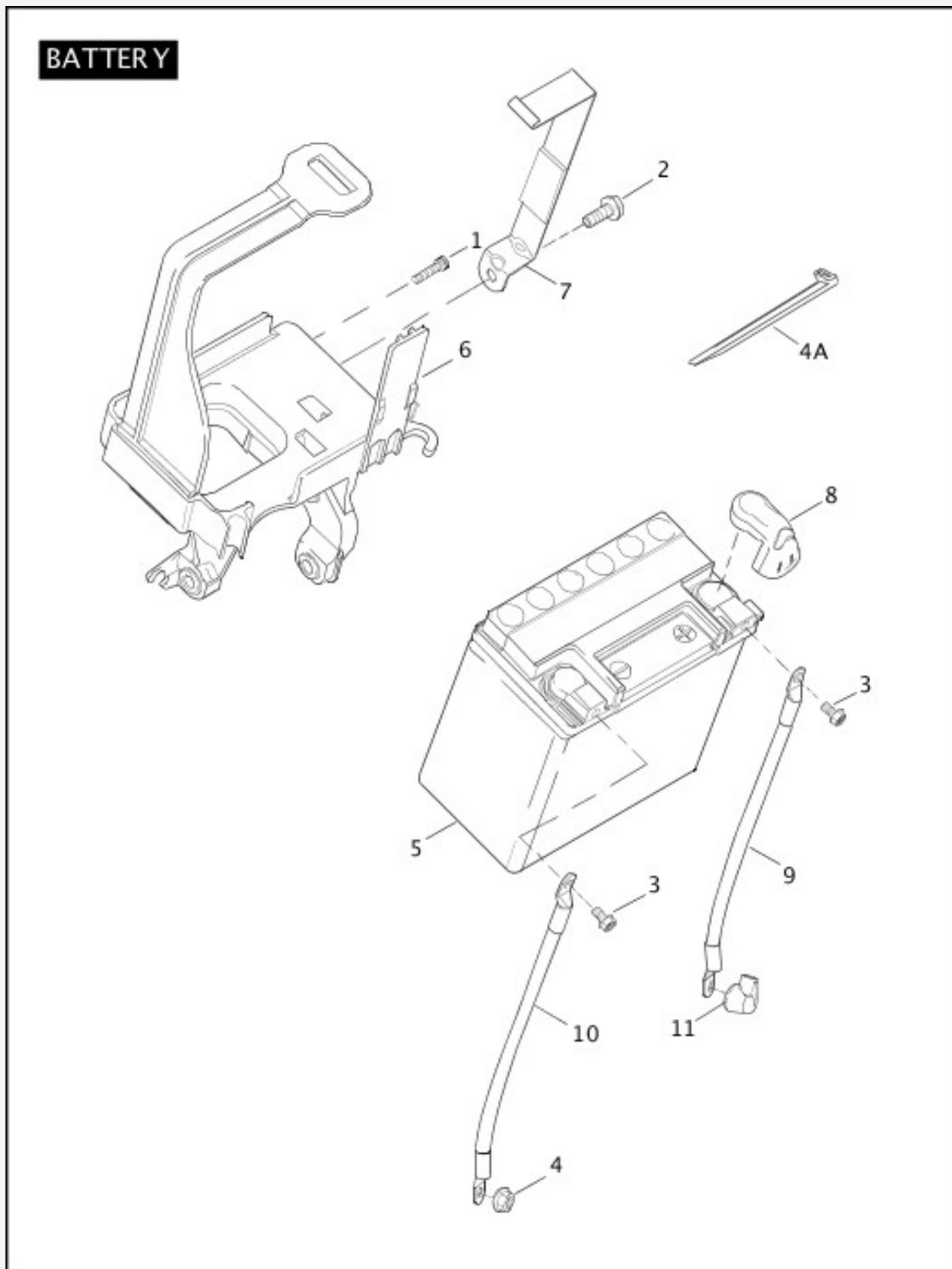


[View interactive image](#)

[View interactive table](#)

INDEX NO.	PART NO.	DESCRIPTION	MODEL(S)
1	882	SCREW (2)	XR1200
2	1094	SCREW (2)	XR1200
3	4705	SCREW (2)	XR1200
4	4886	SCREW, special	XR1200

5	4897	SCREW	XR1200
6	6110	WASHER	XR1200
7	7686	LOCKNUT	XR1200
8	10344	CLAMP	XR1200
9	10970	O-RING (2)	XR1200
10	10972	SPACER (2)	XR1200
11	11110	O-RING (2)	XR1200
12	11140	O-RING (2)	XR1200
13	11290	O-RING (4)	XR1200
14	11351	O-RING (2)	XR1200
15	11384K	RETAINER, wire clip (2)	XR1200
16	11408	RETAINER, wire clip (2)	XR1200
17	11652	BUMPER, rubber (2)	XR1200
18	26064-08	FITTING ASSEMBLY, w/ 11110, 11290 & 11408 (2)	XR1200
19	26183-08	FITTING, w/ 11290 (2)	XR1200
20	63050-08A	OIL COOLER	XR1200
21	63080-08	LINE, oil, front head return	XR1200
22	63081-08	LINE, oil, rear cylinder head	XR1200
23	63097-08	LINE, oil cooler feed, w/ 11140, 11384K & quick connect fitting	XR1200
24	63098-08	LINE, oil cooler return, w/ 11140, 11384K & quick connect fitting	XR1200
25	63108-08	CLAMP	XR1200
26	63110-08	BRACKET ASSEMBLY, manifold, w/ 11652	XR1200
27	63111-08	LINE, oil, savenge return	XR1200
28	63112-08	MANIFOLD ASSEMBLY, oil tank return, w/ 10970 & 10972	XR1200
29	63116-08	MANIFOLD	XR1200
30	63119-08	BRACKET	XR1200
31	63120-08	LINE, oil, front cylinder head	XR1200
32	63125-08	CLAMP (2)	XR1200



[View interactive image](#)

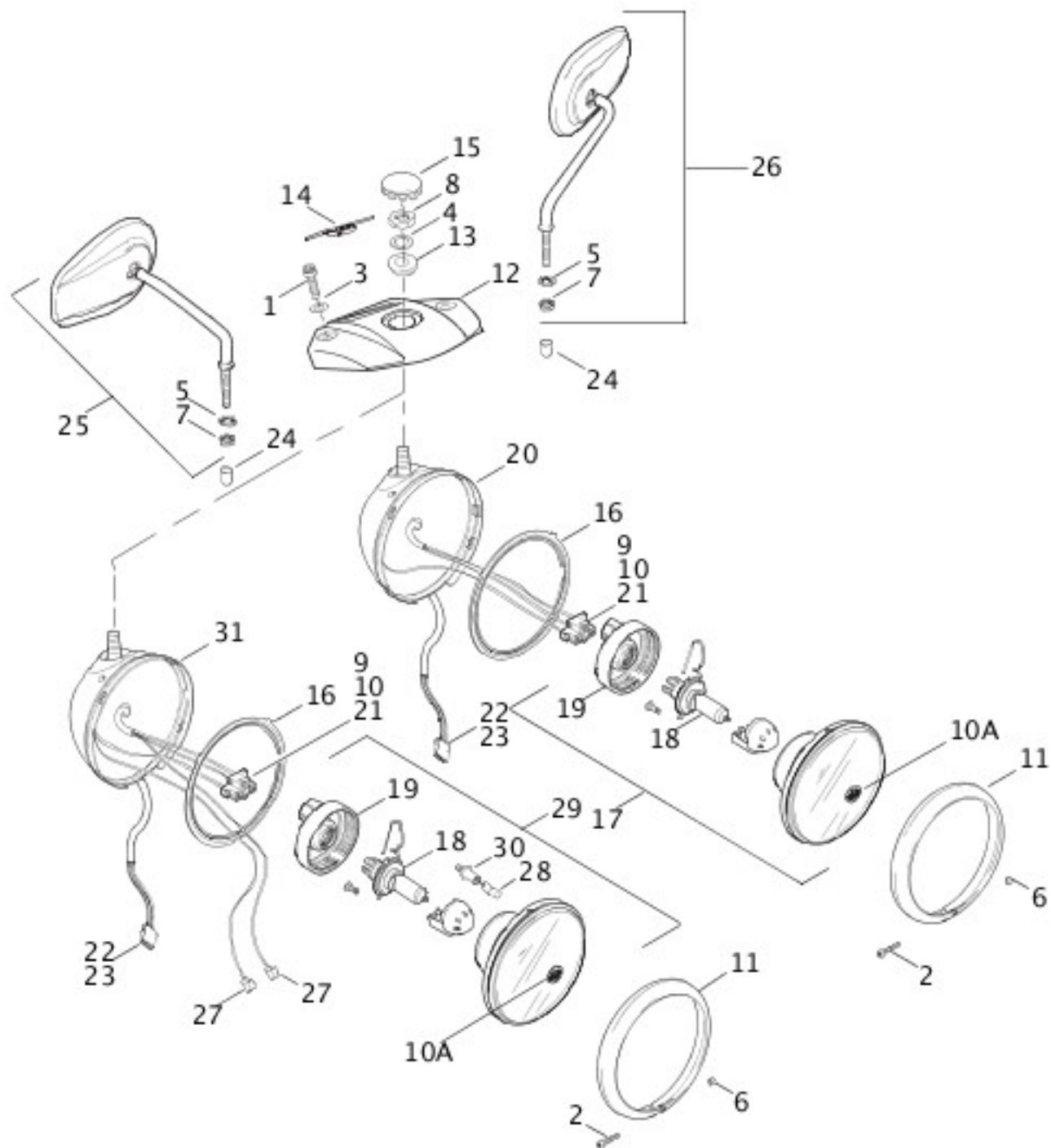
[View interactive table](#)

INDEX NO.	PART NO.	DESCRIPTION	MODEL(S)
1	2535	SCREW (3)	ALL
2	3588	SCREW, flange	ALL

3	4312C	SCREW, flange (2)	ALL
4	7770	NUT, flange	ALL
4A	10006	CABLE STRAP (as required)	ALL
5	65958-04A	BATTERY, w/ 4312C	ALL
6	66194-04C	TRAY, battery	ALL
7	66476-04A	STRAP, battery	ALL
8	70003-04	COVER, battery terminal	ALL
9	70295-04A	CABLE, battery-to-starter, w/ 70578-89	ALL
10	70296-04A	CABLE, battery-to-ground	ALL
11	70578-89	RUBBER BOOT	ALL

HEADLAMP & MIRROR - 883/L/N/R, 1200L/N/R

HEADLAMP & MIRROR - 883 /L/N/R, 1200L/N/



[View interactive image](#)

[View interactive table](#)

INDEX NO.	PART NO.	DESCRIPTION	MODEL(S)
1	3655A	SCREW (2)	XL1200L, XL1200N, XL1200R, XL883, XL883L, XL883N, XL883R
2	3514	SCREW	XL1200L, XL1200N, XL1200R, XL883, XL883L, XL883N, XL883R
3	6702	WASHER (2)	XL1200L, XL1200N, XL1200R, XL883, XL883L, XL883N, XL883R

4	7068	LOCKWASHER, lock	XL1200L, XL1200N, XL1200R, XL883, XL883L, XL883N, XL883R
5	7127	LOCKWASHER (2)	XL1200L, XL1200N, XL1200R, XL883, XL883L, XL883N, XL883R
6	7606	LOCKNUT	XL1200L, XL1200N, XL1200R, XL883, XL883L, XL883N, XL883R
7	7725	LOCKNUT (2)	XL1200L, XL1200N, XL1200R, XL883, XL883L, XL883N, XL883R
8	7880	NUT	XL1200L, XL1200N, XL1200R, XL883, XL883L, XL883N, XL883R
9	9847	CONNECTOR, right	XL1200L, XL1200N, XL1200R, XL883, XL883L, XL883N, XL883R
10	9848	CONNECTOR, left	XL1200L, XL1200N, XL1200R, XL883, XL883L, XL883N, XL883R
10A	67667-05	MEDALLION	XL1200L, XL1200N, XL1200R, XL883, XL883L, XL883N, XL883R
11	67790-93A	BEZEL	XL1200L, XL1200R, XL883, XL883L, XL883R
	68443-07A	BEZEL, black/satin	XL1200N, XL883N
12	67805-92	BRACKET, headlamp	XL883, XL883L
	67963-05	BRACKET, headlamp	XL883R
	69709-00	BRACKET KIT, headlamp, w/ trim (chrome)	XL1200L, XL1200R
	67950-07	BRACKET, headlamp (gloss black)	XL1200N, XL883N
13	67815-59A	WASHER, headlamp	XL1200L, XL1200N, XL1200R, XL883, XL883L, XL883N, XL883R
14	67834-83	TRIM, headlamp bracket	XL883, XL883L
	67972-98	TRIM, headlamp bracket	XL1200N, XL883N, XL883R
15	67865-89	PLUG	XL1200L, XL1200R, XL883, XL883L
	69449-05	PLUG	XL883R
	67951-07	PLUG (gloss black)	XL1200N, XL883N

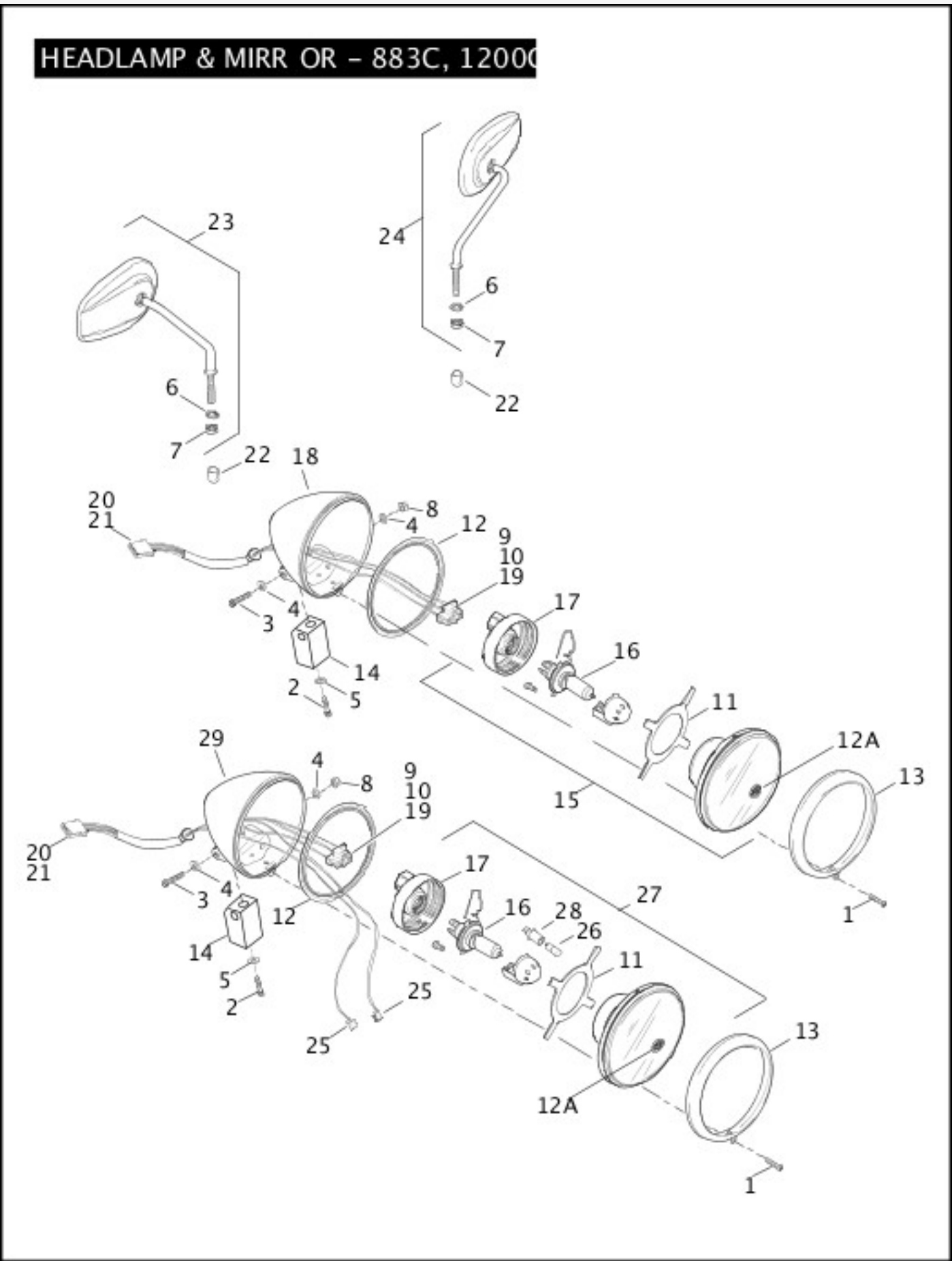
16	67883-04A	ADAPTER RING	XL1200L, XL1200N, XL1200R, XL883, XL883L, XL883N, XL883R
17	68297-05	LAMP ASSEMBLY, 5-3/4 in., w/ 67667-05, 68329-03 & 68380-05	XL1200L, XL1200N, XL1200R, XL883, XL883L, XL883N, XL883R
18	68329-03	BULB	XL1200L, XL1200N, XL1200R, XL883, XL883L, XL883N, XL883R
19	68380-05	BOOT, headlamp connector	XL1200L, XL1200N, XL1200R, XL883, XL883L, XL883N, XL883R
20	69774-07A	HEADLAMP SHELL ASSEMBLY, 5-3/4 in. (black), w/ 9847, 9848, 9898, 72056-92, 73154-96BK, & 73191-96	XL1200L, XL1200N, XL1200R, XL883, XL883L, XL883N, XL883R
21	72056-92	HOUSING, female	XL1200L, XL1200N, XL1200R, XL883, XL883L, XL883N, XL883R
22	73154-96BK	SOCKET HOUSING, 4-way (black)	XL1200N, XL883N
23	73191-96	SOCKET TERMINAL, 16-20 awg (4)	XL1200L, XL1200N, XL1200R, XL883, XL883L, XL883N, XL883R
24	8908	CAP, protective (2)	XL1200L, XL1200N, XL1200R, XL883, XL883L, XL883N, XL883R
25	92376-09	MIRROR KIT, right, short (black)	XL1200N, XL883N, XL883R
	92381-09	MIRROR KIT, right, long (chrome)	XL883
	92401-09	MIRROR KIT, right, short (chrome)	XL1200L, XL1200R, XL883L
26	92377-09	MIRROR KIT, left, short (black)	XL1200N, XL883N, XL883R
	92400-09	MIRROR KIT, left, long (chrome)	XL883
	92402-09	MIRROR KIT, left, short (chrome)	XL1200L, XL1200R, XL883L

INTERNATIONAL MODELS ONLY

27	9898	TERMINAL FLAG (2)	XL1200L, XL1200N, XL1200R, XL883, XL883L, XL883N, XL883R
28	53436-97	BULB	XL1200L, XL1200N, XL1200R, XL883, XL883L, XL883N, XL883R
29	68335-05	LAMP ASSEMBLY, left 5-3/4 in. (Australia, England, Japan), w/ 53436-97, 68329-03, 68380-05, 68653-05 & 67667-05	XL1200L, XL1200N, XL1200R, XL883, XL883L, XL883N, XL883R
	68341-05	LAMP ASSEMBLY, right 5-3/4 (HDI), w/ 53436-97, 68329-03, 68380-05, 68653-05 & 67667-05	XL1200L, XL1200N, XL1200R, XL883, XL883L, XL883N, XL883R

30	68653-05	SOCKET, bulb (2 spade)	XL1200L, XL1200N, XL1200R, XL883, XL883L, XL883N, XL883R
31	69774-07A	HEADLAMP SHELL ASSEMBLY, 5-3/4 in. (black), w/ 9847, 9848, 9898, 72056-92, 73154-96BK, & 73191-96	XL1200L, XL1200N, XL1200R, XL883, XL883L, XL883N, XL883R

HEADLAMP & MIRROR - 883C, 1200C



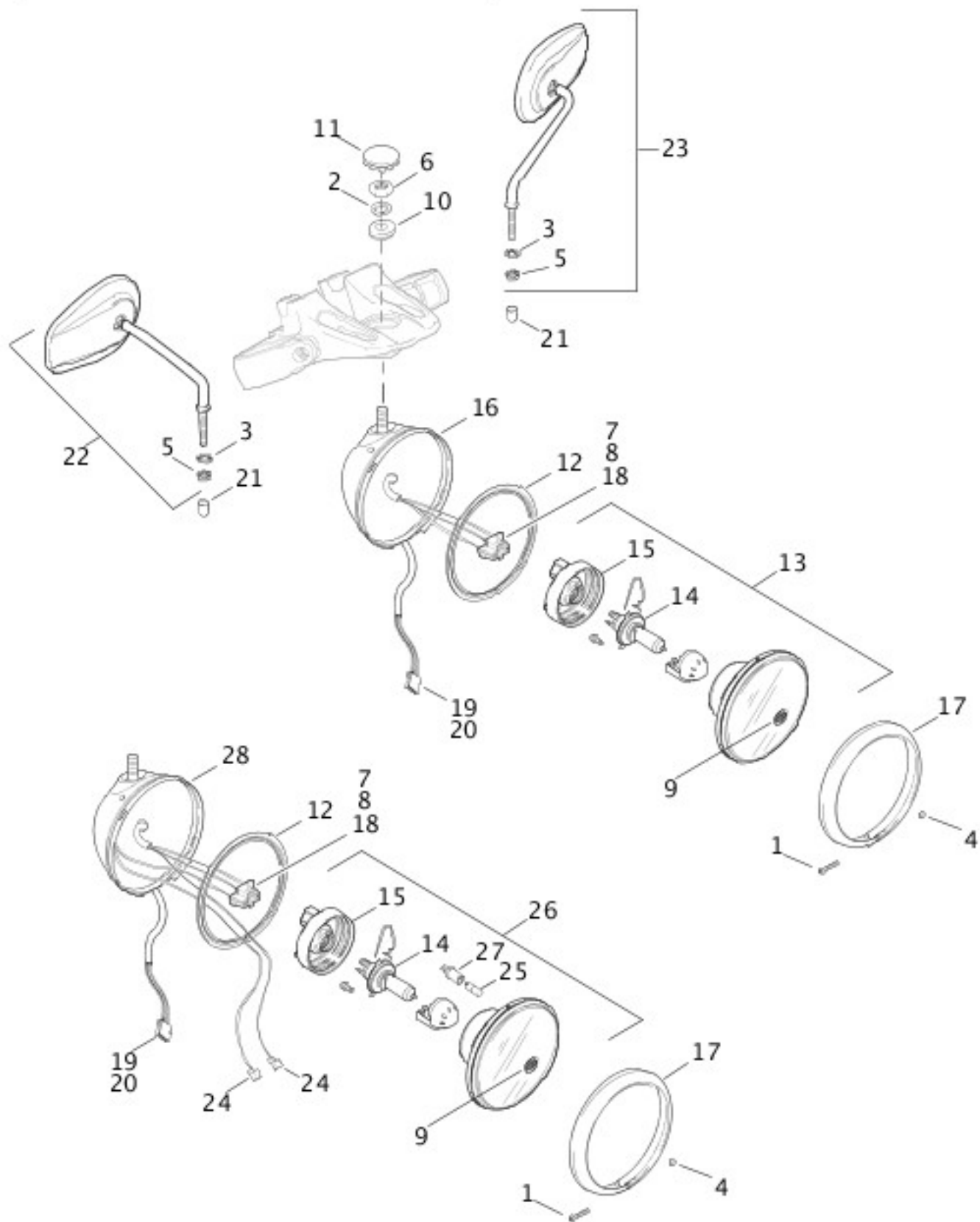
[View interactive image](#)

INDEX NO.	PART NO.	DESCRIPTION	MODEL(S)
1	3615	SCREW	XL1200C, XL883C
2	4350A	SCREW	XL1200C, XL883C
3	4420	SCREW	XL1200C, XL883C
4	6701	WASHER (2)	XL1200C, XL883C
5	7045	LOCKWASHER	XL1200C, XL883C
6	7127	LOCKWASHER (2)	XL1200C, XL883C
7	7725	LOCKNUT (2)	XL1200C, XL883C
8	7778	LOCKNUT	XL1200C, XL883C
9	9847	CONNECTOR, right	XL1200C, XL883C
10	9848	CONNECTOR, left	XL1200C, XL883C
11	67601-94A	GASKET, headlamp, This gasket is sold separately and is not part of items 15, 26, & 27.	XL1200C, XL883C
12	67603-94A	ADAPTER RING	XL1200C, XL883C
12A	67667-05	MEDALLION	XL1200C, XL883C
13	67894-93A	BEZEL ASSEMBLY	XL1200C, XL883C
14	67742-06	MOUNT, headlamp	XL1200C, XL883C
15	68297-05	LAMP ASSEMBLY, 5-3/4 in., w/ 68329-03 & 68380-05	XL1200C, XL883C
16	68329-03	BULB	XL1200C, XL883C
17	68380-05	BOOT, headlamp connector	XL1200C, XL883C

18	69681-07A	HEADLAMP SHELL ASSEMBLY, 5-3/4 in., w/ 9847, 9848, 9898, 72056-92, 73154-96BK, & 73191-96	XL1200C, XL883C
19	72056-92	HOUSING, female	XL1200C, XL883C
20	73191-96	SOCKET TERMINAL, 16-20 awg	XL1200C, XL883C
21	73154-96BK	SOCKET HOUSING, 4-way (black)	XL1200C, XL883C
22	8908	CAP, protective	XL1200C, XL883C
23	92381-09	MIRROR KIT, right, long (chrome)	XL1200C, XL883C
24	92400-09	MIRROR KIT, left, long (chrome)	XL1200C, XL883C
INTERNATIONAL MODELS ONLY			
25	9898	TERMINAL FLAG (2)	XL1200C, XL883C
26	53436-97	BULB	XL1200C, XL883C
27	68335-05	LAMP ASSEMBLY, left 5-3/4 in. (Australia, England, Japan) w/ 53436-97, 68329-03, 68380-05, 68653-05 & 67667-05	XL1200C, XL883C
	68341-05	LAMP ASSEMBLY, right 5-3/4 in. (HDI) w/ 53436-97, 68329-03, 68380-05, 68653-05 & 67667-05	XL1200C, XL883C
28	68653-05	SOCKET, bulb (2 spade)	XL1200C, XL883C
29	69681-07A	HEADLAMP SHELL ASSEMBLY, 5-3/4 in., w/ 9847, 9848, 9898, 72056-92, 73154-96BK, & 73191-96	XL1200C, XL883C

HEADLAMP & MIRROR - XR1200

HEADLAMP & MIRROR - XR1200



[View interactive image](#)

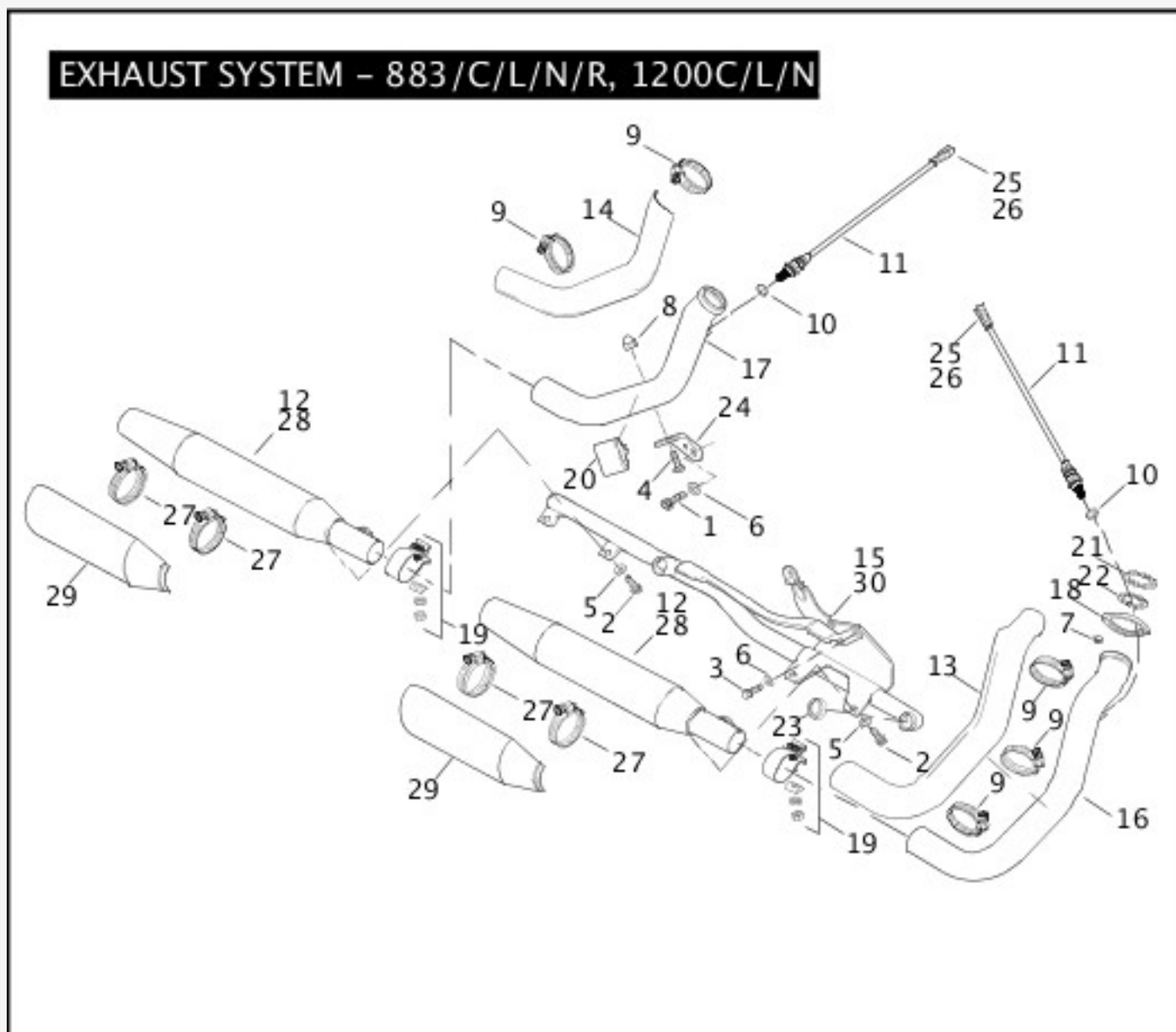
[View interactive table](#)

INDEX NO.	PART NO.	DESCRIPTION	MODEL(S)
1	3514	SCREW	XR1200
2	7068	LOCKWASHER, lock	XR1200
3	7127	LOCKWASHER (2)	XR1200

4	7606	LOCKNUT	XR1200
5	7725	LOCKNUT (2)	XR1200
6	7880	NUT	XR1200
7	9847	CONNECTOR, right	XR1200
8	9848	CONNECTOR, left	XR1200
9	67667-05	MEDALLION	XR1200
10	67815-59A	WASHER, headlamp	XR1200
11	67865-89	PLUG	XR1200
12	67883-04A	ADAPTER RING	XR1200
13	68297-05	LAMP ASSEMBLY, 5-3/4 in., w/ 67667-05, 68329-03 & 68380-05	XR1200
14	68329-03	BULB	XR1200
15	68380-05	BOOT, headlamp connector	XR1200
16	69698-07A	HEADLAMP SHELL ASSEMBLY, 5-3/4 in. (black), w/ 9847, 9848, 72056-92, 73154-96BK, & 73191-96	XR1200
17	69397-08	BEZEL, black	XR1200
18	72056-92	HOUSING, female	XR1200
19	73154-96BK	SOCKET HOUSING, 4-way (black)	XR1200
20	73191-96	SOCKET TERMINAL, 16-20 awg (4)	XR1200
21	8908	CAP, protective (2)	XR1200
22	92376-09	MIRROR KIT, right, short (black)	XR1200
23	92377-09	MIRROR KIT, left, short (black)	XR1200
INTERNATIONAL MODELS ONLY			
24	9898	TERMINAL FLAG (2)	XR1200
25	53436-	BULB	XR1200

	97		
26	68335-05	LAMP ASSEMBLY, left 5-3/4 in. (England, Japan, Australia), w/ 53436-97, 68329-03, 68380-05, 68653-05 & 67667-05	XR1200
	68341-05	LAMP ASSEMBLY, right 5-3/4 in. (HDI), w/ 53436-97, 68329-03, 68380-05, 68653-05 & 67667-05	XR1200
27	68653-05	SOCKET, bulb (2 spade)	XR1200
28	69386-08	HEADLAMP SHELL ASSEMBLY, 5-3/4 in. (black) (HDI, England, Japan, Australia), w/ 9847, 9848, 9898, 72056-92, 73154-96BK, & 73191-96	XR1200

EXHAUST SYSTEM - 883/C/L/N/R, 1200C/L/N/R



[View interactive image](#)

[View interactive table](#)

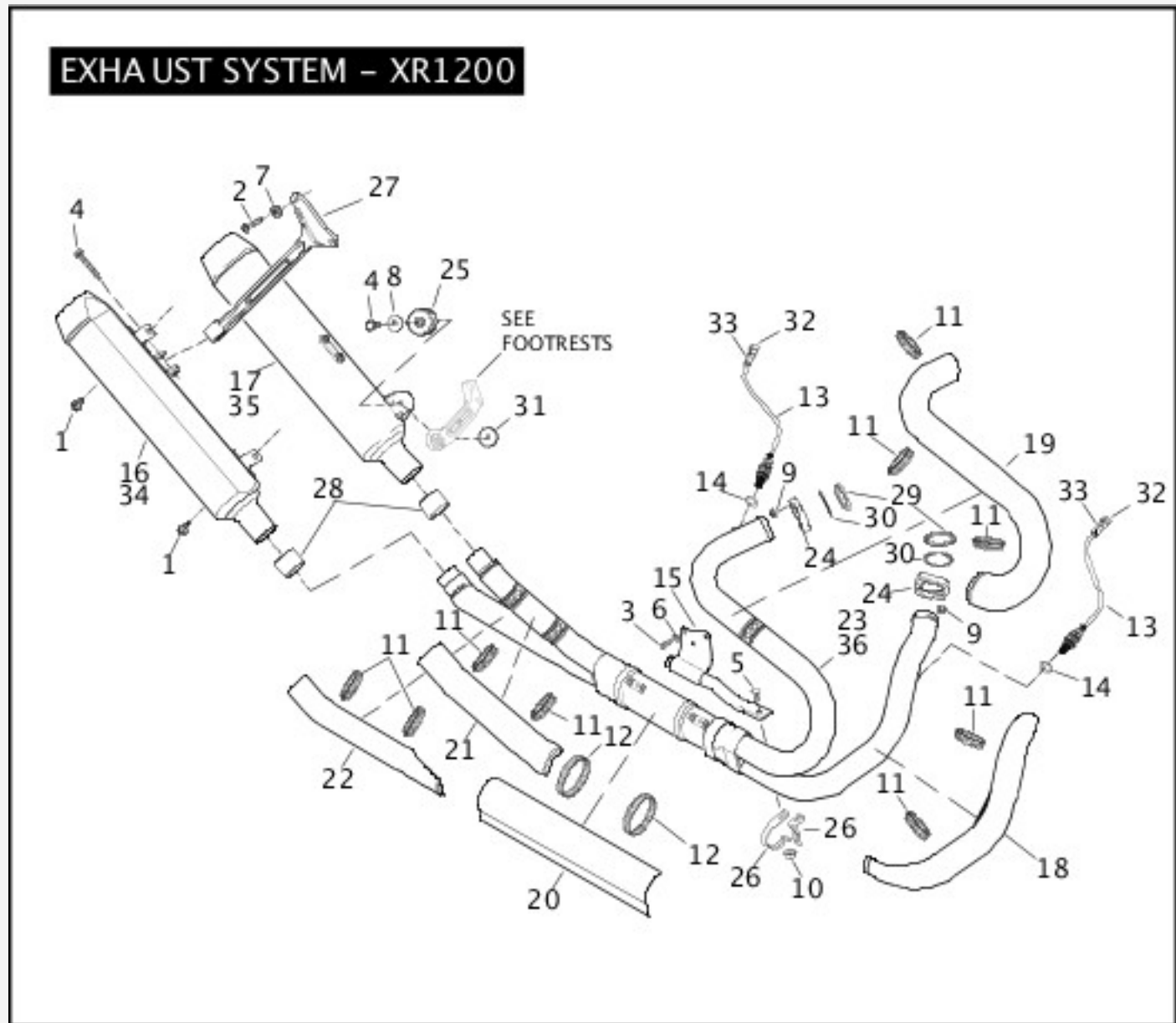
INDEX NO.	PART NO.	DESCRIPTION	MODEL(S)
1	4032A	SCREW	XL1200C, XL1200L, XL1200N, XL1200R, XL883,

			XL883C, XL883L, XL883N, XL883R
2	4269	SCREW, flanged (4)	XL1200C, XL1200L, XL1200N, XL1200R, XL883, XL883C, XL883L, XL883N, XL883R
3	4748	SCREW (3)	XL1200C, XL1200L, XL1200N, XL1200R, XL883, XL883C, XL883L, XL883N, XL883R
4	5414	BOLT, carriage	XL1200C, XL1200L, XL1200N, XL1200R, XL883, XL883C, XL883L, XL883N, XL883R
5	6139	WASHER (4)	XL1200C, XL1200L, XL1200N, XL1200R, XL883, XL883C, XL883L, XL883N, XL883R
6	6701	WASHER (4)	XL1200C, XL1200L, XL1200N, XL1200R, XL883, XL883C, XL883L, XL883N, XL883R
7	7593	NUT (4)	XL1200C, XL1200L, XL1200N, XL1200R, XL883, XL883C, XL883L, XL883N, XL883R
8	7862	ACORN NUT, w/ lock	XL1200C, XL1200L, XL1200N, XL1200R, XL883, XL883C, XL883L, XL883N, XL883R
9	9955	CLAMP, heat shield (5)	XL1200C, XL1200L, XL1200N, XL1200R, XL883, XL883C, XL883L, XL883N, XL883R
10	27714-06	SEAL RING (2)	XL1200C, XL1200L, XL1200N, XL1200R, XL883, XL883C, XL883L, XL883N, XL883R
11	27719-07	SENSOR, oxygen, w/ 27714-06, 72009-05, 72011-05 (2)	XL1200C, XL1200L, XL1200N, XL1200R, XL883, XL883C, XL883L, XL883N, XL883R
12	64842-04	MUFFLER, front (CN/CP/CR/CS/CT/CV/CX/LE), rear (CP/CR/CT/CX/LE)	XL1200C, XL1200L, XL1200R, XL883, XL883C, XL883L, XL883N, XL883R
	64890-04	MUFFLER, rear (CN/CS/CV)	XL1200R, XL883, XL883R
	80399-04	MUFFLER, front & rear	XL1200N
13	64846-04A	HEAT SHIELD, front exhaust pipe	XL1200C, XL1200L, XL1200N, XL1200R, XL883, XL883C, XL883L, XL883N, XL883R
14	64847-04A	HEAT SHIELD, rear exhaust pipe, chrome	XL1200C, XL1200L, XL1200N, XL1200R, XL883, XL883C, XL883L, XL883N, XL883R
	66851-07	HEAT SHIELD, upper rear exhaust pipe, stainless steel (not illustrated)	XL1200L, XL1200N, XL1200R, XL883, XL883L, XL883N, XL883R
15	64855-04	MUFFLER INTERCONNECT BRACKET	XL1200C, XL1200L, XL1200N, XL883C, XL883L, XL883N
	65339-04	MUFFLER INTERCONNECT BRACKET	XL1200R, XL883, XL883R
16	64942-07	EXHAUST PIPE, front (chrome)	XL1200C, XL1200L, XL1200N, XL1200R, XL883, XL883C, XL883L, XL883N, XL883R

17	64943-07	EXHAUST PIPE, rear (chrome)	XL1200C, XL1200L, XL1200N, XL1200R, XL883, XL883C, XL883L, XL883N, XL883R
18	65184-02	FLANGE, exhaust pipe (2)	XL1200C, XL1200L, XL1200N, XL1200R, XL883, XL883C, XL883L, XL883N, XL883R
19	65296-95A	CLAMP, muffler (2)	XL1200C, XL1200L, XL1200N, XL1200R, XL883, XL883C, XL883L, XL883N, XL883R
20	65302-82A	CLAMP, exhaust pipe	XL1200C, XL1200L, XL1200N, XL1200R, XL883, XL883C, XL883L, XL883N, XL883R
21	65324-83B	GASKET, exhaust port (2)	XL1200C, XL1200L, XL1200N, XL1200R, XL883, XL883C, XL883L, XL883N, XL883R
22	65325-83A	RETAINING RING, exhaust gasket (2)	XL1200C, XL1200L, XL1200N, XL1200R, XL883, XL883C, XL883L, XL883N, XL883R
23	65927-00	GASKET, exhaust interconnect (2)	XL1200C, XL1200L, XL1200N, XL1200R, XL883, XL883C, XL883L, XL883N, XL883R
24	65974-04A	BRACKET, exhaust clamp	XL1200C, XL1200L, XL1200N, XL1200R, XL883, XL883C, XL883L, XL883N, XL883R
25	72009-05	HOUSING, 2-way pin (2)	XL1200C, XL1200L, XL1200N, XL1200R, XL883, XL883C, XL883L, XL883N, XL883R
26	72011-05	WIRE SEAL, 16-20 gauge (yellow) (4)	XL1200C, XL1200L, XL1200N, XL1200R, XL883, XL883C, XL883L, XL883N, XL883R

INTERNATIONAL MODELS ONLY

27	10074	CLAMP, muffler heat shield (HDI, England, Japan, CZ - Brazil) (4)	XL1200C, XL1200L, XL1200N, XL1200R, XL883, XL883C, XL883L, XL883N, XL883R
28	64737-09	MUFFLER, front (Japan), rear (CP/CR/CT/CX/CZ/LE - Japan, CZ - Brazil)	XL1200C, XL1200L, XL1200N, XL1200R, XL883, XL883C, XL883L, XL883N, XL883R
	64738-09	MUFFLER, rear (CN/CS/CV - Japan, CZ - Brazil)	XL1200N, XL1200R, XL883, XL883R
	64853-04	MUFFLER, front (Australia), rear (CP/CR/CT/CX/CZ - Australia)	XL1200C, XL1200L, XL1200N, XL1200R, XL883, XL883C, XL883L, XL883N, XL883R
	64854-04	MUFFLER, rear (Australia)	XL1200N, XL1200R, XL883, XL883N, XL883R
	64891-04A	MUFFLER, front (HDI, England), rear (CP/CR/CT/CX - HDI, England)	XL1200C, XL1200L, XL1200N, XL1200R, XL883, XL883C, XL883L, XL883N, XL883R
	64893-04A	MUFFLER, rear (HDI, England)	XL1200N, XL1200R, XL883, XL883N, XL883R
29	64889-04	HEAT SHIELD, muffler, (HDI, England, Japan, CZ - Brazil) (2)	XL1200C, XL1200L, XL1200N, XL1200R, XL883, XL883C, XL883L, XL883N, XL883R
30	64855-04	MUFFLER INTERCONNECT BRACKET (CZ/LE - Japan)	XL1200C, XL1200L, XL1200N, XL883C, XL883L, XL883N

EXHAUST SYSTEM - XR1200

[View interactive image](#)

[View interactive table](#)

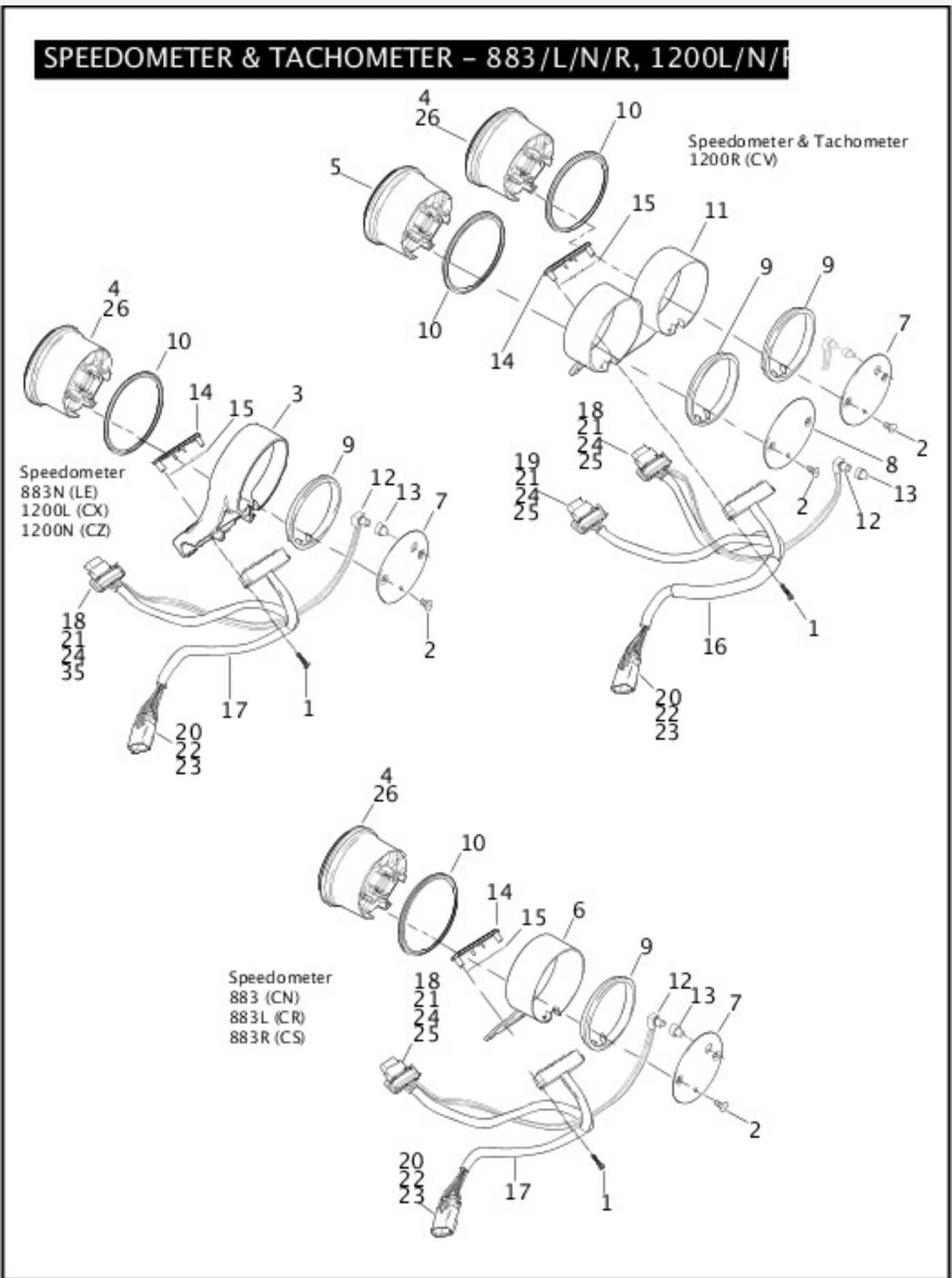
INDEX NO.	PART NO.	DESCRIPTION	MODEL(S)
1	4269	SCREW, flanged (2)	XR1200
2	4549	SCREW (2)	XR1200
3	4748	SCREW (3)	XR1200
4	4859	SCREW, flanged	XR1200
5	5416	BOLT	XR1200
6	6701	WASHER (2)	XR1200
7	6702	WASHER (3)	XR1200

8	6930	WASHER	XR1200
9	7593	NUT (4)	XR1200
10	7601	LOCKNUT	XR1200
11	9955	CLAMP, heat shield (9)	XR1200
12	9956	CLAMP, heat shield (2)	XR1200
13	27690-08	SENSOR, oxygen, w/ 27714-06, 72009-05, 72011-05 (2)	XR1200
14	27714-06	SEAL RING (2)	XR1200
15	64850-08	SUPPORT BAR ASSEMBLY, exhaust	XR1200
16	64859-08	MUFFLER, lower	XR1200
17	64883-08	MUFFLER, upper	XR1200
18	64927-08	HEAT SHIELD, lower	XR1200
19	64934-08	HEAT SHIELD, upper	XR1200
20	64935-08	SHIELD, collector	XR1200
21	64936-08	EXHAUST SHIELD ASSEMBLY, upper	XR1200
22	64954-08	EXHAUST SHIELD ASSEMBLY, lower	XR1200
23	64851-09	EXHAUST ASSEMBLY	XR1200
24	65328-83	FLANGE, exhaust pipe (2)	XR1200
25	65240-08	KIT, exhaust isolator w/ 4859, 6930 & 65453-08	XR1200
26	65257-08	CLAMP	XR1200
27	65316-08	SUPPORT, muffler, rear	XR1200
28	65317-08	GASKET, muffler inlet (2)	XR1200
29	65324-83B	GASKET, exhaust port (2)	XR1200
30	65325-83A	RETAINING RING, exhaust gasket (2)	XR1200
31	65453-08	WASHER, snubbing	XR1200
32	72009-05	HOUSING, 2-way pin (2)	XR1200
33	72011-05	WIRE SEAL, 16-20 gauge (yellow) (4)	XR1200

INTERNATIONAL MODELS ONLY

34	64746-09	MUFFLER, lower, chrome (Japan)	XR1200
35	64747-09	MUFFLER, upper, chrome (Japan)	XR1200
36	64965-08	EXHAUST ASSEMBLY (HDI, England, Japan)	XR1200

SPEEDOMETER & TACHOMETER - 883/L/N/R, 1200L/N/R



[View interactive image](#)

[View interactive table](#)

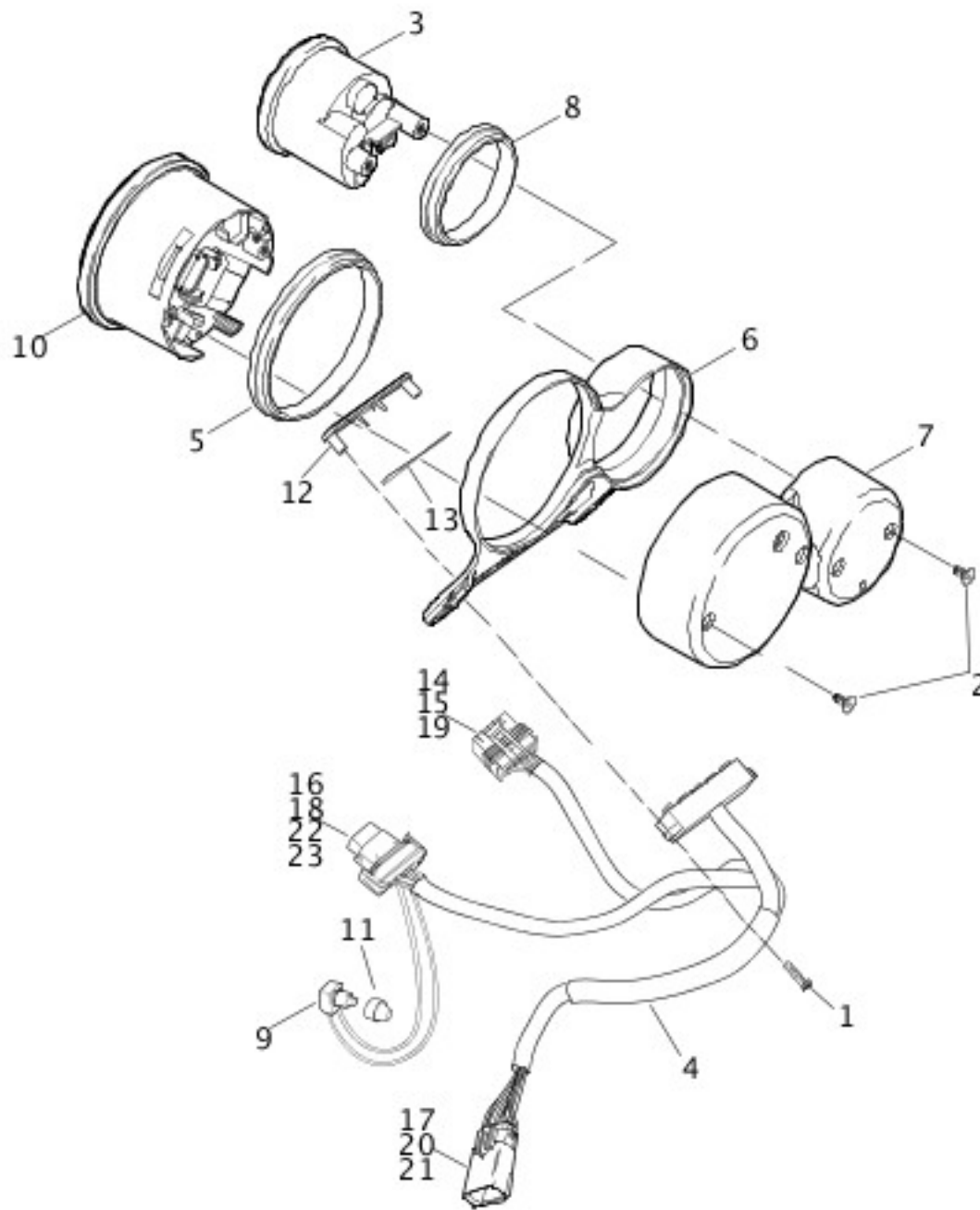
INDEX NO.	PART NO.	DESCRIPTION	MODEL(S)

1	2325	SCREW (2)	XL1200L, XL1200N, XL1200R, XL883, XL883L, XL883N, XL883R
2	2361	SCREW (2)	XL1200N, XL883, XL883L, XL883N, XL883R
	2361	SCREW (4)	XL1200R
	2548	SCREW (2)	XL1200L
3	55846-05A	BRACKET, speedometer (chrome)	XL1200L
	55847-05A	BRACKET, speedometer (black)	XL1200N, XL883N
4	67037-08	SPEEDOMETER, mph	XL1200N, XL883, XL883L, XL883N, XL883R
	67436-08	SPEEDOMETER, mph	XL1200L, XL1200R
5	67049-04B	TACHOMETER	XL1200R
6	67053-95	BRACKET, speedometer	XL883, XL883L, XL883R
7	67085-95	COVER, speedometer back (chrome)	XL1200R
	67089-05	COVER, speedometer back (chrome)	XL1200L
	67320-95	COVER, speedometer back (black)	XL1200N, XL883, XL883L, XL883N, XL883R
8	67103-95	COVER, tachometer back (chrome)	XL1200R
9	67104-95	CUSHION, rear	XL1200L, XL1200N, XL883, XL883L, XL883N, XL883R
	67344-97	CUSHION, rear (2)	XL1200R
10	67121-95A	CUSHION, front	XL1200L, XL1200N, XL883, XL883L, XL883N, XL883R
	67345-97	CUSHION, front (2)	XL1200R
11	67338-97	BRACKET, speedometer & tachometer	XL1200R
12	67854-98	SWITCH, reset	XL1200L, XL1200N, XL1200R, XL883, XL883L, XL883N, XL883R
13	67880-94	BOOT, reset switch	XL1200L, XL1200N, XL1200R, XL883, XL883L, XL883N, XL883R
14	68513-95	BEZEL, indicator lamps	XL1200L, XL1200N, XL1200R, XL883, XL883L, XL883N, XL883R
15	68551-07	LENS, indicator lamps	XL1200L, XL1200N, XL1200R, XL883, XL883L, XL883N, XL883R
16	68811-07	HARNESS, warning lamp assembly, w/ LED indicator	XL1200R

17	68813-07	HARNESS, warning lamp assembly, w/ LED indicator	XL1200L, XL1200N, XL883, XL883L, XL883N, XL883R
18	72130-04	HOUSING, socket 12-way (black)	XL1200L, XL1200N, XL1200R, XL883, XL883L, XL883N, XL883R
19	72131-04	HOUSING, socket 12-way (gray)	XL1200R
20	72169-07	TERMINAL, pin, 16-20 gauge (7)	XL1200L, XL1200N, XL1200R, XL883, XL883L, XL883N, XL883R
21	72189-04	SEAL, pin	XL1200L, XL1200N, XL1200R, XL883, XL883L, XL883N, XL883R
22	72488- 07BK	HOUSING, 12-way (black)	XL1200L, XL1200N, XL1200R, XL883, XL883L, XL883N, XL883R
23	72549-07	TERMINAL, pin, 22 AWG (5)	XL1200L, XL1200N, XL1200R, XL883, XL883L, XL883N, XL883R
24	74196-04	TERMINAL, socket, 20 AWG	XL1200L, XL1200N, XL1200R, XL883, XL883L, XL883N, XL883R
25	74197-04	SOCKET LOCK, secondary, 12-way	XL1200L, XL1200N, XL1200R, XL883, XL883L, XL883N, XL883R
INTERNATIONAL MODELS ONLY			
26	67041-08	SPEEDOMETER, kph (Canada/HDI/Australia/Japan)	XL1200N, XL883, XL883L, XL883N, XL883R
	67290-08	SPEEDOMETER, mph/kph (England)	XL1200N, XL883, XL883L, XL883N, XL883R
	67415-08	SPEEDOMETER, mph/kph (England)	XL1200L, XL1200R
	67416-08	SPEEDOMETER, kph (Canada/HDI/Australia/Japan)	XL1200L, XL1200R

SPEEDOMETER & TACHOMETER - XR1200

SPEEDOMETER AND TACHOMETER - XR1200



[View interactive image](#)

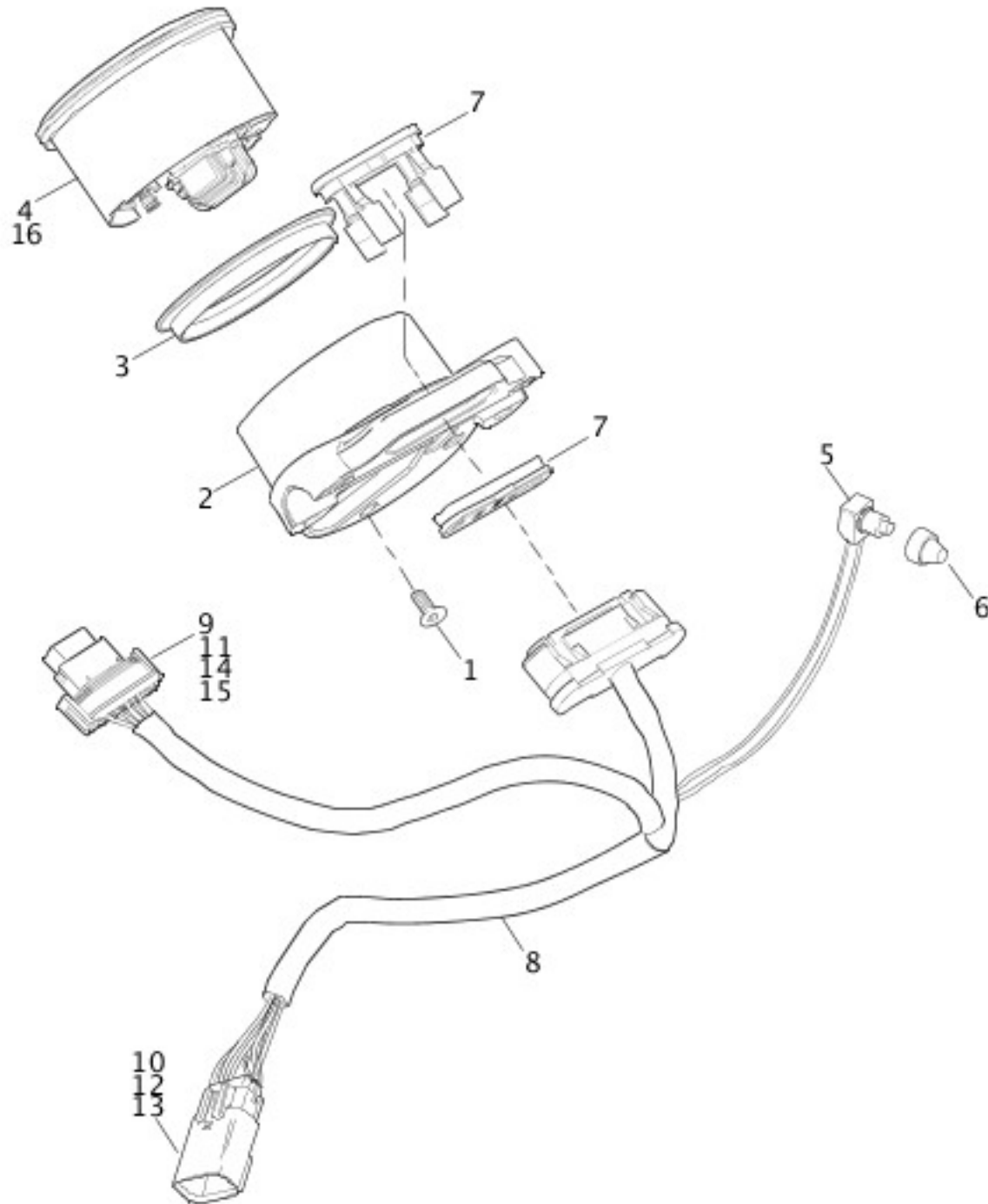
[View interactive table](#)

INDEX NO.	PART NO.	DESCRIPTION	MODEL(S)
1	2325	SCREW (2)	XR1200
2	2361	SCREW (4)	XR1200
3	67087-08	SPEEDOMETER, speedometer (chrome)	XR1200

4	67091-08	HARNESS, instrument assembly	XR1200
5	67121-95A	GASKET, tachometer	XR1200
6	67157-08	BRACKET, instrument mounting	XR1200
7	67170-08	BACK COVER, instrument	XR1200
8	67174-08	GASKET, speedometer	XR1200
9	67854-98	SWITCH, reset	XR1200
10	67576-08	TACHOMETER	XR1200
11	67880-94	BOOT, reset switch	XR1200
12	68513-95	BEZEL, indicator lamps	XR1200
13	68551-07	LENS, indicator lamps	XR1200
14	72032-93	PLUG, connector	XR1200
15	72033-93	TERMINAL, socket 16-20 AWG (4)	XR1200
16	72130-04	HOUSING, socket 12-way (black)	XR1200
17	72169-07	TERMINAL, pin, 16-20 gauge (7)	XR1200
18	72189-04	SEAL, pin (3)	XR1200
19	72329-08	HOUSING, socket 5-way	XR1200
20	72488-07BK	HOUSING, pin 12-way (black)	XR1200
21	72549-07	TERMINAL, pin, 22 AWG (5)	XR1200
22	74196-04	TERMINAL, socket, 20 AWG (9)	XR1200
23	74197-04	SOCKET LOCK, secondary, 12-way	XR1200

SPEEDOMETER - 883C, 1200C

SPEEDOMETER - 883C, 1200C



[View interactive image](#)

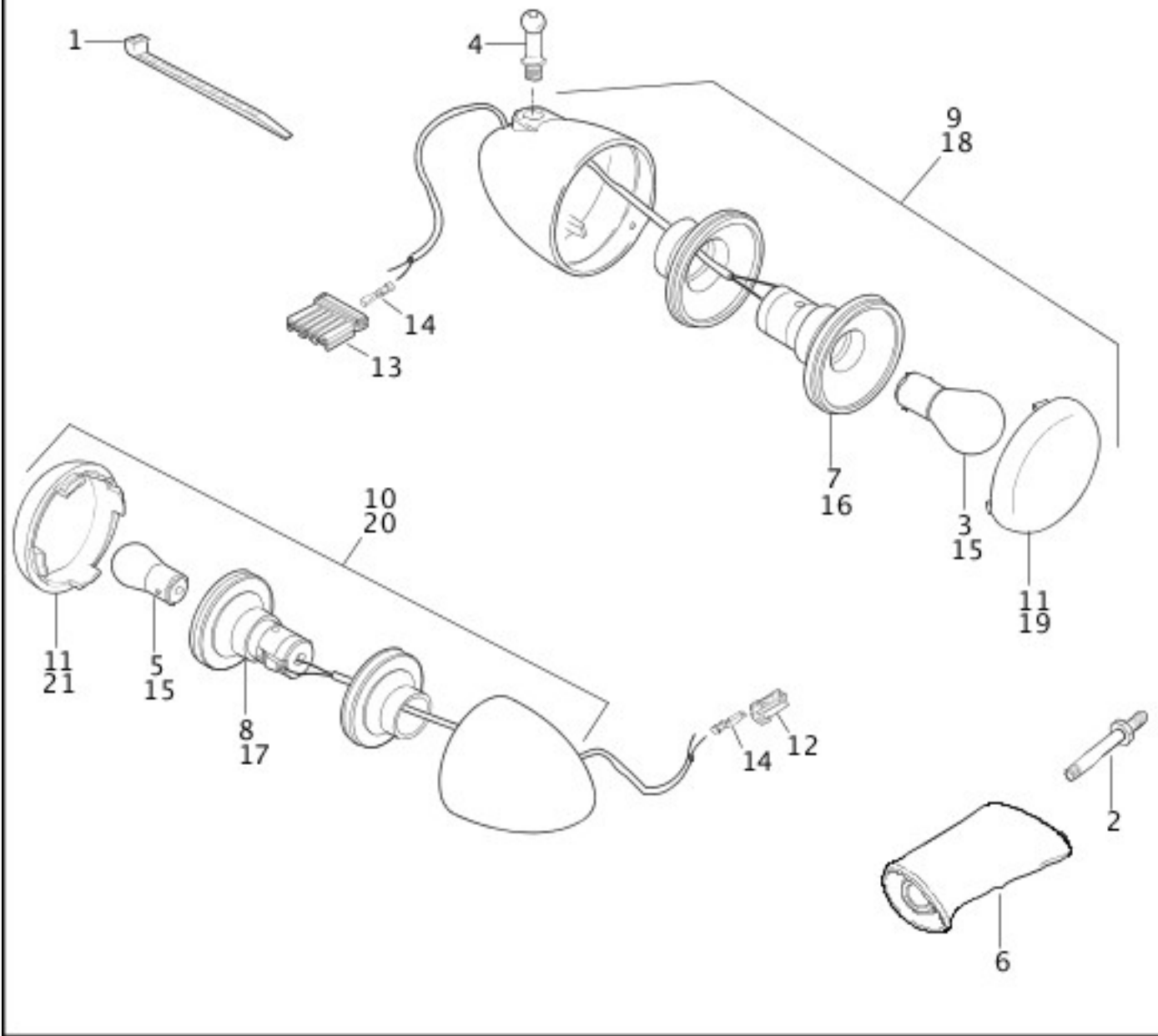
[View interactive table](#)

INDEX NO.	PART NO.	DESCRIPTION	MODEL(S)
1	2548	SCREW, countersunk	XL1200C, XL883C
2	55844-04	HOUSING, instrument (chrome)	XL1200C, XL883C
3	67121-95A	GASKET, shock, front	XL1200C, XL883C

4	67436-08	SPEEDOMETER, mph (Domestic)	XL1200C, XL883C
5	67854-98	SWITCH, trip reset	XL1200C, XL883C
6	67880-94	BOOT, reset switch	XL1200C, XL883C
7	68382-07	BEZEL ASSEMBLY, indicator lamps	XL1200C, XL883C
8	68814-07	INSTRUMENT HARNESS ASSEMBLY, w/ LED indicator	XL1200C, XL883C
9	72130-04	HOUSING, socket 12-way (black)	XL1200C, XL883C
10	72169-07	TERMINAL, pin, 16-20 gauge (7)	XL1200C, XL883C
11	72189-04	SEAL, pin (4)	XL1200C, XL883C
12	72488-07BK	HOUSING, socket 12-way (black)	XL1200C, XL883C
13	72549-07	TERMINAL, pin, 22 AWG (5)	XL1200C, XL883C
14	74196-04	TERMINAL, 22 AWG. (9)	XL1200C, XL883C
15	74197-04	SOCKET LOCK, secondary, 12-way	XL1200C, XL883C
INTERNATIONAL MODELS ONLY			
16	67415-08	SPEEDOMETER, mph/kph (England)	XL1200C, XL883C
	67416-08	SPEEDOMETER, kph (Australia, Canada, HDI, Japan)	XL1200C, XL883C

TURN SIGNALS - 883/C/L/R, 1200C/L/R

TURN SIGNALS – 883/C/L/R, 1200C/L



[View interactive image](#)

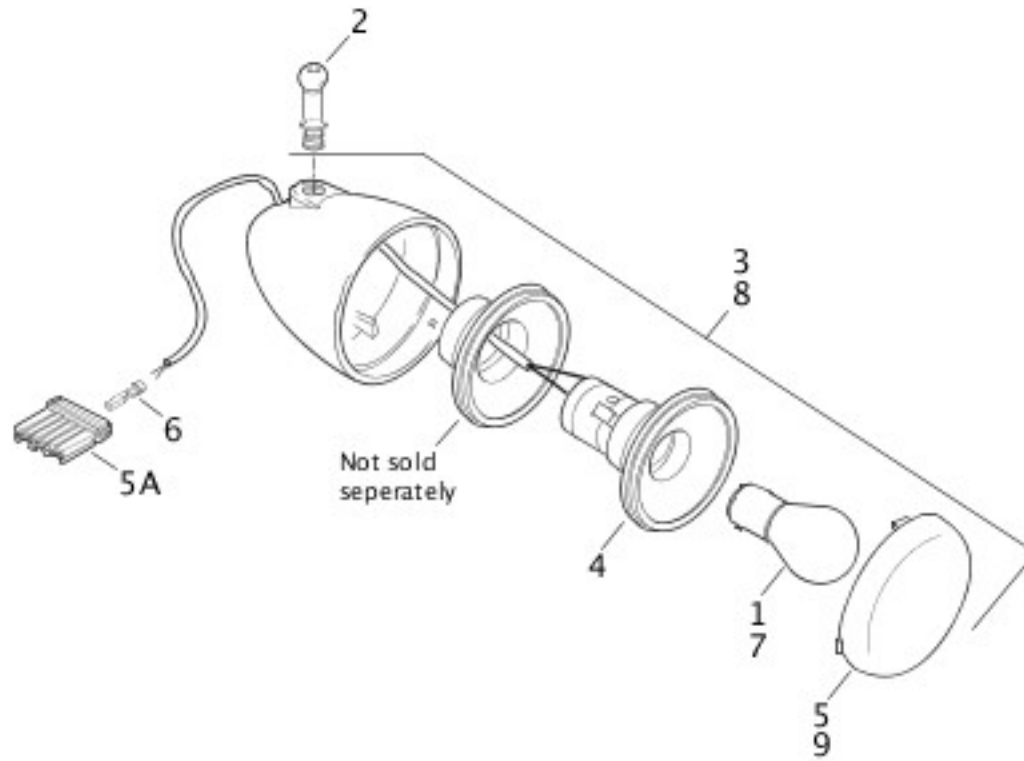
[View interactive table](#)

INDEX NO.	PART NO.	DESCRIPTION	MODEL(S)
1	10065	CABLE STRAP (as required)	XL1200C, XL1200L, XL1200R, XL883, XL883C, XL883L, XL883R
2	56104-02	SCREW, rear turn signal (2)	XL1200C, XL1200L, XL1200R, XL883, XL883C, XL883L, XL883R
3	68168-89A	BULB, front turn signal (2)	XL1200C, XL1200L, XL1200R, XL883, XL883C, XL883L, XL883R
4	68265-04	BALL STUD (2)	XL1200C, XL1200L, XL1200R, XL883, XL883C, XL883L, XL883R
5	68572-64B	BULB, rear turn signal (2)	XL1200C, XL1200L, XL1200R, XL883, XL883C, XL883L, XL883R
6	68480-02	SUPPORT, rear turn signal (2)	XL1200C, XL1200L, XL1200R, XL883, XL883C,

			XL883L, XL883R
7	68904-00	SOCKET ASSEMBLY, front (2)	XL1200C, XL1200L, XL1200R, XL883, XL883C, XL883L, XL883R
8	68905-00	SOCKET ASSEMBLY, rear (2)	XL1200C, XL1200L, XL1200R, XL883, XL883C, XL883L, XL883R
9	68972-00	TURN SIGNAL ASSEMBLY, front (amber) (2)	XL1200C, XL1200L, XL1200R, XL883, XL883C, XL883L, XL883R
10	68977-00	TURN SIGNAL ASSEMBLY, rear (amber) (2)	XL1200C, XL1200L, XL1200R, XL883, XL883C, XL883L, XL883R
11	68973-00	LENS (4)	XL1200C, XL1200L, XL1200R, XL883, XL883C, XL883L, XL883R
12	73152-96BK	SOCKET HOUSING, 2-way (black), right	XL1200C, XL1200L, XL1200R, XL883, XL883C, XL883L, XL883R
	73152-96WE	SOCKET HOUSING, 2-way (white), left	XL1200C, XL1200L, XL1200R, XL883, XL883C, XL883L, XL883R
13	73156-96BK	SOCKET HOUSING, 6-way (black) (2)	XL1200C, XL1200L, XL1200R, XL883, XL883C, XL883L, XL883R
14	73191-96	SOCKET TERMINAL, 16-20 awg (left & right turn signals) (6)	XL1200C, XL1200L, XL1200R, XL883, XL883C, XL883L, XL883R
INTERNATIONAL MODELS ONLY			
15	68163-84	BULB, front turn signal (HDI) (4)	XL1200C, XL1200L, XL1200R, XL883, XL883C, XL883L, XL883R
16	68906-00	SOCKET ASSEMBLY, front (HDI) (2)	XL1200C, XL1200L, XL1200R, XL883, XL883C, XL883L, XL883R
17	68907-00	SOCKET ASSEMBLY, rear (HDI) (2)	XL1200C, XL1200L, XL1200R, XL883, XL883C, XL883L, XL883R
18	68975-00	TURN SIGNAL ASSEMBLY, front (amber) (HDI) (2)	XL1200C, XL1200L, XL1200R, XL883, XL883C, XL883L, XL883R
19	68973-00	LENS, front (HDI) (2)	XL1200C, XL1200L, XL1200R, XL883, XL883C, XL883L, XL883R
20	68978-00	TURN SIGNAL ASSEMBLY, rear (amber) (HDI) (2)	XL1200C, XL1200L, XL1200R, XL883, XL883C, XL883L, XL883R
21	68979-00	LENS, rear (HDI) (2)	XL1200C, XL1200L, XL1200R, XL883, XL883C, XL883L, XL883R

FRONT TURN SIGNALS - XR1200

FRONT TURN SIGNALS - XR1200

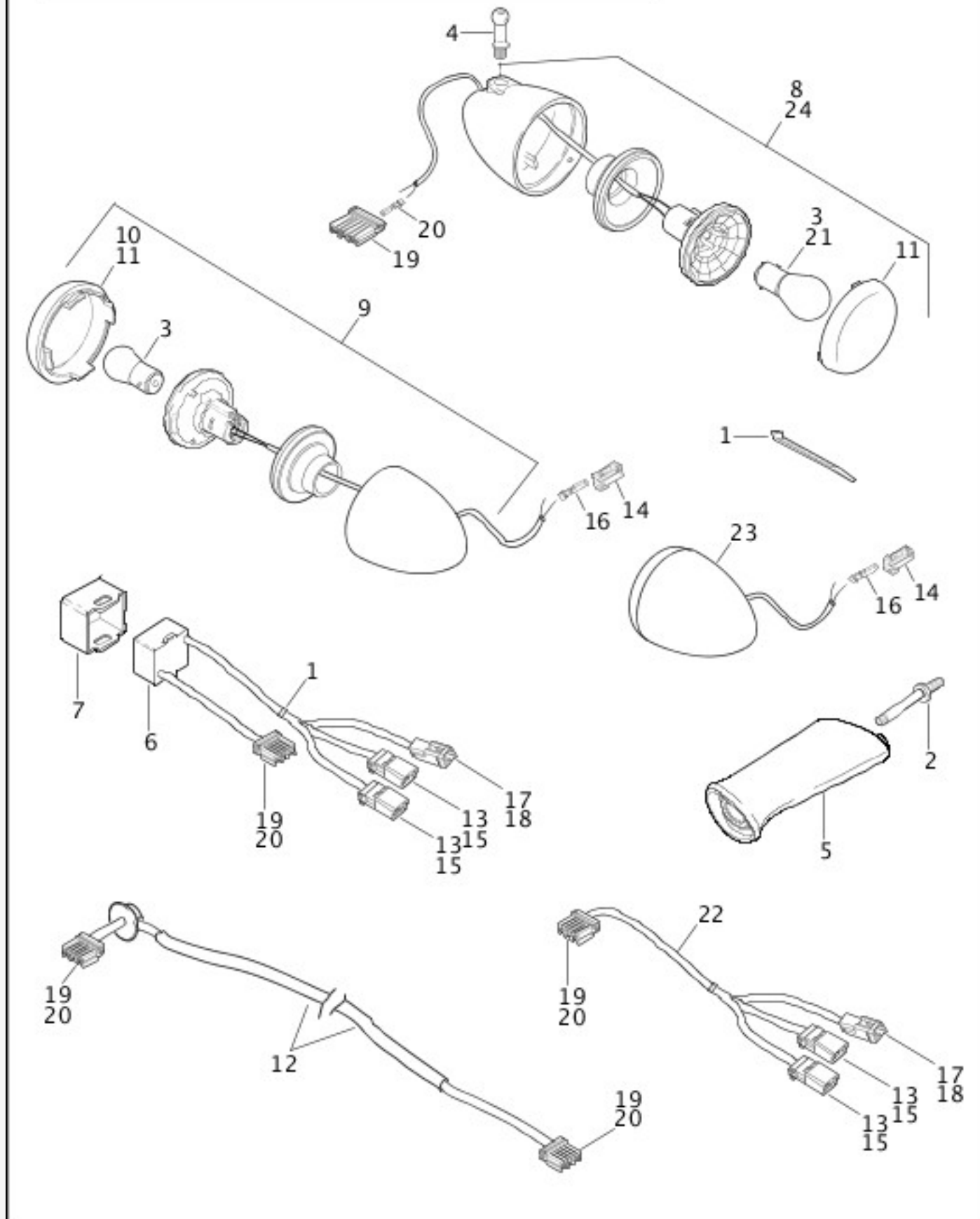


[View interactive image](#)

[View interactive table](#)

INDEX NO.	PART NO.	DESCRIPTION	MODEL(S)
1	68168-89A	BULB (2)	XR1200
2	68265-04	BALL STUD (2)	XR1200
3	68804-06	TURN SIGNAL SUB-ASSEMBLY, black (2)	XR1200
4	68904-00	SOCKET ASSEMBLY (DOM) (HDI - not sold separately) (2)	XR1200
5	68973-00	LENS (2)	XR1200
5A	73156-96BK	SOCKET HOUSING, 6-way (black) (2)	XR1200
6	73191-96	SOCKET TERMINAL, 16-20 awg (2)	XR1200
INTERNATIONAL MODELS ONLY			
7	68163-84	BULB (HDI) (2)	XR1200
8	68838-06	TURN SIGNAL SUB-ASSEMBLY, black (HDI) (2)	XR1200
9	68973-00	LENS (HDI) (2)	XR1200

TURN SIGNALS & TAIL LAMP - 883N, 1200N



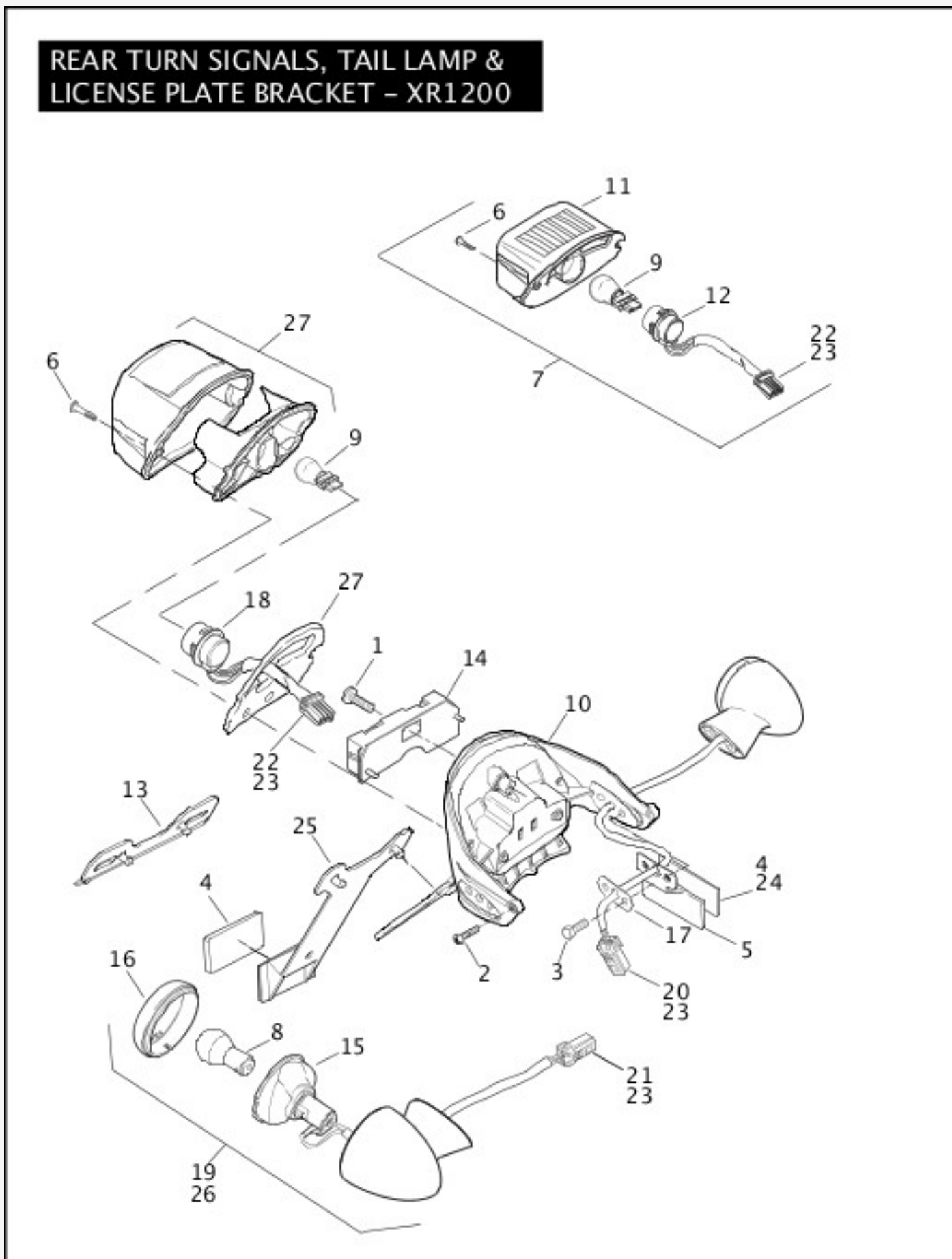
[View interactive image](#)

[View interactive table](#)

INDEX NO.	PART NO.	DESCRIPTION	MODEL(S)
1	10065	CABLE STRAP (as required)	XL1200N, XL883N
2	5531	SCREW, rear turn signal (2)	XL1200N, XL883N
3	68168-89A	BULB, rear (LE - 50-State), front (2)	XL1200N, XL883N

	68572-64B	BULB, rear (Canada) (2)	XL883N
4	68265-04	BALL STUD (2)	XL1200N, XL883N
5	68277-07	SUPPORT, rear turn signal (2)	XL1200N, XL883N
6	68278-07	CONVERTER MODULE, rear turn signal & tail lamp	XL1200N, XL883N
7	68299-07	HOLDER, module	XL1200N, XL883N
8	68730-07	TURN SIGNAL ASSEMBLY, front (2)	XL1200N, XL883N
9	68449-07	TURN SIGNAL ASSEMBLY, rear (LE - 50-State) (2)	XL1200N, XL883N
	73318-09	TURN SIGNAL ASSEMBLY, rear (Canada) (2)	XL883N
10	68559-07	LENS, rear (CZ - Domestic / LE - 50-State) (2)	XL1200N, XL883N
11	68755-07	LENS, rear (LE - Canada), front (Domestic, HDI) (2)	XL1200N, XL883N
12	68899-04	HARNESS, rear lighting (Canada)	XL883N
13	72904-01BK	HOUSING, pin, 4-way (black) (2)	XL1200N, XL883N
14	72914-01BK	SOCKET HOUSING, 4-way (black) (LE - 50-State) (2)	XL1200N, XL883N
	73152-96BK	SOCKET HOUSING, 2-way (black) (Canada) (2)	XL883N
15	72990-01	TERMINAL, pin (6)	XL1200N, XL883N
16	72991-01	TERMINAL, socket (rear) (domestic) (6)	XL1200N, XL883N
	72991-01	TERMINAL, socket (rear) (Japan) (8)	XL1200N, XL883N
17	73102-96BK	HOUSING, pin, 2-way (black)	XL1200N, XL883N
18	73190-96	TERMINAL, pin (2)	XL1200N, XL883N
19	73156-96BK	SOCKET HOUSING, 6-way (black) (module)	XL1200N, XL883N
	73156-96BK	SOCKET HOUSING, 6-way (black) (front turn signal) (2)	XL1200N, XL883N
20	73191-96	SOCKET TERMINAL, 16-20 gauge (module) (6)	XL1200N, XL883N
	73191-96	SOCKET TERMINAL, 16-20 gauge (front turn signal) (6)	XL1200N, XL883N
INTERNATIONAL MODELS ONLY			
21	68163-84	BULB, turn signal (HDI, Japan) (2)	XL1200N, XL883N
22	68955-08	HARNESS, rear turn signal & tail lamp (HDI) (2)	XL1200N, XL883N
23	69360-08	TURN SIGNAL, rear (HDI, Australia, England) (2)	XL1200N, XL883N
	69406-09	TURN SIGNAL, rear (Japan) w/ 72991-01 (2)	XL1200N, XL883N
24	69362-08	TURN SIGNAL, front (HDI, Japan) (2)	XL1200N, XL883N

REAR TURN SIGNALS, TAIL LAMP & LICENSE PLATE BRACKET - XR1200



[View interactive image](#)

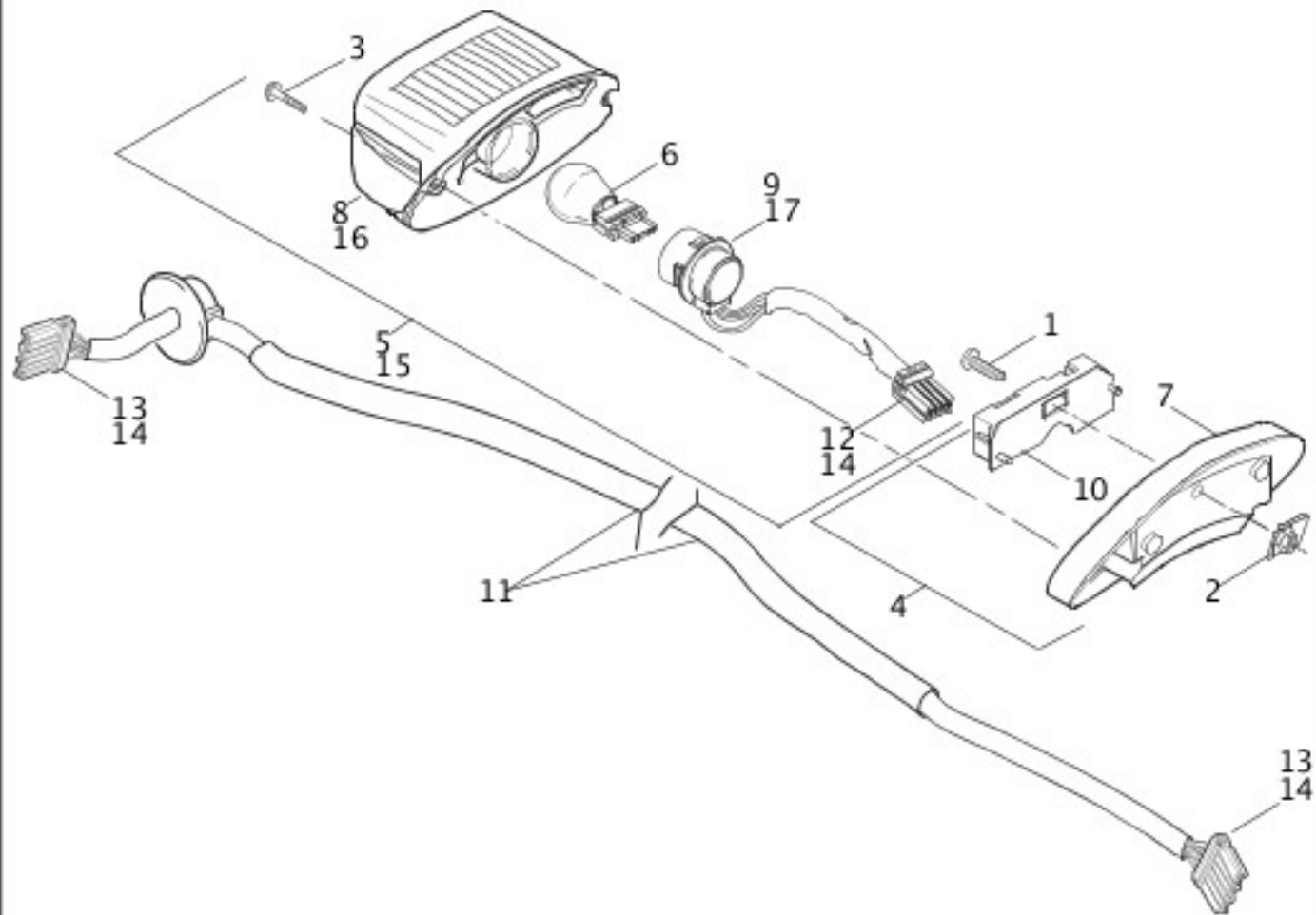
[View interactive table](#)

INDEX NO.	PART NO.	DESCRIPTION	MODEL(S)
1	930	SCREW	XR1200
2	2653	SCREW (2)	XR1200

3	3706M	SCREW (4)	XR1200
4	59259-90	REFLECTOR, red (domestic) (2)	XR1200
	59259-90	REFLECTOR, red (HDI)	XR1200
5	60183-08	BRACKET, side reflector mount (2)	XR1200
6	68026-99	SCREW (2)	XR1200
7	68140-04	TAIL LAMP ENVELOPE	XR1200
8	68163-84	BULB (2)	XR1200
9	68167-04	BULB	XR1200
10	68257-08	LICENSE PLATE, module	XR1200
11	68369-03	LENS, tail lamp, w/ 68026-99	XR1200
12	68370-03A	SOCKET ASSEMBLY, tail lamp, rear, w/ 9, 22 & 23	XR1200
13	68561-09	BRACKET, reflector	XR1200
14	68830-99A	CIRCUIT BOARD & COVER ASSEMBLY	XR1200
15	69066-01A	SOCKET ASSEMBLY (DOM) (HDI - not sold seperately)	XR1200
16	69110-01	LENS, turn signal, rear (2)	XR1200
17	69148-01	PLATE, support (2)	XR1200
18	69187-03A	SOCKET ASSEMBLY, tail lamp, rear, w/ 9, 22 & 23	XR1200
19	68984-01	TURN SIGNAL ASSEMBLY, w/ 8, 15, 16 & 23 (2)	XR1200
20	73152-96BK	SOCKET HOUSING, 2-way (black)	XR1200
21	73152-96WE	SOCKET HOUSING, 2-way (white)	XR1200
22	73154-96BK	SOCKET HOUSING, 4-way (black)	XR1200
23	73191-96	SOCKET TERMINAL, 16-20 awg (2)	XR1200
INTERNATIONAL MODELS ONLY			
24	59256-84A	REFLECTOR, amber (HDI) (2)	XR1200
25	60188-08	BRACKET, reflector w/ 59259-90 (HDI)	XR1200
26	69530-08	TURN SIGNAL ASSEMBLY, w/ 8, 16 & 23 (HDI) (2)	XR1200
27	69864-08	TAIL LAMP ENVELOPE (HDI)	XR1200

TAIL LAMP - 883/C/L/R, 1200C/L/R

TAIL LAMP - 883/C/L/R, 1200C/L



[View interactive image](#)

[View interactive table](#)

INDEX NO.	PART NO.	DESCRIPTION	MODEL(S)
1	3022A	SCREW	XL1200C, XL1200L, XL1200R, XL883, XL883C, XL883L, XL883R
2	7964	CLIP NUT	XL1200C, XL1200L, XL1200R, XL883, XL883C, XL883L, XL883R
3	68026-99	SCREW, tail lamp (2)	XL1200C, XL1200L, XL1200R, XL883, XL883C, XL883L, XL883R
4	68066-99A	BASE ASSEMBLY, chromed	XL1200C, XL1200L, XL1200R, XL883, XL883C, XL883L, XL883R
5	68140-04	LIGHT ASSEMBLY, tail lamp (Domestic)	XL1200C, XL1200L, XL1200R, XL883, XL883C, XL883L, XL883R
6	68167-04	BULB, tail lamp, wedge mount	XL1200C, XL1200L, XL1200R, XL883, XL883C, XL883L, XL883R

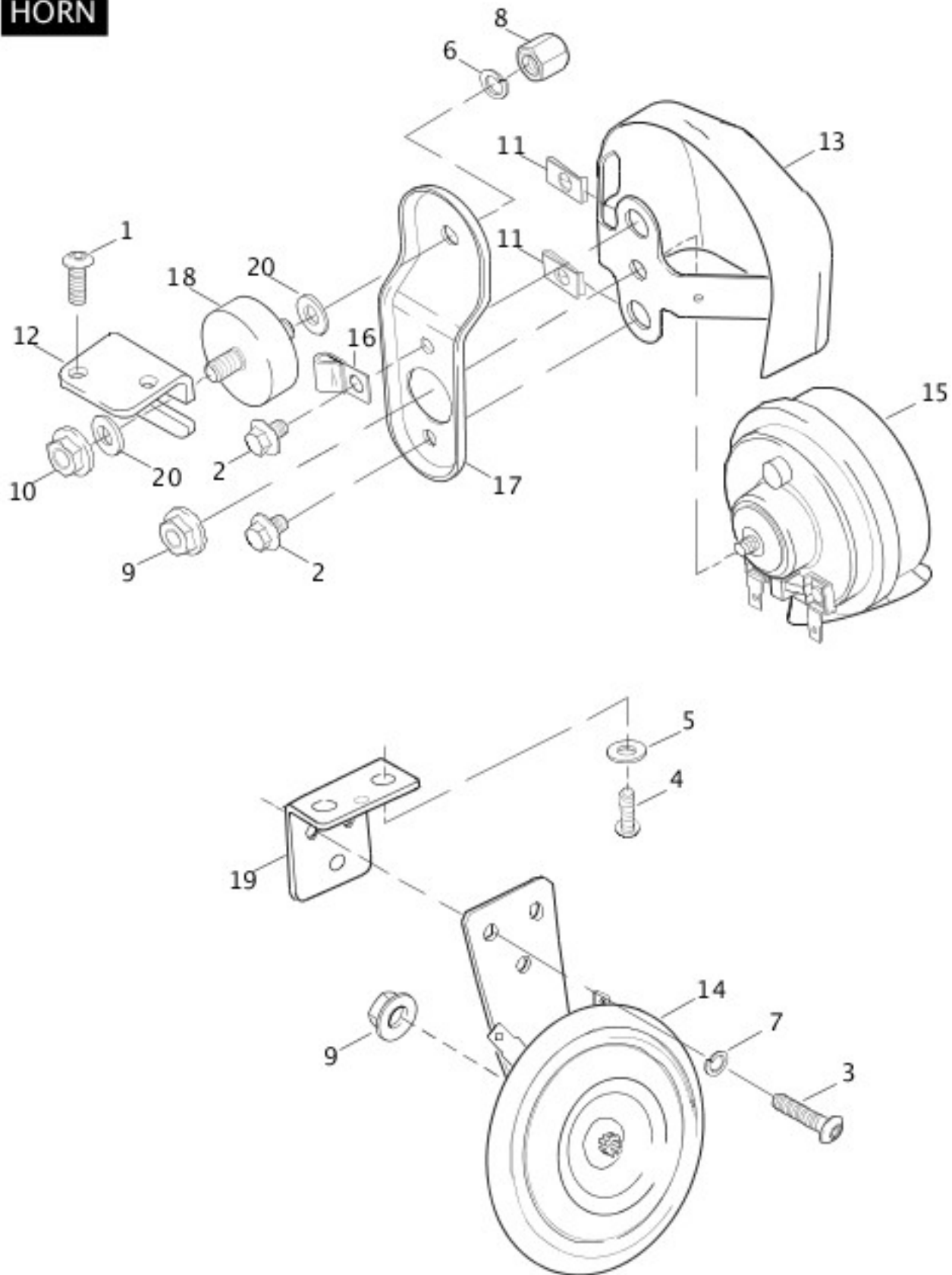
7	68296-99A	BASE TAIL LAMP, chrome	XL1200C, XL1200L, XL1200R, XL883, XL883C, XL883L, XL883R
8	68369-03	LENS, tail lamp, w/ 68026-99 (Domestic)	XL1200C, XL1200L, XL1200R, XL883, XL883C, XL883L, XL883R
9	68370-03A	BULB SOCKET ASSEMBLY, w/ 6, 12, 14 (Domestic)	XL1200C, XL1200L, XL1200R, XL883, XL883C, XL883L, XL883R
10	68830-99A	CIRCUIT BOARD/COVER ASSEMBLY	XL1200C, XL1200L, XL1200R, XL883, XL883C, XL883L, XL883R
11	68899-04	HARNESS, rear lighting	XL1200C, XL1200L, XL1200R, XL883, XL883C, XL883L, XL883R
12	73154-96BK	SOCKET HOUSING, 4-way (black)	XL1200C, XL1200L, XL1200R, XL883, XL883C, XL883L, XL883R
13	73156-96BK	SOCKET HOUSING, 6-way (black) (2)	XL1200C, XL1200L, XL1200R, XL883, XL883C, XL883L, XL883R
14	73191-96	SOCKET TERMINAL, 16-20 awg (as required)	XL1200C, XL1200L, XL1200R, XL883, XL883C, XL883L, XL883R

INTERNATIONAL MODELS ONLY

15	68141-04	LIGHT ASSEMBLY, tail lamp (HDI)	XL1200C, XL1200L, XL1200R, XL883, XL883C, XL883L, XL883R
16	68372-03	LENS, tail lamp, w/ 68026-99 (HDI)	XL1200C, XL1200L, XL1200R, XL883, XL883C, XL883L, XL883R
17	69187-03A	BULB SOCKET ASSEMBLY, w/ 6, 12, 14 (HDI)	XL1200C, XL1200L, XL1200R, XL883, XL883C, XL883L, XL883R

HORN

HORN



[View interactive image](#)

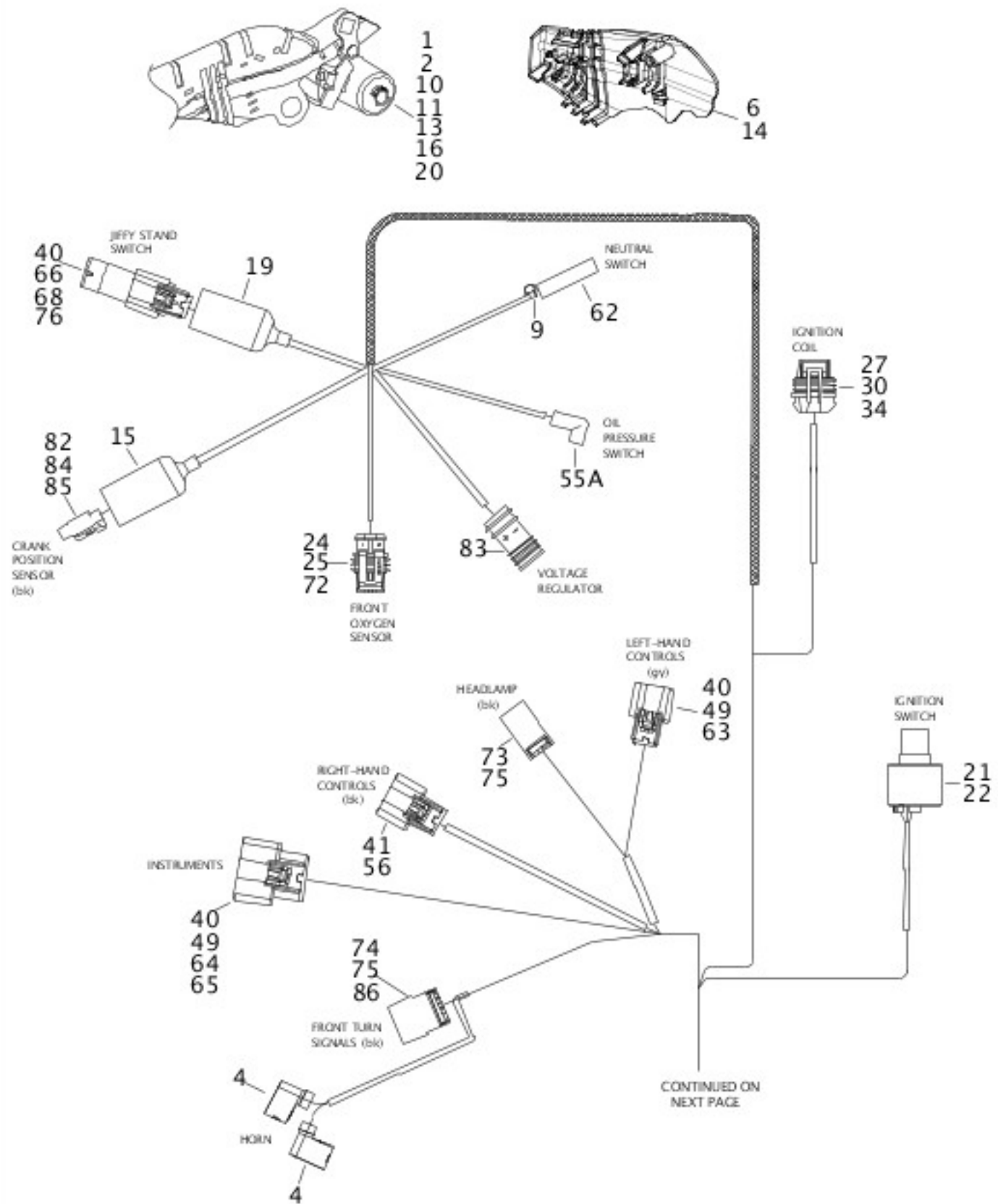
[View interactive table](#)

INDEX NO.	PART NO.	DESCRIPTION	MODEL(S)
1	3026	SCREW (2)	XL1200C
2	3563	SCREW (2)	XL1200C
3	3658	SCREW (3)	XL1200L, XL1200N, XL1200R, XL883, XL883C, XL883L, XL883N,

			XL883R, XR1200
4	4180	SCREW (2)	XL1200L, XL1200N, XL1200R, XL883, XL883C, XL883L, XL883N, XL883R, XR1200
5	6026	WASHER (2)	XL1200L, XL1200N, XL1200R, XL883, XL883C, XL883L, XL883N, XL883R, XR1200
6	7041	LOCKWASHER	XL1200C
7	7069	LOCKWASHER (3)	XL1200L, XL1200N, XL1200R, XL883, XL883C, XL883L, XL883N, XL883R, XR1200
8	7481	ACORN NUT	XL1200C
9	7495	NUT	ALL
10	7531	LOCKNUT	XL1200C
11	8108	SPEEDNUT (2)	XL1200C
12	69049-07	BRACKET, horn	XL1200C
13	69012-93A	COVER, horn (chrome)	XL1200C
14	69043-96B	HORN, complete, w/ bracket & 7495	XL1200L, XL1200N, XL1200R, XL883, XL883C, XL883L, XL883N, XL883R, XR1200
15	69060-90E	HORN, w/ 7495	XL1200C
16	69062-91A	CLAMP, horn wire	XL1200C
17	69120-91	HORN BRACKET	XL1200C
18	69123-92	RUBBER MOUNT	XL1200C
19	69135-04	HORN BRACKET	XL1200L, XL1200N, XL1200R, XL883, XL883C, XL883L, XL883N, XL883R, XR1200
20	6237	WASHER (2)	XL1200C

WIRING HARNESS, MAIN - 883/C/L/N/R, 1200C/L/N/R (1 OF 2)

WIRING HARNESS, MAIN - 883/C/L/N/R, 1200C/L/N



[View interactive image](#)

[View interactive table](#)

INDEX NO.	PART NO.	DESCRIPTION	MODEL(S)
	70181-09	WIRING HARNESS, main	XL1200C, XL1200L, XL1200N, XL1200R, XL883, XL883C, XL883L, XL883N, XL883R

NOTE: Includes the following parts.

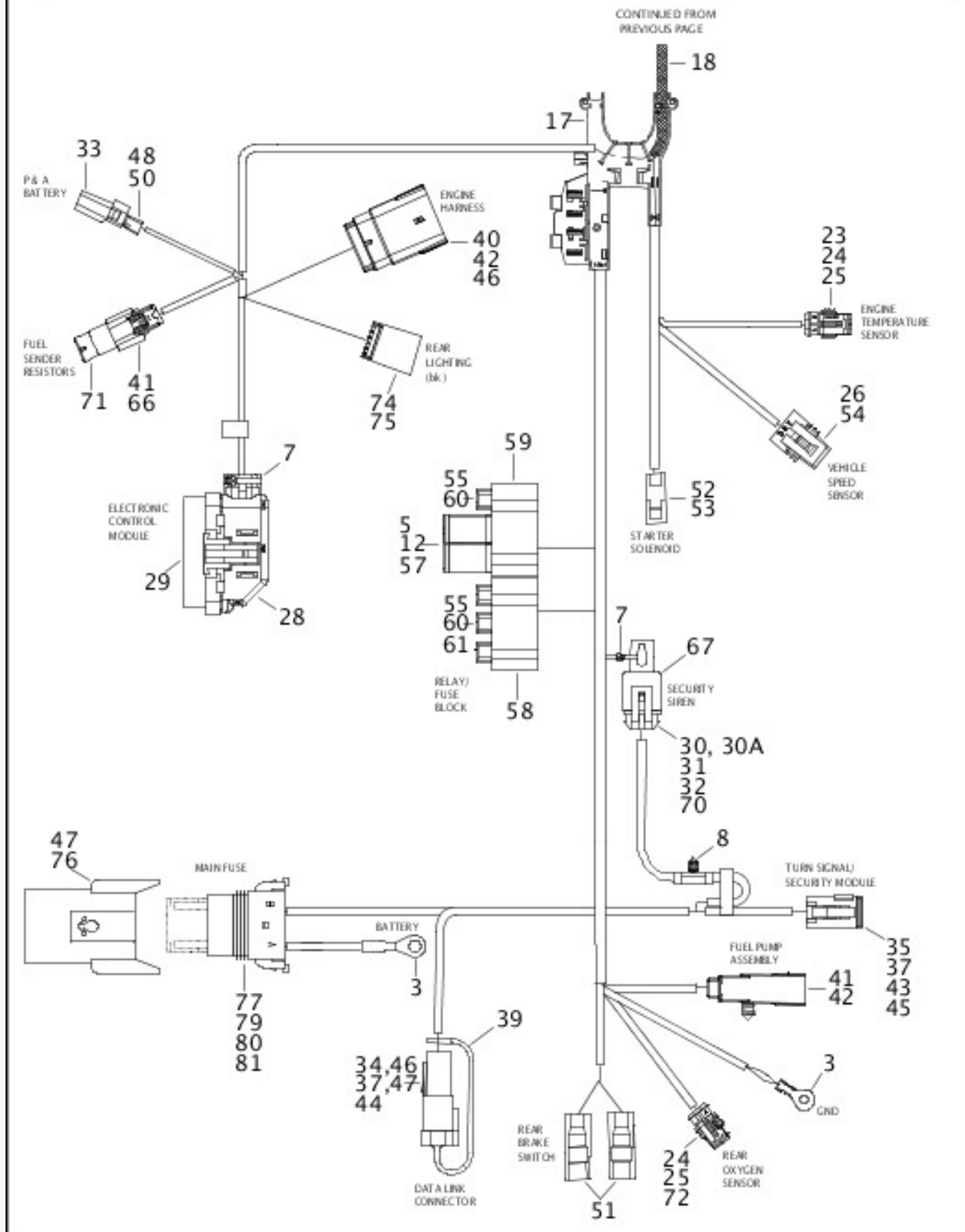
	3123	SCREW, caddy mount (not part of wiring harness) (not illustrated)	XL1200C, XL1200L, XL1200N, XL1200R, XL883, XL883C, XL883L, XL883N, XL883R
1	3124	SCREW	XL1200C, XL1200L, XL1200N, XL1200R, XL883, XL883C, XL883L, XL883N, XL883R
2	7220	LOCKWASHER	XL1200C, XL1200L, XL1200N, XL1200R, XL883, XL883C, XL883L, XL883N, XL883R
3	9838	TERMINAL RING, 1/4, 10-12 gauge (2)	XL1200C, XL1200L, XL1200N, XL1200R, XL883, XL883C, XL883L, XL883N, XL883R
4	9898	TERMINAL FLAG (2)	XL1200C, XL1200L, XL1200N, XL1200R, XL883, XL883C, XL883L, XL883N, XL883R
5	9937	TERMINAL, female, 14-18 gauge (4)	XL1200C, XL1200L, XL1200N, XL1200R, XL883, XL883C, XL883L, XL883N, XL883R
6	10006	CABLE STRAP (as required)	XL1200C, XL1200L, XL1200N, XL1200R, XL883, XL883C, XL883L, XL883N, XL883R
7	10065	CABLE STRAP (as required)	XL1200C, XL1200L, XL1200N, XL1200R, XL883, XL883C, XL883L, XL883N, XL883R
8	10279	CLIP, harness mount	XL1200C, XL1200L, XL1200N, XL1200R, XL883, XL883C, XL883L, XL883N, XL883R
9	10287	CABLE STRAP (as required)	XL1200C, XL1200L, XL1200N, XL1200R, XL883, XL883C, XL883L, XL883N, XL883R
10	11778	FASTENER, push in	XL1200C, XL1200L, XL1200N, XL1200R, XL883, XL883C, XL883L, XL883N, XL883R
11	11785	CLIP, push in fastener	XL1200C, XL1200L, XL1200N, XL1200R, XL883, XL883C, XL883L, XL883N, XL883R
12	31601-04	RELAY (2)	XL1200C, XL1200L, XL1200N, XL1200R, XL883, XL883C, XL883L, XL883N, XL883R
13	31797-07	BRACKET ASSEMBLY, ignition switch	XL1200C, XL1200L, XL1200N, XL1200R, XL883, XL883C, XL883L, XL883N, XL883R
	56073-83	RETAINER, h-clip (not part of wiring harness) (not illustrated)	XL1200C, XL1200L, XL1200N, XL1200R, XL883, XL883C, XL883L, XL883N, XL883R
14	70466-07A	WIRE HARNESS CADDY, left	XL1200C, XL1200L, XL1200N, XL1200R, XL883, XL883C, XL883L, XL883N, XL883R
15	70598-99	BOOT, temperature sensor	XL1200C, XL1200L, XL1200N, XL1200R, XL883, XL883C, XL883L, XL883N, XL883R
	70640-07	CLIP, caddy (not part of wiring harness) (not illustrated)	XL1200C, XL1200L, XL1200N, XL1200R, XL883, XL883C, XL883L, XL883N, XL883R
16	70642-07	WIRE HARNESS CADDY, right	XL1200C, XL1200L, XL1200N, XL1200R, XL883, XL883C, XL883L, XL883N, XL883R
17	70645-	H-CLIP, fuseblock	XL1200C, XL1200L, XL1200N, XL1200R, XL883,

	07		XL883C, XL883L, XL883N, XL883R
18	70649-07	WIRE GUIDE	XL1200C, XL1200L, XL1200N, XL1200R, XL883, XL883C, XL883L, XL883N, XL883R
19	70664-08	BOOT, jiffy stand sensor	XL1200C, XL1200L, XL1200N, XL1200R, XL883, XL883C, XL883L, XL883N, XL883R
20	71510-04	HOUSING, IGNITION SWITCH	XL1200C, XL1200L, XL1200N, XL1200R, XL883, XL883C, XL883L, XL883N, XL883R
21	71550-94	LABEL, ignition switch	XL1200C, XL1200L, XL1200N, XL1200R, XL883, XL883C, XL883L, XL883N, XL883R
22	71552-94	FACE NUT, ignition switch	XL1200C, XL1200L, XL1200N, XL1200R, XL883, XL883C, XL883L, XL883N, XL883R
23	72006-05	TERMINAL, 16-20 gauge (2)	XL1200C, XL1200L, XL1200N, XL1200R, XL883, XL883C, XL883L, XL883N, XL883R
24	72007-05	HOUSING, socket, 2-way (3)	XL1200C, XL1200L, XL1200N, XL1200R, XL883, XL883C, XL883L, XL883N, XL883R
25	72011-05	WIRE SEAL, 16-20 gauge (yellow) (6)	XL1200C, XL1200L, XL1200N, XL1200R, XL883, XL883C, XL883L, XL883N, XL883R
26	72033-93	TERMINAL, 16-20 gauge (2)	XL1200C, XL1200L, XL1200N, XL1200R, XL883, XL883C, XL883L, XL883N, XL883R
27	72066-06	SOCKET HOUSING, 4-way, female (black)	XL1200C, XL1200L, XL1200N, XL1200R, XL883, XL883C, XL883L, XL883N, XL883R
28	72076-00	TERMINAL, socket (26)	XL1200C, XL1200L, XL1200N, XL1200R, XL883, XL883C, XL883L, XL883N, XL883R
29	72077-00	SEAL PIN (10)	XL1200C, XL1200L, XL1200N, XL1200R, XL883, XL883C, XL883L, XL883N, XL883R
30	72094-06	TERMINAL, socket, 18 gauge (8)	XL1200C, XL1200L, XL1200N, XL1200R, XL883, XL883C, XL883L, XL883N, XL883R
30A	72078-00	CONNECTOR KIT, 36 position socket	XL1200C, XL1200L, XL1200N, XL1200R, XL883, XL883C, XL883L, XL883N, XL883R
31	72096-06	SEAL WIRE, 18-20 AWG (yellow) (8)	XL1200C, XL1200L, XL1200N, XL1200R, XL883, XL883C, XL883L, XL883N, XL883R
32	72100-04	HOUSING, 1-way, male (gray)	XL1200C, XL1200L, XL1200N, XL1200R, XL883, XL883C, XL883L, XL883N, XL883R
33	72124-94GY	SOCKET HOUSING, 4-way (gray)	XL1200C, XL1200L, XL1200N, XL1200R, XL883, XL883C, XL883L, XL883N, XL883R
34	72135-06	SECONDARY LOCK, 4-way, female (gray)	XL1200C, XL1200L, XL1200N, XL1200R, XL883, XL883C, XL883L, XL883N, XL883R
35	72139-94GY	SOCKET HOUSING, 12-way, w/ 72179-94 (gray)	XL1200C, XL1200L, XL1200N, XL1200R, XL883, XL883C, XL883L, XL883N, XL883R

36	72144-94	SECONDARY LOCK, 4-way	XL1200C, XL1200L, XL1200N, XL1200R, XL883, XL883C, XL883L, XL883N, XL883R
37	72159-94	SECONDARY LOCK, pin, 12-way	XL1200C, XL1200L, XL1200N, XL1200R, XL883, XL883C, XL883L, XL883N, XL883R
38	72164-94A	WEATHER PLUG, 4-way	XL1200C, XL1200L, XL1200N, XL1200R, XL883, XL883C, XL883L, XL883N, XL883R
39	72167-07BK	HOUSING, 16-way, pin (black)	XL1200C, XL1200L, XL1200N, XL1200R, XL883, XL883C, XL883L, XL883N, XL883R
40	72168-07	TERMINAL, socket, 18-20 gauge (25)	XL1200C, XL1200L, XL1200N, XL1200R, XL883, XL883C, XL883L, XL883N, XL883R
41	72169-07	TERMINAL, pin, 16-20 gauge (17)	XL1200C, XL1200L, XL1200N, XL1200R, XL883, XL883C, XL883L, XL883N, XL883R
42	72175-07BK	HOUSING, pin, 4-way (black)	XL1200C, XL1200L, XL1200N, XL1200R, XL883, XL883C, XL883L, XL883N, XL883R
43	72179-94	SEAL (2)	XL1200C, XL1200L, XL1200N, XL1200R, XL883, XL883C, XL883L, XL883N, XL883R

WIRING HARNESS, MAIN - 883/C/L/N/R, 1200C/L/N/R (2 OF 2)

WIRING HARNESS, MAIN - 883/C/L/N/R, 1200C/L/N/R (CONTINUED)



View interactive image

[View interactive table](#)

INDEX NO.	PART NO.	DESCRIPTION	MODEL(S)
	70181-09	WIRING HARNESS, main (continued)	XL1200C, XL1200L, XL1200N, XL1200R, XL883, XL883C, XL883L, XL883N, XL883R

NOTE: Includes the following parts.

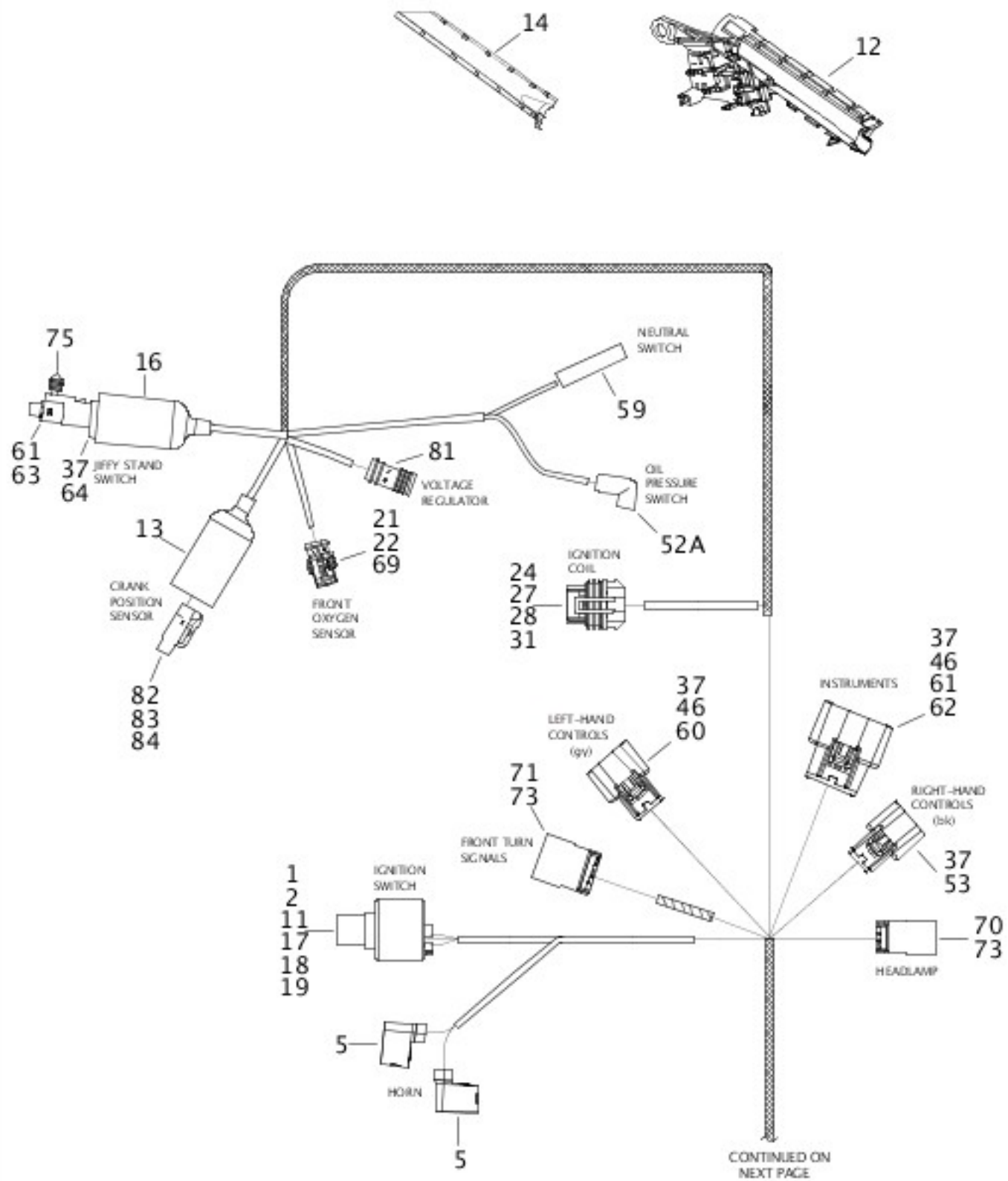
44	72190-94	TERMINAL, pin, 16-18 gauge (3)	XL1200C, XL1200L, XL1200N, XL1200R, XL883, XL883C, XL883L, XL883N, XL883R
45	72191-94	TERMINAL, socket, 16-18 gauge (12)	XL1200C, XL1200L, XL1200N, XL1200R, XL883, XL883C, XL883L, XL883N, XL883R
46	72195-94	SEAL, pin, 4-way	XL1200C, XL1200L, XL1200N, XL1200R, XL883, XL883C, XL883L, XL883N, XL883R
47	72199-94	CONNECTOR ANCHOR (2)	XL1200C, XL1200L, XL1200N, XL1200R, XL883, XL883C, XL883L, XL883N, XL883R
48	72260-04	HOUSING, female, 1-way (gray)	XL1200C, XL1200L, XL1200N, XL1200R, XL883, XL883C, XL883L, XL883N, XL883R
49	72272-07	TERMINAL, socket, 14-16 gauge (6)	XL1200C, XL1200L, XL1200N, XL1200R, XL883, XL883C, XL883L, XL883N, XL883R
50	72289-04	TERMINAL, female, 10-12 gauge	XL1200C, XL1200L, XL1200N, XL1200R, XL883, XL883C, XL883L, XL883N, XL883R
51	72290-94	TERMINAL, insulated (2)	XL1200C, XL1200L, XL1200N, XL1200R, XL883, XL883C, XL883L, XL883N, XL883R
52	72291-94	TERMINAL, female spade, 14-16 gauge	XL1200C, XL1200L, XL1200N, XL1200R, XL883, XL883C, XL883L, XL883N, XL883R
53	72295-94	TERMINAL HOUSING, 1-way	XL1200C, XL1200L, XL1200N, XL1200R, XL883, XL883C, XL883L, XL883N, XL883R
54	72312-04	HOUSING, socket, 3-way	XL1200C, XL1200L, XL1200N, XL1200R, XL883, XL883C, XL883L, XL883N, XL883R
55	72330-95	FUSE, 15 amp (10)	XL1200C, XL1200L, XL1200N, XL1200R, XL883, XL883C, XL883L, XL883N, XL883R
55A	72405-98BK	PUSH ON WIRE ASSEMBLY, right angle molded, w/ 60 in. wire lead (black)	XL1200C, XL1200L, XL1200N, XL1200R, XL883, XL883C, XL883L, XL883N, XL883R
56	72414-07BK	HOUSING, socket, 6-way (black)	XL1200C, XL1200L, XL1200N, XL1200R, XL883, XL883C, XL883L, XL883N, XL883R
57	72427-00	TERMINAL, 16-22 gauge (4)	XL1200C, XL1200L, XL1200N, XL1200R, XL883, XL883C, XL883L, XL883N, XL883R
58	72430-00	FUSEBLOCK MOUNTING, relay, 9 fuses	XL1200C, XL1200L, XL1200N, XL1200R, XL883, XL883C, XL883L, XL883N, XL883R
59	72432-00	FUSEBLOCK MOUNTING, relay, 3 fuses	XL1200C, XL1200L, XL1200N, XL1200R, XL883, XL883C, XL883L, XL883N, XL883R
60	72434-00	TERMINAL, 14-16 gauge (17)	XL1200C, XL1200L, XL1200N, XL1200R, XL883, XL883C, XL883L, XL883N, XL883R
61	72441-04	TERMINAL, 12-14 gauge	XL1200C, XL1200L, XL1200N, XL1200R, XL883, XL883C, XL883L, XL883N, XL883R
62	72445-	TERMINAL, female (tan)	XL1200C, XL1200L, XL1200N, XL1200R, XL883,

	99TN		XL883C, XL883L, XL883N, XL883R
63	72469-07GY	HOUSING, socket, 8-way (gray)	XL1200C, XL1200L, XL1200N, XL1200R, XL883, XL883C, XL883L, XL883N, XL883R
64	72473-07	SEAL PIN (7)	XL1200C, XL1200L, XL1200N, XL1200R, XL883, XL883C, XL883L, XL883N, XL883R
65	72487-07BK	HOUSING, socket, 12-way (black)	XL1200C, XL1200L, XL1200N, XL1200R, XL883, XL883C, XL883L, XL883N, XL883R
66	72512-07BK	HOUSING, socket, 3-way (black)	XL1200C, XL1200L, XL1200N, XL1200R, XL883, XL883C, XL883L, XL883N, XL883R
67	72516-01	DUSTCAP	XL1200C, XL1200L, XL1200N, XL1200R, XL883, XL883C, XL883L, XL883N, XL883R
68	72519-09BK	DUSTCAP, 3-way socket	XL1200C, XL1200L, XL1200N, XL1200R, XL883, XL883C, XL883L, XL883N, XL883R
69	72543-07BK	SOCKET HOUSING, 3-way (black)	XL1200C, XL1200L, XL1200N, XL1200R, XL883, XL883C, XL883L, XL883N, XL883R
70	72544-07	SECONDARY LOCK, 3-way, female	XL1200C, XL1200L, XL1200N, XL1200R, XL883, XL883C, XL883L, XL883N, XL883R
71	72545-08	RESISTOR ASSEMBLY, fuel sender	XL1200C, XL1200L, XL1200N, XL1200R, XL883, XL883C, XL883L, XL883N, XL883R
72	72611-07	TERMINAL, socket, 16-20 gauge (4)	XL1200C, XL1200L, XL1200N, XL1200R, XL883, XL883C, XL883L, XL883N, XL883R
73	73104-96BK	CONNECTOR, 4-way (black)	XL1200C, XL1200L, XL1200N, XL1200R, XL883, XL883C, XL883L, XL883N, XL883R
74	73106-96BK	CONNECTOR, 6-way (black) (2)	XL1200C, XL1200L, XL1200N, XL1200R, XL883, XL883C, XL883L, XL883N, XL883R
75	73190-96	TERMINAL, pin, 20-16 gauge (16)	XL1200C, XL1200L, XL1200N, XL1200R, XL883, XL883C, XL883L, XL883N, XL883R
76	73213-07	RETAINER (2)	XL1200C, XL1200L, XL1200N, XL1200R, XL883, XL883C, XL883L, XL883N, XL883R
77	73301-04	HOUSING, 2-way, female	XL1200C, XL1200L, XL1200N, XL1200R, XL883, XL883C, XL883L, XL883N, XL883R
78	73302-04	COVER, maxi-fuse, fuse block	XL1200C, XL1200L, XL1200N, XL1200R, XL883, XL883C, XL883L, XL883N, XL883R
79	73303-04	SECONDARY LOCK, 2-way, female	XL1200C, XL1200L, XL1200N, XL1200R, XL883, XL883C, XL883L, XL883N, XL883R
80	73304-04	TERMINAL, female, 10 gauge (2)	XL1200C, XL1200L, XL1200N, XL1200R, XL883, XL883C, XL883L, XL883N, XL883R
81	73305-04	SEAL WIRE, 10 gauge (blue) (2)	XL1200C, XL1200L, XL1200N, XL1200R, XL883, XL883C, XL883L, XL883N, XL883R

82	74112-98BK	SOCKET HOUSING, 2-way (black)	XL1200C, XL1200L, XL1200N, XL1200R, XL883, XL883C, XL883L, XL883N, XL883R
83	74120-08	DC LEAD ASSEMBLY	XL1200C, XL1200L, XL1200N, XL1200R, XL883, XL883C, XL883L, XL883N, XL883R
84	74152-98	SECONDARY LOCK, 2-way	XL1200C, XL1200L, XL1200N, XL1200R, XL883, XL883C, XL883L, XL883N, XL883R
85	74191-98	SOCKET TERMINAL (2)	XL1200C, XL1200L, XL1200N, XL1200R, XL883, XL883C, XL883L, XL883N, XL883R
86	74195-98	SEAL PIN	XL1200C, XL1200L, XL1200N, XL1200R, XL883, XL883C, XL883L, XL883N, XL883R

WIRING HARNESS, MAIN - XR1200 (1 OF 2)

WIRING HARNESS, MAIN - XR1200



[View interactive image](#)

[View interactive table](#)

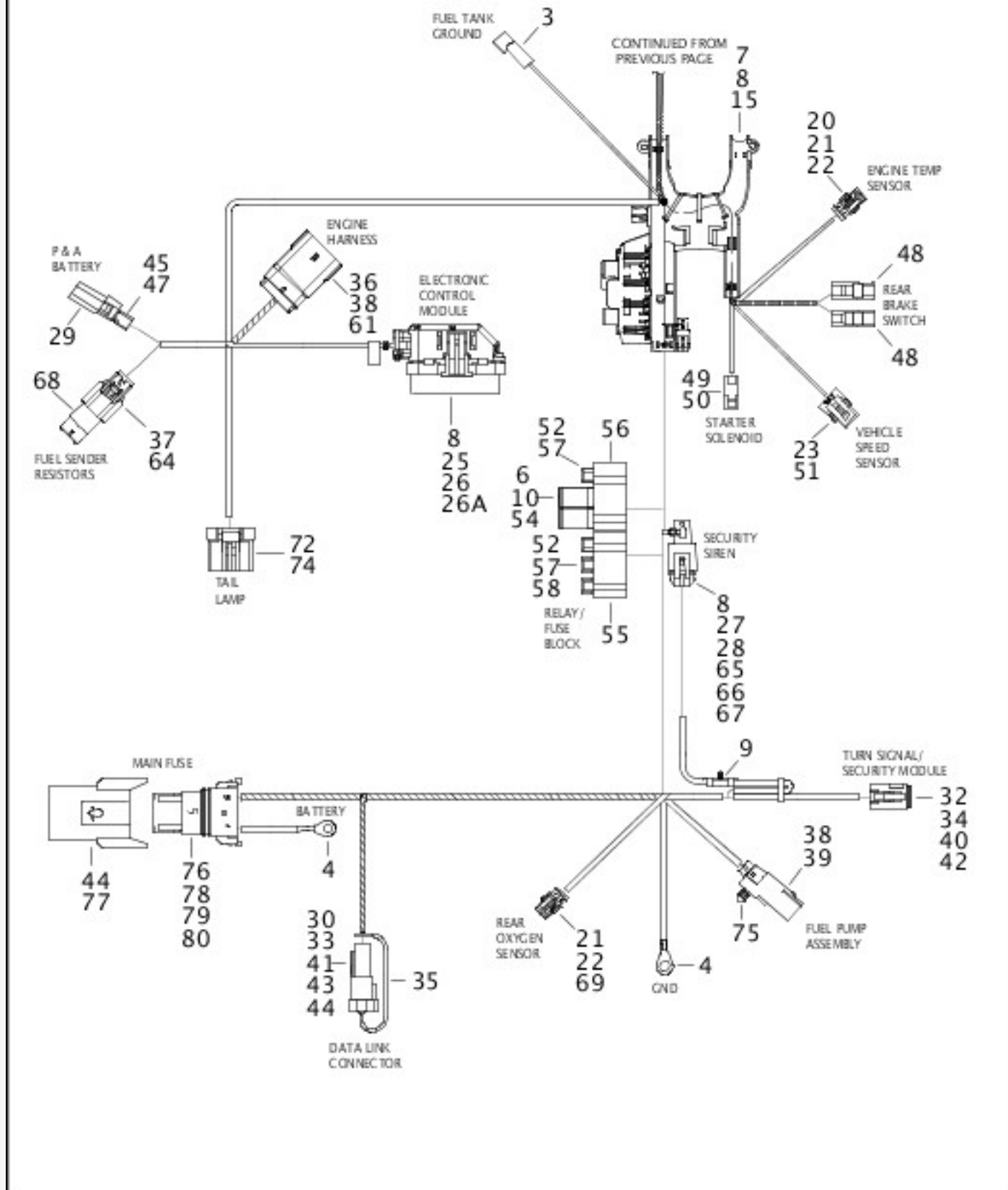
INDEX NO.	PART NO.	DESCRIPTION	MODEL(S)
	70225-08	WIRING HARNESS, main	XR1200
NOTE: Includes the following parts.			
1	3124	SCREW	XR1200

2	7220	LOCKWASHER	XR1200
3	9810	OVERMOLD, fuel tank, ground	XR1200
4	9838	TERMINAL RING, 1/4, 10-12 gauge (2)	XR1200
5	9898	TERMINAL FLAG (2)	XR1200
6	9937	TERMINAL, female, 14-18 gauge (4)	XR1200
7	10006	CABLE STRAP (as required)	XR1200
8	10065	CABLE STRAP (as required)	XR1200
9	10279	CLIP, harness mount	XR1200
10	31601-04	RELAY (2)	XR1200
11	31806-08	BRACKET ASSEMBLY	XR1200
	56073-83	RETAINER, h-clip (not part of wiring harness) (not illustrated)	XR1200
12	70368-08	WIRE HARNESS CADDY	XR1200
13	70598-99	BOOT, temperature sensor	XR1200
14	70632-08	CADDY COVER	XR1200
15	70645-07	H-CLIP, fuseblock	XR1200
16	70664-08	BOOT, jiffy stand sensor	XR1200
17	71510-04	HOUSING, ignition switch	XR1200
18	71550-94	LABEL, ignition switch	XR1200
19	71552-94	FACE NUT, ignition switch (2)	XR1200
20	72006-05	TERMINAL, 16-20 gauge (2)	XR1200
21	72007-05	HOUSING, socket, 2-way (3)	XR1200
22	72011-05	WIRE SEAL, 16-20 gauge (yellow) (6)	XR1200
23	72033-93	TERMINAL, socket, 16-20 gauge (3)	XR1200
24	72066-06	SOCKET HOUSING, 4-way	XR1200
25	72076-00	TERMINAL, socket (27)	XR1200
26	72077-00	SEAL PIN (9)	XR1200
26A	72078-00	CONNECTOR KIT, 36 position socket (9)	XR1200
27	72094-06	TERMINAL, socket, female, 18 gauge (7)	XR1200
28	72096-06	SEAL WIRE, 18-20 AWG (yellow) (7)	XR1200

29	72100-04	HOUSING, 1-way, male	XR1200
30	72124-94GY	SOCKET HOUSING, 4-way (gray)	XR1200
31	72135-06	SECONDARY LOCK, 4-way, female (gray)	XR1200
32	72139-94GY	SOCKET HOUSING, 12-way, w/ 72179-94 (gray)	XR1200
33	72144-94	SECONDARY LOCK, 4-way	XR1200
34	72159-94	SECONDARY LOCK, pin, 12-way	XR1200
35	72164-94A	WEATHER PLUG, 4-way	XR1200
36	72167-07BK	HOUSING, 16-way, pin (black)	XR1200
37	72168-07	TERMINAL, socket, 18-20 gauge (25)	XR1200
38	72169-07	TERMINAL, pin, 16-20 gauge (18)	XR1200
39	72175-07BK	HOUSING, pin, 4-way (black) (2)	XR1200
40	72179-94	SEAL (2)	XR1200
41	72190-94	TERMINAL, pin, 16-18 gauge (3)	XR1200
42	72191-94	TERMINAL, socket, 16-18 gauge (12)	XR1200
43	72195-94	SEAL, pin, 4-way	XR1200
44	72199-94	CONNECTOR ANCHOR (2)	XR1200
45	72260-04	HOUSING, female, 1-way (gray)	XR1200
46	72272-07	TERMINAL, socket, 14-16 gauge (6)	XR1200
47	72289-04	TERMINAL, female, 10-12 gauge	XR1200

WIRING HARNESS, MAIN - XR1200 (2 OF 2)

WIRING HARNESS, MAIN - XR1200



[View interactive image](#)

[View interactive table](#)

INDEX NO.	PART NO.	DESCRIPTION	MODEL(S)
	70225-08	WIRING HARNESS, main (continued)	XR1200

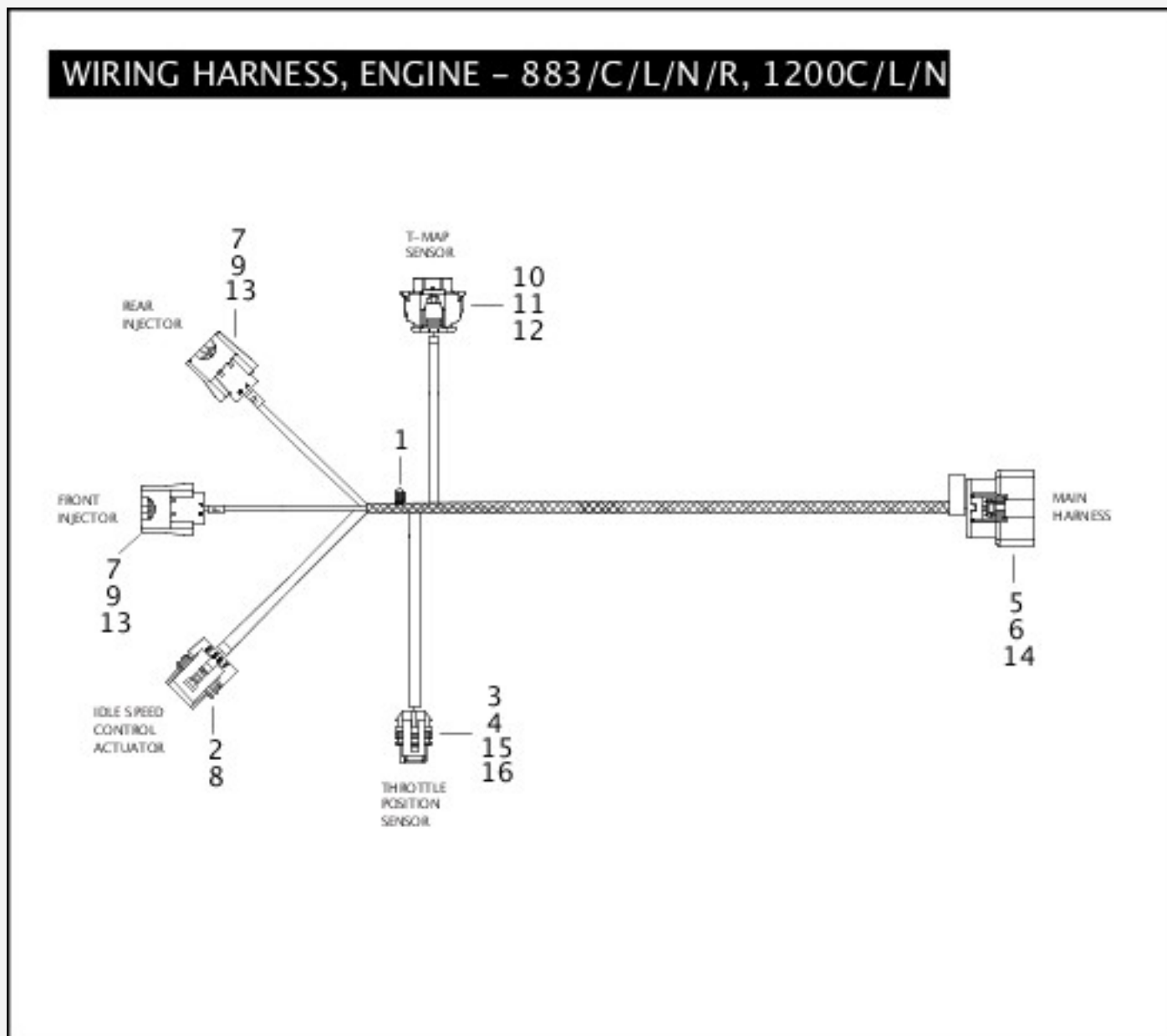
NOTE: Includes the following parts.

48	72290-94	TERMINAL, insulated (2)	XR1200
----	----------	-------------------------	--------

49	72291-94	TERMINAL, female spade, 14-16 gauge	XR1200
50	72295-94	TERMINAL HOUSING, 1-way	XR1200
51	72312-04	HOUSING, socket, 3-way	XR1200
52	72330-95	FUSE, 15-amp (10)	XR1200
52A	72405-98BK	PUSH ON WIRE ASSEMBLY, right angle molded, w/ 60 in. wire lead (black)	XR1200
53	72414-07BK	HOUSING, socket, 6-way (black)	XR1200
54	72427-00	TERMINAL, 16-22 gauge (4)	XR1200
55	72430-00	FUSEBLOCK MOUNTING, relay, 9 fuses	XR1200
56	72432-00	FUSEBLOCK MOUNTING, relay, 3 fuses	XR1200
57	72434-00	TERMINAL, 14-16 gauge (19)	XR1200
58	72441-04	TERMINAL, 12-14 gauge (2)	XR1200
59	72445-99TN	TERMINAL, female (tan)	XR1200
60	72469-07GY	HOUSING, socket, 8-way (gray)	XR1200
61	72473-07	SEAL PIN (6)	XR1200
62	72487-07BK	HOUSING, socket, 12-way (black)	XR1200
63	72511-07BK	HOUSING, 3-way (black)	XR1200
64	72512-07BK	HOUSING, socket, 3-way (black) (2)	XR1200
65	72516-01	DUSTCAP	XR1200
66	72543-07BK	HOUSING, socket, 3-way (black)	XR1200
67	72544-07	SECONDARY LOCK, 3-way, female	XR1200
68	72545-08	RESISTOR ASSEMBLY, fuel sender	XR1200
69	72611-07	TERMINAL, socket, 16-20 gauge (gold) (4)	XR1200
70	73104-96BK	CONNECTOR, 4-way (black)	XR1200
71	73106-96BK	CONNECTOR, 6-way (black)	XR1200
72	73156-96BK	SOCKET HOUSING, 6-way (black)	XR1200
73	73190-96	TERMINAL, pin, 16-20 gauge (10)	XR1200
74	73191-96	SOCKET TERMINAL, 16-20 awg (6)	XR1200
75	73213-07	RETAINER (2)	XR1200
76	73301-04	HOUSING, 2-way, female	XR1200

77	73302-04	COVER, maxi-fuse, fuse block	XR1200
78	73303-04	SECONDARY LOCK, 2-way, female	XR1200
79	73304-04	TERMINAL, female, 10 gauge (2)	XR1200
80	73305-04	SEAL WIRE, 10 gauge (blue) (2)	XR1200
81	74120-08	DC LEAD ASSEMBLY	XR1200
82	74112-98BK	SOCKET HOUSING, 2-way (black)	XR1200
83	74152-98	SECONDARY LOCK, 2-way	XR1200
84	74191-98	SOCKET TERMINAL (2)	XR1200

WIRING HARNESS, ENGINE - 883/C/L/N/R, 1200C/L/N/R



[View interactive image](#)

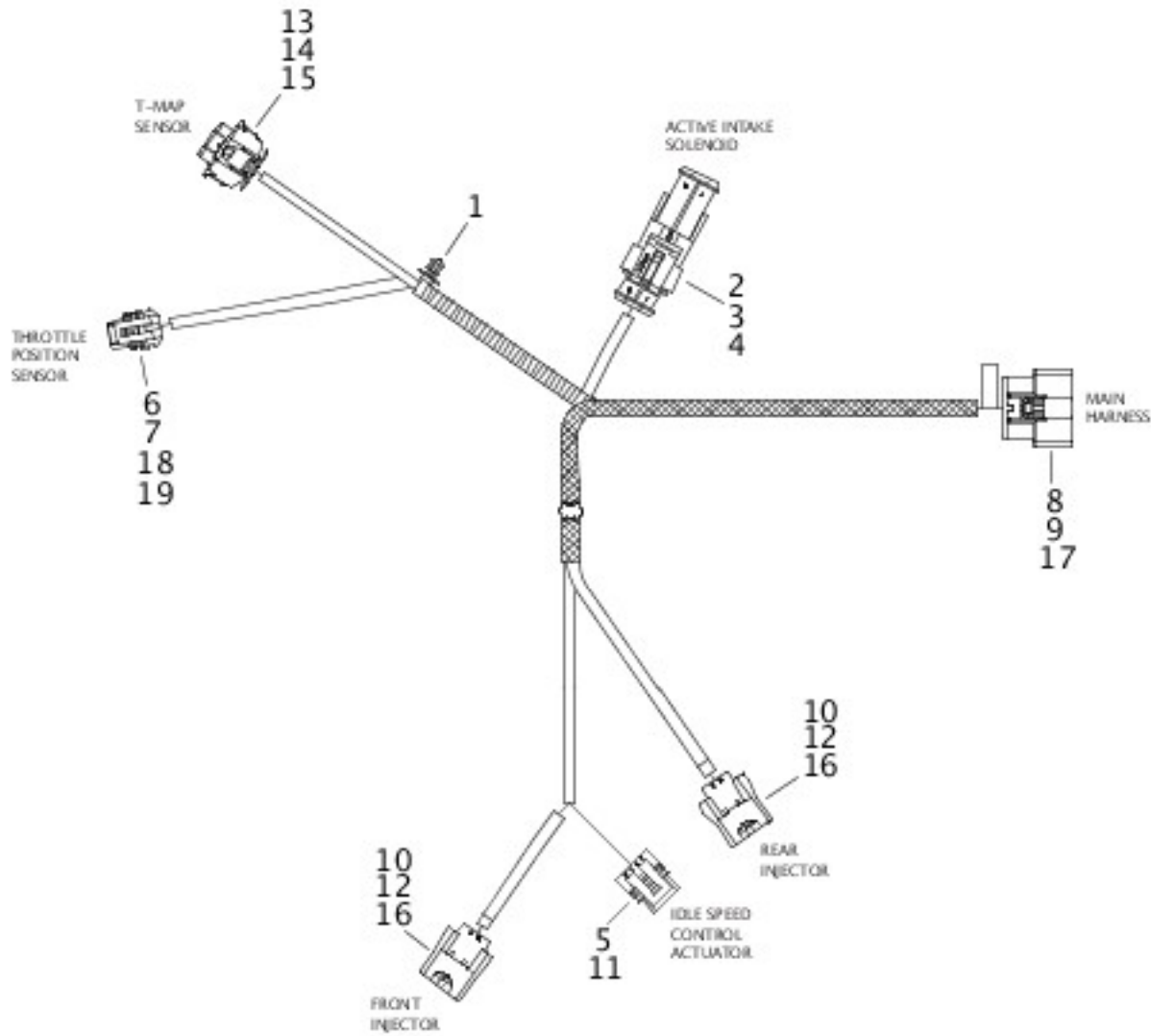
[View interactive table](#)

INDEX NO.	PART NO.	DESCRIPTION	MODEL(S)
-----------	----------	-------------	----------

	70167-08	WIRING HARNESS, engine	XL1200C, XL1200L, XL1200N, XL1200R, XL883, XL883C, XL883L, XL883N, XL883R
NOTE: Includes the following parts.			
1	10279	CLIP, harness mount	XL1200C, XL1200L, XL1200N, XL1200R, XL883, XL883C, XL883L, XL883N, XL883R
2	72033-93	TERMINAL, socket, 16-20 gauge (4)	XL1200C, XL1200L, XL1200N, XL1200R, XL883, XL883C, XL883L, XL883N, XL883R
3	72094-06	TERMINAL, socket, 18 gauge (3)	XL1200C, XL1200L, XL1200N, XL1200R, XL883, XL883C, XL883L, XL883N, XL883R
4	72096-06	SEAL WIRE, 18-20 AWG (yellow) (3)	XL1200C, XL1200L, XL1200N, XL1200R, XL883, XL883C, XL883L, XL883N, XL883R
5	72166-07BK	HOUSING, 16-way, socket (black)	XL1200C, XL1200L, XL1200N, XL1200R, XL883, XL883C, XL883L, XL883N, XL883R
6	72168-07	TERMINAL, socket, 18-20 gauge (15)	XL1200C, XL1200L, XL1200N, XL1200R, XL883, XL883C, XL883L, XL883N, XL883R
7	72251-07	SECONDARY LOCK, 2-way (2)	XL1200C, XL1200L, XL1200N, XL1200R, XL883, XL883C, XL883L, XL883N, XL883R
8	72263-95	HOUSING, 4-way, socket (black)	XL1200C, XL1200L, XL1200N, XL1200R, XL883, XL883C, XL883L, XL883N, XL883R
9	72402-07	HOUSING, 2-way, socket (black) (2)	XL1200C, XL1200L, XL1200N, XL1200R, XL883, XL883C, XL883L, XL883N, XL883R
10	72406-07	HOUSING, 4-way, socket	XL1200C, XL1200L, XL1200N, XL1200R, XL883, XL883C, XL883L, XL883N, XL883R
11	72407-07	TERMINAL, socket, 16-20 gauge (4)	XL1200C, XL1200L, XL1200N, XL1200R, XL883, XL883C, XL883L, XL883N, XL883R
12	72408-07	SEAL WIRE, 16-20 gauge (blue) (4)	XL1200C, XL1200L, XL1200N, XL1200R, XL883, XL883C, XL883L, XL883N, XL883R
13	72413-07	TERMINAL, socket, 18-20 gauge (4)	XL1200C, XL1200L, XL1200N, XL1200R, XL883, XL883C, XL883L, XL883N, XL883R
14	72473-07	SEAL PIN	XL1200C, XL1200L, XL1200N, XL1200R, XL883, XL883C, XL883L, XL883N, XL883R
15	72543-07BK	HOUSING, 3-way, socket (black)	XL1200C, XL1200L, XL1200N, XL1200R, XL883, XL883C, XL883L, XL883N, XL883R
16	72544-07	SECONDARY LOCK, 3-way	XL1200C, XL1200L, XL1200N, XL1200R, XL883, XL883C, XL883L, XL883N, XL883R

WIRING HARNESS, ENGINE - XR1200

WIRING HARNESS, ENGINE – XR1200



[View interactive image](#)

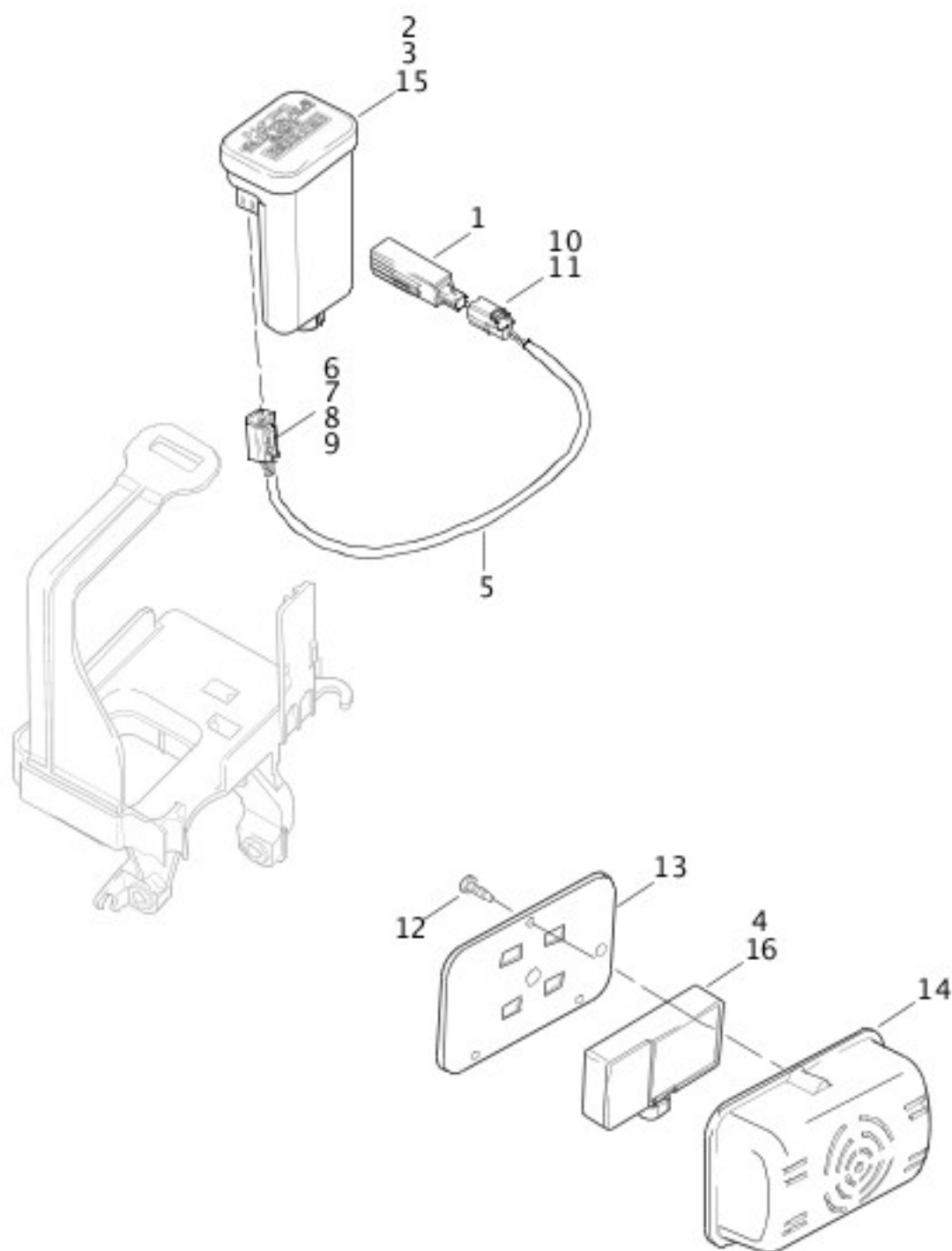
[View interactive table](#)

INDEX NO.	PART NO.	DESCRIPTION	MODEL(S)
	70163-08	WIRING HARNESS, engine	XR1200
NOTE: Includes the following parts.			
1	10177	CABLE STRAP (as required)	XR1200
2	72006-05	TERMINAL, socket, 16-20 gauge (2)	XR1200
3	72007-05	HOUSING, socket, 2-way	XR1200
4	72011-05	WIRE SEAL, 16-20 gauge (yellow) (2)	XR1200
5	72033-93	TERMINAL, socket, 16-20 gauge (4)	XR1200
6	72094-06	TERMINAL, socket, female, 18 gauge (3)	XR1200

7	72096-06	SEAL WIRE, 18-20 AWG (yellow) (3)	XR1200
8	72166-07BK	HOUSING, socket, 16-way (black)	XR1200
9	72168-07	TERMINAL, socket, 18-20 gauge (14)	XR1200
10	72251-07	SECONDARY LOCK, 2-way (2)	XR1200
11	72263-95	HOUSING, 4-way, socket (black)	XR1200
12	72402-07	HOUSING, 2-way, socket (black) (2)	XR1200
13	72406-07	HOUSING, 4-way, socket	XR1200
14	72407-07	TERMINAL, socket, 16-20 gauge (4)	XR1200
15	72408-07	SEAL WIRE, 16-20 gauge (blue) (4)	XR1200
16	72413-07	TERMINAL, socket, 18-20 gauge (4)	XR1200
17	72473-07	SEAL PIN (2)	XR1200
18	72543-07BK	HOUSING, 3-way, socket (black)	XR1200
19	72544-07	SECONDARY LOCK, 3-way	XR1200

TURN SIGNAL MODULE & SECURITY SIREN

TURN SIGNAL MODULE & SECURITY SIREN



[View interactive image](#)

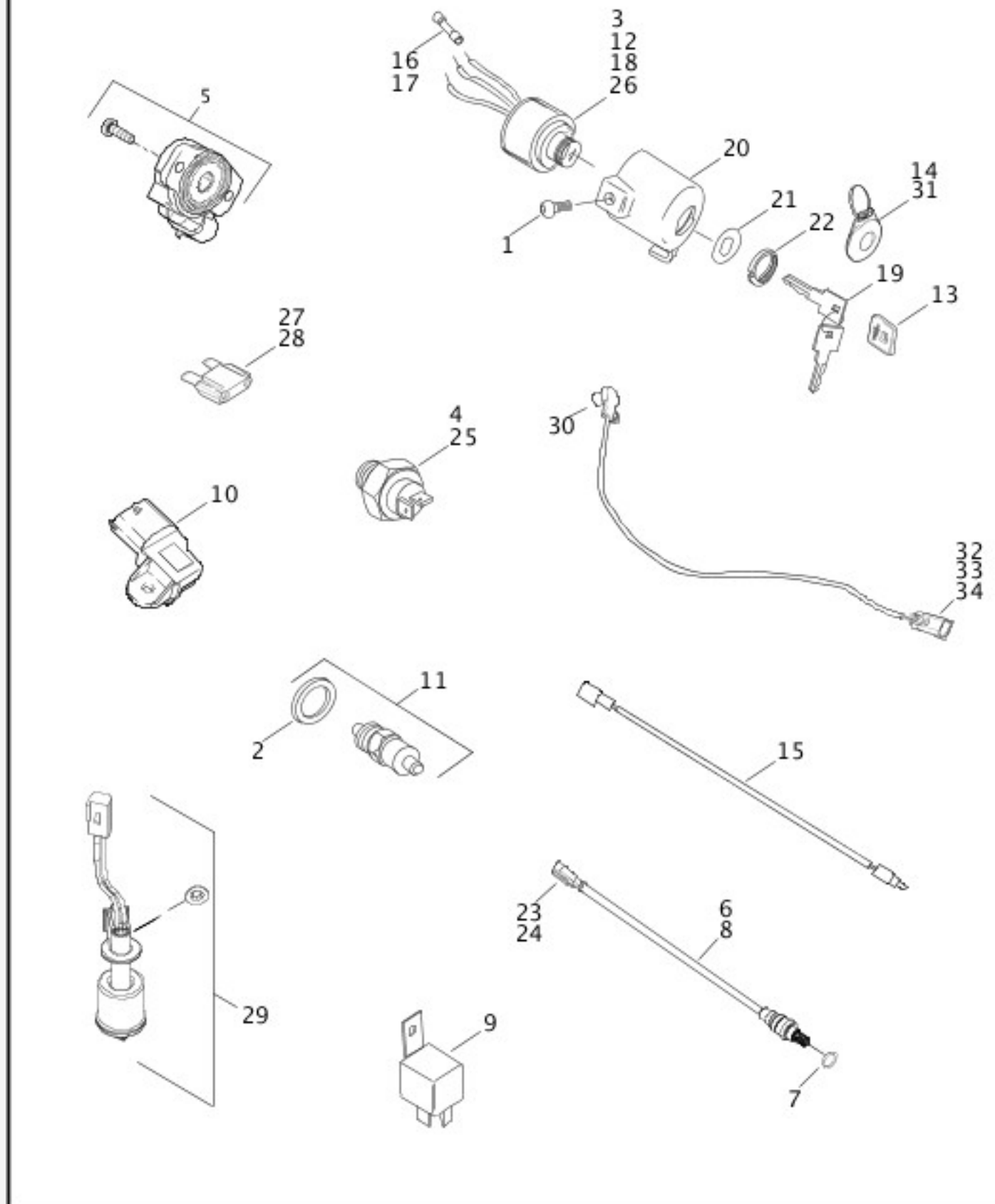
[View interactive table](#)

INDEX NO.	PART NO.	DESCRIPTION	MODEL(S)
1	68956-07	ANTENNA MODULE, security system	ALL
	68919-07	PLUG, antenna module (not shown)	ALL
2	68920-07	TURN SIGNAL MODULE, standard	ALL

3	68924-07	MODULE, security system	ALL
4	69018-00	BATTERY REPLACEMENT KIT, siren	ALL
5	70617-07	HARNESS, security module w/ 6, 7, 8, 9, 10, 11	ALL
6	72114-94BK	HOUSING, 4-way (black)	ALL
7	72154-94	LOCK, secondary, 4-way	ALL
8	72191-94	TERMINAL, socket, 16-18 gauge (3)	ALL
9	72195-94	SEAL, pin, 4-way	ALL
10	72720-07	HOUSING, socket, 2-way	ALL
11	72721-07	TERMINAL, socket, 18-20 gauge	ALL
INTERNATIONAL MODELS ONLY			
12	3732	SCREW (HDI) (3)	ALL
13	66523-06	PLATE, siren mounting bracket (HDI)	ALL
14	66524-06	COVER, siren (HDI)	ALL
15	68922-07	MODULE, security system (Japan)	ALL
16	68958-07A	SIREN (HDI)	ALL

SWITCHES, SENSORS & ELECTRICAL CONNECTORS

SWITCHES, SENSORS & ELECTRICAL CONNECTORS



[View interactive image](#)

[View interactive table](#)

INDEX NO.	PART NO.	DESCRIPTION	MODEL(S)
1	3658	SCREW	ALL
2	6288	WASHER	XL1200N
3	9862	TERMINAL RING (3)	ALL

4	9907	TERMINAL, wire (2)	ALL
5	27629-01A	KIT, throttle position sensor	ALL
6	27690-08	SENSOR, oxygen, w/ 27714-06, 72009-05, 72011-05 (2)	XR1200
7	27714-06	SEAL RING (2)	ALL
8	27719-07	SENSOR, oxygen, w/ 27714-06, 72009-05, 72011-05 (2)	XL1200C, XL1200L, XL1200N, XL1200R, XL883, XL883C, XL883L, XL883N, XL883R
9	31601-04	RELAY (2)	ALL
10	32319-07	T-MAP SENSOR	ALL
11	33900-99	SWITCH, neutral indicator, w/ washer	ALL
12	48154-05	LOCKSET ASSEMBLY	ALL
13	61459-97	COVER, key head set	ALL
14	68926-07	FOB, remote control	ALL
15	70247-07	JUMPER WIRE, neutral switch	ALL
16	70586-93	CONNECTOR, butt splice (blue) (3)	ALL
17	70587-93	CONNECTOR, butt splice (yellow) (2)	ALL
18	71441-94	IGNITION SWITCH (specify key code)	ALL
19	71451-94A	KEY SET, ignition switch (specify key code)	ALL
20	71510-04	HOUSING, ignition switch	ALL
21	71550-94	LABEL, ignition switch	ALL
22	71552-94	FACE NUT, ignition switch (2)	ALL
23	72009-05	HOUSING, 2-way pin (2)	ALL

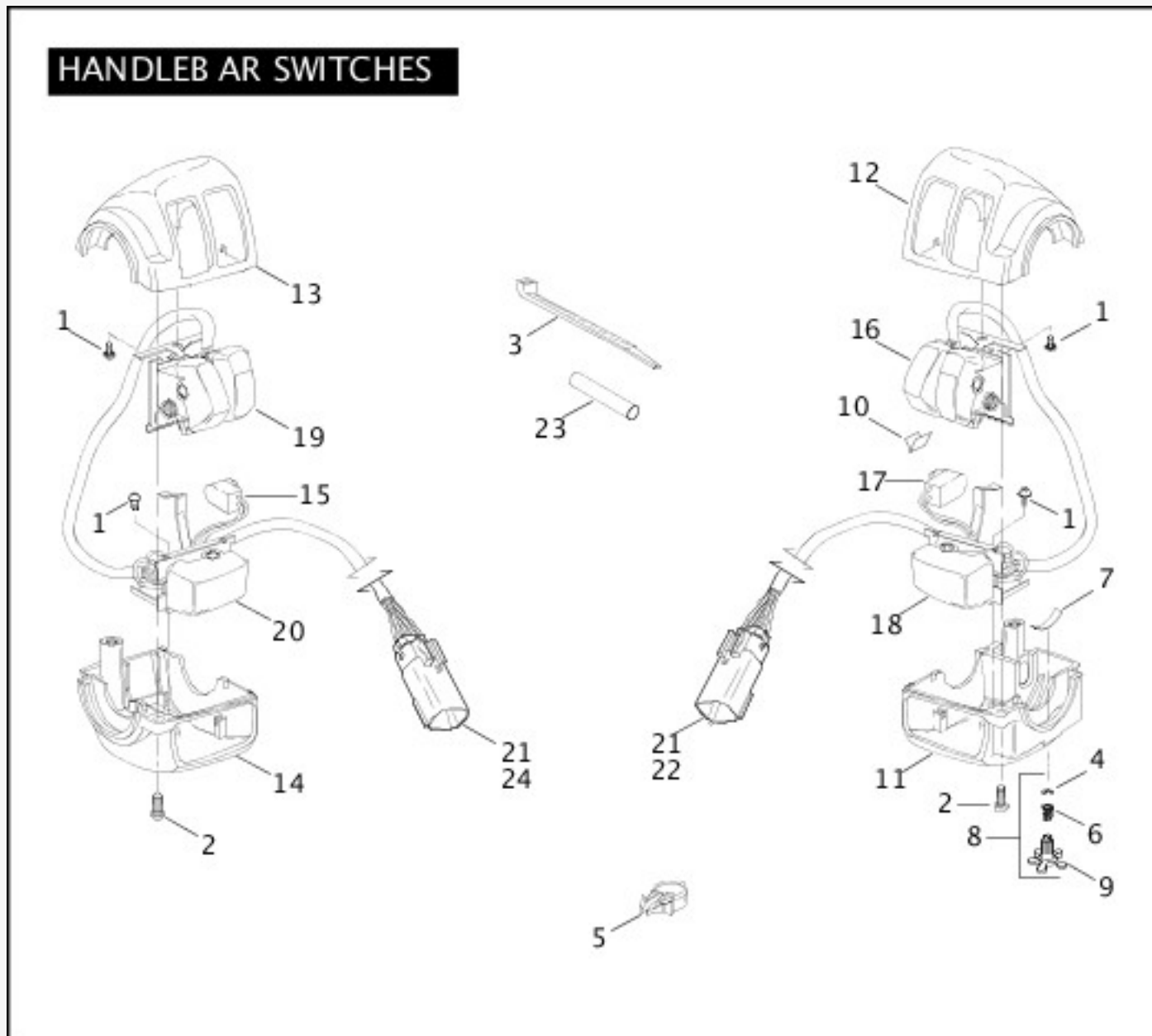
24	72011-05	WIRE SEAL, 16-20 gauge (yellow) (4)	ALL
25	72023-51D	BRAKE LIGHT SWITCH, w/ 9907	ALL
26	72268-94	SHRINK TUBE	ALL
27	72318-04	FUSE, 30A	ALL
28	72330-95	FUSE, 15A (6)	ALL
29	75302-07	SENSOR, fuel level	ALL

INTERNATIONAL MODELS ONLY

30	50126-08A	SENSOR, jiffystand (HDI, England) w/ 72169-07, 72511-07BK, 73213-07	ALL
31	68939-00	FOB, remote control (Japan)	ALL
32	72169-07	TERMINAL, pin, 16-20 gauge (HDI, England) (3)	ALL
33	72511-07BK	HOUSING (HDI, England)	ALL
34	73213-07	RETAINER (HDI, England)	ALL

HANDLEBAR SWITCHES

HANDLEBAR SWITCHES



[View interactive image](#)

[View interactive table](#)

INDEX NO.	PART NO.	DESCRIPTION	MODEL(S)
1	2955	SCREW (4)	ALL
2	3658	SCREW (4)	ALL
3	10181	CABLE STRAP (as required)	ALL
4	11155	RETAINING RING	ALL
5	70345-84	RETAINER, wiring harness (4)	ALL
6	56394-74	SPRING, throttle adjusting screw	ALL
7	56396-74A	FRICTION SPRING, throttle adjusting	ALL
8	56397-74C	KIT, throttle adjusting screw, w/ 11155, 56394-74, & 56402-83A	ALL
9	56402-83A	ADJUSTING SCREW	ALL
10	71587-04	CLIP	ALL

11	71563-96	HOUSING, lower right	ALL
12	71564-96	HOUSING, upper right	ALL
13	71567-96	HOUSING, upper left	ALL
14	71568-96A	HOUSING, lower left	ALL
15	71620-08	SWITCH, clutch, w/ 10181 & 72266-94	ALL
16	71684-06A	SWITCH ASSEMBLY, engine stop & start, w/ 10181 & 72266-94	ALL
17	71621-08	STOPLIGHT SWITCH, w/ 10181 & 72266-94	ALL
18	71683-06A	SWITCH ASSEMBLY, right directional, w/ 10181	ALL
19	71682-06A	SWITCH ASSEMBLY, dimmer & horn, w/ 10181 & 72266-94	ALL
20	71685-06A	SWITCH ASSEMBLY, left directional, w/ 10181	ALL
21	72169-07	TERMINAL, pin, 16-20 gauge (14)	ALL
22	72188-07BK	HOUSING, 6-way pin (black)	ALL
23	72266-94	SHRINK TUBE (as required)	ALL
24	72447-07GY	HOUSING, 8-way pin (gray)	ALL

LABELS

LABELS

WARNING

Motorcycles are different from other vehicles. They operate, steer, handle and brake differently. Unskilled or improper use could result in loss of control, death or serious injury.

- Take a rider training course.
- Wear a helmet, eye protection and protective clothing.
- Never tow a trailer.
- Read Owner's Manual before riding, adding accessories or servicing.

For a manual, find nearest dealer at 1-800-443-2153 or www.harley-davidson.com

WARNING

A connected battery can cause a spark or motorcycle startup while servicing. Death or serious injury could occur.

- Disconnect negative cable before servicing.
- Keep cable away from terminal while servicing.

SPORTSTER

Spare TSA	Starter	System	Spare TSA	Lights TSA	Open
Fuel pump TSA			Instrument TSA	Battery TSA	Spine TSA
ECM TSA	Relay	Relay	Ignition TSA	Accessory TSA	PGA Ign (2A Mod)

XXXX-XX

RECOMMANDATIONS SUR LE CONTRÔLE DES GAZ ÉMIS PAR LE VÉHICULE DE CLASSE "A" MARQUE HARLEY-DAVIDSON

DE VÉHICULES QUI CONFORMENT AUX RÈGLEMENTS DE LA USEPA APPLICABLE AUX MOTOCYCLES DE LA CLASSE "A" MARQUE HARLEY-DAVIDSON. LE NIVEAU DE POLLUTION EST DÉTERMINÉ À 1" HC + 1" CO, PAR L'UNITE DE POLLUTION "P" SYSTÈME DE CONTRÔLE DES ÉMIS DE L'UNITE DU MOTEUR. MODIFICATIONS APPORTÉES AU MOTEUR, MODIFICATIONS AVANT TOUT À LA BOUTE AU POMP DU MOTEUR, UTILISÉ DE RALLANT (LITE - 1000-1500 RPM) DURÉE DE L'ALLUMAGE À RÉGIME AUTOMATIQUE NON RÉGULÉ CARBURY ON BOARD DU SANS PÔLE, N'EST PAS EN MINIMUM NIVEAU LA POLLUTION "P" (0.40) / ÉTAT DE RÉFÉRENCE NIVEAU DE POLLUTION.

Harley-Davidson Motor Co.

DE SYSTÈME D'ALLUMAGE PAR ÉCHAPPEMENT DU VÉHICULE QUI CONFORME À LA NORME SAE J1363 DU CANADA. CE SYSTÈME D'ALLUMAGE COMPLY WITH STANDARD J1363-92.

VEHICLE EMISSION CONTROL INFORMATION

ENGINE DISPLACEMENT: "A"
ENGINE FAMILY: "B"
THIS VEHICLE CONFORMS TO USEPA REGULATIONS APPLICABLE TO 2009 MODEL YEAR NEW MOTORCYCLES AND IS CERTIFIED TO A
"C" HC + NOX G/KM FUEL
ENGINE EXHAUST CONTROL SYSTEM: "D"
PERMEATION FAMILY: "E"
ENGINE TUNE UP SPECIFICATIONS:
SLOW IDLE: 1000-1050 RPM
IGNITION TIMING: AUTOMATICALLY CONTROLLED NOT ADJUSTABLE
FUEL: UNLEADED GASOLINE ONLY
"F" (H+M)/2 PUMP OCTANE OR HIGHER OIL: SEE OWNER'S MANUAL

Harley-Davidson Motor Co.

THIS 2009 "A" MOTORCYCLE, 06921 MEETS ALL USEPA NOISE EMISSION REQUIREMENTS OF 80DB(A) AT "H" RPM BY THE FEDERAL TEST PROCEDURE

WARNING-MODIFICATIONS WHICH CAUSE THIS MOTORCYCLE TO EXCEED FEDERAL NOISE AND EMISSIONS STANDARDS ARE PROHIBITED BY FEDERAL LAW. SEE OWNER'S MANUAL

SPORTSTER

Spare TSA	Starter	System	Spare TSA	Lights TSA	Open
Fuel pump TSA			Instrument TSA	Battery TSA	Spine TSA
ECM TSA	Relay	Relay	Ignition TSA	Accessory TSA	PGA Ign (2A Mod)

XXXX-XX

WARNING

Motorcycles are different from other vehicles. They operate, steer, handle and brake differently. Unskilled or improper use could result in loss of control, death or serious injury.

- Take a rider training course.
- Wear a helmet, eye protection and protective clothing.
- Never tow a trailer.
- Read Owner's Manual before riding, adding accessories or servicing.

To be removed by customer only.

Battery Removal

WARNING

Sparks can cause battery explosion. Death or serious injury could occur.

To avoid sparks:

- Disconnect negative battery cable first. Keep cable away from all metal parts.
- Do not allow red-marked positive battery cables to touch metal motorcycle parts with negative cable connected.

- Disconnect and remove negative battery cable from chassis stud (see Figure 1). Keep end of negative battery cable away from all metal parts.
- Disconnect and remove red-marked positive battery cables from battery post(s) terminal.
- Disconnect end and remove battery hold-down strap.
- Lift battery with attached negative cable from battery tray.

Battery Installation

WARNING

Sparks can cause battery explosion. Death or serious injury could occur, to avoid sparks:

- Connect red-marked positive battery cables first. Do not allow red-marked positive battery cables to touch metal motorcycle parts with negative cable connected.
- While connecting the red-marked positive battery cables, keep negative cable away from metal parts.

CAUTION

Failure to connect cables to the correct terminals could cause damage to the motorcycle electrical system.

Over-tightening battery terminal bolts could cause damage to battery terminals. Use recommended torque values.

- Place the fully charged battery with attached negative cable into the battery tray.
- Route negative cable through battery tray. Do not connect negative cable yet. Keep negative cable away from metal parts and the chassis stud until the red-marked positive cables are attached.
- Insert bolt through red-marked positive battery cable and into chassis stud of battery post(s) terminal. Tighten bolt to 47 in-lb (5.5 Nm). Do not over tighten.
- Place the negative battery cables into chassis stud. Tighten nut to 85 in-lb (9.3 Nm).

1 - N - 2 - 3 - 4 - 5

WARNING

Motorcycles are different from other vehicles. They operate, steer, handle and brake differently. Unskilled or improper use could result in loss of control, death or serious injury.

- Take a rider training course.
- Wear a helmet, eye protection and protective clothing.
- Never tow a trailer.
- Read Owner's Manual before riding, adding accessories or servicing.

For a manual, find nearest dealer at 1-800-443-2153 or www.harley-davidson.com

STATIONARY NOISE TEST INFORMATION

TESTED "A" DB(A) AT "B" RPM
SILENCING SYSTEM: HARLEY-DAVIDSON
IDENTIFICATION: "C"

IN ACCORDANCE WITH AUSTRALIAN AS/NZS 8300

View interactive image

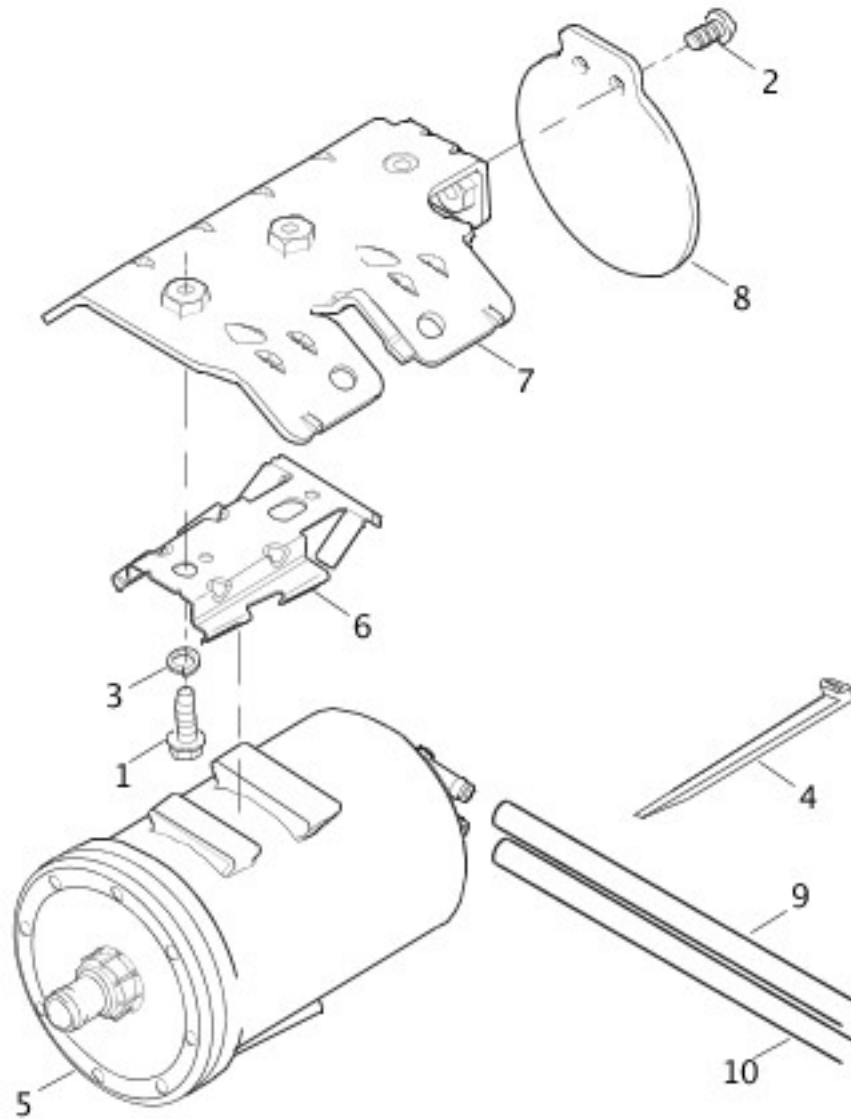
View interactive table

INDEX NO.	PART NO.	DESCRIPTION	MODEL(S)
-----------	----------	-------------	----------

1	13571-07	LABEL, fuse block	XL1200C, XL1200L, XL1200N, XL1200R, XL883, XL883C, XL883L, XL883N, XL883R
2	13504-09	LABEL, emission	XR1200
	14066-09	LABEL, emission	XL883, XL883C, XL883L, XL883N, XL883R
	14081-09	LABEL, emission	XL1200C, XL1200L, XL1200N, XL1200R
3	14679-09	LABEL, emission (French Canada)	XL883, XL883C, XL883L, XL883N, XL883R
4	15368-01A	LABEL, battery warning	ALL
5	15370-01A	LABEL, mirror warning	ALL
6	15376-06	LABEL, battery removal	ALL
7	13699-08	LABEL, fuse block	XR1200
8	29127-95B	LABEL, general warning, air cleaner	XL1200C, XL1200L, XL1200R, XL883, XL883C, XL883L
	29147-07	LABEL, general warning, air cleaner	XL1200N, XL883N
	29404-01A	LABEL, general warning, air cleaner	XL883R
9	29466-08	LABEL, general warning, air cleaner	XR1200
INTERNATIONAL MODELS ONLY			
10	13594-09	LABEL, noise (Australia)	XR1200
	14258-07	LABEL, noise (Australia)	XL883, XL883C, XL883L, XL883N, XL883R
	14190-07	LABEL, noise (Australia)	XL1200C, XL1200L, XL1200N, XL1200R
11	14270-92	LABEL, shift (Japan)	ALL

EVAPORATIVE EMISSIONS

EVAPORATIVE EMISSIONS



[View interactive image](#)

[View interactive table](#)

INDEX NO.	PART NO.	DESCRIPTION	MODEL(S)
NOTE: These parts are required for motorcycles sold in the state of California.			
1	3767B	BOLT (2)	ALL
2	4363	SCREW (2)	ALL
3	6099	WASHER (2)	ALL
4	10006	CABLE STRAP (as required)	ALL
5	27042-84A	CANNISTER	ALL

6	27047-84B	BRACKET, canister mounting	ALL
7	28908-04A	BRACKET, canister	ALL
8	28909-04	GUARD, canister	ALL
9	28822-07A	HOSE, canister-to-manifold	ALL
10	28911-04A	HOSE, canister-to-vapor valve	ALL

Hardware List

[View interactive table](#)

PART NO.	DESCRIPTION
1028	SCREW 5/16-18 X 2-1/2 SEMS socket head, with lockpatch
1039	SCREW 5/16-18 X 2-1/2 hex flange head (Grade 8)
1048	SCREW 5/16-18 X 1-1/2 hex flange head
1081A	SCREW 10-24 X 0.895 SEMS pan head
1091	SCREW 10-24 X 9.5 SEMS socket head
1751	SCREW No. 1/4-20 X 3.0 hex socket
2325	SCREW No. 6 X 3/4 cross recess pan head, self-tapping
2361	SCREW No. 8-32 X 3/8 socket countersink head, with lockpatch
2362	SCREW No. 10 X 3/4 hex head, self-tapping
2407	SCREW No. 8 X 1/2 pan head, Phillips drive, plastite
2441	SCREW No. 10-24 X 1/2 TORX pan head
2445	SCREW 1/4-20 X 9/16 button head
2446	SCREW 1/4-20 X 5/8 TORX socket button head
2460	SCREW 5/16-18 X 1/2 socket countersink head
2486	SCREW 1/4-20 X 1 hex socket, SEMS/Lock
2501A	SCREW No. 8-32 X 3/8 hex head, self-tapping
2535	SCREW 5/16-18 X 1 socket head
2548	SCREW No.8-32 X 3/4 socket head, with lockpatch
2586A	SCREW M4 X 0.7 X 12 flat head
2607	SCREW 1/4-20 X 3/4 Pozidriv pan head (Grade 2)
2612	SCREW No. 8-32 X 1/2 Pozidriv pan head (Grade 2)
2653	SCREW No. 10-24 X 7/8 fillister head

2708A	SCREW 5/16-18 X 1 socket head
2773	SCREW 1/4-20 X 1/2 Pozidriv pan head (Grade 2)
2872W	BOLT 1/4-20 X 1-1/2 hex head (Grade 5)
2952A	SCREW 1/4-20 X 1/2 SEMS truss head
2955	SCREW No. 6-32 X 1/4 Phillips pan head, with lockwasher
3022A	SCREW 1/4-20 X 5/8 socket fillister head, with lockpatch
3026	SCREW No. 10-32 X 1/2 socket button head
3029	SCREW No. 10-24 X 1 TORX head, with adhesive
3048	SCREW No. 10-24 X 3/8 hex button head
3059	SCREW 10-24 X 1/2 hex flat head
3060	SCREW 10-24 X 3/4 hex flat head
3085	SCREW 1/4-20 X 1/2 with washer
3123	SCREW 10-14 X 1.0 torx pan head
3124	SCREW 10-24 X 1/2 torx pan head with lock patch
31689-90	BOLT M4 X 0.7 X 12 hex head
3210A	SCREW 5/16-18 X 1-1/4 knurled head
3244	SCREW M8 X 1.25 X 12
3403	LOCKNUT M8-1.25 X 12mm flange (zinc)
3480A	SCREW 1/4-20 X 1-3/4 knurled head (Grade 8)
3485A	SCREW 5/16-18 X 1-3/4 knurled head (Grade 8)
3514	SCREW No. 8-32 X 1 fillister head (Grade 5)
35211-91B	NUT 1-1/2-24 X .350 X 1-7/8 hex head
3563	SCREW 1/4-20 X 3/8 hex flange head (Grade 5)
3574	SCREW 1/4-20 X 3/4 flange
3579A	SCREW 1/4-28 X 1/4 SEMS hex head, self-tapping (Grade 2)
3588	SCREW 1/4-20 X 1/2 hex flange head
3594	SCREW 1/4-20 X 5/8 knurled head (Grade 8)
3605	BOLT 1/2-13 X 2-1/2 hex head (Grade 5)
3615	SCREW No. 8-32 X 1, pan head, thread-cutting
3655A	SCREW 5/16-18 X 7/8 TORX pan head, with lockpatch (Grade 8)
3658	SCREW No. 10-24 X 1/2 TORX head (Grade 5)

3666A	SCREW No. 10-24 X 1.500 TORX recessed head, with washer
3696	SCREW 5/16 X 3/4 TORX pan head (Grade 5)
3706M	SCREW M6 X 1.0 X 20 hex head
3708M	SCREW M6 X 1.0 X30 hex head
3731M	SCREW M6 X 1.0 X 12 socket button head, with lockpatch
3732	SCREW 3/16-16 X 5/8 TORX pan head
3767B	BOLT 1/4-20 X 5/8 hex head (Grade 5)
3802W	BOLT 1/4-20 X 7/8 hex head (Grade 5)
3814	SCREW 7/16-14 X 1-3/4 hex head, with washer (Grade 8)
3849	SCREW 1/4-20 X 1-1/4 SEMS hex head (Grade 8)
3854	SCREW 7/16-14 X 1, hex head (Grade 8)
3880	SCREW 1/2-13 X 2-1/4 TORX recessed button head
3899	SCREW 7/16-14 X 1-3/4 hex head, with lockpatch
3976	SCREW 1/4-20 X 1 hex flange head (Grade 5)
3987	BOLT 5/16-18 X 3/4 hex head (Grade 5)
4016	SCREW 5/16-18 X 1.0 socket button head
4017	BOLT 5/16-18 X 1 hex head (Grade 5)
4029A	SCREW 3/8-16 X 2-1/4 socket head (black)
4032A	SCREW 3/8-16 X 2-1/2 socket head
4076	SCREW 3/8-16 X 1/2 socket head
4091	SCREW No. 10-24 X 1/2 hex head, with washer, self-tapping (zinc)
41191-74A	SCREW 1/2-20 X 5/8 hex socket flat head, with lockpatch
4132	SCREW 1/4-20 X 1-1/8 TORX button head (Grade 5) (black)
4180	SCREW 3/8-16 X 1-1/2 TORX button head
4188	SCREW 3/8-16 X 1-1/4 TORX button head
4240	SCREW No. 10-24 X 3/16 hex head, with washer
4250M	SCREW M8 X 1.25 X 25 hex socket head cap
4266A	SCREW 3/8-16 X 7/8 button head (Grade 5)
4269	SCREW 5/16-18 X 3/4, flange head
4290	SCREW 3/8-16 X 1-1/4, TORX button head (Grade 5)

4312C	SCREW M6 X 1.0 X 14mm, SEMS flange head (stainless)
4326A	SCREW 5/16-18 X 2 socket head
4329	SCREW 1/4-20 X 3/4 hex head with washer, self-tapping
4350A	SCREW 3/8-16 X 1-1/2 socket head
4351	SCREW 3/8-16 X 1-1/2 TORX head, self-tapping (Grade 8)
4352	SCREW 3/8-16 X 1-1/2 TORX, self-tapping (Grade 8)
4354	SCREW 1/2-20 X 2-1/2, TORX button head
43567-92	SCREW 3/8-16 X 1 TORX pan head, with lockpatch
4359	SCREW 5/16-18 X 7/8 socket button head
4363	SCREW 1/4-20 X 1/2 socket button head
4420	SCREW 3/8-16 X 2.75 hex head (Grade 5)
4453	BOLT 1/4-20 X 7/8 hex head SPECIAL WITH TAPPED HOLE
4460	BOLT 5/8-18 X 1 hex head (Grade 5)
4499M	BOLT M10 X 1.25 X 35 socket head
4535M	SCREW M6 X 1 x 25 TORX button head
4549	SCREW 5/16-18 X 1-3/4 TORX button head (Grade 5)
4551	SCREW 1/2-13 X 1-1/8 hex socket head, with adhesive
4553	SCREW 5/16-18 X 6.0 socket head cap
4589	SCREW 9/16-12 X 2-5/16 hex flange head
4678	SCREW 1/2-13 X 1-3/4 hex flange
4705	SCREW 1/4-20 X 11/16 SEMS socket head, with lockpatch
4717A	SCREW 1/4-20 X 2-1/4 knurled head, with lockpatch
4718A	SCREW 1/4-20 X 1-1/2 knurled head, with lockpatch
4740A	SCREW 1/4-20 X 1-1/4 knurled head, with lockpatch (Grade 8)
4741A	SCREW 1/4-20 X 1 socket head, with lockpatch
4748	SCREW 3/8-16 X 1-1/8 socket head (Grade 8)
4751	SCREW 1/4-20 X 3/4 hex head, with lockpatch (Grade 8) (zinc)
4758A	SCREW 5/16-18 X 3.48 socket head (Grade 8)
4765	SCREW 1/4-20 X 2-5/8 SEMS socket head, with lockpatch (Grade 8) (zinc)
4771	SCREW 5/16-18 X 4-1/4 socket head (Grade 5)

4778	SCREW 5/16-18 X 1-3/8 TORX button head
4779	SCREW 5/16-18 X 1-3/4 TORX button head
4798	SCREW 1/4-20 X 5/8
4816A	SCREW 5/16-18 X 1-1/2 socket head
4820A	SCREW 1/4-20 X 2 socket head
4822A	SCREW 1/4-20 X 2-3/4 knurled head, with lockpatch
4859	SCREW 5/16-18 X 2.0 hex flange head
4871	SCREW 1/4-20 X 29/64 flange head
4897	SCREW 1/4-20 X 5/8 TORX socket button head (black)
4975M	SCREW M6 X 1.0 X 20 hex socket head cap with lock patch
5403B	BOLT 1/4-20 X 3/8 carriage
5414	BOLT 3/8-16 X 7/8 carriage (Grade 5)
5416	BOLT 3/8-16 X 1/8 carriage (Grade 5)
54321-85	NUT No. 8-32 X 1/2 X 1/8 (brass)
5925	WASHER 29 X 39 X 2-19/64
6003	WASHER 1-3/16 X 1-3/8 X 11/16
6026	WASHER 3/8 X 7/8 X 7/64
6099	WASHER 1/4 X 7/16 X 1/16
6101	WASHER 17/64 X 27/64 X 1/16
6109	WASHER 5/16 X 11/16 X 1/8
6110	WASHER 9/32 X 5/8 X 1/16
6139	WASHER 3/8 X 7/8 X 1/16
6152	SPACER 13/32 X 1.0 X 5/16
6157	WASHER 27/64 X 5/8 X 1/64 heat treated
6192	WASHER No. 8 X 7/16 X 3/64
6237	WASHER 5/16 X 1-1/8 X 5/64
6288	WASHER 17/32 X 25/32 X 1/32
6302	WASHER 5/16 X 11/16 X 19/32
6400HB	WASHER 5/16 X 13/16 X 3/32
6445	WASHER 1/2 X 2 X 0.300
6516HW	WASHER 7/16 X 1-1/8 X 1/8

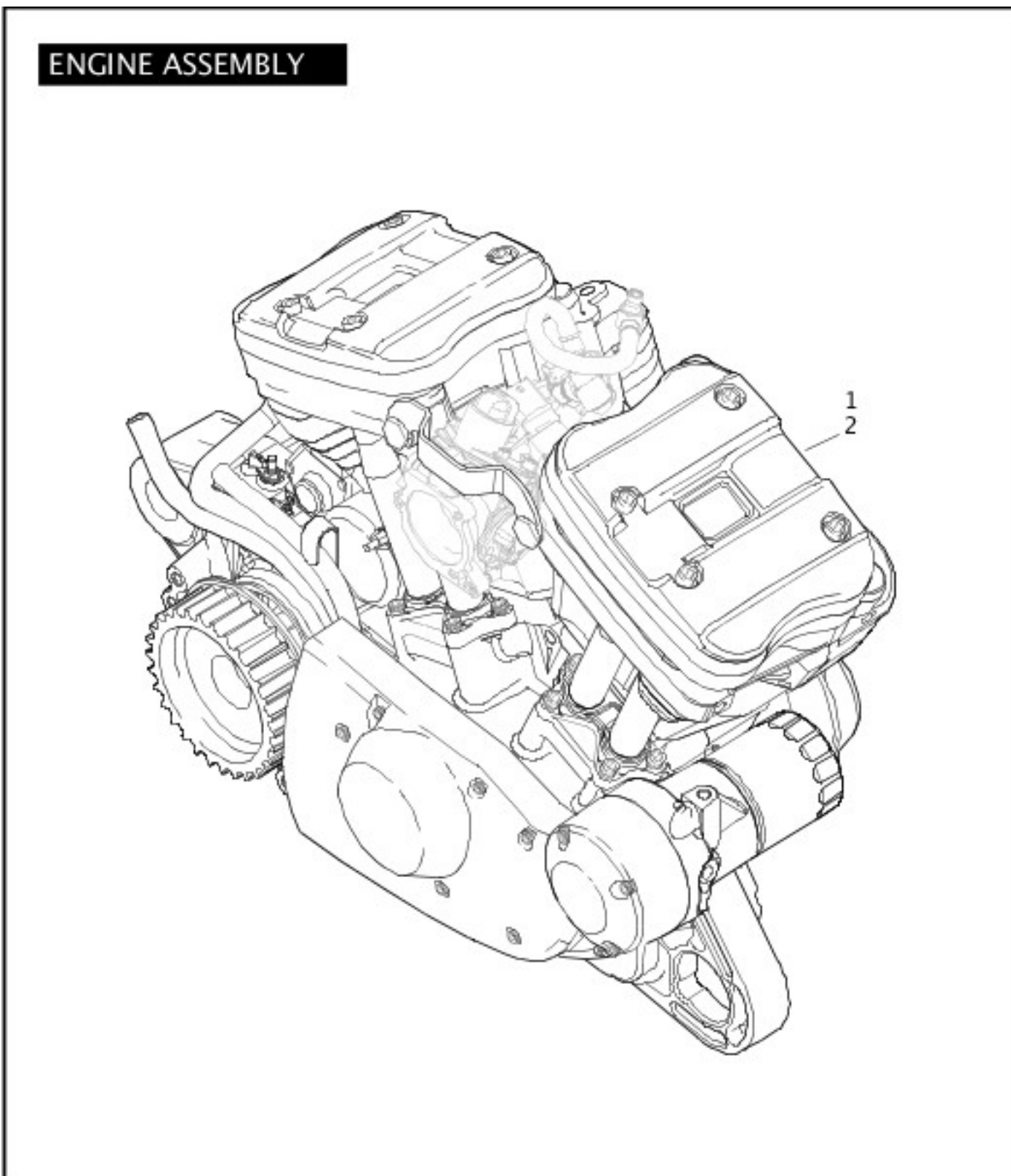
6551	WASHER 1 X 1-5/8 X 1/8 hardened
6590HW	WASHER 1/2 X 1-1/8 X 3/32
6594	WASHER 5/8 X 1-1/8 X 3/32
6655	WASHER 5/8 X 1-1/2 X 7/64
6701	WASHER 3/8 X 13/16 X 1/16
6702	WASHER 5/16 X 11/16 X 1/16
6703	WASHER 1/4 X 5/8 X 1/16
6718	WASHER 1/2 X 1-1/16 X 3/32
6738	WASHER 17/32 X 7/8 X 7/64
675	SCREW 3/8-16 X 3-1/4 socket head
6787	WASHER 7/16 X 13/16 X 5/64 flat
6798	WASHER 5/16 X 1/2 X 1/32
68026-99	SCREW No. 8-32 X 1 Phillips pan head (stainless)
6874	WASHER 25/64 X 5/8 X 1/16
6930	WASHER 0.344 X 1-1/8 X 0.078 heat treated
7038	LOCKWASHER 3/8
7039	LOCKWASHER 7/16
7041	LOCKWASHER 5/16
7045	LOCKWASHER 3/8 high collar
7068	LOCKWASHER 1/2
7069	LOCKWASHER No. 10
7080	WASHER 9/16 X 3/4 X 1/4
7127	LOCKWASHER 5/16 internal tooth
7220	LOCKWASHER No. 10 external tooth
7468M	NUT M10 X 1 X 6
7469	NUT M10 X 1 X 11
7477	NUT M8 X 1.25
7481	ACORN NUT 5/16-18 X 5/8 X 1/2
7495	NUT M6 flange
7531	LOCKNUT 5/16-18 X 9/32 X 1/2 flange

7593	NUT 5/16-24 flange
7601	LOCKNUT 3/8-16 flange
7606	LOCKNUT No. 8-32 X 1/4 X 1/4 hex (chrome)
7624	LOCKNUT No. 10-24 X 1/4 X 3/8
7686	LOCKNUT 1/4-20 X 5/16 X 7/16
7716	LOCKNUT 1/4-20 X 7/16 flange
7725	LOCKNUT 5/16-24 X 11/32 X 1/2
7766	LOCKNUT 5/16-18 flange
7770	NUT 1/4-20 keps flat washer
7778	LOCKNUT 3/8-16 X 7/16 X 9/16
7783	NUT 3/8-16 X 5/16 X 9/16 (Grade 2)
7792	NUT 1/4-20 X 1/4 (Grade 2)
7804	LOCKNUT 1/2-13 X 15/32 X 7/8 self-sealing
7813A	NUT 5/8-18 X 9/16 X 15/16 (Grade 2)
7824	LOCKNUT 1/2-20 X 1/4 (Grade 2)
7839	NUT 3/4-16 X 21/32 flange (Grade 2)
7862	ACORN NUT 3/8-16 (chrome)
7880	NUT 1/2-13 X 7/16 X 3/4 (Grade 2)
7900	CLIP NUT 1/4-20
7916A	JAMNUT 5/8-18
8102	SPEEDNUT 5/16-18
8108	SPEEDNUT 1/4-20
8190	NUT M24 X 2.0
835	SCREW 5/16-18 X 3 flange head, with lockpatch
855B	SCREW 3/8-16 X 2 knurled head
8679	SCREW No. 8-32 X 7/16, TORX button head
882	SCREW 1/4-20 X 7/8 knurled head, with washer (Grade 8)
8972	WASHER 1-1/4 X 1-53/64 X 1/8
928	BOLT M5 X 0.8 X 35.2 hex head
929A	SCREW M4 X 0.7 X 11.8 flange head

930	SCREW 10-24 X 1-1/4 fillister head
940	SCREW 1/4-20 X 3/4 TORX button head
942	SCREW 1/4-20 X 3/4 TORX button head, with lockpatch (Grade 8)
943	SCREW 1/4-20 X 5/8 socket button head
946	SCREW 1/4-20 X 2-1/4 socket button head, with lockpatch (Grade 8)
995	SCREW 5/16-18 X 5/8 TORX button head
997	SCREW 5/16-18 X 1 TORX button head
DA0600.12FAZB	LOCKNUT 3/8-24 flange (Grade 5)

New Parts List

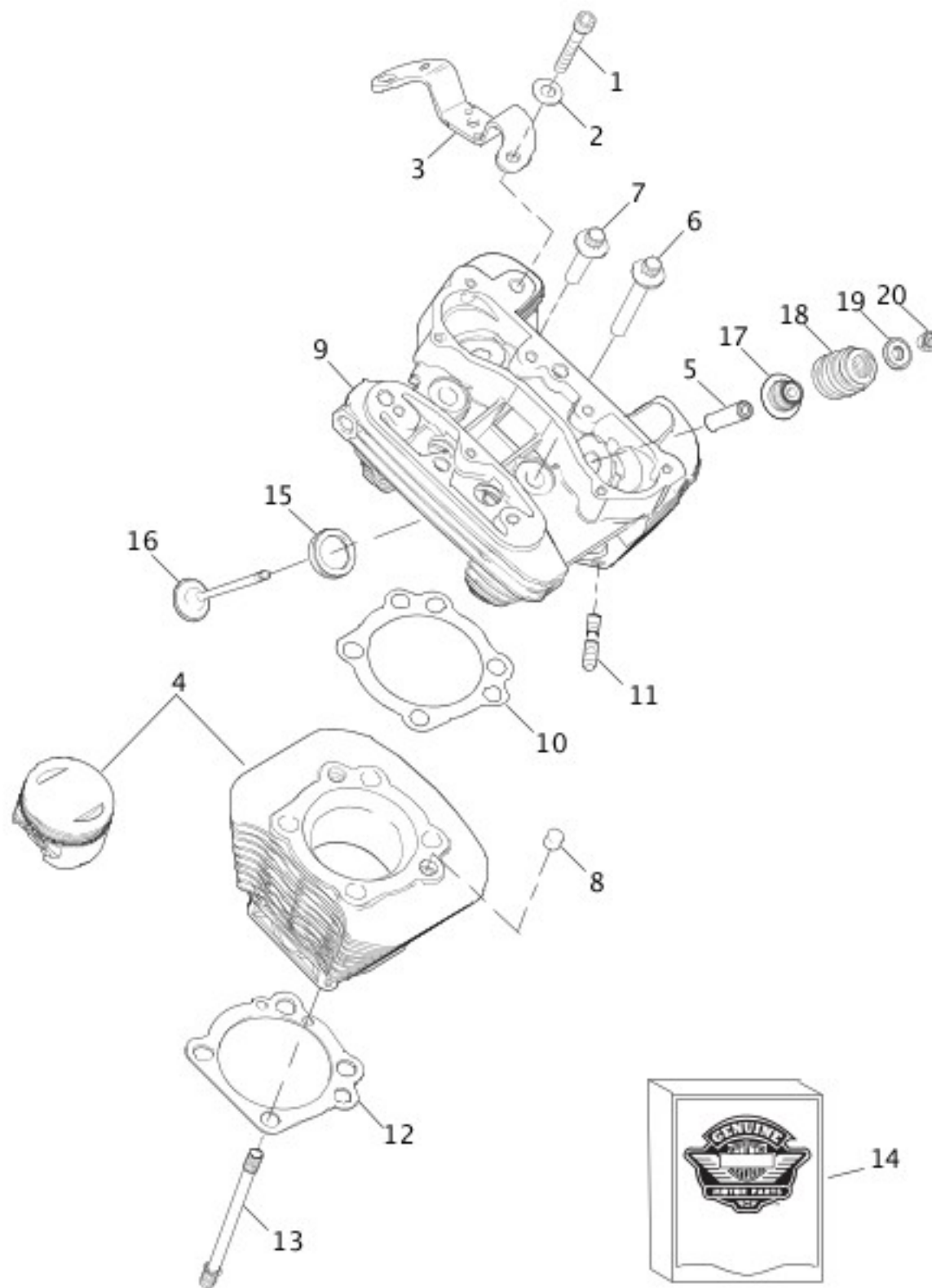
ENGINE ASSEMBLY



INDEX NO.	PART NO.	DESCRIPTION	MODEL(S)
1	19518-09	ENGINE ASSEMBLY (883cc)	XL883
	19519-09	ENGINE ASSEMBLY (883cc)	XL883N, XL883R
	19527-09	ENGINE ASSEMBLY (1200cc) (Domestic, California, Canada)	XL1200C
	19528-09	ENGINE ASSEMBLY (1200cc) (Domestic, California, Canada)	XL1200R
	19566-09	ENGINE ASSEMBLY (883cc)	XL883L
	19567-09	ENGINE ASSEMBLY (883cc)	XL883C
	19604-09	ENGINE ASSEMBLY (1200cc) (Domestic, California, Canada)	XL1200L
	19637-09	ENGINE ASSEMBLY (1200cc) (Domestic, California, Canada)	XL1200N
	19638-09	ENGINE ASSEMBLY (1200cc) (Domestic, California, Canada, HDI, Australia, England) (not shown)	XR1200
2	19606-09	ENGINE ASSEMBLY (1200cc) (HDI)	XL1200C
	19607-09	ENGINE ASSEMBLY (1200cc) (HDI)	XL1200R
	19622-09	ENGINE ASSEMBLY (1200cc) (HDI)	XL1200L
	19734-09	ENGINE ASSEMBLY (1200cc) (HDI)	XL1200N

[CYLINDER, HEAD, & VALVES - 883/C/L/N/R, 1200C/L/N/R](#)

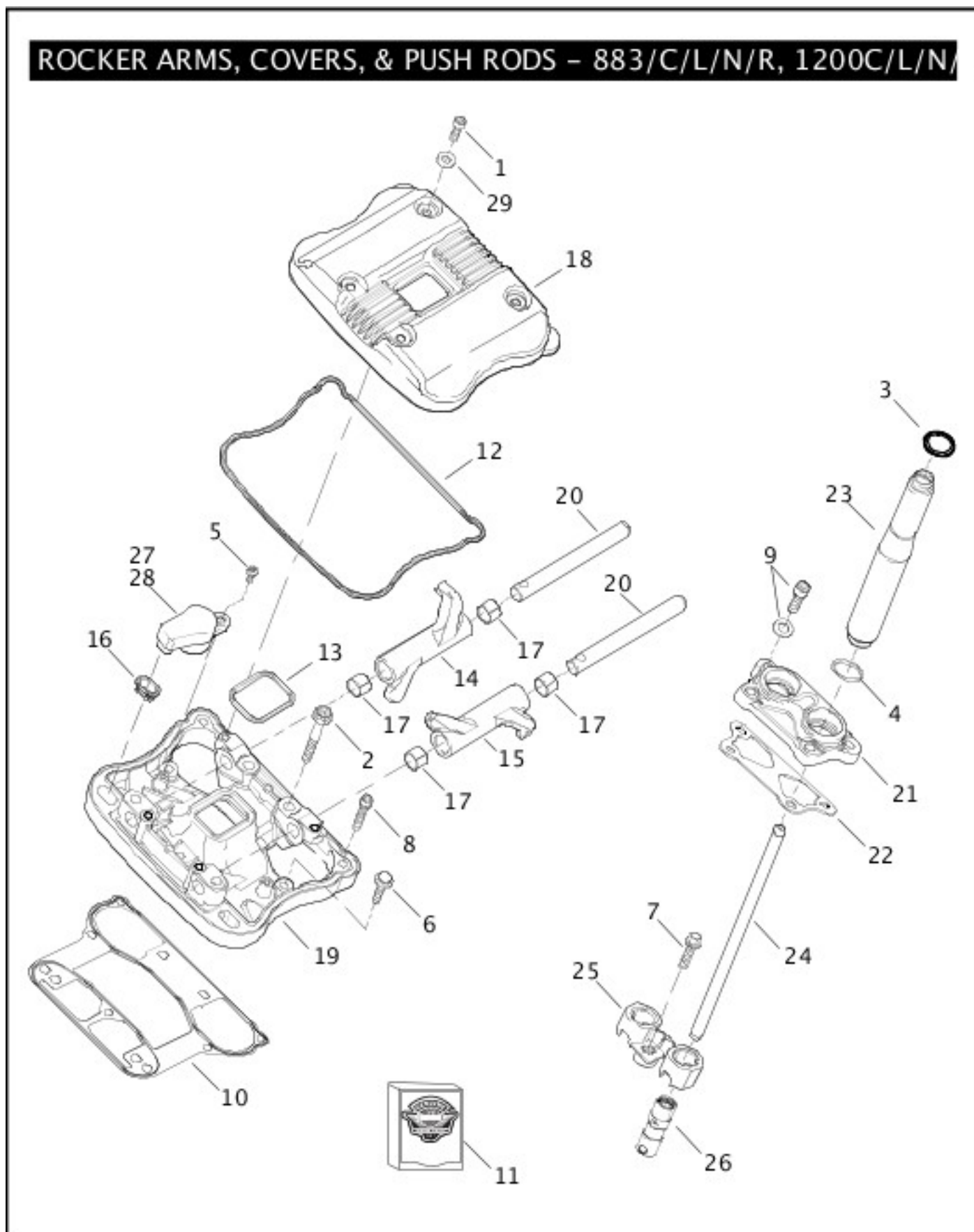
CYLINDER, HEAD, & VALVES - 883/C/L/N/R, 1200C/L/N



[View interactive table](#)

INDEX NO.	PART NO.	DESCRIPTION	MODEL(S)
10	16664-86D	GASKET, cylinder head (2)	XL883, XL883C, XL883L, XL883N, XL883R
14	17027-08	GASKET KIT, engine overhaul	XL1200C, XL1200L, XL1200N, XL1200R, XL883, XL883C, XL883L, XL883N, XL883R
	17049-08	GASKET KIT, top overhaul	XL1200C, XL1200L, XL1200N, XL1200R, XL883, XL883C, XL883L, XL883N, XL883R

ROCKER ARMS, COVERS, & PUSHRODS - 883/C/L/N/R, 1200C/L/N/R

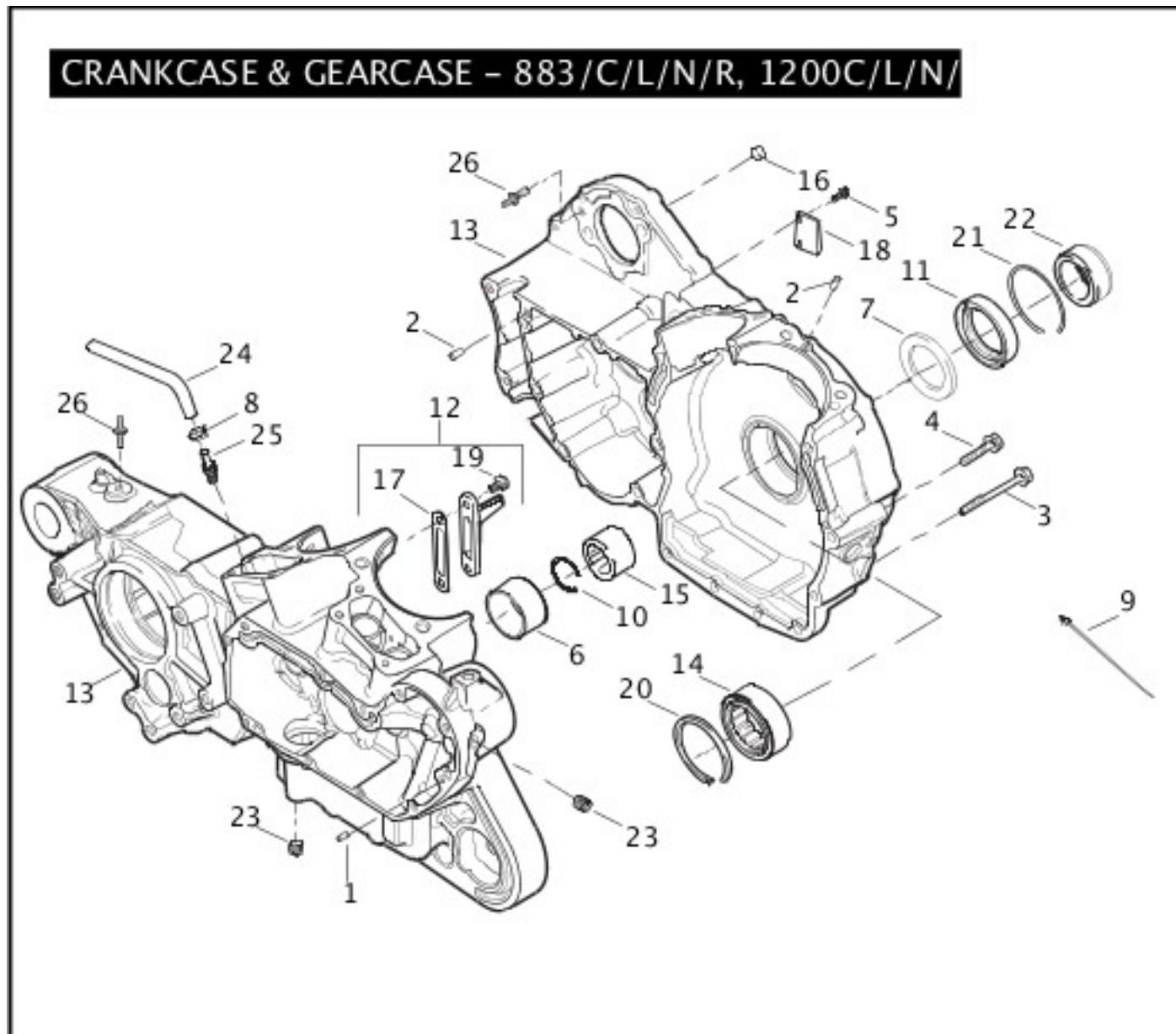


[View interactive table](#)

INDEX NO.	PART NO.	DESCRIPTION	MODEL(S)
1	2486	SCREW (8)	XL1200C, XL1200L, XL1200N, XL1200R, XL883, XL883C, XL883L, XL883N, XL883R
11	17036-08	GASKET KIT, rocker cover	XL1200C, XL1200L, XL1200N, XL1200R, XL883, XL883C, XL883L, XL883N, XL883R
27	26010-04	BREATHER, front	XL1200C, XL1200L, XL1200N, XL1200R, XL883, XL883C, XL883L,

			XL883N, XL883R
	26011-04	BREATHER, rear	XL1200C, XL1200L, XL1200N, XL1200R, XL883, XL883C, XL883L, XL883N, XL883R
29	6589	WASHER, bonded/sealing (8)	XL1200C, XL1200L, XL1200N, XL1200R, XL883, XL883C, XL883L, XL883N, XL883R

[CRANKCASE & GEARCASE - 883/C/L/N/R, 1200C/L/N/R](#)

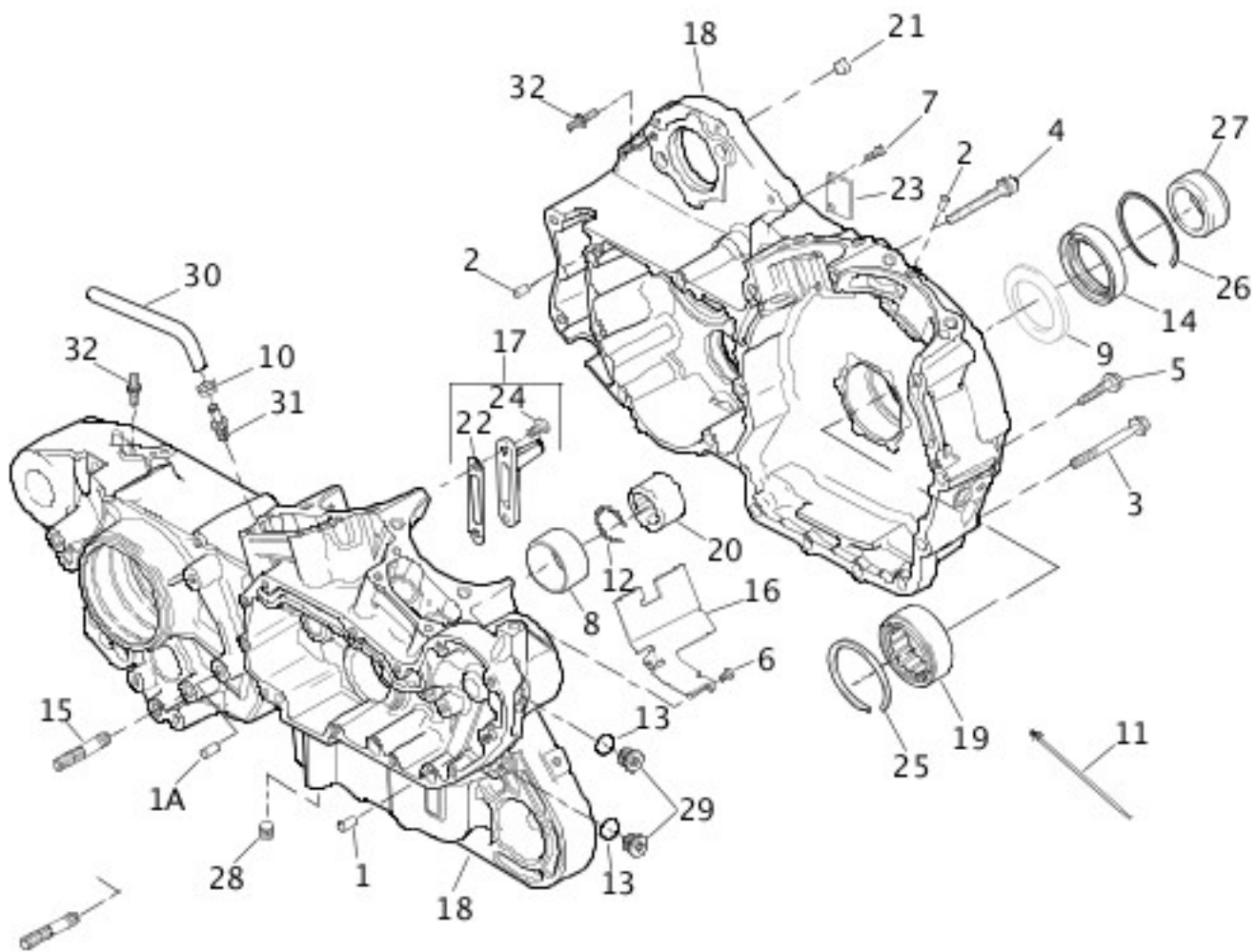


[View interactive table](#)

INDEX NO.	PART NO.	DESCRIPTION	MODEL(S)
7	8972	WASHER	XL1200C, XL1200L, XL1200N, XL1200R, XL883, XL883C, XL883L, XL883N, XL883R
14	24605-07	BEARING	XL1200C, XL1200L, XL1200N, XL1200R, XL883, XL883C, XL883L, XL883N, XL883R
17	26638-00Y	GASKET, oil jet (2)	XL1200C, XL1200L, XL1200N, XL1200R, XL883, XL883C, XL883L, XL883N, XL883R

[CRANKCASE & GEARCASE - XR1200](#)

CRANKCASE & GEARCASE - XR1200

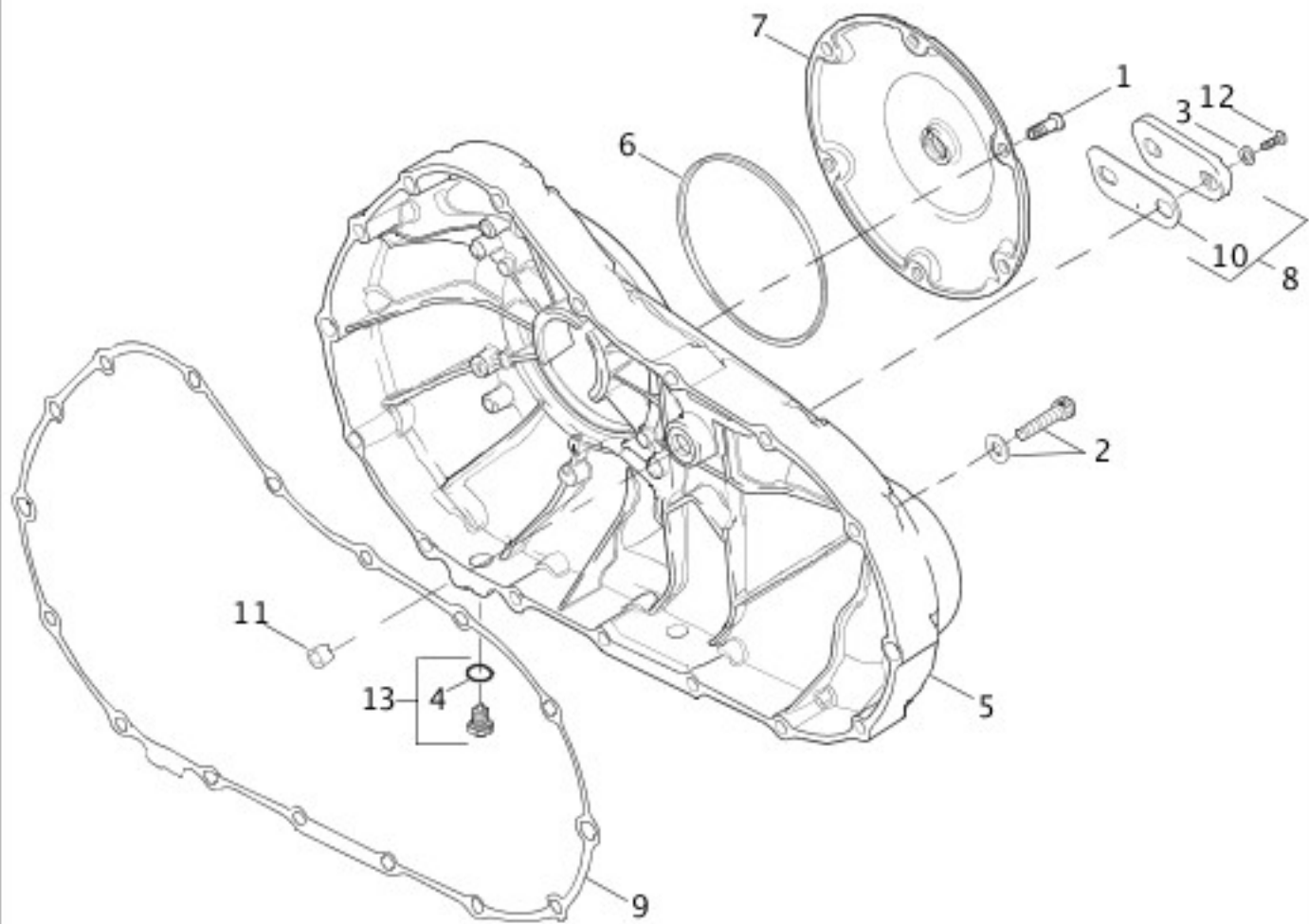


[View interactive table](#)

INDEX NO.	PART NO.	DESCRIPTION	MODEL(S)
1A	232	PIN	XR1200
9	8972	WASHER	XR1200
17	22267-07	OIL JET ASSEMBLY, w/ gasket (2)	XR1200
19	24605-07	BEARING	XR1200

[INSPECTION COVER & PRIMARY COVER](#)

INSPECTION COVER & PRIMARY COVER

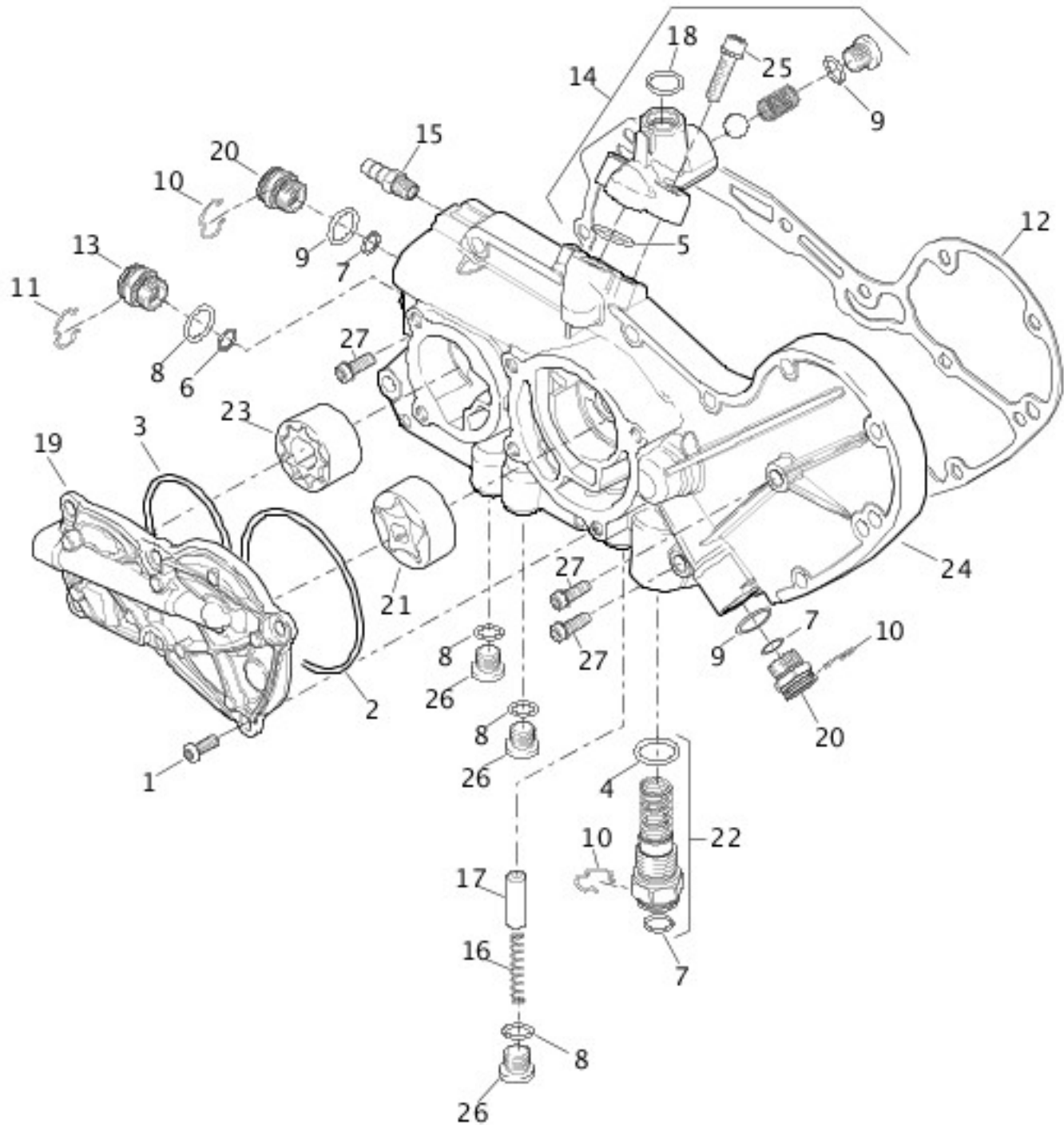


[View interactive table](#)

INDEX NO.	PART NO.	DESCRIPTION	MODEL(S)
8	34993-04A	INSPECTION COVER, w/ gasket, chain (polished)	XL1200N, XL1200R, XL883, XL883C, XL883L, XR1200
	34761-04A	INSPECTION COVER, w/ gasket, chain (chrome)	XL1200C, XL1200L
	34794-05A	INSPECTION COVER, w/ gasket, chain (black)	XL883N, XL883R
10	34990-08	GASKET, chain inspection cover	ALL

[OIL PUMP - XR1200](#)

OIL PUMP - XR1200



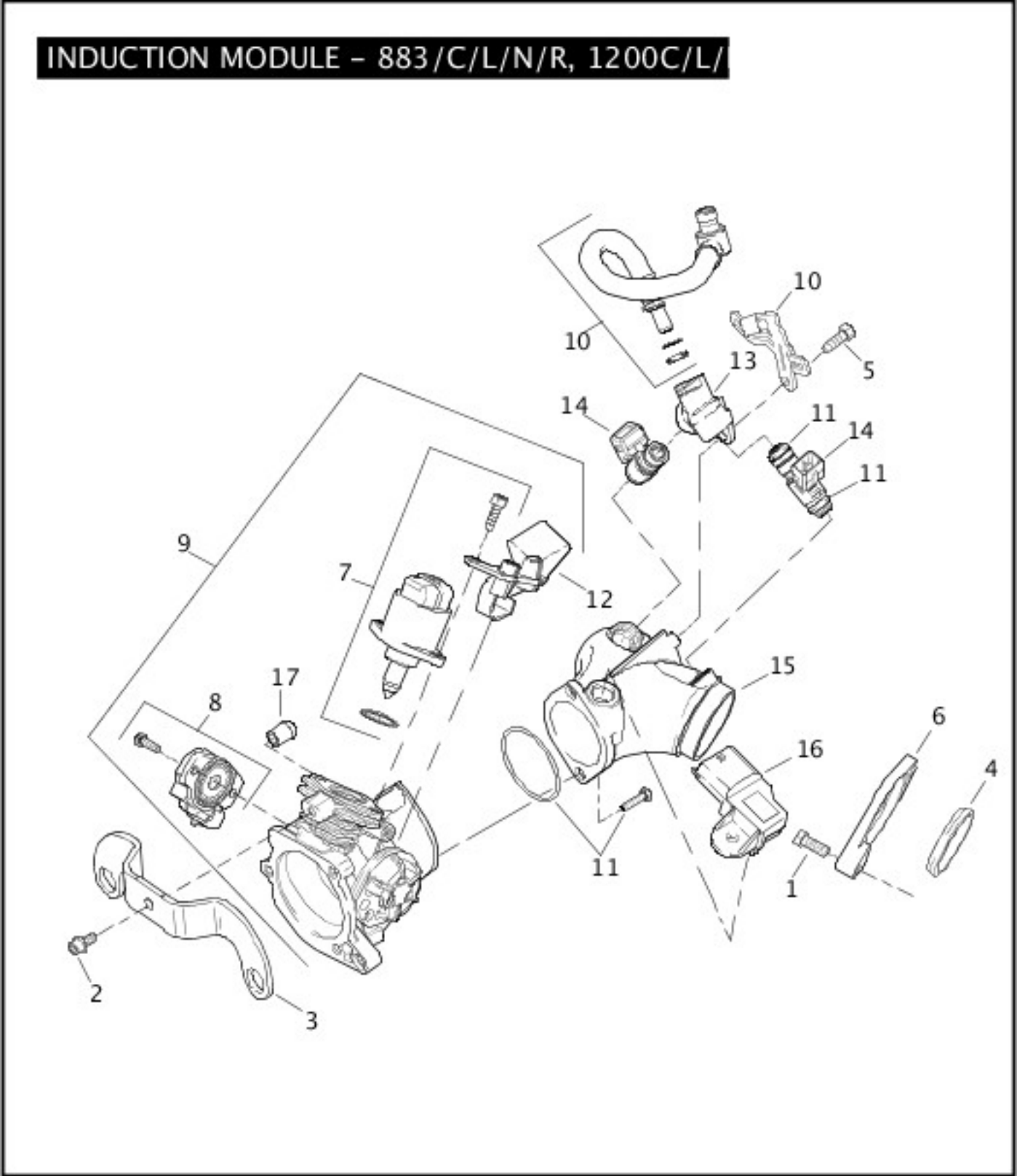
[View interactive table](#)

INDEX NO.	PART NO.	DESCRIPTION	MODEL(S)
1	942	SCREW (6)	XR1200
2	10966	O-RING	XR1200
3	10967	O-RING	XR1200
4	10969	O-RING	XR1200
5	10971	O-RING	XR1200

6	11110	O-RING	XR1200
7	11140	O-RING (2)	XR1200
8	11290	O-RING (4)	XR1200
9	11326	O-RING (2)	XR1200
10	11384K	RETAINER, wire clip (2)	XR1200
11	11408	RETAINER, wire clip	XR1200
12	25279-08	GASKET, gear cover	XR1200
13	26064-08	FITTING ASSEMBLY, oil pump, w/ 11110, 11290 & 11408	XR1200
14	26182-08	CHECK VALVE ASSEMBLY, w/ 10971	XR1200
15	26184-08	FITTING	XR1200
16	26210-99	SPRING, compression	XR1200
17	26400-82B	VALVE, bypass - oil pump	XR1200
18	26432-76A	O-RING	XR1200
19	26522-08	COVER ASSEMBLY, oil pump	XR1200
20	26525-08	FITTING ASSEMBLY, oil pump, w/ 11140, 11326 & 11384K (2)	XR1200
21	26526-08	GEROTOR ASSEMBLY, feed	XR1200
22	26529-08	THERMOSTAT ASSEMBLY	XR1200
23	26546-08	GEROTOR ASSEMBLY, return	XR1200
24	26592-08	OIL PUMP ASSEMBLY	XR1200
25	4741A	SCREW (2)	XR1200
26	60330-08	PLUG, w/ 11290 (3)	XR1200
27	4718A	SCREW (3)	XR1200

INDUCTION MODULE - 883/C/L/N/R, 1200C/L/N/R

INDUCTION MODULE – 883/C/L/N/R, 1200C/L/

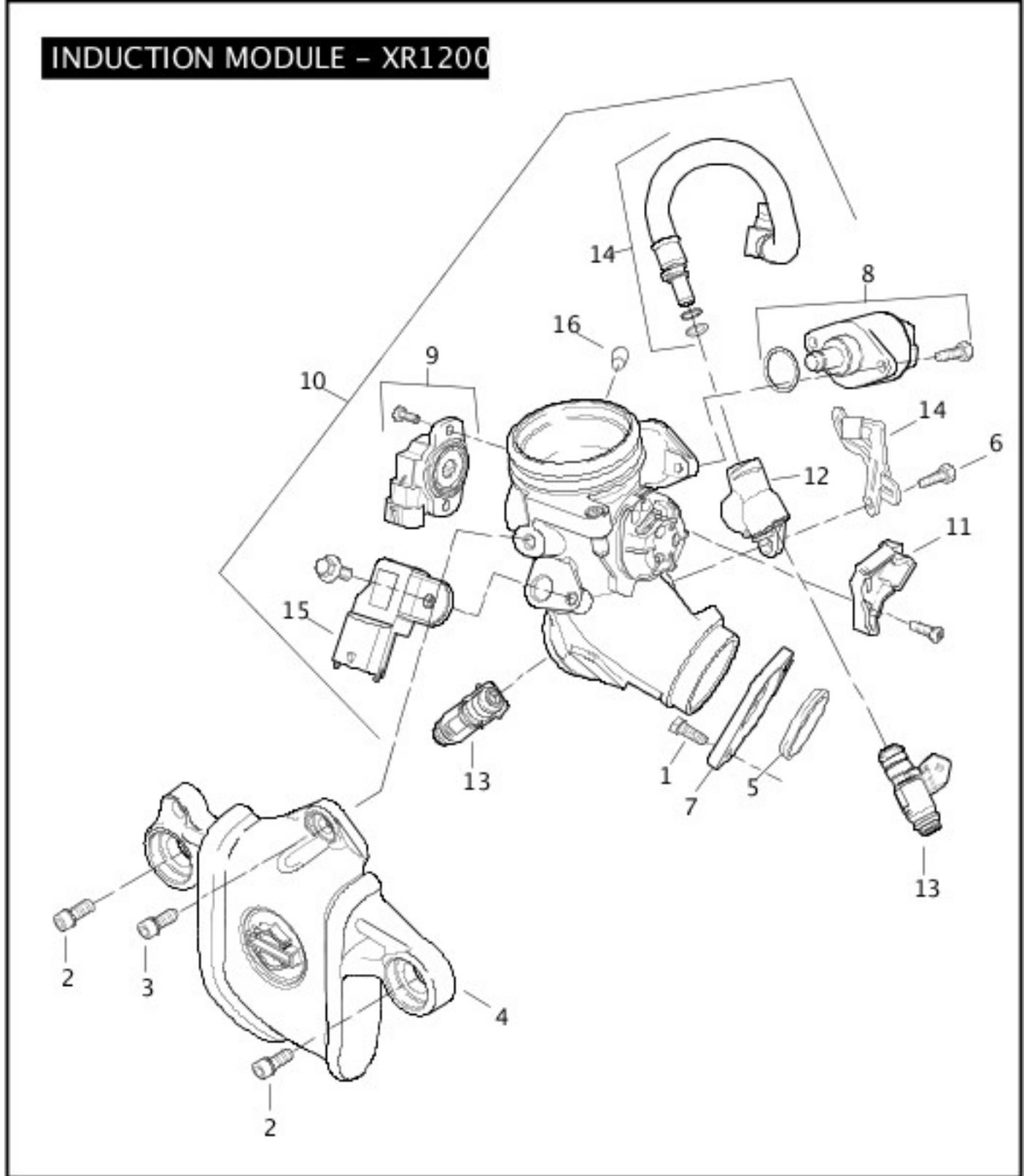


[View interactive table](#)

INDEX NO.	PART NO.	DESCRIPTION	MODEL(S)
5	27216-95	SCREW	XL1200C, XL1200L, XL1200N, XL1200R, XL883, XL883C, XL883L, XL883N, XL883R
12	27701-07A	CABLE BRACKET	XL1200C, XL1200L, XL1200N, XL1200R, XL883, XL883C, XL883L, XL883N, XL883R

[INDUCTION MODULE - XR1200](#)

INDUCTION MODULE - XR1200

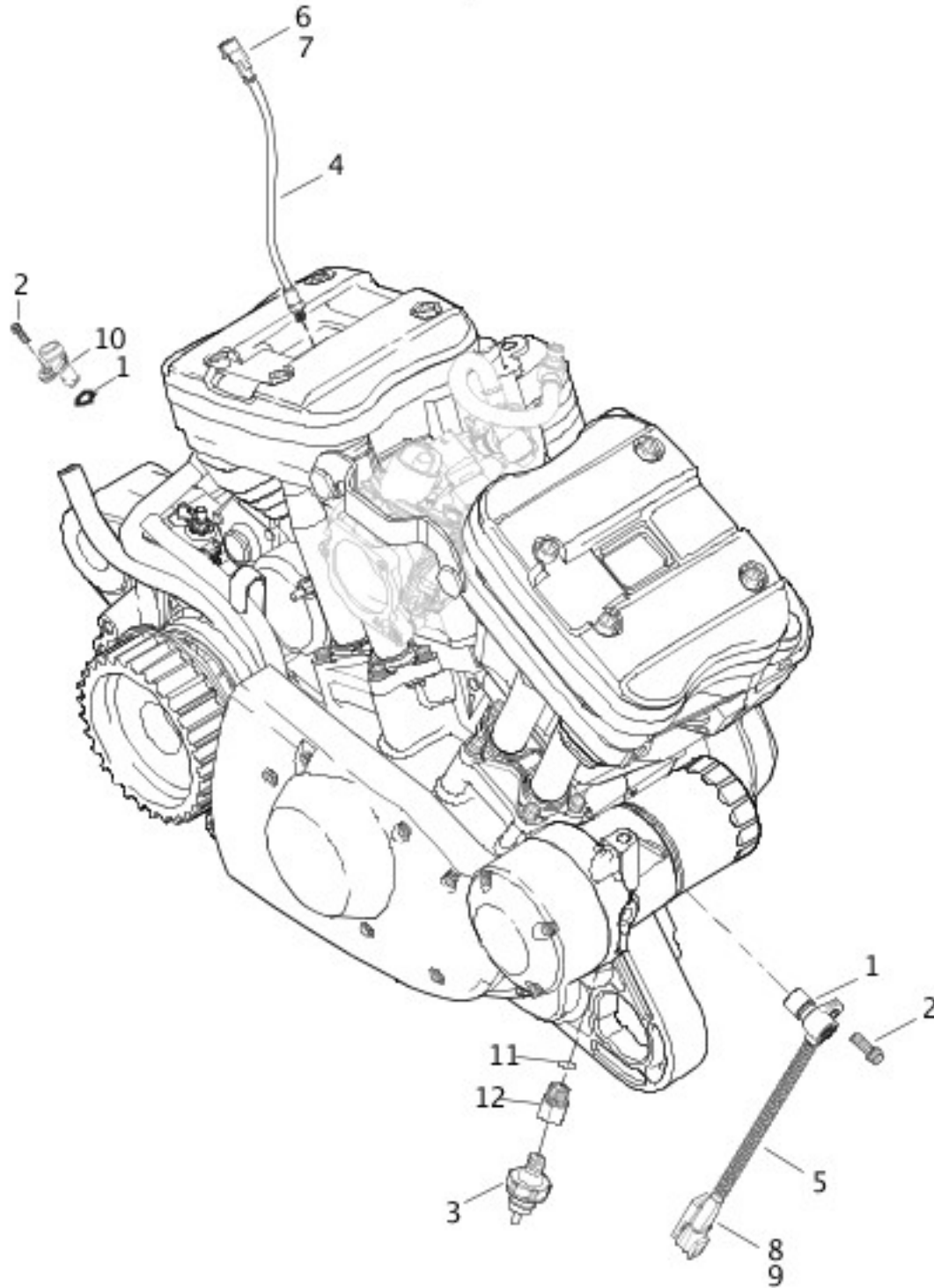


[View interactive table](#)

INDEX NO.	PART NO.	DESCRIPTION	MODEL(S)
6	27216-95	SCREW	XR1200
11	27698-08A	BRACKET, throttle cable	XR1200

[ENGINE SENSORS & SWITCHES](#)

ENGINE SENSORS & SWITCHES

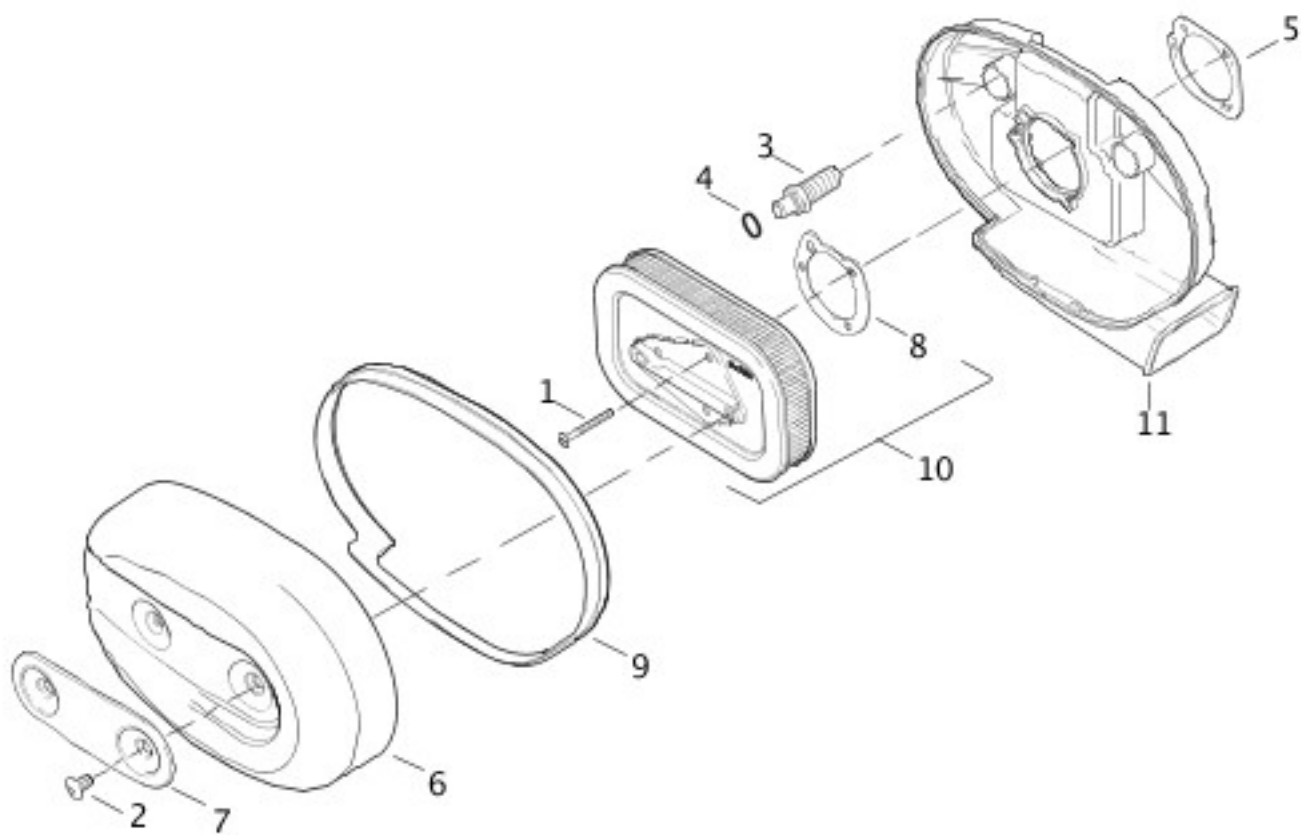


[View interactive table](#)

INDEX NO.	PART NO.	DESCRIPTION	MODEL(S)
11	11290	O-RING	XR1200

[AIR CLEANER - 883/C/L/N/R, 1200C/L/N/R](#)

AIR CLEANER - 883/C/L/N/R, 1200C/L/N

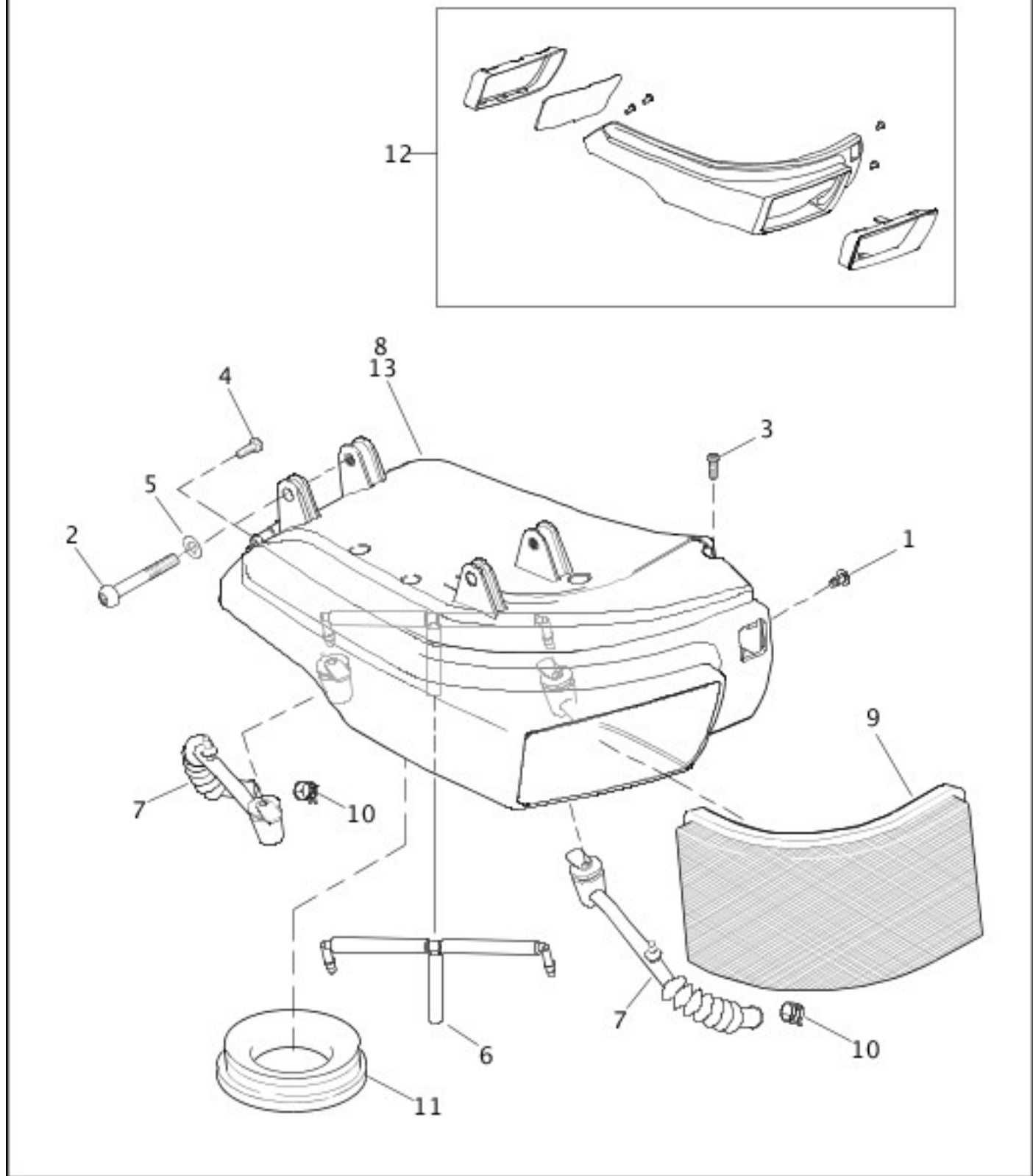


[View interactive table](#)

INDEX NO.	PART NO.	DESCRIPTION	MODEL(S)
11	29369-07A	BACKPLATE ASSEMBLY, air cleaner	XL1200C, XL1200L, XL1200N, XL1200R, XL883, XL883C, XL883L, XL883N, XL883R

[AIR BOX - XR1200](#)

AIR BOX - XR1200

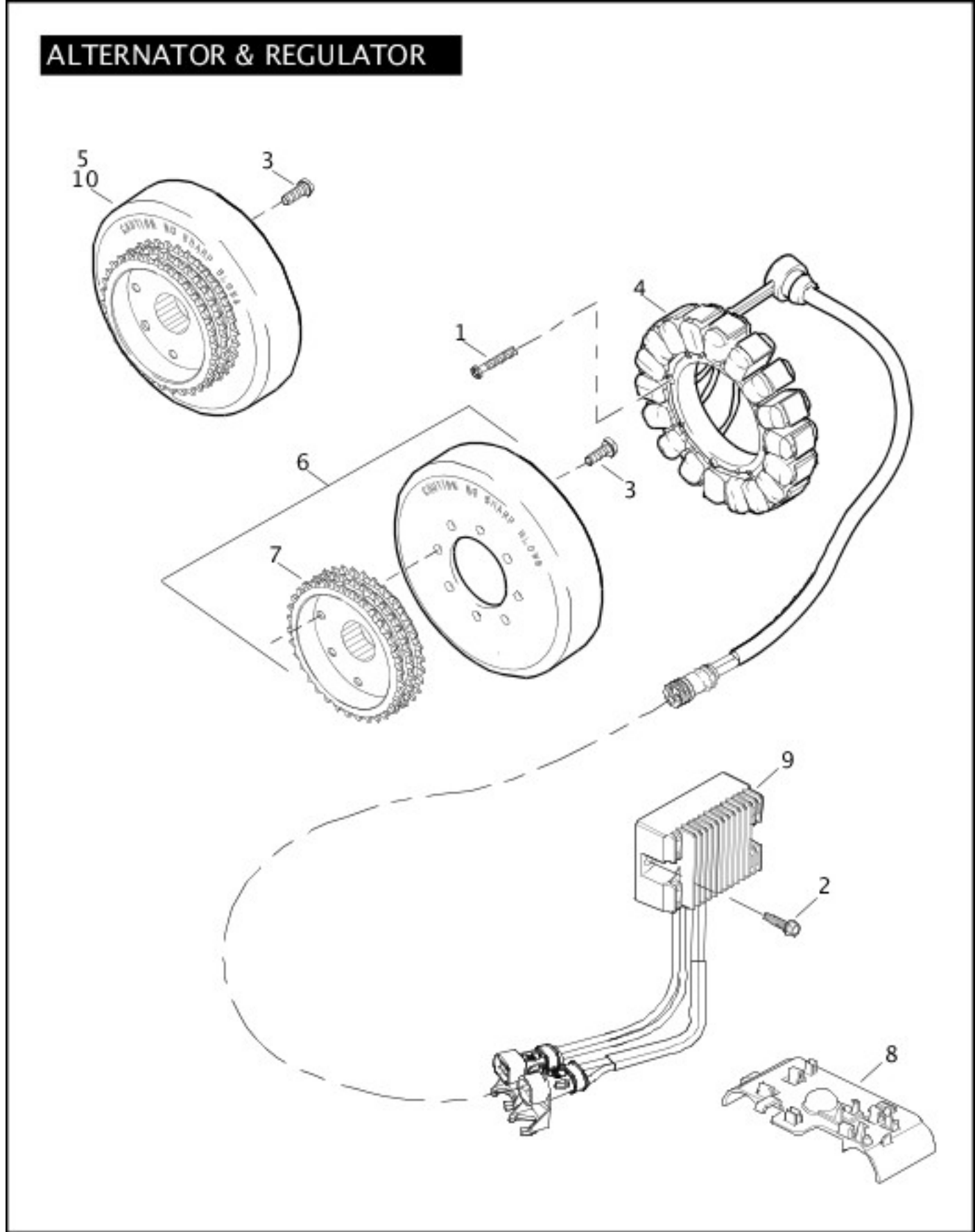


[View interactive table](#)

INDEX NO.	PART NO.	DESCRIPTION	MODEL(S)
2	4802	SCREW (2)	XR1200
8	29867-09	AIR BOX ASSEMBLY, w/ 1, 3, 4, 6, 7, 9, & 10	XR1200

[ALTERNATOR & REGULATOR](#)

ALTERNATOR & REGULATOR

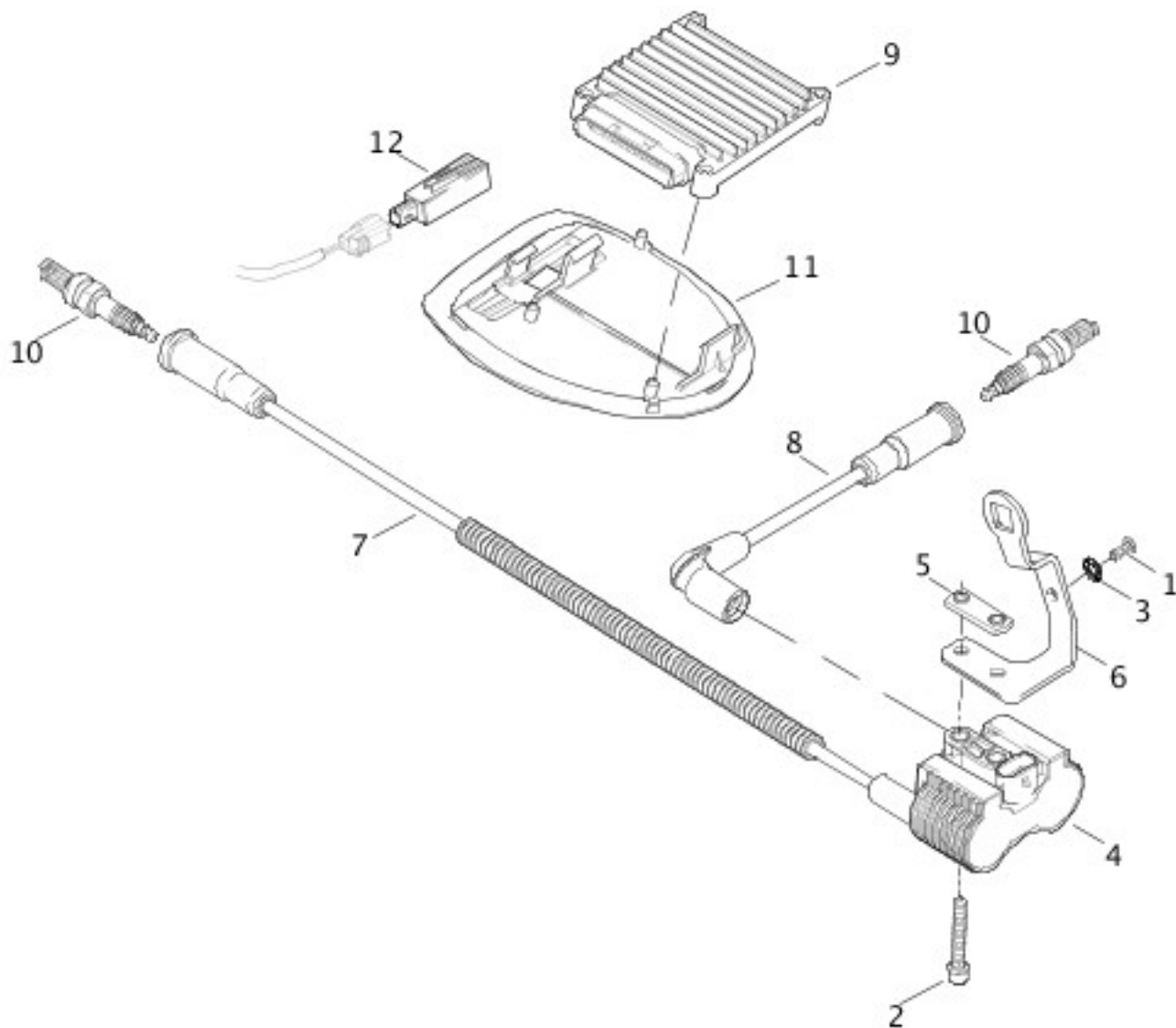


[View interactive table](#)

INDEX NO.	PART NO.	DESCRIPTION	MODEL(S)
9	74711-08	REGULATOR	ALL
10	30029-08	ROTOR SPROCKET ASSEMBLY, w/ 4751 & sprocket (Japan, Brazil)	XR1200

[ELECTRONIC IGNITION SYSTEM - 883/C/L/N/R, 1200C/L/N/R](#)

ELECTRONIC IGNITION SYSTEM - 883/C/L/N/R, 1200C/L/N

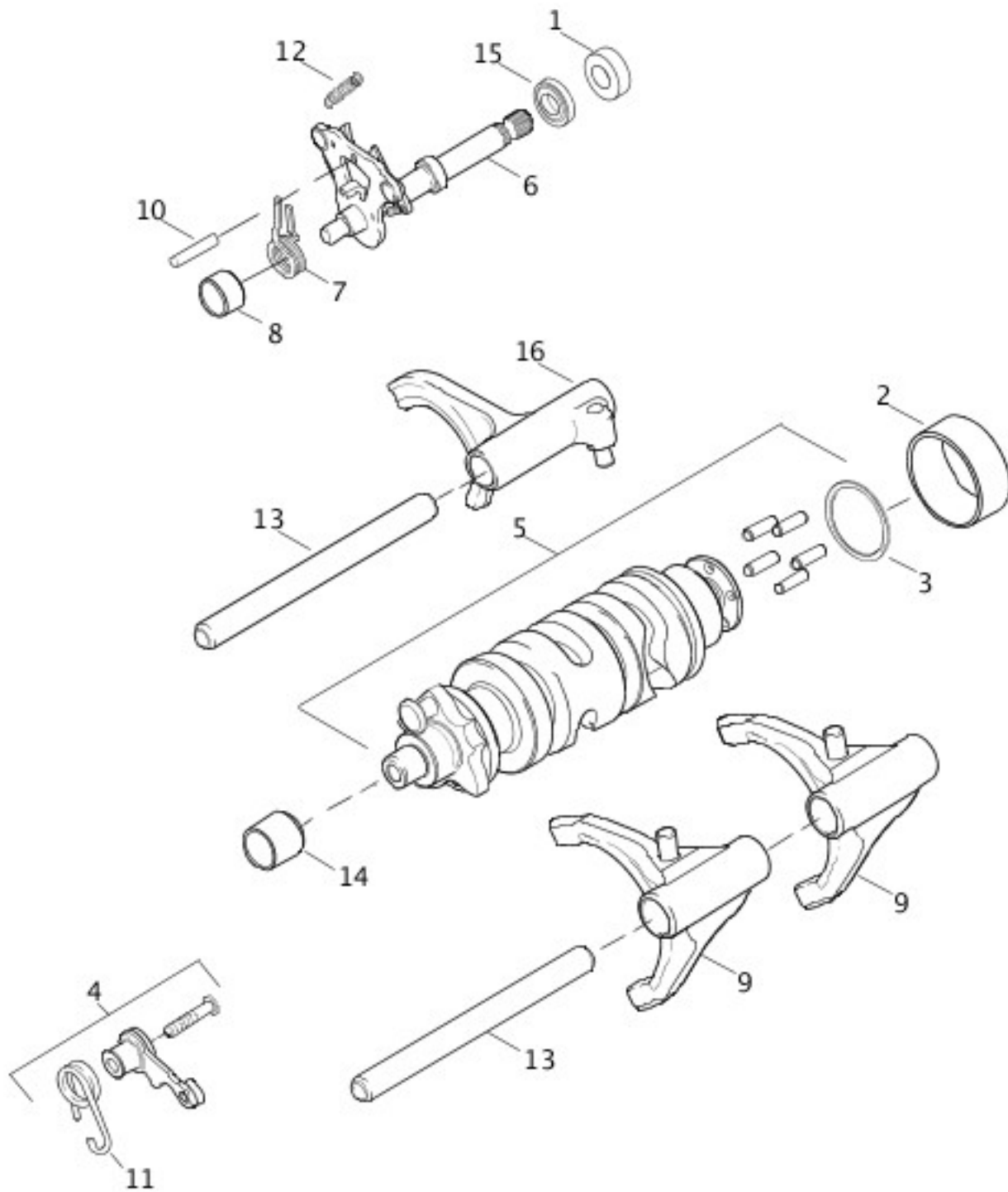


[View interactive table](#)

INDEX NO.	PART NO.	DESCRIPTION	MODEL(S)
12	68919-07	PLUG, antenna module	XL1200C, XL1200L, XL1200N, XL1200R, XL883, XL883C, XL883L, XL883N, XL883R

[SHIFTER](#)

SHIFTER

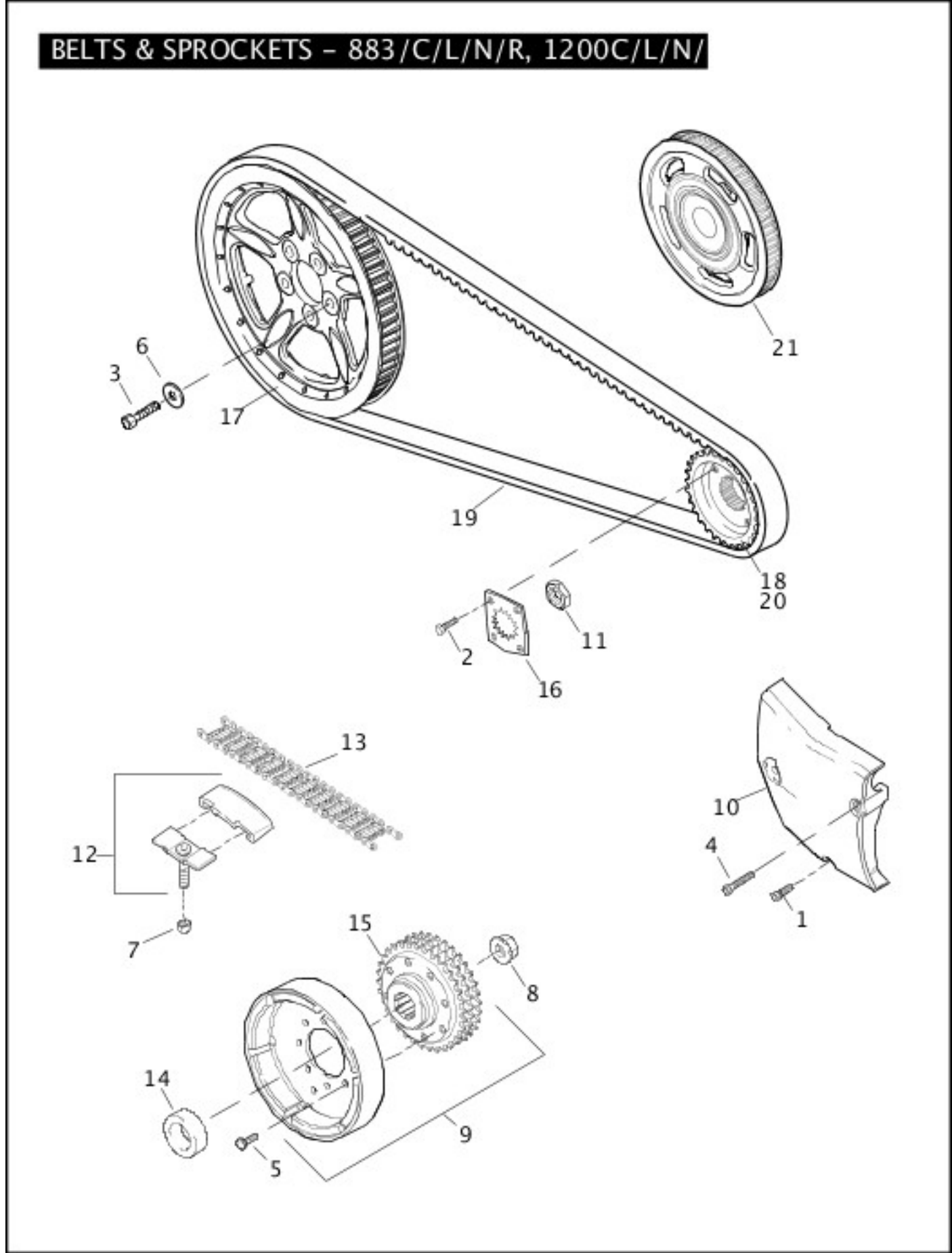


[View interactive table](#)

INDEX NO.	PART NO.	DESCRIPTION	MODEL(S)
6	34014-06A	SHIFTER LEVER ASSEMBLY, w/ 34064-00C & 34491-02A (2)	ALL

[BELTS & SPROCKETS - 883/C/L/N/R, 1200C/L/N/R](#)

BELTS & SPROCKETS - 883/C/L/N/R, 1200C/L/N/

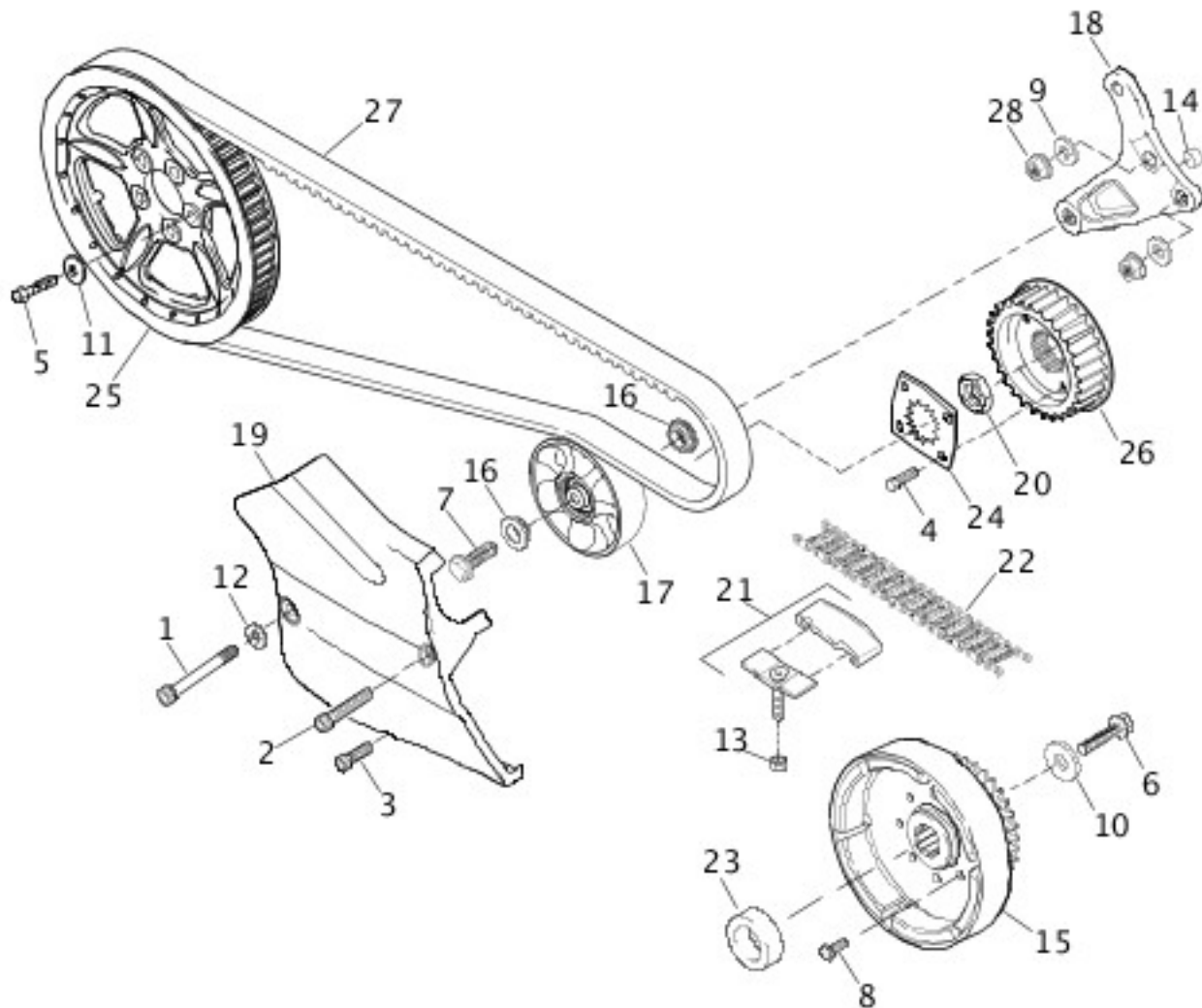


[View interactive table](#)

INDEX NO.	PART NO.	DESCRIPTION	MODEL(S)
	40353-08	SPROCKET, belt - 68T (black)	XL883N
21	37799-09	SPROCKET ASSEMBLY, final drive, w/ bearing - 68T (black) (Japan)	XL883N

[BELTS & SPROCKETS - XR1200](#)

BELTS & SPROCKETS - XR1200

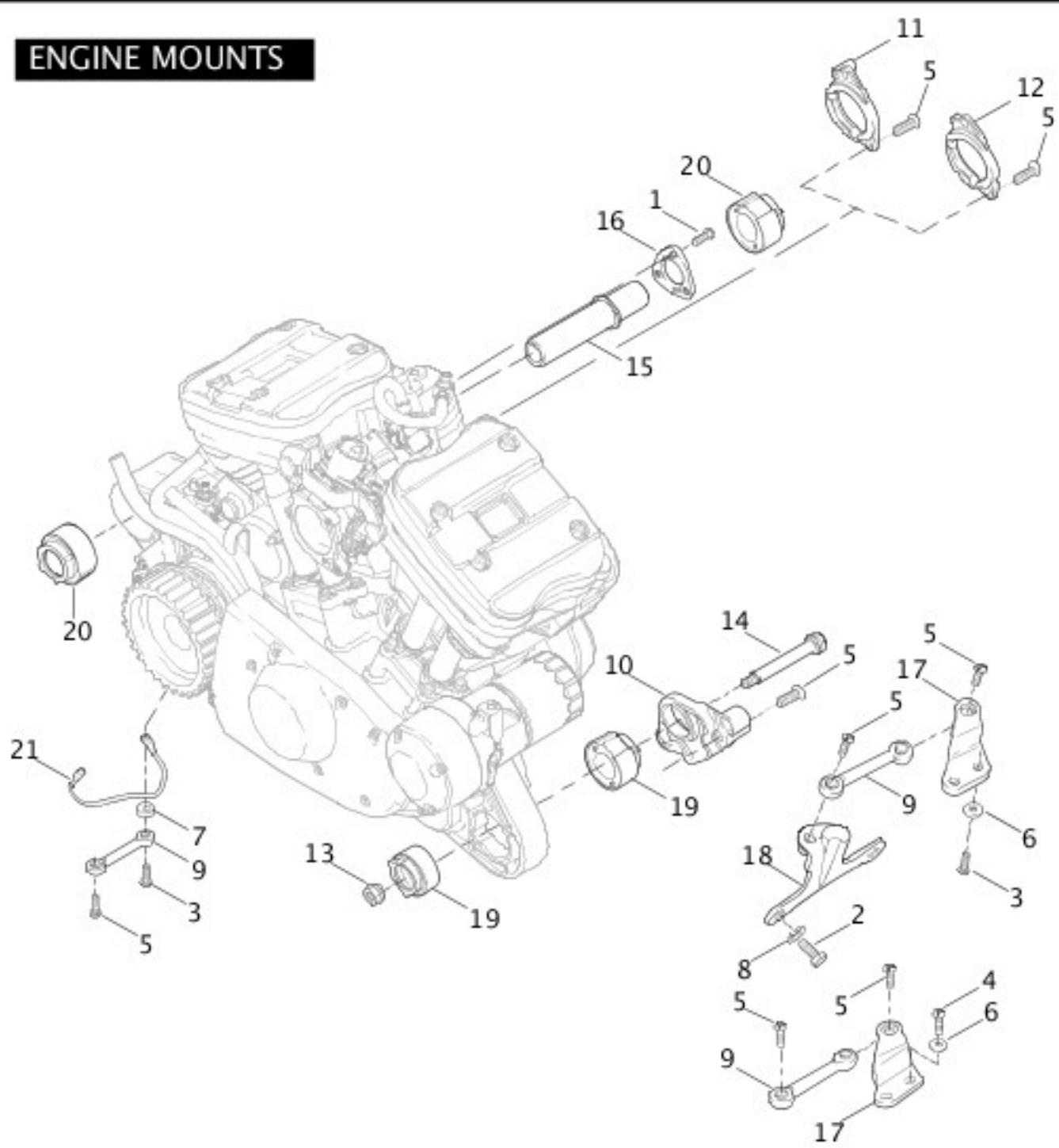


[View interactive table](#)

INDEX NO.	PART NO.	DESCRIPTION	MODEL(S)
	40147-04	PRIMARY CHAIN, 96 links (Japan, Brazil)	XR1200

[ENGINE MOUNTS](#)

ENGINE MOUNTS

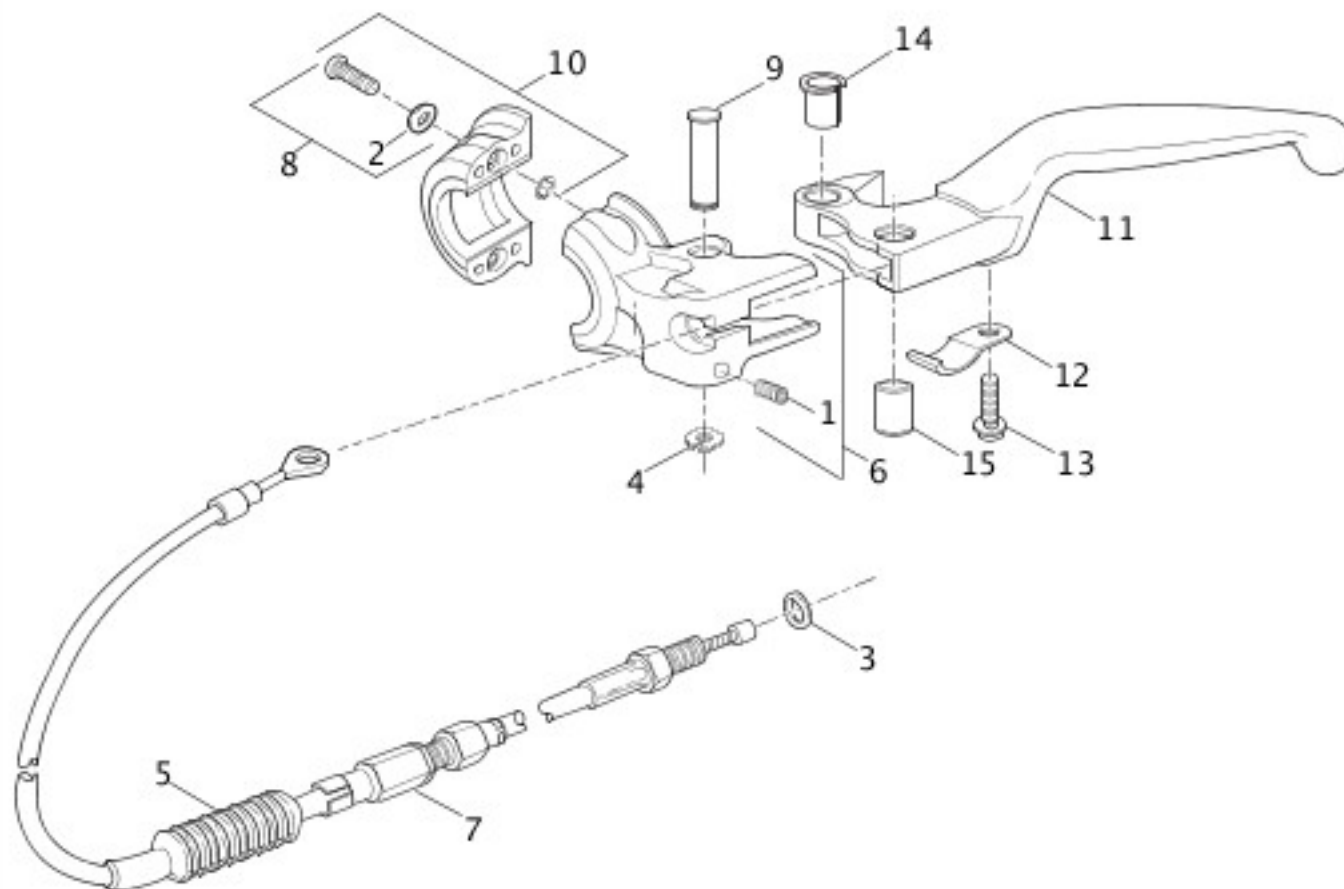


[View interactive table](#)

INDEX NO.	PART NO.	DESCRIPTION	MODEL(S)
9	16232-04A	TIE-LINK (3)	ALL
21	70297-04A	STRAP, grounding	ALL

CLUTCH CONTROL

CLUTCH CONTROL

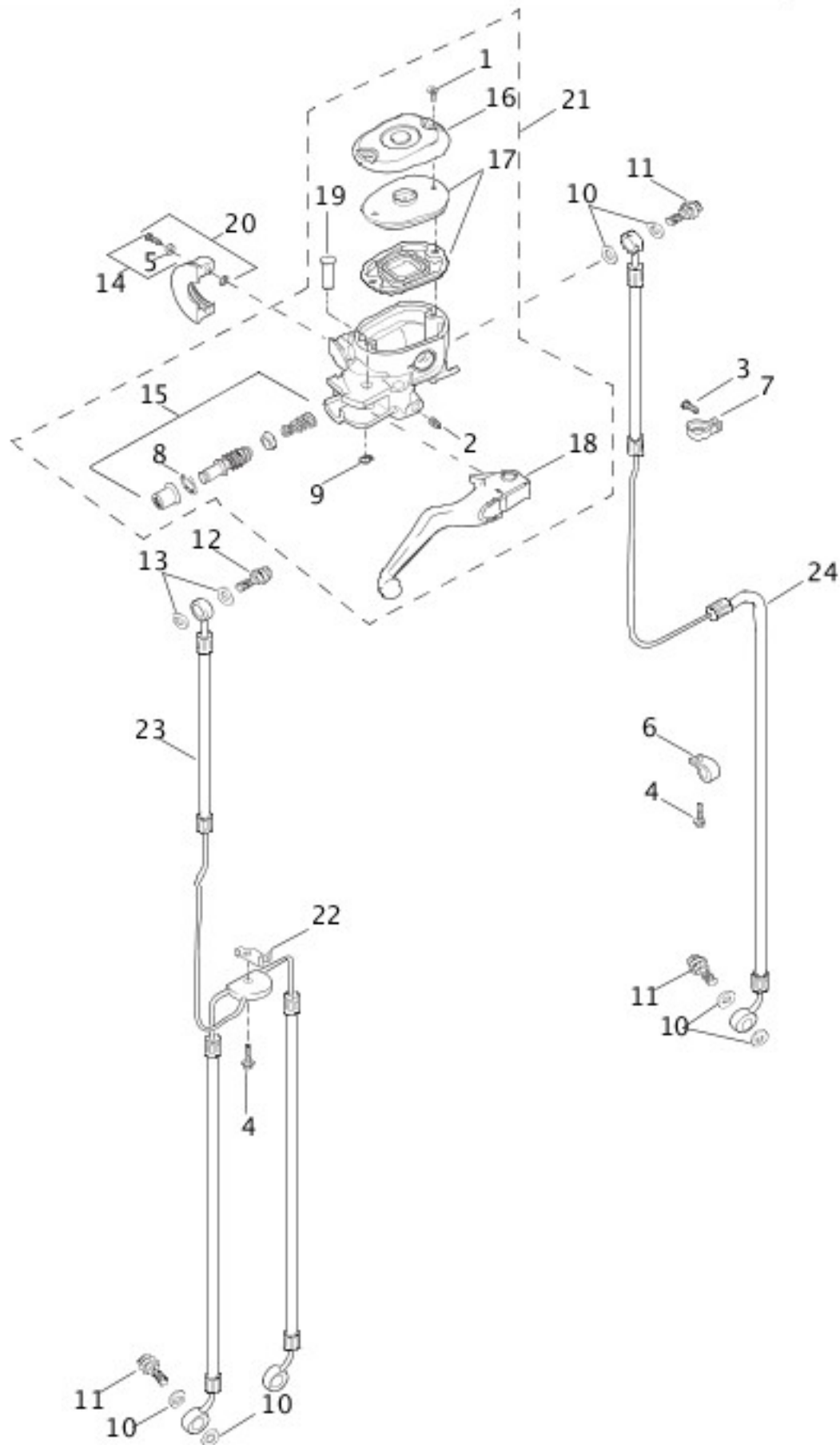


[View interactive table](#)

INDEX NO.	PART NO.	DESCRIPTION	MODEL(S)
7	38699-04C	CABLE ASSEMBLY, w/ 11179, 11379, 38630-88, & 46268-04	XL1200C, XL1200R, XL883, XL883C, XL883N, XL883R
	38702-05C	CABLE ASSEMBLY, w/ 11179, 11379, 38630-88, & 46268-04	XL1200L, XL1200N, XL883L
	38786-08A	CABLE ASSEMBLY, w/ 11179, 11379, 38630-88, & 46268-04	XR1200
8	42425-05	KIT, w/ 6101 (2) & screw (2)	ALL

[FRONT BRAKE CONTROL - 883/C/L/N/R, 1200C/L/N/R](#)

FRONT BRAKE CONTROL- 883/C/L/N/R, 1200C/L/N/

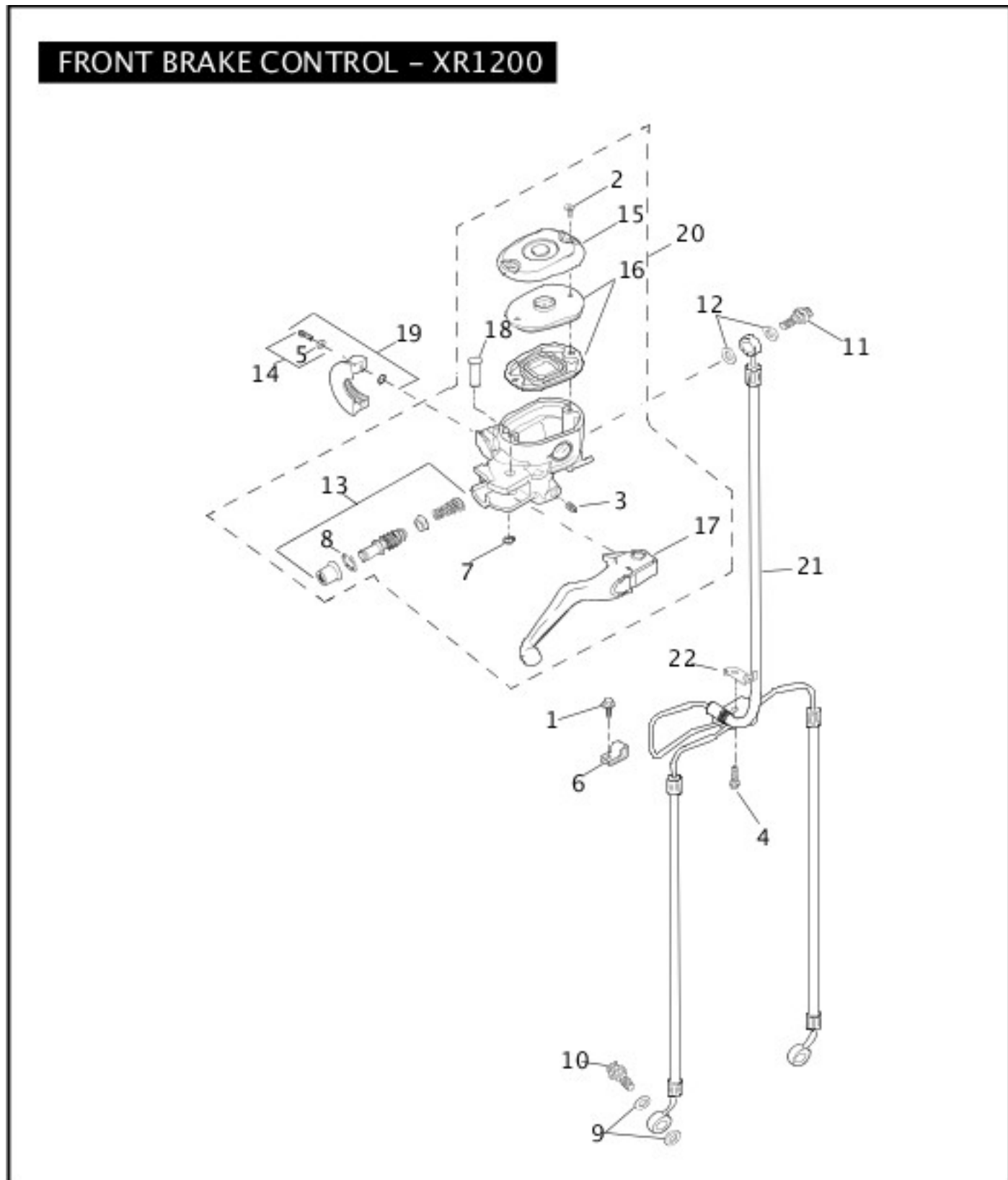


[View interactive table](#)

INDEX NO.	PART NO.	DESCRIPTION	MODEL(S)
3	4240	SCREW	XL1200C, XL1200L, XL1200N, XL1200R, XL883, XL883C, XL883L, XL883N, XL883R
14	42425-05	KIT, w/ 6101 (2) & screw (2)	XL1200C, XL1200L, XL1200N, XL1200R, XL883, XL883C, XL883L, XL883N, XL883R
21	45052-	MASTER CYLINDER ASSEMBLY,	XL1200R, XL883R

	07A	dual, front	
23	45319-04C	BRAKELINE, front, dual	XL1200R, XL883R
	46400-04B	BRAKELINE, front, single	XL883, XL883N

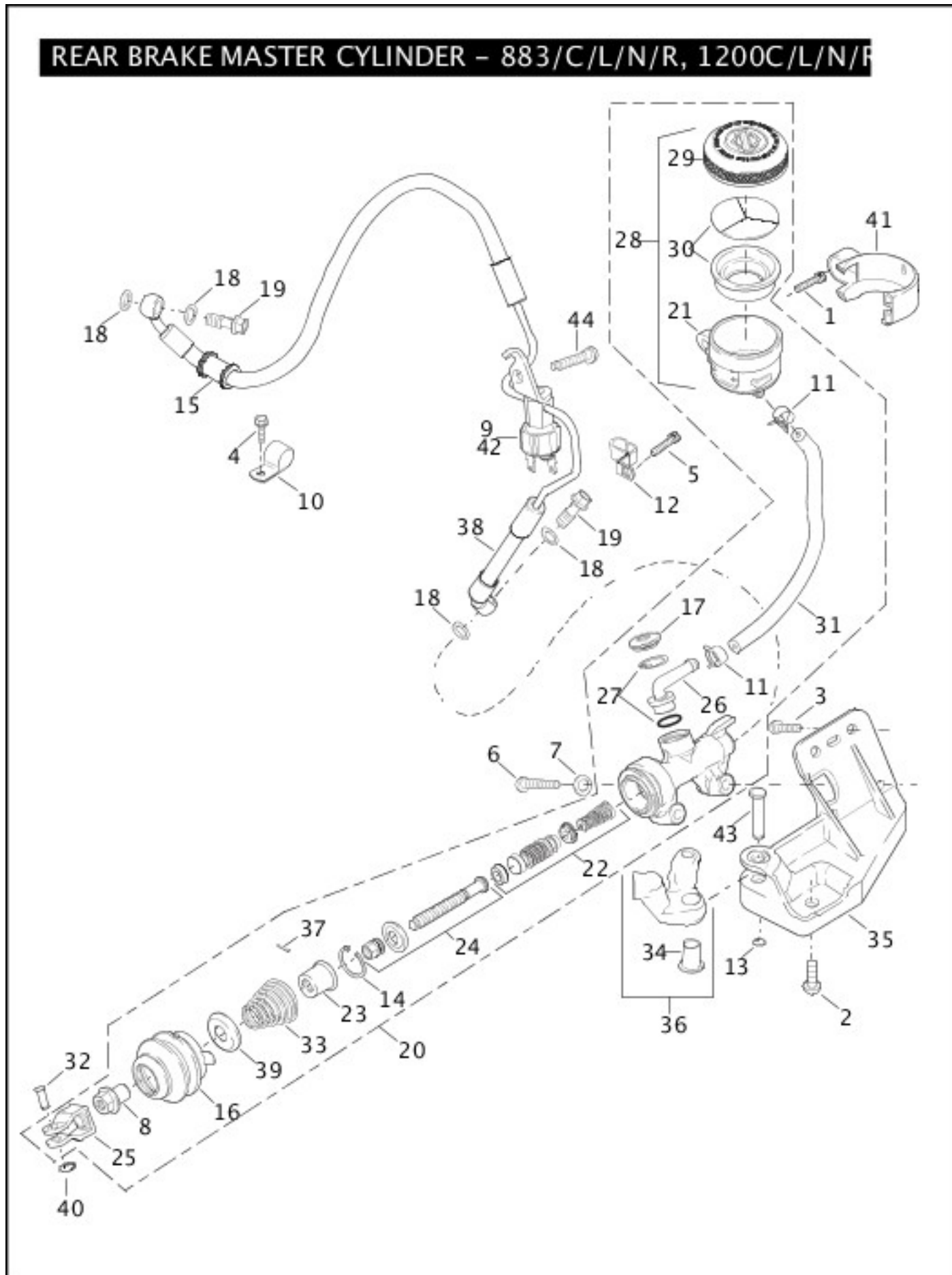
[FRONT BRAKE CONTROL - XR1200](#)



[View interactive table](#)

INDEX NO.	PART NO.	DESCRIPTION	MODEL(S)
1	4240	SCREW, hex head	XR1200

REAR BRAKE MASTER CYLINDER - 883/C/L/N/R, 1200C/L/N/R

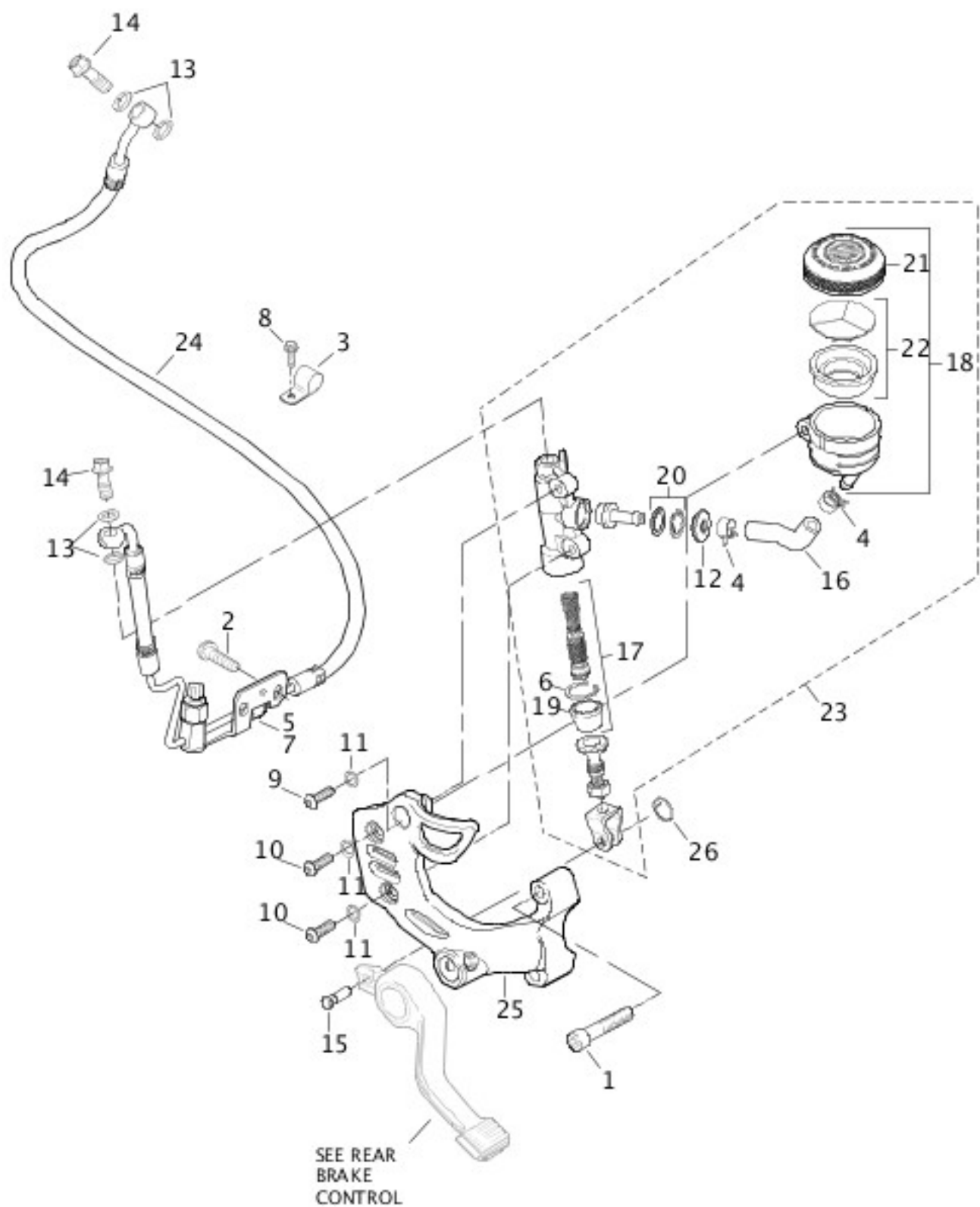


[View interactive table](#)

INDEX NO.	PART NO.	DESCRIPTION	MODEL(S)
38	44429-06B	BRAKELINE ASSEMBLY, w/ 11407	XL1200C, XL1200L, XL1200N, XL1200R, XL883, XL883C, XL883L, XL883N, XL883R

REAR BRAKE MASTER CYLINDER - XR1200

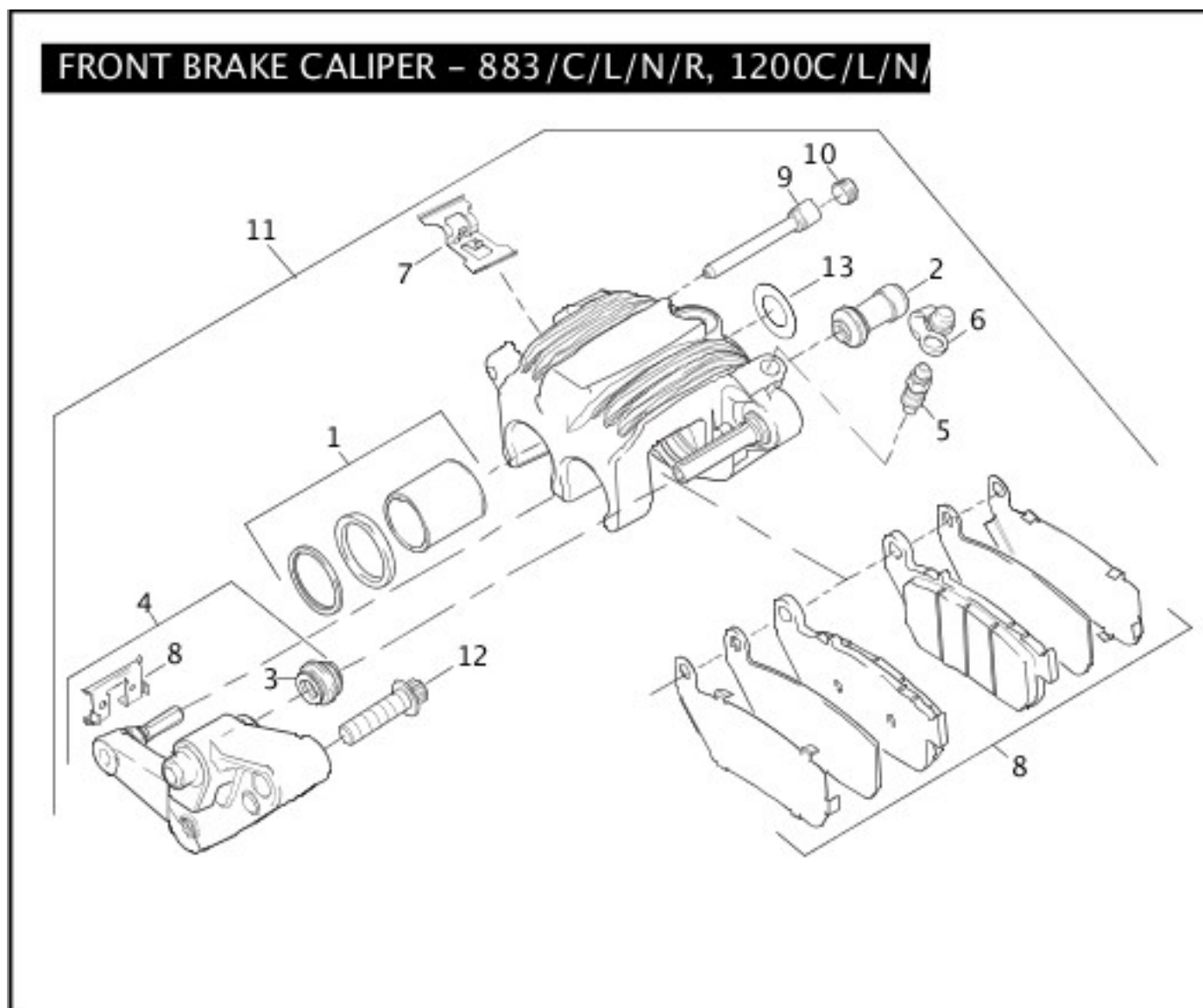
REAR BRAKE MASTER CYLINDER - XR1200



[View interactive table](#)

INDEX NO.	PART NO.	DESCRIPTION	MODEL(S)
2	997	SCREW (2)	XR1200
5	10031	RETAINING RING	XR1200
9	4535M	SCREW	XR1200
11	6099	WASHER (3)	XR1200

[FRONT BRAKE CALIPER - 883/C/L/N/R, 1200C/L/N/R](#)

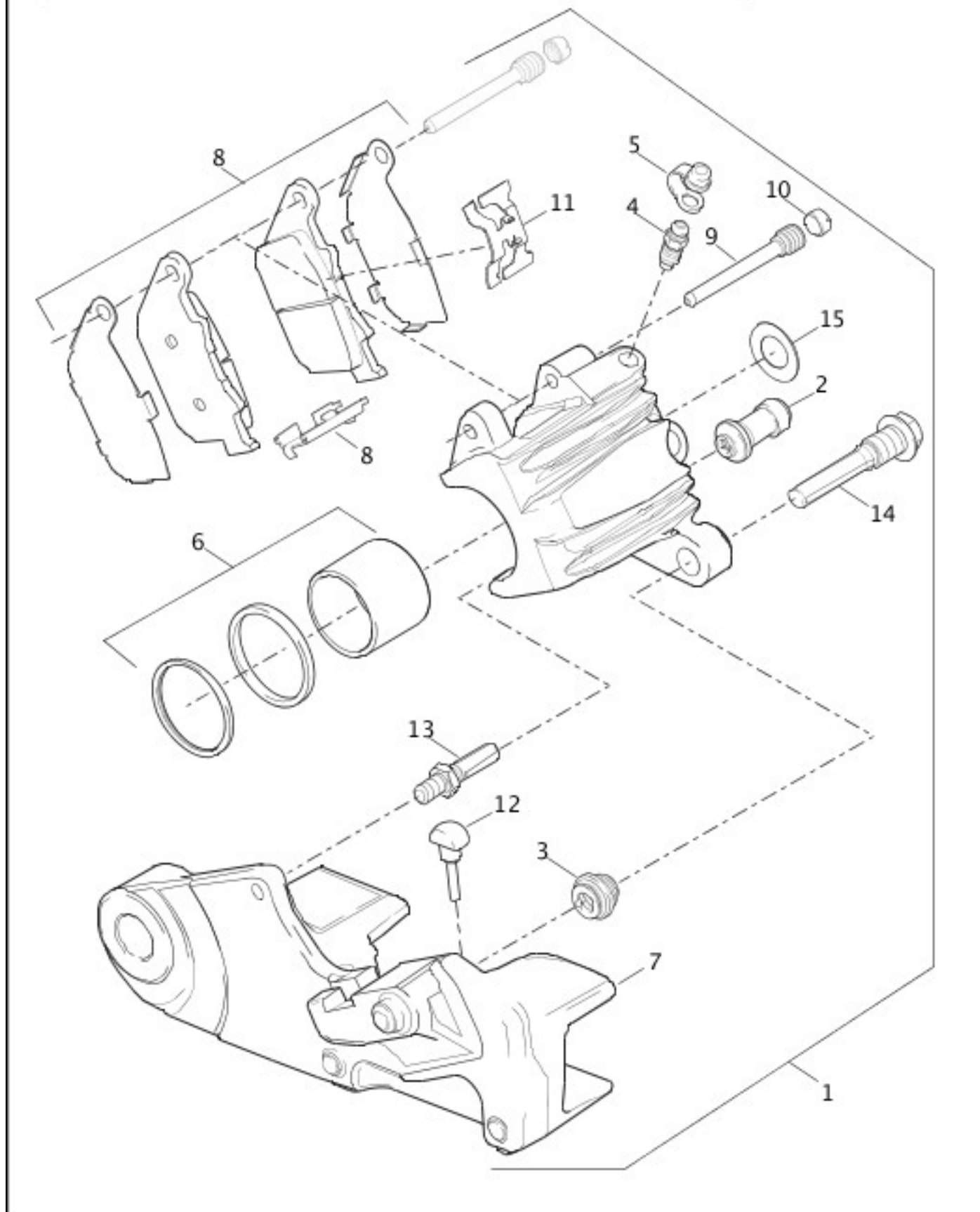


[View interactive table](#)

INDEX NO.	PART NO.	DESCRIPTION	MODEL(S)
	42880-05	CALIPER BRACKET ASSEMBLY, front left, w/ 42824-04	XL1200N, XL883N, XL883R
	42878-05	CALIPER BRACKET ASSEMBLY, front right, w/ 42824-04 (not shown)	XL883R

[REAR BRAKE CALIPER - 883/C/L/N/R, 1200C/L/N/R](#)

REAR BRAKE CALIPER - 883/C/L/N/R, 1200C/L/N/

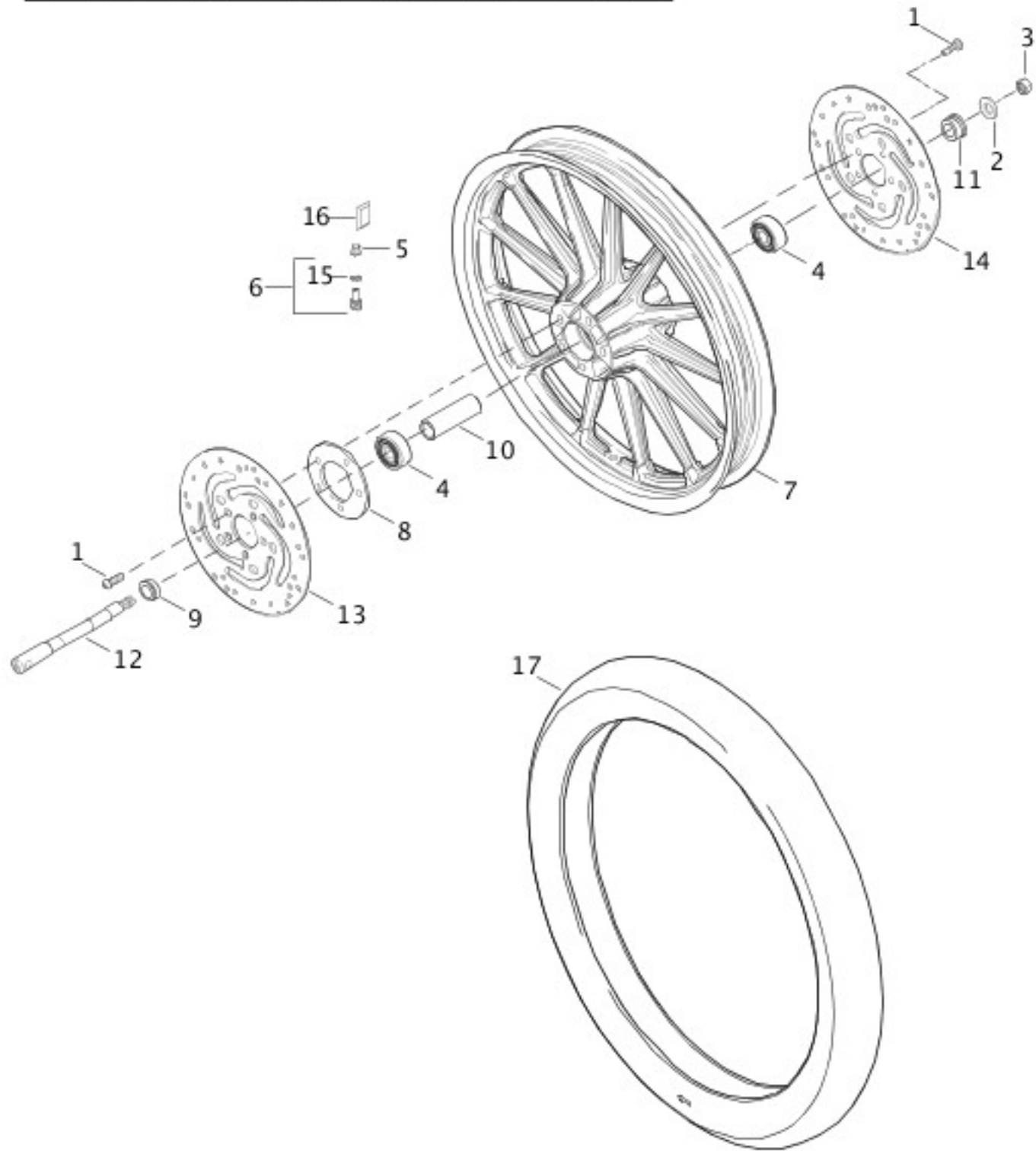


[View interactive table](#)

INDEX NO.	PART NO.	DESCRIPTION	MODEL(S)
1	40968-08A	CALIPER ASSEMBLY, rear	XL1200C, XL1200L, XL1200R, XL883, XL883C, XL883L
5	42893-07	CAP, bleeder screw	XL1200C, XL1200L, XL1200N, XL1200R, XL883, XL883C, XL883L, XL883N, XL883R

[FRONT WHEEL, CAST - 883/L/N/R, 1200L/R](#)

FRONT WHEEL, CAST - 883/L/N/R, 1200L/

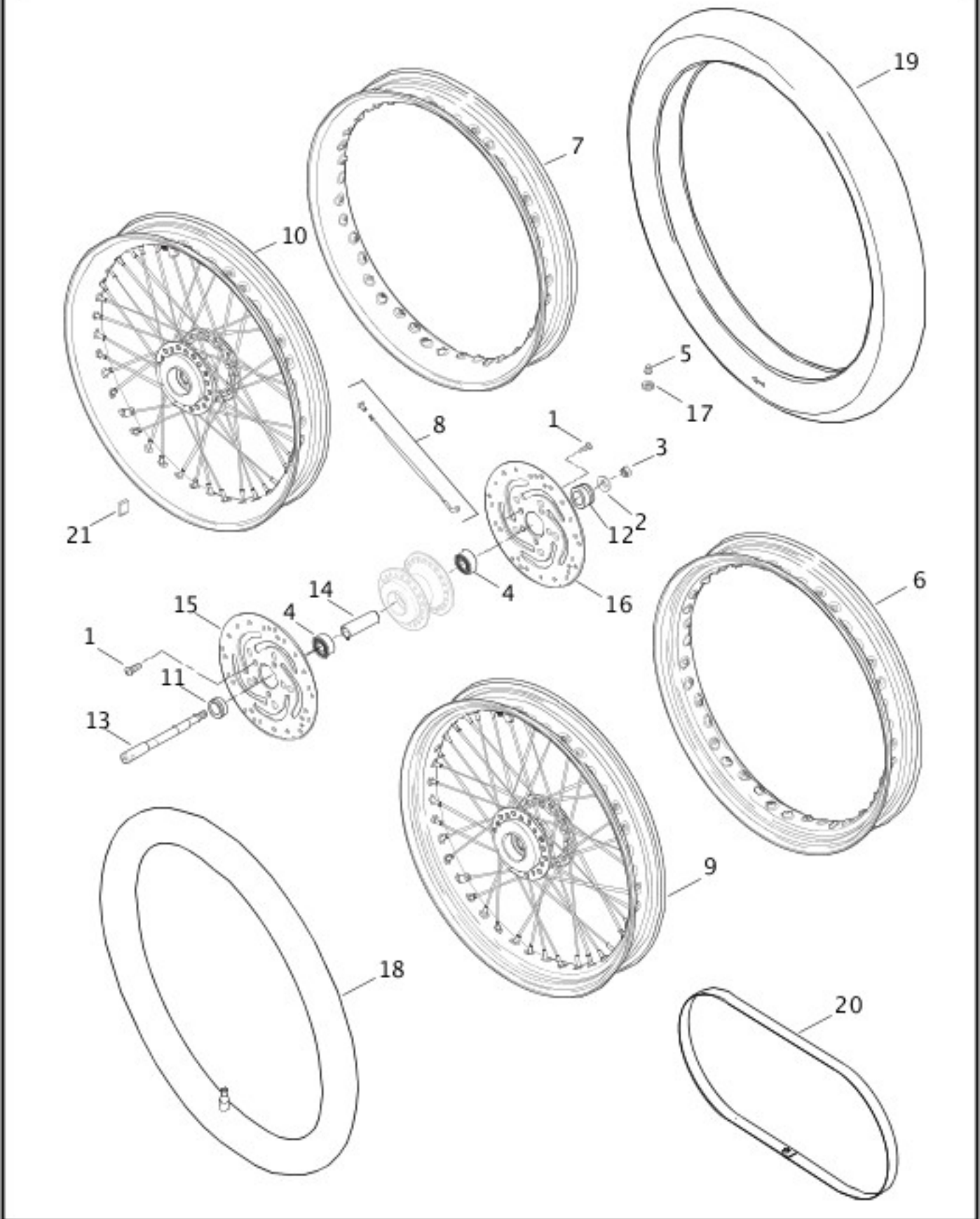


[View interactive table](#)

INDEX NO.	PART NO.	DESCRIPTION	MODEL(S)
	47875-09	WHEEL ASSEMBLY, 19 in. (13 spoke) (black) w/o bearings & sleeves	XL883N

[FRONT WHEEL, LACED & PROFILE LACED - 883/C/L/R, 1200C/N/L/R](#)

FRONT WHEEL, LACED & PROFILE LACED - 883/C/L/R, 1200C/L/N/R

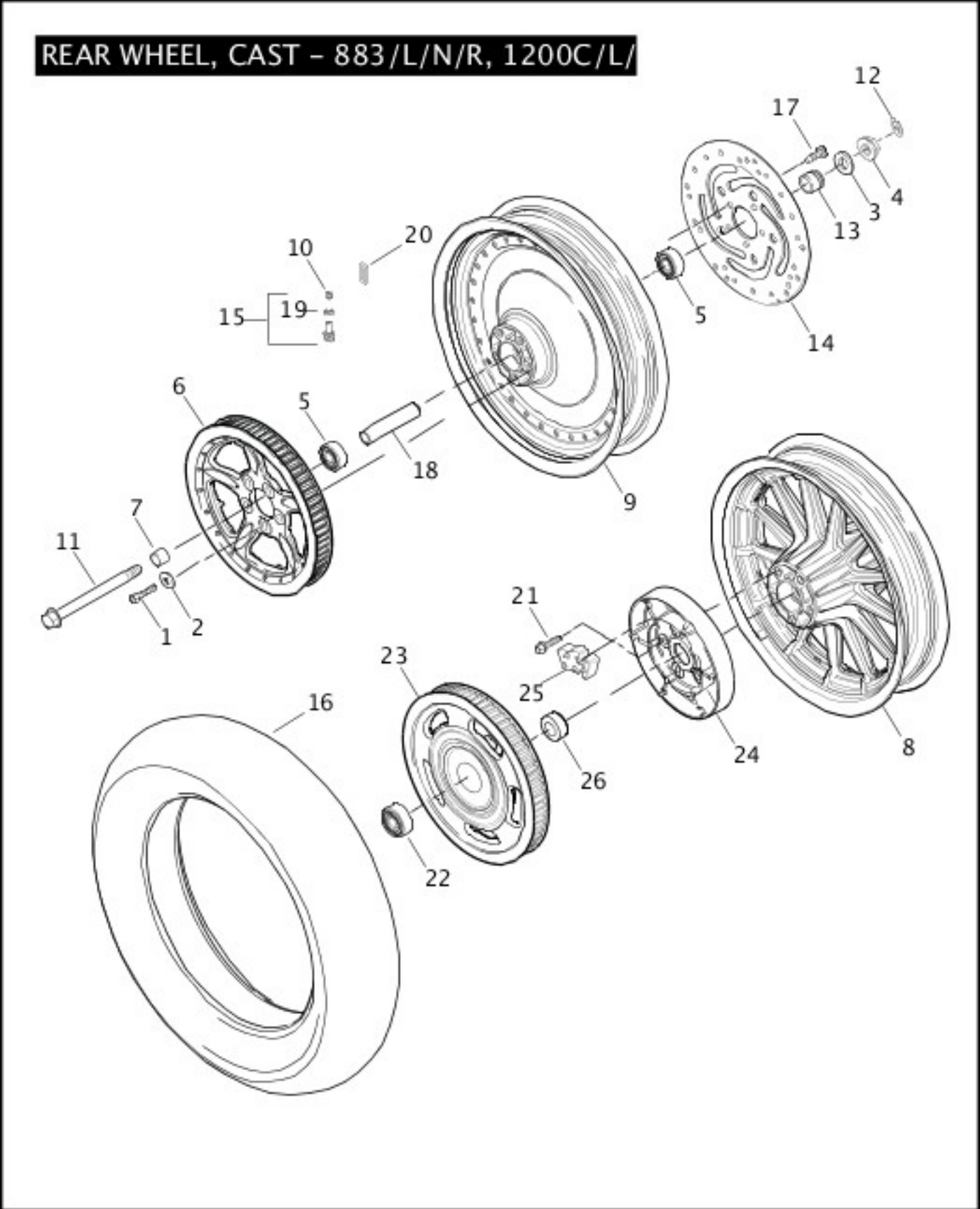


[View interactive table](#)

INDEX NO.	PART NO.	DESCRIPTION	MODEL(S)
18	41188-06	INNER TUBE	XL1200L, XL1200N, XL1200R, XL883, XL883L, XL883R

[REAR WHEEL, CAST - 883/L/N/R, 1200C/L/R](#)

REAR WHEEL, CAST - 883/L/N/R, 1200C/L/

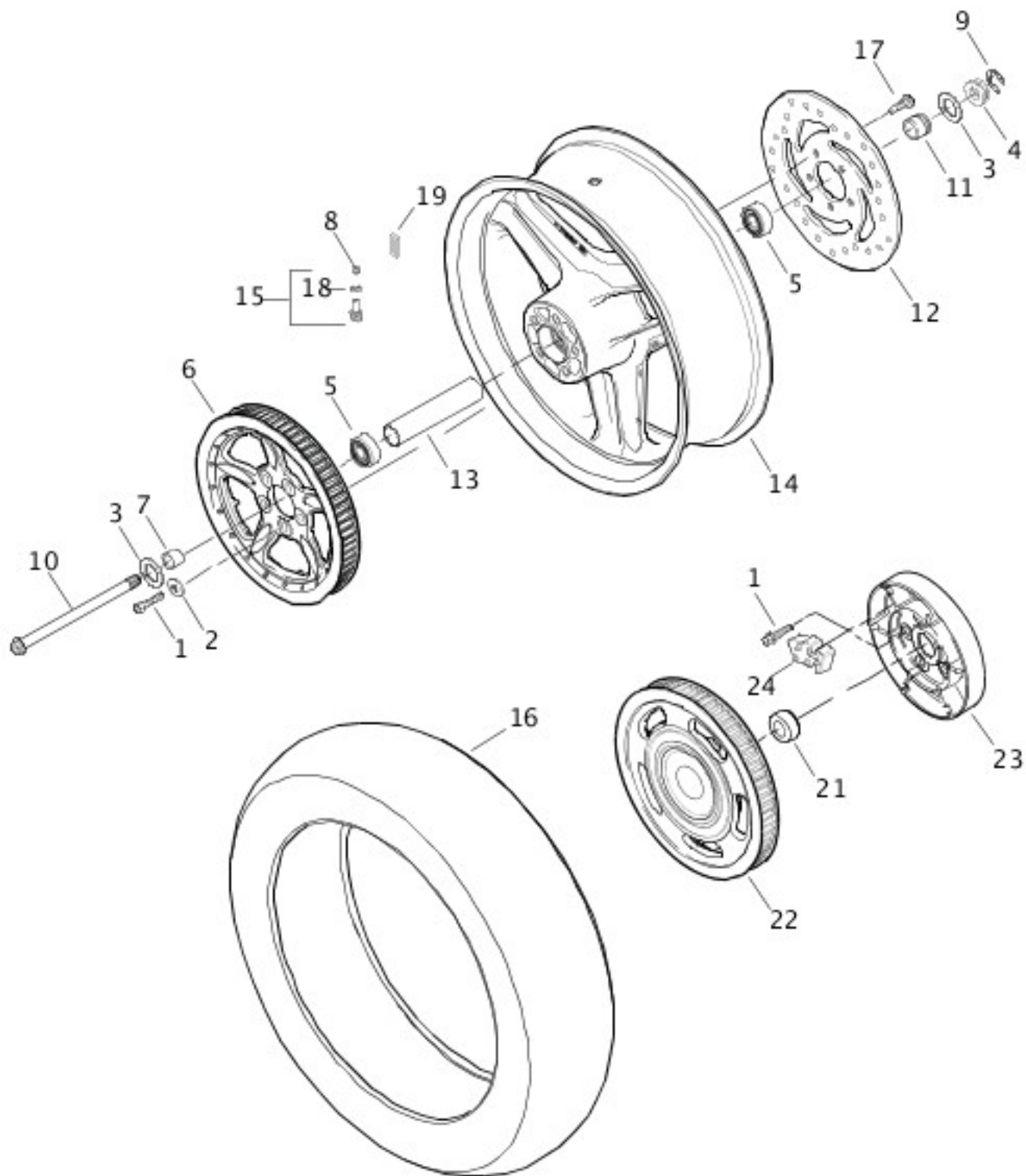


[View interactive table](#)

INDEX NO.	PART NO.	DESCRIPTION	MODEL(S)
	40353-08	SPROCKET, belt - 68T (black)	XL883N
9	41013-09	WHEEL ASSEMBLY, solid w/ slots (chrome) w/o bearings & sleeves	XL1200C
	41058-09	WHEEL ASSEMBLY, solid, w/ holes (silver) w/o bearings & sleeves	XL883C
23	37799-09	SPROCKET ASSEMBLY, final drive, w/ bearing - 68T (black) (Japan)	XL883N

[REAR WHEEL, CAST - XR1200](#)

REAR WHEEL, CAST - XR1200

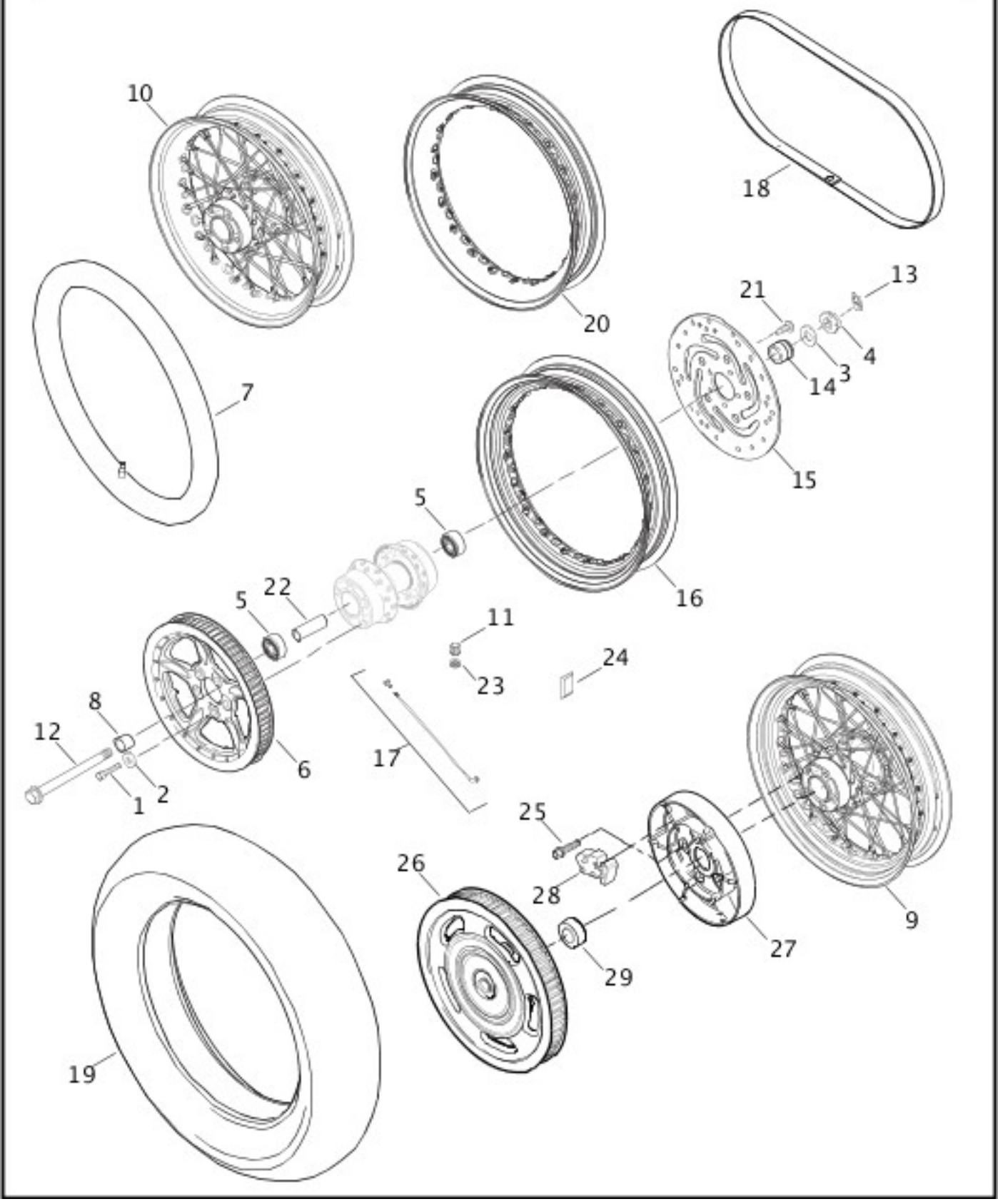


[View interactive table](#)

INDEX NO.	PART NO.	DESCRIPTION	MODEL(S)
20	3814	SCREW (Japan) (5)	XR1200
21	37797-09	SPACER (Japan)	XR1200
22	37799-09	SPROCKET ASSEMBLY, 68T (Japan)	XR1200
23	40560-05	BOWL, compensator (Japan)	XR1200
24	40561-05	ISOLATOR, rubber (Japan)	XR1200

[REAR WHEEL, LACED & PROFILE LACED - 883/C/L/R, 1200C/L/N/R](#)

REAR WHEEL, LACED & PROFILE LACED - 883/C/L/R, 1200C/L/N/R

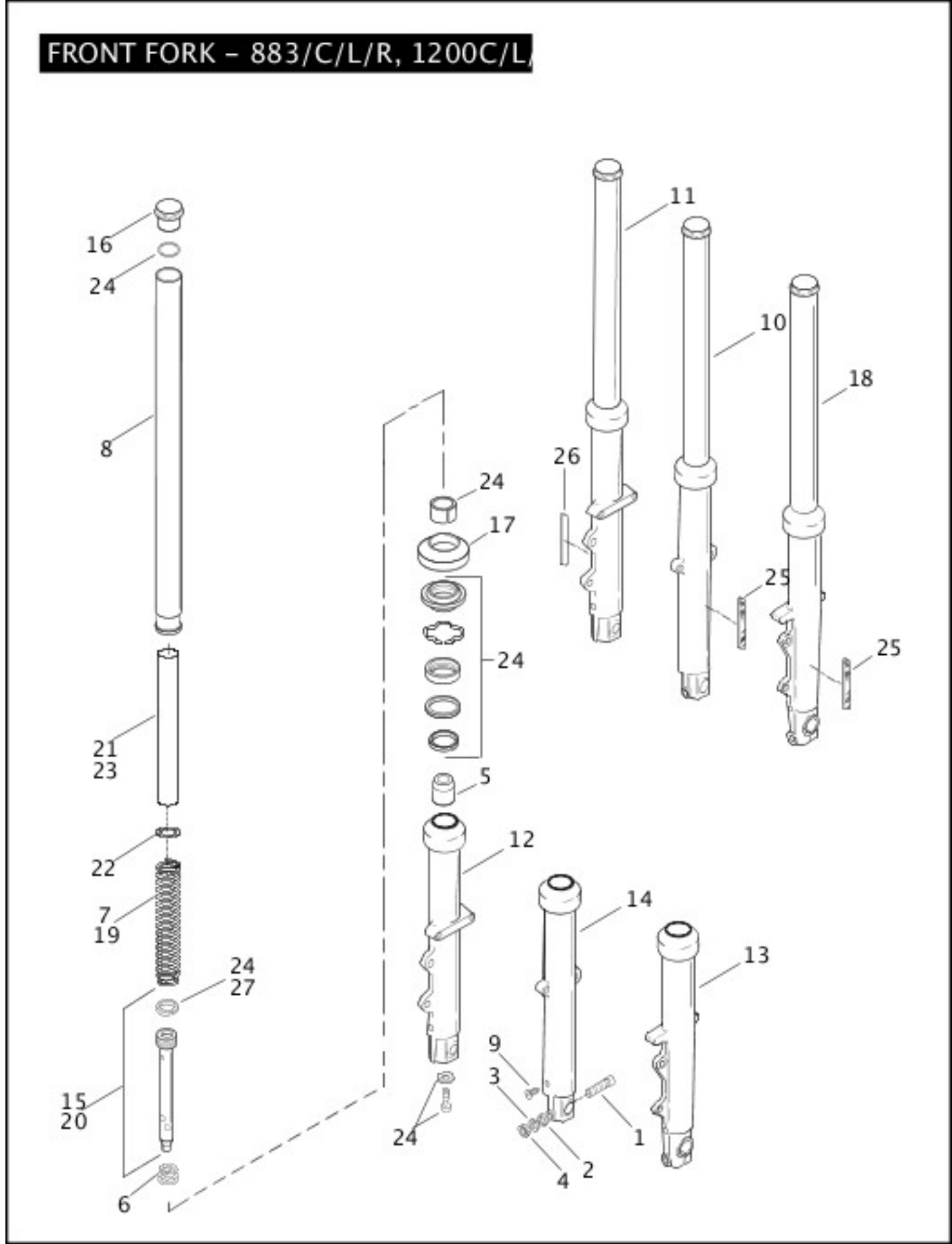


[View interactive table](#)

INDEX NO.	PART NO.	DESCRIPTION	MODEL(S)
24	95595-84	WHEEL WEIGHT, 1/4 oz. (silver)	XL1200C, XL1200L, XL1200N, XL1200R, XL883, XL883C, XL883L, XL883R

[FRONT FORK - 883/C/L/R, 1200C/L/R](#)

FRONT FORK - 883/C/L/R, 1200C/L



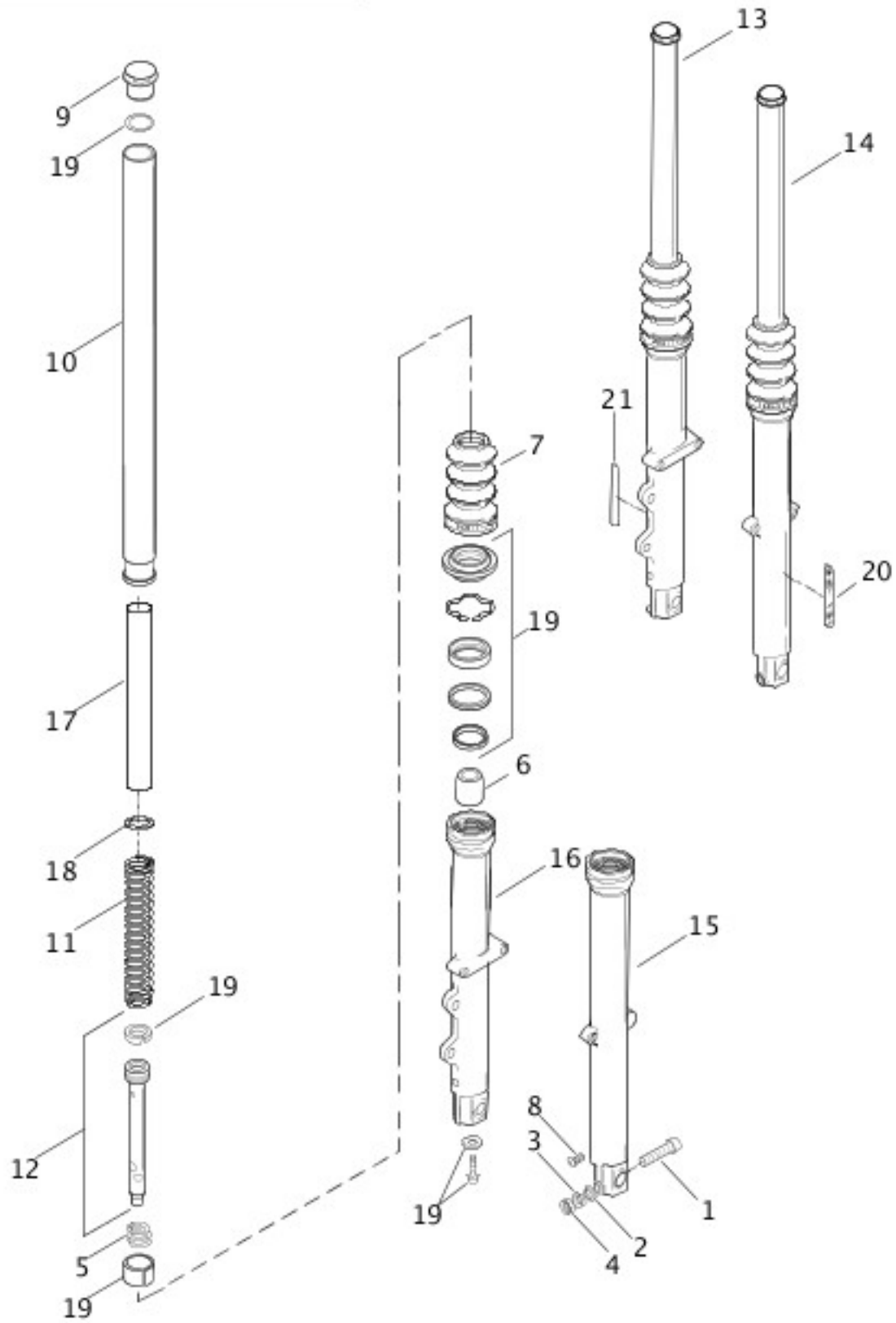
[View interactive table](#)

INDEX NO.	PART NO.	DESCRIPTION	MODEL(S)
7	45376-09	SPRING (2)	XL1200C, XL1200R, XL883, XL883C, XL883R
8	45395-09	SLIDER TUBE, w/ 45465-87 (2)	XL1200C, XL1200R, XL883, XL883C, XL883R
10	45900-09	FORK SLIDER & TUBE ASSEMBLY, right	XL1200C, XL883, XL883C
11	45901-09	FORK SLIDER & TUBE ASSEMBLY, left	XL1200C, XL1200R, XL883, XL883C

	46454-09	FORK SLIDER & TUBE ASSEMBLY, left	XL883R
15	45925-09	DAMPER TUBE, w/ 45462-87 (2)	XL1200C, XL1200R, XL883, XL883C, XL883R
18	46029-09	FORK SLIDER & TUBE ASSEMBLY, right	XL1200R
	46453-09	FORK SLIDER & TUBE ASSEMBLY, right	XL883R
23	48791-09	SPRING COLLAR	XL1200C, XL1200R, XL883, XL883C, XL883R
24	49378-09	FRONT FORK SERVICE KIT	XL1200C, XL1200L, XL1200R, XL883, XL883C, XL883L, XL883R

FRONT FORK - 883N, 1200N

FRONT FORK - 883N, 1200N

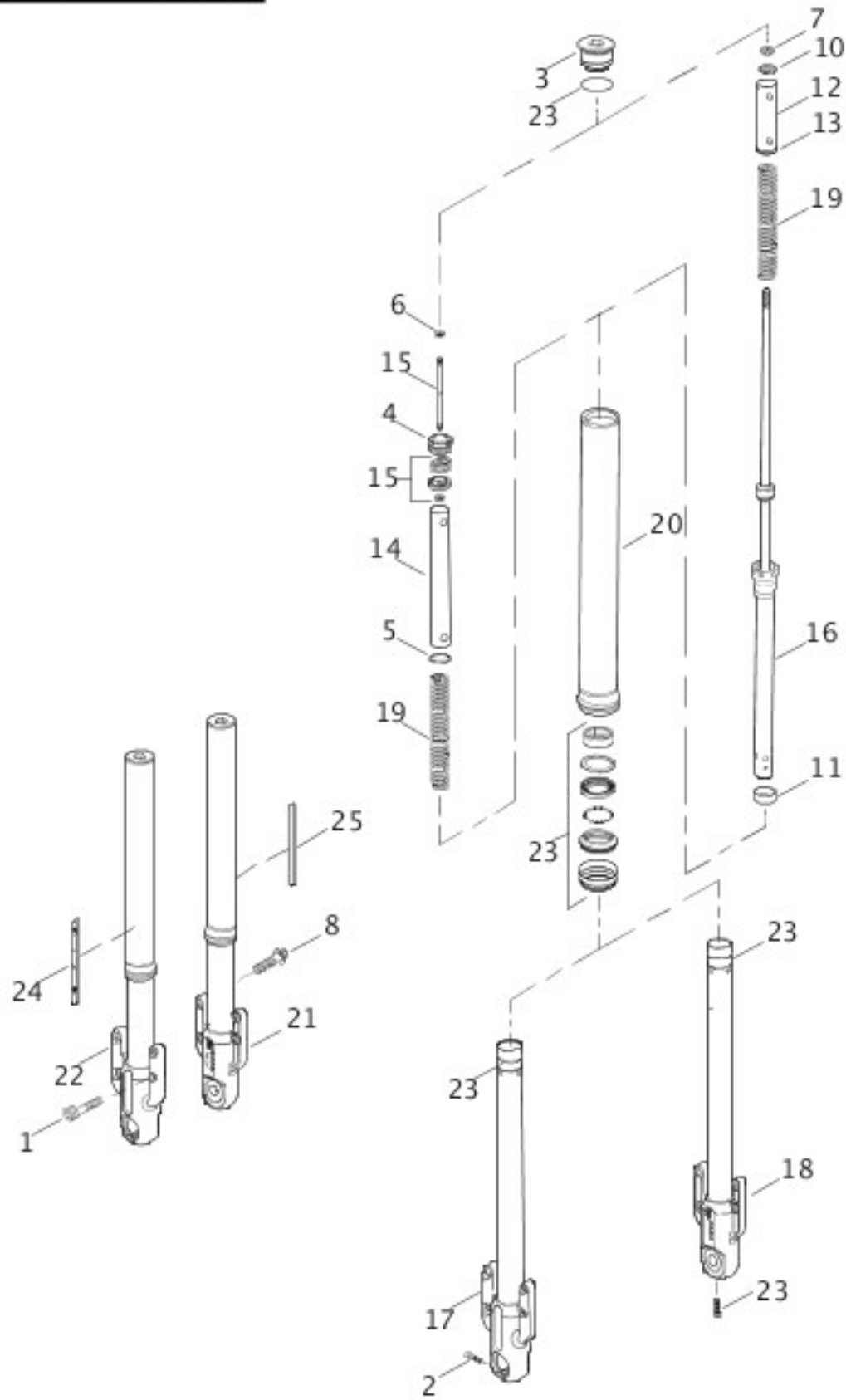


[View interactive table](#)

INDEX NO.	PART NO.	DESCRIPTION	MODEL(S)
19	49378-09	FRONT FORK SERVICE KIT	XL1200N, XL883N

[FRONT FORK - XR1200](#)

FRONT FORK - XR1200

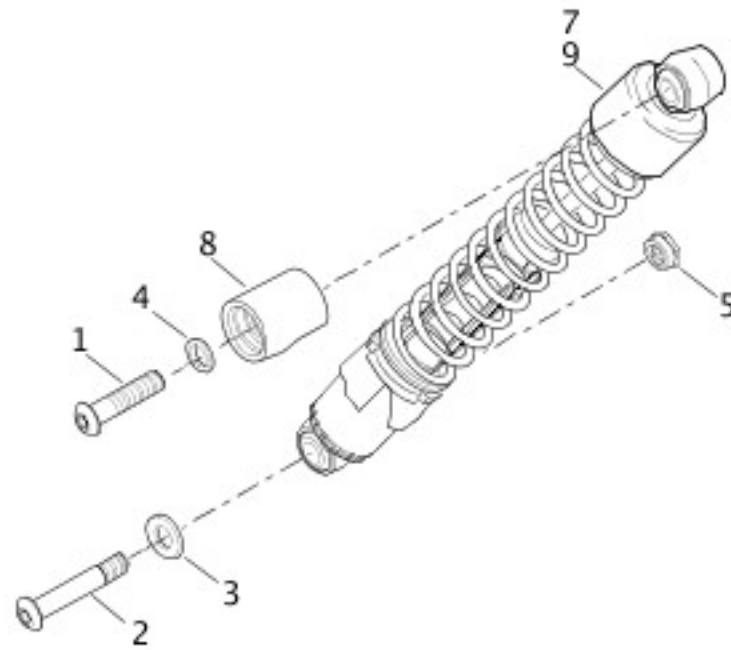


[View interactive table](#)

INDEX NO.	PART NO.	DESCRIPTION	MODEL(S)
23	49380-09	FRONT FORK SERVICE KIT	XR1200

[SHOCK ABSORBERS - 883/C/L/N/R, 1200C/L/N/R](#)

SHOCK ABSORBERS - 883/C/L/N/R, 1200C/L/N/R



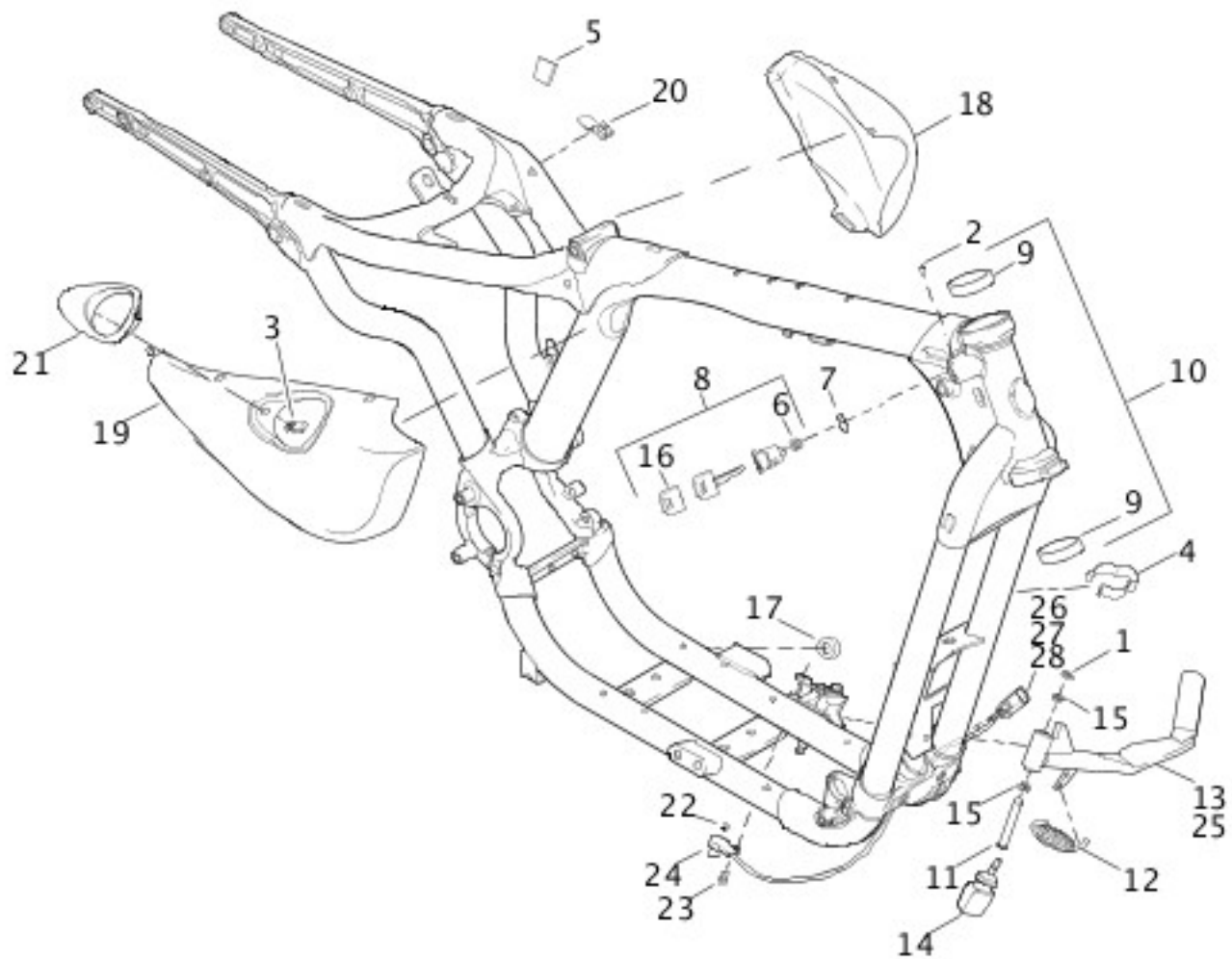
RIGHT SIDE SHOWN

[View interactive table](#)

INDEX NO.	PART NO.	DESCRIPTION	MODEL(S)
7	54566-09	SHOCK ABSORBER, complete, w/ bushings (2)	XL1200R, XL883
	54568-09	SHOCK ABSORBER, complete, w/ bushings (2)	XL1200C, XL1200L, XL883C
	54626-07	SHOCK ABSORBER, complete, w/ bushings (2)	XL883L
	54570-09	SHOCK ABSORBER, complete, w/ bushings (2)	XL883R
9	54570-09	SHOCK ABSORBER, complete, w/ bushings (HDI, England, Australia) (2)	XL1200N, XL883N

[FRAME & JIFFY STAND - 883/C/L/N/R, 1200C/L/N/R](#)

FRAME & JIFFY STAND - 883/C/L/N/R, 1200C/L/N

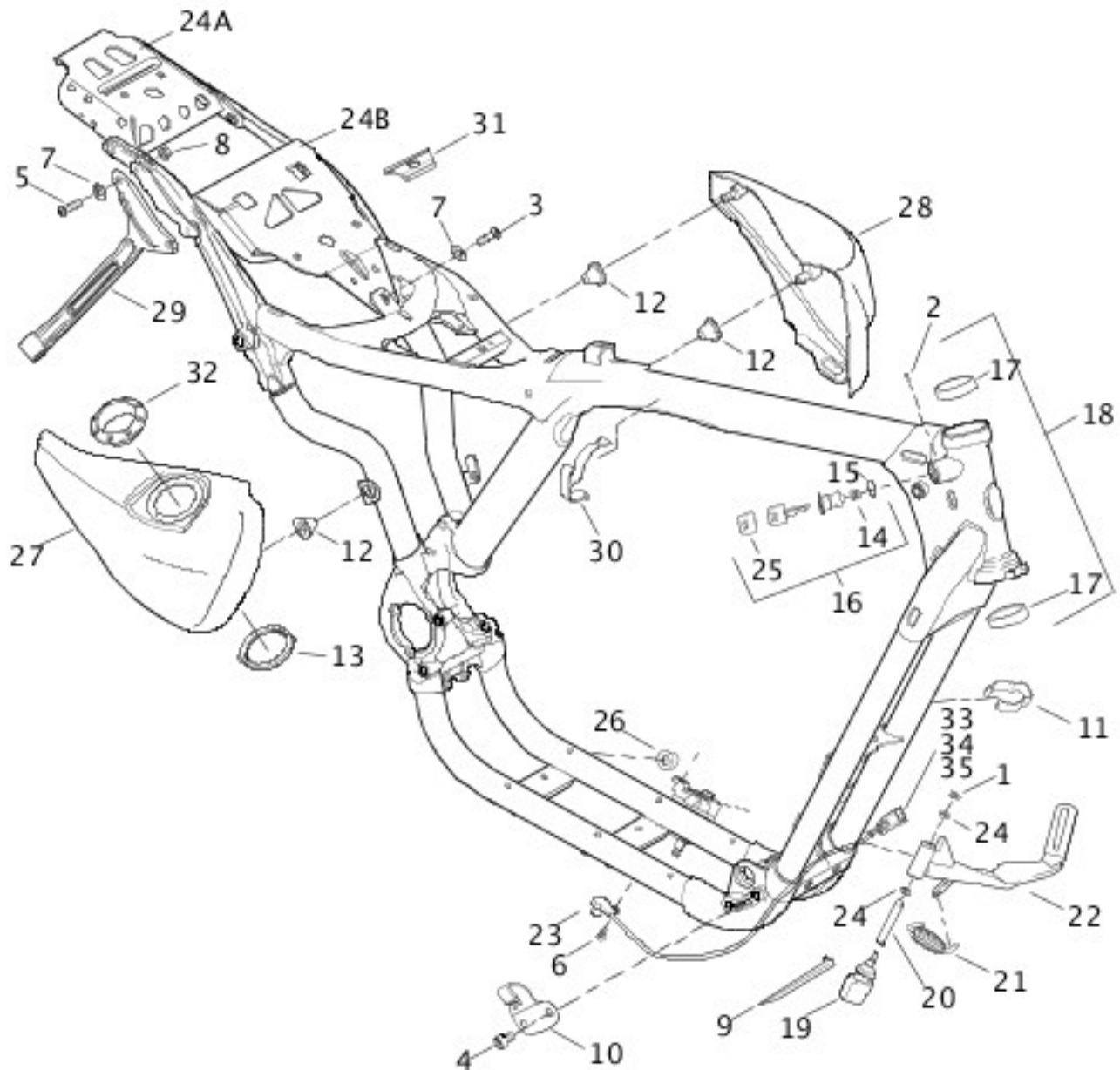


[View interactive table](#)

INDEX NO.	PART NO.	DESCRIPTION	MODEL(S)
5	11576	CUSHION, adhesive	XL1200C, XL1200L, XL1200N, XL1200R, XL883, XL883C, XL883L, XL883R
	50124-09BHP	JIFFY STAND	XL1200R, XL883, XL883R
24	50126-08A	SENSOR, jiffy stand (HDI, England)	XL1200C, XL1200L, XL1200N, XL1200R, XL883, XL883C, XL883L, XL883N, XL883R

[FRAME & JIFFY STAND - XR1200](#)

FRAME & JIFFY STAND - XR1200

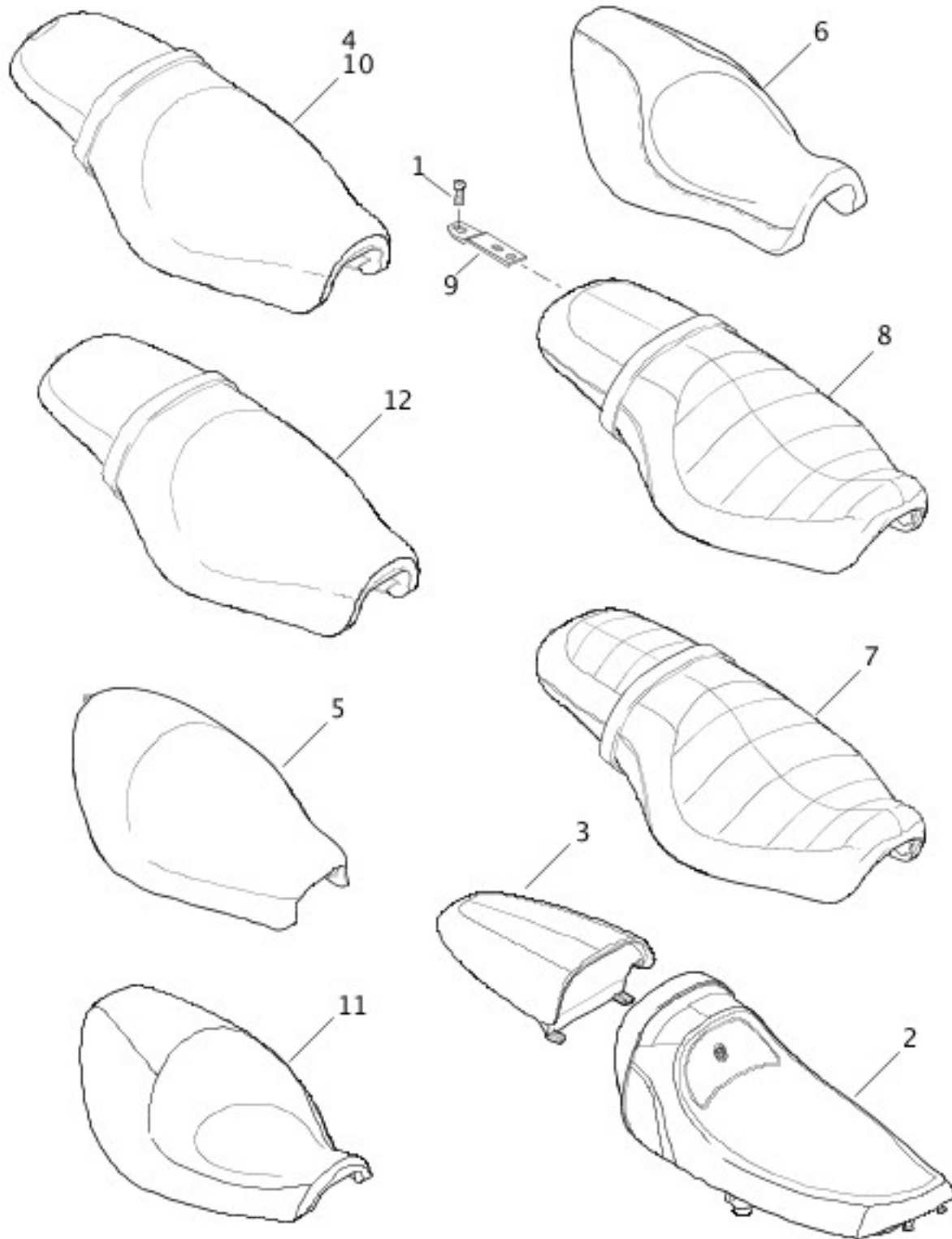


[View interactive table](#)

INDEX NO.	PART NO.	DESCRIPTION	MODEL(S)
4	4076	SCREW (4)	XR1200
10	10179A	J-CLIP (2)	XR1200
24A	59400-08	REAR FENDER SUPPORT	XR1200
24B	59401-08	MIDDLE FENDER SUPPORT	XR1200

[SEATS](#)

SEATS



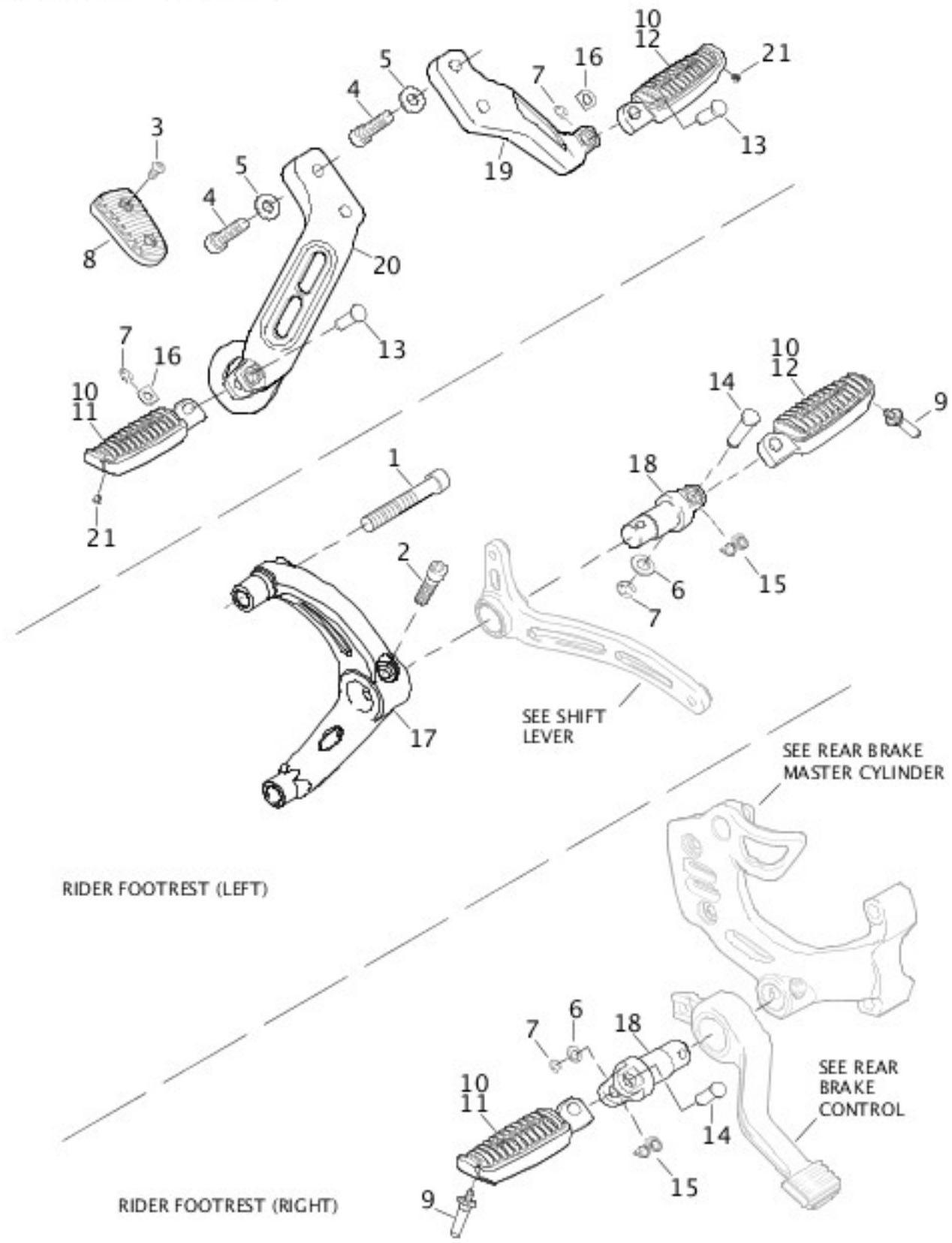
[View interactive table](#)

INDEX NO.	PART NO.	DESCRIPTION	MODEL(S)
9	51652-97A	BRACKET, seat mounting	XL1200C, XL1200L, XL1200N, XL1200R, XL883, XL883C, XL883L, XL883N, XL883R

[FOOTRESTS - XR1200](#)

FOOTRESTS - XR1200

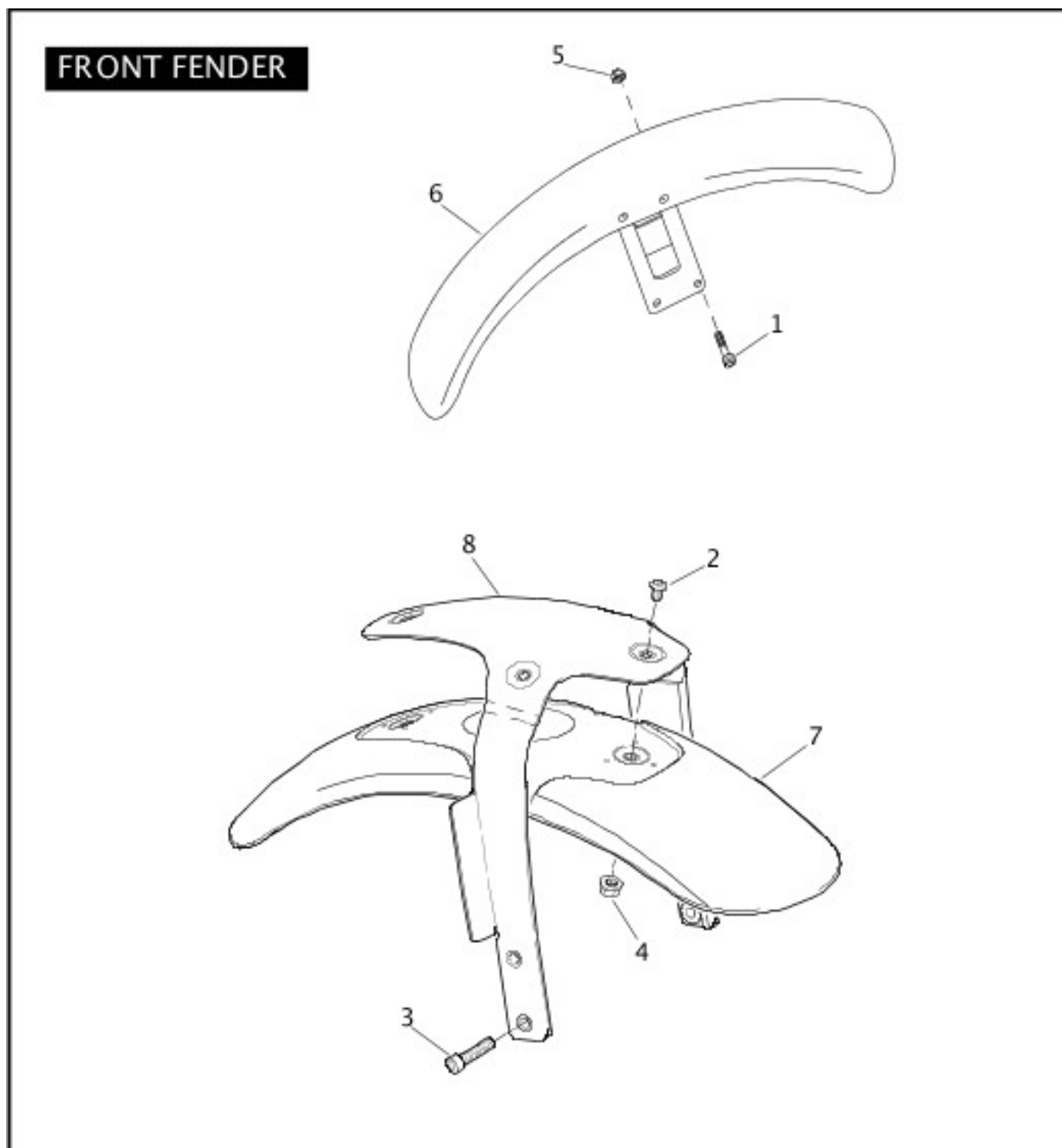
PASSENGER FOOTREST (LEFT & RIGHT)



[View interactive table](#)

INDEX NO.	PART NO.	DESCRIPTION	MODEL(S)
2	3210A	SCREW	XR1200
14	45067-06	CLEVIS PIN (4)	XR1200
15	45065-06	RETURN SPRING, footpeg (2)	XR1200
16	50912-72	SPRING WASHER (2)	XR1200
18	51046-09	CLEVIS, rider footpeg (2)	XR1200

FRONT FENDER

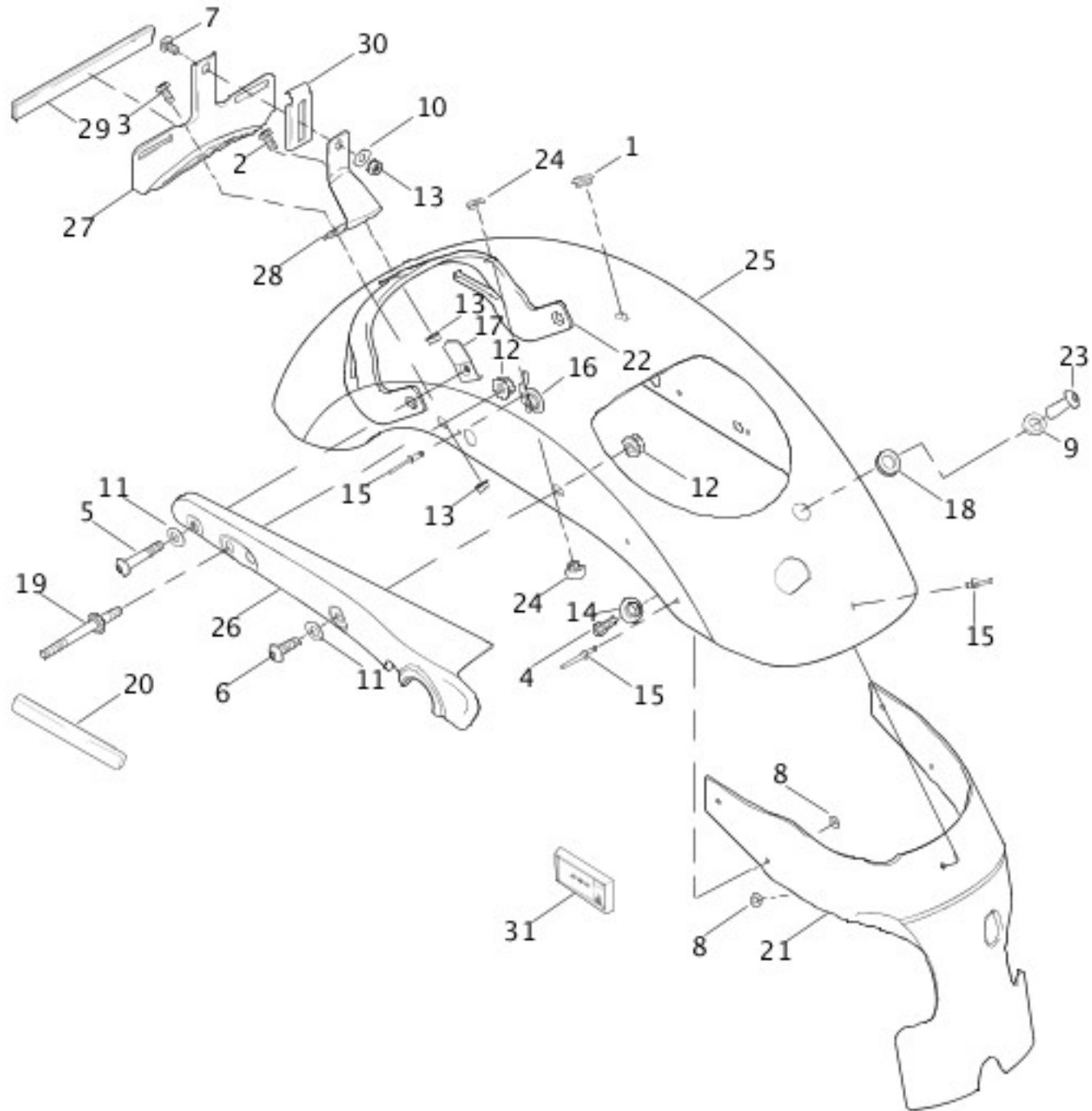


[View interactive table](#)

INDEX NO.	PART NO.	DESCRIPTION	MODEL(S)
6	58998-83E	FRONT FENDER, prime	XL1200C, XL1200L, XL1200R, XL883, XL883C, XL883L, XL883N, XL883R
	59712-07A	FRONT FENDER, prime	XL1200N

REAR FENDER & LICENSE PLATE BRKT - 883/C/L/R, 1200C/L/R, 883N (CANADA)

**REAR FENDER & LICENSE PLATE BRKT -
883/C/L/R, 1200C/L/R, 883N (CANADA)**

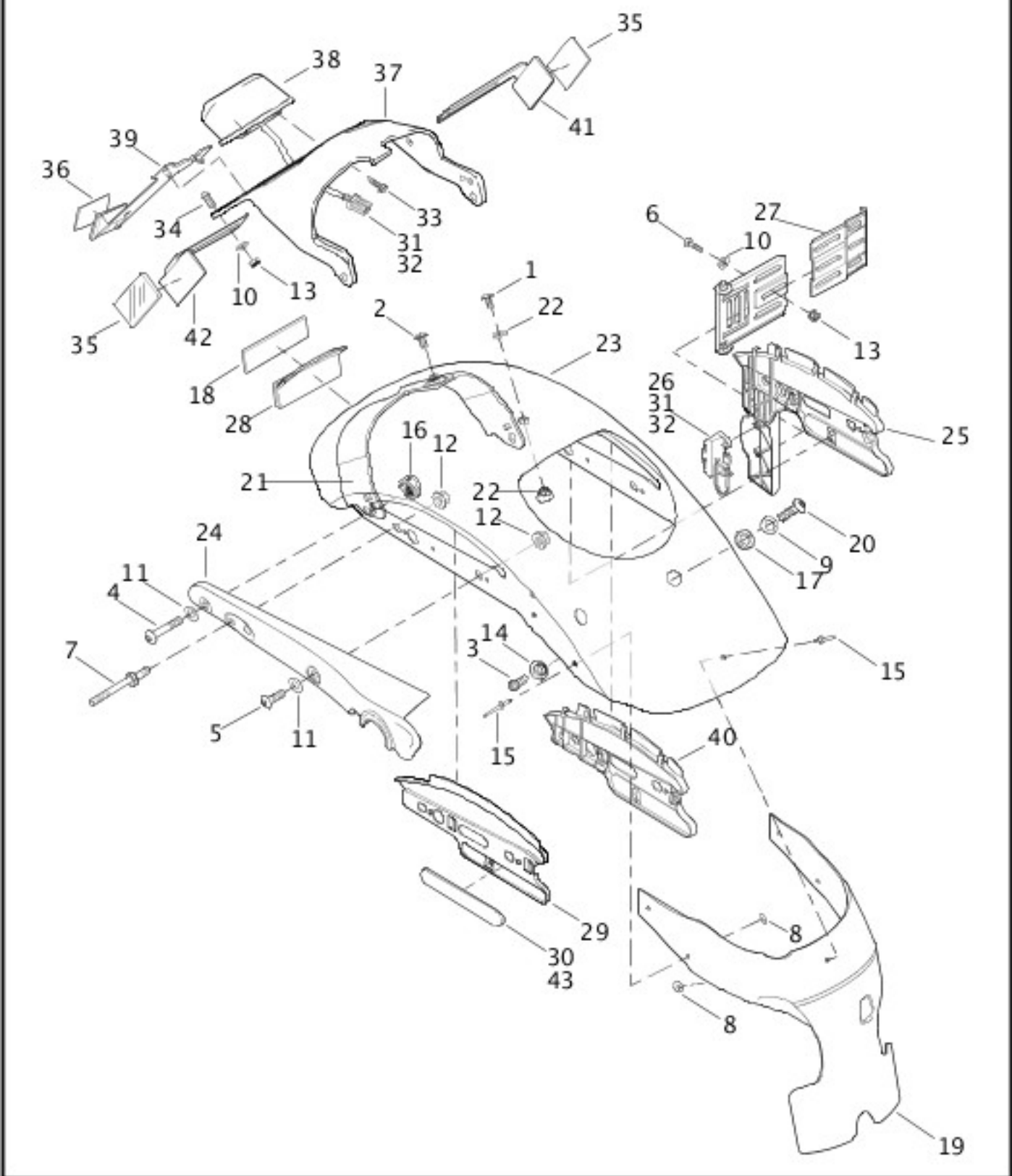


[View interactive table](#)

INDEX NO.	PART NO.	DESCRIPTION	MODEL(S)
21	59502-04A	REAR FENDER EXTENSION	XL1200C, XL1200L, XL1200R, XL883, XL883C, XL883L, XL883N, XL883R

[REAR FENDER & LICENSE PLATE BRACKET - 883N \(NON-CANADA\), 1200N](#)

**REAR FENDER & LICENSE PLATE BRACKET -
883N (NON-CANADA), 1200N**

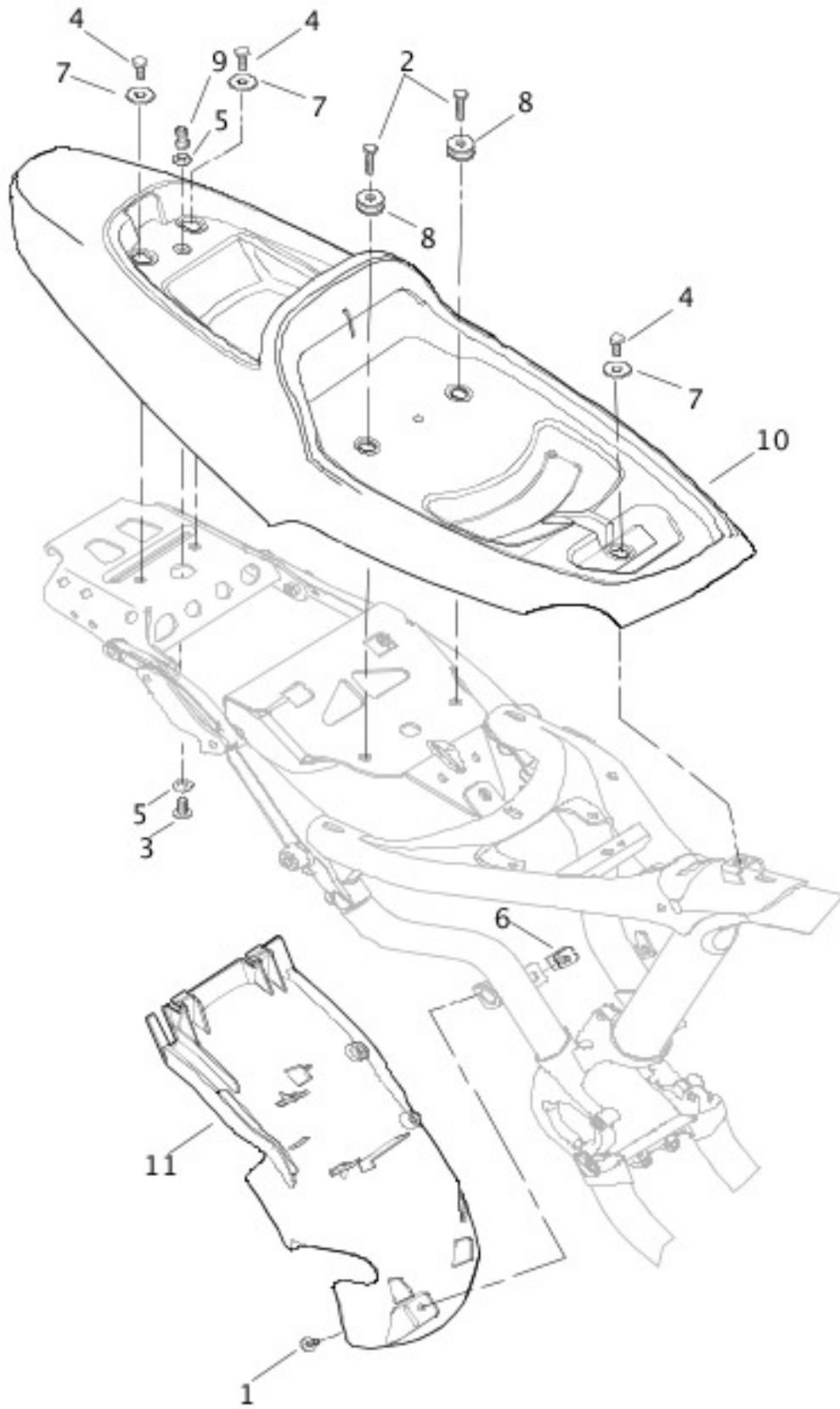


[View interactive table](#)

INDEX NO.	PART NO.	DESCRIPTION	MODEL(S)
13	7716	LOCKNUT	XL1200N, XL883N
19	59502-04A	REAR FENDER EXTENSION	XL1200N, XL883N
35	59256-84A	REFLECTOR (amber) (HDI) (2)	XL1200N, XL883N

[REAR FENDER - XR1200](#)

REAR FENDER - XR1200

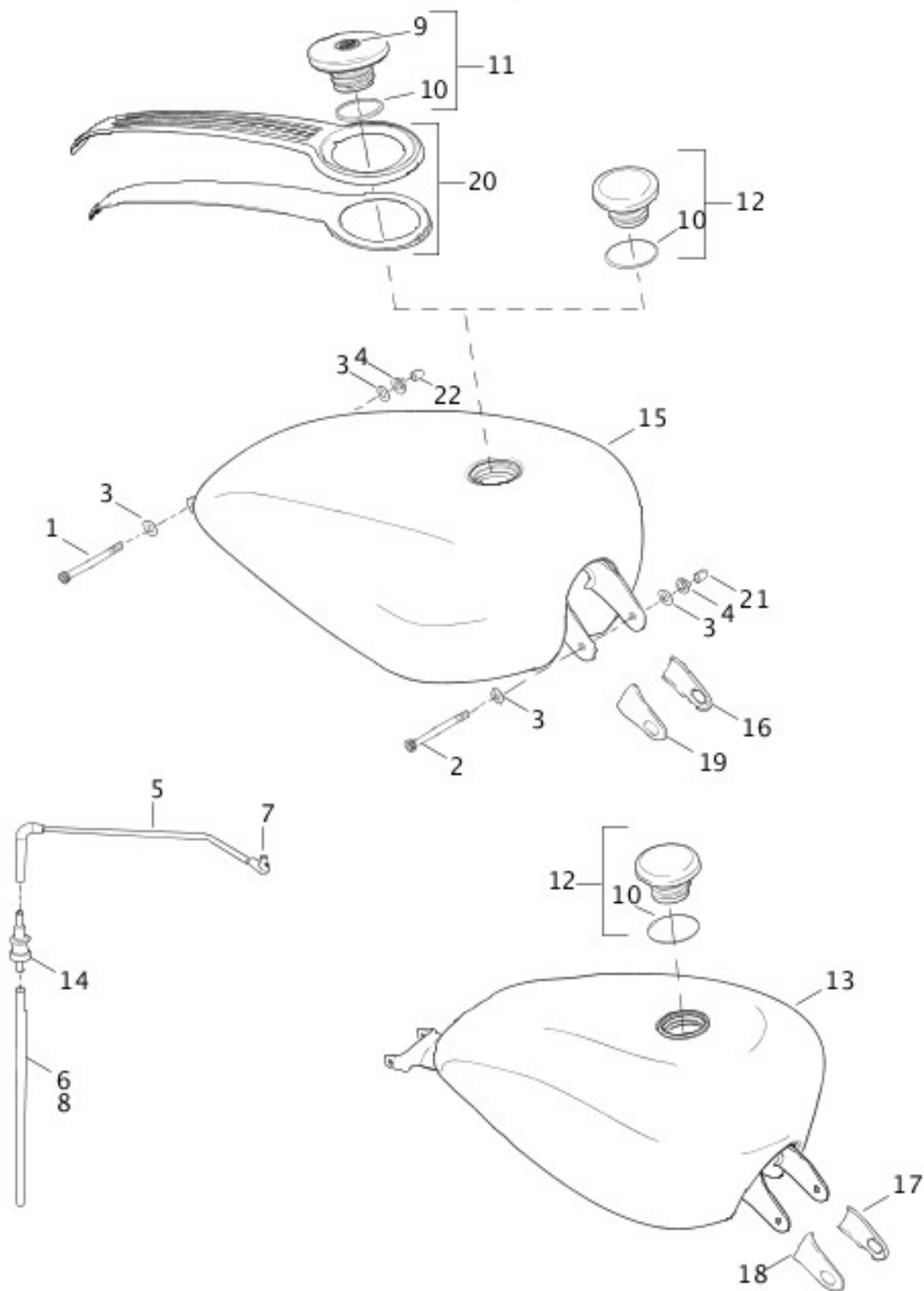


View interactive table

INDEX NO.	PART NO.	DESCRIPTION	MODEL(S)
8	51710-08	POST, seat, grabstrap (2)	XR1200

[FUEL TANK - 883/C/L/N/R, 1200C/L/N/R](#)

FUEL TANK - 883/C/L/N/R, 1200C/L/N

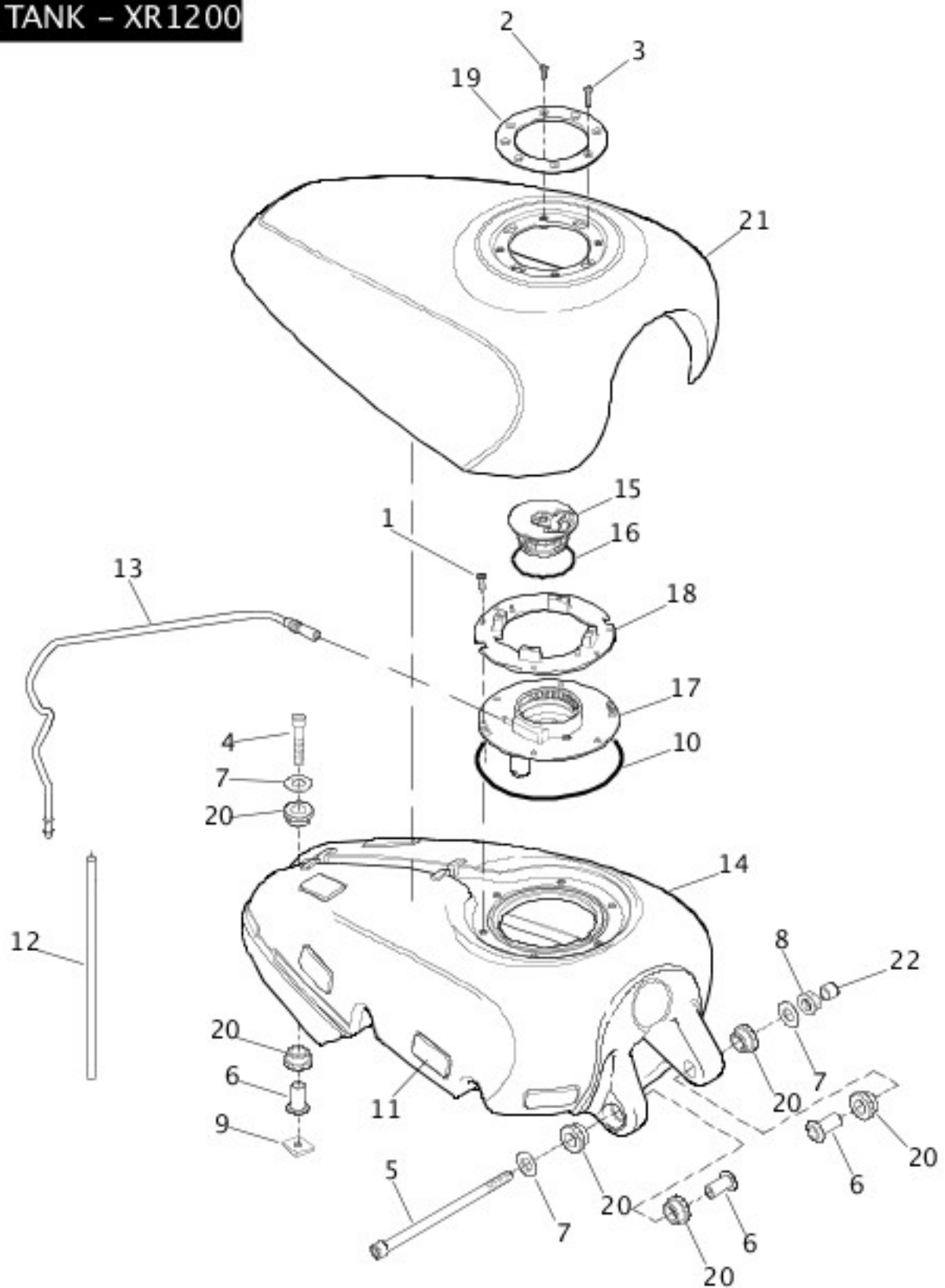


[View interactive table](#)

INDEX NO.	PART NO.	DESCRIPTION	MODEL(S)
13	61405-07	FUEL TANK ASSEMBLY (prime)	XL1200N, XL883, XL883L, XL883N, XL883R
20	71276-04A	CONSOLE ASSEMBLY, fuel tank	XL1200C
	48493-01	TAPE, protective (not shown)	XL1200R, XL883, XL883L, XL883R

[FUEL TANK - XR1200](#)

FUEL TANK - XR1200

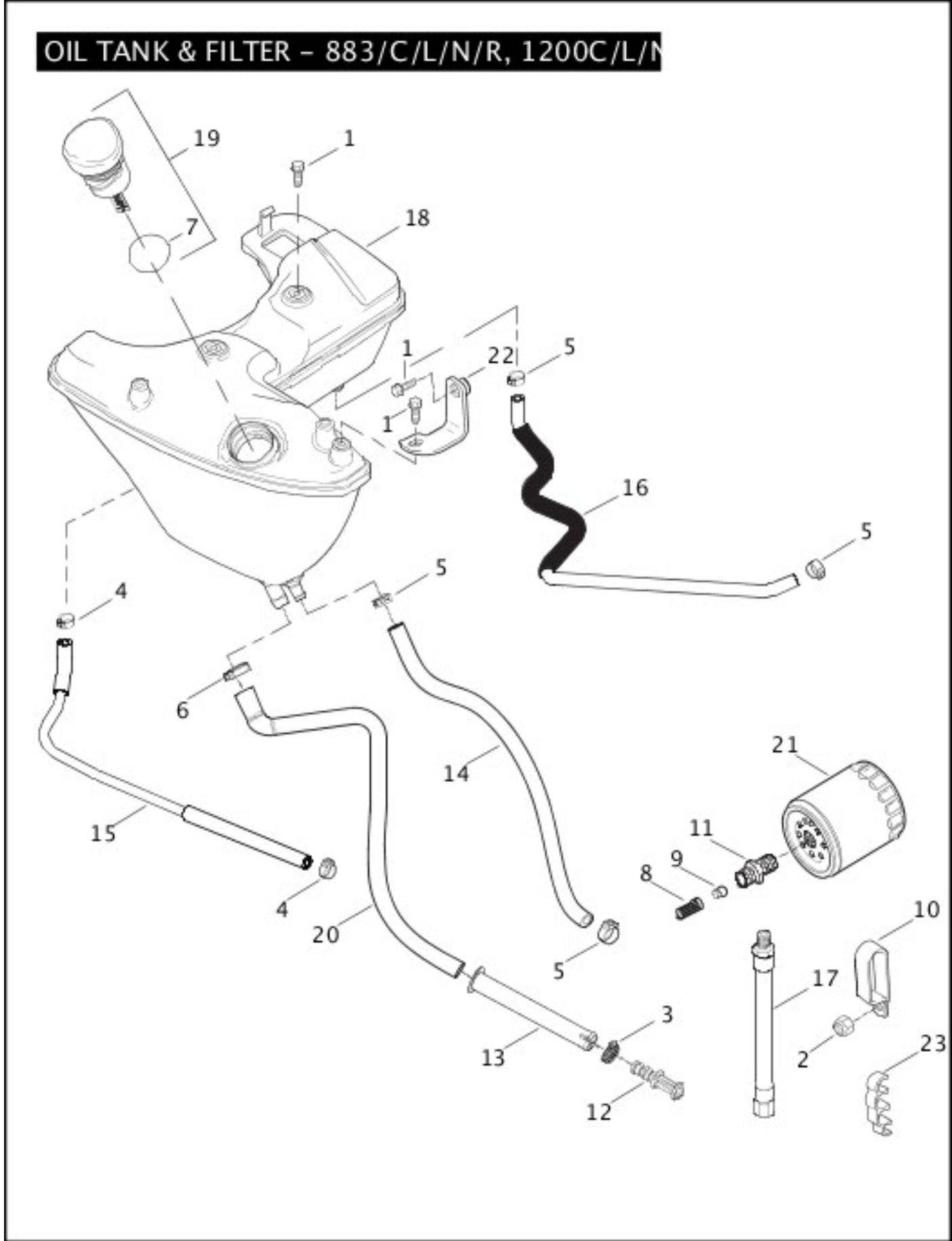


[View interactive table](#)

INDEX NO.	PART NO.	DESCRIPTION	MODEL(S)
15	61572-08A	FILLER CAP	XR1200
16	61573-08A	O-RING	XR1200

[OIL TANK & FILTER - 883/C/L/N/R, 1200C/L/N/R](#)

OIL TANK & FILTER - 883/C/L/N/R, 1200C/L/N

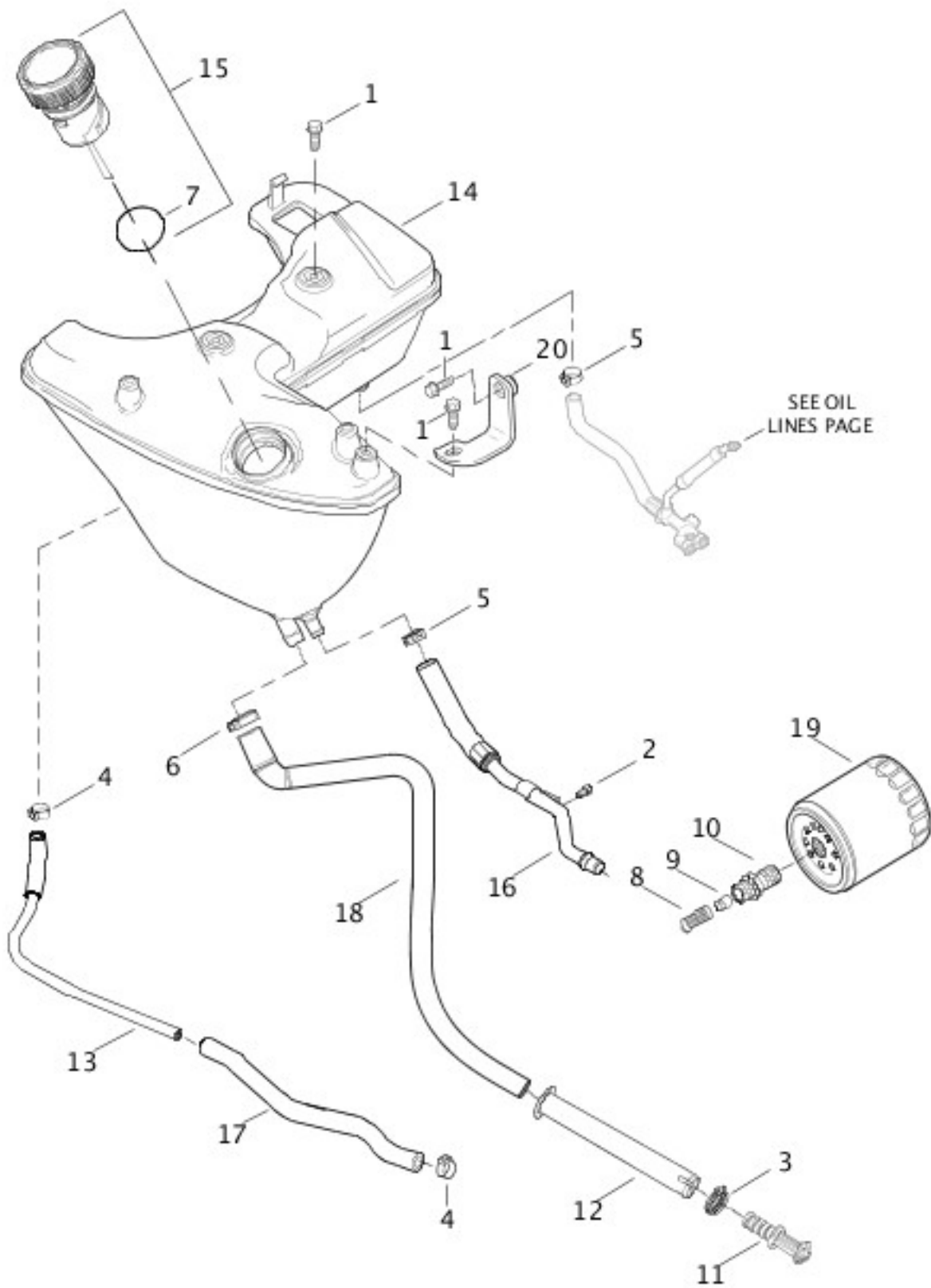


[View interactive table](#)

INDEX NO.	PART NO.	DESCRIPTION	MODEL(S)
15	62360-04A	LINE, vent tube, w/ 10014	XL1200C, XL1200L, XL1200N, XL1200R, XL883, XL883C, XL883L, XL883N, XL883R

[OIL TANK & FILTER - XR1200](#)

OIL TANK & FILTER - XR1200



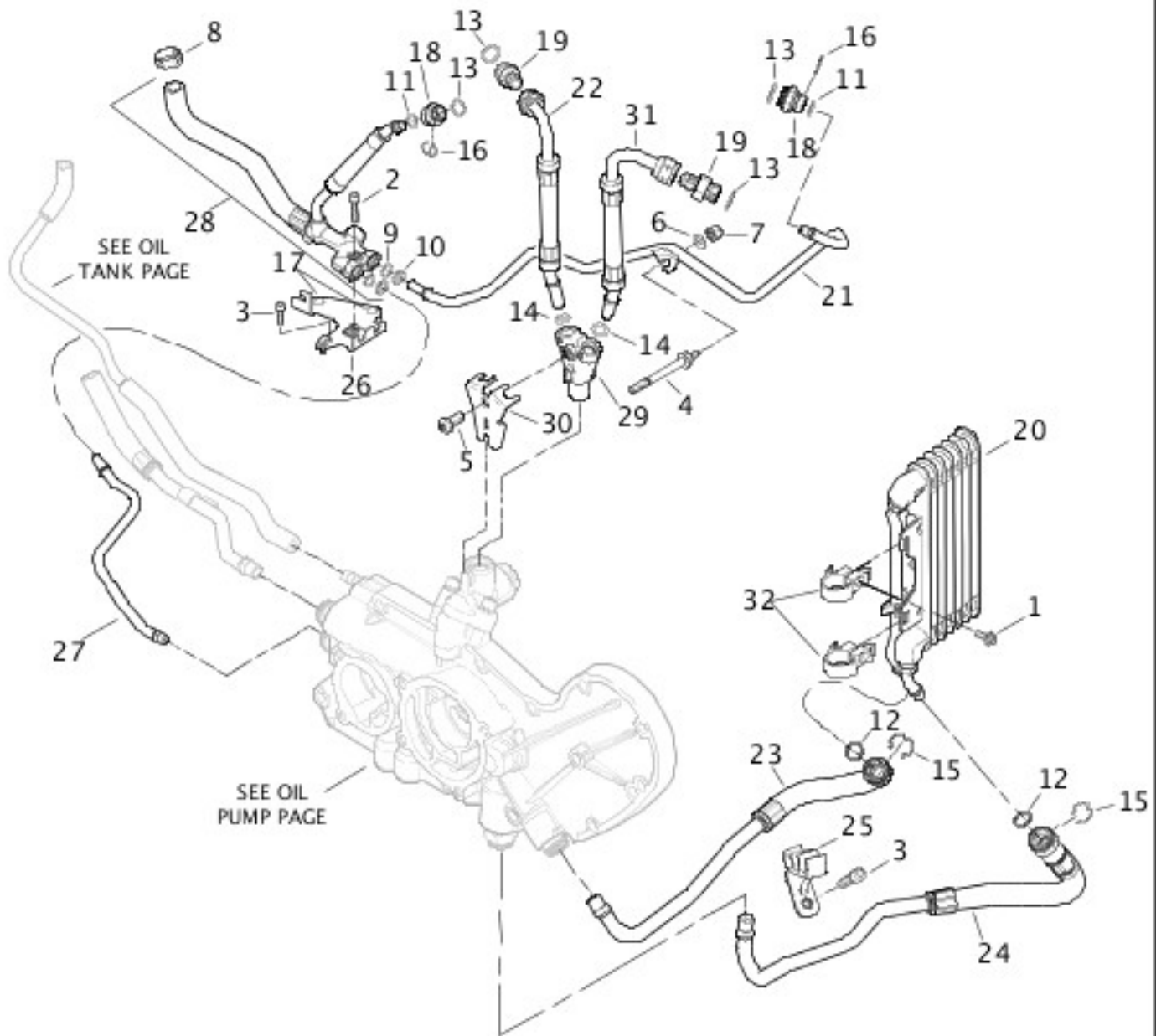
[View interactive table](#)

INDEX NO.	PART NO.	DESCRIPTION	MODEL(S)
1	3588	SCREW, flange (4)	XR1200
2	4705	SCREW	XR1200
3	9969	HOSE CLAMP	XR1200
4	10014	CLAMP (2)	XR1200
5	10344	CLAMP (2)	XR1200

6	10142	CLAMP	XR1200
7	11120	O-RING	XR1200
8	26436-90A	SPRING	XR1200
9	26437-86B	BALL	XR1200
10	33117-91A	ADAPTOR, oil filter	XR1200
11	33123-06A	PLUG, oil tank drain	XR1200
12	33138-06	SLEEVE, oil drain line	XR1200
13	62360-04A	LINE, oil vent, upper, w/ 10014	XR1200
14	62888-08	OIL TANK ASSEMBLY	XR1200
15	63008-08	DIPSTICK ASSEMBLY, oil tank, w/ 11120	XR1200
16	63099-08	LINE, oil feed	XR1200
17	63103-08	LINE, oil vent, lower	XR1200
18	63596-06	LINE, oil drain	XR1200
19	63805-80A	OIL FILTER	XR1200
20	66199-04	BRACKET, oil tank	XR1200

OIL LINES & COOLER - XR1200

OIL LINES & COOLER - XR1200



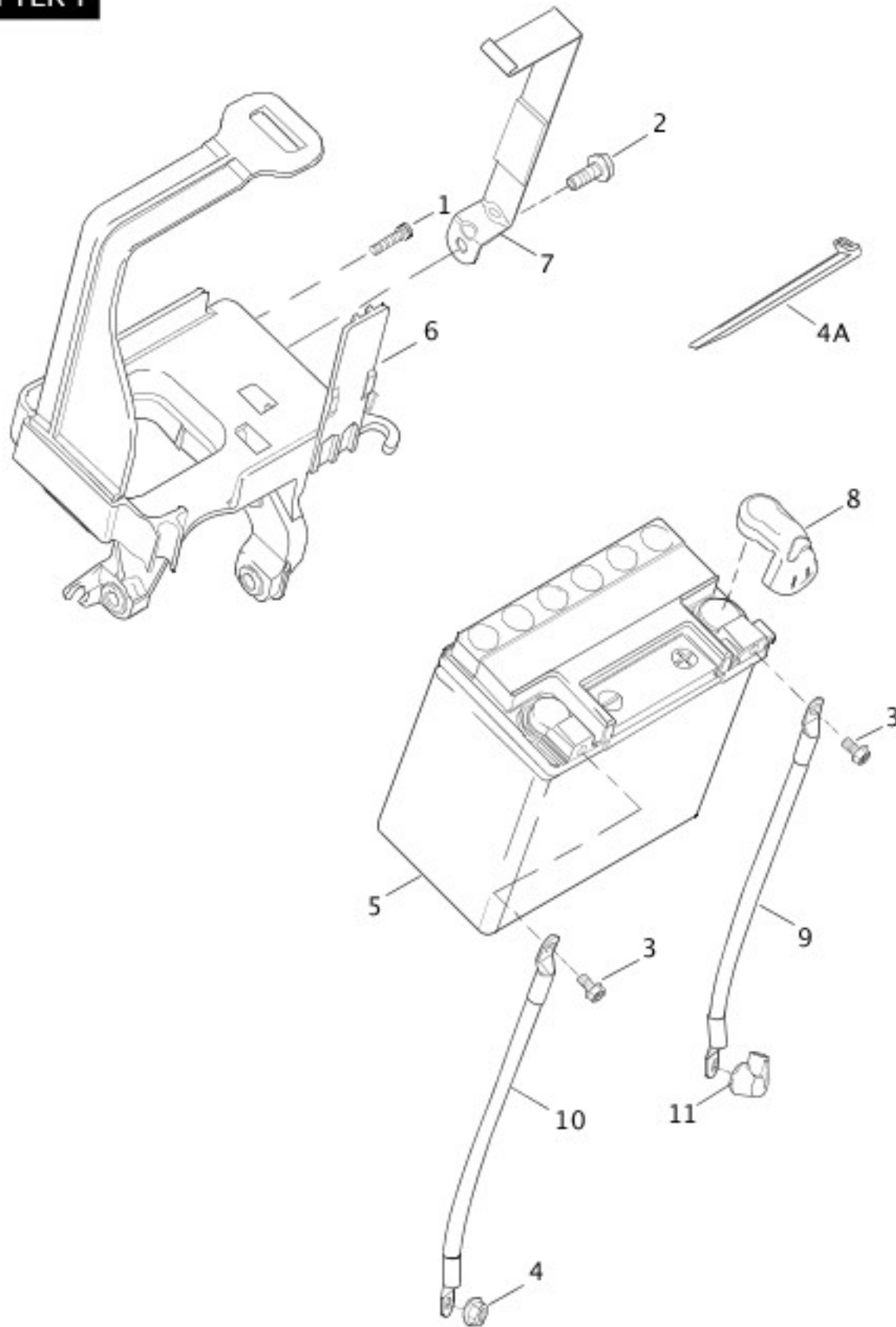
[View interactive table](#)

INDEX NO.	PART NO.	DESCRIPTION	MODEL(S)
1	882	SCREW (2)	XR1200
2	1094	SCREW (2)	XR1200
3	4705	SCREW (2)	XR1200
4	4886	SCREW, special	XR1200
5	4897	SCREW	XR1200

6	6110	WASHER	XR1200
7	7686	LOCKNUT	XR1200
8	10344	CLAMP	XR1200
9	10970	O-RING (2)	XR1200
10	10972	SPACER (2)	XR1200
11	11110	O-RING (2)	XR1200
12	11140	O-RING (2)	XR1200
13	11290	O-RING (4)	XR1200
14	11351	O-RING (2)	XR1200
15	11384K	RETAINER, wire clip (2)	XR1200
16	11408	RETAINER, wire clip (2)	XR1200
17	11652	BUMPER, rubber (2)	XR1200
18	26064-08	FITTING ASSEMBLY, w/ 11110, 11290 & 11408 (2)	XR1200
19	26183-08	FITTING, w/ 11290 (2)	XR1200
20	63050-08A	OIL COOLER	XR1200
21	63080-08	LINE, oil, front head return	XR1200
22	63081-08	LINE, oil, rear cylinder head	XR1200
23	63097-08	LINE, oil cooler feed, w/ 11140, 11384K & quick connect fitting	XR1200
24	63098-08	LINE, oil cooler return, w/ 11140, 11384K & quick connect fitting	XR1200
25	63108-08	CLAMP	XR1200
26	63110-08	BRACKET ASSEMBLY, manifold, w/ 11652	XR1200
27	63111-08	LINE, oil, savenge return	XR1200
28	63112-08	MANIFOLD ASSEMBLY, oil tank return, w/ 10970 & 10972	XR1200
29	63116-08	MANIFOLD	XR1200
30	63119-08	BRACKET	XR1200
31	63120-08	LINE, oil, front cylinder head	XR1200
32	63125-08	CLAMP (2)	XR1200

BATTERY

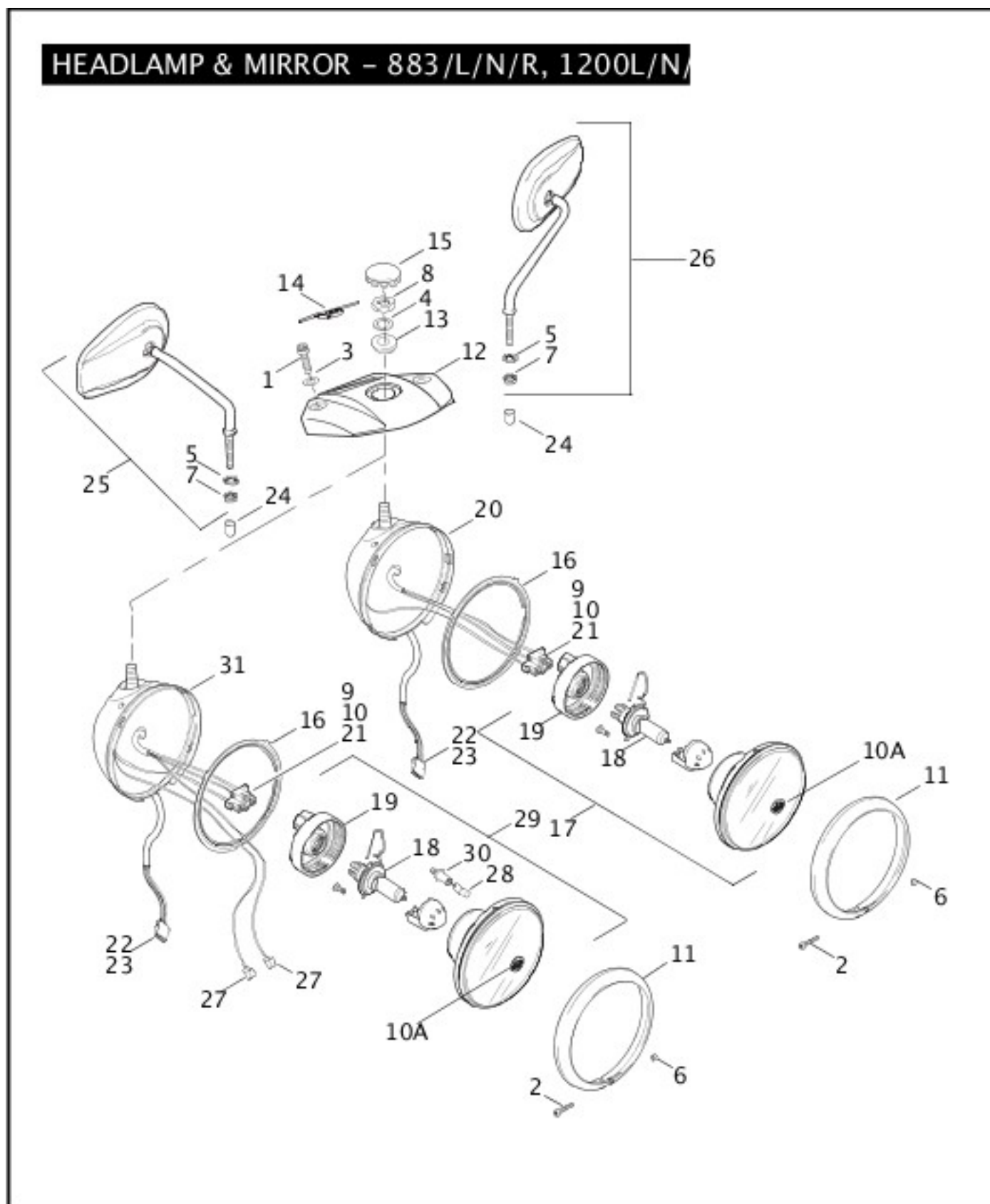
BATTERY



[View interactive table](#)

INDEX NO.	PART NO.	DESCRIPTION	MODEL(S)
2	3588	SCREW, flange	ALL
5	65958-04A	BATTERY, w/ 4312C	ALL
9	70295-04A	CABLE, battery-to-starter, w/ 70578-89	ALL
10	70296-04A	CABLE, battery-to-ground	ALL

HEADLAMP & MIRROR - 883/L/N/R, 1200L/N/R



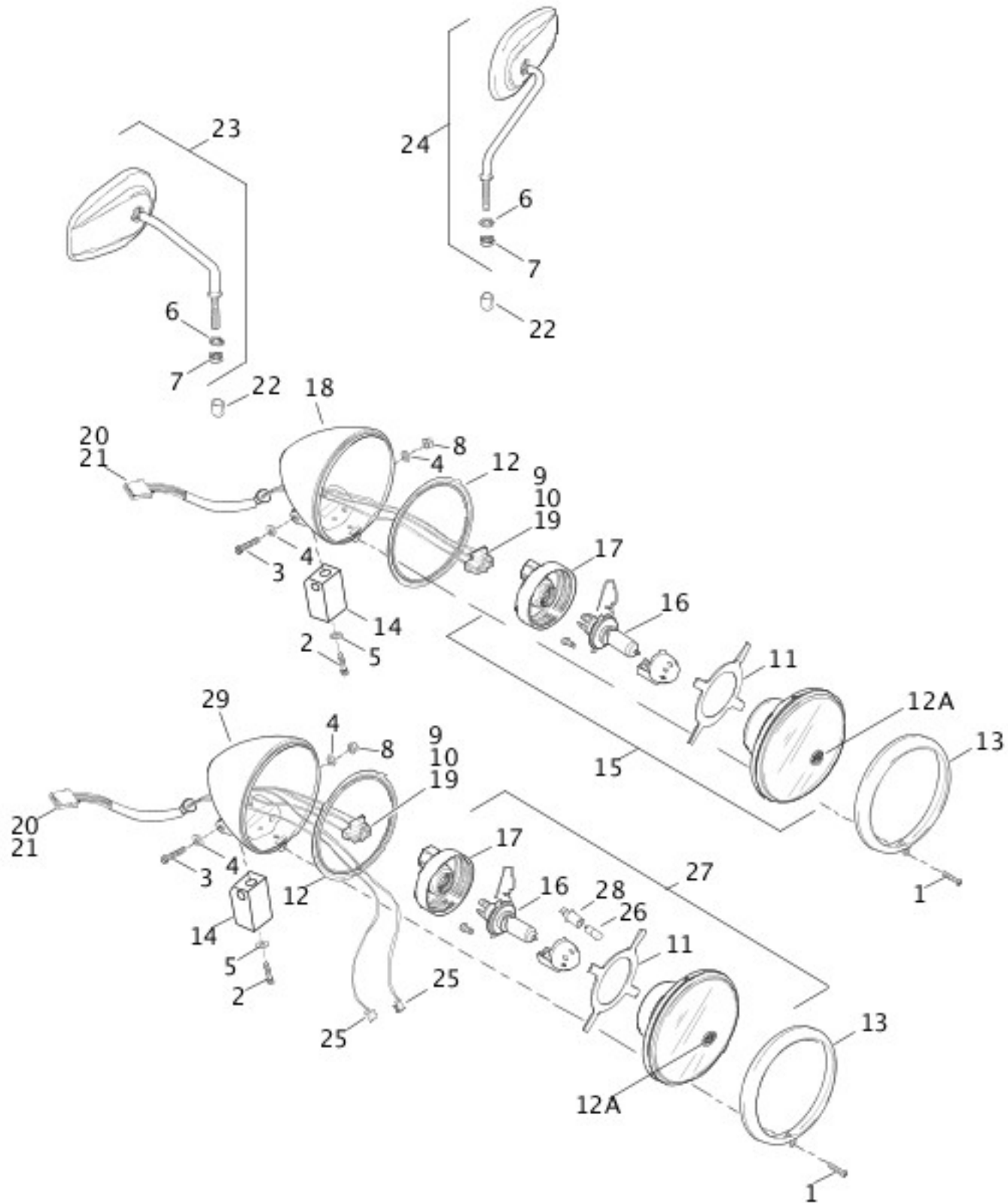
[View interactive table](#)

INDEX NO.	PART NO.	DESCRIPTION	MODEL(S)
7	7725	LOCKNUT (2)	XL1200L, XL1200N, XL1200R, XL883, XL883L, XL883N, XL883R
20	69774-07A	HEADLAMP SHELL ASSEMBLY, 5-3/4 in. (black), w/ 9847, 9848, 9898, 72056-92, 73154-96BK, & 73191-96	XL1200L, XL1200N, XL1200R, XL883, XL883L, XL883N, XL883R
24	8908	CAP, protective (2)	XL1200L, XL1200N, XL1200R, XL883, XL883L, XL883N, XL883R
25	92376-	MIRROR KIT, right, short (black)	XL1200N, XL883N, XL883R

	09		
	92381-09	MIRROR KIT, right, long (chrome)	XL883
	92401-09	MIRROR KIT, right, short (chrome)	XL1200L, XL1200R, XL883L
26	92377-09	MIRROR KIT, left, short (black)	XL1200N, XL883N, XL883R
	92400-09	MIRROR KIT, left, long (chrome)	XL883
	92402-09	MIRROR KIT, left, short (chrome)	XL1200L, XL1200R, XL883L
28	53436-97	BULB	XL1200L, XL1200N, XL1200R, XL883, XL883L, XL883N, XL883R
30	68653-05	SOCKET, bulb (2 spade)	XL1200L, XL1200N, XL1200R, XL883, XL883L, XL883N, XL883R

HEADLAMP & MIRROR - 883C, 1200C

HEADLAMP & MIRROR - 883C, 1200C



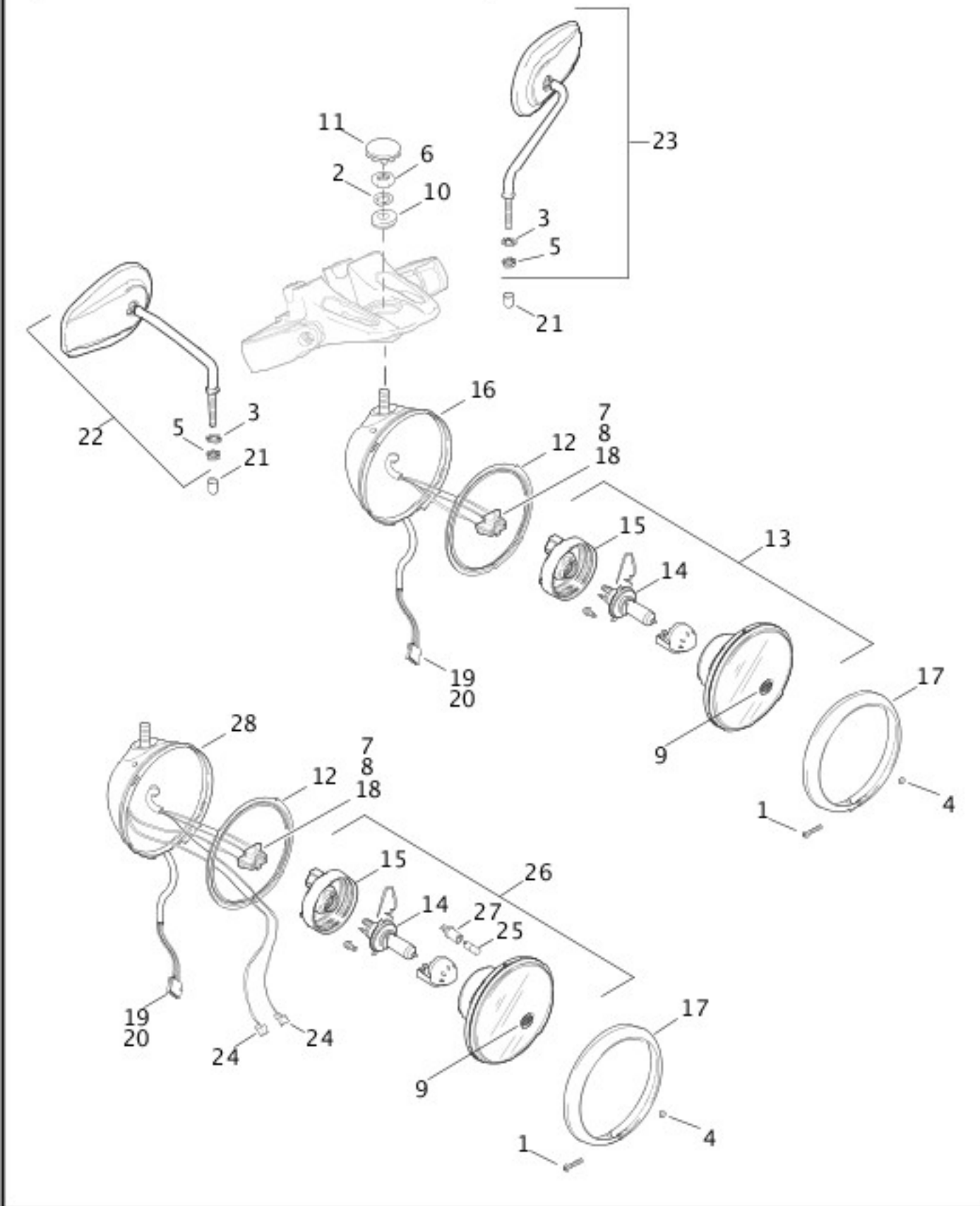
[View interactive table](#)

INDEX NO.	PART NO.	DESCRIPTION	MODEL(S)
7	7725	LOCKNUT (2)	XL1200C, XL883C
18	69681-07A	HEADLAMP SHELL ASSEMBLY, 5-3/4 in., w/ 9847, 9848, 9898, 72056-92, 73154-96BK, & 73191-96	XL1200C, XL883C
22	8908	CAP, protective	XL1200C, XL883C

23	92381-09	MIRROR KIT, right, long (chrome)	XL1200C, XL883C
24	92400-09	MIRROR KIT, left, long (chrome)	XL1200C, XL883C
26	53436-97	BULB	XL1200C, XL883C
28	68653-05	SOCKET, bulb (2 spade)	XL1200C, XL883C
29	69681-07A	HEADLAMP SHELL ASSEMBLY, 5-3/4 in., w/ 9847, 9848, 9898, 72056-92, 73154-96BK, & 73191-96	XL1200C, XL883C

HEADLAMP & MIRROR - XR1200

HEADLAMP & MIRROR - XR1200

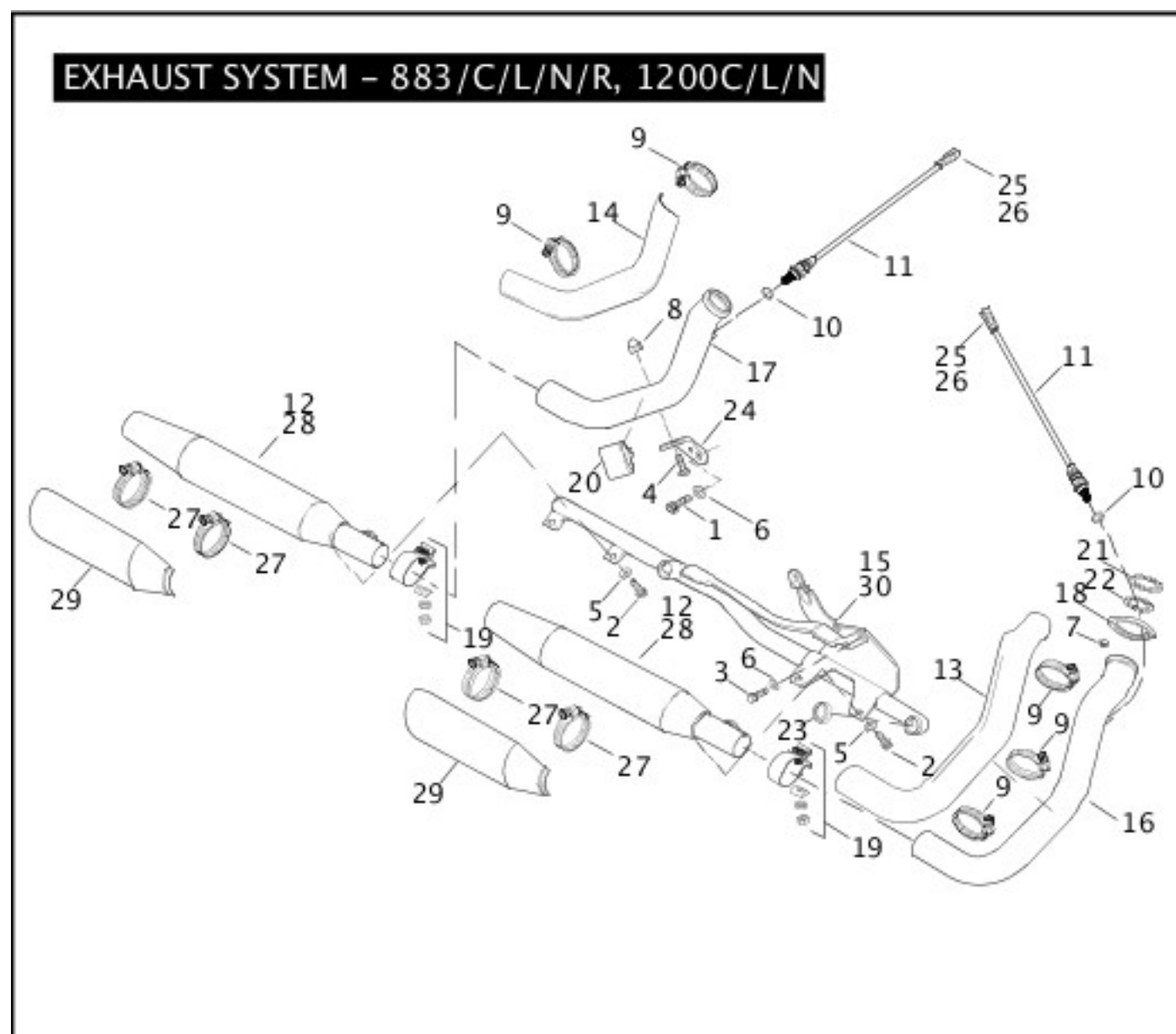


[View interactive table](#)

INDEX NO.	PART NO.	DESCRIPTION	MODEL(S)
5	7725	LOCKNUT (2)	XR1200
13	68297-05	LAMP ASSEMBLY, 5-3/4 in., w/ 67667-05, 68329-03 & 68380-05	XR1200
16	69698-07A	HEADLAMP SHELL ASSEMBLY, 5-3/4 in. (black), w/ 9847, 9848, 72056-92, 73154-96BK, & 73191-96	XR1200
21	8908	CAP, protective (2)	XR1200

22	92376-09	MIRROR KIT, right, short (black)	XR1200
23	92377-09	MIRROR KIT, left, short (black)	XR1200
25	53436-97	BULB	XR1200
27	68653-05	SOCKET, bulb (2 spade)	XR1200

[EXHAUST SYSTEM - 883/C/L/N/R, 1200C/L/N/R](#)

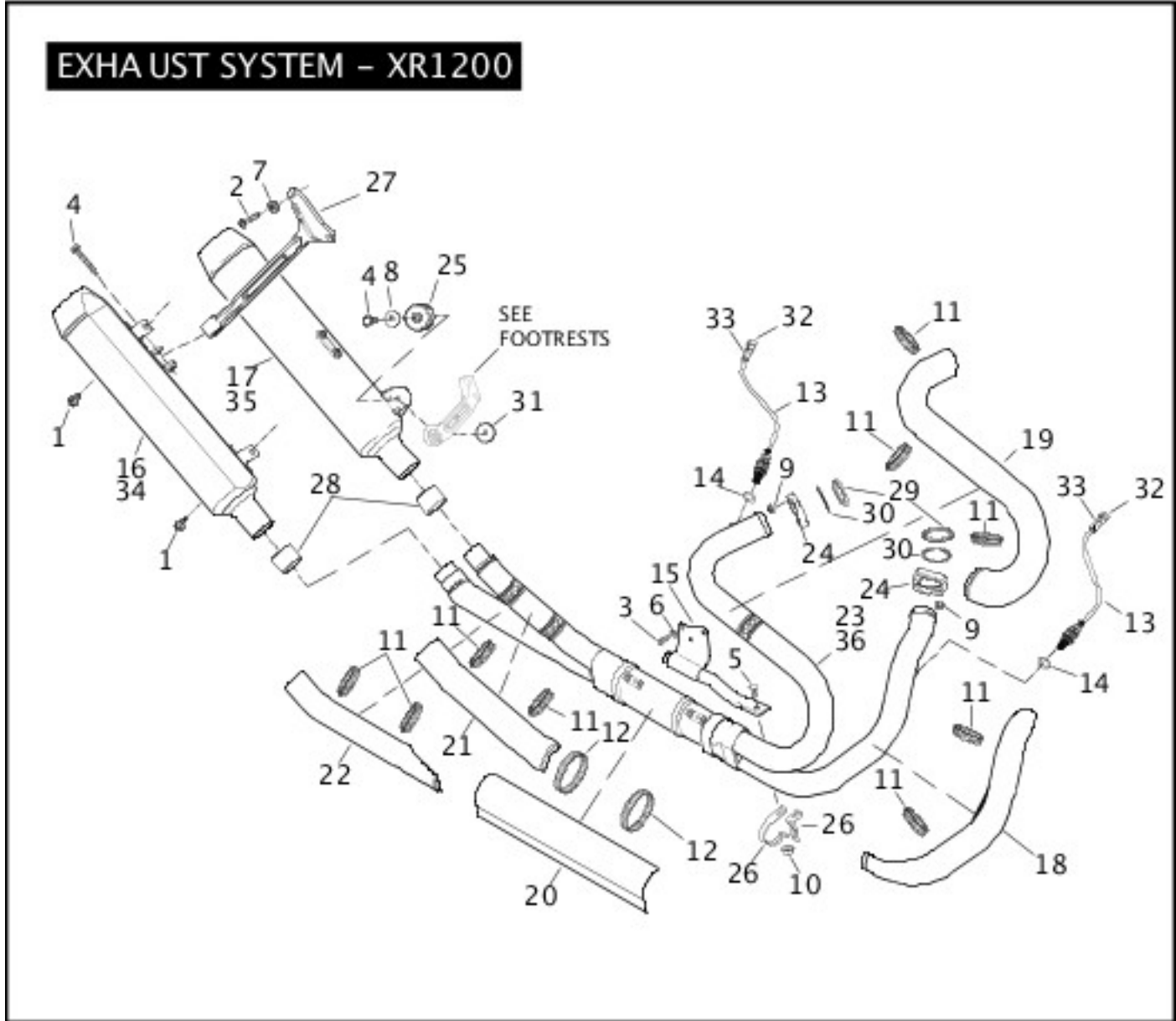


[View interactive table](#)

INDEX NO.	PART NO.	DESCRIPTION	MODEL(S)
19	65296-95A	CLAMP, muffler (2)	XL1200C, XL1200L, XL1200N, XL1200R, XL883, XL883C, XL883L, XL883N, XL883R
28	64737-09	MUFFLER, front (Japan), rear (CP/CR/CT/CX/CZ/LE - Japan, CZ - Brazil)	XL1200C, XL1200L, XL1200N, XL1200R, XL883, XL883C, XL883L, XL883N, XL883R
	64738-09	MUFFLER, rear (CN/CS/CV - Japan, CZ - Brazil)	XL1200N, XL1200R, XL883, XL883R

[EXHAUST SYSTEM - XR1200](#)

EXHAUST SYSTEM - XR1200

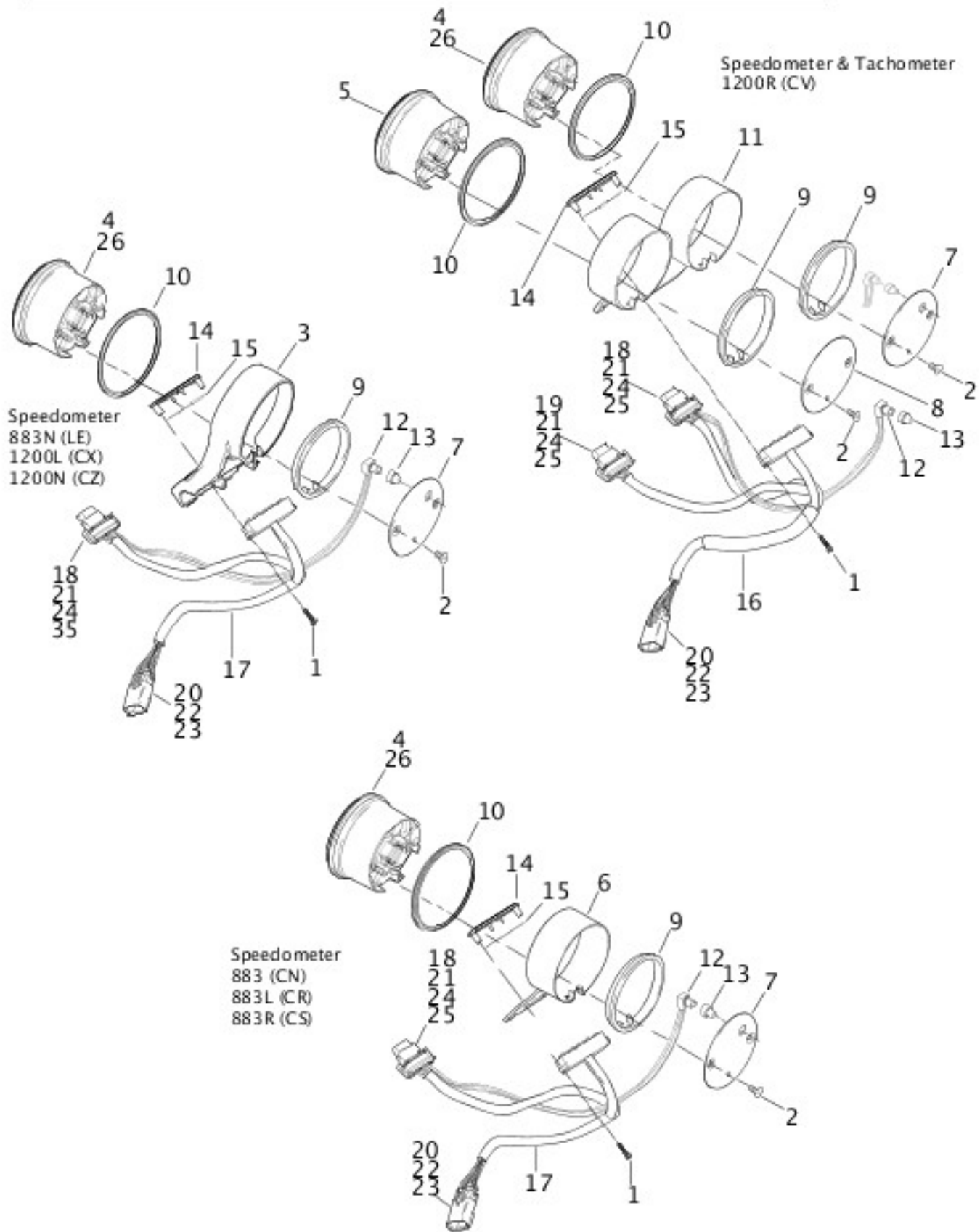


[View interactive table](#)

INDEX NO.	PART NO.	DESCRIPTION	MODEL(S)
23	64851-09	EXHAUST ASSEMBLY	XR1200
24	65328-83	FLANGE, exhaust pipe (2)	XR1200
29	65324-83B	GASKET, exhaust port (2)	XR1200
34	64746-09	MUFFLER, lower, chrome (Japan)	XR1200
35	64747-09	MUFFLER, upper, chrome (Japan)	XR1200

[SPEEDOMETER & TACHOMETER - 883/L/N/R, 1200L/N/R](#)

SPEEDOMETER & TACHOMETER - 883/L/N/R, 1200L/N/R

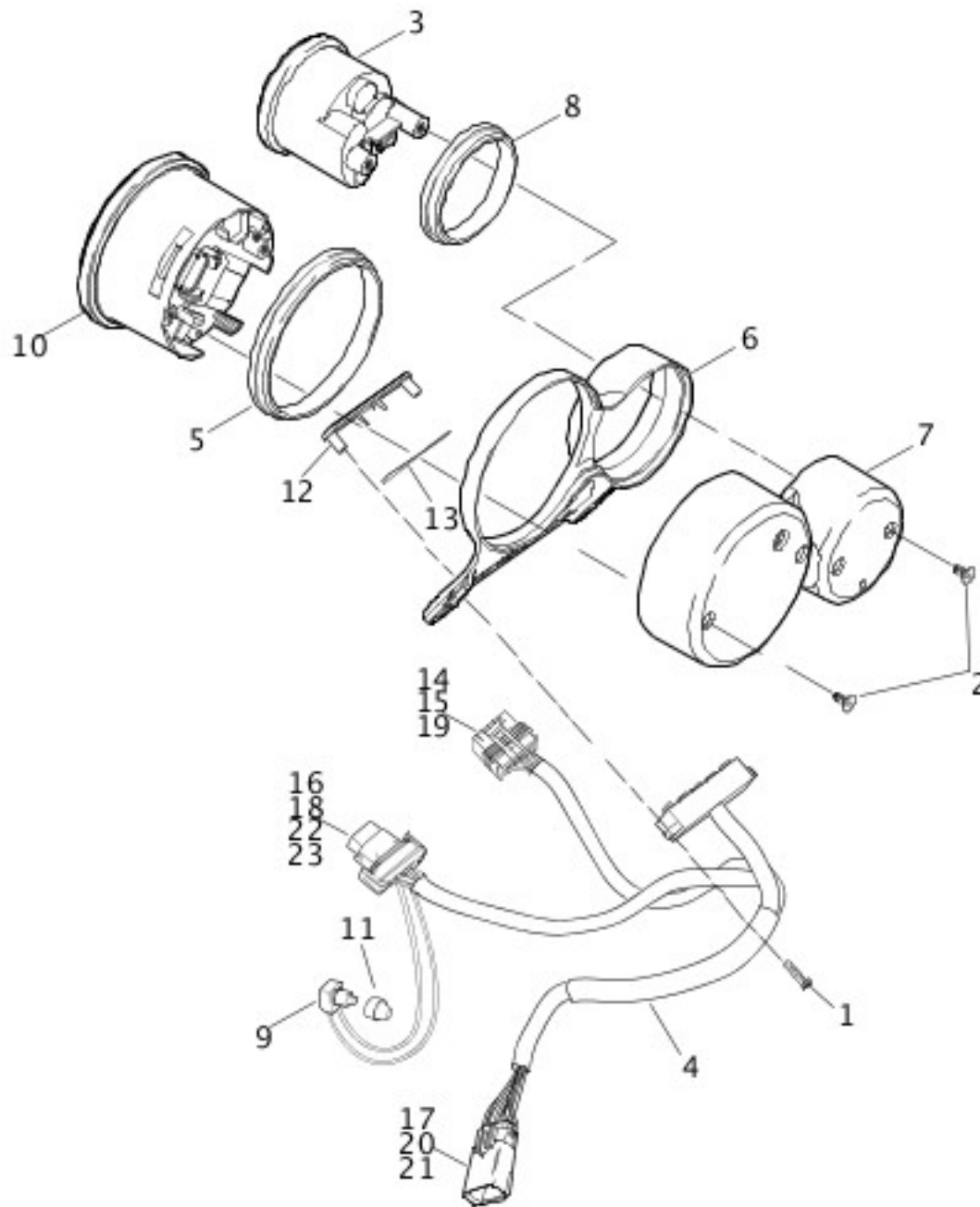


[View interactive table](#)

INDEX NO.	PART NO.	DESCRIPTION	MODEL(S)
12	67854-98	SWITCH, reset	XL1200L, XL1200N, XL1200R, XL883, XL883L, XL883N, XL883R

[SPEEDOMETER & TACHOMETER - XR1200](#)

SPEEDOMETER AND TACHOMETER - XR1200

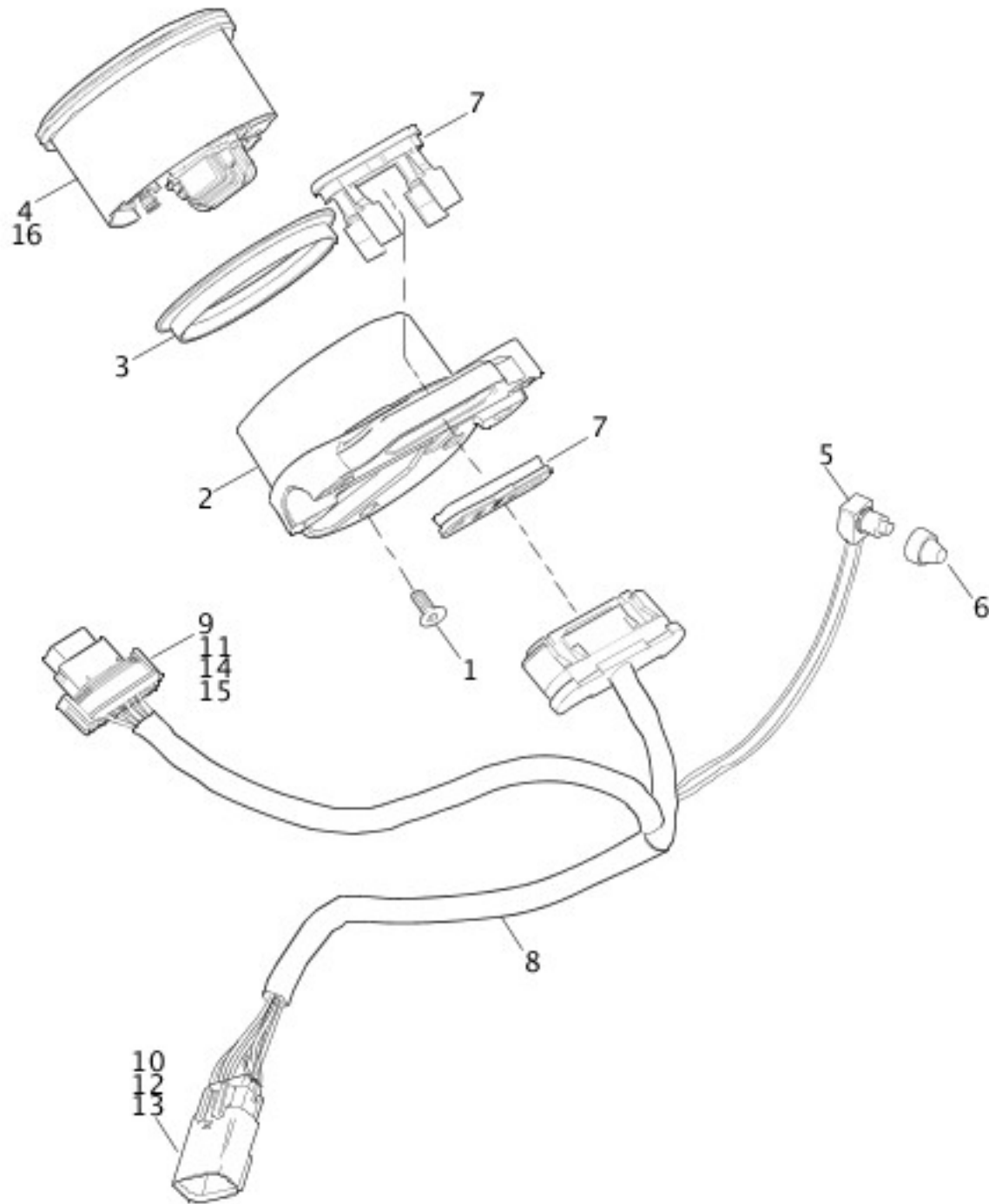


[View interactive table](#)

INDEX NO.	PART NO.	DESCRIPTION	MODEL(S)
9	67854-98	SWITCH, reset	XR1200

[SPEEDOMETER - 883C, 1200C](#)

SPEEDOMETER - 883C, 1200C

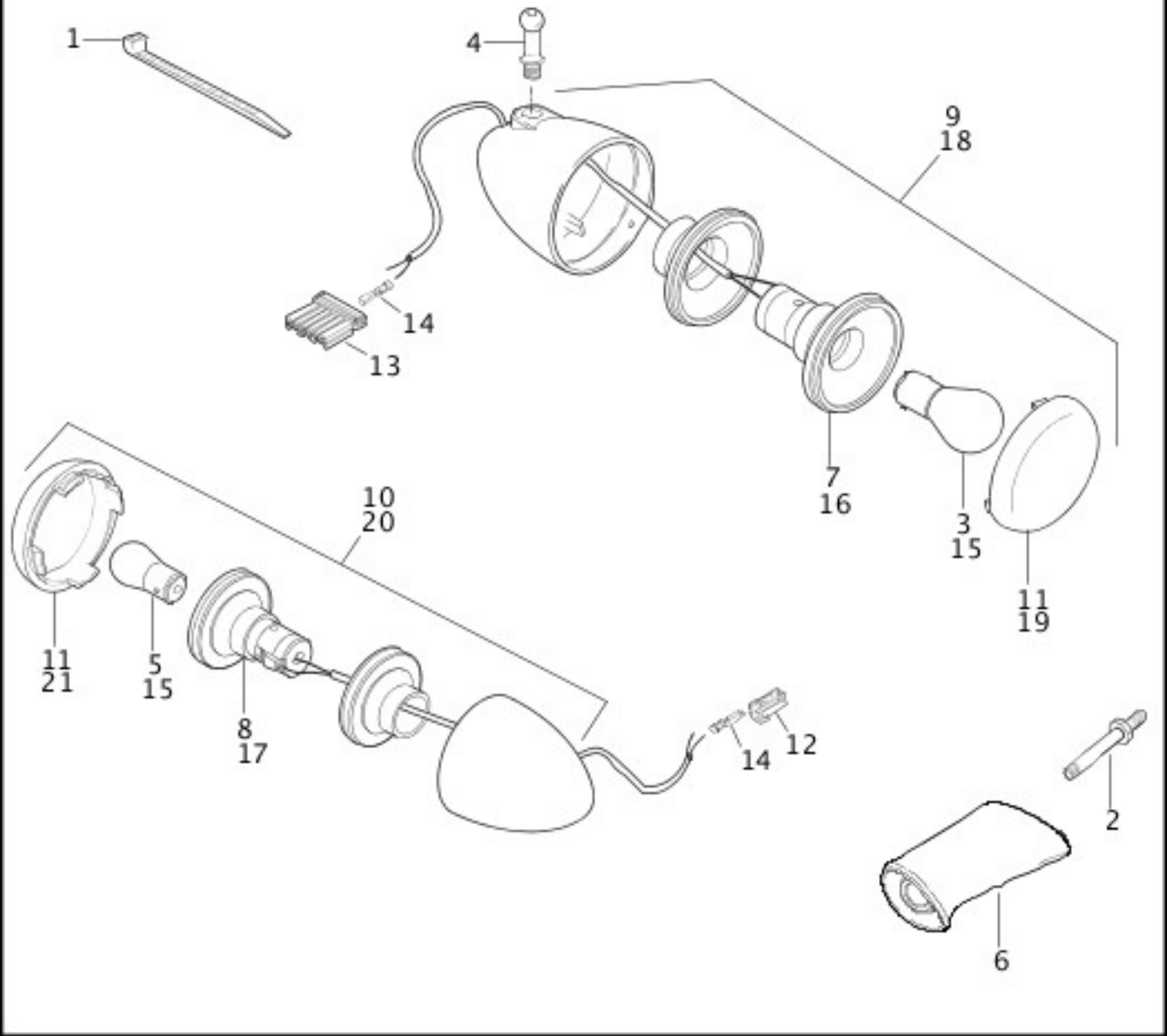


[View interactive table](#)

INDEX NO.	PART NO.	DESCRIPTION	MODEL(S)
5	67854-98	SWITCH, trip reset	XL1200C, XL883C

[TURN SIGNALS - 883/C/L/R, 1200C/L/R](#)

TURN SIGNALS – 883/C/L/R, 1200C/L

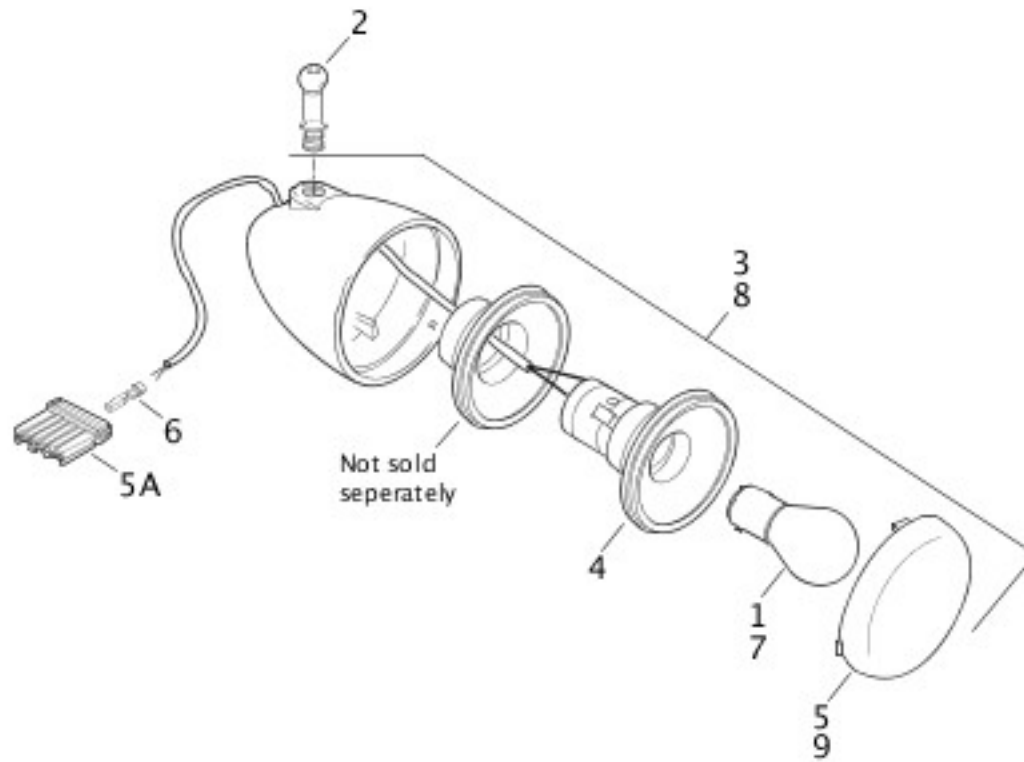


[View interactive table](#)

INDEX NO.	PART NO.	DESCRIPTION	MODEL(S)
19	68973-00	LENS, front (HDI) (2)	XL1200C, XL1200L, XL1200R, XL883, XL883C, XL883L, XL883R

[FRONT TURN SIGNALS - XR1200](#)

FRONT TURN SIGNALS - XR1200

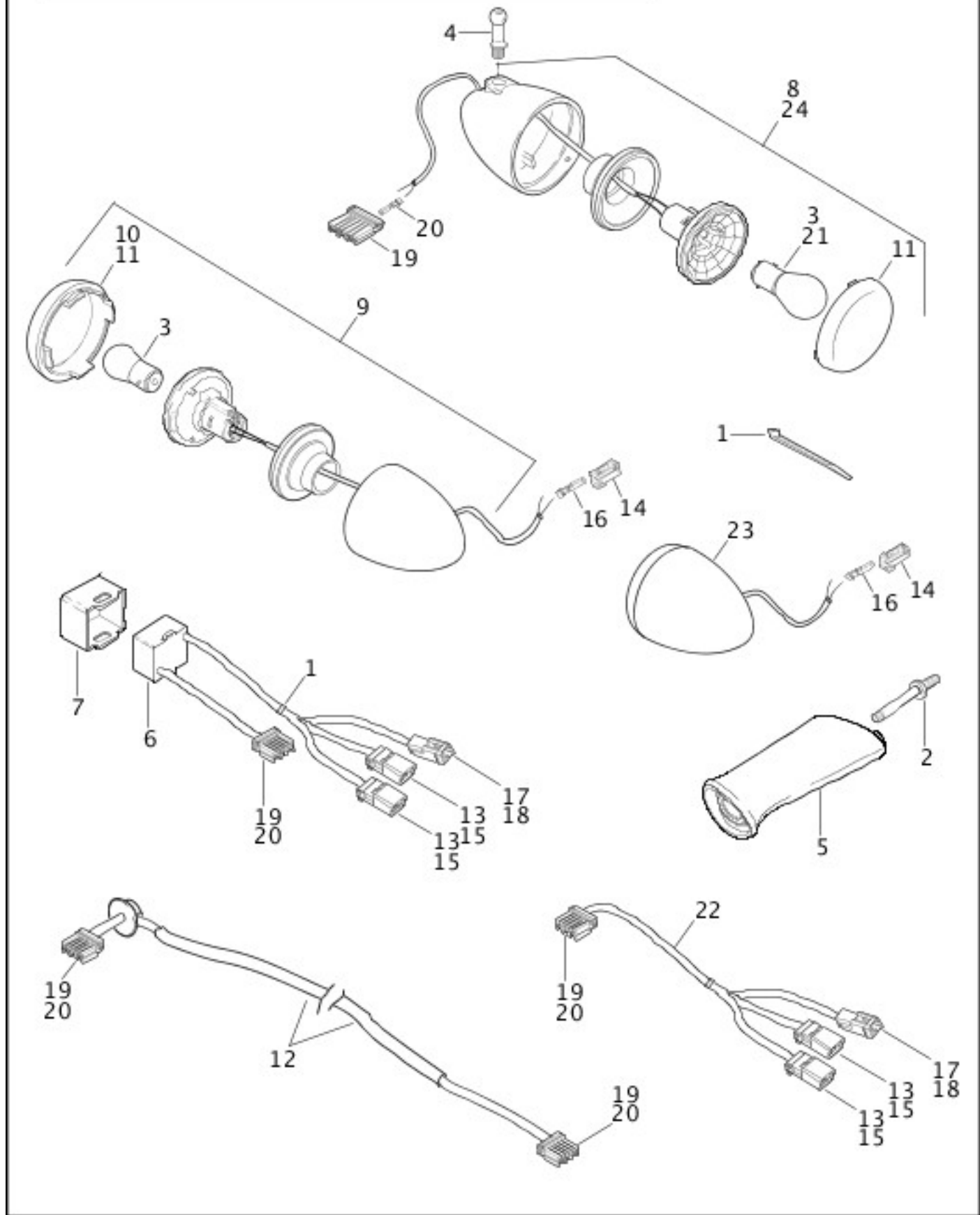


[View interactive table](#)

INDEX NO.	PART NO.	DESCRIPTION	MODEL(S)
1	68168-89A	BULB (2)	XR1200
3	68804-06	TURN SIGNAL SUB-ASSEMBLY, black (2)	XR1200
4	68904-00	SOCKET ASSEMBLY (DOM) (HDI - not sold seperately) (2)	XR1200
5	68973-00	LENS (2)	XR1200
5A	73156-96BK	SOCKET HOUSING, 6-way (black) (2)	XR1200
9	68973-00	LENS (HDI) (2)	XR1200

[TURN SIGNALS & TAIL LAMP - 883N, 1200N](#)

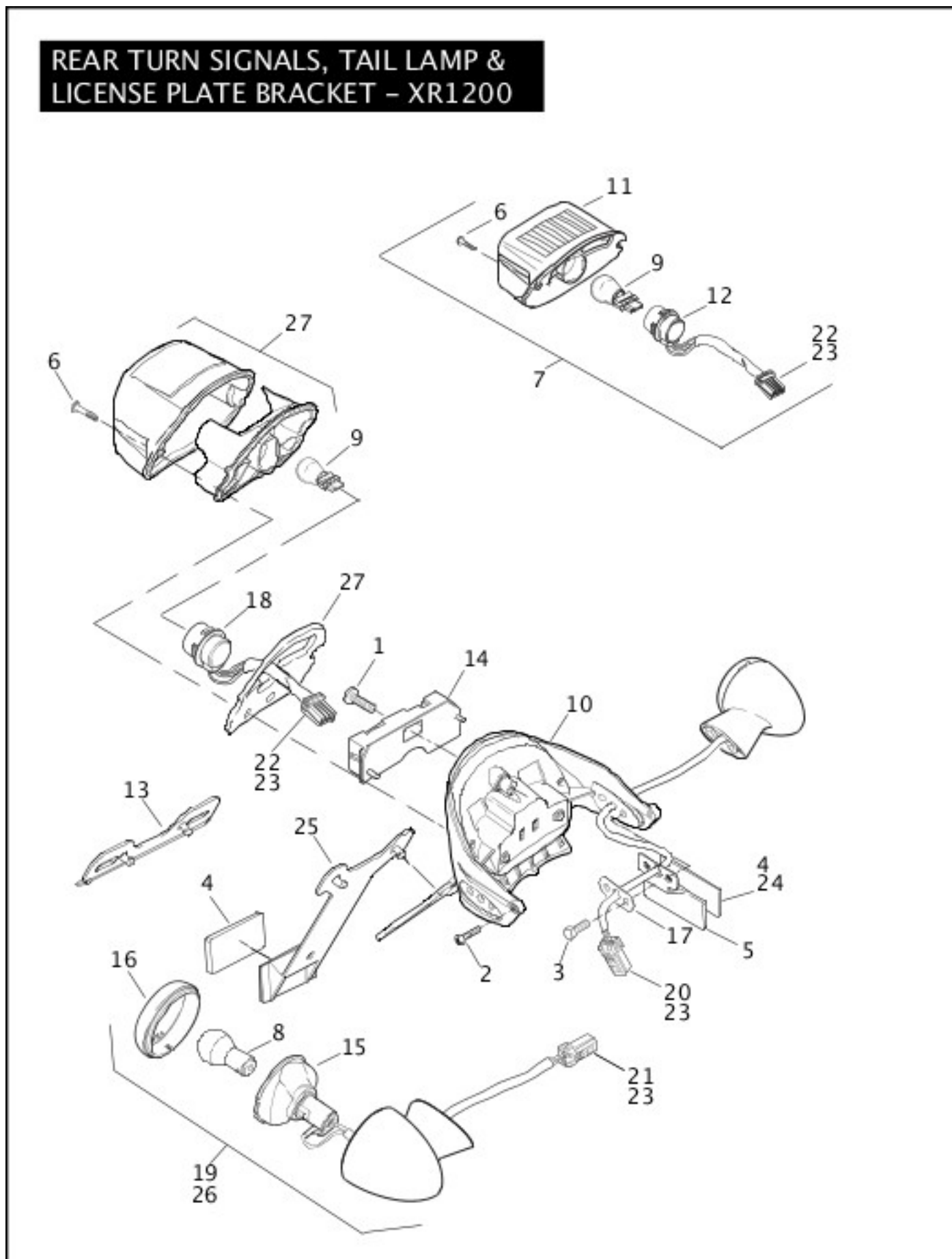
TURN SIGNALS & TAIL LAMP - 883N, 1200N



[View interactive table](#)

INDEX NO.	PART NO.	DESCRIPTION	MODEL(S)
	68572-64B	BULB, rear (Canada) (2)	XL883N
12	68899-04	HARNESS, rear lighting (Canada)	XL883N
	73152-96BK	SOCKET HOUSING, 2-way (black) (Canada) (2)	XL883N
	69406-09	TURN SIGNAL, rear (Japan) w/ 72991-01 (2)	XL1200N, XL883N

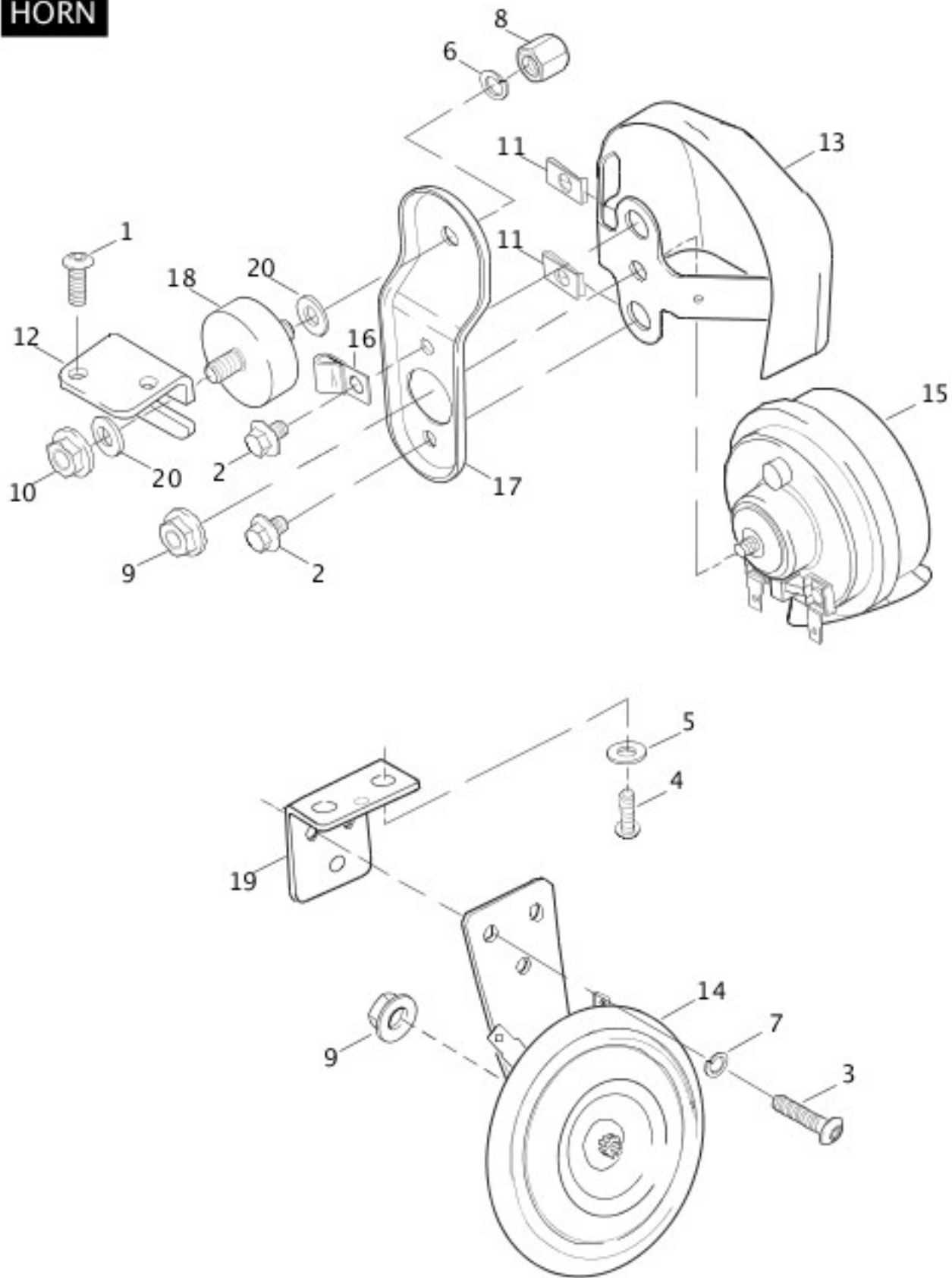
REAR TURN SIGNALS, TAIL LAMP & LICENSE PLATE BRACKET - XR1200



[View interactive table](#)

INDEX NO.	PART NO.	DESCRIPTION	MODEL(S)
2	2653	SCREW (2)	XR1200
13	68561-09	BRACKET, reflector	XR1200

HORN

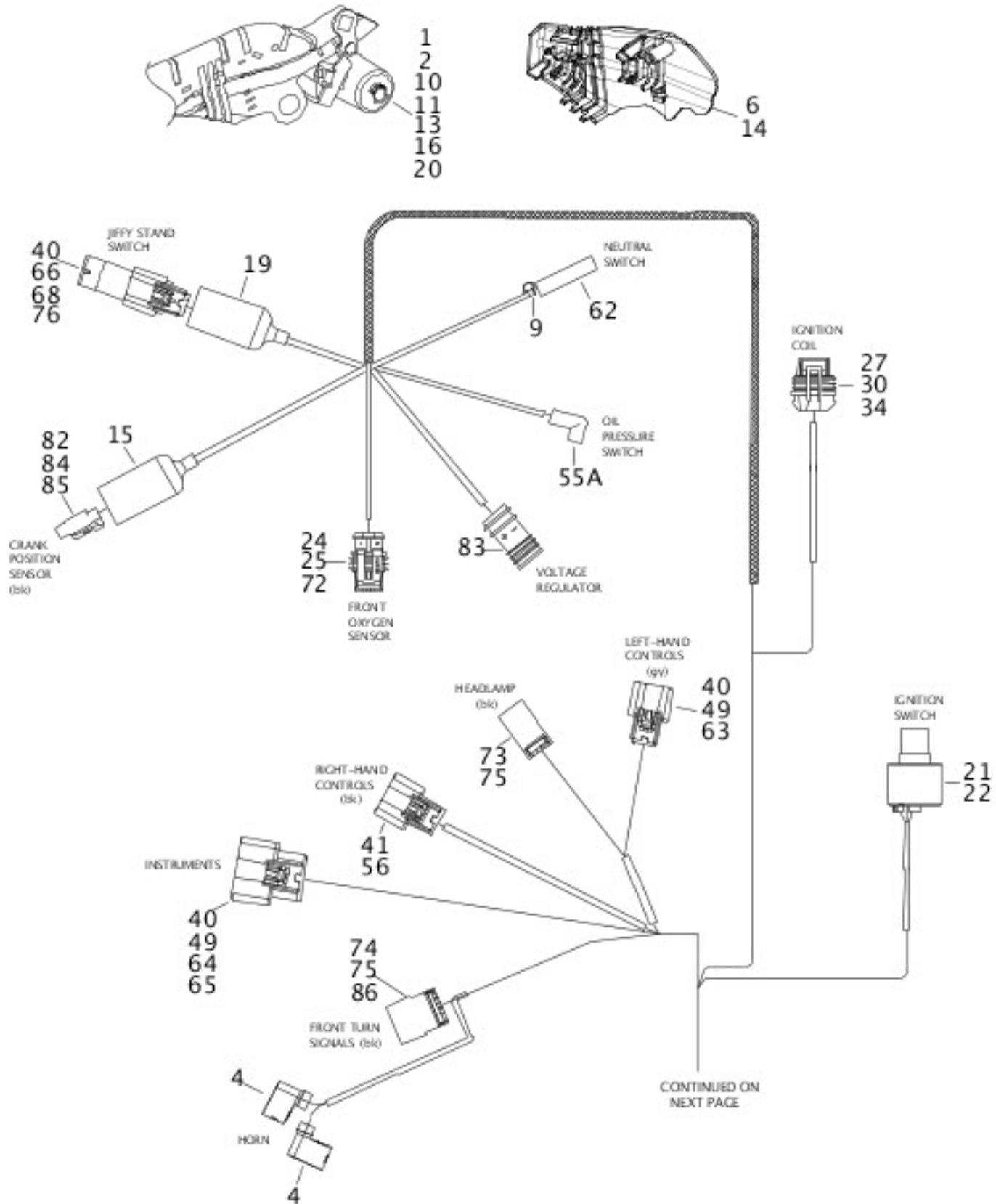


[View interactive table](#)

INDEX NO.	PART NO.	DESCRIPTION	MODEL(S)
15	69060-90E	HORN, w/ 7495	XL1200C

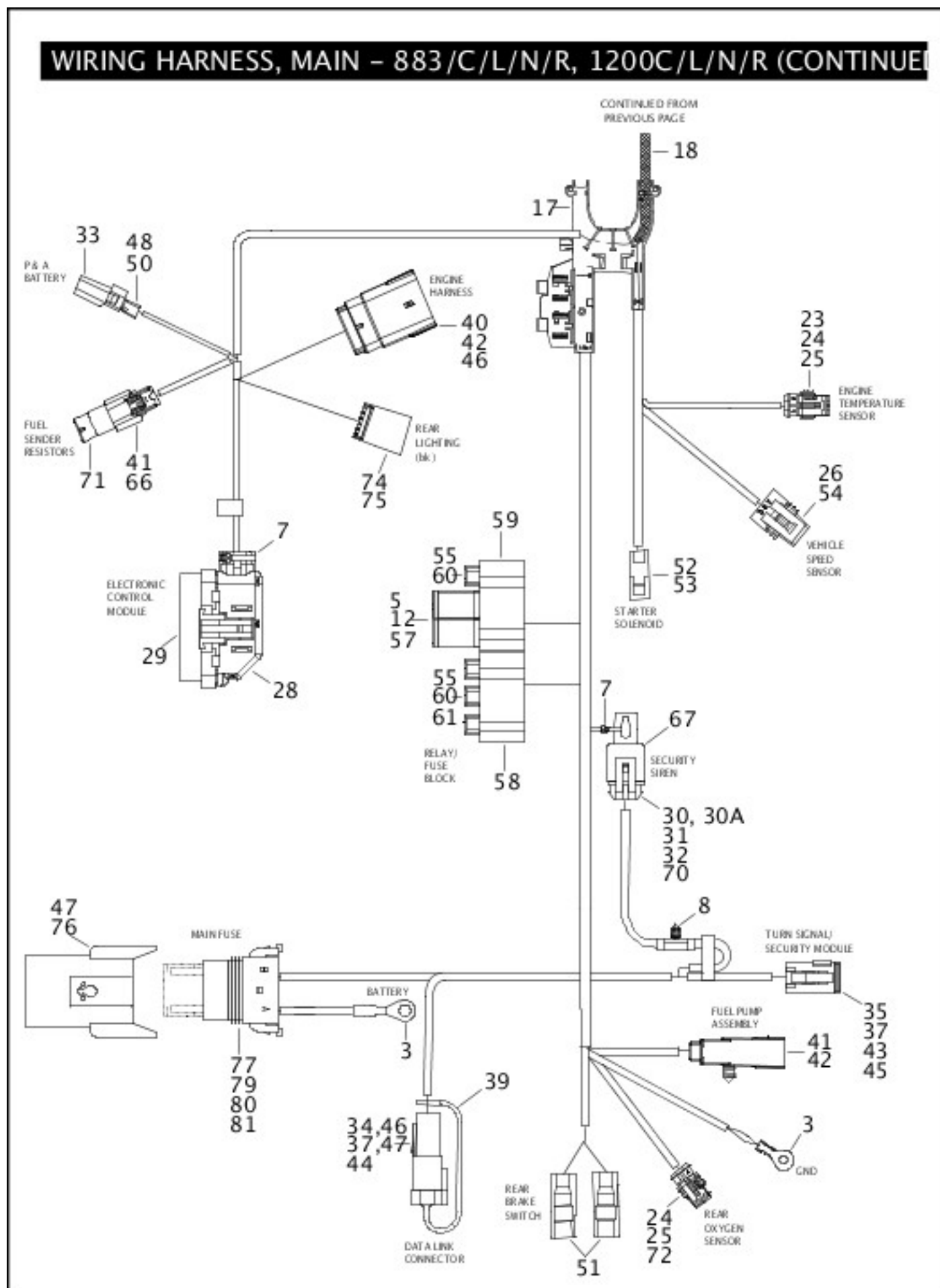
[WIRING HARNESS, MAIN - 883/C/L/N/R, 1200C/L/N/R \(1 OF 2\)](#)

WIRING HARNESS, MAIN - 883/C/L/N/R, 1200C/L/N



[View interactive table](#)

INDEX NO.	PART NO.	DESCRIPTION	MODEL(S)
	70181-09	WIRING HARNESS, main	XL1200C, XL1200L, XL1200N, XL1200R, XL883, XL883C, XL883L, XL883N, XL883R
30A	72078-00	CONNECTOR KIT, 36 position socket	XL1200C, XL1200L, XL1200N, XL1200R, XL883, XL883C, XL883L, XL883N, XL883R



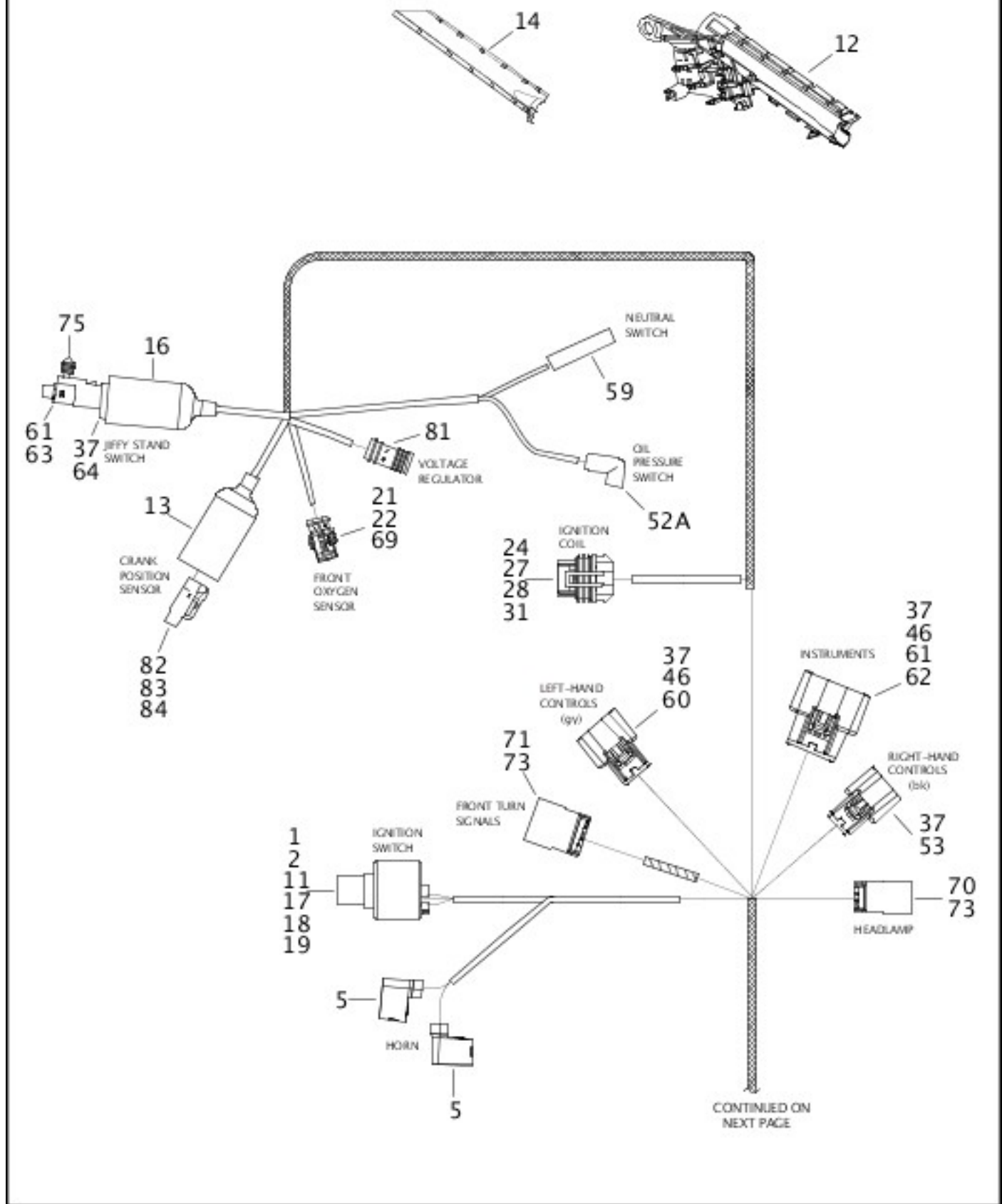
[View interactive table](#)

INDEX NO.	PART NO.	DESCRIPTION	MODEL(S)
	70181-09	WIRING HARNESS, main (continued)	XL1200C, XL1200L, XL1200N, XL1200R, XL883, XL883C, XL883L, XL883N, XL883R
55A	72405-98BK	PUSH ON WIRE ASSEMBLY, right angle molded, w/ 60 in. wire lead (black)	XL1200C, XL1200L, XL1200N, XL1200R, XL883, XL883C, XL883L, XL883N, XL883R

68	72519-09BK	DUSTCAP, 3-way socket	XL1200C, XL1200L, XL1200N, XL1200R, XL883, XL883C, XL883L, XL883N, XL883R
69	72543-07BK	SOCKET HOUSING, 3-way (black)	XL1200C, XL1200L, XL1200N, XL1200R, XL883, XL883C, XL883L, XL883N, XL883R
70	72544-07	SECONDARY LOCK, 3-way, female	XL1200C, XL1200L, XL1200N, XL1200R, XL883, XL883C, XL883L, XL883N, XL883R
83	74120-08	DC LEAD ASSEMBLY	XL1200C, XL1200L, XL1200N, XL1200R, XL883, XL883C, XL883L, XL883N, XL883R

WIRING HARNESS, MAIN - XR1200 (1 OF 2)

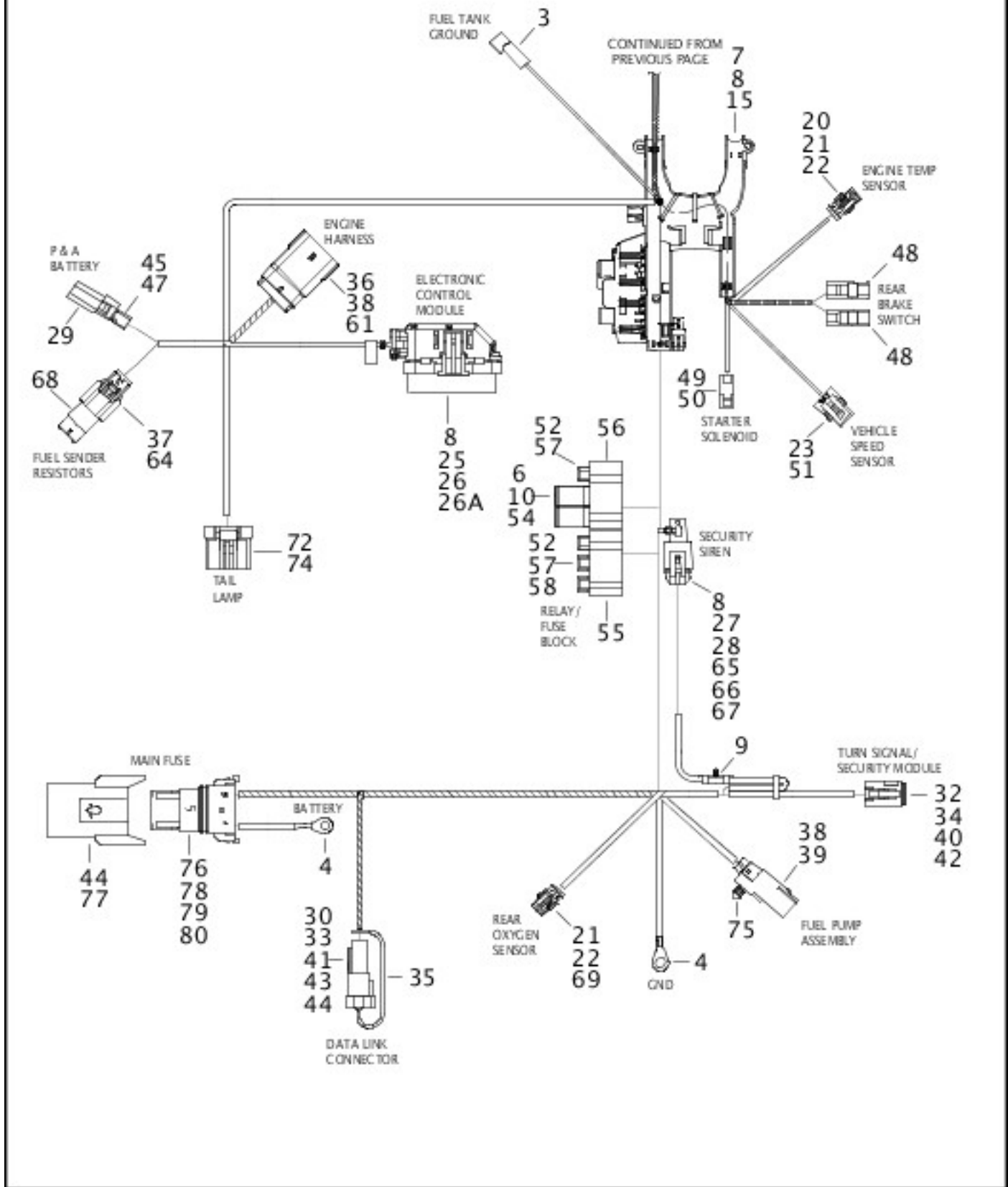
WIRING HARNESS, MAIN - XR1200



[View interactive table](#)

INDEX NO.	PART NO.	DESCRIPTION	MODEL(S)
3	9810	OVERMOLD, fuel tank, ground	XR1200
26A	72078-00	CONNECTOR KIT, 36 position socket (9)	XR1200

WIRING HARNESS, MAIN - XR1200

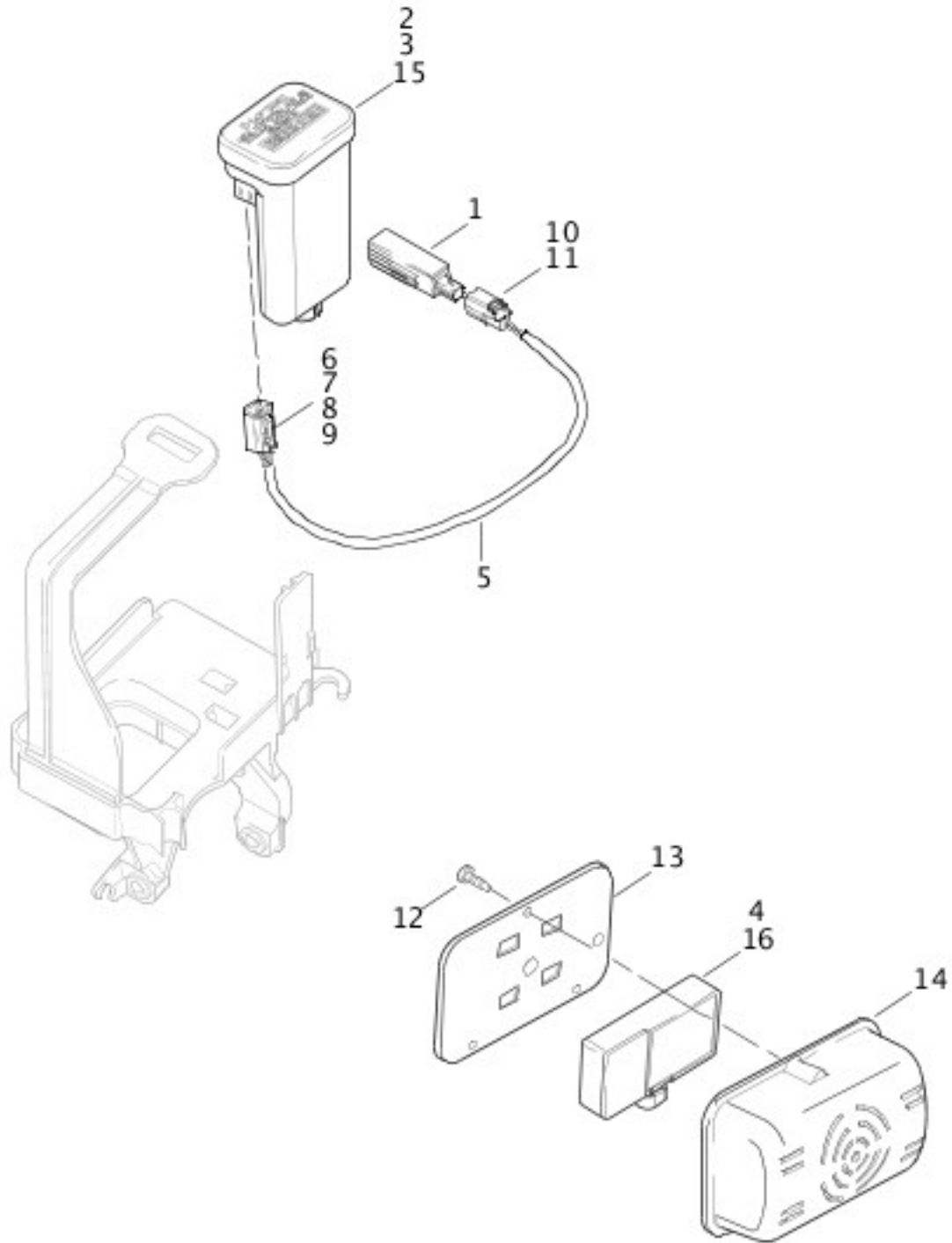


[View interactive table](#)

INDEX NO.	PART NO.	DESCRIPTION	MODEL(S)
52A	72405-98BK	PUSH ON WIRE ASSEMBLY, right angle molded, w/ 60 in. wire lead (black)	XR1200
81	74120-08	DC LEAD ASSEMBLY	XR1200

[TURN SIGNAL MODULE & SECURITY SIREN](#)

TURN SIGNAL MODULE & SECURITY SIREN

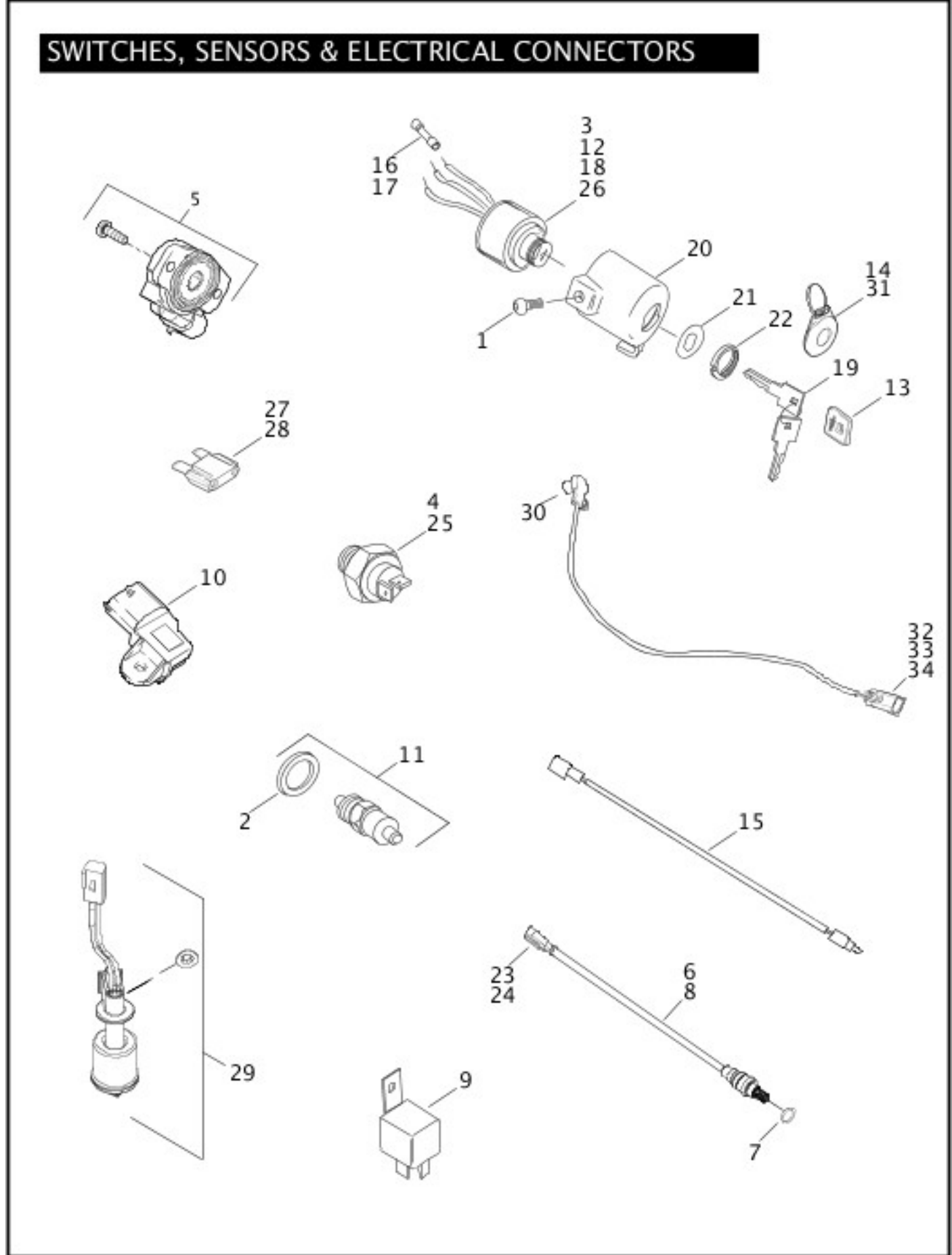


[View interactive table](#)

INDEX NO.	PART NO.	DESCRIPTION	MODEL(S)
6	72114-94BK	HOUSING, 4-way (black)	ALL

[SWITCHES, SENSORS & ELECTRICAL CONNECTORS](#)

SWITCHES, SENSORS & ELECTRICAL CONNECTORS

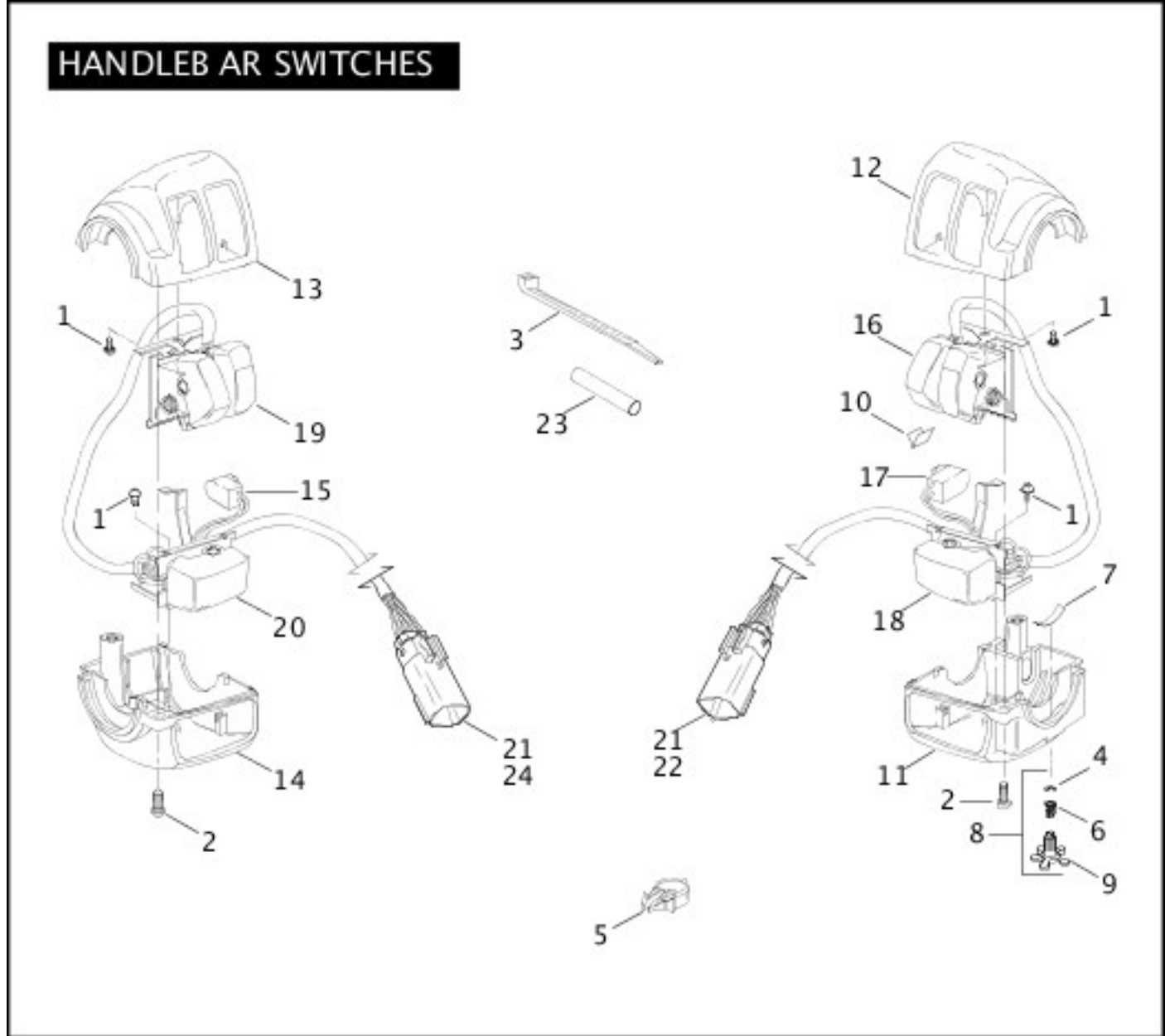


[View interactive table](#)

INDEX NO.	PART NO.	DESCRIPTION	MODEL(S)
30	50126-08A	SENSOR, jiffystand (HDI, England) w/ 72169-07, 72511-07BK, 73213-07	ALL

[HANDLEBAR SWITCHES](#)

HANDLEBAR SWITCHES



[View interactive table](#)

INDEX NO.	PART NO.	DESCRIPTION	MODEL(S)
10	71587-04	CLIP	ALL
15	71620-08	SWITCH, clutch, w/ 10181 & 72266-94	ALL
16	71684-06A	SWITCH ASSEMBLY, engine stop & start, w/ 10181 & 72266-94	ALL
17	71621-08	STOPLIGHT SWITCH, w/ 10181 & 72266-94	ALL
18	71683-06A	SWITCH ASSEMBLY, right directional, w/ 10181	ALL
19	71682-06A	SWITCH ASSEMBLY, dimmer & horn, w/ 10181 & 72266-94	ALL
20	71685-06A	SWITCH ASSEMBLY, left directional, w/ 10181	ALL

[LABELS](#)

LABELS

▲ WARNING

Motorcycles are different from other vehicles. They operate, steer, handle and brake differently. Unskilled or improper use could result in loss of control, death or serious injury.

- Take a rider training course.
- Read Owner's Manual before riding, adding accessories or servicing.
- Wear a helmet, eye protection and protective clothing.
- Never tow a trailer.

For a manual, find nearest dealer at 1-800-443-2152 or www.harley-davidson.com XXXXX-XX

SPORTSTER

Spare 15A	Starter	System	Spare 15A	Lights 15A	Open
Fuel pump 15A	Relay	Relay	Instruments 15A	Battery 15A	Spare 15A
ECM 15A			Ignition 15A	Accessory 15A	PSA Ign 25A Mod

XXXXX-XX

SPORTSTER

Spare 15A	Starter	System	Spare 15A	Lights 15A	
Fuel pump 15A	Relay	Relay	Instruments 15A	Battery 15A	Reg Cont 15A
ECM 15A			Ignition 15A	Accessory 15A	PSA Ign 25A Mod

XXXXX-XX

▲ WARNING

Motorcycles are different from other vehicles. They operate, steer, handle and brake differently. Unskilled or improper use could result in loss of control, death or serious injury.

- Take a rider training course.
- Read Owner's Manual before riding, adding accessories or servicing.
- Wear a helmet, eye protection and protective clothing.
- Never tow a trailer.

To be removed by customer only.

XXXXX-XX

▲ WARNING

Motorcycles are different from other vehicles. They operate, steer, handle and brake differently. Unskilled or improper use could result in loss of control, death or serious injury.

- Take a rider training course.
- Read Owner's Manual before riding, adding accessories or servicing.
- Wear a helmet, eye protection and protective clothing.
- Never tow a trailer.

For a manual, find nearest dealer at 1-800-443-2152 or www.harley-davidson.com XXXXX-XX

▲ WARNING

A connected battery can cause a spark or motorcycle startup while servicing. Death or serious injury could occur.

- Disconnect negative cable before servicing.
- Keep cable away from terminal while servicing.

XXXXX-XX

VEHICLE EMISSION CONTROL INFORMATION

ENGINE DISPLACEMENT: "W"
ENGINE FAMILY: "B"
THIS VEHICLE CONFORMS TO USEPA REGULATIONS APPLICABLE TO 2009 MODEL YEAR NEW MOTORCYCLES AND IS CERTIFIED TO A
"C" HC + NOX G/PM FEL
ENGINE EXHAUST CONTROL SYSTEM: "D"
PERMISSION FAMILY: "E"
ENGINE TUNE UP SPECIFICATIONS:
SLOW IDLE: 1050 - 1050 RPM
IGNITION TIMING: AUTOMATICALLY CONTROLLED NOT ADJUSTABLE
FUEL: UNLEADED GASOLINE ONLY.
"F" (R+M)/2 PUMP OCTANE OR HIGHER OIL: SEE OWNER'S MANUAL.

Harley-Davidson Motor Co.

THIS 2009 "G" MOTORCYCLE, 05921 MEETS ALL USEPA NOISE EMISSION REQUIREMENTS OF 80dB(A) AT 14" RPM BY THE FEDERAL TEST PROCEDURE.

WARNING: MODIFICATIONS WHICH CAUSE THIS MOTORCYCLE TO EXCEED FEDERAL NOISE AND EMISSIONS STANDARDS ARE PROHIBITED BY FEDERAL LAW. SEE OWNER'S MANUAL.

XXXXX-XX

Battery Removal

▲ WARNING

Sparks can cause battery explosion. Death or serious injury could occur.

To avoid sparks:

- Disconnect negative safety cable first.
- Keep cable away from all metal parts.

• Do not allow red-marked positive battery cables to touch metal motorcycle parts with negative cable connected.

1. Disconnect and remove negative battery cable from crankcase stud (see Figure 1). Keep end of negative battery cable away from all metal parts.
2. Disconnect and remove red-marked positive battery cables from battery positive (+) terminal.
3. Remove bolt and retain battery into crankcase.
4. Lift battery with disconnected negative cable from battery tray.

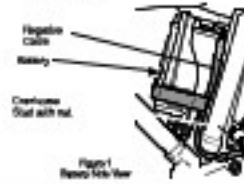


Figure 1
Remove 15A/16A

Battery Installation

▲ WARNING

Sparks can cause battery explosion. Death or serious injury could occur, to avoid sparks:

- Connect red-marked positive battery cables first.
- Do not allow red-marked positive battery cables to touch metal motorcycle parts with negative cable connected.

• While connecting the red-marked positive battery cables, keep negative cable away from metal parts.

CAUTION

Failure to connect cables to the correct battery terminals could cause damage to the electronic electrical system.

Over-tightening battery terminal bolts could cause damage to battery terminals. Use recommended torque values.

1. Place the fully charged battery with attached negative cables into the battery tray.
2. Route negative cable through battery tray.
3. Do not connect negative cable yet. Keep negative cable away from metal parts and the crankcase stud until the red-marked positive cables are attached.
4. Insert through red-marked positive battery cable and non-sensitive bolt of battery positive (+) terminal. Tighten bolt to 40 in-lb (5.5 Nm). Do not over tighten.
5. Place the negative battery cables onto crankcase stud. Tighten nut to 35 in-lb (5.3 Nm).

XXXXX-XX

STATIONARY NOISE TEST INFORMATION

TESTED "A" DB(A) AT "B" RPM

SILENCING SYSTEM: HARLEY-DAVIDSON

IDENTIFICATION: "C"

IN ACCORDANCE WITH AUSTRALIAN ADR 8300
XXXXX-XX

1 - N - 2 - 3 - 4 - 5

View interactive table

INDEX NO.	PART NO.	DESCRIPTION	MODEL(S)
	14066-09	LABEL, emission	XL883, XL883C, XL883L, XL883N, XL883R
	14081-09	LABEL, emission	XL1200C, XL1200L, XL1200N, XL1200R

10	13594-09	LABEL, noise (Australia)	XR1200
	14258-07	LABEL, noise (Australia)	XL883, XL883C, XL883L, XL883N, XL883R
	14190-07	LABEL, noise (Australia)	XL1200C, XL1200L, XL1200N, XL1200R

Numerical Index

[View interactive table](#)

10006	FRAME & JIFFY STAND - XR1200 HANDLEBAR & THROTTLE CONTROL - 883C, 1200C BATTERY WIRING HARNESS, MAIN - 883/C/L/N/R, 1200C/L/N/R (1 OF 2) WIRING HARNESS, MAIN - XR1200 (1 OF 2) EVAPORATIVE EMISSIONS
10014	CAMSHAFTS & GEAR COVER - 883/C/L/N/R, 1200C/L/N/R OIL TANK & FILTER - 883/C/L/N/R, 1200C/L/N/R OIL TANK & FILTER - XR1200
10031	FRONT BRAKE CONTROL - 883/C/L/N/R, 1200C/L/N/R FRONT BRAKE CONTROL - XR1200 REAR BRAKE MASTER CYLINDER - 883/C/L/N/R, 1200C/L/N/R REAR BRAKE MASTER CYLINDER - XR1200
10053	FRONT BRAKE CONTROL - 883/C/L/N/R, 1200C/L/N/R
10065	TURN SIGNALS - 883/C/L/R, 1200C/L/R TURN SIGNALS & TAIL LAMP - 883N, 1200N WIRING HARNESS, MAIN - 883/C/L/N/R, 1200C/L/N/R (1 OF 2) WIRING HARNESS, MAIN - XR1200 (1 OF 2)
10074	EXHAUST SYSTEM - 883/C/L/N/R, 1200C/L/N/R
10080	CRANKCASE & GEARCASE - 883/C/L/N/R, 1200C/L/N/R CRANKCASE & GEARCASE - XR1200 OIL TANK & FILTER - 883/C/L/N/R, 1200C/L/N/R
10092	REAR BRAKE MASTER CYLINDER - XR1200
10142	OIL TANK & FILTER - 883/C/L/N/R, 1200C/L/N/R OIL TANK & FILTER - XR1200
10177	CRANKCASE & GEARCASE - 883/C/L/N/R, 1200C/L/N/R CRANKCASE & GEARCASE - XR1200 WIRING HARNESS, ENGINE - XR1200
10179A	SHIFT LEVER REAR BRAKE CONTROL - 883/L/N/R, 1200L/N/R REAR BRAKE CONTROL - 883C, 1200C FRAME & JIFFY STAND - XR1200
10181	FUEL PUMP HANDLEBAR SWITCHES
10200	REAR FENDER & LICENSE PLATE BRKT - 883/C/L/R, 1200C/L/R, 883N (CANADA)
10242	REAR FENDER & LICENSE PLATE BRKT - 883/C/L/R, 1200C/L/R, 883N (CANADA)

10252	REAR BRAKE MASTER CYLINDER - 883/C/L/N/R, 1200C/L/N/R REAR BRAKE MASTER CYLINDER - XR1200
10255	REAR BRAKE MASTER CYLINDER - 883/C/L/N/R, 1200C/L/N/R
10279	WIRING HARNESS, MAIN - 883/C/L/N/R, 1200C/L/N/R (1 OF 2) WIRING HARNESS, MAIN - XR1200 (1 OF 2) WIRING HARNESS, ENGINE - 883/C/L/N/R, 1200C/L/N/R
1028	CRANKCASE & GEARCASE - XR1200
10287	WIRING HARNESS, MAIN - 883/C/L/N/R, 1200C/L/N/R (1 OF 2)
10289A	FRAME & JIFFY STAND - 883/C/L/N/R, 1200C/L/N/R FRAME & JIFFY STAND - XR1200
10303	FUEL PUMP
10304	FUEL PUMP
10323	REAR FENDER & LICENSE PLATE BRACKET - 883N (NON-CANADA), 1200N
10344	OIL TANK & FILTER - XR1200 OIL LINES & COOLER - XR1200
1039	ROCKER ARMS, COVERS, & PUSH RODS - 883/C/L/N/R, 1200C/L/N/R ROCKER ARMS, COVERS, & PUSH RODS - XR1200
1048	CRANKCASE & GEARCASE - 883/C/L/N/R, 1200C/L/N/R CRANKCASE & GEARCASE - XR1200
1081A	FUEL TANK - XR1200 FUEL PUMP
1091	FUEL PUMP
1094	OIL LINES & COOLER - XR1200
10957	STARTER MOTOR
10966	OIL PUMP - XR1200
10967	OIL PUMP - XR1200
10969	OIL PUMP - XR1200
10970	OIL LINES & COOLER - XR1200
10971	OIL PUMP - XR1200
10972	OIL LINES & COOLER - XR1200
10984	TRANSMISSION GEARS
11002	OIL PUMP - 883/C/L/N/R, 1200C/L/N/R
11031	REAR BRAKE MASTER CYLINDER - 883/C/L/N/R, 1200C/L/N/R

11046	CLUTCH - 883/C/L/N/R, 1200C/L/N/R CLUTCH - XR1200
11067	TRANSMISSION GEARS
11105	INSPECTION COVER & PRIMARY COVER
11110	OIL PUMP - XR1200 OIL LINES & COOLER - XR1200
11113	TRANSMISSION GEARS
11120	OIL TANK & FILTER - 883/C/L/N/R, 1200C/L/N/R OIL TANK & FILTER - XR1200
11121	REAR BRAKE MASTER CYLINDER - 883/C/L/N/R, 1200C/L/N/R REAR BRAKE MASTER CYLINDER - XR1200
11140	OIL PUMP - XR1200 OIL LINES & COOLER - XR1200
11142	FRONT BRAKE CONTROL - 883/C/L/N/R, 1200C/L/N/R FRONT BRAKE CONTROL - XR1200
11155	HANDLEBAR & THROTTLE CONTROL - 883/L/N/R, 1200L/N/R, XR1200 HANDLEBAR & THROTTLE CONTROL - 883C, 1200C HANDLEBAR SWITCHES
11161	TRANSMISSION GEARS
11171	INSPECTION COVER & PRIMARY COVER
11177A	PISTONS & FLYWHEEL ASSEMBLY CRANKCASE & GEARCASE - 883/C/L/N/R, 1200C/L/N/R CRANKCASE & GEARCASE - XR1200
11179	CLUTCH CONTROL
11190	ROCKER ARMS, COVERS, & PUSH RODS - 883/C/L/N/R, 1200C/L/N/R ROCKER ARMS, COVERS, & PUSH RODS - XR1200
11202	AIR CLEANER - 883/C/L/N/R, 1200C/L/N/R
11250	CLUTCH - 883/C/L/N/R, 1200C/L/N/R CLUTCH - XR1200
11271	HANDLEBAR & THROTTLE CONTROL - 883/L/N/R, 1200L/N/R, XR1200 HANDLEBAR & THROTTLE CONTROL - 883C, 1200C
11272	HANDLEBAR & THROTTLE CONTROL - 883/L/N/R, 1200L/N/R, XR1200 HANDLEBAR & THROTTLE CONTROL - 883C, 1200C
11282	REAR FORK, DEBRIS DEFLECTOR & BELT GUARD
11289A	ENGINE SENSORS & SWITCHES
11290	CRANKCASE & GEARCASE - XR1200 OIL PUMP - XR1200 ENGINE SENSORS & SWITCHES

	<u>OIL LINES & COOLER - XR1200</u>
11304	<u>FOOTRESTS - 883/C/L/N/R, 1200C/L/N/R</u> <u>FOOTRESTS - XR1200</u>
11317	<u>PISTONS & FLYWHEEL ASSEMBLY</u> <u>CAMSHAFTS & GEAR COVER - 883/C/L/N/R, 1200C/L/N/R</u> <u>CAMSHAFTS & GEAR COVER - XR1200</u>
11326	<u>OIL PUMP - XR1200</u>
11351	<u>OIL LINES & COOLER - XR1200</u>
11360	<u>SHIFTER</u>
11377	<u>ROCKER ARMS, COVERS, & PUSH RODS - 883/C/L/N/R, 1200C/L/N/R</u> <u>ROCKER ARMS, COVERS, & PUSH RODS - XR1200</u>
11379	<u>CLUTCH CONTROL</u> <u>FRONT BRAKE CONTROL - 883/C/L/N/R, 1200C/L/N/R</u> <u>FRONT BRAKE CONTROL - XR1200</u>
11384K	<u>OIL PUMP - XR1200</u> <u>OIL LINES & COOLER - XR1200</u>
11390	<u>FOOTRESTS - 883/C/L/N/R, 1200C/L/N/R</u>
11407	<u>REAR BRAKE MASTER CYLINDER - 883/C/L/N/R, 1200C/L/N/R</u> <u>REAR BRAKE MASTER CYLINDER - XR1200</u>
11408	<u>OIL PUMP - XR1200</u> <u>OIL LINES & COOLER - XR1200</u>
11474	<u>REAR FENDER & LICENSE PLATE BRKT - 883/C/L/R, 1200C/L/R, 883N (CANADA)</u> <u>REAR FENDER & LICENSE PLATE BRACKET - 883N (NON-CANADA), 1200N</u>
11491A	<u>FRAME & JIFFY STAND - XR1200</u>
11570	<u>FUEL TANK - XR1200</u>
11576	<u>FRAME & JIFFY STAND - 883/C/L/N/R, 1200C/L/N/R</u>
11598	<u>FRAME & JIFFY STAND - XR1200</u>
11621	<u>ROCKER ARMS, COVERS, & PUSH RODS - XR1200</u>
11625	<u>ROCKER ARMS, COVERS, & PUSH RODS - XR1200</u>
11631	<u>TRANSMISSION GEARS</u>
11652	<u>OIL LINES & COOLER - XR1200</u>
11668	<u>FUEL TANK - XR1200</u>
11730A	<u>CLUTCH - 883/C/L/N/R, 1200C/L/N/R</u> <u>CLUTCH - XR1200</u>
11765Y	<u>CLUTCH - 883/C/L/N/R, 1200C/L/N/R</u> <u>CLUTCH - XR1200</u>

11778	WIRING HARNESS, MAIN - 883/C/L/N/R, 1200C/L/N/R (1 OF 2)
11785	WIRING HARNESS, MAIN - 883/C/L/N/R, 1200C/L/N/R (1 OF 2)
11804	FRONT WHEEL, CAST - XR1200
12030	TRANSMISSION GEARS
12068	CRANKCASE & GEARCASE - 883/C/L/N/R, 1200C/L/N/R CRANKCASE & GEARCASE - XR1200
12074	TRANSMISSION GEARS
13304-08	FUEL TANK TRIM
13305-08	FUEL TANK TRIM
13340-08	FUEL TANK TRIM
13341-08	FUEL TANK TRIM
13342-08	FUEL TANK TRIM
13343-08	FUEL TANK TRIM
13386-08	FUEL TANK TRIM
13397-08	FUEL TANK TRIM
13504-09	LABELS
13566-05	FUEL TANK TRIM
13567-05	FUEL TANK TRIM
13571-07	LABELS
13578-08	FUEL TANK TRIM
13579-08	FUEL TANK TRIM
13594-09	LABELS
13699-08	LABELS
14066-09	LABELS
14081-09	LABELS
14190-07	LABELS
14258-07	LABELS
14270-92	LABELS
14448-94	HANDLEBAR & THROTTLE CONTROL - 883C, 1200C
14679-09	LABELS

15368-01A	LABELS
15370-01A	LABELS
15376-06	LABELS
1594	FRAME & JIFFY STAND - 883/C/L/N/R, 1200C/L/N/R FRAME & JIFFY STAND - XR1200
16232-04A	ENGINE MOUNTS
16287-04	ENGINE MOUNTS
16291-04	ENGINE MOUNTS
16301-08	ENGINE MOUNTS
16353-04	CYLINDER, HEAD, & VALVES - 883/C/L/N/R, 1200C/L/N/R
16360-08	INDUCTION MODULE - XR1200
16361-07	INDUCTION MODULE - 883/C/L/N/R, 1200C/L/N/R
16443-04	CYLINDER, HEAD, & VALVES - 883/C/L/N/R, 1200C/L/N/R
16452-05	CYLINDER, HEAD, & VALVES - 883/C/L/N/R, 1200C/L/N/R
16461-02	CYLINDER, HEAD, & VALVES - 883/C/L/N/R, 1200C/L/N/R
16463-04	CYLINDER, HEAD, & VALVES - 883/C/L/N/R, 1200C/L/N/R
16465-06	CYLINDER, HEAD, & VALVES - XR1200
16466-04A	CYLINDER, HEAD, & VALVES - XR1200
16478-85A	CYLINDER, HEAD, & VALVES - 883/C/L/N/R, 1200C/L/N/R CYLINDER, HEAD, & VALVES - XR1200
16480-92A	CYLINDER, HEAD, & VALVES - 883/C/L/N/R, 1200C/L/N/R CYLINDER, HEAD, & VALVES - XR1200
16573-83A	CYLINDER, HEAD, & VALVES - 883/C/L/N/R, 1200C/L/N/R CYLINDER, HEAD, & VALVES - XR1200
16660-07	CYLINDER, HEAD, & VALVES - 883/C/L/N/R, 1200C/L/N/R
16661-07	CYLINDER, HEAD, & VALVES - 883/C/L/N/R, 1200C/L/N/R
16664-86D	CYLINDER, HEAD, & VALVES - 883/C/L/N/R, 1200C/L/N/R
16666-07	CYLINDER, HEAD, & VALVES - 883/C/L/N/R, 1200C/L/N/R
16667-07	CYLINDER, HEAD, & VALVES - 883/C/L/N/R, 1200C/L/N/R
16715-83	CYLINDER, HEAD, & VALVES - 883/C/L/N/R, 1200C/L/N/R CYLINDER, HEAD, & VALVES - XR1200
16770-84F	CYLINDER, HEAD, & VALVES - 883/C/L/N/R, 1200C/L/N/R

16771-08	<u>CYLINDER, HEAD, & VALVES - XR1200</u>
16789-04	<u>CYLINDER, HEAD, & VALVES - 883/C/L/N/R, 1200C/L/N/R</u> <u>CYLINDER, HEAD, & VALVES - XR1200</u>
16800-84A	<u>ROCKER ARMS, COVERS, & PUSH RODS - 883/C/L/N/R, 1200C/L/N/R</u> <u>ROCKER ARMS, COVERS, & PUSH RODS - XR1200</u>
16832-86C	<u>CYLINDER, HEAD, & VALVES - 883/C/L/N/R, 1200C/L/N/R</u> <u>CYLINDER, HEAD, & VALVES - XR1200</u>
16865-07	<u>CYLINDER, HEAD, & VALVES - 883/C/L/N/R, 1200C/L/N/R</u>
16867-07	<u>CYLINDER, HEAD, & VALVES - 883/C/L/N/R, 1200C/L/N/R</u>
16899-02	<u>CRANKCASE & GEARCASE - XR1200</u>
17027-08	<u>CYLINDER, HEAD, & VALVES - 883/C/L/N/R, 1200C/L/N/R</u> <u>CYLINDER, HEAD, & VALVES - XR1200</u>
17036-08	<u>ROCKER ARMS, COVERS, & PUSH RODS - 883/C/L/N/R, 1200C/L/N/R</u> <u>ROCKER ARMS, COVERS, & PUSH RODS - XR1200</u>
17049-08	<u>CYLINDER, HEAD, & VALVES - 883/C/L/N/R, 1200C/L/N/R</u> <u>CYLINDER, HEAD, & VALVES - XR1200</u>
17360-83A	<u>ROCKER ARMS, COVERS, & PUSH RODS - 883/C/L/N/R, 1200C/L/N/R</u> <u>ROCKER ARMS, COVERS, & PUSH RODS - XR1200</u>
17362-07A	<u>ROCKER ARMS, COVERS, & PUSH RODS - 883/C/L/N/R, 1200C/L/N/R</u>
17375-83A	<u>ROCKER ARMS, COVERS, & PUSH RODS - 883/C/L/N/R, 1200C/L/N/R</u> <u>ROCKER ARMS, COVERS, & PUSH RODS - XR1200</u>
17393-07	<u>ROCKER ARMS, COVERS, & PUSH RODS - 883/C/L/N/R, 1200C/L/N/R</u>
17428-57	<u>ROCKER ARMS, COVERS, & PUSH RODS - 883/C/L/N/R, 1200C/L/N/R</u> <u>ROCKER ARMS, COVERS, & PUSH RODS - XR1200</u>
17485-07	<u>CYLINDER, HEAD, & VALVES - 883/C/L/N/R, 1200C/L/N/R</u>
17488-07	<u>CYLINDER, HEAD, & VALVES - 883/C/L/N/R, 1200C/L/N/R</u>
17496-07	<u>CYLINDER, HEAD, & VALVES - 883/C/L/N/R, 1200C/L/N/R</u>
17501-04	<u>ROCKER ARMS, COVERS, & PUSH RODS - 883/C/L/N/R, 1200C/L/N/R</u>
1751	<u>BELTS & SPROCKETS - XR1200</u>
17523-08	<u>CYLINDER, HEAD, & VALVES - XR1200</u>
17524-08	<u>CYLINDER, HEAD, & VALVES - XR1200</u>
17525-08	<u>CRANKCASE & GEARCASE - XR1200</u>
17532-07	<u>ROCKER ARMS, COVERS, & PUSH RODS - 883/C/L/N/R, 1200C/L/N/R</u>
17537-07	<u>ROCKER ARMS, COVERS, & PUSH RODS - 883/C/L/N/R, 1200C/L/N/R</u>

17551-04	ROCKER ARMS, COVERS, & PUSH RODS - 883/C/L/N/R, 1200C/L/N/R
17569-08	ROCKER ARMS, COVERS, & PUSH RODS - XR1200
17585-08	ROCKER ARMS, COVERS, & PUSH RODS - XR1200
17590-08	ROCKER ARMS, COVERS, & PUSH RODS - XR1200
17611-83	ROCKER ARMS, COVERS, & PUSH RODS - 883/C/L/N/R, 1200C/L/N/R ROCKER ARMS, COVERS, & PUSH RODS - XR1200
17614-07	ROCKER ARMS, COVERS, & PUSH RODS - 883/C/L/N/R, 1200C/L/N/R
17633-08A	ROCKER ARMS, COVERS, & PUSH RODS - XR1200
17645-07	ROCKER ARMS, COVERS, & PUSH RODS - 883/C/L/N/R, 1200C/L/N/R
17655-05	ROCKER ARMS, COVERS, & PUSH RODS - 883/C/L/N/R, 1200C/L/N/R
17695-07A	ROCKER ARMS, COVERS, & PUSH RODS - 883/C/L/N/R, 1200C/L/N/R ROCKER ARMS, COVERS, & PUSH RODS - XR1200
17908-02	ROCKER ARMS, COVERS, & PUSH RODS - 883/C/L/N/R, 1200C/L/N/R ROCKER ARMS, COVERS, & PUSH RODS - XR1200
17909-02	ROCKER ARMS, COVERS, & PUSH RODS - 883/C/L/N/R, 1200C/L/N/R ROCKER ARMS, COVERS, & PUSH RODS - XR1200
17946-04	ROCKER ARMS, COVERS, & PUSH RODS - 883/C/L/N/R, 1200C/L/N/R
17954-08	ROCKER ARMS, COVERS, & PUSH RODS - XR1200
17956-08	ROCKER ARMS, COVERS, & PUSH RODS - XR1200
17957-08	ROCKER ARMS, COVERS, & PUSH RODS - XR1200
17972-04	ROCKER ARMS, COVERS, & PUSH RODS - 883/C/L/N/R, 1200C/L/N/R
17976-04	ROCKER ARMS, COVERS, & PUSH RODS - 883/C/L/N/R, 1200C/L/N/R ROCKER ARMS, COVERS, & PUSH RODS - XR1200
17981-04	ROCKER ARMS, COVERS, & PUSH RODS - 883/C/L/N/R, 1200C/L/N/R
18011-86	CYLINDER, HEAD, & VALVES - 883/C/L/N/R, 1200C/L/N/R CYLINDER, HEAD, & VALVES - XR1200
18012-87A	CYLINDER, HEAD, & VALVES - 883/C/L/N/R, 1200C/L/N/R
18020-07	CYLINDER, HEAD, & VALVES - 883/C/L/N/R, 1200C/L/N/R CYLINDER, HEAD, & VALVES - XR1200
18021-87A	CYLINDER, HEAD, & VALVES - 883/C/L/N/R, 1200C/L/N/R
18053-04	CYLINDER, HEAD, & VALVES - 883/C/L/N/R, 1200C/L/N/R
18059-04	CYLINDER, HEAD, & VALVES - 883/C/L/N/R, 1200C/L/N/R
18094-02A	CYLINDER, HEAD, & VALVES - 883/C/L/N/R, 1200C/L/N/R

	<u>CYLINDER, HEAD, & VALVES - XR1200</u>
18245-02	<u>CYLINDER, HEAD, & VALVES - 883/C/L/N/R, 1200C/L/N/R</u> <u>CYLINDER, HEAD, & VALVES - XR1200</u>
18258-02	<u>CYLINDER, HEAD, & VALVES - 883/C/L/N/R, 1200C/L/N/R</u> <u>CYLINDER, HEAD, & VALVES - XR1200</u>
18260-02	<u>CYLINDER, HEAD, & VALVES - 883/C/L/N/R, 1200C/L/N/R</u> <u>CYLINDER, HEAD, & VALVES - XR1200</u>
18505-06	<u>ROCKER ARMS, COVERS, & PUSH RODS - 883/C/L/N/R, 1200C/L/N/R</u> <u>ROCKER ARMS, COVERS, & PUSH RODS - XR1200</u>
18538-99B	<u>ROCKER ARMS, COVERS, & PUSH RODS - 883/C/L/N/R, 1200C/L/N/R</u> <u>ROCKER ARMS, COVERS, & PUSH RODS - XR1200</u>
18690-02	<u>CYLINDER, HEAD, & VALVES - 883/C/L/N/R, 1200C/L/N/R</u> <u>CYLINDER, HEAD, & VALVES - XR1200</u>
18691-02	<u>CYLINDER, HEAD, & VALVES - 883/C/L/N/R, 1200C/L/N/R</u> <u>CYLINDER, HEAD, & VALVES - XR1200</u>
19518-09	<u>ENGINE ASSEMBLY</u>
19519-09	<u>ENGINE ASSEMBLY</u>
19527-09	<u>ENGINE ASSEMBLY</u>
19528-09	<u>ENGINE ASSEMBLY</u>
19566-09	<u>ENGINE ASSEMBLY</u>
19567-09	<u>ENGINE ASSEMBLY</u>
19604-09	<u>ENGINE ASSEMBLY</u>
19606-09	<u>ENGINE ASSEMBLY</u>
19607-09	<u>ENGINE ASSEMBLY</u>
19622-09	<u>ENGINE ASSEMBLY</u>
19637-09	<u>ENGINE ASSEMBLY</u>
19638-09	<u>ENGINE ASSEMBLY</u>
19639-09	<u>ENGINE ASSEMBLY</u>
19734-09	<u>ENGINE ASSEMBLY</u>
215	<u>CRANKCASE & GEARCASE - 883/C/L/N/R, 1200C/L/N/R</u> <u>CRANKCASE & GEARCASE - XR1200</u>
21948-02	<u>PISTONS & FLYWHEEL ASSEMBLY</u>
21965-08	<u>FRONT BRAKE CALIPER - XR1200</u>
22221-04	<u>PISTONS & FLYWHEEL ASSEMBLY</u>

22223-04	PISTONS & FLYWHEEL ASSEMBLY
22224-04	PISTONS & FLYWHEEL ASSEMBLY
22227-04	PISTONS & FLYWHEEL ASSEMBLY
22228-04	PISTONS & FLYWHEEL ASSEMBLY
22230-04	PISTONS & FLYWHEEL ASSEMBLY
22231-04	PISTONS & FLYWHEEL ASSEMBLY
22238-04	PISTONS & FLYWHEEL ASSEMBLY
22244-04A	PISTONS & FLYWHEEL ASSEMBLY
22261-86	PISTONS & FLYWHEEL ASSEMBLY
22265-00Y	CRANKCASE & GEARCASE - 883/C/L/N/R, 1200C/L/N/R
22266-86	PISTONS & FLYWHEEL ASSEMBLY
22267-07	CRANKCASE & GEARCASE - XR1200
22271-86	PISTONS & FLYWHEEL ASSEMBLY
22589-83B	PISTONS & FLYWHEEL ASSEMBLY
22719-04	PISTONS & FLYWHEEL ASSEMBLY
22765-02	PISTONS & FLYWHEEL ASSEMBLY
232	CRANKCASE & GEARCASE - XR1200
2325	SPEEDOMETER & TACHOMETER - 883/L/N/R, 1200L/N/R SPEEDOMETER & TACHOMETER - XR1200
2361	SPEEDOMETER & TACHOMETER - 883/L/N/R, 1200L/N/R SPEEDOMETER & TACHOMETER - 883/L/N/R, 1200L/N/R SPEEDOMETER & TACHOMETER - XR1200
2362	REAR FENDER & LICENSE PLATE BRACKET - 883N (NON-CANADA), 1200N
23905-04A	PISTONS & FLYWHEEL ASSEMBLY
23999-08	PISTONS & FLYWHEEL ASSEMBLY
24047-00	CAMSHAFTS & GEAR COVER - 883/C/L/N/R, 1200C/L/N/R CAMSHAFTS & GEAR COVER - XR1200
2407	AIR BOX - XR1200
24331-36	PISTONS & FLYWHEEL ASSEMBLY
24332-36	PISTONS & FLYWHEEL ASSEMBLY
2441	ROCKER ARMS, COVERS, & PUSH RODS - 883/C/L/N/R, 1200C/L/N/R

2445	<u>STEERING HEAD BRACKET ASSEMBLY - XR1200</u> <u>REAR FORK, DEBRIS DEFLECTOR & BELT GUARD</u> <u>REAR FENDER - XR1200</u>
2446	<u>REAR FENDER & LICENSE PLATE BRACKET - 883N (NON-CANADA), 1200N</u>
24466-06B	<u>CRANKCASE & GEARCASE - 883/C/L/N/R, 1200C/L/N/R</u>
24470-06B	<u>CRANKCASE & GEARCASE - 883/C/L/N/R, 1200C/L/N/R</u>
24475-08	<u>CRANKCASE & GEARCASE - XR1200</u>
2460	<u>AIR CLEANER - 883/C/L/N/R, 1200C/L/N/R</u>
24605-07	<u>CRANKCASE & GEARCASE - 883/C/L/N/R, 1200C/L/N/R</u> <u>CRANKCASE & GEARCASE - XR1200</u>
24647-87	<u>CRANKCASE & GEARCASE - 883/C/L/N/R, 1200C/L/N/R</u> <u>CRANKCASE & GEARCASE - XR1200</u>
24650-87	<u>CRANKCASE & GEARCASE - 883/C/L/N/R, 1200C/L/N/R</u> <u>CRANKCASE & GEARCASE - XR1200</u>
24658-87	<u>PISTONS & FLYWHEEL ASSEMBLY</u>
24659-87	<u>CRANKCASE & GEARCASE - 883/C/L/N/R, 1200C/L/N/R</u> <u>CRANKCASE & GEARCASE - XR1200</u>
24660-87	<u>CRANKCASE & GEARCASE - 883/C/L/N/R, 1200C/L/N/R</u> <u>CRANKCASE & GEARCASE - XR1200</u>
24745-07A	<u>CRANKCASE & GEARCASE - 883/C/L/N/R, 1200C/L/N/R</u>
24754-75A	<u>CRANKCASE & GEARCASE - 883/C/L/N/R, 1200C/L/N/R</u> <u>CRANKCASE & GEARCASE - XR1200</u>
2486	<u>ROCKER ARMS, COVERS, & PUSH RODS - 883/C/L/N/R, 1200C/L/N/R</u> <u>ROCKER ARMS, COVERS, & PUSH RODS - XR1200</u>
2501A	<u>CRANKCASE & GEARCASE - XR1200</u> <u>REAR BRAKE MASTER CYLINDER - 883/C/L/N/R, 1200C/L/N/R</u>
25194-06	<u>CAMSHAFTS & GEAR COVER - 883/C/L/N/R, 1200C/L/N/R</u>
25213-04	<u>CAMSHAFTS & GEAR COVER - 883/C/L/N/R, 1200C/L/N/R</u>
25219-04	<u>CAMSHAFTS & GEAR COVER - 883/C/L/N/R, 1200C/L/N/R</u>
25246-08	<u>CAMSHAFTS & GEAR COVER - XR1200</u>
25252-04	<u>CAMSHAFTS & GEAR COVER - 883/C/L/N/R, 1200C/L/N/R</u>
25263-90D	<u>CAMSHAFTS & GEAR COVER - 883/C/L/N/R, 1200C/L/N/R</u>
25271-08	<u>CAMSHAFTS & GEAR COVER - XR1200</u>
25279-08	<u>OIL PUMP - XR1200</u>
25307-06	<u>INSPECTION COVER & PRIMARY COVER</u>

2535	<u>BATTERY</u>
25394-08	<u>ENGINE SENSORS & SWITCHES</u>
25409-94B	<u>CLUTCH - 883/C/L/N/R, 1200C/L/N/R</u> <u>CLUTCH - XR1200</u>
25430-06	<u>INSPECTION COVER & PRIMARY COVER</u>
25453-87A	<u>CLUTCH - 883/C/L/N/R, 1200C/L/N/R</u> <u>CLUTCH - XR1200</u>
25460-06	<u>INSPECTION COVER & PRIMARY COVER</u>
25463-94A	<u>INSPECTION COVER & PRIMARY COVER</u>
25471-06	<u>INSPECTION COVER & PRIMARY COVER</u>
2548	<u>SPEEDOMETER & TACHOMETER - 883/L/N/R, 1200L/N/R</u> <u>SPEEDOMETER - 883C, 1200C</u>
25486-05	<u>CAMSHAFTS & GEAR COVER - 883/C/L/N/R, 1200C/L/N/R</u>
25546-07	<u>CAMSHAFTS & GEAR COVER - 883/C/L/N/R, 1200C/L/N/R</u>
25586-37	<u>CAMSHAFTS & GEAR COVER - 883/C/L/N/R, 1200C/L/N/R</u>
25588-91	<u>CAMSHAFTS & GEAR COVER - 883/C/L/N/R, 1200C/L/N/R</u>
25593-74	<u>CAMSHAFTS & GEAR COVER - 883/C/L/N/R, 1200C/L/N/R</u>
25598-91	<u>CAMSHAFTS & GEAR COVER - 883/C/L/N/R, 1200C/L/N/R</u>
2586A	<u>FRONT BRAKE CONTROL - 883/C/L/N/R, 1200C/L/N/R</u> <u>FRONT BRAKE CONTROL - XR1200</u>
26010-04	<u>ROCKER ARMS, COVERS, & PUSH RODS - 883/C/L/N/R, 1200C/L/N/R</u>
26011-04	<u>ROCKER ARMS, COVERS, & PUSH RODS - 883/C/L/N/R, 1200C/L/N/R</u>
26012-07	<u>ROCKER ARMS, COVERS, & PUSH RODS - 883/C/L/N/R, 1200C/L/N/R</u>
26016-08	<u>ROCKER ARMS, COVERS, & PUSH RODS - XR1200</u>
26020-07	<u>ROCKER ARMS, COVERS, & PUSH RODS - 883/C/L/N/R, 1200C/L/N/R</u>
26064-08	<u>OIL PUMP - XR1200</u> <u>OIL LINES & COOLER - XR1200</u>
2607	<u>REAR FENDER & LICENSE PLATE BRKT - 883/C/L/R, 1200C/L/R, 883N (CANADA)</u>
2612	<u>AIR BOX - XR1200</u>
26162-08	<u>AIR BOX - XR1200</u>
26169-08	<u>AIR BOX - XR1200</u>
26182-08	<u>OIL PUMP - XR1200</u>

26183-08	OIL LINES & COOLER - XR1200
26184-08	OIL PUMP - XR1200
26204-91A	OIL PUMP - 883/C/L/N/R, 1200C/L/N/R
26210-99	OIL PUMP - XR1200
26239-07	OIL PUMP - 883/C/L/N/R, 1200C/L/N/R
26318-88A	CAMSHAFTS & GEAR COVER - 883/C/L/N/R, 1200C/L/N/R
26332-08	CAMSHAFTS & GEAR COVER - XR1200
26400-82B	OIL PUMP - XR1200
26432-76A	OIL PUMP - XR1200
26434-91	OIL PUMP - 883/C/L/N/R, 1200C/L/N/R
26436-90A	OIL TANK & FILTER - 883/C/L/N/R, 1200C/L/N/R OIL TANK & FILTER - XR1200
26437-86B	OIL TANK & FILTER - 883/C/L/N/R, 1200C/L/N/R OIL TANK & FILTER - XR1200
26495-89B	OIL PUMP - 883/C/L/N/R, 1200C/L/N/R
26496-75A	OIL PUMP - 883/C/L/N/R, 1200C/L/N/R
26502-07	OIL PUMP - 883/C/L/N/R, 1200C/L/N/R
26503-07	OIL PUMP - 883/C/L/N/R, 1200C/L/N/R
26522-08	OIL PUMP - XR1200
26525-08	OIL PUMP - XR1200
26526-08	OIL PUMP - XR1200
26529-08	OIL PUMP - XR1200
2653	REAR TURN SIGNALS, TAIL LAMP & LICENSE PLATE BRACKET - XR1200
26546-08	OIL PUMP - XR1200
26554-77B	ENGINE SENSORS & SWITCHES
26592-08	OIL PUMP - XR1200
26638-00Y	CRANKCASE & GEARCASE - 883/C/L/N/R, 1200C/L/N/R CRANKCASE & GEARCASE - XR1200
26856-89A	ROCKER ARMS, COVERS, & PUSH RODS - XR1200
26995-86B	INDUCTION MODULE - 883/C/L/N/R, 1200C/L/N/R INDUCTION MODULE - XR1200

27042-84A	<u>EVAPORATIVE EMISSIONS</u>
27047-84B	<u>EVAPORATIVE EMISSIONS</u>
27067-07A	<u>FUEL TANK - 883/C/L/N/R, 1200C/L/N/R</u>
2708A	<u>SHIFT LEVER</u> <u>REAR FORK, DEBRIS DEFLECTOR & BELT GUARD</u>
27096-04A	<u>FUEL TANK - 883/C/L/N/R, 1200C/L/N/R</u> <u>FUEL TANK - XR1200</u>
27200-08	<u>FUEL TANK - XR1200</u>
27216-95	<u>INDUCTION MODULE - 883/C/L/N/R, 1200C/L/N/R</u> <u>INDUCTION MODULE - XR1200</u>
27250-96B	<u>FUEL TANK - 883/C/L/N/R, 1200C/L/N/R</u>
27327-07	<u>INDUCTION MODULE - 883/C/L/N/R, 1200C/L/N/R</u> <u>INDUCTION MODULE - XR1200</u>
27628-01A	<u>INDUCTION MODULE - 883/C/L/N/R, 1200C/L/N/R</u> <u>INDUCTION MODULE - XR1200</u>
27629-01A	<u>INDUCTION MODULE - 883/C/L/N/R, 1200C/L/N/R</u> <u>INDUCTION MODULE - XR1200</u> <u>SWITCHES, SENSORS & ELECTRICAL CONNECTORS</u>
27690-08	<u>EXHAUST SYSTEM - XR1200</u> <u>SWITCHES, SENSORS & ELECTRICAL CONNECTORS</u>
27693-07	<u>INDUCTION MODULE - 883/C/L/N/R, 1200C/L/N/R</u>
27695-08	<u>INDUCTION MODULE - XR1200</u>
27698-08A	<u>INDUCTION MODULE - XR1200</u>
27700-07	<u>INDUCTION MODULE - 883/C/L/N/R, 1200C/L/N/R</u>
27701-07A	<u>INDUCTION MODULE - 883/C/L/N/R, 1200C/L/N/R</u>
27704-07	<u>INDUCTION MODULE - 883/C/L/N/R, 1200C/L/N/R</u> <u>INDUCTION MODULE - XR1200</u>
27706-07A	<u>INDUCTION MODULE - 883/C/L/N/R, 1200C/L/N/R</u> <u>INDUCTION MODULE - XR1200</u>
27707-07	<u>INDUCTION MODULE - 883/C/L/N/R, 1200C/L/N/R</u>
27714-06	<u>EXHAUST SYSTEM - 883/C/L/N/R, 1200C/L/N/R</u> <u>EXHAUST SYSTEM - XR1200</u> <u>SWITCHES, SENSORS & ELECTRICAL CONNECTORS</u>
27719-07	<u>EXHAUST SYSTEM - 883/C/L/N/R, 1200C/L/N/R</u> <u>SWITCHES, SENSORS & ELECTRICAL CONNECTORS</u>
2773	<u>REAR FENDER & LICENSE PLATE BRKT - 883/C/L/R, 1200C/L/R, 883N (CANADA)</u>

27774-07	INDUCTION MODULE - 883/C/L/N/R, 1200C/L/N/R
27792-08	INDUCTION MODULE - XR1200
27794-08	ELECTRONIC IGNITION SYSTEM - XR1200
27795-07	INDUCTION MODULE - 883/C/L/N/R, 1200C/L/N/R
27955-09	AIR CLEANER - 883/C/L/N/R, 1200C/L/N/R
2872W	REAR FENDER - XR1200
28822-07A	EVAPORATIVE EMISSIONS
28908-04A	EVAPORATIVE EMISSIONS
28909-04	EVAPORATIVE EMISSIONS
28911-04A	FUEL TANK - 883/C/L/N/R, 1200C/L/N/R EVAPORATIVE EMISSIONS
29062-95B	AIR CLEANER - 883/C/L/N/R, 1200C/L/N/R
29084-04	AIR CLEANER - 883/C/L/N/R, 1200C/L/N/R
29113-07	AIR CLEANER - 883/C/L/N/R, 1200C/L/N/R
29122-05	AIR CLEANER - 883/C/L/N/R, 1200C/L/N/R
29123-07	AIR CLEANER - 883/C/L/N/R, 1200C/L/N/R
29125-07	AIR CLEANER - 883/C/L/N/R, 1200C/L/N/R
29127-95B	LABELS
29147-07	LABELS
29313-95	AIR CLEANER - 883/C/L/N/R, 1200C/L/N/R
29315-04	AIR CLEANER - 883/C/L/N/R, 1200C/L/N/R
29331-04	AIR CLEANER - 883/C/L/N/R, 1200C/L/N/R
29346-07	AIR CLEANER - 883/C/L/N/R, 1200C/L/N/R
29352-07	AIR CLEANER - 883/C/L/N/R, 1200C/L/N/R
29354-07	AIR CLEANER - 883/C/L/N/R, 1200C/L/N/R
29355-07	AIR CLEANER - 883/C/L/N/R, 1200C/L/N/R
29369-07A	AIR CLEANER - 883/C/L/N/R, 1200C/L/N/R
29371-08	AIR BOX - XR1200
29377-08	AIR BOX - XR1200
29379-08	AIR BOX - XR1200

29380-08	AIR BOX - XR1200
29404-01A	LABELS
29466-08	LABELS
2952A	SEATS REAR FENDER & LICENSE PLATE BRACKET - 883N (NON-CANADA), 1200N
2955	HANDLEBAR SWITCHES
29802-07	AIR CLEANER - 883/C/L/N/R, 1200C/L/N/R
29867-09	AIR BOX - XR1200
29950-91	CRANKCASE & GEARCASE - 883/C/L/N/R, 1200C/L/N/R CRANKCASE & GEARCASE - XR1200
29997-07A	ALTERNATOR & REGULATOR
30018-08	ALTERNATOR & REGULATOR BELTS & SPROCKETS - XR1200
30029-08	ALTERNATOR & REGULATOR BELTS & SPROCKETS - XR1200
3022A	TAIL LAMP - 883/C/L/R, 1200C/L/R
3026	HORN
3029	ALTERNATOR & REGULATOR
3048	FOOTRESTS - XR1200
3059	FUEL TANK - XR1200
3060	FUEL TANK - XR1200
3085	REAR FENDER & LICENSE PLATE BRACKET - 883N (NON-CANADA), 1200N
3123	WIRING HARNESS, MAIN - 883/C/L/N/R, 1200C/L/N/R (1 OF 2)
3124	ELECTRONIC IGNITION SYSTEM - 883/C/L/N/R, 1200C/L/N/R WIRING HARNESS, MAIN - 883/C/L/N/R, 1200C/L/N/R (1 OF 2) WIRING HARNESS, MAIN - XR1200 (1 OF 2)
31328-91	STARTER MOTOR
31390-91F	STARTER MOTOR
31488-81C	STARTER MOTOR
31512-04	OIL TANK & FILTER - 883/C/L/N/R, 1200C/L/N/R
31515-90	STARTER MOTOR
31518-90	STARTER MOTOR

31525-90	<u>STARTER MOTOR</u>
31530-90	<u>STARTER MOTOR</u>
31537-98	<u>STARTER MOTOR</u>
31556-91C	<u>STARTER MOTOR</u>
31599-91	<u>STARTER MOTOR</u>
31600-90	<u>STARTER MOTOR</u>
31601-04	<u>WIRING HARNESS, MAIN - 883/C/L/N/R, 1200C/L/N/R (1 OF 2)</u> <u>WIRING HARNESS, MAIN - XR1200 (1 OF 2)</u> <u>SWITCHES, SENSORS & ELECTRICAL CONNECTORS</u>
31602-08	<u>BELTS & SPROCKETS - XR1200</u>
31603-91	<u>STARTER MOTOR</u>
31630-08	<u>BELTS & SPROCKETS - XR1200</u>
31656-07	<u>ELECTRONIC IGNITION SYSTEM - 883/C/L/N/R, 1200C/L/N/R</u> <u>ELECTRONIC IGNITION SYSTEM - XR1200</u>
31662-90	<u>STARTER MOTOR</u>
31688-90	<u>STARTER MOTOR</u>
31689-90	<u>STARTER MOTOR</u>
31692-90	<u>STARTER MOTOR</u>
31695-90	<u>STARTER MOTOR</u>
31698-08	<u>BELTS & SPROCKETS - XR1200</u>
31699-08	<u>BELTS & SPROCKETS - XR1200</u>
31753-07	<u>ELECTRONIC IGNITION SYSTEM - 883/C/L/N/R, 1200C/L/N/R</u> <u>ELECTRONIC IGNITION SYSTEM - XR1200</u>
31797-07	<u>WIRING HARNESS, MAIN - 883/C/L/N/R, 1200C/L/N/R (1 OF 2)</u>
31801-08	<u>ELECTRONIC IGNITION SYSTEM - XR1200</u>
31806-08	<u>WIRING HARNESS, MAIN - XR1200 (1 OF 2)</u>
31807-07	<u>ELECTRONIC IGNITION SYSTEM - 883/C/L/N/R, 1200C/L/N/R</u>
32003-07	<u>ELECTRONIC IGNITION SYSTEM - 883/C/L/N/R, 1200C/L/N/R</u>
32004-08	<u>ELECTRONIC IGNITION SYSTEM - XR1200</u>
32005-08A	<u>ELECTRONIC IGNITION SYSTEM - XR1200</u>
32006-07	<u>ELECTRONIC IGNITION SYSTEM - 883/C/L/N/R, 1200C/L/N/R</u>

3210A	FOOTRESTS - 883/C/L/N/R, 1200C/L/N/R FOOTRESTS - 883/C/L/N/R, 1200C/L/N/R FOOTRESTS - XR1200 HANDLEBAR & THROTTLE CONTROL - 883/L/N/R, 1200L/N/R, XR1200 HANDLEBAR & THROTTLE CONTROL - 883C, 1200C FRONT FENDER
32319-07	INDUCTION MODULE - 883/C/L/N/R, 1200C/L/N/R INDUCTION MODULE - XR1200 SWITCHES, SENSORS & ELECTRICAL CONNECTORS
32362-04	ELECTRONIC IGNITION SYSTEM - 883/C/L/N/R, 1200C/L/N/R
3244	CLUTCH CONTROL FRONT BRAKE CONTROL - 883/C/L/N/R, 1200C/L/N/R FRONT BRAKE CONTROL - XR1200
32472-07B	ENGINE SENSORS & SWITCHES
32493-02B	ALTERNATOR & REGULATOR BELTS & SPROCKETS - 883/C/L/N/R, 1200C/L/N/R
32494-04B	ALTERNATOR & REGULATOR BELTS & SPROCKETS - 883/C/L/N/R, 1200C/L/N/R
32506-90	CAMSHAFTS & GEAR COVER - 883/C/L/N/R, 1200C/L/N/R
32514-04	CAMSHAFTS & GEAR COVER - 883/C/L/N/R, 1200C/L/N/R
32531-07	CAMSHAFTS & GEAR COVER - 883/C/L/N/R, 1200C/L/N/R
32534-05C	ELECTRONIC IGNITION SYSTEM - 883/C/L/N/R, 1200C/L/N/R ELECTRONIC IGNITION SYSTEM - XR1200
32555-04	CAMSHAFTS & GEAR COVER - 883/C/L/N/R, 1200C/L/N/R
32587-06	CAMSHAFTS & GEAR COVER - 883/C/L/N/R, 1200C/L/N/R
32617-00Y	CRANKCASE & GEARCASE - 883/C/L/N/R, 1200C/L/N/R CRANKCASE & GEARCASE - XR1200
32699-05	CAMSHAFTS & GEAR COVER - 883/C/L/N/R, 1200C/L/N/R
32707-01C	ENGINE SENSORS & SWITCHES
33032-99	FOOTRESTS - 883/C/L/N/R, 1200C/L/N/R
33048-72	FOOTRESTS - 883/C/L/N/R, 1200C/L/N/R
33084-06	FOOTRESTS - XR1200
33117-91A	OIL TANK & FILTER - 883/C/L/N/R, 1200C/L/N/R OIL TANK & FILTER - XR1200
33123-06A	OIL TANK & FILTER - 883/C/L/N/R, 1200C/L/N/R OIL TANK & FILTER - XR1200
33130-07A	FOOTRESTS - 883/C/L/N/R, 1200C/L/N/R FOOTRESTS - XR1200

33133-06	FOOTRESTS - 883/C/L/N/R, 1200C/L/N/R FOOTRESTS - XR1200
33134-07CAZ	FOOTRESTS - 883/C/L/N/R, 1200C/L/N/R FOOTRESTS - XR1200
33135-07CAZ	FOOTRESTS - 883/C/L/N/R, 1200C/L/N/R FOOTRESTS - XR1200
33138-06	OIL TANK & FILTER - 883/C/L/N/R, 1200C/L/N/R OIL TANK & FILTER - XR1200
33189-63	FOOTRESTS - 883/C/L/N/R, 1200C/L/N/R
33216-99	FOOTRESTS - 883/C/L/N/R, 1200C/L/N/R
33354-08	TRANSMISSION GEARS
33540-06	SHIFTER
33641-06	SHIFTER
33831-08	SHIFT LEVER
33832-08	SHIFT LEVER
33875-08	SHIFT LEVER
33900-99	SHIFTER SWITCHES, SENSORS & ELECTRICAL CONNECTORS
34014-06A	SHIFTER
3403	STARTER MOTOR
34064-00C	SHIFTER
34076-02A	SHIFTER
34157-06	SHIFTER
34162-06	SHIFTER
34163-02	SHIFTER
34483-06	SHIFTER
34491-02A	SHIFTER
34572-04	SHIFT LEVER
34573-04	SHIFT LEVER
34581-04	REAR BRAKE CONTROL - 883C, 1200C
34582-04	REAR BRAKE CONTROL - 883/L/N/R, 1200L/N/R
34611-65A	SHIFT LEVER

34660-04A	<u>SHIFT LEVER</u>
34670-06	<u>SHIFT LEVER</u>
34672-08	<u>SHIFT LEVER</u>
34721-07	<u>SHIFT LEVER</u>
34760-04	<u>INSPECTION COVER & PRIMARY COVER</u>
34761-04A	<u>INSPECTION COVER & PRIMARY COVER</u>
34790-05	<u>INSPECTION COVER & PRIMARY COVER</u>
34794-05A	<u>INSPECTION COVER & PRIMARY COVER</u>
3480A	<u>CAMSHAFTS & GEAR COVER - 883/C/L/N/R, 1200C/L/N/R</u> <u>CAMSHAFTS & GEAR COVER - XR1200</u> <u>ELECTRONIC IGNITION SYSTEM - 883/C/L/N/R, 1200C/L/N/R</u> <u>ELECTRONIC IGNITION SYSTEM - XR1200</u> <u>BELTS & SPROCKETS - 883/C/L/N/R, 1200C/L/N/R</u> <u>BELTS & SPROCKETS - XR1200</u>
3485A	<u>FUEL TANK - XR1200</u>
34911-04	<u>BELTS & SPROCKETS - 883/C/L/N/R, 1200C/L/N/R</u>
34920-86A	<u>CLUTCH - 883/C/L/N/R, 1200C/L/N/R</u> <u>CLUTCH - XR1200</u>
34932-04	<u>BELTS & SPROCKETS - 883/C/L/N/R, 1200C/L/N/R</u>
34938-04	<u>BELTS & SPROCKETS - 883/C/L/N/R, 1200C/L/N/R</u>
34941-08	<u>BELTS & SPROCKETS - XR1200</u>
34943-05	<u>BELTS & SPROCKETS - 883/C/L/N/R, 1200C/L/N/R</u>
34954-07	<u>BELTS & SPROCKETS - 883/C/L/N/R, 1200C/L/N/R</u>
34955-04	<u>INSPECTION COVER & PRIMARY COVER</u>
34981-02A	<u>SHIFTER</u>
34982-02	<u>SHIFTER</u>
34990-08	<u>INSPECTION COVER & PRIMARY COVER</u>
34992-04	<u>INSPECTION COVER & PRIMARY COVER</u>
34993-04A	<u>INSPECTION COVER & PRIMARY COVER</u>
35030-89A	<u>TRANSMISSION GEARS</u>
35038-89A	<u>TRANSMISSION GEARS</u>
35051-89A	<u>TRANSMISSION GEARS</u>
35087-99A	<u>TRANSMISSION GEARS</u>

35107-06	<u>TRANSMISSION GEARS</u>
35114-02	<u>CRANKCASE & GEARCASE - 883/C/L/N/R, 1200C/L/N/R</u> <u>CRANKCASE & GEARCASE - XR1200</u>
35118-03	<u>CRANKCASE & GEARCASE - 883/C/L/N/R, 1200C/L/N/R</u> <u>CRANKCASE & GEARCASE - XR1200</u>
3514	<u>HEADLAMP & MIRROR - 883/L/N/R, 1200L/N/R</u> <u>HEADLAMP & MIRROR - XR1200</u>
35159-06	<u>TRANSMISSION GEARS</u>
35163-06	<u>TRANSMISSION GEARS</u>
35165-06	<u>TRANSMISSION GEARS</u>
35167-06	<u>TRANSMISSION GEARS</u>
35172-06	<u>TRANSMISSION GEARS</u>
35174-06	<u>TRANSMISSION GEARS</u>
35190-06	<u>TRANSMISSION GEARS</u>
35191-06	<u>TRANSMISSION GEARS</u>
35193-06	<u>TRANSMISSION GEARS</u>
35196-06	<u>TRANSMISSION GEARS</u>
35197-06	<u>TRANSMISSION GEARS</u>
35211-91B	<u>BELTS & SPROCKETS - 883/C/L/N/R, 1200C/L/N/R</u> <u>BELTS & SPROCKETS - XR1200</u>
35234-08	<u>TRANSMISSION GEARS</u>
3559	<u>STARTER MOTOR</u>
3563	<u>HORN</u>
3565	<u>AIR CLEANER - 883/C/L/N/R, 1200C/L/N/R</u>
3574	<u>REAR FENDER - XR1200</u>
3579A	<u>REAR BRAKE MASTER CYLINDER - XR1200</u> <u>REAR FORK, DEBRIS DEFLECTOR & BELT GUARD</u>
358	<u>CRANKCASE & GEARCASE - 883/C/L/N/R, 1200C/L/N/R</u> <u>CRANKCASE & GEARCASE - XR1200</u>
3588	<u>OIL TANK & FILTER - 883/C/L/N/R, 1200C/L/N/R</u> <u>OIL TANK & FILTER - XR1200</u> <u>BATTERY</u>
3594	<u>ENGINE SENSORS & SWITCHES</u> <u>BELTS & SPROCKETS - 883/C/L/N/R, 1200C/L/N/R</u>

	<u>BELTS & SPROCKETS - XR1200</u>
3605	<u>HANDLEBAR & THROTTLE CONTROL - 883/L/N/R, 1200L/N/R, XR1200</u> <u>HANDLEBAR & THROTTLE CONTROL - 883C, 1200C</u>
3615	<u>HEADLAMP & MIRROR - 883C, 1200C</u>
3655A	<u>FRONT WHEEL, CAST - 883/L/N/R, 1200L/R</u> <u>FRONT WHEEL, CAST - XR1200</u> <u>FRONT WHEEL, LACED & PROFILE LACED - 883/C/L/R, 1200C/N/L/R</u> <u>FRONT WHEEL, LACED & PROFILE LACED - 883/C/L/R, 1200C/N/L/R</u> <u>STEERING HEAD BRACKET ASSEMBLY - 883/C/L/N/R, 1200C/L/N/R</u> <u>HEADLAMP & MIRROR - 883/L/N/R, 1200L/N/R</u>
3658	<u>HANDLEBAR & THROTTLE CONTROL - 883/L/N/R, 1200L/N/R, XR1200</u> <u>HANDLEBAR & THROTTLE CONTROL - 883C, 1200C</u> <u>HORN</u> <u>SWITCHES, SENSORS & ELECTRICAL CONNECTORS</u> <u>HANDLEBAR SWITCHES</u>
3666A	<u>HANDLEBAR & THROTTLE CONTROL - 883C, 1200C</u>
36715-94	<u>CLUTCH - 883/C/L/N/R, 1200C/L/N/R</u> <u>CLUTCH - XR1200</u>
36731-91	<u>CLUTCH - 883/C/L/N/R, 1200C/L/N/R</u> <u>CLUTCH - XR1200</u>
36785-91	<u>CLUTCH - 883/C/L/N/R, 1200C/L/N/R</u>
36790-04	<u>CLUTCH - 883/C/L/N/R, 1200C/L/N/R</u>
36799-91	<u>CLUTCH - 883/C/L/N/R, 1200C/L/N/R</u>
36802-84B	<u>CLUTCH - 883/C/L/N/R, 1200C/L/N/R</u> <u>CLUTCH - XR1200</u>
3696	<u>FRAME & JIFFY STAND - XR1200</u>
3706M	<u>REAR TURN SIGNALS, TAIL LAMP & LICENSE PLATE BRACKET - XR1200</u>
3708M	<u>ELECTRONIC IGNITION SYSTEM - XR1200</u>
37107-06	<u>SHIFTER</u>
3731M	<u>FRONT FENDER</u>
3732	<u>TURN SIGNAL MODULE & SECURITY SIREN</u>
37495-91	<u>CLUTCH - 883/C/L/N/R, 1200C/L/N/R</u> <u>CLUTCH - XR1200</u>
3767B	<u>EVAPORATIVE EMISSIONS</u>
37797-09	<u>REAR WHEEL, CAST - XR1200</u>
37799-09	<u>BELTS & SPROCKETS - 883/C/L/N/R, 1200C/L/N/R</u> <u>REAR WHEEL, CAST - 883/L/N/R, 1200C/L/R</u> <u>REAR WHEEL, CAST - XR1200</u>

37870-91	CLUTCH - 883/C/L/N/R, 1200C/L/N/R CLUTCH - XR1200
37872-90	CLUTCH - 883/C/L/N/R, 1200C/L/N/R CLUTCH - XR1200
37890-02	CLUTCH - XR1200
37891-02	CLUTCH - XR1200
37892-02	CLUTCH - XR1200
37894-02	CLUTCH - XR1200
37895-02	CLUTCH - XR1200
37896-02	CLUTCH - XR1200
37897-02	CLUTCH - XR1200
37898-02A	CLUTCH - XR1200
37899-02A	CLUTCH - XR1200
37904-90	CLUTCH - 883/C/L/N/R, 1200C/L/N/R
37905-90	CLUTCH - 883/C/L/N/R, 1200C/L/N/R
37908-90	CLUTCH - 883/C/L/N/R, 1200C/L/N/R CLUTCH - XR1200
37909-90	CLUTCH - 883/C/L/N/R, 1200C/L/N/R CLUTCH - XR1200
37910-04B	CLUTCH - 883/C/L/N/R, 1200C/L/N/R
37911-90	CLUTCH - 883/C/L/N/R, 1200C/L/N/R CLUTCH - XR1200
37912-91	CLUTCH - 883/C/L/N/R, 1200C/L/N/R
37913-90	CLUTCH - 883/C/L/N/R, 1200C/L/N/R CLUTCH - XR1200
37924-04A	CLUTCH - 883/C/L/N/R, 1200C/L/N/R
37934-06	CLUTCH - XR1200
37977-90	CLUTCH - 883/C/L/N/R, 1200C/L/N/R
3802W	REAR FENDER - XR1200
3814	REAR WHEEL, CAST - 883/L/N/R, 1200C/L/R REAR WHEEL, CAST - XR1200 REAR WHEEL, LACED & PROFILE LACED - 883/C/L/R, 1200C/L/N/R
3849	ROCKER ARMS, COVERS, & PUSH RODS - 883/C/L/N/R, 1200C/L/N/R ROCKER ARMS, COVERS, & PUSH RODS - XR1200

3854	<u>ENGINE MOUNTS</u>
38630-88	<u>CLUTCH CONTROL</u>
38653-01	<u>HANDLEBAR & THROTTLE CONTROL - 883/L/N/R, 1200L/N/R, XR1200</u> <u>HANDLEBAR & THROTTLE CONTROL - 883C, 1200C</u>
38671-04	<u>CLUTCH CONTROL</u>
38699-04C	<u>CLUTCH CONTROL</u>
38702-05C	<u>CLUTCH CONTROL</u>
38786-08A	<u>CLUTCH CONTROL</u>
3880	<u>SHOCK ABSORBERS - 883/C/L/N/R, 1200C/L/N/R</u> <u>SHOCK ABSORBERS - XR1200</u>
3899	<u>BELTS & SPROCKETS - 883/C/L/N/R, 1200C/L/N/R</u> <u>BELTS & SPROCKETS - XR1200</u> <u>REAR WHEEL, CAST - 883/L/N/R, 1200C/L/R</u> <u>REAR WHEEL, CAST - XR1200</u> <u>REAR WHEEL, LACED & PROFILE LACED - 883/C/L/R, 1200C/L/N/R</u>
3976	<u>ROCKER ARMS, COVERS, & PUSH RODS - 883/C/L/N/R, 1200C/L/N/R</u> <u>ROCKER ARMS, COVERS, & PUSH RODS - XR1200</u>
3987	<u>INDUCTION MODULE - 883/C/L/N/R, 1200C/L/N/R</u> <u>INDUCTION MODULE - XR1200</u>
3990	<u>TRANSMISSION GEARS</u>
40005-57B	<u>BELTS & SPROCKETS - 883/C/L/N/R, 1200C/L/N/R</u>
40039-02C	<u>BELTS & SPROCKETS - 883/C/L/N/R, 1200C/L/N/R</u> <u>BELTS & SPROCKETS - XR1200</u>
40057-08	<u>BELTS & SPROCKETS - XR1200</u>
40147-04	<u>BELTS & SPROCKETS - 883/C/L/N/R, 1200C/L/N/R</u> <u>BELTS & SPROCKETS - XR1200</u>
4016	<u>SHIFT LEVER</u>
4017	<u>REAR FENDER & LICENSE PLATE BRKT - 883/C/L/R, 1200C/L/R, 883N (CANADA)</u> <u>REAR FENDER & LICENSE PLATE BRACKET - 883N (NON-CANADA), 1200N</u>
40241-02A	<u>ALTERNATOR & REGULATOR</u> <u>BELTS & SPROCKETS - 883/C/L/N/R, 1200C/L/N/R</u>
40251-92A	<u>BELTS & SPROCKETS - 883/C/L/N/R, 1200C/L/N/R</u> <u>BELTS & SPROCKETS - XR1200</u>
40254-02	<u>CRANKCASE & GEARCASE - 883/C/L/N/R, 1200C/L/N/R</u> <u>CRANKCASE & GEARCASE - XR1200</u> <u>BELTS & SPROCKETS - 883/C/L/N/R, 1200C/L/N/R</u> <u>BELTS & SPROCKETS - XR1200</u>
40290-04A	<u>ALTERNATOR & REGULATOR</u>

	<u>BELTS & SPROCKETS - 883/C/L/N/R, 1200C/L/N/R</u>
4029A	<u>FRONT FORK - 883/C/L/R, 1200C/L/R</u> <u>FRONT FORK - 883N, 1200N</u>
4032A	<u>EXHAUST SYSTEM - 883/C/L/N/R, 1200C/L/N/R</u>
40350-07	<u>BELTS & SPROCKETS - 883/C/L/N/R, 1200C/L/N/R</u> <u>REAR WHEEL, CAST - 883/L/N/R, 1200C/L/R</u> <u>REAR WHEEL, LACED & PROFILE LACED - 883/C/L/R, 1200C/L/N/R</u>
40352-07	<u>BELTS & SPROCKETS - 883/C/L/N/R, 1200C/L/N/R</u> <u>REAR WHEEL, CAST - 883/L/N/R, 1200C/L/R</u>
40353-08	<u>BELTS & SPROCKETS - 883/C/L/N/R, 1200C/L/N/R</u> <u>BELTS & SPROCKETS - XR1200</u> <u>REAR WHEEL, CAST - 883/L/N/R, 1200C/L/R</u> <u>REAR WHEEL, CAST - XR1200</u>
40371-07	<u>BELTS & SPROCKETS - 883/C/L/N/R, 1200C/L/N/R</u>
40379-04	<u>BELTS & SPROCKETS - 883/C/L/N/R, 1200C/L/N/R</u> <u>BELTS & SPROCKETS - XR1200</u>
40380-04	<u>BELTS & SPROCKETS - 883/C/L/N/R, 1200C/L/N/R</u>
40409-04	<u>BELTS & SPROCKETS - 883/C/L/N/R, 1200C/L/N/R</u>
40444-07	<u>BELTS & SPROCKETS - 883/C/L/N/R, 1200C/L/N/R</u> <u>REAR WHEEL, LACED & PROFILE LACED - 883/C/L/R, 1200C/L/N/R</u>
40518-08	<u>BELTS & SPROCKETS - 883/C/L/N/R, 1200C/L/N/R</u> <u>REAR WHEEL, CAST - 883/L/N/R, 1200C/L/R</u> <u>REAR WHEEL, LACED & PROFILE LACED - 883/C/L/R, 1200C/L/N/R</u>
40544-08	<u>BELTS & SPROCKETS - 883/C/L/N/R, 1200C/L/N/R</u> <u>REAR WHEEL, CAST - 883/L/N/R, 1200C/L/R</u>
40558-82	<u>REAR WHEEL, LACED & PROFILE LACED - 883/C/L/R, 1200C/L/N/R</u>
40560-05	<u>REAR WHEEL, CAST - 883/L/N/R, 1200C/L/R</u> <u>REAR WHEEL, CAST - XR1200</u> <u>REAR WHEEL, LACED & PROFILE LACED - 883/C/L/R, 1200C/L/N/R</u>
40561-05	<u>REAR WHEEL, CAST - 883/L/N/R, 1200C/L/R</u> <u>REAR WHEEL, CAST - XR1200</u> <u>REAR WHEEL, LACED & PROFILE LACED - 883/C/L/R, 1200C/L/N/R</u>
40562-05	<u>REAR WHEEL, CAST - 883/L/N/R, 1200C/L/R</u> <u>REAR WHEEL, LACED & PROFILE LACED - 883/C/L/R, 1200C/L/N/R</u>
40574-06	<u>INSPECTION COVER & PRIMARY COVER</u>
40575-05	<u>REAR WHEEL, LACED & PROFILE LACED - 883/C/L/R, 1200C/L/N/R</u>
40591-07	<u>BELTS & SPROCKETS - 883/C/L/N/R, 1200C/L/N/R</u> <u>BELTS & SPROCKETS - XR1200</u>
40759-05	<u>FRONT WHEEL, LACED & PROFILE LACED - 883/C/L/R, 1200C/N/L/R</u>

4076	REAR BRAKE MASTER CYLINDER - 883/C/L/N/R, 1200C/L/N/R REAR BRAKE CONTROL - 883/L/N/R, 1200L/N/R FRAME & JIFFY STAND - XR1200
40760-05	FRONT WHEEL, LACED & PROFILE LACED - 883/C/L/R, 1200C/N/L/R
40761-05	FRONT WHEEL, LACED & PROFILE LACED - 883/C/L/R, 1200C/N/L/R
40762-05	FRONT WHEEL, LACED & PROFILE LACED - 883/C/L/R, 1200C/N/L/R
4091	CRANKCASE & GEARCASE - 883/C/L/N/R, 1200C/L/N/R CRANKCASE & GEARCASE - XR1200
40930-05	REAR WHEEL, CAST - 883/L/N/R, 1200C/L/R REAR WHEEL, CAST - XR1200 REAR WHEEL, LACED & PROFILE LACED - 883/C/L/R, 1200C/L/N/R
40946-04	REAR BRAKE MASTER CYLINDER - 883/C/L/N/R, 1200C/L/N/R
40948-04	REAR BRAKE MASTER CYLINDER - 883/C/L/N/R, 1200C/L/N/R REAR BRAKE MASTER CYLINDER - XR1200
40968-08A	REAR BRAKE CALIPER - 883/C/L/N/R, 1200C/L/N/R
40992-08	REAR WHEEL, CAST - 883/L/N/R, 1200C/L/R
41012-08	REAR WHEEL, CAST - 883/L/N/R, 1200C/L/R
41013-09	REAR WHEEL, CAST - 883/L/N/R, 1200C/L/R
41058-09	REAR WHEEL, CAST - 883/L/N/R, 1200C/L/R
41082-08	REAR WHEEL, LACED & PROFILE LACED - 883/C/L/R, 1200C/L/N/R
41083-08	REAR WHEEL, LACED & PROFILE LACED - 883/C/L/R, 1200C/L/N/R
41123-79	FRONT WHEEL, CAST - 883/L/N/R, 1200L/R FRONT WHEEL, CAST - XR1200 FRONT WHEEL, LACED & PROFILE LACED - 883/C/L/R, 1200C/N/L/R REAR WHEEL, CAST - 883/L/N/R, 1200C/L/R REAR WHEEL, CAST - XR1200 REAR WHEEL, LACED & PROFILE LACED - 883/C/L/R, 1200C/L/N/R
41176-08	REAR WHEEL, CAST - 883/L/N/R, 1200C/L/R REAR WHEEL, LACED & PROFILE LACED - 883/C/L/R, 1200C/L/N/R
41188-06	FRONT WHEEL, LACED & PROFILE LACED - 883/C/L/R, 1200C/N/L/R
41191-74A	INSPECTION COVER & PRIMARY COVER
41229-08	REAR WHEEL, CAST - 883/L/N/R, 1200C/L/R REAR WHEEL, CAST - XR1200 REAR WHEEL, LACED & PROFILE LACED - 883/C/L/R, 1200C/L/N/R
4132	OIL PUMP - 883/C/L/N/R, 1200C/L/N/R
41426-07	FRONT WHEEL, LACED & PROFILE LACED - 883/C/L/R, 1200C/N/L/R

41561-04	ENGINE MOUNTS
41562-04	ENGINE MOUNTS
41568-04	ENGINE MOUNTS
41573-05	REAR FORK, DEBRIS DEFLECTOR & BELT GUARD
41623-05	REAR FORK, DEBRIS DEFLECTOR & BELT GUARD
41626-08	REAR FORK, DEBRIS DEFLECTOR & BELT GUARD
41627-08	REAR WHEEL, CAST - XR1200
41628-08	FRONT WHEEL, CAST - XR1200
41659-08	FRONT WHEEL, CAST - 883/L/N/R, 1200L/R
41660-08	REAR WHEEL, CAST - 883/L/N/R, 1200C/L/R
41698-04	REAR FORK, DEBRIS DEFLECTOR & BELT GUARD
41699-04	ENGINE MOUNTS
41730-08	REAR WHEEL, CAST - 883/L/N/R, 1200C/L/R REAR WHEEL, CAST - XR1200 REAR WHEEL, LACED & PROFILE LACED - 883/C/L/R, 1200C/L/N/R
41732-04	FRONT BRAKE CONTROL - 883/C/L/N/R, 1200C/L/N/R FRONT BRAKE CONTROL - XR1200 REAR BRAKE MASTER CYLINDER - 883/C/L/N/R, 1200C/L/N/R REAR BRAKE MASTER CYLINDER - XR1200
41736-04	FRONT BRAKE CONTROL - 883/C/L/N/R, 1200C/L/N/R FRONT BRAKE CONTROL - XR1200 REAR BRAKE MASTER CYLINDER - 883/C/L/N/R, 1200C/L/N/R REAR BRAKE MASTER CYLINDER - XR1200
41737-04	FRONT BRAKE CONTROL - 883/C/L/N/R, 1200C/L/N/R FRONT BRAKE CONTROL - XR1200
41743-04	FRONT BRAKE CONTROL - 883/C/L/N/R, 1200C/L/N/R FRONT BRAKE CONTROL - XR1200
41748-08	FRONT WHEEL, CAST - XR1200
41797-00	REAR WHEEL, CAST - 883/L/N/R, 1200C/L/R REAR WHEEL, LACED & PROFILE LACED - 883/C/L/R, 1200C/L/N/R
4180	ENGINE MOUNTS HORN
41820-08	FRONT WHEEL, CAST - XR1200
41821-08	FRONT WHEEL, CAST - XR1200
41833-08	REAR WHEEL, CAST - XR1200
41858-08	REAR WHEEL, CAST - XR1200

4188	<u>ENGINE MOUNTS</u>
42028-07	<u>FRONT BRAKE CALIPER - 883/C/L/N/R, 1200C/L/N/R</u>
42029-07	<u>REAR BRAKE CALIPER - 883/C/L/N/R, 1200C/L/N/R</u>
42310-08	<u>REAR BRAKE CALIPER - XR1200</u>
42341-07	<u>REAR BRAKE CONTROL - 883/L/N/R, 1200L/N/R</u>
4240	<u>FRONT BRAKE CONTROL - 883/C/L/N/R, 1200C/L/N/R</u> <u>FRONT BRAKE CONTROL - XR1200</u>
42425-05	<u>CLUTCH CONTROL</u> <u>FRONT BRAKE CONTROL - 883/C/L/N/R, 1200C/L/N/R</u> <u>FRONT BRAKE CONTROL - XR1200</u>
42443-80A	<u>SHIFT LEVER</u> <u>REAR BRAKE CONTROL - XR1200</u>
42460-80B	<u>REAR BRAKE MASTER CYLINDER - 883/C/L/N/R, 1200C/L/N/R</u> <u>REAR BRAKE MASTER CYLINDER - XR1200</u>
4250M	<u>FRONT FORK - XR1200</u> <u>FRONT FENDER</u>
42521-07	<u>REAR BRAKE MASTER CYLINDER - 883/C/L/N/R, 1200C/L/N/R</u>
42541-04	<u>FOOTRESTS - 883/C/L/N/R, 1200C/L/N/R</u> <u>FOOTRESTS - 883/C/L/N/R, 1200C/L/N/R</u>
42566-04	<u>FOOTRESTS - 883/C/L/N/R, 1200C/L/N/R</u>
42569-03	<u>SHIFT LEVER</u> <u>REAR BRAKE CONTROL - 883/L/N/R, 1200L/N/R</u> <u>REAR BRAKE CONTROL - 883C, 1200C</u>
42593-04	<u>REAR BRAKE MASTER CYLINDER - 883/C/L/N/R, 1200C/L/N/R</u>
42595-04	<u>REAR BRAKE MASTER CYLINDER - 883/C/L/N/R, 1200C/L/N/R</u>
42651-04	<u>FOOTRESTS - 883/C/L/N/R, 1200C/L/N/R</u>
42652-04	<u>FOOTRESTS - 883/C/L/N/R, 1200C/L/N/R</u>
4266A	<u>CYLINDER, HEAD, & VALVES - 883/C/L/N/R, 1200C/L/N/R</u> <u>CYLINDER, HEAD, & VALVES - XR1200</u>
42685-04	<u>REAR BRAKE CONTROL - 883C, 1200C</u>
4269	<u>EXHAUST SYSTEM - 883/C/L/N/R, 1200C/L/N/R</u> <u>EXHAUST SYSTEM - XR1200</u>
42736-08	<u>FRONT BRAKE CONTROL - XR1200</u>
42737-08	<u>REAR BRAKE MASTER CYLINDER - XR1200</u>

42738-08	<u>REAR BRAKE MASTER CYLINDER - XR1200</u>
42739-08	<u>FRONT BRAKE CALIPER - XR1200</u>
42744-08	<u>REAR BRAKE MASTER CYLINDER - XR1200</u>
42745-07	<u>FRONT BRAKE CONTROL - 883/C/L/N/R, 1200C/L/N/R</u>
42803-07A	<u>FRONT BRAKE CONTROL - 883/C/L/N/R, 1200C/L/N/R</u>
42804-07	<u>FRONT BRAKE CONTROL - 883/C/L/N/R, 1200C/L/N/R</u> <u>FRONT BRAKE CONTROL - XR1200</u>
42805-04	<u>FRONT BRAKE CONTROL - 883/C/L/N/R, 1200C/L/N/R</u> <u>FRONT BRAKE CONTROL - XR1200</u>
42806-04	<u>FRONT BRAKE CONTROL - 883/C/L/N/R, 1200C/L/N/R</u> <u>FRONT BRAKE CONTROL - XR1200</u>
42807-04	<u>CLUTCH CONTROL</u> <u>FRONT BRAKE CONTROL - 883/C/L/N/R, 1200C/L/N/R</u> <u>FRONT BRAKE CONTROL - XR1200</u>
42808-04	<u>CLUTCH CONTROL</u> <u>FRONT BRAKE CONTROL - 883/C/L/N/R, 1200C/L/N/R</u> <u>FRONT BRAKE CONTROL - XR1200</u>
42809-07A	<u>FRONT BRAKE CONTROL - 883/C/L/N/R, 1200C/L/N/R</u>
42810-07A	<u>REAR BRAKE MASTER CYLINDER - 883/C/L/N/R, 1200C/L/N/R</u>
42811-04	<u>REAR BRAKE MASTER CYLINDER - 883/C/L/N/R, 1200C/L/N/R</u> <u>REAR BRAKE MASTER CYLINDER - XR1200</u>
42812-04	<u>REAR BRAKE MASTER CYLINDER - 883/C/L/N/R, 1200C/L/N/R</u>
42813-04	<u>REAR BRAKE MASTER CYLINDER - 883/C/L/N/R, 1200C/L/N/R</u>
42814-04	<u>REAR BRAKE MASTER CYLINDER - 883/C/L/N/R, 1200C/L/N/R</u>
42815-04	<u>REAR BRAKE MASTER CYLINDER - 883/C/L/N/R, 1200C/L/N/R</u> <u>REAR BRAKE MASTER CYLINDER - XR1200</u>
42816-07	<u>REAR BRAKE MASTER CYLINDER - 883/C/L/N/R, 1200C/L/N/R</u>
42817-07	<u>REAR BRAKE MASTER CYLINDER - 883/C/L/N/R, 1200C/L/N/R</u> <u>REAR BRAKE MASTER CYLINDER - XR1200</u>
42821-04	<u>REAR BRAKE MASTER CYLINDER - 883/C/L/N/R, 1200C/L/N/R</u>
42823-04	<u>FRONT BRAKE CALIPER - 883/C/L/N/R, 1200C/L/N/R</u> <u>REAR BRAKE CALIPER - 883/C/L/N/R, 1200C/L/N/R</u>
42824-04	<u>FRONT BRAKE CALIPER - 883/C/L/N/R, 1200C/L/N/R</u> <u>REAR BRAKE CALIPER - 883/C/L/N/R, 1200C/L/N/R</u> <u>REAR BRAKE CALIPER - XR1200</u>
42825-04	<u>FRONT BRAKE CALIPER - 883/C/L/N/R, 1200C/L/N/R</u>

42826-04	FRONT BRAKE CALIPER - 883/C/L/N/R, 1200C/L/N/R
42827-04	FRONT BRAKE CALIPER - 883/C/L/N/R, 1200C/L/N/R FRONT BRAKE CALIPER - XR1200
42828-04	FRONT BRAKE CALIPER - 883/C/L/N/R, 1200C/L/N/R FRONT BRAKE CALIPER - XR1200
42829-04	FRONT BRAKE CALIPER - 883/C/L/N/R, 1200C/L/N/R
42831-04A	FRONT BRAKE CALIPER - 883/C/L/N/R, 1200C/L/N/R
42832-04	FRONT BRAKE CALIPER - 883/C/L/N/R, 1200C/L/N/R
42834-04	REAR BRAKE CALIPER - 883/C/L/N/R, 1200C/L/N/R REAR BRAKE CALIPER - XR1200
42835-08	REAR BRAKE CALIPER - 883/C/L/N/R, 1200C/L/N/R
42837-04	REAR BRAKE CALIPER - 883/C/L/N/R, 1200C/L/N/R REAR BRAKE CALIPER - XR1200
42838-04	FRONT BRAKE CALIPER - 883/C/L/N/R, 1200C/L/N/R REAR BRAKE CALIPER - 883/C/L/N/R, 1200C/L/N/R REAR BRAKE CALIPER - XR1200
42839-04	REAR BRAKE CALIPER - 883/C/L/N/R, 1200C/L/N/R REAR BRAKE CALIPER - XR1200
42840-04	REAR BRAKE CALIPER - 883/C/L/N/R, 1200C/L/N/R REAR BRAKE CALIPER - XR1200
42845-07	REAR BRAKE MASTER CYLINDER - 883/C/L/N/R, 1200C/L/N/R REAR BRAKE MASTER CYLINDER - XR1200
42846-04	REAR BRAKE MASTER CYLINDER - 883/C/L/N/R, 1200C/L/N/R
42875-07	FRONT BRAKE CALIPER - 883/C/L/N/R, 1200C/L/N/R FRONT BRAKE CALIPER - XR1200 REAR BRAKE CALIPER - 883/C/L/N/R, 1200C/L/N/R REAR BRAKE CALIPER - XR1200
42877-07	FRONT BRAKE CALIPER - 883/C/L/N/R, 1200C/L/N/R
42878-05	FRONT BRAKE CALIPER - 883/C/L/N/R, 1200C/L/N/R
42879-07	FRONT BRAKE CALIPER - 883/C/L/N/R, 1200C/L/N/R
42880-05	FRONT BRAKE CALIPER - 883/C/L/N/R, 1200C/L/N/R
42881-08	REAR BRAKE CALIPER - 883/C/L/N/R, 1200C/L/N/R
42892-08	REAR BRAKE CALIPER - XR1200
42893-07	FRONT BRAKE CALIPER - 883/C/L/N/R, 1200C/L/N/R FRONT BRAKE CALIPER - XR1200 REAR BRAKE CALIPER - 883/C/L/N/R, 1200C/L/N/R REAR BRAKE CALIPER - XR1200

42899-08	<u>FRONT BRAKE CALIPER - XR1200</u>
4290	<u>ENGINE MOUNTS</u>
42900-08	<u>REAR BRAKE CALIPER - XR1200</u>
42941-08	<u>FRONT BRAKE CONTROL - XR1200</u>
42942-08	<u>FRONT BRAKE CONTROL - XR1200</u>
42943-08	<u>FRONT BRAKE CALIPER - XR1200</u>
42944-08	<u>FRONT BRAKE CALIPER - XR1200</u>
42945-08	<u>REAR BRAKE MASTER CYLINDER - XR1200</u>
42948-08	<u>REAR BRAKE CALIPER - XR1200</u>
42949-08	<u>REAR BRAKE CONTROL - XR1200</u>
42969-04	<u>REAR BRAKE CONTROL - 883/L/N/R, 1200L/N/R</u>
42971-04	<u>FOOTRESTS - 883/C/L/N/R, 1200C/L/N/R</u>
42972-04	<u>FOOTRESTS - 883/C/L/N/R, 1200C/L/N/R</u>
42975-08	<u>REAR BRAKE MASTER CYLINDER - XR1200</u>
42976-04	<u>REAR BRAKE MASTER CYLINDER - 883/C/L/N/R, 1200C/L/N/R</u>
42979-04	<u>REAR BRAKE MASTER CYLINDER - 883/C/L/N/R, 1200C/L/N/R</u>
43001-06	<u>FRONT WHEEL, LACED & PROFILE LACED - 883/C/L/R, 1200C/N/L/R</u>
43017-07	<u>REAR WHEEL, LACED & PROFILE LACED - 883/C/L/R, 1200C/L/N/R</u>
43052-05A	<u>REAR WHEEL, LACED & PROFILE LACED - 883/C/L/R, 1200C/L/N/R</u>
43056-05	<u>FRONT WHEEL, LACED & PROFILE LACED - 883/C/L/R, 1200C/N/L/R</u>
43064-05	<u>FRONT WHEEL, LACED & PROFILE LACED - 883/C/L/R, 1200C/N/L/R</u>
43085-97	<u>REAR WHEEL, LACED & PROFILE LACED - 883/C/L/R, 1200C/L/N/R</u>
43103-08	<u>FRONT WHEEL, CAST - XR1200</u>
43104-93A	<u>FRONT WHEEL, LACED & PROFILE LACED - 883/C/L/R, 1200C/N/L/R</u>
43107-08	<u>REAR WHEEL, CAST - XR1200</u>
43112-91A	<u>FRONT WHEEL, CAST - 883/L/N/R, 1200L/R</u> <u>FRONT WHEEL, LACED & PROFILE LACED - 883/C/L/R, 1200C/N/L/R</u>
4312C	<u>BATTERY</u>
43140-80	<u>FRONT WHEEL, LACED & PROFILE LACED - 883/C/L/R, 1200C/N/L/R</u>
43145-47	<u>FRONT WHEEL, LACED & PROFILE LACED - 883/C/L/R, 1200C/N/L/R</u>

43147-40	REAR WHEEL, LACED & PROFILE LACED - 883/C/L/R, 1200C/L/N/R
43157-83A	FRONT WHEEL, CAST - 883/L/N/R, 1200L/R FRONT WHEEL, CAST - XR1200 REAR WHEEL, CAST - 883/L/N/R, 1200C/L/R REAR WHEEL, CAST - XR1200
43164-05	REAR WHEEL, LACED & PROFILE LACED - 883/C/L/R, 1200C/L/N/R
43229-08	FRONT WHEEL, CAST - XR1200
43231-08	REAR WHEEL, CAST - XR1200
43241-05	REAR WHEEL, LACED & PROFILE LACED - 883/C/L/R, 1200C/L/N/R
43264-02	REAR WHEEL, CAST - 883/L/N/R, 1200C/L/R REAR WHEEL, LACED & PROFILE LACED - 883/C/L/R, 1200C/L/N/R
4326A	HANDLEBAR & THROTTLE CONTROL - 883/L/N/R, 1200L/N/R, XR1200
4329	ALTERNATOR & REGULATOR
43312-08	FRONT WHEEL, LACED & PROFILE LACED - 883/C/L/R, 1200C/N/L/R
43355-00	FRONT WHEEL, CAST - 883/L/N/R, 1200L/R
43358-08	FRONT WHEEL, CAST - 883/L/N/R, 1200L/R FRONT WHEEL, LACED & PROFILE LACED - 883/C/L/R, 1200C/N/L/R
43359-00	FRONT WHEEL, CAST - 883/L/N/R, 1200L/R
43440-05A	REAR WHEEL, LACED & PROFILE LACED - 883/C/L/R, 1200C/L/N/R
43445-05	FRONT WHEEL, LACED & PROFILE LACED - 883/C/L/R, 1200C/N/L/R
43499-08	FRONT WHEEL, CAST - 883/L/N/R, 1200L/R
4350A	FOOTRESTS - XR1200 HEADLAMP & MIRROR - 883C, 1200C
4351	STEERING HEAD BRACKET ASSEMBLY - 883/C/L/N/R, 1200C/L/N/R
4352	STEERING HEAD BRACKET ASSEMBLY - 883/C/L/N/R, 1200C/L/N/R STEERING HEAD BRACKET ASSEMBLY - XR1200
43522-08	FRONT WHEEL, CAST - 883/L/N/R, 1200L/R FRONT WHEEL, LACED & PROFILE LACED - 883/C/L/R, 1200C/N/L/R
43528-04	REAR BRAKE CALIPER - XR1200
4354	SHOCK ABSORBERS - 883/C/L/N/R, 1200C/L/N/R SHOCK ABSORBERS - XR1200
43547-08	FRONT WHEEL, LACED & PROFILE LACED - 883/C/L/R, 1200C/N/L/R
43557-08	FRONT WHEEL, LACED & PROFILE LACED - 883/C/L/R, 1200C/N/L/R
43567-92	REAR WHEEL, CAST - 883/L/N/R, 1200C/L/R

	<u>REAR WHEEL, CAST - XR1200</u> <u>REAR WHEEL, LACED & PROFILE LACED - 883/C/L/R, 1200C/L/N/R</u>
4359	<u>SHIFT LEVER</u>
43594-08	<u>FRONT WHEEL, CAST - 883/L/N/R, 1200L/R</u>
43595-99	<u>FRAME & JIFFY STAND - 883/C/L/N/R, 1200C/L/N/R</u> <u>FRAME & JIFFY STAND - XR1200</u>
4363	<u>EVAPORATIVE EMISSIONS</u>
43662-80B	<u>FRONT WHEEL, LACED & PROFILE LACED - 883/C/L/R, 1200C/N/L/R</u>
43831-08	<u>FRONT WHEEL, LACED & PROFILE LACED - 883/C/L/R, 1200C/N/L/R</u>
43832-08	<u>REAR WHEEL, LACED & PROFILE LACED - 883/C/L/R, 1200C/L/N/R</u>
43895-08	<u>FRONT WHEEL, CAST - 883/L/N/R, 1200L/R</u> <u>FRONT WHEEL, LACED & PROFILE LACED - 883/C/L/R, 1200C/N/L/R</u>
43905-08	<u>REAR WHEEL, CAST - 883/L/N/R, 1200C/L/R</u> <u>REAR WHEEL, LACED & PROFILE LACED - 883/C/L/R, 1200C/L/N/R</u>
43906-08	<u>FRONT WHEEL, CAST - 883/L/N/R, 1200L/R</u> <u>FRONT WHEEL, LACED & PROFILE LACED - 883/C/L/R, 1200C/N/L/R</u>
43939-89	<u>FRONT WHEEL, LACED & PROFILE LACED - 883/C/L/R, 1200C/N/L/R</u>
44119-07	<u>FRONT BRAKE CALIPER - 883/C/L/N/R, 1200C/L/N/R</u>
44121-07	<u>FRONT BRAKE CALIPER - 883/C/L/N/R, 1200C/L/N/R</u>
44136-00	<u>FRONT WHEEL, CAST - 883/L/N/R, 1200L/R</u> <u>FRONT WHEEL, LACED & PROFILE LACED - 883/C/L/R, 1200C/N/L/R</u>
44156-00	<u>FRONT WHEEL, CAST - 883/L/N/R, 1200L/R</u> <u>FRONT WHEEL, LACED & PROFILE LACED - 883/C/L/R, 1200C/N/L/R</u>
44160-00	<u>FRONT BRAKE CALIPER - 883/C/L/N/R, 1200C/L/N/R</u> <u>FRONT BRAKE CALIPER - XR1200</u> <u>FRONT FORK - XR1200</u>
44178-04	<u>REAR BRAKE CALIPER - 883/C/L/N/R, 1200C/L/N/R</u>
44184-04	<u>REAR BRAKE CALIPER - 883/C/L/N/R, 1200C/L/N/R</u> <u>REAR BRAKE CALIPER - XR1200</u>
44189-04	<u>REAR BRAKE MASTER CYLINDER - 883/C/L/N/R, 1200C/L/N/R</u>
4420	<u>HEADLAMP & MIRROR - 883C, 1200C</u>
44429-06B	<u>REAR BRAKE MASTER CYLINDER - 883/C/L/N/R, 1200C/L/N/R</u>
44440-04	<u>FRONT BRAKE CALIPER - 883/C/L/N/R, 1200C/L/N/R</u> <u>REAR BRAKE CALIPER - 883/C/L/N/R, 1200C/L/N/R</u>
4453	<u>STEERING HEAD BRACKET ASSEMBLY - 883/C/L/N/R, 1200C/L/N/R</u>

44590-04	REAR BRAKE MASTER CYLINDER - 883/C/L/N/R, 1200C/L/N/R
4460	STEERING HEAD BRACKET ASSEMBLY - 883/C/L/N/R, 1200C/L/N/R STEERING HEAD BRACKET ASSEMBLY - XR1200
44610-08	FRONT WHEEL, LACED & PROFILE LACED - 883/C/L/R, 1200C/N/L/R
4499M	FRONT FORK - XR1200
45041-01A	FOOTRESTS - 883/C/L/N/R, 1200C/L/N/R FOOTRESTS - XR1200
45052-07A	FRONT BRAKE CONTROL - 883/C/L/N/R, 1200C/L/N/R
45065-06	FOOTRESTS - XR1200
45067-06	FOOTRESTS - XR1200
45074-95	FRONT BRAKE CONTROL - 883/C/L/N/R, 1200C/L/N/R FRONT BRAKE CONTROL - XR1200
45146-07	FRONT BRAKE CONTROL - 883/C/L/N/R, 1200C/L/N/R
45155-08	STEERING HEAD BRACKET ASSEMBLY - XR1200
45319-04C	FRONT BRAKE CONTROL - 883/C/L/N/R, 1200C/L/N/R
45356-07	CLUTCH CONTROL
4535M	REAR BRAKE MASTER CYLINDER - XR1200
45361-90	FRONT FORK - 883/C/L/R, 1200C/L/R FRONT FORK - 883N, 1200N
45374-87	FRONT FORK - 883/C/L/R, 1200C/L/R FRONT FORK - 883N, 1200N
45376-09	FRONT FORK - 883/C/L/R, 1200C/L/R
45395-09	FRONT FORK - 883/C/L/R, 1200C/L/R
45449-04A	FRONT BRAKE CONTROL - 883/C/L/N/R, 1200C/L/N/R
45451-07	FRONT FORK - 883N, 1200N
45460-90	FRONT FORK - 883/C/L/R, 1200C/L/R
4549	FRAME & JIFFY STAND - XR1200 EXHAUST SYSTEM - XR1200
4551	INDUCTION MODULE - XR1200
4553	FUEL TANK - XR1200
45611-86	STEERING HEAD BRACKET ASSEMBLY - 883/C/L/N/R, 1200C/L/N/R STEERING HEAD BRACKET ASSEMBLY - XR1200
45668-90	STEERING HEAD BRACKET ASSEMBLY - 883/C/L/N/R, 1200C/L/N/R

4574	<u>FRONT FORK - XR1200</u>
4575	<u>FRONT FORK - XR1200</u>
45790-80	<u>FRONT FORK - 883/C/L/R, 1200C/L/R</u> <u>FRONT FORK - 883N, 1200N</u>
45799-04	<u>CLUTCH CONTROL</u>
45800-04	<u>CLUTCH CONTROL</u>
45801-04	<u>CLUTCH CONTROL</u>
45830-48	<u>CRANKCASE & GEARCASE - 883/C/L/N/R, 1200C/L/N/R</u> <u>CRANKCASE & GEARCASE - XR1200</u>
4589	<u>BELTS & SPROCKETS - XR1200</u>
45900-09	<u>FRONT FORK - 883/C/L/R, 1200C/L/R</u>
45901-09	<u>FRONT FORK - 883/C/L/R, 1200C/L/R</u>
45902-00	<u>STARTER MOTOR</u>
45922-08	<u>FRONT FORK - 883/C/L/R, 1200C/L/R</u>
45925-09	<u>FRONT FORK - 883/C/L/R, 1200C/L/R</u>
45938-92	<u>FRONT FORK - 883/C/L/R, 1200C/L/R</u>
45966-04	<u>STEERING HEAD BRACKET ASSEMBLY - 883/C/L/N/R, 1200C/L/N/R</u>
45996-87	<u>FRONT FORK - 883/C/L/R, 1200C/L/R</u> <u>FRONT FORK - 883N, 1200N</u>
46002-87	<u>FRONT FORK - 883/C/L/R, 1200C/L/R</u>
46028-08	<u>STEERING HEAD BRACKET ASSEMBLY - XR1200</u> <u>HANDLEBAR & THROTTLE CONTROL - 883/L/N/R, 1200L/N/R, XR1200</u>
46029-09	<u>FRONT FORK - 883/C/L/R, 1200C/L/R</u>
46050-08	<u>STEERING HEAD BRACKET ASSEMBLY - XR1200</u>
46075-04	<u>FRONT FORK - 883/C/L/R, 1200C/L/R</u>
46076-04	<u>FRONT FORK - 883/C/L/R, 1200C/L/R</u>
46126-04	<u>STEERING HEAD BRACKET ASSEMBLY - 883/C/L/N/R, 1200C/L/N/R</u>
46127-04	<u>STEERING HEAD BRACKET ASSEMBLY - 883/C/L/N/R, 1200C/L/N/R</u>
46218-05	<u>FRONT FORK - 883/C/L/R, 1200C/L/R</u> <u>FRONT FORK - 883N, 1200N</u>
46267-05	<u>FRONT FORK - 883/C/L/R, 1200C/L/R</u>
46268-04	<u>CLUTCH CONTROL</u>

46307-08	FRONT FORK - 883/C/L/R, 1200C/L/R
46308-08	FRONT FORK - 883/C/L/R, 1200C/L/R
46344-06	FRONT FORK - XR1200
46352-06	FRONT FORK - XR1200
46353-06	FRONT FORK - XR1200
46354-06	FRONT FORK - XR1200
46355-06	FRONT FORK - XR1200
46358-06	FRONT FORK - XR1200
46359-06	FRONT FORK - XR1200
46390-08	FRONT FORK - 883/C/L/R, 1200C/L/R
46394-08	FRONT FORK - 883/C/L/R, 1200C/L/R
46400-04B	FRONT BRAKE CONTROL - 883/C/L/N/R, 1200C/L/N/R
46411-05C	FRONT BRAKE CONTROL - 883/C/L/N/R, 1200C/L/N/R
46449-08	FRONT FORK - 883/C/L/R, 1200C/L/R
46450-08	FRONT FORK - 883/C/L/R, 1200C/L/R
46453-09	FRONT FORK - 883/C/L/R, 1200C/L/R
46454-09	FRONT FORK - 883/C/L/R, 1200C/L/R
46758-07	STEERING HEAD BRACKET ASSEMBLY - 883/C/L/N/R, 1200C/L/N/R
46767-07	STEERING HEAD BRACKET ASSEMBLY - 883/C/L/N/R, 1200C/L/N/R
4678	BELTS & SPROCKETS - XR1200
46878-08	FRONT FORK - XR1200
46879-08	FRONT FORK - XR1200
46880-08	FRONT FORK - XR1200
46882-08	FRONT FORK - XR1200
46884-08	FRONT FORK - XR1200
46886-08	FRONT FORK - XR1200
46887-08	FRONT FORK - XR1200
46945-07A	CLUTCH CONTROL
46946-06A	FRONT BRAKE CONTROL - 883/C/L/N/R, 1200C/L/N/R

4705	OIL TANK & FILTER - XR1200 OIL LINES & COOLER - XR1200
4717A	CAMSHAFTS & GEAR COVER - 883/C/L/N/R, 1200C/L/N/R CAMSHAFTS & GEAR COVER - XR1200 BELTS & SPROCKETS - 883/C/L/N/R, 1200C/L/N/R
4718A	ROCKER ARMS, COVERS, & PUSH RODS - 883/C/L/N/R, 1200C/L/N/R ROCKER ARMS, COVERS, & PUSH RODS - XR1200 OIL PUMP - XR1200
47299-07	FRONT FORK - 883/C/L/R, 1200C/L/R FRONT FORK - 883N, 1200N
47313-07	FRONT FORK - 883/C/L/R, 1200C/L/R FRONT FORK - 883N, 1200N
4740A	CAMSHAFTS & GEAR COVER - 883/C/L/N/R, 1200C/L/N/R CAMSHAFTS & GEAR COVER - XR1200
4741A	ROCKER ARMS, COVERS, & PUSH RODS - 883/C/L/N/R, 1200C/L/N/R ROCKER ARMS, COVERS, & PUSH RODS - XR1200 OIL PUMP - XR1200 FRONT BRAKE CONTROL - 883/C/L/N/R, 1200C/L/N/R FRONT BRAKE CONTROL - XR1200
47470-04	ENGINE MOUNTS
47471-04A	ENGINE MOUNTS
4748	CYLINDER, HEAD, & VALVES - 883/C/L/N/R, 1200C/L/N/R SHIFT LEVER REAR BRAKE CONTROL - 883C, 1200C FOOTRESTS - 883/C/L/N/R, 1200C/L/N/R EXHAUST SYSTEM - 883/C/L/N/R, 1200C/L/N/R EXHAUST SYSTEM - XR1200
4751	ALTERNATOR & REGULATOR BELTS & SPROCKETS - 883/C/L/N/R, 1200C/L/N/R BELTS & SPROCKETS - XR1200
47587-05	REAR FORK, DEBRIS DEFLECTOR & BELT GUARD
4758A	FUEL TANK - 883/C/L/N/R, 1200C/L/N/R
4765	OIL PUMP - 883/C/L/N/R, 1200C/L/N/R
47674-08	REAR FORK, DEBRIS DEFLECTOR & BELT GUARD
4771	FUEL TANK - 883/C/L/N/R, 1200C/L/N/R
4778	REAR FENDER & LICENSE PLATE BRKT - 883/C/L/R, 1200C/L/R, 883N (CANADA) REAR FENDER & LICENSE PLATE BRACKET - 883N (NON-CANADA), 1200N
4779	REAR FENDER & LICENSE PLATE BRKT - 883/C/L/R, 1200C/L/R, 883N (CANADA) REAR FENDER & LICENSE PLATE BRACKET - 883N (NON-CANADA), 1200N
47875-09	FRONT WHEEL, CAST - 883/L/N/R, 1200L/R

47878-09	REAR WHEEL, CAST - 883/L/N/R, 1200C/L/R
4798	INDUCTION MODULE - 883/C/L/N/R, 1200C/L/N/R INDUCTION MODULE - XR1200
4802	AIR BOX - XR1200
48027-99	FRAME & JIFFY STAND - 883/C/L/N/R, 1200C/L/N/R FRAME & JIFFY STAND - XR1200
48153-02A	FRAME & JIFFY STAND - 883/C/L/N/R, 1200C/L/N/R FRAME & JIFFY STAND - XR1200
48154-05	FRAME & JIFFY STAND - 883/C/L/N/R, 1200C/L/N/R FRAME & JIFFY STAND - XR1200 SWITCHES, SENSORS & ELECTRICAL CONNECTORS
4816A	REAR BRAKE MASTER CYLINDER - 883/C/L/N/R, 1200C/L/N/R HANDLEBAR & THROTTLE CONTROL - 883/L/N/R, 1200L/N/R, XR1200
48184-01	STEERING HEAD BRACKET ASSEMBLY - 883/C/L/N/R, 1200C/L/N/R STEERING HEAD BRACKET ASSEMBLY - XR1200
4820A	INSPECTION COVER & PRIMARY COVER
4822A	CAMSHAFTS & GEAR COVER - XR1200
48300-60	STEERING HEAD BRACKET ASSEMBLY - 883/C/L/N/R, 1200C/L/N/R STEERING HEAD BRACKET ASSEMBLY - XR1200
48315-60	STEERING HEAD BRACKET ASSEMBLY - 883/C/L/N/R, 1200C/L/N/R STEERING HEAD BRACKET ASSEMBLY - XR1200 FRAME & JIFFY STAND - 883/C/L/N/R, 1200C/L/N/R FRAME & JIFFY STAND - XR1200
48390-06	REAR FENDER - XR1200
48463-04	ENGINE MOUNTS
48492-04	ENGINE MOUNTS
48493-01	FUEL TANK - 883/C/L/N/R, 1200C/L/N/R
4859	EXHAUST SYSTEM - XR1200
4871	FRAME & JIFFY STAND - 883/C/L/N/R, 1200C/L/N/R FRAME & JIFFY STAND - XR1200
48714-08	FRONT FORK - 883N, 1200N
48715-08	FRONT FORK - 883N, 1200N
48716-08	FRONT FORK - 883N, 1200N
48726-08	FRONT FORK - 883N, 1200N
48737-07	FRONT FORK - 883/C/L/R, 1200C/L/R FRONT FORK - 883N, 1200N

48738-07	FRONT FORK - 883/C/L/R, 1200C/L/R FRONT FORK - 883N, 1200N
48791-09	FRONT FORK - 883/C/L/R, 1200C/L/R
4886	OIL LINES & COOLER - XR1200
48879-08	FRAME & JIFFY STAND - XR1200
4897	OIL LINES & COOLER - XR1200
49314-04	FOOTRESTS - 883/C/L/N/R, 1200C/L/N/R
49315-04	FOOTRESTS - 883/C/L/N/R, 1200C/L/N/R
49348-09	FRAME & JIFFY STAND - 883/C/L/N/R, 1200C/L/N/R
49378-09	FRONT FORK - 883/C/L/R, 1200C/L/R FRONT FORK - 883N, 1200N
49380-09	FRONT FORK - XR1200
49439-10	FRAME & JIFFY STAND - 883/C/L/N/R, 1200C/L/N/R
49735-08	FRAME & JIFFY STAND - 883/C/L/N/R, 1200C/L/N/R FRAME & JIFFY STAND - XR1200
4975M	REAR BRAKE MASTER CYLINDER - XR1200
50003-89B	FRAME & JIFFY STAND - 883/C/L/N/R, 1200C/L/N/R FRAME & JIFFY STAND - XR1200
50005-85A	FRAME & JIFFY STAND - 883/C/L/N/R, 1200C/L/N/R FRAME & JIFFY STAND - XR1200
50124-09BHP	FRAME & JIFFY STAND - 883/C/L/N/R, 1200C/L/N/R FRAME & JIFFY STAND - XR1200
50126-08A	FRAME & JIFFY STAND - 883/C/L/N/R, 1200C/L/N/R FRAME & JIFFY STAND - XR1200 SWITCHES, SENSORS & ELECTRICAL CONNECTORS
50185-04B	FRAME & JIFFY STAND - 883/C/L/N/R, 1200C/L/N/R FRAME & JIFFY STAND - 883/C/L/N/R, 1200C/L/N/R
50238-09BHP	FRAME & JIFFY STAND - 883/C/L/N/R, 1200C/L/N/R FRAME & JIFFY STAND - 883/C/L/N/R, 1200C/L/N/R
50912-72	FOOTRESTS - 883/C/L/N/R, 1200C/L/N/R FOOTRESTS - XR1200
51044-08	FOOTRESTS - XR1200
51045-08	REAR BRAKE MASTER CYLINDER - XR1200 REAR BRAKE CONTROL - XR1200
51046-09	FOOTRESTS - XR1200
51048-08	FOOTRESTS - XR1200

51049-08	FOOTRESTS - XR1200
51382-08	SEATS
51383-08	SEATS
51530-07	SEATS
51532-07	SEATS
51550-07	SEATS
51551-07	SEATS
51558-08	SEATS
51652-97A	SEATS
51706-07	SEATS
51710-08	REAR FENDER - XR1200
51899-07	SEATS
51938-04	REAR BRAKE MASTER CYLINDER - 883/C/L/N/R, 1200C/L/N/R REAR BRAKE MASTER CYLINDER - XR1200
52429-08	REAR FENDER - XR1200
52494-04	FUEL TANK - 883/C/L/N/R, 1200C/L/N/R
52608-07	SEATS
53176-08	FRAME & JIFFY STAND - 883/C/L/N/R, 1200C/L/N/R FRAME & JIFFY STAND - XR1200
53436-97	HEADLAMP & MIRROR - 883/L/N/R, 1200L/N/R HEADLAMP & MIRROR - 883C, 1200C HEADLAMP & MIRROR - XR1200
5403B	REAR FENDER & LICENSE PLATE BRKT - 883/C/L/R, 1200C/L/R, 883N (CANADA) REAR FENDER & LICENSE PLATE BRACKET - 883N (NON-CANADA), 1200N
5414	EXHAUST SYSTEM - 883/C/L/N/R, 1200C/L/N/R
5416	EXHAUST SYSTEM - XR1200
54321-85	FRONT WHEEL, CAST - 883/L/N/R, 1200L/R FRONT WHEEL, CAST - XR1200 FRONT WHEEL, LACED & PROFILE LACED - 883/C/L/R, 1200C/N/L/R REAR WHEEL, CAST - 883/L/N/R, 1200C/L/R REAR WHEEL, CAST - XR1200 REAR WHEEL, LACED & PROFILE LACED - 883/C/L/R, 1200C/L/N/R
54540-07	SHOCK ABSORBERS - 883/C/L/N/R, 1200C/L/N/R
54566-09	SHOCK ABSORBERS - 883/C/L/N/R, 1200C/L/N/R
54568-09	SHOCK ABSORBERS - 883/C/L/N/R, 1200C/L/N/R

54570-09	SHOCK ABSORBERS - 883/C/L/N/R, 1200C/L/N/R SHOCK ABSORBERS - 883/C/L/N/R, 1200C/L/N/R
54626-07	SHOCK ABSORBERS - 883/C/L/N/R, 1200C/L/N/R
54668-08	SHOCK ABSORBERS - XR1200
54724-04	SHOCK ABSORBERS - 883/C/L/N/R, 1200C/L/N/R
54741-07	SHOCK ABSORBERS - 883/C/L/N/R, 1200C/L/N/R
5531	REAR FENDER & LICENSE PLATE BRACKET - 883N (NON-CANADA), 1200N TURN SIGNALS & TAIL LAMP - 883N, 1200N
554A	FRAME & JIFFY STAND - 883/C/L/N/R, 1200C/L/N/R FRAME & JIFFY STAND - XR1200
55840-04	HANDLEBAR & THROTTLE CONTROL - 883C, 1200C
55842-04	HANDLEBAR & THROTTLE CONTROL - 883C, 1200C
55844-04	SPEEDOMETER - 883C, 1200C
55845-04	HANDLEBAR & THROTTLE CONTROL - 883/L/N/R, 1200L/N/R, XR1200
55846-05A	HANDLEBAR & THROTTLE CONTROL - 883/L/N/R, 1200L/N/R, XR1200 SPEEDOMETER & TACHOMETER - 883/L/N/R, 1200L/N/R
55847-05A	HANDLEBAR & THROTTLE CONTROL - 883/L/N/R, 1200L/N/R, XR1200 SPEEDOMETER & TACHOMETER - 883/L/N/R, 1200L/N/R
56004-00	HANDLEBAR & THROTTLE CONTROL - 883/L/N/R, 1200L/N/R, XR1200
56014-09	HANDLEBAR & THROTTLE CONTROL - 883/L/N/R, 1200L/N/R, XR1200
56017-04	HANDLEBAR & THROTTLE CONTROL - 883C, 1200C
56051-06	HANDLEBAR & THROTTLE CONTROL - 883/L/N/R, 1200L/N/R, XR1200
56073-83	WIRING HARNESS, MAIN - 883/C/L/N/R, 1200C/L/N/R (1 OF 2) WIRING HARNESS, MAIN - XR1200 (1 OF 2)
56085-83A	HANDLEBAR & THROTTLE CONTROL - 883/L/N/R, 1200L/N/R, XR1200
56104-02	REAR FENDER & LICENSE PLATE BRKT - 883/C/L/R, 1200C/L/R, 883N (CANADA) TURN SIGNALS - 883/C/L/R, 1200C/L/R
56115-95	HANDLEBAR & THROTTLE CONTROL - 883/L/N/R, 1200L/N/R, XR1200
56116-82A	HANDLEBAR & THROTTLE CONTROL - 883/L/N/R, 1200L/N/R, XR1200
56117-82A	HANDLEBAR & THROTTLE CONTROL - 883/L/N/R, 1200L/N/R, XR1200
56394-74	HANDLEBAR & THROTTLE CONTROL - 883/L/N/R, 1200L/N/R, XR1200 HANDLEBAR & THROTTLE CONTROL - 883C, 1200C HANDLEBAR SWITCHES
56396-74A	HANDLEBAR & THROTTLE CONTROL - 883/L/N/R, 1200L/N/R, XR1200

	HANDLEBAR & THROTTLE CONTROL - 883C, 1200C HANDLEBAR SWITCHES
56397-74C	HANDLEBAR & THROTTLE CONTROL - 883/L/N/R, 1200L/N/R, XR1200 HANDLEBAR & THROTTLE CONTROL - 883C, 1200C HANDLEBAR SWITCHES
56402-83A	HANDLEBAR & THROTTLE CONTROL - 883/L/N/R, 1200L/N/R, XR1200 HANDLEBAR & THROTTLE CONTROL - 883C, 1200C HANDLEBAR SWITCHES
56508-76	HANDLEBAR & THROTTLE CONTROL - 883/L/N/R, 1200L/N/R, XR1200 HANDLEBAR & THROTTLE CONTROL - 883C, 1200C
56541-86A	HANDLEBAR & THROTTLE CONTROL - 883/L/N/R, 1200L/N/R, XR1200
56542-86A	HANDLEBAR & THROTTLE CONTROL - 883/L/N/R, 1200L/N/R, XR1200
56567-86B	HANDLEBAR & THROTTLE CONTROL - 883/L/N/R, 1200L/N/R, XR1200
56637-08	HANDLEBAR & THROTTLE CONTROL - 883/L/N/R, 1200L/N/R, XR1200
56639-08	HANDLEBAR & THROTTLE CONTROL - 883/L/N/R, 1200L/N/R, XR1200
56666-04	HANDLEBAR & THROTTLE CONTROL - 883/L/N/R, 1200L/N/R, XR1200 HANDLEBAR & THROTTLE CONTROL - 883C, 1200C
56667-04	HANDLEBAR & THROTTLE CONTROL - 883/L/N/R, 1200L/N/R, XR1200 HANDLEBAR & THROTTLE CONTROL - 883C, 1200C
56871-08	FUEL PUMP
56884-07	HANDLEBAR & THROTTLE CONTROL - 883/L/N/R, 1200L/N/R, XR1200 HANDLEBAR & THROTTLE CONTROL - 883C, 1200C
56885-07	HANDLEBAR & THROTTLE CONTROL - 883/L/N/R, 1200L/N/R, XR1200 HANDLEBAR & THROTTLE CONTROL - 883C, 1200C
5845	FUEL TANK - XR1200
58998-83E	FRONT FENDER
59022-07BDK	FRONT FENDER
5925	FRONT FORK - XR1200
59254-91	REAR FENDER & LICENSE PLATE BRKT - 883/C/L/R, 1200C/L/R, 883N (CANADA)
59256-84A	REAR FENDER & LICENSE PLATE BRACKET - 883N (NON-CANADA), 1200N REAR TURN SIGNALS, TAIL LAMP & LICENSE PLATE BRACKET - XR1200
59259-90	REAR FENDER & LICENSE PLATE BRACKET - 883N (NON-CANADA), 1200N REAR TURN SIGNALS, TAIL LAMP & LICENSE PLATE BRACKET - XR1200 REAR TURN SIGNALS, TAIL LAMP & LICENSE PLATE BRACKET - XR1200
59287-92	REAR FENDER & LICENSE PLATE BRKT - 883/C/L/R, 1200C/L/R, 883N (CANADA)
59288-92	REAR FENDER & LICENSE PLATE BRKT - 883/C/L/R, 1200C/L/R, 883N (CANADA)

59359-06	<u>REAR FENDER & LICENSE PLATE BRACKET - 883N (NON-CANADA), 1200N</u>
59400-08	<u>FRAME & JIFFY STAND - XR1200</u>
59401-08	<u>FRAME & JIFFY STAND - XR1200</u>
59403-08	<u>FRONT FENDER</u>
59481-00	<u>FRONT FORK - 883/C/L/R, 1200C/L/R</u>
59482-00	<u>FRONT FORK - 883/C/L/R, 1200C/L/R</u>
59502-04A	<u>REAR FENDER & LICENSE PLATE BRKT - 883/C/L/R, 1200C/L/R, 883N (CANADA)</u> <u>REAR FENDER & LICENSE PLATE BRACKET - 883N (NON-CANADA), 1200N</u>
59673-04	<u>REAR FENDER & LICENSE PLATE BRKT - 883/C/L/R, 1200C/L/R, 883N (CANADA)</u>
59712-07A	<u>FRONT FENDER</u>
59723-04	<u>REAR FENDER & LICENSE PLATE BRKT - 883/C/L/R, 1200C/L/R, 883N (CANADA)</u> <u>REAR FENDER & LICENSE PLATE BRACKET - 883N (NON-CANADA), 1200N</u>
59727-07	<u>REAR FENDER & LICENSE PLATE BRACKET - 883N (NON-CANADA), 1200N</u>
59768-97	<u>REAR FENDER & LICENSE PLATE BRKT - 883/C/L/R, 1200C/L/R, 883N (CANADA)</u> <u>REAR FENDER & LICENSE PLATE BRACKET - 883N (NON-CANADA), 1200N</u>
59847-07	<u>REAR FENDER & LICENSE PLATE BRKT - 883/C/L/R, 1200C/L/R, 883N (CANADA)</u>
59865-07	<u>REAR FENDER & LICENSE PLATE BRACKET - 883N (NON-CANADA), 1200N</u>
59901-08BDK	<u>REAR FENDER - XR1200</u>
59902-04	<u>REAR FENDER & LICENSE PLATE BRKT - 883/C/L/R, 1200C/L/R, 883N (CANADA)</u>
59903-04	<u>REAR FENDER & LICENSE PLATE BRKT - 883/C/L/R, 1200C/L/R, 883N (CANADA)</u>
59916-08	<u>REAR FENDER - XR1200</u>
59984-73	<u>REAR FENDER & LICENSE PLATE BRKT - 883/C/L/R, 1200C/L/R, 883N (CANADA)</u>
59986-75	<u>REAR FENDER & LICENSE PLATE BRKT - 883/C/L/R, 1200C/L/R, 883N (CANADA)</u>
59988-72A	<u>REAR FENDER & LICENSE PLATE BRKT - 883/C/L/R, 1200C/L/R, 883N (CANADA)</u>
60001-55	<u>REAR FENDER & LICENSE PLATE BRKT - 883/C/L/R, 1200C/L/R, 883N (CANADA)</u>
6003	<u>TRANSMISSION GEARS</u>
60183-08	<u>REAR TURN SIGNALS, TAIL LAMP & LICENSE PLATE BRACKET - XR1200</u>
60188-08	<u>REAR FENDER & LICENSE PLATE BRACKET - 883N (NON-CANADA), 1200N</u> <u>REAR TURN SIGNALS, TAIL LAMP & LICENSE PLATE BRACKET - XR1200</u>
60203-06	<u>REAR FENDER & LICENSE PLATE BRKT - 883/C/L/R, 1200C/L/R, 883N (CANADA)</u> <u>REAR FENDER & LICENSE PLATE BRACKET - 883N (NON-CANADA), 1200N</u>
60204-06	<u>REAR FENDER & LICENSE PLATE BRKT - 883/C/L/R, 1200C/L/R, 883N (CANADA)</u> <u>REAR FENDER & LICENSE PLATE BRACKET - 883N (NON-CANADA), 1200N</u>

6021	<u>TRANSMISSION GEARS</u>
6026	<u>ENGINE MOUNTS</u> <u>HORN</u>
60318-07	<u>REAR FENDER & LICENSE PLATE BRACKET - 883N (NON-CANADA), 1200N</u>
60328-98B	<u>INSPECTION COVER & PRIMARY COVER</u>
60330-08	<u>CRANKCASE & GEARCASE - XR1200</u> <u>OIL PUMP - XR1200</u>
60367-04	<u>REAR FORK, DEBRIS DEFLECTOR & BELT GUARD</u>
60371-07	<u>REAR FORK, DEBRIS DEFLECTOR & BELT GUARD</u>
60403-08	<u>REAR FORK, DEBRIS DEFLECTOR & BELT GUARD</u>
60416-08	<u>REAR FORK, DEBRIS DEFLECTOR & BELT GUARD</u>
60435-04	<u>REAR FORK, DEBRIS DEFLECTOR & BELT GUARD</u>
60830-07	<u>INSPECTION COVER & PRIMARY COVER</u>
60901-07	<u>REAR FENDER & LICENSE PLATE BRACKET - 883N (NON-CANADA), 1200N</u>
60903-08	<u>REAR FENDER & LICENSE PLATE BRACKET - 883N (NON-CANADA), 1200N</u>
6099	<u>REAR BRAKE MASTER CYLINDER - XR1200</u> <u>EVAPORATIVE EMISSIONS</u>
6101	<u>CLUTCH CONTROL</u> <u>FRONT BRAKE CONTROL - 883/C/L/N/R, 1200C/L/N/R</u> <u>FRONT BRAKE CONTROL - XR1200</u>
61015-04A	<u>FUEL PUMP</u>
6109	<u>HANDLEBAR & THROTTLE CONTROL - 883/L/N/R, 1200L/N/R, XR1200</u>
6110	<u>OIL LINES & COOLER - XR1200</u>
61109-85D	<u>FUEL TANK - 883/C/L/N/R, 1200C/L/N/R</u>
61213-04A	<u>FUEL PUMP</u>
61260-04	<u>FUEL TANK - 883/C/L/N/R, 1200C/L/N/R</u>
61272-92B	<u>FUEL TANK - 883/C/L/N/R, 1200C/L/N/R</u>
61289-07	<u>FUEL TANK - 883/C/L/N/R, 1200C/L/N/R</u>
6139	<u>EXHAUST SYSTEM - 883/C/L/N/R, 1200C/L/N/R</u>
61392-08	<u>FUEL TANK - XR1200</u>
61405-07	<u>FUEL TANK - 883/C/L/N/R, 1200C/L/N/R</u>
61459-97	<u>FRAME & JIFFY STAND - 883/C/L/N/R, 1200C/L/N/R</u>

	<u>FRAME & JIFFY STAND - XR1200</u> <u>SWITCHES, SENSORS & ELECTRICAL CONNECTORS</u>
6152	<u>ENGINE MOUNTS</u>
6157	<u>OIL PUMP - 883/C/L/N/R, 1200C/L/N/R</u>
61572-08A	<u>FUEL TANK - XR1200</u>
61573-08A	<u>FUEL TANK - XR1200</u>
61574-08	<u>FUEL TANK - XR1200</u>
61576-08	<u>FUEL TANK - XR1200</u>
61577-08	<u>FUEL TANK - XR1200</u>
6192	<u>REAR FENDER & LICENSE PLATE BRKT - 883/C/L/R, 1200C/L/R, 883N (CANADA)</u> <u>REAR FENDER & LICENSE PLATE BRACKET - 883N (NON-CANADA), 1200N</u>
62122-89A	<u>FRAME & JIFFY STAND - 883/C/L/N/R, 1200C/L/N/R</u> <u>FRAME & JIFFY STAND - XR1200</u>
62150-85	<u>FUEL TANK - 883/C/L/N/R, 1200C/L/N/R</u>
62213-07	<u>FUEL TANK - 883/C/L/N/R, 1200C/L/N/R</u>
62260-08	<u>FUEL TANK TRIM</u>
62261-08	<u>FUEL TANK TRIM</u>
62262-08	<u>FUEL TANK TRIM</u>
62263-08	<u>FUEL TANK TRIM</u>
62320-06	<u>FUEL TANK TRIM</u>
62321-06	<u>FUEL TANK TRIM</u>
62338-01Y	<u>OIL TANK & FILTER - 883/C/L/N/R, 1200C/L/N/R</u>
62360-04A	<u>CAMSHAFTS & GEAR COVER - 883/C/L/N/R, 1200C/L/N/R</u> <u>OIL TANK & FILTER - 883/C/L/N/R, 1200C/L/N/R</u> <u>OIL TANK & FILTER - XR1200</u>
62361-04	<u>OIL TANK & FILTER - 883/C/L/N/R, 1200C/L/N/R</u>
6237	<u>HORN</u>
62375-57A	<u>CAMSHAFTS & GEAR COVER - 883/C/L/N/R, 1200C/L/N/R</u>
62534-07	<u>FRAME & JIFFY STAND - 883/C/L/N/R, 1200C/L/N/R</u>
62592-07A	<u>OIL TANK & FILTER - 883/C/L/N/R, 1200C/L/N/R</u>
62601-91A	<u>OIL PUMP - 883/C/L/N/R, 1200C/L/N/R</u>
62651-04	<u>OIL TANK & FILTER - 883/C/L/N/R, 1200C/L/N/R</u>

6288	<u>SWITCHES, SENSORS & ELECTRICAL CONNECTORS</u>
62881-00	<u>FUEL TANK - XR1200</u>
62888-04A	<u>OIL TANK & FILTER - 883/C/L/N/R, 1200C/L/N/R</u>
62888-08	<u>OIL TANK & FILTER - XR1200</u>
63000-04B	<u>OIL TANK & FILTER - 883/C/L/N/R, 1200C/L/N/R</u>
63008-08	<u>OIL TANK & FILTER - XR1200</u>
6302	<u>FRAME & JIFFY STAND - XR1200</u>
63050-08A	<u>OIL LINES & COOLER - XR1200</u>
63080-08	<u>OIL LINES & COOLER - XR1200</u>
63081-08	<u>OIL LINES & COOLER - XR1200</u>
63097-08	<u>OIL LINES & COOLER - XR1200</u>
63098-08	<u>OIL LINES & COOLER - XR1200</u>
63099-08	<u>OIL TANK & FILTER - XR1200</u>
63103-08	<u>OIL TANK & FILTER - XR1200</u>
63108-08	<u>OIL LINES & COOLER - XR1200</u>
63110-08	<u>OIL LINES & COOLER - XR1200</u>
63111-08	<u>OIL LINES & COOLER - XR1200</u>
63112-08	<u>OIL LINES & COOLER - XR1200</u>
63116-08	<u>OIL LINES & COOLER - XR1200</u>
63119-08	<u>OIL LINES & COOLER - XR1200</u>
63120-08	<u>OIL LINES & COOLER - XR1200</u>
63125-08	<u>OIL LINES & COOLER - XR1200</u>
63508-04	<u>CRANKCASE & GEARCASE - 883/C/L/N/R, 1200C/L/N/R</u> <u>CRANKCASE & GEARCASE - XR1200</u>
63533-41A	<u>CRANKCASE & GEARCASE - 883/C/L/N/R, 1200C/L/N/R</u> <u>CRANKCASE & GEARCASE - XR1200</u> <u>OIL PUMP - 883/C/L/N/R, 1200C/L/N/R</u>
63548-08	<u>ROCKER ARMS, COVERS, & PUSH RODS - XR1200</u>
63596-06	<u>OIL TANK & FILTER - 883/C/L/N/R, 1200C/L/N/R</u> <u>OIL TANK & FILTER - XR1200</u>
63796-77A	<u>OIL TANK & FILTER - 883/C/L/N/R, 1200C/L/N/R</u>
63805-80A	<u>OIL TANK & FILTER - 883/C/L/N/R, 1200C/L/N/R</u>

	OIL TANK & FILTER - XR1200
6400HB	BELTS & SPROCKETS - XR1200 FOOTRESTS - XR1200 FUEL TANK - XR1200
6445	BELTS & SPROCKETS - XR1200
64737-09	EXHAUST SYSTEM - 883/C/L/N/R, 1200C/L/N/R
64738-09	EXHAUST SYSTEM - 883/C/L/N/R, 1200C/L/N/R
64746-09	EXHAUST SYSTEM - XR1200
64747-09	EXHAUST SYSTEM - XR1200
64842-04	EXHAUST SYSTEM - 883/C/L/N/R, 1200C/L/N/R
64846-04A	EXHAUST SYSTEM - 883/C/L/N/R, 1200C/L/N/R
64847-04A	EXHAUST SYSTEM - 883/C/L/N/R, 1200C/L/N/R
64850-08	EXHAUST SYSTEM - XR1200
64851-09	EXHAUST SYSTEM - XR1200
64853-04	EXHAUST SYSTEM - 883/C/L/N/R, 1200C/L/N/R
64854-04	EXHAUST SYSTEM - 883/C/L/N/R, 1200C/L/N/R
64855-04	EXHAUST SYSTEM - 883/C/L/N/R, 1200C/L/N/R EXHAUST SYSTEM - 883/C/L/N/R, 1200C/L/N/R
64859-08	EXHAUST SYSTEM - XR1200
64883-08	EXHAUST SYSTEM - XR1200
64889-04	EXHAUST SYSTEM - 883/C/L/N/R, 1200C/L/N/R
64890-04	EXHAUST SYSTEM - 883/C/L/N/R, 1200C/L/N/R
64891-04A	EXHAUST SYSTEM - 883/C/L/N/R, 1200C/L/N/R
64893-04A	EXHAUST SYSTEM - 883/C/L/N/R, 1200C/L/N/R
64927-08	EXHAUST SYSTEM - XR1200
64934-08	EXHAUST SYSTEM - XR1200
64935-08	EXHAUST SYSTEM - XR1200
64936-08	EXHAUST SYSTEM - XR1200
64942-07	EXHAUST SYSTEM - 883/C/L/N/R, 1200C/L/N/R
64943-07	EXHAUST SYSTEM - 883/C/L/N/R, 1200C/L/N/R
64954-08	EXHAUST SYSTEM - XR1200

64965-08	EXHAUST SYSTEM - XR1200
65088-04	CRANKCASE & GEARCASE - 883/C/L/N/R, 1200C/L/N/R CRANKCASE & GEARCASE - XR1200
6516HW	BELTS & SPROCKETS - 883/C/L/N/R, 1200C/L/N/R BELTS & SPROCKETS - XR1200 REAR WHEEL, CAST - 883/L/N/R, 1200C/L/R REAR WHEEL, CAST - XR1200 REAR WHEEL, LACED & PROFILE LACED - 883/C/L/R, 1200C/L/N/R
65184-02	EXHAUST SYSTEM - 883/C/L/N/R, 1200C/L/N/R
65240-08	EXHAUST SYSTEM - XR1200
65257-08	EXHAUST SYSTEM - XR1200
65258-08	AIR BOX - XR1200
65296-95A	EXHAUST SYSTEM - 883/C/L/N/R, 1200C/L/N/R
65302-82A	EXHAUST SYSTEM - 883/C/L/N/R, 1200C/L/N/R
65316-08	FRAME & JIFFY STAND - XR1200 EXHAUST SYSTEM - XR1200
65317-08	EXHAUST SYSTEM - XR1200
65324-83B	EXHAUST SYSTEM - 883/C/L/N/R, 1200C/L/N/R EXHAUST SYSTEM - XR1200
65325-83A	EXHAUST SYSTEM - 883/C/L/N/R, 1200C/L/N/R EXHAUST SYSTEM - XR1200
65328-83	EXHAUST SYSTEM - XR1200
65339-04	EXHAUST SYSTEM - 883/C/L/N/R, 1200C/L/N/R EXHAUST SYSTEM - 883/C/L/N/R, 1200C/L/N/R
65453-08	EXHAUST SYSTEM - XR1200
6551	REAR WHEEL, CAST - 883/L/N/R, 1200C/L/R REAR WHEEL, CAST - XR1200 REAR WHEEL, LACED & PROFILE LACED - 883/C/L/R, 1200C/L/N/R
6589	ROCKER ARMS, COVERS, & PUSH RODS - 883/C/L/N/R, 1200C/L/N/R ROCKER ARMS, COVERS, & PUSH RODS - XR1200
6590HW	HANDLEBAR & THROTTLE CONTROL - 883/L/N/R, 1200L/N/R, XR1200 HANDLEBAR & THROTTLE CONTROL - 883C, 1200C
65927-00	EXHAUST SYSTEM - 883/C/L/N/R, 1200C/L/N/R
6594	FRONT WHEEL, CAST - 883/L/N/R, 1200L/R FRONT WHEEL, CAST - XR1200 FRONT WHEEL, LACED & PROFILE LACED - 883/C/L/R, 1200C/N/L/R
65958-04A	BATTERY

65974-04A	<u>EXHAUST SYSTEM - 883/C/L/N/R, 1200C/L/N/R</u>
66194-04C	<u>BATTERY</u>
66199-04	<u>OIL TANK & FILTER - 883/C/L/N/R, 1200C/L/N/R</u> <u>OIL TANK & FILTER - XR1200</u>
66251-04	<u>FRAME & JIFFY STAND - 883/C/L/N/R, 1200C/L/N/R</u>
66252-04	<u>FRAME & JIFFY STAND - 883/C/L/N/R, 1200C/L/N/R</u>
66269-08BDK	<u>FRAME & JIFFY STAND - XR1200</u>
66269-08CHJ	<u>FRAME & JIFFY STAND - XR1200</u>
66270-08BDK	<u>FRAME & JIFFY STAND - XR1200</u>
66270-08CHJ	<u>FRAME & JIFFY STAND - XR1200</u>
66271-08BDK	<u>FUEL TANK - XR1200</u>
66272-05	<u>FRAME & JIFFY STAND - 883/C/L/N/R, 1200C/L/N/R</u>
66273-05	<u>FRAME & JIFFY STAND - 883/C/L/N/R, 1200C/L/N/R</u>
66476-04A	<u>BATTERY</u>
66523-06	<u>TURN SIGNAL MODULE & SECURITY SIREN</u>
66524-06	<u>TURN SIGNAL MODULE & SECURITY SIREN</u>
6655	<u>STEERING HEAD BRACKET ASSEMBLY - 883/C/L/N/R, 1200C/L/N/R</u> <u>STEERING HEAD BRACKET ASSEMBLY - XR1200</u>
66851-07	<u>EXHAUST SYSTEM - 883/C/L/N/R, 1200C/L/N/R</u>
6701	<u>BELTS & SPROCKETS - XR1200</u> <u>FRONT FORK - 883/C/L/R, 1200C/L/R</u> <u>FRONT FORK - 883N, 1200N</u> <u>HEADLAMP & MIRROR - 883C, 1200C</u> <u>EXHAUST SYSTEM - 883/C/L/N/R, 1200C/L/N/R</u> <u>EXHAUST SYSTEM - XR1200</u>
6702	<u>REAR BRAKE MASTER CYLINDER - 883/C/L/N/R, 1200C/L/N/R</u> <u>REAR FORK, DEBRIS DEFLECTOR & BELT GUARD</u> <u>HANDLEBAR & THROTTLE CONTROL - 883/L/N/R, 1200L/N/R, XR1200</u> <u>REAR FENDER & LICENSE PLATE BRKT - 883/C/L/R, 1200C/L/R, 883N (CANADA)</u> <u>REAR FENDER & LICENSE PLATE BRACKET - 883N (NON-CANADA), 1200N</u> <u>FUEL TANK - 883/C/L/N/R, 1200C/L/N/R</u> <u>HEADLAMP & MIRROR - 883/L/N/R, 1200L/N/R</u> <u>EXHAUST SYSTEM - XR1200</u>
6703	<u>AIR BOX - XR1200</u> <u>REAR FENDER & LICENSE PLATE BRKT - 883/C/L/R, 1200C/L/R, 883N (CANADA)</u> <u>REAR FENDER & LICENSE PLATE BRACKET - 883N (NON-CANADA), 1200N</u> <u>REAR FENDER - XR1200</u>
67037-08	<u>SPEEDOMETER & TACHOMETER - 883/L/N/R, 1200L/N/R</u>

67041-08	SPEEDOMETER & TACHOMETER - 883/L/N/R, 1200L/N/R
67049-04B	SPEEDOMETER & TACHOMETER - 883/L/N/R, 1200L/N/R
67053-95	SPEEDOMETER & TACHOMETER - 883/L/N/R, 1200L/N/R
67085-95	SPEEDOMETER & TACHOMETER - 883/L/N/R, 1200L/N/R
67087-08	SPEEDOMETER & TACHOMETER - XR1200
67089-05	SPEEDOMETER & TACHOMETER - 883/L/N/R, 1200L/N/R
67091-08	SPEEDOMETER & TACHOMETER - XR1200
67103-95	SPEEDOMETER & TACHOMETER - 883/L/N/R, 1200L/N/R
67104-95	SPEEDOMETER & TACHOMETER - 883/L/N/R, 1200L/N/R
67121-95A	SPEEDOMETER & TACHOMETER - 883/L/N/R, 1200L/N/R SPEEDOMETER & TACHOMETER - XR1200 SPEEDOMETER - 883C, 1200C
67157-08	SPEEDOMETER & TACHOMETER - XR1200
67170-08	SPEEDOMETER & TACHOMETER - XR1200
67174-08	SPEEDOMETER & TACHOMETER - XR1200
6718	SHOCK ABSORBERS - 883/C/L/N/R, 1200C/L/N/R SHOCK ABSORBERS - XR1200
67290-08	SPEEDOMETER & TACHOMETER - 883/L/N/R, 1200L/N/R
673	AIR BOX - XR1200
67320-95	SPEEDOMETER & TACHOMETER - 883/L/N/R, 1200L/N/R
67338-97	SPEEDOMETER & TACHOMETER - 883/L/N/R, 1200L/N/R
67344-97	SPEEDOMETER & TACHOMETER - 883/L/N/R, 1200L/N/R
67345-97	SPEEDOMETER & TACHOMETER - 883/L/N/R, 1200L/N/R
6738	SHOCK ABSORBERS - 883/C/L/N/R, 1200C/L/N/R
67415-08	SPEEDOMETER & TACHOMETER - 883/L/N/R, 1200L/N/R SPEEDOMETER - 883C, 1200C
67416-08	SPEEDOMETER & TACHOMETER - 883/L/N/R, 1200L/N/R SPEEDOMETER - 883C, 1200C
67436-08	SPEEDOMETER & TACHOMETER - 883/L/N/R, 1200L/N/R SPEEDOMETER - 883C, 1200C
675	BELTS & SPROCKETS - XR1200
67576-08	SPEEDOMETER & TACHOMETER - XR1200
67601-94A	HEADLAMP & MIRROR - 883C, 1200C

67603-94A	HEADLAMP & MIRROR - 883C, 1200C
67667-05	HEADLAMP & MIRROR - 883/L/N/R, 1200L/N/R HEADLAMP & MIRROR - 883C, 1200C HEADLAMP & MIRROR - XR1200
67742-06	HEADLAMP & MIRROR - 883C, 1200C
67790-93A	HEADLAMP & MIRROR - 883/L/N/R, 1200L/N/R
67804-04	REAR BRAKE MASTER CYLINDER - 883/C/L/N/R, 1200C/L/N/R
67805-92	HEADLAMP & MIRROR - 883/L/N/R, 1200L/N/R
67815-59A	HEADLAMP & MIRROR - 883/L/N/R, 1200L/N/R HEADLAMP & MIRROR - XR1200
67834-83	HEADLAMP & MIRROR - 883/L/N/R, 1200L/N/R
67854-98	SPEEDOMETER & TACHOMETER - 883/L/N/R, 1200L/N/R SPEEDOMETER & TACHOMETER - XR1200 SPEEDOMETER - 883C, 1200C
67865-89	HEADLAMP & MIRROR - 883/L/N/R, 1200L/N/R HEADLAMP & MIRROR - XR1200
6787	CYLINDER, HEAD, & VALVES - 883/C/L/N/R, 1200C/L/N/R
67880-94	SPEEDOMETER & TACHOMETER - 883/L/N/R, 1200L/N/R SPEEDOMETER & TACHOMETER - XR1200 SPEEDOMETER - 883C, 1200C
67883-04A	HEADLAMP & MIRROR - 883/L/N/R, 1200L/N/R HEADLAMP & MIRROR - XR1200
67894-93A	HEADLAMP & MIRROR - 883C, 1200C
67950-07	HEADLAMP & MIRROR - 883/L/N/R, 1200L/N/R
67951-07	HEADLAMP & MIRROR - 883/L/N/R, 1200L/N/R
67963-05	HEADLAMP & MIRROR - 883/L/N/R, 1200L/N/R
67972-98	HEADLAMP & MIRROR - 883/L/N/R, 1200L/N/R
6798	REAR FENDER & LICENSE PLATE BRKT - 883/C/L/R, 1200C/L/R, 883N (CANADA) REAR FENDER & LICENSE PLATE BRACKET - 883N (NON-CANADA), 1200N
68026-99	REAR TURN SIGNALS, TAIL LAMP & LICENSE PLATE BRACKET - XR1200 TAIL LAMP - 883/C/L/R, 1200C/L/R
68041-04	STEERING HEAD BRACKET ASSEMBLY - 883/C/L/N/R, 1200C/L/N/R
68066-99A	TAIL LAMP - 883/C/L/R, 1200C/L/R
68140-04	REAR TURN SIGNALS, TAIL LAMP & LICENSE PLATE BRACKET - XR1200 TAIL LAMP - 883/C/L/R, 1200C/L/R

68141-04	<u>TAIL LAMP - 883/C/L/R, 1200C/L/R</u>
68163-84	<u>TURN SIGNALS - 883/C/L/R, 1200C/L/R</u> <u>FRONT TURN SIGNALS - XR1200</u> <u>TURN SIGNALS & TAIL LAMP - 883N, 1200N</u> <u>REAR TURN SIGNALS, TAIL LAMP & LICENSE PLATE BRACKET - XR1200</u>
68167-04	<u>REAR TURN SIGNALS, TAIL LAMP & LICENSE PLATE BRACKET - XR1200</u> <u>TAIL LAMP - 883/C/L/R, 1200C/L/R</u>
68168-89A	<u>TURN SIGNALS - 883/C/L/R, 1200C/L/R</u> <u>FRONT TURN SIGNALS - XR1200</u> <u>TURN SIGNALS & TAIL LAMP - 883N, 1200N</u>
68183-07	<u>REAR FENDER & LICENSE PLATE BRACKET - 883N (NON-CANADA), 1200N</u>
68257-08	<u>REAR TURN SIGNALS, TAIL LAMP & LICENSE PLATE BRACKET - XR1200</u>
68265-04	<u>TURN SIGNALS - 883/C/L/R, 1200C/L/R</u> <u>FRONT TURN SIGNALS - XR1200</u> <u>TURN SIGNALS & TAIL LAMP - 883N, 1200N</u>
68277-07	<u>TURN SIGNALS & TAIL LAMP - 883N, 1200N</u>
68278-07	<u>TURN SIGNALS & TAIL LAMP - 883N, 1200N</u>
68296-99A	<u>TAIL LAMP - 883/C/L/R, 1200C/L/R</u>
68297-05	<u>HEADLAMP & MIRROR - 883/L/N/R, 1200L/N/R</u> <u>HEADLAMP & MIRROR - 883C, 1200C</u> <u>HEADLAMP & MIRROR - XR1200</u>
68299-07	<u>TURN SIGNALS & TAIL LAMP - 883N, 1200N</u>
68329-03	<u>HEADLAMP & MIRROR - 883/L/N/R, 1200L/N/R</u> <u>HEADLAMP & MIRROR - 883C, 1200C</u> <u>HEADLAMP & MIRROR - XR1200</u>
68335-05	<u>HEADLAMP & MIRROR - 883/L/N/R, 1200L/N/R</u> <u>HEADLAMP & MIRROR - 883C, 1200C</u> <u>HEADLAMP & MIRROR - XR1200</u>
68341-05	<u>HEADLAMP & MIRROR - 883/L/N/R, 1200L/N/R</u> <u>HEADLAMP & MIRROR - 883C, 1200C</u> <u>HEADLAMP & MIRROR - XR1200</u>
68369-03	<u>REAR TURN SIGNALS, TAIL LAMP & LICENSE PLATE BRACKET - XR1200</u> <u>TAIL LAMP - 883/C/L/R, 1200C/L/R</u>
68370-03A	<u>REAR TURN SIGNALS, TAIL LAMP & LICENSE PLATE BRACKET - XR1200</u> <u>TAIL LAMP - 883/C/L/R, 1200C/L/R</u>
68372-03	<u>TAIL LAMP - 883/C/L/R, 1200C/L/R</u>
68380-05	<u>HEADLAMP & MIRROR - 883/L/N/R, 1200L/N/R</u> <u>HEADLAMP & MIRROR - 883C, 1200C</u> <u>HEADLAMP & MIRROR - XR1200</u>
68382-07	<u>SPEEDOMETER - 883C, 1200C</u>

68443-07A	<u>HEADLAMP & MIRROR - 883/L/N/R, 1200L/N/R</u>
68449-07	<u>TURN SIGNALS & TAIL LAMP - 883N, 1200N</u>
68480-02	<u>TURN SIGNALS - 883/C/L/R, 1200C/L/R</u>
68513-95	<u>SPEEDOMETER & TACHOMETER - 883/L/N/R, 1200L/N/R</u> <u>SPEEDOMETER & TACHOMETER - XR1200</u>
68551-07	<u>SPEEDOMETER & TACHOMETER - 883/L/N/R, 1200L/N/R</u> <u>SPEEDOMETER & TACHOMETER - XR1200</u>
68559-07	<u>TURN SIGNALS & TAIL LAMP - 883N, 1200N</u>
68561-09	<u>REAR TURN SIGNALS, TAIL LAMP & LICENSE PLATE BRACKET - XR1200</u>
68572-64B	<u>TURN SIGNALS - 883/C/L/R, 1200C/L/R</u> <u>TURN SIGNALS & TAIL LAMP - 883N, 1200N</u>
6863	<u>REAR FORK, DEBRIS DEFLECTOR & BELT GUARD</u>
6864	<u>REAR FORK, DEBRIS DEFLECTOR & BELT GUARD</u>
68653-05	<u>HEADLAMP & MIRROR - 883/L/N/R, 1200L/N/R</u> <u>HEADLAMP & MIRROR - 883C, 1200C</u> <u>HEADLAMP & MIRROR - XR1200</u>
68702-07	<u>REAR FENDER & LICENSE PLATE BRACKET - 883N (NON-CANADA), 1200N</u>
68704-07	<u>REAR FENDER & LICENSE PLATE BRACKET - 883N (NON-CANADA), 1200N</u>
68724-07	<u>REAR FENDER & LICENSE PLATE BRACKET - 883N (NON-CANADA), 1200N</u>
68730-07	<u>TURN SIGNALS & TAIL LAMP - 883N, 1200N</u>
6874	<u>FOOTRESTS - XR1200</u>
68755-07	<u>TURN SIGNALS & TAIL LAMP - 883N, 1200N</u>
68804-06	<u>FRONT TURN SIGNALS - XR1200</u>
68811-07	<u>SPEEDOMETER & TACHOMETER - 883/L/N/R, 1200L/N/R</u>
68813-07	<u>SPEEDOMETER & TACHOMETER - 883/L/N/R, 1200L/N/R</u>
68814-07	<u>SPEEDOMETER - 883C, 1200C</u>
68830-99A	<u>REAR TURN SIGNALS, TAIL LAMP & LICENSE PLATE BRACKET - XR1200</u> <u>TAIL LAMP - 883/C/L/R, 1200C/L/R</u>
68838-06	<u>FRONT TURN SIGNALS - XR1200</u>
68857-07	<u>REAR FENDER & LICENSE PLATE BRACKET - 883N (NON-CANADA), 1200N</u>
68899-04	<u>TURN SIGNALS & TAIL LAMP - 883N, 1200N</u> <u>TAIL LAMP - 883/C/L/R, 1200C/L/R</u>
68904-00	<u>TURN SIGNALS - 883/C/L/R, 1200C/L/R</u>

	<u>FRONT TURN SIGNALS - XR1200</u>
68905-00	<u>TURN SIGNALS - 883/C/L/R, 1200C/L/R</u>
68906-00	<u>TURN SIGNALS - 883/C/L/R, 1200C/L/R</u>
68907-00	<u>TURN SIGNALS - 883/C/L/R, 1200C/L/R</u>
68919-07	<u>ELECTRONIC IGNITION SYSTEM - 883/C/L/N/R, 1200C/L/N/R</u> <u>TURN SIGNAL MODULE & SECURITY SIREN</u>
68920-07	<u>TURN SIGNAL MODULE & SECURITY SIREN</u>
68922-07	<u>TURN SIGNAL MODULE & SECURITY SIREN</u>
68924-07	<u>TURN SIGNAL MODULE & SECURITY SIREN</u>
68926-07	<u>SWITCHES, SENSORS & ELECTRICAL CONNECTORS</u>
68939-00	<u>SWITCHES, SENSORS & ELECTRICAL CONNECTORS</u>
68955-08	<u>TURN SIGNALS & TAIL LAMP - 883N, 1200N</u>
68956-07	<u>TURN SIGNAL MODULE & SECURITY SIREN</u>
68958-07A	<u>TURN SIGNAL MODULE & SECURITY SIREN</u>
68966-08	<u>REAR FENDER & LICENSE PLATE BRACKET - 883N (NON-CANADA), 1200N</u>
68972-00	<u>TURN SIGNALS - 883/C/L/R, 1200C/L/R</u>
68973-00	<u>TURN SIGNALS - 883/C/L/R, 1200C/L/R</u> <u>TURN SIGNALS - 883/C/L/R, 1200C/L/R</u> <u>FRONT TURN SIGNALS - XR1200</u> <u>FRONT TURN SIGNALS - XR1200</u>
68975-00	<u>TURN SIGNALS - 883/C/L/R, 1200C/L/R</u>
68977-00	<u>TURN SIGNALS - 883/C/L/R, 1200C/L/R</u>
68978-00	<u>TURN SIGNALS - 883/C/L/R, 1200C/L/R</u>
68979-00	<u>TURN SIGNALS - 883/C/L/R, 1200C/L/R</u>
68984-01	<u>REAR TURN SIGNALS, TAIL LAMP & LICENSE PLATE BRACKET - XR1200</u>
68992-08	<u>REAR FENDER & LICENSE PLATE BRACKET - 883N (NON-CANADA), 1200N</u>
69012-93A	<u>HORN</u>
69018-00	<u>TURN SIGNAL MODULE & SECURITY SIREN</u>
69043-96B	<u>HORN</u>
69049-07	<u>HORN</u>
69060-90E	<u>HORN</u>
69062-91A	<u>HORN</u>

69066-01A	REAR TURN SIGNALS, TAIL LAMP & LICENSE PLATE BRACKET - XR1200
69110-01	REAR TURN SIGNALS, TAIL LAMP & LICENSE PLATE BRACKET - XR1200
69120-91	HORN
69123-92	HORN
69135-04	HORN
69148-01	REAR TURN SIGNALS, TAIL LAMP & LICENSE PLATE BRACKET - XR1200
69187-03A	REAR TURN SIGNALS, TAIL LAMP & LICENSE PLATE BRACKET - XR1200 TAIL LAMP - 883/C/L/R, 1200C/L/R
6930	EXHAUST SYSTEM - XR1200
69360-08	TURN SIGNALS & TAIL LAMP - 883N, 1200N
69362-08	TURN SIGNALS & TAIL LAMP - 883N, 1200N
69386-08	HEADLAMP & MIRROR - XR1200
69397-08	HEADLAMP & MIRROR - XR1200
69406-09	TURN SIGNALS & TAIL LAMP - 883N, 1200N
69449-05	HEADLAMP & MIRROR - 883/L/N/R, 1200L/N/R
69490-07	REAR FENDER & LICENSE PLATE BRACKET - 883N (NON-CANADA), 1200N
69498-08	REAR FENDER & LICENSE PLATE BRACKET - 883N (NON-CANADA), 1200N
69530-08	REAR TURN SIGNALS, TAIL LAMP & LICENSE PLATE BRACKET - XR1200
69681-07A	HEADLAMP & MIRROR - 883C, 1200C HEADLAMP & MIRROR - 883C, 1200C
69698-07A	HEADLAMP & MIRROR - XR1200
69709-00	HEADLAMP & MIRROR - 883/L/N/R, 1200L/N/R
69774-07A	HEADLAMP & MIRROR - 883/L/N/R, 1200L/N/R HEADLAMP & MIRROR - 883/L/N/R, 1200L/N/R
69861-07	FRONT FORK - 883N, 1200N FRONT FORK - XR1200
69862-07	FRONT FORK - 883N, 1200N FRONT FORK - XR1200
69864-08	REAR TURN SIGNALS, TAIL LAMP & LICENSE PLATE BRACKET - XR1200
70003-04	BATTERY
70163-08	WIRING HARNESS, ENGINE - XR1200
70167-08	WIRING HARNESS, ENGINE - 883/C/L/N/R, 1200C/L/N/R

70181-09	WIRING HARNESS, MAIN - 883/C/L/N/R, 1200C/L/N/R (1 OF 2) WIRING HARNESS, MAIN - 883/C/L/N/R, 1200C/L/N/R (2 OF 2)
70225-08	WIRING HARNESS, MAIN - XR1200 (1 OF 2) WIRING HARNESS, MAIN - XR1200 (2 OF 2)
70247-07	SWITCHES, SENSORS & ELECTRICAL CONNECTORS
70295-04A	BATTERY
70296-04A	BATTERY
70297-04A	ENGINE MOUNTS
70345-84	HANDLEBAR & THROTTLE CONTROL - 883/L/N/R, 1200L/N/R, XR1200 HANDLEBAR & THROTTLE CONTROL - 883C, 1200C HANDLEBAR SWITCHES
70364-07	ALTERNATOR & REGULATOR
70368-08	WIRING HARNESS, MAIN - XR1200 (1 OF 2)
7038	FRONT FORK - 883/C/L/R, 1200C/L/R FRONT FORK - 883N, 1200N
7039	ENGINE MOUNTS
7041	HORN
70417-04B	FRAME & JIFFY STAND - 883/C/L/N/R, 1200C/L/N/R
70444-07	ELECTRONIC IGNITION SYSTEM - 883/C/L/N/R, 1200C/L/N/R
7045	HEADLAMP & MIRROR - 883C, 1200C
70466-07A	WIRING HARNESS, MAIN - 883/C/L/N/R, 1200C/L/N/R (1 OF 2)
70503-04	OIL TANK & FILTER - 883/C/L/N/R, 1200C/L/N/R
70504-81	HANDLEBAR & THROTTLE CONTROL - 883/L/N/R, 1200L/N/R, XR1200 HANDLEBAR & THROTTLE CONTROL - 883C, 1200C
70578-89	BATTERY
70586-93	SWITCHES, SENSORS & ELECTRICAL CONNECTORS
70587-93	SWITCHES, SENSORS & ELECTRICAL CONNECTORS
70598-99	WIRING HARNESS, MAIN - 883/C/L/N/R, 1200C/L/N/R (1 OF 2) WIRING HARNESS, MAIN - XR1200 (1 OF 2)
70617-07	TURN SIGNAL MODULE & SECURITY SIREN
70632-08	WIRING HARNESS, MAIN - XR1200 (1 OF 2)
70633-08	FRAME & JIFFY STAND - XR1200
70640-07	WIRING HARNESS, MAIN - 883/C/L/N/R, 1200C/L/N/R (1 OF 2)

70642-07	<u>WIRING HARNESS, MAIN - 883/C/L/N/R, 1200C/L/N/R (1 OF 2)</u>
70645-07	<u>WIRING HARNESS, MAIN - 883/C/L/N/R, 1200C/L/N/R (1 OF 2)</u> <u>WIRING HARNESS, MAIN - XR1200 (1 OF 2)</u>
70649-07	<u>WIRING HARNESS, MAIN - 883/C/L/N/R, 1200C/L/N/R (1 OF 2)</u>
70664-08	<u>WIRING HARNESS, MAIN - 883/C/L/N/R, 1200C/L/N/R (1 OF 2)</u> <u>WIRING HARNESS, MAIN - XR1200 (1 OF 2)</u>
7068	<u>HEADLAMP & MIRROR - 883/L/N/R, 1200L/N/R</u> <u>HEADLAMP & MIRROR - XR1200</u>
7069	<u>HORN</u>
7080	<u>SHIFTER</u>
70903-04	<u>FUEL TANK - 883/C/L/N/R, 1200C/L/N/R</u>
70904-04	<u>FUEL TANK - 883/C/L/N/R, 1200C/L/N/R</u>
70917-04	<u>FUEL TANK - 883/C/L/N/R, 1200C/L/N/R</u>
70919-04	<u>FUEL TANK - 883/C/L/N/R, 1200C/L/N/R</u>
7127	<u>HEADLAMP & MIRROR - 883/L/N/R, 1200L/N/R</u> <u>HEADLAMP & MIRROR - 883C, 1200C</u> <u>HEADLAMP & MIRROR - XR1200</u>
71276-04A	<u>FUEL TANK - 883/C/L/N/R, 1200C/L/N/R</u>
71287-08	<u>FRAME & JIFFY STAND - XR1200</u>
71441-94	<u>SWITCHES, SENSORS & ELECTRICAL CONNECTORS</u>
71451-94A	<u>SWITCHES, SENSORS & ELECTRICAL CONNECTORS</u>
71472-04	<u>FRAME & JIFFY STAND - 883/C/L/N/R, 1200C/L/N/R</u>
71478-08	<u>FRAME & JIFFY STAND - XR1200</u>
71510-04	<u>WIRING HARNESS, MAIN - 883/C/L/N/R, 1200C/L/N/R (1 OF 2)</u> <u>WIRING HARNESS, MAIN - XR1200 (1 OF 2)</u> <u>SWITCHES, SENSORS & ELECTRICAL CONNECTORS</u>
71550-94	<u>WIRING HARNESS, MAIN - 883/C/L/N/R, 1200C/L/N/R (1 OF 2)</u> <u>WIRING HARNESS, MAIN - XR1200 (1 OF 2)</u> <u>SWITCHES, SENSORS & ELECTRICAL CONNECTORS</u>
71552-94	<u>WIRING HARNESS, MAIN - 883/C/L/N/R, 1200C/L/N/R (1 OF 2)</u> <u>WIRING HARNESS, MAIN - XR1200 (1 OF 2)</u> <u>SWITCHES, SENSORS & ELECTRICAL CONNECTORS</u>
71563-96	<u>HANDLEBAR & THROTTLE CONTROL - 883/L/N/R, 1200L/N/R, XR1200</u> <u>HANDLEBAR & THROTTLE CONTROL - 883C, 1200C</u> <u>HANDLEBAR SWITCHES</u>
71564-96	<u>HANDLEBAR & THROTTLE CONTROL - 883/L/N/R, 1200L/N/R, XR1200</u> <u>HANDLEBAR & THROTTLE CONTROL - 883C, 1200C</u>

	<u>HANDLEBAR SWITCHES</u>
71567-96	<u>HANDLEBAR SWITCHES</u>
71568-96A	<u>HANDLEBAR SWITCHES</u>
71587-04	<u>HANDLEBAR SWITCHES</u>
71620-08	<u>HANDLEBAR SWITCHES</u>
71621-08	<u>HANDLEBAR SWITCHES</u>
71682-06A	<u>HANDLEBAR SWITCHES</u>
71683-06A	<u>HANDLEBAR SWITCHES</u>
71684-06A	<u>HANDLEBAR SWITCHES</u>
71685-06A	<u>HANDLEBAR SWITCHES</u>
72006-05	<u>WIRING HARNESS, MAIN - 883/C/L/N/R, 1200C/L/N/R (1 OF 2)</u> <u>WIRING HARNESS, MAIN - XR1200 (1 OF 2)</u> <u>WIRING HARNESS, ENGINE - XR1200</u>
72007-05	<u>WIRING HARNESS, MAIN - 883/C/L/N/R, 1200C/L/N/R (1 OF 2)</u> <u>WIRING HARNESS, MAIN - XR1200 (1 OF 2)</u> <u>WIRING HARNESS, ENGINE - XR1200</u>
72009-05	<u>ENGINE SENSORS & SWITCHES</u> <u>EXHAUST SYSTEM - 883/C/L/N/R, 1200C/L/N/R</u> <u>EXHAUST SYSTEM - XR1200</u> <u>SWITCHES, SENSORS & ELECTRICAL CONNECTORS</u>
72011-05	<u>ENGINE SENSORS & SWITCHES</u> <u>EXHAUST SYSTEM - 883/C/L/N/R, 1200C/L/N/R</u> <u>EXHAUST SYSTEM - XR1200</u> <u>WIRING HARNESS, MAIN - 883/C/L/N/R, 1200C/L/N/R (1 OF 2)</u> <u>WIRING HARNESS, MAIN - XR1200 (1 OF 2)</u> <u>WIRING HARNESS, ENGINE - XR1200</u> <u>SWITCHES, SENSORS & ELECTRICAL CONNECTORS</u>
72023-51D	<u>REAR BRAKE MASTER CYLINDER - 883/C/L/N/R, 1200C/L/N/R</u> <u>SWITCHES, SENSORS & ELECTRICAL CONNECTORS</u>
72032-93	<u>SPEEDOMETER & TACHOMETER - XR1200</u>
72033-93	<u>SPEEDOMETER & TACHOMETER - XR1200</u> <u>WIRING HARNESS, MAIN - 883/C/L/N/R, 1200C/L/N/R (1 OF 2)</u> <u>WIRING HARNESS, MAIN - XR1200 (1 OF 2)</u> <u>WIRING HARNESS, ENGINE - 883/C/L/N/R, 1200C/L/N/R</u> <u>WIRING HARNESS, ENGINE - XR1200</u>
72056-92	<u>HEADLAMP & MIRROR - 883/L/N/R, 1200L/N/R</u> <u>HEADLAMP & MIRROR - 883C, 1200C</u> <u>HEADLAMP & MIRROR - XR1200</u>
72066-06	<u>WIRING HARNESS, MAIN - 883/C/L/N/R, 1200C/L/N/R (1 OF 2)</u> <u>WIRING HARNESS, MAIN - XR1200 (1 OF 2)</u>

72076-00	WIRING HARNESS, MAIN - 883/C/L/N/R, 1200C/L/N/R (1 OF 2) WIRING HARNESS, MAIN - XR1200 (1 OF 2)
72077-00	WIRING HARNESS, MAIN - 883/C/L/N/R, 1200C/L/N/R (1 OF 2) WIRING HARNESS, MAIN - XR1200 (1 OF 2)
72078-00	WIRING HARNESS, MAIN - 883/C/L/N/R, 1200C/L/N/R (1 OF 2) WIRING HARNESS, MAIN - XR1200 (1 OF 2)
72094-06	WIRING HARNESS, MAIN - 883/C/L/N/R, 1200C/L/N/R (1 OF 2) WIRING HARNESS, MAIN - XR1200 (1 OF 2) WIRING HARNESS, ENGINE - 883/C/L/N/R, 1200C/L/N/R WIRING HARNESS, ENGINE - XR1200
72096-06	WIRING HARNESS, MAIN - 883/C/L/N/R, 1200C/L/N/R (1 OF 2) WIRING HARNESS, MAIN - XR1200 (1 OF 2) WIRING HARNESS, ENGINE - 883/C/L/N/R, 1200C/L/N/R WIRING HARNESS, ENGINE - XR1200
72100-04	WIRING HARNESS, MAIN - 883/C/L/N/R, 1200C/L/N/R (1 OF 2) WIRING HARNESS, MAIN - XR1200 (1 OF 2)
72114-94BK	TURN SIGNAL MODULE & SECURITY SIREN
72124-94GY	WIRING HARNESS, MAIN - 883/C/L/N/R, 1200C/L/N/R (1 OF 2) WIRING HARNESS, MAIN - XR1200 (1 OF 2)
72130-04	SPEEDOMETER & TACHOMETER - 883/L/N/R, 1200L/N/R SPEEDOMETER & TACHOMETER - XR1200 SPEEDOMETER - 883C, 1200C
72131-04	SPEEDOMETER & TACHOMETER - 883/L/N/R, 1200L/N/R
72135-06	WIRING HARNESS, MAIN - 883/C/L/N/R, 1200C/L/N/R (1 OF 2) WIRING HARNESS, MAIN - XR1200 (1 OF 2)
72139-94GY	WIRING HARNESS, MAIN - 883/C/L/N/R, 1200C/L/N/R (1 OF 2) WIRING HARNESS, MAIN - XR1200 (1 OF 2)
72144-94	WIRING HARNESS, MAIN - 883/C/L/N/R, 1200C/L/N/R (1 OF 2) WIRING HARNESS, MAIN - XR1200 (1 OF 2)
72154-94	TURN SIGNAL MODULE & SECURITY SIREN
72159-94	WIRING HARNESS, MAIN - 883/C/L/N/R, 1200C/L/N/R (1 OF 2) WIRING HARNESS, MAIN - XR1200 (1 OF 2)
72164-94A	WIRING HARNESS, MAIN - 883/C/L/N/R, 1200C/L/N/R (1 OF 2) WIRING HARNESS, MAIN - XR1200 (1 OF 2)
72166-07BK	WIRING HARNESS, ENGINE - 883/C/L/N/R, 1200C/L/N/R WIRING HARNESS, ENGINE - XR1200
72167-07BK	WIRING HARNESS, MAIN - 883/C/L/N/R, 1200C/L/N/R (1 OF 2) WIRING HARNESS, MAIN - XR1200 (1 OF 2)
72168-07	WIRING HARNESS, MAIN - 883/C/L/N/R, 1200C/L/N/R (1 OF 2) WIRING HARNESS, MAIN - XR1200 (1 OF 2) WIRING HARNESS, ENGINE - 883/C/L/N/R, 1200C/L/N/R

	<u>WIRING HARNESS, ENGINE - XR1200</u>
72169-07	<u>FRAME & JIFFY STAND - 883/C/L/N/R, 1200C/L/N/R</u> <u>FRAME & JIFFY STAND - XR1200</u> <u>SPEEDOMETER & TACHOMETER - 883/L/N/R, 1200L/N/R</u> <u>SPEEDOMETER & TACHOMETER - XR1200</u> <u>SPEEDOMETER - 883C, 1200C</u> <u>WIRING HARNESS, MAIN - 883/C/L/N/R, 1200C/L/N/R (1 OF 2)</u> <u>WIRING HARNESS, MAIN - XR1200 (1 OF 2)</u> <u>SWITCHES, SENSORS & ELECTRICAL CONNECTORS</u> <u>HANDLEBAR SWITCHES</u>
72175-07BK	<u>WIRING HARNESS, MAIN - 883/C/L/N/R, 1200C/L/N/R (1 OF 2)</u> <u>WIRING HARNESS, MAIN - XR1200 (1 OF 2)</u>
72179-94	<u>WIRING HARNESS, MAIN - 883/C/L/N/R, 1200C/L/N/R (1 OF 2)</u> <u>WIRING HARNESS, MAIN - XR1200 (1 OF 2)</u>
72188-07BK	<u>HANDLEBAR SWITCHES</u>
72189-04	<u>SPEEDOMETER & TACHOMETER - 883/L/N/R, 1200L/N/R</u> <u>SPEEDOMETER & TACHOMETER - XR1200</u> <u>SPEEDOMETER - 883C, 1200C</u>
72190-94	<u>WIRING HARNESS, MAIN - 883/C/L/N/R, 1200C/L/N/R (2 OF 2)</u> <u>WIRING HARNESS, MAIN - XR1200 (1 OF 2)</u>
72191-94	<u>WIRING HARNESS, MAIN - 883/C/L/N/R, 1200C/L/N/R (2 OF 2)</u> <u>WIRING HARNESS, MAIN - XR1200 (1 OF 2)</u> <u>TURN SIGNAL MODULE & SECURITY SIREN</u>
72195-94	<u>WIRING HARNESS, MAIN - 883/C/L/N/R, 1200C/L/N/R (2 OF 2)</u> <u>WIRING HARNESS, MAIN - XR1200 (1 OF 2)</u> <u>TURN SIGNAL MODULE & SECURITY SIREN</u>
72199-94	<u>ENGINE SENSORS & SWITCHES</u> <u>WIRING HARNESS, MAIN - 883/C/L/N/R, 1200C/L/N/R (2 OF 2)</u> <u>WIRING HARNESS, MAIN - XR1200 (1 OF 2)</u>
7220	<u>ELECTRONIC IGNITION SYSTEM - 883/C/L/N/R, 1200C/L/N/R</u> <u>WIRING HARNESS, MAIN - 883/C/L/N/R, 1200C/L/N/R (1 OF 2)</u> <u>WIRING HARNESS, MAIN - XR1200 (1 OF 2)</u>
72251-07	<u>WIRING HARNESS, ENGINE - 883/C/L/N/R, 1200C/L/N/R</u> <u>WIRING HARNESS, ENGINE - XR1200</u>
72260-04	<u>WIRING HARNESS, MAIN - 883/C/L/N/R, 1200C/L/N/R (2 OF 2)</u> <u>WIRING HARNESS, MAIN - XR1200 (1 OF 2)</u>
72263-95	<u>WIRING HARNESS, ENGINE - 883/C/L/N/R, 1200C/L/N/R</u> <u>WIRING HARNESS, ENGINE - XR1200</u>
72266-94	<u>HANDLEBAR SWITCHES</u>
72268-94	<u>SWITCHES, SENSORS & ELECTRICAL CONNECTORS</u>
72272-07	<u>WIRING HARNESS, MAIN - 883/C/L/N/R, 1200C/L/N/R (2 OF 2)</u> <u>WIRING HARNESS, MAIN - XR1200 (1 OF 2)</u>

72289-04	<u>WIRING HARNESS, MAIN - 883/C/L/N/R, 1200C/L/N/R (2 OF 2)</u> <u>WIRING HARNESS, MAIN - XR1200 (1 OF 2)</u>
72290-94	<u>WIRING HARNESS, MAIN - 883/C/L/N/R, 1200C/L/N/R (2 OF 2)</u> <u>WIRING HARNESS, MAIN - XR1200 (2 OF 2)</u>
72291-94	<u>WIRING HARNESS, MAIN - 883/C/L/N/R, 1200C/L/N/R (2 OF 2)</u> <u>WIRING HARNESS, MAIN - XR1200 (2 OF 2)</u>
72295-94	<u>WIRING HARNESS, MAIN - 883/C/L/N/R, 1200C/L/N/R (2 OF 2)</u> <u>WIRING HARNESS, MAIN - XR1200 (2 OF 2)</u>
72312-04	<u>WIRING HARNESS, MAIN - 883/C/L/N/R, 1200C/L/N/R (2 OF 2)</u> <u>WIRING HARNESS, MAIN - XR1200 (2 OF 2)</u>
72318-04	<u>SWITCHES, SENSORS & ELECTRICAL CONNECTORS</u>
72329-08	<u>SPEEDOMETER & TACHOMETER - XR1200</u>
72330-95	<u>WIRING HARNESS, MAIN - 883/C/L/N/R, 1200C/L/N/R (2 OF 2)</u> <u>WIRING HARNESS, MAIN - XR1200 (2 OF 2)</u> <u>SWITCHES, SENSORS & ELECTRICAL CONNECTORS</u>
72402-07	<u>WIRING HARNESS, ENGINE - 883/C/L/N/R, 1200C/L/N/R</u> <u>WIRING HARNESS, ENGINE - XR1200</u>
72405-98BK	<u>WIRING HARNESS, MAIN - 883/C/L/N/R, 1200C/L/N/R (2 OF 2)</u> <u>WIRING HARNESS, MAIN - XR1200 (2 OF 2)</u>
72406-07	<u>WIRING HARNESS, ENGINE - 883/C/L/N/R, 1200C/L/N/R</u> <u>WIRING HARNESS, ENGINE - XR1200</u>
72407-07	<u>WIRING HARNESS, ENGINE - 883/C/L/N/R, 1200C/L/N/R</u> <u>WIRING HARNESS, ENGINE - XR1200</u>
72408-07	<u>WIRING HARNESS, ENGINE - 883/C/L/N/R, 1200C/L/N/R</u> <u>WIRING HARNESS, ENGINE - XR1200</u>
72413-07	<u>WIRING HARNESS, ENGINE - 883/C/L/N/R, 1200C/L/N/R</u> <u>WIRING HARNESS, ENGINE - XR1200</u>
72414-07BK	<u>WIRING HARNESS, MAIN - 883/C/L/N/R, 1200C/L/N/R (2 OF 2)</u> <u>WIRING HARNESS, MAIN - XR1200 (2 OF 2)</u>
72427-00	<u>WIRING HARNESS, MAIN - 883/C/L/N/R, 1200C/L/N/R (2 OF 2)</u> <u>WIRING HARNESS, MAIN - XR1200 (2 OF 2)</u>
72430-00	<u>WIRING HARNESS, MAIN - 883/C/L/N/R, 1200C/L/N/R (2 OF 2)</u> <u>WIRING HARNESS, MAIN - XR1200 (2 OF 2)</u>
72432-00	<u>WIRING HARNESS, MAIN - 883/C/L/N/R, 1200C/L/N/R (2 OF 2)</u> <u>WIRING HARNESS, MAIN - XR1200 (2 OF 2)</u>
72434-00	<u>WIRING HARNESS, MAIN - 883/C/L/N/R, 1200C/L/N/R (2 OF 2)</u> <u>WIRING HARNESS, MAIN - XR1200 (2 OF 2)</u>
72441-04	<u>WIRING HARNESS, MAIN - 883/C/L/N/R, 1200C/L/N/R (2 OF 2)</u> <u>WIRING HARNESS, MAIN - XR1200 (2 OF 2)</u>

72445-99TN	WIRING HARNESS, MAIN - 883/C/L/N/R, 1200C/L/N/R (2 OF 2) WIRING HARNESS, MAIN - XR1200 (2 OF 2)
72447-07GY	HANDLEBAR SWITCHES
72469-07GY	WIRING HARNESS, MAIN - 883/C/L/N/R, 1200C/L/N/R (2 OF 2) WIRING HARNESS, MAIN - XR1200 (2 OF 2)
72473-07	WIRING HARNESS, MAIN - 883/C/L/N/R, 1200C/L/N/R (2 OF 2) WIRING HARNESS, MAIN - XR1200 (2 OF 2) WIRING HARNESS, ENGINE - 883/C/L/N/R, 1200C/L/N/R WIRING HARNESS, ENGINE - XR1200
72487-07BK	WIRING HARNESS, MAIN - 883/C/L/N/R, 1200C/L/N/R (2 OF 2) WIRING HARNESS, MAIN - XR1200 (2 OF 2)
72488-07BK	SPEEDOMETER & TACHOMETER - 883/L/N/R, 1200L/N/R SPEEDOMETER & TACHOMETER - XR1200 SPEEDOMETER - 883C, 1200C
72511-07BK	FRAME & JIFFY STAND - 883/C/L/N/R, 1200C/L/N/R FRAME & JIFFY STAND - XR1200 WIRING HARNESS, MAIN - XR1200 (2 OF 2) SWITCHES, SENSORS & ELECTRICAL CONNECTORS
72512-07BK	WIRING HARNESS, MAIN - 883/C/L/N/R, 1200C/L/N/R (2 OF 2) WIRING HARNESS, MAIN - XR1200 (2 OF 2)
72516-01	WIRING HARNESS, MAIN - 883/C/L/N/R, 1200C/L/N/R (2 OF 2) WIRING HARNESS, MAIN - XR1200 (2 OF 2)
72519-09BK	WIRING HARNESS, MAIN - 883/C/L/N/R, 1200C/L/N/R (2 OF 2)
72543-07BK	WIRING HARNESS, MAIN - 883/C/L/N/R, 1200C/L/N/R (2 OF 2) WIRING HARNESS, MAIN - XR1200 (2 OF 2) WIRING HARNESS, ENGINE - 883/C/L/N/R, 1200C/L/N/R WIRING HARNESS, ENGINE - XR1200
72544-07	WIRING HARNESS, MAIN - 883/C/L/N/R, 1200C/L/N/R (2 OF 2) WIRING HARNESS, MAIN - XR1200 (2 OF 2) WIRING HARNESS, ENGINE - 883/C/L/N/R, 1200C/L/N/R WIRING HARNESS, ENGINE - XR1200
72545-08	WIRING HARNESS, MAIN - 883/C/L/N/R, 1200C/L/N/R (2 OF 2) WIRING HARNESS, MAIN - XR1200 (2 OF 2)
72549-07	SPEEDOMETER & TACHOMETER - 883/L/N/R, 1200L/N/R SPEEDOMETER & TACHOMETER - XR1200 SPEEDOMETER - 883C, 1200C
72611-07	WIRING HARNESS, MAIN - 883/C/L/N/R, 1200C/L/N/R (2 OF 2) WIRING HARNESS, MAIN - XR1200 (2 OF 2)
72720-07	TURN SIGNAL MODULE & SECURITY SIREN
72721-07	TURN SIGNAL MODULE & SECURITY SIREN
72904-01BK	TURN SIGNALS & TAIL LAMP - 883N, 1200N

72914-01BK	<u>TURN SIGNALS & TAIL LAMP - 883N, 1200N</u>
72990-01	<u>TURN SIGNALS & TAIL LAMP - 883N, 1200N</u>
72991-01	<u>TURN SIGNALS & TAIL LAMP - 883N, 1200N</u> <u>TURN SIGNALS & TAIL LAMP - 883N, 1200N</u>
73102-96BK	<u>TURN SIGNALS & TAIL LAMP - 883N, 1200N</u>
73104-96BK	<u>WIRING HARNESS, MAIN - 883/C/L/N/R, 1200C/L/N/R (2 OF 2)</u> <u>WIRING HARNESS, MAIN - XR1200 (2 OF 2)</u>
73106-96BK	<u>WIRING HARNESS, MAIN - 883/C/L/N/R, 1200C/L/N/R (2 OF 2)</u> <u>WIRING HARNESS, MAIN - XR1200 (2 OF 2)</u>
73152-96BK	<u>REAR FENDER & LICENSE PLATE BRACKET - 883N (NON-CANADA), 1200N</u> <u>TURN SIGNALS - 883/C/L/R, 1200C/L/R</u> <u>TURN SIGNALS & TAIL LAMP - 883N, 1200N</u> <u>REAR TURN SIGNALS, TAIL LAMP & LICENSE PLATE BRACKET - XR1200</u>
73152-96WE	<u>TURN SIGNALS - 883/C/L/R, 1200C/L/R</u> <u>REAR TURN SIGNALS, TAIL LAMP & LICENSE PLATE BRACKET - XR1200</u>
73154-96BK	<u>HEADLAMP & MIRROR - 883/L/N/R, 1200L/N/R</u> <u>HEADLAMP & MIRROR - 883C, 1200C</u> <u>HEADLAMP & MIRROR - XR1200</u> <u>REAR TURN SIGNALS, TAIL LAMP & LICENSE PLATE BRACKET - XR1200</u> <u>TAIL LAMP - 883/C/L/R, 1200C/L/R</u>
73156-96BK	<u>TURN SIGNALS - 883/C/L/R, 1200C/L/R</u> <u>FRONT TURN SIGNALS - XR1200</u> <u>TURN SIGNALS & TAIL LAMP - 883N, 1200N</u> <u>TURN SIGNALS & TAIL LAMP - 883N, 1200N</u> <u>TAIL LAMP - 883/C/L/R, 1200C/L/R</u> <u>WIRING HARNESS, MAIN - XR1200 (2 OF 2)</u>
73190-96	<u>TURN SIGNALS & TAIL LAMP - 883N, 1200N</u> <u>WIRING HARNESS, MAIN - 883/C/L/N/R, 1200C/L/N/R (2 OF 2)</u> <u>WIRING HARNESS, MAIN - XR1200 (2 OF 2)</u>
73191-96	<u>REAR FENDER & LICENSE PLATE BRACKET - 883N (NON-CANADA), 1200N</u> <u>HEADLAMP & MIRROR - 883/L/N/R, 1200L/N/R</u> <u>HEADLAMP & MIRROR - 883C, 1200C</u> <u>HEADLAMP & MIRROR - XR1200</u> <u>TURN SIGNALS - 883/C/L/R, 1200C/L/R</u> <u>FRONT TURN SIGNALS - XR1200</u> <u>TURN SIGNALS & TAIL LAMP - 883N, 1200N</u> <u>TURN SIGNALS & TAIL LAMP - 883N, 1200N</u> <u>REAR TURN SIGNALS, TAIL LAMP & LICENSE PLATE BRACKET - XR1200</u> <u>TAIL LAMP - 883/C/L/R, 1200C/L/R</u> <u>WIRING HARNESS, MAIN - XR1200 (2 OF 2)</u>
73213-07	<u>FRAME & JIFFY STAND - 883/C/L/N/R, 1200C/L/N/R</u> <u>FRAME & JIFFY STAND - XR1200</u> <u>WIRING HARNESS, MAIN - 883/C/L/N/R, 1200C/L/N/R (2 OF 2)</u> <u>WIRING HARNESS, MAIN - XR1200 (2 OF 2)</u> <u>SWITCHES, SENSORS & ELECTRICAL CONNECTORS</u>
73301-04	<u>WIRING HARNESS, MAIN - 883/C/L/N/R, 1200C/L/N/R (2 OF 2)</u>

	<u>WIRING HARNESS, MAIN - XR1200 (2 OF 2)</u>
73302-04	<u>WIRING HARNESS, MAIN - 883/C/L/N/R, 1200C/L/N/R (2 OF 2)</u> <u>WIRING HARNESS, MAIN - XR1200 (2 OF 2)</u>
73303-04	<u>WIRING HARNESS, MAIN - 883/C/L/N/R, 1200C/L/N/R (2 OF 2)</u> <u>WIRING HARNESS, MAIN - XR1200 (2 OF 2)</u>
73304-04	<u>WIRING HARNESS, MAIN - 883/C/L/N/R, 1200C/L/N/R (2 OF 2)</u> <u>WIRING HARNESS, MAIN - XR1200 (2 OF 2)</u>
73305-04	<u>WIRING HARNESS, MAIN - 883/C/L/N/R, 1200C/L/N/R (2 OF 2)</u> <u>WIRING HARNESS, MAIN - XR1200 (2 OF 2)</u>
73318-09	<u>TURN SIGNALS & TAIL LAMP - 883N, 1200N</u>
740	<u>FOOTRESTS - 883/C/L/N/R, 1200C/L/N/R</u>
74112-98BK	<u>WIRING HARNESS, MAIN - 883/C/L/N/R, 1200C/L/N/R (2 OF 2)</u> <u>WIRING HARNESS, MAIN - XR1200 (2 OF 2)</u>
74120-08	<u>WIRING HARNESS, MAIN - 883/C/L/N/R, 1200C/L/N/R (2 OF 2)</u> <u>WIRING HARNESS, MAIN - XR1200 (2 OF 2)</u>
74152-98	<u>WIRING HARNESS, MAIN - 883/C/L/N/R, 1200C/L/N/R (2 OF 2)</u> <u>WIRING HARNESS, MAIN - XR1200 (2 OF 2)</u>
74191-98	<u>WIRING HARNESS, MAIN - 883/C/L/N/R, 1200C/L/N/R (2 OF 2)</u> <u>WIRING HARNESS, MAIN - XR1200 (2 OF 2)</u>
74194-98	<u>ENGINE SENSORS & SWITCHES</u>
74195-98	<u>WIRING HARNESS, MAIN - 883/C/L/N/R, 1200C/L/N/R (2 OF 2)</u>
74196-04	<u>SPEEDOMETER & TACHOMETER - 883/L/N/R, 1200L/N/R</u> <u>SPEEDOMETER & TACHOMETER - XR1200</u> <u>SPEEDOMETER - 883C, 1200C</u>
74197-04	<u>SPEEDOMETER & TACHOMETER - 883/L/N/R, 1200L/N/R</u> <u>SPEEDOMETER & TACHOMETER - XR1200</u> <u>SPEEDOMETER - 883C, 1200C</u>
74402-05	<u>ENGINE SENSORS & SWITCHES</u>
7468M	<u>FRONT FORK - XR1200</u>
7469	<u>FRONT FORK - XR1200</u>
74711-08	<u>ALTERNATOR & REGULATOR</u>
7477	<u>REAR BRAKE MASTER CYLINDER - 883/C/L/N/R, 1200C/L/N/R</u>
7481	<u>HORN</u>
7495	<u>FRONT FENDER</u> <u>HORN</u>
75268-07C	<u>FUEL PUMP</u>

75301-07	FUEL PUMP
75302-07	FUEL PUMP SWITCHES, SENSORS & ELECTRICAL CONNECTORS
75303-07	FUEL PUMP
75304-07A	FUEL PUMP
75305-07A	FUEL PUMP
75309-07	FUEL PUMP
7531	FRAME & JIFFY STAND - XR1200 REAR FORK, DEBRIS DEFLECTOR & BELT GUARD FRONT FENDER REAR FENDER & LICENSE PLATE BRKT - 883/C/L/R, 1200C/L/R, 883N (CANADA) REAR FENDER & LICENSE PLATE BRACKET - 883N (NON-CANADA), 1200N FUEL TANK - 883/C/L/N/R, 1200C/L/N/R FUEL TANK - XR1200 HORN
75317-07	FUEL PUMP
7593	EXHAUST SYSTEM - 883/C/L/N/R, 1200C/L/N/R EXHAUST SYSTEM - XR1200
7601	EXHAUST SYSTEM - XR1200
7606	HEADLAMP & MIRROR - 883/L/N/R, 1200L/N/R HEADLAMP & MIRROR - XR1200
761	REAR FENDER & LICENSE PLATE BRKT - 883/C/L/R, 1200C/L/R, 883N (CANADA)
7624	OIL TANK & FILTER - 883/C/L/N/R, 1200C/L/N/R
7686	OIL LINES & COOLER - XR1200
7716	REAR FENDER & LICENSE PLATE BRACKET - 883N (NON-CANADA), 1200N
7725	HEADLAMP & MIRROR - 883/L/N/R, 1200L/N/R HEADLAMP & MIRROR - 883C, 1200C HEADLAMP & MIRROR - XR1200
7766	REAR FORK, DEBRIS DEFLECTOR & BELT GUARD
7770	BATTERY
7778	HEADLAMP & MIRROR - 883C, 1200C
7783	FRONT FORK - 883/C/L/R, 1200C/L/R FRONT FORK - 883N, 1200N
7792	REAR FENDER & LICENSE PLATE BRKT - 883/C/L/R, 1200C/L/R, 883N (CANADA)
7804	BELTS & SPROCKETS - 883/C/L/N/R, 1200C/L/N/R BELTS & SPROCKETS - XR1200

7813A	FRONT WHEEL, CAST - 883/L/N/R, 1200L/R FRONT WHEEL, CAST - XR1200 FRONT WHEEL, LACED & PROFILE LACED - 883/C/L/R, 1200C/N/L/R
7824	SHOCK ABSORBERS - 883/C/L/N/R, 1200C/L/N/R SHOCK ABSORBERS - XR1200
7839	BELTS & SPROCKETS - 883/C/L/N/R, 1200C/L/N/R
7862	EXHAUST SYSTEM - 883/C/L/N/R, 1200C/L/N/R
7880	HEADLAMP & MIRROR - 883/L/N/R, 1200L/N/R HEADLAMP & MIRROR - XR1200
7882	REAR FENDER & LICENSE PLATE BRKT - 883/C/L/R, 1200C/L/R, 883N (CANADA) REAR FENDER & LICENSE PLATE BRACKET - 883N (NON-CANADA), 1200N
7900	REAR FENDER - XR1200
7916A	CAMSHAFTS & GEAR COVER - 883/C/L/N/R, 1200C/L/N/R CAMSHAFTS & GEAR COVER - XR1200
7964	TAIL LAMP - 883/C/L/R, 1200C/L/R
80399-04	EXHAUST SYSTEM - 883/C/L/N/R, 1200C/L/N/R
8102	FUEL TANK - XR1200
8108	HORN
8135B	FRAME & JIFFY STAND - 883/C/L/N/R, 1200C/L/N/R
8190	REAR WHEEL, CAST - 883/L/N/R, 1200C/L/R REAR WHEEL, CAST - XR1200 REAR WHEEL, LACED & PROFILE LACED - 883/C/L/R, 1200C/L/N/R
835	CRANKCASE & GEARCASE - 883/C/L/N/R, 1200C/L/N/R CRANKCASE & GEARCASE - XR1200
855B	REAR BRAKE MASTER CYLINDER - XR1200 REAR BRAKE CONTROL - XR1200 FOOTRESTS - XR1200
8679	CAMSHAFTS & GEAR COVER - 883/C/L/N/R, 1200C/L/N/R
8692	REAR FENDER & LICENSE PLATE BRKT - 883/C/L/R, 1200C/L/R, 883N (CANADA) REAR FENDER & LICENSE PLATE BRACKET - 883N (NON-CANADA), 1200N
882	REAR BRAKE MASTER CYLINDER - 883/C/L/N/R, 1200C/L/N/R OIL LINES & COOLER - XR1200
8862	TRANSMISSION GEARS
8871	STARTER MOTOR
8873	CLUTCH - 883/C/L/N/R, 1200C/L/N/R CLUTCH - XR1200
8879	STARTER MOTOR

8881	<u>CRANKCASE & GEARCASE - 883/C/L/N/R, 1200C/L/N/R</u> <u>CRANKCASE & GEARCASE - XR1200</u>
8883	<u>STARTER MOTOR</u>
8884	<u>TRANSMISSION GEARS</u>
8885	<u>CLUTCH - 883/C/L/N/R, 1200C/L/N/R</u> <u>CLUTCH - XR1200</u>
8908	<u>HEADLAMP & MIRROR - 883/L/N/R, 1200L/N/R</u> <u>HEADLAMP & MIRROR - 883C, 1200C</u> <u>HEADLAMP & MIRROR - XR1200</u>
8956	<u>TRANSMISSION GEARS</u>
89579-91	<u>REAR FORK, DEBRIS DEFLECTOR & BELT GUARD</u> <u>FUEL TANK - 883/C/L/N/R, 1200C/L/N/R</u>
89581-04A	<u>STARTER MOTOR</u>
89586-04	<u>REAR FORK, DEBRIS DEFLECTOR & BELT GUARD</u> <u>FUEL TANK - 883/C/L/N/R, 1200C/L/N/R</u> <u>FUEL TANK - XR1200</u>
8964	<u>TRANSMISSION GEARS</u>
8966	<u>TRANSMISSION GEARS</u>
8970	<u>TRANSMISSION GEARS</u>
8972	<u>CRANKCASE & GEARCASE - 883/C/L/N/R, 1200C/L/N/R</u> <u>CRANKCASE & GEARCASE - XR1200</u>
90383-98	<u>INDUCTION MODULE - 883/C/L/N/R, 1200C/L/N/R</u> <u>INDUCTION MODULE - XR1200</u>
90520-07	<u>FRAME & JIFFY STAND - 883/C/L/N/R, 1200C/L/N/R</u> <u>FOOTRESTS - XR1200</u>
9077	<u>STARTER MOTOR</u>
9187	<u>SHIFTER</u>
9209	<u>REAR FORK, DEBRIS DEFLECTOR & BELT GUARD</u>
9214	<u>CLUTCH - XR1200</u>
92376-09	<u>HEADLAMP & MIRROR - 883/L/N/R, 1200L/N/R</u> <u>HEADLAMP & MIRROR - XR1200</u>
92377-09	<u>HEADLAMP & MIRROR - 883/L/N/R, 1200L/N/R</u> <u>HEADLAMP & MIRROR - XR1200</u>
92381-09	<u>HEADLAMP & MIRROR - 883/L/N/R, 1200L/N/R</u> <u>HEADLAMP & MIRROR - 883C, 1200C</u>
92400-09	<u>HEADLAMP & MIRROR - 883/L/N/R, 1200L/N/R</u> <u>HEADLAMP & MIRROR - 883C, 1200C</u>

92401-09	HEADLAMP & MIRROR - 883/L/N/R, 1200L/N/R
92402-09	HEADLAMP & MIRROR - 883/L/N/R, 1200L/N/R
9254	REAR WHEEL, CAST - 883/L/N/R, 1200C/L/R
9276	FRONT WHEEL, CAST - 883/L/N/R, 1200L/R FRONT WHEEL, CAST - XR1200 FRONT WHEEL, LACED & PROFILE LACED - 883/C/L/R, 1200C/N/L/R REAR WHEEL, CAST - 883/L/N/R, 1200C/L/R REAR WHEEL, CAST - XR1200 REAR WHEEL, LACED & PROFILE LACED - 883/C/L/R, 1200C/L/N/R
928	STARTER MOTOR
929A	STARTER MOTOR
930	REAR TURN SIGNALS, TAIL LAMP & LICENSE PLATE BRACKET - XR1200
940	ENGINE MOUNTS
942	OIL PUMP - XR1200
943	ROCKER ARMS, COVERS, & PUSH RODS - XR1200 INSPECTION COVER & PRIMARY COVER
94432-04	REAR BRAKE MASTER CYLINDER - 883/C/L/N/R, 1200C/L/N/R
946	AIR CLEANER - 883/C/L/N/R, 1200C/L/N/R
94612-04	REAR BRAKE MASTER CYLINDER - 883/C/L/N/R, 1200C/L/N/R
95594-84	FRONT WHEEL, CAST - XR1200 REAR WHEEL, CAST - XR1200
95595-84	FRONT WHEEL, CAST - 883/L/N/R, 1200L/R FRONT WHEEL, LACED & PROFILE LACED - 883/C/L/R, 1200C/N/L/R REAR WHEEL, CAST - 883/L/N/R, 1200C/L/R REAR WHEEL, LACED & PROFILE LACED - 883/C/L/R, 1200C/L/N/R
9704	BELTS & SPROCKETS - XR1200
9810	WIRING HARNESS, MAIN - XR1200 (1 OF 2)
9838	WIRING HARNESS, MAIN - 883/C/L/N/R, 1200C/L/N/R (1 OF 2) WIRING HARNESS, MAIN - XR1200 (1 OF 2)
9847	HEADLAMP & MIRROR - 883/L/N/R, 1200L/N/R HEADLAMP & MIRROR - 883C, 1200C HEADLAMP & MIRROR - XR1200
9848	HEADLAMP & MIRROR - 883/L/N/R, 1200L/N/R HEADLAMP & MIRROR - 883C, 1200C HEADLAMP & MIRROR - XR1200
9862	SWITCHES, SENSORS & ELECTRICAL CONNECTORS
9898	HEADLAMP & MIRROR - 883/L/N/R, 1200L/N/R

	HEADLAMP & MIRROR - 883C, 1200C HEADLAMP & MIRROR - XR1200 WIRING HARNESS, MAIN - 883/C/L/N/R, 1200C/L/N/R (1 OF 2) WIRING HARNESS, MAIN - XR1200 (1 OF 2)
9907	REAR BRAKE MASTER CYLINDER - 883/C/L/N/R, 1200C/L/N/R SWITCHES, SENSORS & ELECTRICAL CONNECTORS
9937	WIRING HARNESS, MAIN - 883/C/L/N/R, 1200C/L/N/R (1 OF 2) WIRING HARNESS, MAIN - XR1200 (1 OF 2)
995	REAR BRAKE MASTER CYLINDER - 883/C/L/N/R, 1200C/L/N/R
9955	EXHAUST SYSTEM - 883/C/L/N/R, 1200C/L/N/R EXHAUST SYSTEM - XR1200
9956	EXHAUST SYSTEM - XR1200
9969	OIL TANK & FILTER - 883/C/L/N/R, 1200C/L/N/R OIL TANK & FILTER - XR1200
997	REAR BRAKE MASTER CYLINDER - 883/C/L/N/R, 1200C/L/N/R REAR BRAKE MASTER CYLINDER - XR1200
DA0600.12FAZB	BELTS & SPROCKETS - XR1200

Component Types and Introduction Dates

[View interactive table](#)

101A1 - Generic Nuts	
7725	Unknown
7839	Unknown
7624	Unknown
7792	2012
8135B	Unknown
7813A	Unknown
7778	Unknown
7862	Unknown
7477	Unknown
7469	2006
7916A	Unknown
7770	Unknown
7766	Unknown
7900	Unknown

7824	Unknown
3403	Unknown
11730A	Unknown
8190	Unknown
7495	1994
7880	Unknown
7964	Unknown
37495-91	1991
7468M	2006
7481	Unknown
8108	Unknown
7593	1991
7601	1990
102A1 - Generic Screws	
2446	Unknown
3899	1999
4678	Unknown
3802W	2009
4266A	Unknown
4188	Unknown
3244	Unknown
4250M	Unknown
4765	1998
3579A	Unknown
3990	2006
4180	Unknown
2872W	2009
675	Unknown
3854	2009
882	2000

3987	Unknown
4460	Unknown
4771	Unknown
3048	2016
68026-99	1999
3849	Unknown
4741A	1994
94612-04	2004
3655A	Unknown
3976	2004
1081A	Unknown
5416	Unknown
4718A	1994
3731M	Unknown
2955	1996
3485A	Unknown
4897	2008
8679	Unknown
5414	Unknown
3022A	Unknown
43567-92	1992
4802	2009
3514	Unknown
4499M	Unknown
4350A	Unknown
942	1992
42827-04	2004
4551	Unknown
940	Unknown
4748	2009

943	Unknown
4553	Unknown
4091	Unknown
4886	Unknown
2653	1972
3615	Unknown
4326A	1990
2325	Unknown
2773	Unknown
2548	Unknown
4549	Unknown
4751	Unknown
4705	2005
4132	Unknown
4740A	1994
2586A	Unknown
3059	2008
3658	Unknown
930	Unknown
1048	Unknown
4240	Unknown
4975M	Unknown
3605	2009
32617-00Y	2000
2952A	2003
3060	2008
4822A	1994
2486	Unknown
45996-87	1987
3814	Unknown
3594	1992

835	Unknown
4290	Unknown
3708M	2011
928	Unknown
3085	Unknown
2708A	Unknown
4816A	Unknown
4859	Unknown
4076	Unknown
1039	Unknown
2607	Unknown
4029A	1990
42875-07	2007
4420	2009
45902-00	2000
3588	1990
2612	1973
3563	1999
4017	2009
4589	Unknown
929A	Unknown
3706M	Unknown
2501A	Unknown
1028	Unknown
4016	Unknown
4032A	Unknown
3124	Unknown
2535	2004
4269	Unknown
45800-04	2004

4351	Unknown
3210A	Unknown
4820A	Unknown
1091	Unknown
3559	Unknown
4354	Unknown
4352	Unknown
56402-83A	1983
1094	Unknown
2361	Unknown
3732	1998
3666A	1997
2362	Unknown
3480A	Unknown
4717A	Unknown
2441	Unknown
3767B	2009
3574	Unknown
946	Unknown
4871	Unknown
855B	2014
4363	Unknown
4758A	Unknown
4575	Unknown
4312C	Unknown
4798	Unknown
3565	Unknown
1751	2006
3123	Unknown
997	Unknown
16478-85A	1985

995	2009
4359	Unknown
56397-74C	1974
3880	2004
5403B	Unknown
4329	Unknown
3029	Unknown
4778	Unknown
4779	Unknown
2407	2008
4453	1986
27216-95	1995
45790-80	1980
2460	Unknown
3026	Unknown
16480-92A	1992
2445	Unknown
3696	Unknown
103A1 - Generic Washers	
41732-04	2004
6718	Unknown
6026	Unknown
27714-06	2006
6445	Unknown
6157	Unknown
6302	Unknown
41743-04	2004
6551	Unknown
36802-84B	1984
8972	Unknown

6110	Unknown
6787	Unknown
6288	Unknown
37891-02	2002
6930	2008
6099	2011
6798	2012
10972	2008
6109	1980
6101	2011
6594	Unknown
6139	Unknown
67815-59A	1959
31689-90	1990
37890-02	2002
6589	Unknown
6590HW	Unknown
6516HW	Unknown
7220	Unknown
7068	Unknown
7038	1998
7039	Unknown
65453-08	2008
6738	Unknown
6237	2014
6192	Unknown
6655	1979
7041	1958
6703	1970
6701	Unknown

6702	Unknown
42425-05	2005
7045	Unknown
6400HB	Unknown
104A1 - Custom Nuts	
54321-85	1985
7606	1983
105A1 - Custom Screws	
41191-74A	1974
94432-04	2004
106A1 - Custom Washers	
7080	Unknown
6003	2010
108A1 - Hose Clamps	
42808-04	2004
10053	2010
10252	2004
10031	2010
55847-05A	2005
10344	Unknown
31512-04	2004
10014	Unknown
61576-08	2008
29379-08	2008
9956	1972
9955	Unknown
10080	Unknown
10304	Unknown
10074	Unknown
10303	Unknown
108B1 - P Clamps	

70417-04B	2004
10255	2004
10179A	Unknown
10323	Unknown
10092	2010
10142	Unknown
109A1 - Studs	
16715-83	1983
16832-86C	1986
16899-02	2002
65088-04	2004
110B1 - Plain Bushings	
25586-37	1937
9214	Unknown
35030-89A	1989
62881-00	2000
40574-06	2006
8966	Unknown
34076-02A	2002
9254	2006
45801-04	2004
25598-91	1991
17428-57	1957
25593-74	1974
24647-87	1987
42569-03	2003
53176-08	2008
34982-02	2002
8883	Unknown
8885	Unknown

25588-91	1991
8879	Unknown
42443-80A	1980
42846-04	2004
110C1 - Radial Shaft Seals	
37107-06	2006
12068	Unknown
12074	Unknown
67104-95	1995
110D1 - Rolling Element Bearings	
9209	2003
8956	Unknown
9187	2000
8964	2006
8970	2004
24650-87	1987
24605-07	2007
8884	Unknown
8871	Unknown
24659-87	1987
9276	2007
8862	Unknown
24660-87	1987
111A1 - Adhesive	
73304-04	2004
9907	Unknown
72990-01	2001
9838	Unknown
9862	Unknown
74196-04	2004

111B1 - Tape	
11576	Unknown
111C1 - Insulating Tape	
11668	Unknown
116A1 - Banjo Bolts	
41737-04	2004
41736-04	2004
117A1 - Coil Springs	
56396-74A	1974
119A1 - O-Rings	
11570	Unknown
11631	Unknown
11621	Unknown
11625	Unknown
11326	Unknown
26432-76A	1976
11105	Unknown
10957	2006
11351	2001
11113	Unknown
11110	Unknown
10967	Unknown
10966	Unknown
11140	1982
10969	Unknown
11289A	Unknown
10971	Unknown
10970	2008
11202	Unknown
61573-08A	2008

48027-99	1999
11120	Unknown
11190	Unknown
11290	1998
11377	Unknown
31695-90	1990
26434-91	1991
11171	Unknown
11179	1986
11317	Unknown
120A1 - Pins	
232	2008
215	Unknown
16573-83A	1983
42460-80B	1980
9704	Unknown
50003-89B	1989
1594	1998
24754-75A	1975
45041-01A	2001
51938-04	2004
358	Unknown
121A1 - Grommets	
11474	Unknown
11491A	2012
11407	Unknown
121B1 - Press-Fit Plugs	
67865-89	1989
42838-04	2004
6863	Unknown

740	Unknown
6864	Unknown
90383-98	1998
761	1996
72164-94A	1994
90520-07	2007
122A1 - Retaining Rings	
8102	Unknown
11271	Unknown
11272	Unknown
673	Unknown
10279	Unknown
35118-03	2003
31328-91	1991
11598	2007
11002	Unknown
35114-02	2002
65325-83A	1983
45611-86	1986
35087-99A	1999
11031	Unknown
11155	Unknown
11142	Unknown
31530-90	1990
11408	Unknown
10984	Unknown
70640-07	2007
11390	Unknown
11046	Unknown
61213-04A	2004
11121	2008

11177A	1996
70645-07	2007
11304	Unknown
11282	Unknown
11067	Unknown
11379	2002
11360	Unknown
11384K	Unknown
11250	1992
44590-04	2004
35038-89A	1989
41229-08	2008
10242	2004
11161	Unknown
123A1 - Sealing Washers	
26436-90A	1990
123B1 - Spring Washers	
7127	Unknown
7069	Unknown
48738-07	2007
124A1 - Spacers	
48390-06	2006
5925	2006
6021	Unknown
33354-08	2008
6152	Unknown
11804	Unknown
40562-05	2005
37797-09	2009
7882	Unknown

35107-06	2006
125A1 - Tie Straps	
10065	1985
10287	2004
10177	1996
10181	1996
10006	1960
126A1 - Miscellaneous Hardware	
42593-04	2004
31692-90	1990
45799-04	2004
12030	Unknown
46354-06	2006
46358-06	2006
89581-04A	2004
46355-06	2006
42899-08	2008
42829-04	2004
48737-07	2007
8908	Unknown
69148-01	2001
33540-06	2006
45065-06	2006
48791-09	2009
56394-74	1974
8873	1984
42839-04	2004
126B1 - Rivets Fasteners	
8692	Unknown
11778	Unknown

11785	Unknown
127B1 - Generic Mounting Bracket	
51652-97A	1997
67742-06	2006
140A1 - Battery Warning Label	
15376-06	2006
15368-01A	2001
140A2 - General Warning Label	
29466-08	2008
29147-07	2007
140A3 - Other Special Warning Label	
15370-01A	2001
140D3 - Fuse Block Label	
13571-07	2007
13699-08	2008
140G2 - EPA Label	
14679-09	2009
29404-01A	2001
14066-09	2009
13504-09	2009
14081-09	2009
29127-95B	1995
140G3 - Noise Label	
14190-07	2007
14258-07	2007
13594-09	2009
141A1 - Medallion	
52494-04	2004
13567-05	2005
67667-05	2005
71550-94	1994

13579-08	2008
62320-06	2006
13343-08	2008
14270-92	1992
13341-08	2008
13578-08	2008
14448-94	1994
62321-06	2006
13566-05	2005
13305-08	2008
13342-08	2008
13304-08	2008
13340-08	2008
44440-04	2004
13386-08	2008
162D1 - Engine Assembly	
19604-09	2009
19606-09	2009
19637-09	2009
19566-09	2009
19622-09	2009
19519-09	2009
19518-09	2009
19567-09	2009
19734-09	2009
19607-09	2009
19528-09	2009
19527-09	2009
19638-09	2009
19639-09	2009

163B1 - Engine Isolator Mount

16353-04	2004
----------	------

41562-04	2004
----------	------

16287-04	2004
----------	------

16301-08	2008
----------	------

16291-04	2004
----------	------

41561-04	2004
----------	------

164A1 - Engine Mount Bracket

63110-08	2008
----------	------

63119-08	2008
----------	------

164B1 - Engine Mount Bracket sub-component

7716	1990
------	------

16232-04A	2004
-----------	------

7783	Unknown
------	---------

7531	1980
------	------

DA0600.12FAZB	Unknown
---------------	---------

7804	Unknown
------	---------

7686	Unknown
------	---------

164D1 - Tiebar Mount

47471-04A	2004
-----------	------

165A1 - Cylinder Head

16667-07	2007
----------	------

17488-07	2007
----------	------

16867-07	2007
----------	------

18011-86	1986
----------	------

17524-08	2008
----------	------

16661-07	2007
----------	------

18020-07	2007
----------	------

17523-08	2008
----------	------

16865-07	2007
----------	------

16660-07	2007
17485-07	2007
16666-07	2007
165B1 - Cylinder Head and Base Gaskets	
16664-86D	1986
16789-04	2004
16770-84F	1984
16771-08	2008
167A1 - PT Assembly Miscellaneous Component	
37934-06	2006
37896-02	2002
36731-91	1991
168A1 - Cylinder	
16463-04	2004
17496-07	2007
16443-04	2004
16452-05	2005
179A1 - Lifters	
17981-04	2004
17956-08	2008
17972-04	2004
17957-08	2008
18538-99B	1999
179B1 - Push Rod	
17908-02	2002
17909-02	2002
179C1 - Lifter Anti-Rotation Device	
18505-06	2006
180A1 - Valves	
18690-02	2002
18053-04	2004

18021-87A	1987
18059-04	2004
181B1 - Valve Seals	
18012-87A	1987
16465-06	2006
18094-02A	2002
181C1 - Valve Collars	
18260-02	2002
184A1 - PT Camdrive and Valvetrain Miscellaneous Component	
17569-08	2008
18245-02	2002
18258-02	2002
219A1 - Piston	
21965-08	2008
16466-04A	2004
22244-04A	2004
220A1 - Piston Ring	
22266-86	1986
22224-04	2004
22223-04	2004
22231-04	2004
21948-02	2002
22261-86	1986
22238-04	2004
22271-86	1986
22221-04	2004
22227-04	2004
22228-04	2004
22230-04	2004
221A1 - Piston Pin	

22589-83B	1983
22765-02	2002
22719-04	2004
237B1 - Connecting Rod sub-component	
24332-36	1936
239A1 - PT Lower End Miscellaneous Component	
24331-36	1936
24658-87	1987
241A1 - Flywheel	
23999-08	2008
23905-04A	2006
244A1 - Crankcase	
24470-06B	2006
24745-07A	2008
24466-06B	2006
24475-08	2008
244D1 - Crankcase sub-component	
17525-08	2008
24047-00	2000
8881	Unknown
254A1 - Camdrive Gear	
25271-08	2008
25194-06	2006
255C1 - Camdrive Chain Tensioner	
40039-02C	2007
256A1 - Timer Cover	
32506-90	1990
32531-07	2007
32514-04	2004
257B1 - Clutch Cover	
34790-05	2005

34992-04	2004
34760-04	2004
257D1 - Clutch Inspection Cover	
34993-04A	2004
34794-05A	2005
34761-04A	2006
257E1 - Cover Gaskets	
67121-95A	1995
65324-83B	2009
65317-08	2008
75301-07	2007
17695-07A	2008
25279-08	2008
17393-07	2007
34955-04	2004
67174-08	2008
17362-07A	2008
16800-84A	1984
61109-85D	1985
26638-00Y	2000
25463-94A	1994
67601-94A	1994
17027-08	2008
17976-04	2004
29313-95	1995
29062-95B	1995
17036-08	2008
17633-08A	2009
34990-08	2008
17049-08	2008

25263-90D	1990
257G1 - Ignition Cover	
32587-06	2006
32555-04	2004
32699-05	2005
257L1 - Primary Cover	
25486-05	2005
25246-08	2008
25430-06	2006
25546-07	2007
25471-06	2006
25252-04	2004
60830-07	2007
25307-06	2006
25460-06	2006
257M1 - Push Rod Cover	
17954-08	2008
17946-04	2004
257N1 - Rocker-Arm / Valve Cover	
17501-04	2004
17375-83A	1983
17532-07	2007
17611-83	1983
17590-08	2008
17551-04	2004
17360-83A	1983
17614-07	2007
17585-08	2008
17655-05	2005
17537-07	2007

17645-07	2007
258A1 - PT Covers Miscellaneous Component	
25219-04	2004
25213-04	2004
265A1 - Vent / Breather Line	
63508-04	2004
26162-08	2008
62360-04A	2004
26169-08	2008
63103-08	2008
271C1 - Intercooler Gasket	
65927-00	2000
272B1 - Throttle Body / Intake Manifold	
27695-08	2008
16360-08	2008
27795-07	2007
16361-07	2007
273A1 - Intake Manifold	
27707-07	2007
273A2 - Intake Manifold to Cylinder Head Seal	
27327-07	2007
273E1 - Idle Air Control Actuator	
27628-01A	2001
273K1 - Throttle Body to Manifold Seal	
26995-86B	1986
273M1 - Throttle Cable Bracket	
27698-08A	2008
27701-07A	2007
56871-08	2008
273N1 - Throttle Cable Retention Bracket	

56508-76	1976
274B1 - Fuel Rail	
27704-07	2007
274C1 - Fuel Injector	
27706-07A	2007
275A1 - PT Upper End Miscellaneous Component	
27700-07	2007
290A1 - Airbox Baseplate	
29369-07A	2007
290C1 - Airbox Baseplate sub-component	
29352-07	2007
29123-07	2007
29355-07	2007
29354-07	2007
29802-07	2007
290D1 - Airbox Seal	
29315-04	2004
290E1 - Airbox Helmholtz Chamber	
29867-09	2009
292B1 - Air Duct Bezel	
27955-09	2009
294A1 - Air Filter Element	
29371-08	2008
29377-08	2008
29331-04	2004
294F1 - Engine Breather Valve	
26016-08	2008
295A1 - Intake Miscellaneous Component	
26011-04	2004
28911-04A	2004
26020-07	2007

26012-07	2007
29380-08	2008
26010-04	2004
299C1 - Charging Rotor	
30018-08	2008
30029-08	2008
32493-02B	2008
32494-04B	2008
299F1 - Stator Assembly	
29997-07A	2008
314E1 - Starter Friction Clutch	
31556-91C	1991
9077	Unknown
314F1 - Starter Motor	
31518-90	1990
31390-91F	1991
31515-90	1990
314G1 - Starter Motor sub-component	
31600-90	1990
31688-90	1990
31488-81C	2008
314H1 - Starter Solenoid	
31603-91	1991
314L1 - Starter Motor Drive	
33189-63	1963
315B1 - Exhaust Valve Actuator	
18691-02	2002
316A1 - Ignition Coil	
31656-07	2007
316B1 - Spark Plug Cable	

32003-07	2007
32004-08	2008
31601-04	2004
32005-08A	2008
32006-07	2007
316C1 - Spark Plug	
32362-04	2004
27794-08	2008
327B1 - Chemical / Gas Sensor	
27719-07	2007
27690-08	2008
327C1 - Pressure Sensor	
26554-77B	1977
327D1 - Proximity Sensor	
50126-08A	2008
32707-01C	2007
74402-05	2005
327E1 - Temperature Sensor	
32319-07	2007
32472-07B	2007
327F1 - Throttle Position Sensor	
27629-01A	2001
336B1 - Shift Linkage Connection Rod	
33832-08	2008
336C1 - Shift Linkage Rod End	
34573-04	2004
336F1 - Toepeg	
34611-65A	1965
336G1 - Toepeg Rubber	
34672-08	2008
33133-06	2006

339A1 - Shift Lever	
34572-04	2004
34670-06	2006
34660-04A	2004
34721-07	2007
33875-08	2008
339C1 - Shifter Drum	
33641-06	2006
339D1 - Shifter Fork	
34162-06	2006
34157-06	2006
34981-02A	2002
339F1 - Shifter Index Lever	
33831-08	2008
34014-06A	2006
339H1 - Shifter Mechanism Components (internal)	
34064-00C	2000
34491-02A	2002
34483-06	2006
34163-02	2002
348A1 - Transmission Output Sprocket Cover	
34938-04	2004
34932-04	2004
34954-07	2007
34911-04	2004
34941-08	2008
34943-05	2005
350A1 - Transmission Output Sprocket	
40380-04	2004
40409-04	2004

40379-04	2004
350B1 - Transmission Output Sprocket Compensating Cushion	
37899-02A	2002
350C1 - Transmission Output Sprocket Compensator Driving Element	
40560-05	2005
350E1 - Transmission Gear	
35167-06	2006
31525-90	1990
35159-06	2006
35234-08	2008
35165-06	2006
350F1 - Transmission Mainshaft	
35163-06	2006
356A1 - Transmission Countershaft	
35197-06	2006
35191-06	2006
35172-06	2006
35193-06	2006
35174-06	2006
356B1 - Transmission Dog Ring	
35196-06	2006
35190-06	2006
363A1 - PT Driveline Miscellaneous Component	
35051-89A	1989
35211-91B	1991
365A1 - Primary Chain	
40147-04	2004
40005-57B	1957
40057-08	2008
365C1 - Primary Drive Assembly	
40254-02	2002

40290-04A	2004
40241-02A	2003
40251-92A	1992
367A1 - Clutch Lever	
45356-07	2007
46945-07A	2007
367E1 - Clutch Lever Mount Clamp	
38671-04	2004
367H1 - Clutch Lever sub-component	
34920-86A	1986
37892-02	2002
37904-90	1990
37870-91	1991
36715-94	1994
38630-88	1988
37872-90	1990
37905-90	1990
37909-90	1990
37910-04B	2006
37895-02	2002
36799-91	1991
37977-90	1990
46268-04	2004
37908-90	1990
370A1 - Clutch Assembly	
37924-04A	2006
370B1 - Clutch Friction Plate	
37897-02	2002
37911-90	1990
370C1 - Clutch Hub	

36785-91	1991
37898-02A	2002
370F1 - Clutch Pressure Plate	
37912-91	1991
37913-90	1990
370F3 - Clutch Diaphragm Spring	
37894-02	2002
370G1 - Clutch Shell	
36790-04	2004
372A1 - Clutch Actuation Screw	
11765Y	Unknown
372D1 - Clutch Cable	
38702-05C	2005
38786-08A	2008
38699-04C	2004
372K2 - Clutch Ramp	
25453-87A	1987
25409-94B	1994
400A1 - Drive-Belt	
40591-07	2007
40371-07	2007
400B1 - Idler Pulley Assembly	
31602-08	2008
31630-08	2008
400C1 - Idler Pulley	
31698-08	2008
400E1 - Idler Pulley Bracket	
31699-08	2008
401A1 - Engine Sprocket	
40353-08	2008

409A1 - Rear Wheel	
41012-08	2008
40992-08	2008
41058-09	2009
41013-09	2009
41660-08	2008
41082-08	2008
43832-08	2008
41083-08	2008
43107-08	2008
410D1 - Electronic Control Module (ECM)	
32534-05C	2008
68920-07	2007
68278-07	2007
410G1 - Security System Control Module	
68924-07	2007
68922-07	2007
69018-00	2000
70617-07	2007
413A1 - Brake Caliper	
42892-08	2008
42948-08	2008
42881-08	2008
42944-08	2008
40968-08A	2008
44160-00	2000
44121-07	2007
44119-07	2007
42943-08	2008
42879-07	2007

42877-07	2007
42835-08	2008
413C1 - Brake Caliper sub-component	
42823-04	2004
42824-04	2004
40948-04	2004
413D1 - Brake Pad	
42029-07	2007
415B1 - Brake Rotor	
44136-00	2000
44156-00	2000
41797-00	2000
41833-08	2008
416A1 - Brakes Miscellaneous Component	
34582-04	2004
42878-05	2005
45067-06	2006
42880-05	2005
41820-08	2008
42837-04	2004
72023-51D	2004
42807-04	2004
41821-08	2008
416B1 - Brake Mounting Bracket	
42825-04	2004
42826-04	2004
417A1 - Brake Master Cylinder Assembly	
42813-04	2004
42805-04	2004
42814-04	2004

42945-08	2008
417B1 - Brake Master Cylinder	
45146-07	2007
42941-08	2008
45052-07A	2008
42745-07	2007
417C1 - Brake Master Cylinder Piston Set	
42834-04	2004
42028-07	2007
417D1 - Brake Master Cylinder sub-Component	
42809-07A	2008
67804-04	2004
42900-08	2008
40946-04	2004
42736-08	2008
42893-07	2007
42832-04	2004
44178-04	2004
44189-04	2004
42803-07A	2008
42811-04	2004
42738-08	2008
42595-04	2004
42804-07	2007
42815-04	2004
42810-07A	2008
42976-04	2004
42979-04	2004
42828-04	2004
44184-04	2004
43528-04	2004

42817-07	2007
417E1 - Brake Master Cylinder Hose	
42821-04	2004
42737-08	2008
417F1 - Brake Master Cylinder Reservoir	
42816-07	2007
42521-07	2007
42845-07	2007
42744-08	2008
417G1 - Front Brake Lever	
46946-06A	2006
42806-04	2004
418B1 - Brake Line	
42975-08	2008
45319-04C	2004
45449-04A	2005
45074-95	1995
46400-04B	2004
44429-06B	2009
42942-08	2008
46411-05C	2005
420A1 - Wheel Rim	
43440-05A	2005
43017-07	2007
43662-80B	1983
43445-05	2005
41426-07	2007
43001-06	2006
43085-97	1997
421A1 - Wheel Spoke with Nipple	

40760-05	2005
43064-05	2005
43052-05A	2005
40761-05	2005
43241-05	2005
40762-05	2005
40759-05	2005
43056-05	2005
422B1 - Wheel Sprocket	
40544-08	2008
40444-07	2007
40350-07	2007
37799-09	2009
40518-08	2008
40352-07	2007
422C1 - Wheel Sprocket Compensating Cushion	
40561-05	2005
423C1 - Rim Strip	
43164-05	2005
43145-47	1947
43939-89	1989
43147-40	1940
423D1 - Tire Inner Tube	
43140-80	1980
41188-06	2006
40558-82	1982
40575-05	2005
423G1 - Valve Stem	
43157-83A	1983
423H1 - Valve Stem Cap	

41123-79	1979
423K1 - Wheel Weights	
95595-84	1984
95594-84	1984
424A1 - Wheels, Tires and Final Drive Miscellaneous Component	
47878-09	2009
43595-99	1999
430B1 - Rear Axle Carrier / Adjuster	
41626-08	2008
430D1 - Front Axle	
43895-08	2008
41628-08	2008
430E1 - Rear Axle	
41176-08	2008
41573-05	2005
41623-05	2005
41627-08	2008
431A1 - Front Tire	
43104-93A	1993
43112-91A	1991
43229-08	2008
432A1 - Rear Tire	
43264-02	2002
43231-08	2008
433A1 - Front Wheel	
43355-00	2000
43557-08	2008
43359-00	2000
43594-08	2008
44610-08	2008
43547-08	2008

43103-08	2008
47875-09	2009
43312-08	2008
43499-08	2008
43831-08	2008
41659-08	2008
433B1 - Front Wheel Bearing Spacer	
40930-05	2005
43358-08	2008
41858-08	2008
43906-08	2008
43522-08	2008
41748-08	2008
43905-08	2008
41730-08	2008
454A1 - Front Telescopic Fork	
46887-08	2008
46307-08	2008
48715-08	2008
49378-09	2009
46308-08	2008
46029-09	2009
45901-09	2009
46453-09	2009
46886-08	2008
46394-08	2008
49380-09	2009
45900-09	2009
46390-08	2008
48714-08	2008

454B1 - Springer Fork

47299-07	2007
----------	------

455A1 - Front Telescopic Fork Slider

45395-09	2009
----------	------

46880-08	2008
----------	------

46075-04	2004
----------	------

48716-08	2008
----------	------

46218-05	2005
----------	------

48726-08	2008
----------	------

46879-08	2008
----------	------

46076-04	2004
----------	------

46450-08	2008
----------	------

45922-08	2008
----------	------

46449-08	2008
----------	------

455B1 - Front Telescopic Fork Spring

46882-08	2008
----------	------

46267-05	2005
----------	------

45376-09	2009
----------	------

455C1 - Front Telescopic Fork sub-component

46884-08	2008
----------	------

45374-87	1987
----------	------

46359-06	2006
----------	------

45361-90	1990
----------	------

45460-90	1990
----------	------

46002-87	1987
----------	------

46353-06	2006
----------	------

46344-06	2006
----------	------

46878-08	2008
----------	------

45938-92	1992
----------	------

46352-06	2006
----------	------

456A1 - Fork Protector	
45451-07	2007
456C1 - Fork Lock	
48154-05	2005
48153-02A	2004
457D1 - Steering Stem	
4574	2008
457E1 - Steering Stem Bearing Insert Cup	
48315-60	1960
48300-60	1960
458A1 - Front Suspension and Steering Miscellaneous Component	
48184-01	2001
45668-90	1990
68041-04	2004
458B1 - Front Suspension and Steering Mounting Bracket	
46028-08	2008
46050-08	2008
459A1 - Upper Triple Clamp	
45966-04	2004
46758-07	2007
459B1 - Lower Triple Clamp	
46127-04	2004
46767-07	2007
46126-04	2004
470A1 - Frame	
48879-08	2008
31599-91	1991
49439-10	2011
49348-09	2011
472C1 - Front Fairing Support Bracket	

42972-04	2004
60204-06	2006
60203-06	2006
472D1 - Chassis Structure Miscellaneous Component	
48492-04	2004
48463-04	2004
47313-07	2007
472D2 - Chassis Structure Mounting Bracket	
59903-04	2004
59902-04	2004
59502-04A	2004
66199-04	2004
47470-04	2004
474C1 - Swingarm	
47587-05	2005
47674-08	2008
475B1 - Swingarm Pivot Shaft	
41698-04	2004
41699-04	2004
41568-04	2004
500A1 - Sidestand Assembly	
50185-04B	2004
50238-09BHP	2009
500D1 - Sidestand Leg	
50124-09BHP	2011
500E1 - Sidestand Leg sub-component	
49735-08	2008
62122-89A	1989
50005-85A	1985
500F1 - Sidestand Pivot Pin	
554A	2002

505B1 - Footpeg Mount Bracket	
51044-08	2008
33048-72	1972
42651-04	2004
51049-08	2008
51048-08	2008
49315-04	2004
42652-04	2004
51045-08	2008
49314-04	2004
42971-04	2004
505C1 - Heel Guard / Pad	
33084-06	2006
505D1 - Passenger Footpeg	
33134-07CAZ	2007
33032-99	1999
33135-07CAZ	2007
505K1 - Footpeg Wear Peg	
33130-07A	2007
33216-99	1999
506A1 - Brake Pedal	
42969-04	2004
42949-08	2008
50912-72	1972
42812-04	2004
42685-04	2004
42341-07	2007
34581-04	2004
507A1 - Rider Interface Miscellaneous Component	
42566-04	2004

42541-04	2004
51046-09	2009
520A1 - Rider Seat or Full Seat	
51706-07	2007
51551-07	2007
51899-07	2007
51382-08	2008
52608-07	2007
51558-08	2008
51532-07	2007
51550-07	2007
51530-07	2007
521A1 - Seat Support Structure	
52429-08	2008
51710-08	2008
521C1 - Seat Suspension Damper	
42840-04	2004
45925-09	2009
524A1 - Passenger Grab Handle	
59723-04	2004
524B1 - Passenger Seat	
51383-08	2008
540B1 - Rear Shock	
54570-09	2009
54566-09	2009
54626-07	2007
46454-09	2009
54568-09	2009
54540-07	2007
54668-08	2008

540E1 - Rear Shock sub-component

54741-07 2007

54724-04 2004

540L2 - Rear Suspension Mounting Bracket

42831-04A 2005

42739-08 2008

42310-08 2008

558A1 - Handlebar

56004-00 2000

56051-06 2006

56014-09 2009

55845-04 2004

56085-83A 1983

55840-04 2004

559D1 - Lower Handlebar Clamp

55842-04 2004

56542-86A 1986

56017-04 2004

56541-86A 1986

56117-82A 1982

56116-82A 1982

559E1 - Upper Handlebar Clamp

56567-86B 1986

56115-95 1995

560A1 - Mirror

92401-09 2009

92400-09 2009

92376-09 2009

92377-09 2009

92381-09 2009

92402-09	2009
561A1 - Throttle Cable	
56637-08	2008
56884-07	2007
45155-08	2008
56885-07	2007
56639-08	2008
561B1 - Left Hand Grip	
56667-04	2004
561C1 - Throttle Assembly w/Grip	
56666-04	2004
561D1 - Throttle Assembly sub-component	
38653-01	2001
571C1 - Fairing Side	
66269-08BDK	2008
572E1 - Side Cover	
66270-08BDK	2008
66269-08CHJ	2008
66251-04	2004
66273-05	2005
66272-05	2005
66252-04	2004
66270-08CHJ	2008
573B1 - Bodywork Mounting Bracket	
59403-08	2008
59673-04	2004
589A1 - Front Fender	
59022-07BDK	2007
58998-83E	2008
59712-07A	2007

595D1 - Rear Fender

59901-08BDK	2008
-------------	------

59400-08	2008
----------	------

59401-08	2008
----------	------

59916-08	2008
----------	------

59847-07	2007
----------	------

59727-07	2007
----------	------

59865-07	2007
----------	------

59768-97	1997
----------	------

603B1 - Belt / Chain Guard

60435-04	2004
----------	------

60367-04	2004
----------	------

60416-08	2008
----------	------

60403-08	2008
----------	------

608A1 - Carbon Canister

28908-04A	2004
-----------	------

28909-04	2004
----------	------

27042-84A	1995
-----------	------

608B1 - Carbon Canister Hose

28822-07A	2007
-----------	------

27200-08	2008
----------	------

27067-07A	2007
-----------	------

609A1 - Fuel Miscellaneous Component

5845	Unknown
------	---------

89586-04	2004
----------	------

89579-91	1991
----------	------

75317-07	2007
----------	------

27047-84B	1984
-----------	------

610A1 - Fuel Tank

61405-07	2007
----------	------

62213-07	2007
----------	------

61392-08	2008
611A1 - Filler Neck Trim	
71478-08	2008
611B1 - Fuel Cap	
61572-08A	2008
61289-07	2007
61272-92B	1999
61260-04	2004
611F1 - Fuel Tank Vapor Vent Hose	
27096-04A	2004
612A1 - Fuel Filter	
75304-07A	2007
612B1 - Fuel Level Sensor	
75302-07	2007
612B2 - Fuel Valve	
75309-07	2007
61015-04A	2004
62150-85	1985
612C1 - Fuel Line	
27774-07	2007
27693-07	2007
27792-08	2008
612F1 - Fuel Pump	
75268-07C	2007
75305-07A	2007
612K1 - Fuel Pump sub-component	
61574-08	2008
613A1 - Trim Panel	
29125-07	2007
613B1 - Horn Cover	

69012-93A	1993
613C1 - Intake / Fuel Tank Cover	
66271-08BDK	2008
614C1 - Trim	
62534-07	2007
62263-08	2008
70919-04	2004
70904-04	2004
70917-04	2004
70903-04	2004
62262-08	2008
62260-08	2008
29346-07	2007
61577-08	2008
62261-08	2008
71472-04	2004
624A1 - Oil Pump Assembly	
26204-91A	1991
26592-08	2008
624B1 - Oil Pump Assembly sub-component	
62601-91A	1991
26332-08	2008
26182-08	2008
26239-07	2007
26210-99	1999
26495-89B	1989
26437-86B	1986
62651-04	2004
33117-91A	1991
26502-07	2007

26526-08	2008
11652	Unknown
45830-48	1948
26546-08	2008
26400-82B	1982
26503-07	2007
624D1 - Oil Pump Drive Gear	
26318-88A	1988
624E1 - Oil Pump Internal Cover	
26522-08	2008
625B1 - Oil Tank	
62888-04A	2004
62888-08	2008
627A1 - Oil Cooler	
63050-08A	2008
627B1 - Oil Drain Plug	
33123-06A	2006
60330-08	2008
60328-98B	1998
627E1 - Oil Filler Plug / Dipstick	
63008-08	2008
62592-07A	2007
63000-04B	2004
627F1 - Oil Filter	
63796-77A	1977
63805-80A	1980
627G1 - Oil Jet	
22265-00Y	2000
22267-07	2007
627H1 - Oil Line	
62338-01Y	2001

70503-04	2004
63081-08	2008
63120-08	2008
63099-08	2008
62361-04	2004
63080-08	2008
33138-06	2006
63596-06	2006
63097-08	2008
9969	Unknown
63098-08	2008
63111-08	2008
627K1 - Oil Line Fitting	
26496-75A	1975
63548-08	2008
26184-08	2008
25394-08	2008
26064-08	2008
26183-08	2008
62375-57A	1957
26525-08	2008
63533-41A	1941
627M1 - Oil Pressure Regulator Valve	
26856-89A	1989
627P1 - Oil Thermostat	
26529-08	2008
628A1 - PT Lubrication and Cooling Miscellaneous Component	
63116-08	2008
63125-08	2008
63112-08	2008

628B1 - PT Lubrication and Cooling Mounting Bracket

63108-08 2008

648K1 - Exhaust Miscellaneous Component

65258-08 2008

64850-08 2008

649A1 - Muffler

64842-04 2004

64893-04A 2004

64859-08 2008

64746-09 2009

64738-09 2009

64891-04A 2004

80399-04 2004

64890-04 2004

64747-09 2009

64737-09 2009

64883-08 2008

653A1 - Muffler sub-component

65240-08 2008

654A1 - Exhaust Shield

64934-08 2008

66851-07 2007

64927-08 2008

64847-04A 2004

64846-04A 2004

64935-08 2008

64889-04 2004

64954-08 2008

64936-08 2008

655A1 - Muffler Mount

65316-08 2008

655C1 - Exhaust Mounting Bracket	
65339-04	2004
64855-04	2004
65974-04A	2004
656C1 - Header	
64965-08	2008
64851-09	2009
656E1 - Header Pipe	
64943-07	2007
64942-07	2007
658A1 - Exhaust Catalyst	
64853-04	2004
64854-04	2004
659A1 - Exhaust Clamp	
65296-95A	1995
65302-82A	1982
65257-08	2008
659B1 - Exhaust Flange	
65184-02	2002
65328-83	1983
660A1 - Battery	
65958-04A	2004
660C1 - Battery Pan	
66194-04C	2004
660D1 - Battery Strap	
66476-04A	2004
660E1 - Ground Strap	
70297-04A	2004
660F1 - Negative Battery Cable	
70296-04A	2004

660G1 - Positive Battery Cable	
70295-04A	2004
660H1 - Positive Battery Cable Boot	
70003-04	2004
31662-90	1990
670A1 - Tachometer	
67576-08	2008
67049-04B	2004
677A1 - Headlight	
68335-05	2005
67603-94A	1994
67883-04A	2004
69774-07A	2007
67963-05	2005
69449-05	2005
68341-05	2005
67894-93A	1993
67834-83	1983
67790-93A	1993
69681-07A	2010
67972-98	1998
67950-07	2007
69386-08	2008
67951-07	2007
68297-05	2005
68443-07A	2007
69698-07A	2008
69397-08	2008
677B1 - Headlight sub-component	
68380-05	2005

67880-94	1994
677C1 - Headlight Support Bracket	
67805-92	1992
69709-00	2000
678A1 - Taillight	
68066-99A	2004
69187-03A	2003
68369-03	2003
68830-99A	1999
69864-08	2008
68372-03	2003
68296-99A	2004
68140-04	2004
68370-03A	2003
68141-04	2004
678D1 - Turnsignal	
68975-00	2000
68804-06	2006
68730-07	2007
68265-04	2004
68480-02	2002
69066-01A	2002
5531	Unknown
68978-00	2000
69360-08	2008
69530-08	2008
68984-01	2001
68277-07	2007
68977-00	2000
73318-09	2009

68972-00	2000
56104-02	2002
68838-06	2006
69406-09	2009
68449-07	2007
69362-08	2008
678E1 - Turnsignal Lens	
68973-00	2000
68979-00	2000
69110-01	2001
68755-07	2007
68559-07	2007
679B1 - Reflector	
60183-08	2008
59254-91	1991
69490-07	2007
59359-06	2006
59287-92	1992
59259-90	1990
59482-00	2000
59481-00	2000
69862-07	2007
59256-84A	1984
68561-09	2009
59288-92	1992
69861-07	2007
68704-07	2007
59988-72A	1972
69498-08	2008
60188-08	2008
68724-07	2007

679D1 - License Plate Bracket	
68257-08	2008
68992-08	2008
60001-55	1955
59986-75	1975
68702-07	2007
60318-07	2007
60901-07	2007
59984-73	1973
68857-07	2007
68966-08	2008
68299-07	2007
60903-08	2008
679E1 - License Plate Light	
68183-07	2007
680C1 - Incandescent Bulb	
68572-64B	1964
68168-89A	1989
53436-97	1997
68163-84	1984
68329-03	2003
68167-04	2004
690A1 - Emergency Siren	
68958-07A	2007
690C1 - Horn	
69060-90E	2007
69043-96B	2007
692C1 - Electrical Miscellaneous Component	
70368-08	2008
71552-94	1994

70633-08	2008
72189-04	2004
68382-07	2007
70632-08	2008
10289A	Unknown
70444-07	2007
68513-95	1995
70466-07A	2007
692C2 - Electrical Mounting Bracket	
31797-07	2007
69123-92	1992
70642-07	2007
67085-95	1995
69135-04	2004
69049-07	2007
67053-95	1995
67157-08	2008
69120-91	1991
31801-08	2008
67103-95	1995
67089-05	2005
67170-08	2008
31806-08	2008
67320-95	1995
67338-97	1997
66523-06	2006
31807-07	2007
70364-07	2007
66524-06	2006
31753-07	2007
69062-91A	1991

692D1 - Fuse	
72318-04	2004
72330-95	1995
692E1 - Fuse / Relay Block	
72432-00	2000
72430-00	2000
692E2 - Fuse / Relay Block Cover	
73302-04	2004
692F1 - Wire Harness	
68814-07	2007
70247-07	2007
68955-08	2008
68899-04	2004
67091-08	2008
68813-07	2007
70163-08	2008
70225-08	2008
68811-07	2007
70181-09	2009
70167-08	2008
55844-04	2004
692G1 - Conduit / Sheathing / Sleeving	
72268-94	1994
72266-94	1994
692G2 - Wire Guide	
29950-91	1991
70649-07	2007
71287-08	2008
692H1 - Connector	
73152-96BK	1996

70586-93	1993
68919-07	2007
72519-09BK	2009
72114-94BK	1994
72159-94	1994
72144-94	1994
72100-04	2004
72312-04	2004
72179-94	1994
27250-96B	1996
72066-06	2006
72124-94GY	1994
9848	Unknown
9847	Unknown
72260-04	2004
72009-05	2005
72139-94GY	1994
72007-05	2005
72131-04	2004
70587-93	1993
72078-00	2000
73301-04	2004
72516-01	2001
72130-04	2004
72199-94	1994
692H2 - Terminal	
72076-00	2000
72272-07	2007
72441-04	2004
72549-07	2007

9810	Unknown
72289-04	2004
72413-07	2007
9898	Unknown
72407-07	2007
72721-07	2007
72290-94	1994
72427-00	2000
72169-07	2007
72168-07	2007
72291-94	1994
9937	Unknown
72094-06	2006
72434-00	2000
72991-01	2001
72611-07	2007
74194-98	1998
72445-99TN	1999
692K1 - Connector / Terminal Seal	
68904-00	2000
73303-04	2004
72006-05	2005
72154-94	1994
74197-04	2004
68905-00	2000
68653-05	2005
692L1 - Wire Harness sub-component	
74191-98	1998
73213-07	2007
72487-07BK	2007
70345-84	1984

72512-07BK	2007
72263-95	1995
72488-07BK	2007
72077-00	2000
74152-98	1998
72195-94	1994
72402-07	2007
72175-07BK	2007
72473-07	2007
70504-81	1981
73190-96	1996
72511-07BK	2007
73156-96BK	1996
73106-96BK	1996
72904-01BK	2001
70598-99	1999
73152-96WE	1996
72406-07	2007
74120-08	2008
72408-07	2007
74195-98	1998
72251-07	2007
72167-07BK	2007
72166-07BK	2007
72032-93	1993
72720-07	2007
72033-93	1993
10200	Unknown
72011-05	2005
72405-98BK	1998

73191-96	1996
70664-08	2008
72447-07GY	2007
72190-94	1994
56073-83	1983
72096-06	2006
72188-07BK	2007
72543-07BK	2007
73104-96BK	1996
72469-07GY	2007
73305-04	2004
72544-07	2007
73102-96BK	1996
72056-92	1992
72545-08	2008
72295-94	1994
70578-89	1989
72191-94	1994
72329-08	2008
74112-98BK	1998
73154-96BK	1996
72414-07BK	2007
72135-06	2006
72914-01BK	2001
709B1 - Instrument Cluster or Speedometer	
67436-08	2008
67345-97	1997
67041-08	2008
67087-08	2008
67344-97	1997

67416-08	2008
67037-08	2008
67290-08	2008
67415-08	2008
709E1 - Tank Console	
71276-04A	2004
714A1 - Ignition Switch	
71441-94	1994
714B1 - Mechanical Switch	
33900-99	1999
715A1 - Hand Control	
71684-06A	2006
67854-98	1998
71587-04	2004
71510-04	2004
71683-06A	2006
71564-96	1996
55846-05A	2005
71563-96	1996
71568-96A	1996
71685-06A	2006
71682-06A	2006
71620-08	2008
71567-96	1996
71621-08	2008
747A1 - Voltage Regulator	
74711-08	2008
760B1 - Antenna	
68956-07	2007
903B1 - Key or Key-set	

61459-97	1997
71451-94A	1994
903C1 - Key Transponder	
68926-07	2007
68939-00	2000

Common Service Parts

AUDIO & INSTRUMENTATION

View interactive table

PART NO.	DESCRIPTION	PART AND MODEL(S)
67880-94	BOOT	SPEEDOMETER & TACHOMETER - 883/L/N/R, 1200L/N/R: XL883 XL1200R XL883L XL883R XL1200L XL1200N XL883N SPEEDOMETER & TACHOMETER - XR1200: XR1200 SPEEDOMETER - 883C, 1200C: XL1200C XL883C

BEARINGS, SEALS & HARDWARE

View interactive table

PART NO.	DESCRIPTION	PART AND MODEL(S)
10014	CLAMP	CAMSHAFTS & GEAR COVER - 883/C/L/N/R, 1200C/L/N/R: XL883 XL883C XL883L XL883R XL1200C XL1200R XL1200L XL1200N XL883N OIL TANK & FILTER - 883/C/L/N/R, 1200C/L/N/R: XL883 XL883C XL883L XL883R XL1200C XL1200R XL1200L XL1200N

[XL883N](#)

OIL TANK & FILTER - XR1200:

[XR1200](#)

10080	CLAMP	<p>CRANKCASE & GEARCASE - 883/C/L/N/R, 1200C/L/N/R:</p> <p>XL883</p> <p>XL883C</p> <p>XL883L</p> <p>XL883R</p> <p>XL1200C</p> <p>XL1200L</p> <p>XL1200N</p> <p>XL1200R</p> <p>XL883N</p> <p>CRANKCASE & GEARCASE - XR1200:</p> <p>XR1200</p> <p>OIL TANK & FILTER - 883/C/L/N/R, 1200C/L/N/R:</p> <p>XL883</p> <p>XL883C</p> <p>XL883L</p> <p>XL883R</p> <p>XL1200C</p> <p>XL1200R</p> <p>XL1200L</p> <p>XL1200N</p> <p>XL883N</p>
11105	O-RING	<p>INSPECTION COVER & PRIMARY COVER: All Models</p>
11171	O-RING	<p>INSPECTION COVER & PRIMARY COVER: All Models</p>
11304	RETAINING RING	<p>FOOTRESTS - 883/C/L/N/R, 1200C/L/N/R:</p> <p>XL883</p> <p>XL883R</p> <p>XL1200R</p> <p>XL883L</p> <p>XL1200L</p> <p>XL883C</p> <p>XL1200C</p> <p>XL1200N</p> <p>XL883N</p> <p>FOOTRESTS - XR1200:</p> <p>XR1200</p>
11379	RETAINING RING	<p>CLUTCH CONTROL: All Models</p> <p>FRONT BRAKE CONTROL - 883/C/L/N/R, 1200C/L/N/R:</p> <p>XL883</p> <p>XL883C</p> <p>XL883L</p> <p>XL883R</p> <p>XL1200C</p> <p>XL1200R</p> <p>XL1200L</p> <p>XL1200N</p> <p>XL883N</p> <p>FRONT BRAKE CONTROL - XR1200:</p> <p>XR1200</p>
11491A	GROMMET	<p>FRAME & JIFFY STAND - XR1200:</p> <p>XR1200</p>

12074	OIL SEAL	<u>TRANSMISSION GEARS: All Models</u>
16715-83	STUD	<p>CYLINDER, HEAD, & VALVES - 883/C/L/N/R, 1200C/L/N/R:</p> <p><u>XL1200C</u> <u>XL1200R</u> <u>XL1200L</u> <u>XL1200N</u> <u>XL883L</u> <u>XL883C</u> <u>XL883</u> <u>XL883R</u> <u>XL883N</u></p> <p>CYLINDER, HEAD, & VALVES - XR1200: <u>XR1200</u></p>
16800-84A	GASKET	<p>ROCKER ARMS, COVERS, & PUSH RODS - 883/C/L/N/R, 1200C/L/N/R:</p> <p><u>XL883</u> <u>XL883C</u> <u>XL883L</u> <u>XL1200C</u> <u>XL1200R</u> <u>XL1200L</u> <u>XL1200N</u> <u>XL883R</u> <u>XL883N</u></p> <p>ROCKER ARMS, COVERS, & PUSH RODS - XR1200: <u>XR1200</u></p>
2445	SCREW	<p>STEERING HEAD BRACKET ASSEMBLY - XR1200: <u>XR1200</u></p> <p>REAR FORK, DEBRIS DEFLECTOR & BELT GUARD: <u>XR1200</u></p> <p>REAR FENDER - XR1200: <u>XR1200</u></p>
2446	SCREW	<p>REAR FENDER & LICENSE PLATE BRACKET - 883N (NON-CANADA), 1200N: <u>XL1200N</u> <u>XL883N</u></p>
25463-94A	GASKET	<u>INSPECTION COVER & PRIMARY COVER: All Models</u>
26995-86B	SEAL	<p>INDUCTION MODULE - 883/C/L/N/R, 1200C/L/N/R:</p> <p><u>XL883</u> <u>XL883C</u> <u>XL883L</u> <u>XL883R</u> <u>XL1200C</u> <u>XL1200R</u> <u>XL1200L</u> <u>XL1200N</u> <u>XL883N</u></p> <p>INDUCTION MODULE - XR1200: <u>XR1200</u></p>
2952A	SCREW	<p>SEATS: <u>XL883</u> <u>XL883C</u> <u>XL883L</u></p>

[XL883R](#)
[XL1200C](#)
[XL1200R](#)
[XL1200L](#)
[XL1200N](#)
[XL883N](#)
REAR FENDER & LICENSE PLATE BRACKET - 883N (NON-CANADA),
1200N:
[XL1200N](#)
[XL883N](#)

34990-08	GASKET	INSPECTION COVER & PRIMARY COVER: All Models
3655A	SCREW	<p>FRONT WHEEL, CAST - 883/L/N/R, 1200L/R: XL883 XL1200R XL883L XL883R XL1200L XL883N</p> <p>FRONT WHEEL, CAST - XR1200: XR1200</p> <p>FRONT WHEEL, LACED & PROFILE LACED - 883/C/L/R, 1200C/N/L/R: XL883 XL883C XL883L XL883R XL1200C XL1200N XL1200L</p> <p>FRONT WHEEL, LACED & PROFILE LACED - 883/C/L/R, 1200C/N/L/R: XL1200R</p> <p>STEERING HEAD BRACKET ASSEMBLY - 883/C/L/N/R, 1200C/L/N/R: XL1200C XL883C</p> <p>HEADLAMP & MIRROR - 883/L/N/R, 1200L/N/R: XL883 XL1200R XL883L XL883R XL1200L XL1200N XL883N</p>
3658	SCREW	<p>HANDLEBAR & THROTTLE CONTROL - 883/L/N/R, 1200L/N/R, XR1200: XL883 XL1200R XL883L XL883R XL1200L XL1200N XL883N</p> <p>HANDLEBAR & THROTTLE CONTROL - 883C, 1200C: XL1200C XL883C</p> <p>HORN: XL883 XL883C</p>

[XL1200R](#)
[XL883L](#)
[XL883R](#)
[XL1200L](#)
[XL1200N](#)
[XL883N](#)
[XR1200](#)

[SWITCHES, SENSORS & ELECTRICAL CONNECTORS: All Models](#)
[HANDLEBAR SWITCHES: All Models](#)

4132 SCREW

OIL PUMP - 883/C/L/N/R, 1200C/L/N/R:

[XL883](#)
[XL883C](#)
[XL883L](#)
[XL883R](#)
[XL1200R](#)
[XL1200C](#)
[XL1200L](#)
[XL1200N](#)
[XL883N](#)

43567-92 SCREW

REAR WHEEL, CAST - 883/L/N/R, 1200C/L/R:

[XL883](#)
[XL883C](#)
[XL883L](#)
[XL883R](#)
[XL1200C](#)
[XL1200R](#)
[XL1200L](#)
[XL883N](#)

REAR WHEEL, CAST - XR1200:

[XR1200](#)

REAR WHEEL, LACED & PROFILE LACED - 883/C/L/R, 1200C/L/N/R:

[XL883](#)
[XL883C](#)
[XL883L](#)
[XL1200R](#)
[XL1200C](#)
[XL1200L](#)
[XL1200N](#)
[XL883R](#)

4740A SCREW

CAMSHAFTS & GEAR COVER - 883/C/L/N/R, 1200C/L/N/R:

[XL883](#)
[XL883C](#)
[XL883L](#)
[XL883R](#)
[XL1200C](#)
[XL1200R](#)
[XL1200L](#)
[XL1200N](#)
[XL883N](#)

CAMSHAFTS & GEAR COVER - XR1200:

[XR1200](#)

48300-60 ROLLER BEARING

STEERING HEAD BRACKET ASSEMBLY - 883/C/L/N/R, 1200C/L/N/R:

[XL883](#)
[XL883R](#)
[XL1200R](#)
[XL883L](#)

[XL1200L](#)
[XL883C](#)
[XL1200C](#)
[XL1200N](#)
[XL883N](#)
STEERING HEAD BRACKET ASSEMBLY - XR1200:
[XR1200](#)

59768-97 FENDER SEAT NUT KIT
REAR FENDER & LICENSE PLATE BRKT - 883/C/L/R, 1200C/L/R, 883N (CANADA):
[XL883](#)
[XL883R](#)
[XL1200R](#)
[XL883L](#)
[XL1200L](#)
[XL883N](#)
[XL883C](#)
[XL1200C](#)
REAR FENDER & LICENSE PLATE BRACKET - 883N (NON-CANADA), 1200N:
[XL1200N](#)
[XL883N](#)

6516HW WASHER
BELTS & SPROCKETS - 883/C/L/N/R, 1200C/L/N/R:
[XL883](#)
[XL883C](#)
[XL883L](#)
[XL883R](#)
[XL1200C](#)
[XL1200R](#)
[XL1200L](#)
[XL1200N](#)
[XL883N](#)
BELTS & SPROCKETS - XR1200:
[XR1200](#)
REAR WHEEL, CAST - 883/L/N/R, 1200C/L/R:
[XL883](#)
[XL883C](#)
[XL883L](#)
[XL883R](#)
[XL1200C](#)
[XL1200R](#)
[XL1200L](#)
[XL883N](#)
REAR WHEEL, CAST - XR1200:
[XR1200](#)
REAR WHEEL, LACED & PROFILE LACED - 883/C/L/R, 1200C/L/N/R:
[XL883](#)
[XL883C](#)
[XL883L](#)
[XL1200R](#)
[XL1200C](#)
[XL1200L](#)
[XL1200N](#)
[XL883R](#)

65324-83B GASKET
EXHAUST SYSTEM - 883/C/L/N/R, 1200C/L/N/R:
[XL883](#)
[XL883C](#)
[XL883L](#)

[XL883R](#)
[XL1200R](#)
[XL1200C](#)
[XL1200L](#)
[XL1200N](#)
[XL883N](#)
EXHAUST SYSTEM - XR1200:
[XR1200](#)

65325-83A RETAINING RING

EXHAUST SYSTEM - 883/C/L/N/R, 1200C/L/N/R:
[XL883](#)
[XL883C](#)
[XL883L](#)
[XL883R](#)
[XL1200R](#)
[XL1200C](#)
[XL1200L](#)
[XL1200N](#)
[XL883N](#)
EXHAUST SYSTEM - XR1200:
[XR1200](#)

65927-00 GASKET

EXHAUST SYSTEM - 883/C/L/N/R, 1200C/L/N/R:
[XL883](#)
[XL883C](#)
[XL883L](#)
[XL883R](#)
[XL1200R](#)
[XL1200C](#)
[XL1200L](#)
[XL1200N](#)
[XL883N](#)

6702 WASHER

REAR BRAKE MASTER CYLINDER - 883/C/L/N/R, 1200C/L/N/R:
[XL883](#)
[XL883R](#)
[XL1200R](#)
[XL883L](#)
[XL1200L](#)
[XL883C](#)
[XL1200C](#)
[XL1200N](#)
[XL883N](#)
REAR FORK, DEBRIS DEFLECTOR & BELT GUARD:
[XL883](#)
[XL883R](#)
[XL1200R](#)
[XL883L](#)
[XL1200L](#)
[XL883C](#)
[XL1200C](#)
[XL1200N](#)
[XL883N](#)
HANDLEBAR & THROTTLE CONTROL - 883/L/N/R, 1200L/N/R,
XR1200:
[XL883](#)
[XL1200R](#)
[XL883L](#)
[XL883R](#)
[XR1200](#)
REAR FENDER & LICENSE PLATE BRKT - 883/C/L/R, 1200C/L/R,

883N (CANADA):

[XL883](#)

[XL883R](#)

[XL1200R](#)

[XL883L](#)

[XL1200L](#)

[XL883N](#)

[XL883C](#)

[XL1200C](#)

REAR FENDER & LICENSE PLATE BRACKET - 883N (NON-CANADA),
1200N:

[XL1200N](#)

[XL883N](#)

FUEL TANK - 883/C/L/N/R, 1200C/L/N/R:

[XL883](#)

[XL883C](#)

[XL883L](#)

[XL883R](#)

[XL1200R](#)

[XL1200C](#)

[XL1200L](#)

[XL1200N](#)

[XL883N](#)

HEADLAMP & MIRROR - 883/L/N/R, 1200L/N/R:

[XL883](#)

[XL1200R](#)

[XL883L](#)

[XL883R](#)

[XL1200L](#)

[XL1200N](#)

[XL883N](#)

EXHAUST SYSTEM - XR1200:

[XR1200](#)

7041 LOCKWASHER

HORN:

[XL1200C](#)

7593 NUT

EXHAUST SYSTEM - 883/C/L/N/R, 1200C/L/N/R:

[XL883](#)

[XL883C](#)

[XL883L](#)

[XL883R](#)

[XL1200R](#)

[XL1200C](#)

[XL1200L](#)

[XL1200N](#)

[XL883N](#)

EXHAUST SYSTEM - XR1200:

[XR1200](#)

7716 LOCKNUT

REAR FENDER & LICENSE PLATE BRACKET - 883N (NON-CANADA),
1200N:

[XL1200N](#)

[XL883N](#)

8692 RIVET

REAR FENDER & LICENSE PLATE BRKT - 883/C/L/R, 1200C/L/R,
883N (CANADA):

[XL883](#)

[XL883R](#)

[XL1200R](#)

[XL883L](#)

[XL1200L](#)

[XL883N](#)

[XL883C](#)

[XL1200C](#)

REAR FENDER & LICENSE PLATE BRACKET - 883N (NON-CANADA),
1200N:

[XL1200N](#)

[XL883N](#)

943

SCREW

ROCKER ARMS, COVERS, & PUSH RODS - XR1200:

[XR1200](#)

[INSPECTION COVER & PRIMARY COVER: All Models](#)

9955

CLAMP

EXHAUST SYSTEM - 883/C/L/N/R, 1200C/L/N/R:

[XL883](#)

[XL883C](#)

[XL883L](#)

[XL883R](#)

[XL1200R](#)

[XL1200C](#)

[XL1200L](#)

[XL1200N](#)

[XL883N](#)

EXHAUST SYSTEM - XR1200:

[XR1200](#)

CHASSIS & COMPONENTS

View interactive table

PART NO.	DESCRIPTION	PART AND MODEL(S)
50005-85A	SPRING	FRAME & JIFFY STAND - 883/C/L/N/R, 1200C/L/N/R: XL883 XL883C XL883L XL883R XL1200C XL1200R XL1200L XL1200N XL883N FRAME & JIFFY STAND - XR1200: XR1200

ELECTRICAL

View interactive table

PART NO.	DESCRIPTION	PART AND MODEL(S)
70345-84	RETAINER	HANDLEBAR & THROTTLE CONTROL - 883/L/N/R, 1200L/N/R, XR1200: XL883 XL1200R XL883L XL883R

[XL1200L](#)

[XL1200N](#)

[XR1200](#)

[XL883N](#)

HANDLEBAR & THROTTLE CONTROL - 883C, 1200C:

[XL1200C](#)

[XL883C](#)

[HANDLEBAR SWITCHES: All Models](#)

71621-08	STOPLIGHT SWITCH	HANDLEBAR SWITCHES: All Models
72330-95	FUSE	<p>WIRING HARNESS, MAIN - 883/C/L/N/R, 1200C/L/N/R (2 OF 2):</p> <p>XL883</p> <p>XL883C</p> <p>XL883L</p> <p>XL883R</p> <p>XL1200C</p> <p>XL1200R</p> <p>XL1200L</p> <p>XL1200N</p> <p>XL883N</p> <p>WIRING HARNESS, MAIN - XR1200 (2 OF 2):</p> <p>XR1200</p> <p>SWITCHES, SENSORS & ELECTRICAL CONNECTORS: All Models</p>

ENGINE, TRANSMISSION & PRIMARY

View interactive table

PART NO.	DESCRIPTION	PART AND MODEL(S)
37909-90	RETAINING RING	<p>CLUTCH - 883/C/L/N/R, 1200C/L/N/R:</p> <p>XL883</p> <p>XL883C</p> <p>XL883L</p> <p>XL883R</p> <p>XL1200C</p> <p>XL1200R</p> <p>XL1200L</p> <p>XL1200N</p> <p>XL883N</p> <p>CLUTCH - XR1200:</p> <p>XR1200</p>
37911-90	FRICITION PLATE	<p>CLUTCH - 883/C/L/N/R, 1200C/L/N/R:</p> <p>XL883</p> <p>XL883C</p> <p>XL883L</p> <p>XL883R</p> <p>XL1200C</p> <p>XL1200R</p> <p>XL1200L</p> <p>XL1200N</p> <p>XL883N</p> <p>CLUTCH - XR1200:</p> <p>XR1200</p>

FOOT CONTROLS

View interactive table

PART NO.	DESCRIPTION	PART AND MODEL(S)
34611-65A	SHIFTER TOE PEG KIT	<i>SHIFT LEVER:</i> XL883 XL1200R XL883L XL883R XL1200L XL1200N XL1200C XL883C XL883N

INTAKE, EXHAUST & FUEL MGMT

View interactive table

PART NO.	DESCRIPTION	PART AND MODEL(S)
29331-04	FILTER ELEMENT	<i>AIR CLEANER - 883/C/L/N/R, 1200C/L/N/R:</i> XL883 XL883C XL883L XL883R XL1200C XL1200R XL1200L XL1200N XL883N
65296-95A	CLAMP	<i>EXHAUST SYSTEM - 883/C/L/N/R, 1200C/L/N/R:</i> XL883 XL883C XL883L XL883R XL1200R XL1200C XL1200L XL1200N XL883N

LIGHTING

View interactive table

PART NO.	DESCRIPTION	PART AND MODEL(S)
68168-89A	BULB	<i>TURN SIGNALS - 883/C/L/R, 1200C/L/R:</i> XL883 XL883R XL1200R XL883L XL1200L XL883C XL1200C <i>FRONT TURN SIGNALS - XR1200:</i>

[XR1200](#)

TURN SIGNALS & TAIL LAMP - 883N, 1200N:

[XL1200N](#)

[XL883N](#)

68329-03

BULB

HEADLAMP & MIRROR - 883/L/N/R, 1200L/N/R:

[XL883](#)

[XL1200R](#)

[XL883L](#)

[XL883R](#)

[XL1200L](#)

[XL1200N](#)

[XL883N](#)

HEADLAMP & MIRROR - 883C, 1200C:

[XL1200C](#)

[XL883C](#)

HEADLAMP & MIRROR - XR1200:

[XR1200](#)

68572-64B

BULB

TURN SIGNALS - 883/C/L/R, 1200C/L/R:

[XL883](#)

[XL883R](#)

[XL1200R](#)

[XL883L](#)

[XL1200L](#)

[XL883C](#)

[XL1200C](#)

TURN SIGNALS & TAIL LAMP - 883N, 1200N:

[XL883N](#)

68973-00

LENS

TURN SIGNALS - 883/C/L/R, 1200C/L/R:

[XL883](#)

[XL883R](#)

[XL1200R](#)

[XL883L](#)

[XL1200L](#)

[XL883C](#)

[XL1200C](#)

TURN SIGNALS - 883/C/L/R, 1200C/L/R:

[XL883](#)

[XL883R](#)

[XL1200R](#)

[XL883L](#)

[XL1200L](#)

[XL883C](#)

[XL1200C](#)

FRONT TURN SIGNALS - XR1200:

[XR1200](#)

FRONT TURN SIGNALS - XR1200:

[XR1200](#)

MAINTENANCE & TOOLS

[View interactive table](#)

PART NO.	DESCRIPTION	PART AND MODEL(S)
32362-04	SPARK PLUG	ELECTRONIC IGNITION SYSTEM - 883/C/L/N/R, 1200C/L/N/R: XL883

[XL883C](#)
[XL883L](#)
[XL883R](#)
[XL1200C](#)
[XL1200R](#)
[XL1200L](#)
[XL1200N](#)
[XL883N](#)

63796-77A	OIL FILTER	OIL TANK & FILTER - 883/C/L/N/R, 1200C/L/N/R: XL1200C
63805-80A	OIL FILTER	OIL TANK & FILTER - 883/C/L/N/R, 1200C/L/N/R: XL883 XL883C XL1200R XL883L XL883R XL1200L XL1200N XL883N OIL TANK & FILTER - XR1200: XR1200
65958-04A	BATTERY	BATTERY: All Models

SECURITY & STORAGE

[View interactive table](#)

PART NO.	DESCRIPTION	PART AND MODEL(S)
68926-07	FOB	SWITCHES, SENSORS & ELECTRICAL CONNECTORS: All Models

TIRES

[View interactive table](#)

PART NO.	DESCRIPTION	PART AND MODEL(S)
40558-82	INNER TUBE	REAR WHEEL, LACED & PROFILE LACED - 883/C/L/R, 1200C/L/N/R: XL883 XL1200R XL883L XL1200L XL1200N XL883R
40575-05	INNER TUBE	REAR WHEEL, LACED & PROFILE LACED - 883/C/L/R, 1200C/L/N/R: XL883C XL1200C
43104-93A	TIRE	FRONT WHEEL, LACED & PROFILE LACED - 883/C/L/R, 1200C/N/L/R: XL1200C XL883C
43112-91A	TIRE	FRONT WHEEL, CAST - 883/L/N/R, 1200L/R:

[XL883](#)

[XL1200R](#)

[XL883L](#)

[XL883R](#)

[XL1200L](#)

[XL883N](#)

FRONT WHEEL, LACED & PROFILE LACED - 883/C/L/R,
1200C/N/L/R:

[XL883](#)

[XL1200R](#)

[XL883L](#)

[XL1200N](#)

[XL1200L](#)

[XL883R](#)

43140-80 INNER TUBE FRONT WHEEL, LACED & PROFILE LACED - 883/C/L/R,
1200C/N/L/R:

[XL1200C](#)

[XL883C](#)

43147-40 RIM FLAP REAR WHEEL, LACED & PROFILE LACED - 883/C/L/R, 1200C/L/N/R:

[XL883](#)

[XL1200R](#)

[XL883L](#)

[XL1200L](#)

[XL1200N](#)

[XL883R](#)

43157-83A VALVE STEM ASSEMBLY FRONT WHEEL, CAST - 883/L/N/R, 1200L/R:

[XL883](#)

[XL1200R](#)

[XL883L](#)

[XL883R](#)

[XL1200L](#)

[XL883N](#)

FRONT WHEEL, CAST - XR1200:

[XR1200](#)

REAR WHEEL, CAST - 883/L/N/R, 1200C/L/R:

[XL883](#)

[XL883C](#)

[XL883L](#)

[XL883R](#)

[XL1200C](#)

[XL1200R](#)

[XL1200L](#)

[XL883N](#)

REAR WHEEL, CAST - XR1200:

[XR1200](#)

43164-05 RIM FLAP REAR WHEEL, LACED & PROFILE LACED - 883/C/L/R, 1200C/L/N/R:

[XL883C](#)

[XL1200C](#)

43264-02 TIRE REAR WHEEL, CAST - 883/L/N/R, 1200C/L/R:

[XL883](#)

[XL883C](#)

[XL883L](#)

[XL883R](#)

[XL1200C](#)

[XL1200R](#)

[XL1200L](#)

[XL883N](#)

REAR WHEEL, LACED & PROFILE LACED - 883/C/L/R, 1200C/L/N/R:

[XL883](#)

[XL883C](#)

[XL883L](#)

[XL1200R](#)

[XL1200C](#)

[XL1200L](#)

[XL1200N](#)

[XL883R](#)

43939-89

RIM FLAP

*FRONT WHEEL, LACED & PROFILE LACED - 883/C/L/R,
1200C/N/L/R:*

[XL1200C](#)

[XL883C](#)