

# 2007 Sportster Models Parts Catalog

Alphabetical List

Parts

Hardware List

New Parts List

Numerical Index

Component Types and Introduction Dates

Common Service Parts

## READER'S COMMENTS

The Harley-Davidson Service Communications Department maintains a continuous effort to improve the quality and usefulness of its publications. To do this effectively, we need user feedback - your critical evaluation of this manual.

Please comment on the completeness, accuracy, organization, usability, and readability of this manual.

Please list the page, item, and part number(s) of any errors you find in this manual.

Please tell us how we can improve this manual.

Name	Document 99451-07A
Occupation	Dealership



---

---

---

---

---

---

---

---

---

---

## GENERAL INFORMATION

### **THIS IS NOT AN ASSEMBLY MANUAL AND SHOULD NOT BE USED AS SUCH.**

#### **About this manual**

This Parts Catalog has been prepared to make it easier for you to order parts for your motorcycles. The numbers shown in the illustrations correspond to the numbers in the "INDEX NO." column in the parts lists. Consult the illustrations when ordering parts to make sure that you receive all the required parts. The number in parentheses following the part description is the quantity needed for complete assembly. If there is no number in parentheses, only one is used. Prices of parts in this catalog are published separately.

When ordering parts, the following instructions should be followed carefully.

- Make sure to specify the correct part number for each item. The part numbers appear under the "PART NO." column in the parts lists.
- Orders may be placed via your computer for all parts. Review your system documentation on placing orders electronically. All non-warranty replacement crankcase orders require return of the complete left crankcase half with vehicle identification number (VIN). All non-warranty replacement frame orders require return of the steering neck with vehicle identification number (VIN). Non-compliance will result in a fine. See non-warranty frame and crankcase policy or contact Dealer Services.
- The sale or use of these parts or accessories does not grant the purchaser a license or other right under any Harley-Davidson patent.
- For all 2008 and later painted parts, refer to the Service Section of [h-dnet.com](http://h-dnet.com) which features a listing of painted part numbers, except CVO (Custom Vehicle Operations) models which are located in their own respective catalogs.
- All parts that were added for the new model year will have the entire line shaded on the parts list page. This can be used to identify any new parts that are unique to a specific model, and help distinguish new and previous model year parts.
- Parts marked "**RESTRICTED SALE PART**" are limited edition items and can only be ordered as direct replacements.
- Orientation symbols are used when the illustration is not in the standard "Right-Front" orientation. The

symbol is a motorcycle with an arrow in the front indicating the direction of view. The symbol is at the bottom left or right side of the illustration page.

- To request a missing or loose part, simply submit a Return Material Authorization (RMA) claim on h-dnet.com with code "T-part not included with vehicle" for all vehicle missing parts claims. Then place an order for the missing item on your next Parts and Accessories order. Upon filing the RMA claim, your dealership will be credited for the dealer net cost of the part. The Vehicle Identification Number must be included on the RMA claim in order for you to receive credit. This process is to be used for vehicles manufactured at all plants.

To the best knowledge of Harley-Davidson Motor Company, the material contained herein is accurate as of the date this publication was approved for printing. Harley-Davidson Motor Company reserves the right to change specifications, equipment or designs at any time without notice and without incurring obligation.

**2018 TFD.**

## **GENERAL INFORMATION**

### **LOOSE PARTS**

The Loose Parts section is located at the back of this parts catalog. This section lists the parts which are shipped unfastened with the vehicles covered in this catalog.

### **HARDWARE LIST**

The Hardware List is located at the back of this parts catalog. This section contains the information for each piece of hardware found in each parts list.

### **NEW PARTS LIST**

The New Parts List is located at the back of this parts catalog. This list serves as a summary of new parts.

### **NUMERICAL INDEX**

The Numerical Index is located at the back of this parts catalog. This index includes all part numbers used in this catalog and the page numbers of where they can be found.

### **COMPONENT TYPES AND INTRODUCTION DATES**

The Component Types and Introduction Dates section is located at the back of this parts catalog. This section contains a list of component part numbers and year of introduction.

### **COMMON SERVICE PARTS**

The Common Service Parts section is located at the back of this parts catalog. This section contains the most commonly ordered parts for service on vehicles covered in this catalog. These parts are ordered through the normal ordering process.

### **IF (SERVICE INFORMATION PORTAL)**

For the latest updates to these manuals, see the Service Information Portal.

## VEHICLE IDENTIFICATION NUMBER

See Figure 1. A unique 17-digit serial, or vehicle identification number (VIN), is assigned to each motorcycle. For a description of each digit in the vehicle identification number (VIN), refer to Table 1.

For all models except V-Rod the full 17-digit serial, or vehicle identification number (VIN), is stamped on the right side of the frame backbone at the rear of the steering head. The vehicle identification number (VIN) is also printed on a label on the right front downtube. An abbreviated vehicle identification number (VIN) is stamped on the left side crankcase between the front and rear cylinders.

For V-Rod models only the full 17-digit serial, or vehicle identification number (VIN), is stamped on the right side of the steering head. The vehicle identification number (VIN) is also printed on a label on the left frame tube above the front engine cylinder. An abbreviated vehicle identification number (VIN) is stamped on the left side crankcase below the rear cylinder head.

Always give the full 17-digit vehicle identification number (VIN) when ordering parts or making any inquiry about your motorcycle.

## 007 SPORTSTER MODELS

### VIN MODEL CODES

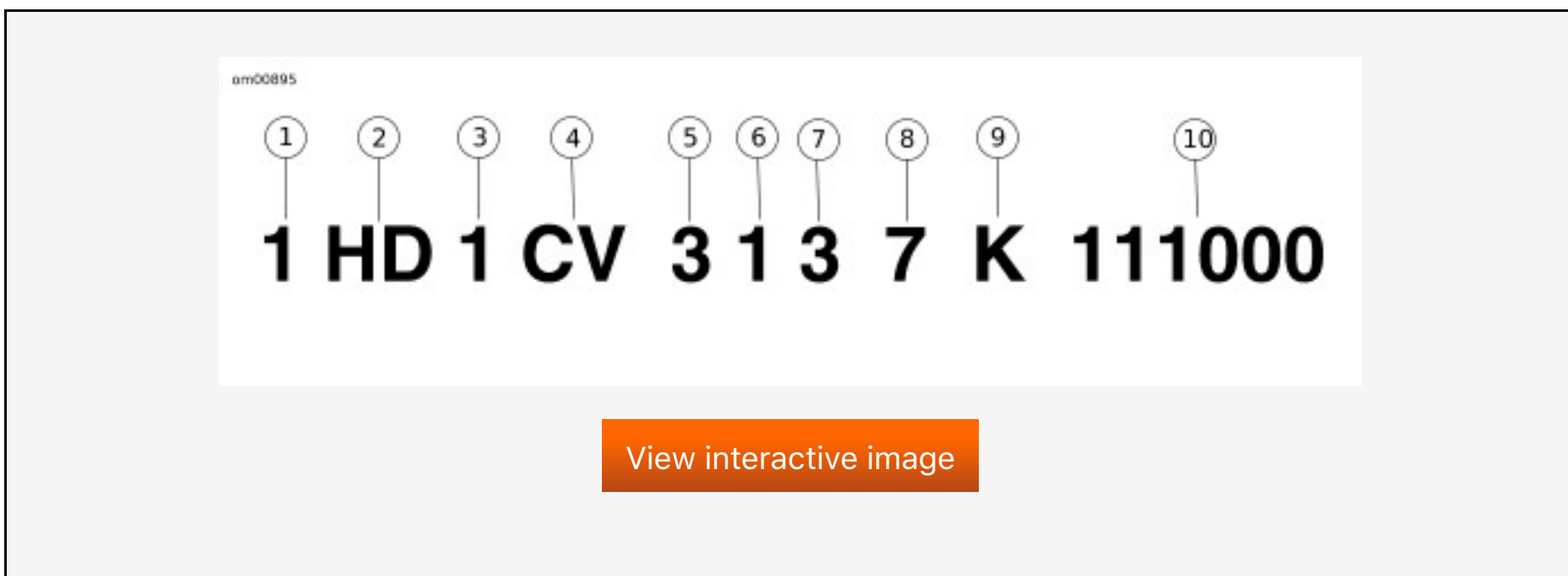


Figure 1. Typical Harley-Davidson VIN

Table 1. Harley-Davidson VIN Breakdown

POSITION	DESCRIPTION	POSSIBLE VALUES
1	Market designation	1=Originally manufactured for sale within the United States 5=Originally manufactured for sale outside of the United States
2	Manufacturer	HD=Harley-Davidson
3	Motorcycle type	1=Heavyweight motorcycle
4	Model	See model table
5	Engine type	2=883cc 3=1200cc
6	Introduction date	1=Regular 2=Mid-year 3=California/regular 4=Cosmetic changes 5=California/cosmetic changes 6=California/mid-year

7	VIN check digit	Can be 0-9 or X
8	Model year	7=2007
9	Assembly plant	K=Kansas City, MO USA
10	Sequential number	Varies

Table 2. VIN Model Codes

CODE	MODEL
CN	XL 883 Sportster® 883
CP	XL 883C Sportster® 883 Custom
CR	XL 883L Sportster®
CS	XL 883R Sportster®
CT	XL 1200C Sportster® 1200 Custom
CV	XL 1200R Sportster® 1200 Roadster
CX	XL 1200L Sportster® 1200 Low
CY	XL 50 50th Anniversary Sportster®
CZ	XL 1200N Sportster® 1200 Nightster

## NOTES

AIR CLEANER

ALTERNATOR & REGULATOR

AXLE, FRONT - CAST

AXLE, FRONT - LACED & profile laced

AXLE, REAR - CAST

AXLE, REAR - LACED & profile laced

BATTERY

BELTS & SPROCKETS

BRACKET, LICENSE PLATE

BRACKET, LICENSE PLATE

BRACKET, LOWER STEERING HEAD

BRACKET, SPEEDOMETER - 883,883l,883r,1200l,1200r

BRAKE CONTROL, REAR - 883,883l,883r,1200l,1200r

BRAKE CONTROL, REAR - 883c,1200c

BRAKE DISC, REAR - CAST WHEEL

BRAKE DISC, REAR - LACED WHEEL  
BRAKELINE, FRONT  
BRAKELINE, REAR  
BUSHINGS, CAM  
CABLE, CLUTCH CONTROL  
CABLES, BATTERY  
CALIFORNIA EVAPORATIVE EMISSIONS  
CALIPER, FRONT  
CALIPER, REAR  
CAMSHAFTS & GEAR COVER  
CLAMP, HANDLEBAR - 883,883l,883r,1200l,1200r  
CLUTCH  
CLUTCH CONTROL  
COIL, IGNITION  
CRANKCASE & GEARCASE  
CYLINDER, HEAD, & VALVES - V2™ EVOLUTION  
DECALS, FUEL TANK  
DRIVE GEAR, OIL PUMP  
ELECTRONIC IGNITION SYSTEM  
ENGINE ASSEMBLY  
ENGINE MOUNTS  
ENGINE SENSORS & SWITCHES  
EXHAUST SYSTEM  
FENDER, FRONT  
FENDER, REAR  
FENDER, REAR  
FLYWHEEL  
FOOTRESTS  
FORK, FRONT  
FORK, FRONT  
FRAME, REAR FORK, & JIFFY STAND  
FRONT BRAKE CALIPER  
FRONT BRAKE CONTROL  
FRONT FENDER  
FRONT FORK  
FRONT FORK - 1200N  
FRONT WHEEL - CAST  
FRONT WHEEL - LACED & PROFILE LACED  
FUEL PUMP  
FUEL TANK  
FUEL TANK TRIM  
FUSES  
GASKET KIT, ENGINE OVERHAUL  
GASKET KIT, REAR MASTER CYLINDER  
GASKET KIT, front MASTER CYLINDER  
GEARS, TRANSMISSION  
HAND LEVER, CLUTCH CONTROL  
HANDLEBAR & THROTTLE CONTROL - 883/L/R, 1200L/N/R, XL50  
HANDLEBAR & THROTTLE CONTROL - 883C/1200C  
HANDLEBAR SWITCHES  
HEAD, CYLINDER

HEADLAMP & MIRROR - 883/883L/883R/1200L/N/R/XL50  
HEADLAMP & MIRROR - 883C/1200C  
HORN  
INDUCTION MODULE  
INSPECTION COVER & PRIMARY COVER  
LABELS  
LEVER, shifter - 883,883l,883r,1200l,1200r  
LEVER, shifter - 883c,1200c  
MASTER CYLINDER ASSEMBLY, front  
MASTER CYLINDER assembly, REAR  
MIRRORS - 883,883l,883r,1200l,1200r  
MIRRORS - 883c,1200c  
MODULE, SECURITY SYSTEM/TURN SIGNAL CANCELLER  
MOUNTS, ENGINE  
OIL PUMP  
OIL TANK & FILTER  
PISTONS & FLYWHEEL ASSEMBLY  
REAR BRAKE CALIPER  
REAR BRAKE CONTROL - 883/883L/883R/1200L/1200N/1200R/XL50  
REAR BRAKE CONTROL - 883C/1200C  
REAR BRAKE MASTER CYLINDER  
REAR FENDER & BELT GUARD  
REAR FENDER & BELT GUARD 1200N  
REAR FORK  
REAR WHEEL - CAST  
REAR WHEEL - LACED & PROFILE LACED  
REGULATOR, VOLTAGE  
RISER, HANDLEBAR - 883c,1200c  
ROCKER ARMS, COVERS, & PUSH RODS - V2™  
SEATS  
SHIFTER - 883/883L/883R/1200L/1200R/1200N/XL50  
SHIFTER - 883C/1200C  
SHOCK ABSORBERS  
SIDE COVER, oil tank  
SPEEDOMETER & TACHOMETER - 883/L/R, 1200L/N/R, XL50  
SPEEDOMETER - 883C/1200C  
STARTER MOTOR  
STEERING HEAD BRACKET ASSEMBLY  
SWITCH ASSEMBLY, directional  
SWITCHES, SENSORS & ELECTRICAL CONNECTORS  
TACHOMETER  
TAIL LAMP  
THROTTLE CONTROL - 883,883l,883r,1200l,1200r  
THROTTLE CONTROL - 883C,1200C  
TRANSMISSION GEARS  
TRAY, BATTERY  
TURN SIGNALS  
TURN SIGNALS & TAIL LAMP - 1200N  
VALVES AND GUIDES  
VEHICLE SPEED SENSOR - 883C, 1200C  
WHEELS, FRONT (cast)



WHEELS, FRONT (laced & profile laced)

WHEELS, REAR (cast)

WIRING HARNESS, ENGINE

WIRING HARNESS, MAIN

WIRING HARNESS, MAIN (CONTINUED)

bracket, SPEEDOMETER - 883c,1200c

bracket, horn

clamp, handlebar - 883c,1200c

filter, oil

footrest, shifter - 883,883l,883r,1200l,1200r

hand LEVER, FRONT BRAKE CONTROL

pump, oil

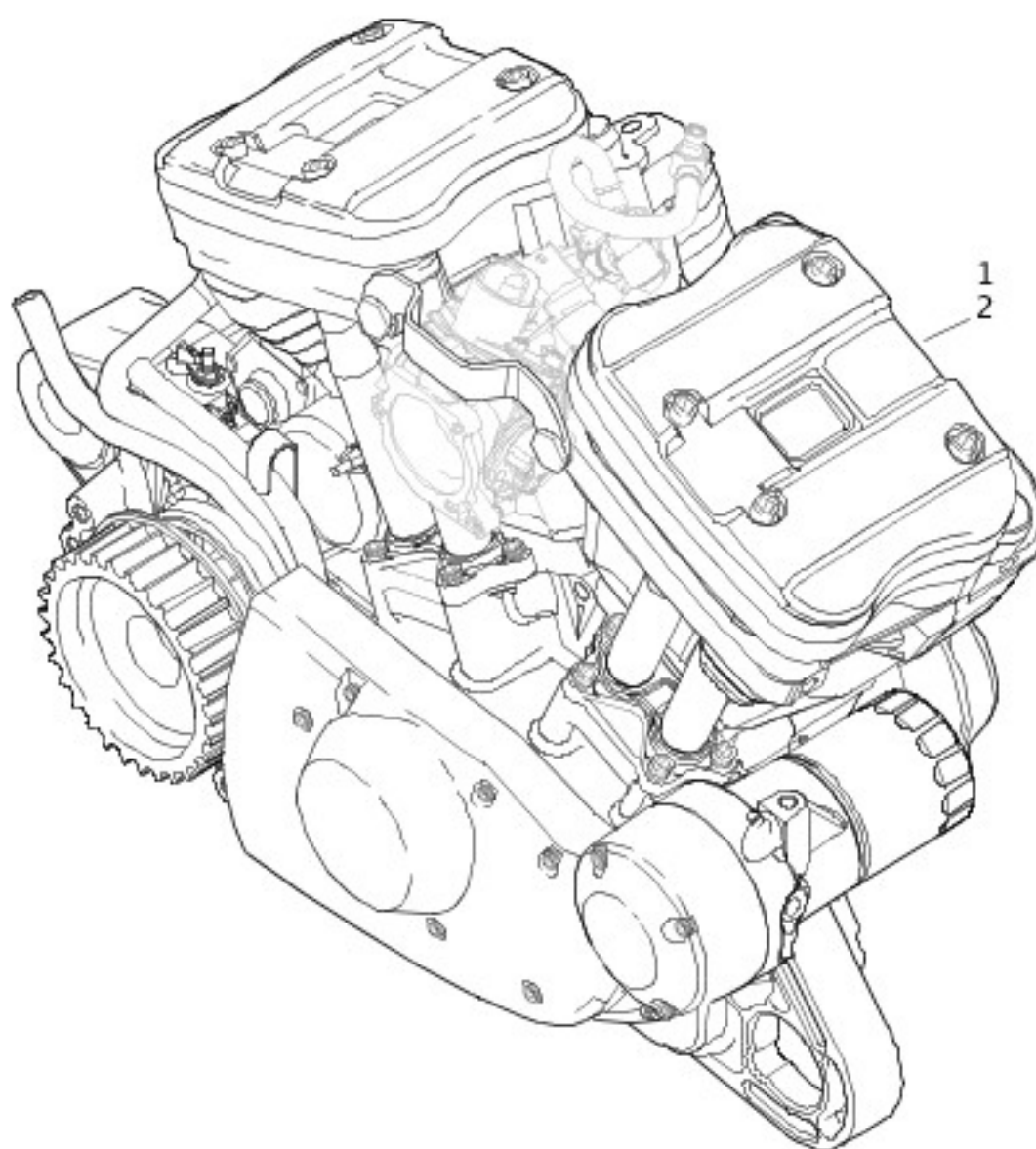
vehicle speed sensor - 883,883l,883r,1200l,1200r

wheels, rear (laced & profile laced)

Parts

## **ENGINE ASSEMBLY**

## ENGINE ASSEMBLY



[View interactive image](#)

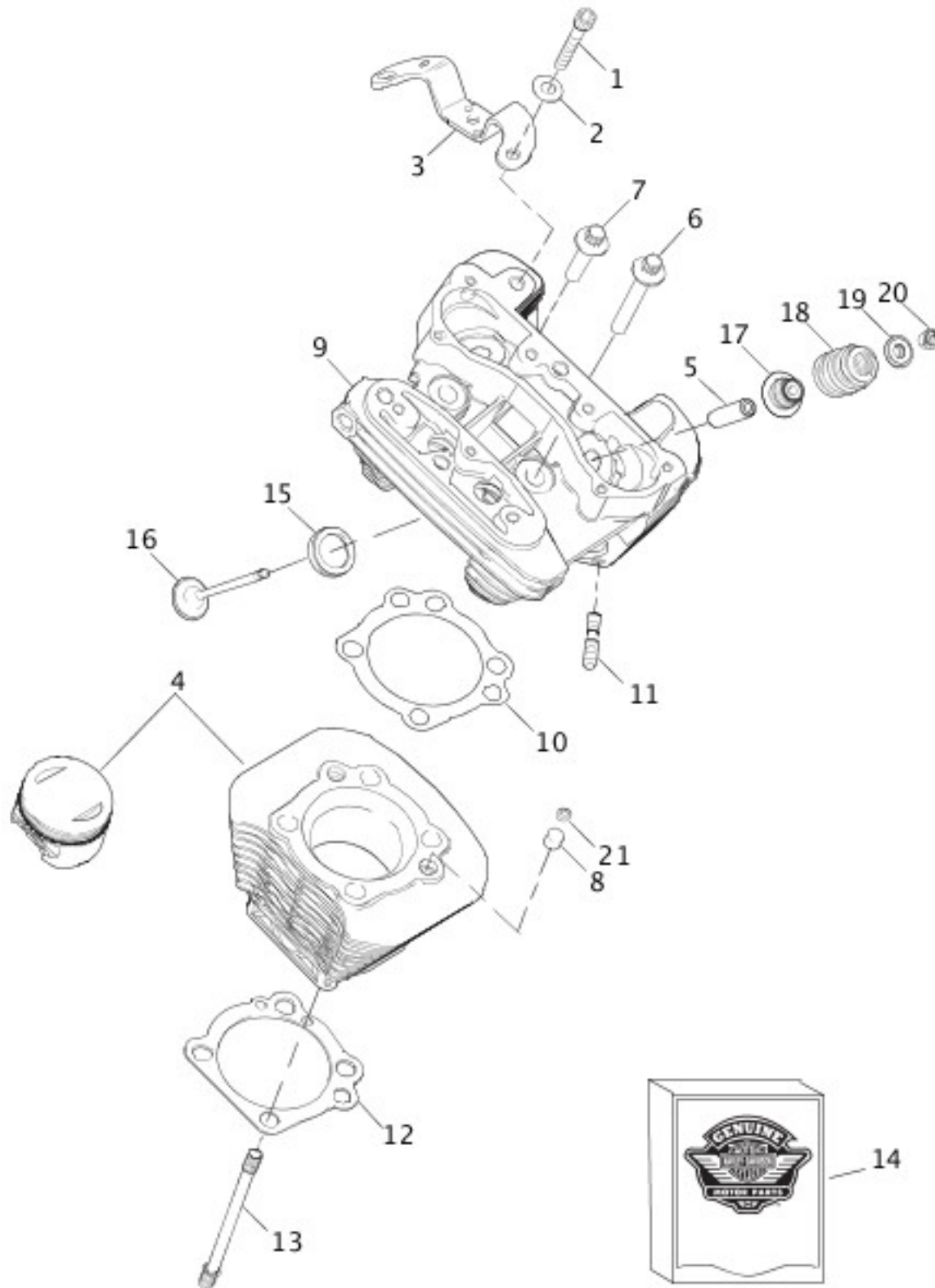
[View interactive table](#)

INDEX NO.	PART NO.	DESCRIPTION	MODEL(S)
1	19518-07	ENGINE ASSEMBLY (883cc) (World)	XL883
	19519-07	ENGINE ASSEMBLY (883cc) (World)	XL883R
	19527-07	ENGINE ASSEMBLY (1200cc) (50 State)	XL1200C, XL50
	19528-07	ENGINE ASSEMBLY (1200cc) (50 State)	XL1200R
	19566-07	ENGINE ASSEMBLY (883cc) (World)	XL883L
	19567-07	ENGINE ASSEMBLY (883cc) (World)	XL883C

	19622-07	ENGINE ASSEMBLY (1200cc) (World)	XL1200L
	19637-07	ENGINE ASSEMBLY (1200cc)	XL1200N
<b>INTERNATIONAL MODELS ONLY</b>			
2	19606-07	ENGINE ASSEMBLY (1200cc) (HDI)	XL1200C, XL50
	19607-07	ENGINE ASSEMBLY (1200cc) (HDI)	XL1200R

## **CYLINDER, HEAD, & VALVES - V2™ EVOLUTION**

## CYLINDER, HEAD, & VALVES -V<sup>2</sup>™ EVOLUTION



[View interactive image](#)

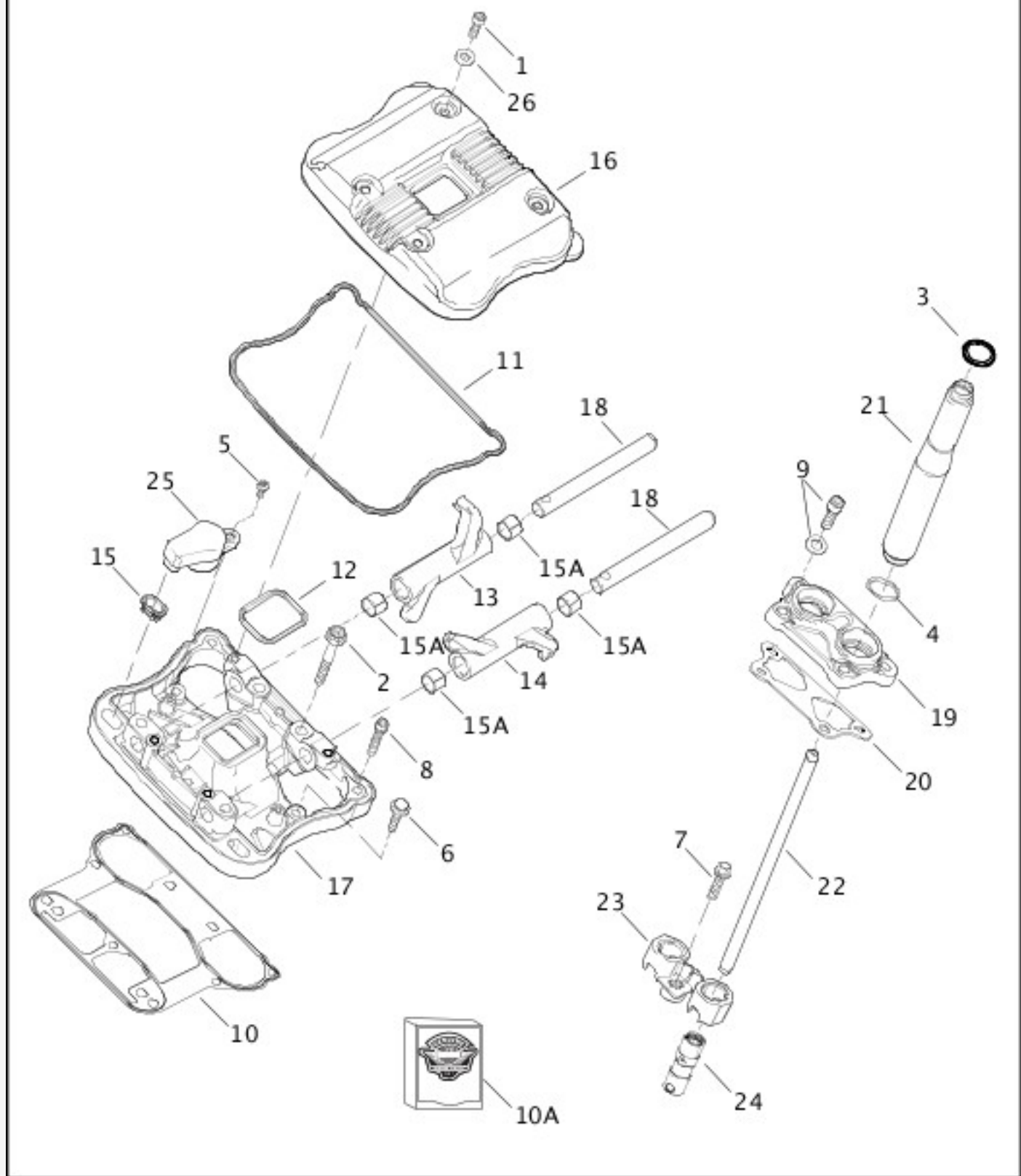
[View interactive table](#)

INDEX NO.	PART NO.	DESCRIPTION	MODEL(S)
1	4266A	SCREW (2)	XL1200L, XL1200N, XL1200R, XL883, XL883C, XL883L, XL883R
	4748	SCREW (2)	XL1200C, XL50

2	6787	WASHER (2)	XL1200C, XL50
3	16353-04	BRACKET, center engine mount	XL1200C, XL50
4	16443-04	CYLINDER, w/ piston (883 cc) (silver) (2)	XL883, XL883C, XL883L
	16452-05	CYLINDER, w/ piston (883 cc) (black) (2)	XL883R
	16463-04	CYLINDER, w/ piston (1200 cc) (black) (2)	XL1200C, XL1200L, XL1200R, XL50
	17496-07	CYLINDER, w/ piston (1200 cc) (gray) (2)	XL1200N
5	16461-02	VALVE GUIDE, intake & exhaust (4)	ALL
6	16478-85A	SCREW, internal thread (4)	ALL
7	16480-92A	SCREW, internal thread (4)	ALL
8	16573-83A	DOWEL (4)	ALL
9	16660-07	HEAD, rear cylinder (883 cc) (silver), w/ valve guides & seats	XL883, XL883C, XL883L
	16661-07	HEAD, front cylinder (883 cc) (silver), w/ valve guides & seats	XL883, XL883C, XL883L
	16666-07	HEAD, rear cylinder (1200 cc) (black), w/ valve guides & seats	XL1200C, XL1200L, XL1200R, XL50
	16667-07	HEAD, front cylinder (1200 cc) (black), w/ valve guides & seats	XL1200C, XL1200L, XL1200R, XL50
	16865-07	HEAD, rear cylinder (883 cc) (black), w/ valve guides & seats	XL883R
	16867-07	HEAD, front cylinder (883 cc) (black), w/ valve guides & seats	XL883R
	17488-07	HEAD, rear cylinder (1200 cc) (black w/o fin highlights), w/ valve guides & seats	XL1200N
	17485-07	HEAD, front cylinder (1200 cc) (black w/o fin highlights), w/ valve guides & seats	XL1200N
10	16664-86B	GASKET, cylinder head (2)	XL883, XL883C, XL883L, XL883R
	16770-84D	GASKET, cylinder head (2)	XL1200C, XL1200L, XL1200N, XL1200R, XL50

11	16715-83	STUD, exhaust port (4)	ALL
12	16774-86E	GASKET, cylinder base (2)	XL1200C, XL1200L, XL1200R, XL50, XL883, XL883C, XL883L, XL883R
	16789-04	GASKET, cylinder base (2)	XL1200N
13	16832-86C	STUD, cylinder base (8)	ALL
14	17027-04B	GASKET KIT, engine overhaul	ALL
	17049-04A	GASKET KIT, top overhaul	ALL
15	18011-86	INSERT, exhaust valve seat (2)	XL1200C, XL1200L, XL1200N, XL1200R, XL50
	18012-87A	INSERT, exhaust valve seat (2)	XL883, XL883C, XL883L, XL883R
	18020-07	INSERT, intake valve seat (2)	XL1200C, XL1200L, XL1200N, XL1200R, XL50
	18021-87A	INSERT, intake valve seat (2)	XL883, XL883C, XL883L, XL883R
16	18053-04	INTAKE VALVE, 7mm (2)	XL883, XL883C, XL883L, XL883R
	18690-02	INTAKE VALVE, 7mm (2)	XL1200C, XL1200L, XL1200N, XL1200R, XL50
	18059-04	EXHAUST VALVE, 7mm (2)	XL883, XL883C, XL883L, XL883R
	18691-02	EXHAUST VALVE, 7mm (2)	XL1200C, XL1200L, XL1200N, XL1200R, XL50
17	18094-02A	SEAL, valve (4)	ALL
18	18245-02	VALVE SPRING (4)	ALL
19	18258-02	COLLAR, valve spring - upper (4)	ALL
20	18260-02	KEEPER, valve collar (8)	ALL
21	26432-76A	O-RING, cylinder stud insert (4)	ALL

## ROCKER ARMS, COVERS, & PUSH RODS -V<sup>2</sup><sup>TM</sup>



[View interactive image](#)

[View interactive table](#)

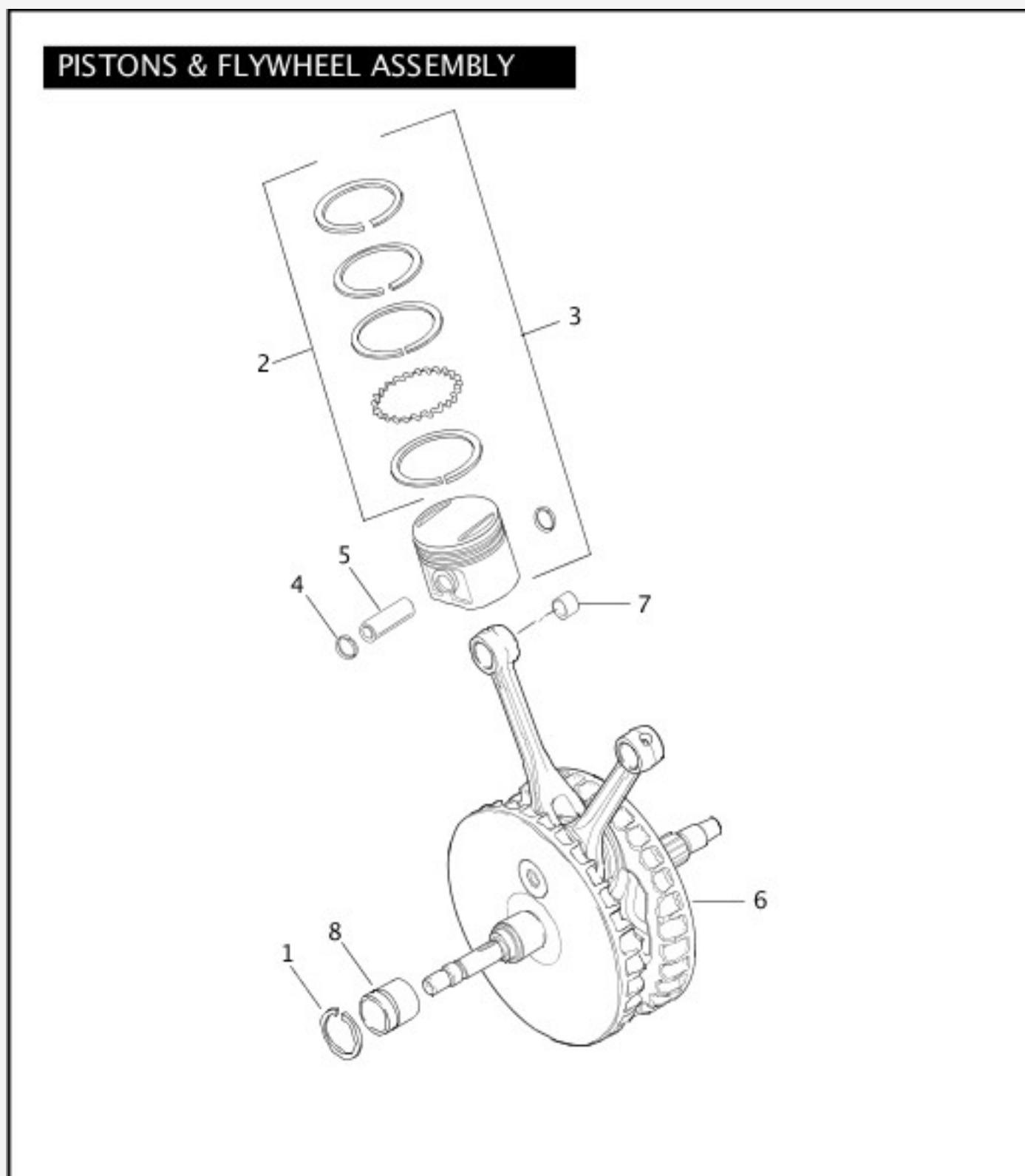
INDEX NO.	PART NO.	DESCRIPTION	MODEL(S)
1	882	SCREW (8)	ALL
2	1039	SCREW (8)	ALL
3	11190	O-RING, push rod cover-upper (4)	ALL
4	11377	O-RING (4)	ALL

5	2441	SCREW, pan head (2)	ALL
6	3849	SCREW, w/ washer (6)	ALL
7	3976	SCREW (2)	ALL
8	4718A	SCREW, w/ washer (4)	ALL
9	4741A	SCREW (8)	ALL
10	16800-84A	GASKET, rocker box (2)	ALL
10A	17036-91A	GASKET KIT, rocker cover	ALL
11	17362-07	GASKET, rocker cover - lower (2)	ALL
12	17695-07	GASKET, rocker cover - inner (2)	ALL
13	17360-83A	ROCKER ARM, front intake & rear exhaust (2)	ALL
14	17375-83A	ROCKER ARM, front exhaust & rear intake (2)	ALL
15	17393-07	SEAL, breather	ALL
15A	17428-57	BUSHING, rocker arm (4)	ALL
16	17501-04	ROCKER COVER, outer (polished) (2)	XL1200N, XL883, XL883C, XL883L
	17551-04	ROCKER COVER, outer (chrome) (2)	XL1200C, XL1200L, XL50
	17655-05	ROCKER COVER, outer (black) (2)	XL1200R, XL883R
17	17532-07	ROCKER COVER, inner (polished) (2)	XL1200N, XL883, XL883C, XL883L
	17537-07	ROCKER COVER, inner (chrome) (2)	XL1200C, XL1200L, XL50
	17614-07	ROCKER COVER, inner (silver) (2)	XL883R
	17645-07	ROCKER COVER, inner (black) (2)	XL1200R
18	17611-83	SHAFT, rocker arm (4)	ALL
19	17972-04	TAPPET COVER, front	ALL
	17981-04	TAPPET COVER, rear	ALL
20	17976-04	GASKET, tappet cover (2)	ALL
21	17946-04	COVER, push rod (chrome) (4)	ALL
22	17908-02	PUSH ROD, exhaust (2)	ALL
	17909-02	PUSH ROD, intake (2)	ALL
23	18505-06	ANTI-ROTATION DEVICE	ALL
24	18538-99B	TAPPET, w/ roller (4)	ALL
25	26012-07	BREATHER, front	ALL



	26020-07	BREATHER, rear	ALL
	26856-89A	VALVE, umbrella-check, breather (not illustrated)	ALL
26	63858-49	WASHER (8)	ALL

## PISTONS & FLYWHEEL ASSEMBLY



[View interactive image](#)

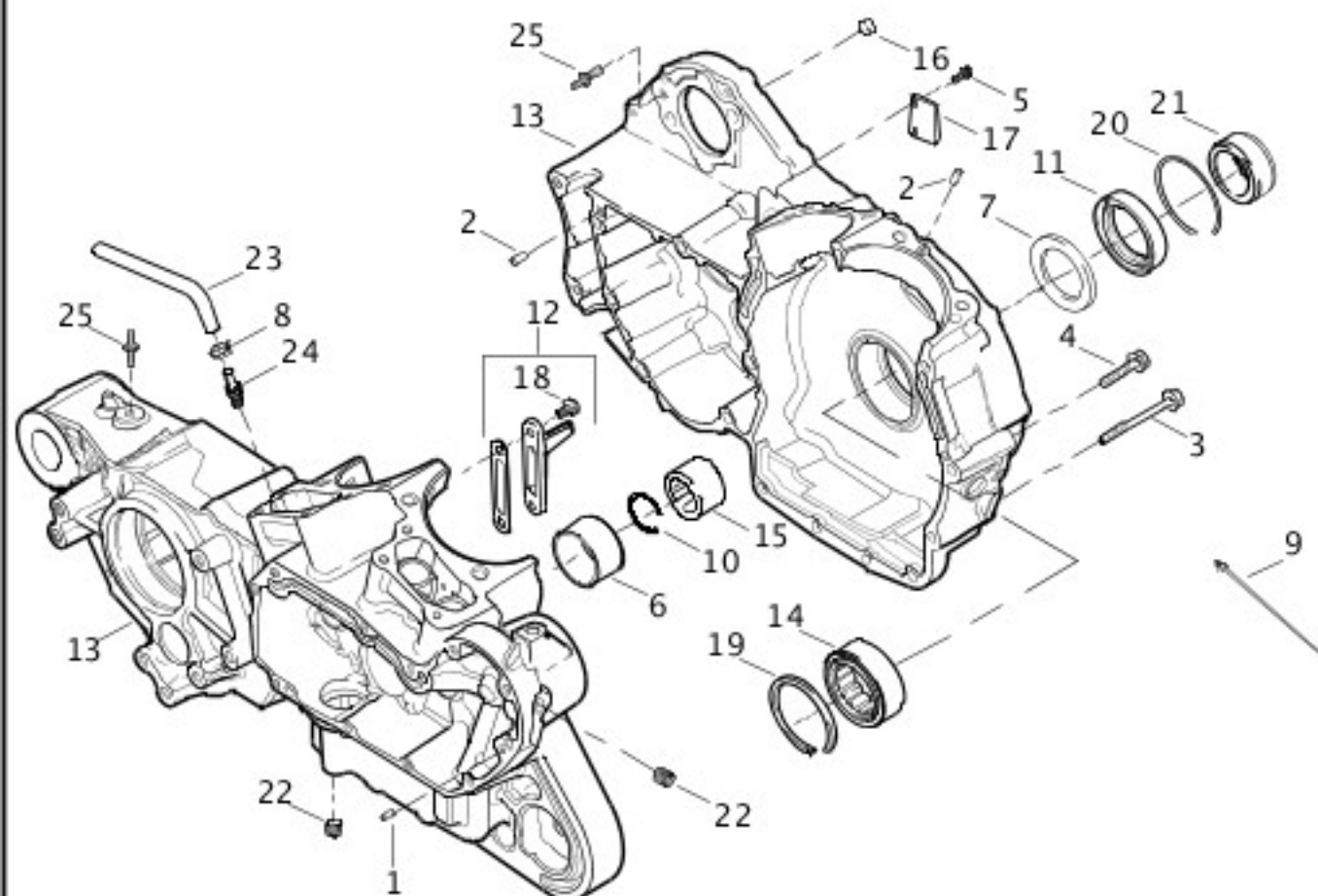
[View interactive table](#)

INDEX NO.	PART NO.	DESCRIPTION	MODEL(S)
1	11177A	RETAINING RING	ALL

2	21948-02	PISTON RING SET, standard (2)	XL1200C, XL1200L, XL1200N, XL1200R, XL50
	22231-04	PISTON RING SET, 0.005 O.S. (2)	XL1200C, XL1200L, XL1200N, XL1200R, XL50
	22238-04	PISTON RING SET, 0.010 O.S. (2)	XL1200C, XL1200L, XL1200N, XL1200R, XL50
	22266-86	PISTON RING SET, standard (2)	XL883, XL883C, XL883L, XL883R
	22261-86	PISTON RING SET, 0.010 O.S. (2)	XL883, XL883C, XL883L, XL883R
	22271-86	PISTON RING SET, 0.005 O.S. (2)	XL883, XL883C, XL883L, XL883R
3	22221-04	PISTON & RINGS ASSEMBLY, standard (2)	XL883, XL883C, XL883L, XL883R
	22224-04	PISTON & RINGS ASSEMBLY, 0.005 O.S. (2)	XL883, XL883C, XL883L, XL883R
	22228-04	PISTON & RINGS ASSEMBLY, 0.010 O.S. (2)	XL883, XL883C, XL883L, XL883R
	22223-04	PISTON & RINGS ASSEMBLY, standard (2)	XL1200C, XL1200L, XL1200N, XL1200R, XL50
	22227-04	PISTON & RINGS ASSEMBLY, 0.005 O.S. (2)	XL1200C, XL1200L, XL1200N, XL1200R, XL50
	22230-04	PISTON & RINGS ASSEMBLY, 0.010 O.S. (2)	XL1200C, XL1200L, XL1200N, XL1200R, XL50
4	22589-83B	LOCK RING, piston pin (4)	ALL
5	22719-04	PISTON PIN (2)	XL883, XL883C, XL883L, XL883R
	22765-02	PISTON PIN (2)	XL1200C, XL1200L, XL1200N, XL1200R, XL50
6	23905-04A	FLYWHEELS & SHAFTS SET, w/ rods	ALL
7	24331-36	BUSHING, piston pin - 0.002 O.S. (2)	ALL
	24332-36	BUSHING, piston pin - 0.01 O.S. (2)	ALL
8	24658-87	INNER RING	ALL

## CRANKCASE & GEARCASE

## CRANKCASE & GEARCASE – 883/C/L/R, 1200C/L/N/



[View interactive image](#)

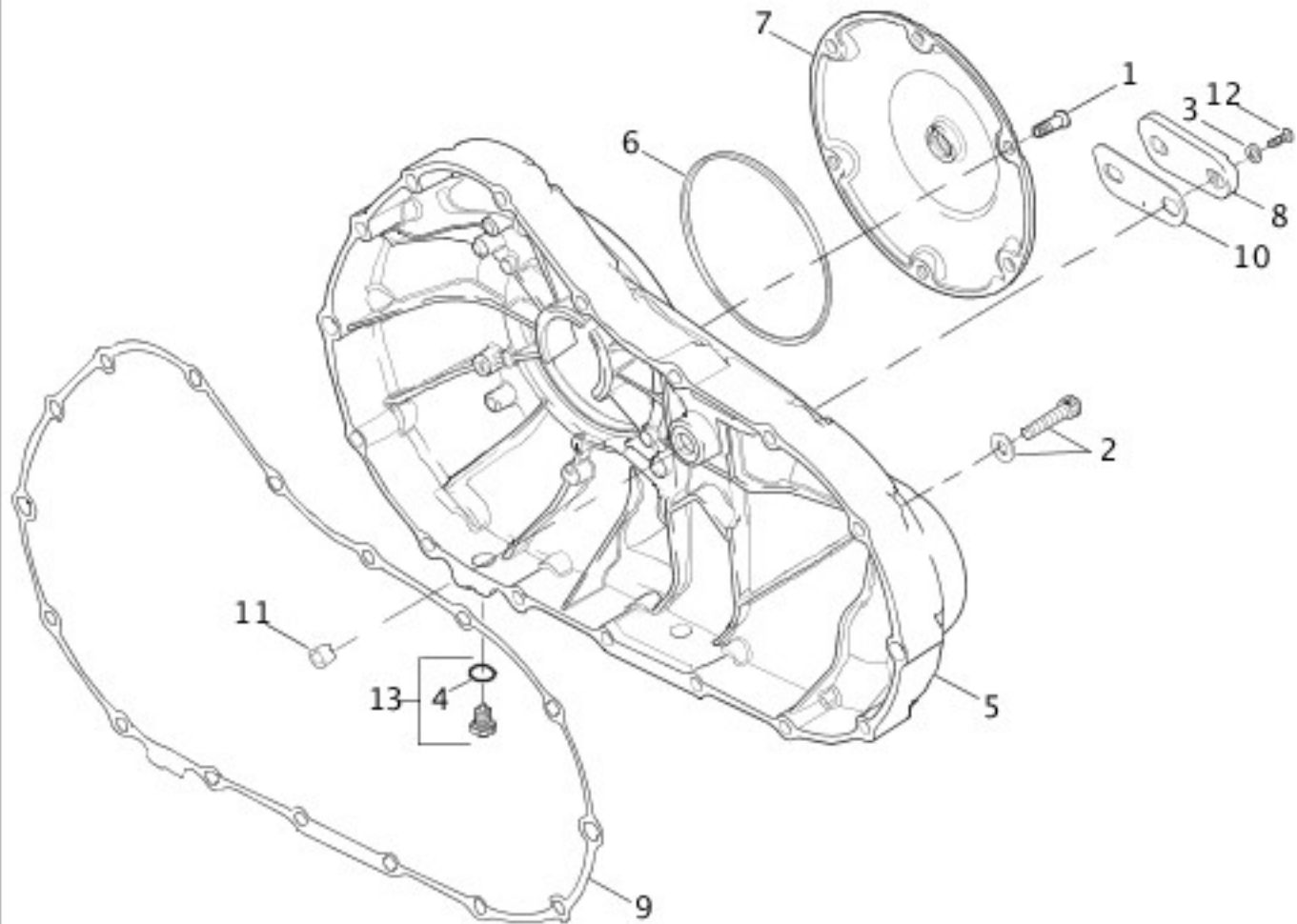
[View interactive table](#)

INDEX NO.	PART NO.	DESCRIPTION	MODEL(S)
1	215	PIN (2)	ALL
2	358	DOWEL PIN (4)	ALL
3	835	SCREW (11)	ALL
4	1048	SCREW (4)	ALL
5	4091	SCREW (2)	ALL
6	8881	BEARING RACE	ALL
7	8973	WASHER, thrust (2)	ALL
8	10080	CLAMP, hose (3)	ALL
9	10177	CABLE STRAP	ALL
10	11177A	RETAINING RING	ALL

11	12068	OIL SEAL	ALL
12	22265-00Y	OIL JET ASSEMBLY, complete (2)	ALL
13	24466-06	CRANKCASE SET, w/ bearings (black)	XL1200C, XL1200L, XL1200R, XL50, XL883R
	24470-06	CRANKCASE SET, w/ bearings (silver)	XL883, XL883C, XL883L
	24745-07	CRANKCASE SET, w/ bearings (gray)	XL1200N
14	24604-00D	BEARING	ALL
15	24647-87	BEARING, gear shaft (blue)	ALL
	24650-87	BEARING, gear shaft (red)	ALL
	24659-87	BEARING, gear shaft (white/gray)	ALL
	24660-87	BEARING, gear shaft (green)	ALL
16	24754-75A	DOWEL PIN (2)	ALL
17	29950-91	COVER, stator wires	ALL
18	32617-00Y	SCREW, self-tapping (4)	ALL
19	35114-02	RING, retaining	ALL
20	35118-03	RING, retaining	ALL
21	40254-02	SPACER, sprocket shaft	ALL
22	45830-48	PLUG (2)	ALL
23	63508-04	HOSE, transmission vent	ALL
24	63533-41A	FITTING, connector - vent	ALL
25	65088-04	STUD, ground (2)	ALL

## INSPECTION COVER & PRIMARY COVER

## INSPECTION COVER & PRIMARY COVER



[View interactive image](#)

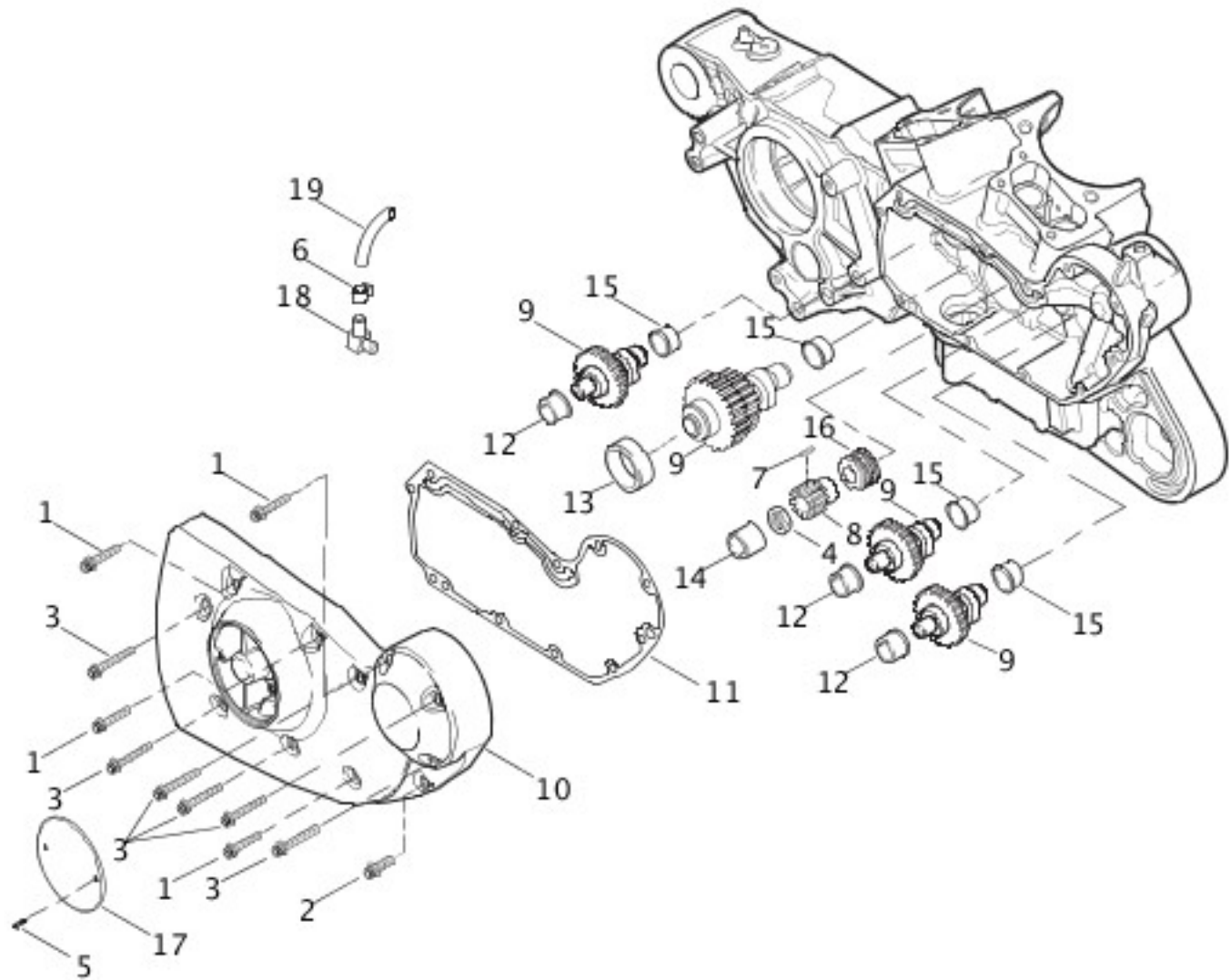
[View interactive table](#)

INDEX NO.	PART NO.	DESCRIPTION	MODEL(S)
1	943	SCREW (6)	ALL
2	4820A	SCREW (16)	ALL
3	11171	O-RING, inspection cover screws (2)	ALL
4	11105	O-RING, drain plug	ALL
5	25307-06	PRIMARY COVER (black) w/ 40574-06	XL1200R, XL883R
	25430-06	PRIMARY COVER (polished) w/ 40574-06	XL883, XL883L
	25460-06	PRIMARY COVER (chrome) w/ 40574-06	XL1200C, XL1200L, XL50
	25471-06	PRIMARY COVER (silver) w/ 40574-06	XL883C
	60830-07	PRIMARY COVER (gray) w/ 40574-06	XL1200N
6	25463-94A	GASKET, clutch inspection cover	ALL

7	34760-04	INSPECTION COVER, clutch (chrome)	XL1200C, XL1200L, XL50
	34790-05	INSPECTION COVER, clutch (black)	XL883R
	34992-04	INSPECTION COVER, clutch (polished)	XL1200N, XL1200R, XL883, XL883C, XL883L
8	34993-04	INSPECTION COVER, chain (polished)	XL1200N, XL1200R, XL883, XL883C, XL883L
	34761-04	INSPECTION COVER, chain (chrome)	XL1200C, XL1200L, XL50
	34794-05	INSPECTION COVER, chain (black)	XL883R
9	34955-04	GASKET, primary cover	ALL
10	34986-04	GASKET, chain inspection cover	ALL
11	40574-06	BUSHING	ALL
12	41191-74A	SCREW, inspection covers (2)	ALL
13	60328-98B	OIL DRAIN PLUG ASSEMBLY	ALL

## CAMSHAFTS & GEAR COVER

## CAMSHAFTS & GEAR COVER



[View interactive image](#)

[View interactive table](#)

INDEX NO.	PART NO.	DESCRIPTION	MODEL(S)
1	3480A	SCREW (4)	ALL
2	4740A	SCREW	ALL
3	4717A	SCREW (6)	ALL
4	7916A	JAM NUT	ALL
5	8679	SCREW (2)	ALL
6	10014	CLAMP	ALL
7	11317	T-KEY	ALL
8	24047-00	PINION GEAR	ALL

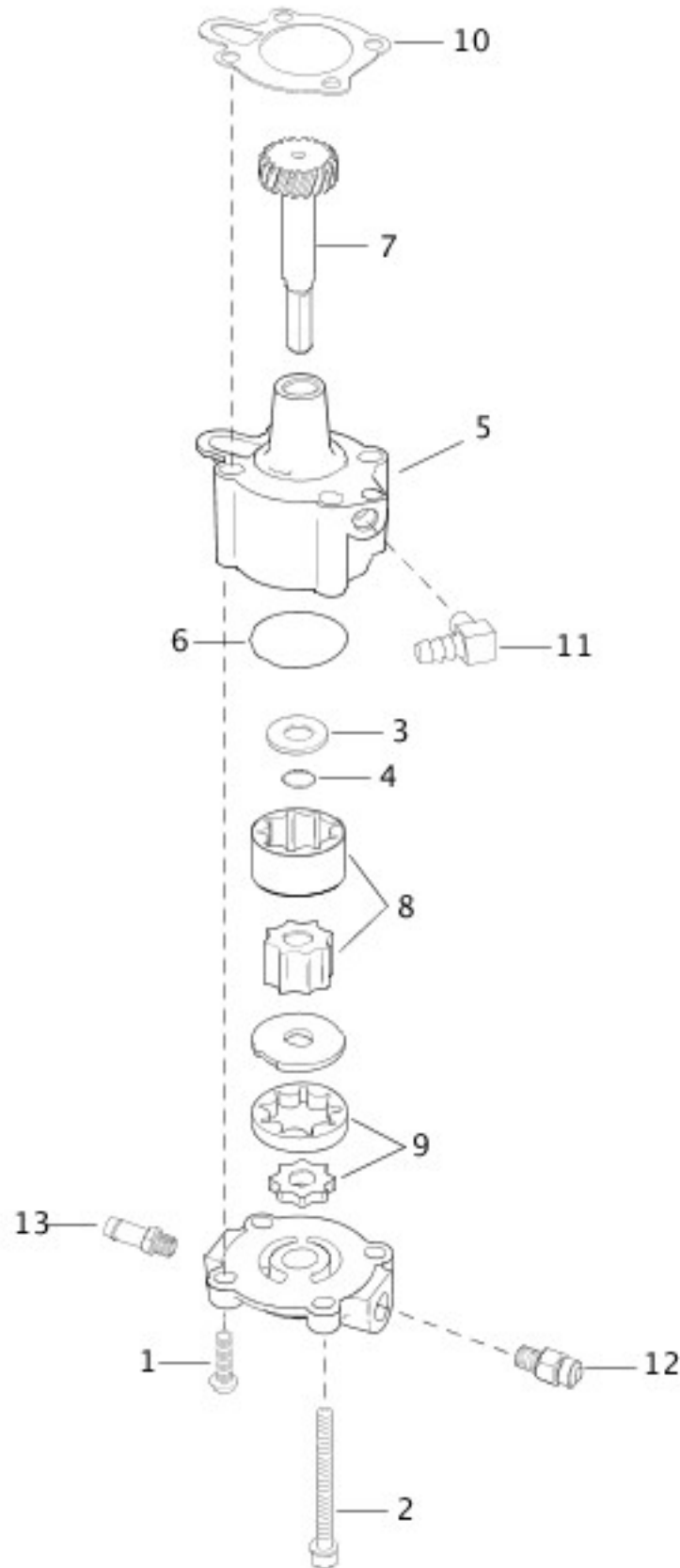


9	25194-06	CAM GEAR SET, complete, w/ pinion gear	ALL
10	25219-04	COVER ASSEMBLY, gearcase (polished), w/ 62375-57A & bushings	XL883, XL883L
	25213-04	COVER ASSEMBLY, gearcase (chrome), w/ 62375-57A & bushings	XL1200C, XL1200L, XL50
	25252-04	COVER ASSEMBLY, gearcase (silver), w/ 62375-57A & bushings	XL883C
	25486-05	COVER ASSEMBLY, gearcase (black), w/ 62375-57A & bushings	XL1200R, XL883R
	25546-07	COVER ASSEMBLY, gearcase (gray), w/ 62375-57A & bushings	XL1200N
11	25263-90D	GASKET, gearcase cover	ALL
12	25586-37	OUTER BUSHING, cam gear shafts (3)	ALL
13	25588-91	BUSHING, rear intake cam gear shaft	ALL
14	25593-74	BUSHING, flywheel gear shaft	ALL
15	25598-91	INNER BUSHING, camshaft gear (4)	ALL
16	26318-88A	DRIVE GEAR, oil pump	ALL
17	32506-90	TIMER COVER	XL883, XL883L
	32514-04	TIMER COVER	XL1200C, XL883C
	32515-07	TIMER COVER	XL50
	32531-07	TIMER COVER	XL1200N
	32555-04	TIMER COVER	XL1200R
	32587-06	TIMER COVER	XL1200L
	32699-05	TIMER COVER	XL883R
18	62375-57A	FITTING, oil vent hose	ALL
<b>NOTE: Hose or insulator is sold in bulk length under the following part numbers. Cut to length.</b>			
19	62360-04A	VENT TUBE KIT	ALL

## OIL PUMP



# OIL PUMP



[View interactive image](#)

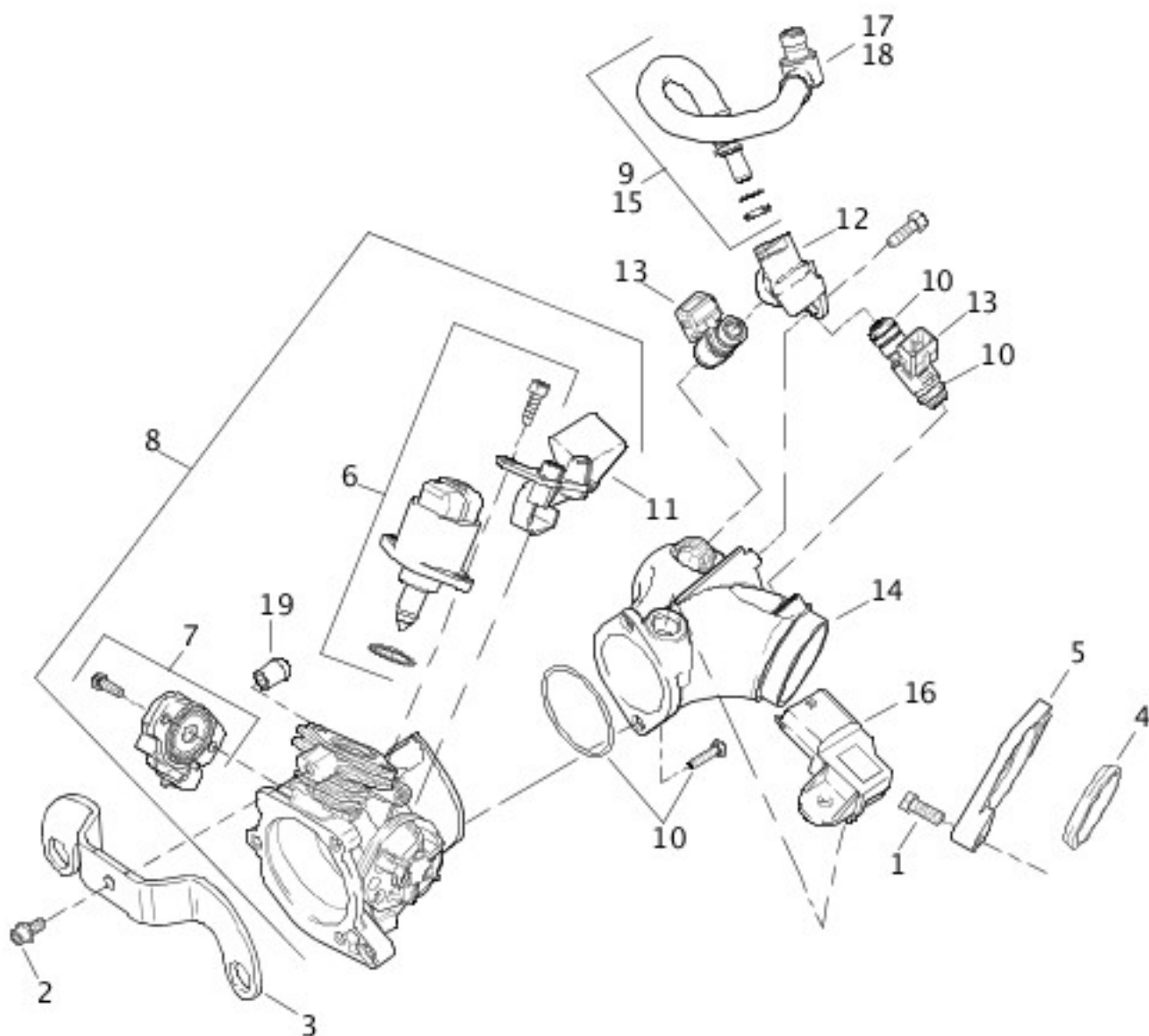
[View interactive table](#)

INDEX NO.	PART NO.	DESCRIPTION	MODEL(S)
1	4132	SCREW (2)	ALL
2	4765	SCREW, w/ washer (2)	ALL
3	6157	WASHER, thrust	ALL

4	11002	RETAINING RING	ALL
5	26204-91A	OIL PUMP, complete	ALL
6	26434-91	O-RING	ALL
7	26239-07	GEAR SHAFT	ALL
8	26502-07	GEROTOR SET, return	ALL
9	26503-07	GEROTOR SET, feed	ALL
10	26495-89B	GASKET, pump mounting	ALL
11	26496-75A	FITTING, 90 degree	ALL
12	62601-91A	FITTING, connector - front	ALL
13	63533-41A	FITTING, connector - rear	ALL

## INDUCTION MODULE

# INDUCTION MODULE - 883/C/L/R, 1200C/L/R



[View interactive image](#)

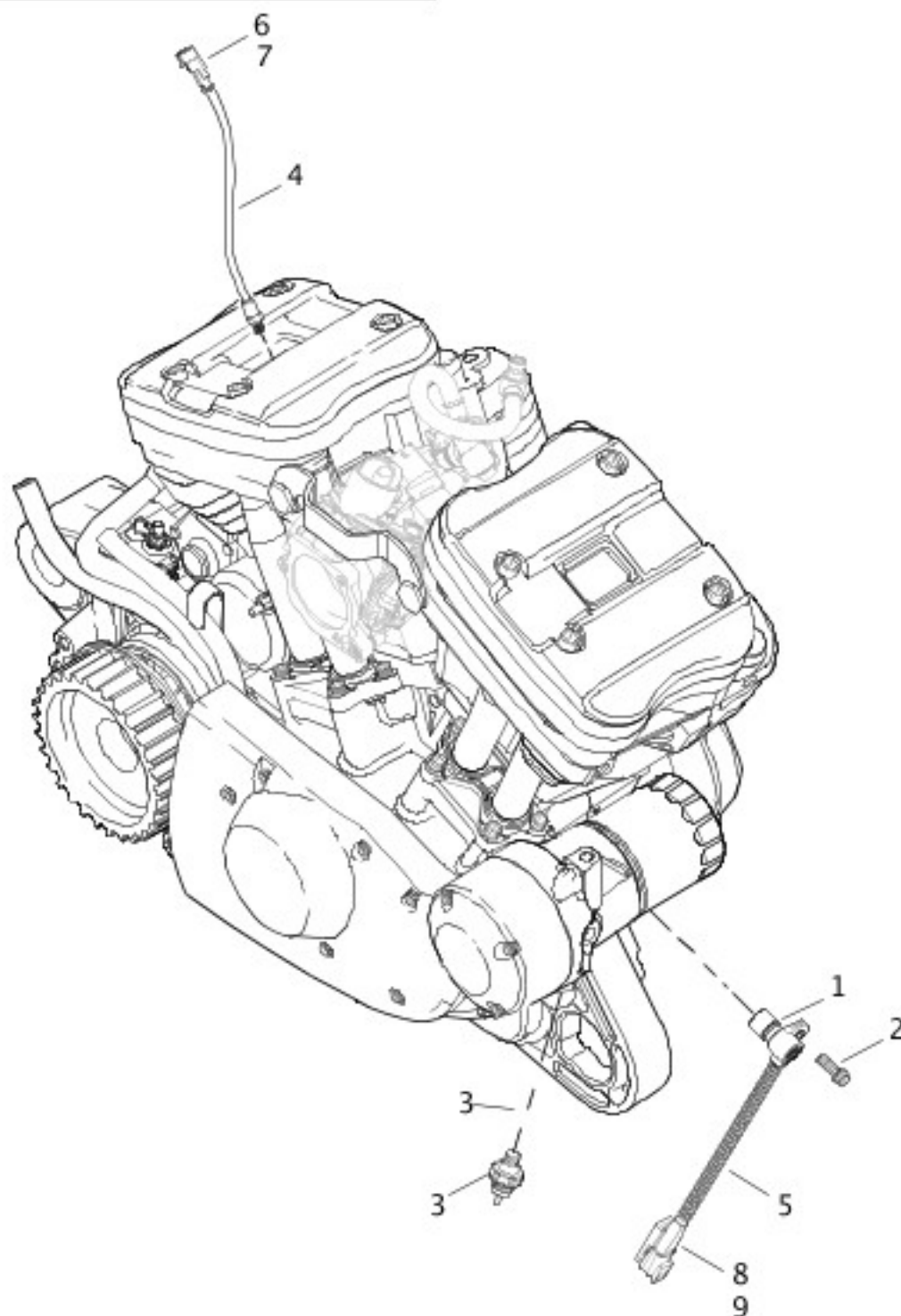
[View interactive table](#)

INDEX NO.	PART NO.	DESCRIPTION	MODEL(S)
1	3987	BOLT, flange (4)	ALL
2	4798	SCREW, bracket throttle body	ALL
3	16361-07	BRACKET, throttle body	ALL
4	26995-86B	SEAL, intake (2)	ALL

5	27327-07	FLANGE, intake (2)	ALL
6	27628-01	KIT, IAC meter	ALL
7	27629-01	KIT, throttle position sensor	ALL
8	27795-07	MODULE ASSEMBLY, induction w/ 27701-07, sensor throttle position, idle air control, & throttle body	ALL
9	27693-07	FUEL LINE KIT, w/ 62351-07	XL1200C, XL1200L, XL50, XL883C
10	27700-07	KIT, hardware	ALL
11	27701-07	CABLE BRACKET	ALL
12	27704-07	FUEL RAIL	ALL
13	27706-07	FUEL INJECTOR, w/ o-ring (2)	ALL
14	27707-07	INTAKE MANIFOLD	ALL
15	27774-07	FUEL LINE KIT, w/ 62350-07	XL1200N, XL1200R, XL883, XL883L, XL883R
16	32319-07	T-MAP SENSOR	ALL
17	62350-07	FUEL LINE	XL1200N, XL1200R, XL883, XL883L, XL883R
18	62351-07	FUEL LINE	XL1200C, XL1200L, XL50, XL883C
19	90383-98	CAP	ALL

## ENGINE SENSORS & SWITCHES

## ENGINE SENSORS & SWITCHES



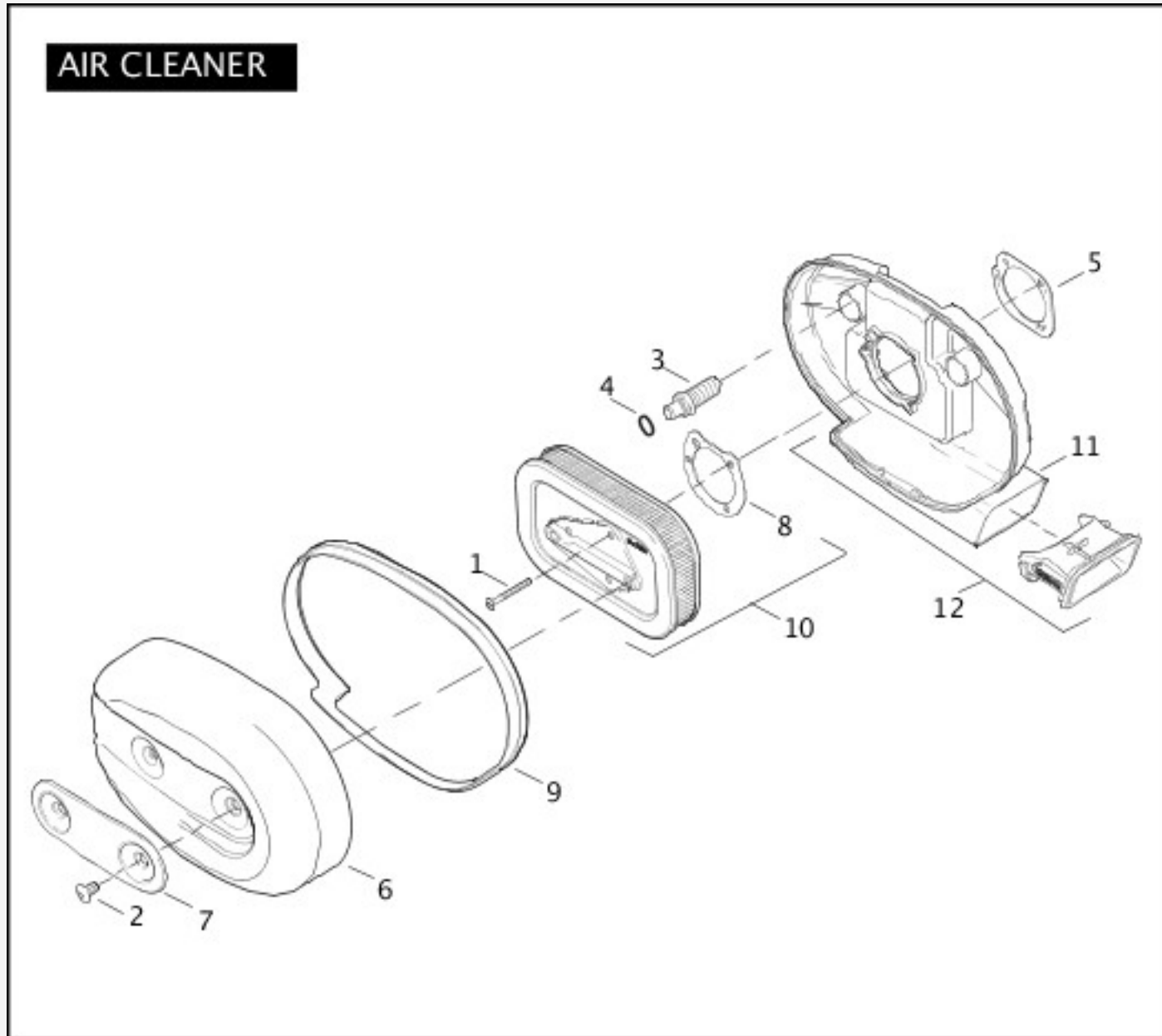
[View interactive image](#)

[View interactive table](#)

INDEX NO.	PART NO.	DESCRIPTION	MODEL(S)
1	11289A	O-RING	ALL
2	3594	SCREW	ALL
3	26554-77B	SWITCH, oil pressure	ALL
4	32472-07A	SENSOR, engine temperature w/ 72009-05, 72011-05	ALL
5	32707-01B	SENSOR, crank position w/11289A, 72199-94, 74194-98	ALL
6	72009-05	HOUSING, 2-way pin	ALL

7	72011-05	WIRE SEAL, 16-20 gauge (yellow) (2)	ALL
8	72199-94	CONNECTOR	ALL
9	74194-98	TERMINAL	ALL

## AIR CLEANER



[View interactive image](#)

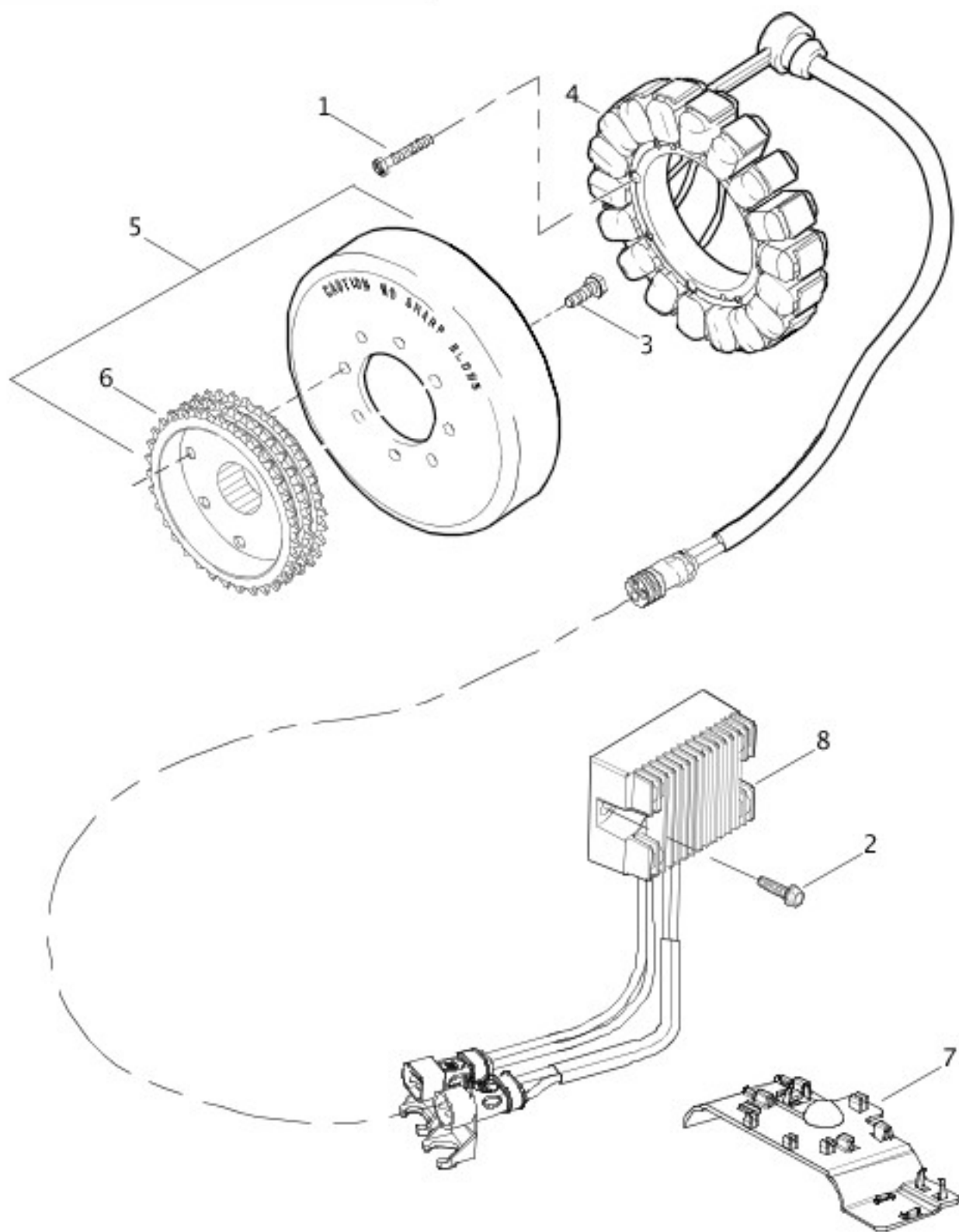
[View interactive table](#)

INDEX NO.	PART NO.	DESCRIPTION	MODEL(S)
1	946	SCREW (3)	ALL
2	2460	SCREW (2)	ALL
3	3565	SCREW, breather (2)	ALL
4	11202	O-RING (2)	ALL
5	29062-	GASKET, backplate	ALL

	95B		
6	29084-04	COVER, air cleaner	XL1200C, XL1200L, XL1200R, XL50, XL883, XL883C, XL883L
	29113-07	COVER, air cleaner (gray)	XL1200N
	29122-05	COVER, air cleaner (black)	XL883R
7	29123-07	TRIM INSERT, air cleaner	XL883, XL883L
	29125-07	TRIM INSERT, air cleaner	XL883R
	29346-07	TRIM INSERT, air cleaner	XL1200C
	29352-07	TRIM INSERT, air cleaner	XL1200R
	29354-07	TRIM INSERT, air cleaner	XL1200L
	29355-07	TRIM INSERT, air cleaner	XL1200N
	29372-07	TRIM INSERT, air cleaner - 50th Anniversary <b>**RESTRICTED SALES PART**</b>	XL50
	29802-07	TRIM INSERT, air cleaner	XL883C
8	29313-95	GASKET, filter element	ALL
9	29315-04	SEAL, air cleaner	ALL
10	29331-04	FILTER ELEMENT, w/ 29313-95	ALL
11	29367-07	BACKPLATE, air cleaner	ALL
12	29369-07	BACKPLATE ASSEMBLY, air cleaner	ALL

## ALTERNATOR & REGULATOR

## ALTERNATOR & REGULATOR



[View interactive image](#)

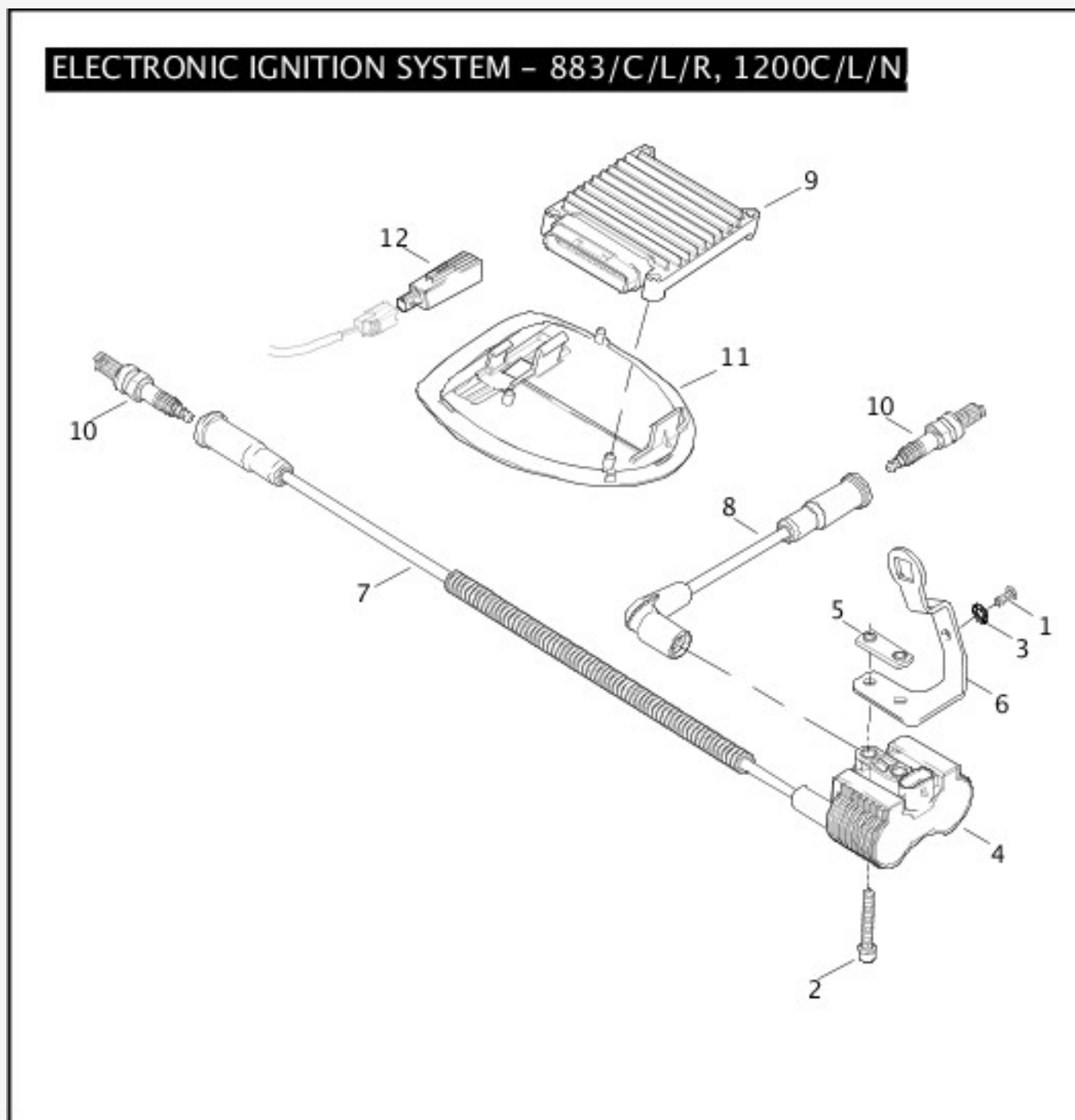
[View interactive table](#)

INDEX NO.	PART NO.	DESCRIPTION	MODEL(S)
1	3029	SCREW (4)	ALL
2	4329	SCREW (2)	ALL
3	4751	BOLT (8)	ALL
4	29997-07	STATOR	ALL



5	32493-02A	ROTOR SPROCKET ASSEMBLY, w/ 40241-02 & 4751	XL883, XL883C, XL883L, XL883R
	32494-04A	ROTOR SPROCKET ASSEMBLY, w/ 40290-04 & 4751	XL1200C, XL1200L, XL1200N, XL1200R, XL50
6	40241-02	SPROCKET, triple row, 34T	XL883, XL883C, XL883L, XL883R
	40290-04	SPROCKET, triple row, 38T	XL1200C, XL1200L, XL1200N, XL1200R, XL50
7	70364-07	CADDY, voltage regulator	ALL
8	74546-07	REGULATOR	ALL

## ELECTRONIC IGNITION SYSTEM

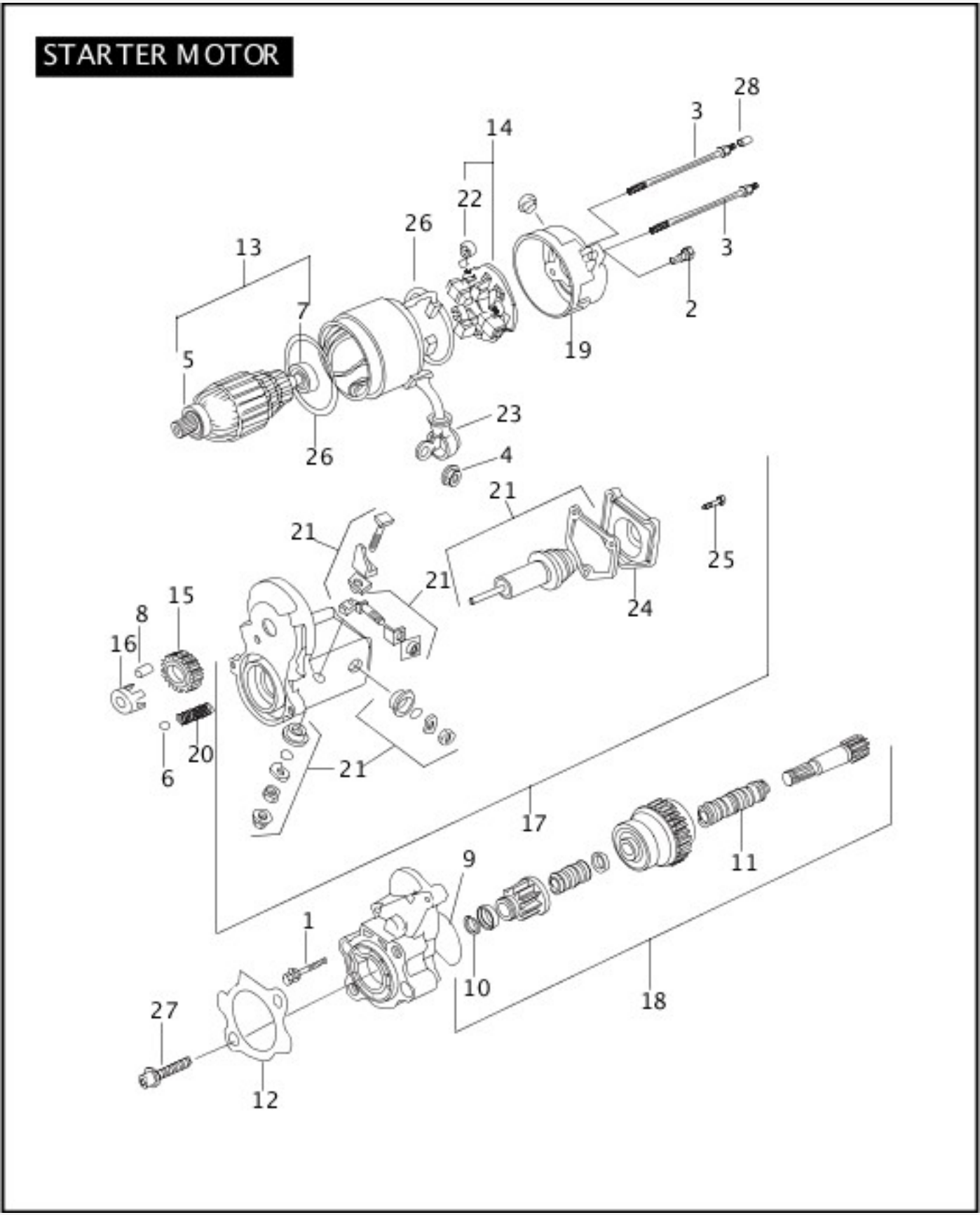


[View interactive image](#)

INDEX NO.	PART NO.	DESCRIPTION	MODEL(S)
1	3124	SCREW	ALL
2	3480A	SCREW (2)	ALL
3	7220	LOCKWASHER	ALL
4	31656-07	COIL, ignition	ALL
5	31753-07	PLATE, nut	ALL
6	31807-07	BRACKET	ALL
7	32006-07	CABLE, spark plug, rear (long)	ALL
8	32003-07	CABLE, spark plug, front (short)	ALL
9	32534-05B	ELECTRONIC CONTROL MODULE	ALL
10	32362-04	SPARK PLUG (2)	ALL
11	70444-07	MOUNTING, ECM	ALL
12	68919-07	PLUG, antenna module	ALL

## STARTER MOTOR

# STARTER MOTOR



[View interactive image](#)

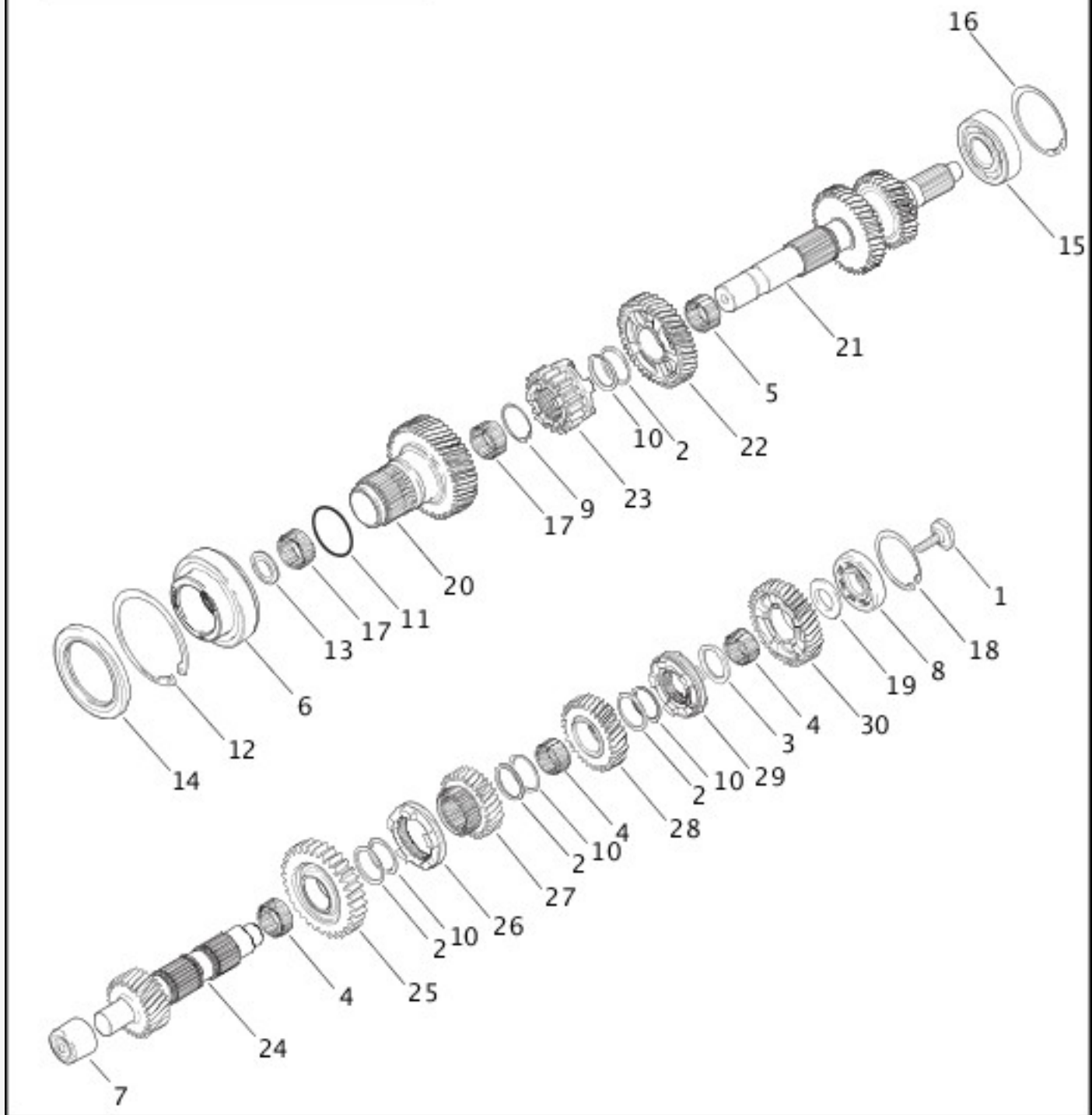
[View interactive table](#)

INDEX NO.	PART NO.	DESCRIPTION	MODEL(S)
1	928	BOLT, starter (2)	ALL
2	929A	SCREW (2)	ALL
3	3559	BOLT, through (2)	ALL
4	3403	LOCKNUT	ALL
5	8871	BALL BEARING	ALL

6	8879	BALL	ALL
7	8883	BALL BEARING	ALL
8	9077	CLUTCH ROLLER (5)	ALL
9	10957	O-RING	ALL
10	31328-91	RING, snap	ALL
11	31692-90	SPRING	ALL
	31390-91E	STARTER MOTOR, complete	ALL
12	31488-81B	GASKET, starter motor	ALL
13	31515-90	ARMATURE ASSEMBLY	ALL
14	31518-90	HOLDER ASSEMBLY, starter brush	ALL
15	31525-90	GEAR, idler	ALL
16	31530-90	RETAINER, idler	ALL
17	31537-98	SWITCH ASSEMBLY, magnetic	ALL
18	31556-91C	CLUTCH SUB-ASSEMBLY, w/ 31328-91 & 31692-90	ALL
19	31599-91	FRAME, starter end	ALL
20	31600-90	SPRING, return	ALL
21	31603-91	REPAIR KIT, starter solenoid	ALL
22	31661-90	SPRING, starter (4)	ALL
23	31662-90	CAP TERMINAL, rubber	ALL
24	31688-90	COVER, solenoid	ALL
25	31689-90	BOLT, w/ washer (3)	ALL
26	31695-90	O-RING, yoke (2)	ALL
27	45902-00	SCREW (2)	ALL
28	89581-04A	CAP, thread protector	ALL

## TRANSMISSION GEARS

## TRANSMISSION GEARS



[View interactive image](#)

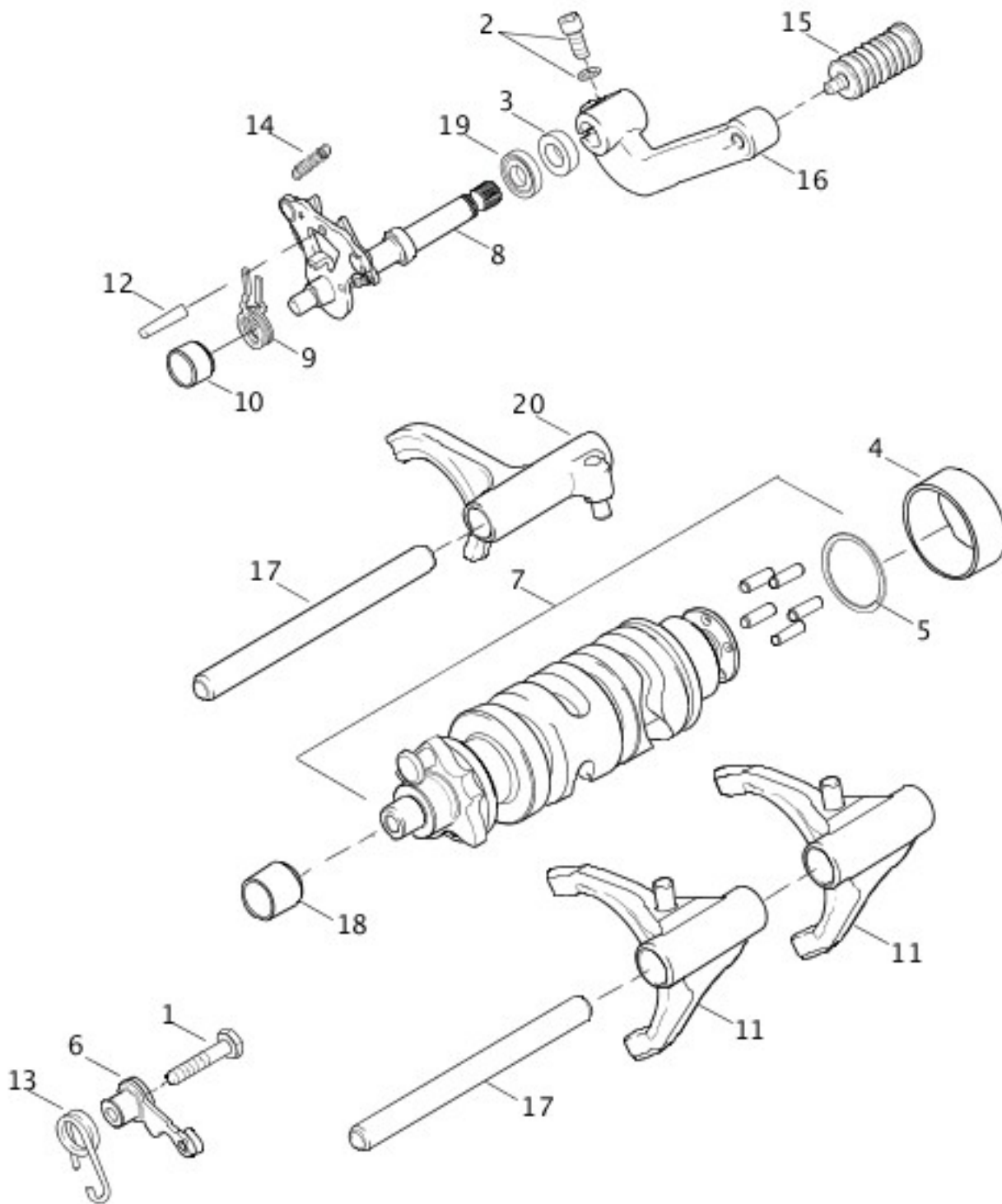
[View interactive table](#)

INDEX NO.	PART NO.	DESCRIPTION	MODEL(S)
1	3990	SCREW	ALL
2	6003	WASHER, thrust (4)	ALL
3	6021	SPACER	ALL
4	8862	BEARING (3)	ALL
5	8884	BEARING	ALL
6	8964	BEARING, ball	ALL
7	8966	BEARING, closed end	ALL

8	8970	BEARING, ball	ALL
9	10984	SNAP RING	ALL
10	11067	RETAINING RING (4)	ALL
11	11113	O-RING	ALL
12	11161	RETAINING RING	ALL
13	12030	SEAL	ALL
14	12074	OIL SEAL	ALL
15	35030-89	BEARING, mainshaft	ALL
16	35038-89A	RETAINING RING	ALL
17	35051-89A	BEARING, needle (2)	ALL
18	35087-99	RETAINING RING	ALL
19	35107-06	SPACER	ALL
20	35159-06	GEAR, fifth-mainshaft	ALL
21	35163-06	GEAR, mainshaft	ALL
22	35165-06	GEAR, fourth-mainshaft	ALL
23	35167-06	GEAR, first-mainshaft	ALL
24	35172-06	GEAR, countershaft	ALL
25	35174-06	GEAR, first-countershaft	ALL
26	35190-06	RING, dog	ALL
27	35191-06	GEAR, fourth-countershaft	ALL
28	35193-06	GEAR, third-countershaft	ALL
29	35196-06	RING, dog	ALL
30	35197-06	GEAR, second-countershaft	ALL

**SHIFTER - 883/883L/883R/1200L/1200R/1200N/XL50**

## SHIFTER - 883/883L/883R/1200L/1200R/1200N/



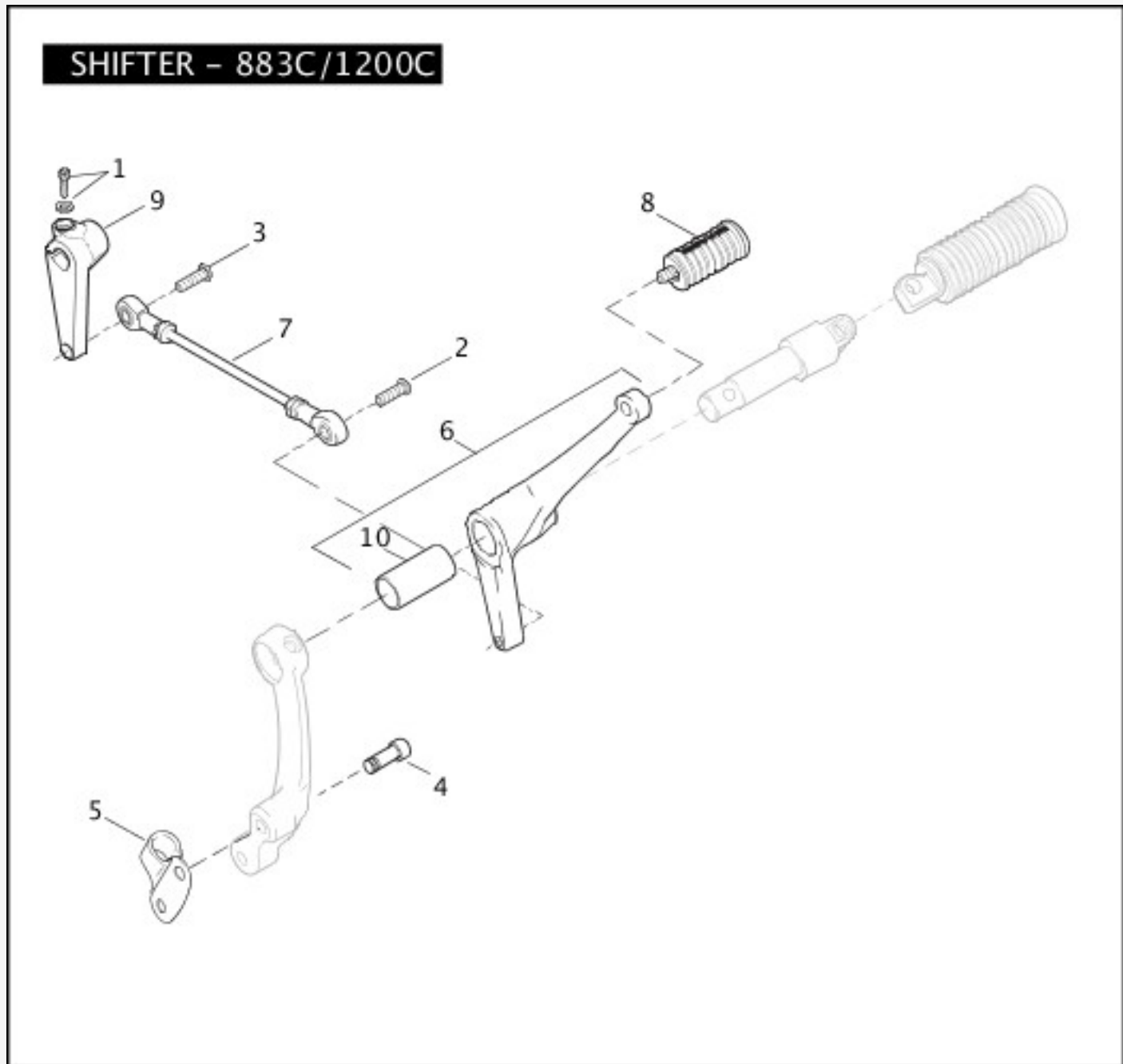
[View interactive image](#)

[View interactive table](#)

INDEX NO.	PART NO.	DESCRIPTION	MODEL(S)
1	3997A	BOLT	ALL
2	2708A	SCREW, w/ washer	XL1200L, XL1200N, XL1200R, XL50, XL883, XL883L, XL883R
3	7019	WASHER (rubber)	ALL

4	9187	BEARING	ALL
5	11360	RING, retaining	ALL
	11390	RING, retaining (not illustrated)	XL1200N
6	33540-06	SPRING SLEEVE ASSEMBLY, detent	ALL
7	33641-06	SHIFTER CAM ASSEMBLY, w/ 11360	ALL
	33900-99	SWITCH, neutral (not illustrated)	ALL
8	34014-06	SHIFTER LEVER ASSEMBLY, w/ 34064-00C & 34491-02A (2)	ALL
9	34064-00C	SPRING, shifter return	ALL
10	34076-02	BUSHING	ALL
11	34157-06	FORK ASSEMBLY, shifter (2)	ALL
12	34163-02	PIN, shifter stop	ALL
13	34483-06	SPRING, detent	ALL
14	34491-02A	SPRING, extension (2)	ALL
15	34611-65	SHIFTER PEG	XL1200L, XL1200N, XL1200R, XL50, XL883, XL883L, XL883R
16	34660-04A	SHIFT LEVER, foot (chrome)	XL1200L, XL1200R, XL50, XL883, XL883L, XL883R
	34721-07	SHIFT LEVER, foot (black)	XL1200N
17	34981-02A	SHAFT, shifter forks (2)	ALL
18	34982-02	BUSHING, right hand crankcase	ALL
19	37107-06	OIL SEAL	ALL
20	34162-06	FORK ASSEMBLY, shifter	ALL
	42930-07	BRAKE PEDAL SHIFTLIVER KIT (black)	XL1200N





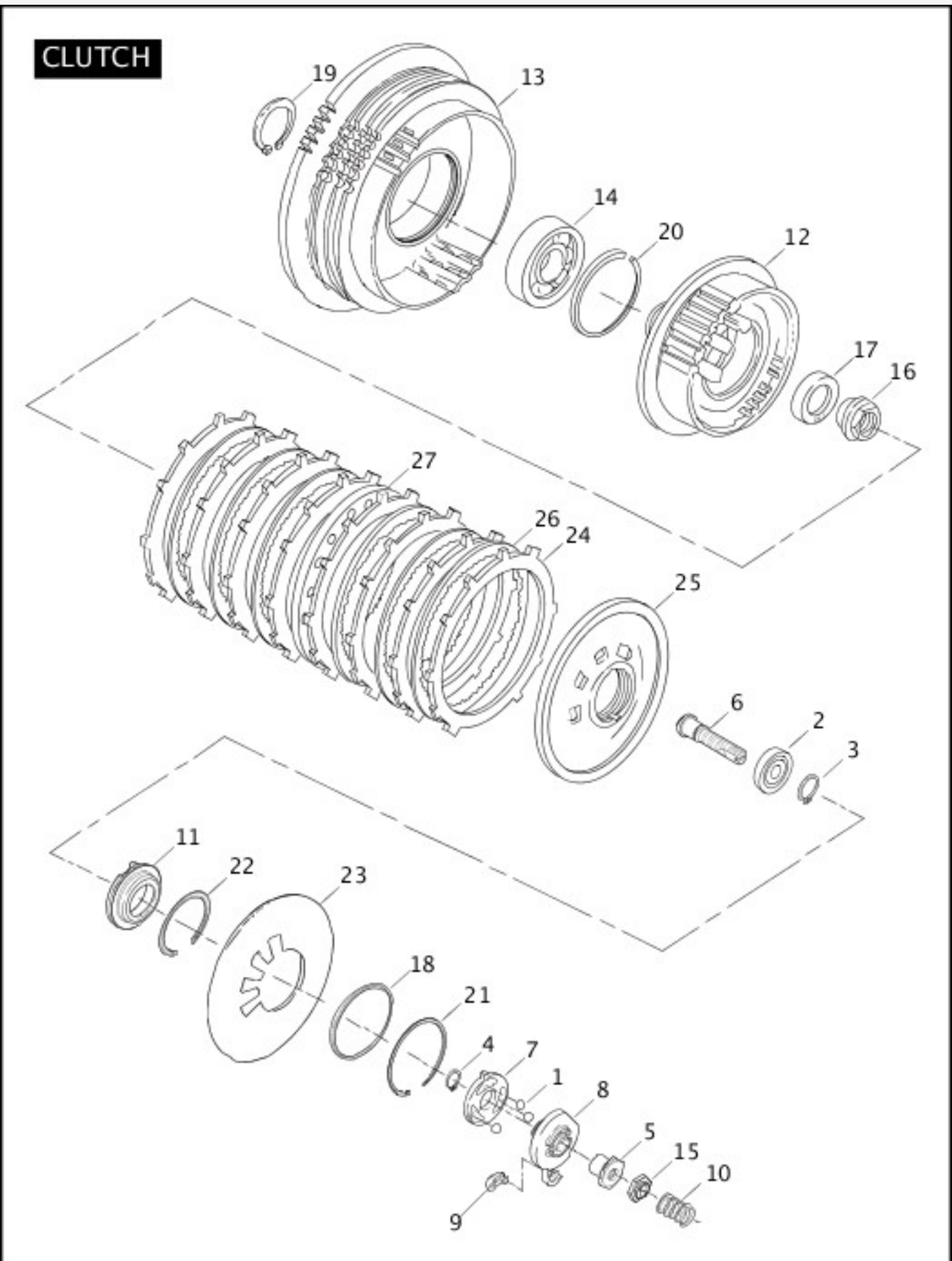
[View interactive image](#)

[View interactive table](#)

INDEX NO.	PART NO.	DESCRIPTION	MODEL(S)
1	2708A	SCREW, w/ washer	XL1200C, XL883C
2	4016	SCREW	XL1200C, XL883C
3	4359	SCREW	XL1200C, XL883C
4	4748	SCREW, socket head (4)	XL1200C, XL883C
5	10179A	J-CLIP	XL1200C, XL883C
6	34572-04	LEVER ASSEMBLY, shifter, w/ 42569-03	XL1200C, XL883C
7	34573-04	SHIFTER ROD LINK	XL1200C, XL883C
8	34611-65	SHIFTER PEG, shifter pedal	XL1200C, XL883C

9	34670-06	SHIFT LEVER	XL1200C, XL883C
10	42569-03	BUSHING	XL1200C, XL883C

# CLUTCH



[View interactive image](#)

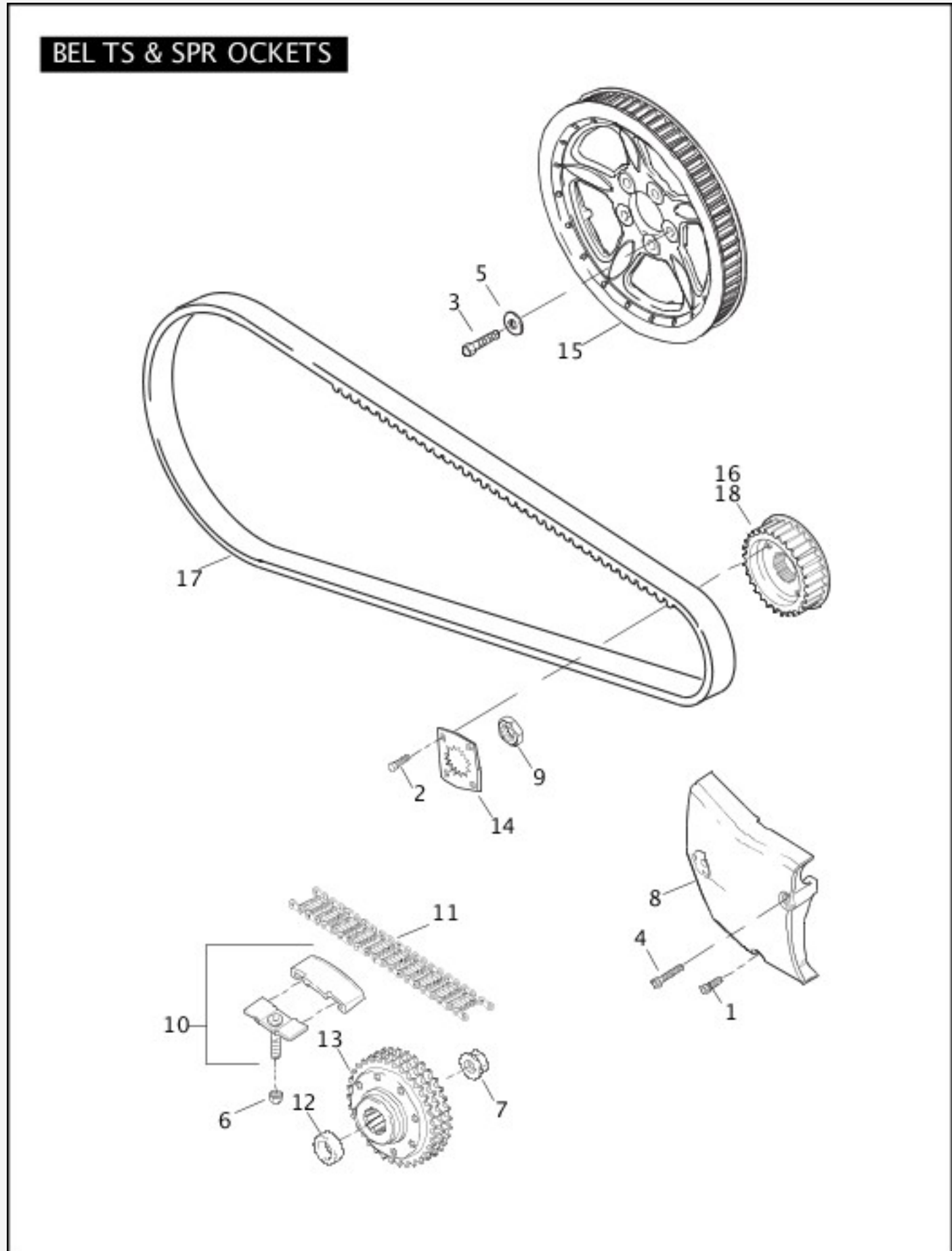
[View interactive table](#)

INDEX	PART	DESCRIPTION	MODEL(S)
-------	------	-------------	----------

NO.	NO.		
1	8873	BALL (3)	ALL
2	8885	BEARING	ALL
3	11046	RETAINING RING	ALL
4	11250	RETAINING RING	ALL
5	11730A	WELL NUT	ALL
6	11765Y	ADJUSTMENT SCREW	ALL
7	25453-87A	RAMP, inner	ALL
8	25409-94B	RAMP, outer	ALL
9	34920-86A	COUPLING, clutch cable	ALL
10	36715-94	SPRING, clutch adjustment	ALL
11	36731-91	RELEASE PLATE, w/ 8885	ALL
12	36785-91	CLUTCH HUB	ALL
13	36790-04	CLUTCH SHELL & SPROCKET, w/ 36799-91 & 37905-90	ALL
14	36799-91	BALL BEARING	ALL
15	36802-84B	LOCKPLATE, well type	ALL
16	37495-91	NUT, main shaft	ALL
17	37870-91	SPRING WASHER	ALL
18	37872-90	SEAT, spring-inner	ALL
19	37904-90	RETAINING RING	ALL
20	37905-90	RETAINING RING	ALL
21	37908-90	RETAINING RING	ALL
22	37909-90	RETAINING RING	ALL
23	37910-04B	SPRING, clutch plate	XL883, XL883C, XL883L, XL883R
	37924-04A	SPRING, clutch plate	XL1200C, XL1200L, XL1200N, XL1200R, XL50
24	37911-90	FRICITION PLATE (paper) (8)	ALL

25	37912-91	PRESSURE PLATE	ALL
26	37913-90	STEEL PLATE (6)	ALL
27	37977-90	SPRING PLATE	ALL

## BELTS & SPROCKETS



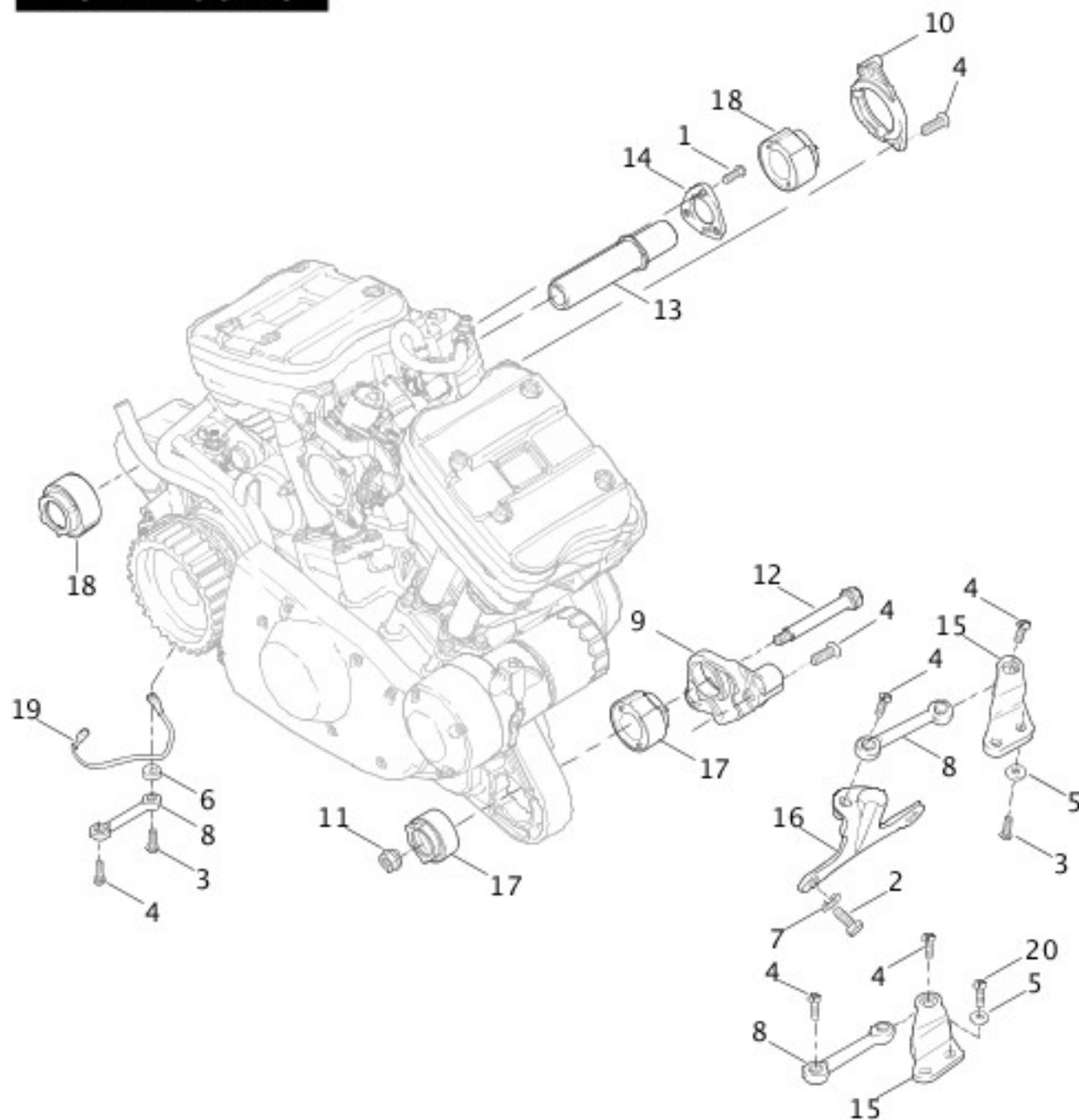
[View interactive image](#)

INDEX NO.	PART NO.	DESCRIPTION	MODEL(S)
1	3480A	SCREW	ALL
2	3594	SCREW (2)	ALL
3	3899	SCREW (for Japan see REAR WHEEL - LACED & PROFILE LACED) (5)	ALL
4	4717A	SCREW	ALL
5	6516HW	WASHER (for Japan see REAR WHEEL - LACED & PROFILE LACED) (5)	ALL
6	7804	LOCKNUT	ALL
7	7839	NUT, engine sprocket	ALL
8	34911-04	SPROCKET COVER	XL883, XL883L
	34932-04	SPROCKET COVER	XL1200C, XL1200L, XL50
	34938-04	SPROCKET COVER	XL883C
	34943-05	SPROCKET COVER	XL1200R, XL883R
	34954-07	SPROCKET COVER (gray)	XL1200N
9	35211-91B	NUT, transmission sprocket	ALL
10	40039-02C	CHAIN ADJUSTER ASSEMBLY	ALL
11	40005-57B	PRIMARY CHAIN, 94 links	XL883, XL883C, XL883L, XL883R
	40147-04	PRIMARY CHAIN, 96 links	XL1200C, XL1200L, XL1200N, XL1200R, XL50
12	40254-02	SPACER, sprocket	ALL
13	40241-02	SPROCKET, triple row - 34T	XL883, XL883C, XL883L, XL883R
	40290-04	SPROCKET, triple row - 38T	XL1200C, XL1200L, XL1200N, XL1200R, XL50
14	40251-92A	RETENTION PLATE	ALL
15	40350-07	SPROCKET, belt - 68T (black)	XL1200C, XL1200L, XL50, XL883R
	40352-07	SPROCKET, belt - 68T (silver)	XL1200R, XL883, XL883C, XL883L
	40444-07	SPROCKET, belt - 68T (black)	XL1200N

16	40379-04	SPROCKET, transmission - 28T (World)	XL883, XL883C, XL883L, XL883R
	40409-04	SPROCKET, transmission - 29T (50 State)	XL1200C, XL1200L, XL1200N, XL1200R, XL50
17	40371-07	BELT, 136T	XL883, XL883C, XL883L, XL883R
	40591-07	BELT, 137T	XL1200C, XL1200L, XL1200N, XL1200R, XL50
<b>INTERNATIONAL MODELS ONLY</b>			
18	40380-04	SPROCKET, transmission - 30T (HDI)	XL1200C, XL1200R

## **ENGINE MOUNTS**

## ENGINE MOUNTS



[View interactive image](#)

[View interactive table](#)

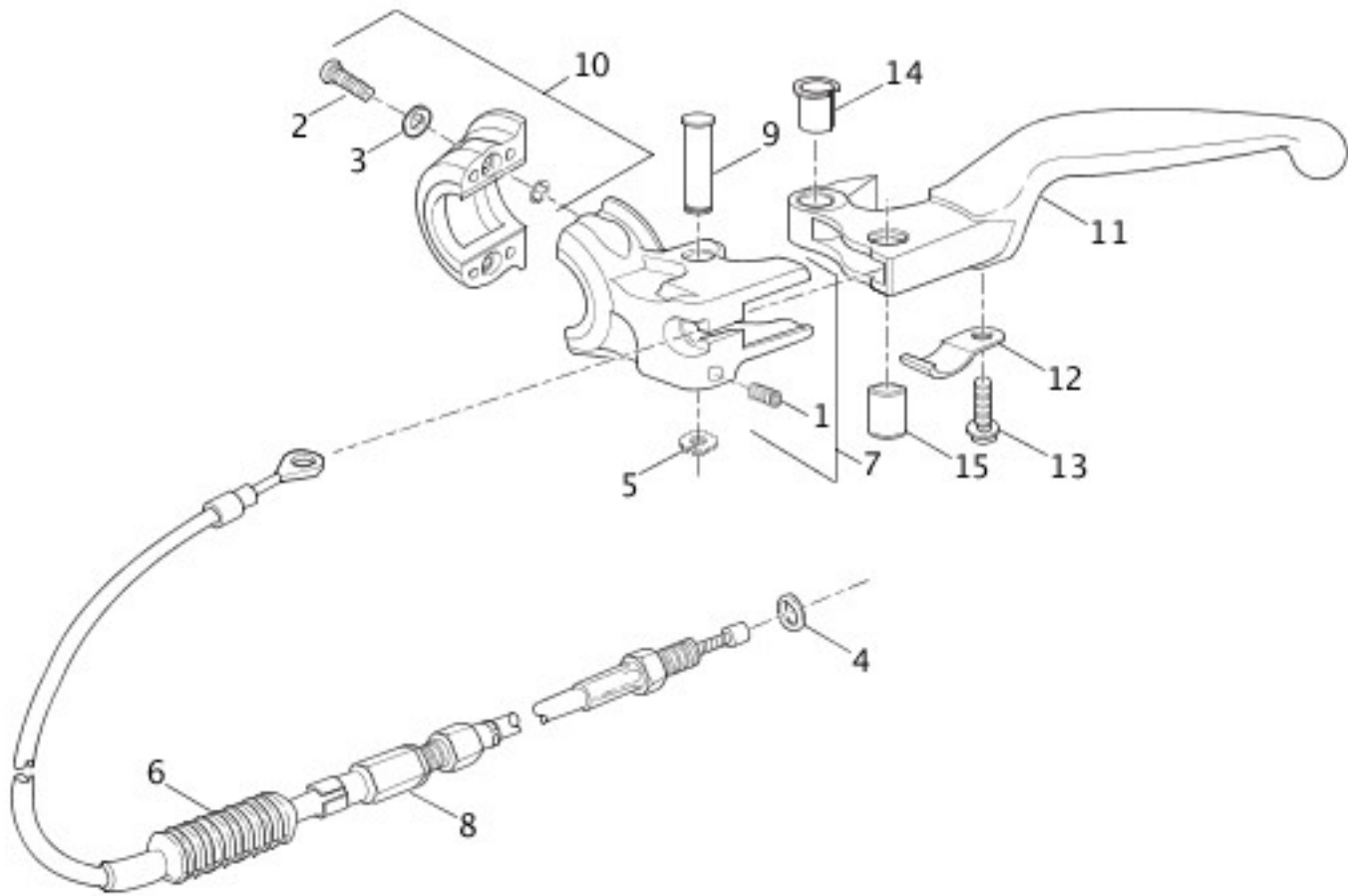
INDEX NO.	PART NO.	DESCRIPTION	MODEL(S)
1	940	SCREW (3)	ALL
2	3854	SCREW (2)	ALL
3	4180	SCREW (3)	ALL
4	4290	SCREW (9)	ALL
5	6026	WASHER, flat (4)	ALL
6	6152	SPACER	ALL
7	7039	LOCKWASHER (2)	ALL

8	16232-04	TIE-LINK (3)	ALL
9	16287-04	MOUNT, front isolator	ALL
10	16291-04	MOUNT, rear isolator	ALL
11	41561-04	NUT, lower front motor mount	ALL
12	41562-04	BOLT, lower front motor mount	ALL
13	41568-04	SHAFT, swing arm pivot	ALL
14	41699-04	LOCKPLATE, rear pivot	ALL
15	47470-04	BRACKET, tie-link (2)	ALL
16	47471-04	BRACKET, tie-link mounting, engine	ALL
17	48463-04	ISOLATOR, front mount (2)	ALL
18	48492-04	ISOLATOR, rear mount (2)	ALL
19	70297-04	STRAP, grounding	ALL
20	4188	SCREW (2)	ALL

## CLUTCH CONTROL



## CLUTCH CONTROL



[View interactive image](#)

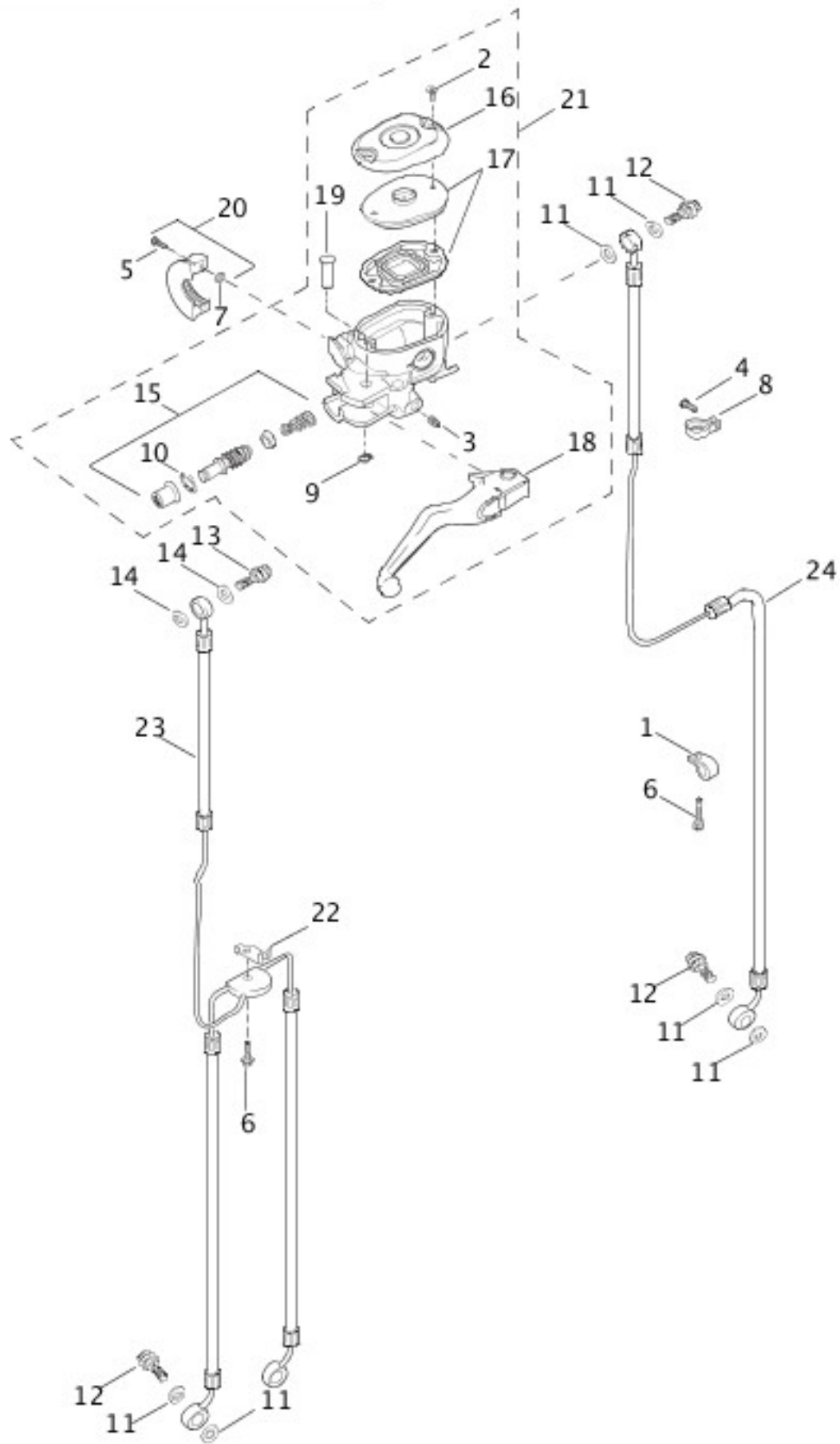
[View interactive table](#)

INDEX NO.	PART NO.	DESCRIPTION	MODEL(S)
1	3244	SCREW, set	ALL
2	4535M	SCREW (2)	ALL
3	6101	WASHER (2)	ALL
	42425-05	KIT, washer & screw, w/ 4535M (2) & 6101 (2)	ALL
	10289A	CLIP, clutch cable-to-frame (not illustrated) (2)	ALL
4	11179	O-RING	ALL
5	11379	RETAINING RING	ALL
6	38630-88	BOOT, clutch cable	ALL
7	38671-04	BRACKET, clutch lever	ALL

8	38699-04A	CABLE ASSEMBLY, w/ 11179, 11379, 38630-88, & 46268-04	XL1200C, XL1200R, XL50, XL883, XL883C, XL883R
	38702-05A	CABLE ASSEMBLY, w/ 11179, 11379, 38630-88, & 46268-04	XL1200L, XL1200N, XL883L
9	42807-04	BOLT	ALL
10	42808-04	CLAMP, clutch control, w/ 4535M & 6101	ALL
11	45356-07	HAND LEVER, w/ 45799-04, 45800-04, & 45801-04	XL1200C, XL1200L, XL1200R, XL50, XL883, XL883C, XL883L, XL883R
11A	46945-07A	CLUTCH LEVER, w/ 45799-04, 45800-04, & 45801-04, (black)	XL1200N
12	45799-04	SPRING, anti-rattle	ALL
13	45800-04	SCREW, spring - clutch lever	ALL
14	45801-04	BUSHING	ALL
15	46268-04	PIN, clutch cable	ALL

## FRONT BRAKE CONTROL

## FRONT BRAKE CONTROL



[View interactive image](#)

[View interactive table](#)

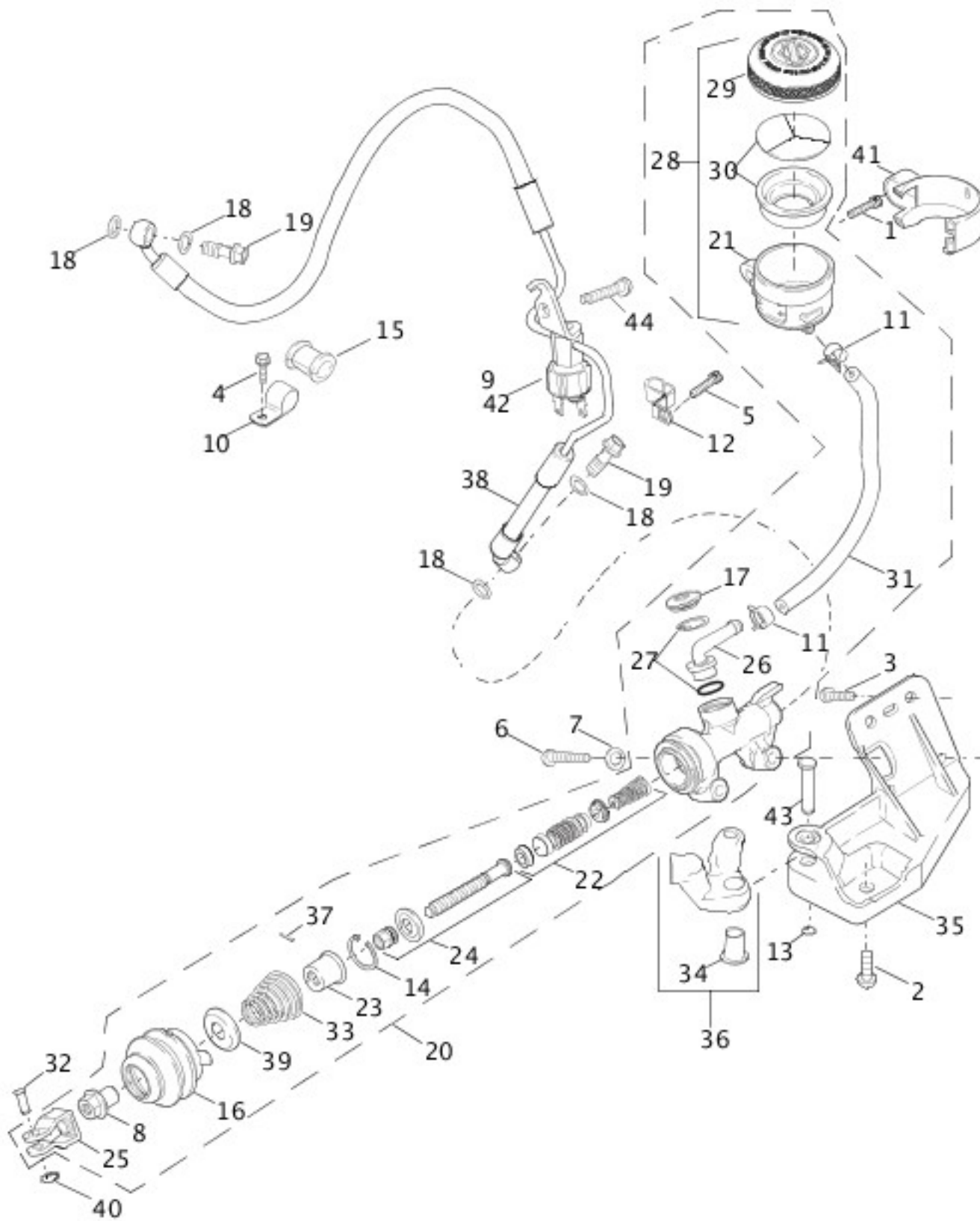
INDEX NO.	PART NO.	DESCRIPTION	MODEL(S)
1	10053	CLAMP	XL1200C, XL1200L, XL1200N, XL50, XL883, XL883C, XL883L

2	2586A	SCREW, flat (2)	ALL
3	3244	SCREW, w/ thread lock	ALL
4	4104	SCREW	ALL
5	4535M	SCREW (2)	ALL
6	4741A	SCREW	ALL
7	6101	WASHER (2)	ALL
	42425-05	KIT, washer & screw, w/ 4535M (2) & 6101 (2)	ALL
8	10031	CLAMP	ALL
9	11379	RETAINING RING, lever pivot	ALL
10	11142	RETAINING RING	ALL
11	41732-04	SEALING WASHER, 10mm (4)	ALL
12	41736-04	BANJO BOLT, 10mm (2)	ALL
13	41737-04	BANJO BOLT, 12mm	XL1200R, XL883R
14	41743-04	SEALING WASHER, 12mm (2)	XL1200R, XL883R
15	42803-07A	REBUILD KIT, front master cylinder, single, w/ 11379	XL1200C, XL1200L, XL1200N, XL50, XL883, XL883C, XL883L
	42809-07	REBUILD KIT, front master cylinder, dual, w/ 11379	XL1200R, XL883R
16	42804-07	CAP, front master cylinder, w/ decal	ALL
17	42805-04	GASKET KIT, master cylinder	ALL
18	42806-04	LEVER, front brake	XL1200C, XL1200L, XL1200R, XL50, XL883, XL883C, XL883L, XL883R
	46946-06A	LEVER, front brake (black)	XL1200N
19	42807-04	BOLT, lever	ALL
20	42808-04	CLAMP, master cylinder	ALL
21	45052-07	MASTER CYLINDER ASSEMBLY, dual, front	XL1200R, XL883R

	45146-07	MASTER CYLINDER ASSEMBLY, single, front	XL1200C, XL1200L, XL50, XL883, XL883C, XL883L
	42745-07	MASTER CYLINDER ASSEMBLY, single, front (black)	XL1200N
22	45074-95	GUIDE, front brakeline	XL1200R, XL883R
23	45319-04A	BRAKELINE, front, dual	XL1200R, XL883R
24	45449-04A	BRAKELINE, front, single	XL1200C, XL1200N, XL50, XL883C
	46400-04A	BRAKELINE, front, single	XL883
	46411-05C	BRAKELINE, front, single	XL1200L, XL883L
	71590-96A	SWITCH, brake (not illustrated)	ALL

## REAR BRAKE MASTER CYLINDER

## REAR BRAKE MASTER CYLINDER



[View interactive image](#)

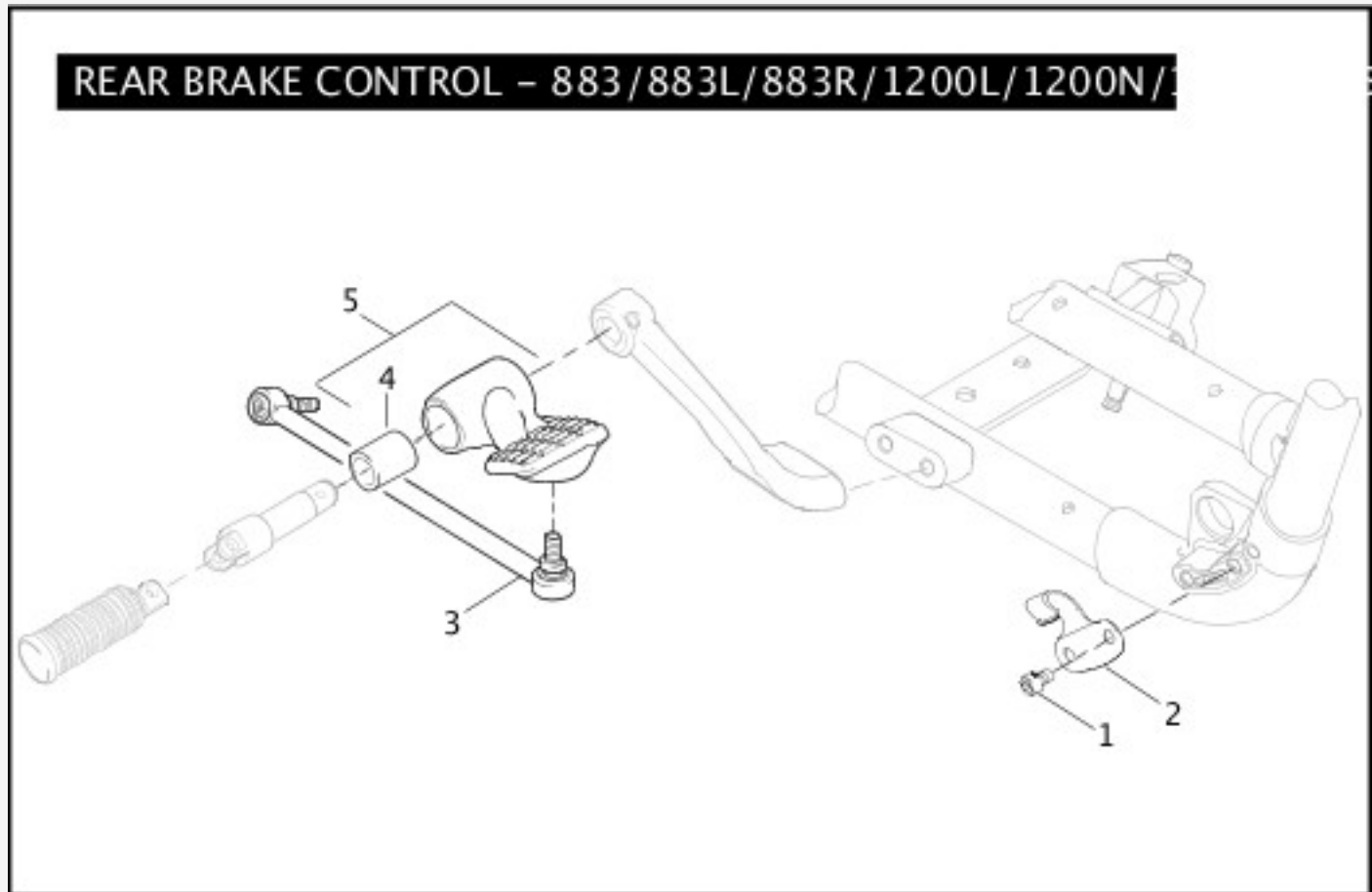
[View interactive table](#)

INDEX NO.	PART NO.	DESCRIPTION	MODEL(S)
1	882	SCREW	ALL
2	995	SCREW	ALL
3	997	SCREW, hex socket, button head (2)	ALL

4	2501A	SCREW (2)	ALL
5	4076	SCREW	XL883, XL883L
6	4816A	SCREW (2)	ALL
7	6702	WASHER (2)	ALL
8	7477	NUT, hex, 8mm	ALL
9	9907	TERMINAL, wire	ALL
10	10031	CLAMP (2)	ALL
11	10252	CLAMP, reservoir (2)	ALL
12	10255	CLAMP, double tube	ALL
13	11031	RETAINING RING	ALL
14	11121	RETAINING RING	ALL
15	11407	GROMMET	ALL
16	40946-04	BOOT, external	ALL
17	40948-04	DUST COVER	ALL
18	41732-04	SEALING WASHER, 10mm (4)	ALL
19	41736-04	BANJO BOLT, 10mm (2)	ALL
20	42521-07	MASTER CYLINDER AND RESERVOIR ASSEMBLY, rear	ALL
21	42595-04	TANK, rear brake reservoir	ALL
22	42810-07A	REBUILD KIT, master cylinder, w/ 11121, 42811-04, & 44189-04	ALL
23	42811-04	BOOT, master cylinder, rear	ALL
24	42812-04	PUSH ROD ASSEMBLY	ALL
25	42813-04	YOKE, master cylinder	ALL
26	42814-04	PORT, rear master cylinder	ALL
27	42815-04	SEAL KIT, port, w/ retaining ring & o-ring	ALL
28	42816-07	RESERVOIR ASSEMBLY, brake, w/ 42595-04, 42817-07, & 42845-07	ALL
29	42817-07	CAP, rear brake reservoir	ALL
30	42845-07	GASKET KIT, rear brake reservoir	ALL
31	42821-04	HOSE	ALL
32	42460-80B	PIN, brake lever	ALL
33	42593-04	SPRING, external return	ALL

34	42846-04	BUSHING, bell crank	ALL
35	42976-04	BRACKET, mounting, rear master cylinder	ALL
36	42979-04	BELL CRANK ASSEMBLY, w/ 42846-04	ALL
37	44189-04	SPRING PIN	ALL
38	44429-06A	BRAKELINE ASSEMBLY, w/ 11407	ALL
39	44590-04	RETAINER, spring	ALL
40	51938-04	COTTER CIRCLE	ALL
41	67804-04	COVER, reservoir	ALL
42	72023-51D	STOP LIGHT SWITCH KIT, w/ 9907	ALL
43	94432-04	SHOULDER BOLT, bell crank	ALL
44	94612-04	SCREW, dog point	ALL

## REAR BRAKE CONTROL - 883/883L/883R/1200L/1200N/1200R/XL50



[View interactive image](#)

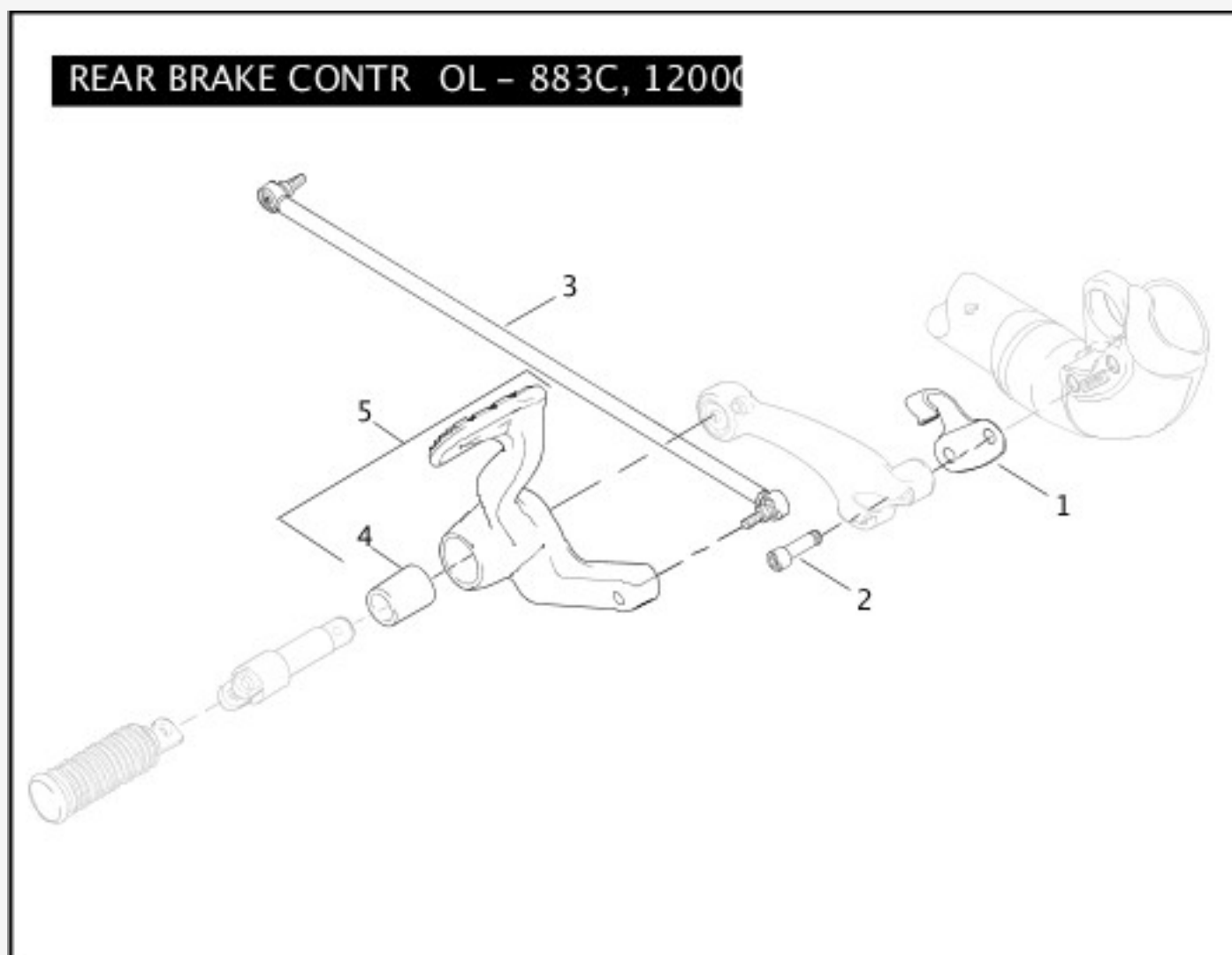
[View interactive table](#)

INDEX NO.	PART NO.	DESCRIPTION	MODEL(S)
-----------	----------	-------------	----------



1	4076	SCREW, hex socket (2)	XL1200L, XL1200N, XL1200R, XL50, XL883, XL883L, XL883R
2	10179A	J-CLIP	XL1200L, XL1200N, XL1200R, XL50, XL883, XL883L, XL883R
3	34582-04	BRAKE ROD ASSEMBLY	XL1200L, XL1200N, XL1200R, XL50, XL883, XL883L, XL883R
4	42569-03	BUSHING	XL1200L, XL1200N, XL1200R, XL50, XL883, XL883L, XL883R
5	42969-04	PEDAL ASSEMBLY, w/ 42569-03	XL1200L, XL1200R, XL50, XL883, XL883L, XL883R
	42341-07	PEDAL ASSEMBLY, w/ 42569-03	XL1200N
	42930-07	BRAKE PEDAL SHIFTLER KIT (black)	XL1200N

## REAR BRAKE CONTROL - 883C/1200C



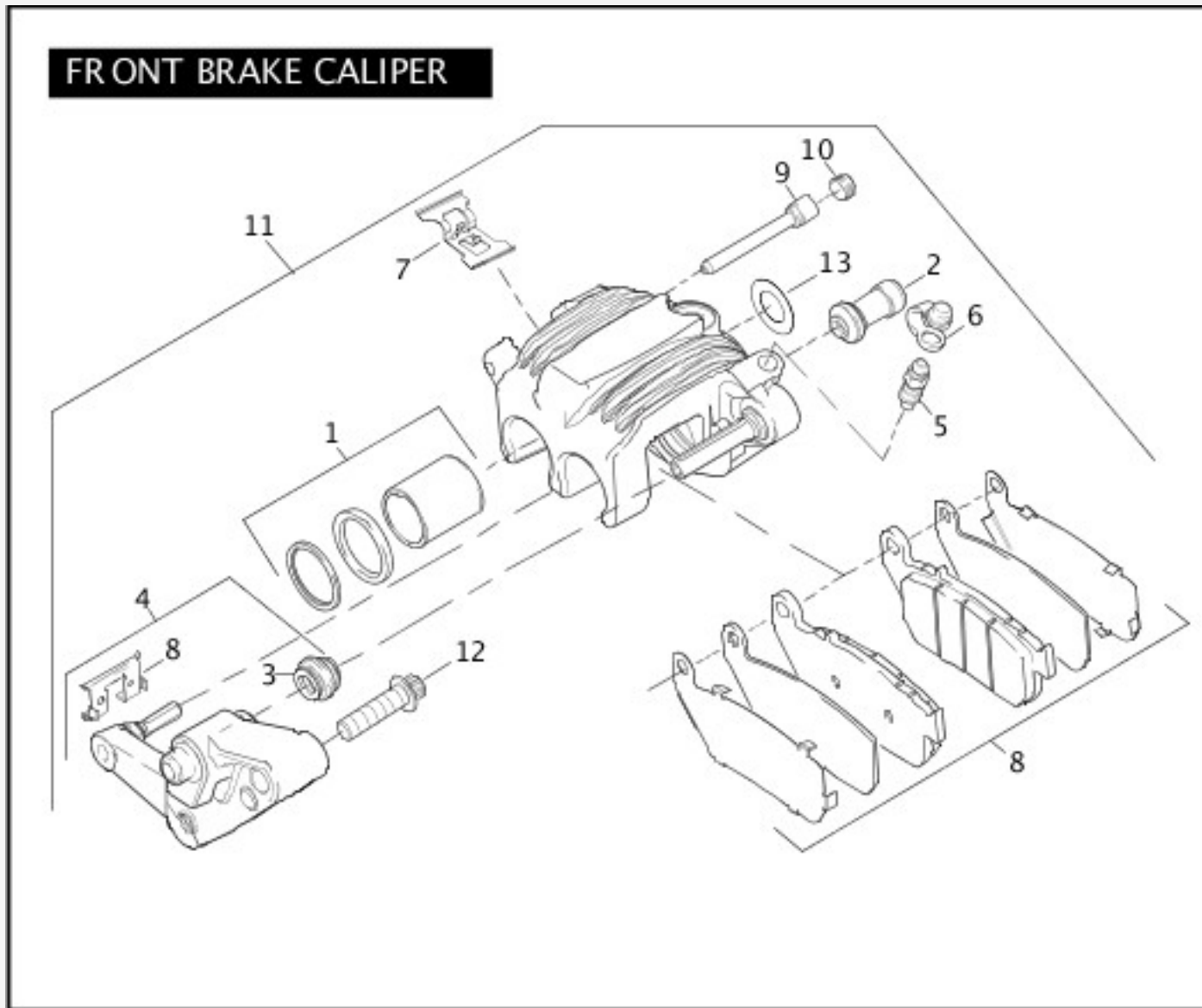
[View interactive image](#)

[View interactive table](#)

INDEX NO.	PART NO.	DESCRIPTION	MODEL(S)
1	10179A	J-CLIP	XL1200C, XL883C

2	4748	SCREW, socket head (4)	XL1200C, XL883C
3	34581-04	BRAKE ROD ASSEMBLY	XL1200C, XL883C
4	42569-03	BUSHING	XL1200C, XL883C
5	42685-04	PEDAL ASSEMBLY, w/ 42569-03	XL1200C, XL883C

## FRONT BRAKE CALIPER



[View interactive image](#)

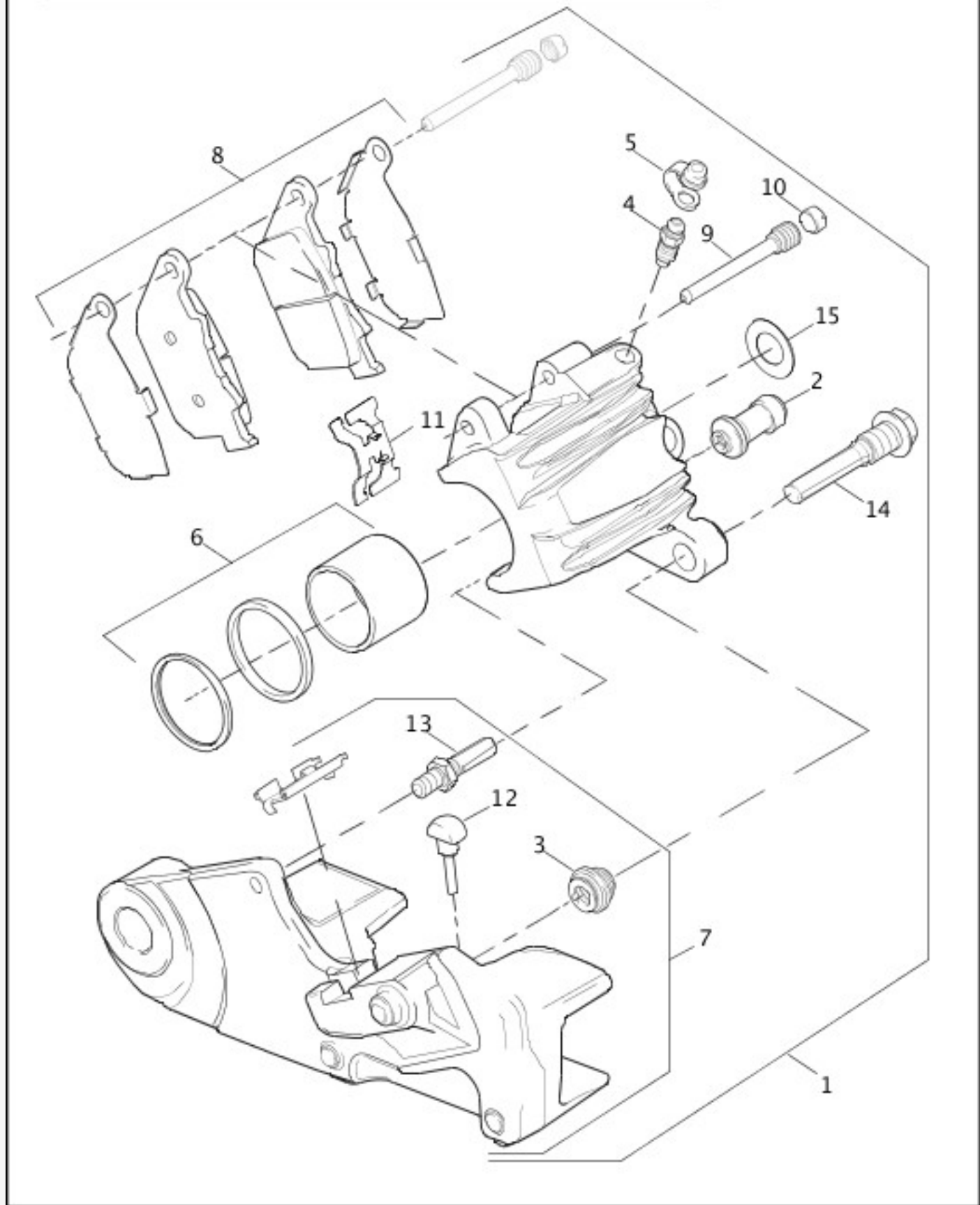
[View interactive table](#)

INDEX NO.	PART NO.	DESCRIPTION	MODEL(S)
1	42028-07	PISTON KIT, front	ALL
2	42823-04	BOOT, caliper bushing	ALL
3	42824-04	BOOT, caliper pin	ALL

4	42825-04	CALIPER BRACKET ASSEMBLY, front left, w/ 42824-04	XL1200C, XL1200R, XL50, XL883, XL883C, XL883L
	42826-04	CALIPER BRACKET ASSEMBLY, front right, w/ 42824-04 (not illustrated)	XL1200R
	42880-05	CALIPER BRACKET ASSEMBLY, front left, w/ 42824-04	XL1200L, XL1200N, XL883R
	42878-05	CALIPER BRACKET ASSEMBLY, front right, w/ 42824-04 (not illustrated)	XL883R
5	42875-07	SCREW, bleeder	ALL
	42827-04	SCREW, bleeder - in 44119-07, & 42877-01	XL1200R, XL883R
6	42828-04	CAP, bleeder screw - in 44119-07, & 42877-01	XL1200R, XL883R
	42893-07	CAP, bleeder screw	ALL
7	42829-04	SPRING, pad, front	ALL
8	42831-04A	PAD KIT, front w/ retainer clip	ALL
9	42832-04	PAD PIN, front caliper	ALL
10	42838-04	PLUG, pad pin	ALL
11	44119-07	CALIPER ASSEMBLY, front right (not illustrated)	XL1200R
	44121-07	CALIPER ASSEMBLY, front left	XL1200C, XL1200R, XL50, XL883, XL883C, XL883L
	42877-07	CALIPER ASSEMBLY, front right (not illustrated)	XL883R
	42879-07	CALIPER ASSEMBLY, front left	XL1200L, XL1200N, XL883R
12	44160-00	BOLT, caliper mounting (2-CN/CP/CR/CT/CX/CZ/CY, 4-CS/CV)	ALL
13	44440-04	DECAL, caliper	ALL

## REAR BRAKE CALIPER

## REAR BRAKE CALIPER - 883/C/L/R, 1200C/L/N/



[View interactive image](#)

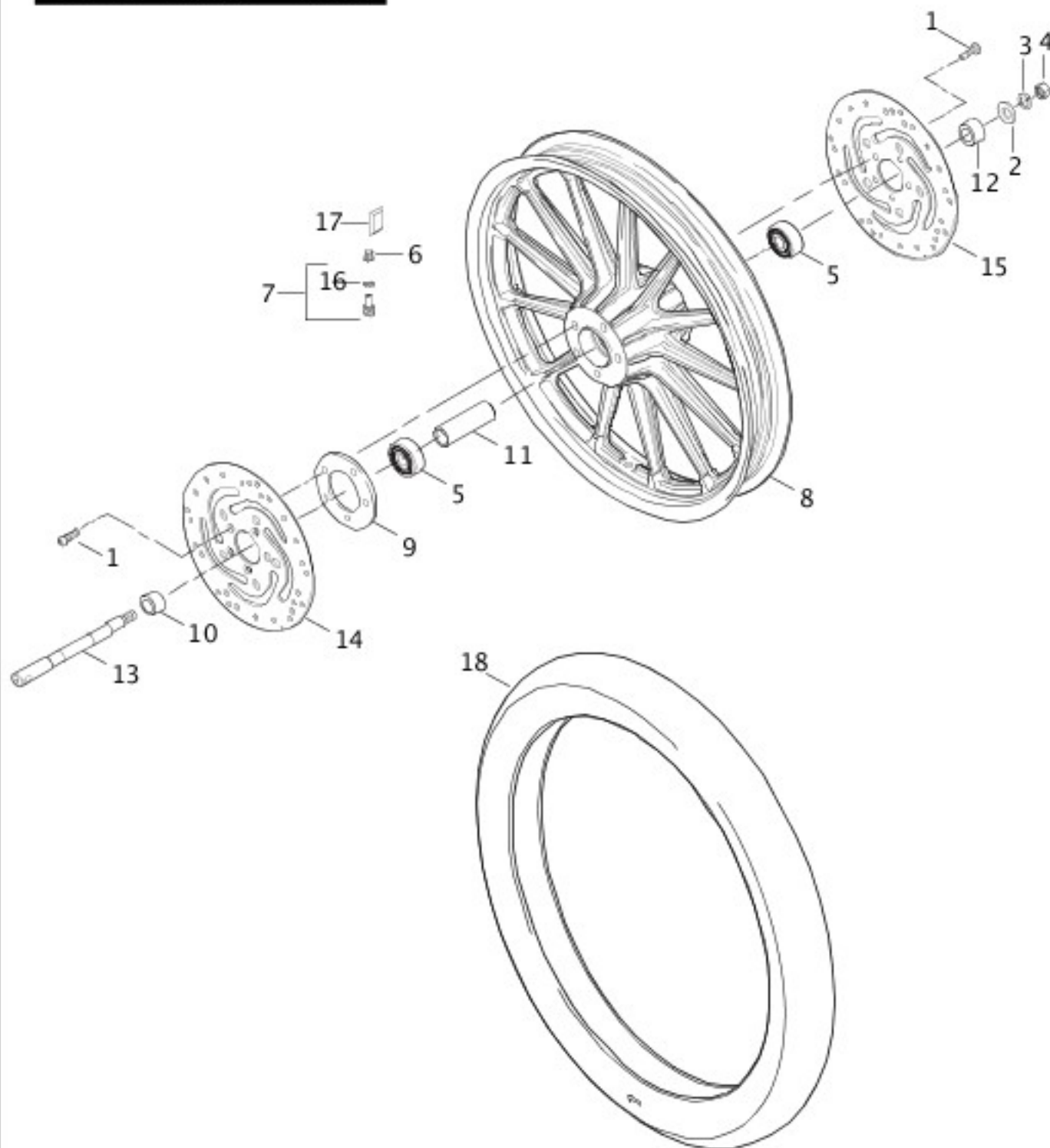
[View interactive table](#)

INDEX NO.	PART NO.	DESCRIPTION	MODEL(S)
1	40968-07	CALIPER ASSEMBLY, rear	XL1200C, XL1200R, XL50, XL883, XL883C, XL883L
	42881-07	CALIPER ASSEMBLY, rear	XL1200L, XL1200N, XL883R

2	42823-04	BOOT, caliper bushing	ALL
3	42824-04	BOOT, caliper pin	ALL
4	42827-04A	SCREW, bleeder	ALL
5	42828-04	CAP, bleeder screw	ALL
6	42834-04	PISTON KIT, rear caliper	ALL
7	42835-05	BRACKET ASSEMBLY, rear caliper, w/ 42824-04, 42840-04, & 44178-04	ALL
8	42029-07	PAD KIT, rear w/ 42839-04	ALL
9	42837-04	PAD PIN, rear caliper	ALL
10	42838-04	PLUG, pad pin	ALL
11	42839-04	SPRING, pad, rear	ALL
12	42840-04	DAMPER	ALL
13	44178-04	PIN, bolt	ALL
14	44184-04	PIN, bolt	ALL
15	44440-04	DECAL, caliper	ALL

## FRONT WHEEL - CAST

## FRONT WHEEL - CAST



[View interactive image](#)

[View interactive table](#)

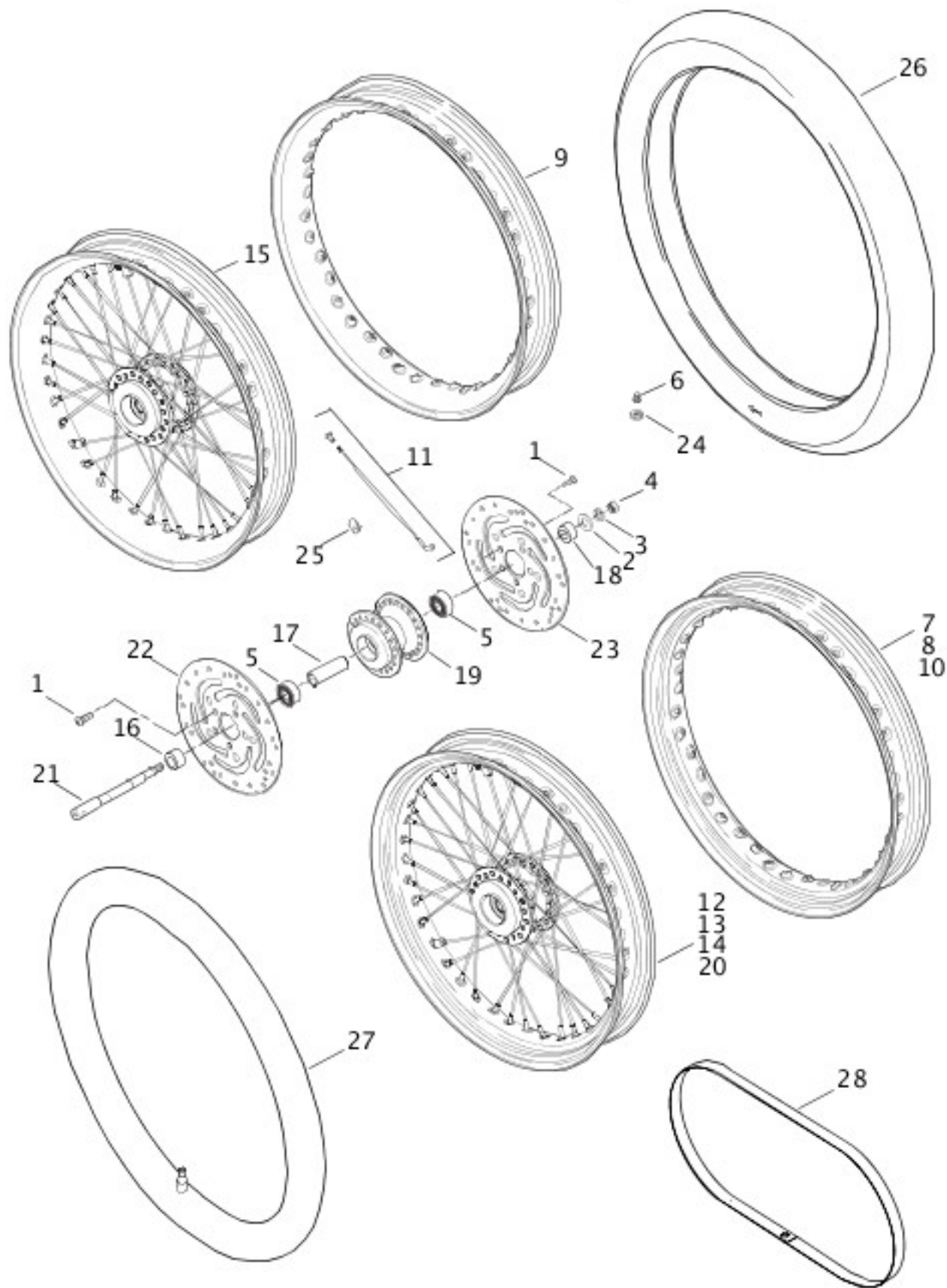
INDEX NO.	PART NO.	DESCRIPTION	MODEL(S)
1	3655A	SCREW (10)	XL1200L, XL1200R, XL883, XL883L, XL883R
2	6590HW	WASHER	XL1200L, XL1200R, XL883, XL883L, XL883R
3	7068	LOCKWASHER	XL1200L, XL1200R, XL883,

			XL883L, XL883R
4	7956	NUT	XL1200L, XL1200R, XL883, XL883L, XL883R
5	9267	ROLLER BEARING (2)	XL1200L, XL1200R, XL883, XL883L, XL883R
6	41123-79	VALVE CAP	XL1200L, XL1200R, XL883, XL883L, XL883R
7	43157-83A	VALVE STEM ASSEMBLY, w/ 54321-85	XL1200L, XL1200R, XL883, XL883L, XL883R
8	40857-05	WHEEL ASSEMBLY, 19 in. (13 spoke), w/ 9267, 43157-83A, & 43613-00 (black)	XL883R
	40865-06	WHEEL ASSEMBLY, 19 in. (13 spoke), w/ 9267, 43157-83A, & 43613-00 (black)	XL1200L
	43338-00	WHEEL ASSEMBLY, 19 in. (13 spoke), w/ 9267, 41123-79, 43157-83A, & 43613-00 (silver)	XL1200R, XL883, XL883L
9	43355-00	HUB PLATE (flat black)	XL1200L
	43359-00	HUB PLATE (silver)	XL883, XL883L
10	43358-00	SPACER, bearing	XL1200L, XL1200R, XL883, XL883L, XL883R
11	43613-00	SPACER, hub	XL1200L, XL1200R, XL883, XL883L, XL883R
12	43617-00A	SPACER, bearing	XL1200L, XL1200R, XL883, XL883L, XL883R
13	43895-00	AXLE (front)	XL1200L, XL1200R, XL883, XL883L, XL883R
14	44136-00	DISC, brake - RH	XL1200R, XL883R
15	44156-00	DISC, brake - LH	XL1200L, XL1200R, XL883, XL883L, XL883R
16	54321-85	NUT, hex	XL1200L, XL1200R, XL883, XL883L, XL883R
17	95595-84	WHEEL WEIGHT, 1/4 oz. (silver)	XL1200L, XL1200R, XL883, XL883L, XL883R
18	43112-91A	TIRE	XL1200L, XL1200R, XL883, XL883L, XL883R

## FRONT WHEEL - LACED & PROFILE LACED



## FRONT WHEEL - LACED & PROFILE LACED



[View interactive image](#)

[View interactive table](#)

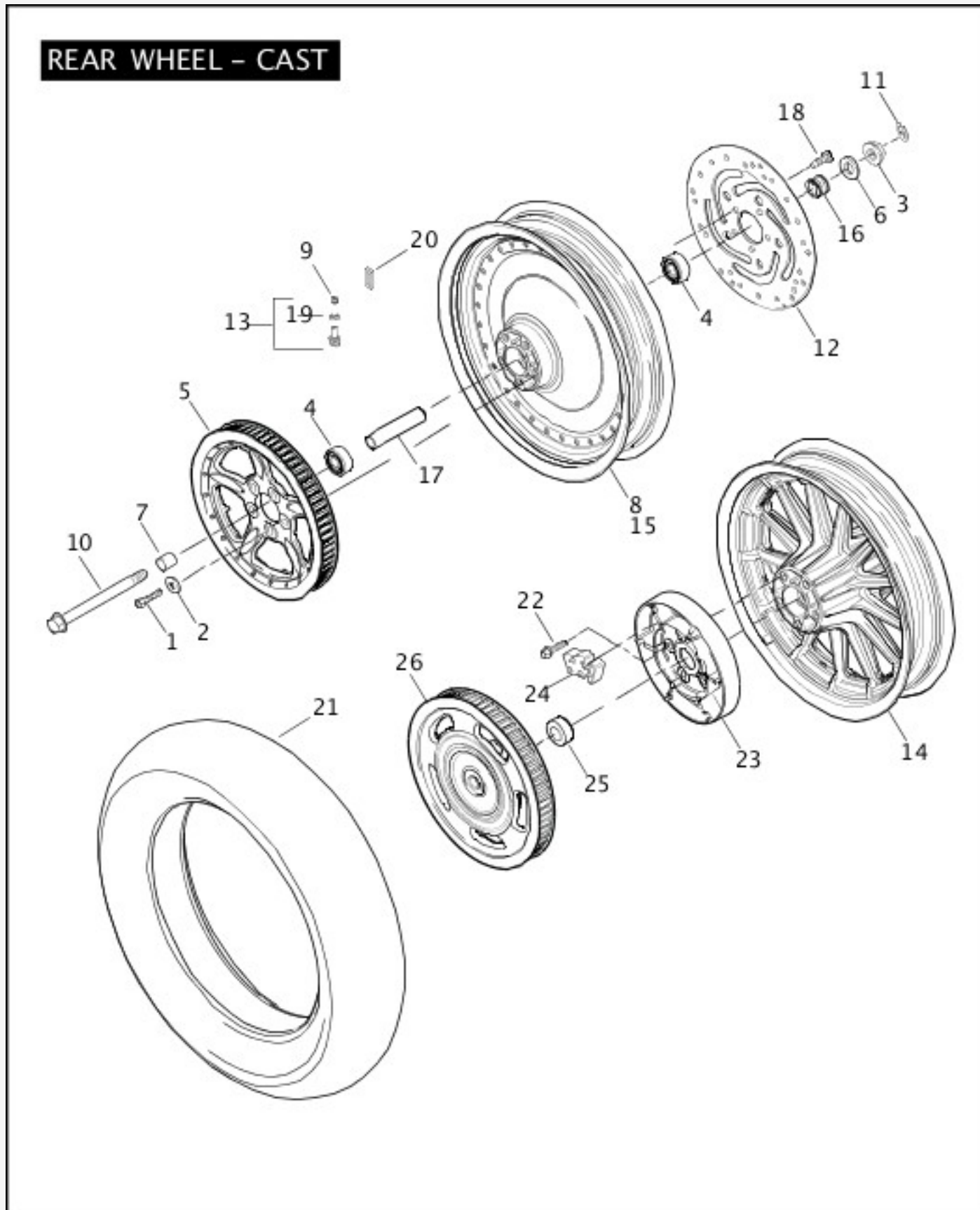
INDEX NO.	PART NO.	DESCRIPTION	MODEL(S)
1	3655A	SCREW (5)	XL1200C, XL1200L, XL1200N, XL50, XL883, XL883C, XL883L, XL883R
	3655A	SCREW (10)	XL1200R



2	6590HW	WASHER	ALL
3	7068	LOCKWASHER	ALL
4	7956	NUT	ALL
5	9267	ROLLER BEARING (2)	ALL
6	41123-79	VALVE CAP	ALL
7	41426-07	RIM, laced wheel, 19 in. (black)	XL1200N
8	43001-79	RIM, laced wheel, 19 in. (steel)	XL1200L, XL1200R, XL50, XL883, XL883L, XL883R
9	43445-05	RIM, profile laced wheel, 21 in. (chrome)	XL1200C, XL883C
10	43662-80B	RIM, laced wheel, 21 in. (chrome)	XL1200C, XL883C
11	40762-05	SPOKE & NIPPLE KIT, 19 in. rim - long (chrome) (set of 20)	XL1200L, XL1200N, XL1200R, XL50, XL883, XL883L, XL883R
	40761-05	SPOKE & NIPPLE KIT, 19 in. rim - short (chrome) (set of 20)	XL1200L, XL1200N, XL1200R, XL50, XL883, XL883L, XL883R
	40760-05	SPOKE & NIPPLE KIT, 21 in. rim - short (chrome) (set of 20)	XL1200C, XL883C
	40759-05	SPOKE & NIPPLE KIT, 21 in. rim - long (chrome) (set of 20)	XL1200C, XL883C
	43064-05	SPOKE & NIPPLE KIT, profile laced wheel, 21 in. rim - short (set of 20)	XL1200C, XL883C
	43056-05	SPOKE & NIPPLE KIT, profile laced wheel, 21 in. rim - long (set of 20)	XL1200C, XL883C
12	43312-05	WHEEL ASSEMBLY, laced wheel, single disc, 19 in., w/ 9267, 43001-79, 43613-00, & 43619-00A	XL1200L, XL50, XL883, XL883L
13	43547-05A	WHEEL ASSEMBLY, laced wheel, dual disc, 19 in., w/ 9267, 43001-79, 43613-00, & 43629-00A	XL1200R, XL883R
14	43557-05	WHEEL ASSEMBLY, laced wheel, 21 in., w/ 9267, 43610-00A, 43613-00, & 43662-80B	XL1200C, XL883C
15	44610-05	WHEEL ASSEMBLY, profile laced wheel, 21 in., w/ 9267, 43445-05, 43500-05, & 43613-00	XL1200C, XL883C
16	43358-00	SPACER, bearing	ALL
17	43613-00	SPACER, hub	ALL

18	43617-00A	SPACER, bearing	ALL
19	43500-05	WHEEL HUB ASSEMBLY, profile laced wheel, w/ 9267 & 43613-00	XL1200C, XL883C
	43610-00A	WHEEL HUB ASSEMBLY, laced wheel, w/ 9267 & 43613-00	XL1200C, XL883C
	43619-00A	WHEEL HUB ASSEMBLY, laced wheel, single disc, w/ 9267 & 43613-00	XL1200L, XL50, XL883, XL883L
	43629-00A	WHEEL HUB ASSEMBLY, laced wheel, dual disc, w/ 9267 & 43613-00	XL1200R, XL883R
	43652-07	WHEEL HUB, laced wheel (black)	XL1200N
20	43831-07	WHEEL ASSEMBLY, laced wheel, 19 in.(black), w/ 41426-07	XL1200N
21	43895-00	AXLE (front)	ALL
22	44136-00	DISC, brake - RH	XL1200R, XL883R
23	44156-00	DISC, brake - LH	ALL
24	54321-85	NUT, valve stem	ALL
25	95578-41	WHEEL WEIGHT, 1/2 oz.	ALL
	95581-47	WHEEL WEIGHT, 3/4 oz.	ALL
	95582-47	WHEEL WEIGHT, 1 oz.	ALL
26	43112-91A	TIRE	XL1200L, XL1200N, XL1200R, XL50, XL883, XL883L, XL883R
	43104-93A	TIRE	XL1200C, XL883C
27	40559-82	INNER TUBE	XL1200L, XL1200R, XL50, XL883, XL883L, XL883R
	41339-06	INNER TUBE	XL1200N
	43140-80	INNER TUBE	XL1200C, XL883C
28	43145-47	RIM FLAP	XL1200L, XL1200N, XL1200R, XL50, XL883, XL883L, XL883R

## REAR WHEEL - CAST



[View interactive image](#)

[View interactive table](#)

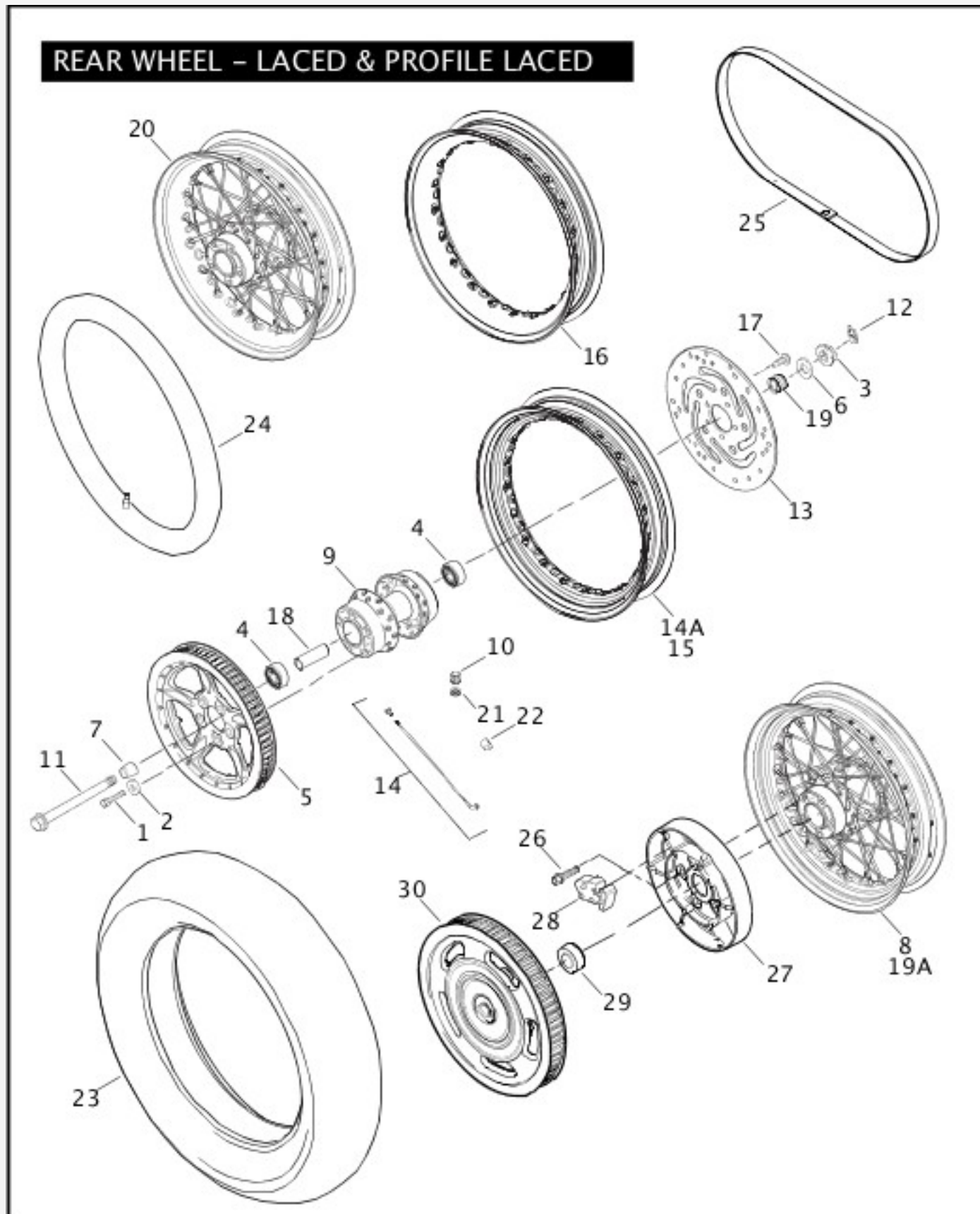
INDEX NO.	PART NO.	DESCRIPTION	MODEL(S)
1	3899	SCREW (5)	ALL

2	6516HW	WASHER (5)	ALL
3	8039	NUT, flange	ALL
4	9247	WHEEL BEARING (2)	ALL
5	40350-07	SPROCKET, belt - 68T (black)	XL1200C, XL1200L, XL883R
	40352-07	SPROCKET, 68T (silver)	XL1200R, XL883, XL883C, XL883L
6	40582-05	WASHER, left side, rear axle	ALL
7	40930-05	SPACER, wheel bearing, sprocket side	ALL
8	41041-05	WHEEL ASSEMBLY, solid, w/ holes (silver), w/ 9247, 43157-83A, 43517-00, & 54321-85	XL883C
9	41123-79	VALVE CAP	ALL
10	41176-05	AXLE ASSEMBLY	ALL
11	41296-05	RETAINING RING	ALL
12	41797-00	BRAKE DISC	ALL
13	43157-83A	VALVE STEM ASSEMBLY, w/ 54321-85	ALL
14	43637-05	WHEEL ASSEMBLY, 16 in. (13 spoke) (silver), w/ 9247, 43157-83A, 43517-00, & 54321-85	XL1200R, XL883, XL883L
	40855-05	WHEEL ASSEMBLY, 16 in. (13 spoke) (black), w/ 9247, 43157-83A, 43517-00, & 54321-85	XL883R
	40871-06	WHEEL ASSEMBLY, 16 in. (13 spoke) (black), w/ 9247, 43157-83A, 43517-00, & 54321-85	XL1200L
15	43335-05	WHEEL ASSEMBLY, solid w/ slots (chrome), w/ 9247, 43157-83A, 43517-00, & 54321-85	XL1200C
16	41084-02A	SPACER, disk side	ALL
17	43517-00	SLEEVE, spacer	ALL
18	43567-92	SCREW, brake disc (5)	ALL
19	54321-85	NUT, valve stem	ALL

20	95595-84	WHEEL WEIGHT, 1/4 oz. (4)	ALL
21	43264-02	TIRE	ALL
<b>INTERNATIONAL MODELS ONLY</b>			
22	3814	SCREW, w/ washer (Japan) (5)	ALL
23	40560-05	BOWL COMPENSATOR (Japan)	ALL
24	40561-05	ISOLATOR, rubber (Japan) (6)	ALL
25	40562-05	SPACER (Japan)	ALL
26	40518-07	SPROCKET ASSEMBLY, final drive, w/ bearing - 68T (black) (Japan)	XL1200C, XL1200L, XL50, XL883R
	40544-07	SPROCKET ASSEMBLY, final drive, w/ bearing - 68T (silver) (Japan)	XL1200R, XL883, XL883C, XL883L

## REAR WHEEL - LACED & PROFILE LACED

## REAR WHEEL – LACED & PROFILE LACED



[View interactive image](#)

[View interactive table](#)

INDEX NO.	PART NO.	DESCRIPTION	MODEL(S)
1	3899	SCREW (5)	ALL
2	6516HW	WASHER (5)	ALL
3	8039	NUT, flange	ALL
4	9247	WHEEL BEARING (2)	ALL

5	40350-07	SPROCKET, belt - 68T (black)	XL1200C, XL1200L, XL1200R, XL50, XL883, XL883C, XL883L, XL883R
	40444-07	SPROCKET, belt - 68T (black)	XL1200N
6	40582-05	WASHER, left side, rear axle	ALL
7	40930-05	SPACER, wheel bearing, sprocket side	ALL
8	41052-05A	LACED WHEEL ASSEMBLY, 16 in. (chrome)	XL1200L, XL1200R, XL50, XL883, XL883L, XL883R
9	41053-02A	PROFILE LACED WHEEL HUB ASSEMBLY, w/ bearings, 16 in.	XL1200C, XL1200L, XL1200R, XL50, XL883, XL883C, XL883L, XL883R
	43696-07	WHEEL HUB, laced wheel, 16 in. (black)	XL1200N
10	41123-79	VALVE CAP	ALL
11	41176-05	AXLE ASSEMBLY	ALL
12	41296-05	RETAINING RING	ALL
13	41797-00	BRAKE DISC	ALL
14	43241-05	SPOKE & NIPPLE KIT, laced wheel, 16 in. rim (chrome) (set of 40)	XL1200L, XL1200N, XL1200R, XL50, XL883, XL883L, XL883R
	43052-05A	SPOKE & NIPPLE KIT, profile laced wheel, 16 in. rim (set of 40)	XL1200C, XL883C
14A	43017-07	RIM, laced wheel, 16 in. (black)	XL1200N
15	43085-97	RIM, laced wheel, 16 in. (chrome)	XL1200L, XL1200R, XL50, XL883, XL883L, XL883R
16	43440-05	RIM, profile laced wheel, 16 in. (chrome)	XL1200C, XL883C
17	43567-92	SCREW, brake disc (5)	ALL
18	43517-00	SLEEVE, bearing spacer	ALL
19	41084-02A	SPACER, disk side	ALL
19A	43832-07	WHEEL ASSEMBLY, laced (black)	XL1200N

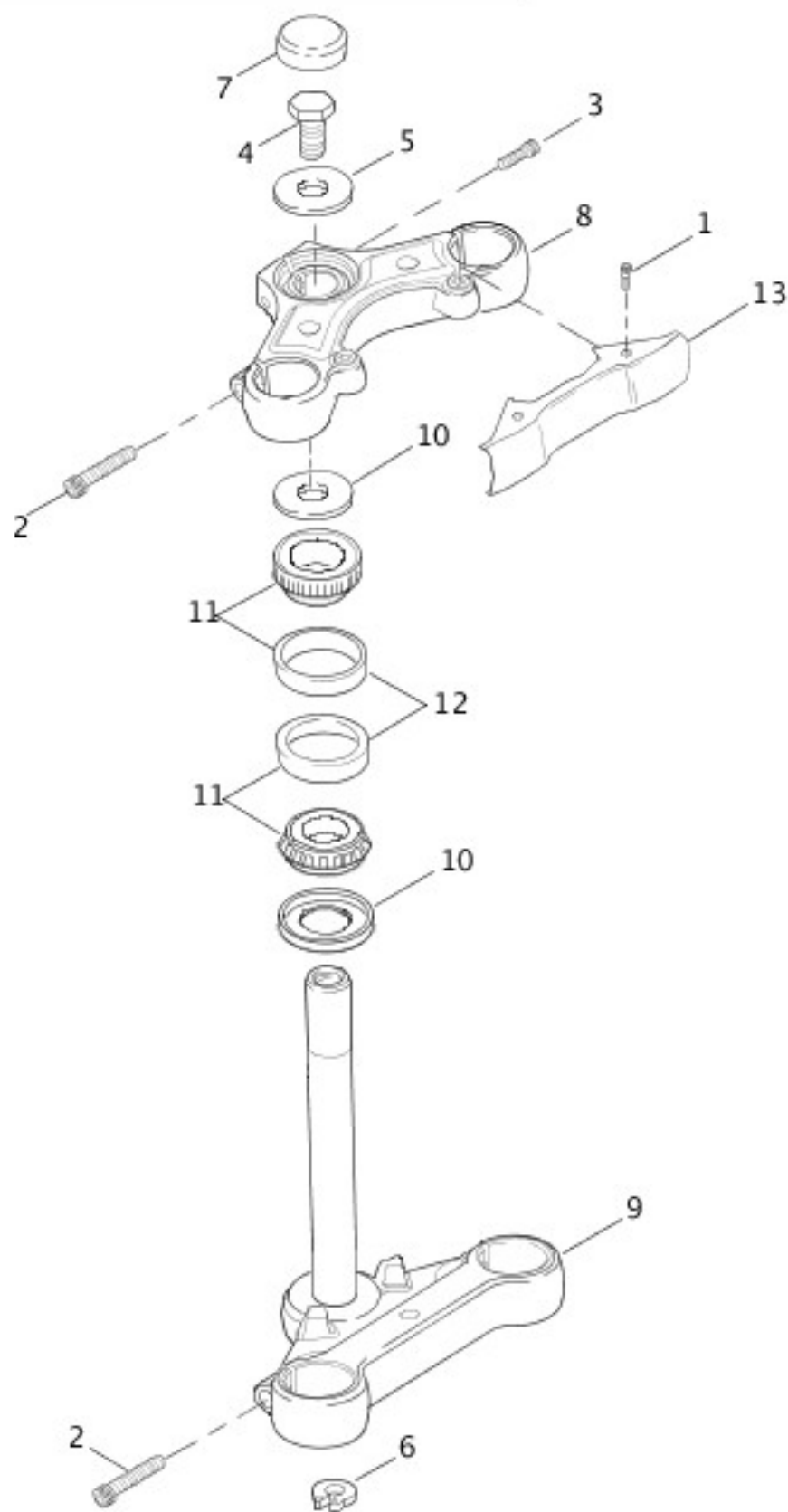


20	44606-05B	PROFILE LACED WHEEL ASSEMBLY, 16 in. (chrome)	XL1200C, XL883C
21	54321-85	NUT, valve stem	ALL
22	95578-41	WHEEL WEIGHT, 1/2 oz.	ALL
	95581-47	WHEEL WEIGHT, 3/4 oz.	ALL
	95582-47	WHEEL WEIGHT, 1 oz.	ALL
23	43264-02	TIRE	ALL
24	40558-82	INNER TUBE	XL1200L, XL1200N, XL1200R, XL50, XL883, XL883L, XL883R
	40575-05	INNER TUBE	XL1200C, XL883C
25	43147-40	RIM FLAP	XL1200L, XL1200N, XL1200R, XL50, XL883, XL883L, XL883R
	43164-05	RIM FLAP	XL1200C, XL883C
<b>INTERNATIONAL MODELS ONLY</b>			
26	3814	SCREW, w/ washer (Japan) (5)	XL50
27	40560-05	BOWL COMPENSATOR (Japan)	XL50
28	40561-05	ISOLATOR, rubber (Japan) (6)	XL50
29	40562-05	SPACER (Japan)	XL50
30	40518-07	SPROCKET ASSEMBLY, final drive, w/ bearing - 68T (black) (Japan)	XL50

## **STEERING HEAD BRACKET ASSEMBLY**



## STEERING HEAD BRACKET ASSEMBLY



[View interactive image](#)

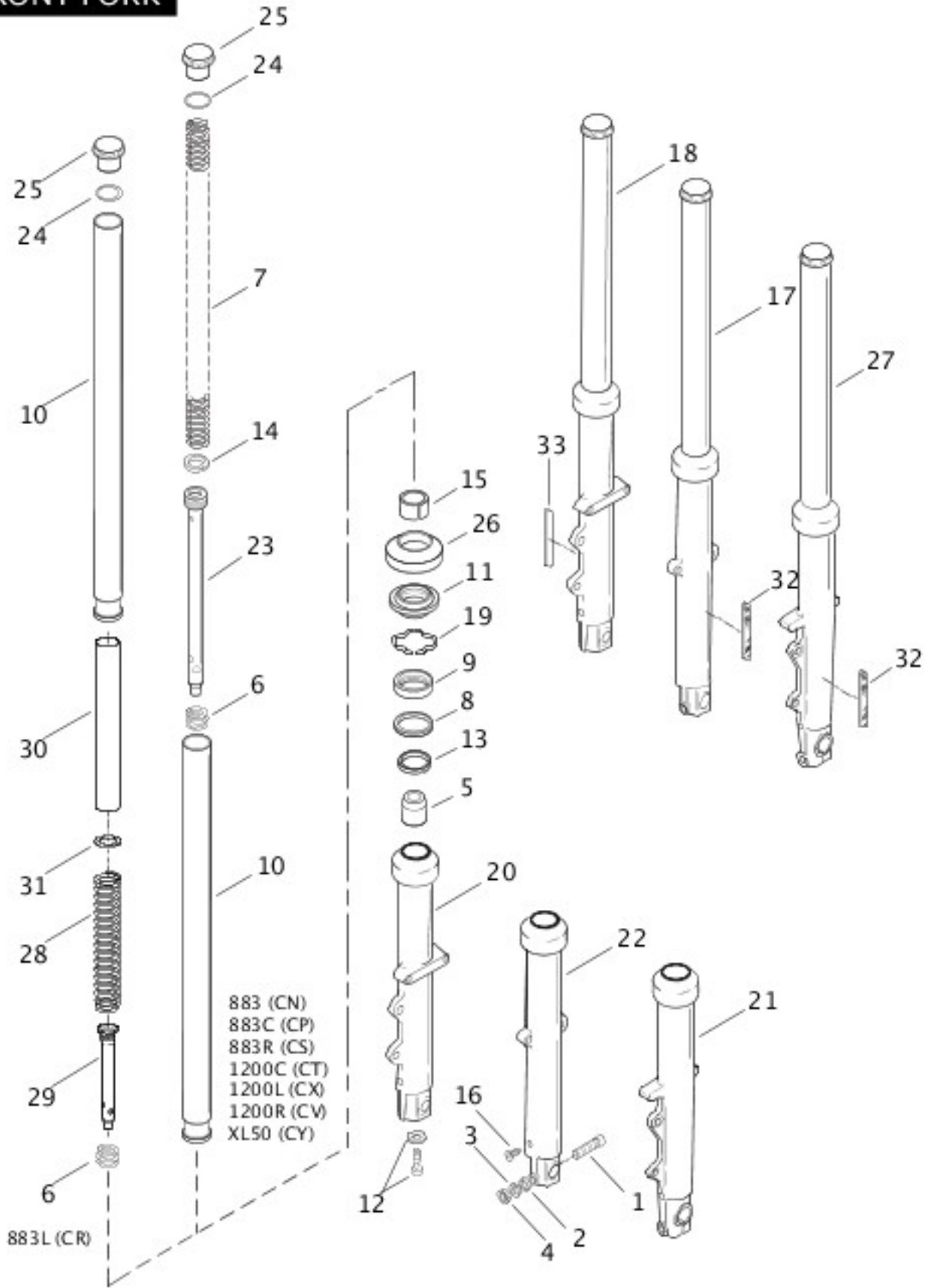
[View interactive table](#)

INDEX NO.	PART NO.	DESCRIPTION	MODEL(S)
1	3201WA	SCREW (2)	XL1200C, XL883C
2	4351	SCREW (4)	ALL
3	4352	SCREW	ALL

4	4453	BOLT, tapped	XL1200L, XL1200R, XL50
	4460	BOLT	XL1200C, XL1200N, XL883, XL883C, XL883L, XL883R
5	6655	WASHER	ALL
6	45611-86	RETAINING RING	ALL
7	45668-90	CAP, fork stem	XL1200L, XL1200R, XL50
8	45966-04	BRACKET, upper	XL1200C, XL1200L, XL1200R, XL50, XL883, XL883C, XL883L, XL883R
	46758-07	BRACKET, upper (black)	XL1200N
9	46126-04	BRACKET, lower, w/ bearing, seal & retaining ring	XL1200C, XL883C
	46127-04	BRACKET, lower, w/ bearing, seal & retaining ring	XL1200L, XL1200R, XL50, XL883, XL883L, XL883R
	46767-07	BRACKET, lower, w/ bearing, seal & retaining ring	XL1200N
10	48184-01	SEAL, tapered bearing	ALL
11	48300-60	ROLLER BEARING, w/ cup (2)	ALL
12	48315-60	BEARING CUP (2)	ALL
13	68041-04	COVER, upper triple clamp	XL1200C, XL883C

## FRONT FORK

# FRONT FORK



[View interactive image](#)

[View interactive table](#)

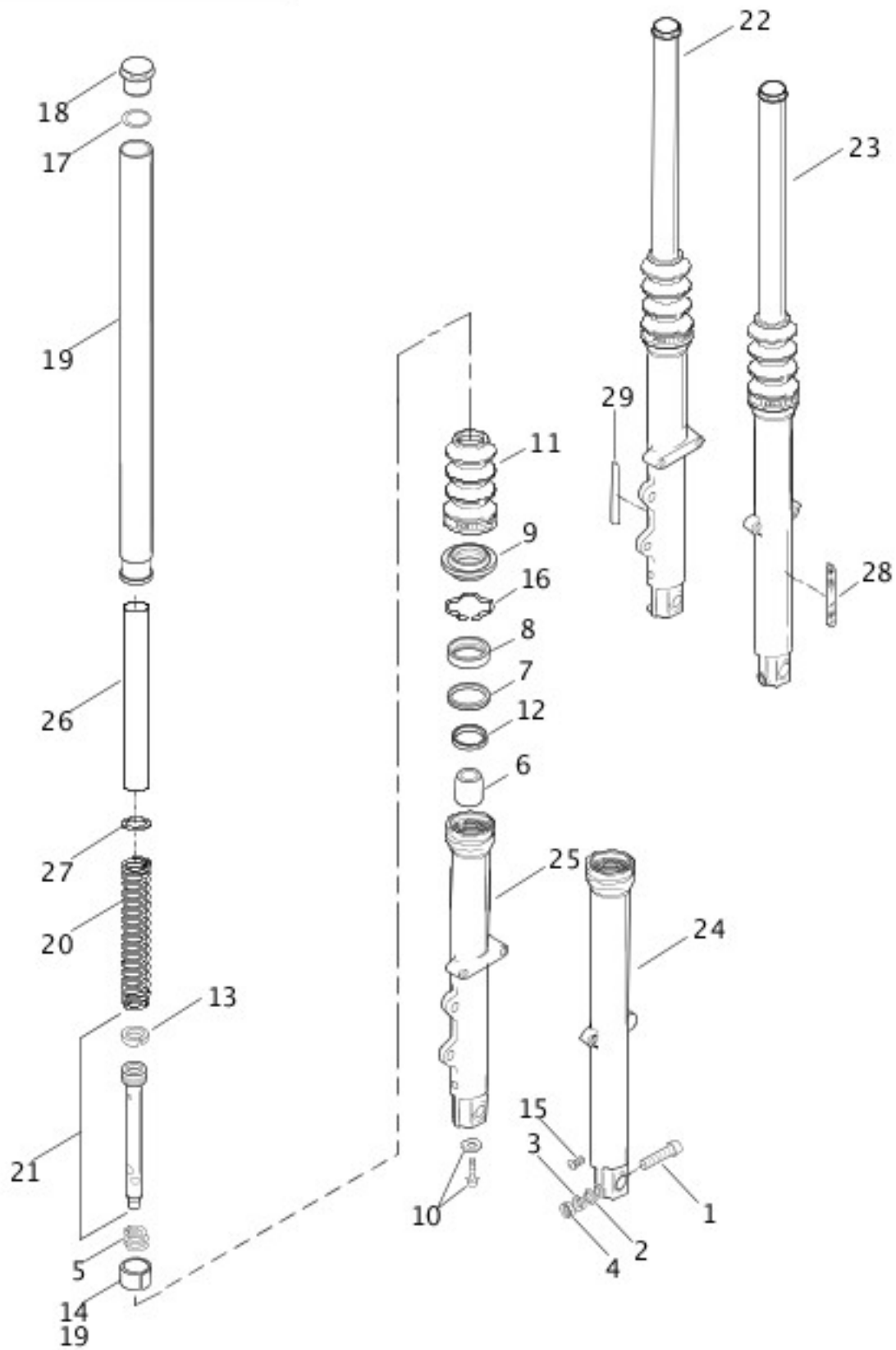
INDEX NO.	PART NO.	DESCRIPTION	MODEL(S)
1	4029A	SCREW	ALL
2	6701	WASHER	ALL
3	7038	LOCKWASHER	ALL

4	7783	NUT	ALL
5	45361-90	LOWER STOP (2)	ALL
6	45374-87	SPRING, slider (2)	ALL
7	45376-04	SPRING (2)	XL1200C, XL1200R, XL50, XL883, XL883C, XL883R
	46267-05	SPRING (2)	XL1200L
8	45377-87	SPACER, oil seal (2)	ALL
9	45378-87	OIL SEAL (2)	ALL
10	45395-04	SLIDER TUBE, w/ 45465-87 (2)	XL1200C, XL1200R, XL50, XL883, XL883C, XL883R
	46218-05	SLIDER TUBE, w/ 45465-87 (2)	XL1200L, XL883L
11	45401-87	SEAL, dust (2)	ALL
12	45405-75A	SCREW, w/ washer (2)	ALL
13	45461-87	BUSHING, upper (2)	ALL
14	45460-90	RING, damper tube (2)	XL1200C, XL1200L, XL1200R, XL50, XL883, XL883C, XL883R
15	45465-87	BUSHING, slider tube (2)	ALL
16	45790-80	DRAIN SCREW, w/ washer (2)	ALL
17	45900-04	FORK SLIDER & TUBE ASSEMBLY, right	XL1200C, XL50, XL883, XL883C
	46029-04	FORK SLIDER & TUBE ASSEMBLY, right	XL1200R
	46307-05	FORK SLIDER & TUBE ASSEMBLY, right	XL1200L
	46390-07	FORK SLIDER & TUBE ASSEMBLY, right	XL883L
	46453-05	FORK SLIDER & TUBE ASSEMBLY, right	XL883R
18	45901-04	FORK SLIDER & TUBE ASSEMBLY, left	XL1200C, XL1200R, XL50, XL883, XL883C
	46308-05	FORK SLIDER & TUBE ASSEMBLY, left	XL1200L
	46394-07	FORK SLIDER & TUBE ASSEMBLY, left	XL883L
	46454-05	FORK SLIDER & TUBE ASSEMBLY, left	XL883R

19	45905-87	RETAINING RING, oil seal (2)	ALL
20	45921-00	SLIDER ASSEMBLY, left	XL1200C, XL1200L, XL1200R, XL50, XL883, XL883C, XL883L
	46450-05	SLIDER ASSEMBLY, left	XL883R
21	45922-00	SLIDER ASSEMBLY, right	XL1200R
	46449-05	SLIDER ASSEMBLY, right	XL883R
22	45923-00	SLIDER ASSEMBLY, right	XL1200C, XL1200L, XL50, XL883, XL883C, XL883L
23	45925-04	DAMPER TUBE, w/ 45460-90 (2)	XL1200C, XL1200R, XL50, XL883, XL883C, XL883R
	45938-92	DAMPER TUBE (2)	XL1200L
24	45984-87	O-RING (2)	ALL
25	45996-87	CAP, slider tube (2)	XL1200C, XL1200L, XL1200R, XL50, XL883, XL883C, XL883L, XL883R
26	46002-87	COVER, slider (2)	ALL
27	46029-04	FORK SLIDER & TUBE ASSEMBLY, right	XL1200R
28	47299-07	SPRING (2)	XL883L
29	47313-07	DAMPER TUBE (2)	XL883L
30	48737-07	COLLAR, spring (2)	XL883L
31	48738-07	WASHER, spring (2)	XL883L
32	59481-00	REFLECTOR, amber - right	XL1200C, XL1200L, XL1200R, XL50, XL883, XL883C, XL883L, XL883R
33	59482-00	REFLECTOR, amber - left	XL1200C, XL1200L, XL1200R, XL50, XL883, XL883C, XL883L, XL883R

## FRONT FORK - 1200N

## FRONT FORK - 1200N



[View interactive image](#)

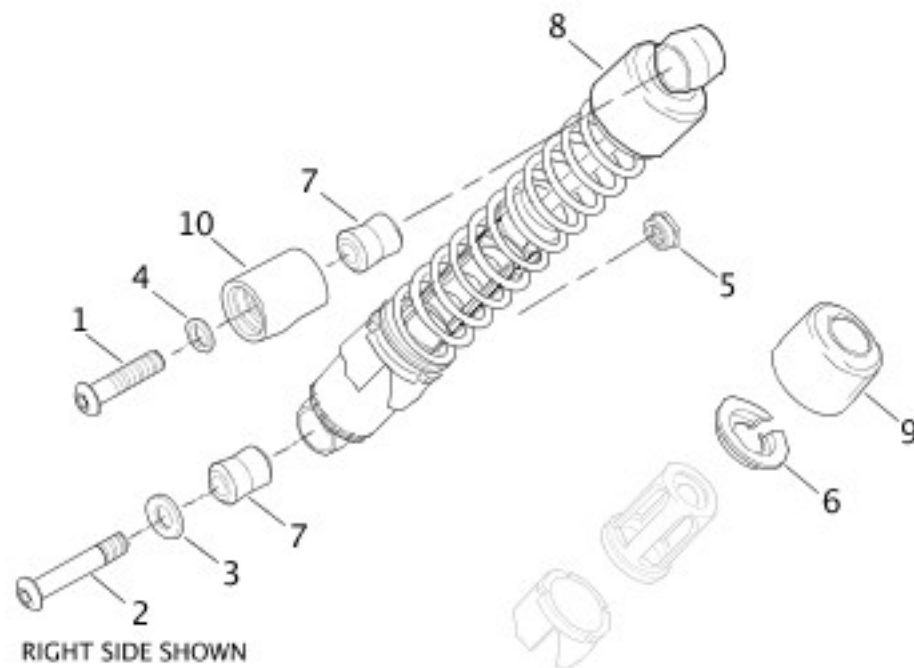
[View interactive table](#)

INDEX NO.	PART NO.	DESCRIPTION	MODEL(S)
1	4029A	SCREW	ALL
2	6701	WASHER	ALL
3	7038	LOCKWASHER	ALL

4	7783	NUT	ALL
5	45374-87	SPRING, slider (2)	ALL
6	45361-90	LOWER STOP (2)	ALL
7	45377-87	SPACER, oil seal (2)	ALL
8	45378-87	OIL SEAL (2)	ALL
9	45401-87	SEAL, dust (2)	ALL
10	45405-75A	SCREW, w/ washer (2)	ALL
11	45451-07	FORK GAITERS, front fork (2)	XL1200N
12	45461-87	BUSHING, upper (2)	ALL
13	45462-87	RING (2)	XL1200N
14	45465-87	BUSHING, slider tube (2)	ALL
15	45790-80	DRAIN SCREW, w/ washer (2)	ALL
16	45905-87	RETAINING RING, oil seal (2)	ALL
17	45984-87	O-RING (2)	ALL
18	45996-87	CAP, slider tube (2)	ALL
19	46218-05	SLIDER TUBE, w/ 45465-87 (2)	XL1200N
20	47299-07	SPRING (2)	XL1200N
21	47313-07	PIPE, compression w/ 45462-87 (2)	XL1200N
22	48714-07	FORK ASSEMBLY, left	XL1200N
23	48715-07	FORK ASSEMBLY, right	XL1200N
24	48716-07	SLIDER ASSEMBLY, right	XL1200N
25	48726-07	SLIDER ASSEMBLY, left	XL1200N
26	48737-07	COLLAR, spring (2)	XL1200N
27	48738-07	WASHER, spring (2)	XL1200N
28	69861-07	REFLECTOR, amber - right	XL1200N
29	69862-07	REFLECTOR, amber - left	XL1200N

## SHOCK ABSORBERS

## SHOCK ABSORBERS



[View interactive image](#)

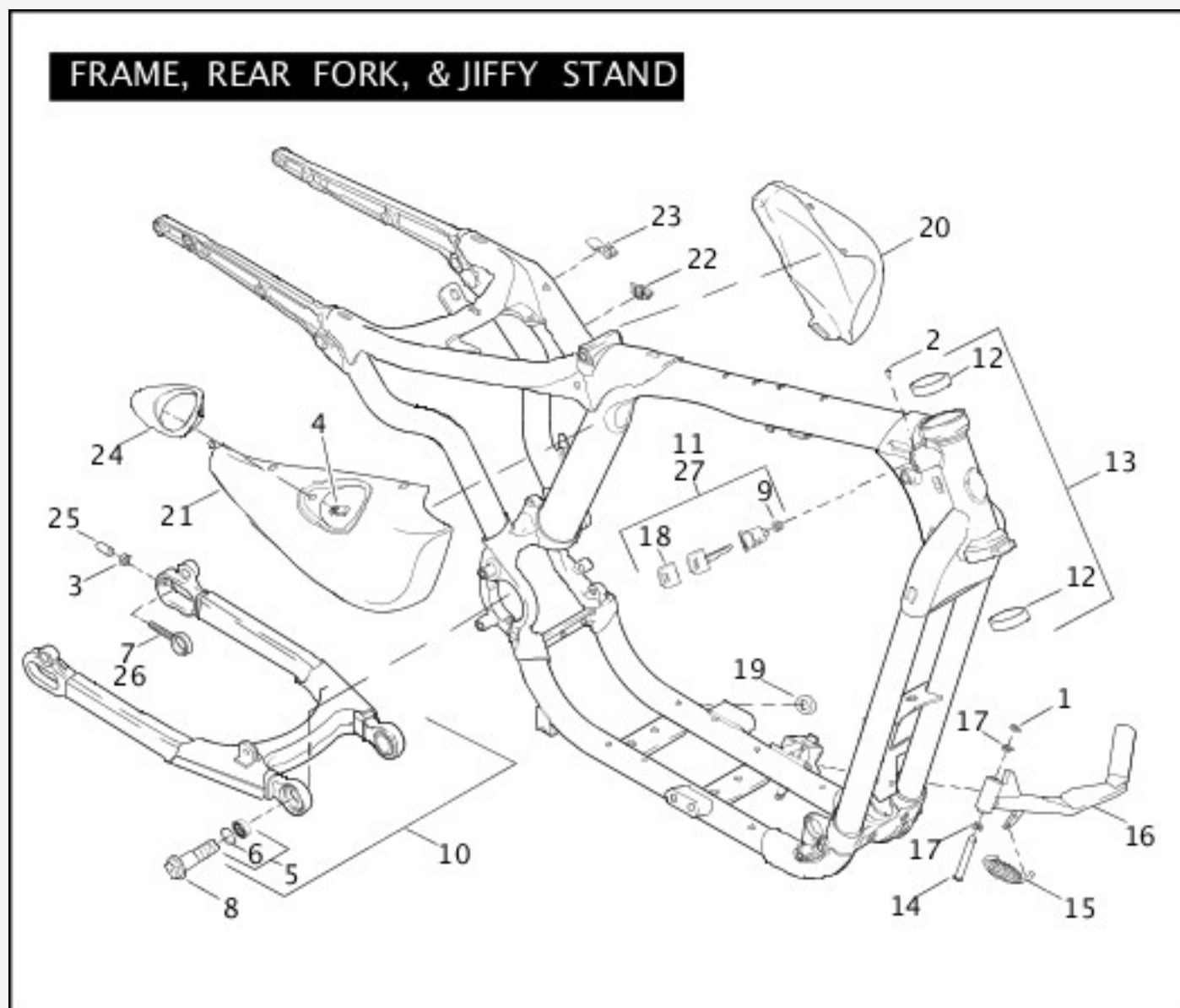
[View interactive table](#)

INDEX NO.	PART NO.	DESCRIPTION	MODEL(S)
1	3880	SCREW, upper (2)	ALL
2	4354	SCREW, lower (2)	ALL
3	6718	WASHER (2)	ALL
4	6738	WASHER (2)	ALL
5	7824	LOCKNUT (2)	ALL
6	54473-79	SEAT, spring - upper (2)	XL1200C, XL1200L, XL1200R, XL50, XL883, XL883C, XL883L, XL883R
7	54556-84	BUSHING, damper (4)	XL1200C, XL1200L, XL1200R, XL50, XL883, XL883C, XL883L, XL883R
8	54566-04	SHOCK ABSORBER, complete, w/ 54473-79, 54556-84, & 54701-82 (2)	XL1200R, XL883
	54568-04	SHOCK ABSORBER, complete, w/ 54473-79, 54556-84, & 54701-82 (2)	XL1200C, XL1200L, XL50, XL883C
	54570-05	SHOCK ABSORBER, complete, w/ 54473-79, 54556-84, & 54701-82 (2)	XL883R
	54626-	SHOCK ABSORBER, complete, w/ 54473-79,	XL883L



	07	54556-84, & 54701-82 (2)	
	54540-07	SHOCK ABSORBER (2)	XL1200N
9	54701-82	COVER, shock absorber (2)	XL1200C, XL1200L, XL1200R, XL50, XL883, XL883C, XL883L, XL883R
10	54724-04	COVER, shock absorber stud (2)	XL1200C, XL1200L, XL1200R, XL50, XL883, XL883C, XL883L, XL883R
	54741-07	COVER, shock absorber stud, upper (black) (2)	XL1200N

## FRAME, REAR FORK, & JIFFY STAND



[View interactive image](#)

[View interactive table](#)

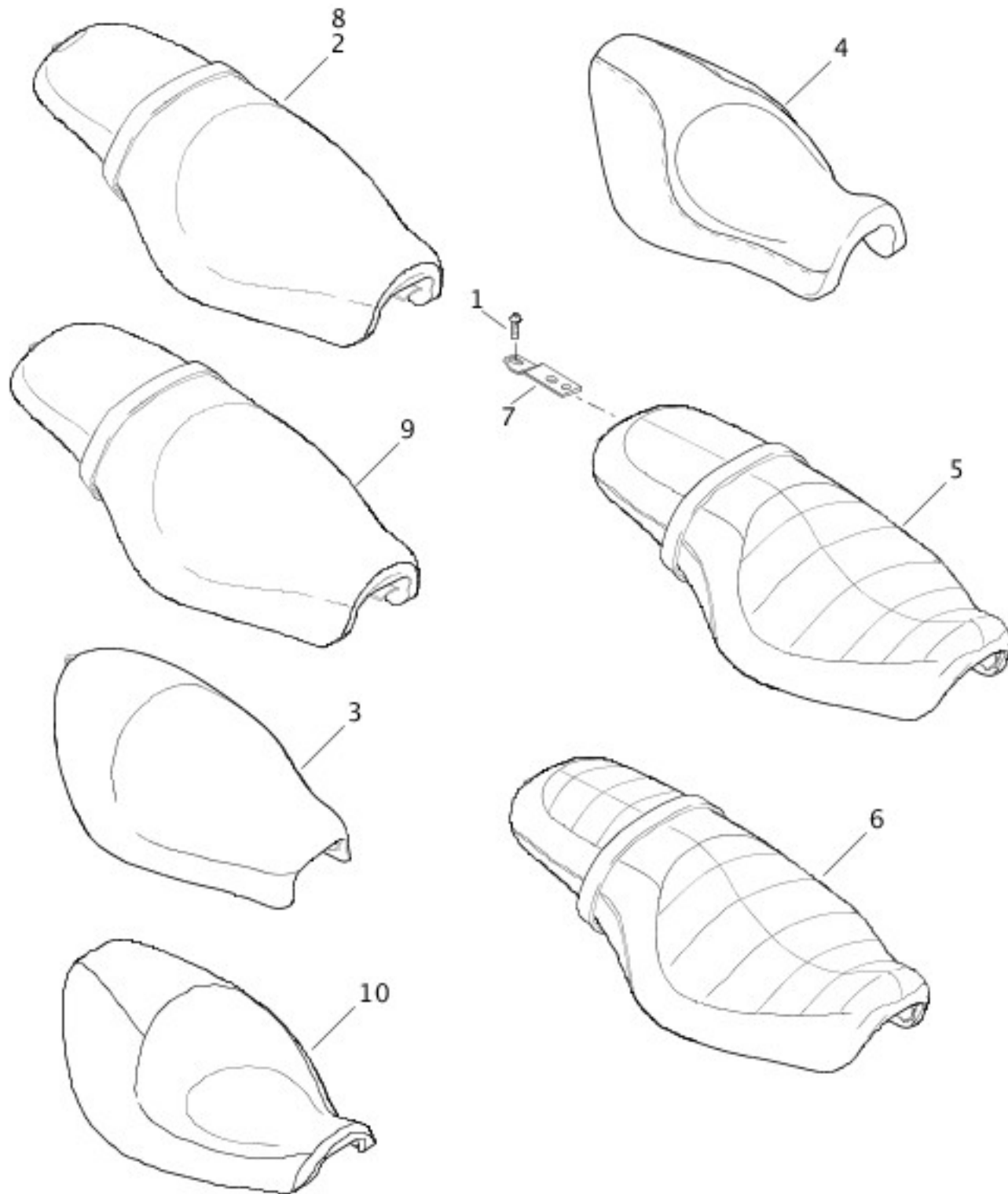
INDEX NO.	PART NO.	DESCRIPTION	MODEL(S)
1	554A	PRETZEL CLIP	ALL
2	1594	PIN, lock	ALL

3	7766	LOCKNUT (2)	ALL
4	8135B	PUSH NUT	ALL
5	9209	BEARING, swing arm, w/ 11282 (2)	ALL
6	11282	RETAINING RING (2)	ALL
7	41573-05	ADJUSTER, rear axle (2) (1-Japan, left)	ALL
8	41698-04	BOLT, swing arm pivot (2)	ALL
9	43595-99	SPRING, fork lock	ALL
10	47587-05	REAR FORK, w/ bearings	ALL
	48154-05	LOCKSET ASSEMBLY, complete	ALL
11	48153-02A	FORK LOCK KIT, w/ 1594, 43595-99, 61459-97 (specify key code)	ALL
12	48315-60	BEARING CUP, steering head (2)	ALL
13	49431-06A	FRAME, w/ bearing cups	XL1200L, XL50
	49432-07A	FRAME, w/ bearing cups	XL1200R, XL883, XL883R
	49434-07A	FRAME, w/ bearing cups	XL1200N, XL883L
	49439-10	FRAME, w/ bearing cups	XL1200C, XL883C
14	50003-89B	PIN, clevis	XL1200C, XL1200L, XL1200R, XL50, XL883, XL883C, XL883R
	50044-07	PIN, clevis	XL1200N, XL883L
15	50005-85A	SPRING, jiffy stand	ALL
16	50185-04	JIFFY STAND	XL1200C, XL1200L, XL50, XL883C
	50238-07BHP	JIFFY STAND	XL1200N, XL883L
	49722-07BHP	JIFFY STAND	XL1200R, XL883, XL883R

17	53158-98	BUSHING (2)	ALL
18	61459-97	COVER, key head set	ALL
19	62122-89	BUMPER	ALL
20	66251-04	SIDE COVER, left	XL1200C, XL1200L, XL1200N, XL1200R, XL883, XL883C, XL883L
	66272-05	SIDE COVER, left	XL883R
	66464-07	SIDE COVER, left	XL50
21	66252-04	SIDE COVER, right	XL1200C, XL1200L, XL1200N, XL1200R, XL883, XL883C, XL883L
	66273-05	SIDE COVER, right	XL883R
	66465-07	SIDE COVER, right	XL50
22	70416-04A	CLIP, side cover, front mounting	ALL
23	70417-04A	CLIP, side cover, rear mounting	ALL
24	71472-04	BEZEL, oil tank filler (chrome)	XL1200C, XL1200L, XL1200R, XL50, XL883, XL883C, XL883L, XL883R
	62534-07	BEZEL, oil tank filler (satin chrome)	XL1200N
25	89579-91	CAP, protective (2)	ALL
<b>INTERNATIONAL MODELS ONLY</b>			
26	41573-05	ADJUSTER, rear axle, left (Japan)	XL1200C, XL1200L, XL1200R, XL50, XL883, XL883C, XL883L, XL883R
	41623-05	ADJUSTER, rear axle, right (Japan) (not illustrated)	XL1200C, XL1200L, XL1200R, XL50, XL883, XL883C, XL883L, XL883R
27	48153-02A	FORK LOCK, w/ 1594, 43595-99, 61459-97 (specify key code)	XL1200C, XL1200L, XL1200R, XL50, XL883, XL883C, XL883L, XL883R

## SEATS

## SEATS



[View interactive image](#)

[View interactive table](#)

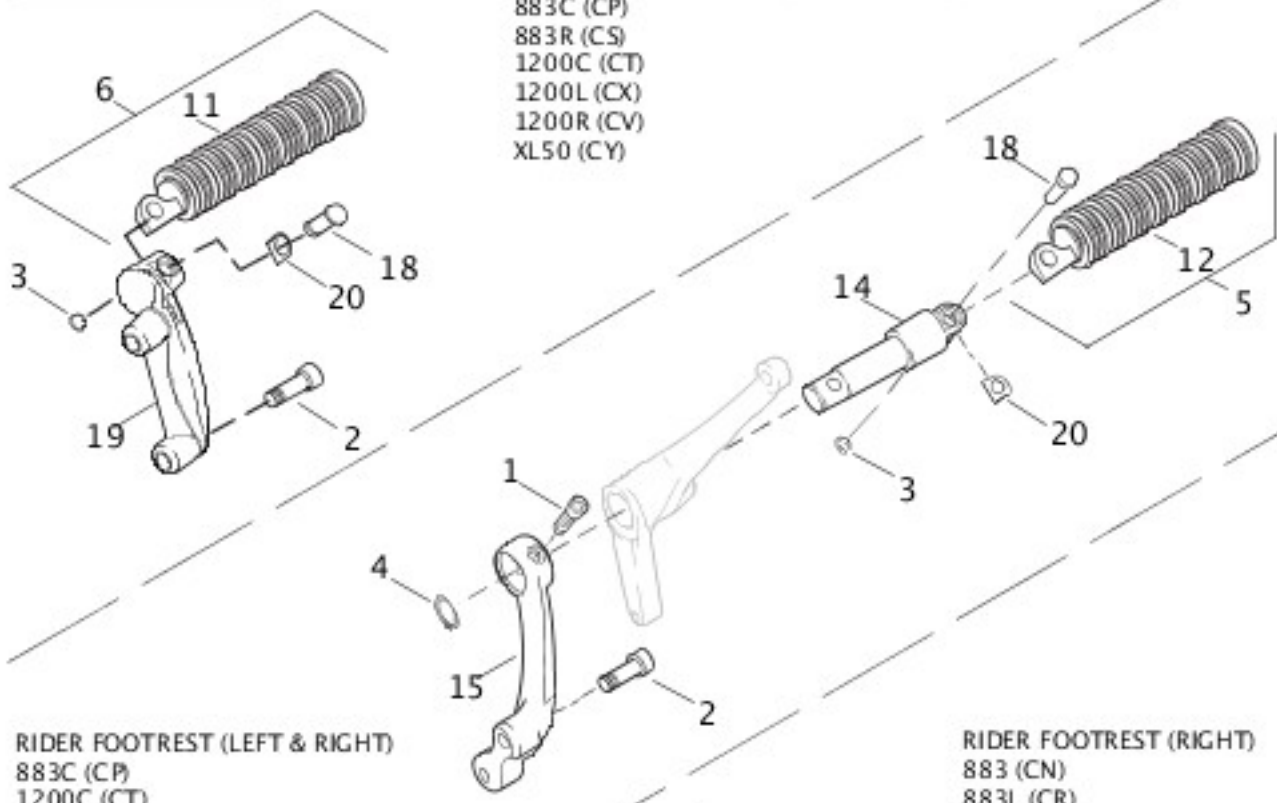
INDEX NO.	PART NO.	DESCRIPTION	MODEL(S)
1	2952A	SCREW, seat mounting	ALL
2	51530-07	SEAT ASSEMBLY, w/ 51652-97	XL1200C
3	51532-07	SEAT ASSEMBLY, w/ 51652-97	XL883
4	51550-07	SEAT ASSEMBLY, w/ 51652-97	XL883L

5	51558-07	SEAT ASSEMBLY, w/ 51652-97	XL1200R
6	51551-07	SEAT ASSEMBLY, w/ 51652-97	XL883R
7	51652-97	BRACKET, seat mounting	ALL
8	51706-07	SEAT ASSEMBLY, w/ 51652-97	XL1200L
9	51795-07	SEAT ASSEMBLY, w/ 51652-97	XL50
	52608-07	SEAT ASSEMBLY, w/ 51652-97	XL883C
10	51899-07	SEAT ASSEMBLY, w/ 51652-97	XL1200N

## FOOTRESTS

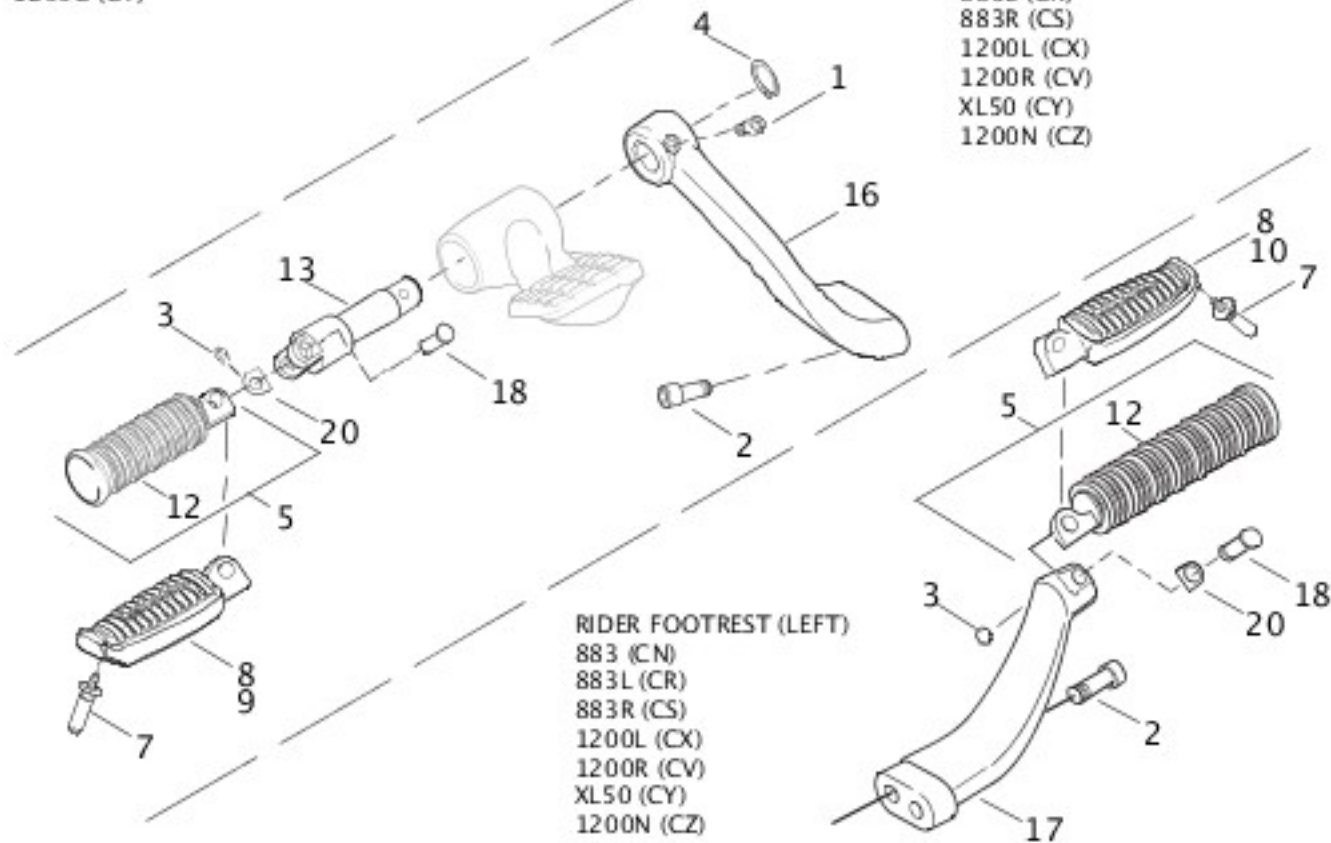
# FOOTRESTS

**PASSENGER FOOTREST (LEFT & RIGHT)**  
 883C (CP)  
 883R (CS)  
 1200C (CT)  
 1200L (CX)  
 1200R (CV)  
 XL50 (CY)



**RIDER FOOTREST (LEFT & RIGHT)**  
 883C (CP)  
 1200C (CT)

**RIDER FOOTREST (RIGHT)**  
 883 (CN)  
 883L (CR)  
 883R (CS)  
 1200L (CX)  
 1200R (CV)  
 XL50 (CY)  
 1200N (CZ)



**RIDER FOOTREST (LEFT)**  
 883 (CN)  
 883L (CR)  
 883R (CS)  
 1200L (CX)  
 1200R (CV)  
 XL50 (CY)  
 1200N (CZ)

[View interactive image](#)

[View interactive table](#)

INDEX NO.	PART NO.	DESCRIPTION	MODEL(S)
	740	HOLE PLUG (2-CS/CV, 4-CP/CT/CX/CY, 5-CN/CR) (not illustrated)	ALL
1	3210A	SCREW (1-CP/CT/CZ, 2-CN/CR/CS/CX/CV/CY)	ALL

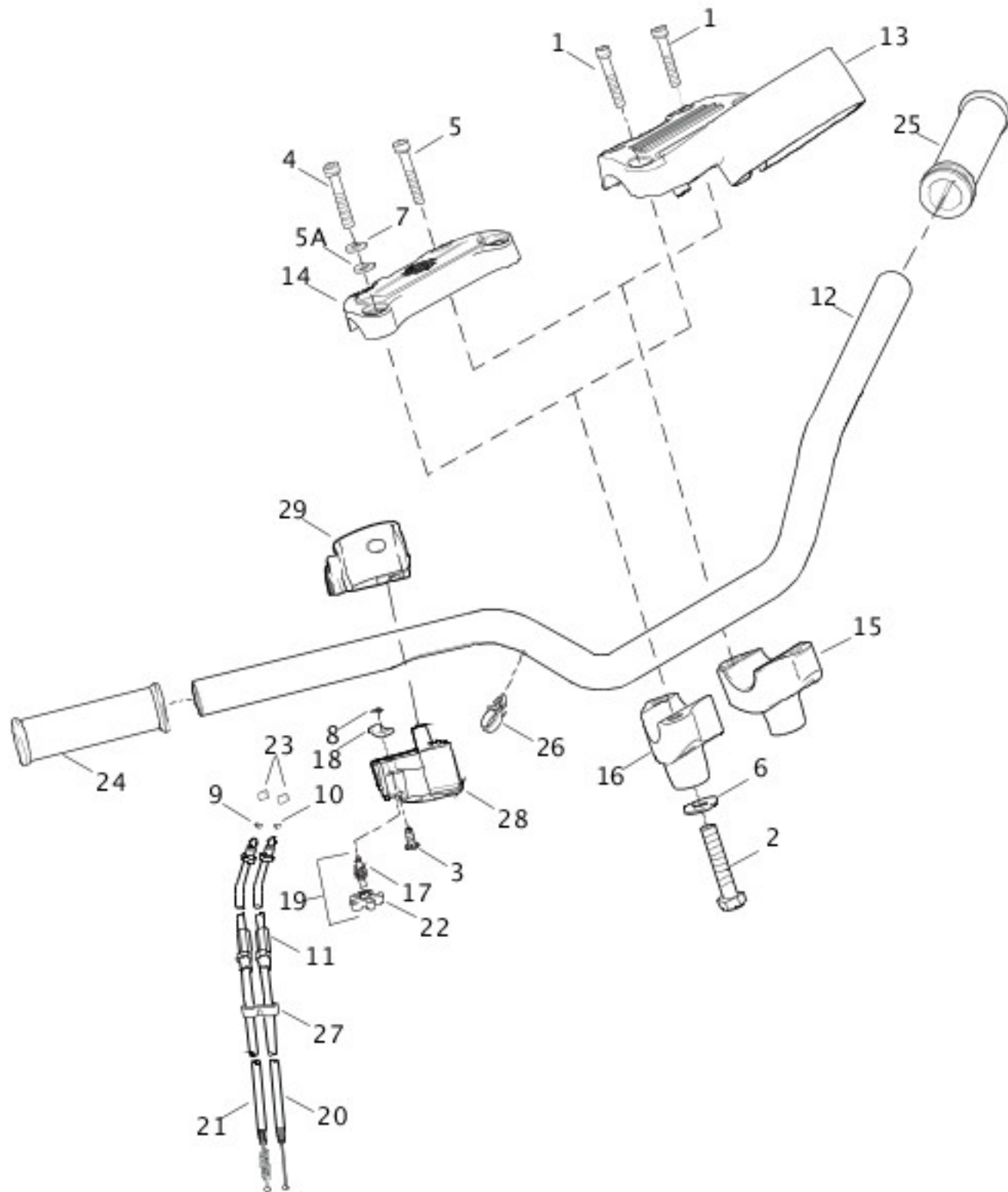
2	4748	SCREW, socket head (4)	ALL
3	11304	RETAINING RING (2)	ALL
4	11390	RETAINING RING (2)	ALL
5	33032-99	FOOTPEG ASSEMBLY, w/ 33216-06, front (2)	XL1200C, XL1200L, XL1200R, XL50, XL883, XL883C, XL883L, XL883R
6	33048-72	FOOTPEG ASSEMBLY, w/ 33189-63, rear (2)	XL1200C, XL1200L, XL1200R, XL50, XL883C, XL883R
7	33130-07	WEAR PEG, footrest - shown (2)	XL1200N
	33148-07	WEAR PEG, footrest (2)	XL883L
8	33133-06	RUBBER, foot pegs (2)	XL1200N, XL883L
9	33134-07CAZ	FOOTPEG ASSEMBLY, RH, w/33133-06 (black)	XL1200N, XL883L
10	33135-07CAZ	FOOTPEG ASSEMBLY, LH, w/33133-06 (black)	XL1200N, XL883L
	33148-07	WEAR PEG, footrest (not illustrated) (2)	XL883L
11	33189-63	RUBBER, footrest, rear (2)	XL1200C, XL1200L, XL1200R, XL50, XL883C, XL883R
12	33216-99	RUBBER, footrest, front	XL1200C, XL1200L, XL1200R, XL50, XL883, XL883C, XL883L, XL883R
13	42541-04	CLEVIS, right rider footpeg	XL1200L, XL1200N, XL1200R, XL50, XL883, XL883L, XL883R
14	42566-04	CLEVIS, right rider footpeg	XL1200C, XL883C
	42541-04	CLEVIS, left rider footpeg	XL1200C, XL883C
15	42651-04	SUPPORT BRACKET, left rider footpeg	XL1200C, XL883C
	42652-04	SUPPORT BRACKET, right rider footpeg (not illustrated)	XL1200C, XL883C
16	42971-04	BRACKET, rider footrest support - right	XL1200L, XL1200N, XL1200R, XL50, XL883, XL883L, XL883R
17	42972-04	BRACKET, rider footrest support - left	XL1200L, XL1200N, XL1200R, XL50, XL883, XL883L, XL883R
18	45041-01A	CLEVIS PIN (2)	ALL

19	49314-04	BRACKET, passenger footrest - right (not illustrated)	XL1200C, XL1200L, XL1200R, XL50, XL883C, XL883R
	49315-04	BRACKET, passenger footrest - left	XL1200C, XL1200L, XL1200R, XL50, XL883C, XL883R
20	50912-72	SPRING WASHER (2)	ALL

**HANDLEBAR & THROTTLE CONTROL - 883/L/R, 1200L/N/R, XL50**



# HANDLEBAR & THROTTLE CONTROL - 883/L/R, 1200L/N/R, XL5



[View interactive image](#)

[View interactive table](#)

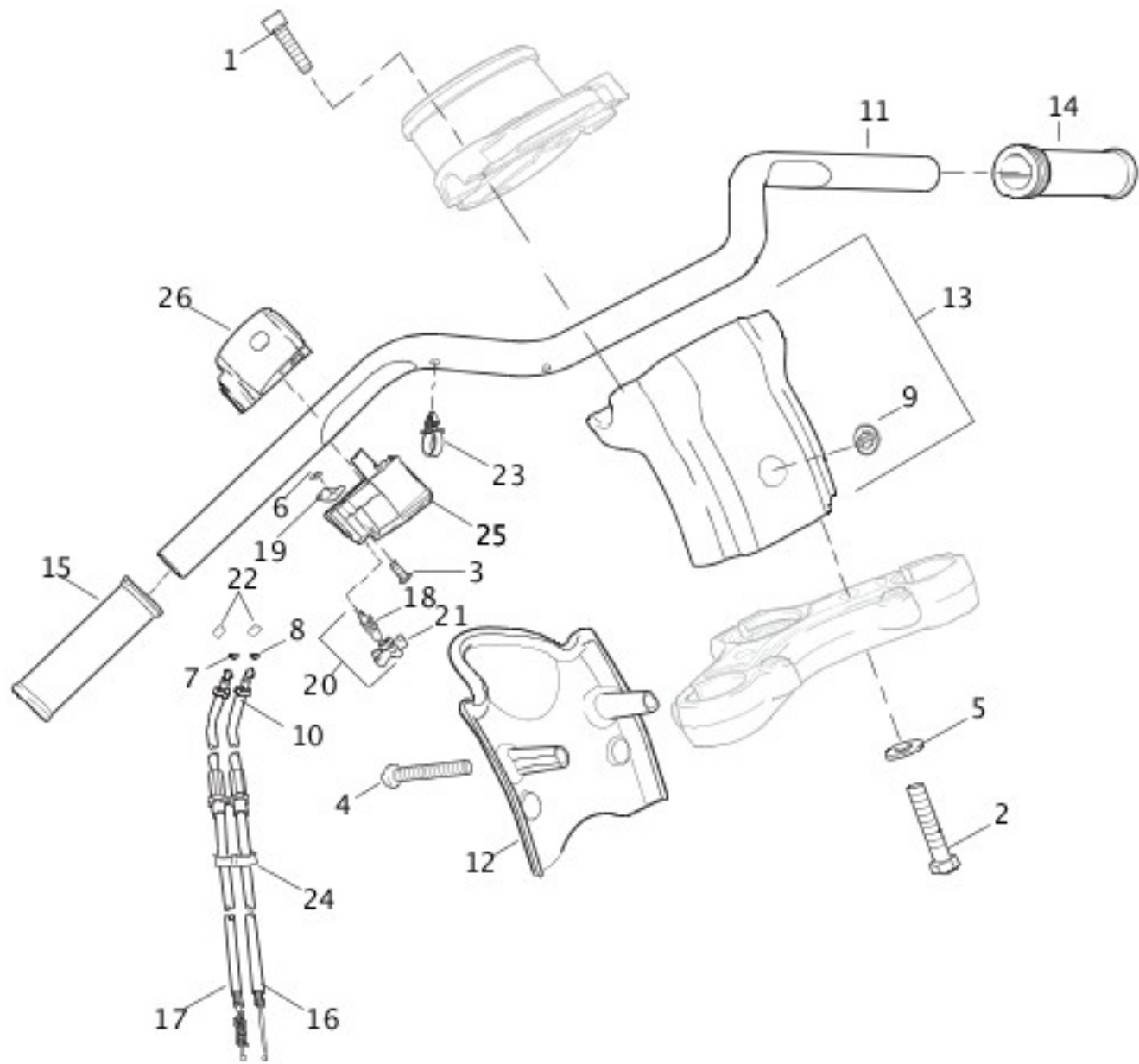
INDEX NO.	PART NO.	DESCRIPTION	MODEL(S)
1	3210A	SCREW (4)	XL1200L, XL1200N
2	3605	BOLT (2)	XL1200L, XL1200N, XL1200R, XL50, XL883, XL883L, XL883R

3	3658	SCREW (2)	XL1200L, XL1200N, XL1200R, XL50, XL883, XL883L, XL883R
4	4326A	SCREW (2)	XL1200R, XL50, XL883, XL883L, XL883R
5	4816A	SCREW (2)	XL1200R, XL50, XL883, XL883L, XL883R
5A	6109	WASHER (2)	XL1200R
6	6590HW	WASHER (2)	XL1200L, XL1200N, XL1200R, XL50, XL883, XL883L, XL883R
7	6702	WASHER (2)	XL1200R, XL50, XL883, XL883L, XL883R
8	11155	RETAINING RING	XL1200L, XL1200N, XL1200R, XL50, XL883, XL883L, XL883R
9	11271	RING RETAINER, idle	XL1200L, XL1200N, XL1200R, XL50, XL883, XL883L, XL883R
10	11272	RING RETAINER, retainer - throttle	XL1200L, XL1200N, XL1200R, XL50, XL883, XL883L, XL883R
11	38653-01	BOOT, cable, throttle	XL1200L, XL1200N, XL1200R, XL50, XL883, XL883L, XL883R
12	55845-04	HANDLEBAR	XL883
	56004-00	HANDLEBAR	XL1200R, XL50
	56051-06	HANDLEBAR	XL1200L, XL883L
	56085-83A	HANDLEBAR	XL1200N, XL883R
13	55846-05A	BRACKET, handlebar - upper (chrome)	XL1200L
	55847-05A	BRACKET, handlebar - upper (black wrinkle)	XL1200N
14	56115-95	CLAMP, handlebar - upper (black)	XL883, XL883L, XL883R
	56567-86B	CLAMP, handlebar - upper (chrome)	XL1200R, XL50
15	56116-82A	CLAMP, handlebar - lower left	XL1200N, XL883, XL883L, XL883R
	56541-86A	CLAMP, handlebar - lower left	XL1200L, XL1200R, XL50
16	56117-82A	CLAMP, handlebar - lower right	XL1200N, XL883, XL883L, XL883R

	56542-86A	CLAMP, handlebar - lower right	XL1200L, XL1200R, XL50
17	56394-74	SPRING, adjusting screw	XL1200L, XL1200N, XL1200R, XL50, XL883, XL883L, XL883R
18	56396-74A	FRICTION SPRING, throttle grip	XL1200L, XL1200N, XL1200R, XL50, XL883, XL883L, XL883R
19	56397-74C	KIT, throttle adjusting screw, w/ 11155, 56394-74, & 56402-83A	XL1200L, XL1200N, XL1200R, XL50, XL883, XL883L, XL883R
20	56884-07	THROTTLE CONTROL ASSEMBLY	XL1200L, XL1200N, XL1200R, XL50, XL883, XL883L, XL883R
21	56885-07	IDLE CONTROL ASSEMBLY	XL1200L, XL1200N, XL1200R, XL50, XL883, XL883L, XL883R
22	56402-83A	ADJUSTING SCREW, throttle	XL1200L, XL1200N, XL1200R, XL50, XL883, XL883L, XL883R
23	56508-76	FERRULE (2)	XL1200L, XL1200N, XL1200R, XL50, XL883, XL883L, XL883R
24	56666-04	GRIP & SLEEVE, throttle	XL1200L, XL1200N, XL1200R, XL50, XL883, XL883L, XL883R
25	56667-04	HANDLEBAR GRIP	XL1200L, XL1200N, XL1200R, XL50, XL883, XL883L, XL883R
	60983-07	NAMEPLATE (not illustrated) - 50th Anniversary <b>**RESTRICTED SALES PART**</b>	XL50
26	70345-84	RETAINER, wire harness (4)	XL1200L, XL1200N, XL1200R, XL50, XL883, XL883L, XL883R
27	70504-81	CLIP, throttle cables (2)	XL1200L, XL1200N, XL1200R, XL50, XL883, XL883L, XL883R
28	71563-96	HOUSING, switches & throttle control - lower	XL1200L, XL1200N, XL1200R, XL50, XL883, XL883L, XL883R
29	71564-96	HOUSING, switches & throttle control - upper	XL1200L, XL1200N, XL1200R, XL50, XL883, XL883L, XL883R

## HANDLEBAR & THROTTLE CONTROL - 883C/1200C

## HANDLEBAR & THROTTLE CONTROL - 883C, 1200C



[View interactive image](#)

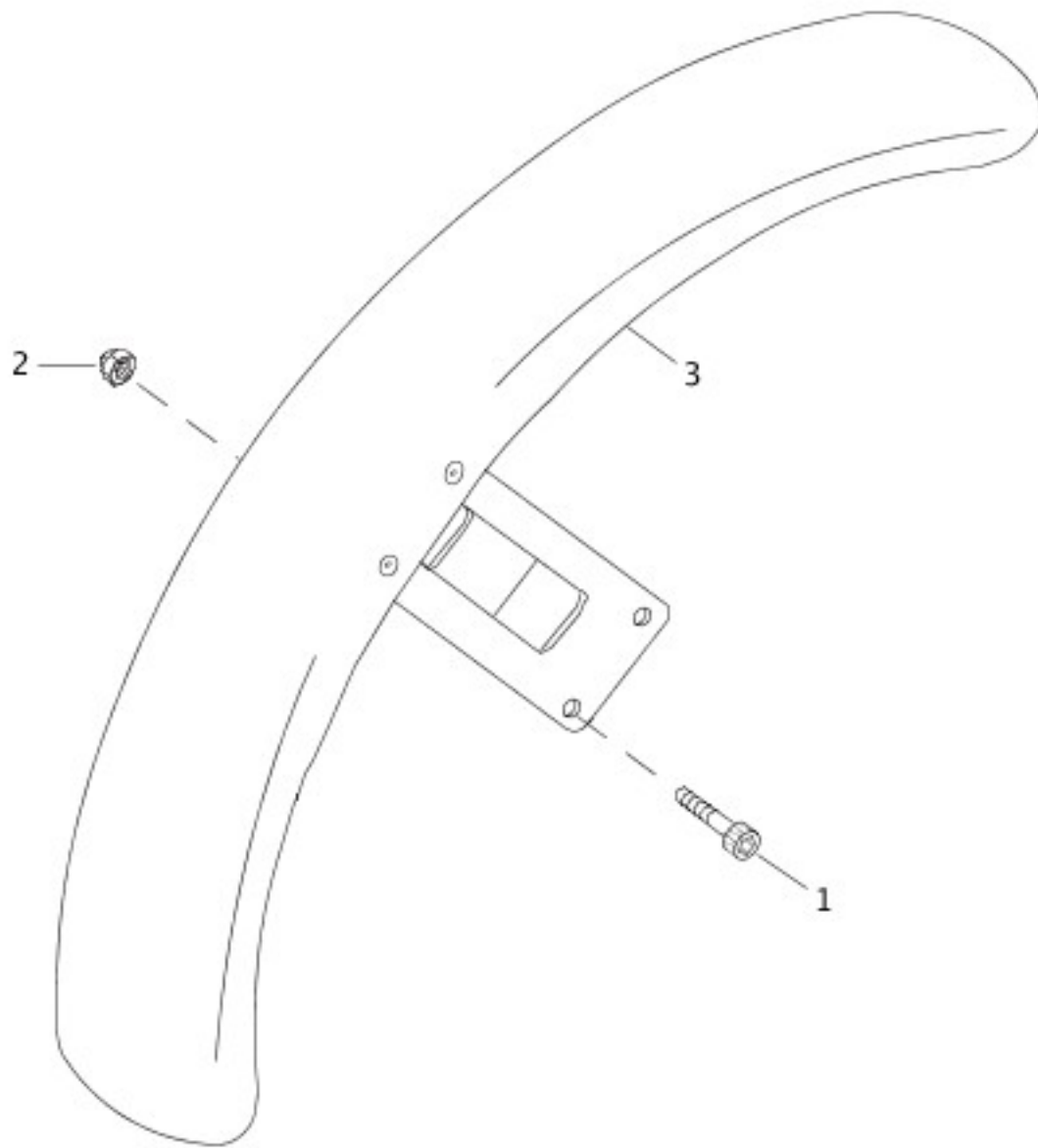
[View interactive table](#)

INDEX NO.	PART NO.	DESCRIPTION	MODEL(S)
1	3210A	SCREW (4)	XL1200C, XL883C
2	3605	BOLT (2)	XL1200C, XL883C
3	3658	SCREW (2)	XL1200C, XL883C
4	3666A	SCREW (2)	XL1200C, XL883C
5	6590HW	WASHER (2)	XL1200C, XL883C
	10006	CABLE STRAP (not illustrated) (2)	XL1200C, XL883C

6	11155	RETAINING RING	XL1200C, XL883C
7	11271	RING RETAINER (idle)	XL1200C, XL883C
8	11272	RING RETAINER (throttle)	XL1200C, XL883C
9	14448-94	LOGO BAR & SHIELD	XL1200C, XL883C
10	38653-01	BOOT, cable, throttle	XL1200C, XL883C
11	55840-04	HANDLEBAR	XL1200C, XL883C
12	55842-04	COVER, riser	XL1200C, XL883C
13	56017-04	RISER ASSEMBLY, handlebar, w/ 14448-94	XL1200C, XL883C
14	56667-04	HANDLEBAR GRIP	XL1200C, XL883C
15	56666-04	GRIP & SLEEVE, throttle	XL1200C, XL883C
16	56884-07	THROTTLE CONTROL ASSEMBLY	XL1200C, XL883C
17	56885-07	IDLE CONTROL ASSEMBLY	XL1200C, XL883C
18	56394-74	SPRING, adjusting screw	XL1200C, XL883C
19	56396-74A	FRICTION SPRING, throttle grip	XL1200C, XL883C
20	56397-74C	KIT, throttle adjusting screw, w/ 11155, 56394-74, & 56402-83A	XL1200C, XL883C
21	56402-83A	ADJUSTING SCREW, throttle	XL1200C, XL883C
22	56508-76	FERRULE (2)	XL1200C, XL883C
23	70345-84	RETAINER, wire harness (4)	XL1200C, XL883C
24	70504-81	CLIP, throttle cables (2)	XL1200C, XL883C
25	71563-96	HOUSING, switches & throttle control - lower	XL1200C, XL883C
26	71564-96	HOUSING, switches & throttle control - upper	XL1200C, XL883C

## FRONT FENDER

## FRONT FENDER

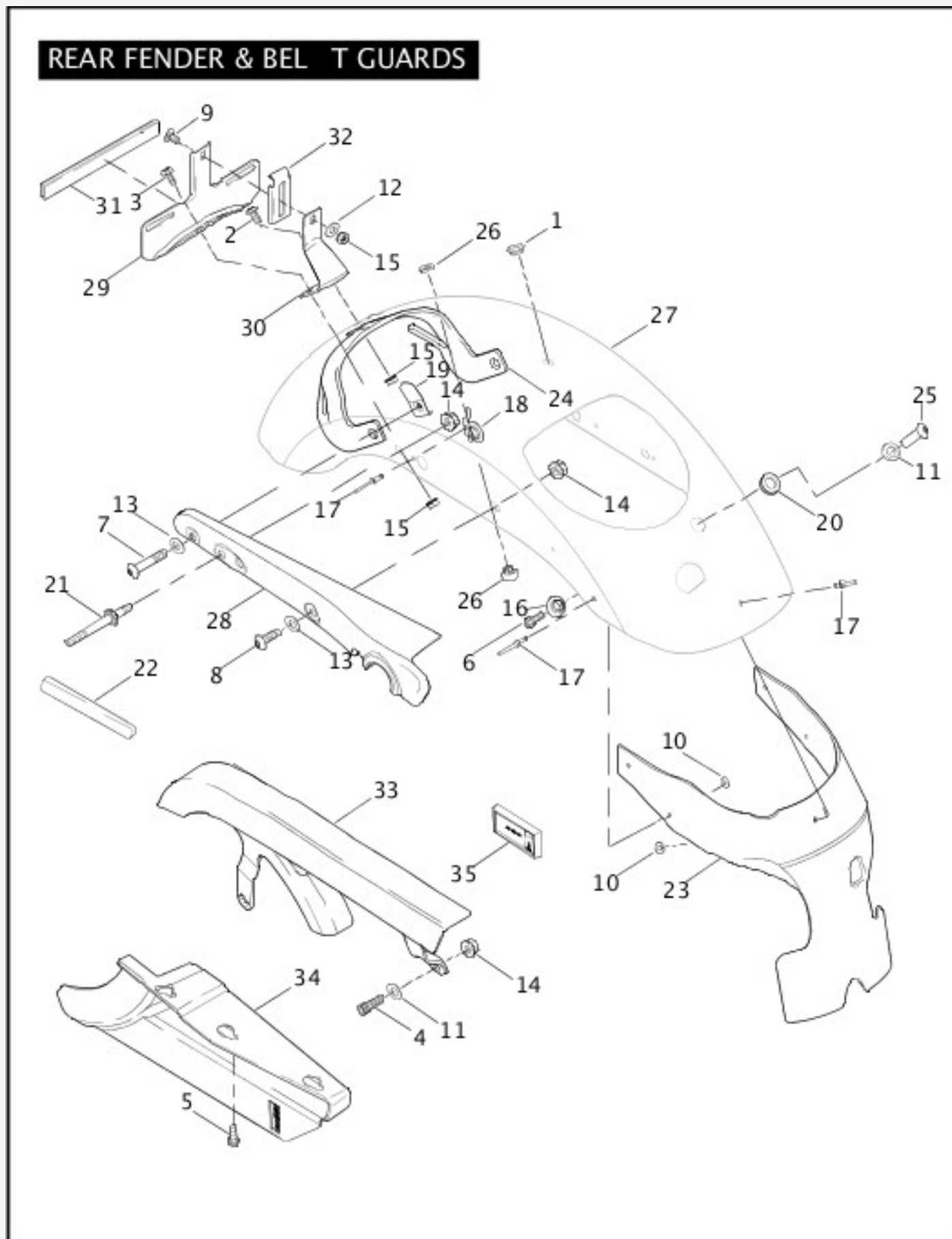


[View interactive image](#)

[View interactive table](#)

INDEX NO.	PART NO.	DESCRIPTION	MODEL(S)
<b>NOTE: Refer to Painted Parts Book for painted part numbers.</b>			
1	3210A	SCREW (4)	ALL
2	7531	LOCKNUT (4)	ALL
3	58998-83C	FRONT FENDER, prime	XL1200C, XL1200L, XL1200R, XL50, XL883, XL883C, XL883L, XL883R
3	59712-07	FRONT FENDER, prime	XL1200N

# REAR FENDER & BELT GUARD



[View interactive image](#)

[View interactive table](#)

INDEX NO.	PART NO.	DESCRIPTION	MODEL(S)
<b>NOTE: Refer to Painted Parts Book for painted part numbers.</b>			
1	761	PLUG (black) (2)	XL1200C, XL1200L, XL1200R, XL50, XL883, XL883C, XL883L, XL883R



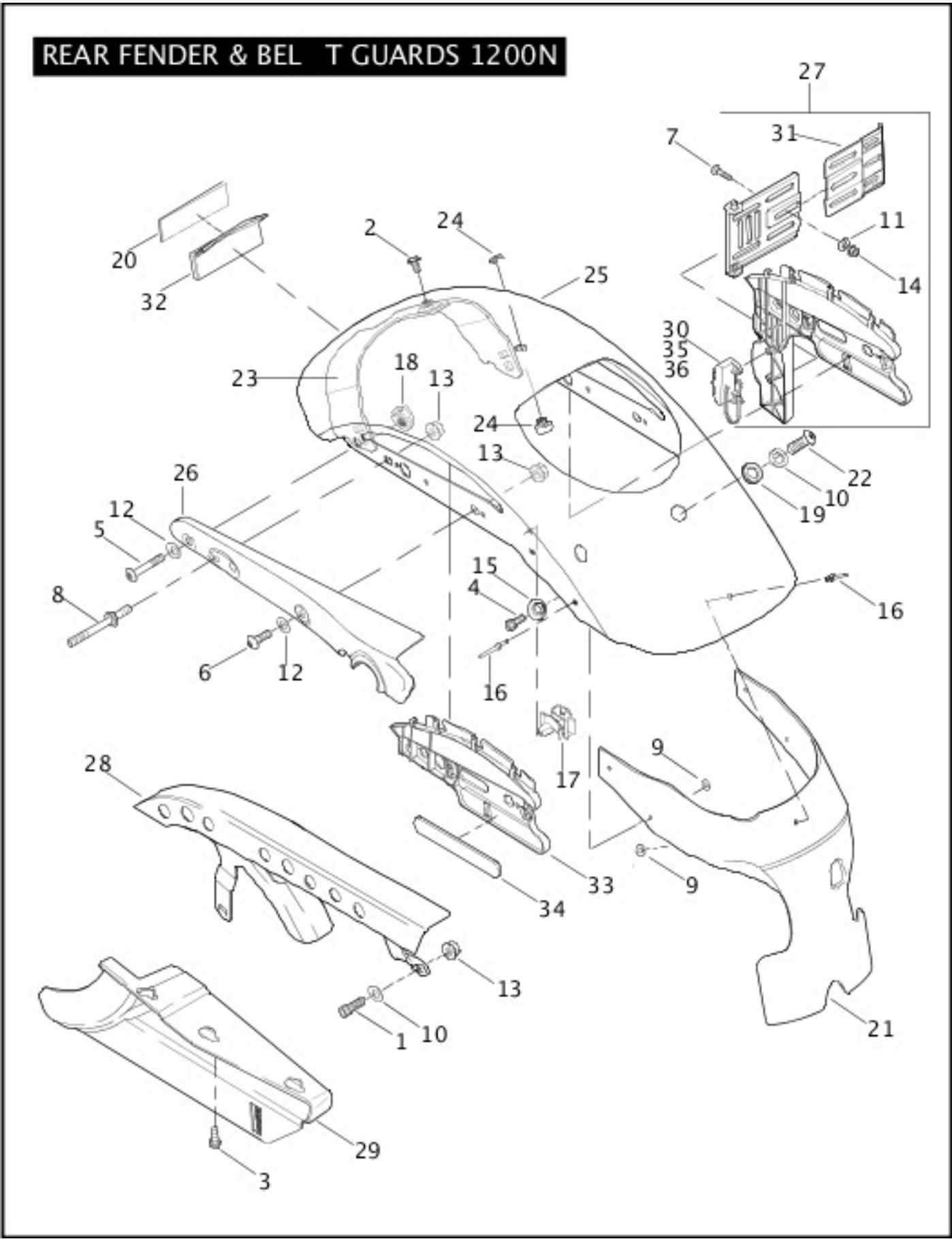
2	2607	SCREW	XL1200C, XL1200L, XL1200R, XL50, XL883, XL883C, XL883L, XL883R
3	2773	SCREW (2)	XL1200C, XL1200L, XL1200R, XL50, XL883, XL883C, XL883L, XL883R
4	2708A	SCREW	ALL
5	3579A	SCREW (3)	ALL
6	4017	BOLT	ALL
7	4778	SCREW (2)	ALL
8	4779	SCREW (2)	ALL
9	5403B	BOLT, carriage	ALL
10	6192	WASHER (5)	ALL
11	6702	WASHER (2)	ALL
12	6703	WASHER	ALL
13	6798	WASHER (4)	ALL
14	7531	LOCKNUT (5)	ALL
15	7792	NUT, kept (4)	ALL
16	7882	TEE SPACER	ALL
17	8692	RIVET (7)	ALL
18	10200	BRACKET, wire retention (2)	XL1200C, XL1200L, XL1200R, XL50, XL883, XL883C, XL883L, XL883R
19	10242	CLIP, threaded	XL1200C, XL1200L, XL1200R, XL50, XL883, XL883C, XL883L, XL883R
20	11474	GROMMET	ALL
21	56104-02	SCREW, rear fender (2)	XL1200C, XL1200L, XL1200R, XL50, XL883, XL883C, XL883L, XL883R
22	59287-92	REFLECTOR, right (red)	XL1200C, XL1200L, XL1200R, XL50, XL883, XL883C, XL883L, XL883R
	59288-92	REFLECTOR, left (red)	XL1200C, XL1200L, XL1200R, XL50, XL883, XL883C, XL883L, XL883R
23	59502-04	REAR FENDER EXTENSION	ALL
24	59673-04	FENDER SUPPORT	XL1200C, XL1200L, XL1200R, XL50, XL883, XL883C, XL883L, XL883R
25	59723-	SEAT POST	ALL



	04		
26	59768-97	FENDER SEAT NUT KIT	ALL
27	59847-07	FENDER, rear (prime)	XL1200C, XL1200L, XL1200R, XL50, XL883, XL883C, XL883L, XL883R
28	59902-04	COVER, rear fender support - right (chrome)	XL1200C, XL1200R, XL50, XL883, XL883C, XL883L, XL883R
	59903-04	COVER, rear fender support - left (chrome) (not illustrated)	XL1200C, XL1200R, XL50, XL883, XL883C, XL883L, XL883R
	60203-06	COVER, rear fender support - right (vivid black)	XL1200L
	60204-06	COVER, rear fender support - left (vivid black) (not illustrated)	XL1200L
29	59984-73	BRACKET, license plate	XL1200C, XL1200L, XL1200R, XL50, XL883, XL883C, XL883L, XL883R
30	59986-75	SUPPORT, license plate bracket	XL1200C, XL1200L, XL1200R, XL50, XL883, XL883C, XL883L, XL883R
31	59988-72A	REFLECTOR, license plate bracket	XL1200C, XL1200L, XL1200R, XL50, XL883, XL883C, XL883L, XL883R
32	60001-55	CLAMP, license plate bracket	XL1200C, XL1200L, XL1200R, XL50, XL883, XL883C, XL883L, XL883R
33	60367-04	BELT GUARD	XL1200C, XL1200L, XL1200R, XL50, XL883, XL883C, XL883L, XL883R
34	60435-04	DEBRIS DEFLECTOR	ALL
<b>INTERNATIONAL MODELS ONLY</b>			
35	59254-91	REFLECTOR, amber (HDI) (2)	XL1200C, XL1200L, XL1200R, XL50, XL883, XL883C, XL883L, XL883R

## REAR FENDER & BELT GUARD 1200N

# REAR FENDER & BEL T GUARDS 1200N



[View interactive image](#)

[View interactive table](#)

INDEX NO.	PART NO.	DESCRIPTION	MODEL(S)
<b>NOTE: Refer to Painted Parts Book for painted part numbers.</b>			
1	2708A	SCREW	XL1200N
2	2952A	SCREW	XL1200N

3	3579A	SCREW (3)	XL1200N
4	4017	BOLT	XL1200N
5	4778	SCREW (2)	XL1200N
6	4779	SCREW (2)	XL1200N
7	5403B	BOLT, carriage	XL1200N
8	5531	SCREW, rear fender (2)	XL1200N
9	6192	WASHER (5)	XL1200N
10	6702	WASHER (2)	XL1200N
11	6703	WASHER	XL1200N
12	6798	WASHER (4)	XL1200N
13	7531	LOCKNUT (5)	XL1200N
14	7792	NUT, kept	XL1200N
15	7882	TEE SPACER	XL1200N
16	8692	RIVET (5)	XL1200N
17	10318	CLIP (2)	XL1200N
18	10323	CLIP, threaded (2)	XL1200N
19	11474	GROMMET	XL1200N
20	59359-06	REFLECTOR (red)	XL1200N
21	59502-04	REAR FENDER EXTENSION	XL1200N
22	59723-04	SEAT POST	XL1200N
23	59727-07	FENDER SUPPORT	XL1200N
24	59768-97	FENDER SEAT NUT KIT	XL1200N
25	59865-07	FENDER, rear (prime)	XL1200N
26	60203-06	COVER, rear fender support - right (vivid black)	XL1200N
	60204-06	COVER, rear fender support - left (vivid black) (not illustrated)	XL1200N
27	60318-07	LICENSE PLATE BRACKET MOUNT ASSEMBLY, left w/ 5403B, 6703, 7792, 68183-07 & 68702-07	XL1200N
28	60371-07	BELT GUARD	XL1200N
29	60435-04	DEBRIS DEFLECTOR	XL1200N
30	68183-07	ILLUMINATOR, license plate w/ 73152-96BK, & 73191-96	XL1200N

31	68702-07	BRACKET ADJUST, license plate	XL1200N
32	68724-07	MOUNTING BLOCK, reflector	XL1200N
33	68704-07	BRACKET REFLECTOR MOUNT, right	XL1200N
34	69490-07	REFLECTOR (red) (2)	XL1200N
35	73152-96BK	HOUSING SOCKET, 2-way (black)	XL1200N
36	73191-96	TERMINAL SOCKET, #16-20 awg (2)	XL1200N

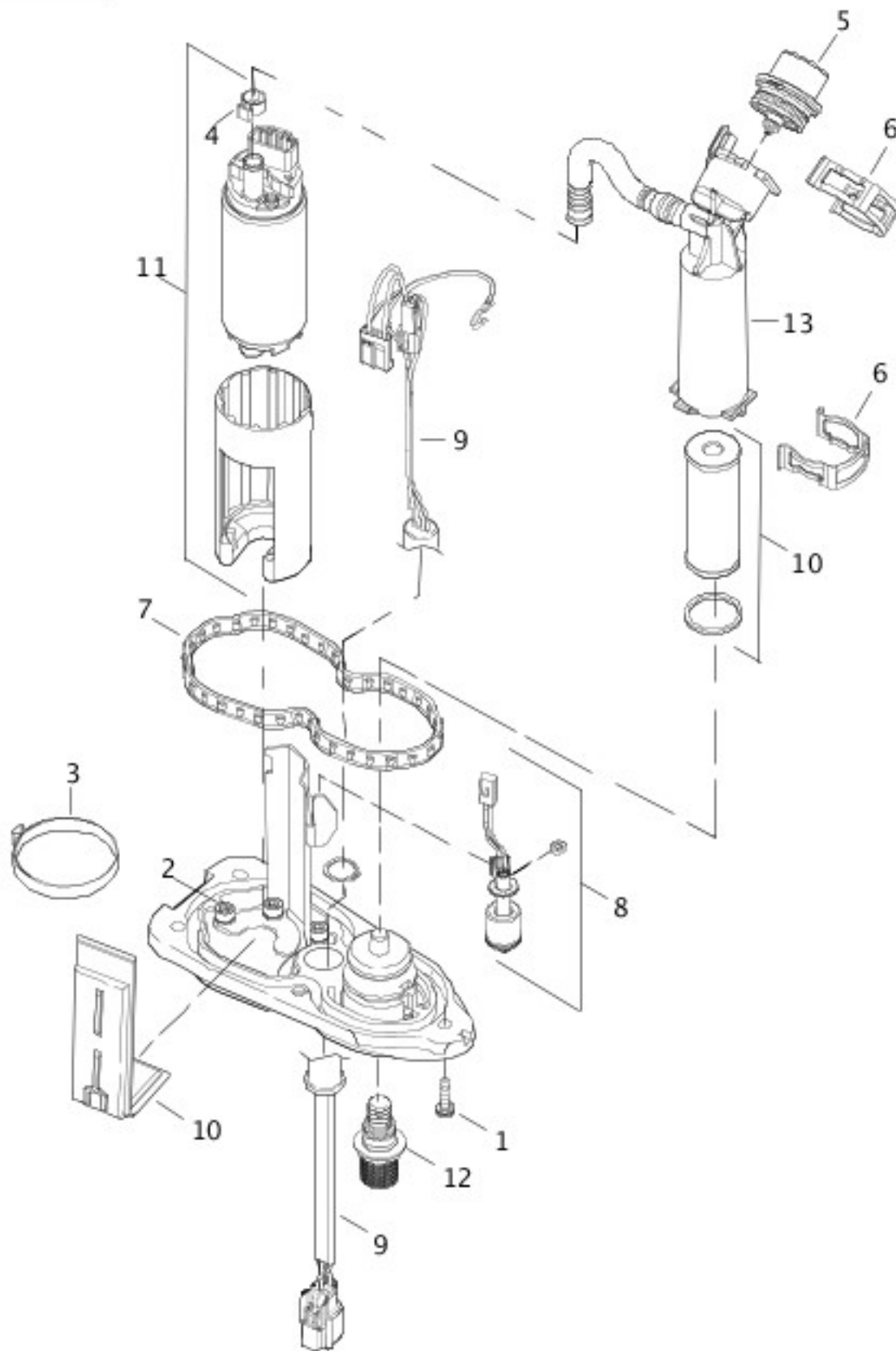
## FUEL TANK



3	6702	WASHER (4)	ALL
4	7531	LOCKNUT, flange (2)	ALL
5	27067-07	VENTLINE, tank-to-valve, w/ 27250-96A	ALL
6	27096-04	VENT LINE, vapor valve-to-atmosphere	ALL
7	27250-96A	CONNECTOR, 90 degree	ALL
8	28911-04	HOSE, vapor valve-to-evaporative canister (California)	ALL
9	52494-04	FUEL CAP, medallion	XL1200C, XL1200L, XL883C
10	61109-85D	GASKET, fuel cap	ALL
11	61260-04	FUEL CAP ASSEMBLY, vented, w/ 52494-04 & 61109-85D	XL1200C, XL1200L, XL883C
12	61272-92B	FUEL CAP ASSEMBLY, w/ 61109-85D	XL1200R, XL50, XL883, XL883L, XL883R
	61289-07	FUEL CAP ASSEMBLY, vented, w/ 61109-85D	XL1200N
13	61348-07	FUEL TANK ASSEMBLY (prime)	XL1200N, XL1200R, XL50, XL883, XL883L, XL883R
14	62150-85	VAPOR VALVE	ALL
15	62213-07	FUEL TANK ASSEMBLY (prime)	XL1200C, XL1200L, XL883C
16	70903-04	TRIM, left front	XL1200C, XL1200L, XL883C
17	70904-04	TRIM, left front	XL1200N, XL1200R, XL50, XL883, XL883L, XL883R
18	70917-04	TRIM, right front	XL1200N, XL1200R, XL50, XL883, XL883L, XL883R
19	70919-04	TRIM, right front	XL1200C, XL1200L, XL883C
20	71276-04	CONSOLE ASSEMBLY, fuel tank	XL1200C
21	89579-91	CAP, protective	ALL
22	89586-04	CAP, protective	ALL

## FUEL PUMP

## FUEL PUMP



[View interactive image](#)

[View interactive table](#)

INDEX NO.	PART NO.	DESCRIPTION	MODEL(S)
	75268-07	FUEL PUMP MODULE	ALL
<b>NOTE: Includes the following parts.</b>			
1	1081	SCREW (5)	ALL

2	1091	SCREW (3)	ALL
3	10303	CLAMP, pump assembly	ALL
4	10304	CLAMP, tube	ALL
5	61015-04A	PRESSURE REGULATOR ASSEMBLY	ALL
6	61213-04A	RETAINING CLIP (2)	ALL
7	75301-07	SEAL, cover plate	ALL
8	75302-07	SENSOR, fuel level	ALL
9	75303-07	HARNESS, fuel sender	ALL
10	75304-07	FUEL FILTER KIT, w/ 10303	ALL
11	75305-07	FUEL PUMP, w/ 1091, 10303, 10304	ALL
12	75309-07	VALVE ASSEMBLY	ALL
13	75317-07	FILTER HOUSING	ALL

## FUEL TANK TRIM



## FUEL TANK TRIM



NOTE: The fuel tank decal shown for the 1200N model is a silkscreen that is only sold as part of the painted fuel tank assembly.

[View interactive image](#)

[View interactive table](#)

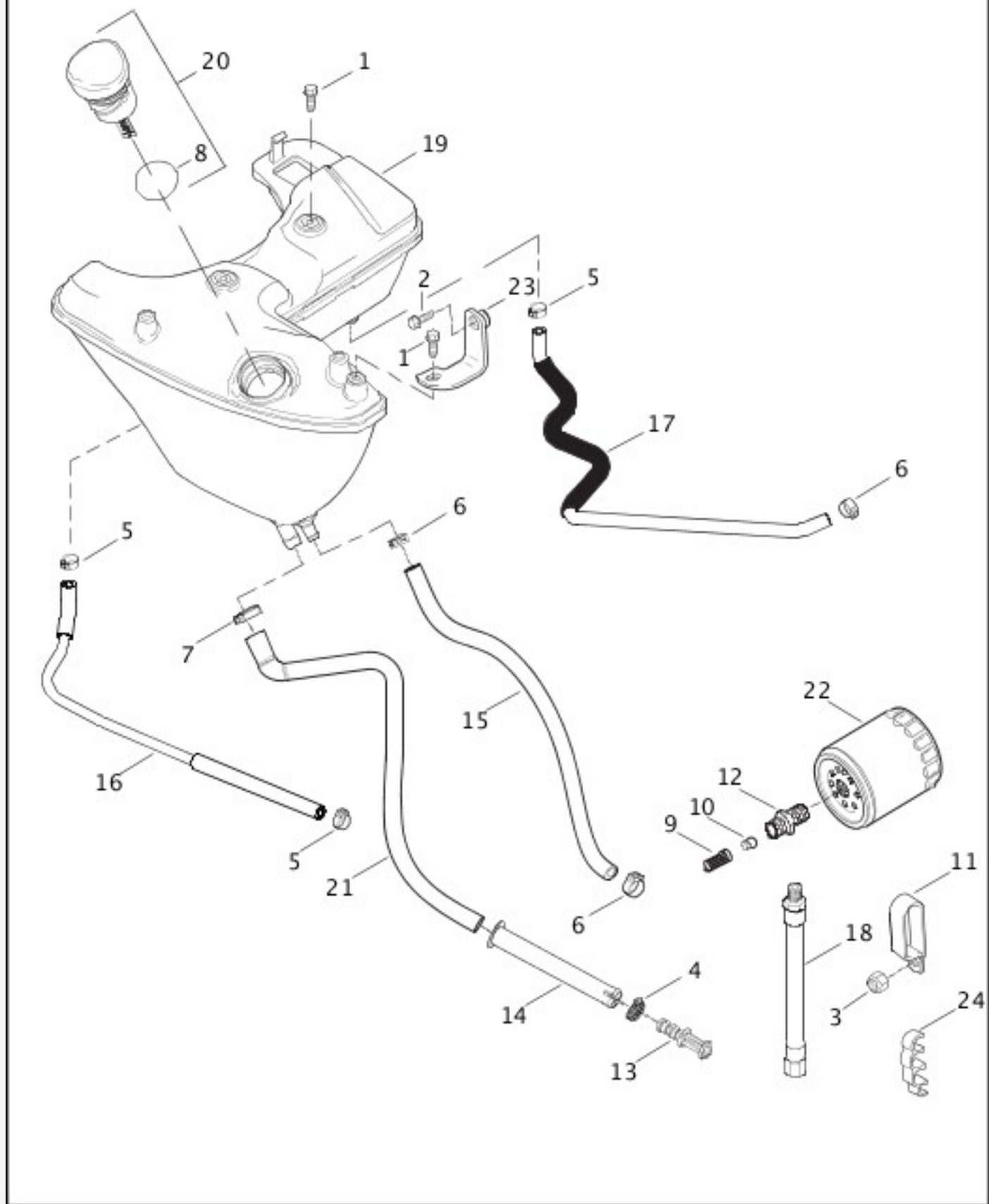
INDEX NO.	PART NO.	DESCRIPTION	MODEL(S)
1	13304-05	DECAL, fuel tank (orange) (2)	XL883L
	13305-05	DECAL, fuel tank (blue) (2)	XL883L

2	13340-04	DECAL, fuel tank (red) (2)	XL883
	13341-04	DECAL, fuel tank (blue) (2)	XL883
3	13342-04	DECAL, fuel tank (red) (2)	XL883C
	13343-04	DECAL, fuel tank (blue) (2)	XL883C
	13367-04	DECAL, fuel tank (turquoise) (2)	XL883C
4	13371-04	DECAL, fuel tank, LH (red, birch white)	XL1200R
	13372-04	DECAL, fuel tank, RH (red, birch white)	XL1200R
	13469-06	DECAL, fuel tank, LH (red, black)	XL1200R
	13470-06	DECAL, fuel tank, RH (red, black)	XL1200R
	13373-04	DECAL, fuel tank, LH (blue, birch white)	XL1200R
	13374-04	DECAL, fuel tank, RH (blue, birch white)	XL1200R
5	13390-07	DECAL-FLAG, rear fender <b>**RESTRICTED SALES PART**</b>	ALL
6	13566-05	DECAL, fuel tank (LH)	XL883R
	13567-05	DECAL, fuel tank (RH)	XL883R
7	62260-04	MEDALLION, fuel tank, LH (red)	XL1200C
	62261-04	MEDALLION, fuel tank, RH (red)	XL1200C
	62262-04	MEDALLION, fuel tank LH (blue)	XL1200C
	62263-04	MEDALLION, fuel tank, RH (blue)	XL1200C
8	62320-06	MEDALLION, fuel tank, LH	XL1200L
	62321-06	MEDALLION, fuel tank, RH	XL1200L

9	62324-07	MEDALLION, fuel tank (LH) - 50th Anniversary <b>**RESTRICTED SALES PART**</b>	XL50
	62325-07	MEDALLION, fuel tank (RH) - 50th Anniversary <b>**RESTRICTED SALES PART**</b>	XL50
10	62336-07	MEDALLION, left <b>**RESTRICTED SALES PART**</b>	ALL
	62337-07	MEDALLION, right <b>**RESTRICTED SALES PART**</b>	ALL
11	92261-07	INSERT - ARMY BRANCH	ALL
	92262-07	INSERT - AIR FORCE BRANCH	ALL
	92263-07	INSERT - NAVY BRANCH	ALL
	92264-07	INSERT - MARINES BRANCH	ALL
	92265-07	INSERT - COAST GUARD BRANCH	ALL
12	SEE NOTE	(for vivid black, 2-tone vivid black, mirage orange pearl, 2-tone black denim, brilliant silver denim, 2-tone vivid black, suede blue pearl, 2-tone black denim, olive pearl denim tanks)	XL1200N

## OIL TANK & FILTER

## OIL TANK & FILTER



[View interactive image](#)

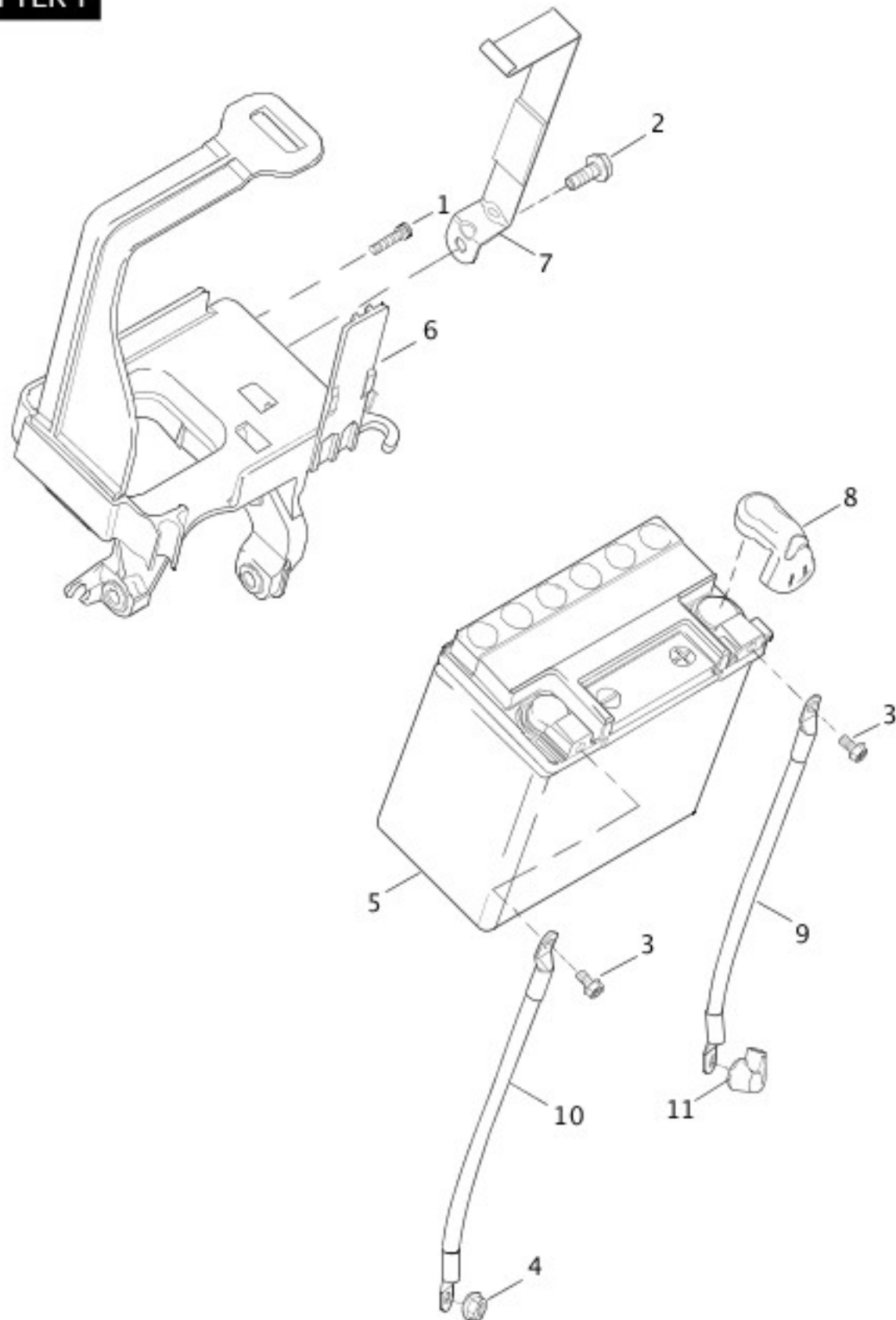
[View interactive table](#)

INDEX NO.	PART NO.	DESCRIPTION	MODEL(S)
1	3588	SCREW, flange (3)	ALL
2	3799	SCREW, flange	ALL
3	7624	LOCKNUT	ALL

4	9969	HOSE CLAMP	ALL
5	10014	CLAMP (2)	ALL
6	10080	CLAMP (3)	ALL
7	10142	CLAMP	ALL
8	11120	O-RING	ALL
9	26436-90A	SPRING	ALL
10	26437-86B	BALL	ALL
11	31512-04	HOSE CLAMP	ALL
12	33117-91A	ADAPTOR, oil filter	ALL
13	33123-06	PLUG, oil tank drain	ALL
14	33138-06	SLEEVE, oil drain line	ALL
15	62338-01Y	HOSE, oil feed	ALL
16	62360-04A	KIT, vent tube	ALL
17	62361-04	HOSE, oil return	ALL
18	62651-04	HOSE, oil pump	ALL
19	62888-04A	OIL TANK ASSEMBLY	ALL
20	63000-04A	DIPSTICK ASSEMBLY, oil tank, w/ 11120	XL1200C, XL1200L, XL1200R, XL50, XL883, XL883C, XL883L, XL883R
	62592-07	DIPSTICK ASSEMBLY, oil tank, w/ 11120	XL1200N
21	63596-06	HOSE, oil drain	ALL
22	63805-80A	OIL FILTER	XL1200L, XL1200N, XL1200R, XL883, XL883C, XL883L, XL883R
	63796-77A	OIL FILTER (chrome)	XL1200C, XL50
23	66199-04	BRACKET, oil tank	ALL
24	70503-04	HOSE CLIP	ALL

## BATTERY

## BATTERY



[View interactive image](#)

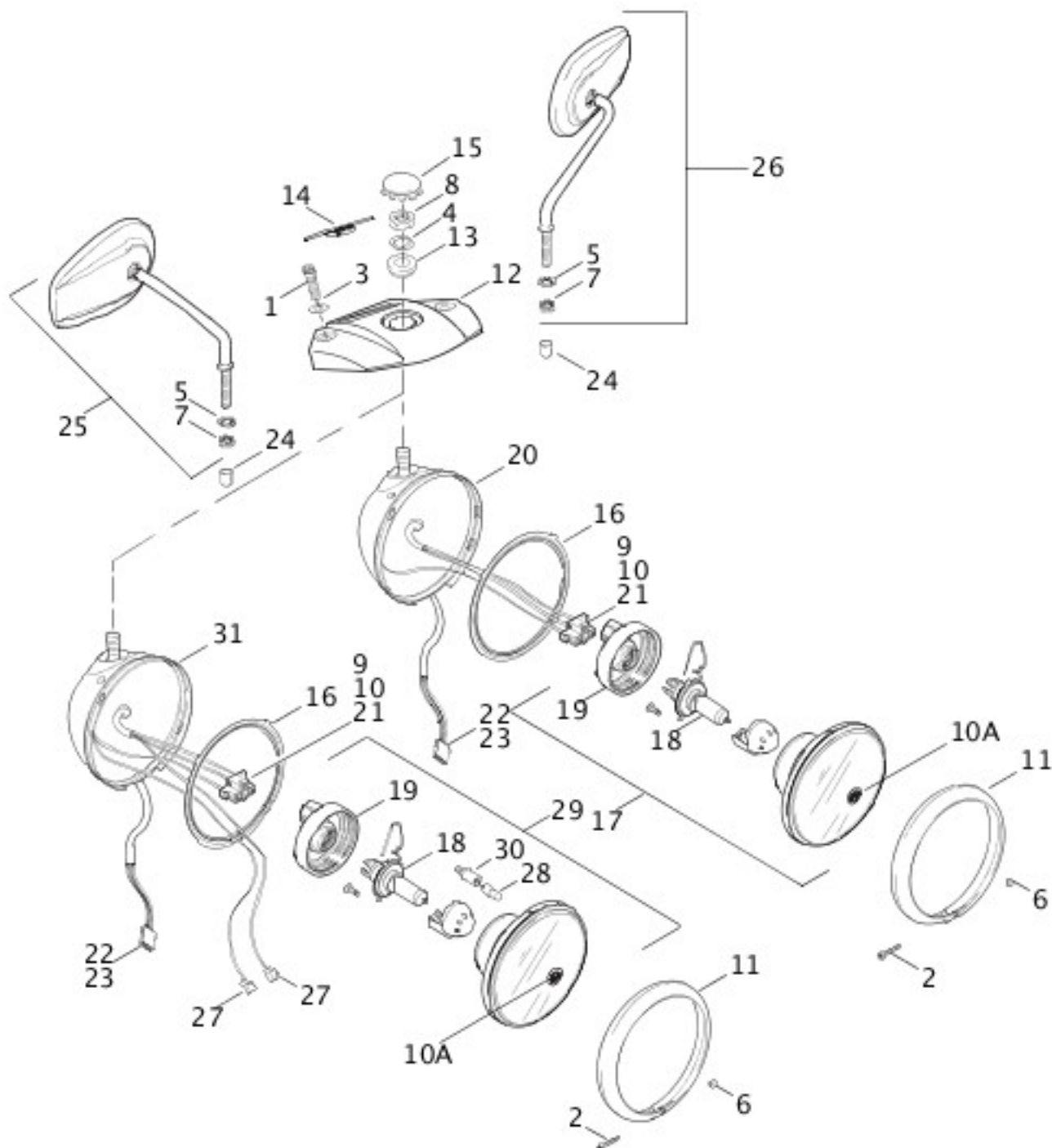
[View interactive table](#)

INDEX NO.	PART NO.	DESCRIPTION	MODEL(S)
1	2535	SCREW (3)	ALL
2	3574	SCREW, flange	ALL
3	4312B	SCREW, flange (2)	ALL

4	7770	NUT, flange	ALL
	10006	CABLE STRAP (not illustrated)	ALL
5	65958-04	BATTERY, w/ 4312B	ALL
6	66194-04C	TRAY, battery	ALL
7	66476-04A	STRAP, battery	ALL
8	70003-04	COVER, battery terminal	ALL
9	70295-04	CABLE, battery-to-starter, w/ 70578-89	ALL
10	70296-04	CABLE, battery-to-ground	ALL
11	70578-89	RUBBER BOOT	ALL

## **HEADLAMP & MIRROR - 883/883L/883R/1200L/N/R/XL50**

# HEADLAMP & MIRROR - 883/883L/883R/1200L/N



[View interactive image](#)

[View interactive table](#)

INDEX NO.	PART NO.	DESCRIPTION	MODEL(S)
1	2708A	SCREW (2)	XL1200L, XL1200N, XL1200R, XL50, XL883, XL883L, XL883R
2	3514	SCREW	XL1200L, XL1200N, XL1200R, XL50, XL883, XL883L, XL883R
3	6702	WASHER (2)	XL1200L, XL1200N, XL1200R, XL50, XL883, XL883L, XL883R



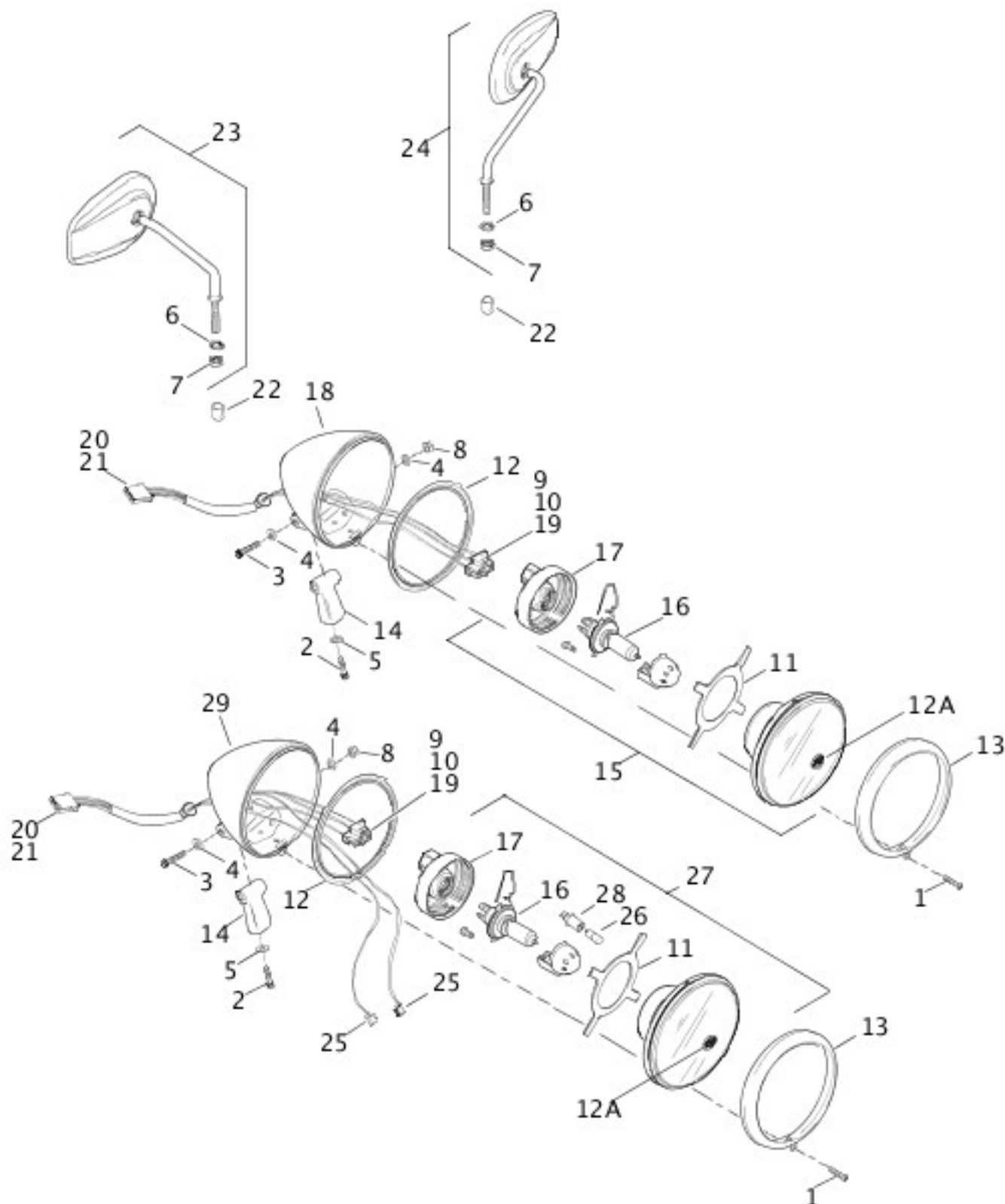
4	7068	LOCKWASHER, lock	XL1200L, XL1200N, XL1200R, XL50, XL883, XL883L, XL883R
5	7127	LOCKWASHER (2)	XL1200L, XL1200N, XL1200R, XL50, XL883, XL883L, XL883R
6	7606	LOCKNUT	XL1200L, XL1200N, XL1200R, XL50, XL883, XL883L, XL883R
7	7727	LOCKNUT (2)	XL1200L, XL1200N, XL1200R, XL50, XL883, XL883L
	7720	ACORN NUT (2)	XL883R
8	7880	NUT	XL1200L, XL1200N, XL1200R, XL50, XL883, XL883L, XL883R
9	9847	CONNECTOR, right	XL1200L, XL1200N, XL1200R, XL50, XL883, XL883L, XL883R
10	9848	CONNECTOR, left	XL1200L, XL1200N, XL1200R, XL50, XL883, XL883L, XL883R
10A	67667-05	MEDALLION	XL1200L, XL1200N, XL1200R, XL50, XL883, XL883L, XL883R
11	67790-93	BEZEL	XL1200L, XL1200R, XL50, XL883, XL883L, XL883R
	68443-07	BEZEL, black/satin	XL1200N
12	67805-92	BRACKET, headlamp	XL883, XL883L
	67963-05	BRACKET, headlamp	XL883R
	69709-00	BRACKET KIT, headlamp, w/ trim (chrome)	XL1200L, XL1200R, XL50
	67950-07	BRACKET, headlamp (gloss black)	XL1200N
13	67815-59A	WASHER, headlamp	XL1200L, XL1200N, XL1200R, XL50, XL883, XL883L, XL883R
14	67834-83	TRIM, headlamp bracket	XL883, XL883L
	67972-98	TRIM, headlamp bracket	XL1200N, XL883R
15	67865-89	PLUG	XL1200L, XL1200R, XL50, XL883, XL883L
	69449-05	PLUG	XL883R

	67951-07	PLUG (gloss black)	XL1200N
16	67883-04	ADAPTER RING	XL1200L, XL1200N, XL1200R, XL50, XL883, XL883L, XL883R
17	68297-05	LAMP ASSEMBLY, 5-3/4 in., w/ 67667-05, 68329-03 & 68380-05	XL1200L, XL1200N, XL1200R, XL50, XL883, XL883L, XL883R
18	68329-03	BULB	XL1200L, XL1200N, XL1200R, XL50, XL883, XL883L, XL883R
19	68380-05	BOOT, headlamp connector	XL1200L, XL1200N, XL1200R, XL50, XL883, XL883L, XL883R
20	69774-07	HEADLAMP SHELL ASSEMBLY, 5-3/4 in. (black), w/ 9847, 9848, 9898, 72056-92, 73154-96BK, & 73191-96	XL1200L, XL1200N, XL1200R, XL883, XL883L, XL883R
	69883-07	HEADLAMP SHELL ASSEMBLY, 5-3/4 in. (chrome), w/ 9847, 9848, 72056-92, 73154-96BK, & 73191-96	XL50
21	72056-92	HOUSING, female	XL1200L, XL1200N, XL1200R, XL50, XL883, XL883L, XL883R
22	73154-96BK	SOCKET HOUSING, socket, 4-way	XL1200N, XL50
	73160-96BK	SOCKET HOUSING, socket, 10-way	XL1200L, XL1200R, XL883, XL883L, XL883R
23	73191-96	SOCKET TERMINAL (4)	XL1200L, XL1200N, XL1200R, XL50, XL883, XL883L, XL883R
24	89586-04	CAP, protective (2)	XL1200L, XL1200N, XL1200R, XL50, XL883, XL883L, XL883R
25	91840-03A	MIRROR KIT, right, short (chrome)	XL1200L, XL1200R, XL50, XL883L
	91846-03A	MIRROR KIT, right, long (chrome)	XL883
	91982-03A	MIRROR KIT, right, short (black)	XL1200N, XL883R
26	91845-03A	MIRROR KIT, left, short (chrome)	XL1200L, XL1200R, XL50, XL883L
	91848-03A	MIRROR KIT, left, long (chrome)	XL883
	91983-03A	MIRROR KIT, left, short (black)	XL1200N, XL883R
<b>INTERNATIONAL MODELS ONLY</b>			
27	9898	TERMINAL FLAG (2)	XL1200L, XL1200N, XL1200R, XL50, XL883, XL883L, XL883R

28	53438-92	BULB	XL1200L, XL1200R, XL50, XL883, XL883L, XL883R
29	68335-05	LAMP ASSEMBLY, left 5-3/4 in. (Australia, England, Japan), w/ 53438-92, 68329-03, 68380-05, & 68650-92	XL1200L, XL1200R, XL50, XL883, XL883L, XL883R
	68341-05	LAMP ASSEMBLY, right 5-3/4 (HDI), w/ 53438-92, 68329-03, 68380-05, & 68650-92	XL1200L, XL1200R, XL50, XL883, XL883L, XL883R
30	68650-92	SOCKET, bulb (2 spade)	XL1200L, XL1200R, XL50, XL883, XL883L, XL883R
31	69774-07	HEADLAMP SHELL ASSEMBLY, 5-3/4 in. (black), w/ 9847, 9848, 9898, 72056-92, 73154-96BK, & 73191-96	XL1200N, XL1200R, XL883, XL883L, XL883R
	69883-07	HEADLAMP SHELL ASSEMBLY, 5-3/4 in. (chrome), w/ 9847, 9848, 9898, 72056-92, 73154-96BK, & 73191-96	XL50

## HEADLAMP & MIRROR - 883C/1200C

# HEADLAMP & MIRR OR - 883C/1200



[View interactive image](#)

[View interactive table](#)

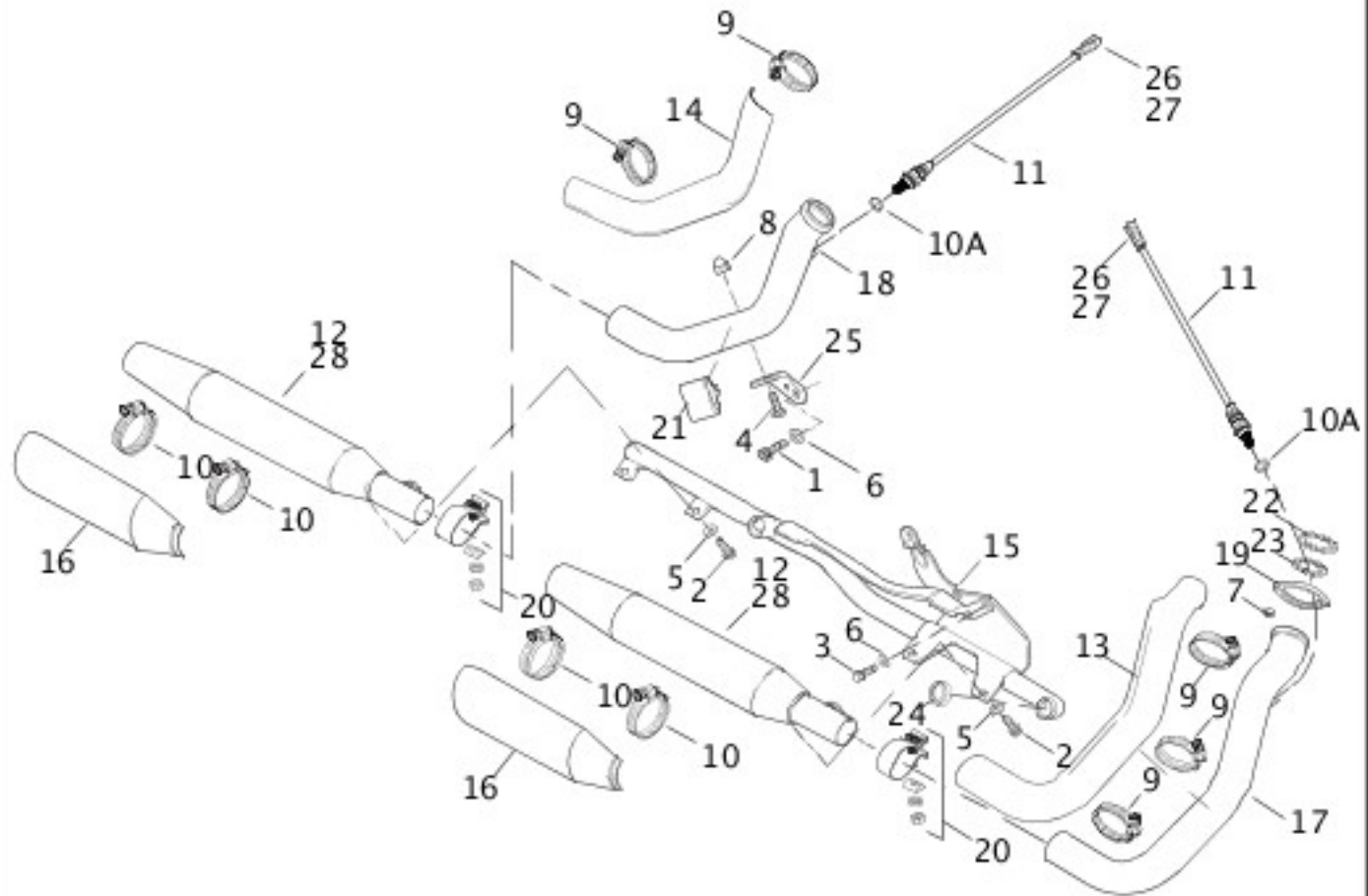
INDEX NO.	PART NO.	DESCRIPTION	MODEL(S)
1	3615	SCREW	XL1200C, XL883C
2	4350A	SCREW	XL1200C, XL883C

3	4420	SCREW	XL1200C, XL883C
4	6701	WASHER (2)	XL1200C, XL883C
5	7045	LOCKWASHER	XL1200C, XL883C
6	7127	LOCKWASHER (2)	XL1200C, XL883C
7	7727	LOCKNUT (2)	XL1200C, XL883C
8	7778	LOCKNUT	XL1200C, XL883C
9	9847	CONNECTOR, right	XL1200C, XL883C
10	9848	CONNECTOR, left	XL1200C, XL883C
11	67601-94A	GASKET, headlamp, This gasket is sold separately and is not part of items 15, 26, & 27.	XL1200C, XL883C
12	67603-94	ADAPTER RING	XL1200C, XL883C
12A	67667-05	MEDALLION	XL1200C, XL883C
13	67894-93	BEZEL ASSEMBLY	XL1200C, XL883C
14	67919-96	MOUNT, headlamp	XL1200C, XL883C
15	68297-05	LAMP ASSEMBLY, 5-3/4 in., w/ 68329-03 & 68380-05	XL1200C, XL883C
16	68329-03	BULB	XL1200C, XL883C
17	68380-05	BOOT, headlamp connector	XL1200C, XL883C
18	69681-07	HEADLAMP SHELL ASSEMBLY, 5-3/4 in., w/ 9847, 9848, 9898, 72056-92, 73154-96BK, & 73191-96	XL1200C, XL883C
19	72056-92	HOUSING, female	XL1200C, XL883C
20	73191-96	SOCKET TERMINAL	XL1200C, XL883C
21	73154-96BK	SOCKET HOUSING, socket	XL1200C, XL883C

22	89586-04	CAP, protective	XL1200C, XL883C
23	91846-03A	MIRROR KIT, right	XL1200C, XL883C
24	91848-03A	MIRROR KIT, left	XL1200C, XL883C
<b>INTERNATIONAL MODELS ONLY</b>			
25	9898	TERMINAL FLAG	XL1200C, XL883C
26	53438-92	BULB	XL1200C, XL883C
27	68335-05	LAMP ASSEMBLY, left (Australia, England, Japan) 5-3/4 in.	XL1200C, XL883C
	68341-05	LAMP ASSEMBLY, right (HDI) 5-3/4 in.	XL1200C, XL883C
28	68650-92	SOCKET, bulb (2 spade)	XL1200C, XL883C
29	69681-07	HEADLAMP SHELL ASSEMBLY, 5-3/4 in., w/ 9847, 9848, 9898, 72056-92, 73154-96BK, & 73191-96	XL1200C, XL883C

## **EXHAUST SYSTEM**

## EXHAUST SYSTEM



[View interactive image](#)

[View interactive table](#)

INDEX NO.	PART NO.	DESCRIPTION	MODEL(S)
1	4032A	SCREW	ALL
2	4269	SCREW, flanged (4)	ALL
3	4748	SCREW (3)	ALL
4	5414	BOLT, carriage	ALL
5	6302	WASHER (4)	ALL
6	6701	WASHER (4)	ALL
7	7593	NUT (4)	ALL
8	7862	ACORN NUT, w/ lock	ALL
9	9955	CLAMP, heat shield (5)	ALL
10	10074	CLAMP, muffler heat shield (HDI, England) (4)	ALL

10A	27714-06	SEAL RING (2)	ALL
11	27719-07	SENSOR, oxygen, w/ 27714-06, 72009-05, 72011-05 (2)	ALL
12	64842-04	MUFFLER, front (CN/CP/CR/CS/CT/CV/CX/CY - Domestic, California, Canada), rear (CP/CR/CT/CX/CY - Domestic, California, Canada)	XL1200C, XL1200L, XL1200R, XL50, XL883, XL883C, XL883L, XL883R
	64890-04	MUFFLER, rear (CN/CS/CV - Domestic, California, Canada)	XL1200R, XL883, XL883R
	80399-04	MUFFLER, front & rear (Domestic, California, Canada)	XL1200N
13	64846-04A	HEAT SHIELD, front exhaust pipe	ALL
14	64847-04A	HEAT SHIELD, rear exhaust pipe, chrome	ALL
	66851-07	HEAT SHIELD, upper rear exhaust pipe, stainless steel	XL1200L, XL1200N, XL1200R, XL883, XL883L, XL883R
15	64855-04	MUFFLER INTERCONNECT BRACKET, support assembly	XL1200C, XL1200L, XL1200N, XL50, XL883C, XL883L
	65339-04	MUFFLER INTERCONNECT BRACKET, support assembly	XL1200R, XL883, XL883R
16	64889-04	HEAT SHIELD, muffler, (All models - HDI, England) (2)	ALL
17	64942-07	EXHAUST PIPE, front (chrome)	ALL
18	64943-07	EXHAUST PIPE, rear (chrome)	ALL
19	65184-02	FLANGE, exhaust pipe (2)	ALL
20	65283-94	CLAMP, muffler (2)	ALL
21	65302-82A	CLAMP, exhaust pipe	ALL
22	65324-83A	GASKET, exhaust port (2)	ALL
23	65325-83A	RETAINING RING, exhaust gasket (2)	ALL
24	65927-00	GASKET, exhaust interconnect (2)	ALL
25	65974-	BRACKET, exhaust clamp	ALL



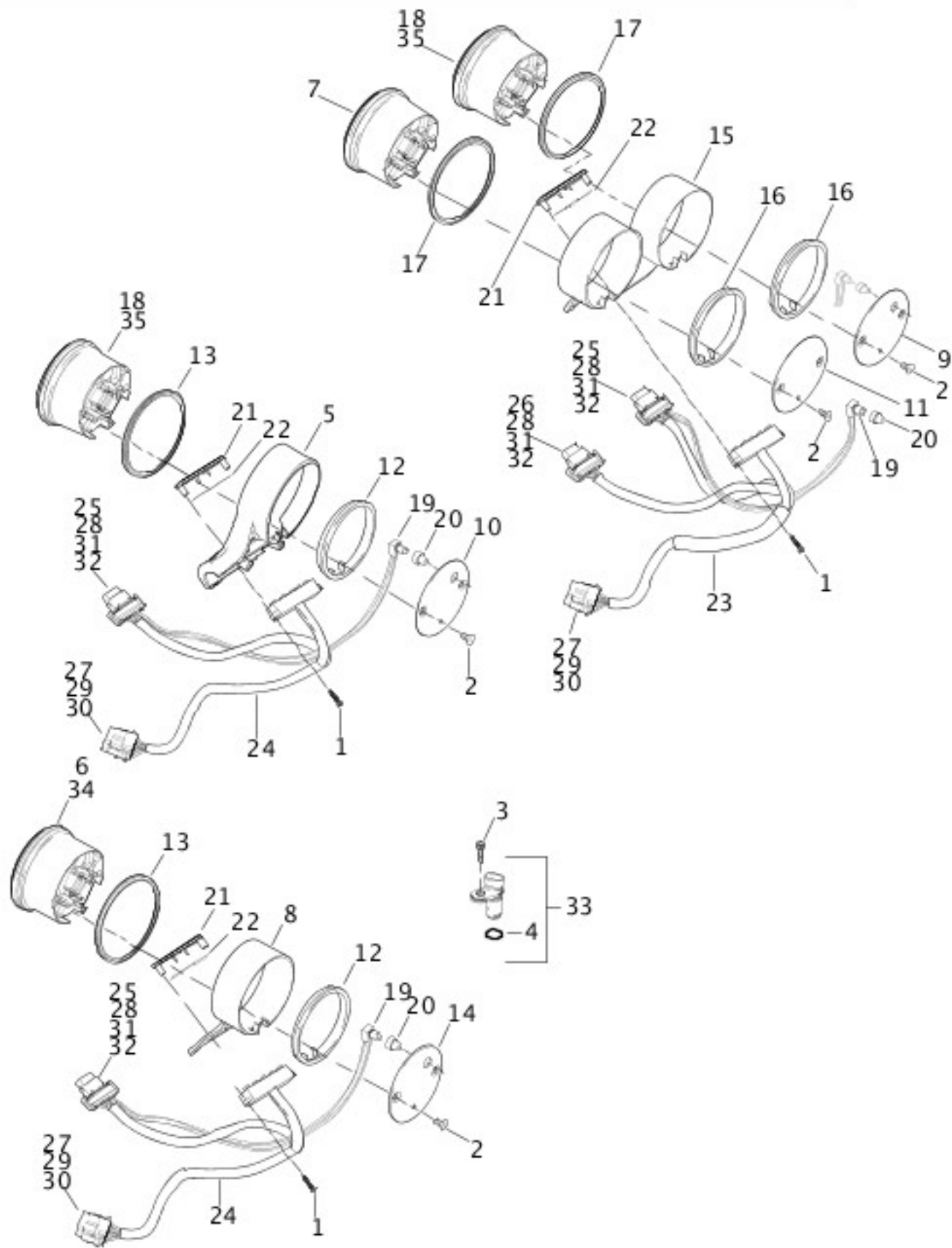
	04A		
26	72009-05	HOUSING, 2-way pin (2)	ALL
27	72011-05	WIRE SEAL, 16-20 gauge (yellow) (4)	ALL

**INTERNATIONAL MODELS ONLY**

28	64848-04	MUFFLER, front (CN/CP/CR/CS/CT/CV/CX/CY - Japan), rear (CP/CR/CT/CX/CY - Japan)	XL1200C, XL1200L, XL1200R, XL50, XL883, XL883C, XL883L, XL883R
	64853-04	MUFFLER, rear (CN/CS/CV - Australia)	XL1200R, XL883, XL883R
	64854-04	MUFFLER, front (CN/CP/CR/CS/CT/CV/CX/CY - Australia) rear (CP/CR/CT/CX/CY - Australia)	XL1200C, XL1200L, XL1200R, XL50, XL883, XL883C, XL883L, XL883R
	64857-04	MUFFLER, rear (CN/CS/CV - Japan)	XL1200R, XL883, XL883R
	64891-04A	MUFFLER, front (CN/CP/CR/CS/CT/CV/CX/CY - HDI, England), rear (CP/CR/CT/CX/CY - HDI, England)	XL1200C, XL1200L, XL1200R, XL50, XL883, XL883C, XL883L, XL883R
	64893-04A	MUFFLER, rear (CN/CS/CV - HDI, England)	XL1200R, XL883, XL883R

**SPEEDOMETER & TACHOMETER - 883/L/R, 1200L/N/R, XL50**

# SPEEDOMETER & TACHOMETER - 883/L/R, 1200L/N/R, XL50



[View interactive image](#)

[View interactive table](#)

INDEX NO.	PART NO.	DESCRIPTION	MODEL(S)
1	2325	SCREW (2)	XL1200L, XL1200N, XL1200R, XL50, XL883, XL883L, XL883R
2	2361	SCREW (2)	XL1200L, XL1200N, XL883, XL883L, XL883R

	2361	SCREW (4)	XL1200R, XL50
3	3594	SCREW	XL1200L, XL1200N, XL1200R, XL50, XL883, XL883L, XL883R
4	11289A	O-RING	XL1200L, XL1200N, XL1200R, XL50, XL883, XL883L, XL883R
5	55846-05A	BRACKET, speedometer	XL1200L
	55847-05A	BRACKET, speedometer	XL1200N
6	67037-04A	SPEEDOMETER, mph (Domestic, California)	XL1200N, XL883, XL883L, XL883R
7	67049-04A	TACHOMETER	XL1200R, XL50
8	67053-95	BRACKET, speedometer	XL883, XL883L, XL883R
9	67085-95	COVER, speedometer back (chrome rim)	XL1200R, XL50
10	67089-05	COVER, speedometer back (chrome rim)	XL1200L
11	67103-95	COVER, tachometer back (chrome rim)	XL1200R, XL50
12	67104-95	CUSHION, rear	XL1200L, XL1200N, XL883, XL883L, XL883R
13	67121-95A	GASKET, front	XL1200L, XL1200N, XL883, XL883L, XL883R
14	67320-95	COVER, speedometer back (black)	XL1200N, XL883, XL883L, XL883R
15	67338-97	BRACKET, speedometer & tachometer	XL1200R, XL50
16	67344-97	CUSHION, rear (2)	XL1200R, XL50
17	67345-97	CUSHION, front (2)	XL1200R, XL50
18	67436-04A	SPEEDOMETER, mph (Domestic, California)	XL1200L, XL1200R, XL50
19	67450-99	SWITCH, reset	XL1200L, XL1200N, XL1200R, XL50, XL883, XL883L, XL883R
20	67880-94	BOOT, reset switch	XL1200L, XL1200N, XL1200R, XL50, XL883, XL883L, XL883R
21	68513-95	TRIM PLATE, indicator lamps	XL1200L, XL1200N, XL1200R, XL50, XL883, XL883L, XL883R
22	68551-07	LENS, indicator lamps	XL1200L, XL1200N, XL1200R, XL50, XL883, XL883L, XL883R
23	68811-07	HARNESS, warning lamp assembly, w/ LED indicator	XL1200R, XL50

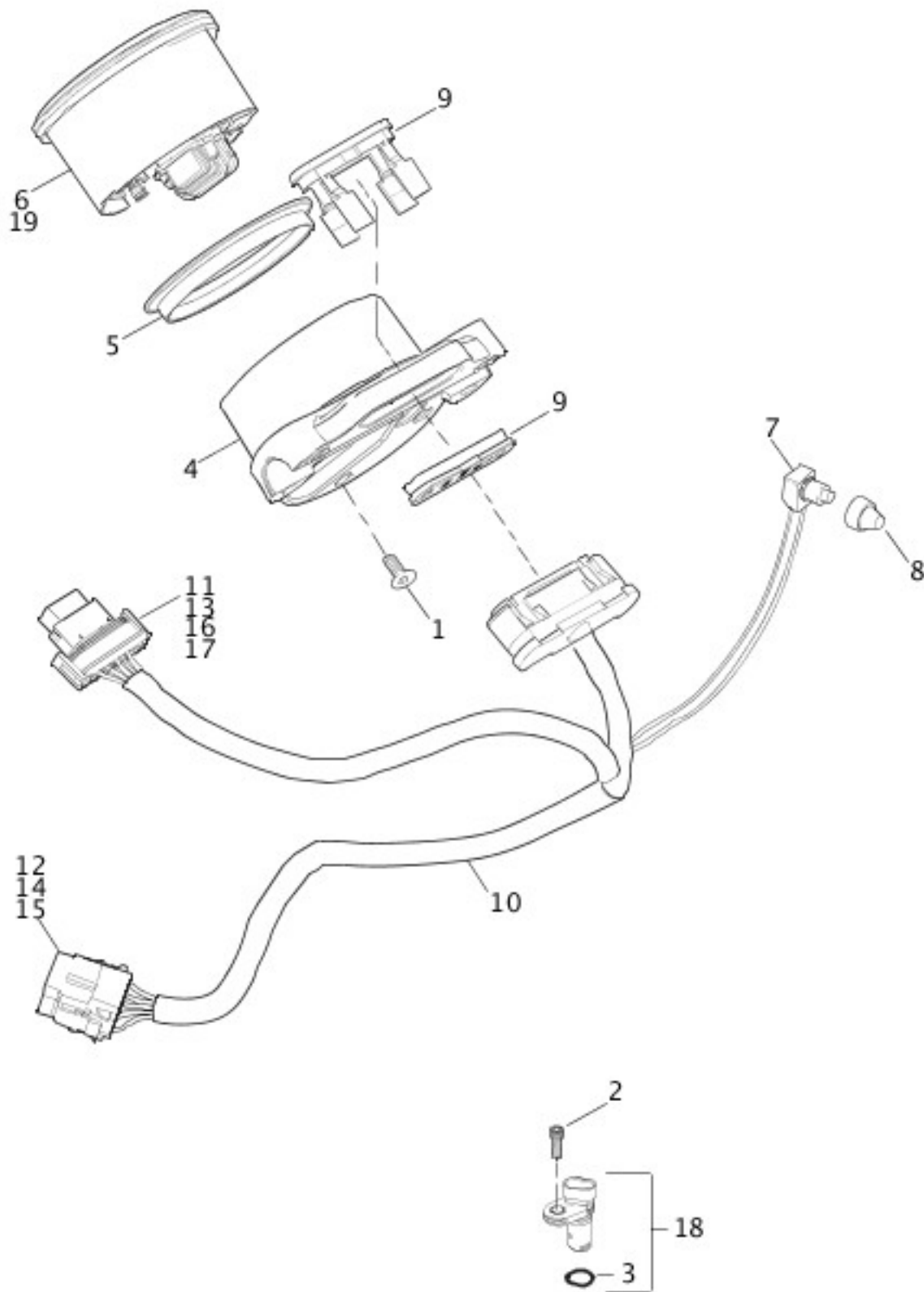
24	68813-07	HARNESS, warning lamp assembly, w/ LED indicator	XL1200L, XL1200N, XL883, XL883L, XL883R
25	72130-04	HOUSING, socket 12-way (black)	XL1200L, XL1200N, XL1200R, XL50, XL883, XL883L, XL883R
26	72131-04	HOUSING, socket 12-way (gray)	XL1200R, XL50
27	72169-07	TERMINAL PIN, 16-20 awg (7)	XL1200L, XL1200N, XL1200R, XL50, XL883, XL883L, XL883R
28	72189-04	SEAL, pin (4-CA/CM, 11-CL)	XL1200L, XL1200N, XL1200R, XL50, XL883, XL883L, XL883R
29	72488-07BK	HOUSING, 12-way (black)	XL1200L, XL1200N, XL1200R, XL50, XL883, XL883L, XL883R
30	72549-07	TERMINAL PIN, 22 awg (5)	XL1200L, XL1200N, XL1200R, XL50, XL883, XL883L, XL883R
31	74196-04	TERMINAL, socket, 20 AWG. (8-CA/CM, 13-CL)	XL1200L, XL1200N, XL1200R, XL50, XL883, XL883L, XL883R
32	74197-04	LOCK, secondary, 12-way socket (2-CL)	XL1200L, XL1200N, XL1200R, XL50, XL883, XL883L, XL883R
33	74402-05	SENSOR, vehicle speed	XL1200L, XL1200N, XL1200R, XL50, XL883, XL883L, XL883R

#### INTERNATIONAL MODELS ONLY

34	67041-04A	SPEEDOMETER, kph (Canada/HDI/Australia/Japan)	XL1200N, XL883, XL883L, XL883R
	67290-04A	SPEEDOMETER, mph/kph (England)	XL883, XL883L, XL883R
35	67415-04A	SPEEDOMETER, mph/kph (England)	XL1200L, XL1200R, XL50
	67416-04A	SPEEDOMETER, kph (Canada/HDI/Australia/Japan)	XL1200L, XL1200R, XL50

#### SPEEDOMETER - 883C/1200C

## SPEEDOMETER - 883C/1200C



[View interactive image](#)

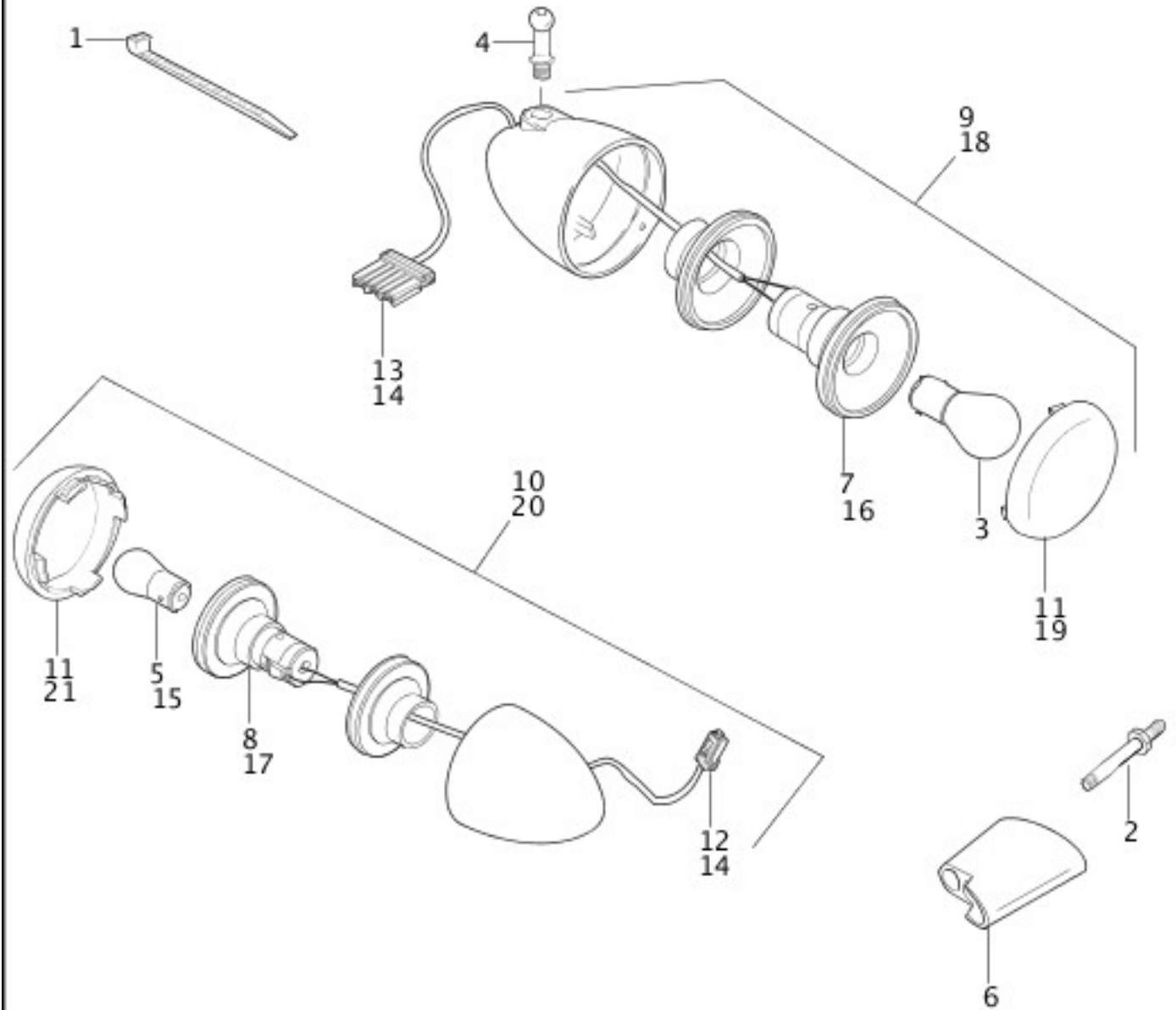
[View interactive table](#)

INDEX NO.	PART NO.	DESCRIPTION	MODEL(S)
1	2548	SCREW, countersunk	XL1200C, XL883C
2	3594	SCREW	XL1200C, XL883C
3	11289A	O-RING	XL1200C, XL883C

4	55844-04	HOUSING, instrument (chrome)	XL1200C, XL883C
5	67121-95A	GASKET, shock, front	XL1200C, XL883C
6	67436-04A	SPEEDOMETER, mph (Domestic)	XL1200C, XL883C
7	67450-99	SWITCH, trip reset	XL1200C, XL883C
8	67880-94	BOOT, reset switch	XL1200C, XL883C
9	68382-07	BEZEL ASSEMBLY, indicator lamps	XL1200C, XL883C
10	68814-07	INSTRUMENT HARNESS ASSEMBLY, w/ LED indicator	XL1200C, XL883C
11	72130-04	HOUSING, socket 12-way (black)	XL1200C, XL883C
12	72169-07	TERMINAL PIN, 16-20 awg (7)	XL1200C, XL883C
13	72189-04	SEAL, pin (4)	XL1200C, XL883C
14	72488-07BK	HOUSING, socket 12-way (black)	XL1200C, XL883C
15	72549-07	TERMINAL PIN, socket, solid (5)	XL1200C, XL883C
16	74196-04	TERMINAL, 22 AWG. (9)	XL1200C, XL883C
17	74197-04	LOCK, secondary, 12-way socket	XL1200C, XL883C
18	74402-05	SENSOR, vehicle speed	XL1200C, XL883C
<b>INTERNATIONAL MODELS ONLY</b>			
19	67415-04A	SPEEDOMETER, mph/kph (England)	XL1200C, XL883C
	67416-04A	SPEEDOMETER, kph (Australia, Canada, HDI, Japan)	XL1200C, XL883C

## TURN SIGNALS

## TURN SIGNALS



[View interactive image](#)

[View interactive table](#)

INDEX NO.	PART NO.	DESCRIPTION	MODEL(S)
1	10065	CABLE STRAP (2)	ALL
2	56104-02	SCREW, rear turn signal (2)	XL1200C, XL1200L, XL1200R, XL50, XL883, XL883C, XL883L, XL883R
3	68168-89A	BULB, front turn signal (2)	ALL
4	68265-04	BALL STUD (2)	ALL
5	68572-64B	BULB, rear turn signal (2)	ALL
6	68480-02	SUPPORT, rear turn signal (2)	XL1200C, XL1200L, XL1200R, XL50, XL883, XL883C, XL883L, XL883R

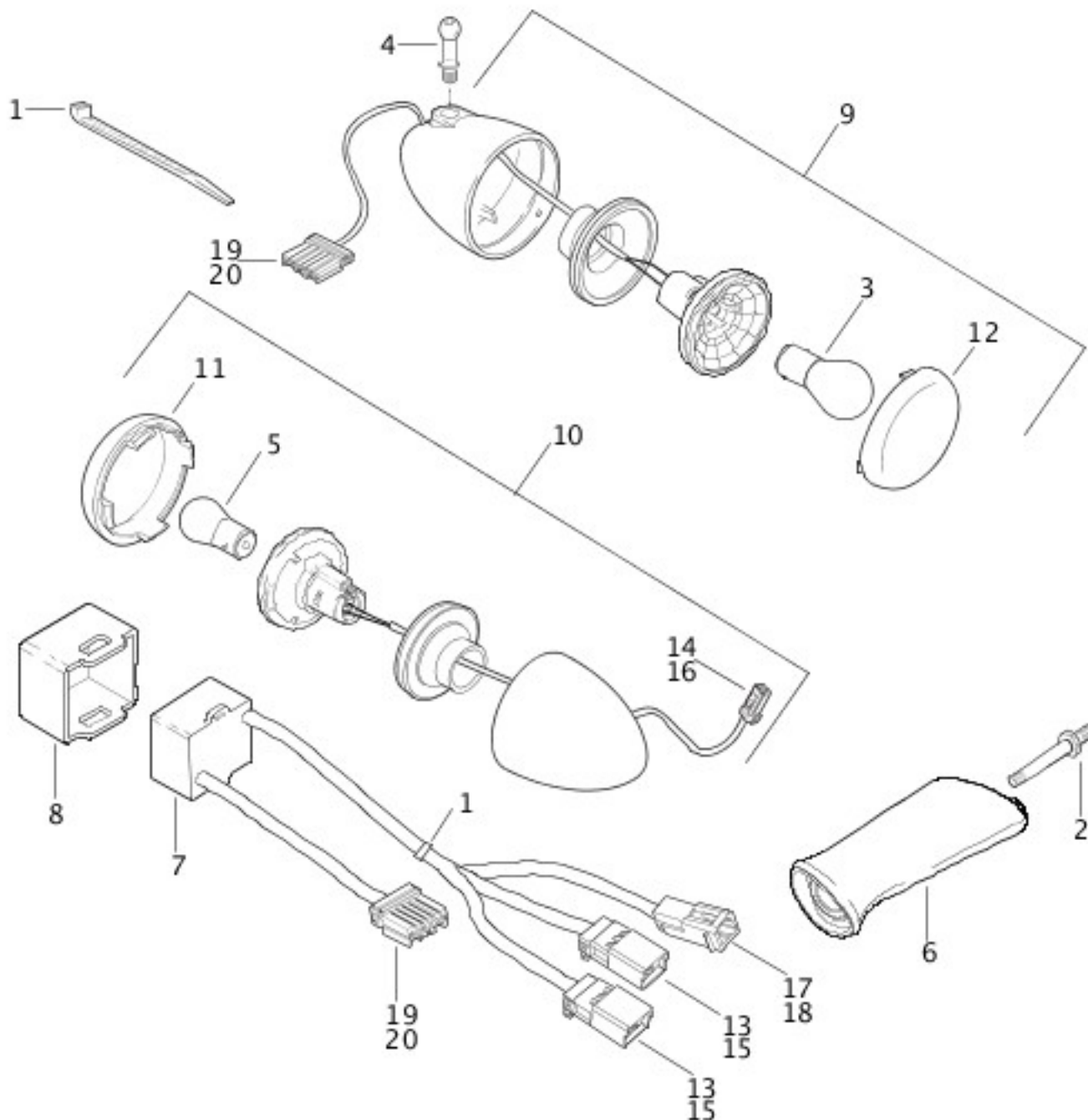


7	68904-00	SOCKET ASSEMBLY, front (2)	XL1200C, XL1200L, XL1200R, XL50, XL883, XL883C, XL883L, XL883R
8	68905-00	SOCKET ASSEMBLY, rear (2)	XL1200C, XL1200L, XL1200R, XL50, XL883, XL883C, XL883L, XL883R
9	68972-00	TURN SIGNAL ASSEMBLY, front (amber) (2)	XL1200C, XL1200L, XL1200R, XL50, XL883, XL883C, XL883L, XL883R
10	68977-00	TURN SIGNAL ASSEMBLY, rear (amber) (2)	XL1200C, XL1200L, XL1200R, XL50, XL883, XL883C, XL883L, XL883R
11	68973-00	LENS (4)	XL1200C, XL1200L, XL1200R, XL50, XL883, XL883C, XL883L, XL883R
12	73152-96BK	SOCKET HOUSING, 2-place, right (black)	XL1200C, XL1200L, XL1200R, XL50, XL883, XL883C, XL883L, XL883R
	73152-96WE	SOCKET HOUSING, 2-place, left (white)	XL1200C, XL1200L, XL1200R, XL50, XL883, XL883C, XL883L, XL883R
13	73156-96BK	SOCKET HOUSING, 6-place (2)	ALL
14	73191-96	SOCKET TERMINAL, #16-20 gauge (left & right turn signals) (6)	ALL
<b>INTERNATIONAL MODELS ONLY</b>			
15	68163-84	BULB, turn signal (HDI) (4)	XL1200C, XL1200L, XL1200R, XL50, XL883, XL883C, XL883L, XL883R
16	68906-00	SOCKET ASSEMBLY, front (HDI) (2)	XL1200C, XL1200L, XL1200R, XL50, XL883, XL883C, XL883L, XL883R
17	68907-00	SOCKET ASSEMBLY, rear (HDI) (2)	XL1200C, XL1200L, XL1200R, XL50, XL883, XL883C, XL883L, XL883R
18	68975-00	TURN SIGNAL ASSEMBLY, front (amber) (HDI) (2)	XL1200C, XL1200L, XL1200R, XL50, XL883, XL883C, XL883L, XL883R
19	68976-00	LENS, front (HDI) (2)	XL1200C, XL1200L, XL1200R, XL50, XL883, XL883C, XL883L, XL883R
20	68978-00	TURN SIGNAL ASSEMBLY, rear (amber) (HDI) (2)	XL1200C, XL1200L, XL1200R, XL50, XL883, XL883C, XL883L, XL883R
21	68979-00	LENS, rear (HDI) (2)	XL1200C, XL1200L, XL1200R, XL50, XL883, XL883C, XL883L, XL883R

## TURN SIGNALS & TAIL LAMP - 1200N



## TURN SIGNALS & TAIL LAMP - 1200N



[View interactive image](#)

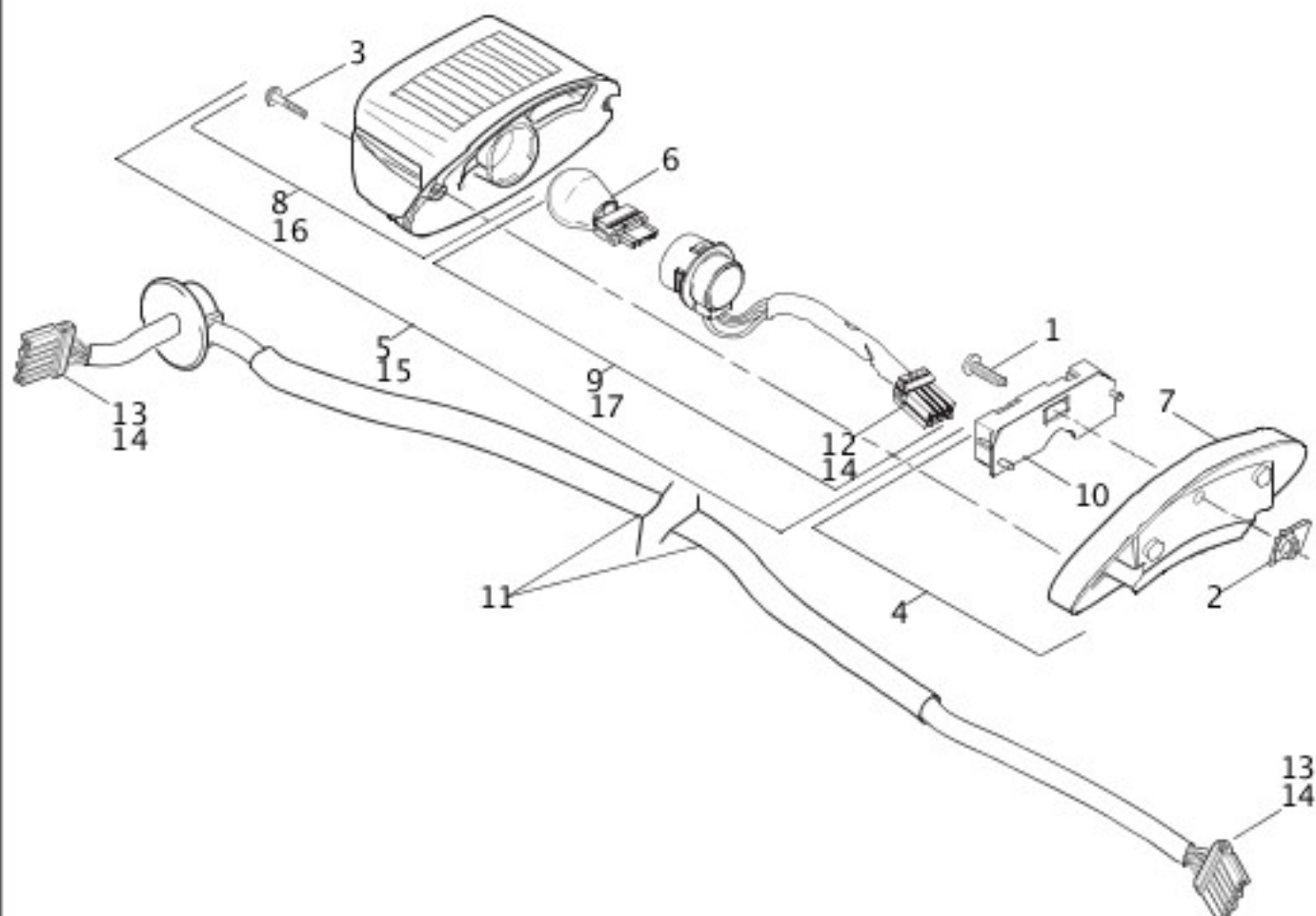
[View interactive table](#)

INDEX NO.	PART NO.	DESCRIPTION	MODEL(S)
1	10065	CABLE STRAP (2)	XL1200N
2	5531	SCREW, rear turn signal (2)	XL1200N
3	68168-89A	BULB, front turn signal (2)	XL1200N
4	68265-04	BALL STUD (2)	XL1200N
5	68572-64B	BULB, rear turn signal (2)	XL1200N
6	68277-07	SUPPORT, rear turn signal (2)	XL1200N

7	68278-07	CONVERTER MODULE, rear turn signal, & tail lamp	XL1200N
8	68299-07	HOLDER, module	XL1200N
9	68730-07	TURN SIGNAL ASSEMBLY, front (2)	XL1200N
10	68449-07	TURN SIGNAL ASSEMBLY, rear (2)	XL1200N
11	68559-07	LENS, rear (2)	XL1200N
12	68755-07	LENS, front (2)	XL1200N
13	72904-01BK	HOUSING, pin, 4-way (black) (2)	XL1200N
14	72914-01BK	SOCKET HOUSING, 4-way (rear) (2)	XL1200N
15	72990-01	TERMINAL, pin (6)	XL1200N
16	72991-01	TERMINAL, socket (rear) (6)	XL1200N
17	73102-96BK	HOUSING, pin, 2-way (black)	XL1200N
18	73190-96	TERMINAL, pin (2)	XL1200N
19	73156-96BK	SOCKET HOUSING, 6-way (module) (1)	XL1200N
	73156-96BK	SOCKET HOUSING, 6-way (turn signal) (2)	XL1200N
20	73191-96	SOCKET TERMINAL, #16-20 gauge (module) (6)	XL1200N
	73191-96	SOCKET TERMINAL, #16-20 gauge (front turn signal) (12)	XL1200N

## TAIL LAMP

## TAIL LAMP



[View interactive image](#)

[View interactive table](#)

INDEX NO.	PART NO.	DESCRIPTION	MODEL(S)
1	3022A	SCREW	XL1200C, XL1200L, XL1200R, XL50, XL883, XL883C, XL883L, XL883R
2	7964	CLIP NUT	XL1200C, XL1200L, XL1200R, XL50, XL883, XL883C, XL883L, XL883R
3	68026-99	SCREW, tail lamp (2)	XL1200C, XL1200L, XL1200R, XL50, XL883, XL883C, XL883L, XL883R
4	68066-99A	BASE ASSEMBLY, chromed	XL1200C, XL1200L, XL1200R, XL50, XL883, XL883C, XL883L, XL883R
5	68140-04	LIGHT ASSEMBLY, tail lamp (Domestic)	XL1200C, XL1200L, XL1200R, XL50, XL883, XL883C, XL883L, XL883R
6	68167-04	BULB, tail lamp, wedge mount	XL1200C, XL1200L, XL1200R, XL50, XL883, XL883C, XL883L, XL883R

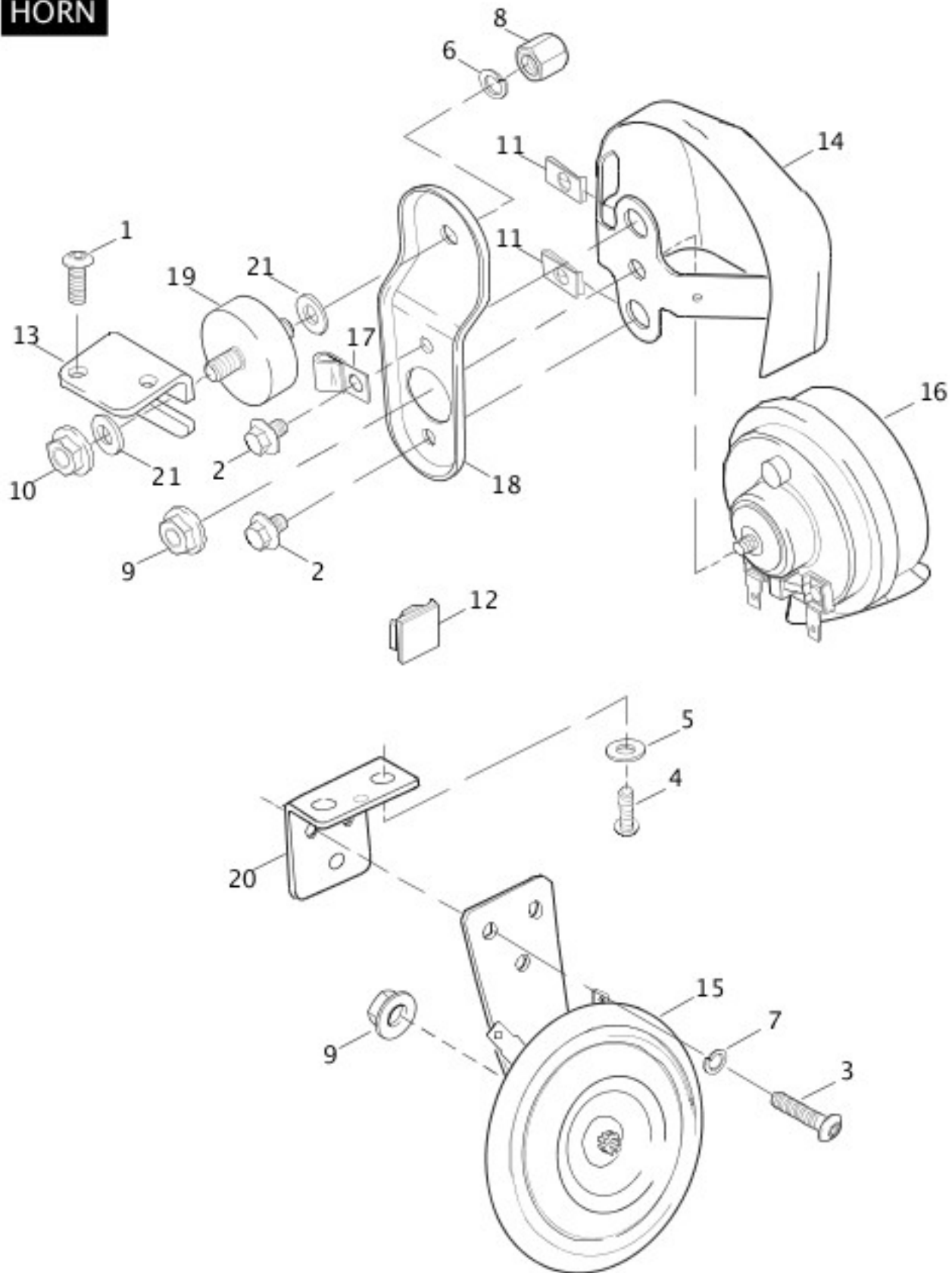
7	68296-99A	BASE TAIL LAMP, chrome	XL1200C, XL1200L, XL1200R, XL50, XL883, XL883C, XL883L, XL883R
8	68369-03	LENS, tail lamp (Domestic)	XL1200C, XL1200L, XL1200R, XL50, XL883, XL883C, XL883L, XL883R
9	68370-03A	BULB SOCKET ASSEMBLY (Domestic)	XL1200C, XL1200L, XL1200R, XL50, XL883, XL883C, XL883L, XL883R
10	68830-99A	CIRCUIT BOARD/COVER ASSEMBLY	XL1200C, XL1200L, XL1200R, XL50, XL883, XL883C, XL883L, XL883R
11	68899-04	HARNESS, rear lighting	XL1200C, XL1200L, XL1200R, XL50, XL883, XL883C, XL883L, XL883R
12	73154-96BK	SOCKET HOUSING, 4-place	XL1200C, XL1200L, XL1200R, XL50, XL883, XL883C, XL883L, XL883R
13	73156-96BK	SOCKET HOUSING, 6-place (2)	XL1200C, XL1200L, XL1200R, XL50, XL883, XL883C, XL883L, XL883R
14	73191-96	SOCKET TERMINAL, 16-20 gauge (as required)	XL1200C, XL1200L, XL1200R, XL50, XL883, XL883C, XL883L, XL883R

**INTERNATIONAL MODELS ONLY**

15	68141-04	LIGHT ASSEMBLY, tail lamp (HDI)	XL1200C, XL1200L, XL1200R, XL50, XL883, XL883C, XL883L, XL883R
16	68372-03	LENS, tail lamp (HDI)	XL1200C, XL1200L, XL1200R, XL50, XL883, XL883C, XL883L, XL883R
17	69187-03A	BULB SOCKET ASSEMBLY (HDI)	XL1200C, XL1200L, XL1200R, XL50, XL883, XL883C, XL883L, XL883R

**HORN**

# HORN



[View interactive image](#)

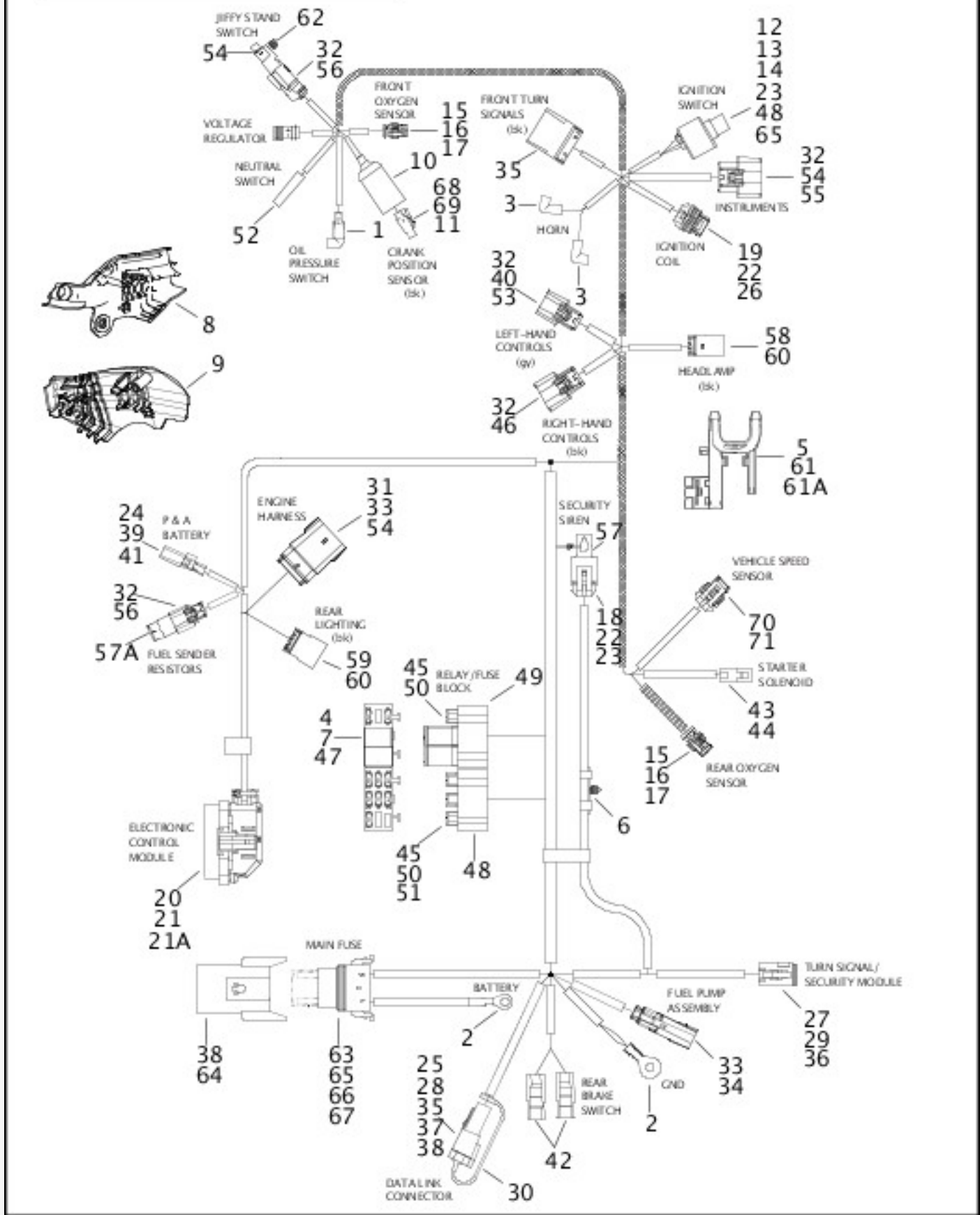
[View interactive table](#)

INDEX NO.	PART NO.	DESCRIPTION	MODEL(S)
1	3026	SCREW (2)	XL1200C, XL50
2	3563	SCREW (2)	XL1200C, XL50
3	3658	SCREW (3)	XL1200L, XL1200N, XL1200R, XL883, XL883C, XL883L,

			XL883R
4	4180	SCREW (2)	XL1200L, XL1200N, XL1200R, XL883, XL883C, XL883L, XL883R
5	6026	WASHER (2)	XL1200L, XL1200N, XL1200R, XL883, XL883C, XL883L, XL883R
6	7041	LOCKWASHER	XL1200C, XL50
7	7069	LOCKWASHER (3)	XL1200L, XL1200N, XL1200R, XL883, XL883C, XL883L, XL883R
8	7481	ACORN NUT	XL1200C, XL50
9	7495	NUT	ALL
10	7531	LOCKNUT	XL1200C, XL50
11	8108	CLIP NUT (2)	XL1200C, XL50
12	10120	CLIP	XL1200L, XL1200N, XL1200R, XL883, XL883C, XL883L, XL883R
13	69049-07	BRACKET, horn	XL1200C, XL50
14	69012-93A	COVER, horn (chrome)	XL1200C, XL50
15	69043-96B	HORN, complete, w/ bracket & 7495	XL1200L, XL1200N, XL1200R, XL883, XL883C, XL883L, XL883R
16	69060-90D	HORN, w/ 7495	XL1200C, XL50
17	69062-91A	CLAMP, horn wire	XL1200C, XL50
18	69120-91	HORN BRACKET	XL1200C, XL50
19	69123-92	RUBBER MOUNT	XL1200C, XL50
20	69135-04	HORN BRACKET	XL1200L, XL1200N, XL1200R, XL883, XL883C, XL883L, XL883R
21	6237	WASHER (2)	XL1200C, XL50

## WIRING HARNESS, MAIN

# WIRING HARNESS, MAIN



[View interactive image](#)

[View interactive table](#)

INDEX NO.	PART NO.	DESCRIPTION	MODEL(S)
	70181-07	WIRING HARNESS, main, w/ ET sensor (After Jan. 31, 2007 use 70181-07)	ALL
	70224-07	WIRING HARNESS, main, w/o ET Sensor (Before Jan. 30, 2007 use 70224-07)	ALL

**NOTE:** Includes the following parts.



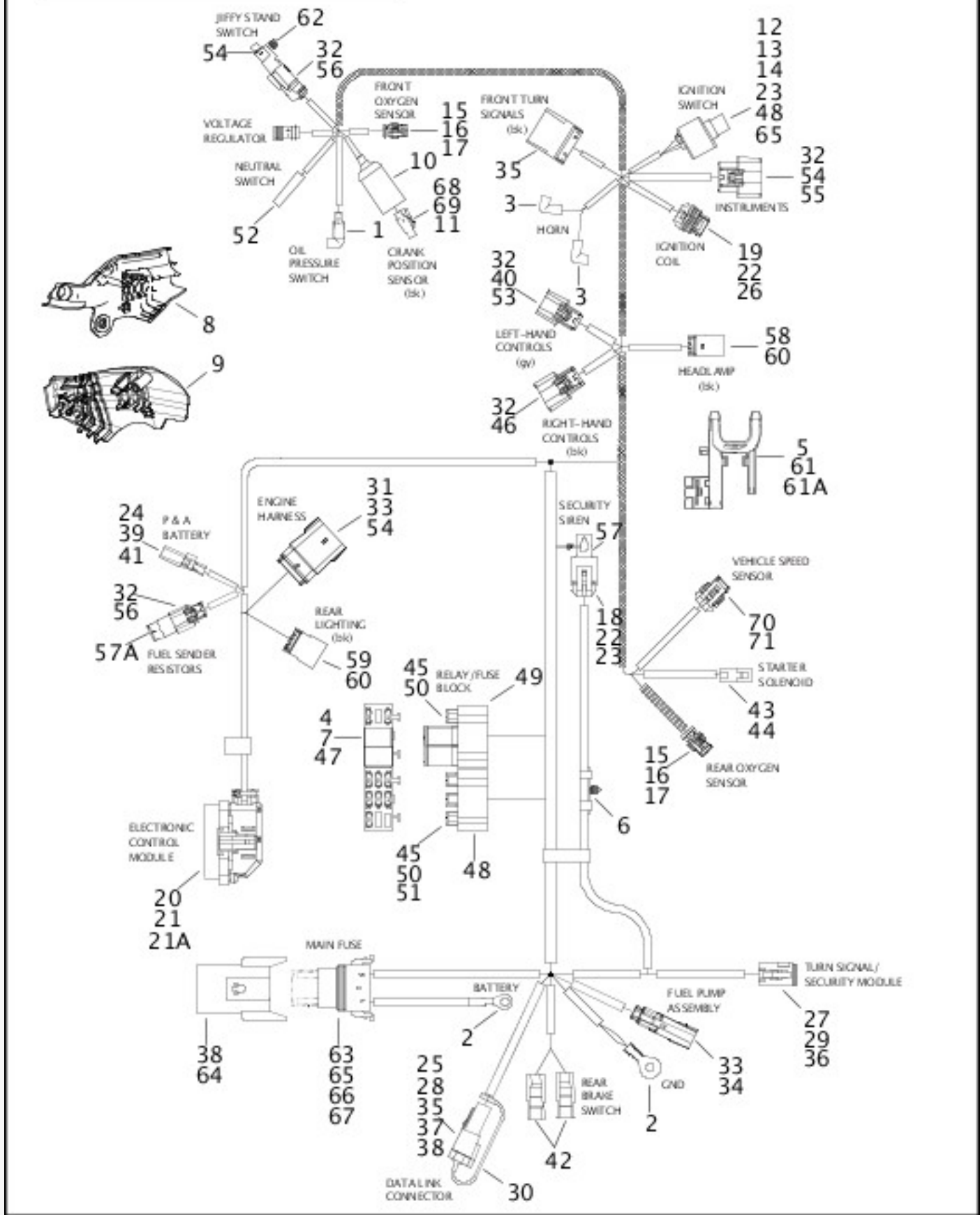
	3123	SCREW, caddy mount (not part of wiring harness) (not illustrated)	ALL
1	72405-98BK	PUSH ON WIRE ASSEMBLY, right angle molded, w/ 60in. wire lead in black	ALL
2	9838	TERMINAL RING, 1/4, 10-12 gauge (2)	ALL
3	9898	TERMINAL FLAG (2)	ALL
4	9937	TERMINAL, female, 14-18 gauge (4)	ALL
5	10065	CABLE STRAP (17)	ALL
6	10279	CABLE STRAP, plug-in	ALL
	11785	CLIP, push in fastener (part of wiring harness) (not illustrated)	ALL
7	31601-04	STARTER RELAY (2)	ALL
	31797-07	BRACKET ASSEMBLY, ignition switch (not illustrated)	ALL
	70640-07	CLIP, caddy (not illustrated)	ALL
8	70642-07	WIRE HARNESS CADDY, right	ALL
	70649-07	WIRE GUIDE (not illustrated)	ALL
9	70466-07A	WIRE HARNESS CADDY, left	ALL
10	70598-99	BOOT, temperature sensor	ALL
11	74191-98	SOCKET TERMINAL (2)	ALL
12	71510-04	HOUSING, IGNITION SWITCH	ALL
13	71550-94	LABEL, ignition switch	ALL
14	71552-94	FACE NUT, ignition switch	ALL
15	72611-07	TERMINAL, socket, 16-20 gauge (4)	ALL
16	72007-05	HOUSING, socket, 2-way (2)	ALL
17	72011-05	WIRE SEAL, 16-20 gauge (yellow) (4)	ALL
18	72064-06	SOCKET HOUSING, 3-way (black) (2)	ALL
19	72066-06	SOCKET HOUSING, 4-way, female (black)	ALL
20	72076-00	TERMINAL, socket (26)	ALL
21	72077-00	SEAL PIN (10)	ALL
21A	72078-00	ECM CONNECTOR KIT	ALL
22	72094-06	TERMINAL, socket, 18 gauge (10)	ALL
23	72096-06	SEAL WIRE, #18-20 AWG. (yellow) (10)	ALL
24	72100-04	HOUSING, 1-way, male (gray)	ALL



25	72124-94GY	SOCKET HOUSING, 4-way (gray)	ALL
26	72135-06	SECONDARY LOCK, 4-way, female (gray)	ALL
27	72139-94GY	SOCKET HOUSING, 12-way, w/ 72179-94 (gray)	ALL
28	72144-94	SECONDARY LOCK, 4-way	ALL
29	72159-94	SECONDARY LOCK, pin, 12-way	ALL
30	72164-94A	WEATHER PLUG, 4-way	ALL
31	72167-07BK	HOUSING, 16-way, pin (black)	ALL
32	72168-07	TERMINAL, socket, 18-20 gauge (22)	ALL
33	72169-07	TERMINAL, pin, 16-20 gauge (17)	ALL
34	72175-07BK	HOUSING, pin, 4-way (black)	ALL
35	72190-94	TERMINAL, pin, 16-18 gauge (3)	ALL
36	72191-94	TERMINAL, socket, 16-18 gauge (12)	ALL
37	72195-94	SEAL PIN	ALL
38	72199-94	CONNECTOR ANCHOR (2)	ALL
39	72260-04	HOUSING, female, 1-way (gray)	ALL
40	72272-07	TERMINAL, socket, 14-16 gauge (6)	ALL
41	72289-04	TERMINAL, female, 10-12 gauge	ALL
42	72290-94	TERMINAL, insulated	ALL
43	72291-94	TERMINAL, female spade, 14-16 gauge	ALL
44	72295-94	TERMINAL HOUSING, 1-way	ALL

## WIRING HARNESS, MAIN (CONTINUED)

# WIRING HARNESS, MAIN



[View interactive image](#)

[View interactive table](#)

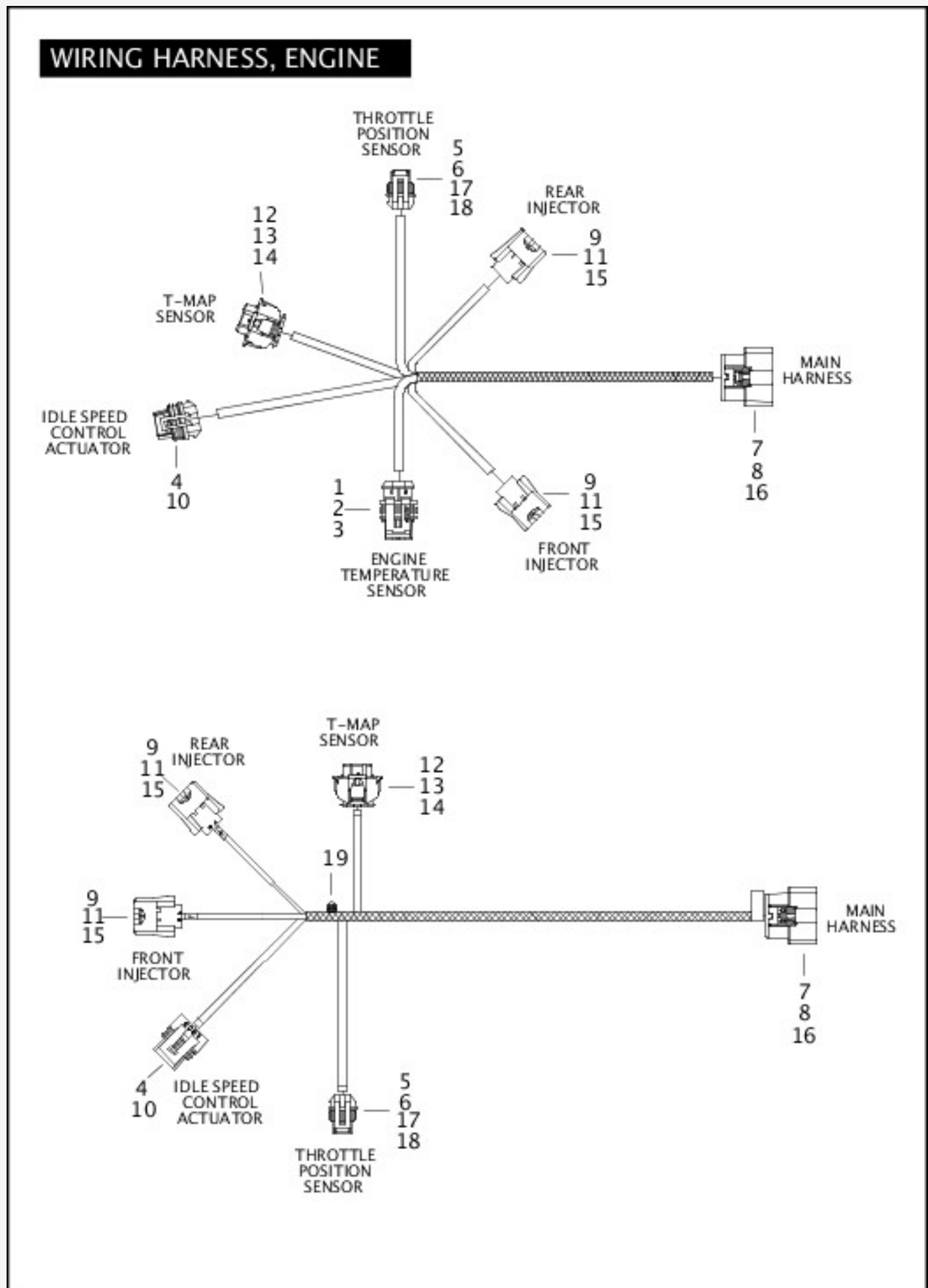
INDEX NO.	PART NO.	DESCRIPTION	MODEL(S)
	70181-07	WIRING HARNESS, main, w/ ET sensor (After Jan. 31, 2007 use 70181-07)	ALL
	70224-07	WIRING HARNESS, main, w/o ET Sensor (Before Jan. 30, 2007 use 70224-07)	ALL

**NOTE:** Includes the following parts.

45	72330-95	FUSE, 15 amp (9)	ALL
46	72414-07BK	HOUSING, socket, 6-way (black)	ALL
47	72427-00	TERMINAL, 16-22 gauge (4)	ALL
48	72430-00	FUSEBLOCK MOUNTING, relay, 9 fuses	ALL
49	72432-00	FUSEBLOCK MOUNTING, relay, 3 fuses	ALL
50	72434-00	TERMINAL, 14-16 gauge (17)	ALL
51	72441-04	TERMINAL, 12-14 gauge	ALL
52	72445-99TN	TERMINAL, female (tan)	ALL
53	72469-07GY	HOUSING, socket, 8-way (gray)	ALL
54	72473-07	SEAL PIN (4)	ALL
55	72487-07BK	HOUSING, socket, 12-way (black)	ALL
56	72512-07BK	HOUSING, socket, 3-way (black) (2)	ALL
57	72516-01	DUSTCAP	ALL
	72544-07	SECONDARY LOCK, 3-way (not illustrated)	ALL
57A	72545-07	RESISTOR ASSEMBLY, fuel sender	ALL
58	73104-96BK	CONNECTOR, 4-way (black)	ALL
59	73106-96BK	CONNECTOR, 6-way (black) (2)	ALL
60	73190-96	TERMINAL, pin, 20-16 gauge (16)	ALL
61	70645-07	FUSEBLOCK, clip	ALL
61A	73210-07	FUSEBLOCK, harness	ALL
62	73213-07	RETAINER (2)	ALL
63	73301-04	HOUSING, 2-way, female	ALL
64	73302-04	COVER, maxi-fuse, fuse block	ALL
65	73303-04	SECONDARY LOCK, 2-way, female	ALL
66	73304-04	TERMINAL, female, 10 gauge (2)	ALL
67	73305-04	SEAL WIRE, 10 gauge (blue) (2)	ALL
68	74112-98BK	SOCKET HOUSING, 2-way (black)	ALL
69	74152-98	SECONDARY LOCK, 2-way	ALL
	74195-98	SEAL PIN (not illustrated)	ALL
70	72033-93	SOCKET, terminal	ALL

71	72312-04	HOUSING, 3-way, female	ALL
----	----------	------------------------	-----

# WIRING HARNESS, ENGINE

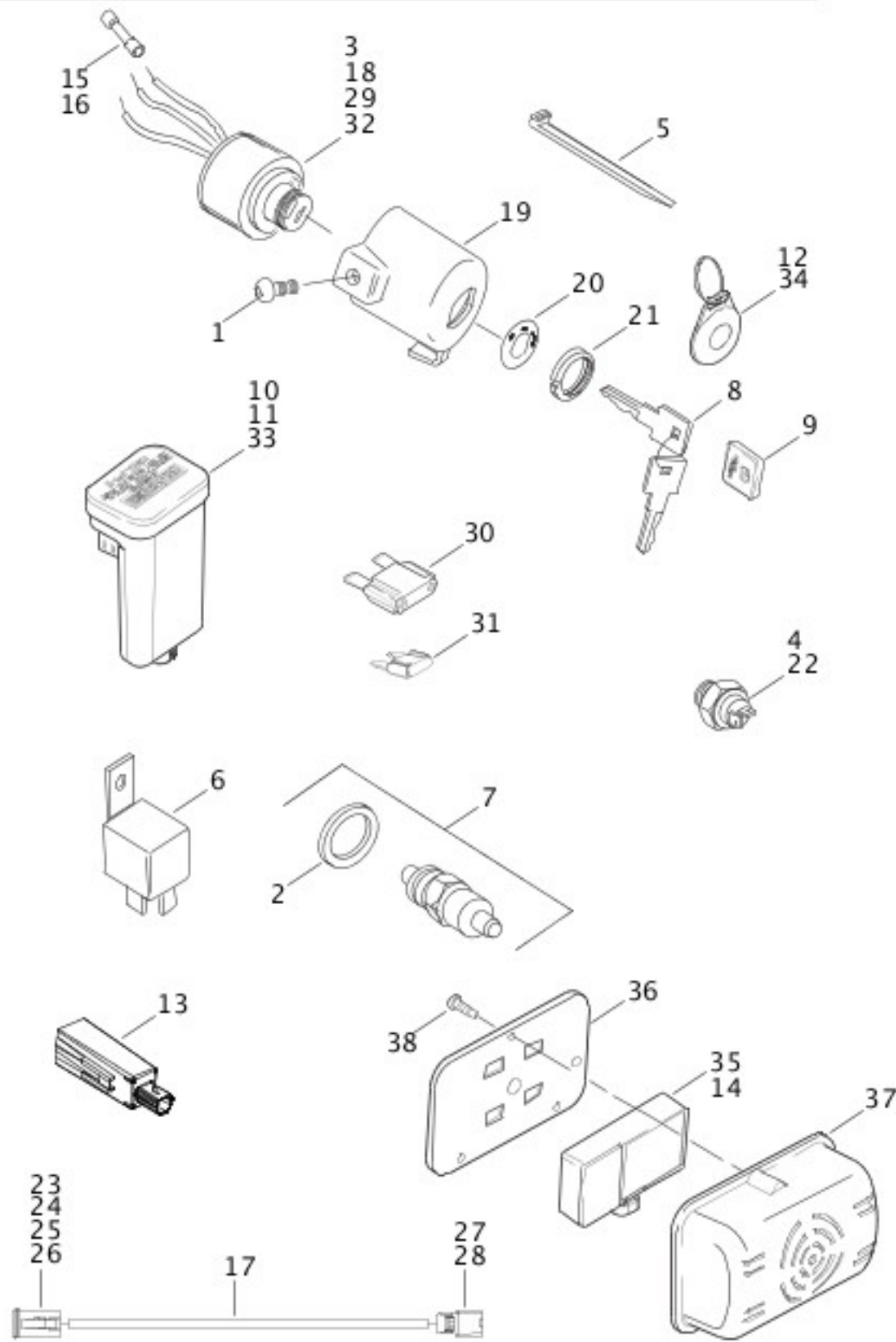


[View interactive image](#)

INDEX NO.	PART NO.	DESCRIPTION	MODEL(S)
	70167-07	WIRING HARNESS, engine (late Jan. 31, 2007 - later)	ALL
	70156-07	WIRING HARNESS, engine (early Jan. 30, 2007 - earlier)	ALL
<b>NOTE: Includes the following parts.</b>			
1	72006-05	SOCKET, terminal, 16-20AWG (2)	ALL
2	72007-05	HOUSING, 2-way socket	ALL
3	72011-05	WIRE SEAL, 16-20 AWG (yellow) (2)	ALL
4	72033-93	TERMINAL, socket (4)	ALL
5	72094-06	TERMINAL, socket, 18 gauge (3)	ALL
6	72096-06	SEAL WIRE, 18-20 gauge (yellow) (3)	ALL
7	72166-07BK	HOUSING, 16-way, socket (black)	ALL
8	72168-07	TERMINAL, socket, 18-20 gauge (15)	ALL
9	72251-07	SECONDARY LOCK, 2-way (2)	ALL
10	72263-95	HOUSING, 4-way, socket (black)	ALL
11	72402-07	HOUSING, 2-way, socket (black) (2)	ALL
12	72406-07	HOUSING, 4-way, socket	ALL
13	72407-07	TERMINAL, socket, 16-20 gauge (4)	ALL
14	72408-07	SEAL WIRE, 16-20 gauge (blue) (4)	ALL
15	72413-07	TERMINAL, socket, 18-20 gauge (4)	ALL
16	72473-07	SEAL PIN	ALL
17	72543-07BK	HOUSING, 3-way, socket (black)	ALL
18	72544-07	SECONDARY LOCK, 3-way	ALL
19	10279	CLIP	ALL

## SWITCHES, SENSORS & ELECTRICAL CONNECTORS

## SWITCHES, SENSORS & ELECTRICAL CONNECTORS



[View interactive image](#)

[View interactive table](#)

INDEX NO.	PART NO.	DESCRIPTION	MODEL(S)
1	3658	SCREW	ALL
2	6288	WASHER	ALL
3	9862	TERMINAL RING (3)	ALL

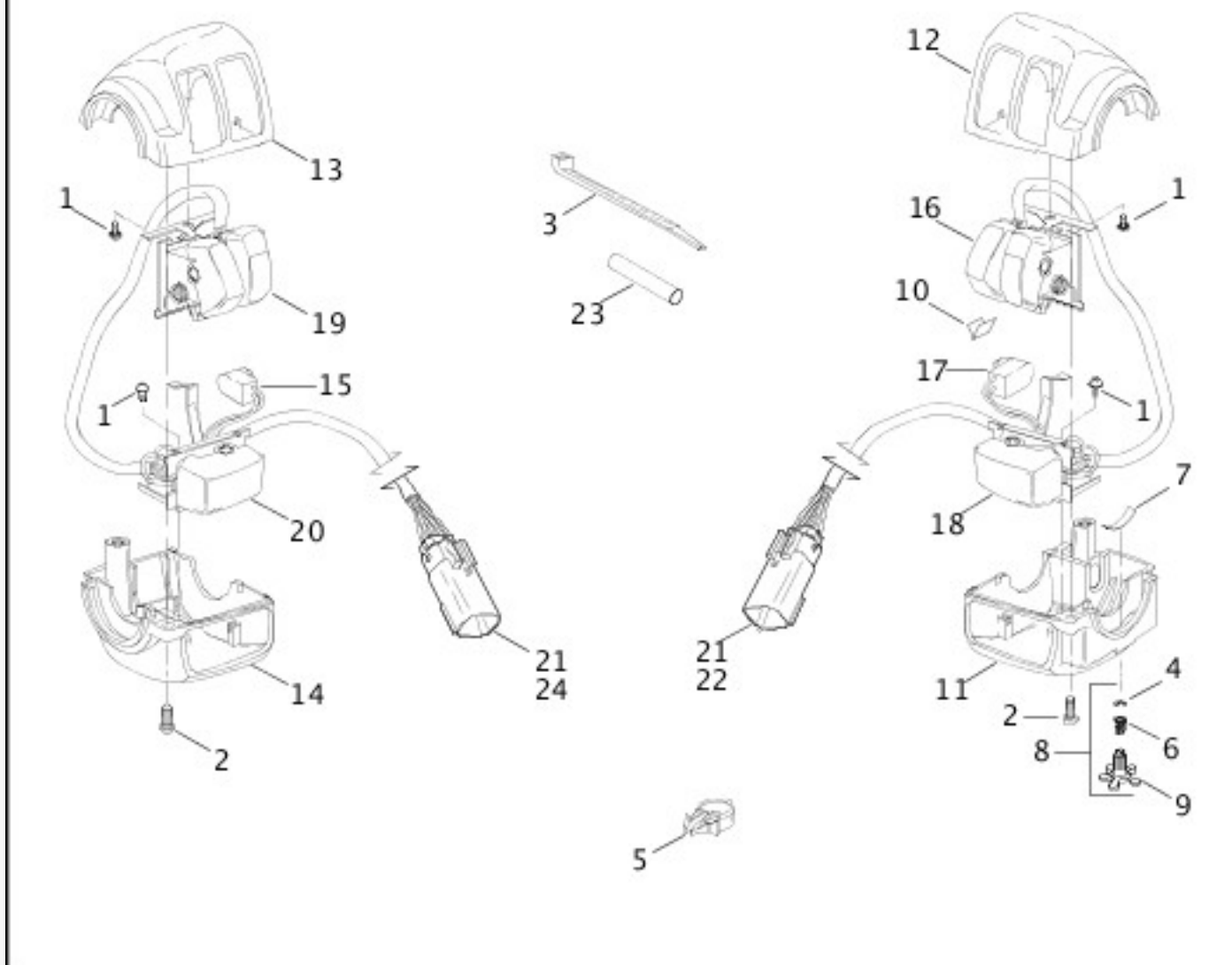
4	9907	TERMINAL FLAG (2)	ALL
5	10039	CABLE STRAP	ALL
6	31601-04	STARTER RELAY (2)	ALL
7	33900-99	SWITCH, neutral indicator, w/ washer	ALL
	48154-05	LOCKSET ASSEMBLY, complete	ALL
8	71451-94A	KEY SET, ignition switch (specify key code)	ALL
9	61459-97	COVER, key head set	ALL
10	68920-07	TURN SIGNAL MODULE, standard	ALL
11	68924-07	MODULE, security system	ALL
12	68926-07	FOB, remote control	ALL
13	68919-07	HOLE PLUG (use when there is no antenna module)	ALL
	68956-07	ANTENNA MODULE, security system	ALL
14	69018-00	BATTERY REPLACEMENT KIT, siren	ALL
	70227-99	JUMPER WIRE ASSEMBLY, neutral switch (not illustrated)	ALL
15	70586-93	CONNECTOR, butt splice (blue) (3)	ALL
16	70587-93	CONNECTOR, butt splice (yellow) (2)	ALL
17	70617-07	HARNESS, security module w/ 23, 24, 25, 26, 27, 28	ALL
18	71441-94	IGNITION SWITCH (specify key code)	ALL
19	71510-04	HOUSING, ignition switch	ALL
20	71550-94	LABEL, ignition switch	ALL
21	71552-	FACE NUT, ignition switch (2)	ALL

	94		
22	72023-51D	STOPLIGHT SWITCH, rear brake, w/ 9907	ALL
23	72134-94GY	HOUSING, 4-way (gray)	ALL
24	72154-94	LOCK, secondary, 4-way	ALL
25	72191-94	TERMINAL, socket, 16-18 gauge (3)	ALL
26	72195-94	PIN	ALL
27	72720-07	HOUSING, socket, 2-way	ALL
28	72721-07	TERMINAL, socket, 18-20 gauge	ALL
29	72268-94	SHRINK TUBE	ALL
30	72318-04	FUSE, 30A	ALL
31	72330-95	FUSE, 15A (6)	ALL
32	48154-05	LOCKSET ASSEMBLY	ALL
<b>INTERNATIONAL MODELS ONLY</b>			
33	68922-07	MODULE, security system (Japan)	XL1200C, XL1200L, XL1200R, XL50, XL883, XL883C, XL883L, XL883R
34	68939-00	FOB, remote control (Japan)	XL1200C, XL1200L, XL1200R, XL50, XL883, XL883C, XL883L, XL883R
35	68958-07	SIREN (HDI)	XL1200C, XL1200L, XL1200R, XL50, XL883, XL883C, XL883L, XL883R
36	66523-06	PLATE, siren mounting bracket (HDI)	XL1200C, XL1200L, XL1200R, XL50, XL883, XL883C, XL883L, XL883R
37	66524-06	COVER, siren (HDI)	XL1200C, XL1200L, XL1200R, XL50, XL883, XL883C, XL883L, XL883R
38	3732	SCREW (HDI) (3)	XL1200C, XL1200L, XL1200R, XL50, XL883, XL883C, XL883L, XL883R

## HANDLEBAR SWITCHES



## HANDLEB AR SWITCHES



[View interactive image](#)

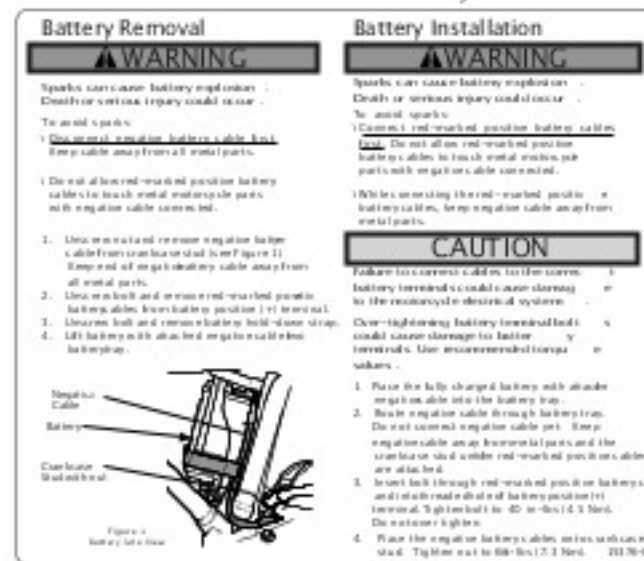
[View interactive table](#)

INDEX NO.	PART NO.	DESCRIPTION	MODEL(S)
1	2955	SCREW (4)	ALL
2	3658	SCREW (4)	ALL
3	10181	CABLE STRAP (as required)	ALL
4	11155	RETAINING RING	ALL
5	70345-84	RETAINER, wiring harness (4)	ALL
6	56394-74	SPRING, throttle adjusting screw	ALL
7	56396-74A	FRICTION SPRING, throttle adjusting	ALL
8	56397-74C	KIT, throttle adjusting screw, w/ 11155, 56394-74, & 56402-83A	ALL
9	56402-83A	ADJUSTING SCREW	ALL
10	71509-00	CLIP	ALL

11	71563-96	HOUSING, lower right	ALL
12	71564-96	HOUSING, upper right	ALL
13	71567-96	HOUSING, upper left	ALL
14	71568-96A	HOUSING, lower left	ALL
15	71584-96A	SWITCH, clutch, w/ 10181 & 72266-94	ALL
16	71589-96B	SWITCH ASSEMBLY, engine stop & start, w/ 10181 & 72266-94	ALL
17	71590-96A	STOPLIGHT SWITCH	ALL
18	71591-00	SWITCH ASSEMBLY, right directional, w/ 10181 & 72266-94	ALL
19	71597-96B	SWITCH ASSEMBLY, dimmer & horn, w/ 10181 & 72266-94	ALL
20	71598-00	SWITCH ASSEMBLY, left directional, w/ 10181 & 72266-94	ALL
21	72169-07	TERMINAL, pin, #16-20 AWG (14)	ALL
22	72188-07BK	HOUSING, 6-way pin (black)	ALL
23	72266-94	SHRINK TUBE (as required)	ALL
24	72447-07GY	HOUSING, 8-way pin (gray)	ALL

## LABELS

# LABELS



[View interactive image](#)

[View interactive table](#)

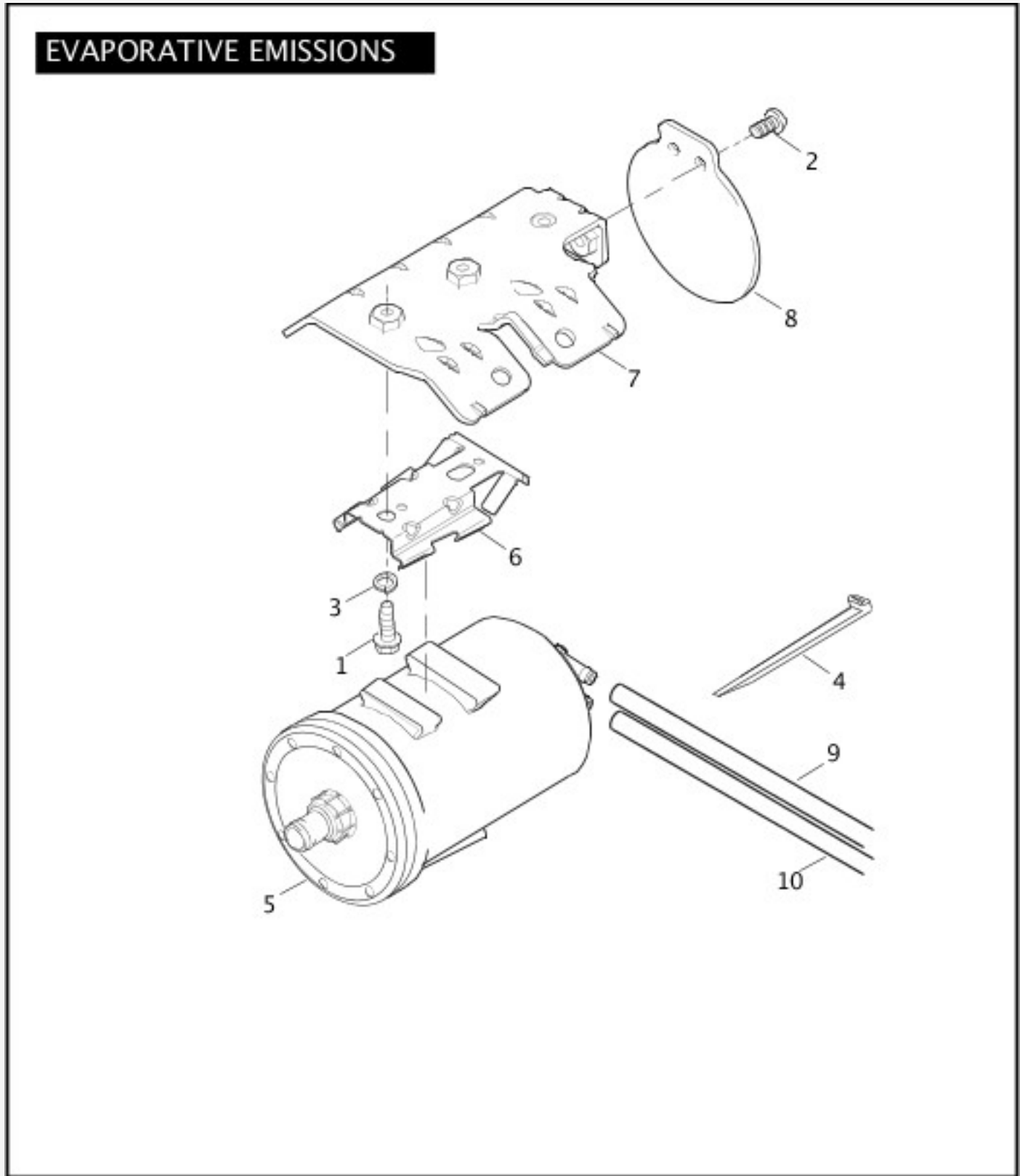
INDEX NO.	PART NO.	DESCRIPTION	MODEL(S)
1	13571-07	LABEL, fuse block	ALL
2	15368-01A	LABEL, battery warning	ALL
3	15370-01A	LABEL, mirror warning	ALL
4	15376-06	LABEL, battery removal	ALL
5	29127-95B	LABEL, general warning, air cleaner	XL1200C, XL1200L, XL1200R, XL50, XL883, XL883C, XL883L

	29404-01A	LABEL, general warning, air cleaner	XL1200N, XL883R
--	-----------	-------------------------------------	-----------------

**INTERNATIONAL MODELS ONLY**

6	14270-92	LABEL, shift label (Japan)	ALL
---	----------	----------------------------	-----

**CALIFORNIA EVAPORATIVE EMISSIONS**



[View interactive image](#)

[View interactive table](#)

INDEX NO.	PART NO.	DESCRIPTION	MODEL(S)
-----------	----------	-------------	----------

**NOTE:** These parts are required for motorcycles sold in the state of California.

1	3767B	BOLT (2)	ALL
2	4363	SCREW (2)	ALL
3	6099	WASHER (2)	ALL
4	10006	CABLE STRAP	ALL
5	27042-84A	CANNISTER	ALL
6	27047-84B	BRACKET, canister mounting	ALL
7	28908-04	BRACKET, canister	ALL
8	28909-04	GUARD, canister	ALL
9	28822-07	HOSE, canister-to-manifold	ALL
10	28911-04	HOSE, canister-to-vapor valve	ALL

## Hardware List

[View interactive table](#)

PART NO.	DESCRIPTION
1039	SCREW 5/16-18 X 2-1/2 hex flange head (Grade 8)
1048	SCREW 5/16-18 X 1-1/2 hex flange head
1091	SCREW 10-24 X 9.5 SEMS socket head
2325	SCREW No. 6 X 3/4 cross recess pan head, self-tapping
2361	SCREW No. 8-32 X 3/8 socket countersink head, with lockpatch
2441	SCREW No. 10-24 X 1/2 TORX pan head
2460	SCREW 5/16-18 X 1/2 socket countersink head
2501A	SCREW No. 8-32 X 3/8 hex head, self-tapping
2535	SCREW 5/16-18 X 1 socket head
2548	SCREW No.8-32 X 3/4 socket head, with lockpatch
2586A	SCREW M4 X 0.7 X 12 flat head
2607	SCREW 1/4-20 X 3/4 Pozidriv pan head (Grade 2)
2708A	SCREW 5/16-18 X 1 socket head
2773	SCREW 1/4-20 X 1/2 Pozidriv pan head (Grade 2)
2952A	SCREW 1/4-20 X 1/2 SEMS truss head
2955	SCREW No. 6-32 X 1/4 Phillips pan head, with lockwasher

3022A	SCREW 1/4-20 X 5/8 socket fillister head, with lockpatch
3026	SCREW No. 10-32 X 1/2 socket button head
3029	SCREW No. 10-24 X 1 TORX head, with adhesive
3123	SCREW 10-14 X 1.0 torx pan head
3124	SCREW 10-24 X 1/2 torx pan head with lock patch
31689-90	BOLT M4 X 0.7 X 12 hex head
3201WA	SCREW 5/16-18 X 1-1/4 knurled head
3210A	SCREW 5/16-18 X 1-1/4 knurled head
3244	SCREW M8 X 1.25 X 12
3403	LOCKNUT M8-1.25 X 12mm flange (zinc)
3480A	SCREW 1/4-20 X 1-3/4 knurled head (Grade 8)
3514	SCREW No. 8-32 X 1 fillister head (Grade 5)
3563	SCREW 1/4-20 X 3/8 hex flange head (Grade 5)
3574	SCREW 1/4-20 X 3/4 flange
3579A	SCREW 1/4-28 X 1/4 SEMS hex head, self-tapping (Grade 2)
3588	SCREW 1/4-20 X 1/2 hex flange head
3594	SCREW 1/4-20 X 5/8 knurled head (Grade 8)
3605	BOLT 1/2-13 X 2-1/2 hex head (Grade 5)
3615	SCREW No. 8-32 X 1, pan head, thread-cutting
3655A	SCREW 5/16-18 X 7/8 TORX pan head, with lockpatch (Grade 8)
3658	SCREW No. 10-24 X 1/2 TORX head (Grade 5)
3666A	SCREW No. 10-24 X 1.500 TORX recessed head, with washer
3732	SCREW 3/16-16 X 5/8 TORX pan head
3767B	BOLT 1/4-20 X 5/8 hex head (Grade 5)
3799	SCREW 1/4-20 X 3/4 flange head
3814	SCREW 7/16-14 X 1-3/4 hex head, with washer (Grade 8)
3849	SCREW 1/4-20 X 1-1/4 SEMS hex head (Grade 8)
3854	SCREW 7/16-14 X 1, hex head (Grade 8)
3880	SCREW 1/2-13 X 2-1/4 TORX recessed button head
3899	SCREW 7/16-14 X 1-3/4 hex head, with lockpatch
3976	SCREW 1/4-20 X 1 hex flange head (Grade 5)

3987	BOLT 5/16-18 X 3/4 hex head (Grade 5)
3997A	BOLT 1/4-20 X 1-1/4 socket head, with sealant (zinc)
4016	SCREW 5/16-18 X 1.0 socket button head
4017	BOLT 5/16-18 X 1 hex head (Grade 5)
4029A	SCREW 3/8-16 X 2-1/4 socket head (black)
4032A	SCREW 3/8-16 X 2-1/2 socket head
40582-05	WASHER 0.815 X 1.67 X 0.125
4076	SCREW 3/8-16 X 1/2 socket head
4091	SCREW No. 10-24 X 1/2 hex head, with washer, self-tapping (zinc)
4104	SCREW No. 10-24 X 1/2 hex head, with washer
4132	SCREW 1/4-20 X 1-1/8 TORX button head (Grade 5) (black)
4180	SCREW 3/8-16 X 1-1/2 TORX button head
4188	SCREW 3/8-16 X 1-1/4 TORX button head
4266A	SCREW 3/8-16 X 7/8 button head (Grade 5)
4269	SCREW 5/16-18 X 3/4, flange head
4290	SCREW 3/8-16 X 1-1/4, TORX button head (Grade 5)
4312B	SCREW M6 X 1.0 X 14mm, SEMS flange head (stainless)
4326A	SCREW 5/16-18 X 2 socket head
4329	SCREW 1/4-20 X 3/4 hex head with washer, self-tapping
4350A	SCREW 3/8-16 X 1-1/2 socket head
4351	SCREW 3/8-16 X 1-1/2 TORX head, self-tapping (Grade 8)
4352	SCREW 3/8-16 X 1-1/2 TORX, self-tapping (Grade 8)
4354	SCREW 1/2-20 X 2-1/2, TORX button head
43567-92	SCREW 3/8-16 X 1 TORX pan head, with lockpatch
4359	SCREW 5/16-18 X 7/8 socket button head
4363	SCREW 1/4-20 X 1/2 socket button head
4420	SCREW 3/8-16 X 2.75 hex head (Grade 5)
4453	BOLT 1/4-20 X 7/8 hex head SPECIAL WITH TAPPED HOLE
4460	BOLT 5/8-18 X 1 hex head (Grade 5)
4535M	SCREW M6 X 1 x 25 TORX button head

4717A	SCREW 1/4-20 X 2-1/4 knurled head, with lockpatch
4718A	SCREW 1/4-20 X 1-1/2 knurled head, with lockpatch
4740A	SCREW 1/4-20 X 1-1/4 knurled head, with lockpatch (Grade 8)
4741A	SCREW 1/4-20 X 1 socket head, with lockpatch
4748	SCREW 3/8-16 X 1-1/8 socket head (Grade 8)
4751	SCREW 1/4-20 X 3/4 hex head, with lockpatch (Grade 8) (zinc)
4758A	SCREW 5/16-18 X 3.48 socket head (Grade 8)
4765	SCREW 1/4-20 X 2-5/8 SEMS socket head, with lockpatch (Grade 8) (zinc)
4771	SCREW 5/16-18 X 4-1/4 socket head (Grade 5)
4778	SCREW 5/16-18 X 1-3/8 TORX button head
4779	SCREW 5/16-18 X 1-3/4 TORX button head
4798	SCREW 1/4-20 X 5/8
4816A	SCREW 5/16-18 X 1-1/2 socket head
4820A	SCREW 1/4-20 X 2 socket head
5403B	BOLT 1/4-20 X 3/8 carriage
5414	BOLT 3/8-16 X 7/8 carriage (Grade 5)
54321-85	NUT No. 8-32 X 1/2 X 1/8 (brass)
6003	WASHER 1-3/16 X 1-3/8 X 11/16
6026	WASHER 3/8 X 7/8 X 7/64
6099	WASHER 1/4 X 7/16 X 1/16
6101	WASHER 17/64 X 27/64 X 1/16
6109	WASHER 5/16 X 11/16 X 1/8
6152	SPACER 13/32 X 1.0 X 5/16
6157	WASHER 27/64 X 5/8 X 1/64 heat treated
6192	WASHER No. 8 X 7/16 X 3/64
6237	WASHER 5/16 X 1-1/8 X 5/64
6288	WASHER 17/32 X 25/32 X 1/32
6302	WASHER 5/16 X 11/16 X 19/32
6516HW	WASHER 7/16 X 1-1/8 X 1/8
6590HW	WASHER 1/2 X 1-1/8 X 3/32
6655	WASHER 5/8 X 1-1/2 X 7/64



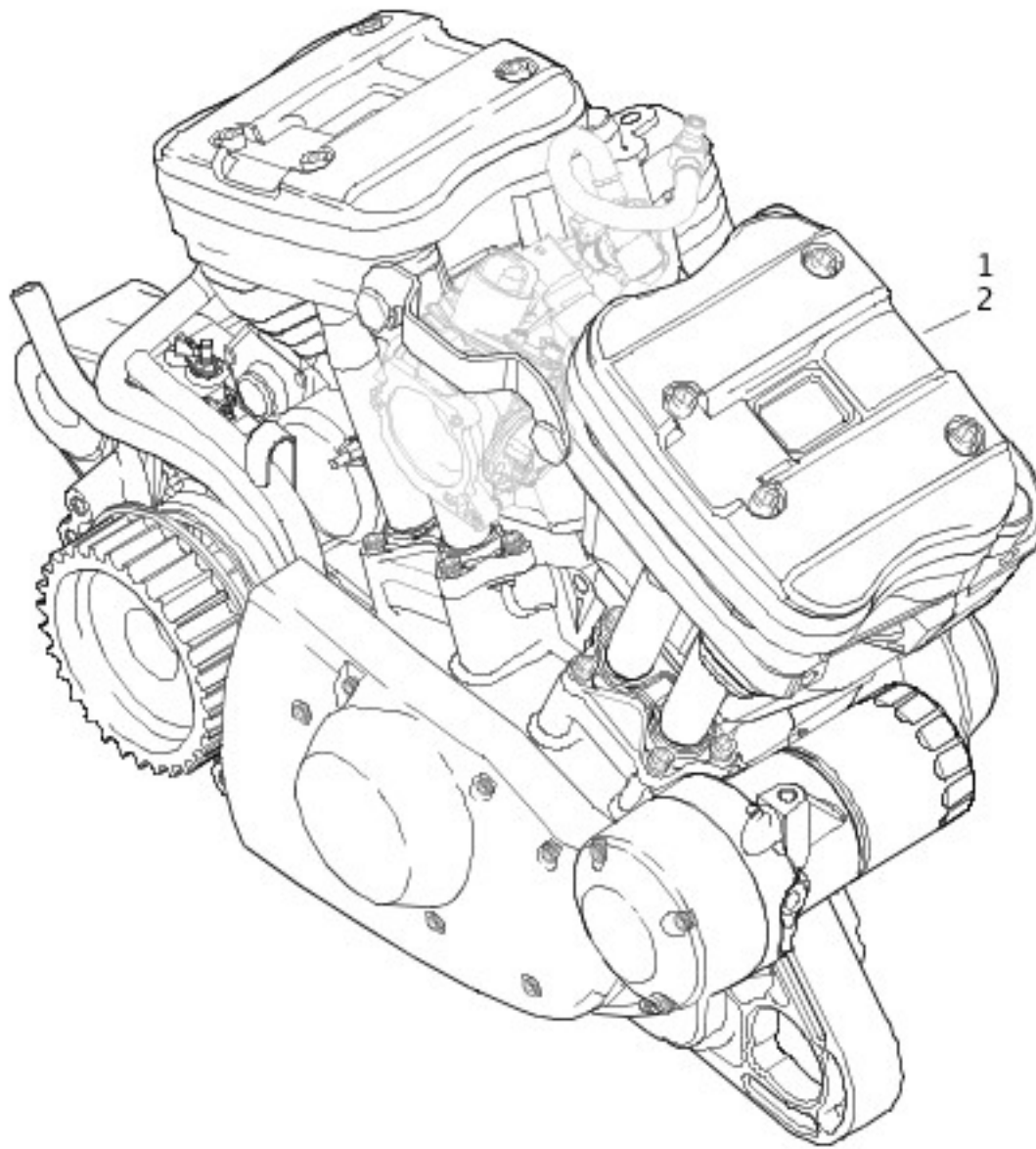
6701	WASHER 3/8 X 13/16 X 1/16
6702	WASHER 5/16 X 11/16 X 1/16
6703	WASHER 1/4 X 5/8 X 1/16
6718	WASHER 1/2 X 1-1/16 X 3/32
6738	WASHER 17/32 X 7/8 X 7/64
6787	WASHER 7/16 X 13/16 X 5/64 flat
6798	WASHER 5/16 X 1/2 X 1/32
68026-99	SCREW No. 8-32 X 1 Phillips pan head (stainless)
7019	WASHER 1/2 X 3/4 X 1/4 rubber
7038	LOCKWASHER 3/8
7039	LOCKWASHER 7/16
7041	LOCKWASHER 5/16
7045	LOCKWASHER 3/8 high collar
7068	LOCKWASHER 1/2
7069	LOCKWASHER No. 10
7127	LOCKWASHER 5/16 internal tooth
7220	LOCKWASHER No. 10 external tooth
7477	NUT M8 X 1.25
7481	ACORN NUT 5/16-18 X 5/8 X 1/2
7495	NUT M6 flange
7531	LOCKNUT 5/16-18 X 9/32 X 1/2 flange
7593	NUT 5/16-24 flange
7606	LOCKNUT No. 8-32 X 1/4 X 1/4 hex (chrome)
7624	LOCKNUT No. 10-24 X 1/4 X 3/8
7720	ACORN NUT 5/16-24 (chrome)
7727	LOCKNUT 5/16-24 X 1/4 X 1/2
7766	LOCKNUT 5/16-18 flange
7770	NUT 1/4-20 keps flat washer
7778	LOCKNUT 3/8-16 X 7/16 X 9/16
7783	NUT 3/8-16 X 5/16 X 9/16 (Grade 2)

7792	NUT 1/4-20 X 1/4 (Grade 2)
7804	LOCKNUT 1/2-13 X 15/32 X 7/8 self-sealing
7824	LOCKNUT 1/2-20 X 1/4 (Grade 2)
7839	NUT 3/4-16 X 21/32 flange (Grade 2)
7862	ACORN NUT 3/8-16 (chrome)
7880	NUT 1/2-13 X 7/16 X 3/4 (Grade 2)
7916A	JAMNUT 5/8-18
7956	NUT 1/2-20 X 1/2 X 3/4
8039	NUT 3/4-16 flange (Grade 5)
835	SCREW 5/16-18 X 3 flange head, with lockpatch
8679	SCREW No. 8-32 X 7/16, TORX button head
882	SCREW 1/4-20 X 7/8 knurled head, with washer (Grade 8)
8973	WASHER 1-1/4 X 1-53/64 X 9/64
928	BOLT M5 X 0.8 X 35.2 hex head
929A	SCREW M4 X 0.7 X 11.8 flange head
940	SCREW 1/4-20 X 3/4 TORX button head
943	SCREW 1/4-20 X 5/8 socket button head
946	SCREW 1/4-20 X 2-1/4 socket button head, with lockpatch (Grade 8)
995	SCREW 5/16-18 X 5/8 TORX button head
997	SCREW 5/16-18 X 1 TORX button head

New Parts List

## **ENGINE ASSEMBLY**

## ENGINE ASSEMBLY

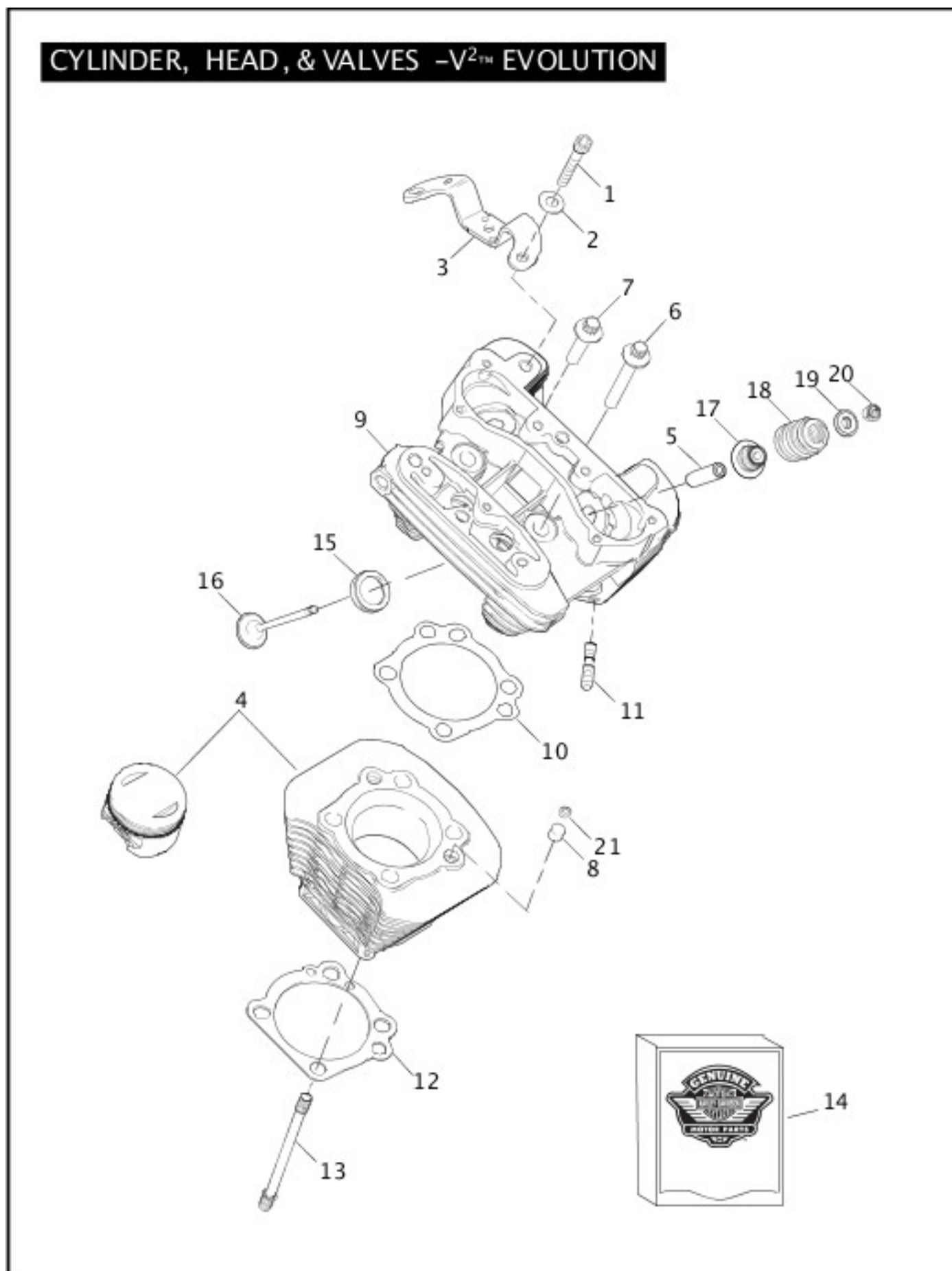


[View interactive table](#)

INDEX NO.	PART NO.	DESCRIPTION	MODEL(S)
1	19518-07	ENGINE ASSEMBLY (883cc) (World)	XL883
	19519-07	ENGINE ASSEMBLY (883cc) (World)	XL883R
	19527-07	ENGINE ASSEMBLY (1200cc) (50 State)	XL1200C, XL50
	19528-07	ENGINE ASSEMBLY (1200cc) (50 State)	XL1200R
	19566-07	ENGINE ASSEMBLY (883cc) (World)	XL883L
	19567-07	ENGINE ASSEMBLY (883cc) (World)	XL883C
	19622-07	ENGINE ASSEMBLY (1200cc) (World)	XL1200L
	19637-07	ENGINE ASSEMBLY (1200cc)	XL1200N

2	19606-07	ENGINE ASSEMBLY (1200cc) (HDI)	XL1200C, XL50
	19607-07	ENGINE ASSEMBLY (1200cc) (HDI)	XL1200R

## CYLINDER, HEAD, & VALVES - V2™ EVOLUTION



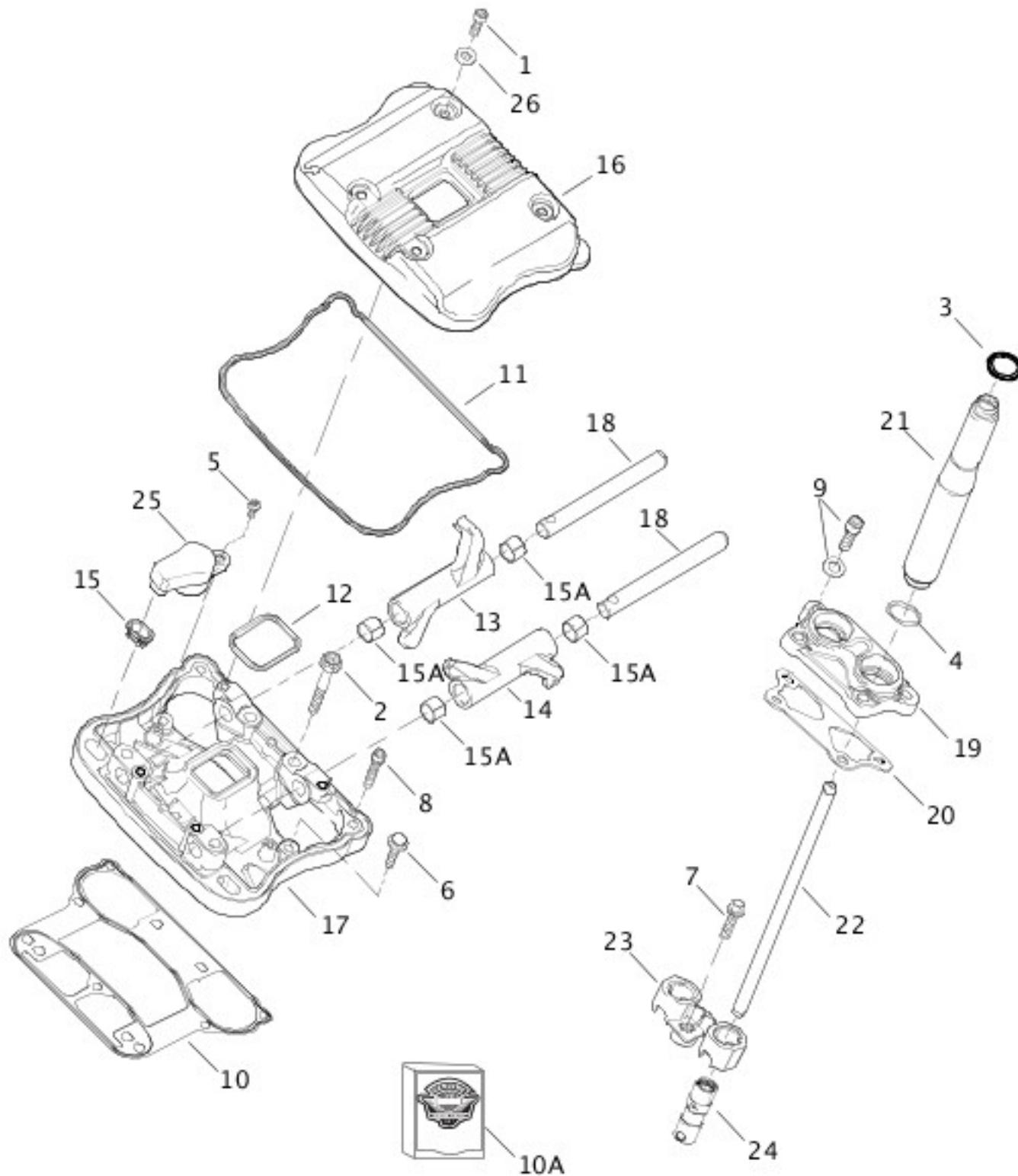
[View interactive table](#)

INDEX NO.	PART NO.	DESCRIPTION	MODEL(S)
4	16443-	CYLINDER, w/ piston (883 cc) (silver) (2)	XL883, XL883C, XL883L

	04		
	16452-05	CYLINDER, w/ piston (883 cc) (black) (2)	XL883R
	17496-07	CYLINDER, w/ piston (1200 cc) (gray) (2)	XL1200N
9	16660-07	HEAD, rear cylinder (883 cc) (silver), w/ valve guides & seats	XL883, XL883C, XL883L
	16661-07	HEAD, front cylinder (883 cc) (silver), w/ valve guides & seats	XL883, XL883C, XL883L
	16666-07	HEAD, rear cylinder (1200 cc) (black), w/ valve guides & seats	XL1200C, XL1200L, XL1200R, XL50
	16667-07	HEAD, front cylinder (1200 cc) (black), w/ valve guides & seats	XL1200C, XL1200L, XL1200R, XL50
	16865-07	HEAD, rear cylinder (883 cc) (black), w/ valve guides & seats	XL883R
	16867-07	HEAD, front cylinder (883 cc) (black), w/ valve guides & seats	XL883R
	17488-07	HEAD, rear cylinder (1200 cc) (black w/o fin highlights), w/ valve guides & seats	XL1200N
	17485-07	HEAD, front cylinder (1200 cc) (black w/o fin highlights), w/ valve guides & seats	XL1200N
14	17027-04B	GASKET KIT, engine overhaul	ALL
	17049-04A	GASKET KIT, top overhaul	ALL
	18020-07	INSERT, intake valve seat (2)	XL1200C, XL1200L, XL1200N, XL1200R, XL50
17	18094-02A	SEAL, valve (4)	ALL

## **ROCKER ARMS, COVERS, & PUSH RODS - V2™**

# ROCKER ARMS, COVERS, & PUSH RODS -V<sup>2</sup><sup>TM</sup>

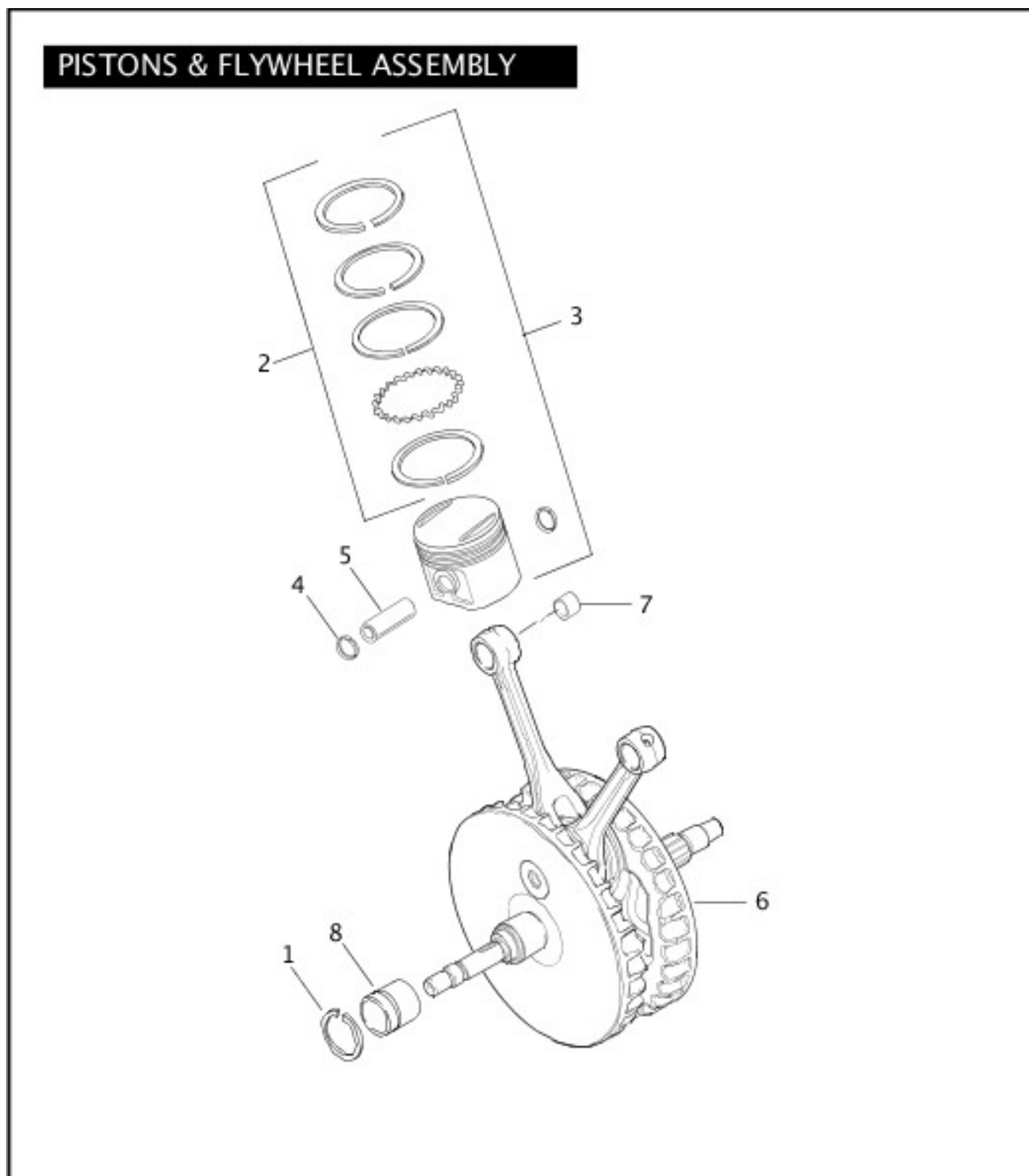


[View interactive table](#)

INDEX NO.	PART NO.	DESCRIPTION	MODEL(S)
10	16800-84A	GASKET, rocker box (2)	ALL
11	17362-07	GASKET, rocker cover - lower (2)	ALL
12	17695-07	GASKET, rocker cover - inner (2)	ALL
15	17393-07	SEAL, breather	ALL
15A	17428-57	BUSHING, rocker arm (4)	ALL
17	17532-07	ROCKER COVER, inner (polished) (2)	XL1200N, XL883, XL883C, XL883L

	17537-07	ROCKER COVER, inner (chrome) (2)	XL1200C, XL1200L, XL50
	17614-07	ROCKER COVER, inner (silver) (2)	XL883R
	17645-07	ROCKER COVER, inner (black) (2)	XL1200R
25	26012-07	BREATHER, front	ALL
	26020-07	BREATHER, rear	ALL
	26856-89A	VALVE, umbrella-check, breather (not illustrated)	ALL

## PISTONS & FLYWHEEL ASSEMBLY



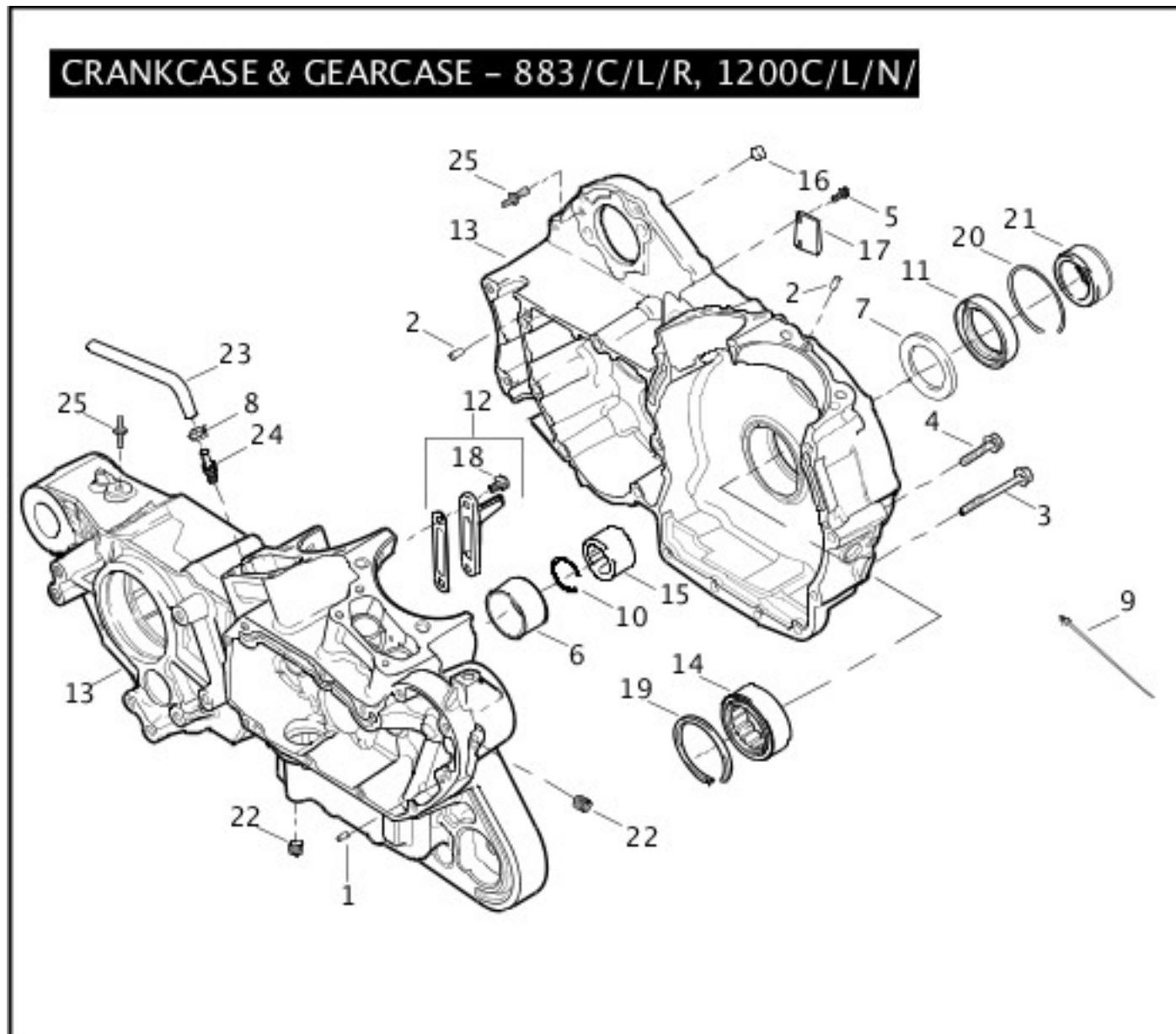
[View interactive table](#)

INDEX NO.	PART NO.	DESCRIPTION	MODEL(S)



3	22221-04	PISTON & RINGS ASSEMBLY, standard (2)	XL883, XL883C, XL883L, XL883R
	22224-04	PISTON & RINGS ASSEMBLY, 0.005 O.S. (2)	XL883, XL883C, XL883L, XL883R
	22228-04	PISTON & RINGS ASSEMBLY, 0.010 O.S. (2)	XL883, XL883C, XL883L, XL883R

## CRANKCASE & GEARCASE



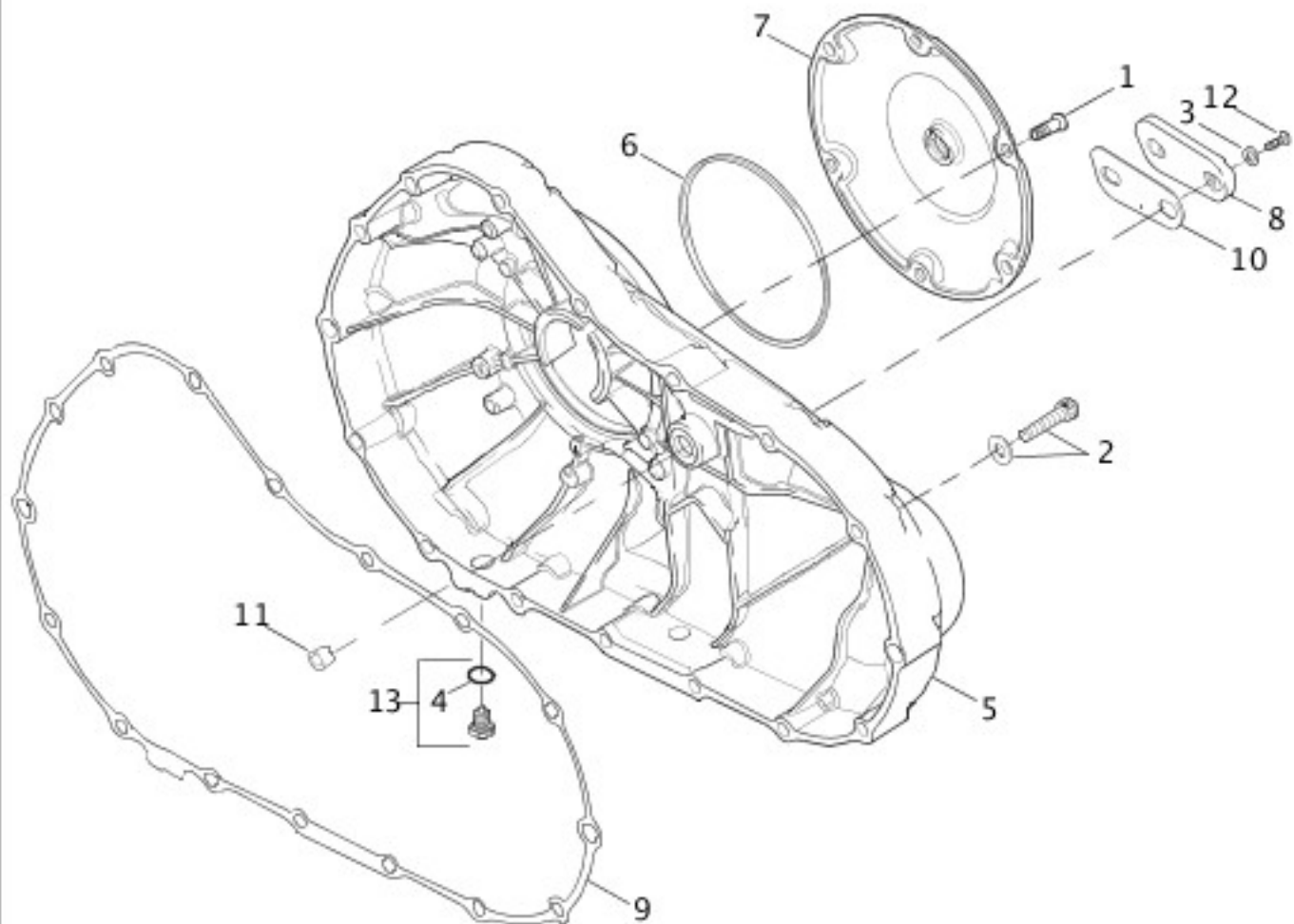
[View interactive table](#)

INDEX NO.	PART NO.	DESCRIPTION	MODEL(S)
	24745-07	CRANKCASE SET, w/ bearings (gray)	XL1200N

## INSPECTION COVER & PRIMARY COVER



## INSPECTION COVER & PRIMARY COVER

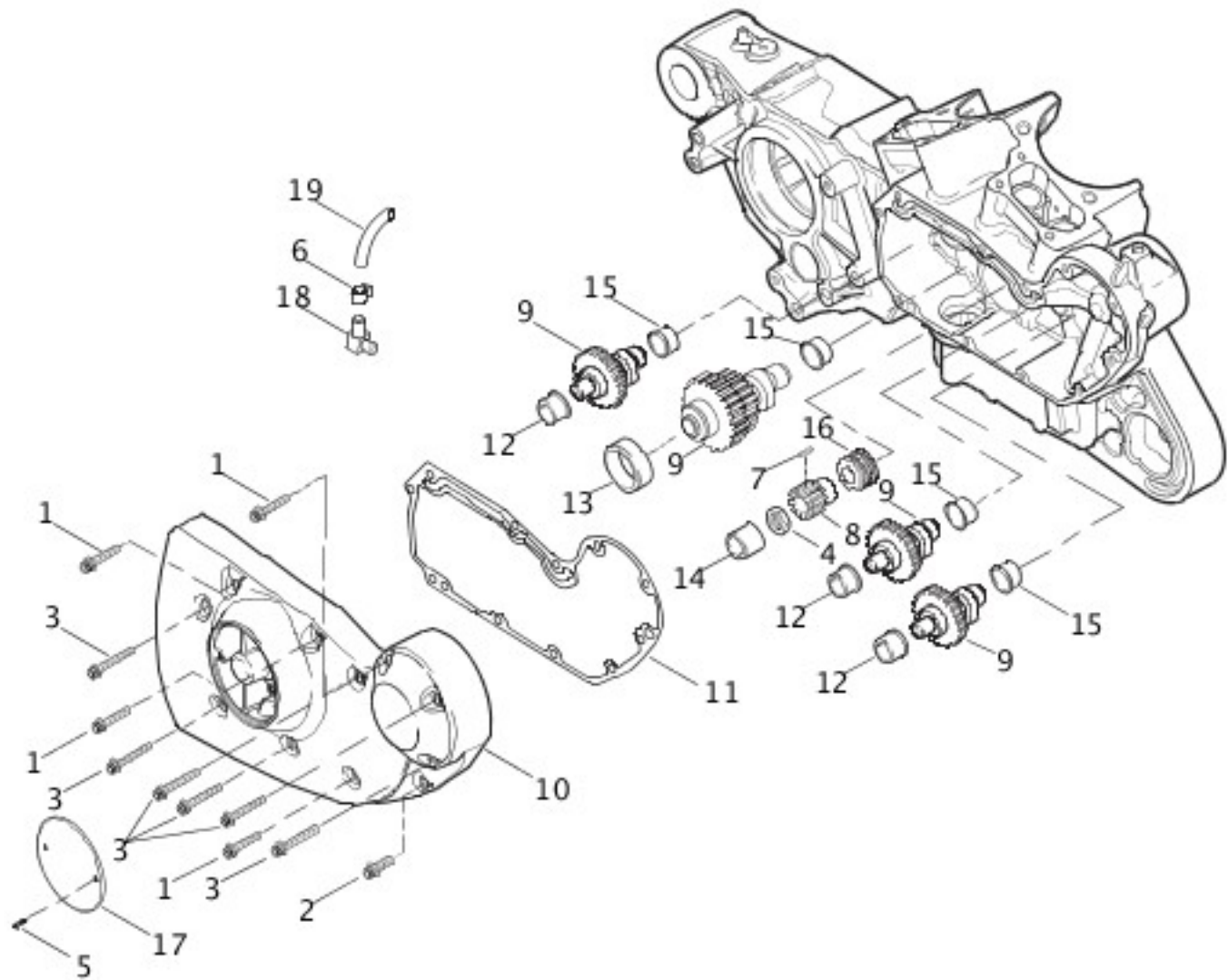


[View interactive table](#)

INDEX NO.	PART NO.	DESCRIPTION	MODEL(S)
	60830-07	PRIMARY COVER (gray) w/ 40574-06	XL1200N

## [CAMSHAFTS & GEAR COVER](#)

## CAMSHAFTS & GEAR COVER

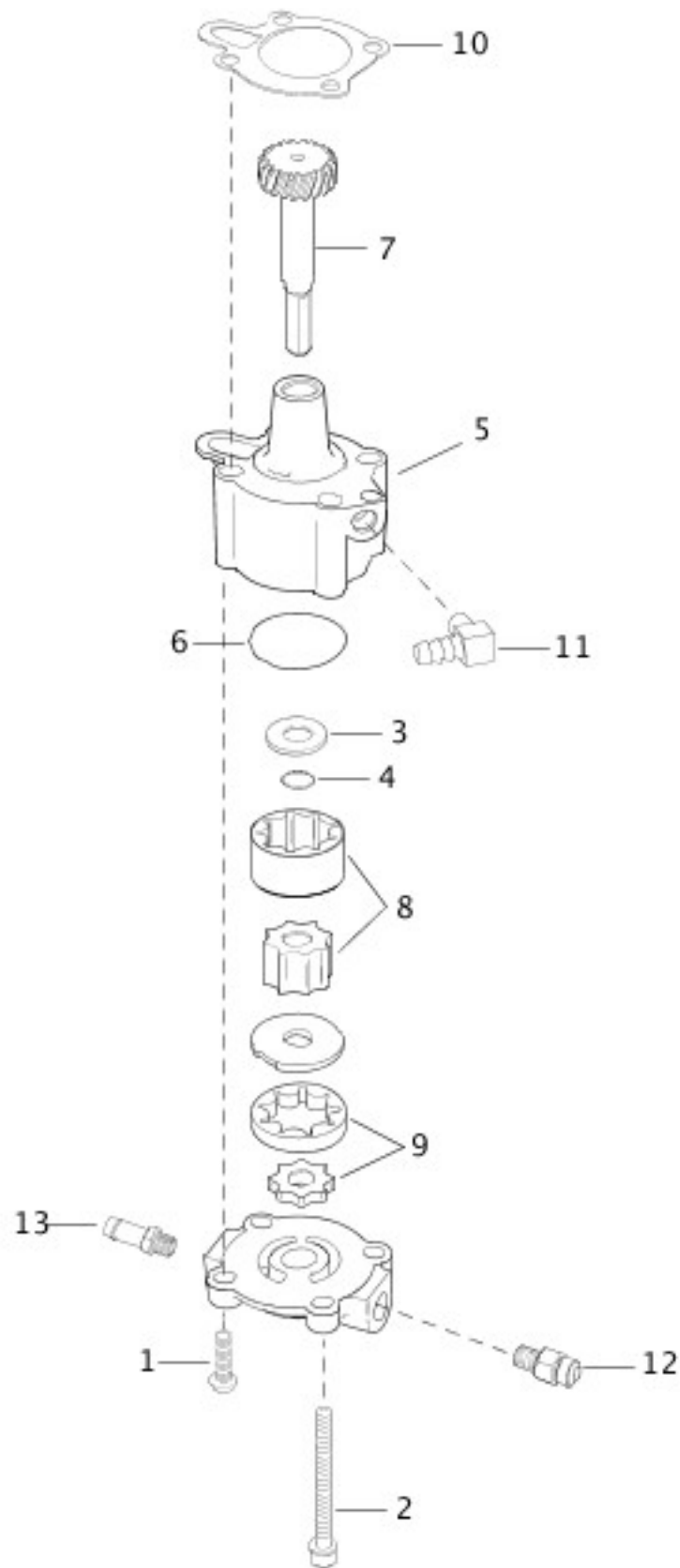


[View interactive table](#)

INDEX NO.	PART NO.	DESCRIPTION	MODEL(S)
	25546-07	COVER ASSEMBLY, gearcase (gray), w/ 62375-57A & bushings	XL1200N
	32515-07	TIMER COVER	XL50
	32531-07	TIMER COVER	XL1200N

## [OIL PUMP](#)

## OIL PUMP

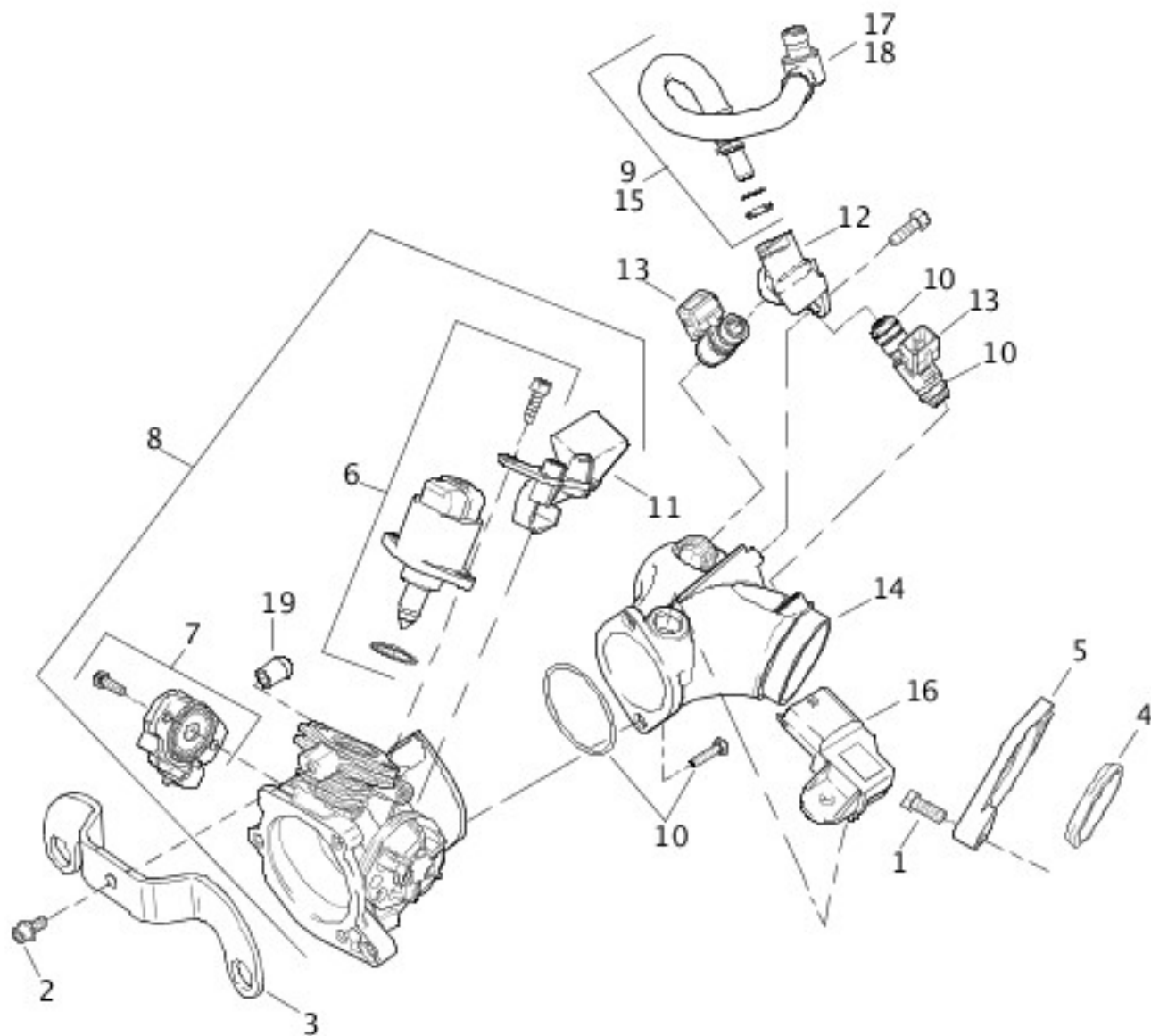


[View interactive table](#)

INDEX NO.	PART NO.	DESCRIPTION	MODEL(S)
5	26204-91A	OIL PUMP, complete	ALL
7	26239-07	GEAR SHAFT	ALL
8	26502-07	GEROTOR SET, return	ALL
9	26503-07	GEROTOR SET, feed	ALL

# INDUCTION MODULE

## INDUCTION MODULE - 883/C/L/R, 1200C/L/R



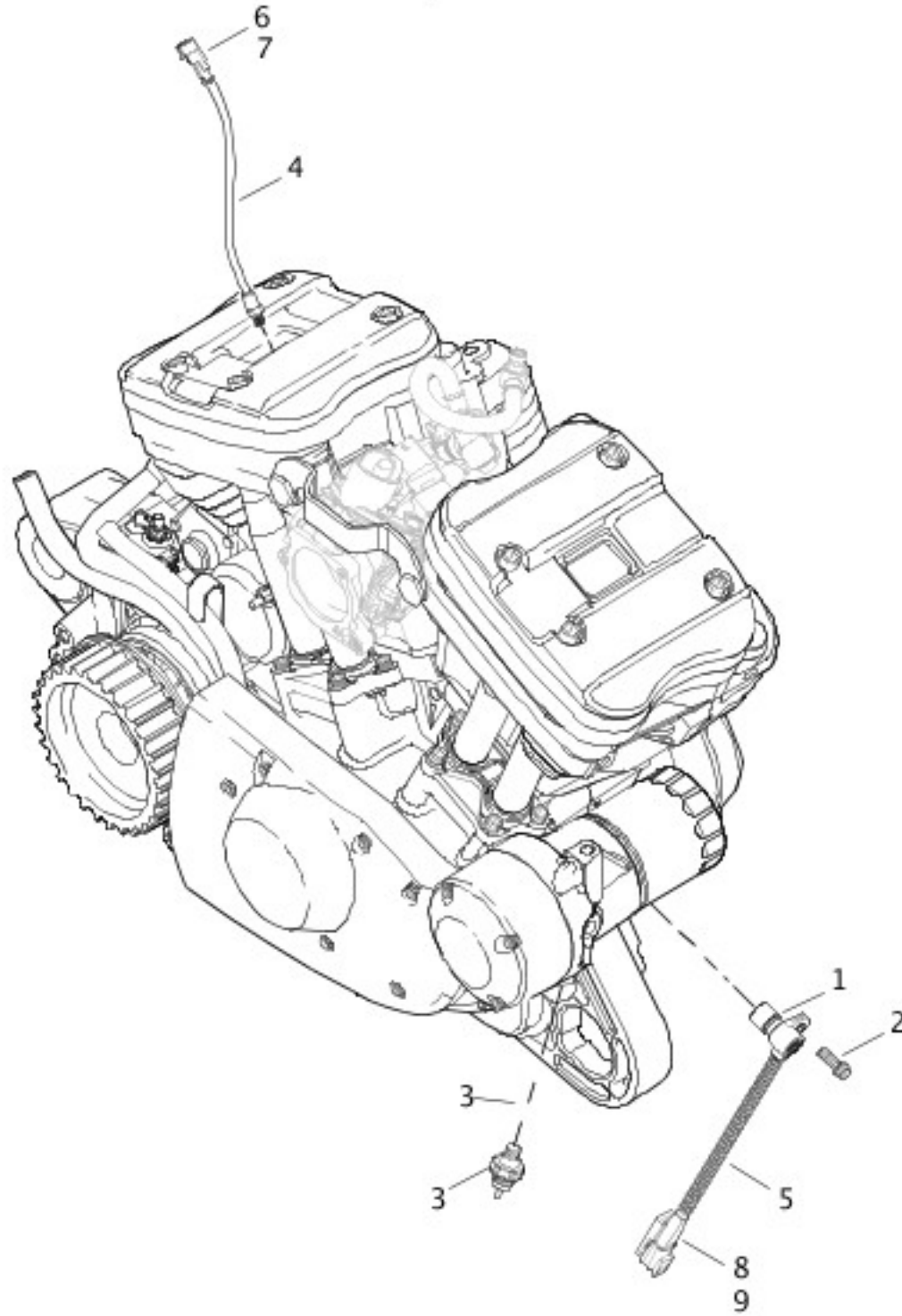
[View interactive table](#)

INDEX NO.	PART NO.	DESCRIPTION	MODEL(S)
1	3987	BOLT, flange (4)	ALL
2	4798	SCREW, bracket throttle body	ALL
3	16361-07	BRACKET, throttle body	ALL
4	26995-86B	SEAL, intake (2)	ALL
5	27327-07	FLANGE, intake (2)	ALL

6	27628-01	KIT, IAC meter	ALL
7	27629-01	KIT, throttle position sensor	ALL
8	27795-07	MODULE ASSEMBLY, induction w/ 27701-07, sensor throttle position, idle air control, & throttle body	ALL
9	27693-07	FUEL LINE KIT, w/ 62351-07	XL1200C, XL1200L, XL50, XL883C
10	27700-07	KIT, hardware	ALL
11	27701-07	CABLE BRACKET	ALL
12	27704-07	FUEL RAIL	ALL
13	27706-07	FUEL INJECTOR, w/ o-ring (2)	ALL
14	27707-07	INTAKE MANIFOLD	ALL
15	27774-07	FUEL LINE KIT, w/ 62350-07	XL1200N, XL1200R, XL883, XL883L, XL883R
16	32319-07	T-MAP SENSOR	ALL
17	62350-07	FUEL LINE	XL1200N, XL1200R, XL883, XL883L, XL883R
18	62351-07	FUEL LINE	XL1200C, XL1200L, XL50, XL883C
19	90383-98	CAP	ALL

## **ENGINE SENSORS & SWITCHES**

## ENGINE SENSORS & SWITCHES

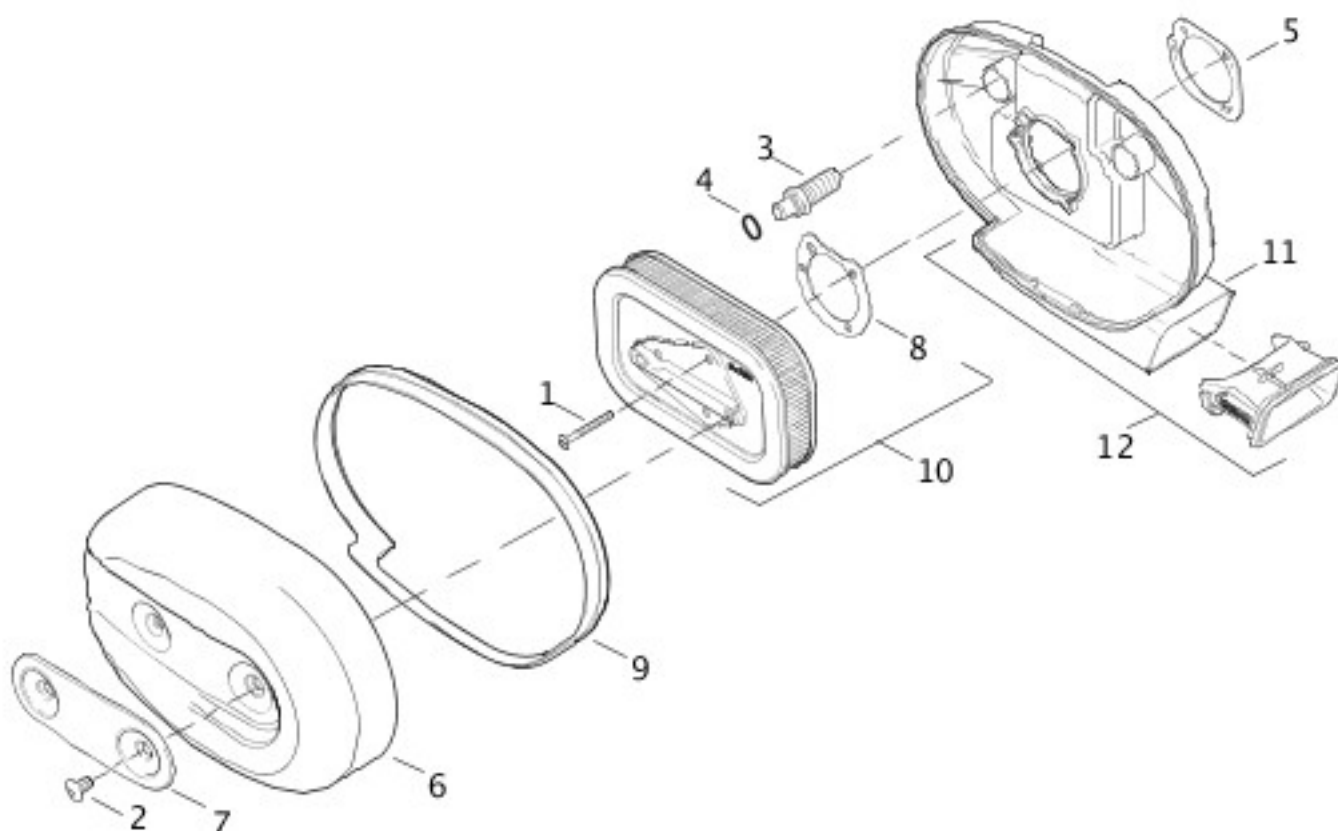


[View interactive table](#)

INDEX NO.	PART NO.	DESCRIPTION	MODEL(S)
4	32472-07A	SENSOR, engine temperature w/ 72009-05, 72011-05	ALL

[AIR CLEANER](#)

## AIR CLEANER

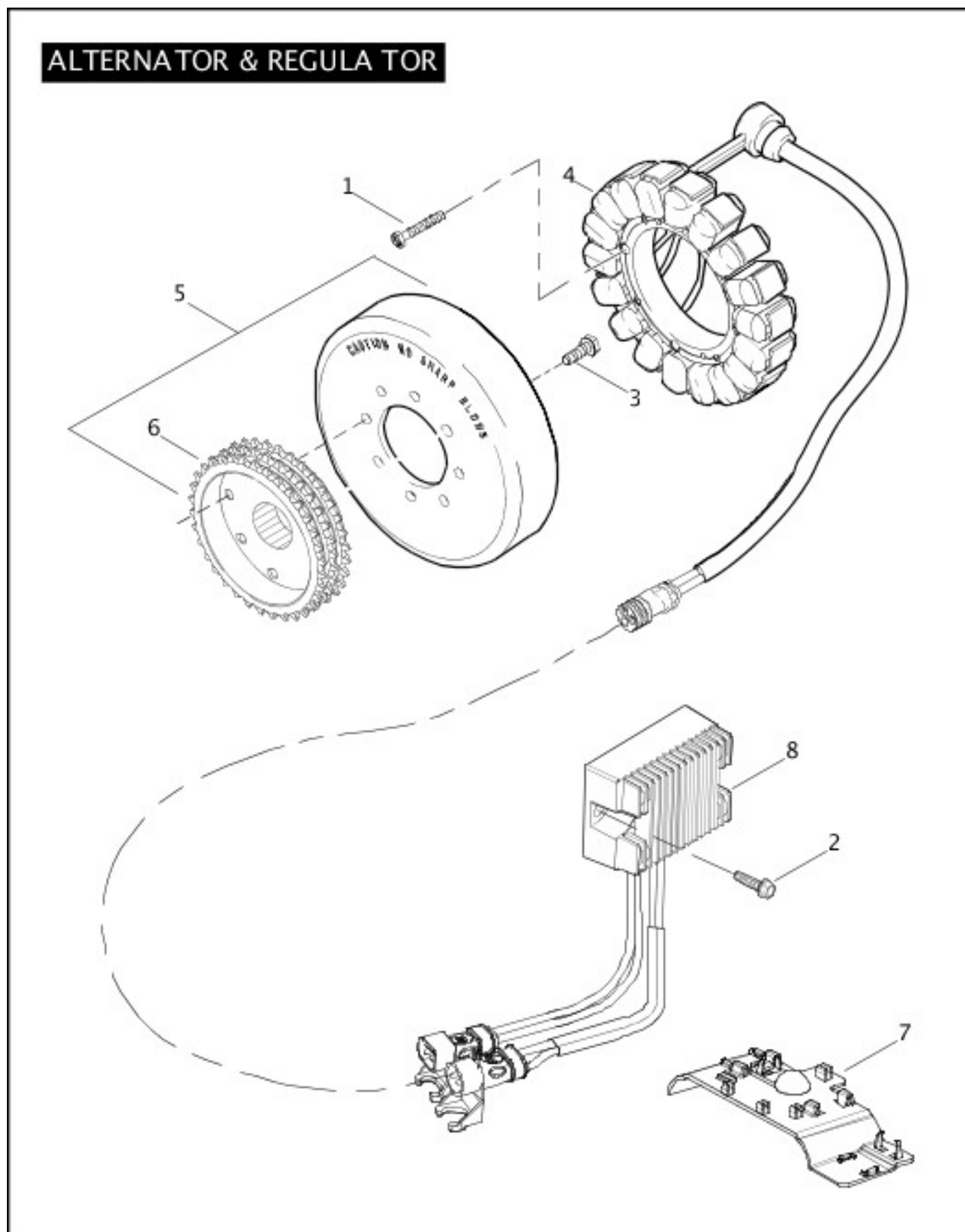


[View interactive table](#)

INDEX NO.	PART NO.	DESCRIPTION	MODEL(S)
	29113-07	COVER, air cleaner (gray)	XL1200N
7	29123-07	TRIM INSERT, air cleaner	XL883, XL883L
	29125-07	TRIM INSERT, air cleaner	XL883R
	29346-07	TRIM INSERT, air cleaner	XL1200C
	29352-07	TRIM INSERT, air cleaner	XL1200R
	29354-07	TRIM INSERT, air cleaner	XL1200L
	29355-07	TRIM INSERT, air cleaner	XL1200N
	29372-07	TRIM INSERT, air cleaner - 50th Anniversary <b>***RESTRICTED SALES PART**</b>	XL50
	29802-07	TRIM INSERT, air cleaner	XL883C
11	29367-07	BACKPLATE, air cleaner	ALL
12	29369-07	BACKPLATE ASSEMBLY, air cleaner	ALL



# ALTERNATOR & REGULATOR



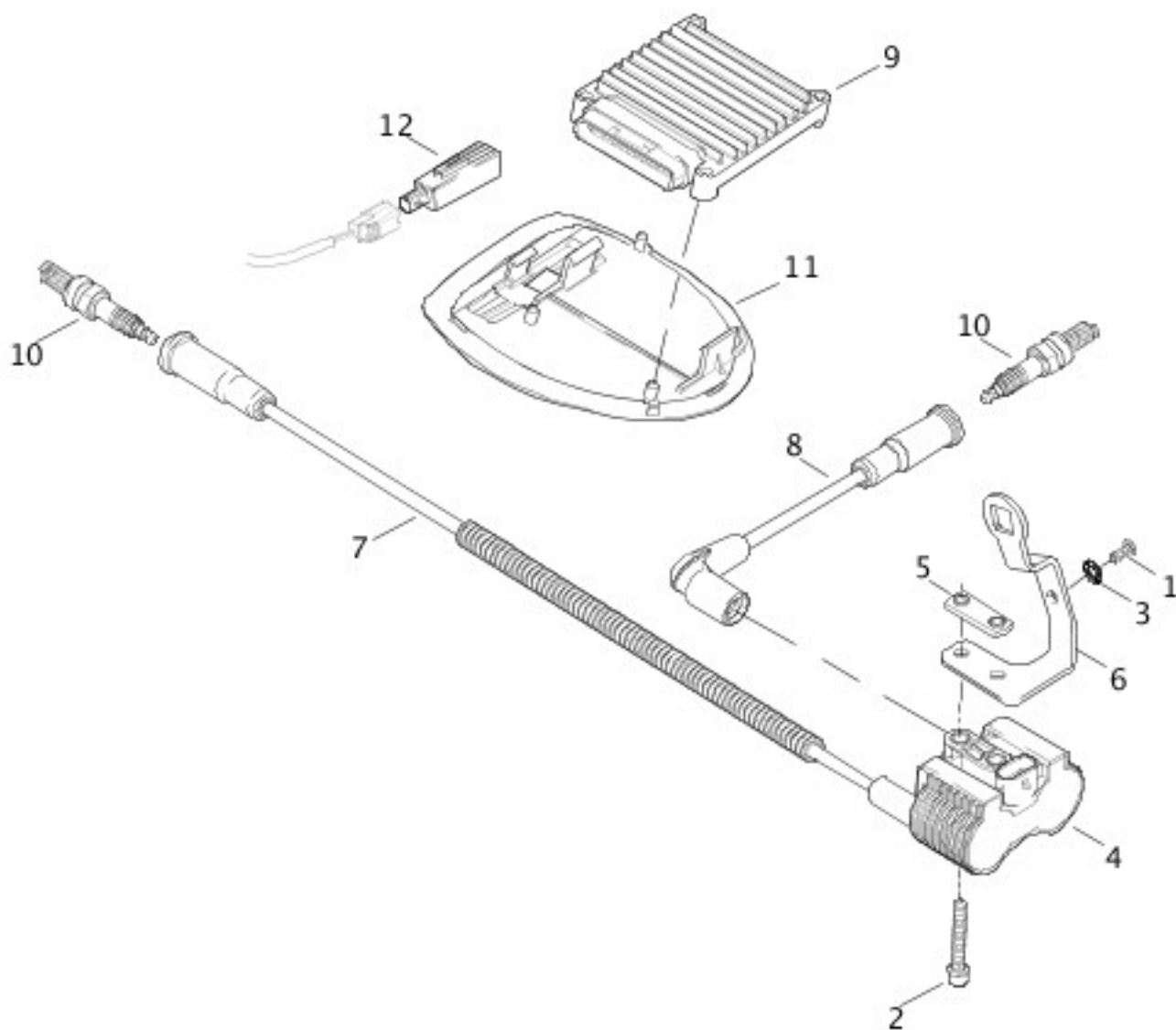
[View interactive table](#)

INDEX NO.	PART NO.	DESCRIPTION	MODEL(S)
4	29997-07	STATOR	ALL
5	32493-02A	ROTOR SPROCKET ASSEMBLY, w/ 40241-02 & 4751	XL883, XL883C, XL883L, XL883R
7	70364-07	CADDY, voltage regulator	ALL

# ELECTRONIC IGNITION SYSTEM



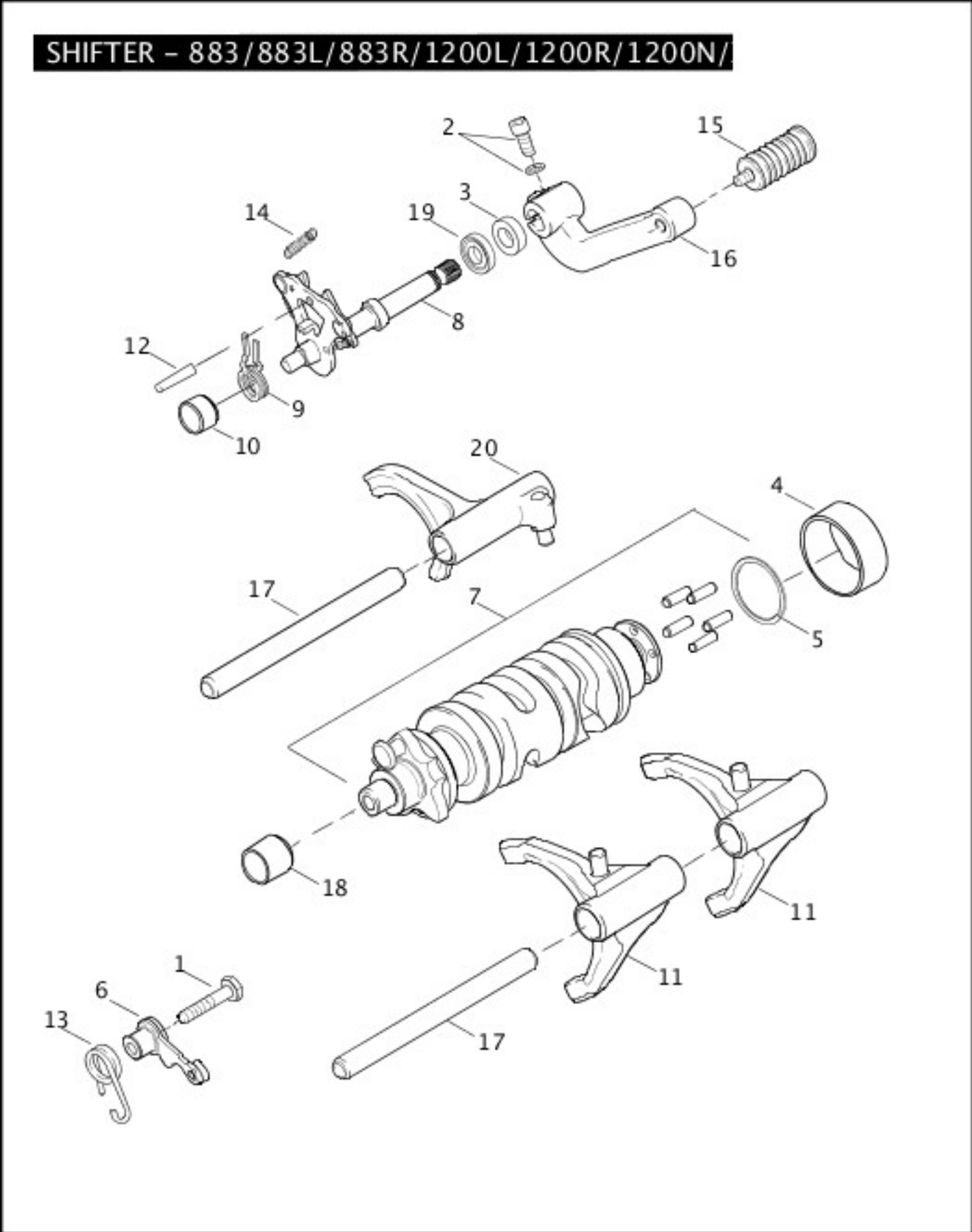
## ELECTRONIC IGNITION SYSTEM - 883/C/L/R, 1200C/L/N



[View interactive table](#)

INDEX NO.	PART NO.	DESCRIPTION	MODEL(S)
4	31656-07	COIL, ignition	ALL
5	31753-07	PLATE, nut	ALL
6	31807-07	BRACKET	ALL
7	32006-07	CABLE, spark plug, rear (long)	ALL
8	32003-07	CABLE, spark plug, front (short)	ALL
9	32534-05B	ELECTRONIC CONTROL MODULE	ALL
11	70444-07	MOUNTING, ECM	ALL
12	68919-07	PLUG, antenna module	ALL

## SHIFTER - 883/883L/883R/1200L/1200R/1200N/

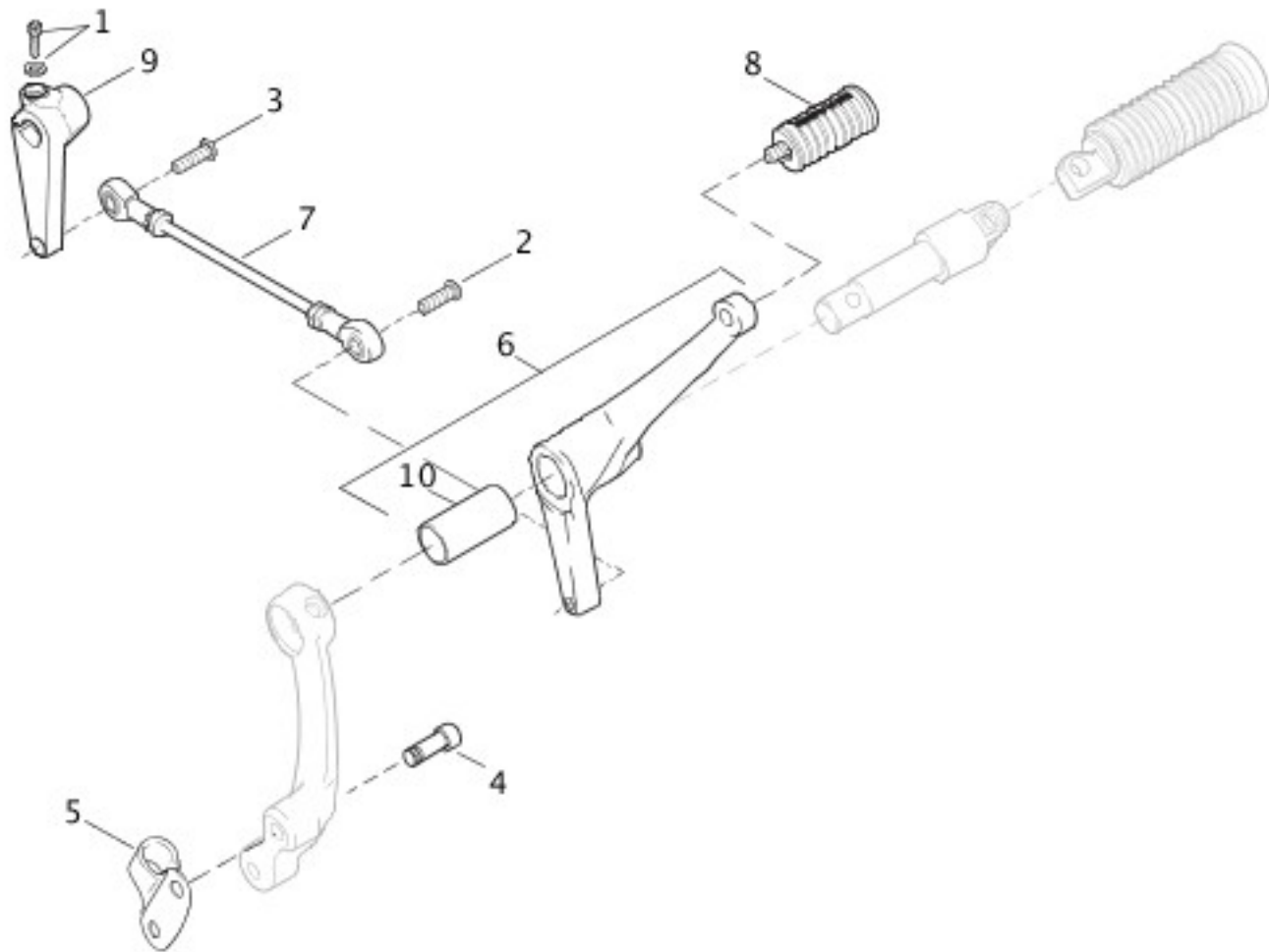


[View interactive table](#)

INDEX NO.	PART NO.	DESCRIPTION	MODEL(S)
	34721-07	SHIFT LEVER, foot (black)	XL1200N
	42930-07	BRAKE PEDAL SHIFTLER KIT (black)	XL1200N

[SHIFTER - 883C/1200C](#)

## SHIFTER - 883C/1200C

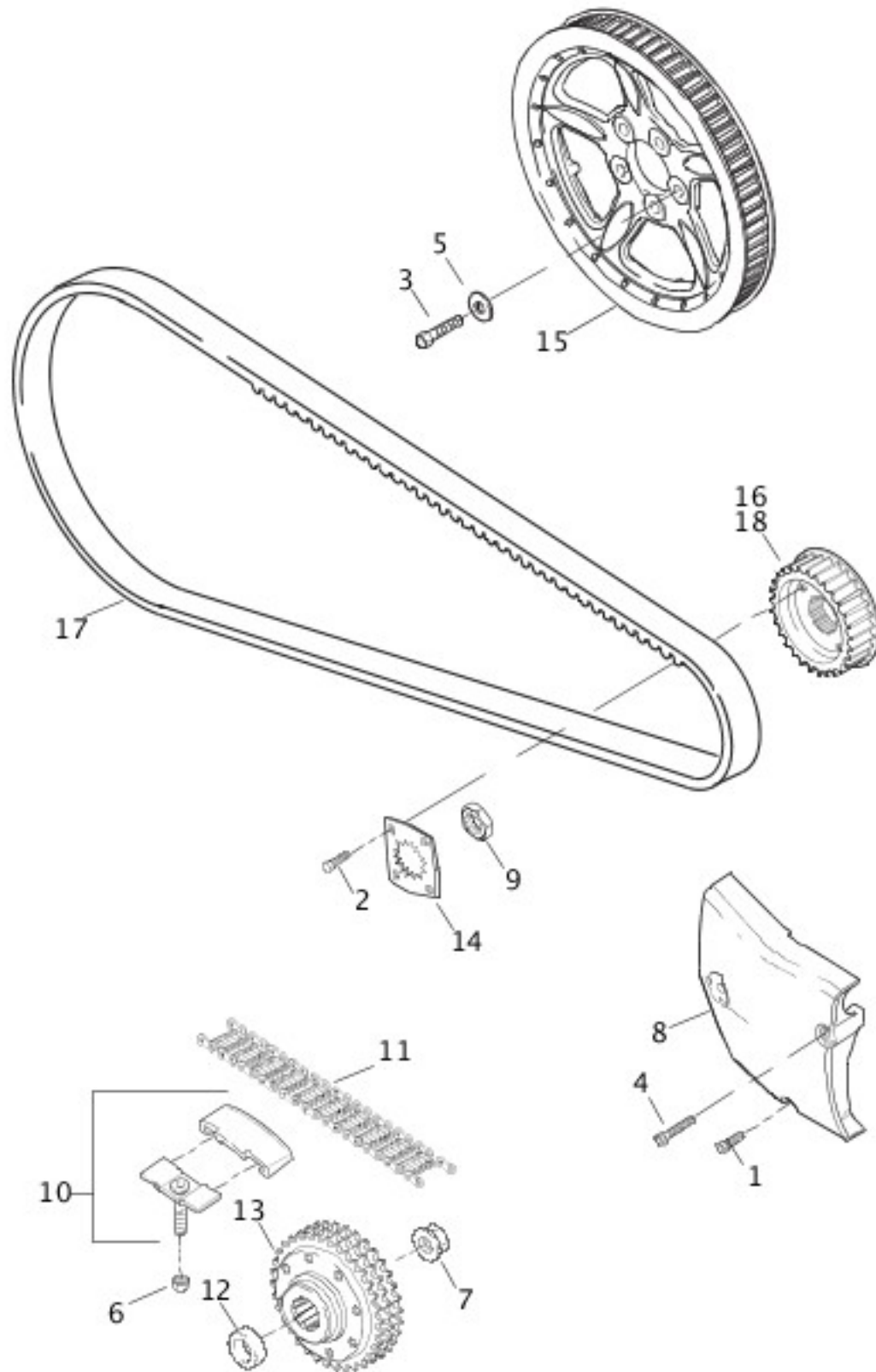


[View interactive table](#)

INDEX NO.	PART NO.	DESCRIPTION	MODEL(S)
5	10179A	J-CLIP	XL1200C, XL883C

## [BELTS & SPROCKETS](#)

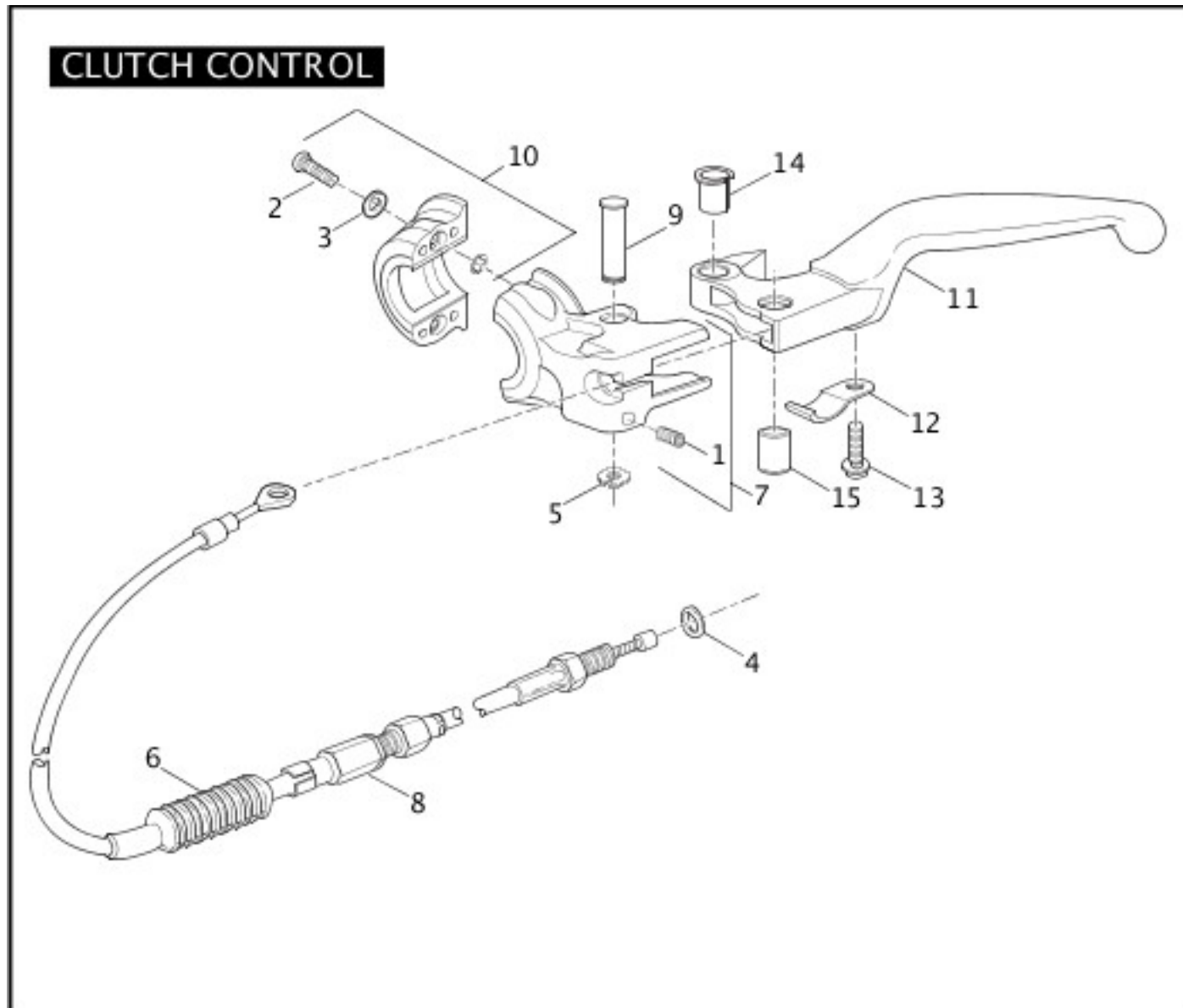
## BELTS & SPROCKETS



[View interactive table](#)

INDEX NO.	PART NO.	DESCRIPTION	MODEL(S)
	34954-07	SPROCKET COVER (gray)	XL1200N
15	40350-07	SPROCKET, belt - 68T (black)	XL1200C, XL1200L, XL50, XL883R
	40352-07	SPROCKET, belt - 68T (silver)	XL1200R, XL883, XL883C, XL883L
	40444-07	SPROCKET, belt - 68T (black)	XL1200N
17	40371-07	BELT, 136T	XL883, XL883C, XL883L, XL883R

## CLUTCH CONTROL

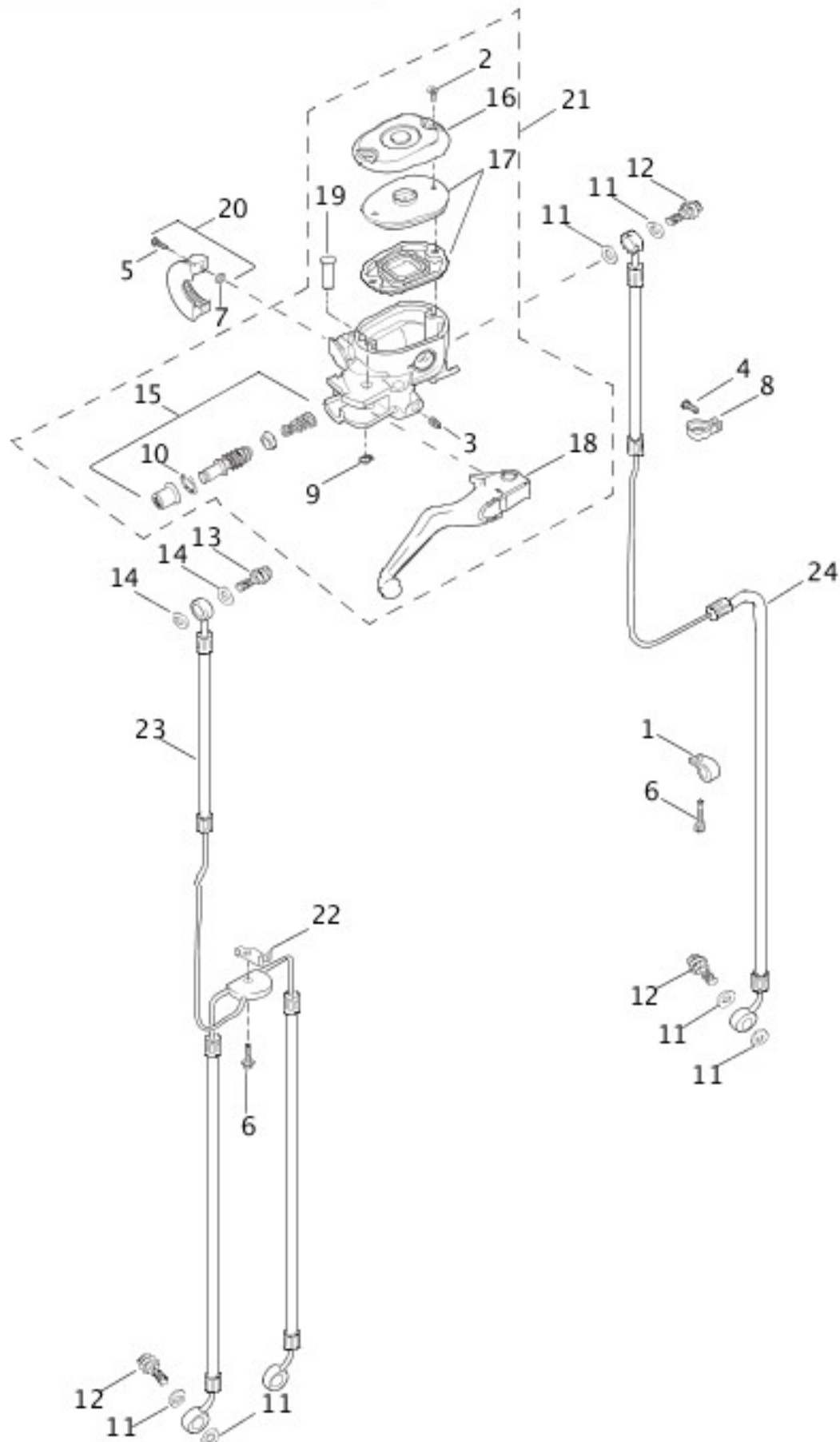


[View interactive table](#)

INDEX NO.	PART NO.	DESCRIPTION	MODEL(S)
	38702-05A	CABLE ASSEMBLY, w/ 111179, 11379, 38630-88, & 46268-04	XL1200L, XL1200N, XL883L
11	45356-07	HAND LEVER, w/ 45799-04, 45800-04, & 45801-04	XL1200C, XL1200L, XL1200R, XL50, XL883, XL883C, XL883L, XL883R
11A	46945-07A	CLUTCH LEVER, w/ 45799-04, 45800-04, & 45801-04, (black)	XL1200N

## FRONT BRAKE CONTROL

# FRONT BRAKE CONTROL



[View interactive table](#)

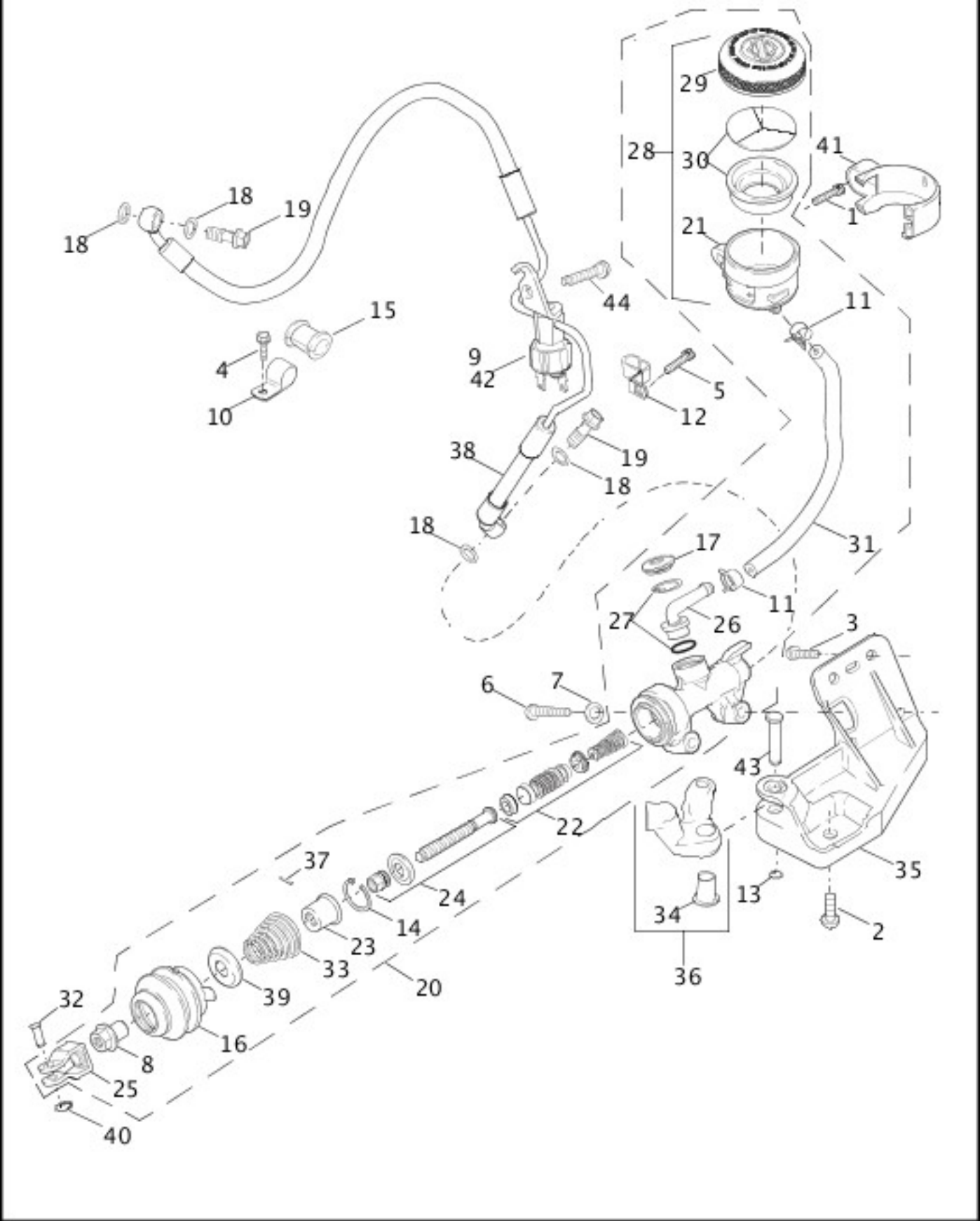
INDEX NO.	PART NO.	DESCRIPTION	MODEL(S)
15	42803-07A	REBUILD KIT, front master cylinder, single, w/ 11379	XL1200C, XL1200L, XL1200N, XL50, XL883, XL883C, XL883L
	42809-07	REBUILD KIT, front master cylinder, dual, w/ 11379	XL1200R, XL883R
16	42804-07	CAP, front master cylinder, w/ decal	ALL

	46946-06A	LEVER, front brake (black)	XL1200N
21	45052-07	MASTER CYLINDER ASSEMBLY, dual, front	XL1200R, XL883R
	45146-07	MASTER CYLINDER ASSEMBLY, single, front	XL1200C, XL1200L, XL50, XL883, XL883C, XL883L
	42745-07	MASTER CYLINDER ASSEMBLY, single, front (black)	XL1200N
23	45319-04A	BRAKELINE, front, dual	XL1200R, XL883R
24	45449-04A	BRAKELINE, front, single	XL1200C, XL1200N, XL50, XL883C
	46400-04A	BRAKELINE, front, single	XL883
	46411-05C	BRAKELINE, front, single	XL1200L, XL883L
	71590-96A	SWITCH, brake (not illustrated)	ALL

## [REAR BRAKE MASTER CYLINDER](#)



# REAR BRAKE MASTER CYLINDER



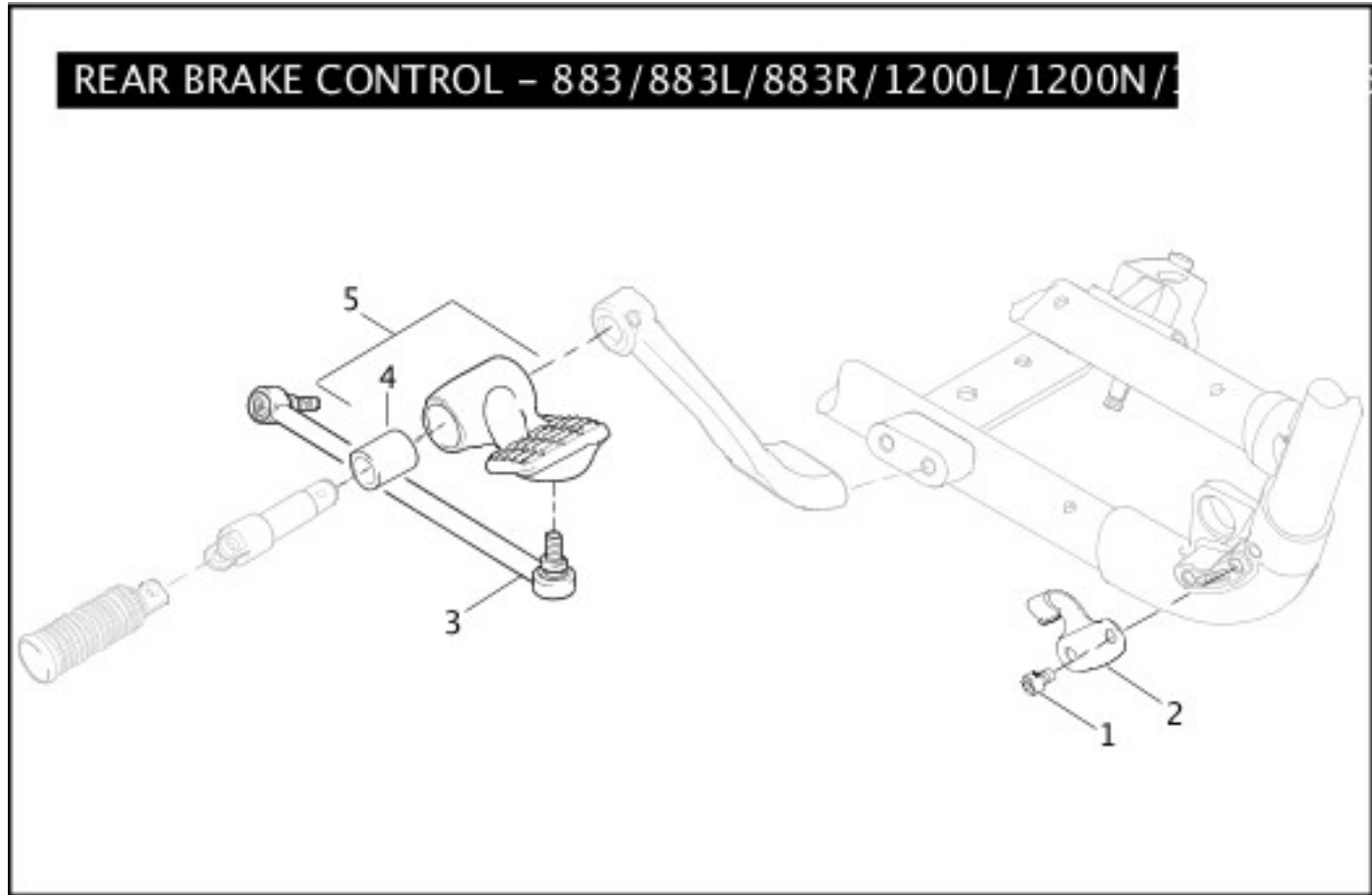
[View interactive table](#)

INDEX NO.	PART NO.	DESCRIPTION	MODEL(S)
20	42521-07	MASTER CYLINDER AND RESERVOIR ASSEMBLY, rear	ALL
22	42810-07A	REBUILD KIT, master cylinder, w/ 11121, 42811-04, & 44189-04	ALL
28	42816-07	RESERVOIR ASSEMBLY, brake, w/ 42595-04, 42817-07, & 42845-07	ALL
29	42817-07	CAP, rear brake reservoir	ALL
30	42845-07	GASKET KIT, rear brake reservoir	ALL



32	42460-80B	PIN, brake lever	ALL
38	44429-06A	BRAKELINE ASSEMBLY, w/ 11407	ALL
40	51938-04	COTTER CIRCLE	ALL

## REAR BRAKE CONTROL - 883/883L/883R/1200L/1200N/1200R/XL50

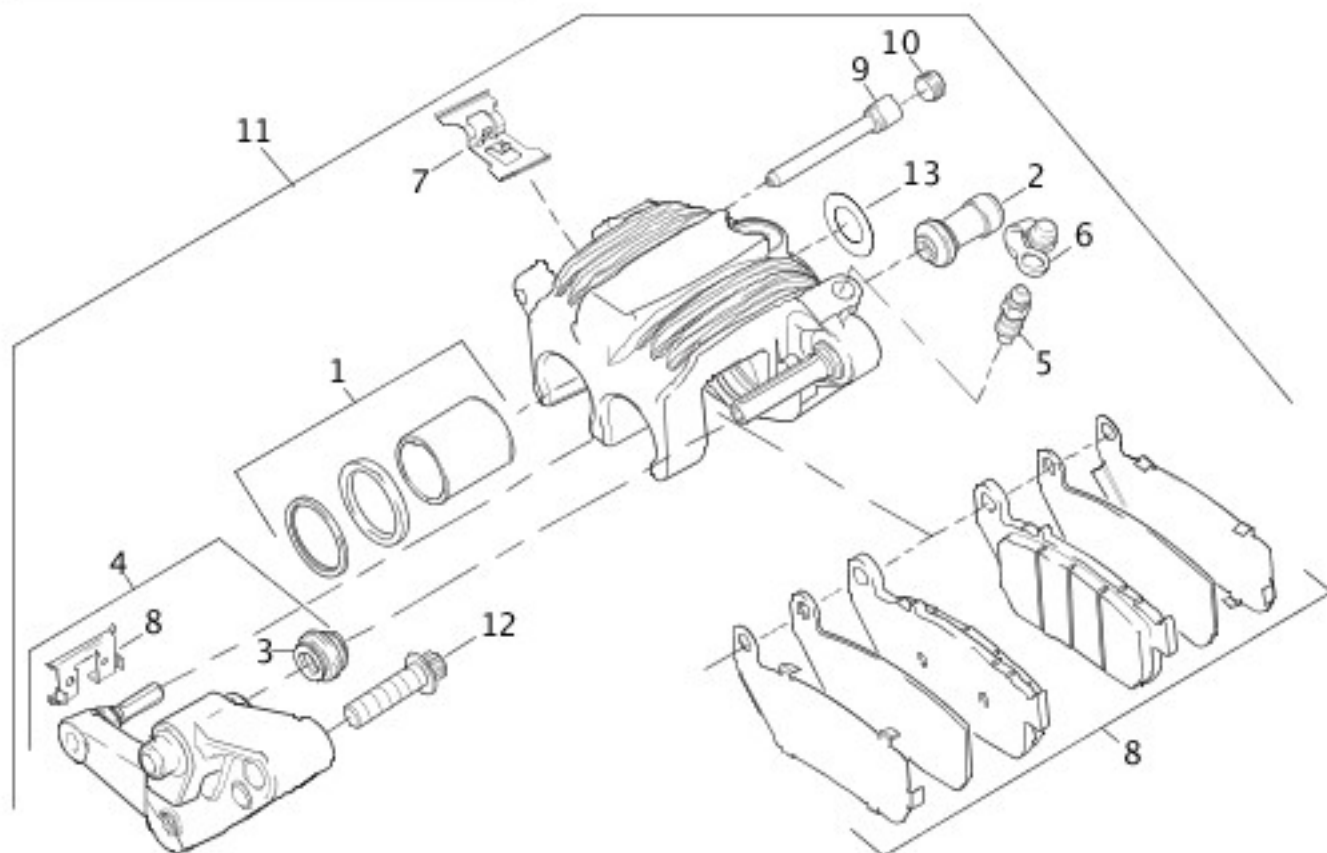


[View interactive table](#)

INDEX NO.	PART NO.	DESCRIPTION	MODEL(S)
2	10179A	J-CLIP	XL1200L, XL1200N, XL1200R, XL50, XL883, XL883L, XL883R
	42341-07	PEDAL ASSEMBLY, w/ 42569-03	XL1200N
	42930-07	BRAKE PEDAL SHIFTLEVER KIT (black)	XL1200N

## FRONT BRAKE CALIPER

## FRONT BRAKE CALIPER

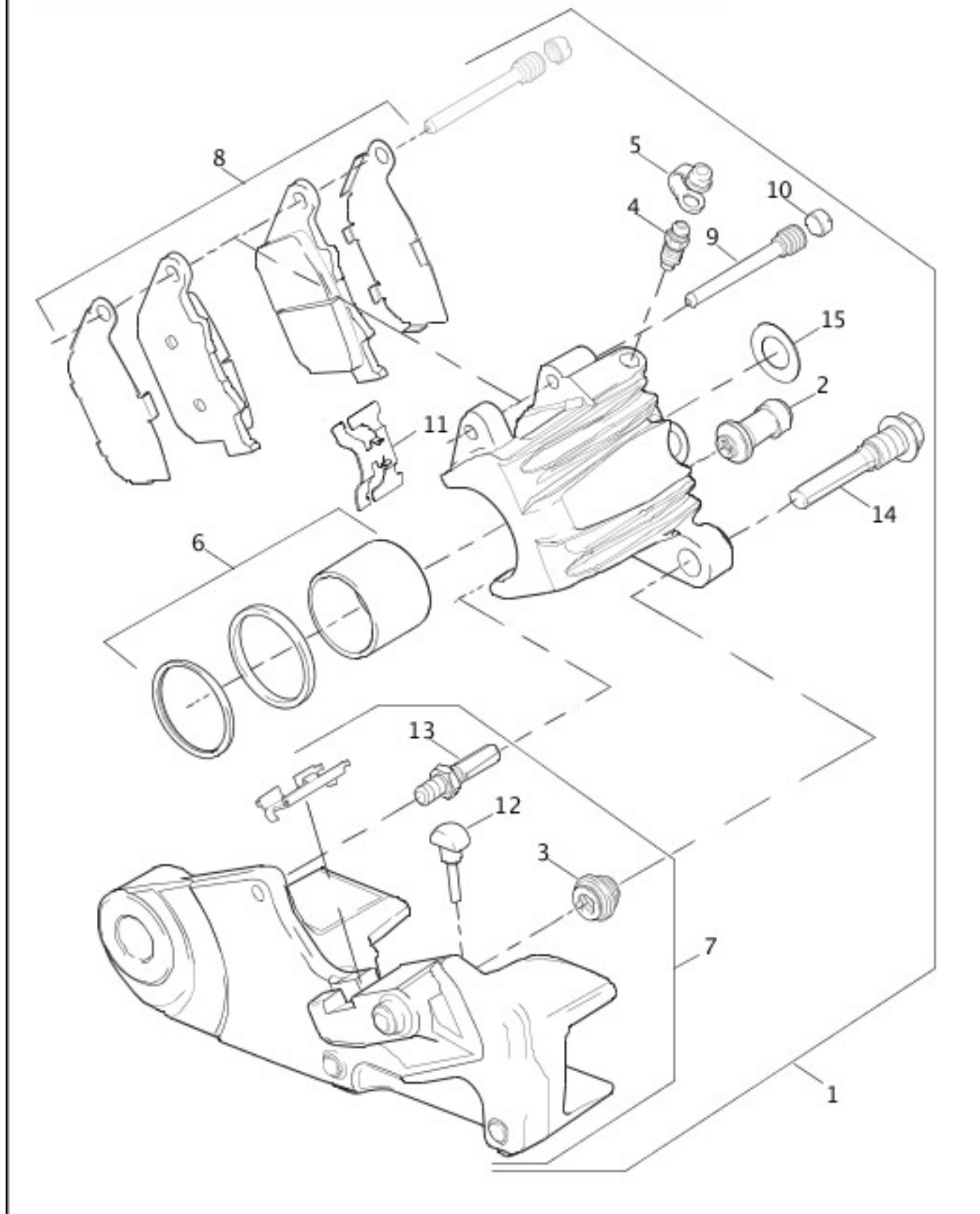


[View interactive table](#)

INDEX NO.	PART NO.	DESCRIPTION	MODEL(S)
1	42028-07	PISTON KIT, front	ALL
5	42875-07	SCREW, bleeder	ALL
	42893-07	CAP, bleeder screw	ALL
8	42831-04A	PAD KIT, front w/ retainer clip	ALL
11	44119-07	CALIPER ASSEMBLY, front right (not illustrated)	XL1200R
	44121-07	CALIPER ASSEMBLY, front left	XL1200C, XL1200R, XL50, XL883, XL883C, XL883L
	42877-07	CALIPER ASSEMBLY, front right (not illustrated)	XL883R
	42879-07	CALIPER ASSEMBLY, front left	XL1200L, XL1200N, XL883R

## [REAR BRAKE CALIPER](#)

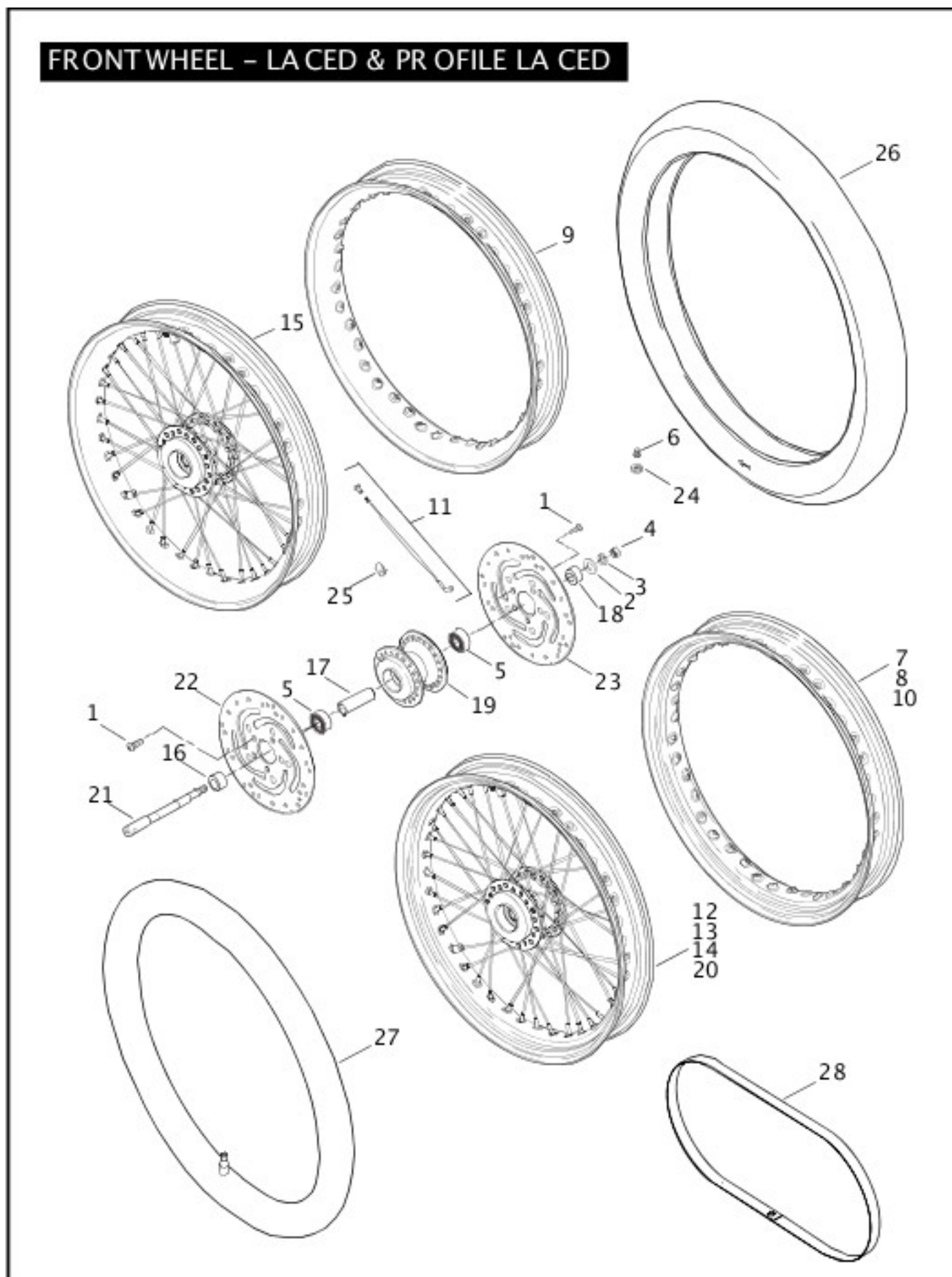
# REAR BRAKE CALIPER - 883/C/L/R, 1200C/L/N/



[View interactive table](#)

INDEX NO.	PART NO.	DESCRIPTION	MODEL(S)
1	40968-07	CALIPER ASSEMBLY, rear	XL1200C, XL1200R, XL50, XL883, XL883C, XL883L
	42881-07	CALIPER ASSEMBLY, rear	XL1200L, XL1200N, XL883R
4	42827-04A	SCREW, bleeder	ALL
8	42029-07	PAD KIT, rear w/ 42839-04	ALL

# FRONT WHEEL - LACED & PROFILE LACED

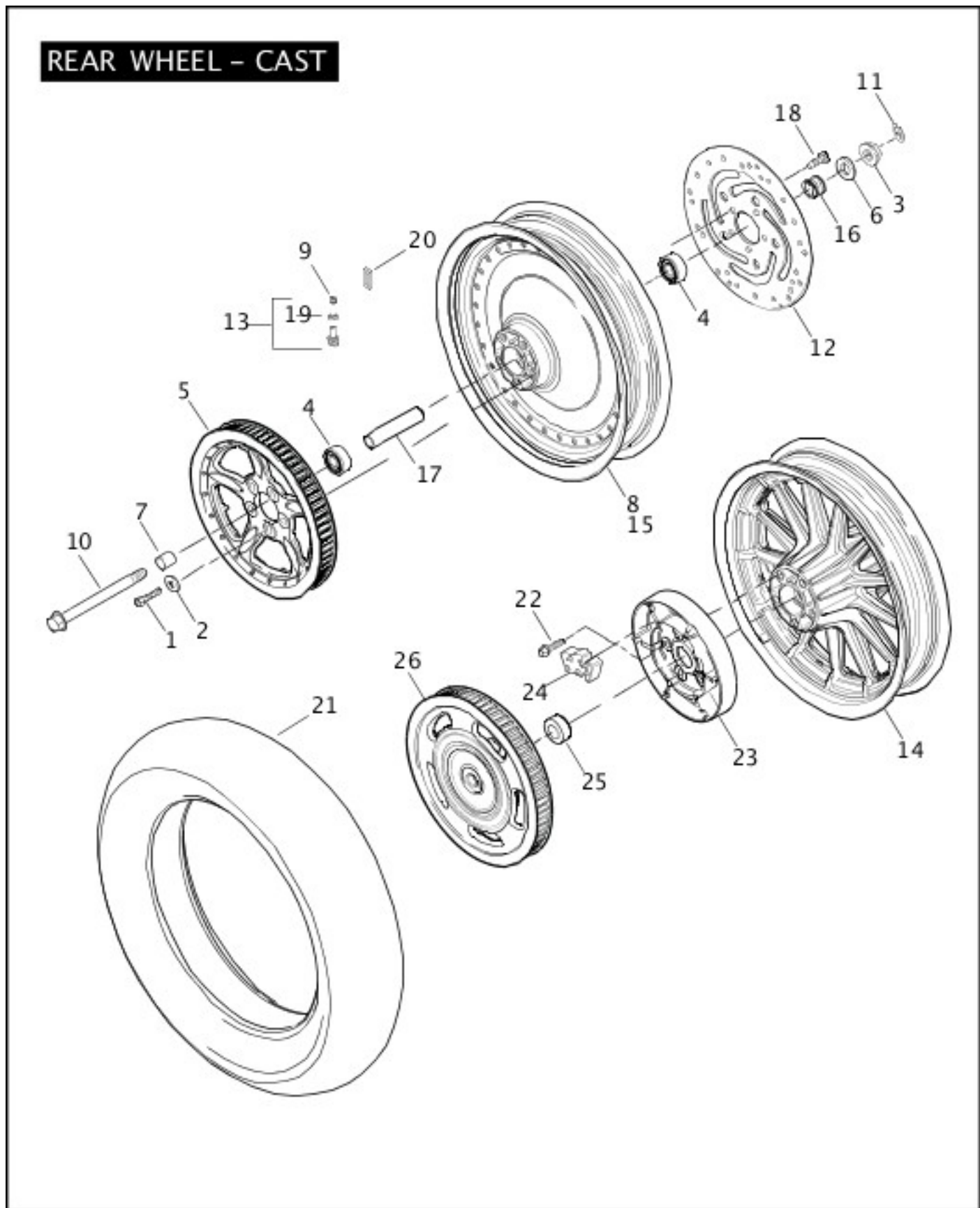


[View interactive table](#)

INDEX NO.	PART NO.	DESCRIPTION	MODEL(S)
7	41426-07	RIM, laced wheel, 19 in. (black)	XL1200N
	43652-07	WHEEL HUB, laced wheel (black)	XL1200N
20	43831-07	WHEEL ASSEMBLY, laced wheel, 19 in.(black), w/ 41426-07	XL1200N

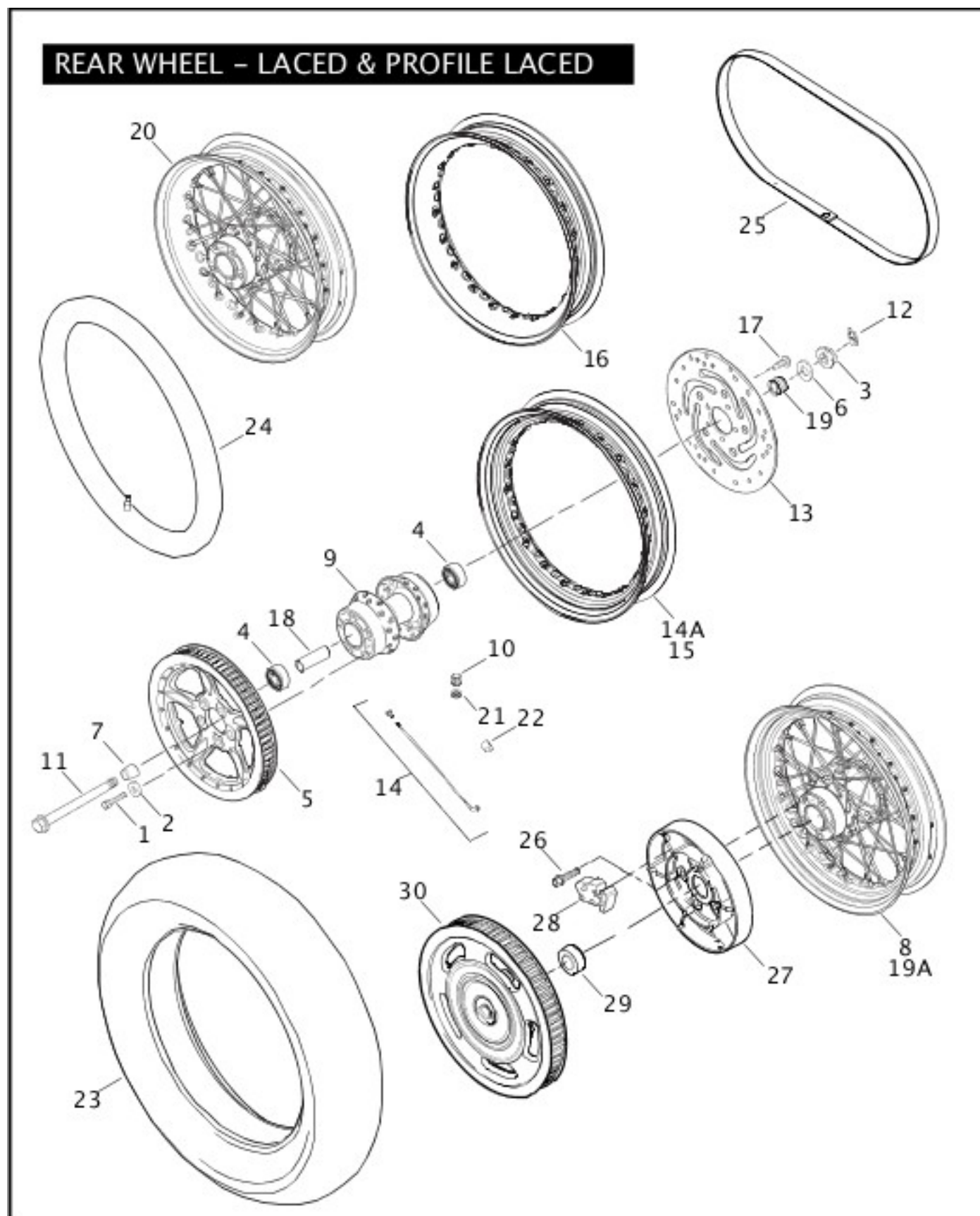


# REAR WHEEL - CAST



[View interactive table](#)

INDEX NO.	PART NO.	DESCRIPTION	MODEL(S)
5	40350-07	SPROCKET, belt - 68T (black)	XL1200C, XL1200L, XL883R
	40352-07	SPROCKET, 68T (silver)	XL1200R, XL883, XL883C, XL883L
26	40518-07	SPROCKET ASSEMBLY, final drive, w/ bearing - 68T (black) (Japan)	XL1200C, XL1200L, XL50, XL883R
	40544-07	SPROCKET ASSEMBLY, final drive, w/ bearing - 68T (silver)	XL1200R, XL883, XL883C,

**REAR WHEEL - LACED & PROFILE LACED**

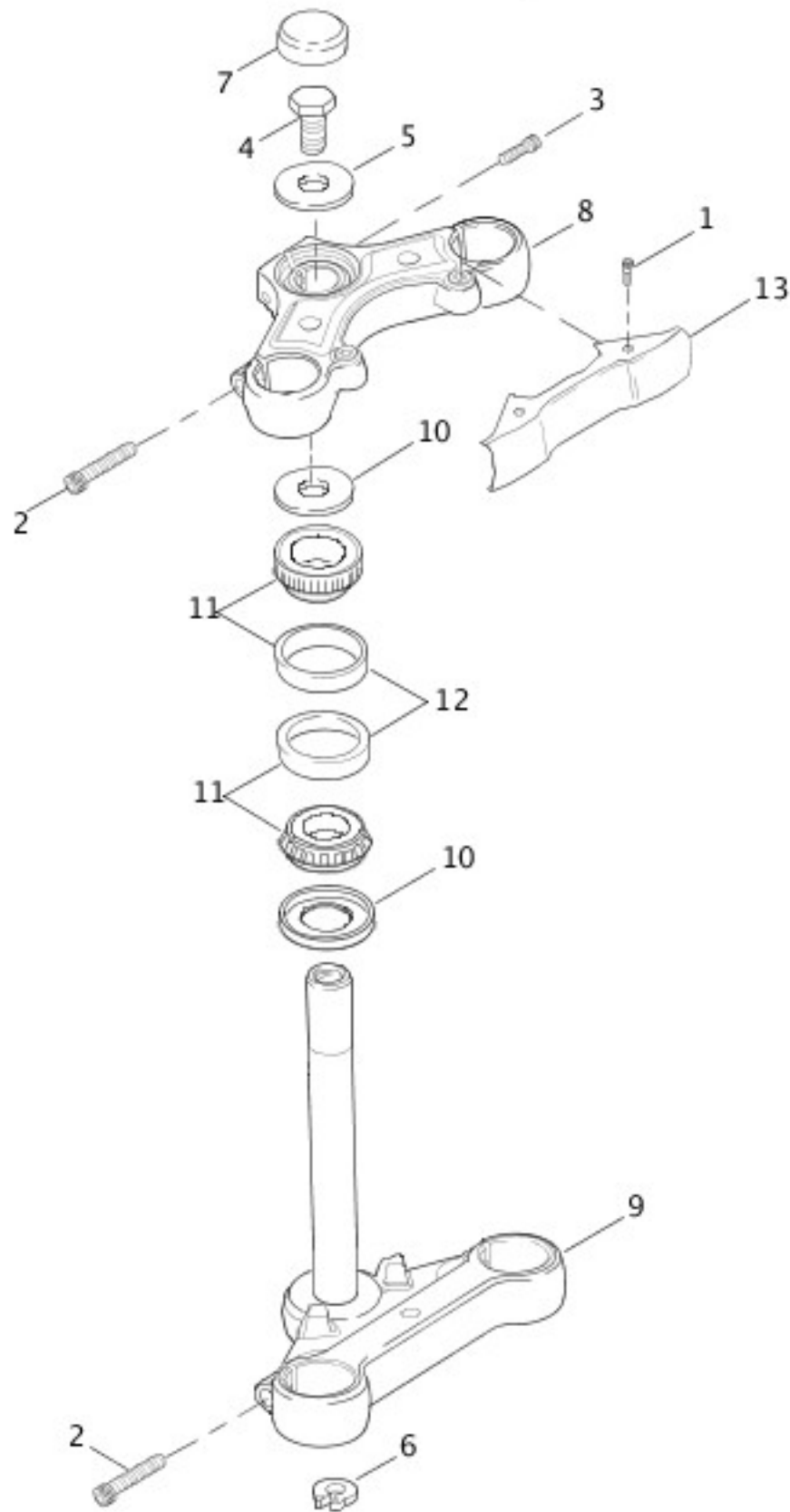
View interactive table

INDEX NO.	PART NO.	DESCRIPTION	MODEL(S)
5	40350-07	SPROCKET, belt - 68T (black)	XL1200C, XL1200L, XL1200R, XL50, XL883, XL883C, XL883L, XL883R
	40444-07	SPROCKET, belt - 68T (black)	XL1200N

8	41052-05A	LACED WHEEL ASSEMBLY, 16 in. (chrome)	XL1200L, XL1200R, XL50, XL883, XL883L, XL883R
9	41053-02A	PROFILE LACED WHEEL HUB ASSEMBLY, w/ bearings, 16 in.	XL1200C, XL1200L, XL1200R, XL50, XL883, XL883C, XL883L, XL883R
	43696-07	WHEEL HUB, laced wheel, 16 in. (black)	XL1200N
	43052-05A	SPOKE & NIPPLE KIT, profile laced wheel, 16 in. rim (set of 40)	XL1200C, XL883C
14A	43017-07	RIM, laced wheel, 16 in. (black)	XL1200N
19A	43832-07	WHEEL ASSEMBLY, laced (black)	XL1200N
20	44606-05B	PROFILE LACED WHEEL ASSEMBLY, 16 in. (chrome)	XL1200C, XL883C
30	40518-07	SPROCKET ASSEMBLY, final drive, w/ bearing - 68T (black) (Japan)	XL50

## [STEERING HEAD BRACKET ASSEMBLY](#)

# STEERING HEAD BRACKET ASSEMBLY



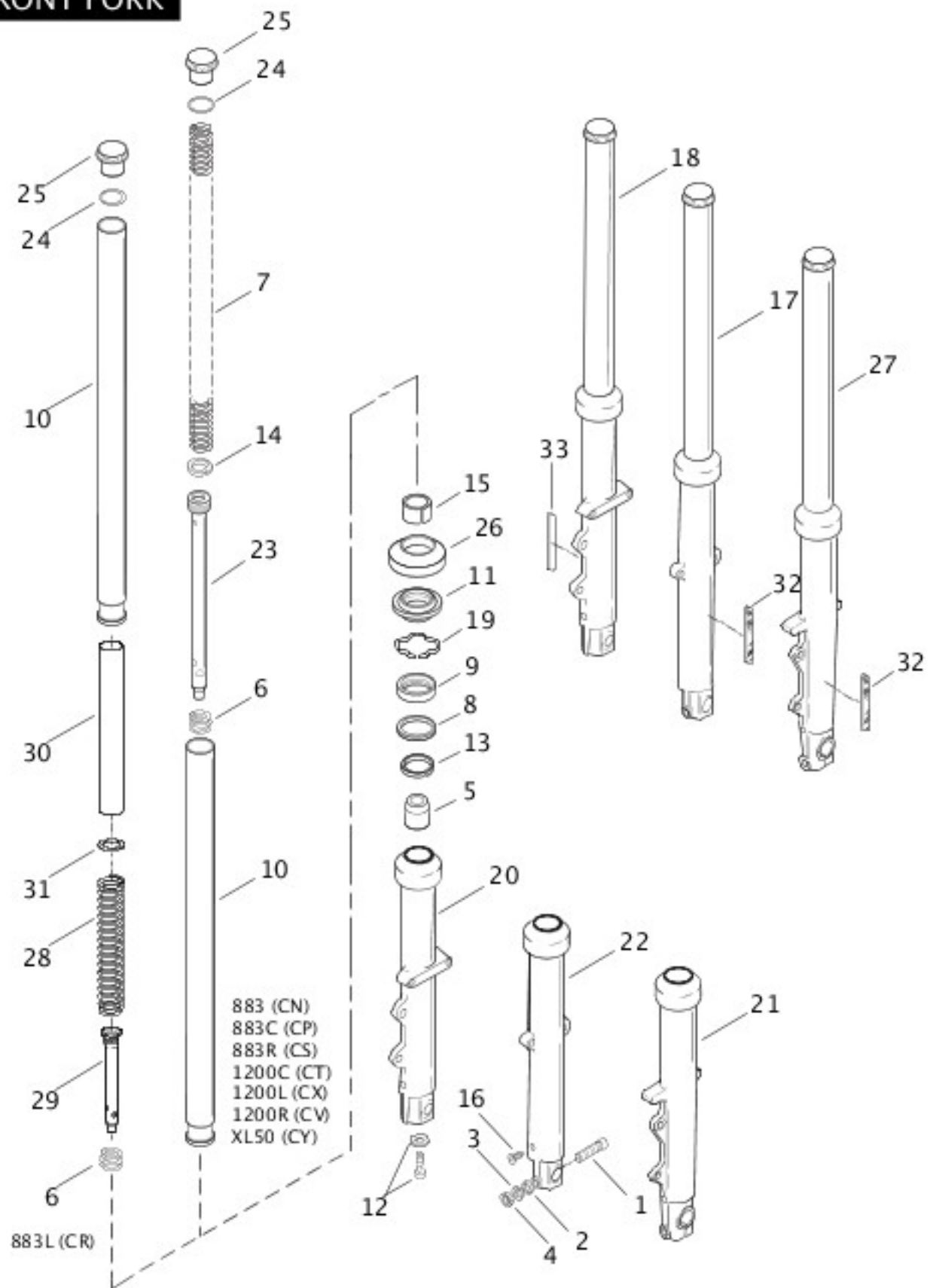
[View interactive table](#)

INDEX NO.	PART NO.	DESCRIPTION	MODEL(S)
	46758-07	BRACKET, upper (black)	XL1200N
	46767-07	BRACKET, lower, w/ bearing, seal & retaining ring	XL1200N

## FRONT FORK



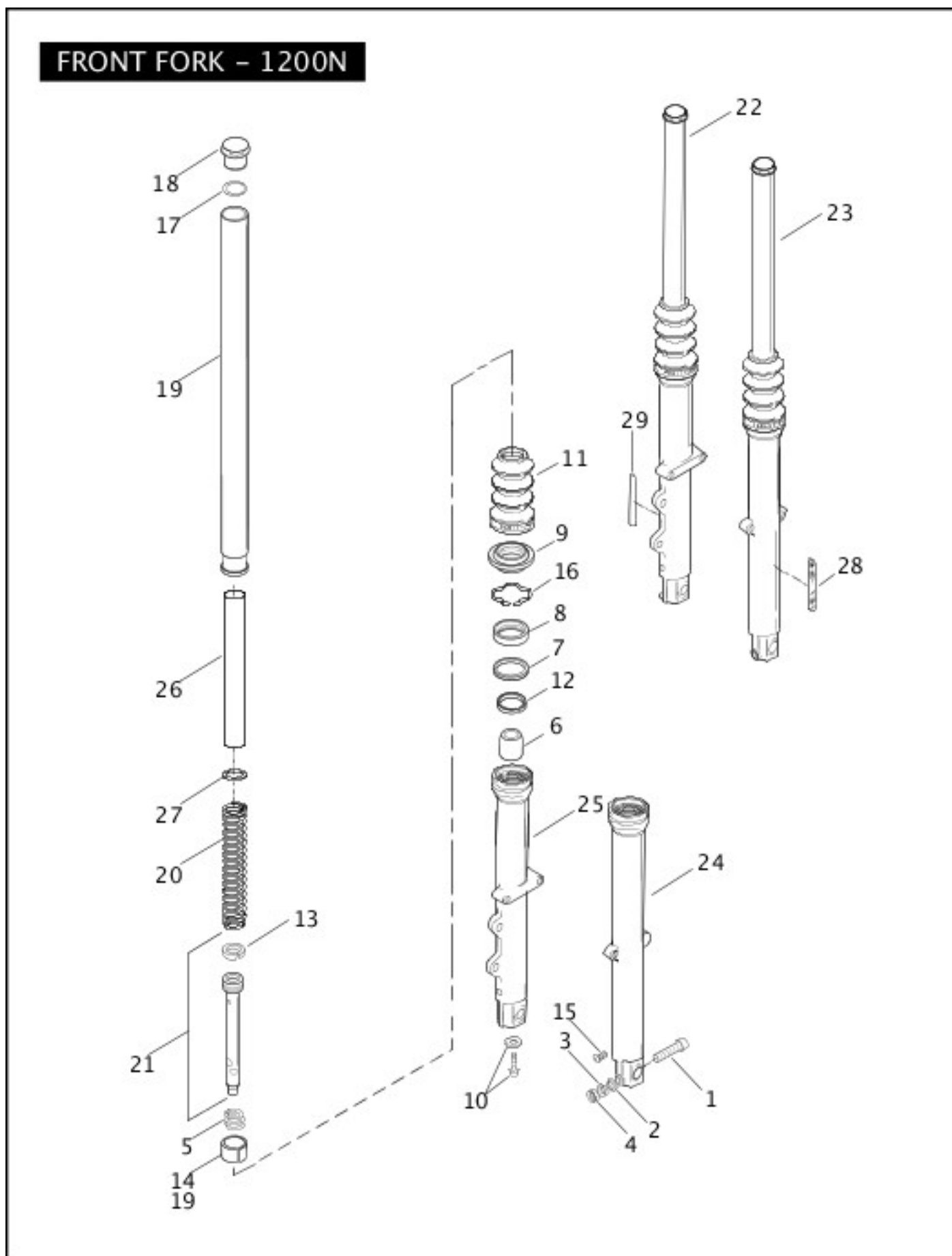
# FRONT FORK



[View interactive table](#)

INDEX NO.	PART NO.	DESCRIPTION	MODEL(S)
28	47299-07	SPRING (2)	XL883L
29	47313-07	DAMPER TUBE (2)	XL883L
30	48737-07	COLLAR, spring (2)	XL883L
31	48738-07	WASHER, spring (2)	XL883L

# FRONT FORK - 1200N



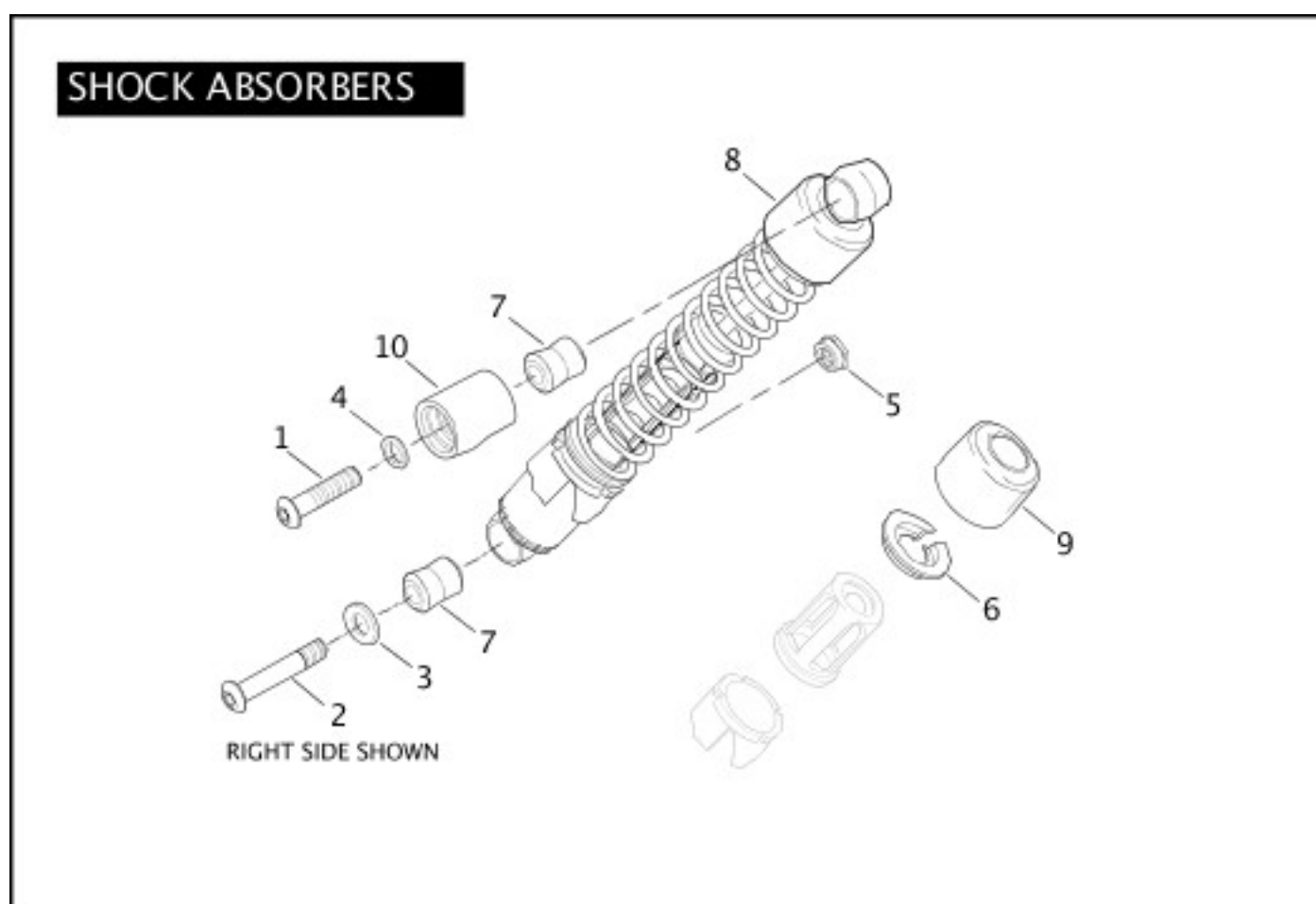
**FRONT FORK - 1200N**

[View interactive table](#)

INDEX NO.	PART NO.	DESCRIPTION	MODEL(S)
11	45451-07	FORK GAITERS, front fork (2)	XL1200N
20	47299-07	SPRING (2)	XL1200N
21	47313-07	PIPE, compression w/ 45462-87 (2)	XL1200N
22	48714-07	FORK ASSEMBLY, left	XL1200N

23	48715-07	FORK ASSEMBLY, right	XL1200N
24	48716-07	SLIDER ASSEMBLY, right	XL1200N
25	48726-07	SLIDER ASSEMBLY, left	XL1200N
26	48737-07	COLLAR, spring (2)	XL1200N
27	48738-07	WASHER, spring (2)	XL1200N
28	69861-07	REFLECTOR, amber - right	XL1200N
29	69862-07	REFLECTOR, amber - left	XL1200N

## SHOCK ABSORBERS

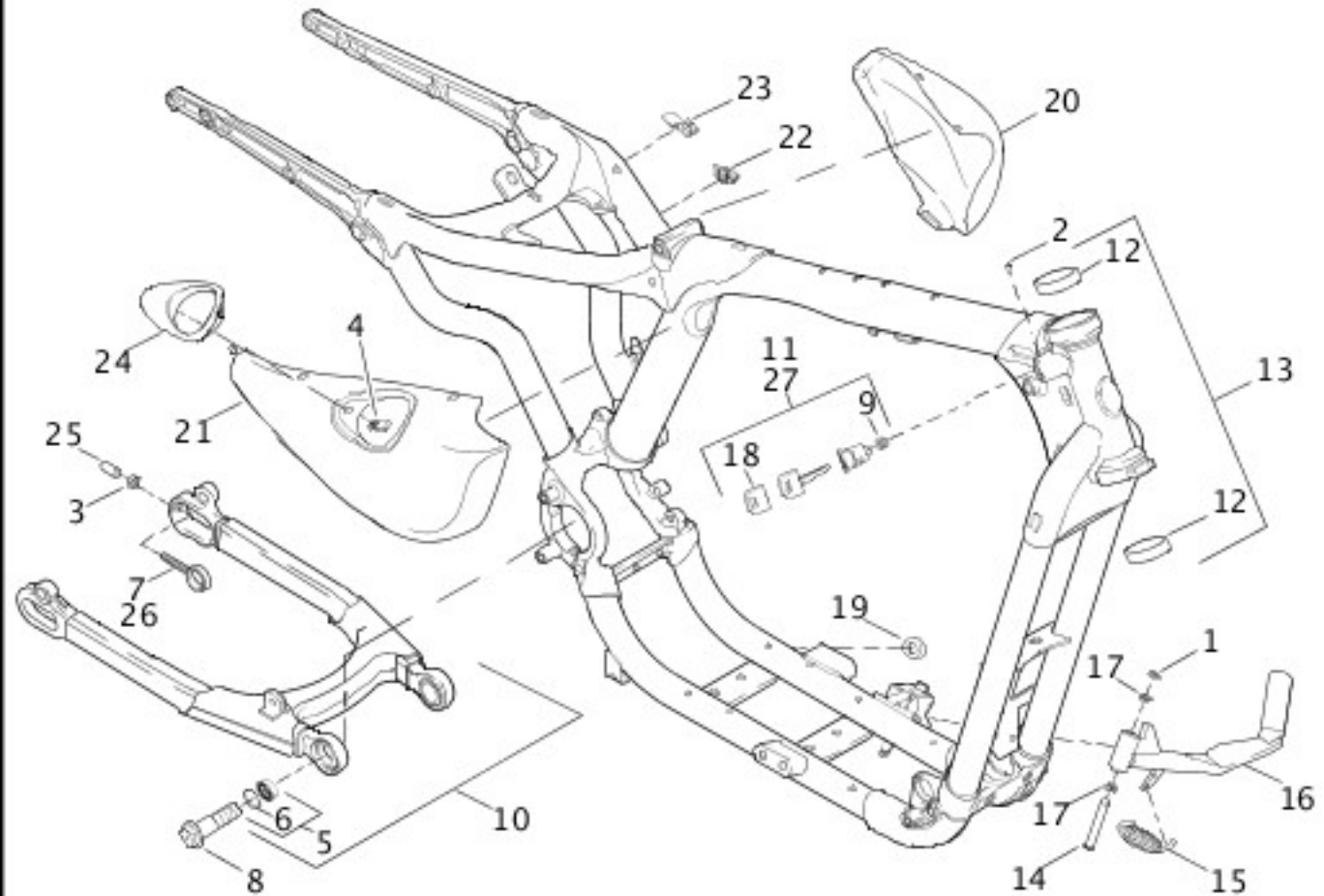


[View interactive table](#)

INDEX NO.	PART NO.	DESCRIPTION	MODEL(S)
	54626-07	SHOCK ABSORBER, complete, w/ 54473-79, 54556-84, & 54701-82 (2)	XL883L
	54540-07	SHOCK ABSORBER (2)	XL1200N
	54741-07	COVER, shock absorber stud, upper (black) (2)	XL1200N

## FRAME, REAR FORK, & JIFFY STAND

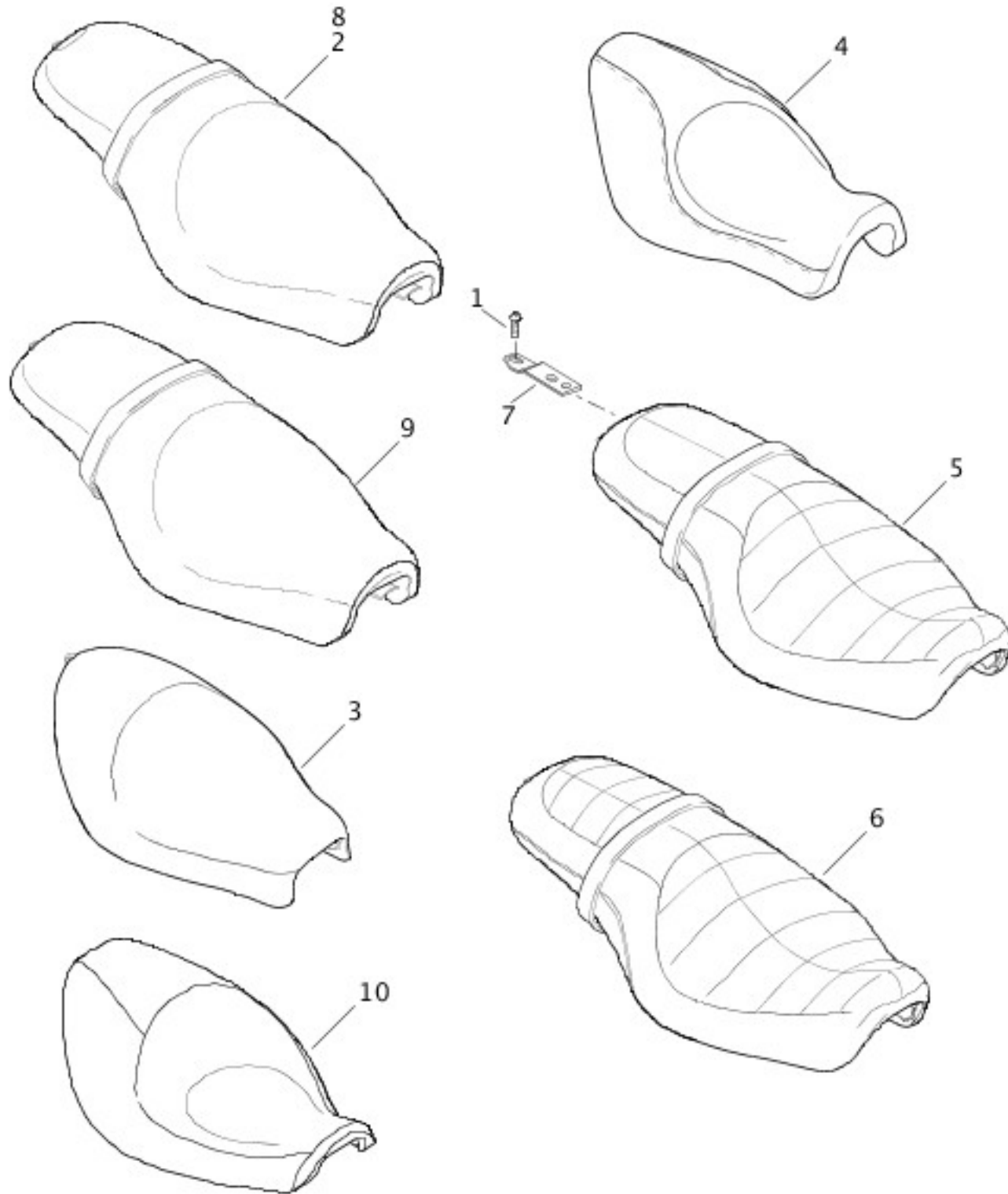
## FRAME, REAR FORK, & JIFFY STAND



[View interactive table](#)

INDEX NO.	PART NO.	DESCRIPTION	MODEL(S)
	48154-05	LOCKSET ASSEMBLY, complete	ALL
13	49431-06A	FRAME, w/ bearing cups	XL1200L, XL50
	49432-07A	FRAME, w/ bearing cups	XL1200R, XL883, XL883R
	49434-07A	FRAME, w/ bearing cups	XL1200N, XL883L
	49439-10	FRAME, w/ bearing cups	XL1200C, XL883C
	50238-07BHP	JIFFY STAND	XL1200N, XL883L
	49722-07BHP	JIFFY STAND	XL1200R, XL883, XL883R
	66464-07	SIDE COVER, left	XL50
	66465-07	SIDE COVER, right	XL50
	62534-07	BEZEL, oil tank filler (satin chrome)	XL1200N

## SEATS

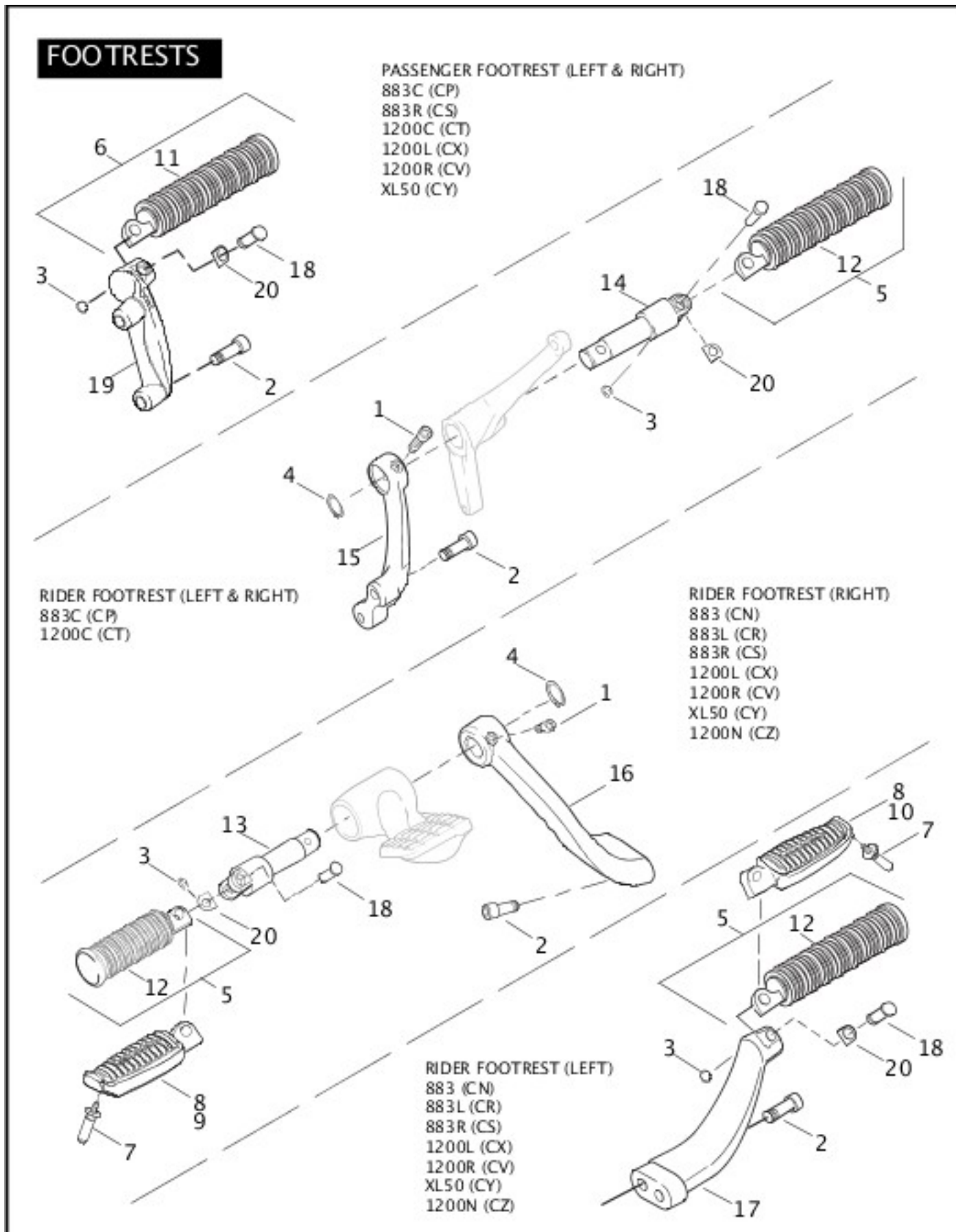


[View interactive table](#)

INDEX NO.	PART NO.	DESCRIPTION	MODEL(S)
2	51530-07	SEAT ASSEMBLY, w/ 51652-97	XL1200C
3	51532-07	SEAT ASSEMBLY, w/ 51652-97	XL883
4	51550-07	SEAT ASSEMBLY, w/ 51652-97	XL883L
5	51558-07	SEAT ASSEMBLY, w/ 51652-97	XL1200R
6	51551-07	SEAT ASSEMBLY, w/ 51652-97	XL883R
8	51706-07	SEAT ASSEMBLY, w/ 51652-97	XL1200L

9	51795-07	SEAT ASSEMBLY, w/ 51652-97	XL50
	52608-07	SEAT ASSEMBLY, w/ 51652-97	XL883C
10	51899-07	SEAT ASSEMBLY, w/ 51652-97	XL1200N

## FOOTRESTS



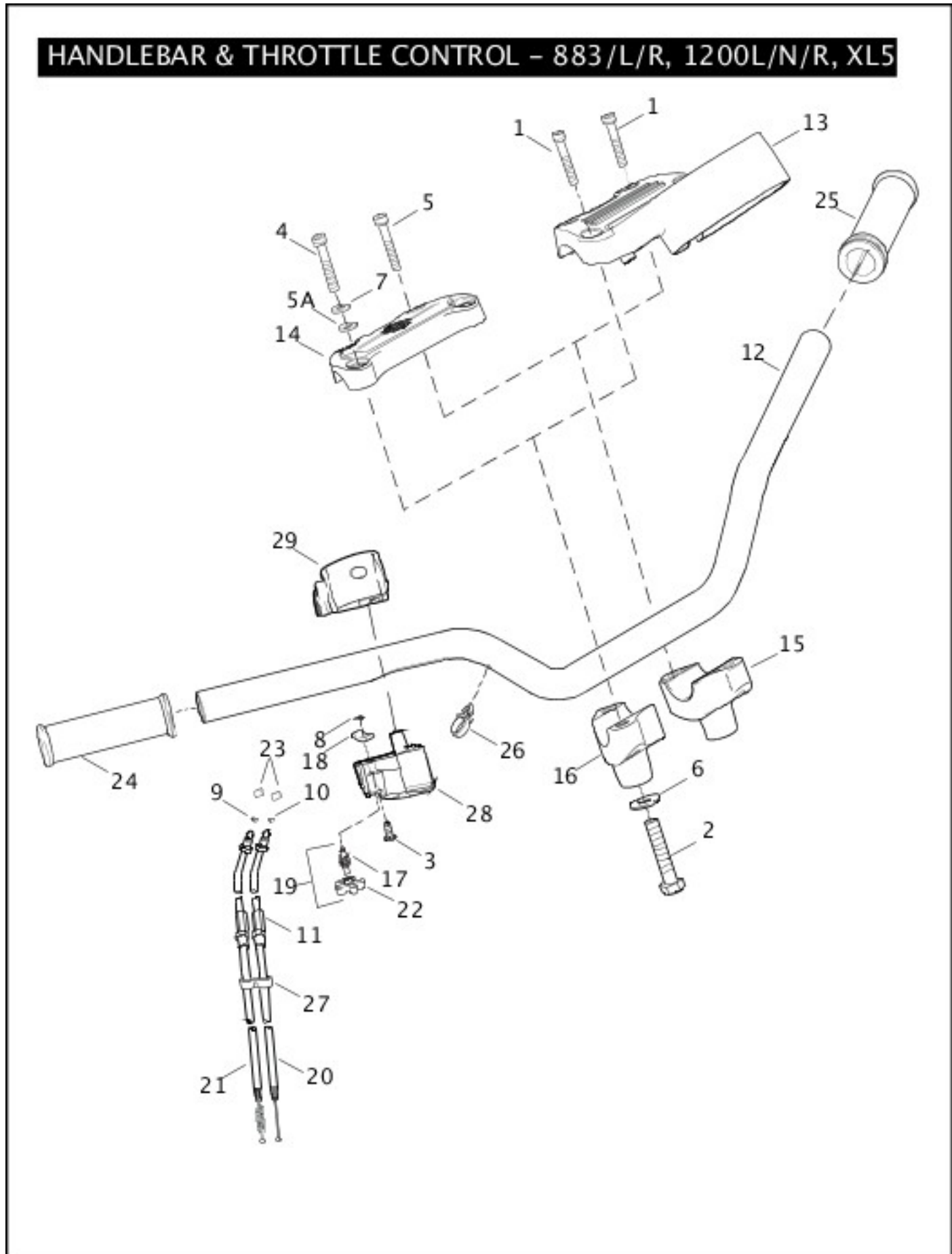
[View interactive table](#)

INDEX NO.	PART NO.	DESCRIPTION	MODEL(S)
7	33130-07	WEAR PEG, footrest - shown (2)	XL1200N



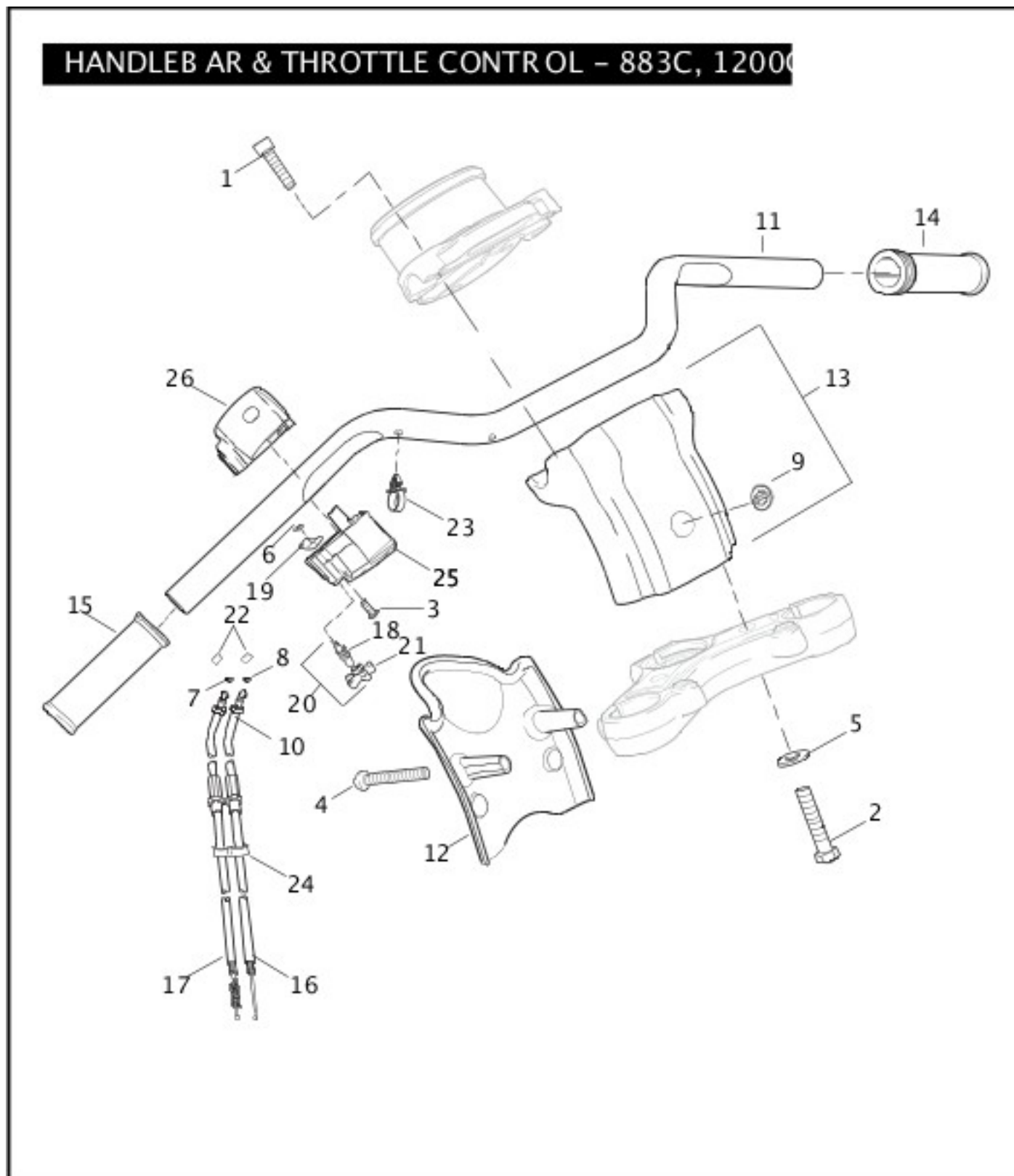
	33148-07	WEAR PEG, footrest (2)	XL883L
9	33134-07CAZ	FOOTPEG ASSEMBLY, RH, w/33133-06 (black)	XL1200N, XL883L
10	33135-07CAZ	FOOTPEG ASSEMBLY, LH, w/33133-06 (black)	XL1200N, XL883L
	33148-07	WEAR PEG, footrest (not illustrated) (2)	XL883L

## [HANDLEBAR & THROTTLE CONTROL - 883/L/R, 1200L/N/R, XL50](#)



INDEX NO.	PART NO.	DESCRIPTION	MODEL(S)
20	56884-07	THROTTLE CONTROL ASSEMBLY	XL1200L, XL1200N, XL1200R, XL50, XL883, XL883L, XL883R
21	56885-07	IDLE CONTROL ASSEMBLY	XL1200L, XL1200N, XL1200R, XL50, XL883, XL883L, XL883R
	60983-07	NAMEPLATE (not illustrated) - 50th Anniversary <b>**RESTRICTED SALES PART**</b>	XL50

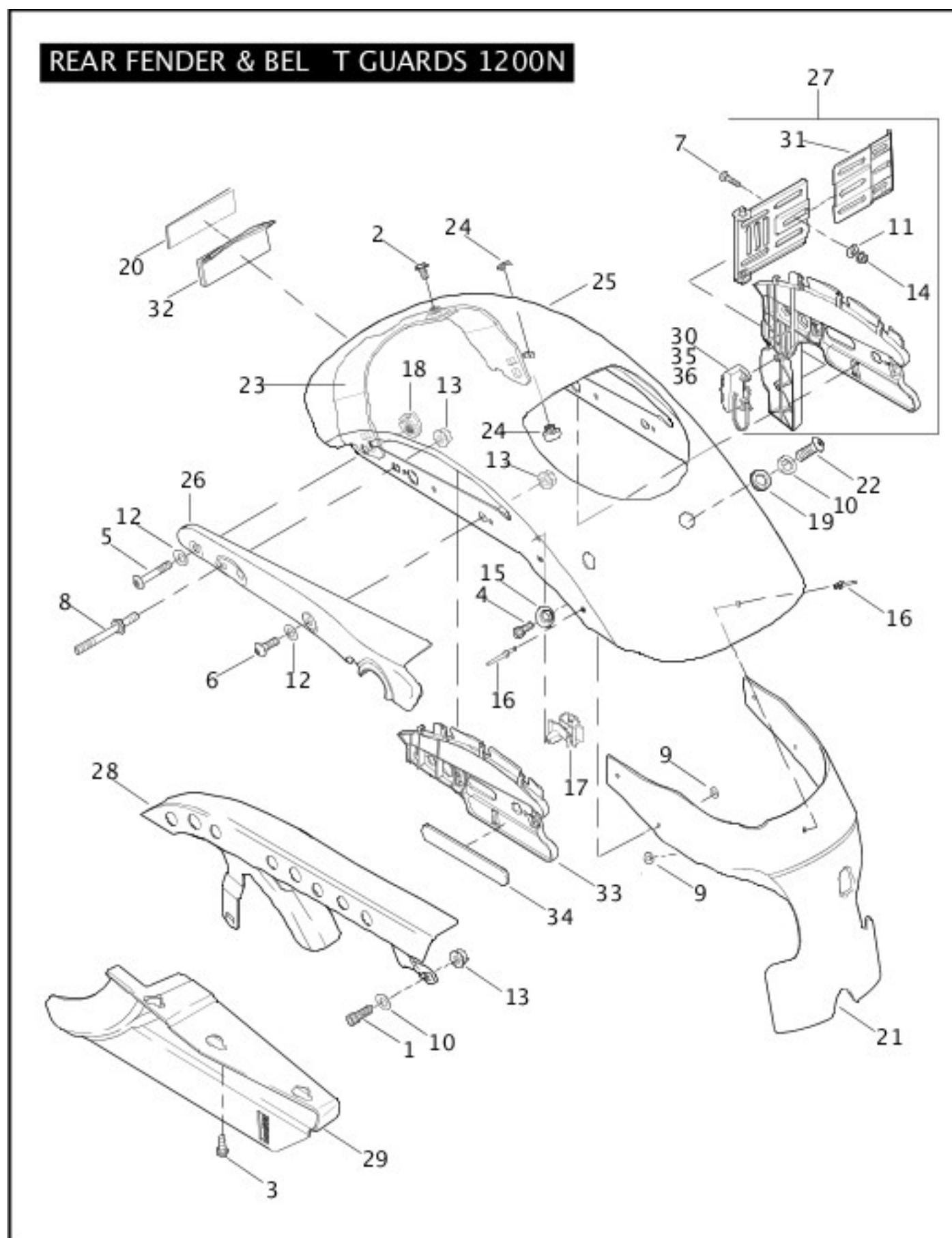
## HANDLEBAR & THROTTLE CONTROL - 883C/1200C





INDEX NO.	PART NO.	DESCRIPTION	MODEL(S)
16	56884-07	THROTTLE CONTROL ASSEMBLY	XL1200C, XL883C
17	56885-07	IDLE CONTROL ASSEMBLY	XL1200C, XL883C

## REAR FENDER & BELT GUARD 1200N



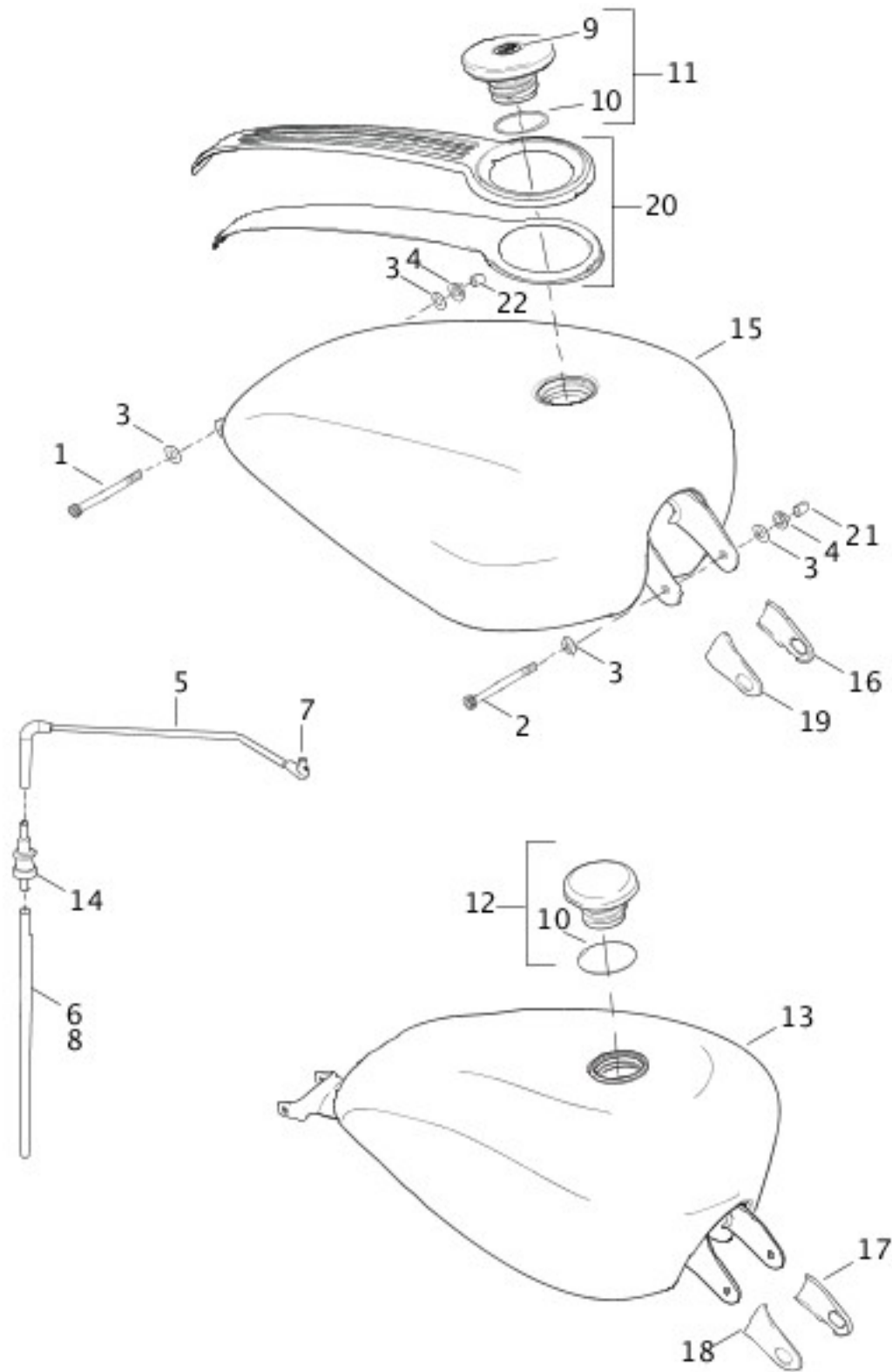
[View interactive table](#)

INDEX NO.	PART NO.	DESCRIPTION	MODEL(S)

23	59727-07	FENDER SUPPORT	XL1200N
25	59865-07	FENDER, rear (prime)	XL1200N
27	60318-07	LICENSE PLATE BRACKET MOUNT ASSEMBLY, left w/ 5403B, 6703, 7792, 68183-07 & 68702-07	XL1200N
28	60371-07	BELT GUARD	XL1200N
30	68183-07	ILLUMINATOR, license plate w/ 73152-96BK, & 73191-96	XL1200N
31	68702-07	BRACKET ADJUST, license plate	XL1200N
32	68724-07	MOUNTING BLOCK, reflector	XL1200N
33	68704-07	BRACKET REFLECTOR MOUNT, right	XL1200N
34	69490-07	REFLECTOR (red) (2)	XL1200N

## **FUEL TANK**

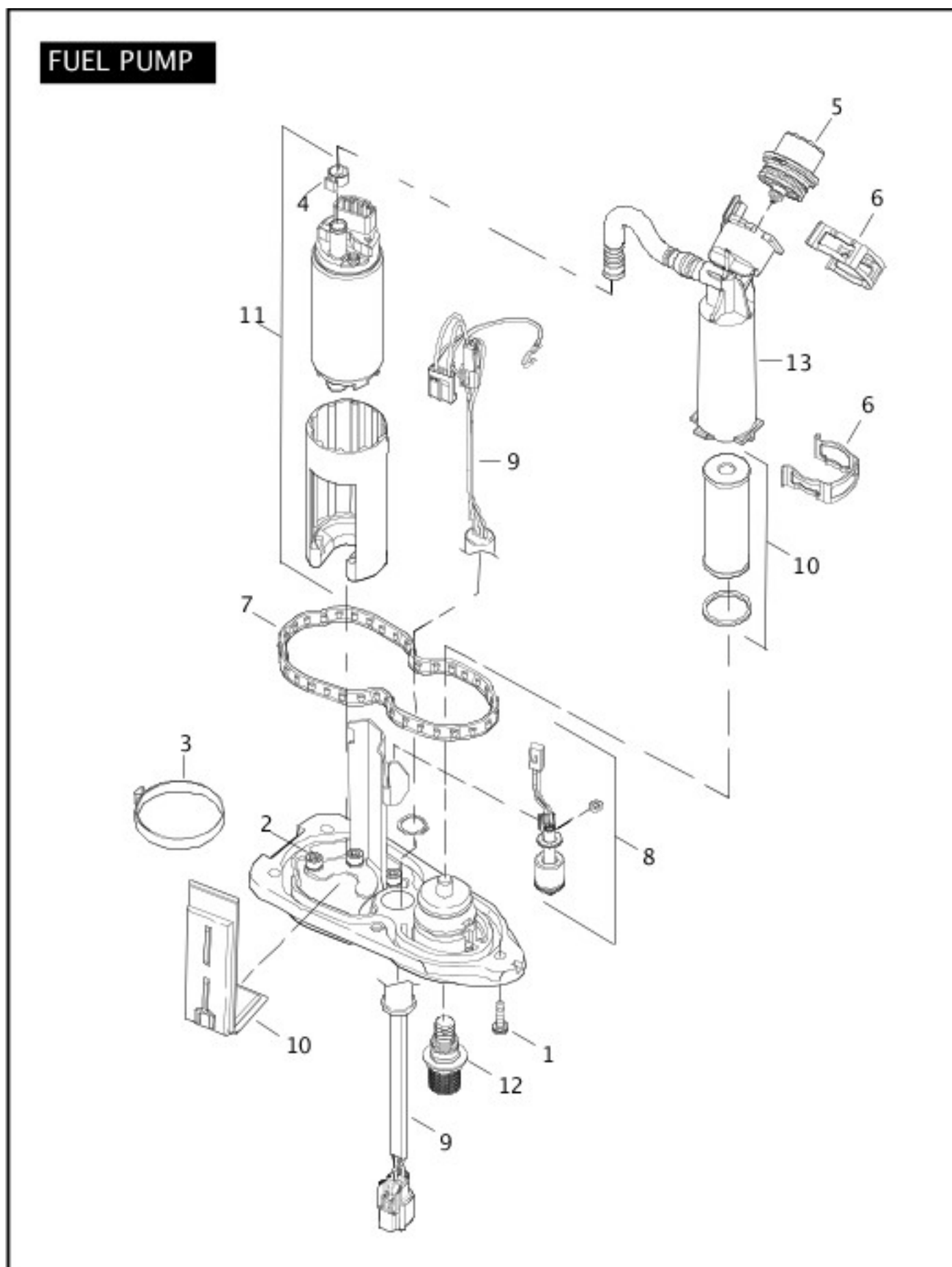
# FUEL TANK



[View interactive table](#)

INDEX NO.	PART NO.	DESCRIPTION	MODEL(S)
5	27067-07	VENTLINE, tank-to-valve, w/ 27250-96A	ALL
	61289-07	FUEL CAP ASSEMBLY, vented, w/ 61109-85D	XL1200N
13	61348-07	FUEL TANK ASSEMBLY (prime)	XL1200N, XL1200R, XL50, XL883, XL883L, XL883R
15	62213-07	FUEL TANK ASSEMBLY (prime)	XL1200C, XL1200L, XL883C

# FUEL PUMP



[View interactive table](#)

INDEX NO.	PART NO.	DESCRIPTION	MODEL(S)
	75268-07	FUEL PUMP MODULE	ALL
1	1081	SCREW (5)	ALL
2	1091	SCREW (3)	ALL

3	10303	CLAMP, pump assembly	ALL
4	10304	CLAMP, tube	ALL
5	61015-04A	PRESSURE REGULATOR ASSEMBLY	ALL
6	61213-04A	RETAINING CLIP (2)	ALL
7	75301-07	SEAL, cover plate	ALL
8	75302-07	SENSOR, fuel level	ALL
9	75303-07	HARNESS, fuel sender	ALL
10	75304-07	FUEL FILTER KIT, w/ 10303	ALL
11	75305-07	FUEL PUMP, w/ 1091, 10303, 10304	ALL
12	75309-07	VALVE ASSEMBLY	ALL
13	75317-07	FILTER HOUSING	ALL

## FUEL TANK TRIM

## FUEL TANK TRIM



NOTE: The fuel tank decal shown for the 1200N model is a silkscreen that is only sold as part of the painted fuel tank assembly.

[View interactive table](#)

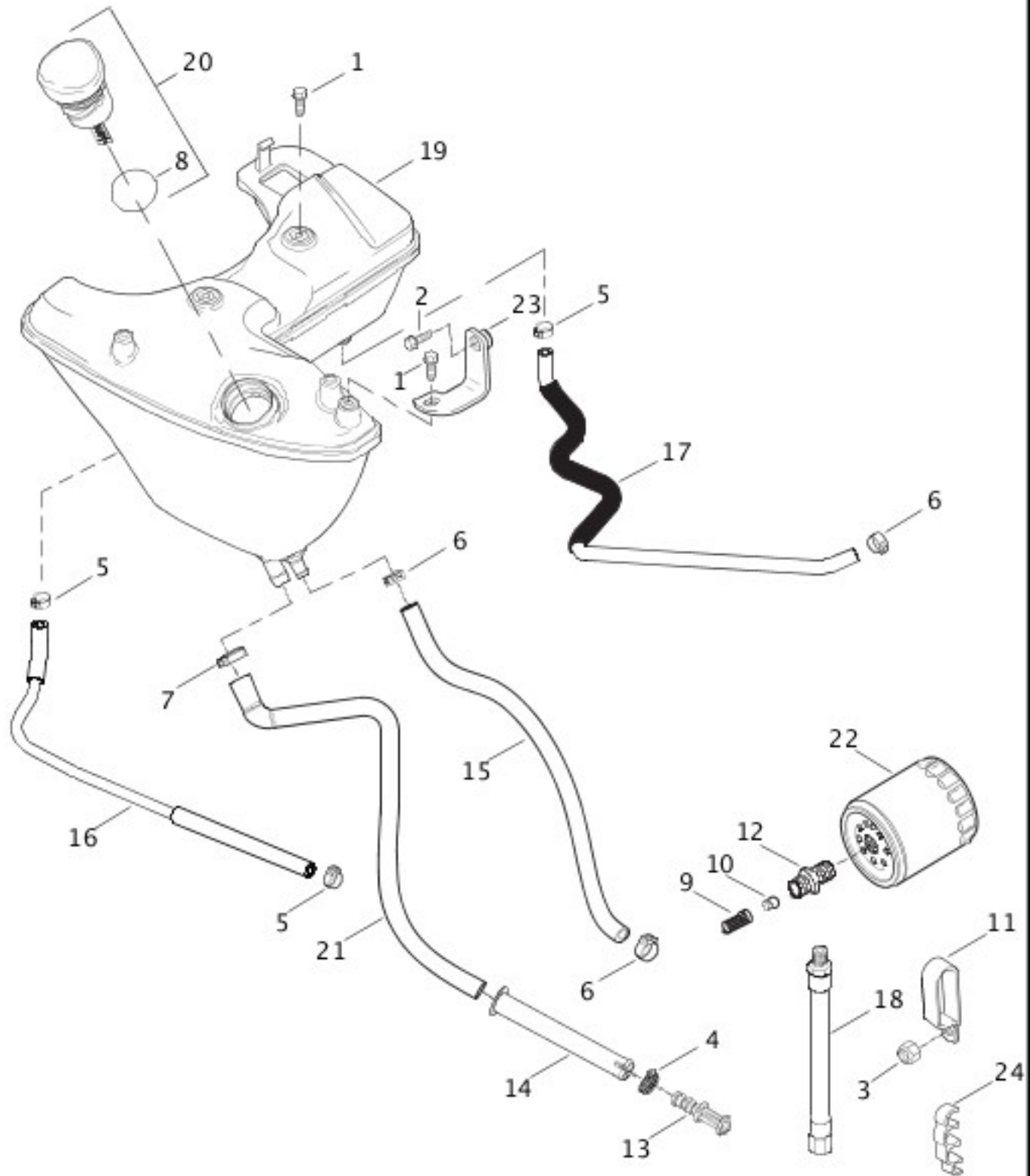
INDEX NO.	PART NO.	DESCRIPTION	MODEL(S)
5	13390-07	DECAL-FLAG, rear fender <b>**RESTRICTED SALES PART**</b>	ALL
9	62324-07	MEDALLION, fuel tank (LH) - 50th Anniversary <b>**RESTRICTED SALES PART**</b>	XL50
	62325-07	MEDALLION, fuel tank (RH) - 50th Anniversary <b>**RESTRICTED SALES PART**</b>	XL50
10	62336-07	MEDALLION, left	ALL

		<b>**RESTRICTED SALES PART**</b>	
	62337-07	MEDALLION, right <b>**RESTRICTED SALES PART**</b>	ALL
11	92261-07	INSERT - ARMY BRANCH	ALL
	92262-07	INSERT - AIR FORCE BRANCH	ALL
	92263-07	INSERT - NAVY BRANCH	ALL
	92264-07	INSERT - MARINES BRANCH	ALL
	92265-07	INSERT - COAST GUARD BRANCH	ALL

## [OIL TANK & FILTER](#)



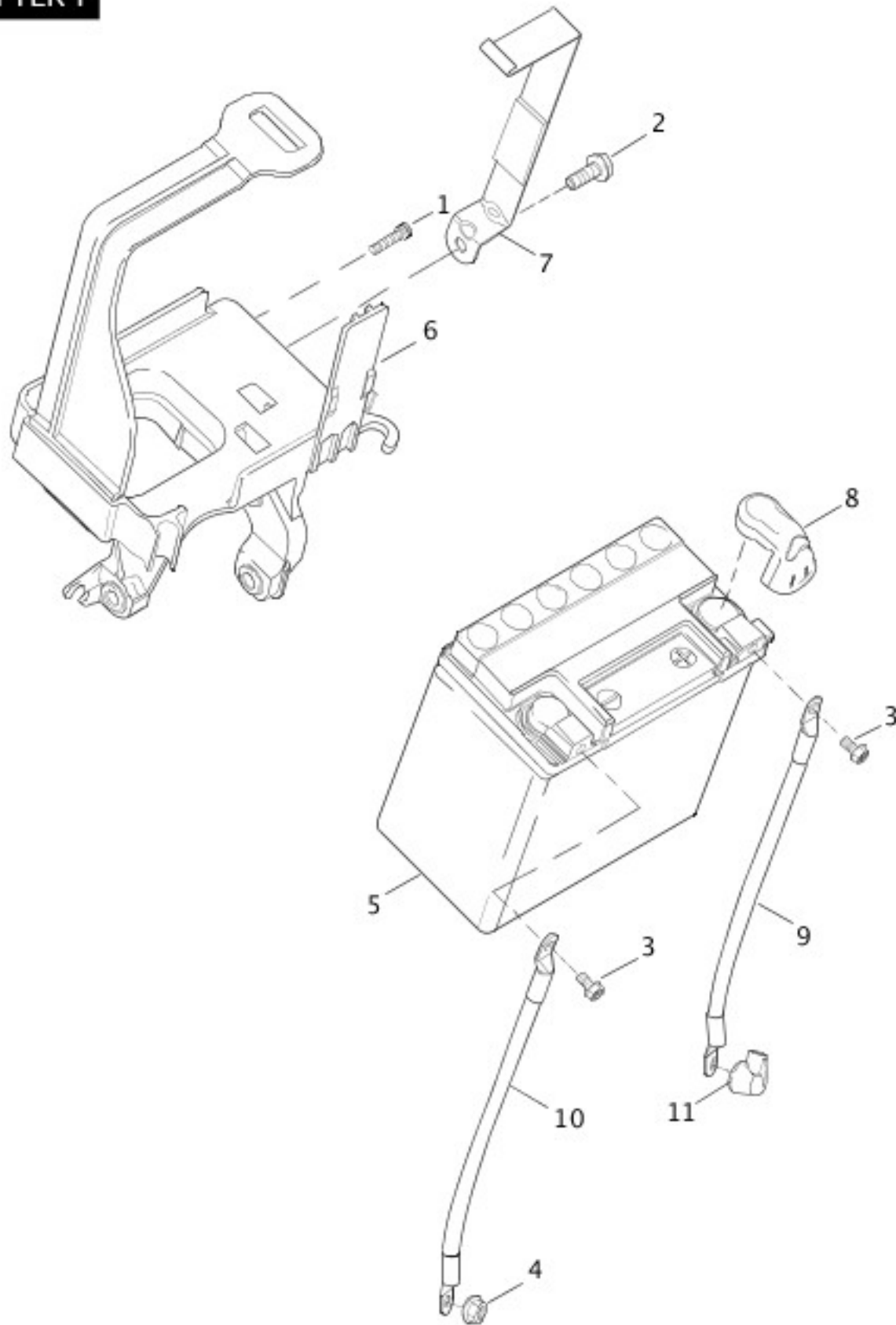
## OIL TANK & FILTER



[View interactive table](#)

INDEX NO.	PART NO.	DESCRIPTION	MODEL(S)
16	62360-04A	KIT, vent tube	ALL
19	62888-04A	OIL TANK ASSEMBLY	ALL
	62592-07	DIPSTICK ASSEMBLY, oil tank, w/ 11120	XL1200N

## BATTERY

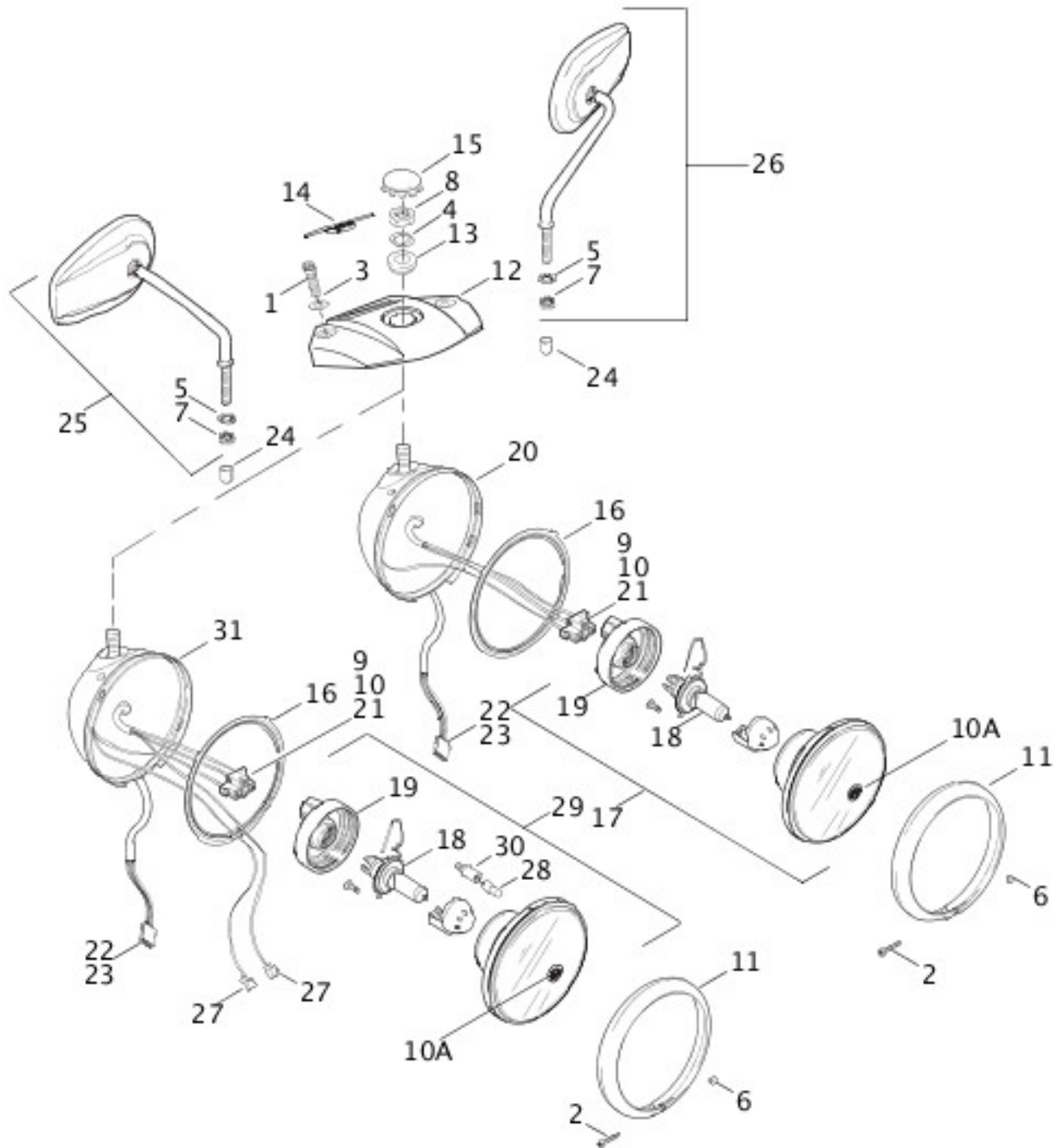


[View interactive table](#)

INDEX NO.	PART NO.	DESCRIPTION	MODEL(S)
3	4312B	SCREW, flange (2)	ALL
7	66476-04A	STRAP, battery	ALL

[HEADLAMP & MIRROR - 883/883L/883R/1200L/N/R/XL50](#)

# HEADLAMP & MIRROR - 883/883L/883R/1200L/N



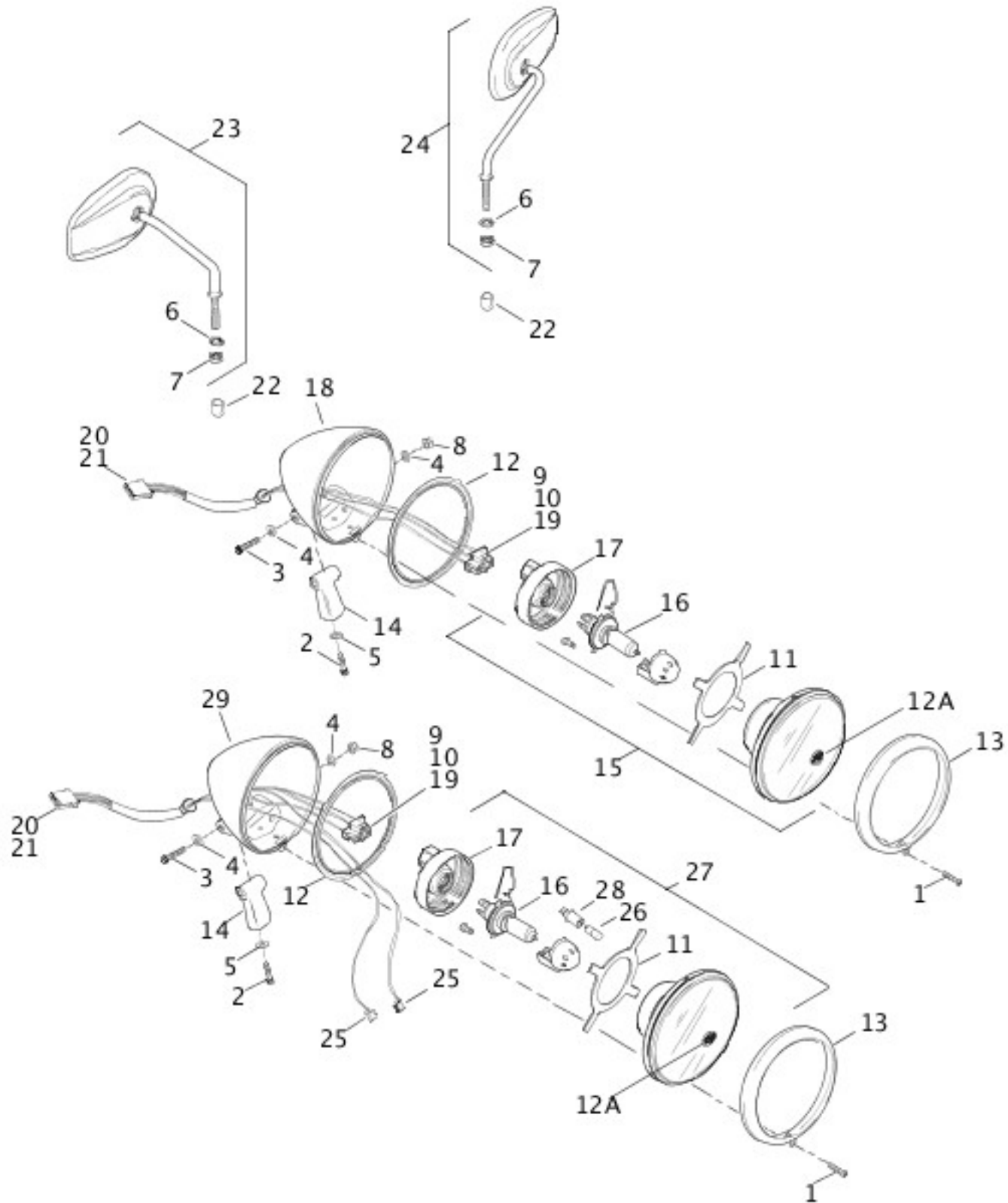
[View interactive table](#)

INDEX NO.	PART NO.	DESCRIPTION	MODEL(S)
	68443-07	BEZEL, black/satin	XL1200N
	67950-07	BRACKET, headlamp (gloss black)	XL1200N
	67951-07	PLUG (gloss black)	XL1200N
20	69774-07	HEADLAMP SHELL ASSEMBLY, 5-3/4 in. (black), w/ 9847, 9848, 9898, 72056-92, 73154-96BK, & 73191-96	XL1200L, XL1200N, XL1200R, XL883, XL883L, XL883R

	69883-07	HEADLAMP SHELL ASSEMBLY, 5-3/4 in. (chrome), w/ 9847, 9848, 72056-92, 73154-96BK, & 73191-96	XL50
	73160-96BK	SOCKET HOUSING, socket, 10-way	XL1200L, XL1200R, XL883, XL883L, XL883R
24	89586-04	CAP, protective (2)	XL1200L, XL1200N, XL1200R, XL50, XL883, XL883L, XL883R
31	69774-07	HEADLAMP SHELL ASSEMBLY, 5-3/4 in. (black), w/ 9847, 9848, 9898, 72056-92, 73154-96BK, & 73191-96	XL1200N, XL1200R, XL883, XL883L, XL883R
	69883-07	HEADLAMP SHELL ASSEMBLY, 5-3/4 in. (chrome), w/ 9847, 9848, 9898, 72056-92, 73154-96BK, & 73191-96	XL50

## [HEADLAMP & MIRROR - 883C/1200C](#)

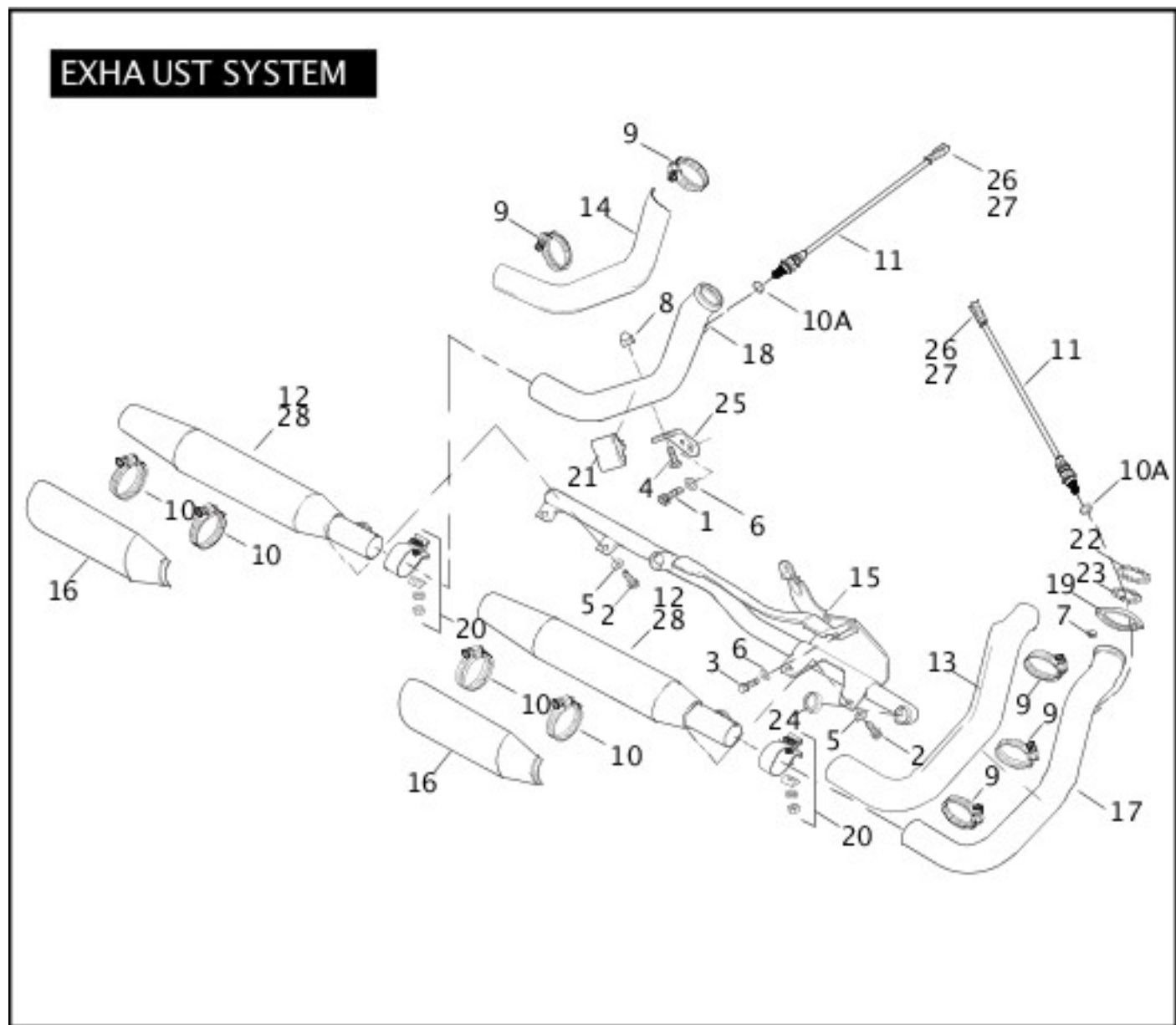
# HEADLAMP & MIRR OR - 883C/1200



[View interactive table](#)

INDEX NO.	PART NO.	DESCRIPTION	MODEL(S)
18	69681-07	HEADLAMP SHELL ASSEMBLY, 5-3/4 in., w/ 9847, 9848, 9898, 72056-92, 73154-96BK, & 73191-96	XL1200C, XL883C
22	89586-04	CAP, protective	XL1200C, XL883C
29	69681-07	HEADLAMP SHELL ASSEMBLY, 5-3/4 in., w/ 9847, 9848, 9898, 72056-92, 73154-96BK, & 73191-96	XL1200C, XL883C

# EXHAUST SYSTEM



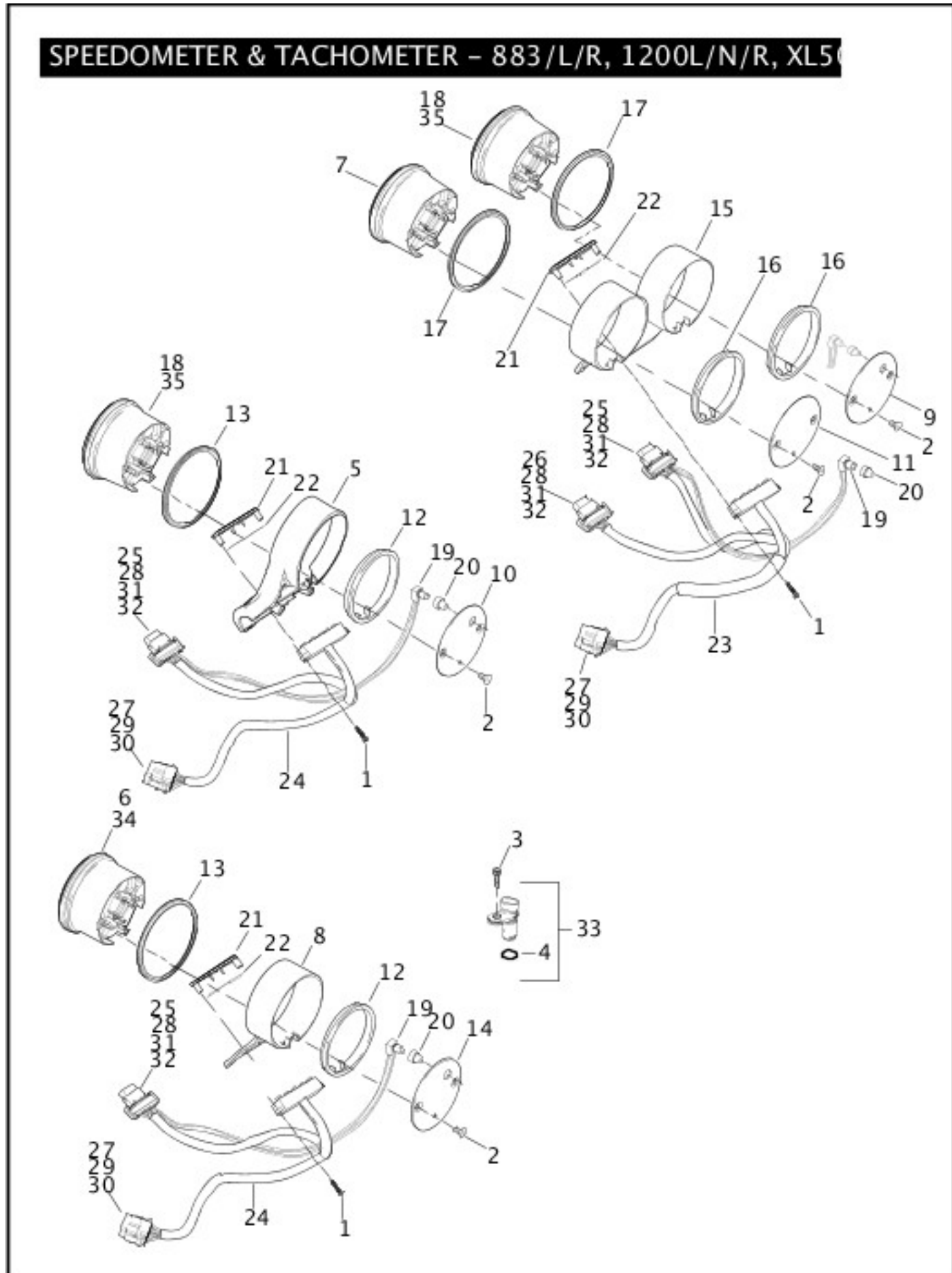
[View interactive table](#)

INDEX NO.	PART NO.	DESCRIPTION	MODEL(S)
10A	27714-06	SEAL RING (2)	ALL
11	27719-07	SENSOR, oxygen, w/ 27714-06, 72009-05, 72011-05 (2)	ALL
13	64846-04A	HEAT SHIELD, front exhaust pipe	ALL
14	64847-04A	HEAT SHIELD, rear exhaust pipe, chrome	ALL
	66851-07	HEAT SHIELD, upper rear exhaust pipe, stainless steel	XL1200L, XL1200N, XL1200R, XL883, XL883L, XL883R
17	64942-07	EXHAUST PIPE, front (chrome)	ALL
18	64943-07	EXHAUST PIPE, rear (chrome)	ALL



26	72009-05	HOUSING, 2-way pin (2)	ALL
27	72011-05	WIRE SEAL, 16-20 gauge (yellow) (4)	ALL
	64891-04A	MUFFLER, front (CN/CP/CR/CS/CT/CV/CX/CY - HDI, England), rear (CP/CR/CT/CX/CY - HDI, England)	XL1200C, XL1200L, XL1200R, XL50, XL883, XL883C, XL883L, XL883R

## [SPEEDOMETER & TACHOMETER - 883/L/R, 1200L/N/R, XL50](#)

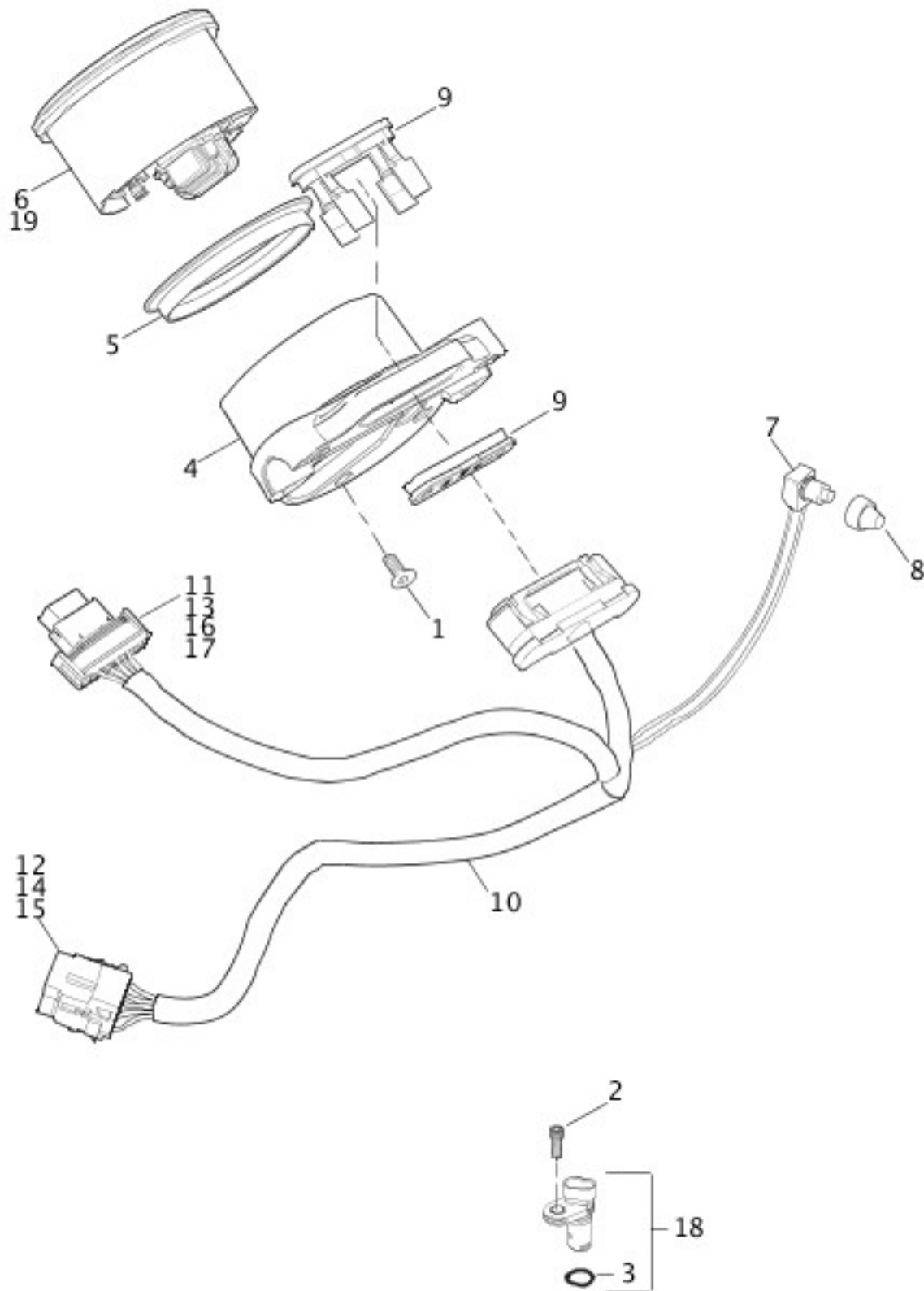


INDEX NO.	PART NO.	DESCRIPTION	MODEL(S)
6	67037-04A	SPEEDOMETER, mph (Domestic, California)	XL1200N, XL883, XL883L, XL883R
7	67049-04A	TACHOMETER	XL1200R, XL50
13	67121-95A	GASKET, front	XL1200L, XL1200N, XL883, XL883L, XL883R
18	67436-04A	SPEEDOMETER, mph (Domestic, California)	XL1200L, XL1200R, XL50
22	68551-07	LENS, indicator lamps	XL1200L, XL1200N, XL1200R, XL50, XL883, XL883L, XL883R
23	68811-07	HARNESS, warning lamp assembly, w/ LED indicator	XL1200R, XL50
24	68813-07	HARNESS, warning lamp assembly, w/ LED indicator	XL1200L, XL1200N, XL883, XL883L, XL883R
27	72169-07	TERMINAL PIN, 16-20 awg (7)	XL1200L, XL1200N, XL1200R, XL50, XL883, XL883L, XL883R
29	72488-07BK	HOUSING, 12-way (black)	XL1200L, XL1200N, XL1200R, XL50, XL883, XL883L, XL883R
30	72549-07	TERMINAL PIN, 22 awg (5)	XL1200L, XL1200N, XL1200R, XL50, XL883, XL883L, XL883R
34	67041-04A	SPEEDOMETER, kph (Canada/HDI/Australia/Japan)	XL1200N, XL883, XL883L, XL883R
	67290-04A	SPEEDOMETER, mph/kph (England)	XL883, XL883L, XL883R
35	67415-04A	SPEEDOMETER, mph/kph (England)	XL1200L, XL1200R, XL50
	67416-04A	SPEEDOMETER, kph (Canada/HDI/Australia/Japan)	XL1200L, XL1200R, XL50

## [SPEEDOMETER - 883C/1200C](#)



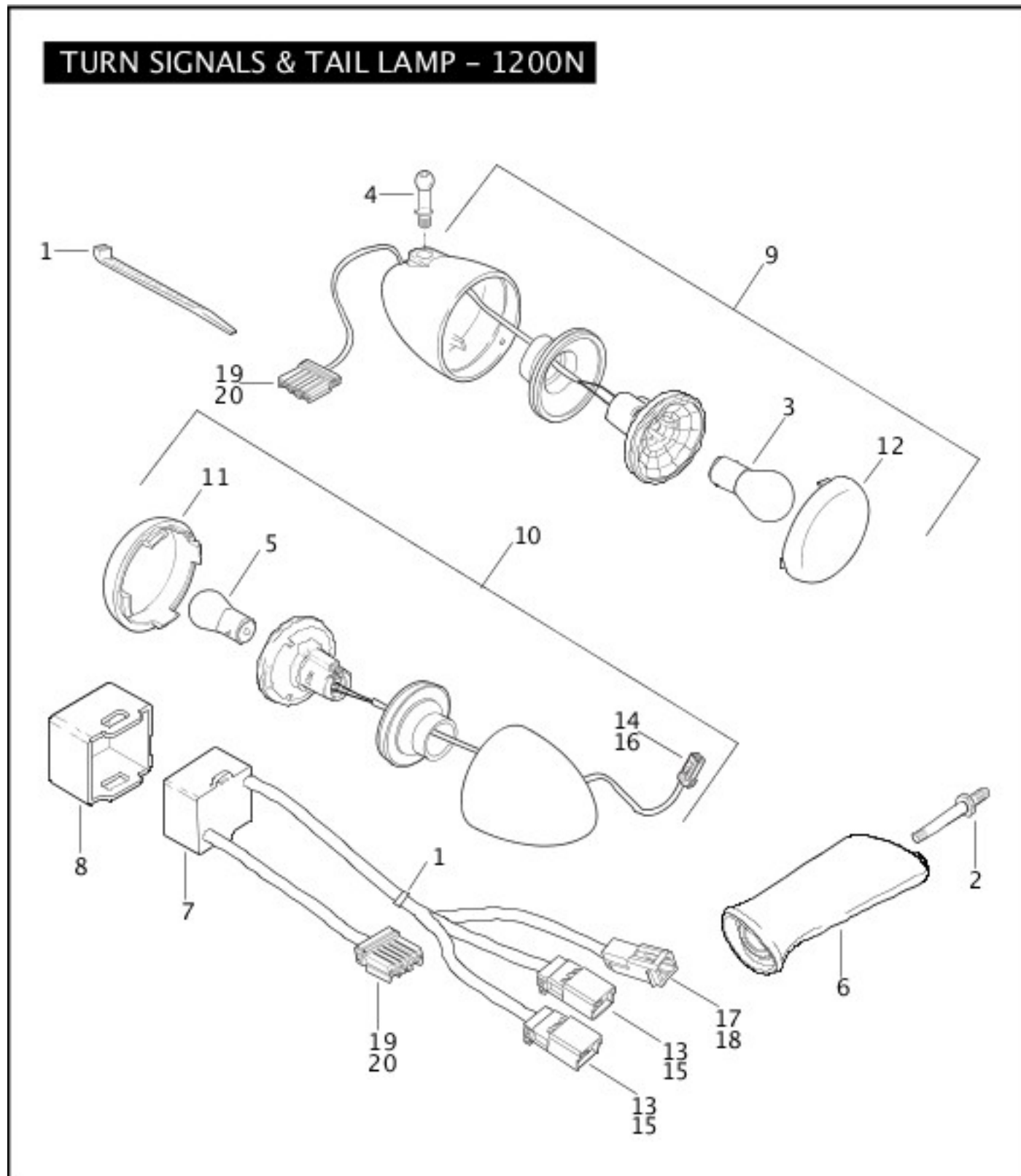
# SPEEDOMETER - 883C/1200C



[View interactive table](#)

INDEX NO.	PART NO.	DESCRIPTION	MODEL(S)
5	67121-95A	GASKET, shock, front	XL1200C, XL883C
9	68382-07	BEZEL ASSEMBLY, indicator lamps	XL1200C, XL883C
10	68814-07	INSTRUMENT HARNESS ASSEMBLY, w/ LED indicator	XL1200C, XL883C
12	72169-07	TERMINAL PIN, 16-20 awg (7)	XL1200C, XL883C
14	72488-07BK	HOUSING, socket 12-way (black)	XL1200C, XL883C

## TURN SIGNALS & TAIL LAMP - 1200N

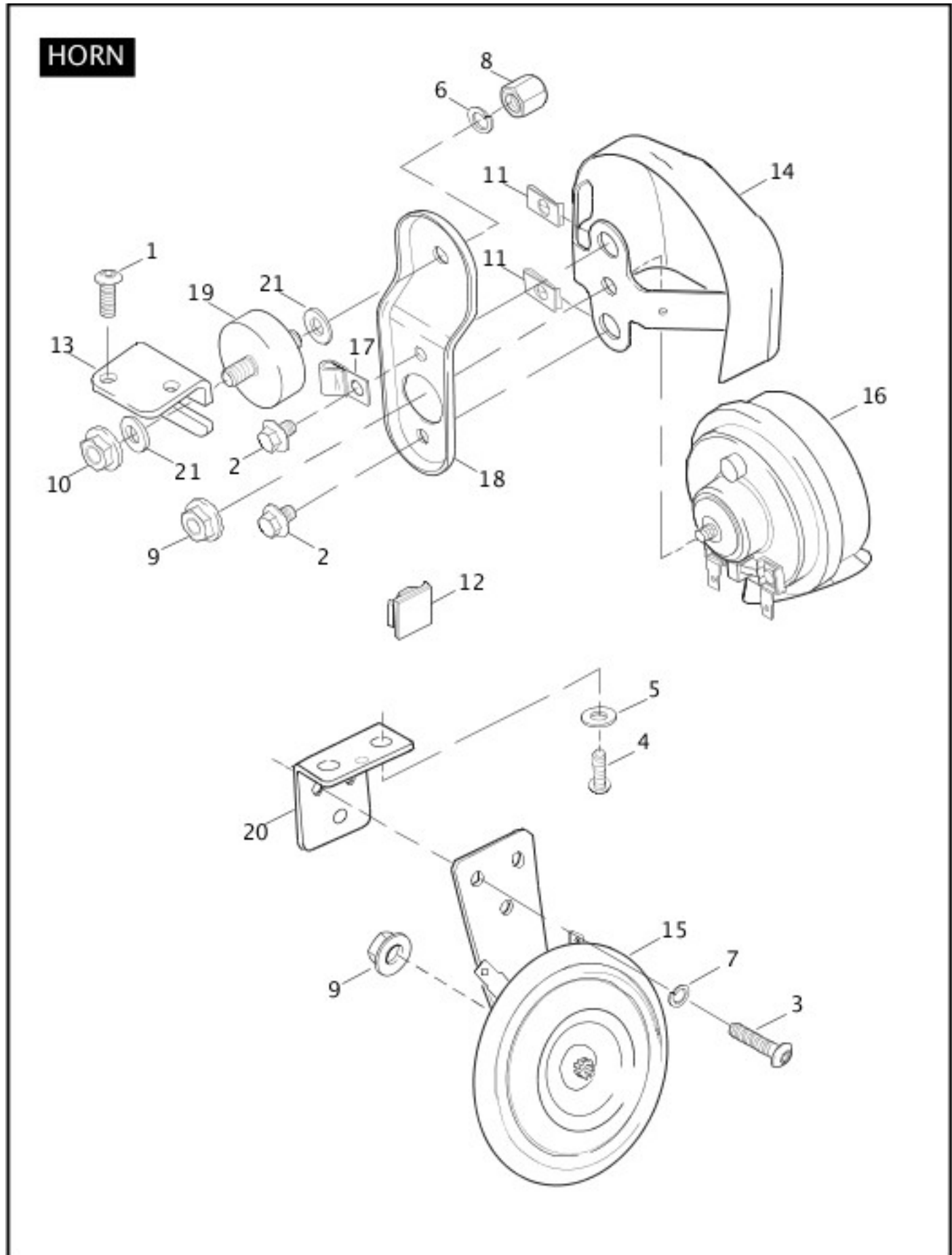


[View interactive table](#)

INDEX NO.	PART NO.	DESCRIPTION	MODEL(S)
6	68277-07	SUPPORT, rear turn signal (2)	XL1200N
7	68278-07	CONVERTER MODULE, rear turn signal, & tail lamp	XL1200N
8	68299-07	HOLDER, module	XL1200N
9	68730-07	TURN SIGNAL ASSEMBLY, front (2)	XL1200N
10	68449-07	TURN SIGNAL ASSEMBLY, rear (2)	XL1200N

11	68559-07	LENS, rear (2)	XL1200N
12	68755-07	LENS, front (2)	XL1200N

# HORN

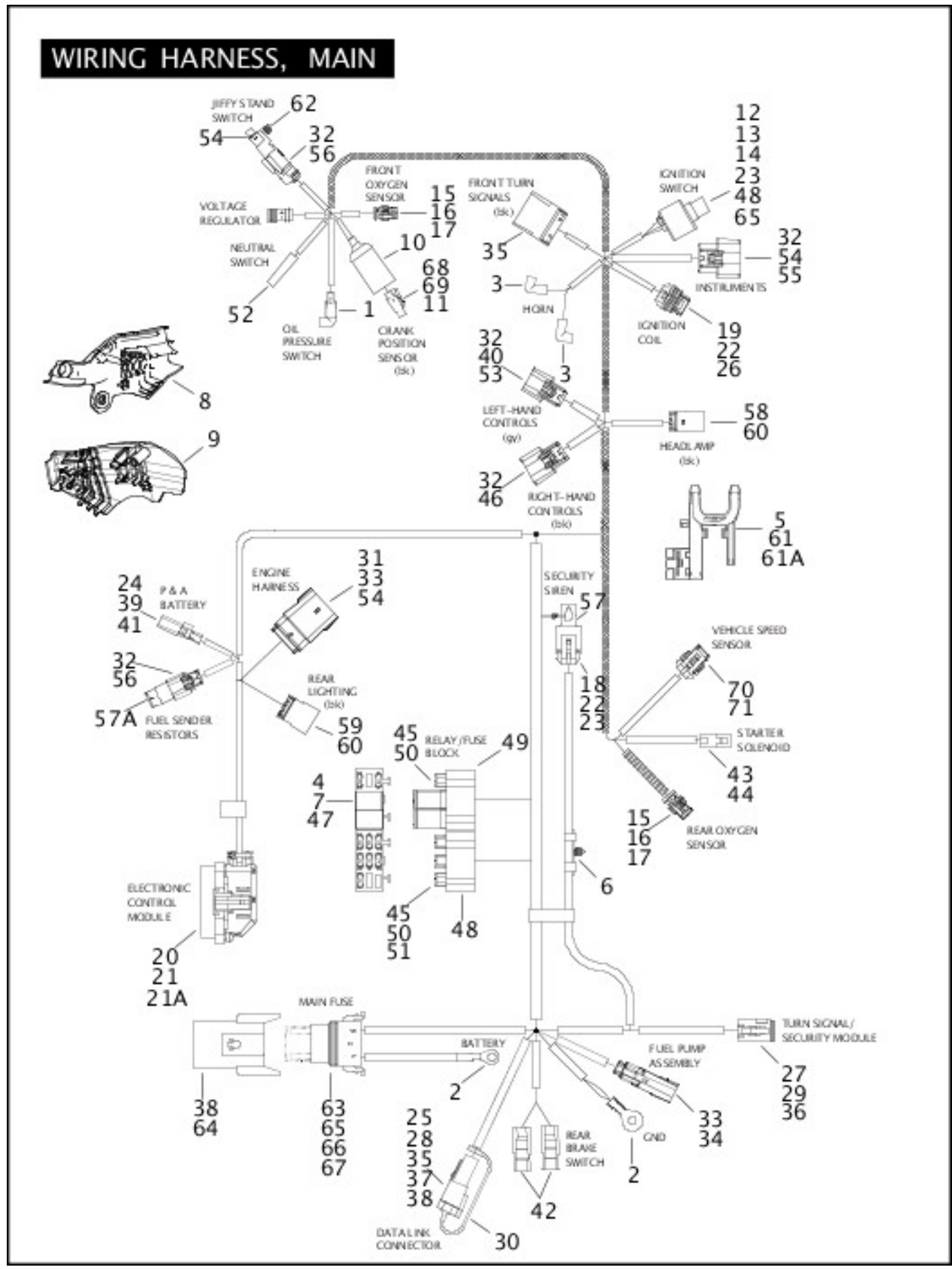


[View interactive table](#)

INDEX NO.	PART NO.	DESCRIPTION	MODEL(S)
13	69049-07	BRACKET, horn	XL1200C, XL50

15	69043-96B	HORN, complete, w/ bracket & 7495	XL1200L, XL1200N, XL1200R, XL883, XL883C, XL883L, XL883R
16	69060-90D	HORN, w/ 7495	XL1200C, XL50

# WIRING HARNESS, MAIN



[View interactive table](#)

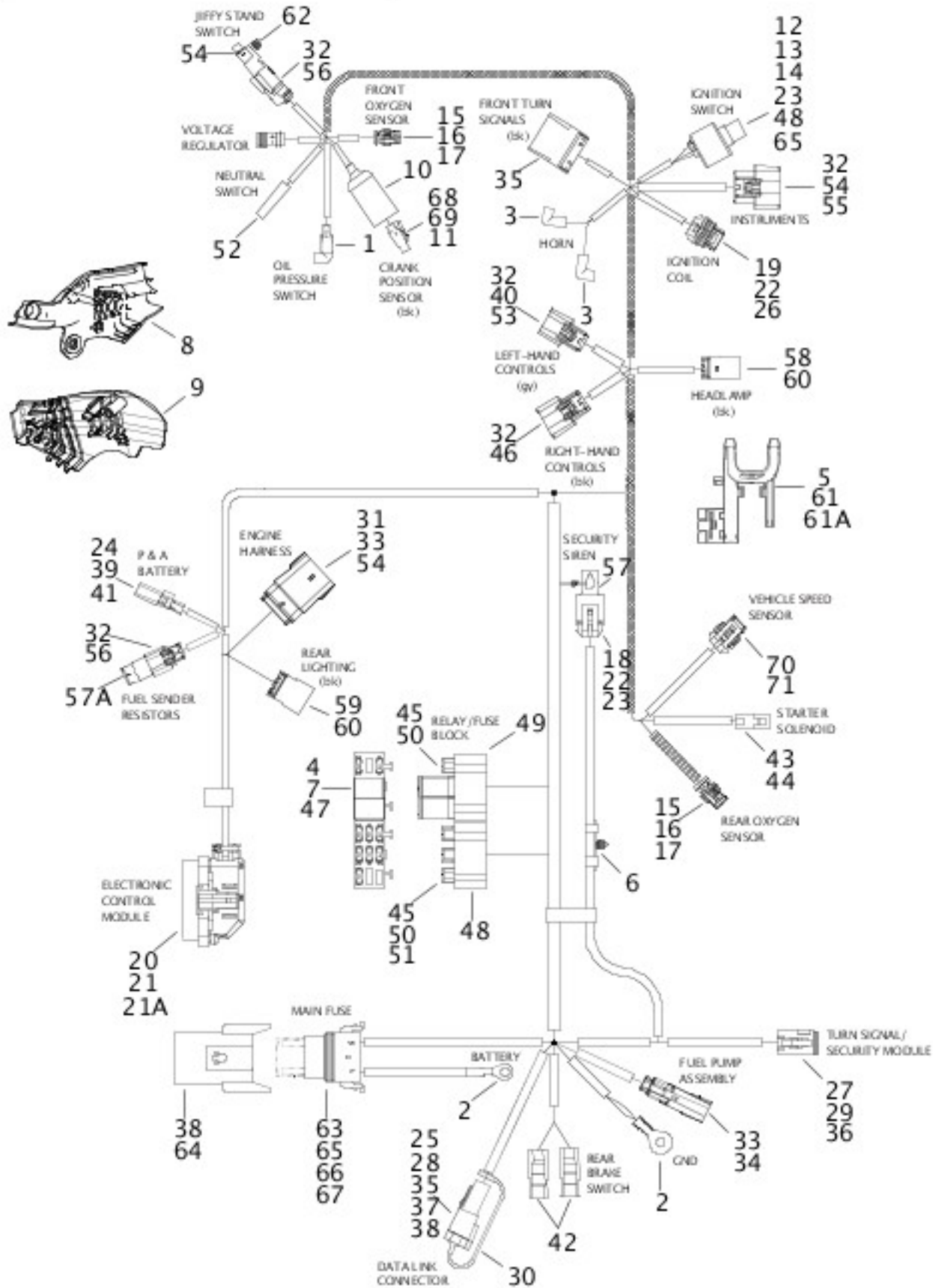
INDEX NO.	PART NO.	DESCRIPTION	MODEL(S)

	70181-07	WIRING HARNESS, main, w/ ET sensor (After Jan. 31, 2007 use 70181-07)	ALL
	70224-07	WIRING HARNESS, main, w/o ET Sensor (Before Jan. 30, 2007 use 70224-07)	ALL
	3123	SCREW, caddy mount (not part of wiring harness) (not illustrated)	ALL
1	72405-98BK	PUSH ON WIRE ASSEMBLY, right angle molded, w/ 60in. wire lead in black	ALL
3	9898	TERMINAL FLAG (2)	ALL
	31797-07	BRACKET ASSEMBLY, ignition switch (not illustrated)	ALL
	70640-07	CLIP, caddy (not illustrated)	ALL
8	70642-07	WIRE HARNESS CADDY, right	ALL
	70649-07	WIRE GUIDE (not illustrated)	ALL
9	70466-07A	WIRE HARNESS CADDY, left	ALL
10	70598-99	BOOT, temperature sensor	ALL
15	72611-07	TERMINAL, socket, 16-20 gauge (4)	ALL
16	72007-05	HOUSING, socket, 2-way (2)	ALL
17	72011-05	WIRE SEAL, 16-20 gauge (yellow) (4)	ALL
19	72066-06	SOCKET HOUSING, 4-way, female (black)	ALL
20	72076-00	TERMINAL, socket (26)	ALL
21	72077-00	SEAL PIN (10)	ALL
26	72135-06	SECONDARY LOCK, 4-way, female (gray)	ALL
31	72167-07BK	HOUSING, 16-way, pin (black)	ALL
32	72168-07	TERMINAL, socket, 18-20 gauge (22)	ALL
33	72169-07	TERMINAL, pin, 16-20 gauge (17)	ALL
34	72175-07BK	HOUSING, pin, 4-way (black)	ALL
40	72272-07	TERMINAL, socket, 14-16 gauge (6)	ALL

## **WIRING HARNESS, MAIN (CONTINUED)**



# WIRING HARNESS, MAIN



[View interactive table](#)

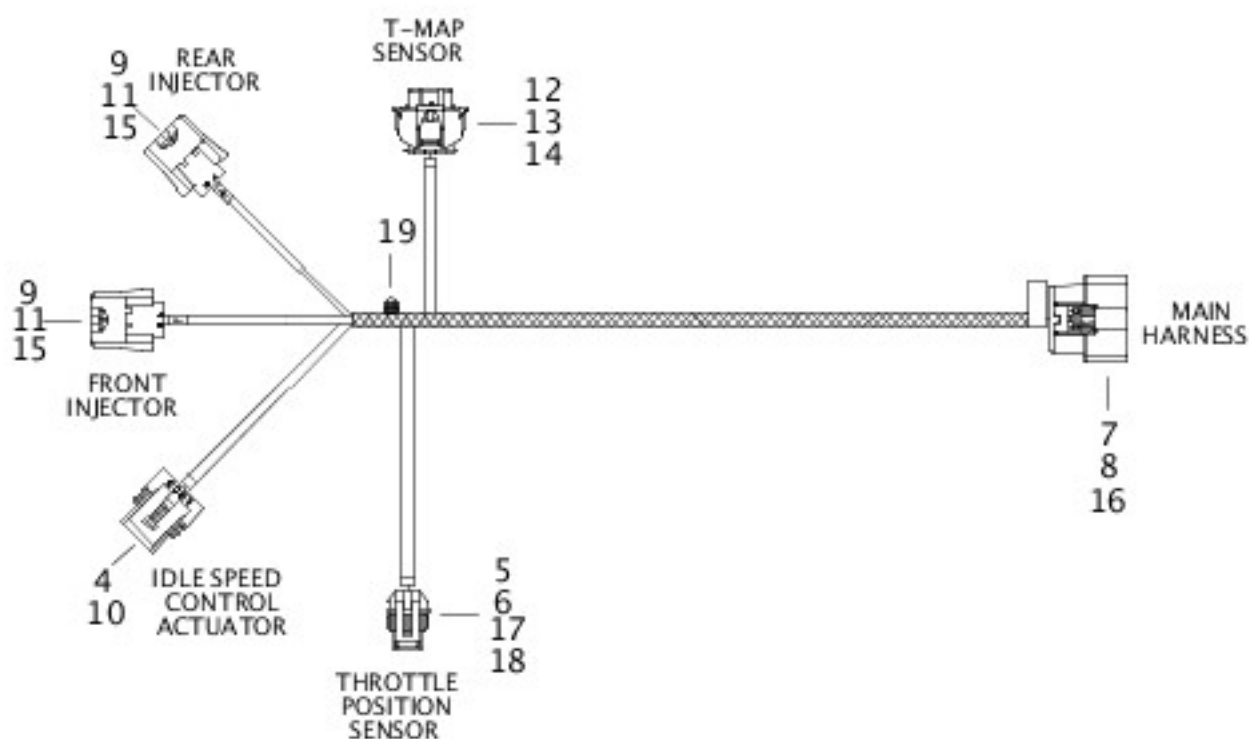
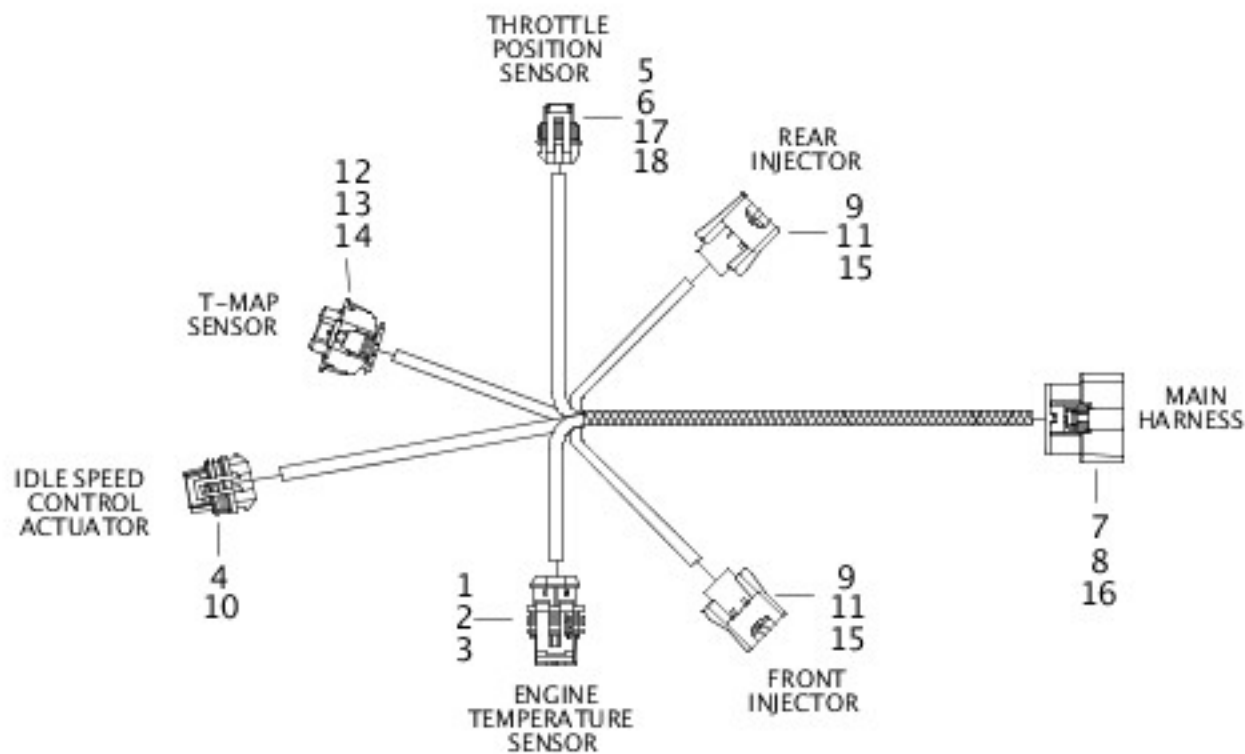
INDEX NO.	PART NO.	DESCRIPTION	MODEL(S)
	70181-07	WIRING HARNESS, main, w/ ET sensor (After Jan. 31, 2007 use 70181-07)	ALL
	70224-07	WIRING HARNESS, main, w/o ET Sensor (Before Jan. 30, 2007 use 70224-07)	ALL
46	72414-07BK	HOUSING, socket, 6-way (black)	ALL
48	72430-00	FUSEBLOCK MOUNTING, relay, 9 fuses	ALL
49	72432-00	FUSEBLOCK MOUNTING, relay, 3 fuses	ALL

51	72441-04	TERMINAL, 12-14 gauge	ALL
53	72469-07GY	HOUSING, socket, 8-way (gray)	ALL
54	72473-07	SEAL PIN (4)	ALL
55	72487-07BK	HOUSING, socket, 12-way (black)	ALL
56	72512-07BK	HOUSING, socket, 3-way (black) (2)	ALL
	72544-07	SECONDARY LOCK, 3-way (not illustrated)	ALL
57A	72545-07	RESISTOR ASSEMBLY, fuel sender	ALL
61	70645-07	FUSEBLOCK, clip	ALL
61A	73210-07	FUSEBLOCK, harness	ALL
62	73213-07	RETAINER (2)	ALL
70	72033-93	SOCKET, terminal	ALL
71	72312-04	HOUSING, 3-way, female	ALL

## **WIRING HARNESS, ENGINE**



# WIRING HARNESS, ENGINE



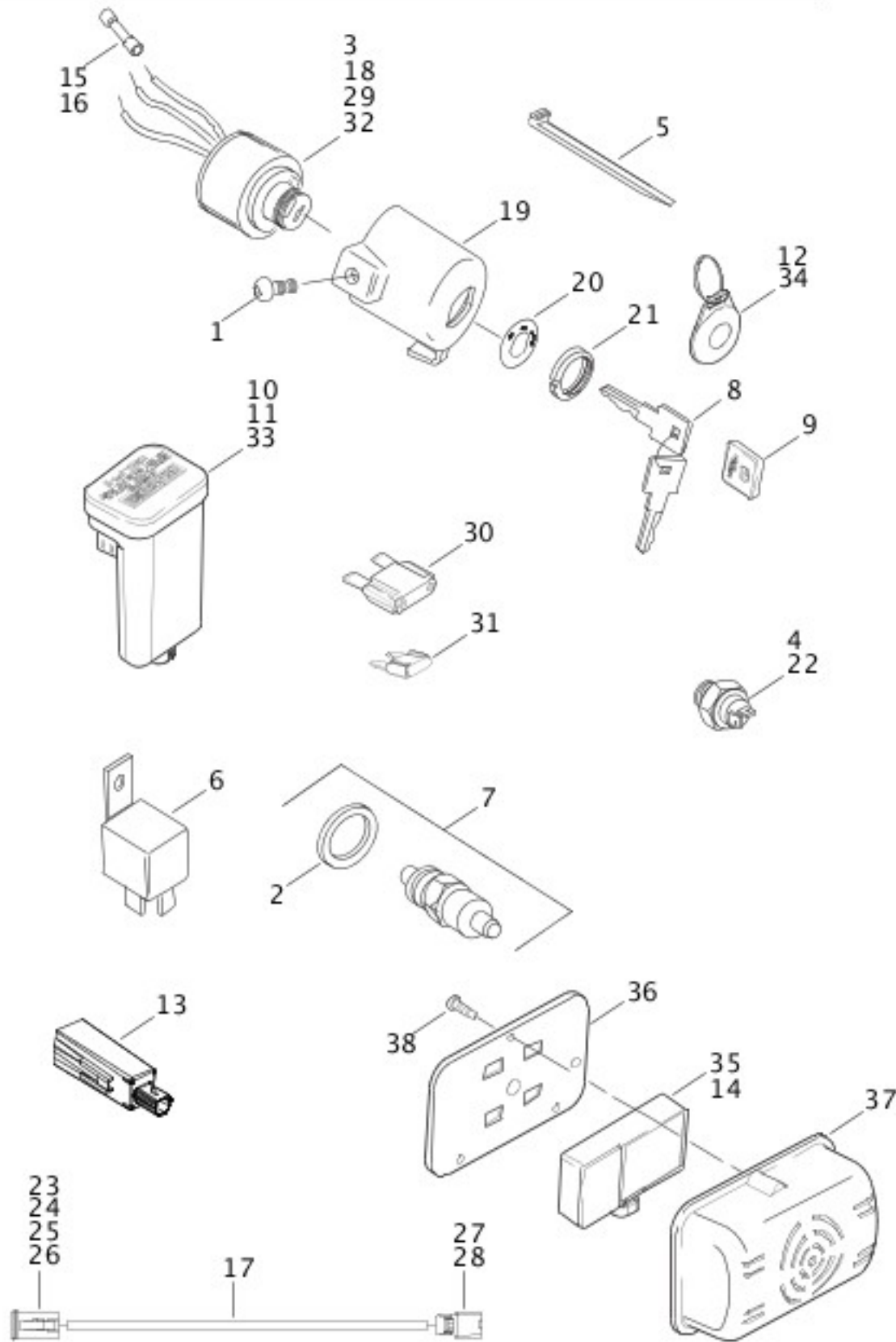
[View interactive table](#)

INDEX NO.	PART NO.	DESCRIPTION	MODEL(S)
	70167-07	WIRING HARNESS, engine (late Jan. 31, 2007 - later)	ALL
	70156-07	WIRING HARNESS, engine (early Jan. 30, 2007 - earlier)	ALL
1	72006-05	SOCKET, terminal, 16-20AWG (2)	ALL
2	72007-05	HOUSING, 2-way socket	ALL

3	72011-05	WIRE SEAL, 16-20 AWG (yellow) (2)	ALL
4	72033-93	TERMINAL, socket (4)	ALL
5	72094-06	TERMINAL, socket, 18 gauge (3)	ALL
6	72096-06	SEAL WIRE, 18-20 gauge (yellow) (3)	ALL
7	72166-07BK	HOUSING, 16-way, socket (black)	ALL
8	72168-07	TERMINAL, socket, 18-20 gauge (15)	ALL
9	72251-07	SECONDARY LOCK, 2-way (2)	ALL
11	72402-07	HOUSING, 2-way, socket (black) (2)	ALL
12	72406-07	HOUSING, 4-way, socket	ALL
13	72407-07	TERMINAL, socket, 16-20 gauge (4)	ALL
14	72408-07	SEAL WIRE, 16-20 gauge (blue) (4)	ALL
15	72413-07	TERMINAL, socket, 18-20 gauge (4)	ALL
16	72473-07	SEAL PIN	ALL
17	72543-07BK	HOUSING, 3-way, socket (black)	ALL
18	72544-07	SECONDARY LOCK, 3-way	ALL
19	10279	CLIP	ALL

## **SWITCHES, SENSORS & ELECTRICAL CONNECTORS**

## SWITCHES, SENSORS & ELECTRICAL CONNECTORS



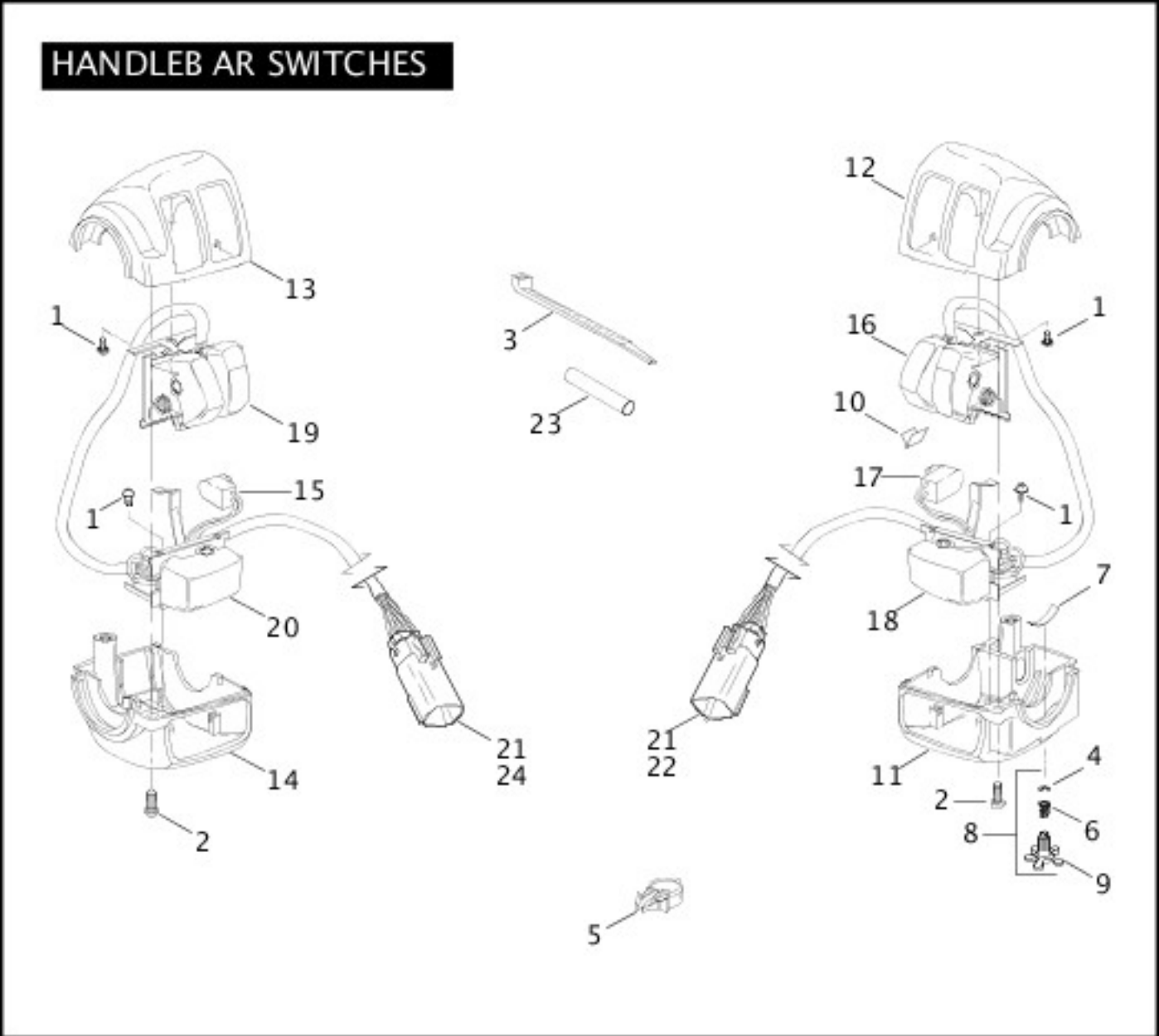
[View interactive table](#)

INDEX NO.	PART NO.	DESCRIPTION	MODEL(S)
1	3658	SCREW	ALL
10	68920-07	TURN SIGNAL MODULE, standard	ALL
11	68924-07	MODULE, security system	ALL
12	68926-07	FOB, remote control	ALL

13	68919-07	HOLE PLUG (use when there is no antenna module)	ALL
	68956-07	ANTENNA MODULE, security system	ALL
14	69018-00	BATTERY REPLACEMENT KIT, siren	ALL
17	70617-07	HARNESS, security module w/ 23, 24, 25, 26, 27, 28	ALL
23	72134-94GY	HOUSING, 4-way (gray)	ALL
24	72154-94	LOCK, secondary, 4-way	ALL
25	72191-94	TERMINAL, socket, 16-18 gauge (3)	ALL
26	72195-94	PIN	ALL
27	72720-07	HOUSING, socket, 2-way	ALL
28	72721-07	TERMINAL, socket, 18-20 gauge	ALL
32	48154-05	LOCKSET ASSEMBLY	ALL
35	68958-07	SIREN (HDI)	XL1200C, XL1200L, XL1200R, XL50, XL883, XL883C, XL883L, XL883R

## **HANDLEBAR SWITCHES**

# HANDLEB AR SWITCHES

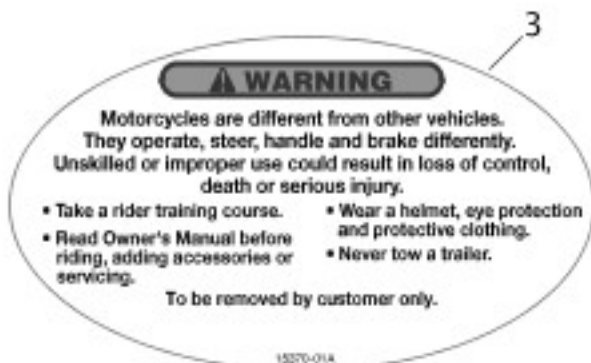
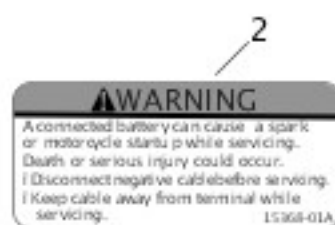


[View interactive table](#)

INDEX NO.	PART NO.	DESCRIPTION	MODEL(S)
14	71568-96A	HOUSING, lower left	ALL

## [LABELS](#)

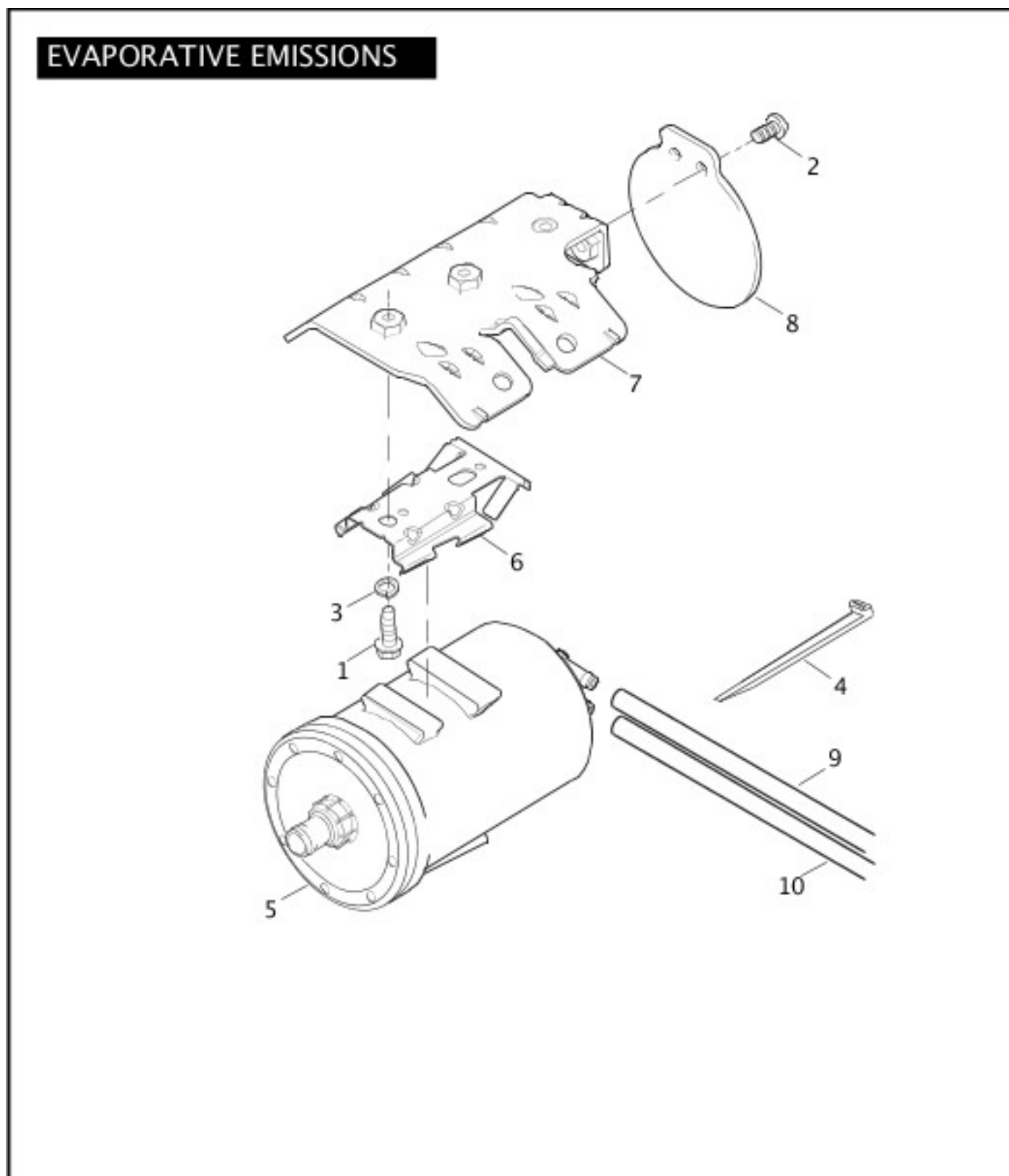
# LABELS



View interactive table

INDEX NO.	PART NO.	DESCRIPTION	MODEL(S)
1	13571-07	LABEL, fuse block	ALL
2	15368-01A	LABEL, battery warning	ALL
3	15370-01A	LABEL, mirror warning	ALL
4	15376-06	LABEL, battery removal	ALL
5	29127-95B	LABEL, general warning, air cleaner	XL1200C, XL1200L, XL1200R, XL50, XL883, XL883C, XL883L
	29404-01A	LABEL, general warning, air cleaner	XL1200N, XL883R

# CALIFORNIA EVAPORATIVE EMISSIONS



[View interactive table](#)

INDEX NO.	PART NO.	DESCRIPTION	MODEL(S)
9	28822-07	HOSE, canister-to-manifold	ALL

## Numerical Index

[View interactive table](#)

10006	<a href="#">HANDLEBAR &amp; THROTTLE CONTROL - 883C/1200C</a> <a href="#">BATTERY</a> <a href="#">CALIFORNIA EVAPORATIVE EMISSIONS</a>
-------	--



10014	<a href="#"><u>CAMSHAFTS &amp; GEAR COVER</u></a> <a href="#"><u>OIL TANK &amp; FILTER</u></a>
10031	<a href="#"><u>FRONT BRAKE CONTROL</u></a> <a href="#"><u>REAR BRAKE MASTER CYLINDER</u></a>
10039	<a href="#"><u>SWITCHES, SENSORS &amp; ELECTRICAL CONNECTORS</u></a>
10053	<a href="#"><u>FRONT BRAKE CONTROL</u></a>
10065	<a href="#"><u>TURN SIGNALS</u></a> <a href="#"><u>TURN SIGNALS &amp; TAIL LAMP - 1200N</u></a> <a href="#"><u>WIRING HARNESS, MAIN</u></a>
10074	<a href="#"><u>EXHAUST SYSTEM</u></a>
10080	<a href="#"><u>CRANKCASE &amp; GEARCASE</u></a> <a href="#"><u>OIL TANK &amp; FILTER</u></a>
10120	<a href="#"><u>HORN</u></a>
10142	<a href="#"><u>OIL TANK &amp; FILTER</u></a>
10177	<a href="#"><u>CRANKCASE &amp; GEARCASE</u></a>
10179A	<a href="#"><u>SHIFTER - 883C/1200C</u></a> <a href="#"><u>REAR BRAKE CONTROL - 883/883L/883R/1200L/1200N/1200R/XL50</u></a> <a href="#"><u>REAR BRAKE CONTROL - 883C/1200C</u></a>
10181	<a href="#"><u>HANDLEBAR SWITCHES</u></a>
10200	<a href="#"><u>REAR FENDER &amp; BELT GUARD</u></a>
10242	<a href="#"><u>REAR FENDER &amp; BELT GUARD</u></a>
10252	<a href="#"><u>REAR BRAKE MASTER CYLINDER</u></a>
10255	<a href="#"><u>REAR BRAKE MASTER CYLINDER</u></a>
10279	<a href="#"><u>WIRING HARNESS, MAIN</u></a> <a href="#"><u>WIRING HARNESS, ENGINE</u></a>
10289A	<a href="#"><u>CLUTCH CONTROL</u></a>
10303	<a href="#"><u>FUEL PUMP</u></a>
10304	<a href="#"><u>FUEL PUMP</u></a>
10318	<a href="#"><u>REAR FENDER &amp; BELT GUARD 1200N</u></a>
10323	<a href="#"><u>REAR FENDER &amp; BELT GUARD 1200N</u></a>
1039	<a href="#"><u>ROCKER ARMS, COVERS, &amp; PUSH RODS - V2™</u></a>
1048	<a href="#"><u>CRANKCASE &amp; GEARCASE</u></a>
1081	<a href="#"><u>FUEL PUMP</u></a>
1091	<a href="#"><u>FUEL PUMP</u></a>

10957	<a href="#"><u>STARTER MOTOR</u></a>
10984	<a href="#"><u>TRANSMISSION GEARS</u></a>
11002	<a href="#"><u>OIL PUMP</u></a>
11031	<a href="#"><u>REAR BRAKE MASTER CYLINDER</u></a>
11046	<a href="#"><u>CLUTCH</u></a>
11067	<a href="#"><u>TRANSMISSION GEARS</u></a>
11105	<a href="#"><u>INSPECTION COVER &amp; PRIMARY COVER</u></a>
11113	<a href="#"><u>TRANSMISSION GEARS</u></a>
11120	<a href="#"><u>OIL TANK &amp; FILTER</u></a>
11121	<a href="#"><u>REAR BRAKE MASTER CYLINDER</u></a>
11142	<a href="#"><u>FRONT BRAKE CONTROL</u></a>
11155	<a href="#"><u>HANDLEBAR &amp; THROTTLE CONTROL - 883/L/R, 1200L/N/R, XL50</u></a> <a href="#"><u>HANDLEBAR &amp; THROTTLE CONTROL - 883C/1200C</u></a> <a href="#"><u>HANDLEBAR SWITCHES</u></a>
11161	<a href="#"><u>TRANSMISSION GEARS</u></a>
11171	<a href="#"><u>INSPECTION COVER &amp; PRIMARY COVER</u></a>
11177A	<a href="#"><u>PISTONS &amp; FLYWHEEL ASSEMBLY</u></a> <a href="#"><u>CRANKCASE &amp; GEARCASE</u></a>
11179	<a href="#"><u>CLUTCH CONTROL</u></a>
11190	<a href="#"><u>ROCKER ARMS, COVERS, &amp; PUSH RODS - V2™</u></a>
11202	<a href="#"><u>AIR CLEANER</u></a>
11250	<a href="#"><u>CLUTCH</u></a>
11271	<a href="#"><u>HANDLEBAR &amp; THROTTLE CONTROL - 883/L/R, 1200L/N/R, XL50</u></a> <a href="#"><u>HANDLEBAR &amp; THROTTLE CONTROL - 883C/1200C</u></a>
11272	<a href="#"><u>HANDLEBAR &amp; THROTTLE CONTROL - 883/L/R, 1200L/N/R, XL50</u></a> <a href="#"><u>HANDLEBAR &amp; THROTTLE CONTROL - 883C/1200C</u></a>
11282	<a href="#"><u>FRAME, REAR FORK, &amp; JIFFY STAND</u></a>
11289A	<a href="#"><u>ENGINE SENSORS &amp; SWITCHES</u></a> <a href="#"><u>SPEEDOMETER &amp; TACHOMETER - 883/L/R, 1200L/N/R, XL50</u></a> <a href="#"><u>SPEEDOMETER - 883C/1200C</u></a>
11304	<a href="#"><u>FOOTRESTS</u></a>
11317	<a href="#"><u>CAMSHAFTS &amp; GEAR COVER</u></a>
11360	<a href="#"><u>SHIFTER - 883/883L/883R/1200L/1200R/1200N/XL50</u></a>

11377	<a href="#"><u>ROCKER ARMS, COVERS, &amp; PUSH RODS - V2™</u></a>
11379	<a href="#"><u>CLUTCH CONTROL</u></a> <a href="#"><u>FRONT BRAKE CONTROL</u></a>
11390	<a href="#"><u>SHIFTER - 883/883L/883R/1200L/1200R/1200N/XL50</u></a> <a href="#"><u>FOOTRESTS</u></a>
11407	<a href="#"><u>REAR BRAKE MASTER CYLINDER</u></a>
11474	<a href="#"><u>REAR FENDER &amp; BELT GUARD</u></a> <a href="#"><u>REAR FENDER &amp; BELT GUARD 1200N</u></a>
11730A	<a href="#"><u>CLUTCH</u></a>
11765Y	<a href="#"><u>CLUTCH</u></a>
11785	<a href="#"><u>WIRING HARNESS, MAIN</u></a>
12030	<a href="#"><u>TRANSMISSION GEARS</u></a>
12068	<a href="#"><u>CRANKCASE &amp; GEARCASE</u></a>
12074	<a href="#"><u>TRANSMISSION GEARS</u></a>
13304-05	<a href="#"><u>FUEL TANK TRIM</u></a>
13305-05	<a href="#"><u>FUEL TANK TRIM</u></a>
13340-04	<a href="#"><u>FUEL TANK TRIM</u></a>
13341-04	<a href="#"><u>FUEL TANK TRIM</u></a>
13342-04	<a href="#"><u>FUEL TANK TRIM</u></a>
13343-04	<a href="#"><u>FUEL TANK TRIM</u></a>
13367-04	<a href="#"><u>FUEL TANK TRIM</u></a>
13371-04	<a href="#"><u>FUEL TANK TRIM</u></a>
13372-04	<a href="#"><u>FUEL TANK TRIM</u></a>
13373-04	<a href="#"><u>FUEL TANK TRIM</u></a>
13374-04	<a href="#"><u>FUEL TANK TRIM</u></a>
13390-07	<a href="#"><u>FUEL TANK TRIM</u></a>
13469-06	<a href="#"><u>FUEL TANK TRIM</u></a>
13470-06	<a href="#"><u>FUEL TANK TRIM</u></a>
13566-05	<a href="#"><u>FUEL TANK TRIM</u></a>
13567-05	<a href="#"><u>FUEL TANK TRIM</u></a>
13571-07	<a href="#"><u>LABELS</u></a>

14270-92	<a href="#">LABELS</a>
14448-94	<a href="#">HANDLEBAR &amp; THROTTLE CONTROL - 883C/1200C</a>
15368-01A	<a href="#">LABELS</a>
15370-01A	<a href="#">LABELS</a>
15376-06	<a href="#">LABELS</a>
1594	<a href="#">FRAME, REAR FORK, &amp; JIFFY STAND</a>
16232-04	<a href="#">ENGINE MOUNTS</a>
16287-04	<a href="#">ENGINE MOUNTS</a>
16291-04	<a href="#">ENGINE MOUNTS</a>
16353-04	<a href="#">CYLINDER, HEAD, &amp; VALVES - V2™ EVOLUTION</a>
16361-07	<a href="#">INDUCTION MODULE</a>
16443-04	<a href="#">CYLINDER, HEAD, &amp; VALVES - V2™ EVOLUTION</a>
16452-05	<a href="#">CYLINDER, HEAD, &amp; VALVES - V2™ EVOLUTION</a>
16461-02	<a href="#">CYLINDER, HEAD, &amp; VALVES - V2™ EVOLUTION</a>
16463-04	<a href="#">CYLINDER, HEAD, &amp; VALVES - V2™ EVOLUTION</a>
16478-85A	<a href="#">CYLINDER, HEAD, &amp; VALVES - V2™ EVOLUTION</a>
16480-92A	<a href="#">CYLINDER, HEAD, &amp; VALVES - V2™ EVOLUTION</a>
16573-83A	<a href="#">CYLINDER, HEAD, &amp; VALVES - V2™ EVOLUTION</a>
16660-07	<a href="#">CYLINDER, HEAD, &amp; VALVES - V2™ EVOLUTION</a>
16661-07	<a href="#">CYLINDER, HEAD, &amp; VALVES - V2™ EVOLUTION</a>
16664-86B	<a href="#">CYLINDER, HEAD, &amp; VALVES - V2™ EVOLUTION</a>
16666-07	<a href="#">CYLINDER, HEAD, &amp; VALVES - V2™ EVOLUTION</a>
16667-07	<a href="#">CYLINDER, HEAD, &amp; VALVES - V2™ EVOLUTION</a>
16715-83	<a href="#">CYLINDER, HEAD, &amp; VALVES - V2™ EVOLUTION</a>
16770-84D	<a href="#">CYLINDER, HEAD, &amp; VALVES - V2™ EVOLUTION</a>
16774-86E	<a href="#">CYLINDER, HEAD, &amp; VALVES - V2™ EVOLUTION</a>
16789-04	<a href="#">CYLINDER, HEAD, &amp; VALVES - V2™ EVOLUTION</a>
16800-84A	<a href="#">ROCKER ARMS, COVERS, &amp; PUSH RODS - V2™</a>
16832-86C	<a href="#">CYLINDER, HEAD, &amp; VALVES - V2™ EVOLUTION</a>

16865-07	<a href="#"><u>CYLINDER, HEAD, &amp; VALVES - V2™ EVOLUTION</u></a>
16867-07	<a href="#"><u>CYLINDER, HEAD, &amp; VALVES - V2™ EVOLUTION</u></a>
17027-04B	<a href="#"><u>CYLINDER, HEAD, &amp; VALVES - V2™ EVOLUTION</u></a>
17036-91A	<a href="#"><u>ROCKER ARMS, COVERS, &amp; PUSH RODS - V2™</u></a>
17049-04A	<a href="#"><u>CYLINDER, HEAD, &amp; VALVES - V2™ EVOLUTION</u></a>
17360-83A	<a href="#"><u>ROCKER ARMS, COVERS, &amp; PUSH RODS - V2™</u></a>
17362-07	<a href="#"><u>ROCKER ARMS, COVERS, &amp; PUSH RODS - V2™</u></a>
17375-83A	<a href="#"><u>ROCKER ARMS, COVERS, &amp; PUSH RODS - V2™</u></a>
17393-07	<a href="#"><u>ROCKER ARMS, COVERS, &amp; PUSH RODS - V2™</u></a>
17428-57	<a href="#"><u>ROCKER ARMS, COVERS, &amp; PUSH RODS - V2™</u></a>
17485-07	<a href="#"><u>CYLINDER, HEAD, &amp; VALVES - V2™ EVOLUTION</u></a>
17488-07	<a href="#"><u>CYLINDER, HEAD, &amp; VALVES - V2™ EVOLUTION</u></a>
17496-07	<a href="#"><u>CYLINDER, HEAD, &amp; VALVES - V2™ EVOLUTION</u></a>
17501-04	<a href="#"><u>ROCKER ARMS, COVERS, &amp; PUSH RODS - V2™</u></a>
17532-07	<a href="#"><u>ROCKER ARMS, COVERS, &amp; PUSH RODS - V2™</u></a>
17537-07	<a href="#"><u>ROCKER ARMS, COVERS, &amp; PUSH RODS - V2™</u></a>
17551-04	<a href="#"><u>ROCKER ARMS, COVERS, &amp; PUSH RODS - V2™</u></a>
17611-83	<a href="#"><u>ROCKER ARMS, COVERS, &amp; PUSH RODS - V2™</u></a>
17614-07	<a href="#"><u>ROCKER ARMS, COVERS, &amp; PUSH RODS - V2™</u></a>
17645-07	<a href="#"><u>ROCKER ARMS, COVERS, &amp; PUSH RODS - V2™</u></a>
17655-05	<a href="#"><u>ROCKER ARMS, COVERS, &amp; PUSH RODS - V2™</u></a>
17695-07	<a href="#"><u>ROCKER ARMS, COVERS, &amp; PUSH RODS - V2™</u></a>
17908-02	<a href="#"><u>ROCKER ARMS, COVERS, &amp; PUSH RODS - V2™</u></a>
17909-02	<a href="#"><u>ROCKER ARMS, COVERS, &amp; PUSH RODS - V2™</u></a>
17946-04	<a href="#"><u>ROCKER ARMS, COVERS, &amp; PUSH RODS - V2™</u></a>
17972-04	<a href="#"><u>ROCKER ARMS, COVERS, &amp; PUSH RODS - V2™</u></a>
17976-04	<a href="#"><u>ROCKER ARMS, COVERS, &amp; PUSH RODS - V2™</u></a>
17981-04	<a href="#"><u>ROCKER ARMS, COVERS, &amp; PUSH RODS - V2™</u></a>
18011-86	<a href="#"><u>CYLINDER, HEAD, &amp; VALVES - V2™ EVOLUTION</u></a>
18012-87A	<a href="#"><u>CYLINDER, HEAD, &amp; VALVES - V2™ EVOLUTION</u></a>

18020-07	<a href="#"><u>CYLINDER, HEAD, &amp; VALVES - V2™ EVOLUTION</u></a>
18021-87A	<a href="#"><u>CYLINDER, HEAD, &amp; VALVES - V2™ EVOLUTION</u></a>
18053-04	<a href="#"><u>CYLINDER, HEAD, &amp; VALVES - V2™ EVOLUTION</u></a>
18059-04	<a href="#"><u>CYLINDER, HEAD, &amp; VALVES - V2™ EVOLUTION</u></a>
18094-02A	<a href="#"><u>CYLINDER, HEAD, &amp; VALVES - V2™ EVOLUTION</u></a>
18245-02	<a href="#"><u>CYLINDER, HEAD, &amp; VALVES - V2™ EVOLUTION</u></a>
18258-02	<a href="#"><u>CYLINDER, HEAD, &amp; VALVES - V2™ EVOLUTION</u></a>
18260-02	<a href="#"><u>CYLINDER, HEAD, &amp; VALVES - V2™ EVOLUTION</u></a>
18505-06	<a href="#"><u>ROCKER ARMS, COVERS, &amp; PUSH RODS - V2™</u></a>
18538-99B	<a href="#"><u>ROCKER ARMS, COVERS, &amp; PUSH RODS - V2™</u></a>
18690-02	<a href="#"><u>CYLINDER, HEAD, &amp; VALVES - V2™ EVOLUTION</u></a>
18691-02	<a href="#"><u>CYLINDER, HEAD, &amp; VALVES - V2™ EVOLUTION</u></a>
19518-07	<a href="#"><u>ENGINE ASSEMBLY</u></a>
19519-07	<a href="#"><u>ENGINE ASSEMBLY</u></a>
19527-07	<a href="#"><u>ENGINE ASSEMBLY</u></a>
19528-07	<a href="#"><u>ENGINE ASSEMBLY</u></a>
19566-07	<a href="#"><u>ENGINE ASSEMBLY</u></a>
19567-07	<a href="#"><u>ENGINE ASSEMBLY</u></a>
19606-07	<a href="#"><u>ENGINE ASSEMBLY</u></a>
19607-07	<a href="#"><u>ENGINE ASSEMBLY</u></a>
19622-07	<a href="#"><u>ENGINE ASSEMBLY</u></a>
19637-07	<a href="#"><u>ENGINE ASSEMBLY</u></a>
215	<a href="#"><u>CRANKCASE &amp; GEARCASE</u></a>
21948-02	<a href="#"><u>PISTONS &amp; FLYWHEEL ASSEMBLY</u></a>
22221-04	<a href="#"><u>PISTONS &amp; FLYWHEEL ASSEMBLY</u></a>
22223-04	<a href="#"><u>PISTONS &amp; FLYWHEEL ASSEMBLY</u></a>
22224-04	<a href="#"><u>PISTONS &amp; FLYWHEEL ASSEMBLY</u></a>
22227-04	<a href="#"><u>PISTONS &amp; FLYWHEEL ASSEMBLY</u></a>
22228-04	<a href="#"><u>PISTONS &amp; FLYWHEEL ASSEMBLY</u></a>

22230-04	<a href="#"><u>PISTONS &amp; FLYWHEEL ASSEMBLY</u></a>
22231-04	<a href="#"><u>PISTONS &amp; FLYWHEEL ASSEMBLY</u></a>
22238-04	<a href="#"><u>PISTONS &amp; FLYWHEEL ASSEMBLY</u></a>
22261-86	<a href="#"><u>PISTONS &amp; FLYWHEEL ASSEMBLY</u></a>
22265-00Y	<a href="#"><u>CRANKCASE &amp; GEARCASE</u></a>
22266-86	<a href="#"><u>PISTONS &amp; FLYWHEEL ASSEMBLY</u></a>
22271-86	<a href="#"><u>PISTONS &amp; FLYWHEEL ASSEMBLY</u></a>
22589-83B	<a href="#"><u>PISTONS &amp; FLYWHEEL ASSEMBLY</u></a>
22719-04	<a href="#"><u>PISTONS &amp; FLYWHEEL ASSEMBLY</u></a>
22765-02	<a href="#"><u>PISTONS &amp; FLYWHEEL ASSEMBLY</u></a>
2325	<a href="#"><u>SPEEDOMETER &amp; TACHOMETER - 883/L/R, 1200L/N/R, XL50</u></a>
2361	<a href="#"><u>SPEEDOMETER &amp; TACHOMETER - 883/L/R, 1200L/N/R, XL50</u></a> <a href="#"><u>SPEEDOMETER &amp; TACHOMETER - 883/L/R, 1200L/N/R, XL50</u></a>
23905-04A	<a href="#"><u>PISTONS &amp; FLYWHEEL ASSEMBLY</u></a>
24047-00	<a href="#"><u>CAMSHAFTS &amp; GEAR COVER</u></a>
24331-36	<a href="#"><u>PISTONS &amp; FLYWHEEL ASSEMBLY</u></a>
24332-36	<a href="#"><u>PISTONS &amp; FLYWHEEL ASSEMBLY</u></a>
2441	<a href="#"><u>ROCKER ARMS, COVERS, &amp; PUSH RODS - V2™</u></a>
24466-06	<a href="#"><u>CRANKCASE &amp; GEARCASE</u></a>
24470-06	<a href="#"><u>CRANKCASE &amp; GEARCASE</u></a>
2460	<a href="#"><u>AIR CLEANER</u></a>
24604-00D	<a href="#"><u>CRANKCASE &amp; GEARCASE</u></a>
24647-87	<a href="#"><u>CRANKCASE &amp; GEARCASE</u></a>
24650-87	<a href="#"><u>CRANKCASE &amp; GEARCASE</u></a>
24658-87	<a href="#"><u>PISTONS &amp; FLYWHEEL ASSEMBLY</u></a>
24659-87	<a href="#"><u>CRANKCASE &amp; GEARCASE</u></a>
24660-87	<a href="#"><u>CRANKCASE &amp; GEARCASE</u></a>
24745-07	<a href="#"><u>CRANKCASE &amp; GEARCASE</u></a>
24754-75A	<a href="#"><u>CRANKCASE &amp; GEARCASE</u></a>
2501A	<a href="#"><u>REAR BRAKE MASTER CYLINDER</u></a>



25194-06	<a href="#"><u>CAMSHAFTS &amp; GEAR COVER</u></a>
25213-04	<a href="#"><u>CAMSHAFTS &amp; GEAR COVER</u></a>
25219-04	<a href="#"><u>CAMSHAFTS &amp; GEAR COVER</u></a>
25252-04	<a href="#"><u>CAMSHAFTS &amp; GEAR COVER</u></a>
25263-90D	<a href="#"><u>CAMSHAFTS &amp; GEAR COVER</u></a>
25307-06	<a href="#"><u>INSPECTION COVER &amp; PRIMARY COVER</u></a>
2535	<a href="#"><u>BATTERY</u></a>
25409-94B	<a href="#"><u>CLUTCH</u></a>
25430-06	<a href="#"><u>INSPECTION COVER &amp; PRIMARY COVER</u></a>
25453-87A	<a href="#"><u>CLUTCH</u></a>
25460-06	<a href="#"><u>INSPECTION COVER &amp; PRIMARY COVER</u></a>
25463-94A	<a href="#"><u>INSPECTION COVER &amp; PRIMARY COVER</u></a>
25471-06	<a href="#"><u>INSPECTION COVER &amp; PRIMARY COVER</u></a>
2548	<a href="#"><u>SPEEDOMETER - 883C/1200C</u></a>
25486-05	<a href="#"><u>CAMSHAFTS &amp; GEAR COVER</u></a>
25546-07	<a href="#"><u>CAMSHAFTS &amp; GEAR COVER</u></a>
25586-37	<a href="#"><u>CAMSHAFTS &amp; GEAR COVER</u></a>
25588-91	<a href="#"><u>CAMSHAFTS &amp; GEAR COVER</u></a>
25593-74	<a href="#"><u>CAMSHAFTS &amp; GEAR COVER</u></a>
25598-91	<a href="#"><u>CAMSHAFTS &amp; GEAR COVER</u></a>
2586A	<a href="#"><u>FRONT BRAKE CONTROL</u></a>
26012-07	<a href="#"><u>ROCKER ARMS, COVERS, &amp; PUSH RODS - V2™</u></a>
26020-07	<a href="#"><u>ROCKER ARMS, COVERS, &amp; PUSH RODS - V2™</u></a>
2607	<a href="#"><u>REAR FENDER &amp; BELT GUARD</u></a>
26204-91A	<a href="#"><u>OIL PUMP</u></a>
26239-07	<a href="#"><u>OIL PUMP</u></a>
26318-88A	<a href="#"><u>CAMSHAFTS &amp; GEAR COVER</u></a>
26432-76A	<a href="#"><u>CYLINDER, HEAD, &amp; VALVES - V2™ EVOLUTION</u></a>
26434-91	<a href="#"><u>OIL PUMP</u></a>

26436-90A	<a href="#">OIL TANK &amp; FILTER</a>
26437-86B	<a href="#">OIL TANK &amp; FILTER</a>
26495-89B	<a href="#">OIL PUMP</a>
26496-75A	<a href="#">OIL PUMP</a>
26502-07	<a href="#">OIL PUMP</a>
26503-07	<a href="#">OIL PUMP</a>
26554-77B	<a href="#">ENGINE SENSORS &amp; SWITCHES</a>
26856-89A	<a href="#">ROCKER ARMS, COVERS, &amp; PUSH RODS - V2™</a>
26995-86B	<a href="#">INDUCTION MODULE</a>
27042-84A	<a href="#">CALIFORNIA EVAPORATIVE EMISSIONS</a>
27047-84B	<a href="#">CALIFORNIA EVAPORATIVE EMISSIONS</a>
27067-07	<a href="#">FUEL TANK</a>
2708A	<a href="#">SHIFTER - 883/883L/883R/1200L/1200R/1200N/XL50</a> <a href="#">SHIFTER - 883C/1200C</a> <a href="#">REAR FENDER &amp; BELT GUARD</a> <a href="#">REAR FENDER &amp; BELT GUARD 1200N</a> <a href="#">HEADLAMP &amp; MIRROR - 883/883L/883R/1200L/N/R/XL50</a>
27096-04	<a href="#">FUEL TANK</a>
27250-96A	<a href="#">FUEL TANK</a>
27327-07	<a href="#">INDUCTION MODULE</a>
27628-01	<a href="#">INDUCTION MODULE</a>
27629-01	<a href="#">INDUCTION MODULE</a>
27693-07	<a href="#">INDUCTION MODULE</a>
27700-07	<a href="#">INDUCTION MODULE</a>
27701-07	<a href="#">INDUCTION MODULE</a>
27704-07	<a href="#">INDUCTION MODULE</a>
27706-07	<a href="#">INDUCTION MODULE</a>
27707-07	<a href="#">INDUCTION MODULE</a>
27714-06	<a href="#">EXHAUST SYSTEM</a>
27719-07	<a href="#">EXHAUST SYSTEM</a>
2773	<a href="#">REAR FENDER &amp; BELT GUARD</a>

27774-07	<a href="#">INDUCTION MODULE</a>
27795-07	<a href="#">INDUCTION MODULE</a>
28822-07	<a href="#">CALIFORNIA EVAPORATIVE EMISSIONS</a>
28908-04	<a href="#">CALIFORNIA EVAPORATIVE EMISSIONS</a>
28909-04	<a href="#">CALIFORNIA EVAPORATIVE EMISSIONS</a>
28911-04	<a href="#">FUEL TANK</a> <a href="#">CALIFORNIA EVAPORATIVE EMISSIONS</a>
29062-95B	<a href="#">AIR CLEANER</a>
29084-04	<a href="#">AIR CLEANER</a>
29113-07	<a href="#">AIR CLEANER</a>
29122-05	<a href="#">AIR CLEANER</a>
29123-07	<a href="#">AIR CLEANER</a>
29125-07	<a href="#">AIR CLEANER</a>
29127-95B	<a href="#">LABELS</a>
29313-95	<a href="#">AIR CLEANER</a>
29315-04	<a href="#">AIR CLEANER</a>
29331-04	<a href="#">AIR CLEANER</a>
29346-07	<a href="#">AIR CLEANER</a>
29352-07	<a href="#">AIR CLEANER</a>
29354-07	<a href="#">AIR CLEANER</a>
29355-07	<a href="#">AIR CLEANER</a>
29367-07	<a href="#">AIR CLEANER</a>
29369-07	<a href="#">AIR CLEANER</a>
29372-07	<a href="#">AIR CLEANER</a>
29404-01A	<a href="#">LABELS</a>
2952A	<a href="#">SEATS</a> <a href="#">REAR FENDER &amp; BELT GUARD 1200N</a>
2955	<a href="#">HANDLEBAR SWITCHES</a>
29802-07	<a href="#">AIR CLEANER</a>
29950-91	<a href="#">CRANKCASE &amp; GEARCASE</a>
29997-07	<a href="#">ALTERNATOR &amp; REGULATOR</a>

3022A	<a href="#">TAIL LAMP</a>
3026	<a href="#">HORN</a>
3029	<a href="#">ALTERNATOR &amp; REGULATOR</a>
3123	<a href="#">WIRING HARNESS, MAIN</a>
3124	<a href="#">ELECTRONIC IGNITION SYSTEM</a>
31328-91	<a href="#">STARTER MOTOR</a>
31390-91E	<a href="#">STARTER MOTOR</a>
31488-81B	<a href="#">STARTER MOTOR</a>
31512-04	<a href="#">OIL TANK &amp; FILTER</a>
31515-90	<a href="#">STARTER MOTOR</a>
31518-90	<a href="#">STARTER MOTOR</a>
31525-90	<a href="#">STARTER MOTOR</a>
31530-90	<a href="#">STARTER MOTOR</a>
31537-98	<a href="#">STARTER MOTOR</a>
31556-91C	<a href="#">STARTER MOTOR</a>
31599-91	<a href="#">STARTER MOTOR</a>
31600-90	<a href="#">STARTER MOTOR</a>
31601-04	<a href="#">WIRING HARNESS, MAIN SWITCHES, SENSORS &amp; ELECTRICAL CONNECTORS</a>
31603-91	<a href="#">STARTER MOTOR</a>
31656-07	<a href="#">ELECTRONIC IGNITION SYSTEM</a>
31661-90	<a href="#">STARTER MOTOR</a>
31662-90	<a href="#">STARTER MOTOR</a>
31688-90	<a href="#">STARTER MOTOR</a>
31689-90	<a href="#">STARTER MOTOR</a>
31692-90	<a href="#">STARTER MOTOR</a>
31695-90	<a href="#">STARTER MOTOR</a>
31753-07	<a href="#">ELECTRONIC IGNITION SYSTEM</a>
31797-07	<a href="#">WIRING HARNESS, MAIN</a>

31807-07	<a href="#"><u>ELECTRONIC IGNITION SYSTEM</u></a>
32003-07	<a href="#"><u>ELECTRONIC IGNITION SYSTEM</u></a>
32006-07	<a href="#"><u>ELECTRONIC IGNITION SYSTEM</u></a>
3201WA	<a href="#"><u>STEERING HEAD BRACKET ASSEMBLY</u></a>
3210A	<a href="#"><u>FOOTRESTS</u></a> <a href="#"><u>HANDLEBAR &amp; THROTTLE CONTROL - 883/L/R, 1200L/N/R, XL50</u></a> <a href="#"><u>HANDLEBAR &amp; THROTTLE CONTROL - 883C/1200C</u></a> <a href="#"><u>FRONT FENDER</u></a>
32319-07	<a href="#"><u>INDUCTION MODULE</u></a>
32362-04	<a href="#"><u>ELECTRONIC IGNITION SYSTEM</u></a>
3244	<a href="#"><u>CLUTCH CONTROL</u></a> <a href="#"><u>FRONT BRAKE CONTROL</u></a>
32472-07A	<a href="#"><u>ENGINE SENSORS &amp; SWITCHES</u></a>
32493-02A	<a href="#"><u>ALTERNATOR &amp; REGULATOR</u></a>
32494-04A	<a href="#"><u>ALTERNATOR &amp; REGULATOR</u></a>
32506-90	<a href="#"><u>CAMSHAFTS &amp; GEAR COVER</u></a>
32514-04	<a href="#"><u>CAMSHAFTS &amp; GEAR COVER</u></a>
32515-07	<a href="#"><u>CAMSHAFTS &amp; GEAR COVER</u></a>
32531-07	<a href="#"><u>CAMSHAFTS &amp; GEAR COVER</u></a>
32534-05B	<a href="#"><u>ELECTRONIC IGNITION SYSTEM</u></a>
32555-04	<a href="#"><u>CAMSHAFTS &amp; GEAR COVER</u></a>
32587-06	<a href="#"><u>CAMSHAFTS &amp; GEAR COVER</u></a>
32617-00Y	<a href="#"><u>CRANKCASE &amp; GEARCASE</u></a>
32699-05	<a href="#"><u>CAMSHAFTS &amp; GEAR COVER</u></a>
32707-01B	<a href="#"><u>ENGINE SENSORS &amp; SWITCHES</u></a>
33032-99	<a href="#"><u>FOOTRESTS</u></a>
33048-72	<a href="#"><u>FOOTRESTS</u></a>
33117-91A	<a href="#"><u>OIL TANK &amp; FILTER</u></a>
33123-06	<a href="#"><u>OIL TANK &amp; FILTER</u></a>
33130-07	<a href="#"><u>FOOTRESTS</u></a>
33133-06	<a href="#"><u>FOOTRESTS</u></a>
33134-07CAZ	<a href="#"><u>FOOTRESTS</u></a>

33135-07CAZ	<a href="#">FOOTRESTS</a>
33138-06	<a href="#">OIL TANK &amp; FILTER</a>
33148-07	<a href="#">FOOTRESTS</a> <a href="#">FOOTRESTS</a>
33189-63	<a href="#">FOOTRESTS</a>
33216-99	<a href="#">FOOTRESTS</a>
33540-06	<a href="#">SHIFTER - 883/883L/883R/1200L/1200R/1200N/XL50</a>
33641-06	<a href="#">SHIFTER - 883/883L/883R/1200L/1200R/1200N/XL50</a>
33900-99	<a href="#">SHIFTER - 883/883L/883R/1200L/1200R/1200N/XL50</a> <a href="#">SWITCHES, SENSORS &amp; ELECTRICAL CONNECTORS</a>
34014-06	<a href="#">SHIFTER - 883/883L/883R/1200L/1200R/1200N/XL50</a>
3403	<a href="#">STARTER MOTOR</a>
34064-00C	<a href="#">SHIFTER - 883/883L/883R/1200L/1200R/1200N/XL50</a>
34076-02	<a href="#">SHIFTER - 883/883L/883R/1200L/1200R/1200N/XL50</a>
34157-06	<a href="#">SHIFTER - 883/883L/883R/1200L/1200R/1200N/XL50</a>
34162-06	<a href="#">SHIFTER - 883/883L/883R/1200L/1200R/1200N/XL50</a>
34163-02	<a href="#">SHIFTER - 883/883L/883R/1200L/1200R/1200N/XL50</a>
34483-06	<a href="#">SHIFTER - 883/883L/883R/1200L/1200R/1200N/XL50</a>
34491-02A	<a href="#">SHIFTER - 883/883L/883R/1200L/1200R/1200N/XL50</a>
34572-04	<a href="#">SHIFTER - 883C/1200C</a>
34573-04	<a href="#">SHIFTER - 883C/1200C</a>
34581-04	<a href="#">REAR BRAKE CONTROL - 883C/1200C</a>
34582-04	<a href="#">REAR BRAKE CONTROL - 883/883L/883R/1200L/1200N/1200R/XL50</a>
34611-65	<a href="#">SHIFTER - 883/883L/883R/1200L/1200R/1200N/XL50</a> <a href="#">SHIFTER - 883C/1200C</a>
34660-04A	<a href="#">SHIFTER - 883/883L/883R/1200L/1200R/1200N/XL50</a>
34670-06	<a href="#">SHIFTER - 883C/1200C</a>
34721-07	<a href="#">SHIFTER - 883/883L/883R/1200L/1200R/1200N/XL50</a>
34760-04	<a href="#">INSPECTION COVER &amp; PRIMARY COVER</a>
34761-04	<a href="#">INSPECTION COVER &amp; PRIMARY COVER</a>
34790-05	<a href="#">INSPECTION COVER &amp; PRIMARY COVER</a>

34794-05	<a href="#"><u>INSPECTION COVER &amp; PRIMARY COVER</u></a>
3480A	<a href="#"><u>CAMSHAFTS &amp; GEAR COVER</u></a> <a href="#"><u>ELECTRONIC IGNITION SYSTEM</u></a> <a href="#"><u>BELTS &amp; SPROCKETS</u></a>
34911-04	<a href="#"><u>BELTS &amp; SPROCKETS</u></a>
34920-86A	<a href="#"><u>CLUTCH</u></a>
34932-04	<a href="#"><u>BELTS &amp; SPROCKETS</u></a>
34938-04	<a href="#"><u>BELTS &amp; SPROCKETS</u></a>
34943-05	<a href="#"><u>BELTS &amp; SPROCKETS</u></a>
34954-07	<a href="#"><u>BELTS &amp; SPROCKETS</u></a>
34955-04	<a href="#"><u>INSPECTION COVER &amp; PRIMARY COVER</u></a>
34981-02A	<a href="#"><u>SHIFTER - 883/883L/883R/1200L/1200R/1200N/XL50</u></a>
34982-02	<a href="#"><u>SHIFTER - 883/883L/883R/1200L/1200R/1200N/XL50</u></a>
34986-04	<a href="#"><u>INSPECTION COVER &amp; PRIMARY COVER</u></a>
34992-04	<a href="#"><u>INSPECTION COVER &amp; PRIMARY COVER</u></a>
34993-04	<a href="#"><u>INSPECTION COVER &amp; PRIMARY COVER</u></a>
35030-89	<a href="#"><u>TRANSMISSION GEARS</u></a>
35038-89A	<a href="#"><u>TRANSMISSION GEARS</u></a>
35051-89A	<a href="#"><u>TRANSMISSION GEARS</u></a>
35087-99	<a href="#"><u>TRANSMISSION GEARS</u></a>
35107-06	<a href="#"><u>TRANSMISSION GEARS</u></a>
35114-02	<a href="#"><u>CRANKCASE &amp; GEARCASE</u></a>
35118-03	<a href="#"><u>CRANKCASE &amp; GEARCASE</u></a>
3514	<a href="#"><u>HEADLAMP &amp; MIRROR - 883/883L/883R/1200L/N/R/XL50</u></a>
35159-06	<a href="#"><u>TRANSMISSION GEARS</u></a>
35163-06	<a href="#"><u>TRANSMISSION GEARS</u></a>
35165-06	<a href="#"><u>TRANSMISSION GEARS</u></a>
35167-06	<a href="#"><u>TRANSMISSION GEARS</u></a>
35172-06	<a href="#"><u>TRANSMISSION GEARS</u></a>
35174-06	<a href="#"><u>TRANSMISSION GEARS</u></a>



35190-06	<a href="#"><u>TRANSMISSION GEARS</u></a>
35191-06	<a href="#"><u>TRANSMISSION GEARS</u></a>
35193-06	<a href="#"><u>TRANSMISSION GEARS</u></a>
35196-06	<a href="#"><u>TRANSMISSION GEARS</u></a>
35197-06	<a href="#"><u>TRANSMISSION GEARS</u></a>
35211-91B	<a href="#"><u>BELTS &amp; SPROCKETS</u></a>
3559	<a href="#"><u>STARTER MOTOR</u></a>
3563	<a href="#"><u>HORN</u></a>
3565	<a href="#"><u>AIR CLEANER</u></a>
3574	<a href="#"><u>BATTERY</u></a>
3579A	<a href="#"><u>REAR FENDER &amp; BELT GUARD</u></a> <a href="#"><u>REAR FENDER &amp; BELT GUARD 1200N</u></a>
358	<a href="#"><u>CRANKCASE &amp; GEARCASE</u></a>
3588	<a href="#"><u>OIL TANK &amp; FILTER</u></a>
3594	<a href="#"><u>ENGINE SENSORS &amp; SWITCHES</u></a> <a href="#"><u>BELTS &amp; SPROCKETS</u></a> <a href="#"><u>SPEEDOMETER &amp; TACHOMETER - 883/L/R, 1200L/N/R, XL50</u></a> <a href="#"><u>SPEEDOMETER - 883C/1200C</u></a>
3605	<a href="#"><u>HANDLEBAR &amp; THROTTLE CONTROL - 883/L/R, 1200L/N/R, XL50</u></a> <a href="#"><u>HANDLEBAR &amp; THROTTLE CONTROL - 883C/1200C</u></a>
3615	<a href="#"><u>HEADLAMP &amp; MIRROR - 883C/1200C</u></a>
3655A	<a href="#"><u>FRONT WHEEL - CAST</u></a> <a href="#"><u>FRONT WHEEL - LACED &amp; PROFILE LACED</u></a> <a href="#"><u>FRONT WHEEL - LACED &amp; PROFILE LACED</u></a>
3658	<a href="#"><u>HANDLEBAR &amp; THROTTLE CONTROL - 883/L/R, 1200L/N/R, XL50</u></a> <a href="#"><u>HANDLEBAR &amp; THROTTLE CONTROL - 883C/1200C</u></a> <a href="#"><u>HORN</u></a> <a href="#"><u>SWITCHES, SENSORS &amp; ELECTRICAL CONNECTORS</u></a> <a href="#"><u>HANDLEBAR SWITCHES</u></a>
3666A	<a href="#"><u>HANDLEBAR &amp; THROTTLE CONTROL - 883C/1200C</u></a>
36715-94	<a href="#"><u>CLUTCH</u></a>
36731-91	<a href="#"><u>CLUTCH</u></a>
36785-91	<a href="#"><u>CLUTCH</u></a>
36790-04	<a href="#"><u>CLUTCH</u></a>
36799-91	<a href="#"><u>CLUTCH</u></a>

36802-84B	<a href="#"><u>CLUTCH</u></a>
37107-06	<a href="#"><u>SHIFTER - 883/883L/883R/1200L/1200R/1200N/XL50</u></a>
3732	<a href="#"><u>SWITCHES, SENSORS &amp; ELECTRICAL CONNECTORS</u></a>
37495-91	<a href="#"><u>CLUTCH</u></a>
3767B	<a href="#"><u>CALIFORNIA EVAPORATIVE EMISSIONS</u></a>
37870-91	<a href="#"><u>CLUTCH</u></a>
37872-90	<a href="#"><u>CLUTCH</u></a>
37904-90	<a href="#"><u>CLUTCH</u></a>
37905-90	<a href="#"><u>CLUTCH</u></a>
37908-90	<a href="#"><u>CLUTCH</u></a>
37909-90	<a href="#"><u>CLUTCH</u></a>
37910-04B	<a href="#"><u>CLUTCH</u></a>
37911-90	<a href="#"><u>CLUTCH</u></a>
37912-91	<a href="#"><u>CLUTCH</u></a>
37913-90	<a href="#"><u>CLUTCH</u></a>
37924-04A	<a href="#"><u>CLUTCH</u></a>
37977-90	<a href="#"><u>CLUTCH</u></a>
3799	<a href="#"><u>OIL TANK &amp; FILTER</u></a>
3814	<a href="#"><u>REAR WHEEL - CAST</u></a> <a href="#"><u>REAR WHEEL - LACED &amp; PROFILE LACED</u></a>
3849	<a href="#"><u>ROCKER ARMS, COVERS, &amp; PUSH RODS - V2™</u></a>
3854	<a href="#"><u>ENGINE MOUNTS</u></a>
38630-88	<a href="#"><u>CLUTCH CONTROL</u></a>
38653-01	<a href="#"><u>HANDLEBAR &amp; THROTTLE CONTROL - 883/L/R, 1200L/N/R, XL50</u></a> <a href="#"><u>HANDLEBAR &amp; THROTTLE CONTROL - 883C/1200C</u></a>
38671-04	<a href="#"><u>CLUTCH CONTROL</u></a>
38699-04A	<a href="#"><u>CLUTCH CONTROL</u></a>
38702-05A	<a href="#"><u>CLUTCH CONTROL</u></a>
3880	<a href="#"><u>SHOCK ABSORBERS</u></a>
3899	<a href="#"><u>BELTS &amp; SPROCKETS</u></a> <a href="#"><u>REAR WHEEL - CAST</u></a>

	<a href="#"><u>REAR WHEEL - LACED &amp; PROFILE LACED</u></a>
3976	<a href="#"><u>ROCKER ARMS, COVERS, &amp; PUSH RODS - V2™</u></a>
3987	<a href="#"><u>INDUCTION MODULE</u></a>
3990	<a href="#"><u>TRANSMISSION GEARS</u></a>
3997A	<a href="#"><u>SHIFTER - 883/883L/883R/1200L/1200R/1200N/XL50</u></a>
40005-57B	<a href="#"><u>BELTS &amp; SPROCKETS</u></a>
40039-02C	<a href="#"><u>BELTS &amp; SPROCKETS</u></a>
40147-04	<a href="#"><u>BELTS &amp; SPROCKETS</u></a>
4016	<a href="#"><u>SHIFTER - 883C/1200C</u></a>
4017	<a href="#"><u>REAR FENDER &amp; BELT GUARD</u></a> <a href="#"><u>REAR FENDER &amp; BELT GUARD 1200N</u></a>
40241-02	<a href="#"><u>ALTERNATOR &amp; REGULATOR</u></a> <a href="#"><u>BELTS &amp; SPROCKETS</u></a>
40251-92A	<a href="#"><u>BELTS &amp; SPROCKETS</u></a>
40254-02	<a href="#"><u>CRANKCASE &amp; GEARCASE</u></a> <a href="#"><u>BELTS &amp; SPROCKETS</u></a>
40290-04	<a href="#"><u>ALTERNATOR &amp; REGULATOR</u></a> <a href="#"><u>BELTS &amp; SPROCKETS</u></a>
4029A	<a href="#"><u>FRONT FORK</u></a> <a href="#"><u>FRONT FORK - 1200N</u></a>
4032A	<a href="#"><u>EXHAUST SYSTEM</u></a>
40350-07	<a href="#"><u>BELTS &amp; SPROCKETS</u></a> <a href="#"><u>REAR WHEEL - CAST</u></a> <a href="#"><u>REAR WHEEL - LACED &amp; PROFILE LACED</u></a>
40352-07	<a href="#"><u>BELTS &amp; SPROCKETS</u></a> <a href="#"><u>REAR WHEEL - CAST</u></a>
40371-07	<a href="#"><u>BELTS &amp; SPROCKETS</u></a>
40379-04	<a href="#"><u>BELTS &amp; SPROCKETS</u></a>
40380-04	<a href="#"><u>BELTS &amp; SPROCKETS</u></a>
40409-04	<a href="#"><u>BELTS &amp; SPROCKETS</u></a>
40444-07	<a href="#"><u>BELTS &amp; SPROCKETS</u></a> <a href="#"><u>REAR WHEEL - LACED &amp; PROFILE LACED</u></a>
40518-07	<a href="#"><u>REAR WHEEL - CAST</u></a> <a href="#"><u>REAR WHEEL - LACED &amp; PROFILE LACED</u></a>
40544-07	<a href="#"><u>REAR WHEEL - CAST</u></a>

40558-82	<a href="#"><u>REAR WHEEL - LACED &amp; PROFILE LACED</u></a>
40559-82	<a href="#"><u>FRONT WHEEL - LACED &amp; PROFILE LACED</u></a>
40560-05	<a href="#"><u>REAR WHEEL - CAST</u></a> <a href="#"><u>REAR WHEEL - LACED &amp; PROFILE LACED</u></a>
40561-05	<a href="#"><u>REAR WHEEL - CAST</u></a> <a href="#"><u>REAR WHEEL - LACED &amp; PROFILE LACED</u></a>
40562-05	<a href="#"><u>REAR WHEEL - CAST</u></a> <a href="#"><u>REAR WHEEL - LACED &amp; PROFILE LACED</u></a>
40574-06	<a href="#"><u>INSPECTION COVER &amp; PRIMARY COVER</u></a>
40575-05	<a href="#"><u>REAR WHEEL - LACED &amp; PROFILE LACED</u></a>
40582-05	<a href="#"><u>REAR WHEEL - CAST</u></a> <a href="#"><u>REAR WHEEL - LACED &amp; PROFILE LACED</u></a>
40591-07	<a href="#"><u>BELTS &amp; SPROCKETS</u></a>
40759-05	<a href="#"><u>FRONT WHEEL - LACED &amp; PROFILE LACED</u></a>
4076	<a href="#"><u>REAR BRAKE MASTER CYLINDER</u></a> <a href="#"><u>REAR BRAKE CONTROL - 883/883L/883R/1200L/1200N/1200R/XL50</u></a>
40760-05	<a href="#"><u>FRONT WHEEL - LACED &amp; PROFILE LACED</u></a>
40761-05	<a href="#"><u>FRONT WHEEL - LACED &amp; PROFILE LACED</u></a>
40762-05	<a href="#"><u>FRONT WHEEL - LACED &amp; PROFILE LACED</u></a>
40855-05	<a href="#"><u>REAR WHEEL - CAST</u></a>
40857-05	<a href="#"><u>FRONT WHEEL - CAST</u></a>
40865-06	<a href="#"><u>FRONT WHEEL - CAST</u></a>
40871-06	<a href="#"><u>REAR WHEEL - CAST</u></a>
4091	<a href="#"><u>CRANKCASE &amp; GEARCASE</u></a>
40930-05	<a href="#"><u>REAR WHEEL - CAST</u></a> <a href="#"><u>REAR WHEEL - LACED &amp; PROFILE LACED</u></a>
40946-04	<a href="#"><u>REAR BRAKE MASTER CYLINDER</u></a>
40948-04	<a href="#"><u>REAR BRAKE MASTER CYLINDER</u></a>
40968-07	<a href="#"><u>REAR BRAKE CALIPER</u></a>
4104	<a href="#"><u>FRONT BRAKE CONTROL</u></a>
41041-05	<a href="#"><u>REAR WHEEL - CAST</u></a>
41052-05A	<a href="#"><u>REAR WHEEL - LACED &amp; PROFILE LACED</u></a>

41053-02A	<a href="#">REAR WHEEL - LACED &amp; PROFILE LACED</a>
41084-02A	<a href="#">REAR WHEEL - CAST</a> <a href="#">REAR WHEEL - LACED &amp; PROFILE LACED</a>
41123-79	<a href="#">FRONT WHEEL - CAST</a> <a href="#">FRONT WHEEL - LACED &amp; PROFILE LACED</a> <a href="#">REAR WHEEL - CAST</a> <a href="#">REAR WHEEL - LACED &amp; PROFILE LACED</a>
41176-05	<a href="#">REAR WHEEL - CAST</a> <a href="#">REAR WHEEL - LACED &amp; PROFILE LACED</a>
41191-74A	<a href="#">INSPECTION COVER &amp; PRIMARY COVER</a>
41296-05	<a href="#">REAR WHEEL - CAST</a> <a href="#">REAR WHEEL - LACED &amp; PROFILE LACED</a>
4132	<a href="#">OIL PUMP</a>
41339-06	<a href="#">FRONT WHEEL - LACED &amp; PROFILE LACED</a>
41426-07	<a href="#">FRONT WHEEL - LACED &amp; PROFILE LACED</a>
41561-04	<a href="#">ENGINE MOUNTS</a>
41562-04	<a href="#">ENGINE MOUNTS</a>
41568-04	<a href="#">ENGINE MOUNTS</a>
41573-05	<a href="#">FRAME, REAR FORK, &amp; JIFFY STAND</a> <a href="#">FRAME, REAR FORK, &amp; JIFFY STAND</a>
41623-05	<a href="#">FRAME, REAR FORK, &amp; JIFFY STAND</a>
41698-04	<a href="#">FRAME, REAR FORK, &amp; JIFFY STAND</a>
41699-04	<a href="#">ENGINE MOUNTS</a>
41732-04	<a href="#">FRONT BRAKE CONTROL</a> <a href="#">REAR BRAKE MASTER CYLINDER</a>
41736-04	<a href="#">FRONT BRAKE CONTROL</a> <a href="#">REAR BRAKE MASTER CYLINDER</a>
41737-04	<a href="#">FRONT BRAKE CONTROL</a>
41743-04	<a href="#">FRONT BRAKE CONTROL</a>
41797-00	<a href="#">REAR WHEEL - CAST</a> <a href="#">REAR WHEEL - LACED &amp; PROFILE LACED</a>
4180	<a href="#">ENGINE MOUNTS</a> <a href="#">HORN</a>
4188	<a href="#">ENGINE MOUNTS</a>
42028-07	<a href="#">FRONT BRAKE CALIPER</a>

42029-07	<a href="#"><u>REAR BRAKE CALIPER</u></a>
42341-07	<a href="#"><u>REAR BRAKE CONTROL - 883/883L/883R/1200L/1200N/1200R/XL50</u></a>
42425-05	<a href="#"><u>CLUTCH CONTROL</u></a> <a href="#"><u>FRONT BRAKE CONTROL</u></a>
42460-80B	<a href="#"><u>REAR BRAKE MASTER CYLINDER</u></a>
42521-07	<a href="#"><u>REAR BRAKE MASTER CYLINDER</u></a>
42541-04	<a href="#"><u>FOOTRESTS</u></a> <a href="#"><u>FOOTRESTS</u></a>
42566-04	<a href="#"><u>FOOTRESTS</u></a>
42569-03	<a href="#"><u>SHIFTER - 883C/1200C</u></a> <a href="#"><u>REAR BRAKE CONTROL - 883/883L/883R/1200L/1200N/1200R/XL50</u></a> <a href="#"><u>REAR BRAKE CONTROL - 883C/1200C</u></a>
42593-04	<a href="#"><u>REAR BRAKE MASTER CYLINDER</u></a>
42595-04	<a href="#"><u>REAR BRAKE MASTER CYLINDER</u></a>
42651-04	<a href="#"><u>FOOTRESTS</u></a>
42652-04	<a href="#"><u>FOOTRESTS</u></a>
4266A	<a href="#"><u>CYLINDER, HEAD, &amp; VALVES - V2™ EVOLUTION</u></a>
42685-04	<a href="#"><u>REAR BRAKE CONTROL - 883C/1200C</u></a>
4269	<a href="#"><u>EXHAUST SYSTEM</u></a>
42745-07	<a href="#"><u>FRONT BRAKE CONTROL</u></a>
42803-07A	<a href="#"><u>FRONT BRAKE CONTROL</u></a>
42804-07	<a href="#"><u>FRONT BRAKE CONTROL</u></a>
42805-04	<a href="#"><u>FRONT BRAKE CONTROL</u></a>
42806-04	<a href="#"><u>FRONT BRAKE CONTROL</u></a>
42807-04	<a href="#"><u>CLUTCH CONTROL</u></a> <a href="#"><u>FRONT BRAKE CONTROL</u></a>
42808-04	<a href="#"><u>CLUTCH CONTROL</u></a> <a href="#"><u>FRONT BRAKE CONTROL</u></a>
42809-07	<a href="#"><u>FRONT BRAKE CONTROL</u></a>
42810-07A	<a href="#"><u>REAR BRAKE MASTER CYLINDER</u></a>
42811-04	<a href="#"><u>REAR BRAKE MASTER CYLINDER</u></a>
42812-04	<a href="#"><u>REAR BRAKE MASTER CYLINDER</u></a>
42813-04	<a href="#"><u>REAR BRAKE MASTER CYLINDER</u></a>

42814-04	<a href="#"><u>REAR BRAKE MASTER CYLINDER</u></a>
42815-04	<a href="#"><u>REAR BRAKE MASTER CYLINDER</u></a>
42816-07	<a href="#"><u>REAR BRAKE MASTER CYLINDER</u></a>
42817-07	<a href="#"><u>REAR BRAKE MASTER CYLINDER</u></a>
42821-04	<a href="#"><u>REAR BRAKE MASTER CYLINDER</u></a>
42823-04	<a href="#"><u>FRONT BRAKE CALIPER</u></a> <a href="#"><u>REAR BRAKE CALIPER</u></a>
42824-04	<a href="#"><u>FRONT BRAKE CALIPER</u></a> <a href="#"><u>REAR BRAKE CALIPER</u></a>
42825-04	<a href="#"><u>FRONT BRAKE CALIPER</u></a>
42826-04	<a href="#"><u>FRONT BRAKE CALIPER</u></a>
42827-04	<a href="#"><u>FRONT BRAKE CALIPER</u></a>
42827-04A	<a href="#"><u>REAR BRAKE CALIPER</u></a>
42828-04	<a href="#"><u>FRONT BRAKE CALIPER</u></a> <a href="#"><u>REAR BRAKE CALIPER</u></a>
42829-04	<a href="#"><u>FRONT BRAKE CALIPER</u></a>
42831-04A	<a href="#"><u>FRONT BRAKE CALIPER</u></a>
42832-04	<a href="#"><u>FRONT BRAKE CALIPER</u></a>
42834-04	<a href="#"><u>REAR BRAKE CALIPER</u></a>
42835-05	<a href="#"><u>REAR BRAKE CALIPER</u></a>
42837-04	<a href="#"><u>REAR BRAKE CALIPER</u></a>
42838-04	<a href="#"><u>FRONT BRAKE CALIPER</u></a> <a href="#"><u>REAR BRAKE CALIPER</u></a>
42839-04	<a href="#"><u>REAR BRAKE CALIPER</u></a>
42840-04	<a href="#"><u>REAR BRAKE CALIPER</u></a>
42845-07	<a href="#"><u>REAR BRAKE MASTER CYLINDER</u></a>
42846-04	<a href="#"><u>REAR BRAKE MASTER CYLINDER</u></a>
42875-07	<a href="#"><u>FRONT BRAKE CALIPER</u></a>
42877-07	<a href="#"><u>FRONT BRAKE CALIPER</u></a>
42878-05	<a href="#"><u>FRONT BRAKE CALIPER</u></a>
42879-07	<a href="#"><u>FRONT BRAKE CALIPER</u></a>

42880-05	<a href="#"><u>FRONT BRAKE CALIPER</u></a>
42881-07	<a href="#"><u>REAR BRAKE CALIPER</u></a>
42893-07	<a href="#"><u>FRONT BRAKE CALIPER</u></a>
4290	<a href="#"><u>ENGINE MOUNTS</u></a>
42930-07	<a href="#"><u>SHIFTER - 883/883L/883R/1200L/1200R/1200N/XL50</u></a> <a href="#"><u>REAR BRAKE CONTROL - 883/883L/883R/1200L/1200N/1200R/XL50</u></a>
42969-04	<a href="#"><u>REAR BRAKE CONTROL - 883/883L/883R/1200L/1200N/1200R/XL50</u></a>
42971-04	<a href="#"><u>FOOTRESTS</u></a>
42972-04	<a href="#"><u>FOOTRESTS</u></a>
42976-04	<a href="#"><u>REAR BRAKE MASTER CYLINDER</u></a>
42979-04	<a href="#"><u>REAR BRAKE MASTER CYLINDER</u></a>
43001-79	<a href="#"><u>FRONT WHEEL - LACED &amp; PROFILE LACED</u></a>
43017-07	<a href="#"><u>REAR WHEEL - LACED &amp; PROFILE LACED</u></a>
43052-05A	<a href="#"><u>REAR WHEEL - LACED &amp; PROFILE LACED</u></a>
43056-05	<a href="#"><u>FRONT WHEEL - LACED &amp; PROFILE LACED</u></a>
43064-05	<a href="#"><u>FRONT WHEEL - LACED &amp; PROFILE LACED</u></a>
43085-97	<a href="#"><u>REAR WHEEL - LACED &amp; PROFILE LACED</u></a>
43104-93A	<a href="#"><u>FRONT WHEEL - LACED &amp; PROFILE LACED</u></a>
43112-91A	<a href="#"><u>FRONT WHEEL - CAST</u></a> <a href="#"><u>FRONT WHEEL - LACED &amp; PROFILE LACED</u></a>
4312B	<a href="#"><u>BATTERY</u></a>
43140-80	<a href="#"><u>FRONT WHEEL - LACED &amp; PROFILE LACED</u></a>
43145-47	<a href="#"><u>FRONT WHEEL - LACED &amp; PROFILE LACED</u></a>
43147-40	<a href="#"><u>REAR WHEEL - LACED &amp; PROFILE LACED</u></a>
43157-83A	<a href="#"><u>FRONT WHEEL - CAST</u></a> <a href="#"><u>REAR WHEEL - CAST</u></a>
43164-05	<a href="#"><u>REAR WHEEL - LACED &amp; PROFILE LACED</u></a>
43241-05	<a href="#"><u>REAR WHEEL - LACED &amp; PROFILE LACED</u></a>
43264-02	<a href="#"><u>REAR WHEEL - CAST</u></a> <a href="#"><u>REAR WHEEL - LACED &amp; PROFILE LACED</u></a>
4326A	<a href="#"><u>HANDLEBAR &amp; THROTTLE CONTROL - 883/L/R, 1200L/N/R, XL50</u></a>



4329	<a href="#"><u>ALTERNATOR &amp; REGULATOR</u></a>
43312-05	<a href="#"><u>FRONT WHEEL - LACED &amp; PROFILE LACED</u></a>
43335-05	<a href="#"><u>REAR WHEEL - CAST</u></a>
43338-00	<a href="#"><u>FRONT WHEEL - CAST</u></a>
43355-00	<a href="#"><u>FRONT WHEEL - CAST</u></a>
43358-00	<a href="#"><u>FRONT WHEEL - CAST</u></a> <a href="#"><u>FRONT WHEEL - LACED &amp; PROFILE LACED</u></a>
43359-00	<a href="#"><u>FRONT WHEEL - CAST</u></a>
43440-05	<a href="#"><u>REAR WHEEL - LACED &amp; PROFILE LACED</u></a>
43445-05	<a href="#"><u>FRONT WHEEL - LACED &amp; PROFILE LACED</u></a>
43500-05	<a href="#"><u>FRONT WHEEL - LACED &amp; PROFILE LACED</u></a>
4350A	<a href="#"><u>HEADLAMP &amp; MIRROR - 883C/1200C</u></a>
4351	<a href="#"><u>STEERING HEAD BRACKET ASSEMBLY</u></a>
43517-00	<a href="#"><u>REAR WHEEL - CAST</u></a> <a href="#"><u>REAR WHEEL - LACED &amp; PROFILE LACED</u></a>
4352	<a href="#"><u>STEERING HEAD BRACKET ASSEMBLY</u></a>
4354	<a href="#"><u>SHOCK ABSORBERS</u></a>
43547-05A	<a href="#"><u>FRONT WHEEL - LACED &amp; PROFILE LACED</u></a>
43557-05	<a href="#"><u>FRONT WHEEL - LACED &amp; PROFILE LACED</u></a>
43567-92	<a href="#"><u>REAR WHEEL - CAST</u></a> <a href="#"><u>REAR WHEEL - LACED &amp; PROFILE LACED</u></a>
4359	<a href="#"><u>SHIFTER - 883C/1200C</u></a>
43595-99	<a href="#"><u>FRAME, REAR FORK, &amp; JIFFY STAND</u></a>
43610-00A	<a href="#"><u>FRONT WHEEL - LACED &amp; PROFILE LACED</u></a>
43613-00	<a href="#"><u>FRONT WHEEL - CAST</u></a> <a href="#"><u>FRONT WHEEL - LACED &amp; PROFILE LACED</u></a>
43617-00A	<a href="#"><u>FRONT WHEEL - CAST</u></a> <a href="#"><u>FRONT WHEEL - LACED &amp; PROFILE LACED</u></a>
43619-00A	<a href="#"><u>FRONT WHEEL - LACED &amp; PROFILE LACED</u></a>
43629-00A	<a href="#"><u>FRONT WHEEL - LACED &amp; PROFILE LACED</u></a>
4363	<a href="#"><u>CALIFORNIA EVAPORATIVE EMISSIONS</u></a>
43637-05	<a href="#"><u>REAR WHEEL - CAST</u></a>

43652-07	<a href="#"><u>FRONT WHEEL - LACED &amp; PROFILE LACED</u></a>
43662-80B	<a href="#"><u>FRONT WHEEL - LACED &amp; PROFILE LACED</u></a>
43696-07	<a href="#"><u>REAR WHEEL - LACED &amp; PROFILE LACED</u></a>
43831-07	<a href="#"><u>FRONT WHEEL - LACED &amp; PROFILE LACED</u></a>
43832-07	<a href="#"><u>REAR WHEEL - LACED &amp; PROFILE LACED</u></a>
43895-00	<a href="#"><u>FRONT WHEEL - CAST</u></a> <a href="#"><u>FRONT WHEEL - LACED &amp; PROFILE LACED</u></a>
43939-89	<a href="#"><u>FRONT WHEEL - LACED &amp; PROFILE LACED</u></a>
44119-07	<a href="#"><u>FRONT BRAKE CALIPER</u></a>
44121-07	<a href="#"><u>FRONT BRAKE CALIPER</u></a>
44136-00	<a href="#"><u>FRONT WHEEL - CAST</u></a> <a href="#"><u>FRONT WHEEL - LACED &amp; PROFILE LACED</u></a>
44156-00	<a href="#"><u>FRONT WHEEL - CAST</u></a> <a href="#"><u>FRONT WHEEL - LACED &amp; PROFILE LACED</u></a>
44160-00	<a href="#"><u>FRONT BRAKE CALIPER</u></a>
44178-04	<a href="#"><u>REAR BRAKE CALIPER</u></a>
44184-04	<a href="#"><u>REAR BRAKE CALIPER</u></a>
44189-04	<a href="#"><u>REAR BRAKE MASTER CYLINDER</u></a>
4420	<a href="#"><u>HEADLAMP &amp; MIRROR - 883C/1200C</u></a>
44429-06A	<a href="#"><u>REAR BRAKE MASTER CYLINDER</u></a>
44440-04	<a href="#"><u>FRONT BRAKE CALIPER</u></a> <a href="#"><u>REAR BRAKE CALIPER</u></a>
4453	<a href="#"><u>STEERING HEAD BRACKET ASSEMBLY</u></a>
44590-04	<a href="#"><u>REAR BRAKE MASTER CYLINDER</u></a>
4460	<a href="#"><u>STEERING HEAD BRACKET ASSEMBLY</u></a>
44606-05B	<a href="#"><u>REAR WHEEL - LACED &amp; PROFILE LACED</u></a>
44610-05	<a href="#"><u>FRONT WHEEL - LACED &amp; PROFILE LACED</u></a>
45041-01A	<a href="#"><u>FOOTRESTS</u></a>
45052-07	<a href="#"><u>FRONT BRAKE CONTROL</u></a>
45074-95	<a href="#"><u>FRONT BRAKE CONTROL</u></a>
45146-07	<a href="#"><u>FRONT BRAKE CONTROL</u></a>
45319-04A	<a href="#"><u>FRONT BRAKE CONTROL</u></a>

45356-07	<a href="#"><u>CLUTCH CONTROL</u></a>
4535M	<a href="#"><u>CLUTCH CONTROL</u></a> <a href="#"><u>FRONT BRAKE CONTROL</u></a>
45361-90	<a href="#"><u>FRONT FORK</u></a> <a href="#"><u>FRONT FORK - 1200N</u></a>
45374-87	<a href="#"><u>FRONT FORK</u></a> <a href="#"><u>FRONT FORK - 1200N</u></a>
45376-04	<a href="#"><u>FRONT FORK</u></a>
45377-87	<a href="#"><u>FRONT FORK</u></a> <a href="#"><u>FRONT FORK - 1200N</u></a>
45378-87	<a href="#"><u>FRONT FORK</u></a> <a href="#"><u>FRONT FORK - 1200N</u></a>
45395-04	<a href="#"><u>FRONT FORK</u></a>
45401-87	<a href="#"><u>FRONT FORK</u></a> <a href="#"><u>FRONT FORK - 1200N</u></a>
45405-75A	<a href="#"><u>FRONT FORK</u></a> <a href="#"><u>FRONT FORK - 1200N</u></a>
45449-04A	<a href="#"><u>FRONT BRAKE CONTROL</u></a>
45451-07	<a href="#"><u>FRONT FORK - 1200N</u></a>
45460-90	<a href="#"><u>FRONT FORK</u></a>
45461-87	<a href="#"><u>FRONT FORK</u></a> <a href="#"><u>FRONT FORK - 1200N</u></a>
45462-87	<a href="#"><u>FRONT FORK - 1200N</u></a>
45465-87	<a href="#"><u>FRONT FORK</u></a> <a href="#"><u>FRONT FORK - 1200N</u></a>
45611-86	<a href="#"><u>STEERING HEAD BRACKET ASSEMBLY</u></a>
45668-90	<a href="#"><u>STEERING HEAD BRACKET ASSEMBLY</u></a>
45790-80	<a href="#"><u>FRONT FORK</u></a> <a href="#"><u>FRONT FORK - 1200N</u></a>
45799-04	<a href="#"><u>CLUTCH CONTROL</u></a>
45800-04	<a href="#"><u>CLUTCH CONTROL</u></a>
45801-04	<a href="#"><u>CLUTCH CONTROL</u></a>
45830-48	<a href="#"><u>CRANKCASE &amp; GEARCASE</u></a>
45900-04	<a href="#"><u>FRONT FORK</u></a>

45901-04	<a href="#">FRONT FORK</a>
45902-00	<a href="#">STARTER MOTOR</a>
45905-87	<a href="#">FRONT FORK</a> <a href="#">FRONT FORK - 1200N</a>
45921-00	<a href="#">FRONT FORK</a>
45922-00	<a href="#">FRONT FORK</a>
45923-00	<a href="#">FRONT FORK</a>
45925-04	<a href="#">FRONT FORK</a>
45938-92	<a href="#">FRONT FORK</a>
45966-04	<a href="#">STEERING HEAD BRACKET ASSEMBLY</a>
45984-87	<a href="#">FRONT FORK</a> <a href="#">FRONT FORK - 1200N</a>
45996-87	<a href="#">FRONT FORK</a> <a href="#">FRONT FORK - 1200N</a>
46002-87	<a href="#">FRONT FORK</a>
46029-04	<a href="#">FRONT FORK</a> <a href="#">FRONT FORK</a>
46126-04	<a href="#">STEERING HEAD BRACKET ASSEMBLY</a>
46127-04	<a href="#">STEERING HEAD BRACKET ASSEMBLY</a>
46218-05	<a href="#">FRONT FORK</a> <a href="#">FRONT FORK - 1200N</a>
46267-05	<a href="#">FRONT FORK</a>
46268-04	<a href="#">CLUTCH CONTROL</a>
46307-05	<a href="#">FRONT FORK</a>
46308-05	<a href="#">FRONT FORK</a>
46390-07	<a href="#">FRONT FORK</a>
46394-07	<a href="#">FRONT FORK</a>
46400-04A	<a href="#">FRONT BRAKE CONTROL</a>
46411-05C	<a href="#">FRONT BRAKE CONTROL</a>
46449-05	<a href="#">FRONT FORK</a>
46450-05	<a href="#">FRONT FORK</a>
46453-05	<a href="#">FRONT FORK</a>

46454-05	<a href="#"><u>FRONT FORK</u></a>
46758-07	<a href="#"><u>STEERING HEAD BRACKET ASSEMBLY</u></a>
46767-07	<a href="#"><u>STEERING HEAD BRACKET ASSEMBLY</u></a>
46945-07A	<a href="#"><u>CLUTCH CONTROL</u></a>
46946-06A	<a href="#"><u>FRONT BRAKE CONTROL</u></a>
4717A	<a href="#"><u>CAMSHAFTS &amp; GEAR COVER</u></a> <a href="#"><u>BELTS &amp; SPROCKETS</u></a>
4718A	<a href="#"><u>ROCKER ARMS, COVERS, &amp; PUSH RODS - V2™</u></a>
47299-07	<a href="#"><u>FRONT FORK</u></a> <a href="#"><u>FRONT FORK - 1200N</u></a>
47313-07	<a href="#"><u>FRONT FORK</u></a> <a href="#"><u>FRONT FORK - 1200N</u></a>
4740A	<a href="#"><u>CAMSHAFTS &amp; GEAR COVER</u></a>
4741A	<a href="#"><u>ROCKER ARMS, COVERS, &amp; PUSH RODS - V2™</u></a> <a href="#"><u>FRONT BRAKE CONTROL</u></a>
47470-04	<a href="#"><u>ENGINE MOUNTS</u></a>
47471-04	<a href="#"><u>ENGINE MOUNTS</u></a>
4748	<a href="#"><u>CYLINDER, HEAD, &amp; VALVES - V2™ EVOLUTION</u></a> <a href="#"><u>SHIFTER - 883C/1200C</u></a> <a href="#"><u>REAR BRAKE CONTROL - 883C/1200C</u></a> <a href="#"><u>FOOTRESTS</u></a> <a href="#"><u>EXHAUST SYSTEM</u></a>
4751	<a href="#"><u>ALTERNATOR &amp; REGULATOR</u></a>
47587-05	<a href="#"><u>FRAME, REAR FORK, &amp; JIFFY STAND</u></a>
4758A	<a href="#"><u>FUEL TANK</u></a>
4765	<a href="#"><u>OIL PUMP</u></a>
4771	<a href="#"><u>FUEL TANK</u></a>
4778	<a href="#"><u>REAR FENDER &amp; BELT GUARD</u></a> <a href="#"><u>REAR FENDER &amp; BELT GUARD 1200N</u></a>
4779	<a href="#"><u>REAR FENDER &amp; BELT GUARD</u></a> <a href="#"><u>REAR FENDER &amp; BELT GUARD 1200N</u></a>
4798	<a href="#"><u>INDUCTION MODULE</u></a>
48153-02A	<a href="#"><u>FRAME, REAR FORK, &amp; JIFFY STAND</u></a> <a href="#"><u>FRAME, REAR FORK, &amp; JIFFY STAND</u></a>
48154-05	<a href="#"><u>FRAME, REAR FORK, &amp; JIFFY STAND</u></a> <a href="#"><u>SWITCHES, SENSORS &amp; ELECTRICAL CONNECTORS</u></a>

	<a href="#"><u>SWITCHES, SENSORS &amp; ELECTRICAL CONNECTORS</u></a>
4816A	<a href="#"><u>REAR BRAKE MASTER CYLINDER HANDLEBAR &amp; THROTTLE CONTROL - 883/L/R, 1200L/N/R, XL50</u></a>
48184-01	<a href="#"><u>STEERING HEAD BRACKET ASSEMBLY</u></a>
4820A	<a href="#"><u>INSPECTION COVER &amp; PRIMARY COVER</u></a>
48300-60	<a href="#"><u>STEERING HEAD BRACKET ASSEMBLY</u></a>
48315-60	<a href="#"><u>STEERING HEAD BRACKET ASSEMBLY FRAME, REAR FORK, &amp; JIFFY STAND</u></a>
48463-04	<a href="#"><u>ENGINE MOUNTS</u></a>
48492-04	<a href="#"><u>ENGINE MOUNTS</u></a>
48714-07	<a href="#"><u>FRONT FORK - 1200N</u></a>
48715-07	<a href="#"><u>FRONT FORK - 1200N</u></a>
48716-07	<a href="#"><u>FRONT FORK - 1200N</u></a>
48726-07	<a href="#"><u>FRONT FORK - 1200N</u></a>
48737-07	<a href="#"><u>FRONT FORK FRONT FORK - 1200N</u></a>
48738-07	<a href="#"><u>FRONT FORK FRONT FORK - 1200N</u></a>
49314-04	<a href="#"><u>FOOTRESTS</u></a>
49315-04	<a href="#"><u>FOOTRESTS</u></a>
49431-06A	<a href="#"><u>FRAME, REAR FORK, &amp; JIFFY STAND</u></a>
49432-07A	<a href="#"><u>FRAME, REAR FORK, &amp; JIFFY STAND</u></a>
49434-07A	<a href="#"><u>FRAME, REAR FORK, &amp; JIFFY STAND</u></a>
49439-10	<a href="#"><u>FRAME, REAR FORK, &amp; JIFFY STAND</u></a>
49722-07BHP	<a href="#"><u>FRAME, REAR FORK, &amp; JIFFY STAND</u></a>
50003-89B	<a href="#"><u>FRAME, REAR FORK, &amp; JIFFY STAND</u></a>
50005-85A	<a href="#"><u>FRAME, REAR FORK, &amp; JIFFY STAND</u></a>
50044-07	<a href="#"><u>FRAME, REAR FORK, &amp; JIFFY STAND</u></a>
50185-04	<a href="#"><u>FRAME, REAR FORK, &amp; JIFFY STAND</u></a>
50238-07BHP	<a href="#"><u>FRAME, REAR FORK, &amp; JIFFY STAND</u></a>
50912-72	<a href="#"><u>FOOTRESTS</u></a>
51530-07	<a href="#"><u>SEATS</u></a>

51532-07	<a href="#"><u>SEATS</u></a>
51550-07	<a href="#"><u>SEATS</u></a>
51551-07	<a href="#"><u>SEATS</u></a>
51558-07	<a href="#"><u>SEATS</u></a>
51652-97	<a href="#"><u>SEATS</u></a>
51706-07	<a href="#"><u>SEATS</u></a>
51795-07	<a href="#"><u>SEATS</u></a>
51899-07	<a href="#"><u>SEATS</u></a>
51938-04	<a href="#"><u>REAR BRAKE MASTER CYLINDER</u></a>
52494-04	<a href="#"><u>FUEL TANK</u></a>
52608-07	<a href="#"><u>SEATS</u></a>
53158-98	<a href="#"><u>FRAME, REAR FORK, &amp; JIFFY STAND</u></a>
53438-92	<a href="#"><u>HEADLAMP &amp; MIRROR - 883/883L/883R/1200L/N/R/XL50</u></a> <a href="#"><u>HEADLAMP &amp; MIRROR - 883C/1200C</u></a>
5403B	<a href="#"><u>REAR FENDER &amp; BELT GUARD</u></a> <a href="#"><u>REAR FENDER &amp; BELT GUARD 1200N</u></a>
5414	<a href="#"><u>EXHAUST SYSTEM</u></a>
54321-85	<a href="#"><u>FRONT WHEEL - CAST</u></a> <a href="#"><u>FRONT WHEEL - LACED &amp; PROFILE LACED</u></a> <a href="#"><u>REAR WHEEL - CAST</u></a> <a href="#"><u>REAR WHEEL - LACED &amp; PROFILE LACED</u></a>
54473-79	<a href="#"><u>SHOCK ABSORBERS</u></a>
54540-07	<a href="#"><u>SHOCK ABSORBERS</u></a>
54556-84	<a href="#"><u>SHOCK ABSORBERS</u></a>
54566-04	<a href="#"><u>SHOCK ABSORBERS</u></a>
54568-04	<a href="#"><u>SHOCK ABSORBERS</u></a>
54570-05	<a href="#"><u>SHOCK ABSORBERS</u></a>
54626-07	<a href="#"><u>SHOCK ABSORBERS</u></a>
54701-82	<a href="#"><u>SHOCK ABSORBERS</u></a>
54724-04	<a href="#"><u>SHOCK ABSORBERS</u></a>
54741-07	<a href="#"><u>SHOCK ABSORBERS</u></a>
5531	<a href="#"><u>REAR FENDER &amp; BELT GUARD 1200N</u></a>

	<a href="#"><u>TURN SIGNALS &amp; TAIL LAMP - 1200N</u></a>
554A	<a href="#"><u>FRAME, REAR FORK, &amp; JIFFY STAND</u></a>
55840-04	<a href="#"><u>HANDLEBAR &amp; THROTTLE CONTROL - 883C/1200C</u></a>
55842-04	<a href="#"><u>HANDLEBAR &amp; THROTTLE CONTROL - 883C/1200C</u></a>
55844-04	<a href="#"><u>SPEEDOMETER - 883C/1200C</u></a>
55845-04	<a href="#"><u>HANDLEBAR &amp; THROTTLE CONTROL - 883/L/R, 1200L/N/R, XL50</u></a>
55846-05A	<a href="#"><u>HANDLEBAR &amp; THROTTLE CONTROL - 883/L/R, 1200L/N/R, XL50</u></a> <a href="#"><u>SPEEDOMETER &amp; TACHOMETER - 883/L/R, 1200L/N/R, XL50</u></a>
55847-05A	<a href="#"><u>HANDLEBAR &amp; THROTTLE CONTROL - 883/L/R, 1200L/N/R, XL50</u></a> <a href="#"><u>SPEEDOMETER &amp; TACHOMETER - 883/L/R, 1200L/N/R, XL50</u></a>
56004-00	<a href="#"><u>HANDLEBAR &amp; THROTTLE CONTROL - 883/L/R, 1200L/N/R, XL50</u></a>
56017-04	<a href="#"><u>HANDLEBAR &amp; THROTTLE CONTROL - 883C/1200C</u></a>
56051-06	<a href="#"><u>HANDLEBAR &amp; THROTTLE CONTROL - 883/L/R, 1200L/N/R, XL50</u></a>
56085-83A	<a href="#"><u>HANDLEBAR &amp; THROTTLE CONTROL - 883/L/R, 1200L/N/R, XL50</u></a>
56104-02	<a href="#"><u>REAR FENDER &amp; BELT GUARD</u></a> <a href="#"><u>TURN SIGNALS</u></a>
56115-95	<a href="#"><u>HANDLEBAR &amp; THROTTLE CONTROL - 883/L/R, 1200L/N/R, XL50</u></a>
56116-82A	<a href="#"><u>HANDLEBAR &amp; THROTTLE CONTROL - 883/L/R, 1200L/N/R, XL50</u></a>
56117-82A	<a href="#"><u>HANDLEBAR &amp; THROTTLE CONTROL - 883/L/R, 1200L/N/R, XL50</u></a>
56394-74	<a href="#"><u>HANDLEBAR &amp; THROTTLE CONTROL - 883/L/R, 1200L/N/R, XL50</u></a> <a href="#"><u>HANDLEBAR &amp; THROTTLE CONTROL - 883C/1200C</u></a> <a href="#"><u>HANDLEBAR SWITCHES</u></a>
56396-74A	<a href="#"><u>HANDLEBAR &amp; THROTTLE CONTROL - 883/L/R, 1200L/N/R, XL50</u></a> <a href="#"><u>HANDLEBAR &amp; THROTTLE CONTROL - 883C/1200C</u></a> <a href="#"><u>HANDLEBAR SWITCHES</u></a>
56397-74C	<a href="#"><u>HANDLEBAR &amp; THROTTLE CONTROL - 883/L/R, 1200L/N/R, XL50</u></a> <a href="#"><u>HANDLEBAR &amp; THROTTLE CONTROL - 883C/1200C</u></a> <a href="#"><u>HANDLEBAR SWITCHES</u></a>
56402-83A	<a href="#"><u>HANDLEBAR &amp; THROTTLE CONTROL - 883/L/R, 1200L/N/R, XL50</u></a> <a href="#"><u>HANDLEBAR &amp; THROTTLE CONTROL - 883C/1200C</u></a> <a href="#"><u>HANDLEBAR SWITCHES</u></a>
56508-76	<a href="#"><u>HANDLEBAR &amp; THROTTLE CONTROL - 883/L/R, 1200L/N/R, XL50</u></a> <a href="#"><u>HANDLEBAR &amp; THROTTLE CONTROL - 883C/1200C</u></a>
56541-86A	<a href="#"><u>HANDLEBAR &amp; THROTTLE CONTROL - 883/L/R, 1200L/N/R, XL50</u></a>
56542-86A	<a href="#"><u>HANDLEBAR &amp; THROTTLE CONTROL - 883/L/R, 1200L/N/R, XL50</u></a>
56567-86B	<a href="#"><u>HANDLEBAR &amp; THROTTLE CONTROL - 883/L/R, 1200L/N/R, XL50</u></a>



56666-04	<a href="#">HANDLEBAR &amp; THROTTLE CONTROL - 883/L/R, 1200L/N/R, XL50</a> <a href="#">HANDLEBAR &amp; THROTTLE CONTROL - 883C/1200C</a>
56667-04	<a href="#">HANDLEBAR &amp; THROTTLE CONTROL - 883/L/R, 1200L/N/R, XL50</a> <a href="#">HANDLEBAR &amp; THROTTLE CONTROL - 883C/1200C</a>
56884-07	<a href="#">HANDLEBAR &amp; THROTTLE CONTROL - 883/L/R, 1200L/N/R, XL50</a> <a href="#">HANDLEBAR &amp; THROTTLE CONTROL - 883C/1200C</a>
56885-07	<a href="#">HANDLEBAR &amp; THROTTLE CONTROL - 883/L/R, 1200L/N/R, XL50</a> <a href="#">HANDLEBAR &amp; THROTTLE CONTROL - 883C/1200C</a>
58998-83C	<a href="#">FRONT FENDER</a>
59254-91	<a href="#">REAR FENDER &amp; BELT GUARD</a>
59287-92	<a href="#">REAR FENDER &amp; BELT GUARD</a>
59288-92	<a href="#">REAR FENDER &amp; BELT GUARD</a>
59359-06	<a href="#">REAR FENDER &amp; BELT GUARD 1200N</a>
59481-00	<a href="#">FRONT FORK</a>
59482-00	<a href="#">FRONT FORK</a>
59502-04	<a href="#">REAR FENDER &amp; BELT GUARD</a> <a href="#">REAR FENDER &amp; BELT GUARD 1200N</a>
59673-04	<a href="#">REAR FENDER &amp; BELT GUARD</a>
59712-07	<a href="#">FRONT FENDER</a>
59723-04	<a href="#">REAR FENDER &amp; BELT GUARD</a> <a href="#">REAR FENDER &amp; BELT GUARD 1200N</a>
59727-07	<a href="#">REAR FENDER &amp; BELT GUARD 1200N</a>
59768-97	<a href="#">REAR FENDER &amp; BELT GUARD</a> <a href="#">REAR FENDER &amp; BELT GUARD 1200N</a>
59847-07	<a href="#">REAR FENDER &amp; BELT GUARD</a>
59865-07	<a href="#">REAR FENDER &amp; BELT GUARD 1200N</a>
59902-04	<a href="#">REAR FENDER &amp; BELT GUARD</a>
59903-04	<a href="#">REAR FENDER &amp; BELT GUARD</a>
59984-73	<a href="#">REAR FENDER &amp; BELT GUARD</a>
59986-75	<a href="#">REAR FENDER &amp; BELT GUARD</a>
59988-72A	<a href="#">REAR FENDER &amp; BELT GUARD</a>
60001-55	<a href="#">REAR FENDER &amp; BELT GUARD</a>
6003	<a href="#">TRANSMISSION GEARS</a>

60203-06	<a href="#"><u>REAR FENDER &amp; BELT GUARD</u></a> <a href="#"><u>REAR FENDER &amp; BELT GUARD 1200N</u></a>
60204-06	<a href="#"><u>REAR FENDER &amp; BELT GUARD</u></a> <a href="#"><u>REAR FENDER &amp; BELT GUARD 1200N</u></a>
6021	<a href="#"><u>TRANSMISSION GEARS</u></a>
6026	<a href="#"><u>ENGINE MOUNTS</u></a> <a href="#"><u>HORN</u></a>
60318-07	<a href="#"><u>REAR FENDER &amp; BELT GUARD 1200N</u></a>
60328-98B	<a href="#"><u>INSPECTION COVER &amp; PRIMARY COVER</u></a>
60367-04	<a href="#"><u>REAR FENDER &amp; BELT GUARD</u></a>
60371-07	<a href="#"><u>REAR FENDER &amp; BELT GUARD 1200N</u></a>
60435-04	<a href="#"><u>REAR FENDER &amp; BELT GUARD</u></a> <a href="#"><u>REAR FENDER &amp; BELT GUARD 1200N</u></a>
60830-07	<a href="#"><u>INSPECTION COVER &amp; PRIMARY COVER</u></a>
60983-07	<a href="#"><u>HANDLEBAR &amp; THROTTLE CONTROL - 883/L/R, 1200L/N/R, XL50</u></a>
6099	<a href="#"><u>CALIFORNIA EVAPORATIVE EMISSIONS</u></a>
6101	<a href="#"><u>CLUTCH CONTROL</u></a> <a href="#"><u>FRONT BRAKE CONTROL</u></a>
61015-04A	<a href="#"><u>FUEL PUMP</u></a>
6109	<a href="#"><u>HANDLEBAR &amp; THROTTLE CONTROL - 883/L/R, 1200L/N/R, XL50</u></a>
61109-85D	<a href="#"><u>FUEL TANK</u></a>
61213-04A	<a href="#"><u>FUEL PUMP</u></a>
61260-04	<a href="#"><u>FUEL TANK</u></a>
61272-92B	<a href="#"><u>FUEL TANK</u></a>
61289-07	<a href="#"><u>FUEL TANK</u></a>
61348-07	<a href="#"><u>FUEL TANK</u></a>
61459-97	<a href="#"><u>FRAME, REAR FORK, &amp; JIFFY STAND</u></a> <a href="#"><u>SWITCHES, SENSORS &amp; ELECTRICAL CONNECTORS</u></a>
6152	<a href="#"><u>ENGINE MOUNTS</u></a>
6157	<a href="#"><u>OIL PUMP</u></a>
6192	<a href="#"><u>REAR FENDER &amp; BELT GUARD</u></a> <a href="#"><u>REAR FENDER &amp; BELT GUARD 1200N</u></a>
62122-89	<a href="#"><u>FRAME, REAR FORK, &amp; JIFFY STAND</u></a>

62150-85	<a href="#">FUEL TANK</a>
62213-07	<a href="#">FUEL TANK</a>
62260-04	<a href="#">FUEL TANK TRIM</a>
62261-04	<a href="#">FUEL TANK TRIM</a>
62262-04	<a href="#">FUEL TANK TRIM</a>
62263-04	<a href="#">FUEL TANK TRIM</a>
62320-06	<a href="#">FUEL TANK TRIM</a>
62321-06	<a href="#">FUEL TANK TRIM</a>
62324-07	<a href="#">FUEL TANK TRIM</a>
62325-07	<a href="#">FUEL TANK TRIM</a>
62336-07	<a href="#">FUEL TANK TRIM</a>
62337-07	<a href="#">FUEL TANK TRIM</a>
62338-01Y	<a href="#">OIL TANK &amp; FILTER</a>
62350-07	<a href="#">INDUCTION MODULE</a>
62351-07	<a href="#">INDUCTION MODULE</a>
62360-04A	<a href="#">CAMSHAFTS &amp; GEAR COVER</a> <a href="#">OIL TANK &amp; FILTER</a>
62361-04	<a href="#">OIL TANK &amp; FILTER</a>
6237	<a href="#">HORN</a>
62375-57A	<a href="#">CAMSHAFTS &amp; GEAR COVER</a>
62534-07	<a href="#">FRAME, REAR FORK, &amp; JIFFY STAND</a>
62592-07	<a href="#">OIL TANK &amp; FILTER</a>
62601-91A	<a href="#">OIL PUMP</a>
62651-04	<a href="#">OIL TANK &amp; FILTER</a>
6288	<a href="#">SWITCHES, SENSORS &amp; ELECTRICAL CONNECTORS</a>
62888-04A	<a href="#">OIL TANK &amp; FILTER</a>
63000-04A	<a href="#">OIL TANK &amp; FILTER</a>
6302	<a href="#">EXHAUST SYSTEM</a>
63508-04	<a href="#">CRANKCASE &amp; GEARCASE</a>
63533-41A	<a href="#">CRANKCASE &amp; GEARCASE</a> <a href="#">OIL PUMP</a>

63596-06	<a href="#"><u>OIL TANK &amp; FILTER</u></a>
63796-77A	<a href="#"><u>OIL TANK &amp; FILTER</u></a>
63805-80A	<a href="#"><u>OIL TANK &amp; FILTER</u></a>
63858-49	<a href="#"><u>ROCKER ARMS, COVERS, &amp; PUSH RODS - V2™</u></a>
64842-04	<a href="#"><u>EXHAUST SYSTEM</u></a>
64846-04A	<a href="#"><u>EXHAUST SYSTEM</u></a>
64847-04A	<a href="#"><u>EXHAUST SYSTEM</u></a>
64848-04	<a href="#"><u>EXHAUST SYSTEM</u></a>
64853-04	<a href="#"><u>EXHAUST SYSTEM</u></a>
64854-04	<a href="#"><u>EXHAUST SYSTEM</u></a>
64855-04	<a href="#"><u>EXHAUST SYSTEM</u></a>
64857-04	<a href="#"><u>EXHAUST SYSTEM</u></a>
64889-04	<a href="#"><u>EXHAUST SYSTEM</u></a>
64890-04	<a href="#"><u>EXHAUST SYSTEM</u></a>
64891-04A	<a href="#"><u>EXHAUST SYSTEM</u></a>
64893-04A	<a href="#"><u>EXHAUST SYSTEM</u></a>
64942-07	<a href="#"><u>EXHAUST SYSTEM</u></a>
64943-07	<a href="#"><u>EXHAUST SYSTEM</u></a>
65088-04	<a href="#"><u>CRANKCASE &amp; GEARCASE</u></a>
6516HW	<a href="#"><u>BELTS &amp; SPROCKETS</u></a> <a href="#"><u>REAR WHEEL - CAST</u></a> <a href="#"><u>REAR WHEEL - LACED &amp; PROFILE LACED</u></a>
65184-02	<a href="#"><u>EXHAUST SYSTEM</u></a>
65283-94	<a href="#"><u>EXHAUST SYSTEM</u></a>
65302-82A	<a href="#"><u>EXHAUST SYSTEM</u></a>
65324-83A	<a href="#"><u>EXHAUST SYSTEM</u></a>
65325-83A	<a href="#"><u>EXHAUST SYSTEM</u></a>
65339-04	<a href="#"><u>EXHAUST SYSTEM</u></a>
6590HW	<a href="#"><u>FRONT WHEEL - CAST</u></a> <a href="#"><u>FRONT WHEEL - LACED &amp; PROFILE LACED</u></a> <a href="#"><u>HANDLEBAR &amp; THROTTLE CONTROL - 883/L/R, 1200L/N/R, XL50</u></a> <a href="#"><u>HANDLEBAR &amp; THROTTLE CONTROL - 883C/1200C</u></a>

65927-00	<a href="#"><u>EXHAUST SYSTEM</u></a>
65958-04	<a href="#"><u>BATTERY</u></a>
65974-04A	<a href="#"><u>EXHAUST SYSTEM</u></a>
66194-04C	<a href="#"><u>BATTERY</u></a>
66199-04	<a href="#"><u>OIL TANK &amp; FILTER</u></a>
66251-04	<a href="#"><u>FRAME, REAR FORK, &amp; JIFFY STAND</u></a>
66252-04	<a href="#"><u>FRAME, REAR FORK, &amp; JIFFY STAND</u></a>
66272-05	<a href="#"><u>FRAME, REAR FORK, &amp; JIFFY STAND</u></a>
66273-05	<a href="#"><u>FRAME, REAR FORK, &amp; JIFFY STAND</u></a>
66464-07	<a href="#"><u>FRAME, REAR FORK, &amp; JIFFY STAND</u></a>
66465-07	<a href="#"><u>FRAME, REAR FORK, &amp; JIFFY STAND</u></a>
66476-04A	<a href="#"><u>BATTERY</u></a>
66523-06	<a href="#"><u>SWITCHES, SENSORS &amp; ELECTRICAL CONNECTORS</u></a>
66524-06	<a href="#"><u>SWITCHES, SENSORS &amp; ELECTRICAL CONNECTORS</u></a>
6655	<a href="#"><u>STEERING HEAD BRACKET ASSEMBLY</u></a>
66851-07	<a href="#"><u>EXHAUST SYSTEM</u></a>
6701	<a href="#"><u>FRONT FORK</u></a> <a href="#"><u>FRONT FORK - 1200N</u></a> <a href="#"><u>HEADLAMP &amp; MIRROR - 883C/1200C</u></a> <a href="#"><u>EXHAUST SYSTEM</u></a>
6702	<a href="#"><u>REAR BRAKE MASTER CYLINDER</u></a> <a href="#"><u>HANDLEBAR &amp; THROTTLE CONTROL - 883/L/R, 1200L/N/R, XL50</u></a> <a href="#"><u>REAR FENDER &amp; BELT GUARD</u></a> <a href="#"><u>REAR FENDER &amp; BELT GUARD 1200N</u></a> <a href="#"><u>FUEL TANK</u></a> <a href="#"><u>HEADLAMP &amp; MIRROR - 883/883L/883R/1200L/N/R/XL50</u></a>
6703	<a href="#"><u>REAR FENDER &amp; BELT GUARD</u></a> <a href="#"><u>REAR FENDER &amp; BELT GUARD 1200N</u></a>
67037-04A	<a href="#"><u>SPEEDOMETER &amp; TACHOMETER - 883/L/R, 1200L/N/R, XL50</u></a>
67041-04A	<a href="#"><u>SPEEDOMETER &amp; TACHOMETER - 883/L/R, 1200L/N/R, XL50</u></a>
67049-04A	<a href="#"><u>SPEEDOMETER &amp; TACHOMETER - 883/L/R, 1200L/N/R, XL50</u></a>
67053-95	<a href="#"><u>SPEEDOMETER &amp; TACHOMETER - 883/L/R, 1200L/N/R, XL50</u></a>
67085-95	<a href="#"><u>SPEEDOMETER &amp; TACHOMETER - 883/L/R, 1200L/N/R, XL50</u></a>
67089-05	<a href="#"><u>SPEEDOMETER &amp; TACHOMETER - 883/L/R, 1200L/N/R, XL50</u></a>

67103-95	<a href="#"><u>SPEEDOMETER &amp; TACHOMETER - 883/L/R, 1200L/N/R, XL50</u></a>
67104-95	<a href="#"><u>SPEEDOMETER &amp; TACHOMETER - 883/L/R, 1200L/N/R, XL50</u></a>
67121-95A	<a href="#"><u>SPEEDOMETER &amp; TACHOMETER - 883/L/R, 1200L/N/R, XL50</u></a> <a href="#"><u>SPEEDOMETER - 883C/1200C</u></a>
6718	<a href="#"><u>SHOCK ABSORBERS</u></a>
67290-04A	<a href="#"><u>SPEEDOMETER &amp; TACHOMETER - 883/L/R, 1200L/N/R, XL50</u></a>
67320-95	<a href="#"><u>SPEEDOMETER &amp; TACHOMETER - 883/L/R, 1200L/N/R, XL50</u></a>
67338-97	<a href="#"><u>SPEEDOMETER &amp; TACHOMETER - 883/L/R, 1200L/N/R, XL50</u></a>
67344-97	<a href="#"><u>SPEEDOMETER &amp; TACHOMETER - 883/L/R, 1200L/N/R, XL50</u></a>
67345-97	<a href="#"><u>SPEEDOMETER &amp; TACHOMETER - 883/L/R, 1200L/N/R, XL50</u></a>
6738	<a href="#"><u>SHOCK ABSORBERS</u></a>
67415-04A	<a href="#"><u>SPEEDOMETER &amp; TACHOMETER - 883/L/R, 1200L/N/R, XL50</u></a> <a href="#"><u>SPEEDOMETER - 883C/1200C</u></a>
67416-04A	<a href="#"><u>SPEEDOMETER &amp; TACHOMETER - 883/L/R, 1200L/N/R, XL50</u></a> <a href="#"><u>SPEEDOMETER - 883C/1200C</u></a>
67436-04A	<a href="#"><u>SPEEDOMETER &amp; TACHOMETER - 883/L/R, 1200L/N/R, XL50</u></a> <a href="#"><u>SPEEDOMETER - 883C/1200C</u></a>
67450-99	<a href="#"><u>SPEEDOMETER &amp; TACHOMETER - 883/L/R, 1200L/N/R, XL50</u></a> <a href="#"><u>SPEEDOMETER - 883C/1200C</u></a>
67601-94A	<a href="#"><u>HEADLAMP &amp; MIRROR - 883C/1200C</u></a>
67603-94	<a href="#"><u>HEADLAMP &amp; MIRROR - 883C/1200C</u></a>
67667-05	<a href="#"><u>HEADLAMP &amp; MIRROR - 883/883L/883R/1200L/N/R/XL50</u></a> <a href="#"><u>HEADLAMP &amp; MIRROR - 883C/1200C</u></a>
67790-93	<a href="#"><u>HEADLAMP &amp; MIRROR - 883/883L/883R/1200L/N/R/XL50</u></a>
67804-04	<a href="#"><u>REAR BRAKE MASTER CYLINDER</u></a>
67805-92	<a href="#"><u>HEADLAMP &amp; MIRROR - 883/883L/883R/1200L/N/R/XL50</u></a>
67815-59A	<a href="#"><u>HEADLAMP &amp; MIRROR - 883/883L/883R/1200L/N/R/XL50</u></a>
67834-83	<a href="#"><u>HEADLAMP &amp; MIRROR - 883/883L/883R/1200L/N/R/XL50</u></a>
67865-89	<a href="#"><u>HEADLAMP &amp; MIRROR - 883/883L/883R/1200L/N/R/XL50</u></a>
6787	<a href="#"><u>CYLINDER, HEAD, &amp; VALVES - V2™ EVOLUTION</u></a>
67880-94	<a href="#"><u>SPEEDOMETER &amp; TACHOMETER - 883/L/R, 1200L/N/R, XL50</u></a> <a href="#"><u>SPEEDOMETER - 883C/1200C</u></a>
67883-04	<a href="#"><u>HEADLAMP &amp; MIRROR - 883/883L/883R/1200L/N/R/XL50</u></a>

67894-93	<a href="#"><u>HEADLAMP &amp; MIRROR - 883C/1200C</u></a>
67919-96	<a href="#"><u>HEADLAMP &amp; MIRROR - 883C/1200C</u></a>
67950-07	<a href="#"><u>HEADLAMP &amp; MIRROR - 883/883L/883R/1200L/N/R/XL50</u></a>
67951-07	<a href="#"><u>HEADLAMP &amp; MIRROR - 883/883L/883R/1200L/N/R/XL50</u></a>
67963-05	<a href="#"><u>HEADLAMP &amp; MIRROR - 883/883L/883R/1200L/N/R/XL50</u></a>
67972-98	<a href="#"><u>HEADLAMP &amp; MIRROR - 883/883L/883R/1200L/N/R/XL50</u></a>
6798	<a href="#"><u>REAR FENDER &amp; BELT GUARD</u></a> <a href="#"><u>REAR FENDER &amp; BELT GUARD 1200N</u></a>
68026-99	<a href="#"><u>TAIL LAMP</u></a>
68041-04	<a href="#"><u>STEERING HEAD BRACKET ASSEMBLY</u></a>
68066-99A	<a href="#"><u>TAIL LAMP</u></a>
68140-04	<a href="#"><u>TAIL LAMP</u></a>
68141-04	<a href="#"><u>TAIL LAMP</u></a>
68163-84	<a href="#"><u>TURN SIGNALS</u></a>
68167-04	<a href="#"><u>TAIL LAMP</u></a>
68168-89A	<a href="#"><u>TURN SIGNALS</u></a> <a href="#"><u>TURN SIGNALS &amp; TAIL LAMP - 1200N</u></a>
68183-07	<a href="#"><u>REAR FENDER &amp; BELT GUARD 1200N</u></a>
68265-04	<a href="#"><u>TURN SIGNALS</u></a> <a href="#"><u>TURN SIGNALS &amp; TAIL LAMP - 1200N</u></a>
68277-07	<a href="#"><u>TURN SIGNALS &amp; TAIL LAMP - 1200N</u></a>
68278-07	<a href="#"><u>TURN SIGNALS &amp; TAIL LAMP - 1200N</u></a>
68296-99A	<a href="#"><u>TAIL LAMP</u></a>
68297-05	<a href="#"><u>HEADLAMP &amp; MIRROR - 883/883L/883R/1200L/N/R/XL50</u></a> <a href="#"><u>HEADLAMP &amp; MIRROR - 883C/1200C</u></a>
68299-07	<a href="#"><u>TURN SIGNALS &amp; TAIL LAMP - 1200N</u></a>
68329-03	<a href="#"><u>HEADLAMP &amp; MIRROR - 883/883L/883R/1200L/N/R/XL50</u></a> <a href="#"><u>HEADLAMP &amp; MIRROR - 883C/1200C</u></a>
68335-05	<a href="#"><u>HEADLAMP &amp; MIRROR - 883/883L/883R/1200L/N/R/XL50</u></a> <a href="#"><u>HEADLAMP &amp; MIRROR - 883C/1200C</u></a>
68341-05	<a href="#"><u>HEADLAMP &amp; MIRROR - 883/883L/883R/1200L/N/R/XL50</u></a> <a href="#"><u>HEADLAMP &amp; MIRROR - 883C/1200C</u></a>
68369-03	<a href="#"><u>TAIL LAMP</u></a>

68370-03A	<a href="#"><u>TAIL LAMP</u></a>
68372-03	<a href="#"><u>TAIL LAMP</u></a>
68380-05	<a href="#"><u>HEADLAMP &amp; MIRROR - 883/883L/883R/1200L/N/R/XL50</u></a> <a href="#"><u>HEADLAMP &amp; MIRROR - 883C/1200C</u></a>
68382-07	<a href="#"><u>SPEEDOMETER - 883C/1200C</u></a>
68443-07	<a href="#"><u>HEADLAMP &amp; MIRROR - 883/883L/883R/1200L/N/R/XL50</u></a>
68449-07	<a href="#"><u>TURN SIGNALS &amp; TAIL LAMP - 1200N</u></a>
68480-02	<a href="#"><u>TURN SIGNALS</u></a>
68513-95	<a href="#"><u>SPEEDOMETER &amp; TACHOMETER - 883/L/R, 1200L/N/R, XL50</u></a>
68551-07	<a href="#"><u>SPEEDOMETER &amp; TACHOMETER - 883/L/R, 1200L/N/R, XL50</u></a>
68559-07	<a href="#"><u>TURN SIGNALS &amp; TAIL LAMP - 1200N</u></a>
68572-64B	<a href="#"><u>TURN SIGNALS</u></a> <a href="#"><u>TURN SIGNALS &amp; TAIL LAMP - 1200N</u></a>
68650-92	<a href="#"><u>HEADLAMP &amp; MIRROR - 883/883L/883R/1200L/N/R/XL50</u></a> <a href="#"><u>HEADLAMP &amp; MIRROR - 883C/1200C</u></a>
68702-07	<a href="#"><u>REAR FENDER &amp; BELT GUARD 1200N</u></a>
68704-07	<a href="#"><u>REAR FENDER &amp; BELT GUARD 1200N</u></a>
68724-07	<a href="#"><u>REAR FENDER &amp; BELT GUARD 1200N</u></a>
68730-07	<a href="#"><u>TURN SIGNALS &amp; TAIL LAMP - 1200N</u></a>
68755-07	<a href="#"><u>TURN SIGNALS &amp; TAIL LAMP - 1200N</u></a>
68811-07	<a href="#"><u>SPEEDOMETER &amp; TACHOMETER - 883/L/R, 1200L/N/R, XL50</u></a>
68813-07	<a href="#"><u>SPEEDOMETER &amp; TACHOMETER - 883/L/R, 1200L/N/R, XL50</u></a>
68814-07	<a href="#"><u>SPEEDOMETER - 883C/1200C</u></a>
68830-99A	<a href="#"><u>TAIL LAMP</u></a>
68899-04	<a href="#"><u>TAIL LAMP</u></a>
68904-00	<a href="#"><u>TURN SIGNALS</u></a>
68905-00	<a href="#"><u>TURN SIGNALS</u></a>
68906-00	<a href="#"><u>TURN SIGNALS</u></a>
68907-00	<a href="#"><u>TURN SIGNALS</u></a>
68919-07	<a href="#"><u>ELECTRONIC IGNITION SYSTEM</u></a> <a href="#"><u>SWITCHES, SENSORS &amp; ELECTRICAL CONNECTORS</u></a>



68920-07	<a href="#">SWITCHES, SENSORS &amp; ELECTRICAL CONNECTORS</a>
68922-07	<a href="#">SWITCHES, SENSORS &amp; ELECTRICAL CONNECTORS</a>
68924-07	<a href="#">SWITCHES, SENSORS &amp; ELECTRICAL CONNECTORS</a>
68926-07	<a href="#">SWITCHES, SENSORS &amp; ELECTRICAL CONNECTORS</a>
68939-00	<a href="#">SWITCHES, SENSORS &amp; ELECTRICAL CONNECTORS</a>
68956-07	<a href="#">SWITCHES, SENSORS &amp; ELECTRICAL CONNECTORS</a>
68958-07	<a href="#">SWITCHES, SENSORS &amp; ELECTRICAL CONNECTORS</a>
68972-00	<a href="#">TURN SIGNALS</a>
68973-00	<a href="#">TURN SIGNALS</a>
68975-00	<a href="#">TURN SIGNALS</a>
68976-00	<a href="#">TURN SIGNALS</a>
68977-00	<a href="#">TURN SIGNALS</a>
68978-00	<a href="#">TURN SIGNALS</a>
68979-00	<a href="#">TURN SIGNALS</a>
69012-93A	<a href="#">HORN</a>
69018-00	<a href="#">SWITCHES, SENSORS &amp; ELECTRICAL CONNECTORS</a>
69043-96B	<a href="#">HORN</a>
69049-07	<a href="#">HORN</a>
69060-90D	<a href="#">HORN</a>
69062-91A	<a href="#">HORN</a>
69120-91	<a href="#">HORN</a>
69123-92	<a href="#">HORN</a>
69135-04	<a href="#">HORN</a>
69187-03A	<a href="#">TAIL LAMP</a>
69449-05	<a href="#">HEADLAMP &amp; MIRROR - 883/883L/883R/1200L/N/R/XL50</a>
69490-07	<a href="#">REAR FENDER &amp; BELT GUARD 1200N</a>
69681-07	<a href="#">HEADLAMP &amp; MIRROR - 883C/1200C</a> <a href="#">HEADLAMP &amp; MIRROR - 883C/1200C</a>
69709-00	<a href="#">HEADLAMP &amp; MIRROR - 883/883L/883R/1200L/N/R/XL50</a>
69774-07	<a href="#">HEADLAMP &amp; MIRROR - 883/883L/883R/1200L/N/R/XL50</a>

	<a href="#"><u>HEADLAMP &amp; MIRROR - 883/883L/883R/1200L/N/R/XL50</u></a>
69861-07	<a href="#"><u>FRONT FORK - 1200N</u></a>
69862-07	<a href="#"><u>FRONT FORK - 1200N</u></a>
69883-07	<a href="#"><u>HEADLAMP &amp; MIRROR - 883/883L/883R/1200L/N/R/XL50</u></a> <a href="#"><u>HEADLAMP &amp; MIRROR - 883/883L/883R/1200L/N/R/XL50</u></a>
70003-04	<a href="#"><u>BATTERY</u></a>
70156-07	<a href="#"><u>WIRING HARNESS, ENGINE</u></a>
70167-07	<a href="#"><u>WIRING HARNESS, ENGINE</u></a>
70181-07	<a href="#"><u>WIRING HARNESS, MAIN</u></a> <a href="#"><u>WIRING HARNESS, MAIN (CONTINUED)</u></a>
7019	<a href="#"><u>SHIFTER - 883/883L/883R/1200L/1200R/1200N/XL50</u></a>
70224-07	<a href="#"><u>WIRING HARNESS, MAIN</u></a> <a href="#"><u>WIRING HARNESS, MAIN (CONTINUED)</u></a>
70227-99	<a href="#"><u>SWITCHES, SENSORS &amp; ELECTRICAL CONNECTORS</u></a>
70295-04	<a href="#"><u>BATTERY</u></a>
70296-04	<a href="#"><u>BATTERY</u></a>
70297-04	<a href="#"><u>ENGINE MOUNTS</u></a>
70345-84	<a href="#"><u>HANDLEBAR &amp; THROTTLE CONTROL - 883/L/R, 1200L/N/R, XL50</u></a> <a href="#"><u>HANDLEBAR &amp; THROTTLE CONTROL - 883C/1200C</u></a> <a href="#"><u>HANDLEBAR SWITCHES</u></a>
70364-07	<a href="#"><u>ALTERNATOR &amp; REGULATOR</u></a>
7038	<a href="#"><u>FRONT FORK</u></a> <a href="#"><u>FRONT FORK - 1200N</u></a>
7039	<a href="#"><u>ENGINE MOUNTS</u></a>
7041	<a href="#"><u>HORN</u></a>
70416-04A	<a href="#"><u>FRAME, REAR FORK, &amp; JIFFY STAND</u></a>
70417-04A	<a href="#"><u>FRAME, REAR FORK, &amp; JIFFY STAND</u></a>
70444-07	<a href="#"><u>ELECTRONIC IGNITION SYSTEM</u></a>
7045	<a href="#"><u>HEADLAMP &amp; MIRROR - 883C/1200C</u></a>
70466-07A	<a href="#"><u>WIRING HARNESS, MAIN</u></a>
70503-04	<a href="#"><u>OIL TANK &amp; FILTER</u></a>
70504-81	<a href="#"><u>HANDLEBAR &amp; THROTTLE CONTROL - 883/L/R, 1200L/N/R, XL50</u></a> <a href="#"><u>HANDLEBAR &amp; THROTTLE CONTROL - 883C/1200C</u></a>

70578-89	<a href="#"><u>BATTERY</u></a>
70586-93	<a href="#"><u>SWITCHES, SENSORS &amp; ELECTRICAL CONNECTORS</u></a>
70587-93	<a href="#"><u>SWITCHES, SENSORS &amp; ELECTRICAL CONNECTORS</u></a>
70598-99	<a href="#"><u>WIRING HARNESS, MAIN</u></a>
70617-07	<a href="#"><u>SWITCHES, SENSORS &amp; ELECTRICAL CONNECTORS</u></a>
70640-07	<a href="#"><u>WIRING HARNESS, MAIN</u></a>
70642-07	<a href="#"><u>WIRING HARNESS, MAIN</u></a>
70645-07	<a href="#"><u>WIRING HARNESS, MAIN (CONTINUED)</u></a>
70649-07	<a href="#"><u>WIRING HARNESS, MAIN</u></a>
7068	<a href="#"><u>FRONT WHEEL - CAST</u></a> <a href="#"><u>FRONT WHEEL - LACED &amp; PROFILE LACED</u></a> <a href="#"><u>HEADLAMP &amp; MIRROR - 883/883L/883R/1200L/N/R/XL50</u></a>
7069	<a href="#"><u>HORN</u></a>
70903-04	<a href="#"><u>FUEL TANK</u></a>
70904-04	<a href="#"><u>FUEL TANK</u></a>
70917-04	<a href="#"><u>FUEL TANK</u></a>
70919-04	<a href="#"><u>FUEL TANK</u></a>
7127	<a href="#"><u>HEADLAMP &amp; MIRROR - 883/883L/883R/1200L/N/R/XL50</u></a> <a href="#"><u>HEADLAMP &amp; MIRROR - 883C/1200C</u></a>
71276-04	<a href="#"><u>FUEL TANK</u></a>
71441-94	<a href="#"><u>SWITCHES, SENSORS &amp; ELECTRICAL CONNECTORS</u></a>
71451-94A	<a href="#"><u>SWITCHES, SENSORS &amp; ELECTRICAL CONNECTORS</u></a>
71472-04	<a href="#"><u>FRAME, REAR FORK, &amp; JIFFY STAND</u></a>
71509-00	<a href="#"><u>HANDLEBAR SWITCHES</u></a>
71510-04	<a href="#"><u>WIRING HARNESS, MAIN</u></a> <a href="#"><u>SWITCHES, SENSORS &amp; ELECTRICAL CONNECTORS</u></a>
71550-94	<a href="#"><u>WIRING HARNESS, MAIN</u></a> <a href="#"><u>SWITCHES, SENSORS &amp; ELECTRICAL CONNECTORS</u></a>
71552-94	<a href="#"><u>WIRING HARNESS, MAIN</u></a> <a href="#"><u>SWITCHES, SENSORS &amp; ELECTRICAL CONNECTORS</u></a>
71563-96	<a href="#"><u>HANDLEBAR &amp; THROTTLE CONTROL - 883/L/R, 1200L/N/R, XL50</u></a> <a href="#"><u>HANDLEBAR &amp; THROTTLE CONTROL - 883C/1200C</u></a> <a href="#"><u>HANDLEBAR SWITCHES</u></a>
71564-96	<a href="#"><u>HANDLEBAR &amp; THROTTLE CONTROL - 883/L/R, 1200L/N/R, XL50</u></a>

	<a href="#"><u>HANDLEBAR &amp; THROTTLE CONTROL - 883C/1200C</u></a> <a href="#"><u>HANDLEBAR SWITCHES</u></a>
71567-96	<a href="#"><u>HANDLEBAR SWITCHES</u></a>
71568-96A	<a href="#"><u>HANDLEBAR SWITCHES</u></a>
71584-96A	<a href="#"><u>HANDLEBAR SWITCHES</u></a>
71589-96B	<a href="#"><u>HANDLEBAR SWITCHES</u></a>
71590-96A	<a href="#"><u>FRONT BRAKE CONTROL</u></a> <a href="#"><u>HANDLEBAR SWITCHES</u></a>
71591-00	<a href="#"><u>HANDLEBAR SWITCHES</u></a>
71597-96B	<a href="#"><u>HANDLEBAR SWITCHES</u></a>
71598-00	<a href="#"><u>HANDLEBAR SWITCHES</u></a>
72006-05	<a href="#"><u>WIRING HARNESS, ENGINE</u></a>
72007-05	<a href="#"><u>WIRING HARNESS, MAIN</u></a> <a href="#"><u>WIRING HARNESS, ENGINE</u></a>
72009-05	<a href="#"><u>ENGINE SENSORS &amp; SWITCHES</u></a> <a href="#"><u>EXHAUST SYSTEM</u></a>
72011-05	<a href="#"><u>ENGINE SENSORS &amp; SWITCHES</u></a> <a href="#"><u>EXHAUST SYSTEM</u></a> <a href="#"><u>WIRING HARNESS, MAIN</u></a> <a href="#"><u>WIRING HARNESS, ENGINE</u></a>
72023-51D	<a href="#"><u>REAR BRAKE MASTER CYLINDER</u></a> <a href="#"><u>SWITCHES, SENSORS &amp; ELECTRICAL CONNECTORS</u></a>
72033-93	<a href="#"><u>WIRING HARNESS, MAIN (CONTINUED)</u></a> <a href="#"><u>WIRING HARNESS, ENGINE</u></a>
72056-92	<a href="#"><u>HEADLAMP &amp; MIRROR - 883/883L/883R/1200L/N/R/XL50</u></a> <a href="#"><u>HEADLAMP &amp; MIRROR - 883C/1200C</u></a>
72064-06	<a href="#"><u>WIRING HARNESS, MAIN</u></a>
72066-06	<a href="#"><u>WIRING HARNESS, MAIN</u></a>
72076-00	<a href="#"><u>WIRING HARNESS, MAIN</u></a>
72077-00	<a href="#"><u>WIRING HARNESS, MAIN</u></a>
72078-00	<a href="#"><u>WIRING HARNESS, MAIN</u></a>
72094-06	<a href="#"><u>WIRING HARNESS, MAIN</u></a> <a href="#"><u>WIRING HARNESS, ENGINE</u></a>
72096-06	<a href="#"><u>WIRING HARNESS, MAIN</u></a> <a href="#"><u>WIRING HARNESS, ENGINE</u></a>
72100-04	<a href="#"><u>WIRING HARNESS, MAIN</u></a>

72124-94GY	<a href="#"><u>WIRING HARNESS, MAIN</u></a>
72130-04	<a href="#"><u>SPEEDOMETER &amp; TACHOMETER - 883/L/R, 1200L/N/R, XL50</u></a> <a href="#"><u>SPEEDOMETER - 883C/1200C</u></a>
72131-04	<a href="#"><u>SPEEDOMETER &amp; TACHOMETER - 883/L/R, 1200L/N/R, XL50</u></a>
72134-94GY	<a href="#"><u>SWITCHES, SENSORS &amp; ELECTRICAL CONNECTORS</u></a>
72135-06	<a href="#"><u>WIRING HARNESS, MAIN</u></a>
72139-94GY	<a href="#"><u>WIRING HARNESS, MAIN</u></a>
72144-94	<a href="#"><u>WIRING HARNESS, MAIN</u></a>
72154-94	<a href="#"><u>SWITCHES, SENSORS &amp; ELECTRICAL CONNECTORS</u></a>
72159-94	<a href="#"><u>WIRING HARNESS, MAIN</u></a>
72164-94A	<a href="#"><u>WIRING HARNESS, MAIN</u></a>
72166-07BK	<a href="#"><u>WIRING HARNESS, ENGINE</u></a>
72167-07BK	<a href="#"><u>WIRING HARNESS, MAIN</u></a>
72168-07	<a href="#"><u>WIRING HARNESS, MAIN</u></a> <a href="#"><u>WIRING HARNESS, ENGINE</u></a>
72169-07	<a href="#"><u>SPEEDOMETER &amp; TACHOMETER - 883/L/R, 1200L/N/R, XL50</u></a> <a href="#"><u>SPEEDOMETER - 883C/1200C</u></a> <a href="#"><u>WIRING HARNESS, MAIN</u></a> <a href="#"><u>HANDLEBAR SWITCHES</u></a>
72175-07BK	<a href="#"><u>WIRING HARNESS, MAIN</u></a>
72188-07BK	<a href="#"><u>HANDLEBAR SWITCHES</u></a>
72189-04	<a href="#"><u>SPEEDOMETER &amp; TACHOMETER - 883/L/R, 1200L/N/R, XL50</u></a> <a href="#"><u>SPEEDOMETER - 883C/1200C</u></a>
72190-94	<a href="#"><u>WIRING HARNESS, MAIN</u></a>
72191-94	<a href="#"><u>WIRING HARNESS, MAIN</u></a> <a href="#"><u>SWITCHES, SENSORS &amp; ELECTRICAL CONNECTORS</u></a>
72195-94	<a href="#"><u>WIRING HARNESS, MAIN</u></a> <a href="#"><u>SWITCHES, SENSORS &amp; ELECTRICAL CONNECTORS</u></a>
72199-94	<a href="#"><u>ENGINE SENSORS &amp; SWITCHES</u></a> <a href="#"><u>WIRING HARNESS, MAIN</u></a>
7220	<a href="#"><u>ELECTRONIC IGNITION SYSTEM</u></a>
72251-07	<a href="#"><u>WIRING HARNESS, ENGINE</u></a>
72260-04	<a href="#"><u>WIRING HARNESS, MAIN</u></a>
72263-95	<a href="#"><u>WIRING HARNESS, ENGINE</u></a>

72266-94	<a href="#"><u>HANDLEBAR SWITCHES</u></a>
72268-94	<a href="#"><u>SWITCHES, SENSORS &amp; ELECTRICAL CONNECTORS</u></a>
72272-07	<a href="#"><u>WIRING HARNESS, MAIN</u></a>
72289-04	<a href="#"><u>WIRING HARNESS, MAIN</u></a>
72290-94	<a href="#"><u>WIRING HARNESS, MAIN</u></a>
72291-94	<a href="#"><u>WIRING HARNESS, MAIN</u></a>
72295-94	<a href="#"><u>WIRING HARNESS, MAIN</u></a>
72312-04	<a href="#"><u>WIRING HARNESS, MAIN (CONTINUED)</u></a>
72318-04	<a href="#"><u>SWITCHES, SENSORS &amp; ELECTRICAL CONNECTORS</u></a>
72330-95	<a href="#"><u>WIRING HARNESS, MAIN (CONTINUED)</u></a> <a href="#"><u>SWITCHES, SENSORS &amp; ELECTRICAL CONNECTORS</u></a>
72402-07	<a href="#"><u>WIRING HARNESS, ENGINE</u></a>
72405-98BK	<a href="#"><u>WIRING HARNESS, MAIN</u></a>
72406-07	<a href="#"><u>WIRING HARNESS, ENGINE</u></a>
72407-07	<a href="#"><u>WIRING HARNESS, ENGINE</u></a>
72408-07	<a href="#"><u>WIRING HARNESS, ENGINE</u></a>
72413-07	<a href="#"><u>WIRING HARNESS, ENGINE</u></a>
72414-07BK	<a href="#"><u>WIRING HARNESS, MAIN (CONTINUED)</u></a>
72427-00	<a href="#"><u>WIRING HARNESS, MAIN (CONTINUED)</u></a>
72430-00	<a href="#"><u>WIRING HARNESS, MAIN (CONTINUED)</u></a>
72432-00	<a href="#"><u>WIRING HARNESS, MAIN (CONTINUED)</u></a>
72434-00	<a href="#"><u>WIRING HARNESS, MAIN (CONTINUED)</u></a>
72441-04	<a href="#"><u>WIRING HARNESS, MAIN (CONTINUED)</u></a>
72445-99TN	<a href="#"><u>WIRING HARNESS, MAIN (CONTINUED)</u></a>
72447-07GY	<a href="#"><u>HANDLEBAR SWITCHES</u></a>
72469-07GY	<a href="#"><u>WIRING HARNESS, MAIN (CONTINUED)</u></a>
72473-07	<a href="#"><u>WIRING HARNESS, MAIN (CONTINUED)</u></a> <a href="#"><u>WIRING HARNESS, ENGINE</u></a>
72487-07BK	<a href="#"><u>WIRING HARNESS, MAIN (CONTINUED)</u></a>
72488-07BK	<a href="#"><u>SPEEDOMETER &amp; TACHOMETER - 883/L/R, 1200L/N/R, XL50</u></a> <a href="#"><u>SPEEDOMETER - 883C/1200C</u></a>

72512-07BK	<a href="#"><u>WIRING HARNESS, MAIN (CONTINUED)</u></a>
72516-01	<a href="#"><u>WIRING HARNESS, MAIN (CONTINUED)</u></a>
72543-07BK	<a href="#"><u>WIRING HARNESS, ENGINE</u></a>
72544-07	<a href="#"><u>WIRING HARNESS, MAIN (CONTINUED)</u></a> <a href="#"><u>WIRING HARNESS, ENGINE</u></a>
72545-07	<a href="#"><u>WIRING HARNESS, MAIN (CONTINUED)</u></a>
72549-07	<a href="#"><u>SPEEDOMETER &amp; TACHOMETER - 883/L/R, 1200L/N/R, XL50</u></a> <a href="#"><u>SPEEDOMETER - 883C/1200C</u></a>
72611-07	<a href="#"><u>WIRING HARNESS, MAIN</u></a>
72720-07	<a href="#"><u>SWITCHES, SENSORS &amp; ELECTRICAL CONNECTORS</u></a>
72721-07	<a href="#"><u>SWITCHES, SENSORS &amp; ELECTRICAL CONNECTORS</u></a>
72904-01BK	<a href="#"><u>TURN SIGNALS &amp; TAIL LAMP - 1200N</u></a>
72914-01BK	<a href="#"><u>TURN SIGNALS &amp; TAIL LAMP - 1200N</u></a>
72990-01	<a href="#"><u>TURN SIGNALS &amp; TAIL LAMP - 1200N</u></a>
72991-01	<a href="#"><u>TURN SIGNALS &amp; TAIL LAMP - 1200N</u></a>
73102-96BK	<a href="#"><u>TURN SIGNALS &amp; TAIL LAMP - 1200N</u></a>
73104-96BK	<a href="#"><u>WIRING HARNESS, MAIN (CONTINUED)</u></a>
73106-96BK	<a href="#"><u>WIRING HARNESS, MAIN (CONTINUED)</u></a>
73152-96BK	<a href="#"><u>REAR FENDER &amp; BELT GUARD 1200N</u></a> <a href="#"><u>TURN SIGNALS</u></a>
73152-96WE	<a href="#"><u>TURN SIGNALS</u></a>
73154-96BK	<a href="#"><u>HEADLAMP &amp; MIRROR - 883/883L/883R/1200L/N/R/XL50</u></a> <a href="#"><u>HEADLAMP &amp; MIRROR - 883C/1200C</u></a> <a href="#"><u>TAIL LAMP</u></a>
73156-96BK	<a href="#"><u>TURN SIGNALS</u></a> <a href="#"><u>TURN SIGNALS &amp; TAIL LAMP - 1200N</u></a> <a href="#"><u>TURN SIGNALS &amp; TAIL LAMP - 1200N</u></a> <a href="#"><u>TAIL LAMP</u></a>
73160-96BK	<a href="#"><u>HEADLAMP &amp; MIRROR - 883/883L/883R/1200L/N/R/XL50</u></a>
73190-96	<a href="#"><u>TURN SIGNALS &amp; TAIL LAMP - 1200N</u></a> <a href="#"><u>WIRING HARNESS, MAIN (CONTINUED)</u></a>
73191-96	<a href="#"><u>REAR FENDER &amp; BELT GUARD 1200N</u></a> <a href="#"><u>HEADLAMP &amp; MIRROR - 883/883L/883R/1200L/N/R/XL50</u></a> <a href="#"><u>HEADLAMP &amp; MIRROR - 883C/1200C</u></a> <a href="#"><u>TURN SIGNALS</u></a> <a href="#"><u>TURN SIGNALS &amp; TAIL LAMP - 1200N</u></a> <a href="#"><u>TURN SIGNALS &amp; TAIL LAMP - 1200N</u></a>

	<a href="#"><u>TAIL LAMP</u></a>
73210-07	<a href="#"><u>WIRING HARNESS, MAIN (CONTINUED)</u></a>
73213-07	<a href="#"><u>WIRING HARNESS, MAIN (CONTINUED)</u></a>
73301-04	<a href="#"><u>WIRING HARNESS, MAIN (CONTINUED)</u></a>
73302-04	<a href="#"><u>WIRING HARNESS, MAIN (CONTINUED)</u></a>
73303-04	<a href="#"><u>WIRING HARNESS, MAIN (CONTINUED)</u></a>
73304-04	<a href="#"><u>WIRING HARNESS, MAIN (CONTINUED)</u></a>
73305-04	<a href="#"><u>WIRING HARNESS, MAIN (CONTINUED)</u></a>
740	<a href="#"><u>FOOTRESTS</u></a>
74112-98BK	<a href="#"><u>WIRING HARNESS, MAIN (CONTINUED)</u></a>
74152-98	<a href="#"><u>WIRING HARNESS, MAIN (CONTINUED)</u></a>
74191-98	<a href="#"><u>WIRING HARNESS, MAIN</u></a>
74194-98	<a href="#"><u>ENGINE SENSORS &amp; SWITCHES</u></a>
74195-98	<a href="#"><u>WIRING HARNESS, MAIN (CONTINUED)</u></a>
74196-04	<a href="#"><u>SPEEDOMETER &amp; TACHOMETER - 883/L/R, 1200L/N/R, XL50</u></a> <a href="#"><u>SPEEDOMETER - 883C/1200C</u></a>
74197-04	<a href="#"><u>SPEEDOMETER &amp; TACHOMETER - 883/L/R, 1200L/N/R, XL50</u></a> <a href="#"><u>SPEEDOMETER - 883C/1200C</u></a>
74402-05	<a href="#"><u>SPEEDOMETER &amp; TACHOMETER - 883/L/R, 1200L/N/R, XL50</u></a> <a href="#"><u>SPEEDOMETER - 883C/1200C</u></a>
74546-07	<a href="#"><u>ALTERNATOR &amp; REGULATOR</u></a>
7477	<a href="#"><u>REAR BRAKE MASTER CYLINDER</u></a>
7481	<a href="#"><u>HORN</u></a>
7495	<a href="#"><u>HORN</u></a>
75268-07	<a href="#"><u>FUEL PUMP</u></a>
75301-07	<a href="#"><u>FUEL PUMP</u></a>
75302-07	<a href="#"><u>FUEL PUMP</u></a>
75303-07	<a href="#"><u>FUEL PUMP</u></a>
75304-07	<a href="#"><u>FUEL PUMP</u></a>
75305-07	<a href="#"><u>FUEL PUMP</u></a>
75309-07	<a href="#"><u>FUEL PUMP</u></a>



7531	<a href="#">FRONT FENDER</a> <a href="#">REAR FENDER &amp; BELT GUARD</a> <a href="#">REAR FENDER &amp; BELT GUARD 1200N</a> <a href="#">FUEL TANK</a> <a href="#">HORN</a>
75317-07	<a href="#">FUEL PUMP</a>
7593	<a href="#">EXHAUST SYSTEM</a>
7606	<a href="#">HEADLAMP &amp; MIRROR - 883/883L/883R/1200L/N/R/XL50</a>
761	<a href="#">REAR FENDER &amp; BELT GUARD</a>
7624	<a href="#">OIL TANK &amp; FILTER</a>
7720	<a href="#">HEADLAMP &amp; MIRROR - 883/883L/883R/1200L/N/R/XL50</a>
7727	<a href="#">HEADLAMP &amp; MIRROR - 883/883L/883R/1200L/N/R/XL50</a> <a href="#">HEADLAMP &amp; MIRROR - 883C/1200C</a>
7766	<a href="#">FRAME, REAR FORK, &amp; JIFFY STAND</a>
7770	<a href="#">BATTERY</a>
7778	<a href="#">HEADLAMP &amp; MIRROR - 883C/1200C</a>
7783	<a href="#">FRONT FORK</a> <a href="#">FRONT FORK - 1200N</a>
7792	<a href="#">REAR FENDER &amp; BELT GUARD</a> <a href="#">REAR FENDER &amp; BELT GUARD 1200N</a>
7804	<a href="#">BELTS &amp; SPROCKETS</a>
7824	<a href="#">SHOCK ABSORBERS</a>
7839	<a href="#">BELTS &amp; SPROCKETS</a>
7862	<a href="#">EXHAUST SYSTEM</a>
7880	<a href="#">HEADLAMP &amp; MIRROR - 883/883L/883R/1200L/N/R/XL50</a>
7882	<a href="#">REAR FENDER &amp; BELT GUARD</a> <a href="#">REAR FENDER &amp; BELT GUARD 1200N</a>
7916A	<a href="#">CAMSHAFTS &amp; GEAR COVER</a>
7956	<a href="#">FRONT WHEEL - CAST</a> <a href="#">FRONT WHEEL - LACED &amp; PROFILE LACED</a>
7964	<a href="#">TAIL LAMP</a>
8039	<a href="#">REAR WHEEL - CAST</a> <a href="#">REAR WHEEL - LACED &amp; PROFILE LACED</a>
80399-04	<a href="#">EXHAUST SYSTEM</a>
8108	<a href="#">HORN</a>

8135B	<a href="#"><u>FRAME, REAR FORK, &amp; JIFFY STAND</u></a>
835	<a href="#"><u>CRANKCASE &amp; GEARCASE</u></a>
8679	<a href="#"><u>CAMSHAFTS &amp; GEAR COVER</u></a>
8692	<a href="#"><u>REAR FENDER &amp; BELT GUARD</u></a> <a href="#"><u>REAR FENDER &amp; BELT GUARD 1200N</u></a>
882	<a href="#"><u>ROCKER ARMS, COVERS, &amp; PUSH RODS - V2™</u></a> <a href="#"><u>REAR BRAKE MASTER CYLINDER</u></a>
8862	<a href="#"><u>TRANSMISSION GEARS</u></a>
8871	<a href="#"><u>STARTER MOTOR</u></a>
8873	<a href="#"><u>CLUTCH</u></a>
8879	<a href="#"><u>STARTER MOTOR</u></a>
8881	<a href="#"><u>CRANKCASE &amp; GEARCASE</u></a>
8883	<a href="#"><u>STARTER MOTOR</u></a>
8884	<a href="#"><u>TRANSMISSION GEARS</u></a>
8885	<a href="#"><u>CLUTCH</u></a>
89579-91	<a href="#"><u>FRAME, REAR FORK, &amp; JIFFY STAND</u></a> <a href="#"><u>FUEL TANK</u></a>
89581-04A	<a href="#"><u>STARTER MOTOR</u></a>
89586-04	<a href="#"><u>FUEL TANK</u></a> <a href="#"><u>HEADLAMP &amp; MIRROR - 883/883L/883R/1200L/N/R/XL50</u></a> <a href="#"><u>HEADLAMP &amp; MIRROR - 883C/1200C</u></a>
8964	<a href="#"><u>TRANSMISSION GEARS</u></a>
8966	<a href="#"><u>TRANSMISSION GEARS</u></a>
8970	<a href="#"><u>TRANSMISSION GEARS</u></a>
8973	<a href="#"><u>CRANKCASE &amp; GEARCASE</u></a>
90383-98	<a href="#"><u>INDUCTION MODULE</u></a>
9077	<a href="#"><u>STARTER MOTOR</u></a>
91840-03A	<a href="#"><u>HEADLAMP &amp; MIRROR - 883/883L/883R/1200L/N/R/XL50</u></a>
91845-03A	<a href="#"><u>HEADLAMP &amp; MIRROR - 883/883L/883R/1200L/N/R/XL50</u></a>
91846-03A	<a href="#"><u>HEADLAMP &amp; MIRROR - 883/883L/883R/1200L/N/R/XL50</u></a> <a href="#"><u>HEADLAMP &amp; MIRROR - 883C/1200C</u></a>
91848-03A	<a href="#"><u>HEADLAMP &amp; MIRROR - 883/883L/883R/1200L/N/R/XL50</u></a> <a href="#"><u>HEADLAMP &amp; MIRROR - 883C/1200C</u></a>

9187	<a href="#"><u>SHIFTER - 883/883L/883R/1200L/1200R/1200N/XL50</u></a>
91982-03A	<a href="#"><u>HEADLAMP &amp; MIRROR - 883/883L/883R/1200L/N/R/XL50</u></a>
91983-03A	<a href="#"><u>HEADLAMP &amp; MIRROR - 883/883L/883R/1200L/N/R/XL50</u></a>
9209	<a href="#"><u>FRAME, REAR FORK, &amp; JIFFY STAND</u></a>
92261-07	<a href="#"><u>FUEL TANK TRIM</u></a>
92262-07	<a href="#"><u>FUEL TANK TRIM</u></a>
92263-07	<a href="#"><u>FUEL TANK TRIM</u></a>
92264-07	<a href="#"><u>FUEL TANK TRIM</u></a>
92265-07	<a href="#"><u>FUEL TANK TRIM</u></a>
9247	<a href="#"><u>REAR WHEEL - CAST</u></a> <a href="#"><u>REAR WHEEL - LACED &amp; PROFILE LACED</u></a>
9267	<a href="#"><u>FRONT WHEEL - CAST</u></a> <a href="#"><u>FRONT WHEEL - LACED &amp; PROFILE LACED</u></a>
928	<a href="#"><u>STARTER MOTOR</u></a>
929A	<a href="#"><u>STARTER MOTOR</u></a>
940	<a href="#"><u>ENGINE MOUNTS</u></a>
943	<a href="#"><u>INSPECTION COVER &amp; PRIMARY COVER</u></a>
94432-04	<a href="#"><u>REAR BRAKE MASTER CYLINDER</u></a>
946	<a href="#"><u>AIR CLEANER</u></a>
94612-04	<a href="#"><u>REAR BRAKE MASTER CYLINDER</u></a>
95578-41	<a href="#"><u>FRONT WHEEL - LACED &amp; PROFILE LACED</u></a> <a href="#"><u>REAR WHEEL - LACED &amp; PROFILE LACED</u></a>
95581-47	<a href="#"><u>FRONT WHEEL - LACED &amp; PROFILE LACED</u></a> <a href="#"><u>REAR WHEEL - LACED &amp; PROFILE LACED</u></a>
95582-47	<a href="#"><u>FRONT WHEEL - LACED &amp; PROFILE LACED</u></a> <a href="#"><u>REAR WHEEL - LACED &amp; PROFILE LACED</u></a>
95595-84	<a href="#"><u>FRONT WHEEL - CAST</u></a> <a href="#"><u>REAR WHEEL - CAST</u></a>
9838	<a href="#"><u>WIRING HARNESS, MAIN</u></a>
9847	<a href="#"><u>HEADLAMP &amp; MIRROR - 883/883L/883R/1200L/N/R/XL50</u></a> <a href="#"><u>HEADLAMP &amp; MIRROR - 883C/1200C</u></a>
9848	<a href="#"><u>HEADLAMP &amp; MIRROR - 883/883L/883R/1200L/N/R/XL50</u></a> <a href="#"><u>HEADLAMP &amp; MIRROR - 883C/1200C</u></a>

9862	<a href="#">SWITCHES, SENSORS &amp; ELECTRICAL CONNECTORS</a>
9898	<a href="#">HEADLAMP &amp; MIRROR - 883/883L/883R/1200L/N/R/XL50</a> <a href="#">HEADLAMP &amp; MIRROR - 883C/1200C</a> <a href="#">WIRING HARNESS, MAIN</a>
9907	<a href="#">REAR BRAKE MASTER CYLINDER</a> <a href="#">SWITCHES, SENSORS &amp; ELECTRICAL CONNECTORS</a>
9937	<a href="#">WIRING HARNESS, MAIN</a>
995	<a href="#">REAR BRAKE MASTER CYLINDER</a>
9955	<a href="#">EXHAUST SYSTEM</a>
9969	<a href="#">OIL TANK &amp; FILTER</a>
997	<a href="#">REAR BRAKE MASTER CYLINDER</a>
SEE NOTE	<a href="#">FUEL TANK TRIM</a>

## Component Types and Introduction Dates

[View interactive table](#)

101A1 - Generic Nuts	
7956	Unknown
8039	Unknown
7839	Unknown
7624	Unknown
7792	2012
8135B	Unknown
7778	Unknown
7862	Unknown
7477	Unknown
7916A	Unknown
7770	Unknown
7766	Unknown
7824	Unknown
3403	Unknown
11730A	Unknown
7495	1994

7880	Unknown
7964	Unknown
37495-91	1991
7481	Unknown
8108	Unknown
7593	1991
102A1 - Generic Screws	
3899	1999
4266A	Unknown
4188	Unknown
3244	Unknown
4765	1998
3579A	Unknown
3990	2006
4180	Unknown
3854	2009
882	2000
3987	Unknown
4460	Unknown
42827-04A	2004
4771	Unknown
68026-99	1999
3849	Unknown
4741A	1994
94612-04	2004
3655A	Unknown
3976	2004
4718A	1994
2955	1996
8679	Unknown
5414	Unknown

3022A	Unknown
43567-92	1992
3514	Unknown
3201WA	Unknown
4350A	Unknown
42827-04	2004
940	Unknown
4748	2009
943	Unknown
4091	Unknown
3615	Unknown
4326A	1990
2325	Unknown
2773	Unknown
2548	Unknown
4751	Unknown
4132	Unknown
4740A	1994
2586A	Unknown
3658	Unknown
45405-75A	1975
1048	Unknown
3605	2009
32617-00Y	2000
2952A	2003
45996-87	1987
3814	Unknown
3594	1992
835	Unknown
4290	Unknown

928	Unknown
2708A	Unknown
4816A	Unknown
4076	Unknown
1039	Unknown
2607	Unknown
4029A	1990
42875-07	2007
4420	2009
3799	2003
45902-00	2000
3588	1990
3563	1999
4017	2009
929A	Unknown
2501A	Unknown
4016	Unknown
4032A	Unknown
3124	Unknown
2535	2004
4269	Unknown
45800-04	2004
4351	Unknown
3210A	Unknown
4820A	Unknown
1091	Unknown
3559	Unknown
4354	Unknown
4352	Unknown
56402-83A	1983

2361	Unknown
3732	1998
3666A	1997
3480A	Unknown
4717A	Unknown
2441	Unknown
3767B	2009
3574	Unknown
946	Unknown
4363	Unknown
4312B	2005
4758A	Unknown
4798	Unknown
3565	Unknown
3123	Unknown
997	Unknown
16478-85A	1985
3997A	1999
995	2009
4104	Unknown
4359	Unknown
56397-74C	1974
3880	2004
5403B	Unknown
4329	Unknown
3029	Unknown
4778	Unknown
4779	Unknown
4453	1986
45790-80	1980
2460	Unknown



3026	Unknown
16480-92A	1992
103A1 - Generic Washers	
41732-04	2004
6718	Unknown
6026	Unknown
27714-06	2006
6157	Unknown
6302	Unknown
41743-04	2004
40582-05	2005
36802-84B	1984
6787	Unknown
6288	Unknown
6099	2011
6798	2012
6109	1980
6101	2011
67815-59A	1959
31689-90	1990
6590HW	Unknown
6516HW	Unknown
7220	Unknown
7068	Unknown
7019	Unknown
7038	1998
7039	Unknown
6738	Unknown
6237	2014
6192	Unknown

6655	1979
7041	1958
6703	1970
6701	Unknown
6702	Unknown
42425-05	2005
8973	2001
7045	Unknown
104A1 - Custom Nuts	
54321-85	1985
7606	1983
105A1 - Custom Screws	
41191-74A	1974
94432-04	2004
106A1 - Custom Washers	
6003	2010
108A1 - Hose Clamps	
42808-04	2004
10053	2010
65283-94	1994
10252	2004
10031	2010
55847-05A	2005
31512-04	2004
10014	Unknown
9955	Unknown
10080	Unknown
10304	Unknown
10074	Unknown
10303	Unknown

108B1 - P Clamps	
70417-04A	2004
10255	2004
10179A	Unknown
10323	Unknown
70416-04A	2004
10142	Unknown
109A1 - Studs	
16715-83	1983
16832-86C	1986
65088-04	2004
110B1 - Plain Bushings	
25586-37	1937
40574-06	2006
8966	Unknown
54556-84	1984
45801-04	2004
25598-91	1991
17428-57	1957
25593-74	1974
24647-87	1987
45465-87	1987
42569-03	2003
34982-02	2002
8883	Unknown
8885	Unknown
34076-02	2002
25588-91	1991
8879	Unknown
9267	Unknown
42846-04	2004

110C1 - Radial Shaft Seals	
37107-06	2006
12068	Unknown
12074	Unknown
67104-95	1995
110D1 - Rolling Element Bearings	
9209	2003
9247	Unknown
9187	2000
8964	2006
35030-89	1989
8970	2004
24650-87	1987
8884	Unknown
8871	Unknown
24659-87	1987
8862	Unknown
24660-87	1987
111A1 - Adhesive	
73304-04	2004
9907	Unknown
72990-01	2001
9838	Unknown
9862	Unknown
74196-04	2004
116A1 - Banjo Bolts	
41737-04	2004
41736-04	2004
117A1 - Coil Springs	
56396-74A	1974

54473-79	1979
119A1 - O-Rings	
26432-76A	1976
11105	Unknown
10957	2006
11113	Unknown
11289A	Unknown
11202	Unknown
11120	Unknown
11190	Unknown
45984-87	1987
11377	Unknown
31695-90	1990
26434-91	1991
11171	Unknown
11179	1986
11317	Unknown
120A1 - Pins	
215	Unknown
16573-83A	1983
42460-80B	1980
50003-89B	1989
50044-07	2007
1594	1998
24754-75A	1975
45041-01A	2001
51938-04	2004
358	Unknown
121A1 - Grommets	
11474	Unknown

11407	Unknown
121B1 - Press-Fit Plugs	
67865-89	1989
42838-04	2004
740	Unknown
90383-98	1998
761	1996
72164-94A	1994
122A1 - Retaining Rings	
11271	Unknown
11272	Unknown
10120	1992
10279	Unknown
35118-03	2003
31328-91	1991
11002	Unknown
35114-02	2002
65325-83A	1983
45611-86	1986
11031	Unknown
11155	Unknown
11142	Unknown
31530-90	1990
10984	Unknown
70640-07	2007
11390	Unknown
11046	Unknown
61213-04A	2004
11121	2008
11177A	1996
70645-07	2007

11304	Unknown
11282	Unknown
11067	Unknown
11379	2002
11360	Unknown
10318	Unknown
11250	1992
44590-04	2004
35038-89A	1989
35087-99	1999
10242	2004
11161	Unknown
123A1 - Sealing Washers	
26436-90A	1990
123B1 - Spring Washers	
7127	Unknown
7069	Unknown
48738-07	2007
124A1 - Spacers	
6021	Unknown
6152	Unknown
40562-05	2005
45377-87	1987
7882	Unknown
35107-06	2006
125A1 - Tie Straps	
10065	1985
10039	1981
10177	1996
10181	1996

10006	1960
126A1 - Miscellaneous Hardware	
42593-04	2004
31692-90	1990
45799-04	2004
12030	Unknown
89581-04A	2004
42829-04	2004
48737-07	2007
33540-06	2006
56394-74	1974
8873	1984
42839-04	2004
126B1 - Rivets Fasteners	
8692	Unknown
11785	Unknown
127B1 - Generic Mounting Bracket	
51652-97	1997
140A1 - Battery Warning Label	
15376-06	2006
15368-01A	2001
140A3 - Other Special Warning Label	
15370-01A	2001
140D3 - Fuse Block Label	
13571-07	2007
140G2 - EPA Label	
29404-01A	2001
29127-95B	1995
141A1 - Medallion	
52494-04	2004



13567-05	2005
13372-04	2004
67667-05	2005
92261-07	2007
13390-07	2007
71550-94	1994
62320-06	2006
92264-07	2007
13343-04	2004
13367-04	2004
14270-92	1992
13341-04	2004
13469-06	2006
13373-04	2004
14448-94	1994
62321-06	2006
13566-05	2005
13374-04	2004
62336-07	2007
92265-07	2007
13305-05	2005
13342-04	2004
92262-07	2007
13340-04	2004
44440-04	2004
13304-05	2005
13371-04	2004
13470-06	2006
62325-07	2007
62324-07	2007

92263-07	2007
161A1 - Powertrain Assembly	
19606-07	2007
19637-07	2007
19566-07	2007
19622-07	2007
19518-07	2007
19519-07	2007
19567-07	2007
19607-07	2007
19528-07	2007
19527-07	2007
163B1 - Engine Isolator Mount	
16353-04	2004
41562-04	2004
16287-04	2004
16291-04	2004
41561-04	2004
164A1 - Engine Mount Bracket	
47471-04	2004
164B1 - Engine Mount Bracket sub-component	
7727	Unknown
7720	Unknown
7783	Unknown
7531	1980
7804	Unknown
16232-04	2004
165A1 - Cylinder Head	
16667-07	2007
17488-07	2007

16867-07	2007
18011-86	1986
16661-07	2007
18020-07	2007
16865-07	2007
16660-07	2007
17485-07	2007
16666-07	2007
165B1 - Cylinder Head and Base Gaskets	
16789-04	2004
16664-86B	1986
16774-86E	1986
16770-84D	2006
167A1 - PT Assembly Miscellaneous Component	
36731-91	1991
168A1 - Cylinder	
16463-04	2004
17496-07	2007
16443-04	2004
16452-05	2005
179A1 - Lifters	
17981-04	2004
17972-04	2004
18538-99B	1999
179B1 - Push Rod	
17908-02	2002
17909-02	2002
179C1 - Lifter Anti-Rotation Device	
18505-06	2006
180A1 - Valves	
18690-02	2002

18053-04	2004
18021-87A	1987
18059-04	2004
181B1 - Valve Seals	
18012-87A	1987
18094-02A	2002
181C1 - Valve Collars	
18260-02	2002
184A1 - PT Camdrive and Valvetrain Miscellaneous Component	
18245-02	2002
18258-02	2002
220A1 - Piston Ring	
22266-86	1986
22224-04	2004
22223-04	2004
22231-04	2004
21948-02	2002
22261-86	1986
22238-04	2004
22271-86	1986
22221-04	2004
22227-04	2004
22228-04	2004
22230-04	2004
221A1 - Piston Pin	
22589-83B	1983
22765-02	2002
22719-04	2004
237B1 - Connecting Rod sub-component	
24332-36	1936

239A1 - PT Lower End Miscellaneous Component

24331-36 1936

24658-87 1987

241A1 - Flywheel

23905-04A 2006

244A1 - Crankcase

24470-06 2006

24466-06 2006

24745-07 2007

244D1 - Crankcase sub-component

24047-00 2000

8881 Unknown

254A1 - Camdrive Gear

25194-06 2006

255C1 - Camdrive Chain Tensioner

40039-02C 2007

256A1 - Timer Cover

32506-90 1990

32531-07 2007

32514-04 2004

32515-07 2007

257B1 - Clutch Cover

34790-05 2005

34992-04 2004

34760-04 2004

257E1 - Cover Gaskets

67121-95A 1995

75301-07 2007

17393-07 2007

34955-04 2004

16800-84A	1984
17362-07	2007
61109-85D	1985
17036-91A	1991
25463-94A	1994
67601-94A	1994
17976-04	2004
17695-07	2007
29313-95	1995
34986-04	2004
29062-95B	1995
17027-04B	2004
45378-87	1987
63858-49	1949
25263-90D	1990
17049-04A	2004
257G1 - Ignition Cover	
32587-06	2006
32555-04	2004
32699-05	2005
257L1 - Primary Cover	
25486-05	2005
25430-06	2006
25546-07	2007
25471-06	2006
25252-04	2004
60830-07	2007
25307-06	2006
25460-06	2006
257L2 - Primary Chain Inspection Cover	
34794-05	2005

34993-04	2004
34761-04	2004
257M1 - Push Rod Cover	
17946-04	2004
257N1 - Rocker-Arm / Valve Cover	
17501-04	2004
17375-83A	1983
17532-07	2007
17611-83	1983
17551-04	2004
17360-83A	1983
17614-07	2007
17655-05	2005
17537-07	2007
17645-07	2007
258A1 - PT Covers Miscellaneous Component	
25219-04	2004
25213-04	2004
265A1 - Vent / Breather Line	
28911-04	2004
63508-04	2004
62360-04A	2004
271C1 - Intercooler Gasket	
65927-00	2000
272B1 - Throttle Body / Intake Manifold	
27795-07	2007
16361-07	2007
273A1 - Intake Manifold	
27707-07	2007
273A2 - Intake Manifold to Cylinder Head Seal	

27327-07	2007
273K1 - Throttle Body to Manifold Seal	
26995-86B	1986
273M1 - Throttle Cable Bracket	
27701-07	2007
273N1 - Throttle Cable Retention Bracket	
56508-76	1976
274B1 - Fuel Rail	
27704-07	2007
274C1 - Fuel Injector	
27706-07	2007
275A1 - PT Upper End Miscellaneous Component	
27700-07	2007
290A1 - Airbox Baseplate	
29369-07	2007
290C1 - Airbox Baseplate sub-component	
29352-07	2007
29123-07	2007
29355-07	2007
29354-07	2007
29802-07	2007
290D1 - Airbox Seal	
29315-04	2004
294A1 - Air Filter Element	
29331-04	2004
295A1 - Intake Miscellaneous Component	
26020-07	2007
26012-07	2007
27628-01	2001
299C1 - Charging Rotor	



32493-02A	2007
32494-04A	2004
299F1 - Stator Assembly	
29997-07	2007
314E1 - Starter Friction Clutch	
31556-91C	1991
9077	Unknown
314F1 - Starter Motor	
31518-90	1990
31390-91E	2004
31515-90	1990
314G1 - Starter Motor sub-component	
31600-90	1990
31688-90	1990
31488-81B	2003
314H1 - Starter Solenoid	
31603-91	1991
314L1 - Starter Motor Drive	
33189-63	1963
315B1 - Exhaust Valve Actuator	
18691-02	2002
316A1 - Ignition Coil	
31656-07	2007
316B1 - Spark Plug Cable	
32003-07	2007
31601-04	2004
32006-07	2007
316C1 - Spark Plug	
32362-04	2004
327B1 - Chemical / Gas Sensor	

27719-07	2007
327C1 - Pressure Sensor	
26554-77B	1977
327D1 - Proximity Sensor	
74402-05	2005
327E1 - Temperature Sensor	
32319-07	2007
32472-07A	2007
327F1 - Throttle Position Sensor	
27629-01	2001
336C1 - Shift Linkage Rod End	
34573-04	2004
336G1 - Toepeg Rubber	
34611-65	1965
33133-06	2006
339A1 - Shift Lever	
42930-07	2007
34572-04	2004
34670-06	2006
34660-04A	2004
34721-07	2007
339C1 - Shifter Drum	
33641-06	2006
339D1 - Shifter Fork	
34162-06	2006
34157-06	2006
34981-02A	2002
339F1 - Shifter Index Lever	
34014-06	2006
339H1 - Shifter Mechanism Components (internal)	

34064-00C	2000
34491-02A	2002
34483-06	2006
34163-02	2002
348A1 - Transmission Output Sprocket Cover	
34938-04	2004
34932-04	2004
34954-07	2007
34911-04	2004
34943-05	2005
350A1 - Transmission Output Sprocket	
40380-04	2004
40409-04	2004
40379-04	2004
350C1 - Transmission Output Sprocket Compensator Driving Element	
40560-05	2005
350E1 - Transmission Gear	
35167-06	2006
31525-90	1990
35159-06	2006
35165-06	2006
350F1 - Transmission Mainshaft	
35163-06	2006
356A1 - Transmission Countershaft	
35197-06	2006
35191-06	2006
35172-06	2006
35193-06	2006
35174-06	2006
356B1 - Transmission Dog Ring	
35196-06	2006

35190-06	2006
363A1 - PT Driveline Miscellaneous Component	
35051-89A	1989
35211-91B	1991
365A1 - Primary Chain	
40147-04	2004
40005-57B	1957
365C1 - Primary Drive Assembly	
40254-02	2002
40290-04	2004
40251-92A	1992
40241-02	2002
367A1 - Clutch Lever	
45356-07	2007
46945-07A	2007
367E1 - Clutch Lever Mount Clamp	
38671-04	2004
367H1 - Clutch Lever sub-component	
34920-86A	1986
37904-90	1990
37870-91	1991
36715-94	1994
38630-88	1988
37872-90	1990
37905-90	1990
37909-90	1990
37910-04B	2006
36799-91	1991
37977-90	1990
46268-04	2004

37908-90	1990
370A1 - Clutch Assembly	
37924-04A	2006
370B1 - Clutch Friction Plate	
37911-90	1990
370C1 - Clutch Hub	
36785-91	1991
370F1 - Clutch Pressure Plate	
37912-91	1991
37913-90	1990
370G1 - Clutch Shell	
36790-04	2004
372A1 - Clutch Actuation Screw	
11765Y	Unknown
372D1 - Clutch Cable	
38702-05A	2005
38699-04A	2004
372K2 - Clutch Ramp	
25453-87A	1987
25409-94B	1994
400A1 - Drive-Belt	
40591-07	2007
40371-07	2007
409A1 - Rear Wheel	
41041-05	2005
43637-05	2005
43832-07	2007
40871-06	2006
40855-05	2005
410D1 - Electronic Control Module (ECM)	

32534-05B	2005
68920-07	2007
68278-07	2007
410G1 - Security System Control Module	
68924-07	2007
68922-07	2007
69018-00	2000
70617-07	2007
413A1 - Brake Caliper	
40968-07	2007
42881-07	2007
44160-00	2000
44121-07	2007
44119-07	2007
42879-07	2007
42877-07	2007
42835-05	2005
413C1 - Brake Caliper sub-component	
42823-04	2004
42824-04	2004
45401-87	1987
40948-04	2004
413D1 - Brake Pad	
42029-07	2007
415B1 - Brake Rotor	
44136-00	2000
44156-00	2000
41797-00	2000
416A1 - Brakes Miscellaneous Component	
34582-04	2004
42878-05	2005

42880-05	2005
42837-04	2004
72023-51D	2004
42807-04	2004
416B1 - Brake Mounting Bracket	
42825-04	2004
42826-04	2004
417A1 - Brake Master Cylinder Assembly	
42813-04	2004
42805-04	2004
42814-04	2004
417B1 - Brake Master Cylinder	
45146-07	2007
42745-07	2007
45052-07	2007
417C1 - Brake Master Cylinder Piston Set	
42834-04	2004
42028-07	2007
417D1 - Brake Master Cylinder sub-Component	
42809-07	2007
67804-04	2004
40946-04	2004
42893-07	2007
42832-04	2004
44178-04	2004
44189-04	2004
42803-07A	2008
42811-04	2004
42595-04	2004
42804-07	2007

42815-04	2004
42810-07A	2008
42976-04	2004
42979-04	2004
42828-04	2004
44184-04	2004
42817-07	2007
417E1 - Brake Master Cylinder Hose	
42821-04	2004
417F1 - Brake Master Cylinder Reservoir	
42816-07	2007
42521-07	2007
42845-07	2007
417G1 - Front Brake Lever	
46946-06A	2006
42806-04	2004
418B1 - Brake Line	
45319-04A	2004
45449-04A	2005
45074-95	1995
46400-04A	2005
44429-06A	2006
46411-05C	2005
420A1 - Wheel Rim	
43001-79	1979
43017-07	2007
43662-80B	1983
43445-05	2005
41426-07	2007
43085-97	1997



43440-05	2005
421A1 - Wheel Spoke with Nipple	
40760-05	2005
43064-05	2005
43052-05A	2005
40761-05	2005
43241-05	2005
40762-05	2005
40759-05	2005
43056-05	2005
422B1 - Wheel Sprocket	
40544-07	2007
40444-07	2007
40350-07	2007
40518-07	2007
40352-07	2007
422C1 - Wheel Sprocket Compensating Cushion	
40561-05	2005
423C1 - Rim Strip	
43164-05	2005
43145-47	1947
43939-89	1989
43147-40	1940
423D1 - Tire Inner Tube	
41339-06	2006
40559-82	1982
43140-80	1980
40558-82	1982
40575-05	2005
423G1 - Valve Stem	
43157-83A	1983

423H1 - Valve Stem Cap	
41123-79	1979
423K1 - Wheel Weights	
95578-41	1941
95595-84	1984
95581-47	1947
95582-47	1947
424A1 - Wheels, Tires and Final Drive Miscellaneous Component	
43595-99	1999
425A1 - Wheel sub-component	
43335-05	2005
40865-06	2006
430D1 - Front Axle	
43895-00	2000
430E1 - Rear Axle	
41176-05	2005
41573-05	2005
41623-05	2005
431A1 - Front Tire	
43104-93A	1993
43112-91A	1991
432A1 - Rear Tire	
43264-02	2002
433A1 - Front Wheel	
43355-00	2000
43557-05	2005
43359-00	2000
43547-05A	2006
44610-05	2005
40857-05	2005

43338-00	2000
43312-05	2005
43831-07	2007
433B1 - Front Wheel Bearing Spacer	
40930-05	2005
43517-00	2000
43358-00	2000
43617-00A	2000
43613-00	2000
41084-02A	2003
433C1 - Front Wheel Hub	
43652-07	2007
43629-00A	2000
43500-05	2005
454A1 - Front Telescopic Fork	
46307-05	2005
48715-07	2007
46308-05	2005
45901-04	2004
46453-05	2005
46029-04	2004
46394-07	2007
46454-05	2005
45900-04	2004
46390-07	2007
48714-07	2007
454B1 - Springer Fork	
47299-07	2007
455A1 - Front Telescopic Fork Slider	
48716-07	2007

46218-05	2005
48726-07	2007
46450-05	2005
45922-00	2000
46449-05	2005
45921-00	2000
45923-00	2000
455B1 - Front Telescopic Fork Spring	
46267-05	2005
45376-04	2004
455C1 - Front Telescopic Fork sub-component	
45374-87	1987
45395-04	2004
45462-87	1987
45461-87	1987
45361-90	1990
45460-90	1990
46002-87	1987
45938-92	1992
45905-87	1987
456A1 - Fork Protector	
45451-07	2007
456C1 - Fork Lock	
48154-05	2005
48153-02A	2004
457E1 - Steering Stem Bearing Insert Cup	
48315-60	1960
48300-60	1960
458A1 - Front Suspension and Steering Miscellaneous Component	
48184-01	2001
45668-90	1990

68041-04	2004
459A1 - Upper Triple Clamp	
45966-04	2004
46758-07	2007
459B1 - Lower Triple Clamp	
46127-04	2004
46767-07	2007
46126-04	2004
470A1 - Frame	
49434-07A	2011
49432-07A	2011
49431-06A	2011
31599-91	1991
49439-10	2011
472C1 - Front Fairing Support Bracket	
42972-04	2004
60204-06	2006
60203-06	2006
472D1 - Chassis Structure Miscellaneous Component	
48492-04	2004
48463-04	2004
47313-07	2007
472D2 - Chassis Structure Mounting Bracket	
59903-04	2004
59902-04	2004
66199-04	2004
47470-04	2004
474C1 - Swingarm	
47587-05	2005
475B1 - Swingarm Pivot Shaft	

41698-04	2004
41699-04	2004
41568-04	2004
500D1 - Sidestand Leg	
50238-07BHP	2007
50185-04	2004
49722-07BHP	2007
500E1 - Sidestand Leg sub-component	
62122-89	1989
53158-98	1998
50005-85A	1985
500F1 - Sidestand Pivot Pin	
554A	2002
505B1 - Footpeg Mount Bracket	
33048-72	1972
42651-04	2004
49315-04	2004
42652-04	2004
49314-04	2004
42971-04	2004
505D1 - Passenger Footpeg	
33134-07CAZ	2007
33032-99	1999
33135-07CAZ	2007
505K1 - Footpeg Wear Peg	
33148-07	2007
33130-07	2007
33216-99	1999
506A1 - Brake Pedal	
42969-04	2004

50912-72	1972
42812-04	2004
42685-04	2004
42341-07	2007
34581-04	2004
507A1 - Rider Interface Miscellaneous Component	
42566-04	2004
42541-04	2004
520A1 - Rider Seat or Full Seat	
51706-07	2007
51551-07	2007
51899-07	2007
52608-07	2007
51558-07	2007
51532-07	2007
51795-07	2007
51550-07	2007
51530-07	2007
521C1 - Seat Suspension Damper	
42840-04	2004
45925-04	2004
524A1 - Passenger Grab Handle	
59723-04	2004
540B1 - Rear Shock	
54626-07	2007
54568-04	2004
54540-07	2007
54566-04	2004
54570-05	2005
540E1 - Rear Shock sub-component	
54701-82	1982

54741-07	2007
54724-04	2004
540L2 - Rear Suspension Mounting Bracket	
42831-04A	2005
558A1 - Handlebar	
56004-00	2000
56051-06	2006
55845-04	2004
56085-83A	1983
55840-04	2004
559D1 - Lower Handlebar Clamp	
55842-04	2004
56542-86A	1986
56017-04	2004
56541-86A	1986
56117-82A	1982
56116-82A	1982
559E1 - Upper Handlebar Clamp	
56567-86B	1986
56115-95	1995
560A1 - Mirror	
91840-03A	2003
91983-03A	2003
91846-03A	2003
91982-03A	2003
91845-03A	2003
91848-03A	2003
561A1 - Throttle Cable	
56884-07	2007
56885-07	2007



561B1 - Left Hand Grip

56667-04

2004

561C1 - Throttle Assembly w/Grip

56666-04

2004

561D1 - Throttle Assembly sub-component

38653-01

2001

572E1 - Side Cover

66465-07

2007

66251-04

2004

66273-05

2005

66272-05

2005

32707-01B

2005

66464-07

2007

66252-04

2004

573B1 - Bodywork Mounting Bracket

59502-04

2004

59673-04

2004

589A1 - Front Fender

59712-07

2007

58998-83C

1999

595D1 - Rear Fender

59847-07

2007

59727-07

2007

59865-07

2007

59768-97

1997

603B1 - Belt / Chain Guard

60435-04

2004

60367-04

2004

608A1 - Carbon Canister

28908-04

2004

28909-04	2004
27042-84A	1995
608B1 - Carbon Canister Hose	
27067-07	2007
609A1 - Fuel Miscellaneous Component	
89586-04	2004
89579-91	1991
75317-07	2007
1081	2001
27047-84B	1984
610A1 - Fuel Tank	
61348-07	2007
62213-07	2007
611B1 - Fuel Cap	
61289-07	2007
61272-92B	1999
61260-04	2004
611F1 - Fuel Tank Vapor Vent Hose	
27096-04	2004
612A1 - Fuel Filter	
75304-07	2007
612B1 - Fuel Level Sensor	
75302-07	2007
612B2 - Fuel Valve	
75309-07	2007
61015-04A	2004
62150-85	1985
612C1 - Fuel Line	
27774-07	2007
27693-07	2007

28822-07	2007
612F1 - Fuel Pump	
75268-07	2007
75305-07	2007
613A1 - Trim Panel	
29125-07	2007
613B1 - Horn Cover	
69012-93A	1993
614C1 - Trim	
62337-07	2007
62534-07	2007
62262-04	2004
70919-04	2004
70904-04	2004
62263-04	2004
60983-07	2007
70917-04	2004
70903-04	2004
29372-07	2007
62260-04	2004
29346-07	2007
62261-04	2004
71472-04	2004
624A1 - Oil Pump Assembly	
26204-91A	1991
624B1 - Oil Pump Assembly sub-component	
62601-91A	1991
26239-07	2007
26495-89B	1989
26437-86B	1986
62651-04	2004

33117-91A	1991
26502-07	2007
45830-48	1948
26503-07	2007
624D1 - Oil Pump Drive Gear	
26318-88A	1988
625B1 - Oil Tank	
62888-04A	2004
627B1 - Oil Drain Plug	
33123-06	2006
60328-98B	1998
627E1 - Oil Filler Plug / Dipstick	
63000-04A	2004
62592-07	2007
627F1 - Oil Filter	
63796-77A	1977
63805-80A	1980
627G1 - Oil Jet	
22265-00Y	2000
627H1 - Oil Line	
62338-01Y	2001
70503-04	2004
62361-04	2004
33138-06	2006
63596-06	2006
9969	Unknown
627K1 - Oil Line Fitting	
26496-75A	1975
62375-57A	1957
63533-41A	1941

627M1 - Oil Pressure Regulator Valve	
26856-89A	1989
648K1 - Exhaust Miscellaneous Component	
41296-05	2005
649A1 - Muffler	
64842-04	2004
64857-04	2004
64848-04	2004
64893-04A	2004
64891-04A	2004
80399-04	2004
64890-04	2004
654A1 - Exhaust Shield	
66851-07	2007
64847-04A	2004
64846-04A	2004
64889-04	2004
655C1 - Exhaust Mounting Bracket	
65339-04	2004
64855-04	2004
65974-04A	2004
656E1 - Header Pipe	
64943-07	2007
64942-07	2007
658A1 - Exhaust Catalyst	
64853-04	2004
64854-04	2004
659A1 - Exhaust Clamp	
65302-82A	1982
659B1 - Exhaust Flange	

65184-02	2002
659C1 - Exhaust Gasket	
65324-83A	1985
660A1 - Battery	
65958-04	2004
660C1 - Battery Pan	
66194-04C	2004
660D1 - Battery Strap	
66476-04A	2004
660F1 - Negative Battery Cable	
70296-04	2004
70297-04	2004
660G1 - Positive Battery Cable	
70295-04	2004
660H1 - Positive Battery Cable Boot	
70003-04	2004
31662-90	1990
670A1 - Tachometer	
67049-04A	2004
677A1 - Headlight	
68335-05	2005
69774-07	2007
67894-93	1993
67963-05	2005
69449-05	2005
68341-05	2005
67603-94	1994
68443-07	2007
67919-96	1996
67834-83	1983
69681-07	2007

67972-98	1998
67950-07	2007
67951-07	2007
68297-05	2005
67790-93	1993
677B1 - Headlight sub-component	
68380-05	2005
69883-07	2007
67883-04	2004
67880-94	1994
677C1 - Headlight Support Bracket	
67805-92	1992
69709-00	2000
678A1 - Taillight	
68066-99A	2004
69187-03A	2003
68369-03	2003
68830-99A	1999
68372-03	2003
68296-99A	2004
68140-04	2004
68370-03A	2003
68141-04	2004
678D1 - Turnsignal	
68975-00	2000
68730-07	2007
68265-04	2004
68480-02	2002
5531	Unknown
68978-00	2000

68277-07	2007
68977-00	2000
68972-00	2000
56104-02	2002
68449-07	2007
678E1 - Turnsignal Lens	
68973-00	2000
68979-00	2000
68755-07	2007
68559-07	2007
68976-00	2000
679B1 - Reflector	
59254-91	1991
69490-07	2007
59359-06	2006
59287-92	1992
59482-00	2000
59481-00	2000
69862-07	2007
59288-92	1992
69861-07	2007
68704-07	2007
59988-72A	1972
68724-07	2007
679D1 - License Plate Bracket	
60001-55	1955
59986-75	1975
68702-07	2007
60318-07	2007
59984-73	1973
68299-07	2007



679E1 - License Plate Light	
68183-07	2007
680C1 - Incandescent Bulb	
68572-64B	1964
68168-89A	1989
68163-84	1984
68329-03	2003
68167-04	2004
53438-92	1992
690A1 - Emergency Siren	
68958-07	2007
690C1 - Horn	
69043-96B	2007
69060-90D	1990
692C1 - Electrical Miscellaneous Component	
71552-94	1994
72189-04	2004
68382-07	2007
10289A	Unknown
70444-07	2007
68513-95	1995
70466-07A	2007
692C2 - Electrical Mounting Bracket	
31797-07	2007
69123-92	1992
70642-07	2007
67085-95	1995
69135-04	2004
69049-07	2007
67053-95	1995

69120-91	1991
67103-95	1995
67089-05	2005
67320-95	1995
67338-97	1997
66523-06	2006
31807-07	2007
70364-07	2007
66524-06	2006
31753-07	2007
69062-91A	1991
692D1 - Fuse	
72318-04	2004
72330-95	1995
692E1 - Fuse / Relay Block	
73210-07	2007
72432-00	2000
72430-00	2000
692E2 - Fuse / Relay Block Cover	
73302-04	2004
692F1 - Wire Harness	
68814-07	2007
68899-04	2004
70227-99	1999
68813-07	2007
70156-07	2007
68811-07	2007
70224-07	2007
70181-07	2007
70167-07	2007

55844-04	2004
692G1 - Conduit / Sheathing / Sleeving	
72268-94	1994
72266-94	1994
692G2 - Wire Guide	
29950-91	1991
70649-07	2007
692H1 - Connector	
73152-96BK	1996
70586-93	1993
68919-07	2007
72159-94	1994
72144-94	1994
72100-04	2004
72312-04	2004
27250-96A	1996
72066-06	2006
72124-94GY	1994
9848	Unknown
9847	Unknown
72260-04	2004
72009-05	2005
72139-94GY	1994
72007-05	2005
68650-92	1992
72131-04	2004
70587-93	1993
72064-06	2006
72078-00	2000
73301-04	2004
72516-01	2001

72130-04	2004
72199-94	1994
692H2 - Terminal	
72076-00	2000
72272-07	2007
72441-04	2004
72549-07	2007
72289-04	2004
72413-07	2007
9898	Unknown
72407-07	2007
72721-07	2007
72290-94	1994
72427-00	2000
72169-07	2007
72168-07	2007
72291-94	1994
9937	Unknown
72094-06	2006
72434-00	2000
72991-01	2001
72611-07	2007
74194-98	1998
72445-99TN	1999
692K1 - Connector / Terminal Seal	
68904-00	2000
73303-04	2004
72006-05	2005
72134-94GY	1994
72154-94	1994

74197-04	2004
68905-00	2000
692L1 - Wire Harness sub-component	
74191-98	1998
73213-07	2007
72487-07BK	2007
70345-84	1984
72512-07BK	2007
72263-95	1995
72488-07BK	2007
72077-00	2000
74152-98	1998
72195-94	1994
72402-07	2007
72175-07BK	2007
72473-07	2007
70504-81	1981
73190-96	1996
73156-96BK	1996
73106-96BK	1996
72904-01BK	2001
70598-99	1999
73152-96WE	1996
72406-07	2007
72408-07	2007
74195-98	1998
72251-07	2007
72167-07BK	2007
72166-07BK	2007
72720-07	2007
72033-93	1993

10200	Unknown
72011-05	2005
73160-96BK	1996
72405-98BK	1998
73191-96	1996
72447-07GY	2007
72190-94	1994
72096-06	2006
72188-07BK	2007
72543-07BK	2007
73104-96BK	1996
72469-07GY	2007
73305-04	2004
72544-07	2007
73102-96BK	1996
72545-07	2007
72056-92	1992
72295-94	1994
70578-89	1989
72191-94	1994
74112-98BK	1998
73154-96BK	1996
72414-07BK	2007
72135-06	2006
72914-01BK	2001
709B1 - Instrument Cluster or Speedometer	
67290-04A	2004
67345-97	1997
67436-04A	2004
67416-04A	2004

67415-04A	2004
67344-97	1997
67037-04A	2004
67041-04A	2004
709E1 - Tank Console	
71276-04	2004
714A1 - Ignition Switch	
71441-94	1994
714B1 - Mechanical Switch	
33900-99	1999
67450-99	1999
715A1 - Hand Control	
71510-04	2004
71590-96A	1996
71564-96	1996
55846-05A	2005
71563-96	1996
71568-96A	1996
71584-96A	1996
71567-96	1996
747A1 - Voltage Regulator	
74546-07	2007
760B1 - Antenna	
68956-07	2007
903B1 - Key or Key-set	
61459-97	1997
71451-94A	1994
903C1 - Key Transponder	
68926-07	2007
68939-00	2000

## AUDIO & INSTRUMENTATION

[View interactive table](#)

PART NO.	DESCRIPTION	PART AND MODEL(S)
67880-94	BOOT	SPEEDOMETER & TACHOMETER - 883/L/R, 1200L/N/R, XL50: <a href="#">XL883</a> <a href="#">XL1200R</a> <a href="#">XL883L</a> <a href="#">XL883R</a> <a href="#">XL1200L</a> <a href="#">XL50</a> <a href="#">XL1200N</a> SPEEDOMETER - 883C/1200C: <a href="#">XL1200C</a> <a href="#">XL883C</a>

## BEARINGS, SEALS & HARDWARE

[View interactive table](#)

PART NO.	DESCRIPTION	PART AND MODEL(S)
10014	CLAMP	<a href="#">CAMSHAFTS &amp; GEAR COVER: All Models</a> <a href="#">OIL TANK &amp; FILTER: All Models</a>
10080	CLAMP	<a href="#">CRANKCASE &amp; GEARCASE: All Models</a> <a href="#">OIL TANK &amp; FILTER: All Models</a>
11105	O-RING	<a href="#">INSPECTION COVER &amp; PRIMARY COVER: All Models</a>
11171	O-RING	<a href="#">INSPECTION COVER &amp; PRIMARY COVER: All Models</a>
11304	RETAINING RING	<a href="#">FOOTRESTS: All Models</a>
11379	RETAINING RING	<a href="#">CLUTCH CONTROL: All Models</a> <a href="#">FRONT BRAKE CONTROL: All Models</a>
12074	OIL SEAL	<a href="#">TRANSMISSION GEARS: All Models</a>
16715-83	STUD	<a href="#">CYLINDER, HEAD, &amp; VALVES - V2™ EVOLUTION: All Models</a>
16800-84A	GASKET	<a href="#">ROCKER ARMS, COVERS, &amp; PUSH RODS - V2™: All Models</a>
25463-94A	GASKET	<a href="#">INSPECTION COVER &amp; PRIMARY COVER: All Models</a>
26995-86B	SEAL	<a href="#">INDUCTION MODULE: All Models</a>
2952A	SCREW	<a href="#">SEATS: All Models</a> REAR FENDER & BELT GUARD 1200N: <a href="#">XL1200N</a>
34986-04	GASKET	<a href="#">INSPECTION COVER &amp; PRIMARY COVER: All Models</a>
3655A	SCREW	FRONT WHEEL - CAST: <a href="#">XL883</a>



[XL1200R](#)

[XL883L](#)

[XL883R](#)

[XL1200L](#)

*FRONT WHEEL - LACED & PROFILE LACED:*

[XL883](#)

[XL883C](#)

[XL883L](#)

[XL883R](#)

[XL1200C](#)

[XL1200L](#)

[XL50](#)

[XL1200N](#)

*FRONT WHEEL - LACED & PROFILE LACED:*

[XL1200R](#)

3658

SCREW

*HANDLEBAR & THROTTLE CONTROL - 883/L/R, 1200L/N/R, XL50:*

[XL883](#)

[XL1200R](#)

[XL883L](#)

[XL883R](#)

[XL1200L](#)

[XL50](#)

[XL1200N](#)

*HANDLEBAR & THROTTLE CONTROL - 883C/1200C:*

[XL1200C](#)

[XL883C](#)

*HORN:*

[XL883](#)

[XL883C](#)

[XL1200R](#)

[XL883L](#)

[XL883R](#)

[XL1200L](#)

[XL1200N](#)

**SWITCHES, SENSORS & ELECTRICAL CONNECTORS: All Models**

**HANDLEBAR SWITCHES: All Models**

4132

SCREW

**OIL PUMP: All Models**

43567-92

SCREW

**REAR WHEEL - CAST: All Models**

**REAR WHEEL - LACED & PROFILE LACED: All Models**

45378-87

OIL SEAL

**FRONT FORK: All Models**

**FRONT FORK - 1200N: All Models**

45405-75A

SCREW

**FRONT FORK: All Models**

**FRONT FORK - 1200N: All Models**

4740A

SCREW

**CAMSHAFTS & GEAR COVER: All Models**

48300-60

ROLLER BEARING

**STEERING HEAD BRACKET ASSEMBLY: All Models**

59768-97

FENDER SEAT NUT KIT

**REAR FENDER & BELT GUARD: All Models**

*REAR FENDER & BELT GUARD 1200N:*

[XL1200N](#)

63858-49

WASHER

**ROCKER ARMS, COVERS, & PUSH RODS - V2™: All Models**

6516HW

WASHER

**BELTS & SPROCKETS: All Models**

**REAR WHEEL - CAST: All Models**

[REAR WHEEL - LACED & PROFILE LACED: All Models](#)

65325-83A	RETAINING RING	<a href="#">EXHAUST SYSTEM: All Models</a>
65927-00	GASKET	<a href="#">EXHAUST SYSTEM: All Models</a>
6702	WASHER	<a href="#">REAR BRAKE MASTER CYLINDER: All Models</a> HANDLEBAR & THROTTLE CONTROL - 883/L/R, 1200L/N/R, XL50: <a href="#">XL883</a> <a href="#">XL1200R</a> <a href="#">XL883L</a> <a href="#">XL883R</a> <a href="#">XL50</a> <a href="#">REAR FENDER &amp; BELT GUARD: All Models</a> REAR FENDER & BELT GUARD 1200N: <a href="#">XL1200N</a> <a href="#">FUEL TANK: All Models</a> HEADLAMP & MIRROR - 883/883L/883R/1200L/N/R/XL50: <a href="#">XL883</a> <a href="#">XL1200R</a> <a href="#">XL883L</a> <a href="#">XL883R</a> <a href="#">XL1200L</a> <a href="#">XL50</a> <a href="#">XL1200N</a>
7041	LOCKWASHER	HORN: <a href="#">XL1200C</a> <a href="#">XL50</a>
7593	NUT	<a href="#">EXHAUST SYSTEM: All Models</a>
8692	RIVET	<a href="#">REAR FENDER &amp; BELT GUARD: All Models</a> REAR FENDER & BELT GUARD 1200N: <a href="#">XL1200N</a>
9247	WHEEL BEARING	<a href="#">REAR WHEEL - CAST: All Models</a> <a href="#">REAR WHEEL - LACED &amp; PROFILE LACED: All Models</a>
9267	ROLLER BEARING	FRONT WHEEL - CAST: <a href="#">XL883</a> <a href="#">XL1200R</a> <a href="#">XL883L</a> <a href="#">XL883R</a> <a href="#">XL1200L</a> <a href="#">FRONT WHEEL - LACED &amp; PROFILE LACED: All Models</a>
943	SCREW	<a href="#">INSPECTION COVER &amp; PRIMARY COVER: All Models</a>
9955	CLAMP	<a href="#">EXHAUST SYSTEM: All Models</a>

## CHASSIS & COMPONENTS

View interactive table

PART NO.	DESCRIPTION	PART AND MODEL(S)
50005-85A	SPRING	<a href="#">FRAME, REAR FORK, &amp; JIFFY STAND: All Models</a>

# ELECTRICAL

[View interactive table](#)

PART NO.	DESCRIPTION	PART AND MODEL(S)
70345-84	RETAINER	<i>HANDLEBAR &amp; THROTTLE CONTROL - 883/L/R, 1200L/N/R, XL50:</i> <a href="#">XL883</a> <a href="#">XL1200R</a> <a href="#">XL883L</a> <a href="#">XL883R</a> <a href="#">XL1200L</a> <a href="#">XL50</a> <a href="#">XL1200N</a> <i>HANDLEBAR &amp; THROTTLE CONTROL - 883C/1200C:</i> <a href="#">XL1200C</a> <a href="#">XL883C</a> <a href="#">HANDLEBAR SWITCHES: All Models</a>
72330-95	FUSE	<a href="#">WIRING HARNESS, MAIN (CONTINUED): All Models</a> <a href="#">SWITCHES, SENSORS &amp; ELECTRICAL CONNECTORS: All Models</a>

# ENGINE, TRANSMISSION & PRIMARY

[View interactive table](#)

PART NO.	DESCRIPTION	PART AND MODEL(S)
37909-90	RETAINING RING	<a href="#">CLUTCH: All Models</a>
37911-90	FRICITION PLATE	<a href="#">CLUTCH: All Models</a>

# INTAKE, EXHAUST & FUEL MGMT

[View interactive table](#)

PART NO.	DESCRIPTION	PART AND MODEL(S)
29331-04	FILTER ELEMENT	<a href="#">AIR CLEANER: All Models</a>

# LIGHTING

[View interactive table](#)

PART NO.	DESCRIPTION	PART AND MODEL(S)
68168-89A	BULB	<a href="#">TURN SIGNALS: All Models</a> <i>TURN SIGNALS &amp; TAIL LAMP - 1200N:</i> <a href="#">XL1200N</a>
68329-03	BULB	<i>HEADLAMP &amp; MIRROR - 883/883L/883R/1200L/N/R/XL50:</i> <a href="#">XL883</a> <a href="#">XL1200R</a> <a href="#">XL883L</a> <a href="#">XL883R</a> <a href="#">XL1200L</a> <a href="#">XL50</a>

[XL1200N](#)

HEADLAMP & MIRROR - 883C/1200C:

[XL1200C](#)

[XL883C](#)

68572-64B

BULB

[TURN SIGNALS: All Models](#)

TURN SIGNALS & TAIL LAMP - 1200N:

[XL1200N](#)

68973-00

LENS

TURN SIGNALS:

[XL883](#)

[XL883R](#)

[XL1200R](#)

[XL883L](#)

[XL1200L](#)

[XL50](#)

[XL883C](#)

[XL1200C](#)

## MAINTENANCE & TOOLS

View interactive table

PART NO.	DESCRIPTION	PART AND MODEL(S)
32362-04	SPARK PLUG	<a href="#">ELECTRONIC IGNITION SYSTEM: All Models</a>
63796-77A	OIL FILTER	OIL TANK & FILTER: <a href="#">XL1200C</a> <a href="#">XL50</a>
63805-80A	OIL FILTER	OIL TANK & FILTER: <a href="#">XL883</a> <a href="#">XL883C</a> <a href="#">XL1200R</a> <a href="#">XL883L</a> <a href="#">XL883R</a> <a href="#">XL1200L</a> <a href="#">XL1200N</a>
95582-47	WHEEL WEIGHT	<a href="#">FRONT WHEEL - LACED &amp; PROFILE LACED: All Models</a> <a href="#">REAR WHEEL - LACED &amp; PROFILE LACED: All Models</a>

## SECURITY & STORAGE

View interactive table

PART NO.	DESCRIPTION	PART AND MODEL(S)
68926-07	FOB	<a href="#">SWITCHES, SENSORS &amp; ELECTRICAL CONNECTORS: All Models</a>

## TIRES

View interactive table

PART NO.	DESCRIPTION	PART AND MODEL(S)
----------	-------------	-------------------

40558-82	INNER TUBE	<i>REAR WHEEL - LACED &amp; PROFILE LACED:</i> <a href="#">XL883</a> <a href="#">XL883R</a> <a href="#">XL1200R</a> <a href="#">XL883L</a> <a href="#">XL1200L</a> <a href="#">XL50</a> <a href="#">XL1200N</a>
40575-05	INNER TUBE	<i>REAR WHEEL - LACED &amp; PROFILE LACED:</i> <a href="#">XL883C</a> <a href="#">XL1200C</a>
43104-93A	TIRE	<i>FRONT WHEEL - LACED &amp; PROFILE LACED:</i> <a href="#">XL1200C</a> <a href="#">XL883C</a>
43112-91A	TIRE	<i>FRONT WHEEL - CAST:</i> <a href="#">XL883</a> <a href="#">XL1200R</a> <a href="#">XL883L</a> <a href="#">XL883R</a> <a href="#">XL1200L</a> <i>FRONT WHEEL - LACED &amp; PROFILE LACED:</i> <a href="#">XL883</a> <a href="#">XL1200R</a> <a href="#">XL883R</a> <a href="#">XL883L</a> <a href="#">XL1200L</a> <a href="#">XL50</a> <a href="#">XL1200N</a>
43140-80	INNER TUBE	<i>FRONT WHEEL - LACED &amp; PROFILE LACED:</i> <a href="#">XL1200C</a> <a href="#">XL883C</a>
43147-40	RIM FLAP	<i>REAR WHEEL - LACED &amp; PROFILE LACED:</i> <a href="#">XL883</a> <a href="#">XL883R</a> <a href="#">XL1200R</a> <a href="#">XL883L</a> <a href="#">XL1200L</a> <a href="#">XL50</a> <a href="#">XL1200N</a>
43157-83A	VALVE STEM ASSEMBLY	<i>FRONT WHEEL - CAST:</i> <a href="#">XL883</a> <a href="#">XL1200R</a> <a href="#">XL883L</a> <a href="#">XL883R</a> <a href="#">XL1200L</a> <a href="#">REAR WHEEL - CAST: All Models</a>
43164-05	RIM FLAP	<i>REAR WHEEL - LACED &amp; PROFILE LACED:</i> <a href="#">XL883C</a> <a href="#">XL1200C</a>
43264-02	TIRE	<a href="#">REAR WHEEL - CAST: All Models</a> <a href="#">REAR WHEEL - LACED &amp; PROFILE LACED: All Models</a>
43939-89	RIM FLAP	<i>FRONT WHEEL - LACED &amp; PROFILE LACED:</i>

