

2006 Sportster Models Parts Catalog

Alphabetical List

Parts

Hardware List

New Parts List

Numerical Index

Component Types and Introduction Dates

Common Service Parts

READER'S COMMENTS

The Harley-Davidson Service Communications Department maintains a continuous effort to improve the quality and usefulness of its publications. To do this effectively, we need user feedback - your critical evaluation of this manual.

Please comment on the completeness, accuracy, organization, usability, and readability of this manual.

Please list the page, item, and part number(s) of any errors you find in this manual.

Please tell us how we can improve this manual.

Name	Document 99451-06A
Occupation	Dealership

GENERAL INFORMATION

THIS IS NOT AN ASSEMBLY MANUAL AND SHOULD NOT BE USED AS SUCH.

About this manual

This Parts Catalog has been prepared to make it easier for you to order parts for your motorcycles. The numbers shown in the illustrations correspond to the numbers in the "INDEX NO." column in the parts lists. Consult the illustrations when ordering parts to make sure that you receive all the required parts. The number in parentheses following the part description is the quantity needed for complete assembly. If there is no number in parentheses, only one is used. Prices of parts in this catalog are published separately.

When ordering parts, the following instructions should be followed carefully.

- Make sure to specify the correct part number for each item. The part numbers appear under the "PART NO." column in the parts lists.
- Orders may be placed via your computer for all parts. Review your system documentation on placing orders electronically. All non-warranty replacement crankcase orders require return of the complete left crankcase half with vehicle identification number (VIN). All non-warranty replacement frame orders require return of the steering neck with vehicle identification number (VIN). Non-compliance will result in a fine. See non-warranty frame and crankcase policy or contact Dealer Services.
- The sale or use of these parts or accessories does not grant the purchaser a license or other right under any Harley-Davidson patent.
- For all 2008 and later painted parts, refer to the Service Section of h-dnet.com which features a listing of painted part numbers, except CVO (Custom Vehicle Operations) models which are located in their own respective catalogs.
- All parts that were added for the new model year will have the entire line shaded on the parts list page. This can be used to identify any new parts that are unique to a specific model, and help distinguish new and previous model year parts.
- Parts marked "**RESTRICTED SALE PART**" are limited edition items and can only be ordered as direct replacements.
- Orientation symbols are used when the illustration is not in the standard "Right-Front" orientation. The

symbol is a motorcycle with an arrow in the front indicating the direction of view. The symbol is at the bottom left or right side of the illustration page.

- To request a missing or loose part, simply submit a Return Material Authorization (RMA) claim on h-dnet.com with code "T-part not included with vehicle" for all vehicle missing parts claims. Then place an order for the missing item on your next Parts and Accessories order. Upon filing the RMA claim, your dealership will be credited for the dealer net cost of the part. The Vehicle Identification Number must be included on the RMA claim in order for you to receive credit. This process is to be used for vehicles manufactured at all plants.

To the best knowledge of Harley-Davidson Motor Company, the material contained herein is accurate as of the date this publication was approved for printing. Harley-Davidson Motor Company reserves the right to change specifications, equipment or designs at any time without notice and without incurring obligation.

2018 TFD.

GENERAL INFORMATION

LOOSE PARTS

The Loose Parts section is located at the back of this parts catalog. This section lists the parts which are shipped unfastened with the vehicles covered in this catalog.

HARDWARE LIST

The Hardware List is located at the back of this parts catalog. This section contains the information for each piece of hardware found in each parts list.

NEW PARTS LIST

The New Parts List is located at the back of this parts catalog. This list serves as a summary of new parts.

NUMERICAL INDEX

The Numerical Index is located at the back of this parts catalog. This index includes all part numbers used in this catalog and the page numbers of where they can be found.

COMPONENT TYPES AND INTRODUCTION DATES

The Component Types and Introduction Dates section is located at the back of this parts catalog. This section contains a list of component part numbers and year of introduction.

COMMON SERVICE PARTS

The Common Service Parts section is located at the back of this parts catalog. This section contains the most commonly ordered parts for service on vehicles covered in this catalog. These parts are ordered through the normal ordering process.

IF (SERVICE INFORMATION PORTAL)

For the latest updates to these manuals, see the Service Information Portal.

VEHICLE IDENTIFICATION NUMBER

See Figure 1. A unique 17-digit serial, or vehicle identification number (VIN), is assigned to each motorcycle. For a description of each digit in the vehicle identification number (VIN), refer to Table 1.

For all models except V-Rod the full 17-digit serial, or vehicle identification number (VIN), is stamped on the right side of the frame backbone at the rear of the steering head. The vehicle identification number (VIN) is also printed on a label on the right front downtube. An abbreviated vehicle identification number (VIN) is stamped on the left side crankcase between the front and rear cylinders.

For V-Rod models only the full 17-digit serial, or vehicle identification number (VIN), is stamped on the right side of the steering head. The vehicle identification number (VIN) is also printed on a label on the left frame tube above the front engine cylinder. An abbreviated vehicle identification number (VIN) is stamped on the left side crankcase below the rear cylinder head.

Always give the full 17-digit vehicle identification number (VIN) when ordering parts or making any inquiry about your motorcycle.

006 SPORTSTER MODELS

VIN MODEL CODES

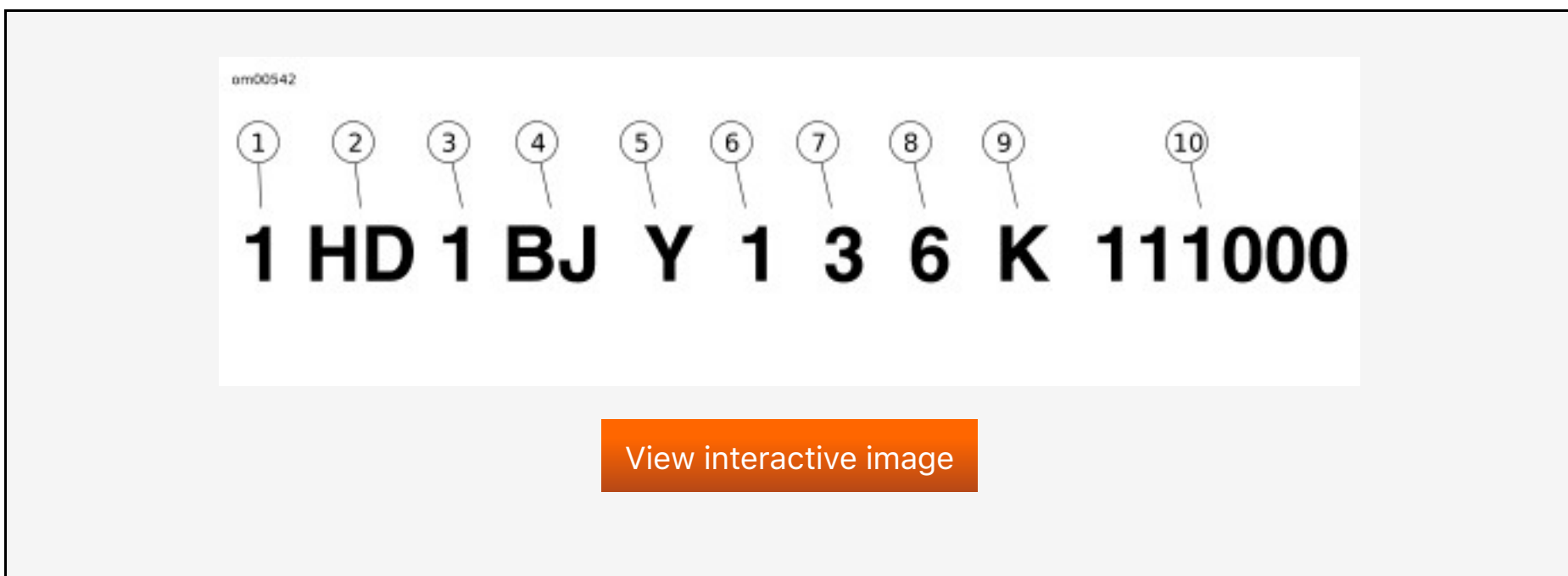


Figure 1. Typical Harley-Davidson VIN

Table 1. Harley-Davidson VIN Breakdown

POSITION	DESCRIPTION	POSSIBLE VALUES
1	Market designation	1=Originally manufactured for sale within the United States 5=Originally manufactured for sale outside of the United States
2	Manufacturer	HD=Harley-Davidson
3	Motorcycle type	1=Heavyweight motorcycle
4	Model	See model table
5	Engine type	M=883cc Carbureted P=1203cc Carbureted
6	Introduction date	1=Regular 2=Mid-year 3=California 4=Special Edition 5=Special Edition Cal. only

7	V.I.N. check digit	Can be 0-9 or X
8	Model year	6=2006
9	Assembly plant	K=Kansas City, MO USA
10	Sequential number	varies

Table 2. VIN Model Codes

CODE	MODEL NAME
CA	XL 883 Sportster 883
CJ	XL 883C Sportster 883 Custom
CM	XL 883L Sportster 883 Low
CK	XL 883R Sportster 883R
CL	XL 1200R Sportster 1200 Roadster
CG	XL 1200C Sportster 1200 Custom
CW	XL 1200L Sportster 1200 Low

NOTES

AIR CLEANER & ENRICHENER

ALTERNATOR & REGULATOR

AXLE, FRONT - CAST

AXLE, FRONT - LACED & profile laced

AXLE, REAR - CAST

AXLE, REAR - LACED & profile laced

BATTERY

BELTS & SPROCKETS

BRACKET, CHOKE

BRACKET, LICENSE PLATE

BRACKET, LOWER STEERING HEAD

BRACKET, SPEEDOMETER - 883,883l,883r,1200l,1200r

BRAKE CONTROL, REAR - 883,883l,883r,1200l,1200r

BRAKE CONTROL, REAR - 883c,1200c

BRAKE DISC, REAR - CAST WHEEL

BRAKE DISC, REAR - LACED WHEEL

BRAKELINE, FRONT

BRAKELINE, REAR

BULB, INDICATOR LAMPS - 883/883L/883R/1200L/1200R

BULB, INDICATOR LAMPS - 883c,1200c

BUSHINGS, CAM

CABLE, CLUTCH CONTROL

CABLES, BATTERY
CALIFORNIA EVAPORATIVE EMISSIONS KIT
CALIPER, FRONT
CALIPER, REAR
CAM GEAR
CANNISTER, EVAPORATIVE EMISSIONS
CARBURETOR
CARBURETOR (CONTINUED)
CLAMP, HANDLEBAR - 883,883l,883r,1200l,1200r
CLUTCH
CLUTCH CONTROL
COIL, IGNITION
CRANKCASE
CYLINDER, HEAD, & VALVES - V2™ EVOLUTION
CYLINDER, HEAD, & VALVES - V2™ EVOLUTION (CONTINUED)
DECALS, FUEL TANK
DRIVE GEAR, OIL PUMP
ELECTRONIC IGNITION SYSTEM
ENGINE MOUNTS
EXHAUST SYSTEM
FENDER, FRONT
FENDER, REAR
FILTER, FUEL
FLYWHEEL
FOOTREST, rear brake - 883,883l,883r,1200l,1200r
FOOTREST, rear brake - 883c,1200c
FOOTREST, shifter - 883c,1200c
FOOTRESTS
FORK, FRONT
FRAME, REAR FORK, & JIFFY STAND
FRONT BRAKE CALIPER
FRONT BRAKE CONTROL
FRONT FENDER
FRONT FORK
FRONT WHEEL - CAST
FRONT WHEEL - LACED & PROFILE LACED
FUEL LINES
FUEL TANK
FUEL TANK TRIM
FUSES
GASKET KIT, ENGINE OVERHAUL
GASKET KIT, REAR MASTER CYLINDER
GASKET KIT, front MASTER CYLINDER
GEARCASE & COVER
GEARS, TRANSMISSION
HAND LEVER, CLUTCH CONTROL
HANDLEBAR & THROTTLE CONTROL - 883/883L/883R/1200L/1200R
HANDLEBAR & THROTTLE CONTROL - 883C/1200C
HANDLEBAR SWITCHES
HEAD, CYLINDER
HEADLAMP & MIRROR - 883/883L/883R/1200L/1200R

HEADLAMP & MIRROR - 883C/1200C
HORN
INSPECTION COVER & PRIMARY COVER
LEVER, shifter - 883,883l,883r,1200l,1200r
LEVER, shifter - 883c,1200c
MASTER CYLINDER ASSEMBLY, front
MASTER CYLINDER assembly, REAR
MIRRORS - 883,883l,883r,1200l,1200r
MIRRORS - 883c,1200c
MODULE, SECURITY SYSTEM/TURN SIGNAL CANCELLER
MOUNTS, ENGINE
OIL PUMP
OIL TANK & FILTER
PISTONS, CONNECTING RODS, & FLYWHEELS
REAR BRAKE CALIPER
REAR BRAKE CONTROL - 883/883L/883R/1200L/1200R
REAR BRAKE CONTROL - 883C/1200C
REAR BRAKE MASTER CYLINDER
REAR FENDER & BELT GUARDS
REAR FORK
REAR WHEEL - CAST
REAR WHEEL - LACED & PROFILE LACED
REGULATOR, VOLTAGE
RISER, HANDLEBAR - 883c,1200c
ROCKER ARMS, COVERS, & PUSH RODS - V2™
SEATS
SHIFTER - 883/883L/883R/1200L/1200R
SHIFTER - 883C/1200C
SHOCK ABSORBERS
SIDE COVER, oil tank
SPEEDOMETER & TACHOMETER - 883/883L/883R/1200L/1200R
SPEEDOMETER - 883C/1200C
STARTER MOTOR
STEERING HEAD BRACKET ASSEMBLY
SWITCH ASSEMBLY, directional
SWITCHES & CIRCUIT BREAKERS
TACHOMETER
TAIL LAMP
THROTTLE CONTROL - 883,883l,883r,1200l,1200r
THROTTLE CONTROL - 883C,1200C
TRANSMISSION GEARS
TRAY, BATTERY
TURN SIGNALS
VALVES AND GUIDES
VEHICLE SPEED SENSOR - 883C, 1200C
WHEELS, FRONT (cast)
WHEELS, FRONT (laced & profile laced)
WHEELS, REAR (cast)
WIRING HARNESS, MAIN
WIRING HARNESS, MAIN (CONTINUED)
bracket, SPEEDOMETER - 883c,1200c

bracket, horn

clamp, handlebar - 883c,1200c

engine assembly, domestic

engine assembly, international

filter, oil

footrest, shifter - 883,883l,883r,1200l,1200r

hand LEVER, FRONT BRAKE CONTROL

pump, oil

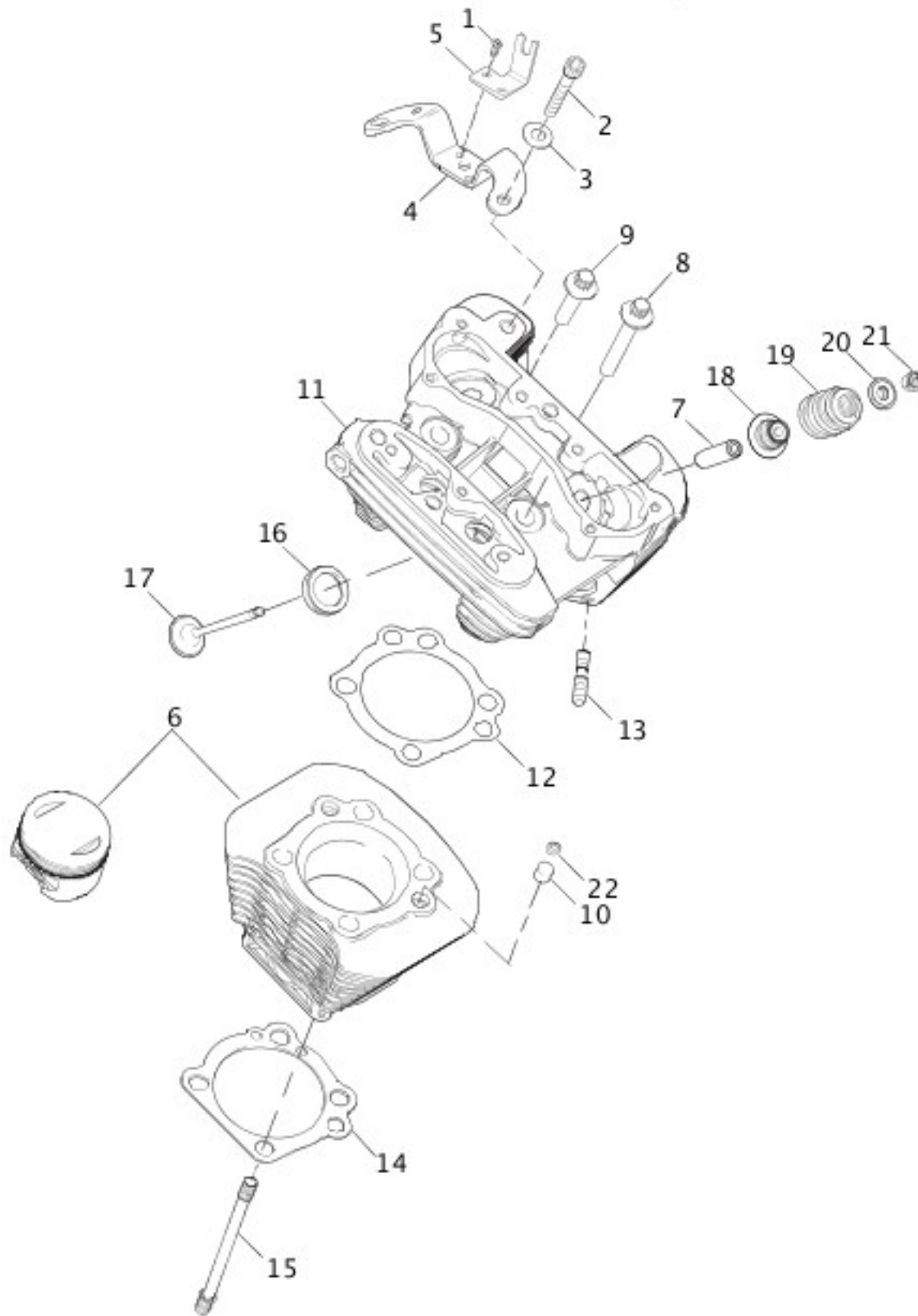
vehicle speed sensor - 883,883l,883r,1200l,1200r

wheels, rear (laced & profile laced)

Parts

CYLINDER, HEAD, & VALVES - V2™ EVOLUTION

CYLINDER, HEAD, & VALVES -V²[™] EVOLUTION



[View interactive image](#)

[View interactive table](#)

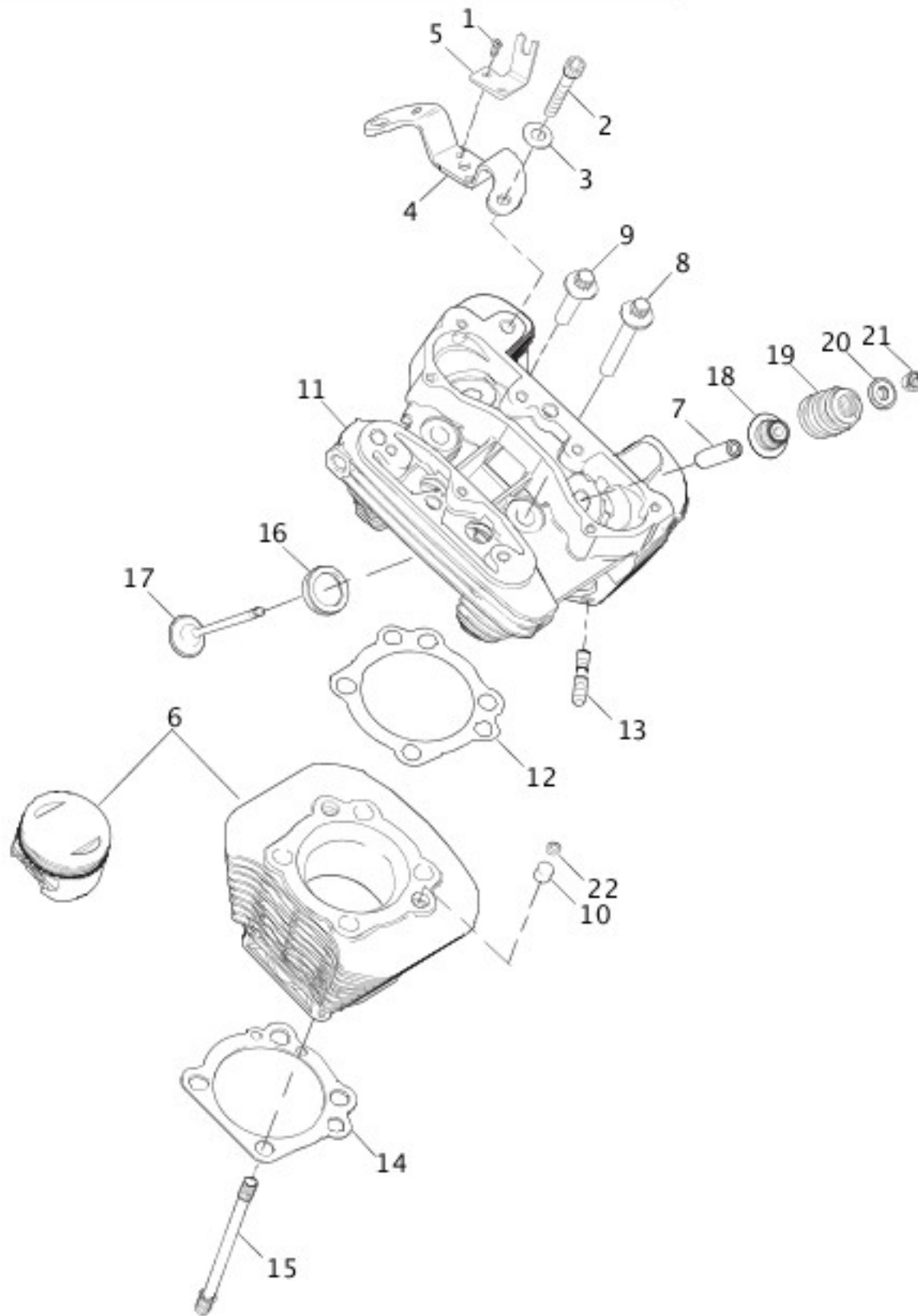
INDEX NO.	PART NO.	DESCRIPTION	MODEL(S)
	19272-06	ENGINE ASSEMBLY (883cc) (Domestic, Canada, California)	XL883
	19276-06	ENGINE ASSEMBLY (883cc) (Domestic, Canada, California)	XL883C

	19278-06	ENGINE ASSEMBLY (1200cc) (Domestic, Canada, California)	XL1200C
	19281-06	ENGINE ASSEMBLY (1200cc) (Domestic, Canada, California)	XL1200R
	19500-06	ENGINE ASSEMBLY (883cc) (Domestic, Canada, California)	XL883L
	19563-06	ENGINE ASSEMBLY (883cc) (Domestic, Canada, California)	XL883R
	19622-06	ENGINE ASSEMBLY (1200cc) (Domestic, Canada, California)	XL1200L
1	3026	SCREW (2)	XL1200L, XL1200R, XL883, XL883C, XL883L, XL883R
2	4748	SCREW (2)	ALL
3	6787	WASHER (2)	ALL
4	16353-04	BRACKET, center engine mount	ALL
5	16354-04	BRACKET, choke	XL1200L, XL1200R, XL883, XL883C, XL883L, XL883R
6	16443-04	CYLINDER, w/ piston (883 cc) (silver) (2)	XL883, XL883C, XL883L
	16452-05	CYLINDER, w/ piston (883 cc) (black) (2)	XL883R
	16463-04	CYLINDER, w/ piston (1200 cc) (black) (2)	XL1200C, XL1200L, XL1200R
7	16461-02	VALVE GUIDE, intake & exhaust (4)	ALL
8	16478-85A	SCREW, internal thread (4)	ALL
9	16480-92A	SCREW, internal thread (4)	ALL
10	16573-83A	DOWEL (4)	ALL
11	16660-04	HEAD, rear cylinder (883 cc) (silver), w/ valve guides & seats	XL883, XL883C, XL883L
	16661-04	HEAD, front cylinder (883 cc) (silver), w/ valve guides & seats	XL883, XL883C, XL883L
	16666-04	HEAD, rear cylinder (1200 cc) (black), w/ valve guides & seats	XL1200C, XL1200L, XL1200R
	16667-04	HEAD, front cylinder (1200 cc) (black), w/ valve guides & seats	XL1200C, XL1200L, XL1200R
	16865-05	HEAD, rear cylinder (883 cc) (black), w/ valve guides & seats	XL883R

	16867-05	HEAD, front cylinder (883 cc) (black), w/ valve guides & seats	XL883R
12	16664-86B	GASKET, cylinder head (2)	XL883, XL883C, XL883L, XL883R
	16770-84D	GASKET, cylinder head (2)	XL1200C, XL1200L, XL1200R
13	16715-83	STUD, exhaust port (4)	ALL
14	16774-86E	GASKET, cylinder base (2)	ALL
15	16832-86C	STUD, cylinder base (8)	ALL
	17027-04A	GASKET KIT, engine overhaul (not illustrated)	ALL
	17049-04	GASKET KIT, top overhaul (not illustrated)	ALL

CYLINDER, HEAD, & VALVES - V2™ EVOLUTION (CONTINUED)

CYLINDER, HEAD, & VALVES -V²[™] EVOLUTION



[View interactive image](#)

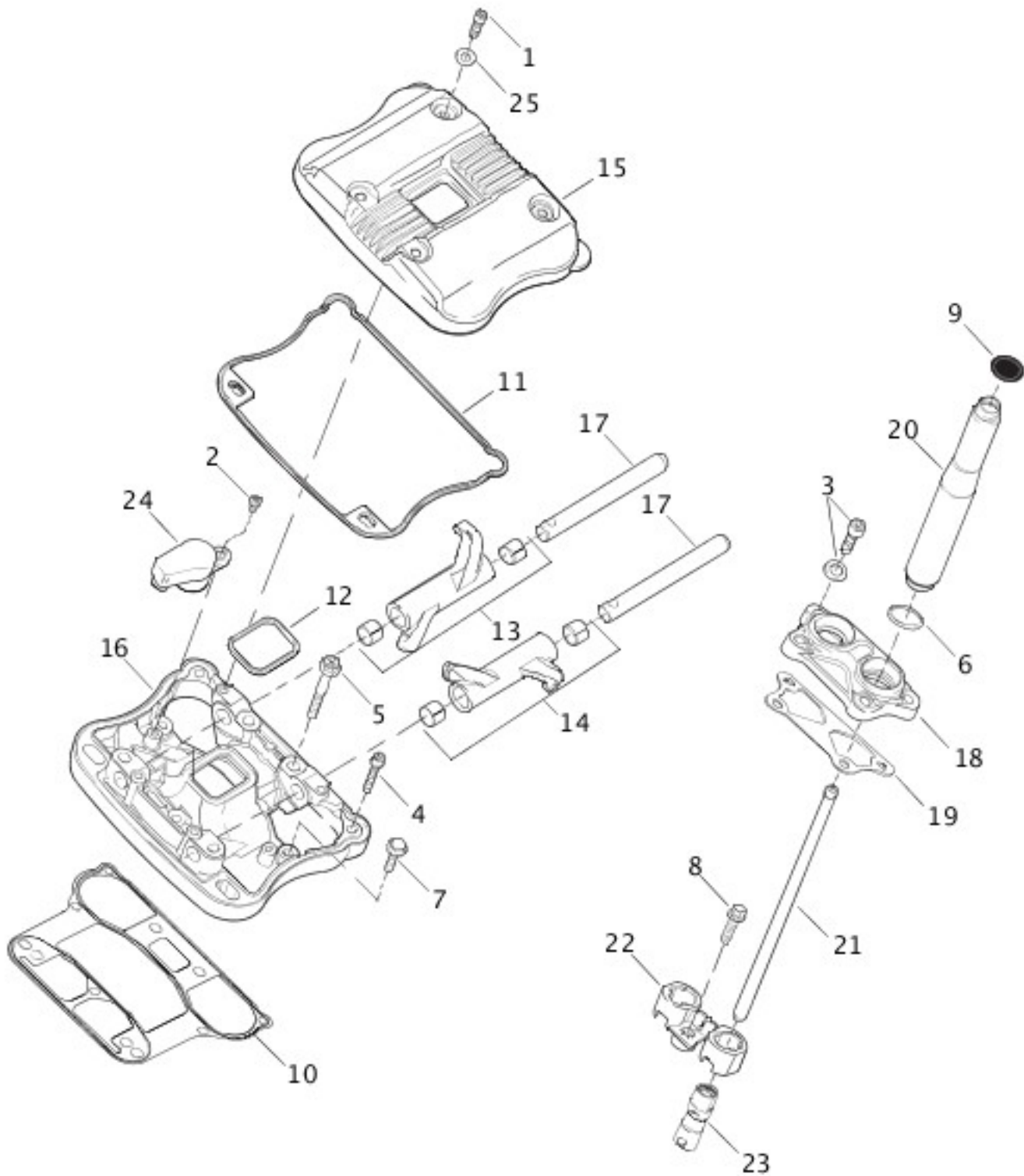
[View interactive table](#)

INDEX NO.	PART NO.	DESCRIPTION	MODEL(S)
16	18011-86	INSERT, exhaust valve seat (2)	XL1200C, XL1200L, XL1200R
	18012-87A	INSERT, exhaust valve seat (2)	XL883, XL883C, XL883L, XL883R
	18020-83	INSERT, intake valve seat (2)	XL1200C, XL1200L, XL1200R

	18021-87A	INSERT, intake valve seat (2)	XL883, XL883C, XL883L, XL883R
17	18053-04	INTAKE VALVE, 7mm (2)	XL883, XL883C, XL883L, XL883R
	18690-02	INTAKE VALVE, 7mm (2)	XL1200C, XL1200L, XL1200R
	18059-04	EXHAUST VALVE, 7mm (2)	XL883, XL883C, XL883L, XL883R
	18691-02	EXHAUST VALVE, 7mm (2)	XL1200C, XL1200L, XL1200R
18	18094-02A	SEAL, valve (4)	ALL
19	18245-02	VALVE SPRING (4)	ALL
20	18258-02	COLLAR, valve spring - upper (4)	ALL
21	18260-02	KEEPER, valve collar (8)	ALL
22	26432-76A	O-RING, cylinder stud insert (4)	ALL
INTERNATIONAL MODELS ONLY			
	19273-06	ENGINE ASSEMBLY (883cc) (HDI)	XL883
	19501-06	ENGINE ASSEMBLY (883cc) (HDI)	XL883L
	19279-06	ENGINE ASSEMBLY (1200cc) (HDI)	XL1200C
	19275-06	ENGINE ASSEMBLY (883cc) (HDI)	XL883C
	19282-06	ENGINE ASSEMBLY (1200cc) (HDI)	XL1200R
	19564-06	ENGINE ASSEMBLY (883cc) (HDI)	XL883R
	19623-06	ENGINE ASSEMBLY (1200cc) (HDI)	XL1200L

ROCKER ARMS, COVERS, & PUSH RODS - V2™

ROCKER ARMS, COVERS, & PUSH RODS -V²[™]

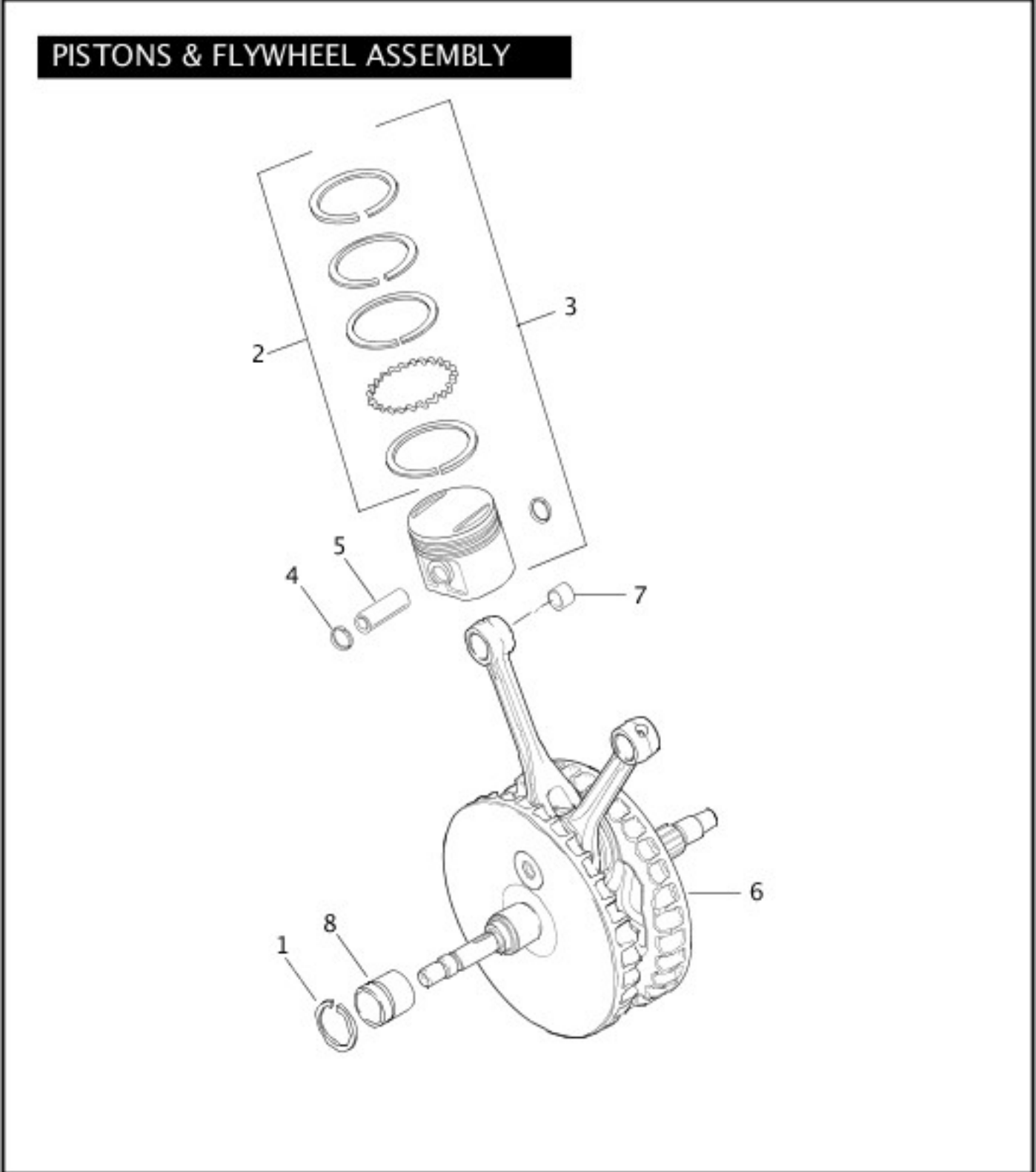


[View interactive image](#)

[View interactive table](#)

INDEX NO.	PART NO.	DESCRIPTION	MODEL(S)
1	882	SCREW (8)	ALL
2	2441	SCREW, pan head (2)	ALL
3	4741A	SCREW (8)	ALL
4	4718A	SCREW, w/ washer (4)	ALL

5	1039	SCREW (8)	ALL
6	11377	O-RING (4)	ALL
7	3849	SCREW, w/ washer (6)	ALL
8	3976	SCREW (2)	ALL
9	11190	O-RING, push rod cover-upper (4)	ALL
10	16800-84	GASKET, rocker box (2)	ALL
11	17353-89C	GASKET, rocker cover - lower (2)	ALL
12	17358-84A	GASKET, rocker cover - inner (2)	ALL
13	17360-83A	ROCKER ARM, front intake & rear exhaust (2)	ALL
14	17375-83A	ROCKER ARM, front exhaust & rear intake (2)	ALL
15	17501-04	ROCKER COVER, outer (polished) (2)	XL883, XL883C, XL883L
	17551-04	ROCKER COVER, outer (chrome) (2)	XL1200C, XL1200L
	17655-05	ROCKER COVER, outer (black) (2)	XL1200R, XL883R
16	17532-86E	ROCKER COVER, inner (polished) (2)	XL883, XL883C, XL883L
	17537-96C	ROCKER COVER, inner (chrome) (2)	XL1200C, XL1200L
	17614-98C	ROCKER COVER, inner (silver) (2)	XL883R
	17645-06A	ROCKER COVER, inner (black) (2)	XL1200R
17	17611-83	SHAFT, rocker arm (4)	ALL
18	17972-04	TAPPET COVER, front	ALL
	17981-04	TAPPET COVER, rear	ALL
19	17976-04	GASKET, tappet cover (2)	ALL
20	17946-04	COVER, push rod (chrome) (4)	ALL
21	17908-02	PUSH ROD, exhaust (2)	ALL
	17909-02	PUSH ROD, intake (2)	ALL
22	18505-06	ANTI-ROTATION DEVICE	ALL
23	18538-99B	TAPPET, w/ roller (4)	ALL
24	26010-04	BREATHER, front	ALL
	26011-04	BREATHER, rear	ALL
25	63858-49	WASHER (8)	ALL



[View interactive image](#)

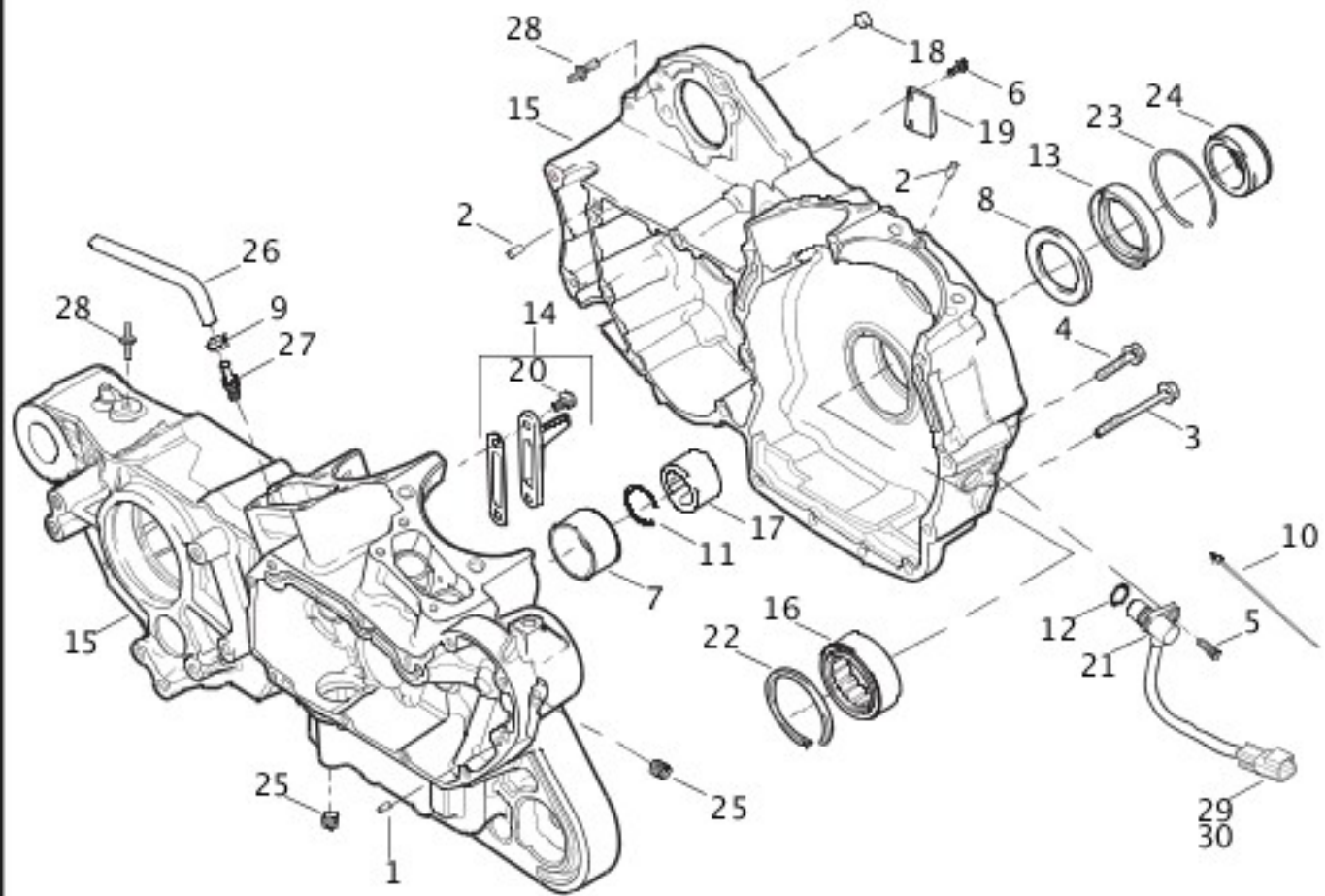
[View interactive table](#)

INDEX NO.	PART NO.	DESCRIPTION	MODEL(S)
1	11177A	RETAINING RING	ALL
2	21948-02	PISTON RING SET, standard (2)	XL1200C, XL1200L, XL1200R
	22231-04	PISTON RING SET, 0.005 O.S. (2)	XL1200C, XL1200L, XL1200R
	22238-04	PISTON RING SET, 0.010 O.S. (2)	XL1200C, XL1200L, XL1200R
	22266-86	PISTON RING SET, standard (2)	XL883, XL883C, XL883L, XL883R

	22261-86	PISTON RING SET, 0.010 O.S. (2)	XL883, XL883C, XL883L, XL883R
	22271-86	PISTON RING SET, 0.005 O.S. (2)	XL883, XL883C, XL883L, XL883R
3	22221-04A	PISTON & RINGS ASSEMBLY, standard (2)	XL883, XL883C, XL883L, XL883R
	22224-04A	PISTON & RINGS ASSEMBLY, 0.005 O.S. (2)	XL883, XL883C, XL883L, XL883R
	22228-04A	PISTON & RINGS ASSEMBLY, 0.010 O.S. (2)	XL883, XL883C, XL883L, XL883R
	22223-04	PISTON & RINGS ASSEMBLY, standard (2)	XL1200C, XL1200L, XL1200R
	22227-04	PISTON & RINGS ASSEMBLY, 0.005 O.S. (2)	XL1200C, XL1200L, XL1200R
	22230-04	PISTON & RINGS ASSEMBLY, 0.010 O.S. (2)	XL1200C, XL1200L, XL1200R
4	22589-83B	LOCK RING, piston pin (4)	ALL
5	22719-04	PISTON PIN (2)	XL883, XL883C, XL883L, XL883R
	22765-02	PISTON PIN (2)	XL1200C, XL1200L, XL1200R
6	23905-04A	FLYWHEELS & SHAFTS SET, w/ rods	ALL
7	24331-36	BUSHING, piston pin - 0.002 O.S. (2)	ALL
	24332-36	BUSHING, piston pin - 0.01 O.S. (2)	ALL
8	24658-87	INNER RING	ALL

CRANKCASE

CRANKCASE



[View interactive image](#)

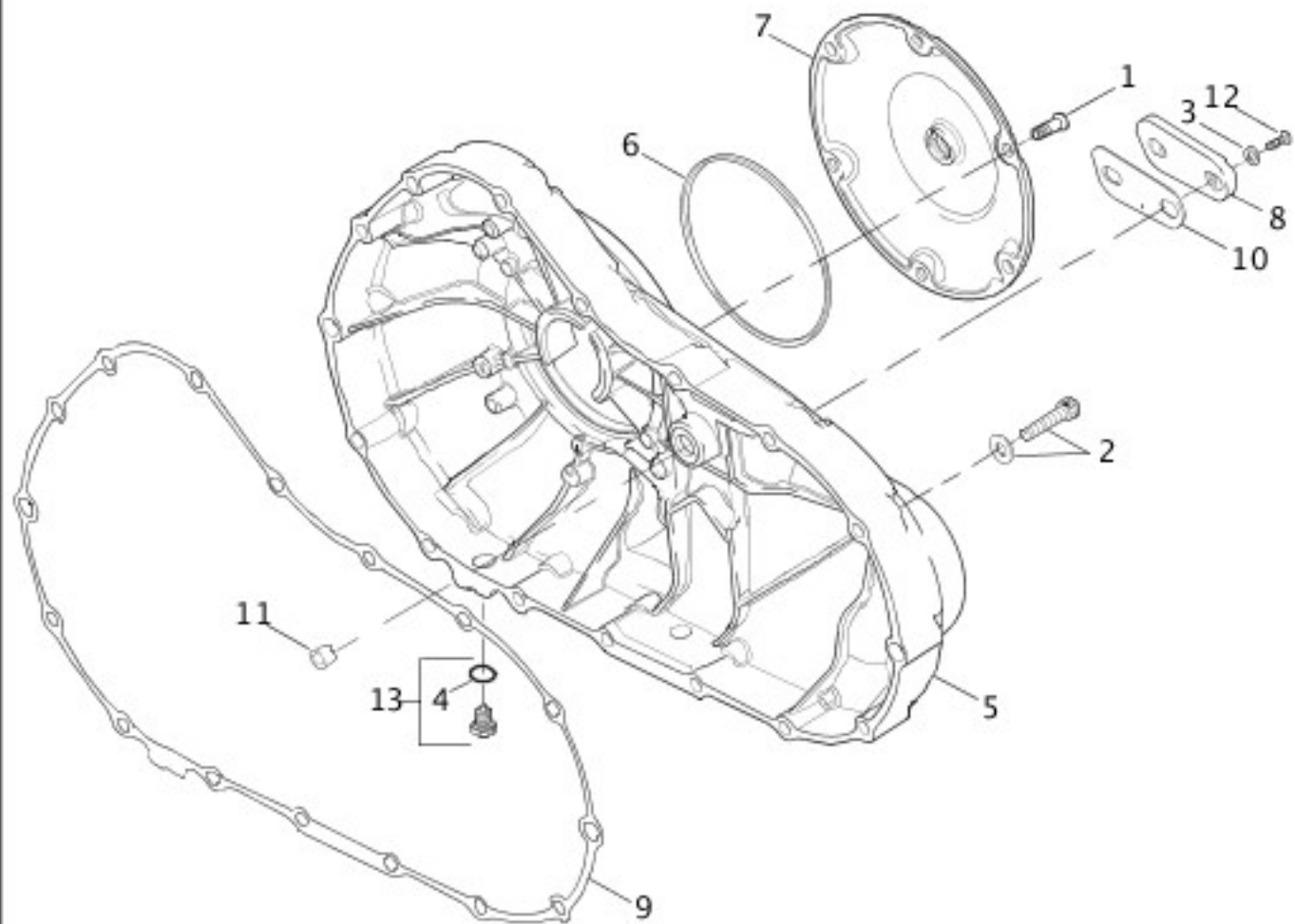
[View interactive table](#)

INDEX NO.	PART NO.	DESCRIPTION	MODEL(S)
1	215	PIN (2)	ALL
2	358	DOWEL PIN (4)	ALL
3	835	SCREW (11)	ALL
4	1048	SCREW (4)	ALL
5	3594	SCREW	ALL
6	4091	SCREW (2)	ALL
7	8881	BEARING RACE	ALL
8	8973	WASHER, thrust (2)	ALL
9	10080	CLAMP, hose (3)	ALL
10	10177	CABLE STRAP	ALL

11	11177A	RETAINING RING	ALL
12	11289A	O-RING	ALL
13	12068	OIL SEAL	ALL
14	22265-00Y	OIL JET ASSEMBLY, complete (2)	ALL
15	24466-06	CRANKCASE SET, w/ bearings (black)	XL1200C, XL1200L, XL883R
	24470-06	CRANKCASE SET, w/ bearings (silver)	XL1200R, XL883, XL883C, XL883L
16	24604-00D	BEARING	ALL
17	24647-87	BEARING, gear shaft (blue)	ALL
	24650-87	BEARING, gear shaft (red)	ALL
	24659-87	BEARING, gear shaft (white/gray)	ALL
	24660-87	BEARING, gear shaft (green)	ALL
18	24754-75A	DOWEL PIN (2)	ALL
19	29950-91	COVER, stator wires	ALL
20	32617-00Y	SCREW, self-tapping (4)	ALL
21	32707-01B	SENSOR, crank position, w/ 11289A, 72199-94, & 74194-98	ALL
22	35114-02	RING, retaining	ALL
23	35118-03	RING, retaining	ALL
24	40254-02	SPACER, sprocket shaft	ALL
25	45830-48	PLUG (2)	ALL
26	63508-04	HOSE, transmission vent	ALL
27	63533-41A	FITTING, connector - vent	ALL
28	65088-04	STUD, ground (2)	ALL
29	72199-94	CONNECTOR ANCHOR	ALL
30	74194-98	TERMINAL	ALL

INSPECTION COVER & PRIMARY COVER

INSPECTION COVER & PRIMARY COVER



[View interactive image](#)

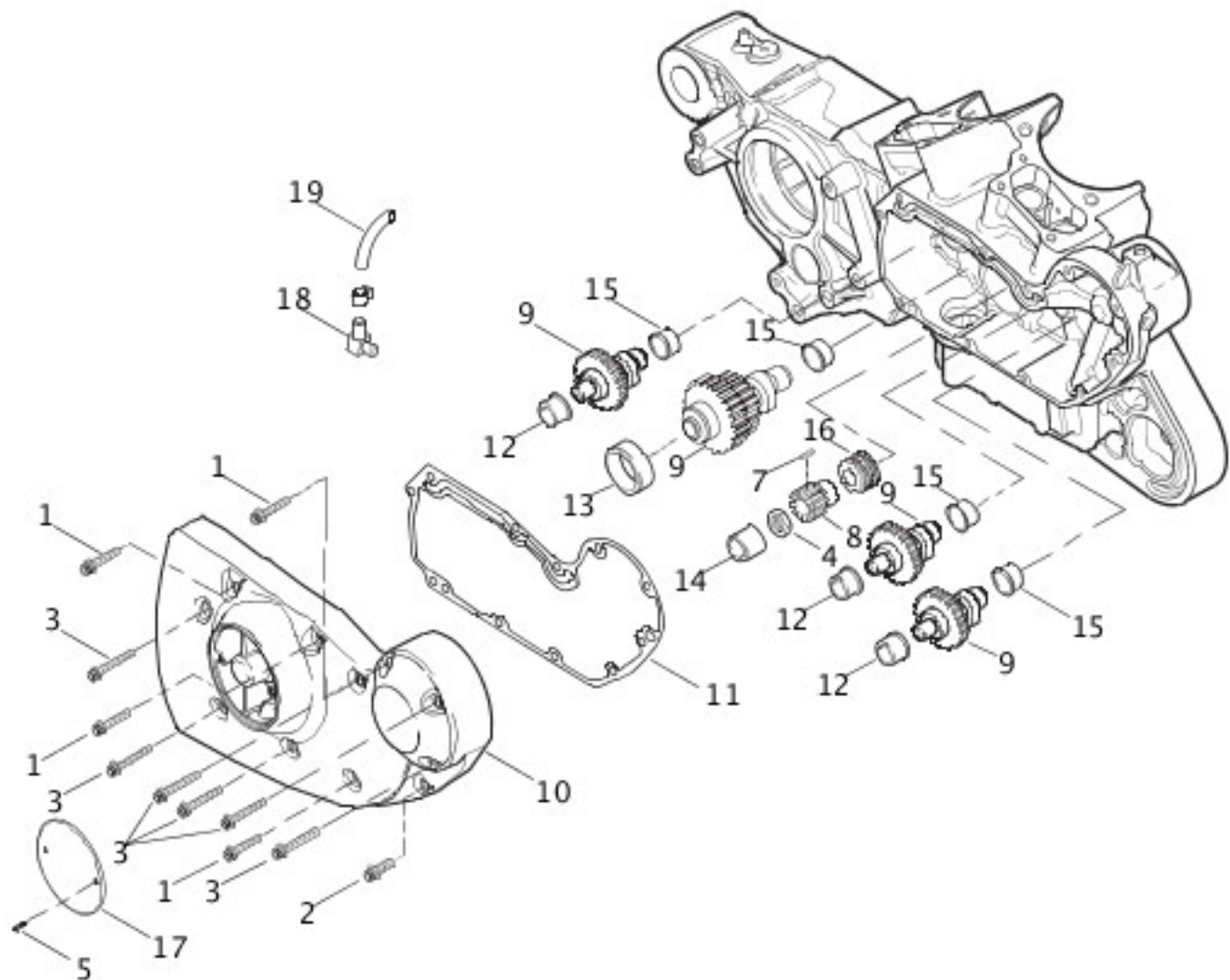
[View interactive table](#)

INDEX NO.	PART NO.	DESCRIPTION	MODEL(S)
1	943	SCREW (6)	ALL
2	4820A	SCREW (16)	ALL
3	11171	O-RING, inspection cover screws (2)	ALL
4	11105	O-RING, drain plug	ALL
5	25307-06	PRIMARY COVER (black) w/ 40574-06	XL1200R, XL883R
	25430-06	PRIMARY COVER (polished) w/ 40574-06	XL883, XL883L
	25460-06	PRIMARY COVER (chrome) w/ 40574-06	XL1200C, XL1200L
	25471-06	PRIMARY COVER (silver) w/ 40574-06	XL883C
6	25463-94A	GASKET, clutch inspection cover	ALL
7	34760-04	INSPECTION COVER, clutch (chrome)	XL1200C, XL1200L

	34790-05	INSPECTION COVER, clutch (black)	XL883R
	34992-04	INSPECTION COVER, clutch (polished)	XL1200R, XL883, XL883C, XL883L
8	34993-04	INSPECTION COVER, chain (polished)	XL1200R, XL883, XL883C, XL883L
	34761-04	INSPECTION COVER, chain (chrome)	XL1200C, XL1200L
	34794-05	INSPECTION COVER, chain (black)	XL883R
9	34955-04	GASKET, primary cover	ALL
10	34986-04	GASKET, chain inspection cover	ALL
11	40574-06	BUSHING	ALL
12	41191-74A	SCREW, inspection covers (2)	ALL
13	60328-98B	OIL DRAIN PLUG ASSEMBLY	ALL
INTERNATIONAL MODELS ONLY			

GEARCASE & COVER

GEARCASE & CO VER



[View interactive image](#)

[View interactive table](#)

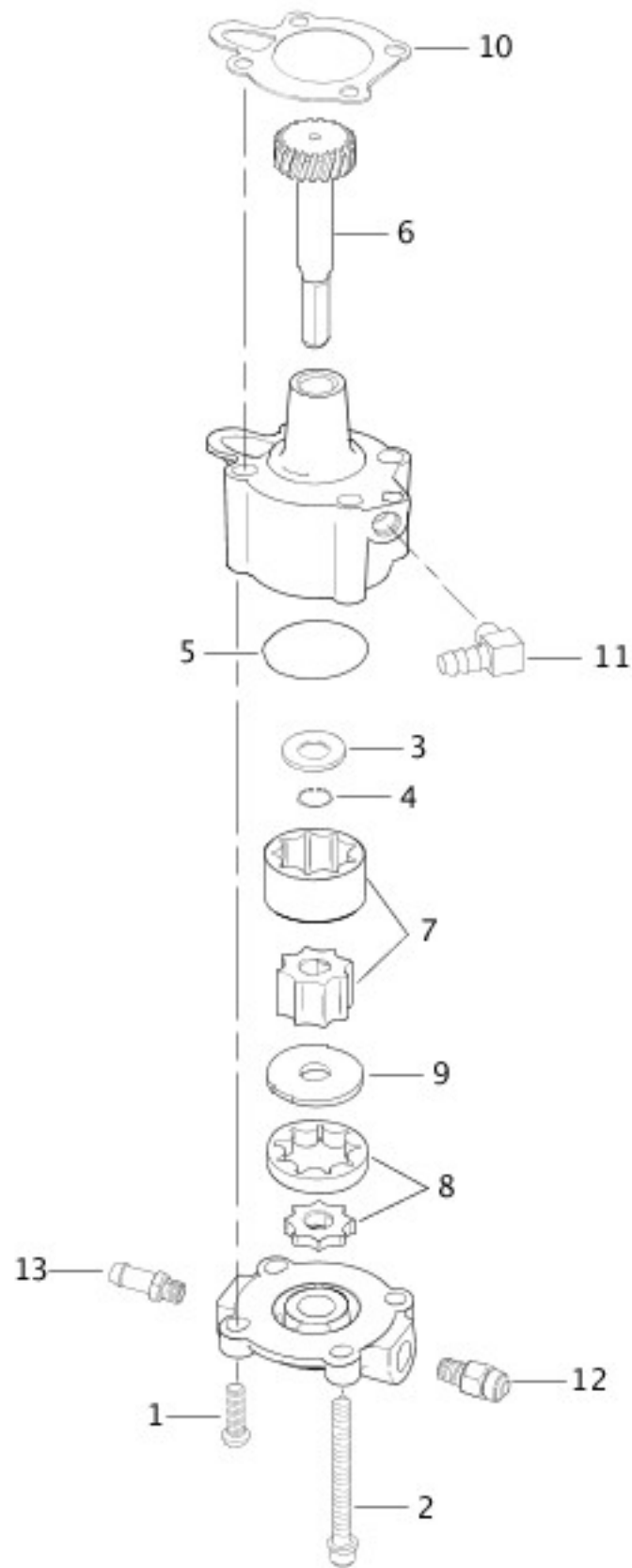
INDEX NO.	PART NO.	DESCRIPTION	MODEL(S)
1	3480A	SCREW (4)	ALL
2	4740A	SCREW	ALL
3	4717A	SCREW (6)	ALL
4	7916A	JAM NUT	ALL
5	8679	SCREW (2)	ALL
7	11317	T-KEY	ALL
8	24047-00	PINION GEAR	ALL
9	25193-06	CAM GEAR SET, complete ,w/ pinion gear	XL883, XL883C, XL883L, XL883R

	25194-06	CAM GEAR SET, complete, w/ pinion gear	XL1200C, XL1200L, XL1200R
10	25219-04	COVER ASSEMBLY, gearcase (polished), w/ 62375-57A & bushings	XL883, XL883L
	25213-04	COVER ASSEMBLY, gearcase (chrome), w/ 62375-57A & bushings	XL1200C, XL1200L
	25252-04	COVER ASSEMBLY, gearcase (silver), w/ 62375-57A & bushings	XL883C
	25486-05	COVER ASSEMBLY, gearcase (black), w/ 62375-57A & bushings	XL1200R, XL883R
11	25263-90D	GASKET, gearcase cover	ALL
12	25586-37	OUTER BUSHING, cam gear shafts (3)	ALL
13	25588-91	BUSHING, rear intake cam gear shaft	ALL
14	25593-74	BUSHING, flywheel gear shaft	ALL
15	25598-91	INNER BUSHING, camshaft gear (4)	ALL
16	26318-88A	DRIVE GEAR, oil pump	ALL
17	32506-90	COVER PLATE	XL883, XL883L
	32514-04	COVER PLATE	XL1200C, XL883C
	32555-04	COVER PLATE	XL1200R
	32587-06	COVER PLATE	XL1200L
	32699-05	COVER PLATE	XL883R
18	62375-57A	FITTING, oil vent hose	ALL
NOTE: Hose or insulator is sold in bulk length under the following part numbers. Cut to length.			
19	62360-04A	XL VENT TUBE ASSEMBLY	ALL

Index number 6 is not used in this illustration.

OIL PUMP

OIL PUMP



[View interactive image](#)

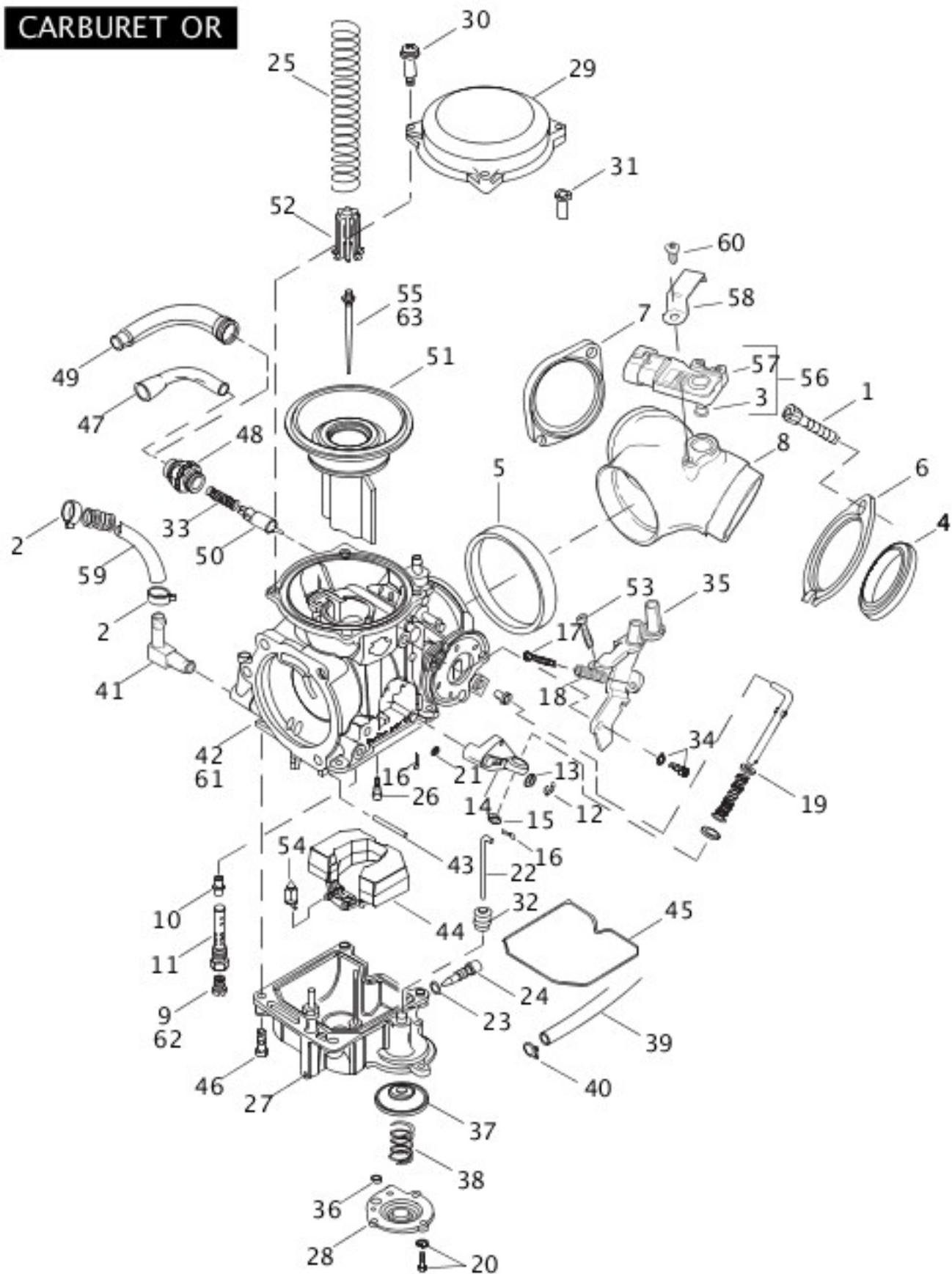
[View interactive table](#)

INDEX NO.	PART NO.	DESCRIPTION	MODEL(S)
1	4132	SCREW (2)	ALL
2	4765	SCREW, w/ washer (2)	ALL
3	6157	WASHER, thrust	ALL

4	11002	RETAINING RING	ALL
	26204-91A	OIL PUMP, complete	ALL
5	26434-91	O-RING	ALL
6	26488-98	GEAR SHAFT	ALL
7	26491-98	GEROTOR SET, return	ALL
8	26492-91	GEROTOR SET, feed	ALL
9	26493-91	SEPARATOR PLATE	ALL
10	26495-89B	GASKET, pump mounting	ALL
11	26496-75A	FITTING, 90 degree	ALL
12	62601-91A	FITTING, connector - front	ALL
13	63533-41A	FITTING, connector - rear	ALL

CARBURETOR

CARBURET OR



[View interactive image](#)

[View interactive table](#)

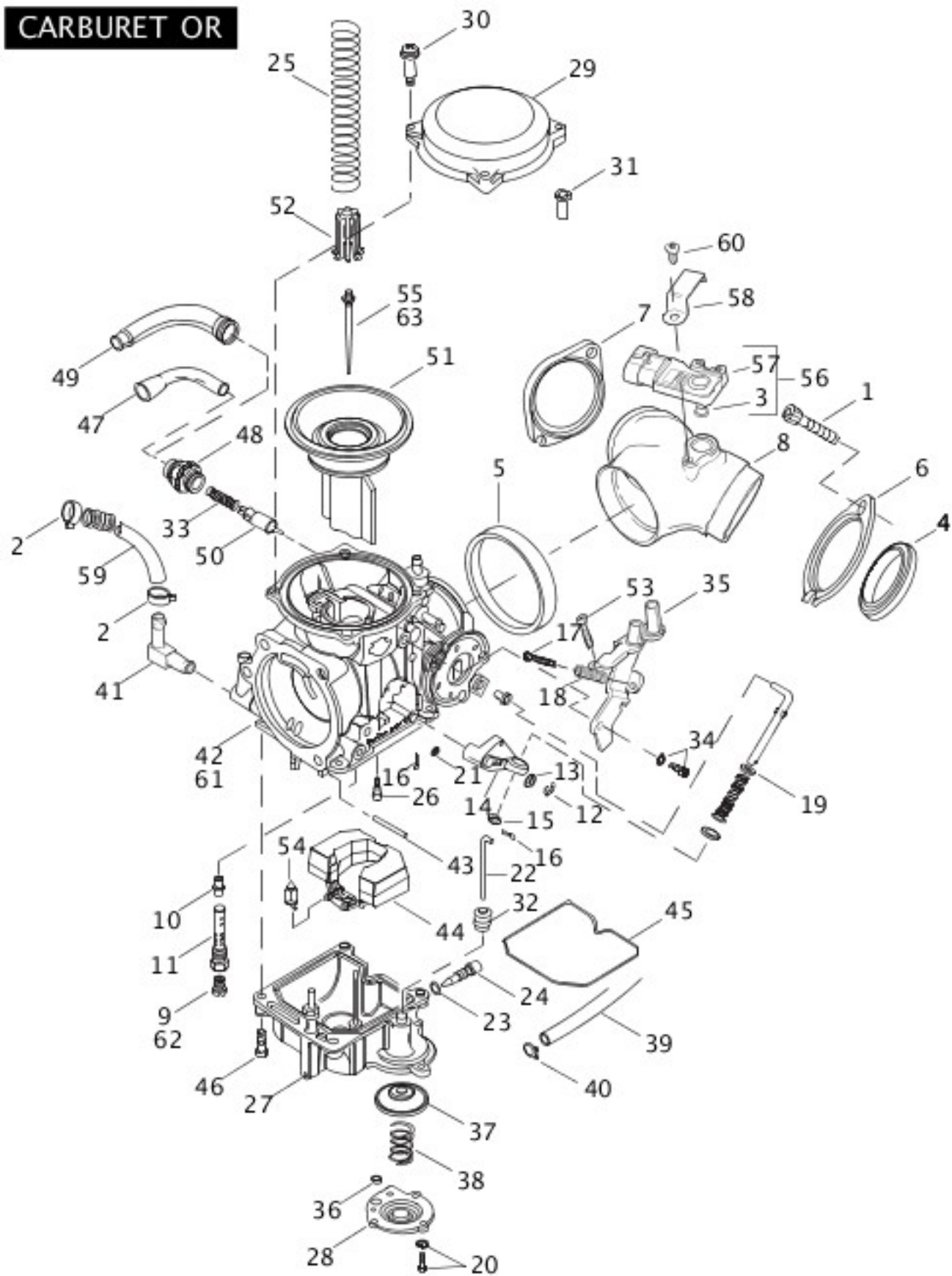
INDEX NO.	PART NO.	DESCRIPTION	MODEL(S)
1	3275	SCREW (4)	ALL
2	10014	CLAMP (2)	ALL
3	11291	SEAL, MAP sensor	ALL

4	26995-86B	SEAL, intake manifold (2)	ALL
5	27002-89	SEAL RING, carburetor	ALL
6	27009-86A	FLANGE, mounting - front	ALL
7	27010-86A	FLANGE, mounting - rear	ALL
8	27024-04	INTAKE MANIFOLD KIT, w/ 32316-99, 38723-99, & 68042-99	ALL
9	27090-89	MAIN JET (Domestic)	XL883, XL883C, XL883L, XL883R
	27114-88	MAIN JET (CG/CL/CW - Domestic, CA/CJ/CM/CK - California)	ALL
	27185-90	MAIN JET (California)	XL1200C, XL1200L, XL1200R
10	27100-88	NEEDLE JET	ALL
11	27101-88	NEEDLE JET HOLDER	ALL
12	27124-89	E-CLIP	ALL
13	27125-89	WASHER	ALL
14	27126-89	LEVER	ALL
15	27127-89	WASHER	ALL
16	27128-89	PIN (2)	ALL
17	27130-90	IDLE SCREW	ALL
18	27136-90A	SPRING	ALL
19	27137-81	WASHER (3)	ALL
20	27146-89	SCREW, w/ washer (3)	ALL
21	27148-89	WASHER	ALL
22	27156-89	ROD	ALL
23	27157-89	O-RING	ALL
24	27158-89	DRAIN SCREW	ALL
25	27162-89	SPRING	ALL
26	27171-89	SLOW JET	ALL
27	27256-01	FLOAT CHAMBER ASSEMBLY	XL1200C, XL1200L, XL1200R
	27777-04	FLOAT CHAMBER ASSEMBLY	XL883, XL883C, XL883L, XL883R

28	27260-00	PUMP HOUSING	ALL
29	27261-96	TOP, carburetor	ALL
30	27262-96	SCREW, top (3)	ALL
31	27263-96	COLLAR	ALL
32	27311-76	CAP, accelerator pump (rubber)	ALL
33	27315-88A	SPRING	ALL

CARBURETOR (CONTINUED)

CARBURETOR



[View interactive image](#)

[View interactive table](#)

INDEX NO.	PART NO.	DESCRIPTION	MODEL(S)
34	27317-88	SCREW	ALL
35	27320-04	BRACKET	ALL
36	27360-76	O-RING	ALL

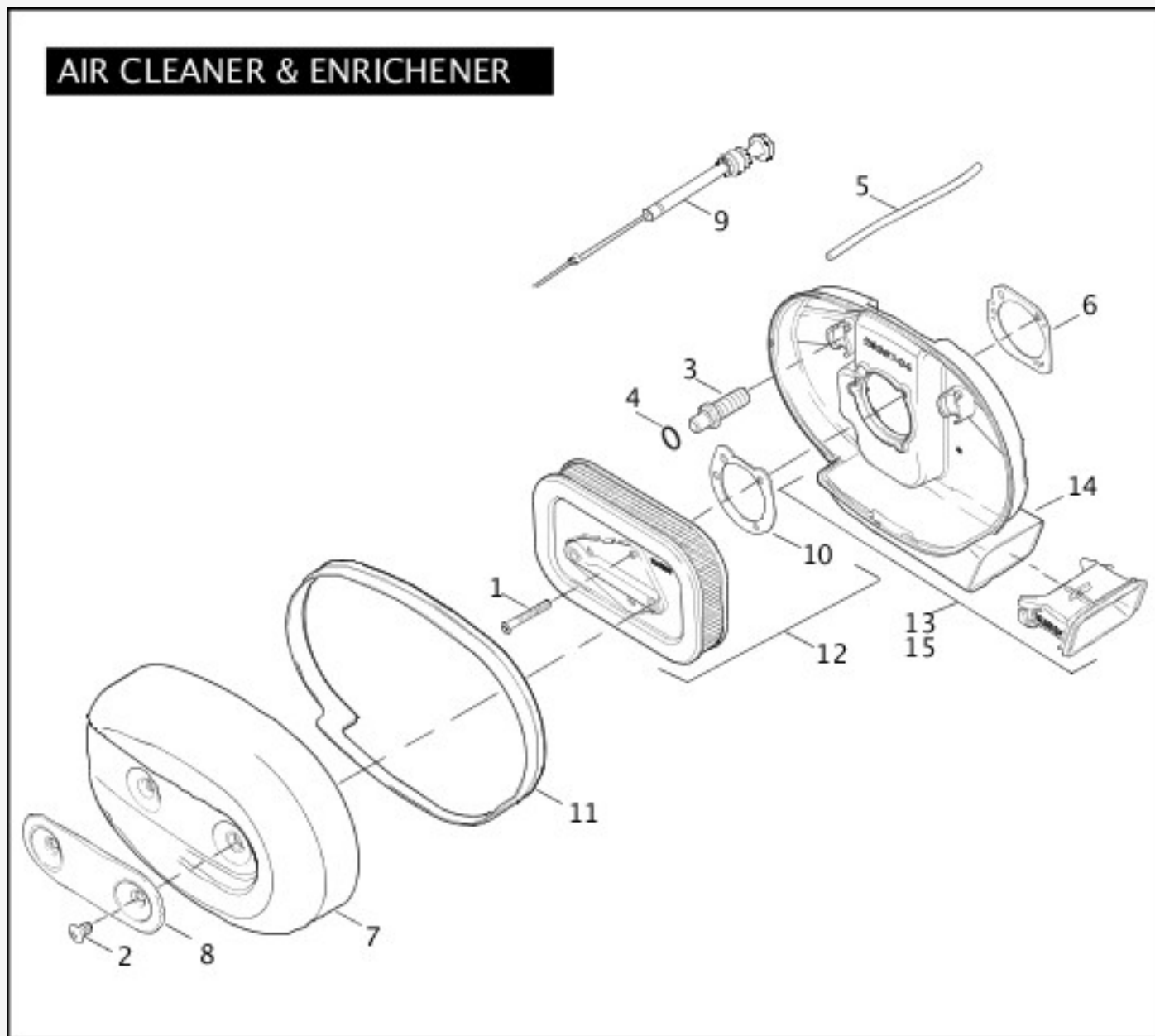
37	27361-76A	DIAPHRAGM, accelerator pump	ALL
38	27362-76	SPRING, diaphragm	ALL
39	27363-88	HOSE, overflow	ALL
40	27368-76	CLIP, overflow hose	ALL
41	27371-76A	FITTING	ALL
42	27490-04	CARBURETOR ASSEMBLY (Domestic)	XL883, XL883C, XL883L, XL883R
	27495-04	CARBURETOR ASSEMBLY (California)	XL883, XL883C, XL883L, XL883R
	27732-04	CARBURETOR ASSEMBLY (California)	XL1200C, XL1200L, XL1200R
	27731-04	CARBURETOR ASSEMBLY (Domestic)	XL1200C, XL1200L, XL1200R
43	27575-88A	PIN	ALL
44	27576-92	FLOAT	ALL
45	27577-92	O-RING	ALL
46	27579-88A	SCREW (4)	ALL
47	27580-88	CABLE GUIDE	ALL
48	27581-88	STARTER CAP	ALL
49	27582-88	CABLE SEALING CAP	ALL
50	27583-88	STARTER VALVE	ALL
51	27585-88	VACUUM PISTON	ALL
52	27586-88	SPRING SEAT	ALL
53	27587-88	SCREW	ALL
54	27886-78A	VALVE, w/ clip	ALL
55	28026-04	JET, needle (ALL - California, CG/CL/CW - Domestic)	ALL
	28027-04	JET, needle (Domestic)	XL883, XL883C, XL883L, XL883R
56	32316-99	MAP SENSOR, w/ 11291 & 32424-98	ALL
57	32424-98	MAP SENSOR	ALL
58	38723-99	CLIP, MAP sensor	ALL
59	62347-04	FUEL HOSE, preformed	ALL
60	68042-99	SCREW	ALL

INTERNATIONAL MODELS ONLY

61	27465-04	CARBURETOR (HDI)	XL883, XL883C, XL883L, XL883R
----	----------	------------------	-------------------------------

	27749-04	CARBURETOR (HDI)	XL1200C, XL1200L, XL1200R
62	27116-88	MAIN JET (HDI)	XL883, XL883C, XL883L, XL883R
	27152-89	MAIN JET (HDI)	XL1200C, XL1200L, XL1200R
	28015-01	PLUG, idle mixture screw (not illustrated) (HDI)	ALL
63	28027-04	JET, needle (HDI)	ALL

AIR CLEANER & ENRICHENER



[View interactive image](#)

[View interactive table](#)

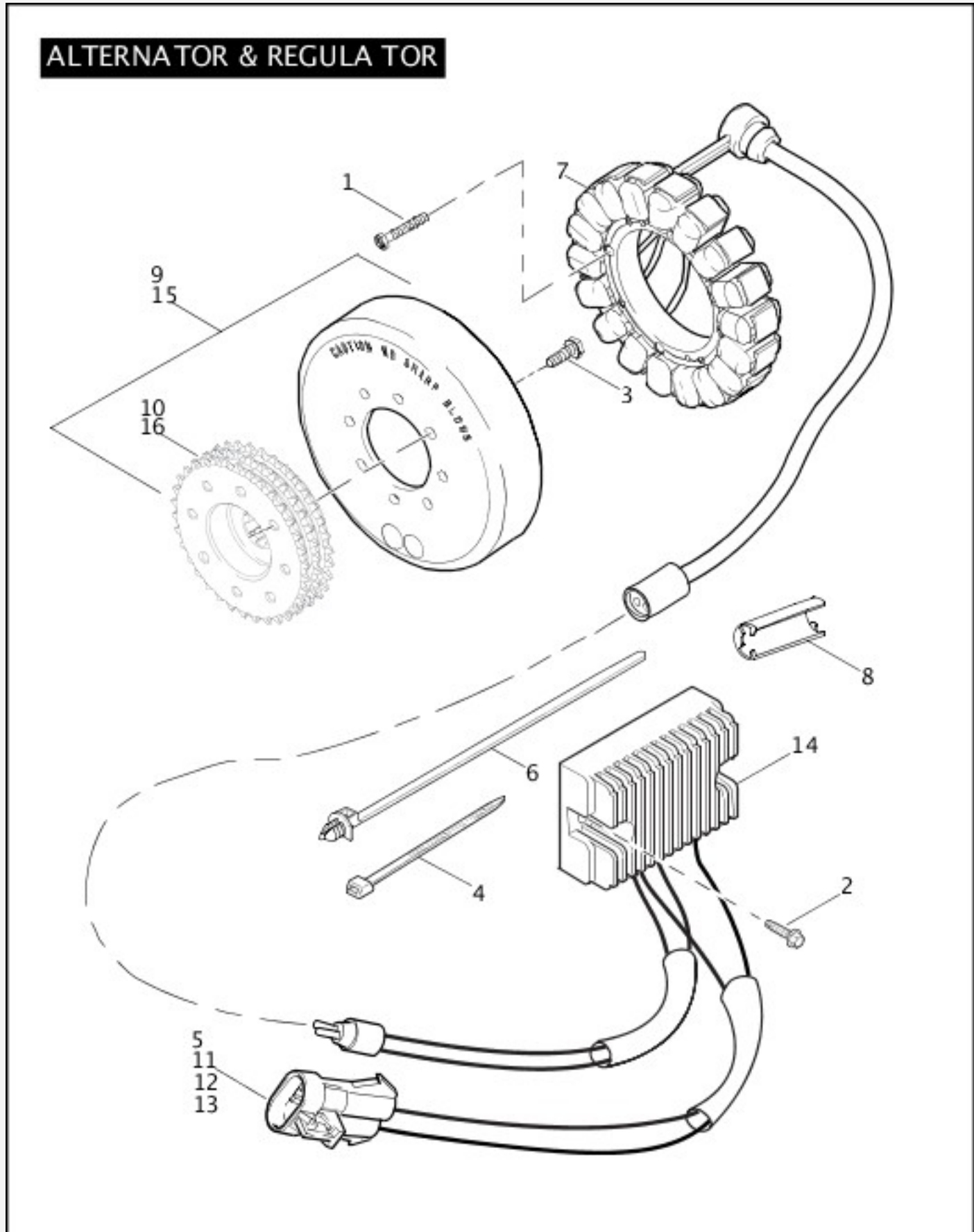
INDEX NO.	PART NO.	DESCRIPTION	MODEL(S)
1	946	SCREW (3)	ALL
2	2460	SCREW (2)	ALL

3	3565	SCREW, breather (2)	ALL
4	11202	O-RING (2)	ALL
5	27096-04	VENT LINE, valve to atmosphere (Domestic, HDI)	ALL
6	29062-95B	GASKET, carburetor intake	ALL
7	29084-04	COVER, air cleaner	XL1200C, XL1200L, XL1200R, XL883, XL883C, XL883L
	29122-05	COVER, air cleaner (black)	XL883R
8	29123-04	TRIM INSERT, air cleaner	XL883, XL883L
	29125-05	TRIM INSERT, air cleaner	XL883R
	29346-04	TRIM INSERT, air cleaner	XL1200C
	29352-04	TRIM INSERT, air cleaner	XL1200R
	29354-06	TRIM INSERT, air cleaner	XL1200L
	29802-04	TRIM INSERT, air cleaner	XL883C
9	29229-88D	CARBURETOR ENRICHENER CABLE	ALL
10	29313-95	GASKET, filter element	ALL
11	29315-04	SEAL, air cleaner	ALL
12	29331-04	FILTER ELEMENT, w/ 29313-95	ALL
	29342-99	GROMMET (California) (not illustrated)	ALL
13	29348-04	BACKPLATE ASSEMBLY, air cleaner, w/ 29342-99 (California)	ALL
	29359-04	BACKPLATE ASSEMBLY, air cleaner (Domestic, Canada)	ALL
14	29367-04	BACKPLATE, air cleaner	ALL

INTERNATIONAL MODELS ONLY

15	29359-04	BACKPLATE ASSEMBLY, air cleaner (HDI, Australia, England, Japan)	XL883, XL883C, XL883L, XL883R
	29360-04	BACKPLATE ASSEMBLY, air cleaner (HDI, Australia, England, Japan)	XL1200C, XL1200L, XL1200R

ALTERNATOR & REGULATOR

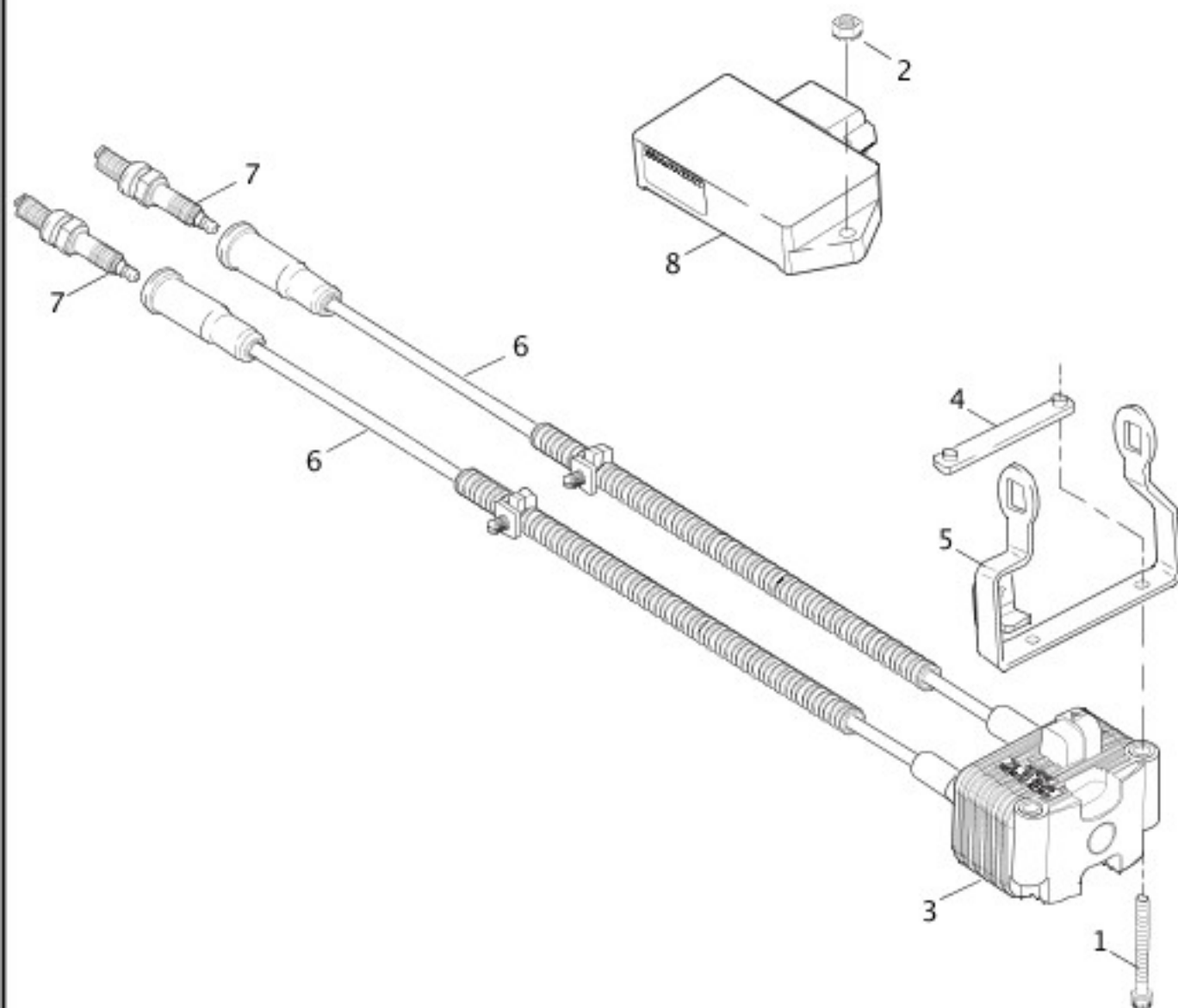


[View interactive image](#)

INDEX NO.	PART NO.	DESCRIPTION	MODEL(S)
1	3029	SCREW (4)	ALL
2	4329	SCREW (2)	ALL
3	4751	SCREW (8)	ALL
4	10065	CABLE STRAP, cable	ALL
5	10147	CLIP, connector	ALL
6	10177	CABLE STRAP, cable plug-in	ALL
7	29967-89B	STATOR	ALL
8	29984-06	COVER, stator plug wire	ALL
9	32493-02	ROTOR SPROCKET ASSEMBLY, w/ 40241-02 & 4751 (Domestic, Canada, California)	XL883, XL883C, XL883L, XL883R
	32494-04	ROTOR SPROCKET ASSEMBLY, w/ 40290-04 & 4751	XL1200C, XL1200L, XL1200R
10	40241-02	SPROCKET, triple row, 34T (Domestic, Canada, California)	XL883, XL883C, XL883L, XL883R
	40290-04	SPROCKET, triple row, 38T	XL1200C, XL1200L, XL1200R
11	72233-94	CONNECTOR, 2-way pin, black	ALL
12	72235-94	TERMINAL, pin, 14-16 gauge (2)	ALL
13	72237-94	SEAL, cable (2)	ALL
14	74523-04	REGULATOR, voltage, w/ 10065, 10147, 10177, 72233-94, 72235-94, & 72237-94	ALL
INTERNATIONAL MODELS ONLY			
15	32494-04	ROTOR SPROCKET ASSEMBLY, w/ 40290-04 & 4751 (HDI, Australia, England, Japan)	XL883, XL883C, XL883L, XL883R
16	40290-04	SPROCKET, triple row, 38T (HDI, Australia, England, Japan)	XL883, XL883C, XL883L, XL883R

ELECTRONIC IGNITION SYSTEM

ELECTR ONIC IGNITION SYSTEM

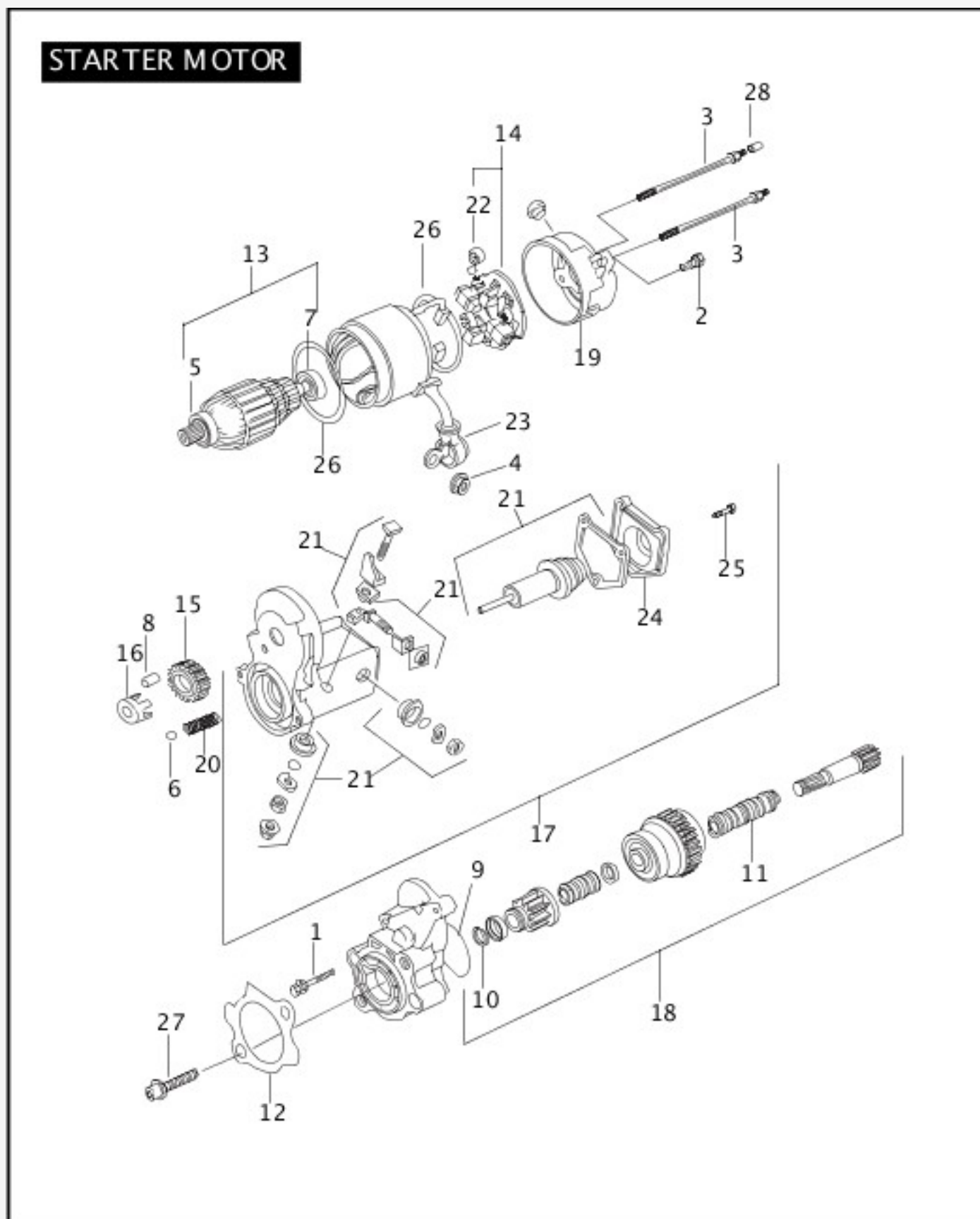


[View interactive image](#)

[View interactive table](#)

INDEX NO.	PART NO.	DESCRIPTION	MODEL(S)
1	3480A	SCREW (2)	ALL
2	7805	NUT	ALL
3	31655-99	COIL, ignition, dual	ALL
4	31740-04	PLATE, nut	ALL
5	31755-04	BRACKET	ALL
6	31996-04	CABLE, spark plug (2)	ALL
7	32362-04	SPARK PLUG (2)	ALL
8	32622-04A	IGNITION MODULE	ALL

STARTER MOTOR



[View interactive image](#)

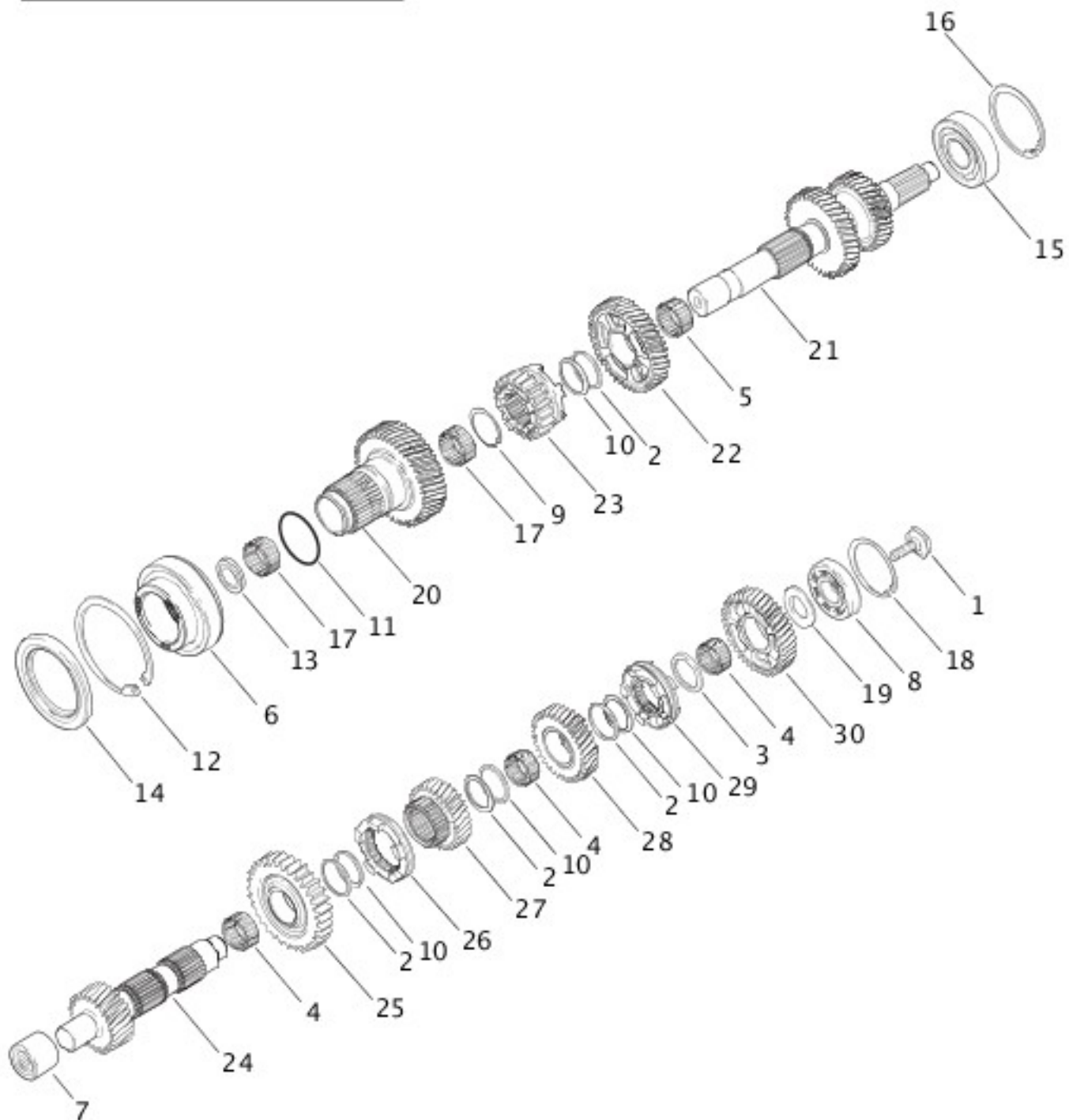
[View interactive table](#)

INDEX NO.	PART NO.	DESCRIPTION	MODEL(S)
1	928	BOLT, starter (2)	ALL
2	929A	SCREW (2)	ALL
3	3559	BOLT, through (2)	ALL
4	3403	LOCKNUT	ALL

5	8871	BALL BEARING	ALL
6	8879	BALL	ALL
7	8883	BALL BEARING	ALL
8	9077	CLUTCH ROLLER (5)	ALL
9	11116	O-RING	ALL
10	31328-91	RING, snap	ALL
11	31692-90	SPRING	ALL
	31390-91E	STARTER MOTOR, complete	ALL
12	31488-81B	GASKET, starter motor	ALL
13	31515-90	ARMATURE ASSEMBLY	ALL
14	31518-90	HOLDER ASSEMBLY, starter brush	ALL
15	31525-90	GEAR, idler	ALL
16	31530-90	RETAINER, idler	ALL
17	31537-98	SWITCH ASSEMBLY, magnetic	ALL
18	31556-91B	CLUTCH SUB-ASSEMBLY, w/ 31328-91 & 31692-90	ALL
19	31599-91	FRAME, starter end	ALL
20	31600-90	SPRING, return	ALL
21	31603-91	REPAIR KIT, starter solenoid	ALL
22	31661-90	SPRING, starter (4)	ALL
23	31662-90	CAP TERMINAL, rubber	ALL
24	31688-90	COVER, solenoid	ALL
25	31689-90	BOLT, w/ washer (3)	ALL
26	31695-90	O-RING, yoke (2)	ALL
27	45902-00	SCREW (2)	ALL
28	89581-04A	CAP, thread protector	ALL

TRANSMISSION GEARS

TRANSMISSION GEARS



[View interactive image](#)

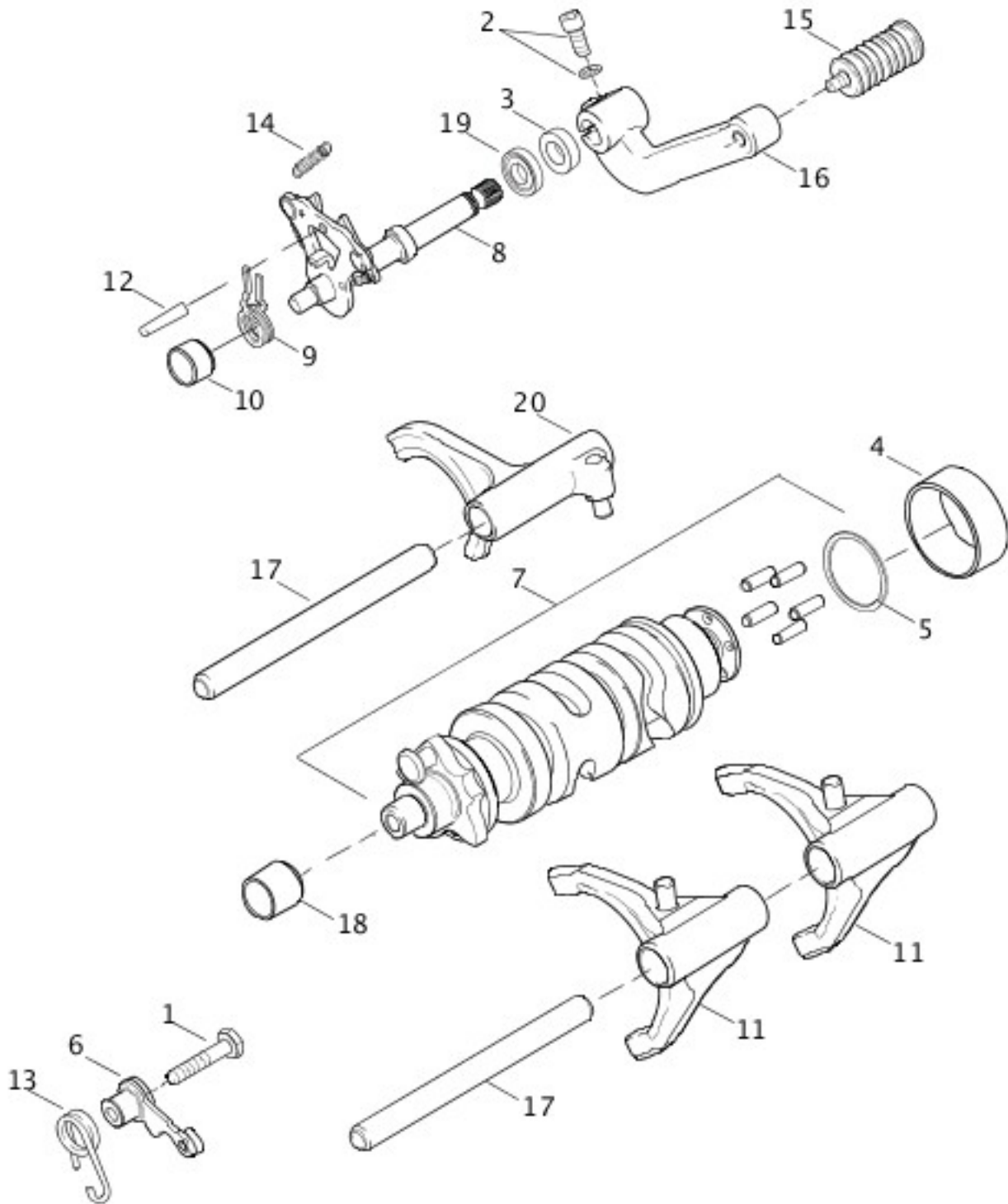
[View interactive table](#)

INDEX NO.	PART NO.	DESCRIPTION	MODEL(S)
1	3990	SCREW	ALL
2	6003	WASHER, thrust (4)	ALL
3	6021	SPACER	ALL
4	8862	BEARING (3)	ALL
5	8884	BEARING	ALL
6	8964	BEARING, ball	ALL
7	8966	BEARING, closed end	ALL

8	8970	BEARING, ball	ALL
9	10984	SNAP RING	ALL
10	11067	RETAINING RING (4)	ALL
11	11113	O-RING	ALL
12	11161	RETAINING RING	ALL
13	12030	SEAL	ALL
14	12074	OIL SEAL	ALL
15	35030-89	BEARING, mainshaft	ALL
16	35038-89A	RETAINING RING	ALL
17	35051-89A	BEARING, needle (2)	ALL
18	35087-99	RETAINING RING	ALL
19	35107-06	SPACER	ALL
20	35159-06	GEAR, fifth-mainshaft	ALL
21	35163-06	GEAR, mainshaft	ALL
22	35165-06	GEAR, fourth-mainshaft	ALL
23	35167-06	GEAR, first-mainshaft	ALL
24	35172-06	GEAR, countershaft	ALL
25	35174-06	GEAR, first-countershaft	ALL
26	35190-06	RING, dog	ALL
27	35191-06	GEAR, fourth-countershaft	ALL
28	35193-06	GEAR, third-countershaft	ALL
29	35196-06	RING, dog	ALL
30	35197-06	GEAR, second-countershaft	ALL

SHIFTER - 883/883L/883R/1200L/1200R

SHIFTER - 883/883L/883R/1200L/1200R



[View interactive image](#)

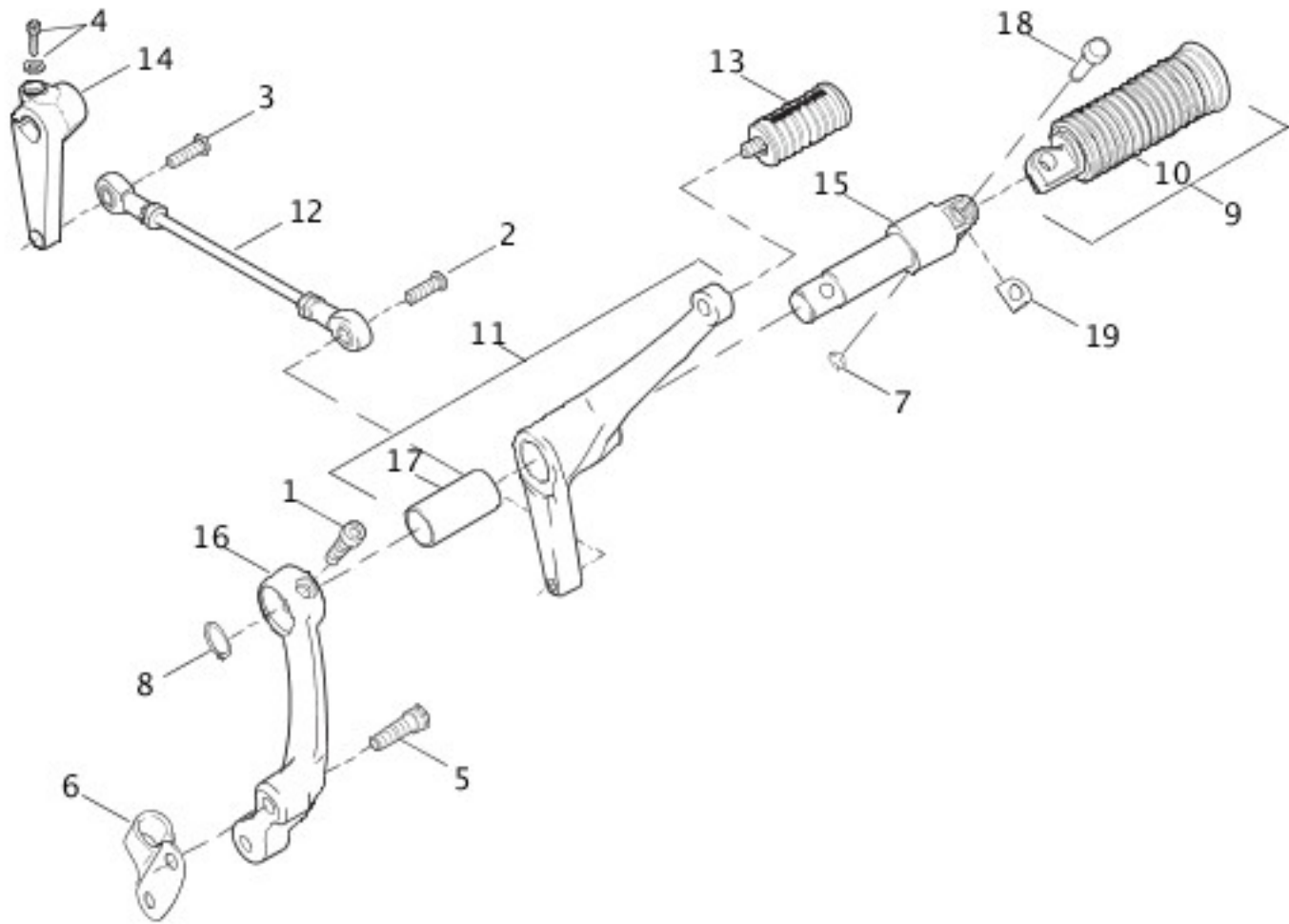
[View interactive table](#)

INDEX NO.	PART NO.	DESCRIPTION	MODEL(S)
1	3997A	BOLT	ALL
2	2708A	SCREW, w/ washer	XL1200L, XL1200R, XL883, XL883L, XL883R
3	7019	WASHER (rubber)	ALL

4	9187	BEARING	ALL
5	11360	RING, retaining	ALL
6	33540-06	SPRING SLEEVE ASSEMBLY, detent	ALL
7	33641-06	SHIFTER CAM ASSEMBLY, w/ 11360	ALL
	33900-99	SWITCH, neutral (not illustrated)	ALL
8	34014-06	SHIFTER LEVER ASSEMBLY, w/ 34064-00C & 34491-02A (2)	ALL
9	34064-00C	SPRING, shifter return	ALL
10	34076-02	BUSHING	ALL
11	34157-06	FORK ASSEMBLY, shifter (2)	ALL
12	34163-02	PIN, shifter stop	ALL
13	34483-06	SPRING, detent	ALL
14	34491-02A	SPRING, extension (2)	ALL
15	34611-65	SHIFTER PEG	XL1200L, XL1200R, XL883, XL883L, XL883R
16	34660-04A	SHIFT LEVER, foot (chrome)	XL1200L, XL1200R, XL883, XL883L, XL883R
17	34981-02A	SHAFT, shifter forks (2)	ALL
18	34982-02	BUSHING, right hand crankcase	ALL
19	37107-06	OIL SEAL	ALL
20	34162-06	FORK ASSEMBLY, shifter	ALL

SHIFTER - 883C/1200C

SHIFTER - 883C/1200C



[View interactive image](#)

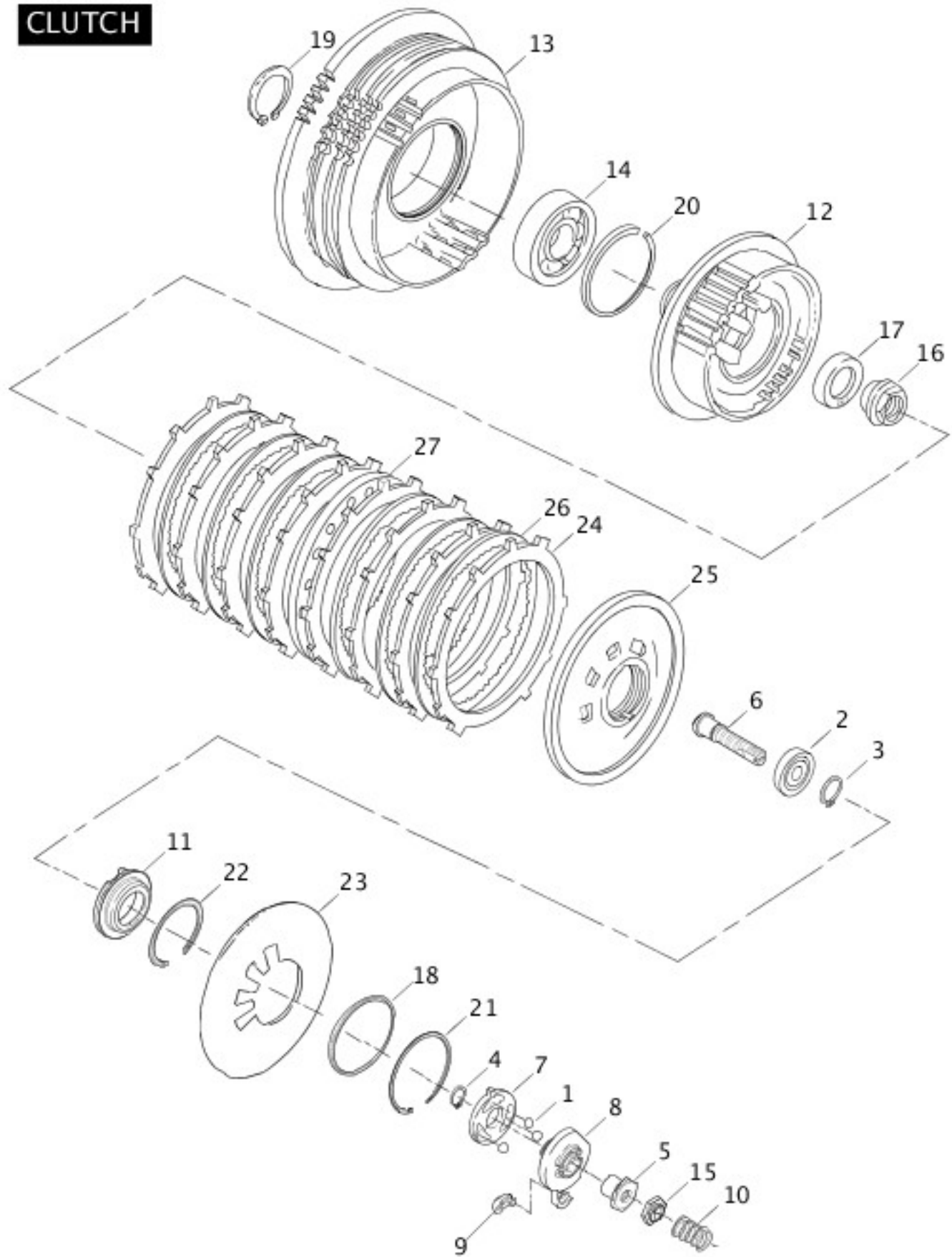
[View interactive table](#)

INDEX NO.	PART NO.	DESCRIPTION	MODEL(S)
1	3210A	SCREW	XL1200C, XL883C
2	4016	SCREW	XL1200C, XL883C
3	4359	SCREW	XL1200C, XL883C
4	2708A	SCREW, w/ washer	XL1200C, XL883C
5	4748	SCREW (2)	XL1200C, XL883C
6	10179	J-CLIP	XL1200C, XL883C
7	11304	RETAINING RING	XL1200C, XL883C
8	11390	RETAINING RING	XL1200C, XL883C
9	33032-99	FOOTPEG ASSEMBLY, w/ 33216-99	XL1200C, XL883C

10	33216-99	RUBBER, footpeg	XL1200C, XL883C
11	34572-04	LEVER ASSEMBLY, shifter, w/ 42569-03	XL1200C, XL883C
12	34573-04	SHIFTER ROD LINK	XL1200C, XL883C
13	34611-65	SHIFTER PEG, shifter pedal	XL1200C, XL883C
14	34670-06	SHIFT LEVER	XL1200C, XL883C
15	42541-04	CLEVIS, rider footpeg	XL1200C, XL883C
16	42651-04	BRACKET, left rider footpeg	XL1200C, XL883C
17	42569-03	BUSHING	XL1200C, XL883C
18	45041-01A	CLEVIS PIN	XL1200C, XL883C
19	50912-72	SPRING WASHER, pedal	XL1200C, XL883C

CLUTCH

CLUTCH



[View interactive image](#)

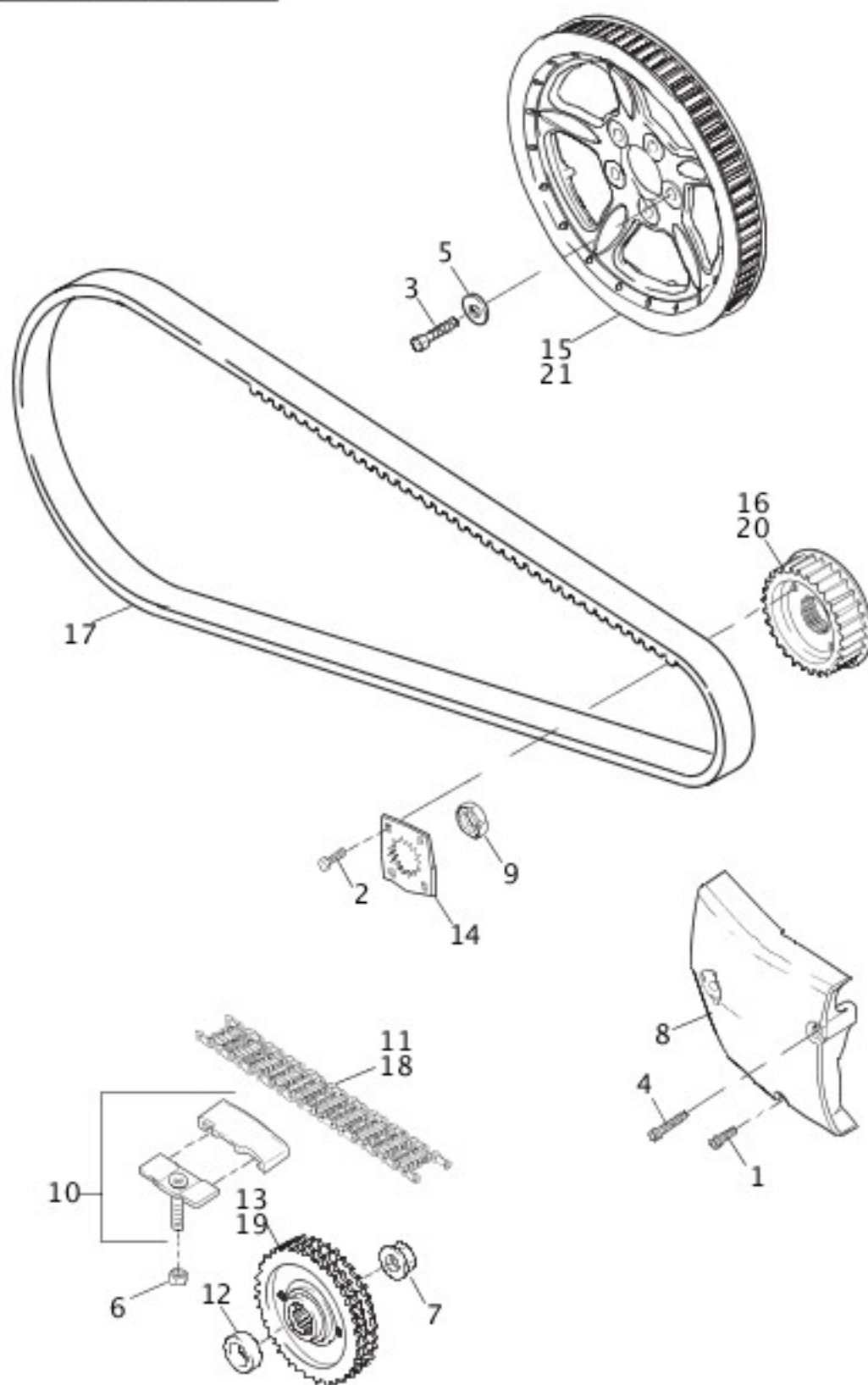
[View interactive table](#)

INDEX NO.	PART NO.	DESCRIPTION	MODEL(S)
1	8873	BALL (3)	ALL
2	8885	BEARING	ALL
3	11046	RETAINING RING	ALL

4	11250	RETAINING RING	ALL
5	11730A	WELL NUT	ALL
6	11765Y	ADJUSTMENT SCREW	ALL
7	25453-87A	RAMP, inner	ALL
8	25409-94B	RAMP, outer	ALL
9	34920-86A	COUPLING, clutch cable	ALL
10	36715-94	SPRING, clutch adjustment	ALL
11	36731-91	RELEASE PLATE, w/ 8885	ALL
12	36785-91	CLUTCH HUB	ALL
13	36790-04	CLUTCH SHELL & SPROCKET, w/ 36799-91 & 37905-90	ALL
14	36799-91	BALL BEARING	ALL
15	36802-84B	LOCKPLATE, well type	ALL
16	37495-91	NUT, main shaft	ALL
17	37870-91	SPRING WASHER	ALL
18	37872-90	SEAT, spring-inner	ALL
19	37904-90	RETAINING RING	ALL
20	37905-90	RETAINING RING	ALL
21	37908-90	RETAINING RING	ALL
22	37909-90	RETAINING RING	ALL
23	37910-04B	SPRING, clutch plate	XL883, XL883C, XL883L, XL883R
	37924-04A	SPRING, clutch plate	XL1200C, XL1200L, XL1200R
24	37911-90	FRICTION PLATE (paper) (8)	ALL
25	37912-91	PRESSURE PLATE	ALL
26	37913-90	STEEL PLATE (6)	ALL
27	37977-90	SPRING PLATE	ALL

BELTS & SPROCKETS

BELTS & SPROCKETS



[View interactive image](#)

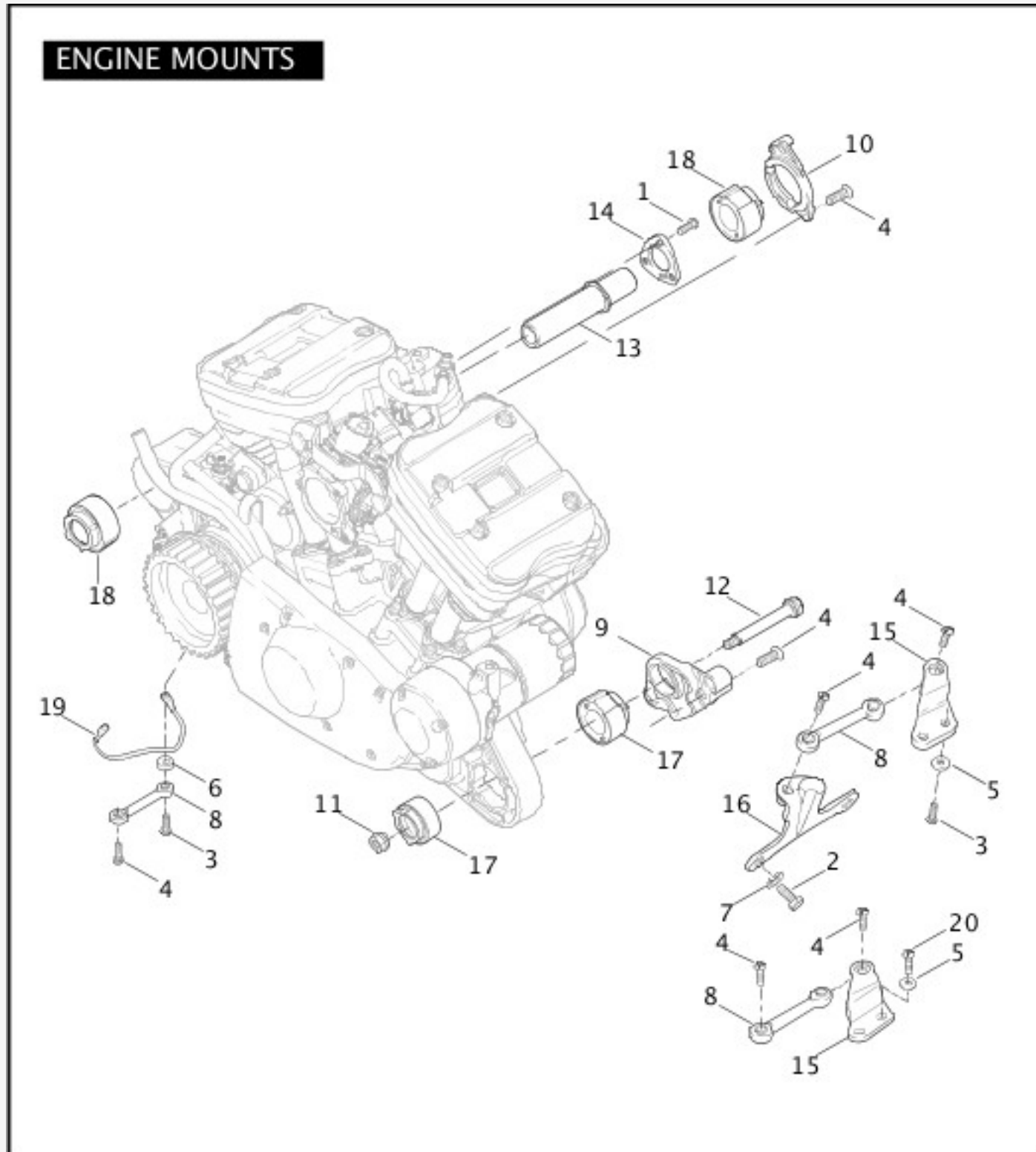
[View interactive table](#)

INDEX NO.	PART NO.	DESCRIPTION	MODEL(S)
1	3480A	SCREW	ALL
2	3594	SCREW (2)	ALL
3	3899	SCREW (for Japan see REAR WHEEL - CAST) (5)	ALL

4	4717A	SCREW (2)	ALL
5	6516HW	WASHER (for Japan see REAR WHEEL - CAST) (5)	ALL
6	7804	LOCKNUT	ALL
7	7839	NUT, engine sprocket	ALL
8	34911-04	SPROCKET COVER	XL883, XL883L
	34932-04	SPROCKET COVER	XL1200C, XL1200L
	34938-04	SPROCKET COVER	XL883C
	34943-05	SPROCKET COVER	XL1200R, XL883R
9	35211-91B	NUT, transmission sprocket	ALL
10	40039-02B	CHAIN ADJUSTER ASSEMBLY	ALL
11	40005-57B	PRIMARY CHAIN, 94 links (Domestic, Canada, California)	XL883, XL883C, XL883L, XL883R
	40147-04	PRIMARY CHAIN, 96 links	XL1200C, XL1200L, XL1200R
12	40254-02	SPACER, sprocket	ALL
13	40241-02	SPROCKET, triple row - 34T (Domestic, Canada, California)	XL883, XL883C, XL883L, XL883R
	40290-04	SPROCKET, triple row - 38T	XL1200C, XL1200L, XL1200R
14	40251-92A	RETENTION PLATE	ALL
15	40350-04	SPROCKET, belt - 68T (black)	XL1200C, XL1200L, XL883R
	40352-04	SPROCKET, belt - 68T (silver)	XL1200R, XL883, XL883C, XL883L
16	40379-04	SPROCKET, transmission - 28T	XL883, XL883C, XL883L, XL883R
	40409-04	SPROCKET, transmission - 29T (Domestic, Canada, California)	XL1200C, XL1200L, XL1200R
17	40570-04	BELT, 136T	XL883, XL883C, XL883L, XL883R
	40571-04B	BELT, 137T	XL1200C, XL1200L, XL1200R
INTERNATIONAL MODELS ONLY			
18	40147-04	PRIMARY CHAIN, 94 links (HDI, Japan)	XL883, XL883C, XL883L
19	40290-04	SPROCKET, triple row - 38T (HDI, Japan)	XL883, XL883C, XL883L
20	40380-04	SPROCKET, transmission - 30T (HDI, Japan)	XL1200C, XL1200R

21	40518-05	SPROCKET ASSEMBLY, final drive - 68T (Japan) (black)	XL1200C, XL1200L, XL883R
	40544-05	SPROCKET ASSEMBLY, final drive - 68T (Japan) (silver)	XL1200R, XL883, XL883C, XL883L

ENGINE MOUNTS



[View interactive image](#)

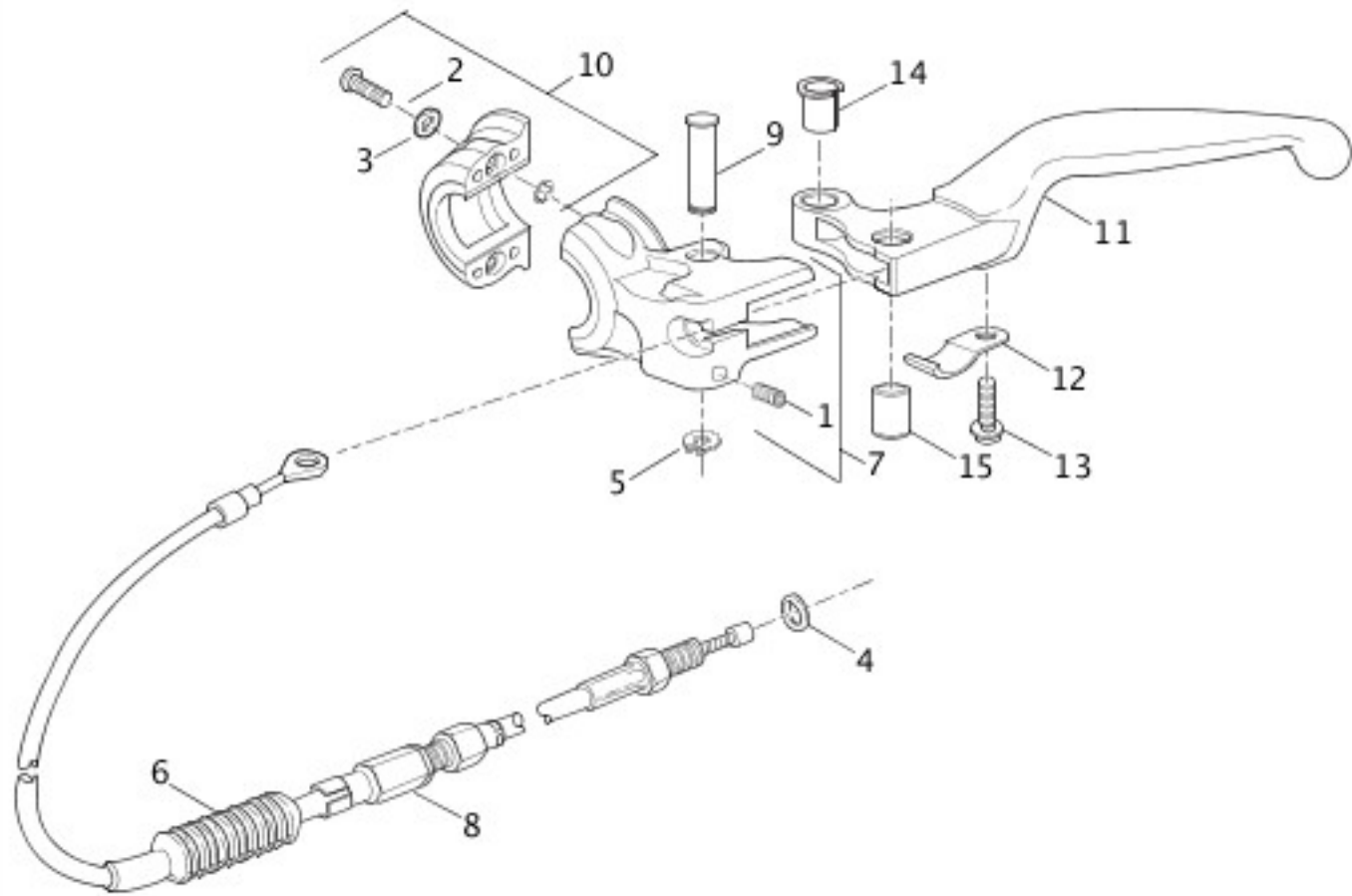
[View interactive table](#)

INDEX NO.	PART NO.	DESCRIPTION	MODEL(S)
1	940	SCREW (3)	ALL
2	3854	SCREW (2)	ALL

3	4180	SCREW (3)	ALL
4	4290	SCREW (9)	ALL
5	6026	WASHER, flat (4)	ALL
6	6152	SPACER	ALL
7	7039	LOCKWASHER (2)	ALL
8	16232-04	TIE-LINK (3)	ALL
9	16287-04	MOUNT, front isolator	ALL
10	16291-04	MOUNT, rear isolator	ALL
11	41561-04	NUT, lower front motor mount	ALL
12	41562-04	BOLT, lower front motor mount	ALL
13	41568-04	SHAFT, swing arm pivot	ALL
14	41699-04	LOCKPLATE, rear pivot	ALL
15	47470-04	BRACKET, tie-link (2)	ALL
16	47471-04	BRACKET, tie-link mounting, engine	ALL
17	48463-04	ISOLATOR, front mount (2)	ALL
18	48492-04	ISOLATOR, rear mount (2)	ALL
19	70297-04	STRAP, grounding	ALL
20	4188	SCREW (2)	ALL

CLUTCH CONTROL

CLUTCH CONTROL



[View interactive image](#)

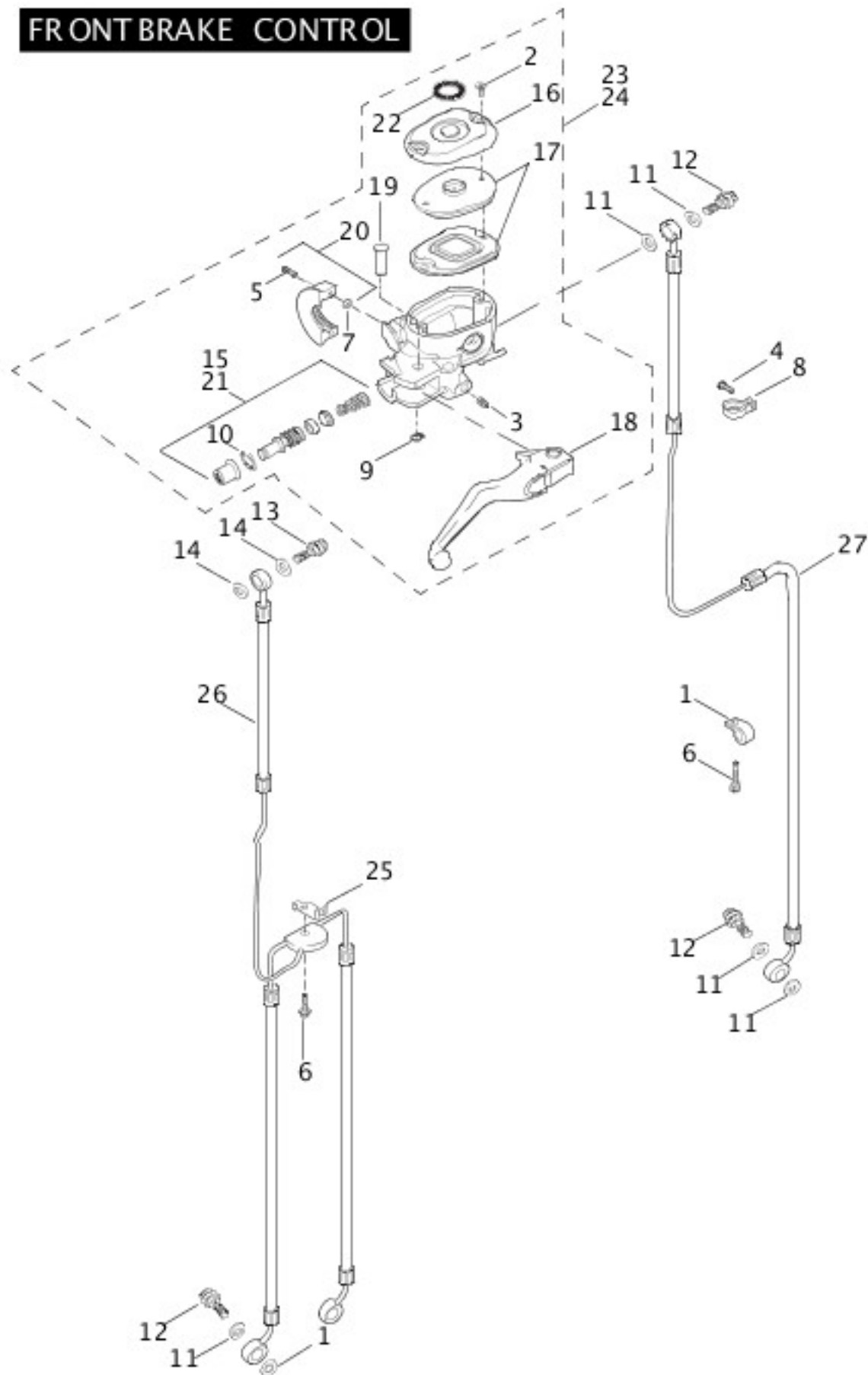
[View interactive table](#)

INDEX NO.	PART NO.	DESCRIPTION	MODEL(S)
1	3244	SCREW, set	ALL
2	4535M	SCREW (2)	ALL
3	6101	WASHER (2)	ALL
	42425-05	KIT, washer & screw, w/ 4535M (2) & 6101 (2)	ALL
	10289	CLIP, clutch cable-to-frame (not illustrated)	ALL
4	11179	O-RING	ALL
5	11379	RETAINING RING	ALL
6	38630-88	BOOT, clutch cable	ALL
7	38671-04	BRACKET, clutch lever	ALL
8	38699-04	CABLE ASSEMBLY, w/ 11179, 11379, 38630-88, & 46268-04	XL1200C, XL1200R, XL883, XL883C, XL883R

	38702-05	CABLE ASSEMBLY, w/ 11179, 11379, 38630-88, & 46268-04	XL1200L, XL883L
9	42807-04	BOLT	ALL
10	42808-04	CLAMP, clutch control, w/ 4535M & 6101	ALL
11	45081-04	HAND LEVER, w/ 45799-04, 45800-04, & 45801-04	ALL
12	45799-04	SPRING, anti-rattle	ALL
13	45800-04	SCREW, spring - clutch lever	ALL
14	45801-04	BUSHING	ALL
15	46268-04	PIN, clutch cable	ALL

FRONT BRAKE CONTROL

FRONT BRAKE CONTROL



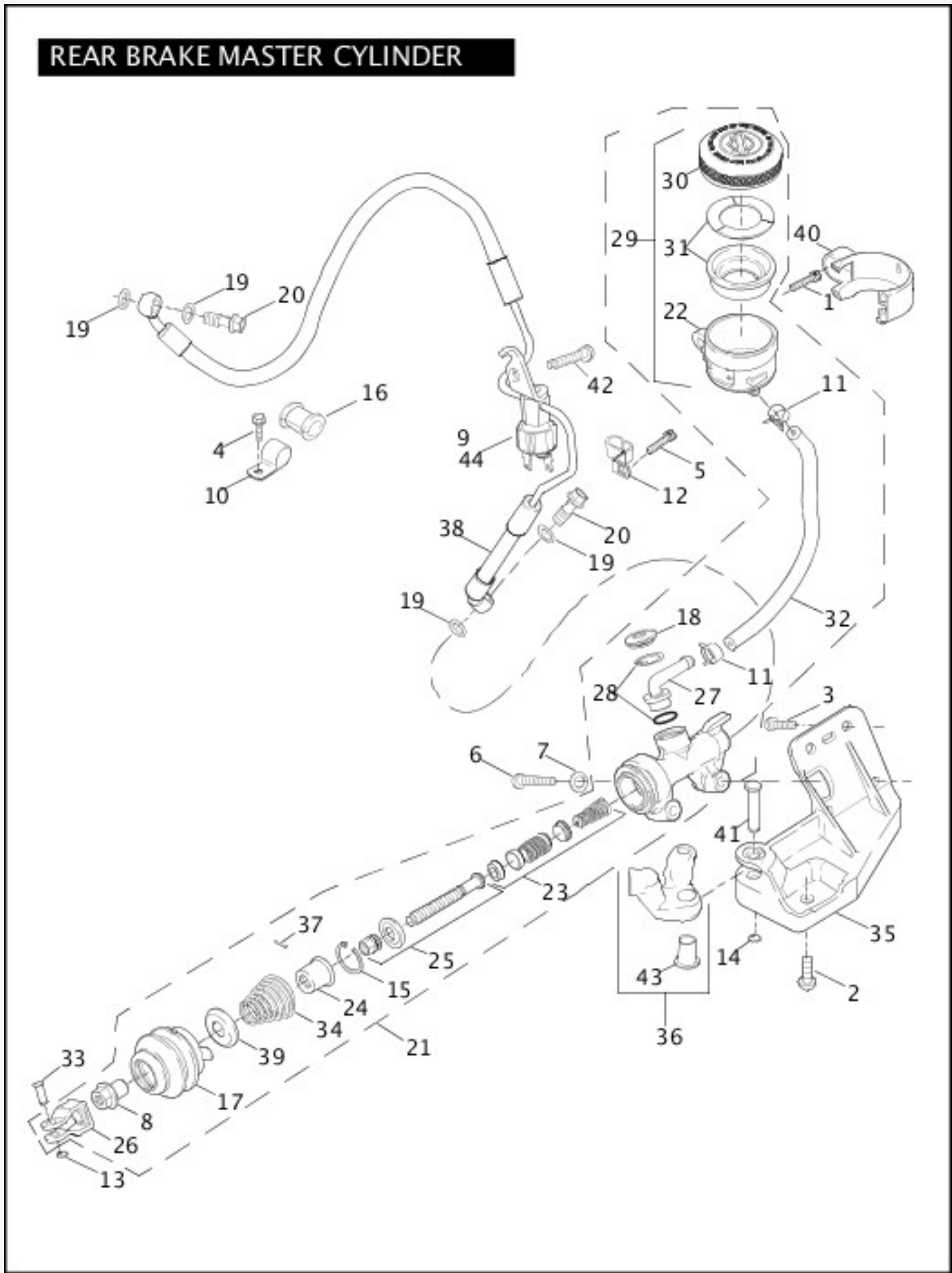
[View interactive image](#)

[View interactive table](#)

INDEX NO.	PART NO.	DESCRIPTION	MODEL(S)
1	10053	CLAMP	XL1200C, XL1200L, XL883, XL883C, XL883L
2	2586A	SCREW, flat (2)	ALL

3	3244	SCREW, w/ thread lock	ALL
4	4104	SCREW	ALL
5	4535M	SCREW (2)	ALL
6	4741A	SCREW	ALL
7	6101	WASHER (2)	ALL
	42425-05	KIT, washer & screw, w/ 4535M (2) & 6101 (2)	ALL
8	10031	CLAMP	ALL
9	11379	RETAINING RING, lever pivot	ALL
10	11142	RETAINING RING	ALL
11	41732-04	SEALING WASHER, 10mm (4)	ALL
12	41736-04	BANJO BOLT, 10mm (2)	ALL
13	41737-04	BANJO BOLT, 12mm	XL1200R, XL883R
14	41743-04	SEALING WASHER, 12mm (2)	XL1200R, XL883R
15	42803-04A	REBUILD KIT, front master cylinder, single, w/ 11142	XL1200C, XL1200L, XL883, XL883C, XL883L
16	42804-04	CAP, front master cylinder, w/ 44791-04	ALL
17	42805-04	GASKET KIT, master cylinder	ALL
18	42806-04	LEVER, front brake	ALL
19	42807-04	BOLT, lever	ALL
20	42808-04	CLAMP, master cylinder	ALL
21	42809-04A	REBUILD KIT, front master cylinder, dual, w/ 11142	XL1200R, XL883R
22	44791-04	DECAL, front master cylinder	ALL
23	45052-04	MASTER CYLINDER ASSEMBLY, dual, front	XL1200R, XL883R
24	45146-04	MASTER CYLINDER ASSEMBLY, single, front	XL1200C, XL1200L, XL883, XL883C, XL883L
25	45074-95	GUIDE, front brakeline	XL1200R, XL883R
26	45319-04	BRAKELINE, front, dual	XL1200R, XL883R
27	45449-04	BRAKELINE, front, single	XL1200C, XL883C
	46400-04	BRAKELINE, front, single	XL883
	46411-05B	BRAKELINE, front, single	XL1200L, XL883L

REAR BRAKE MASTER CYLINDER



[View interactive image](#)

[View interactive table](#)

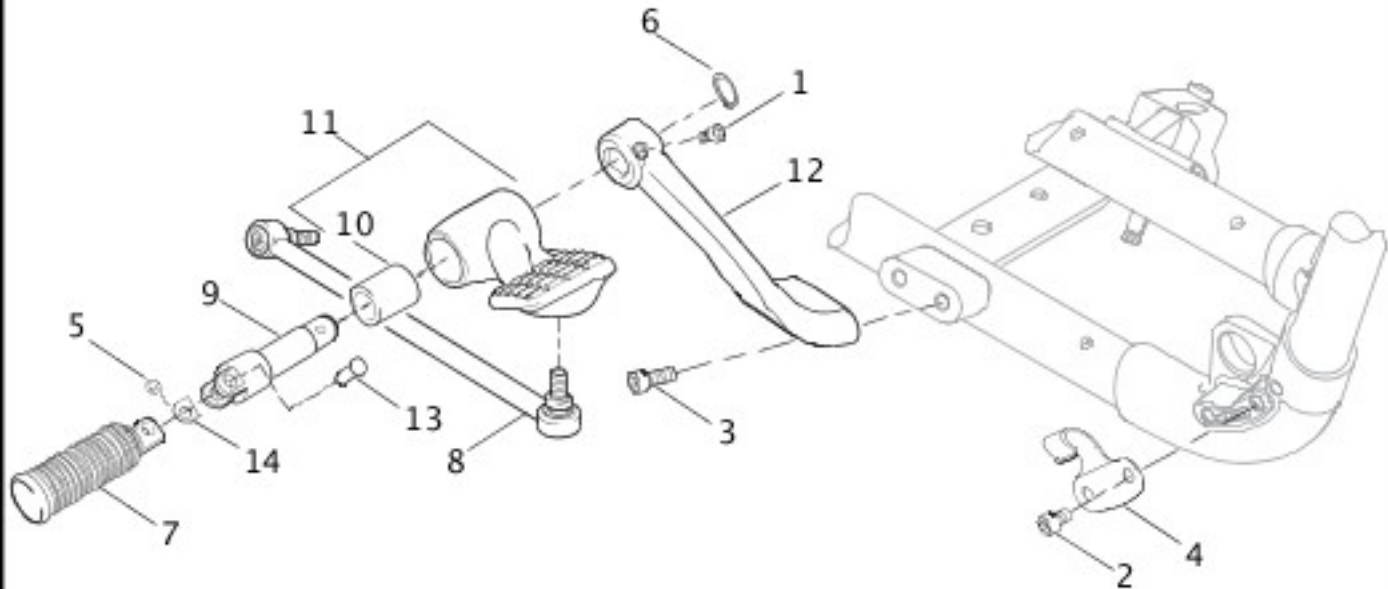
INDEX NO.	PART NO.	DESCRIPTION	MODEL(S)
1	882	SCREW	ALL

2	995	SCREW	ALL
3	997	SCREW, hex socket, button head (2)	ALL
4	2501A	SCREW	ALL
5	4076	SCREW	XL1200R, XL883, XL883L, XL883R
6	4816A	SCREW (2)	ALL
7	6702	WASHER (2)	ALL
8	7477	NUT, hex, 8mm	ALL
9	9907	TERMINAL, wire	ALL
10	10031	CLAMP (2)	ALL
11	10252	CLAMP, reservoir (2)	ALL
12	10255	CLAMP, double tube	ALL
13	10995	RETAINING RING	ALL
14	11031	RETAINING RING	ALL
15	11121	RETAINING RING	ALL
16	11407	GROMMET	ALL
17	40946-04	BOOT, external	ALL
18	40948-04	DUST COVER	ALL
19	41732-04	SEALING WASHER, 10mm (4)	ALL
20	41736-04	BANJO BOLT, 10mm (2)	ALL
21	42521-04	MASTER CYLINDER AND RESERVOIR ASSEMBLY, rear	ALL
22	42595-04	TANK, rear brake reservoir	ALL
23	42810-04A	REBUILD KIT, master cylinder, w/ 11121, 42811-04, & 44189-04	ALL
24	42811-04	BOOT, master cylinder, rear	ALL
25	42812-04	PUSH ROD ASSEMBLY	ALL
26	42813-04	YOKE, master cylinder	ALL
27	42814-04	PORT, rear master cylinder	ALL
28	42815-04	SEAL KIT, port, w/ retaining ring & o-ring	ALL
29	42816-04	RESERVOIR ASSEMBLY, brake, w/ 42595-04, 42817-04, & 42818-04	ALL

30	42817-04	CAP, rear brake reservoir	ALL
31	42818-04	GASKET KIT, rear brake reservoir	ALL
32	42821-04	HOSE	ALL
33	42255-04	PIN, brake lever	ALL
34	42593-04	SPRING, external return	ALL
35	42976-04	BRACKET, mounting, rear master cylinder	ALL
36	42979-04	BELL CRANK ASSEMBLY, w/ 42846-04	ALL
37	44189-04	SPRING PIN	ALL
38	44429-06	BRAKELINE ASSEMBLY, w/ 11407	ALL
39	44590-04	RETAINER, spring	ALL
40	67804-04	COVER, reservoir	ALL
41	94432-04	SHOULDER BOLT, bell crank	ALL
42	94612-04	SCREW, dog point	ALL
43	42846-04	BUSHING, bell crank	ALL
44	72023-51D	STOP LIGHT SWITCH KIT, w/ 9907	ALL

REAR BRAKE CONTROL - 883/883L/883R/1200L/1200R

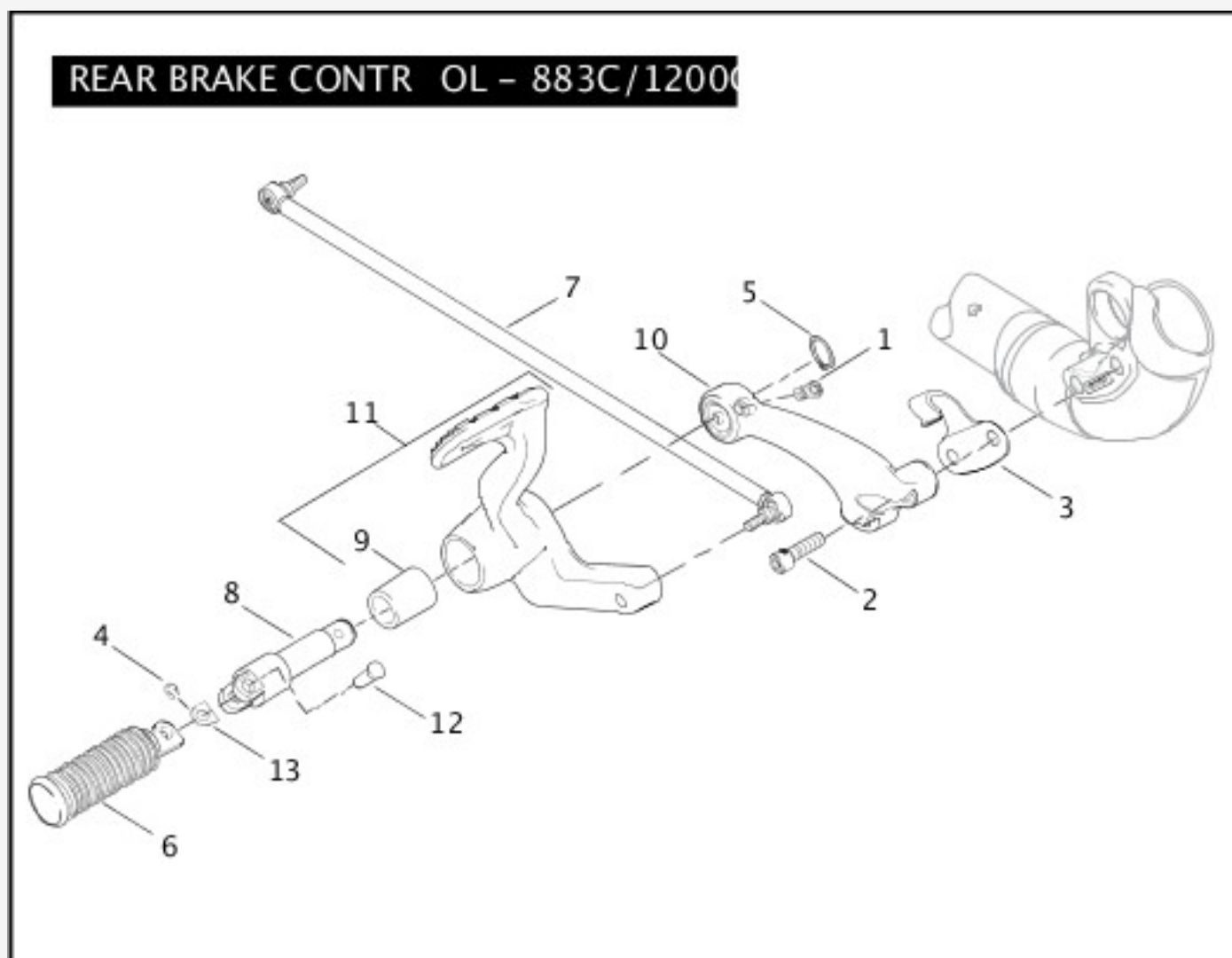
REAR BRAKE CONTR OL - 883/883L/883R/1200L/1200R



[View interactive image](#)

[View interactive table](#)

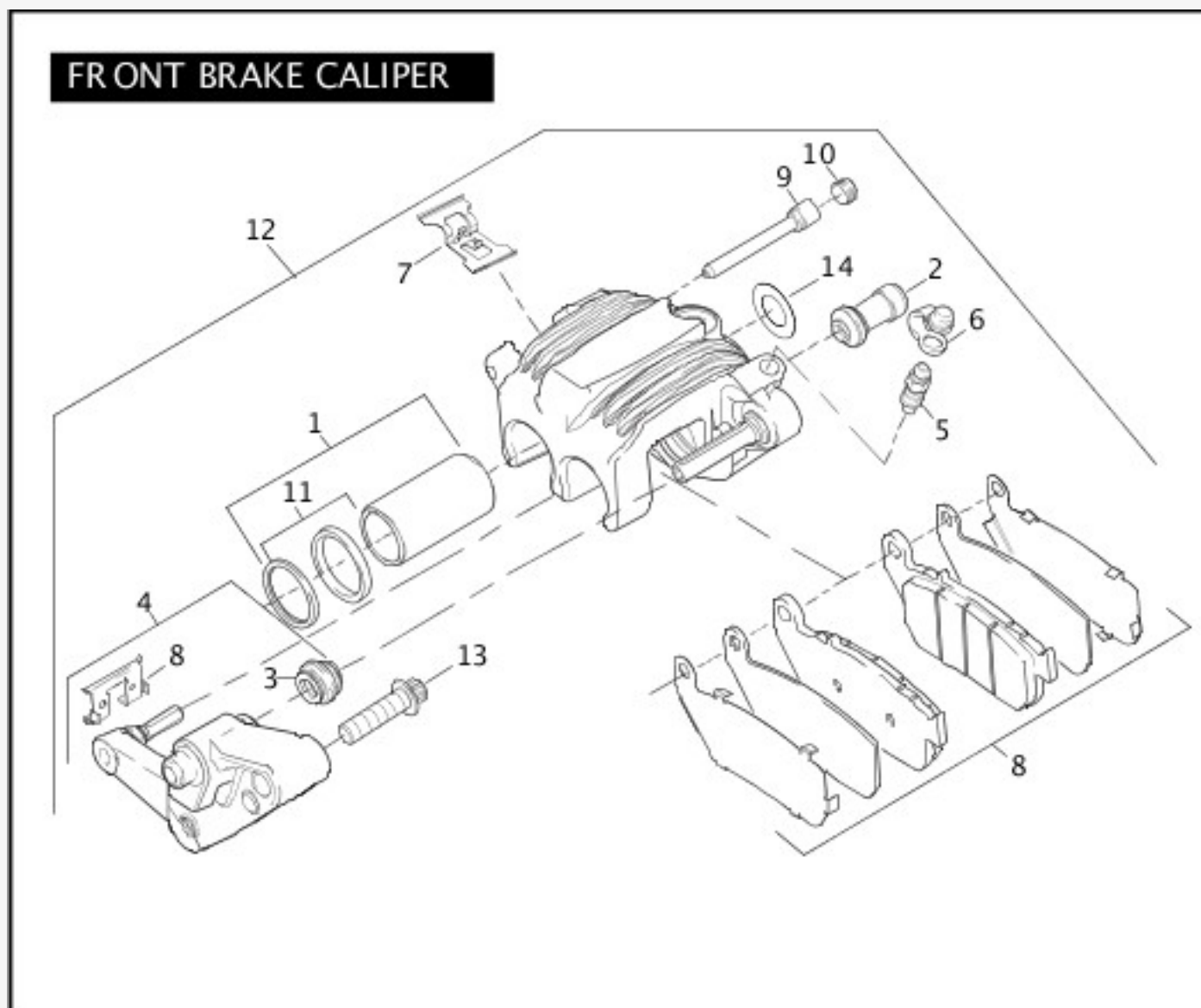
INDEX NO.	PART NO.	DESCRIPTION	MODEL(S)
1	3210A	SCREW, hex socket	XL1200L, XL1200R, XL883, XL883L, XL883R
2	4076	SCREW, hex socket (2)	XL1200L, XL1200R, XL883, XL883L, XL883R
3	4748	SCREW, hex socket (2)	XL1200L, XL1200R, XL883, XL883L, XL883R
4	10179	J-CLIP	XL1200L, XL1200R, XL883, XL883L, XL883R
5	11304	RETAINING RING	XL1200L, XL1200R, XL883, XL883L, XL883R
6	11390	RETAINING RING	XL1200L, XL1200R, XL883, XL883L, XL883R
7	33032-99	FOOTPEG ASSEMBLY, w/ 33216-99	XL1200L, XL1200R, XL883, XL883L, XL883R
	33216-99	RUBBER, front footpeg	XL1200L, XL1200R, XL883, XL883L, XL883R
8	34582-04	BRAKE ROD ASSEMBLY	XL1200L, XL1200R, XL883, XL883L, XL883R
9	42541-04	CLEVIS, rider footpeg	XL1200L, XL1200R, XL883, XL883L, XL883R
10	42569-03	BUSHING	XL1200L, XL1200R, XL883, XL883L, XL883R
11	42969-04	PEDAL ASSEMBLY, w/ 42569-03	XL1200L, XL1200R, XL883, XL883L, XL883R
12	42971-04	BRACKET, right rider footpeg	XL1200L, XL1200R, XL883, XL883L, XL883R
13	45041-01A	CLEVIS PIN	XL1200L, XL1200R, XL883, XL883L, XL883R

REAR BRAKE CONTROL - 883C/1200C
[View interactive image](#)
[View interactive table](#)

INDEX NO.	PART NO.	DESCRIPTION	MODEL(S)
1	3210A	SCREW, hex socket	XL1200C, XL883C
2	4748	SCREW, hex socket (2)	XL1200C, XL883C
3	10179	J-CLIP	XL1200C, XL883C
4	11304	RETAINING RING	XL1200C, XL883C
5	11390	RETAINING RING	XL1200C, XL883C
6	33032-99	FOOTPEG ASSEMBLY, w/ 33216-99	XL1200C, XL883C
	33216-99	RUBBER, front footpeg	XL1200C, XL883C
7	34581-04	BRAKE ROD ASSEMBLY	XL1200C, XL883C
8	42566-04	CLEVIS, rider footpeg	XL1200C, XL883C

9	42569-03	BUSHING	XL1200C, XL883C
10	42652-04	BRACKET, right rider footpeg	XL1200C, XL883C
11	42685-04	PEDAL ASSEMBLY, w/ 42569-03	XL1200C, XL883C
12	45041-01A	CLEVIS PIN	XL1200C, XL883C
13	50912-72	SPRING WASHER, pedal	XL1200C, XL883C

FRONT BRAKE CALIPER



[View interactive image](#)

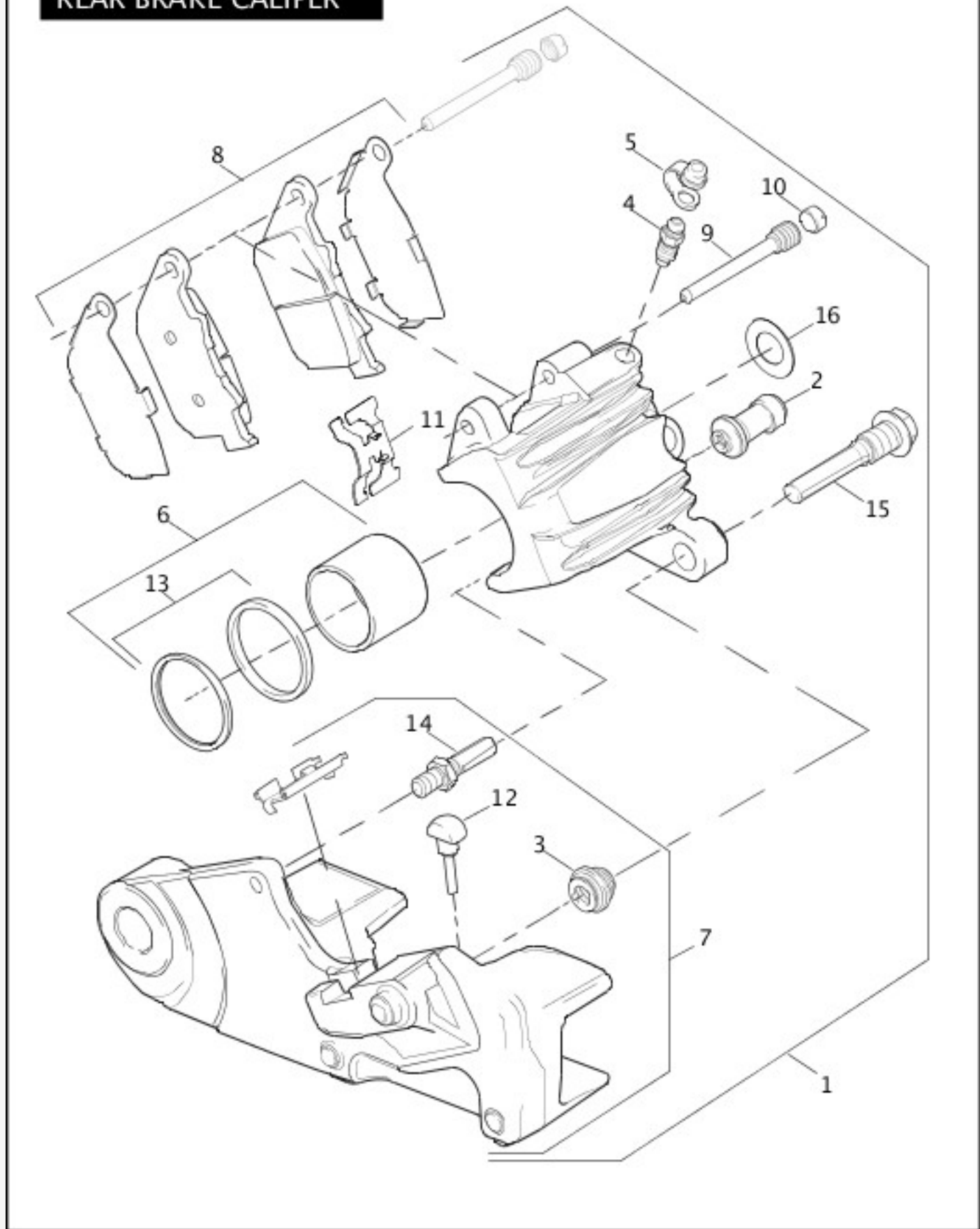
[View interactive table](#)

INDEX NO.	PART NO.	DESCRIPTION	MODEL(S)
1	42822-04	PISTON KIT, front	ALL
2	42823-04	BOOT, caliper bushing	ALL
3	42824-04	BOOT, caliper pin	ALL
4	42825-04	CALIPER BRACKET ASSEMBLY, front left, w/ 42824-04	XL1200C, XL1200R, XL883, XL883C,

			XL883L
	42826-04	CALIPER BRACKET ASSEMBLY, front right, w/ 42824-04 (not illustrated)	XL1200R
	42880-05	CALIPER BRACKET ASSEMBLY, front left, w/ 42824-04	XL1200L, XL883R
	42878-05	CALIPER BRACKET ASSEMBLY, front right, w/ 42824-04 (not illustrated)	XL883R
5	42827-04	SCREW, bleeder	ALL
6	42828-04	CAP, bleeder screw	ALL
7	42829-04	SPRING, pad, front	ALL
8	42831-04A	PAD KIT, front w/ retainer clip	ALL
9	42832-04	PAD PIN, front caliper	ALL
10	42838-04	PLUG, pad pin	ALL
11	43529-04	SEAL KIT, front caliper	ALL
12	44119-04	CALIPER ASSEMBLY, front right (not illustrated)	XL1200R
	44121-04	CALIPER ASSEMBLY, front left	XL1200C, XL1200R, XL883, XL883C, XL883L
	42877-05	CALIPER ASSEMBLY, front right (not illustrated)	XL883R
	42879-05	CALIPER ASSEMBLY, front left	XL1200L, XL883R
13	44160-00	BOLT, caliper mounting (2-CA/CJ/CM/CG, 4-CL/CK)	ALL
14	44440-04	DECAL, caliper	ALL

REAR BRAKE CALIPER

REAR BRAKE CALIPER



[View interactive image](#)

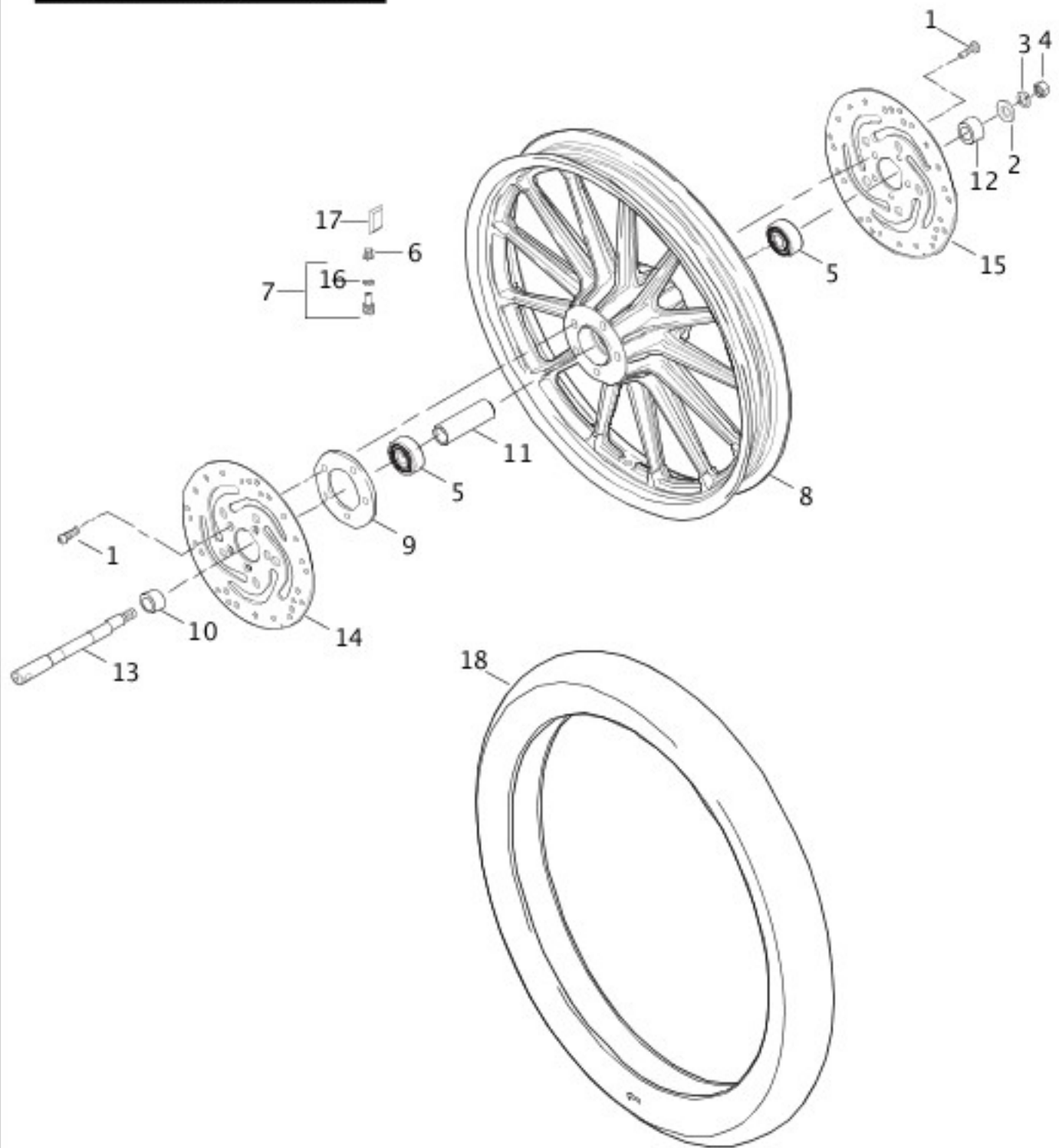
[View interactive table](#)

INDEX NO.	PART NO.	DESCRIPTION	MODEL(S)
1	40968-05	CALIPER ASSEMBLY, rear	XL1200C, XL1200R, XL883, XL883C, XL883L
	42881-05	CALIPER ASSEMBLY, rear	XL1200L, XL883R

2	42823-04	BOOT, caliper bushing	ALL
3	42824-04	BOOT, caliper pin	ALL
4	42827-04	SCREW, bleeder	ALL
5	42828-04	CAP, bleeder screw	ALL
6	42834-04	PISTON KIT, rear caliper	ALL
7	42835-05	BRACKET ASSEMBLY, rear caliper, w/ 42824-04, 42840-04, & 44178-04	ALL
8	42836-04	PAD KIT, rear	ALL
9	42837-04	PAD PIN, rear caliper	ALL
10	42838-04	PLUG, pad pin	ALL
11	42839-04	SPRING, pad, rear	ALL
12	42840-04	DAMPER	ALL
13	43528-04	SEAL KIT	ALL
14	44178-04	PIN, bolt	ALL
15	44184-04	PIN, bolt	ALL
16	44440-04	DECAL, caliper	ALL

FRONT WHEEL - CAST

FRONT WHEEL - CAST



[View interactive image](#)

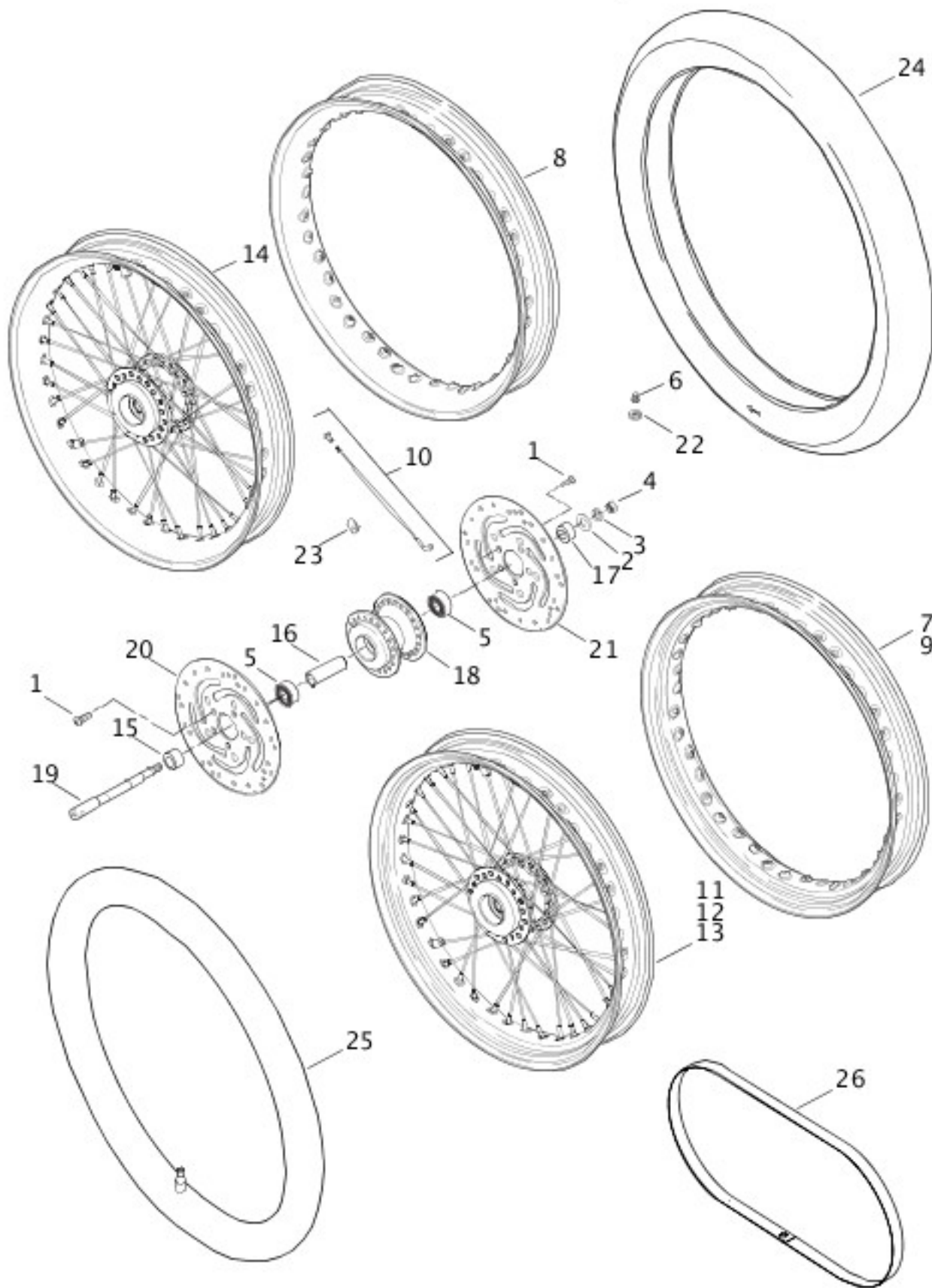
[View interactive table](#)

INDEX NO.	PART NO.	DESCRIPTION	MODEL(S)
1	3655A	SCREW (10)	XL1200L, XL1200R, XL883, XL883L, XL883R
2	6590HW	WASHER	XL1200L, XL1200R, XL883, XL883L, XL883R
3	7068	LOCKWASHER	XL1200L, XL1200R, XL883,

			XL883L, XL883R
4	7956	NUT	XL1200L, XL1200R, XL883, XL883L, XL883R
5	9267	ROLLER BEARING (2)	XL1200L, XL1200R, XL883, XL883L, XL883R
6	41123-79	VALVE CAP	XL1200L, XL1200R, XL883, XL883L, XL883R
7	43157-83A	VALVE STEM ASSEMBLY, w/ 54321-85	XL1200L, XL1200R, XL883, XL883L, XL883R
8	40865-06	WHEEL ASSEMBLY, 19 in. (13 spoke) (black), w/ 9267, 43157-83A, & 43613-00	XL1200L
	43338-00	WHEEL ASSEMBLY, 19 in. (13 spoke) (silver), w/ 9267, 41123-79, 43157-83A, & 43613-00	XL1200R, XL883, XL883L
	40857-05	WHEEL ASSEMBLY, 19 in. (13 spoke) (black w/ silver spokes & trim), w/ 9267, 43157-83A, & 43613-00	XL883R
9	43355-00	HUB PLATE (flat black)	XL1200L
	43359-00	HUB PLATE (silver)	XL883, XL883L
10	43358-00	SPACER, bearing	XL1200L, XL1200R, XL883, XL883L, XL883R
11	43613-00	SPACER, hub	XL1200L, XL1200R, XL883, XL883L, XL883R
12	43617-00A	SPACER, bearing	XL1200L, XL1200R, XL883, XL883L, XL883R
13	43895-00	AXLE (front)	XL1200L, XL1200R, XL883, XL883L, XL883R
14	44136-00	DISC, brake - RH	XL1200R, XL883R
15	44156-00	DISC, brake - LH	XL1200L, XL1200R, XL883, XL883L, XL883R
16	54321-85	NUT, hex	XL1200L, XL1200R, XL883, XL883L, XL883R
17	95595-84	WHEEL WEIGHT, 1/4 oz. (silver)	XL1200L, XL1200R, XL883, XL883L, XL883R
18	43112-91A	TIRE	XL1200L, XL1200R, XL883, XL883L, XL883R

FRONT WHEEL - LACED & PROFILE LACED

FRONT WHEEL - LACED & PROFILE LACED



[View interactive image](#)

[View interactive table](#)

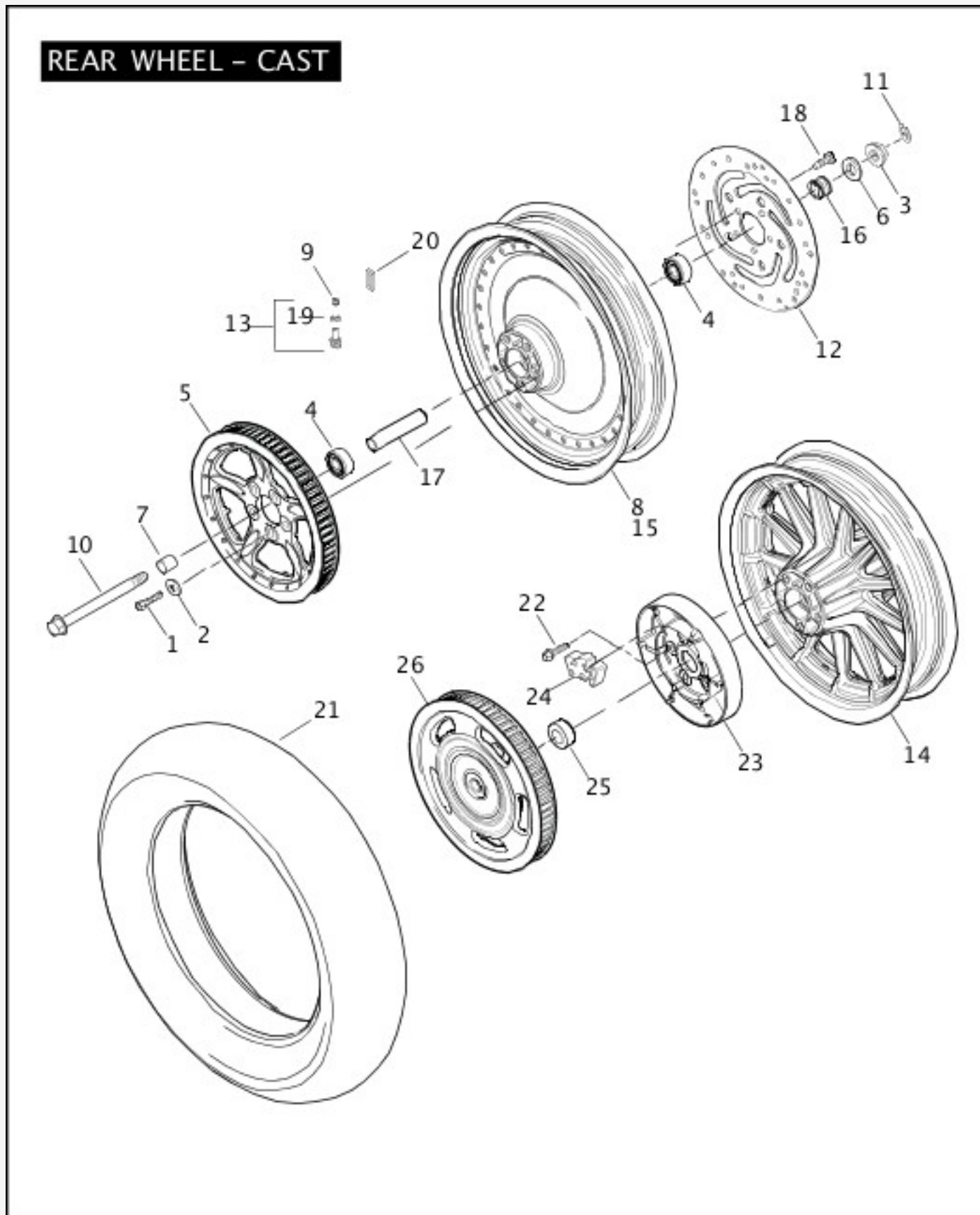
INDEX NO.	PART NO.	DESCRIPTION	MODEL(S)
1	3655A	SCREW (5)	XL1200C, XL1200L, XL883, XL883C, XL883L, XL883R
	3655A	SCREW (10)	XL1200R

2	6590HW	WASHER	ALL
3	7068	LOCKWASHER	ALL
4	7956	NUT	ALL
5	9267	ROLLER BEARING (2)	ALL
6	41123-79	VALVE CAP	ALL
7	43001-79	RIM, laced wheel, 19 in. (steel)	XL1200L, XL1200R, XL883, XL883L, XL883R
8	43445-05	RIM, profile laced wheel, 21 in. (chrome)	XL1200C, XL883C
9	43662-80B	RIM, laced wheel, 21 in. (chrome)	XL1200C, XL883C
10	40762-05	SPOKE & NIPPLE KIT, 19 in. rim - long (chrome) (set of 20)	XL1200L, XL1200R, XL883, XL883L, XL883R
	40761-05	SPOKE & NIPPLE KIT, 19 in. rim - short (chrome) (set of 20)	XL1200L, XL1200R, XL883, XL883L, XL883R
	40760-05	SPOKE & NIPPLE KIT, 21 in. rim - short (chrome) (set of 20)	XL1200C, XL883C
	40759-05	SPOKE & NIPPLE KIT, 21 in. rim - long (chrome) (set of 20)	XL1200C, XL883C
	43064-05	SPOKE & NIPPLE KIT, profile laced wheel, 21 in. rim - short (set of 20)	XL1200C, XL883C
	43056-05	SPOKE & NIPPLE KIT, profile laced wheel, 21 in. rim - long (set of 20)	XL1200C, XL883C
11	43312-05	WHEEL ASSEMBLY, laced wheel, 19 in., w/ 9267, 43001-79, 43613-00, & 43619-00A, single disc	XL1200L, XL883, XL883L
12	43547-05A	WHEEL ASSEMBLY, laced wheel, 19 in., w/ 9267, 43001-79, 43613-00, & 43629-00A, dual disc	XL1200R, XL883R
13	43557-05	WHEEL ASSEMBLY, laced wheel, 21 in., w/ 9267, 43610-00A, 43613-00, & 43662-80B	XL1200C, XL883C
14	44610-05	WHEEL ASSEMBLY, profile laced wheel, 21 in., w/ 9267, 43445-05, 43500-05, & 43613-00	XL1200C, XL883C
15	43358-00	SPACER, bearing	ALL
16	43613-00	SPACER, hub	ALL
17	43617-00A	SPACER, bearing	ALL

18	43500-05	WHEEL HUB ASSEMBLY, profile laced wheel, w/ 9267 & 43613-00	XL1200C, XL883C
	43610-00A	WHEEL HUB ASSEMBLY, laced wheel, w/ 9267 & 43613-00	XL1200C, XL883C
	43619-00A	WHEEL HUB ASSEMBLY, laced wheel, w/ 9267 & 43613-00, single disc	XL1200L, XL883, XL883L
	43629-00A	WHEEL HUB ASSEMBLY, laced wheel, w/ 9267 & 43613-00, dual disc	XL1200R, XL883R
19	43895-00	AXLE (front)	ALL
20	44136-00	DISC, brake - RH	XL1200R, XL883R
21	44156-00	DISC, brake - LH	ALL
22	54321-85	NUT, valve stem	ALL
23	95578-41	WHEEL WEIGHT, 1/2 oz.	ALL
	95581-47	WHEEL WEIGHT, 3/4 oz.	ALL
	95582-47	WHEEL WEIGHT, 1 oz.	ALL
24	43112-91A	TIRE	XL1200L, XL1200R, XL883, XL883L, XL883R
	43104-93A	TIRE	XL1200C, XL883C
25	40559-82	INNER TUBE	XL1200L, XL1200R, XL883, XL883L, XL883R
	43140-80	INNER TUBE	XL1200C, XL883C
26	43145-47	RIM FLAP	XL1200L, XL1200R, XL883, XL883L, XL883R
	43939-89	RIM FLAP	XL1200C, XL883C

REAR WHEEL - CAST

REAR WHEEL - CAST



[View interactive image](#)

[View interactive table](#)

INDEX NO.	PART NO.	DESCRIPTION	MODEL(S)
1	3899	SCREW (5)	ALL
2	6516HW	WASHER (5)	ALL
3	8039	NUT, flange	ALL
4	9247	WHEEL BEARING (2)	ALL

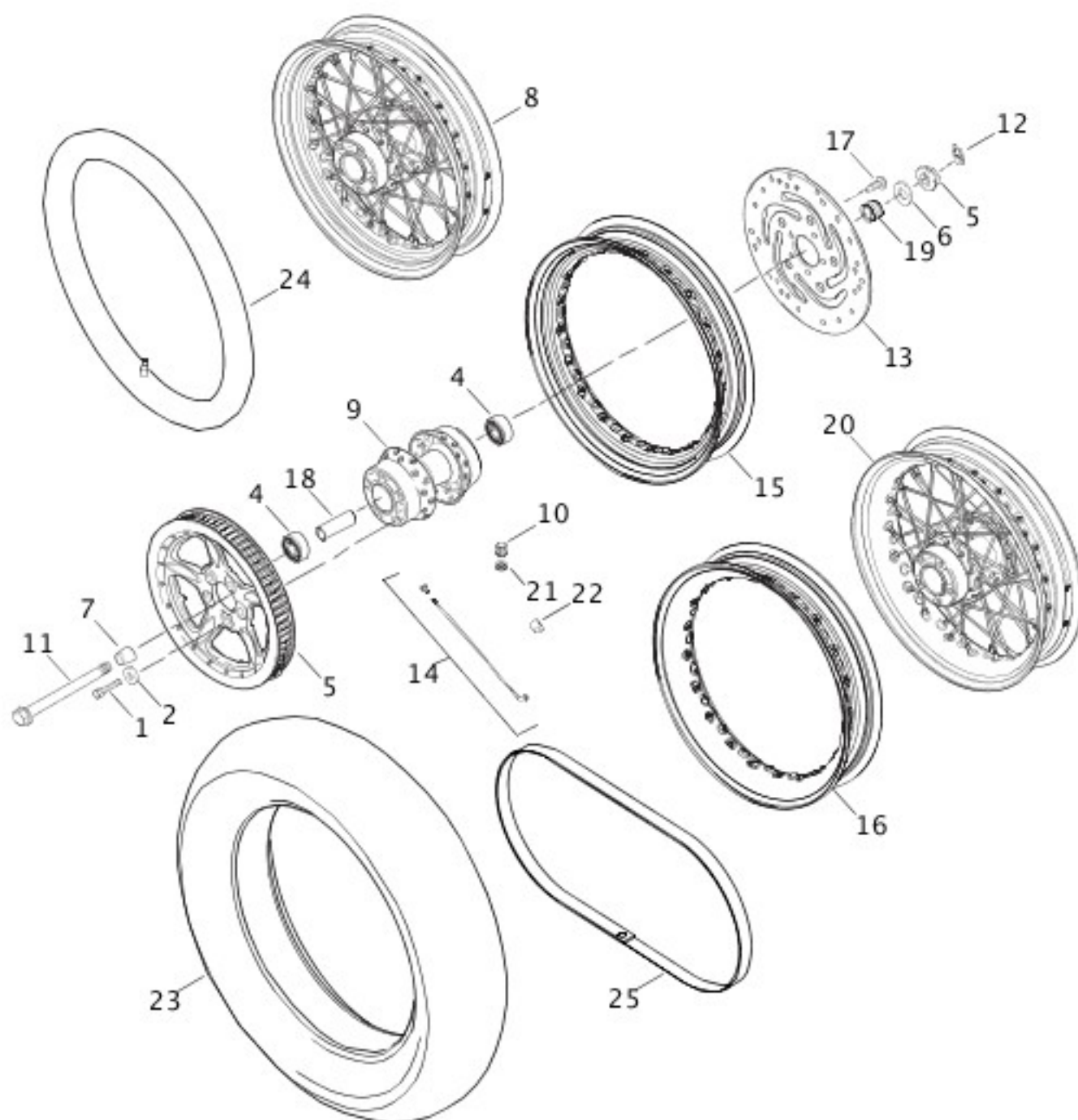
5	40350-04	SPROCKET, belt - 68T (black)	XL1200C, XL1200L, XL883R
	40352-04	SPROCKET, 68T (silver)	XL1200R, XL883, XL883C, XL883L
6	40582-05	WASHER, left side, rear axle	ALL
7	40930-05	SPACER, wheel bearing, sprocket side	ALL
8	41041-05	WHEEL ASSEMBLY, solid, w/ holes (silver), w/ 9247, 43157-83A, 43517-00, & 54321-85	XL883C
9	41123-79	VALVE CAP	ALL
10	41176-05	AXLE ASSEMBLY	ALL
11	41296-05	RETAINING RING	ALL
12	41797-00	BRAKE DISC	ALL
13	43157-83A	VALVE STEM ASSEMBLY, w/ 54321-85	ALL
14	43637-05	WHEEL ASSEMBLY, 16 in. (13 spoke) (silver), w/ 9247, 43157-83A, 43517-00, & 54321-85	XL1200R, XL883, XL883L
	40855-05	WHEEL ASSEMBLY, 16 in. (13 spoke) (black), w/ 9247, 43157-83A, 43517-00, & 54321-85	XL883R
	40871-06	WHEEL ASSEMBLY, 16 in. (13 spoke) (black), w/ 9247, 43157-83A, 43517-00, & 54321-85	XL1200L
15	43335-05	WHEEL ASSEMBLY, solid w/ slots (chrome), w/ 9247, 43157-83A, 43517-00, & 54321-85	XL1200C
16	41084-02A	SPACER, disk side	ALL
17	43517-00	SLEEVE, spacer	ALL
18	43567-92	SCREW, brake disc (5)	ALL
19	54321-85	NUT, valve stem	ALL
20	95595-84	WHEEL WEIGHT, 1/4 oz. (4)	ALL
21	43264-02	TIRE	ALL

INTERNATIONAL MODELS ONLY

22	3814	SCREW, w/ washer (5)	ALL
23	40560-05	BOWL COMPENSATOR (Japan)	ALL
24	40561-05	ISOLATOR, rubber (Japan) (6)	ALL
25	40562-05	SPACER (Japan)	ALL
26	40518-05	SPROCKET ASSEMBLY, final drive, w/ bearing - 68T (black) (Japan)	XL1200C, XL1200L, XL883R
	40544-05	SPROCKET ASSEMBLY, final drive, w/ bearing - 68T (silver) (Japan)	XL1200R, XL883, XL883C, XL883L

REAR WHEEL - LACED & PROFILE LACED

REAR WHEEL – LACED & PROFILE LACED



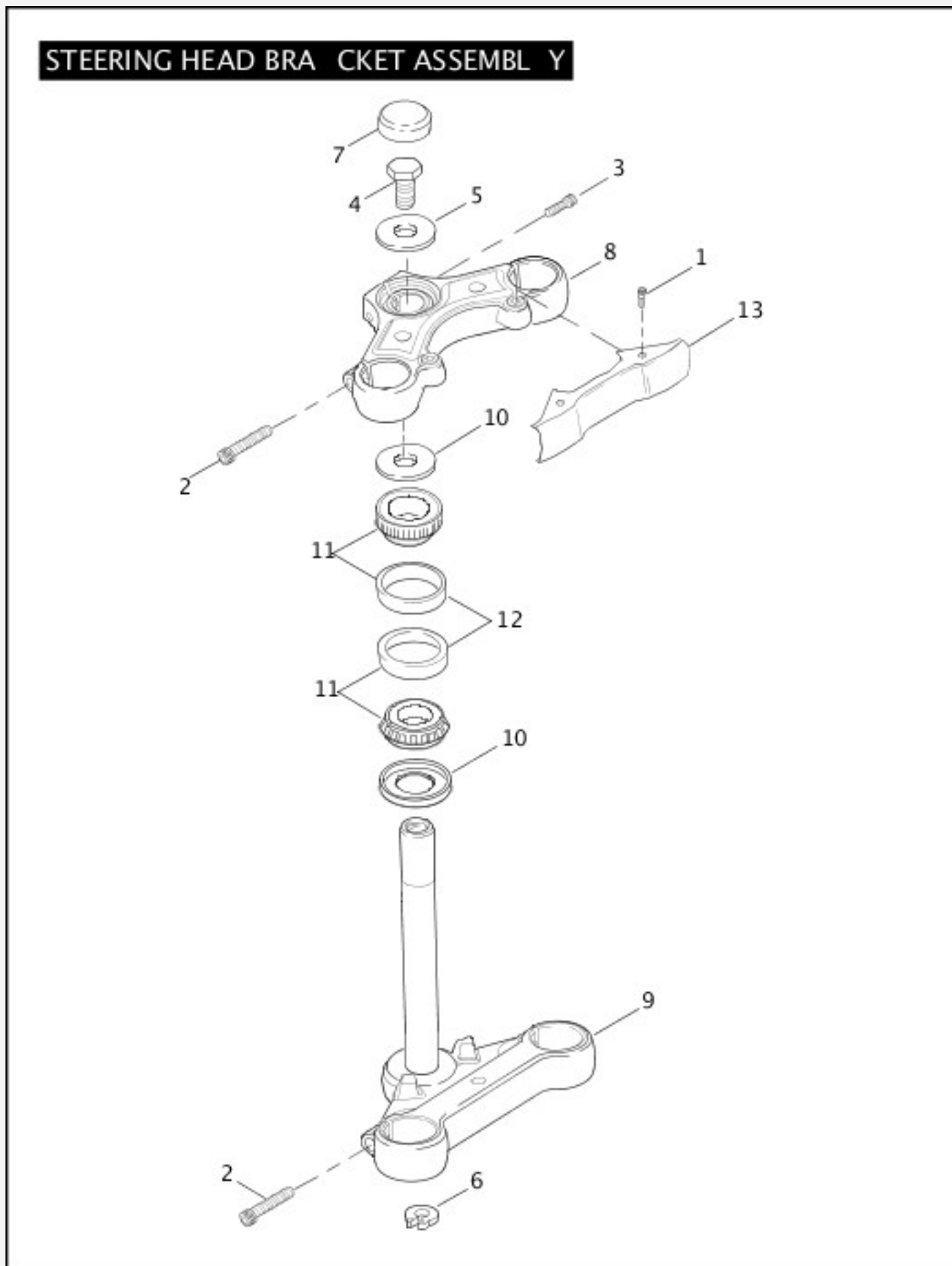
[View interactive image](#)

[View interactive table](#)

INDEX NO.	PART NO.	DESCRIPTION	MODEL(S)
1	3899	SCREW (5)	ALL
2	6516HW	WASHER (5)	ALL
3	8039	NUT, flange	ALL
4	9247	WHEEL BEARING (2)	ALL

5	40350-04	SPROCKET, belt - 68T (black)	ALL
6	40582-05	WASHER, left side, rear axle	ALL
7	40930-05	SPACER, wheel bearing, sprocket side	ALL
8	41052-05	LACED WHEEL ASSEMBLY, 16 in. (chrome)	XL1200L, XL1200R, XL883, XL883L, XL883R
9	41053-02	PROFILE LACED WHEEL HUB ASSEMBLY, w/ bearings, 16 in.	ALL
10	41123-79	VALVE CAP	ALL
11	41176-05	AXLE ASSEMBLY	ALL
12	41296-05	RETAINING RING	ALL
13	41797-00	BRAKE DISC	ALL
14	43241-05	SPOKE & NIPPLE KIT, laced wheel, 16 in. rim (chrome) (set of 40)	XL1200L, XL1200R, XL883, XL883L, XL883R
	43052-05	SPOKE & NIPPLE KIT, profile laced wheel, 16 in. rim (set of 40)	XL1200C, XL883C
15	43085-97	RIM, laced wheel, 16 in. (chrome)	XL1200L, XL1200R, XL883, XL883L, XL883R
16	43440-05	RIM, profile laced wheel, 16 in. (chrome)	XL1200C, XL883C
17	43567-92	SCREW, brake disc (5)	ALL
18	43517-00	SLEEVE, bearing spacer	ALL
19	41084-02A	SPACER, disk side	ALL
20	44606-05	PROFILE LACED WHEEL ASSEMBLY, 16 in. (chrome)	XL1200C, XL883C
21	54321-85	NUT, valve stem	ALL
22	95578-41	WHEEL WEIGHT, 1/2 oz.	ALL
	95581-47	WHEEL WEIGHT, 3/4 oz.	ALL
	95582-47	WHEEL WEIGHT, 1 oz.	ALL
23	43264-02	TIRE	ALL
24	40558-82	INNER TUBE	XL1200L, XL1200R, XL883, XL883L, XL883R
	40575-05	INNER TUBE	XL1200C, XL883C
25	43147-40	RIM FLAP	XL1200L, XL1200R, XL883, XL883L, XL883R
	43164-05	RIM FLAP	XL1200C, XL883C

STEERING HEAD BRACKET ASSEMBLY



[View interactive image](#)

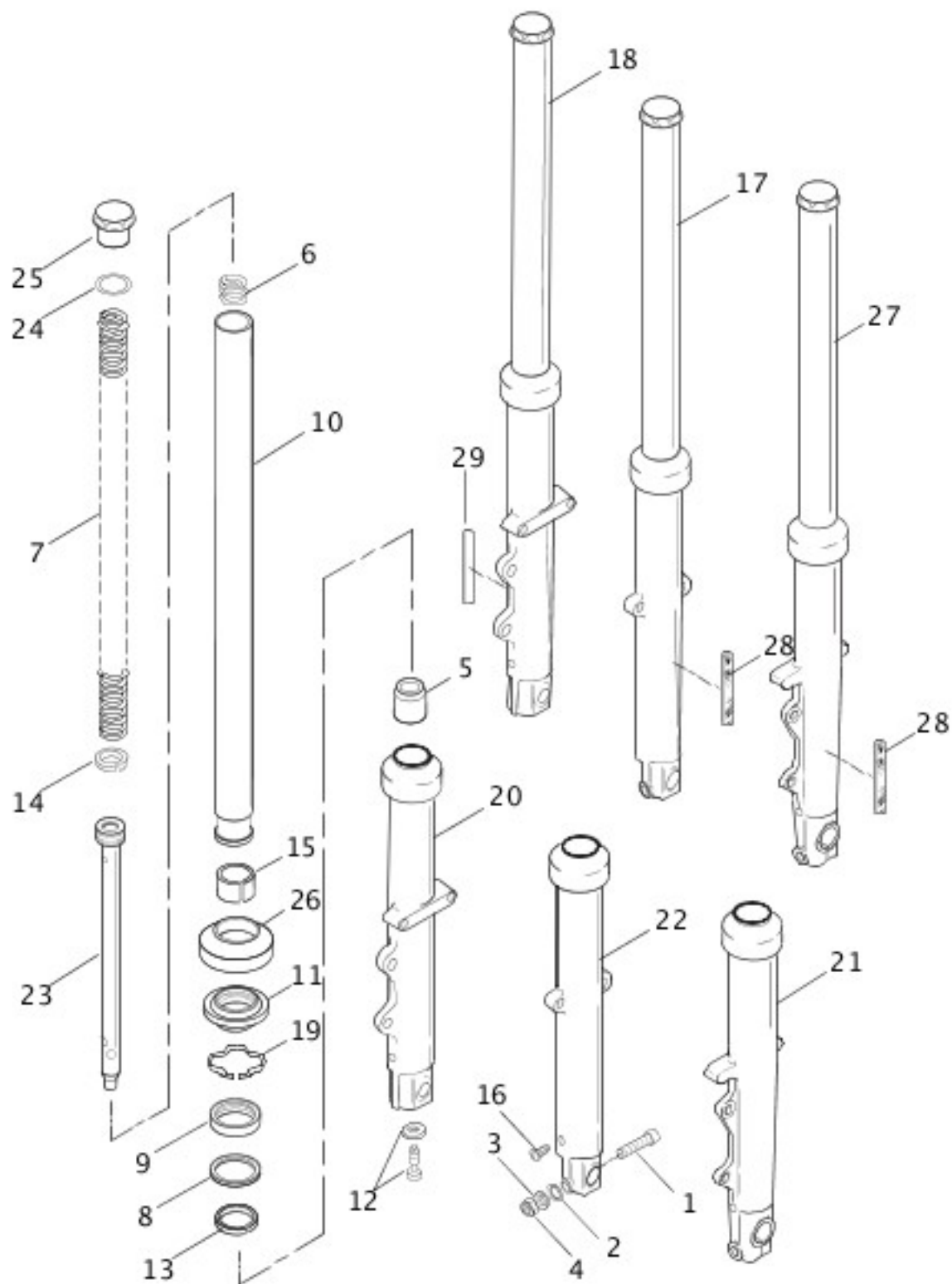
[View interactive table](#)

INDEX NO.	PART NO.	DESCRIPTION	MODEL(S)
1	3201WA	SCREW (2)	XL1200C, XL883C

2	4351	SCREW (4)	ALL
3	4352	SCREW	ALL
4	4453	BOLT, tapped	XL1200L, XL1200R
	4460	BOLT	XL1200C, XL883, XL883C, XL883L, XL883R
5	6655	WASHER	ALL
6	45611-86	RETAINING RING	ALL
7	45668-90	CAP, fork stem	XL1200L, XL1200R
8	45966-04	BRACKET, upper	ALL
9	46126-04	BRACKET, lower, w/ bearing, seal & retaining ring	XL1200C, XL883C
	46127-04	BRACKET, lower, w/ bearing, seal & retaining ring	XL1200L, XL1200R, XL883, XL883L, XL883R
10	48184-01	SEAL, tapered bearing (2)	ALL
11	48300-60	ROLLER BEARING, w/ cup (2)	ALL
12	48315-60	BEARING CUP (2)	ALL
13	68041-04	COVER, upper triple clamp	XL1200C, XL883C

FRONT FORK

FRONT FORK



[View interactive image](#)

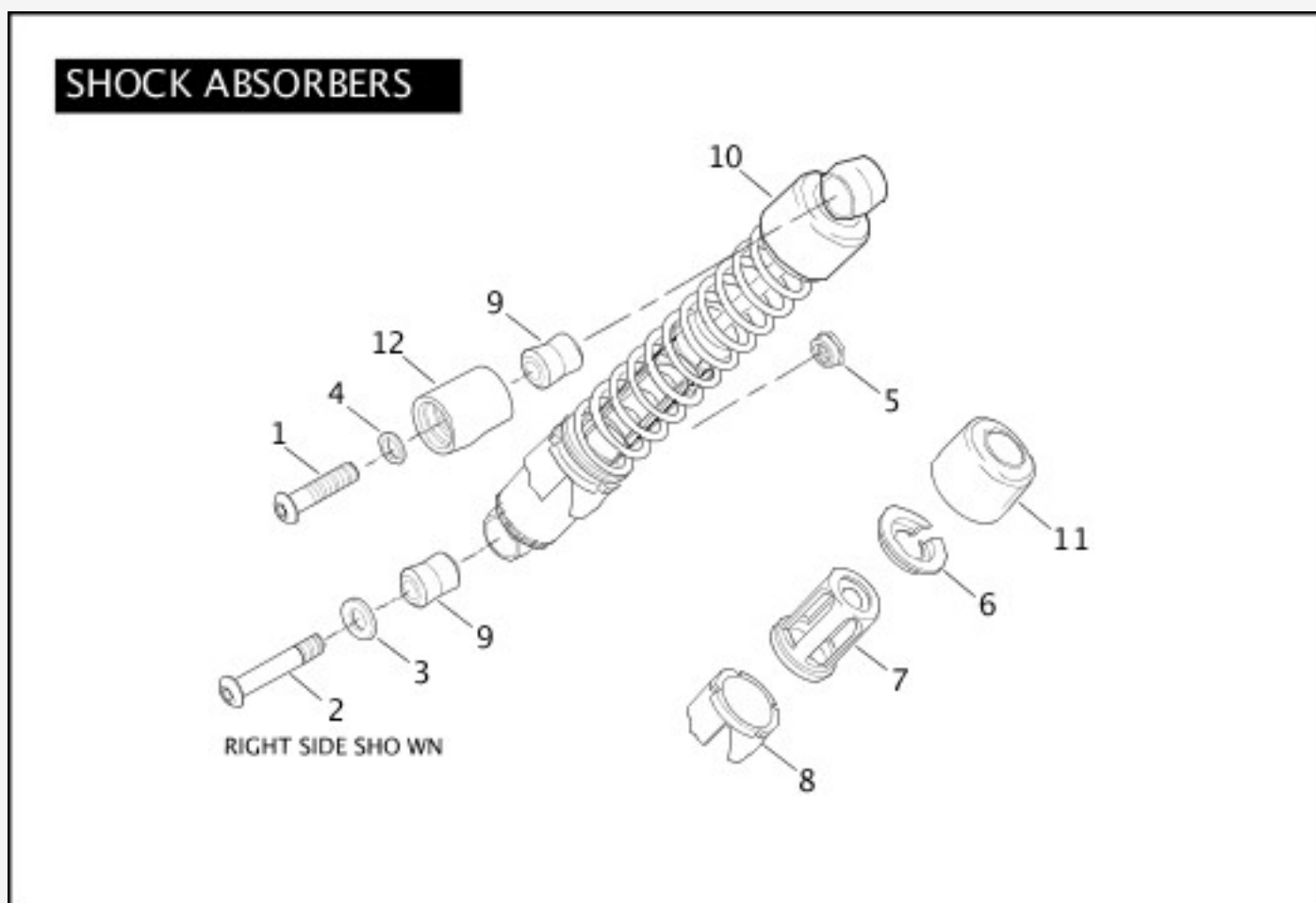
[View interactive table](#)

INDEX NO.	PART NO.	DESCRIPTION	MODEL(S)
1	4029A	SCREW	ALL
2	6701	WASHER	ALL
3	7038	LOCKWASHER	ALL

4	7783	NUT	ALL
5	45361-90	LOWER STOP (2)	ALL
6	45374-87	SPRING, slider (2)	ALL
7	45376-04	SPRING (2)	XL1200C, XL1200R, XL883, XL883C, XL883R
	46267-05	SPRING (2)	XL1200L, XL883L
8	45377-87	SPACER, oil seal (2)	ALL
9	45378-87	OIL SEAL (2)	ALL
10	45395-04	SLIDER TUBE, w/ 45465-87 (2)	XL1200C, XL1200R, XL883, XL883C, XL883R
	46218-05	SLIDER TUBE, w/ 45465-87 (2)	XL1200L, XL883L
11	45401-87	SEAL, dust (2)	ALL
12	45405-75A	SCREW, w/ washer (2)	ALL
13	45461-87	BUSHING, upper (2)	ALL
14	45460-90	RING, damper tube (2)	ALL
15	45465-87	BUSHING, slider tube (2)	ALL
16	45790-80	DRAIN SCREW, w/ washer (2)	ALL
17	45900-04	FORK SLIDER & TUBE ASSEMBLY, right	XL1200C, XL883, XL883C
	46307-05	FORK SLIDER & TUBE ASSEMBLY, right	XL1200L, XL883L
	46453-05	FORK SLIDER & TUBE ASSEMBLY, right	XL883R
18	45901-04	FORK SLIDER & TUBE ASSEMBLY, left	XL1200C, XL1200R, XL883, XL883C
	46308-05	FORK SLIDER & TUBE ASSEMBLY, left	XL1200L, XL883L
	46454-05	FORK SLIDER & TUBE ASSEMBLY, left	XL883R
19	45905-87	RETAINING RING, oil seal (2)	ALL
20	45921-00	SLIDER ASSEMBLY, left	XL1200C, XL1200L, XL1200R, XL883, XL883C, XL883L
	46450-05	SLIDER ASSEMBLY, left	XL883R
21	45922-00	SLIDER ASSEMBLY, right	XL1200R
22	45923-00	SLIDER ASSEMBLY, right	XL1200C, XL1200L, XL883, XL883C, XL883L
	46449-05	SLIDER ASSEMBLY, right	XL883R
23	45925-04	DAMPER TUBE, w/ 45460-90 (2)	XL1200C, XL1200R, XL883, XL883C, XL883R

	45938-92	DAMPER TUBE (2)	XL1200L, XL883L
24	45984-87	O-RING (2)	ALL
25	45996-87	CAP, slider tube (2)	ALL
26	46002-87	COVER, slider (2)	ALL
27	46029-04	FORK SLIDER & TUBE ASSEMBLY, right	XL1200R
28	59481-00	REFLECTOR, amber - right	ALL
29	59482-00	REFLECTOR, amber - left	ALL

SHOCK ABSORBERS



[View interactive image](#)

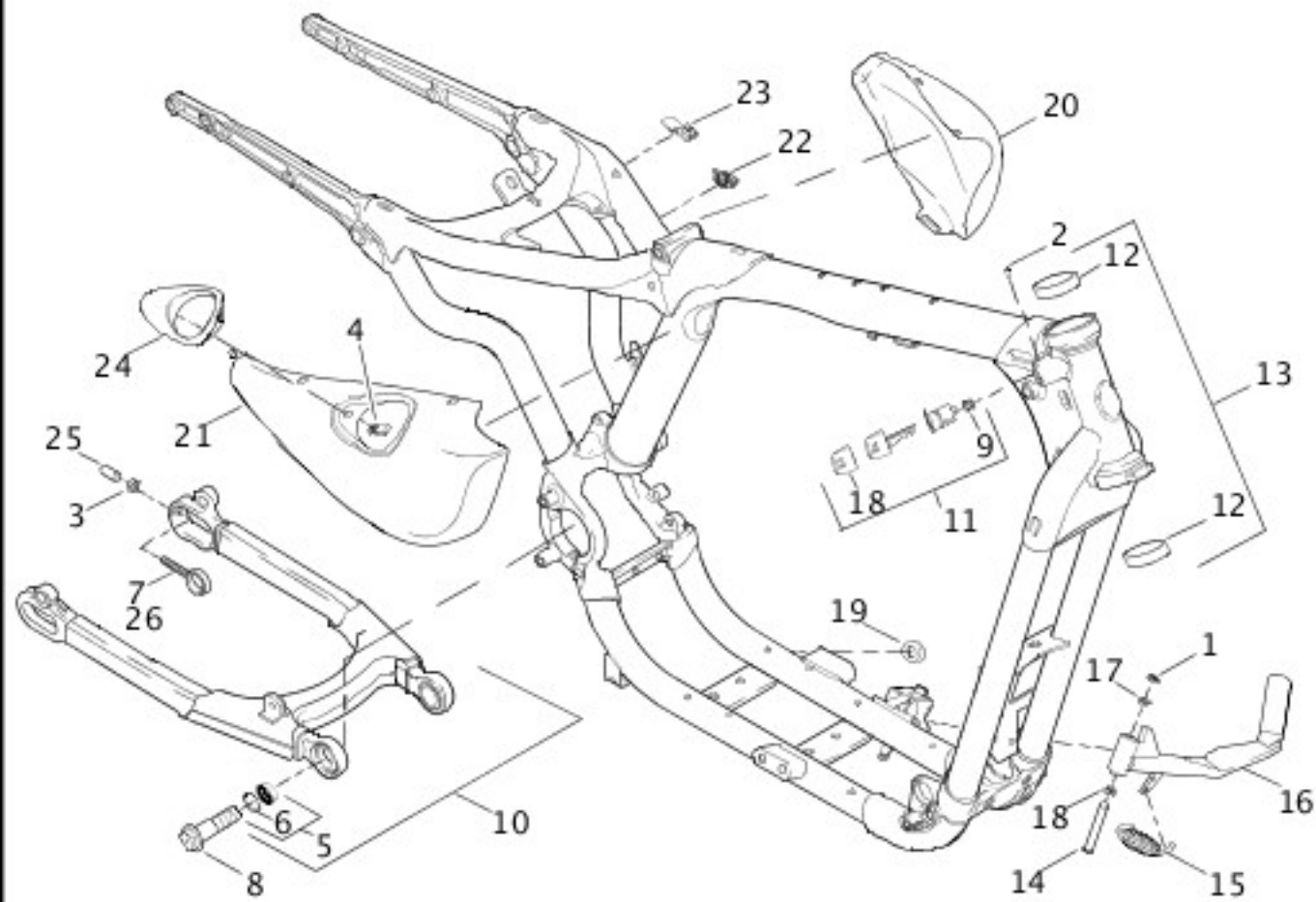
[View interactive table](#)

INDEX NO.	PART NO.	DESCRIPTION	MODEL(S)
1	3880	SCREW, upper (2)	ALL
2	4354	SCREW, lower (2)	ALL
3	6718	WASHER (2)	ALL

4	6738	WASHER (2)	ALL
5	7824	LOCKNUT (2)	ALL
6	54473-79	SEAT, spring - upper (2)	ALL
7	54475-79	SPRING GUIDE, lower (2)	ALL
8	54476-82	ADJUSTER, spring (2)	ALL
9	54556-84	BUSHING, damper (4)	ALL
10	54566-04	SHOCK ABSORBER, complete, w/ 54473-79, 54475-79, 54476-82, 54556-84, & 54701-82	XL1200R, XL883
	54568-04	SHOCK ABSORBER, complete, w/ 54473-79, 54475-79, 54476-82, 54556-84, & 54701-82	XL1200C, XL1200L, XL883C, XL883L
	54570-05	SHOCK ABSORBER, complete, w/ 54473-79, 54475-79, 54476-82, 54556-84, & 54701-82	XL883R
11	54701-82	COVER, shock absorber (2)	ALL
12	54724-04	COVER, shock absorber stud (2)	ALL

FRAME, REAR FORK, & JIFFY STAND

FRAME, REAR FORK, & JIFFY STAND



[View interactive image](#)

[View interactive table](#)

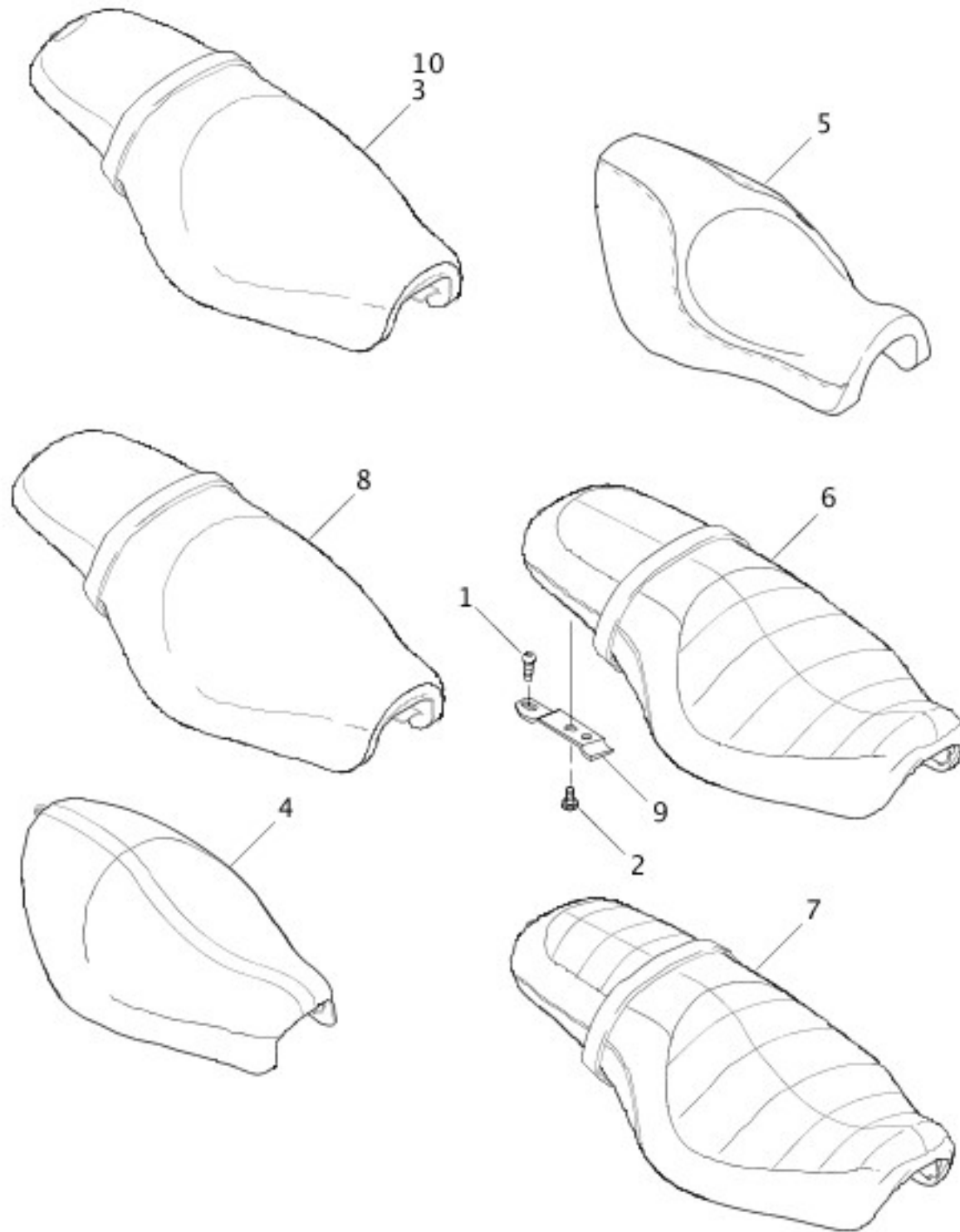
INDEX NO.	PART NO.	DESCRIPTION	MODEL(S)
1	554A	PRETZEL CLIP	ALL
2	1594	PIN, lock	ALL
3	7766	LOCKNUT (2)	ALL
4	8135B	PUSH NUT	ALL
5	9209	BEARING, swing arm, w/ 11282 (2)	ALL
6	11282	RETAINING RING (2)	ALL
7	41573-05	ADJUSTER, rear axle (2) (1-Japan, left)	ALL
8	41698-04	BOLT, swing arm pivot (2)	ALL
9	43595-99	SPRING, fork lock	ALL

10	47587-05	REAR FORK, w/ bearings	ALL
11	48153-02A	FORK LOCK, w/ 1594, 43595-99, & 61459-97 (specify key code)	ALL
12	48315-60	BEARING CUP, steering head (2)	ALL
13	49430-06A	FRAME, w/ bearing cups	XL1200R, XL883, XL883R
	49431-06A	FRAME, w/ bearing cups	XL1200L, XL883L
	49439-10	FRAME, w/ bearing cups	XL1200C, XL883C
14	50003-89B	PIN, clevis	ALL
15	50005-85A	SPRING, jiffy stand	ALL
16	50185-04	JIFFY STAND	XL1200C, XL1200L, XL883C, XL883L
	50116-05	JIFFY STAND	XL1200R, XL883, XL883R
17	53158-98	BUSHING (2)	ALL
18	61459-97	COVER, key head set (2)	ALL
19	62122-89	BUMPER	ALL
20	66251-04	SIDE COVER, left	XL1200C, XL1200L, XL1200R, XL883, XL883C, XL883L
	66272-05	SIDE COVER, left	XL883R
21	66252-04	SIDE COVER, right	XL1200C, XL1200L, XL1200R, XL883, XL883C, XL883L
	66273-05	SIDE COVER, right	XL883R
22	70416-04A	CLIP, side cover, front mounting	ALL
23	70417-04A	CLIP, side cover, rear mounting	ALL
24	71472-	BEZEL, oil tank filler (chrome)	ALL

	04		
25	89579-91	CAP, protective	ALL
INTERNATIONAL MODELS ONLY			
26	41573-05	ADJUSTER, rear axle, left (Japan)	ALL
	41623-05	ADJUSTER, rear axle, right (Japan) (not illustrated)	ALL

SEATS

SEATS



[View interactive image](#)

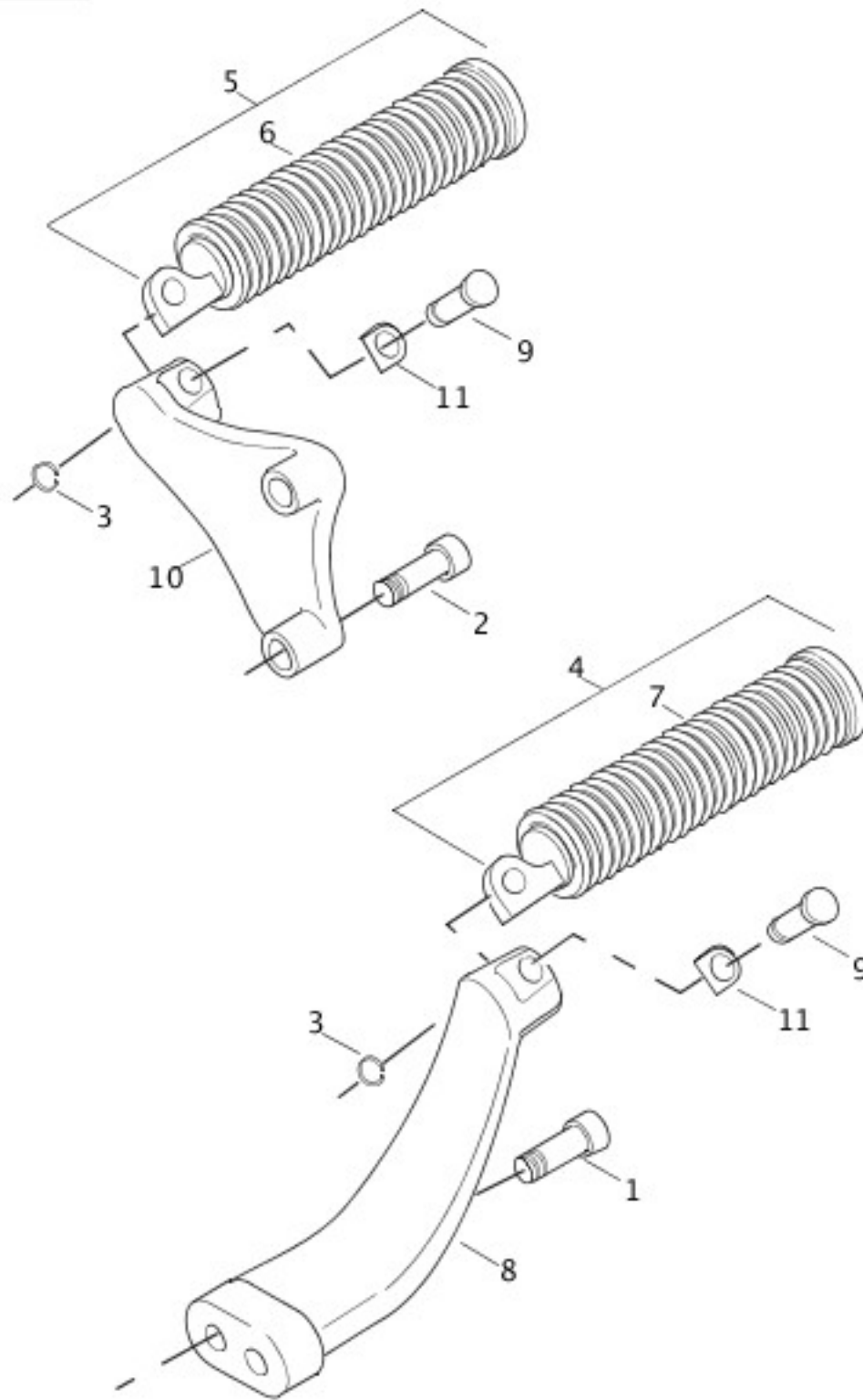
[View interactive table](#)

INDEX NO.	PART NO.	DESCRIPTION	MODEL(S)
1	2952A	SCREW, seat mounting	ALL
2	3588	SCREW (2)	ALL
3	51530-04	SEAT ASSEMBLY, w/ 3588 & 51652-97	XL1200C
4	51532-04	SEAT ASSEMBLY, w/ 3588 & 51652-97	XL883

5	51550-05	SEAT ASSEMBLY, w/ 3588 & 51652-97	XL883L
6	51558-04	SEAT ASSEMBLY, w/ 3588 & 51652-97	XL1200R
7	51551-05	SEAT ASSEMBLY, w/ 3588 & 51652-97	XL883R
8	52608-04	SEAT ASSEMBLY, w/ 3588 & 51652-97	XL883C
9	51652-97	BRACKET, seat mounting	ALL
10	51706-06	SEAT ASSEMBLY, w/ 3588 & 51652-97	XL1200L

FOOTRESTS

FOOTRESTS



[View interactive image](#)

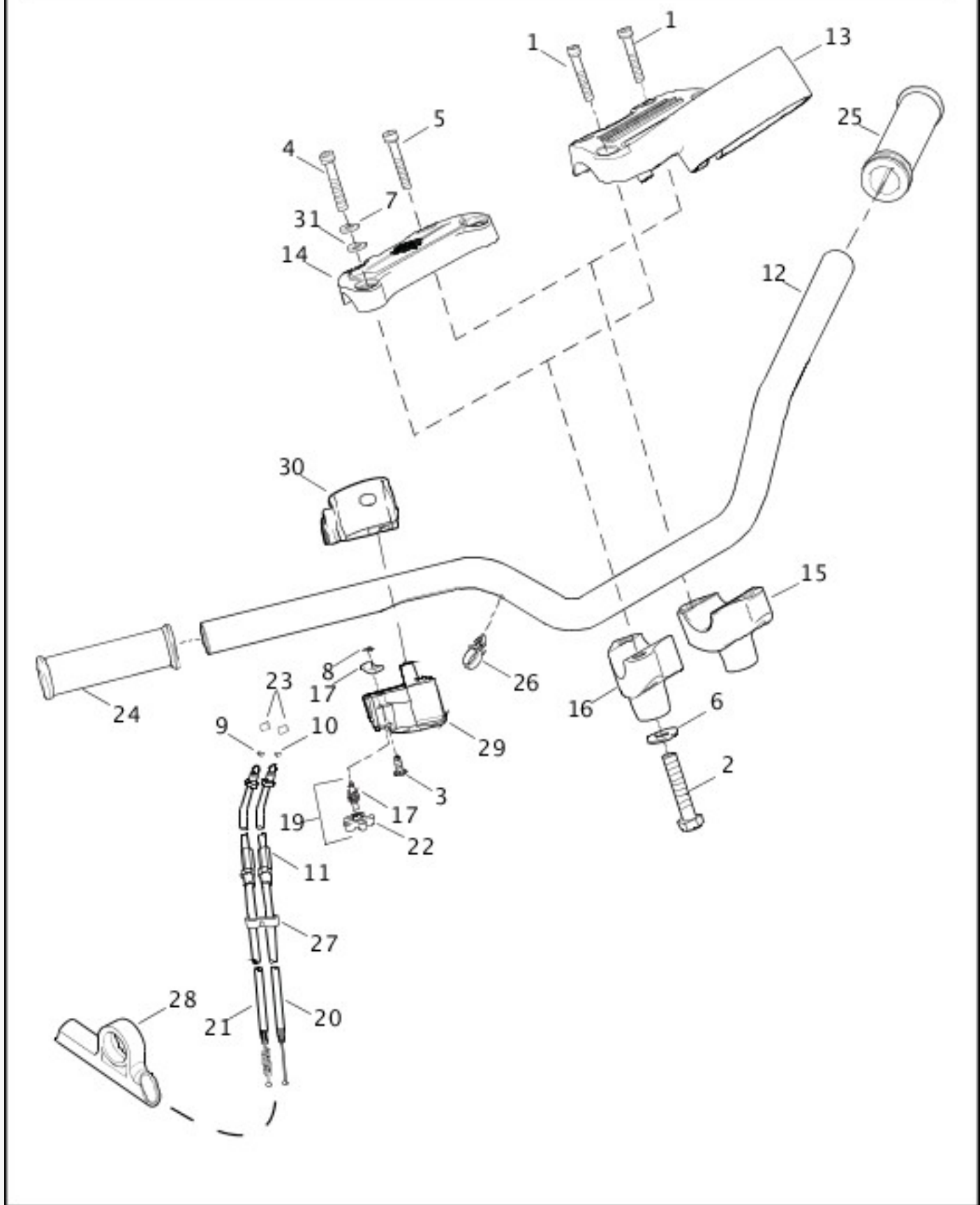
[View interactive table](#)

INDEX NO.	PART NO.	DESCRIPTION	MODEL(S)
1	4748	SCREW, socket head (4)	ALL
2	4748	SCREW, socket head (4)	XL1200C, XL1200L, XL1200R, XL883C, XL883R
	740	HOLE PLUG (2-CL/CK,4-CG/CJ/CW, 5-CA/CM) (not	ALL

		illustrated)	
3	11304	RETAINING RING (1-CA/CM,2-CG/CJ/CK/CW, 3-CL)	ALL
4	33032-99	FOOTPEG ASSEMBLY, w/ rubber	ALL
5	33048-72	FOOTPEG ASSEMBLY, w/ rubber (2)	XL1200C, XL1200L, XL1200R, XL883C, XL883R
6	33189-63	RUBBER, footrest, rear	XL1200C, XL1200L, XL1200R, XL883C, XL883R
7	33216-99	RUBBER, footrest, front	ALL
8	42651-04	BRACKET, rider footrest support - left	XL1200C, XL883C
	42652-04	BRACKET, rider footrest support - right (not illustrated)	XL1200C, XL883C
	42971-04	BRACKET, rider footrest support - right (not illustrated)	XL1200L, XL1200R, XL883, XL883L, XL883R
	42972-04	BRACKET, rider footrest support - left	XL1200L, XL1200R, XL883, XL883L, XL883R
9	45041-01A	CLEVIS PIN (1-CA/CM, 2-CG/CJ/CK/CW, 3-CL)	ALL
10	49314-04	BRACKET, passenger footrest - right (not illustrated)	XL1200C, XL1200L, XL1200R, XL883C, XL883R
	49315-04	BRACKET, passenger footrest - left	XL1200C, XL1200L, XL1200R, XL883C, XL883R
11	50912-72	SPRING WASHER (1-CA/CM, 2-CG/CJ/CK/CW, 3-CL)	ALL

HANDLEBAR & THROTTLE CONTROL - 883/883L/883R/1200L/1200R

HANDLEBAR & THROTTLE CONTROL - 883/883L/883R/1200L/1200R



[View interactive image](#)

[View interactive table](#)

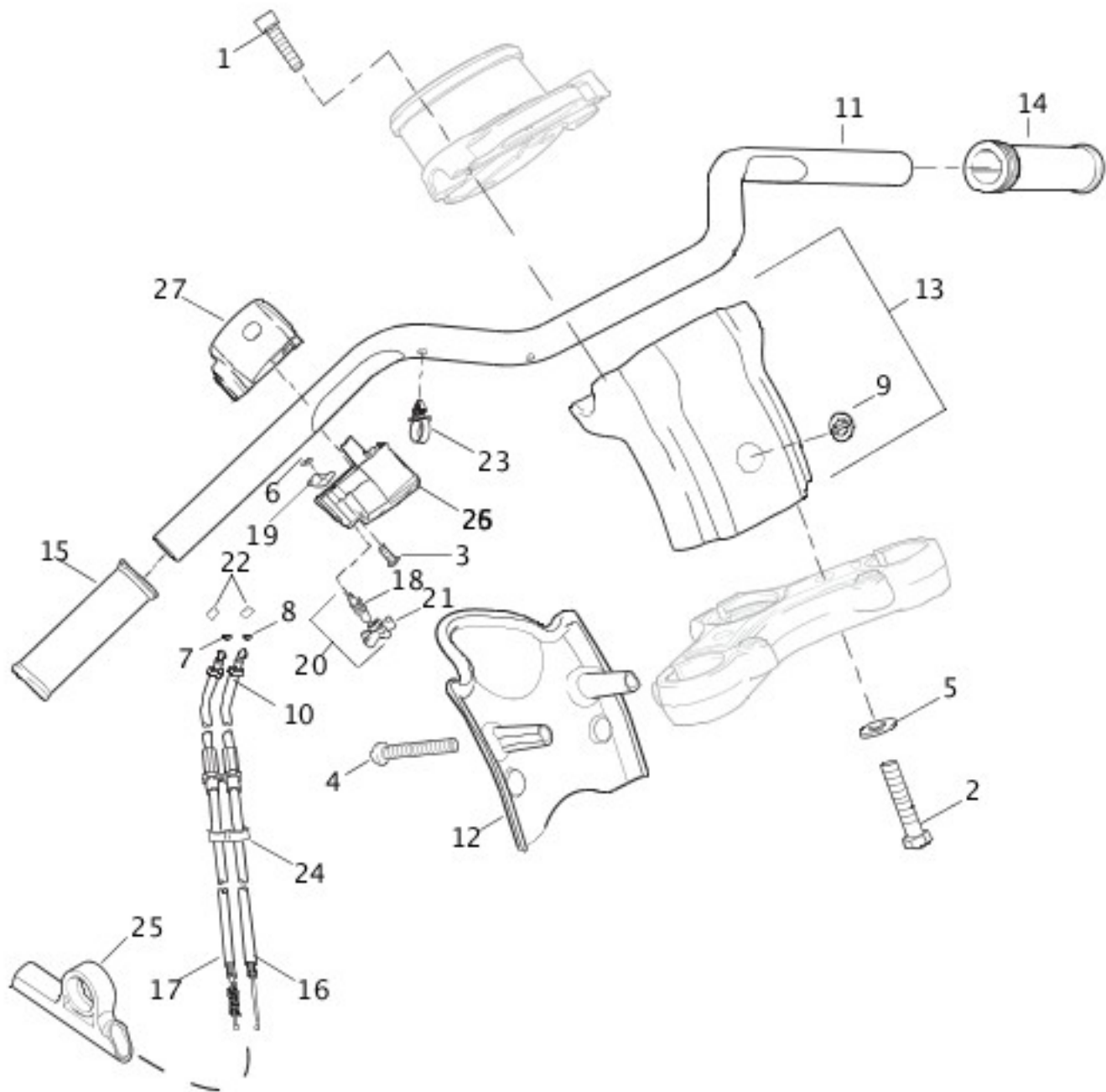
INDEX NO.	PART NO.	DESCRIPTION	MODEL(S)
1	3210A	SCREW (4)	XL1200L
2	3605	BOLT (2)	XL1200L, XL1200R, XL883, XL883L, XL883R

3	3658	SCREW (2)	XL1200L, XL1200R, XL883, XL883L, XL883R
4	4326A	SCREW (2)	XL1200R, XL883, XL883L, XL883R
5	4816A	SCREW (2)	XL1200R, XL883, XL883L, XL883R
6	6590HW	WASHER (2)	XL1200L, XL1200R, XL883, XL883L, XL883R
7	6702	WASHER (2)	XL1200R, XL883, XL883L, XL883R
8	11155	RETAINING RING	XL1200L, XL1200R, XL883, XL883L, XL883R
9	11271	RING RETAINER, idle	XL1200L, XL1200R, XL883, XL883L, XL883R
10	11272	RING RETAINER, retainer - throttle	XL1200L, XL1200R, XL883, XL883L, XL883R
11	38653-01	BOOT, cable, throttle	XL1200L, XL1200R, XL883, XL883L, XL883R
12	55845-04	HANDLEBAR	XL883
	56004-00	HANDLEBAR	XL1200R
	56038-05	HANDLEBAR	XL883L
	56051-06	HANDLEBAR	XL1200L
	56085-83A	HANDLEBAR	XL883R
13	55846-05A	BRACKET, handlebar - upper	XL1200L
14	56115-95	CLAMP, handlebar - upper (black)	XL883, XL883L, XL883R
	56567-86B	CLAMP, handlebar - upper (chrome)	XL1200R
15	56116-82A	CLAMP, handlebar - lower left	XL883, XL883L, XL883R
	56541-86A	CLAMP, handlebar - lower left	XL1200L, XL1200R
16	56117-82A	CLAMP, handlebar - lower right	XL883, XL883L, XL883R
	56542-86A	CLAMP, handlebar - lower right	XL1200L, XL1200R
17	56394-74	SPRING, adjusting screw	XL1200L, XL1200R, XL883, XL883L, XL883R
18	56396-	FRICITION SPRING, throttle grip	XL1200L, XL1200R, XL883, XL883L,

	74A		XL883R
19	56397-74C	KIT, throttle adjusting screw, w/ 11155, 56394-74 ,& 56402-83A	XL1200L, XL1200R, XL883, XL883L, XL883R
20	56400-96	THROTTLE CONTROL ASSEMBLY	XL1200L, XL1200R, XL883, XL883L, XL883R
21	56401-96	IDLE CONTROL ASSEMBLY	XL1200L, XL1200R, XL883, XL883L, XL883R
22	56402-83A	ADJUSTING SCREW, throttle	XL1200L, XL1200R, XL883, XL883L, XL883R
23	56508-76	FERRULE (2)	XL1200L, XL1200R, XL883, XL883L, XL883R
24	56666-04	GRIP & SLEEVE, throttle	XL1200L, XL1200R, XL883, XL883L, XL883R
25	56667-04	HANDLEBAR GRIP	XL1200L, XL1200R, XL883, XL883L, XL883R
26	70345-84	RETAINER, wire harness (4)	XL1200L, XL1200R, XL883, XL883L, XL883R
	70353-06	RETAINER, wire harness	XL883L
27	70504-81	CLIP, throttle cables	XL1200L, XL1200R, XL883, XL883L, XL883R
28	70518-04	GUIDE, throttle cable	XL1200L, XL1200R, XL883, XL883L, XL883R
29	71563-96	HOUSING, switches & throttle control - lower	XL1200L, XL1200R, XL883, XL883L, XL883R
30	71564-96	HOUSING, switches & throttle control - upper	XL1200L, XL1200R, XL883, XL883L, XL883R
31	6109	WASHER (2)	XL1200R

HANDLEBAR & THROTTLE CONTROL - 883C/1200C

HANDLEBAR & THROTTLE CONTROL - 883C/1200C



[View interactive image](#)

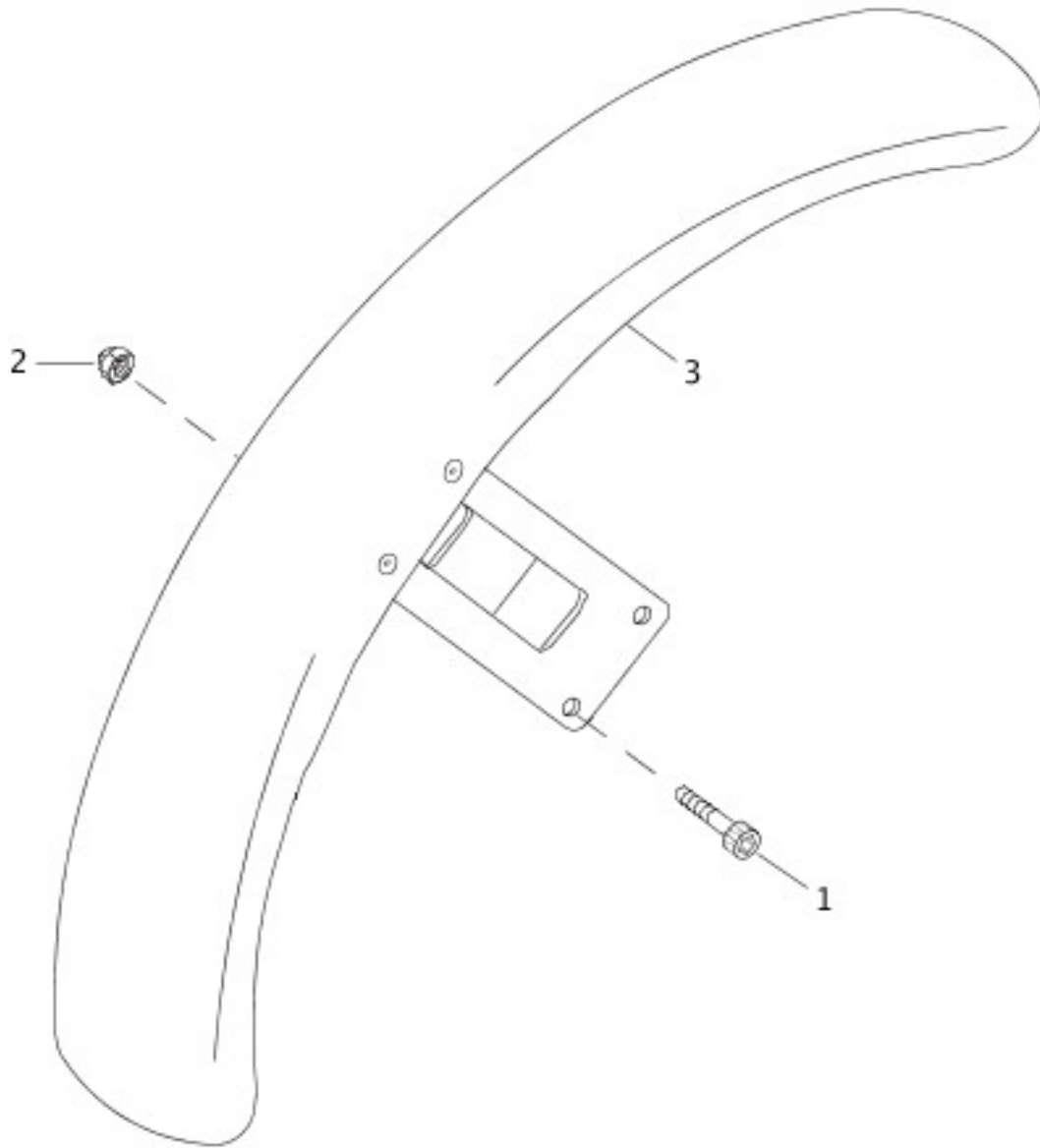
[View interactive table](#)

INDEX NO.	PART NO.	DESCRIPTION	MODEL(S)
1	3210A	SCREW (4)	XL1200C, XL883C
2	3605	BOLT (2)	XL1200C, XL883C
3	3658	SCREW (2)	XL1200C, XL883C
4	3666A	SCREW (2)	XL1200C, XL883C
5	6590HW	WASHER (2)	XL1200C, XL883C
	10006	CABLE STRAP (not illustrated) (2)	XL1200C, XL883C

6	11155	RETAINING RING	XL1200C, XL883C
7	11271	RING RETAINER (idle)	XL1200C, XL883C
8	11272	RING RETAINER (throttle)	XL1200C, XL883C
9	14448-94	LOGO BAR & SHIELD	XL1200C, XL883C
10	38653-01	BOOT, cable, throttle	XL1200C, XL883C
11	55840-04	HANDLEBAR	XL1200C, XL883C
12	55842-04	COVER, riser	XL1200C, XL883C
13	56017-04	RISER ASSEMBLY, handlebar, w/ 14448-94	XL1200C, XL883C
14	56667-04	HANDLEBAR GRIP	XL1200C, XL883C
15	56666-04	GRIP & SLEEVE, throttle	XL1200C, XL883C
16	56400-96	THROTTLE CONTROL ASSEMBLY	XL1200C, XL883C
17	56401-96	IDLE CONTROL ASSEMBLY	XL1200C, XL883C
18	56394-74	SPRING, adjusting screw	XL1200C, XL883C
19	56396-74A	FRICTION SPRING, throttle grip	XL1200C, XL883C
20	56397-74C	KIT, throttle adjusting screw, w/ 11155, 56394-74, & 56402-83A	XL1200C, XL883C
21	56402-83A	ADJUSTING SCREW, throttle	XL1200C, XL883C
22	56508-76	FERRULE (2)	XL1200C, XL883C
23	70345-84	RETAINER, wire harness (4)	XL1200C, XL883C
24	70504-81	CLIP, throttle cables	XL1200C, XL883C
25	70518-04	GUIDE, throttle cable	XL1200C, XL883C
26	71563-96	HOUSING, switches & throttle control - lower	XL1200C, XL883C
27	71564-96	HOUSING, switches & throttle control - upper	XL1200C, XL883C

FRONT FENDER

FRONT FENDER



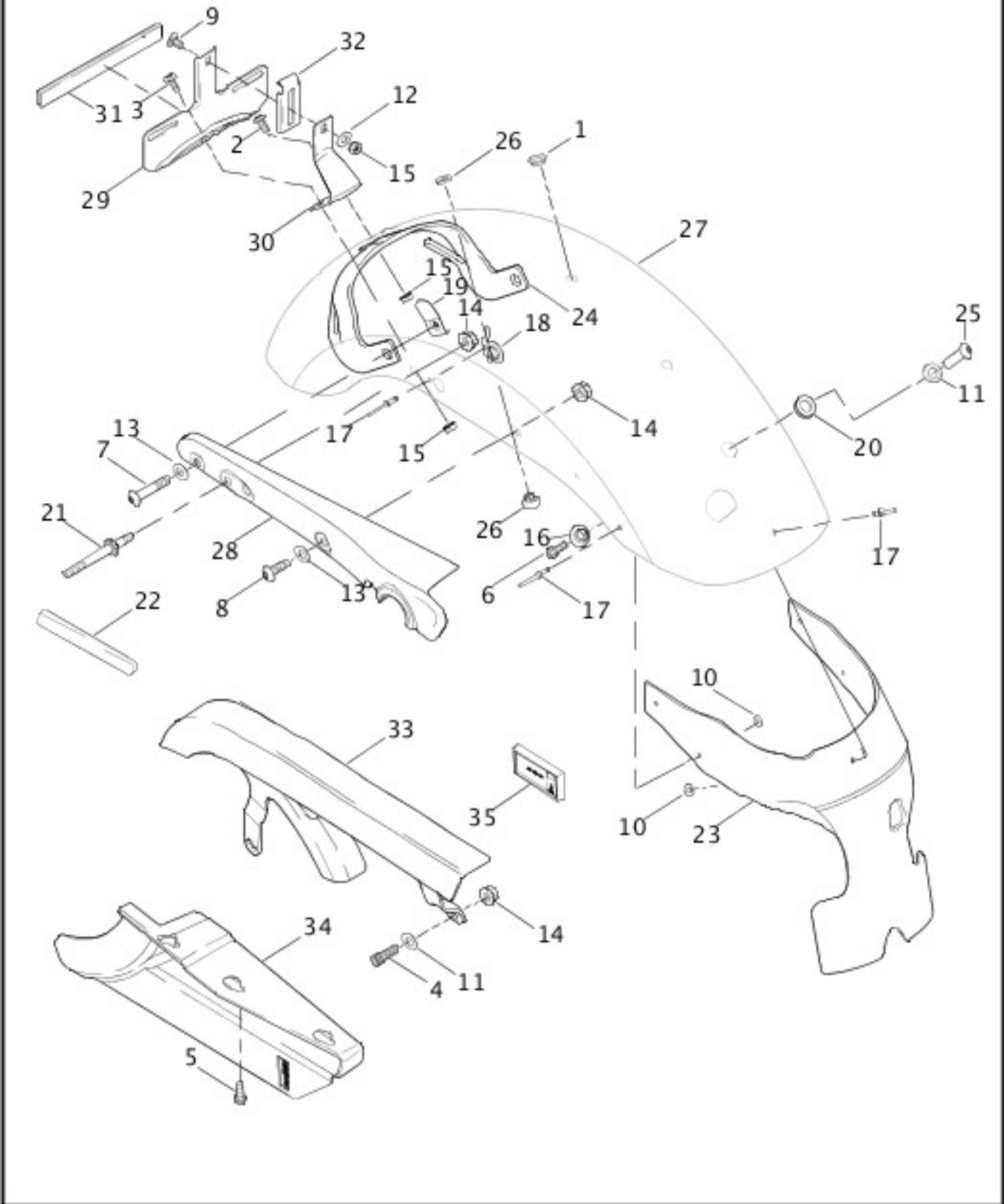
[View interactive image](#)

[View interactive table](#)

INDEX NO.	PART NO.	DESCRIPTION	MODEL(S)
NOTE: Refer to Painted Parts Book for painted part numbers.			
1	3210A	SCREW (4)	ALL
2	7531	LOCKNUT (4)	ALL
3	58998-83C	FRONT FENDER, prime	ALL

REAR FENDER & BELT GUARDS

REAR FENDER & BEL T GUARDS



[View interactive image](#)

[View interactive table](#)

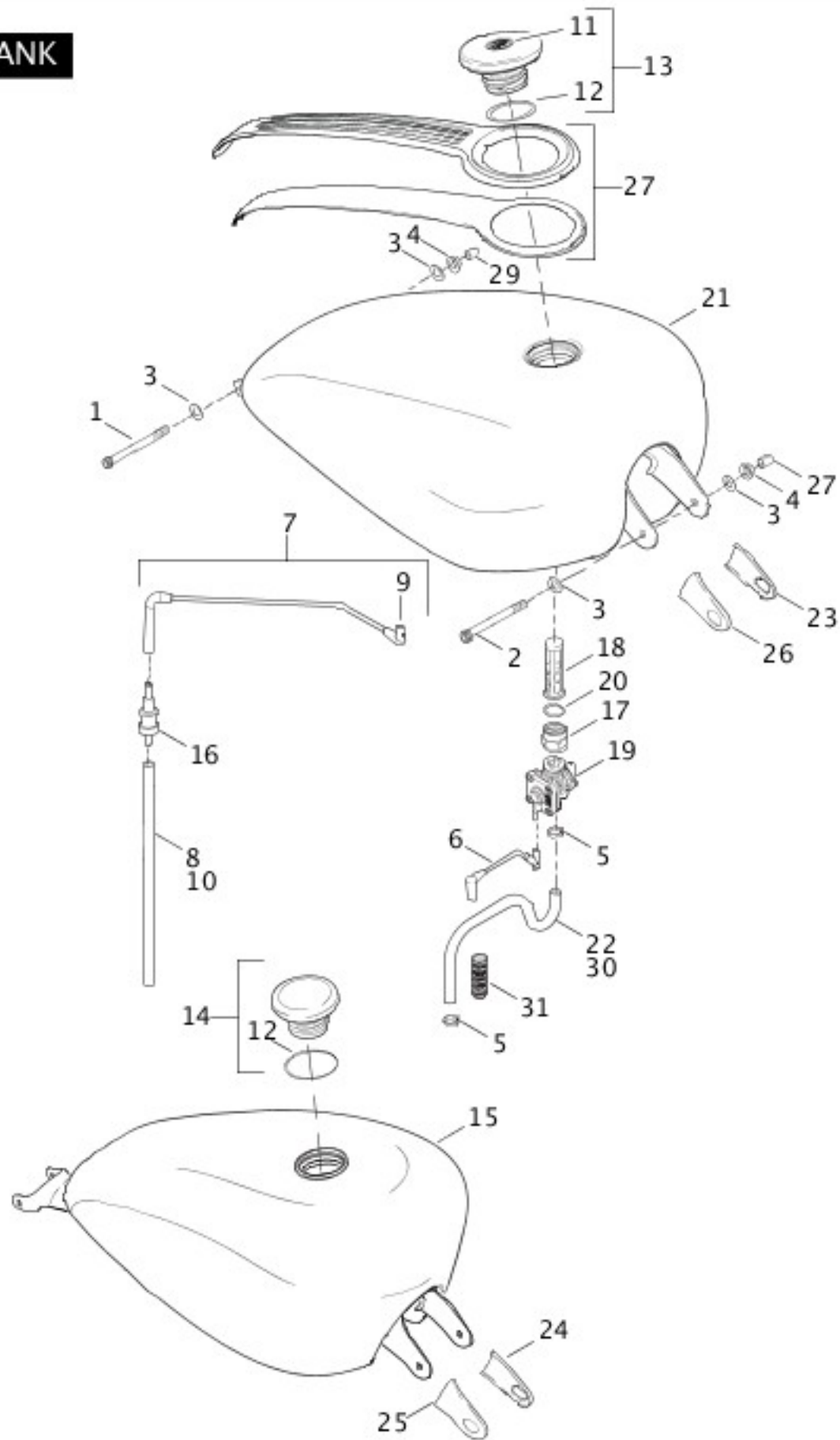
INDEX NO.	PART NO.	DESCRIPTION	MODEL(S)
NOTE: Refer to Painted Parts Book for painted part numbers.			
1	761	PLUG (black) (2)	ALL
2	2607	SCREW	ALL

3	2773	SCREW (2)	ALL
4	2708A	SCREW	ALL
5	3579A	SCREW (3)	ALL
6	4017	BOLT	ALL
7	4778	SCREW (2)	ALL
8	4779	SCREW (2)	ALL
9	5403B	BOLT, carriage	ALL
10	6192	WASHER (5)	ALL
11	6702	WASHER (2)	ALL
12	6703	WASHER	ALL
13	6798	WASHER (4)	ALL
14	7531	LOCKNUT (5)	ALL
15	7792	NUT, kept (4)	ALL
16	7882	TEE SPACER	ALL
17	8692	RIVET (7)	ALL
18	10200	BRACKET, wire retention (2)	ALL
19	10242	CLIP, threaded	ALL
20	11474	GROMMET	ALL
21	56104-02	SCREW, rear fender (2)	ALL
22	59287-92	REFLECTOR, right (red)	ALL
	59288-92	REFLECTOR, left (red)	ALL
23	59502-04	REAR FENDER EXTENSION	ALL
24	59673-04	FENDER SUPPORT	ALL
25	59723-04	SEAT POST	ALL
26	59768-97	FENDER SEAT NUT KIT	ALL
27	59847-04	FENDER, rear (prime)	ALL
28	59902-04	COVER, rear fender support - right (chrome)	XL1200C, XL1200R, XL883, XL883C, XL883L, XL883R
	59903-04	COVER, rear fender support - left (chrome) (not illustrated)	XL1200C, XL1200R, XL883, XL883C, XL883L, XL883R
	60203-06	COVER, rear fender support - right (vivid black)	XL1200L

	60204-06	COVER, rear fender support - left (vivid black) (not illustrated)	XL1200L
29	59984-73	BRACKET, license plate	ALL
30	59986-75	SUPPORT, license plate bracket	ALL
31	59988-72A	REFLECTOR, license plate bracket	ALL
32	60001-55	CLAMP, license plate bracket	ALL
33	60367-04	BELT GUARD	ALL
34	60435-04	DEBRIS DEFLECTOR	ALL
INTERNATIONAL MODELS ONLY			
35	59254-91	REFLECTOR, amber (HDI) (2)	ALL

FUEL TANK

FUEL TANK



[View interactive image](#)

[View interactive table](#)

INDEX NO.	PART NO.	DESCRIPTION	MODEL(S)
-----------	----------	-------------	----------

NOTE: Refer to Painted Parts Book for painted part numbers.

1	4758A	SCREW	ALL
---	-------	-------	-----

2	4771	SCREW	ALL
---	------	-------	-----

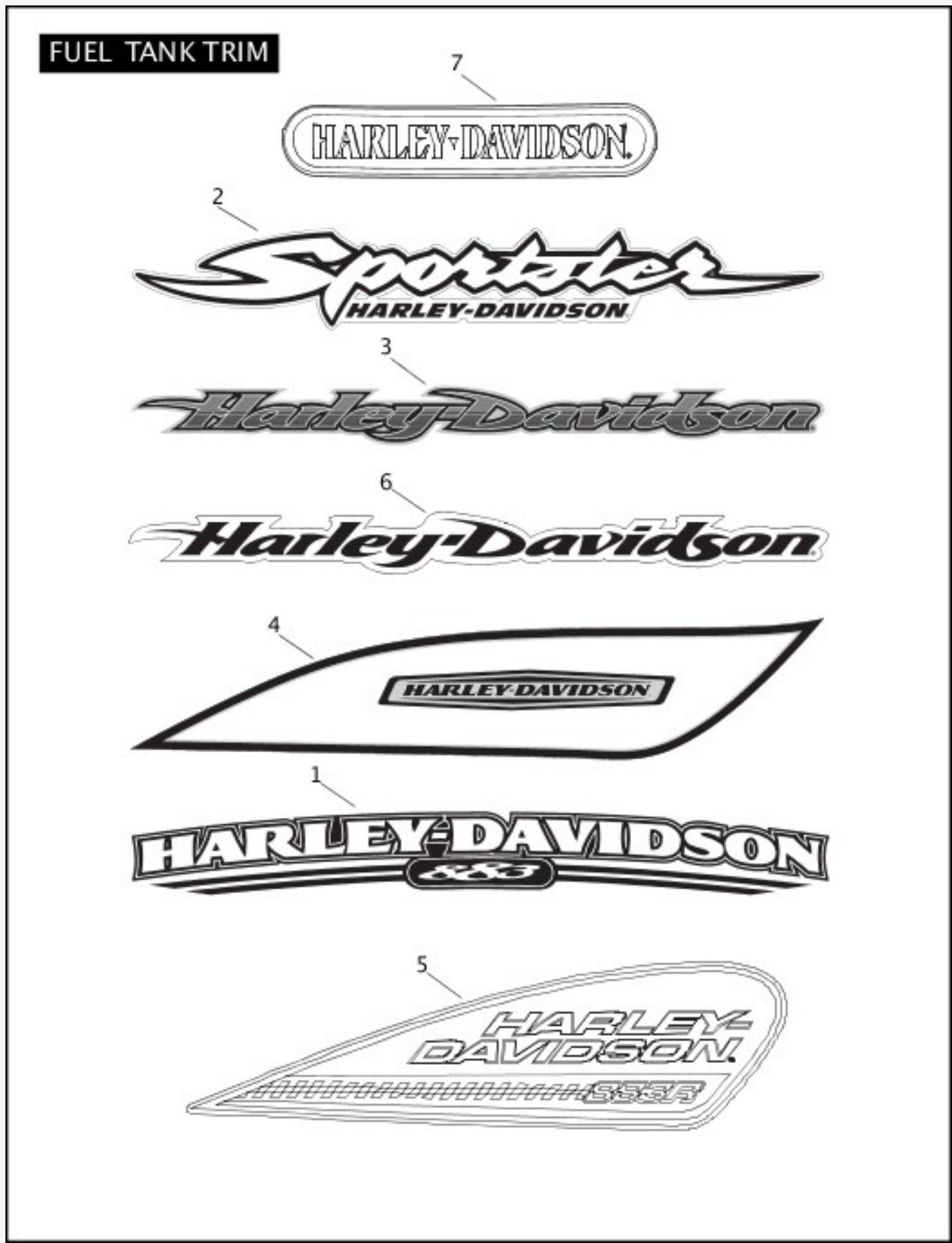
3	6702	WASHER (4)	ALL
4	7531	LOCKNUT, flange (2)	ALL
5	10014	CLAMP (2)	ALL
6	26556-04	VACUUM HOSE ASSEMBLY	XL1200R, XL883, XL883L, XL883R
	26588-04	VACUUM HOSE ASSEMBLY	XL1200C, XL1200L, XL883C
7	27067-04	VENTLINE, tank-to-valve, w/ 27250-96A	ALL
8	27096-04	VENT LINE, vapor valve-to-atmosphere	ALL
9	27250-96A	CONNECTOR, 90 degree	ALL
10	28911-04	HOSE, vapor valve-to-evaporative canister (California)	ALL
11	52494-04	FUEL CAP, medallion	XL1200C, XL1200L, XL883C
12	61109-85D	GASKET, fuel cap	ALL
13	61260-04	FUEL CAP, vented, w/ 52494-04 & 61109-85D	XL1200C, XL1200L, XL883C
14	61272-92B	FUEL CAP, w/ 61109-85D	XL1200R, XL883, XL883L, XL883R
15	61348-04	FUEL TANK ASSEMBLY (prime)	XL1200R, XL883, XL883L, XL883R
16	62150-85	VAPOR VALVE	ALL
17	62161-02	NUT, fuel valve	ALL
18	62166-02	FILTER, fuel valve	ALL
19	62169-02A	FUEL VALVE	ALL
20	62172-02	GASKET, fuel valve	ALL
21	62213-04	FUEL TANK ASSEMBLY (prime)	XL1200C, XL1200L, XL883C
22	62347-04	FUEL HOSE, preformed	ALL
23	70903-04	TRIM, left front	XL1200C, XL1200L, XL883C
24	70904-04	TRIM, left front	XL1200R, XL883, XL883L, XL883R
25	70917-04	TRIM, right front	XL1200R, XL883, XL883L, XL883R
26	70919-04	TRIM, right front	XL1200C, XL1200L, XL883C
27	71276-04	CONSOLE ASSEMBLY, fuel tank	XL1200C
28	89579-91	CAP, protective	ALL
29	89586-04	CAP, protective	ALL

NOTE: Hose or insulator is sold in bulk length under the following part numbers. Cut to length.

30	63501-68A	HOSE, 1/4 in. I.D. X 1/2 in. O.D. (rubber) (25 ft. length)	ALL
----	-----------	--	-----

31	63505-84	INSULATOR, 1/2 in. I.D. (nylon) (8 ft. length)	ALL
----	----------	--	-----

FUEL TANK TRIM



[View interactive image](#)

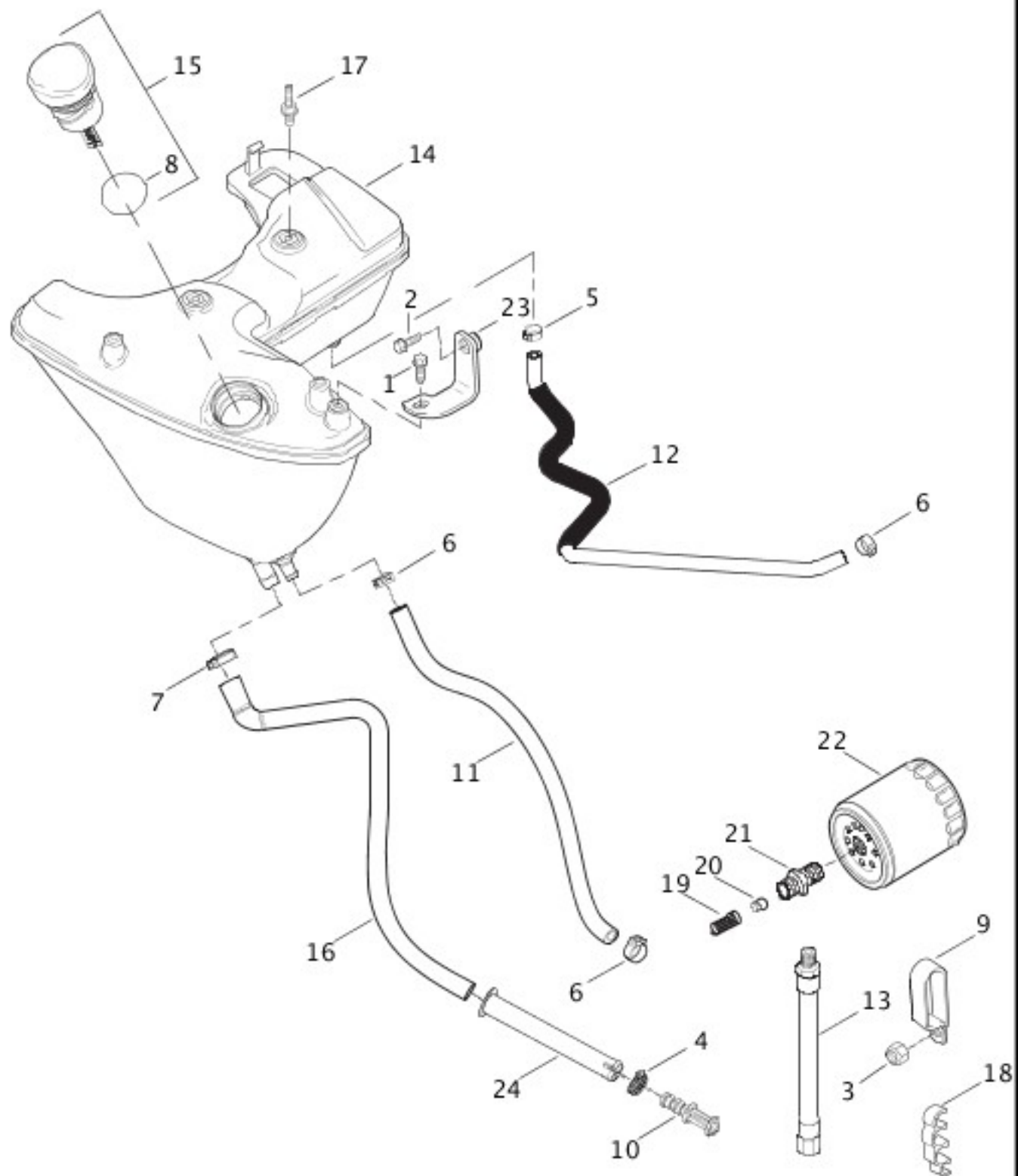
[View interactive table](#)

INDEX NO.	PART NO.	DESCRIPTION	MODEL(S)

1	13304-05	DECAL, fuel tank (orange) (2)	XL883L
	13305-05	DECAL, fuel tank (blue) (2)	XL883L
2	13340-04	DECAL, fuel tank (red) (2)	XL883
	13341-04	DECAL, fuel tank (blue) (2)	XL883
3	13342-04	DECAL, fuel tank (red) (2)	XL883C
	13343-04	DECAL, fuel tank (blue) (2)	XL883C
	13367-04	DECAL, fuel tank (turquoise) (2)	XL883C
4	13371-04	DECAL, fuel tank, LH (red, birch white)	XL1200R
	13372-04	DECAL, fuel tank, RH (red, birch white)	XL1200R
	13469-06	DECAL, fuel tank, LH (red, black)	XL1200R
	13470-06	DECAL, fuel tank, RH (red, black)	XL1200R
	13471-06	DECAL, fuel tank, LH (blue, black)	XL1200R
	13472-06	DECAL, fuel tank, RH (blue, black)	XL1200R
5	13566-05	DECAL, fuel tank (LH)	XL883R
	13567-05	DECAL, fuel tank (RH)	XL883R
6	62260-04	MEDALLION, fuel tank, LH (red)	XL1200C
	62261-04	MEDALLION, fuel tank, RH (red)	XL1200C
	62262-04	MEDALLION, fuel tank LH (blue)	XL1200C
	62263-04	MEDALLION, fuel tank, RH (blue)	XL1200C
7	62320-06	MEDALLION, fuel tank, LH	XL1200L
	62321-06	MEDALLION, fuel tank, RH	XL1200L

OIL TANK & FILTER

OIL TANK & FILTER



[View interactive image](#)

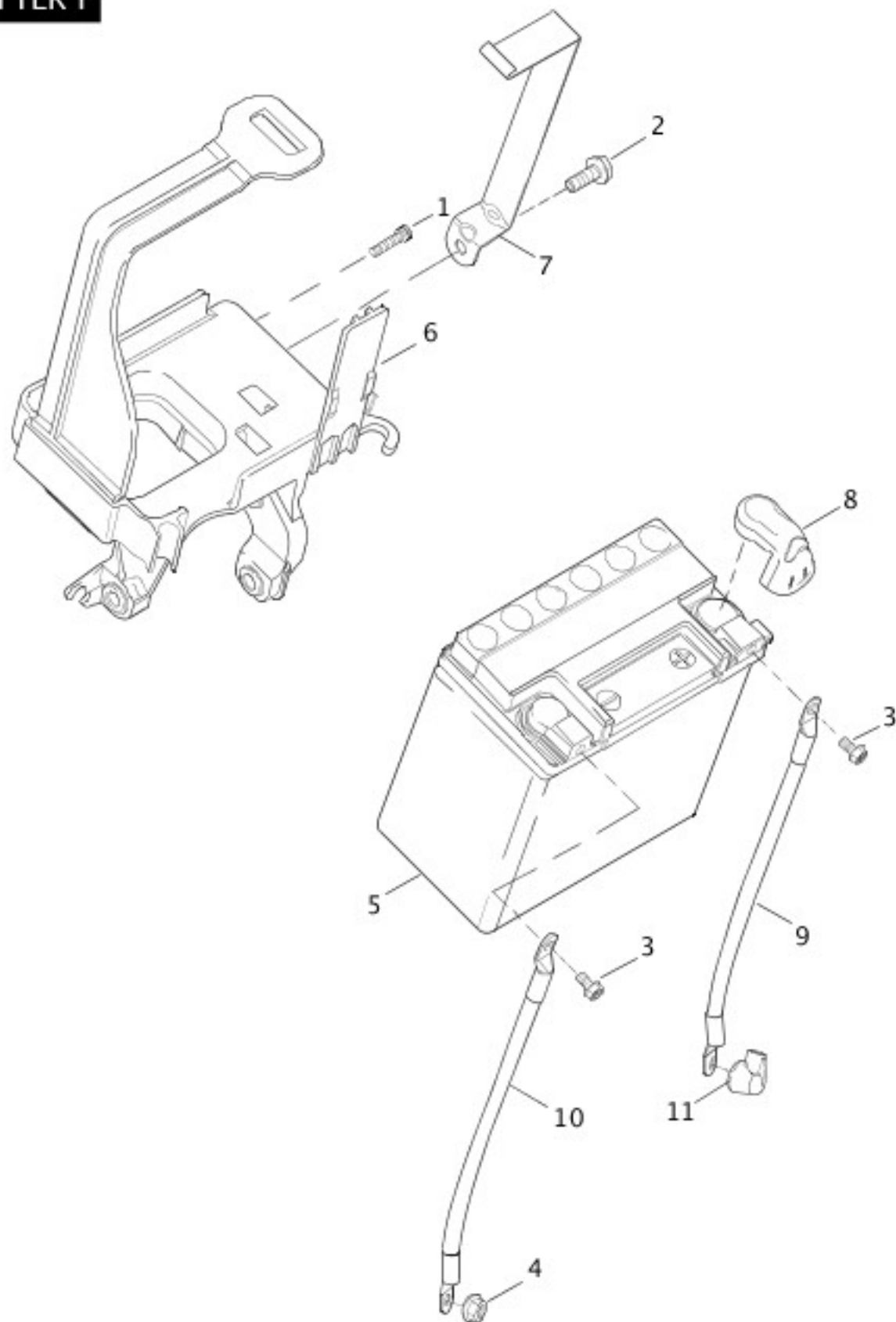
[View interactive table](#)

INDEX NO.	PART NO.	DESCRIPTION	MODEL(S)
1	3588	SCREW, flange	ALL
2	3799	SCREW, flange	ALL
3	7624	LOCKNUT	ALL

4	9969	HOSE CLAMP	ALL
5	10014	CLAMP	ALL
6	10080	CLAMP (3)	ALL
7	10142	CLAMP	ALL
8	11120	O-RING	ALL
9	31512-04	HOSE CLAMP	ALL
10	33123-06	PLUG, oil tank drain	ALL
11	62338-01Y	HOSE, oil	ALL
12	62361-04	HOSE, oil return line	ALL
13	62651-04	HOSE, oil pump	ALL
14	62888-04	OIL TANK ASSEMBLY	ALL
15	63000-04A	DIPSTICK ASSEMBLY, oil tank, w/ 11120	ALL
16	63596-06	HOSE, oil drain	ALL
17	65092-04	STUD SPACER (2)	ALL
18	70503-04	HOSE CLIP	ALL
19	26436-90A	SPRING	ALL
20	26437-86B	BALL	ALL
21	33117-91A	ADAPTOR, oil filter	ALL
22	63805-80A	OIL FILTER	XL1200L, XL1200R, XL883, XL883C, XL883L, XL883R
	63796-77A	OIL FILTER (chrome)	XL1200C
23	66199-04	BRACKET, oil tank	ALL
24	33138-06	SLEEVE, oil drain line	ALL
25	62360-04A	VENT TUBE ASSEMBLY (not shown)	ALL

BATTERY

BATTERY



[View interactive image](#)

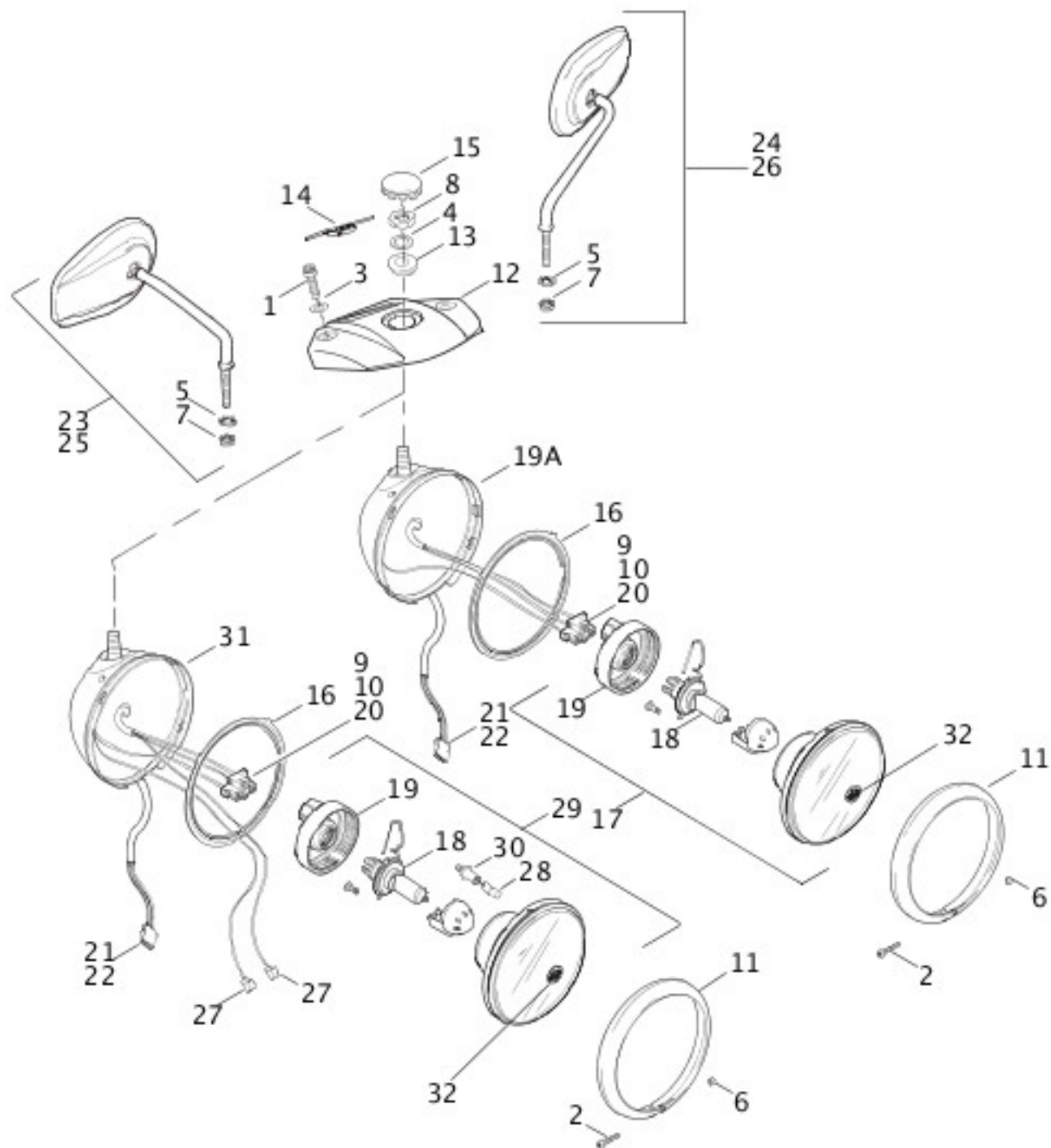
[View interactive table](#)

INDEX NO.	PART NO.	DESCRIPTION	MODEL(S)
1	2535	SCREW (3)	ALL
2	3574	SCREW, flange	ALL
3	4312A	SCREW, flange (2)	ALL

4	7770	NUT, flange	ALL
	10006	CABLE STRAP (not illustrated)	ALL
5	65958-04	BATTERY, w/ 4312A	ALL
6	66194-04B	TRAY, battery	ALL
7	66476-04	STRAP, battery	ALL
8	70003-04	COVER, battery terminal	ALL
9	70295-04	CABLE, battery-to-starter, w/ 70578-89	ALL
10	70296-04	CABLE, battery-to-ground	ALL
11	70578-89	RUBBER BOOT	ALL

HEADLAMP & MIRROR - 883/883L/883R/1200L/1200R

HEADLAMP & MIRR OR - 883/883L/883R/1200L/12



[View interactive image](#)

[View interactive table](#)

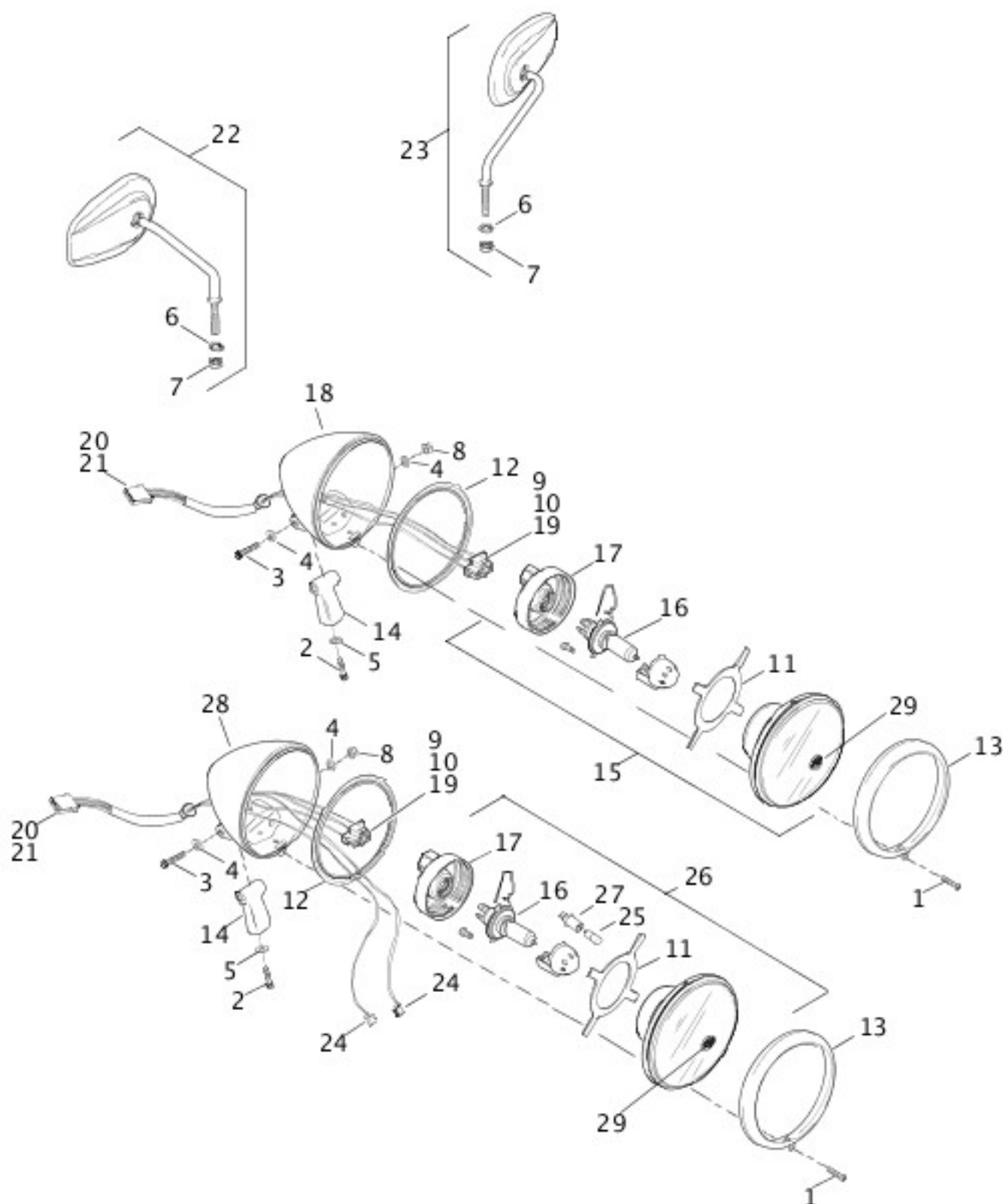
INDEX NO.	PART NO.	DESCRIPTION	MODEL(S)
1	2708A	SCREW (2)	XL1200L, XL1200R, XL883, XL883L, XL883R
2	3514	SCREW	XL1200L, XL1200R, XL883, XL883L, XL883R
3	6702	WASHER (2)	XL1200L, XL1200R, XL883, XL883L, XL883R

4	7068	LOCKWASHER, lock	XL1200L, XL1200R, XL883, XL883L, XL883R
5	7127	LOCKWASHER (2)	XL1200L, XL1200R, XL883, XL883L, XL883R
6	7606	LOCKNUT	XL1200L, XL1200R, XL883, XL883L, XL883R
7	7727	LOCKNUT (2)	XL1200L, XL1200R, XL883, XL883L
	7720	ACORN NUT (2)	XL883R
8	7880	NUT	XL1200L, XL1200R, XL883, XL883L, XL883R
9	9847	CONNECTOR, right	XL1200L, XL1200R, XL883, XL883L, XL883R
10	9848	CONNECTOR, left	XL1200L, XL1200R, XL883, XL883L, XL883R
11	67790-93	BEZEL	XL1200L, XL1200R, XL883, XL883L, XL883R
12	67805-92	BRACKET, headlamp	XL883, XL883L
	67963-05	BRACKET, headlamp	XL883R
	69709-00	BRACKET KIT, headlamp, w/ trim (chrome)	XL1200L, XL1200R
13	67815-59A	WASHER, headlamp	XL1200L, XL1200R, XL883, XL883L, XL883R
14	67834-83	TRIM, headlamp bracket	XL883, XL883L
	67972-98	TRIM, headlamp bracket	XL883R
15	67865-89	PLUG	XL1200L, XL1200R, XL883, XL883L
	69449-05	PLUG	XL883R
16	67883-04	ADAPTER RING	XL1200L, XL1200R, XL883, XL883L, XL883R
17	68297-05	LAMP ASSEMBLY, 5-3/4 in., w/ 68329-03 & 68380-05	XL1200L, XL1200R, XL883, XL883L, XL883R
18	68329-03	BULB	XL1200L, XL1200R, XL883, XL883L, XL883R

19	68380-05	BOOT, headlamp connector	XL1200L, XL1200R, XL883, XL883L, XL883R
19A	69619-02A	HEADLAMP SHELL ASSEMBLY, 5-3/4, w/ 9, 10, 20, 21, 22, 27	XL1200L, XL1200R, XL883, XL883L, XL883R
20	72056-92	HOUSING, female	XL1200L, XL1200R, XL883, XL883L, XL883R
21	73154-96BK	SOCKET HOUSING, socket	XL1200L, XL1200R, XL883, XL883L, XL883R
22	73191-96	SOCKET TERMINAL (4)	XL1200L, XL1200R, XL883, XL883L, XL883R
23	91840-03A	MIRROR KIT, right, short (chrome)	XL1200L, XL1200R, XL883L
	91982-03A	MIRROR KIT, right, short (black)	XL883R
24	91845-03A	MIRROR KIT, left, short (chrome)	XL1200L, XL1200R, XL883L
	91983-03A	MIRROR KIT, left, short (black)	XL883R
25	91846-03A	MIRROR KIT, right, long (chrome)	XL883
26	91848-03A	MIRROR KIT, left, long (chrome)	XL883
INTERNATIONAL MODELS ONLY			
27	9898	TERMINAL FLAG (2)	XL1200L, XL1200R, XL883, XL883L, XL883R
28	53438-92	BULB	XL1200L, XL1200R, XL883, XL883L, XL883R
29	68335-05	LAMP ASSEMBLY, left 5-3/4 in. (Australia, England, Japan), w/ 53438-92, 68329-03, 68380-05, & 68650-92	XL1200L, XL1200R, XL883, XL883L, XL883R
	68341-05	LAMP ASSEMBLY, right 5-3/4 (HDI), w/ 53438-92, 68329-03, 68380-05, & 68650-92	XL1200L, XL1200R, XL883, XL883L, XL883R
30	68650-92	SOCKET, bulb (2 spade)	XL1200L, XL1200R, XL883, XL883L, XL883R
31	69619-02A	HEADLAMP SHELL ASSEMBLY, 5-3/4, w/ 9, 10, 20, 21, 22, 27	XL1200L, XL1200R, XL883, XL883L, XL883R
32	67667-05	MEDALLION, headlamp, 5-3/4 in.	ALL

HEADLAMP & MIRROR - 883C/1200C

HEADLAMP & MIRR OR - 883C/1200



[View interactive image](#)

[View interactive table](#)

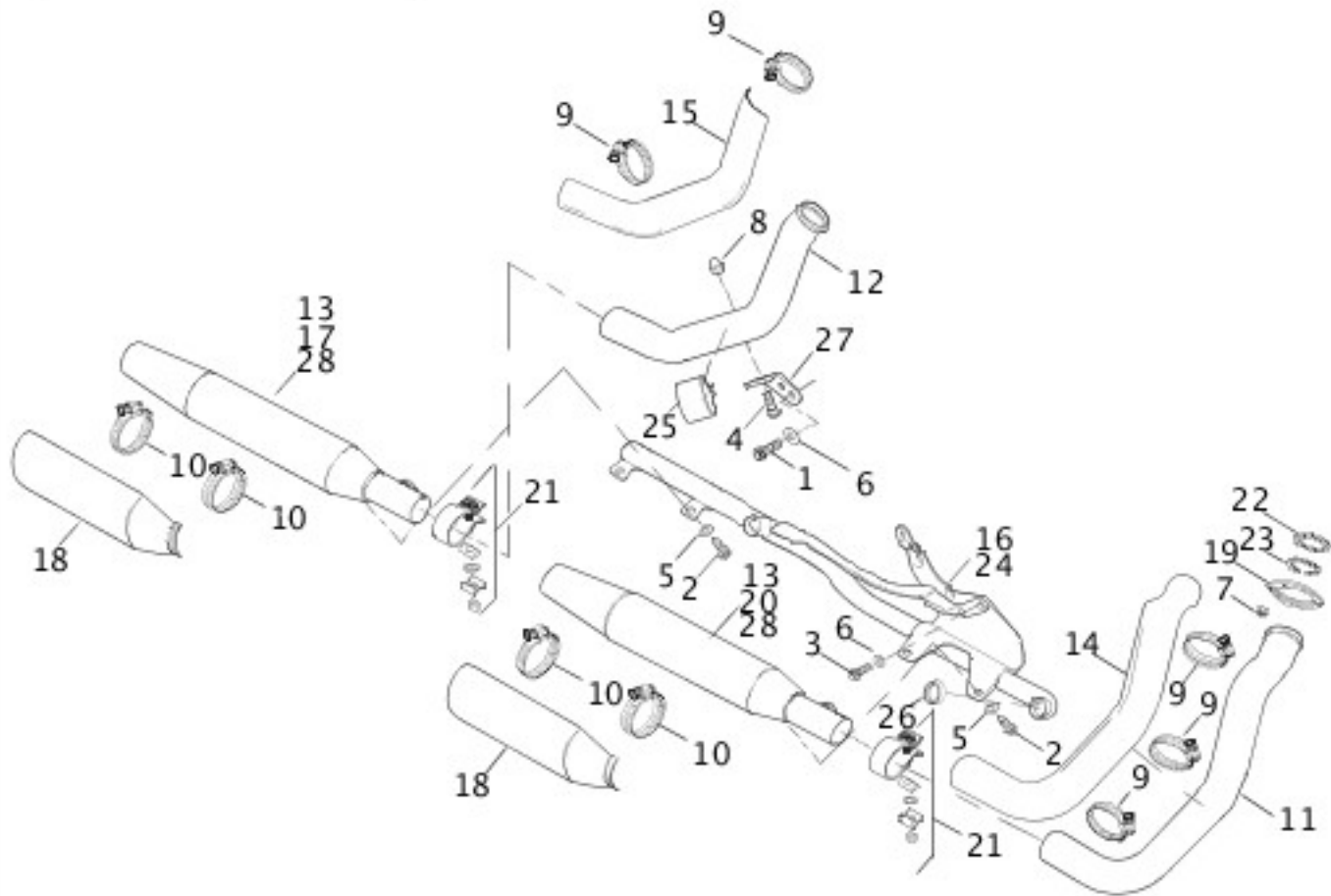
INDEX NO.	PART NO.	DESCRIPTION	MODEL(S)
1	3615	SCREW	XL1200C, XL883C
2	4350A	SCREW	XL1200C, XL883C

3	4420	SCREW	XL1200C, XL883C
4	6701	WASHER (2)	XL1200C, XL883C
5	7045	LOCKWASHER	XL1200C, XL883C
6	7127	LOCKWASHER	XL1200C, XL883C
7	7727	LOCKNUT	XL1200C, XL883C
8	7778	LOCKNUT	XL1200C, XL883C
9	9847	CONNECTOR, right	XL1200C, XL883C
10	9848	CONNECTOR, left	XL1200C, XL883C
11	67601-94A	GASKET, headlamp, This gasket is sold separately and is not part of items 15, 26, & 27.	XL1200C, XL883C
12	67603-94	ADAPTER RING	XL1200C, XL883C
13	67894-93	BEZEL ASSEMBLY	XL1200C, XL883C
14	67919-96	MOUNT, headlamp	XL1200C, XL883C
15	68297-05	LAMP ASSEMBLY, 5-3/4 in., w/ 68329-03 & 68380-05	XL1200C, XL883C
16	68329-03	BULB	XL1200C, XL883C
17	68380-05	BOOT, headlamp connector	XL1200C, XL883C
18	69681-04A	HEADLAMP SHELL ASSEMBLY, 5-3/4, w/ 9847, 9848, 9898, 72056-92, 73154-96BK, & 73191-96	XL1200C, XL883C
19	72056-92	HOUSING, female	XL1200C, XL883C
20	73191-96	SOCKET TERMINAL	XL1200C, XL883C
21	73154-96BK	SOCKET HOUSING, socket	XL1200C, XL883C
22	91846-03A	MIRROR KIT, right	XL1200C, XL883C

23	91848-03A	MIRROR KIT, left	XL1200C, XL883C
INTERNATIONAL MODELS ONLY			
24	9898	TERMINAL FLAG	XL1200C, XL883C
25	53438-92	BULB	XL1200C, XL883C
26	68335-05	LAMP ASSEMBLY, left (Australia, England, Japan) 5-3/4 in.	XL1200C, XL883C
	68341-05	LAMP ASSEMBLY, right (HDI) 5-3/4 in.	XL1200C, XL883C
27	68650-92	SOCKET, bulb (2 spade)	XL1200C, XL883C
28	69681-04A	HEADLAMP SHELL ASSEMBLY, 5-3/4 in., w/ 9847, 9848, 9898, 72056-92, 73154-96BK, & 73191-96	XL1200C, XL883C
29	67667-05	MEDALLION, headlamp, 5-3/4 in.	ALL

EXHAUST SYSTEM

EXHAUST SYSTEM



[View interactive image](#)

[View interactive table](#)

INDEX NO.	PART NO.	DESCRIPTION	MODEL(S)
1	4032A	SCREW	ALL
2	4269	SCREW, flanged (4)	ALL
3	4748	SCREW (3)	ALL
4	5414	BOLT, carriage	ALL
5	6302	WASHER (4)	ALL
6	6701	WASHER (4)	ALL
7	7593	NUT (4)	ALL
8	7862	ACORN NUT, w/ lock	ALL
9	9955	CLAMP, heat shield (5)	ALL
10	10074	CLAMP, muffler heat shield (California, HDI, England) (4)	ALL

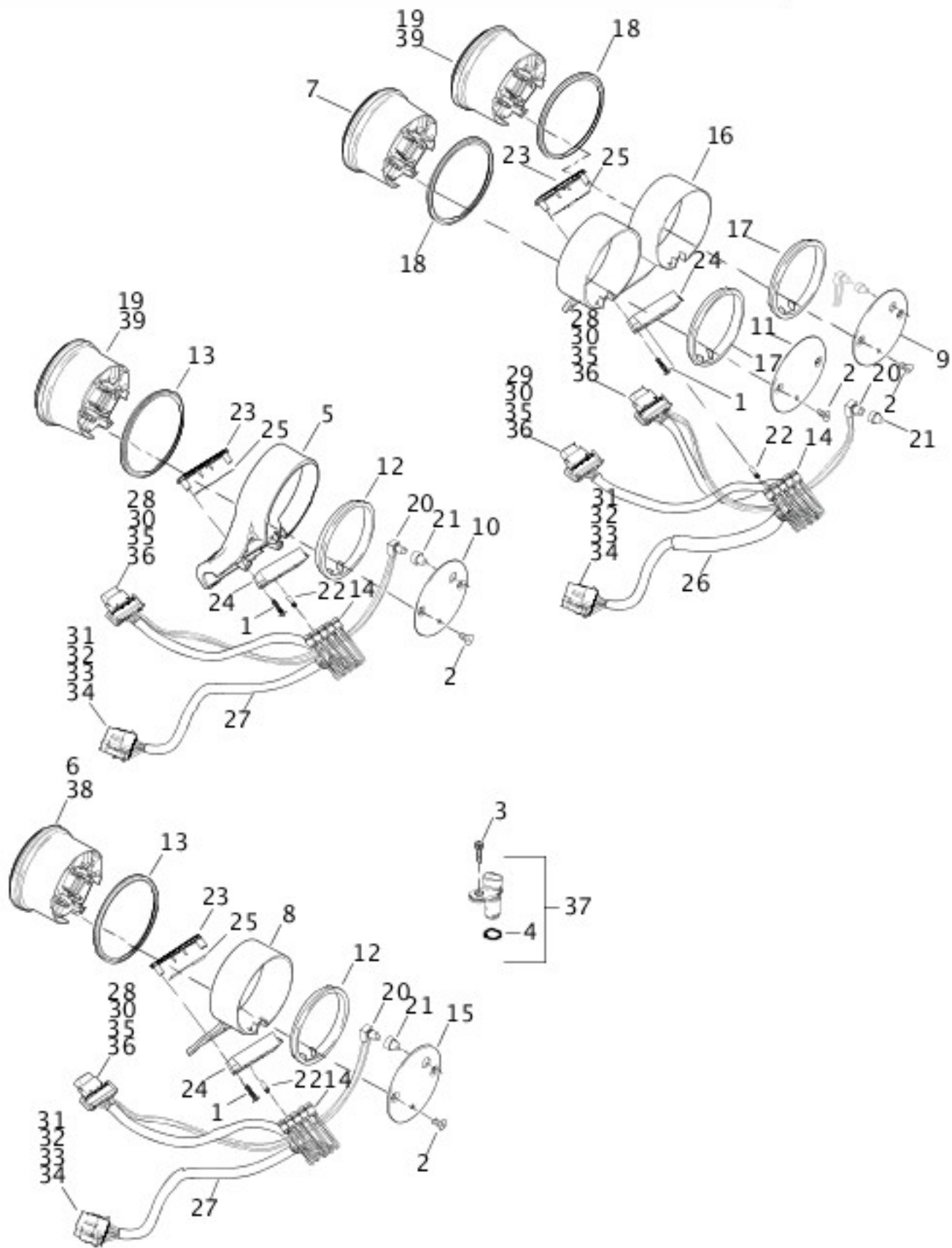
11	64840-04	EXHAUST PIPE, front (chrome)	ALL
12	64841-04	EXHAUST PIPE, rear (chrome)	ALL
13	64842-04	MUFFLER, front (CG/CL/CW - Domestic, Canada), rear (CG/CJ/CM/CW - Domestic, California, Canada)	XL1200C, XL1200L, XL1200R, XL883C, XL883L
14	64846-04	HEAT SHIELD, front exhaust pipe	ALL
15	64847-04	HEAT SHIELD, rear exhaust pipe	ALL
16	64855-04	MUFFLER INTERCONNECT BRACKET, support assembly	XL1200C, XL1200L, XL883C, XL883L
17	64890-04	MUFFLER, rear (Domestic, Canada, California)	XL1200R, XL883, XL883L, XL883R
18	64889-04	HEAT SHIELD, muffler, front (All models - HDI, England, California)	ALL
	64889-04	HEAT SHIELD, muffler, front (Domestic/Canada)	XL883, XL883C, XL883L, XL883R
	64889-04	HEAT SHIELD, muffler, rear (All models - HDI, England)	ALL
19	65184-02	FLANGE, exhaust pipe (2)	ALL
20	65232-04	MUFFLER, front (California)	ALL
	65232-04	MUFFLER, front (Canada)	XL883, XL883C, XL883L, XL883R
21	65296-95	CLAMP, muffler (2)	ALL
22	65324-83A	GASKET, exhaust port (2)	ALL
23	65325-83A	RETAINING RING, exhaust gasket (2)	ALL
24	65339-04	MUFFLER INTERCONNECT BRACKET, support assembly	XL1200R, XL883, XL883R
25	65302-82A	CLAMP, exhaust pipe	ALL
26	65927-00	GASKET, exhaust interconnect (2)	ALL
27	65974-04A	BRACKET, exhaust clamp	ALL

INTERNATIONAL MODELS ONLY

28	64848-04	MUFFLER, front (Japan)	XL1200C, XL1200L, XL1200R
	64848-04	MUFFLER, rear (Japan)	XL1200C, XL1200L
	64853-04	MUFFLER, front (Australia, Japan)	XL883, XL883C, XL883L, XL883R
	64853-04	MUFFLER, front (Australia)	XL1200C, XL1200R
	64853-04	MUFFLER, rear (Australia, Japan)	XL883C, XL883L
	64853-04	MUFFLER, rear (Australia)	XL1200C
	64854-04	MUFFLER, rear (Australia, Japan)	XL883, XL883R
	64854-04	MUFFLER, rear (Australia)	XL1200R
	64857-04	MUFFLER, rear (Japan)	XL1200R
	64891-04	MUFFLER, front (CG/CL/CW - HDI, England), rear (CG/CW - HDI, England)	XL1200C, XL1200L, XL1200R
	64893-04	MUFFLER, rear (HDI, England)	XL1200R
	65232-04	MUFFLER, front (CA/CJ/CM/CK - HDI, England), rear (CJ/CM - HDI, England)	XL883, XL883C, XL883L, XL883R
	65233-04	MUFFLER, rear (HDI, England)	XL883, XL883R

SPEEDOMETER & TACHOMETER - 883/883L/883R/1200L/1200R

SPEEDOMETER & TACHOMETER - 883/883L/883R/120



[View interactive image](#)

[View interactive table](#)

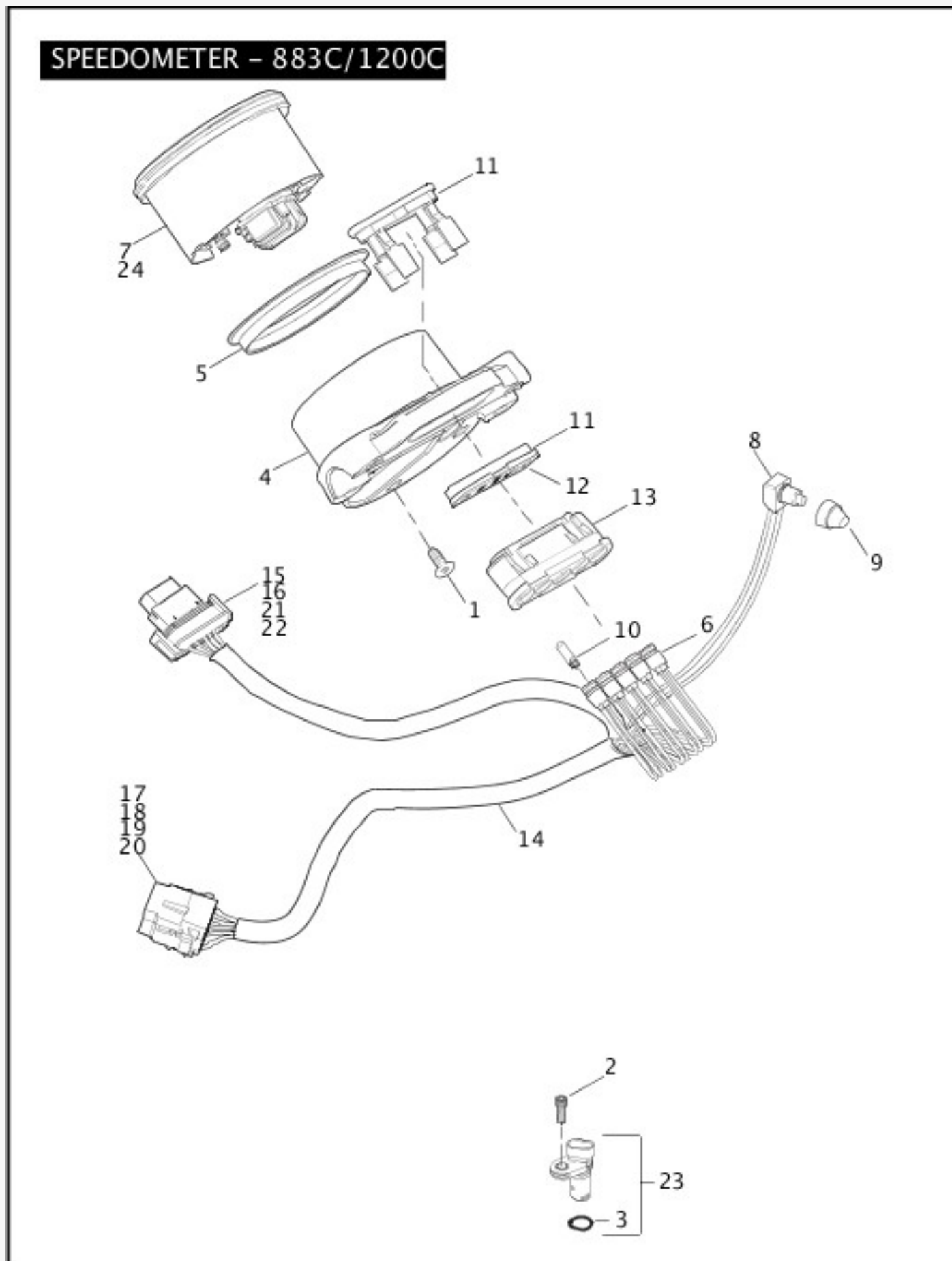
INDEX NO.	PART NO.	DESCRIPTION	MODEL(S)
1	2325	SCREW (2)	XL1200L, XL1200R, XL883, XL883L, XL883R
2	2361	SCREW (2)	XL1200L, XL883, XL883L, XL883R

2	2361	SCREW (4)	XL1200R
3	3594	SCREW	XL1200L, XL1200R, XL883, XL883L, XL883R
4	11289A	O-RING	XL1200L, XL1200R, XL883, XL883L, XL883R
5	55846-05A	BRACKET	XL1200L
6	67037-04	SPEEDOMETER, mph (Domestic, California)	XL883, XL883L, XL883R
7	67049-04	TACHOMETER	XL1200R
8	67053-95	BRACKET, speedometer	XL883, XL883L, XL883R
9	67085-95	COVER, speedometer back (chrome rim)	XL1200R
10	67089-05	COVER, speedometer back (chrome rim)	XL1200L
11	67103-95	COVER, tachometer back (chrome rim)	XL1200R
12	67104-95	CUSHION, rear	XL1200L, XL883, XL883L, XL883R
13	67121-95	GASKET, front	XL1200L, XL883, XL883L, XL883R
14	67184-94	SOCKET, indicator lamps (5)	XL1200L, XL1200R, XL883, XL883L, XL883R
15	67320-95	COVER, speedometer back (black)	XL883, XL883L, XL883R
16	67338-97	BRACKET, speedometer & tachometer	XL1200R
17	67344-97	CUSHION, rear (2)	XL1200R
18	67345-97	CUSHION, front (2)	XL1200R
19	67436-04	SPEEDOMETER, mph (Domestic, California)	XL1200L, XL1200R
20	67450-99	SWITCH, reset	XL1200L, XL1200R, XL883, XL883L, XL883R
21	67880-94	BOOT, reset switch	XL1200L, XL1200R, XL883, XL883L, XL883R

22	68024-94	BULB, indicator lamps (5)	XL1200L, XL1200R, XL883, XL883L, XL883R
23	68513-95	TRIM PLATE, indicator lamps	XL1200L, XL1200R, XL883, XL883L, XL883R
24	68516-95	HOUSING, indicator lamps	XL1200L, XL1200R, XL883, XL883L, XL883R
25	68551-95	LENS, indicator lamps	XL1200L, XL1200R, XL883, XL883L, XL883R
26	68811-04	HARNESS, warning lamp assembly, w/ 14, 20, 22, 24, 28, 29, 30, 31, 32, 33, 34, 35, & 36	XL1200R
27	68813-04	HARNESS, warning lamp assembly, w/ 14, 20, 22, 24, 28, 30, 31, 32, 33, 34, 35, & 36	XL1200L, XL883, XL883L, XL883R
28	72130-04	HOUSING, socket 12-way (black)	XL1200L, XL1200R, XL883, XL883L, XL883R
29	72131-04	HOUSING, socket 12-way (gray)	XL1200R
30	72189-04	SEAL, pin (4-CA/CM, 11-CL)	XL1200L, XL1200R, XL883, XL883L, XL883R
31	74119-98BK	HOUSING, 12-way (black)	XL1200L, XL1200R, XL883, XL883L, XL883R
32	74159-98	SECONDARY LOCK, 12-way	XL1200L, XL1200R, XL883, XL883L, XL883R
33	74191-98	SOCKET TERMINAL, socket - reset switch	XL1200L, XL1200R, XL883, XL883L, XL883R
34	74195-98	SEAL PIN, pin	XL1200L, XL1200R, XL883, XL883L, XL883R
35	74196-04	TERMINAL, socket, 20 AWG. (8-CA/CM, 13-CL)	XL1200L, XL1200R, XL883, XL883L, XL883R
36	74197-04	LOCK, secondary, 12-way socket (2-CL)	XL1200L, XL1200R, XL883, XL883L, XL883R
37	74402-05	SENSOR, vehicle speed	XL1200L, XL1200R, XL883, XL883L, XL883R

INTERNATIONAL MODELS ONLY

38	67041-04	SPEEDOMETER, kph (Canada/HDI/Australia/Japan)	XL883, XL883L, XL883R
	67290-04	SPEEDOMETER, mph/kph (England)	XL883, XL883L, XL883R
39	67415-04	SPEEDOMETER, mph/kph (England)	XL1200L, XL1200R

SPEEDOMETER - 883C/1200C
[View interactive image](#)
[View interactive table](#)

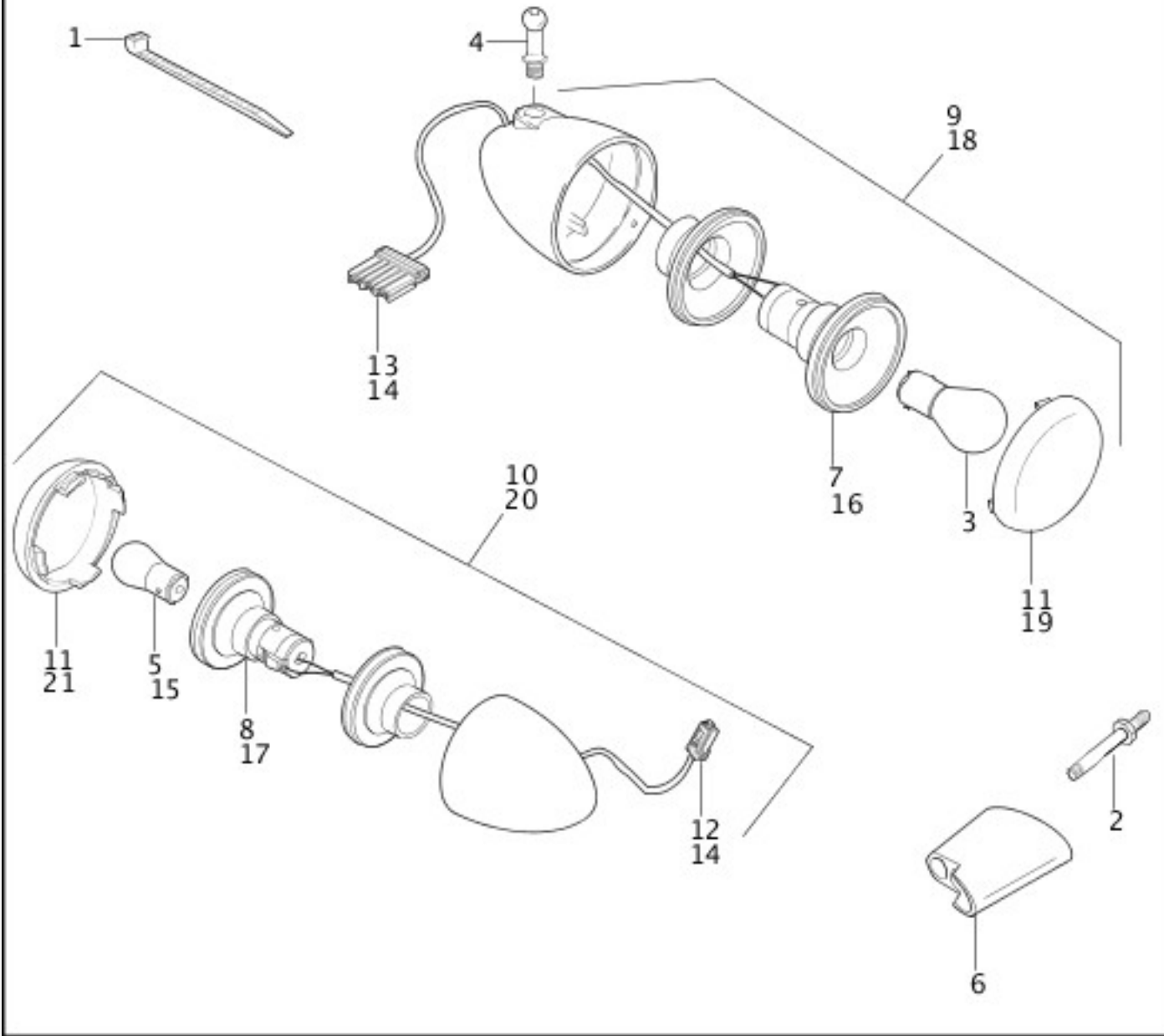
INDEX	PART	DESCRIPTION	MODEL(S)
-------	------	-------------	----------

NO.	NO.		
1	2548	SCREW, countersunk	XL1200C, XL883C
2	3594	SCREW	XL1200C, XL883C
3	11289A	O-RING	XL1200C, XL883C
4	55844-04	HOUSING, instrument (chrome)	XL1200C, XL883C
5	67121-95	GASKET, shock, front	XL1200C, XL883C
6	67184-94	SOCKET, warning light (5)	XL1200C, XL883C
7	67436-04	SPEEDOMETER, mph (Domestic)	XL1200C, XL883C
8	67450-99	SWITCH, trip reset	XL1200C, XL883C
9	67880-94	BOOT, reset switch	XL1200C, XL883C
10	68024-94	BULB, warning light (5)	XL1200C, XL883C
11	68382-96	BEZEL ASSEMBLY, indicator lamps	XL1200C, XL883C
12	68423-96	JEWEL, indicator lamp	XL1200C, XL883C
	68715-96	INDICATOR LAMP ASSEMBLY, w/ 67184-94, 68024-94, 68423-96, & 68792-96	XL1200C, XL883C
13	68792-96	HOUSING, indicator lamp, w/ 68788-96	XL1200C, XL883C
14	68814-04	INSTRUMENT HARNESS ASSEMBLY	XL1200C, XL883C
15	72130-04	HOUSING, socket 12-way (black)	XL1200C, XL883C
16	72189-04	SEAL, pin (4)	XL1200C, XL883C
17	74119-98BK	HOUSING, socket 12-way (black)	XL1200C, XL883C
18	74159-98	SECONDARY LOCK, 12-way socket	XL1200C, XL883C

19	74193-98	TERMINAL, socket, solid (11)	XL1200C, XL883C
20	74195-98	SEAL PIN, pin	XL1200C, XL883C
21	74196-04	TERMINAL, socket, 20 AWG. (8)	XL1200C, XL883C
22	74197-04	LOCK, secondary, 12-way socket	XL1200C, XL883C
23	74402-05	SENSOR, vehicle speed	XL1200C, XL883C
INTERNATIONAL MODELS ONLY			
24	67415-04	SPEEDOMETER, mph/kph (England)	XL1200C, XL883C
	67416-04	SPEEDOMETER, kph (Australia, Canada, HDI, Japan)	XL1200C, XL883C

TURN SIGNALS

TURN SIGNALS



[View interactive image](#)

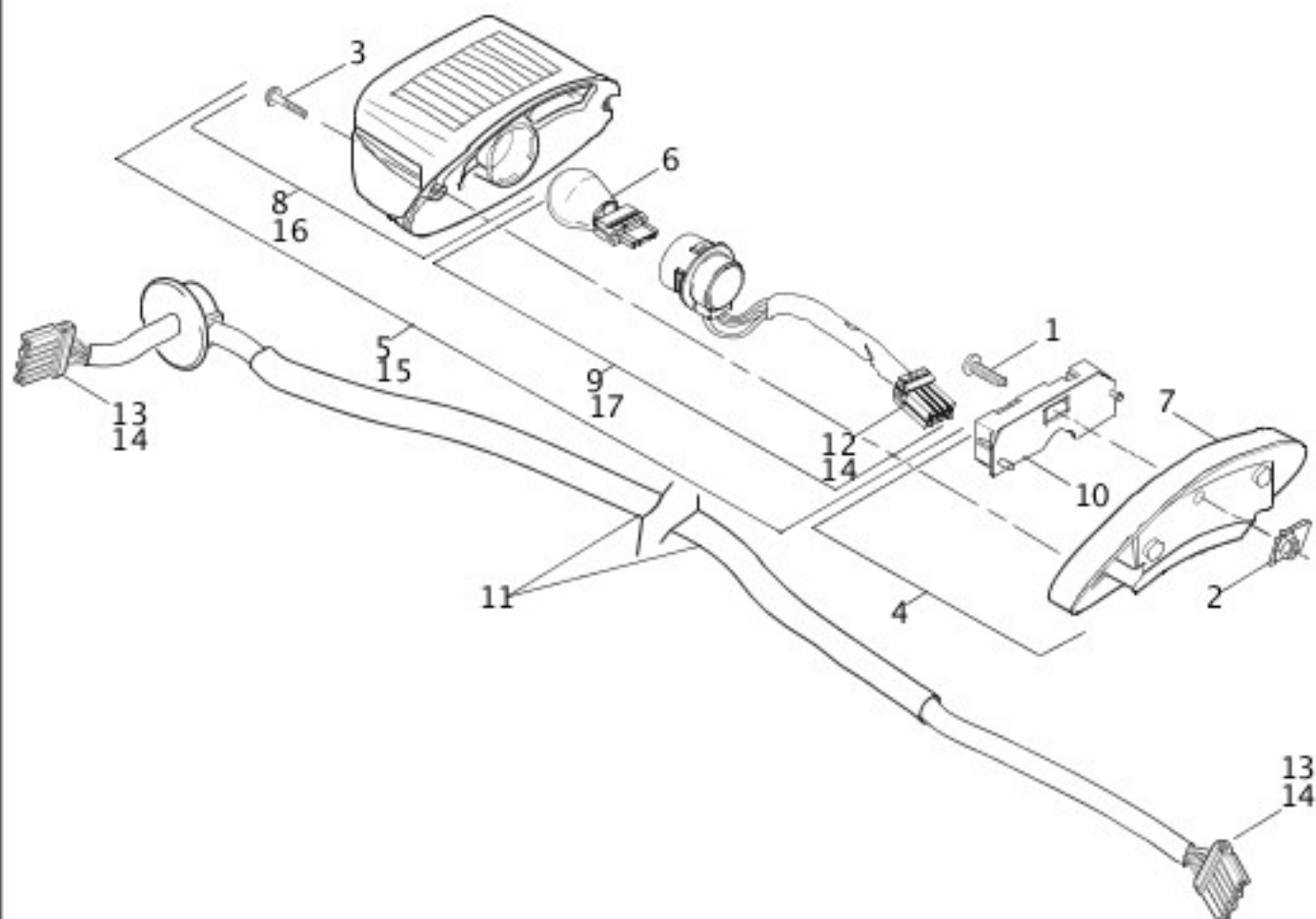
[View interactive table](#)

INDEX NO.	PART NO.	DESCRIPTION	MODEL(S)
1	10065	CABLE STRAP (2)	ALL
2	56104-02	SCREW, rear turn signal (2)	ALL
3	68168-89A	BULB, front turn signal (2)	ALL
4	68265-04	BALL STUD (2)	ALL
5	68572-64B	BULB, rear turn signal (2)	ALL
6	68480-02	SUPPORT, rear turn signal (2)	ALL
7	68904-00	SOCKET ASSEMBLY, front (2)	ALL
8	68905-00	SOCKET ASSEMBLY, rear (2)	ALL
9	68972-00	TURN SIGNAL ASSEMBLY, front (amber) (2)	ALL

10	68977-00	TURN SIGNAL ASSEMBLY, rear (amber) (2)	ALL
11	68973-00	LENS (4)	ALL
12	73152-96BK	SOCKET HOUSING, 2-place, right (black)	ALL
	73152-96WE	SOCKET HOUSING, 2-place, left (white)	ALL
13	73156-96BK	SOCKET HOUSING, 6-place (2)	ALL
14	73191-96	SOCKET TERMINAL, #16-20 gauge (left & right turn signals) (6)	ALL
INTERNATIONAL MODELS ONLY			
15	68163-84	BULB, turn signal (HDI) (4)	ALL
16	68906-00	SOCKET ASSEMBLY, front (HDI) (2)	ALL
17	68907-00	SOCKET ASSEMBLY, rear (HDI) (2)	ALL
18	68975-00	TURN SIGNAL ASSEMBLY, front (amber) (HDI) (2)	ALL
19	68976-00	LENS, front (HDI) (2)	ALL
20	68978-00	TURN SIGNAL ASSEMBLY, rear (amber) (HDI) (2)	ALL
21	68979-00	LENS, rear (HDI) (2)	ALL

TAIL LAMP

TAIL LAMP



[View interactive image](#)

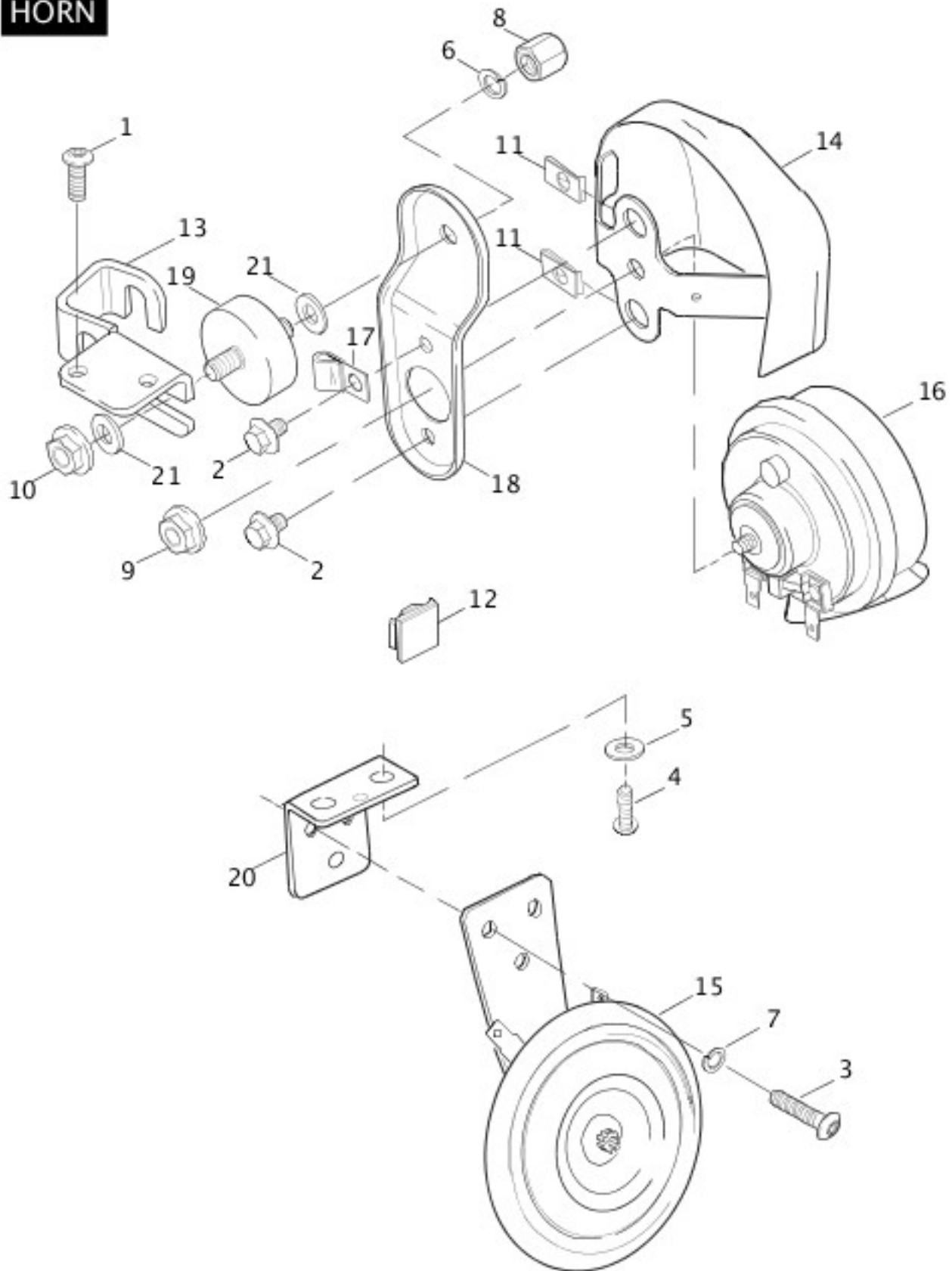
[View interactive table](#)

INDEX NO.	PART NO.	DESCRIPTION	MODEL(S)
1	3022A	SCREW	ALL
2	7964	CLIP NUT	ALL
3	68026-99	SCREW, tail lamp (2)	ALL
4	68066-99A	BASE ASSEMBLY, chromed	ALL
5	68140-04	LIGHT ASSEMBLY, tail lamp (Domestic, California, Canada)	ALL
6	68167-04	BULB, tail lamp, wedge mount	ALL
7	68296-99A	BASE TAIL LAMP, chrome	ALL
8	68369-03	LENS, tail lamp (Domestic, California, Canada)	ALL
9	68370-03A	BULB SOCKET ASSEMBLY (Domestic, California, Canada)	ALL
10	68830-99A	CIRCUIT BOARD/COVER ASSEMBLY	ALL

11	68899-04	HARNESS, rear lighting	ALL
12	73154-96BK	SOCKET HOUSING, 4-place	ALL
13	73156-96BK	SOCKET HOUSING, 6-place (2)	ALL
14	73191-96	SOCKET TERMINAL, 16-20 gauge (as required)	ALL
INTERNATIONAL MODELS ONLY			
15	68141-04	LIGHT ASSEMBLY, tail lamp (HDI, Australia, England, Japan)	ALL
16	68372-03	LENS, tail lamp (HDI, Australia, England, Japan)	ALL
17	69187-03A	BULB SOCKET ASSEMBLY (HDI, Australia, England, Japan)	ALL

HORN

HORN



[View interactive image](#)

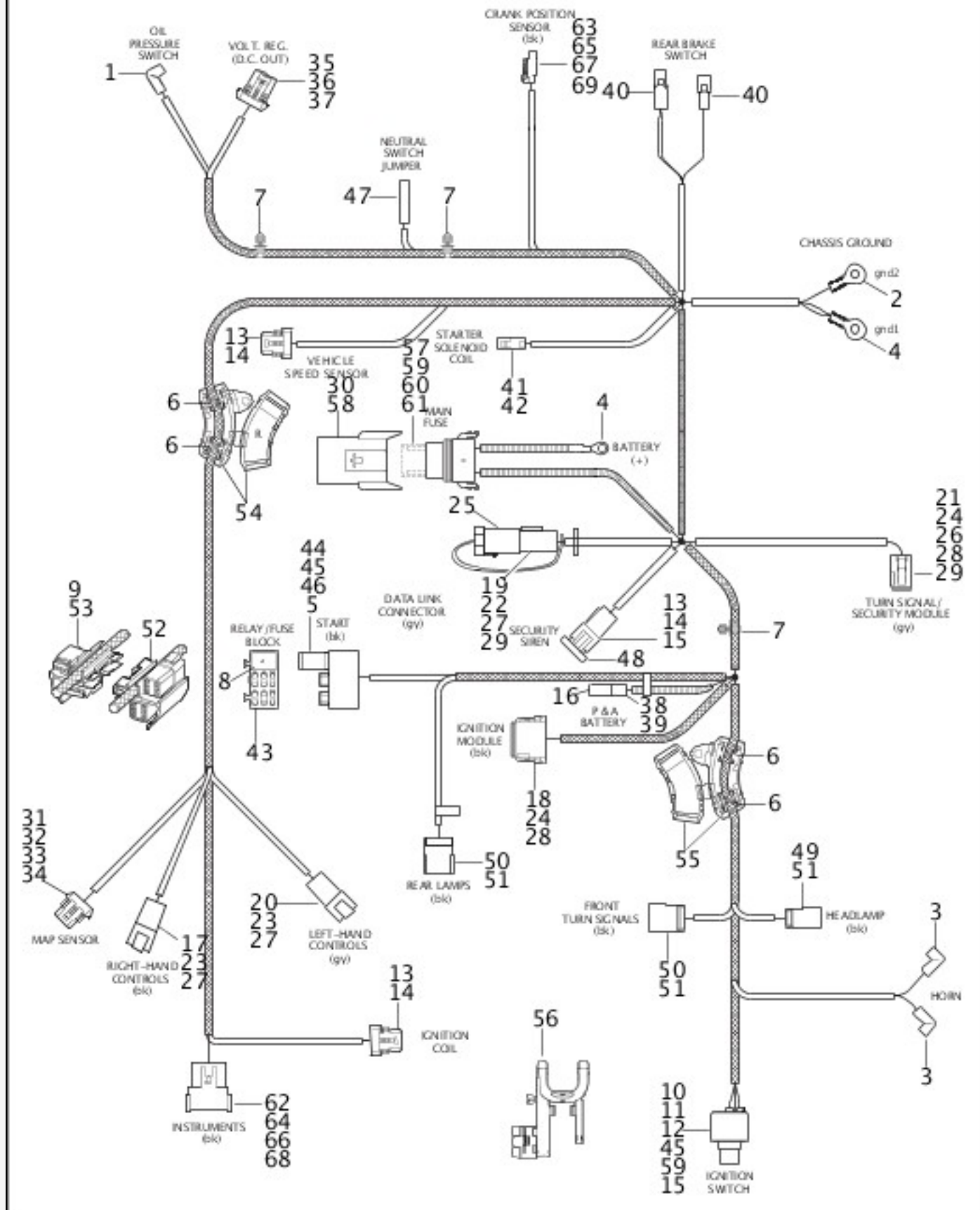
[View interactive table](#)

INDEX NO.	PART NO.	DESCRIPTION	MODEL(S)
1	3026	SCREW (2)	XL1200C
2	3563	SCREW (2)	XL1200C
3	3658	SCREW (3)	XL1200L, XL1200R, XL883, XL883C, XL883L, XL883R

4	4180	SCREW (2)	XL1200L, XL1200R, XL883, XL883C, XL883L, XL883R
5	6026	WASHER (2)	XL1200L, XL1200R, XL883, XL883C, XL883L, XL883R
6	7041	LOCKWASHER	XL1200C
7	7069	LOCKWASHER (3)	XL1200L, XL1200R, XL883, XL883C, XL883L, XL883R
8	7481	ACORN NUT	XL1200C
9	7495	NUT	XL1200C
10	7531	LOCKNUT	XL1200C
11	8108	SPEEDNUT (2)	XL1200C
12	10120	CLIP	XL1200L, XL1200R, XL883, XL883C, XL883L, XL883R
13	16355-04	BRACKET, horn & choke	XL1200C
14	69012-93A	COVER, horn (chrome)	XL1200C
15	69043-96A	HORN, complete, w/ bracket & 7495	XL1200L, XL1200R, XL883, XL883C, XL883L, XL883R
16	69060-90D	HORN	XL1200C
17	69062-91A	CLAMP, horn wire	XL1200C
18	69120-91	HORN BRACKET	XL1200C
19	69123-92	RUBBER MOUNT	XL1200C
20	69135-04	HORN BRACKET	XL1200L, XL1200R, XL883, XL883C, XL883L, XL883R
21	6237	WASHER (2)	XL1200C

WIRING HARNESS, MAIN

WIRING HARNESS, MAIN



[View interactive image](#)

[View interactive table](#)

INDEX NO.	PART NO.	DESCRIPTION	MODEL(S)
	70139-06	WIRING HARNESS, main	ALL

NOTE: Includes the following parts.

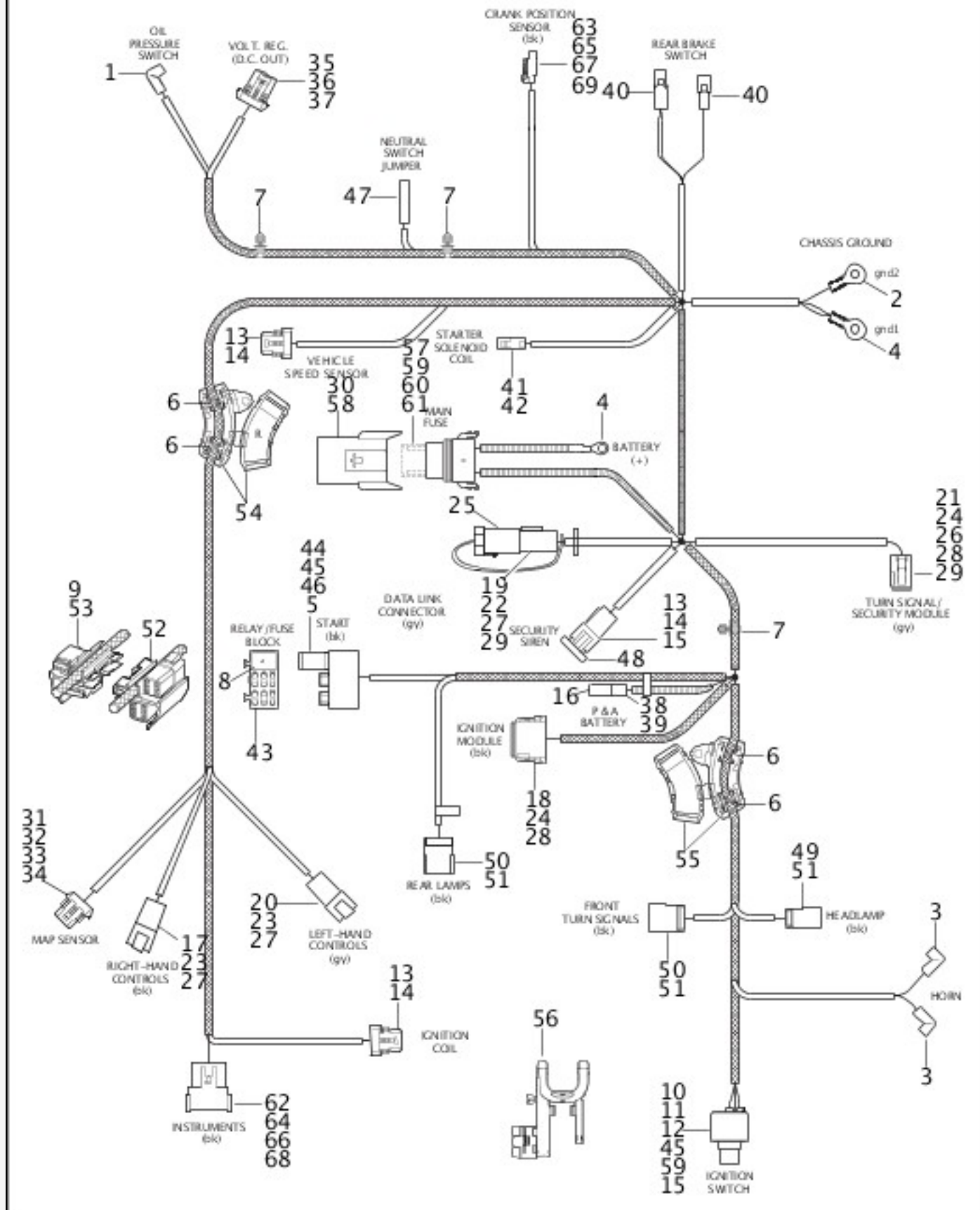
1	72405-98BK	PUSH ON WIRE ASSEMBLY, right angle molded, 60 in. length (2)	ALL
---	------------	--	-----

2	9825	TERMINAL RING, #14-18 AWG.	ALL
3	9826	TERMINAL, flag (2)	ALL
4	9838	TERMINAL RING, 1/4 #10-12 AWG. (2)	ALL
5	9937	TERMINAL, #14-18 AWG., female	ALL
6	10065	CABLE STRAP (3)	ALL
7	10279	CABLE STRAP, plug-in (3)	ALL
8	31601-04	STARTER RELAY	ALL
9	53486-85	PAD, protective	ALL
10	71510-04	HOUSING, IGNITION SWITCH	ALL
11	71550-94	LABEL, ignition switch	ALL
12	71552-94	FACE NUT, ignition switch	ALL
13	72064-06	SOCKET HOUSING, 3-way (black) (3)	ALL
14	72094-06	TERMINAL, socket (9)	ALL
15	72096-06	SEAL WIRE, #18-20 AWG. (yellow) (9)	ALL
16	72100-04	HOUSING TERMINAL	ALL
17	72106-94BK	CONNECTOR, 6-way (black)	ALL
18	72119-94BK	CONNECTOR, 12-way (black)	ALL
19	72124-94GY	SOCKET HOUSING, 4-way (gray)	ALL
20	72126-94GY	SOCKET HOUSING, 6-way (gray)	ALL
21	72139-94GY	SOCKET HOUSING, 12-way, w/ 72179-94 (gray)	ALL
22	72144-94	SECONDARY LOCK, 4-way	ALL
23	72146-94	SECONDARY LOCK, 6-way (2)	ALL
24	72159-94	SOCKET LOCK, 12-way (2)	ALL
25	72164-94A	WEATHER PLUG, 4-way	ALL
26	72179-94	SEAL, internal (4)	ALL
27	72190-94	TERMINAL, pin (18)	ALL
28	72191-94	TERMINAL, socket (23)	ALL
29	72195-94	SEAL PIN (2)	ALL
30	72199-94	CONNECTOR ANCHOR	ALL
31	72213-94	TERMINAL, socket (3)	ALL

32	72214-94	CABLE SEAL (3)	ALL
33	72230-98	HOUSING SOCKET CONNECTOR, 3-way	ALL
34	72231-98	SECONDARY LOCK, 3-way	ALL
35	72234-94	CONNECTOR, 2-position, sealed	ALL
36	72236-94	TERMINAL, 14-16 gauge, female (2)	ALL
37	72238-94	SECONDARY LOCK	ALL
38	72260-04	HOUSING, female, 1-way (gray)	ALL
39	72289-04	TERMINAL, #10-12 AWG., female	ALL
40	72290-94	TERMINAL, 1/4 18-14 gauge (2)	ALL
41	72291-94	TERMINAL, 14-16 gauge, female spade	ALL
42	72295-94	TERMINAL HOUSING, 1-way	ALL
43	72330-95	FUSE, 15 amp (6)	ALL
44	72427-00	TERMINAL, 16-22 AWG. (2)	ALL
45	72431-00	FUSE BLOCK	ALL

WIRING HARNESS, MAIN (CONTINUED)

WIRING HARNESS, MAIN



[View interactive image](#)

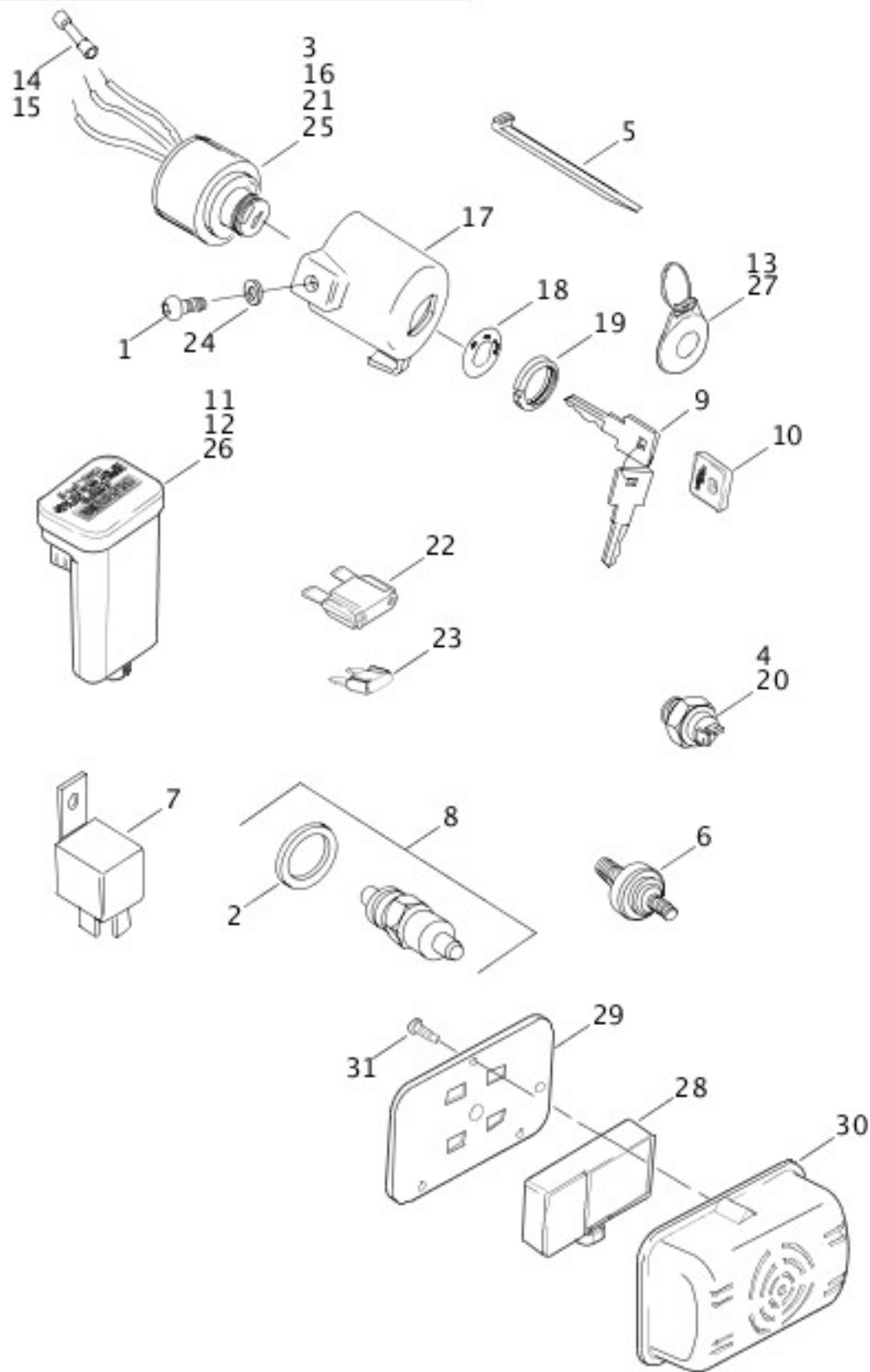
[View interactive table](#)

INDEX NO.	PART NO.	DESCRIPTION	MODEL(S)
	70139-06	WIRING HARNESS, main (CONTINUED)	ALL
NOTE: Includes the following parts.			
46	72434-00	TERMINAL (5)	ALL

47	72445-99TN	TERMINAL, female (tan)	ALL
48	72516-01	DUSTCAP	ALL
49	73104-96BK	CONNECTOR, 4-way (black)	ALL
50	73106-96BK	CONNECTOR, 6-way (black) (2)	ALL
51	73190-96	TERMINAL, pin, 20-16 gauge (16)	ALL
52	73203-04	CLIP, LH-wire harness	ALL
53	73204-04	CLIP, RH-wire harness, w/ 53486-85	ALL
54	73205-04	ELBOW, RH-wire harness	ALL
55	73206-04	ELBOW, LH-wire harness	ALL
56	73207-06	WIRE HARNESS CADDY	ALL
57	73301-04	HOUSING, 2-way, female	ALL
58	73302-04	COVER, maxi-fuse, fuse block	ALL
59	73303-04	SECONDARY LOCK, 2-way, female (2)	ALL
60	73304-04	TERMINAL, female, #10 AWG. (2)	ALL
61	73305-04	SEAL WIRE, #10 AWG. (blue)	ALL
62	74109-98BK	SOCKET HOUSING, 12-way (black)	ALL
63	74112-98BK	SOCKET HOUSING, 2-way (black)	ALL
64	74149-98	SECONDARY LOCK, 12-way	ALL
65	74152-98	SECONDARY LOCK, 2-way	ALL
66	74190-98	TERMINAL, pin (11)	ALL
67	74191-98	SOCKET TERMINAL (2)	ALL
68	74195-98	SEAL PIN (2)	ALL
69	70598-99	BOOT, crank position sensor connector	ALL

SWITCHES & CIRCUIT BREAKERS

SWITCHES & CIRCUIT BREAKERS



[View interactive image](#)

[View interactive table](#)

INDEX NO.	PART NO.	DESCRIPTION	MODEL(S)
1	2528	SCREW	ALL
2	6288	WASHER	ALL
3	9862	TERMINAL RING (3)	ALL

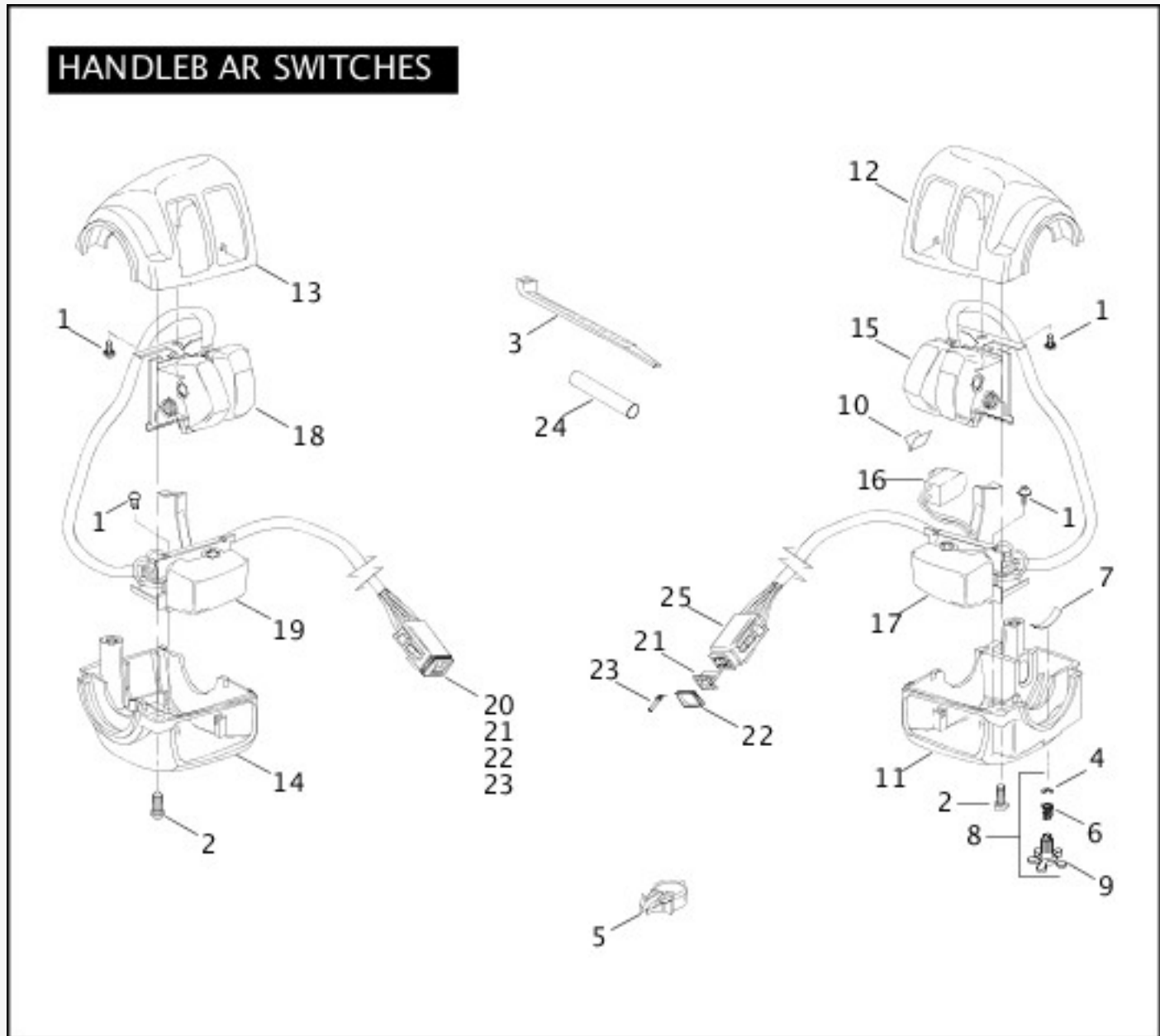
4	9898	TERMINAL FLAG (2)	ALL
5	10039	CABLE STRAP	ALL
6	26554-77B	SWITCH, oil pressure indicator	ALL
7	31601-04	STARTER RELAY	ALL
8	33900-99	SWITCH, neutral indicator, w/ washer	ALL
9	71451-94A	KEY SET, ignition switch (specify key code)	ALL
10	61459-97	COVER, key head set	ALL
11	68920-01D	TURN SIGNAL MODULE, standard	ALL
12	68922-00D	MODULE, security system (Domestic)	ALL
13	68926-00	FOB, remote control	ALL
	70227-99	JUMPER WIRE ASSEMBLY, neutral switch (not illustrated)	ALL
14	70586-93	CONNECTOR, butt splice (blue) (3)	ALL
15	70587-93	CONNECTOR, butt splice (yellow) (2)	ALL
16	71441-94	LOCK SET ASSEMBLY, ignition, w/ key	ALL
17	71510-04	HOUSING, ignition switch	ALL
18	71550-94	LABEL, ignition switch	ALL
19	71552-94	FACE NUT, ignition switch	ALL
20	72023-51C	STOPLIGHT SWITCH, rear brake, w/ 9898	ALL
21	72268-94	SHRINK TUBE	ALL
22	72318-04	FUSE, 30A	ALL
23	72330-95	FUSE, 15A (6)	ALL
24	7220	LOCKWASHER	ALL
25	48151-99A	LOCKSET ASSEMBLY	ALL

INTERNATIONAL MODELS ONLY

26	68980-04	MODULE, security system (Japan)	ALL
	68924-00D	MODULE, security system (HDI)	ALL
27	68927-00	FOB, remote control (HDI)	ALL
	68939-00	FOB, remote control (Japan)	ALL
28	68958-00	SIREN (HDI, Australia, England)	ALL
29	66523-06	PLATE, siren mounting bracket	ALL

30	66524-06	COVER, siren	ALL
31	3732	SCREW (3)	ALL

HANDLEBAR SWITCHES



[View interactive image](#)

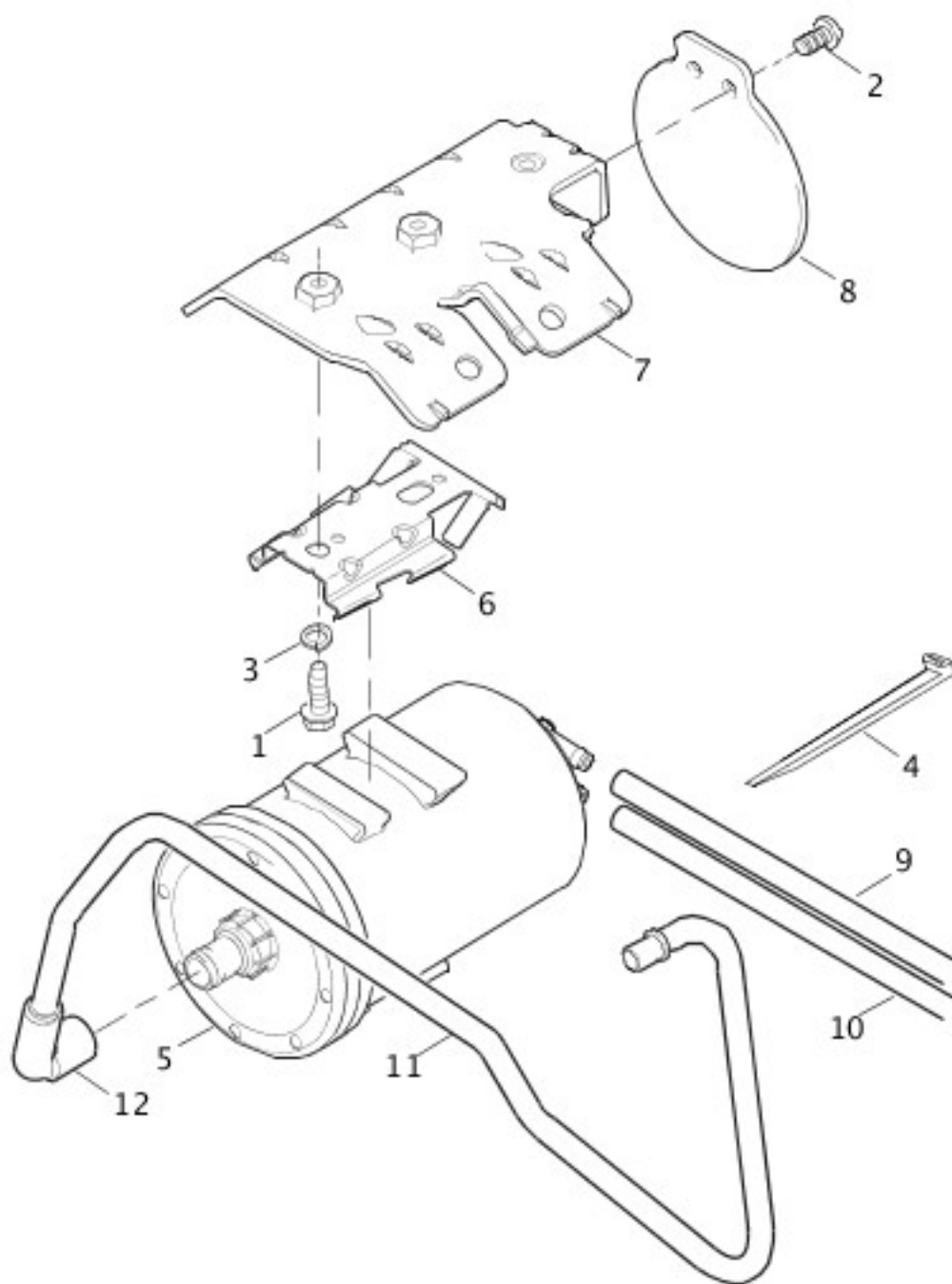
[View interactive table](#)

INDEX NO.	PART NO.	DESCRIPTION	MODEL(S)
1	2955	SCREW (4)	ALL
2	3658	SCREW (4)	ALL
3	10181	CABLE STRAP (as required)	ALL
4	11155	RETAINING RING	ALL
5	70345-84	RETAINER, wiring harness (4)	ALL

6	56394-74	SPRING, throttle adjusting screw	ALL
7	56396-74A	FRICTION SPRING, throttle adjusting	ALL
8	56397-74C	KIT, throttle adjusting screw, w/ 11155, 56394-74, & 56402-83A	ALL
9	56402-83A	ADJUSTING SCREW	ALL
10	71509-00	CLIP	ALL
11	71563-96	HOUSING, lower right	ALL
12	71564-96	HOUSING, upper right	ALL
13	71567-96	HOUSING, upper left	ALL
14	71568-96	HOUSING, lower left	ALL
15	71589-96B	SWITCH ASSEMBLY, engine stop & start, w/ 10181 & 72266-94	ALL
16	71590-96	STOPLIGHT SWITCH	ALL
17	71591-00	SWITCH ASSEMBLY, right directional, w/ 10181 & 72266-94	ALL
18	71597-96B	SWITCH ASSEMBLY, dimmer & horn, w/ 10181 & 72266-94	ALL
19	71598-00	SWITCH ASSEMBLY, left directional, w/ 10181 & 72266-94	ALL
20	72136-94GY	SOCKET HOUSING, 6-way (gray)	ALL
21	72156-94	SECONDARY LOCK, 6-way (2)	ALL
22	72176-94	SEAL, front (6-way plug) (2)	ALL
23	72191-94	TERMINAL, socket (as required)	ALL
24	72266-94	SHRINK TUBE (as required)	ALL
25	72116-94BK	SOCKET HOUSING, 6-way (black)	ALL

CALIFORNIA EVAPORATIVE EMISSIONS KIT

CALIFORNIA EV APORATIVE EMISSIONS KIT



[View interactive image](#)

[View interactive table](#)

INDEX NO.	PART NO.	DESCRIPTION	MODEL(S)
NOTE: These parts are required for motorcycles sold in the state of California.			
1	3767B	BOLT (2)	ALL
2	4363	SCREW (2)	ALL
3	6099	WASHER (2)	ALL
4	10006	CABLE STRAP	ALL
5	27042-84A	CANNISTER	ALL

6	27047-84B	BRACKET, canister mounting	ALL
7	28908-04	BRACKET, canister	ALL
8	28909-04	GUARD, canister	ALL
9	28910-04	HOSE, canister-to-carburetor	ALL
10	28911-04	HOSE, canister-to-vapor valve	ALL
11	28912-04	HOSE, canister-to-air cleaner, w/ 29312-95	ALL
12	29312-95	ELBOW	ALL

Hardware List

[View interactive table](#)

PART NO.	DESCRIPTION
1039	SCREW 5/16-18 X 2-1/2 hex flange head (Grade 8)
1048	SCREW 5/16-18 X 1-1/2 hex flange head
2325	SCREW No. 6 X 3/4 cross recess pan head, self-tapping
2361	SCREW No. 8-32 X 3/8 socket countersink head, with lockpatch
2441	SCREW No. 10-24 X 1/2 TORX pan head
2460	SCREW 5/16-18 X 1/2 socket countersink head
2501A	SCREW No. 8-32 X 3/8 hex head, self-tapping
2528	SCREW No. 10-24 X 1/2 socket button head
2535	SCREW 5/16-18 X 1 socket head
2548	SCREW No.8-32 X 3/4 socket head, with lockpatch
2586A	SCREW M4 X 0.7 X 12 flat head
2607	SCREW 1/4-20 X 3/4 Pozidriv pan head (Grade 2)
2708A	SCREW 5/16-18 X 1 socket head
2773	SCREW 1/4-20 X 1/2 Pozidriv pan head (Grade 2)
2952A	SCREW 1/4-20 X 1/2 SEMS truss head
2955	SCREW No. 6-32 X 1/4 Phillips pan head, with lockwasher
3022A	SCREW 1/4-20 X 5/8 socket fillister head, with lockpatch
3026	SCREW No. 10-32 X 1/2 socket button head
3029	SCREW No. 10-24 X 1 TORX head, with adhesive
31689-90	BOLT M4 X 0.7 X 12 hex head

3201WA	SCREW 5/16-18 X 1-1/4 knurled head
3210A	SCREW 5/16-18 X 1-1/4 knurled head
3244	SCREW M8 X 1.25 X 12
3275	SCREW 5/16-18 X 3/4 socket head (Grade 8)
3403	LOCKNUT M8-1.25 X 12mm flange (zinc)
3480A	SCREW 1/4-20 X 1-3/4 knurled head (Grade 8)
3514	SCREW No. 8-32 X 1 fillister head (Grade 5)
35211-91B	NUT 1-1/2-24 X .350 X 1-7/8 hex head
3563	SCREW 1/4-20 X 3/8 hex flange head (Grade 5)
3574	SCREW 1/4-20 X 3/4 flange
3579A	SCREW 1/4-28 X 1/4 SEMS hex head, self-tapping (Grade 2)
3588	SCREW 1/4-20 X 1/2 hex flange head
3594	SCREW 1/4-20 X 5/8 knurled head (Grade 8)
3605	BOLT 1/2-13 X 2-1/2 hex head (Grade 5)
3615	SCREW No. 8-32 X 1, pan head, thread-cutting
3655A	SCREW 5/16-18 X 7/8 TORX pan head, with lockpatch (Grade 8)
3658	SCREW No. 10-24 X 1/2 TORX head (Grade 5)
3666A	SCREW No. 10-24 X 1.500 TORX recessed head, with washer
3732	SCREW 3/16-16 X 5/8 TORX pan head
3767B	BOLT 1/4-20 X 5/8 hex head (Grade 5)
3799	SCREW 1/4-20 X 3/4 flange head
3814	SCREW 7/16-14 X 1-3/4 hex head, with washer (Grade 8)
3849	SCREW 1/4-20 X 1-1/4 SEMS hex head (Grade 8)
3854	SCREW 7/16-14 X 1, hex head (Grade 8)
3880	SCREW 1/2-13 X 2-1/4 TORX recessed button head
3899	SCREW 7/16-14 X 1-3/4 hex head, with lockpatch
3976	SCREW 1/4-20 X 1 hex flange head (Grade 5)
3997A	BOLT 1/4-20 X 1-1/4 socket head, with sealant (zinc)
4016	SCREW 5/16-18 X 1.0 socket button head
4017	BOLT 5/16-18 X 1 hex head (Grade 5)

4029A	SCREW 3/8-16 X 2-1/4 socket head (black)
4032A	SCREW 3/8-16 X 2-1/2 socket head
40582-05	WASHER 0.815 X 1.67 X 0.125
4076	SCREW 3/8-16 X 1/2 socket head
4091	SCREW No. 10-24 X 1/2 hex head, with washer, self-tapping (zinc)
4104	SCREW No. 10-24 X 1/2 hex head, with washer
41191-74A	SCREW 1/2-20 X 5/8 hex socket flat head, with lockpatch
4132	SCREW 1/4-20 X 1-1/8 TORX button head (Grade 5) (black)
4180	SCREW 3/8-16 X 1-1/2 TORX button head
4188	SCREW 3/8-16 X 1-1/4 TORX button head
4269	SCREW 5/16-18 X 3/4, flange head
4290	SCREW 3/8-16 X 1-1/4, TORX button head (Grade 5)
4312A	SCREW M6 X 1.0 X 12mm, flange head (stainless)
4326A	SCREW 5/16-18 X 2 socket head
4329	SCREW 1/4-20 X 3/4 hex head with washer, self-tapping
4350A	SCREW 3/8-16 X 1-1/2 socket head
4351	SCREW 3/8-16 X 1-1/2 TORX head, self-tapping (Grade 8)
4352	SCREW 3/8-16 X 1-1/2 TORX, self-tapping (Grade 8)
4354	SCREW 1/2-20 X 2-1/2, TORX button head
43567-92	SCREW 3/8-16 X 1 TORX pan head, with lockpatch
4359	SCREW 5/16-18 X 7/8 socket button head
4363	SCREW 1/4-20 X 1/2 socket button head
4420	SCREW 3/8-16 X 2.75 hex head (Grade 5)
4453	BOLT 1/4-20 X 7/8 hex head SPECIAL WITH TAPPED HOLE
4460	BOLT 5/8-18 X 1 hex head (Grade 5)
4535M	SCREW M6 X 1 x 25 TORX button head
45405-75A	SCREW M8 X 1.25 x 27 hex socket head
4717A	SCREW 1/4-20 X 2-1/4 knurled head, with lockpatch
4718A	SCREW 1/4-20 X 1-1/2 knurled head, with lockpatch
4740A	SCREW 1/4-20 X 1-1/4 knurled head, with lockpatch (Grade 8)
4741A	SCREW 1/4-20 X 1 socket head, with lockpatch

4748	SCREW 3/8-16 X 1-1/8 socket head (Grade 8)
4751	SCREW 1/4-20 X 3/4 hex head, with lockpatch (Grade 8) (zinc)
4758A	SCREW 5/16-18 X 3.48 socket head (Grade 8)
4765	SCREW 1/4-20 X 2-5/8 SEMS socket head, with lockpatch (Grade 8) (zinc)
4771	SCREW 5/16-18 X 4-1/4 socket head (Grade 5)
4778	SCREW 5/16-18 X 1-3/8 TORX button head
4779	SCREW 5/16-18 X 1-3/4 TORX button head
4816A	SCREW 5/16-18 X 1-1/2 socket head
4820A	SCREW 1/4-20 X 2 socket head
5403B	BOLT 1/4-20 X 3/8 carriage
5414	BOLT 3/8-16 X 7/8 carriage (Grade 5)
54321-85	NUT No. 8-32 X 1/2 X 1/8 (brass)
6003	WASHER 1-3/16 X 1-3/8 X 11/16
6026	WASHER 3/8 X 7/8 X 7/64
6099	WASHER 1/4 X 7/16 X 1/16
6101	WASHER 17/64 X 27/64 X 1/16
6109	WASHER 5/16 X 11/16 X 1/8
6152	SPACER 13/32 X 1.0 X 5/16
6157	WASHER 27/64 X 5/8 X 1/64 heat treated
6192	WASHER No. 8 X 7/16 X 3/64
6237	WASHER 5/16 X 1-1/8 X 5/64
6288	WASHER 17/32 X 25/32 X 1/32
6302	WASHER 5/16 X 11/16 X 19/32
6516HW	WASHER 7/16 X 1-1/8 X 1/8
6590HW	WASHER 1/2 X 1-1/8 X 3/32
6655	WASHER 5/8 X 1-1/2 X 7/64
6701	WASHER 3/8 X 13/16 X 1/16
6702	WASHER 5/16 X 11/16 X 1/16
6703	WASHER 1/4 X 5/8 X 1/16
6718	WASHER 1/2 X 1-1/16 X 3/32

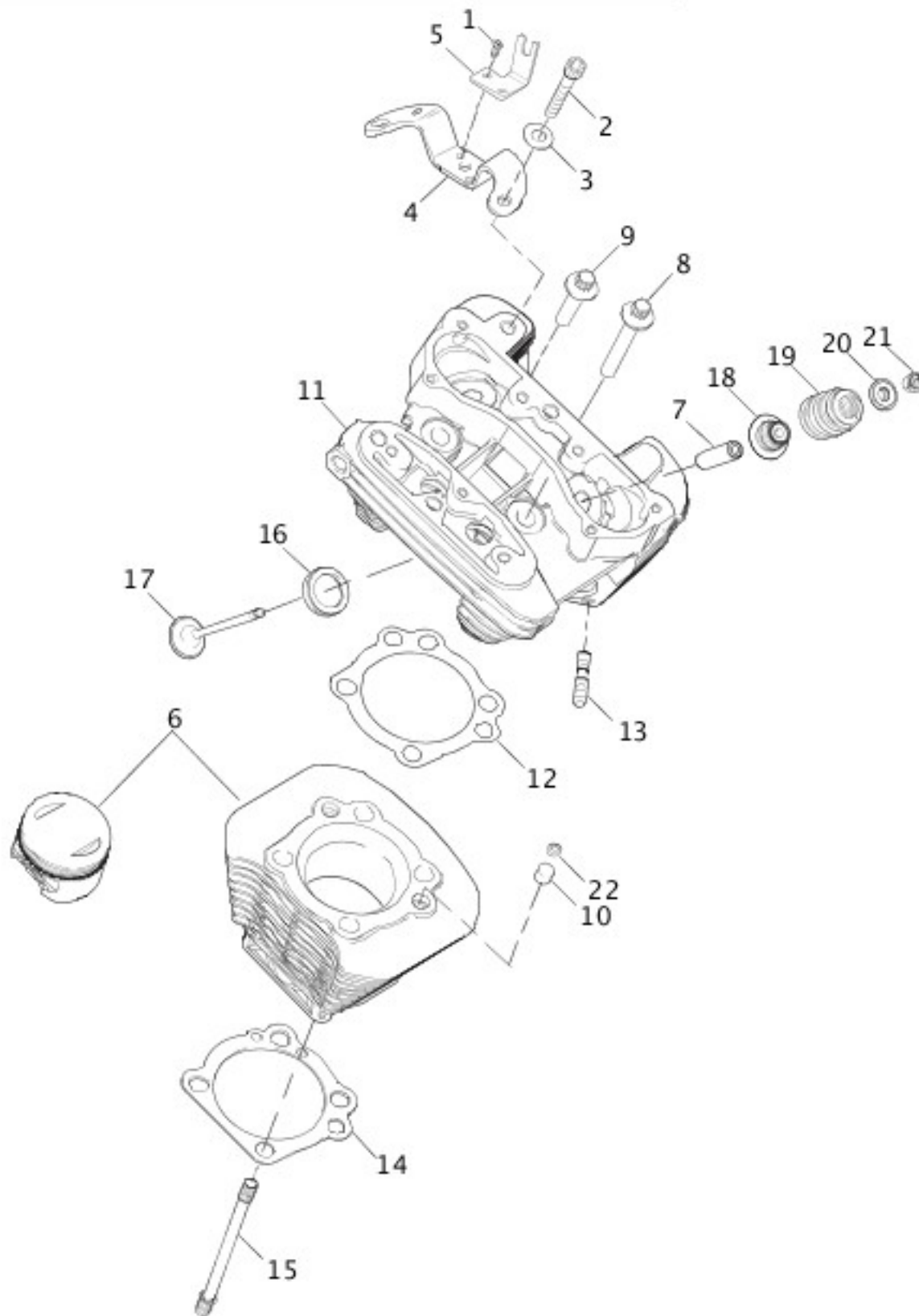
6738	WASHER 17/32 X 7/8 X 7/64
6787	WASHER 7/16 X 13/16 X 5/64 flat
6798	WASHER 5/16 X 1/2 X 1/32
68026-99	SCREW No. 8-32 X 1 Phillips pan head (stainless)
68042-99	SCREW No. 8-32 X 3/8 TORX head
7019	WASHER 1/2 X 3/4 X 1/4 rubber
7038	LOCKWASHER 3/8
7039	LOCKWASHER 7/16
7041	LOCKWASHER 5/16
7045	LOCKWASHER 3/8 high collar
7068	LOCKWASHER 1/2
7069	LOCKWASHER No. 10
7127	LOCKWASHER 5/16 internal tooth
7220	LOCKWASHER No. 10 external tooth
7477	NUT M8 X 1.25
7481	ACORN NUT 5/16-18 X 5/8 X 1/2
7495	NUT M6 flange
7531	LOCKNUT 5/16-18 X 9/32 X 1/2 flange
7593	NUT 5/16-24 flange
7606	LOCKNUT No. 8-32 X 1/4 X 1/4 hex (chrome)
7624	LOCKNUT No. 10-24 X 1/4 X 3/8
7720	ACORN NUT 5/16-24 (chrome)
7727	LOCKNUT 5/16-24 X 1/4 X 1/2
7766	LOCKNUT 5/16-18 flange
7770	NUT 1/4-20 keps flat washer
7778	LOCKNUT 3/8-16 X 7/16 X 9/16
7783	NUT 3/8-16 X 5/16 X 9/16 (Grade 2)
7792	NUT 1/4-20 X 1/4 (Grade 2)
7804	LOCKNUT 1/2-13 X 15/32 X 7/8 self-sealing
7805	NUT No. 12-24 keps
7824	LOCKNUT 1/2-20 X 1/4 (Grade 2)

7839	NUT 3/4-16 X 21/32 flange (Grade 2)
7862	ACORN NUT 3/8-16 (chrome)
7880	NUT 1/2-13 X 7/16 X 3/4 (Grade 2)
7916A	JAMNUT 5/8-18
7956	NUT 1/2-20 X 1/2 X 3/4
8039	NUT 3/4-16 flange (Grade 5)
8108	SPEEDNUT 1/4-20
835	SCREW 5/16-18 X 3 flange head, with lockpatch
8679	SCREW No. 8-32 X 7/16, TORX button head
882	SCREW 1/4-20 X 7/8 knurled head, with washer (Grade 8)
8973	WASHER 1-1/4 X 1-53/64 X 9/64
928	BOLT M5 X 0.8 X 35.2 hex head
929A	SCREW M4 X 0.7 X 11.8 flange head
940	SCREW 1/4-20 X 3/4 TORX button head
943	SCREW 1/4-20 X 5/8 socket button head
946	SCREW 1/4-20 X 2-1/4 socket button head, with lockpatch (Grade 8)
995	SCREW 5/16-18 X 5/8 TORX button head
997	SCREW 5/16-18 X 1 TORX button head

New Parts List

CYLINDER, HEAD, & VALVES - V2™ EVOLUTION

CYLINDER, HEAD, & VALVES -V²[™] EVOLUTION

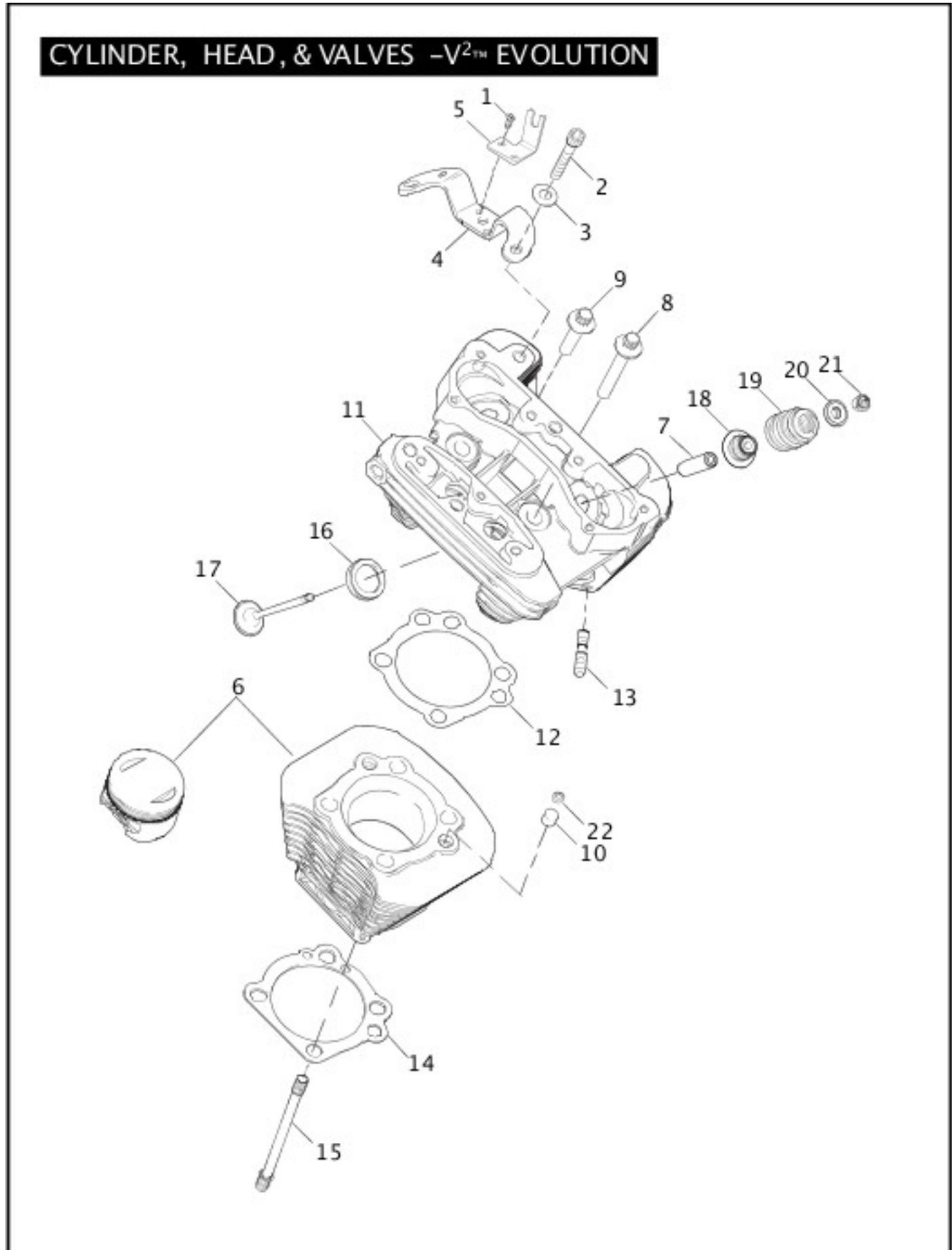


[View interactive table](#)

INDEX NO.	PART NO.	DESCRIPTION	MODEL(S)
	19272-06	ENGINE ASSEMBLY (883cc) (Domestic, Canada, California)	XL883
	19276-06	ENGINE ASSEMBLY (883cc) (Domestic, Canada, California)	XL883C
	19278-06	ENGINE ASSEMBLY (1200cc) (Domestic, Canada, California)	XL1200C
	19281-06	ENGINE ASSEMBLY (1200cc) (Domestic, Canada, California)	XL1200R
	19500-06	ENGINE ASSEMBLY (883cc) (Domestic, Canada, California)	XL883L

	19563-06	ENGINE ASSEMBLY (883cc) (Domestic, Canada, California)	XL883R
	19622-06	ENGINE ASSEMBLY (1200cc) (Domestic, Canada, California)	XL1200L
6	16443-04	CYLINDER, w/ piston (883 cc) (silver) (2)	XL883, XL883C, XL883L
	16452-05	CYLINDER, w/ piston (883 cc) (black) (2)	XL883R

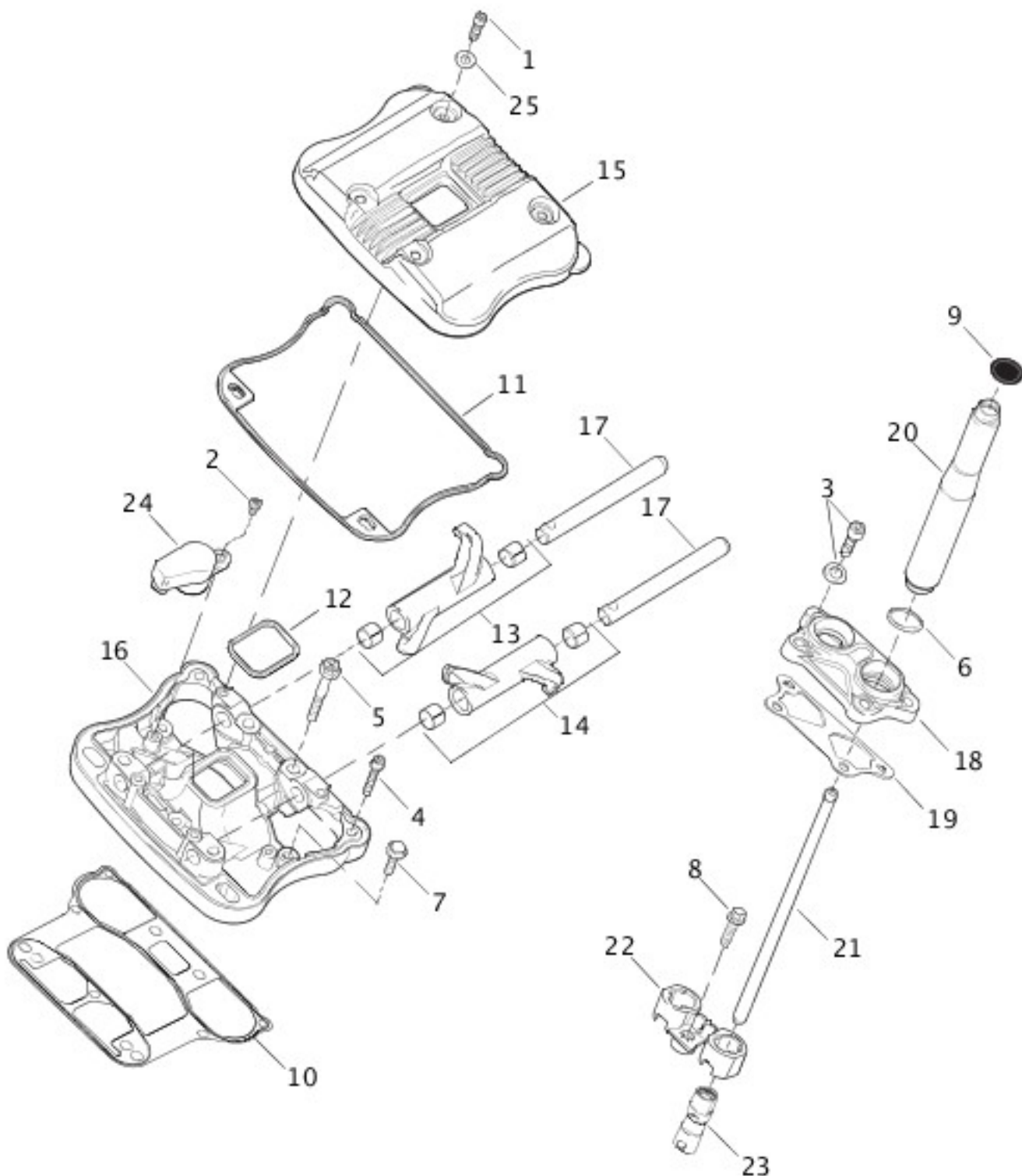
[CYLINDER, HEAD, & VALVES - V2™ EVOLUTION \(CONTINUED\)](#)



INDEX NO.	PART NO.	DESCRIPTION	MODEL(S)
	19273-06	ENGINE ASSEMBLY (883cc) (HDI)	XL883
	19501-06	ENGINE ASSEMBLY (883cc) (HDI)	XL883L
	19279-06	ENGINE ASSEMBLY (1200cc) (HDI)	XL1200C
	19275-06	ENGINE ASSEMBLY (883cc) (HDI)	XL883C
	19282-06	ENGINE ASSEMBLY (1200cc) (HDI)	XL1200R
	19564-06	ENGINE ASSEMBLY (883cc) (HDI)	XL883R
	19623-06	ENGINE ASSEMBLY (1200cc) (HDI)	XL1200L

[ROCKER ARMS, COVERS, & PUSH RODS - V2™](#)

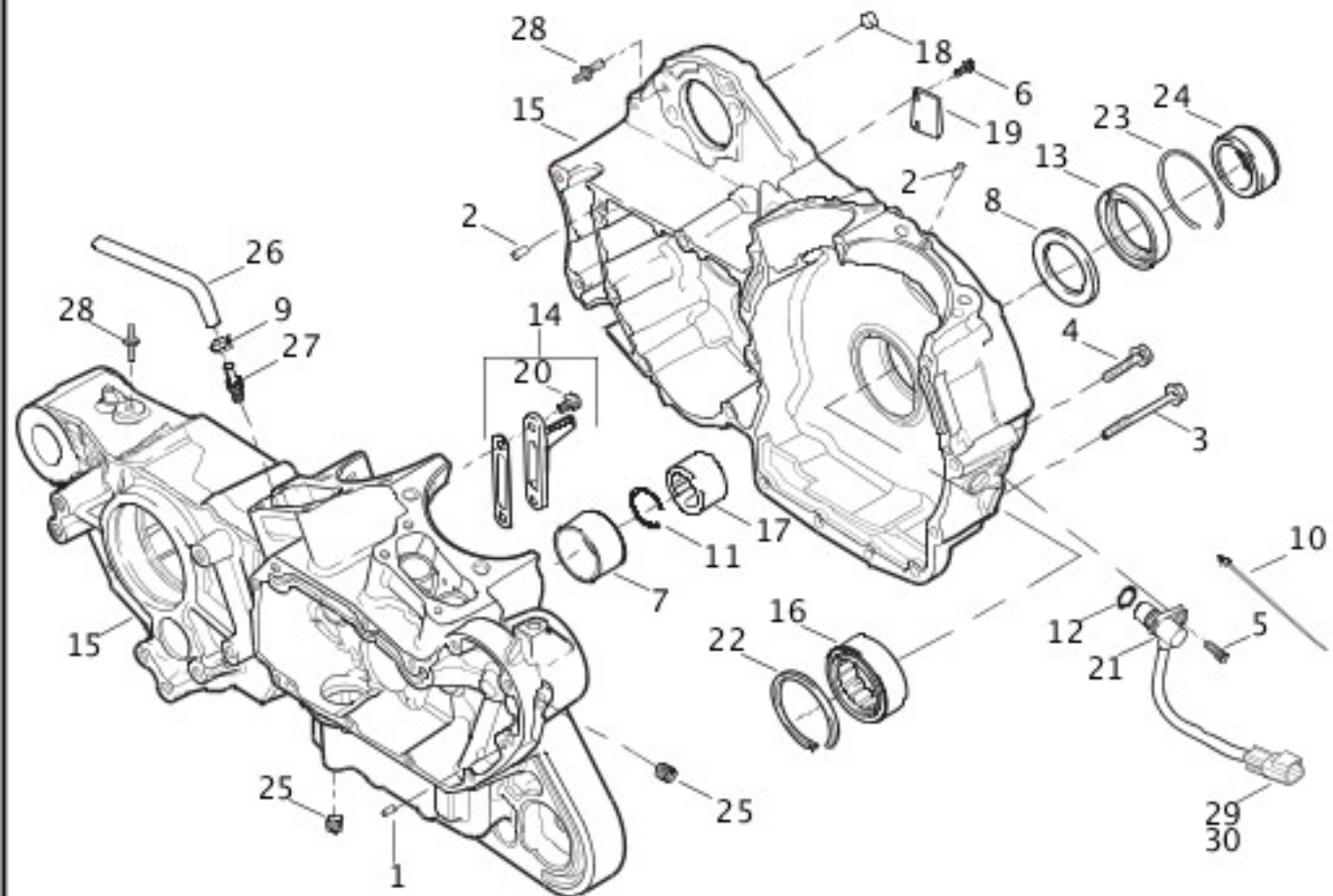
ROCKER ARMS, COVERS, & PUSH RODS -V²TM



[View interactive table](#)

INDEX NO.	PART NO.	DESCRIPTION	MODEL(S)
16	17532-86E	ROCKER COVER, inner (polished) (2)	XL883, XL883C, XL883L
	17614-98C	ROCKER COVER, inner (silver) (2)	XL883R
	17645-06A	ROCKER COVER, inner (black) (2)	XL1200R
22	18505-06	ANTI-ROTATION DEVICE	ALL

CRANKCASE

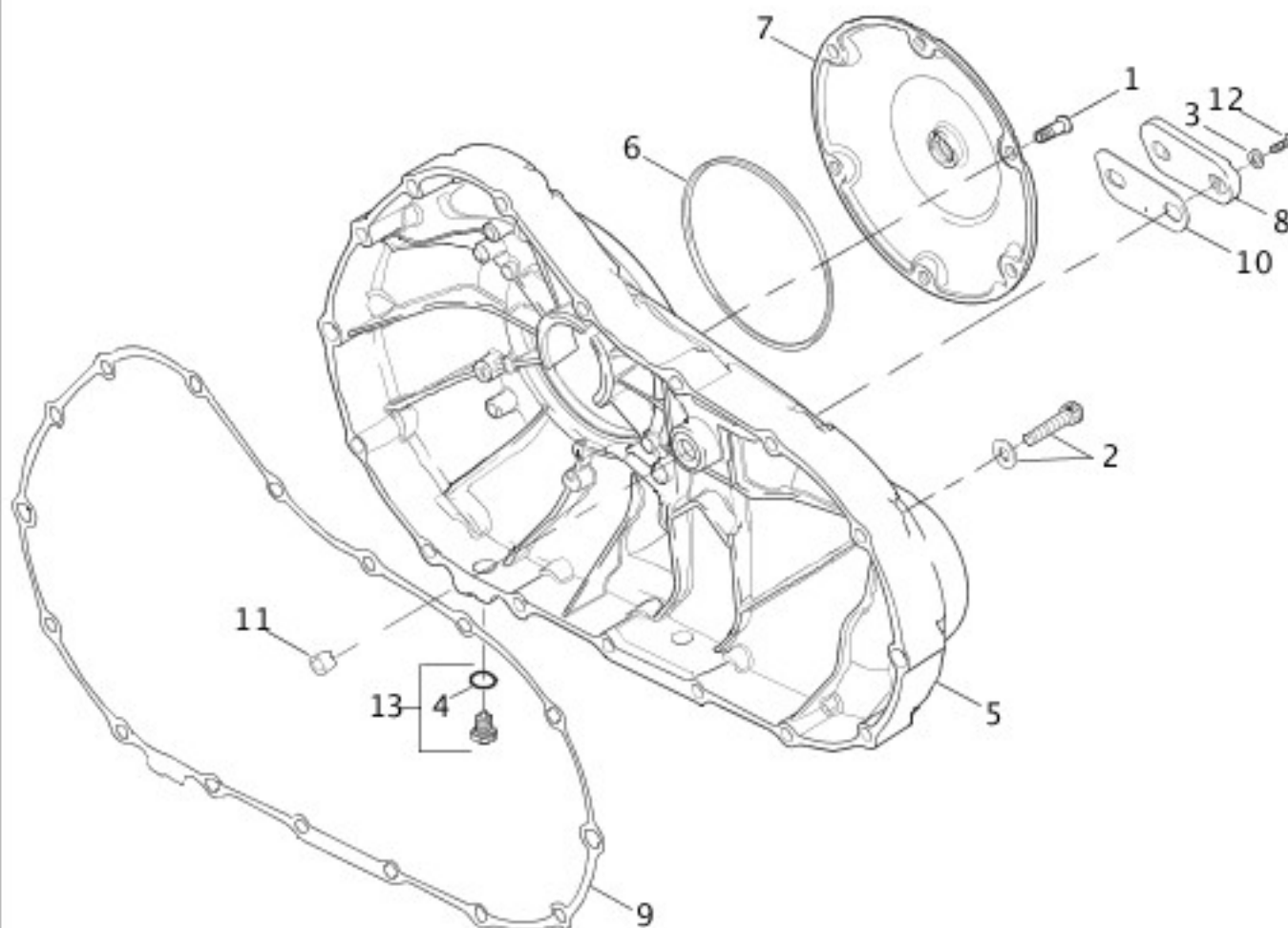


[View interactive table](#)

INDEX NO.	PART NO.	DESCRIPTION	MODEL(S)
15	24466-06	CRANKCASE SET, w/ bearings (black)	XL1200C, XL1200L, XL883R
	24470-06	CRANKCASE SET, w/ bearings (silver)	XL1200R, XL883, XL883C, XL883L

[INSPECTION COVER & PRIMARY COVER](#)

INSPECTION COVER & PRIMARY COVER

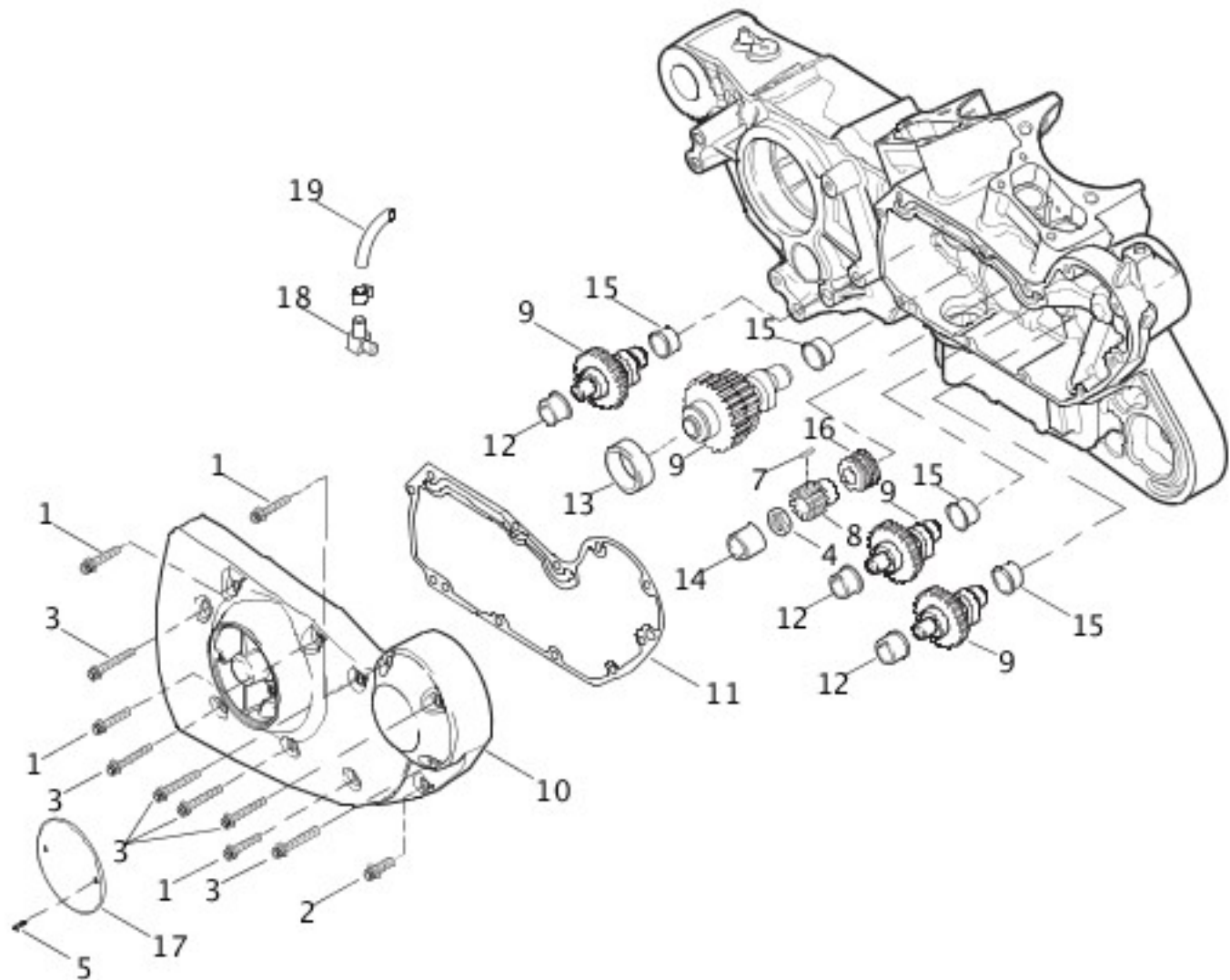


[View interactive table](#)

INDEX NO.	PART NO.	DESCRIPTION	MODEL(S)
5	25307-06	PRIMARY COVER (black) w/ 40574-06	XL1200R, XL883R
	25430-06	PRIMARY COVER (polished) w/ 40574-06	XL883, XL883L
	25460-06	PRIMARY COVER (chrome) w/ 40574-06	XL1200C, XL1200L
	25471-06	PRIMARY COVER (silver) w/ 40574-06	XL883C
11	40574-06	BUSHING	ALL

[GEARCASE & COVER](#)

GEARCASE & CO VER

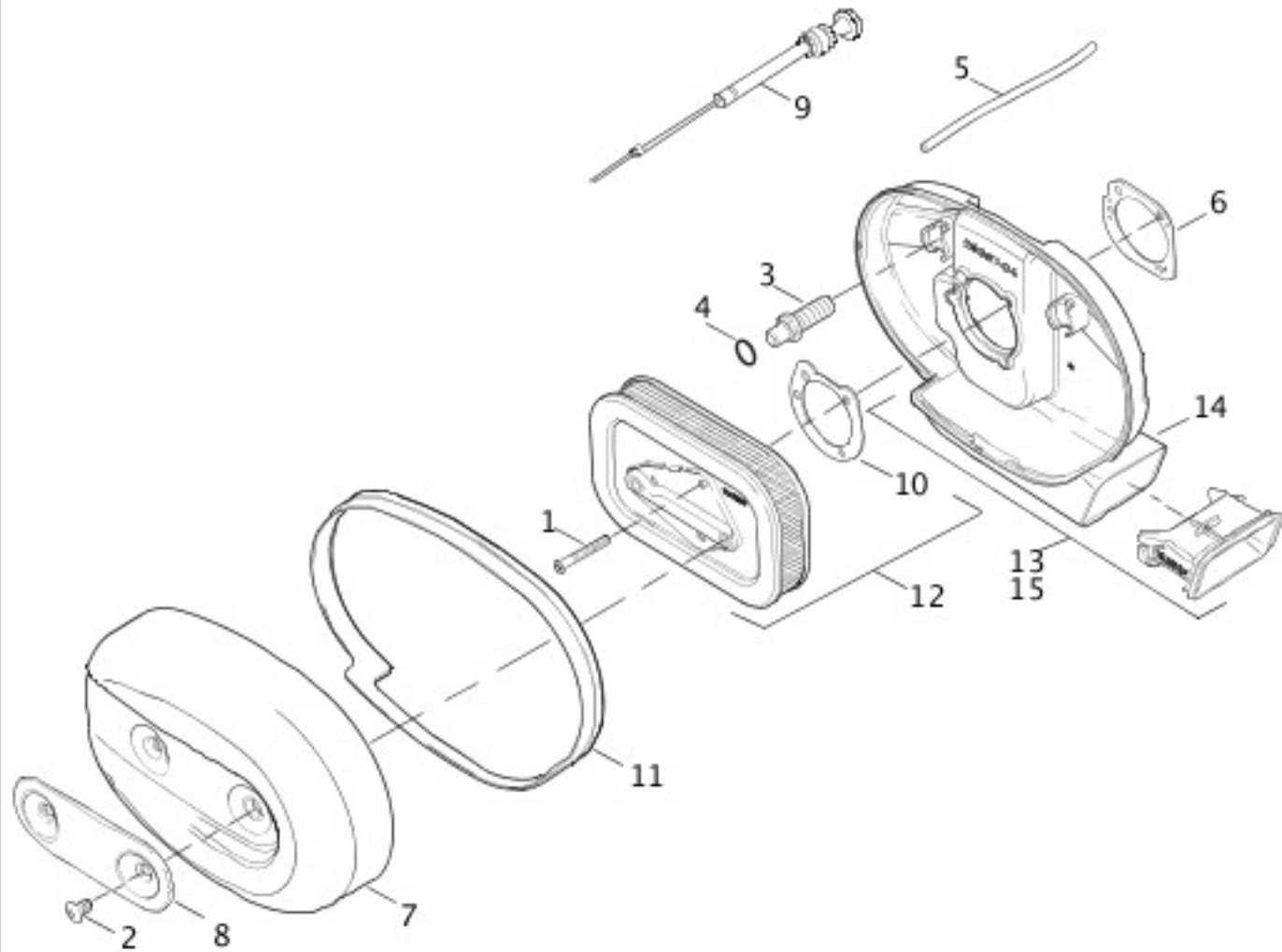


[View interactive table](#)

INDEX NO.	PART NO.	DESCRIPTION	MODEL(S)
9	25193-06	CAM GEAR SET, complete ,w/ pinion gear	XL883, XL883C, XL883L, XL883R
	25194-06	CAM GEAR SET, complete, w/ pinion gear	XL1200C, XL1200L, XL1200R
	32587-06	COVER PLATE	XL1200L

[AIR CLEANER & ENRICHENER](#)

AIR CLEANER & ENRICHENER

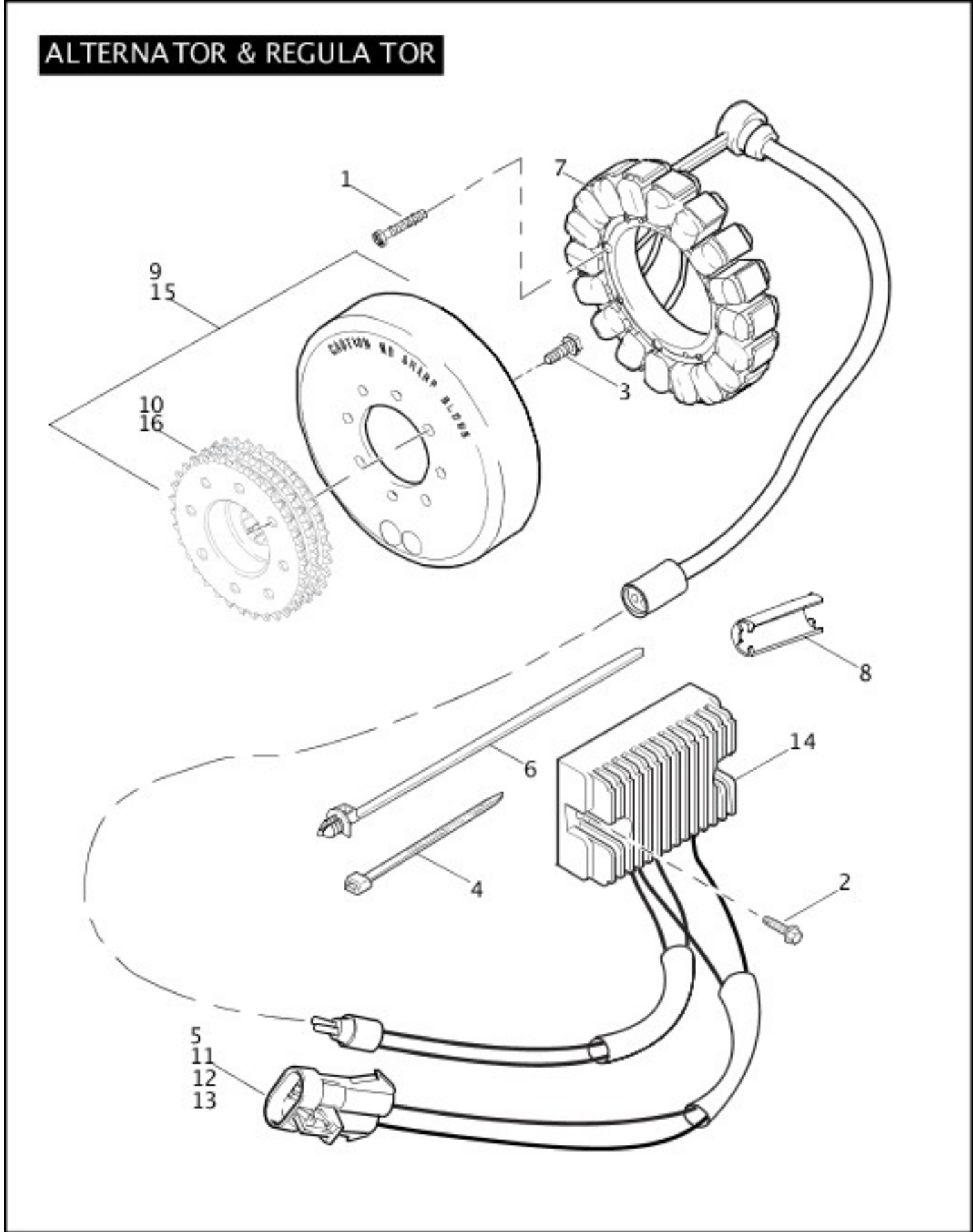


[View interactive table](#)

INDEX NO.	PART NO.	DESCRIPTION	MODEL(S)
	29354-06	TRIM INSERT, air cleaner	XL1200L

[ALTERNATOR & REGULATOR](#)

ALTERNATOR & REGULATOR

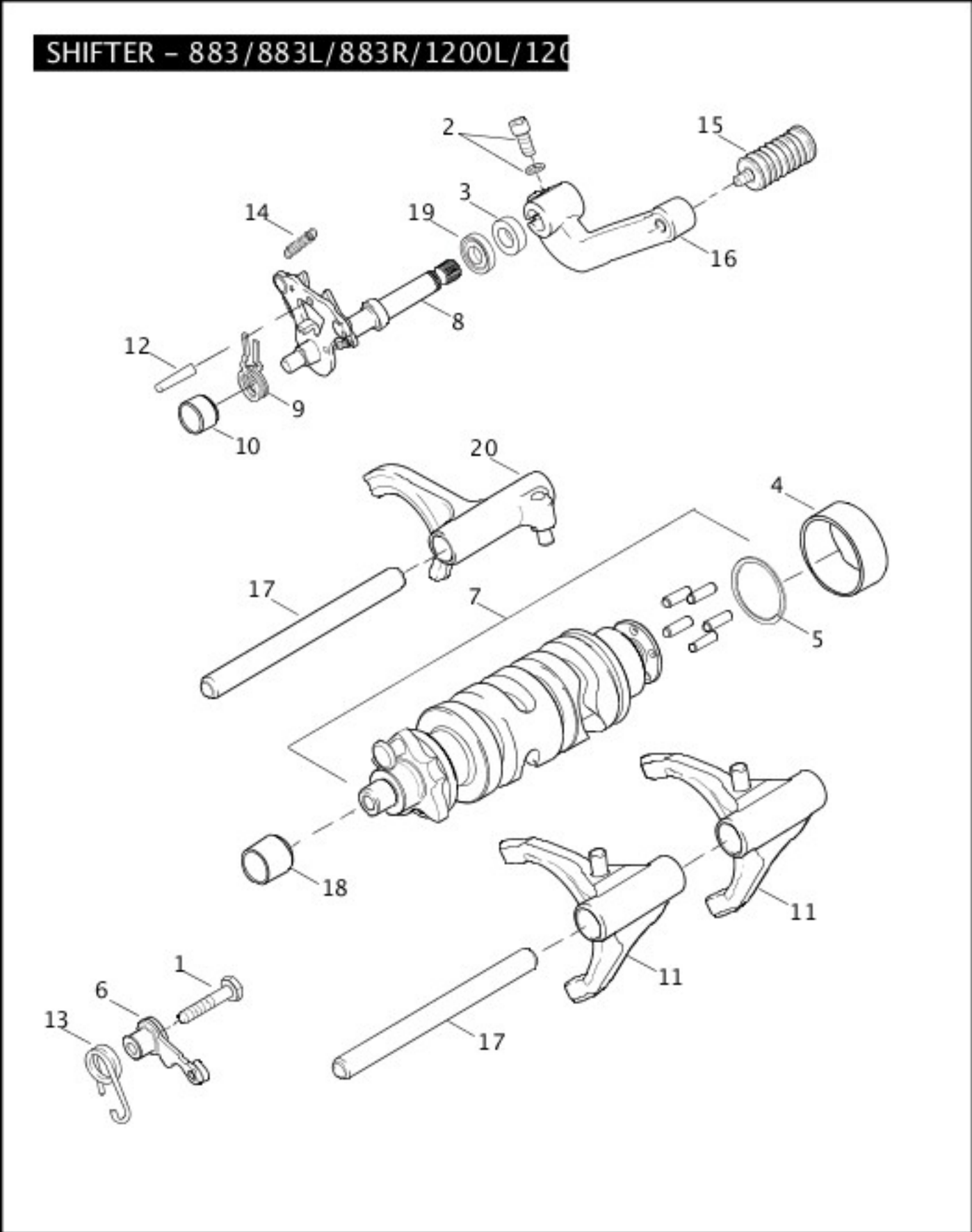


[View interactive table](#)

INDEX NO.	PART NO.	DESCRIPTION	MODEL(S)
8	29984-06	COVER, stator plug wire	ALL

[SHIFTER - 883/883L/883R/1200L/1200R](#)

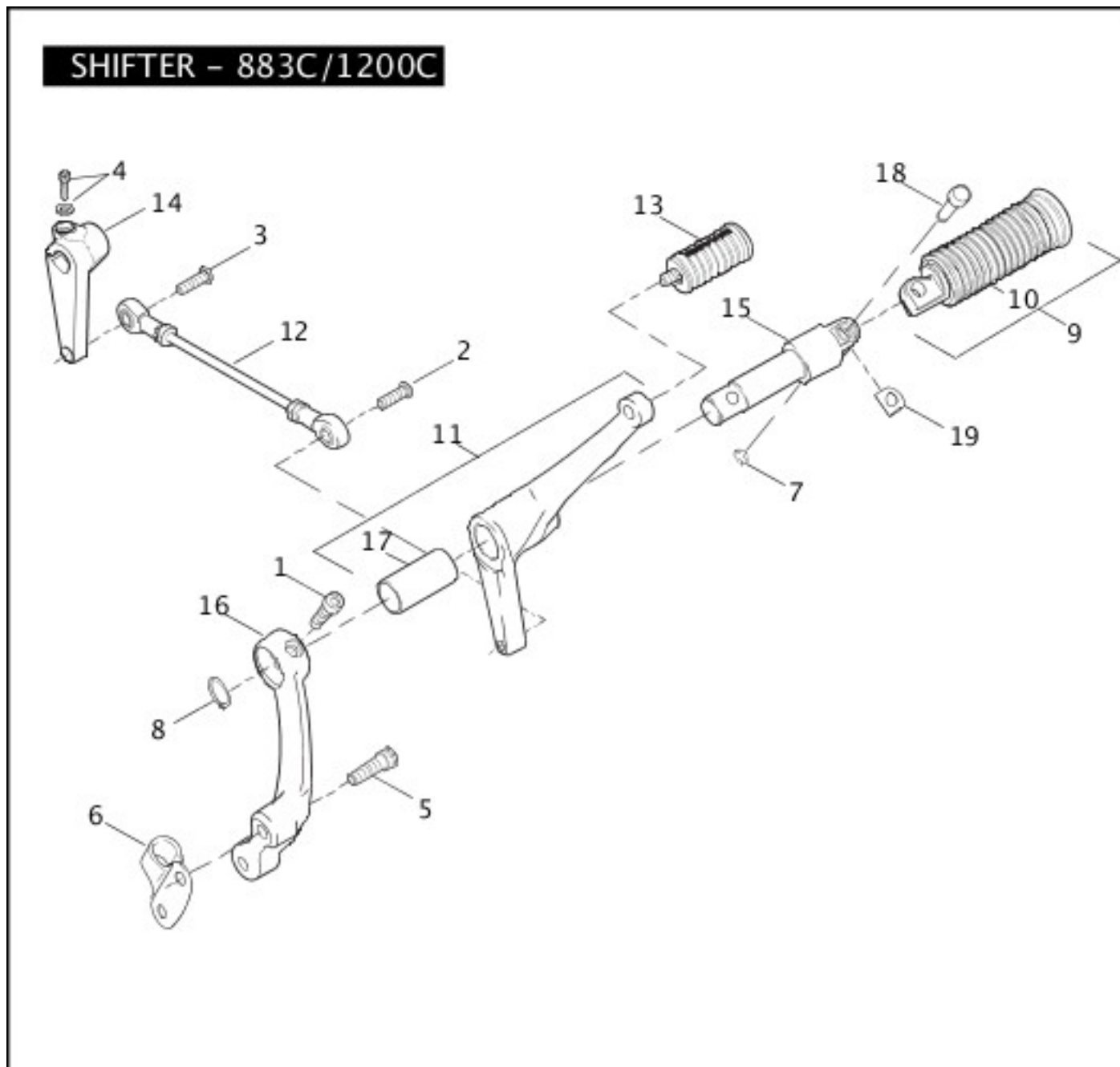
SHIFTER - 883/883L/883R/1200L/1200R



[View interactive table](#)

INDEX NO.	PART NO.	DESCRIPTION	MODEL(S)
6	33540-06	SPRING SLEEVE ASSEMBLY, detent	ALL
7	33641-06	SHIFTER CAM ASSEMBLY, w/ 11360	ALL
8	34014-06	SHIFTER LEVER ASSEMBLY, w/ 34064-00C & 34491-02A (2)	ALL
11	34157-06	FORK ASSEMBLY, shifter (2)	ALL
13	34483-06	SPRING, detent	ALL
19	37107-06	OIL SEAL	ALL

SHIFTER - 883C/1200C

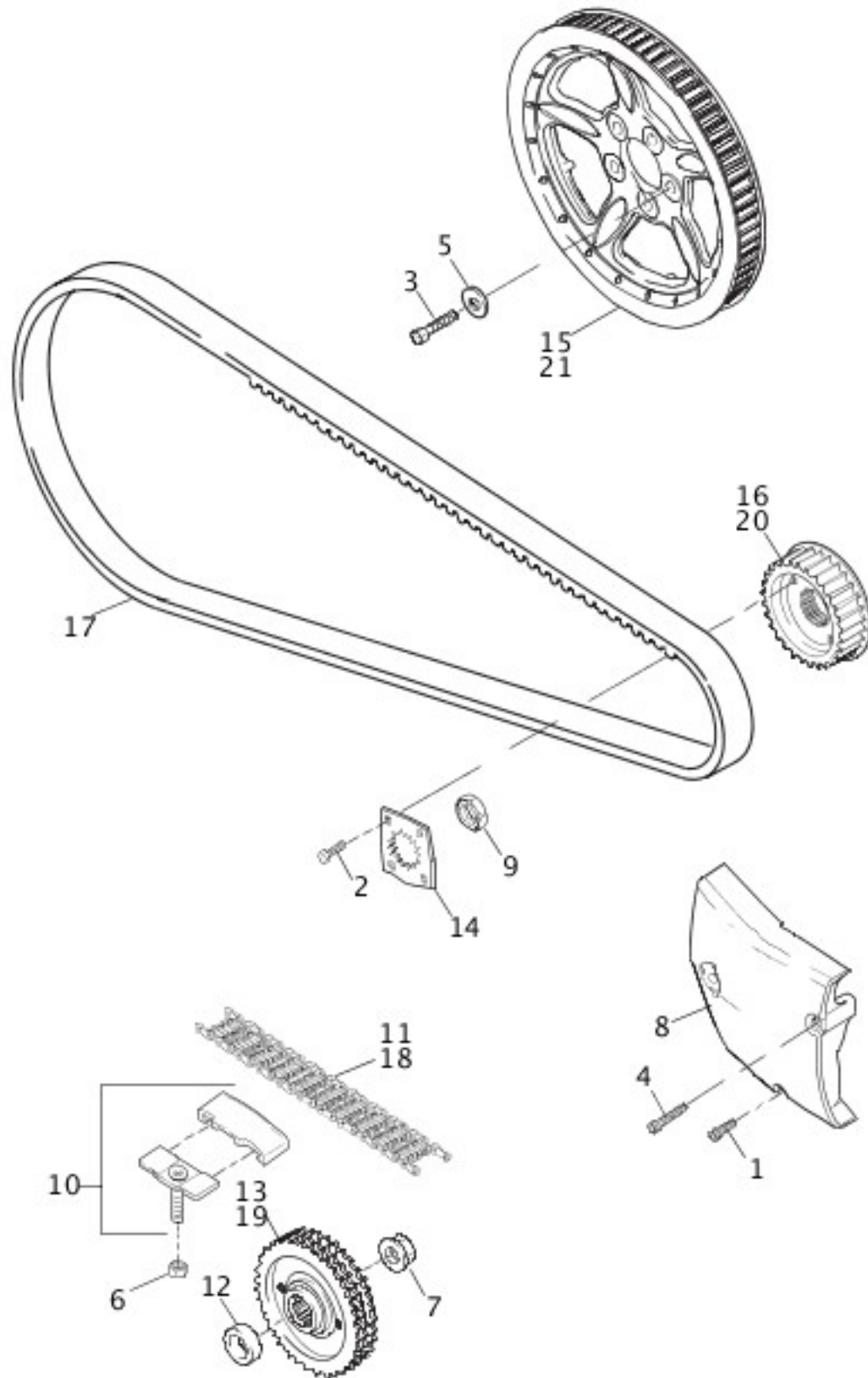


[View interactive table](#)

INDEX NO.	PART NO.	DESCRIPTION	MODEL(S)
14	34670-06	SHIFT LEVER	XL1200C, XL883C

BELTS & SPROCKETS

BELTS & SPROCKETS

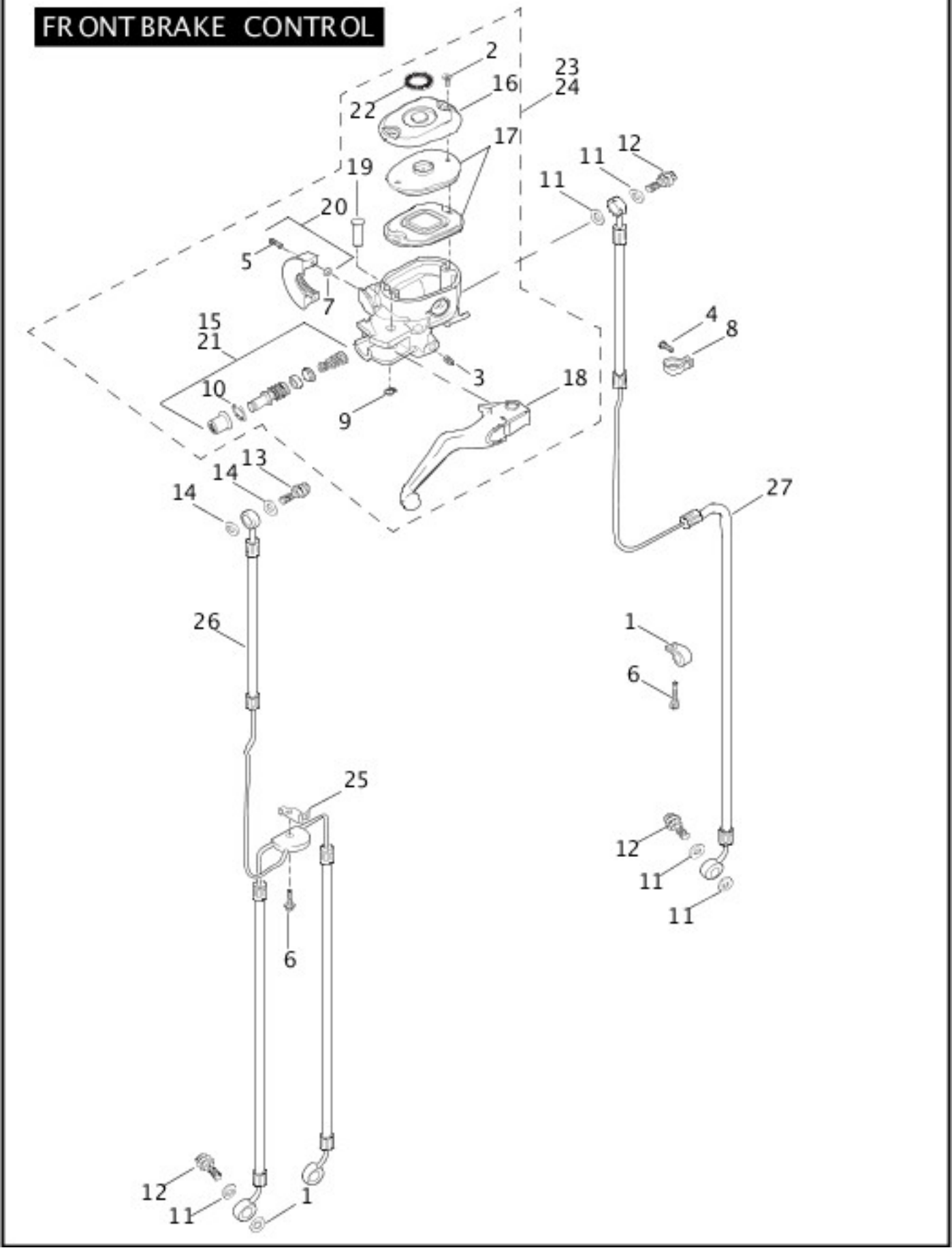


[View interactive table](#)

INDEX NO.	PART NO.	DESCRIPTION	MODEL(S)
	40571-04B	BELT, 137T	XL1200C, XL1200L, XL1200R

[FRONT BRAKE CONTROL](#)

FRONT BRAKE CONTROL

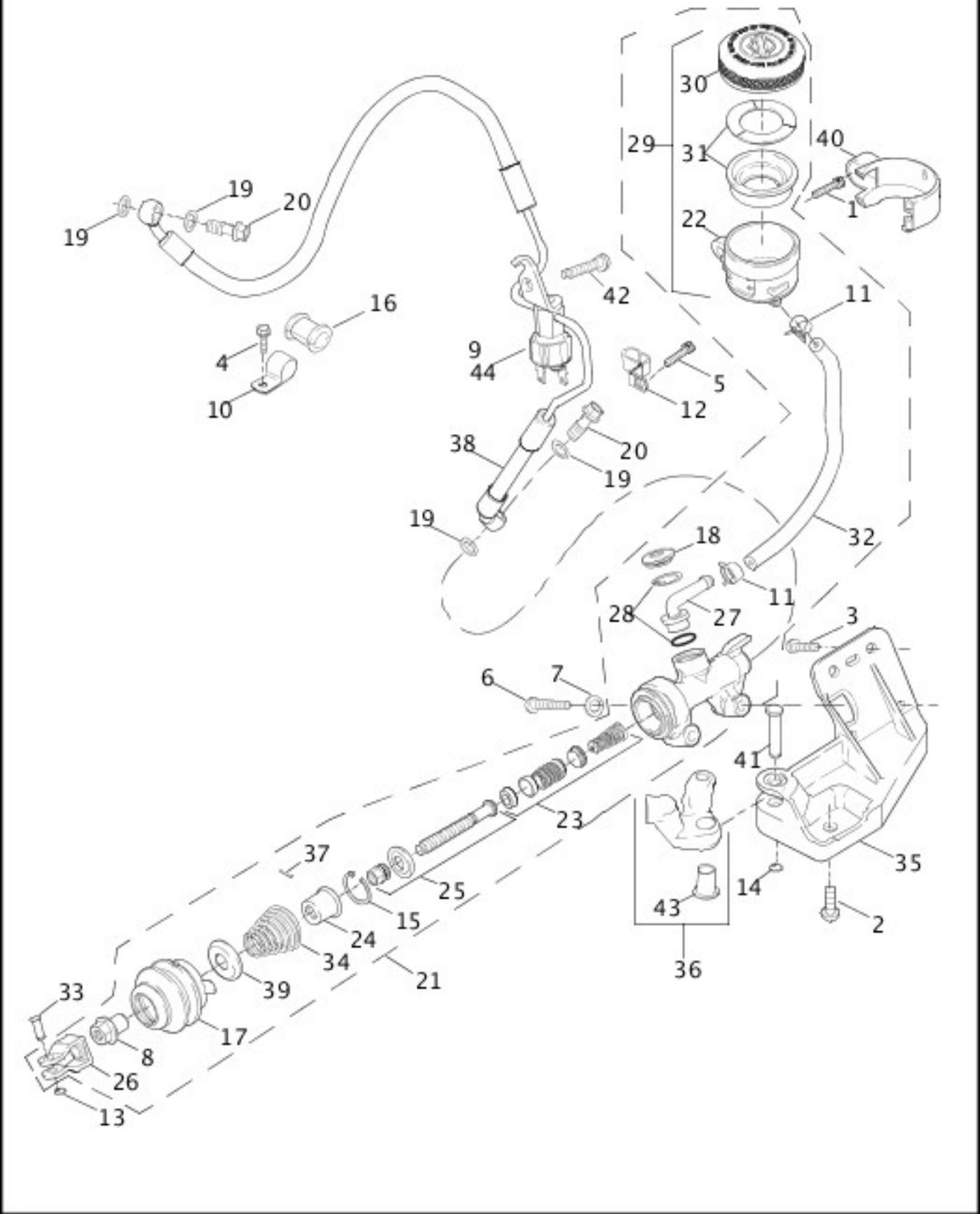


[View interactive table](#)

INDEX NO.	PART NO.	DESCRIPTION	MODEL(S)
15	42803-04A	REBUILD KIT, front master cylinder, single, w/ 11142	XL1200C, XL1200L, XL883, XL883C, XL883L
21	42809-04A	REBUILD KIT, front master cylinder, dual, w/ 11142	XL1200R, XL883R

[REAR BRAKE MASTER CYLINDER](#)

REAR BRAKE MASTER CYLINDER

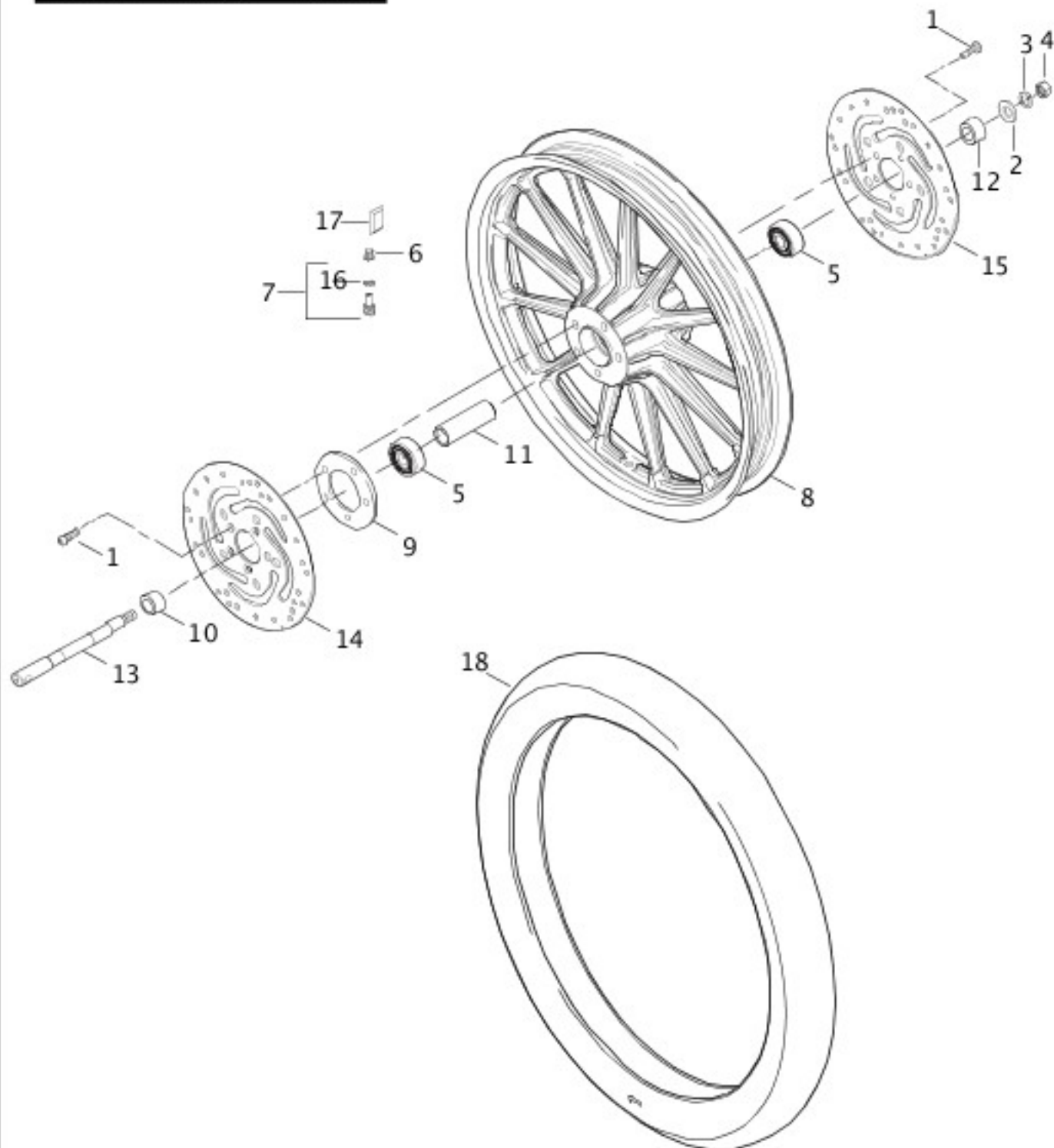


[View interactive table](#)

INDEX NO.	PART NO.	DESCRIPTION	MODEL(S)
23	42810-04A	REBUILD KIT, master cylinder, w/ 11121, 42811-04, & 44189-04	ALL
38	44429-06	BRAKELINE ASSEMBLY, w/ 11407	ALL

[FRONT WHEEL - CAST](#)

FRONT WHEEL - CAST

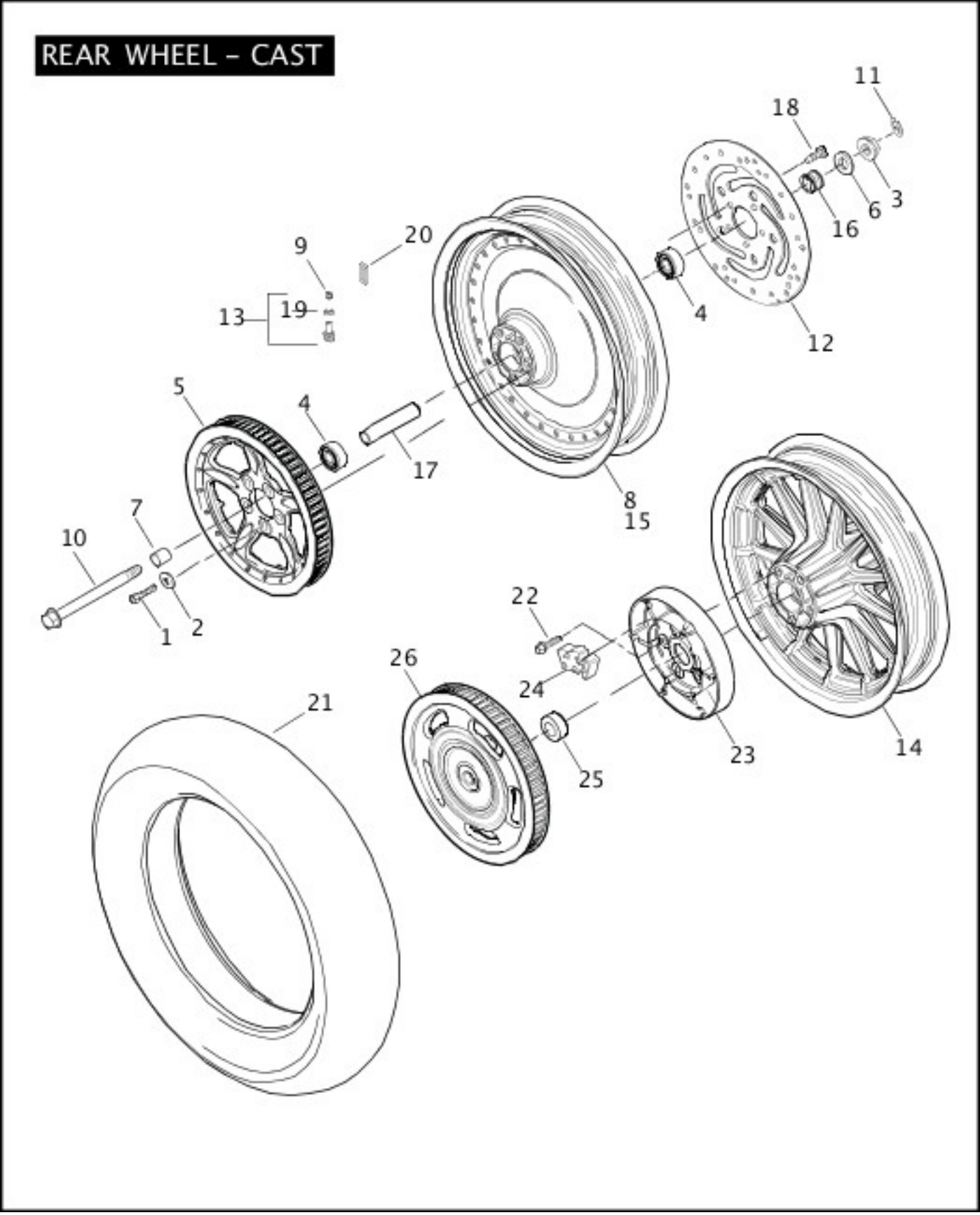


[View interactive table](#)

INDEX NO.	PART NO.	DESCRIPTION	MODEL(S)
8	40865-06	WHEEL ASSEMBLY, 19 in. (13 spoke) (black), w/ 9267, 43157-83A, & 43613-00	XL1200L
	40857-05	WHEEL ASSEMBLY, 19 in. (13 spoke) (black w/ silver spokes & trim), w/ 9267, 43157-83A, & 43613-00	XL883R

[REAR WHEEL - CAST](#)

REAR WHEEL - CAST

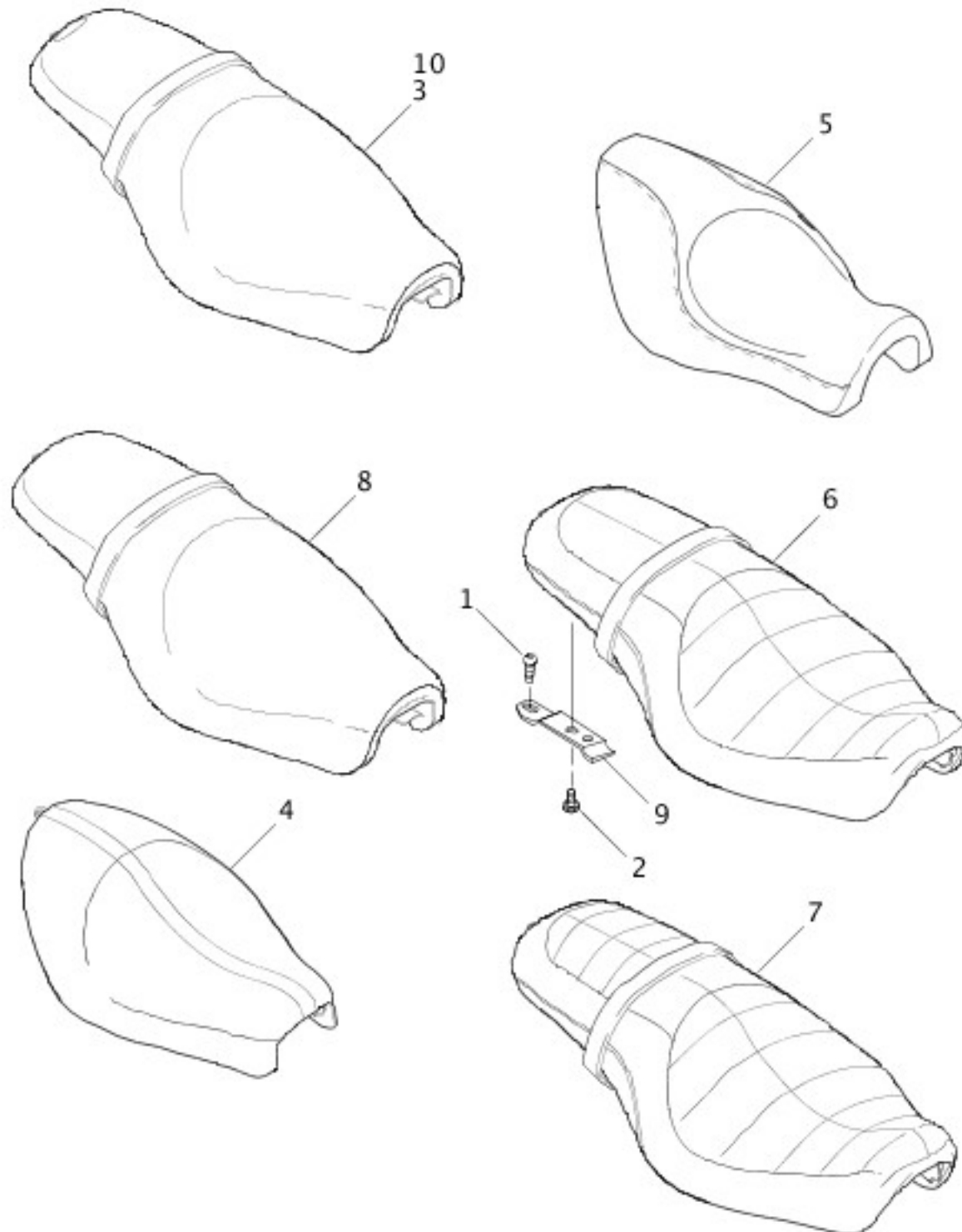


[View interactive table](#)

INDEX NO.	PART NO.	DESCRIPTION	MODEL(S)
	40871-06	WHEEL ASSEMBLY, 16 in. (13 spoke) (black), w/ 9247, 43157-83A, 43517-00, & 54321-85	XL1200L

[SEATS](#)

SEATS

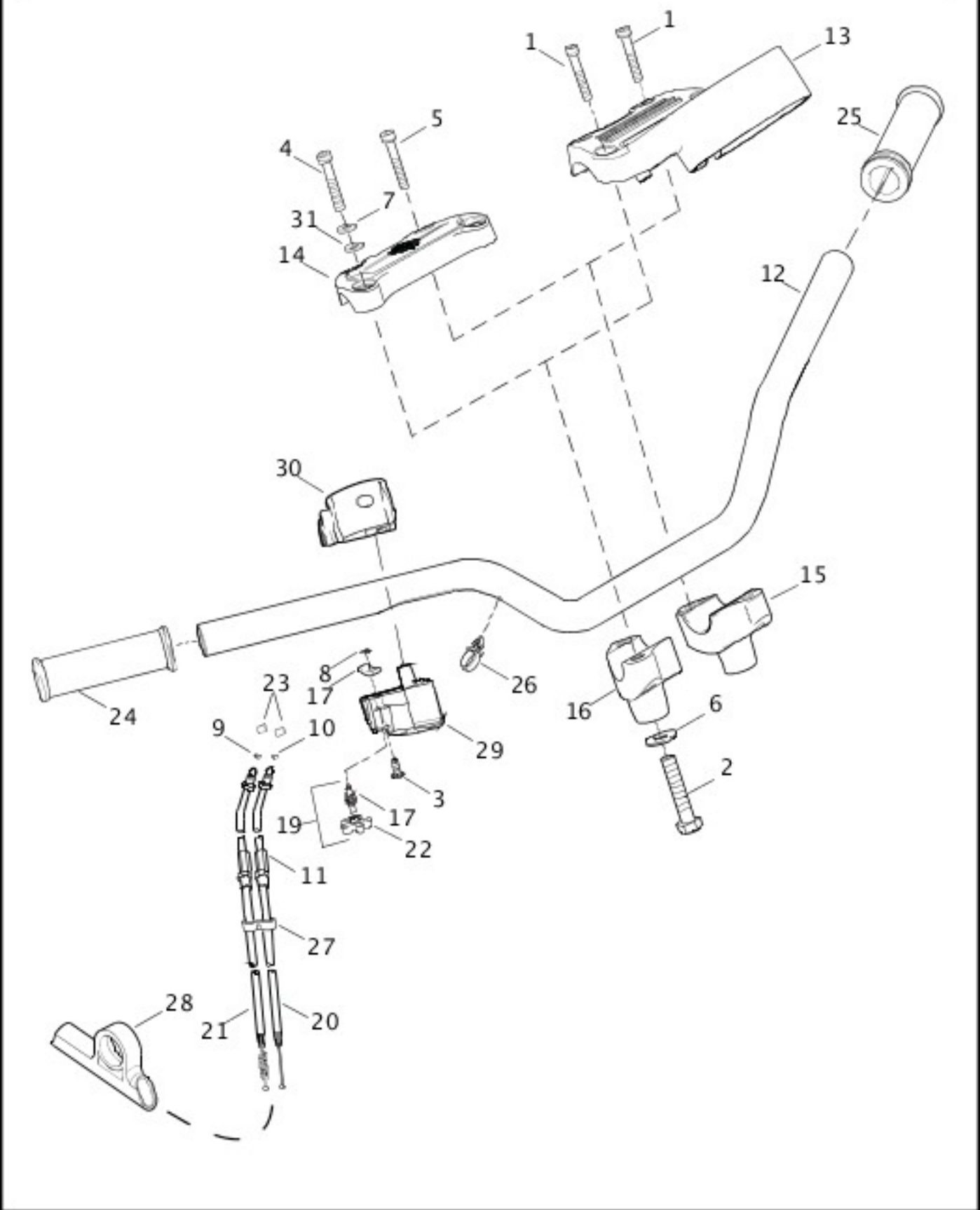


[View interactive table](#)

INDEX NO.	PART NO.	DESCRIPTION	MODEL(S)
10	51706-06	SEAT ASSEMBLY, w/ 3588 & 51652-97	XL1200L

[HANDLEBAR & THROTTLE CONTROL - 883/883L/883R/1200L/1200R](#)

HANDLEBAR & THROTTLE CONTROL - 883/883L/883R/1200L/1200R

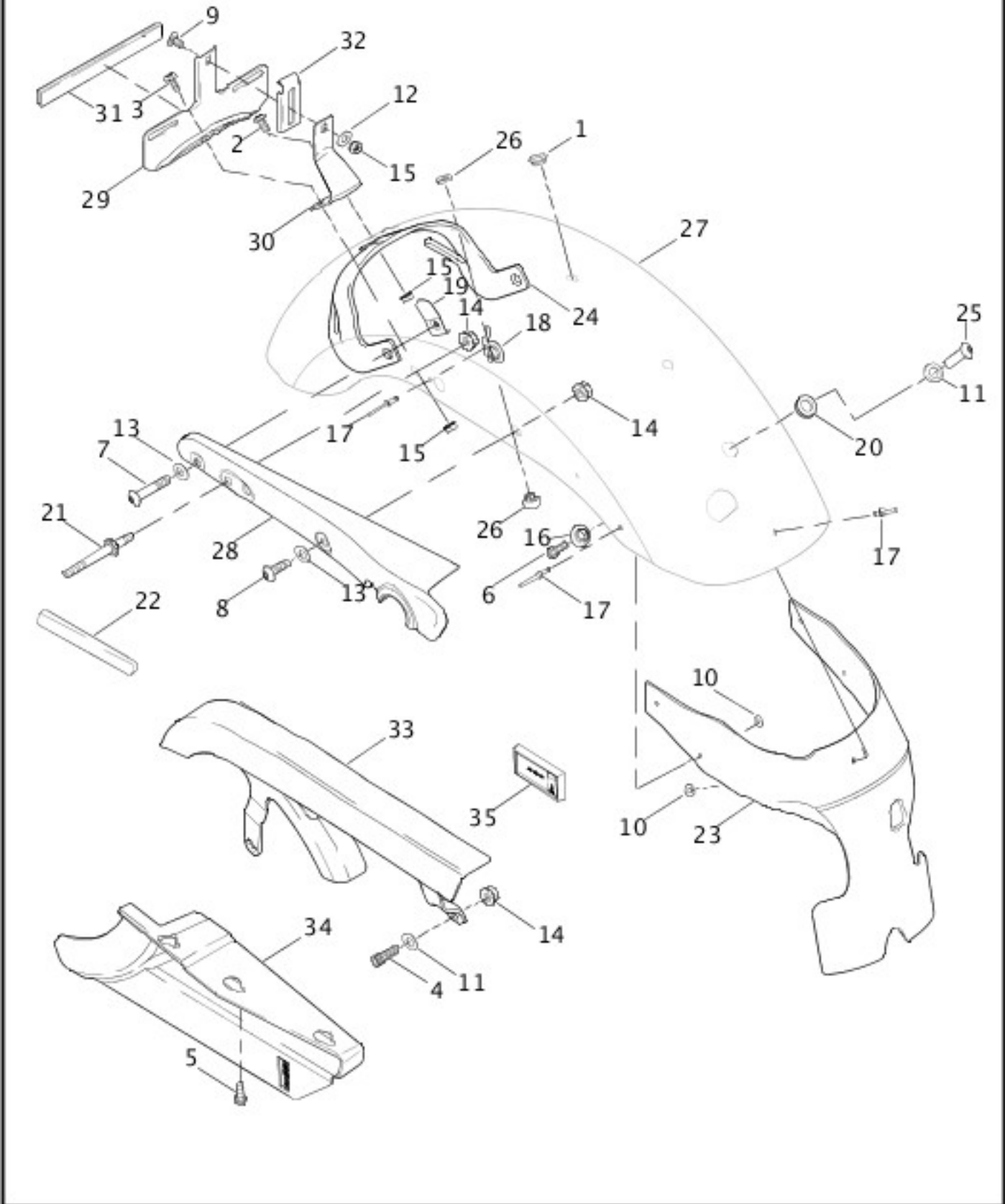


[View interactive table](#)

INDEX NO.	PART NO.	DESCRIPTION	MODEL(S)
	56051-06	HANDLEBAR	XL1200L
	70353-06	RETAINER, wire harness	XL883L

[REAR FENDER & BELT GUARDS](#)

REAR FENDER & BEL T GUARDS



[View interactive table](#)

INDEX NO.	PART NO.	DESCRIPTION	MODEL(S)
	60203-06	COVER, rear fender support - right (vivid black)	XL1200L
	60204-06	COVER, rear fender support - left (vivid black) (not illustrated)	XL1200L

[FUEL TANK TRIM](#)

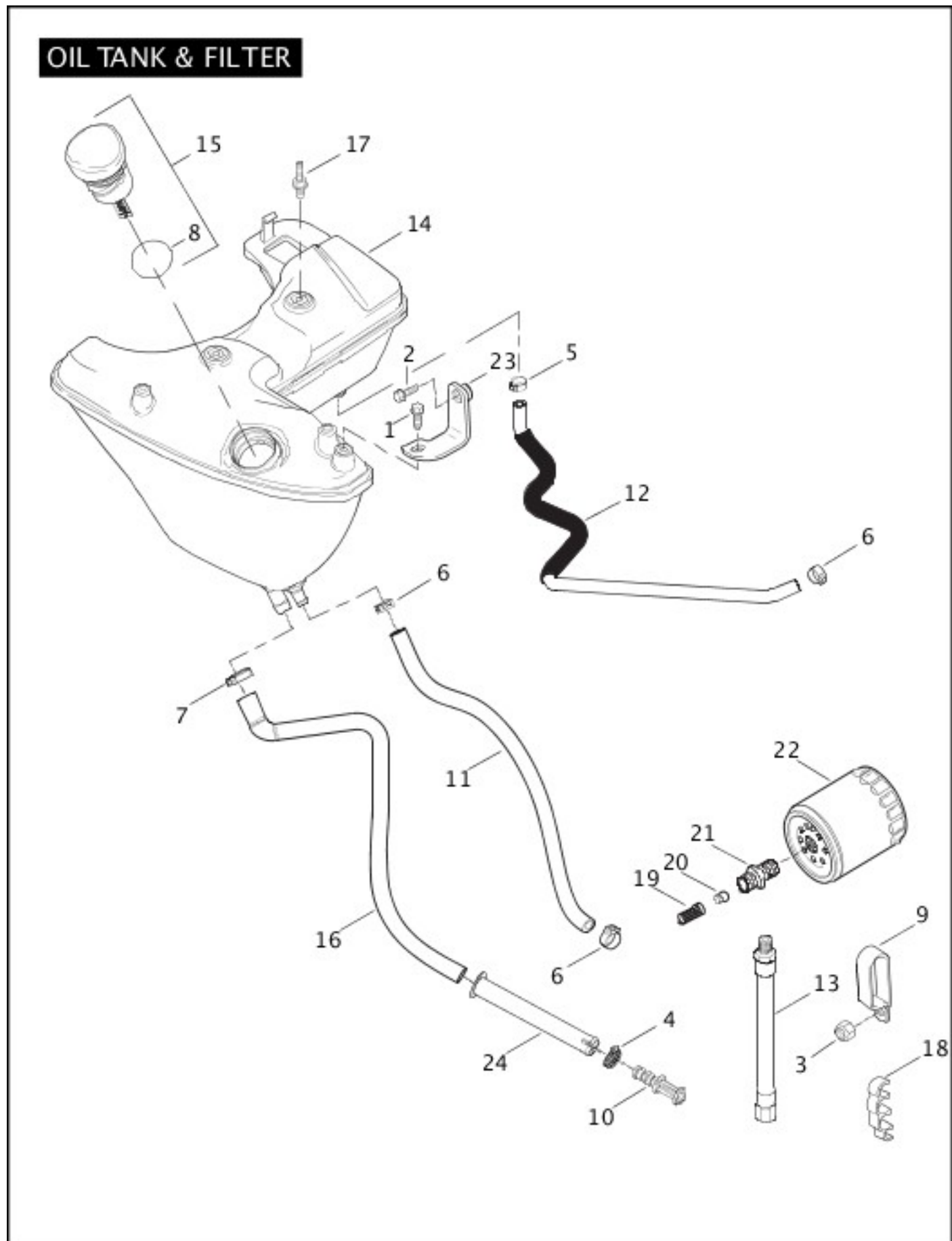
FUEL TANK TRIM



[View interactive table](#)

INDEX NO.	PART NO.	DESCRIPTION	MODEL(S)
	13469-06	DECAL, fuel tank, LH (red, black)	XL1200R
	13470-06	DECAL, fuel tank, RH (red, black)	XL1200R
	13471-06	DECAL, fuel tank, LH (blue, black)	XL1200R
	13472-06	DECAL, fuel tank, RH (blue, black)	XL1200R
7	62320-06	MEDALLION, fuel tank, LH	XL1200L

OIL TANK & FILTER

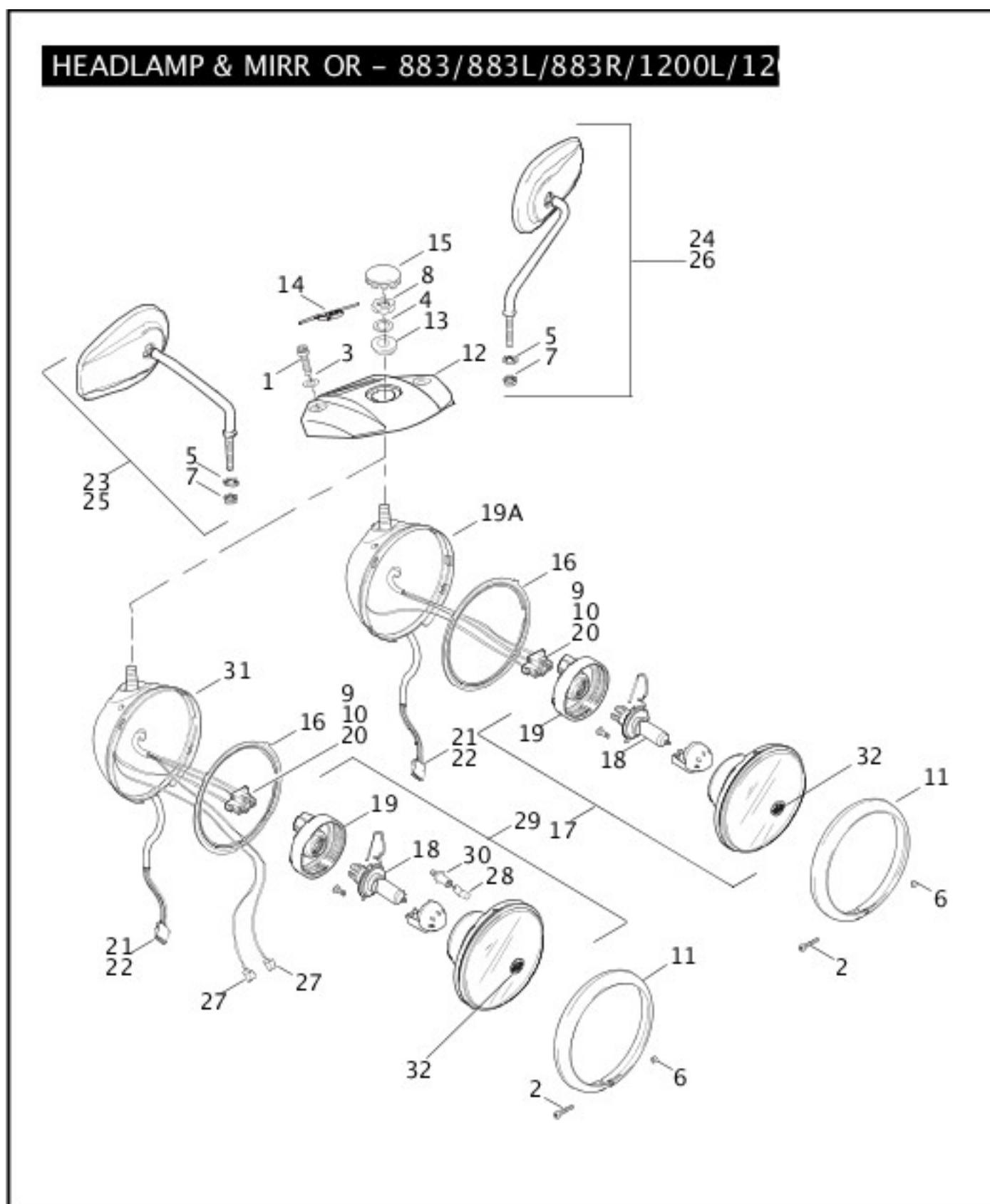


[View interactive table](#)

INDEX NO.	PART NO.	DESCRIPTION	MODEL(S)
10	33123-06	PLUG, oil tank drain	ALL
16	63596-06	HOSE, oil drain	ALL
24	33138-06	SLEEVE, oil drain line	ALL

25	62360-04A	VENT TUBE ASSEMBLY (not shown)	ALL
----	-----------	--------------------------------	-----

HEADLAMP & MIRROR - 883/883L/883R/1200L/1200R

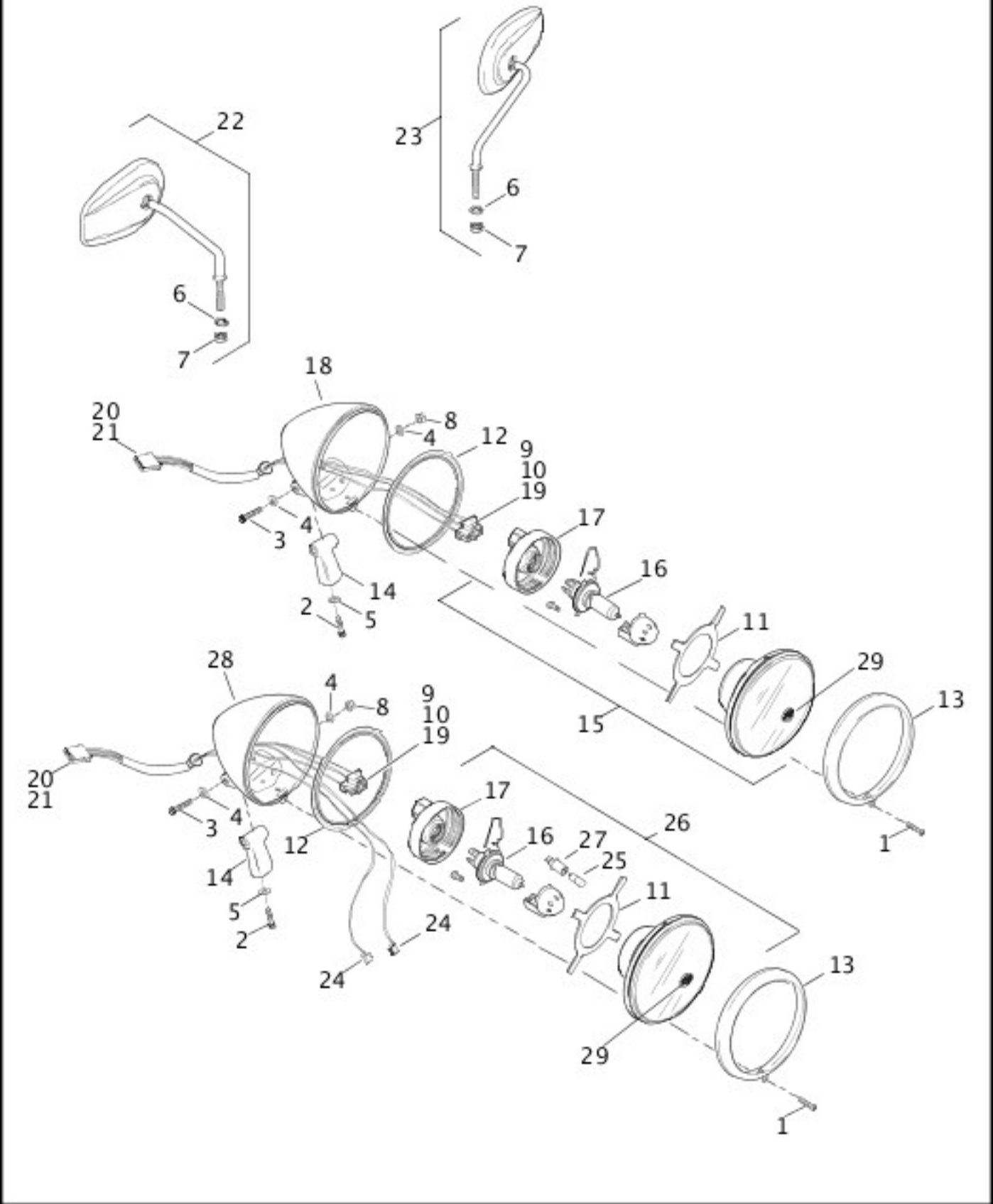


[View interactive table](#)

INDEX NO.	PART NO.	DESCRIPTION	MODEL(S)
32	67667-05	MEDALLION, headlamp, 5-3/4 in.	ALL

HEADLAMP & MIRROR - 883C/1200C

HEADLAMP & MIRR OR - 883C/1200

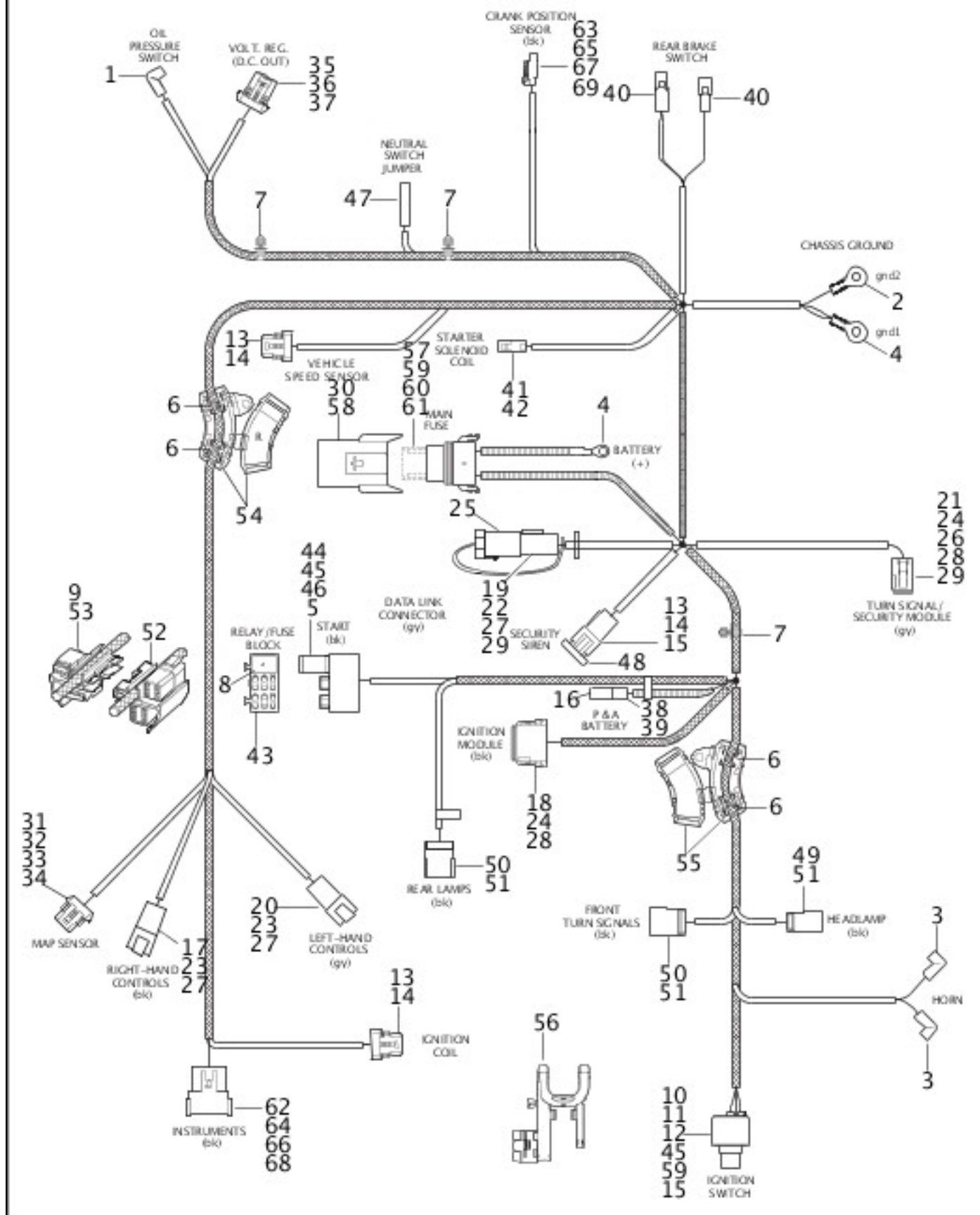


[View interactive table](#)

INDEX NO.	PART NO.	DESCRIPTION	MODEL(S)
29	67667-05	MEDALLION, headlamp, 5-3/4 in.	ALL

[WIRING HARNESS, MAIN](#)

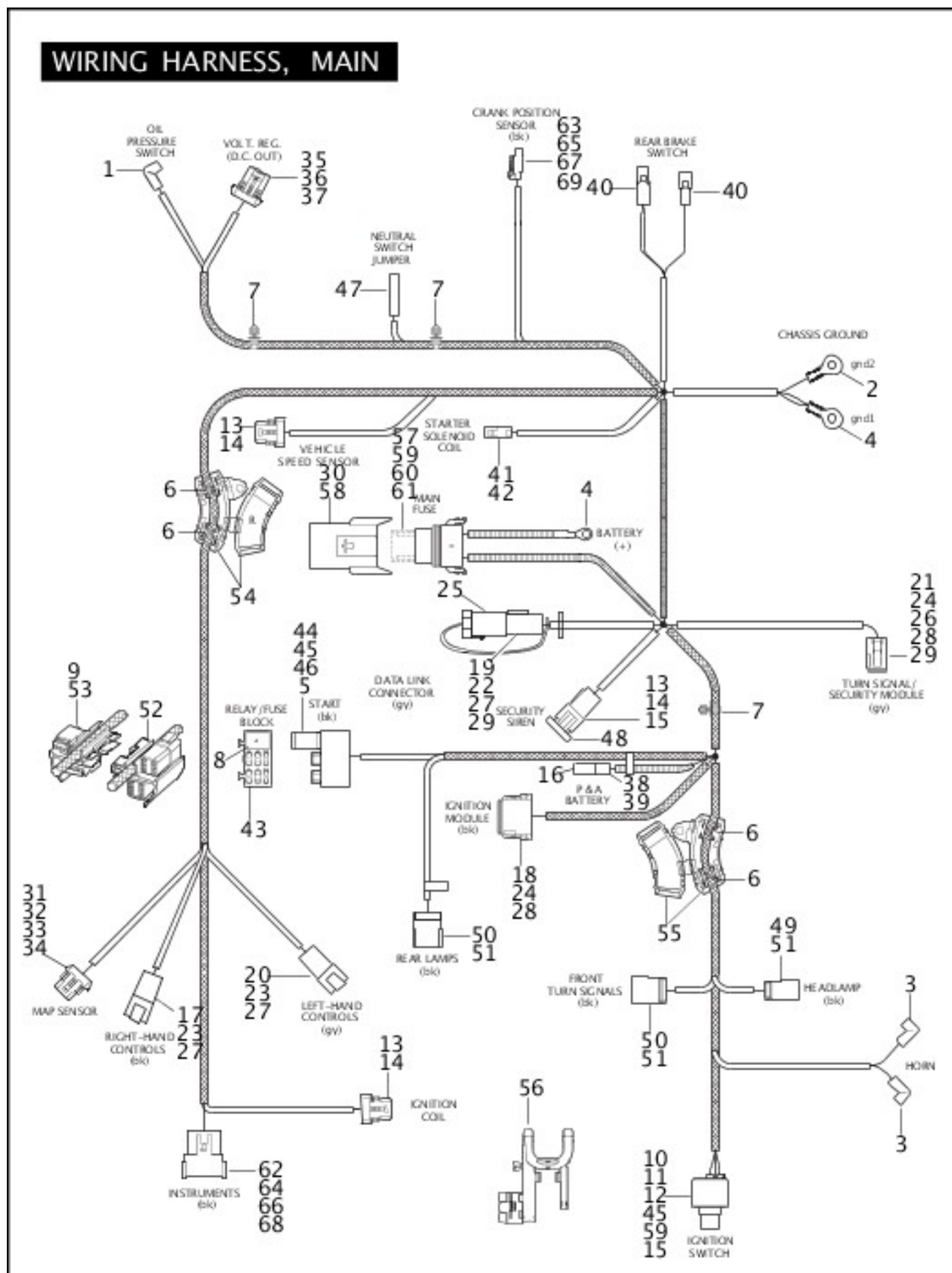
WIRING HARNESS, MAIN



[View interactive table](#)

INDEX NO.	PART NO.	DESCRIPTION	MODEL(S)
	70139-06	WIRING HARNESS, main	ALL
1	72405-98BK	PUSH ON WIRE ASSEMBLY, right angle molded, 60 in. length (2)	ALL
13	72064-06	SOCKET HOUSING, 3-way (black) (3)	ALL
14	72094-06	TERMINAL, socket (9)	ALL
15	72096-06	SEAL WIRE, #18-20 AWG. (yellow) (9)	ALL

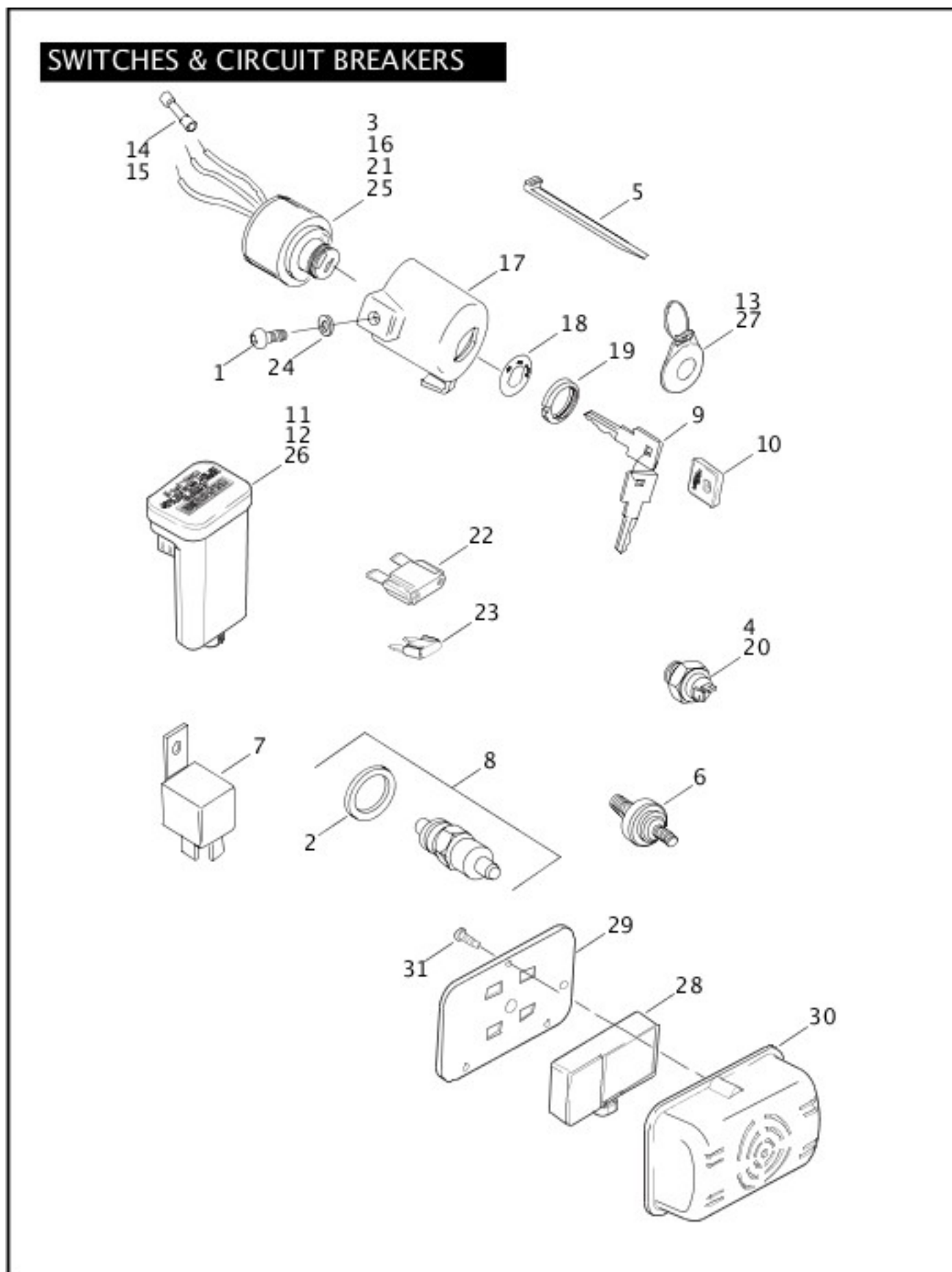
WIRING HARNESS, MAIN (CONTINUED)



[View interactive table](#)

INDEX NO.	PART NO.	DESCRIPTION	MODEL(S)
	70139-06	WIRING HARNESS, main (CONTINUED)	ALL
56	73207-06	WIRE HARNESS CADDY	ALL
69	70598-99	BOOT, crank position sensor connector	ALL

SWITCHES & CIRCUIT BREAKERS



[View interactive table](#)

INDEX NO.	PART NO.	DESCRIPTION	MODEL(S)
29	66523-06	PLATE, siren mounting bracket	ALL
30	66524-06	COVER, siren	ALL

10006	HANDLEBAR & THROTTLE CONTROL - 883C/1200C BATTERY CALIFORNIA EVAPORATIVE EMISSIONS KIT
10014	CARBURETOR FUEL TANK OIL TANK & FILTER
10031	FRONT BRAKE CONTROL REAR BRAKE MASTER CYLINDER
10039	SWITCHES & CIRCUIT BREAKERS
10053	FRONT BRAKE CONTROL
10065	ALTERNATOR & REGULATOR TURN SIGNALS WIRING HARNESS, MAIN
10074	EXHAUST SYSTEM
10080	CRANKCASE OIL TANK & FILTER
10120	HORN
10142	OIL TANK & FILTER
10147	ALTERNATOR & REGULATOR
10177	CRANKCASE ALTERNATOR & REGULATOR
10179	SHIFTER - 883C/1200C REAR BRAKE CONTROL - 883/883L/883R/1200L/1200R REAR BRAKE CONTROL - 883C/1200C
10181	HANDLEBAR SWITCHES
10200	REAR FENDER & BELT GUARDS
10242	REAR FENDER & BELT GUARDS
10252	REAR BRAKE MASTER CYLINDER
10255	REAR BRAKE MASTER CYLINDER
10279	WIRING HARNESS, MAIN
10289	CLUTCH CONTROL
1039	ROCKER ARMS, COVERS, & PUSH RODS - V2™
1048	CRANKCASE
10984	TRANSMISSION GEARS

10995	<u>REAR BRAKE MASTER CYLINDER</u>
11002	<u>OIL PUMP</u>
11031	<u>REAR BRAKE MASTER CYLINDER</u>
11046	<u>CLUTCH</u>
11067	<u>TRANSMISSION GEARS</u>
11105	<u>INSPECTION COVER & PRIMARY COVER</u>
11113	<u>TRANSMISSION GEARS</u>
11116	<u>STARTER MOTOR</u>
11120	<u>OIL TANK & FILTER</u>
11121	<u>REAR BRAKE MASTER CYLINDER</u>
11142	<u>FRONT BRAKE CONTROL</u>
11155	<u>HANDLEBAR & THROTTLE CONTROL - 883/883L/883R/1200L/1200R</u> <u>HANDLEBAR & THROTTLE CONTROL - 883C/1200C</u> <u>HANDLEBAR SWITCHES</u>
11161	<u>TRANSMISSION GEARS</u>
11171	<u>INSPECTION COVER & PRIMARY COVER</u>
11177A	<u>PISTONS, CONNECTING RODS, & FLYWHEELS</u> <u>CRANKCASE</u>
11179	<u>CLUTCH CONTROL</u>
11190	<u>ROCKER ARMS, COVERS, & PUSH RODS - V2™</u>
11202	<u>AIR CLEANER & ENRICHENER</u>
11250	<u>CLUTCH</u>
11271	<u>HANDLEBAR & THROTTLE CONTROL - 883/883L/883R/1200L/1200R</u> <u>HANDLEBAR & THROTTLE CONTROL - 883C/1200C</u>
11272	<u>HANDLEBAR & THROTTLE CONTROL - 883/883L/883R/1200L/1200R</u> <u>HANDLEBAR & THROTTLE CONTROL - 883C/1200C</u>
11282	<u>FRAME, REAR FORK, & JIFFY STAND</u>
11289A	<u>CRANKCASE</u> <u>SPEEDOMETER & TACHOMETER - 883/883L/883R/1200L/1200R</u> <u>SPEEDOMETER - 883C/1200C</u>
11291	<u>CARBURETOR</u>
11304	<u>SHIFTER - 883C/1200C</u> <u>REAR BRAKE CONTROL - 883/883L/883R/1200L/1200R</u> <u>REAR BRAKE CONTROL - 883C/1200C</u> <u>FOOTRESTS</u>

11317	<u>GEARCASE & COVER</u>
11360	<u>SHIFTER - 883/883L/883R/1200L/1200R</u>
11377	<u>ROCKER ARMS, COVERS, & PUSH RODS - V2™</u>
11379	<u>CLUTCH CONTROL</u> <u>FRONT BRAKE CONTROL</u>
11390	<u>SHIFTER - 883C/1200C</u> <u>REAR BRAKE CONTROL - 883/883L/883R/1200L/1200R</u> <u>REAR BRAKE CONTROL - 883C/1200C</u>
11407	<u>REAR BRAKE MASTER CYLINDER</u>
11474	<u>REAR FENDER & BELT GUARDS</u>
11730A	<u>CLUTCH</u>
11765Y	<u>CLUTCH</u>
12030	<u>TRANSMISSION GEARS</u>
12068	<u>CRANKCASE</u>
12074	<u>TRANSMISSION GEARS</u>
13304-05	<u>FUEL TANK TRIM</u>
13305-05	<u>FUEL TANK TRIM</u>
13340-04	<u>FUEL TANK TRIM</u>
13341-04	<u>FUEL TANK TRIM</u>
13342-04	<u>FUEL TANK TRIM</u>
13343-04	<u>FUEL TANK TRIM</u>
13367-04	<u>FUEL TANK TRIM</u>
13371-04	<u>FUEL TANK TRIM</u>
13372-04	<u>FUEL TANK TRIM</u>
13469-06	<u>FUEL TANK TRIM</u>
13470-06	<u>FUEL TANK TRIM</u>
13471-06	<u>FUEL TANK TRIM</u>
13472-06	<u>FUEL TANK TRIM</u>
13566-05	<u>FUEL TANK TRIM</u>
13567-05	<u>FUEL TANK TRIM</u>
14448-94	<u>HANDLEBAR & THROTTLE CONTROL - 883C/1200C</u>

1594	<u>FRAME, REAR FORK, & JIFFY STAND</u>
16232-04	<u>ENGINE MOUNTS</u>
16287-04	<u>ENGINE MOUNTS</u>
16291-04	<u>ENGINE MOUNTS</u>
16353-04	<u>CYLINDER, HEAD, & VALVES - V2™ EVOLUTION</u>
16354-04	<u>CYLINDER, HEAD, & VALVES - V2™ EVOLUTION</u>
16355-04	<u>HORN</u>
16443-04	<u>CYLINDER, HEAD, & VALVES - V2™ EVOLUTION</u>
16452-05	<u>CYLINDER, HEAD, & VALVES - V2™ EVOLUTION</u>
16461-02	<u>CYLINDER, HEAD, & VALVES - V2™ EVOLUTION</u>
16463-04	<u>CYLINDER, HEAD, & VALVES - V2™ EVOLUTION</u>
16478-85A	<u>CYLINDER, HEAD, & VALVES - V2™ EVOLUTION</u>
16480-92A	<u>CYLINDER, HEAD, & VALVES - V2™ EVOLUTION</u>
16573-83A	<u>CYLINDER, HEAD, & VALVES - V2™ EVOLUTION</u>
16660-04	<u>CYLINDER, HEAD, & VALVES - V2™ EVOLUTION</u>
16661-04	<u>CYLINDER, HEAD, & VALVES - V2™ EVOLUTION</u>
16664-86B	<u>CYLINDER, HEAD, & VALVES - V2™ EVOLUTION</u>
16666-04	<u>CYLINDER, HEAD, & VALVES - V2™ EVOLUTION</u>
16667-04	<u>CYLINDER, HEAD, & VALVES - V2™ EVOLUTION</u>
16715-83	<u>CYLINDER, HEAD, & VALVES - V2™ EVOLUTION</u>
16770-84D	<u>CYLINDER, HEAD, & VALVES - V2™ EVOLUTION</u>
16774-86E	<u>CYLINDER, HEAD, & VALVES - V2™ EVOLUTION</u>
16800-84	<u>ROCKER ARMS, COVERS, & PUSH RODS - V2™</u>
16832-86C	<u>CYLINDER, HEAD, & VALVES - V2™ EVOLUTION</u>
16865-05	<u>CYLINDER, HEAD, & VALVES - V2™ EVOLUTION</u>
16867-05	<u>CYLINDER, HEAD, & VALVES - V2™ EVOLUTION</u>
17027-04A	<u>CYLINDER, HEAD, & VALVES - V2™ EVOLUTION</u>
17049-04	<u>CYLINDER, HEAD, & VALVES - V2™ EVOLUTION</u>
17353-89C	<u>ROCKER ARMS, COVERS, & PUSH RODS - V2™</u>

17358-84A	<u>ROCKER ARMS, COVERS, & PUSH RODS - V2™</u>
17360-83A	<u>ROCKER ARMS, COVERS, & PUSH RODS - V2™</u>
17375-83A	<u>ROCKER ARMS, COVERS, & PUSH RODS - V2™</u>
17501-04	<u>ROCKER ARMS, COVERS, & PUSH RODS - V2™</u>
17532-86E	<u>ROCKER ARMS, COVERS, & PUSH RODS - V2™</u>
17537-96C	<u>ROCKER ARMS, COVERS, & PUSH RODS - V2™</u>
17551-04	<u>ROCKER ARMS, COVERS, & PUSH RODS - V2™</u>
17611-83	<u>ROCKER ARMS, COVERS, & PUSH RODS - V2™</u>
17614-98C	<u>ROCKER ARMS, COVERS, & PUSH RODS - V2™</u>
17645-06A	<u>ROCKER ARMS, COVERS, & PUSH RODS - V2™</u>
17655-05	<u>ROCKER ARMS, COVERS, & PUSH RODS - V2™</u>
17908-02	<u>ROCKER ARMS, COVERS, & PUSH RODS - V2™</u>
17909-02	<u>ROCKER ARMS, COVERS, & PUSH RODS - V2™</u>
17946-04	<u>ROCKER ARMS, COVERS, & PUSH RODS - V2™</u>
17972-04	<u>ROCKER ARMS, COVERS, & PUSH RODS - V2™</u>
17976-04	<u>ROCKER ARMS, COVERS, & PUSH RODS - V2™</u>
17981-04	<u>ROCKER ARMS, COVERS, & PUSH RODS - V2™</u>
18011-86	<u>CYLINDER, HEAD, & VALVES - V2™ EVOLUTION (CONTINUED)</u>
18012-87A	<u>CYLINDER, HEAD, & VALVES - V2™ EVOLUTION (CONTINUED)</u>
18020-83	<u>CYLINDER, HEAD, & VALVES - V2™ EVOLUTION (CONTINUED)</u>
18021-87A	<u>CYLINDER, HEAD, & VALVES - V2™ EVOLUTION (CONTINUED)</u>
18053-04	<u>CYLINDER, HEAD, & VALVES - V2™ EVOLUTION (CONTINUED)</u>
18059-04	<u>CYLINDER, HEAD, & VALVES - V2™ EVOLUTION (CONTINUED)</u>
18094-02A	<u>CYLINDER, HEAD, & VALVES - V2™ EVOLUTION (CONTINUED)</u>
18245-02	<u>CYLINDER, HEAD, & VALVES - V2™ EVOLUTION (CONTINUED)</u>
18258-02	<u>CYLINDER, HEAD, & VALVES - V2™ EVOLUTION (CONTINUED)</u>
18260-02	<u>CYLINDER, HEAD, & VALVES - V2™ EVOLUTION (CONTINUED)</u>
18505-06	<u>ROCKER ARMS, COVERS, & PUSH RODS - V2™</u>
18538-99B	<u>ROCKER ARMS, COVERS, & PUSH RODS - V2™</u>
18690-02	<u>CYLINDER, HEAD, & VALVES - V2™ EVOLUTION (CONTINUED)</u>

18691-02	<u>CYLINDER, HEAD, & VALVES - V2™ EVOLUTION (CONTINUED)</u>
19272-06	<u>CYLINDER, HEAD, & VALVES - V2™ EVOLUTION</u>
19273-06	<u>CYLINDER, HEAD, & VALVES - V2™ EVOLUTION (CONTINUED)</u>
19275-06	<u>CYLINDER, HEAD, & VALVES - V2™ EVOLUTION (CONTINUED)</u>
19276-06	<u>CYLINDER, HEAD, & VALVES - V2™ EVOLUTION</u>
19278-06	<u>CYLINDER, HEAD, & VALVES - V2™ EVOLUTION</u>
19279-06	<u>CYLINDER, HEAD, & VALVES - V2™ EVOLUTION (CONTINUED)</u>
19281-06	<u>CYLINDER, HEAD, & VALVES - V2™ EVOLUTION</u>
19282-06	<u>CYLINDER, HEAD, & VALVES - V2™ EVOLUTION (CONTINUED)</u>
19500-06	<u>CYLINDER, HEAD, & VALVES - V2™ EVOLUTION</u>
19501-06	<u>CYLINDER, HEAD, & VALVES - V2™ EVOLUTION (CONTINUED)</u>
19563-06	<u>CYLINDER, HEAD, & VALVES - V2™ EVOLUTION</u>
19564-06	<u>CYLINDER, HEAD, & VALVES - V2™ EVOLUTION (CONTINUED)</u>
19622-06	<u>CYLINDER, HEAD, & VALVES - V2™ EVOLUTION</u>
19623-06	<u>CYLINDER, HEAD, & VALVES - V2™ EVOLUTION (CONTINUED)</u>
215	<u>CRANKCASE</u>
21948-02	<u>PISTONS, CONNECTING RODS, & FLYWHEELS</u>
22221-04A	<u>PISTONS, CONNECTING RODS, & FLYWHEELS</u>
22223-04	<u>PISTONS, CONNECTING RODS, & FLYWHEELS</u>
22224-04A	<u>PISTONS, CONNECTING RODS, & FLYWHEELS</u>
22227-04	<u>PISTONS, CONNECTING RODS, & FLYWHEELS</u>
22228-04A	<u>PISTONS, CONNECTING RODS, & FLYWHEELS</u>
22230-04	<u>PISTONS, CONNECTING RODS, & FLYWHEELS</u>
22231-04	<u>PISTONS, CONNECTING RODS, & FLYWHEELS</u>
22238-04	<u>PISTONS, CONNECTING RODS, & FLYWHEELS</u>
22261-86	<u>PISTONS, CONNECTING RODS, & FLYWHEELS</u>
22265-00Y	<u>CRANKCASE</u>
22266-86	<u>PISTONS, CONNECTING RODS, & FLYWHEELS</u>
22271-86	<u>PISTONS, CONNECTING RODS, & FLYWHEELS</u>

22589-83B	<u>PISTONS, CONNECTING RODS, & FLYWHEELS</u>
22719-04	<u>PISTONS, CONNECTING RODS, & FLYWHEELS</u>
22765-02	<u>PISTONS, CONNECTING RODS, & FLYWHEELS</u>
2325	<u>SPEEDOMETER & TACHOMETER - 883/883L/883R/1200L/1200R</u>
2361	<u>SPEEDOMETER & TACHOMETER - 883/883L/883R/1200L/1200R</u> <u>SPEEDOMETER & TACHOMETER - 883/883L/883R/1200L/1200R</u>
23905-04A	<u>PISTONS, CONNECTING RODS, & FLYWHEELS</u>
24047-00	<u>GEARCASE & COVER</u>
24331-36	<u>PISTONS, CONNECTING RODS, & FLYWHEELS</u>
24332-36	<u>PISTONS, CONNECTING RODS, & FLYWHEELS</u>
2441	<u>ROCKER ARMS, COVERS, & PUSH RODS - V2™</u>
24466-06	<u>CRANKCASE</u>
24470-06	<u>CRANKCASE</u>
2460	<u>AIR CLEANER & ENRICHENER</u>
24604-00D	<u>CRANKCASE</u>
24647-87	<u>CRANKCASE</u>
24650-87	<u>CRANKCASE</u>
24658-87	<u>PISTONS, CONNECTING RODS, & FLYWHEELS</u>
24659-87	<u>CRANKCASE</u>
24660-87	<u>CRANKCASE</u>
24754-75A	<u>CRANKCASE</u>
2501A	<u>REAR BRAKE MASTER CYLINDER</u>
25193-06	<u>GEARCASE & COVER</u>
25194-06	<u>GEARCASE & COVER</u>
25213-04	<u>GEARCASE & COVER</u>
25219-04	<u>GEARCASE & COVER</u>
25252-04	<u>GEARCASE & COVER</u>
25263-90D	<u>GEARCASE & COVER</u>
2528	<u>SWITCHES & CIRCUIT BREAKERS</u>
25307-06	<u>INSPECTION COVER & PRIMARY COVER</u>

2535	<u>BATTERY</u>
25409-94B	<u>CLUTCH</u>
25430-06	<u>INSPECTION COVER & PRIMARY COVER</u>
25453-87A	<u>CLUTCH</u>
25460-06	<u>INSPECTION COVER & PRIMARY COVER</u>
25463-94A	<u>INSPECTION COVER & PRIMARY COVER</u>
25471-06	<u>INSPECTION COVER & PRIMARY COVER</u>
2548	<u>SPEEDOMETER - 883C/1200C</u>
25486-05	<u>GEARCASE & COVER</u>
25586-37	<u>GEARCASE & COVER</u>
25588-91	<u>GEARCASE & COVER</u>
25593-74	<u>GEARCASE & COVER</u>
25598-91	<u>GEARCASE & COVER</u>
2586A	<u>FRONT BRAKE CONTROL</u>
26010-04	<u>ROCKER ARMS, COVERS, & PUSH RODS - V2™</u>
26011-04	<u>ROCKER ARMS, COVERS, & PUSH RODS - V2™</u>
2607	<u>REAR FENDER & BELT GUARDS</u>
26204-91A	<u>OIL PUMP</u>
26318-88A	<u>GEARCASE & COVER</u>
26432-76A	<u>CYLINDER, HEAD, & VALVES - V2™ EVOLUTION (CONTINUED)</u>
26434-91	<u>OIL PUMP</u>
26436-90A	<u>OIL TANK & FILTER</u>
26437-86B	<u>OIL TANK & FILTER</u>
26488-98	<u>OIL PUMP</u>
26491-98	<u>OIL PUMP</u>
26492-91	<u>OIL PUMP</u>
26493-91	<u>OIL PUMP</u>
26495-89B	<u>OIL PUMP</u>
26496-75A	<u>OIL PUMP</u>
26554-77B	<u>SWITCHES & CIRCUIT BREAKERS</u>

26556-04	FUEL TANK
26588-04	FUEL TANK
26995-86B	CARBURETOR
27002-89	CARBURETOR
27009-86A	CARBURETOR
27010-86A	CARBURETOR
27024-04	CARBURETOR
27042-84A	CALIFORNIA EVAPORATIVE EMISSIONS KIT
27047-84B	CALIFORNIA EVAPORATIVE EMISSIONS KIT
27067-04	FUEL TANK
2708A	SHIFTER - 883/883L/883R/1200L/1200R SHIFTER - 883C/1200C REAR FENDER & BELT GUARDS HEADLAMP & MIRROR - 883/883L/883R/1200L/1200R
27090-89	CARBURETOR
27096-04	AIR CLEANER & ENRICHENER FUEL TANK
27100-88	CARBURETOR
27101-88	CARBURETOR
27114-88	CARBURETOR
27116-88	CARBURETOR (CONTINUED)
27124-89	CARBURETOR
27125-89	CARBURETOR
27126-89	CARBURETOR
27127-89	CARBURETOR
27128-89	CARBURETOR
27130-90	CARBURETOR
27136-90A	CARBURETOR
27137-81	CARBURETOR
27146-89	CARBURETOR
27148-89	CARBURETOR

27152-89	CARBURETOR (CONTINUED)
27156-89	CARBURETOR
27157-89	CARBURETOR
27158-89	CARBURETOR
27162-89	CARBURETOR
27171-89	CARBURETOR
27185-90	CARBURETOR
27250-96A	FUEL TANK
27256-01	CARBURETOR
27260-00	CARBURETOR
27261-96	CARBURETOR
27262-96	CARBURETOR
27263-96	CARBURETOR
27311-76	CARBURETOR
27315-88A	CARBURETOR
27317-88	CARBURETOR (CONTINUED)
27320-04	CARBURETOR (CONTINUED)
27360-76	CARBURETOR (CONTINUED)
27361-76A	CARBURETOR (CONTINUED)
27362-76	CARBURETOR (CONTINUED)
27363-88	CARBURETOR (CONTINUED)
27368-76	CARBURETOR (CONTINUED)
27371-76A	CARBURETOR (CONTINUED)
27465-04	CARBURETOR (CONTINUED)
27490-04	CARBURETOR (CONTINUED)
27495-04	CARBURETOR (CONTINUED)
27575-88A	CARBURETOR (CONTINUED)
27576-92	CARBURETOR (CONTINUED)
27577-92	CARBURETOR (CONTINUED)
27579-88A	CARBURETOR (CONTINUED)

27580-88	<u>CARBURETOR (CONTINUED)</u>
27581-88	<u>CARBURETOR (CONTINUED)</u>
27582-88	<u>CARBURETOR (CONTINUED)</u>
27583-88	<u>CARBURETOR (CONTINUED)</u>
27585-88	<u>CARBURETOR (CONTINUED)</u>
27586-88	<u>CARBURETOR (CONTINUED)</u>
27587-88	<u>CARBURETOR (CONTINUED)</u>
2773	<u>REAR FENDER & BELT GUARDS</u>
27731-04	<u>CARBURETOR (CONTINUED)</u>
27732-04	<u>CARBURETOR (CONTINUED)</u>
27749-04	<u>CARBURETOR (CONTINUED)</u>
27777-04	<u>CARBURETOR</u>
27886-78A	<u>CARBURETOR (CONTINUED)</u>
28015-01	<u>CARBURETOR (CONTINUED)</u>
28026-04	<u>CARBURETOR (CONTINUED)</u>
28027-04	<u>CARBURETOR (CONTINUED)</u> <u>CARBURETOR (CONTINUED)</u>
28908-04	<u>CALIFORNIA EVAPORATIVE EMISSIONS KIT</u>
28909-04	<u>CALIFORNIA EVAPORATIVE EMISSIONS KIT</u>
28910-04	<u>CALIFORNIA EVAPORATIVE EMISSIONS KIT</u>
28911-04	<u>FUEL TANK</u> <u>CALIFORNIA EVAPORATIVE EMISSIONS KIT</u>
28912-04	<u>CALIFORNIA EVAPORATIVE EMISSIONS KIT</u>
29062-95B	<u>AIR CLEANER & ENRICHENER</u>
29084-04	<u>AIR CLEANER & ENRICHENER</u>
29122-05	<u>AIR CLEANER & ENRICHENER</u>
29123-04	<u>AIR CLEANER & ENRICHENER</u>
29125-05	<u>AIR CLEANER & ENRICHENER</u>
29229-88D	<u>AIR CLEANER & ENRICHENER</u>
29312-95	<u>CALIFORNIA EVAPORATIVE EMISSIONS KIT</u>

29313-95	AIR CLEANER & ENRICHENER
29315-04	AIR CLEANER & ENRICHENER
29331-04	AIR CLEANER & ENRICHENER
29342-99	AIR CLEANER & ENRICHENER
29346-04	AIR CLEANER & ENRICHENER
29348-04	AIR CLEANER & ENRICHENER
29352-04	AIR CLEANER & ENRICHENER
29354-06	AIR CLEANER & ENRICHENER
29359-04	AIR CLEANER & ENRICHENER AIR CLEANER & ENRICHENER
29360-04	AIR CLEANER & ENRICHENER
29367-04	AIR CLEANER & ENRICHENER
2952A	SEATS
2955	HANDLEBAR SWITCHES
29802-04	AIR CLEANER & ENRICHENER
29950-91	CRANKCASE
29967-89B	ALTERNATOR & REGULATOR
29984-06	ALTERNATOR & REGULATOR
3022A	TAIL LAMP
3026	CYLINDER, HEAD, & VALVES - V2™ EVOLUTION HORN
3029	ALTERNATOR & REGULATOR
31328-91	STARTER MOTOR
31390-91E	STARTER MOTOR
31488-81B	STARTER MOTOR
31512-04	OIL TANK & FILTER
31515-90	STARTER MOTOR
31518-90	STARTER MOTOR
31525-90	STARTER MOTOR
31530-90	STARTER MOTOR
31537-98	STARTER MOTOR

31556-91B	<u>STARTER MOTOR</u>
31599-91	<u>STARTER MOTOR</u>
31600-90	<u>STARTER MOTOR</u>
31601-04	<u>WIRING HARNESS, MAIN SWITCHES & CIRCUIT BREAKERS</u>
31603-91	<u>STARTER MOTOR</u>
31655-99	<u>ELECTRONIC IGNITION SYSTEM</u>
31661-90	<u>STARTER MOTOR</u>
31662-90	<u>STARTER MOTOR</u>
31688-90	<u>STARTER MOTOR</u>
31689-90	<u>STARTER MOTOR</u>
31692-90	<u>STARTER MOTOR</u>
31695-90	<u>STARTER MOTOR</u>
31740-04	<u>ELECTRONIC IGNITION SYSTEM</u>
31755-04	<u>ELECTRONIC IGNITION SYSTEM</u>
31996-04	<u>ELECTRONIC IGNITION SYSTEM</u>
3201WA	<u>STEERING HEAD BRACKET ASSEMBLY</u>
3210A	<u>SHIFTER - 883C/1200C</u> <u>REAR BRAKE CONTROL - 883/883L/883R/1200L/1200R</u> <u>REAR BRAKE CONTROL - 883C/1200C</u> <u>HANDLEBAR & THROTTLE CONTROL - 883/883L/883R/1200L/1200R</u> <u>HANDLEBAR & THROTTLE CONTROL - 883C/1200C</u> <u>FRONT FENDER</u>
32316-99	<u>CARBURETOR (CONTINUED)</u>
32362-04	<u>ELECTRONIC IGNITION SYSTEM</u>
32424-98	<u>CARBURETOR (CONTINUED)</u>
3244	<u>CLUTCH CONTROL</u> <u>FRONT BRAKE CONTROL</u>
32493-02	<u>ALTERNATOR & REGULATOR</u>
32494-04	<u>ALTERNATOR & REGULATOR</u> <u>ALTERNATOR & REGULATOR</u>
32506-90	<u>GEARCASE & COVER</u>
32514-04	<u>GEARCASE & COVER</u>

32555-04	<u>GEARCASE & COVER</u>
32587-06	<u>GEARCASE & COVER</u>
32617-00Y	<u>CRANKCASE</u>
32622-04A	<u>ELECTRONIC IGNITION SYSTEM</u>
32699-05	<u>GEARCASE & COVER</u>
32707-01B	<u>CRANKCASE</u>
3275	<u>CARBURETOR</u>
33032-99	<u>SHIFTER - 883C/1200C</u> <u>REAR BRAKE CONTROL - 883/883L/883R/1200L/1200R</u> <u>REAR BRAKE CONTROL - 883C/1200C</u> <u>FOOTRESTS</u>
33048-72	<u>FOOTRESTS</u>
33117-91A	<u>OIL TANK & FILTER</u>
33123-06	<u>OIL TANK & FILTER</u>
33138-06	<u>OIL TANK & FILTER</u>
33189-63	<u>FOOTRESTS</u>
33216-99	<u>SHIFTER - 883C/1200C</u> <u>REAR BRAKE CONTROL - 883/883L/883R/1200L/1200R</u> <u>REAR BRAKE CONTROL - 883C/1200C</u> <u>FOOTRESTS</u>
33540-06	<u>SHIFTER - 883/883L/883R/1200L/1200R</u>
33641-06	<u>SHIFTER - 883/883L/883R/1200L/1200R</u>
33900-99	<u>SHIFTER - 883/883L/883R/1200L/1200R</u> <u>SWITCHES & CIRCUIT BREAKERS</u>
34014-06	<u>SHIFTER - 883/883L/883R/1200L/1200R</u>
3403	<u>STARTER MOTOR</u>
34064-00C	<u>SHIFTER - 883/883L/883R/1200L/1200R</u>
34076-02	<u>SHIFTER - 883/883L/883R/1200L/1200R</u>
34157-06	<u>SHIFTER - 883/883L/883R/1200L/1200R</u>
34162-06	<u>SHIFTER - 883/883L/883R/1200L/1200R</u>
34163-02	<u>SHIFTER - 883/883L/883R/1200L/1200R</u>
34483-06	<u>SHIFTER - 883/883L/883R/1200L/1200R</u>

34491-02A	<u>SHIFTER - 883/883L/883R/1200L/1200R</u>
34572-04	<u>SHIFTER - 883C/1200C</u>
34573-04	<u>SHIFTER - 883C/1200C</u>
34581-04	<u>REAR BRAKE CONTROL - 883C/1200C</u>
34582-04	<u>REAR BRAKE CONTROL - 883/883L/883R/1200L/1200R</u>
34611-65	<u>SHIFTER - 883/883L/883R/1200L/1200R</u> <u>SHIFTER - 883C/1200C</u>
34660-04A	<u>SHIFTER - 883/883L/883R/1200L/1200R</u>
34670-06	<u>SHIFTER - 883C/1200C</u>
34760-04	<u>INSPECTION COVER & PRIMARY COVER</u>
34761-04	<u>INSPECTION COVER & PRIMARY COVER</u>
34790-05	<u>INSPECTION COVER & PRIMARY COVER</u>
34794-05	<u>INSPECTION COVER & PRIMARY COVER</u>
3480A	<u>GEARCASE & COVER</u> <u>ELECTRONIC IGNITION SYSTEM</u> <u>BELTS & SPROCKETS</u>
34911-04	<u>BELTS & SPROCKETS</u>
34920-86A	<u>CLUTCH</u>
34932-04	<u>BELTS & SPROCKETS</u>
34938-04	<u>BELTS & SPROCKETS</u>
34943-05	<u>BELTS & SPROCKETS</u>
34955-04	<u>INSPECTION COVER & PRIMARY COVER</u>
34981-02A	<u>SHIFTER - 883/883L/883R/1200L/1200R</u>
34982-02	<u>SHIFTER - 883/883L/883R/1200L/1200R</u>
34986-04	<u>INSPECTION COVER & PRIMARY COVER</u>
34992-04	<u>INSPECTION COVER & PRIMARY COVER</u>
34993-04	<u>INSPECTION COVER & PRIMARY COVER</u>
35030-89	<u>TRANSMISSION GEARS</u>
35038-89A	<u>TRANSMISSION GEARS</u>
35051-89A	<u>TRANSMISSION GEARS</u>
35087-99	<u>TRANSMISSION GEARS</u>

35107-06	<u>TRANSMISSION GEARS</u>
35114-02	<u>CRANKCASE</u>
35118-03	<u>CRANKCASE</u>
3514	<u>HEADLAMP & MIRROR - 883/883L/883R/1200L/1200R</u>
35159-06	<u>TRANSMISSION GEARS</u>
35163-06	<u>TRANSMISSION GEARS</u>
35165-06	<u>TRANSMISSION GEARS</u>
35167-06	<u>TRANSMISSION GEARS</u>
35172-06	<u>TRANSMISSION GEARS</u>
35174-06	<u>TRANSMISSION GEARS</u>
35190-06	<u>TRANSMISSION GEARS</u>
35191-06	<u>TRANSMISSION GEARS</u>
35193-06	<u>TRANSMISSION GEARS</u>
35196-06	<u>TRANSMISSION GEARS</u>
35197-06	<u>TRANSMISSION GEARS</u>
35211-91B	<u>BELTS & SPROCKETS</u>
3559	<u>STARTER MOTOR</u>
3563	<u>HORN</u>
3565	<u>AIR CLEANER & ENRICHENER</u>
3574	<u>BATTERY</u>
3579A	<u>REAR FENDER & BELT GUARDS</u>
358	<u>CRANKCASE</u>
3588	<u>SEATS</u> <u>OIL TANK & FILTER</u>
3594	<u>CRANKCASE</u> <u>BELTS & SPROCKETS</u> <u>SPEEDOMETER & TACHOMETER - 883/883L/883R/1200L/1200R</u> <u>SPEEDOMETER - 883C/1200C</u>
3605	<u>HANDLEBAR & THROTTLE CONTROL - 883/883L/883R/1200L/1200R</u> <u>HANDLEBAR & THROTTLE CONTROL - 883C/1200C</u>
3615	<u>HEADLAMP & MIRROR - 883C/1200C</u>
3655A	<u>FRONT WHEEL - CAST</u>

	<u>FRONT WHEEL - LACED & PROFILE LACED</u> <u>FRONT WHEEL - LACED & PROFILE LACED</u>
3658	<u>HANDLEBAR & THROTTLE CONTROL - 883/883L/883R/1200L/1200R</u> <u>HANDLEBAR & THROTTLE CONTROL - 883C/1200C</u> <u>HORN</u> <u>HANDLEBAR SWITCHES</u>
3666A	<u>HANDLEBAR & THROTTLE CONTROL - 883C/1200C</u>
36715-94	<u>CLUTCH</u>
36731-91	<u>CLUTCH</u>
36785-91	<u>CLUTCH</u>
36790-04	<u>CLUTCH</u>
36799-91	<u>CLUTCH</u>
36802-84B	<u>CLUTCH</u>
37107-06	<u>SHIFTER - 883/883L/883R/1200L/1200R</u>
3732	<u>SWITCHES & CIRCUIT BREAKERS</u>
37495-91	<u>CLUTCH</u>
3767B	<u>CALIFORNIA EVAPORATIVE EMISSIONS KIT</u>
37870-91	<u>CLUTCH</u>
37872-90	<u>CLUTCH</u>
37904-90	<u>CLUTCH</u>
37905-90	<u>CLUTCH</u>
37908-90	<u>CLUTCH</u>
37909-90	<u>CLUTCH</u>
37910-04B	<u>CLUTCH</u>
37911-90	<u>CLUTCH</u>
37912-91	<u>CLUTCH</u>
37913-90	<u>CLUTCH</u>
37924-04A	<u>CLUTCH</u>
37977-90	<u>CLUTCH</u>
3799	<u>OIL TANK & FILTER</u>
3814	<u>REAR WHEEL - CAST</u>
3849	<u>ROCKER ARMS, COVERS, & PUSH RODS - V2™</u>

3854	<u>ENGINE MOUNTS</u>
38630-88	<u>CLUTCH CONTROL</u>
38653-01	<u>HANDLEBAR & THROTTLE CONTROL - 883/883L/883R/1200L/1200R</u> <u>HANDLEBAR & THROTTLE CONTROL - 883C/1200C</u>
38671-04	<u>CLUTCH CONTROL</u>
38699-04	<u>CLUTCH CONTROL</u>
38702-05	<u>CLUTCH CONTROL</u>
38723-99	<u>CARBURETOR (CONTINUED)</u>
3880	<u>SHOCK ABSORBERS</u>
3899	<u>BELTS & SPROCKETS</u> <u>REAR WHEEL - CAST</u> <u>REAR WHEEL - LACED & PROFILE LACED</u>
3976	<u>ROCKER ARMS, COVERS, & PUSH RODS - V2™</u>
3990	<u>TRANSMISSION GEARS</u>
3997A	<u>SHIFTER - 883/883L/883R/1200L/1200R</u>
40005-57B	<u>BELTS & SPROCKETS</u>
40039-02B	<u>BELTS & SPROCKETS</u>
40147-04	<u>BELTS & SPROCKETS</u> <u>BELTS & SPROCKETS</u>
4016	<u>SHIFTER - 883C/1200C</u>
4017	<u>REAR FENDER & BELT GUARDS</u>
40241-02	<u>ALTERNATOR & REGULATOR</u> <u>BELTS & SPROCKETS</u>
40251-92A	<u>BELTS & SPROCKETS</u>
40254-02	<u>CRANKCASE</u> <u>BELTS & SPROCKETS</u>
40290-04	<u>ALTERNATOR & REGULATOR</u> <u>ALTERNATOR & REGULATOR</u> <u>BELTS & SPROCKETS</u> <u>BELTS & SPROCKETS</u>
4029A	<u>FRONT FORK</u>
4032A	<u>EXHAUST SYSTEM</u>
40350-04	<u>BELTS & SPROCKETS</u> <u>REAR WHEEL - CAST</u> <u>REAR WHEEL - LACED & PROFILE LACED</u>

40352-04	<u>BELTS & SPROCKETS</u> <u>REAR WHEEL - CAST</u>
40379-04	<u>BELTS & SPROCKETS</u>
40380-04	<u>BELTS & SPROCKETS</u>
40409-04	<u>BELTS & SPROCKETS</u>
40518-05	<u>BELTS & SPROCKETS</u> <u>REAR WHEEL - CAST</u>
40544-05	<u>BELTS & SPROCKETS</u> <u>REAR WHEEL - CAST</u>
40558-82	<u>REAR WHEEL - LACED & PROFILE LACED</u>
40559-82	<u>FRONT WHEEL - LACED & PROFILE LACED</u>
40560-05	<u>REAR WHEEL - CAST</u>
40561-05	<u>REAR WHEEL - CAST</u>
40562-05	<u>REAR WHEEL - CAST</u>
40570-04	<u>BELTS & SPROCKETS</u>
40571-04B	<u>BELTS & SPROCKETS</u>
40574-06	<u>INSPECTION COVER & PRIMARY COVER</u>
40575-05	<u>REAR WHEEL - LACED & PROFILE LACED</u>
40582-05	<u>REAR WHEEL - CAST</u> <u>REAR WHEEL - LACED & PROFILE LACED</u>
40759-05	<u>FRONT WHEEL - LACED & PROFILE LACED</u>
4076	<u>REAR BRAKE MASTER CYLINDER</u> <u>REAR BRAKE CONTROL - 883/883L/883R/1200L/1200R</u>
40760-05	<u>FRONT WHEEL - LACED & PROFILE LACED</u>
40761-05	<u>FRONT WHEEL - LACED & PROFILE LACED</u>
40762-05	<u>FRONT WHEEL - LACED & PROFILE LACED</u>
40855-05	<u>REAR WHEEL - CAST</u>
40857-05	<u>FRONT WHEEL - CAST</u>
40865-06	<u>FRONT WHEEL - CAST</u>
40871-06	<u>REAR WHEEL - CAST</u>
4091	<u>CRANKCASE</u>
40930-05	<u>REAR WHEEL - CAST</u> <u>REAR WHEEL - LACED & PROFILE LACED</u>

40946-04	<u>REAR BRAKE MASTER CYLINDER</u>
40948-04	<u>REAR BRAKE MASTER CYLINDER</u>
40968-05	<u>REAR BRAKE CALIPER</u>
4104	<u>FRONT BRAKE CONTROL</u>
41041-05	<u>REAR WHEEL - CAST</u>
41052-05	<u>REAR WHEEL - LACED & PROFILE LACED</u>
41053-02	<u>REAR WHEEL - LACED & PROFILE LACED</u>
41084-02A	<u>REAR WHEEL - CAST</u> <u>REAR WHEEL - LACED & PROFILE LACED</u>
41123-79	<u>FRONT WHEEL - CAST</u> <u>FRONT WHEEL - LACED & PROFILE LACED</u> <u>REAR WHEEL - CAST</u> <u>REAR WHEEL - LACED & PROFILE LACED</u>
41176-05	<u>REAR WHEEL - CAST</u> <u>REAR WHEEL - LACED & PROFILE LACED</u>
41191-74A	<u>INSPECTION COVER & PRIMARY COVER</u>
41296-05	<u>REAR WHEEL - CAST</u> <u>REAR WHEEL - LACED & PROFILE LACED</u>
4132	<u>OIL PUMP</u>
41561-04	<u>ENGINE MOUNTS</u>
41562-04	<u>ENGINE MOUNTS</u>
41568-04	<u>ENGINE MOUNTS</u>
41573-05	<u>FRAME, REAR FORK, & JIFFY STAND</u> <u>FRAME, REAR FORK, & JIFFY STAND</u>
41623-05	<u>FRAME, REAR FORK, & JIFFY STAND</u>
41698-04	<u>FRAME, REAR FORK, & JIFFY STAND</u>
41699-04	<u>ENGINE MOUNTS</u>
41732-04	<u>FRONT BRAKE CONTROL</u> <u>REAR BRAKE MASTER CYLINDER</u>
41736-04	<u>FRONT BRAKE CONTROL</u> <u>REAR BRAKE MASTER CYLINDER</u>
41737-04	<u>FRONT BRAKE CONTROL</u>
41743-04	<u>FRONT BRAKE CONTROL</u>
41797-00	<u>REAR WHEEL - CAST</u>

	<u>REAR WHEEL - LACED & PROFILE LACED</u>
4180	<u>ENGINE MOUNTS</u> <u>HORN</u>
4188	<u>ENGINE MOUNTS</u>
42255-04	<u>REAR BRAKE MASTER CYLINDER</u>
42425-05	<u>CLUTCH CONTROL</u> <u>FRONT BRAKE CONTROL</u>
42521-04	<u>REAR BRAKE MASTER CYLINDER</u>
42541-04	<u>SHIFTER - 883C/1200C</u> <u>REAR BRAKE CONTROL - 883/883L/883R/1200L/1200R</u>
42566-04	<u>REAR BRAKE CONTROL - 883C/1200C</u>
42569-03	<u>SHIFTER - 883C/1200C</u> <u>REAR BRAKE CONTROL - 883/883L/883R/1200L/1200R</u> <u>REAR BRAKE CONTROL - 883C/1200C</u>
42593-04	<u>REAR BRAKE MASTER CYLINDER</u>
42595-04	<u>REAR BRAKE MASTER CYLINDER</u>
42651-04	<u>SHIFTER - 883C/1200C</u> <u>FOOTRESTS</u>
42652-04	<u>REAR BRAKE CONTROL - 883C/1200C</u> <u>FOOTRESTS</u>
42685-04	<u>REAR BRAKE CONTROL - 883C/1200C</u>
4269	<u>EXHAUST SYSTEM</u>
42803-04A	<u>FRONT BRAKE CONTROL</u>
42804-04	<u>FRONT BRAKE CONTROL</u>
42805-04	<u>FRONT BRAKE CONTROL</u>
42806-04	<u>FRONT BRAKE CONTROL</u>
42807-04	<u>CLUTCH CONTROL</u> <u>FRONT BRAKE CONTROL</u>
42808-04	<u>CLUTCH CONTROL</u> <u>FRONT BRAKE CONTROL</u>
42809-04A	<u>FRONT BRAKE CONTROL</u>
42810-04A	<u>REAR BRAKE MASTER CYLINDER</u>
42811-04	<u>REAR BRAKE MASTER CYLINDER</u>
42812-04	<u>REAR BRAKE MASTER CYLINDER</u>

42813-04	REAR BRAKE MASTER CYLINDER
42814-04	REAR BRAKE MASTER CYLINDER
42815-04	REAR BRAKE MASTER CYLINDER
42816-04	REAR BRAKE MASTER CYLINDER
42817-04	REAR BRAKE MASTER CYLINDER
42818-04	REAR BRAKE MASTER CYLINDER
42821-04	REAR BRAKE MASTER CYLINDER
42822-04	FRONT BRAKE CALIPER
42823-04	FRONT BRAKE CALIPER REAR BRAKE CALIPER
42824-04	FRONT BRAKE CALIPER REAR BRAKE CALIPER
42825-04	FRONT BRAKE CALIPER
42826-04	FRONT BRAKE CALIPER
42827-04	FRONT BRAKE CALIPER REAR BRAKE CALIPER
42828-04	FRONT BRAKE CALIPER REAR BRAKE CALIPER
42829-04	FRONT BRAKE CALIPER
42831-04A	FRONT BRAKE CALIPER
42832-04	FRONT BRAKE CALIPER
42834-04	REAR BRAKE CALIPER
42835-05	REAR BRAKE CALIPER
42836-04	REAR BRAKE CALIPER
42837-04	REAR BRAKE CALIPER
42838-04	FRONT BRAKE CALIPER REAR BRAKE CALIPER
42839-04	REAR BRAKE CALIPER
42840-04	REAR BRAKE CALIPER
42846-04	REAR BRAKE MASTER CYLINDER
42877-05	FRONT BRAKE CALIPER
42878-05	FRONT BRAKE CALIPER

42879-05	<u>FRONT BRAKE CALIPER</u>
42880-05	<u>FRONT BRAKE CALIPER</u>
42881-05	<u>REAR BRAKE CALIPER</u>
4290	<u>ENGINE MOUNTS</u>
42969-04	<u>REAR BRAKE CONTROL - 883/883L/883R/1200L/1200R</u>
42971-04	<u>REAR BRAKE CONTROL - 883/883L/883R/1200L/1200R</u> <u>FOOTRESTS</u>
42972-04	<u>FOOTRESTS</u>
42976-04	<u>REAR BRAKE MASTER CYLINDER</u>
42979-04	<u>REAR BRAKE MASTER CYLINDER</u>
43001-79	<u>FRONT WHEEL - LACED & PROFILE LACED</u>
43052-05	<u>REAR WHEEL - LACED & PROFILE LACED</u>
43056-05	<u>FRONT WHEEL - LACED & PROFILE LACED</u>
43064-05	<u>FRONT WHEEL - LACED & PROFILE LACED</u>
43085-97	<u>REAR WHEEL - LACED & PROFILE LACED</u>
43104-93A	<u>FRONT WHEEL - LACED & PROFILE LACED</u>
43112-91A	<u>FRONT WHEEL - CAST</u> <u>FRONT WHEEL - LACED & PROFILE LACED</u>
4312A	<u>BATTERY</u>
43140-80	<u>FRONT WHEEL - LACED & PROFILE LACED</u>
43145-47	<u>FRONT WHEEL - LACED & PROFILE LACED</u>
43147-40	<u>REAR WHEEL - LACED & PROFILE LACED</u>
43157-83A	<u>FRONT WHEEL - CAST</u> <u>REAR WHEEL - CAST</u>
43164-05	<u>REAR WHEEL - LACED & PROFILE LACED</u>
43241-05	<u>REAR WHEEL - LACED & PROFILE LACED</u>
43264-02	<u>REAR WHEEL - CAST</u> <u>REAR WHEEL - LACED & PROFILE LACED</u>
4326A	<u>HANDLEBAR & THROTTLE CONTROL - 883/883L/883R/1200L/1200R</u>
4329	<u>ALTERNATOR & REGULATOR</u>
43312-05	<u>FRONT WHEEL - LACED & PROFILE LACED</u>
43335-05	<u>REAR WHEEL - CAST</u>

43338-00	<u>FRONT WHEEL - CAST</u>
43355-00	<u>FRONT WHEEL - CAST</u>
43358-00	<u>FRONT WHEEL - CAST</u> <u>FRONT WHEEL - LACED & PROFILE LACED</u>
43359-00	<u>FRONT WHEEL - CAST</u>
43440-05	<u>REAR WHEEL - LACED & PROFILE LACED</u>
43445-05	<u>FRONT WHEEL - LACED & PROFILE LACED</u>
43500-05	<u>FRONT WHEEL - LACED & PROFILE LACED</u>
4350A	<u>HEADLAMP & MIRROR - 883C/1200C</u>
4351	<u>STEERING HEAD BRACKET ASSEMBLY</u>
43517-00	<u>REAR WHEEL - CAST</u> <u>REAR WHEEL - LACED & PROFILE LACED</u>
4352	<u>STEERING HEAD BRACKET ASSEMBLY</u>
43528-04	<u>REAR BRAKE CALIPER</u>
43529-04	<u>FRONT BRAKE CALIPER</u>
4354	<u>SHOCK ABSORBERS</u>
43547-05A	<u>FRONT WHEEL - LACED & PROFILE LACED</u>
43557-05	<u>FRONT WHEEL - LACED & PROFILE LACED</u>
43567-92	<u>REAR WHEEL - CAST</u> <u>REAR WHEEL - LACED & PROFILE LACED</u>
4359	<u>SHIFTER - 883C/1200C</u>
43595-99	<u>FRAME, REAR FORK, & JIFFY STAND</u>
43610-00A	<u>FRONT WHEEL - LACED & PROFILE LACED</u>
43613-00	<u>FRONT WHEEL - CAST</u> <u>FRONT WHEEL - LACED & PROFILE LACED</u>
43617-00A	<u>FRONT WHEEL - CAST</u> <u>FRONT WHEEL - LACED & PROFILE LACED</u>
43619-00A	<u>FRONT WHEEL - LACED & PROFILE LACED</u>
43629-00A	<u>FRONT WHEEL - LACED & PROFILE LACED</u>
4363	<u>CALIFORNIA EVAPORATIVE EMISSIONS KIT</u>
43637-05	<u>REAR WHEEL - CAST</u>
43662-80B	<u>FRONT WHEEL - LACED & PROFILE LACED</u>

43895-00	<u>FRONT WHEEL - CAST</u> <u>FRONT WHEEL - LACED & PROFILE LACED</u>
43939-89	<u>FRONT WHEEL - LACED & PROFILE LACED</u>
44119-04	<u>FRONT BRAKE CALIPER</u>
44121-04	<u>FRONT BRAKE CALIPER</u>
44136-00	<u>FRONT WHEEL - CAST</u> <u>FRONT WHEEL - LACED & PROFILE LACED</u>
44156-00	<u>FRONT WHEEL - CAST</u> <u>FRONT WHEEL - LACED & PROFILE LACED</u>
44160-00	<u>FRONT BRAKE CALIPER</u>
44178-04	<u>REAR BRAKE CALIPER</u>
44184-04	<u>REAR BRAKE CALIPER</u>
44189-04	<u>REAR BRAKE MASTER CYLINDER</u>
4420	<u>HEADLAMP & MIRROR - 883C/1200C</u>
44429-06	<u>REAR BRAKE MASTER CYLINDER</u>
44440-04	<u>FRONT BRAKE CALIPER</u> <u>REAR BRAKE CALIPER</u>
4453	<u>STEERING HEAD BRACKET ASSEMBLY</u>
44590-04	<u>REAR BRAKE MASTER CYLINDER</u>
4460	<u>STEERING HEAD BRACKET ASSEMBLY</u>
44606-05	<u>REAR WHEEL - LACED & PROFILE LACED</u>
44610-05	<u>FRONT WHEEL - LACED & PROFILE LACED</u>
44791-04	<u>FRONT BRAKE CONTROL</u>
45041-01A	<u>SHIFTER - 883C/1200C</u> <u>REAR BRAKE CONTROL - 883/883L/883R/1200L/1200R</u> <u>REAR BRAKE CONTROL - 883C/1200C</u> <u>FOOTRESTS</u>
45052-04	<u>FRONT BRAKE CONTROL</u>
45074-95	<u>FRONT BRAKE CONTROL</u>
45081-04	<u>CLUTCH CONTROL</u>
45146-04	<u>FRONT BRAKE CONTROL</u>
45319-04	<u>FRONT BRAKE CONTROL</u>
4535M	<u>CLUTCH CONTROL</u>

	<u>FRONT BRAKE CONTROL</u>
45361-90	<u>FRONT FORK</u>
45374-87	<u>FRONT FORK</u>
45376-04	<u>FRONT FORK</u>
45377-87	<u>FRONT FORK</u>
45378-87	<u>FRONT FORK</u>
45395-04	<u>FRONT FORK</u>
45401-87	<u>FRONT FORK</u>
45405-75A	<u>FRONT FORK</u>
45449-04	<u>FRONT BRAKE CONTROL</u>
45460-90	<u>FRONT FORK</u>
45461-87	<u>FRONT FORK</u>
45465-87	<u>FRONT FORK</u>
45611-86	<u>STEERING HEAD BRACKET ASSEMBLY</u>
45668-90	<u>STEERING HEAD BRACKET ASSEMBLY</u>
45790-80	<u>FRONT FORK</u>
45799-04	<u>CLUTCH CONTROL</u>
45800-04	<u>CLUTCH CONTROL</u>
45801-04	<u>CLUTCH CONTROL</u>
45830-48	<u>CRANKCASE</u>
45900-04	<u>FRONT FORK</u>
45901-04	<u>FRONT FORK</u>
45902-00	<u>STARTER MOTOR</u>
45905-87	<u>FRONT FORK</u>
45921-00	<u>FRONT FORK</u>
45922-00	<u>FRONT FORK</u>
45923-00	<u>FRONT FORK</u>
45925-04	<u>FRONT FORK</u>
45938-92	<u>FRONT FORK</u>
45966-04	<u>STEERING HEAD BRACKET ASSEMBLY</u>

45984-87	<u>FRONT FORK</u>
45996-87	<u>FRONT FORK</u>
46002-87	<u>FRONT FORK</u>
46029-04	<u>FRONT FORK</u>
46126-04	<u>STEERING HEAD BRACKET ASSEMBLY</u>
46127-04	<u>STEERING HEAD BRACKET ASSEMBLY</u>
46218-05	<u>FRONT FORK</u>
46267-05	<u>FRONT FORK</u>
46268-04	<u>CLUTCH CONTROL</u>
46307-05	<u>FRONT FORK</u>
46308-05	<u>FRONT FORK</u>
46400-04	<u>FRONT BRAKE CONTROL</u>
46411-05B	<u>FRONT BRAKE CONTROL</u>
46449-05	<u>FRONT FORK</u>
46450-05	<u>FRONT FORK</u>
46453-05	<u>FRONT FORK</u>
46454-05	<u>FRONT FORK</u>
4717A	<u>GEARCASE & COVER</u> <u>BELTS & SPROCKETS</u>
4718A	<u>ROCKER ARMS, COVERS, & PUSH RODS - V2™</u>
4740A	<u>GEARCASE & COVER</u>
4741A	<u>ROCKER ARMS, COVERS, & PUSH RODS - V2™</u> <u>FRONT BRAKE CONTROL</u>
47470-04	<u>ENGINE MOUNTS</u>
47471-04	<u>ENGINE MOUNTS</u>
4748	<u>CYLINDER, HEAD, & VALVES - V2™ EVOLUTION</u> <u>SHIFTER - 883C/1200C</u> <u>REAR BRAKE CONTROL - 883/883L/883R/1200L/1200R</u> <u>REAR BRAKE CONTROL - 883C/1200C</u> <u>FOOTRESTS</u> <u>FOOTRESTS</u> <u>EXHAUST SYSTEM</u>
4751	<u>ALTERNATOR & REGULATOR</u>

47587-05	<u>FRAME, REAR FORK, & JIFFY STAND</u>
4758A	<u>FUEL TANK</u>
4765	<u>OIL PUMP</u>
4771	<u>FUEL TANK</u>
4778	<u>REAR FENDER & BELT GUARDS</u>
4779	<u>REAR FENDER & BELT GUARDS</u>
48151-99A	<u>SWITCHES & CIRCUIT BREAKERS</u>
48153-02A	<u>FRAME, REAR FORK, & JIFFY STAND</u>
4816A	<u>REAR BRAKE MASTER CYLINDER</u> <u>HANDLEBAR & THROTTLE CONTROL - 883/883L/883R/1200L/1200R</u>
48184-01	<u>STEERING HEAD BRACKET ASSEMBLY</u>
4820A	<u>INSPECTION COVER & PRIMARY COVER</u>
48300-60	<u>STEERING HEAD BRACKET ASSEMBLY</u>
48315-60	<u>STEERING HEAD BRACKET ASSEMBLY</u> <u>FRAME, REAR FORK, & JIFFY STAND</u>
48463-04	<u>ENGINE MOUNTS</u>
48492-04	<u>ENGINE MOUNTS</u>
49314-04	<u>FOOTRESTS</u>
49315-04	<u>FOOTRESTS</u>
49430-06A	<u>FRAME, REAR FORK, & JIFFY STAND</u>
49431-06A	<u>FRAME, REAR FORK, & JIFFY STAND</u>
49439-10	<u>FRAME, REAR FORK, & JIFFY STAND</u>
50003-89B	<u>FRAME, REAR FORK, & JIFFY STAND</u>
50005-85A	<u>FRAME, REAR FORK, & JIFFY STAND</u>
50116-05	<u>FRAME, REAR FORK, & JIFFY STAND</u>
50185-04	<u>FRAME, REAR FORK, & JIFFY STAND</u>
50912-72	<u>SHIFTER - 883C/1200C</u> <u>REAR BRAKE CONTROL - 883/883L/883R/1200L/1200R</u> <u>REAR BRAKE CONTROL - 883C/1200C</u> <u>FOOTRESTS</u>
51530-04	<u>SEATS</u>
51532-04	<u>SEATS</u>

51550-05	SEATS
51551-05	SEATS
51558-04	SEATS
51652-97	SEATS
51706-06	SEATS
52494-04	FUEL TANK
52608-04	SEATS
53158-98	FRAME, REAR FORK, & JIFFY STAND
53438-92	HEADLAMP & MIRROR - 883/883L/883R/1200L/1200R HEADLAMP & MIRROR - 883C/1200C
53486-85	WIRING HARNESS, MAIN
5403B	REAR FENDER & BELT GUARDS
5414	EXHAUST SYSTEM
54321-85	FRONT WHEEL - CAST FRONT WHEEL - LACED & PROFILE LACED REAR WHEEL - CAST REAR WHEEL - LACED & PROFILE LACED
54473-79	SHOCK ABSORBERS
54475-79	SHOCK ABSORBERS
54476-82	SHOCK ABSORBERS
54556-84	SHOCK ABSORBERS
54566-04	SHOCK ABSORBERS
54568-04	SHOCK ABSORBERS
54570-05	SHOCK ABSORBERS
54701-82	SHOCK ABSORBERS
54724-04	SHOCK ABSORBERS
554A	FRAME, REAR FORK, & JIFFY STAND
55840-04	HANDLEBAR & THROTTLE CONTROL - 883C/1200C
55842-04	HANDLEBAR & THROTTLE CONTROL - 883C/1200C
55844-04	SPEEDOMETER - 883C/1200C
55845-04	HANDLEBAR & THROTTLE CONTROL - 883/883L/883R/1200L/1200R

55846-05A	<u>HANDLEBAR & THROTTLE CONTROL - 883/883L/883R/1200L/1200R SPEEDOMETER & TACHOMETER - 883/883L/883R/1200L/1200R</u>
56004-00	<u>HANDLEBAR & THROTTLE CONTROL - 883/883L/883R/1200L/1200R</u>
56017-04	<u>HANDLEBAR & THROTTLE CONTROL - 883C/1200C</u>
56038-05	<u>HANDLEBAR & THROTTLE CONTROL - 883/883L/883R/1200L/1200R</u>
56051-06	<u>HANDLEBAR & THROTTLE CONTROL - 883/883L/883R/1200L/1200R</u>
56085-83A	<u>HANDLEBAR & THROTTLE CONTROL - 883/883L/883R/1200L/1200R</u>
56104-02	<u>REAR FENDER & BELT GUARDS</u> <u>TURN SIGNALS</u>
56115-95	<u>HANDLEBAR & THROTTLE CONTROL - 883/883L/883R/1200L/1200R</u>
56116-82A	<u>HANDLEBAR & THROTTLE CONTROL - 883/883L/883R/1200L/1200R</u>
56117-82A	<u>HANDLEBAR & THROTTLE CONTROL - 883/883L/883R/1200L/1200R</u>
56394-74	<u>HANDLEBAR & THROTTLE CONTROL - 883/883L/883R/1200L/1200R</u> <u>HANDLEBAR & THROTTLE CONTROL - 883C/1200C</u> <u>HANDLEBAR SWITCHES</u>
56396-74A	<u>HANDLEBAR & THROTTLE CONTROL - 883/883L/883R/1200L/1200R</u> <u>HANDLEBAR & THROTTLE CONTROL - 883C/1200C</u> <u>HANDLEBAR SWITCHES</u>
56397-74C	<u>HANDLEBAR & THROTTLE CONTROL - 883/883L/883R/1200L/1200R</u> <u>HANDLEBAR & THROTTLE CONTROL - 883C/1200C</u> <u>HANDLEBAR SWITCHES</u>
56400-96	<u>HANDLEBAR & THROTTLE CONTROL - 883/883L/883R/1200L/1200R</u> <u>HANDLEBAR & THROTTLE CONTROL - 883C/1200C</u>
56401-96	<u>HANDLEBAR & THROTTLE CONTROL - 883/883L/883R/1200L/1200R</u> <u>HANDLEBAR & THROTTLE CONTROL - 883C/1200C</u>
56402-83A	<u>HANDLEBAR & THROTTLE CONTROL - 883/883L/883R/1200L/1200R</u> <u>HANDLEBAR & THROTTLE CONTROL - 883C/1200C</u> <u>HANDLEBAR SWITCHES</u>
56508-76	<u>HANDLEBAR & THROTTLE CONTROL - 883/883L/883R/1200L/1200R</u> <u>HANDLEBAR & THROTTLE CONTROL - 883C/1200C</u>
56541-86A	<u>HANDLEBAR & THROTTLE CONTROL - 883/883L/883R/1200L/1200R</u>
56542-86A	<u>HANDLEBAR & THROTTLE CONTROL - 883/883L/883R/1200L/1200R</u>
56567-86B	<u>HANDLEBAR & THROTTLE CONTROL - 883/883L/883R/1200L/1200R</u>
56666-04	<u>HANDLEBAR & THROTTLE CONTROL - 883/883L/883R/1200L/1200R</u> <u>HANDLEBAR & THROTTLE CONTROL - 883C/1200C</u>
56667-04	<u>HANDLEBAR & THROTTLE CONTROL - 883/883L/883R/1200L/1200R</u> <u>HANDLEBAR & THROTTLE CONTROL - 883C/1200C</u>

58998-83C	<u>FRONT FENDER</u>
59254-91	<u>REAR FENDER & BELT GUARDS</u>
59287-92	<u>REAR FENDER & BELT GUARDS</u>
59288-92	<u>REAR FENDER & BELT GUARDS</u>
59481-00	<u>FRONT FORK</u>
59482-00	<u>FRONT FORK</u>
59502-04	<u>REAR FENDER & BELT GUARDS</u>
59673-04	<u>REAR FENDER & BELT GUARDS</u>
59723-04	<u>REAR FENDER & BELT GUARDS</u>
59768-97	<u>REAR FENDER & BELT GUARDS</u>
59847-04	<u>REAR FENDER & BELT GUARDS</u>
59902-04	<u>REAR FENDER & BELT GUARDS</u>
59903-04	<u>REAR FENDER & BELT GUARDS</u>
59984-73	<u>REAR FENDER & BELT GUARDS</u>
59986-75	<u>REAR FENDER & BELT GUARDS</u>
59988-72A	<u>REAR FENDER & BELT GUARDS</u>
60001-55	<u>REAR FENDER & BELT GUARDS</u>
6003	<u>TRANSMISSION GEARS</u>
60203-06	<u>REAR FENDER & BELT GUARDS</u>
60204-06	<u>REAR FENDER & BELT GUARDS</u>
6021	<u>TRANSMISSION GEARS</u>
6026	<u>ENGINE MOUNTS</u> <u>HORN</u>
60328-98B	<u>INSPECTION COVER & PRIMARY COVER</u>
60367-04	<u>REAR FENDER & BELT GUARDS</u>
60435-04	<u>REAR FENDER & BELT GUARDS</u>
6099	<u>CALIFORNIA EVAPORATIVE EMISSIONS KIT</u>
6101	<u>CLUTCH CONTROL</u> <u>FRONT BRAKE CONTROL</u>
6109	<u>HANDLEBAR & THROTTLE CONTROL - 883/883L/883R/1200L/1200R</u>
61109-85D	<u>FUEL TANK</u>

61260-04	FUEL TANK
61272-92B	FUEL TANK
61348-04	FUEL TANK
61459-97	FRAME, REAR FORK, & JIFFY STAND SWITCHES & CIRCUIT BREAKERS
6152	ENGINE MOUNTS
6157	OIL PUMP
6192	REAR FENDER & BELT GUARDS
62122-89	FRAME, REAR FORK, & JIFFY STAND
62150-85	FUEL TANK
62161-02	FUEL TANK
62166-02	FUEL TANK
62169-02A	FUEL TANK
62172-02	FUEL TANK
62213-04	FUEL TANK
62260-04	FUEL TANK TRIM
62261-04	FUEL TANK TRIM
62262-04	FUEL TANK TRIM
62263-04	FUEL TANK TRIM
62320-06	FUEL TANK TRIM
62321-06	FUEL TANK TRIM
62338-01Y	OIL TANK & FILTER
62347-04	CARBURETOR (CONTINUED) FUEL TANK
62360-04A	GEARCASE & COVER OIL TANK & FILTER
62361-04	OIL TANK & FILTER
6237	HORN
62375-57A	GEARCASE & COVER
62601-91A	OIL PUMP
62651-04	OIL TANK & FILTER

6288	<u>SWITCHES & CIRCUIT BREAKERS</u>
62888-04	<u>OIL TANK & FILTER</u>
63000-04A	<u>OIL TANK & FILTER</u>
6302	<u>EXHAUST SYSTEM</u>
63501-68A	<u>FUEL TANK</u>
63505-84	<u>FUEL TANK</u>
63508-04	<u>CRANKCASE</u>
63533-41A	<u>CRANKCASE</u> <u>OIL PUMP</u>
63596-06	<u>OIL TANK & FILTER</u>
63796-77A	<u>OIL TANK & FILTER</u>
63805-80A	<u>OIL TANK & FILTER</u>
63858-49	<u>ROCKER ARMS, COVERS, & PUSH RODS - V2™</u>
64840-04	<u>EXHAUST SYSTEM</u>
64841-04	<u>EXHAUST SYSTEM</u>
64842-04	<u>EXHAUST SYSTEM</u>
64846-04	<u>EXHAUST SYSTEM</u>
64847-04	<u>EXHAUST SYSTEM</u>
64848-04	<u>EXHAUST SYSTEM</u> <u>EXHAUST SYSTEM</u>
64853-04	<u>EXHAUST SYSTEM</u> <u>EXHAUST SYSTEM</u> <u>EXHAUST SYSTEM</u> <u>EXHAUST SYSTEM</u>
64854-04	<u>EXHAUST SYSTEM</u> <u>EXHAUST SYSTEM</u>
64855-04	<u>EXHAUST SYSTEM</u>
64857-04	<u>EXHAUST SYSTEM</u>
64889-04	<u>EXHAUST SYSTEM</u> <u>EXHAUST SYSTEM</u> <u>EXHAUST SYSTEM</u>
64890-04	<u>EXHAUST SYSTEM</u>
64891-04	<u>EXHAUST SYSTEM</u>

64893-04	<u>EXHAUST SYSTEM</u>
65088-04	<u>CRANKCASE</u>
65092-04	<u>OIL TANK & FILTER</u>
6516HW	<u>BELTS & SPROCKETS</u> <u>REAR WHEEL - CAST</u> <u>REAR WHEEL - LACED & PROFILE LACED</u>
65184-02	<u>EXHAUST SYSTEM</u>
65232-04	<u>EXHAUST SYSTEM</u> <u>EXHAUST SYSTEM</u> <u>EXHAUST SYSTEM</u>
65233-04	<u>EXHAUST SYSTEM</u>
65296-95	<u>EXHAUST SYSTEM</u>
65302-82A	<u>EXHAUST SYSTEM</u>
65324-83A	<u>EXHAUST SYSTEM</u>
65325-83A	<u>EXHAUST SYSTEM</u>
65339-04	<u>EXHAUST SYSTEM</u>
6590HW	<u>FRONT WHEEL - CAST</u> <u>FRONT WHEEL - LACED & PROFILE LACED</u> <u>HANDLEBAR & THROTTLE CONTROL - 883/883L/883R/1200L/1200R</u> <u>HANDLEBAR & THROTTLE CONTROL - 883C/1200C</u>
65927-00	<u>EXHAUST SYSTEM</u>
65958-04	<u>BATTERY</u>
65974-04A	<u>EXHAUST SYSTEM</u>
66194-04B	<u>BATTERY</u>
66199-04	<u>OIL TANK & FILTER</u>
66251-04	<u>FRAME, REAR FORK, & JIFFY STAND</u>
66252-04	<u>FRAME, REAR FORK, & JIFFY STAND</u>
66272-05	<u>FRAME, REAR FORK, & JIFFY STAND</u>
66273-05	<u>FRAME, REAR FORK, & JIFFY STAND</u>
66476-04	<u>BATTERY</u>
66523-06	<u>SWITCHES & CIRCUIT BREAKERS</u>
66524-06	<u>SWITCHES & CIRCUIT BREAKERS</u>
6655	<u>STEERING HEAD BRACKET ASSEMBLY</u>

6701	<u>FRONT FORK</u> <u>HEADLAMP & MIRROR - 883C/1200C</u> <u>EXHAUST SYSTEM</u>
6702	<u>REAR BRAKE MASTER CYLINDER</u> <u>HANDLEBAR & THROTTLE CONTROL - 883/883L/883R/1200L/1200R</u> <u>REAR FENDER & BELT GUARDS</u> <u>FUEL TANK</u> <u>HEADLAMP & MIRROR - 883/883L/883R/1200L/1200R</u>
6703	<u>REAR FENDER & BELT GUARDS</u>
67037-04	<u>SPEEDOMETER & TACHOMETER - 883/883L/883R/1200L/1200R</u>
67041-04	<u>SPEEDOMETER & TACHOMETER - 883/883L/883R/1200L/1200R</u>
67049-04	<u>SPEEDOMETER & TACHOMETER - 883/883L/883R/1200L/1200R</u>
67053-95	<u>SPEEDOMETER & TACHOMETER - 883/883L/883R/1200L/1200R</u>
67085-95	<u>SPEEDOMETER & TACHOMETER - 883/883L/883R/1200L/1200R</u>
67089-05	<u>SPEEDOMETER & TACHOMETER - 883/883L/883R/1200L/1200R</u>
67103-95	<u>SPEEDOMETER & TACHOMETER - 883/883L/883R/1200L/1200R</u>
67104-95	<u>SPEEDOMETER & TACHOMETER - 883/883L/883R/1200L/1200R</u>
67121-95	<u>SPEEDOMETER & TACHOMETER - 883/883L/883R/1200L/1200R</u> <u>SPEEDOMETER - 883C/1200C</u>
6718	<u>SHOCK ABSORBERS</u>
67184-94	<u>SPEEDOMETER & TACHOMETER - 883/883L/883R/1200L/1200R</u> <u>SPEEDOMETER - 883C/1200C</u>
67290-04	<u>SPEEDOMETER & TACHOMETER - 883/883L/883R/1200L/1200R</u>
67320-95	<u>SPEEDOMETER & TACHOMETER - 883/883L/883R/1200L/1200R</u>
67338-97	<u>SPEEDOMETER & TACHOMETER - 883/883L/883R/1200L/1200R</u>
67344-97	<u>SPEEDOMETER & TACHOMETER - 883/883L/883R/1200L/1200R</u>
67345-97	<u>SPEEDOMETER & TACHOMETER - 883/883L/883R/1200L/1200R</u>
6738	<u>SHOCK ABSORBERS</u>
67415-04	<u>SPEEDOMETER & TACHOMETER - 883/883L/883R/1200L/1200R</u> <u>SPEEDOMETER - 883C/1200C</u>
67416-04	<u>SPEEDOMETER & TACHOMETER - 883/883L/883R/1200L/1200R</u> <u>SPEEDOMETER - 883C/1200C</u>
67436-04	<u>SPEEDOMETER & TACHOMETER - 883/883L/883R/1200L/1200R</u> <u>SPEEDOMETER - 883C/1200C</u>
67450-99	<u>SPEEDOMETER & TACHOMETER - 883/883L/883R/1200L/1200R</u> <u>SPEEDOMETER - 883C/1200C</u>

67601-94A	<u>HEADLAMP & MIRROR - 883C/1200C</u>
67603-94	<u>HEADLAMP & MIRROR - 883C/1200C</u>
67667-05	<u>HEADLAMP & MIRROR - 883/883L/883R/1200L/1200R</u> <u>HEADLAMP & MIRROR - 883C/1200C</u>
67790-93	<u>HEADLAMP & MIRROR - 883/883L/883R/1200L/1200R</u>
67804-04	<u>REAR BRAKE MASTER CYLINDER</u>
67805-92	<u>HEADLAMP & MIRROR - 883/883L/883R/1200L/1200R</u>
67815-59A	<u>HEADLAMP & MIRROR - 883/883L/883R/1200L/1200R</u>
67834-83	<u>HEADLAMP & MIRROR - 883/883L/883R/1200L/1200R</u>
67865-89	<u>HEADLAMP & MIRROR - 883/883L/883R/1200L/1200R</u>
6787	<u>CYLINDER, HEAD, & VALVES - V2™ EVOLUTION</u>
67880-94	<u>SPEEDOMETER & TACHOMETER - 883/883L/883R/1200L/1200R</u> <u>SPEEDOMETER - 883C/1200C</u>
67883-04	<u>HEADLAMP & MIRROR - 883/883L/883R/1200L/1200R</u>
67894-93	<u>HEADLAMP & MIRROR - 883C/1200C</u>
67919-96	<u>HEADLAMP & MIRROR - 883C/1200C</u>
67963-05	<u>HEADLAMP & MIRROR - 883/883L/883R/1200L/1200R</u>
67972-98	<u>HEADLAMP & MIRROR - 883/883L/883R/1200L/1200R</u>
6798	<u>REAR FENDER & BELT GUARDS</u>
68024-94	<u>SPEEDOMETER & TACHOMETER - 883/883L/883R/1200L/1200R</u> <u>SPEEDOMETER - 883C/1200C</u>
68026-99	<u>TAIL LAMP</u>
68041-04	<u>STEERING HEAD BRACKET ASSEMBLY</u>
68042-99	<u>CARBURETOR (CONTINUED)</u>
68066-99A	<u>TAIL LAMP</u>
68140-04	<u>TAIL LAMP</u>
68141-04	<u>TAIL LAMP</u>
68163-84	<u>TURN SIGNALS</u>
68167-04	<u>TAIL LAMP</u>
68168-89A	<u>TURN SIGNALS</u>
68265-04	<u>TURN SIGNALS</u>

68296-99A	TAIL LAMP
68297-05	HEADLAMP & MIRROR - 883/883L/883R/1200L/1200R HEADLAMP & MIRROR - 883C/1200C
68329-03	HEADLAMP & MIRROR - 883/883L/883R/1200L/1200R HEADLAMP & MIRROR - 883C/1200C
68335-05	HEADLAMP & MIRROR - 883/883L/883R/1200L/1200R HEADLAMP & MIRROR - 883C/1200C
68341-05	HEADLAMP & MIRROR - 883/883L/883R/1200L/1200R HEADLAMP & MIRROR - 883C/1200C
68369-03	TAIL LAMP
68370-03A	TAIL LAMP
68372-03	TAIL LAMP
68380-05	HEADLAMP & MIRROR - 883/883L/883R/1200L/1200R HEADLAMP & MIRROR - 883C/1200C
68382-96	SPEEDOMETER - 883C/1200C
68423-96	SPEEDOMETER - 883C/1200C
68480-02	TURN SIGNALS
68513-95	SPEEDOMETER & TACHOMETER - 883/883L/883R/1200L/1200R
68516-95	SPEEDOMETER & TACHOMETER - 883/883L/883R/1200L/1200R
68551-95	SPEEDOMETER & TACHOMETER - 883/883L/883R/1200L/1200R
68572-64B	TURN SIGNALS
68650-92	HEADLAMP & MIRROR - 883/883L/883R/1200L/1200R HEADLAMP & MIRROR - 883C/1200C
68715-96	SPEEDOMETER - 883C/1200C
68792-96	SPEEDOMETER - 883C/1200C
68811-04	SPEEDOMETER & TACHOMETER - 883/883L/883R/1200L/1200R
68813-04	SPEEDOMETER & TACHOMETER - 883/883L/883R/1200L/1200R
68814-04	SPEEDOMETER - 883C/1200C
68830-99A	TAIL LAMP
68899-04	TAIL LAMP
68904-00	TURN SIGNALS
68905-00	TURN SIGNALS

68906-00	TURN SIGNALS
68907-00	TURN SIGNALS
68920-01D	SWITCHES & CIRCUIT BREAKERS
68922-00D	SWITCHES & CIRCUIT BREAKERS
68924-00D	SWITCHES & CIRCUIT BREAKERS
68926-00	SWITCHES & CIRCUIT BREAKERS
68927-00	SWITCHES & CIRCUIT BREAKERS
68939-00	SWITCHES & CIRCUIT BREAKERS
68958-00	SWITCHES & CIRCUIT BREAKERS
68972-00	TURN SIGNALS
68973-00	TURN SIGNALS
68975-00	TURN SIGNALS
68976-00	TURN SIGNALS
68977-00	TURN SIGNALS
68978-00	TURN SIGNALS
68979-00	TURN SIGNALS
68980-04	SWITCHES & CIRCUIT BREAKERS
69012-93A	HORN
69043-96A	HORN
69060-90D	HORN
69062-91A	HORN
69120-91	HORN
69123-92	HORN
69135-04	HORN
69187-03A	TAIL LAMP
69449-05	HEADLAMP & MIRROR - 883/883L/883R/1200L/1200R
69619-02A	HEADLAMP & MIRROR - 883/883L/883R/1200L/1200R HEADLAMP & MIRROR - 883/883L/883R/1200L/1200R
69681-04A	HEADLAMP & MIRROR - 883C/1200C HEADLAMP & MIRROR - 883C/1200C
69709-00	HEADLAMP & MIRROR - 883/883L/883R/1200L/1200R

70003-04	<u>BATTERY</u>
70139-06	<u>WIRING HARNESS, MAIN</u> <u>WIRING HARNESS, MAIN (CONTINUED)</u>
7019	<u>SHIFTER - 883/883L/883R/1200L/1200R</u>
70227-99	<u>SWITCHES & CIRCUIT BREAKERS</u>
70295-04	<u>BATTERY</u>
70296-04	<u>BATTERY</u>
70297-04	<u>ENGINE MOUNTS</u>
70345-84	<u>HANDLEBAR & THROTTLE CONTROL - 883/883L/883R/1200L/1200R</u> <u>HANDLEBAR & THROTTLE CONTROL - 883C/1200C</u> <u>HANDLEBAR SWITCHES</u>
70353-06	<u>HANDLEBAR & THROTTLE CONTROL - 883/883L/883R/1200L/1200R</u>
7038	<u>FRONT FORK</u>
7039	<u>ENGINE MOUNTS</u>
7041	<u>HORN</u>
70416-04A	<u>FRAME, REAR FORK, & JIFFY STAND</u>
70417-04A	<u>FRAME, REAR FORK, & JIFFY STAND</u>
7045	<u>HEADLAMP & MIRROR - 883C/1200C</u>
70503-04	<u>OIL TANK & FILTER</u>
70504-81	<u>HANDLEBAR & THROTTLE CONTROL - 883/883L/883R/1200L/1200R</u> <u>HANDLEBAR & THROTTLE CONTROL - 883C/1200C</u>
70518-04	<u>HANDLEBAR & THROTTLE CONTROL - 883/883L/883R/1200L/1200R</u> <u>HANDLEBAR & THROTTLE CONTROL - 883C/1200C</u>
70578-89	<u>BATTERY</u>
70586-93	<u>SWITCHES & CIRCUIT BREAKERS</u>
70587-93	<u>SWITCHES & CIRCUIT BREAKERS</u>
70598-99	<u>WIRING HARNESS, MAIN (CONTINUED)</u>
7068	<u>FRONT WHEEL - CAST</u> <u>FRONT WHEEL - LACED & PROFILE LACED</u> <u>HEADLAMP & MIRROR - 883/883L/883R/1200L/1200R</u>
7069	<u>HORN</u>
70903-04	<u>FUEL TANK</u>

70904-04	<u>FUEL TANK</u>
70917-04	<u>FUEL TANK</u>
70919-04	<u>FUEL TANK</u>
7127	<u>HEADLAMP & MIRROR - 883/883L/883R/1200L/1200R</u> <u>HEADLAMP & MIRROR - 883C/1200C</u>
71276-04	<u>FUEL TANK</u>
71441-94	<u>SWITCHES & CIRCUIT BREAKERS</u>
71451-94A	<u>SWITCHES & CIRCUIT BREAKERS</u>
71472-04	<u>FRAME, REAR FORK, & JIFFY STAND</u>
71509-00	<u>HANDLEBAR SWITCHES</u>
71510-04	<u>WIRING HARNESS, MAIN</u> <u>SWITCHES & CIRCUIT BREAKERS</u>
71550-94	<u>WIRING HARNESS, MAIN</u> <u>SWITCHES & CIRCUIT BREAKERS</u>
71552-94	<u>WIRING HARNESS, MAIN</u> <u>SWITCHES & CIRCUIT BREAKERS</u>
71563-96	<u>HANDLEBAR & THROTTLE CONTROL - 883/883L/883R/1200L/1200R</u> <u>HANDLEBAR & THROTTLE CONTROL - 883C/1200C</u> <u>HANDLEBAR SWITCHES</u>
71564-96	<u>HANDLEBAR & THROTTLE CONTROL - 883/883L/883R/1200L/1200R</u> <u>HANDLEBAR & THROTTLE CONTROL - 883C/1200C</u> <u>HANDLEBAR SWITCHES</u>
71567-96	<u>HANDLEBAR SWITCHES</u>
71568-96	<u>HANDLEBAR SWITCHES</u>
71589-96B	<u>HANDLEBAR SWITCHES</u>
71590-96	<u>HANDLEBAR SWITCHES</u>
71591-00	<u>HANDLEBAR SWITCHES</u>
71597-96B	<u>HANDLEBAR SWITCHES</u>
71598-00	<u>HANDLEBAR SWITCHES</u>
72023-51C	<u>SWITCHES & CIRCUIT BREAKERS</u>
72023-51D	<u>REAR BRAKE MASTER CYLINDER</u>
72056-92	<u>HEADLAMP & MIRROR - 883/883L/883R/1200L/1200R</u> <u>HEADLAMP & MIRROR - 883C/1200C</u>
72064-06	<u>WIRING HARNESS, MAIN</u>

72094-06	<u>WIRING HARNESS, MAIN</u>
72096-06	<u>WIRING HARNESS, MAIN</u>
72100-04	<u>WIRING HARNESS, MAIN</u>
72106-94BK	<u>WIRING HARNESS, MAIN</u>
72116-94BK	<u>HANDLEBAR SWITCHES</u>
72119-94BK	<u>WIRING HARNESS, MAIN</u>
72124-94GY	<u>WIRING HARNESS, MAIN</u>
72126-94GY	<u>WIRING HARNESS, MAIN</u>
72130-04	<u>SPEEDOMETER & TACHOMETER - 883/883L/883R/1200L/1200R</u> <u>SPEEDOMETER - 883C/1200C</u>
72131-04	<u>SPEEDOMETER & TACHOMETER - 883/883L/883R/1200L/1200R</u>
72136-94GY	<u>HANDLEBAR SWITCHES</u>
72139-94GY	<u>WIRING HARNESS, MAIN</u>
72144-94	<u>WIRING HARNESS, MAIN</u>
72146-94	<u>WIRING HARNESS, MAIN</u>
72156-94	<u>HANDLEBAR SWITCHES</u>
72159-94	<u>WIRING HARNESS, MAIN</u>
72164-94A	<u>WIRING HARNESS, MAIN</u>
72176-94	<u>HANDLEBAR SWITCHES</u>
72179-94	<u>WIRING HARNESS, MAIN</u>
72189-04	<u>SPEEDOMETER & TACHOMETER - 883/883L/883R/1200L/1200R</u> <u>SPEEDOMETER - 883C/1200C</u>
72190-94	<u>WIRING HARNESS, MAIN</u>
72191-94	<u>WIRING HARNESS, MAIN</u> <u>HANDLEBAR SWITCHES</u>
72195-94	<u>WIRING HARNESS, MAIN</u>
72199-94	<u>CRANKCASE</u> <u>WIRING HARNESS, MAIN</u>
7220	<u>SWITCHES & CIRCUIT BREAKERS</u>
72213-94	<u>WIRING HARNESS, MAIN</u>
72214-94	<u>WIRING HARNESS, MAIN</u>
72230-98	<u>WIRING HARNESS, MAIN</u>

72231-98	<u>WIRING HARNESS, MAIN</u>
72233-94	<u>ALTERNATOR & REGULATOR</u>
72234-94	<u>WIRING HARNESS, MAIN</u>
72235-94	<u>ALTERNATOR & REGULATOR</u>
72236-94	<u>WIRING HARNESS, MAIN</u>
72237-94	<u>ALTERNATOR & REGULATOR</u>
72238-94	<u>WIRING HARNESS, MAIN</u>
72260-04	<u>WIRING HARNESS, MAIN</u>
72266-94	<u>HANDLEBAR SWITCHES</u>
72268-94	<u>SWITCHES & CIRCUIT BREAKERS</u>
72289-04	<u>WIRING HARNESS, MAIN</u>
72290-94	<u>WIRING HARNESS, MAIN</u>
72291-94	<u>WIRING HARNESS, MAIN</u>
72295-94	<u>WIRING HARNESS, MAIN</u>
72318-04	<u>SWITCHES & CIRCUIT BREAKERS</u>
72330-95	<u>WIRING HARNESS, MAIN</u> <u>SWITCHES & CIRCUIT BREAKERS</u>
72405-98BK	<u>WIRING HARNESS, MAIN</u>
72427-00	<u>WIRING HARNESS, MAIN</u>
72431-00	<u>WIRING HARNESS, MAIN</u>
72434-00	<u>WIRING HARNESS, MAIN (CONTINUED)</u>
72445-99TN	<u>WIRING HARNESS, MAIN (CONTINUED)</u>
72516-01	<u>WIRING HARNESS, MAIN (CONTINUED)</u>
73104-96BK	<u>WIRING HARNESS, MAIN (CONTINUED)</u>
73106-96BK	<u>WIRING HARNESS, MAIN (CONTINUED)</u>
73152-96BK	<u>TURN SIGNALS</u>
73152-96WE	<u>TURN SIGNALS</u>
73154-96BK	<u>HEADLAMP & MIRROR - 883/883L/883R/1200L/1200R</u> <u>HEADLAMP & MIRROR - 883C/1200C</u> <u>TAIL LAMP</u>
73156-96BK	<u>TURN SIGNALS</u>

	<u>TAIL LAMP</u>
73190-96	<u>WIRING HARNESS, MAIN (CONTINUED)</u>
73191-96	<u>HEADLAMP & MIRROR - 883/883L/883R/1200L/1200R</u> <u>HEADLAMP & MIRROR - 883C/1200C</u> <u>TURN SIGNALS</u> <u>TAIL LAMP</u>
73203-04	<u>WIRING HARNESS, MAIN (CONTINUED)</u>
73204-04	<u>WIRING HARNESS, MAIN (CONTINUED)</u>
73205-04	<u>WIRING HARNESS, MAIN (CONTINUED)</u>
73206-04	<u>WIRING HARNESS, MAIN (CONTINUED)</u>
73207-06	<u>WIRING HARNESS, MAIN (CONTINUED)</u>
73301-04	<u>WIRING HARNESS, MAIN (CONTINUED)</u>
73302-04	<u>WIRING HARNESS, MAIN (CONTINUED)</u>
73303-04	<u>WIRING HARNESS, MAIN (CONTINUED)</u>
73304-04	<u>WIRING HARNESS, MAIN (CONTINUED)</u>
73305-04	<u>WIRING HARNESS, MAIN (CONTINUED)</u>
740	<u>FOOTRESTS</u>
74109-98BK	<u>WIRING HARNESS, MAIN (CONTINUED)</u>
74112-98BK	<u>WIRING HARNESS, MAIN (CONTINUED)</u>
74119-98BK	<u>SPEEDOMETER & TACHOMETER - 883/883L/883R/1200L/1200R</u> <u>SPEEDOMETER - 883C/1200C</u>
74149-98	<u>WIRING HARNESS, MAIN (CONTINUED)</u>
74152-98	<u>WIRING HARNESS, MAIN (CONTINUED)</u>
74159-98	<u>SPEEDOMETER & TACHOMETER - 883/883L/883R/1200L/1200R</u> <u>SPEEDOMETER - 883C/1200C</u>
74190-98	<u>WIRING HARNESS, MAIN (CONTINUED)</u>
74191-98	<u>SPEEDOMETER & TACHOMETER - 883/883L/883R/1200L/1200R</u> <u>WIRING HARNESS, MAIN (CONTINUED)</u>
74193-98	<u>SPEEDOMETER - 883C/1200C</u>
74194-98	<u>CRANKCASE</u>
74195-98	<u>SPEEDOMETER & TACHOMETER - 883/883L/883R/1200L/1200R</u> <u>SPEEDOMETER - 883C/1200C</u> <u>WIRING HARNESS, MAIN (CONTINUED)</u>
74196-04	<u>SPEEDOMETER & TACHOMETER - 883/883L/883R/1200L/1200R</u>

	<u>SPEEDOMETER - 883C/1200C</u>
74197-04	<u>SPEEDOMETER & TACHOMETER - 883/883L/883R/1200L/1200R</u> <u>SPEEDOMETER - 883C/1200C</u>
74402-05	<u>SPEEDOMETER & TACHOMETER - 883/883L/883R/1200L/1200R</u> <u>SPEEDOMETER - 883C/1200C</u>
74523-04	<u>ALTERNATOR & REGULATOR</u>
7477	<u>REAR BRAKE MASTER CYLINDER</u>
7481	<u>HORN</u>
7495	<u>HORN</u>
7531	<u>FRONT FENDER</u> <u>REAR FENDER & BELT GUARDS</u> <u>FUEL TANK</u> <u>HORN</u>
7593	<u>EXHAUST SYSTEM</u>
7606	<u>HEADLAMP & MIRROR - 883/883L/883R/1200L/1200R</u>
761	<u>REAR FENDER & BELT GUARDS</u>
7624	<u>OIL TANK & FILTER</u>
7720	<u>HEADLAMP & MIRROR - 883/883L/883R/1200L/1200R</u>
7727	<u>HEADLAMP & MIRROR - 883/883L/883R/1200L/1200R</u> <u>HEADLAMP & MIRROR - 883C/1200C</u>
7766	<u>FRAME, REAR FORK, & JIFFY STAND</u>
7770	<u>BATTERY</u>
7778	<u>HEADLAMP & MIRROR - 883C/1200C</u>
7783	<u>FRONT FORK</u>
7792	<u>REAR FENDER & BELT GUARDS</u>
7804	<u>BELTS & SPROCKETS</u>
7805	<u>ELECTRONIC IGNITION SYSTEM</u>
7824	<u>SHOCK ABSORBERS</u>
7839	<u>BELTS & SPROCKETS</u>
7862	<u>EXHAUST SYSTEM</u>
7880	<u>HEADLAMP & MIRROR - 883/883L/883R/1200L/1200R</u>
7882	<u>REAR FENDER & BELT GUARDS</u>
7916A	<u>GEARCASE & COVER</u>

7956	<u>FRONT WHEEL - CAST</u> <u>FRONT WHEEL - LACED & PROFILE LACED</u>
7964	<u>TAIL LAMP</u>
8039	<u>REAR WHEEL - CAST</u> <u>REAR WHEEL - LACED & PROFILE LACED</u>
8108	<u>HORN</u>
8135B	<u>FRAME, REAR FORK, & JIFFY STAND</u>
835	<u>CRANKCASE</u>
8679	<u>GEARCASE & COVER</u>
8692	<u>REAR FENDER & BELT GUARDS</u>
882	<u>ROCKER ARMS, COVERS, & PUSH RODS - V2™</u> <u>REAR BRAKE MASTER CYLINDER</u>
8862	<u>TRANSMISSION GEARS</u>
8871	<u>STARTER MOTOR</u>
8873	<u>CLUTCH</u>
8879	<u>STARTER MOTOR</u>
8881	<u>CRANKCASE</u>
8883	<u>STARTER MOTOR</u>
8884	<u>TRANSMISSION GEARS</u>
8885	<u>CLUTCH</u>
89579-91	<u>FRAME, REAR FORK, & JIFFY STAND</u> <u>FUEL TANK</u>
89581-04A	<u>STARTER MOTOR</u>
89586-04	<u>FUEL TANK</u>
8964	<u>TRANSMISSION GEARS</u>
8966	<u>TRANSMISSION GEARS</u>
8970	<u>TRANSMISSION GEARS</u>
8973	<u>CRANKCASE</u>
9077	<u>STARTER MOTOR</u>
91840-03A	<u>HEADLAMP & MIRROR - 883/883L/883R/1200L/1200R</u>
91845-03A	<u>HEADLAMP & MIRROR - 883/883L/883R/1200L/1200R</u>

91846-03A	<u>HEADLAMP & MIRROR - 883/883L/883R/1200L/1200R</u> <u>HEADLAMP & MIRROR - 883C/1200C</u>
91848-03A	<u>HEADLAMP & MIRROR - 883/883L/883R/1200L/1200R</u> <u>HEADLAMP & MIRROR - 883C/1200C</u>
9187	<u>SHIFTER - 883/883L/883R/1200L/1200R</u>
91982-03A	<u>HEADLAMP & MIRROR - 883/883L/883R/1200L/1200R</u>
91983-03A	<u>HEADLAMP & MIRROR - 883/883L/883R/1200L/1200R</u>
9209	<u>FRAME, REAR FORK, & JIFFY STAND</u>
9247	<u>REAR WHEEL - CAST</u> <u>REAR WHEEL - LACED & PROFILE LACED</u>
9267	<u>FRONT WHEEL - CAST</u> <u>FRONT WHEEL - LACED & PROFILE LACED</u>
928	<u>STARTER MOTOR</u>
929A	<u>STARTER MOTOR</u>
940	<u>ENGINE MOUNTS</u>
943	<u>INSPECTION COVER & PRIMARY COVER</u>
94432-04	<u>REAR BRAKE MASTER CYLINDER</u>
946	<u>AIR CLEANER & ENRICHENER</u>
94612-04	<u>REAR BRAKE MASTER CYLINDER</u>
95578-41	<u>FRONT WHEEL - LACED & PROFILE LACED</u> <u>REAR WHEEL - LACED & PROFILE LACED</u>
95581-47	<u>FRONT WHEEL - LACED & PROFILE LACED</u> <u>REAR WHEEL - LACED & PROFILE LACED</u>
95582-47	<u>FRONT WHEEL - LACED & PROFILE LACED</u> <u>REAR WHEEL - LACED & PROFILE LACED</u>
95595-84	<u>FRONT WHEEL - CAST</u> <u>REAR WHEEL - CAST</u>
9825	<u>WIRING HARNESS, MAIN</u>
9826	<u>WIRING HARNESS, MAIN</u>
9838	<u>WIRING HARNESS, MAIN</u>
9847	<u>HEADLAMP & MIRROR - 883/883L/883R/1200L/1200R</u> <u>HEADLAMP & MIRROR - 883C/1200C</u>
9848	<u>HEADLAMP & MIRROR - 883/883L/883R/1200L/1200R</u> <u>HEADLAMP & MIRROR - 883C/1200C</u>
9862	<u>SWITCHES & CIRCUIT BREAKERS</u>

9898	HEADLAMP & MIRROR - 883/883L/883R/1200L/1200R HEADLAMP & MIRROR - 883C/1200C SWITCHES & CIRCUIT BREAKERS
9907	REAR BRAKE MASTER CYLINDER
9937	WIRING HARNESS, MAIN
995	REAR BRAKE MASTER CYLINDER
9955	EXHAUST SYSTEM
9969	OIL TANK & FILTER
997	REAR BRAKE MASTER CYLINDER

Component Types and Introduction Dates

[View interactive table](#)

101A1 - Generic Nuts	
7956	Unknown
8039	Unknown
31740-04	2004
7839	Unknown
7624	Unknown
7792	2012
8135B	Unknown
7778	Unknown
7862	Unknown
7477	Unknown
7916A	Unknown
7770	Unknown
7805	Unknown
7766	Unknown
7824	Unknown
3403	Unknown
11730A	Unknown
7495	1994
7880	Unknown

7964	Unknown
37495-91	1991
7481	Unknown
8108	Unknown
7593	1991
102A1 - Generic Screws	
3899	1999
4188	Unknown
3244	Unknown
4765	1998
3579A	Unknown
3990	2006
4180	Unknown
3854	2009
882	2000
4460	Unknown
4771	Unknown
68026-99	1999
3849	Unknown
28015-01	2001
4741A	1994
94612-04	2004
3655A	Unknown
3976	2004
4718A	1994
2955	1996
8679	Unknown
5414	Unknown
3022A	Unknown
43567-92	1992

3514	Unknown
3201WA	Unknown
4350A	Unknown
42827-04	2004
940	Unknown
4748	2009
943	Unknown
4091	Unknown
3275	2002
3615	Unknown
4326A	1990
2325	Unknown
2773	Unknown
2548	Unknown
4751	Unknown
4132	Unknown
4740A	1994
2586A	Unknown
3658	Unknown
45405-75A	1975
1048	Unknown
3605	2009
32617-00Y	2000
2952A	2003
45996-87	1987
3814	Unknown
3594	1992
835	Unknown
4290	Unknown
928	Unknown
2708A	Unknown

4816A	Unknown
68042-99	1999
4076	Unknown
1039	Unknown
2607	Unknown
4029A	1990
4420	2009
3799	2003
2528	1994
45902-00	2000
3588	1990
3563	1999
4017	2009
929A	Unknown
2501A	Unknown
4016	Unknown
4032A	Unknown
2535	2004
4269	Unknown
45800-04	2004
4351	Unknown
3210A	Unknown
4820A	Unknown
3559	Unknown
4354	Unknown
4352	Unknown
56402-83A	1983
27317-88	1988
2361	Unknown
3732	1998

3666A	1997
27146-89	1989
3480A	Unknown
4717A	Unknown
2441	Unknown
3767B	2009
3574	Unknown
4312A	Unknown
946	Unknown
4363	Unknown
4758A	Unknown
3565	Unknown
997	Unknown
16478-85A	1985
3997A	1999
995	2009
4104	Unknown
4359	Unknown
56397-74C	1974
3880	2004
5403B	Unknown
4329	Unknown
3029	Unknown
4778	Unknown
4779	Unknown
4453	1986
45790-80	1980
2460	Unknown
3026	Unknown
16480-92A	1992

103A1 - Generic Washers

41732-04	2004
6718	Unknown
6026	Unknown
6157	Unknown
6302	Unknown
41743-04	2004
40582-05	2005
27125-89	1989
36802-84B	1984
27148-89	1989
6787	Unknown
6288	Unknown
6099	2011
6798	2012
27127-89	1989
6109	1980
6101	2011
67815-59A	1959
31689-90	1990
6590HW	Unknown
6516HW	Unknown
7220	Unknown
27137-81	1981
7068	Unknown
7019	Unknown
7038	1998
7039	Unknown
6738	Unknown
6237	2014
6192	Unknown

6655	1979
7041	1958
6703	1970
6701	Unknown
6702	Unknown
42425-05	2005
8973	2001
7045	Unknown
104A1 - Custom Nuts	
54321-85	1985
7606	1983
105A1 - Custom Screws	
27158-89	1989
41191-74A	1974
94432-04	2004
27130-90	1990
27262-96	1996
106A1 - Custom Washers	
6003	2010
108A1 - Hose Clamps	
42808-04	2004
10053	2010
10252	2004
10031	2010
31512-04	2004
10014	Unknown
9955	Unknown
10080	Unknown
10074	Unknown
108B1 - P Clamps	

70417-04A	2004
10255	2004
10179	Unknown
70416-04A	2004
10142	Unknown
109A1 - Studs	
16715-83	1983
16832-86C	1986
65092-04	2004
65088-04	2004
110B1 - Plain Bushings	
25586-37	1937
40574-06	2006
8966	Unknown
54556-84	1984
45801-04	2004
25598-91	1991
25593-74	1974
24647-87	1987
45465-87	1987
42569-03	2003
34982-02	2002
8883	Unknown
8885	Unknown
34076-02	2002
25588-91	1991
8879	Unknown
9267	Unknown
42846-04	2004
110C1 - Radial Shaft Seals	

37107-06	2006
12068	Unknown
12074	Unknown
11291	Unknown
67104-95	1995
110D1 - Rolling Element Bearings	
9209	2003
9247	Unknown
9187	2000
8964	2006
35030-89	1989
8970	2004
24650-87	1987
8884	Unknown
8871	Unknown
24659-87	1987
8862	Unknown
24660-87	1987
111A1 - Adhesive	
73304-04	2004
9825	Unknown
9907	Unknown
9838	Unknown
9862	Unknown
74196-04	2004
116A1 - Banjo Bolts	
41737-04	2004
41736-04	2004
117A1 - Coil Springs	
56396-74A	1974

54473-79	1979
27162-89	1989
119A1 - O-Rings	
26432-76A	1976
11105	Unknown
11116	1981
11113	Unknown
27577-92	1992
11289A	Unknown
11202	Unknown
11120	Unknown
11190	Unknown
45984-87	1987
11377	Unknown
31695-90	1990
26434-91	1991
11171	Unknown
11179	1986
27157-89	1989
11317	Unknown
120A1 - Pins	
215	Unknown
16573-83A	1983
50003-89B	1989
1594	1998
24754-75A	1975
45041-01A	2001
358	Unknown
121A1 - Grommets	
11474	Unknown
11407	Unknown

29342-99	1999
121B1 - Press-Fit Plugs	
67865-89	1989
42838-04	2004
740	Unknown
761	1996
72164-94A	1994
122A1 - Retaining Rings	
10995	Unknown
11271	Unknown
11272	Unknown
10120	1992
10279	Unknown
35118-03	2003
31328-91	1991
11002	Unknown
35114-02	2002
65325-83A	1983
45611-86	1986
11031	Unknown
27368-76	1976
11155	Unknown
38723-99	1999
11142	Unknown
31530-90	1990
10984	Unknown
11390	Unknown
11046	Unknown
11121	2008
11177A	1996

11304	Unknown
70353-06	2006
11282	Unknown
11067	Unknown
11379	2002
11360	Unknown
27124-89	1989
10147	Unknown
11250	1992
44590-04	2004
35038-89A	1989
35087-99	1999
10242	2004
11161	Unknown
123A1 - Sealing Washers	
26436-90A	1990
123B1 - Spring Washers	
7127	Unknown
7069	Unknown
124A1 - Spacers	
6021	Unknown
6152	Unknown
40562-05	2005
45377-87	1987
7882	Unknown
35107-06	2006
125A1 - Tie Straps	
10065	1985
10039	1981
10177	1996
10181	1996

10006	1960
126A1 - Miscellaneous Hardware	
42593-04	2004
31692-90	1990
45799-04	2004
27136-90A	1990
12030	Unknown
89581-04A	2004
42829-04	2004
54476-82	1982
33540-06	2006
56394-74	1974
8873	1984
42839-04	2004
126B1 - Rivets Fasteners	
8692	Unknown
127B1 - Generic Mounting Bracket	
51652-97	1997
31755-04	2004
27320-04	2004
141A1 - Medallion	
52494-04	2004
13567-05	2005
13372-04	2004
13471-06	2006
67667-05	2005
71550-94	1994
62320-06	2006
44791-04	2004
13343-04	2004

13367-04	2004
13341-04	2004
13469-06	2006
14448-94	1994
62321-06	2006
13566-05	2005
13472-06	2006
13305-05	2005
13342-04	2004
13340-04	2004
44440-04	2004
13304-05	2005
13371-04	2004
13470-06	2006
161A1 - Powertrain Assembly	
19623-06	2006
19275-06	2006
19500-06	2006
19276-06	2006
19622-06	2006
19273-06	2006
19282-06	2006
19563-06	2006
19564-06	2006
19501-06	2006
19281-06	2006
19279-06	2006
19272-06	2006
19278-06	2006
163B1 - Engine Isolator Mount	
16353-04	2004

41562-04	2004
16287-04	2004
16291-04	2004
41561-04	2004
164A1 - Engine Mount Bracket	
47471-04	2004
164B1 - Engine Mount Bracket sub-component	
7727	Unknown
7720	Unknown
7783	Unknown
7531	1980
7804	Unknown
16232-04	2004
165A1 - Cylinder Head	
16667-04	2004
18011-86	1986
16867-05	2005
16661-04	2004
16865-05	2005
16660-04	2004
16666-04	2004
165B1 - Cylinder Head and Base Gaskets	
16664-86B	1986
16774-86E	1986
17049-04	2004
16770-84D	2006
17027-04A	2004
167A1 - PT Assembly Miscellaneous Component	
36731-91	1991
168A1 - Cylinder	

16463-04	2004
16443-04	2004
16452-05	2005
179A1 - Lifters	
17981-04	2004
17972-04	2004
18538-99B	1999
179B1 - Push Rod	
17908-02	2002
17909-02	2002
179C1 - Lifter Anti-Rotation Device	
18505-06	2006
180A1 - Valves	
18690-02	2002
18053-04	2004
18021-87A	1987
18059-04	2004
181B1 - Valve Seals	
18012-87A	1987
18020-83	1983
18094-02A	2002
181C1 - Valve Collars	
18260-02	2002
184A1 - PT Camdrive and Valvetrain Miscellaneous Component	
18245-02	2002
18258-02	2002
220A1 - Piston Ring	
22266-86	1986
22223-04	2004
22231-04	2004

21948-02	2002
22261-86	1986
22238-04	2004
22271-86	1986
22227-04	2004
22230-04	2004
221A1 - Piston Pin	
22589-83B	1983
22765-02	2002
22719-04	2004
237B1 - Connecting Rod sub-component	
24332-36	1936
239A1 - PT Lower End Miscellaneous Component	
24331-36	1936
24658-87	1987
241A1 - Flywheel	
23905-04A	2006
244A1 - Crankcase	
24470-06	2006
24466-06	2006
244D1 - Crankcase sub-component	
24047-00	2000
8881	Unknown
254A1 - Camdrive Gear	
25193-06	2006
25194-06	2006
256A1 - Timer Cover	
32506-90	1990
32514-04	2004
257B1 - Clutch Cover	

34790-05	2005
34992-04	2004
34760-04	2004
257E1 - Cover Gaskets	
34955-04	2004
16800-84	1984
61109-85D	1985
25463-94A	1994
67601-94A	1994
17976-04	2004
29313-95	1995
34986-04	2004
29062-95B	1995
17358-84A	2007
45378-87	1987
63858-49	1949
42818-04	2004
17353-89C	1989
25263-90D	1990
257G1 - Ignition Cover	
32587-06	2006
32555-04	2004
32699-05	2005
257L1 - Primary Cover	
25486-05	2005
25430-06	2006
25471-06	2006
25252-04	2004
25307-06	2006
25460-06	2006

257L2 - Primary Chain Inspection Cover

34794-05	2005
----------	------

34993-04	2004
----------	------

34761-04	2004
----------	------

257M1 - Push Rod Cover

17946-04	2004
----------	------

257N1 - Rocker-Arm / Valve Cover

17645-06A	2007
-----------	------

17501-04	2004
----------	------

17375-83A	1983
-----------	------

17532-86E	1986
-----------	------

17537-96C	1996
-----------	------

17611-83	1983
----------	------

17551-04	2004
----------	------

17360-83A	1983
-----------	------

17614-98C	1998
-----------	------

17655-05	2005
----------	------

258A1 - PT Covers Miscellaneous Component

25219-04	2004
----------	------

25213-04	2004
----------	------

265A1 - Vent / Breather Line

28911-04	2004
----------	------

63508-04	2004
----------	------

62360-04A	2004
-----------	------

28910-04	2004
----------	------

270A1 - Carburetor

28026-04	2004
----------	------

27361-76A	1976
-----------	------

27360-76	1976
----------	------

27362-76	1976
----------	------

27260-00	2000
----------	------

27583-88	1988
27490-04	2004
27152-89	1989
27171-89	1989
27156-89	1989
28027-04	2004
27363-88	1988
27261-96	1996
27732-04	2004
27749-04	2004
27371-76A	1976
27582-88	1988
27587-88	1988
27311-76	1976
27101-88	1988
27585-88	1988
27586-88	1988
27185-90	1990
27116-88	1988
27465-04	2004
27575-88A	1988
27731-04	2004
27100-88	1988
27128-89	1989
27777-04	2004
27126-89	1989
27114-88	1988
27090-89	1989
27315-88A	1988
27495-04	2004

27263-96	1996
27256-01	2001
27576-92	1992
271C1 - Intercooler Gasket	
65927-00	2000
273A1 - Intake Manifold	
27024-04	2004
273K1 - Throttle Body to Manifold Seal	
26995-86B	1986
273N1 - Throttle Cable Retention Bracket	
56508-76	1976
290A1 - Airbox Baseplate	
29348-04	2004
29367-04	2004
29359-04	2004
29360-04	2004
290C1 - Airbox Baseplate sub-component	
29352-04	2004
29123-04	2004
29354-06	2006
29346-04	2004
29802-04	2004
290D1 - Airbox Seal	
29315-04	2004
294A1 - Air Filter Element	
29331-04	2004
294G1 - Air Cleaner	
27010-86A	1986
27009-86A	1986
295A1 - Intake Miscellaneous Component	

26011-04	2004
27579-88A	1988
27002-89	1989
27886-78A	1978
26010-04	2004
29229-88D	1988
299C1 - Charging Rotor	
32493-02	2002
32494-04	2004
299F1 - Stator Assembly	
29967-89B	1989
314E1 - Starter Friction Clutch	
9077	Unknown
314F1 - Starter Motor	
31518-90	1990
31390-91E	2004
31556-91B	1991
31515-90	1990
314G1 - Starter Motor sub-component	
27581-88	1988
31600-90	1990
31688-90	1990
31488-81B	2003
314H1 - Starter Solenoid	
31603-91	1991
314L1 - Starter Motor Drive	
33189-63	1963
315B1 - Exhaust Valve Actuator	
18691-02	2002
316A1 - Ignition Coil	
31655-99	1999

316B1 - Spark Plug Cable	
31601-04	2004
31996-04	2004
316C1 - Spark Plug	
32362-04	2004
327C1 - Pressure Sensor	
32424-98	1998
32316-99	1999
26554-77B	1977
327D1 - Proximity Sensor	
74402-05	2005
336C1 - Shift Linkage Rod End	
34573-04	2004
336G1 - Toepeg Rubber	
34611-65	1965
339A1 - Shift Lever	
34572-04	2004
34670-06	2006
34660-04A	2004
339C1 - Shifter Drum	
33641-06	2006
339D1 - Shifter Fork	
34162-06	2006
34157-06	2006
34981-02A	2002
339F1 - Shifter Index Lever	
34014-06	2006
339H1 - Shifter Mechanism Components (internal)	
34064-00C	2000
34491-02A	2002

34483-06	2006
34163-02	2002
348A1 - Transmission Output Sprocket Cover	
34938-04	2004
34932-04	2004
34911-04	2004
34943-05	2005
350A1 - Transmission Output Sprocket	
40380-04	2004
40409-04	2004
40379-04	2004
350B1 - Transmission Output Sprocket Compensating Cushion	
40544-05	2005
350C1 - Transmission Output Sprocket Compensator Driving Element	
40560-05	2005
350E1 - Transmission Gear	
35167-06	2006
31525-90	1990
35159-06	2006
35165-06	2006
350F1 - Transmission Mainshaft	
35163-06	2006
356A1 - Transmission Countershaft	
35197-06	2006
35191-06	2006
35172-06	2006
35193-06	2006
35174-06	2006
356B1 - Transmission Dog Ring	
35196-06	2006
35190-06	2006

363A1 - PT Driveline Miscellaneous Component	
35051-89A	1989
35211-91B	1991
365A1 - Primary Chain	
40147-04	2004
40005-57B	1957
365B1 - Primary Chain Tensioner	
40039-02B	2004
365C1 - Primary Drive Assembly	
40254-02	2002
40290-04	2004
40251-92A	1992
40241-02	2002
367A1 - Clutch Lever	
45081-04	2004
367E1 - Clutch Lever Mount Clamp	
38671-04	2004
367H1 - Clutch Lever sub-component	
34920-86A	1986
37904-90	1990
37870-91	1991
36715-94	1994
38630-88	1988
37872-90	1990
37905-90	1990
37909-90	1990
37910-04B	2006
36799-91	1991
37977-90	1990
46268-04	2004

37908-90	1990
370A1 - Clutch Assembly	
37924-04A	2006
370B1 - Clutch Friction Plate	
37911-90	1990
370C1 - Clutch Hub	
36785-91	1991
370F1 - Clutch Pressure Plate	
37912-91	1991
37913-90	1990
370G1 - Clutch Shell	
36790-04	2004
372A1 - Clutch Actuation Screw	
11765Y	Unknown
372D1 - Clutch Cable	
38699-04	2004
38702-05	2005
372K2 - Clutch Ramp	
25453-87A	1987
25409-94B	1994
372N1 - Clutch Vacuum Hose	
26588-04	2004
26556-04	2004
400A1 - Drive-Belt	
40570-04	2004
40571-04B	2004
409A1 - Rear Wheel	
41041-05	2005
43637-05	2005
41053-02	2002
41052-05	2005

40871-06	2006
44606-05	2005
40855-05	2005
410D1 - Electronic Control Module (ECM)	
68958-00	2000
32622-04A	2004
68920-01D	2001
410G1 - Security System Control Module	
68980-04	2004
68924-00D	2000
68922-00D	2000
413A1 - Brake Caliper	
42881-05	2005
40968-05	2005
44160-00	2000
44121-04	2004
44119-04	2004
42877-05	2005
42879-05	2005
42835-05	2005
413C1 - Brake Caliper sub-component	
42823-04	2004
42824-04	2004
45401-87	1987
40948-04	2004
415B1 - Brake Rotor	
44136-00	2000
44156-00	2000
41797-00	2000
416A1 - Brakes Miscellaneous Component	

34582-04	2004
42878-05	2005
42880-05	2005
42837-04	2004
72023-51C	1951
72023-51D	2004
42807-04	2004
416B1 - Brake Mounting Bracket	
42825-04	2004
42826-04	2004
417A1 - Brake Master Cylinder Assembly	
42813-04	2004
42805-04	2004
42814-04	2004
417B1 - Brake Master Cylinder	
45052-04	2004
45146-04	2004
417C1 - Brake Master Cylinder Piston Set	
42803-04A	2004
42834-04	2004
42809-04A	2004
42822-04	2004
417D1 - Brake Master Cylinder sub-Component	
42255-04	2004
67804-04	2004
40946-04	2004
42832-04	2004
43529-04	2004
42521-04	2004
44178-04	2004

44189-04	2004
42811-04	2004
42595-04	2004
42804-04	2004
42815-04	2004
42976-04	2004
42979-04	2004
42828-04	2004
44184-04	2004
43528-04	2004
42817-04	2004
42810-04A	2004
417E1 - Brake Master Cylinder Hose	
42821-04	2004
417F1 - Brake Master Cylinder Reservoir	
42816-04	2004
417G1 - Front Brake Lever	
42806-04	2004
418B1 - Brake Line	
44429-06	2006
45449-04	2004
46400-04	2004
45074-95	1995
45319-04	2004
46411-05B	2005
420A1 - Wheel Rim	
43001-79	1979
43662-80B	1983
43445-05	2005
43085-97	1997

43440-05	2005
421A1 - Wheel Spoke with Nipple	
40760-05	2005
43052-05	2005
43064-05	2005
40761-05	2005
43241-05	2005
40762-05	2005
40759-05	2005
43056-05	2005
422B1 - Wheel Sprocket	
40350-04	2004
40352-04	2004
40518-05	2005
422C1 - Wheel Sprocket Compensating Cushion	
40561-05	2005
423C1 - Rim Strip	
43164-05	2005
43145-47	1947
43939-89	1989
43147-40	1940
423D1 - Tire Inner Tube	
40559-82	1982
43140-80	1980
40558-82	1982
40575-05	2005
423G1 - Valve Stem	
43157-83A	1983
423H1 - Valve Stem Cap	
41123-79	1979
423K1 - Wheel Weights	

95578-41	1941
95595-84	1984
95581-47	1947
95582-47	1947
424A1 - Wheels, Tires and Final Drive Miscellaneous Component	
43595-99	1999
425A1 - Wheel sub-component	
43335-05	2005
40865-06	2006
430D1 - Front Axle	
43895-00	2000
430E1 - Rear Axle	
41176-05	2005
41573-05	2005
41623-05	2005
431A1 - Front Tire	
43104-93A	1993
43112-91A	1991
432A1 - Rear Tire	
43264-02	2002
433A1 - Front Wheel	
43355-00	2000
43557-05	2005
43359-00	2000
43547-05A	2006
44610-05	2005
40857-05	2005
43338-00	2000
43312-05	2005
433B1 - Front Wheel Bearing Spacer	

40930-05	2005
43517-00	2000
43358-00	2000
43617-00A	2000
43613-00	2000
41084-02A	2003
433C1 - Front Wheel Hub	
43629-00A	2000
43500-05	2005
454A1 - Front Telescopic Fork	
46307-05	2005
46308-05	2005
45901-04	2004
46453-05	2005
46029-04	2004
46454-05	2005
45900-04	2004
455A1 - Front Telescopic Fork Slider	
46218-05	2005
46450-05	2005
45922-00	2000
46449-05	2005
45921-00	2000
45923-00	2000
455B1 - Front Telescopic Fork Spring	
46267-05	2005
45376-04	2004
455C1 - Front Telescopic Fork sub-component	
45374-87	1987
45395-04	2004

45461-87	1987
45361-90	1990
45460-90	1990
46002-87	1987
45938-92	1992
45905-87	1987
456C1 - Fork Lock	
48153-02A	2004
457E1 - Steering Stem Bearing Insert Cup	
48315-60	1960
48300-60	1960
458A1 - Front Suspension and Steering Miscellaneous Component	
48184-01	2001
45668-90	1990
68041-04	2004
459A1 - Upper Triple Clamp	
45966-04	2004
459B1 - Lower Triple Clamp	
46127-04	2004
46126-04	2004
470A1 - Frame	
49430-06A	2011
49431-06A	2011
31599-91	1991
49439-10	2011
472C1 - Front Fairing Support Bracket	
42972-04	2004
60204-06	2006
60203-06	2006
472D1 - Chassis Structure Miscellaneous Component	
48492-04	2004

48463-04	2004
472D2 - Chassis Structure Mounting Bracket	
59903-04	2004
59902-04	2004
66199-04	2004
47470-04	2004
474C1 - Swingarm	
47587-05	2005
475B1 - Swingarm Pivot Shaft	
41698-04	2004
41699-04	2004
41568-04	2004
500D1 - Sidestand Leg	
50116-05	2005
50185-04	2004
500E1 - Sidestand Leg sub-component	
62122-89	1989
53158-98	1998
50005-85A	1985
500F1 - Sidestand Pivot Pin	
554A	2002
505B1 - Footpeg Mount Bracket	
33048-72	1972
42651-04	2004
49315-04	2004
42652-04	2004
49314-04	2004
42971-04	2004
505D1 - Passenger Footpeg	
33032-99	1999

505K1 - Footpeg Wear Peg	
33216-99	1999
506A1 - Brake Pedal	
42969-04	2004
50912-72	1972
42812-04	2004
42685-04	2004
34581-04	2004
507A1 - Rider Interface Miscellaneous Component	
42566-04	2004
42541-04	2004
520A1 - Rider Seat or Full Seat	
51706-06	2006
51551-05	2005
52608-04	2004
51558-04	2004
51532-04	2004
51530-04	2004
51550-05	2005
521C1 - Seat Suspension Damper	
42840-04	2004
45925-04	2004
524A1 - Passenger Grab Handle	
59723-04	2004
530B1 - Tour Pak sub-component	
53486-85	1985
540B1 - Rear Shock	
54568-04	2004
54566-04	2004
54570-05	2005

540E1 - Rear Shock sub-component

54701-82	1982
----------	------

54724-04	2004
----------	------

54475-79	1979
----------	------

540L2 - Rear Suspension Mounting Bracket

42831-04A	2005
-----------	------

42836-04	2004
----------	------

558A1 - Handlebar

56004-00	2000
----------	------

56051-06	2006
----------	------

56038-05	2005
----------	------

55845-04	2004
----------	------

56085-83A	1983
-----------	------

55840-04	2004
----------	------

559D1 - Lower Handlebar Clamp

55842-04	2004
----------	------

56542-86A	1986
-----------	------

56017-04	2004
----------	------

56541-86A	1986
-----------	------

56117-82A	1982
-----------	------

56116-82A	1982
-----------	------

559E1 - Upper Handlebar Clamp

56567-86B	1986
-----------	------

56115-95	1995
----------	------

560A1 - Mirror

91840-03A	2003
-----------	------

91983-03A	2003
-----------	------

91846-03A	2003
-----------	------

91982-03A	2003
-----------	------

91845-03A	2003
-----------	------

91848-03A	2003
561A1 - Throttle Cable	
56401-96	1996
70518-04	2004
56400-96	1996
561B1 - Left Hand Grip	
56667-04	2004
561C1 - Throttle Assembly w/Grip	
56666-04	2004
561D1 - Throttle Assembly sub-component	
38653-01	2001
572E1 - Side Cover	
66251-04	2004
66273-05	2005
66272-05	2005
32707-01B	2005
66252-04	2004
573B1 - Bodywork Mounting Bracket	
59502-04	2004
59673-04	2004
589A1 - Front Fender	
58998-83C	1999
595D1 - Rear Fender	
59847-04	2004
59768-97	1997
603B1 - Belt / Chain Guard	
60435-04	2004
60367-04	2004
608A1 - Carbon Canister	
28908-04	2004

28909-04	2004
27042-84A	1995
608B1 - Carbon Canister Hose	
28912-04	2004
609A1 - Fuel Miscellaneous Component	
89586-04	2004
89579-91	1991
27047-84B	1984
610A1 - Fuel Tank	
61348-04	2004
62213-04	2004
611B1 - Fuel Cap	
61272-92B	1999
61260-04	2004
611F1 - Fuel Tank Vapor Vent Hose	
27096-04	2004
63501-68A	1968
27067-04	2004
63505-84	1984
612B2 - Fuel Valve	
62166-02	2002
62161-02	2002
62172-02	2002
62169-02A	2002
62150-85	1985
612C1 - Fuel Line	
62347-04	2004
613B1 - Horn Cover	
69012-93A	1993
614C1 - Trim	
62262-04	2004

70919-04	2004
70904-04	2004
62263-04	2004
70917-04	2004
70903-04	2004
62260-04	2004
29125-05	2005
62261-04	2004
71472-04	2004
624A1 - Oil Pump Assembly	
26204-91A	1991
624B1 - Oil Pump Assembly sub-component	
62601-91A	1991
26488-98	1998
26493-91	1991
26495-89B	1989
26437-86B	1986
62651-04	2004
33117-91A	1991
26491-98	1998
26492-91	1991
45830-48	1948
624D1 - Oil Pump Drive Gear	
26318-88A	1988
625B1 - Oil Tank	
62888-04	2004
627B1 - Oil Drain Plug	
33123-06	2006
60328-98B	1998
627E1 - Oil Filler Plug / Dipstick	

63000-04A	2004
627F1 - Oil Filter	
63796-77A	1977
63805-80A	1980
627G1 - Oil Jet	
22265-00Y	2000
627H1 - Oil Line	
62338-01Y	2001
70503-04	2004
62361-04	2004
33138-06	2006
63596-06	2006
9969	Unknown
627K1 - Oil Line Fitting	
26496-75A	1975
73206-04	2004
62375-57A	1957
73205-04	2004
63533-41A	1941
648K1 - Exhaust Miscellaneous Component	
41296-05	2005
649A1 - Muffler	
64842-04	2004
65232-04	2004
64857-04	2004
64848-04	2004
65233-04	2004
64891-04	2004
64893-04	2004
64890-04	2004

654A1 - Exhaust Shield	
64889-04	2004
64846-04	2004
64847-04	2004
655C1 - Exhaust Mounting Bracket	
65339-04	2004
64855-04	2004
65974-04A	2004
656E1 - Header Pipe	
64840-04	2004
64841-04	2004
658A1 - Exhaust Catalyst	
64853-04	2004
64854-04	2004
659A1 - Exhaust Clamp	
65302-82A	1982
659B1 - Exhaust Flange	
65184-02	2002
659C1 - Exhaust Gasket	
65324-83A	1985
660A1 - Battery	
65958-04	2004
660F1 - Negative Battery Cable	
70296-04	2004
70297-04	2004
660G1 - Positive Battery Cable	
70295-04	2004
660H1 - Positive Battery Cable Boot	
70003-04	2004
31662-90	1990
670A1 - Tachometer	

67049-04	2004
677A1 - Headlight	
68335-05	2005
67894-93	1993
67963-05	2005
69449-05	2005
68341-05	2005
69681-04A	2004
67603-94	1994
67919-96	1996
67834-83	1983
69619-02A	2002
67972-98	1998
68297-05	2005
67790-93	1993
677B1 - Headlight sub-component	
68380-05	2005
67883-04	2004
67880-94	1994
677C1 - Headlight Support Bracket	
67805-92	1992
69709-00	2000
678A1 - Taillight	
68066-99A	2004
69187-03A	2003
68792-96	1996
68369-03	2003
68830-99A	1999
68372-03	2003
68296-99A	2004

68140-04	2004
68370-03A	2003
68141-04	2004
678D1 - Turnsignal	
68975-00	2000
68265-04	2004
68480-02	2002
68978-00	2000
68977-00	2000
68972-00	2000
56104-02	2002
68516-95	1995
678E1 - Turnsignal Lens	
68973-00	2000
68979-00	2000
68976-00	2000
679B1 - Reflector	
59254-91	1991
59287-92	1992
59482-00	2000
59481-00	2000
59288-92	1992
59988-72A	1972
679D1 - License Plate Bracket	
60001-55	1955
59986-75	1975
59984-73	1973
680C1 - Incandescent Bulb	
68572-64B	1964
68168-89A	1989

68024-94	1994
68163-84	1984
68329-03	2003
68167-04	2004
53438-92	1992
690C1 - Horn	
69043-96A	1996
69060-90D	1990
692C1 - Electrical Miscellaneous Component	
68382-96	1996
68715-96	1996
68423-96	1996
71552-94	1994
72189-04	2004
72237-94	1994
72176-94	1994
68513-95	1995
692C2 - Electrical Mounting Bracket	
66476-04	2004
16355-04	2004
69123-92	1992
67085-95	1995
16354-04	2004
69135-04	2004
67053-95	1995
66194-04B	2004
69120-91	1991
67103-95	1995
67089-05	2005
67320-95	1995

67338-97	1997
66523-06	2006
66524-06	2006
69062-91A	1991
692D1 - Fuse	
72318-04	2004
72330-95	1995
692E1 - Fuse / Relay Block	
72431-00	2000
692E2 - Fuse / Relay Block Cover	
73302-04	2004
692F1 - Wire Harness	
73207-06	2006
68899-04	2004
70227-99	1999
68813-04	2004
68811-04	2004
70139-06	2006
55844-04	2004
68814-04	2004
692G1 - Conduit / Sheathing / Sleeving	
72268-94	1994
72266-94	1994
692G2 - Wire Guide	
29950-91	1991
29984-06	2006
27580-88	1988
692H1 - Connector	
73152-96BK	1996
74149-98	1998
70586-93	1993

72119-94BK	1994
72233-94	1994
72159-94	1994
72116-94BK	1994
72144-94	1994
72100-04	2004
27250-96A	1996
72179-94	1994
72124-94GY	1994
9848	Unknown
9847	Unknown
67184-94	1994
72136-94GY	1994
72260-04	2004
29312-95	1995
72156-94	1994
72139-94GY	1994
72234-94	1994
68650-92	1992
72126-94GY	1994
72131-04	2004
70587-93	1993
72064-06	2006
73301-04	2004
72516-01	2001
72130-04	2004
72199-94	1994
692H2 - Terminal	
72235-94	1994
72236-94	1994

72289-04	2004
72213-94	1994
9898	Unknown
72290-94	1994
72427-00	2000
72291-94	1994
9937	Unknown
72094-06	2006
72434-00	2000
74190-98	1998
74194-98	1998
72445-99TN	1999
692K1 - Connector / Terminal Seal	
72238-94	1994
68904-00	2000
74193-98	1998
73303-04	2004
74197-04	2004
68905-00	2000
692L1 - Wire Harness sub-component	
74191-98	1998
70345-84	1984
74152-98	1998
73204-04	2004
72195-94	1994
72231-98	1998
72214-94	1994
70504-81	1981
73190-96	1996
10289	Unknown

73156-96BK	1996
73106-96BK	1996
70598-99	1999
73152-96WE	1996
72230-98	1998
74109-98BK	1998
74195-98	1998
73203-04	2004
10200	Unknown
72106-94BK	1994
72405-98BK	1998
73191-96	1996
72146-94	1994
74159-98	1998
72190-94	1994
72096-06	2006
74119-98BK	1998
73104-96BK	1996
73305-04	2004
72056-92	1992
72295-94	1994
70578-89	1989
72191-94	1994
74112-98BK	1998
73154-96BK	1996
709B1 - Instrument Cluster or Speedometer	
67436-04	2004
67041-04	2004
67345-97	1997
67344-97	1997
67416-04	2004

67121-95	1995
67037-04	2004
67290-04	2004
67415-04	2004
709E1 - Tank Console	
71276-04	2004
714A1 - Ignition Switch	
48151-99A	2004
71441-94	1994
714B1 - Mechanical Switch	
33900-99	1999
67450-99	1999
715A1 - Hand Control	
71510-04	2004
71564-96	1996
55846-05A	2005
71563-96	1996
71590-96	1996
71567-96	1996
71568-96	1996
747A1 - Voltage Regulator	
74523-04	2004
903B1 - Key or Key-set	
61459-97	1997
71451-94A	1994
903C1 - Key Transponder	
68926-00	2000
68939-00	2000
68927-00	2000

AUDIO & INSTRUMENTATION

[View interactive table](#)

PART NO.	DESCRIPTION	PART AND MODEL(S)
67880-94	BOOT	SPEEDOMETER & TACHOMETER - 883/883L/883R/1200L/1200R: XL883 XL1200R XL883L XL883R XL1200L SPEEDOMETER - 883C/1200C: XL1200C XL883C

BEARINGS, SEALS & HARDWARE

[View interactive table](#)

PART NO.	DESCRIPTION	PART AND MODEL(S)
10014	CLAMP	CARBURETOR: All Models FUEL TANK: All Models OIL TANK & FILTER: All Models
10080	CLAMP	CRANKCASE: All Models OIL TANK & FILTER: All Models
11105	O-RING	INSPECTION COVER & PRIMARY COVER: All Models
11171	O-RING	INSPECTION COVER & PRIMARY COVER: All Models
11304	RETAINING RING	SHIFTER - 883C/1200C: XL1200C XL883C REAR BRAKE CONTROL - 883/883L/883R/1200L/1200R: XL883 XL1200R XL883L XL883R XL1200L REAR BRAKE CONTROL - 883C/1200C: XL1200C XL883C FOOTRESTS: All Models
11379	RETAINING RING	CLUTCH CONTROL: All Models FRONT BRAKE CONTROL: All Models
12074	OIL SEAL	TRANSMISSION GEARS: All Models
16715-83	STUD	CYLINDER, HEAD, & VALVES - V2™ EVOLUTION: All Models
25463-94A	GASKET	INSPECTION COVER & PRIMARY COVER: All Models
26995-86B	SEAL	CARBURETOR: All Models

2952A	SCREW	<u>SEATS: All Models</u>
3275	SCREW	<u>CARBURETOR: All Models</u>
34986-04	GASKET	<u>INSPECTION COVER & PRIMARY COVER: All Models</u>
3655A	SCREW	<p>FRONT WHEEL - CAST: <u>XL883</u> <u>XL1200R</u> <u>XL883L</u> <u>XL883R</u> <u>XL1200L</u></p> <p>FRONT WHEEL - LACED & PROFILE LACED: <u>XL883</u> <u>XL883C</u> <u>XL883L</u> <u>XL883R</u> <u>XL1200C</u> <u>XL1200L</u></p> <p>FRONT WHEEL - LACED & PROFILE LACED: <u>XL1200R</u></p>
3658	SCREW	<p>HANDLEBAR & THROTTLE CONTROL - 883/883L/883R/1200L/1200R: <u>XL883</u> <u>XL1200R</u> <u>XL883L</u> <u>XL883R</u> <u>XL1200L</u></p> <p>HANDLEBAR & THROTTLE CONTROL - 883C/1200C: <u>XL1200C</u> <u>XL883C</u></p> <p>HORN: <u>XL883</u> <u>XL883C</u> <u>XL1200R</u> <u>XL883L</u> <u>XL883R</u> <u>XL1200L</u></p> <p><u>HANDLEBAR SWITCHES: All Models</u></p>
4132	SCREW	<u>OIL PUMP: All Models</u>
43567-92	SCREW	<p><u>REAR WHEEL - CAST: All Models</u> <u>REAR WHEEL - LACED & PROFILE LACED: All Models</u></p>
45378-87	OIL SEAL	<u>FRONT FORK: All Models</u>
45405-75A	SCREW	<u>FRONT FORK: All Models</u>
4740A	SCREW	<u>GEARCASE & COVER: All Models</u>
48300-60	ROLLER BEARING	<u>STEERING HEAD BRACKET ASSEMBLY: All Models</u>
59768-97	FENDER SEAT NUT KIT	<u>REAR FENDER & BELT GUARDS: All Models</u>
63858-49	WASHER	<u>ROCKER ARMS, COVERS, & PUSH RODS - V2™: All Models</u>
6516HW	WASHER	<p><u>BELTS & SPROCKETS: All Models</u> <u>REAR WHEEL - CAST: All Models</u></p>

[REAR WHEEL - LACED & PROFILE LACED: All Models](#)

65325-83A	RETAINING RING	EXHAUST SYSTEM: All Models
65927-00	GASKET	EXHAUST SYSTEM: All Models
6702	WASHER	REAR BRAKE MASTER CYLINDER: All Models <i>HANDLEBAR & THROTTLE CONTROL -</i> 883/883L/883R/1200L/1200R: XL883 XL1200R XL883L XL883R REAR FENDER & BELT GUARDS: All Models FUEL TANK: All Models <i>HEADLAMP & MIRROR - 883/883L/883R/1200L/1200R:</i> XL883 XL1200R XL883L XL883R XL1200L
7041	LOCKWASHER	<i>HORN:</i> XL1200C
7593	NUT	EXHAUST SYSTEM: All Models
8692	RIVET	REAR FENDER & BELT GUARDS: All Models
9247	WHEEL BEARING	REAR WHEEL - CAST: All Models REAR WHEEL - LACED & PROFILE LACED: All Models
9267	ROLLER BEARING	<i>FRONT WHEEL - CAST:</i> XL883 XL1200R XL883L XL883R XL1200L FRONT WHEEL - LACED & PROFILE LACED: All Models
943	SCREW	INSPECTION COVER & PRIMARY COVER: All Models
9955	CLAMP	EXHAUST SYSTEM: All Models

CHASSIS & COMPONENTS

[View interactive table](#)

PART NO.	DESCRIPTION	PART AND MODEL(S)
50005-85A	SPRING	FRAME, REAR FORK, & JIFFY STAND: All Models

ELECTRICAL

[View interactive table](#)

PART NO.	DESCRIPTION	PART AND MODEL(S)
----------	-------------	-------------------

70345-84

RETAINER

HANDLEBAR & THROTTLE CONTROL -

883/883L/883R/1200L/1200R:

[XL883](#)[XL1200R](#)[XL883L](#)[XL883R](#)[XL1200L](#)

HANDLEBAR & THROTTLE CONTROL - 883C/1200C:

[XL1200C](#)[XL883C](#)[HANDLEBAR SWITCHES: All Models](#)

72330-95

FUSE

[WIRING HARNESS, MAIN: All Models](#)[SWITCHES & CIRCUIT BREAKERS: All Models](#)

ENGINE, TRANSMISSION & PRIMARY

[View interactive table](#)

PART NO.	DESCRIPTION	PART AND MODEL(S)
37909-90	RETAINING RING	CLUTCH: All Models
37911-90	FRICITION PLATE	CLUTCH: All Models

INTAKE, EXHAUST & FUEL MGMT

[View interactive table](#)

PART NO.	DESCRIPTION	PART AND MODEL(S)
27002-89	SEAL RING	CARBURETOR: All Models
27361-76A	DIAPHRAGM	CARBURETOR (CONTINUED): All Models
29229-88D	CARBURETOR ENRICHENER CABLE	AIR CLEANER & ENRICHENER: All Models
29331-04	FILTER ELEMENT	AIR CLEANER & ENRICHENER: All Models

LIGHTING

[View interactive table](#)

PART NO.	DESCRIPTION	PART AND MODEL(S)
68168-89A	BULB	TURN SIGNALS: All Models
68329-03	BULB	HEADLAMP & MIRROR - 883/883L/883R/1200L/1200R: XL883 XL1200R XL883L XL883R XL1200L HEADLAMP & MIRROR - 883C/1200C: XL1200C XL883C

68572-64B BULB

[TURN SIGNALS: All Models](#)

68973-00 LENS

[TURN SIGNALS: All Models](#)

MAINTENANCE & TOOLS

View interactive table

PART NO.	DESCRIPTION	PART AND MODEL(S)
32362-04	SPARK PLUG	ELECTRONIC IGNITION SYSTEM: All Models
63796-77A	OIL FILTER	OIL TANK & FILTER: XL1200C
63805-80A	OIL FILTER	OIL TANK & FILTER: XL883 XL883C XL1200R XL883L XL883R XL1200L
95582-47	WHEEL WEIGHT	FRONT WHEEL - LACED & PROFILE LACED: All Models REAR WHEEL - LACED & PROFILE LACED: All Models

TIRES

View interactive table

PART NO.	DESCRIPTION	PART AND MODEL(S)
40558-82	INNER TUBE	REAR WHEEL - LACED & PROFILE LACED: XL883 XL883R XL1200R XL883L XL1200L
40575-05	INNER TUBE	REAR WHEEL - LACED & PROFILE LACED: XL883C XL1200C
43104-93A	TIRE	FRONT WHEEL - LACED & PROFILE LACED: XL1200C XL883C
43112-91A	TIRE	FRONT WHEEL - CAST: XL883 XL1200R XL883L XL883R XL1200L FRONT WHEEL - LACED & PROFILE LACED: XL883 XL1200R XL883R

[XL883L](#)
[XL1200L](#)

43140-80 INNER TUBE *FRONT WHEEL - LACED & PROFILE LACED:*
[XL1200C](#)
[XL883C](#)

43147-40 RIM FLAP *REAR WHEEL - LACED & PROFILE LACED:*
[XL883](#)
[XL883R](#)
[XL1200R](#)
[XL883L](#)
[XL1200L](#)

43157-83A VALVE STEM ASSEMBLY *FRONT WHEEL - CAST:*
[XL883](#)
[XL1200R](#)
[XL883L](#)
[XL883R](#)
[XL1200L](#)
[REAR WHEEL - CAST: All Models](#)

43164-05 RIM FLAP *REAR WHEEL - LACED & PROFILE LACED:*
[XL883C](#)
[XL1200C](#)

43264-02 TIRE **[REAR WHEEL - CAST: All Models](#)**
[REAR WHEEL - LACED & PROFILE LACED: All Models](#)

43939-89 RIM FLAP *FRONT WHEEL - LACED & PROFILE LACED:*
[XL1200C](#)
[XL883C](#)