

2005 Sportster Models Parts Catalog

Alphabetical List

Parts

Hardware List

New Parts List

Numerical Index

Component Types and Introduction Dates

Common Service Parts

READER'S COMMENTS

The Harley-Davidson Service Communications Department maintains a continuous effort to improve the quality and usefulness of its publications. To do this effectively, we need user feedback - your critical evaluation of this manual.

Please comment on the completeness, accuracy, organization, usability, and readability of this manual.

Please list the page, item, and part number(s) of any errors you find in this manual.

Please tell us how we can improve this manual.

Name	Document 99451-05B
Occupation	Dealership

GENERAL INFORMATION

THIS IS NOT AN ASSEMBLY MANUAL AND SHOULD NOT BE USED AS SUCH.

About this manual

This Parts Catalog has been prepared to make it easier for you to order parts for your motorcycles. The numbers shown in the illustrations correspond to the numbers in the "INDEX NO." column in the parts lists. Consult the illustrations when ordering parts to make sure that you receive all the required parts. The number in parentheses following the part description is the quantity needed for complete assembly. If there is no number in parentheses, only one is used. Prices of parts in this catalog are published separately.

When ordering parts, the following instructions should be followed carefully.

- Make sure to specify the correct part number for each item. The part numbers appear under the "PART NO." column in the parts lists.
- Orders may be placed via your computer for all parts. Review your system documentation on placing orders electronically. All non-warranty replacement crankcase orders require return of the complete left crankcase half with vehicle identification number (VIN). All non-warranty replacement frame orders require return of the steering neck with vehicle identification number (VIN). Non-compliance will result in a fine. See non-warranty frame and crankcase policy or contact Dealer Services.
- The sale or use of these parts or accessories does not grant the purchaser a license or other right under any Harley-Davidson patent.
- For all 2008 and later painted parts, refer to the Service Section of h-dnet.com which features a listing of painted part numbers, except CVO (Custom Vehicle Operations) models which are located in their own respective catalogs.
- All parts that were added for the new model year will have the entire line shaded on the parts list page. This can be used to identify any new parts that are unique to a specific model, and help distinguish new and previous model year parts.
- Parts marked "**RESTRICTED SALE PART**" are limited edition items and can only be ordered as direct replacements.
- Orientation symbols are used when the illustration is not in the standard "Right-Front" orientation. The

symbol is a motorcycle with an arrow in the front indicating the direction of view. The symbol is at the bottom left or right side of the illustration page.

- To request a missing or loose part, simply submit a Return Material Authorization (RMA) claim on h-dnet.com with code "T-part not included with vehicle" for all vehicle missing parts claims. Then place an order for the missing item on your next Parts and Accessories order. Upon filing the RMA claim, your dealership will be credited for the dealer net cost of the part. The Vehicle Identification Number must be included on the RMA claim in order for you to receive credit. This process is to be used for vehicles manufactured at all plants.

To the best knowledge of Harley-Davidson Motor Company, the material contained herein is accurate as of the date this publication was approved for printing. Harley-Davidson Motor Company reserves the right to change specifications, equipment or designs at any time without notice and without incurring obligation.

2018 TFD.

GENERAL INFORMATION

LOOSE PARTS

The Loose Parts section is located at the back of this parts catalog. This section lists the parts which are shipped unfastened with the vehicles covered in this catalog.

HARDWARE LIST

The Hardware List is located at the back of this parts catalog. This section contains the information for each piece of hardware found in each parts list.

NEW PARTS LIST

The New Parts List is located at the back of this parts catalog. This list serves as a summary of new parts.

NUMERICAL INDEX

The Numerical Index is located at the back of this parts catalog. This index includes all part numbers used in this catalog and the page numbers of where they can be found.

COMPONENT TYPES AND INTRODUCTION DATES

The Component Types and Introduction Dates section is located at the back of this parts catalog. This section contains a list of component part numbers and year of introduction.

COMMON SERVICE PARTS

The Common Service Parts section is located at the back of this parts catalog. This section contains the most commonly ordered parts for service on vehicles covered in this catalog. These parts are ordered through the normal ordering process.

IF (SERVICE INFORMATION PORTAL)

For the latest updates to these manuals, see the Service Information Portal.

VEHICLE IDENTIFICATION NUMBER

See Figure 1. A unique 17-digit serial, or vehicle identification number (VIN), is assigned to each motorcycle. For a description of each digit in the vehicle identification number (VIN), refer to Table 1.

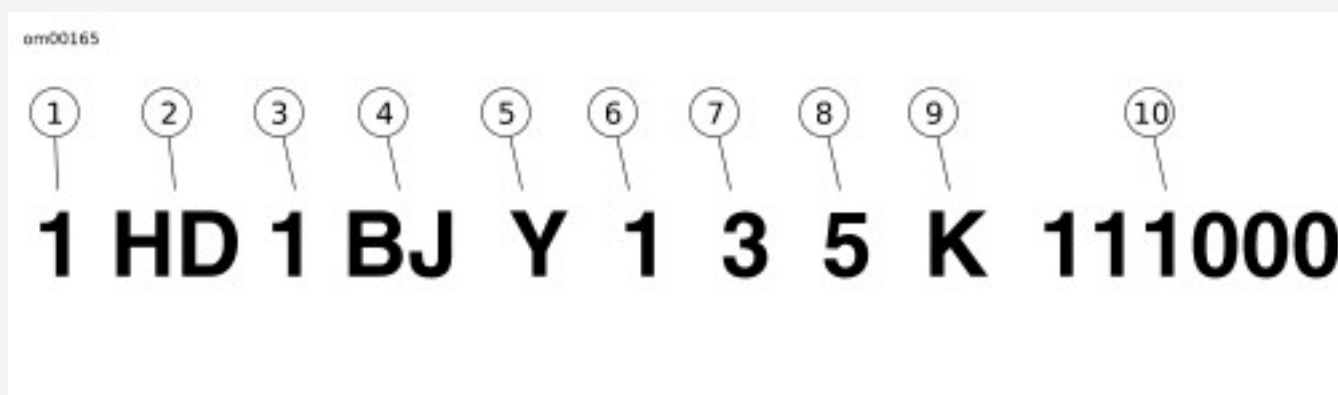
For all models except V-Rod the full 17-digit serial, or vehicle identification number (VIN), is stamped on the right side of the frame backbone at the rear of the steering head. The vehicle identification number (VIN) is also printed on a label on the right front downtube. An abbreviated vehicle identification number (VIN) is stamped on the left side crankcase between the front and rear cylinders.

For V-Rod models only the full 17-digit serial, or vehicle identification number (VIN), is stamped on the right side of the steering head. The vehicle identification number (VIN) is also printed on a label on the left frame tube above the front engine cylinder. An abbreviated vehicle identification number (VIN) is stamped on the left side crankcase below the rear cylinder head.

Always give the full 17-digit vehicle identification number (VIN) when ordering parts or making any inquiry about your motorcycle.

005 SPORTSTER MODELS

VIN MODEL CODES



[View interactive image](#)

Figure 1. Typical Harley-Davidson VIN

Table 1. Harley-Davidson VIN Breakdown

POSITION	DESCRIPTION	POSSIBLE VALUES
1	Market designation	1=Domestic 5=International
2	Manufacturer	HD=Harley-Davidson
3	Motorcycle type	1=Heavyweight motorcycle 4=Middleweight motorcycle
4	Model	See model table
5	Engine type	M=883cc P=1200cc
6	Introduction date	1=Regular 2=Mid-year 3=California 4=Special Edition 5=Special Edition Cal. Only

7	V.I.N. check digit	Can be 0-9 or X
8	Model year	5=2005
9	Assembly plant	K=Kansas City, MO
10	Sequential number	varies

Table 2. VIN Model Codes

CODE	MODEL NAME
CA	XL883
CJ	XL883C Custom
CM	XL883L Low
CK	XL883R
CL	XL1200R Roadster
CG	XL1200C Custom

NOTES

AIR CLEANER & ENRICHENER

AIR FILTER

ALTERNATOR & REGULATOR

AXLE, FRONT

AXLE, FRONT

AXLE, REAR

AXLE, REAR

BATTERY

BATTERY CABLES

BATTERY TRAY

BELTS & SPROCKETS

BRACKET, CHOKE

BRACKET, SPEEDOMETER - 883, 883L, 883R, 1200R

BRACKET/CLIP, TURN SIGNAL CANCELLER

BRAKE CALIPER - FRONT

BRAKE CALIPER - REAR

BRAKE DISC, FRONT

BRAKE DISC, FRONT

BRAKE DISC, REAR

BRAKE DISC, REAR

BRAKELINE - FRONT

BRAKELINE - REAR

CAM BUSHINGS

CAM GEARS
CARBURETOR (1 OF 2)
CARBURETOR (2 OF 2)
CHAIN, PRIMARY
CLUTCH
CLUTCH CONTROL
COIL, IGNITION
COVER, OIL TANK
CRANKCASE
CYLINDER, HEAD & VALVES - V2™ EVOLUTION (1 OF 2)
CYLINDER, HEAD & VALVES - V2™ EVOLUTION (2 OF 2)
DECALS, FUEL TANK
ELECTRONIC IGNITION SYSTEM
ENGINE ASSEMBLY
ENGINE ASSEMBLY
ENGINE MOUNTS
EVAPORATIVE EMISSIONS KIT
EXHAUST SYSTEM
FENDER, FRONT
FENDER, REAR
FLYWHEELS
FOOTRESTS
FORK, FRONT
FORK, REAR
FRAME, REAR FORK & JIFFY STAND
FRONT BRAKE CALIPER
FRONT BRAKE CONTROL
FRONT FENDER
FRONT FORK
FRONT WHEEL - CAST
FRONT WHEEL - LACED & PROFILE LACED
FUEL FILTER
FUEL LINES
FUEL TANK
FUEL TANK TRIM
FUEL VALVE
GASKET KITS
GEARCASE & COVER
HANDLEBAR & THROTTLE CONTROL - 883/883L/883R/1200R
HANDLEBAR & THROTTLE CONTROL - 883C/1200C
HANDLEBAR SWITCHES
HEADLAMP & MIRROR - 883/883L/883R/1200R
HEADLAMP & MIRROR - 883C/1200C
HORN
IGNITION MODULE
INDICATOR LAMPS - 883, 883L, 883R, 1200R
INDICATOR LAMPS - 883C, 1200C
INSPECTION COVER & PRIMARY COVER
INSPECTION COVER
INTAKE MANIFOLD
INTERCONNECT, EXHAUST

LEVER, TRANSMISSION GEAR SHIFT - 883, 883L, 883R, 1200R

LEVER, TRANSMISSION GEAR SHIFT - 883C, 1200C

LICENSE PLATE BRACKET

MAIN WIRING HARNESS (1 OF 2)

MAIN WIRING HARNESS (2 OF 2)

MAP SENSOR

MASTER CYLINDER, FRONT

MASTER CYLINDER, REAR

MIRRORS

MODULE, IGNITION

MODULE, SECURITY SYSTEM

MOUNTS, ENGINE

OIL JET

OIL PUMP

OIL PUMP DRIVE GEAR

OIL TANK & FILTER

PISTONS, CONNECTING RODS & FLYWHEELS

PRIMARY COVER

PUSH RODS AND COVERS

REAR BRAKE CALIPER

REAR BRAKE CONTROL - 883/883L/883R/1200R

REAR BRAKE CONTROL - 883C/1200C

REAR BRAKE MASTER CYLINDER

REAR FENDER & BELT GUARDS

REAR WHEEL - CAST

REAR WHEEL - LACED & PROFILE LACED

REGULATOR, VOLTAGE

RELAY, STARTER

RIMS, FRONT AND REAR

ROCKER ARMS, COVERS & PUSH RODS - V2™

SEATS

SHIFTER - 883/883L/883R/1200R

SHIFTER - 883C/1200C

SHOCK ABSORBERS

SIDE COVER MODULE

SPARK PLUGS

SPEED SENSOR

SPEED SENSOR

SPEEDOMETER & TACHOMETER - 883/883L/883R/1200R

SPEEDOMETER - 883C/1200C

SPROCKETS

STARTER MOTOR

STEERING HEAD BRACKET ASSEMBLY

SWING ARM

SWITCHES & CIRCUIT BREAKERS

SWITCHES, IGNITION

TAIL LAMP

TAPPETS

THROTTLE CONTROL - 883, 883L, 883R & 1200R

THROTTLE CONTROL - 883C & 1200C

TRANSMISSION GEARS

TURN SIGNALS

VALVES & GUIDES

VOLTAGE REGULATOR

WHEELS, FRONT - CAST

WHEELS, FRONT - LACED & PROFILE LACED

WHEELS, REAR - CAST

WHEELS, REAR - LACED & PROFILE LACED

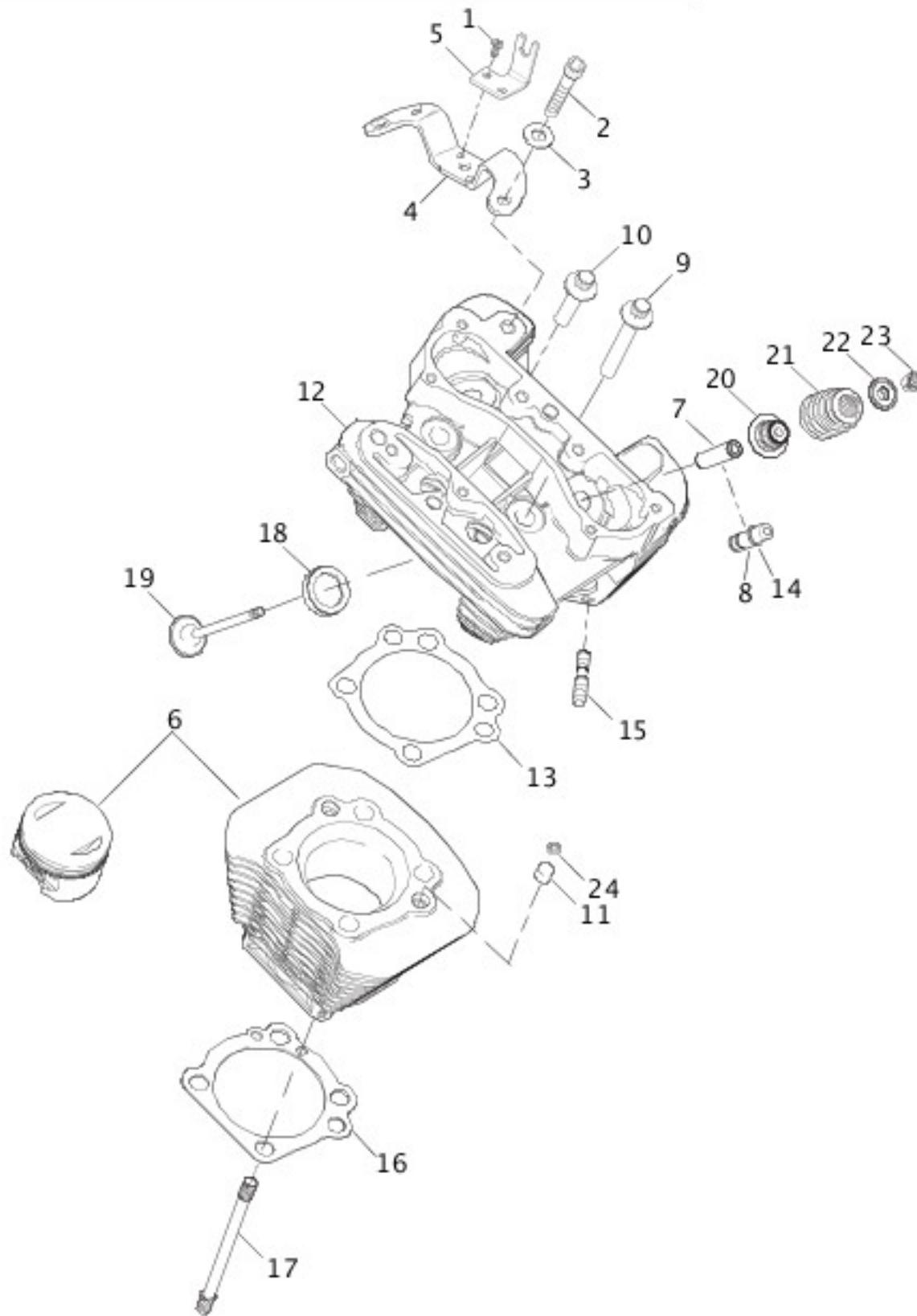
WIRING HARNESS, MAIN

WIRING HARNESS, MAIN

Parts

CYLINDER, HEAD & VALVES - V2™ EVOLUTION (1 OF 2)

CYLINDER, HEAD & VALVES - V²TM EVOLUTION



[View interactive image](#)

[View interactive table](#)

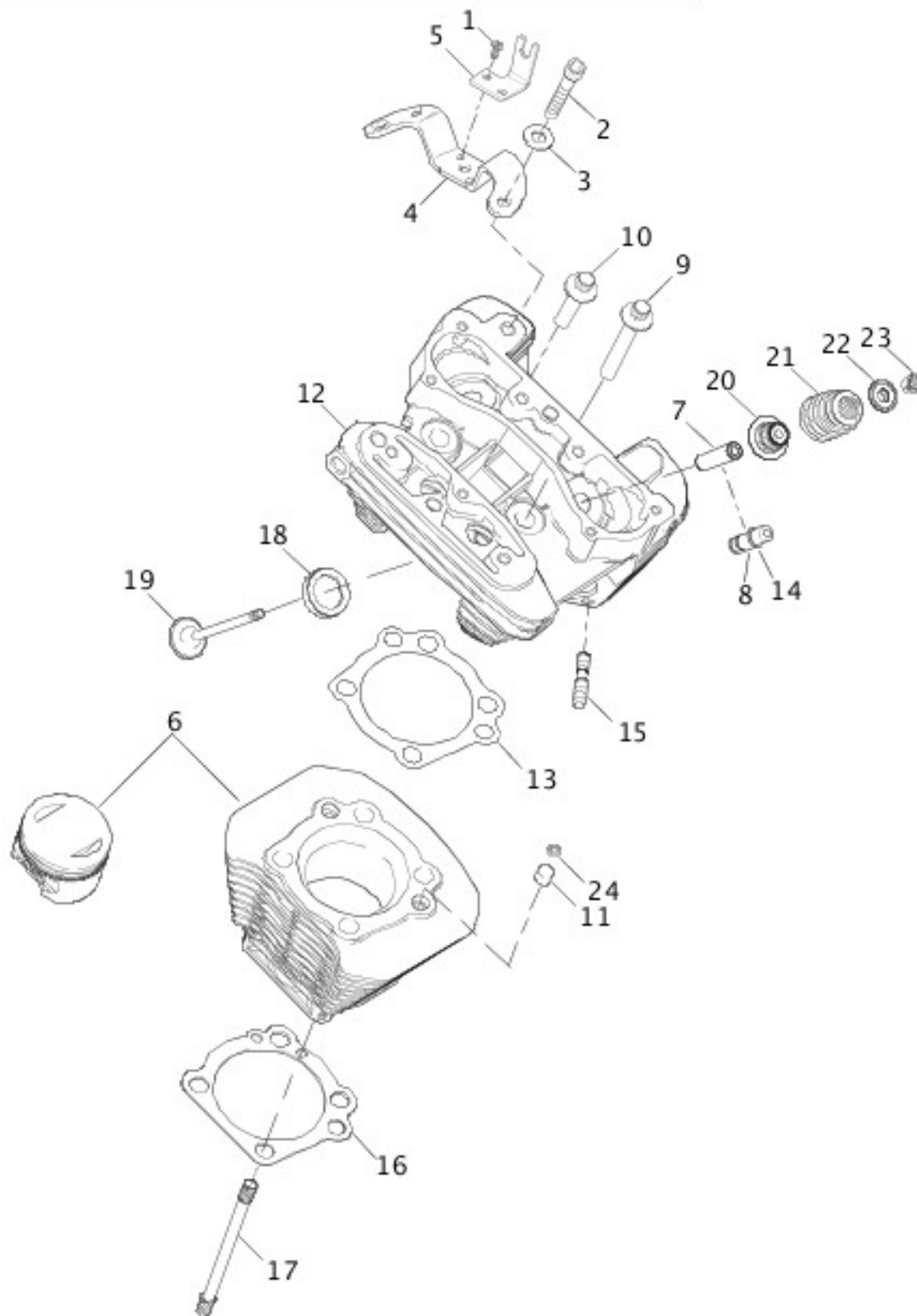
INDEX NO.	PART NO.	DESCRIPTION	MODEL(S)
	19272-06	ENGINE ASSEMBLY (883cc) (DOMESTIC, CANADA, CALIFORNIA)	XL883
	19276-06	ENGINE ASSEMBLY (883cc) (DOMESTIC, CANADA, CALIFORNIA)	XL883C

	19278-05	ENGINE ASSEMBLY (1200cc) (DOMESTIC, CANADA, CALIFORNIA)	XL1200C
	19281-05	ENGINE ASSEMBLY (1200cc) (DOMESTIC, CANADA, CALIFORNIA)	XL1200R
	19500-05	ENGINE ASSEMBLY (883cc) (DOMESTIC, CANADA, CALIFORNIA)	XL883L
	19563-05	ENGINE ASSEMBLY (883cc) (DOMESTIC, CANADA, CALIFORNIA)	XL883R
1	3026	SCREW (2)	XL1200R, XL883, XL883C, XL883L, XL883R
2	4748	SCREW (2)	ALL
3	6787	WASHER (2)	ALL
4	16353-04	BRACKET, center engine mount	ALL
5	16354-04	BRACKET, choke	XL1200R, XL883, XL883C, XL883L, XL883R
6	16443-04	CYLINDER, w/ piston (883 cc) (silver) (2)	XL883, XL883C, XL883L
	16452-05	CYLINDER, w/ piston (883 cc) (black) (2)	XL883R
	16463-04	CYLINDER, w/ piston (1200 cc) (black) (2)	XL1200C, XL1200R
7	16461-02	VALVE GUIDE, intake and exhaust (use 16465-06) (4)	ALL
8	16465-06	VALVE GUIDE, intake and exhaust, w/ 16699-06 (replaces 16461-02) (4)	ALL
9	16478-85A	SCREW, internal thread (4)	ALL
10	16480-92A	SCREW, internal thread (4)	ALL
11	16573-83A	DOWEL (4)	ALL
12	16660-04	HEAD, rear cylinder (883 cc) (silver) - w/ valve guides & seats	XL883, XL883C, XL883L
	16661-04	HEAD, front cylinder (883 cc) (silver) - w/ valve guides & seats	XL883, XL883C, XL883L
	16666-04	HEAD, rear cylinder (1200 cc) (black) - w/ valve guides & seats	XL1200C, XL1200R
	16667-04	HEAD, front cylinder (1200 cc) (black) - w/ valve guides & seats	XL1200C, XL1200R
	16865-05	HEAD, rear cylinder (883 cc) (black) - w/ valve guides & seats	XL883R

	16867-05	HEAD, front cylinder (883 cc) (black) - w/ valve guides & seats	XL883R
13	16664-86D	GASKET, cylinder head (2)	XL883, XL883C, XL883L, XL883R
	16770-84F	GASKET, cylinder head (2)	XL1200C, XL1200R
14	16699-06	SNAP RING (used w/ 16465-06) (4)	ALL
15	16715-83	STUD, exhaust port (4)	ALL
16	16774-86D	GASKET, cylinder base (2)	ALL
17	16832-86C	STUD, cylinder base (8)	ALL
	17027-04B	GASKET KIT, engine overhaul (not illustrated)	ALL
	17049-04A	GASKET KIT, top overhaul (not illustrated)	ALL

CYLINDER, HEAD & VALVES - V2™ EVOLUTION (2 OF 2)

CYLINDER, HEAD & VALVES - V²TM EVOLUTION



[View interactive image](#)

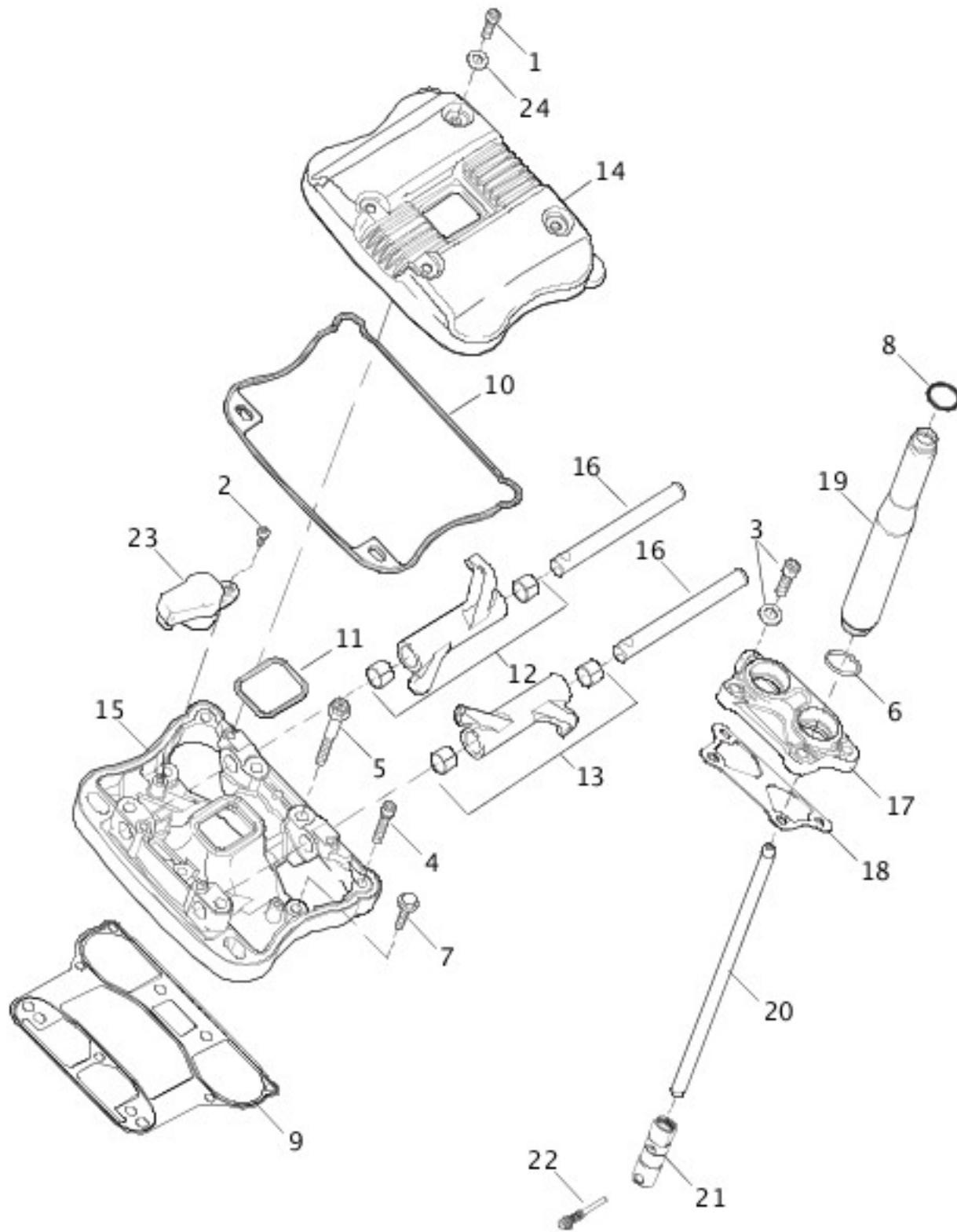
[View interactive table](#)

INDEX NO.	PART NO.	DESCRIPTION	MODEL(S)
18	18011-86	INSERT, exhaust valve seat (2)	XL1200C, XL1200R
	18012-87A	INSERT, exhaust valve seat (2)	XL883, XL883C, XL883L, XL883R
	18020-83	INSERT, intake valve seat (2)	XL1200C, XL1200R
	18021-87A	INSERT, intake valve seat (2)	XL883, XL883C, XL883L, XL883R

19	18053-04	INTAKE VALVE, 7mm (2)	XL883, XL883C, XL883L, XL883R
	18690-02	INTAKE VALVE, 7mm (2)	XL1200C, XL1200R
	18059-04	EXHAUST VALVE, 7mm (2)	XL883, XL883C, XL883L, XL883R
	18691-02	EXHAUST VALVE, 7mm (2)	XL1200C, XL1200R
20	18094-02A	SEAL, valve (4)	ALL
21	18245-02	VALVE SPRING (4)	ALL
22	18258-02	COLLAR, valve spring - upper (4)	ALL
23	18260-02	KEEPER, valve collar (8)	ALL
24	26432-76A	O-RING, cylinder stud insert (4)	ALL
INTERNATIONAL MODELS ONLY			
	19502-05	ENGINE ASSEMBLY (883cc) (JAPAN)	XL883L
	19273-05	ENGINE ASSEMBLY (883cc) (HDI)	XL883
	19501-05	ENGINE ASSEMBLY (883cc) (HDI)	XL883L
	19279-05	ENGINE ASSEMBLY (1200cc) (HDI)	XL1200C
	19275-05	ENGINE ASSEMBLY (883cc) (HDI)	XL883C
	19280-05	ENGINE ASSEMBLY (1200cc) (JAPAN)	XL1200C
	19277-05	ENGINE ASSEMBLY (883cc) (JAPAN)	XL883C
	19274-05	ENGINE ASSEMBLY (883cc) (JAPAN)	XL883
	19282-05	ENGINE ASSEMBLY (1200cc) (HDI)	XL1200R
	19283-05	ENGINE ASSEMBLY (1200cc) (JAPAN)	XL1200R
	19564-05	ENGINE ASSEMBLY (883cc) (HDI)	XL883R
	19565-05	ENGINE ASSEMBLY (883cc) (JAPAN)	XL883R

ROCKER ARMS, COVERS & PUSH RODS - V2™

ROCKER ARMS, COVERS & PUSH RODS – V 2™



[View interactive image](#)

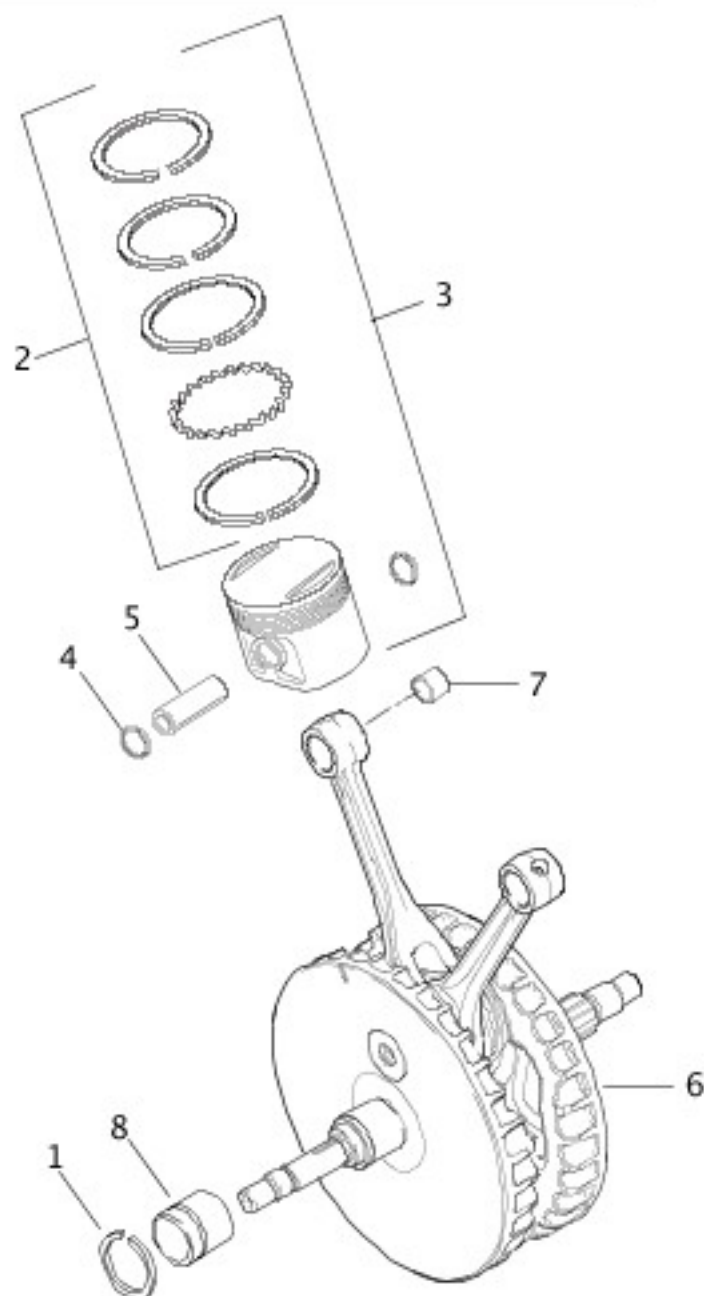
[View interactive table](#)

INDEX NO.	PART NO.	DESCRIPTION	MODEL(S)
1	882	SCREW (8)	ALL
2	2441	SCREW, pan head (2)	ALL
3	4741A	SCREW (8)	ALL
4	4718A	SCREW, w/ washer (4)	ALL

5	1039	SCREW (8)	ALL
6	11377	O-RING (4)	ALL
7	3849	SCREW, w/ washer (6)	ALL
8	11190	O-RING, push rod cover-upper (4)	ALL
9	16800-84A	GASKET, rocker box (2)	ALL
10	17353-89C	GASKET, rocker cover - lower (2)	ALL
11	17358-84B	GASKET, rocker cover - inner (2)	ALL
12	17360-83A	ROCKER ARM, front intake & rear exhaust (2)	ALL
13	17375-83A	ROCKER ARM, front exhaust & rear intake (2)	ALL
14	17501-04	ROCKER COVER, outer (polished) (2)	XL883, XL883C, XL883L
	17551-04	ROCKER COVER, outer (chrome) (2)	XL1200C
	17527-04	ROCKER COVER, outer (silver) (2)	XL1200R
	17655-05	ROCKER COVER, outer (black) (2)	XL883R
15	17532-86E	ROCKER COVER, inner (polished) (2)	XL883, XL883C, XL883L
	17537-96C	ROCKER COVER, inner (chrome) (2)	XL1200C
	17614-98C	ROCKER COVER, inner (silver) (2)	XL1200R, XL883R
16	17611-83	SHAFT, rocker arm (4)	ALL
17	17972-04	TAPPET COVER, front	ALL
	17981-04	TAPPET COVER, rear	ALL
18	17976-04	GASKET, tappet cover (2)	ALL
19	17946-04	COVER, push rod (chrome) (4)	ALL
20	17908-02	PUSH ROD, exhaust (2)	ALL
	17909-02	PUSH ROD, intake (2)	ALL
21	18538-99B	TAPPET, w/ roller (4)	ALL
22	18532-00A	SCREW, anti-rotation (4)	ALL
23	26010-04	BREATHER, front	ALL
	26011-04	BREATHER, rear	ALL
24	63858-49	WASHER (8)	ALL

PISTONS, CONNECTING RODS & FLYWHEELS

PISTONS, CONNECTING RODS & FLYWHEELS



[View interactive image](#)

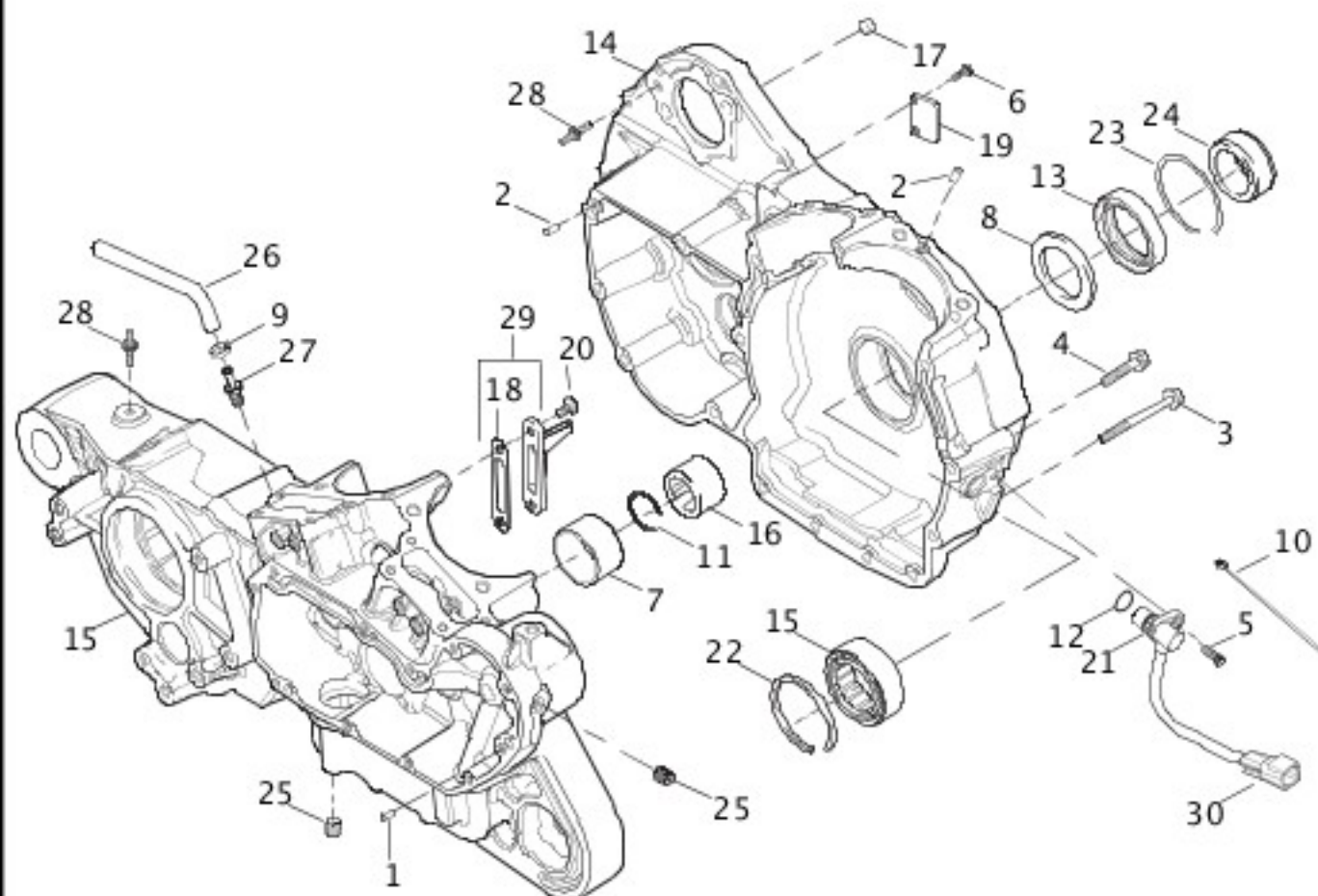
[View interactive table](#)

INDEX NO.	PART NO.	DESCRIPTION	MODEL(S)
1	11177A	RING, retaining	ALL
2	21948-02	PISTON RING SET, standard (2)	XL1200C, XL1200R
	22231-04	PISTON RING SET, 0.005 O.S. (2)	XL1200C, XL1200R
	22238-04	PISTON RING SET, 0.010 O.S. (2)	XL1200C, XL1200R
	22266-86	PISTON RING SET, standard (2)	XL883, XL883C, XL883L, XL883R
	22261-86	PISTON RING SET, 0.010 O.S. (2)	XL883, XL883C, XL883L, XL883R

	22271-86	PISTON RING SET, 0.005 O.S. (2)	XL883, XL883C, XL883L, XL883R
3	22221-04	PISTON AND RINGS ASSEMBLY, standard (2)	XL883, XL883C, XL883L, XL883R
	22224-04	PISTON AND RINGS ASSEMBLY, 0.005 O.S. (2)	XL883, XL883C, XL883L, XL883R
	22228-04	PISTON AND RINGS ASSEMBLY, 0.010 O.S. (2)	XL883, XL883C, XL883L, XL883R
	22223-04	PISTON AND RINGS ASSEMBLY, standard (2)	XL1200C, XL1200R
	22227-04	PISTON AND RINGS ASSEMBLY, 0.005 O.S. (2)	XL1200C, XL1200R
	22230-04	PISTON AND RINGS ASSEMBLY, 0.010 O.S. (2)	XL1200C, XL1200R
4	22589-83B	LOCK RING, piston pin (4)	ALL
5	22719-04	PISTON PIN (2)	XL883, XL883C, XL883L, XL883R
	22765-02	PISTON PIN (2)	XL1200C, XL1200R
6	23905-04B	SET OF FLYWHEELS AND SHAFTS W/ RODS	ALL
7	24331-36	BUSHING, piston pin - 0.002 O.S. (2)	ALL
	24332-36	BUSHING, piston pin - 0.01 O.S. (2)	ALL
8	24658-87	INNER RING	ALL

CRANKCASE

CRANKCASE



[View interactive image](#)

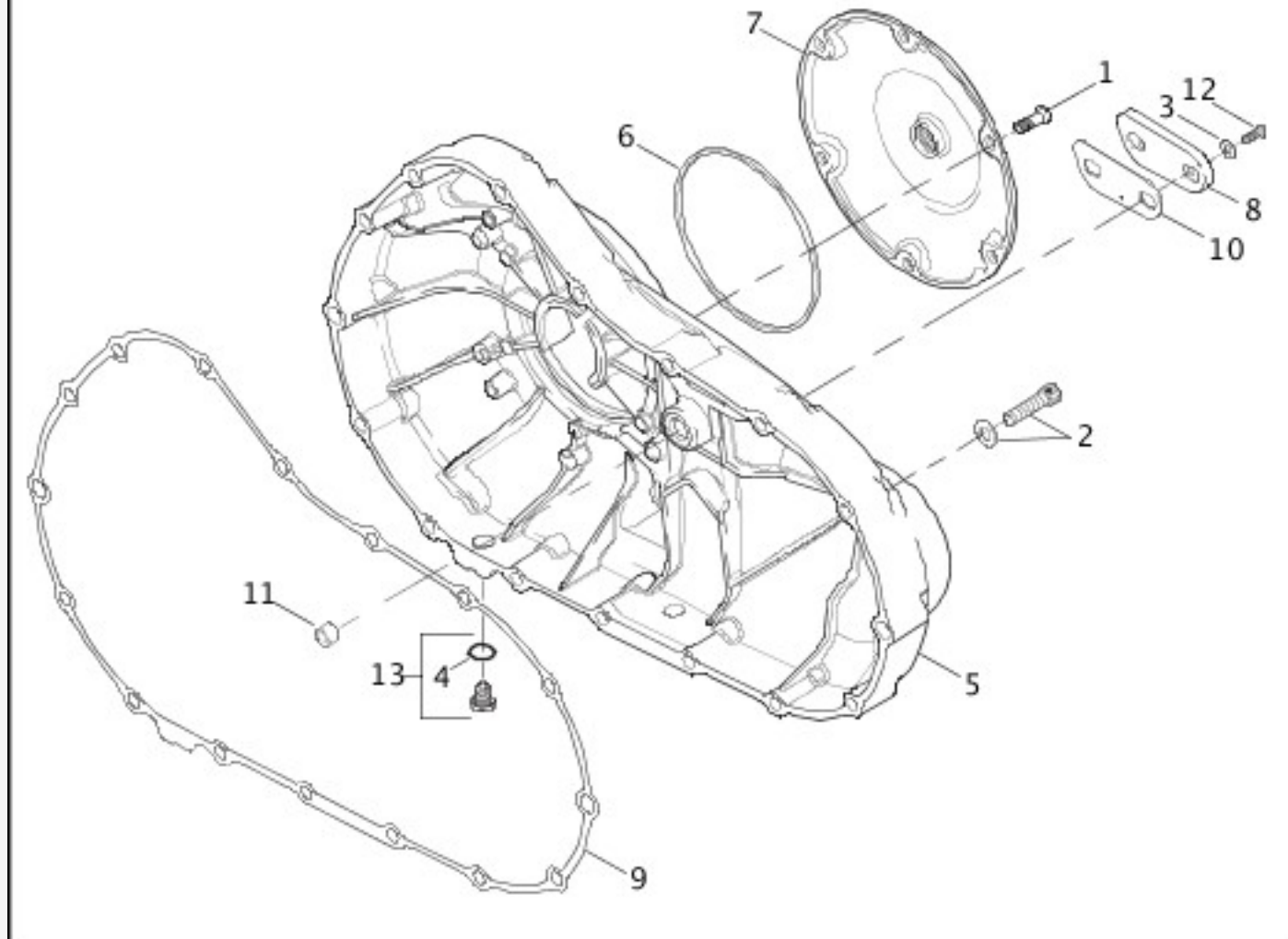
[View interactive table](#)

INDEX NO.	PART NO.	DESCRIPTION	MODEL(S)
1	215	PIN (2)	ALL
2	358	DOWEL PIN (4)	ALL
3	835	SCREW (11)	ALL
4	1048	SCREW (4)	ALL
5	3594	SCREW	ALL
6	4091	SCREW (2)	ALL
7	8881	BEARING RACE	ALL
8	8972	WASHER, thrust (2)	ALL
9	10080	CLAMP, hose (3)	ALL
10	10177	CABLE STRAP	ALL
	10267	CLIP, push-in, crank position sensor-to-frame (not	ALL

		illustrated)	
11	11177A	RING, retaining	ALL
12	11289A	O-RING	ALL
13	12068	OIL SEAL	ALL
14	24466-04	CRANKCASE SET, w/ bearings (black)	XL1200C, XL883R
	24470-04	CRANKCASE SET, w/ bearings (silver)	XL1200R, XL883, XL883C, XL883L
15	24605-07	BEARING	ALL
16	24647-87	BEARING, gear shaft (blue)	ALL
	24650-87	BEARING, gear shaft (red)	ALL
	24659-87	BEARING, gear shaft (white/gray)	ALL
	24660-87	BEARING, gear shaft (green)	ALL
17	24754-75A	DOWEL PIN (2)	ALL
18	26638-00Y	GASKET, oil jet (2)	ALL
19	29950-91	COVER, stator wires	ALL
20	32617-00Y	SCREW, self-tapping (4)	ALL
21	32804-04B	SENSOR, crank position w/ 10177, 11289A & 74194-98	ALL
22	35114-02	RING, retaining	ALL
23	35118-03	RING, retaining	ALL
24	40254-02	SPACER, sprocket shaft	ALL
25	45830-48	PLUG (2)	ALL
26	63508-04	HOSE, transmission vent	ALL
27	63533-41A	FITTING, connector vent	ALL
28	65088-04	STUD, ground (2)	ALL
29	62700014	OIL JET ASSEMBLY, w/ 26638-00Y (2)	ALL
30	74194-98	PIN, terminal (2)	ALL

INSPECTION COVER & PRIMARY COVER

INSPECTION COVER & PRIMARY COVER



[View interactive image](#)

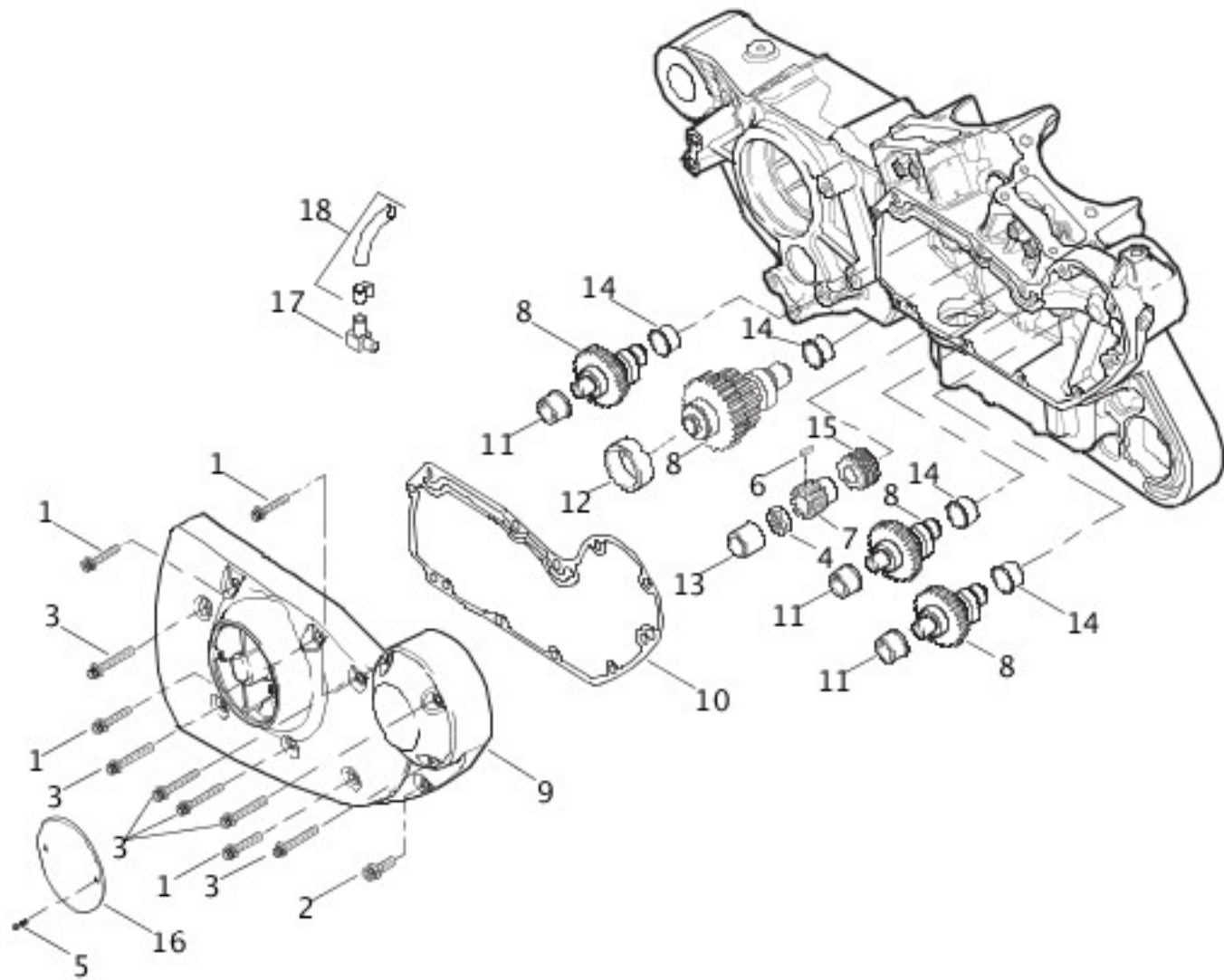
[View interactive table](#)

INDEX NO.	PART NO.	DESCRIPTION	MODEL(S)
1	943	SCREW (6)	ALL
2	4820A	SCREW (16)	ALL
3	11171	O-RING, inspection cover screws (2)	ALL
4	11105	O-RING, drain plug	ALL
5	25307-05	PRIMARY COVER (black) w/ 40520-63	XL883R
	25430-04	PRIMARY COVER (polished) w/ 40520-63	XL883, XL883L
	25460-04	PRIMARY COVER (chrome) w/ 40520-63	XL1200C
	25471-04	PRIMARY COVER (silver) w/ 40520-63	XL1200R, XL883C
6	25463-94A	GASKET, clutch inspection cover	ALL
7	34760-04	INSPECTION COVER, clutch (chrome)	XL1200C

	34790-05	INSPECTION COVER, clutch (black)	XL883R
	34992-04	INSPECTION COVER, clutch (polished)	XL1200R, XL883, XL883C, XL883L
8	34993-04A	INSPECTION COVER, chain (polished)	XL1200R, XL883, XL883C, XL883L
	34761-04A	INSPECTION COVER, chain (chrome)	XL1200C
	34794-05A	INSPECTION COVER, chain (black)	XL883R
9	34955-04	GASKET, primary cover	ALL
10	34986-04	GASKET, chain inspection cover	ALL
11	40520-63	BUSHING	ALL
12	41191-74A	SCREW, inspection covers (2)	ALL
13	60328-98B	OIL DRAIN PLUG ASSEMBLY	ALL
INTERNATIONAL MODELS ONLY			
	14270-92	DECAL, shift pattern (Japan) (not illustrated)	ALL

GEARCASE & COVER

GEARCASE & COVER



[View interactive image](#)

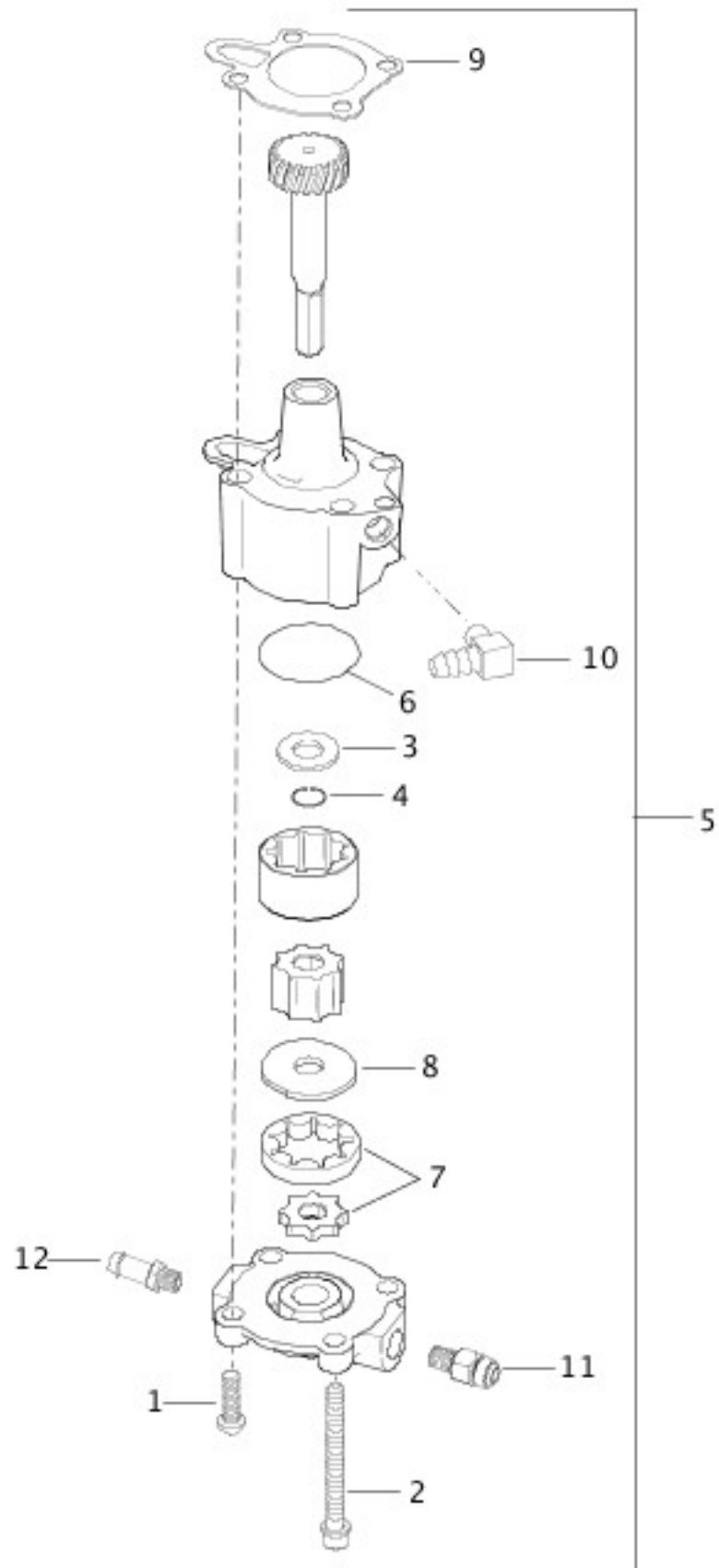
[View interactive table](#)

INDEX NO.	PART NO.	DESCRIPTION	MODEL(S)
1	3480A	SCREW (4)	ALL
2	4740A	SCREW	ALL
3	4717A	SCREW (6)	ALL
4	7916A	JAM NUT	ALL
5	8679	SCREW (2)	ALL
6	11317	T-KEY	ALL
7	24047-00	PINION GEAR	ALL
8	25193-00B	CAM GEAR SET, complete w/ pinion gear	XL883, XL883C, XL883L, XL883R

	25194-00B	CAM GEAR SET, complete w/ pinion gear	XL1200C, XL1200R
9	25219-04	COVER ASSEMBLY, gearcase (polished) w/ 62375-57A & bushings	XL883, XL883L
	25213-04	COVER ASSEMBLY, gearcase (chrome) w/ 62375-57A & bushings	XL1200C
	25252-04	COVER ASSEMBLY, gearcase (silver) w/ 62375-57A & bushings	XL1200R, XL883C
	25486-05	COVER ASSEMBLY, gearcase (black) w/ 62375-57A & bushings	XL883R
10	25263-90D	GASKET, gearcase cover	ALL
11	25586-37	OUTER BUSHING, cam gear shafts (3)	ALL
12	25588-91	BUSHING, rear intake cam gear shaft	ALL
13	25593-74	BUSHING, flywheel gear shaft	ALL
14	25598-91	INNER BUSHING, camshaft gear (4)	ALL
15	26318-88A	DRIVE GEAR, oil pump	ALL
16	32506-90	COVER PLATE	XL883, XL883L
	32514-04	COVER PLATE	XL1200C, XL883C
	32555-04	COVER PLATE	XL1200R
	32699-05	COVER PLATE	XL883R
17	62375-57A	FITTING, oil vent hose	ALL
NOTE: Hose or insulator is sold in bulk length under the following part numbers. Cut to length.			
18	62360-04A	XL VENT TUBE ASSEMBLY, w/ clamps	ALL

OIL PUMP

OIL PUMP



[View interactive image](#)

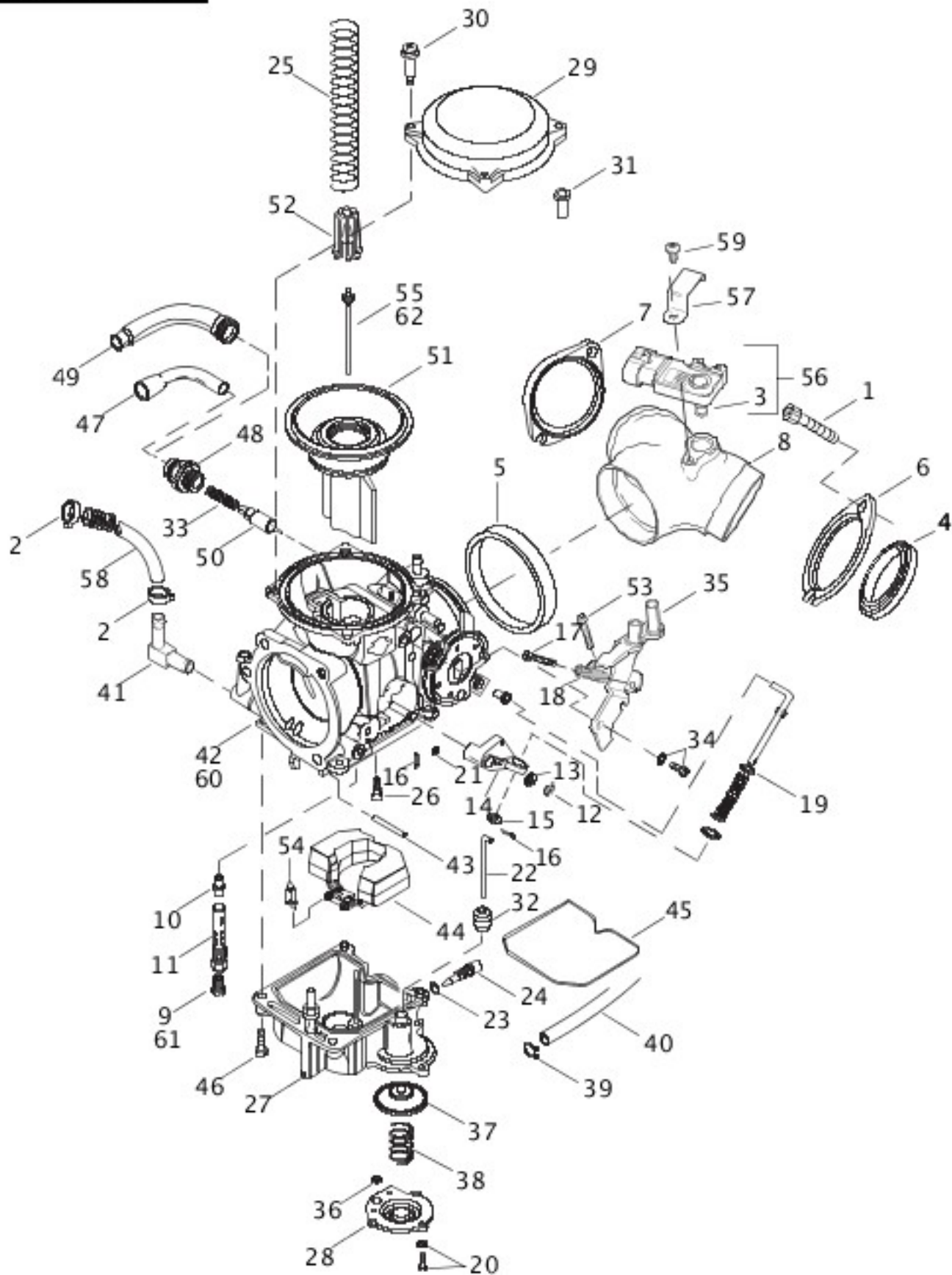
[View interactive table](#)

INDEX NO.	PART NO.	DESCRIPTION	MODEL(S)
1	4132	SCREW (2)	ALL
2	4765	SCREW, w/ washer (2)	ALL
3	6157	WASHER	ALL

4	11002	RETAINING RING	ALL
5	26204-91A	OIL PUMP, complete	ALL
6	26434-91	O-RING	ALL
7	26492-91	GEROTOR SET, feed	ALL
8	26493-91	SEPARATOR PLATE	ALL
9	26495-89B	GASKET, pump mounting	ALL
10	26496-75A	FITTING, 90 degree	ALL
11	62601-91A	FITTING, connector - front	ALL
12	63533-41A	FITTING, connector - rear	ALL

CARBURETOR (1 OF 2)

CARBURETOR



[View interactive image](#)

[View interactive table](#)

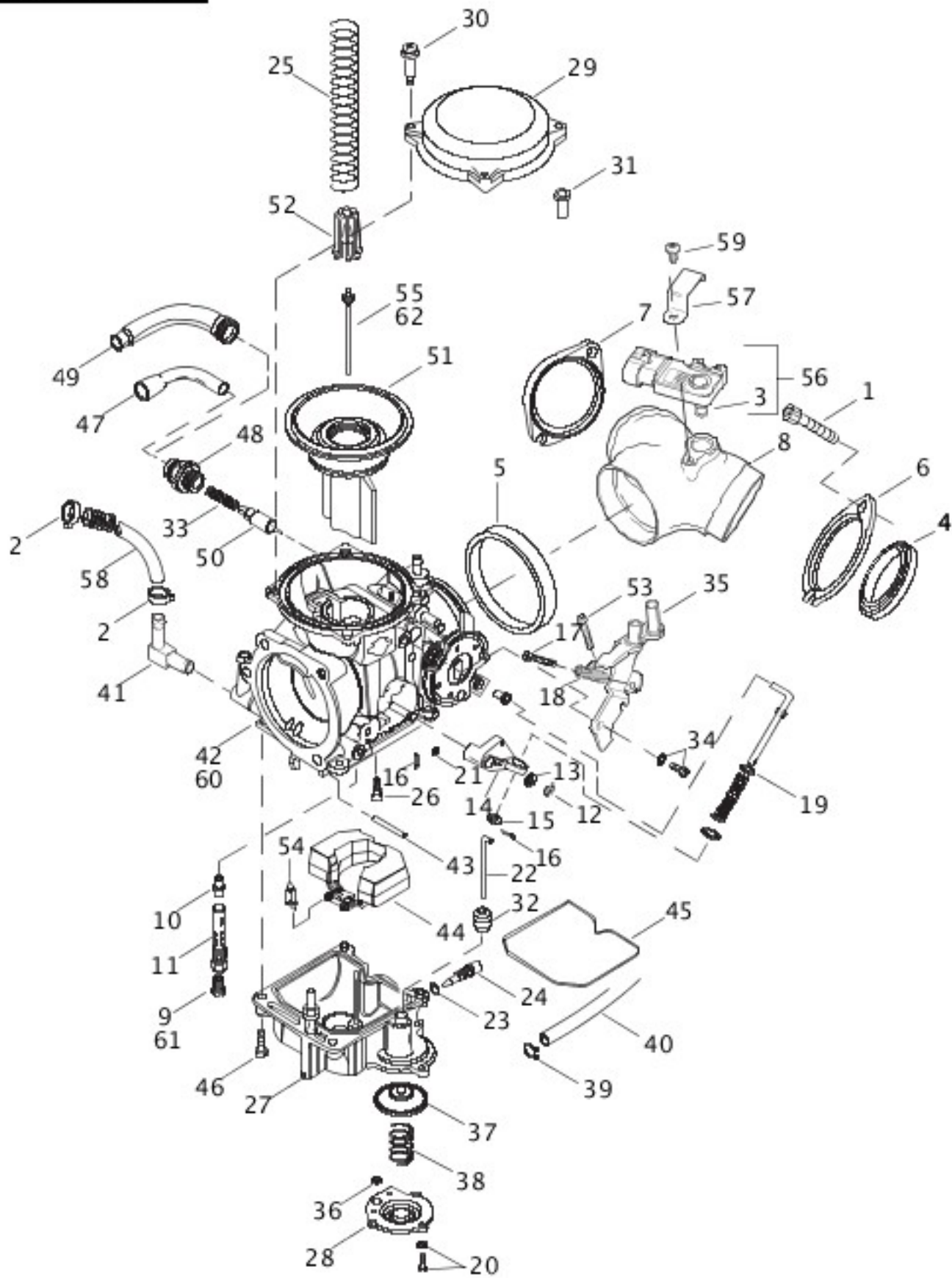
INDEX NO.	PART NO.	DESCRIPTION	MODEL(S)
1	3275	SCREW (4)	ALL
2	10014	CLAMP (2)	ALL
3	11291	SEAL, MAP sensor	ALL

4	26995-86B	SEAL, intake manifold (2)	ALL
5	27002-89	SEAL RING, carburetor	ALL
6	27009-86A	FLANGE, mounting - front	ALL
7	27010-86A	FLANGE, mounting - rear	ALL
8	27024-04	INTAKE MANIFOLD KIT, w/ 38723-99 & 68042-99	ALL
9	27090-89	MAIN JET (DOMESTIC)	XL883, XL883C, XL883L, XL883R
	27114-88	MAIN JET (CG/CL - DOMESTIC, CA/CJ/CM/CK - CALIFORNIA)	ALL
	27185-90	MAIN JET (CALIFORNIA)	XL1200C, XL1200R
10	27100-88	NEEDLE JET	ALL
11	27101-88	NEEDLE JET HOLDER	ALL
12	27124-89	E-CLIP	ALL
13	27125-89	WASHER	ALL
14	27126-89	LEVER	ALL
15	27127-89	WASHER	ALL
16	27128-89	PIN (2)	ALL
17	27130-90	IDLE SCREW	ALL
18	27136-90A	SPRING	ALL
19	27137-81	WASHER (3)	ALL
20	27146-89	SCREW, w/ washer (3)	ALL
21	27148-89	WASHER	ALL
22	27156-89	ROD	ALL
23	27157-89	O-RING	ALL
24	27158-89	DRAIN SCREW	ALL
25	27162-89	SPRING	ALL
26	27171-89	SLOW JET	ALL
27	27256-01	FLOAT CHAMBER ASSEMBLY	XL1200C, XL1200R
	27777-04	FLOAT CHAMBER ASSEMBLY	XL883, XL883C, XL883L, XL883R
28	27260-00	PUMP HOUSING	ALL

29	27261-96	TOP, carburetor	ALL
30	27262-96	SCREW, top (3)	ALL
31	27263-96	COLLAR	ALL
32	27311-76	CAP, accelerator pump (rubber)	ALL
33	27315-88A	SPRING	ALL
34	27317-88	SCREW	ALL
35	27320-04	BRACKET	ALL
36	27360-76	O-RING	ALL
37	27361-76A	DIAPHRAGM, accelerator pump	ALL
38	27362-76	SPRING, diaphragm	ALL
39	27368-76	CLIP, overflow hose	ALL
40	27369-76	HOSE, overflow	ALL
41	27371-76A	FITTING	ALL
42	27490-04	CARBURETOR ASSEMBLY (DOMESTIC)	XL883, XL883C, XL883L, XL883R
	27495-04	CARBURETOR ASSEMBLY (CALIFORNIA)	XL883, XL883C, XL883L, XL883R
	27732-04	CARBURETOR ASSEMBLY (CALIFORNIA)	XL1200C, XL1200R
	27731-04	CARBURETOR ASSEMBLY (DOMESTIC)	XL1200C, XL1200R
43	27575-88A	PIN	ALL

CARBURETOR (2 OF 2)

CARBURETOR



[View interactive image](#)

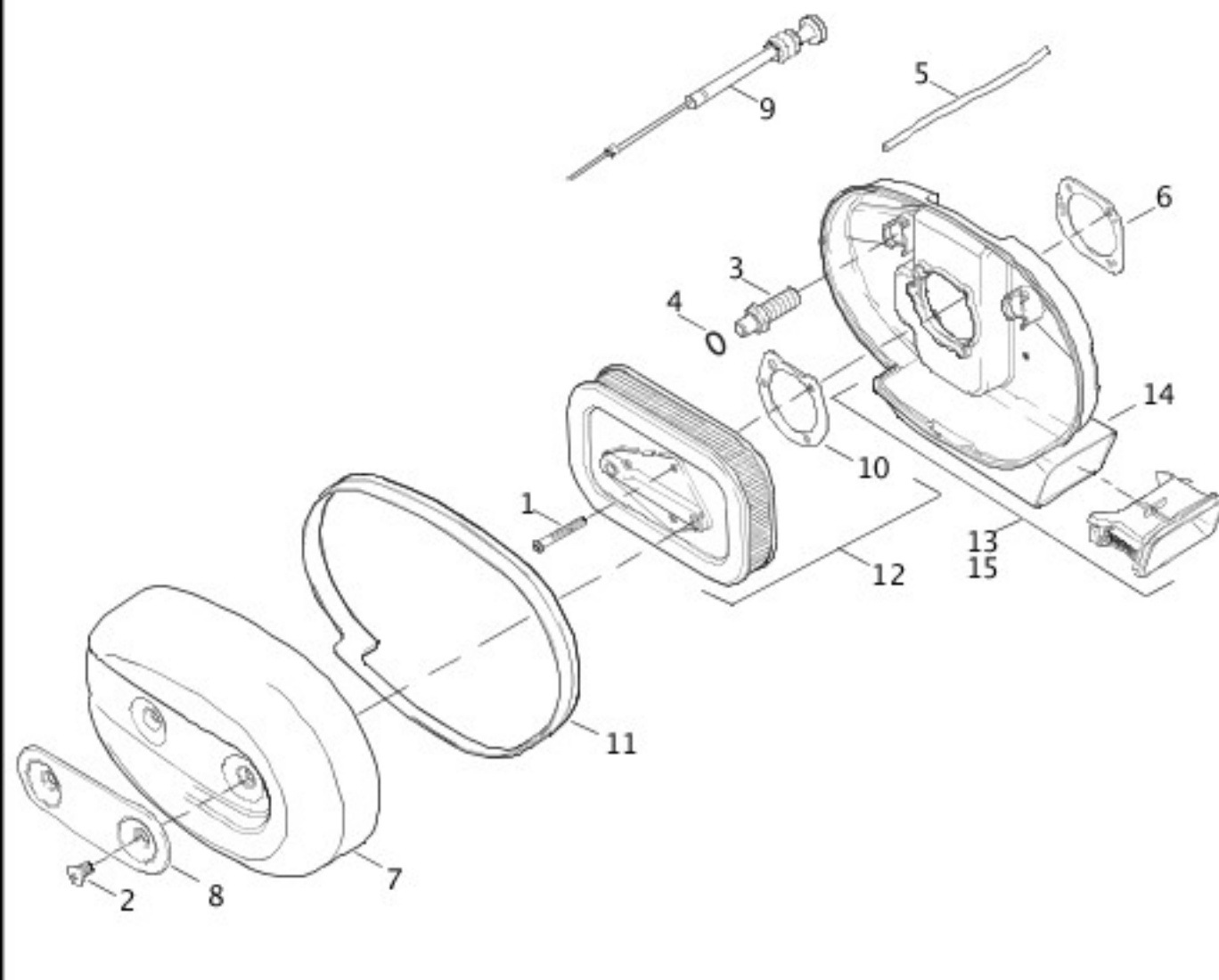
[View interactive table](#)

INDEX NO.	PART NO.	DESCRIPTION	MODEL(S)
44	27576-92	FLOAT	ALL
45	27577-92	O-RING	ALL
46	27579-88A	SCREW (4)	ALL

47	27580-88	CABLE GUIDE	ALL
48	27581-88	STARTER CAP	ALL
49	27582-88	CABLE SEALING CAP	ALL
50	27583-88	STARTER VALVE	ALL
51	27585-88	VACUUM PISTON	ALL
52	27586-88	SPRING SEAT	ALL
53	27587-88	SCREW	ALL
54	27886-78A	VALVE, w/ clip	ALL
55	28026-04	JET, needle (ALL - CALIFORNIA, CG/CL - DOMESTIC)	ALL
	28027-04	JET, needle (DOMESTIC)	XL883, XL883C, XL883L, XL883R
56	32417-10	MAP SENSOR, w/ 11291	ALL
57	38723-99	CLIP, MAP sensor	ALL
58	62347-04	FUEL HOSE, preformed	ALL
59	68042-99	SCREW	ALL
INTERNATIONAL MODELS ONLY			
60	27465-04	CARBURETOR (HDI)	XL883, XL883C, XL883L, XL883R
	27749-04	CARBURETOR (HDI)	XL1200C, XL1200R
61	27116-88	MAIN JET (HDI)	XL883, XL883C, XL883L, XL883R
	27152-89	MAIN JET (HDI)	XL1200C, XL1200R
	28015-01	PLUG, idle mixture screw (not illustrated) (HDI)	ALL
62	28027-04	JET, needle (HDI)	ALL

AIR CLEANER & ENRICHENER

AIR CLEANER & ENRICHENER



[View interactive image](#)

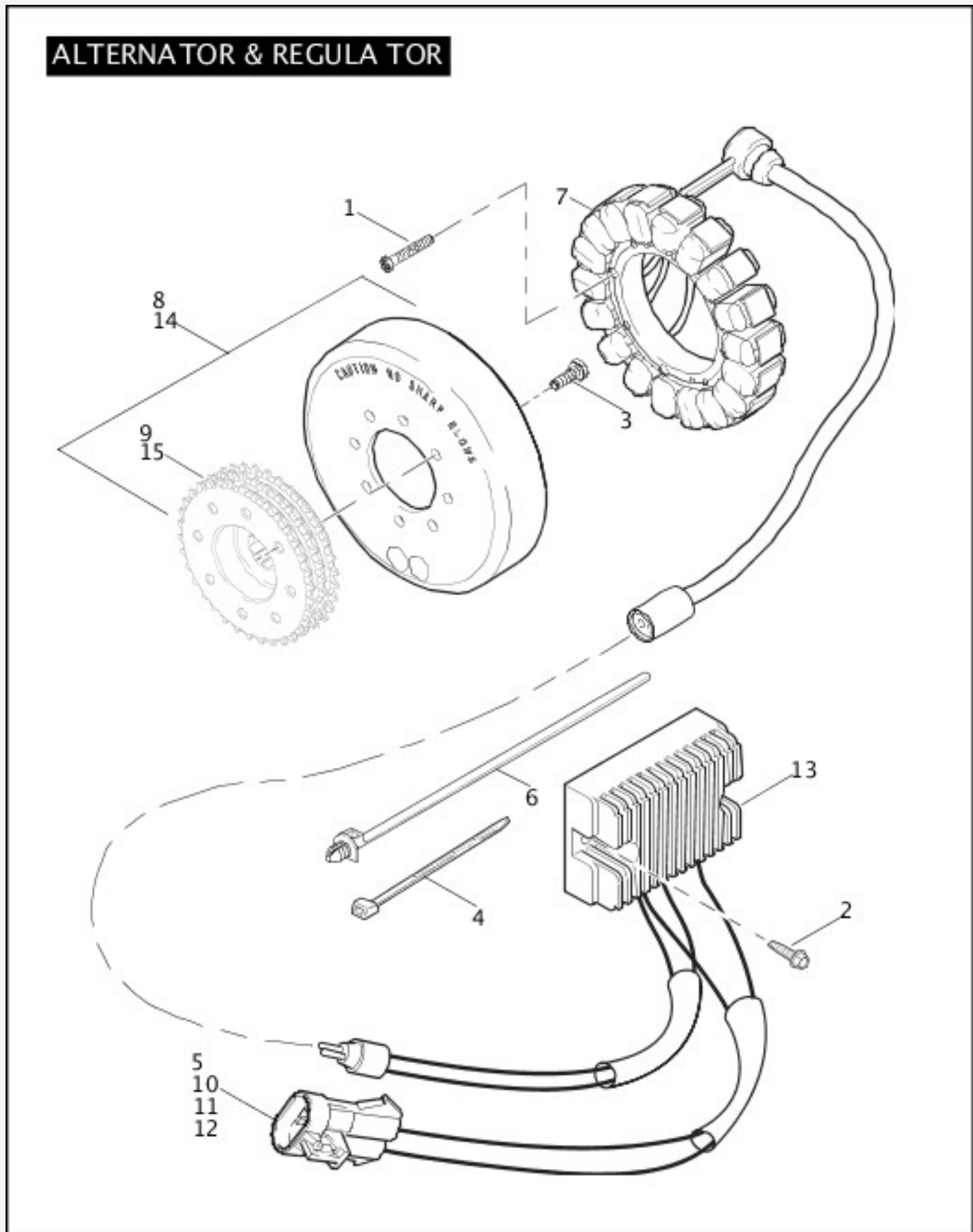
[View interactive table](#)

INDEX NO.	PART NO.	DESCRIPTION	MODEL(S)
1	946	SCREW (3)	ALL
2	2460	SCREW (2)	ALL
3	3565	SCREW, breather (2)	ALL
4	11202	O-RING (2)	ALL
5	27096-04A	HOSE, valve to atmosphere (DOMESTIC, HDI)	ALL
6	29062-95B	GASKET, carburetor intake	ALL
7	28790-10	COVER, air cleaner w/ label (black)	XL883R
	28792-10	COVER, air cleaner w/ label (chrome)	XL1200C, XL1200R, XL883, XL883C, XL883L

8	29123-04	TRIM INSERT, air cleaner	XL883, XL883L
	29125-05	TRIM INSERT, air cleaner	XL883R
	29346-04	TRIM INSERT, air cleaner	XL1200C
	29352-04	TRIM INSERT, air cleaner	XL1200R
	29802-04	TRIM INSERT, air cleaner	XL883C
9	29229-88D	CARBURETOR ENRICHENER CABLE	ALL
10	29313-95	GASKET, filter element	ALL
11	29315-04	SEAL, air cleaner	ALL
12	29331-04	FILTER ELEMENT, w/ 29313-95	ALL
	29342-99	GROMMET (CALIFORNIA) (not illustrated)	ALL
13	29348-04	BACKPLATE ASSEMBLY, air cleaner w/ 29342-99 (CALIFORNIA)	ALL
	29359-04A	BACKPLATE ASSEMBLY, air cleaner (DOMESTIC, CANADA)	ALL
14	29367-04	BACKPLATE, air cleaner	ALL
INTERNATIONAL MODELS ONLY			
15	29359-04A	BACKPLATE ASSEMBLY, air cleaner (HDI, AUSTRALIA, ENGLAND, JAPAN)	XL883, XL883C, XL883L
	29360-04	BACKPLATE ASSEMBLY, air cleaner (HDI, AUSTRALIA, ENGLAND, JAPAN)	XL1200C, XL1200R

ALTERNATOR & REGULATOR

ALTERNATOR & REGULATOR



[View interactive image](#)

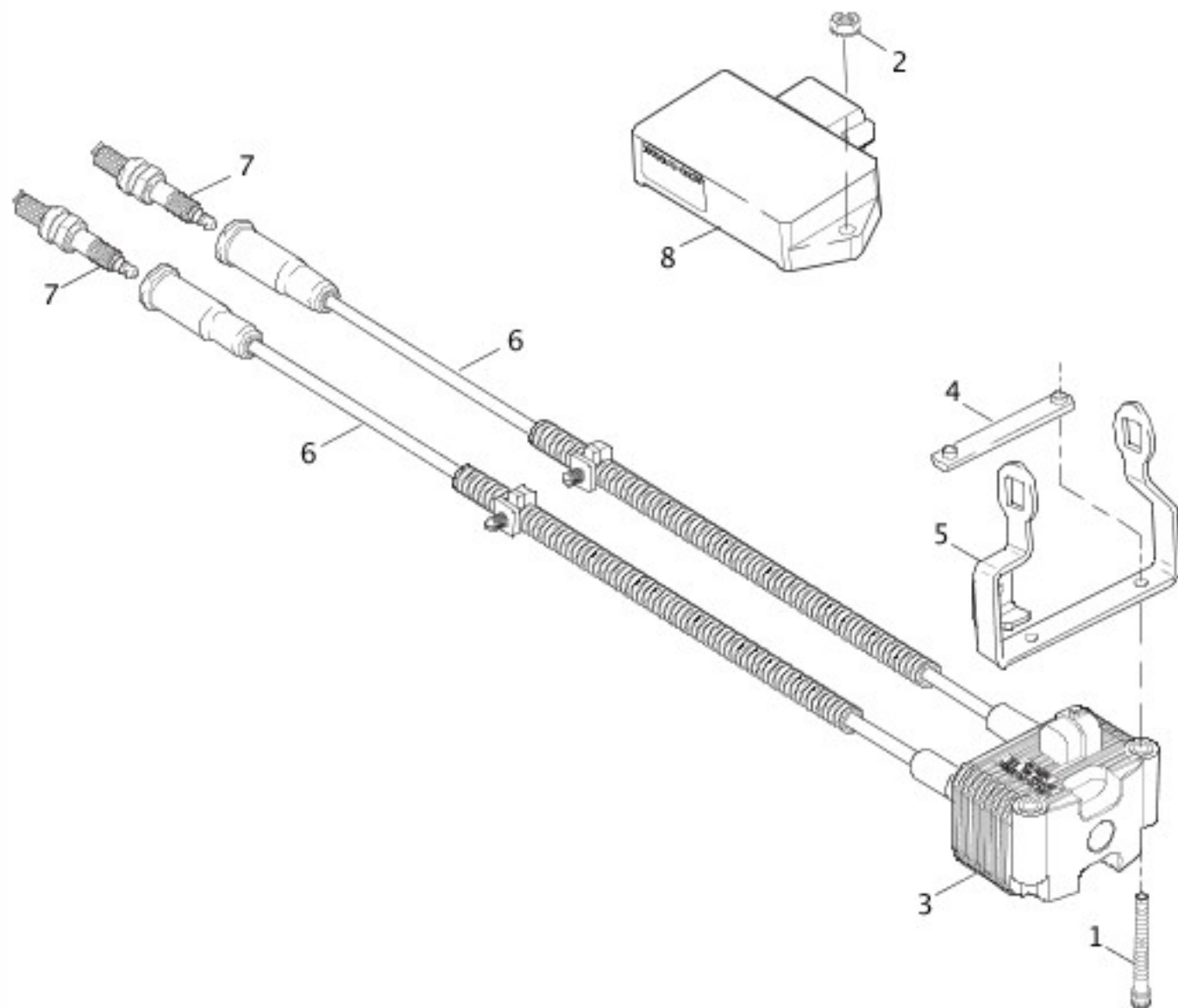
[View interactive table](#)

INDEX NO.	PART NO.	DESCRIPTION	MODEL(S)
1	3029	SCREW (4)	ALL
2	4329	SCREW (2)	ALL
3	4751	SCREW (8)	ALL
4	10065	STRAP, cable	ALL

5	10147	CLIP, connector	ALL
6	10177	STRAP, cable plug-in	ALL
7	29967-89C	STATOR	ALL
8	32493-02B	ROTOR SPROCKET ASSEMBLY, w/ 40241-02, 4751 (DOMESTIC, CANADA, CALIFORNIA) (8)	XL883, XL883C, XL883L, XL883R
	32494-04B	ROTOR SPROCKET ASSEMBLY, w/ 40290-04, 4751 (8)	XL1200C, XL1200R
9	40241-02A	SPROCKET, triple row, 34T (DOMESTIC, CANADA, CALIFORNIA)	XL883, XL883C, XL883L, XL883R
	40290-04A	SPROCKET, triple row, 38T	XL1200C, XL1200R
10	72233-94	CONNECTOR, 2-way pin, black	ALL
11	72235-94	TERMINAL, pin, 14-16 gauge (2)	ALL
12	72237-94	SEAL, cable (2)	ALL
13	74523-04	REGULATOR, voltage w/ 4, 5, 6, 10, 11, 12	ALL
INTERNATIONAL MODELS ONLY			
14	32494-04B	ROTOR SPROCKET ASSEMBLY, w/ 40290-04, 4751 (HDI, AUSTRALIA, ENGLAND, JAPAN) (8)	XL883, XL883C, XL883L, XL883R
15	40290-04A	SPROCKET, triple row, 38T (HDI, AUSTRALIA, ENGLAND, JAPAN)	XL883, XL883C, XL883L, XL883R
	29984-06	STATOR PLUG WIRE COVER	ALL

ELECTRONIC IGNITION SYSTEM

ELECTRONIC IGNITION SYSTEM



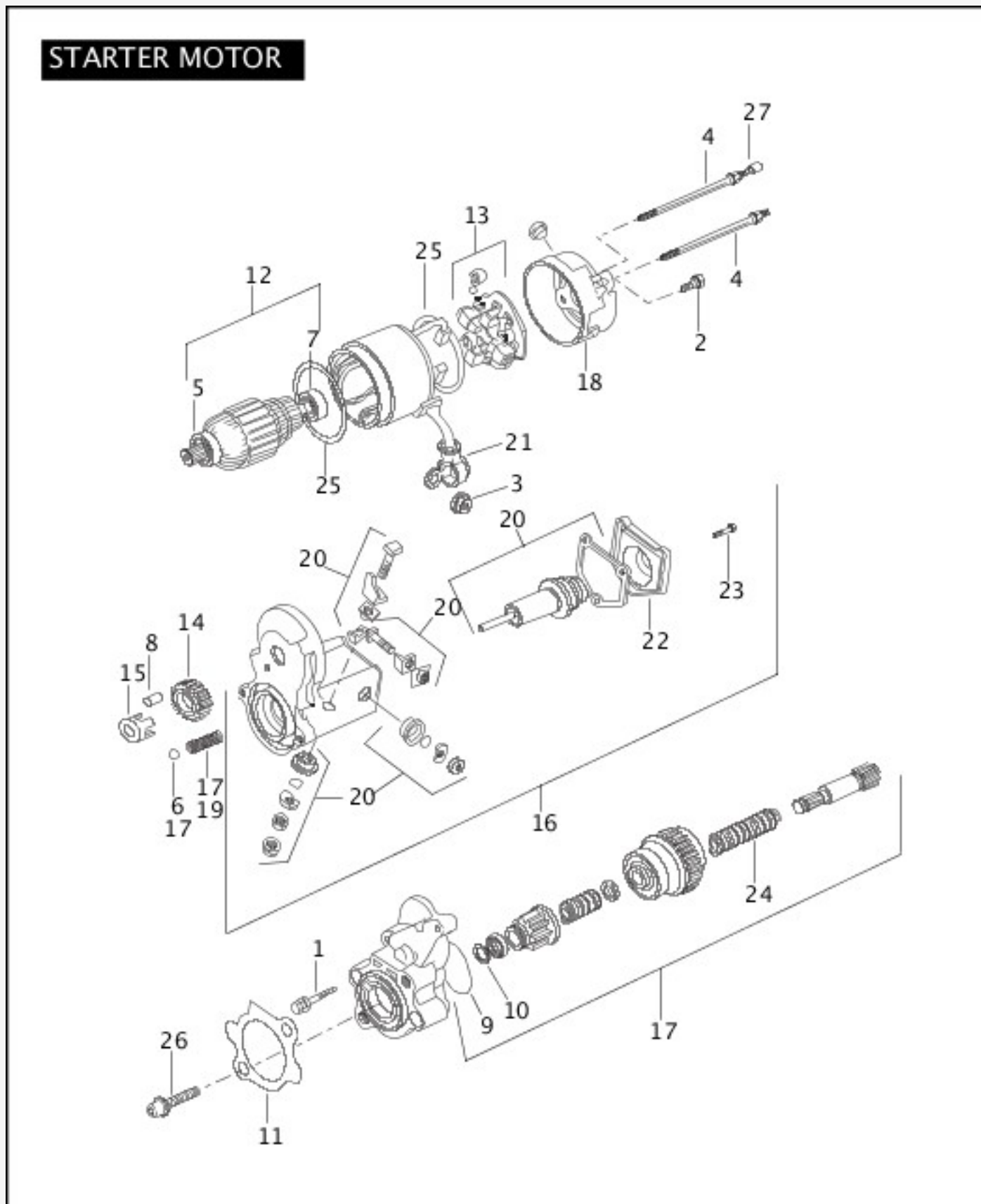
[View interactive image](#)

[View interactive table](#)

INDEX NO.	PART NO.	DESCRIPTION	MODEL(S)
1	3480A	SCREW (2)	ALL
2	7805	NUT	ALL
3	31655-99	COIL, ignition, dual	ALL
4	31740-04	PLATE, nut	ALL
5	31755-04	BRACKET	ALL
6	31996-04	CABLE, spark plug (2)	ALL

7	32362-04	SPARK PLUG (2)	ALL
8	32622-04B	IGNITION MODULE	ALL

STARTER MOTOR



[View interactive image](#)

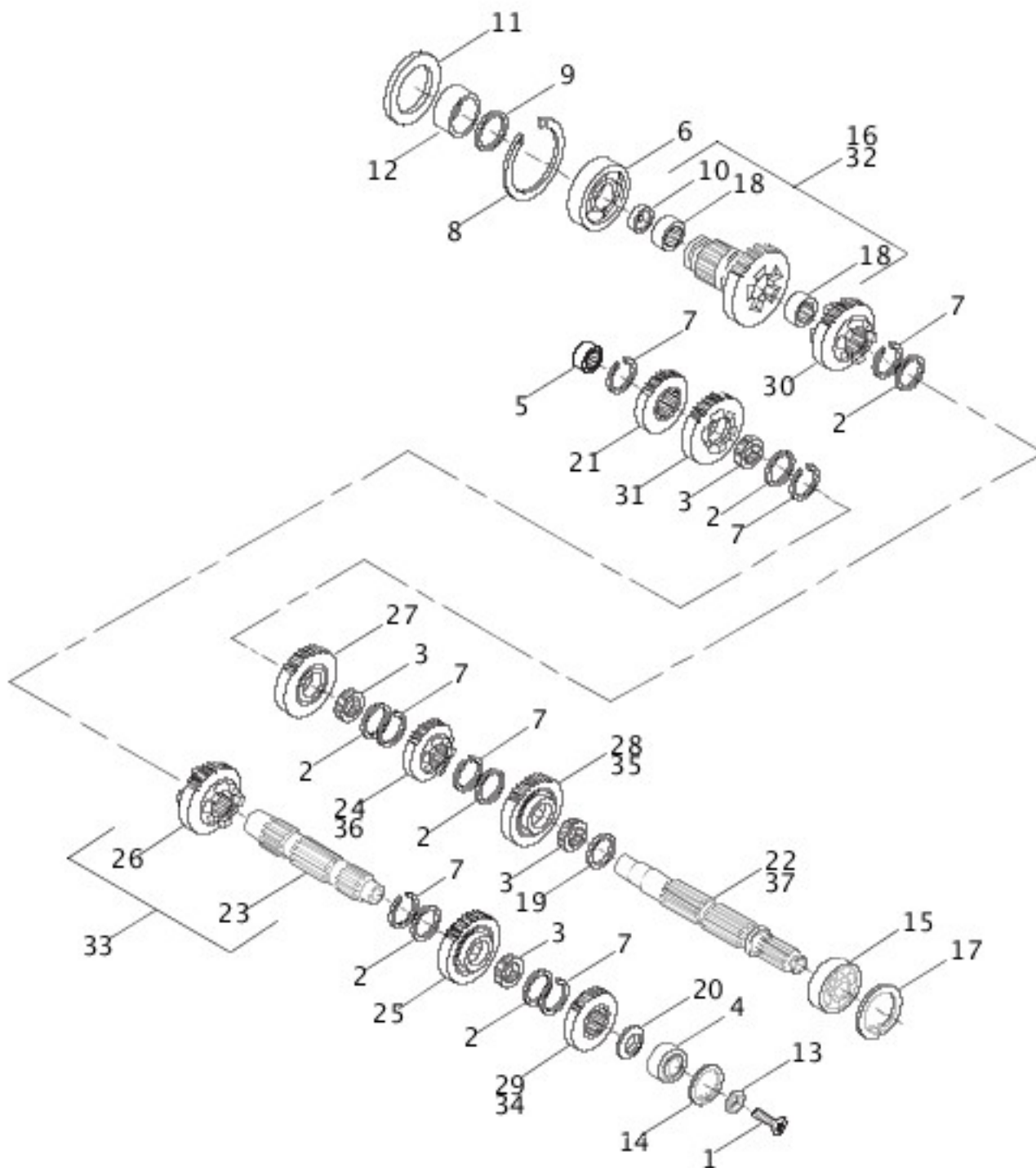
[View interactive table](#)

INDEX NO.	PART NO.	DESCRIPTION	MODEL(S)
1	928	BOLT, starter (2)	ALL

2	929A	SCREW, w/ O-ring (2)	ALL
3	3403	LOCKNUT	ALL
4	3559	BOLT, through (2)	ALL
5	8871	BALL BEARING	ALL
6	8879	BALL	ALL
7	8883	BALL BEARING	ALL
8	9077	CLUTCH ROLLER (5)	ALL
9	10957	O-RING	ALL
10	31328-91	RING, snap	ALL
	31390-91F	STARTER MOTOR, complete	ALL
11	31488-81C	GASKET, starter motor	ALL
12	31515-90	ARMATURE ASSEMBLY	ALL
13	31518-90	HOLDER ASSEMBLY, starter brush	ALL
14	31525-90	GEAR, idler	ALL
15	31530-90	RETAINER, idler	ALL
16	31540-91	SWITCH ASSEMBLY, magnetic	ALL
17	31556-91D	CLUTCH SUB-ASSEMBLY, w/ 8879, 10957, 31328-91, 31600-90 & 31692-90	ALL
18	31599-91	FRAME, starter end	ALL
19	31600-90	SPRING, return	ALL
20	31603-91	REPAIR KIT, starter solenoid	ALL
21	31662-90	CAP TERMINAL, rubber	ALL
22	31688-90	COVER, solenoid	ALL
23	31689-90	BOLT, w/ washer (3)	ALL
24	31692-90	SPRING	ALL
25	31695-90	O-RING, yoke (2)	ALL
26	45902-00	SCREW (2)	ALL
27	89581-04A	CAP, thread protector	ALL

TRANSMISSION GEARS

TRANSMISSION GEARS



[View interactive image](#)

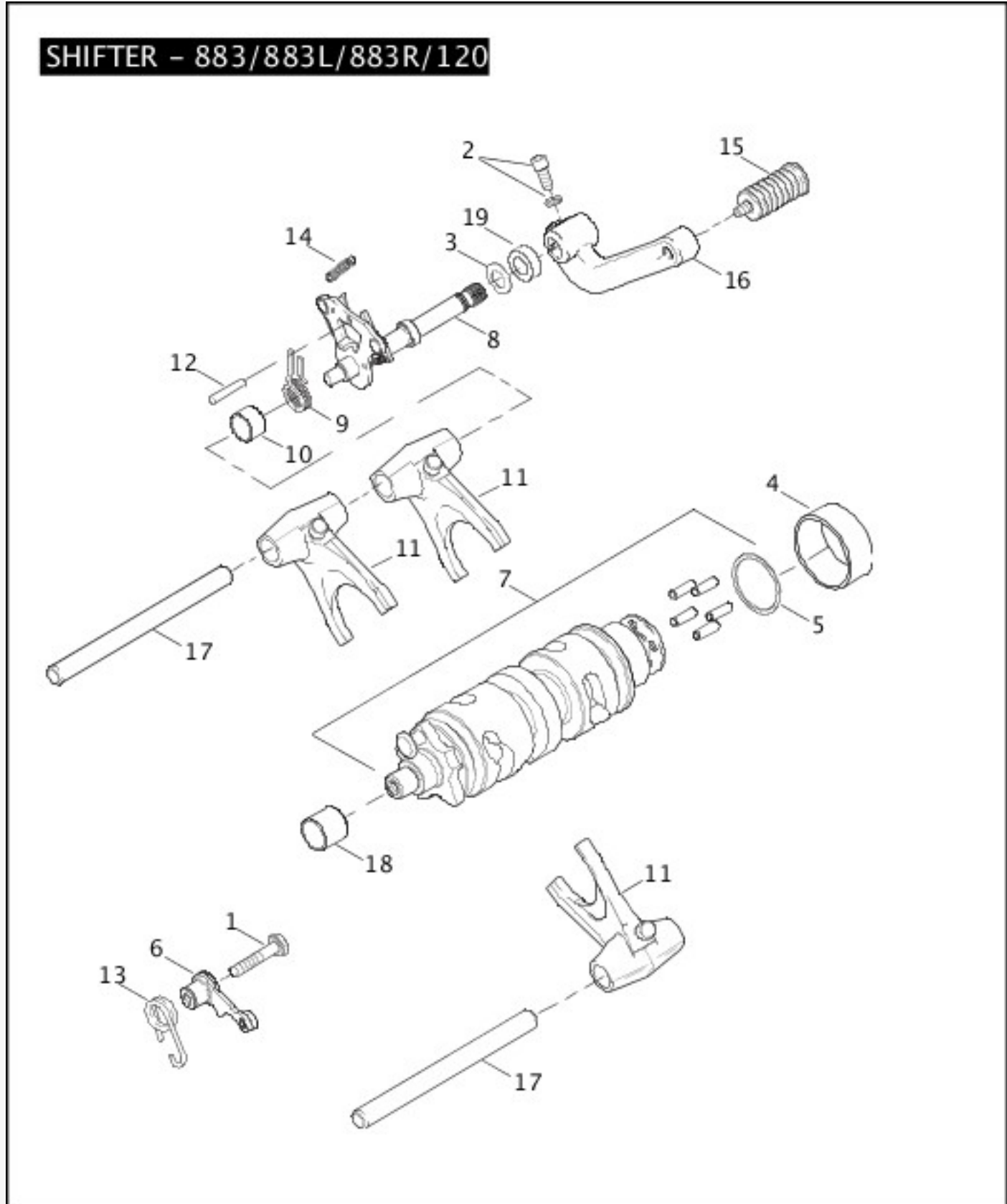
[View interactive table](#)

INDEX NO.	PART NO.	DESCRIPTION	MODEL(S)
1	3675	SCREW	ALL
2	6003	WASHER (6)	ALL
3	8876A	BEARING (4)	ALL
4	8968	BEARING	ALL
5	8977	BEARING, closed end	ALL

6	8996A	BEARING, ball	ALL
7	11067	RETAINING RING (7)	ALL
8	11161	RETAINING RING	ALL
9	11165	QUAD SEAL	ALL
10	12030	OIL SEAL	ALL
11	12067B	OIL SEAL	ALL
12	33344-94	SPACER	ALL
13	35020-89	RETAINER, countershaft	ALL
14	35021-89	RETAINING RING	ALL
15	35030-89A	BEARING, mainshaft	ALL
16	35034-94	GEAR ASSEMBLY, fifth-mainshaft, w/ 12030 & 35051-89A (2)	ALL
17	35038-89A	RETAINING RING	ALL
18	35051-89A	BEARING, needle (2)	ALL
19	35063-89	SPACER	ALL
20	35133-04	SPACER	ALL
21	35633-94	GEAR, fifth-countershaft	ALL
22	35640-89	MAINSHAFT	ALL
23	35641-89	COUNTERSHAFT	ALL
24	35762-02	GEAR, first-mainshaft	ALL
25	35763-89A	GEAR, first-countershaft	ALL
26	35771-94	GEAR, third-countershaft	ALL
27	35772-94	GEAR, third-mainshaft	ALL
28	35773-94	GEAR, fourth-mainshaft	ALL
29	35775-94	GEAR, fourth-countershaft	ALL
30	35796-00	GEAR, second-mainshaft	ALL
31	35797-00	GEAR, second-countershaft	ALL
INTERNATIONAL MODELS ONLY			
32	35128-04	GEAR ASSEMBLY, w/ 12030 & 35051A-89 (JAPAN)	ALL
33	35647-04	COUNTERSHAFT, w/ integral beveled pinion (JAPAN)	ALL
34	35754-04	GEAR, fourth-countershaft, beveled (JAPAN)	ALL

35	35755-04	GEAR, fourth-mainshaft, beveled (JAPAN)	ALL
36	35756-04	GEAR, first-mainshaft (JAPAN)	ALL
37	35758-04	MAINSHAFT (JAPAN)	ALL

SHIFTER - 883/883L/883R/1200R



[View interactive image](#)

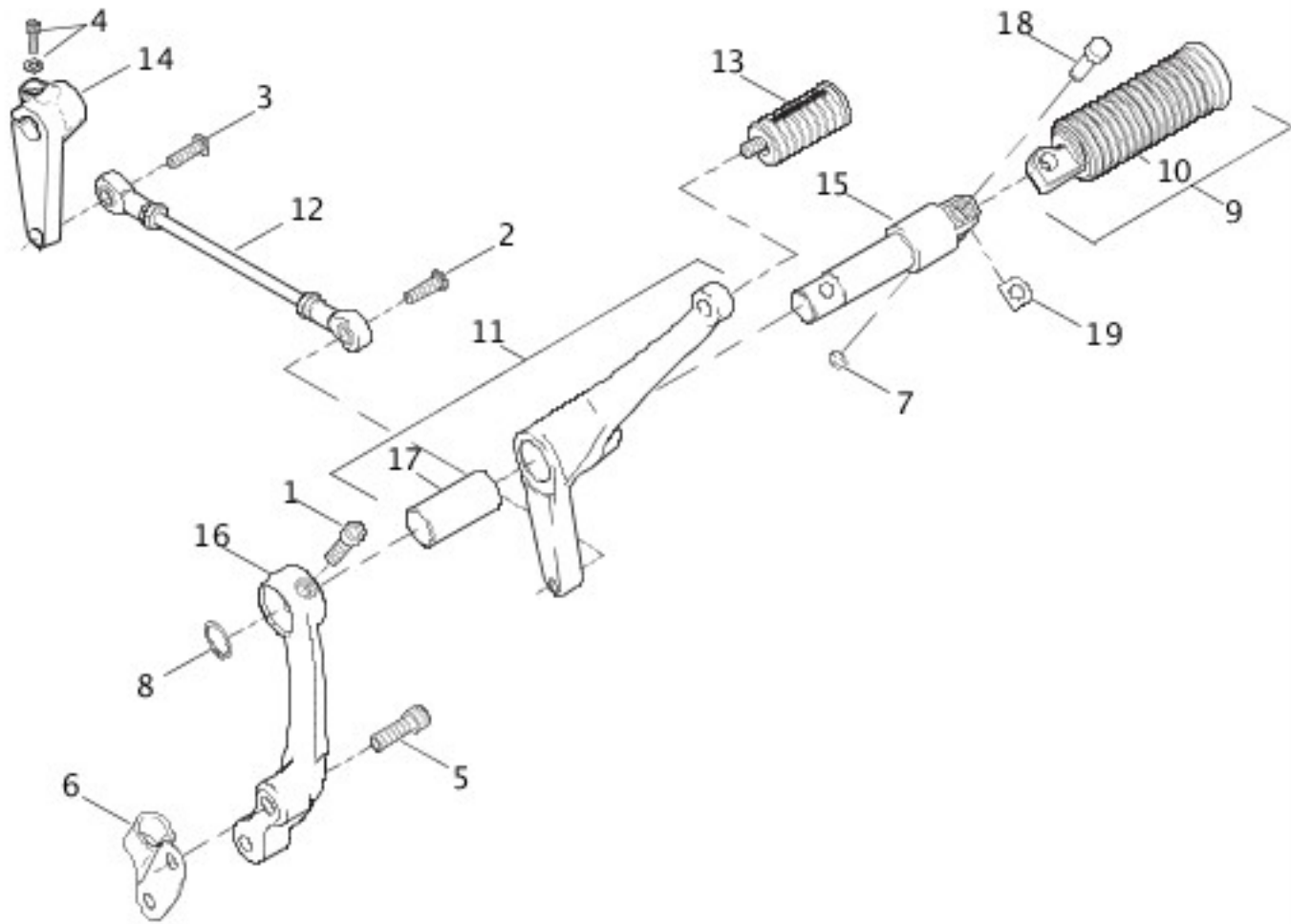
[View interactive table](#)

INDEX	PART	DESCRIPTION	MODEL(S)
-------	------	-------------	----------

NO.	NO.		
1	3997A	BOLT	ALL
2	2708A	SCREW, w/ washer	XL1200R, XL883, XL883L, XL883R
3	7019	WASHER (rubber)	ALL
4	9187	BEARING	ALL
5	11360	RING, retaining	ALL
6	33540-02A	SPRING SLEEVE ASSEMBLY, detent	ALL
7	33634-02A	SHIFTER CAM ASSEMBLY	ALL
	33900-99	SWITCH, neutral (not illustrated)	ALL
8	34014-02B	SHIFTER LEVER ASSEMBLY, w/ 34064-00C & 34491-02A (2)	ALL
9	34064-00C	SPRING, shifter return	ALL
10	34076-02A	BUSHING	ALL
11	34144-02	FORK ASSEMBLY, shifter (3)	ALL
12	34163-02	PIN, shifter stop	ALL
13	34483-02	SPRING, detent	ALL
14	34491-02A	SPRING, extension (2)	ALL
15	34611-65A	SHIFTER PEG	XL1200R, XL883, XL883L, XL883R
16	34660-04A	SHIFT LEVER, foot (chrome)	XL1200R, XL883, XL883L, XL883R
17	34981-02A	SHAFT, shifter forks (2)	ALL
18	34982-02	BUSHING, right hand crankcase	ALL
19	37101-84B	OIL SEAL	ALL

SHIFTER - 883C/1200C

SHIFTER - 883C/1200C



[View interactive image](#)

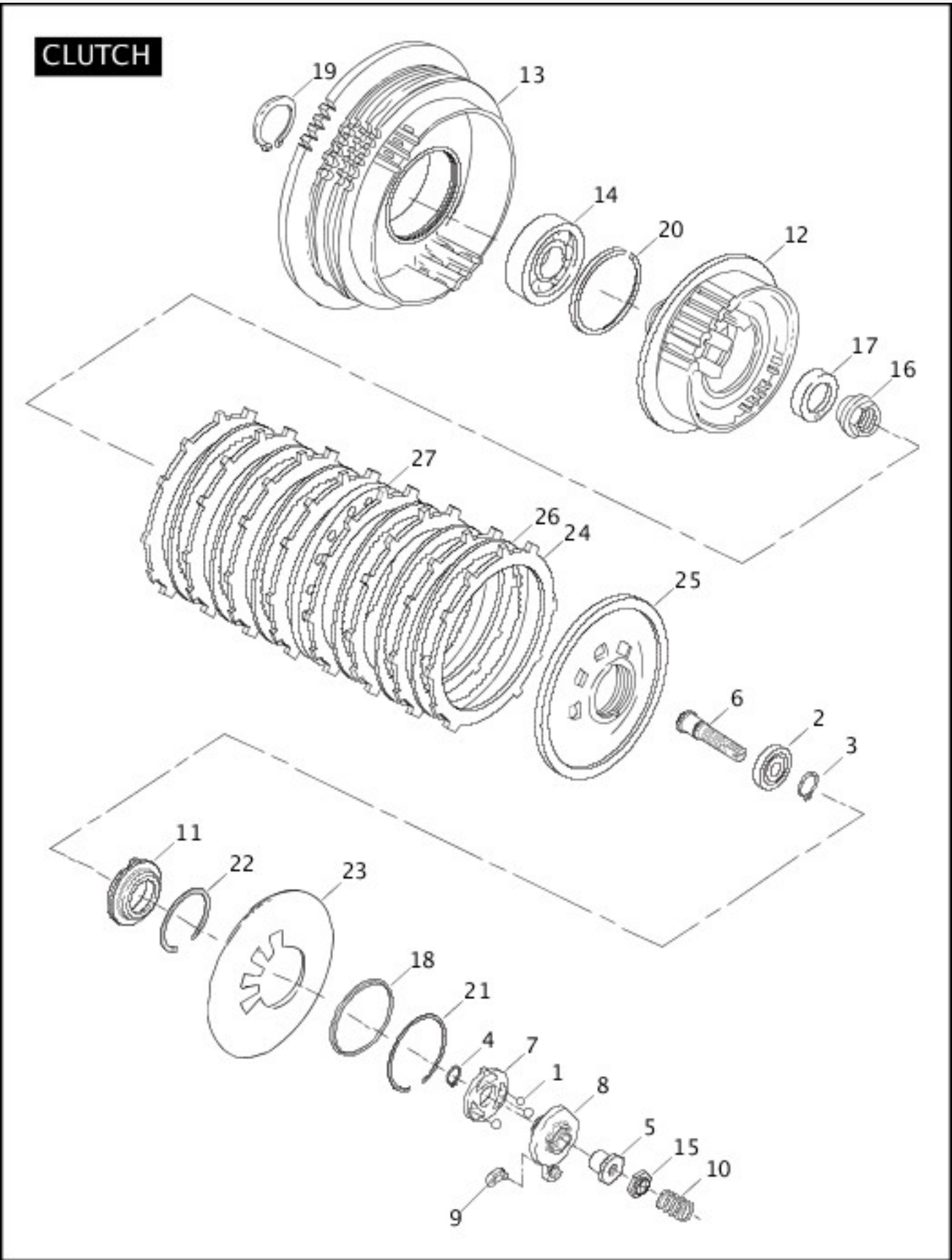
[View interactive table](#)

INDEX NO.	PART NO.	DESCRIPTION	MODEL(S)
1	3210A	SCREW	XL1200C, XL883C
2	4016	SCREW	XL1200C, XL883C
3	4359	SCREW	XL1200C, XL883C
4	2708A	SCREW, w/ washer	XL1200C, XL883C
5	4748	SCREW (2)	XL1200C, XL883C
6	10179A	J-CLIP	XL1200C, XL883C
7	11304	RETAINING RING	XL1200C, XL883C
8	11390	RETAINING RING	XL1200C, XL883C
9	33032-99	FOOTPEG ASSEMBLY, w/ 33216-99	XL1200C, XL883C
10	33216-99	RUBBER, footpeg	XL1200C, XL883C
11	34572-04	LEVER ASSEMBLY, shifter w/ 42569-03	XL1200C, XL883C

12	34573-04	SHIFTER ROD LINK	XL1200C, XL883C
13	34611-65A	SHIFTER PEG	XL1200C, XL883C
14	34670-04	SHIFT LEVER	XL1200C, XL883C
15	42541-04	CLEVIS, rider footpeg	XL1200C, XL883C
16	42651-04	BRACKET, rider footrest support - left	XL1200C, XL883C
17	42569-03	BUSHING	XL1200C, XL883C
18	45041-01A	CLEVIS PIN	XL1200C, XL883C
19	50912-72	SPRING WASHER, pedal	XL1200C, XL883C

CLUTCH

CLUTCH



[View interactive image](#)

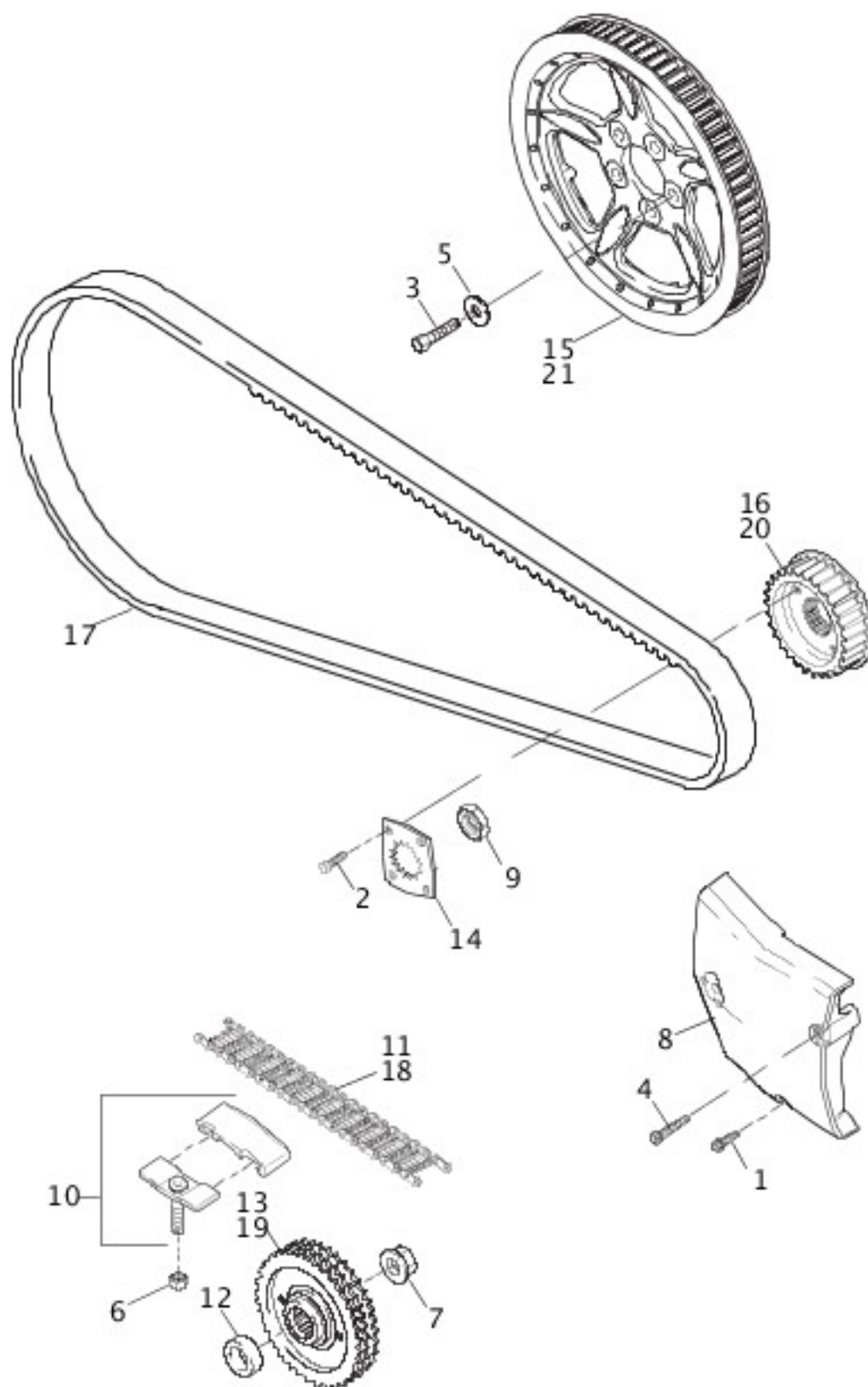
[View interactive table](#)

INDEX NO.	PART NO.	DESCRIPTION	MODEL(S)
1	8873	BALL (3)	ALL
2	8885	BEARING	ALL
3	11046	RETAINING RING	ALL

4	11250	RETAINING RING	ALL
5	11730A	WELL NUT	ALL
6	11765Y	ADJUSTMENT SCREW	ALL
7	25453-87A	RAMP, inner	ALL
8	25409-94B	RAMP, outer	ALL
9	34920-86A	COUPLING, clutch cable	ALL
10	36715-94	SPRING, clutch adjustment	ALL
11	36731-91	RELEASE PLATE, w/ 8885	ALL
12	36785-91	CLUTCH HUB	ALL
13	36790-04	CLUTCH SHELL & SPROCKET, w/ 36799-91 & 37905-90	ALL
14	36799-91	BALL BEARING	ALL
15	36802-84B	LOCKPLATE, well type	ALL
16	37495-91	NUT, main shaft	ALL
17	37870-91	SPRING WASHER	ALL
18	37872-90	SEAT, spring-inner	ALL
19	37904-90	RETAINING RING	ALL
20	37905-90	RETAINING RING	ALL
21	37908-90	RETAINING RING	ALL
22	37909-90	RETAINING RING	ALL
23	37910-04B	SPRING, clutch plate	XL883, XL883C, XL883L, XL883R
	37924-04A	SPRING, clutch plate	XL1200C, XL1200R
24	37911-90	FRICITION PLATE (paper) (8)	ALL
25	37912-91	PRESSURE PLATE	ALL
26	37913-90	STEEL PLATE (6)	ALL
27	37977-90	SPRING PLATE	ALL

BELTS & SPROCKETS

BELTS & SPROCKETS



[View interactive image](#)

[View interactive table](#)

INDEX NO.	PART NO.	DESCRIPTION	MODEL(S)
1	3480A	SCREW	ALL
2	3594	SCREW (2)	ALL
3	3899	SCREW (for JAPAN see REAR WHEEL - CAST) (5)	ALL

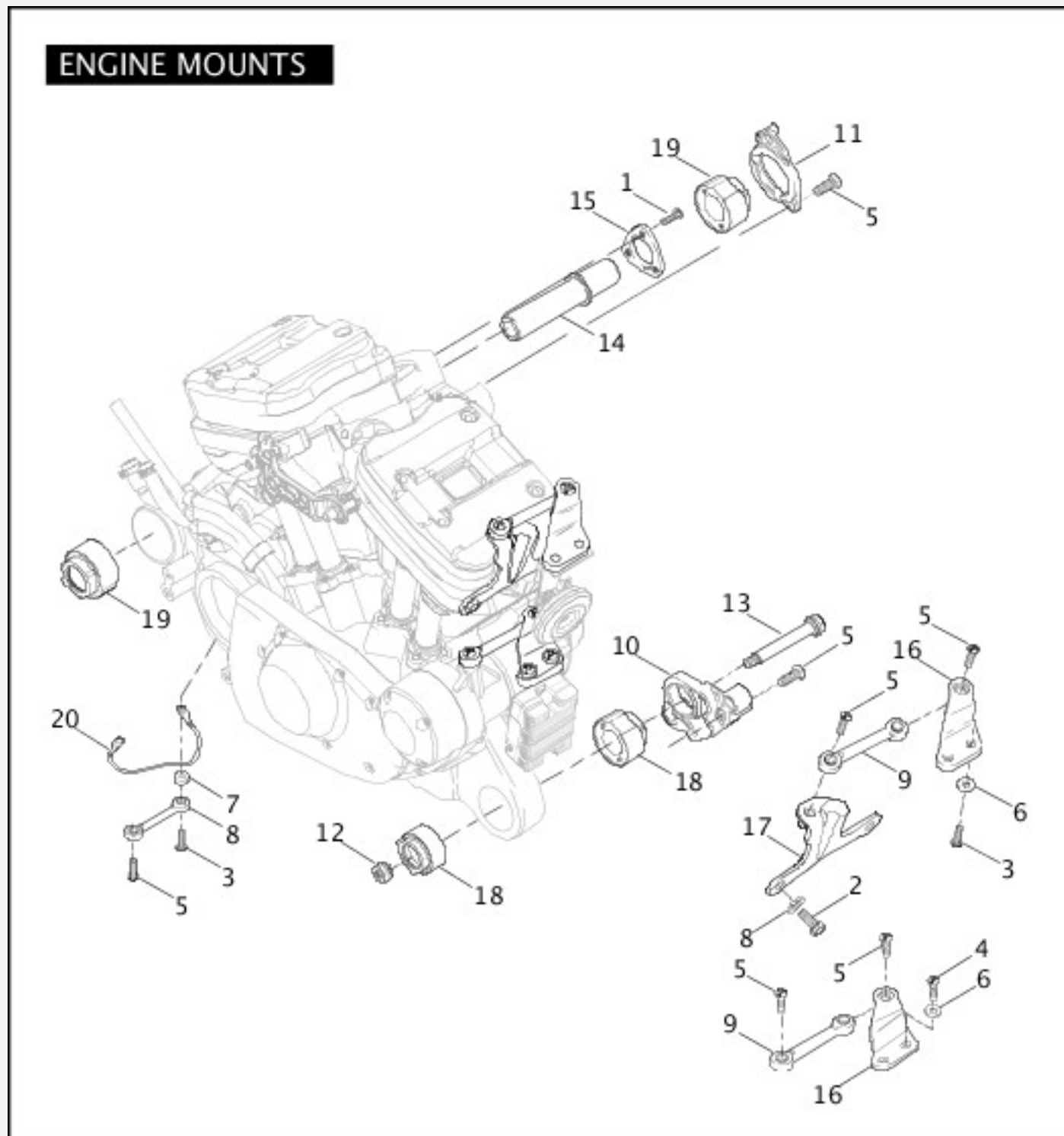
4	4717A	SCREW (2)	ALL
5	6516HW	WASHER (for JAPAN see REAR WHEEL - CAST) (5)	ALL
6	7804	LOCKNUT, sealing	ALL
7	7839	NUT, engine sprocket	ALL
8	34911-04	SPROCKET COVER	XL883, XL883L
	34932-04	SPROCKET COVER	XL1200C
	34938-04	SPROCKET COVER	XL1200R, XL883C
	34943-05	SPROCKET COVER	XL883R
9	35211-91B	NUT, transmission sprocket	ALL
10	40039-02C	CHAIN ADJUSTER ASSEMBLY	ALL
11	40005-57B	PRIMARY CHAIN, 94 links (DOMESTIC, CANADA, CALIFORNIA)	XL883, XL883C, XL883L, XL883R
	40147-04	PRIMARY CHAIN, 96 links	XL1200C, XL1200R
12	40254-02	SPACER, sprocket	ALL
13	40241-02A	SPROCKET, triple row - 34T (DOMESTIC, CANADA, CALIFORNIA)	XL883, XL883C, XL883L, XL883R
	40290-04A	SPROCKET, triple row - 38T	XL1200C, XL1200R
14	40251-92A	RETENTION PLATE	ALL
15	40350-04	SPROCKET, 68T (belt) (black)	XL1200C, XL883R
	40352-04	SPROCKET, 68T (belt) (silver)	XL1200R, XL883, XL883C, XL883L
16	40379-04	SPROCKET, transmission - 28T	XL883, XL883C, XL883L, XL883R
	40409-04	SPROCKET, transmission - 29T (DOMESTIC, CANADA, CALIFORNIA)	XL1200C, XL1200R
17	40570-04B	BELT, 136T	XL883, XL883C, XL883L, XL883R
	40571-04B	BELT, 137T	XL1200C, XL1200R

INTERNATIONAL MODELS ONLY

18	40147-04	PRIMARY CHAIN, 94 links (HDI, JAPAN)	XL883, XL883C, XL883L
----	----------	--------------------------------------	-----------------------

19	40290-04A	SPROCKET, triple row - 38T (HDI, JAPAN)	XL883, XL883C, XL883L
20	40380-04	SPROCKET, transmission - 30T (HDI, JAPAN)	XL1200C, XL1200R
21	40518-05	SPROCKET ASSEMBLY, final drive - 68T (black) (JAPAN)	XL1200C, XL883R
	40544-05	SPROCKET ASSEMBLY, final drive - 68T (silver) (JAPAN)	XL1200R, XL883, XL883C, XL883L

ENGINE MOUNTS



[View interactive image](#)

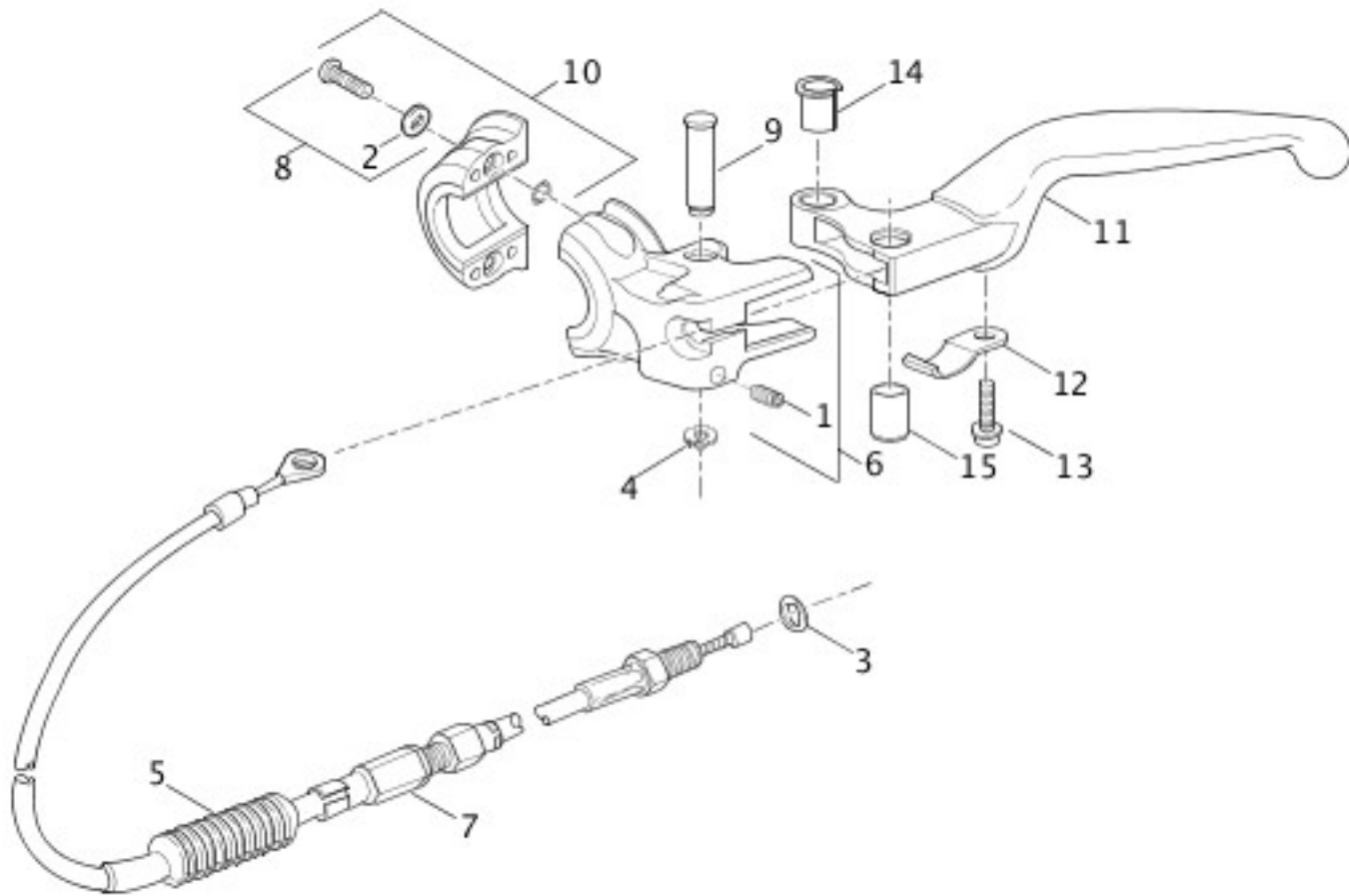
[View interactive table](#)

INDEX NO.	PART NO.	DESCRIPTION	MODEL(S)
1	940	SCREW (3)	ALL

2	3854	SCREW (2)	ALL
3	4180	SCREW (3)	ALL
4	4188	SCREW (2)	ALL
5	4290	SCREW (9)	ALL
6	6026	WASHER, flat (4)	ALL
7	6152	SPACER	ALL
8	7039	LOCKWASHER, lock (2)	ALL
9	16232-04	TIE-LINK (3)	ALL
10	16287-04	MOUNT, front isolator	ALL
11	16291-04	MOUNT, rear isolator	ALL
12	41561-04	NUT, lower front motor mount	ALL
13	41562-04	BOLT, lower front motor mount	ALL
14	41568-04	SHAFT, swing arm pivot	ALL
15	41699-04	LOCKPLATE, rear pivot	ALL
16	47470-04	BRACKET, tie-link (2)	ALL
17	47471-04A	BRACKET, tie-link mounting, engine	ALL
18	48463-04	ISOLATOR, front mount (2)	ALL
19	48492-04A	ISOLATOR, rear mount (2)	ALL
20	70297-04A	STRAP, grounding	ALL

CLUTCH CONTROL

CLUTCH CONTROL



[View interactive image](#)

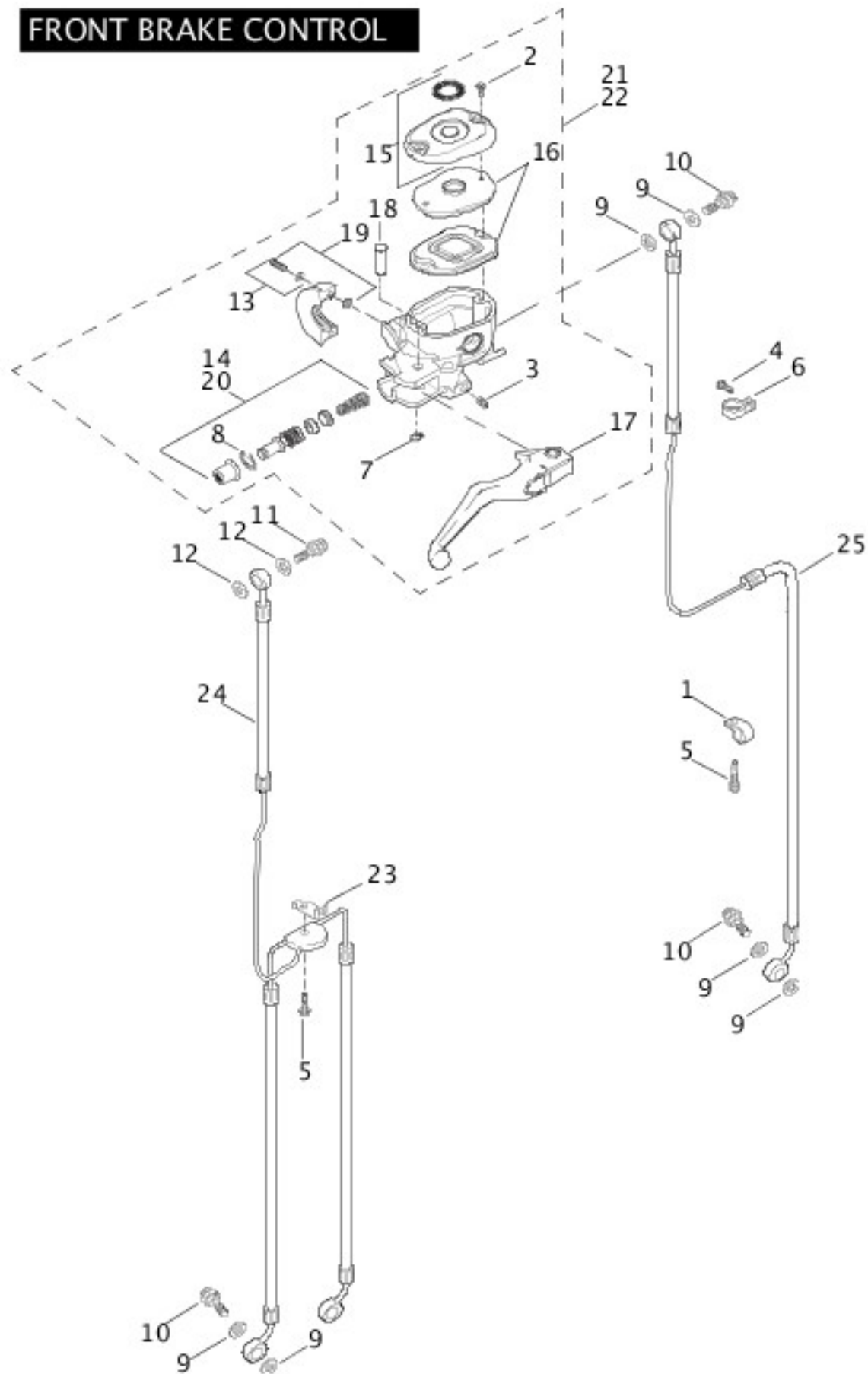
[View interactive table](#)

INDEX NO.	PART NO.	DESCRIPTION	MODEL(S)
1	3244	SCREW, set	ALL
2	6101	WASHER	ALL
	10264	CLIP, clutch cable-to-frame (not illustrated)	ALL
3	11179	O-RING	ALL
4	11379	RETAINING RING	ALL
5	38630-88	BOOT, clutch cable	ALL
6	38671-04	BRACKET, clutch lever	ALL
7	38699-04C	CABLE ASSEMBLY, w/ 3, 4, 5, 15	XL1200C, XL1200R, XL883, XL883C, XL883R
	38702-05C	CABLE ASSEMBLY, w/ 3, 4, 5, 15	XL883L
8	42425-05	SCREW AND WASHER KIT	ALL

9	42807-04	BOLT	ALL
10	42808-04	CLAMP, clutch control (2)	ALL
11	45356-07	HAND LEVER, w/ 45799-04, 45800-04 & 45801-04	ALL
12	45799-04	SPRING, anti-rattle	ALL
13	45800-04	SCREW, spring - clutch lever	ALL
14	45801-04	BUSHING	ALL
15	46268-04	PIN, clutch cable	ALL

FRONT BRAKE CONTROL

FRONT BRAKE CONTROL



[View interactive image](#)

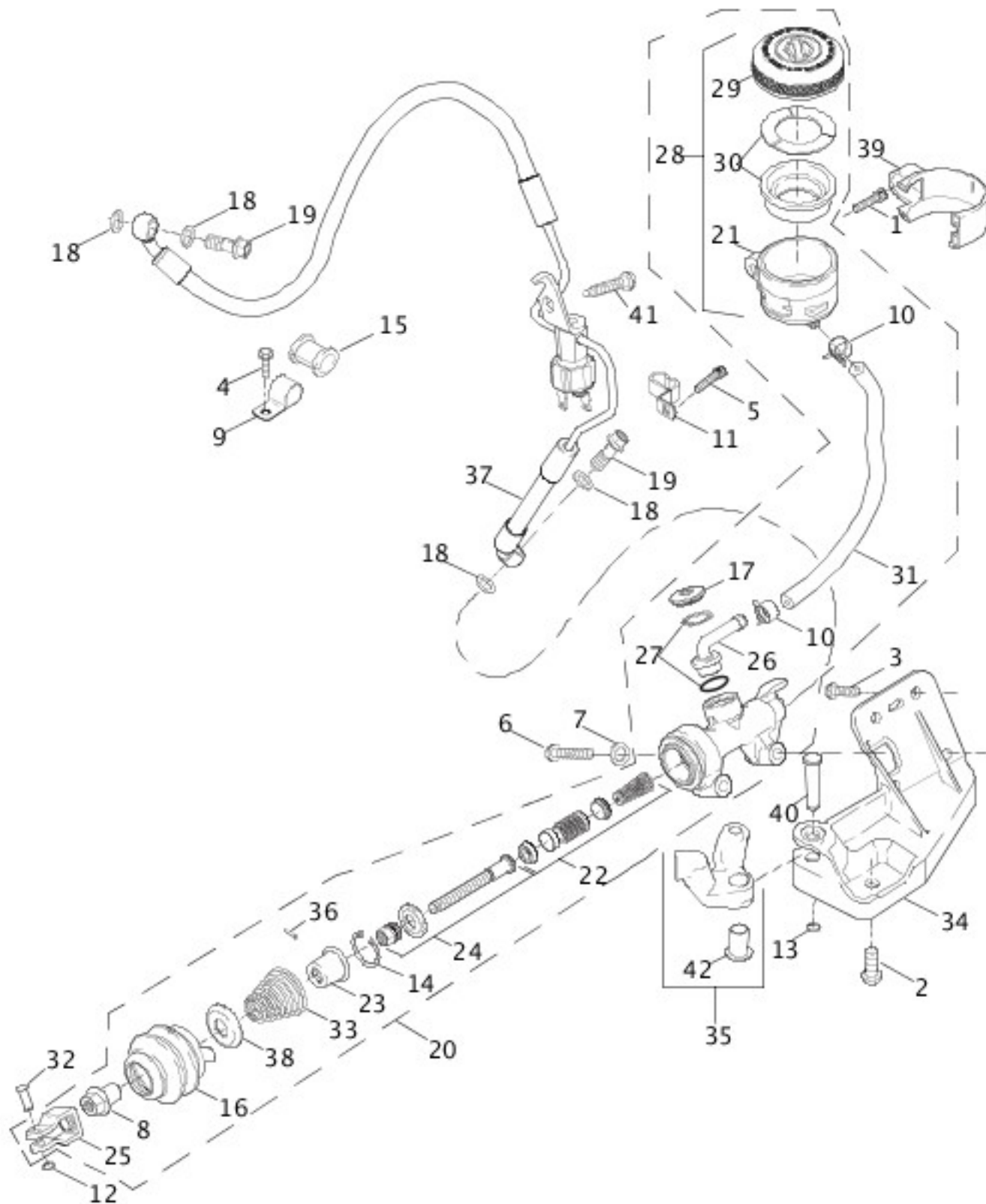
[View interactive table](#)

INDEX NO.	PART NO.	DESCRIPTION	MODEL(S)
1	10053	CLAMP	XL1200C, XL883, XL883C, XL883L
2	2586A	SCREW, flat (2)	ALL

3	3244	SCREW, set w/ thread lock	ALL
4	4240	SCREW	ALL
5	4741A	SCREW	ALL
6	10031	CLAMP	ALL
7	11379	RETAINING RING, lever pivot	ALL
8	11142	RETAINING RING	ALL
9	41732-04	SEALING WASHER, 10mm (4)	ALL
10	41736-04	BANJO BOLT, 10mm (2)	ALL
11	41737-04	BANJO BOLT, 12mm	XL1200R, XL883R
12	41743-04	SEALING WASHER, 12mm (2)	XL1200R, XL883R
13	42425-05	SCREW AND WASHER KIT	ALL
14	42803-04B	REBUILD KIT, front master cylinder, single w/ 11142, 11379 & 41732-04	XL1200C, XL883, XL883C, XL883L
15	42804-04	CAP, front master cylinder w/ 44791-04	ALL
16	42805-04	GASKET KIT, master cylinder	ALL
17	42806-04	LEVER, front brake	ALL
18	42807-04	BOLT, lever	ALL
19	42808-04	CLAMP, master cylinder	ALL
20	42809-04B	REBUILD KIT, front master cylinder, dual, w/ 11142, 11379 & 41743-04	XL1200R, XL883R
21	45052-04	MASTER CYLINDER ASSEMBLY, dual, front	XL1200R, XL883R
22	45146-04	MASTER CYLINDER ASSEMBLY, single, front	XL1200C, XL883, XL883C, XL883L
23	45074-95	GUIDE, front brakeline	XL1200R, XL883R
24	45319-04	BRAKELINE, front, dual	XL1200R, XL883R
25	45449-04B	BRAKELINE, front, single	XL1200C, XL883C
	46400-04	BRAKELINE, front, single	XL883
	46411-05D	BRAKELINE, front, single	XL883L

REAR BRAKE MASTER CYLINDER

REAR BRAKE MASTER CYLINDER



[View interactive image](#)

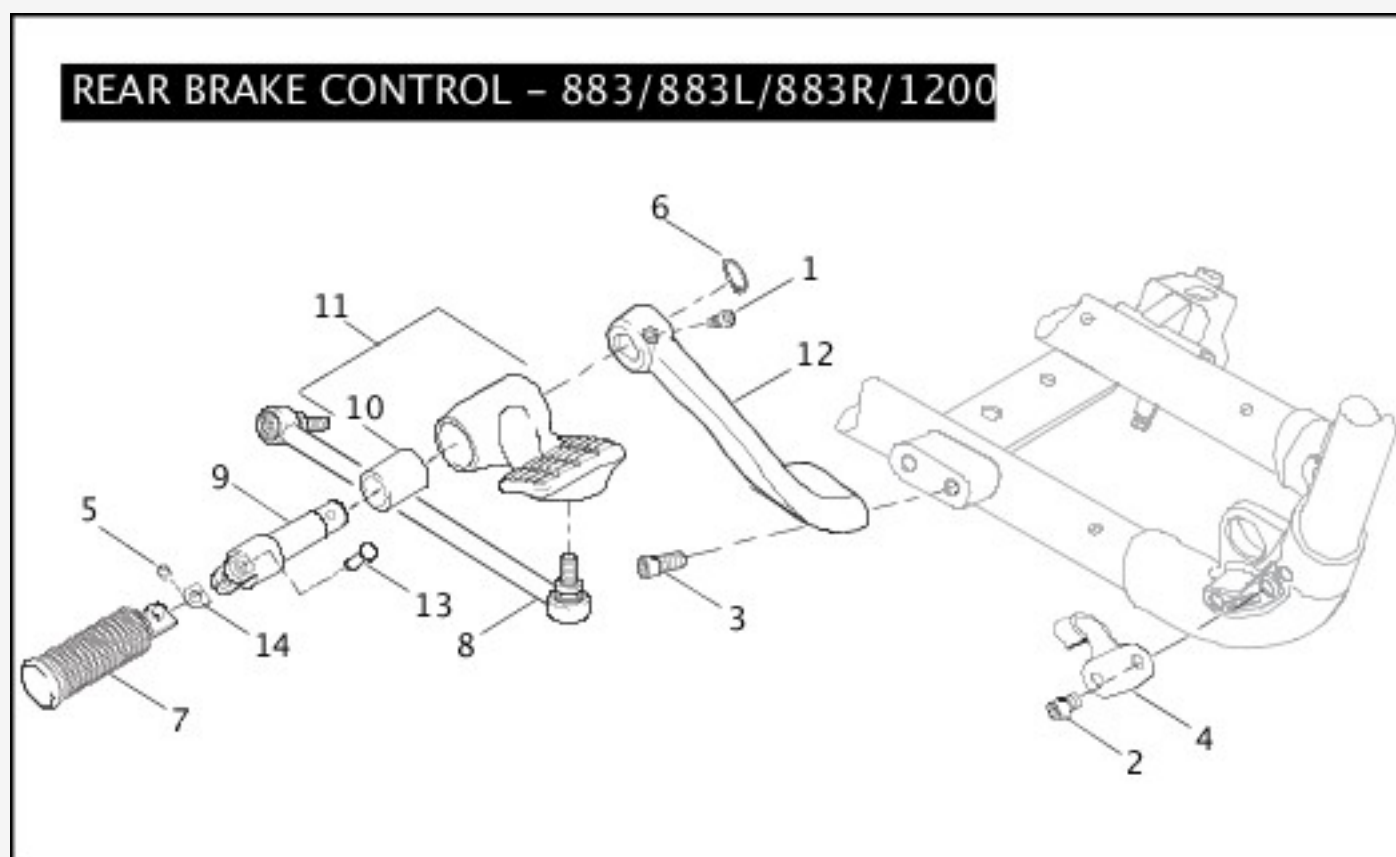
[View interactive table](#)

INDEX NO.	PART NO.	DESCRIPTION	MODEL(S)
1	882	SCREW	ALL
2	995	SCREW	ALL
3	997	SCREW, hex socket, button head (2)	ALL

4	2501A	SCREW	ALL
5	4076	SCREW	XL1200R, XL883, XL883L
6	4816A	SCREW (2)	ALL
7	6702	WASHER (2)	ALL
8	7477	NUT, hex, 8mm	ALL
9	10031	CLAMP (2)	ALL
10	10252	CLAMP, reservoir (2)	ALL
11	10255	CLAMP, double tube	ALL
12	10995	RETAINING RING	ALL
13	11031	RETAINING RING	ALL
14	11121	RETAINING RING	ALL
15	11407	GROMMET	ALL
16	40946-04	BOOT, external	ALL
17	40948-04	DUST COVER	ALL
18	41732-04	SEALING WASHER, 10mm (4)	ALL
19	41736-04	BANJO BOLT, 10mm (2)	ALL
20	42521-04	MASTER CYLINDER AND RESERVOIR ASSEMBLY, rear	ALL
21	42595-04	TANK, rear brake reservoir	ALL
22	42810-04B	REBUILD KIT, master cylinder, w/ 11121, 42811-04, 44189-04	ALL
23	42811-04	BOOT, master cylinder, rear	ALL
24	42812-04	PUSH ROD ASSEMBLY	ALL
25	42813-04	YOKE, master cylinder	ALL
26	42814-04	PORT, rear master cylinder	ALL
27	42815-04	SEAL KIT, port, w/ retaining ring and O-ring	ALL
28	42816-04	RESERVOIR ASSEMBLY, brake, w/ 42595-04, 42817-04, 42818-04	ALL
29	42817-04	CAP, rear brake reservoir	ALL
30	42818-04	GASKET KIT, rear brake reservoir	ALL
31	42821-04	HOSE	ALL

32	42255-04	PIN, brake lever	ALL
33	42593-04	SPRING, external return	ALL
34	42976-04	BRACKET, mounting, rear master cylinder	ALL
35	42979-04	BELL CRANK ASSEMBLY, w/ 42846-04	ALL
36	44189-04	SPRING PIN	ALL
37	44429-04	BRAKELINE ASSEMBLY, w/ 11407	ALL
38	44590-04	RETAINER, spring	ALL
39	67804-04	COVER, reservoir	ALL
40	94432-04	SHOULDER BOLT, bell crank	ALL
41	94612-04	SCREW, dog point	ALL
42	42846-04	BUSHING, bell crank	ALL

REAR BRAKE CONTROL - 883/883L/883R/1200R



[View interactive image](#)

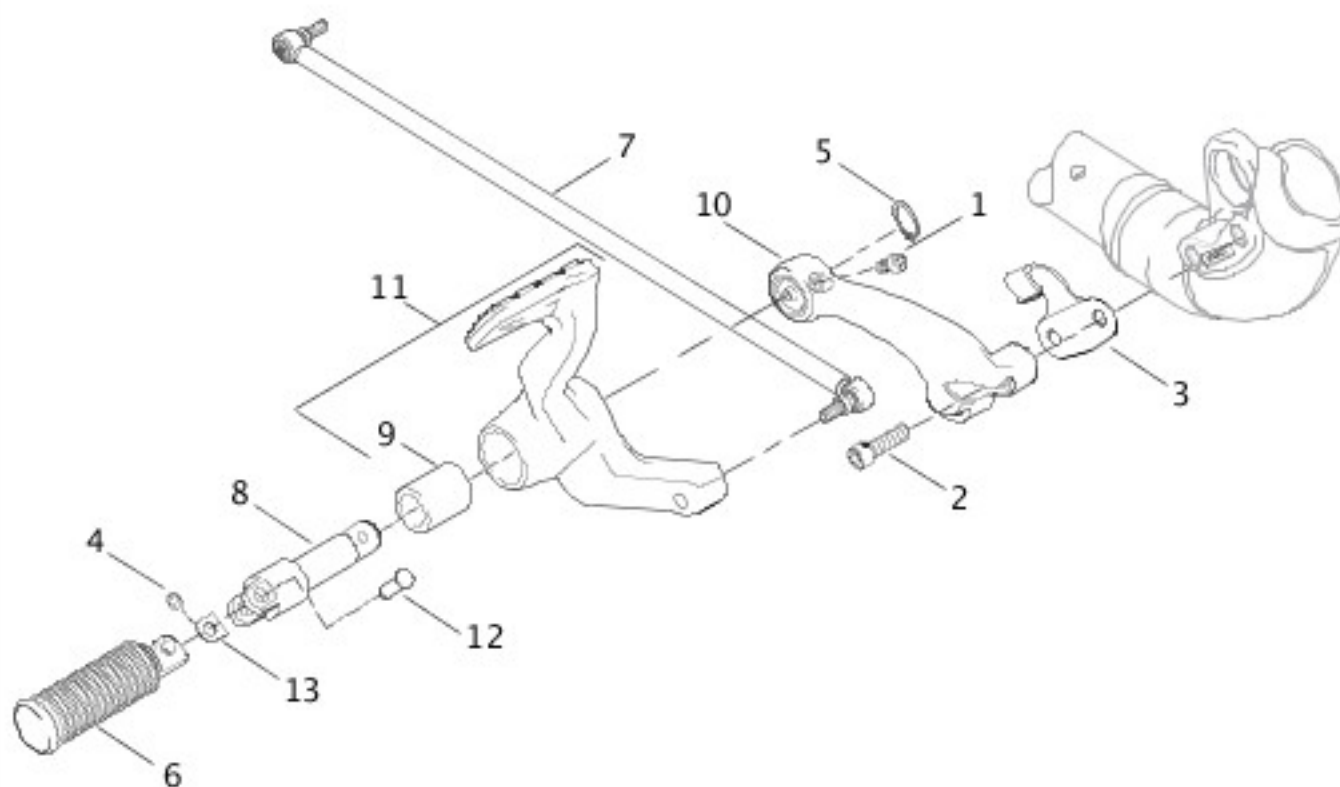
[View interactive table](#)

INDEX NO.	PART NO.	DESCRIPTION	MODEL(S)
1	3210A	SCREW, hex socket	XL1200R, XL883, XL883L, XL883R
2	4076	SCREW, hex socket (2)	XL1200R, XL883, XL883L, XL883R

3	4748	SCREW, hex socket (2)	XL1200R, XL883, XL883L, XL883R
4	10179A	J-CLIP	XL1200R, XL883, XL883L, XL883R
5	11304	RETAINING RING	XL1200R, XL883, XL883L, XL883R
6	11390	RETAINING RING	XL1200R, XL883, XL883L, XL883R
7	33032-99	FOOTPEG ASSEMBLY, w/ 33216-99	XL1200R, XL883, XL883L, XL883R
	33216-99	RUBBER, front footpeg	XL1200R, XL883, XL883L, XL883R
8	34582-04	BRAKE ROD ASSEMBLY	XL1200R, XL883, XL883L, XL883R
9	42541-04	CLEVIS, rider footpeg	XL1200R, XL883, XL883L, XL883R
10	42569-03	BUSHING	XL1200R, XL883, XL883L, XL883R
11	42969-04	PEDAL ASSEMBLY, w/ 42569-03	XL1200R, XL883, XL883L, XL883R
12	42971-04	BRACKET, rider footrest support - right	XL1200R, XL883, XL883L, XL883R
13	45041-01A	CLEVIS PIN	XL1200R, XL883, XL883L, XL883R
14	50912-72	SPRING WASHER, pedal	XL1200R, XL883, XL883L, XL883R

REAR BRAKE CONTROL - 883C/1200C

REAR BRAKE CONTROL - 883C/1200C



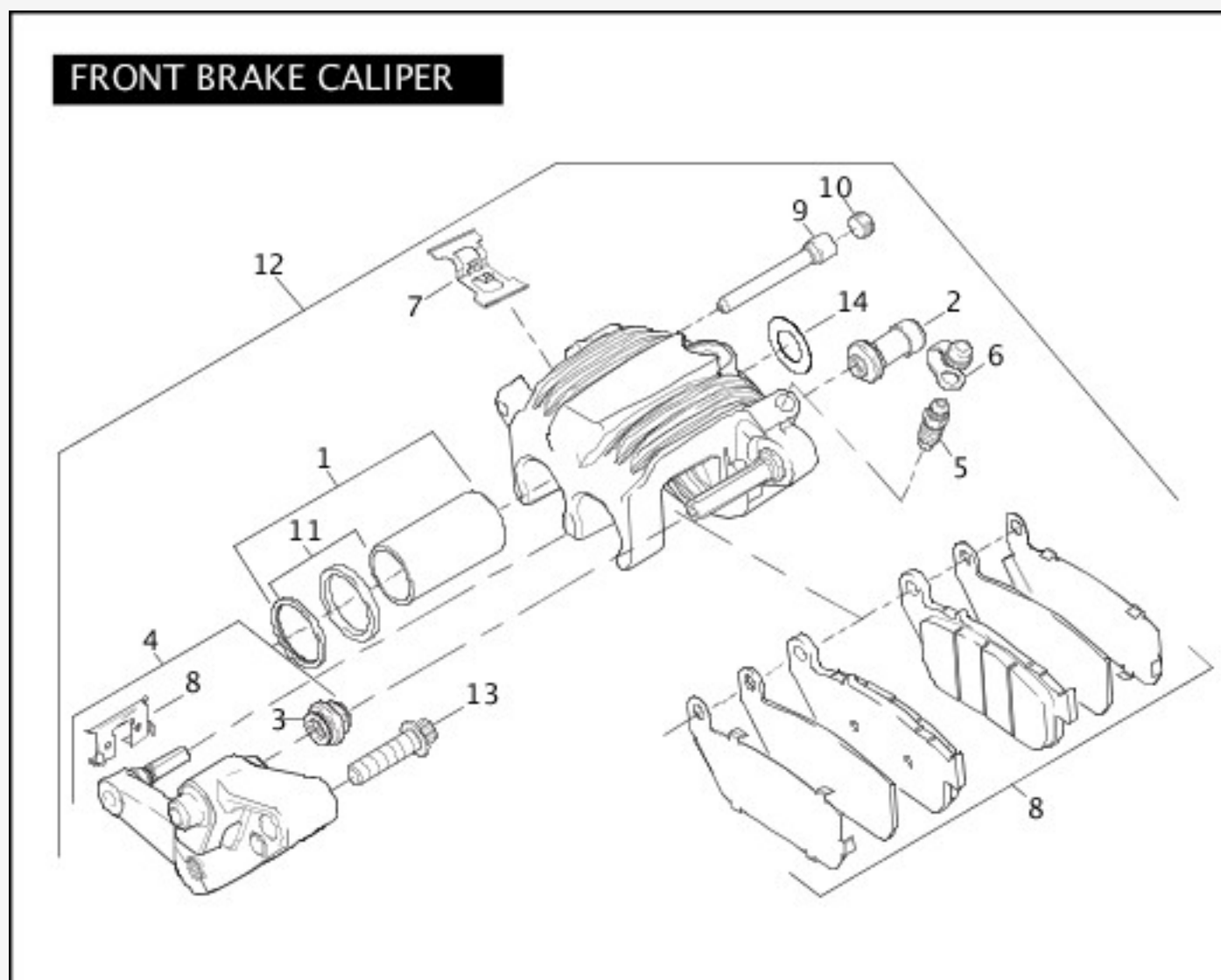
[View interactive image](#)

[View interactive table](#)

INDEX NO.	PART NO.	DESCRIPTION	MODEL(S)
1	3210A	SCREW, hex socket	XL1200C, XL883C
2	4748	SCREW, hex socket (2)	XL1200C, XL883C
3	10179A	J-CLIP	XL1200C, XL883C
4	11304	RETAINING RING	XL1200C, XL883C
5	11390	RETAINING RING	XL1200C, XL883C
6	33032-99	FOOTPEG ASSEMBLY, w/ 33216-99	XL1200C, XL883C
	33216-99	RUBBER, front footpeg	XL1200C, XL883C
7	34581-04	BRAKE ROD ASSEMBLY	XL1200C, XL883C
8	42566-04	CLEVIS, rider footpeg	XL1200C, XL883C
9	42569-03	BUSHING	XL1200C, XL883C
10	42652-04	BRACKET, rider footrest support - right	XL1200C, XL883C

11	42685-04	PEDAL ASSEMBLY, w/ 42569-03	XL1200C, XL883C
12	45041-01A	CLEVIS PIN	XL1200C, XL883C
13	50912-72	SPRING WASHER, pedal	XL1200C, XL883C

FRONT BRAKE CALIPER



[View interactive image](#)

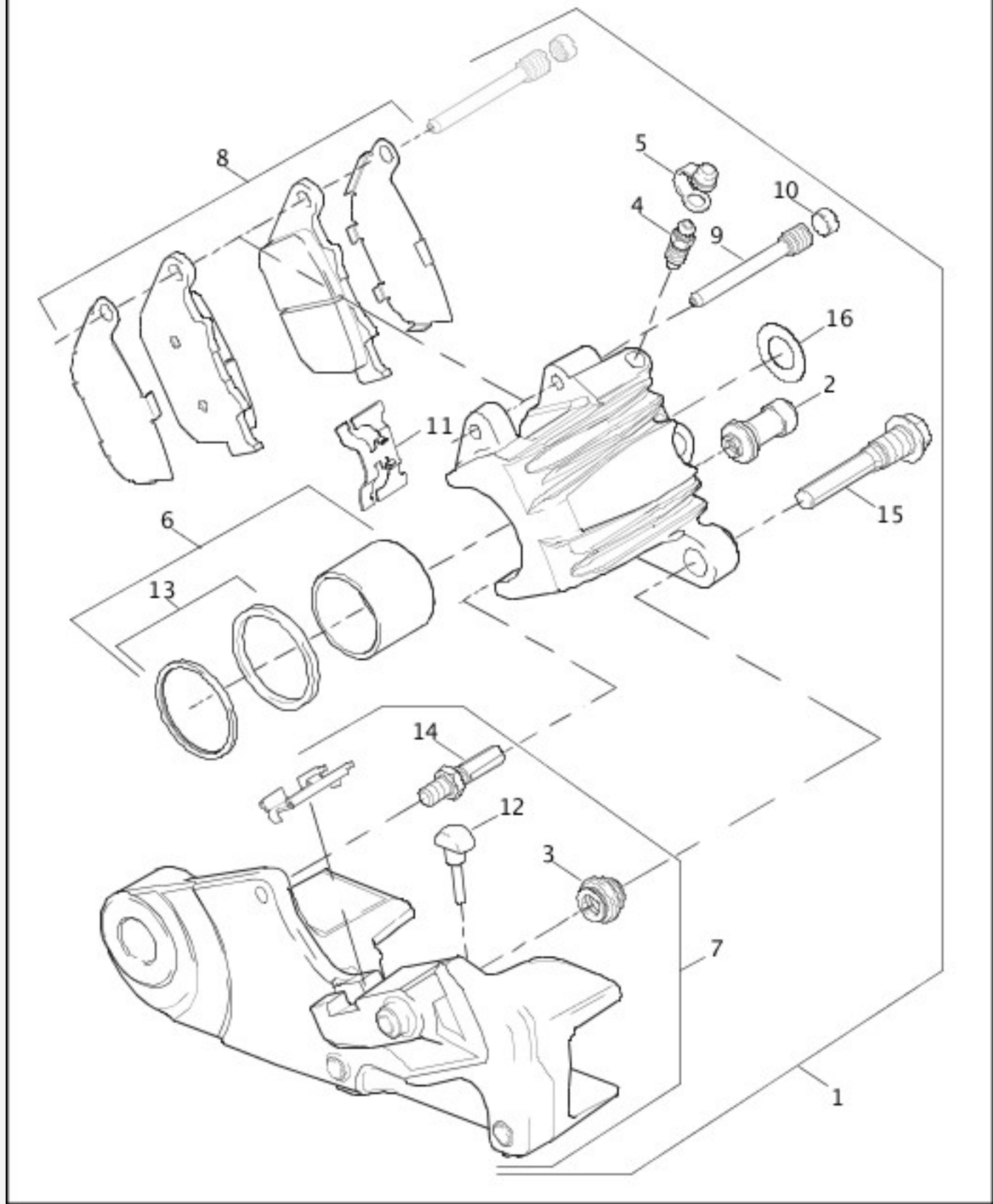
[View interactive table](#)

INDEX NO.	PART NO.	DESCRIPTION	MODEL(S)
1	42822-04	PISTON KIT, front	ALL
2	42823-04	BOOT, caliper bushing	ALL
3	42824-04	BOOT, caliper pin	ALL
4	42825-04	CALIPER BRACKET ASSEMBLY, front left, w/ 42824-04	XL1200C, XL1200R, XL883, XL883C, XL883L
	42826-04	CALIPER BRACKET ASSEMBLY, front right, w/ 42824-04 (not illustrated)	XL1200R

	42880-05	CALIPER BRACKET ASSEMBLY, front left, w/ 42824-04	XL883R
	42878-05	CALIPER BRACKET ASSEMBLY, front right, w/ 42824-04 (not illustrated)	XL883R
5	42827-04	SCREW, bleeder	ALL
6	42828-04	CAP, bleeder screw	ALL
7	42829-04	SPRING, pad, front	ALL
8	42831-04A	PAD KIT, front	ALL
9	42832-04	PAD PIN, front caliper	ALL
10	42838-04	PLUG, pad pin	ALL
11	43529-04	SEAL KIT, front caliper	ALL
12	44119-04	CALIPER ASSEMBLY, front right (not illustrated)	XL1200R
	44121-04A	CALIPER ASSEMBLY, front left	XL1200C, XL1200R, XL883, XL883C, XL883L
	42877-05	CALIPER ASSEMBLY, front right (not illustrated)	XL883R
	42879-05A	CALIPER ASSEMBLY, front left	XL883R
13	44160-00	BOLT, caliper mounting (2)	XL1200C, XL883, XL883C, XL883L
	44160-00	BOLT, caliper mounting (4)	XL1200R, XL883R
14	44440-04	DECAL, caliper	ALL

REAR BRAKE CALIPER

REAR BRAKE CALIPER



[View interactive image](#)

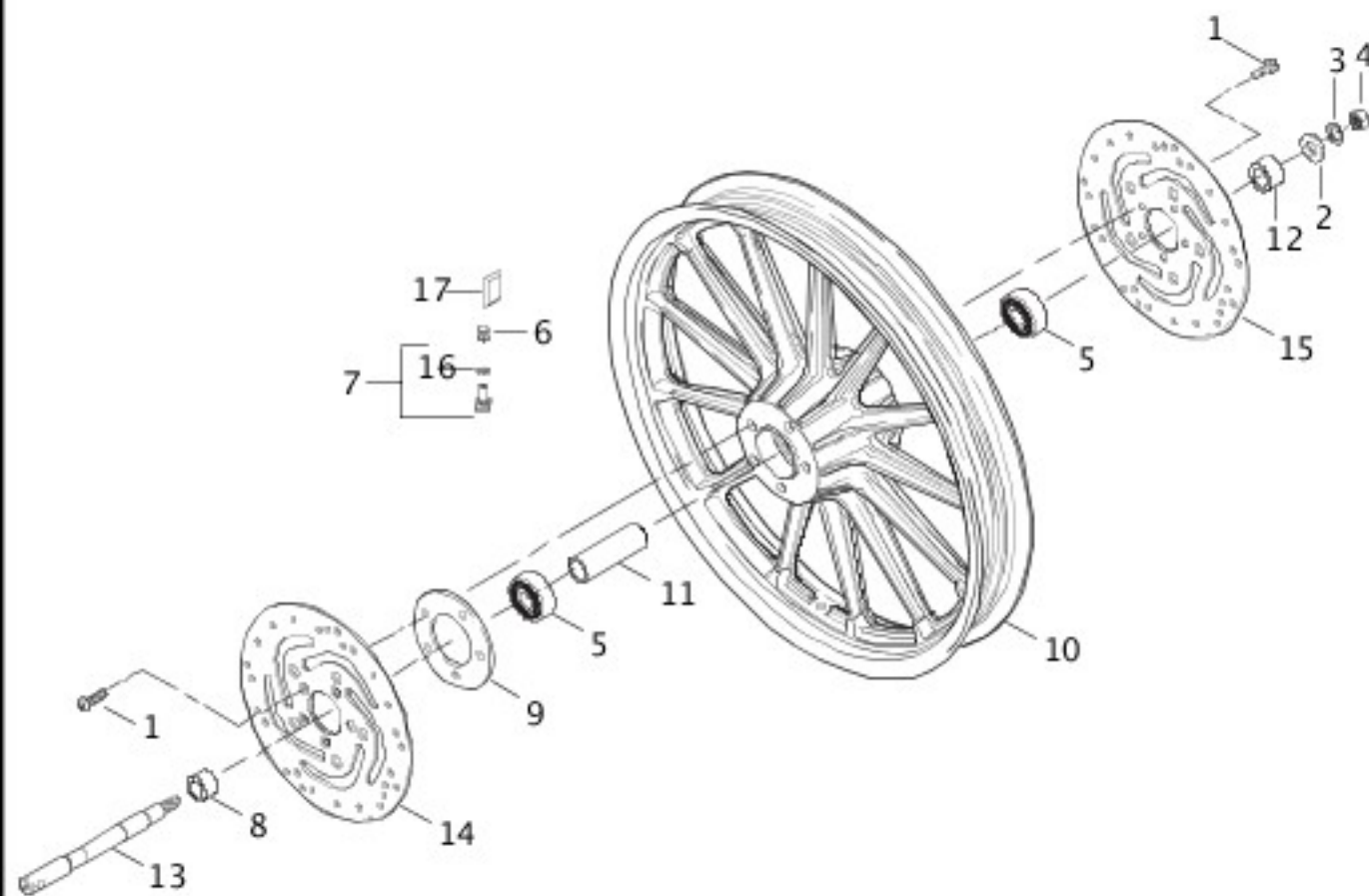
[View interactive table](#)

INDEX NO.	PART NO.	DESCRIPTION	MODEL(S)
1	40968-05A	CALIPER ASSEMBLY, rear	XL1200C, XL1200R, XL883, XL883C, XL883L
	42881-05A	CALIPER ASSEMBLY, rear	XL883R

2	42823-04	BOOT, caliper bushing	ALL
3	42824-04	BOOT, caliper pin	ALL
4	42827-04	SCREW, bleeder	ALL
5	42828-04	CAP, bleeder screw	ALL
6	42834-04	PISTON KIT, rear caliper	ALL
7	42835-05	BRACKET ASSEMBLY, rear caliper, w/ 42824-04, 42840-04, 44178-04	ALL
8	42836-04A	PAD KIT, rear	ALL
9	42837-04	PAD PIN, rear caliper	ALL
10	42838-04	PLUG, pad pin	ALL
11	42839-04	SPRING, pad, rear	ALL
12	42840-04	DAMPER	ALL
13	43528-04	SEAL KIT	ALL
14	44178-04	PIN, bolt	ALL
15	44184-04	PIN, bolt A	ALL
16	44440-04	DECAL, caliper	ALL

FRONT WHEEL - CAST

FRONT WHEEL - CAST



[View interactive image](#)

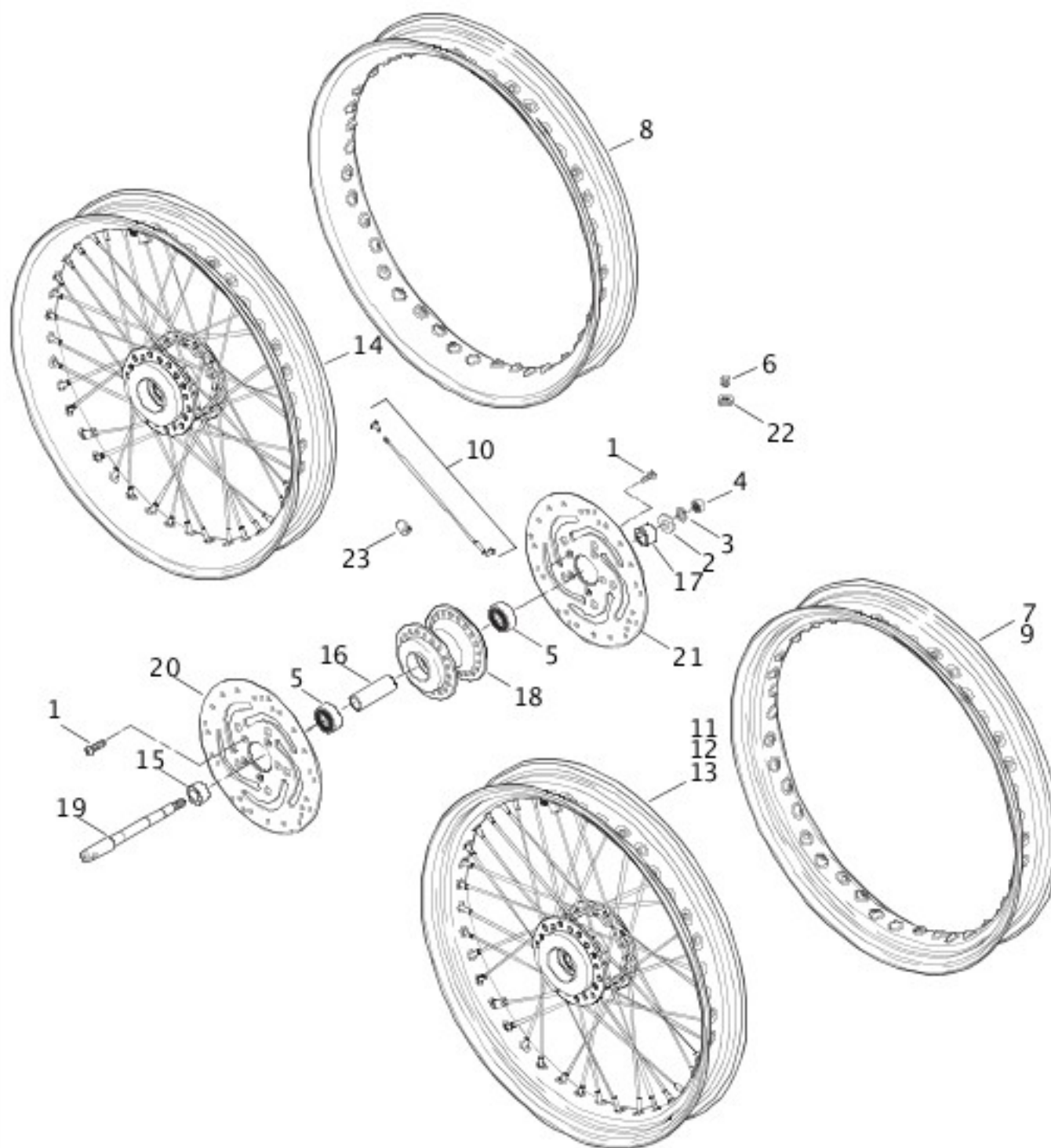
[View interactive table](#)

INDEX NO.	PART NO.	DESCRIPTION	MODEL(S)
1	3655A	SCREW (10)	XL1200R, XL883, XL883L, XL883R
2	6590HW	WASHER	XL1200R, XL883, XL883L, XL883R
3	7068	LOCKWASHER	XL1200R, XL883, XL883L, XL883R
4	7956	NUT	XL1200R, XL883, XL883L, XL883R
5	9267	ROLLER BEARING (2)	XL1200R, XL883, XL883L, XL883R
6	41123-79	VALVE CAP	XL1200R, XL883, XL883L, XL883R
7	43157-83A	VALVE STEM, w/ 54321-85	XL1200R, XL883, XL883L, XL883R
8	43358-00	SPACER, bearing	XL1200R, XL883, XL883L, XL883R

			XL883R
9	43359-00	HUB PLATE (silver)	XL883, XL883L
10	43499-00A	WHEEL ASSEMBLY, 19 inch (13 spoke) (black), w/o bearings and sleeve	XL883R
	43594-00A	WHEEL ASSEMBLY, 19 inch (13 spoke) (silver), w/o bearings and sleeve	XL1200R, XL883, XL883L
11	43613-00	SPACER, hub	XL1200R, XL883, XL883L, XL883R
12	43617-00A	SPACER, bearing	XL1200R, XL883, XL883L, XL883R
13	43895-00	FRONT AXLE	XL1200R, XL883, XL883L, XL883R
14	44136-00	DISC, brake - RH	XL1200R, XL883R
15	44156-00	DISC, brake - LH	XL1200R, XL883, XL883L, XL883R
16	54321-85	NUT, hex	XL1200R, XL883, XL883L, XL883R
17	95595-84A	WHEEL WEIGHT, 1/4 oz. (silver)	XL1200R, XL883, XL883L, XL883R

FRONT WHEEL - LACED & PROFILE LACED

FRONT WHEEL - LACED & PROFILE LACED



[View interactive image](#)

[View interactive table](#)

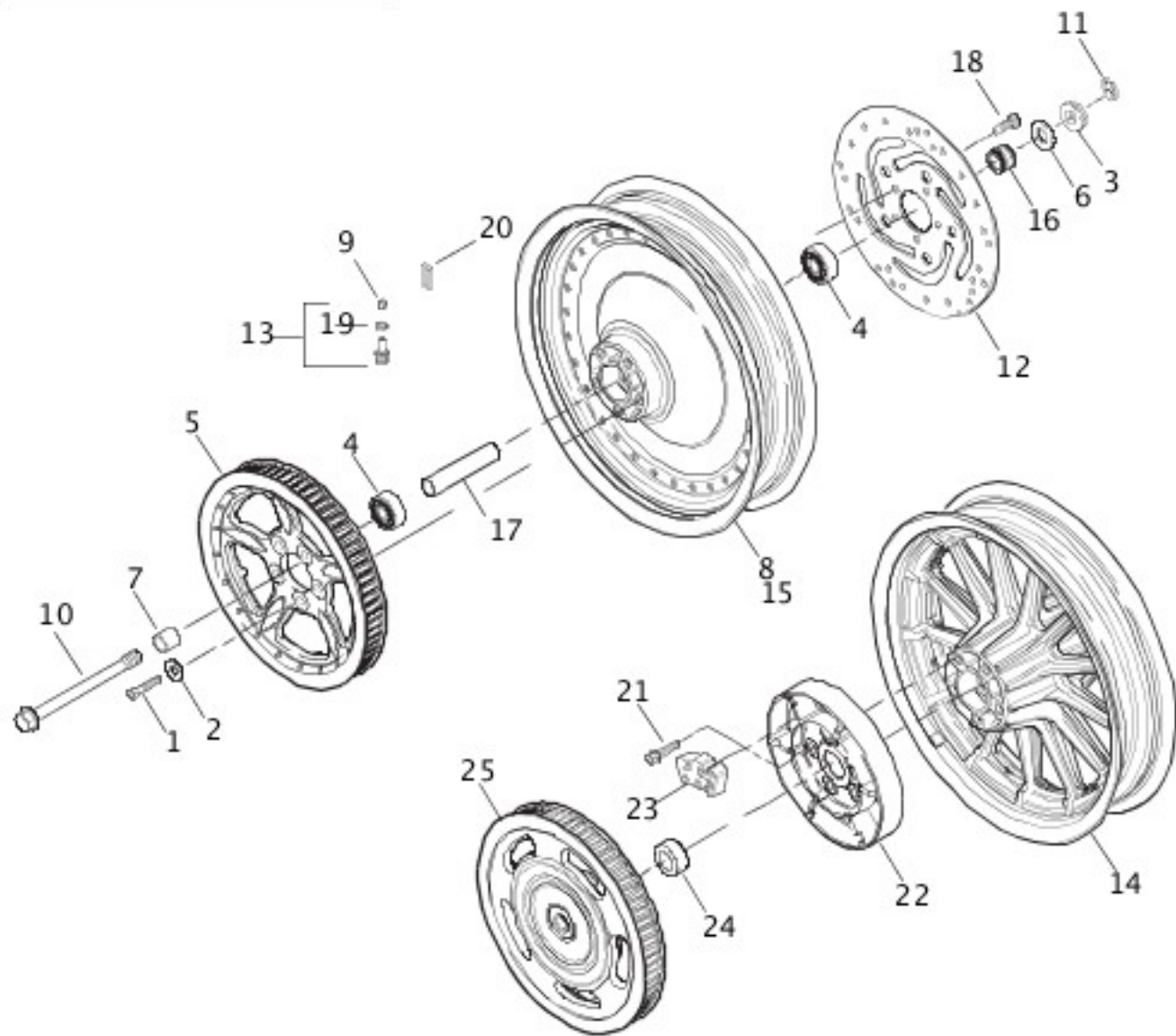
INDEX NO.	PART NO.	DESCRIPTION	MODEL(S)
1	3655A	SCREW (5)	XL1200C, XL883, XL883C, XL883L, XL883R
	3655A	SCREW (10)	XL1200R
2	6590HW	WASHER	ALL
3	7068	LOCKWASHER	ALL
4	7956	NUT	ALL

5	9267	ROLLER BEARING (2)	ALL
6	41123-79	VALVE CAP	ALL
7	43001-06	RIM, laced wheel, 19 inch (steel)	XL1200R, XL883, XL883L
8	43445-05	RIM, profile laced wheel, 21 inch (chrome)	XL1200C, XL883C
9	43662-80B	RIM, laced wheel, 21 inch (chrome)	XL1200C, XL883C
10	40762-05	SPOKE AND NIPPLE KIT, 19 inch rim - long (chrome) (set of 20)	XL1200R, XL883, XL883L
	40761-05	SPOKE AND NIPPLE KIT, 19 inch rim - short (chrome) (set of 20)	XL1200R, XL883, XL883L
	40760-05	SPOKE AND NIPPLE KIT, 21 inch rim - short (chrome) (set of 20)	XL1200C, XL883C
	40759-05	SPOKE AND NIPPLE KIT, 21 inch rim - long (chrome) (set of 20)	XL1200C, XL883C
	43064-05	SPOKE AND NIPPLE KIT, profile laced wheel, 21 inch rim - short (set of 20)	XL1200C, XL883C
	43056-05	SPOKE AND NIPPLE KIT, profile laced wheel, 21 inch rim - long (set of 20)	XL1200C, XL883C
11	43312-05A	WHEEL ASSEMBLY, laced wheel, 19 inch, w/ 7, 10 & wheel hub, w/o bearings & sleeve	XL883, XL883L
12	43547-05B	WHEEL ASSEMBLY, laced wheel, 19 inch, w/ 7, 10 & wheel hub, w/o bearings & sleeve	XL1200R
13	43557-05A	WHEEL ASSEMBLY, laced wheel, 21 inch, w/ 9, 10 & wheel hub, w/o bearings & sleeve	XL1200C, XL883C
14	44610-05A	WHEEL ASSEMBLY, profile laced wheel, 21 inch, w/ 8, 10 & wheel hub, w/o bearings & sleeve	XL1200C, XL883C
15	43358-00	SPACER, bearing sleeve	ALL
16	43613-00	SPACER, hub	ALL
17	43617-00A	SPACER, bearing	ALL
18	43500-05	WHEEL HUB ASSEMBLY, profile laced wheel, w/ 5 & 14	XL1200C, XL883C
	43610-00A	WHEEL HUB ASSEMBLY, laced wheel, w/ 5 & 16 (2)	XL1200C, XL883C

	43629-00A	WHEEL HUB ASSEMBLY, laced wheel w/ 5 & 16 (2)	XL1200R
19	43895-00	FRONT AXLE	ALL
20	44136-00	DISC, brake - RH	XL1200R
21	44156-00	DISC, brake - LH	ALL
22	54321-85	NUT, valve stem	ALL
23	95578-41	WHEEL WEIGHT, 1/2 oz.	ALL
	95581-47	WHEEL WEIGHT, 3/4 oz.	ALL
	95582-47	WHEEL WEIGHT, 1 oz.	ALL

REAR WHEEL - CAST

REAR WHEEL - CAST



[View interactive image](#)

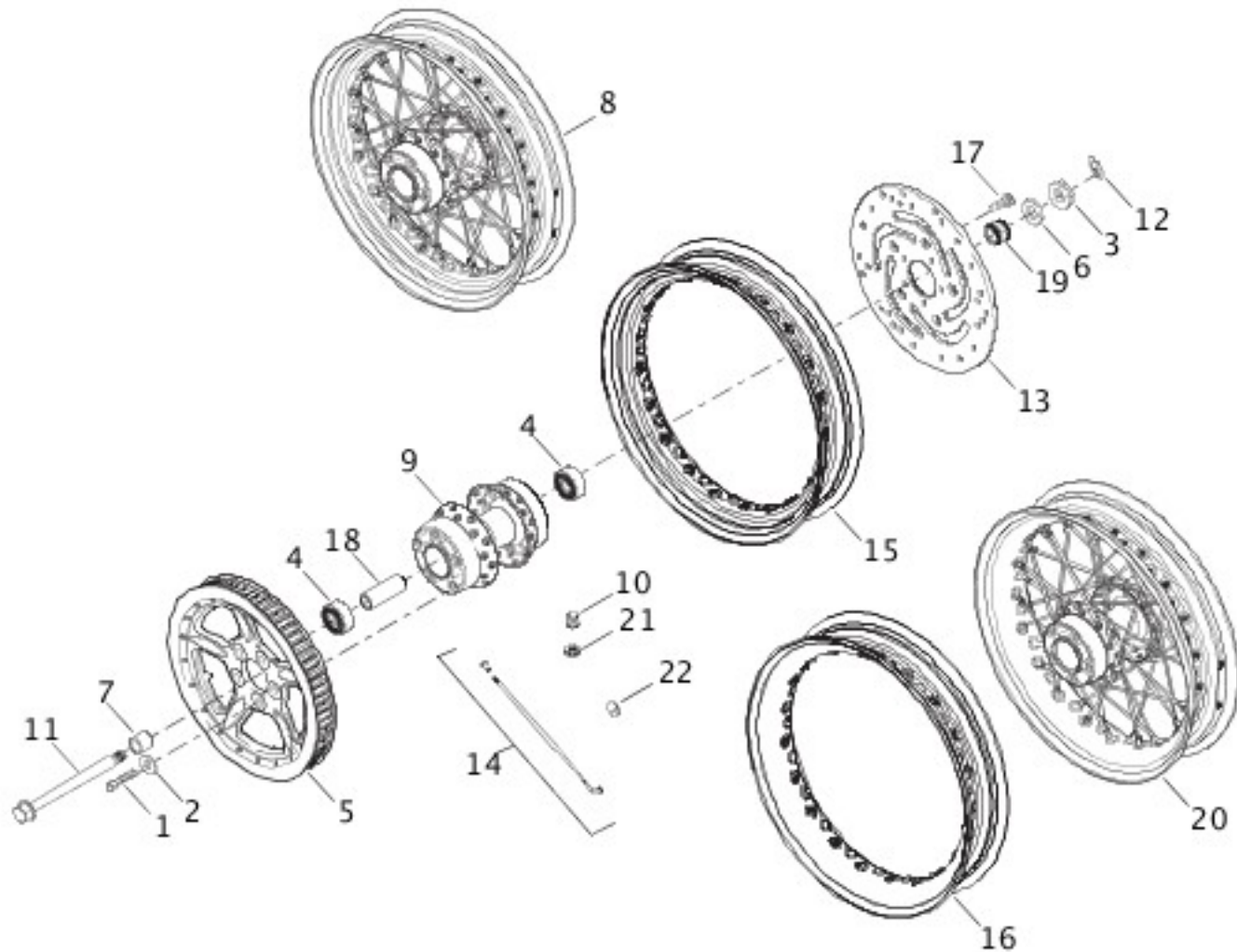
[View interactive table](#)

INDEX NO.	PART NO.	DESCRIPTION	MODEL(S)
1	3899	SCREW (5)	ALL
2	6516HW	WASHER (5)	ALL
3	8039	NUT, flange	ALL
4	9247	WHEEL BEARING (2)	ALL
5	40350-04	SPROCKET, 68T (black)	XL1200C, XL883R
	40352-04	SPROCKET, 68T (belt) (silver)	XL1200R, XL883, XL883C, XL883L
6	40582-05	WASHER, left side, rear axle	ALL
7	40930-05	SPACER, wheel bearing, sprocket side	ALL

8	41041-05	WHEEL ASSEMBLY, solid w/ holes (silver) w/ 4, 13 & 17	XL883C
9	41123-79	VALVE CAP	ALL
10	41176-05	AXLE ASSEMBLY	ALL
11	41296-05	RETAINING RING	ALL
12	41797-00	BRAKE DISC	ALL
13	43157-83A	VALVE STEM, w/ 54321-85	ALL
14	43637-05	WHEEL ASSEMBLY, 16 inch (13 spoke) (silver) w/ 4, 13 & 17	XL1200R, XL883, XL883L
	41012-00A	WHEEL, 16 inch (13 spoke) (black), w/o bearings & sleeve	XL883R
15	43335-05	WHEEL ASSEMBLY, solid w/ slots (chrome) w/ 4, 13 & 17	XL1200C
16	41084-02A	SPACER, disk side	ALL
17	43517-00	SLEEVE, bearing spacer	ALL
18	43567-92	SCREW, brake disc (5)	ALL
19	54321-85	NUT, valve stem	ALL
20	95595-84A	WHEEL WEIGHT, 1/4 oz. (4)	ALL
INTERNATIONAL MODELS ONLY			
21	3814	SCREW, w/ washer (5)	ALL
22	40560-05	BOWL COMPENSATOR (JAPAN)	ALL
23	40561-05	ISOLATOR, rubber (JAPAN) (6)	ALL
24	40562-05	SPACER (JAPAN)	ALL
25	40518-05	SPROCKET ASSEMBLY, final drive w/ bearing - 68T (black) (JAPAN)	XL1200C, XL883R
	40544-05	SPROCKET ASSEMBLY, final drive w/ bearing - 68T (silver) (JAPAN)	XL1200R, XL883, XL883C, XL883L

REAR WHEEL - LACED & PROFILE LACED

REAR WHEEL – LACED & PROFILE LACED



[View interactive image](#)

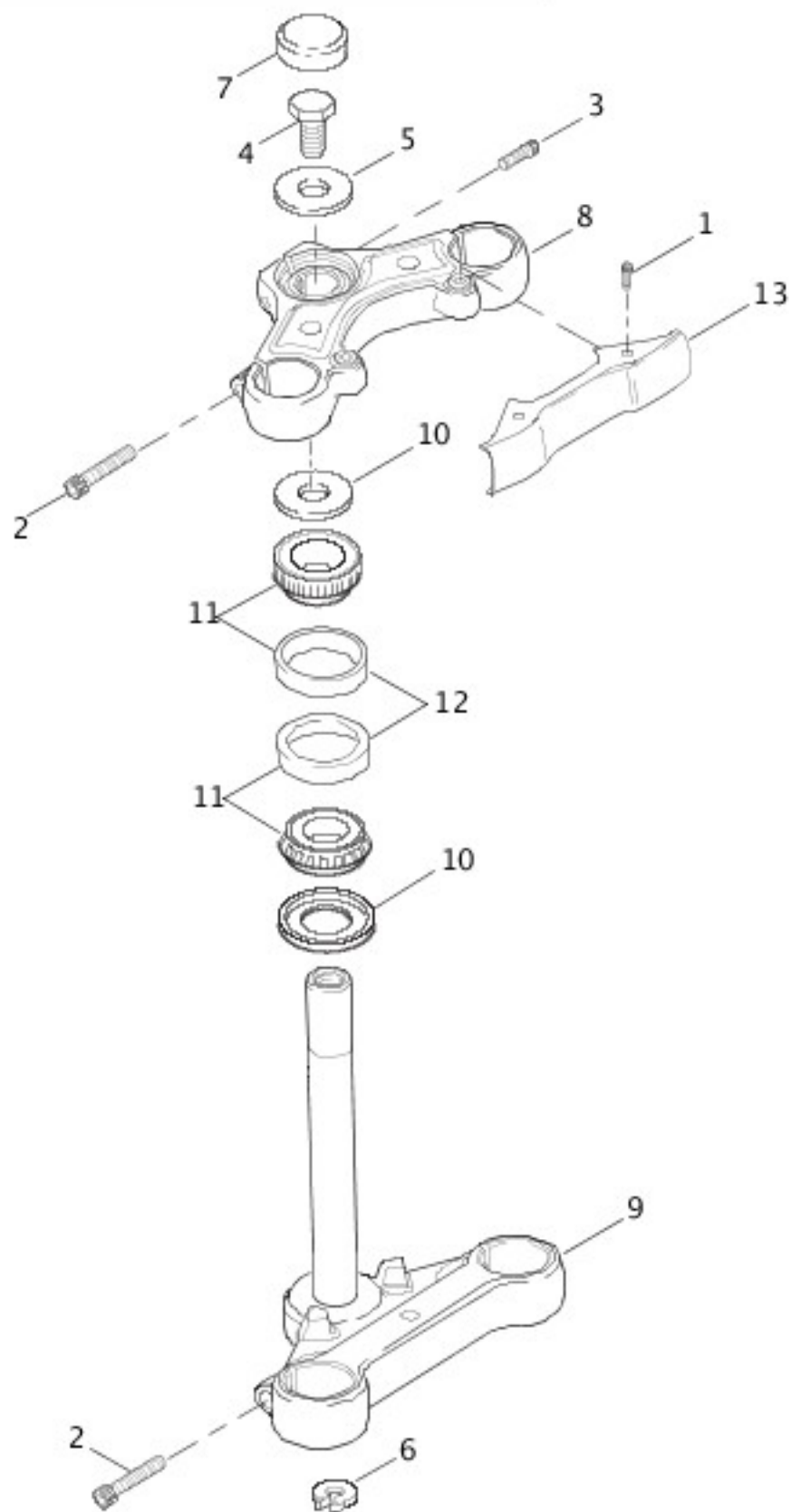
[View interactive table](#)

INDEX NO.	PART NO.	DESCRIPTION	MODEL(S)
1	3899	SCREW (5)	ALL
2	6516HW	WASHER (5)	ALL
3	8039	NUT, flange	ALL
4	9247	WHEEL BEARING (2)	ALL
5	40350-04	SPROCKET, 68 tooth (black)	ALL
6	40582-05	WASHER, left side, rear axle	ALL
7	40930-05	SPACER, wheel bearing, sprocket side	ALL
8	41052-08	LACED WHEEL ASSEMBLY, 16 inch (chrome)	XL1200R, XL883, XL883L
9	41053-02A	PROFILE LACED WHEEL HUB ASSEMBLY, w/ bearings, 16 inch	ALL

10	41123-79	VALVE CAP	ALL
11	41176-05	AXLE ASSEMBLY	ALL
12	41296-05	RETAINING RING	ALL
13	41797-00	BRAKE DISC	ALL
14	43241-05	SPOKE AND NIPPLE KIT, laced wheel, 16 inch rim (chrome) (set of 40)	XL1200R, XL883, XL883L
	43052-05A	SPOKE AND NIPPLE KIT, profile laced wheel, 16 inch rim (set of 40)	XL1200C, XL883C
15	43085-97	RIM, laced wheel, 16 inch (chrome)	XL1200R, XL883, XL883L
16	43440-05A	RIM, profile laced wheel, 16 inch (chrome)	XL1200C, XL883C
17	43567-92	SCREW, brake disc (5)	ALL
18	43517-00	SLEEVE, bearing spacer	ALL
19	41084-02A	SPACER, disk side	ALL
20	44606-08	PROFILE LACED WHEEL ASSEMBLY, 16 inch (chrome)	XL1200C, XL883C
21	54321-85	NUT, valve stem	ALL
22	95578-41	WHEEL WEIGHT, 1/2 oz.	ALL
	95581-47	WHEEL WEIGHT, 3/4 oz.	ALL
	95582-47	WHEEL WEIGHT, 1 oz.	ALL

STEERING HEAD BRACKET ASSEMBLY

STEERING HEAD BRACKET ASSEMBLY



[View interactive image](#)

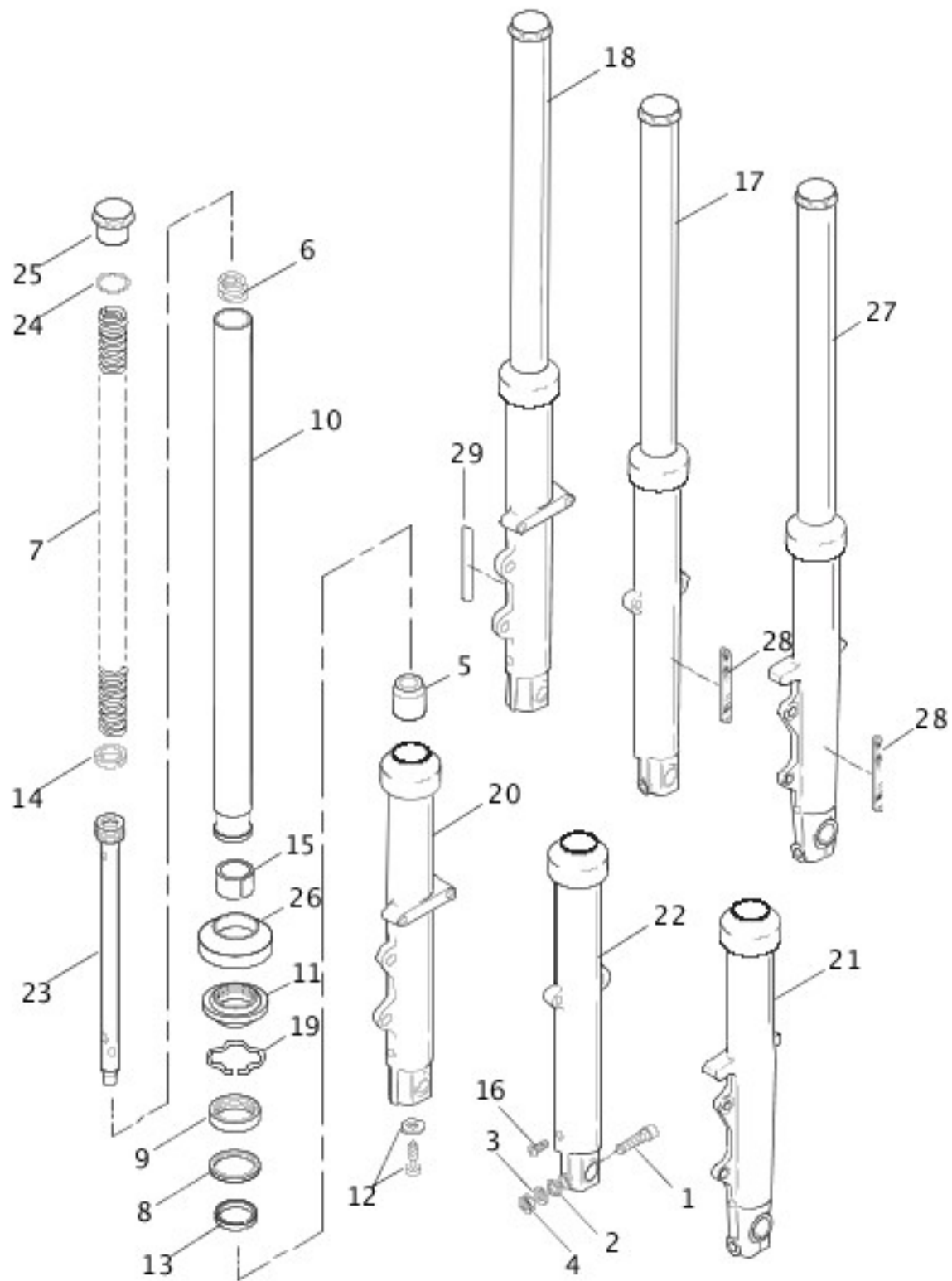
[View interactive table](#)

INDEX NO.	PART NO.	DESCRIPTION	MODEL(S)
1	3201WA	SCREW (2)	XL1200C, XL883C
2	4351	SCREW (4)	ALL
3	4352	SCREW	ALL

4	4453	BOLT, tapped	XL1200R
	4460	BOLT	XL1200C, XL883, XL883C, XL883L, XL883R
5	6655	WASHER	ALL
6	45611-86	RETAINING RING	ALL
7	45668-90	CAP, fork stem	XL1200R
8	45966-04	BRACKET, upper	ALL
9	46126-04	BRACKET, lower w/ bearing, seal and retaining ring	XL1200C, XL883C
	46127-04	BRACKET, lower w/ bearing, seal and retaining ring	XL1200R, XL883, XL883L, XL883R
10	48184-01	SEAL, tapered bearing (2)	ALL
11	48300-60	ROLLER BEARING, w/ cup (2)	ALL
12	48315-60	BEARING CUP (2)	ALL
13	68041-04	COVER, upper triple clamp	XL1200C, XL883C

FRONT FORK

FRONT FORK



[View interactive image](#)

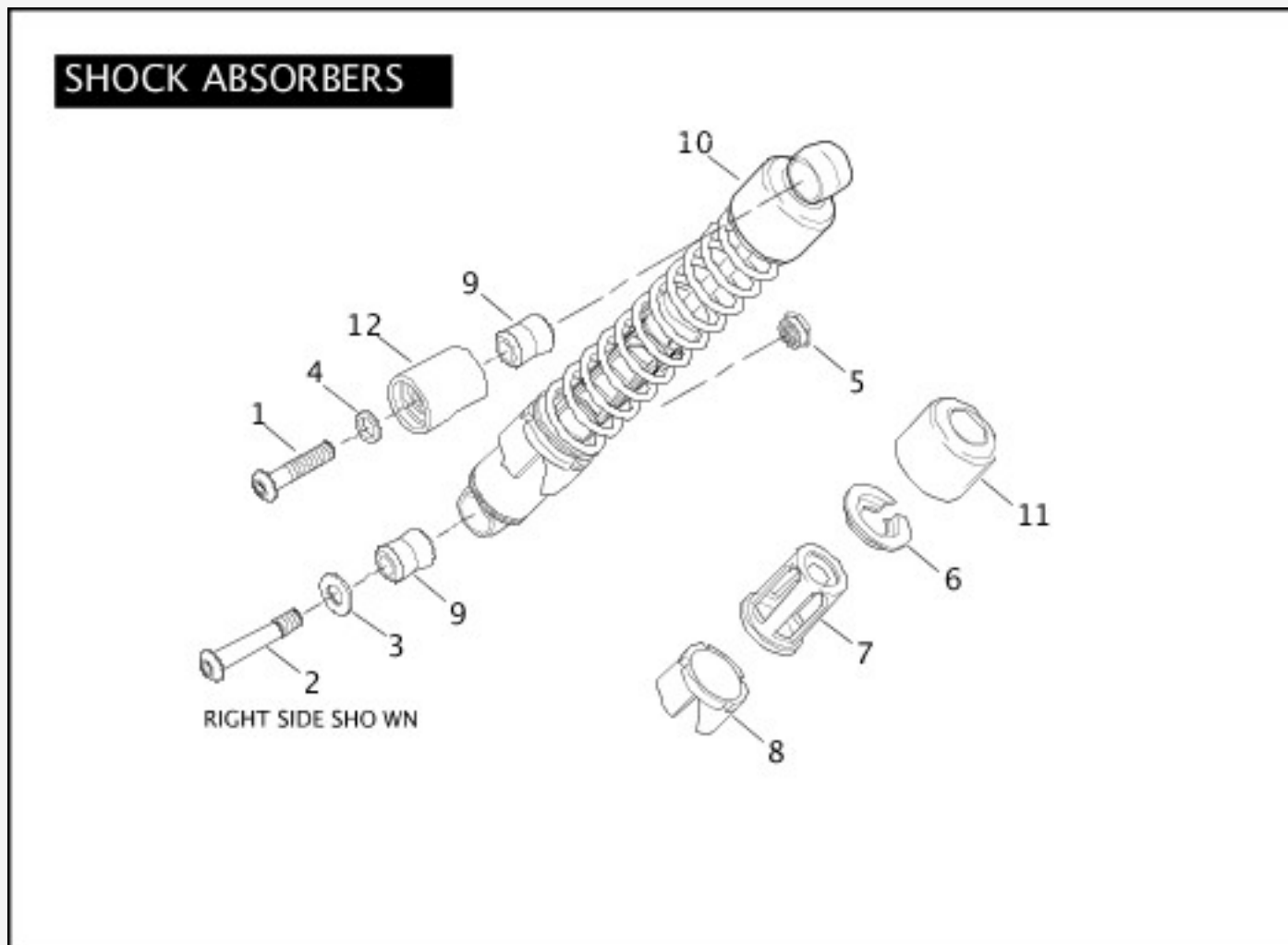
[View interactive table](#)

INDEX NO.	PART NO.	DESCRIPTION	MODEL(S)
1	4029A	SCREW	ALL
2	6701	WASHER	ALL
3	7038	LOCKWASHER	ALL

4	7783	NUT	ALL
5	45361-90	LOWER STOP (2)	ALL
6	45374-87	SPRING, slider (2)	ALL
7	45376-04	SPRING (2)	XL1200C, XL1200R, XL883, XL883C, XL883R
	46267-05	SPRING (2)	XL883L
8	45377-87	SPACER, oil seal (2)	ALL
9	45378-87	OIL SEAL (2)	ALL
10	45395-04	SLIDER TUBE, w/ 45465-87 (2)	XL1200C, XL1200R, XL883, XL883C, XL883R
	46218-05	SLIDER TUBE, w/ 45465-87 (2)	XL883L
11	45401-87	SEAL, dust (2)	ALL
12	45405-75A	SCREW, w/ washer (2)	ALL
13	45461-87	BUSHING, upper (2)	ALL
14	45460-90	RING, damper tube (2)	ALL
15	45465-87	BUSHING, slider tube (2)	ALL
16	45790-80	DRAIN SCREW, w/ washer (2)	ALL
17	45900-04	FORK SLIDER AND TUBE ASSEMBLY, right	XL1200C, XL883, XL883C
	46307-05	FORK SLIDER AND TUBE ASSEMBLY, right	XL883L
	46453-05	FORK SLIDER AND TUBE ASSEMBLY, right	XL883R
18	45901-04	FORK SLIDER AND TUBE ASSEMBLY, left	XL1200C, XL1200R, XL883, XL883C
	46308-05	FORK SLIDER AND TUBE ASSEMBLY, left	XL883L
	46454-05	FORK SLIDER AND TUBE ASSEMBLY, left	XL883R
19	45905-87	RETAINING RING, oil seal (2)	ALL
20	45921-00	SLIDER ASSEMBLY, left	XL1200C, XL1200R, XL883, XL883C, XL883L
	46450-05	SLIDER ASSEMBLY, left	XL883R
21	45922-00	SLIDER ASSEMBLY, right	XL1200R
22	45923-00	SLIDER ASSEMBLY, right	XL1200C, XL883, XL883C, XL883L
	46449-05	SLIDER ASSEMBLY, right	XL883R
23	45925-04	DAMPER TUBE, w/ 45460-90 (2)	XL1200C, XL1200R, XL883, XL883C, XL883R
	45938-92	DAMPER TUBE (2)	XL883L
24	45984-87	O-RING (2)	ALL

25	45996-87	CAP, slider tube (2)	ALL
26	46002-87	COVER, slider (2)	ALL
27	46029-04	FORK SLIDER AND TUBE ASSEMBLY, right	XL1200R
28	59481-00	REFLECTOR, amber - right	ALL
29	59482-00	REFLECTOR, amber - left	ALL

SHOCK ABSORBERS



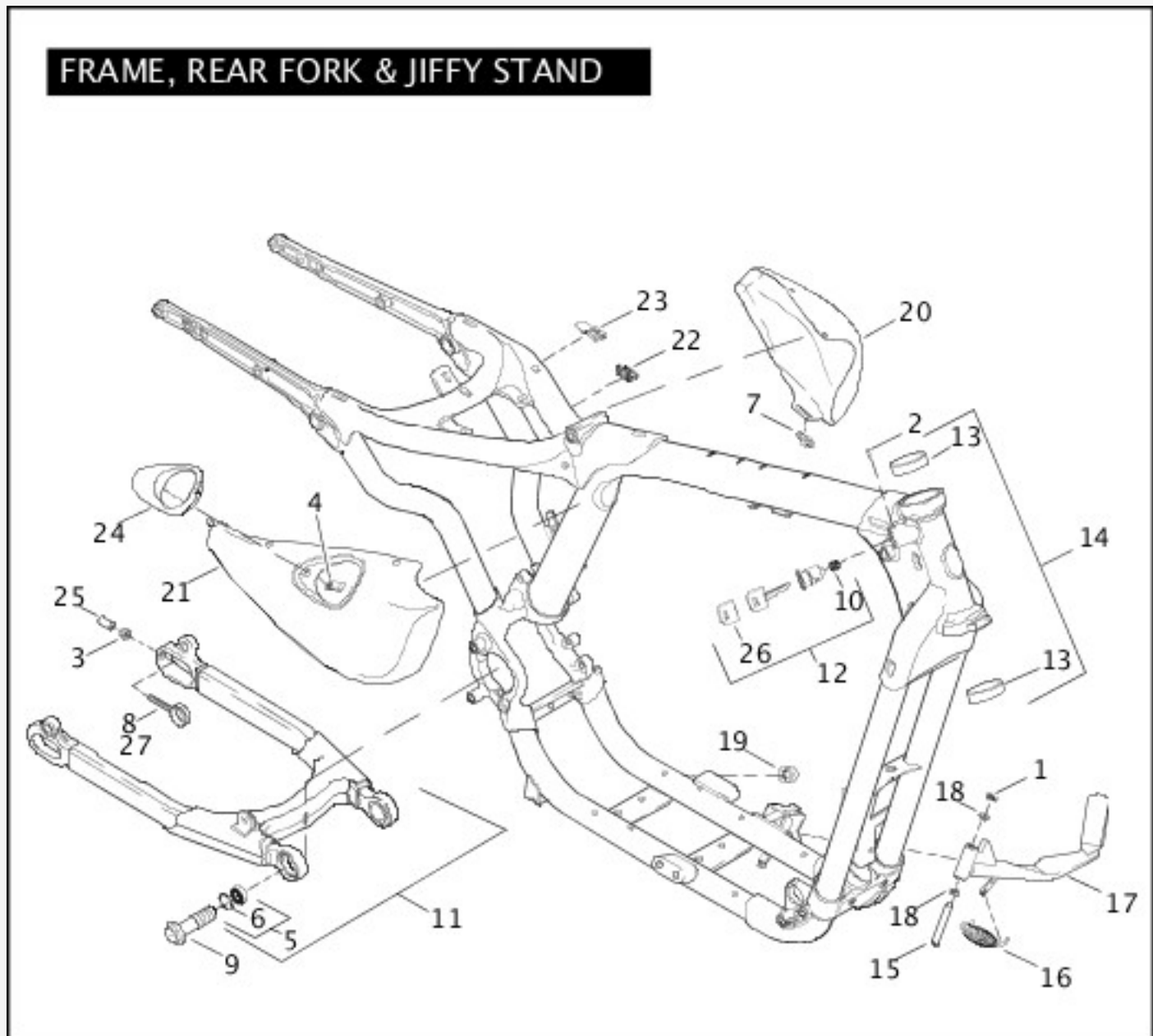
[View interactive image](#)

[View interactive table](#)

INDEX NO.	PART NO.	DESCRIPTION	MODEL(S)
1	3880	SCREW, upper (2)	ALL
2	4354	SCREW, lower (2)	ALL
3	6718	WASHER (2)	ALL
4	6738	WASHER (2)	ALL
5	7824	LOCKNUT (2)	ALL
6	54473-79	SEAT, spring - upper (2)	ALL

7	54475-79	SPRING GUIDE, lower (2)	ALL
8	54476-82	ADJUSTER, spring (2)	ALL
9	54556-84	BUSHING, damper (4)	ALL
10	54566-04	SHOCK ABSORBER, complete w/ 6, 7, 8, 9, 11 (2)	XL1200R, XL883
	54568-04	SHOCK ABSORBER, complete w/ 6, 7, 8, 9, 11 (2)	XL1200C, XL883C, XL883L
	54570-05	SHOCK ABSORBER, complete w/ 6, 7, 8, 9, 11 (2)	XL883R
11	54701-82	COVER, shock absorber (2)	ALL
12	54724-04	COVER, shock absorber stud (2)	ALL

FRAME, REAR FORK & JIFFY STAND



[View interactive image](#)

[View interactive table](#)

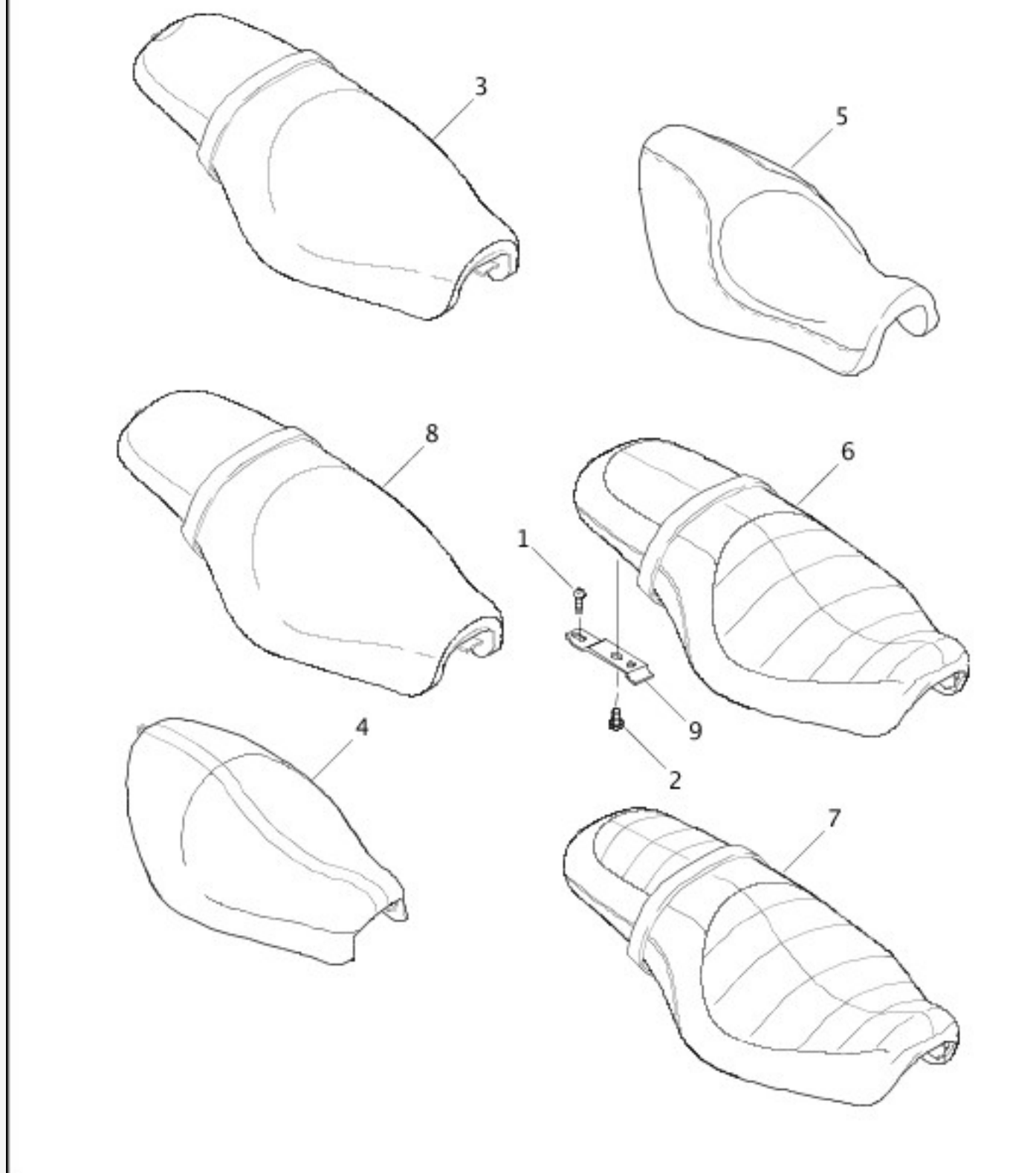
INDEX	PART	DESCRIPTION	MODEL(S)
-------	------	-------------	----------

NO.	NO.		
1	554A	PRETZEL CLIP	ALL
2	1594	PIN, lock	ALL
3	7766	LOCKNUT (2)	ALL
4	8135B	PUSH NUT	ALL
5	9209	BEARING, swing arm w/ 11282 (2)	ALL
6	11282	RETAINING RING (2)	ALL
7	11376	GROMMET, side cover mounting	ALL
8	41573-05	ADJUSTER, rear axle (2)	ALL
	41573-05	ADJUSTER, rear axle (JAPAN, left) (1)	ALL
9	41698-04	BOLT, swing arm pivot (2)	ALL
10	43595-99	SPRING, fork lock	ALL
11	47587-05	REAR FORK, w/ bearings	ALL
12	48153-02B	FORK LOCK KIT, w/ 1594, 43595-99 & 61459-97 (specify key code)	ALL
13	48315-60	BEARING CUP, steering head (2)	ALL
14	49430-06A	FRAME, w/ bearing cups	XL1200R, XL883, XL883R
	49431-06A	FRAME, w/ bearing cups	XL883L
	49439-10	FRAME, w/ bearing cups	XL1200C, XL883C
15	50003-89B	PIN, clevis	ALL
16	50005-85A	SPRING, jiffy stand	ALL
17	50185-04C	JIFFY STAND	ALL
18	53158-98	BUSHING (2)	ALL
19	62122-89A	BUMPER	ALL
20	66251-04A	SIDE COVER, left	XL1200C, XL1200R, XL883, XL883C, XL883L
	66272-05A	SIDE COVER, left	XL883R

21	66252-04	SIDE COVER, right	XL1200C, XL1200R, XL883, XL883C, XL883L
	66273-05A	SIDE COVER, right	XL883R
22	70416-04D	KIT-CLIP, side cover, front mounting	ALL
23	70417-04C	KIT-CLIP, side cover, rear mounting	ALL
24	71472-04	BEZEL, oil tank filler (chrome)	ALL
25	89579-91	CAP, protective	ALL
26	61459-97	COVER, key head set (2)	ALL
INTERNATIONAL MODELS ONLY			
27	41573-05	ADJUSTER, rear axle, left (JAPAN)	ALL
	41623-05	ADJUSTER, rear axle, right (JAPAN) (not illustrated)	ALL

SEATS

SEATS



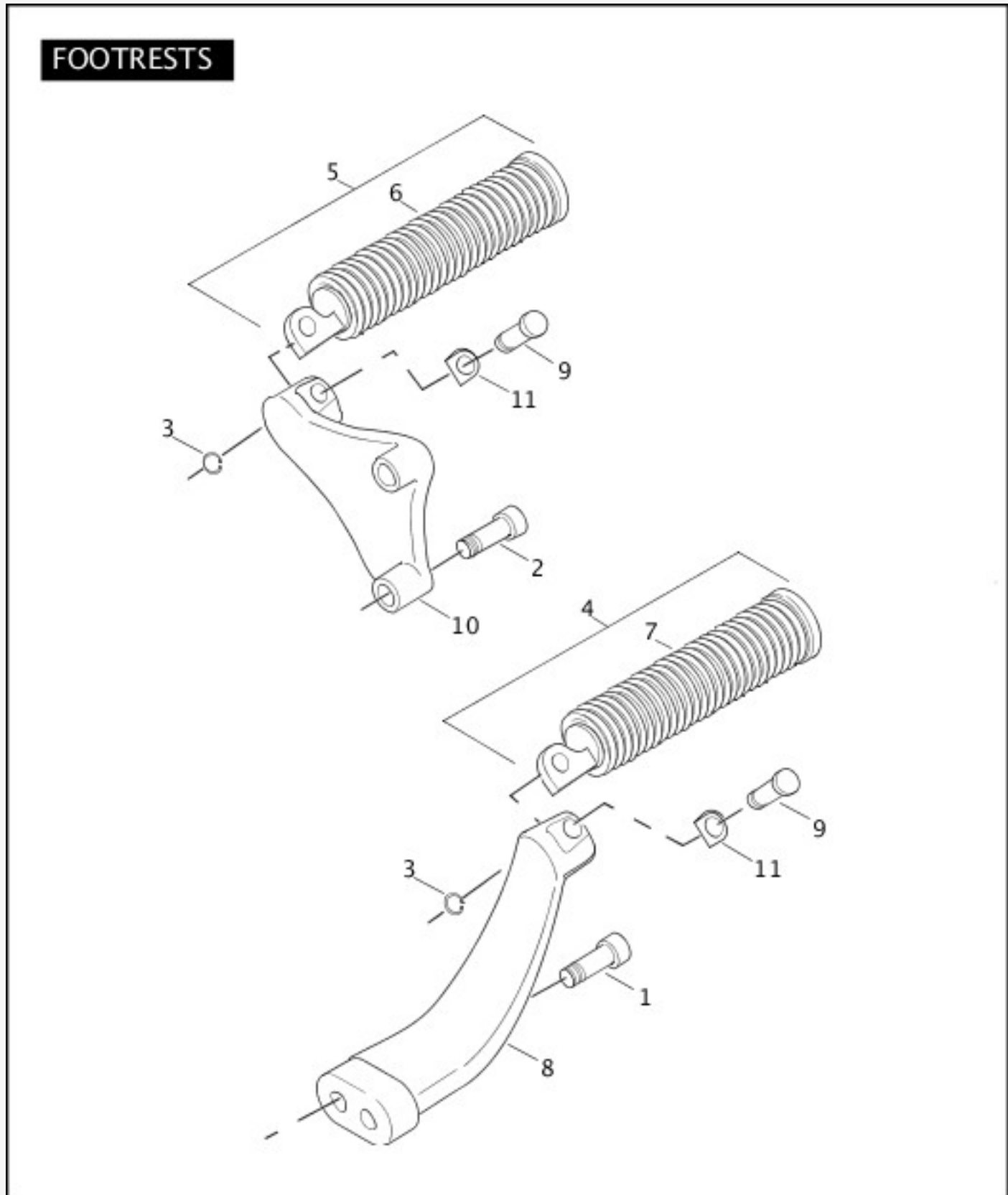
[View interactive image](#)

[View interactive table](#)

INDEX NO.	PART NO.	DESCRIPTION	MODEL(S)
1	2952A	SCREW, seat mounting	ALL
2	3588	SCREW (2)	XL1200C, XL1200R, XL883, XL883C, XL883L
3	51530-04	SEAT ASSEMBLY, w/ 51652-97 & 3588 (2)	XL1200C
4	51532-04	SEAT ASSEMBLY, w/ 51652-97 & 3588 (2)	XL883

5	51550-05	SEAT ASSEMBLY, w/ 51652-97 & 3588 (2)	XL883L
6	51558-04	SEAT ASSEMBLY, w/ 51652-97 & 3588 (2)	XL1200R
7	51551-05	SEAT ASSEMBLY, w/ 51652-97 & 3588 (2)	XL883R
8	52608-04	SEAT ASSEMBLY, w/ 51652-97 & 3588 (2)	XL883C
9	51652-97A	BRACKET, seat mounting	XL1200C, XL1200R, XL883, XL883C, XL883L

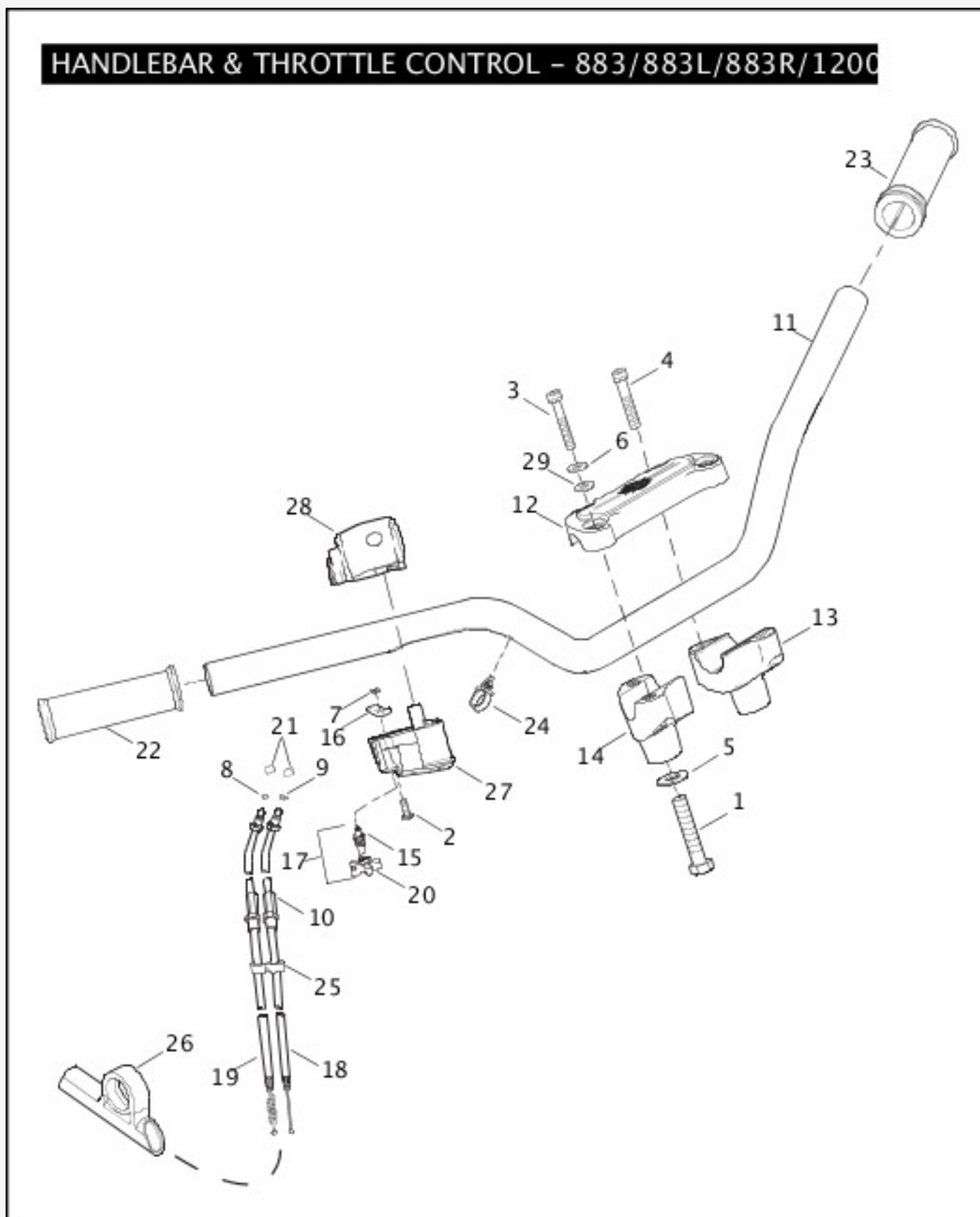
FOOTRESTS



[View interactive image](#)

INDEX NO.	PART NO.	DESCRIPTION	MODEL(S)
1	4748	SCREW, socket head (4)	ALL
2	4748	SCREW, socket head (4)	XL1200C, XL1200R, XL883C, XL883R
	740	HOLE PLUG (not illustrated) (2)	XL1200R, XL883R
	740	HOLE PLUG (not illustrated) (4)	XL1200C, XL883C
	740	HOLE PLUG (not illustrated) (5)	XL883, XL883L
3	11304	RETAINING RING	XL883, XL883L
	11304	RETAINING RING (2)	XL1200C, XL883C
	11304	RETAINING RING (3)	XL1200R
4	33032-99	FOOTPEG ASSEMBLY, w/ rubber	ALL
5	33048-72	FOOTREST, w/ rubber (2)	XL1200C, XL1200R, XL883C, XL883R
6	33189-63	RUBBER, footrest, rear	XL1200C, XL1200R, XL883C, XL883R
7	33216-99	RUBBER, footrest, front	ALL
8	42651-04	BRACKET, rider footrest support - left	XL1200C, XL883C
	42652-04	BRACKET, rider footrest support - right (not illustrated)	XL1200C, XL883C
	42971-04	BRACKET, rider footrest support - right (not illustrated)	XL1200R, XL883, XL883L, XL883R
	42972-04	BRACKET, rider footrest support - left	XL1200R, XL883, XL883L, XL883R
9	45041-01A	CLEVIS PIN	XL883, XL883L
	45041-01A	CLEVIS PIN (2)	XL1200C, XL883C, XL883R
	45041-01A	CLEVIS PIN (3)	XL1200R
10	49314-04	BRACKET, passenger footrest - right (not illustrated)	XL1200C, XL1200R, XL883C, XL883R
	49315-04	BRACKET, passenger footrest - left	XL1200C, XL1200R, XL883C, XL883R
11	50912-72	SPRING WASHER	XL883, XL883L
	50912-72	SPRING WASHER (2)	XL1200C, XL883C, XL883R
	50912-72	SPRING WASHER (3)	XL1200R

HANDLEBAR & THROTTLE CONTROL - 883/883L/883R/1200R



[View interactive image](#)

[View interactive table](#)

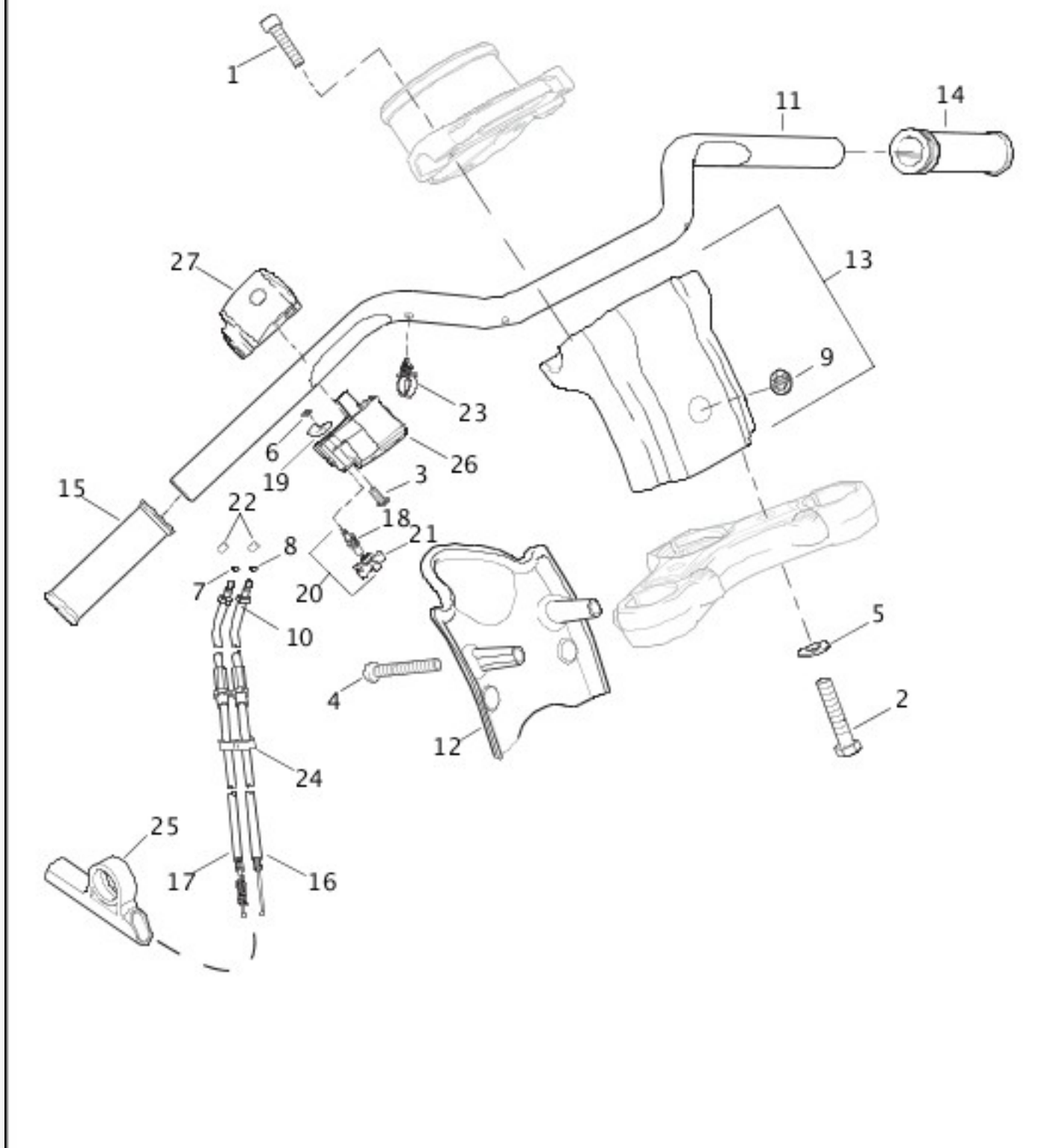
INDEX NO.	PART NO.	DESCRIPTION	MODEL(S)
1	3605	BOLT (2)	XL1200R, XL883, XL883L, XL883R
2	3658	SCREW (2)	XL1200R, XL883, XL883L,

			XL883R
3	4326A	SCREW (2)	XL1200R, XL883, XL883L, XL883R
4	4816A	SCREW (2)	XL1200R, XL883, XL883L, XL883R
5	6590HW	WASHER (2)	XL1200R, XL883, XL883L, XL883R
6	6702	WASHER (2)	XL1200R, XL883, XL883L, XL883R
7	11155	RETAINING RING	XL1200R, XL883, XL883L, XL883R
8	11271	RING, retainer - idle	XL1200R, XL883, XL883L, XL883R
9	11272	RING, retainer - throttle	XL1200R, XL883, XL883L, XL883R
10	38653-01	BOOT, cable, throttle	XL1200R, XL883, XL883L, XL883R
11	55845-04A	HANDLEBAR	XL883
	56004-00	HANDLEBAR	XL1200R
	56038-05	HANDLEBAR	XL883L
	56085-83A	HANDLEBAR	XL883R
12	56115-95	CLAMP, handlebar - upper (black)	XL883, XL883L, XL883R
	56567-86B	CLAMP, handlebar - upper (chrome)	XL1200R
13	56116-82A	CLAMP, handlebar - lower left	XL883, XL883L, XL883R
	56541-86A	CLAMP, handlebar - lower left	XL1200R
14	56117-82A	CLAMP, handlebar - lower right	XL883, XL883L, XL883R
	56542-86A	CLAMP, handlebar - lower right	XL1200R
15	56394-74	SPRING, adjusting screw	XL1200R, XL883, XL883L, XL883R
16	56396-74A	FRICITION SPRING, throttle grip	XL1200R, XL883, XL883L, XL883R
17	56397-74C	KIT, throttle adjusting screw, w/ 11155, 56394-74 & 56402-83A	XL1200R, XL883, XL883L, XL883R
18	56400-96	THROTTLE CONTROL ASSEMBLY	XL1200R, XL883, XL883L, XL883R
19	56401-96	IDLE CONTROL ASSEMBLY	XL1200R, XL883, XL883L,

			XL883R
20	56402-83A	ADJUSTING SCREW, throttle	XL1200R, XL883, XL883L, XL883R
21	56508-76	FERRULE (2)	XL1200R, XL883, XL883L, XL883R
22	56666-04	GRIP AND SLEEVE, throttle	XL1200R, XL883, XL883L, XL883R
23	56667-04	HANDLEBAR GRIP	XL1200R, XL883, XL883L, XL883R
24	70345-84	RETAINER, wire harness (4)	XL1200R, XL883, XL883L, XL883R
25	70504-81	CLIP, throttle cables	XL1200R, XL883, XL883L, XL883R
26	70518-04	GUIDE, throttle cable	XL1200R, XL883, XL883L, XL883R
27	71563-96	HOUSING, switches & throttle control - lower	XL1200R, XL883, XL883L, XL883R
28	71564-96	HOUSING, switches & throttle control - upper	XL1200R, XL883, XL883L, XL883R
29	6109	WASHER (2)	XL1200R

HANDLEBAR & THROTTLE CONTROL - 883C/1200C

HANDLEBAR & THROTTLE CONTROL - 883C/1200C



[View interactive image](#)

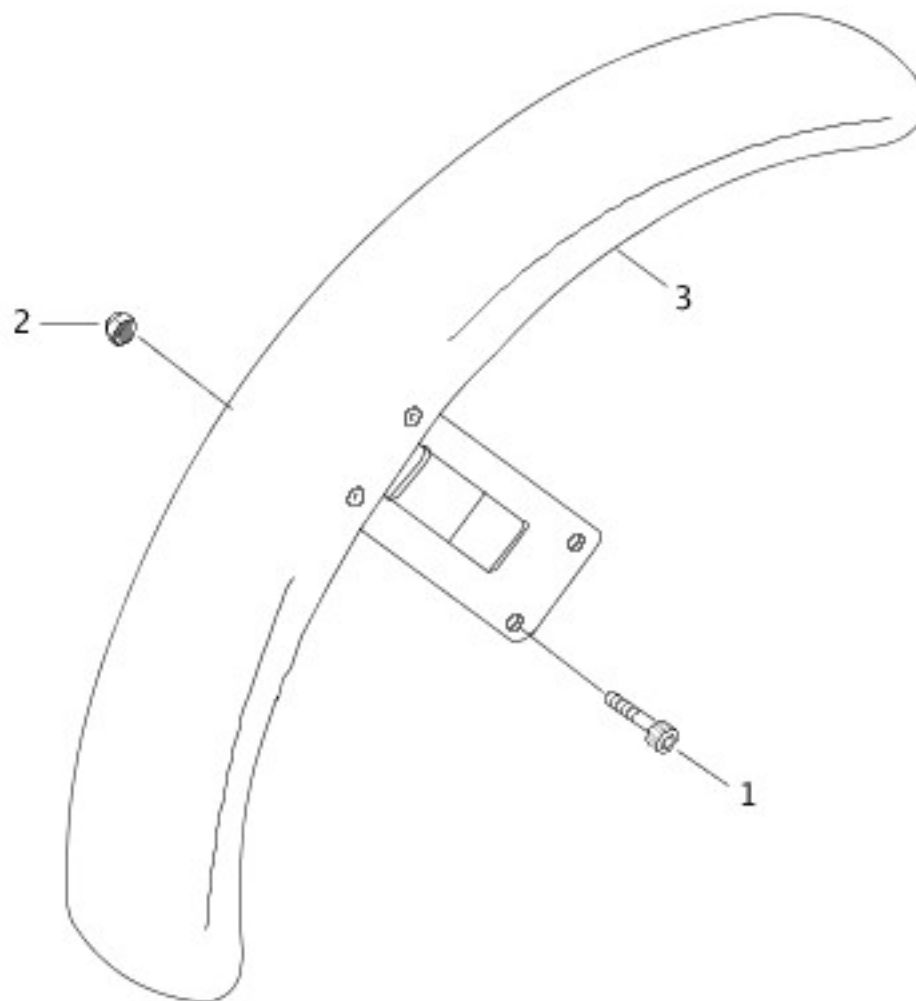
[View interactive table](#)

INDEX NO.	PART NO.	DESCRIPTION	MODEL(S)
1	3210A	SCREW (4)	XL1200C, XL883C
2	3605	BOLT (2)	XL1200C, XL883C
3	3658	SCREW (2)	XL1200C, XL883C
4	3666A	SCREW (2)	XL1200C, XL883C

5	6590HW	WASHER (2)	XL1200C, XL883C
	10006	CABLE STRAP (not illustrated) (2)	XL1200C, XL883C
6	11155	RETAINING RING	XL1200C, XL883C
7	11271	RING, retainer -idle	XL1200C, XL883C
8	11272	RING, retainer - throttle	XL1200C, XL883C
9	14448-94	LOGO BAR & SHIELD	XL1200C, XL883C
10	38653-01	BOOT, cable, throttle	XL1200C, XL883C
11	55840-04A	HANDLEBAR	XL1200C, XL883C
12	55842-04	COVER, riser	XL1200C, XL883C
13	56017-04	RISER ASSEMBLY, handle bar w/ 14448-94	XL1200C, XL883C
14	56667-04	HANDLEBAR GRIP	XL1200C, XL883C
15	56666-04	GRIP AND SLEEVE, throttle	XL1200C, XL883C
16	56400-96	THROTTLE CONTROL ASSEMBLY	XL1200C, XL883C
17	56401-96	IDLE CONTROL ASSEMBLY	XL1200C, XL883C
18	56394-74	SPRING, adjusting screw	XL1200C, XL883C
19	56396-74A	FRICTION SPRING, throttle grip	XL1200C, XL883C
20	56397-74C	KIT, throttle adjusting screw, w/ 11155, 56394-74 & 56402-83A	XL1200C, XL883C
21	56402-83A	ADJUSTING SCREW, throttle	XL1200C, XL883C
22	56508-76	FERRULE (2)	XL1200C, XL883C
23	70345-84	RETAINER, wire harness (4)	XL1200C, XL883C
24	70504-81	CLIP, throttle cables	XL1200C, XL883C
25	70518-04	GUIDE, throttle cable	XL1200C, XL883C
26	71563-96	HOUSING, switches & throttle control - lower	XL1200C, XL883C
27	71564-96	HOUSING, switches & throttle control - upper	XL1200C, XL883C

FRONT FENDER

FRONT FENDER



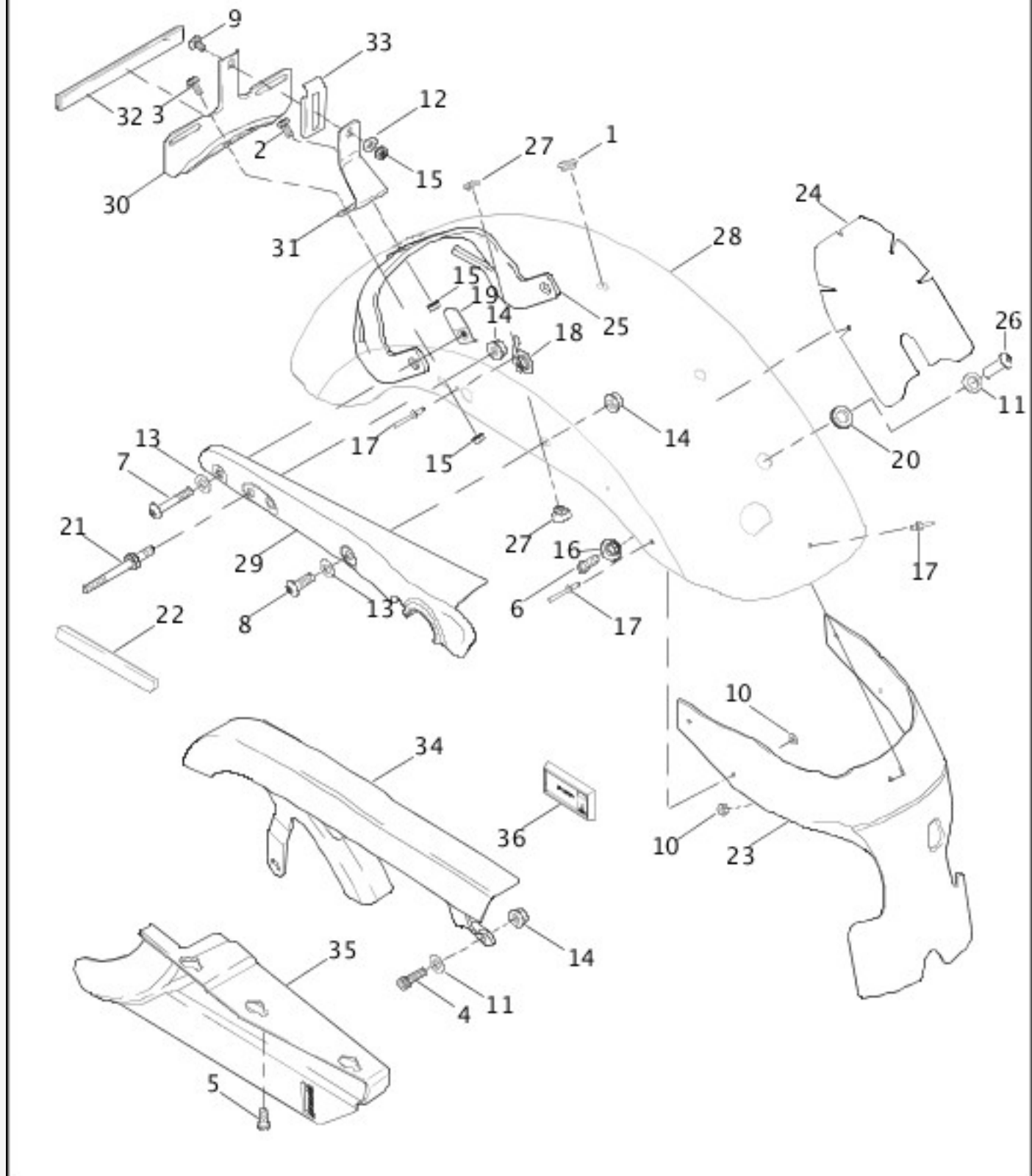
[View interactive image](#)

[View interactive table](#)

INDEX NO.	PART NO.	DESCRIPTION	MODEL(S)
NOTE: Refer to Painted Parts Book for painted part numbers.			
1	3210A	SCREW (4)	ALL
2	7531	LOCKNUT (4)	ALL
3	58998-83E	FRONT FENDER, prime	ALL

REAR FENDER & BELT GUARDS

REAR FENDER & BELT GUARDS



[View interactive image](#)

[View interactive table](#)

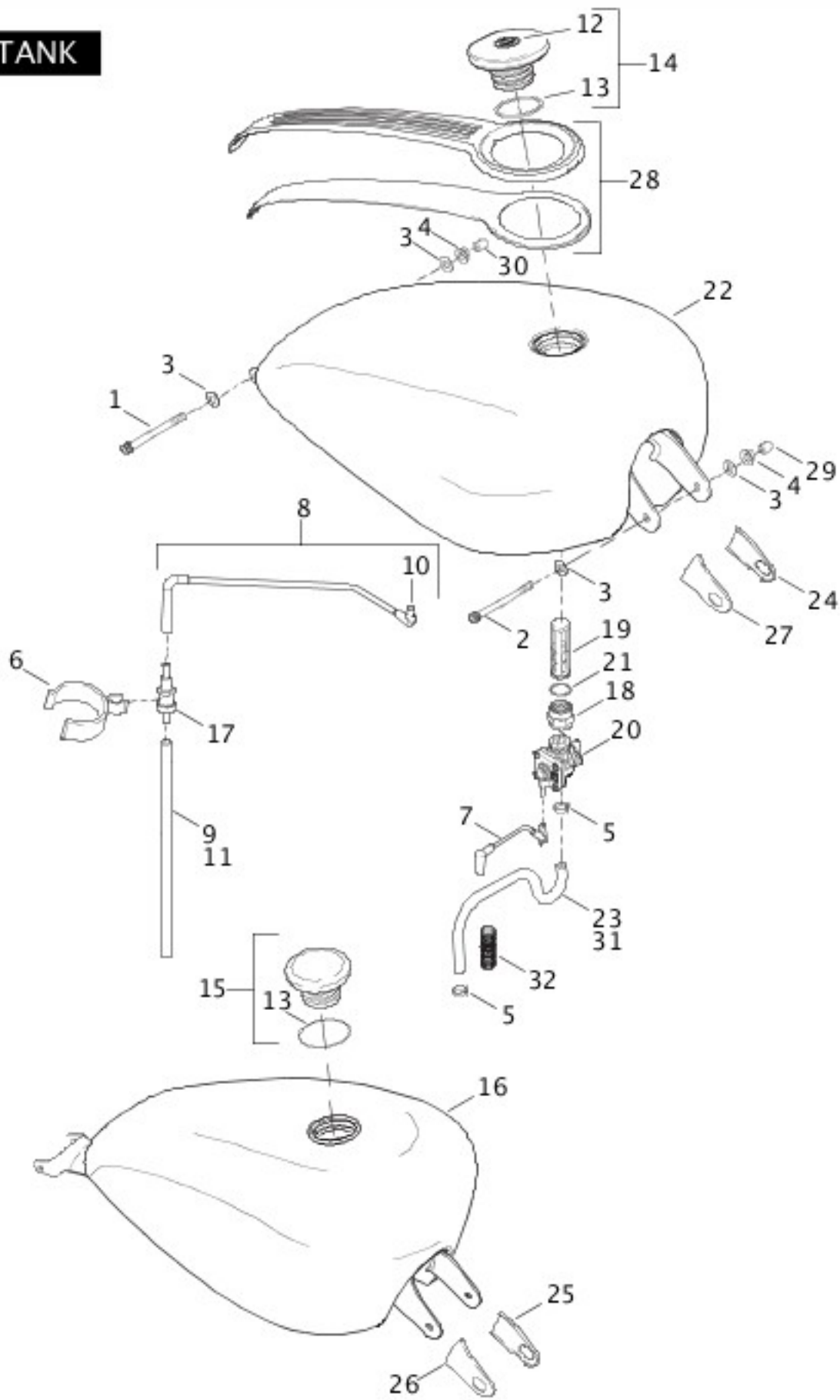
INDEX NO.	PART NO.	DESCRIPTION	MODEL(S)
NOTE: Refer to Painted Parts Book for painted part numbers.			
1	761	PLUG (black) (2)	ALL
2	2607	SCREW	ALL
3	2773	SCREW (2)	ALL
4	2708A	SCREW	ALL

5	3579A	SCREW (3)	ALL
6	4017	BOLT	ALL
7	4778	SCREW, button head, TORX (2)	ALL
8	4779	SCREW, button head, TORX (2)	ALL
9	5403B	BOLT	ALL
10	6192	WASHER (5)	ALL
11	6702	WASHER (2)	ALL
12	6703	WASHER	ALL
13	6798	WASHER (4)	ALL
14	7531	LOCKNUT (5)	ALL
15	7792	NUT, kept (4)	ALL
16	7882	TEE SPACER	ALL
17	8692	RIVET (7)	ALL
18	10200	BRACKET, wire retention (2)	ALL
19	10242	CLIP, threaded	ALL
20	11474	GROMMET	ALL
21	56104-02	STUD, rear fender (2)	ALL
22	59287-92	REFLECTOR, right (red)	ALL
	59288-92	REFLECTOR, left (red)	ALL
23	59502-04A	REAR FENDER EXTENSION	ALL
24	59547-04	TAPE, paint protection	ALL
25	59673-04A	FENDER SUPPORT	ALL
26	59723-04	SEAT POST	ALL
27	59768-97	FENDER SEAT NUT KIT	ALL
28	59847-10	REAR FENDER (prime)	ALL
29	59902-04	COVER, rear fender support - right (chrome)	ALL
	59903-04	COVER, rear fender support - left (chrome) (not illustrated)	ALL
30	59984-73	BRACKET, license plate	ALL
31	59986-75	SUPPORT, license plate bracket	ALL

32	59988-72A	REFLECTOR, license plate bracket	ALL
33	60001-55	CLAMP, license plate bracket	ALL
34	60367-04	BELT GUARD	ALL
35	60435-04	DEBRIS DEFLECTOR	ALL
INTERNATIONAL MODELS ONLY			
36	59254-91	REFLECTOR, amber (HDI) (2)	ALL

FUEL TANK

FUEL TANK



[View interactive image](#)

[View interactive table](#)

INDEX NO.	PART NO.	DESCRIPTION	MODEL(S)
NOTE: Refer to Painted Parts Book for painted part numbers.			
1	4758A	SCREW	ALL
2	4771	SCREW	ALL

3	6702	WASHER (4)	ALL
4	7531	LOCKNUT, flange (2)	ALL
5	10014	CLAMP (2)	ALL
6	10254	CLIP, vapor valve mounting	ALL
7	26556-04	VACCUUM HOSE ASSEMBLY	XL1200R, XL883, XL883L, XL883R
	26588-04	VACCUUM HOSE ASSEMBLY	XL1200C, XL883C
8	27067-04	VENTLINE, tank-to-valve w/ 27250-96A	ALL
9	27096-04A	HOSE, vapor valve-to-atmosphere	ALL
10	27250-96B	CONNECTOR, 90 degree	ALL
11	28911-04A	HOSE, vapor valve-to-evaporative canister (CALIFORNIA)	ALL
12	52494-04	FUEL CAP, medallion	XL1200C, XL883C
13	61109-85D	GASKET, fuel cap	ALL
14	61260-04	FUEL CAP, vented w/ 52494-04, 61109-85D	XL1200C, XL883C
15	61272-92C	FUEL CAP, w/ 61109-85D	XL1200R, XL883, XL883L, XL883R
16	61348-04	FUEL TANK ASSEMBLY (prime)	XL1200R, XL883, XL883L, XL883R
17	62150-85	VAPOR VALVE	ALL
18	62161-02	NUT, fuel valve	ALL
19	62166-02	FILTER, fuel valve	ALL
20	62169-02A	FUEL VALVE	ALL
21	62172-02	GASKET, fuel valve	ALL
22	62213-04	FUEL TANK ASSEMBLY (prime)	XL1200C, XL883C
23	62347-04	FUEL HOSE, preformed	ALL
24	70903-04	TRIM, left front	XL1200C, XL883C
25	70904-04	TRIM, left front	XL1200R, XL883, XL883L, XL883R
26	70917-04	TRIM, right front	XL1200R, XL883, XL883L, XL883R
27	70919-04	TRIM, right front	XL1200C, XL883C
28	71276-04A	CONSOLE ASSEMBLY, fuel tank	XL1200C

29	89579-91	CAP, protective	ALL
30	89586-04	CAP, protective	ALL
NOTE: Hose or insulator is sold in bulk length under the following part numbers. Cut to length.			
31	63501-68B	HOSE, 1/4 I.D. X 1/2 O.D. (rubber) (25 ft. lg.)	ALL
32	63505-84	INSULATOR, 1/2 I.D. (nylon) (8 ft. lg)	ALL

FUEL TANK TRIM

FUEL TANK TRIM



[View interactive image](#)

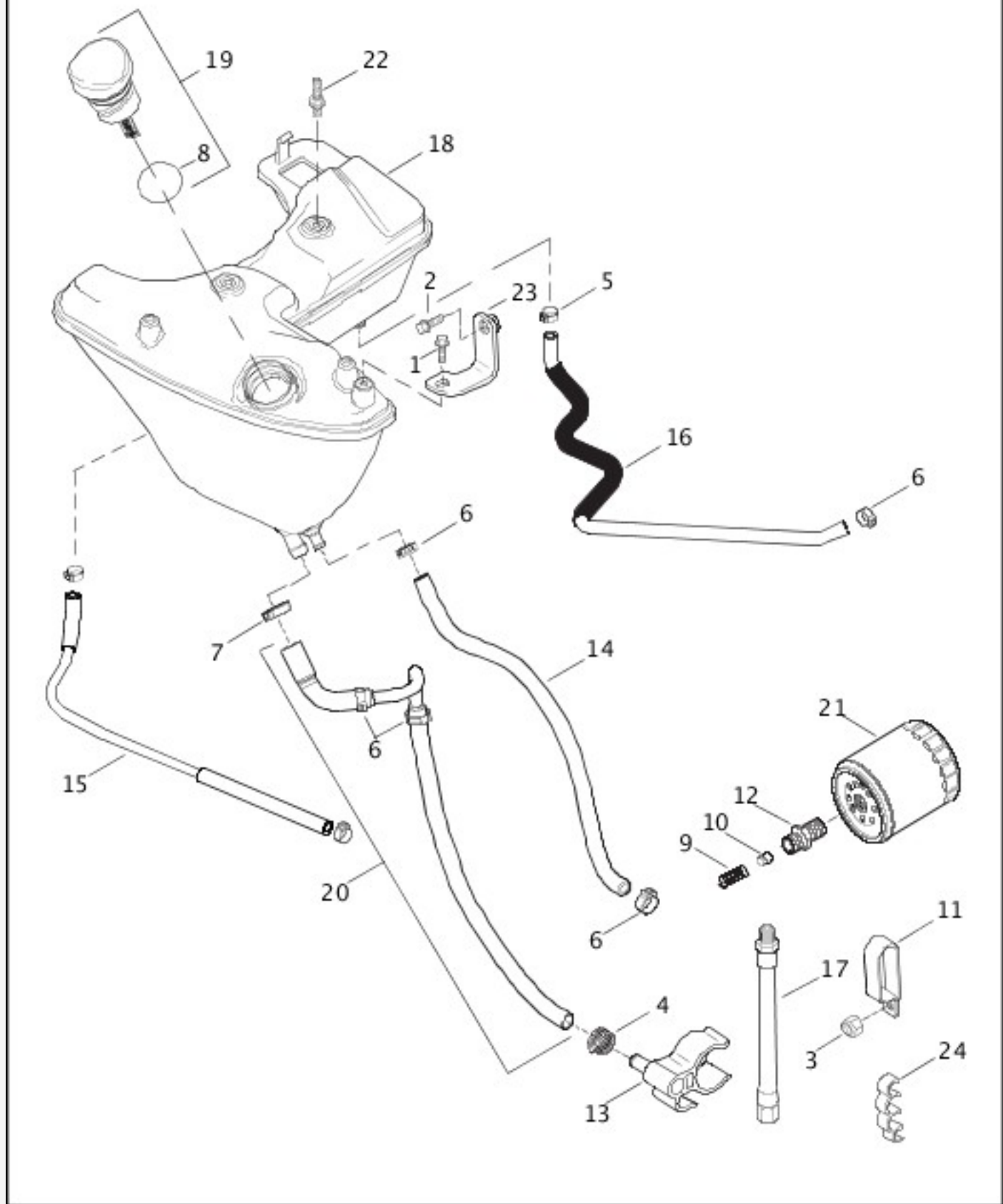
[View interactive table](#)

INDEX NO.	PART NO.	DESCRIPTION	MODEL(S)
1	13304-05	DECAL, fuel tank (orange) (2)	XL883L
	13305-05	DECAL, fuel tank (blue) (2)	XL883L
2	13340-04	DECAL, fuel tank (red) (2)	XL883
	13341-04	DECAL, fuel tank (blue) (2)	XL883

3	13342-04	DECAL, fuel tank (red) (2)	XL883C
	13343-04	DECAL, fuel tank (blue) (2)	XL883C
	13367-04	DECAL, fuel tank (turquoise) (2)	XL883C
4	13371-04	DECAL, fuel tank, LH (red)	XL1200R
	13372-04	DECAL, fuel tank, RH (red)	XL1200R
	13373-04	DECAL, fuel tank, LH (blue)	XL1200R
	13374-04	DECAL, fuel tank, RH (blue)	XL1200R
5	62260-04	MEDALLION, fuel tank, LH (red)	XL1200C
	62261-04	MEDALLION, fuel tank, RH (red)	XL1200C
	62262-04	MEDALLION, fuel tank LH (blue)	XL1200C
	62263-04	MEDALLION, fuel tank, RH (blue)	XL1200C
6	13566-05	DECAL, fuel tank (LH)	XL883R
	13567-05	DECAL, fuel tank (RH)	XL883R

OIL TANK & FILTER

OIL TANK & FILTER



[View interactive image](#)

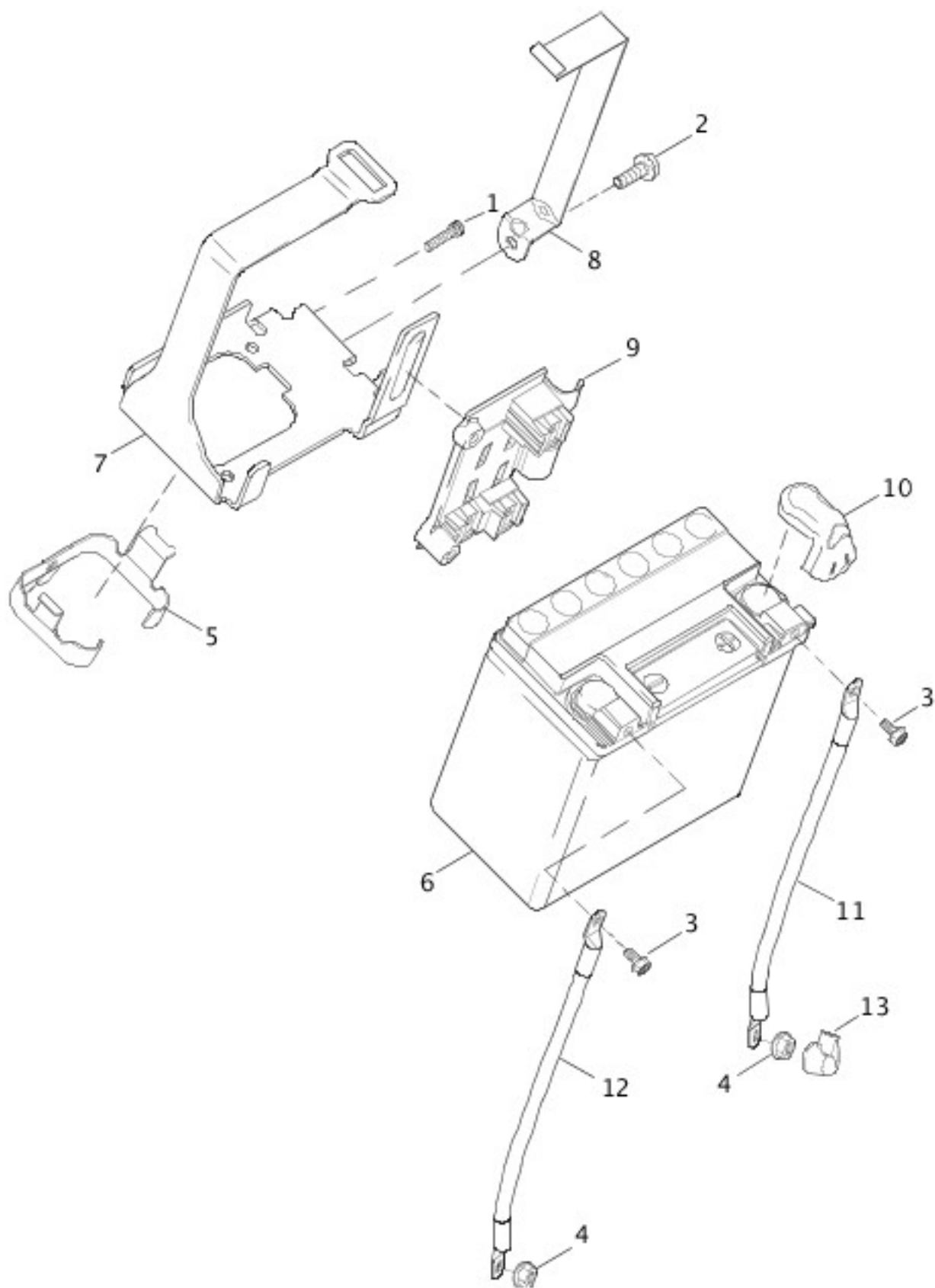
[View interactive table](#)

INDEX NO.	PART NO.	DESCRIPTION	MODEL(S)
1	3588	SCREW, flange	ALL
2	3799	SCREW, flange	ALL
3	7624	LOCKNUT	ALL
4	9969	HOSE CLAMP	ALL

5	10014	CLAMP	ALL
6	10080	CLAMP (5)	ALL
7	10142	CLAMP	ALL
8	11120	O-RING	ALL
9	26436-90A	SPRING	ALL
10	26437-86B	BALL	ALL
11	31512-04	HOSE CLAMP	ALL
12	33117-91A	ADAPTOR, oil filter	ALL
13	33123-04	PLUG, oil tank drain	ALL
14	62338-01Y	HOSE, oil feed	ALL
15	62360-04A	XL VENT TUBE ASSEMBLY, w/ clamps	ALL
16	62361-04	HOSE, oil return line	ALL
17	62651-04	HOSE, oil pump	ALL
18	62888-04B	OIL TANK ASSEMBLY	ALL
19	63000-04B	DIPSTICK ASSEMBLY, oil tank w/ 11120	ALL
20	63589-04	HOSE, oil drain w/ 10080 (2)	ALL
21	63796-77A	OIL FILTER (chrome)	XL1200C
	63805-80A	OIL FILTER	XL1200R, XL883, XL883C, XL883L, XL883R
22	65092-04	STUD SPACER (2)	ALL
23	66199-04	BRACKET, oil tank	ALL
24	70503-04	HOSE CLIP	ALL

BATTERY

BATTERY



[View interactive image](#)

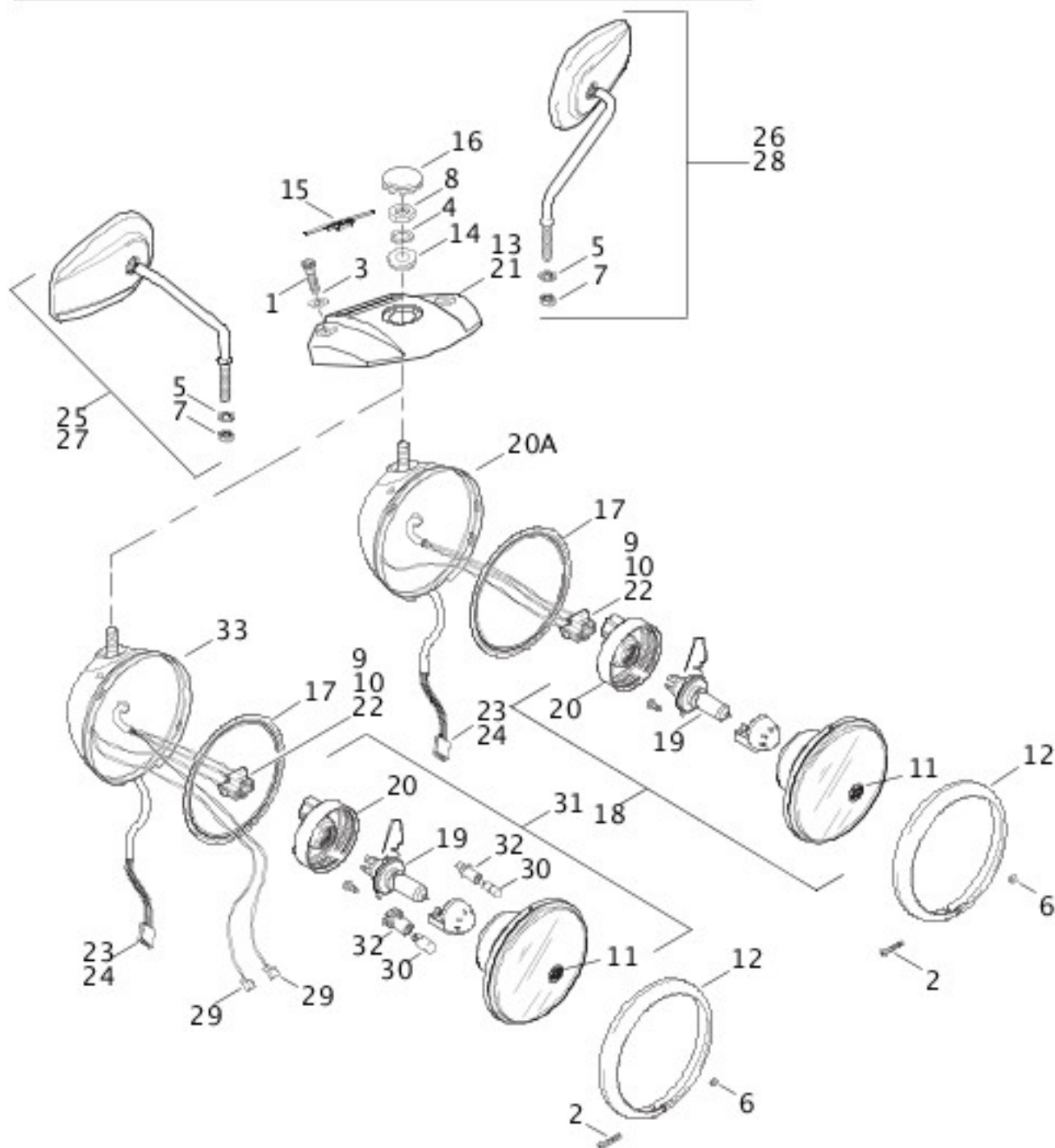
[View interactive table](#)

INDEX NO.	PART NO.	DESCRIPTION	MODEL(S)
1	2535	SCREW (3)	ALL
2	3574	SCREW, flange	ALL
3	4312C	SCREW, flange (2)	ALL

4	7770	NUT, flange (2)	ALL
	10006	CABLE STRAP (not illustrated)	ALL
5	10212	CLIP, turn-signal canceller	ALL
6	65958-04A	BATTERY (2)	ALL
7	66194-04C	TRAY, battery	ALL
8	66476-04A	STRAP, battery	ALL
9	66498-04	CADDY, electric component	ALL
10	70003-04	COVER, battery terminal	ALL
11	70295-04A	CABLE, battery-to-starter w/ 70578-89	ALL
12	70296-04A	CABLE, battery-to-ground	ALL
13	70578-89	RUBBER BOOT	ALL

HEADLAMP & MIRROR - 883/883L/883R/1200R

HEADLAMP & MIRROR - 883/883L/883R/1200



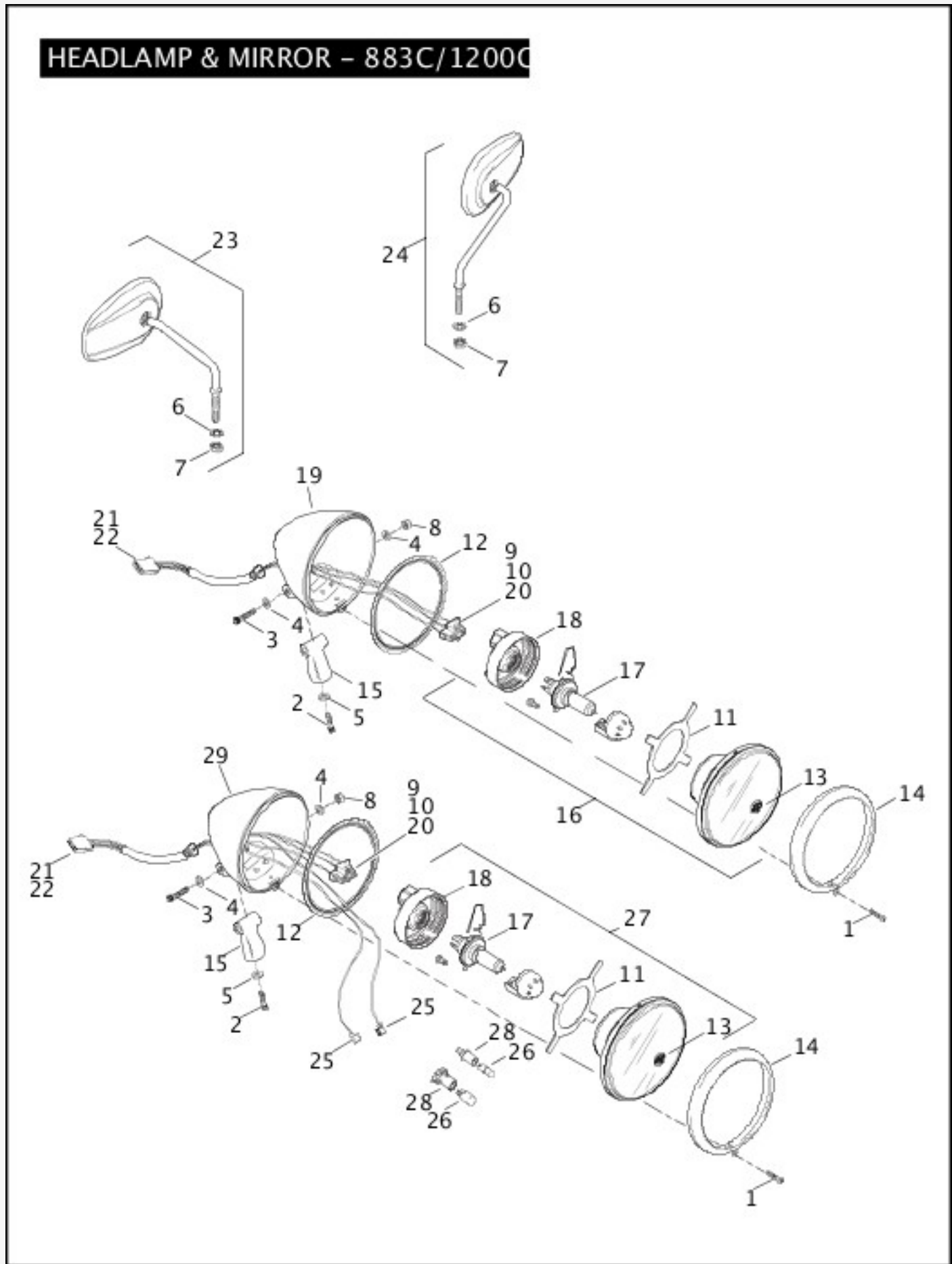
[View interactive image](#)

[View interactive table](#)

INDEX NO.	PART NO.	DESCRIPTION	MODEL(S)
1	2708A	SCREW (2)	XL1200R, XL883, XL883L, XL883R
2	3514	SCREW	XL1200R, XL883, XL883L, XL883R
3	6702	WASHER (2)	XL1200R, XL883, XL883L, XL883R
4	7068	LOCKWASHER, lock	XL1200R, XL883, XL883L, XL883R

5	7127	LOCKWASHER, lock (2)	XL1200R, XL883, XL883L, XL883R
6	7606	LOCKNUT	XL1200R, XL883, XL883L, XL883R
7	7727	LOCKNUT (2)	XL1200R, XL883, XL883L
	7720	ACORN NUT, acorn (2)	XL883R
8	7880	NUT	XL1200R, XL883, XL883L, XL883R
9	9847	CONNECTOR, right	XL1200R, XL883, XL883L, XL883R
10	9848	CONNECTOR, left	XL1200R, XL883, XL883L, XL883R
11	67667-05	MEDALLION, headlamp, 5-3/4	ALL
12	67790-93A	BEZEL	XL1200R, XL883, XL883L, XL883R
13	67805-92	BRACKET, headlamp	XL883, XL883L
	67963-05	BRACKET, headlamp	XL883R
14	67815-59A	WASHER, headlamp	XL1200R, XL883, XL883L, XL883R
15	67834-83	TRIM, headlamp bracket	XL883, XL883L
	67972-98	TRIM, headlamp bracket	XL883R
16	67865-89	PLUG	XL1200R, XL883, XL883L
	69449-05	PLUG	XL883R
17	67883-04A	ADAPTER RING	XL1200R, XL883, XL883L, XL883R
18	68297-05	LAMP ASSEMBLY, 5-3/4 w/ 68329-03, 68380-05	XL1200R, XL883, XL883L, XL883R
19	68329-03	BULB	XL1200R, XL883, XL883L, XL883R
20	68380-05	BOOT, headlamp connector	XL1200R, XL883, XL883L, XL883R
20A	69619-	HEADLAMP SHELL ASSEMBLY, 5-3/4, w/ 9, 10, 22, 23, 24, 29	XL1200R, XL883, XL883L,

	02A		XL883R
21	69709-00	HEADLAMP BRACKET KIT, w/ trim (chrome)	XL1200R
22	72056-92	HOUSING, female	XL1200R, XL883, XL883L, XL883R
23	73154-96BK	HOUSING, socket, 4-place	XL1200R, XL883, XL883L, XL883R
24	73191-96	SOCKET, #16-20 gauge (4)	XL1200R, XL883, XL883L, XL883R
25	91840-03B	MIRROR KIT, right, short (chrome)	XL1200R, XL883L
	91982-03B	MIRROR KIT, right, short (black)	XL883R
26	91845-03B	MIRROR KIT, left, short (chrome)	XL1200R, XL883L
	91983-03B	MIRROR KIT, left, short (black)	XL883R
27	91846-03B	MIRROR KIT, right, long (chrome)	XL883
28	91848-03B	MIRROR KIT, left, long (chrome)	XL883
INTERNATIONAL MODELS ONLY			
29	9898	TERMINAL FLAG (2)	XL1200R, XL883, XL883L, XL883R
30	53438-92	BULB	XL1200R, XL883, XL883L, XL883R
	53436-97	BULB, wedge base	XL1200R, XL883, XL883L, XL883R
31	68335-05	LAMP ASSEMBLY, left 5-3/4 (Australia, England, Japan) w/ 11, 19, 20, 53436-97 & 68653-05	XL1200R, XL883, XL883L, XL883R
	68341-05	LAMP ASSEMBLY, right 5-3/4 (HDI) w/ 11, 19, 20, 53436-97 & 68653-05	XL1200R, XL883, XL883L, XL883R
32	68650-92	SOCKET, bulb (2 spade)	XL1200R, XL883, XL883L, XL883R
	68653-05	SOCKET, bulb (wedge base)	XL1200R, XL883, XL883L, XL883R
33	69619-02A	HEADLAMP SHELL ASSEMBLY, 5-3/4, w/ 9, 10, 22, 23, 24, 29	XL1200R, XL883, XL883L, XL883R



[View interactive image](#)

[View interactive table](#)

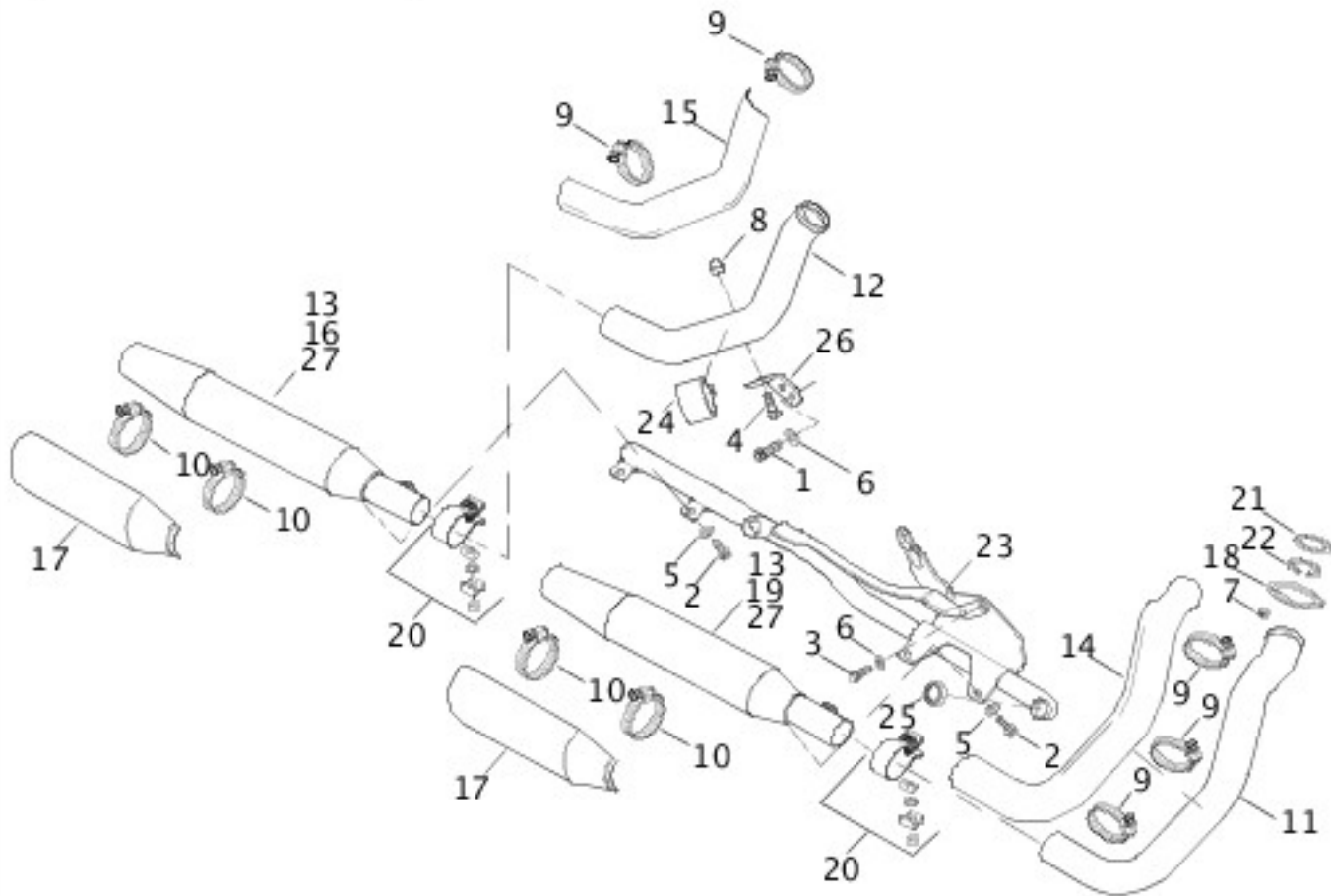
INDEX NO.	PART NO.	DESCRIPTION	MODEL(S)
1	3615	SCREW	XL1200C, XL883C

2	4350A	SCREW	XL1200C, XL883C
3	4420	SCREW	XL1200C, XL883C
4	6701	WASHER (2)	XL1200C, XL883C
5	7045	LOCKWASHER	XL1200C, XL883C
6	7127	LOCKWASHER	XL1200C, XL883C
7	7727	LOCKNUT	XL1200C, XL883C
8	7778	LOCKNUT	XL1200C, XL883C
9	9847	CONNECTOR, right	XL1200C, XL883C
10	9848	CONNECTOR, left	XL1200C, XL883C
11	67601-94A	GASKET, headlamp NOTE: This gasket is sold separate and is not part of items #16 & 27.	XL1200C, XL883C
12	67603-94A	ADAPTER RING	XL1200C, XL883C
13	67667-05	MEDALLION	XL1200C, XL883C
14	67894-93A	BEZEL ASSEMBLY	XL1200C, XL883C
15	67919-96	MOUNT, headlamp	XL1200C, XL883C
16	68297-05	LAMP ASSEMBLY, 5-3/4 w/ 68329-03, 68380-05	XL1200C, XL883C
17	68329-03	BULB	XL1200C, XL883C
18	68380-05	BOOT, headlamp connector	XL1200C, XL883C
19	69681-04A	HEADLAMP SHELL ASSEMBLY, 5-3/4, w/ 9, 10, 20, 21, 22, 25	XL1200C, XL883C
20	72056-92	HOUSING, female	XL1200C, XL883C
21	73191-96	SOCKET, #16-20 gauge	XL1200C, XL883C

22	73154-96BK	HOUSING, socket, 4-place	XL1200C, XL883C
23	91846-03B	MIRROR KIT, right	XL1200C, XL883C
24	91848-03B	MIRROR KIT, left	XL1200C, XL883C
INTERNATIONAL MODELS ONLY			
25	9898	TERMINAL FLAG	XL1200C, XL883C
26	53438-92	BULB	XL1200C, XL883C
	53436-97	BULB, wedge base	XL1200C, XL883C
27	68335-05	LAMP ASSEMBLY, left 5-3/4 (Australia, England, Japan)	XL1200C, XL883C
	68341-05	LAMP ASSEMBLY, right 5-3/4 (HDI)	XL1200C, XL883C
28	68650-92	SOCKET, bulb (2 spade)	XL1200C, XL883C
	68653-05	SOCKET, bulb (wedge base)	XL1200C, XL883C
29	69681-04A	HEADLAMP SHELL ASSEMBLY, 5-3/4 w/ 9, 10, 20, 21, 22, 25	XL1200C, XL883C

EXHAUST SYSTEM

EXHAUST SYSTEM



[View interactive image](#)

[View interactive table](#)

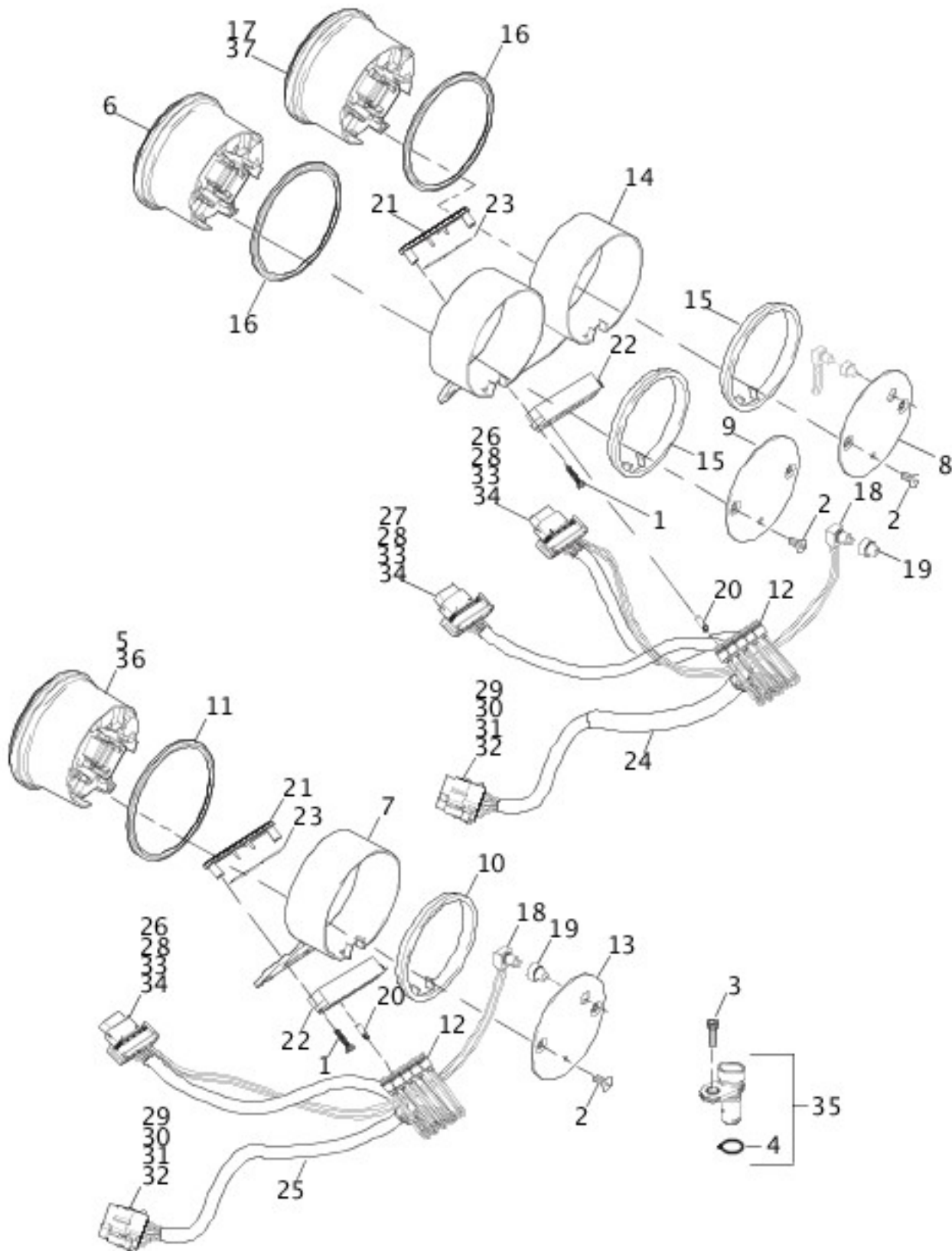
INDEX NO.	PART NO.	DESCRIPTION	MODEL(S)
1	4032A	SCREW	ALL
2	4269	SCREW, flanged (4)	ALL
3	4748	SCREW (3)	ALL
4	5414	BOLT	ALL
5	6302	WASHER (4)	ALL
6	6701	WASHER (4)	ALL
7	7593	NUT (4)	ALL
8	7862	ACORN NUT, acorn w/ lock	ALL
9	9955	CLAMP, heat shield (5)	ALL
10	10074	CLAMP, muffler heat shield (CALIFORNIA, HDI, ENGLAND) (4)	ALL
11	64840-04	EXHAUST PIPE, front (chrome)	ALL

12	64841-04	EXHAUST PIPE, rear (chrome)	ALL
13	64842-04	MUFFLER, front (all models - DOMESTIC, CANADA)	ALL
14	64846-04A	HEAT SHIELD, front exhaust pipe	ALL
15	64847-04A	HEAT SHIELD, rear exhaust pipe	ALL
16	64890-04	MUFFLER, rear (DOMESTIC, CANADA, CALIFORNIA)	XL1200R, XL883
17	64889-04	HEAT SHIELD, muffler, HDI, ENGLAND (2)	ALL
	64889-04	HEAT SHIELD, muffler, CALIFORNIA Front Only (1)	ALL
18	65184-02	FLANGE, exhaust pipe (2)	ALL
19	65232-04	MUFFLER, front (CALIFORNIA)	ALL
20	65296-95A	CLAMP, muffler (2)	ALL
21	65324-83B	GASKET, exhaust port (2)	ALL
22	65325-83A	RETAINING RING, exhaust gasket (2)	ALL
23	65339-04	MUFFLER INTERCONNECT BRACKET, support assembly	ALL
24	65302-82A	CLAMP, exhaust pipe	ALL
25	65927-00	GASKET, exhaust interconnect (2)	ALL
26	65974-04A	BRACKET, exhaust clamp	ALL
INTERNATIONAL MODELS ONLY			
27	64848-04	MUFFLER, front (JAPAN)	XL1200C, XL1200R
	64848-04	MUFFLER, rear (JAPAN)	XL1200C
	64853-04	MUFFLER, front (AUSTRALIA, JAPAN)	XL883, XL883C, XL883L
	64853-04	MUFFLER, front (AUSTRALIA)	XL1200C, XL1200R
	64853-04	MUFFLER, rear (AUSTRALIA, JAPAN)	XL883C, XL883L
	64853-04	MUFFLER, rear (AUSTRALIA)	XL1200C
	64854-04	MUFFLER, rear (AUSTRALIA, JAPAN)	XL883
	64854-04	MUFFLER, rear (AUSTRALIA)	XL1200R
	64857-04	MUFFLER, rear (JAPAN)	XL1200R

	64891-04A	MUFFLER, front (CG/CL - HDI, ENGLAND), rear (CG - HDI, ENGLAND)	XL1200C, XL1200R
	64893-04A	MUFFLER, rear (HDI, ENGLAND)	XL1200R
	65232-04	MUFFLER, front (CA/CJ/CM - HDI, ENGLAND), rear (CJ/CM - HDI, ENGLAND)	XL883, XL883C, XL883L
	65233-04	MUFFLER, rear (HDI, ENGLAND)	XL883

SPEEDOMETER & TACHOMETER - 883/883L/883R/1200R

SPEEDOMETER & TACHOMETER – 883/883L/883R/1200R



[View interactive image](#)

[View interactive table](#)

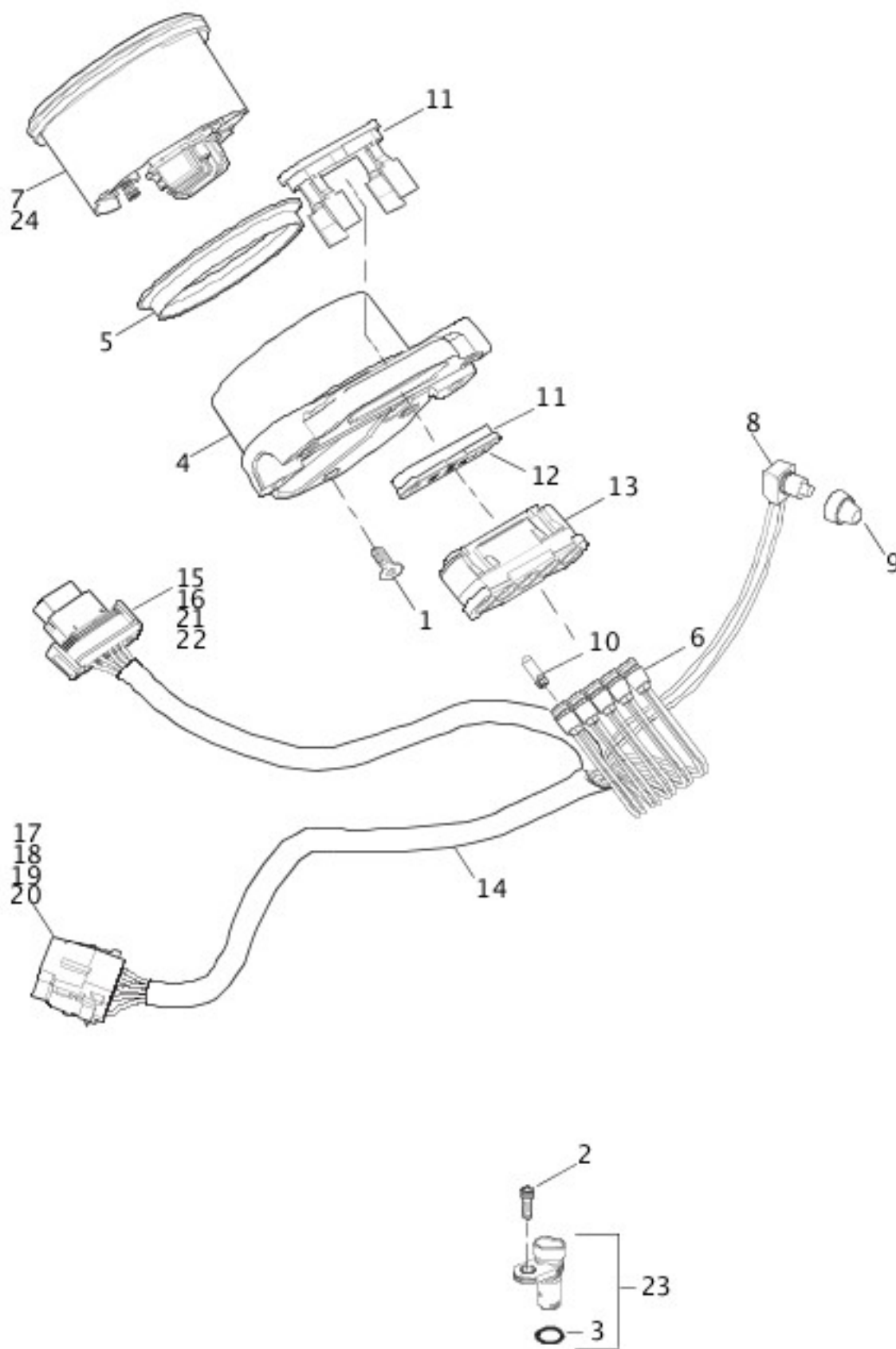
INDEX NO.	PART NO.	DESCRIPTION	MODEL(S)
1	2325	SCREW (2)	XL1200R, XL883, XL883L, XL883R
2	2361	SCREW (2)	XL883, XL883L, XL883R

	2361	SCREW (4)	XL1200R
3	3594	SCREW	XL1200R, XL883, XL883L, XL883R
4	11289A	O-RING	XL1200R, XL883, XL883L, XL883R
5	67037-04A	SPEEDOMETER, mph (DOMESTIC, CALIFORNIA)	XL883, XL883L, XL883R
6	67049-04B	TACHOMETER	XL1200R
7	67053-95	BRACKET, speedometer	XL883, XL883L, XL883R
8	67085-95	COVER, speedometer back (chrome rim)	XL1200R
9	67103-95	COVER, tachometer back (chrome rim)	XL1200R
10	67104-95	CUSHION, rear	XL883, XL883L, XL883R
11	67121-95A	GASKET, front	XL883, XL883L, XL883R
12	67184-94	SOCKET, indicator lamps (5)	XL1200R, XL883, XL883L, XL883R
13	67320-95	COVER, speedometer back (black)	XL883, XL883L, XL883R
14	67338-97	BRACKET, speedometer & tachometer	XL1200R
15	67344-97	CUSHION, rear (2)	XL1200R
16	67345-97	CUSHION, front (2)	XL1200R
17	67436-04A	SPEEDOMETER, mph (DOMESTIC, CALIFORNIA)	XL1200R
18	67854-98	SWITCH, reset	XL1200R, XL883, XL883L, XL883R
19	67880-94	BOOT, reset switch	XL1200R, XL883, XL883L, XL883R
20	68024-94	BULB, indicator lamps (5)	XL1200R, XL883, XL883L, XL883R
21	68513-95A	TRIM PLATE, indicator lamps	XL1200R, XL883, XL883L, XL883R
22	68516-95	HOUSING, indicator lamps	XL1200R, XL883, XL883L, XL883R
23	68551-95	LENS, indicator lamps	XL1200R, XL883, XL883L, XL883R
24	68811-04	HARNESS, warning lamp assembly w/ 12, 18, 20, 22, 26, 27, 28, 29, 30, 31, 32, 33, 34	XL1200R

25	68813-04A	HARNESS, warning lamp assembly w/ 12, 18, 20, 22, 26, 28, 29, 30, 31, 32, 33, 34	XL883, XL883L, XL883R
26	72130-04	HOUSING, socket 12-way (black)	XL1200R, XL883, XL883L, XL883R
27	72131-04	HOUSING, socket 12-way (gray)	XL1200R
28	72189-04	SEAL, pin (4)	XL883, XL883L, XL883R
	72189-04	SEAL, pin (11)	XL1200R
29	74119-98BK	HOUSING, 12-way (black)	XL1200R, XL883, XL883L, XL883R
30	74159-98	LOCK, 12-way socket	XL1200R, XL883, XL883L, XL883R
31	74191-98	TERMINAL, socket - reset switch	XL1200R, XL883, XL883L, XL883R
32	74195-98	SEAL, pin	XL1200R, XL883, XL883L, XL883R
33	74196-04	TERMINAL, socket, 20awg. (8)	XL883, XL883L, XL883R
	74196-04	TERMINAL, socket, 20awg. (13)	XL1200R
34	74197-04	LOCK, secondary, 12-way socket	XL1200R, XL883, XL883L, XL883R
	74197-04	LOCK, secondary, 12-way socket (2)	XL1200R
35	74402-05A	SENSOR, speed	XL1200R, XL883, XL883L, XL883R
INTERNATIONAL MODELS ONLY			
36	67041-04A	SPEEDOMETER, kph (CANADA, HDI, AUSTRALIA, JAPAN)	XL883, XL883L, XL883R
	67290-04A	SPEEDOMETER, mph/kph (ENGLAND)	XL883, XL883L, XL883R
37	67415-04A	SPEEDOMETER, mph/kph (ENGLAND)	XL1200R
	67416-04A	SPEEDOMETER, kph (CANADA, HDI, AUSTRALIA, JAPAN)	XL1200R

SPEEDOMETER - 883C/1200C

SPEEDOMETER - 883C/1200C



[View interactive image](#)

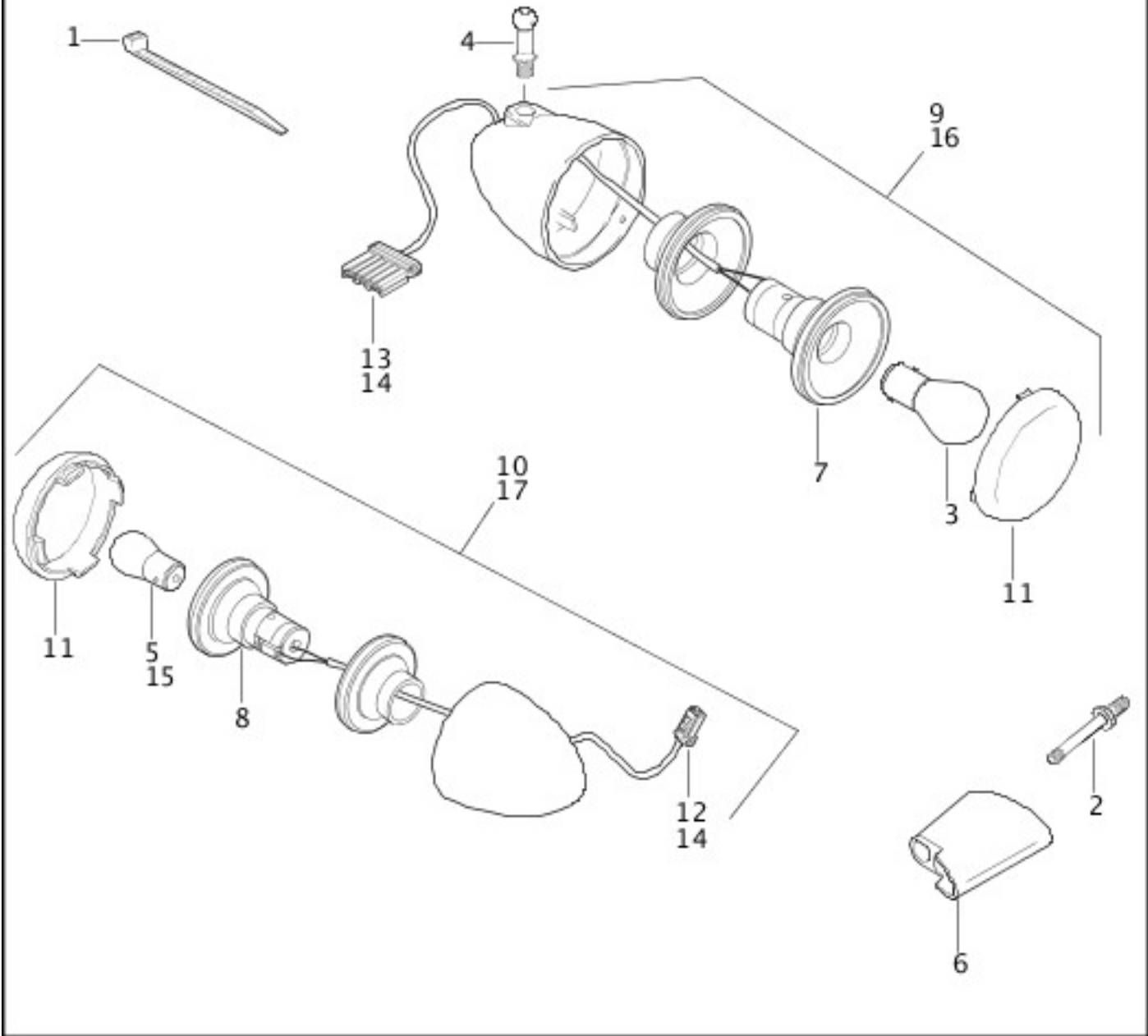
[View interactive table](#)

INDEX NO.	PART NO.	DESCRIPTION	MODEL(S)
1	2548	SCREW, countersunk	XL1200C, XL883C
2	3594	SCREW	XL1200C, XL883C
3	11289A	O-RING	XL1200C, XL883C

4	55844-04	HOUSING, instrument (chrome)	XL1200C, XL883C
5	67121-95A	GASKET, shock, front	XL1200C, XL883C
6	67184-94	SOCKET, warning light (5)	XL1200C, XL883C
7	67436-04A	SPEEDOMETER, mph (DOMESTIC)	XL1200C, XL883C
8	67854-98	SWITCH, trip reset	XL1200C, XL883C
9	67880-94	BOOT, reset switch	XL1200C, XL883C
10	68024-94	BULB, warning light (5)	XL1200C, XL883C
11	68382-96	BEZEL ASSEMBLY, indicator lamps	XL1200C, XL883C
12	68715-96	INDICATOR LAMP ASSEMBLY, w/ 6, 10, 12 & 13	XL1200C, XL883C
13	68792-96	HOUSING, indicator lamp w/ 68788-96	XL1200C, XL883C
14	68814-04A	INSTRUMENT HARNESS ASSEMBLY	XL1200C, XL883C
15	72130-04	HOUSING, socket 12-way (black)	XL1200C, XL883C
16	72189-04	SEAL, pin (4)	XL1200C, XL883C
17	74119-98BK	HOUSING, socket 12-way (black)	XL1200C, XL883C
18	74159-98	LOCK, 12-way socket	XL1200C, XL883C
19	74193-98	TERMINAL, socket, solid (11)	XL1200C, XL883C
20	74195-98	SEAL, pin	XL1200C, XL883C
21	74196-04	TERMINAL, socket, 20awg. (8)	XL1200C, XL883C
22	74197-04	LOCK, secondary, 12-way socket	XL1200C, XL883C
23	74402-05A	SENSOR, speed	XL1200C, XL883C
INTERNATIONAL MODELS ONLY			
24	67415-04A	SPEEDOMETER, mph/kph (ENGLAND)	XL1200C, XL883C
	67416-04A	SPEEDOMETER, kph (AUSTRALIA, CANADA, HDI, JAPAN)	XL1200C, XL883C

TURN SIGNALS

TURN SIGNALS



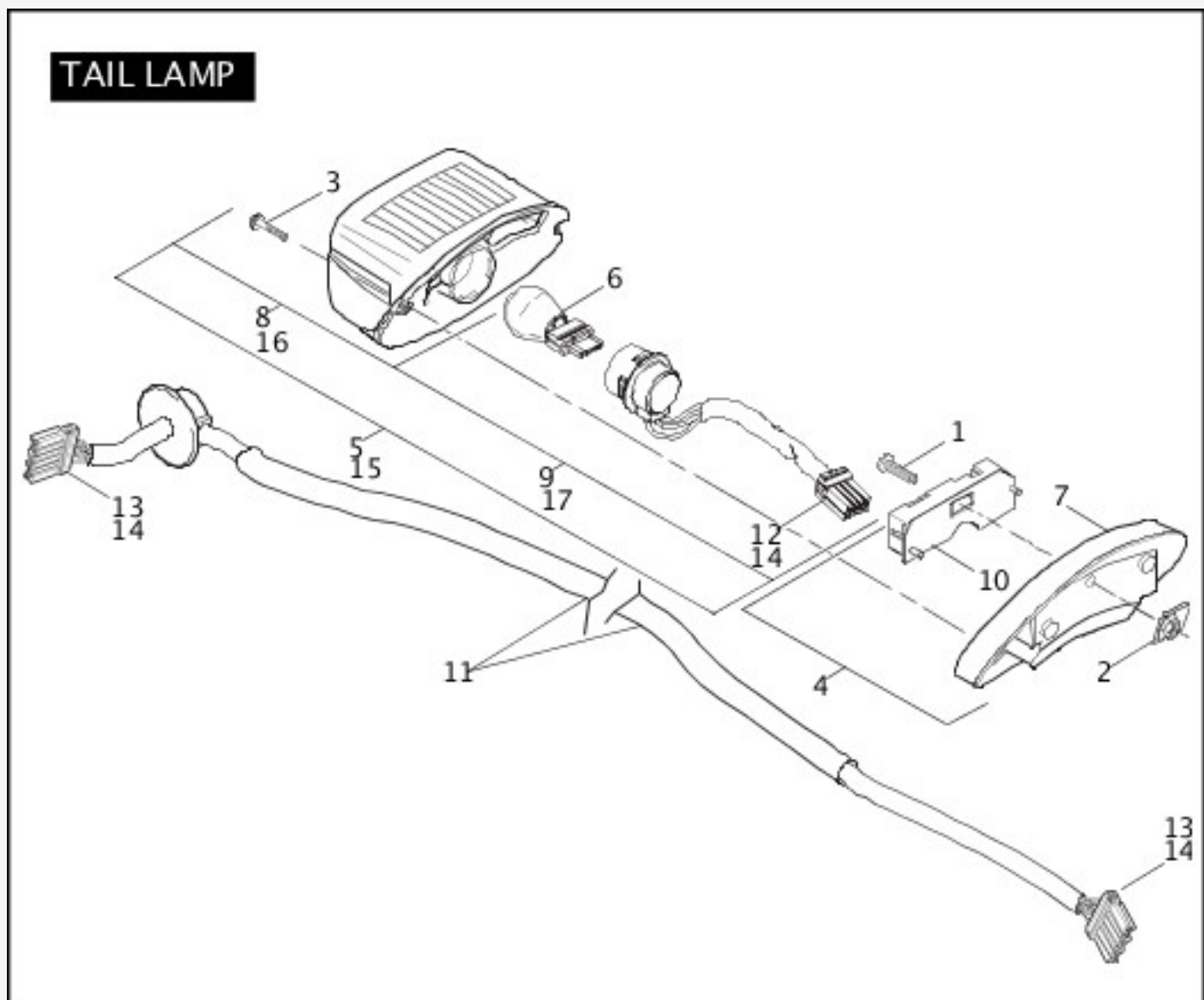
[View interactive image](#)

[View interactive table](#)

INDEX NO.	PART NO.	DESCRIPTION	MODEL(S)
1	10065	CABLE STRAP (2)	ALL
2	56104-02	STUD, rear turn signal (2)	ALL
3	68168-89A	BULB, front turn signal (2)	ALL
4	68265-04	BALL STUD (2)	ALL
5	68572-64B	BULB, rear turn signal (2)	ALL
6	68480-02	SUPPORT, rear turn signal (2)	ALL
7	68904-00	SOCKET ASSEMBLY, front (DOMESTIC ONLY) (2)	ALL
8	68905-00	SOCKET ASSEMBLY, rear (DOMESTIC ONLY) (2)	ALL

9	68972-00	TURN SIGNAL ASSEMBLY, front (amber) (2)	ALL
10	68977-00	TURN SIGNAL ASSEMBLY, rear (amber) (2)	ALL
11	68973-00	LENS (4)	ALL
12	73152-96BK	SOCKET HOUSING, 2-place, right (black)	ALL
	73152-96WE	SOCKET HOUSING, 2-place, left (white)	ALL
13	73156-96BK	SOCKET HOUSING, 6-place (2)	ALL
14	73191-96	SOCKET, #16-20 gauge (left & right turn signals) (6)	ALL
INTERNATIONAL MODELS ONLY			
15	68163-84	BULB, turn signal (HDI) (4)	ALL
16	68975-00	TURN SIGNAL ASSEMBLY, front (amber) (HDI) (2)	ALL
17	68978-00	TURN SIGNAL ASSEMBLY, rear (amber) (HDI) (2)	ALL

TAIL LAMP

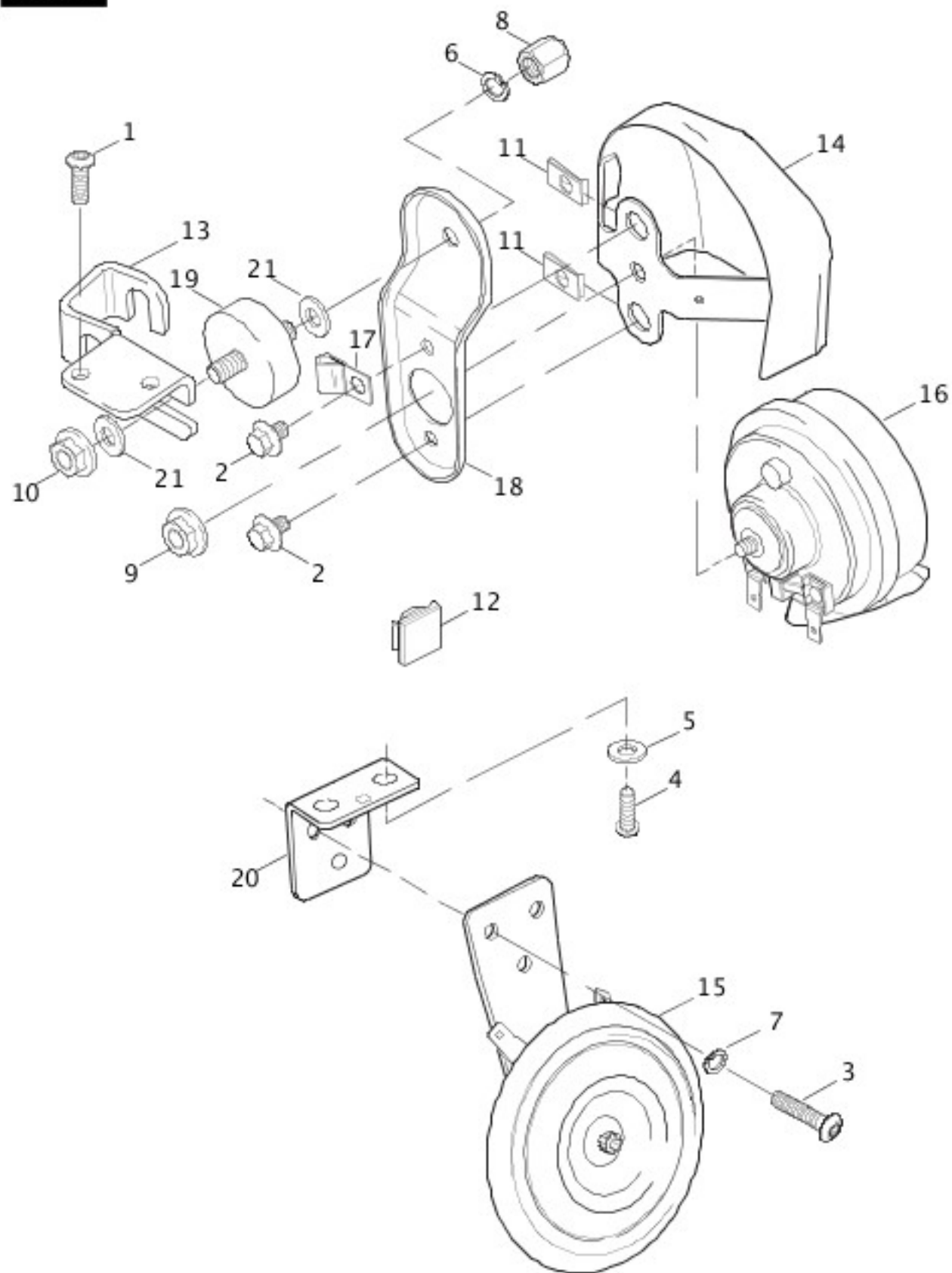


[View interactive image](#)

INDEX NO.	PART NO.	DESCRIPTION	MODEL(S)
1	3022A	SCREW	ALL
2	7964	CLIP NUT	ALL
3	68026-99	SCREW, tail lamp (2)	ALL
4	68066-99A	BASE ASSEMBLY, chromed	ALL
5	68140-04	LIGHT ASSEMBLY, tail lamp (DOMESTIC, CALIFORNIA, CANADA)	ALL
6	68167-04	BULB, tail lamp, wedge mount	ALL
7	68296-99A	BASE TAIL LAMP, chrome	ALL
8	68369-03	LENS, tail lamp (DOMESTIC, CALIFORNIA, CANADA)	ALL
9	68370-03A	BULB SOCKET ASSEMBLY (DOMESTIC, CALIFORNIA, CANADA)	ALL
10	68830-99A	CIRCUIT BOARD/COVER ASSEMBLY	ALL
11	68899-04A	HARNESS, rear lighting	ALL
12	73154-96BK	HOUSING, socket, 4-place	ALL
13	73156-96BK	SOCKET HOUSING, 6-place (2)	ALL
14	73191-96	SOCKET, #16-20 gauge (as required)	ALL
INTERNATIONAL MODELS ONLY			
15	68141-04	LIGHT ASSEMBLY, tail lamp (HDI, AUSTRALIA, ENGLAND, JAPAN)	ALL
16	68372-03	LENS, tail lamp (HDI, AUSTRALIA, ENGLAND, JAPAN)	ALL
17	69187-03A	BULB SOCKET ASSEMBLY (HDI, AUSTRALIA, ENGLAND, JAPAN)	ALL

HORN

HORN



[View interactive image](#)

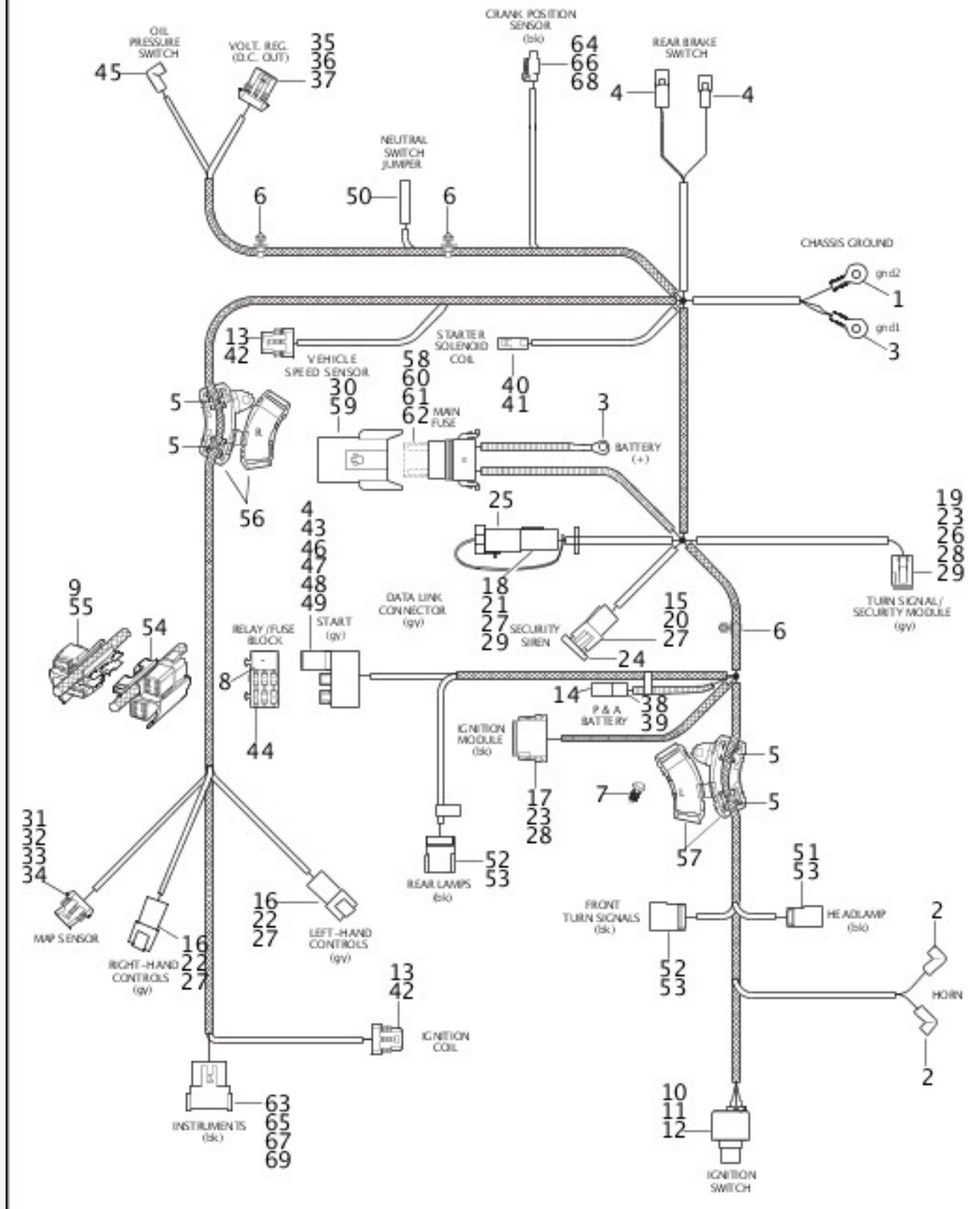
[View interactive table](#)

INDEX NO.	PART NO.	DESCRIPTION	MODEL(S)
1	3026	SCREW (2)	XL1200C
2	3563	SCREW (2)	XL1200C
3	3658	SCREW (3)	XL1200R, XL883, XL883C, XL883L, XL883R

4	4180	SCREW (2)	XL1200R, XL883, XL883C, XL883L, XL883R
5	6026	WASHER (2)	XL1200R, XL883, XL883C, XL883L, XL883R
6	7041	LOCKWASHER	XL1200C
7	7069	LOCKWASHER (3)	XL1200R, XL883, XL883C, XL883L, XL883R
8	7481	ACORN NUT	XL1200C
9	7495	NUT	XL1200C
10	7531	LOCKNUT	XL1200C
11	8108	SPEEDNUT (2)	XL1200C
12	10120	CLIP	XL1200R, XL883, XL883C, XL883L, XL883R
13	16355-04	BRACKET, horn & choke	XL1200C
14	69012-93A	COVER, horn (chrome)	XL1200C
15	69043-96B	HORN, complete w/ bracket & #7495	XL1200R, XL883, XL883C, XL883L, XL883R
16	69060-90F	HORN	XL1200C
17	69062-91A	CLAMP, horn wire	XL1200C
18	69120-91	HORN BRACKET	XL1200C
19	69123-92A	RUBBER MOUNT	XL1200C
20	69135-04	HORN BRACKET	XL1200R, XL883, XL883C, XL883L, XL883R
21	6237	WASHER (2)	XL1200C

MAIN WIRING HARNESS (1 OF 2)

MAIN WIRING HARNESS



[View interactive image](#)

[View interactive table](#)

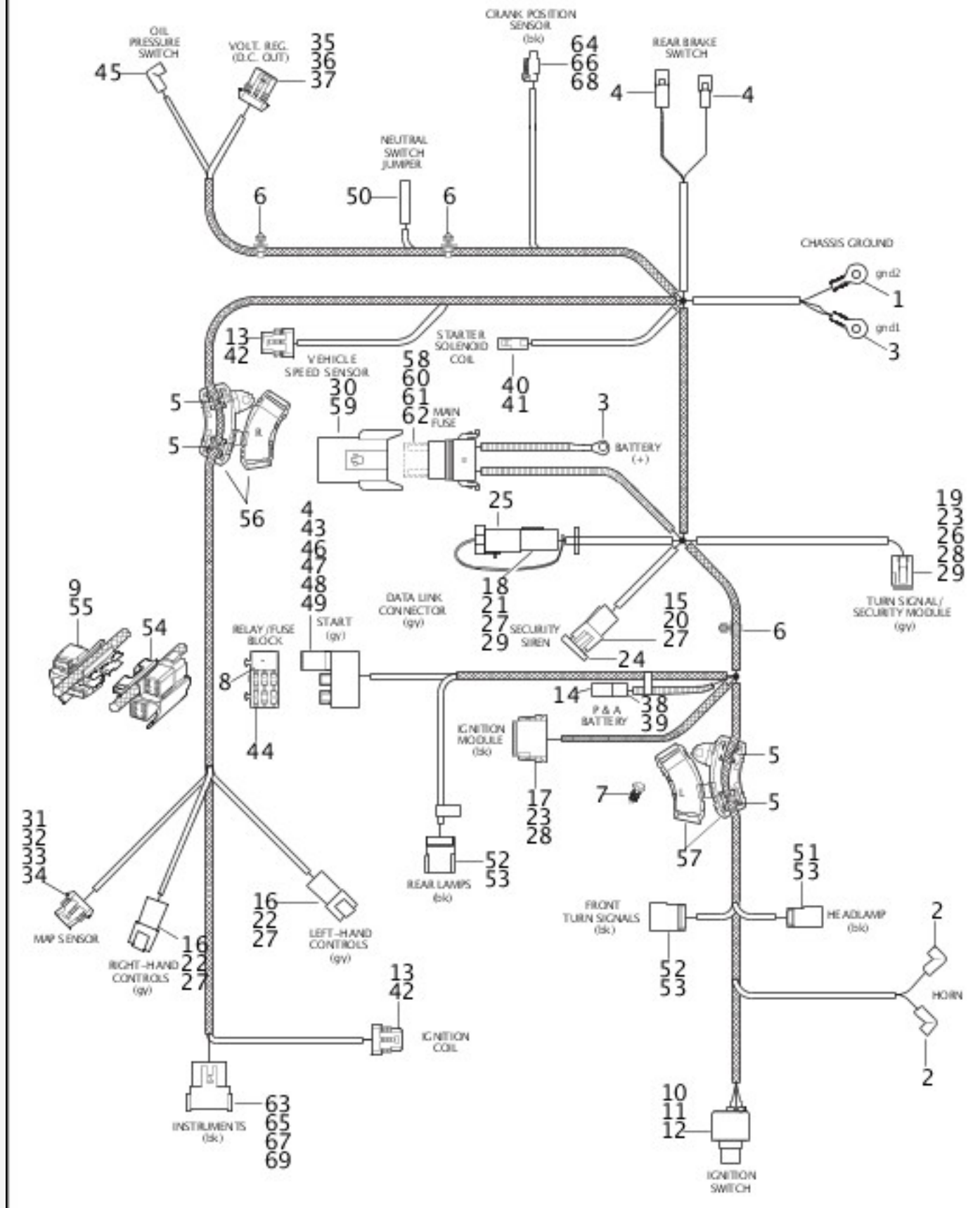
INDEX NO.	PART NO.	DESCRIPTION	MODEL(S)
	70139-05	MAIN WIRING HARNESS	ALL
NOTE: Includes the following parts.			
1	9825	TERMINAL RING, #14-18 awg.	ALL

2	9898	TERMINAL, flag (2)	ALL
3	9838	TERMINAL RING, 1/4 #10-12 awg. (2)	ALL
4	9937	TERMINAL, 1/4 18-14 gauge (2)	ALL
5	10065	CABLE STRAP (3)	ALL
6	10177	CABLE STRAP, plug-in (3)	ALL
	10210	CLAMP, pan (not illustrated)	ALL
7	10259	PUSH RIVET	ALL
8	31601-04	RELAY	ALL
9	53486-85	PAD, protective	ALL
10	71510-04	IGNITION SWITCH HOUSING	ALL
11	71550-94	LABEL, ignition switch	ALL
12	71552-94	FACE NUT, ignition switch	ALL
13	72033-93	SOCKET TERMINAL (6)	ALL
14	72100-04	HOUSING TERMINAL	ALL
15	72103-94BK	CONNECTOR, 3-way (black)	ALL
16	72106-94BK	CONNECTOR, 6-way (black) (2)	ALL
17	72119-94BK	CONNECTOR, 12-way (black)	ALL
18	72124-94GY	SOCKET HOUSING, 4-way (gray)	ALL
19	72139-94GY	SOCKET HOUSING, 12-way w/ 72179-94 (gray)	ALL
20	72143-94	SECONDARY LOCK, 3-way	ALL
21	72144-94	SECONDARY LOCK, 4-way	ALL
22	72146-94	SECONDARY LOCK, 6-way (2)	ALL
23	72159-94	SOCKET LOCK, 12-way (2)	ALL
24	72163-94	WEATHER PLUG, 3-way	ALL
25	72164-94A	WEATHER PLUG, 4-way	ALL
26	72179-94	SEAL, internal (4)	ALL
27	72190-94	TERMINAL, pin (18)	ALL
28	72191-94	TERMINAL, socket (23)	ALL
29	72195-94	SEAL PIN (2)	ALL
30	72199-94	CONNECTOR ANCHOR	ALL

31	72213-94	TERMINAL, socket (3)	ALL
32	72214-94	CABLE SEAL (3)	ALL
33	72230-98	HOUSING SOCKET CONNECTOR, 3-way	ALL
34	72231-98	SECONDARY LOCK, 3-way	ALL
35	72234-94	CONNECTOR, 2-position, sealed	ALL
36	72236-94	TERMINAL, 14-16 gauge, female (2)	ALL
37	72238-94	SECONDARY LOCK	ALL
38	72260-04	HOUSING, female, 1-way (gray)	ALL
39	72289-04	TERMINAL, #10-12 awg., female	ALL
40	72291-94	TERMINAL, 14-16 gauge, female spade	ALL
41	72295-94	TERMINAL HOUSING, 1-way	ALL
42	72312-04	SOCKET HOUSING, 3-way (2)	ALL
43	72326-95	TERMINAL, ECM, mini (5)	ALL
44	72330-95	FUSE, 15 amp (6)	ALL
45	72405-98BK	TERMINAL, push-on, right angle (black)	ALL
46	72427-00	TERMINAL, 16-22 awg. (2)	ALL
47	72431-00	FUSE BLOCK	ALL

MAIN WIRING HARNESS (2 OF 2)

MAIN WIRING HARNESS



[View interactive image](#)

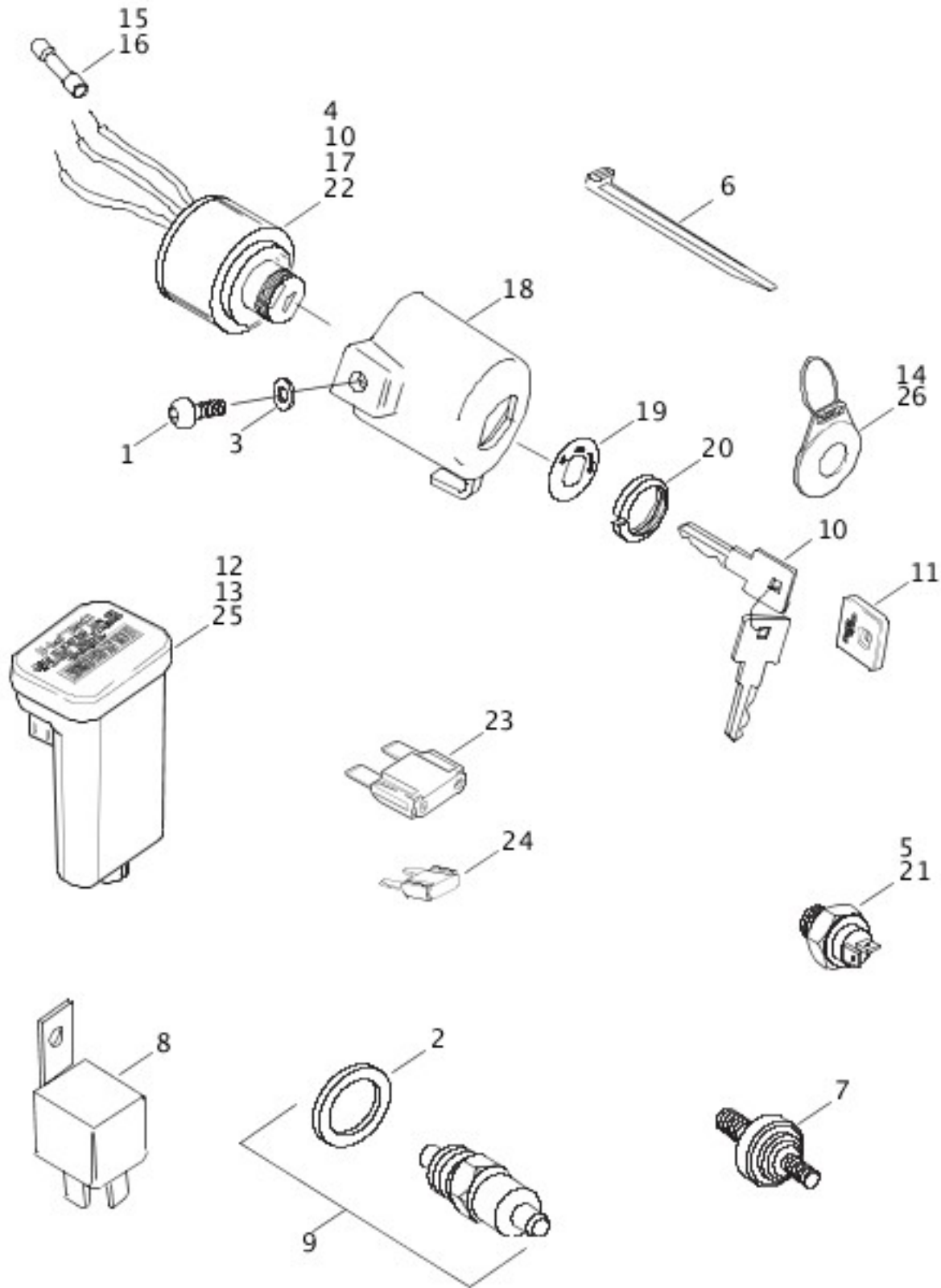
[View interactive table](#)

INDEX NO.	PART NO.	DESCRIPTION	MODEL(S)
	70139-05	MAIN WIRING HARNESS (CONTINUED)	ALL
NOTE: Includes the following parts.			
48	72434-00	TERMINAL (5)	ALL

49	72441-04	TERMINAL (2)	ALL
50	72445-99TN	TERMINAL, female (tan)	ALL
51	73104-96BK	CONNECTOR, 4-way (black)	ALL
52	73106-96BK	CONNECTOR, 6-way (black) (2)	ALL
53	73190-96	TERMINAL, pin, 20-16 gauge (16)	ALL
54	73203-04	CLIP, LH-wire harness	ALL
55	73204-04	CLIP, RH-wire harness w/ 53486-85	ALL
56	73205-04	ELBOW, RH-wire harness	ALL
57	73206-04	ELBOW, LH-wire harness	ALL
58	73301-04	HOUSING, 2-way, female	ALL
59	73302-04	COVER, maxi-fuse, fuse block	ALL
60	73303-04	SECONDARY LOCK, 2-way, female (2)	ALL
61	73304-04	TERMINAL, female, #10 awg. (2)	ALL
62	73305-04	SEAL WIRE, #10 awg. (blue)	ALL
63	74109-98BK	SOCKET HOUSING, 12-way (black)	ALL
64	74112-98BK	SOCKET HOUSING, 2-way (black)	ALL
65	74149-98	SECONDARY LOCK, 12-way	ALL
66	74152-98	SECONDARY LOCK, 2-way	ALL
67	74190-98	TERMINAL, pin (11)	ALL
68	74191-98	TERMINAL, socket (2)	ALL
69	74195-98	SEAL, pin (2)	ALL

SWITCHES & CIRCUIT BREAKERS

SWITCHES & CIRCUIT BREAKERS



[View interactive image](#)

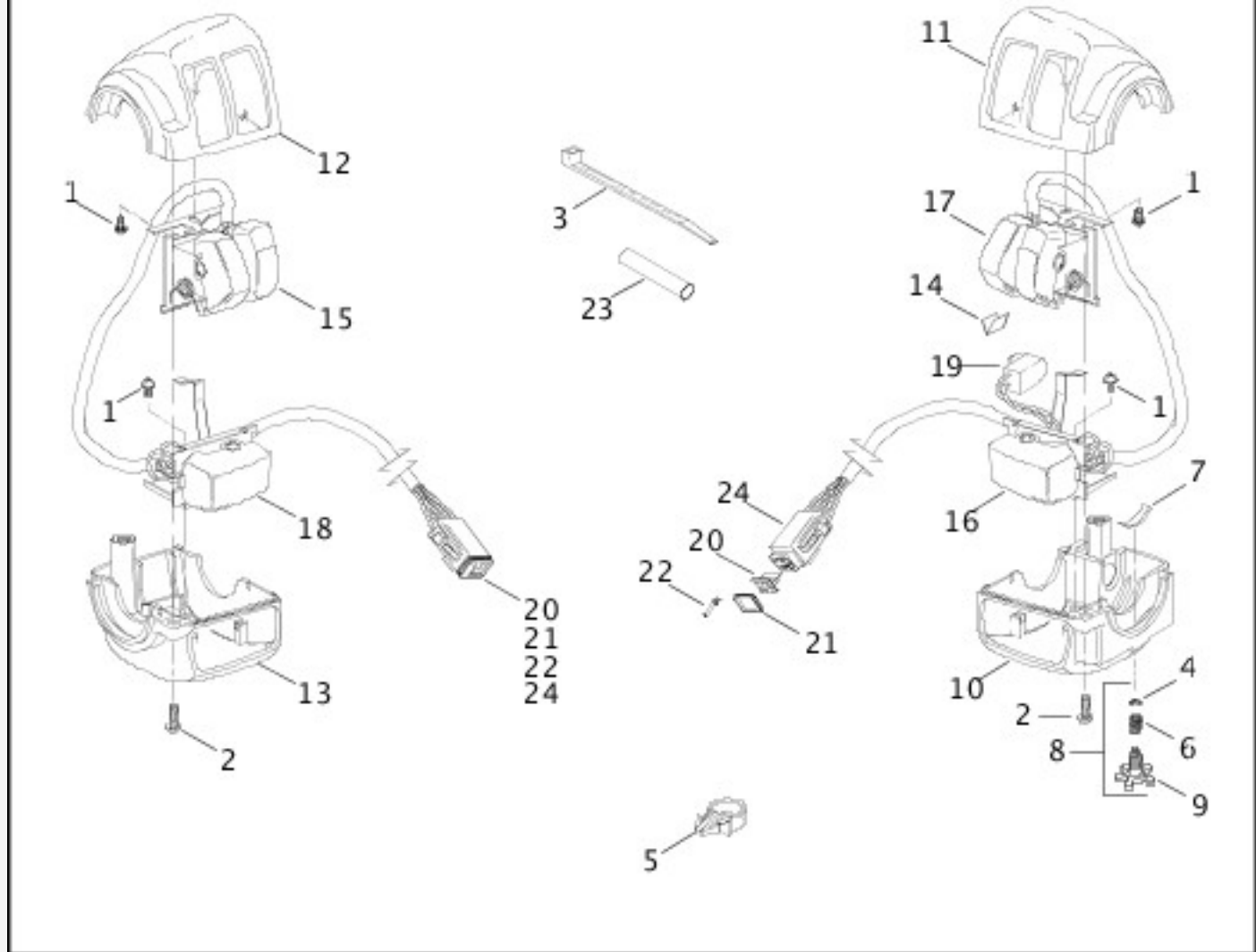
[View interactive table](#)

INDEX NO.	PART NO.	DESCRIPTION	MODEL(S)
1	2528	SCREW	ALL
2	6288	WASHER	ALL
3	7220	LOCKWASHER	ALL

4	9862	TERMINAL RING (3)	ALL
5	9898	TERMINAL (2)	ALL
6	10039	CABLE STRAP	ALL
7	26554-77B	SWITCH, oil pressure indicator	ALL
8	31601-04	RELAY, starter	ALL
9	33900-99	SWITCH, neutral indicator, w/ washer	ALL
10	48154-05A	LOCKSET ASSEMBLY	ALL
	71451-94A	KEYSET, ignition switch (specify key code)	ALL
11	61459-97	COVER, key head set	ALL
12	68920-01D	TURN SIGNAL MODULE, standard	ALL
13	68922-00D	MODULE, security system (DOMESTIC)	ALL
14	68926-00	FOB, remote control	ALL
	70227-99	JUMPER WIRE ASSEMBLY, neutral switch (not illustrated)	ALL
15	70586-93	CONNECTOR, butt splice (blue) (3)	ALL
16	70587-93	CONNECTOR, butt splice (yellow) (2)	ALL
17	71441-94	LOCK SET ASSEMBLY, ignition w/ key	ALL
18	71510-04	IGNITION SWITCH HOUSING	ALL
19	71550-94	LABEL, ignition switch	ALL
20	71552-94	FACE NUT, ignition switch	ALL
21	72023-51D	STOPLIGHT SWITCH, rear brake w/ 9898	ALL
22	72268-94	SHRINK TUBE	ALL
23	72318-04	FUSE 30A	ALL
24	72330-95	FUSE, 15 amp (6)	ALL
INTERNATIONAL MODELS ONLY			
25	68922-00D	MODULE, security system (JAPAN)	ALL
	68924-00D	MODULE, security system (HDI)	ALL
26	68927-00	FOB, remote control (HDI)	ALL
	68939-00	FOB, remote control (JAPAN)	ALL

HANDLEBAR SWITCHES

HANDLEBAR SWITCHES



[View interactive image](#)

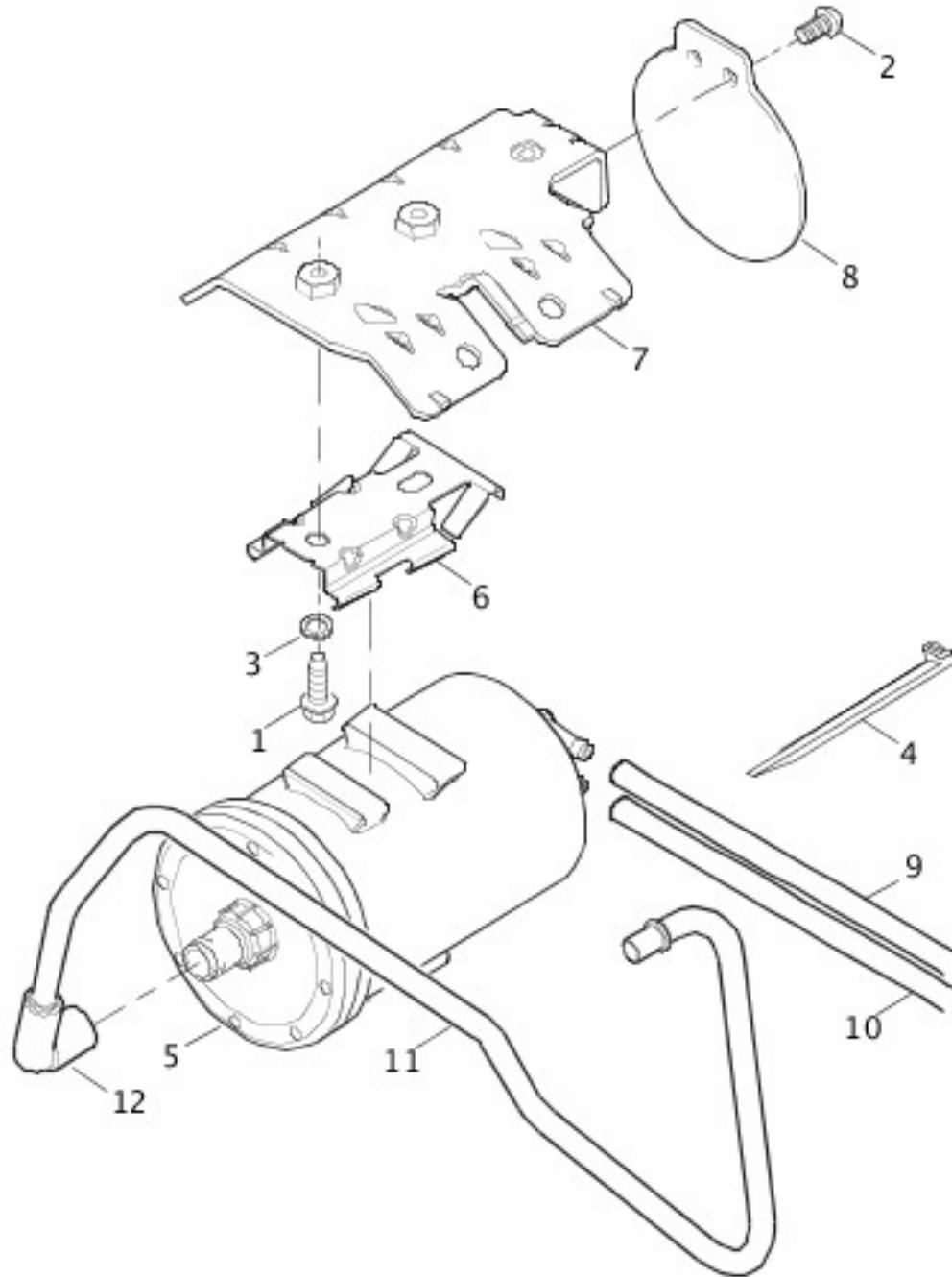
[View interactive table](#)

INDEX NO.	PART NO.	DESCRIPTION	MODEL(S)
1	2955	SCREW (4)	ALL
2	3658	SCREW (4)	ALL
3	10181	CABLE STRAP (as required)	ALL
4	11155	RETAINING RING	ALL
5	70345-84	RETAINER, wiring harness (4)	ALL
6	56394-74	SPRING, throttle adjusting screw	ALL
7	56396-74A	FRICTION SPRING, throttle grip	ALL
8	56397-74C	KIT, throttle adjusting screw w/ 4, 6 & 9	ALL

9	56402-83A	ADJUSTING SCREW	ALL
10	71563-96	HOUSING, lower right	ALL
11	71564-96	HOUSING, upper right	ALL
12	71567-96	HOUSING, upper left	ALL
13	71568-96A	HOUSING, lower left	ALL
14	71587-04	V-CLIP	ALL
15	71682-06A	SWITCH ASSEMBLY, dimmer & horn w/ 10181 & 72266-94	ALL
16	71683-06A	SWITCH ASSEMBLY, right directional w/ 10181 & 72266-94	ALL
17	71684-06A	SWITCH ASSEMBLY, engine stop & start w/ 10181 & 72266-94	ALL
18	71685-06A	SWITCH ASSEMBLY, left directional w/ 10181 & 72266-94	ALL
19	71621-08	STOPLIGHT SWITCH	ALL
20	72156-94	SECONDARY LOCK, 6-way (2)	ALL
21	72176-94	SEAL, front (6-way plug) (2)	ALL
22	72191-94	TERMINAL, socket (as required)	ALL
23	72266-94	SHRINK TUBE (as required)	ALL
24	72116-94BK	SOCKET HOUSING, 6-way (black) (2)	ALL

EVAPORATIVE EMISSIONS KIT

EVAPORATIVE EMISSIONS KIT



[View interactive image](#)

[View interactive table](#)

INDEX NO.	PART NO.	DESCRIPTION	MODEL(S)
NOTE: These parts are required for motorcycles sold in the state of California.			
1	3767B	BOLT (2)	ALL
2	4363	SCREW (2)	ALL
3	6099	WASHER (2)	ALL
4	10006	CABLE STRAP	ALL
5	27042-84A	CANISTER	ALL

6	27047-84B	BRACKET, canister mounting	ALL
7	28908-04A	BRACKET, canister	ALL
8	28909-04	GUARD, canister	ALL
9	28910-04	HOSE, canister-to-carburetor	ALL
10	28911-04A	HOSE, canister-to-vapor valve	ALL
11	28912-04	HOSE, canister-to-air cleaner w/ 29312-95	ALL
12	29312-95	ELBOW	ALL

Hardware List

[View interactive table](#)

PART NO.	DESCRIPTION
1039	SCREW 5/16-18 X 2-1/2 hex flange head (Grade 8)
1048	SCREW 5/16-18 X 1-1/2 hex flange head
2325	SCREW No. 6 X 3/4 cross recess pan head, self-tapping
2361	SCREW No. 8-32 X 3/8 socket countersink head, with lockpatch
2441	SCREW No. 10-24 X 1/2 TORX pan head
2460	SCREW 5/16-18 X 1/2 socket countersink head
2501A	SCREW No. 8-32 X 3/8 hex head, self-tapping
2528	SCREW No. 10-24 X 1/2 socket button head
2535	SCREW 5/16-18 X 1 socket head
2548	SCREW No.8-32 X 3/4 socket head, with lockpatch
2586A	SCREW M4 X 0.7 X 12 flat head
2607	SCREW 1/4-20 X 3/4 Pozidriv pan head (Grade 2)
2708A	SCREW 5/16-18 X 1 socket head
2773	SCREW 1/4-20 X 1/2 Pozidriv pan head (Grade 2)
2952A	SCREW 1/4-20 X 1/2 SEMS truss head
2955	SCREW No. 6-32 X 1/4 Phillips pan head, with lockwasher
3022A	SCREW 1/4-20 X 5/8 socket fillister head, with lockpatch
3026	SCREW No. 10-32 X 1/2 socket button head
3029	SCREW No. 10-24 X 1 TORX head, with adhesive
31689-90	BOLT M4 X 0.7 X 12 hex head

3201WA	SCREW 5/16-18 X 1-1/4 knurled head
3210A	SCREW 5/16-18 X 1-1/4 knurled head
3244	SCREW M8 X 1.25 X 12
3275	SCREW 5/16-18 X 3/4 socket head (Grade 8)
3403	LOCKNUT M8-1.25 X 12mm flange (zinc)
3480A	SCREW 1/4-20 X 1-3/4 knurled head (Grade 8)
3514	SCREW No. 8-32 X 1 fillister head (Grade 5)
35211-91B	NUT 1-1/2-24 X .350 X 1-7/8 hex head
3563	SCREW 1/4-20 X 3/8 hex flange head (Grade 5)
3574	SCREW 1/4-20 X 3/4 flange
3579A	SCREW 1/4-28 X 1/4 SEMS hex head, self-tapping (Grade 2)
3588	SCREW 1/4-20 X 1/2 hex flange head
3594	SCREW 1/4-20 X 5/8 knurled head (Grade 8)
3605	BOLT 1/2-13 X 2-1/2 hex head (Grade 5)
3615	SCREW No. 8-32 X 1, pan head, thread-cutting
3655A	SCREW 5/16-18 X 7/8 TORX pan head, with lockpatch (Grade 8)
3658	SCREW No. 10-24 X 1/2 TORX head (Grade 5)
3666A	SCREW No. 10-24 X 1.500 TORX recessed head, with washer
3675	SCREW 5/16-18 X 1 TORX head, with lockpatch (Grade 8)
3767B	BOLT 1/4-20 X 5/8 hex head (Grade 5)
3799	SCREW 1/4-20 X 3/4 flange head
3814	SCREW 7/16-14 X 1-3/4 hex head, with washer (Grade 8)
3849	SCREW 1/4-20 X 1-1/4 SEMS hex head (Grade 8)
3854	SCREW 7/16-14 X 1, hex head (Grade 8)
3880	SCREW 1/2-13 X 2-1/4 TORX recessed button head
3899	SCREW 7/16-14 X 1-3/4 hex head, with lockpatch
3997A	BOLT 1/4-20 X 1-1/4 socket head, with sealant (zinc)
4016	SCREW 5/16-18 X 1.0 socket button head
4017	BOLT 5/16-18 X 1 hex head (Grade 5)
4029A	SCREW 3/8-16 X 2-1/4 socket head (black)

4032A	SCREW 3/8-16 X 2-1/2 socket head
40582-05	WASHER 0.815 X 1.67 X 0.125
4076	SCREW 3/8-16 X 1/2 socket head
4091	SCREW No. 10-24 X 1/2 hex head, with washer, self-tapping (zinc)
41191-74A	SCREW 1/2-20 X 5/8 hex socket flat head, with lockpatch
4132	SCREW 1/4-20 X 1-1/8 TORX button head (Grade 5) (black)
4180	SCREW 3/8-16 X 1-1/2 TORX button head
4188	SCREW 3/8-16 X 1-1/4 TORX button head
4240	SCREW No. 10-24 X 3/16 hex head, with washer
4269	SCREW 5/16-18 X 3/4, flange head
4290	SCREW 3/8-16 X 1-1/4, TORX button head (Grade 5)
4312C	SCREW M6 X 1.0 X 14mm, SEMS flange head (stainless)
4326A	SCREW 5/16-18 X 2 socket head
4329	SCREW 1/4-20 X 3/4 hex head with washer, self-tapping
4350A	SCREW 3/8-16 X 1-1/2 socket head
4351	SCREW 3/8-16 X 1-1/2 TORX head, self-tapping (Grade 8)
4352	SCREW 3/8-16 X 1-1/2 TORX, self-tapping (Grade 8)
4354	SCREW 1/2-20 X 2-1/2, TORX button head
43567-92	SCREW 3/8-16 X 1 TORX pan head, with lockpatch
4359	SCREW 5/16-18 X 7/8 socket button head
4363	SCREW 1/4-20 X 1/2 socket button head
4420	SCREW 3/8-16 X 2.75 hex head (Grade 5)
4453	BOLT 1/4-20 X 7/8 hex head SPECIAL WITH TAPPED HOLE
4460	BOLT 5/8-18 X 1 hex head (Grade 5)
45405-75A	SCREW M8 X 1.25 x 27 hex socket head
4717A	SCREW 1/4-20 X 2-1/4 knurled head, with lockpatch
4718A	SCREW 1/4-20 X 1-1/2 knurled head, with lockpatch
4740A	SCREW 1/4-20 X 1-1/4 knurled head, with lockpatch (Grade 8)
4741A	SCREW 1/4-20 X 1 socket head, with lockpatch
4748	SCREW 3/8-16 X 1-1/8 socket head (Grade 8)
4751	SCREW 1/4-20 X 3/4 hex head, with lockpatch (Grade 8) (zinc)

4758A	SCREW 5/16-18 X 3.48 socket head (Grade 8)
4765	SCREW 1/4-20 X 2-5/8 SEMS socket head, with lockpatch (Grade 8) (zinc)
4771	SCREW 5/16-18 X 4-1/4 socket head (Grade 5)
4778	SCREW 5/16-18 X 1-3/8 TORX button head
4779	SCREW 5/16-18 X 1-3/4 TORX button head
4816A	SCREW 5/16-18 X 1-1/2 socket head
4820A	SCREW 1/4-20 X 2 socket head
5403B	BOLT 1/4-20 X 3/8 carriage
5414	BOLT 3/8-16 X 7/8 carriage (Grade 5)
54321-85	NUT No. 8-32 X 1/2 X 1/8 (brass)
6003	WASHER 1-3/16 X 1-3/8 X 11/16
6026	WASHER 3/8 X 7/8 X 7/64
6099	WASHER 1/4 X 7/16 X 1/16
6101	WASHER 17/64 X 27/64 X 1/16
6109	WASHER 5/16 X 11/16 X 1/8
6152	SPACER 13/32 X 1.0 X 5/16
6157	WASHER 27/64 X 5/8 X 1/64 heat treated
6192	WASHER No. 8 X 7/16 X 3/64
6237	WASHER 5/16 X 1-1/8 X 5/64
6288	WASHER 17/32 X 25/32 X 1/32
6302	WASHER 5/16 X 11/16 X 19/32
6516HW	WASHER 7/16 X 1-1/8 X 1/8
6590HW	WASHER 1/2 X 1-1/8 X 3/32
6655	WASHER 5/8 X 1-1/2 X 7/64
6701	WASHER 3/8 X 13/16 X 1/16
6702	WASHER 5/16 X 11/16 X 1/16
6703	WASHER 1/4 X 5/8 X 1/16
6718	WASHER 1/2 X 1-1/16 X 3/32
6738	WASHER 17/32 X 7/8 X 7/64
6787	WASHER 7/16 X 13/16 X 5/64 flat

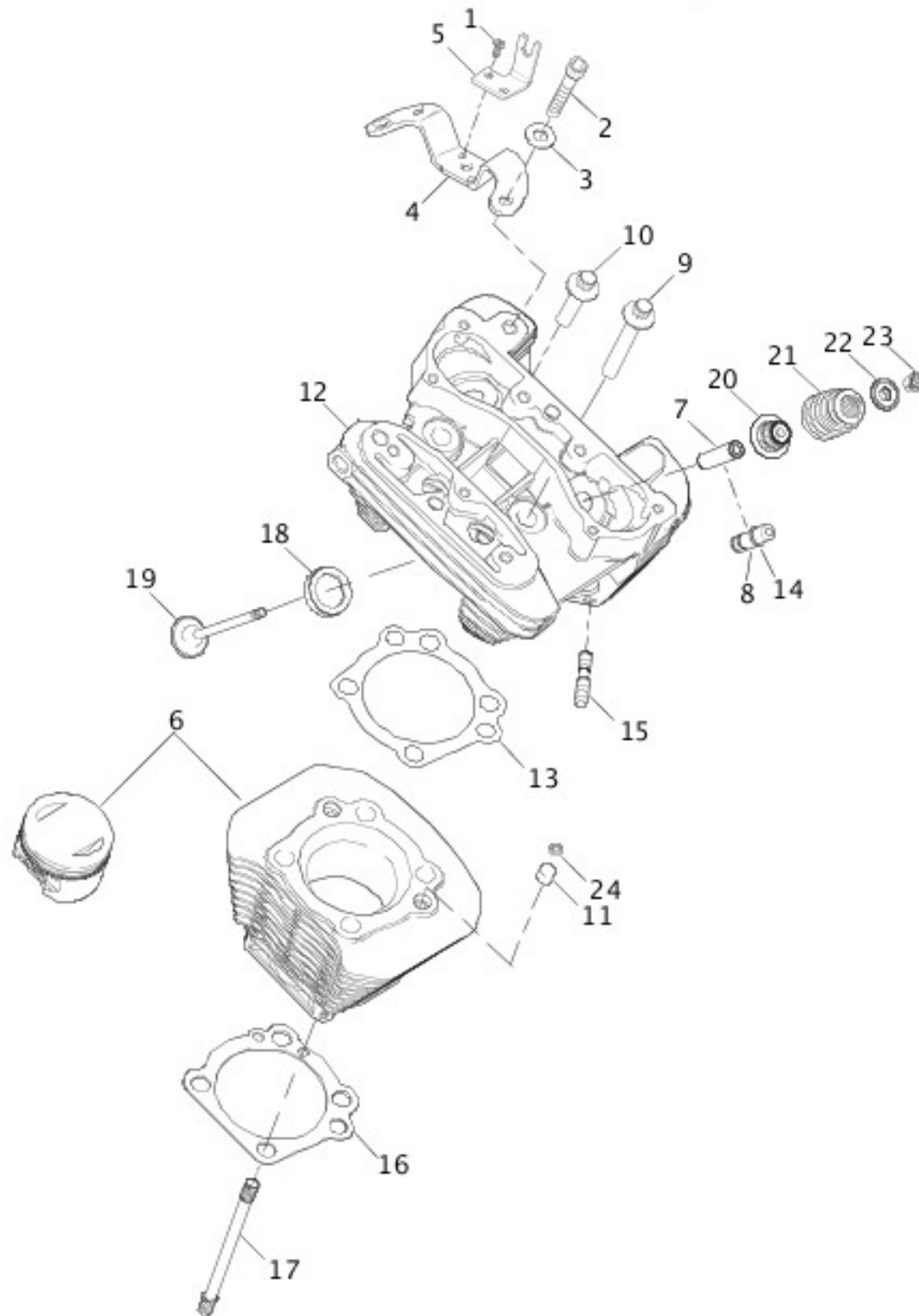
6798	WASHER 5/16 X 1/2 X 1/32
68026-99	SCREW No. 8-32 X 1 Phillips pan head (stainless)
68042-99	SCREW No. 8-32 X 3/8 TORX head
7019	WASHER 1/2 X 3/4 X 1/4 rubber
7038	LOCKWASHER 3/8
7039	LOCKWASHER 7/16
7041	LOCKWASHER 5/16
7045	LOCKWASHER 3/8 high collar
7068	LOCKWASHER 1/2
7069	LOCKWASHER No. 10
7127	LOCKWASHER 5/16 internal tooth
7220	LOCKWASHER No. 10 external tooth
7477	NUT M8 X 1.25
7481	ACORN NUT 5/16-18 X 5/8 X 1/2
7495	NUT M6 flange
7531	LOCKNUT 5/16-18 X 9/32 X 1/2 flange
7593	NUT 5/16-24 flange
7606	LOCKNUT No. 8-32 X 1/4 X 1/4 hex (chrome)
7624	LOCKNUT No. 10-24 X 1/4 X 3/8
7720	ACORN NUT 5/16-24 (chrome)
7727	LOCKNUT 5/16-24 X 1/4 X 1/2
7766	LOCKNUT 5/16-18 flange
7770	NUT 1/4-20 keps flat washer
7778	LOCKNUT 3/8-16 X 7/16 X 9/16
7783	NUT 3/8-16 X 5/16 X 9/16 (Grade 2)
7792	NUT 1/4-20 X 1/4 (Grade 2)
7804	LOCKNUT 1/2-13 X 15/32 X 7/8 self-sealing
7805	NUT No. 12-24 keps
7824	LOCKNUT 1/2-20 X 1/4 (Grade 2)
7839	NUT 3/4-16 X 21/32 flange (Grade 2)
7862	ACORN NUT 3/8-16 (chrome)

7880	NUT 1/2-13 X 7/16 X 3/4 (Grade 2)
7916A	JAMNUT 5/8-18
7956	NUT 1/2-20 X 1/2 X 3/4
8039	NUT 3/4-16 flange (Grade 5)
8108	SPEEDNUT 1/4-20
835	SCREW 5/16-18 X 3 flange head, with lockpatch
8679	SCREW No. 8-32 X 7/16, TORX button head
882	SCREW 1/4-20 X 7/8 knurled head, with washer (Grade 8)
8972	WASHER 1-1/4 X 1-53/64 X 1/8
928	BOLT M5 X 0.8 X 35.2 hex head
929A	SCREW M4 X 0.7 X 11.8 flange head
940	SCREW 1/4-20 X 3/4 TORX button head
943	SCREW 1/4-20 X 5/8 socket button head
946	SCREW 1/4-20 X 2-1/4 socket button head, with lockpatch (Grade 8)
995	SCREW 5/16-18 X 5/8 TORX button head
997	SCREW 5/16-18 X 1 TORX button head

New Parts List

[CYLINDER, HEAD & VALVES - V2™ EVOLUTION \(1 OF 2\)](#)

CYLINDER, HEAD & VALVES - V²_{IM} EVOLUTION

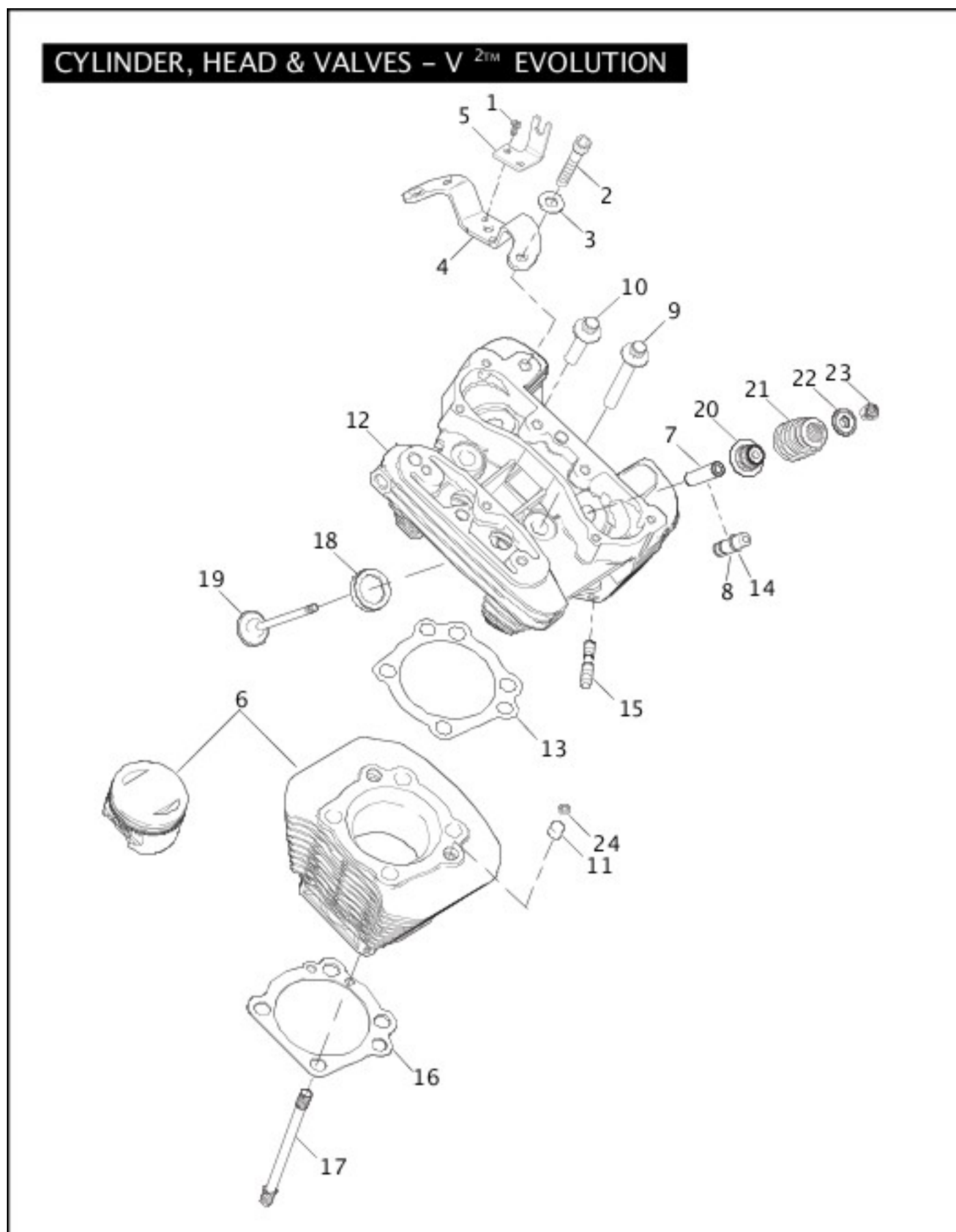


[View interactive table](#)

INDEX NO.	PART NO.	DESCRIPTION	MODEL(S)
	19272-06	ENGINE ASSEMBLY (883cc) (DOMESTIC, CANADA, CALIFORNIA)	XL883
	19276-06	ENGINE ASSEMBLY (883cc) (DOMESTIC, CANADA, CALIFORNIA)	XL883C
8	16465-06	VALVE GUIDE, intake and exhaust, w/ 16699-06 (replaces 16461-02) (4)	ALL
13	16664-	GASKET, cylinder head (2)	XL883, XL883C, XL883L,

	86D		XL883R
	16770-84F	GASKET, cylinder head (2)	XL1200C, XL1200R
14	16699-06	SNAP RING (used w/ 16465-06) (4)	ALL
	17027-04B	GASKET KIT, engine overhaul (not illustrated)	ALL
	17049-04A	GASKET KIT, top overhaul (not illustrated)	ALL

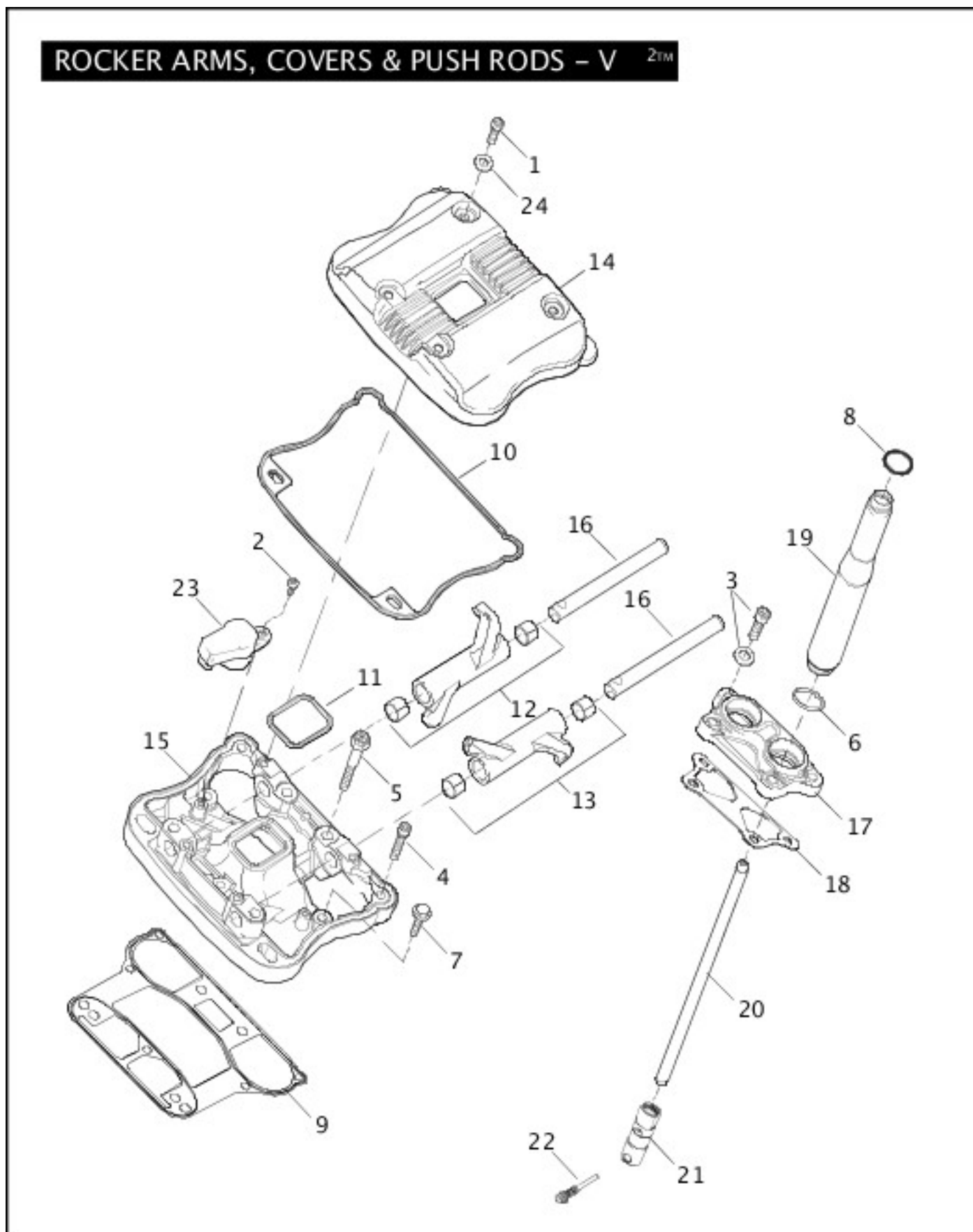
CYLINDER, HEAD & VALVES - V2™ EVOLUTION (2 OF 2)



[View interactive table](#)

INDEX NO.	PART NO.	DESCRIPTION	MODEL(S)
20	18094-02A	SEAL, valve (4)	ALL

ROCKER ARMS, COVERS & PUSH RODS - V2™

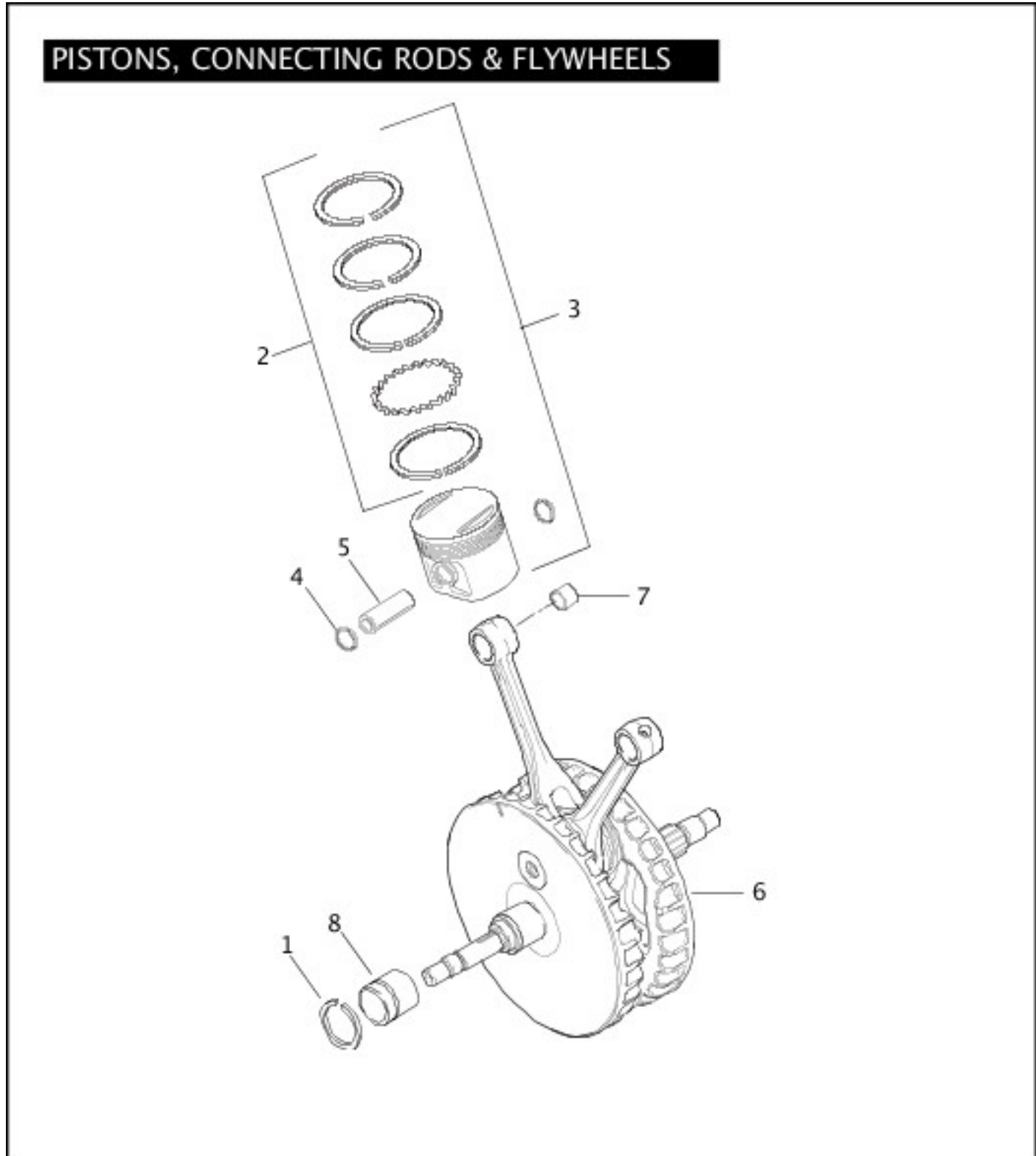


[View interactive table](#)

INDEX NO.	PART NO.	DESCRIPTION	MODEL(S)
9	16800-84A	GASKET, rocker box (2)	ALL

10	17353-89C	GASKET, rocker cover - lower (2)	ALL
11	17358-84B	GASKET, rocker cover - inner (2)	ALL
15	17532-86E	ROCKER COVER, inner (polished) (2)	XL883, XL883C, XL883L
	17537-96C	ROCKER COVER, inner (chrome) (2)	XL1200C
	17614-98C	ROCKER COVER, inner (silver) (2)	XL1200R, XL883R

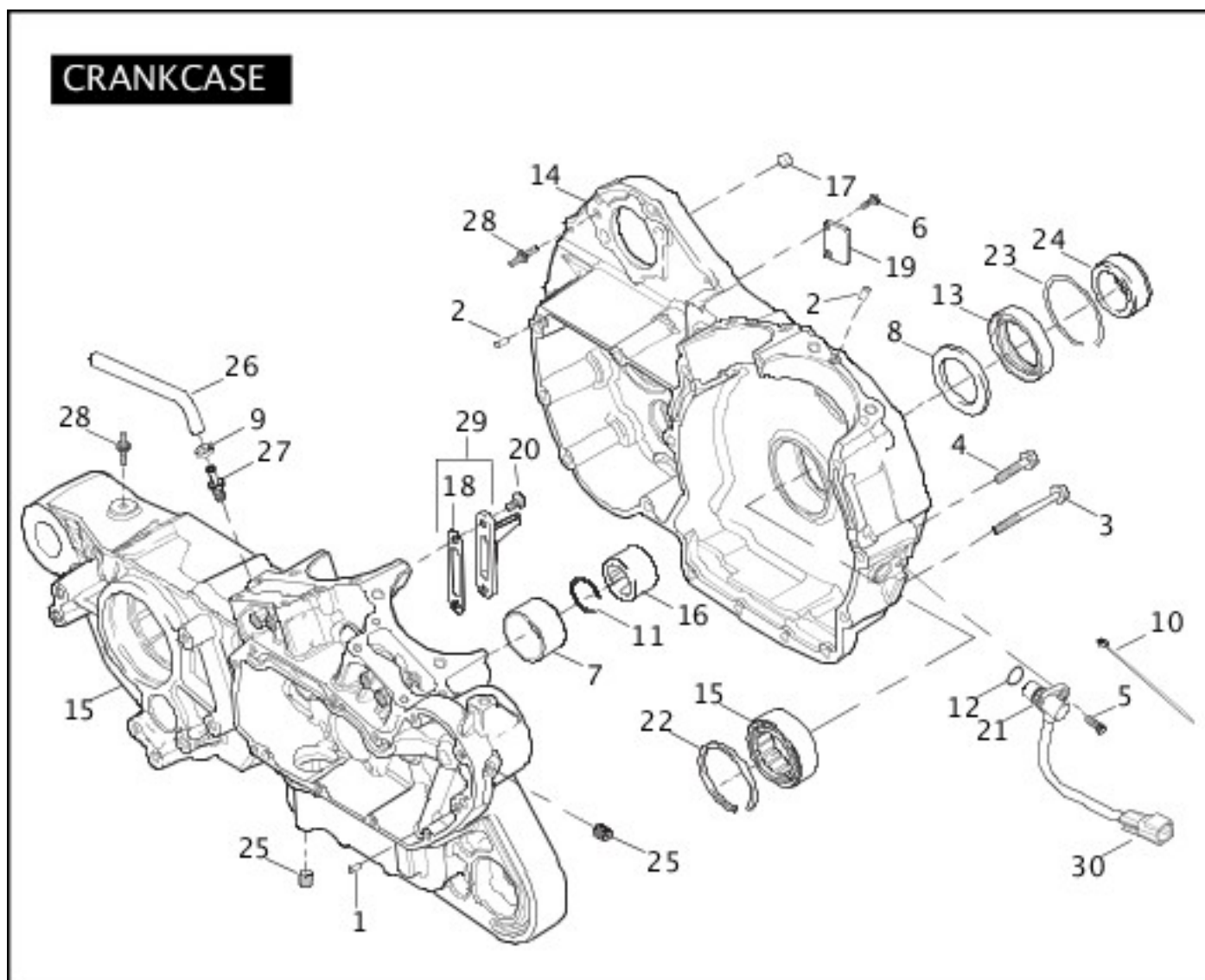
[PISTONS, CONNECTING RODS & FLYWHEELS](#)



[View interactive table](#)

INDEX NO.	PART NO.	DESCRIPTION	MODEL(S)
6	23905-04B	SET OF FLYWHEELS AND SHAFTS W/ RODS	ALL

CRANKCASE

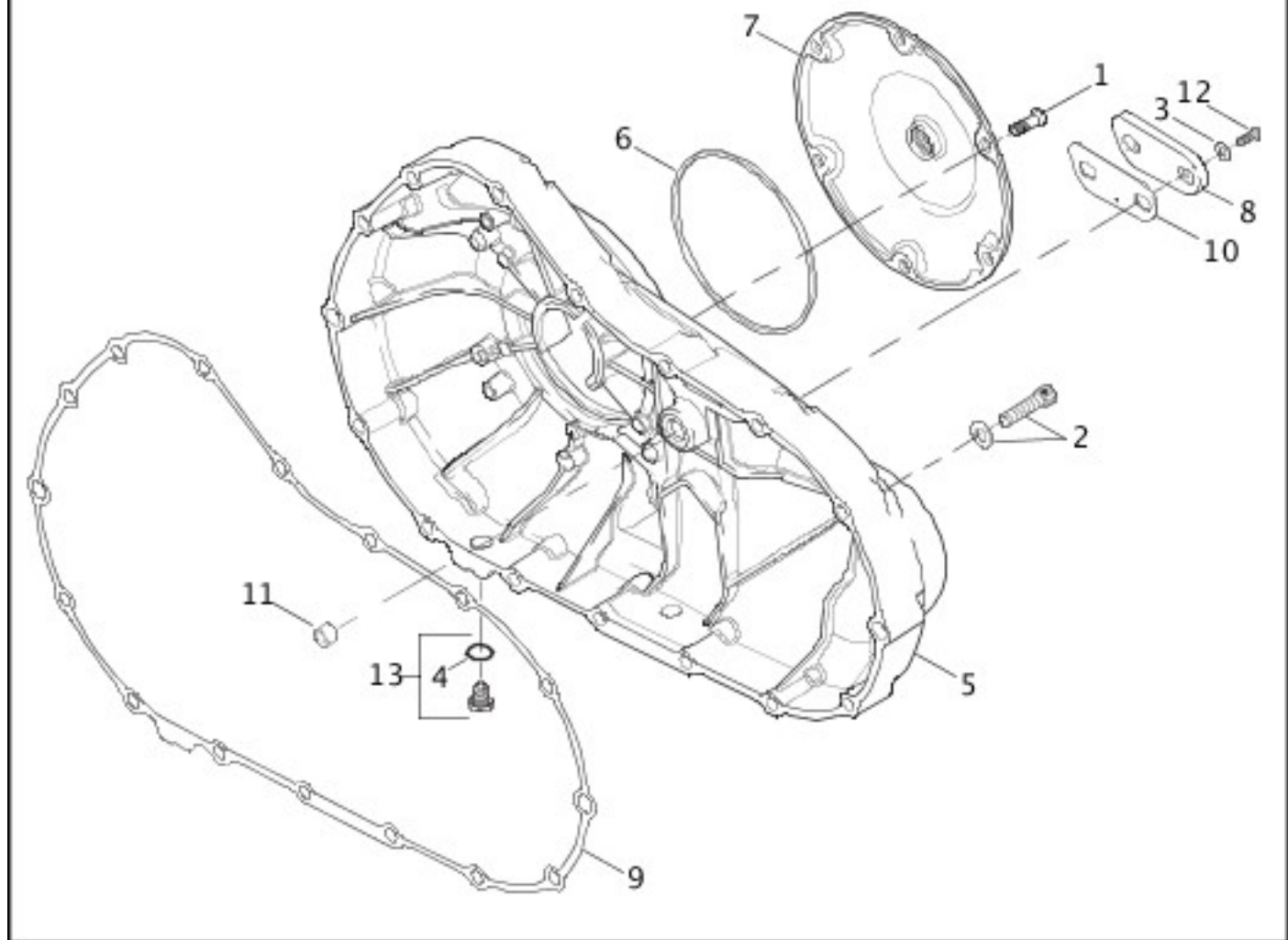


[View interactive table](#)

INDEX NO.	PART NO.	DESCRIPTION	MODEL(S)
8	8972	WASHER, thrust (2)	ALL
18	26638-00Y	GASKET, oil jet (2)	ALL
21	32804-04B	SENSOR, crank position w/ 10177, 11289A & 74194-98	ALL
29	62700014	OIL JET ASSEMBLY, w/ 26638-00Y (2)	ALL
30	74194-98	PIN, terminal (2)	ALL

INSPECTION COVER & PRIMARY COVER

INSPECTION COVER & PRIMARY COVER

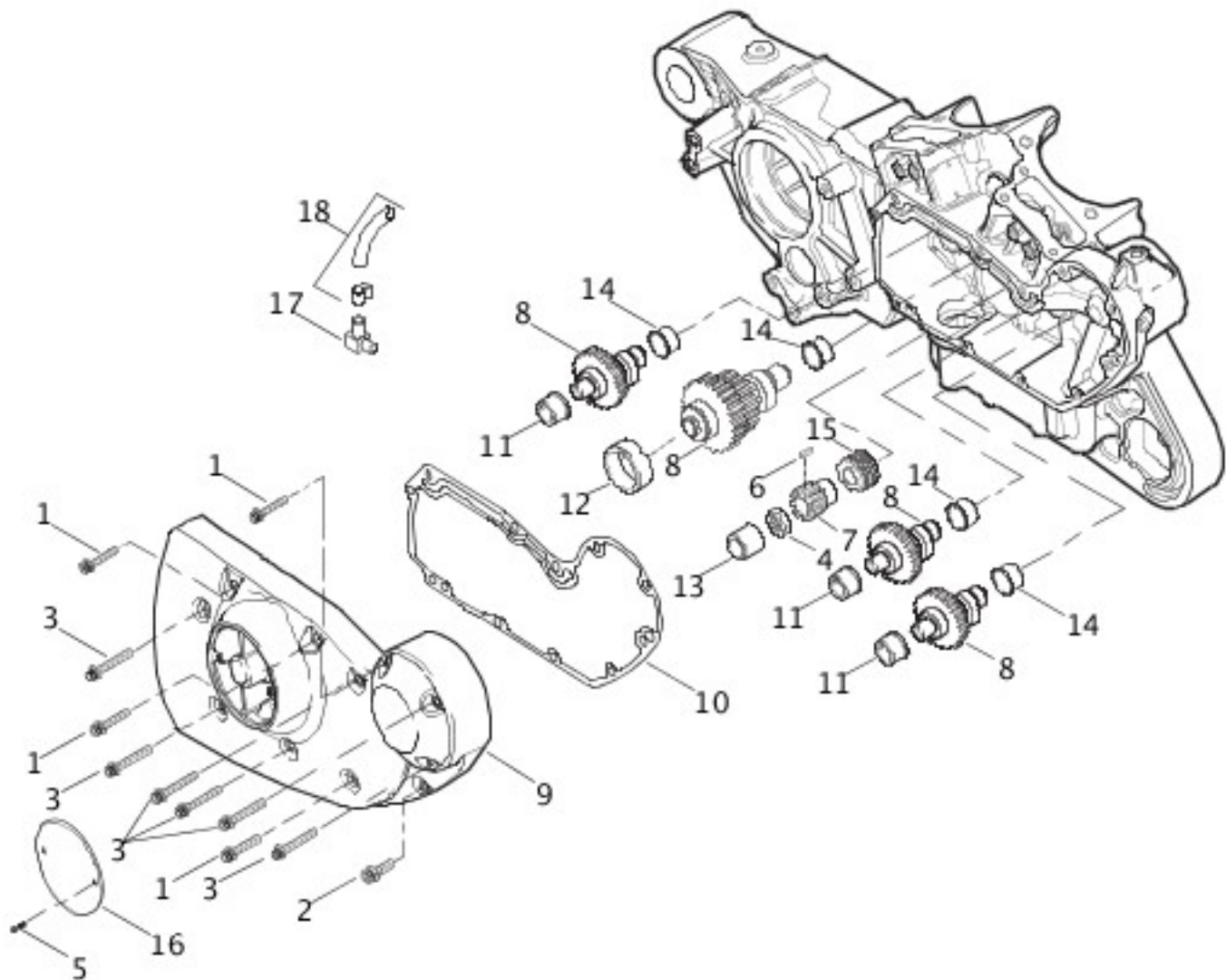


[View interactive table](#)

INDEX NO.	PART NO.	DESCRIPTION	MODEL(S)
8	34993-04A	INSPECTION COVER, chain (polished)	XL1200R, XL883, XL883C, XL883L
	34761-04A	INSPECTION COVER, chain (chrome)	XL1200C
	34794-05A	INSPECTION COVER, chain (black)	XL883R
13	60328-98B	OIL DRAIN PLUG ASSEMBLY	ALL

[GEARCASE & COVER](#)

GEARCASE & COVER

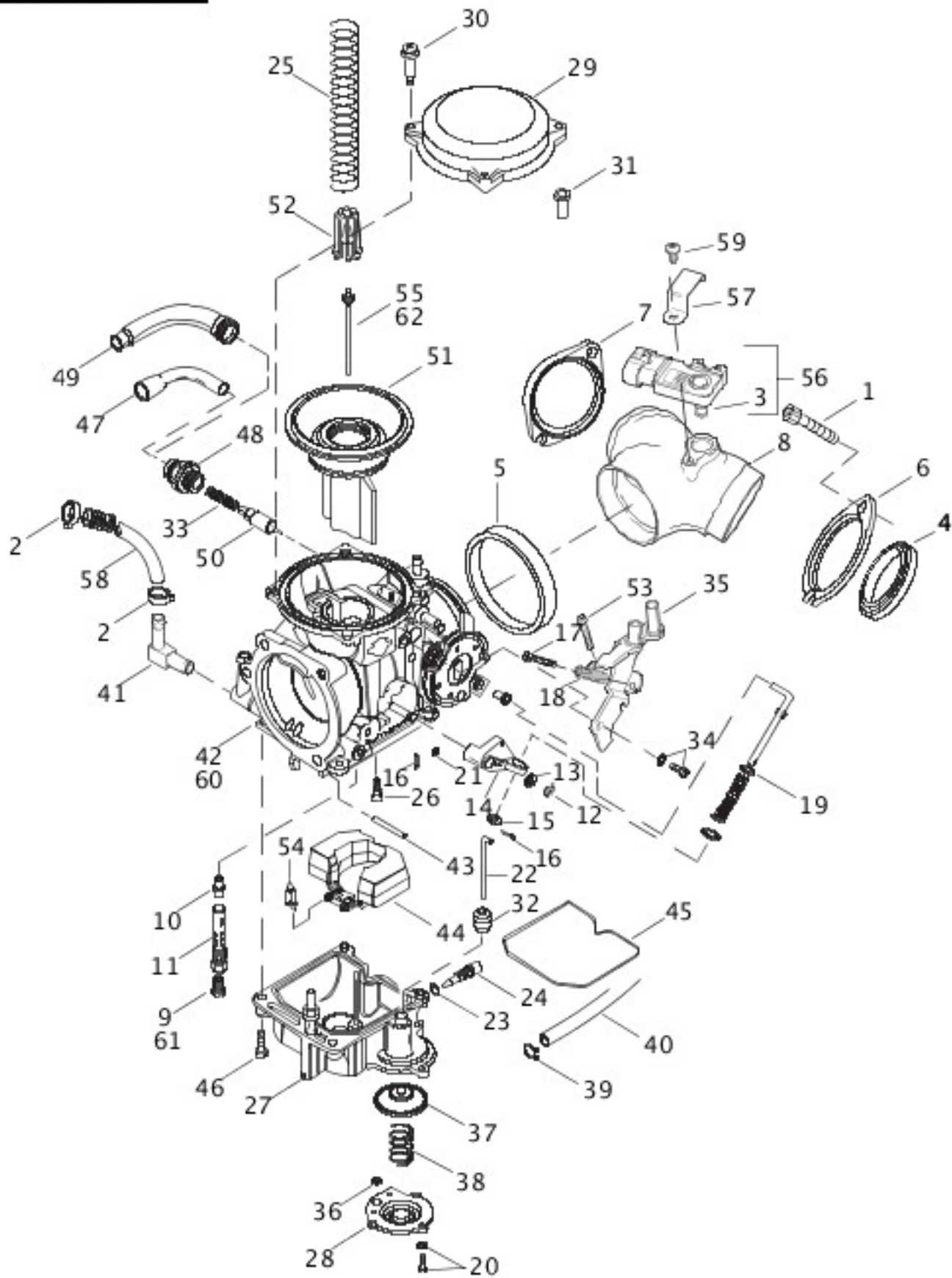


[View interactive table](#)

INDEX NO.	PART NO.	DESCRIPTION	MODEL(S)
18	62360-04A	XL VENT TUBE ASSEMBLY, w/ clamps	ALL

[CARBURETOR \(1 OF 2\)](#)

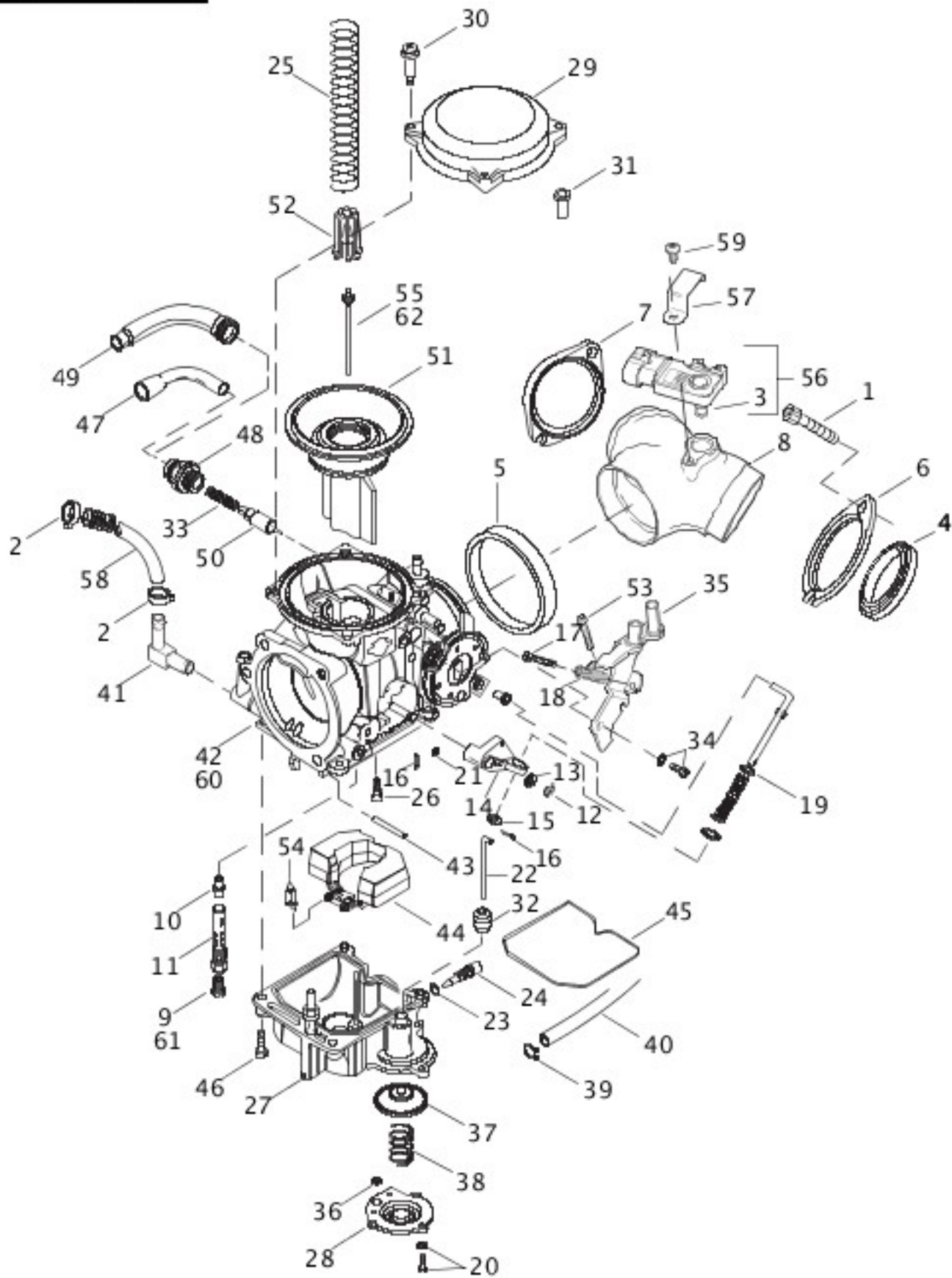
CARBURETOR



[View interactive table](#)

INDEX NO.	PART NO.	DESCRIPTION	MODEL(S)
40	27369-76	HOSE, overflow	ALL

CARBURETOR

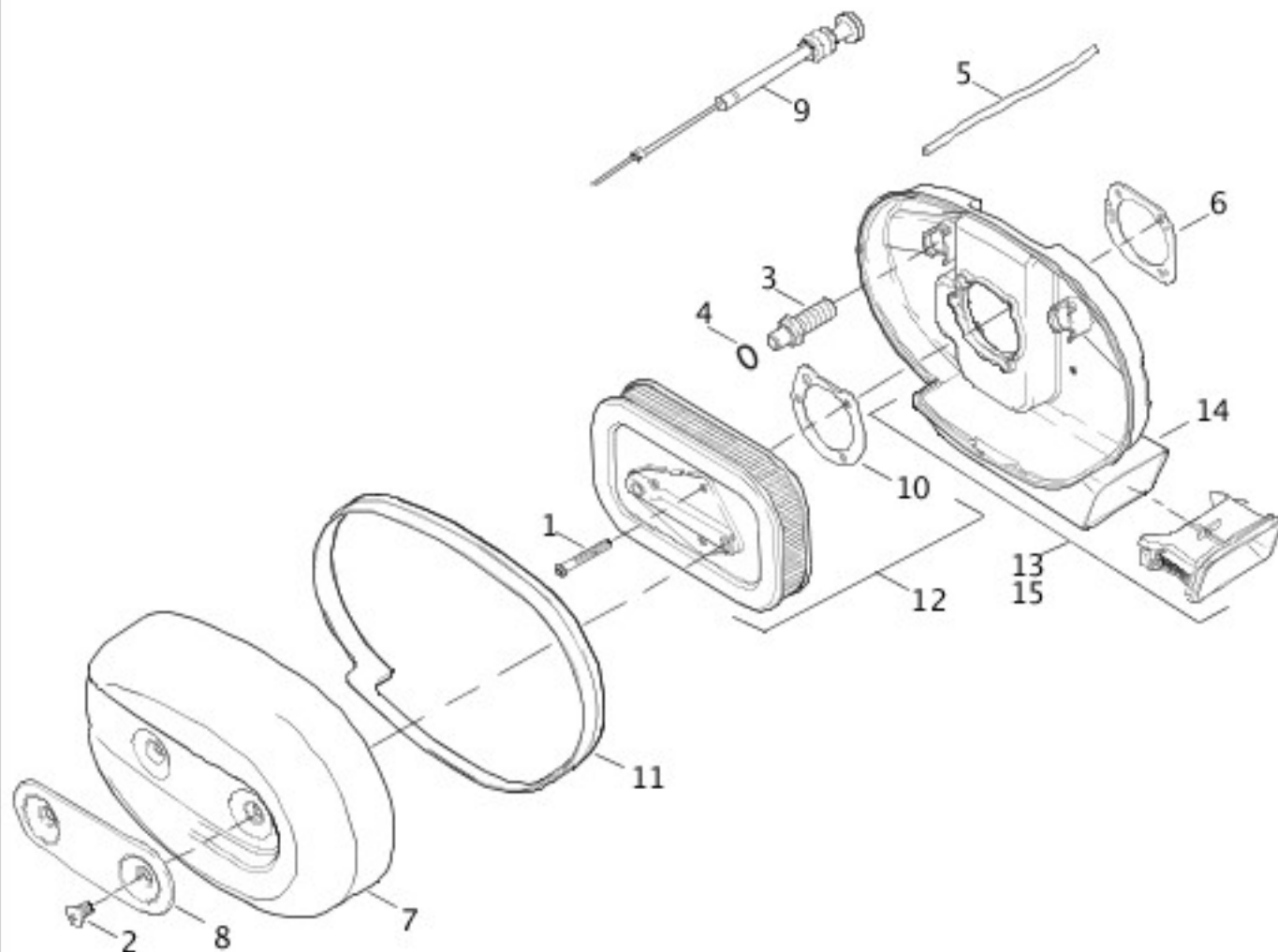


[View interactive table](#)

INDEX NO.	PART NO.	DESCRIPTION	MODEL(S)
56	32417-10	MAP SENSOR, w/ 11291	ALL

AIR CLEANER & ENRICHENER

AIR CLEANER & ENRICHENER

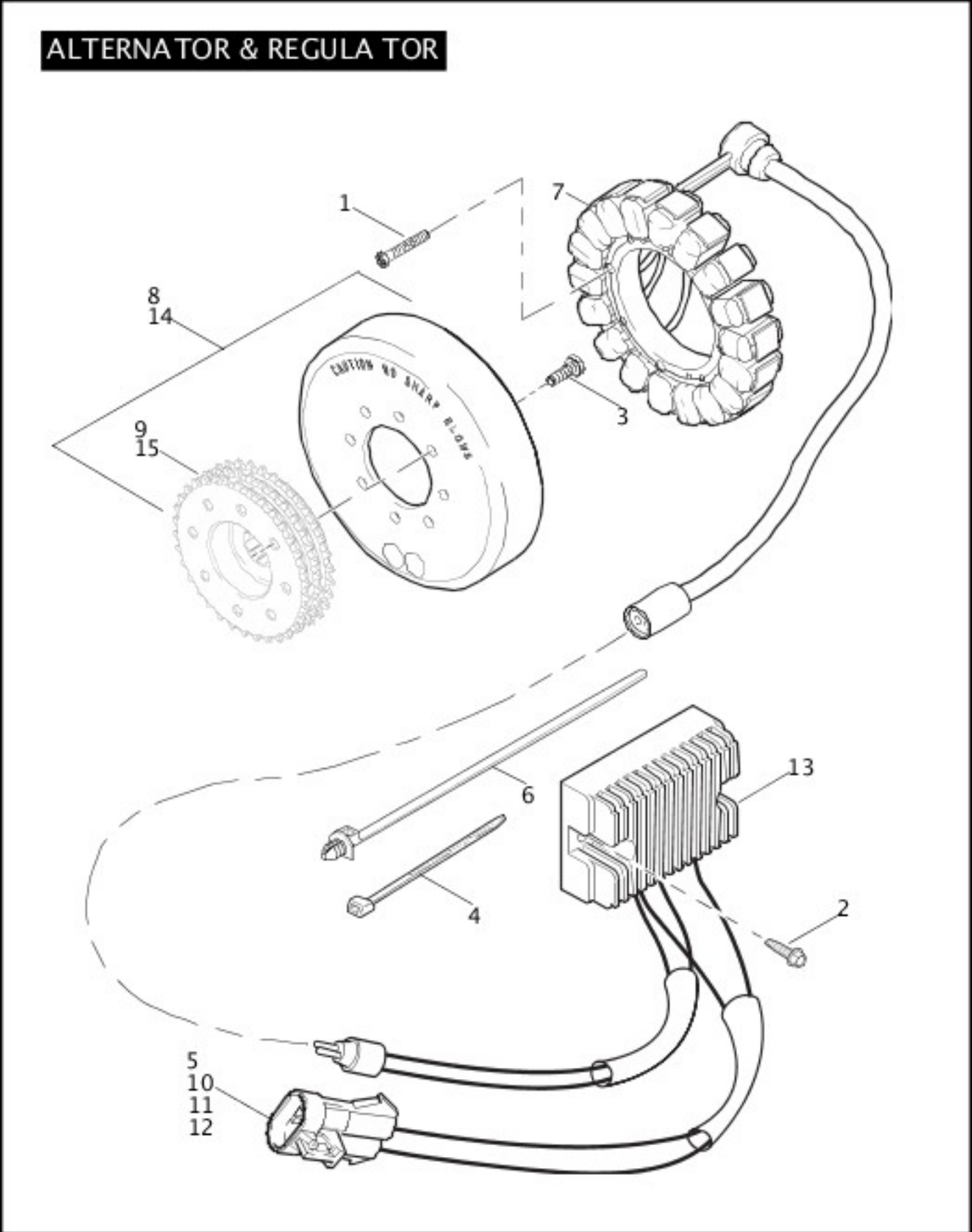


[View interactive table](#)

INDEX NO.	PART NO.	DESCRIPTION	MODEL(S)
5	27096-04A	HOSE, valve to atmosphere (DOMESTIC, HDI)	ALL
7	28790-10	COVER, air cleaner w/ label (black)	XL883R
	28792-10	COVER, air cleaner w/ label (chrome)	XL1200C, XL1200R, XL883, XL883C, XL883L
	29359-04A	BACKPLATE ASSEMBLY, air cleaner (DOMESTIC, CANADA)	ALL
15	29359-04A	BACKPLATE ASSEMBLY, air cleaner (HDI, AUSTRALIA, ENGLAND, JAPAN)	XL883, XL883C, XL883L

[ALTERNATOR & REGULATOR](#)

ALTERNATOR & REGULATOR

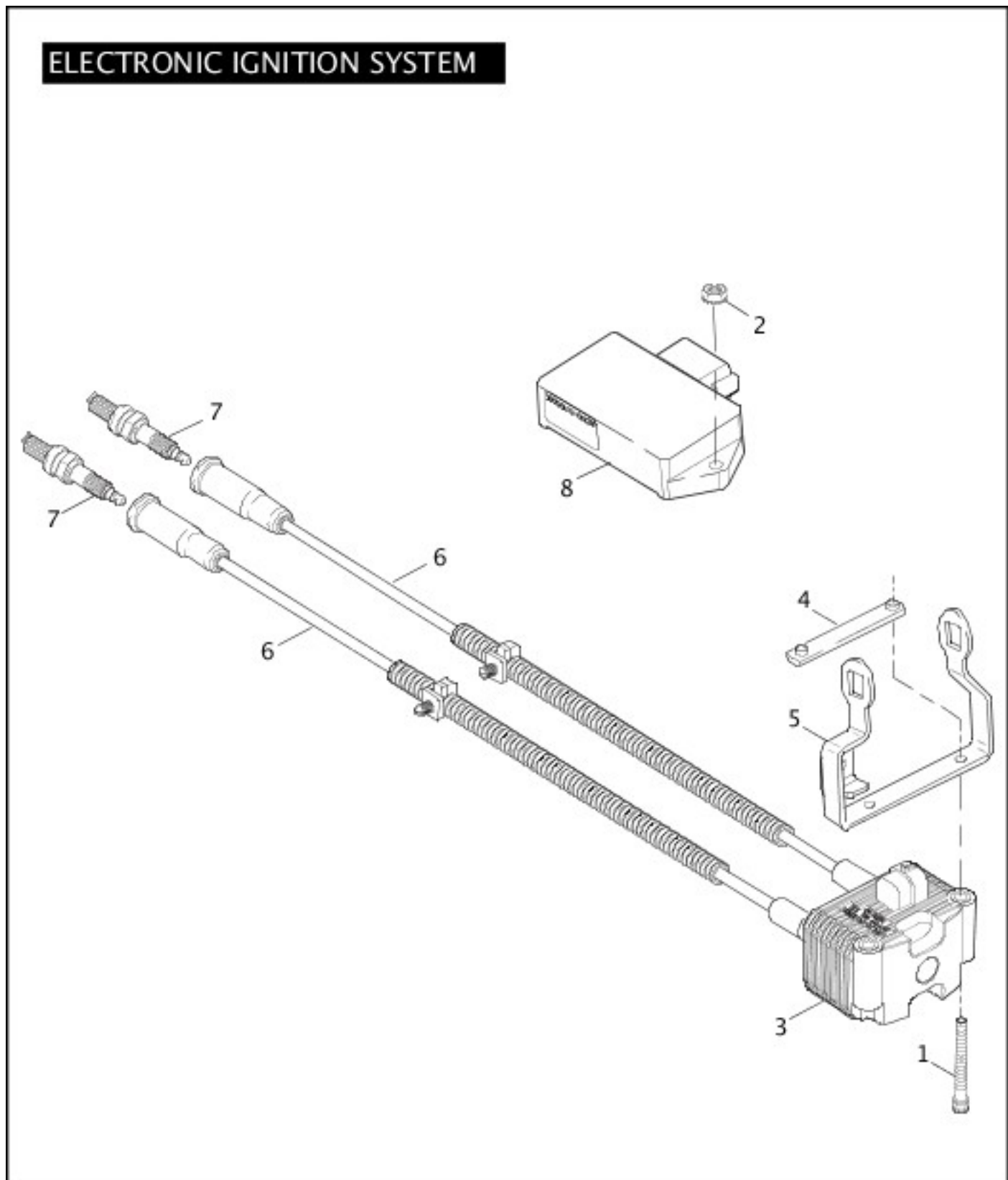


[View interactive table](#)

INDEX NO.	PART NO.	DESCRIPTION	MODEL(S)
7	29967-89C	STATOR	ALL
8	32493-02B	ROTOR SPROCKET ASSEMBLY, w/ 40241-02, 4751 (DOMESTIC, CANADA, CALIFORNIA) (8)	XL883, XL883C, XL883L, XL883R
	32494-04B	ROTOR SPROCKET ASSEMBLY, w/ 40290-04, 4751 (8)	XL1200C, XL1200R
9	40241-	SPROCKET, triple row, 34T (DOMESTIC, CANADA, CALIFORNIA)	XL883, XL883C, XL883L,

	02A		XL883R
	40290-04A	SPROCKET, triple row, 38T	XL1200C, XL1200R
14	32494-04B	ROTOR SPROCKET ASSEMBLY, w/ 40290-04, 4751 (HDI, AUSTRALIA, ENGLAND, JAPAN) (8)	XL883, XL883C, XL883L, XL883R
15	40290-04A	SPROCKET, triple row, 38T (HDI, AUSTRALIA, ENGLAND, JAPAN)	XL883, XL883C, XL883L, XL883R
	29984-06	STATOR PLUG WIRE COVER	ALL

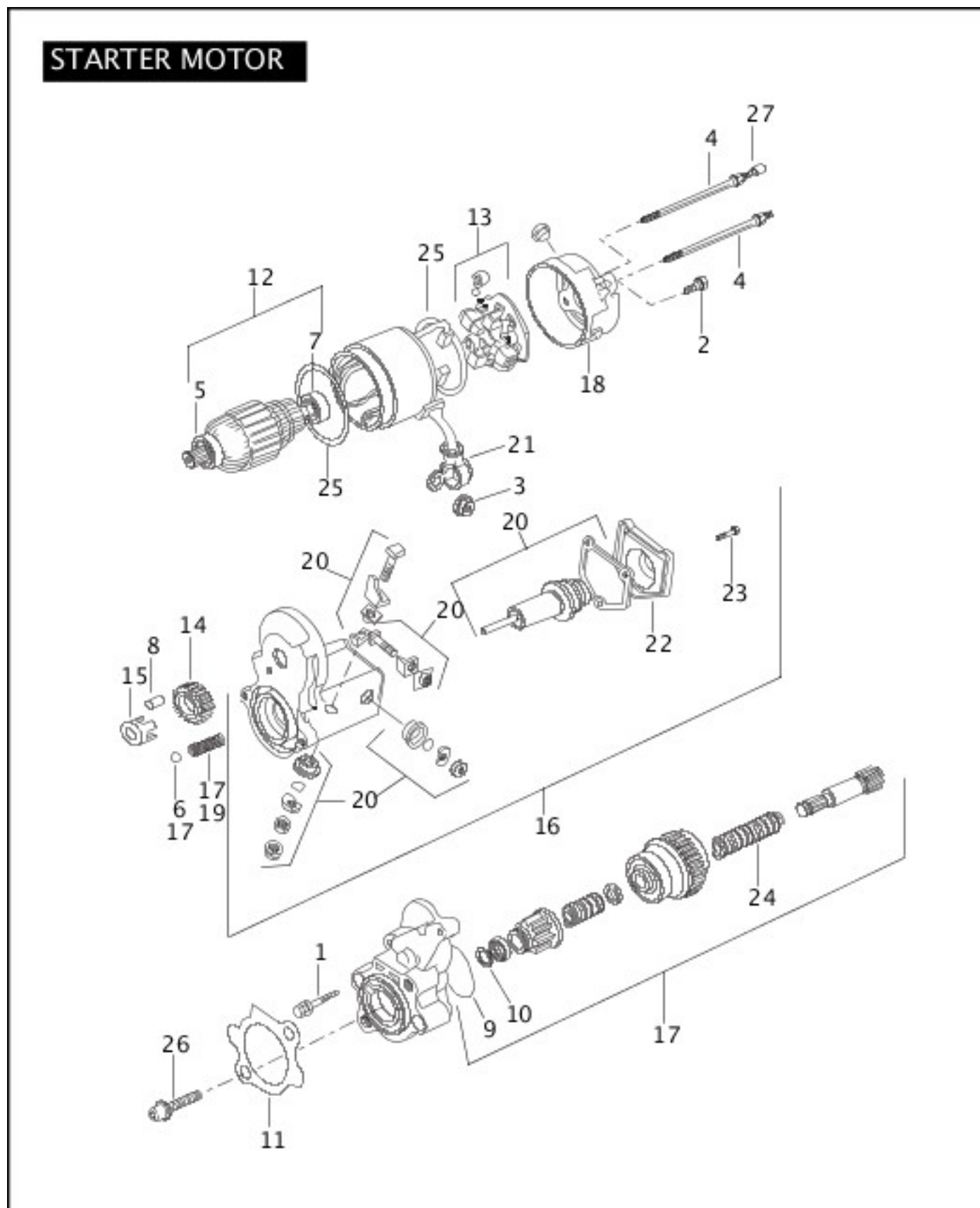
ELECTRONIC IGNITION SYSTEM



[View interactive table](#)

INDEX NO.	PART NO.	DESCRIPTION	MODEL(S)
8	32622-04B	IGNITION MODULE	ALL

STARTER MOTOR

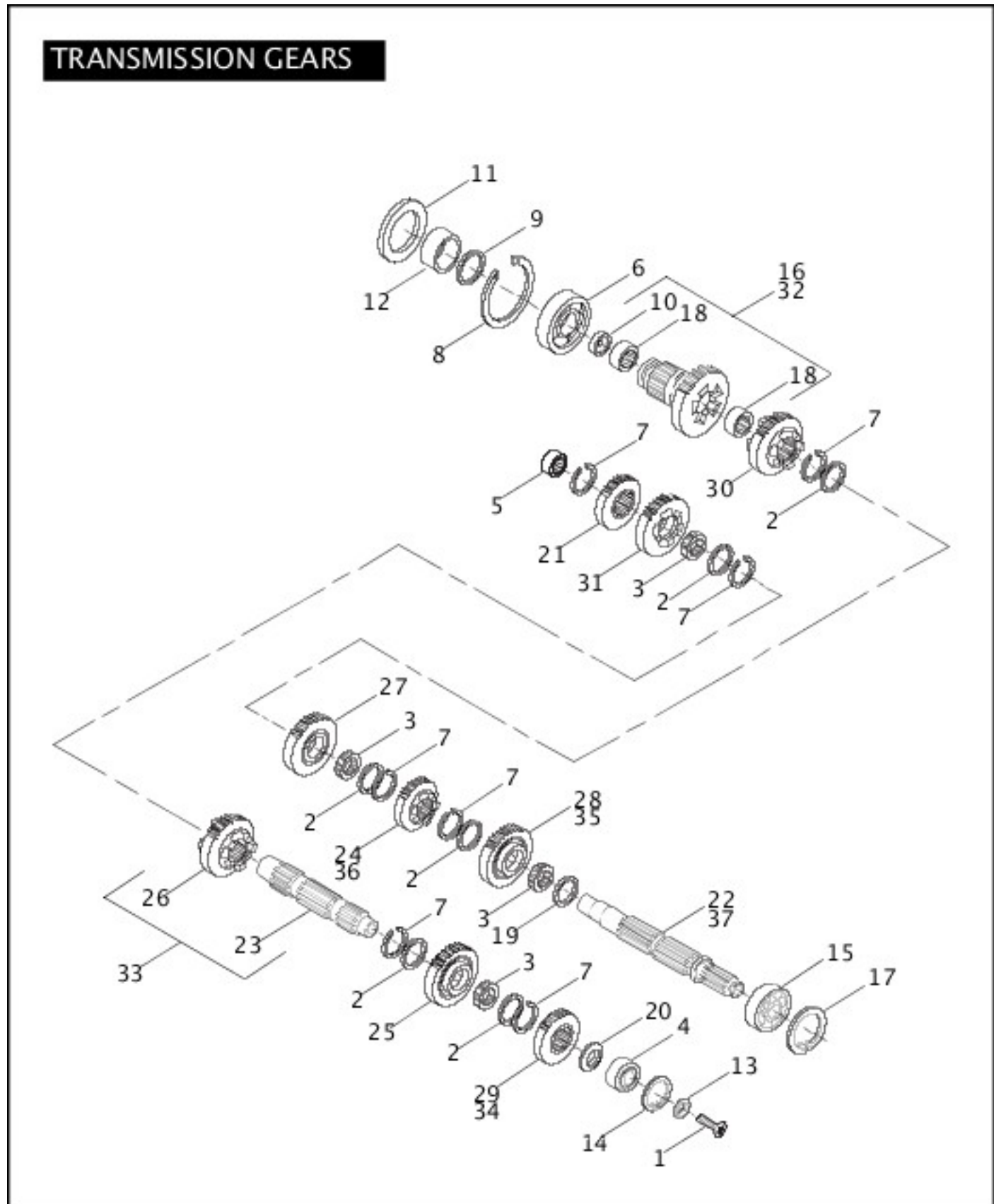


[View interactive table](#)

INDEX NO.	PART NO.	DESCRIPTION	MODEL(S)
9	10957	O-RING	ALL
	31390-91F	STARTER MOTOR, complete	ALL

11	31488-81C	GASKET, starter motor	ALL
16	31540-91	SWITCH ASSEMBLY, magnetic	ALL
17	31556-91D	CLUTCH SUB-ASSEMBLY, w/ 8879, 10957, 31328-91, 31600-90 & 31692-90	ALL

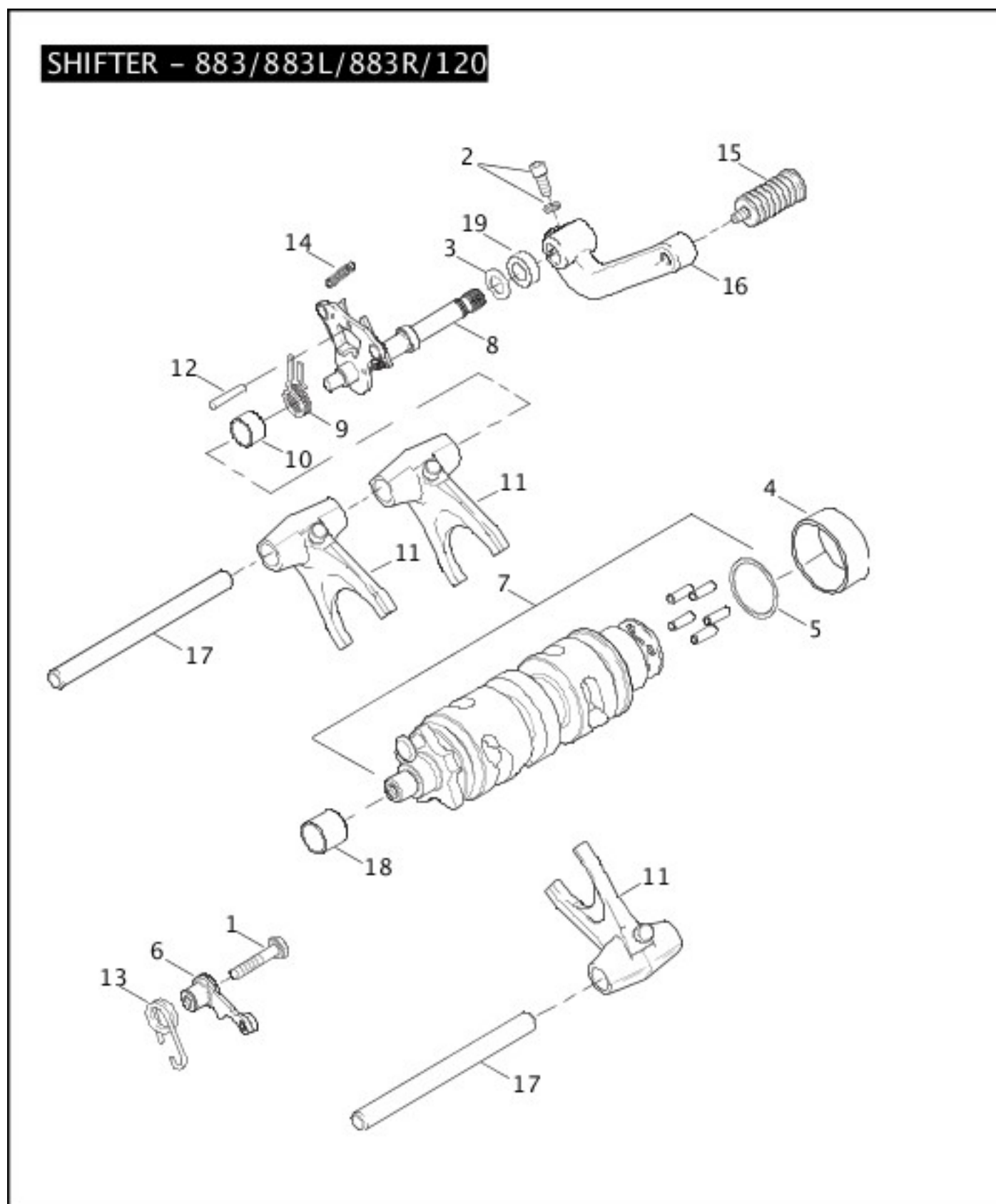
TRANSMISSION GEARS



[View interactive table](#)

INDEX NO.	PART NO.	DESCRIPTION	MODEL(S)
15	35030-89A	BEARING, mainshaft	ALL
18	35051-89A	BEARING, needle (2)	ALL

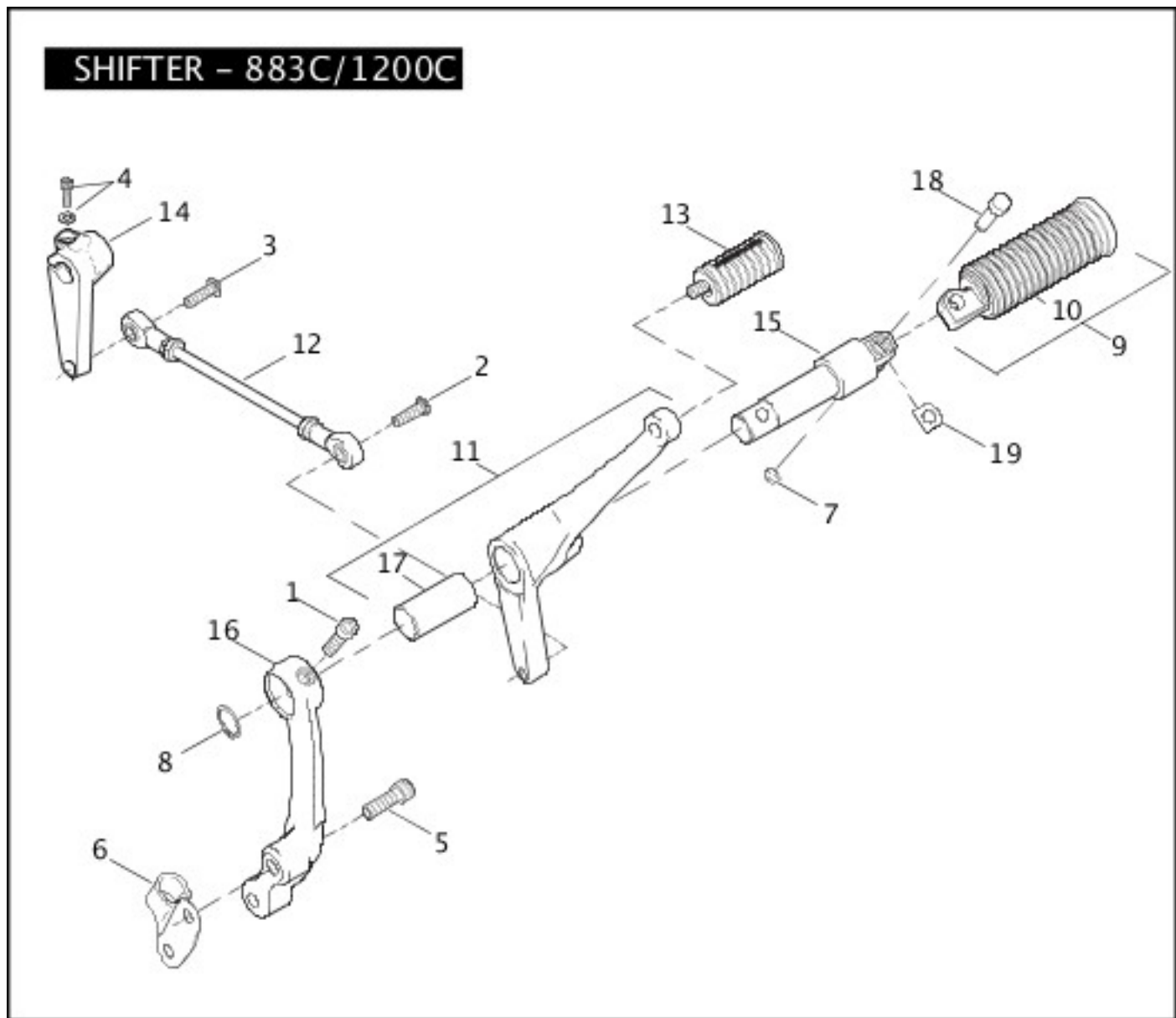
SHIFTER - 883/883L/883R/1200R



[View interactive table](#)

INDEX NO.	PART NO.	DESCRIPTION	MODEL(S)
10	34076-02A	BUSHING	ALL
15	34611-65A	SHIFTER PEG	XL1200R, XL883, XL883L, XL883R
16	34660-04A	SHIFT LEVER, foot (chrome)	XL1200R, XL883, XL883L, XL883R
17	34981-02A	SHAFT, shifter forks (2)	ALL
19	37101-84B	OIL SEAL	ALL

SHIFTER - 883C/1200C

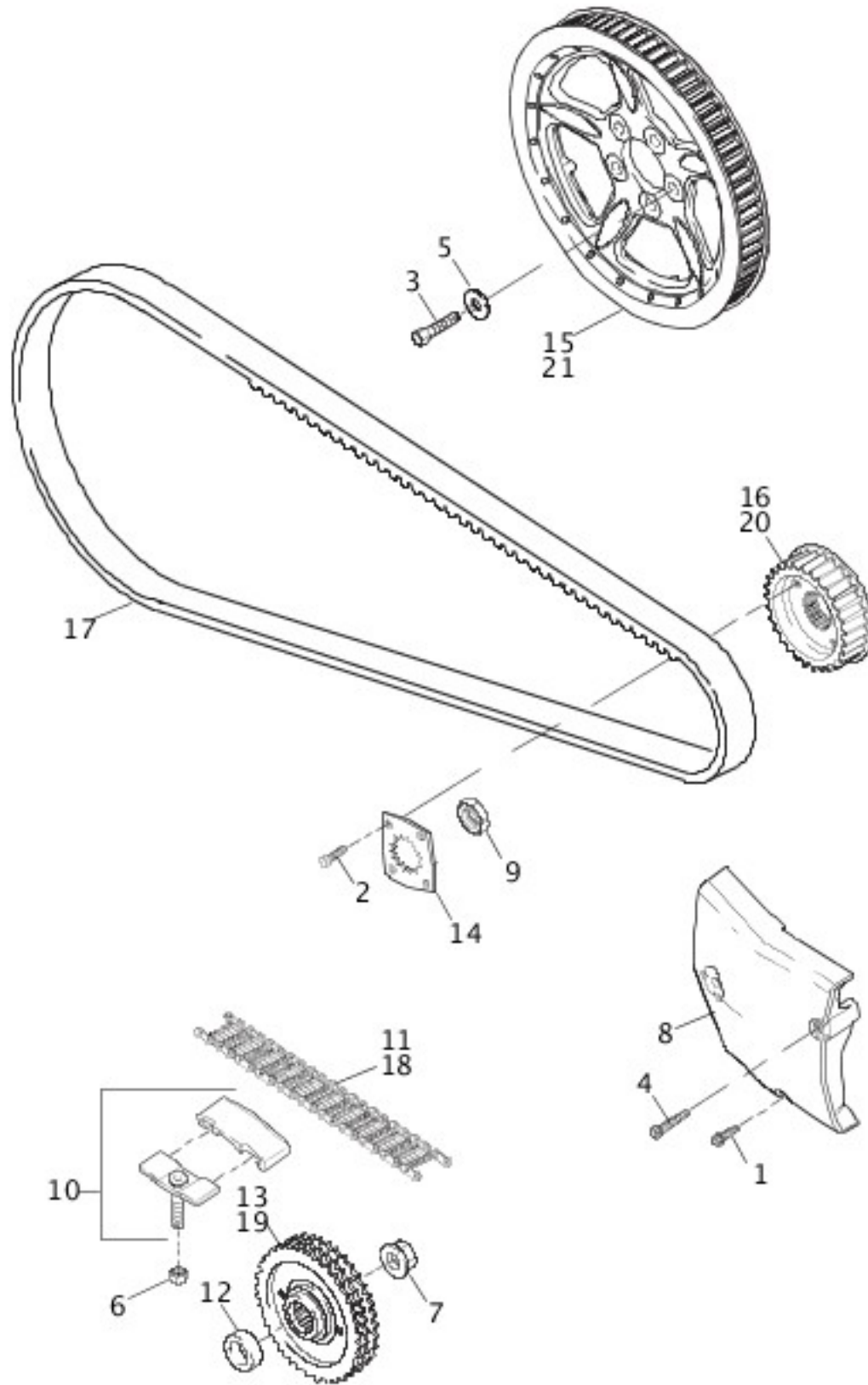


[View interactive table](#)

INDEX NO.	PART NO.	DESCRIPTION	MODEL(S)
6	10179A	J-CLIP	XL1200C, XL883C
13	34611-65A	SHIFTER PEG	XL1200C, XL883C

CLUTCH

BELTS & SPROCKETS

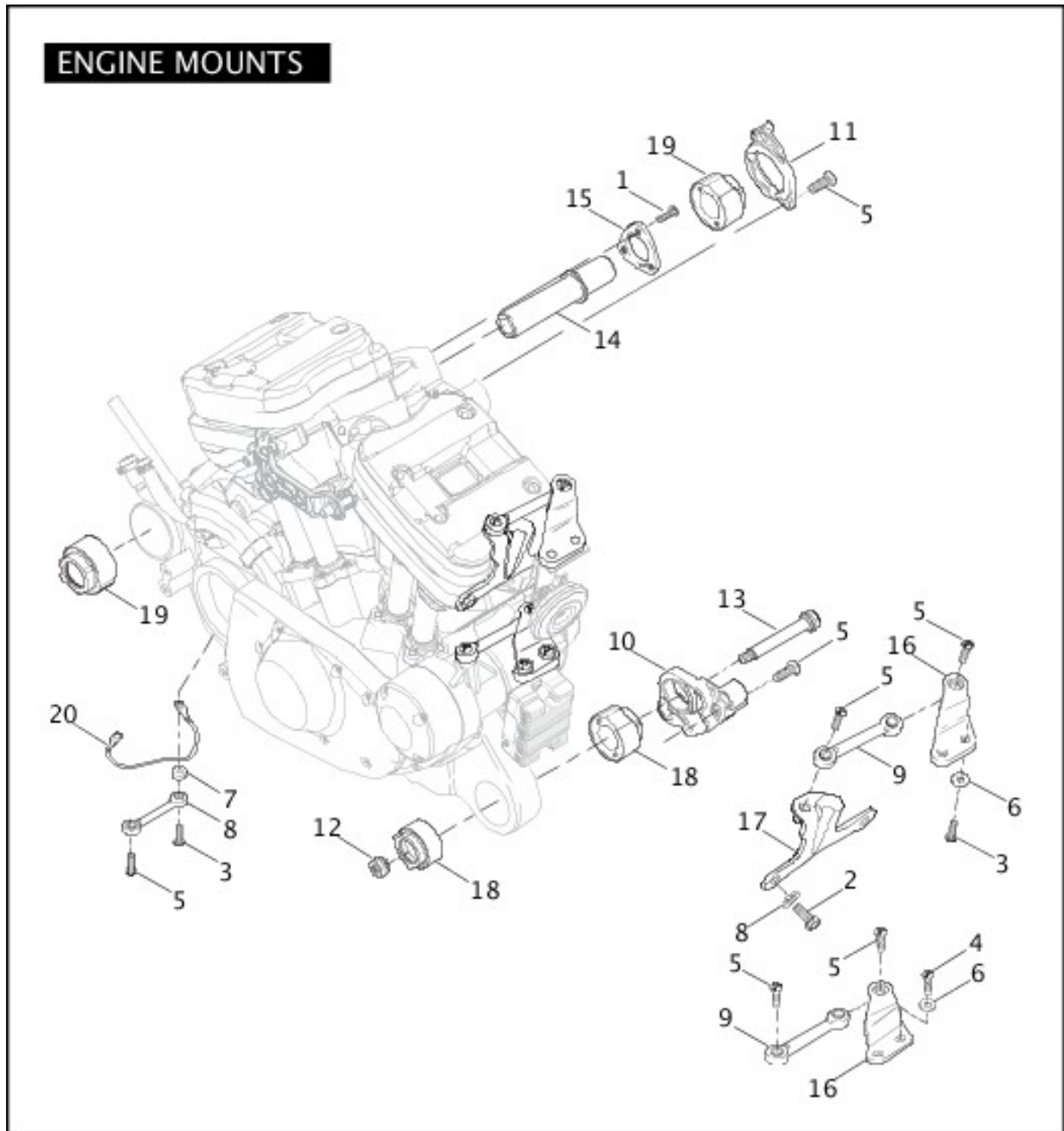


[View interactive table](#)

INDEX NO.	PART NO.	DESCRIPTION	MODEL(S)
10	40039-02C	CHAIN ADJUSTER ASSEMBLY	ALL
13	40241-02A	SPROCKET, triple row - 34T (DOMESTIC, CANADA, CALIFORNIA)	XL883, XL883C, XL883L, XL883R
	40290-04A	SPROCKET, triple row - 38T	XL1200C, XL1200R
17	40570-04B	BELT, 136T	XL883, XL883C, XL883L, XL883R

	40571-04B	BELT, 137T	XL1200C, XL1200R
19	40290-04A	SPROCKET, triple row - 38T (HDI, JAPAN)	XL883, XL883C, XL883L

ENGINE MOUNTS

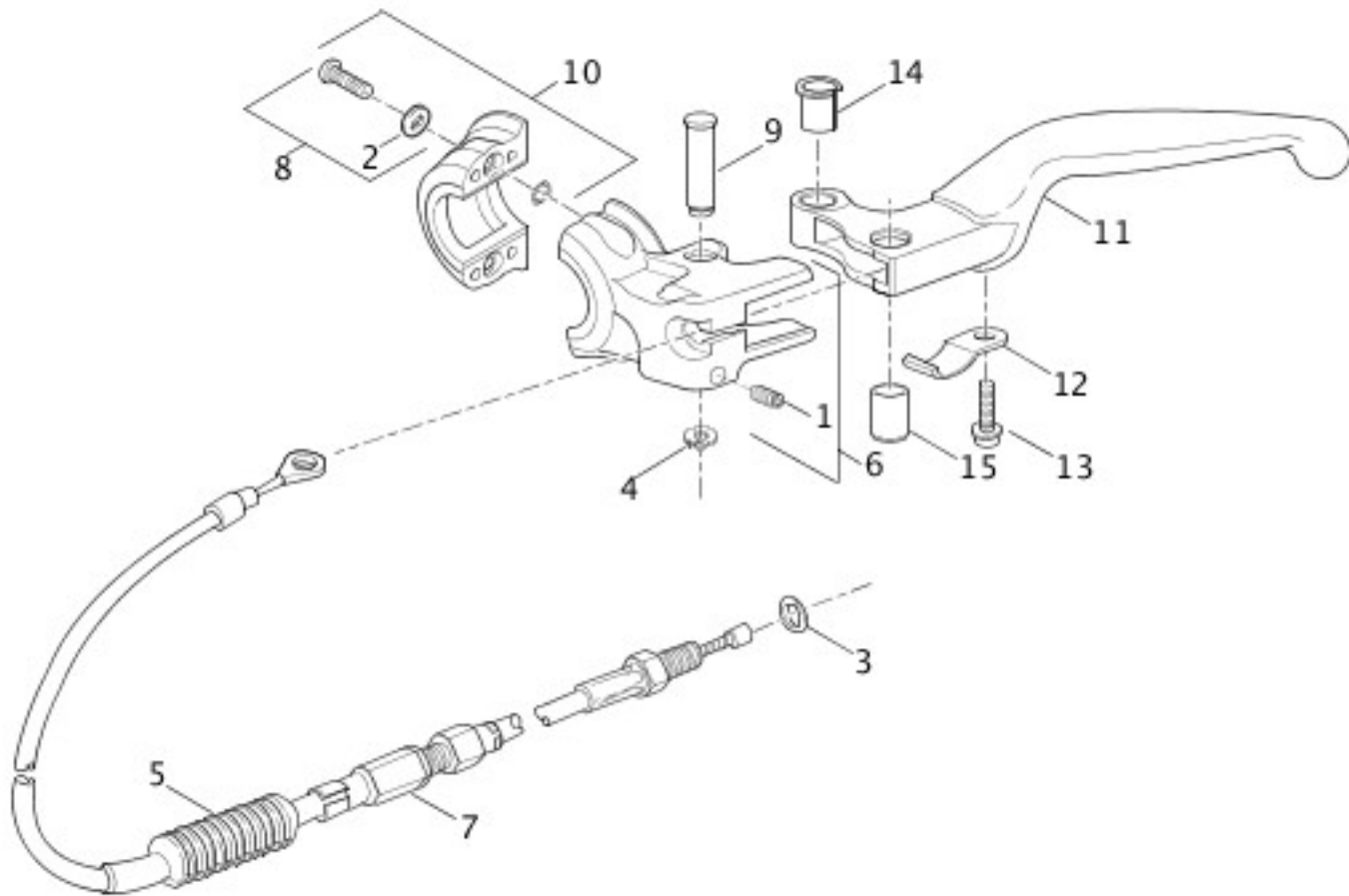


[View interactive table](#)

INDEX NO.	PART NO.	DESCRIPTION	MODEL(S)
17	47471-04A	BRACKET, tie-link mounting, engine	ALL
19	48492-04A	ISOLATOR, rear mount (2)	ALL
20	70297-04A	STRAP, grounding	ALL

CLUTCH CONTROL

CLUTCH CONTROL

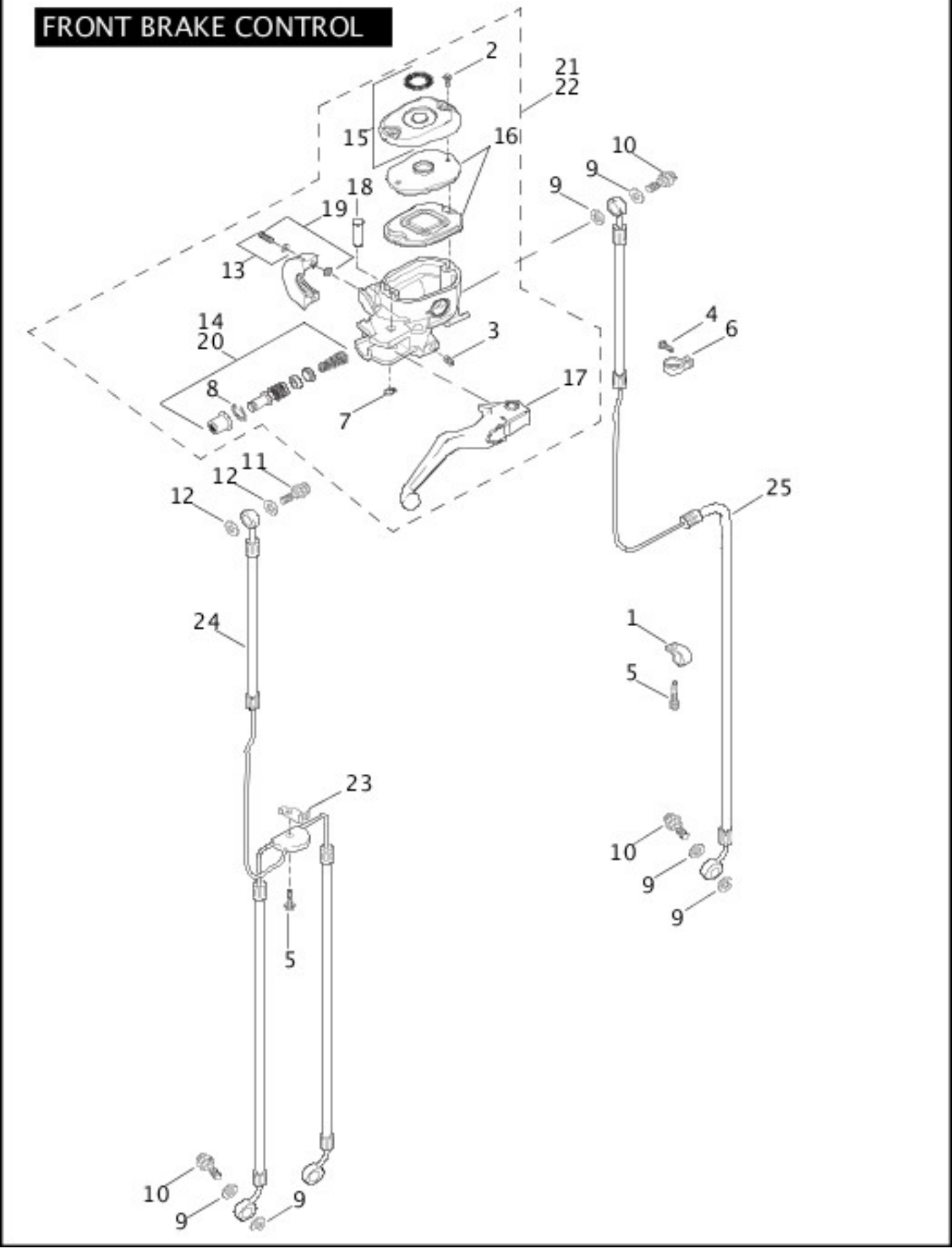


[View interactive table](#)

INDEX NO.	PART NO.	DESCRIPTION	MODEL(S)
2	6101	WASHER	ALL
7	38699-04C	CABLE ASSEMBLY, w/ 3, 4, 5, 15	XL1200C, XL1200R, XL883, XL883C, XL883R
	38702-05C	CABLE ASSEMBLY, w/ 3, 4, 5, 15	XL883L
8	42425-05	SCREW AND WASHER KIT	ALL
11	45356-07	HAND LEVER, w/ 45799-04, 45800-04 & 45801-04	ALL

[FRONT BRAKE CONTROL](#)

FRONT BRAKE CONTROL

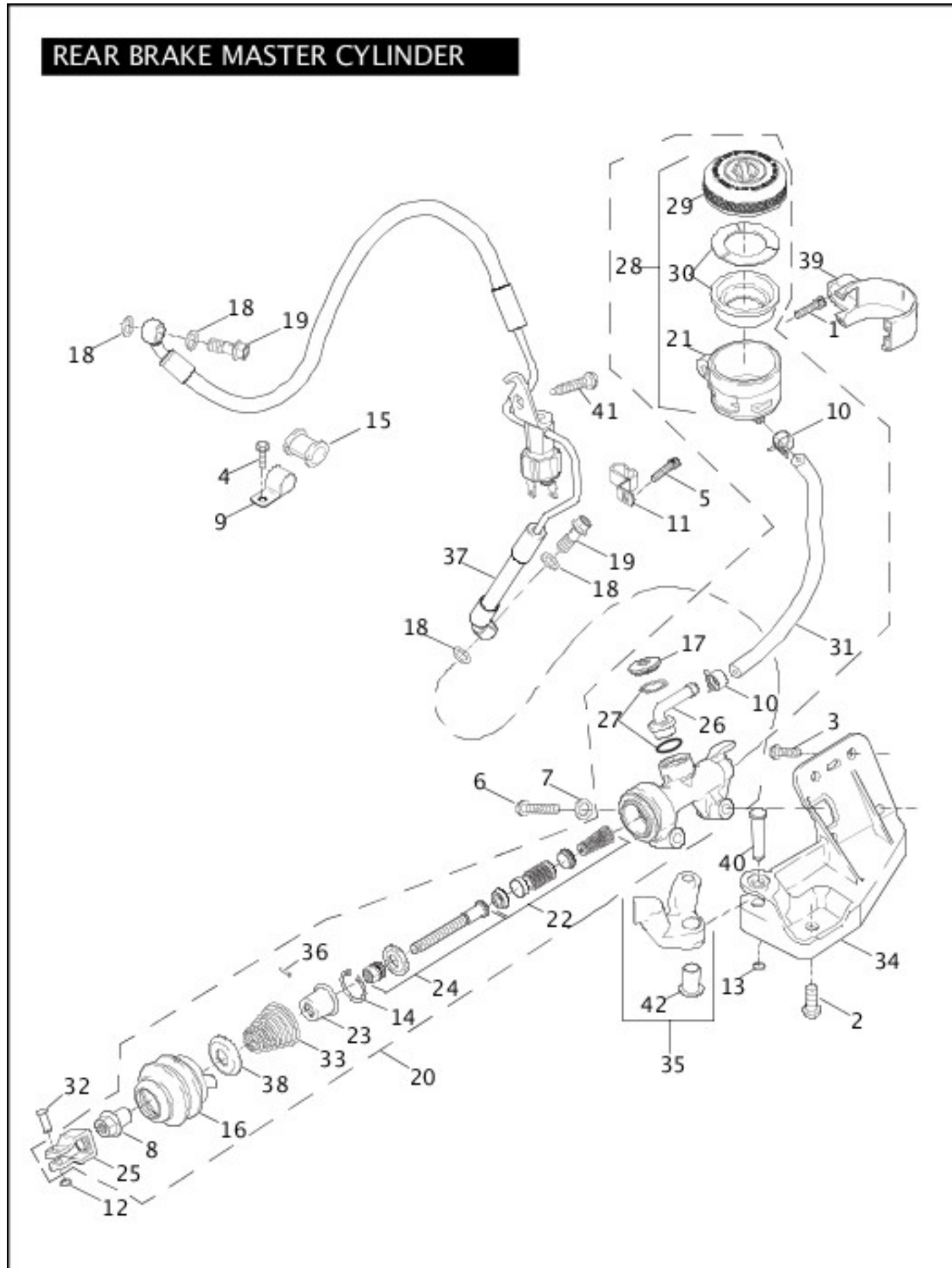


[View interactive table](#)

INDEX NO.	PART NO.	DESCRIPTION	MODEL(S)
4	4240	SCREW	ALL
13	42425-05	SCREW AND WASHER KIT	ALL
14	42803-04B	REBUILD KIT, front master cylinder, single w/ 11142, 11379 & 41732-04	XL1200C, XL883, XL883C, XL883L
20	42809-	REBUILD KIT, front master cylinder, dual, w/ 11142, 11379 &	XL1200R, XL883R

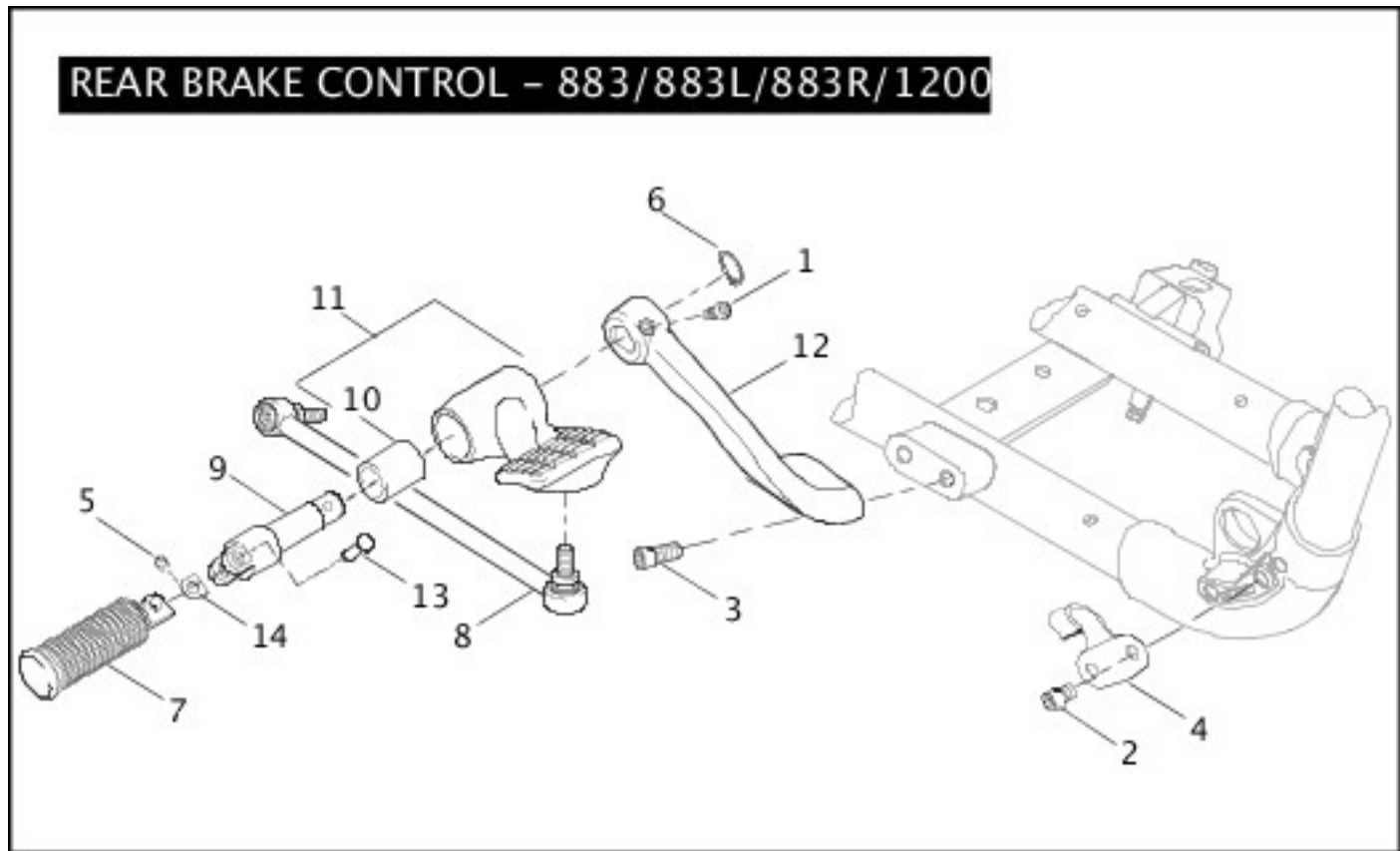
	04B	41743-04	
25	45449-04B	BRAKELINE, front, single	XL1200C, XL883C
	46411-05D	BRAKELINE, front, single	XL883L

REAR BRAKE MASTER CYLINDER



INDEX NO.	PART NO.	DESCRIPTION	MODEL(S)
22	42810-04B	REBUILD KIT, master cylinder, w/ 11121, 42811-04, 44189-04	ALL

[REAR BRAKE CONTROL - 883/883L/883R/1200R](#)

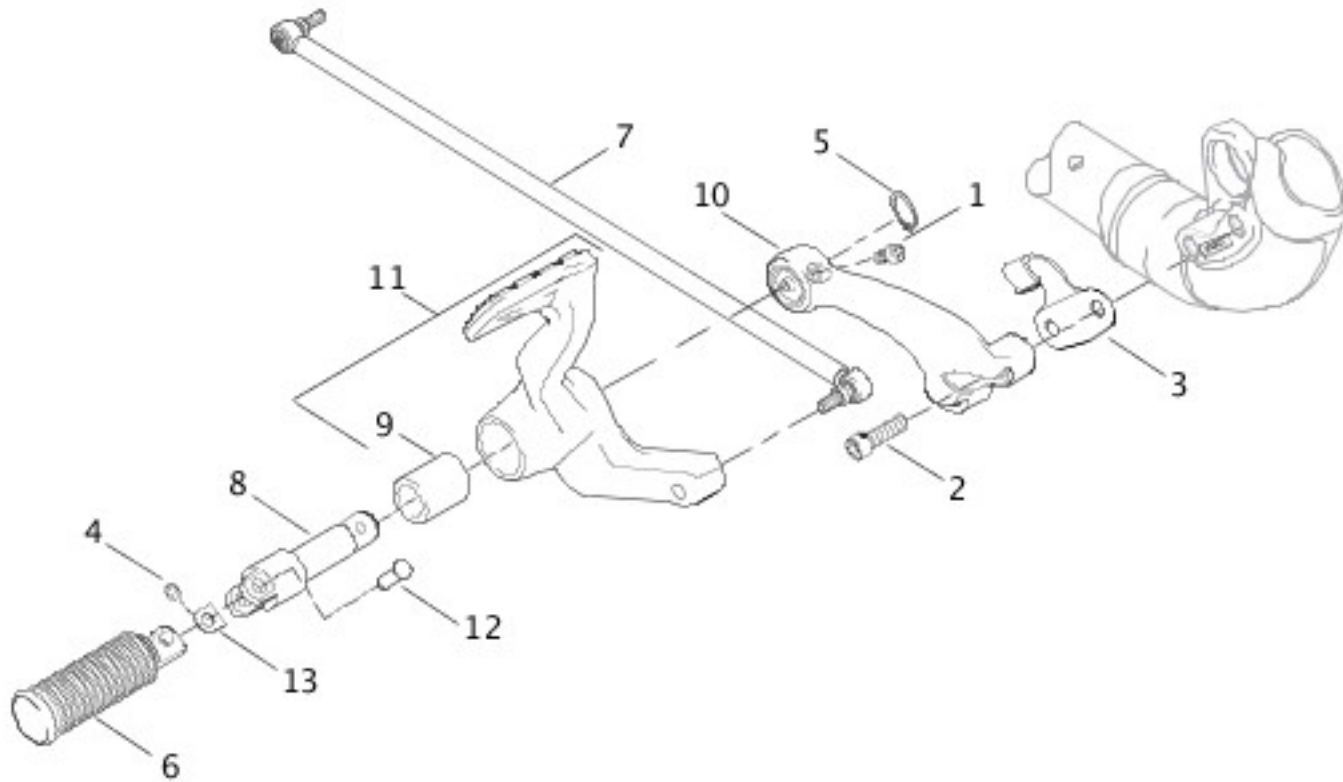


[View interactive table](#)

INDEX NO.	PART NO.	DESCRIPTION	MODEL(S)
4	10179A	J-CLIP	XL1200R, XL883, XL883L, XL883R

[REAR BRAKE CONTROL - 883C/1200C](#)

REAR BRAKE CONTROL - 883C/1200C

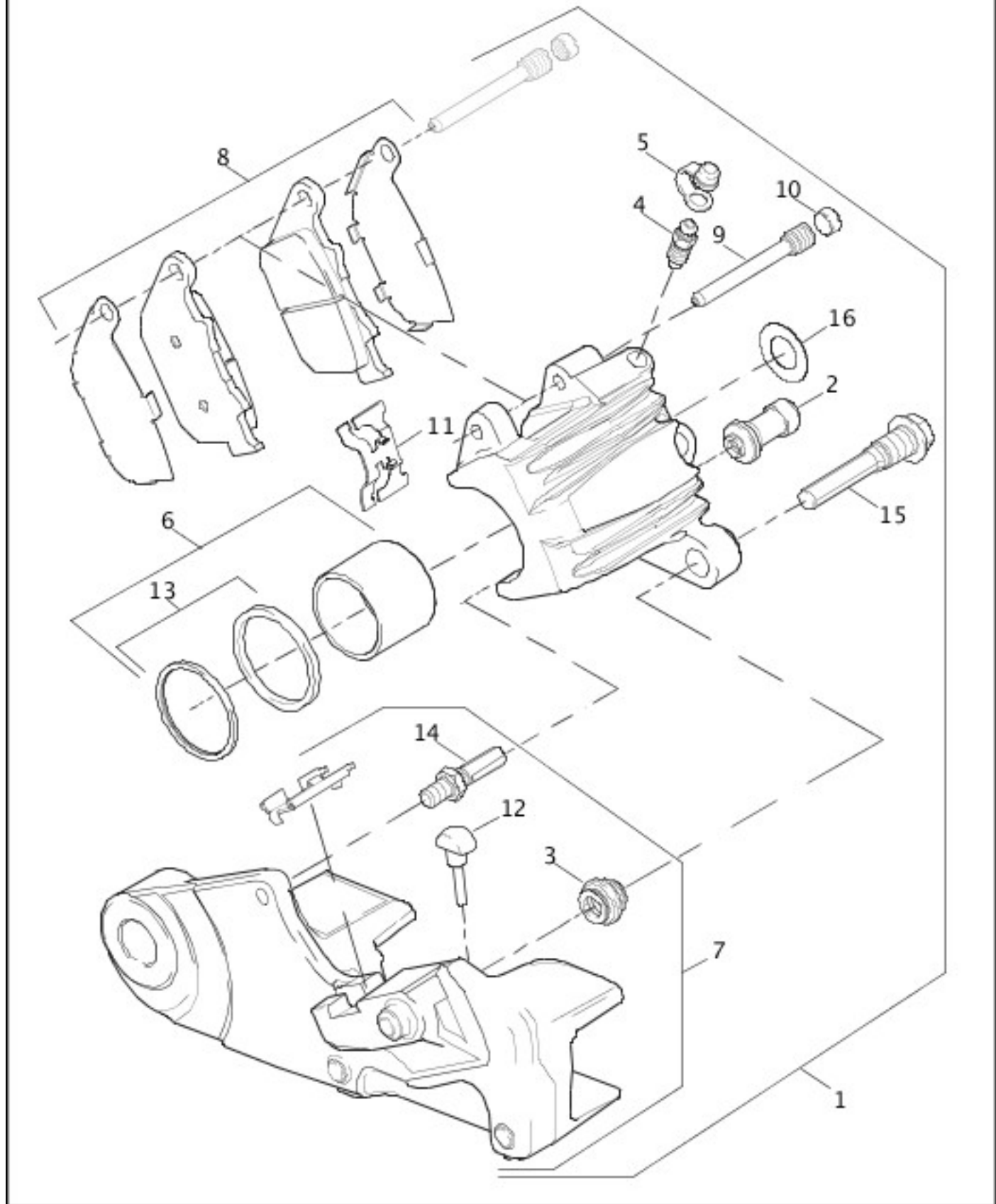


[View interactive table](#)

INDEX NO.	PART NO.	DESCRIPTION	MODEL(S)
3	10179A	J-CLIP	XL1200C, XL883C

[FRONT BRAKE CALIPER](#)

REAR BRAKE CALIPER

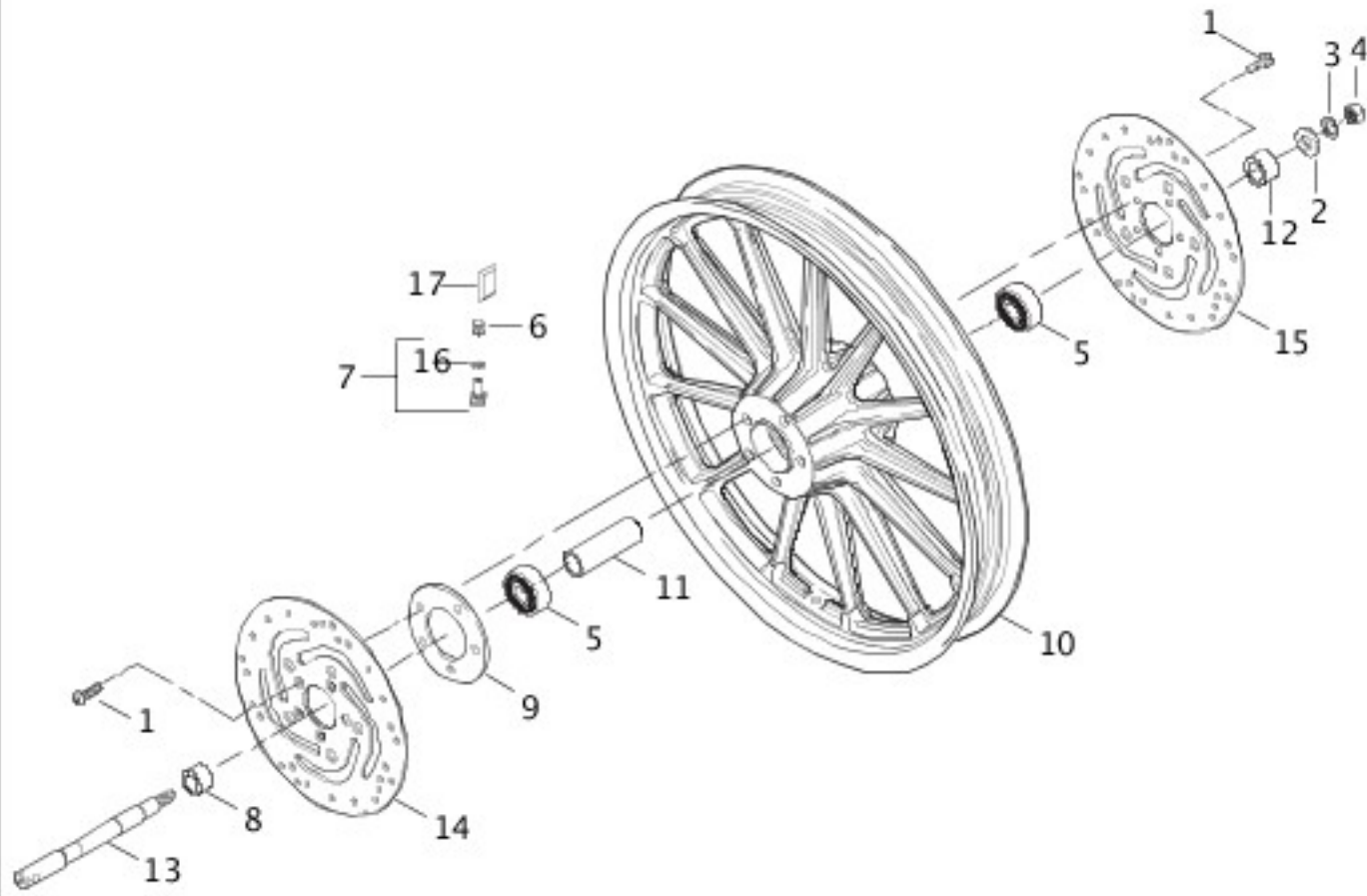


[View interactive table](#)

INDEX NO.	PART NO.	DESCRIPTION	MODEL(S)
1	40968-05A	CALIPER ASSEMBLY, rear	XL1200C, XL1200R, XL883, XL883C, XL883L
	42881-05A	CALIPER ASSEMBLY, rear	XL883R
8	42836-04A	PAD KIT, rear	ALL

[FRONT WHEEL - CAST](#)

FRONT WHEEL - CAST

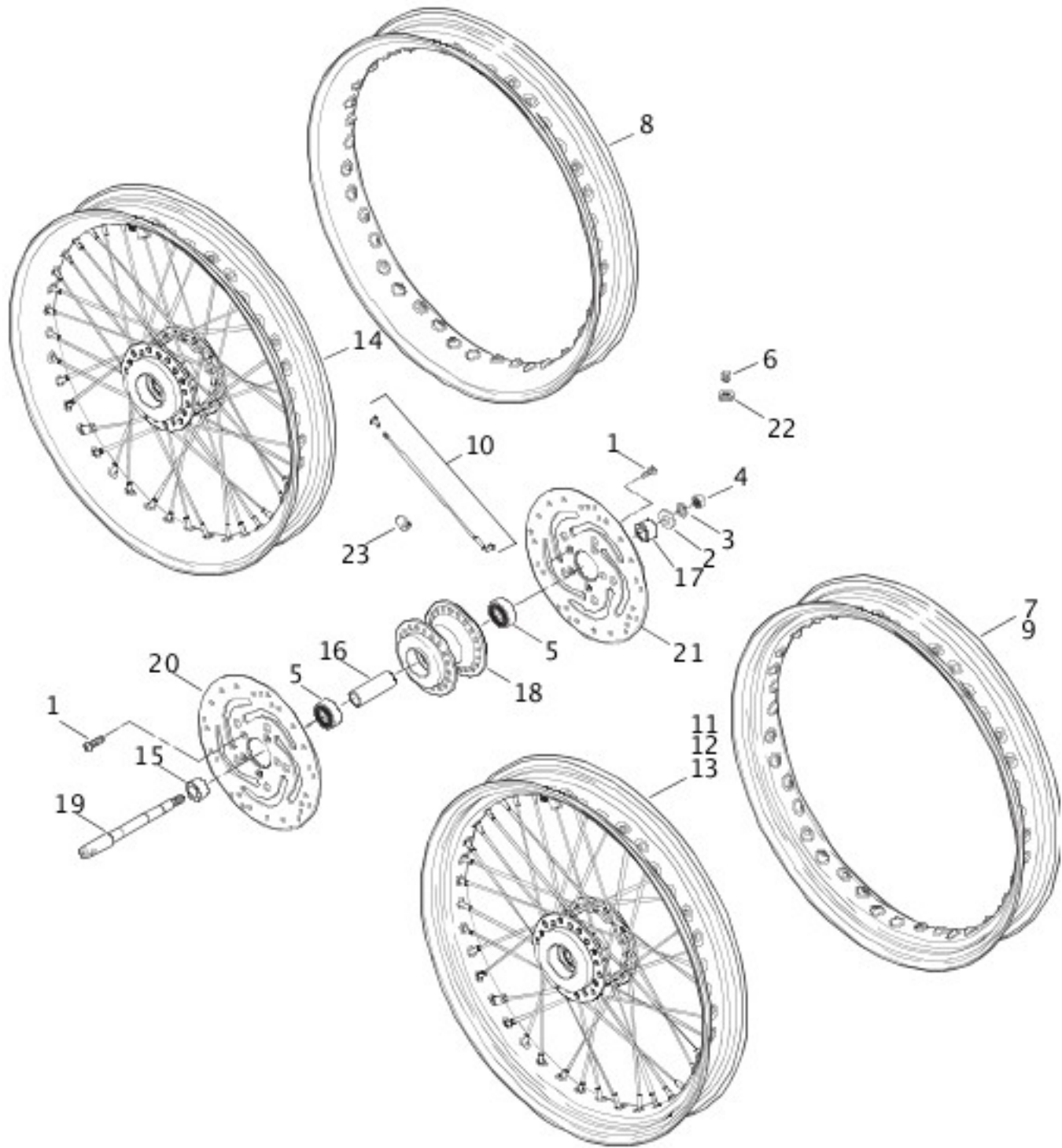


[View interactive table](#)

INDEX NO.	PART NO.	DESCRIPTION	MODEL(S)
10	43499-00A	WHEEL ASSEMBLY, 19 inch (13 spoke) (black), w/o bearings and sleeve	XL883R
	43594-00A	WHEEL ASSEMBLY, 19 inch (13 spoke) (silver), w/o bearings and sleeve	XL1200R, XL883, XL883L
17	95595-84A	WHEEL WEIGHT, 1/4 oz. (silver)	XL1200R, XL883, XL883L, XL883R

[FRONT WHEEL - LACED & PROFILE LACED](#)

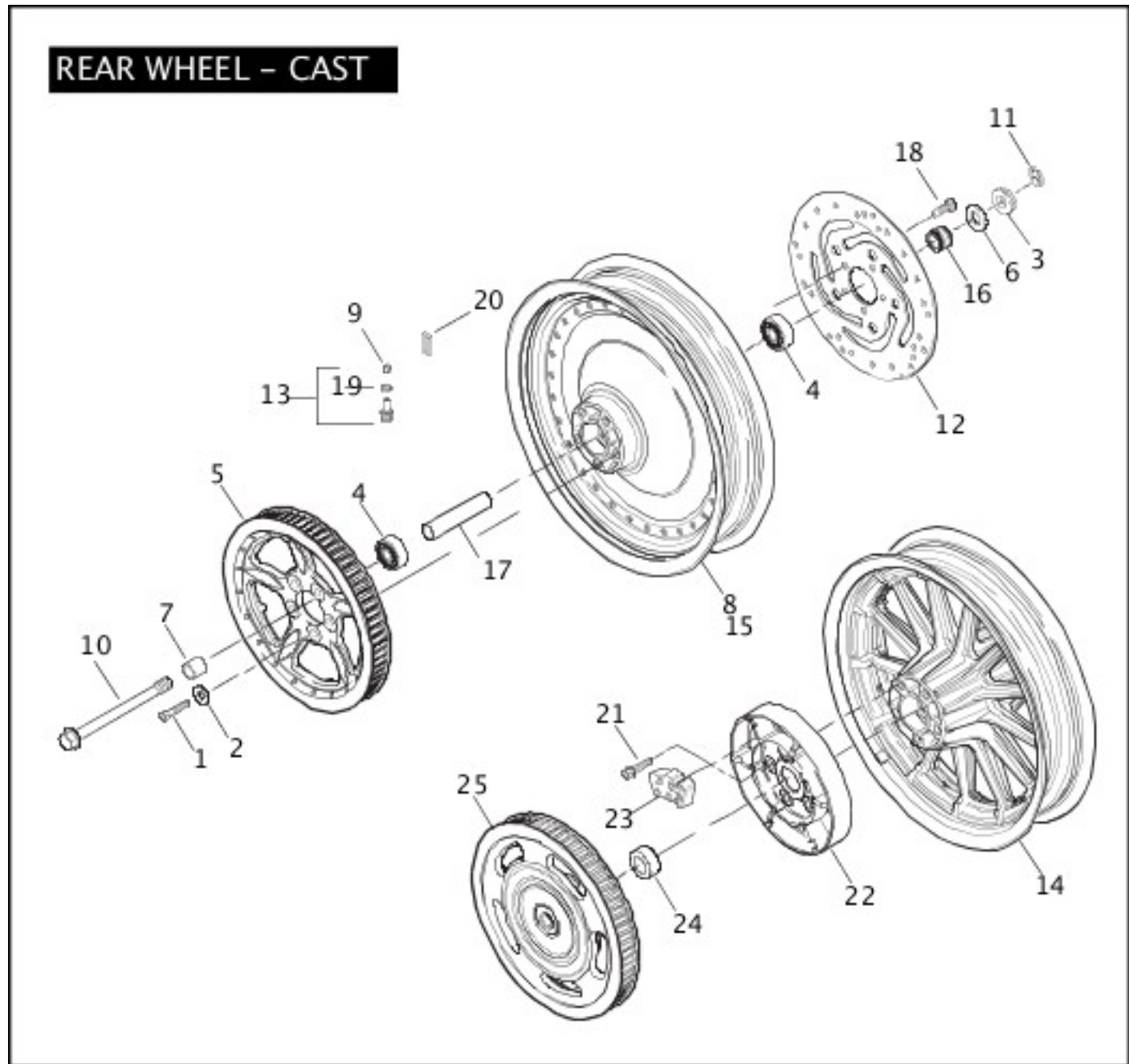
FRONT WHEEL – LACED & PROFILE LACED



[View interactive table](#)

INDEX NO.	PART NO.	DESCRIPTION	MODEL(S)
7	43001-06	RIM, laced wheel, 19 inch (steel)	XL1200R, XL883, XL883L
11	43312-05A	WHEEL ASSEMBLY, laced wheel, 19 inch, w/ 7, 10 & wheel hub, w/o bearings & sleeve	XL883, XL883L
12	43547-05B	WHEEL ASSEMBLY, laced wheel, 19 inch, w/ 7, 10 & wheel hub, w/o bearings & sleeve	XL1200R
13	43557-05A	WHEEL ASSEMBLY, laced wheel, 21 inch, w/ 9, 10 & wheel hub, w/o bearings & sleeve	XL1200C, XL883C
14	44610-	WHEEL ASSEMBLY, profile laced wheel, 21 inch, w/ 8, 10 & wheel hub, w/o	XL1200C, XL883C

REAR WHEEL - CAST

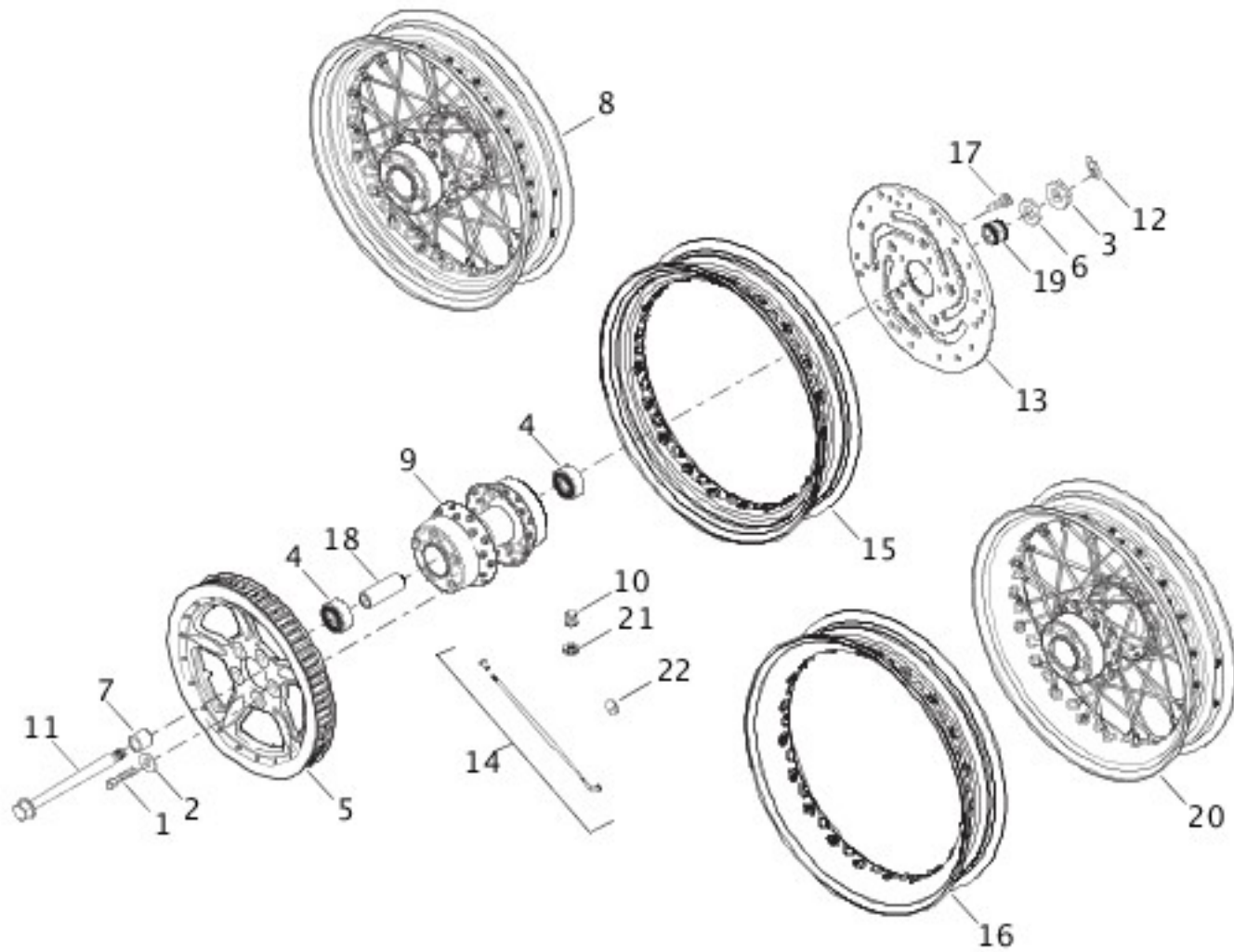


[View interactive table](#)

INDEX NO.	PART NO.	DESCRIPTION	MODEL(S)
	41012-00A	WHEEL, 16 inch (13 spoke) (black), w/o bearings & sleeve	XL883R
20	95595-84A	WHEEL WEIGHT, 1/4 oz. (4)	ALL

REAR WHEEL - LACED & PROFILE LACED

REAR WHEEL – LACED & PROFILE LACED

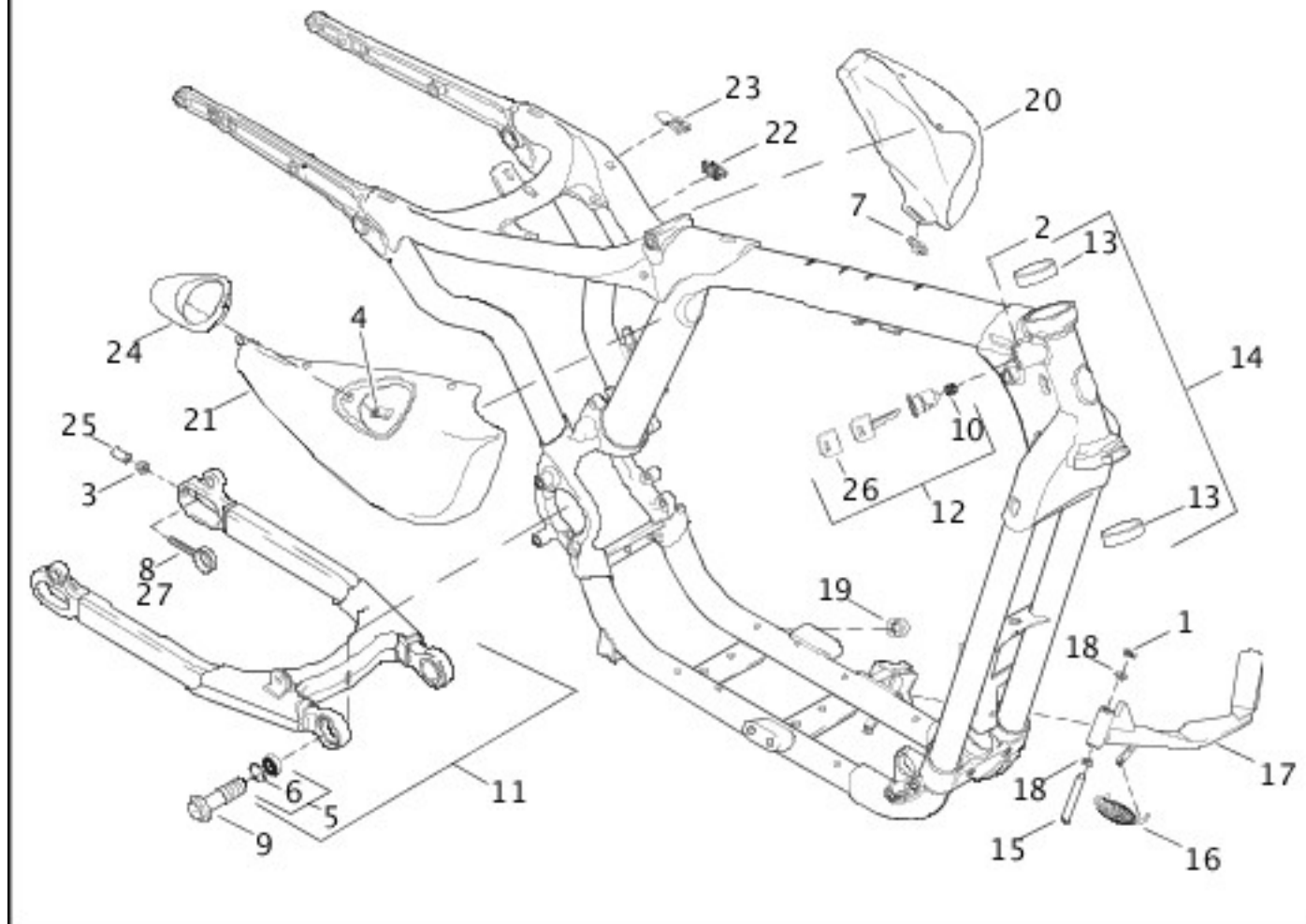


[View interactive table](#)

INDEX NO.	PART NO.	DESCRIPTION	MODEL(S)
8	41052-08	LACED WHEEL ASSEMBLY, 16 inch (chrome)	XL1200R, XL883, XL883L
9	41053-02A	PROFILE LACED WHEEL HUB ASSEMBLY, w/ bearings, 16 inch	ALL
	43052-05A	SPOKE AND NIPPLE KIT, profile laced wheel, 16 inch rim (set of 40)	XL1200C, XL883C
16	43440-05A	RIM, profile laced wheel, 16 inch (chrome)	XL1200C, XL883C
20	44606-08	PROFILE LACED WHEEL ASSEMBLY, 16 inch (chrome)	XL1200C, XL883C

[FRAME, REAR FORK & JIFFY STAND](#)

FRAME, REAR FORK & JIFFY STAND

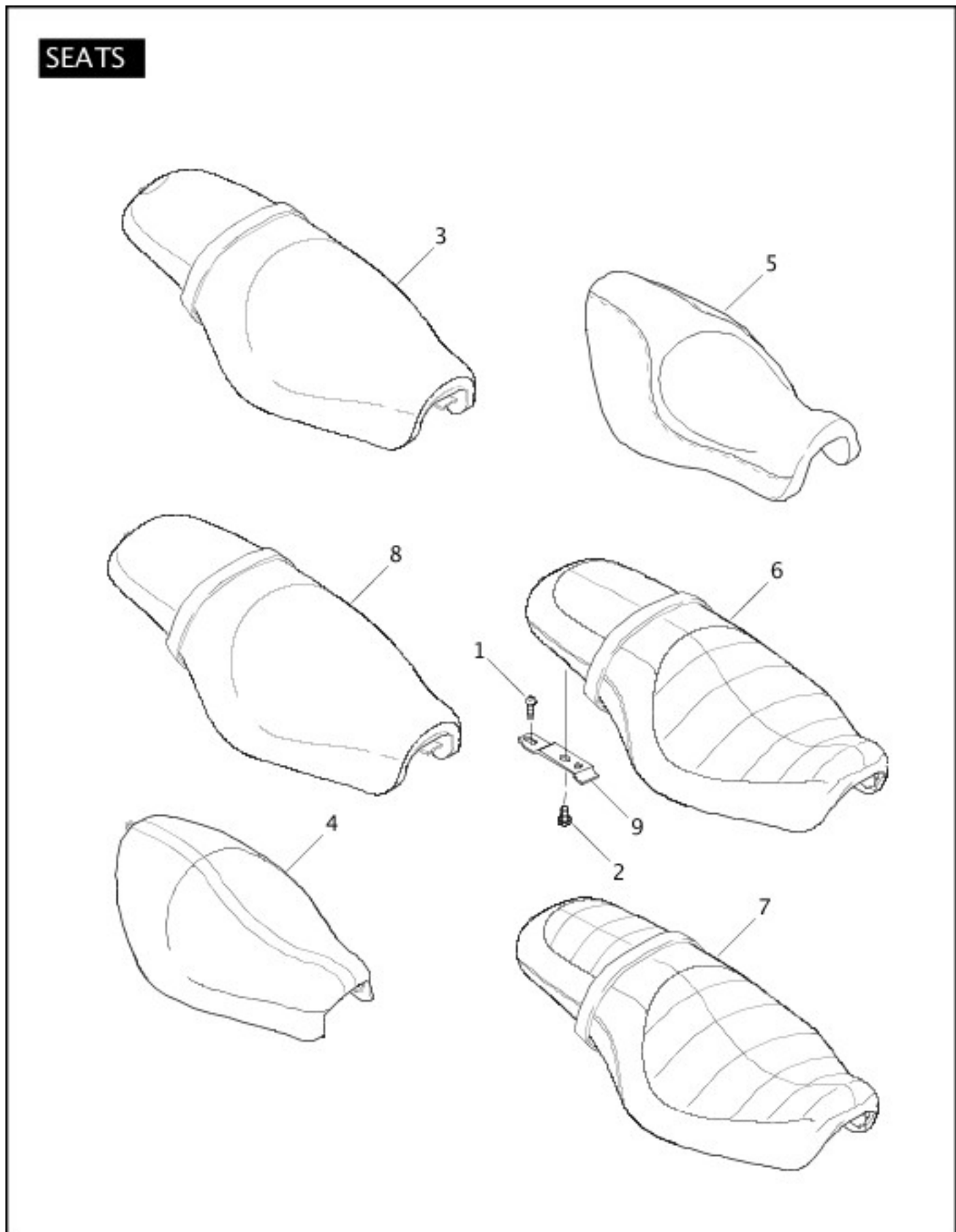


[View interactive table](#)

INDEX NO.	PART NO.	DESCRIPTION	MODEL(S)
12	48153-02B	FORK LOCK KIT, w/ 1594, 43595-99 & 61459-97 (specify key code)	ALL
14	49430-06A	FRAME, w/ bearing cups	XL1200R, XL883, XL883R
	49431-06A	FRAME, w/ bearing cups	XL883L
	49439-10	FRAME, w/ bearing cups	XL1200C, XL883C
17	50185-04C	JIFFY STAND	ALL
19	62122-89A	BUMPER	ALL
20	66251-04A	SIDE COVER, left	XL1200C, XL1200R, XL883, XL883C, XL883L
	66272-05A	SIDE COVER, left	XL883R

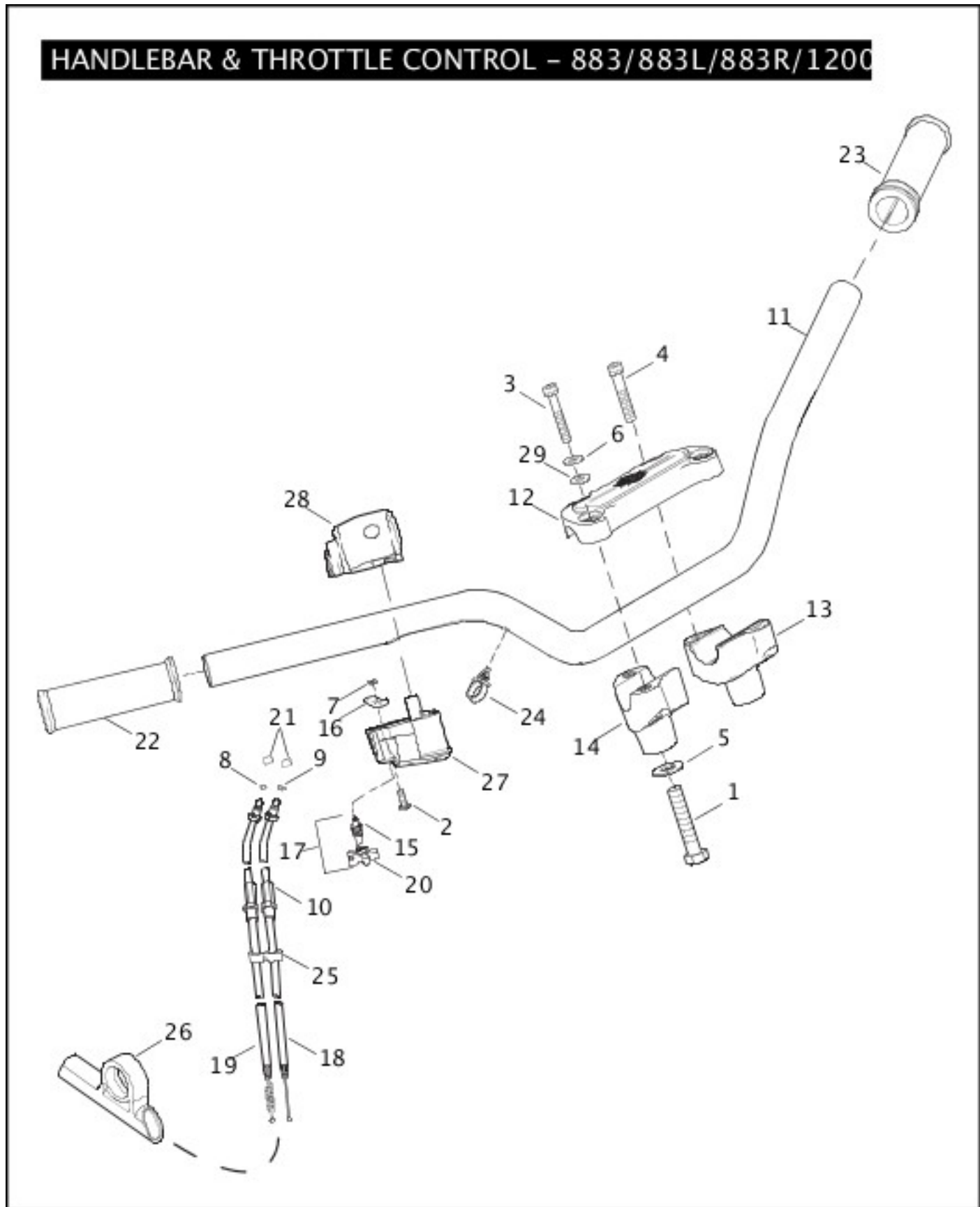
	66273-05A	SIDE COVER, right	XL883R
22	70416-04D	KIT-CLIP, side cover, front mounting	ALL
23	70417-04C	KIT-CLIP, side cover, rear mounting	ALL

SEATS



INDEX NO.	PART NO.	DESCRIPTION	MODEL(S)
9	51652-97A	BRACKET, seat mounting	XL1200C, XL1200R, XL883, XL883C, XL883L

[HANDLEBAR & THROTTLE CONTROL - 883/883L/883R/1200R](#)

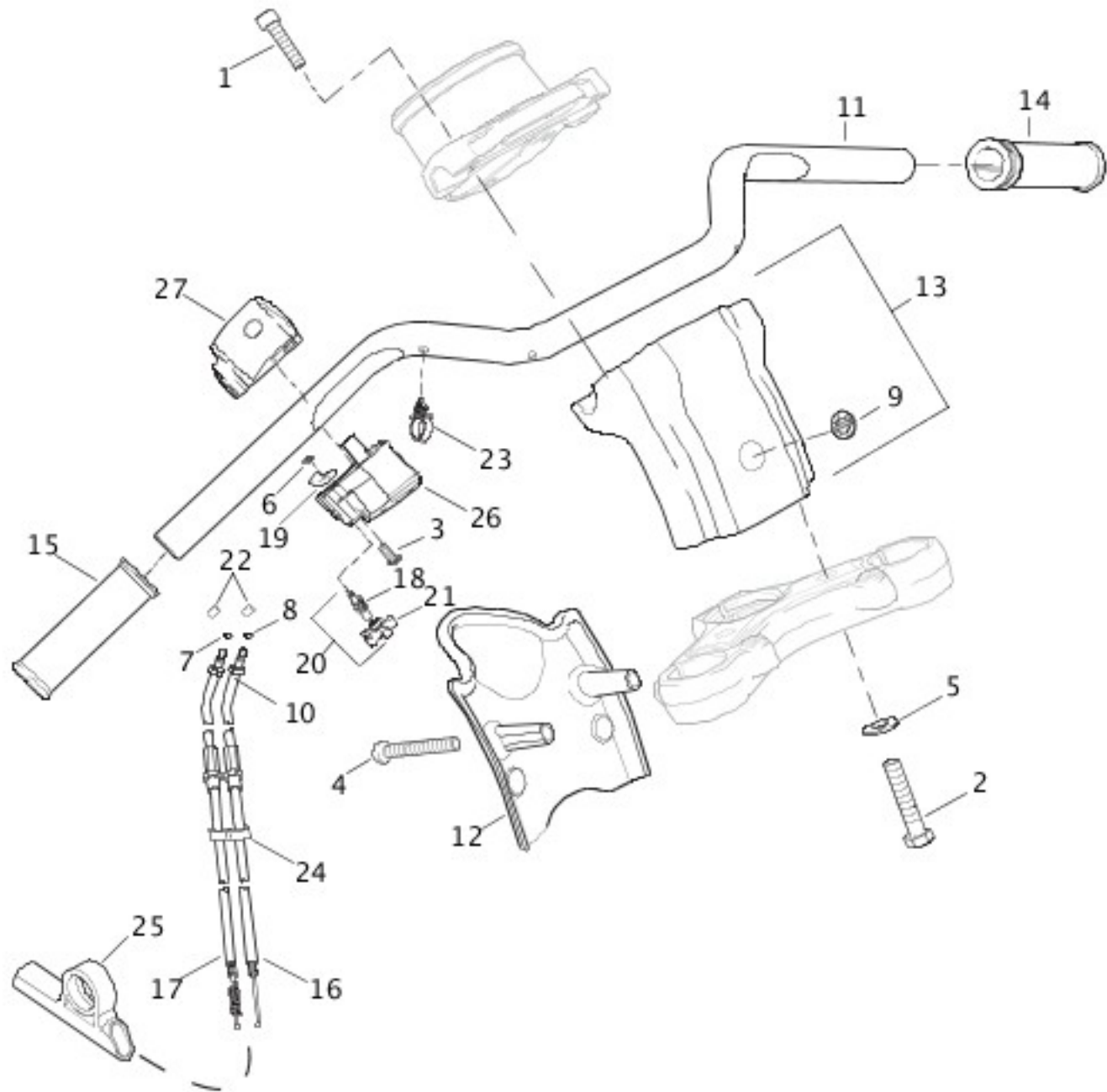


[View interactive table](#)

INDEX NO.	PART NO.	DESCRIPTION	MODEL(S)
11	55845-04A	HANDLEBAR	XL883

[HANDLEBAR & THROTTLE CONTROL - 883C/1200C](#)

HANDLEBAR & THROTTLE CONTROL - 883C/1200C

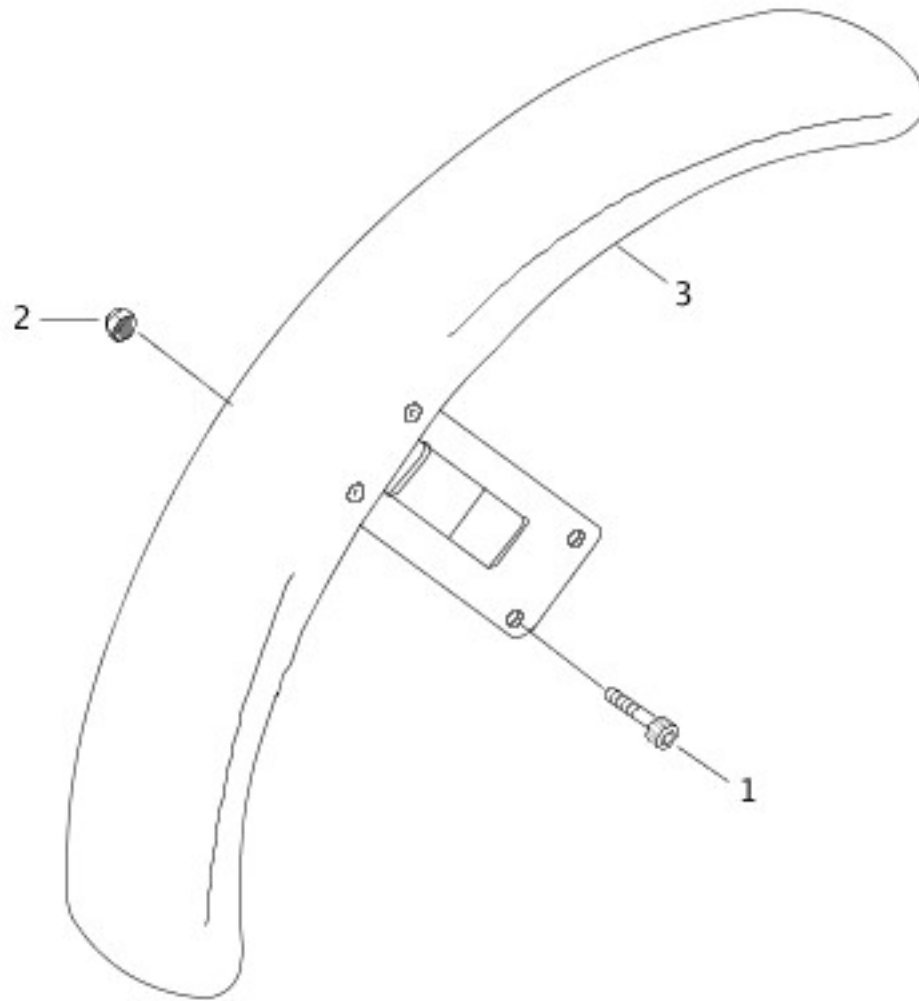


[View interactive table](#)

INDEX NO.	PART NO.	DESCRIPTION	MODEL(S)
11	55840-04A	HANDLEBAR	XL1200C, XL883C

[FRONT FENDER](#)

FRONT FENDER

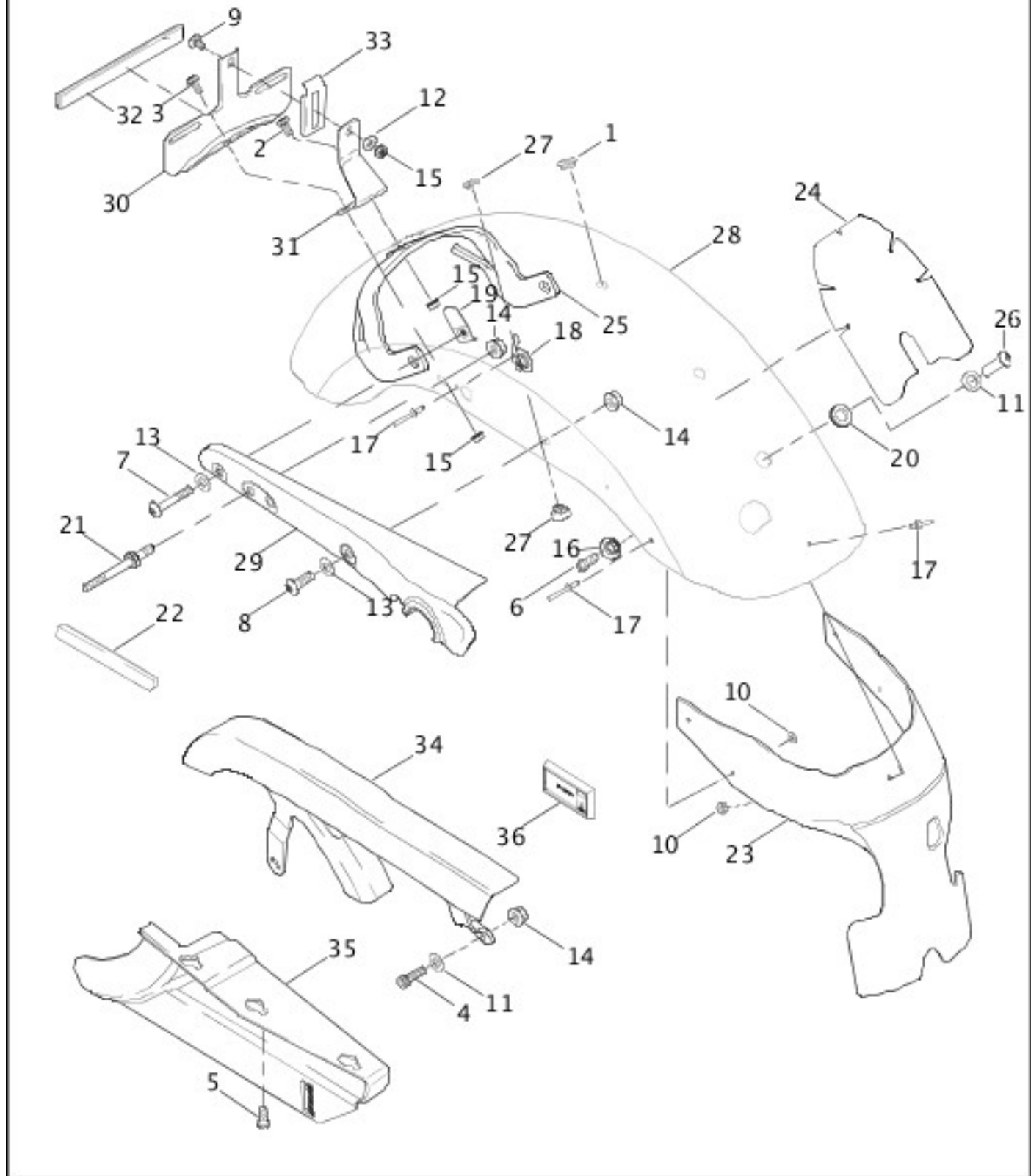


[View interactive table](#)

INDEX NO.	PART NO.	DESCRIPTION	MODEL(S)
3	58998-83E	FRONT FENDER, prime	ALL

[REAR FENDER & BELT GUARDS](#)

REAR FENDER & BELT GUARDS

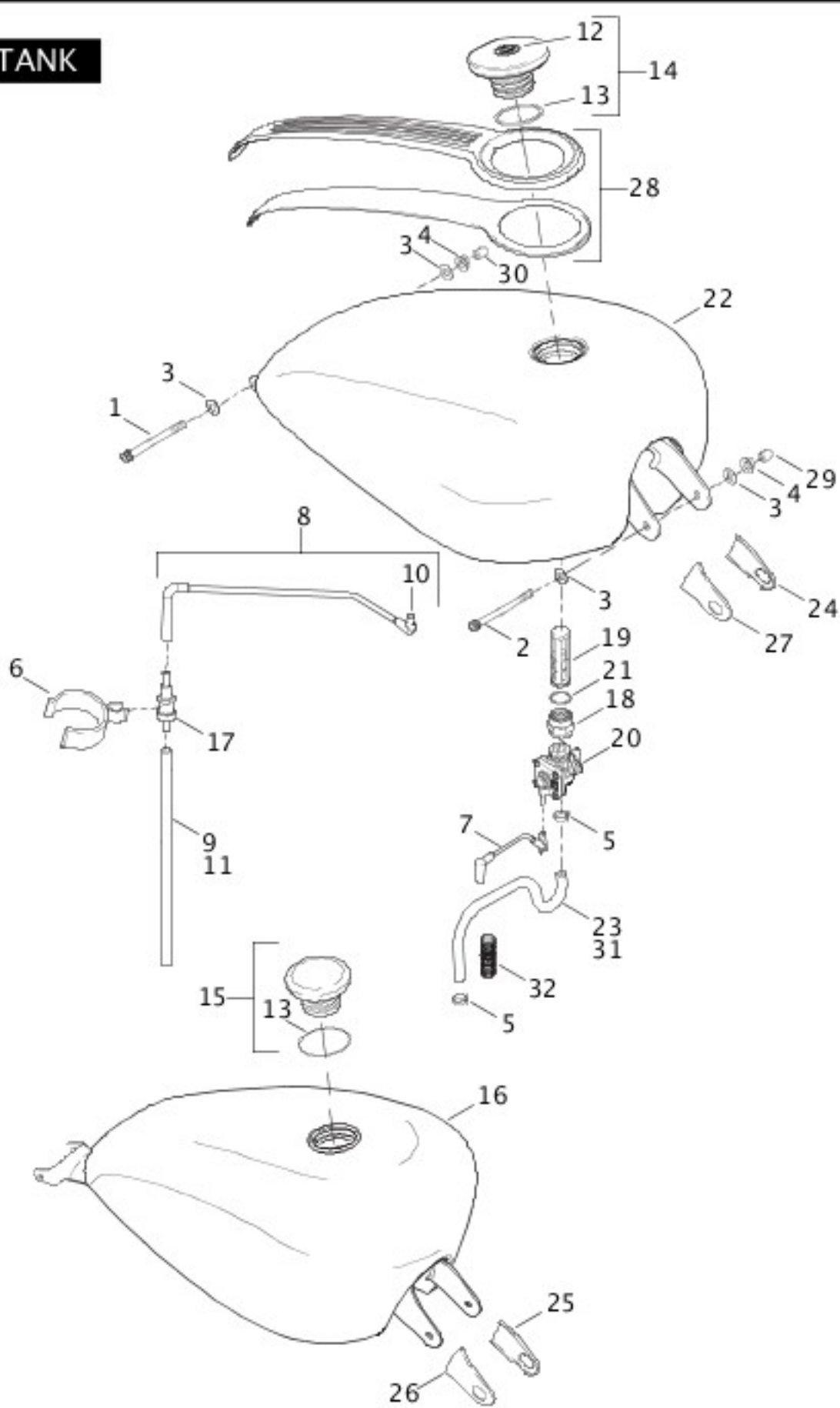


[View interactive table](#)

INDEX NO.	PART NO.	DESCRIPTION	MODEL(S)
23	59502-04A	REAR FENDER EXTENSION	ALL
25	59673-04A	FENDER SUPPORT	ALL
28	59847-10	REAR FENDER (prime)	ALL

[FUEL TANK](#)

FUEL TANK

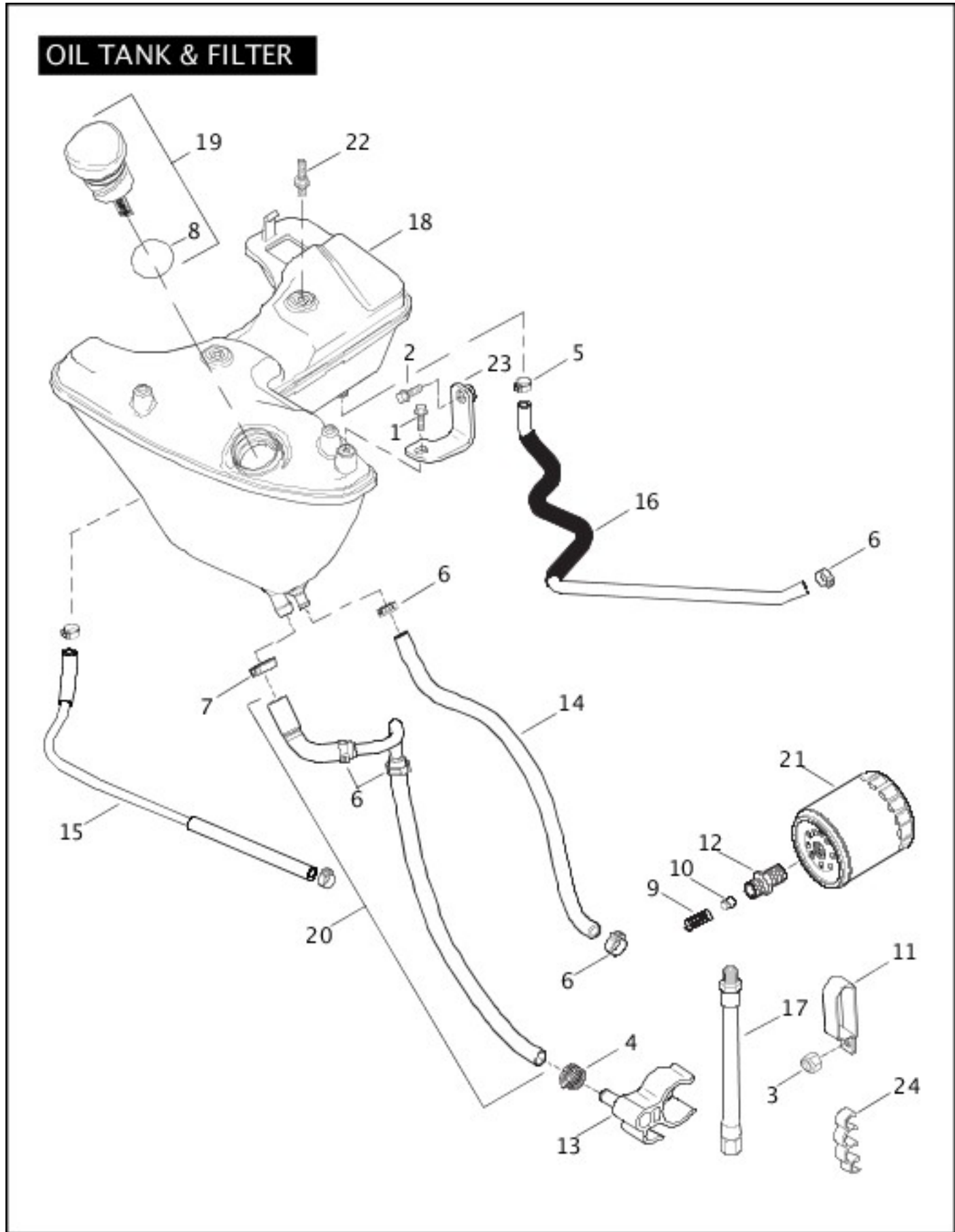


[View interactive table](#)

INDEX NO.	PART NO.	DESCRIPTION	MODEL(S)
9	27096-04A	HOSE, vapor valve-to-atmosphere	ALL
10	27250-96B	CONNECTOR, 90 degree	ALL
11	28911-04A	HOSE, vapor valve-to-evaporative canister (CALIFORNIA)	ALL
15	61272-92C	FUEL CAP, w/ 61109-85D	XL1200R, XL883, XL883L, XL883R

28	71276-04A	CONSOLE ASSEMBLY, fuel tank	XL1200C
31	63501-68B	HOSE, 1/4 I.D. X 1/2 O.D. (rubber) (25 ft. lg.)	ALL

OIL TANK & FILTER

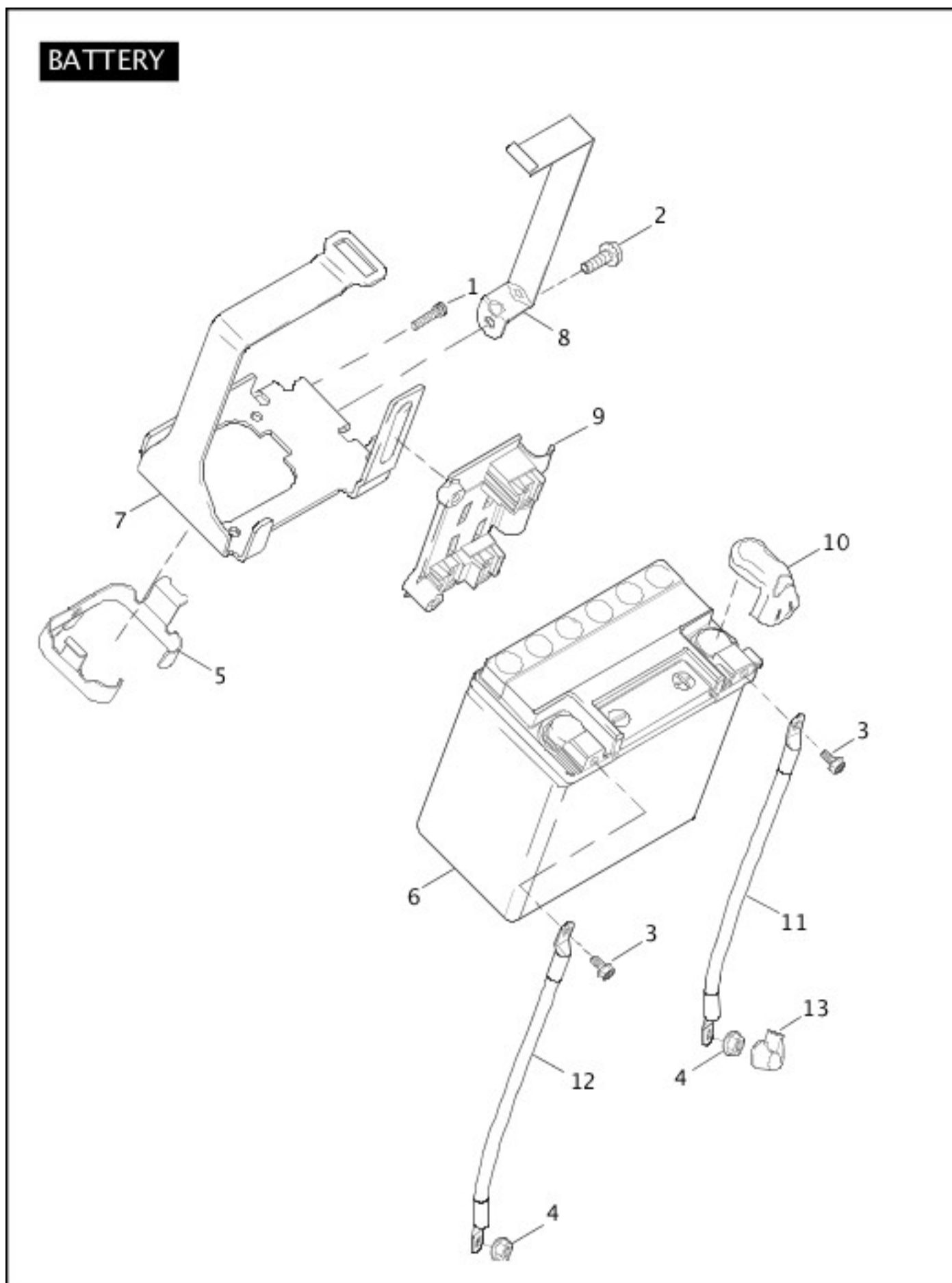


[View interactive table](#)

INDEX NO.	PART NO.	DESCRIPTION	MODEL(S)
15	62360-04A	XL VENT TUBE ASSEMBLY, w/ clamps	ALL

18	62888-04B	OIL TANK ASSEMBLY	ALL
19	63000-04B	DIPSTICK ASSEMBLY, oil tank w/ 11120	ALL

BATTERY

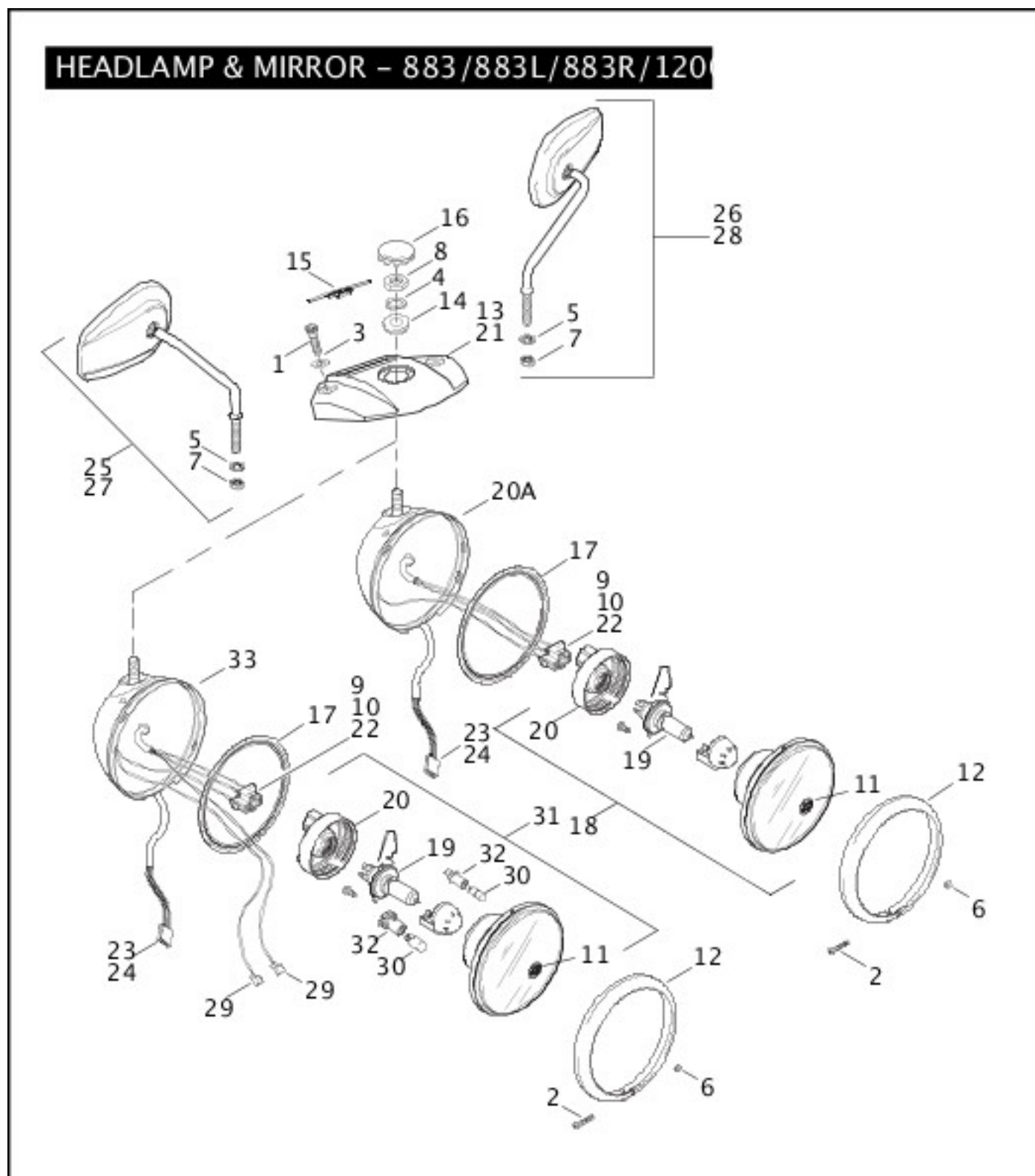


[View interactive table](#)

INDEX NO.	PART NO.	DESCRIPTION	MODEL(S)
3	4312C	SCREW, flange (2)	ALL

6	65958-04A	BATTERY (2)	ALL
7	66194-04C	TRAY, battery	ALL
8	66476-04A	STRAP, battery	ALL
11	70295-04A	CABLE, battery-to-starter w/ 70578-89	ALL
12	70296-04A	CABLE, battery-to-ground	ALL

HEADLAMP & MIRROR - 883/883L/883R/1200R



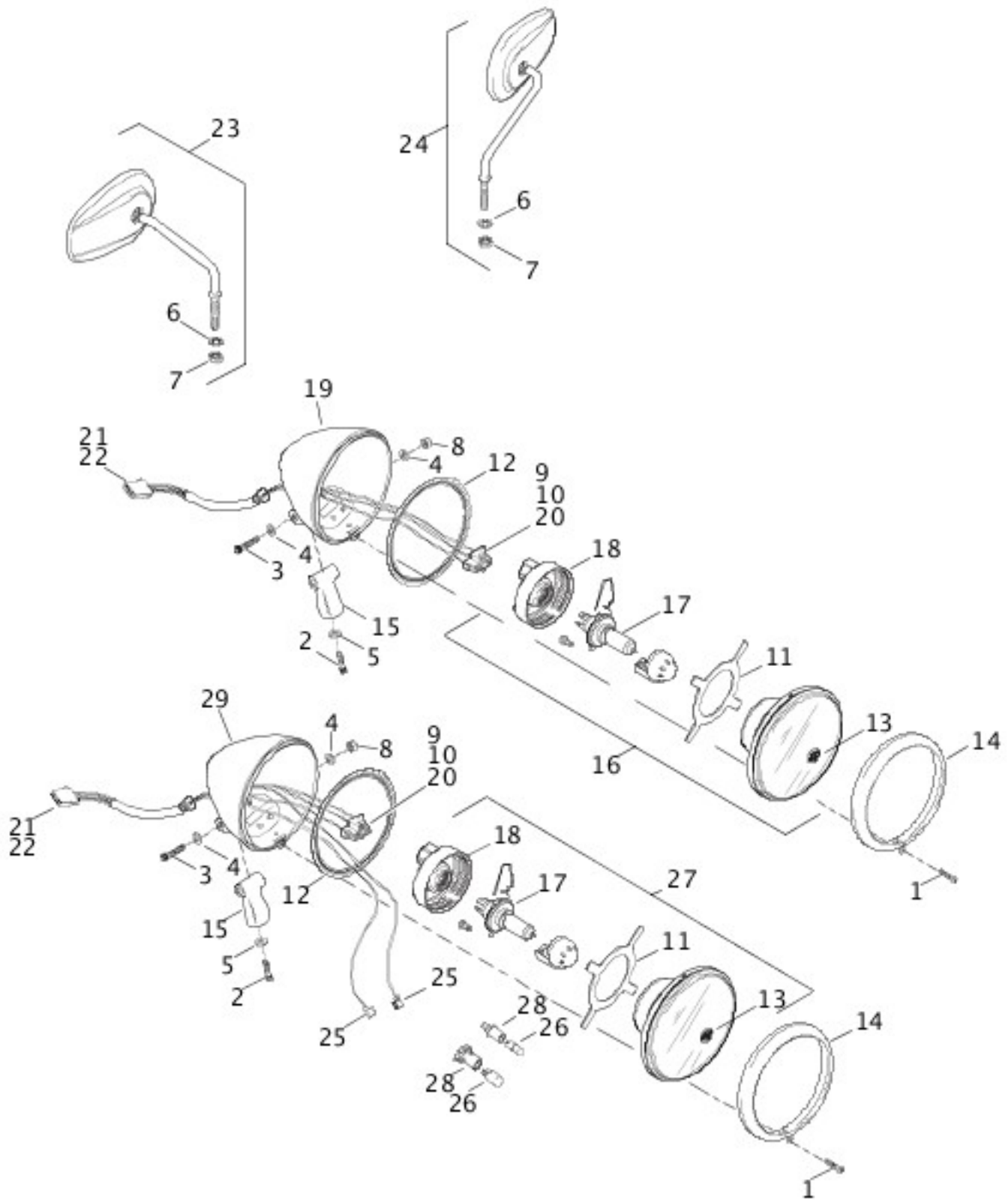
[View interactive table](#)

INDEX NO.	PART NO.	DESCRIPTION	MODEL(S)
11	67667-05	MEDALLION, headlamp, 5-3/4	ALL

12	67790-93A	BEZEL	XL1200R, XL883, XL883L, XL883R
17	67883-04A	ADAPTER RING	XL1200R, XL883, XL883L, XL883R
25	91840-03B	MIRROR KIT, right, short (chrome)	XL1200R, XL883L
	91982-03B	MIRROR KIT, right, short (black)	XL883R
26	91845-03B	MIRROR KIT, left, short (chrome)	XL1200R, XL883L
	91983-03B	MIRROR KIT, left, short (black)	XL883R
27	91846-03B	MIRROR KIT, right, long (chrome)	XL883
28	91848-03B	MIRROR KIT, left, long (chrome)	XL883
	53436-97	BULB, wedge base	XL1200R, XL883, XL883L, XL883R
	68653-05	SOCKET, bulb (wedge base)	XL1200R, XL883, XL883L, XL883R

HEADLAMP & MIRROR - 883C/1200C

HEADLAMP & MIRROR - 883C/1200C

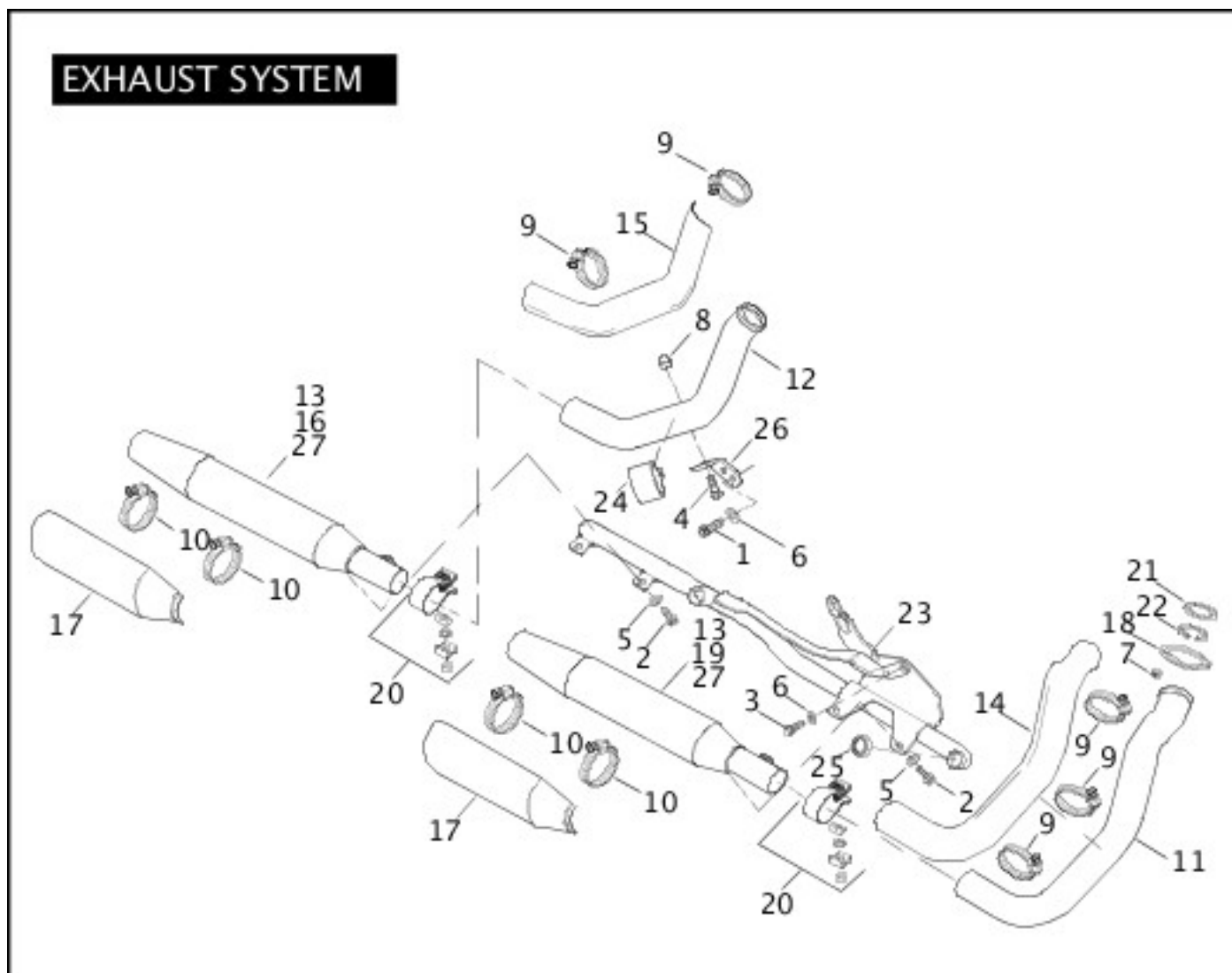


[View interactive table](#)

INDEX NO.	PART NO.	DESCRIPTION	MODEL(S)
12	67603-94A	ADAPTER RING	XL1200C, XL883C
13	67667-05	MEDALLION	XL1200C, XL883C
14	67894-93A	BEZEL ASSEMBLY	XL1200C, XL883C
23	91846-03B	MIRROR KIT, right	XL1200C, XL883C
24	91848-03B	MIRROR KIT, left	XL1200C, XL883C

	53436-97	BULB, wedge base	XL1200C, XL883C
	68653-05	SOCKET, bulb (wedge base)	XL1200C, XL883C

EXHAUST SYSTEM

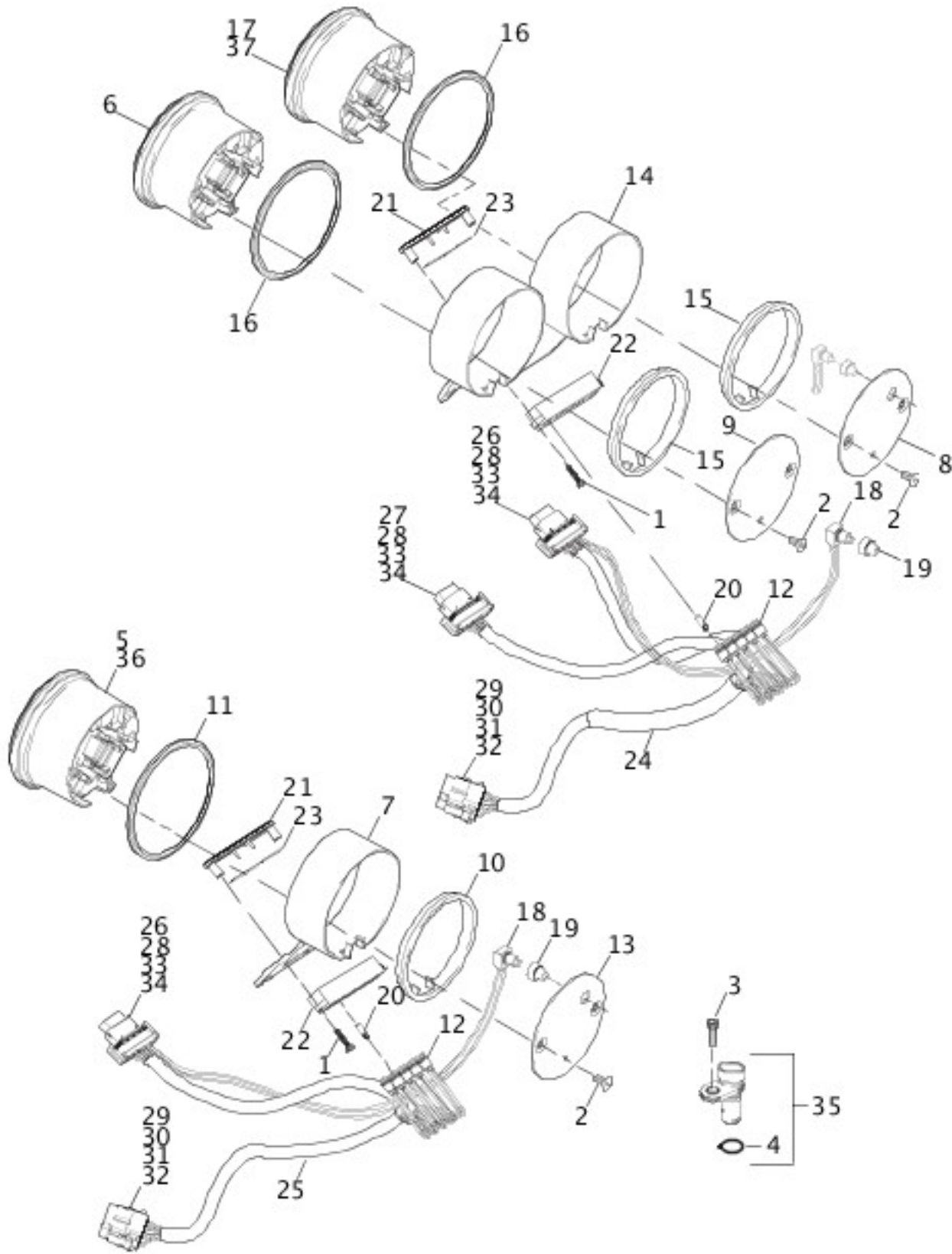


[View interactive table](#)

INDEX NO.	PART NO.	DESCRIPTION	MODEL(S)
14	64846-04A	HEAT SHIELD, front exhaust pipe	ALL
15	64847-04A	HEAT SHIELD, rear exhaust pipe	ALL
20	65296-95A	CLAMP, muffler (2)	ALL
21	65324-83B	GASKET, exhaust port (2)	ALL
	64891-04A	MUFFLER, front (CG/CL - HDI, ENGLAND), rear (CG - HDI, ENGLAND)	XL1200C, XL1200R
	64893-04A	MUFFLER, rear (HDI, ENGLAND)	XL1200R

SPEEDOMETER & TACHOMETER - 883/883L/883R/1200R

SPEEDOMETER & TACHOMETER - 883/883L/883R/1200R



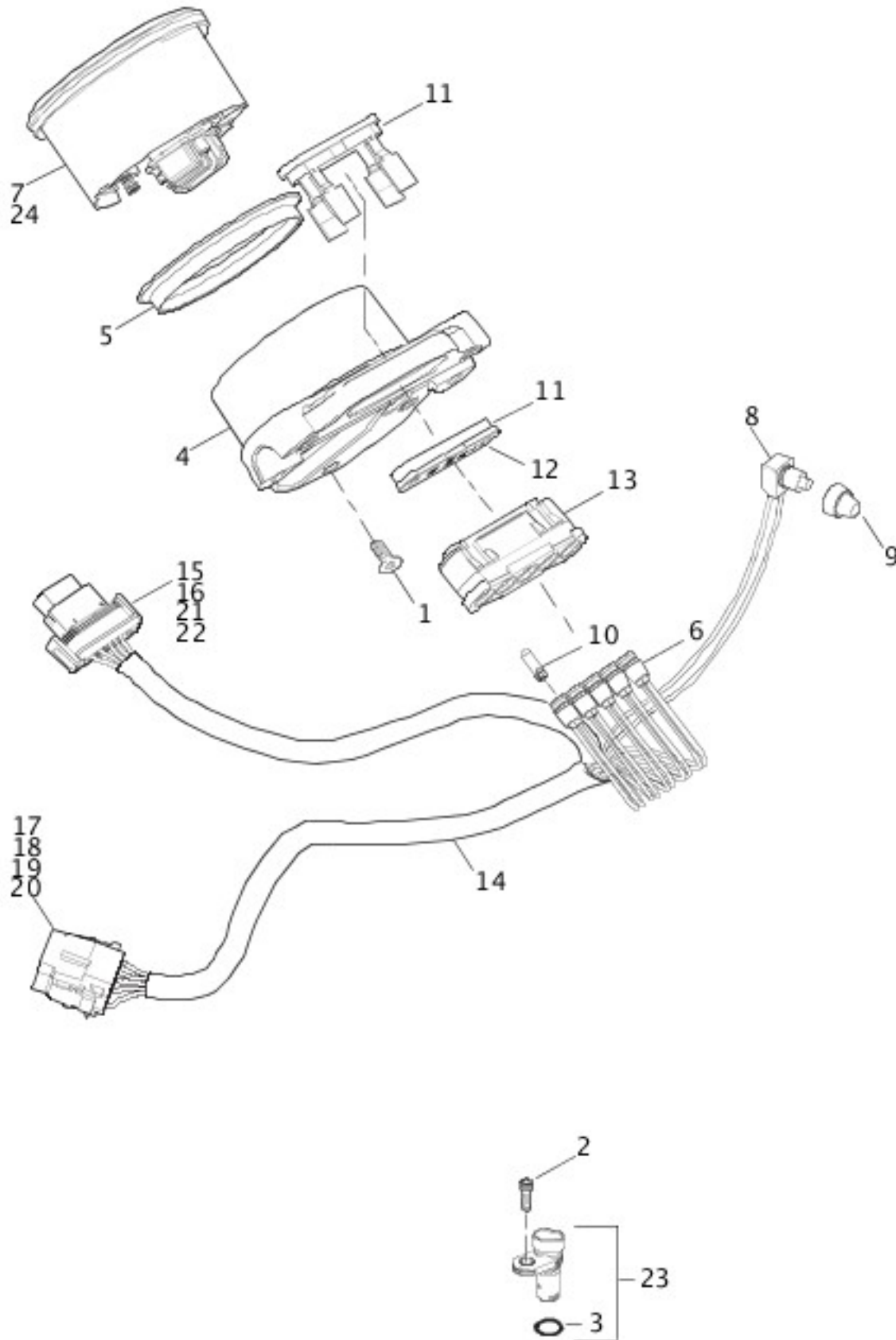
[View interactive table](#)

INDEX NO.	PART NO.	DESCRIPTION	MODEL(S)
5	67037-04A	SPEEDOMETER, mph (DOMESTIC, CALIFORNIA)	XL883, XL883L, XL883R
6	67049-04B	TACHOMETER	XL1200R
11	67121-95A	GASKET, front	XL883, XL883L, XL883R

17	67436-04A	SPEEDOMETER, mph (DOMESTIC, CALIFORNIA)	XL1200R
18	67854-98	SWITCH, reset	XL1200R, XL883, XL883L, XL883R
21	68513-95A	TRIM PLATE, indicator lamps	XL1200R, XL883, XL883L, XL883R
25	68813-04A	HARNES, warning lamp assembly w/ 12, 18, 20, 22, 26, 28, 29, 30, 31, 32, 33, 34	XL883, XL883L, XL883R
35	74402-05A	SENSOR, speed	XL1200R, XL883, XL883L, XL883R
36	67041-04A	SPEEDOMETER, kph (CANADA, HDI, AUSTRALIA, JAPAN)	XL883, XL883L, XL883R
	67290-04A	SPEEDOMETER, mph/kph (ENGLAND)	XL883, XL883L, XL883R
37	67415-04A	SPEEDOMETER, mph/kph (ENGLAND)	XL1200R
	67416-04A	SPEEDOMETER, kph (CANADA, HDI, AUSTRALIA, JAPAN)	XL1200R

[SPEEDOMETER - 883C/1200C](#)

SPEEDOMETER - 883C/1200C

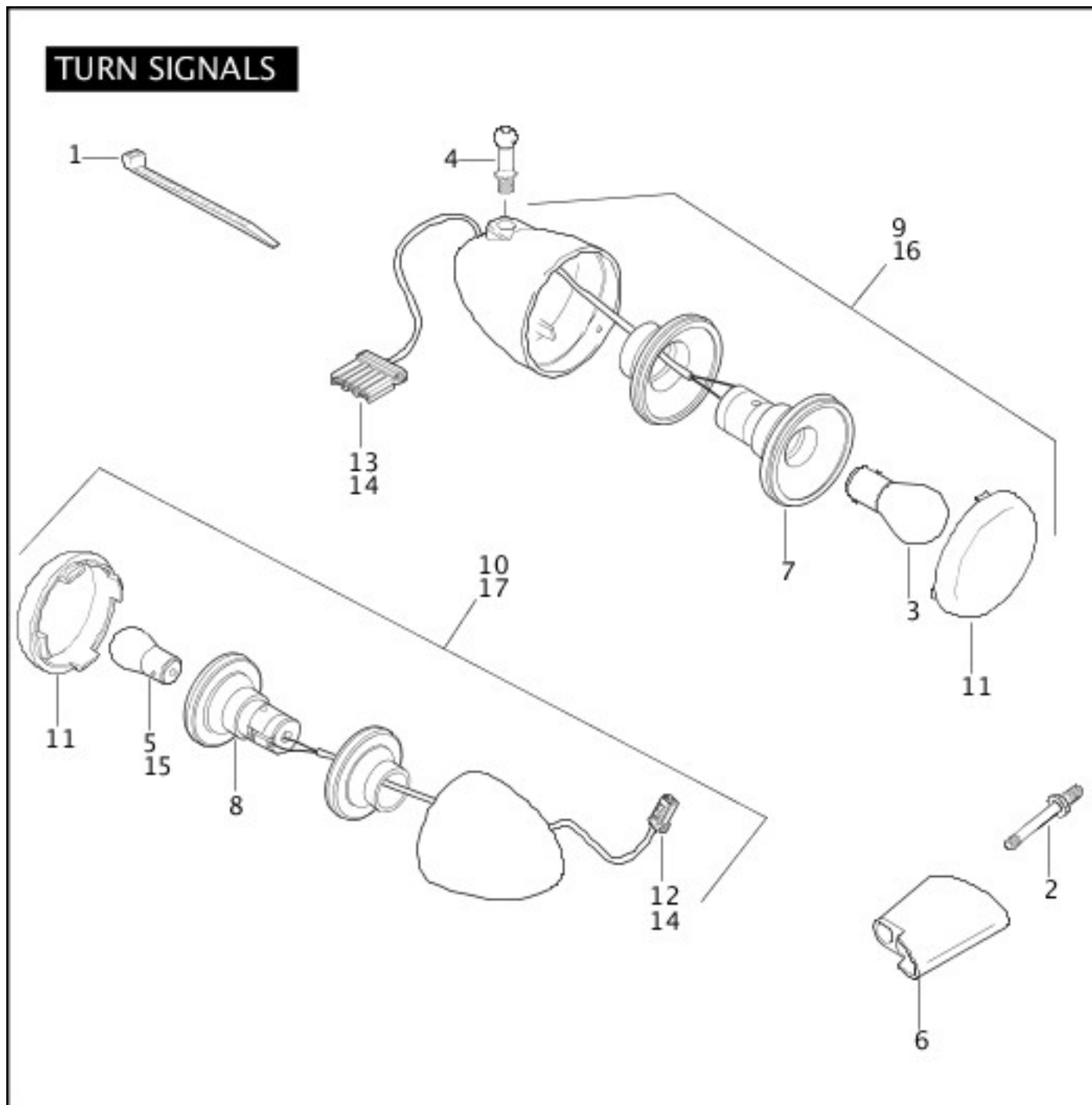


[View interactive table](#)

INDEX NO.	PART NO.	DESCRIPTION	MODEL(S)
5	67121-95A	GASKET, shock, front	XL1200C, XL883C
7	67436-04A	SPEEDOMETER, mph (DOMESTIC)	XL1200C, XL883C
8	67854-98	SWITCH, trip reset	XL1200C, XL883C
14	68814-04A	INSTRUMENT HARNESS ASSEMBLY	XL1200C, XL883C
23	74402-05A	SENSOR, speed	XL1200C, XL883C

24	67415-04A	SPEEDOMETER, mph/kph (ENGLAND)	XL1200C, XL883C
	67416-04A	SPEEDOMETER, kph (AUSTRALIA, CANADA, HDI, JAPAN)	XL1200C, XL883C

TURN SIGNALS

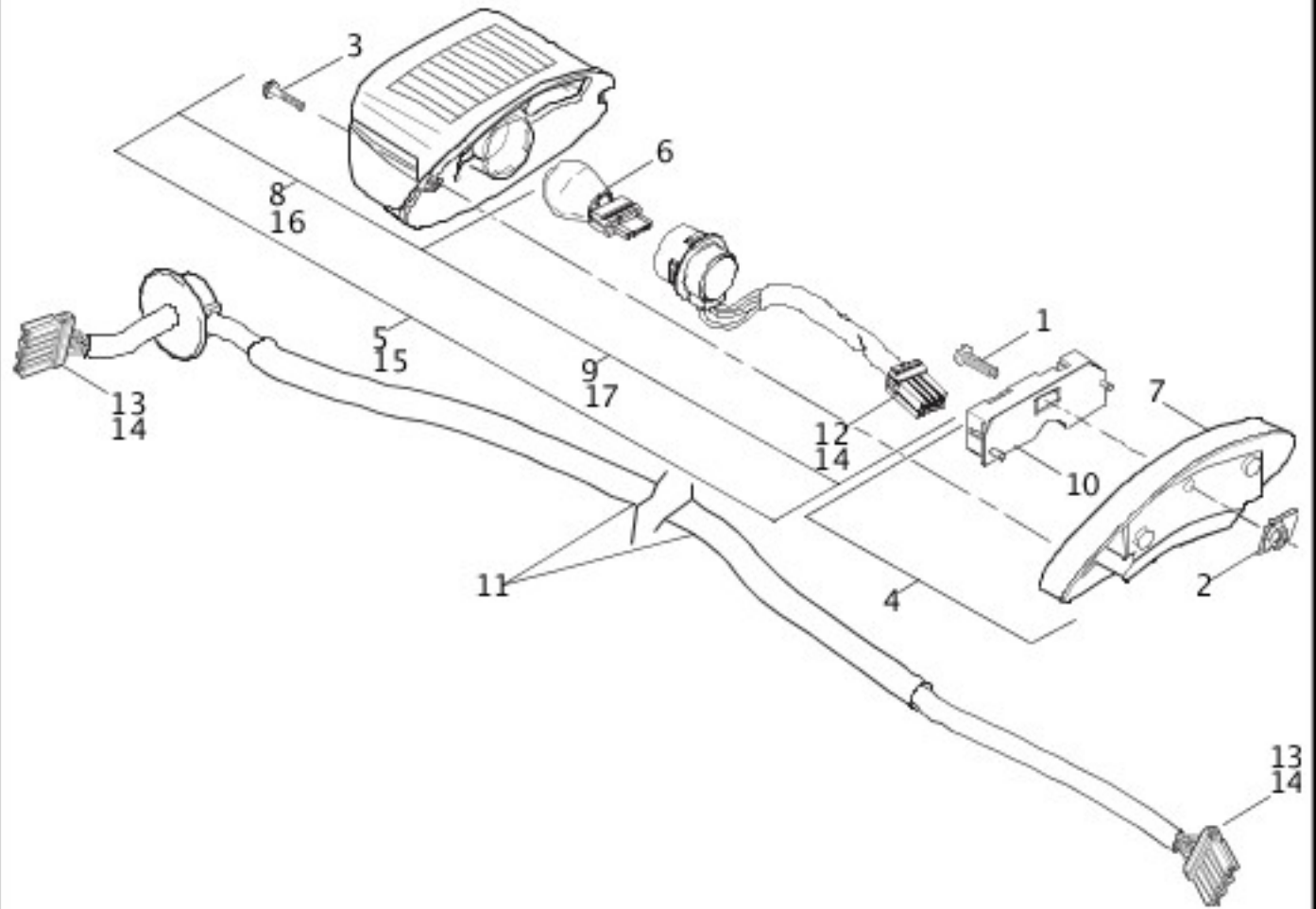


[View interactive table](#)

INDEX NO.	PART NO.	DESCRIPTION	MODEL(S)
3	68168-89A	BULB, front turn signal (2)	ALL

TAIL LAMP

TAIL LAMP

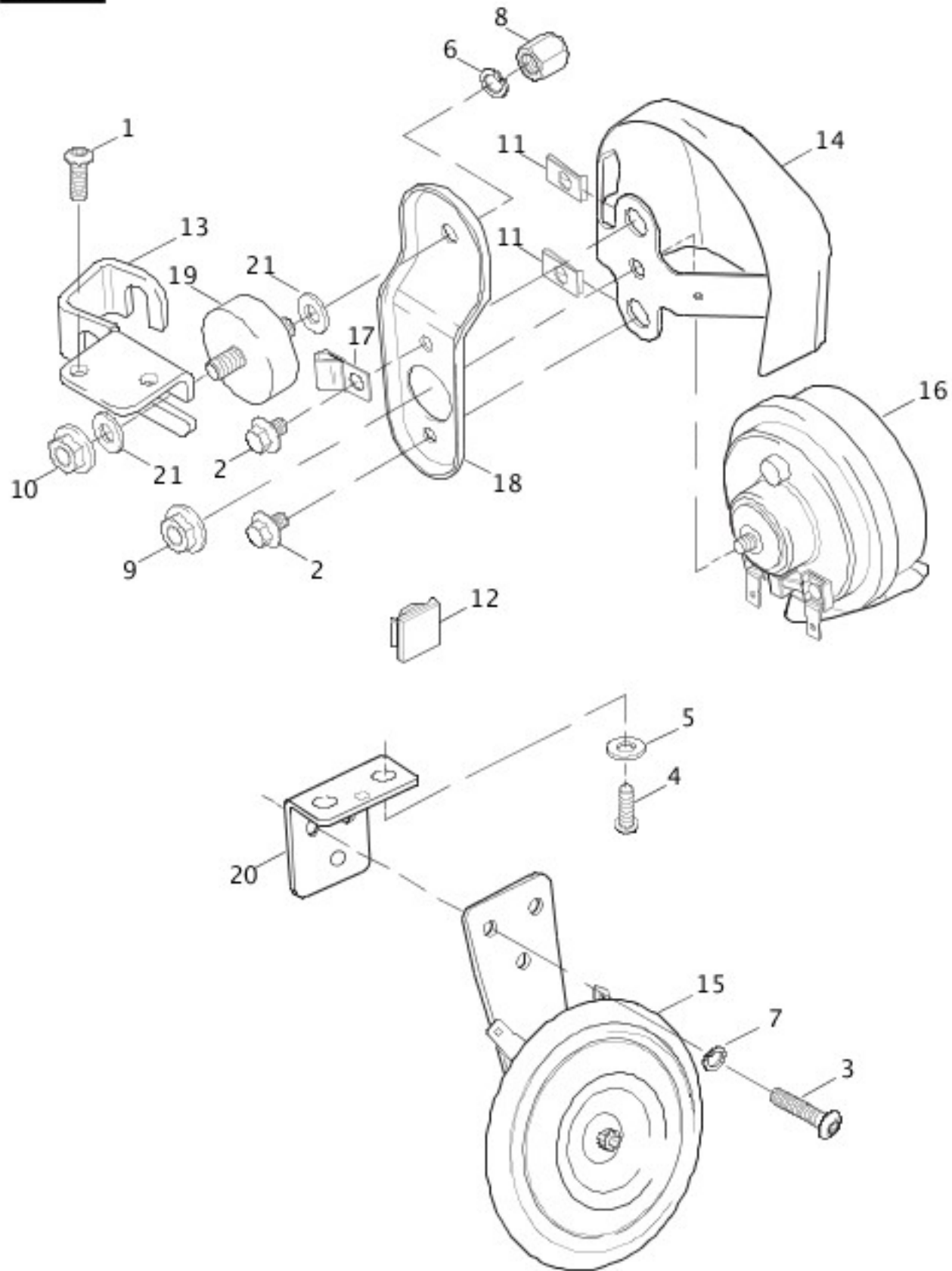


[View interactive table](#)

INDEX NO.	PART NO.	DESCRIPTION	MODEL(S)
11	68899-04A	HARNESS, rear lighting	ALL

[HORN](#)

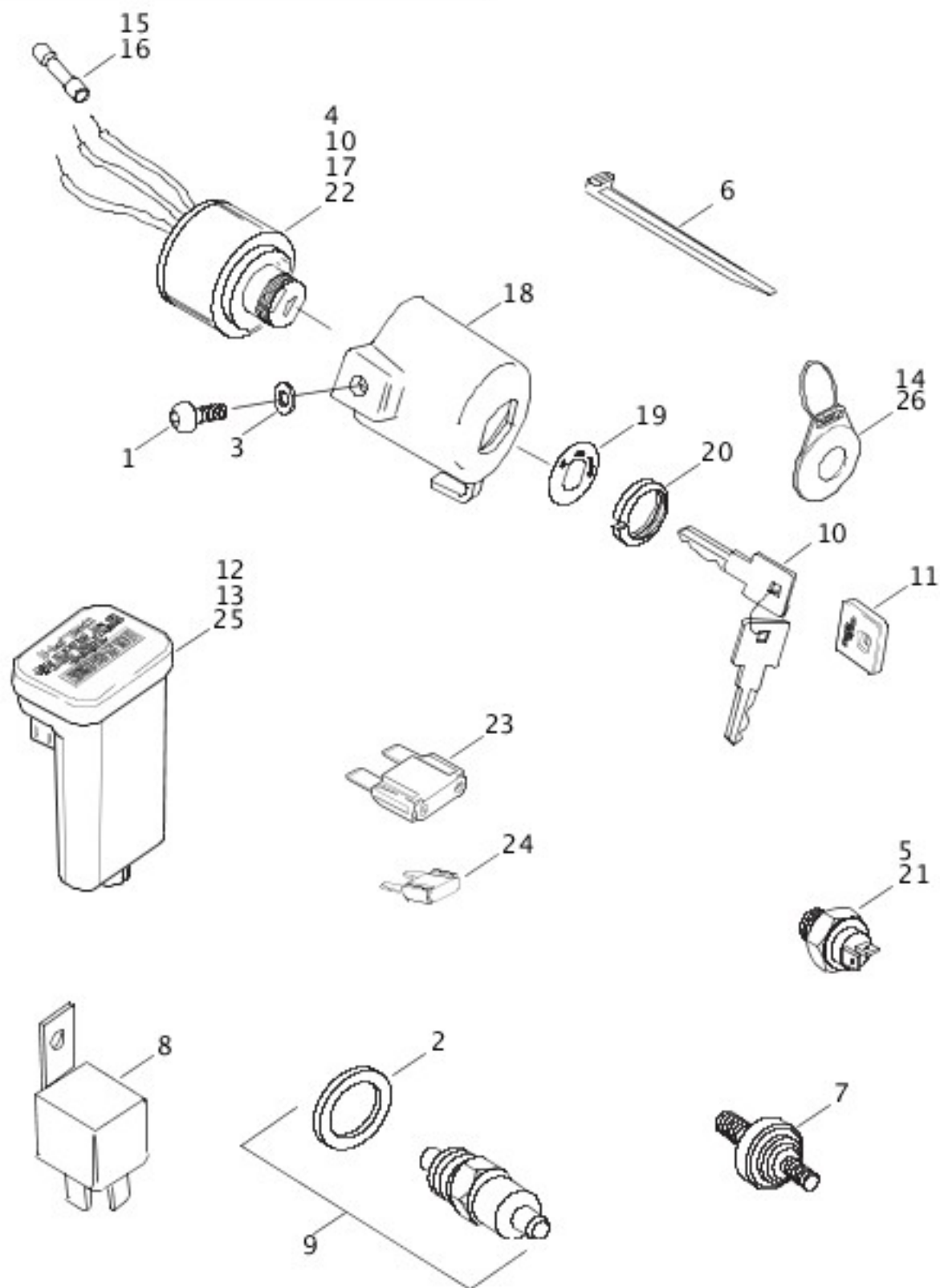
HORN



[View interactive table](#)

INDEX NO.	PART NO.	DESCRIPTION	MODEL(S)
15	69043-96B	HORN, complete w/ bracket & #7495	XL1200R, XL883, XL883C, XL883L, XL883R
16	69060-90F	HORN	XL1200C
19	69123-92A	RUBBER MOUNT	XL1200C

SWITCHES & CIRCUIT BREAKERS

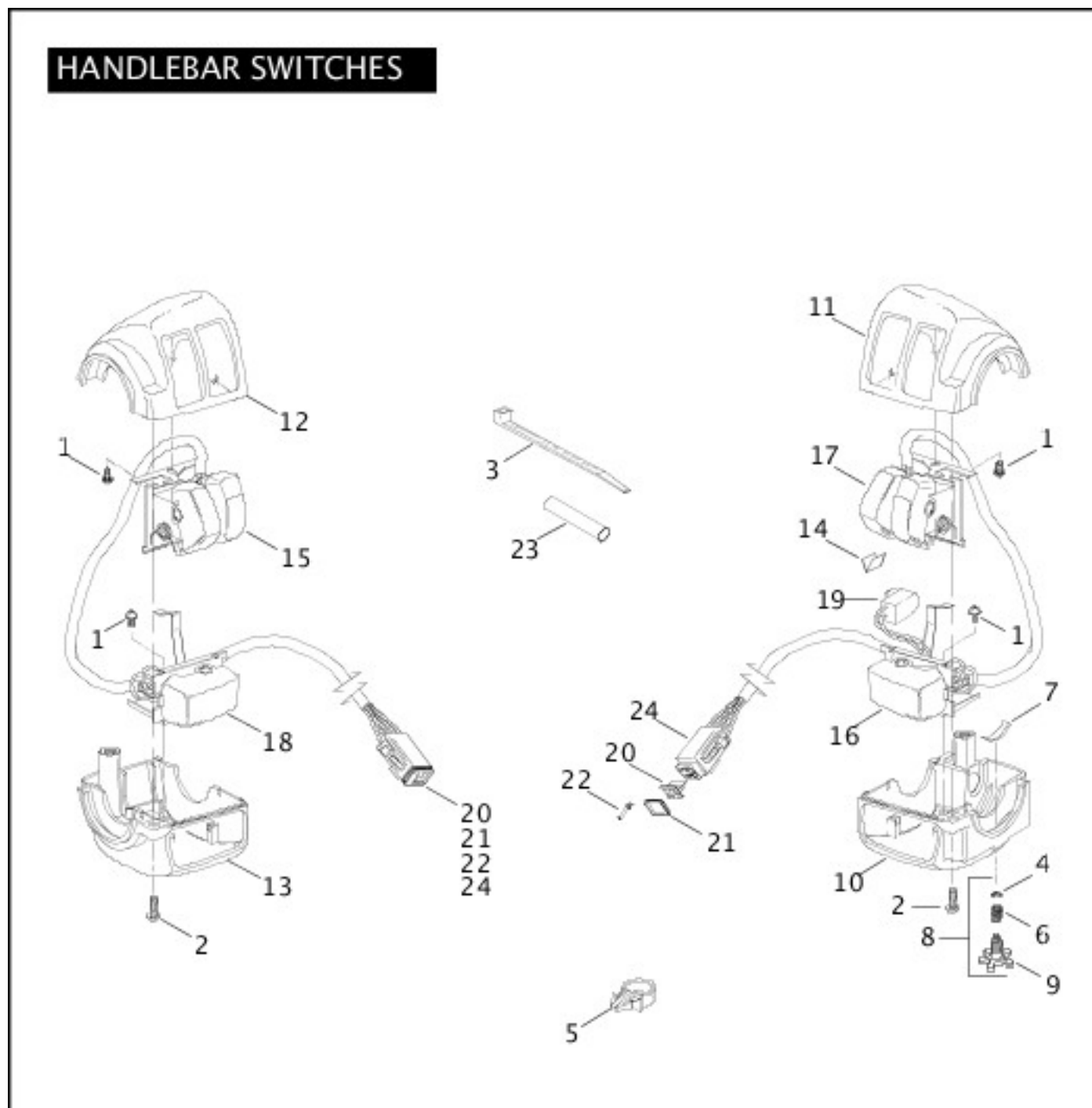


[View interactive table](#)

INDEX NO.	PART NO.	DESCRIPTION	MODEL(S)
10	48154-05A	LOCKSET ASSEMBLY	ALL
	71451-94A	KEYSET, ignition switch (specify key code)	ALL
12	68920-01D	TURN SIGNAL MODULE, standard	ALL
13	68922-00D	MODULE, security system (DOMESTIC)	ALL
21	72023-51D	STOPLIGHT SWITCH, rear brake w/ 9898	ALL

25	68922-00D	MODULE, security system (JAPAN)	ALL
	68924-00D	MODULE, security system (HDI)	ALL

HANDLEBAR SWITCHES



[View interactive table](#)

INDEX NO.	PART NO.	DESCRIPTION	MODEL(S)
13	71568-96A	HOUSING, lower left	ALL
14	71587-04	V-CLIP	ALL
15	71682-06A	SWITCH ASSEMBLY, dimmer & horn w/ 10181 & 72266-94	ALL
17	71684-06A	SWITCH ASSEMBLY, engine stop & start w/ 10181 & 72266-94	ALL
18	71685-06A	SWITCH ASSEMBLY, left directional w/ 10181 & 72266-94	ALL
19	71621-08	STOPLIGHT SWITCH	ALL

	<u>EVAPORATIVE EMISSIONS KIT</u>
10014	<u>CARBURETOR (1 OF 2)</u> <u>FUEL TANK</u> <u>OIL TANK & FILTER</u>
10031	<u>FRONT BRAKE CONTROL</u> <u>REAR BRAKE MASTER CYLINDER</u>
10039	<u>SWITCHES & CIRCUIT BREAKERS</u>
10053	<u>FRONT BRAKE CONTROL</u>
10065	<u>ALTERNATOR & REGULATOR</u> <u>TURN SIGNALS</u> <u>MAIN WIRING HARNESS (1 OF 2)</u>
10074	<u>EXHAUST SYSTEM</u>
10080	<u>CRANKCASE</u> <u>OIL TANK & FILTER</u>
10120	<u>HORN</u>
10142	<u>OIL TANK & FILTER</u>
10147	<u>ALTERNATOR & REGULATOR</u>
10177	<u>CRANKCASE</u> <u>ALTERNATOR & REGULATOR</u> <u>MAIN WIRING HARNESS (1 OF 2)</u>
10179A	<u>SHIFTER - 883C/1200C</u> <u>REAR BRAKE CONTROL - 883/883L/883R/1200R</u> <u>REAR BRAKE CONTROL - 883C/1200C</u>
10181	<u>HANDLEBAR SWITCHES</u>
10200	<u>REAR FENDER & BELT GUARDS</u>
10210	<u>MAIN WIRING HARNESS (1 OF 2)</u>
10212	<u>BATTERY</u>
10242	<u>REAR FENDER & BELT GUARDS</u>
10252	<u>REAR BRAKE MASTER CYLINDER</u>
10254	<u>FUEL TANK</u>
10255	<u>REAR BRAKE MASTER CYLINDER</u>
10259	<u>MAIN WIRING HARNESS (1 OF 2)</u>
10264	<u>CLUTCH CONTROL</u>
10267	<u>CRANKCASE</u>
1039	<u>ROCKER ARMS, COVERS & PUSH RODS - V2™</u>

1048	<u>CRANKCASE</u>
10957	<u>STARTER MOTOR</u>
10995	<u>REAR BRAKE MASTER CYLINDER</u>
11002	<u>OIL PUMP</u>
11031	<u>REAR BRAKE MASTER CYLINDER</u>
11046	<u>CLUTCH</u>
11067	<u>TRANSMISSION GEARS</u>
11105	<u>INSPECTION COVER & PRIMARY COVER</u>
11120	<u>OIL TANK & FILTER</u>
11121	<u>REAR BRAKE MASTER CYLINDER</u>
11142	<u>FRONT BRAKE CONTROL</u>
11155	<u>HANDLEBAR & THROTTLE CONTROL - 883/883L/883R/1200R</u> <u>HANDLEBAR & THROTTLE CONTROL - 883C/1200C</u> <u>HANDLEBAR SWITCHES</u>
11161	<u>TRANSMISSION GEARS</u>
11165	<u>TRANSMISSION GEARS</u>
11171	<u>INSPECTION COVER & PRIMARY COVER</u>
11177A	<u>PISTONS, CONNECTING RODS & FLYWHEELS</u> <u>CRANKCASE</u>
11179	<u>CLUTCH CONTROL</u>
11190	<u>ROCKER ARMS, COVERS & PUSH RODS - V2™</u>
11202	<u>AIR CLEANER & ENRICHENER</u>
11250	<u>CLUTCH</u>
11271	<u>HANDLEBAR & THROTTLE CONTROL - 883/883L/883R/1200R</u> <u>HANDLEBAR & THROTTLE CONTROL - 883C/1200C</u>
11272	<u>HANDLEBAR & THROTTLE CONTROL - 883/883L/883R/1200R</u> <u>HANDLEBAR & THROTTLE CONTROL - 883C/1200C</u>
11282	<u>FRAME, REAR FORK & JIFFY STAND</u>
11289A	<u>CRANKCASE</u> <u>SPEEDOMETER & TACHOMETER - 883/883L/883R/1200R</u> <u>SPEEDOMETER - 883C/1200C</u>
11291	<u>CARBURETOR (1 OF 2)</u>
11304	<u>SHIFTER - 883C/1200C</u>

	REAR BRAKE CONTROL - 883/883L/883R/1200R REAR BRAKE CONTROL - 883C/1200C FOOTRESTS FOOTRESTS FOOTRESTS
11317	GEARCASE & COVER
11360	SHIFTER - 883/883L/883R/1200R
11376	FRAME, REAR FORK & JIFFY STAND
11377	ROCKER ARMS, COVERS & PUSH RODS - V2™
11379	CLUTCH CONTROL FRONT BRAKE CONTROL
11390	SHIFTER - 883C/1200C REAR BRAKE CONTROL - 883/883L/883R/1200R REAR BRAKE CONTROL - 883C/1200C
11407	REAR BRAKE MASTER CYLINDER
11474	REAR FENDER & BELT GUARDS
11730A	CLUTCH
11765Y	CLUTCH
12030	TRANSMISSION GEARS
12067B	TRANSMISSION GEARS
12068	CRANKCASE
13304-05	FUEL TANK TRIM
13305-05	FUEL TANK TRIM
13340-04	FUEL TANK TRIM
13341-04	FUEL TANK TRIM
13342-04	FUEL TANK TRIM
13343-04	FUEL TANK TRIM
13367-04	FUEL TANK TRIM
13371-04	FUEL TANK TRIM
13372-04	FUEL TANK TRIM
13373-04	FUEL TANK TRIM
13374-04	FUEL TANK TRIM
13566-05	FUEL TANK TRIM

13567-05	<u>FUEL TANK TRIM</u>
14270-92	<u>INSPECTION COVER & PRIMARY COVER</u>
14448-94	<u>HANDLEBAR & THROTTLE CONTROL - 883C/1200C</u>
1594	<u>FRAME, REAR FORK & JIFFY STAND</u>
16232-04	<u>ENGINE MOUNTS</u>
16287-04	<u>ENGINE MOUNTS</u>
16291-04	<u>ENGINE MOUNTS</u>
16353-04	<u>CYLINDER, HEAD & VALVES - V2™ EVOLUTION (1 OF 2)</u>
16354-04	<u>CYLINDER, HEAD & VALVES - V2™ EVOLUTION (1 OF 2)</u>
16355-04	<u>HORN</u>
16443-04	<u>CYLINDER, HEAD & VALVES - V2™ EVOLUTION (1 OF 2)</u>
16452-05	<u>CYLINDER, HEAD & VALVES - V2™ EVOLUTION (1 OF 2)</u>
16461-02	<u>CYLINDER, HEAD & VALVES - V2™ EVOLUTION (1 OF 2)</u>
16463-04	<u>CYLINDER, HEAD & VALVES - V2™ EVOLUTION (1 OF 2)</u>
16465-06	<u>CYLINDER, HEAD & VALVES - V2™ EVOLUTION (1 OF 2)</u>
16478-85A	<u>CYLINDER, HEAD & VALVES - V2™ EVOLUTION (1 OF 2)</u>
16480-92A	<u>CYLINDER, HEAD & VALVES - V2™ EVOLUTION (1 OF 2)</u>
16573-83A	<u>CYLINDER, HEAD & VALVES - V2™ EVOLUTION (1 OF 2)</u>
16660-04	<u>CYLINDER, HEAD & VALVES - V2™ EVOLUTION (1 OF 2)</u>
16661-04	<u>CYLINDER, HEAD & VALVES - V2™ EVOLUTION (1 OF 2)</u>
16664-86D	<u>CYLINDER, HEAD & VALVES - V2™ EVOLUTION (1 OF 2)</u>
16666-04	<u>CYLINDER, HEAD & VALVES - V2™ EVOLUTION (1 OF 2)</u>
16667-04	<u>CYLINDER, HEAD & VALVES - V2™ EVOLUTION (1 OF 2)</u>
16699-06	<u>CYLINDER, HEAD & VALVES - V2™ EVOLUTION (1 OF 2)</u>
16715-83	<u>CYLINDER, HEAD & VALVES - V2™ EVOLUTION (1 OF 2)</u>
16770-84F	<u>CYLINDER, HEAD & VALVES - V2™ EVOLUTION (1 OF 2)</u>
16774-86D	<u>CYLINDER, HEAD & VALVES - V2™ EVOLUTION (1 OF 2)</u>
16800-84A	<u>ROCKER ARMS, COVERS & PUSH RODS - V2™</u>
16832-86C	<u>CYLINDER, HEAD & VALVES - V2™ EVOLUTION (1 OF 2)</u>

16865-05	CYLINDER, HEAD & VALVES - V2™ EVOLUTION (1 OF 2)
16867-05	CYLINDER, HEAD & VALVES - V2™ EVOLUTION (1 OF 2)
17027-04B	CYLINDER, HEAD & VALVES - V2™ EVOLUTION (1 OF 2)
17049-04A	CYLINDER, HEAD & VALVES - V2™ EVOLUTION (1 OF 2)
17353-89C	ROCKER ARMS, COVERS & PUSH RODS - V2™
17358-84B	ROCKER ARMS, COVERS & PUSH RODS - V2™
17360-83A	ROCKER ARMS, COVERS & PUSH RODS - V2™
17375-83A	ROCKER ARMS, COVERS & PUSH RODS - V2™
17501-04	ROCKER ARMS, COVERS & PUSH RODS - V2™
17527-04	ROCKER ARMS, COVERS & PUSH RODS - V2™
17532-86E	ROCKER ARMS, COVERS & PUSH RODS - V2™
17537-96C	ROCKER ARMS, COVERS & PUSH RODS - V2™
17551-04	ROCKER ARMS, COVERS & PUSH RODS - V2™
17611-83	ROCKER ARMS, COVERS & PUSH RODS - V2™
17614-98C	ROCKER ARMS, COVERS & PUSH RODS - V2™
17655-05	ROCKER ARMS, COVERS & PUSH RODS - V2™
17908-02	ROCKER ARMS, COVERS & PUSH RODS - V2™
17909-02	ROCKER ARMS, COVERS & PUSH RODS - V2™
17946-04	ROCKER ARMS, COVERS & PUSH RODS - V2™
17972-04	ROCKER ARMS, COVERS & PUSH RODS - V2™
17976-04	ROCKER ARMS, COVERS & PUSH RODS - V2™
17981-04	ROCKER ARMS, COVERS & PUSH RODS - V2™
18011-86	CYLINDER, HEAD & VALVES - V2™ EVOLUTION (2 OF 2)
18012-87A	CYLINDER, HEAD & VALVES - V2™ EVOLUTION (2 OF 2)
18020-83	CYLINDER, HEAD & VALVES - V2™ EVOLUTION (2 OF 2)
18021-87A	CYLINDER, HEAD & VALVES - V2™ EVOLUTION (2 OF 2)
18053-04	CYLINDER, HEAD & VALVES - V2™ EVOLUTION (2 OF 2)
18059-04	CYLINDER, HEAD & VALVES - V2™ EVOLUTION (2 OF 2)
18094-02A	CYLINDER, HEAD & VALVES - V2™ EVOLUTION (2 OF 2)
18245-02	CYLINDER, HEAD & VALVES - V2™ EVOLUTION (2 OF 2)

18258-02	<u>CYLINDER, HEAD & VALVES - V2™ EVOLUTION (2 OF 2)</u>
18260-02	<u>CYLINDER, HEAD & VALVES - V2™ EVOLUTION (2 OF 2)</u>
18532-00A	<u>ROCKER ARMS, COVERS & PUSH RODS - V2™</u>
18538-99B	<u>ROCKER ARMS, COVERS & PUSH RODS - V2™</u>
18690-02	<u>CYLINDER, HEAD & VALVES - V2™ EVOLUTION (2 OF 2)</u>
18691-02	<u>CYLINDER, HEAD & VALVES - V2™ EVOLUTION (2 OF 2)</u>
19272-06	<u>CYLINDER, HEAD & VALVES - V2™ EVOLUTION (1 OF 2)</u>
19273-05	<u>CYLINDER, HEAD & VALVES - V2™ EVOLUTION (2 OF 2)</u>
19274-05	<u>CYLINDER, HEAD & VALVES - V2™ EVOLUTION (2 OF 2)</u>
19275-05	<u>CYLINDER, HEAD & VALVES - V2™ EVOLUTION (2 OF 2)</u>
19276-06	<u>CYLINDER, HEAD & VALVES - V2™ EVOLUTION (1 OF 2)</u>
19277-05	<u>CYLINDER, HEAD & VALVES - V2™ EVOLUTION (2 OF 2)</u>
19278-05	<u>CYLINDER, HEAD & VALVES - V2™ EVOLUTION (1 OF 2)</u>
19279-05	<u>CYLINDER, HEAD & VALVES - V2™ EVOLUTION (2 OF 2)</u>
19280-05	<u>CYLINDER, HEAD & VALVES - V2™ EVOLUTION (2 OF 2)</u>
19281-05	<u>CYLINDER, HEAD & VALVES - V2™ EVOLUTION (1 OF 2)</u>
19282-05	<u>CYLINDER, HEAD & VALVES - V2™ EVOLUTION (2 OF 2)</u>
19283-05	<u>CYLINDER, HEAD & VALVES - V2™ EVOLUTION (2 OF 2)</u>
19500-05	<u>CYLINDER, HEAD & VALVES - V2™ EVOLUTION (1 OF 2)</u>
19501-05	<u>CYLINDER, HEAD & VALVES - V2™ EVOLUTION (2 OF 2)</u>
19502-05	<u>CYLINDER, HEAD & VALVES - V2™ EVOLUTION (2 OF 2)</u>
19563-05	<u>CYLINDER, HEAD & VALVES - V2™ EVOLUTION (1 OF 2)</u>
19564-05	<u>CYLINDER, HEAD & VALVES - V2™ EVOLUTION (2 OF 2)</u>
19565-05	<u>CYLINDER, HEAD & VALVES - V2™ EVOLUTION (2 OF 2)</u>
215	<u>CRANKCASE</u>
21948-02	<u>PISTONS, CONNECTING RODS & FLYWHEELS</u>
22221-04	<u>PISTONS, CONNECTING RODS & FLYWHEELS</u>
22223-04	<u>PISTONS, CONNECTING RODS & FLYWHEELS</u>
22224-04	<u>PISTONS, CONNECTING RODS & FLYWHEELS</u>

22227-04	<u>PISTONS, CONNECTING RODS & FLYWHEELS</u>
22228-04	<u>PISTONS, CONNECTING RODS & FLYWHEELS</u>
22230-04	<u>PISTONS, CONNECTING RODS & FLYWHEELS</u>
22231-04	<u>PISTONS, CONNECTING RODS & FLYWHEELS</u>
22238-04	<u>PISTONS, CONNECTING RODS & FLYWHEELS</u>
22261-86	<u>PISTONS, CONNECTING RODS & FLYWHEELS</u>
22266-86	<u>PISTONS, CONNECTING RODS & FLYWHEELS</u>
22271-86	<u>PISTONS, CONNECTING RODS & FLYWHEELS</u>
22589-83B	<u>PISTONS, CONNECTING RODS & FLYWHEELS</u>
22719-04	<u>PISTONS, CONNECTING RODS & FLYWHEELS</u>
22765-02	<u>PISTONS, CONNECTING RODS & FLYWHEELS</u>
2325	<u>SPEEDOMETER & TACHOMETER - 883/883L/883R/1200R</u>
2361	<u>SPEEDOMETER & TACHOMETER - 883/883L/883R/1200R</u> <u>SPEEDOMETER & TACHOMETER - 883/883L/883R/1200R</u>
23905-04B	<u>PISTONS, CONNECTING RODS & FLYWHEELS</u>
24047-00	<u>GEARCASE & COVER</u>
24331-36	<u>PISTONS, CONNECTING RODS & FLYWHEELS</u>
24332-36	<u>PISTONS, CONNECTING RODS & FLYWHEELS</u>
2441	<u>ROCKER ARMS, COVERS & PUSH RODS - V2™</u>
24466-04	<u>CRANKCASE</u>
24470-04	<u>CRANKCASE</u>
2460	<u>AIR CLEANER & ENRICHENER</u>
24605-07	<u>CRANKCASE</u>
24647-87	<u>CRANKCASE</u>
24650-87	<u>CRANKCASE</u>
24658-87	<u>PISTONS, CONNECTING RODS & FLYWHEELS</u>
24659-87	<u>CRANKCASE</u>
24660-87	<u>CRANKCASE</u>
24754-75A	<u>CRANKCASE</u>
2501A	<u>REAR BRAKE MASTER CYLINDER</u>

25193-00B	<u>GEARCASE & COVER</u>
25194-00B	<u>GEARCASE & COVER</u>
25213-04	<u>GEARCASE & COVER</u>
25219-04	<u>GEARCASE & COVER</u>
25252-04	<u>GEARCASE & COVER</u>
25263-90D	<u>GEARCASE & COVER</u>
2528	<u>SWITCHES & CIRCUIT BREAKERS</u>
25307-05	<u>INSPECTION COVER & PRIMARY COVER</u>
2535	<u>BATTERY</u>
25409-94B	<u>CLUTCH</u>
25430-04	<u>INSPECTION COVER & PRIMARY COVER</u>
25453-87A	<u>CLUTCH</u>
25460-04	<u>INSPECTION COVER & PRIMARY COVER</u>
25463-94A	<u>INSPECTION COVER & PRIMARY COVER</u>
25471-04	<u>INSPECTION COVER & PRIMARY COVER</u>
2548	<u>SPEEDOMETER - 883C/1200C</u>
25486-05	<u>GEARCASE & COVER</u>
25586-37	<u>GEARCASE & COVER</u>
25588-91	<u>GEARCASE & COVER</u>
25593-74	<u>GEARCASE & COVER</u>
25598-91	<u>GEARCASE & COVER</u>
2586A	<u>FRONT BRAKE CONTROL</u>
26010-04	<u>ROCKER ARMS, COVERS & PUSH RODS - V2™</u>
26011-04	<u>ROCKER ARMS, COVERS & PUSH RODS - V2™</u>
2607	<u>REAR FENDER & BELT GUARDS</u>
26204-91A	<u>OIL PUMP</u>
26318-88A	<u>GEARCASE & COVER</u>
26432-76A	<u>CYLINDER, HEAD & VALVES - V2™ EVOLUTION (2 OF 2)</u>
26434-91	<u>OIL PUMP</u>

26436-90A	<u>OIL TANK & FILTER</u>
26437-86B	<u>OIL TANK & FILTER</u>
26492-91	<u>OIL PUMP</u>
26493-91	<u>OIL PUMP</u>
26495-89B	<u>OIL PUMP</u>
26496-75A	<u>OIL PUMP</u>
26554-77B	<u>SWITCHES & CIRCUIT BREAKERS</u>
26556-04	<u>FUEL TANK</u>
26588-04	<u>FUEL TANK</u>
26638-00Y	<u>CRANKCASE</u>
26995-86B	<u>CARBURETOR (1 OF 2)</u>
27002-89	<u>CARBURETOR (1 OF 2)</u>
27009-86A	<u>CARBURETOR (1 OF 2)</u>
27010-86A	<u>CARBURETOR (1 OF 2)</u>
27024-04	<u>CARBURETOR (1 OF 2)</u>
27042-84A	<u>EVAPORATIVE EMISSIONS KIT</u>
27047-84B	<u>EVAPORATIVE EMISSIONS KIT</u>
27067-04	<u>FUEL TANK</u>
2708A	<u>SHIFTER - 883/883L/883R/1200R</u> <u>SHIFTER - 883C/1200C</u> <u>REAR FENDER & BELT GUARDS</u> <u>HEADLAMP & MIRROR - 883/883L/883R/1200R</u>
27090-89	<u>CARBURETOR (1 OF 2)</u>
27096-04A	<u>AIR CLEANER & ENRICHENER</u> <u>FUEL TANK</u>
27100-88	<u>CARBURETOR (1 OF 2)</u>
27101-88	<u>CARBURETOR (1 OF 2)</u>
27114-88	<u>CARBURETOR (1 OF 2)</u>
27116-88	<u>CARBURETOR (2 OF 2)</u>
27124-89	<u>CARBURETOR (1 OF 2)</u>
27125-89	<u>CARBURETOR (1 OF 2)</u>
27126-89	<u>CARBURETOR (1 OF 2)</u>

27127-89	CARBURETOR (1 OF 2)
27128-89	CARBURETOR (1 OF 2)
27130-90	CARBURETOR (1 OF 2)
27136-90A	CARBURETOR (1 OF 2)
27137-81	CARBURETOR (1 OF 2)
27146-89	CARBURETOR (1 OF 2)
27148-89	CARBURETOR (1 OF 2)
27152-89	CARBURETOR (2 OF 2)
27156-89	CARBURETOR (1 OF 2)
27157-89	CARBURETOR (1 OF 2)
27158-89	CARBURETOR (1 OF 2)
27162-89	CARBURETOR (1 OF 2)
27171-89	CARBURETOR (1 OF 2)
27185-90	CARBURETOR (1 OF 2)
27250-96B	FUEL TANK
27256-01	CARBURETOR (1 OF 2)
27260-00	CARBURETOR (1 OF 2)
27261-96	CARBURETOR (1 OF 2)
27262-96	CARBURETOR (1 OF 2)
27263-96	CARBURETOR (1 OF 2)
27311-76	CARBURETOR (1 OF 2)
27315-88A	CARBURETOR (1 OF 2)
27317-88	CARBURETOR (1 OF 2)
27320-04	CARBURETOR (1 OF 2)
27360-76	CARBURETOR (1 OF 2)
27361-76A	CARBURETOR (1 OF 2)
27362-76	CARBURETOR (1 OF 2)
27368-76	CARBURETOR (1 OF 2)
27369-76	CARBURETOR (1 OF 2)

27371-76A	<u>CARBURETOR (1 OF 2)</u>
27465-04	<u>CARBURETOR (2 OF 2)</u>
27490-04	<u>CARBURETOR (1 OF 2)</u>
27495-04	<u>CARBURETOR (1 OF 2)</u>
27575-88A	<u>CARBURETOR (1 OF 2)</u>
27576-92	<u>CARBURETOR (2 OF 2)</u>
27577-92	<u>CARBURETOR (2 OF 2)</u>
27579-88A	<u>CARBURETOR (2 OF 2)</u>
27580-88	<u>CARBURETOR (2 OF 2)</u>
27581-88	<u>CARBURETOR (2 OF 2)</u>
27582-88	<u>CARBURETOR (2 OF 2)</u>
27583-88	<u>CARBURETOR (2 OF 2)</u>
27585-88	<u>CARBURETOR (2 OF 2)</u>
27586-88	<u>CARBURETOR (2 OF 2)</u>
27587-88	<u>CARBURETOR (2 OF 2)</u>
2773	<u>REAR FENDER & BELT GUARDS</u>
27731-04	<u>CARBURETOR (1 OF 2)</u>
27732-04	<u>CARBURETOR (1 OF 2)</u>
27749-04	<u>CARBURETOR (2 OF 2)</u>
27777-04	<u>CARBURETOR (1 OF 2)</u>
27886-78A	<u>CARBURETOR (2 OF 2)</u>
28015-01	<u>CARBURETOR (2 OF 2)</u>
28026-04	<u>CARBURETOR (2 OF 2)</u>
28027-04	<u>CARBURETOR (2 OF 2)</u> <u>CARBURETOR (2 OF 2)</u>
28790-10	<u>AIR CLEANER & ENRICHENER</u>
28792-10	<u>AIR CLEANER & ENRICHENER</u>
28908-04A	<u>EVAPORATIVE EMISSIONS KIT</u>
28909-04	<u>EVAPORATIVE EMISSIONS KIT</u>
28910-04	<u>EVAPORATIVE EMISSIONS KIT</u>

28911-04A	<u>FUEL TANK EVAPORATIVE EMISSIONS KIT</u>
28912-04	<u>EVAPORATIVE EMISSIONS KIT</u>
29062-95B	<u>AIR CLEANER & ENRICHENER</u>
29123-04	<u>AIR CLEANER & ENRICHENER</u>
29125-05	<u>AIR CLEANER & ENRICHENER</u>
29229-88D	<u>AIR CLEANER & ENRICHENER</u>
29312-95	<u>EVAPORATIVE EMISSIONS KIT</u>
29313-95	<u>AIR CLEANER & ENRICHENER</u>
29315-04	<u>AIR CLEANER & ENRICHENER</u>
29331-04	<u>AIR CLEANER & ENRICHENER</u>
29342-99	<u>AIR CLEANER & ENRICHENER</u>
29346-04	<u>AIR CLEANER & ENRICHENER</u>
29348-04	<u>AIR CLEANER & ENRICHENER</u>
29352-04	<u>AIR CLEANER & ENRICHENER</u>
29359-04A	<u>AIR CLEANER & ENRICHENER</u> <u>AIR CLEANER & ENRICHENER</u>
29360-04	<u>AIR CLEANER & ENRICHENER</u>
29367-04	<u>AIR CLEANER & ENRICHENER</u>
2952A	<u>SEATS</u>
2955	<u>HANDLEBAR SWITCHES</u>
29802-04	<u>AIR CLEANER & ENRICHENER</u>
29950-91	<u>CRANKCASE</u>
29967-89C	<u>ALTERNATOR & REGULATOR</u>
29984-06	<u>ALTERNATOR & REGULATOR</u>
3022A	<u>TAIL LAMP</u>
3026	<u>CYLINDER, HEAD & VALVES - V2™ EVOLUTION (1 OF 2)</u> <u>HORN</u>
3029	<u>ALTERNATOR & REGULATOR</u>
31328-91	<u>STARTER MOTOR</u>
31390-91F	<u>STARTER MOTOR</u>

31488-81C	<u>STARTER MOTOR</u>
31512-04	<u>OIL TANK & FILTER</u>
31515-90	<u>STARTER MOTOR</u>
31518-90	<u>STARTER MOTOR</u>
31525-90	<u>STARTER MOTOR</u>
31530-90	<u>STARTER MOTOR</u>
31540-91	<u>STARTER MOTOR</u>
31556-91D	<u>STARTER MOTOR</u>
31599-91	<u>STARTER MOTOR</u>
31600-90	<u>STARTER MOTOR</u>
31601-04	<u>MAIN WIRING HARNESS (1 OF 2)</u> <u>SWITCHES & CIRCUIT BREAKERS</u>
31603-91	<u>STARTER MOTOR</u>
31655-99	<u>ELECTRONIC IGNITION SYSTEM</u>
31662-90	<u>STARTER MOTOR</u>
31688-90	<u>STARTER MOTOR</u>
31689-90	<u>STARTER MOTOR</u>
31692-90	<u>STARTER MOTOR</u>
31695-90	<u>STARTER MOTOR</u>
31740-04	<u>ELECTRONIC IGNITION SYSTEM</u>
31755-04	<u>ELECTRONIC IGNITION SYSTEM</u>
31996-04	<u>ELECTRONIC IGNITION SYSTEM</u>
3201WA	<u>STEERING HEAD BRACKET ASSEMBLY</u>
3210A	<u>SHIFTER - 883C/1200C</u> <u>REAR BRAKE CONTROL - 883/883L/883R/1200R</u> <u>REAR BRAKE CONTROL - 883C/1200C</u> <u>HANDLEBAR & THROTTLE CONTROL - 883C/1200C</u> <u>FRONT FENDER</u>
32362-04	<u>ELECTRONIC IGNITION SYSTEM</u>
32417-10	<u>CARBURETOR (2 OF 2)</u>
3244	<u>CLUTCH CONTROL</u> <u>FRONT BRAKE CONTROL</u>
32493-02B	<u>ALTERNATOR & REGULATOR</u>

32494-04B	<u>ALTERNATOR & REGULATOR</u> <u>ALTERNATOR & REGULATOR</u>
32506-90	<u>GEARCASE & COVER</u>
32514-04	<u>GEARCASE & COVER</u>
32555-04	<u>GEARCASE & COVER</u>
32617-00Y	<u>CRANKCASE</u>
32622-04B	<u>ELECTRONIC IGNITION SYSTEM</u>
32699-05	<u>GEARCASE & COVER</u>
3275	<u>CARBURETOR (1 OF 2)</u>
32804-04B	<u>CRANKCASE</u>
33032-99	<u>SHIFTER - 883C/1200C</u> <u>REAR BRAKE CONTROL - 883/883L/883R/1200R</u> <u>REAR BRAKE CONTROL - 883C/1200C</u> <u>FOOTRESTS</u>
33048-72	<u>FOOTRESTS</u>
33117-91A	<u>OIL TANK & FILTER</u>
33123-04	<u>OIL TANK & FILTER</u>
33189-63	<u>FOOTRESTS</u>
33216-99	<u>SHIFTER - 883C/1200C</u> <u>REAR BRAKE CONTROL - 883/883L/883R/1200R</u> <u>REAR BRAKE CONTROL - 883C/1200C</u> <u>FOOTRESTS</u>
33344-94	<u>TRANSMISSION GEARS</u>
33540-02A	<u>SHIFTER - 883/883L/883R/1200R</u>
33634-02A	<u>SHIFTER - 883/883L/883R/1200R</u>
33900-99	<u>SHIFTER - 883/883L/883R/1200R</u> <u>SWITCHES & CIRCUIT BREAKERS</u>
34014-02B	<u>SHIFTER - 883/883L/883R/1200R</u>
3403	<u>STARTER MOTOR</u>
34064-00C	<u>SHIFTER - 883/883L/883R/1200R</u>
34076-02A	<u>SHIFTER - 883/883L/883R/1200R</u>
34144-02	<u>SHIFTER - 883/883L/883R/1200R</u>
34163-02	<u>SHIFTER - 883/883L/883R/1200R</u>

34483-02	<u>SHIFTER - 883/883L/883R/1200R</u>
34491-02A	<u>SHIFTER - 883/883L/883R/1200R</u>
34572-04	<u>SHIFTER - 883C/1200C</u>
34573-04	<u>SHIFTER - 883C/1200C</u>
34581-04	<u>REAR BRAKE CONTROL - 883C/1200C</u>
34582-04	<u>REAR BRAKE CONTROL - 883/883L/883R/1200R</u>
34611-65A	<u>SHIFTER - 883/883L/883R/1200R</u> <u>SHIFTER - 883C/1200C</u>
34660-04A	<u>SHIFTER - 883/883L/883R/1200R</u>
34670-04	<u>SHIFTER - 883C/1200C</u>
34760-04	<u>INSPECTION COVER & PRIMARY COVER</u>
34761-04A	<u>INSPECTION COVER & PRIMARY COVER</u>
34790-05	<u>INSPECTION COVER & PRIMARY COVER</u>
34794-05A	<u>INSPECTION COVER & PRIMARY COVER</u>
3480A	<u>GEARCASE & COVER</u> <u>ELECTRONIC IGNITION SYSTEM</u> <u>BELTS & SPROCKETS</u>
34911-04	<u>BELTS & SPROCKETS</u>
34920-86A	<u>CLUTCH</u>
34932-04	<u>BELTS & SPROCKETS</u>
34938-04	<u>BELTS & SPROCKETS</u>
34943-05	<u>BELTS & SPROCKETS</u>
34955-04	<u>INSPECTION COVER & PRIMARY COVER</u>
34981-02A	<u>SHIFTER - 883/883L/883R/1200R</u>
34982-02	<u>SHIFTER - 883/883L/883R/1200R</u>
34986-04	<u>INSPECTION COVER & PRIMARY COVER</u>
34992-04	<u>INSPECTION COVER & PRIMARY COVER</u>
34993-04A	<u>INSPECTION COVER & PRIMARY COVER</u>
35020-89	<u>TRANSMISSION GEARS</u>
35021-89	<u>TRANSMISSION GEARS</u>
35030-89A	<u>TRANSMISSION GEARS</u>

35034-94	<u>TRANSMISSION GEARS</u>
35038-89A	<u>TRANSMISSION GEARS</u>
35051-89A	<u>TRANSMISSION GEARS</u>
35063-89	<u>TRANSMISSION GEARS</u>
35114-02	<u>CRANKCASE</u>
35118-03	<u>CRANKCASE</u>
35128-04	<u>TRANSMISSION GEARS</u>
35133-04	<u>TRANSMISSION GEARS</u>
3514	<u>HEADLAMP & MIRROR - 883/883L/883R/1200R</u>
35211-91B	<u>BELTS & SPROCKETS</u>
3559	<u>STARTER MOTOR</u>
3563	<u>HORN</u>
35633-94	<u>TRANSMISSION GEARS</u>
35640-89	<u>TRANSMISSION GEARS</u>
35641-89	<u>TRANSMISSION GEARS</u>
35647-04	<u>TRANSMISSION GEARS</u>
3565	<u>AIR CLEANER & ENRICHENER</u>
3574	<u>BATTERY</u>
35754-04	<u>TRANSMISSION GEARS</u>
35755-04	<u>TRANSMISSION GEARS</u>
35756-04	<u>TRANSMISSION GEARS</u>
35758-04	<u>TRANSMISSION GEARS</u>
35762-02	<u>TRANSMISSION GEARS</u>
35763-89A	<u>TRANSMISSION GEARS</u>
35771-94	<u>TRANSMISSION GEARS</u>
35772-94	<u>TRANSMISSION GEARS</u>
35773-94	<u>TRANSMISSION GEARS</u>
35775-94	<u>TRANSMISSION GEARS</u>
35796-00	<u>TRANSMISSION GEARS</u>

35797-00	<u>TRANSMISSION GEARS</u>
3579A	<u>REAR FENDER & BELT GUARDS</u>
358	<u>CRANKCASE</u>
3588	<u>SEATS</u> <u>OIL TANK & FILTER</u>
3594	<u>CRANKCASE</u> <u>BELTS & SPROCKETS</u> <u>SPEEDOMETER & TACHOMETER - 883/883L/883R/1200R</u> <u>SPEEDOMETER - 883C/1200C</u>
3605	<u>HANDLEBAR & THROTTLE CONTROL - 883/883L/883R/1200R</u> <u>HANDLEBAR & THROTTLE CONTROL - 883C/1200C</u>
3615	<u>HEADLAMP & MIRROR - 883C/1200C</u>
3655A	<u>FRONT WHEEL - CAST</u> <u>FRONT WHEEL - LACED & PROFILE LACED</u> <u>FRONT WHEEL - LACED & PROFILE LACED</u>
3658	<u>HANDLEBAR & THROTTLE CONTROL - 883/883L/883R/1200R</u> <u>HANDLEBAR & THROTTLE CONTROL - 883C/1200C</u> <u>HORN</u> <u>HANDLEBAR SWITCHES</u>
3666A	<u>HANDLEBAR & THROTTLE CONTROL - 883C/1200C</u>
36715-94	<u>CLUTCH</u>
36731-91	<u>CLUTCH</u>
3675	<u>TRANSMISSION GEARS</u>
36785-91	<u>CLUTCH</u>
36790-04	<u>CLUTCH</u>
36799-91	<u>CLUTCH</u>
36802-84B	<u>CLUTCH</u>
37101-84B	<u>SHIFTER - 883/883L/883R/1200R</u>
37495-91	<u>CLUTCH</u>
3767B	<u>EVAPORATIVE EMISSIONS KIT</u>
37870-91	<u>CLUTCH</u>
37872-90	<u>CLUTCH</u>
37904-90	<u>CLUTCH</u>
37905-90	<u>CLUTCH</u>
37908-90	<u>CLUTCH</u>

37909-90	CLUTCH
37910-04B	CLUTCH
37911-90	CLUTCH
37912-91	CLUTCH
37913-90	CLUTCH
37924-04A	CLUTCH
37977-90	CLUTCH
3799	OIL TANK & FILTER
3814	REAR WHEEL - CAST
3849	ROCKER ARMS, COVERS & PUSH RODS - V2™
3854	ENGINE MOUNTS
38630-88	CLUTCH CONTROL
38653-01	HANDLEBAR & THROTTLE CONTROL - 883/883L/883R/1200R HANDLEBAR & THROTTLE CONTROL - 883C/1200C
38671-04	CLUTCH CONTROL
38699-04C	CLUTCH CONTROL
38702-05C	CLUTCH CONTROL
38723-99	CARBURETOR (2 OF 2)
3880	SHOCK ABSORBERS
3899	BELTS & SPROCKETS REAR WHEEL - CAST REAR WHEEL - LACED & PROFILE LACED
3997A	SHIFTER - 883/883L/883R/1200R
40005-57B	BELTS & SPROCKETS
40039-02C	BELTS & SPROCKETS
40147-04	BELTS & SPROCKETS BELTS & SPROCKETS
4016	SHIFTER - 883C/1200C
4017	REAR FENDER & BELT GUARDS
40241-02A	ALTERNATOR & REGULATOR BELTS & SPROCKETS
40251-92A	BELTS & SPROCKETS

40254-02	<u>CRANKCASE</u> <u>BELTS & SPROCKETS</u>
40290-04A	<u>ALTERNATOR & REGULATOR</u> <u>ALTERNATOR & REGULATOR</u> <u>BELTS & SPROCKETS</u> <u>BELTS & SPROCKETS</u>
4029A	<u>FRONT FORK</u>
4032A	<u>EXHAUST SYSTEM</u>
40350-04	<u>BELTS & SPROCKETS</u> <u>REAR WHEEL - CAST</u> <u>REAR WHEEL - LACED & PROFILE LACED</u>
40352-04	<u>BELTS & SPROCKETS</u> <u>REAR WHEEL - CAST</u>
40379-04	<u>BELTS & SPROCKETS</u>
40380-04	<u>BELTS & SPROCKETS</u>
40409-04	<u>BELTS & SPROCKETS</u>
40518-05	<u>BELTS & SPROCKETS</u> <u>REAR WHEEL - CAST</u>
40520-63	<u>INSPECTION COVER & PRIMARY COVER</u>
40544-05	<u>BELTS & SPROCKETS</u> <u>REAR WHEEL - CAST</u>
40560-05	<u>REAR WHEEL - CAST</u>
40561-05	<u>REAR WHEEL - CAST</u>
40562-05	<u>REAR WHEEL - CAST</u>
40570-04B	<u>BELTS & SPROCKETS</u>
40571-04B	<u>BELTS & SPROCKETS</u>
40582-05	<u>REAR WHEEL - CAST</u> <u>REAR WHEEL - LACED & PROFILE LACED</u>
40759-05	<u>FRONT WHEEL - LACED & PROFILE LACED</u>
4076	<u>REAR BRAKE MASTER CYLINDER</u> <u>REAR BRAKE CONTROL - 883/883L/883R/1200R</u>
40760-05	<u>FRONT WHEEL - LACED & PROFILE LACED</u>
40761-05	<u>FRONT WHEEL - LACED & PROFILE LACED</u>
40762-05	<u>FRONT WHEEL - LACED & PROFILE LACED</u>
4091	<u>CRANKCASE</u>

40930-05	REAR WHEEL - CAST REAR WHEEL - LACED & PROFILE LACED
40946-04	REAR BRAKE MASTER CYLINDER
40948-04	REAR BRAKE MASTER CYLINDER
40968-05A	REAR BRAKE CALIPER
41012-00A	REAR WHEEL - CAST
41041-05	REAR WHEEL - CAST
41052-08	REAR WHEEL - LACED & PROFILE LACED
41053-02A	REAR WHEEL - LACED & PROFILE LACED
41084-02A	REAR WHEEL - CAST REAR WHEEL - LACED & PROFILE LACED
41123-79	FRONT WHEEL - CAST FRONT WHEEL - LACED & PROFILE LACED REAR WHEEL - CAST REAR WHEEL - LACED & PROFILE LACED
41176-05	REAR WHEEL - CAST REAR WHEEL - LACED & PROFILE LACED
41191-74A	INSPECTION COVER & PRIMARY COVER
41296-05	REAR WHEEL - CAST REAR WHEEL - LACED & PROFILE LACED
4132	OIL PUMP
41561-04	ENGINE MOUNTS
41562-04	ENGINE MOUNTS
41568-04	ENGINE MOUNTS
41573-05	FRAME, REAR FORK & JIFFY STAND FRAME, REAR FORK & JIFFY STAND FRAME, REAR FORK & JIFFY STAND
41623-05	FRAME, REAR FORK & JIFFY STAND
41698-04	FRAME, REAR FORK & JIFFY STAND
41699-04	ENGINE MOUNTS
41732-04	FRONT BRAKE CONTROL REAR BRAKE MASTER CYLINDER
41736-04	FRONT BRAKE CONTROL REAR BRAKE MASTER CYLINDER
41737-04	FRONT BRAKE CONTROL

41743-04	<u>FRONT BRAKE CONTROL</u>
41797-00	<u>REAR WHEEL - CAST</u> <u>REAR WHEEL - LACED & PROFILE LACED</u>
4180	<u>ENGINE MOUNTS</u> <u>HORN</u>
4188	<u>ENGINE MOUNTS</u>
42255-04	<u>REAR BRAKE MASTER CYLINDER</u>
4240	<u>FRONT BRAKE CONTROL</u>
42425-05	<u>CLUTCH CONTROL</u> <u>FRONT BRAKE CONTROL</u>
42521-04	<u>REAR BRAKE MASTER CYLINDER</u>
42541-04	<u>SHIFTER - 883C/1200C</u> <u>REAR BRAKE CONTROL - 883/883L/883R/1200R</u>
42566-04	<u>REAR BRAKE CONTROL - 883C/1200C</u>
42569-03	<u>SHIFTER - 883C/1200C</u> <u>REAR BRAKE CONTROL - 883/883L/883R/1200R</u> <u>REAR BRAKE CONTROL - 883C/1200C</u>
42593-04	<u>REAR BRAKE MASTER CYLINDER</u>
42595-04	<u>REAR BRAKE MASTER CYLINDER</u>
42651-04	<u>SHIFTER - 883C/1200C</u> <u>FOOTRESTS</u>
42652-04	<u>REAR BRAKE CONTROL - 883C/1200C</u> <u>FOOTRESTS</u>
42685-04	<u>REAR BRAKE CONTROL - 883C/1200C</u>
4269	<u>EXHAUST SYSTEM</u>
42803-04B	<u>FRONT BRAKE CONTROL</u>
42804-04	<u>FRONT BRAKE CONTROL</u>
42805-04	<u>FRONT BRAKE CONTROL</u>
42806-04	<u>FRONT BRAKE CONTROL</u>
42807-04	<u>CLUTCH CONTROL</u> <u>FRONT BRAKE CONTROL</u>
42808-04	<u>CLUTCH CONTROL</u> <u>FRONT BRAKE CONTROL</u>
42809-04B	<u>FRONT BRAKE CONTROL</u>

42810-04B	<u>REAR BRAKE MASTER CYLINDER</u>
42811-04	<u>REAR BRAKE MASTER CYLINDER</u>
42812-04	<u>REAR BRAKE MASTER CYLINDER</u>
42813-04	<u>REAR BRAKE MASTER CYLINDER</u>
42814-04	<u>REAR BRAKE MASTER CYLINDER</u>
42815-04	<u>REAR BRAKE MASTER CYLINDER</u>
42816-04	<u>REAR BRAKE MASTER CYLINDER</u>
42817-04	<u>REAR BRAKE MASTER CYLINDER</u>
42818-04	<u>REAR BRAKE MASTER CYLINDER</u>
42821-04	<u>REAR BRAKE MASTER CYLINDER</u>
42822-04	<u>FRONT BRAKE CALIPER</u>
42823-04	<u>FRONT BRAKE CALIPER</u> <u>REAR BRAKE CALIPER</u>
42824-04	<u>FRONT BRAKE CALIPER</u> <u>REAR BRAKE CALIPER</u>
42825-04	<u>FRONT BRAKE CALIPER</u>
42826-04	<u>FRONT BRAKE CALIPER</u>
42827-04	<u>FRONT BRAKE CALIPER</u> <u>REAR BRAKE CALIPER</u>
42828-04	<u>FRONT BRAKE CALIPER</u> <u>REAR BRAKE CALIPER</u>
42829-04	<u>FRONT BRAKE CALIPER</u>
42831-04A	<u>FRONT BRAKE CALIPER</u>
42832-04	<u>FRONT BRAKE CALIPER</u>
42834-04	<u>REAR BRAKE CALIPER</u>
42835-05	<u>REAR BRAKE CALIPER</u>
42836-04A	<u>REAR BRAKE CALIPER</u>
42837-04	<u>REAR BRAKE CALIPER</u>
42838-04	<u>FRONT BRAKE CALIPER</u> <u>REAR BRAKE CALIPER</u>
42839-04	<u>REAR BRAKE CALIPER</u>
42840-04	<u>REAR BRAKE CALIPER</u>

42846-04	<u>REAR BRAKE MASTER CYLINDER</u>
42877-05	<u>FRONT BRAKE CALIPER</u>
42878-05	<u>FRONT BRAKE CALIPER</u>
42879-05A	<u>FRONT BRAKE CALIPER</u>
42880-05	<u>FRONT BRAKE CALIPER</u>
42881-05A	<u>REAR BRAKE CALIPER</u>
4290	<u>ENGINE MOUNTS</u>
42969-04	<u>REAR BRAKE CONTROL - 883/883L/883R/1200R</u>
42971-04	<u>REAR BRAKE CONTROL - 883/883L/883R/1200R</u> <u>FOOTRESTS</u>
42972-04	<u>FOOTRESTS</u>
42976-04	<u>REAR BRAKE MASTER CYLINDER</u>
42979-04	<u>REAR BRAKE MASTER CYLINDER</u>
43001-06	<u>FRONT WHEEL - LACED & PROFILE LACED</u>
43052-05A	<u>REAR WHEEL - LACED & PROFILE LACED</u>
43056-05	<u>FRONT WHEEL - LACED & PROFILE LACED</u>
43064-05	<u>FRONT WHEEL - LACED & PROFILE LACED</u>
43085-97	<u>REAR WHEEL - LACED & PROFILE LACED</u>
4312C	<u>BATTERY</u>
43157-83A	<u>FRONT WHEEL - CAST</u> <u>REAR WHEEL - CAST</u>
43241-05	<u>REAR WHEEL - LACED & PROFILE LACED</u>
4326A	<u>HANDLEBAR & THROTTLE CONTROL - 883/883L/883R/1200R</u>
4329	<u>ALTERNATOR & REGULATOR</u>
43312-05A	<u>FRONT WHEEL - LACED & PROFILE LACED</u>
43335-05	<u>REAR WHEEL - CAST</u>
43358-00	<u>FRONT WHEEL - CAST</u> <u>FRONT WHEEL - LACED & PROFILE LACED</u>
43359-00	<u>FRONT WHEEL - CAST</u>
43440-05A	<u>REAR WHEEL - LACED & PROFILE LACED</u>
43445-05	<u>FRONT WHEEL - LACED & PROFILE LACED</u>

43499-00A	<u>FRONT WHEEL - CAST</u>
43500-05	<u>FRONT WHEEL - LACED & PROFILE LACED</u>
4350A	<u>HEADLAMP & MIRROR - 883C/1200C</u>
4351	<u>STEERING HEAD BRACKET ASSEMBLY</u>
43517-00	<u>REAR WHEEL - CAST</u> <u>REAR WHEEL - LACED & PROFILE LACED</u>
4352	<u>STEERING HEAD BRACKET ASSEMBLY</u>
43528-04	<u>REAR BRAKE CALIPER</u>
43529-04	<u>FRONT BRAKE CALIPER</u>
4354	<u>SHOCK ABSORBERS</u>
43547-05B	<u>FRONT WHEEL - LACED & PROFILE LACED</u>
43557-05A	<u>FRONT WHEEL - LACED & PROFILE LACED</u>
43567-92	<u>REAR WHEEL - CAST</u> <u>REAR WHEEL - LACED & PROFILE LACED</u>
4359	<u>SHIFTER - 883C/1200C</u>
43594-00A	<u>FRONT WHEEL - CAST</u>
43595-99	<u>FRAME, REAR FORK & JIFFY STAND</u>
43610-00A	<u>FRONT WHEEL - LACED & PROFILE LACED</u>
43613-00	<u>FRONT WHEEL - CAST</u> <u>FRONT WHEEL - LACED & PROFILE LACED</u>
43617-00A	<u>FRONT WHEEL - CAST</u> <u>FRONT WHEEL - LACED & PROFILE LACED</u>
43629-00A	<u>FRONT WHEEL - LACED & PROFILE LACED</u>
4363	<u>EVAPORATIVE EMISSIONS KIT</u>
43637-05	<u>REAR WHEEL - CAST</u>
43662-80B	<u>FRONT WHEEL - LACED & PROFILE LACED</u>
43895-00	<u>FRONT WHEEL - CAST</u> <u>FRONT WHEEL - LACED & PROFILE LACED</u>
44119-04	<u>FRONT BRAKE CALIPER</u>
44121-04A	<u>FRONT BRAKE CALIPER</u>
44136-00	<u>FRONT WHEEL - CAST</u> <u>FRONT WHEEL - LACED & PROFILE LACED</u>
44156-00	<u>FRONT WHEEL - CAST</u>

	<u>FRONT WHEEL - LACED & PROFILE LACED</u>
44160-00	<u>FRONT BRAKE CALIPER</u> <u>FRONT BRAKE CALIPER</u>
44178-04	<u>REAR BRAKE CALIPER</u>
44184-04	<u>REAR BRAKE CALIPER</u>
44189-04	<u>REAR BRAKE MASTER CYLINDER</u>
4420	<u>HEADLAMP & MIRROR - 883C/1200C</u>
44429-04	<u>REAR BRAKE MASTER CYLINDER</u>
44440-04	<u>FRONT BRAKE CALIPER</u> <u>REAR BRAKE CALIPER</u>
4453	<u>STEERING HEAD BRACKET ASSEMBLY</u>
44590-04	<u>REAR BRAKE MASTER CYLINDER</u>
4460	<u>STEERING HEAD BRACKET ASSEMBLY</u>
44606-08	<u>REAR WHEEL - LACED & PROFILE LACED</u>
44610-05A	<u>FRONT WHEEL - LACED & PROFILE LACED</u>
45041-01A	<u>SHIFTER - 883C/1200C</u> <u>REAR BRAKE CONTROL - 883/883L/883R/1200R</u> <u>REAR BRAKE CONTROL - 883C/1200C</u> <u>FOOTRESTS</u> <u>FOOTRESTS</u> <u>FOOTRESTS</u>
45052-04	<u>FRONT BRAKE CONTROL</u>
45074-95	<u>FRONT BRAKE CONTROL</u>
45146-04	<u>FRONT BRAKE CONTROL</u>
45319-04	<u>FRONT BRAKE CONTROL</u>
45356-07	<u>CLUTCH CONTROL</u>
45361-90	<u>FRONT FORK</u>
45374-87	<u>FRONT FORK</u>
45376-04	<u>FRONT FORK</u>
45377-87	<u>FRONT FORK</u>
45378-87	<u>FRONT FORK</u>
45395-04	<u>FRONT FORK</u>
45401-87	<u>FRONT FORK</u>

45405-75A	<u>FRONT FORK</u>
45449-04B	<u>FRONT BRAKE CONTROL</u>
45460-90	<u>FRONT FORK</u>
45461-87	<u>FRONT FORK</u>
45465-87	<u>FRONT FORK</u>
45611-86	<u>STEERING HEAD BRACKET ASSEMBLY</u>
45668-90	<u>STEERING HEAD BRACKET ASSEMBLY</u>
45790-80	<u>FRONT FORK</u>
45799-04	<u>CLUTCH CONTROL</u>
45800-04	<u>CLUTCH CONTROL</u>
45801-04	<u>CLUTCH CONTROL</u>
45830-48	<u>CRANKCASE</u>
45900-04	<u>FRONT FORK</u>
45901-04	<u>FRONT FORK</u>
45902-00	<u>STARTER MOTOR</u>
45905-87	<u>FRONT FORK</u>
45921-00	<u>FRONT FORK</u>
45922-00	<u>FRONT FORK</u>
45923-00	<u>FRONT FORK</u>
45925-04	<u>FRONT FORK</u>
45938-92	<u>FRONT FORK</u>
45966-04	<u>STEERING HEAD BRACKET ASSEMBLY</u>
45984-87	<u>FRONT FORK</u>
45996-87	<u>FRONT FORK</u>
46002-87	<u>FRONT FORK</u>
46029-04	<u>FRONT FORK</u>
46126-04	<u>STEERING HEAD BRACKET ASSEMBLY</u>
46127-04	<u>STEERING HEAD BRACKET ASSEMBLY</u>
46218-05	<u>FRONT FORK</u>

46267-05	<u>FRONT FORK</u>
46268-04	<u>CLUTCH CONTROL</u>
46307-05	<u>FRONT FORK</u>
46308-05	<u>FRONT FORK</u>
46400-04	<u>FRONT BRAKE CONTROL</u>
46411-05D	<u>FRONT BRAKE CONTROL</u>
46449-05	<u>FRONT FORK</u>
46450-05	<u>FRONT FORK</u>
46453-05	<u>FRONT FORK</u>
46454-05	<u>FRONT FORK</u>
4717A	<u>GEARCASE & COVER</u> <u>BELTS & SPROCKETS</u>
4718A	<u>ROCKER ARMS, COVERS & PUSH RODS - V2™</u>
4740A	<u>GEARCASE & COVER</u>
4741A	<u>ROCKER ARMS, COVERS & PUSH RODS - V2™</u> <u>FRONT BRAKE CONTROL</u>
47470-04	<u>ENGINE MOUNTS</u>
47471-04A	<u>ENGINE MOUNTS</u>
4748	<u>CYLINDER, HEAD & VALVES - V2™ EVOLUTION (1 OF 2)</u> <u>SHIFTER - 883C/1200C</u> <u>REAR BRAKE CONTROL - 883/883L/883R/1200R</u> <u>REAR BRAKE CONTROL - 883C/1200C</u> <u>FOOTRESTS</u> <u>FOOTRESTS</u> <u>EXHAUST SYSTEM</u>
4751	<u>ALTERNATOR & REGULATOR</u>
47587-05	<u>FRAME, REAR FORK & JIFFY STAND</u>
4758A	<u>FUEL TANK</u>
4765	<u>OIL PUMP</u>
4771	<u>FUEL TANK</u>
4778	<u>REAR FENDER & BELT GUARDS</u>
4779	<u>REAR FENDER & BELT GUARDS</u>
48153-02B	<u>FRAME, REAR FORK & JIFFY STAND</u>
48154-05A	<u>SWITCHES & CIRCUIT BREAKERS</u>

4816A	<u>REAR BRAKE MASTER CYLINDER HANDLEBAR & THROTTLE CONTROL - 883/883L/883R/1200R</u>
48184-01	<u>STEERING HEAD BRACKET ASSEMBLY</u>
4820A	<u>INSPECTION COVER & PRIMARY COVER</u>
48300-60	<u>STEERING HEAD BRACKET ASSEMBLY</u>
48315-60	<u>STEERING HEAD BRACKET ASSEMBLY FRAME, REAR FORK & JIFFY STAND</u>
48463-04	<u>ENGINE MOUNTS</u>
48492-04A	<u>ENGINE MOUNTS</u>
49314-04	<u>FOOTRESTS</u>
49315-04	<u>FOOTRESTS</u>
49430-06A	<u>FRAME, REAR FORK & JIFFY STAND</u>
49431-06A	<u>FRAME, REAR FORK & JIFFY STAND</u>
49439-10	<u>FRAME, REAR FORK & JIFFY STAND</u>
50003-89B	<u>FRAME, REAR FORK & JIFFY STAND</u>
50005-85A	<u>FRAME, REAR FORK & JIFFY STAND</u>
50185-04C	<u>FRAME, REAR FORK & JIFFY STAND</u>
50912-72	<u>SHIFTER - 883C/1200C</u> <u>REAR BRAKE CONTROL - 883/883L/883R/1200R</u> <u>REAR BRAKE CONTROL - 883C/1200C</u> <u>FOOTRESTS</u> <u>FOOTRESTS</u> <u>FOOTRESTS</u>
51530-04	<u>SEATS</u>
51532-04	<u>SEATS</u>
51550-05	<u>SEATS</u>
51551-05	<u>SEATS</u>
51558-04	<u>SEATS</u>
51652-97A	<u>SEATS</u>
52494-04	<u>FUEL TANK</u>
52608-04	<u>SEATS</u>
53158-98	<u>FRAME, REAR FORK & JIFFY STAND</u>
53436-97	<u>HEADLAMP & MIRROR - 883/883L/883R/1200R</u>

	<u>HEADLAMP & MIRROR - 883C/1200C</u>
53438-92	<u>HEADLAMP & MIRROR - 883/883L/883R/1200R</u> <u>HEADLAMP & MIRROR - 883C/1200C</u>
53486-85	<u>MAIN WIRING HARNESS (1 OF 2)</u>
5403B	<u>REAR FENDER & BELT GUARDS</u>
5414	<u>EXHAUST SYSTEM</u>
54321-85	<u>FRONT WHEEL - CAST</u> <u>FRONT WHEEL - LACED & PROFILE LACED</u> <u>REAR WHEEL - CAST</u> <u>REAR WHEEL - LACED & PROFILE LACED</u>
54473-79	<u>SHOCK ABSORBERS</u>
54475-79	<u>SHOCK ABSORBERS</u>
54476-82	<u>SHOCK ABSORBERS</u>
54556-84	<u>SHOCK ABSORBERS</u>
54566-04	<u>SHOCK ABSORBERS</u>
54568-04	<u>SHOCK ABSORBERS</u>
54570-05	<u>SHOCK ABSORBERS</u>
54701-82	<u>SHOCK ABSORBERS</u>
54724-04	<u>SHOCK ABSORBERS</u>
554A	<u>FRAME, REAR FORK & JIFFY STAND</u>
55840-04A	<u>HANDLEBAR & THROTTLE CONTROL - 883C/1200C</u>
55842-04	<u>HANDLEBAR & THROTTLE CONTROL - 883C/1200C</u>
55844-04	<u>SPEEDOMETER - 883C/1200C</u>
55845-04A	<u>HANDLEBAR & THROTTLE CONTROL - 883/883L/883R/1200R</u>
56004-00	<u>HANDLEBAR & THROTTLE CONTROL - 883/883L/883R/1200R</u>
56017-04	<u>HANDLEBAR & THROTTLE CONTROL - 883C/1200C</u>
56038-05	<u>HANDLEBAR & THROTTLE CONTROL - 883/883L/883R/1200R</u>
56085-83A	<u>HANDLEBAR & THROTTLE CONTROL - 883/883L/883R/1200R</u>
56104-02	<u>REAR FENDER & BELT GUARDS</u> <u>TURN SIGNALS</u>
56115-95	<u>HANDLEBAR & THROTTLE CONTROL - 883/883L/883R/1200R</u>
56116-82A	<u>HANDLEBAR & THROTTLE CONTROL - 883/883L/883R/1200R</u>

56117-82A	HANDLEBAR & THROTTLE CONTROL - 883/883L/883R/1200R
56394-74	HANDLEBAR & THROTTLE CONTROL - 883/883L/883R/1200R HANDLEBAR & THROTTLE CONTROL - 883C/1200C HANDLEBAR SWITCHES
56396-74A	HANDLEBAR & THROTTLE CONTROL - 883/883L/883R/1200R HANDLEBAR & THROTTLE CONTROL - 883C/1200C HANDLEBAR SWITCHES
56397-74C	HANDLEBAR & THROTTLE CONTROL - 883/883L/883R/1200R HANDLEBAR & THROTTLE CONTROL - 883C/1200C HANDLEBAR SWITCHES
56400-96	HANDLEBAR & THROTTLE CONTROL - 883/883L/883R/1200R HANDLEBAR & THROTTLE CONTROL - 883C/1200C
56401-96	HANDLEBAR & THROTTLE CONTROL - 883/883L/883R/1200R HANDLEBAR & THROTTLE CONTROL - 883C/1200C
56402-83A	HANDLEBAR & THROTTLE CONTROL - 883/883L/883R/1200R HANDLEBAR & THROTTLE CONTROL - 883C/1200C HANDLEBAR SWITCHES
56508-76	HANDLEBAR & THROTTLE CONTROL - 883/883L/883R/1200R HANDLEBAR & THROTTLE CONTROL - 883C/1200C
56541-86A	HANDLEBAR & THROTTLE CONTROL - 883/883L/883R/1200R
56542-86A	HANDLEBAR & THROTTLE CONTROL - 883/883L/883R/1200R
56567-86B	HANDLEBAR & THROTTLE CONTROL - 883/883L/883R/1200R
56666-04	HANDLEBAR & THROTTLE CONTROL - 883/883L/883R/1200R HANDLEBAR & THROTTLE CONTROL - 883C/1200C
56667-04	HANDLEBAR & THROTTLE CONTROL - 883/883L/883R/1200R HANDLEBAR & THROTTLE CONTROL - 883C/1200C
58998-83E	FRONT FENDER
59254-91	REAR FENDER & BELT GUARDS
59287-92	REAR FENDER & BELT GUARDS
59288-92	REAR FENDER & BELT GUARDS
59481-00	FRONT FORK
59482-00	FRONT FORK
59502-04A	REAR FENDER & BELT GUARDS
59547-04	REAR FENDER & BELT GUARDS
59673-04A	REAR FENDER & BELT GUARDS
59723-04	REAR FENDER & BELT GUARDS

59768-97	<u>REAR FENDER & BELT GUARDS</u>
59847-10	<u>REAR FENDER & BELT GUARDS</u>
59902-04	<u>REAR FENDER & BELT GUARDS</u>
59903-04	<u>REAR FENDER & BELT GUARDS</u>
59984-73	<u>REAR FENDER & BELT GUARDS</u>
59986-75	<u>REAR FENDER & BELT GUARDS</u>
59988-72A	<u>REAR FENDER & BELT GUARDS</u>
60001-55	<u>REAR FENDER & BELT GUARDS</u>
6003	<u>TRANSMISSION GEARS</u>
6026	<u>ENGINE MOUNTS</u> <u>HORN</u>
60328-98B	<u>INSPECTION COVER & PRIMARY COVER</u>
60367-04	<u>REAR FENDER & BELT GUARDS</u>
60435-04	<u>REAR FENDER & BELT GUARDS</u>
6099	<u>EVAPORATIVE EMISSIONS KIT</u>
6101	<u>CLUTCH CONTROL</u>
6109	<u>HANDLEBAR & THROTTLE CONTROL - 883/883L/883R/1200R</u>
61109-85D	<u>FUEL TANK</u>
61260-04	<u>FUEL TANK</u>
61272-92C	<u>FUEL TANK</u>
61348-04	<u>FUEL TANK</u>
61459-97	<u>FRAME, REAR FORK & JIFFY STAND</u> <u>SWITCHES & CIRCUIT BREAKERS</u>
6152	<u>ENGINE MOUNTS</u>
6157	<u>OIL PUMP</u>
6192	<u>REAR FENDER & BELT GUARDS</u>
62122-89A	<u>FRAME, REAR FORK & JIFFY STAND</u>
62150-85	<u>FUEL TANK</u>
62161-02	<u>FUEL TANK</u>
62166-02	<u>FUEL TANK</u>
62169-02A	<u>FUEL TANK</u>

62172-02	FUEL TANK
62213-04	FUEL TANK
62260-04	FUEL TANK TRIM
62261-04	FUEL TANK TRIM
62262-04	FUEL TANK TRIM
62263-04	FUEL TANK TRIM
62338-01Y	OIL TANK & FILTER
62347-04	CARBURETOR (2 OF 2) FUEL TANK
62360-04A	GEARCASE & COVER OIL TANK & FILTER
62361-04	OIL TANK & FILTER
6237	HORN
62375-57A	GEARCASE & COVER
62601-91A	OIL PUMP
62651-04	OIL TANK & FILTER
62700014	CRANKCASE
6288	SWITCHES & CIRCUIT BREAKERS
62888-04B	OIL TANK & FILTER
63000-04B	OIL TANK & FILTER
6302	EXHAUST SYSTEM
63501-68B	FUEL TANK
63505-84	FUEL TANK
63508-04	CRANKCASE
63533-41A	CRANKCASE OIL PUMP
63589-04	OIL TANK & FILTER
63796-77A	OIL TANK & FILTER
63805-80A	OIL TANK & FILTER
63858-49	ROCKER ARMS, COVERS & PUSH RODS - V2™
64840-04	EXHAUST SYSTEM

64841-04	EXHAUST SYSTEM
64842-04	EXHAUST SYSTEM
64846-04A	EXHAUST SYSTEM
64847-04A	EXHAUST SYSTEM
64848-04	EXHAUST SYSTEM EXHAUST SYSTEM
64853-04	EXHAUST SYSTEM EXHAUST SYSTEM EXHAUST SYSTEM EXHAUST SYSTEM
64854-04	EXHAUST SYSTEM EXHAUST SYSTEM
64857-04	EXHAUST SYSTEM
64889-04	EXHAUST SYSTEM EXHAUST SYSTEM
64890-04	EXHAUST SYSTEM
64891-04A	EXHAUST SYSTEM
64893-04A	EXHAUST SYSTEM
65088-04	CRANKCASE
65092-04	OIL TANK & FILTER
6516HW	BELTS & SPROCKETS REAR WHEEL - CAST REAR WHEEL - LACED & PROFILE LACED
65184-02	EXHAUST SYSTEM
65232-04	EXHAUST SYSTEM EXHAUST SYSTEM
65233-04	EXHAUST SYSTEM
65296-95A	EXHAUST SYSTEM
65302-82A	EXHAUST SYSTEM
65324-83B	EXHAUST SYSTEM
65325-83A	EXHAUST SYSTEM
65339-04	EXHAUST SYSTEM
6590HW	FRONT WHEEL - CAST FRONT WHEEL - LACED & PROFILE LACED HANDLEBAR & THROTTLE CONTROL - 883/883L/883R/1200R HANDLEBAR & THROTTLE CONTROL - 883C/1200C

65927-00	<u>EXHAUST SYSTEM</u>
65958-04A	<u>BATTERY</u>
65974-04A	<u>EXHAUST SYSTEM</u>
66194-04C	<u>BATTERY</u>
66199-04	<u>OIL TANK & FILTER</u>
66251-04A	<u>FRAME, REAR FORK & JIFFY STAND</u>
66252-04	<u>FRAME, REAR FORK & JIFFY STAND</u>
66272-05A	<u>FRAME, REAR FORK & JIFFY STAND</u>
66273-05A	<u>FRAME, REAR FORK & JIFFY STAND</u>
66476-04A	<u>BATTERY</u>
66498-04	<u>BATTERY</u>
6655	<u>STEERING HEAD BRACKET ASSEMBLY</u>
6701	<u>FRONT FORK</u> <u>HEADLAMP & MIRROR - 883C/1200C</u> <u>EXHAUST SYSTEM</u>
6702	<u>REAR BRAKE MASTER CYLINDER</u> <u>HANDLEBAR & THROTTLE CONTROL - 883/883L/883R/1200R</u> <u>REAR FENDER & BELT GUARDS</u> <u>FUEL TANK</u> <u>HEADLAMP & MIRROR - 883/883L/883R/1200R</u>
6703	<u>REAR FENDER & BELT GUARDS</u>
67037-04A	<u>SPEEDOMETER & TACHOMETER - 883/883L/883R/1200R</u>
67041-04A	<u>SPEEDOMETER & TACHOMETER - 883/883L/883R/1200R</u>
67049-04B	<u>SPEEDOMETER & TACHOMETER - 883/883L/883R/1200R</u>
67053-95	<u>SPEEDOMETER & TACHOMETER - 883/883L/883R/1200R</u>
67085-95	<u>SPEEDOMETER & TACHOMETER - 883/883L/883R/1200R</u>
67103-95	<u>SPEEDOMETER & TACHOMETER - 883/883L/883R/1200R</u>
67104-95	<u>SPEEDOMETER & TACHOMETER - 883/883L/883R/1200R</u>
67121-95A	<u>SPEEDOMETER & TACHOMETER - 883/883L/883R/1200R</u> <u>SPEEDOMETER - 883C/1200C</u>
6718	<u>SHOCK ABSORBERS</u>
67184-94	<u>SPEEDOMETER & TACHOMETER - 883/883L/883R/1200R</u> <u>SPEEDOMETER - 883C/1200C</u>

67290-04A	<u>SPEEDOMETER & TACHOMETER - 883/883L/883R/1200R</u>
67320-95	<u>SPEEDOMETER & TACHOMETER - 883/883L/883R/1200R</u>
67338-97	<u>SPEEDOMETER & TACHOMETER - 883/883L/883R/1200R</u>
67344-97	<u>SPEEDOMETER & TACHOMETER - 883/883L/883R/1200R</u>
67345-97	<u>SPEEDOMETER & TACHOMETER - 883/883L/883R/1200R</u>
6738	<u>SHOCK ABSORBERS</u>
67415-04A	<u>SPEEDOMETER & TACHOMETER - 883/883L/883R/1200R</u> <u>SPEEDOMETER - 883C/1200C</u>
67416-04A	<u>SPEEDOMETER & TACHOMETER - 883/883L/883R/1200R</u> <u>SPEEDOMETER - 883C/1200C</u>
67436-04A	<u>SPEEDOMETER & TACHOMETER - 883/883L/883R/1200R</u> <u>SPEEDOMETER - 883C/1200C</u>
67601-94A	<u>HEADLAMP & MIRROR - 883C/1200C</u>
67603-94A	<u>HEADLAMP & MIRROR - 883C/1200C</u>
67667-05	<u>HEADLAMP & MIRROR - 883/883L/883R/1200R</u> <u>HEADLAMP & MIRROR - 883C/1200C</u>
67790-93A	<u>HEADLAMP & MIRROR - 883/883L/883R/1200R</u>
67804-04	<u>REAR BRAKE MASTER CYLINDER</u>
67805-92	<u>HEADLAMP & MIRROR - 883/883L/883R/1200R</u>
67815-59A	<u>HEADLAMP & MIRROR - 883/883L/883R/1200R</u>
67834-83	<u>HEADLAMP & MIRROR - 883/883L/883R/1200R</u>
67854-98	<u>SPEEDOMETER & TACHOMETER - 883/883L/883R/1200R</u> <u>SPEEDOMETER - 883C/1200C</u>
67865-89	<u>HEADLAMP & MIRROR - 883/883L/883R/1200R</u>
6787	<u>CYLINDER, HEAD & VALVES - V2™ EVOLUTION (1 OF 2)</u>
67880-94	<u>SPEEDOMETER & TACHOMETER - 883/883L/883R/1200R</u> <u>SPEEDOMETER - 883C/1200C</u>
67883-04A	<u>HEADLAMP & MIRROR - 883/883L/883R/1200R</u>
67894-93A	<u>HEADLAMP & MIRROR - 883C/1200C</u>
67919-96	<u>HEADLAMP & MIRROR - 883C/1200C</u>
67963-05	<u>HEADLAMP & MIRROR - 883/883L/883R/1200R</u>
67972-98	<u>HEADLAMP & MIRROR - 883/883L/883R/1200R</u>
6798	<u>REAR FENDER & BELT GUARDS</u>

68024-94	<u>SPEEDOMETER & TACHOMETER - 883/883L/883R/1200R</u> <u>SPEEDOMETER - 883C/1200C</u>
68026-99	<u>TAIL LAMP</u>
68041-04	<u>STEERING HEAD BRACKET ASSEMBLY</u>
68042-99	<u>CARBURETOR (2 OF 2)</u>
68066-99A	<u>TAIL LAMP</u>
68140-04	<u>TAIL LAMP</u>
68141-04	<u>TAIL LAMP</u>
68163-84	<u>TURN SIGNALS</u>
68167-04	<u>TAIL LAMP</u>
68168-89A	<u>TURN SIGNALS</u>
68265-04	<u>TURN SIGNALS</u>
68296-99A	<u>TAIL LAMP</u>
68297-05	<u>HEADLAMP & MIRROR - 883/883L/883R/1200R</u> <u>HEADLAMP & MIRROR - 883C/1200C</u>
68329-03	<u>HEADLAMP & MIRROR - 883/883L/883R/1200R</u> <u>HEADLAMP & MIRROR - 883C/1200C</u>
68335-05	<u>HEADLAMP & MIRROR - 883/883L/883R/1200R</u> <u>HEADLAMP & MIRROR - 883C/1200C</u>
68341-05	<u>HEADLAMP & MIRROR - 883/883L/883R/1200R</u> <u>HEADLAMP & MIRROR - 883C/1200C</u>
68369-03	<u>TAIL LAMP</u>
68370-03A	<u>TAIL LAMP</u>
68372-03	<u>TAIL LAMP</u>
68380-05	<u>HEADLAMP & MIRROR - 883/883L/883R/1200R</u> <u>HEADLAMP & MIRROR - 883C/1200C</u>
68382-96	<u>SPEEDOMETER - 883C/1200C</u>
68480-02	<u>TURN SIGNALS</u>
68513-95A	<u>SPEEDOMETER & TACHOMETER - 883/883L/883R/1200R</u>
68516-95	<u>SPEEDOMETER & TACHOMETER - 883/883L/883R/1200R</u>
68551-95	<u>SPEEDOMETER & TACHOMETER - 883/883L/883R/1200R</u>
68572-64B	<u>TURN SIGNALS</u>

68650-92	<u>HEADLAMP & MIRROR - 883/883L/883R/1200R</u> <u>HEADLAMP & MIRROR - 883C/1200C</u>
68653-05	<u>HEADLAMP & MIRROR - 883/883L/883R/1200R</u> <u>HEADLAMP & MIRROR - 883C/1200C</u>
68715-96	<u>SPEEDOMETER - 883C/1200C</u>
68792-96	<u>SPEEDOMETER - 883C/1200C</u>
68811-04	<u>SPEEDOMETER & TACHOMETER - 883/883L/883R/1200R</u>
68813-04A	<u>SPEEDOMETER & TACHOMETER - 883/883L/883R/1200R</u>
68814-04A	<u>SPEEDOMETER - 883C/1200C</u>
68830-99A	<u>TAIL LAMP</u>
68899-04A	<u>TAIL LAMP</u>
68904-00	<u>TURN SIGNALS</u>
68905-00	<u>TURN SIGNALS</u>
68920-01D	<u>SWITCHES & CIRCUIT BREAKERS</u>
68922-00D	<u>SWITCHES & CIRCUIT BREAKERS</u> <u>SWITCHES & CIRCUIT BREAKERS</u>
68924-00D	<u>SWITCHES & CIRCUIT BREAKERS</u>
68926-00	<u>SWITCHES & CIRCUIT BREAKERS</u>
68927-00	<u>SWITCHES & CIRCUIT BREAKERS</u>
68939-00	<u>SWITCHES & CIRCUIT BREAKERS</u>
68972-00	<u>TURN SIGNALS</u>
68973-00	<u>TURN SIGNALS</u>
68975-00	<u>TURN SIGNALS</u>
68977-00	<u>TURN SIGNALS</u>
68978-00	<u>TURN SIGNALS</u>
69012-93A	<u>HORN</u>
69043-96B	<u>HORN</u>
69060-90F	<u>HORN</u>
69062-91A	<u>HORN</u>
69120-91	<u>HORN</u>
69123-92A	<u>HORN</u>

69135-04	HORN
69187-03A	TAIL LAMP
69449-05	HEADLAMP & MIRROR - 883/883L/883R/1200R
69619-02A	HEADLAMP & MIRROR - 883/883L/883R/1200R HEADLAMP & MIRROR - 883/883L/883R/1200R
69681-04A	HEADLAMP & MIRROR - 883C/1200C HEADLAMP & MIRROR - 883C/1200C
69709-00	HEADLAMP & MIRROR - 883/883L/883R/1200R
70003-04	BATTERY
70139-05	MAIN WIRING HARNESS (1 OF 2) MAIN WIRING HARNESS (2 OF 2)
7019	SHIFTER - 883/883L/883R/1200R
70227-99	SWITCHES & CIRCUIT BREAKERS
70295-04A	BATTERY
70296-04A	BATTERY
70297-04A	ENGINE MOUNTS
70345-84	HANDLEBAR & THROTTLE CONTROL - 883/883L/883R/1200R HANDLEBAR & THROTTLE CONTROL - 883C/1200C HANDLEBAR SWITCHES
7038	FRONT FORK
7039	ENGINE MOUNTS
7041	HORN
70416-04D	FRAME, REAR FORK & JIFFY STAND
70417-04C	FRAME, REAR FORK & JIFFY STAND
7045	HEADLAMP & MIRROR - 883C/1200C
70503-04	OIL TANK & FILTER
70504-81	HANDLEBAR & THROTTLE CONTROL - 883/883L/883R/1200R HANDLEBAR & THROTTLE CONTROL - 883C/1200C
70518-04	HANDLEBAR & THROTTLE CONTROL - 883/883L/883R/1200R HANDLEBAR & THROTTLE CONTROL - 883C/1200C
70578-89	BATTERY
70586-93	SWITCHES & CIRCUIT BREAKERS
70587-93	SWITCHES & CIRCUIT BREAKERS

7068	<u>FRONT WHEEL - CAST</u> <u>FRONT WHEEL - LACED & PROFILE LACED</u> <u>HEADLAMP & MIRROR - 883/883L/883R/1200R</u>
7069	<u>HORN</u>
70903-04	<u>FUEL TANK</u>
70904-04	<u>FUEL TANK</u>
70917-04	<u>FUEL TANK</u>
70919-04	<u>FUEL TANK</u>
7127	<u>HEADLAMP & MIRROR - 883/883L/883R/1200R</u> <u>HEADLAMP & MIRROR - 883C/1200C</u>
71276-04A	<u>FUEL TANK</u>
71441-94	<u>SWITCHES & CIRCUIT BREAKERS</u>
71451-94A	<u>SWITCHES & CIRCUIT BREAKERS</u>
71472-04	<u>FRAME, REAR FORK & JIFFY STAND</u>
71510-04	<u>MAIN WIRING HARNESS (1 OF 2)</u> <u>SWITCHES & CIRCUIT BREAKERS</u>
71550-94	<u>MAIN WIRING HARNESS (1 OF 2)</u> <u>SWITCHES & CIRCUIT BREAKERS</u>
71552-94	<u>MAIN WIRING HARNESS (1 OF 2)</u> <u>SWITCHES & CIRCUIT BREAKERS</u>
71563-96	<u>HANDLEBAR & THROTTLE CONTROL - 883/883L/883R/1200R</u> <u>HANDLEBAR & THROTTLE CONTROL - 883C/1200C</u> <u>HANDLEBAR SWITCHES</u>
71564-96	<u>HANDLEBAR & THROTTLE CONTROL - 883/883L/883R/1200R</u> <u>HANDLEBAR & THROTTLE CONTROL - 883C/1200C</u> <u>HANDLEBAR SWITCHES</u>
71567-96	<u>HANDLEBAR SWITCHES</u>
71568-96A	<u>HANDLEBAR SWITCHES</u>
71587-04	<u>HANDLEBAR SWITCHES</u>
71621-08	<u>HANDLEBAR SWITCHES</u>
71682-06A	<u>HANDLEBAR SWITCHES</u>
71683-06A	<u>HANDLEBAR SWITCHES</u>
71684-06A	<u>HANDLEBAR SWITCHES</u>
71685-06A	<u>HANDLEBAR SWITCHES</u>
72023-51D	<u>SWITCHES & CIRCUIT BREAKERS</u>

72033-93	<u>MAIN WIRING HARNESS (1 OF 2)</u>
72056-92	<u>HEADLAMP & MIRROR - 883/883L/883R/1200R</u> <u>HEADLAMP & MIRROR - 883C/1200C</u>
72100-04	<u>MAIN WIRING HARNESS (1 OF 2)</u>
72103-94BK	<u>MAIN WIRING HARNESS (1 OF 2)</u>
72106-94BK	<u>MAIN WIRING HARNESS (1 OF 2)</u>
72116-94BK	<u>HANDLEBAR SWITCHES</u>
72119-94BK	<u>MAIN WIRING HARNESS (1 OF 2)</u>
72124-94GY	<u>MAIN WIRING HARNESS (1 OF 2)</u>
72130-04	<u>SPEEDOMETER & TACHOMETER - 883/883L/883R/1200R</u> <u>SPEEDOMETER - 883C/1200C</u>
72131-04	<u>SPEEDOMETER & TACHOMETER - 883/883L/883R/1200R</u>
72139-94GY	<u>MAIN WIRING HARNESS (1 OF 2)</u>
72143-94	<u>MAIN WIRING HARNESS (1 OF 2)</u>
72144-94	<u>MAIN WIRING HARNESS (1 OF 2)</u>
72146-94	<u>MAIN WIRING HARNESS (1 OF 2)</u>
72156-94	<u>HANDLEBAR SWITCHES</u>
72159-94	<u>MAIN WIRING HARNESS (1 OF 2)</u>
72163-94	<u>MAIN WIRING HARNESS (1 OF 2)</u>
72164-94A	<u>MAIN WIRING HARNESS (1 OF 2)</u>
72176-94	<u>HANDLEBAR SWITCHES</u>
72179-94	<u>MAIN WIRING HARNESS (1 OF 2)</u>
72189-04	<u>SPEEDOMETER & TACHOMETER - 883/883L/883R/1200R</u> <u>SPEEDOMETER & TACHOMETER - 883/883L/883R/1200R</u> <u>SPEEDOMETER - 883C/1200C</u>
72190-94	<u>MAIN WIRING HARNESS (1 OF 2)</u>
72191-94	<u>MAIN WIRING HARNESS (1 OF 2)</u> <u>HANDLEBAR SWITCHES</u>
72195-94	<u>MAIN WIRING HARNESS (1 OF 2)</u>
72199-94	<u>MAIN WIRING HARNESS (1 OF 2)</u>
7220	<u>SWITCHES & CIRCUIT BREAKERS</u>
72213-94	<u>MAIN WIRING HARNESS (1 OF 2)</u>

72214-94	<u>MAIN WIRING HARNESS (1 OF 2)</u>
72230-98	<u>MAIN WIRING HARNESS (1 OF 2)</u>
72231-98	<u>MAIN WIRING HARNESS (1 OF 2)</u>
72233-94	<u>ALTERNATOR & REGULATOR</u>
72234-94	<u>MAIN WIRING HARNESS (1 OF 2)</u>
72235-94	<u>ALTERNATOR & REGULATOR</u>
72236-94	<u>MAIN WIRING HARNESS (1 OF 2)</u>
72237-94	<u>ALTERNATOR & REGULATOR</u>
72238-94	<u>MAIN WIRING HARNESS (1 OF 2)</u>
72260-04	<u>MAIN WIRING HARNESS (1 OF 2)</u>
72266-94	<u>HANDLEBAR SWITCHES</u>
72268-94	<u>SWITCHES & CIRCUIT BREAKERS</u>
72289-04	<u>MAIN WIRING HARNESS (1 OF 2)</u>
72291-94	<u>MAIN WIRING HARNESS (1 OF 2)</u>
72295-94	<u>MAIN WIRING HARNESS (1 OF 2)</u>
72312-04	<u>MAIN WIRING HARNESS (1 OF 2)</u>
72318-04	<u>SWITCHES & CIRCUIT BREAKERS</u>
72326-95	<u>MAIN WIRING HARNESS (1 OF 2)</u>
72330-95	<u>MAIN WIRING HARNESS (1 OF 2)</u> <u>SWITCHES & CIRCUIT BREAKERS</u>
72405-98BK	<u>MAIN WIRING HARNESS (1 OF 2)</u>
72427-00	<u>MAIN WIRING HARNESS (1 OF 2)</u>
72431-00	<u>MAIN WIRING HARNESS (1 OF 2)</u>
72434-00	<u>MAIN WIRING HARNESS (2 OF 2)</u>
72441-04	<u>MAIN WIRING HARNESS (2 OF 2)</u>
72445-99TN	<u>MAIN WIRING HARNESS (2 OF 2)</u>
73104-96BK	<u>MAIN WIRING HARNESS (2 OF 2)</u>
73106-96BK	<u>MAIN WIRING HARNESS (2 OF 2)</u>
73152-96BK	<u>TURN SIGNALS</u>
73152-96WE	<u>TURN SIGNALS</u>

73154-96BK	HEADLAMP & MIRROR - 883/883L/883R/1200R HEADLAMP & MIRROR - 883C/1200C TAIL LAMP
73156-96BK	TURN SIGNALS TAIL LAMP
73190-96	MAIN WIRING HARNESS (2 OF 2)
73191-96	HEADLAMP & MIRROR - 883/883L/883R/1200R HEADLAMP & MIRROR - 883C/1200C TURN SIGNALS TAIL LAMP
73203-04	MAIN WIRING HARNESS (2 OF 2)
73204-04	MAIN WIRING HARNESS (2 OF 2)
73205-04	MAIN WIRING HARNESS (2 OF 2)
73206-04	MAIN WIRING HARNESS (2 OF 2)
73301-04	MAIN WIRING HARNESS (2 OF 2)
73302-04	MAIN WIRING HARNESS (2 OF 2)
73303-04	MAIN WIRING HARNESS (2 OF 2)
73304-04	MAIN WIRING HARNESS (2 OF 2)
73305-04	MAIN WIRING HARNESS (2 OF 2)
740	FOOTRESTS FOOTRESTS FOOTRESTS
74109-98BK	MAIN WIRING HARNESS (2 OF 2)
74112-98BK	MAIN WIRING HARNESS (2 OF 2)
74119-98BK	SPEEDOMETER & TACHOMETER - 883/883L/883R/1200R SPEEDOMETER - 883C/1200C
74149-98	MAIN WIRING HARNESS (2 OF 2)
74152-98	MAIN WIRING HARNESS (2 OF 2)
74159-98	SPEEDOMETER & TACHOMETER - 883/883L/883R/1200R SPEEDOMETER - 883C/1200C
74190-98	MAIN WIRING HARNESS (2 OF 2)
74191-98	SPEEDOMETER & TACHOMETER - 883/883L/883R/1200R MAIN WIRING HARNESS (2 OF 2)
74193-98	SPEEDOMETER - 883C/1200C
74194-98	CRANKCASE

74195-98	<u>SPEEDOMETER & TACHOMETER - 883/883L/883R/1200R</u> <u>SPEEDOMETER - 883C/1200C</u> <u>MAIN WIRING HARNESS (2 OF 2)</u>
74196-04	<u>SPEEDOMETER & TACHOMETER - 883/883L/883R/1200R</u> <u>SPEEDOMETER & TACHOMETER - 883/883L/883R/1200R</u> <u>SPEEDOMETER - 883C/1200C</u>
74197-04	<u>SPEEDOMETER & TACHOMETER - 883/883L/883R/1200R</u> <u>SPEEDOMETER & TACHOMETER - 883/883L/883R/1200R</u> <u>SPEEDOMETER - 883C/1200C</u>
74402-05A	<u>SPEEDOMETER & TACHOMETER - 883/883L/883R/1200R</u> <u>SPEEDOMETER - 883C/1200C</u>
74523-04	<u>ALTERNATOR & REGULATOR</u>
7477	<u>REAR BRAKE MASTER CYLINDER</u>
7481	<u>HORN</u>
7495	<u>HORN</u>
7531	<u>FRONT FENDER</u> <u>REAR FENDER & BELT GUARDS</u> <u>FUEL TANK</u> <u>HORN</u>
7593	<u>EXHAUST SYSTEM</u>
7606	<u>HEADLAMP & MIRROR - 883/883L/883R/1200R</u>
761	<u>REAR FENDER & BELT GUARDS</u>
7624	<u>OIL TANK & FILTER</u>
7720	<u>HEADLAMP & MIRROR - 883/883L/883R/1200R</u>
7727	<u>HEADLAMP & MIRROR - 883/883L/883R/1200R</u> <u>HEADLAMP & MIRROR - 883C/1200C</u>
7766	<u>FRAME, REAR FORK & JIFFY STAND</u>
7770	<u>BATTERY</u>
7778	<u>HEADLAMP & MIRROR - 883C/1200C</u>
7783	<u>FRONT FORK</u>
7792	<u>REAR FENDER & BELT GUARDS</u>
7804	<u>BELTS & SPROCKETS</u>
7805	<u>ELECTRONIC IGNITION SYSTEM</u>
7824	<u>SHOCK ABSORBERS</u>
7839	<u>BELTS & SPROCKETS</u>

7862	<u>EXHAUST SYSTEM</u>
7880	<u>HEADLAMP & MIRROR - 883/883L/883R/1200R</u>
7882	<u>REAR FENDER & BELT GUARDS</u>
7916A	<u>GEARCASE & COVER</u>
7956	<u>FRONT WHEEL - CAST</u> <u>FRONT WHEEL - LACED & PROFILE LACED</u>
7964	<u>TAIL LAMP</u>
8039	<u>REAR WHEEL - CAST</u> <u>REAR WHEEL - LACED & PROFILE LACED</u>
8108	<u>HORN</u>
8135B	<u>FRAME, REAR FORK & JIFFY STAND</u>
835	<u>CRANKCASE</u>
8679	<u>GEARCASE & COVER</u>
8692	<u>REAR FENDER & BELT GUARDS</u>
882	<u>ROCKER ARMS, COVERS & PUSH RODS - V2™</u> <u>REAR BRAKE MASTER CYLINDER</u>
8871	<u>STARTER MOTOR</u>
8873	<u>CLUTCH</u>
8876A	<u>TRANSMISSION GEARS</u>
8879	<u>STARTER MOTOR</u>
8881	<u>CRANKCASE</u>
8883	<u>STARTER MOTOR</u>
8885	<u>CLUTCH</u>
89579-91	<u>FRAME, REAR FORK & JIFFY STAND</u> <u>FUEL TANK</u>
89581-04A	<u>STARTER MOTOR</u>
89586-04	<u>FUEL TANK</u>
8968	<u>TRANSMISSION GEARS</u>
8972	<u>CRANKCASE</u>
8977	<u>TRANSMISSION GEARS</u>
8996A	<u>TRANSMISSION GEARS</u>
9077	<u>STARTER MOTOR</u>

91840-03B	<u>HEADLAMP & MIRROR - 883/883L/883R/1200R</u>
91845-03B	<u>HEADLAMP & MIRROR - 883/883L/883R/1200R</u>
91846-03B	<u>HEADLAMP & MIRROR - 883/883L/883R/1200R</u> <u>HEADLAMP & MIRROR - 883C/1200C</u>
91848-03B	<u>HEADLAMP & MIRROR - 883/883L/883R/1200R</u> <u>HEADLAMP & MIRROR - 883C/1200C</u>
9187	<u>SHIFTER - 883/883L/883R/1200R</u>
91982-03B	<u>HEADLAMP & MIRROR - 883/883L/883R/1200R</u>
91983-03B	<u>HEADLAMP & MIRROR - 883/883L/883R/1200R</u>
9209	<u>FRAME, REAR FORK & JIFFY STAND</u>
9247	<u>REAR WHEEL - CAST</u> <u>REAR WHEEL - LACED & PROFILE LACED</u>
9267	<u>FRONT WHEEL - CAST</u> <u>FRONT WHEEL - LACED & PROFILE LACED</u>
928	<u>STARTER MOTOR</u>
929A	<u>STARTER MOTOR</u>
940	<u>ENGINE MOUNTS</u>
943	<u>INSPECTION COVER & PRIMARY COVER</u>
94432-04	<u>REAR BRAKE MASTER CYLINDER</u>
946	<u>AIR CLEANER & ENRICHENER</u>
94612-04	<u>REAR BRAKE MASTER CYLINDER</u>
95578-41	<u>FRONT WHEEL - LACED & PROFILE LACED</u> <u>REAR WHEEL - LACED & PROFILE LACED</u>
95581-47	<u>FRONT WHEEL - LACED & PROFILE LACED</u> <u>REAR WHEEL - LACED & PROFILE LACED</u>
95582-47	<u>FRONT WHEEL - LACED & PROFILE LACED</u> <u>REAR WHEEL - LACED & PROFILE LACED</u>
95595-84A	<u>FRONT WHEEL - CAST</u> <u>REAR WHEEL - CAST</u>
9825	<u>MAIN WIRING HARNESS (1 OF 2)</u>
9838	<u>MAIN WIRING HARNESS (1 OF 2)</u>
9847	<u>HEADLAMP & MIRROR - 883/883L/883R/1200R</u> <u>HEADLAMP & MIRROR - 883C/1200C</u>
9848	<u>HEADLAMP & MIRROR - 883/883L/883R/1200R</u>

	HEADLAMP & MIRROR - 883C/1200C
9862	SWITCHES & CIRCUIT BREAKERS
9898	HEADLAMP & MIRROR - 883/883L/883R/1200R HEADLAMP & MIRROR - 883C/1200C MAIN WIRING HARNESS (1 OF 2) SWITCHES & CIRCUIT BREAKERS
9937	MAIN WIRING HARNESS (1 OF 2)
995	REAR BRAKE MASTER CYLINDER
9955	EXHAUST SYSTEM
9969	OIL TANK & FILTER
997	REAR BRAKE MASTER CYLINDER

Component Types and Introduction Dates

[View interactive table](#)

101A1 - Generic Nuts	
7956	Unknown
8039	Unknown
31740-04	2004
7839	Unknown
7624	Unknown
7792	2012
8135B	Unknown
7778	Unknown
7862	Unknown
7477	Unknown
7916A	Unknown
7770	Unknown
7805	Unknown
7766	Unknown
7824	Unknown
3403	Unknown
11730A	Unknown

7495	1994
7880	Unknown
7964	Unknown
37495-91	1991
7481	Unknown
8108	Unknown
7593	1991
102A1 - Generic Screws	
3899	1999
4188	Unknown
3244	Unknown
4765	1998
3579A	Unknown
4180	Unknown
3854	2009
882	2000
4460	Unknown
4771	Unknown
68026-99	1999
3849	Unknown
28015-01	2001
4741A	1994
94612-04	2004
3655A	Unknown
4718A	1994
2955	1996
8679	Unknown
5414	Unknown
3022A	Unknown
43567-92	1992
3514	Unknown

3201WA	Unknown
4350A	Unknown
42827-04	2004
940	Unknown
4748	2009
943	Unknown
4091	Unknown
3275	2002
3615	Unknown
4326A	1990
2325	Unknown
2773	Unknown
2548	Unknown
4751	Unknown
4132	Unknown
4740A	1994
2586A	Unknown
3658	Unknown
45405-75A	1975
1048	Unknown
4240	Unknown
3605	2009
32617-00Y	2000
2952A	2003
45996-87	1987
3814	Unknown
3594	1992
835	Unknown
4290	Unknown
928	Unknown

2708A	Unknown
4816A	Unknown
68042-99	1999
4076	Unknown
1039	Unknown
2607	Unknown
4029A	1990
4420	2009
3799	2003
2528	1994
45902-00	2000
3588	1990
3563	1999
4017	2009
929A	Unknown
2501A	Unknown
4016	Unknown
4032A	Unknown
2535	2004
4269	Unknown
45800-04	2004
4351	Unknown
3210A	Unknown
4820A	Unknown
3559	Unknown
4354	Unknown
4352	Unknown
56402-83A	1983
27317-88	1988
2361	Unknown

3666A	1997
27146-89	1989
3480A	Unknown
4717A	Unknown
2441	Unknown
3767B	2009
3574	Unknown
946	Unknown
4363	Unknown
4758A	Unknown
4312C	Unknown
3565	Unknown
997	Unknown
16478-85A	1985
3675	Unknown
3997A	1999
995	2009
4359	Unknown
56397-74C	1974
3880	2004
5403B	Unknown
4329	Unknown
3029	Unknown
4778	Unknown
4779	Unknown
4453	1986
45790-80	1980
2460	Unknown
3026	Unknown
16480-92A	1992

103A1 - Generic Washers

41732-04

2004

6718

Unknown

6026

Unknown

6157

Unknown

6302

Unknown

41743-04

2004

40582-05

2005

27125-89

1989

36802-84B

1984

27148-89

1989

8972

Unknown

6787

Unknown

6288

Unknown

6099

2011

6798

2012

27127-89

1989

6109

1980

6101

2011

67815-59A

1959

31689-90

1990

6590HW

Unknown

6516HW

Unknown

7220

Unknown

27137-81

1981

7068

Unknown

7019

Unknown

7038

1998

7039

Unknown

6738

Unknown

6237	2014
6192	Unknown
6655	1979
7041	1958
6703	1970
6701	Unknown
6702	Unknown
42425-05	2005
7045	Unknown
104A1 - Custom Nuts	
54321-85	1985
7606	1983
105A1 - Custom Screws	
27158-89	1989
41191-74A	1974
94432-04	2004
27130-90	1990
27262-96	1996
106A1 - Custom Washers	
6003	2010
108A1 - Hose Clamps	
42808-04	2004
10053	2010
10252	2004
10031	2010
31512-04	2004
10014	Unknown
9955	Unknown
10080	Unknown
10074	Unknown
108B1 - P Clamps	

70417-04C	2004
10255	2004
10179A	Unknown
70416-04D	2004
10142	Unknown
109A1 - Studs	
16715-83	1983
16832-86C	1986
65092-04	2004
65088-04	2004
110B1 - Plain Bushings	
25586-37	1937
35030-89A	1989
34076-02A	2002
8996A	1996
54556-84	1984
45801-04	2004
25598-91	1991
25593-74	1974
24647-87	1987
45465-87	1987
42569-03	2003
8876A	Unknown
40520-63	1963
34982-02	2002
8883	Unknown
8885	Unknown
25588-91	1991
8879	Unknown
9267	Unknown

42846-04	2004
110C1 - Radial Shaft Seals	
37101-84B	1984
12068	Unknown
11291	Unknown
67104-95	1995
12067B	2002
110D1 - Rolling Element Bearings	
9209	2003
9247	Unknown
9187	2000
8968	Unknown
8977	Unknown
24650-87	1987
24605-07	2007
8871	Unknown
24659-87	1987
24660-87	1987
111A1 - Adhesive	
73304-04	2004
9825	Unknown
9838	Unknown
9862	Unknown
74196-04	2004
111F1 - Protective Tape	
59547-04	2004
116A1 - Banjo Bolts	
41737-04	2004
41736-04	2004
117A1 - Coil Springs	

56396-74A	1974
54473-79	1979
27162-89	1989
119A1 - O-Rings	
11165	Unknown
26432-76A	1976
11105	Unknown
10957	2006
27577-92	1992
11289A	Unknown
11202	Unknown
11120	Unknown
11190	Unknown
45984-87	1987
11377	Unknown
31695-90	1990
26434-91	1991
11171	Unknown
11179	1986
27157-89	1989
11317	Unknown
120A1 - Pins	
18532-00A	2000
215	Unknown
16573-83A	1983
50003-89B	1989
1594	1998
24754-75A	1975
45041-01A	2001
358	Unknown

121A1 - Grommets	
11474	Unknown
11407	Unknown
29342-99	1999
11376	Unknown
121B1 - Press-Fit Plugs	
67865-89	1989
42838-04	2004
740	Unknown
761	1996
72163-94	1994
72164-94A	1994
122A1 - Retaining Rings	
10995	Unknown
11271	Unknown
11272	Unknown
10120	1992
10267	2001
35118-03	2003
10264	Unknown
31328-91	1991
10254	2001
11002	Unknown
35114-02	2002
65325-83A	1983
45611-86	1986
11031	Unknown
27368-76	1976
11155	Unknown
38723-99	1999
11142	Unknown

31530-90	1990
11390	Unknown
11046	Unknown
11121	2008
11177A	1996
35020-89	1989
11304	Unknown
11282	Unknown
11067	Unknown
11379	2002
16699-06	2006
11360	Unknown
27124-89	1989
10212	2005
35021-89	1989
10147	Unknown
10210	2002
11250	1992
44590-04	2004
35038-89A	1989
10242	2004
11161	Unknown
123A1 - Sealing Washers	
26436-90A	1990
123B1 - Spring Washers	
7127	Unknown
7069	Unknown
124A1 - Spacers	
35063-89	1989
6152	Unknown

33344-94	1994
40562-05	2005
45377-87	1987
7882	Unknown
35133-04	2004
125A1 - Tie Straps	
10065	1985
10039	1981
10177	1996
10181	1996
10006	1960
126A1 - Miscellaneous Hardware	
42593-04	2004
31692-90	1990
45799-04	2004
27136-90A	1990
12030	Unknown
89581-04A	2004
33540-02A	2002
42829-04	2004
54476-82	1982
56394-74	1974
8873	1984
42839-04	2004
126B1 - Rivets Fasteners	
10259	2001
8692	Unknown
127B1 - Generic Mounting Bracket	
51652-97A	1997
31755-04	2004
27320-04	2004

141A1 - Medallion

52494-04 2004

13567-05 2005

13372-04 2004

67667-05 2005

71550-94 1994

13343-04 2004

13367-04 2004

14270-92 1992

13341-04 2004

13373-04 2004

14448-94 1994

13566-05 2005

13374-04 2004

13305-05 2005

13342-04 2004

13340-04 2004

44440-04 2004

13304-05 2005

13371-04 2004

161A1 - Powertrain Assembly

19283-05 2005

19275-05 2005

19276-06 2006

19280-05 2005

19277-05 2005

19273-05 2005

19563-05 2005

19282-05 2005

19565-05 2005

19281-05	2005
19564-05	2005
19279-05	2005
19272-06	2006
19278-05	2005
19274-05	2005
162D1 - Engine Assembly	
19500-05	2005
19502-05	2005
19501-05	2005
163B1 - Engine Isolator Mount	
16353-04	2004
41562-04	2004
16287-04	2004
48492-04A	2004
16291-04	2004
41561-04	2004
164B1 - Engine Mount Bracket sub-component	
7727	Unknown
7720	Unknown
7783	Unknown
7531	1980
7804	Unknown
16232-04	2004
164D1 - Tiebar Mount	
47471-04A	2004
165A1 - Cylinder Head	
16667-04	2004
18011-86	1986
16867-05	2005

16661-04	2004
16865-05	2005
16660-04	2004
16666-04	2004
165B1 - Cylinder Head and Base Gaskets	
16664-86D	1986
16774-86D	1986
16770-84F	1984
167A1 - PT Assembly Miscellaneous Component	
36731-91	1991
168A1 - Cylinder	
16463-04	2004
16443-04	2004
16452-05	2005
179A1 - Lifters	
17981-04	2004
17972-04	2004
18538-99B	1999
179B1 - Push Rod	
17908-02	2002
17909-02	2002
180A1 - Valves	
18690-02	2002
18053-04	2004
18021-87A	1987
18059-04	2004
181B1 - Valve Seals	
18012-87A	1987
16465-06	2006
18020-83	1983
18094-02A	2002

181C1 - Valve Collars	
18260-02	2002
184A1 - PT Camdrive and Valvetrain Miscellaneous Component	
18245-02	2002
17358-84B	2010
18258-02	2002
220A1 - Piston Ring	
22266-86	1986
22224-04	2004
22223-04	2004
22231-04	2004
21948-02	2002
22261-86	1986
22238-04	2004
22271-86	1986
22221-04	2004
22227-04	2004
22228-04	2004
22230-04	2004
221A1 - Piston Pin	
22589-83B	1983
22765-02	2002
22719-04	2004
237B1 - Connecting Rod sub-component	
24332-36	1936
239A1 - PT Lower End Miscellaneous Component	
24331-36	1936
24658-87	1987
241A1 - Flywheel	
23905-04B	2007

244A1 - Crankcase	
24470-04	2004
24466-04	2004
244D1 - Crankcase sub-component	
24047-00	2000
8881	Unknown
254A1 - Camdrive Gear	
25193-00B	2004
25194-00B	2000
255C1 - Camdrive Chain Tensioner	
40039-02C	2007
256A1 - Timer Cover	
32506-90	1990
32514-04	2004
257B1 - Clutch Cover	
34790-05	2005
34992-04	2004
34760-04	2004
257D1 - Clutch Inspection Cover	
34993-04A	2004
34794-05A	2005
34761-04A	2006
257E1 - Cover Gaskets	
67121-95A	1995
65324-83B	2009
34955-04	2004
16800-84A	1984
61109-85D	1985
26638-00Y	2000
25463-94A	1994

67601-94A	1994
17976-04	2004
29313-95	1995
34986-04	2004
29062-95B	1995
17027-04B	2004
45378-87	1987
63858-49	1949
42818-04	2004
17353-89C	1989
25263-90D	1990
17049-04A	2004
257G1 - Ignition Cover	
32555-04	2004
32699-05	2005
257L1 - Primary Cover	
25486-05	2005
25430-04	2004
25471-04	2004
25252-04	2004
25307-05	2005
25460-04	2004
257M1 - Push Rod Cover	
17946-04	2004
257N1 - Rocker-Arm / Valve Cover	
17501-04	2004
17527-04	2004
17375-83A	1983
17532-86E	1986
17537-96C	1996

17611-83	1983
17551-04	2004
17360-83A	1983
17614-98C	1998
17655-05	2005
258A1 - PT Covers Miscellaneous Component	
25219-04	2004
25213-04	2004
265A1 - Vent / Breather Line	
63508-04	2004
62360-04A	2004
28910-04	2004
270A1 - Carburetor	
28026-04	2004
27361-76A	1976
27360-76	1976
27362-76	1976
27260-00	2000
27583-88	1988
27490-04	2004
27152-89	1989
27171-89	1989
27156-89	1989
28027-04	2004
27261-96	1996
27369-76	1976
27732-04	2004
27749-04	2004
27371-76A	1976
27582-88	1988
27587-88	1988

27311-76	1976
27101-88	1988
27585-88	1988
27586-88	1988
27185-90	1990
27116-88	1988
27465-04	2004
27575-88A	1988
27731-04	2004
27100-88	1988
27128-89	1989
27777-04	2004
27126-89	1989
27114-88	1988
27090-89	1989
27315-88A	1988
27495-04	2004
27263-96	1996
27256-01	2001
27576-92	1992
271C1 - Intercooler Gasket	
65927-00	2000
273A1 - Intake Manifold	
27024-04	2004
273K1 - Throttle Body to Manifold Seal	
26995-86B	1986
273N1 - Throttle Cable Retention Bracket	
56508-76	1976
290A1 - Airbox Baseplate	
29348-04	2004

29367-04	2004
29359-04A	2004
29360-04	2004
290C1 - Airbox Baseplate sub-component	
29352-04	2004
29123-04	2004
29346-04	2004
29802-04	2004
290D1 - Airbox Seal	
29315-04	2004
294A1 - Air Filter Element	
29331-04	2004
294G1 - Air Cleaner	
27010-86A	1986
27009-86A	1986
295A1 - Intake Miscellaneous Component	
26011-04	2004
28911-04A	2004
27579-88A	1988
27002-89	1989
27886-78A	1978
26010-04	2004
29229-88D	1988
299C1 - Charging Rotor	
32493-02B	2008
32494-04B	2008
299F1 - Stator Assembly	
29967-89C	2006
314E1 - Starter Friction Clutch	
31556-91D	2010
9077	Unknown

314F1 - Starter Motor	
31518-90	1990
31390-91F	
31515-90	1990
314G1 - Starter Motor sub-component	
27581-88	1988
31600-90	
31688-90	1990
31488-81C	
314H1 - Starter Solenoid	
31603-91	1991
314L1 - Starter Motor Drive	
33189-63	1963
315B1 - Exhaust Valve Actuator	
18691-02	2002
316A1 - Ignition Coil	
31655-99	1999
316B1 - Spark Plug Cable	
31601-04	2004
31996-04	2004
316C1 - Spark Plug	
32362-04	2004
327B1 - Chemical / Gas Sensor	
32417-10	2010
327C1 - Pressure Sensor	
26554-77B	1977
327D1 - Proximity Sensor	
32804-04B	2005
74402-05A	2005
336C1 - Shift Linkage Rod End	

34573-04	2004
336F1 - Toepeg	
34611-65A	1965
339A1 - Shift Lever	
34572-04	2004
34670-04	2004
34660-04A	2004
339D1 - Shifter Fork	
34144-02	2002
34981-02A	2002
339F1 - Shifter Index Lever	
34014-02B	2002
339H1 - Shifter Mechanism Components (internal)	
33634-02A	2002
34064-00C	2000
34491-02A	2002
34483-02	2002
34163-02	2002
348A1 - Transmission Output Sprocket Cover	
34938-04	2004
34932-04	2004
34911-04	2004
34943-05	2005
350A1 - Transmission Output Sprocket	
40380-04	2004
40409-04	2004
40379-04	2004
350B1 - Transmission Output Sprocket Compensating Cushion	
40544-05	2005
350C1 - Transmission Output Sprocket Compensator Driving Element	

40560-05	2005
350E1 - Transmission Gear	
31525-90	1990
350F1 - Transmission Mainshaft	
35128-04	2004
35034-94	1994
35762-02	2002
35796-00	2000
35773-94	1994
35640-89	1989
35771-94	1994
356A1 - Transmission Countershaft	
35633-94	1994
35647-04	2004
35772-94	1994
35797-00	2000
35641-89	1989
35763-89A	1991
35775-94	1994
363A1 - PT Driveline Miscellaneous Component	
35051-89A	1989
35211-91B	1991
365A1 - Primary Chain	
40147-04	2004
40005-57B	1957
365C1 - Primary Drive Assembly	
40254-02	2002
40290-04A	2004
40241-02A	2003
40251-92A	1992
367A1 - Clutch Lever	

45356-07	2007
367E1 - Clutch Lever Mount Clamp	
38671-04	2004
367H1 - Clutch Lever sub-component	
34920-86A	1986
37904-90	1990
37870-91	1991
36715-94	1994
38630-88	1988
37872-90	1990
37905-90	1990
37909-90	1990
37910-04B	2006
36799-91	1991
37977-90	1990
46268-04	2004
37908-90	1990
370A1 - Clutch Assembly	
37924-04A	2006
370B1 - Clutch Friction Plate	
37911-90	1990
370C1 - Clutch Hub	
36785-91	1991
370F1 - Clutch Pressure Plate	
37912-91	1991
37913-90	1990
370G1 - Clutch Shell	
36790-04	2004
372A1 - Clutch Actuation Screw	
11765Y	Unknown

372D1 - Clutch Cable

38702-05C	2005
-----------	------

38699-04C	2004
-----------	------

372K2 - Clutch Ramp

25453-87A	1987
-----------	------

25409-94B	1994
-----------	------

372N1 - Clutch Vacuum Hose

26588-04	2004
----------	------

26556-04	2004
----------	------

400A1 - Drive-Belt

40570-04B	2004
-----------	------

40571-04B	2004
-----------	------

409A1 - Rear Wheel

41041-05	2005
----------	------

43637-05	2005
----------	------

41052-08	2008
----------	------

410D1 - Electronic Control Module (ECM)

32622-04B	2004
-----------	------

68920-01D	2001
-----------	------

410G1 - Security System Control Module

68924-00D	2000
-----------	------

68922-00D	2000
-----------	------

413A1 - Brake Caliper

44121-04A	2004
-----------	------

44160-00	2000
----------	------

44119-04	2004
----------	------

42877-05	2005
----------	------

42881-05A	2005
-----------	------

42835-05	2005
----------	------

40968-05A	2005
-----------	------

42879-05A	2005
-----------	------

413C1 - Brake Caliper sub-component	
42823-04	2004
42824-04	2004
45401-87	1987
40948-04	2004
415B1 - Brake Rotor	
44136-00	2000
44156-00	2000
41797-00	2000
416A1 - Brakes Miscellaneous Component	
34582-04	2004
42878-05	2005
42880-05	2005
42837-04	2004
72023-51D	2004
42807-04	2004
416B1 - Brake Mounting Bracket	
42825-04	2004
42826-04	2004
417A1 - Brake Master Cylinder Assembly	
42810-04B	2004
42813-04	2004
42803-04B	2004
42805-04	2004
42814-04	2004
417B1 - Brake Master Cylinder	
45052-04	2004
45146-04	2004
417C1 - Brake Master Cylinder Piston Set	
42834-04	2004

42809-04B	2004
42822-04	2004
417D1 - Brake Master Cylinder sub-Component	
42255-04	2004
67804-04	2004
40946-04	2004
42832-04	2004
43529-04	2004
42521-04	2004
44178-04	2004
44189-04	2004
42811-04	2004
42595-04	2004
42804-04	2004
42815-04	2004
42976-04	2004
42979-04	2004
42828-04	2004
44184-04	2004
43528-04	2004
42817-04	2004
417E1 - Brake Master Cylinder Hose	
42821-04	2004
417F1 - Brake Master Cylinder Reservoir	
42816-04	2004
417G1 - Front Brake Lever	
42806-04	2004
418B1 - Brake Line	
44429-04	2004
45449-04B	2004
46400-04	2004

45074-95	1995
45319-04	2004
46411-05D	2005
420A1 - Wheel Rim	
43440-05A	2005
43662-80B	1983
43445-05	2005
43001-06	2006
43085-97	1997
421A1 - Wheel Spoke with Nipple	
40760-05	2005
43064-05	2005
43052-05A	2005
40761-05	2005
43241-05	2005
40762-05	2005
40759-05	2005
43056-05	2005
422B1 - Wheel Sprocket	
40350-04	2004
40352-04	2004
40518-05	2005
422C1 - Wheel Sprocket Compensating Cushion	
40561-05	2005
423G1 - Valve Stem	
43157-83A	1983
423H1 - Valve Stem Cap	
41123-79	1979
423K1 - Wheel Weights	
95578-41	1941

95595-84A	2010
95581-47	1947
95582-47	1947
424A1 - Wheels, Tires and Final Drive Miscellaneous Component	
41012-00A	2000
43594-00A	2000
43499-00A	2000
44606-08	2008
43595-99	1999
425A1 - Wheel sub-component	
43312-05A	2009
43335-05	2005
43547-05B	2009
44610-05A	2009
43557-05A	2009
430D1 - Front Axle	
43895-00	2000
430E1 - Rear Axle	
41176-05	2005
41573-05	2005
41623-05	2005
433A1 - Front Wheel	
43359-00	2000
433B1 - Front Wheel Bearing Spacer	
40930-05	2005
43517-00	2000
43358-00	2000
43617-00A	2000
43613-00	2000
41084-02A	2003
433C1 - Front Wheel Hub	

43629-00A	2000
43500-05	2005
454A1 - Front Telescopic Fork	
46307-05	2005
46308-05	2005
45901-04	2004
46453-05	2005
46029-04	2004
46454-05	2005
45900-04	2004
455A1 - Front Telescopic Fork Slider	
46218-05	2005
46450-05	2005
45922-00	2000
46449-05	2005
45921-00	2000
45923-00	2000
455B1 - Front Telescopic Fork Spring	
46267-05	2005
45376-04	2004
455C1 - Front Telescopic Fork sub-component	
45374-87	1987
45395-04	2004
45461-87	1987
45361-90	1990
45460-90	1990
46002-87	1987
45938-92	1992
45905-87	1987
456C1 - Fork Lock	

48153-02B	2010
48154-05A	2010
457E1 - Steering Stem Bearing Insert Cup	
48315-60	1960
48300-60	1960
458A1 - Front Suspension and Steering Miscellaneous Component	
48184-01	2001
45668-90	1990
68041-04	2004
459A1 - Upper Triple Clamp	
45966-04	2004
459B1 - Lower Triple Clamp	
46127-04	2004
46126-04	2004
470A1 - Frame	
49430-06A	2011
49431-06A	2011
31599-91	1991
49439-10	2011
472C1 - Front Fairing Support Bracket	
42972-04	2004
472D1 - Chassis Structure Miscellaneous Component	
48463-04	2004
472D2 - Chassis Structure Mounting Bracket	
59903-04	2004
59902-04	2004
59502-04A	2004
66199-04	2004
47470-04	2004
474C1 - Swingarm	

47587-05	2005
475B1 - Swingarm Pivot Shaft	
41698-04	2004
41699-04	2004
41568-04	2004
500A1 - Sidestand Assembly	
50185-04C	2011
500E1 - Sidestand Leg sub-component	
53158-98	1998
62122-89A	1989
50005-85A	1985
500F1 - Sidestand Pivot Pin	
554A	2002
505B1 - Footpeg Mount Bracket	
33048-72	1972
42651-04	2004
49315-04	2004
42652-04	2004
49314-04	2004
42971-04	2004
505D1 - Passenger Footpeg	
33032-99	1999
505K1 - Footpeg Wear Peg	
33216-99	1999
506A1 - Brake Pedal	
42969-04	2004
50912-72	1972
42812-04	2004
42685-04	2004
34581-04	2004

507A1 - Rider Interface Miscellaneous Component

42566-04 2004

42541-04 2004

520A1 - Rider Seat or Full Seat

51551-05 2005

52608-04 2004

51558-04 2004

51532-04 2004

51530-04 2004

51550-05 2005

521C1 - Seat Suspension Damper

42840-04 2004

45925-04 2004

524A1 - Passenger Grab Handle

59723-04 2004

530B1 - Tour Pak sub-component

53486-85 1985

540B1 - Rear Shock

54568-04 2004

54566-04 2004

54570-05 2005

540E1 - Rear Shock sub-component

54701-82 1982

54724-04 2004

54475-79 1979

540L2 - Rear Suspension Mounting Bracket

42831-04A 2005

42836-04A 2005

558A1 - Handlebar

56004-00 2000

55840-04A 2004

55845-04A	2005
56038-05	2005
56085-83A	1983
559D1 - Lower Handlebar Clamp	
55842-04	2004
56542-86A	1986
56017-04	2004
56541-86A	1986
56117-82A	1982
56116-82A	1982
559E1 - Upper Handlebar Clamp	
56567-86B	1986
56115-95	1995
560A1 - Mirror	
91840-03B	2003
91983-03B	2003
91846-03B	2003
91982-03B	2003
91845-03B	2003
91848-03B	2003
561A1 - Throttle Cable	
56401-96	1996
70518-04	2004
56400-96	1996
561B1 - Left Hand Grip	
56667-04	2004
561C1 - Throttle Assembly w/Grip	
56666-04	2004
561D1 - Throttle Assembly sub-component	
38653-01	2001

572E1 - Side Cover	
66272-05A	2005
66251-04A	2004
66252-04	2004
66273-05A	2005
589A1 - Front Fender	
58998-83E	2008
595D1 - Rear Fender	
59673-04A	2004
59768-97	1997
59847-10	2010
603B1 - Belt / Chain Guard	
60435-04	2004
60367-04	2004
608A1 - Carbon Canister	
28908-04A	2004
28909-04	2004
27042-84A	1995
608B1 - Carbon Canister Hose	
28912-04	2004
609A1 - Fuel Miscellaneous Component	
89586-04	2004
89579-91	1991
27047-84B	1984
610A1 - Fuel Tank	
61348-04	2004
62213-04	2004
611B1 - Fuel Cap	
61272-92C	1992
61260-04	2004

611F1 - Fuel Tank Vapor Vent Hose

63501-68B	1968
-----------	------

27067-04	2004
----------	------

27096-04A	2004
-----------	------

63505-84	1984
----------	------

612B2 - Fuel Valve

62166-02	2002
----------	------

62161-02	2002
----------	------

62172-02	2002
----------	------

62169-02A	2002
-----------	------

62150-85	1985
----------	------

612C1 - Fuel Line

62347-04	2004
----------	------

613B1 - Horn Cover

69012-93A	1993
-----------	------

613C1 - Intake / Fuel Tank Cover

28792-10	2010
----------	------

613K1 - Airbox Cover

28790-10	2010
----------	------

614C1 - Trim

62262-04	2004
----------	------

70919-04	2004
----------	------

70904-04	2004
----------	------

62263-04	2004
----------	------

70917-04	2004
----------	------

70903-04	2004
----------	------

62260-04	2004
----------	------

29125-05	2005
----------	------

62261-04	2004
----------	------

71472-04	2004
----------	------

624A1 - Oil Pump Assembly	
26204-91A	1991
624B1 - Oil Pump Assembly sub-component	
62601-91A	1991
26493-91	1991
26495-89B	1989
26437-86B	1986
62651-04	2004
33117-91A	1991
26492-91	1991
45830-48	1948
624D1 - Oil Pump Drive Gear	
26318-88A	1988
625B1 - Oil Tank	
62888-04B	2004
627B1 - Oil Drain Plug	
33123-04	2004
60328-98B	1998
627E1 - Oil Filler Plug / Dipstick	
63000-04B	2004
627F1 - Oil Filter	
63796-77A	1977
63805-80A	1980
627G1 - Oil Jet	
62700014	2011
627H1 - Oil Line	
62338-01Y	2001
70503-04	2004
62361-04	2004
63589-04	2004
9969	Unknown

627K1 - Oil Line Fitting	
26496-75A	1975
73206-04	2004
62375-57A	1957
73205-04	2004
63533-41A	1941
648K1 - Exhaust Miscellaneous Component	
41296-05	2005
649A1 - Muffler	
64842-04	2004
65232-04	2004
64857-04	2004
64848-04	2004
64893-04A	2004
65233-04	2004
64891-04A	2004
64890-04	2004
654A1 - Exhaust Shield	
64847-04A	2004
64846-04A	2004
64889-04	2004
655C1 - Exhaust Mounting Bracket	
65339-04	2004
65974-04A	2004
656E1 - Header Pipe	
64840-04	2004
64841-04	2004
658A1 - Exhaust Catalyst	
64853-04	2004
64854-04	2004

659A1 - Exhaust Clamp	
65296-95A	1995
65302-82A	1982
659B1 - Exhaust Flange	
65184-02	2002
660A1 - Battery	
65958-04A	2004
660C1 - Battery Pan	
66194-04C	2004
660D1 - Battery Strap	
66476-04A	2004
660E1 - Ground Strap	
70297-04A	2004
660F1 - Negative Battery Cable	
70296-04A	2004
660G1 - Positive Battery Cable	
70295-04A	2004
660H1 - Positive Battery Cable Boot	
70003-04	2004
31662-90	1990
670A1 - Tachometer	
67049-04B	2004
677A1 - Headlight	
68335-05	2005
67603-94A	1994
67883-04A	2004
67963-05	2005
69449-05	2005
68341-05	2005
67894-93A	1993
69681-04A	2004

67919-96	1996
67834-83	1983
67790-93A	1993
69619-02A	2002
67972-98	1998
68297-05	2005
677B1 - Headlight sub-component	
68380-05	2005
67880-94	1994
677C1 - Headlight Support Bracket	
67805-92	1992
69709-00	2000
678A1 - Taillight	
68066-99A	2004
69187-03A	2003
68792-96	1996
68369-03	2003
68830-99A	1999
68372-03	2003
68296-99A	2004
68140-04	2004
68370-03A	2003
68141-04	2004
678B1 - Taillight Housing	
68513-95A	2010
678D1 - Turnsignal	
68975-00	2000
68265-04	2004
68480-02	2002
68978-00	2000

68977-00	2000
68972-00	2000
56104-02	2002
68516-95	1995
678E1 - Turnsignal Lens	
68973-00	2000
679B1 - Reflector	
59254-91	1991
59287-92	1992
59482-00	2000
59481-00	2000
59288-92	1992
59988-72A	1972
679D1 - License Plate Bracket	
60001-55	1955
59986-75	1975
59984-73	1973
680C1 - Incandescent Bulb	
68572-64B	1964
68168-89A	1989
53436-97	1997
68024-94	1994
68163-84	1984
68329-03	2003
68167-04	2004
53438-92	1992
690C1 - Horn	
69043-96B	2007
692C1 - Electrical Miscellaneous Component	
68382-96	1996
68715-96	1996

71552-94	1994
72189-04	2004
72237-94	1994
72176-94	1994
692C2 - Electrical Mounting Bracket	
16355-04	2004
69123-92A	1992
67085-95	1995
16354-04	2004
69135-04	2004
67053-95	1995
69120-91	1991
67103-95	1995
69060-90F	2010
67320-95	1995
67338-97	1997
69062-91A	1991
692D1 - Fuse	
72318-04	2004
72330-95	1995
692E1 - Fuse / Relay Block	
72431-00	2000
692E2 - Fuse / Relay Block Cover	
73302-04	2004
692F1 - Wire Harness	
70227-99	1999
68814-04A	2004
68813-04A	2004
68811-04	2004
70139-05	2005

68899-04A	2004
66498-04	2004
55844-04	2004
692G1 - Conduit / Sheathing / Sleeving	
72268-94	1994
72266-94	1994
692G2 - Wire Guide	
29950-91	1991
29984-06	2006
27580-88	1988
692H1 - Connector	
73152-96BK	1996
74149-98	1998
70586-93	1993
72119-94BK	1994
72233-94	1994
72159-94	1994
72116-94BK	1994
72144-94	1994
72100-04	2004
72312-04	2004
72179-94	1994
27250-96B	1996
72124-94GY	1994
9848	Unknown
9847	Unknown
67184-94	1994
72260-04	2004
29312-95	1995
72156-94	1994
72139-94GY	1994

72234-94	1994
68650-92	1992
72131-04	2004
70587-93	1993
73301-04	2004
72130-04	2004
72199-94	1994
692H2 - Terminal	
72235-94	1994
72236-94	1994
72441-04	2004
72289-04	2004
72213-94	1994
9898	Unknown
72427-00	2000
72291-94	1994
9937	Unknown
72326-95	1995
72434-00	2000
74190-98	1998
74194-98	1998
72445-99TN	1999
692K1 - Connector / Terminal Seal	
72238-94	1994
68904-00	2000
74193-98	1998
73303-04	2004
74197-04	2004
68905-00	2000
68653-05	2005

692L1 - Wire Harness sub-component

74191-98	1998
----------	------

70345-84	1984
----------	------

74152-98	1998
----------	------

73204-04	2004
----------	------

72195-94	1994
----------	------

72231-98	1998
----------	------

72214-94	1994
----------	------

70504-81	1981
----------	------

73190-96	1996
----------	------

73156-96BK	1996
------------	------

73106-96BK	1996
------------	------

73152-96WE	1996
------------	------

72230-98	1998
----------	------

74109-98BK	1998
------------	------

74195-98	1998
----------	------

72143-94	1994
----------	------

73203-04	2004
----------	------

72033-93	1993
----------	------

10200	Unknown
-------	---------

72106-94BK	1994
------------	------

72405-98BK	1998
------------	------

72103-94BK	1994
------------	------

73191-96	1996
----------	------

72146-94	1994
----------	------

74159-98	1998
----------	------

72190-94	1994
----------	------

74119-98BK	1998
------------	------

73104-96BK	1996
------------	------

73305-04	2004
----------	------

72056-92	1992
72295-94	1994
70578-89	1989
72191-94	1994
74112-98BK	1998
73154-96BK	1996
709B1 - Instrument Cluster or Speedometer	
67290-04A	2004
67345-97	1997
67436-04A	2004
67416-04A	2004
67415-04A	2004
67344-97	1997
67037-04A	2004
67041-04A	2004
709E1 - Tank Console	
71276-04A	2004
714A1 - Ignition Switch	
71441-94	1994
714B1 - Mechanical Switch	
31540-91	1991
33900-99	1999
715A1 - Hand Control	
71684-06A	2006
67854-98	1998
71587-04	2004
71510-04	2004
71683-06A	2006
71564-96	1996
71563-96	1996

71568-96A	1996
71685-06A	2006
71682-06A	2006
71567-96	1996
71621-08	2008
747A1 - Voltage Regulator	
74523-04	2004
903B1 - Key or Key-set	
61459-97	1997
71451-94A	1994
903C1 - Key Transponder	
68926-00	2000
68939-00	2000
68927-00	2000

Common Service Parts

AUDIO & INSTRUMENTATION

[View interactive table](#)

PART NO.	DESCRIPTION	PART AND MODEL(S)
67880-94	BOOT	SPEEDOMETER & TACHOMETER - 883/883L/883R/1200R: XL883 XL1200R XL883L XL883R SPEEDOMETER - 883C/1200C: XL1200C XL883C

BEARINGS, SEALS & HARDWARE

[View interactive table](#)

PART NO.	DESCRIPTION	PART AND MODEL(S)
10014	CLAMP	CARBURETOR (1 OF 2): All Models FUEL TANK: All Models OIL TANK & FILTER: All Models
10080	CLAMP	CRANKCASE: All Models OIL TANK & FILTER: All Models

11105	O-RING	<u>INSPECTION COVER & PRIMARY COVER: All Models</u>
11165	QUAD SEAL	<u>TRANSMISSION GEARS: All Models</u>
11171	O-RING	<u>INSPECTION COVER & PRIMARY COVER: All Models</u>
11304	RETAINING RING	<p>SHIFTER - 883C/1200C: <u>XL1200C</u> <u>XL883C</u></p> <p>REAR BRAKE CONTROL - 883/883L/883R/1200R: <u>XL883</u> <u>XL1200R</u> <u>XL883L</u> <u>XL883R</u></p> <p>REAR BRAKE CONTROL - 883C/1200C: <u>XL1200C</u> <u>XL883C</u></p> <p>FOOTRESTS: <u>XL883</u> <u>XL883L</u></p> <p>FOOTRESTS: <u>XL1200C</u> <u>XL883C</u></p> <p>FOOTRESTS: <u>XL1200R</u></p>
11379	RETAINING RING	<u>CLUTCH CONTROL: All Models</u> <u>FRONT BRAKE CONTROL: All Models</u>
12067B	OIL SEAL	<u>TRANSMISSION GEARS: All Models</u>
16715-83	STUD	<u>CYLINDER, HEAD & VALVES - V2™ EVOLUTION (1 OF 2): All Models</u>
16800-84A	GASKET	<u>ROCKER ARMS, COVERS & PUSH RODS - V2™: All Models</u>
17358-84B	GASKET	<u>ROCKER ARMS, COVERS & PUSH RODS - V2™: All Models</u>
25463-94A	GASKET	<u>INSPECTION COVER & PRIMARY COVER: All Models</u>
26995-86B	SEAL	<u>CARBURETOR (1 OF 2): All Models</u>
2952A	SCREW	<u>SEATS: All Models</u>
3275	SCREW	<u>CARBURETOR (1 OF 2): All Models</u>
34986-04	GASKET	<u>INSPECTION COVER & PRIMARY COVER: All Models</u>
3655A	SCREW	<p>FRONT WHEEL - CAST: <u>XL883</u> <u>XL1200R</u> <u>XL883L</u> <u>XL883R</u></p> <p>FRONT WHEEL - LACED & PROFILE LACED: <u>XL883</u> <u>XL883C</u> <u>XL1200C</u> <u>XL883L</u> <u>XL883R</u></p> <p>FRONT WHEEL - LACED & PROFILE LACED: <u>XL1200R</u></p>

3658	SCREW	<p><i>HANDLEBAR & THROTTLE CONTROL - 883/883L/883R/1200R:</i></p> <p>XL883</p> <p>XL1200R</p> <p>XL883L</p> <p>XL883R</p> <p><i>HANDLEBAR & THROTTLE CONTROL - 883C/1200C:</i></p> <p>XL1200C</p> <p>XL883C</p> <p><i>HORN:</i></p> <p>XL883</p> <p>XL883C</p> <p>XL1200R</p> <p>XL883L</p> <p>XL883R</p> <p>HANDLEBAR SWITCHES: All Models</p>
4132	SCREW	OIL PUMP: All Models
43567-92	SCREW	<p>REAR WHEEL - CAST: All Models</p> <p>REAR WHEEL - LACED & PROFILE LACED: All Models</p>
45378-87	OIL SEAL	FRONT FORK: All Models
45405-75A	SCREW	FRONT FORK: All Models
4740A	SCREW	GEARCASE & COVER: All Models
48300-60	ROLLER BEARING	STEERING HEAD BRACKET ASSEMBLY: All Models
59768-97	FENDER SEAT NUT KIT	REAR FENDER & BELT GUARDS: All Models
63858-49	WASHER	ROCKER ARMS, COVERS & PUSH RODS - V2™: All Models
6516HW	WASHER	<p>BELTS & SPROCKETS: All Models</p> <p>REAR WHEEL - CAST: All Models</p> <p>REAR WHEEL - LACED & PROFILE LACED: All Models</p>
65324-83B	GASKET	EXHAUST SYSTEM: All Models
65325-83A	RETAINING RING	EXHAUST SYSTEM: All Models
65927-00	GASKET	EXHAUST SYSTEM: All Models
6702	WASHER	<p>REAR BRAKE MASTER CYLINDER: All Models</p> <p><i>HANDLEBAR & THROTTLE CONTROL - 883/883L/883R/1200R:</i></p> <p>XL883</p> <p>XL1200R</p> <p>XL883L</p> <p>XL883R</p> <p>REAR FENDER & BELT GUARDS: All Models</p> <p>FUEL TANK: All Models</p> <p><i>HEADLAMP & MIRROR - 883/883L/883R/1200R:</i></p> <p>XL883</p> <p>XL1200R</p> <p>XL883L</p> <p>XL883R</p>
7041	LOCKWASHER	<p><i>HORN:</i></p> <p>XL1200C</p>

7593	NUT	EXHAUST SYSTEM: All Models
8692	RIVET	REAR FENDER & BELT GUARDS: All Models
9247	WHEEL BEARING	REAR WHEEL - CAST: All Models REAR WHEEL - LACED & PROFILE LACED: All Models
9267	ROLLER BEARING	FRONT WHEEL - CAST: XL883 XL1200R XL883L XL883R FRONT WHEEL - LACED & PROFILE LACED: All Models
943	SCREW	INSPECTION COVER & PRIMARY COVER: All Models
9955	CLAMP	EXHAUST SYSTEM: All Models

CHASSIS & COMPONENTS

[View interactive table](#)

PART NO.	DESCRIPTION	PART AND MODEL(S)
50005-85A	SPRING	FRAME, REAR FORK & JIFFY STAND: All Models

ELECTRICAL

[View interactive table](#)

PART NO.	DESCRIPTION	PART AND MODEL(S)
70345-84	RETAINER	HANDLEBAR & THROTTLE CONTROL - 883/883L/883R/1200R: XL883 XL1200R XL883L XL883R HANDLEBAR & THROTTLE CONTROL - 883C/1200C: XL1200C XL883C HANDLEBAR SWITCHES: All Models
71621-08	STOPLIGHT SWITCH	HANDLEBAR SWITCHES: All Models
72330-95	FUSE	MAIN WIRING HARNESS (1 OF 2): All Models SWITCHES & CIRCUIT BREAKERS: All Models

ENGINE, TRANSMISSION & PRIMARY

[View interactive table](#)

PART NO.	DESCRIPTION	PART AND MODEL(S)
37909-90	RETAINING RING	CLUTCH: All Models
37911-90	FRICTION PLATE	CLUTCH: All Models

FOOT CONTROLS

[View interactive table](#)

PART NO.	DESCRIPTION	PART AND MODEL(S)
34611-65A	SHIFTER PEG	<i>SHIFTER - 883/883L/883R/1200R:</i> XL883 XL1200R XL883L XL883R <i>SHIFTER - 883C/1200C:</i> XL1200C XL883C

INTAKE, EXHAUST & FUEL MGMT

[View interactive table](#)

PART NO.	DESCRIPTION	PART AND MODEL(S)
27002-89	SEAL RING	CARBURETOR (1 OF 2): All Models
27361-76A	DIAPHRAGM	CARBURETOR (1 OF 2): All Models
29229-88D	CARBURETOR ENRICHENER CABLE	AIR CLEANER & ENRICHENER: All Models
29331-04	FILTER ELEMENT	AIR CLEANER & ENRICHENER: All Models
65296-95A	CLAMP	EXHAUST SYSTEM: All Models

LIGHTING

[View interactive table](#)

PART NO.	DESCRIPTION	PART AND MODEL(S)
68168-89A	BULB	TURN SIGNALS: All Models
68329-03	BULB	<i>HEADLAMP & MIRROR - 883/883L/883R/1200R:</i> XL883 XL1200R XL883L XL883R <i>HEADLAMP & MIRROR - 883C/1200C:</i> XL1200C XL883C
68572-64B	BULB	TURN SIGNALS: All Models
68973-00	LENS	TURN SIGNALS: All Models

MAINTENANCE & TOOLS

[View interactive table](#)

PART NO.	DESCRIPTION	PART AND MODEL(S)
32362-04	SPARK PLUG	<u>ELECTRONIC IGNITION SYSTEM: All Models</u>
63796-77A	OIL FILTER	OIL TANK & FILTER: <u>XL1200C</u>
63805-80A	OIL FILTER	OIL TANK & FILTER: <u>XL883</u> <u>XL883C</u> <u>XL1200R</u> <u>XL883L</u> <u>XL883R</u>
65958-04A	BATTERY	<u>BATTERY: All Models</u>
95582-47	WHEEL WEIGHT	<u>FRONT WHEEL - LACED & PROFILE LACED: All Models</u> <u>REAR WHEEL - LACED & PROFILE LACED: All Models</u>
95595-84A	WHEEL WEIGHT	FRONT WHEEL - CAST: <u>XL883</u> <u>XL1200R</u> <u>XL883L</u> <u>XL883R</u> <u>REAR WHEEL - CAST: All Models</u>

TIRES

View interactive table

PART NO.	DESCRIPTION	PART AND MODEL(S)
43157-83A	VALVE STEM	FRONT WHEEL - CAST: <u>XL883</u> <u>XL1200R</u> <u>XL883L</u> <u>XL883R</u> <u>REAR WHEEL - CAST: All Models</u>