

# 2004 Sportster Models Parts Catalog

Alphabetical List

Parts

Hardware List

New Parts List

Numerical Index

Component Types and Introduction Dates

Common Service Parts

## READER'S COMMENTS

The Harley-Davidson Service Communications Department maintains a continuous effort to improve the quality and usefulness of its publications. To do this effectively, we need user feedback - your critical evaluation of this manual.

Please comment on the completeness, accuracy, organization, usability, and readability of this manual.

Please list the page, item, and part number(s) of any errors you find in this manual.

Please tell us how we can improve this manual.

Name	Document 99451-04A
Occupation	Dealership



---

---

---

---

---

---

---

---

---

---

## GENERAL INFORMATION

**THIS IS NOT AN ASSEMBLY MANUAL AND SHOULD NOT BE USED AS SUCH.**

**About this manual**

This Parts Catalog has been prepared to make it easier for you to order parts for your motorcycles. The numbers shown in the illustrations correspond to the numbers in the "INDEX NO." column in the parts lists. Consult the illustrations when ordering parts to make sure that you receive all the required parts. The number in parentheses following the part description is the quantity needed for complete assembly. If there is no number in parentheses, only one is used. Prices of parts in this catalog are published separately.

When ordering parts, the following instructions should be followed carefully.

- Make sure to specify the correct part number for each item. The part numbers appear under the "PART NO." column in the parts lists.
- Orders may be placed via your computer for all parts. Review your system documentation on placing orders electronically. All non-warranty replacement crankcase orders require return of the complete left crankcase half with vehicle identification number (VIN). All non-warranty replacement frame orders require return of the steering neck with vehicle identification number (VIN). Non-compliance will result in a fine. See non-warranty frame and crankcase policy or contact Dealer Services.
- The sale or use of these parts or accessories does not grant the purchaser a license or other right under any Harley-Davidson patent.
- For all 2008 and later painted parts, refer to the Service Section of [h-dnet.com](http://h-dnet.com) which features a listing of painted part numbers, except CVO (Custom Vehicle Operations) models which are located in their own respective catalogs.
- All parts that were added for the new model year will have the entire line shaded on the parts list page. This can be used to identify any new parts that are unique to a specific model, and help distinguish new and previous model year parts.
- Parts marked "**RESTRICTED SALE PART**" are limited edition items and can only be ordered as direct replacements.
- Orientation symbols are used when the illustration is not in the standard "Right-Front" orientation. The

symbol is a motorcycle with an arrow in the front indicating the direction of view. The symbol is at the bottom left or right side of the illustration page.

- To request a missing or loose part, simply submit a Return Material Authorization (RMA) claim on h-dnet.com with code "T-part not included with vehicle" for all vehicle missing parts claims. Then place an order for the missing item on your next Parts and Accessories order. Upon filing the RMA claim, your dealership will be credited for the dealer net cost of the part. The Vehicle Identification Number must be included on the RMA claim in order for you to receive credit. This process is to be used for vehicles manufactured at all plants.

To the best knowledge of Harley-Davidson Motor Company, the material contained herein is accurate as of the date this publication was approved for printing. Harley-Davidson Motor Company reserves the right to change specifications, equipment or designs at any time without notice and without incurring obligation.

**2018 TPD.**

## **GENERAL INFORMATION**

### **LOOSE PARTS**

The Loose Parts section is located at the back of this parts catalog. This section lists the parts which are shipped unfastened with the vehicles covered in this catalog.

### **HARDWARE LIST**

The Hardware List is located at the back of this parts catalog. This section contains the information for each piece of hardware found in each parts list.

### **NEW PARTS LIST**

The New Parts List is located at the back of this parts catalog. This list serves as a summary of new parts.

### **NUMERICAL INDEX**

The Numerical Index is located at the back of this parts catalog. This index includes all part numbers used in this catalog and the page numbers of where they can be found.

### **COMPONENT TYPES AND INTRODUCTION DATES**

The Component Types and Introduction Dates section is located at the back of this parts catalog. This section contains a list of component part numbers and year of introduction.

### **COMMON SERVICE PARTS**

The Common Service Parts section is located at the back of this parts catalog. This section contains the most commonly ordered parts for service on vehicles covered in this catalog. These parts are ordered through the normal ordering process.

### **IF (SERVICE INFORMATION PORTAL)**

For the latest updates to these manuals, see the Service Information Portal.

## VEHICLE IDENTIFICATION NUMBER

See Figure 1. A unique 17-digit serial, or vehicle identification number (VIN), is assigned to each motorcycle. For a description of each digit in the vehicle identification number (VIN), refer to Table 1.

For all models except V-Rod the full 17-digit serial, or vehicle identification number (VIN), is stamped on the right side of the frame backbone at the rear of the steering head. The vehicle identification number (VIN) is also printed on a label on the right front downtube. An abbreviated vehicle identification number (VIN) is stamped on the left side crankcase between the front and rear cylinders.

For V-Rod models only the full 17-digit serial, or vehicle identification number (VIN), is stamped on the right side of the steering head. The vehicle identification number (VIN) is also printed on a label on the left frame tube above the front engine cylinder. An abbreviated vehicle identification number (VIN) is stamped on the left side crankcase below the rear cylinder head.

Always give the full 17-digit vehicle identification number (VIN) when ordering parts or making any inquiry about your motorcycle.

## 004 SPORTSTER MODELS

### VIN MODEL CODES

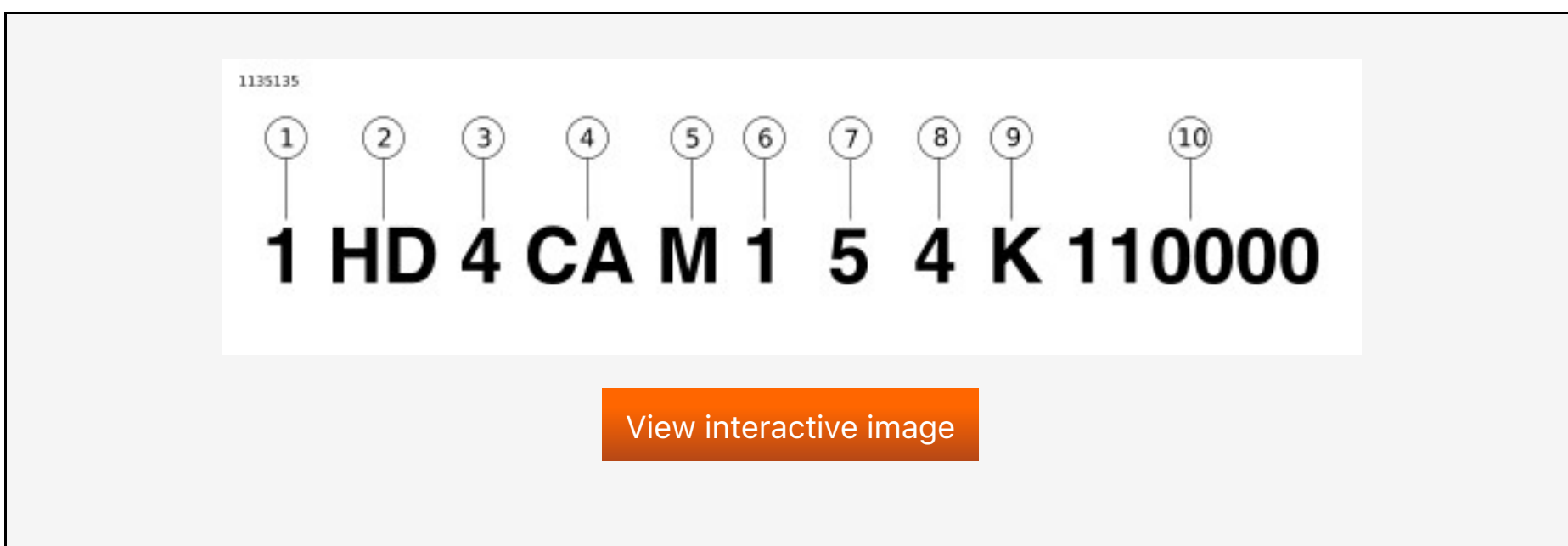


Figure 1. Typical Harley-Davidson VIN

Table 1. Harley-Davidson VIN Breakdown

POSITION	DESCRIPTION	POSSIBLE VALUES
1	Market designation	1=Domestic 5=International
2	Manufacturer	HD=Harley-Davidson
3	Motorcycle type	1=Heavyweight motorcycle (901cc and larger) 4=Middleweight motorcycle (351-900cc)
4	Model	See model table
5	Engine type	M=883cc P=1200cc
6	Introduction date	1=Regular 2=Mid-year 3=California 4=Special Edition 5=Special Edition Cal. Only

7	V.I.N. check digit	Can be 0-9 or X
8	Model year	4=2004
9	Assembly plant	K=Kansas City, MO
10	Sequential number	varies

Table 2. VIN Model Codes

CODE	MODEL NAME
CA	XL883
CJ	XL883C Custom
CL	XL1200R Roadster
CG	XL1200C Custom

## NOTES

ACCESS DOOR & PRIMARY COVER  
 AIR CLEANER & ENRICHENER  
 ALTERNATOR & REGULATOR  
 AXLE, FRONT  
 AXLE, FRONT  
 AXLE, REAR - CAST  
 BATTERY  
 BELTS & SPROCKETS  
 BRACKET, HORN  
 BRACKET, LICENSE PLATE  
 BRACKET, LOWER STEERING HEAD  
 BRACKET, SPEEDOMETER & TACHOMETER  
 BRACKET, SPEEDOMETER - 883C,1200C  
 BRAKE CONTROL, REAR - 883C,1200C  
 BRAKE DISC, FRONT  
 BRAKE DISC, FRONT  
 BRAKE DISC, REAR  
 BRAKELINE, FRONT  
 BRAKELINE, REAR  
 BULB, INDICATOR LAMPS - 883C,1200C  
 CABLE, CLUTCH CONTROL  
 CABLES, BATTERY  
 CALIFORNIA EVAPORATIVE EMISSIONS KIT  
 CALIPER, FRONT  
 CALIPER, REAR  
 CAMSHAFT BUSHINGS  
 CAMSHAFT GEARS

CANISTER, EVAPORATIVE EMISSIONS  
CARBURETOR (1 OF 2)  
CARBURETOR (2 OF 2)  
CHAIN, PRIMARY  
CHOKE BRACKET - 883, 883C, 1200R  
CLAMPS, HANDLEBAR, UPPER & LOWER  
CLUTCH  
CLUTCH CONTROL  
COIL, IGNITION  
COVER, ELECTRICAL CADDY  
COVER, ROCKER ARM  
CRANKCASE  
CYLINDER, HEAD & VALVES - V<sup>2</sup>™ EVOLUTION (1 OF 2)  
CYLINDER, HEAD & VALVES - V<sup>2</sup>™ EVOLUTION (2 OF 2)  
DECALS, FUEL TANK  
ELECTRONIC IGNITION SYSTEM  
ENGINE ASSEMBLY, COMPLETE  
ENGINE MOUNTS  
EXHAUST SYSTEM  
FENDER, FRONT  
FILTER, AIR  
FILTER, FUEL  
FILTER, OIL  
FOOTRESTS  
FRAME, REAR FORK, & JIFFY STAND  
FRONT BRAKE CALIPER  
FRONT BRAKE CONTROL  
FRONT FENDER  
FRONT FORK  
FRONT WHEEL - CAST  
FRONT WHEEL - LACED  
FUEL LINES  
FUEL TANK  
FUEL TANK TRIM  
FUSES  
GASKET KIT, FRONT MASTER CYLINDER  
GASKET KIT, REAR MASTER CYLINDER  
GEARCASE & COVER  
GEARS, TRANSMISSION  
HANDLEBAR & THROTTLE CONTROL  
HANDLEBAR & THROTTLE CONTROL - 883/1200 CUSTOM  
HANDLEBAR SWITCHES  
HEADLAMP & MIRROR - 883/1200R  
HEADLAMP & MIRROR - 883C/1200C  
HORN  
HOUSING, SPEEDOMETER, 883, 1200R  
HOUSING, SPEEDOMETER, 883C, 1200C  
INDICATOR LAMPS  
INDICATOR LAMPS  
INTAKE MANIFOLD  
INTERCONNECT, EXHAUST

JET, OIL  
LEVER, CLUTCH CONTROL  
LEVER, FRONT BRAKE CONTROL  
LEVER, SHIFTER - 883C,1200C  
LEVER, TRANSMISSION GEAR SHIFT  
MAIN WIRING HARNESS (1 OF 2)  
MAIN WIRING HARNESS (2 OF 2)  
MASTER CYLINDER ASSEMBLY, REAR  
MASTER CYLINDER WITH HAND LEVER, FRONT  
MEDALLION, FUEL TANK  
MIRRORS - 883C,1200C  
MODULE, SECURITY  
MODULE, TURN SIGNAL CANCELLOR  
MOUNTS, ENGINE  
OIL PUMP  
OIL PUMP DRIVE GEAR  
OIL TANK & FILTER  
PISTONS, CONNECTING RODS & FLYWHEELS  
PUMP, OIL  
PUSH RODS & COVERS  
REAR BRAKE CALIPER  
REAR BRAKE CONTROL - 883/1200R  
REAR BRAKE CONTROL - 883C/1200C  
REAR BRAKE MASTER CYLINDER  
REAR FENDER & BELT GUARDS  
REAR FORK  
REAR WHEEL - CAST  
REFLECTORS, FRONT FORK  
RELAY, STARTER  
RIM, FRONT WHEEL  
ROCKER ARMS, COVERS & PUSH RODS  
SEATS  
SENSOR, SPEED  
SENSOR, SPEED  
SHIFTER  
SHIFTER - 883C/1200C  
SHOCK ABSORBERS  
SIDE COVER, OIL TANK  
SPARK PLUGS  
SPEEDOMETER & TACHOMETER - 883/1200R  
SPEEDOMETER - 883C/1200C  
SPROCKETS  
STARTER MOTOR  
STEERING HEAD BRACKET ASSEMBLY  
SWING ARM  
SWITCH, IGNITION  
SWITCH, NEUTRAL INDICATOR  
SWITCH, OIL PRESSURE INDICATOR  
SWITCH, STARTER  
SWITCHES & CIRCUIT BREAKERS  
SWITCHES, HANDLEBAR



TAIL LAMP

TAIL LAMP - FXST, FXSTB, FXSTC, FLSTC, FLSTF

TRANSMISSION BEARINGS

TRANSMISSION GEARS

TRAY, BATTERY

TURN SIGNAL CANCELLER

TURN SIGNALS

VOLTAGE REGULATOR

WHEEL, FRONT - LACED

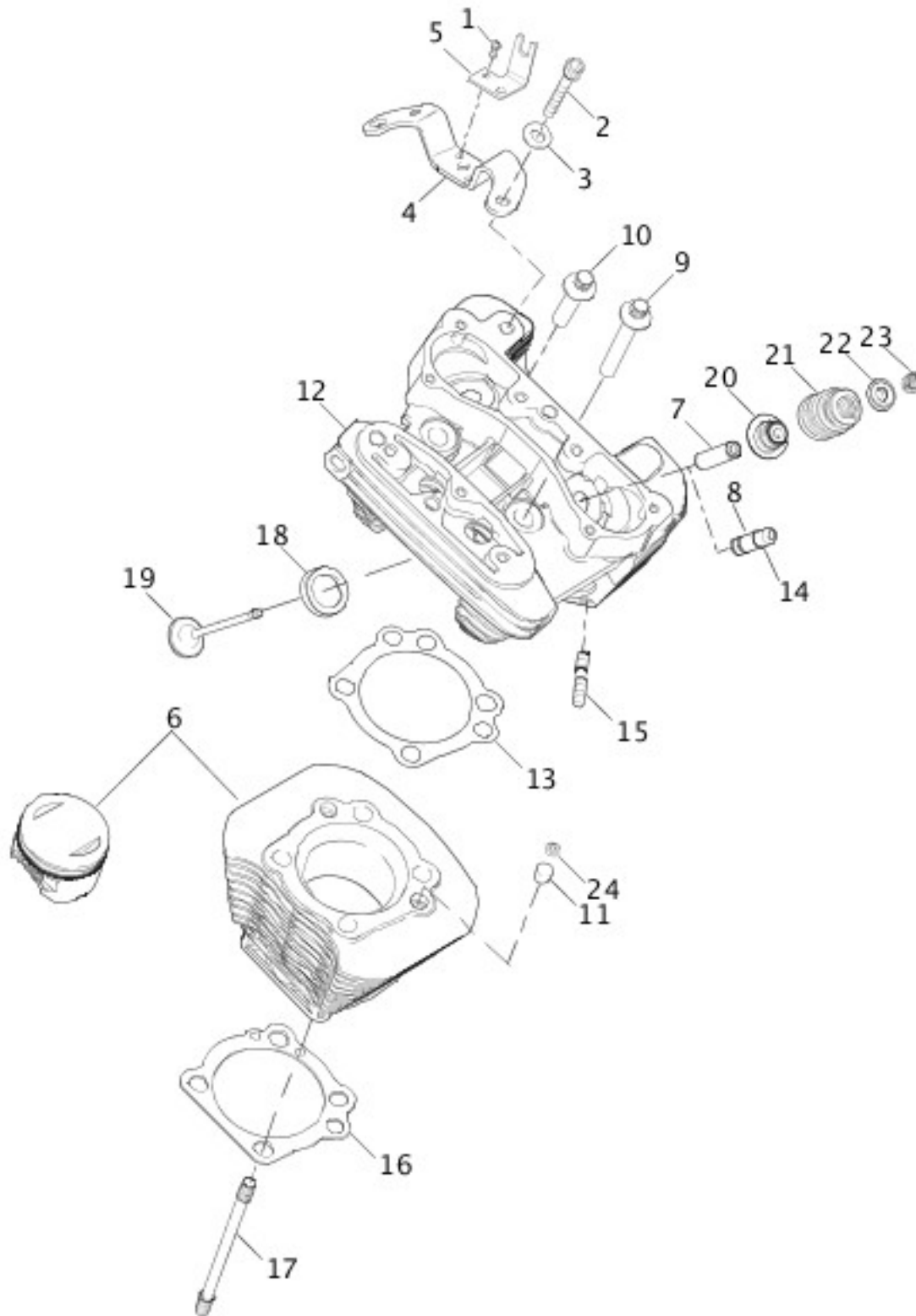
WHEELS, FRONT (CAST)

WHEELS, REAR (CAST)

Parts

**CYLINDER, HEAD & VALVES - V<sup>2</sup><sup>TM</sup> EVOLUTION (1 OF 2)**

## CYLINDER, HEAD & VALVES - V<sup>2</sup><sup>™</sup>



[View interactive image](#)

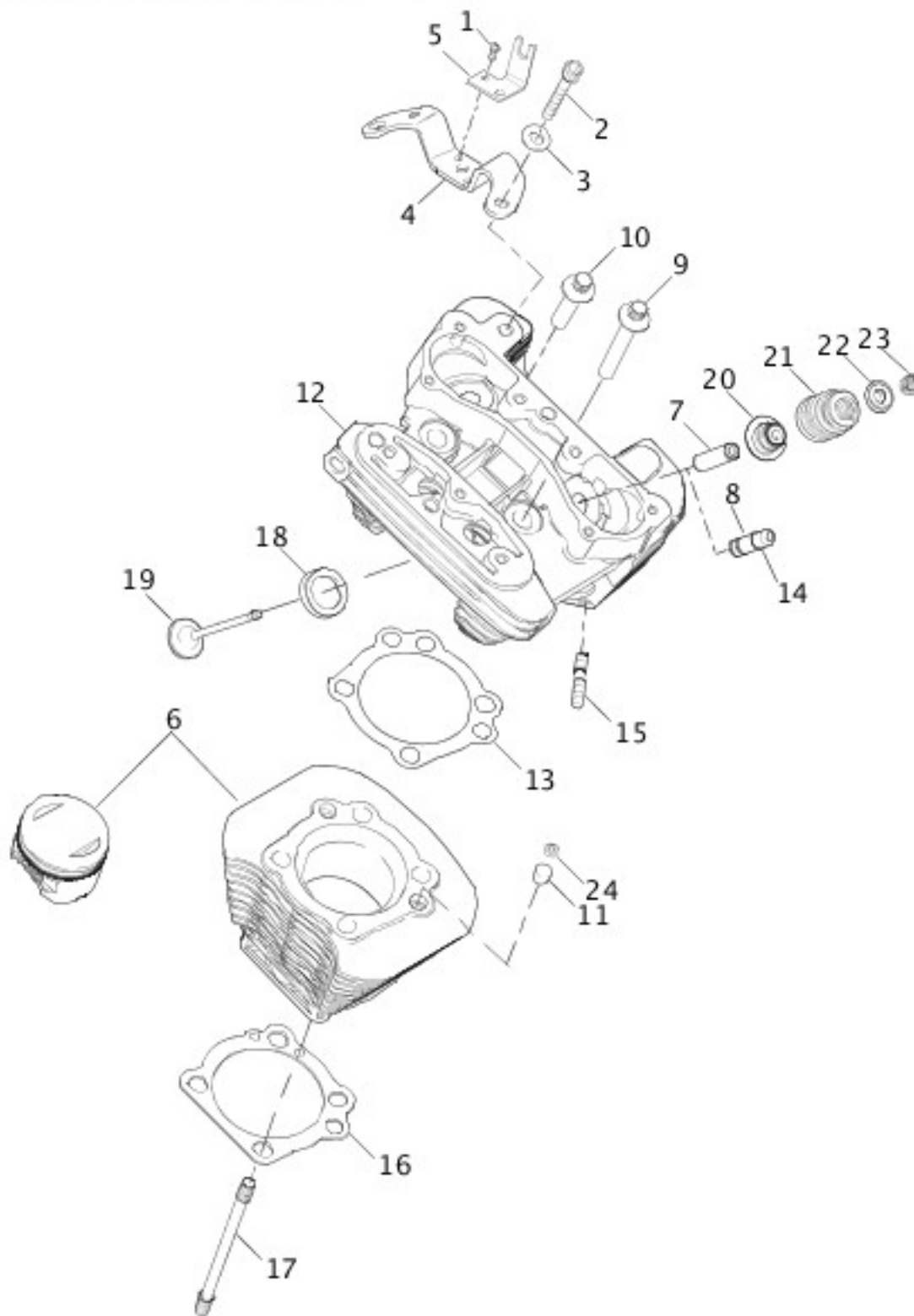
[View interactive table](#)

INDEX NO.	PART NO.	DESCRIPTION	MODEL(S)
1	3026	SCREW (2)	XL1200R, XL883, XL883C
2	4748	SCREW (2)	ALL
3	6787	WASHER (2)	ALL
	16052-04	ENGINE ASSEMBLY, complete (883cc) (Domestic, Canada)	XL883

	16055-04	ENGINE ASSEMBLY, complete (883cc) (California)	XL883
	16068-04	ENGINE ASSEMBLY, complete (1200cc) (Domestic, Canada)	XL1200C
	16069-04	ENGINE ASSEMBLY, complete (1200cc) (California)	XL1200C
	16079-04	ENGINE ASSEMBLY, complete (883cc) (Domestic, Canada)	XL883C
	16080-04	ENGINE ASSEMBLY, complete (883cc) (California)	XL883C
	19194-04	ENGINE ASSEMBLY, complete (1200cc) (Domestic, Canada)	XL1200R
	19195-04	ENGINE ASSEMBLY, complete (1200cc) (California)	XL1200R
4	16353-04	BRACKET, center engine mount	ALL
5	16354-04	BRACKET, choke	XL1200R, XL883, XL883C
6	16443-04	CYLINDER, w/ piston (883cc) (2)	XL883, XL883C
	16463-04	CYLINDER, w/ piston (1200cc) (2)	XL1200C, XL1200R
7	16461-02	VALVE GUIDE, intake and exhaust (use 16465-06) (4)	ALL
	16462-02	VALVE GUIDE, intake and exhaust O.S. (4)	ALL
8	16465-06	VALVE GUIDE, intake and exhaust, w/ 16699-06 (replaces 16461-02) (4)	ALL
9	16478-85A	SCREW, internal thread (4)	ALL
10	16480-92A	SCREW, internal thread (4)	ALL
11	16573-83A	DOWEL (4)	ALL
12	16660-04	HEAD, rear cylinder, w/ valve guides & seats (silver)	XL883, XL883C
	16661-04	HEAD, front cylinder, w/ valve guides & seats (silver)	XL883, XL883C
	16666-04	HEAD, rear cylinder, w/ valve guides & seats (black)	XL1200C, XL1200R
	16667-04	HEAD, front cylinder, w/ valve guides & seats (black)	XL1200C, XL1200R
13	16664-86D	GASKET, cylinder head (2)	XL883, XL883C
	16770-84F	GASKET, cylinder head (2)	XL1200C, XL1200R
14	16699-06	SNAP RING (used w/ 16465-06) (4)	ALL
15	16715-83	STUD, exhaust port (4)	ALL
16	16774-86D	GASKET, cylinder base (2)	ALL
17	16832-86C	STUD, cylinder base (8)	ALL

## CYLINDER, HEAD & VALVES - V<sup>2</sup>™ EVOLUTION (2 OF 2)

## CYLINDER, HEAD & VALVES - V<sup>2</sup><sup>™</sup>



[View interactive image](#)

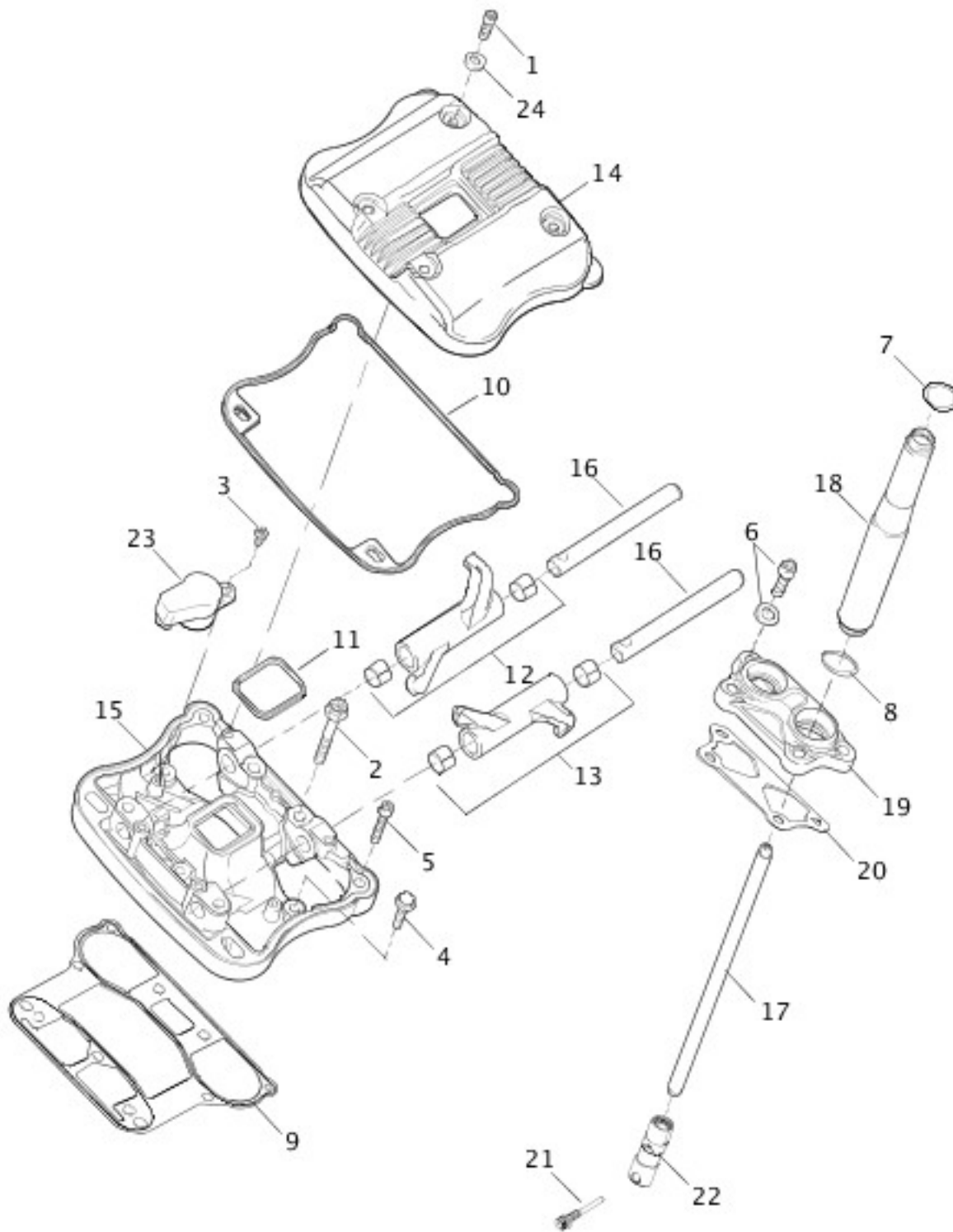
[View interactive table](#)

INDEX NO.	PART NO.	DESCRIPTION	MODEL(S)
	17027-04B	GASKET KIT, engine overhaul (not illustrated)	ALL
	17049-04A	GASKET KIT, top overhaul (not illustrated)	ALL
18	18011-86	INSERT, exhaust valve seat (2)	XL1200C, XL1200R
	18012-87A	INSERT, exhaust valve seat (2)	XL883, XL883C
	18020-83	INSERT, intake valve seat (2)	XL1200C, XL1200R

	18021-87A	INSERT, intake valve seat (2)	XL883, XL883C
19	18053-04	INTAKE VALVE, 7mm (2)	XL883, XL883C
	18690-02	INTAKE VALVE, 7mm (2)	XL1200C, XL1200R
	18059-04	EXHAUST VALVE, 7mm (2)	XL883, XL883C
	18691-02	EXHAUST VALVE, 7mm (2)	XL1200C, XL1200R
20	18094-02A	SEAL KIT, valve (set of 4)	ALL
21	18245-02	VALVE SPRING (4)	ALL
22	18258-02	COLLAR, valve spring, upper (4)	ALL
23	18260-02	KEEPER, valve collar (8)	ALL
24	26432-76A	O-RING, cylinder stud insert (4)	ALL
<b>INTERNATIONAL MODELS ONLY</b>			
	16064-04	ENGINE ASSEMBLY, complete (883cc) (HDI, Australia, England)	XL883
	16071-04	ENGINE ASSEMBLY, complete (1200cc) (HDI, Australia, England)	XL1200C
	16078-04	ENGINE ASSEMBLY, complete (883cc) (HDI, Australia, England)	XL883C
	19169-04	ENGINE ASSEMBLY, complete (1200cc) (Japan)	XL1200C
	19171-04	ENGINE ASSEMBLY, complete (883cc) (Japan)	XL883C
	19172-04	ENGINE ASSEMBLY, complete (883cc) (Japan)	XL883
	19196-04	ENGINE ASSEMBLY, complete (1200cc) (HDI, Australia, England)	XL1200R
	19197-04	ENGINE ASSEMBLY, complete (1200cc) (Japan)	XL1200R

## **ROCKER ARMS, COVERS & PUSH RODS**

## ROCKER ARMS, COVERS & PUSH RODS



[View interactive image](#)

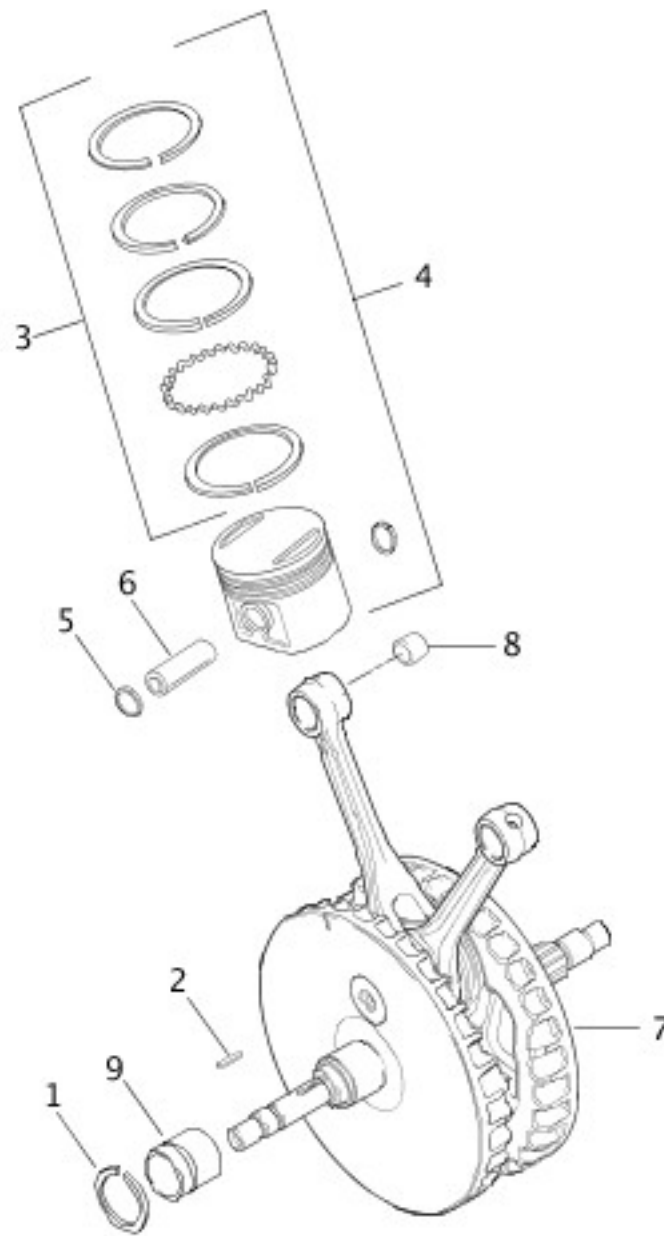
[View interactive table](#)

INDEX NO.	PART NO.	DESCRIPTION	MODEL(S)
1	882	SCREW (8)	ALL
2	1039	SCREW (8)	ALL
3	2441	SCREW, pan head (2)	ALL
4	3849	SCREW, w/ washer (6)	ALL
5	4718A	SCREW, w/ washer (4)	ALL

6	4741A	SCREW (8)	ALL
7	11190	O-RING, push rod cover, upper (4)	ALL
8	11377	O-RING (4)	ALL
9	16800-84A	GASKET, rocker box (2)	ALL
10	17353-89C	GASKET, rocker cover, lower (2)	ALL
11	17358-84B	GASKET, rocker cover, inner (2)	ALL
12	17360-83A	ROCKER ARM, front intake & rear exhaust (2)	ALL
13	17375-83A	ROCKER ARM, front exhaust & rear intake (2)	ALL
14	17501-04	ROCKER COVER, outer (polished) (2)	XL883, XL883C
	17551-04	ROCKER COVER, outer (chrome) (2)	XL1200C
	17527-04	ROCKER COVER, outer (silver) (2)	XL1200R
15	17532-86E	ROCKER COVER, inner (polished) (2)	XL883, XL883C
	17537-96C	ROCKER COVER, inner (chrome) (2)	XL1200C
	17614-98C	ROCKER COVER, inner, silver (2)	XL1200R
16	17611-83	SHAFT, rocker arm (4)	ALL
17	17908-02	PUSH ROD, exhaust (2)	ALL
	17909-02	PUSH ROD, intake (2)	ALL
18	17946-04	COVER, push rod (chrome) (4)	ALL
19	17972-04	TAPPET COVER, front	ALL
	17981-04	TAPPET COVER, rear	ALL
20	17976-04	GASKET, tappet cover (2)	ALL
21	18532-00A	SCREW, anti-rotation (4)	ALL
22	18538-99C	TAPPET, w/ roller (4)	ALL
23	26010-04	BREATHER, front	ALL
	26011-04	BREATHER, rear	ALL
24	63858-49	WASHER (8)	ALL

## PISTONS, CONNECTING RODS & FLYWHEELS

## PISTONS, CONNECTING RODS & FLYWHEELS



[View interactive image](#)

[View interactive table](#)

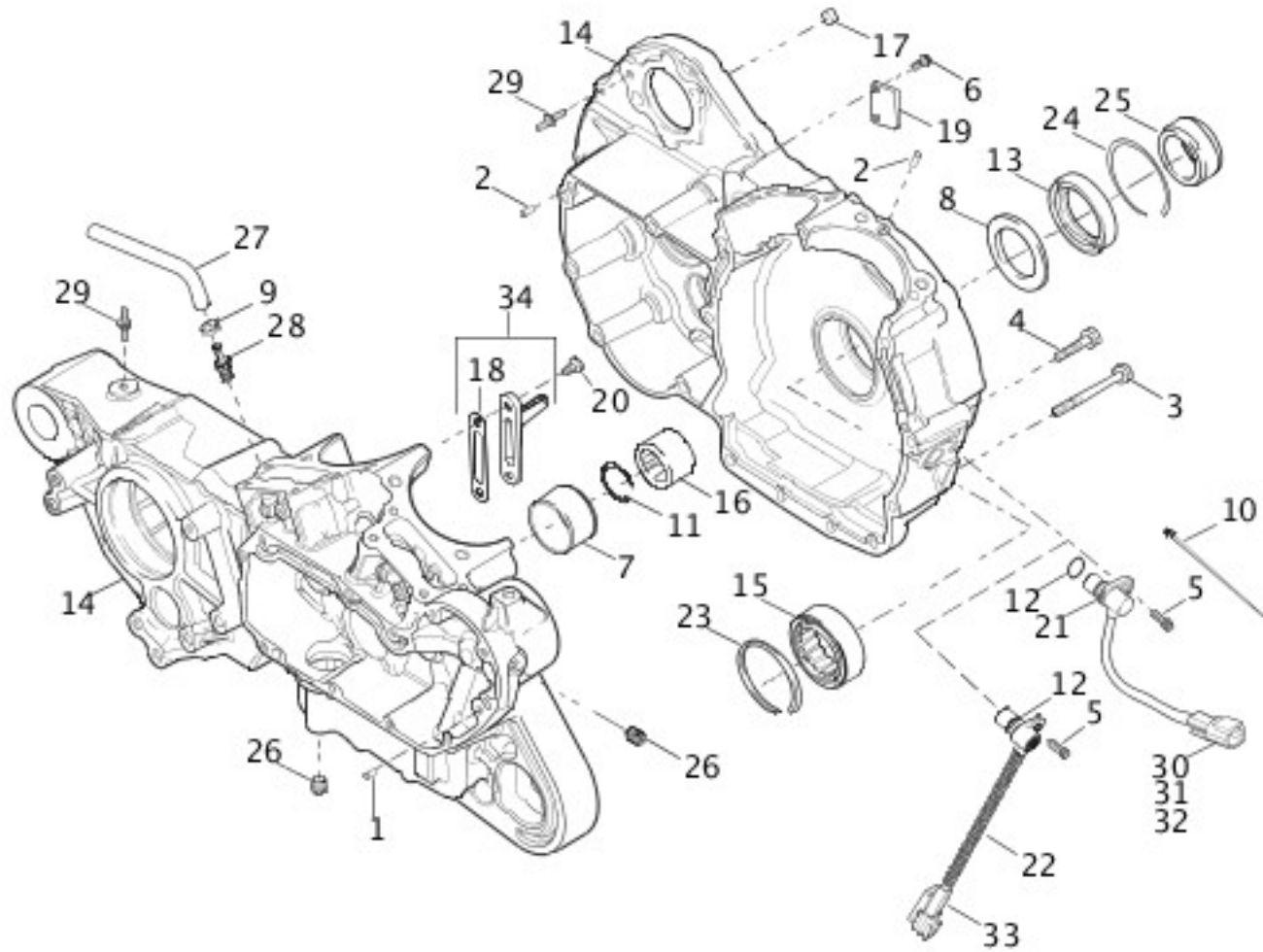
INDEX NO.	PART NO.	DESCRIPTION	MODEL(S)
1	11177A	RETAINING RING	ALL
2	11317	KEY (used w/ 23905-04B)	ALL
3	21948-02	PISTON RING SET, standard (2)	XL1200C, XL1200R
	22231-04	PISTON RING SET, 0.005 O.S. (2)	XL1200C, XL1200R
	22238-04	PISTON RING SET, 0.010 O.S. (2)	XL1200C, XL1200R
	22266-86	PISTON RING SET, standard (2)	XL883, XL883C
	22261-86	PISTON RING SET, 0.010 O.S. (2)	XL883, XL883C



	22271-86	PISTON RING SET, 0.005 O.S. (2)	XL883, XL883C
4	22221-04	PISTON AND RINGS ASSEMBLY, standard (2)	XL883, XL883C
	22224-04	PISTON AND RINGS ASSEMBLY, 0.005 O.S. (2)	XL883, XL883C
	22228-04	PISTON AND RINGS ASSEMBLY, 0.010 O.S. (2)	XL883, XL883C
	22223-04	PISTON AND RINGS ASSEMBLY, standard (2)	XL1200C, XL1200R
	22227-04	PISTON AND RINGS ASSEMBLY, 0.005 O.S. (2)	XL1200C, XL1200R
	22230-04	PISTON AND RINGS ASSEMBLY, 0.010 O.S. (2)	XL1200C, XL1200R
5	22589-83B	LOCK RING, piston pin (4)	ALL
6	22719-04	PISTON PIN (2)	XL883, XL883C
	22765-02	PISTON PIN (2)	XL1200C, XL1200R
7	23905-04	SET OF FLYWHEELS AND SHAFTS, w/ rods (use 23905-04B)	ALL
	23905-04B	FLYWHEELS AND CONNECTING ROD ASSEMBLY, w/ 11317	ALL
8	24331-36	BUSHING, piston pin, 0.002 O.S. (2)	ALL
	24332-36	BUSHING, piston pin, 0.01 O.S. (2)	ALL
9	24658-87	INNER RING	ALL

## CRANKCASE

## CRANKCASE



[View interactive image](#)

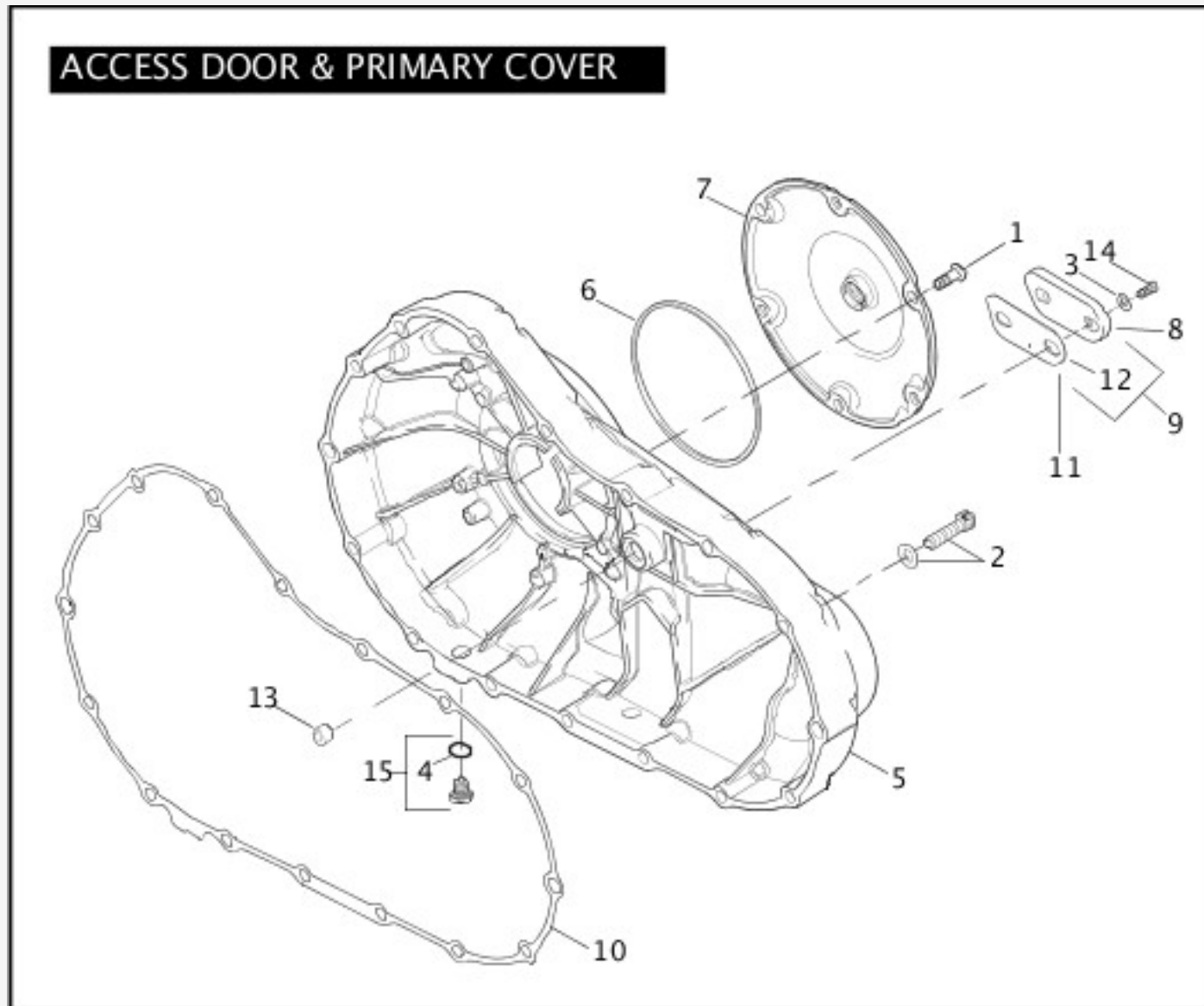
[View interactive table](#)

INDEX NO.	PART NO.	DESCRIPTION	MODEL(S)
1	215	PIN (2)	ALL
2	358	DOWEL PIN (4)	ALL
3	835	SCREW (11)	ALL
4	1048	SCREW (4)	ALL
5	3594	SCREW	ALL
6	4091	SCREW (2)	ALL
7	8881	BEARING RACE	ALL
8	8972	WASHER, thrust	ALL
9	10080	CLAMP, hose (3)	ALL

10	10177	CABLE STRAP	ALL
	10267	CLIP, push-in, crank position sensor-to-frame (not illustrated)	ALL
11	11177A	RETAINING RING	ALL
12	11289A	O-RING	ALL
13	12068	OIL SEAL	ALL
14	24466-04	CRANKCASE SET, w/ bearings (black)	XL1200C
	24470-04	CRANKCASE SET, w/ bearings (silver)	XL1200R, XL883, XL883C
15	24605-07	BEARING	ALL
16	24647-87	BEARING, gear shaft (blue)	ALL
	24650-87	BEARING, gear shaft (red)	ALL
	24659-87	BEARING, gear shaft (white/gray)	ALL
	24660-87	BEARING, gear shaft (green)	ALL
17	24754-75A	DOWEL PIN (2)	ALL
18	26638-00Y	GASKET, oil jet (2)	ALL
19	29950-91	COVER, stator wires	ALL
20	32617-00Y	SCREW, self-tapping (6)	ALL
21	32804-04	SENSOR, crank position, w/ 10177, 74102-98BK, 74142-98, 74192-98 (use 32804-04B)	ALL
22	32804-04B	SENSOR, crank position, w/ 10177, 11289A & 74194-98 (replaces 32804-04)	ALL
23	35114-02	RING, retaining	ALL
24	35118-03	RING, retaining	ALL
25	40254-02	SPACER, sprocket shaft	ALL
26	45830-48	PLUG	ALL
27	63508-04	HOSE, transmission vent	ALL
28	63533-41A	FITTING, connector, vent	ALL
29	65088-04	STUD, ground (2)	ALL
30	74102-98BK	HOUSING, 2-way (black)	ALL

31	74142-98	LOCK, 2-way	ALL
32	74192-98	PIN, terminal (2)	ALL
33	74194-98	PIN, terminal (used w/ 32804-04B) (2)	ALL
34	62700014	OIL JET ASSEMBLY, w/ 26638-00Y (2)	ALL

## ACCESS DOOR & PRIMARY COVER



[View interactive image](#)

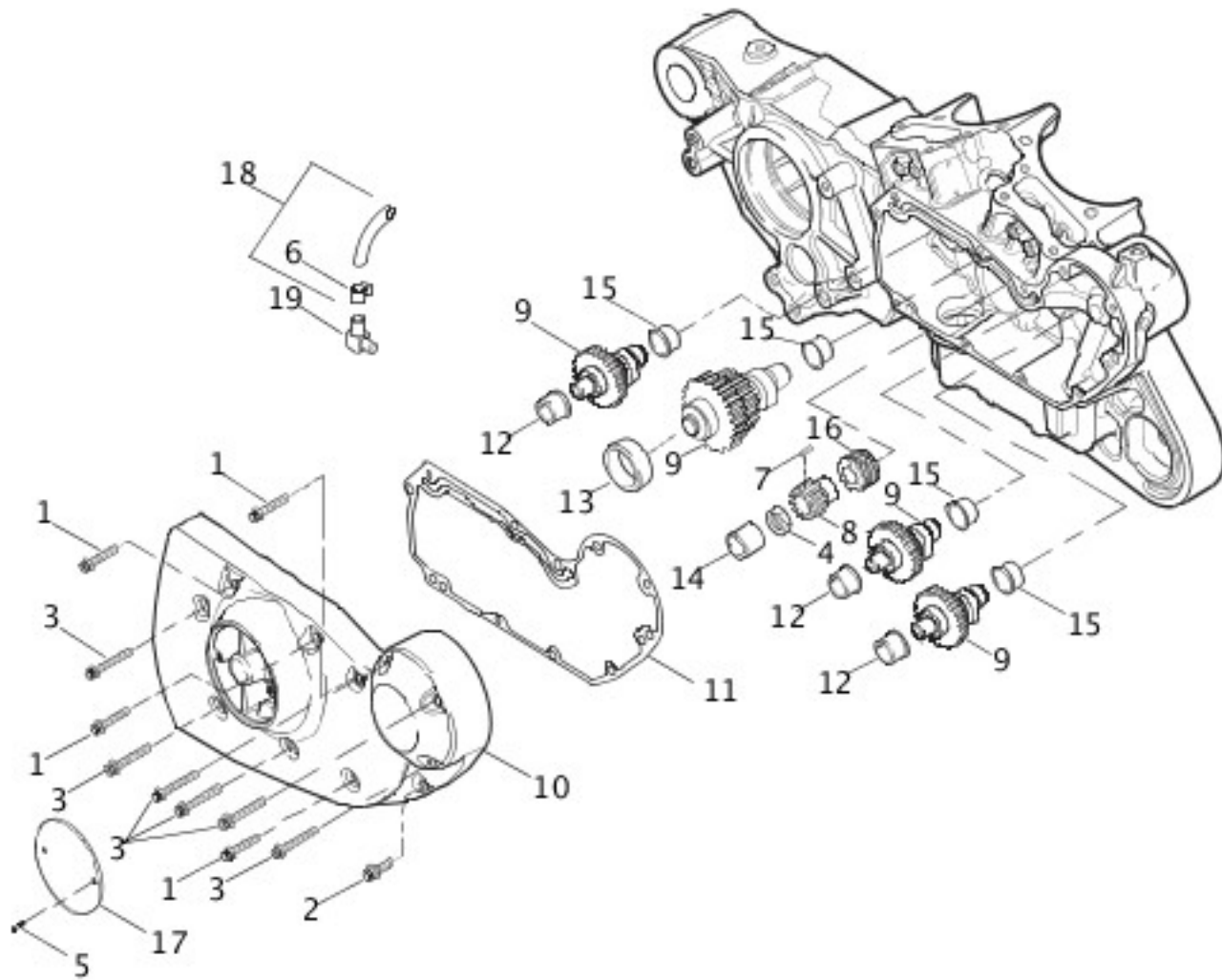
[View interactive table](#)

INDEX NO.	PART NO.	DESCRIPTION	MODEL(S)
1	943	SCREW (6)	ALL
2	4820A	SCREW (16)	ALL
3	11171	O-RING, inspection cover screws (2)	ALL
4	11105	O-RING, drain plug	ALL
5	25430-04	PRIMARY COVER, w/ 40520-63 (polished)	XL883

	25460-04	PRIMARY COVER, w/ 40520-63 (chrome)	XL1200C
	25471-04	PRIMARY COVER, w/ 40520-63 (silver)	XL1200R, XL883C
6	25463-94A	GASKET, clutch inspection cover	ALL
7	34760-04	INSPECTION COVER, clutch (chrome)	XL1200C
	34992-04	INSPECTION COVER, clutch (polished)	XL1200R, XL883, XL883C
8	34993-04	INSPECTION COVER, chain (polished) (use 34993-04A)	XL1200R, XL883, XL883C
	34761-04	INSPECTION COVER, chain (chrome) (use 34761-04A)	XL1200C
9	34993-04A	INSPECTION COVER, chain, w/ 34990-08 gasket (polished) (replaces 34993-04)	XL1200R, XL883, XL883C
	34761-04A	INSPECTION COVER, chain, w/ 34990-08 gasket (chrome) (replaces 34761-04)	XL1200C
10	34955-04	GASKET, primary cover	ALL
11	34986-04	GASKET, chain inspection cover (used w/ 34993-04 & 34761-04)	ALL
12	34990-08	GASKET, chain inspection cover (used w/ 34993-04A & 34761-04A)	ALL
13	40520-63	BUSHING	ALL
14	41191-74A	SCREW, inspection covers (2)	ALL
15	60328-98B	OIL DRAIN PLUG ASSEMBLY	ALL
<b>INTERNATIONAL MODELS ONLY</b>			
	14270-92	DECAL, shift pattern (Japan) (not illustrated)	ALL

## GEARCASE & COVER

## GEARCASE & COVER



[View interactive image](#)

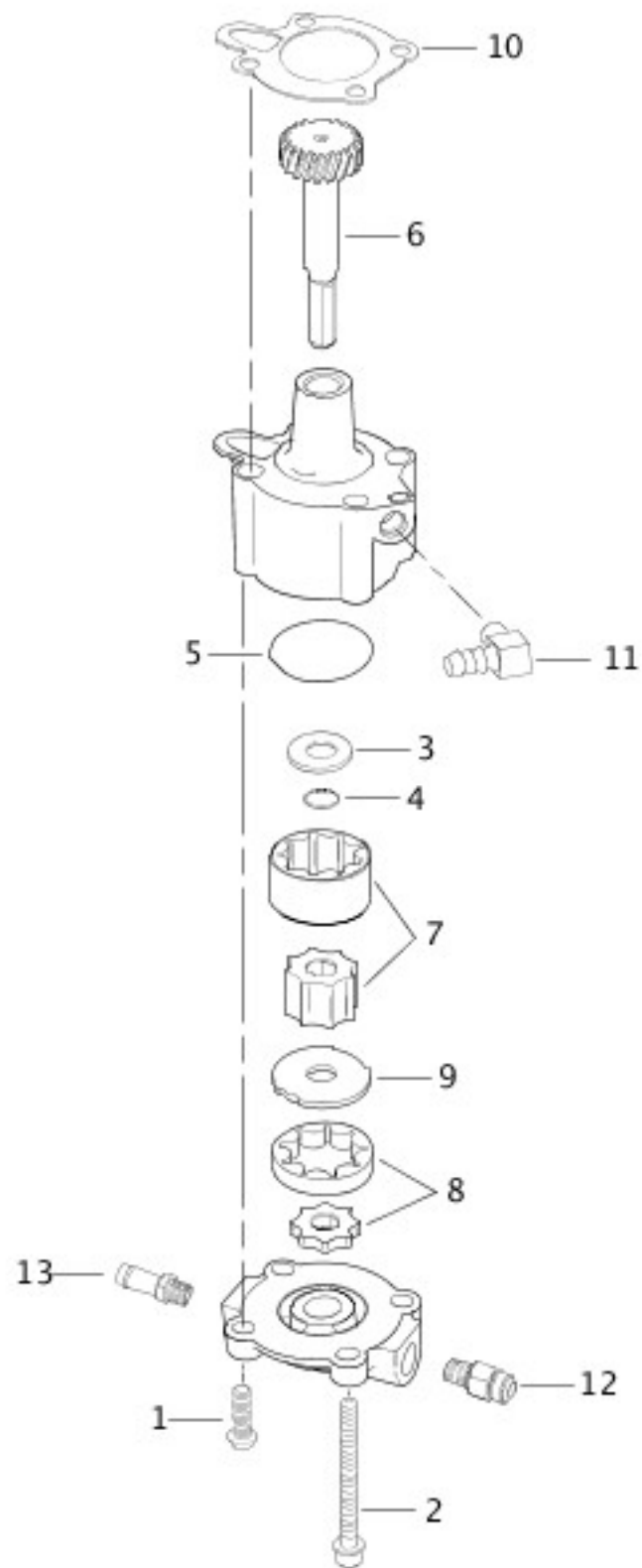
[View interactive table](#)

INDEX NO.	PART NO.	DESCRIPTION	MODEL(S)
1	3480A	SCREW (4)	ALL
2	4740A	SCREW	ALL
3	4717A	SCREW (6)	ALL
4	7916A	JAM NUT	ALL
5	8679	SCREW (2)	ALL
6	10014	CLAMP (2)	ALL
7	11317	KEY	ALL
8	24047-00	PINION GEAR	ALL
9	25193-00B	CAM GEAR SET, complete w/ pinion gear	XL883, XL883C

	25194-00B	CAM GEAR SET, complete w/ pinion gear	XL1200C, XL1200R
10	25219-04	COVER ASSEMBLY, gearcase (polished), w/ 17 & bushings	XL883
	25213-04	COVER ASSEMBLY, gearcase (chrome), w/ 17 & bushings	XL1200C
	25252-04	COVER ASSEMBLY, gearcase (silver), w/ 17 & bushings	XL1200R, XL883C
11	25263-90D	GASKET, gearcase cover	ALL
12	25586-37	OUTER BUSHING, cam gear shafts (3)	ALL
13	25588-91	BUSHING, rear intake cam gear shaft	ALL
14	25593-74	BUSHING, flywheel gear shaft	ALL
15	25598-91	INNER BUSHING, camshaft gear (4)	ALL
16	26318-88A	DRIVE GEAR, oil pump	ALL
17	32506-90	COVER PLATE	XL883
	32514-04	COVER PLATE	XL1200C, XL883C
	32555-04	COVER PLATE	XL1200R
18	62360-04A	KIT, VENT TUBE ASSEMBLY, w/ 10014	ALL
19	62375-57A	FITTING, oil vent hose	ALL

## OIL PUMP

## OIL PUMP



[View interactive image](#)

[View interactive table](#)

INDEX NO.	PART NO.	DESCRIPTION	MODEL(S)
1	4132	SCREW (2)	ALL
2	4765	SCREW, w/ washer (2)	ALL
3	6157	WASHER	ALL
4	11002	RETAINING RING	ALL



	26204-91A	OIL PUMP, complete	ALL
5	26434-91	O-RING	ALL
6	26488-98	GEAR SHAFT (use 26204-91A)	ALL
7	26491-98	GEROTOR SET, return (use 26204-91A)	ALL
8	26492-91	GEROTOR SET, feed	ALL
9	26493-91	SEPARATOR PLATE	ALL
10	26495-89B	GASKET, pump mounting	ALL
11	26496-75A	FITTING, 90 degree	ALL
12	62601-91A	FITTING, connector, front	ALL
13	63533-41A	FITTING, connector, rear	ALL

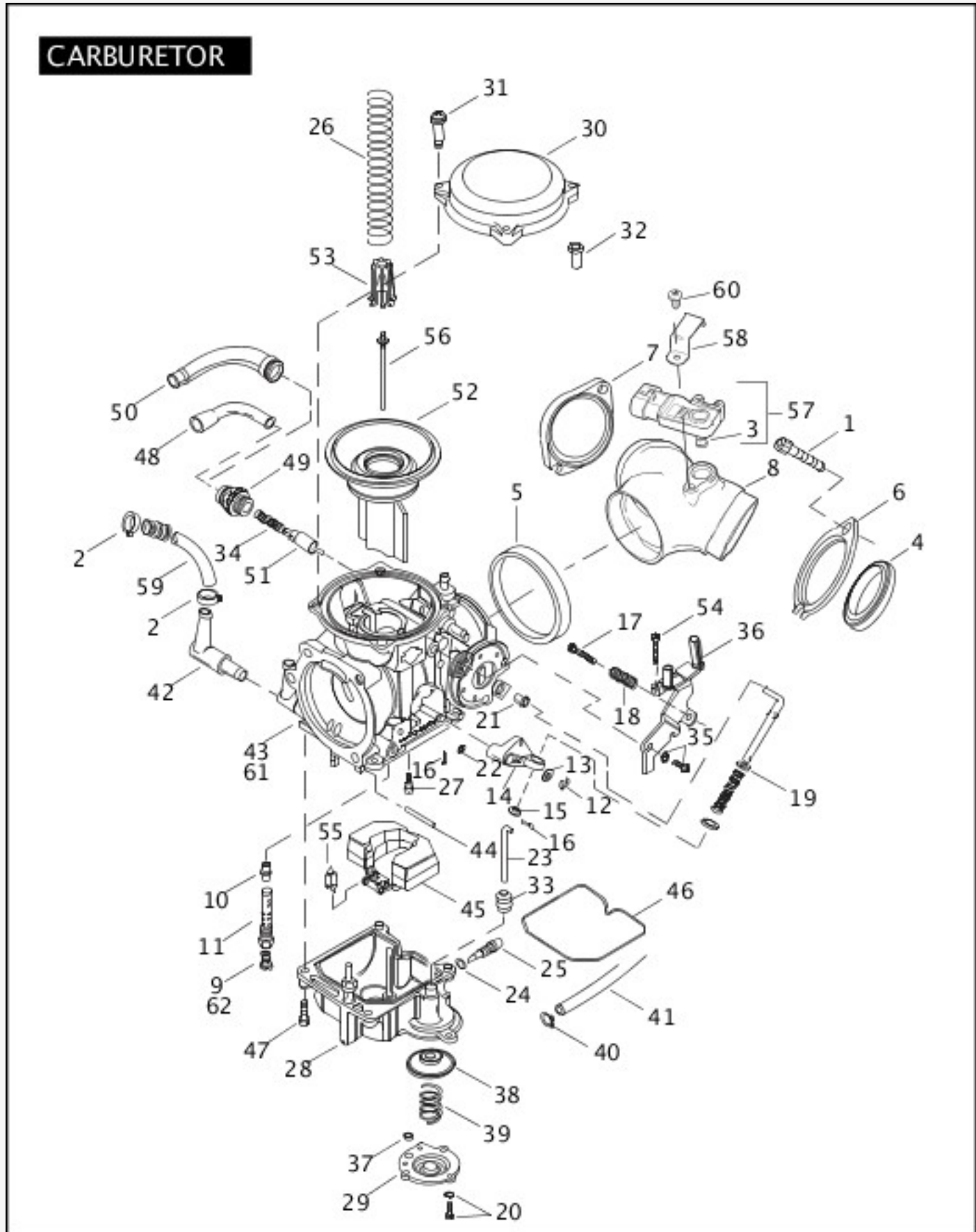
## **CARBURETOR (1 OF 2)**



5	27002-89	SEAL RING, carburetor	ALL
6	27009-86A	FLANGE, mounting, front	ALL
7	27010-86A	FLANGE, mounting, rear	ALL
8	27024-04	INTAKE MANIFOLD KIT, w/ 32316-99, 38723-99 & 68042-99	ALL
9	27090-89	MAIN JET (Domestic)	XL883, XL883C
	27114-88	MAIN JET (Domestic)	XL1200C, XL1200R
	27185-90	MAIN JET (California)	ALL
10	27100-88	NEEDLE JET	ALL
11	27101-88	NEEDLE JET HOLDER	ALL
12	27124-89	E-CLIP	ALL
13	27125-89	WASHER	ALL
14	27126-89	LEVER	ALL
15	27127-89	WASHER	ALL
16	27128-89	PIN (2)	ALL
17	27130-90	IDLE SCREW	ALL
18	27136-90A	SPRING	ALL
19	27137-81	WASHER (3)	ALL
20	27146-89	SCREW, w/ washer (3)	ALL
21	27147-89	COLLAR	ALL
22	27148-89	WASHER	ALL
23	27156-89	ROD	ALL
24	27157-89	O-RING	ALL
25	27158-89	DRAIN SCREW	ALL
26	27162-89	SPRING	ALL
27	27171-89	SLOW JET	ALL
28	27256-01	FLOAT CHAMBER ASSEMBLY	XL1200C, XL1200R
	27777-04	FLOAT CHAMBER ASSEMBLY	XL883, XL883C
29	27260-00	PUMP HOUSING	ALL
30	27261-96	TOP, carburetor	ALL
31	27262-96	SCREW, top (3)	ALL

32	27263-96	COLLAR	ALL
33	27311-76	CAP, accelerator pump (rubber)	ALL
34	27315-88A	SPRING	ALL

## CARBURETOR (2 OF 2)



[View interactive image](#)

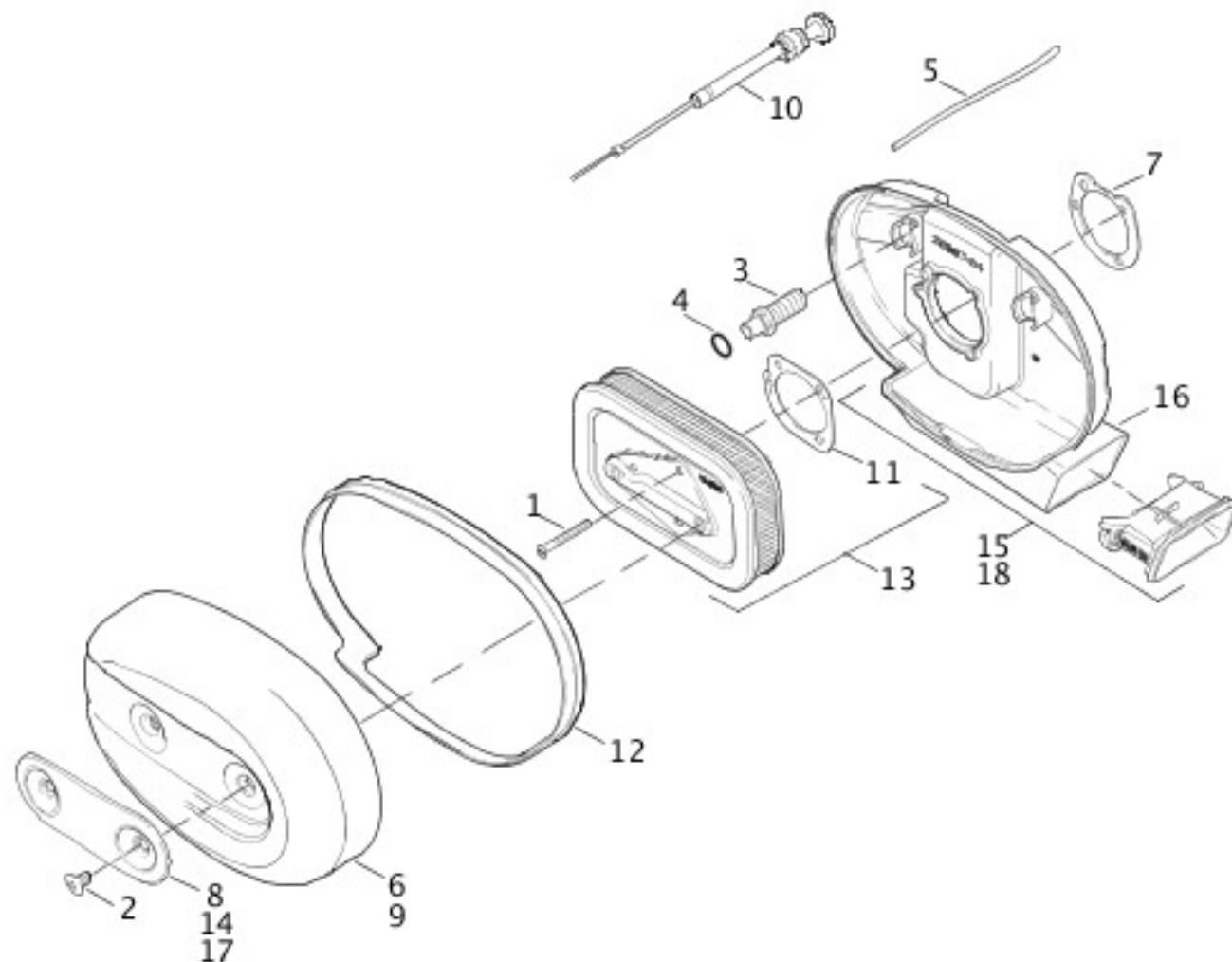
INDEX NO.	PART NO.	DESCRIPTION	MODEL(S)
35	27317-88	SCREW	ALL
36	27320-04	BRACKET	ALL
37	27360-76	O-RING	ALL
38	27361-76A	DIAPHRAGM, accelerator pump	ALL
39	27362-76	SPRING, diaphragm	ALL
40	27368-76	CLIP, overflow hose	ALL
41	27369-76	HOSE, overflow	ALL
42	27371-76A	FITTING	ALL
43	27490-04	CARBURETOR (Domestic)	XL883, XL883C
	27495-04	CARBURETOR (California)	XL883, XL883C
	27732-04	CARBURETOR (California)	XL1200C, XL1200R
	27731-04	CARBURETOR (Domestic)	XL1200C, XL1200R
44	27575-88A	PIN	ALL
45	27576-92	FLOAT	ALL
46	27577-92	O-RING	ALL
47	27579-88A	SCREW (4)	ALL
48	27580-88	CABLE GUIDE	ALL
49	27581-88	STARTER CAP	ALL
50	27582-88	CABLE SEALING CAP	ALL
51	27583-88	STARTER VALVE	ALL
52	27585-88	VACUUM PISTON	ALL
53	27586-88	SPRING SEAT	ALL
54	27587-88	SCREW	ALL
55	27886-78A	VALVE, w/ clip	ALL
56	28026-04	JET, needle (883/883C - California)	ALL
	28027-04	JET, needle	XL883, XL883C
57	32417-10	MAP SENSOR, w/ 11291	ALL
58	38723-99	CLIP, MAP sensor	ALL

**NOTE: Hose or insulator is sold in bulk length under the following part numbers. Cut to length.**

59	63501-68B	HOSE, 1/4 inch I.D. x 1/2 inch O.D. (rubber) (25 feet)	ALL
60	68042-99	SCREW	ALL
<b>INTERNATIONAL MODELS ONLY</b>			
61	27465-04	CARBURETOR (HDI)	XL883, XL883C
	27749-04	CARBURETOR (HDI)	XL1200C, XL1200R
62	27116-88	MAIN JET (HDI)	XL883, XL883C
	27152-89	MAIN JET (HDI, Japan)	XL1200C, XL1200R
	28015-01	PLUG, idle mixture screw (not illustrated)	ALL

## **AIR CLEANER & ENRICHENER**

## AIR CLEANER & ENRICHENER



[View interactive image](#)

[View interactive table](#)

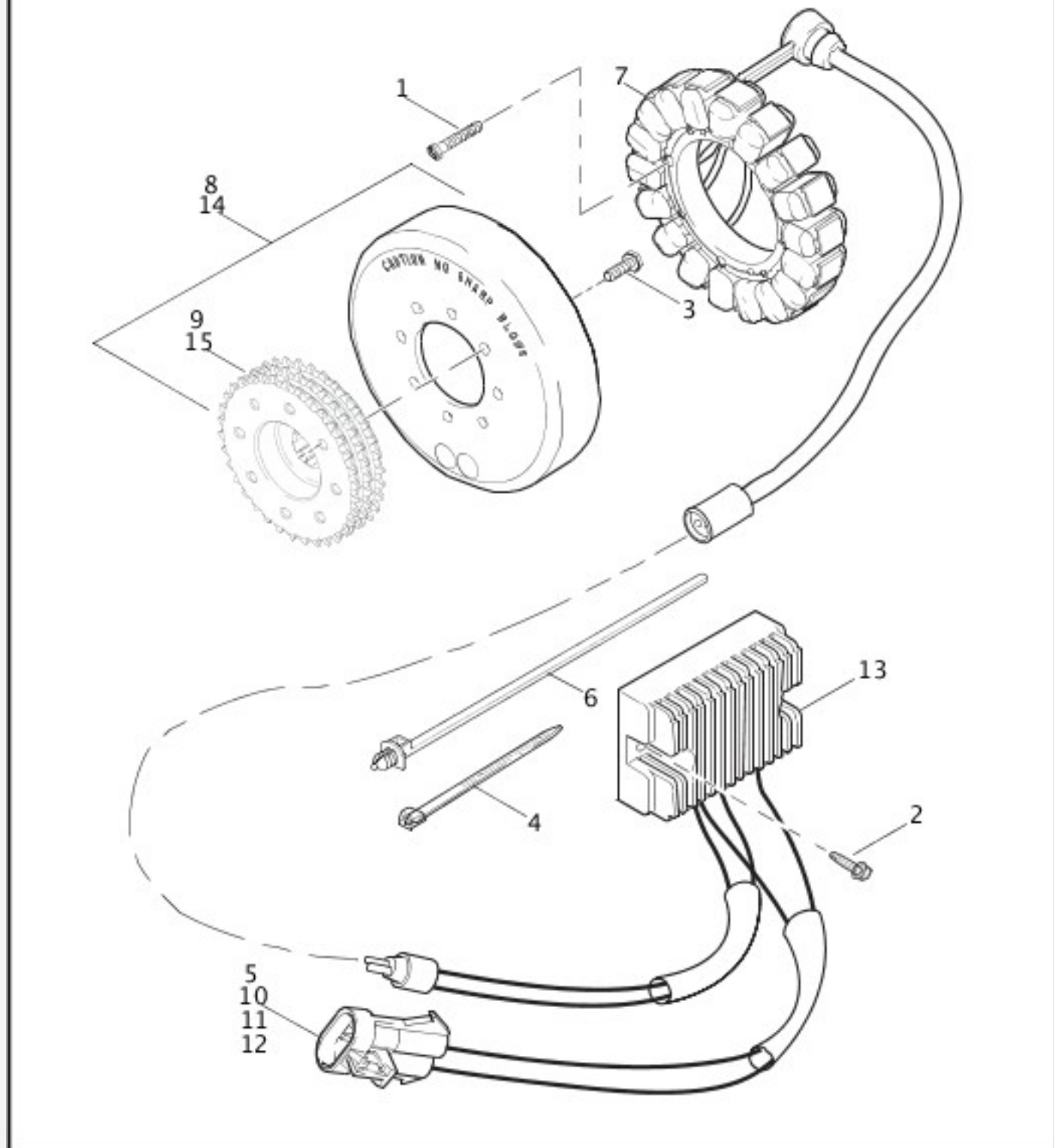
INDEX NO.	PART NO.	DESCRIPTION	MODEL(S)
1	946	SCREW (3)	ALL
2	2460	SCREW (2)	ALL
3	3565	SCREW, breather (2)	ALL
4	11202	O-RING (2)	ALL
5	27096-04A	VENT LINE, valve to atmosphere (Domestic, HDI)	ALL
6	28792-10	COVER, air cleaner, w/ 29127-95B (chrome)	ALL
7	29062-95B	GASKET, carburetor intake	ALL
8	29123-04	TRIM INSERT, air cleaner	XL883

9	29127-95B	WARNING LABEL, air cleaner	ALL
10	29229-88D	CARBURETOR ENRICHENER CABLE	ALL
11	29313-95	GASKET, filter element	ALL
12	29315-04	SEAL, air cleaner	ALL
13	29331-04	FILTER ELEMENT, w/ 29313-95	ALL
	29342-99	GROMMET (California) (not illustrated)	ALL
14	29346-04	TRIM INSERT, air cleaner	XL1200C
15	29348-04	BACKPLATE ASSEMBLY, air cleaner, w/ 29342-99 (California)	ALL
	29359-04A	BACKPLATE ASSEMBLY, air cleaner (Domestic)	ALL
16	29367-04	BACKPLATE, air cleaner (Domestic)	ALL
17	29352-04	TRIM INSERT, air cleaner	XL1200R
	29802-04	TRIM INSERT, air cleaner	XL883C
<b>INTERNATIONAL MODELS ONLY</b>			
18	29359-04A	BACKPLATE ASSEMBLY, air cleaner (HDI)	XL883, XL883C
	29360-04	BACKPLATE ASSEMBLY, air cleaner (HDI)	XL1200C, XL1200R

## **ALTERNATOR & REGULATOR**



## ALTERNATOR & REGULATOR



[View interactive image](#)

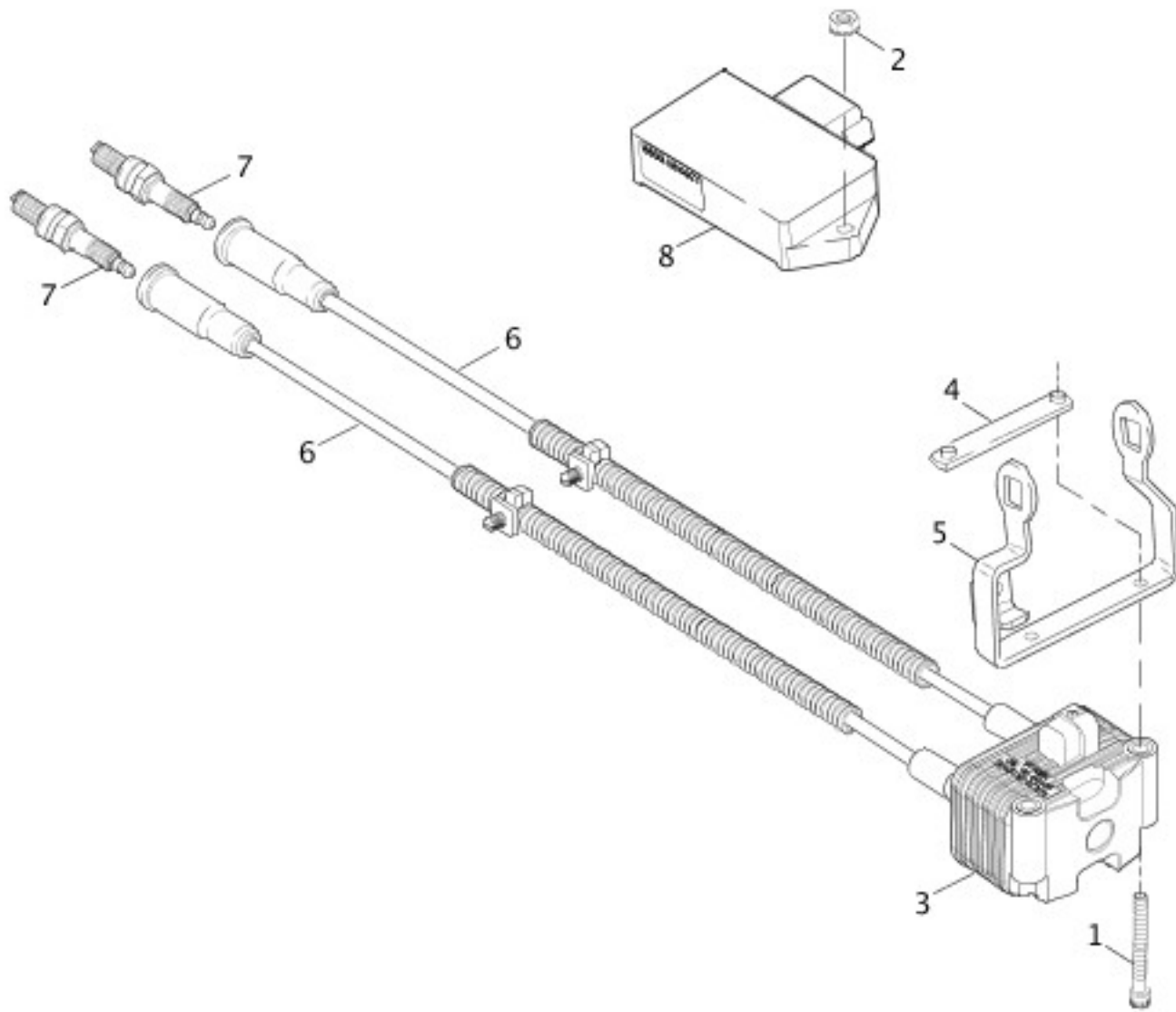
[View interactive table](#)

INDEX NO.	PART NO.	DESCRIPTION	MODEL(S)
1	3029	SCREW (4)	ALL
2	4329	SCREW (2)	ALL
3	4751	SCREW (8)	ALL
4	10065	STRAP, cable	ALL
5	10147	CLIP, connector	ALL

6	10177	STRAP, cable plug-in	ALL
7	29967-89C	STATOR	ALL
	29984-06	STATOR PLUG WIRE COVER (not shown)	ALL
8	32493-02B	ROTOR SPROCKET ASSEMBLY, w/ 40241-02A & 4751 (Domestic, Canada)	XL883, XL883C
	32494-04B	ROTOR SPROCKET ASSEMBLY, w/ 40290-04A & 4751	XL1200C, XL1200R
9	40241-02A	SPROCKET, triple row, 34T (Domestic, Canada)	XL883, XL883C
	40290-04A	SPROCKET, triple row, 38T	XL1200C, XL1200R
10	72233-94	CONNECTOR, 2-way pin, black	ALL
11	72235-94	TERMINAL, pin, 14-16 gauge (2)	ALL
12	72237-94	SEAL, cable (2)	ALL
13	74523-04	REGULATOR, voltage, w/ 10065, 10147, 10177, 72233-94, 72235-94 & 72237-94	ALL
<b>INTERNATIONAL MODELS ONLY</b>			
14	32494-04B	ROTOR SPROCKET ASSEMBLY, w/ 40290-04 & 4751 (HDI, Japan)	XL883, XL883C
15	40290-04A	SPROCKET, triple row, 38T (HDI, Japan)	XL883, XL883C

## **ELECTRONIC IGNITION SYSTEM**

## ELECTRONIC IGNITION SYSTEM



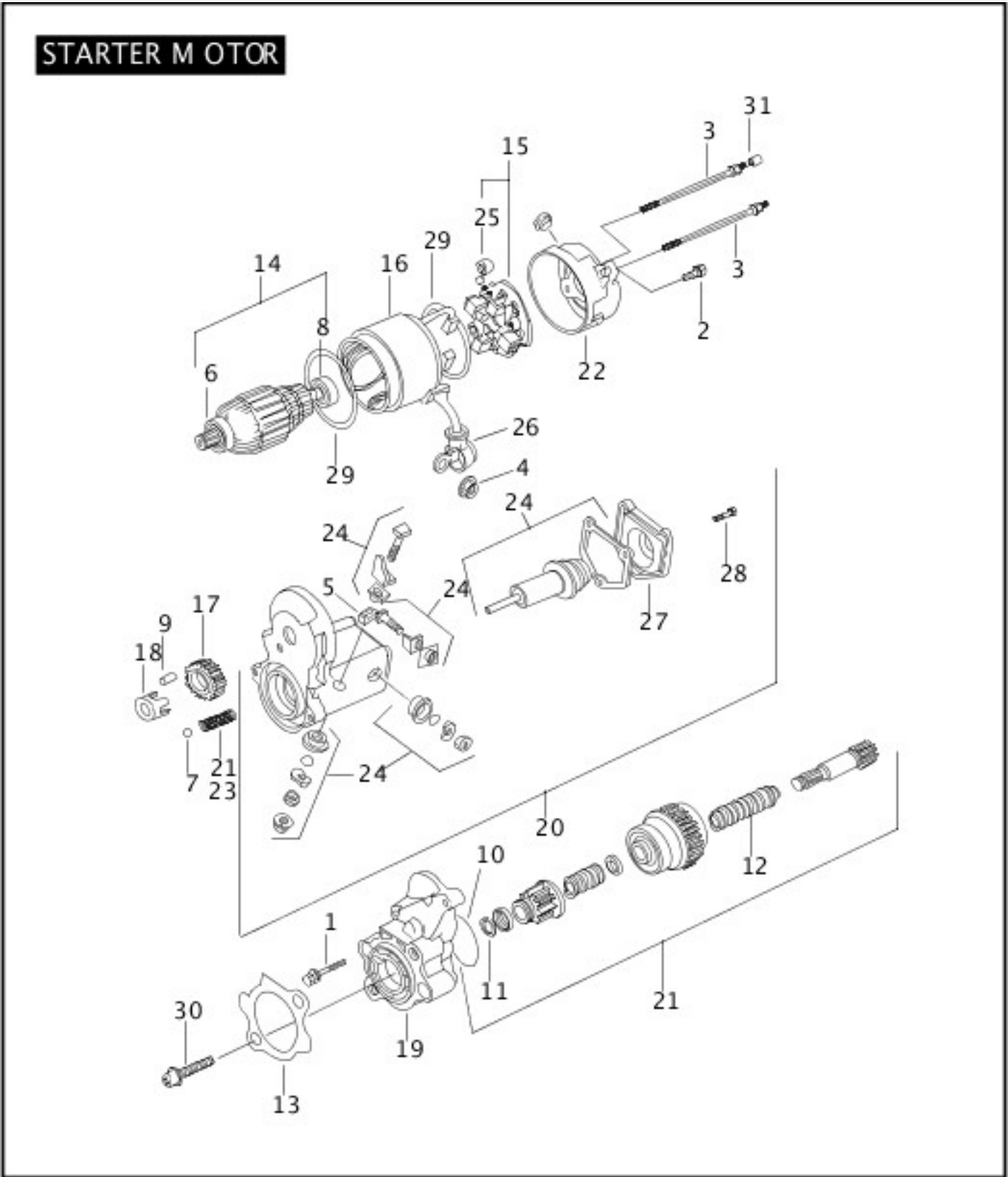
[View interactive image](#)

[View interactive table](#)

INDEX NO.	PART NO.	DESCRIPTION	MODEL(S)
1	3480A	SCREW (2)	ALL
2	7805	NUT	ALL
3	31655-99	COIL, ignition, dual	ALL
4	31740-04	PLATE, nut	ALL
5	31755-04	BRACKET	ALL
6	31996-04	CABLE, spark plug (2)	ALL
7	32362-04	SPARK PLUG (2)	ALL

8	32622-04C	IGNITION MODULE	ALL
---	-----------	-----------------	-----

# STARTER MOTOR

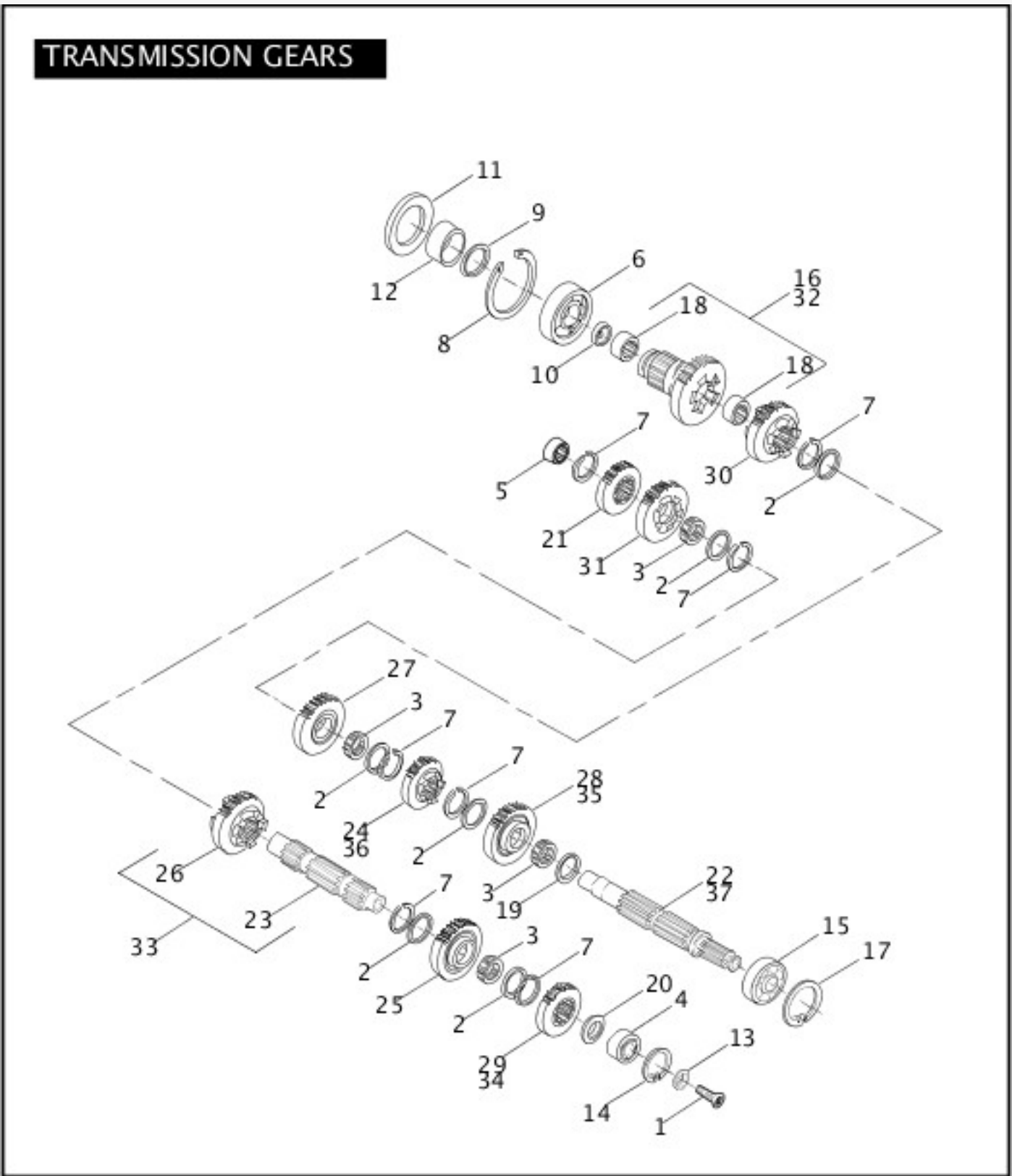


[View interactive image](#)

[View interactive table](#)

INDEX NO.	PART NO.	DESCRIPTION	MODEL(S)
1	928	BOLT, starter (2)	ALL
2	929A	SCREW, w/ O-ring (2)	ALL
3	3559	BOLT, through (2)	ALL

4	3403	LOCKNUT	ALL
5	6217	WASHER (use 31603-91)	ALL
6	8871	BALL BEARING	ALL
7	8879	BALL	ALL
8	8883	BALL BEARING	ALL
9	9077	CLUTCH ROLLER (5)	ALL
10	10957	O-RING (use 31556-91D)	ALL
11	31328-91	RING, snap	ALL
12	31692-90	SPRING	ALL
	31390-91F	STARTER MOTOR, complete	ALL
13	31488-81C	GASKET, starter motor	ALL
14	31515-90	ARMATURE ASSEMBLY	ALL
15	31518-90	HOLDER ASSEMBLY, starter brush	ALL
16	31521-98	YOKE ASSEMBLY	ALL
17	31525-90	GEAR, idler	ALL
18	31530-90	RETAINER, idler	ALL
19	31539-91	HOUSING ASSEMBLY	ALL
20	31540-91	SWITCH ASSEMBLY, magnetic	ALL
21	31556-91D	CLUTCH SUB-ASSEMBLY, w/ 8879, 10957, 31328-91, 31600-90 & 31692-90	ALL
22	31599-91	FRAME, starter end	ALL
23	31600-90	SPRING, return (use 31556-91D)	ALL
24	31603-91	REPAIR KIT, starter solenoid	ALL
25	31661-90	SPRING, starter (4)	ALL
26	31662-90	CAP TERMINAL, rubber	ALL
27	31688-90	COVER, solenoid	ALL
28	31689-90	BOLT, w/ washer (3)	ALL
29	31695-90	O-RING, yoke (2)	ALL
30	45902-00	SCREW (2)	ALL
31	89581-04A	CAP, thread protector	ALL



[View interactive image](#)

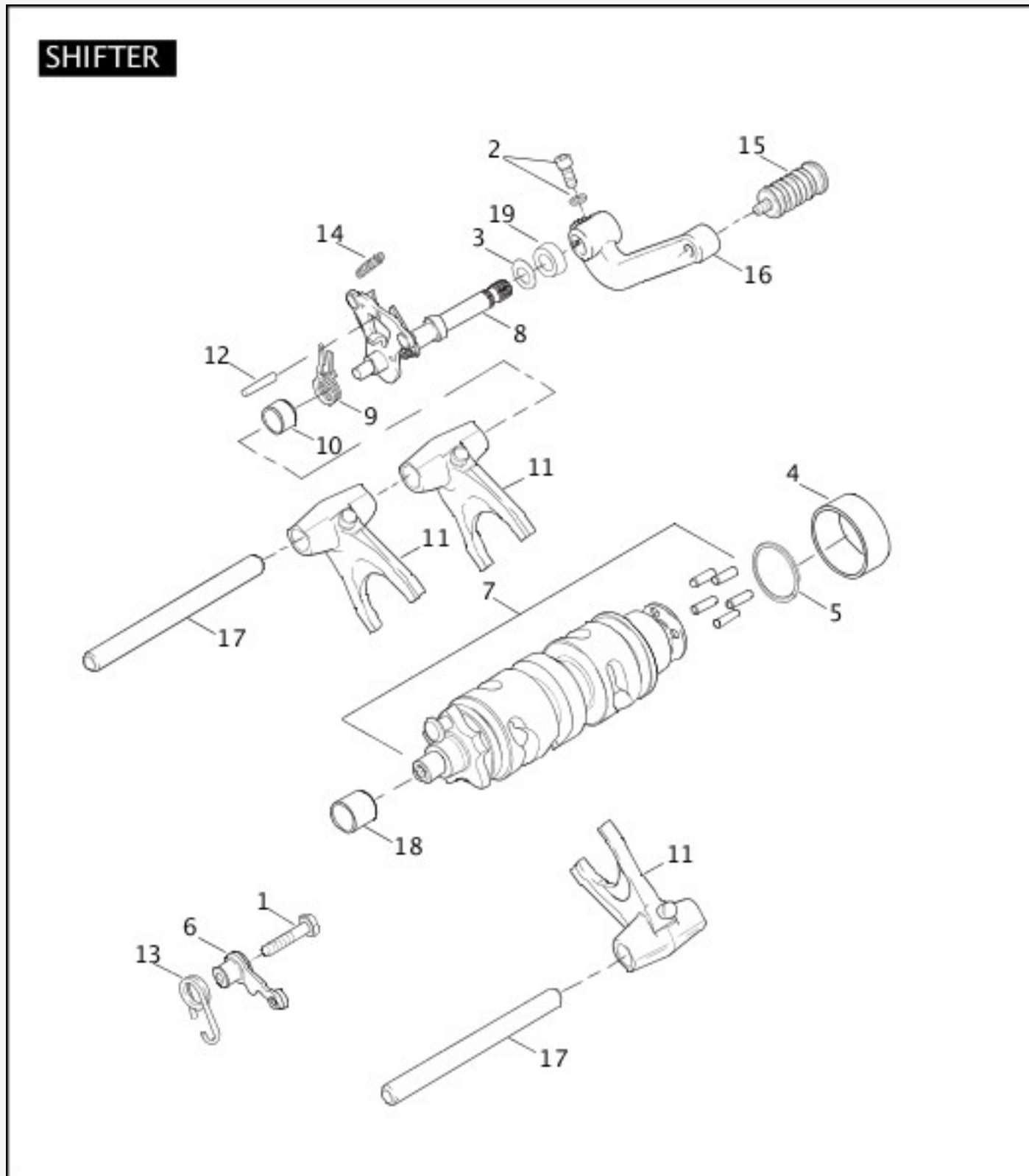
[View interactive table](#)

INDEX NO.	PART NO.	DESCRIPTION	MODEL(S)
1	3675	SCREW	ALL
2	6003	WASHER (6)	ALL
3	8876A	BEARING (4)	ALL
4	8968	BEARING	ALL
5	8977	BEARING, closed end	ALL

6	8996A	BEARING, ball	ALL
7	11067	RETAINING RING (7)	ALL
8	11161	RETAINING RING	ALL
9	11165	QUAD SEAL	ALL
10	12030	OIL SEAL	ALL
11	12067B	OIL SEAL	ALL
12	33344-94	SPACER	ALL
13	35020-89	RETAINER, countershaft	ALL
14	35021-89	RETAINING RING	ALL
15	35030-89A	BEARING, mainshaft	ALL
16	35034-94	GEAR ASSEMBLY, w/ 12030 & 35051-89, fifth-mainshaft	ALL
17	35038-89A	RETAINING RING	ALL
18	35051-89A	BEARING, needle (2)	ALL
19	35063-89	SPACER	ALL
20	35133-04	SPACER	ALL
21	35633-94	GEAR, fifth-countershaft	ALL
22	35640-89	MAINSHAFT	ALL
23	35641-89	COUNTERSHAFT	ALL
24	35762-02	GEAR, first-mainshaft	ALL
25	35763-89A	GEAR, first-countershaft	ALL
26	35771-94	GEAR, third-countershaft	ALL
27	35772-94	GEAR, third-mainshaft	ALL
28	35773-94	GEAR, fourth-mainshaft	ALL
29	35775-94	GEAR, fourth-countershaft	ALL
30	35796-00	GEAR, second-mainshaft	ALL
31	35797-00	GEAR, second-countershaft	ALL
<b>INTERNATIONAL MODELS ONLY</b>			
32	35128-04	GEAR ASSEMBLY, w/ 12030 & 35051-89 (Japan)	ALL
33	35647-04	COUNTERSHAFT, w/ integral beveled pinion (Japan)	ALL

34	35754-04	GEAR, fourth-countershaft, beveled (Japan)	ALL
35	35755-04	GEAR, fourth-mainshaft, beveled (Japan)	ALL
36	35756-04	GEAR, first-mainshaft (Japan)	ALL
37	35758-04	MAINSHAFT (Japan)	ALL

## SHIFTER



[View interactive image](#)

[View interactive table](#)

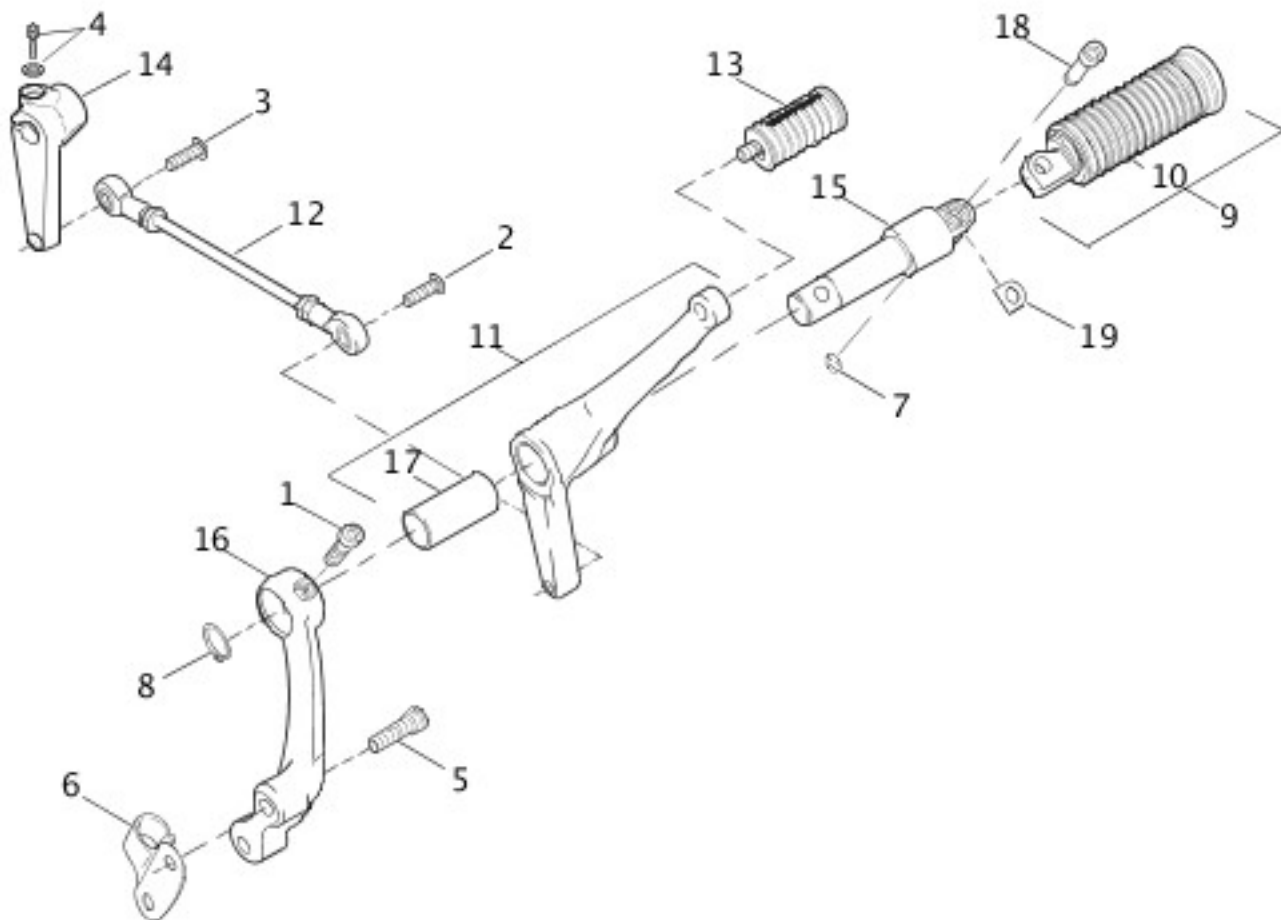
INDEX NO.	PART NO.	DESCRIPTION	MODEL(S)



1	3997A	BOLT	ALL
2	2708A	SCREW, w/ washer	XL1200R, XL883
3	7019	WASHER (rubber)	ALL
4	9187	BEARING	ALL
5	11360	RING, retaining	ALL
6	33540-02A	SPRING SLEEVE ASSEMBLY, detent	ALL
7	33634-02A	SHIFTER CAM ASSEMBLY	ALL
	33900-99	SWITCH, neutral (not illustrated)	ALL
8	34014-02B	SHIFTER LEVER ASSEMBLY	ALL
9	34064-00C	SPRING, shifter return	ALL
10	34076-02A	BUSHING	ALL
11	34144-02	FORK ASSEMBLY, shifter (3)	ALL
12	34163-02	PIN, shifter stop	ALL
13	34483-02	SPRING, detent	ALL
14	34491-02A	SPRING, extension (2)	ALL
15	34611-65A	SHIFTER PEG	XL1200R, XL883
16	34660-04A	SHIFT LEVER, foot (chrome)	XL1200R, XL883
17	34981-02A	SHAFT, shifter forks (2)	ALL
18	34982-02A	BUSHING, right hand crankcase	ALL
19	37101-84B	OIL SEAL	ALL

## SHIFTER - 883C/1200C

## SHIFTER - 883C/1200C



[View interactive image](#)

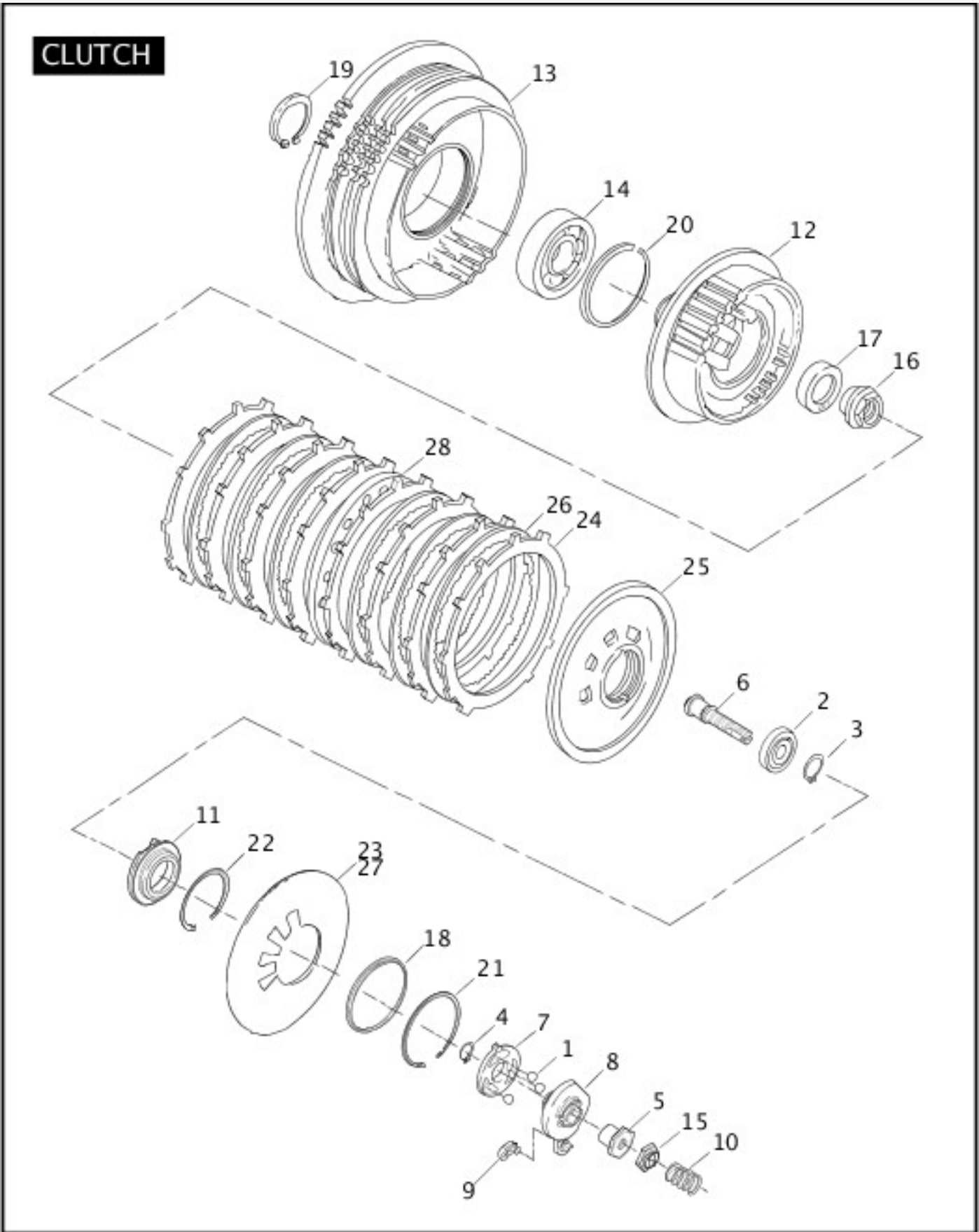
[View interactive table](#)

INDEX NO.	PART NO.	DESCRIPTION	MODEL(S)
1	3210A	SCREW	XL1200C, XL883C
2	4016	SCREW	XL1200C, XL883C
3	4359	SCREW	XL1200C, XL883C
4	2708A	SCREW, w/ washer	XL1200C, XL883C
5	4748	SCREW (2)	XL1200C, XL883C
6	10179A	J-CLIP	XL1200C, XL883C
7	11304	RETAINING RING	XL1200C, XL883C
8	11390	RETAINING RING	XL1200C, XL883C
9	33032-99	FOOTPEG ASSEMBLY, w/ 33216-99	XL1200C, XL883C
10	33216-99	RUBBER, footpeg	XL1200C, XL883C
11	34572-04	LEVER ASSEMBLY, shifter, w/ 42569-03	XL1200C, XL883C

12	34573-04	SHIFTER ROD LINK	XL1200C, XL883C
13	34611-65A	PEG ASSEMBLY, shifter pedal	XL1200C, XL883C
14	34670-04	SHIFT LEVER	XL1200C, XL883C
15	42541-04	CLEVIS, rider footpeg	XL1200C, XL883C
16	42651-04	SUPPORT BRACKET, left rider footpeg	XL1200C, XL883C
17	42569-03	BUSHING	XL1200C, XL883C
18	45041-01A	CLEVIS PIN	XL1200C, XL883C
19	50912-72	SPRING WASHER, pedal	XL1200C, XL883C

## CLUTCH

# CLUTCH



[View interactive image](#)

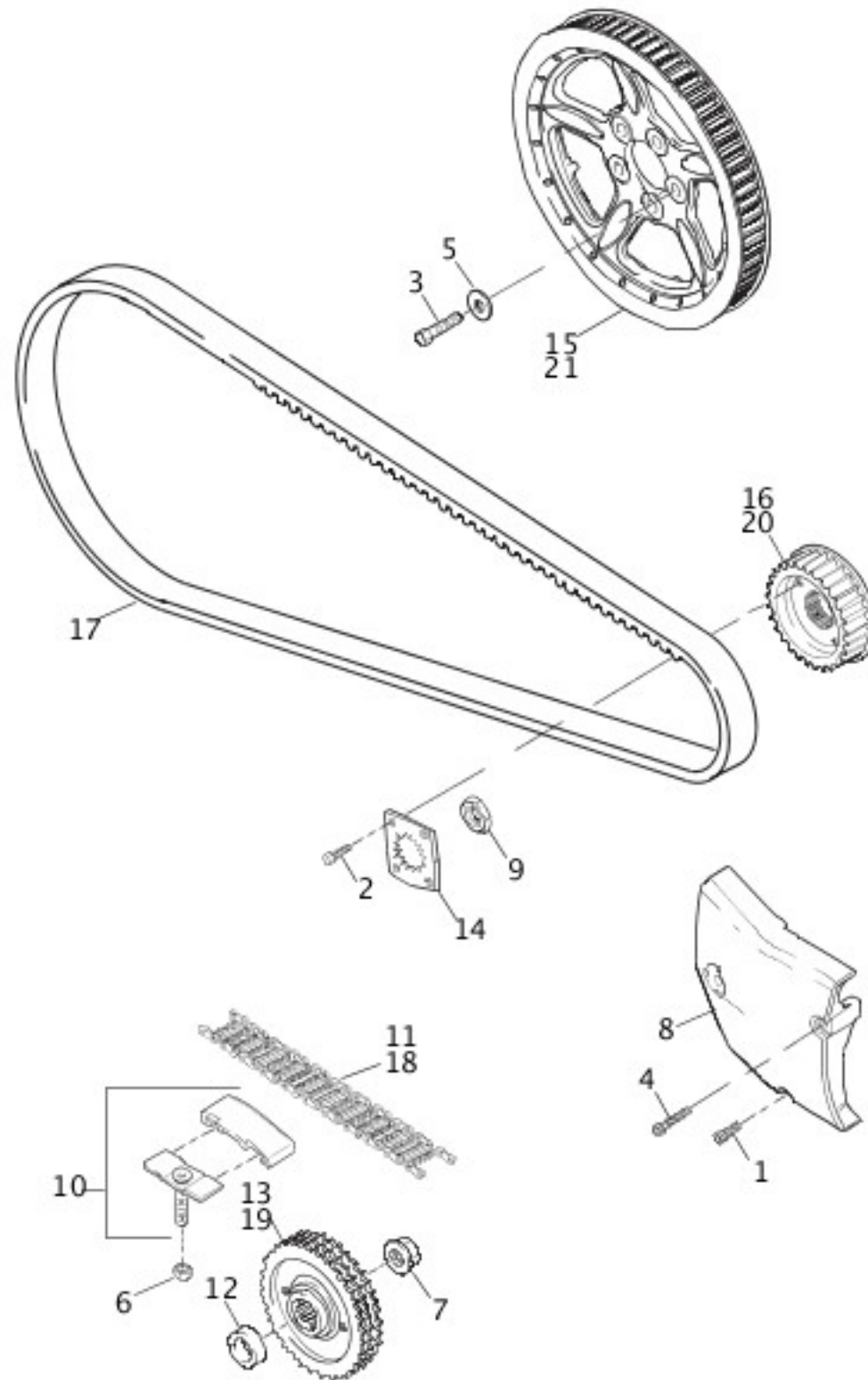
[View interactive table](#)

INDEX NO.	PART NO.	DESCRIPTION	MODEL(S)
1	8873	BALL (3)	ALL
2	8885	BEARING	ALL
3	11046	RETAINING RING	ALL
4	11250	RETAINING RING	ALL

5	11730A	WELL NUT	ALL
6	11765Y	ADJUSTMENT SCREW	ALL
7	25453-87A	RAMP, inner	ALL
8	25409-94B	RAMP, outer	ALL
9	34920-86A	COUPLING, clutch cable	ALL
10	36715-94	SPRING, clutch adjustment	ALL
11	36731-91	RELEASE PLATE, w/ 8885	ALL
12	36785-91	CLUTCH HUB	ALL
13	36790-04	CLUTCH SHELL & SPROCKET, w/ 36799-91 & 37905-90	ALL
14	36799-91	BALL BEARING	ALL
15	36802-84B	LOCKPLATE, well type	ALL
16	37495-91	NUT, main shaft	ALL
17	37870-91	SPRING WASHER	ALL
18	37872-90	SEAT, spring-inner	ALL
19	37904-90	RETAINING RING	ALL
20	37905-90	RETAINING RING	ALL
21	37908-90	RETAINING RING	ALL
22	37909-90	RETAINING RING	ALL
23	37910-04B	SPRING, clutch plate (light blue)	XL883, XL883C
24	37911-90	FRICITION PLATE (paper) (8)	ALL
25	37912-91	PRESSURE PLATE	ALL
26	37913-90	STEEL PLATE (6)	ALL
27	37924-04A	SPRING, clutch plate (purple)	XL1200C, XL1200R
28	37977-90	SPRING PLATE	ALL

## BELTS & SPROCKETS

## BELTS & SPROCKETS



[View interactive image](#)

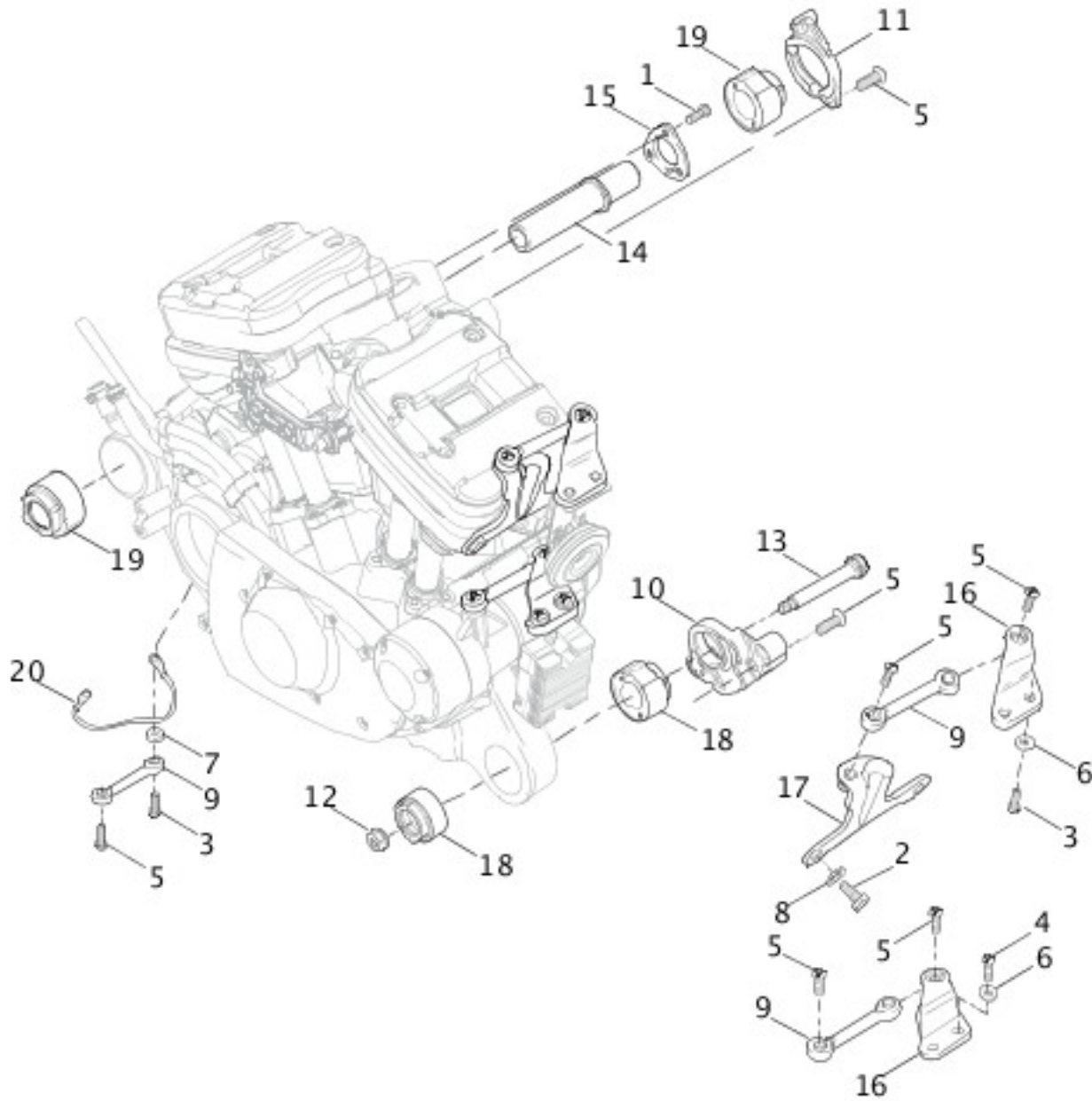
[View interactive table](#)

INDEX NO.	PART NO.	DESCRIPTION	MODEL(S)
1	3480A	SCREW	ALL
2	3594	SCREW (2)	ALL
3	3899	SCREW (For Japan, see Rear Wheel - Cast) (5)	ALL
4	4717A	SCREW (2)	ALL
5	6516HW	WASHER (For Japan, see Rear Wheel - Cast) (5)	ALL

6	7804	LOCKNUT, sealing	ALL
7	7839	NUT, engine sprocket	ALL
8	34911-04	SPROCKET COVER	XL883
	34932-04	SPROCKET COVER	XL1200C
	34938-04	SPROCKET COVER	XL1200R, XL883C
9	35211-91B	NUT, transmission sprocket	ALL
10	40039-02C	CHAIN ADJUSTER ASSEMBLY	ALL
11	40005-57B	PRIMARY CHAIN, 94 links (Domestic, Canada)	XL883, XL883C
	40147-04	PRIMARY CHAIN, 96 links	XL1200C, XL1200R
12	40240-89	SPACER, sprocket	ALL
13	40241-02A	SPROCKET, triple row, 34T (Domestic, Canada)	XL883, XL883C
	40290-04A	SPROCKET, triple row, 38T	XL1200C, XL1200R
14	40251-92A	RETENTION PLATE	ALL
15	40350-04	SPROCKET, 68T (belt) (black)	XL1200C
	40352-04	SPROCKET, 68T (belt) (silver)	XL1200R, XL883, XL883C
16	40379-04	SPROCKET, transmission, 28T	XL883, XL883C
	40409-04	SPROCKET, transmission, 29T (Domestic, Canada)	XL1200C, XL1200R
17	40570-04B	BELT, 136T	XL883, XL883C
	40571-04B	BELT, 137T	XL1200C, XL1200R
<b>INTERNATIONAL MODELS ONLY</b>			
18	40147-04	PRIMARY CHAIN, 96 links (HDI, Japan)	XL883, XL883C
19	40290-04A	SPROCKET, triple row, 38T (HDI, Japan)	XL883, XL883C
20	40380-04	SPROCKET, transmission, 30T (HDI, Japan)	XL1200C, XL1200R
21	40470-04	SPROCKET, final drive, 68T (black) (Japan)	XL1200C
	40471-04	SPROCKET, final drive, 68T (silver) (Japan)	XL1200R, XL883, XL883C

## ENGINE MOUNTS

## ENGINE MOUNTS



[View interactive image](#)

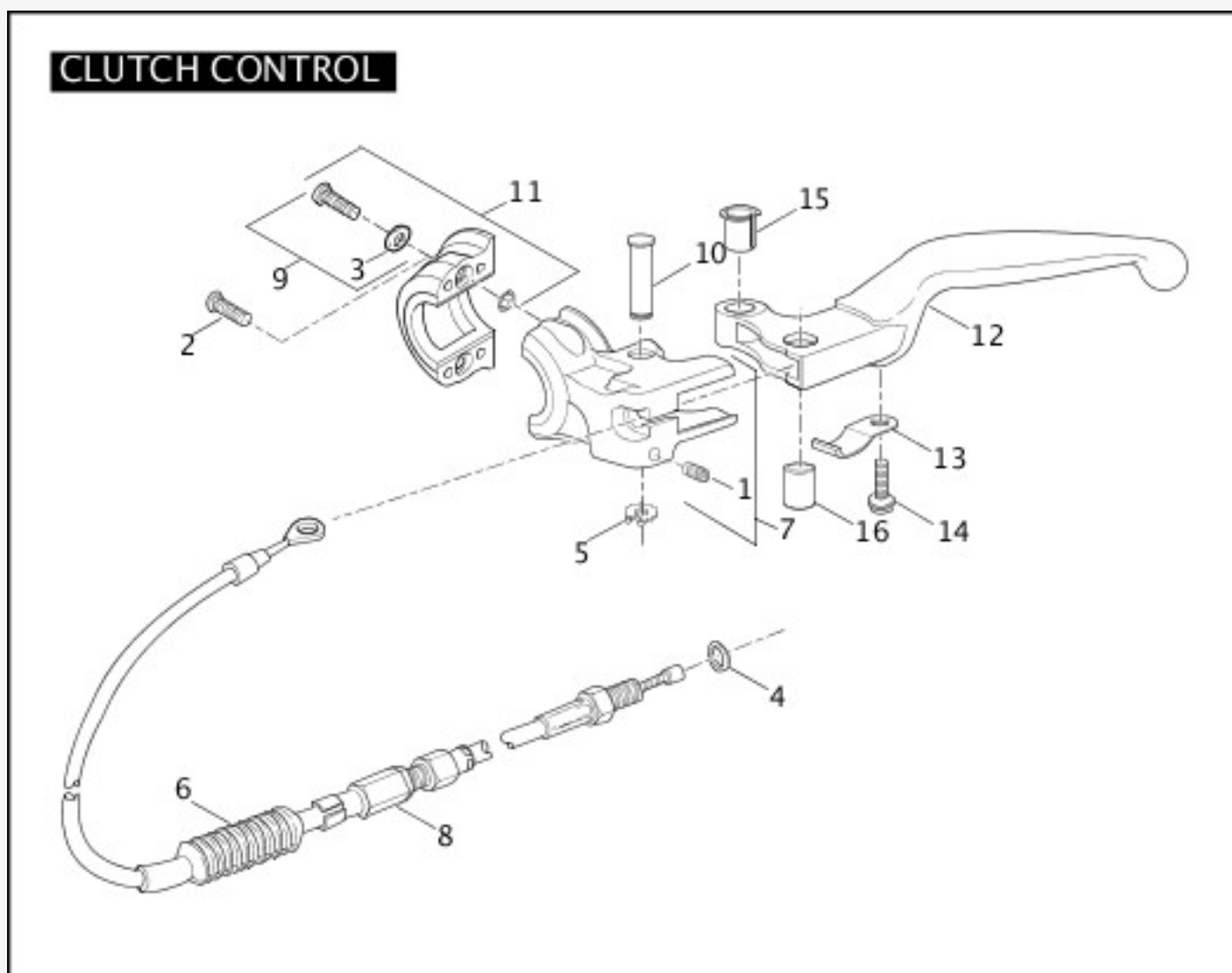
[View interactive table](#)

INDEX NO.	PART NO.	DESCRIPTION	MODEL(S)
1	940	SCREW (3)	ALL
2	3854	SCREW (2)	ALL
3	4180	SCREW (3)	ALL
4	4188	SCREW (2)	ALL
5	4290	SCREW (9)	ALL
6	6026	WASHER, flat (4)	ALL
7	6152	SPACER	ALL
8	7039	LOCKWASHER, lock (2)	ALL



9	16232-04	TIE-LINK (3)	ALL
10	16287-04	MOUNT, front isolator	ALL
11	16291-04	MOUNT, rear isolator	ALL
12	41561-04	NUT, lower front motor mount	ALL
13	41562-04	BOLT, lower front motor mount	ALL
14	41568-04	SHAFT, swing arm pivot	ALL
15	41699-04	LOCKPLATE, rear pivot	ALL
16	47470-04	BRACKET, tie-link (2)	ALL
17	47471-04A	BRACKET, tie-link mounting, engine	ALL
18	48463-04A	ISOLATOR, front mount (2)	ALL
19	48492-04A	ISOLATOR, rear mount (2)	ALL
20	70297-04A	STRAP, grounding	ALL

## CLUTCH CONTROL

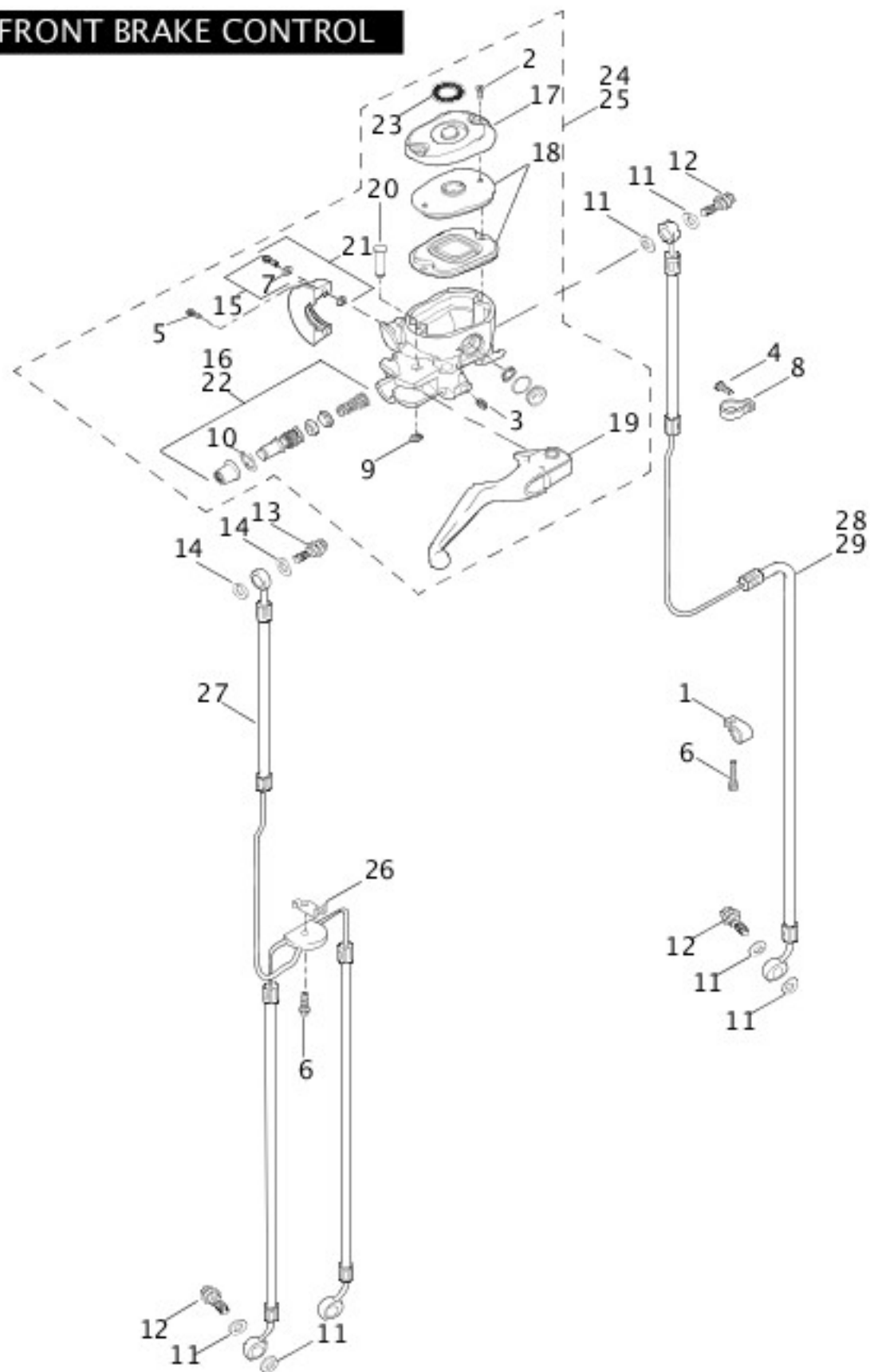


[View interactive image](#)

INDEX NO.	PART NO.	DESCRIPTION	MODEL(S)
1	3244	SCREW, set	ALL
2	4262	SCREW (use 42425-05) (2)	ALL
3	6101	WASHER (used w/ 42425-05) (2)	ALL
	10264	CLIP, clutch cable-to-frame (not illustrated)	ALL
4	11179	O-RING	ALL
5	11379	RETAINING RING	ALL
6	38630-88	BOOT, clutch cable	ALL
7	38671-04	BRACKET, clutch lever	ALL
8	38699-04C	KIT, CLUTCH CABLE, w/ 11179, 11379, 38630-88 & 46268-04	ALL
9	42425-05	KIT, WASHER & SCREW, w/ 6101 (replaces 4262)	ALL
10	42807-04	PIVOT PIN	ALL
11	42808-04	CLAMP, clutch control, w/ 42425-05	ALL
12	45356-07	CLUTCH LEVER ASSEMBLY, w/ 45799-04, 45800-04 & 45801-04	ALL
13	45799-04	SPRING, anti-rattle	ALL
14	45800-04	SCREW, spring, clutch lever	ALL
15	45801-04	BUSHING	ALL
16	46268-04	PIN, clutch cable	ALL

## FRONT BRAKE CONTROL

## FRONT BRAKE CONTROL



[View interactive image](#)

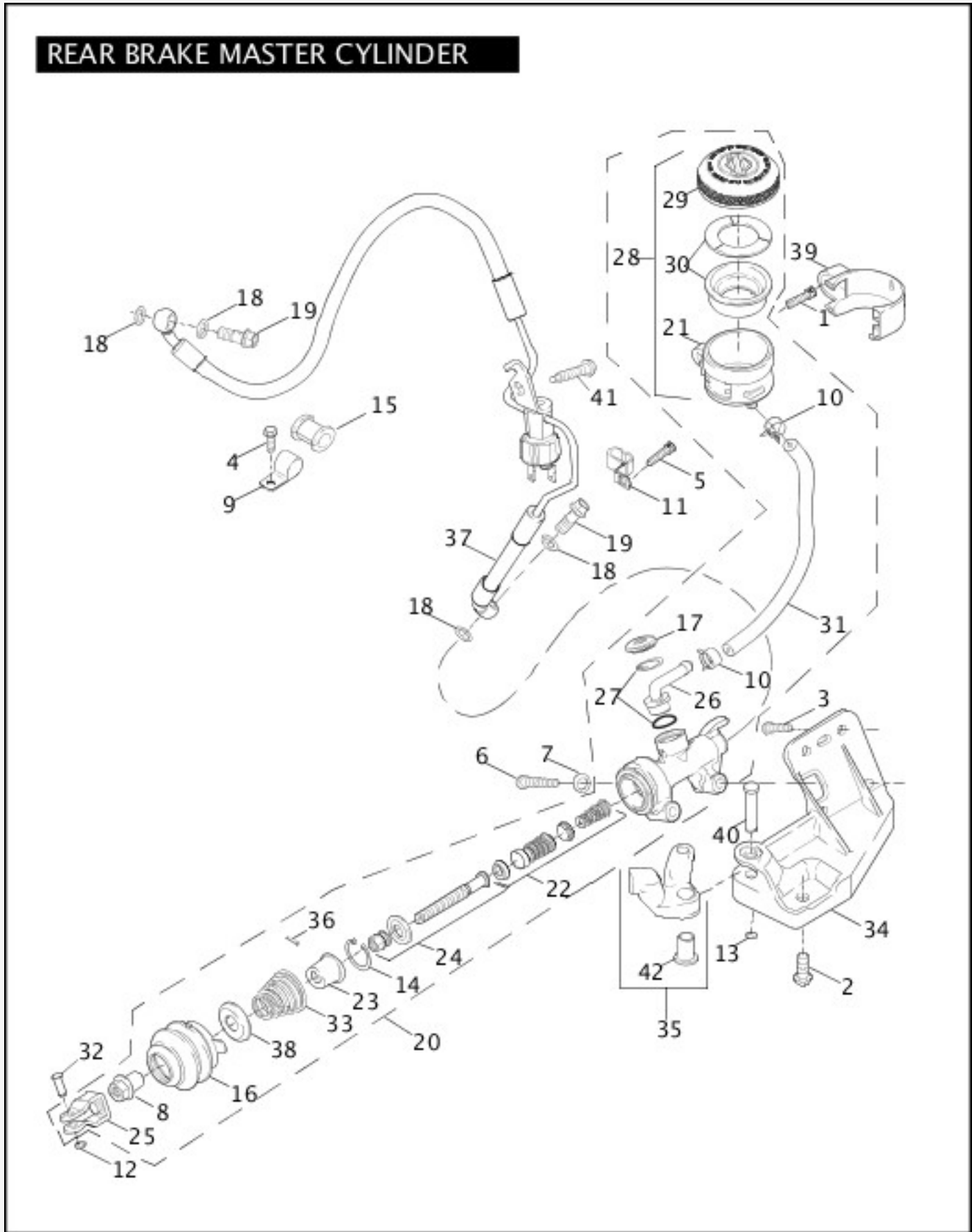
[View interactive table](#)

INDEX NO.	PART NO.	DESCRIPTION	MODEL(S)
1	10053	CLAMP	XL1200C, XL883, XL883C
2	2586A	SCREW, flat (2)	ALL
3	3244	SCREW, w/ thread lock	ALL

4	4240	SCREW	ALL
5	4262	SCREW (use 42425-05)	ALL
6	4741A	SCREW	ALL
7	6101	WASHER (used w/ 42425-05) (2)	ALL
8	10031	CLAMP	ALL
9	11379	RETAINING RING, lever pivot	ALL
10	11142	RETAINING RING	ALL
11	41732-04	SEALING WASHER, 10mm (4)	ALL
12	41736-04	BANJO BOLT, 10mm (2)	ALL
13	41737-04	BANJO BOLT, 12mm	XL1200R
14	41743-04	SEALING WASHER, 12mm (2)	XL1200R
15	42425-05	KIT, WASHER & SCREW, w/ 6101 (replaces 4262)	ALL
16	42803-04B	REBUILD KIT, front master cylinder, single, w/ 11142, 11379 & 41732-04	XL1200C, XL883, XL883C
17	42804-04	CAP, front master cylinder, w/ 44791-04	ALL
18	42805-04	GASKET KIT, master cylinder	ALL
19	42806-04	LEVER, front brake	ALL
20	42807-04	BOLT, lever	ALL
21	42808-04	CLAMP, master cylinder	ALL
22	42809-04B	REBUILD KIT, front master cylinder, dual, w/ 11142, 11379 & 41743-04	XL1200R
23	44791-04	DECAL, front master cylinder (use 42804-04)	ALL
24	45052-04	MASTER CYLINDER ASSEMBLY, dual, front	XL1200R
25	45146-04	MASTER CYLINDER ASSEMBLY, single, front	XL1200C, XL883, XL883C
26	45074-95	GUIDE, front brakeline	XL1200R
27	45319-04	BRAKELINE, front, dual	XL1200R
28	45449-04C	BRAKELINE, front, single	XL1200C, XL883C
29	46400-04	BRAKELINE, front, single	XL883

## REAR BRAKE MASTER CYLINDER

## REAR BRAKE MASTER CYLINDER



[View interactive image](#)

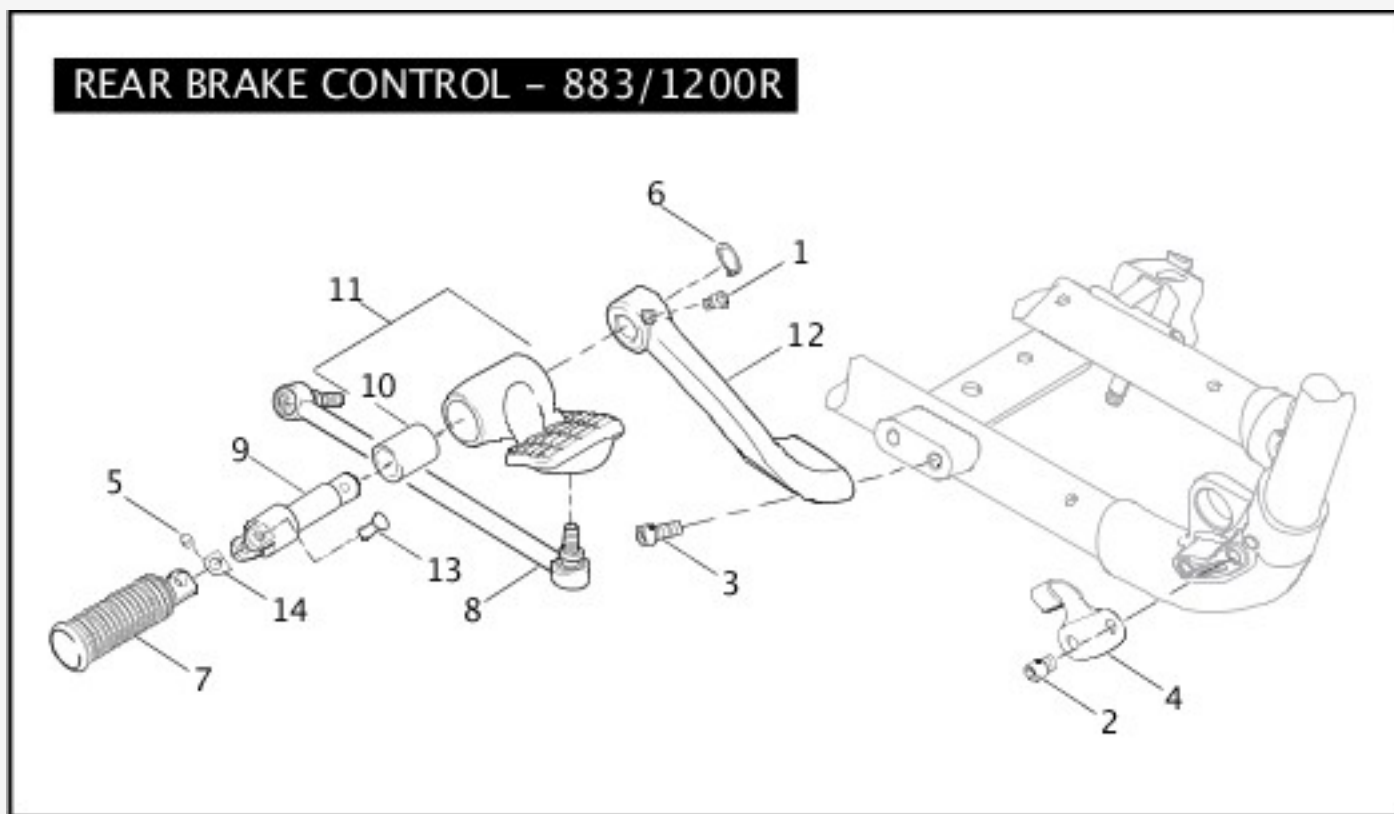
[View interactive table](#)

INDEX NO.	PART NO.	DESCRIPTION	MODEL(S)
1	882	SCREW	ALL
2	995	SCREW	ALL
3	997	SCREW, hex socket, button head (2)	ALL
4	2501A	SCREW	ALL

5	4076	SCREW	XL1200R, XL883
6	4816A	SCREW (2)	ALL
7	6702	WASHER (2)	ALL
8	7477	NUT, hex, 8mm	ALL
9	10031	CLAMP (2)	ALL
10	10252	CLAMP, reservoir (2)	ALL
11	10255	CLAMP, double tube	ALL
12	10995	RETAINING RING	ALL
13	11031	RETAINING RING	ALL
14	11121	RETAINING RING	ALL
15	11407	GROMMET	ALL
16	40946-04	BOOT, external	ALL
17	40948-04	DUST COVER	ALL
18	41732-04	SEALING WASHER, 10mm (4)	ALL
19	41736-04	BANJO BOLT, 10mm (2)	ALL
20	42521-04	MASTER CYLINDER AND RESERVOIR ASSEMBLY, rear	ALL
21	42595-04	TANK, rear brake reservoir	ALL
22	42810-04B	REBUILD KIT, master cylinder, w/ 11121, 41732-04, 42811-04, 44189-04	ALL
23	42811-04	BOOT, master cylinder, rear	ALL
24	42812-04	PUSH ROD ASSEMBLY	ALL
25	42813-04	YOKE, master cylinder	ALL
26	42814-04	PORT, rear master cylinder	ALL
27	42815-04	SEAL KIT, port, w/ retaining ring and O-ring	ALL
28	42816-04	RESERVOIR ASSEMBLY, brake, w/ 42595-04, 42817-04, 42818-04	ALL
29	42817-04	CAP, rear brake reservoir	ALL
30	42818-04	GASKET KIT, rear brake reservoir	ALL
31	42821-04	HOSE	ALL
32	42255-04	PIN, brake lever	ALL
33	42593-04	SPRING, external return	ALL
34	42976-04	BRACKET, mounting, rear master cylinder	ALL

35	42979-04	BELL CRANK ASSEMBLY, w/ 42846-04	ALL
36	44189-04	SPRING PIN	ALL
37	44429-04	BRAKELINE ASSEMBLY, w/ 11407	ALL
38	44590-04	RETAINER, spring	ALL
39	67804-04	COVER, reservoir	ALL
40	94432-04	SHOULDER BOLT, bell crank	ALL
41	94612-04	SCREW, dog point	ALL
42	42846-04	BUSHING, bell crank	ALL

## REAR BRAKE CONTROL - 883/1200R



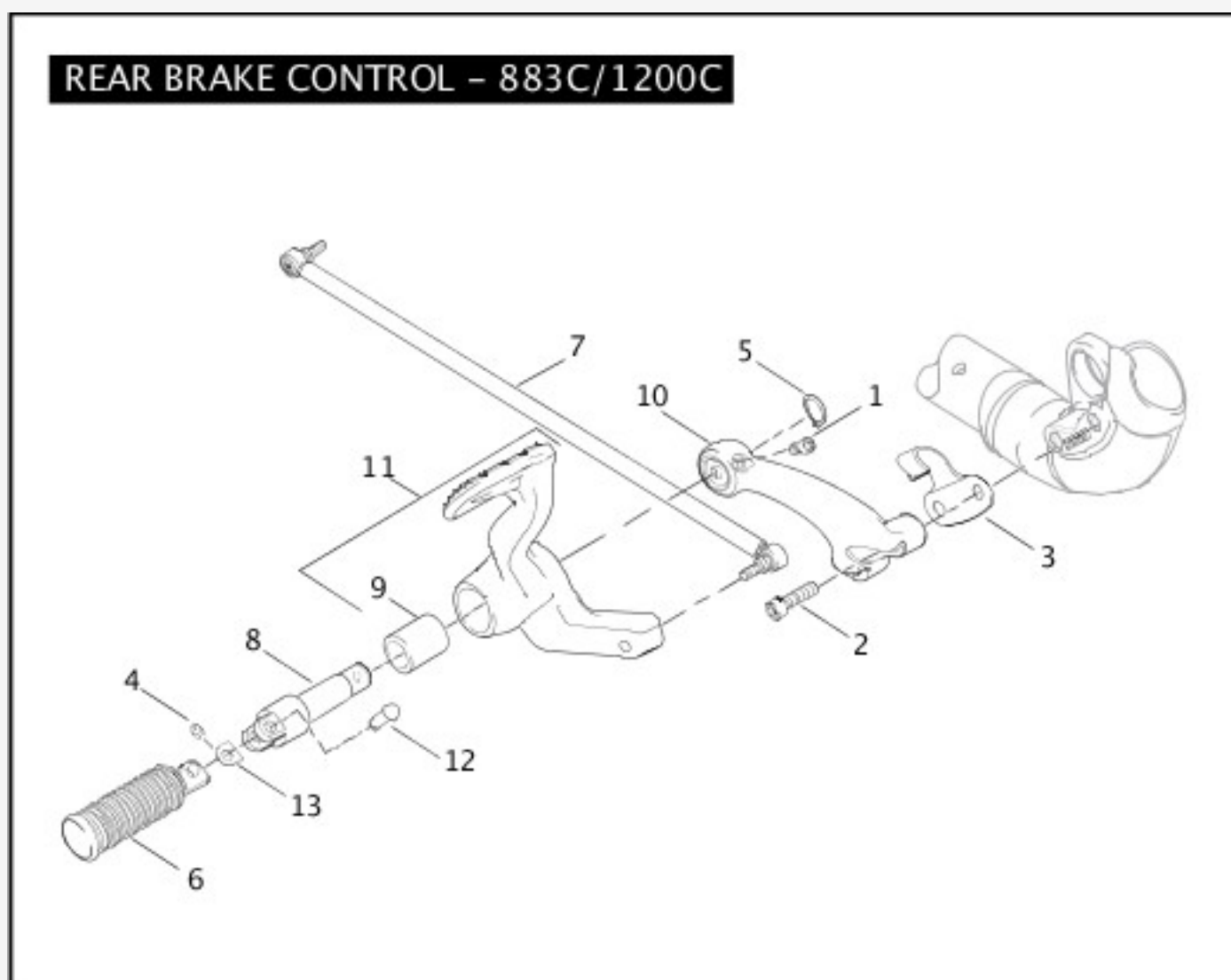
[View interactive image](#)

[View interactive table](#)

INDEX NO.	PART NO.	DESCRIPTION	MODEL(S)
1	3210A	SCREW, hex socket	XL1200R, XL883
2	4076	SCREW, hex socket (2)	XL1200R, XL883
3	4748	SCREW, hex socket (2)	XL1200R, XL883
4	10179A	J-CLIP	XL1200R, XL883
5	11304	RETAINING RING	XL1200R, XL883

6	11390	RETAINING RING	XL1200R, XL883
7	33032-99	FOOTPEG ASSEMBLY, w/ 33216-99	XL1200R, XL883
	33216-99	RUBBER, front footpeg	XL1200R, XL883
8	34582-04	BRAKE ROD ASSEMBLY	XL1200R, XL883
9	42541-04	CLEVIS, rider footpeg	XL1200R, XL883
10	42569-03	BUSHING	XL1200R, XL883
11	42969-04	PEDAL ASSEMBLY, w/ 42569-03	XL1200R, XL883
12	42971-04	SUPPORT BRACKET, right rider footpeg	XL1200R, XL883
13	45041-01A	CLEVIS PIN	XL1200R, XL883
14	50912-72	SPRING WASHER, pedal	XL1200R, XL883

## REAR BRAKE CONTROL - 883C/1200C



[View interactive image](#)

[View interactive table](#)

INDEX NO.

PART NO.

DESCRIPTION

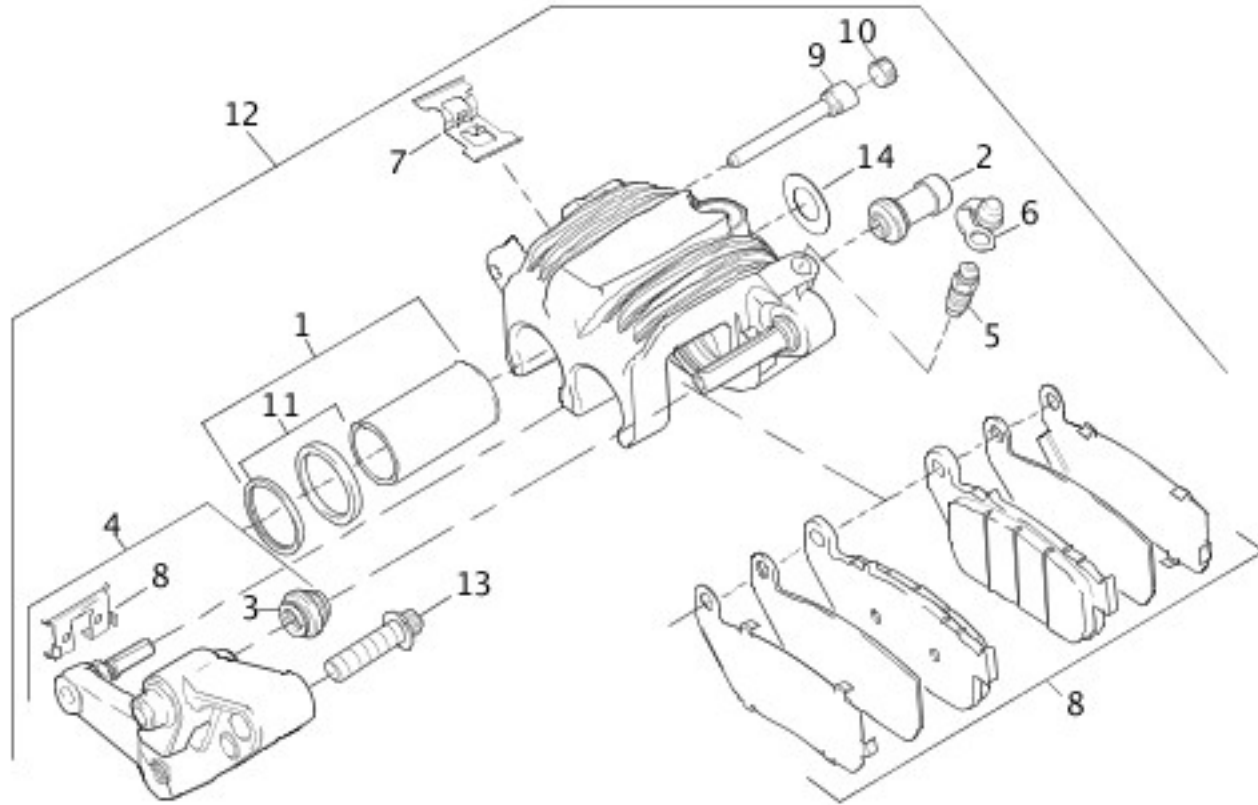
MODEL(S)



1	3210A	SCREW, hex socket	XL1200C, XL883C
2	4748	SCREW, hex socket (2)	XL1200C, XL883C
3	10179A	J-CLIP	XL1200C, XL883C
4	11304	RETAINING RING	XL1200C, XL883C
5	11390	RETAINING RING	XL1200C, XL883C
6	33032-99	FOOTPEG ASSEMBLY, w/ 33216-99	XL1200C, XL883C
	33216-99	RUBBER, front footpeg	XL1200C, XL883C
7	34581-04	BRAKE ROD ASSEMBLY	XL1200C, XL883C
8	42566-04	CLEVIS, rider footpeg	XL1200C, XL883C
9	42569-03	BUSHING	XL1200C, XL883C
10	42652-04	SUPPORT BRACKET, right rider footpeg	XL1200C, XL883C
11	42685-04	PEDAL ASSEMBLY, w/ 42569-03	XL1200C, XL883C
12	45041-01A	CLEVIS PIN	XL1200C, XL883C
13	50912-72	SPRING WASHER, pedal	XL1200C, XL883C

## FRONT BRAKE CALIPER

## FRONT BRAKE CALIPER



[View interactive image](#)

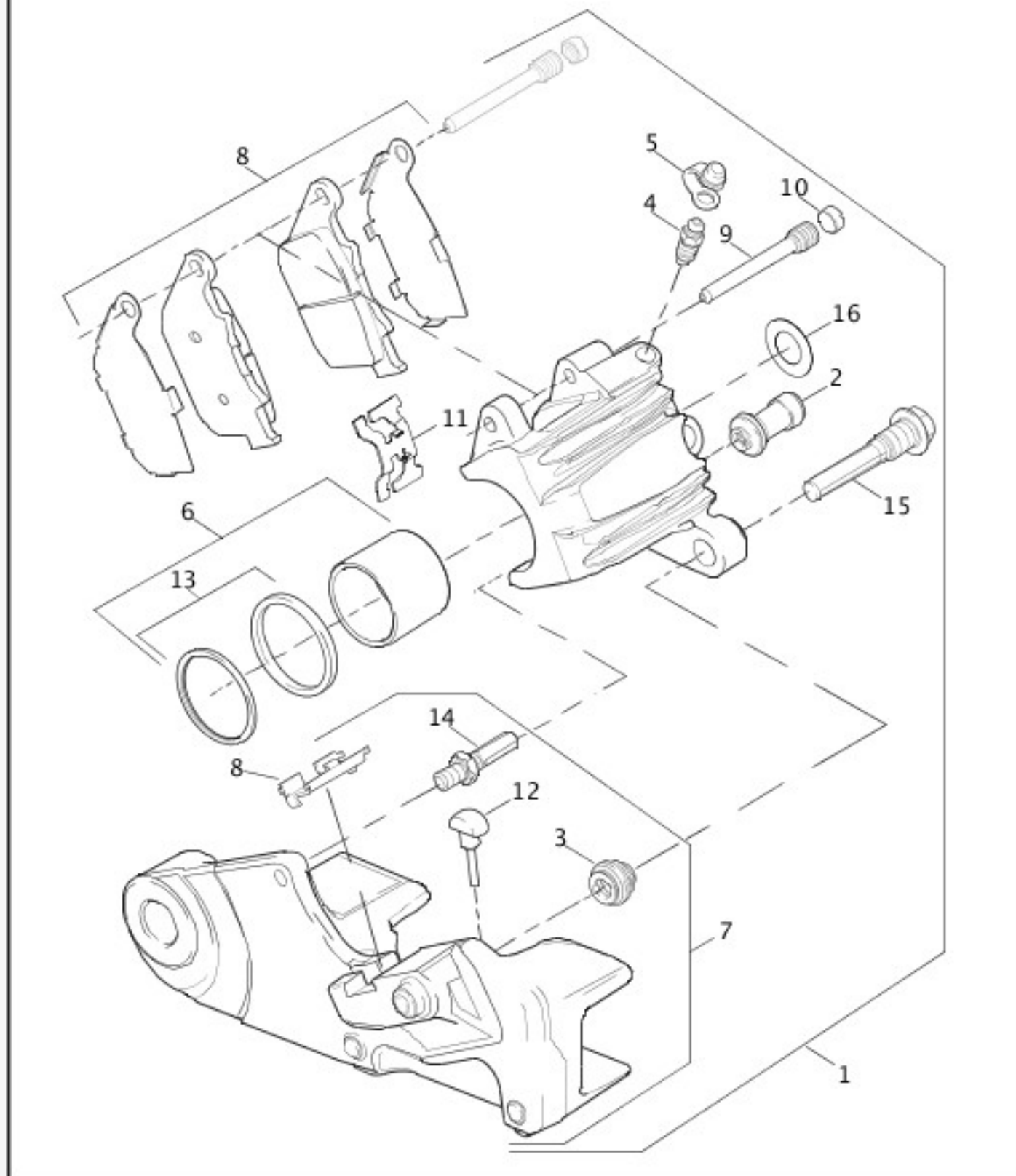
[View interactive table](#)

INDEX NO.	PART NO.	DESCRIPTION	MODEL(S)
1	42822-04	PISTON KIT, front	ALL
2	42823-04	BOOT, caliper bushing	ALL
3	42824-04	BOOT, caliper pin	ALL
4	42825-04	CALIPER BRACKET ASSEMBLY, front left, w/ 42824-04	ALL
	42826-04	CALIPER BRACKET ASSEMBLY, front right, w/ 42824-04 (not illustrated)	XL1200R
5	42827-04	SCREW, bleeder	ALL
6	42828-04	CAP, bleeder screw	ALL
7	42829-04	SPRING, pad, front	ALL
8	42831-04A	PAD KIT, front	ALL
9	42832-04	PAD PIN, front caliper	ALL
10	42838-04	PLUG, pad pin	ALL

11	43529-04	SEAL KIT, front caliper	ALL
12	44119-04	CALIPER ASSEMBLY, front right (not illustrated)	XL1200R
	44121-04A	CALIPER ASSEMBLY, front left	ALL
13	44160-00	BOLT, caliper mounting, (2)	XL1200C, XL883, XL883C
	44160-00	BOLT, caliper mounting, (4)	XL1200R
14	44440-04	DECAL, caliper	ALL

## REAR BRAKE CALIPER

## REAR BRAKE CALIPER



[View interactive image](#)

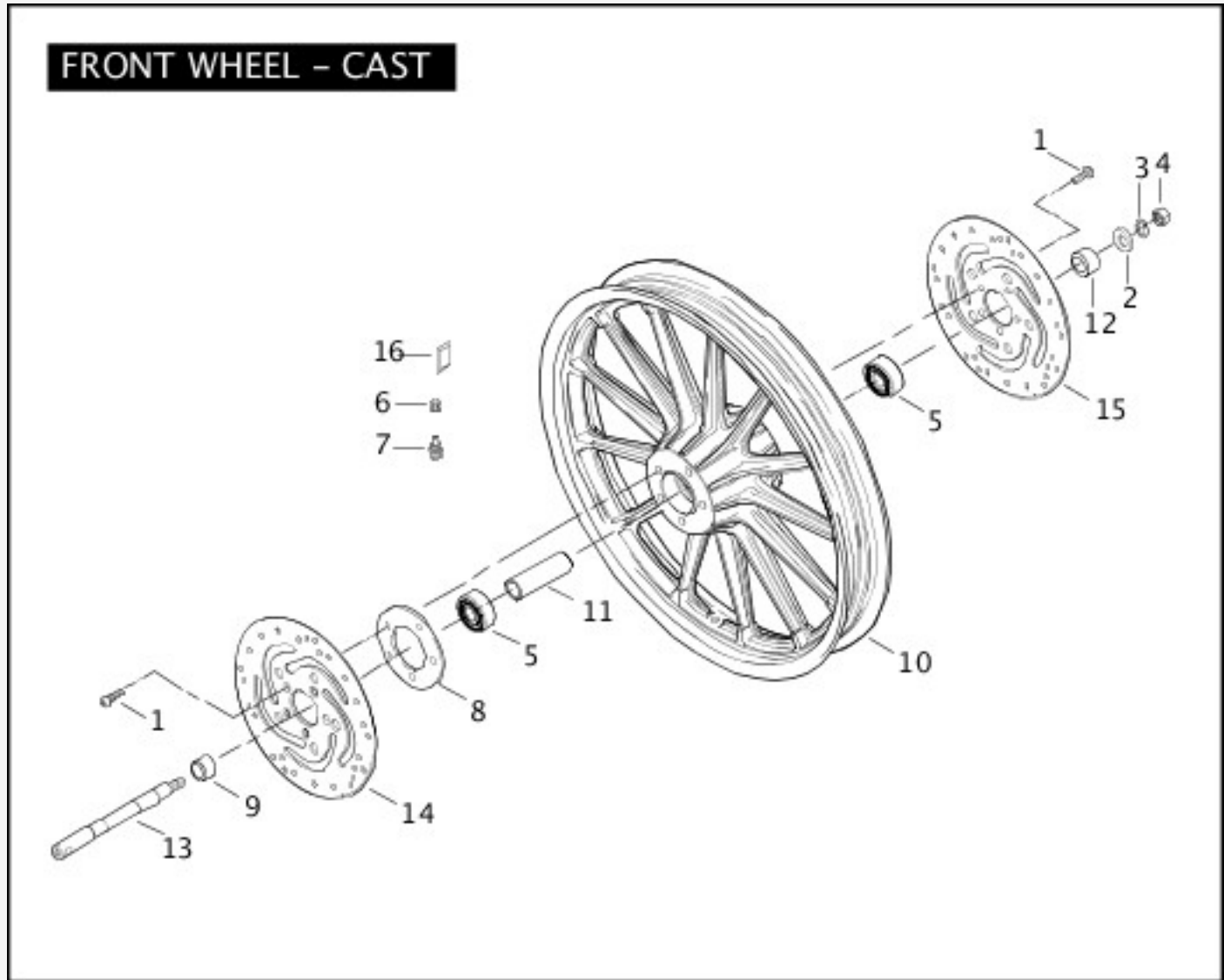
[View interactive table](#)

INDEX NO.	PART NO.	DESCRIPTION	MODEL(S)
1	40968-04A	CALIPER ASSEMBLY, rear	ALL
2	42823-04	BOOT, caliper bushing	ALL
3	42824-04	BOOT, caliper pin	ALL
4	42827-04	SCREW, bleeder	ALL

5	42828-04	CAP, bleeder screw	ALL
6	42834-04	PISTON KIT, rear caliper	ALL
7	42835-04	BRACKET ASSEMBLY, rear caliper, w/ 42824-04, 42840-04 & 44178-04	ALL
8	42836-04A	PAD KIT, rear	ALL
9	42837-04	PAD PIN, rear caliper	ALL
10	42838-04	PLUG, pad pin	ALL
11	42839-04	SPRING, pad, rear	ALL
12	42840-04	DAMPER	ALL
13	43528-04	SEAL KIT	ALL
14	44178-04	PIN, bolt	ALL
15	44184-04	PIN, bolt A	ALL
16	44440-04	DECAL, caliper	ALL

## FRONT WHEEL - CAST

## FRONT WHEEL - CAST



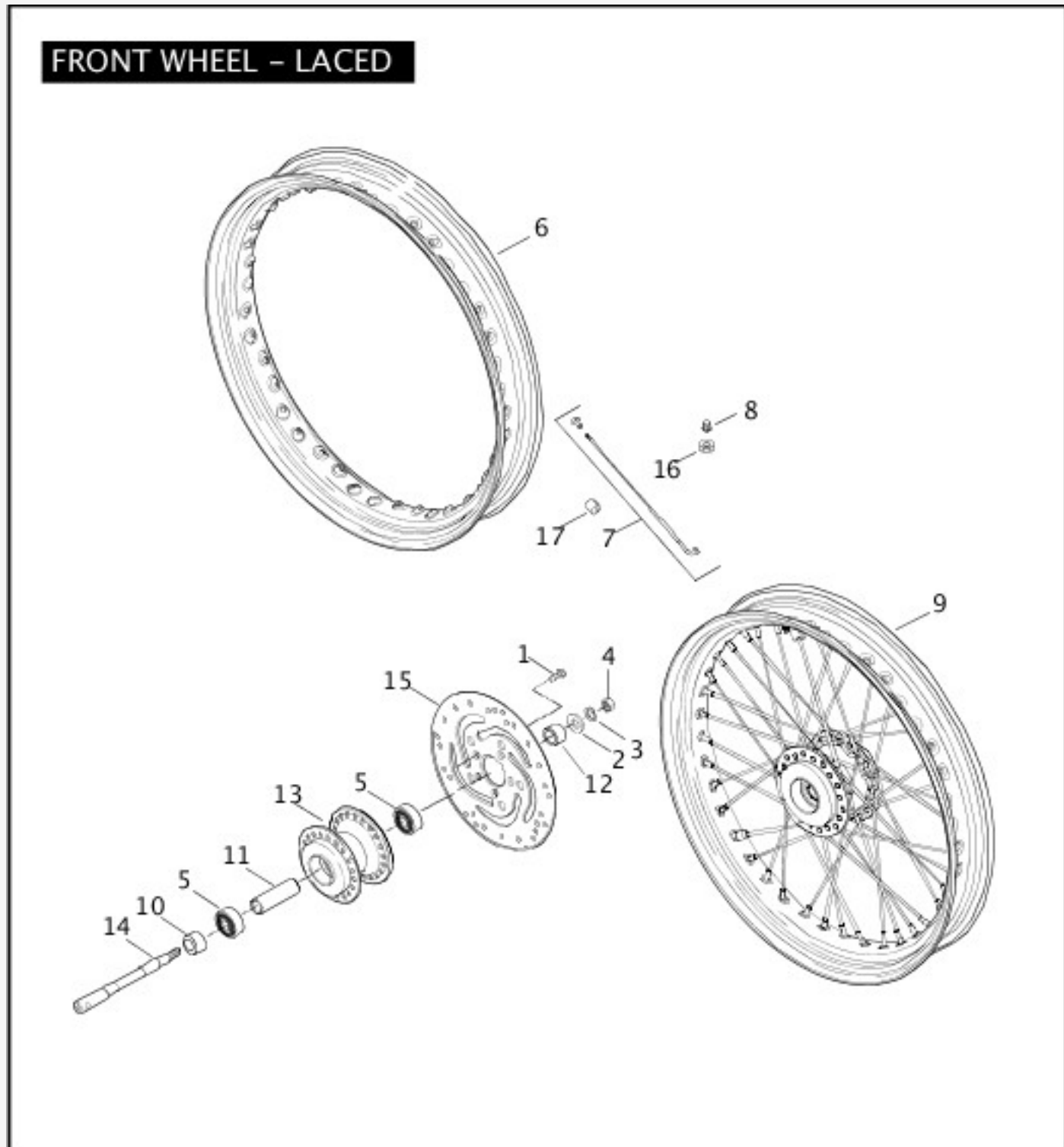
[View interactive image](#)

[View interactive table](#)

INDEX NO.	PART NO.	DESCRIPTION	MODEL(S)
1	3655A	SCREW (5)	XL883
	3655A	SCREW (10)	XL1200R
2	6590HW	WASHER	XL1200R, XL883
3	7068	LOCKWASHER	XL1200R, XL883
4	7956	NUT	XL1200R, XL883
5	9267	ROLLER BEARING (2)	XL1200R, XL883
6	41123-79	VALVE CAP	XL1200R, XL883
7	43157-83A	VALVE STEM ASSEMBLY	XL1200R, XL883
8	43359-00	HUB PLATE (silver)	XL1200R, XL883
9	43358-00	SPACER, bearing	XL1200R, XL883
10	43594-00A	WHEEL, 19 inch, 13-spoke, w/o bearings & sleeve (silver)	XL1200R, XL883
11	43613-00	SPACER, hub	XL1200R, XL883

12	43617-00A	SPACER, bearing	XL1200R, XL883
13	43895-00	FRONT AXLE	XL1200R, XL883
14	44136-00	DISC, brake - RH	XL1200R
15	44156-00	DISC, brake - LH	XL1200R, XL883
16	95595-84A	WHEEL WEIGHT, 5 grams (silver)	XL1200R, XL883

## FRONT WHEEL - LACED



[View interactive image](#)

[View interactive table](#)

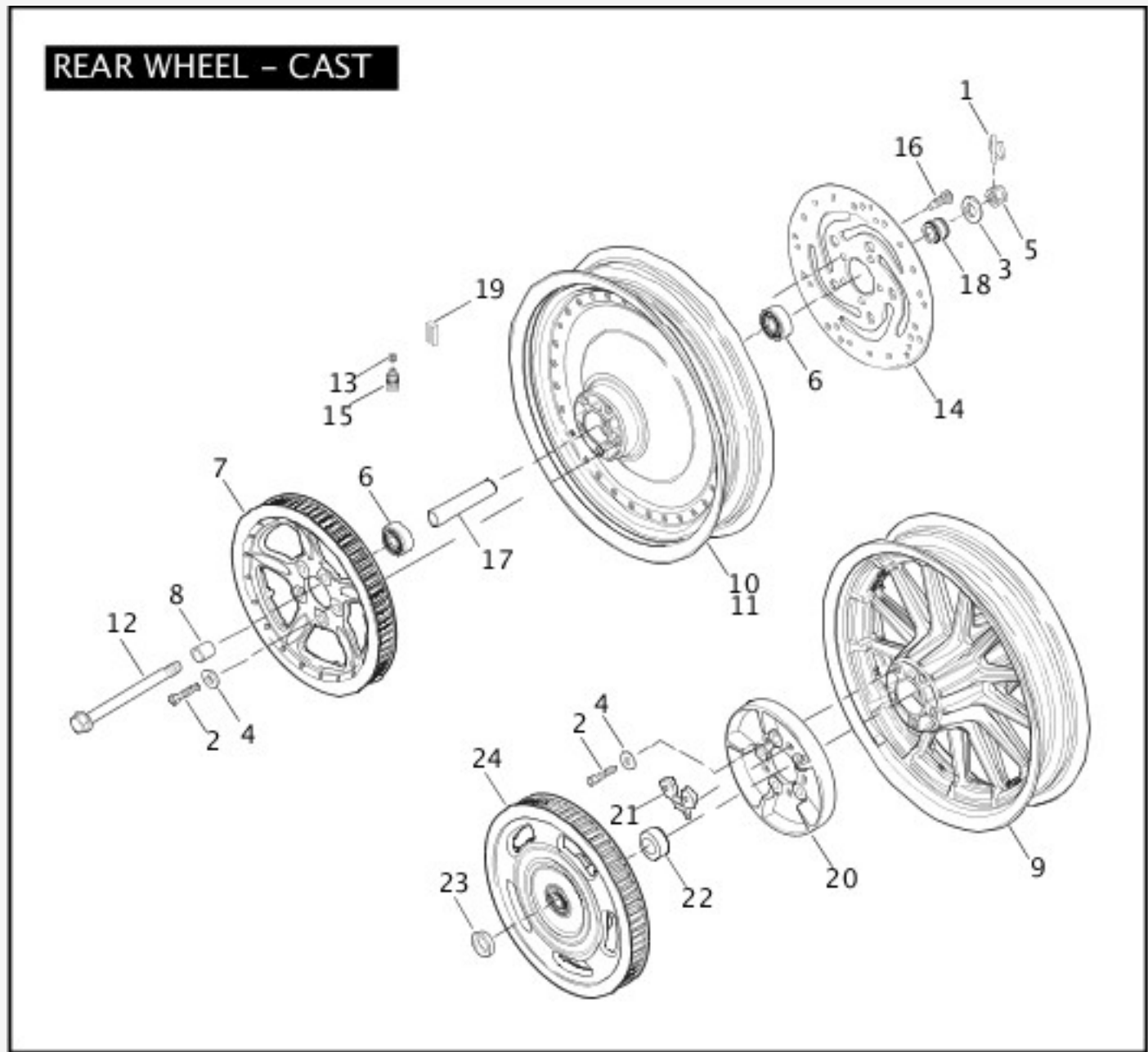
INDEX	PART	DESCRIPTION	MODEL(S)
-------	------	-------------	----------

NO.	NO.		
1	3655A	SCREW (5)	XL1200C, XL883C
2	6590HW	WASHER	XL1200C, XL883C
3	7068	LOCKWASHER	XL1200C, XL883C
4	7956	NUT	XL1200C, XL883C
5	9267	ROLLER BEARING (2)	XL1200C, XL883C
6	43662-80B	RIM, 21 inch (chrome)	XL1200C, XL883C
7	40759-05	SPOKE AND NIPPLE KIT, 21 inch rim, long (set of 20)	XL1200C, XL883C
	40760-05	SPOKE AND NIPPLE KIT, 21 inch rim, short (set of 20)	XL1200C, XL883C
8	41123-79	VALVE CAP	XL1200C, XL883C
9	43557-00A	WHEEL ASSEMBLY, 21 inch, w/ 5, 6, 7, 11 & 13 (use 43557-05A)	XL1200C, XL883C
	43557-05A	WHEEL ASSEMBLY, 21 inch, w/ 6, 7 & wheel hub assembly, w/o bearings & sleeve (replaces 43557-00A)	XL1200C, XL883C
10	43358-00	SPACER, bearing	XL1200C, XL883C
11	43613-00	SPACER, hub	XL1200C, XL883C
12	43617-00A	SPACER, bearing	XL1200C, XL883C
13	43610-00A	WHEEL HUB ASSEMBLY (used w/ 43557-00A)	XL1200C, XL883C
14	43895-00	FRONT AXLE	XL1200C, XL883C
	43939-89	RIM STRIP, wheel, 21 inch (not illustrated)	XL1200C, XL883C
15	44156-00	DISC, brake	XL1200C, XL883C
16	54321-85	NUT, valve stem	XL1200C, XL883C



17	95578-41	WHEEL WEIGHT, 1/2 oz.	XL1200C, XL883C
	95581-47	WHEEL WEIGHT, 3/4 oz.	XL1200C, XL883C
	95582-47	WHEEL WEIGHT, 1 oz.	XL1200C, XL883C

## REAR WHEEL - CAST



[View interactive image](#)

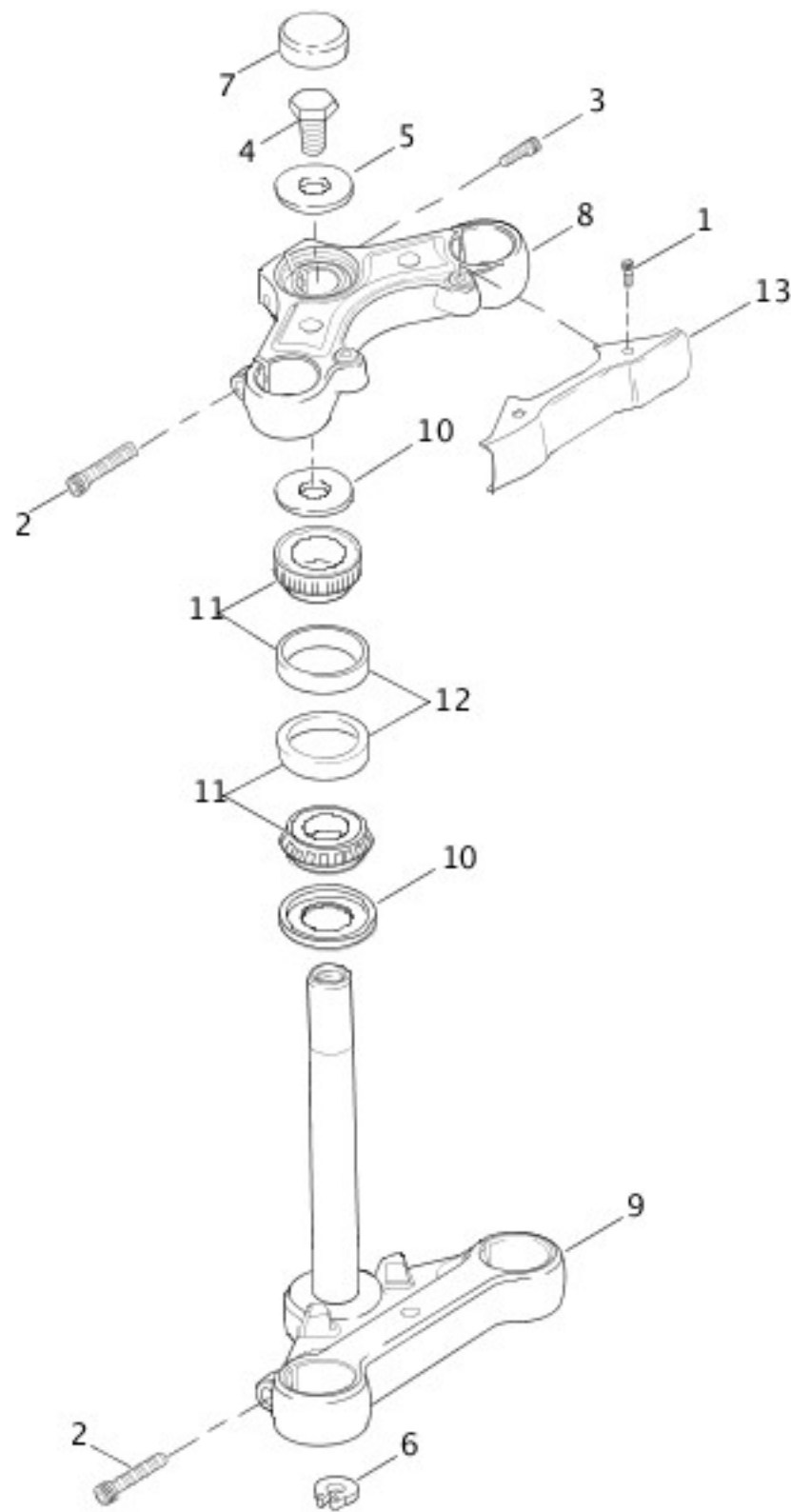
[View interactive table](#)

INDEX NO.	PART NO.	DESCRIPTION	MODEL(S)
1	508	COTTER CLIP	ALL
2	3899	SCREW (5)	ALL
3	5756	WASHER	ALL

4	6516HW	WASHER (5)	ALL
5	7987	NUT	ALL
6	9267	ROLLER BEARING (2)	ALL
7	40350-04	SPROCKET, 68T (belt) (black)	XL1200C
	40352-04	SPROCKET, 68T (belt) (silver)	XL1200R, XL883, XL883C
8	40930-04	SPACER, sprocket side	ALL
9	40992-00A	WHEEL ASSEMBLY, 16 inch, 13-spoke, w/o bearings & sleeve (silver)	XL1200R, XL883
10	41013-00A	WHEEL, solid with slots, w/o bearings & sleeve (chrome)	XL1200C
11	41058-00A	WHEEL, solid with holes, w/o bearings & sleeve (silver)	XL883C
12	41110-89	AXLE ASSEMBLY	ALL
13	41123-79	VALVE CAP	ALL
14	41797-00	BRAKE DISC	ALL
15	43157-83A	VALVE STEM	ALL
16	43567-92	SCREW, brake disc (5)	ALL
17	43608-00	SLEEVE WHEEL BEARING, spacer	ALL
18	43654-00A	SPACER, disc side	ALL
19	95595-84A	WHEEL WEIGHT, 5 grams (4)	ALL
<b>INTERNATIONAL MODELS ONLY</b>			
20	40464-04	BOWL COMPENSATOR (Japan)	ALL
21	40465-04	ISOLATOR, sprocket (Japan)	ALL
22	40466-04	SPACER (Japan)	ALL
23	40467-04	SPACER, outer sprocket (Japan)	ALL
24	40470-04	SPROCKET ASSEMBLY, final drive w/ bearing, 68T (black) (Japan)	XL1200C
	40471-04	SPROCKET ASSEMBLY, final drive w/ bearing, 68T (silver) (Japan)	XL1200R, XL883, XL883C

## STEERING HEAD BRACKET ASSEMBLY

## STEERING HEAD BRACKET ASSEMBLY



[View interactive image](#)

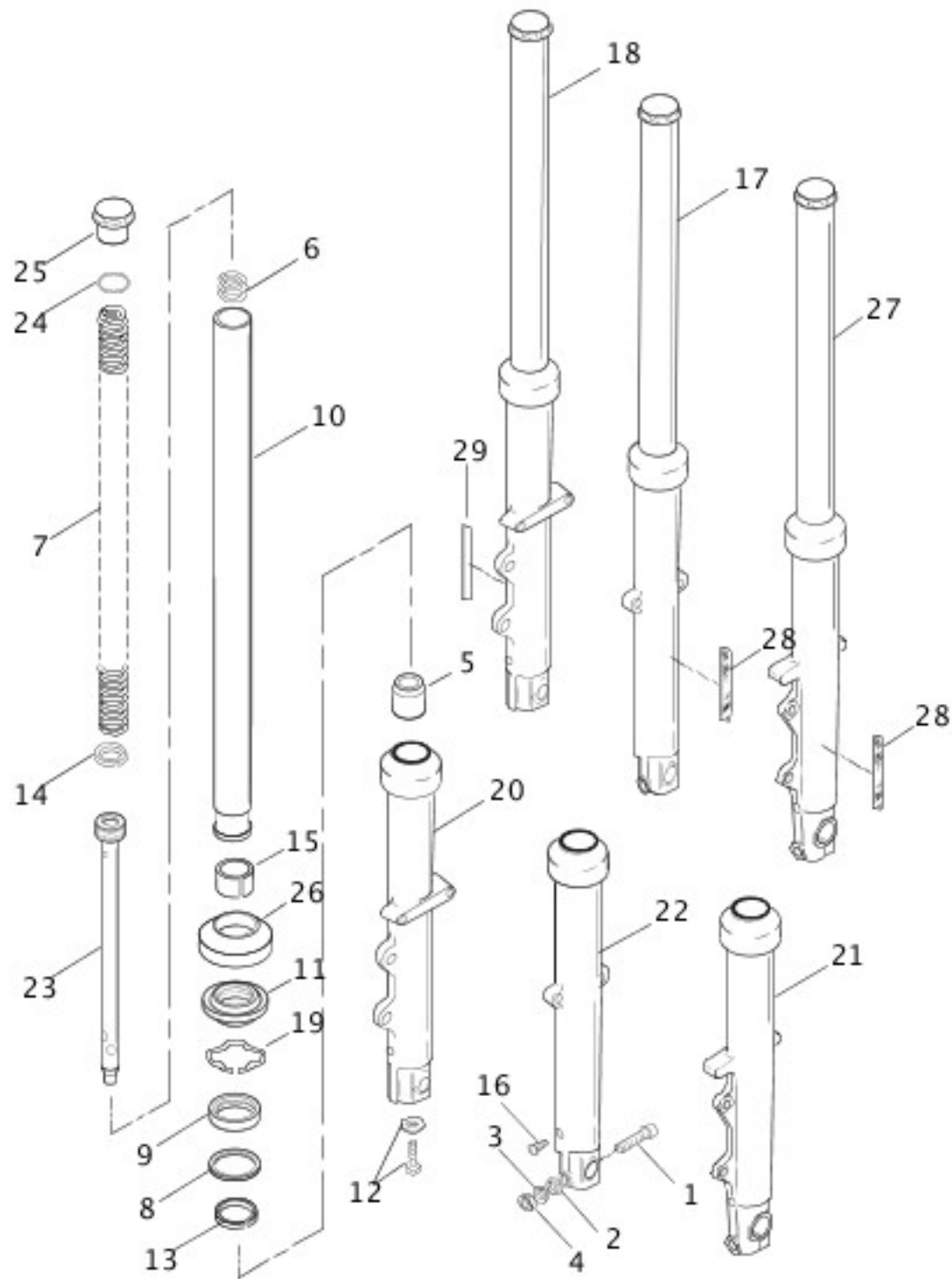
[View interactive table](#)

INDEX NO.	PART NO.	DESCRIPTION	MODEL(S)
1	3201WA	SCREW (2)	XL1200C, XL883C
2	4351	SCREW (4)	ALL
3	4352	SCREW	ALL
4	4453	BOLT, tapped	XL1200R
	4460	BOLT	XL1200C, XL883, XL883C

5	6655	WASHER	ALL
6	45611-86	RETAINING RING	ALL
7	45668-90	CAP, fork stem	XL1200R
8	45966-04	BRACKET, upper	ALL
9	46126-04	BRACKET, lower w/ bearing and seal	XL1200C, XL883C
	46127-04	BRACKET, lower w/ bearing and seal	XL1200R, XL883
10	48184-01	SEAL, tapered bearing (2)	ALL
11	48300-60	ROLLER BEARING, w/ cup (2)	ALL
12	48315-60	BEARING CUP (2)	ALL
13	68041-04	COVER, upper triple clamp	XL1200C, XL883C

## FRONT FORK

## FRONT FORK



[View interactive image](#)

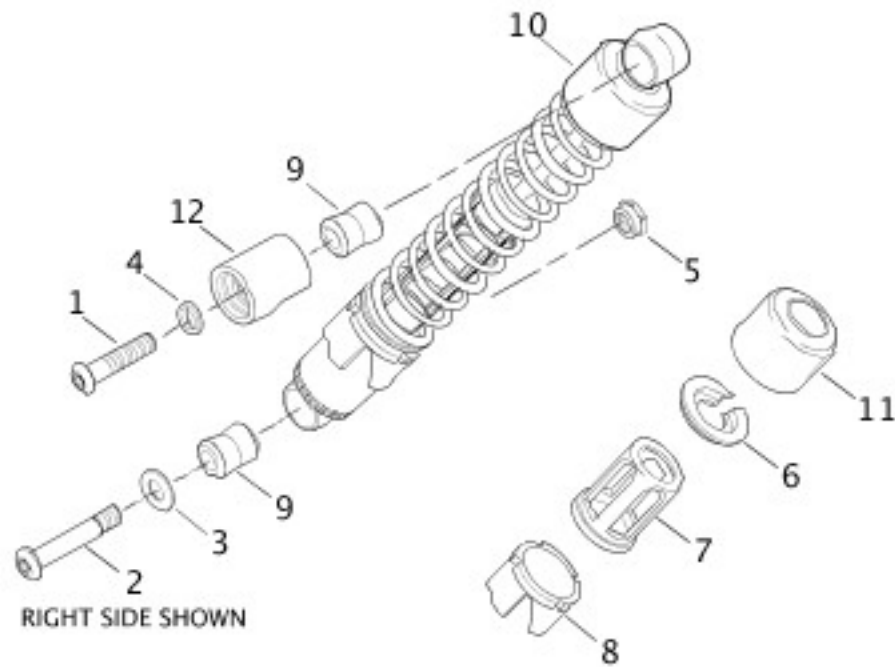
[View interactive table](#)

INDEX NO.	PART NO.	DESCRIPTION	MODEL(S)
1	4029A	SCREW	ALL
2	6701	WASHER	ALL
3	7038	LOCKWASHER	ALL
4	7783	NUT	ALL
5	45361-90	LOWER STOP (2)	ALL

6	45374-87	SPRING, slider (2)	ALL
7	45376-04	SPRING (2)	ALL
8	45377-87	SPACER, oil seal (2)	ALL
9	45378-87	OIL SEAL (2)	ALL
10	45395-04	SLIDER TUBE, w/ 45465-87 (2)	ALL
11	45401-87	SEAL, dust (2)	ALL
12	45405-75A	SCREW, w/ washer (2)	ALL
13	45461-87	BUSHING, upper (2)	ALL
14	45460-90	RING, damper tube (2)	ALL
15	45465-87	BUSHING, slider tube (2)	ALL
16	45790-80	DRAIN SCREW, w/ washer (2)	ALL
17	45900-04	FORK SLIDER AND TUBE ASSEMBLY, right	XL1200C, XL883, XL883C
18	45901-04	FORK SLIDER AND TUBE ASSEMBLY, left	ALL
19	45905-87	RETAINING RING, oil seal (2)	ALL
20	45921-00	SLIDER ASSEMBLY, left	ALL
21	45922-00	SLIDER ASSEMBLY, right	XL1200R
22	45923-00	SLIDER ASSEMBLY, right	XL1200C, XL883, XL883C
23	45925-04	DAMPER TUBE (2)	ALL
24	45984-87	O-RING (2)	ALL
25	45996-87	CAP, slider tube (2)	ALL
26	46002-87	COVER, slider (2)	ALL
27	46029-04	FORK SLIDER AND TUBE ASSEMBLY, right	XL1200R
28	59481-00	REFLECTOR, amber, right	ALL
29	59482-00	REFLECTOR, amber, left	ALL

## SHOCK ABSORBERS

## SHOCK ABSORBERS

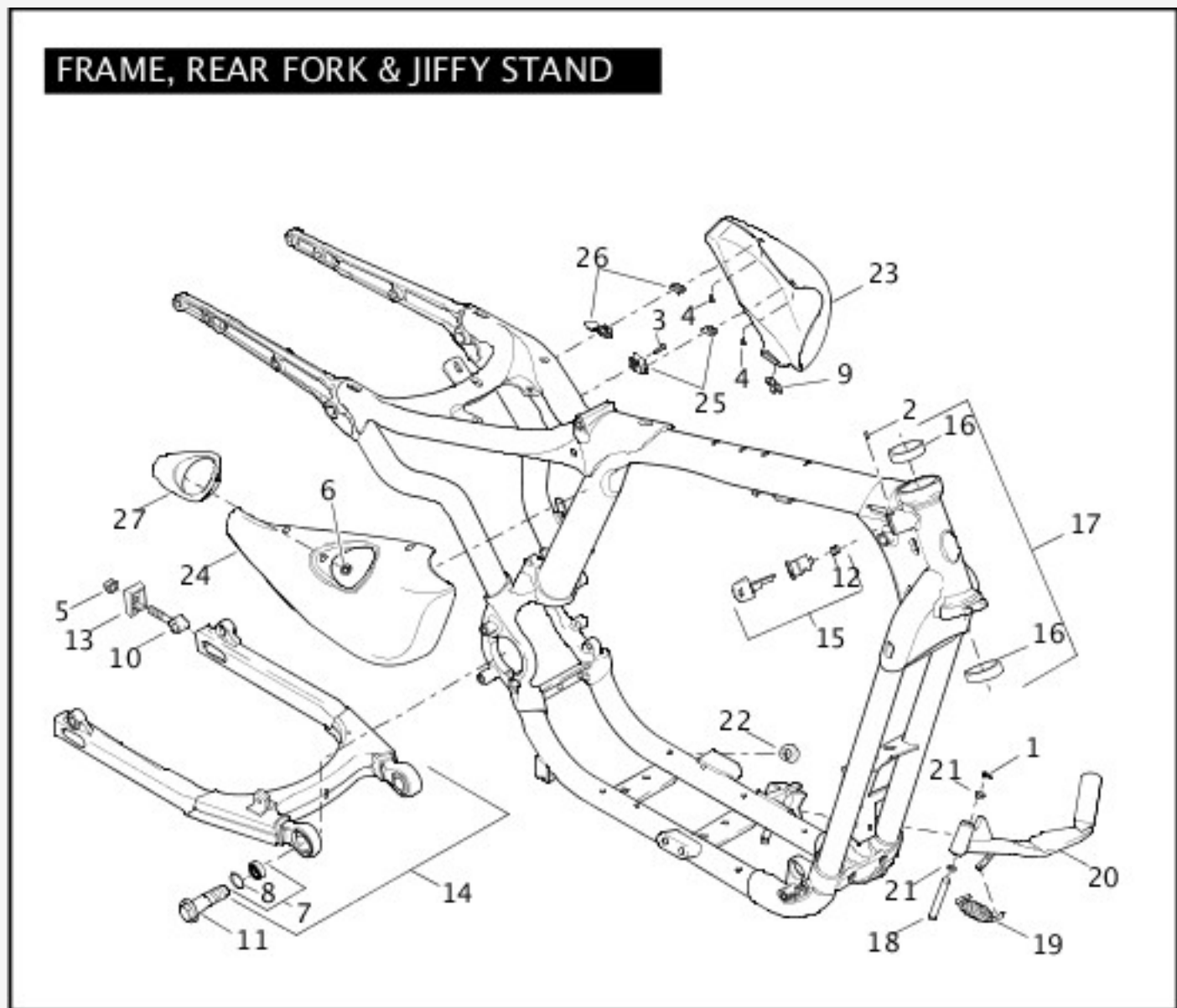


[View interactive image](#)

[View interactive table](#)

INDEX NO.	PART NO.	DESCRIPTION	MODEL(S)
1	3880	SCREW, upper (2)	ALL
2	4354	SCREW, lower (2)	ALL
3	6718	WASHER (2)	ALL
4	6738	WASHER (2)	ALL
5	7824	LOCKNUT (2)	ALL
6	54473-79	SEAT, spring, upper (2)	ALL
7	54475-79	SPRING GUIDE, lower (2)	ALL
8	54476-82	ADJUSTER, spring (2)	ALL
9	54556-84	BUSHING, damper (4)	ALL
10	54566-04	SHOCK ABSORBER, complete (2)	XL1200R, XL883
	54568-04	SHOCK ABSORBER, complete (2)	XL1200C, XL883C
11	54701-82	COVER, shock absorber (2)	ALL
12	54724-04	COVER, shock absorber stud (2)	ALL

# FRAME, REAR FORK, & JIFFY STAND



[View interactive image](#)

[View interactive table](#)

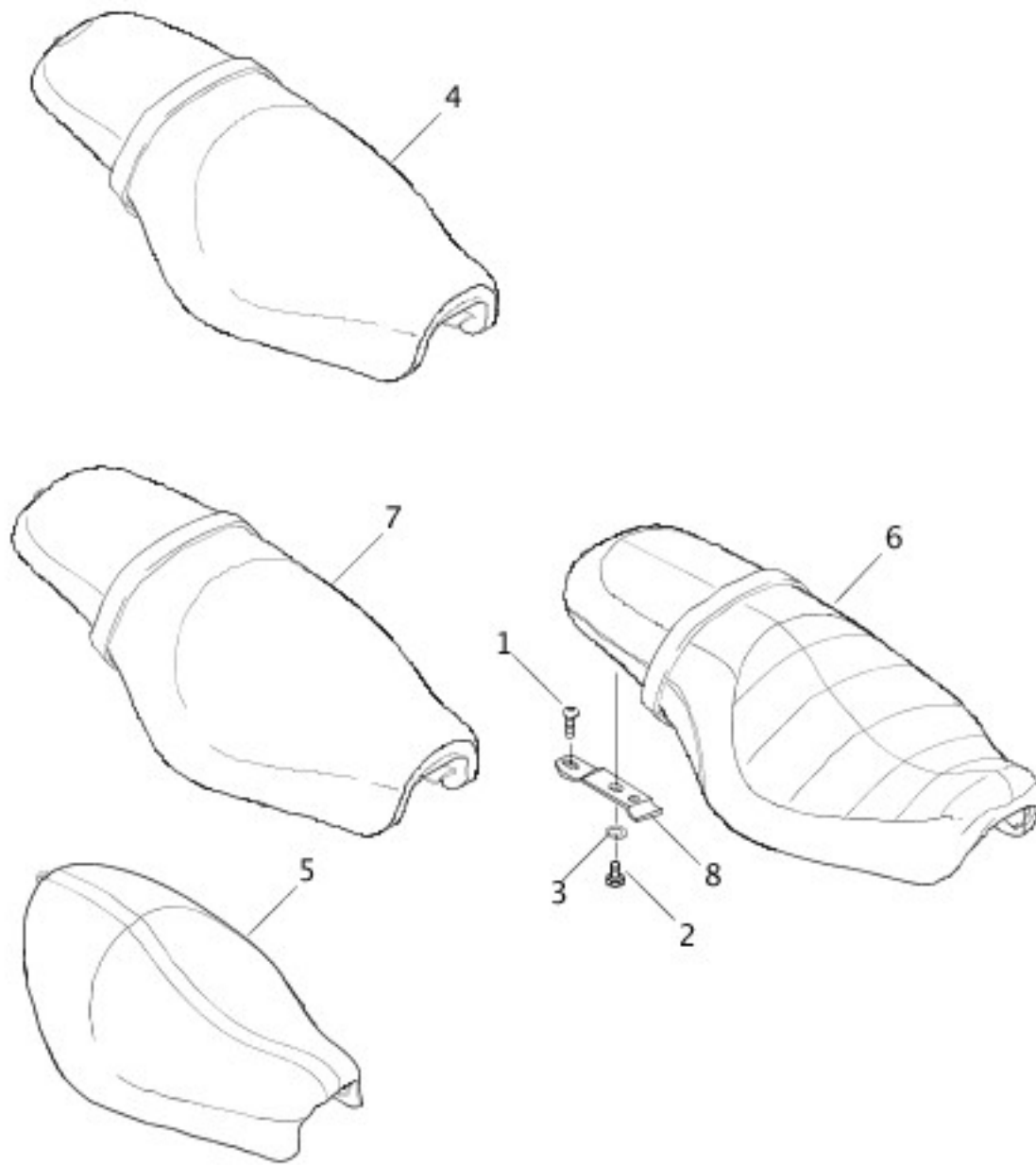
INDEX NO.	PART NO.	DESCRIPTION	MODEL(S)
1	554A	PRETZEL CLIP	ALL
2	1594	PIN, lock	ALL
3	2995	SCREW	ALL
4	4991	SCREW	ALL
5	7778	LOCKNUT (2)	ALL
6	8135B	PUSH NUT	ALL
7	9209	BEARING, swing arm, w/ 11282	ALL
8	11282	RETAINING RING	ALL
9	11376	GROMMET, side cover mounting	ALL
10	41573-97	ADJUSTER, rear axle (2)	ALL



11	41698-04	BOLT, swing arm pivot (2)	ALL
12	43595-99	SPRING, fork lock	ALL
13	47554-73A	END COVER, rear fork (2)	ALL
14	47587-04	REAR FORK, w/ bearings	ALL
15	48153-02B	KIT, FORK LOCK, w/ 1594 & 43595-99 (specify key code)	ALL
16	48315-60	BEARING CUP, steering head (2)	ALL
17	49430-06A	FRAME, w/ bearing cups	XL1200R, XL883
	49439-10	FRAME, w/ bearing cups	XL1200C, XL883C
18	50003-89B	PIN, clevis	ALL
19	50005-85A	SPRING, jiffy stand	ALL
20	50185-04C	JIFFY STAND	ALL
21	53176-08	BUSHING (2)	ALL
22	62122-89A	BUMPER	ALL
23	66251-04A	SIDE COVER, left	ALL
24	66252-04A	SIDE COVER, right	ALL
25	70416-04D	CLIP KIT, side cover, front mounting, w/ 2995 & 4991	ALL
26	70417-04C	CLIP KIT, side cover, rear mounting, w 4991	ALL
27	71472-04	BEZEL, oil tank filler (chrome)	ALL

## SEATS

## SEATS



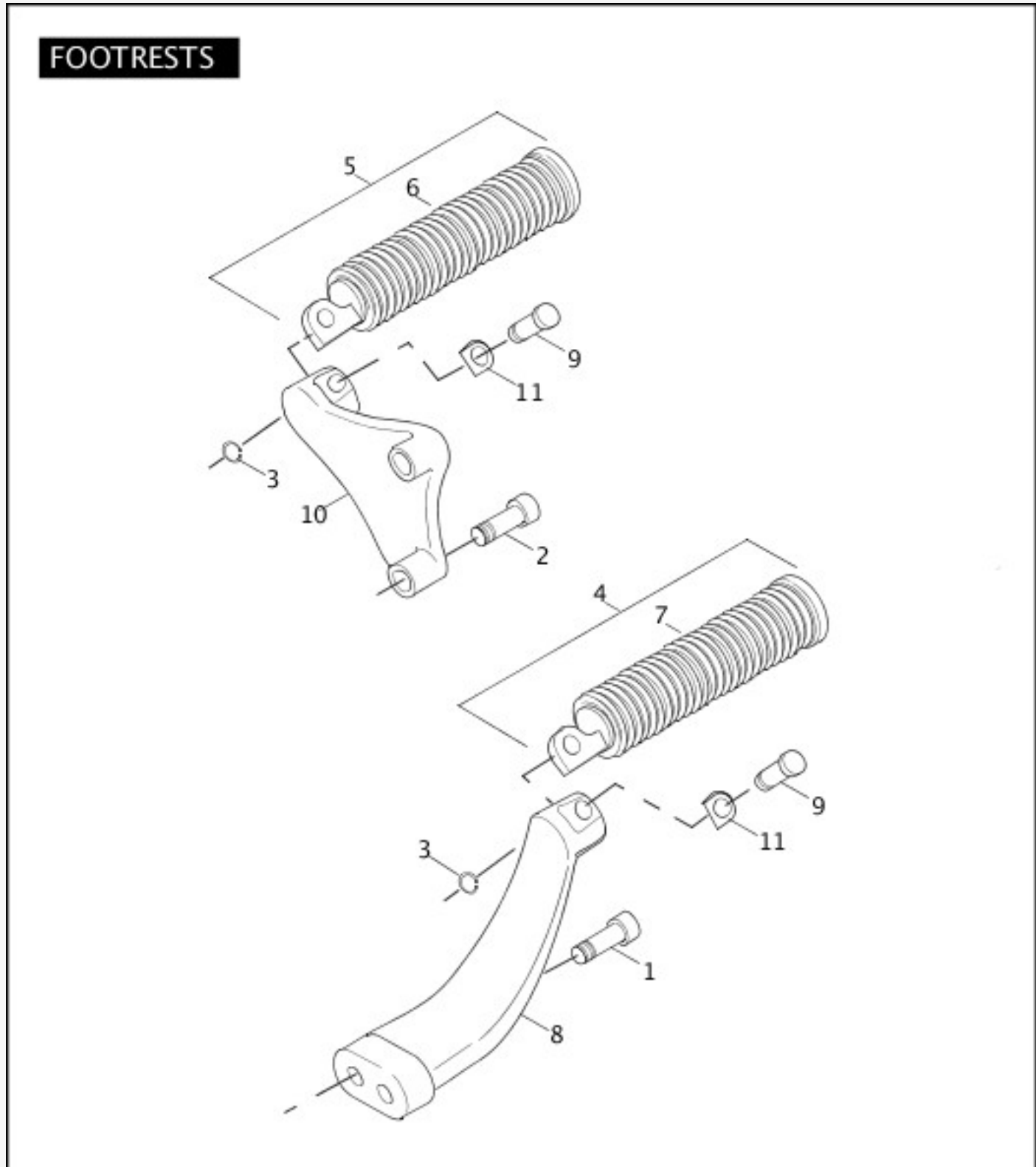
[View interactive image](#)

[View interactive table](#)

INDEX NO.	PART NO.	DESCRIPTION	MODEL(S)
1	2952A	SCREW, seat mounting	ALL
2	3767B	BOLT (2)	ALL
3	7036	WASHER, lock	ALL
4	51530-04	SEAT ASSEMBLY, w/ 3767B, 7036 & 51652-97A	XL1200C
5	51532-04	SEAT ASSEMBLY, w/ 3767B, 7036 & 51652-97A	XL883

6	51558-04	SEAT ASSEMBLY, w/ 3767B, 7036 & 51652-97A	XL1200R
7	52608-04	SEAT ASSEMBLY, w/ 3767B, 7036 & 51652-97A	XL883C
8	51652-97A	BRACKET, seat mounting	ALL

## FOOTRESTS



[View interactive image](#)

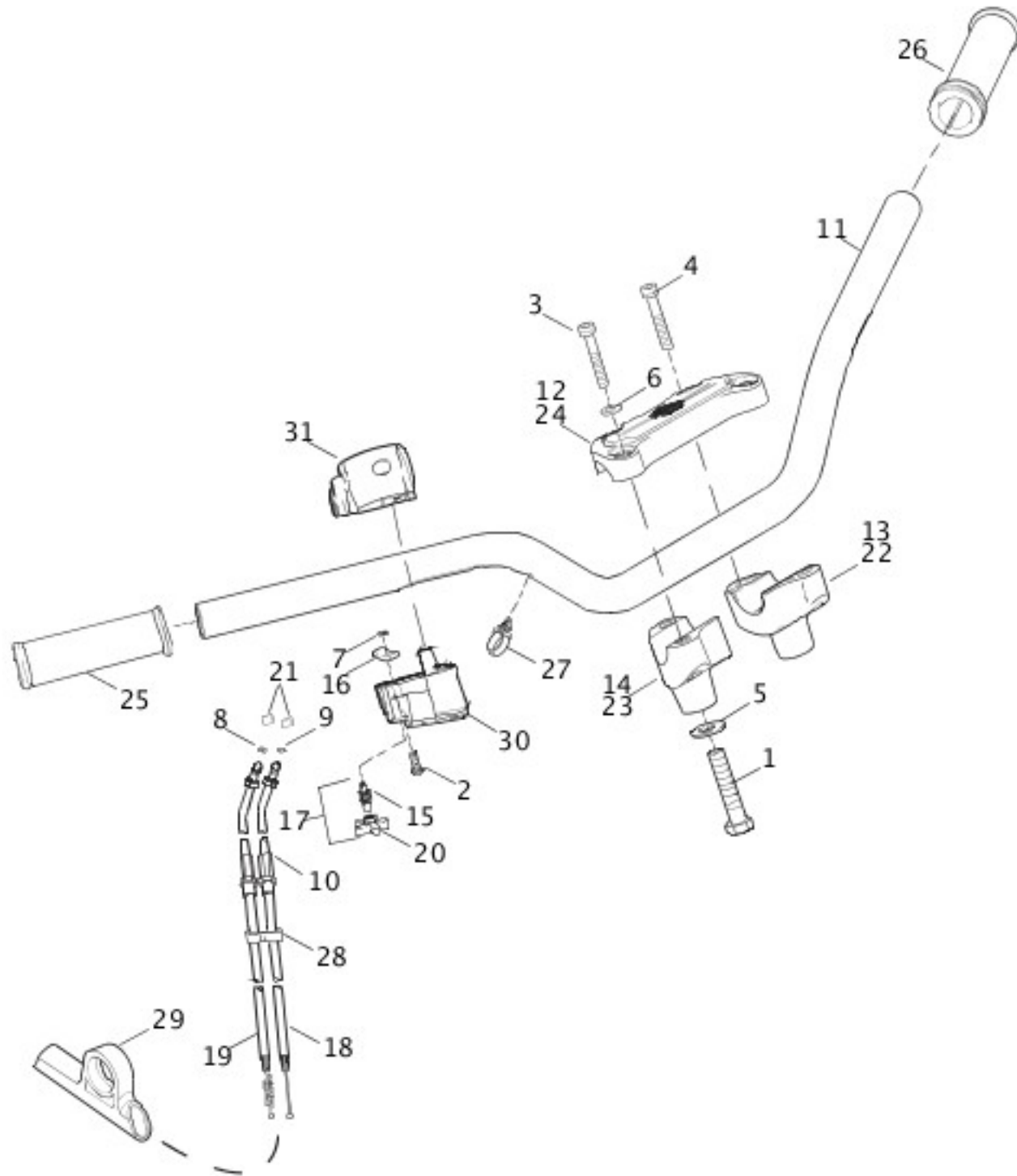
[View interactive table](#)

INDEX NO.	PART NO.	DESCRIPTION	MODEL(S)
1	4748	SCREW, socket head (2)	XL1200R, XL883

2	4748	SCREW, socket head (4)	XL1200C, XL1200R, XL883C
	740	HOLE PLUG (not illustrated) (5)	XL883
3	11304	RETAINING RING	XL883
	11304	RETAINING RING (2)	XL1200C, XL883C
	11304	RETAINING RING (3)	XL1200R
4	33032-99	FOOTREST, w/ rubber	ALL
5	33048-72	FOOTREST, w/ rubber (2)	XL1200C, XL1200R, XL883C
6	33189-63	RUBBER, footrest, rear	XL1200C, XL1200R, XL883C
7	33216-99	RUBBER, footrest, front	ALL
8	42972-04	BRACKET, rider footrest support, left	XL1200R, XL883
9	45041-01A	CLEVIS PIN	XL883
	45041-01A	CLEVIS PIN (2)	XL1200C, XL883C
	45041-01A	CLEVIS PIN (3)	XL1200R
10	49314-04	BRACKET, passenger footrest, right (not illustrated)	XL1200C, XL1200R, XL883C
	49315-04	BRACKET, passenger footrest, left	XL1200C, XL1200R, XL883C
11	50912-72	SPRING WASHER	XL883
	50912-72	SPRING WASHER (2)	XL1200C, XL883C
	50912-72	SPRING WASHER (3)	XL1200R

## HANDLEBAR & THROTTLE CONTROL

## HANDLEBAR & THROTTLE CONTROL



[View interactive image](#)

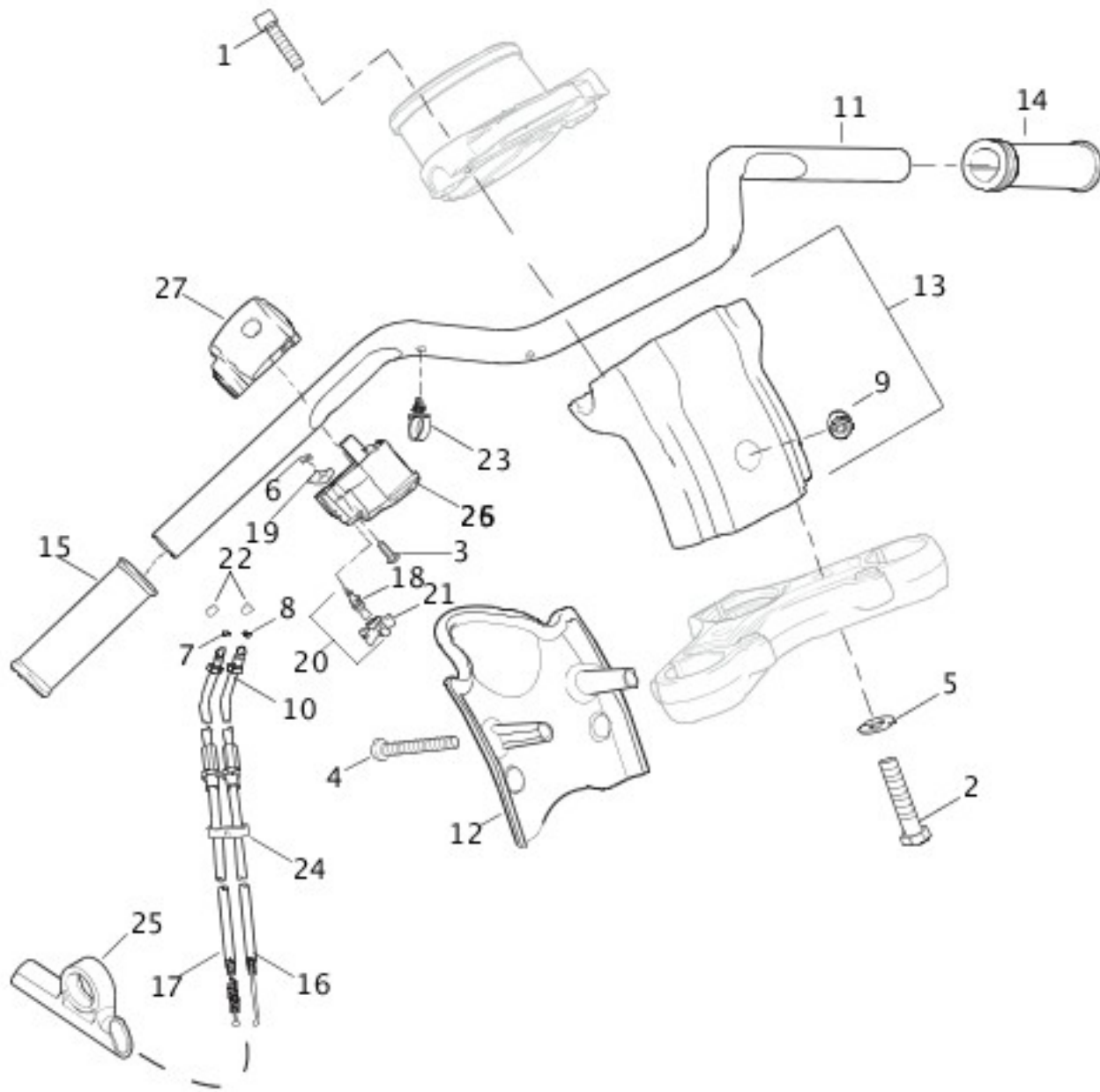
[View interactive table](#)

INDEX NO.	PART NO.	DESCRIPTION	MODEL(S)
1	3605	BOLT (2)	XL1200R, XL883
2	3658	SCREW (2)	XL1200R, XL883
3	4326A	SCREW (2)	XL1200R, XL883
4	4816A	SCREW (2)	XL1200R, XL883
5	6590HW	WASHER (2)	XL1200R, XL883
6	6702	WASHER (2)	XL1200R, XL883

7	11155	RETAINING RING	XL1200R, XL883
8	11271	RING, retainer, idle	XL1200R, XL883
9	11272	RING, retainer, throttle	XL1200R, XL883
10	38653-01	BOOT, cable, throttle	XL1200R, XL883
11	56004-00	HANDLEBAR	XL1200R
	55845-04A	HANDLEBAR	XL883
12	56115-95	CLAMP, handlebar, upper (black)	XL883
13	56116-82A	CLAMP, handlebar, lower left	XL883
14	56117-82A	CLAMP, handlebar, lower right	XL883
15	56394-74	SPRING, adjusting screw	XL1200R, XL883
16	56396-74A	FRICTION SPRING, throttle grip	XL1200R, XL883
17	56397-74C	KIT, throttle adjusting screw, w/ 11155, 56394-74 & 56402-83A	XL1200R, XL883
18	56400-96	THROTTLE CONTROL ASSEMBLY	XL1200R, XL883
19	56401-96	IDLE CONTROL ASSEMBLY	XL1200R, XL883
20	56402-83A	ADJUSTING SCREW, throttle	XL1200R, XL883
21	56508-76	FERRULE (2)	XL1200R, XL883
22	56541-86A	CLAMP, handlebar, lower left	XL1200R
23	56542-86A	CLAMP, handlebar, lower right	XL1200R
24	56567-86B	CLAMP, handlebar, upper	XL1200R
25	56666-04	GRIP AND SLEEVE, throttle	XL1200R, XL883
26	56667-04	HANDLEBAR GRIP	XL1200R, XL883
27	70345-84	RETAINER, wire harness (4)	XL1200R, XL883
28	70504-81	CLIP, throttle cables	XL1200R, XL883
29	70518-04	GUIDE, throttle cable	XL1200R, XL883
30	71563-96	HOUSING, switches & throttle control, lower	XL1200R, XL883
31	71564-96	HOUSING, switches & throttle control, upper	XL1200R, XL883

## HANDLEBAR & THROTTLE CONTROL - 883/1200 CUSTOM

## HANDLEBAR & THROTTLE CONTROL - 883/1200 CUSTOM



[View interactive image](#)

[View interactive table](#)

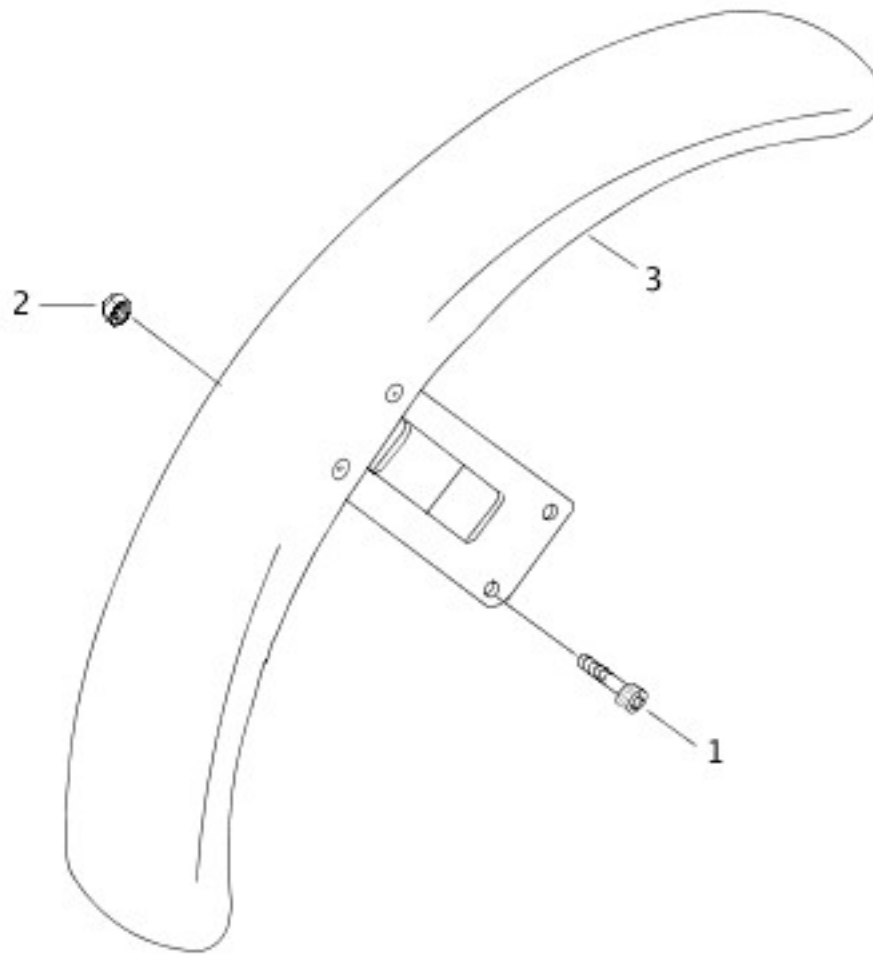
INDEX NO.	PART NO.	DESCRIPTION	MODEL(S)
1	3210A	SCREW (4)	XL1200C, XL883C
2	3605	BOLT (2)	XL1200C, XL883C
3	3658	SCREW (2)	XL1200C, XL883C
4	3666A	SCREW (2)	XL1200C, XL883C
5	6590HW	WASHER (2)	XL1200C, XL883C

	10006	CABLE STRAP (not illustrated) (2)	XL1200C, XL883C
6	11155	RETAINING RING	XL1200C, XL883C
7	11271	RING RETAINER (idle)	XL1200C, XL883C
8	11272	RING RETAINER (throttle)	XL1200C, XL883C
9	14448-94	LOGO BAR & SHIELD	XL1200C, XL883C
10	38653-01	BOOT, cable, throttle	XL1200C, XL883C
11	55840-04A	HANDLEBAR	XL1200C, XL883C
12	55842-04	COVER, riser	XL1200C, XL883C
13	56017-04	RISER ASSEMBLY, handle bar, w/ 14448-94	XL1200C, XL883C
14	56667-04	HANDLEBAR GRIP	XL1200C, XL883C
15	56666-04	GRIP AND SLEEVE, throttle	XL1200C, XL883C
16	56400-96	THROTTLE CONTROL ASSEMBLY	XL1200C, XL883C
17	56401-96	IDLE CONTROL ASSEMBLY	XL1200C, XL883C
18	56394-74	SPRING, adjusting screw	XL1200C, XL883C
19	56396-74A	FRICTION SPRING, throttle grip	XL1200C, XL883C
20	56397-74C	KIT, throttle adjusting screw, w/ 11155, 56394-74 & 56402-83A	XL1200C, XL883C
21	56402-83A	ADJUSTING SCREW, throttle	XL1200C, XL883C
22	56508-76	FERRULE (2)	XL1200C, XL883C
23	70345-84	RETAINER, wire harness	XL1200C, XL883C
24	70504-81	CLIP, throttle cables	XL1200C, XL883C
25	70518-04	GUIDE, throttle cable	XL1200C, XL883C
26	71563-96	HOUSING, switches & throttle control, lower	XL1200C, XL883C
27	71564-96	HOUSING, switches & throttle control, upper	XL1200C, XL883C

## FRONT FENDER



## FRONT FENDER



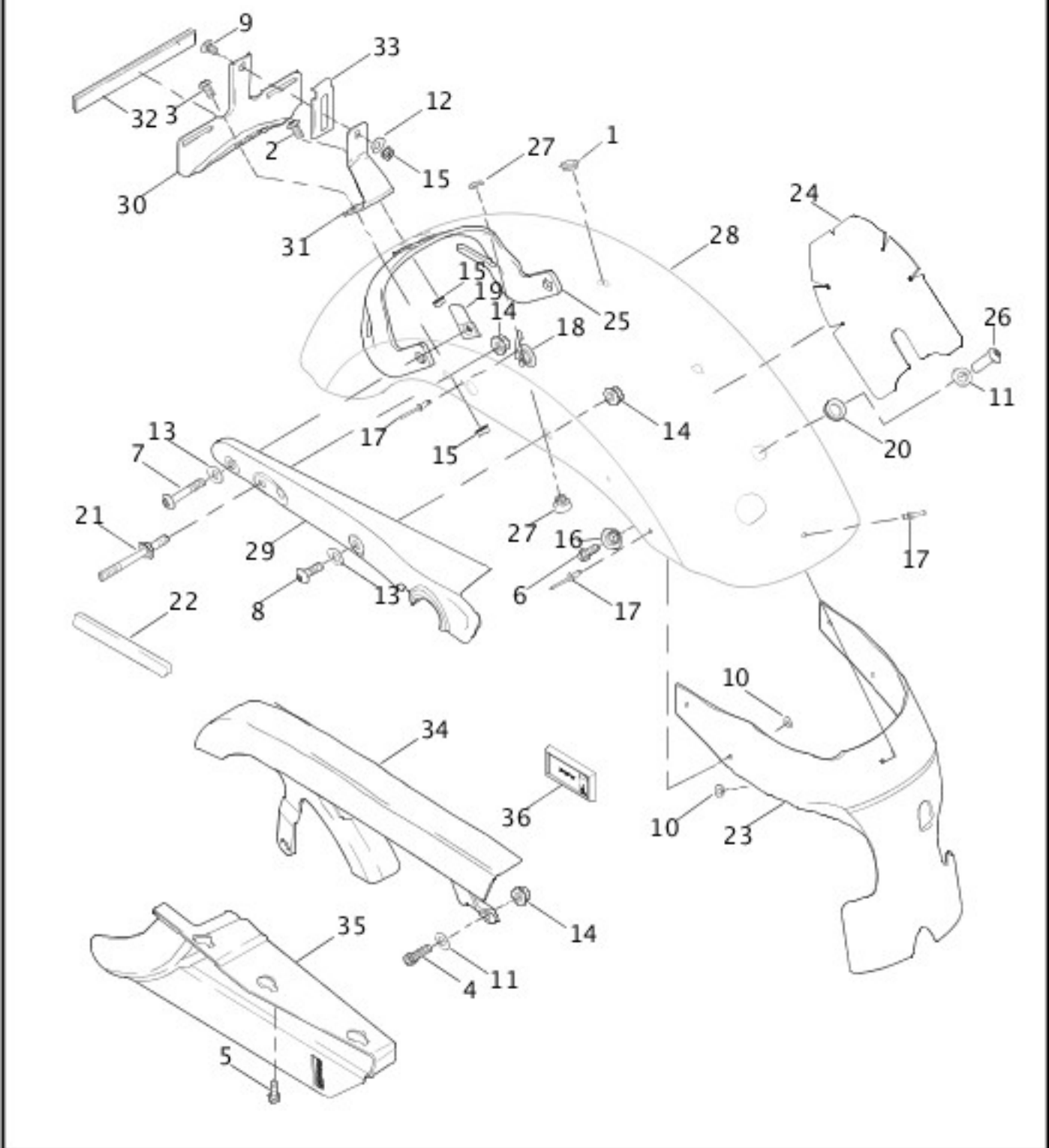
[View interactive image](#)

[View interactive table](#)

INDEX NO.	PART NO.	DESCRIPTION	MODEL(S)
<b>NOTE: Refer to Painted Parts Book for painted part numbers.</b>			
1	3210A	SCREW (4)	ALL
2	7531	LOCKNUT (4)	ALL
3	58998-83E	FRONT FENDER, prime	ALL

## REAR FENDER & BELT GUARDS

## REAR FENDER & BELT GUARDS



[View interactive image](#)

[View interactive table](#)

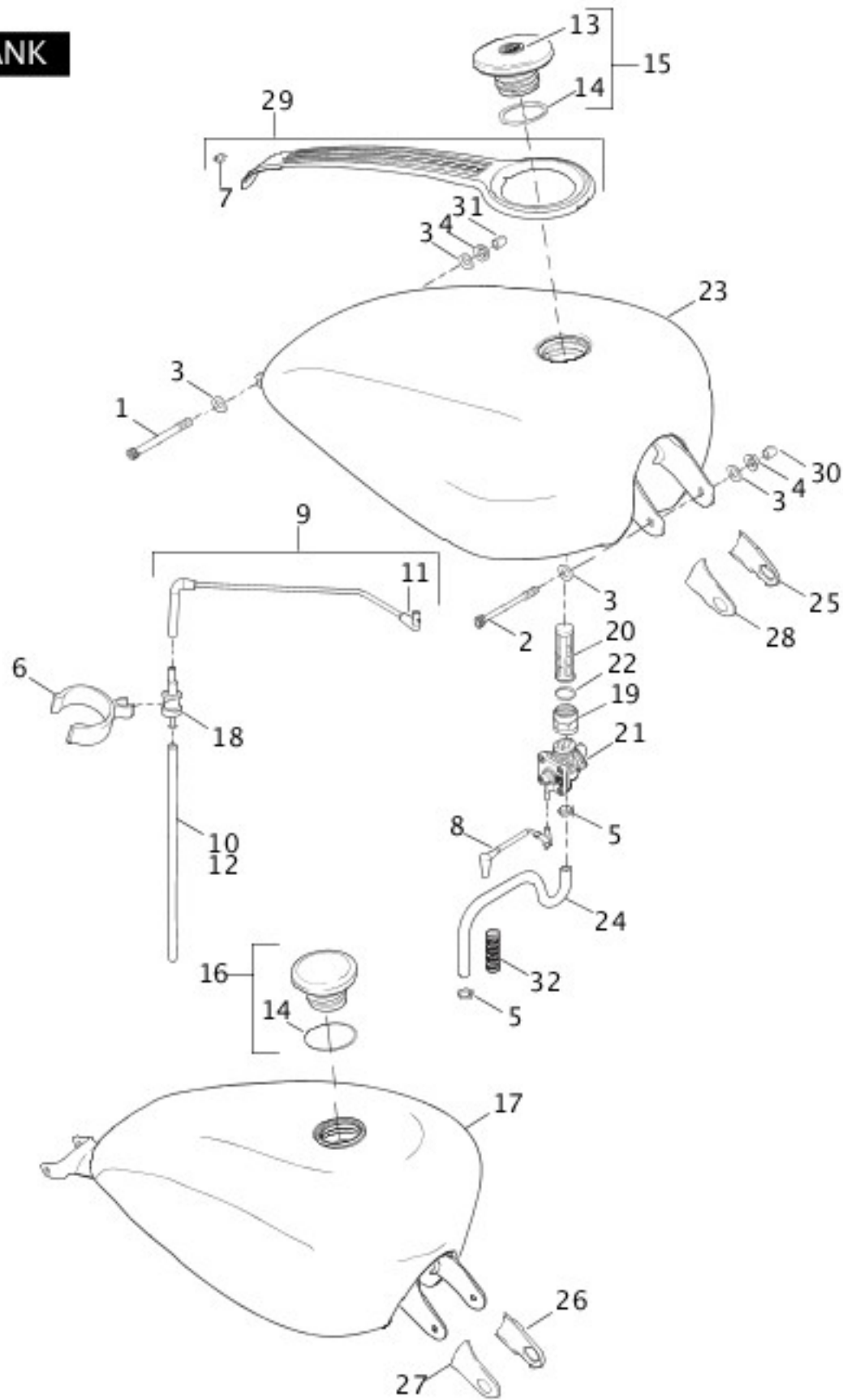
INDEX NO.	PART NO.	DESCRIPTION	MODEL(S)
<b>NOTE: Refer to Painted Parts Book for painted part numbers.</b>			
1	761	PLUG (black) (2)	ALL
2	2607	SCREW	ALL
3	2773	SCREW (2)	ALL
4	2708A	SCREW	ALL
5	3579A	SCREW (3)	ALL

6	4017	BOLT	ALL
7	4778	SCREW, button head, TORX (2)	ALL
8	4779	SCREW, button head, TORX (2)	ALL
9	5403B	BOLT	ALL
10	6192	WASHER (5)	ALL
11	6702	WASHER (2)	ALL
12	6703	WASHER	ALL
13	6798	WASHER (4)	ALL
14	7531	LOCKNUT (5)	ALL
15	7792	NUT, kept (4)	ALL
16	7882	TEE SPACER	ALL
17	8692	RIVET (7)	ALL
18	10200	BRACKET, wire retention (2)	ALL
19	10242	CLIP, threaded	ALL
20	11474	GROMMET	ALL
21	56104-02	SCREW, rear fender (2)	ALL
22	59287-92	REFLECTOR, right (red)	ALL
	59288-92	REFLECTOR, left (red)	ALL
23	59502-04A	REAR FENDER EXTENSION	ALL
24	59547-04	TAPE, paint protection	ALL
25	59673-04A	FENDER SUPPORT	ALL
26	59723-04	SEAT POST	ALL
27	59768-97	FENDER SEAT NUT KIT	ALL
28	59847-10	REAR FENDER (prime)	ALL
29	59902-04	COVER, rear fender support, right (chrome)	ALL
	59903-04	COVER, rear fender support, left (chrome) (not illustrated)	ALL
30	59984-73	BRACKET, license plate	ALL
31	59986-75	SUPPORT, license plate bracket	ALL
32	59988-72A	REFLECTOR, license plate bracket	ALL

33	60001-55	CLAMP, license plate bracket	ALL
34	60367-04	BELT GUARD	ALL
35	60435-04A	DEBRIS DEFLECTOR	ALL
	70540-02	CONDUIT KIT, wire harness (not shown)	ALL
<b>INTERNATIONAL MODELS ONLY</b>			
36	59254-91	REFLECTOR, amber (HDI) (2)	ALL

## FUEL TANK

# FUEL TANK



[View interactive image](#)

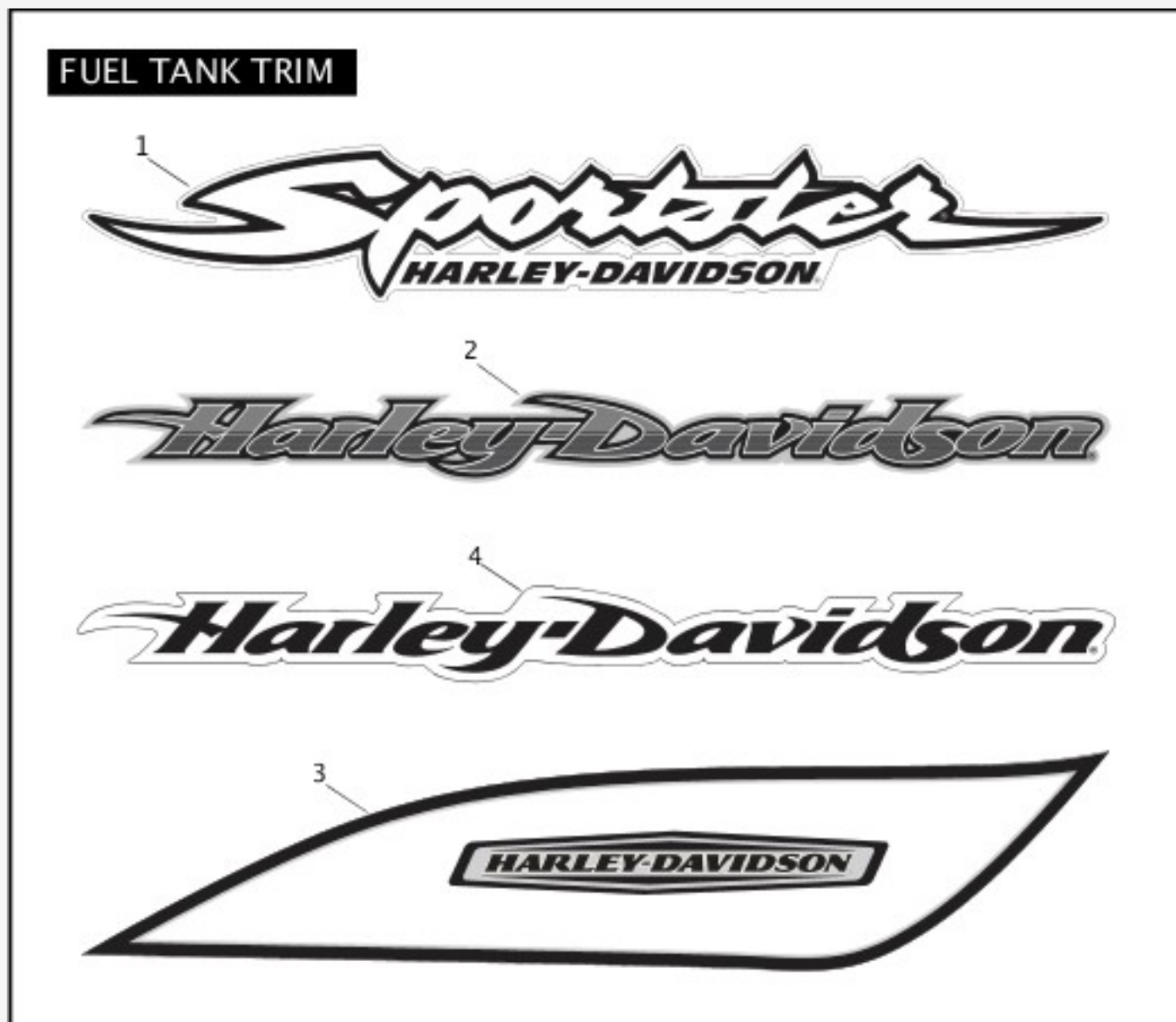
[View interactive table](#)

INDEX NO.	PART NO.	DESCRIPTION	MODEL(S)
<b>NOTE: Refer to Painted Parts Book for painted part numbers.</b>			
1	4758A	SCREW	ALL
2	4771	SCREW	ALL
3	6702	WASHER (4)	ALL

4	7531	LOCKNUT, flange (2)	ALL
5	10014	CLAMP (2)	ALL
6	10254	CLIP, vapor valve mounting	ALL
7	11000	E-CLIP	XL1200C
8	26556-04	VACUUM HOSE ASSEMBLY	XL1200R, XL883
	26588-04	VACUUM HOSE ASSEMBLY	XL1200C, XL883C
9	27067-04	VENTLINE, tank-to-valve, w/ 27250-96A	ALL
10	27096-04A	HOSE, vapor valve-to-atmosphere	ALL
11	27250-96B	CONNECTOR, 90 degree	ALL
12	28911-04A	HOSE, vapor valve-to-evaporative canister (California)	ALL
13	52494-04	FUEL CAP, medallion	XL1200C, XL883C
14	61109-85D	GASKET, fuel cap	ALL
15	61260-04A	FUEL CAP, vented, w/ 52494-04 & 61109-85D	XL1200C, XL883C
16	61272-92C	FUEL CAP, w/ 61109-85D	XL1200R, XL883
17	61348-04	FUEL TANK ASSEMBLY (prime)	XL1200R, XL883
18	62150-85	VAPOR VALVE	ALL
19	62161-02	NUT, fuel valve	ALL
20	62166-02	FILTER, fuel valve	ALL
21	62169-02A	FUEL VALVE	ALL
22	62172-02	GASKET, fuel valve	ALL
23	62213-04	FUEL TANK ASSEMBLY (prime)	XL1200C, XL883C
24	62347-04	FUEL HOSE, preformed	ALL
25	70903-04	TRIM, left front	XL1200C, XL883C
26	70904-04	TRIM, left front	XL1200R, XL883
27	70917-04	TRIM, right front	XL1200R, XL883
28	70919-04	TRIM, right front	XL1200C, XL883C
29	71276-04A	CONSOLE ASSEMBLY, fuel tank	XL1200C
30	89579-91	CAP, protective	ALL
31	89586-04	CAP, protective	ALL

**NOTE: Hose or insulator is sold in bulk length under the following part numbers. Cut to length.**

## FUEL TANK TRIM



[View interactive image](#)

[View interactive table](#)

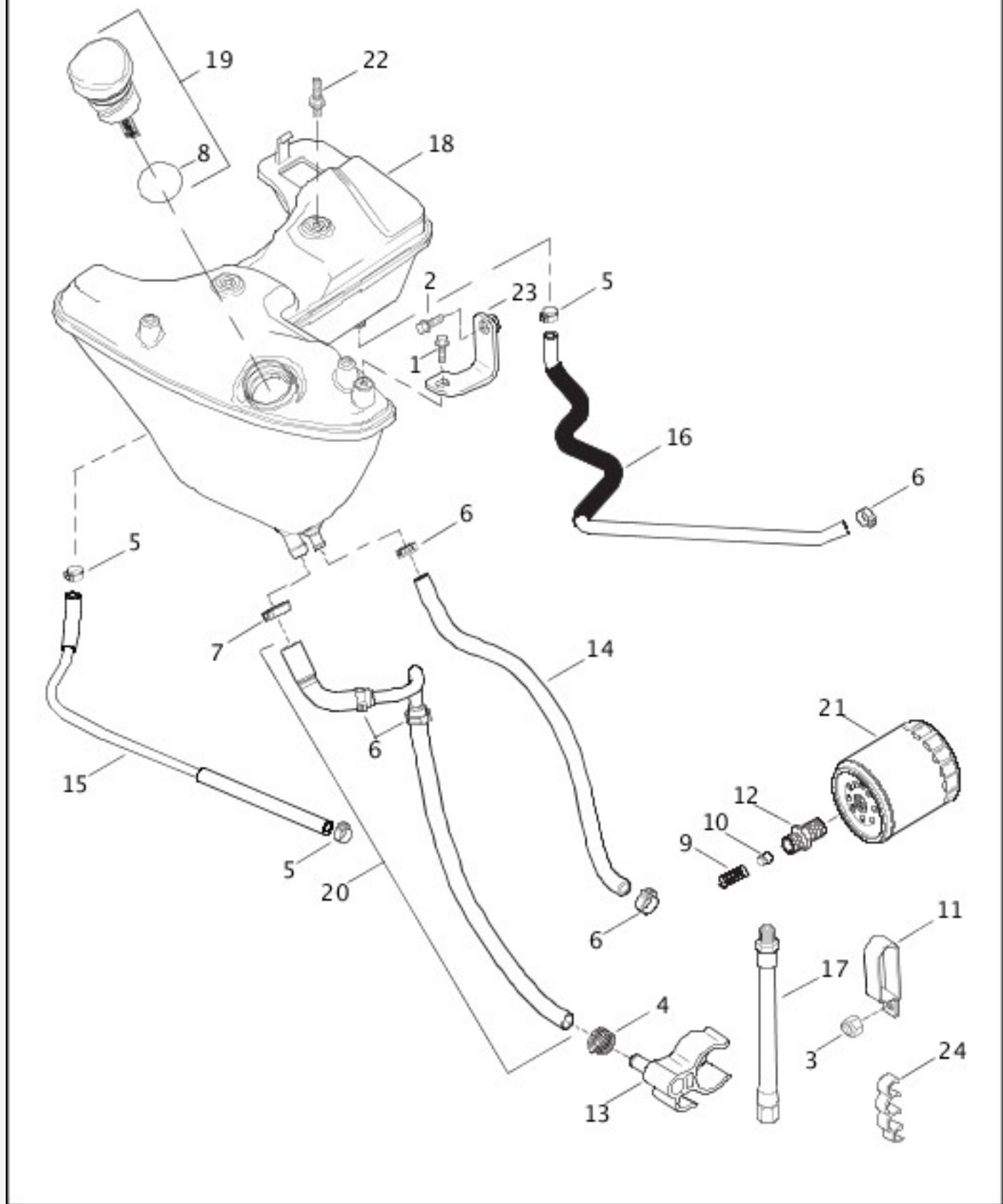
INDEX NO.	PART NO.	DESCRIPTION	MODEL(S)
1	13340-04	DECAL, fuel tank (red) (2)	XL883
	13341-04	DECAL, fuel tank (blue) (2)	XL883
2	13342-04	DECAL, fuel tank (red) (2)	XL883C
	13343-04	DECAL, fuel tank (blue) (2)	XL883C
	13367-04	DECAL, fuel tank (turquoise) (2)	XL883C
3	13371-04	DECAL, fuel tank, LH (red)	XL1200R
	13372-04	DECAL, fuel tank, RH (red)	XL1200R

	13373-04	DECAL, fuel tank, LH (blue)	XL1200R
	13374-04	DECAL, fuel tank, RH (blue)	XL1200R
4	62260-04	MEDALLION, fuel tank, LH (red)	XL1200C
	62261-04	MEDALLION, fuel tank, RH (red)	XL1200C
	62262-04	MEDALLION, fuel tank, LH (blue)	XL1200C
	62263-04	MEDALLION, fuel tank, RH (blue)	XL1200C
	62270-04	MEDALLION, fuel tank, LH (turquoise)	XL1200C
	62271-04	MEDALLION, fuel tank, RH (turquoise)	XL1200C

## OIL TANK & FILTER



## OIL TANK & FILTER



[View interactive image](#)

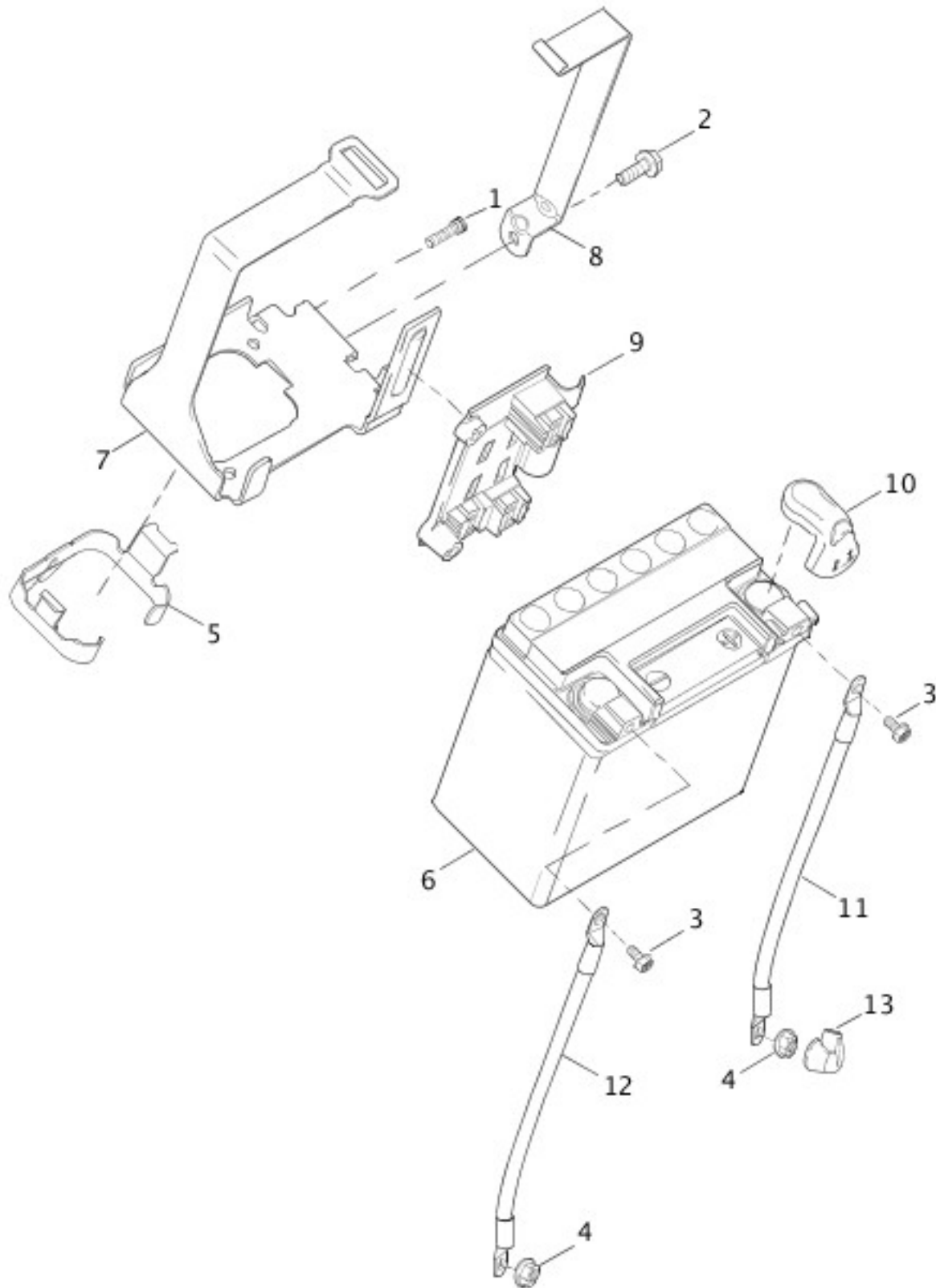
[View interactive table](#)

INDEX NO.	PART NO.	DESCRIPTION	MODEL(S)
1	3588	SCREW, flange	ALL
2	3799	SCREW, flange	ALL
3	7624	LOCKNUT	ALL
4	9969	HOSE CLAMP	ALL

5	10014	CLAMP (3)	ALL
6	10080	CLAMP (5)	ALL
7	10142	CLAMP	ALL
8	11120	O-RING	ALL
9	26436-90A	SPRING	ALL
10	26437-86B	BALL	ALL
11	31512-04	HOSE CLAMP	ALL
12	33117-91A	ADAPTOR, oil filter	ALL
13	33123-04	PLUG, oil tank drain	ALL
14	62338-01Y	HOSE, oil	ALL
15	62360-04A	VENT TUBE ASSEMBLY, w/ 10014	ALL
16	62361-04	HOSE, oil return line	ALL
17	62651-04	HOSE, oil pump	ALL
18	62888-04B	OIL TANK ASSEMBLY	ALL
19	63000-04B	DIPSTICK ASSEMBLY, oil tank, w/ 11120	ALL
20	63589-04	HOSE, oil drain	ALL
21	63796-77A	OIL FILTER (chrome)	XL1200C
	63805-80A	OIL FILTER	XL1200R, XL883, XL883C
22	65092-04	STUD SPACER (2)	ALL
23	66199-04	BRACKET, oil tank	ALL
24	70503-04	HOSE CLIP	ALL

## BATTERY

## BATTERY



[View interactive image](#)

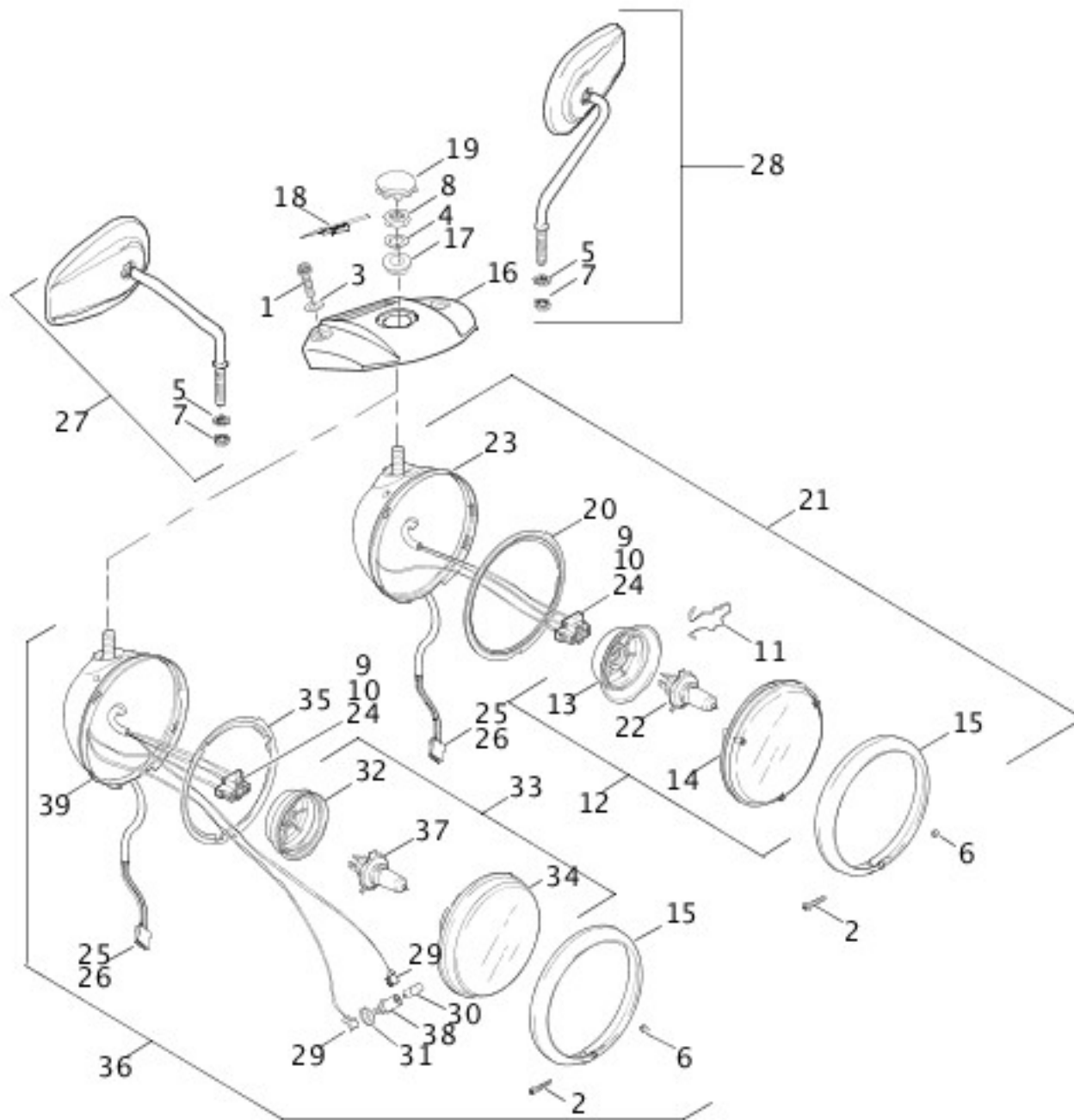
[View interactive table](#)

INDEX NO.	PART NO.	DESCRIPTION	MODEL(S)
1	2535	SCREW (3)	ALL
2	3574	SCREW, flange	ALL
3	4312C	SCREW, flange (2)	ALL
4	7770	NUT, flange (2)	ALL

	10006	CABLE STRAP (not illustrated)	ALL
5	10212	CLIP, turn-signal canceller	ALL
6	65958-04A	BATTERY, w/ 4312C	ALL
7	66194-04C	TRAY, battery	ALL
8	66476-04A	STRAP, battery	ALL
9	66498-04	CADDY, electric component	ALL
10	70003-04	COVER, battery terminal	ALL
11	70295-04A	CABLE, battery-to-starter, w/ 70578-89	ALL
12	70296-04A	CABLE, battery-to-ground	ALL
13	70578-89	RUBBER BOOT	ALL

## HEADLAMP & MIRROR - 883/1200R

# HEADLAMP & MIRROR - 883/1200R



[View interactive image](#)

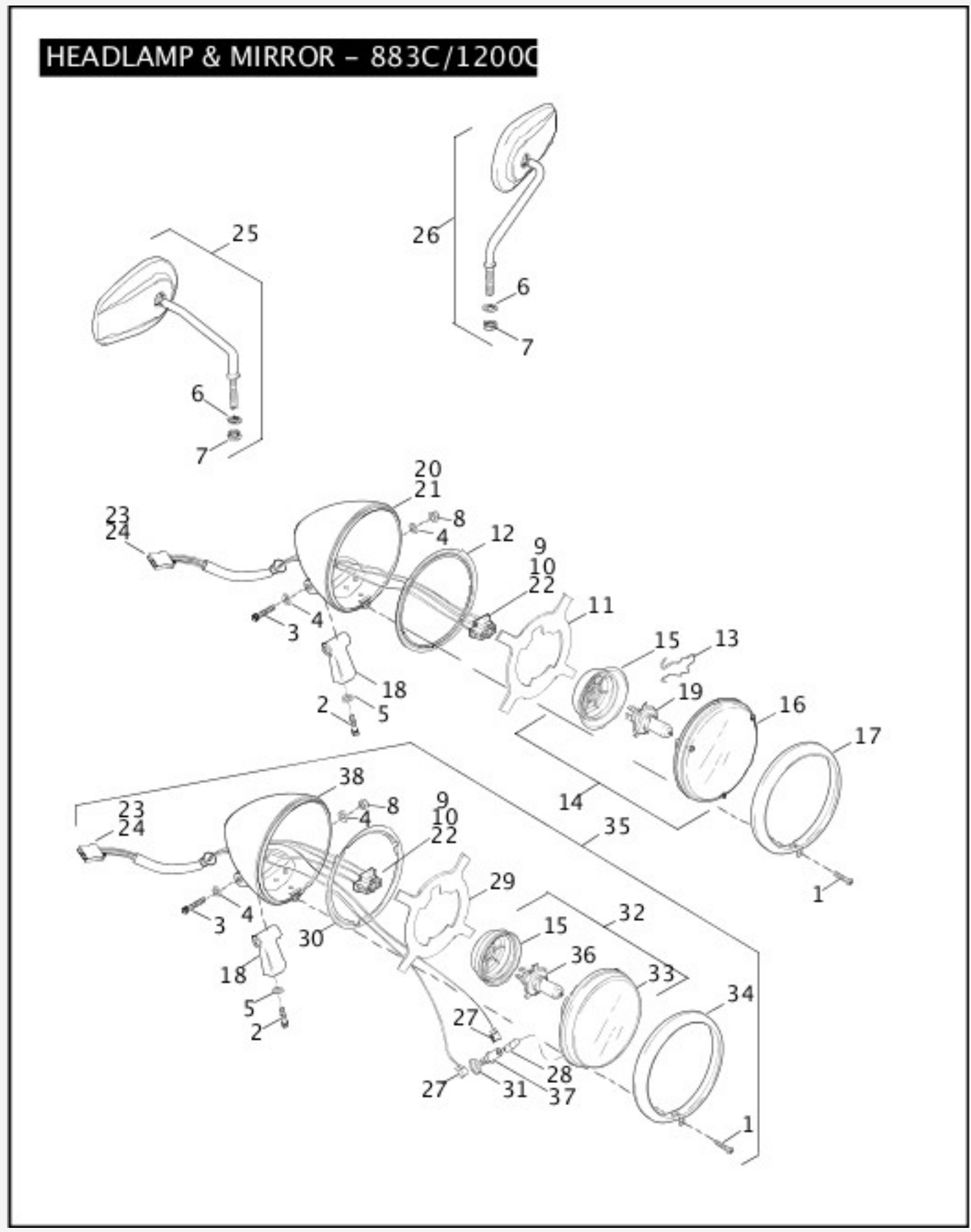
[View interactive table](#)

INDEX NO.	PART NO.	DESCRIPTION	MODEL(S)
1	2708A	SCREW (2)	XL1200R, XL883
2	3514	SCREW	XL1200R, XL883
3	6702	WASHER (2)	XL1200R, XL883
4	7068	LOCKWASHER, lock	XL1200R, XL883
5	7127	LOCKWASHER, lock (2)	XL1200R,

			XL883
6	7606	LOCKNUT	XL1200R, XL883
7	7727	LOCKNUT, lock (2)	XL1200R, XL883
8	7880	NUT	XL1200R, XL883
9	9847	CONNECTOR, right	XL1200R, XL883
10	9848	CONNECTOR, left	XL1200R, XL883
11	67685-92	CLIP, burner retainer	XL1200R, XL883
12	67698-81D	HEADLAMP ASSEMBLY, w/ 67685-92, 67705-92, 67757-92 & 68329-03 (Domestic)	XL1200R, XL883
13	67705-92	BOOT, headlamp connector	XL1200R, XL883
14	67757-92	HOUSING, headlamp (use 67698-81D)	XL1200R, XL883
15	67790-93A	BEZEL	XL1200R, XL883
16	67805-92	BRACKET, headlamp (polished)	XL883
	69709-00	HEADLAMP BRACKET KIT, w/ trim (chrome)	XL1200R
17	67815-59A	WASHER, headlamp	XL1200R, XL883
18	67834-83	TRIM, headlamp bracket	XL883
19	67865-89	PLUG	XL1200R, XL883
20	67883-04A	RING, headlamp adapter	XL1200R, XL883
21	68116-04	HEADLAMP ASSEMBLY (Domestic)	XL1200R, XL883
22	68329-03	BULB	XL1200R, XL883
23	69628-04	HEADLAMP SHELL ASSEMBLY, w/ 9847, 9848, 72056-92, 73154-96BK & 73191-96 (Domestic)	XL1200R, XL883
24	72056-92	HOUSING, female	XL1200R, XL883

25	73191-96	SOCKET	XL1200R, XL883
26	73154-96BK	HOUSING, socket	XL1200R, XL883
27	91840-03B	MIRROR KIT, right, short	XL1200R
	91846-03B	MIRROR KIT, right, long	XL883
28	91845-03B	MIRROR KIT, left, short	XL1200R
	91848-03B	MIRROR KIT, left, long	XL883
<b>INTERNATIONAL MODELS ONLY</b>			
29	9898	TERMINAL FLAG	XL1200R, XL883
30	53438-92	BULB	XL1200R, XL883
31	67691-92	GROMMET	XL1200R, XL883
32	67705-92	BOOT, connector, headlamp	XL1200R, XL883
33	67763-92A	HEADLAMP ASSEMBLY, right, w/ 67691-92, 67705-92, 67764-92 & 68329-03	XL1200R, XL883
	67781-92A	HEADLAMP ASSEMBLY, left, w/ 67691-92, 67705-92, 67787-92 & 68329-03	XL1200R, XL883
34	67764-92	HOUSING, headlamp, left (use 67763-92A)	XL1200R, XL883
	67787-92	HOUSING, headlamp, left (use 67781-92A)	XL1200R, XL883
35	67877-02	RING, headlamp adapter	XL1200R, XL883
36	68117-04	HEADLAMP ASSEMBLY, left side dip (HDI)	XL1200R, XL883
	68118-04	HEADLAMP ASSEMBLY, right side dip (HDI)	XL1200R, XL883
37	68329-03	BULB	XL1200R, XL883
38	68650-92	SOCKET, bulb, 2 spade	XL1200R, XL883

# HEADLAMP & MIRROR - 883C/1200C



[View interactive image](#)

[View interactive table](#)

INDEX NO.	PART NO.	DESCRIPTION	MODEL(S)



1	3615	SCREW	XL1200C, XL883C
2	4350A	SCREW	XL1200C, XL883C
3	4420	SCREW	XL1200C, XL883C
4	6701	WASHER (2)	XL1200C, XL883C
5	7045	LOCKWASHER	XL1200C, XL883C
6	7127	LOCKWASHER	XL1200C, XL883C
7	7727	LOCKNUT, lock	XL1200C, XL883C
8	7778	LOCKNUT	XL1200C, XL883C
9	9847	CONNECTOR, right	XL1200C, XL883C
10	9848	CONNECTOR, left	XL1200C, XL883C
11	67601-94A	GASKET, headlamp	XL1200C, XL883C
12	67603-94A	RETAINING RING, headlamp	XL1200C, XL883C
13	67685-92	CLIP, burner retainer	XL1200C, XL883C
14	67698-81D	HEADLAMP ASSEMBLY, w/ 67685-92, 67705-92, 67757-92 & 68329-03 (Domestic)	XL1200C, XL883C
15	67705-92	BOOT, headlamp connector	XL1200C, XL883C
16	67757-92	HOUSING, headlamp, w/ 67685-92 (use 67698-81D)	XL1200C, XL883C
17	67894-93A	BEZEL ASSEMBLY	XL1200C, XL883C
18	67919-96	MOUNT, headlamp	XL1200C, XL883C
19	68329-03	BULB	XL1200C, XL883C
20	69670-04A	HEADLAMP SHELL ASSEMBLY, w/ 9847, 9848, 69682-04A, 72056-92, 73154-96BK & 73191-96 (Domestic)	XL1200C, XL883C

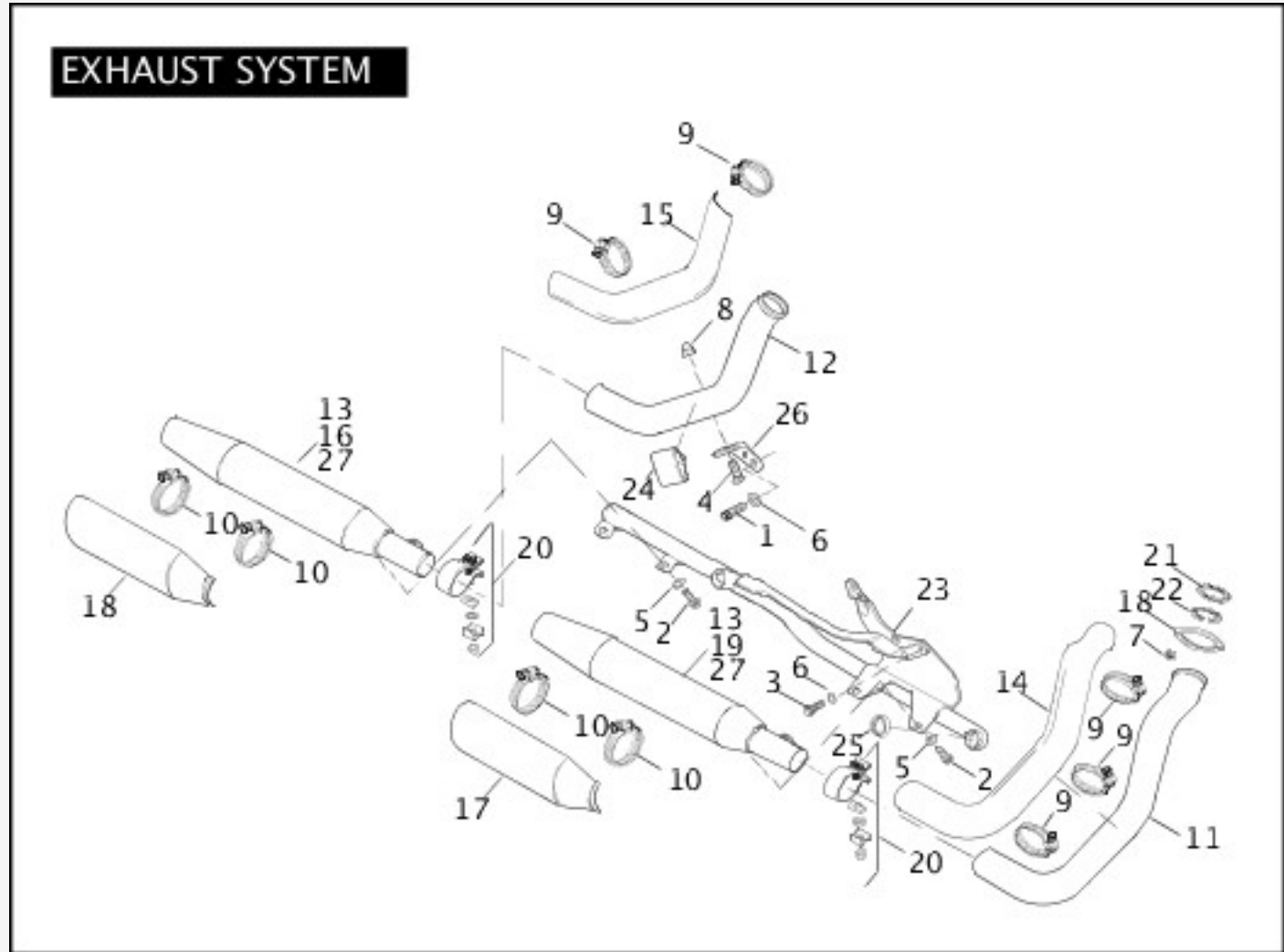
21	69682-04A	HEADLAMP SHELL	XL1200C, XL883C
22	72056-92	HOUSING, female	XL1200C, XL883C
23	73154-96BK	HOUSING, socket	XL1200C, XL883C
24	73191-96	SOCKET	XL1200C, XL883C
25	91846-03B	MIRROR KIT, right	XL1200C, XL883C
26	91848-03B	MIRROR KIT, left	XL1200C, XL883C

**INTERNATIONAL MODELS ONLY**

27	9898	TERMINAL FLAG	XL1200C, XL883C
28	53438-92	BULB	XL1200C, XL883C
29	67602-94	GASKET, headlamp	XL1200C, XL883C
30	67604-94	RETAINING RING, headlamp (HDI)	XL1200C, XL883C
31	67691-92	GROMMET	XL1200C, XL883C
32	67763-92A	HEADLAMP, ASSEMBLY, right dip, w/ 67691-92, 67705-92, 68329-03 & housing	XL1200C, XL883C
	67781-92A	HEADLAMP, ASSEMBLY, left dip, w/ 67691-92, 67697-81, 67705-92, 68329-03 & housing	XL1200C, XL883C
33	67764-92	HOUSING, headlamp, right dip, w/ 67691-92 (use 67763-92A)	XL1200C, XL883C
	67787-92	HOUSING, headlamp, left dip, w/ 67691-92 (use 67781-92A)	XL1200C, XL883C
34	67790-93A	BEZEL	XL1200C, XL883C
35	68149-04	HEADLAMP ASSEMBLY, left dip (HDI)	XL1200C, XL883C
	68159-04	HEADLAMP ASSEMBLY, right dip (HDI) (order components)	XL1200C, XL883C
36	68329-03	BULB	XL1200C, XL883C

37	68650-92	SOCKET, bulb, 2 spade	XL1200C, XL883C
38	69681-04A	HEADLAMP SHELL ASSEMBLY, w/ 9847, 9848, 9898, 69682-04, 72056-92, 73154-96BK & 73191-96 (HDI)	XL1200C, XL883C

## EXHAUST SYSTEM



[View interactive image](#)

[View interactive table](#)

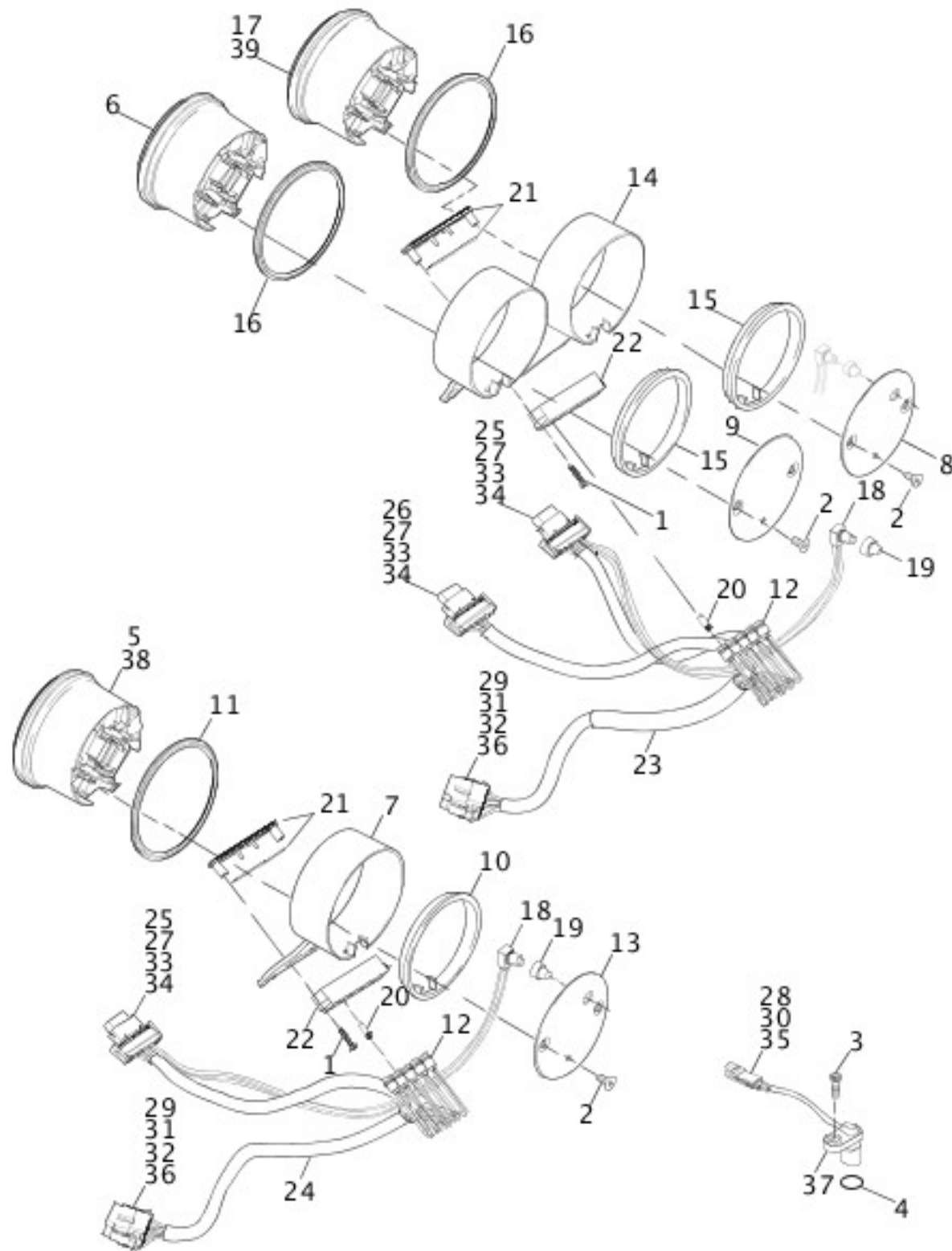
INDEX NO.	PART NO.	DESCRIPTION	MODEL(S)
1	4032A	SCREW	ALL
2	4269	SCREW, flanged (4)	ALL
3	4748	SCREW (3)	ALL
4	5414	BOLT	ALL
5	6302	WASHER (4)	ALL
6	6701	WASHER (4)	ALL
7	7593	NUT (4)	ALL

8	7862	ACORN NUT, acorn, w/ lock	ALL
9	9955	CLAMP, heat shield (5)	ALL
10	10074	CLAMP, muffler heat shield (HDI, England) (4)	ALL
11	64840-04	EXHAUST PIPE, front (chrome)	ALL
12	64841-04	EXHAUST PIPE, rear (chrome)	ALL
13	64842-04	MUFFLER, front (domestic)	XL1200C, XL1200R, XL883, XL883C
	64842-04	MUFFLER, rear (domestic)	XL1200C, XL883C
14	64846-04A	HEAT SHIELD, front exhaust pipe	ALL
15	64847-04A	HEAT SHIELD, rear exhaust pipe	ALL
16	64890-04	MUFFLER, rear (domestic)	XL1200R, XL883
17	64889-04	HEAT SHIELD, muffler (HDI, England) (2)	ALL
18	65184-02	FLANGE, exhaust pipe (2)	ALL
19	65232-04	MUFFLER, front (California)	ALL
20	65296-95A	CLAMP, muffler (2)	ALL
21	65324-83B	GASKET, exhaust port (2)	ALL
22	65325-83A	RETAINING RING, exhaust gasket (2)	ALL
23	65339-04	MUFFLER INTERCONNECT BRACKET, support assembly	ALL
24	65302-82A	CLAMP, exhaust pipe	ALL
25	65927-00	GASKET, exhaust interconnect (2)	ALL
26	65974-04A	BRACKET, exhaust clamp	ALL
<b>INTERNATIONAL MODELS ONLY</b>			
27	64848-04	MUFFLER, front (Japan)	XL1200C, XL1200R
	64848-04	MUFFLER, rear (Japan)	XL1200C
	64853-04	MUFFLER, front (Australia, Japan)	XL883, XL883C
	64853-04	MUFFLER, front (Australia)	XL1200C, XL1200R
	64853-04	MUFFLER, rear (Australia, Japan)	XL883C
	64853-04	MUFFLER, rear (Australia)	XL1200C
	64854-04	MUFFLER, rear (Australia, Japan)	XL883
	64854-04	MUFFLER, rear (Australia)	XL1200R

	64857-04	MUFFLER, rear (Japan)	XL1200R
	64891-04A	MUFFLER, front (HDI, England)	XL1200C, XL1200R
	64891-04A	MUFFLER, rear (HDI, England)	XL1200C
	64893-04A	MUFFLER, rear (HDI, England)	XL1200R
	65232-04	MUFFLER, front (HDI, England)	XL883, XL883C
	65232-04	MUFFLER, rear (HDI, England)	XL883C
	65233-04	MUFFLER, rear (HDI, England)	XL883

## **SPEEDOMETER & TACHOMETER - 883/1200R**

## SPEEDOMETER & TACHOMETER - 883/1200



[View interactive image](#)

[View interactive table](#)

INDEX NO.	PART NO.	DESCRIPTION	MODEL(S)
1	2325	SCREW (2)	XL1200R, XL883
2	2361	SCREW (2)	XL883
	2361	SCREW (4)	XL1200R
3	3594	SCREW	XL1200R, XL883
4	11289A	O-RING	XL1200R, XL883

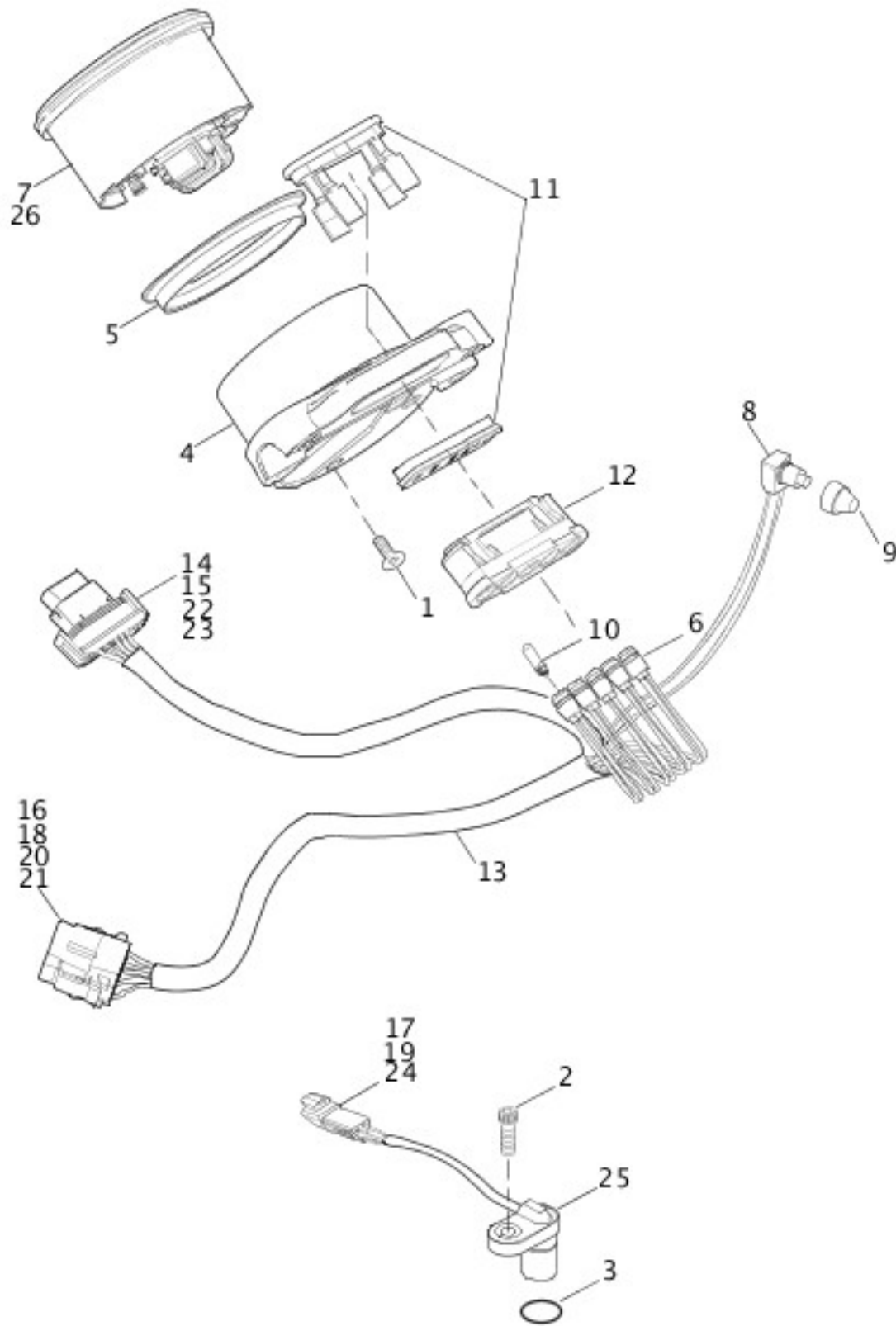
5	67037-04A	SPEEDOMETER, mph (Domestic, California)	XL883
6	67049-04B	TACHOMETER	XL1200R
7	67053-95	BRACKET, speedometer	XL883
8	67085-95	COVER, speedometer back (chrome rim)	XL1200R
9	67103-95	COVER, tachometer back (chrome rim)	XL1200R
10	67104-95	CUSHION, rear	XL883
11	67121-95A	CUSHION, front	XL883
12	67184-94	SOCKET, indicator lamps (5)	XL1200R, XL883
13	67320-95	COVER, speedometer back (black)	XL883
14	67338-97	BRACKET, speedometer & tachometer	XL1200R
15	67344-97	CUSHION, rear (2)	XL1200R
16	67345-97	CUSHION, front (2)	XL1200R
17	67436-04A	SPEEDOMETER, mph (Domestic, California)	XL1200R
18	67854-98	SWITCH, reset	XL1200R, XL883
19	67880-94	BOOT, reset switch	XL1200R, XL883
20	68024-94	BULB, indicator lamps (5)	XL1200R, XL883
21	68513-95A	TRIM PLATE, indicator lamps	XL1200R, XL883
22	68516-95	HOUSING, indicator lamps	XL1200R, XL883
23	68811-04	HARNESS, warning lamp assembly	XL1200R
24	68813-04A	HARNESS, warning lamp assembly	XL883
25	72130-04	HOUSING, socket 12-way (black)	XL1200R, XL883
26	72131-04	HOUSING, socket 12-way (gray)	XL1200R
27	72189-04	SEAL, pin (4)	XL883
	72189-04	SEAL, pin (11)	XL1200R
28	74143-98	LOCK, 3-way pin	XL1200R, XL883
29	74159-98	SOCKET LOCK, 12-way	XL1200R, XL883
30	74190-98	PIN, terminal (3)	XL1200R, XL883
31	74191-98	TERMINAL, socket, reset switch	XL1200R, XL883
32	74195-98	SEAL, pin	XL1200R, XL883

33	74196-04	TERMINAL, socket, 20 AWG (8)	XL883
	74196-04	TERMINAL, socket, 20 AWG (13)	XL1200R
34	74197-04	LOCK, secondary, 12-way socket	XL883
	74197-04	LOCK, secondary, 12-way socket (2)	XL1200R
35	74103-98BK	HOUSING, 3-way, pin (black)	XL1200R, XL883
36	74119-98BK	HOUSING, 12-way (black)	XL1200R, XL883
37	74402-04A	SENSOR, speed	XL1200R, XL883
<b>INTERNATIONAL MODELS ONLY</b>			
38	67041-04A	SPEEDOMETER, kph (Canada, HDI, Australia, Japan)	XL883
	67290-04A	SPEEDOMETER, mph/kph (England)	XL883
39	67415-04A	SPEEDOMETER, mph/kph (England)	XL1200R
	67416-04A	SPEEDOMETER, kph (Canada, HDI, Australia, Japan)	XL1200R

## **SPEEDOMETER - 883C/1200C**



## SPEEDOMETER - 883C/1200C



[View interactive image](#)

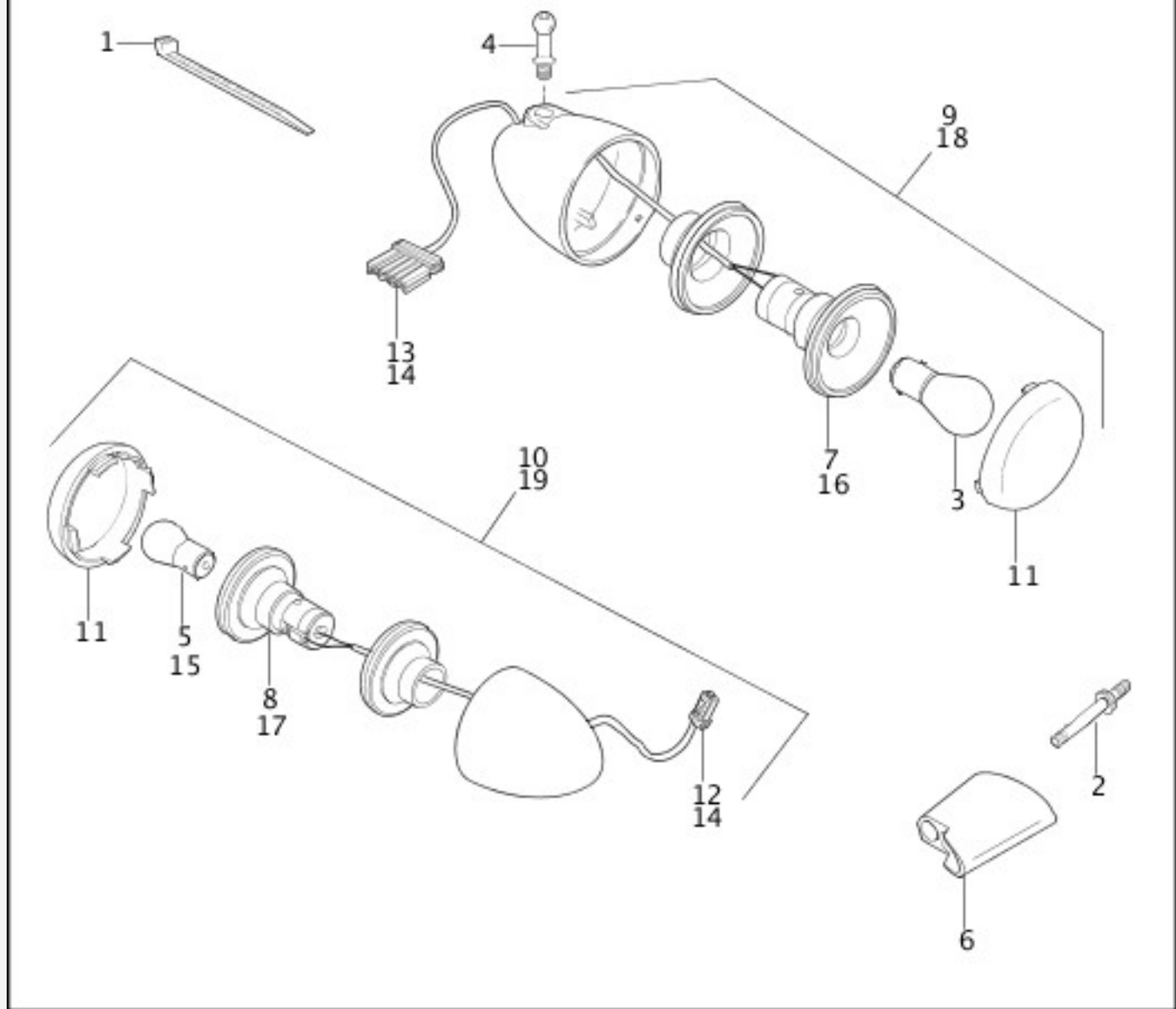
[View interactive table](#)

INDEX NO.	PART NO.	DESCRIPTION	MODEL(S)
1	2548	SCREW, countersunk	XL1200C, XL883C
2	3594	SCREW	XL1200C, XL883C
3	11289A	O-RING	XL1200C, XL883C
4	55844-04	HOUSING, instrument (chrome)	XL1200C, XL883C

5	67121-95A	GASKET, shock, front	XL1200C, XL883C
6	67184-94	SOCKET, warning light (5)	XL1200C, XL883C
7	67436-04A	SPEEDOMETER, mph (Domestic)	XL1200C, XL883C
8	67854-98	SWITCH ASSEMBLY, trip reset	XL1200C, XL883C
9	67880-94	BOOT, reset switch	XL1200C, XL883C
10	68024-94	BULB, warning light (5)	XL1200C, XL883C
11	68382-96	BEZEL ASSEMBLY, indicator lamp	XL1200C, XL883C
12	68792-96	HOUSING, indicator lamp	XL1200C, XL883C
13	68814-04A	INSTRUMENT HARNESS ASSEMBLY	XL1200C, XL883C
14	72130-04	HOUSING, socket, 12-way (black)	XL1200C, XL883C
15	72189-04	SEAL, pin (4)	XL1200C, XL883C
16	74119-98BK	HOUSING, socket, 12-way (black)	XL1200C, XL883C
17	74143-98	LOCK, 3-way pin	XL1200C, XL883C
18	74159-98	LOCK, 12-way socket	XL1200C, XL883C
19	74190-98	PIN, terminal (3)	XL1200C, XL883C
20	74193-98	TERMINAL, socket, solid (11)	XL1200C, XL883C
21	74195-98	SEAL, pin	XL1200C, XL883C
22	74196-04	TERMINAL, socket, 20 AWG (8)	XL1200C, XL883C
23	74197-04	LOCK, secondary, 12-way socket	XL1200C, XL883C
24	74103-98BK	HOUSING, 3-way, pin (black)	XL1200C, XL883C
25	74402-04A	VEHICLE SPEED SENSOR	XL1200C, XL883C
<b>INTERNATIONAL MODELS ONLY</b>			
26	67415-04A	SPEEDOMETER, mph/kph (England)	XL1200C, XL883C
	67416-04A	SPEEDOMETER, kph (Australia, Canada, HDI, Japan)	XL1200C, XL883C

## TURN SIGNALS

## TURN SIGNALS



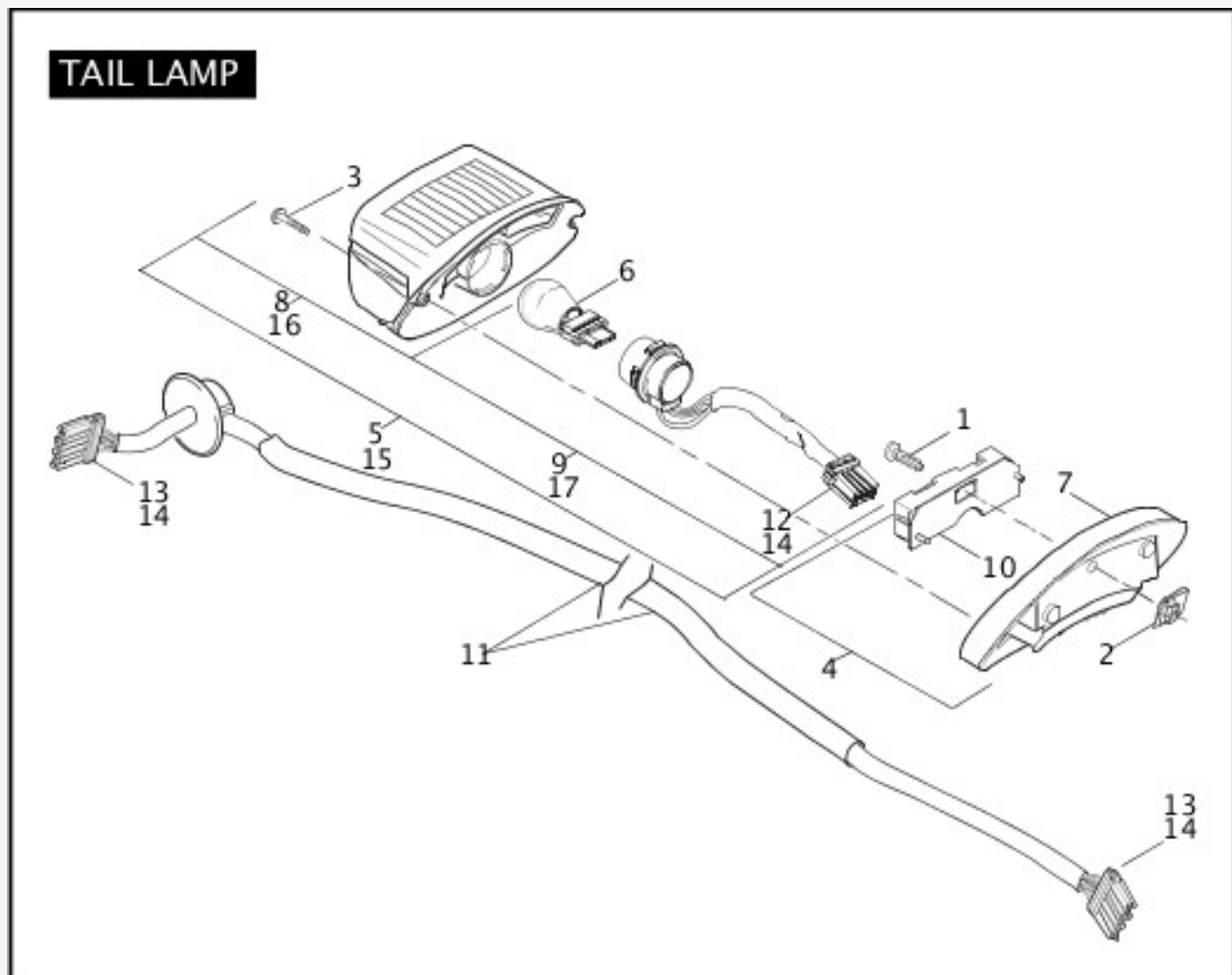
[View interactive image](#)

[View interactive table](#)

INDEX NO.	PART NO.	DESCRIPTION	MODEL(S)
1	10065	CABLE STRAP (2)	ALL
2	56104-02	STUD, rear turn signal (2)	ALL
3	68168-89A	BULB, front turn signal (2)	ALL
4	68265-04	BALL STUD (2)	ALL
5	68572-64B	BULB, rear turn signal (2)	ALL
6	68480-02	SUPPORT, rear turn signal (2)	ALL
7	68904-00	SOCKET ASSEMBLY, front (2)	ALL
8	68905-00	SOCKET ASSEMBLY, rear (2)	ALL
9	68972-00	TURN SIGNAL ASSEMBLY, front (amber) (2)	ALL

10	68977-00	TURN SIGNAL ASSEMBLY, rear (amber) (2)	ALL
11	68973-00	LENS (4)	ALL
12	73152-96BK	SOCKET HOUSING, 2-place, right (black)	ALL
	73152-96WE	SOCKET HOUSING, 2-place, left (white)	ALL
13	73156-96BK	SOCKET HOUSING, 6-place (2)	ALL
14	73191-96	PIN, #16-20 gauge (left & right turn signals) (6)	ALL
<b>INTERNATIONAL MODELS ONLY</b>			
15	68163-84	BULB, turn signal (HDI) (4)	ALL
16	68906-00	SOCKET ASSEMBLY, front (HDI) (use 68975-00) (2)	ALL
17	68907-00	SOCKET ASSEMBLY, rear (HDI) (use 68978-00) (2)	ALL
18	68975-00	TURN SIGNAL ASSEMBLY, front (amber) (HDI) (2)	ALL
19	68978-00	TURN SIGNAL ASSEMBLY, rear (amber) (HDI) (2)	ALL

## TAIL LAMP

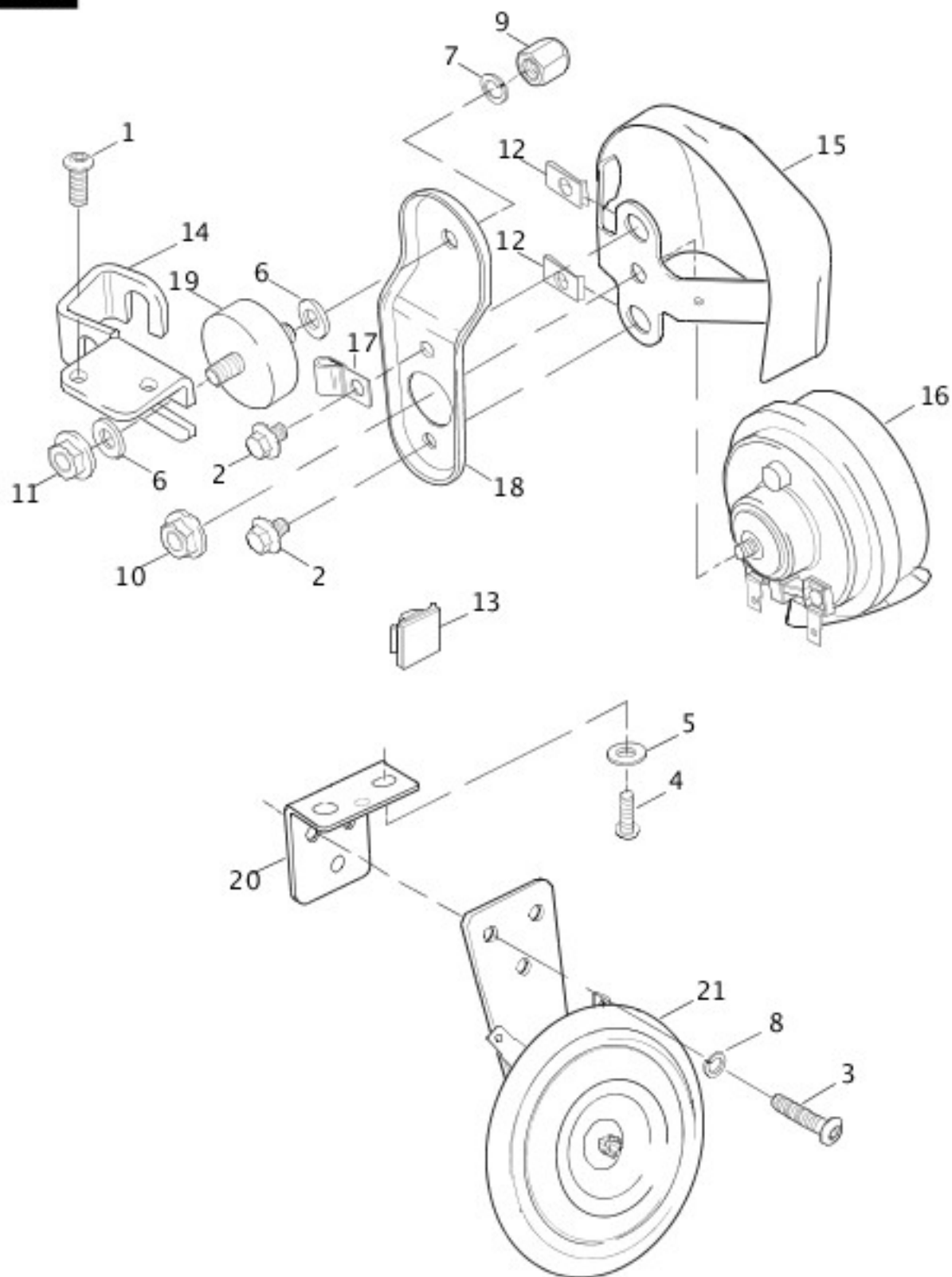


[View interactive image](#)

INDEX NO.	PART NO.	DESCRIPTION	MODEL(S)
1	3022A	SCREW	ALL
2	7964	CLIP NUT	ALL
3	68026-99	SCREW, tail lamp (2)	ALL
4	68066-99A	BASE ASSEMBLY, chromed	ALL
5	68140-04	LIGHT ASSEMBLY, tail lamp	ALL
6	68167-88	BULB, tail lamp, wedge mount	ALL
7	68296-99A	BASE TAIL LAMP, chrome	ALL
8	68369-03	LENS, tail lamp	ALL
9	68370-03A	BULB SOCKET ASSEMBLY	ALL
10	68830-99A	CIRCUIT BOARD/COVER ASSEMBLY	ALL
11	68899-04A	HARNESS, rear lighting	ALL
12	73154-96BK	SOCKET HOUSING, 4-place	ALL
13	73156-96BK	SOCKET HOUSING, 6-place (2)	ALL
14	73191-96	CONTACT SOCKET, 16-20 gauge (as required)	ALL
<b>INTERNATIONAL MODELS ONLY</b>			
15	68141-04	LIGHT ASSEMBLY, tail lamp (HDI)	ALL
16	68372-03	LENS, tail lamp (HDI)	ALL
17	69187-03A	BULB SOCKET ASSEMBLY (HDI)	ALL

HORN

# HORN



[View interactive image](#)

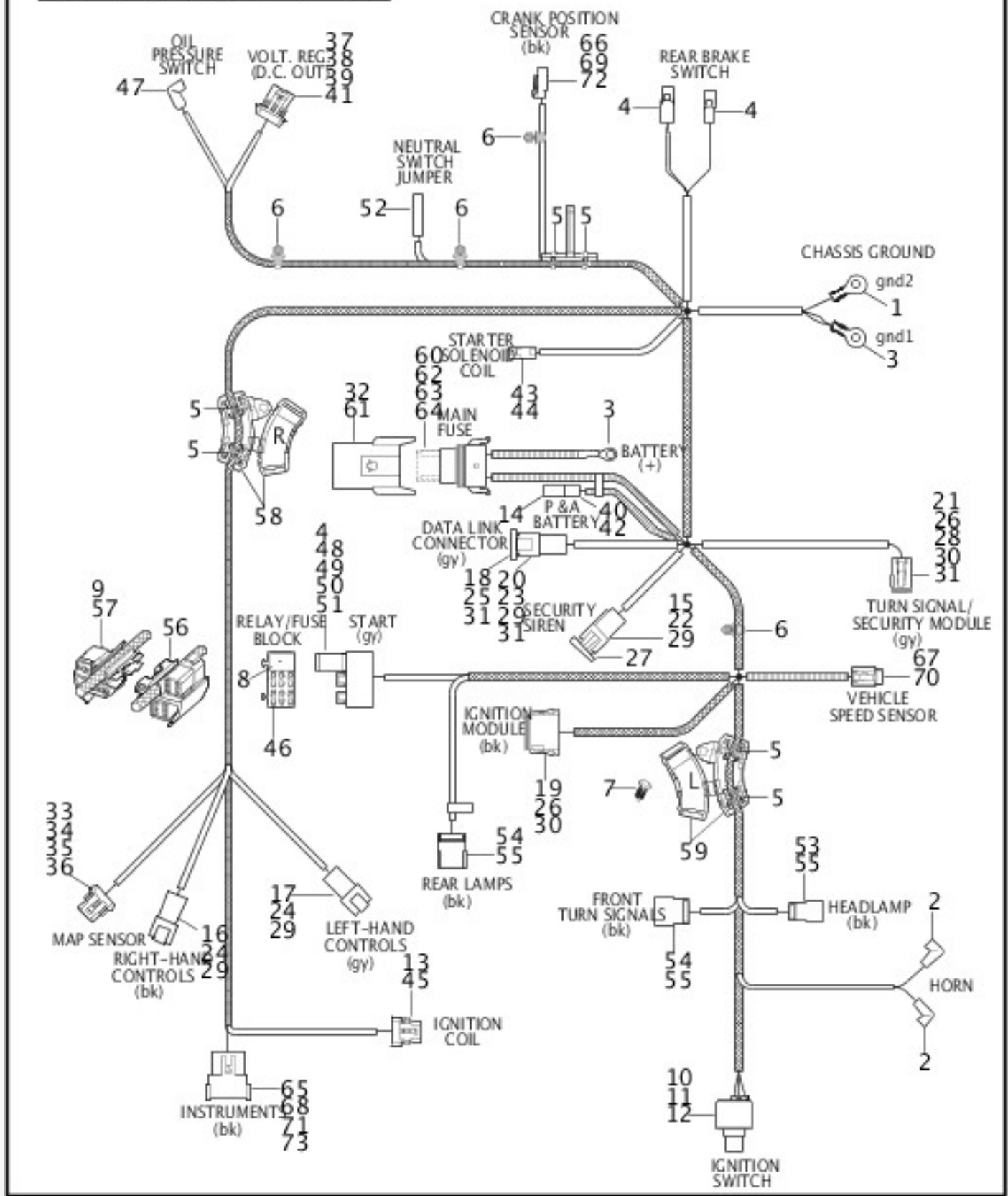
[View interactive table](#)

INDEX NO.	PART NO.	DESCRIPTION	MODEL(S)
1	3026	SCREW (2)	XL1200C
2	3563	SCREW (2)	XL1200C
3	3658	SCREW (3)	XL1200R, XL883, XL883C
4	4180	SCREW (2)	XL1200R, XL883, XL883C

5	6026	WASHER (2)	XL1200R, XL883, XL883C
6	6237	WASHER (2)	XL1200C
7	7041	LOCKWASHER	XL1200C
8	7069	LOCKWASHER (3)	XL1200R, XL883, XL883C
9	7481	ACORN NUT	XL1200C
10	7495	NUT	XL1200C
11	7531	LOCKNUT	XL1200C
12	8108	SPEEDNUT (2)	XL1200C
13	10120	CLIP	XL1200R, XL883, XL883C
14	16355-04	BRACKET, horn & choke	XL1200C
15	69012-93A	COVER, horn (chrome)	XL1200C
16	69060-90F	HORN	XL1200C
17	69062-91A	CLAMP, horn wire	XL1200C
18	69120-91	HORN BRACKET	XL1200C
19	69123-92A	RUBBER MOUNT	XL1200C
20	69135-04	HORN BRACKET	XL1200R, XL883, XL883C
21	69000014	HORN, complete, w/ bracket & 7495	XL1200R, XL883, XL883C

## MAIN WIRING HARNESS (1 OF 2)

# MAIN WIRING HARNESS



[View interactive image](#)

[View interactive table](#)

INDEX NO.	PART NO.	DESCRIPTION	MODEL(S)
	70139-04	MAIN WIRING HARNESS	ALL
<b>NOTE: Includes the following parts.</b>			
1	9825	TERMINAL RING, #14-18 AWG	ALL
2	9898	TERMINAL, flag (2)	ALL

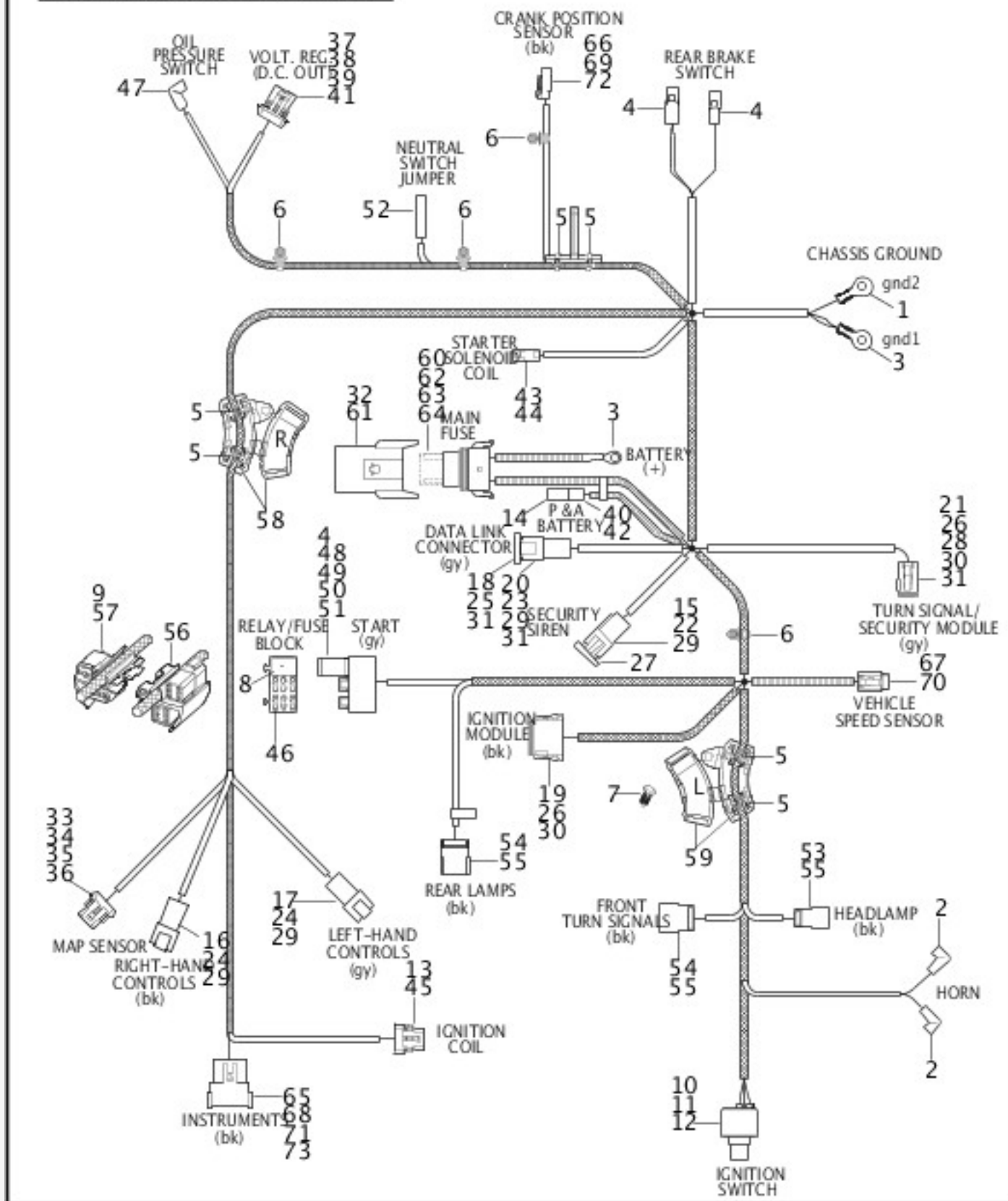


3	9838	TERMINAL RING, 1/4 #10-12 AWG (2)	ALL
4	9937	TERMINAL, 1/4 18-14 gauge (4)	ALL
5	10065	CABLE STRAP (6)	ALL
6	10177	CABLE STRAP, plug-in (4)	ALL
	10210	CLAMP, pan (not illustrated)	ALL
7	10259	PUSH RIVET	ALL
8	31601-04	RELAY	ALL
9	53486-85	PAD, protective	ALL
10	71510-04	IGNITION SWITCH HOUSING	ALL
11	71550-94	LABEL, ignition switch	ALL
12	71552-94	FACE NUT, ignition switch	ALL
13	72033-93	SOCKET TERMINAL (3)	ALL
14	72100-04	HOUSING TERMINAL	ALL
15	72103-94BK	CONNECTOR, 3-way (black)	ALL
16	72106-94BK	CONNECTOR, 6-way (black)	ALL
17	72106-94BK	SOCKET HOUSING, 6-way (black) (replaces gray connector)	ALL
18	72114-94BK	SOCKET HOUSING, 4-way (black) (replaces gray connector)	ALL
19	72119-94BK	CONNECTOR, 12-way (black)	ALL
20	72124-94GY	SOCKET HOUSING, 4-way (gray)	ALL
21	72139-94GY	SOCKET HOUSING, 12-way, w/ 72179-94 (gray)	ALL
22	72143-94	SECONDARY LOCK, 3-way	ALL
23	72144-94	SECONDARY LOCK, 4-way	ALL
24	72146-94	SECONDARY LOCK, 6-way (2)	ALL
25	72154-94	SOCKET LOCK, 4-way	ALL
26	72159-94	SOCKET LOCK, 12-way (2)	ALL
27	72163-94	WEATHER PLUG, 3-way	ALL
28	72179-94	SEAL, internal (4)	ALL
29	72190-94	TERMINAL, pin (18)	ALL
30	72191-94	TERMINAL, socket (23)	ALL
31	72195-94	SEAL PIN (6)	ALL

32	72199-94	CONNECTOR ANCHOR	ALL
33	72213-94	TERMINAL, socket (3)	ALL
34	72214-94	CABLE SEAL (3)	ALL
35	72230-98	HOUSING SOCKET CONNECTOR, 3-way	ALL
36	72231-98	SECONDARY LOCK, 3-way	ALL
37	72234-94	CONNECTOR, 2-position, sealed	ALL
38	72236-94	TERMINAL, 14-16 gauge, female (2)	ALL
39	72238-94	SECONDARY LOCK	ALL
40	72260-04	HOUSING, female, 1-way (gray)	ALL
41	72284-94	SEAL, cable (2)	ALL
42	72289-04	TERMINAL, #10-12 AWG, female	ALL
43	72291-94	TERMINAL, 14-16 gauge, female spade	ALL
44	72295-94	TERMINAL HOUSING, 1-way	ALL
45	72312-04	SOCKET HOUSING, 3-way	ALL
46	72347-94	FUSE, 15 amp (6)	ALL
47	72405-98BK	TERMINAL, push-on, right angle (black)	ALL
48	72428-00	TERMINAL, 18-14 gauge (2)	ALL
49	72431-00	FUSE BLOCK	ALL

## MAIN WIRING HARNESS (2 OF 2)

# MAIN WIRING HARNESS



[View interactive image](#)

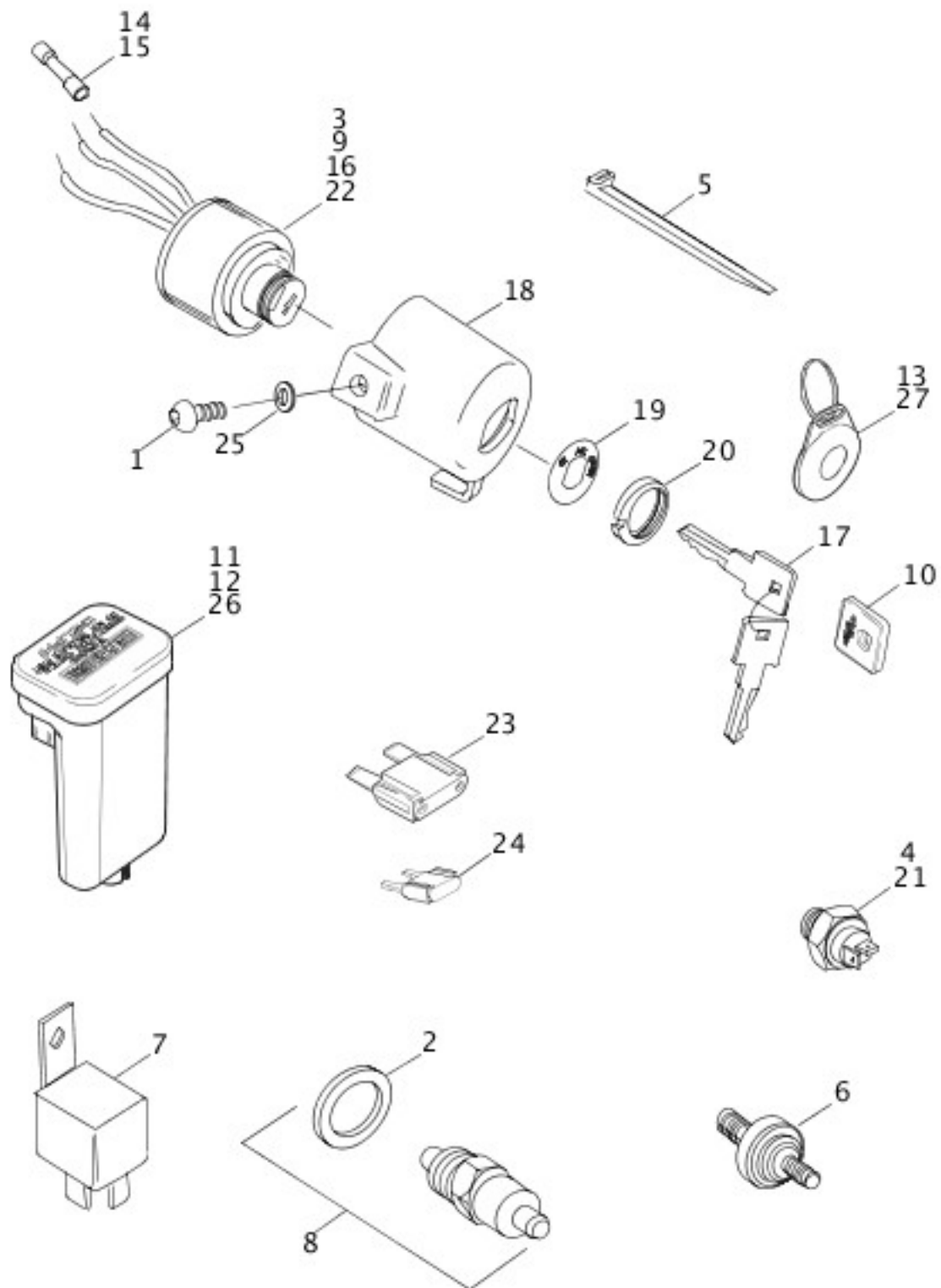
[View interactive table](#)

INDEX NO.	PART NO.	DESCRIPTION	MODEL(S)
	70139-04	MAIN WIRING HARNESS (Continued)	ALL
<b>NOTE: Includes the following parts.</b>			
50	72434-00	TERMINAL (11)	ALL
51	72441-04	TERMINAL	ALL

52	72445-99TN	TERMINAL, female (tan)	ALL
53	73104-96BK	CONNECTOR, 4-way (black)	ALL
54	73106-96BK	CONNECTOR, 6-way (black) (2)	ALL
55	73190-96	TERMINAL, pin, 20-16 gauge (16)	ALL
56	73203-04	CLIP, LH-wire harness	ALL
57	73204-04	CLIP, RH-wire harness, w/ 53486-85	ALL
58	73205-04	ELBOW, RH-wire harness	ALL
59	73206-04	ELBOW, LH-wire harness	ALL
60	73301-04	HOUSING, 2-way, female	ALL
61	73302-04	COVER, maxi-fuse, fuse block	ALL
62	73303-04	SECONDARY LOCK, 2-way, female (2)	ALL
63	73304-04	TERMINAL, female, #10 AWG (2)	ALL
64	73305-04	SEAL WIRE, #10 AWG (blue)	ALL
65	74109-98BK	SOCKET HOUSING, 12-way (black)	ALL
66	74112-98BK	SOCKET HOUSING, 2-way (black)	ALL
67	74113-98BK	SOCKET HOUSING, 3-way (black)	ALL
68	74149-98	SECONDARY LOCK, 12-way	ALL
69	74152-98	SECONDARY LOCK, 2-way	ALL
70	74153-98	SECONDARY LOCK, 3-way	ALL
71	74190-98	TERMINAL, pin (11)	ALL
72	74191-98	SOCKET TERMINAL (5)	ALL
73	74195-98	SEAL PIN	ALL

## SWITCHES & CIRCUIT BREAKERS

## SWITCHES & CIRCUIT BREAKERS



[View interactive image](#)

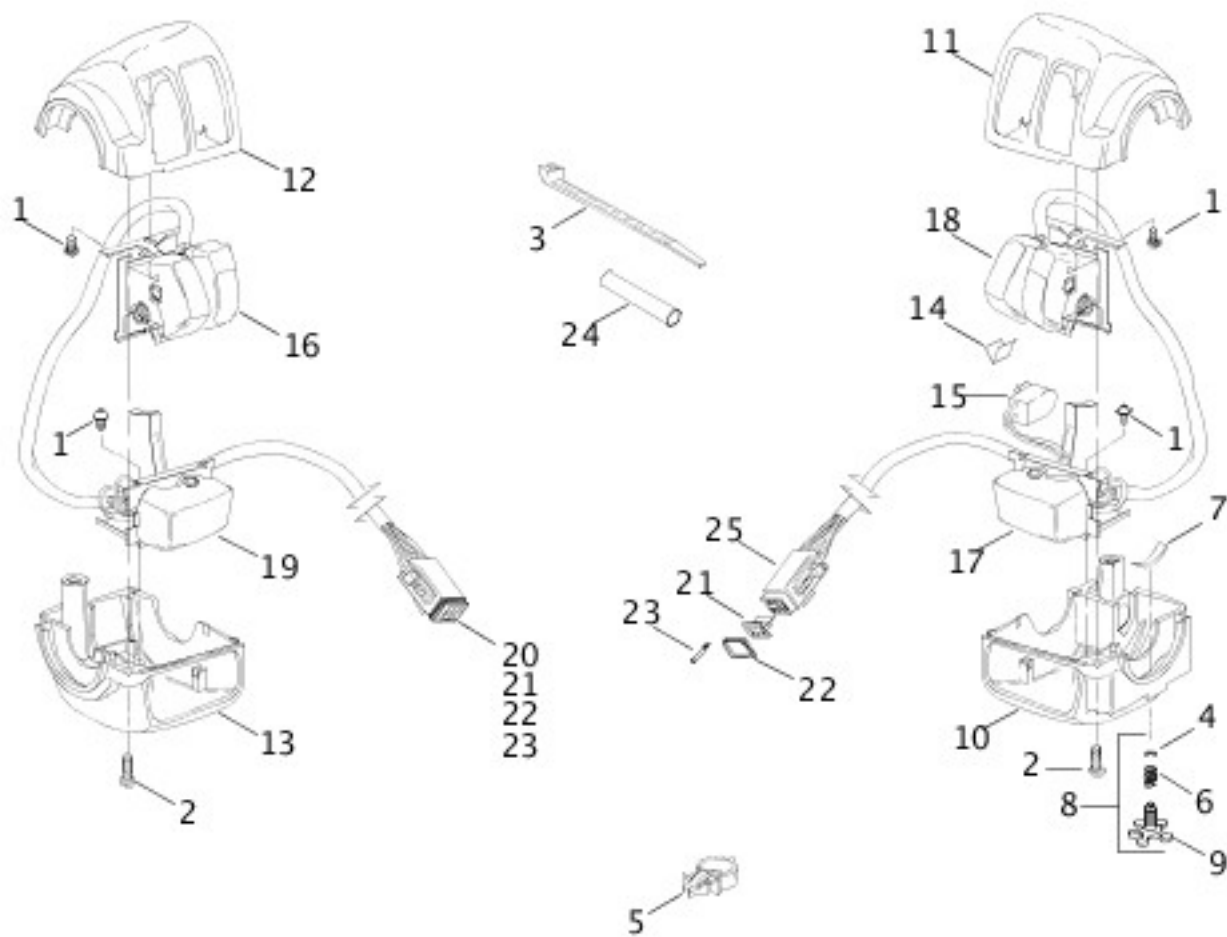
[View interactive table](#)

INDEX NO.	PART NO.	DESCRIPTION	MODEL(S)
1	2528	SCREW	ALL
2	6288	WASHER	ALL
3	9862	TERMINAL RING (3)	ALL
4	9898	TERMINAL (2)	ALL

5	10039	CABLE STRAP	ALL
6	26554-77B	SWITCH, oil pressure indicator	ALL
7	31601-04	STARTER RELAY	ALL
8	33900-99	SWITCH, neutral indicator, w/ washer	ALL
9	48154-05A	LOCKSET ASSEMBLY	ALL
10	61459-97	KEY HEAD COVER	ALL
11	68920-01D	TURN SIGNAL MODULE, standard	ALL
12	68922-00D	MODULE, security system (Domestic)	ALL
13	68926-00	FOB, remote control	ALL
	70227-99	JUMPER WIRE ASSEMBLY, neutral switch (not illustrated)	ALL
14	70586-93	CONNECTOR, butt splice (blue) (3)	ALL
15	70587-93	CONNECTOR, butt splice (yellow) (2)	ALL
16	71441-94	LOCK SET ASSEMBLY, ignition, w/ key	ALL
17	71451-94A	KEY SET, ignition switch (specify key code)	ALL
18	71510-04	COVER, ignition switch	ALL
19	71550-94	LABEL, ignition switch	ALL
20	71552-94	FACE NUT, ignition switch	ALL
21	72023-51D	STOPLIGHT SWITCH, rear brake, w/ 9898	ALL
22	72268-94	SHRINK TUBE	ALL
23	72318-04	FUSE, 30A	ALL
24	72347-94	FUSE, 15A (6)	ALL
	72373-97	FUSE PULLER (not illustrated)	ALL
25	7220	LOCKWASHER	ALL
<b>INTERNATIONAL MODELS ONLY</b>			
26	68924-00D	MODULE, security system (HDI)	ALL
27	68927-00	FOB, remote control (HDI)	ALL
	68939-00	FOB, remote control (Japan)	ALL

## HANDLEBAR SWITCHES

## HANDLEBAR SWITCHES



[View interactive image](#)

[View interactive table](#)

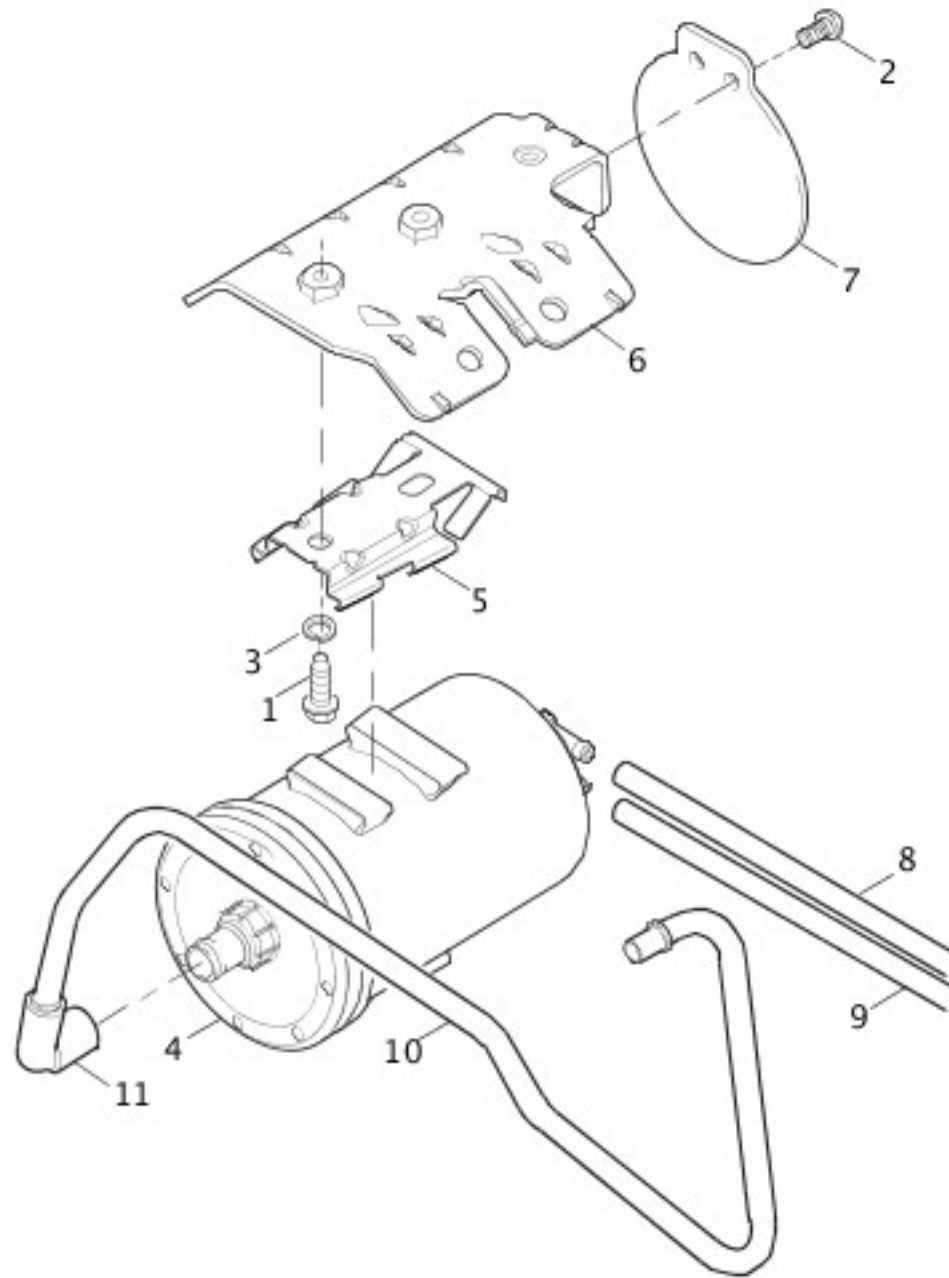
INDEX NO.	PART NO.	DESCRIPTION	MODEL(S)
1	2955	SCREW (4)	ALL
2	3658	SCREW (4)	ALL
3	10181	CABLE STRAP (as required)	ALL
4	11155	RETAINING RING	ALL
5	70345-84	RETAINER, wiring harness (4)	ALL
6	56394-74	SPRING, throttle adjusting screw	ALL
7	56396-74A	PAD, throttle adjusting	ALL
8	56397-74C	KIT, throttle adjusting screw, w/ 4, 6 & 9	ALL
9	56402-83A	ADJUSTING SCREW	ALL

10	71563-96	HOUSING, lower right	ALL
11	71564-96	HOUSING, upper right	ALL
12	71567-96	HOUSING, upper left	ALL
13	71568-96A	HOUSING, lower left	ALL
14	71587-04	CLIP	ALL
15	71621-08	STOPLIGHT SWITCH KIT	ALL
16	71682-06A	SWITCH KIT, dimmer & horn, w/ 3 & 24	ALL
17	71683-06A	SWITCH KIT, right directional, w/ 3 & 24	ALL
18	71684-06A	SWITCH KIT, engine stop & start, w/ 3 & 24	ALL
19	71685-06A	SWITCH KIT, left directional, w/ 3 & 24	ALL
20	72116-94BK	SOCKET HOUSING, 6-way (black) (replaces gray connector)	ALL
21	72156-94	SECONDARY LOCK, 6-way (2)	ALL
22	72176-94	SEAL, front, 6-way plug (2)	ALL
23	72191-94	TERMINAL, socket (as required)	ALL
24	72266-94	SHRINK TUBE (as required)	ALL
25	72116-94BK	SOCKET HOUSING, 6-way (black)	ALL

## CALIFORNIA EVAPORATIVE EMISSIONS KIT



## CALIFORNIA EVAPORATIVE EMISSIONS KIT



[View interactive image](#)

[View interactive table](#)

INDEX NO.	PART NO.	DESCRIPTION	MODEL(S)
1	3767B	BOLT (2)	ALL
2	4363	SCREW (2)	ALL
3	6099	WASHER (2)	ALL
4	27042-84A	CANISTER	ALL
5	27047-84B	BRACKET, canister mounting	ALL
6	28908-04A	BRACKET, canister	ALL
7	28909-04	GUARD, canister	ALL

8	28910-04	HOSE, canister-to-carburetor	ALL
9	28911-04A	HOSE, canister-to-vapor valve	ALL
10	28912-04	HOSE, canister-to-air cleaner, w/ 29312-95	ALL
11	29312-95	ELBOW	ALL

NOTE: These parts are for 2004 XL model motorcycles sold for use in the state of California.

## Hardware List

[View interactive table](#)

PART NO.	DESCRIPTION
1039	SCREW 5/16-18 X 2-1/2 hex flange head (Grade 8)
1048	SCREW 5/16-18 X 1-1/2 hex flange head
2325	SCREW No. 6 X 3/4 cross recess pan head, self-tapping
2361	SCREW No. 8-32 X 3/8 socket countersink head, with lockpatch
2441	SCREW No. 10-24 X 1/2 TORX pan head
2460	SCREW 5/16-18 X 1/2 socket countersink head
2501A	SCREW No. 8-32 X 3/8 hex head, self-tapping
2528	SCREW No. 10-24 X 1/2 socket button head
2535	SCREW 5/16-18 X 1 socket head
2548	SCREW No.8-32 X 3/4 socket head, with lockpatch
2586A	SCREW M4 X 0.7 X 12 flat head
2607	SCREW 1/4-20 X 3/4 Pozidriv pan head (Grade 2)
2708A	SCREW 5/16-18 X 1 socket head
2773	SCREW 1/4-20 X 1/2 Pozidriv pan head (Grade 2)
2952A	SCREW 1/4-20 X 1/2 SEMS truss head
2955	SCREW No. 6-32 X 1/4 Phillips pan head, with lockwasher
2995	SCREW No. 10-16 X 3/4 pan head
3022A	SCREW 1/4-20 X 5/8 socket fillister head, with lockpatch
3026	SCREW No. 10-32 X 1/2 socket button head
3029	SCREW No. 10-24 X 1 TORX head, with adhesive
31689-90	BOLT M4 X 0.7 X 12 hex head
3201WA	SCREW 5/16-18 X 1-1/4 knurled head

3210A	SCREW 5/16-18 X 1-1/4 knurled head
3244	SCREW M8 X 1.25 X 12
3275	SCREW 5/16-18 X 3/4 socket head (Grade 8)
3403	LOCKNUT M8-1.25 X 12mm flange (zinc)
3480A	SCREW 1/4-20 X 1-3/4 knurled head (Grade 8)
3514	SCREW No. 8-32 X 1 fillister head (Grade 5)
35211-91B	NUT 1-1/2-24 X .350 X 1-7/8 hex head
3563	SCREW 1/4-20 X 3/8 hex flange head (Grade 5)
3574	SCREW 1/4-20 X 3/4 flange
3579A	SCREW 1/4-28 X 1/4 SEMS hex head, self-tapping (Grade 2)
3588	SCREW 1/4-20 X 1/2 hex flange head
3594	SCREW 1/4-20 X 5/8 knurled head (Grade 8)
3605	BOLT 1/2-13 X 2-1/2 hex head (Grade 5)
3615	SCREW No. 8-32 X 1, pan head, thread-cutting
3655A	SCREW 5/16-18 X 7/8 TORX pan head, with lockpatch (Grade 8)
3658	SCREW No. 10-24 X 1/2 TORX head (Grade 5)
3666A	SCREW No. 10-24 X 1.500 TORX recessed head, with washer
3675	SCREW 5/16-18 X 1 TORX head, with lockpatch (Grade 8)
3767B	BOLT 1/4-20 X 5/8 hex head (Grade 5)
3799	SCREW 1/4-20 X 3/4 flange head
3849	SCREW 1/4-20 X 1-1/4 SEMS hex head (Grade 8)
3854	SCREW 7/16-14 X 1, hex head (Grade 8)
3880	SCREW 1/2-13 X 2-1/4 TORX recessed button head
3899	SCREW 7/16-14 X 1-3/4 hex head, with lockpatch
3997A	BOLT 1/4-20 X 1-1/4 socket head, with sealant (zinc)
4016	SCREW 5/16-18 X 1.0 socket button head
4017	BOLT 5/16-18 X 1 hex head (Grade 5)
4029A	SCREW 3/8-16 X 2-1/4 socket head (black)
4032A	SCREW 3/8-16 X 2-1/2 socket head
4076	SCREW 3/8-16 X 1/2 socket head
4091	SCREW No. 10-24 X 1/2 hex head, with washer, self-tapping (zinc)

41191-74A	SCREW 1/2-20 X 5/8 hex socket flat head, with lockpatch
4132	SCREW 1/4-20 X 1-1/8 TORX button head (Grade 5) (black)
4180	SCREW 3/8-16 X 1-1/2 TORX button head
4188	SCREW 3/8-16 X 1-1/4 TORX button head
4240	SCREW No. 10-24 X 3/16 hex head, with washer
4262	SCREW M6 X 1 X 22
4269	SCREW 5/16-18 X 3/4, flange head
4290	SCREW 3/8-16 X 1-1/4, TORX button head (Grade 5)
4312C	SCREW M6 X 1.0 X 14mm, SEMS flange head (stainless)
4326A	SCREW 5/16-18 X 2 socket head
4329	SCREW 1/4-20 X 3/4 hex head with washer, self-tapping
4350A	SCREW 3/8-16 X 1-1/2 socket head
4351	SCREW 3/8-16 X 1-1/2 TORX head, self-tapping (Grade 8)
4352	SCREW 3/8-16 X 1-1/2 TORX, self-tapping (Grade 8)
4354	SCREW 1/2-20 X 2-1/2, TORX button head
43567-92	SCREW 3/8-16 X 1 TORX pan head, with lockpatch
4359	SCREW 5/16-18 X 7/8 socket button head
4363	SCREW 1/4-20 X 1/2 socket button head
4420	SCREW 3/8-16 X 2.75 hex head (Grade 5)
4453	BOLT 1/4-20 X 7/8 hex head SPECIAL WITH TAPPED HOLE
4460	BOLT 5/8-18 X 1 hex head (Grade 5)
45405-75A	SCREW M8 X 1.25 x 27 hex socket head
4717A	SCREW 1/4-20 X 2-1/4 knurled head, with lockpatch
4718A	SCREW 1/4-20 X 1-1/2 knurled head, with lockpatch
4740A	SCREW 1/4-20 X 1-1/4 knurled head, with lockpatch (Grade 8)
4741A	SCREW 1/4-20 X 1 socket head, with lockpatch
4748	SCREW 3/8-16 X 1-1/8 socket head (Grade 8)
4751	SCREW 1/4-20 X 3/4 hex head, with lockpatch (Grade 8) (zinc)
4758A	SCREW 5/16-18 X 3.48 socket head (Grade 8)
4765	SCREW 1/4-20 X 2-5/8 SEMS socket head, with lockpatch (Grade 8) (zinc)

4771	SCREW 5/16-18 X 4-1/4 socket head (Grade 5)
4778	SCREW 5/16-18 X 1-3/8 TORX button head
4779	SCREW 5/16-18 X 1-3/4 TORX button head
4816A	SCREW 5/16-18 X 1-1/2 socket head
4820A	SCREW 1/4-20 X 2 socket head
4991	SCREW M6 torx pan head,
5403B	BOLT 1/4-20 X 3/8 carriage
5414	BOLT 3/8-16 X 7/8 carriage (Grade 5)
54321-85	NUT No. 8-32 X 1/2 X 1/8 (brass)
5756	WASHER 21/32 X 1-5/16 X 5/8
6003	WASHER 1-3/16 X 1-3/8 X 11/16
6026	WASHER 3/8 X 7/8 X 7/64
6099	WASHER 1/4 X 7/16 X 1/16
6101	WASHER 17/64 X 27/64 X 1/16
6152	SPACER 13/32 X 1.0 X 5/16
6157	WASHER 27/64 X 5/8 X 1/64 heat treated
6192	WASHER No. 8 X 7/16 X 3/64
6237	WASHER 5/16 X 1-1/8 X 5/64
6288	WASHER 17/32 X 25/32 X 1/32
6302	WASHER 5/16 X 11/16 X 19/32
6516HW	WASHER 7/16 X 1-1/8 X 1/8
6590HW	WASHER 1/2 X 1-1/8 X 3/32
6655	WASHER 5/8 X 1-1/2 X 7/64
6701	WASHER 3/8 X 13/16 X 1/16
6702	WASHER 5/16 X 11/16 X 1/16
6703	WASHER 1/4 X 5/8 X 1/16
6718	WASHER 1/2 X 1-1/16 X 3/32
6738	WASHER 17/32 X 7/8 X 7/64
6787	WASHER 7/16 X 13/16 X 5/64 flat
6798	WASHER 5/16 X 1/2 X 1/32

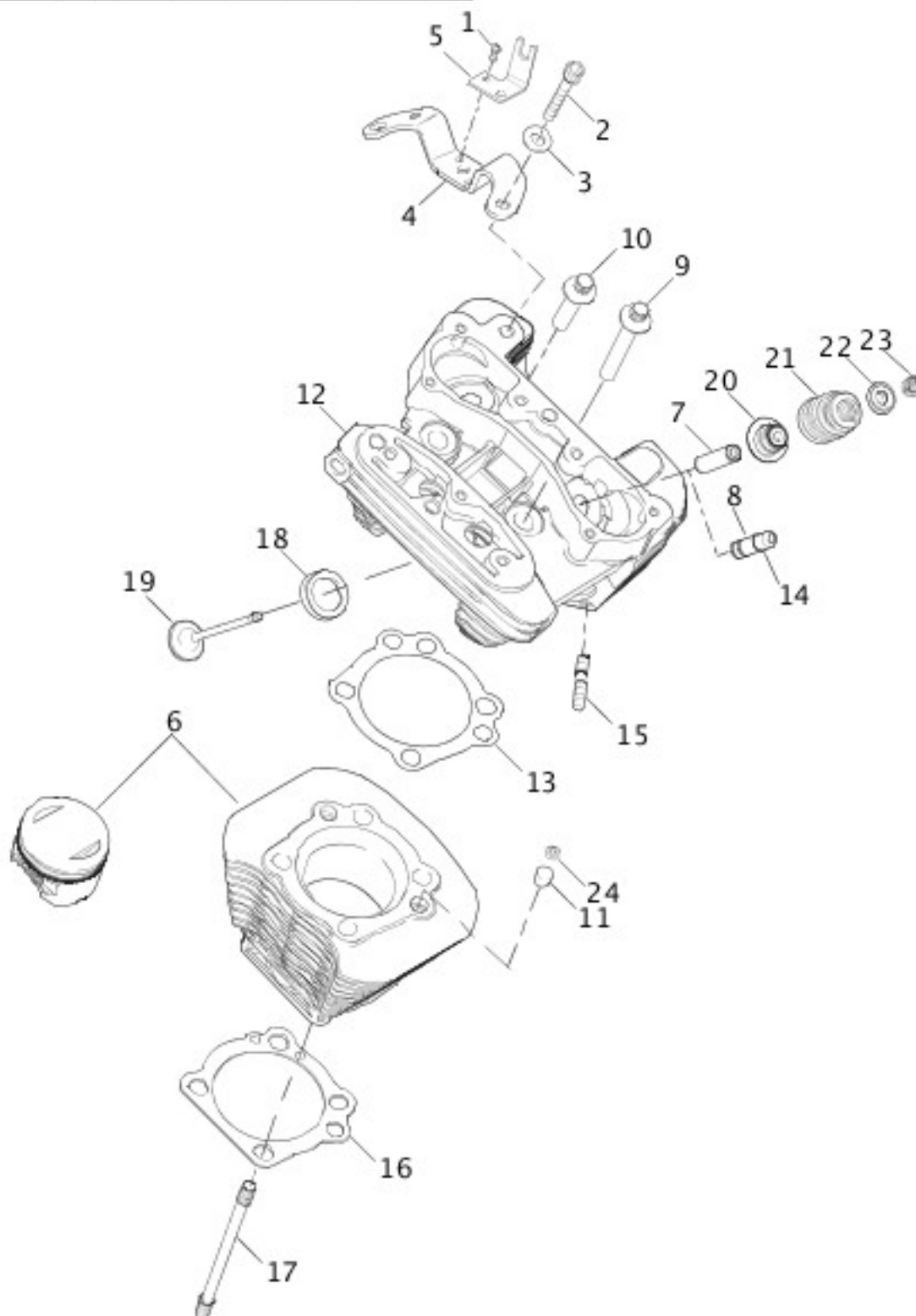
68026-99	SCREW No. 8-32 X 1 Phillips pan head (stainless)
68042-99	SCREW No. 8-32 X 3/8 TORX head
7019	WASHER 1/2 X 3/4 X 1/4 rubber
7036	WASHER 1/4 X 31/64 X 1/16
7038	LOCKWASHER 3/8
7039	LOCKWASHER 7/16
7041	LOCKWASHER 5/16
7045	LOCKWASHER 3/8 high collar
7068	LOCKWASHER 1/2
7069	LOCKWASHER No. 10
7127	LOCKWASHER 5/16 internal tooth
7220	LOCKWASHER No. 10 external tooth
7477	NUT M8 X 1.25
7481	ACORN NUT 5/16-18 X 5/8 X 1/2
7495	NUT M6 flange
7531	LOCKNUT 5/16-18 X 9/32 X 1/2 flange
7593	NUT 5/16-24 flange
7606	LOCKNUT No. 8-32 X 1/4 X 1/4 hex (chrome)
7624	LOCKNUT No. 10-24 X 1/4 X 3/8
7727	LOCKNUT 5/16-24 X 1/4 X 1/2
7770	NUT 1/4-20 keps flat washer
7778	LOCKNUT 3/8-16 X 7/16 X 9/16
7783	NUT 3/8-16 X 5/16 X 9/16 (Grade 2)
7792	NUT 1/4-20 X 1/4 (Grade 2)
7804	LOCKNUT 1/2-13 X 15/32 X 7/8 self-sealing
7805	NUT No. 12-24 keps
7824	LOCKNUT 1/2-20 X 1/4 (Grade 2)
7839	NUT 3/4-16 X 21/32 flange (Grade 2)
7862	ACORN NUT 3/8-16 (chrome)
7880	NUT 1/2-13 X 7/16 X 3/4 (Grade 2)
7916A	JAMNUT 5/8-18

7956	NUT 1/2-20 X 1/2 X 3/4
7987	NUT 5/8-18 X 15/16 slotted (Grade 8)
8108	SPEEDNUT 1/4-20
835	SCREW 5/16-18 X 3 flange head, with lockpatch
8679	SCREW No. 8-32 X 7/16, TORX button head
882	SCREW 1/4-20 X 7/8 knurled head, with washer (Grade 8)
8972	WASHER 1-1/4 X 1-53/64 X 1/8
928	BOLT M5 X 0.8 X 35.2 hex head
929A	SCREW M4 X 0.7 X 11.8 flange head
940	SCREW 1/4-20 X 3/4 TORX button head
943	SCREW 1/4-20 X 5/8 socket button head
946	SCREW 1/4-20 X 2-1/4 socket button head, with lockpatch (Grade 8)
995	SCREW 5/16-18 X 5/8 TORX button head
997	SCREW 5/16-18 X 1 TORX button head

New Parts List

## **CYLINDER, HEAD & VALVES - V<sup>2</sup>™ EVOLUTION (1 OF 2)**

## CYLINDER, HEAD & VALVES – V<sup>2</sup><sup>™</sup>



[View interactive table](#)

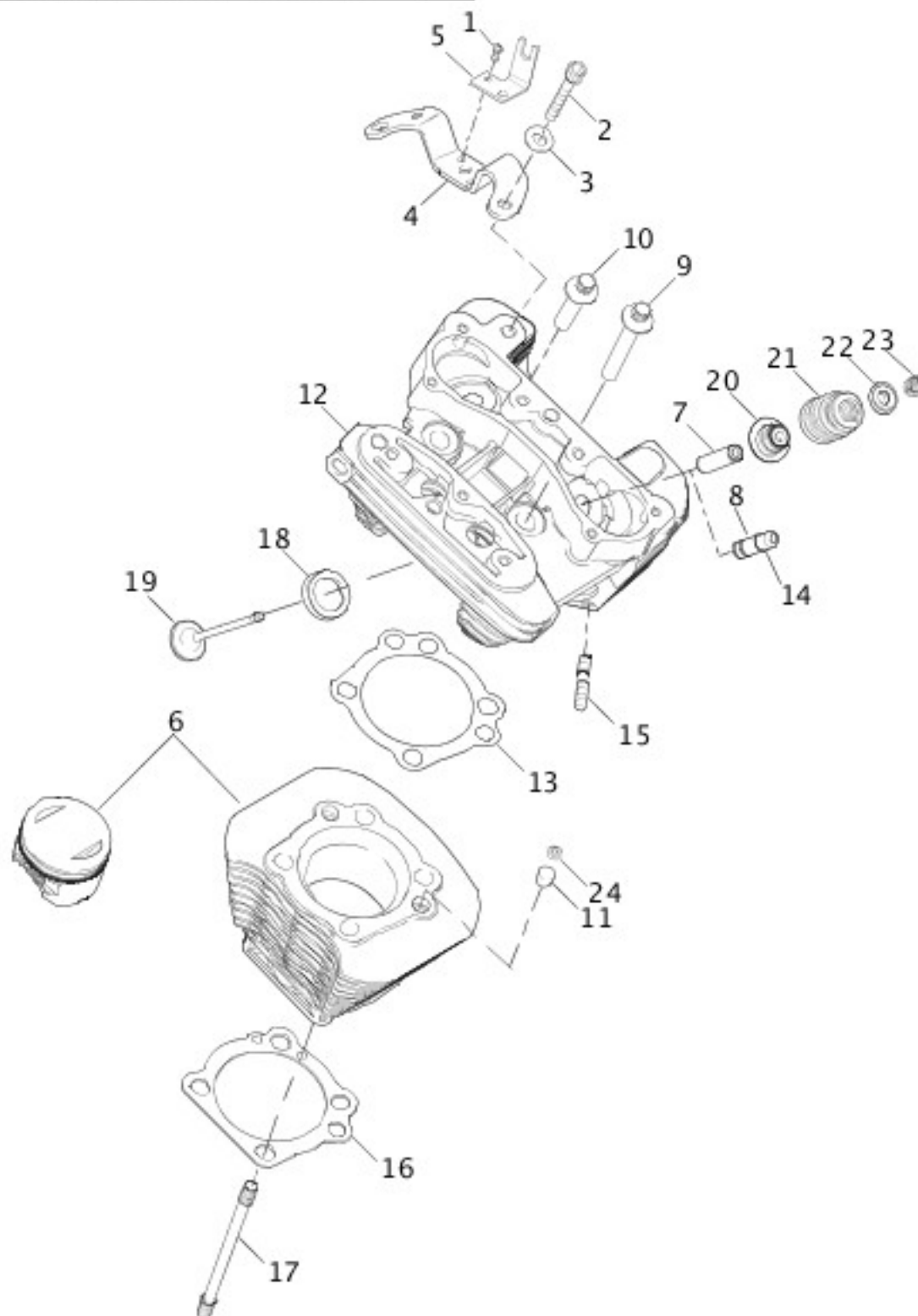
INDEX NO.	PART NO.	DESCRIPTION	MODEL(S)
	16052-04	ENGINE ASSEMBLY, complete (883cc) (Domestic, Canada)	XL883
	16055-04	ENGINE ASSEMBLY, complete (883cc) (California)	XL883
	16068-04	ENGINE ASSEMBLY, complete (1200cc) (Domestic, Canada)	XL1200C
	16069-04	ENGINE ASSEMBLY, complete (1200cc) (California)	XL1200C
	16079-04	ENGINE ASSEMBLY, complete (883cc) (Domestic, Canada)	XL883C
	16080-04	ENGINE ASSEMBLY, complete (883cc) (California)	XL883C



	19194-04	ENGINE ASSEMBLY, complete (1200cc) (Domestic, Canada)	XL1200R
	19195-04	ENGINE ASSEMBLY, complete (1200cc) (California)	XL1200R
4	16353-04	BRACKET, center engine mount	ALL
5	16354-04	BRACKET, choke	XL1200R, XL883, XL883C
6	16443-04	CYLINDER, w/ piston (883cc) (2)	XL883, XL883C
	16463-04	CYLINDER, w/ piston (1200cc) (2)	XL1200C, XL1200R
8	16465-06	VALVE GUIDE, intake and exhaust, w/ 16699-06 (replaces 16461-02) (4)	ALL
11	16573-83A	DOWEL (4)	ALL
12	16660-04	HEAD, rear cylinder, w/ valve guides & seats (silver)	XL883, XL883C
	16661-04	HEAD, front cylinder, w/ valve guides & seats (silver)	XL883, XL883C
	16666-04	HEAD, rear cylinder, w/ valve guides & seats (black)	XL1200C, XL1200R
	16667-04	HEAD, front cylinder, w/ valve guides & seats (black)	XL1200C, XL1200R
13	16664-86D	GASKET, cylinder head (2)	XL883, XL883C
	16770-84F	GASKET, cylinder head (2)	XL1200C, XL1200R
14	16699-06	SNAP RING (used w/ 16465-06) (4)	ALL

## **CYLINDER, HEAD & VALVES - V<sup>2</sup>™ EVOLUTION (2 OF 2)**

## CYLINDER, HEAD & VALVES – V<sup>2</sup><sup>™</sup>

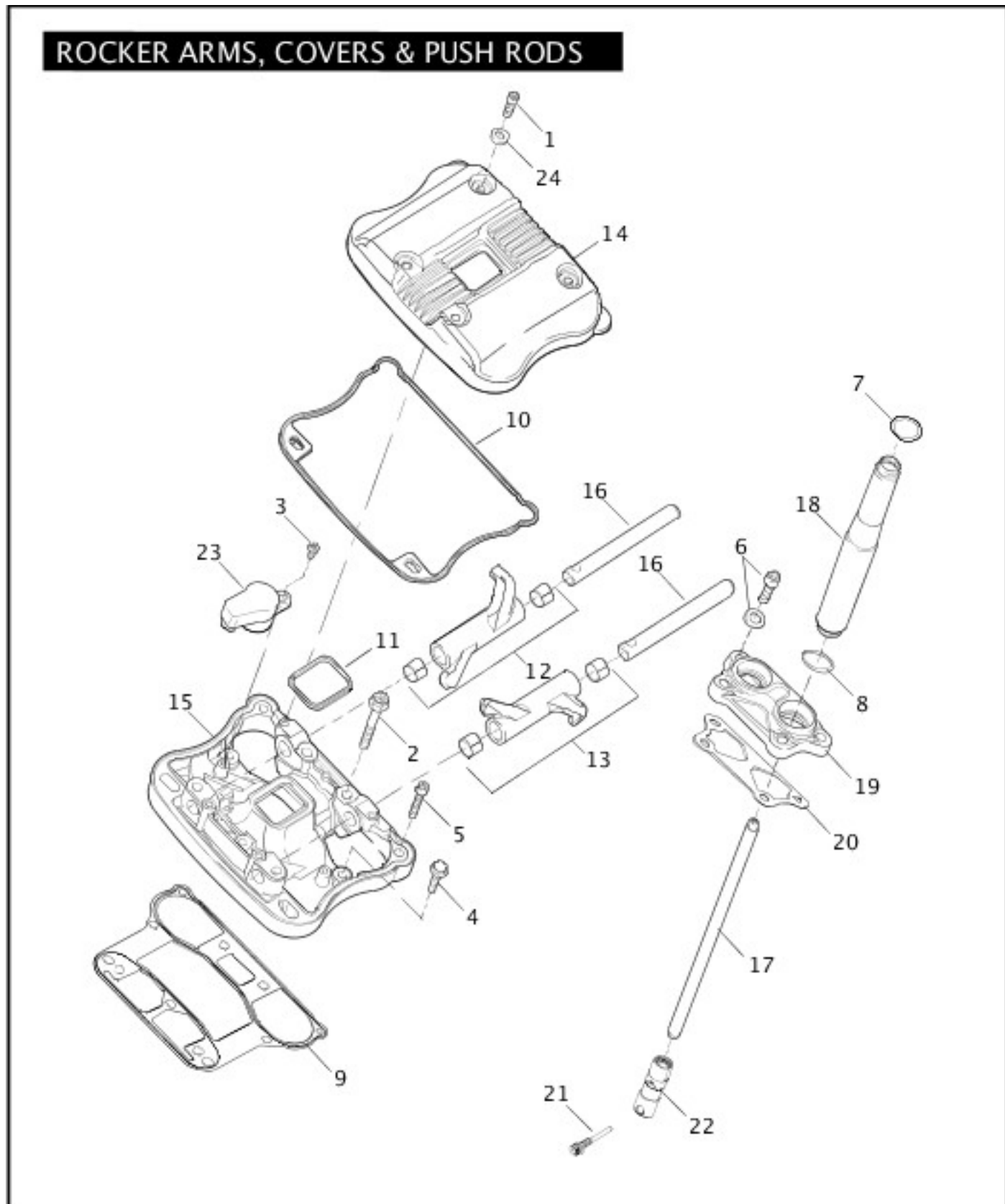


[View interactive table](#)

INDEX NO.	PART NO.	DESCRIPTION	MODEL(S)
	17027-04B	GASKET KIT, engine overhaul (not illustrated)	ALL
	17049-04A	GASKET KIT, top overhaul (not illustrated)	ALL
19	18053-04	INTAKE VALVE, 7mm (2)	XL883, XL883C
	18059-04	EXHAUST VALVE, 7mm (2)	XL883, XL883C
20	18094-02A	SEAL KIT, valve (set of 4)	ALL
	16064-04	ENGINE ASSEMBLY, complete (883cc) (HDI, Australia, England)	XL883
	16071-04	ENGINE ASSEMBLY, complete (1200cc) (HDI, Australia, England)	XL1200C

	16078-04	ENGINE ASSEMBLY, complete (883cc) (HDI, Australia, England)	XL883C
	19169-04	ENGINE ASSEMBLY, complete (1200cc) (Japan)	XL1200C
	19171-04	ENGINE ASSEMBLY, complete (883cc) (Japan)	XL883C
	19172-04	ENGINE ASSEMBLY, complete (883cc) (Japan)	XL883
	19196-04	ENGINE ASSEMBLY, complete (1200cc) (HDI, Australia, England)	XL1200R
	19197-04	ENGINE ASSEMBLY, complete (1200cc) (Japan)	XL1200R

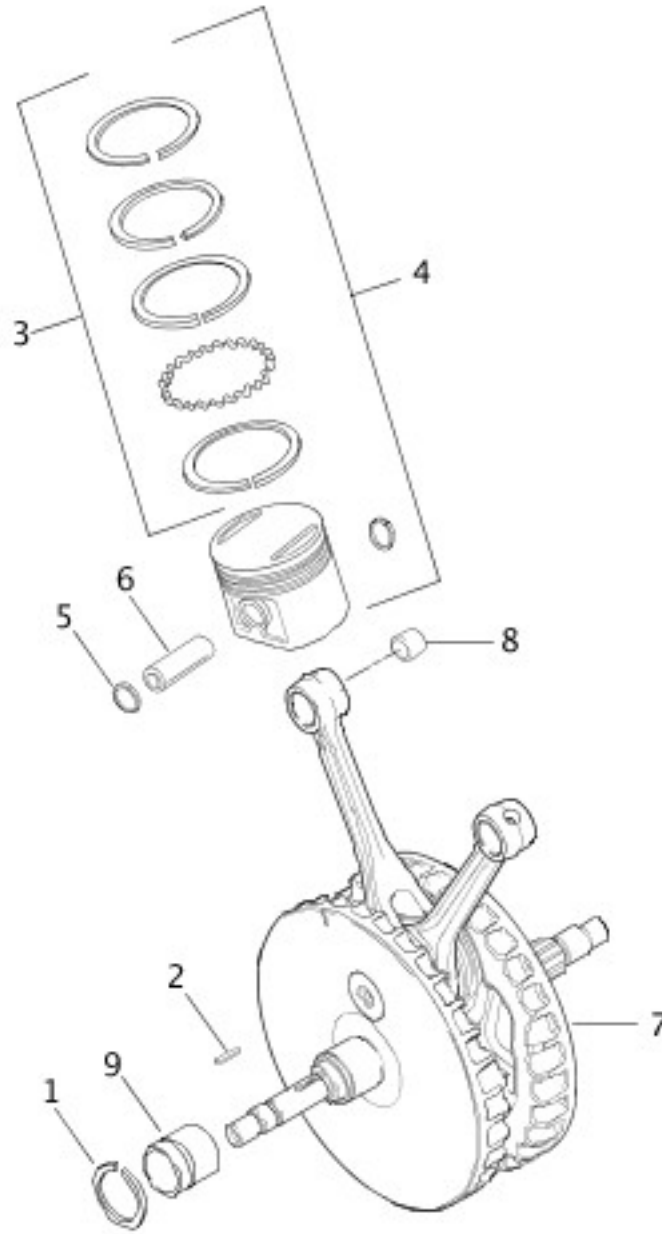
## ROCKER ARMS, COVERS & PUSH RODS



INDEX NO.	PART NO.	DESCRIPTION	MODEL(S)
9	16800-84A	GASKET, rocker box (2)	ALL
10	17353-89C	GASKET, rocker cover, lower (2)	ALL
11	17358-84B	GASKET, rocker cover, inner (2)	ALL
14	17501-04	ROCKER COVER, outer (polished) (2)	XL883, XL883C
	17551-04	ROCKER COVER, outer (chrome) (2)	XL1200C
	17527-04	ROCKER COVER, outer (silver) (2)	XL1200R
15	17532-86E	ROCKER COVER, inner (polished) (2)	XL883, XL883C
	17537-96C	ROCKER COVER, inner (chrome) (2)	XL1200C
	17614-98C	ROCKER COVER, inner, silver (2)	XL1200R
18	17946-04	COVER, push rod (chrome) (4)	ALL
19	17972-04	TAPPET COVER, front	ALL
	17981-04	TAPPET COVER, rear	ALL
20	17976-04	GASKET, tappet cover (2)	ALL
22	18538-99C	TAPPET, w/ roller (4)	ALL
23	26010-04	BREATHER, front	ALL
	26011-04	BREATHER, rear	ALL

## [PISTONS, CONNECTING RODS & FLYWHEELS](#)

## PISTONS, CONNECTING RODS & FLYWHEELS

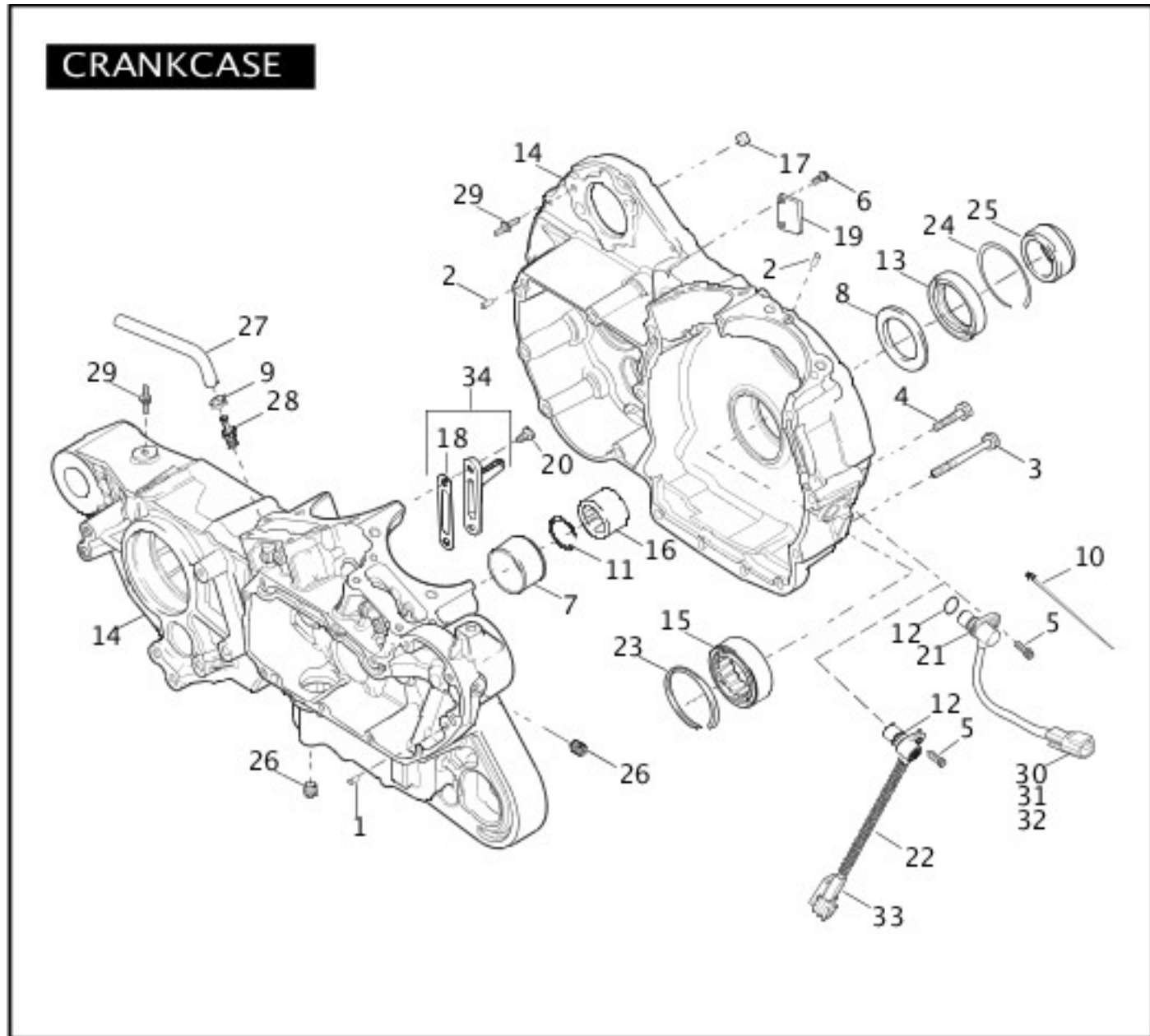


[View interactive table](#)

INDEX NO.	PART NO.	DESCRIPTION	MODEL(S)
	22231-04	PISTON RING SET, 0.005 O.S. (2)	XL1200C, XL1200R
	22238-04	PISTON RING SET, 0.010 O.S. (2)	XL1200C, XL1200R
4	22221-04	PISTON AND RINGS ASSEMBLY, standard (2)	XL883, XL883C
	22224-04	PISTON AND RINGS ASSEMBLY, 0.005 O.S. (2)	XL883, XL883C
	22228-04	PISTON AND RINGS ASSEMBLY, 0.010 O.S. (2)	XL883, XL883C
	22223-04	PISTON AND RINGS ASSEMBLY, standard (2)	XL1200C, XL1200R
	22227-04	PISTON AND RINGS ASSEMBLY, 0.005 O.S. (2)	XL1200C, XL1200R
	22230-04	PISTON AND RINGS ASSEMBLY, 0.010 O.S. (2)	XL1200C, XL1200R
6	22719-04	PISTON PIN (2)	XL883, XL883C

7	23905-04	SET OF FLYWHEELS AND SHAFTS, w/ rods (use 23905-04B)	ALL
	23905-04B	FLYWHEELS AND CONNECTING ROD ASSEMBLY, w/ 11317	ALL

## CRANKCASE

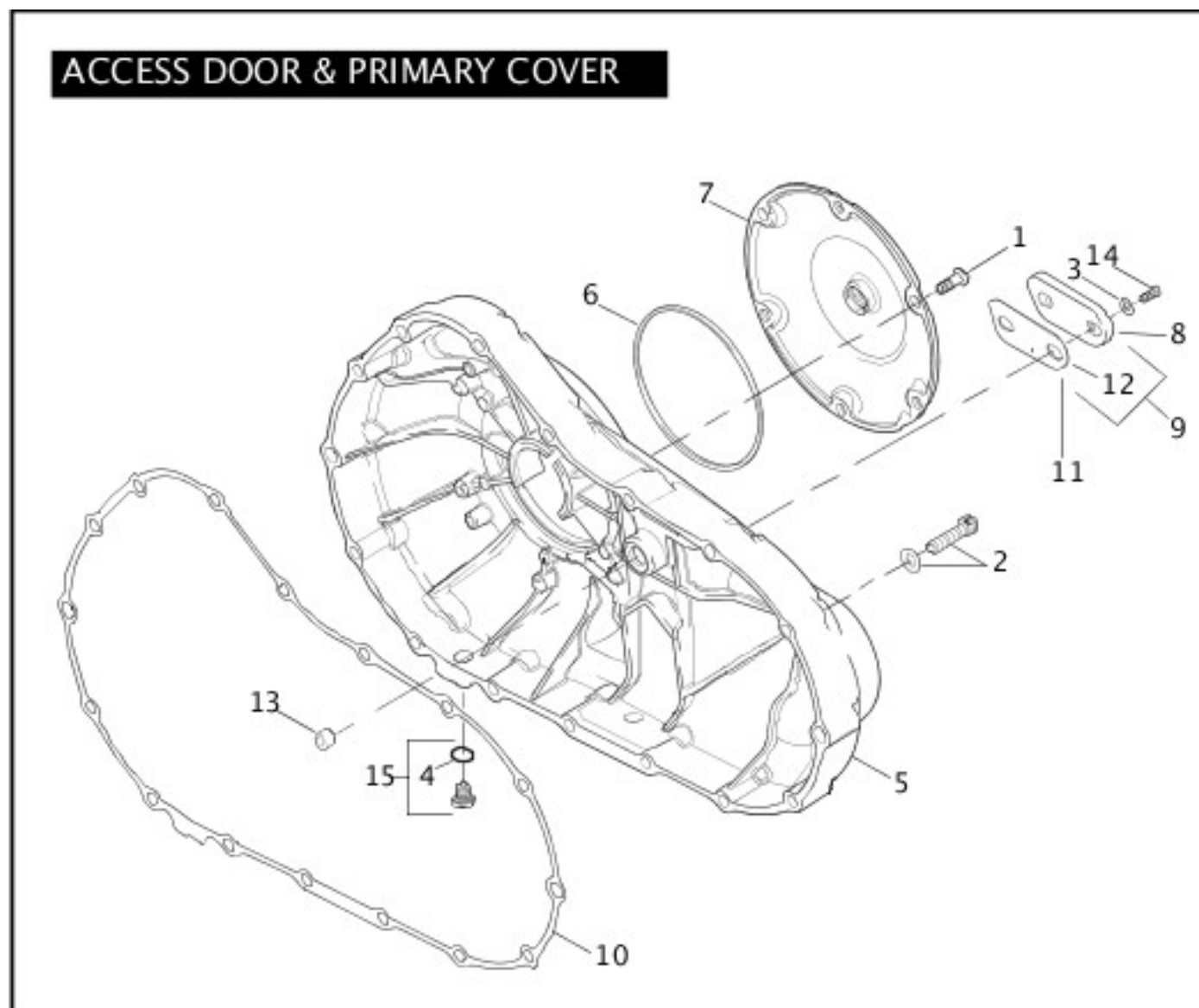


[View interactive table](#)

INDEX NO.	PART NO.	DESCRIPTION	MODEL(S)
8	8972	WASHER, thrust	ALL
14	24466-04	CRANKCASE SET, w/ bearings (black)	XL1200C
	24470-04	CRANKCASE SET, w/ bearings (silver)	XL1200R, XL883, XL883C
15	24605-07	BEARING	ALL
17	24754-75A	DOWEL PIN (2)	ALL
18	26638-00Y	GASKET, oil jet (2)	ALL

21	32804-04	SENSOR, crank position, w/ 10177, 74102-98BK, 74142-98, 74192-98 (use 32804-04B)	ALL
22	32804-04B	SENSOR, crank position, w/ 10177, 11289A & 74194-98 (replaces 32804-04)	ALL
27	63508-04	HOSE, transmission vent	ALL
29	65088-04	STUD, ground (2)	ALL
34	62700014	OIL JET ASSEMBLY, w/ 26638-00Y (2)	ALL

## ACCESS DOOR & PRIMARY COVER

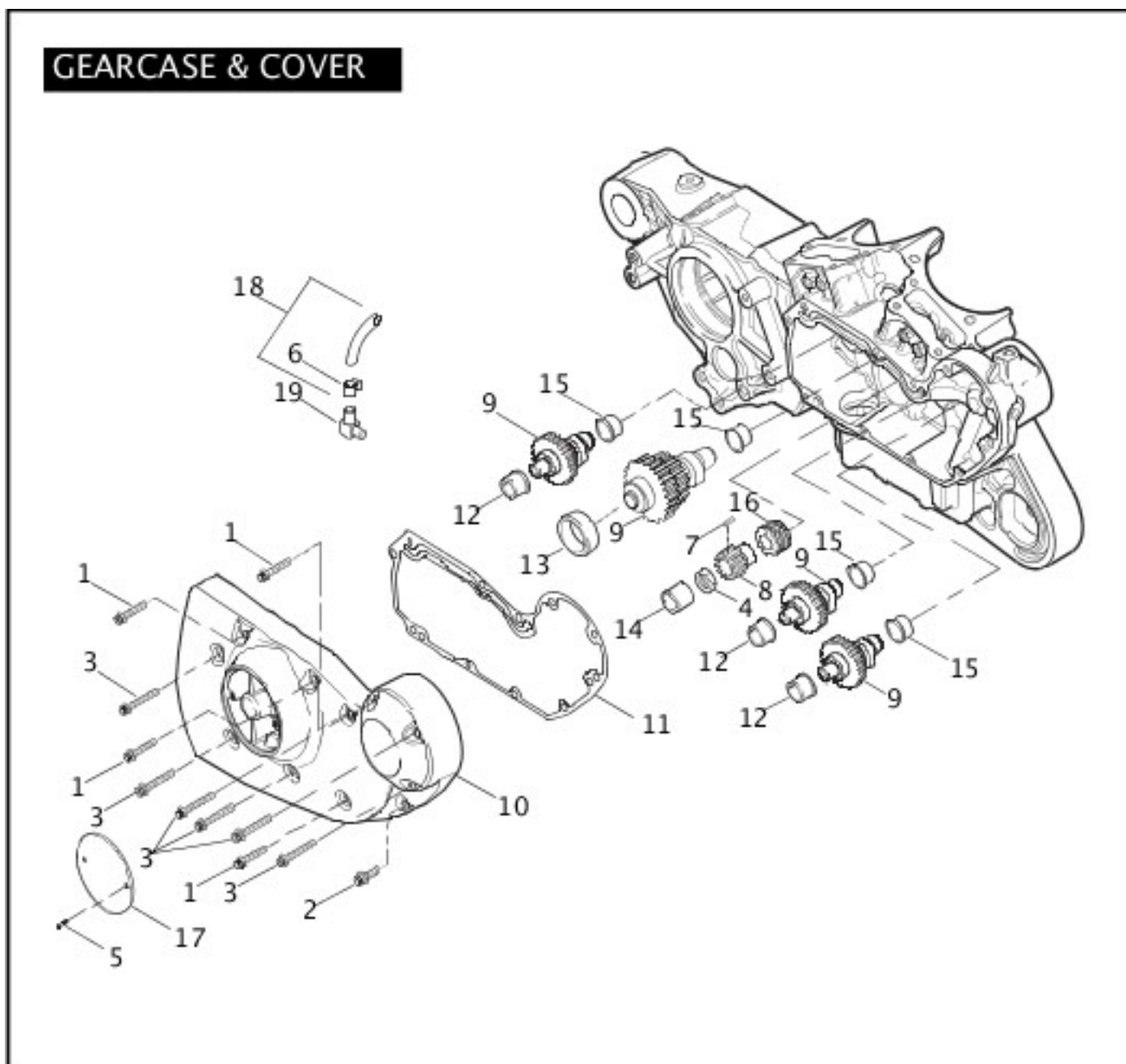


[View interactive table](#)

INDEX NO.	PART NO.	DESCRIPTION	MODEL(S)
5	25430-04	PRIMARY COVER, w/ 40520-63 (polished)	XL883
	25460-04	PRIMARY COVER, w/ 40520-63 (chrome)	XL1200C
	25471-04	PRIMARY COVER, w/ 40520-63 (silver)	XL1200R, XL883C
7	34760-04	INSPECTION COVER, clutch (chrome)	XL1200C
	34992-04	INSPECTION COVER, clutch (polished)	XL1200R, XL883,

			XL883C
8	34993-04	INSPECTION COVER, chain (polished) (use 34993-04A)	XL1200R, XL883, XL883C
	34761-04	INSPECTION COVER, chain (chrome) (use 34761-04A)	XL1200C
9	34993-04A	INSPECTION COVER, chain, w/ 34990-08 gasket (polished) (replaces 34993-04)	XL1200R, XL883, XL883C
	34761-04A	INSPECTION COVER, chain, w/ 34990-08 gasket (chrome) (replaces 34761-04)	XL1200C
10	34955-04	GASKET, primary cover	ALL
11	34986-04	GASKET, chain inspection cover (used w/ 34993-04 & 34761-04)	ALL
12	34990-08	GASKET, chain inspection cover (used w/ 34993-04A & 34761-04A)	ALL
15	60328-98B	OIL DRAIN PLUG ASSEMBLY	ALL

## GEARCASE & COVER



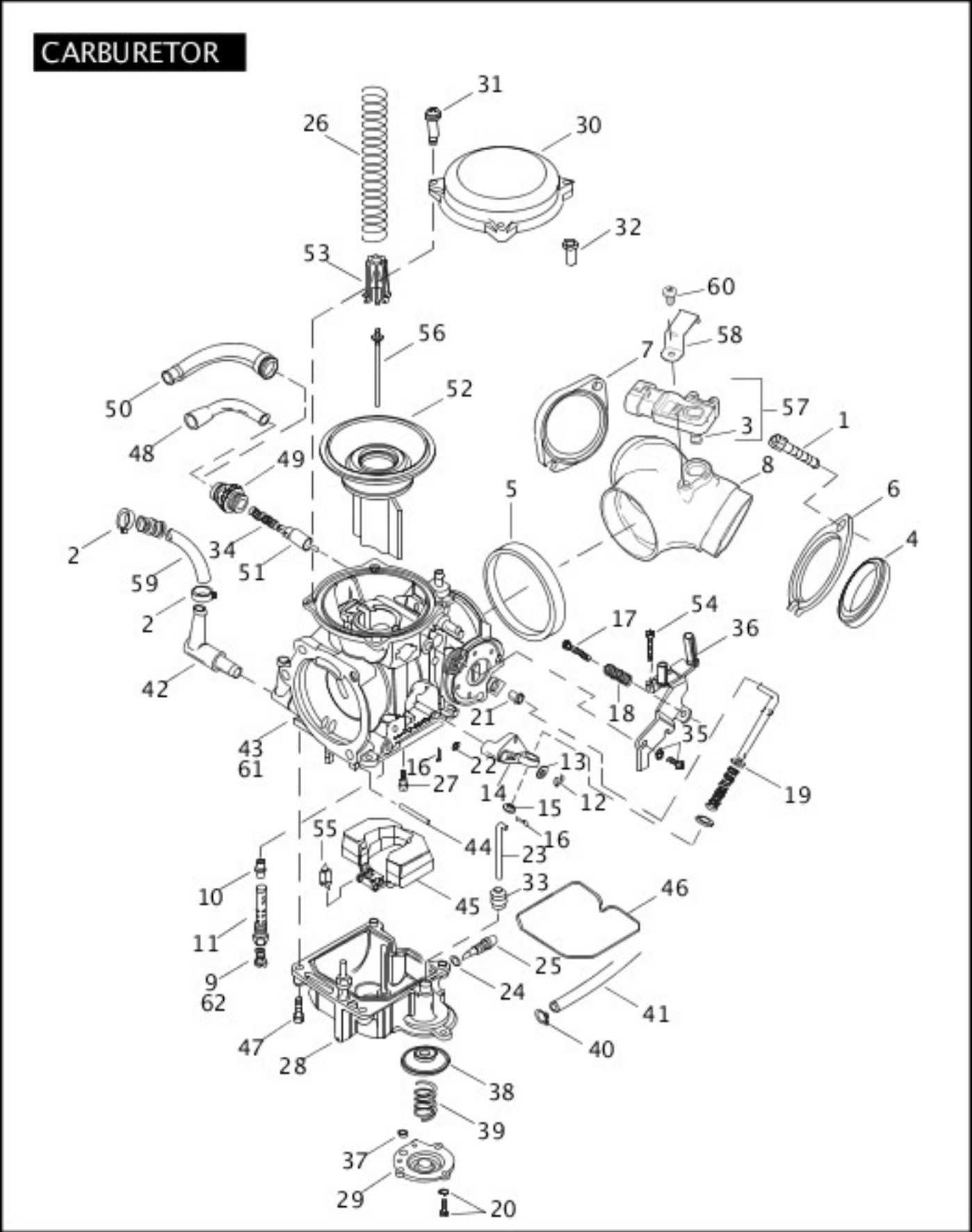


View interactive table

INDEX NO.	PART NO.	DESCRIPTION	MODEL(S)
10	25219-04	COVER ASSEMBLY, gearcase (polished), w/ 17 & bushings	XL883
	25213-04	COVER ASSEMBLY, gearcase (chrome), w/ 17 & bushings	XL1200C
	25252-04	COVER ASSEMBLY, gearcase (silver), w/ 17 & bushings	XL1200R, XL883C
	32514-04	COVER PLATE	XL1200C, XL883C
	32555-04	COVER PLATE	XL1200R
18	62360-04A	KIT, VENT TUBE ASSEMBLY, w/ 10014	ALL

## [CARBURETOR \(1 OF 2\)](#)

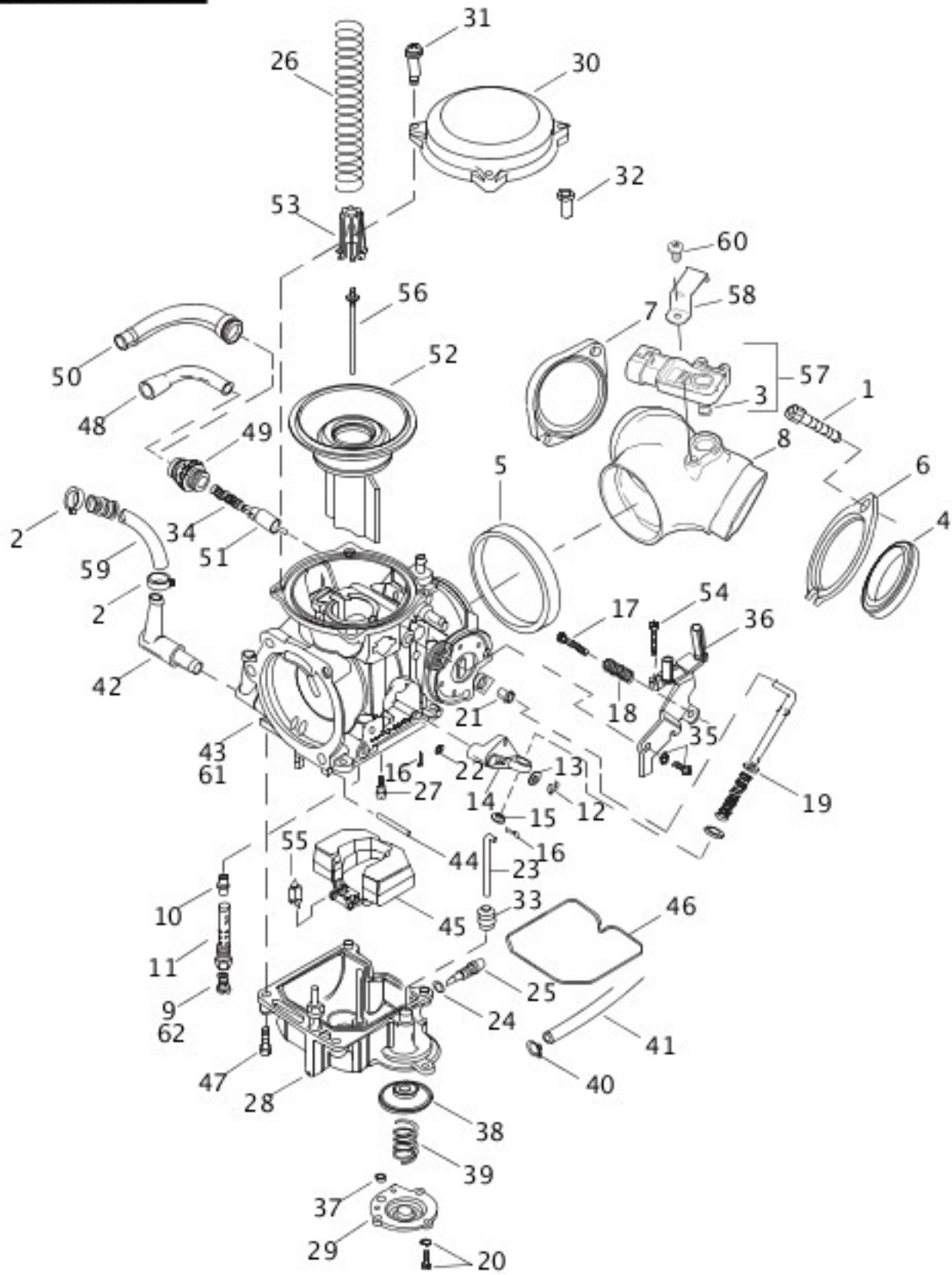
# CARBURETOR



[View interactive table](#)

INDEX NO.	PART NO.	DESCRIPTION	MODEL(S)
8	27024-04	INTAKE MANIFOLD KIT, w/ 32316-99, 38723-99 & 68042-99	ALL
	27777-04	FLOAT CHAMBER ASSEMBLY	XL883, XL883C

# CARBURETOR

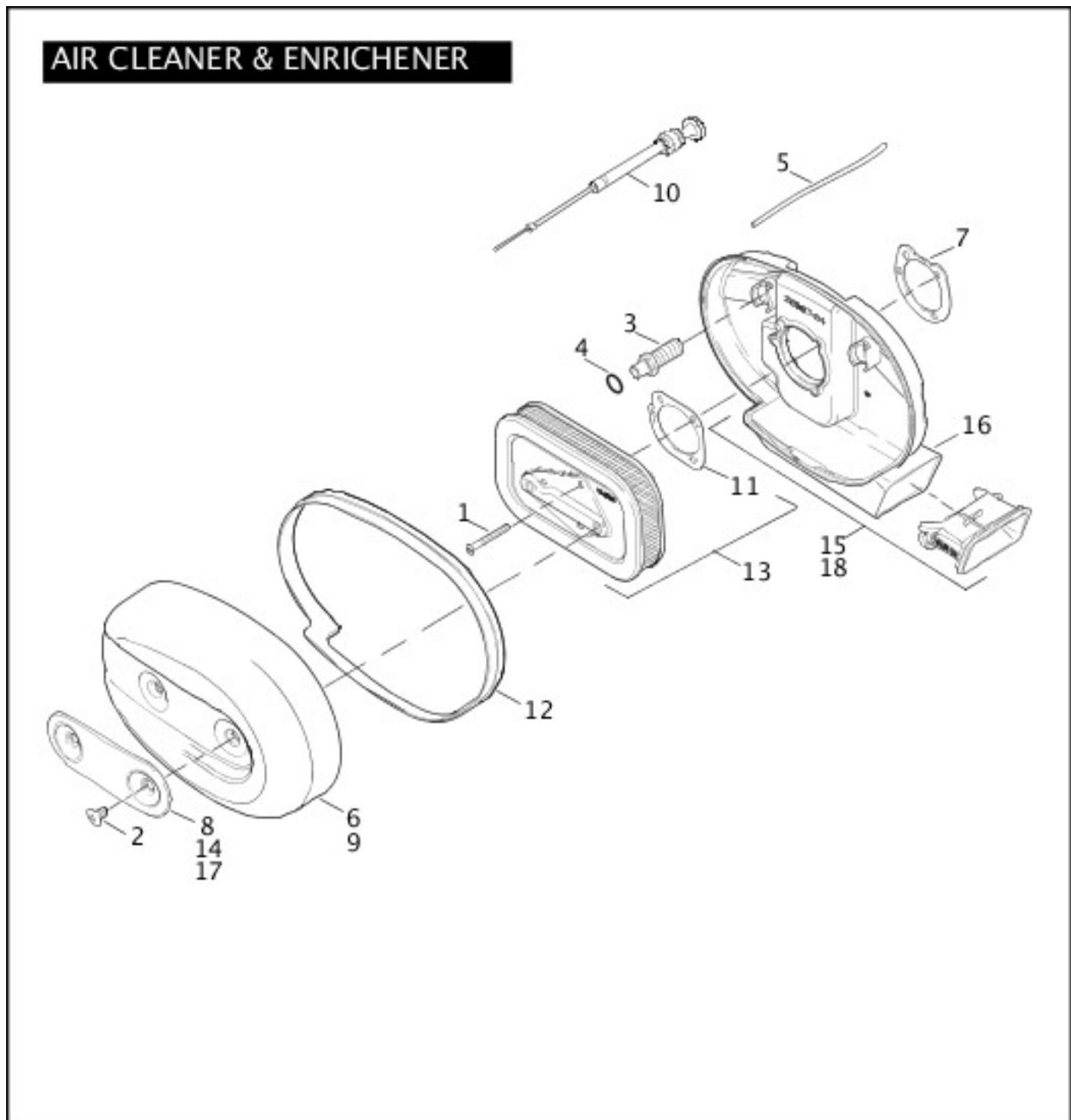


[View interactive table](#)

INDEX NO.	PART NO.	DESCRIPTION	MODEL(S)
36	27320-04	BRACKET	ALL
41	27369-76	HOSE, overflow	ALL
43	27490-04	CARBURETOR (Domestic)	XL883, XL883C
	27495-04	CARBURETOR (California)	XL883, XL883C
	27732-04	CARBURETOR (California)	XL1200C, XL1200R
	27731-04	CARBURETOR (Domestic)	XL1200C, XL1200R

56	28026-04	JET, needle (883/883C - California)	ALL
	28027-04	JET, needle	XL883, XL883C
57	32417-10	MAP SENSOR, w/ 11291	ALL
59	63501-68B	HOSE, 1/4 inch I.D. x 1/2 inch O.D. (rubber) (25 feet)	ALL
61	27465-04	CARBURETOR (HDI)	XL883, XL883C
	27749-04	CARBURETOR (HDI)	XL1200C, XL1200R

## AIR CLEANER & ENRICHENER



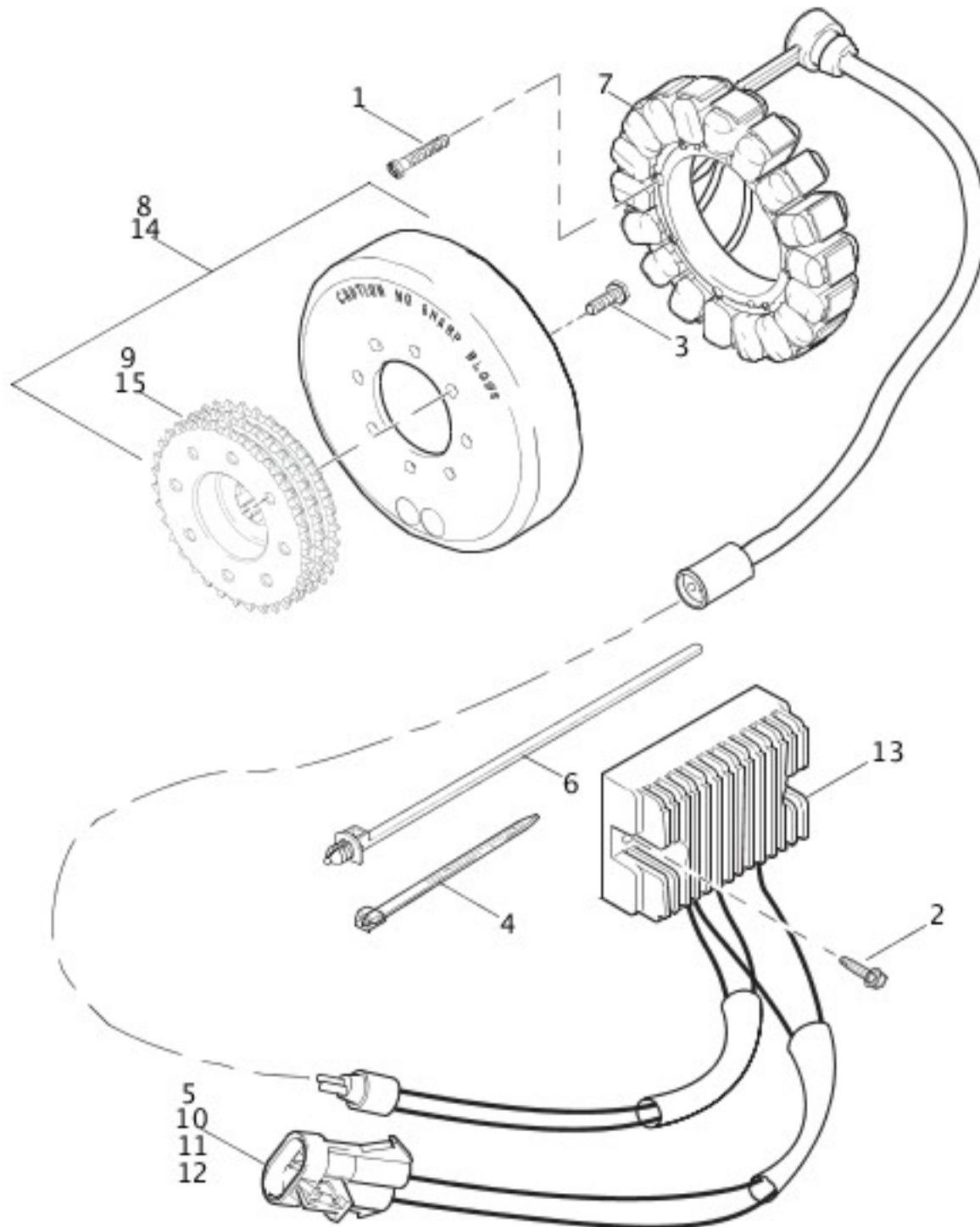
[View interactive table](#)

INDEX NO.	PART NO.	DESCRIPTION	MODEL(S)
5	27096-04A	VENT LINE, valve to atmosphere (Domestic, HDI)	ALL
6	28792-10	COVER, air cleaner, w/ 29127-95B (chrome)	ALL

8	29123-04	TRIM INSERT, air cleaner	XL883
9	29127-95B	WARNING LABEL, air cleaner	ALL
12	29315-04	SEAL, air cleaner	ALL
13	29331-04	FILTER ELEMENT, w/ 29313-95	ALL
14	29346-04	TRIM INSERT, air cleaner	XL1200C
15	29348-04	BACKPLATE ASSEMBLY, air cleaner, w/ 29342-99 (California)	ALL
	29359-04A	BACKPLATE ASSEMBLY, air cleaner (Domestic)	ALL
16	29367-04	BACKPLATE, air cleaner (Domestic)	ALL
17	29352-04	TRIM INSERT, air cleaner	XL1200R
	29802-04	TRIM INSERT, air cleaner	XL883C
18	29359-04A	BACKPLATE ASSEMBLY, air cleaner (HDI)	XL883, XL883C
	29360-04	BACKPLATE ASSEMBLY, air cleaner (HDI)	XL1200C, XL1200R

## **ALTERNATOR & REGULATOR**

# ALTERNATOR & REGULATOR

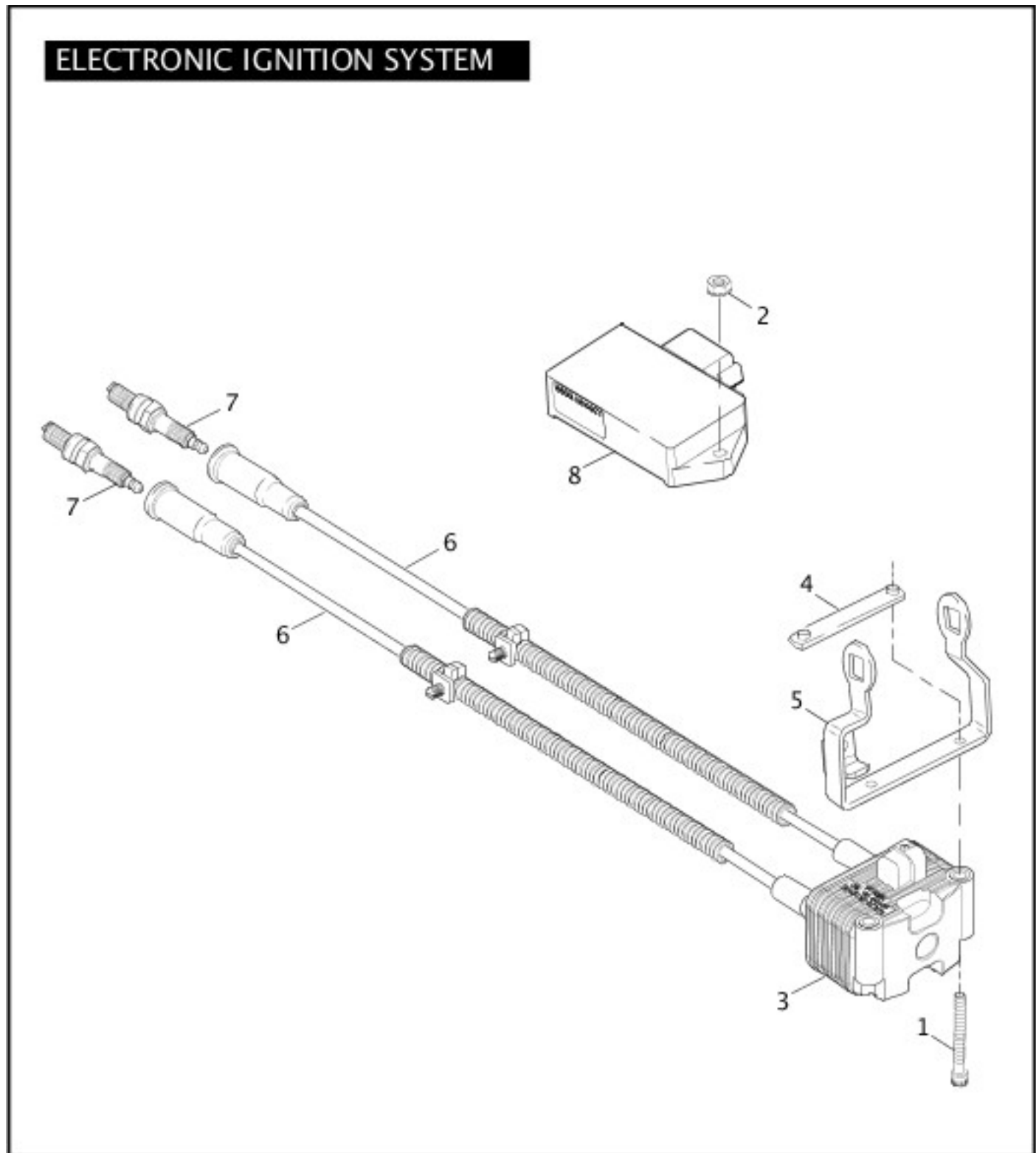


[View interactive table](#)

INDEX NO.	PART NO.	DESCRIPTION	MODEL(S)
7	29967-89C	STATOR	ALL
	29984-06	STATOR PLUG WIRE COVER (not shown)	ALL
8	32493-02B	ROTOR SPROCKET ASSEMBLY, w/ 40241-02A & 4751 (Domestic, Canada)	XL883, XL883C
	32494-04B	ROTOR SPROCKET ASSEMBLY, w/ 40290-04A & 4751	XL1200C, XL1200R
9	40241-02A	SPROCKET, triple row, 34T (Domestic, Canada)	XL883, XL883C

	40290-04A	SPROCKET, triple row, 38T	XL1200C, XL1200R
13	74523-04	REGULATOR, voltage, w/ 10065, 10147, 10177, 72233-94, 72235-94 & 72237-94	ALL
14	32494-04B	ROTOR SPROCKET ASSEMBLY, w/ 40290-04 & 4751 (HDI, Japan)	XL883, XL883C
15	40290-04A	SPROCKET, triple row, 38T (HDI, Japan)	XL883, XL883C

## ELECTRONIC IGNITION SYSTEM

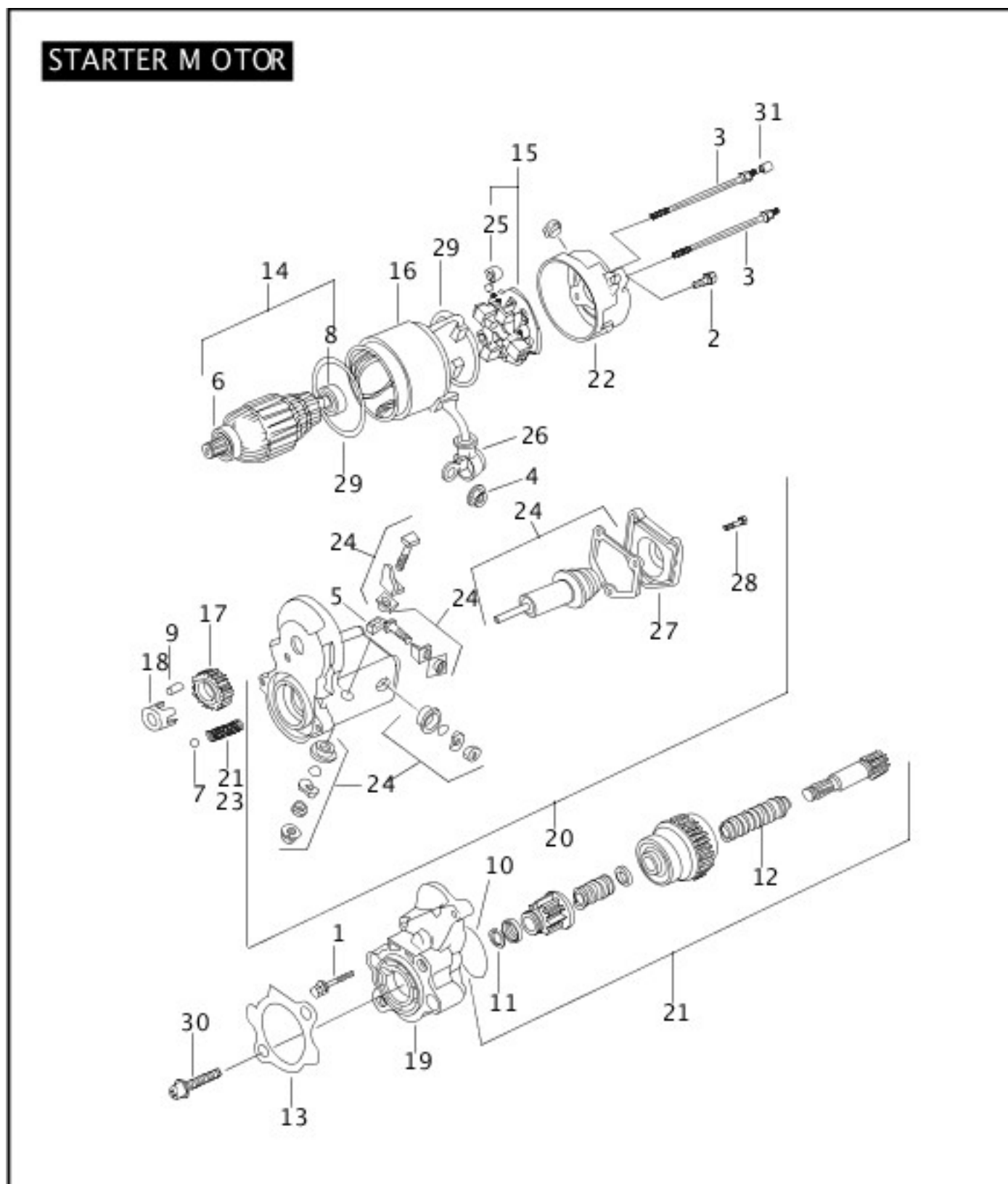


[View interactive table](#)

INDEX NO.	PART NO.	DESCRIPTION	MODEL(S)
4	31740-04	PLATE, nut	ALL
5	31755-04	BRACKET	ALL

6	31996-04	CABLE, spark plug (2)	ALL
8	32622-04C	IGNITION MODULE	ALL

## STARTER MOTOR



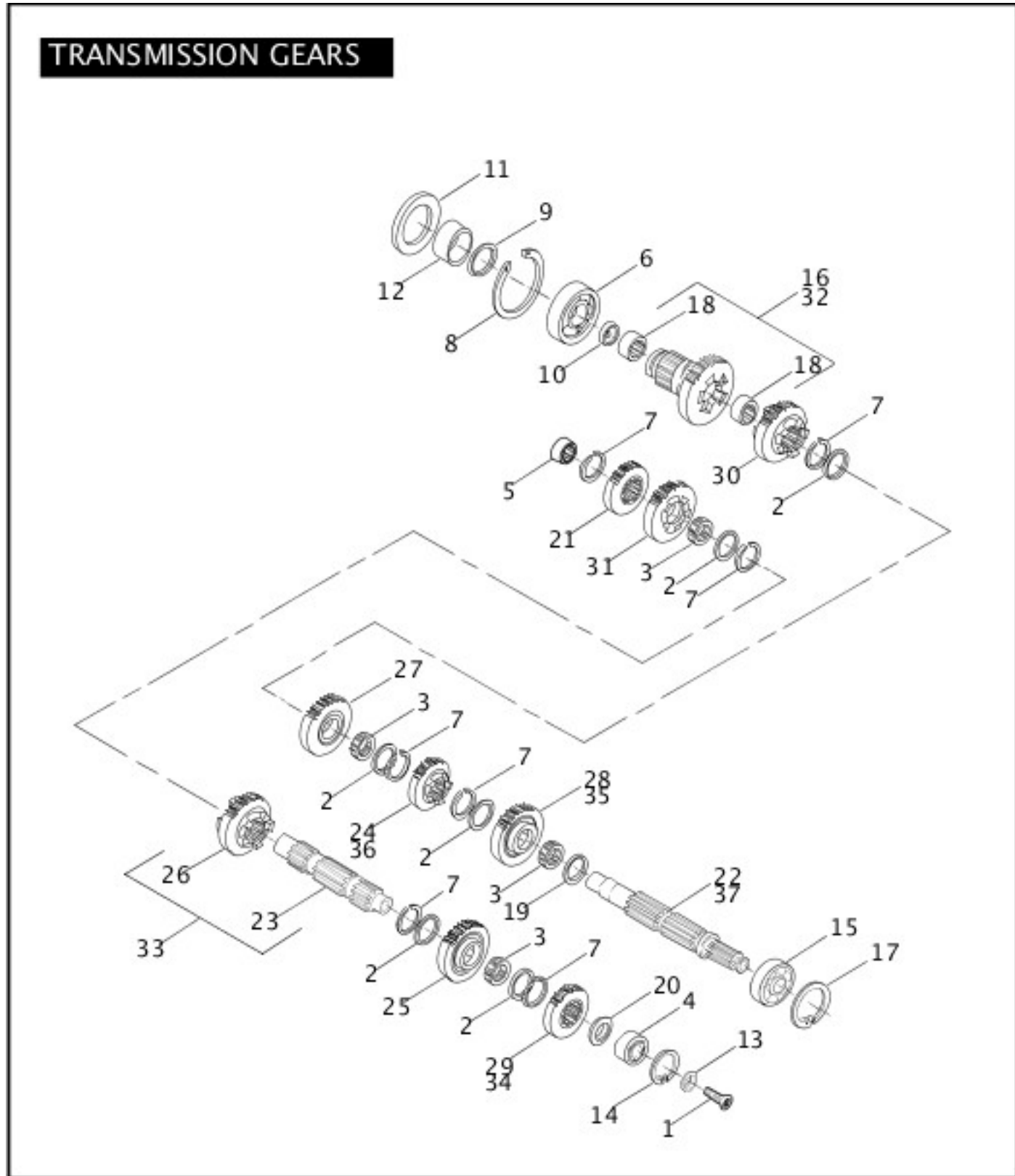
[View interactive table](#)

INDEX NO.	PART NO.	DESCRIPTION	MODEL(S)
10	10957	O-RING (use 31556-91D)	ALL
	31390-91F	STARTER MOTOR, complete	ALL
13	31488-81C	GASKET, starter motor	ALL



20	31540-91	SWITCH ASSEMBLY, magnetic	ALL
21	31556-91D	CLUTCH SUB-ASSEMBLY, w/ 8879, 10957, 31328-91, 31600-90 & 31692-90	ALL
31	89581-04A	CAP, thread protector	ALL

## TRANSMISSION GEARS

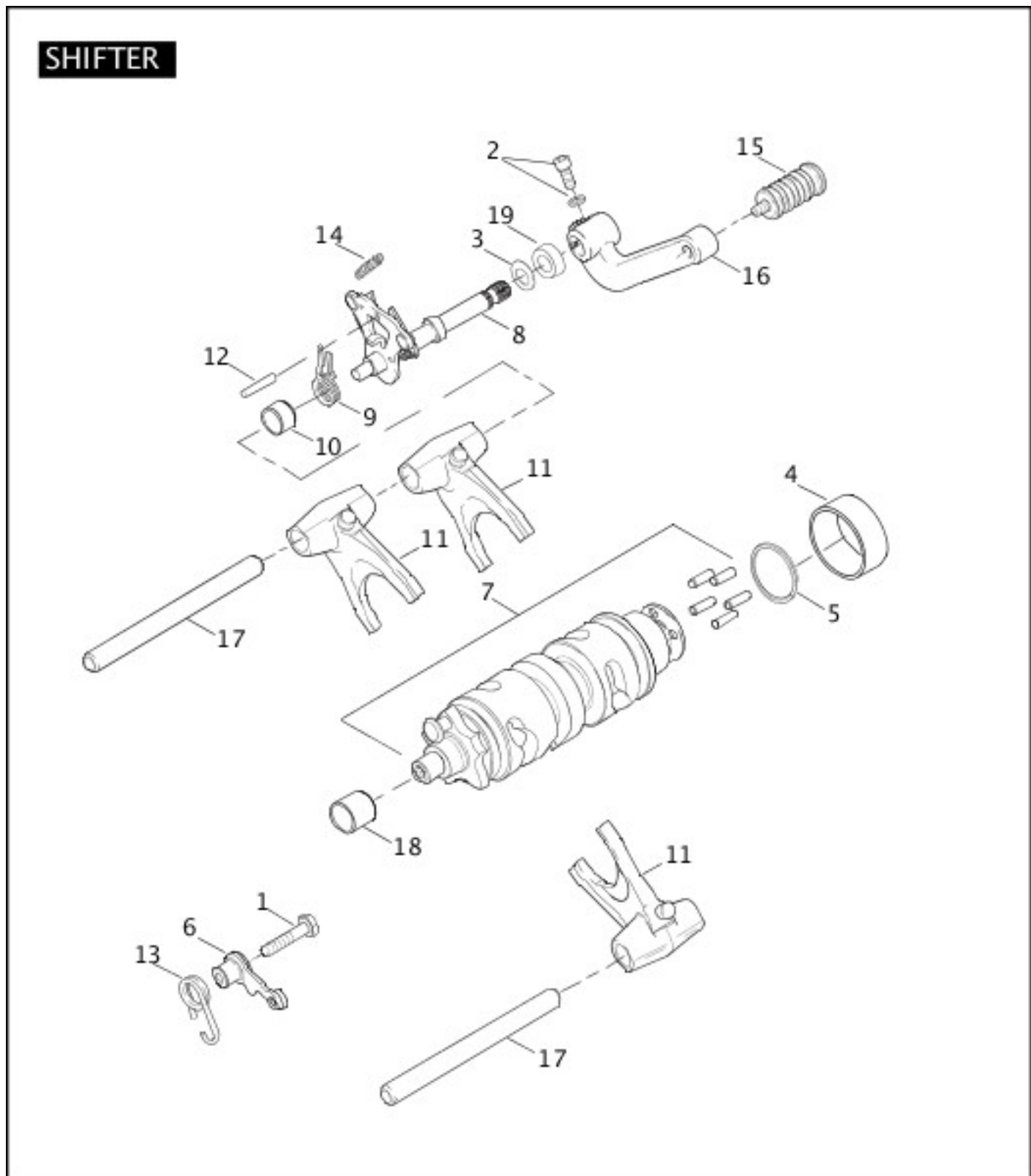


[View interactive table](#)

INDEX NO.	PART NO.	DESCRIPTION	MODEL(S)
15	35030-89A	BEARING, mainshaft	ALL
18	35051-89A	BEARING, needle (2)	ALL
20	35133-04	SPACER	ALL

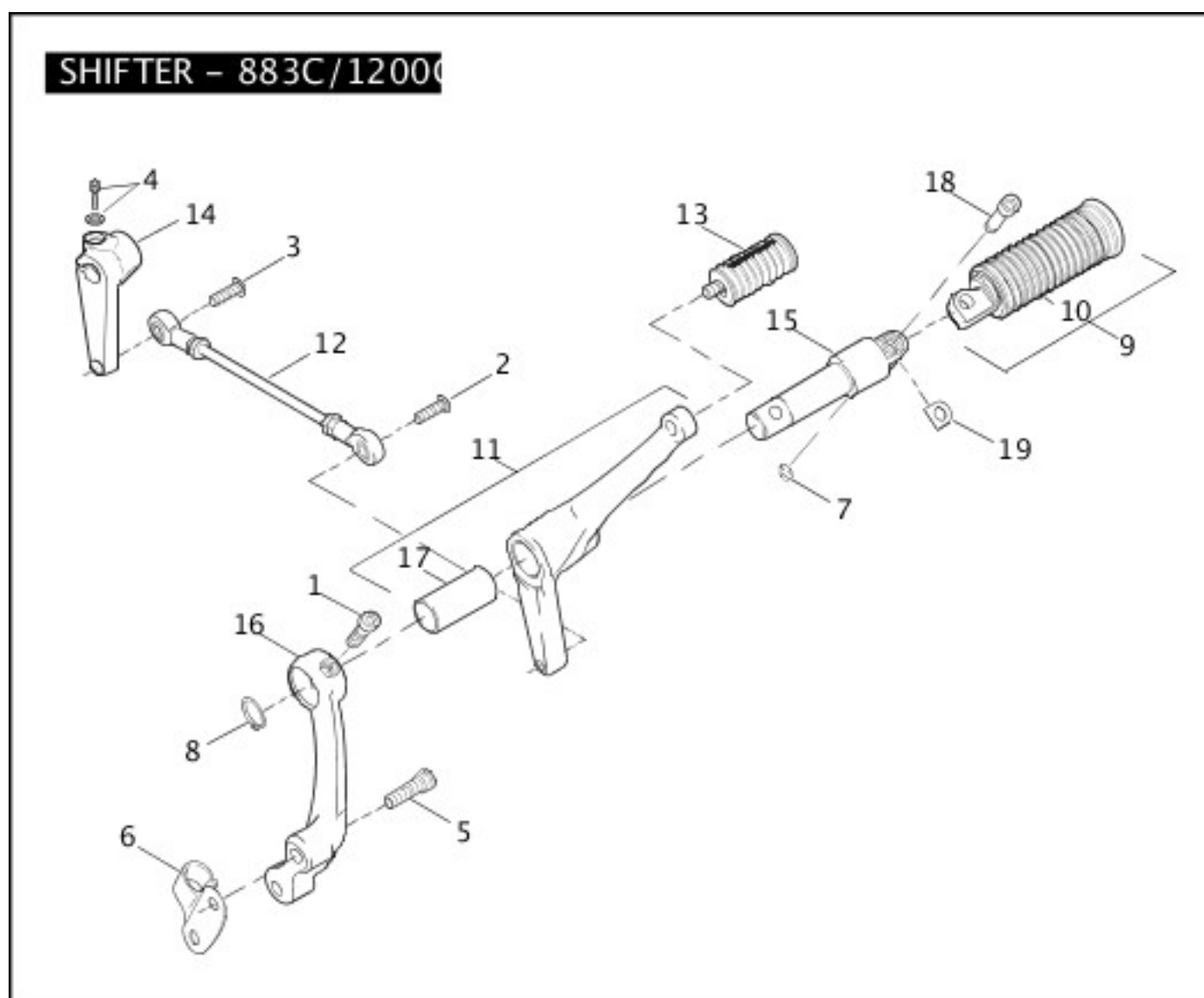
24	35762-02	GEAR, first-mainshaft	ALL
32	35128-04	GEAR ASSEMBLY, w/ 12030 & 35051-89 (Japan)	ALL
33	35647-04	COUNTERSHAFT, w/ integral beveled pinion (Japan)	ALL
34	35754-04	GEAR, fourth-countershaft, beveled (Japan)	ALL
35	35755-04	GEAR, fourth-mainshaft, beveled (Japan)	ALL
36	35756-04	GEAR, first-mainshaft (Japan)	ALL
37	35758-04	MAINSHAFT (Japan)	ALL

## SHIFTER



INDEX NO.	PART NO.	DESCRIPTION	MODEL(S)
10	34076-02A	BUSHING	ALL
15	34611-65A	SHIFTER PEG	XL1200R, XL883
16	34660-04A	SHIFT LEVER, foot (chrome)	XL1200R, XL883
17	34981-02A	SHAFT, shifter forks (2)	ALL
18	34982-02A	BUSHING, right hand crankcase	ALL
19	37101-84B	OIL SEAL	ALL

## SHIFTER - 883C/1200C

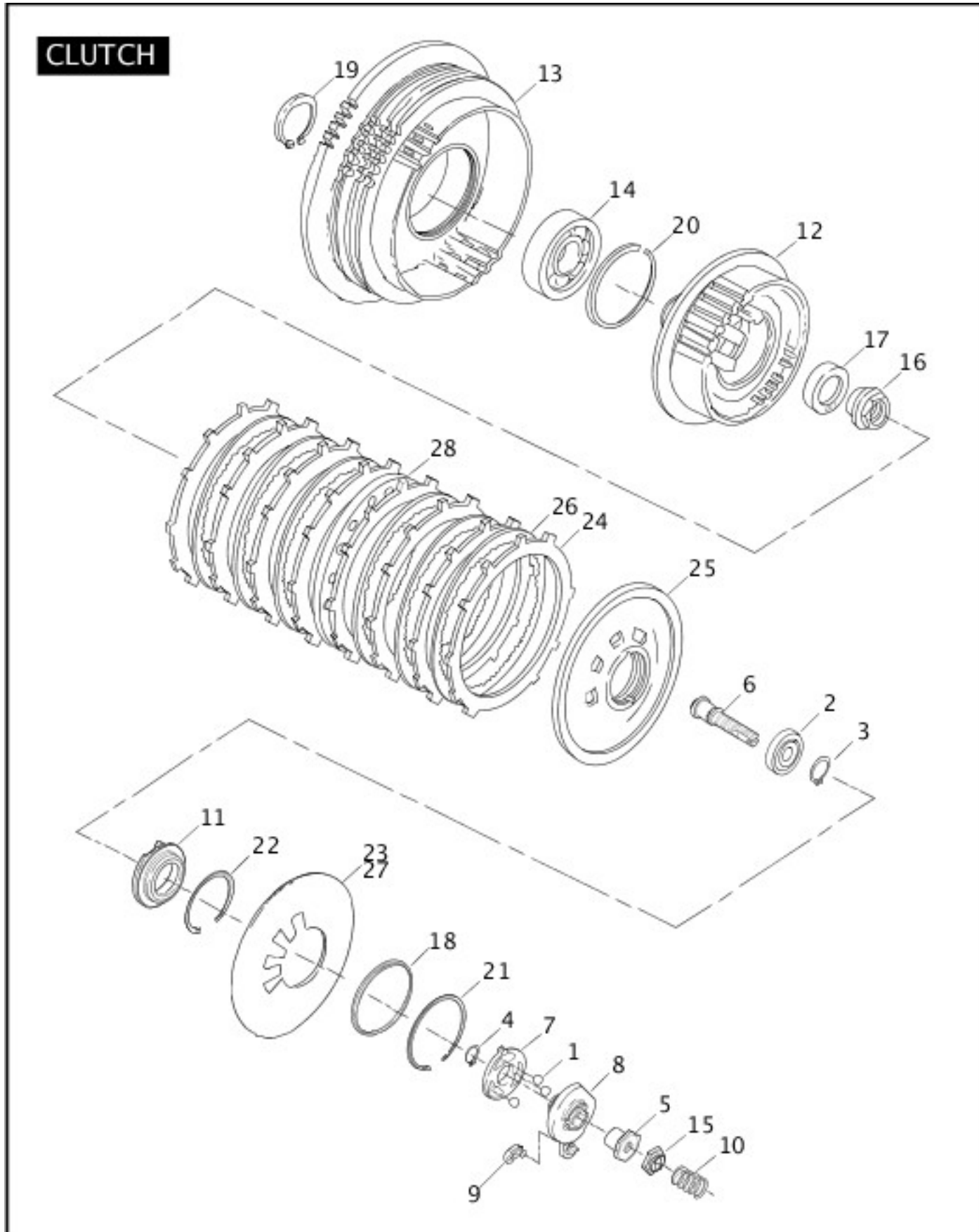


[View interactive table](#)

INDEX NO.	PART NO.	DESCRIPTION	MODEL(S)
6	10179A	J-CLIP	XL1200C, XL883C
11	34572-04	LEVER ASSEMBLY, shifter, w/ 42569-03	XL1200C, XL883C
12	34573-04	SHIFTER ROD LINK	XL1200C, XL883C
13	34611-65A	PEG ASSEMBLY, shifter pedal	XL1200C, XL883C

14	34670-04	SHIFT LEVER	XL1200C, XL883C
15	42541-04	CLEVIS, rider footpeg	XL1200C, XL883C
16	42651-04	SUPPORT BRACKET, left rider footpeg	XL1200C, XL883C
18	45041-01A	CLEVIS PIN	XL1200C, XL883C

## CLUTCH

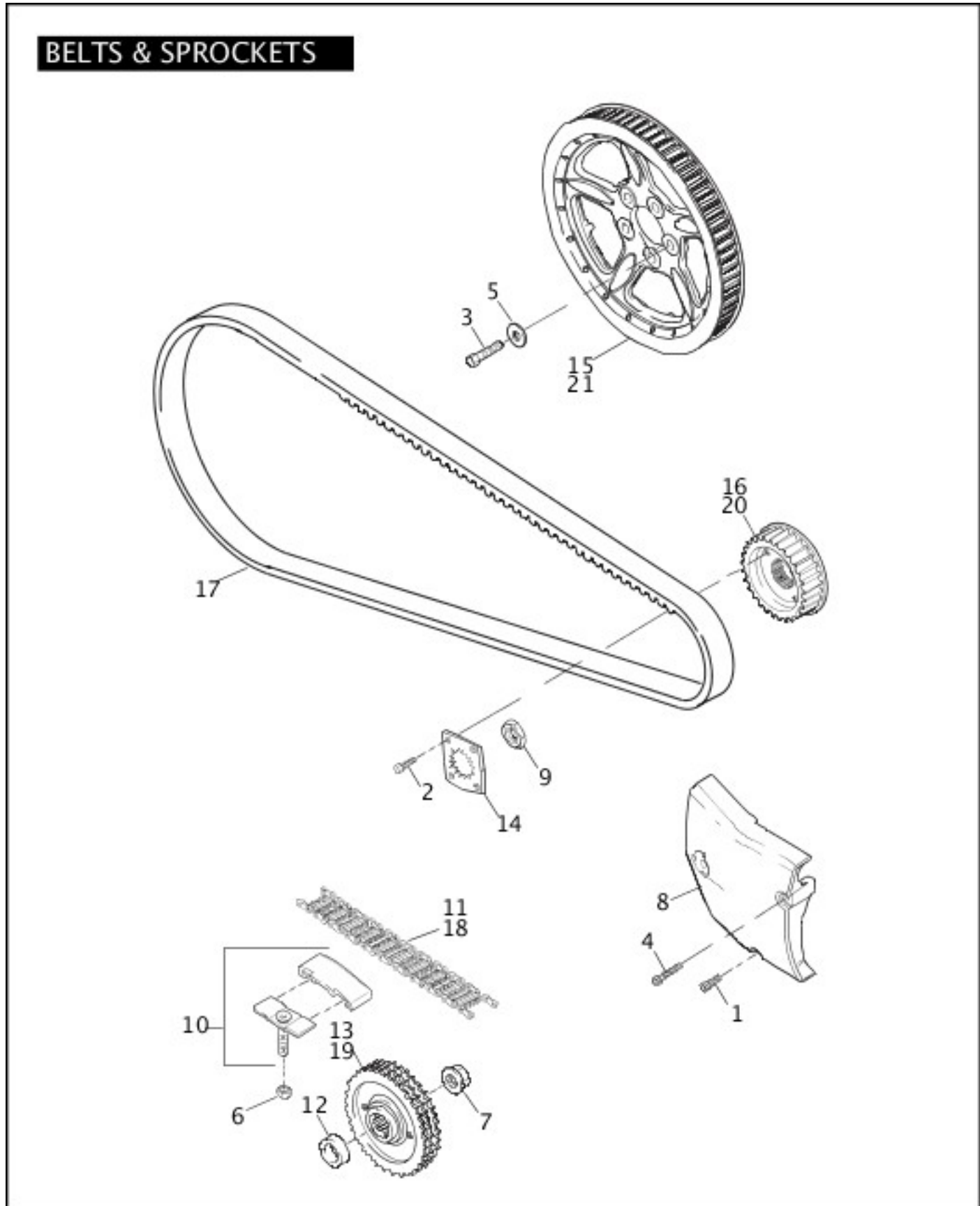


[View interactive table](#)

INDEX NO.	PART NO.	DESCRIPTION	MODEL(S)

13	36790-04	CLUTCH SHELL & SPROCKET, w/ 36799-91 & 37905-90	ALL
23	37910-04B	SPRING, clutch plate (light blue)	XL883, XL883C
27	37924-04A	SPRING, clutch plate (purple)	XL1200C, XL1200R

## **BELTS & SPROCKETS**



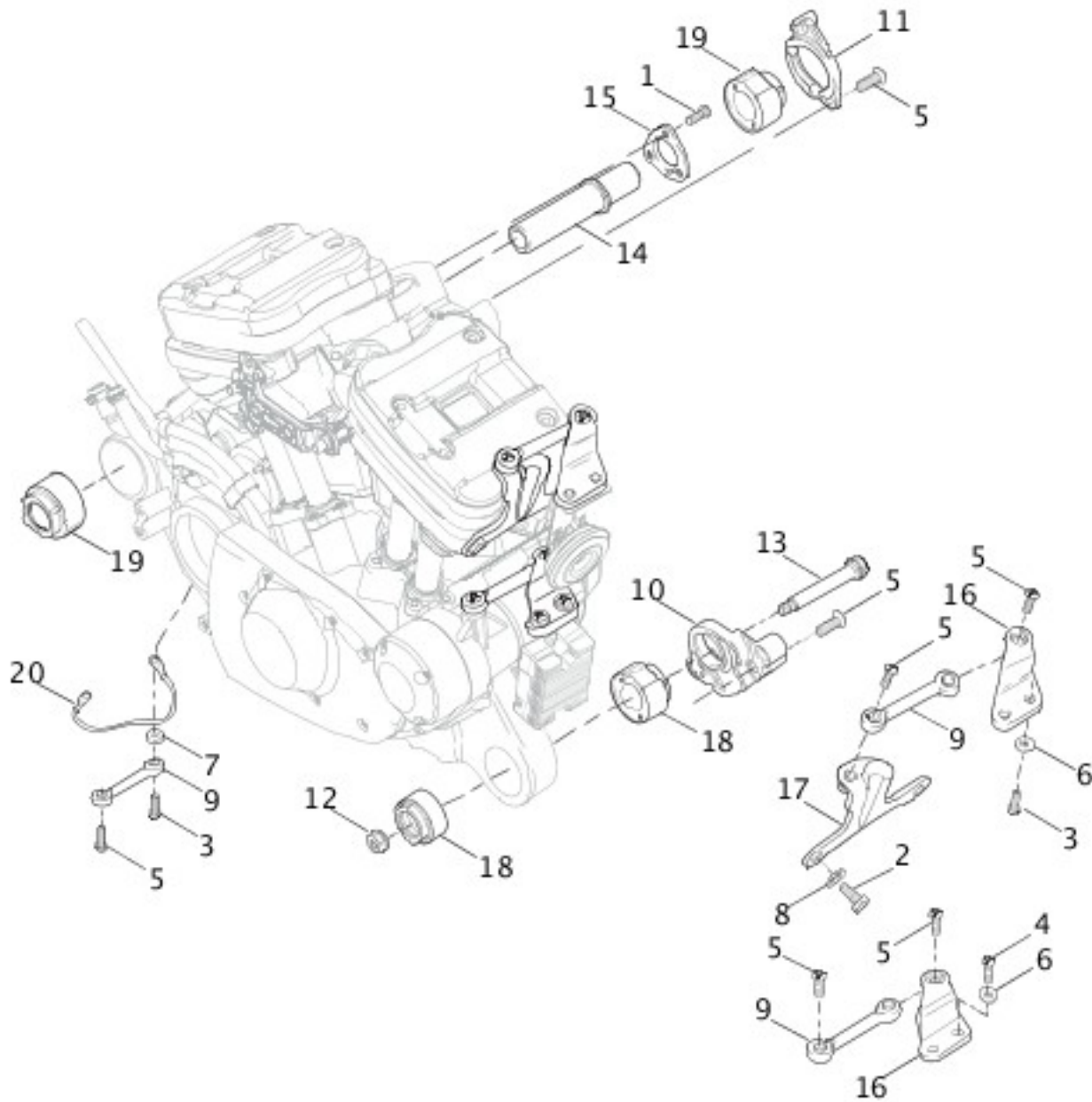
[View interactive table](#)

INDEX NO.	PART NO.	DESCRIPTION	MODEL(S)
8	34911-04	SPROCKET COVER	XL883
	34932-04	SPROCKET COVER	XL1200C

	34938-04	SPROCKET COVER	XL1200R, XL883C
10	40039-02C	CHAIN ADJUSTER ASSEMBLY	ALL
	40147-04	PRIMARY CHAIN, 96 links	XL1200C, XL1200R
13	40241-02A	SPROCKET, triple row, 34T (Domestic, Canada)	XL883, XL883C
	40290-04A	SPROCKET, triple row, 38T	XL1200C, XL1200R
15	40350-04	SPROCKET, 68T (belt) (black)	XL1200C
	40352-04	SPROCKET, 68T (belt) (silver)	XL1200R, XL883, XL883C
16	40379-04	SPROCKET, transmission, 28T	XL883, XL883C
	40409-04	SPROCKET, transmission, 29T (Domestic, Canada)	XL1200C, XL1200R
17	40570-04B	BELT, 136T	XL883, XL883C
	40571-04B	BELT, 137T	XL1200C, XL1200R
18	40147-04	PRIMARY CHAIN, 96 links (HDI, Japan)	XL883, XL883C
19	40290-04A	SPROCKET, triple row, 38T (HDI, Japan)	XL883, XL883C
20	40380-04	SPROCKET, transmission, 30T (HDI, Japan)	XL1200C, XL1200R
21	40470-04	SPROCKET, final drive, 68T (black) (Japan)	XL1200C
	40471-04	SPROCKET, final drive, 68T (silver) (Japan)	XL1200R, XL883, XL883C

## **ENGINE MOUNTS**

## ENGINE MOUNTS

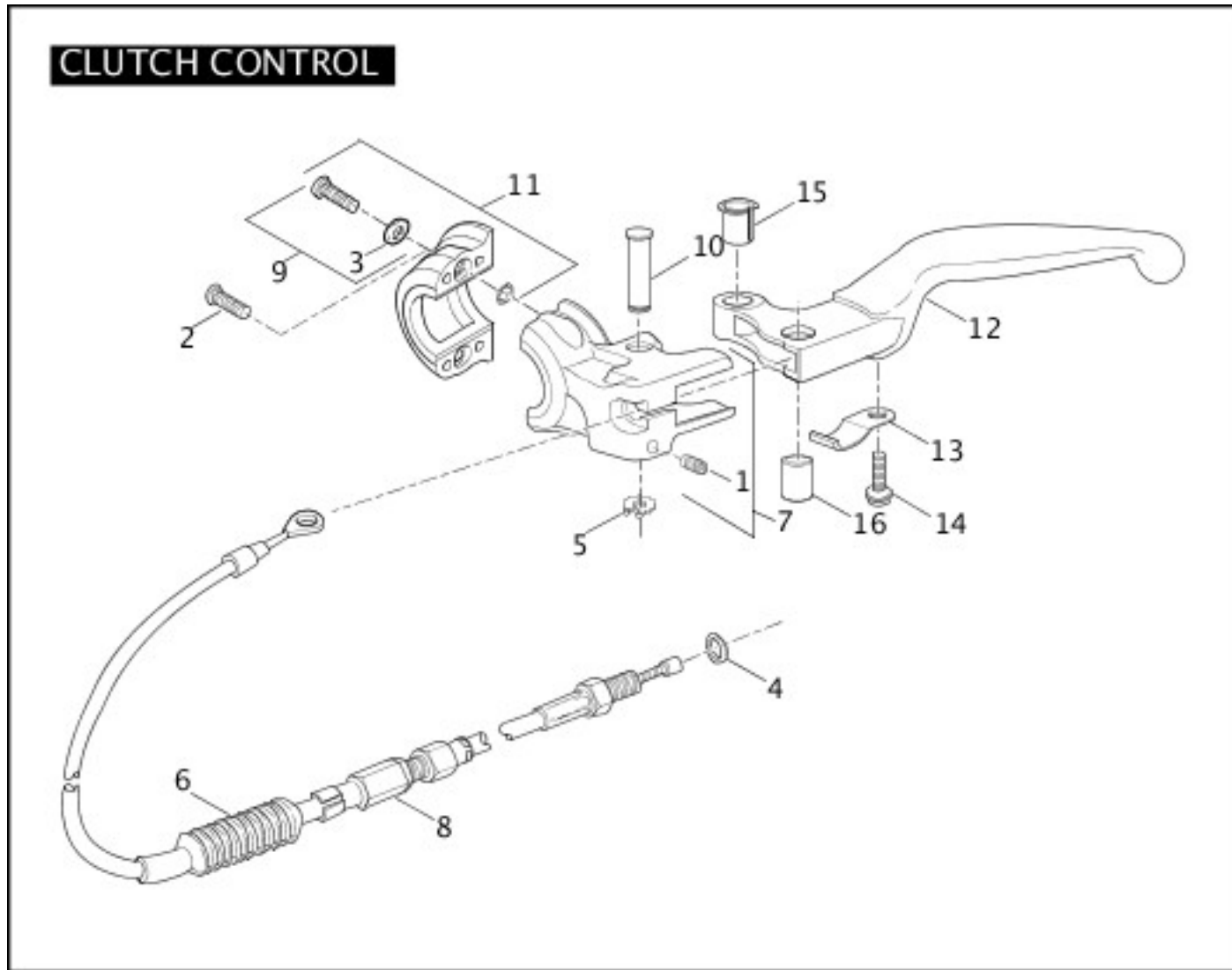


[View interactive table](#)

INDEX NO.	PART NO.	DESCRIPTION	MODEL(S)
9	16232-04	TIE-LINK (3)	ALL
10	16287-04	MOUNT, front isolator	ALL
11	16291-04	MOUNT, rear isolator	ALL
12	41561-04	NUT, lower front motor mount	ALL
13	41562-04	BOLT, lower front motor mount	ALL
14	41568-04	SHAFT, swing arm pivot	ALL
15	41699-04	LOCKPLATE, rear pivot	ALL
16	47470-04	BRACKET, tie-link (2)	ALL
17	47471-04A	BRACKET, tie-link mounting, engine	ALL
18	48463-04A	ISOLATOR, front mount (2)	ALL

19	48492-04A	ISOLATOR, rear mount (2)	ALL
20	70297-04A	STRAP, grounding	ALL

## CLUTCH CONTROL

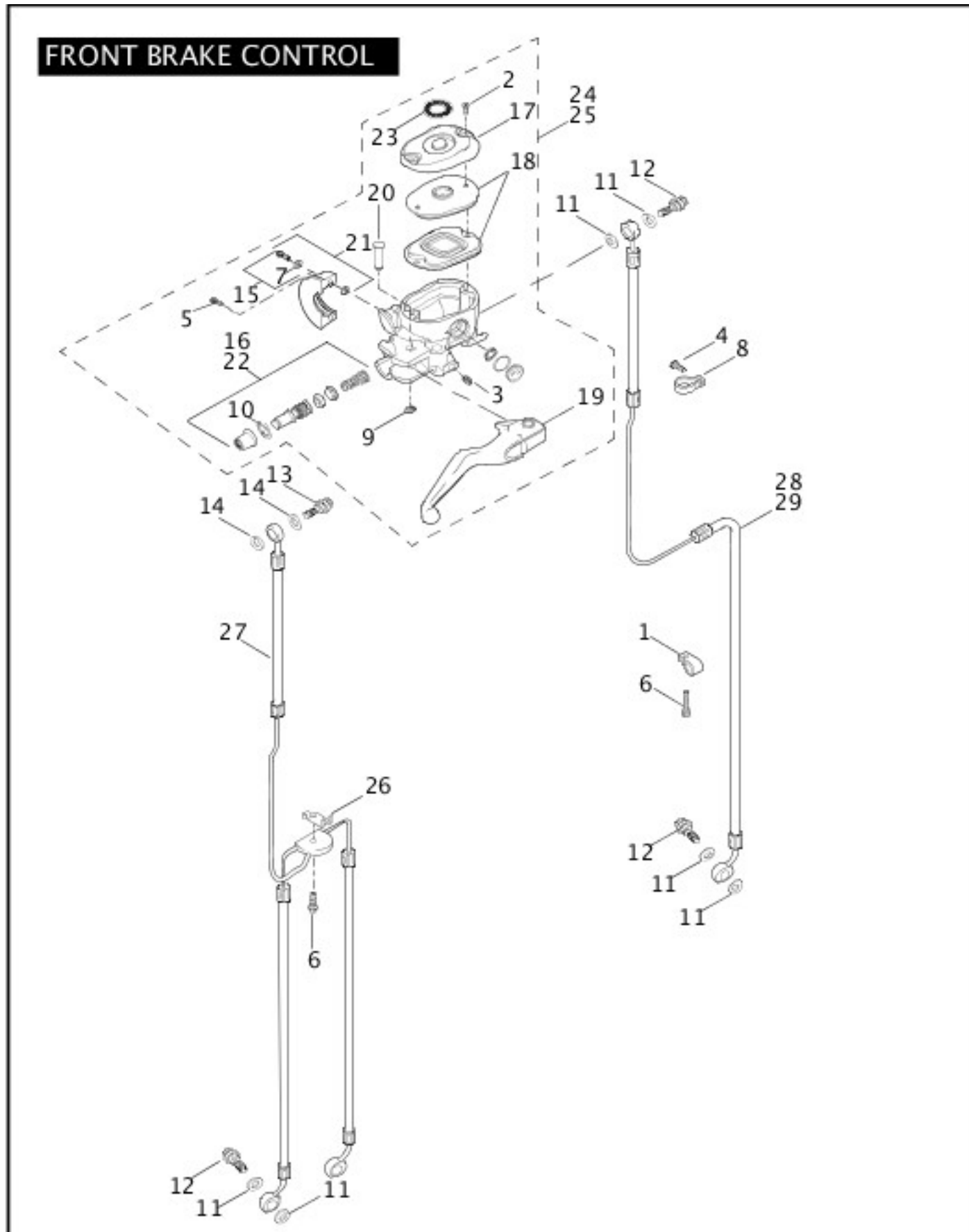


[View interactive table](#)

INDEX NO.	PART NO.	DESCRIPTION	MODEL(S)
3	6101	WASHER (used w/ 42425-05) (2)	ALL
7	38671-04	BRACKET, clutch lever	ALL
8	38699-04C	KIT, CLUTCH CABLE, w/ 11179, 11379, 38630-88 & 46268-04	ALL
9	42425-05	KIT, WASHER & SCREW, w/ 6101 (replaces 4262)	ALL
10	42807-04	PIVOT PIN	ALL
11	42808-04	CLAMP, clutch control, w/ 42425-05	ALL
12	45356-07	CLUTCH LEVER ASSEMBLY, w/ 45799-04, 45800-04 & 45801-04	ALL
13	45799-04	SPRING, anti-rattle	ALL
14	45800-04	SCREW, spring, clutch lever	ALL
15	45801-04	BUSHING	ALL



## FRONT BRAKE CONTROL



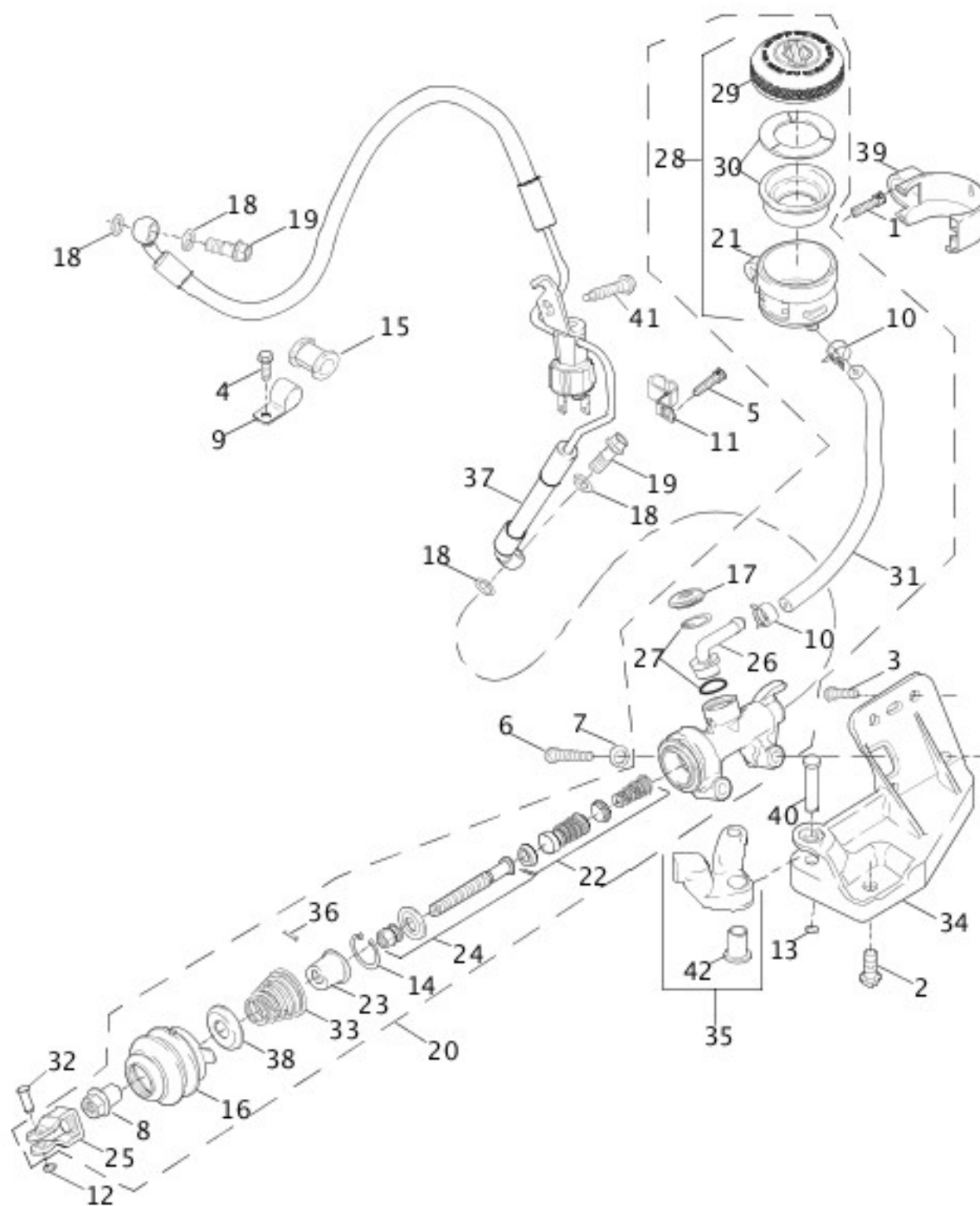
[View interactive table](#)

INDEX NO.	PART NO.	DESCRIPTION	MODEL(S)
2	2586A	SCREW, flat (2)	ALL
4	4240	SCREW	ALL

7	6101	WASHER (used w/ 42425-05) (2)	ALL
11	41732-04	SEALING WASHER, 10mm (4)	ALL
12	41736-04	BANJO BOLT, 10mm (2)	ALL
13	41737-04	BANJO BOLT, 12mm	XL1200R
14	41743-04	SEALING WASHER, 12mm (2)	XL1200R
15	42425-05	KIT, WASHER & SCREW, w/ 6101 (replaces 4262)	ALL
16	42803-04B	REBUILD KIT, front master cylinder, single, w/ 11142, 11379 & 41732-04	XL1200C, XL883, XL883C
17	42804-04	CAP, front master cylinder, w/ 44791-04	ALL
18	42805-04	GASKET KIT, master cylinder	ALL
19	42806-04	LEVER, front brake	ALL
20	42807-04	BOLT, lever	ALL
21	42808-04	CLAMP, master cylinder	ALL
22	42809-04B	REBUILD KIT, front master cylinder, dual, w/ 11142, 11379 & 41743-04	XL1200R
23	44791-04	DECAL, front master cylinder (use 42804-04)	ALL
24	45052-04	MASTER CYLINDER ASSEMBLY, dual, front	XL1200R
25	45146-04	MASTER CYLINDER ASSEMBLY, single, front	XL1200C, XL883, XL883C
27	45319-04	BRAKELINE, front, dual	XL1200R
28	45449-04C	BRAKELINE, front, single	XL1200C, XL883C
29	46400-04	BRAKELINE, front, single	XL883

## **REAR BRAKE MASTER CYLINDER**

## REAR BRAKE MASTER CYLINDER



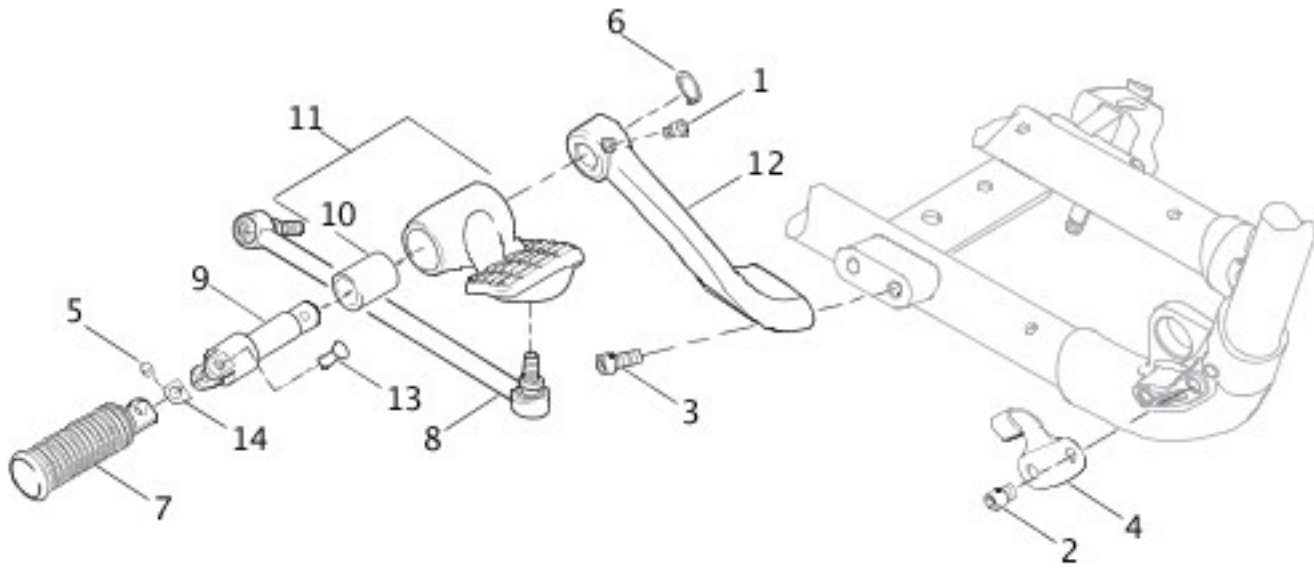
[View interactive table](#)

INDEX NO.	PART NO.	DESCRIPTION	MODEL(S)
16	40946-04	BOOT, external	ALL
17	40948-04	DUST COVER	ALL
18	41732-04	SEALING WASHER, 10mm (4)	ALL
19	41736-04	BANJO BOLT, 10mm (2)	ALL
20	42521-04	MASTER CYLINDER AND RESERVOIR ASSEMBLY, rear	ALL
21	42595-04	TANK, rear brake reservoir	ALL

22	42810-04B	REBUILD KIT, master cylinder, w/ 11121, 41732-04, 42811-04, 44189-04	ALL
23	42811-04	BOOT, master cylinder, rear	ALL
24	42812-04	PUSH ROD ASSEMBLY	ALL
25	42813-04	YOKE, master cylinder	ALL
26	42814-04	PORT, rear master cylinder	ALL
27	42815-04	SEAL KIT, port, w/ retaining ring and O-ring	ALL
28	42816-04	RESERVOIR ASSEMBLY, brake, w/ 42595-04, 42817-04, 42818-04	ALL
29	42817-04	CAP, rear brake reservoir	ALL
30	42818-04	GASKET KIT, rear brake reservoir	ALL
31	42821-04	HOSE	ALL
32	42255-04	PIN, brake lever	ALL
33	42593-04	SPRING, external return	ALL
34	42976-04	BRACKET, mounting, rear master cylinder	ALL
35	42979-04	BELL CRANK ASSEMBLY, w/ 42846-04	ALL
36	44189-04	SPRING PIN	ALL
37	44429-04	BRAKELINE ASSEMBLY, w/ 11407	ALL
38	44590-04	RETAINER, spring	ALL
39	67804-04	COVER, reservoir	ALL
40	94432-04	SHOULDER BOLT, bell crank	ALL
41	94612-04	SCREW, dog point	ALL
42	42846-04	BUSHING, bell crank	ALL

## **REAR BRAKE CONTROL - 883/1200R**

## REAR BRAKE CONTROL – 883/1200R

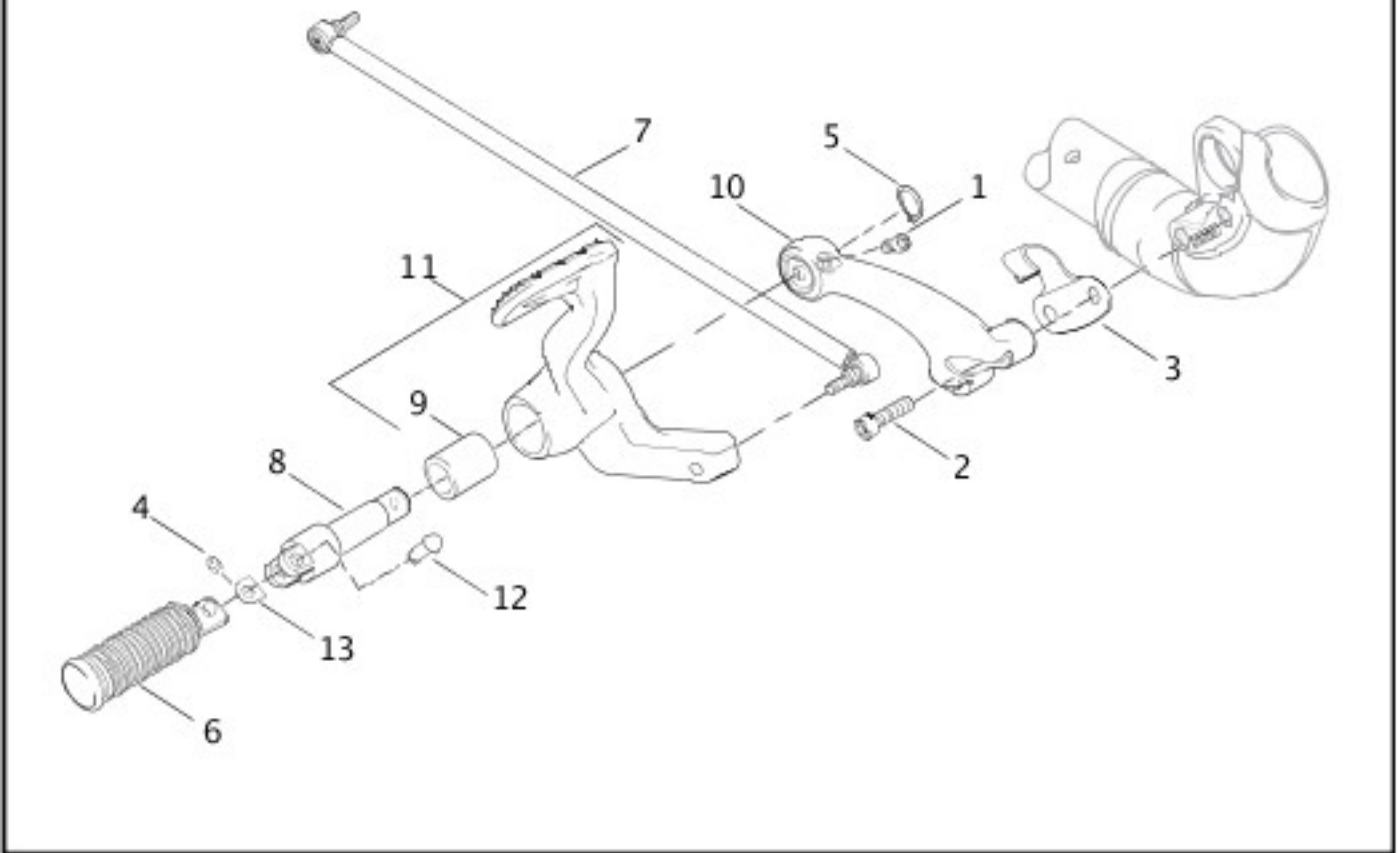


[View interactive table](#)

INDEX NO.	PART NO.	DESCRIPTION	MODEL(S)
4	10179A	J-CLIP	XL1200R, XL883
8	34582-04	BRAKE ROD ASSEMBLY	XL1200R, XL883
9	42541-04	CLEVIS, rider footpeg	XL1200R, XL883
11	42969-04	PEDAL ASSEMBLY, w/ 42569-03	XL1200R, XL883
12	42971-04	SUPPORT BRACKET, right rider footpeg	XL1200R, XL883
13	45041-01A	CLEVIS PIN	XL1200R, XL883

## [REAR BRAKE CONTROL - 883C/1200C](#)

## REAR BRAKE CONTROL – 883C/1200C

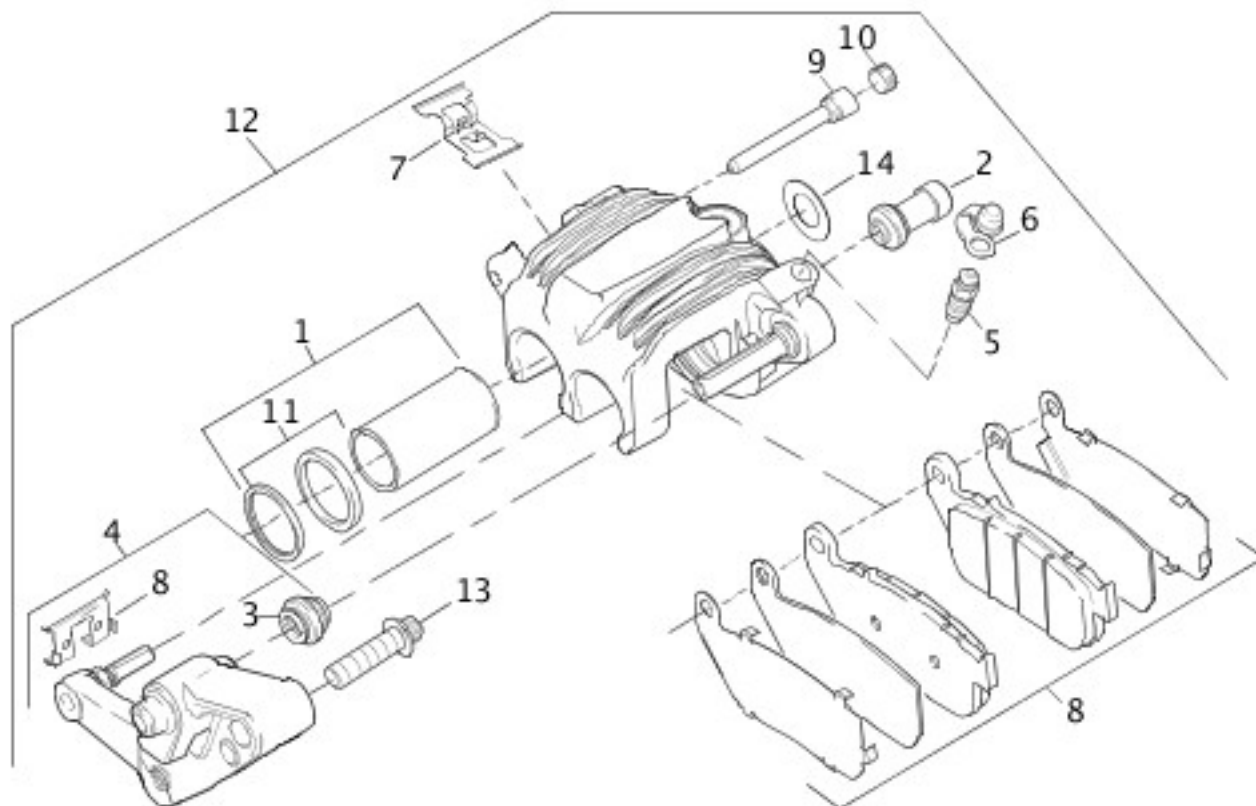


[View interactive table](#)

INDEX NO.	PART NO.	DESCRIPTION	MODEL(S)
3	10179A	J-CLIP	XL1200C, XL883C
7	34581-04	BRAKE ROD ASSEMBLY	XL1200C, XL883C
8	42566-04	CLEVIS, rider footpeg	XL1200C, XL883C
10	42652-04	SUPPORT BRACKET, right rider footpeg	XL1200C, XL883C
11	42685-04	PEDAL ASSEMBLY, w/ 42569-03	XL1200C, XL883C
12	45041-01A	CLEVIS PIN	XL1200C, XL883C

## [FRONT BRAKE CALIPER](#)

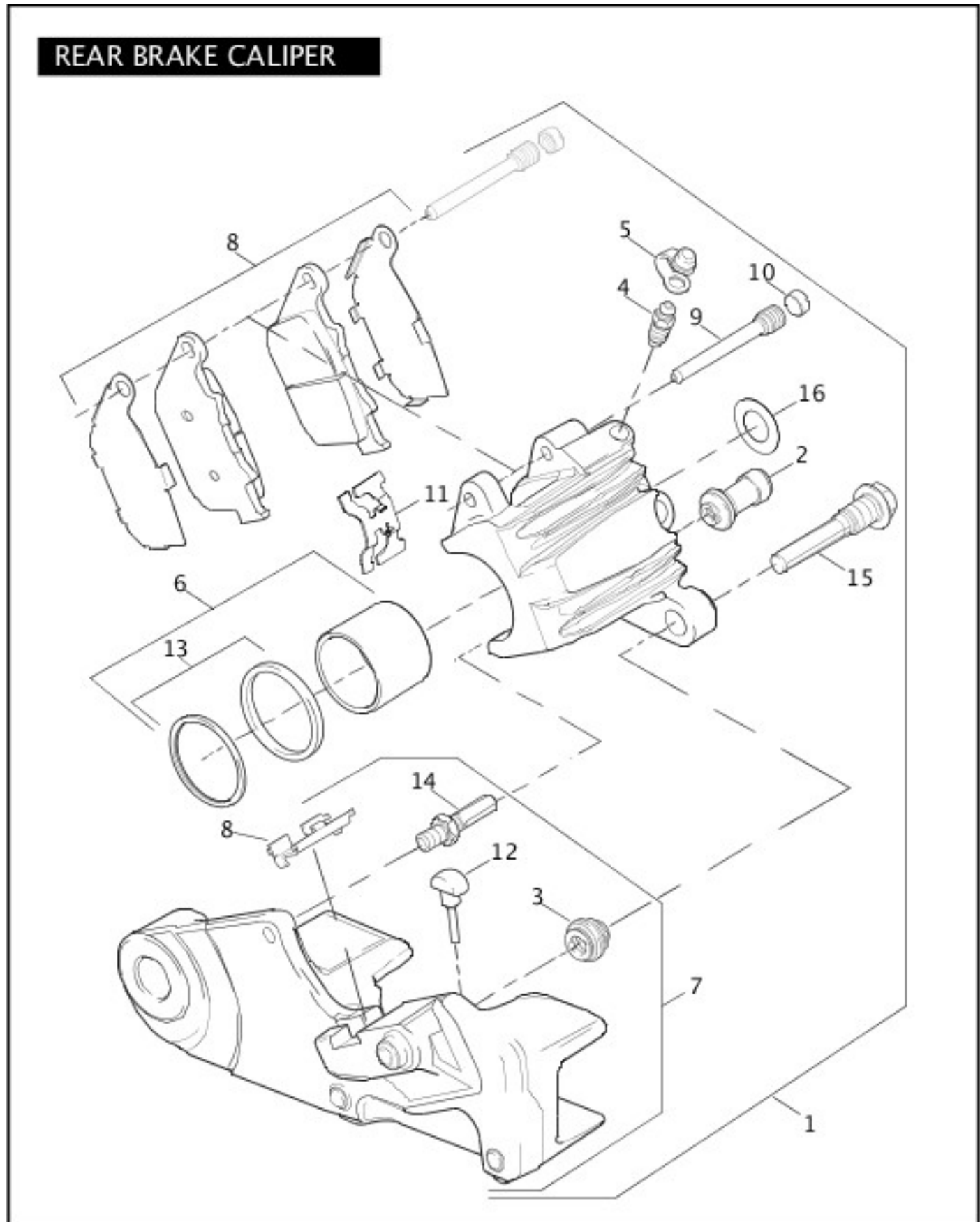
## FRONT BRAKE CALIPER



[View interactive table](#)

INDEX NO.	PART NO.	DESCRIPTION	MODEL(S)
1	42822-04	PISTON KIT, front	ALL
2	42823-04	BOOT, caliper bushing	ALL
3	42824-04	BOOT, caliper pin	ALL
4	42825-04	CALIPER BRACKET ASSEMBLY, front left, w/ 42824-04	ALL
	42826-04	CALIPER BRACKET ASSEMBLY, front right, w/ 42824-04 (not illustrated)	XL1200R
5	42827-04	SCREW, bleeder	ALL
6	42828-04	CAP, bleeder screw	ALL
7	42829-04	SPRING, pad, front	ALL
8	42831-04A	PAD KIT, front	ALL
9	42832-04	PAD PIN, front caliper	ALL
10	42838-04	PLUG, pad pin	ALL
11	43529-04	SEAL KIT, front caliper	ALL
12	44119-04	CALIPER ASSEMBLY, front right (not illustrated)	XL1200R
	44121-04A	CALIPER ASSEMBLY, front left	ALL

## REAR BRAKE CALIPER



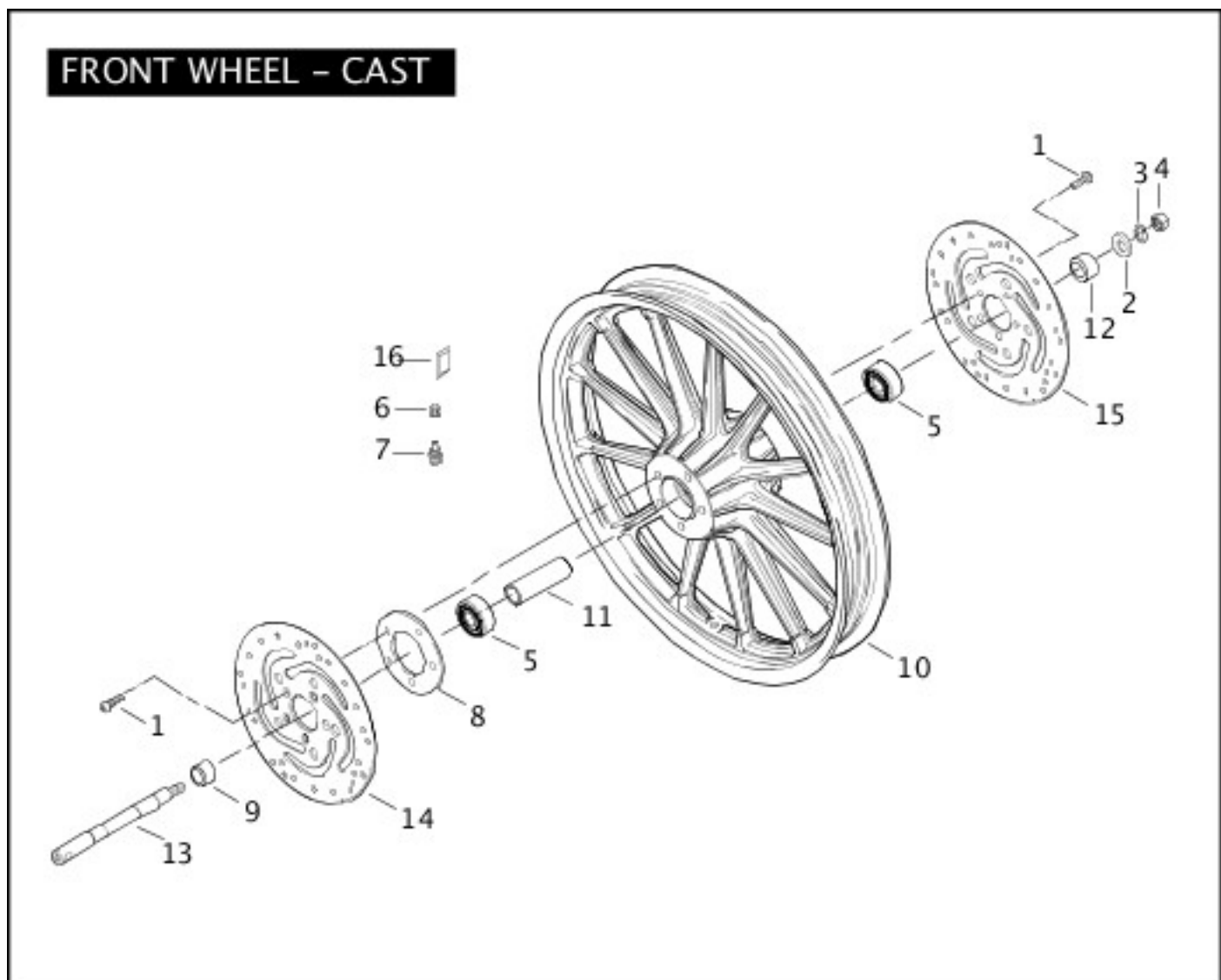
[View interactive table](#)

INDEX NO.	PART NO.	DESCRIPTION	MODEL(S)
1	40968-04A	CALIPER ASSEMBLY, rear	ALL
2	42823-04	BOOT, caliper bushing	ALL
3	42824-04	BOOT, caliper pin	ALL



4	42827-04	SCREW, bleeder	ALL
5	42828-04	CAP, bleeder screw	ALL
6	42834-04	PISTON KIT, rear caliper	ALL
7	42835-04	BRACKET ASSEMBLY, rear caliper, w/ 42824-04, 42840-04 & 44178-04	ALL
8	42836-04A	PAD KIT, rear	ALL
9	42837-04	PAD PIN, rear caliper	ALL
10	42838-04	PLUG, pad pin	ALL
11	42839-04	SPRING, pad, rear	ALL
12	42840-04	DAMPER	ALL
13	43528-04	SEAL KIT	ALL
14	44178-04	PIN, bolt	ALL
15	44184-04	PIN, bolt A	ALL
16	44440-04	DECAL, caliper	ALL

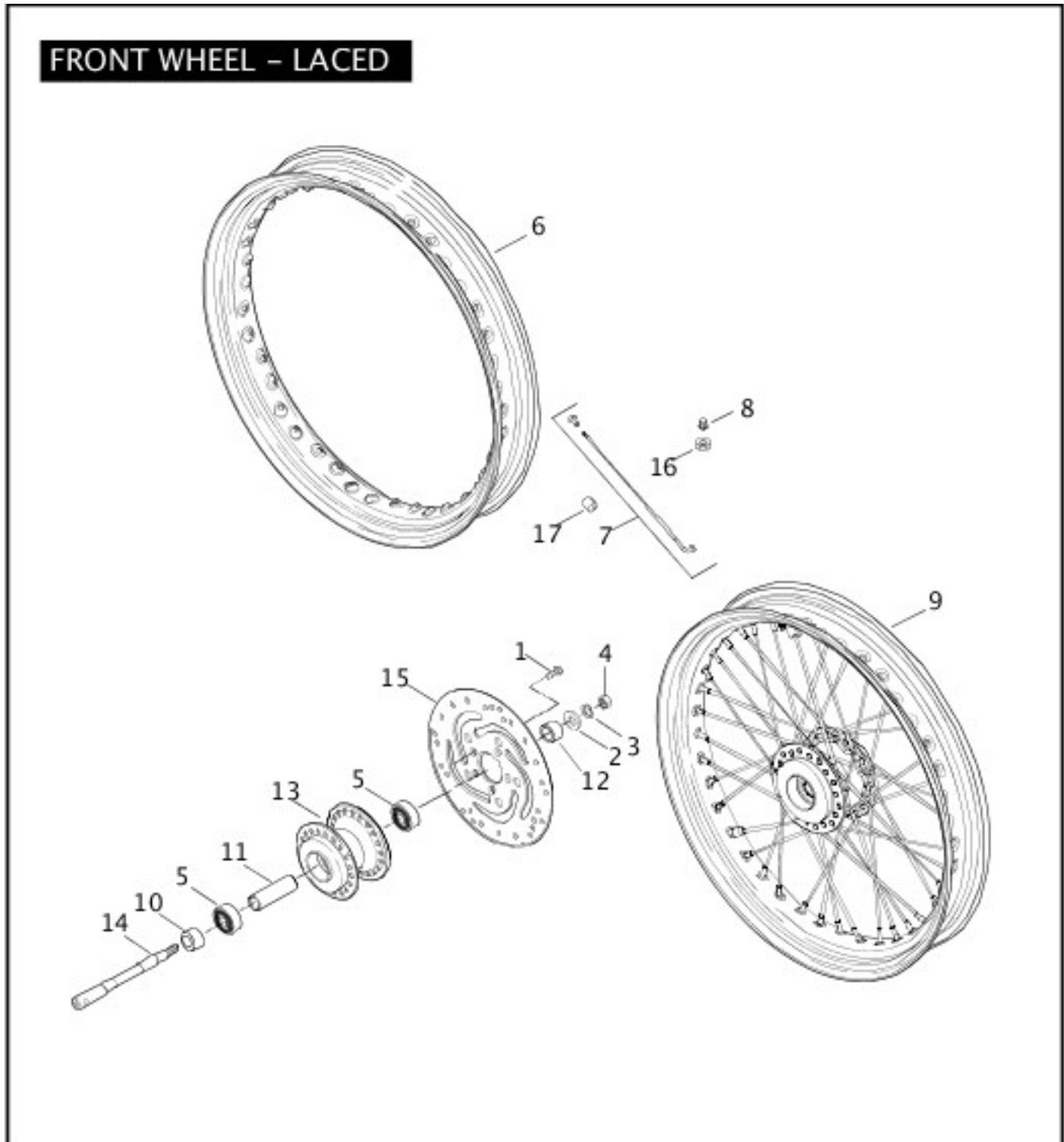
## FRONT WHEEL - CAST



[View interactive table](#)

INDEX NO.	PART NO.	DESCRIPTION	MODEL(S)
10	43594-00A	WHEEL, 19 inch, 13-spoke, w/o bearings & sleeve (silver)	XL1200R, XL883
16	95595-84A	WHEEL WEIGHT, 5 grams (silver)	XL1200R, XL883

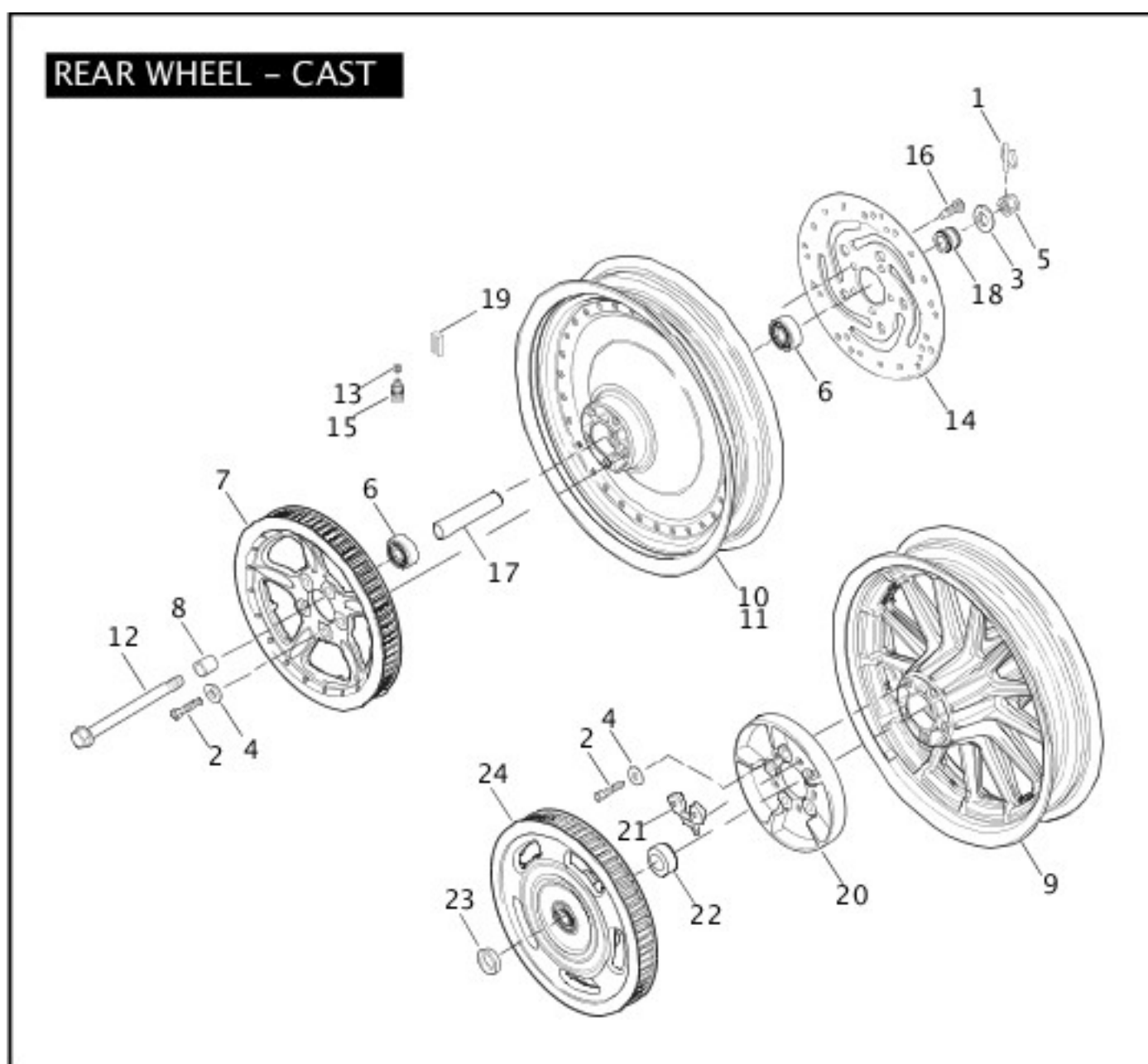
## FRONT WHEEL - LACED



[View interactive table](#)

INDEX NO.	PART NO.	DESCRIPTION	MODEL(S)
	40760-05	SPOKE AND NIPPLE KIT, 21 inch rim, short (set of 20)	XL1200C, XL883C
	43557-05A	WHEEL ASSEMBLY, 21 inch, w/ 6, 7 & wheel hub assembly, w/o bearings & sleeve (replaces 43557-00A)	XL1200C, XL883C

# REAR WHEEL - CAST

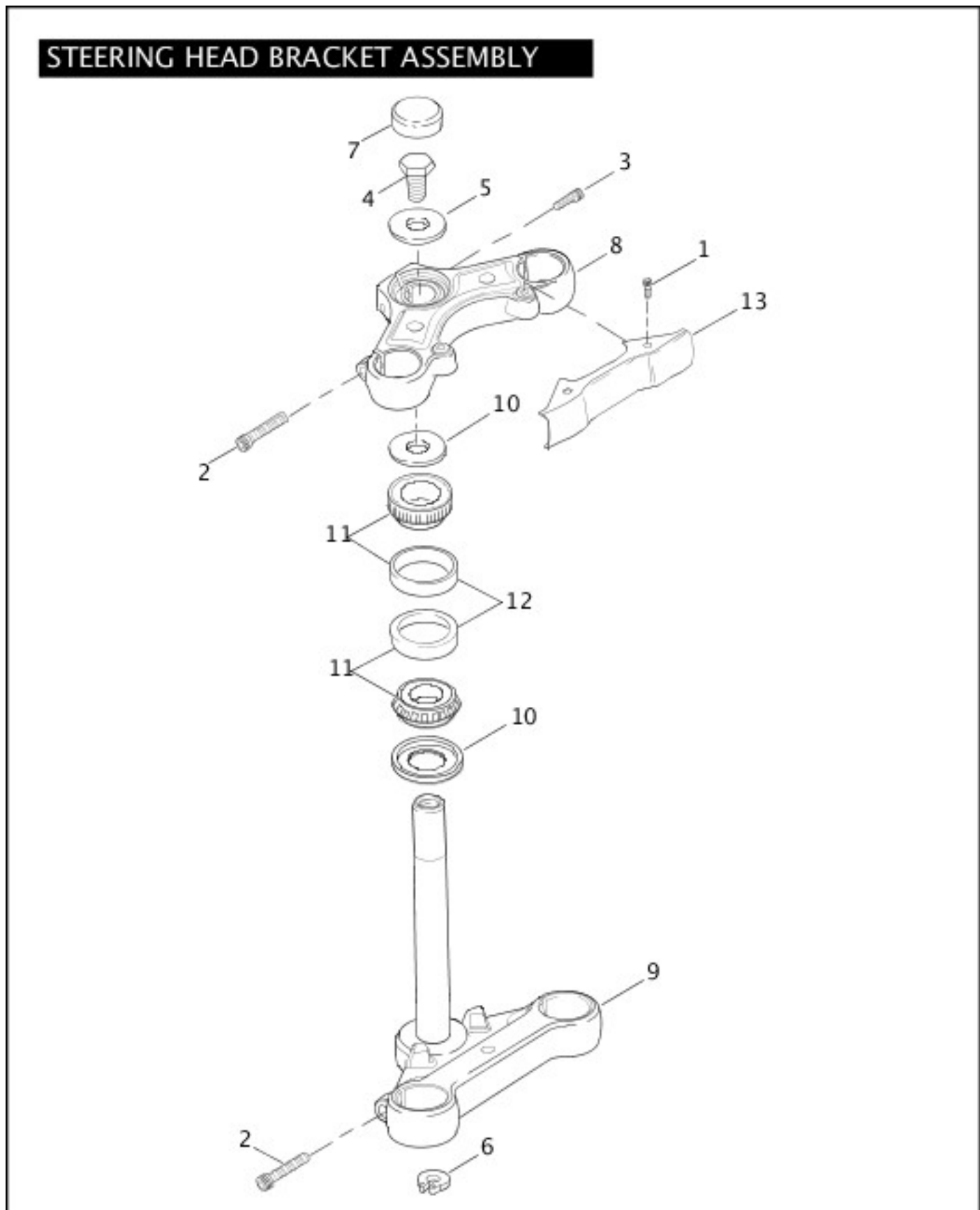


[View interactive table](#)

INDEX NO.	PART NO.	DESCRIPTION	MODEL(S)
7	40350-04	SPROCKET, 68T (belt) (black)	XL1200C
	40352-04	SPROCKET, 68T (belt) (silver)	XL1200R, XL883, XL883C
8	40930-04	SPACER, sprocket side	ALL
9	40992-00A	WHEEL ASSEMBLY, 16 inch, 13-spoke, w/o bearings & sleeve (silver)	XL1200R, XL883
10	41013-00A	WHEEL, solid with slots, w/o bearings & sleeve (chrome)	XL1200C
11	41058-00A	WHEEL, solid with holes, w/o bearings & sleeve (silver)	XL883C
19	95595-84A	WHEEL WEIGHT, 5 grams (4)	ALL
20	40464-04	BOWL COMPENSATOR (Japan)	ALL

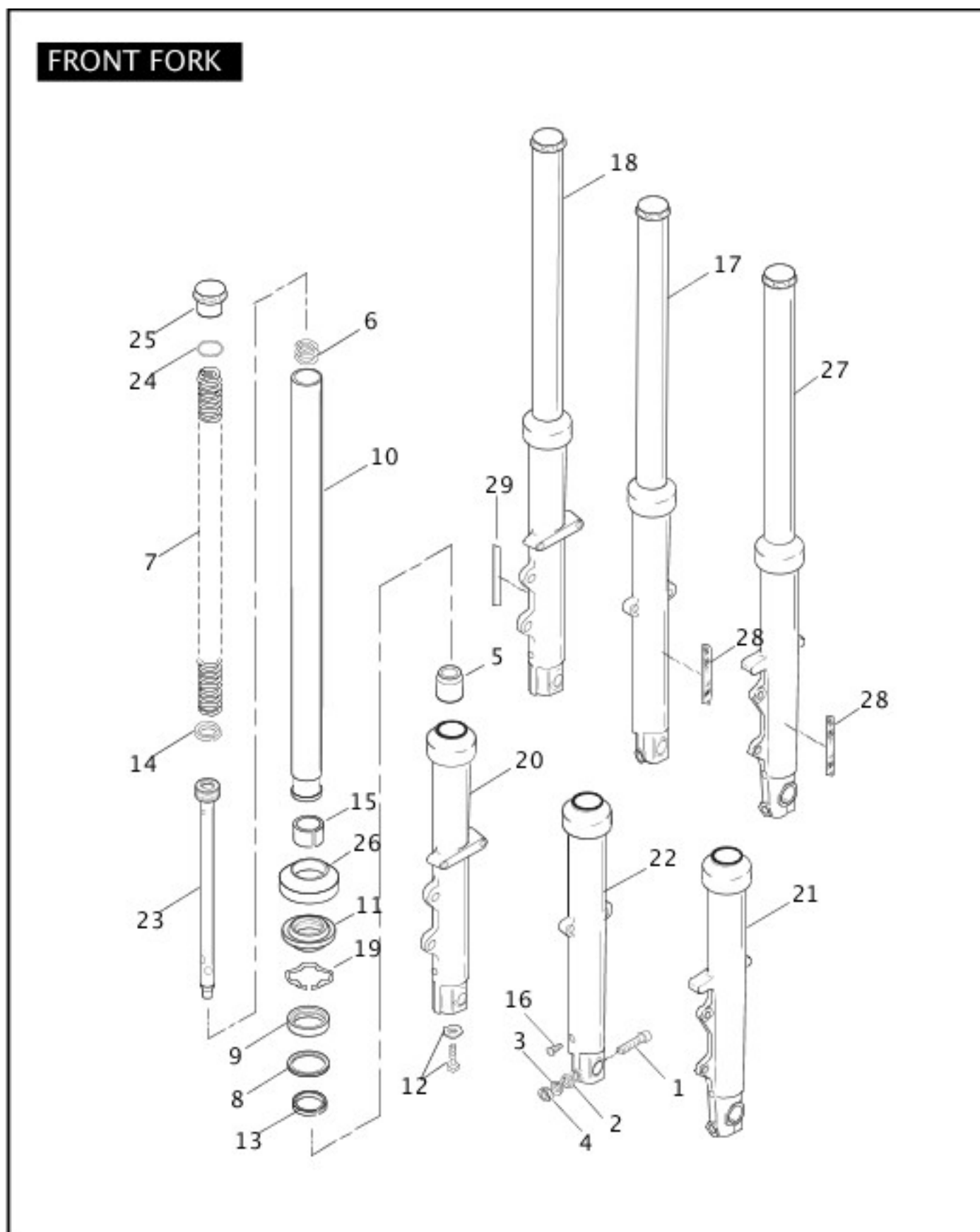
21	40465-04	ISOLATOR, sprocket (Japan)	ALL
22	40466-04	SPACER (Japan)	ALL
23	40467-04	SPACER, outer sprocket (Japan)	ALL
24	40470-04	SPROCKET ASSEMBLY, final drive w/ bearing, 68T (black) (Japan)	XL1200C
	40471-04	SPROCKET ASSEMBLY, final drive w/ bearing, 68T (silver) (Japan)	XL1200R, XL883, XL883C

## STEERING HEAD BRACKET ASSEMBLY



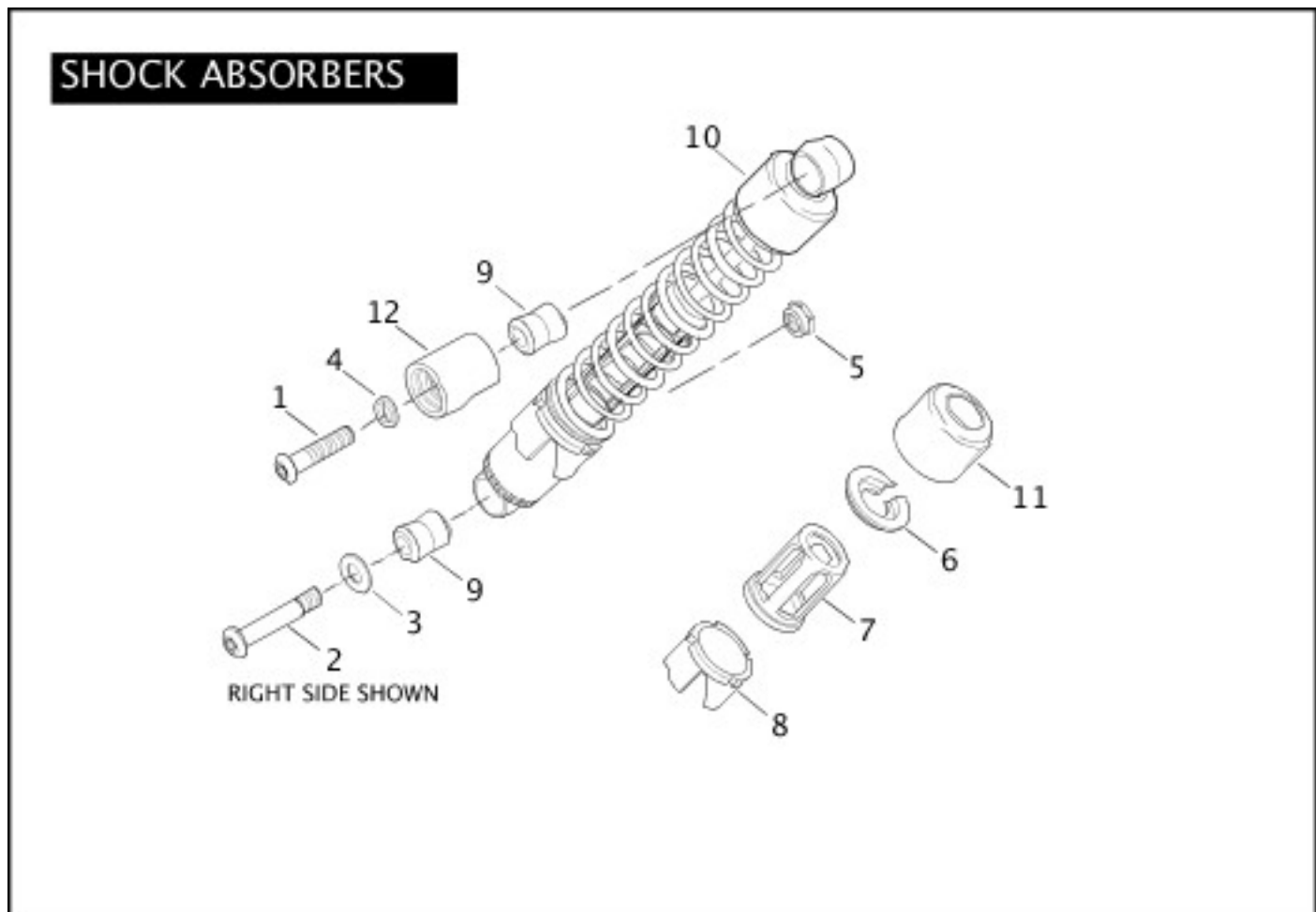
INDEX NO.	PART NO.	DESCRIPTION	MODEL(S)
8	45966-04	BRACKET, upper	ALL
9	46126-04	BRACKET, lower w/ bearing and seal	XL1200C, XL883C
	46127-04	BRACKET, lower w/ bearing and seal	XL1200R, XL883
13	68041-04	COVER, upper triple clamp	XL1200C, XL883C

## FRONT FORK



INDEX NO.	PART NO.	DESCRIPTION	MODEL(S)
7	45376-04	SPRING (2)	ALL
10	45395-04	SLIDER TUBE, w/ 45465-87 (2)	ALL
17	45900-04	FORK SLIDER AND TUBE ASSEMBLY, right	XL1200C, XL883, XL883C
18	45901-04	FORK SLIDER AND TUBE ASSEMBLY, left	ALL
23	45925-04	DAMPER TUBE (2)	ALL
27	46029-04	FORK SLIDER AND TUBE ASSEMBLY, right	XL1200R

## SHOCK ABSORBERS

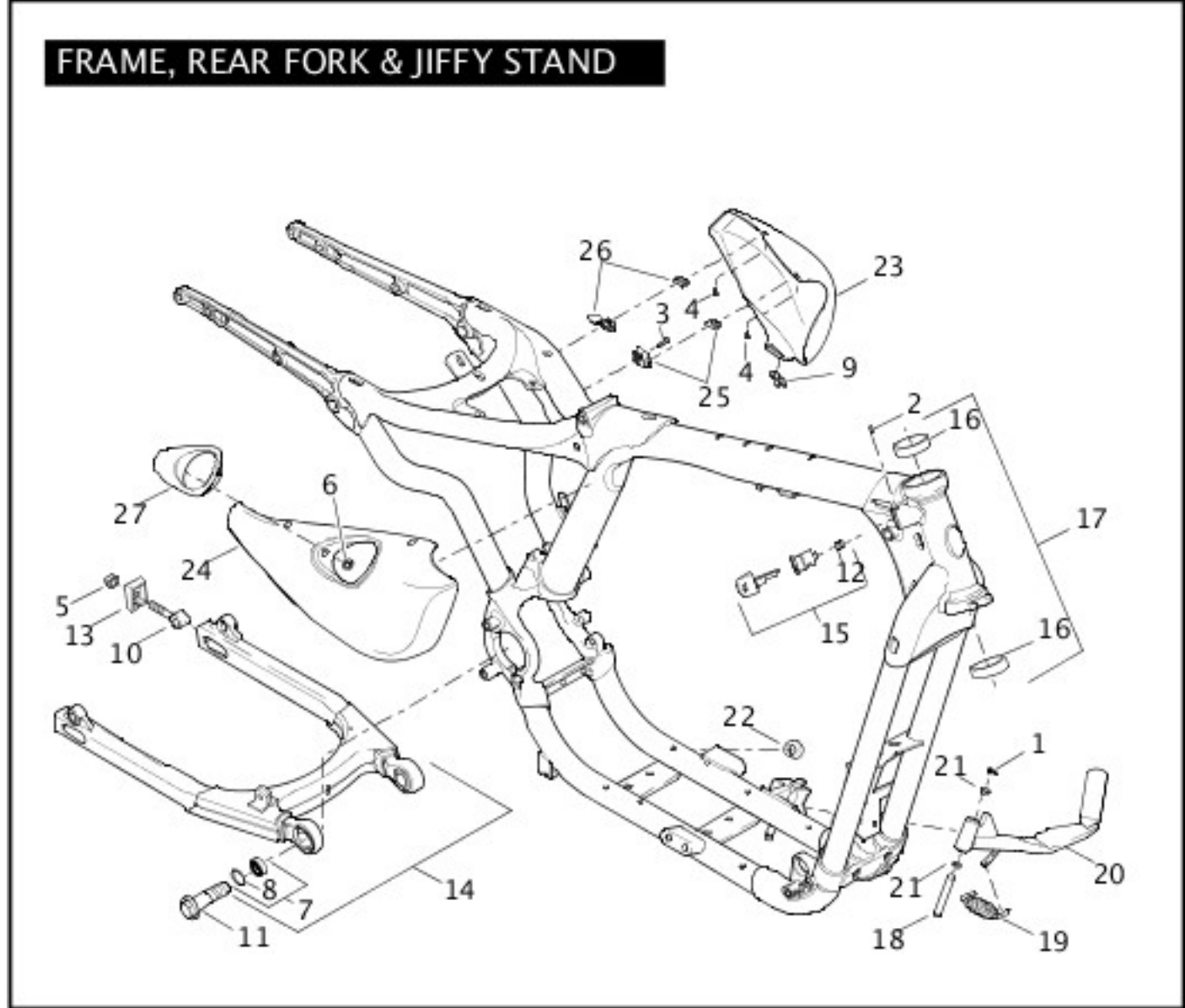


[View interactive table](#)

INDEX NO.	PART NO.	DESCRIPTION	MODEL(S)
10	54566-04	SHOCK ABSORBER, complete (2)	XL1200R, XL883
	54568-04	SHOCK ABSORBER, complete (2)	XL1200C, XL883C
12	54724-04	COVER, shock absorber stud (2)	ALL

## FRAME, REAR FORK, & JIFFY STAND

## FRAME, REAR FORK & JIFFY STAND

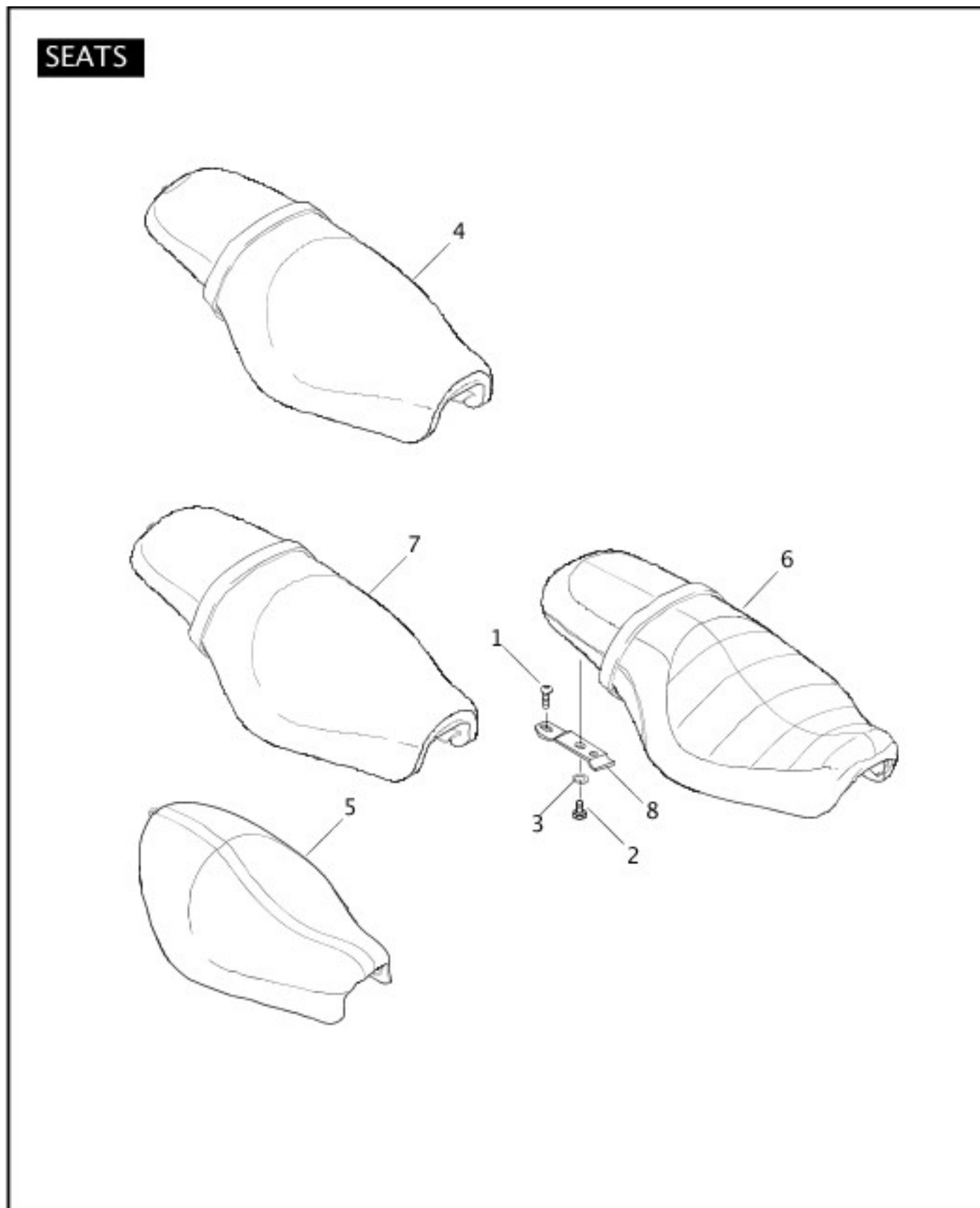


[View interactive table](#)

INDEX NO.	PART NO.	DESCRIPTION	MODEL(S)
3	2995	SCREW	ALL
4	4991	SCREW	ALL
11	41698-04	BOLT, swing arm pivot (2)	ALL
14	47587-04	REAR FORK, w/ bearings	ALL
15	48153-02B	KIT, FORK LOCK, w/ 1594 & 43595-99 (specify key code)	ALL
17	49430-06A	FRAME, w/ bearing cups	XL1200R, XL883
	49439-10	FRAME, w/ bearing cups	XL1200C, XL883C
20	50185-04C	JIFFY STAND	ALL
21	53176-08	BUSHING (2)	ALL
22	62122-89A	BUMPER	ALL
23	66251-04A	SIDE COVER, left	ALL
24	66252-04A	SIDE COVER, right	ALL
25	70416-04D	CLIP KIT, side cover, front mounting, w/ 2995 & 4991	ALL

26	70417-04C	CLIP KIT, side cover, rear mounting, w 4991	ALL
27	71472-04	BEZEL, oil tank filler (chrome)	ALL

## SEATS



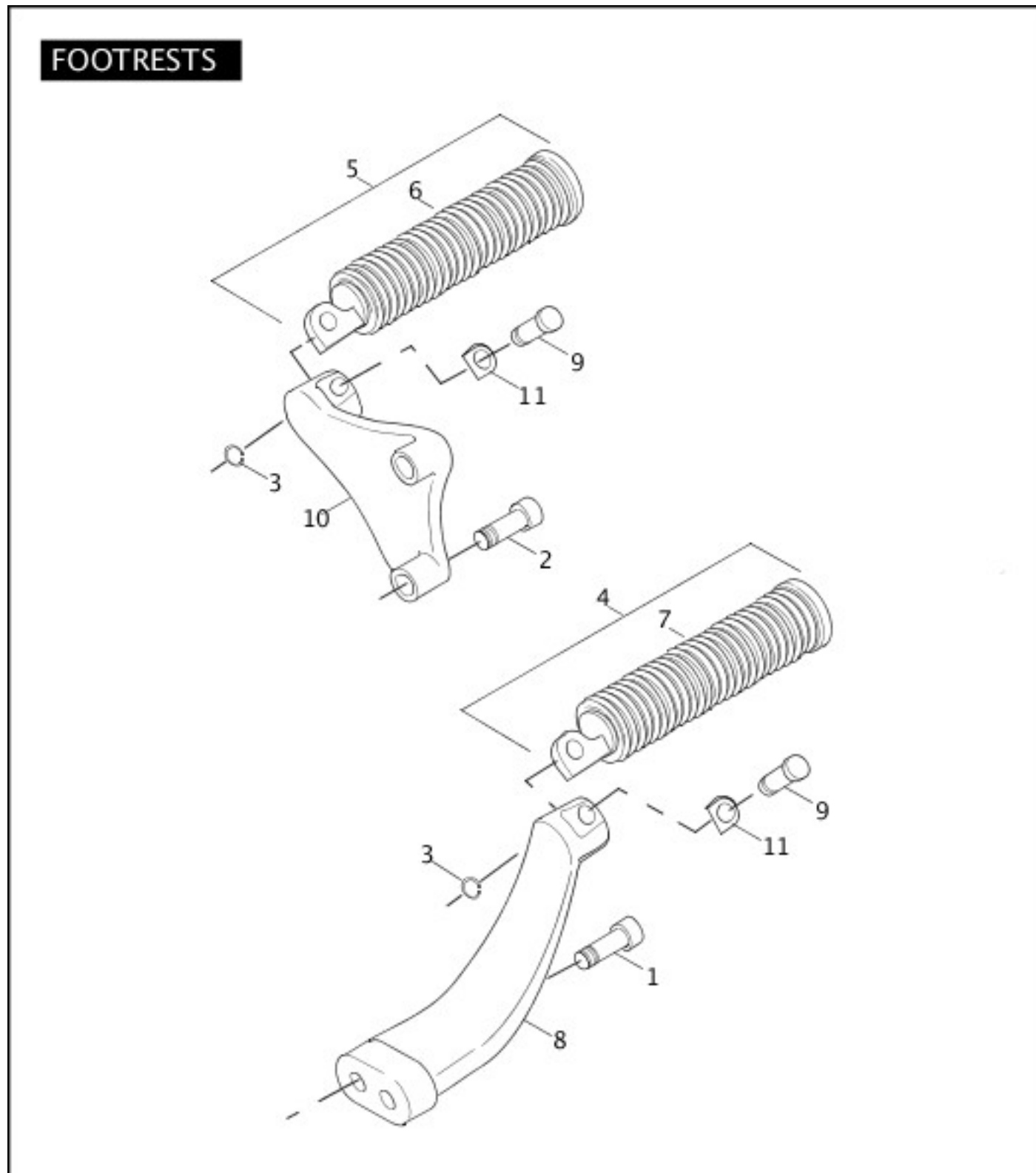
[View interactive table](#)

INDEX NO.	PART NO.	DESCRIPTION	MODEL(S)
4	51530-04	SEAT ASSEMBLY, w/ 3767B, 7036 & 51652-97A	XL1200C
5	51532-04	SEAT ASSEMBLY, w/ 3767B, 7036 & 51652-97A	XL883



6	51558-04	SEAT ASSEMBLY, w/ 3767B, 7036 & 51652-97A	XL1200R
7	52608-04	SEAT ASSEMBLY, w/ 3767B, 7036 & 51652-97A	XL883C
8	51652-97A	BRACKET, seat mounting	ALL

## FOOTRESTS

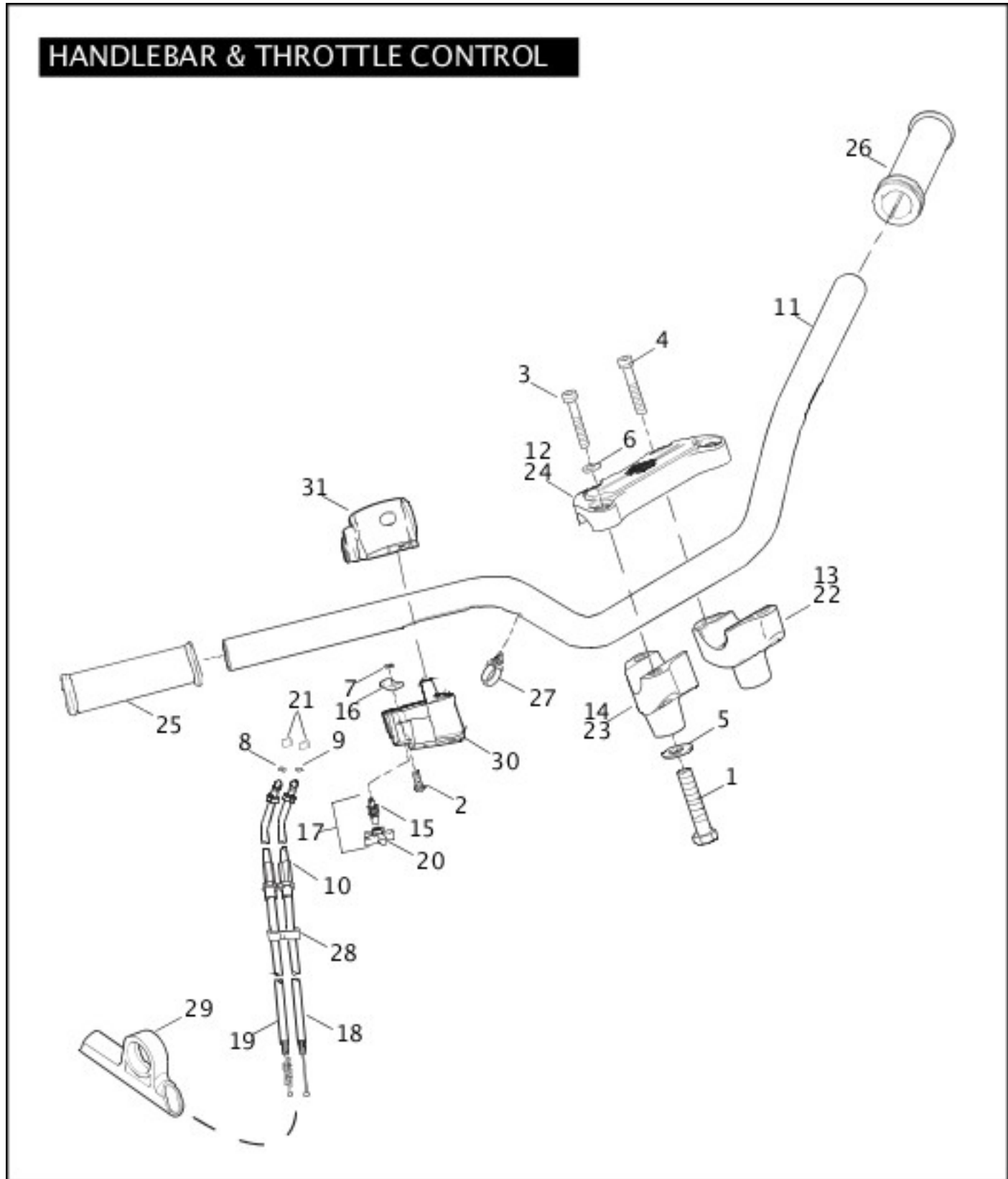


[View interactive table](#)

INDEX NO.	PART NO.	DESCRIPTION	MODEL(S)
8	42972-04	BRACKET, rider footrest support, left	XL1200R, XL883
9	45041-01A	CLEVIS PIN	XL883
	45041-01A	CLEVIS PIN (2)	XL1200C, XL883C

	45041-01A	CLEVIS PIN (3)	XL1200R
10	49314-04	BRACKET, passenger footrest, right (not illustrated)	XL1200C, XL1200R, XL883C
	49315-04	BRACKET, passenger footrest, left	XL1200C, XL1200R, XL883C

## HANDLEBAR & THROTTLE CONTROL

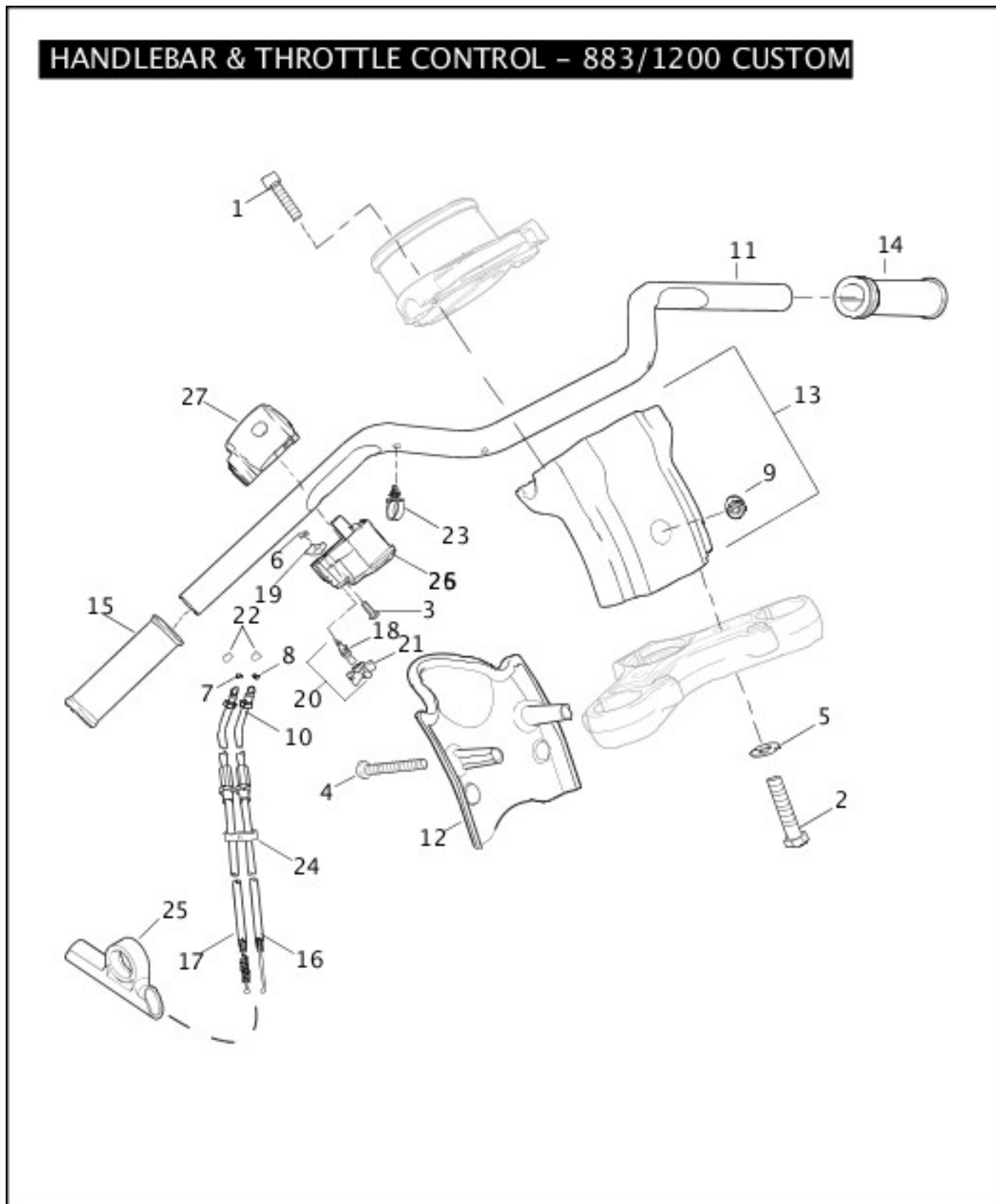


[View interactive table](#)

INDEX NO.	PART NO.	DESCRIPTION	MODEL(S)
	55845-04A	HANDLEBAR	XL883
25	56666-04	GRIP AND SLEEVE, throttle	XL1200R, XL883
26	56667-04	HANDLEBAR GRIP	XL1200R, XL883

29	70518-04	GUIDE, throttle cable	XL1200R, XL883
----	----------	-----------------------	----------------

## HANDLEBAR & THROTTLE CONTROL - 883/1200 CUSTOM

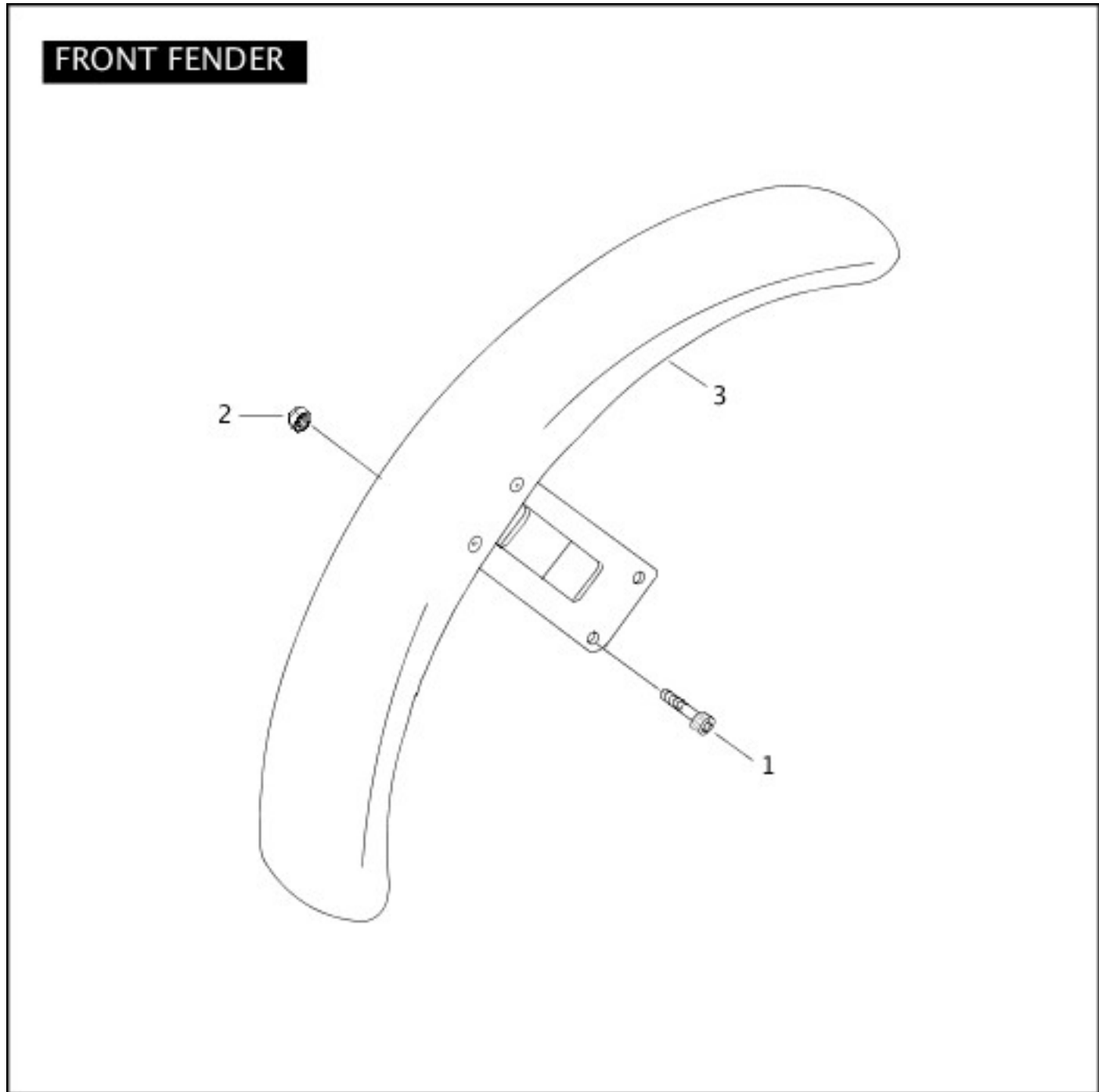


[View interactive table](#)

INDEX NO.	PART NO.	DESCRIPTION	MODEL(S)
11	55840-04A	HANDLEBAR	XL1200C, XL883C
12	55842-04	COVER, riser	XL1200C, XL883C
13	56017-04	RISER ASSEMBLY, handle bar, w/ 14448-94	XL1200C, XL883C

14	56667-04	HANDLEBAR GRIP	XL1200C, XL883C
15	56666-04	GRIP AND SLEEVE, throttle	XL1200C, XL883C
25	70518-04	GUIDE, throttle cable	XL1200C, XL883C

## FRONT FENDER

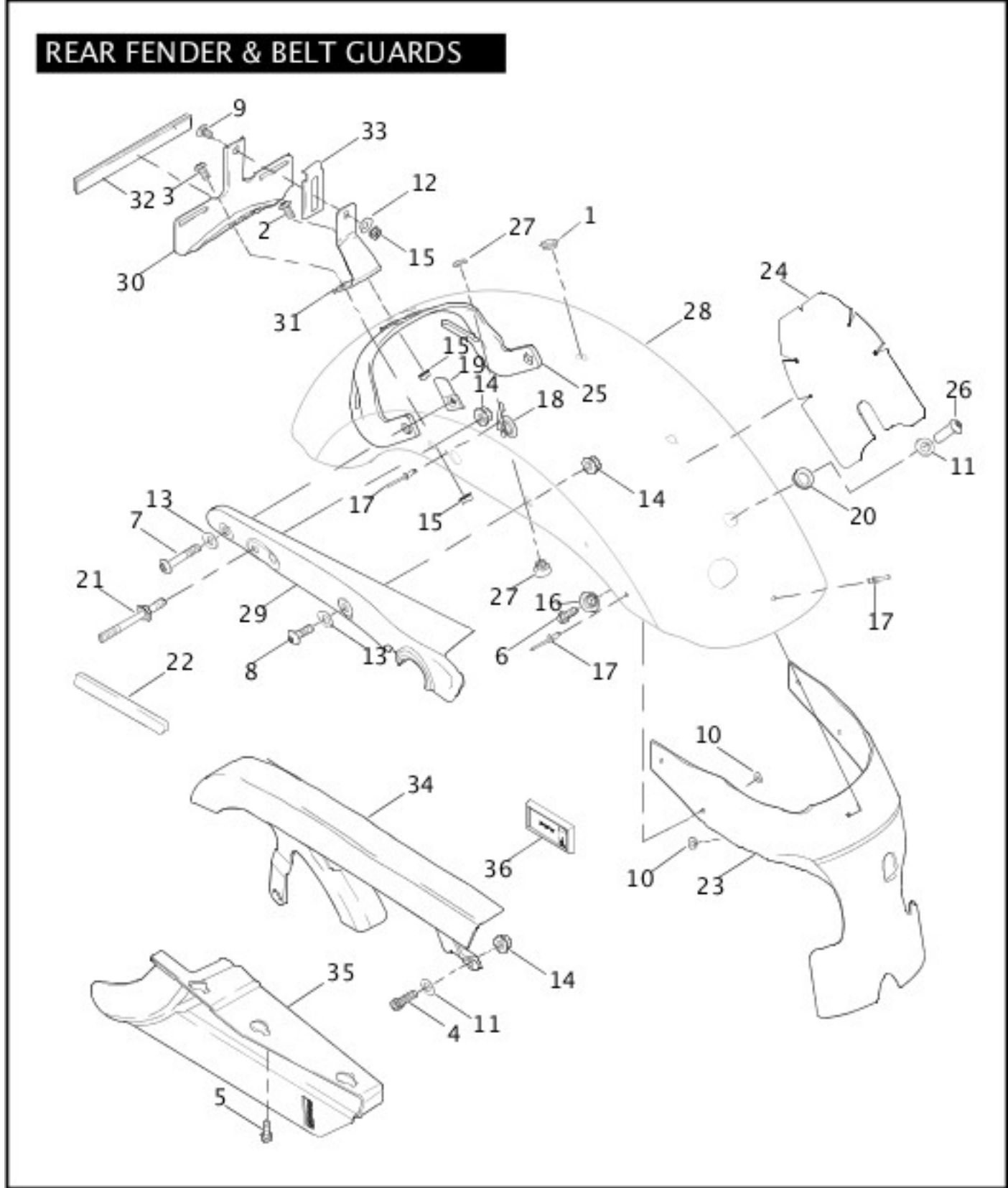


View interactive table

INDEX NO.	PART NO.	DESCRIPTION	MODEL(S)
3	58998-83E	FRONT FENDER, prime	ALL

## REAR FENDER & BELT GUARDS

## REAR FENDER & BELT GUARDS

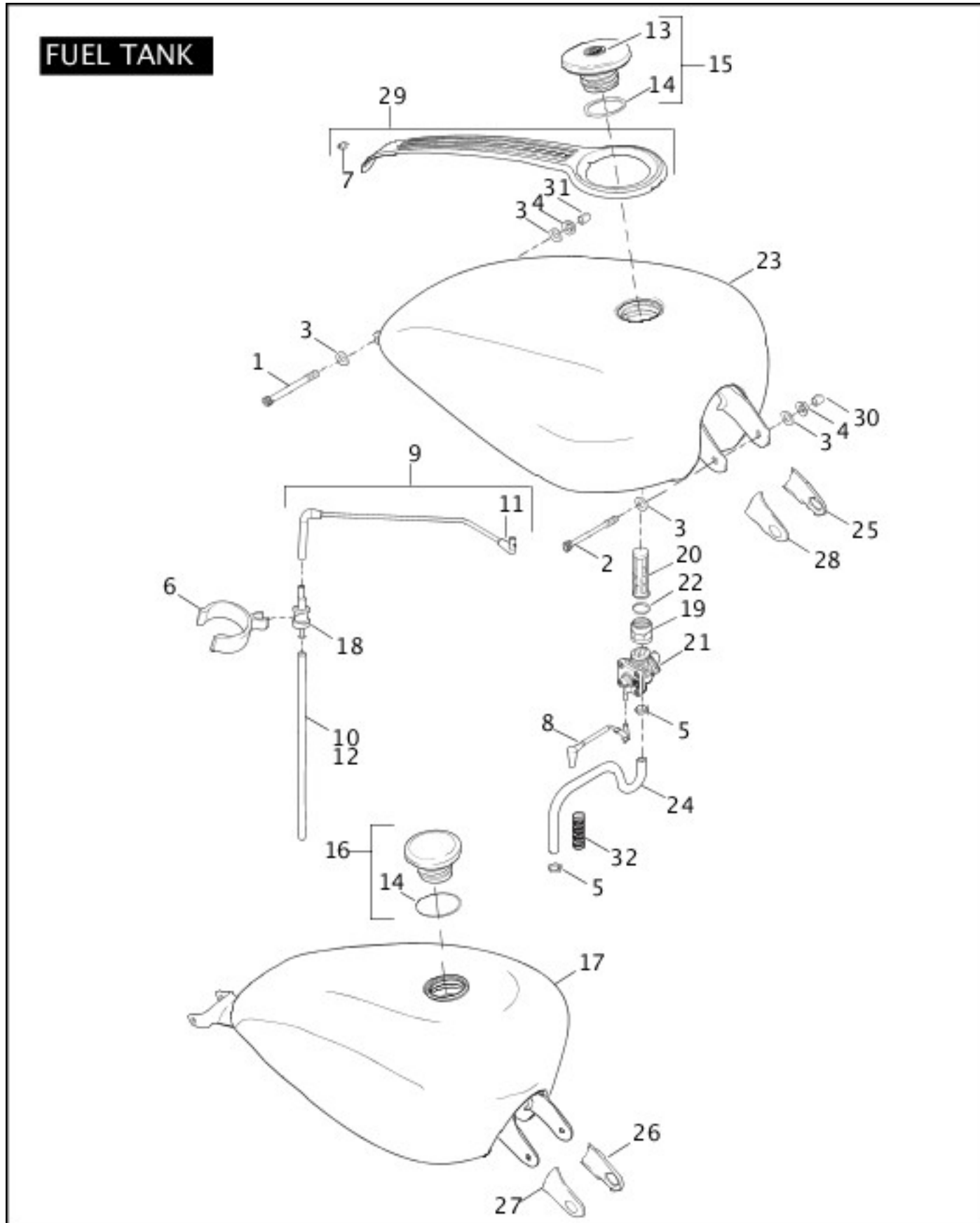


[View interactive table](#)

INDEX NO.	PART NO.	DESCRIPTION	MODEL(S)
23	59502-04A	REAR FENDER EXTENSION	ALL
24	59547-04	TAPE, paint protection	ALL
25	59673-04A	FENDER SUPPORT	ALL
26	59723-04	SEAT POST	ALL
28	59847-10	REAR FENDER (prime)	ALL
29	59902-04	COVER, rear fender support, right (chrome)	ALL
	59903-04	COVER, rear fender support, left (chrome) (not illustrated)	ALL

34	60367-04	BELT GUARD	ALL
35	60435-04A	DEBRIS DEFLECTOR	ALL
	70540-02	CONDUIT KIT, wire harness (not shown)	ALL

## FUEL TANK



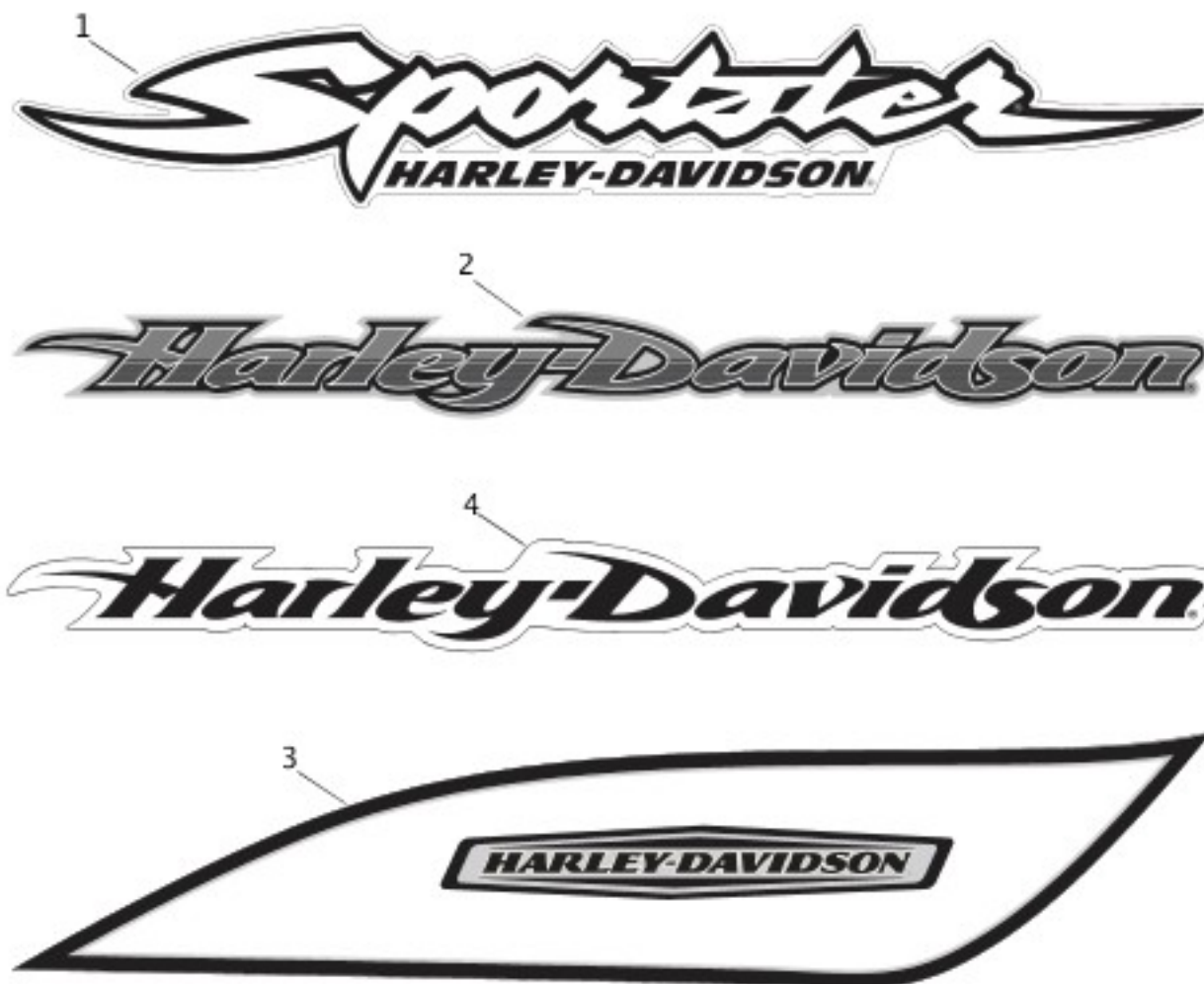
[View interactive table](#)

INDEX NO.	PART NO.	DESCRIPTION	MODEL(S)
8	26556-04	VACUUM HOSE ASSEMBLY	XL1200R, XL883

	26588-04	VACUUM HOSE ASSEMBLY	XL1200C, XL883C
9	27067-04	VENTLINE, tank-to-valve, w/ 27250-96A	ALL
10	27096-04A	HOSE, vapor valve-to-atmosphere	ALL
11	27250-96B	CONNECTOR, 90 degree	ALL
12	28911-04A	HOSE, vapor valve-to-evaporative canister (California)	ALL
13	52494-04	FUEL CAP, medallion	XL1200C, XL883C
15	61260-04A	FUEL CAP, vented, w/ 52494-04 & 61109-85D	XL1200C, XL883C
16	61272-92C	FUEL CAP, w/ 61109-85D	XL1200R, XL883
17	61348-04	FUEL TANK ASSEMBLY (prime)	XL1200R, XL883
23	62213-04	FUEL TANK ASSEMBLY (prime)	XL1200C, XL883C
24	62347-04	FUEL HOSE, preformed	ALL
25	70903-04	TRIM, left front	XL1200C, XL883C
26	70904-04	TRIM, left front	XL1200R, XL883
27	70917-04	TRIM, right front	XL1200R, XL883
28	70919-04	TRIM, right front	XL1200C, XL883C
29	71276-04A	CONSOLE ASSEMBLY, fuel tank	XL1200C
31	89586-04	CAP, protective	ALL

## FUEL TANK TRIM

## FUEL TANK TRIM



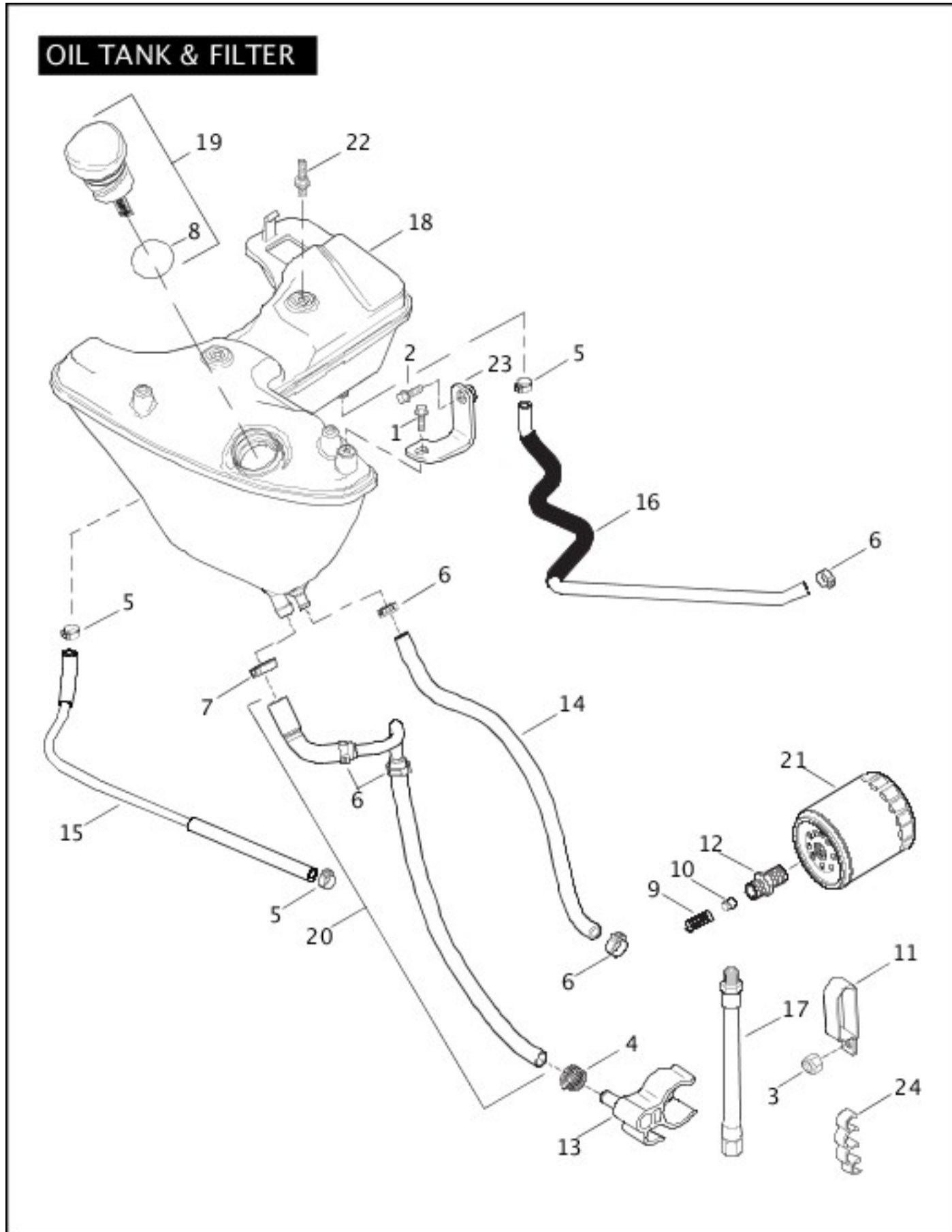
[View interactive table](#)

INDEX NO.	PART NO.	DESCRIPTION	MODEL(S)
1	13340-04	DECAL, fuel tank (red) (2)	XL883
	13341-04	DECAL, fuel tank (blue) (2)	XL883
2	13342-04	DECAL, fuel tank (red) (2)	XL883C
	13343-04	DECAL, fuel tank (blue) (2)	XL883C
	13367-04	DECAL, fuel tank (turquoise) (2)	XL883C
3	13371-04	DECAL, fuel tank, LH (red)	XL1200R
	13372-04	DECAL, fuel tank, RH (red)	XL1200R
	13373-04	DECAL, fuel tank, LH (blue)	XL1200R
	13374-04	DECAL, fuel tank, RH (blue)	XL1200R
4	62260-04	MEDALLION, fuel tank, LH (red)	XL1200C
	62261-04	MEDALLION, fuel tank, RH (red)	XL1200C
	62262-04	MEDALLION, fuel tank, LH (blue)	XL1200C



	62263-04	MEDALLION, fuel tank, RH (blue)	XL1200C
	62270-04	MEDALLION, fuel tank, LH (turquoise)	XL1200C
	62271-04	MEDALLION, fuel tank, RH (turquoise)	XL1200C

## [OIL TANK & FILTER](#)



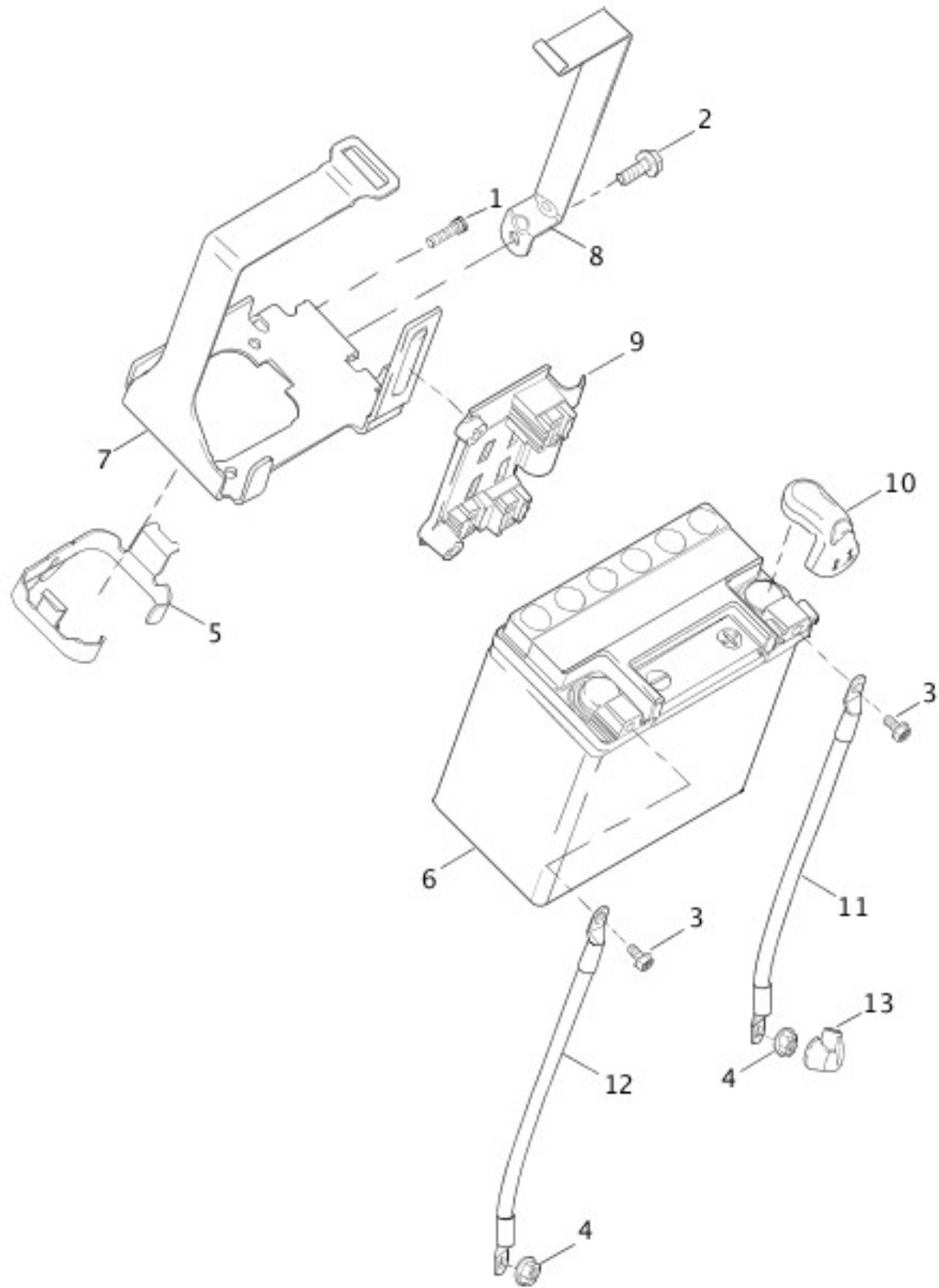
[View interactive table](#)

INDEX NO.	PART NO.	DESCRIPTION	MODEL(S)
11	31512-04	HOSE CLAMP	ALL

13	33123-04	PLUG, oil tank drain	ALL
15	62360-04A	VENT TUBE ASSEMBLY, w/ 10014	ALL
16	62361-04	HOSE, oil return line	ALL
17	62651-04	HOSE, oil pump	ALL
18	62888-04B	OIL TANK ASSEMBLY	ALL
19	63000-04B	DIPSTICK ASSEMBLY, oil tank, w/ 11120	ALL
20	63589-04	HOSE, oil drain	ALL
22	65092-04	STUD SPACER (2)	ALL
23	66199-04	BRACKET, oil tank	ALL
24	70503-04	HOSE CLIP	ALL

## BATTERY

# BATTERY

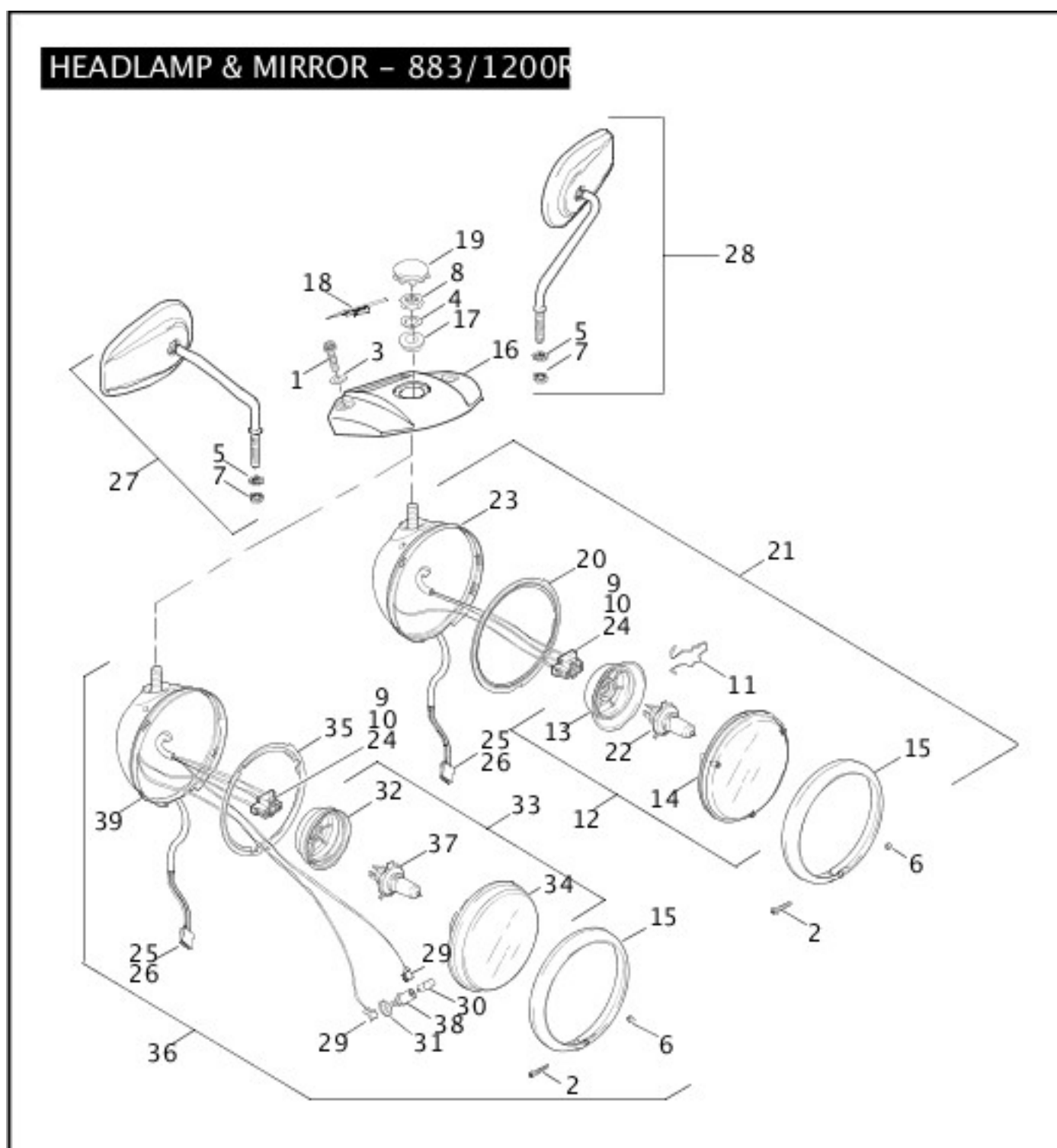


[View interactive table](#)

INDEX NO.	PART NO.	DESCRIPTION	MODEL(S)
3	4312C	SCREW, flange (2)	ALL
6	65958-04A	BATTERY, w/ 4312C	ALL
7	66194-04C	TRAY, battery	ALL
8	66476-04A	STRAP, battery	ALL
9	66498-04	CADDY, electric component	ALL
10	70003-04	COVER, battery terminal	ALL

11	70295-04A	CABLE, battery-to-starter, w/ 70578-89	ALL
12	70296-04A	CABLE, battery-to-ground	ALL

## HEADLAMP & MIRROR - 883/1200R



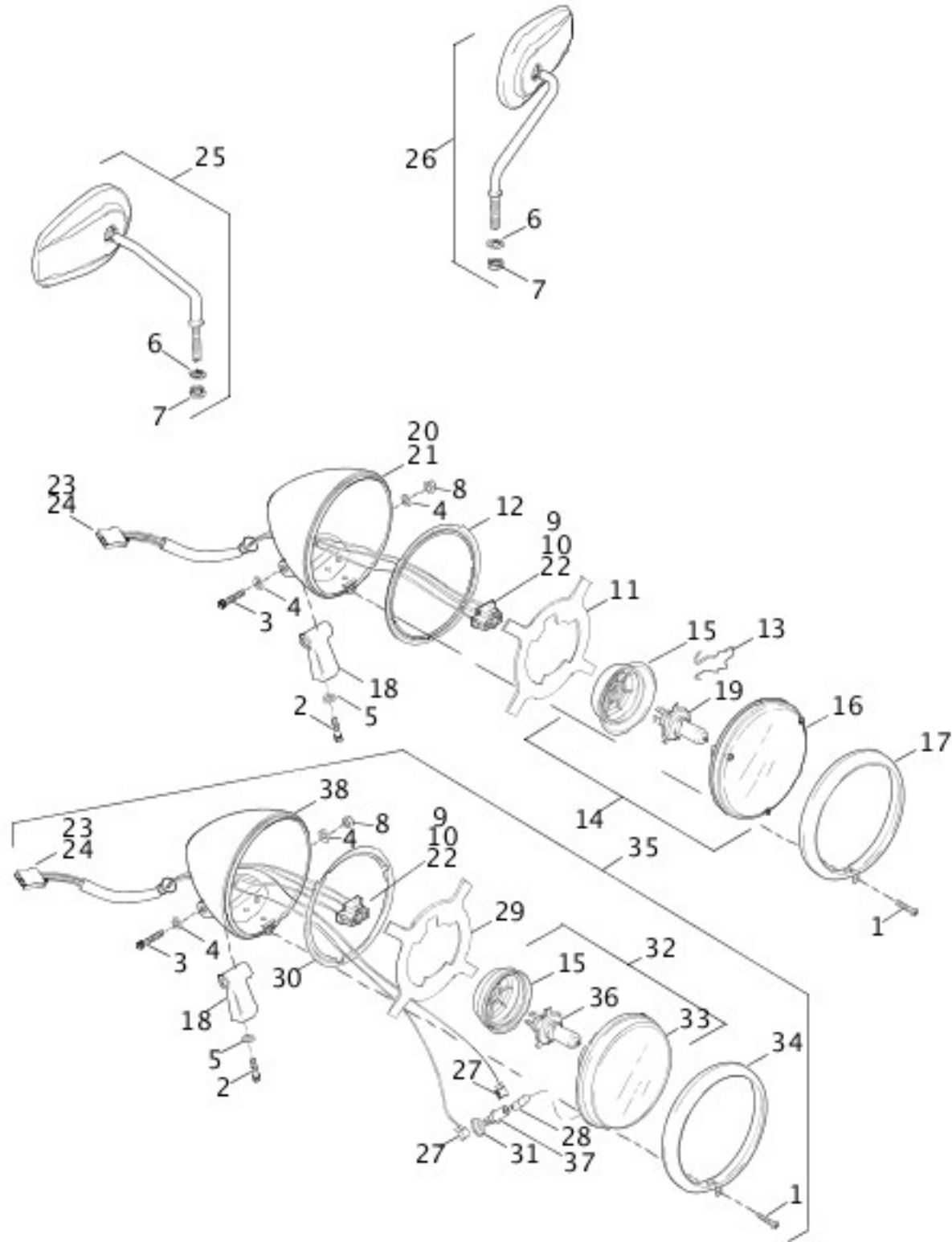
[View interactive table](#)

INDEX NO.	PART NO.	DESCRIPTION	MODEL(S)
15	67790-93A	BEZEL	XL1200R, XL883
20	67883-04A	RING, headlamp adapter	XL1200R, XL883
21	68116-04	HEADLAMP ASSEMBLY (Domestic)	XL1200R, XL883

23	69628-04	HEADLAMP SHELL ASSEMBLY, w/ 9847, 9848, 72056-92, 73154-96BK & 73191-96 (Domestic)	XL1200R, XL883
27	91840-03B	MIRROR KIT, right, short	XL1200R
	91846-03B	MIRROR KIT, right, long	XL883
28	91845-03B	MIRROR KIT, left, short	XL1200R
	91848-03B	MIRROR KIT, left, long	XL883
33	67763-92A	HEADLAMP ASSEMBLY, right, w/ 67691-92, 67705-92, 67764-92 & 68329-03	XL1200R, XL883
	67781-92A	HEADLAMP ASSEMBLY, left, w/ 67691-92, 67705-92, 67787-92 & 68329-03	XL1200R, XL883
36	68117-04	HEADLAMP ASSEMBLY, left side dip (HDI)	XL1200R, XL883
	68118-04	HEADLAMP ASSEMBLY, right side dip (HDI)	XL1200R, XL883
39	69669-04	HEADLAMP SHELL ASSEMBLY, w/ 72056-92, 73154-96BK, 73191-96, 9847, 9848, 9898	XL1200R, XL883

## **HEADLAMP & MIRROR - 883C/1200C**

# HEADLAMP & MIRROR - 883C/1200C

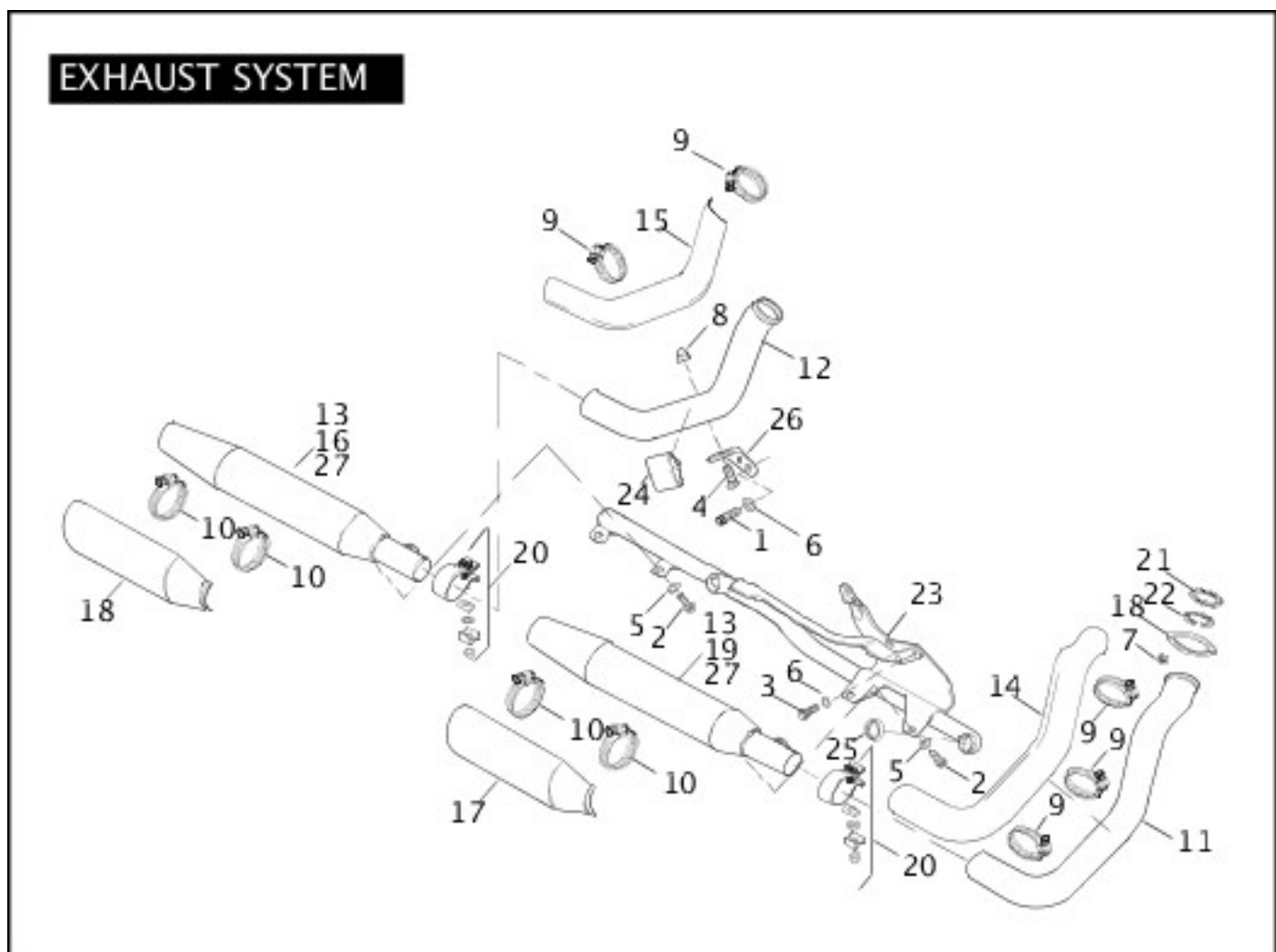


[View interactive table](#)

INDEX NO.	PART NO.	DESCRIPTION	MODEL(S)
11	67601-94A	GASKET, headlamp	XL1200C, XL883C
12	67603-94A	RETAINING RING, headlamp	XL1200C, XL883C
17	67894-93A	BEZEL ASSEMBLY	XL1200C, XL883C
20	69670-04A	HEADLAMP SHELL ASSEMBLY, w/ 9847, 9848, 69682-04A, 72056-92, 73154-96BK & 73191-96 (Domestic)	XL1200C, XL883C

21	69682-04A	HEADLAMP SHELL	XL1200C, XL883C
25	91846-03B	MIRROR KIT, right	XL1200C, XL883C
26	91848-03B	MIRROR KIT, left	XL1200C, XL883C
32	67763-92A	HEADLAMP, ASSEMBLY, right dip, w/ 67691-92, 67705-92, 68329-03 & housing	XL1200C, XL883C
	67781-92A	HEADLAMP, ASSEMBLY, left dip, w/ 67691-92, 67697-81, 67705-92, 68329-03 & housing	XL1200C, XL883C
34	67790-93A	BEZEL	XL1200C, XL883C
35	68149-04	HEADLAMP ASSEMBLY, left dip (HDI)	XL1200C, XL883C
	68159-04	HEADLAMP ASSEMBLY, right dip (HDI) (order components)	XL1200C, XL883C
38	69681-04A	HEADLAMP SHELL ASSEMBLY, w/ 9847, 9848, 9898, 69682-04, 72056-92, 73154-96BK & 73191-96 (HDI)	XL1200C, XL883C

## EXHAUST SYSTEM

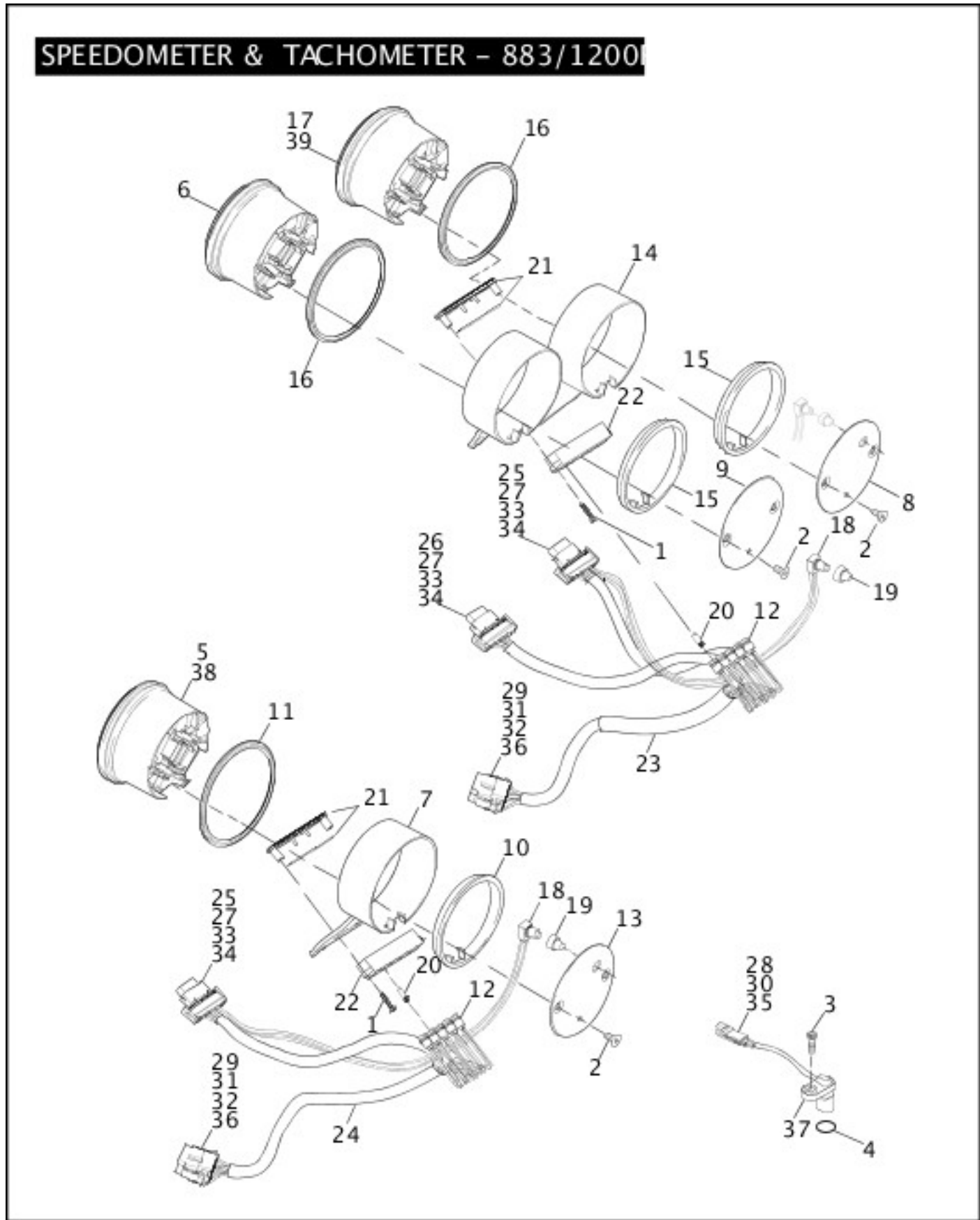


INDEX NO.	PART NO.	DESCRIPTION	MODEL(S)
11	64840-04	EXHAUST PIPE, front (chrome)	ALL
12	64841-04	EXHAUST PIPE, rear (chrome)	ALL
13	64842-04	MUFFLER, front (domestic)	XL1200C, XL1200R, XL883, XL883C
	64842-04	MUFFLER, rear (domestic)	XL1200C, XL883C
14	64846-04A	HEAT SHIELD, front exhaust pipe	ALL
15	64847-04A	HEAT SHIELD, rear exhaust pipe	ALL
16	64890-04	MUFFLER, rear (domestic)	XL1200R, XL883
17	64889-04	HEAT SHIELD, muffler (HDI, England) (2)	ALL
19	65232-04	MUFFLER, front (California)	ALL
20	65296-95A	CLAMP, muffler (2)	ALL
21	65324-83B	GASKET, exhaust port (2)	ALL
23	65339-04	MUFFLER INTERCONNECT BRACKET, support assembly	ALL
26	65974-04A	BRACKET, exhaust clamp	ALL
27	64848-04	MUFFLER, front (Japan)	XL1200C, XL1200R
	64848-04	MUFFLER, rear (Japan)	XL1200C
	64853-04	MUFFLER, front (Australia, Japan)	XL883, XL883C
	64853-04	MUFFLER, front (Australia)	XL1200C, XL1200R
	64853-04	MUFFLER, rear (Australia, Japan)	XL883C
	64853-04	MUFFLER, rear (Australia)	XL1200C
	64854-04	MUFFLER, rear (Australia, Japan)	XL883
	64854-04	MUFFLER, rear (Australia)	XL1200R
	64857-04	MUFFLER, rear (Japan)	XL1200R
	64891-04A	MUFFLER, front (HDI, England)	XL1200C, XL1200R
	64891-04A	MUFFLER, rear (HDI, England)	XL1200C
	64893-04A	MUFFLER, rear (HDI, England)	XL1200R
	65232-04	MUFFLER, front (HDI, England)	XL883, XL883C



	65232-04	MUFFLER, rear (HDI, England)	XL883C
	65233-04	MUFFLER, rear (HDI, England)	XL883

## SPEEDOMETER & TACHOMETER - 883/1200R



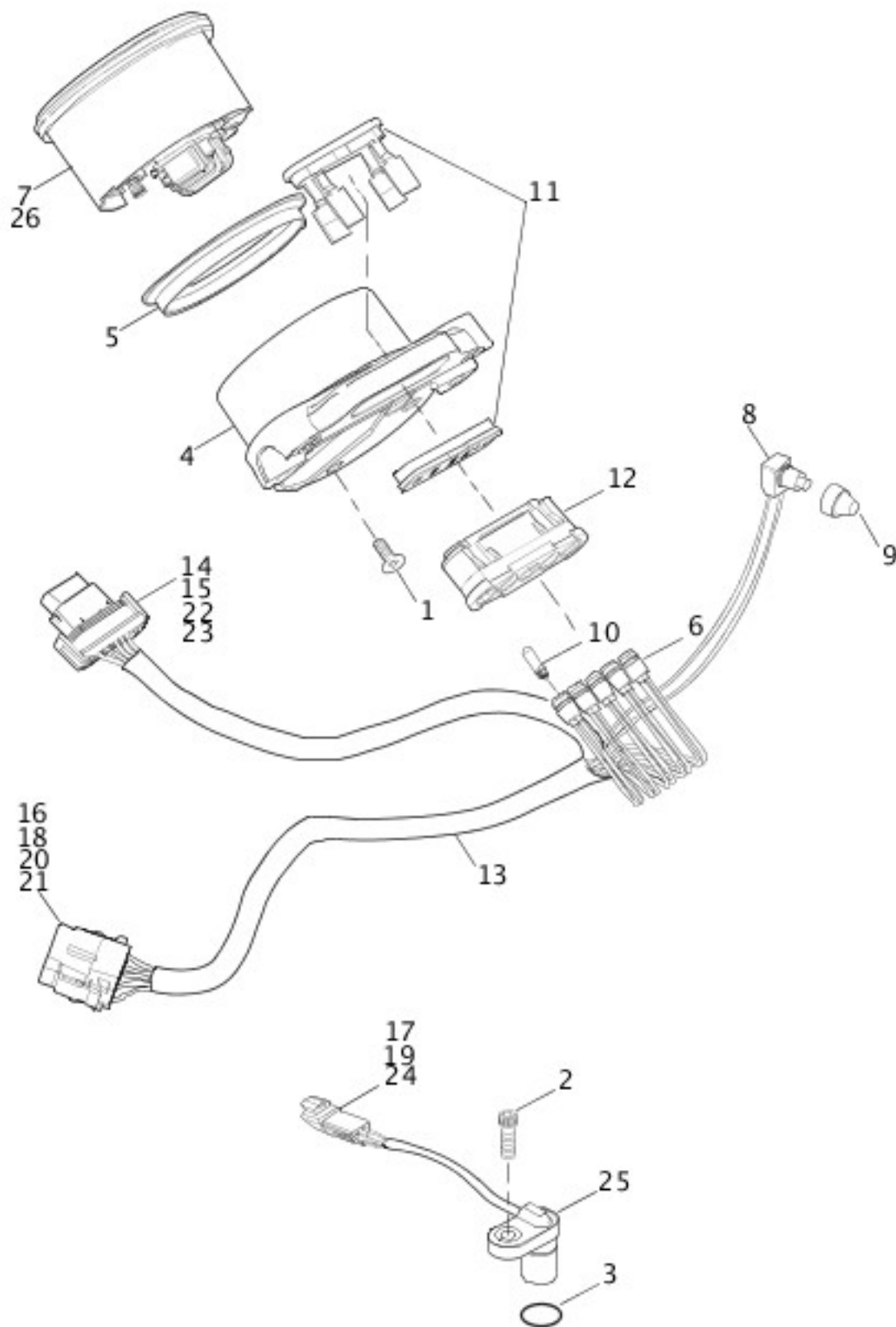
[View interactive table](#)

INDEX NO.	PART NO.	DESCRIPTION	MODEL(S)
5	67037-04A	SPEEDOMETER, mph (Domestic, California)	XL883
6	67049-04B	TACHOMETER	XL1200R
11	67121-95A	CUSHION, front	XL883

17	67436-04A	SPEEDOMETER, mph (Domestic, California)	XL1200R
18	67854-98	SWITCH, reset	XL1200R, XL883
21	68513-95A	TRIM PLATE, indicator lamps	XL1200R, XL883
23	68811-04	HARNESS, warning lamp assembly	XL1200R
24	68813-04A	HARNESS, warning lamp assembly	XL883
25	72130-04	HOUSING, socket 12-way (black)	XL1200R, XL883
26	72131-04	HOUSING, socket 12-way (gray)	XL1200R
27	72189-04	SEAL, pin (4)	XL883
	72189-04	SEAL, pin (11)	XL1200R
33	74196-04	TERMINAL, socket, 20 AWG (8)	XL883
	74196-04	TERMINAL, socket, 20 AWG (13)	XL1200R
34	74197-04	LOCK, secondary, 12-way socket	XL883
	74197-04	LOCK, secondary, 12-way socket (2)	XL1200R
37	74402-04A	SENSOR, speed	XL1200R, XL883
38	67041-04A	SPEEDOMETER, kph (Canada, HDI, Australia, Japan)	XL883
	67290-04A	SPEEDOMETER, mph/kph (England)	XL883
39	67415-04A	SPEEDOMETER, mph/kph (England)	XL1200R
	67416-04A	SPEEDOMETER, kph (Canada, HDI, Australia, Japan)	XL1200R

## [SPEEDOMETER - 883C/1200C](#)

## SPEEDOMETER - 883C/1200C

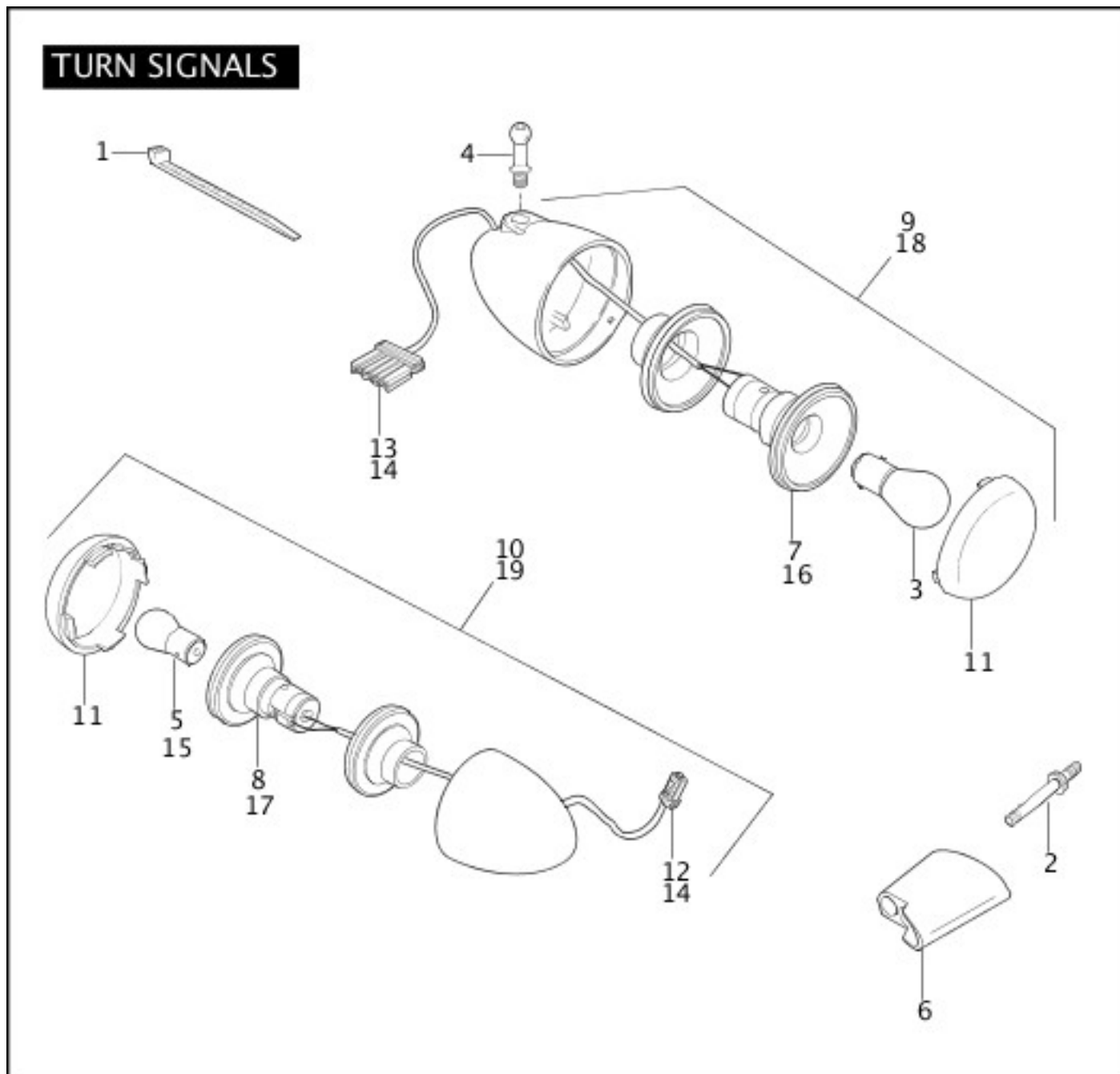


[View interactive table](#)

INDEX NO.	PART NO.	DESCRIPTION	MODEL(S)
4	55844-04	HOUSING, instrument (chrome)	XL1200C, XL883C
5	67121-95A	GASKET, shock, front	XL1200C, XL883C
7	67436-04A	SPEEDOMETER, mph (Domestic)	XL1200C, XL883C
8	67854-98	SWITCH ASSEMBLY, trip reset	XL1200C, XL883C
11	68382-96	BEZEL ASSEMBLY, indicator lamp	XL1200C, XL883C
13	68814-04A	INSTRUMENT HARNESS ASSEMBLY	XL1200C, XL883C

14	72130-04	HOUSING, socket, 12-way (black)	XL1200C, XL883C
15	72189-04	SEAL, pin (4)	XL1200C, XL883C
22	74196-04	TERMINAL, socket, 20 AWG (8)	XL1200C, XL883C
23	74197-04	LOCK, secondary, 12-way socket	XL1200C, XL883C
25	74402-04A	VEHICLE SPEED SENSOR	XL1200C, XL883C
26	67415-04A	SPEEDOMETER, mph/kph (England)	XL1200C, XL883C
	67416-04A	SPEEDOMETER, kph (Australia, Canada, HDI, Japan)	XL1200C, XL883C

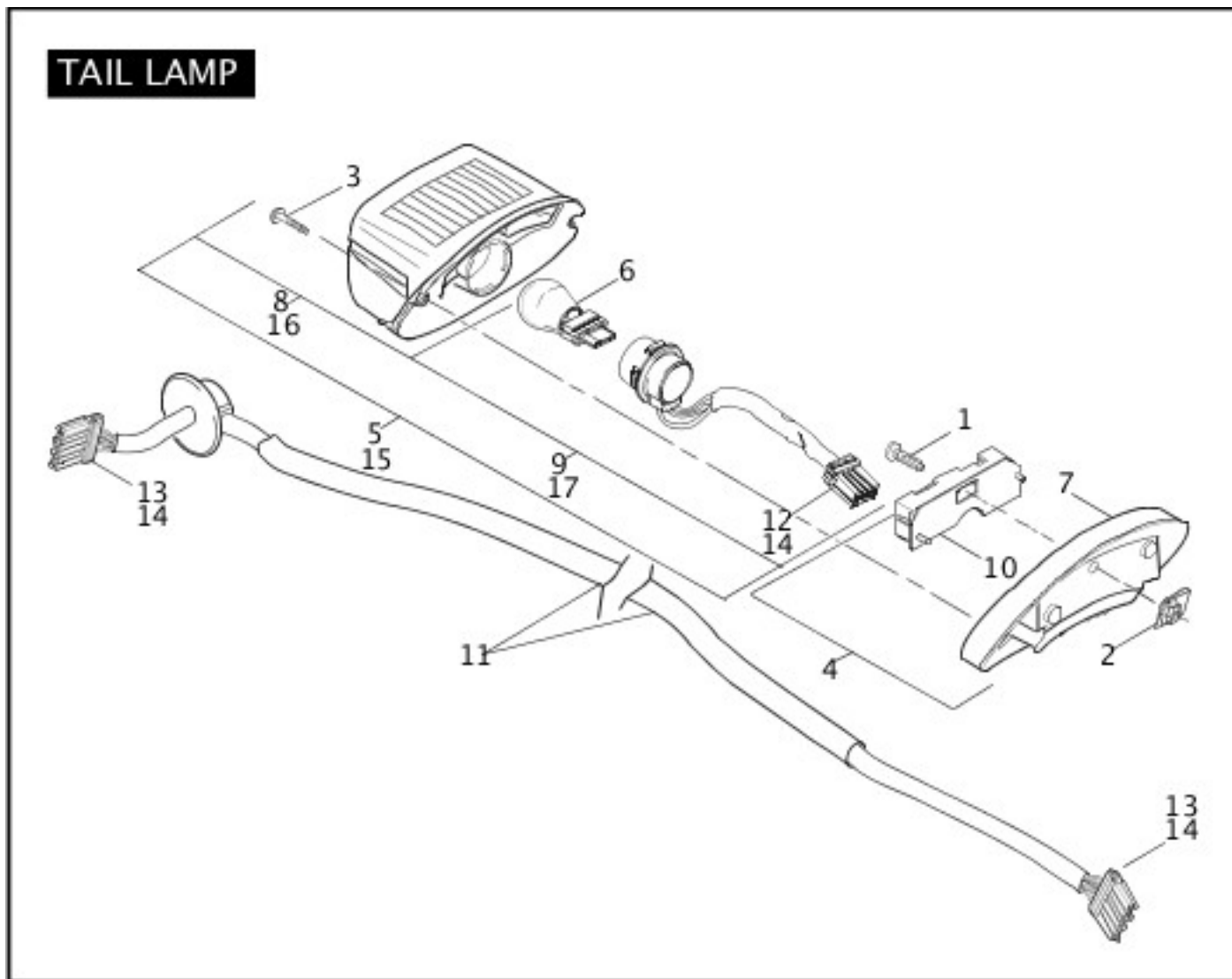
## TURN SIGNALS



[View interactive table](#)

INDEX NO.	PART NO.	DESCRIPTION	MODEL(S)
3	68168-89A	BULB, front turn signal (2)	ALL
4	68265-04	BALL STUD (2)	ALL

# TAIL LAMP

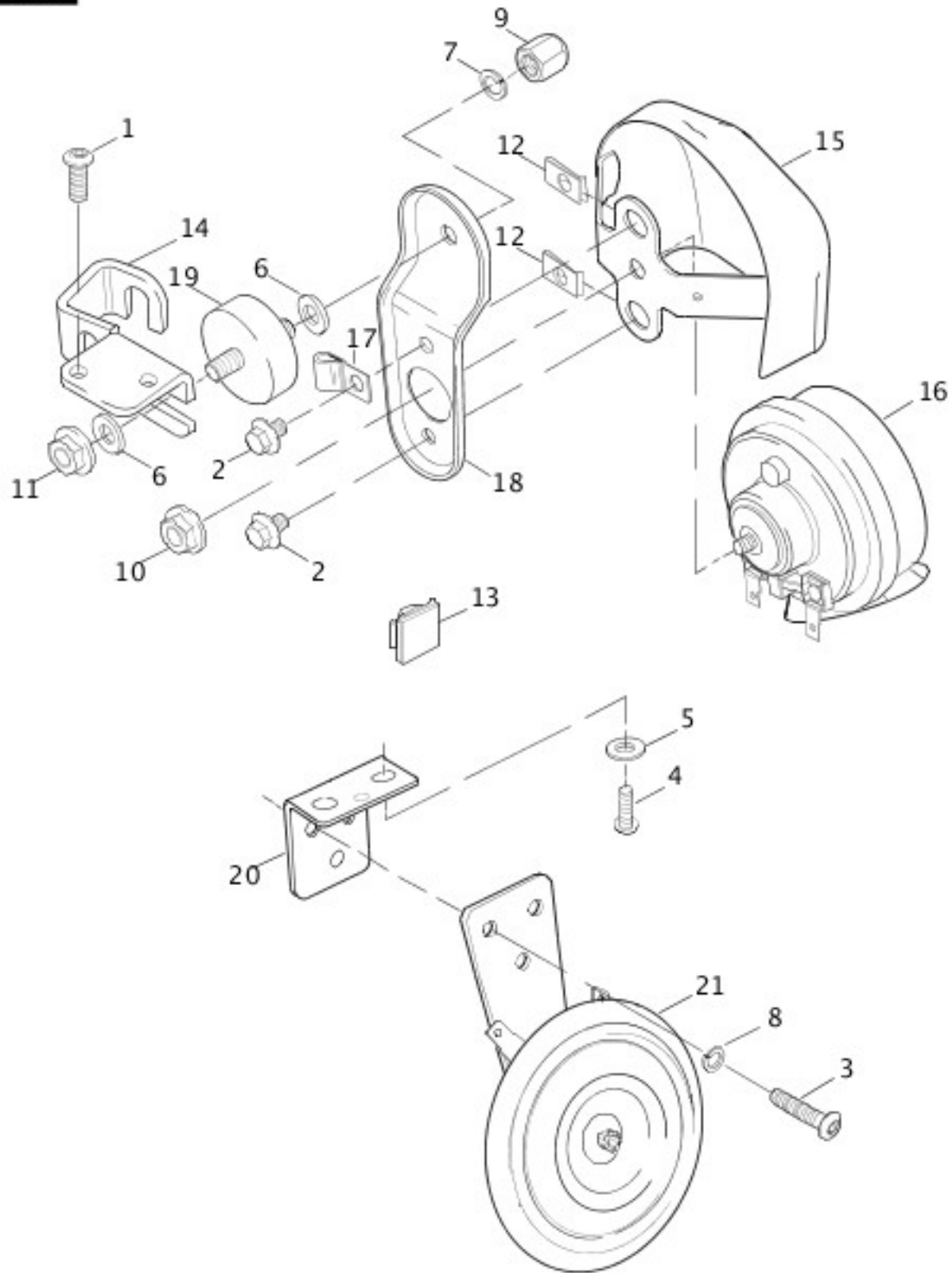


[View interactive table](#)

INDEX NO.	PART NO.	DESCRIPTION	MODEL(S)
5	68140-04	LIGHT ASSEMBLY, tail lamp	ALL
9	68370-03A	BULB SOCKET ASSEMBLY	ALL
11	68899-04A	HARNESS, rear lighting	ALL
15	68141-04	LIGHT ASSEMBLY, tail lamp (HDI)	ALL
17	69187-03A	BULB SOCKET ASSEMBLY (HDI)	ALL

# HORN

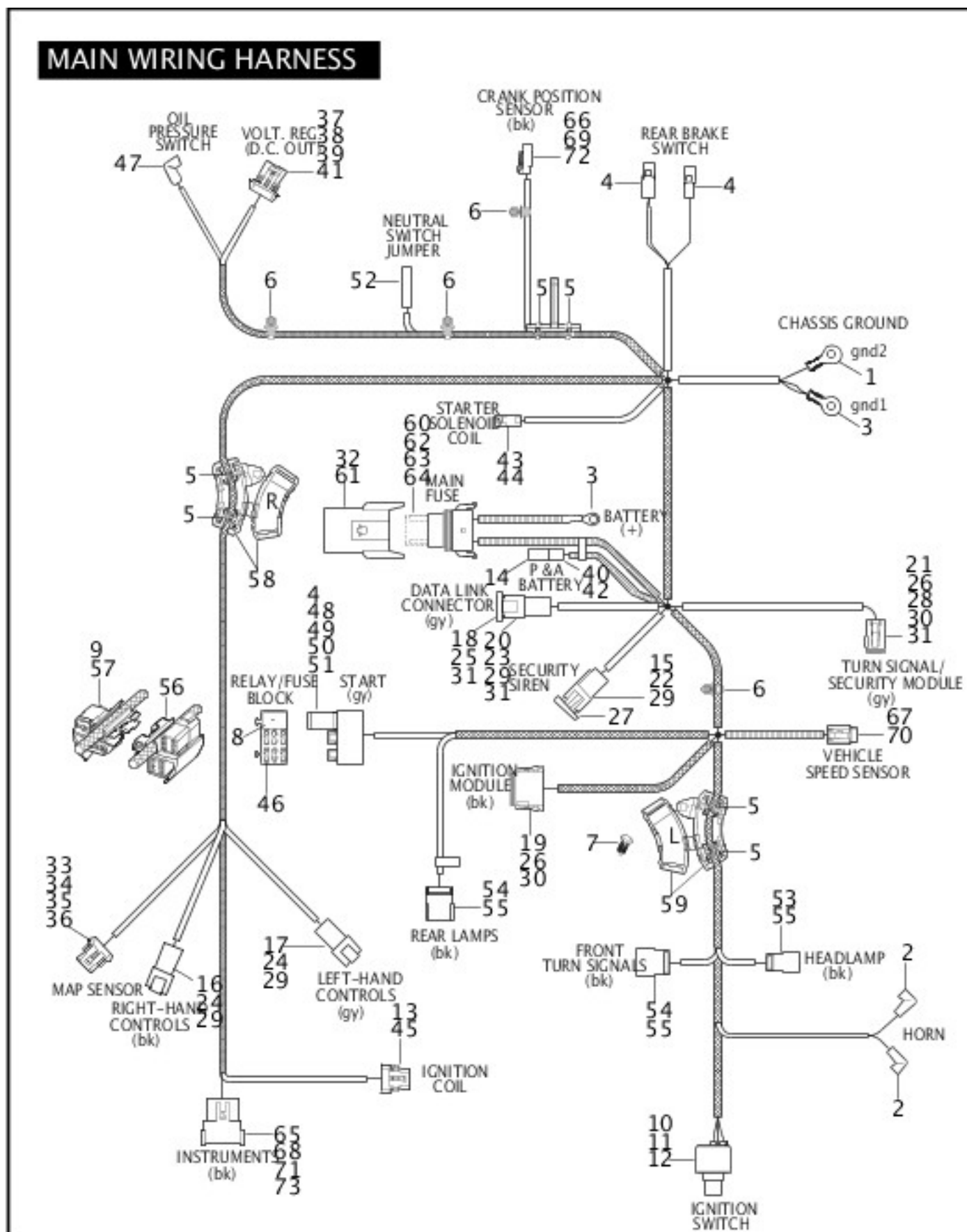
# HORN



[View interactive table](#)

INDEX NO.	PART NO.	DESCRIPTION	MODEL(S)
14	16355-04	BRACKET, horn & choke	XL1200C
16	69060-90F	HORN	XL1200C
19	69123-92A	RUBBER MOUNT	XL1200C
20	69135-04	HORN BRACKET	XL1200R, XL883, XL883C
21	69000014	HORN, complete, w/ bracket & 7495	XL1200R, XL883, XL883C

# MAIN WIRING HARNESS (1 OF 2)

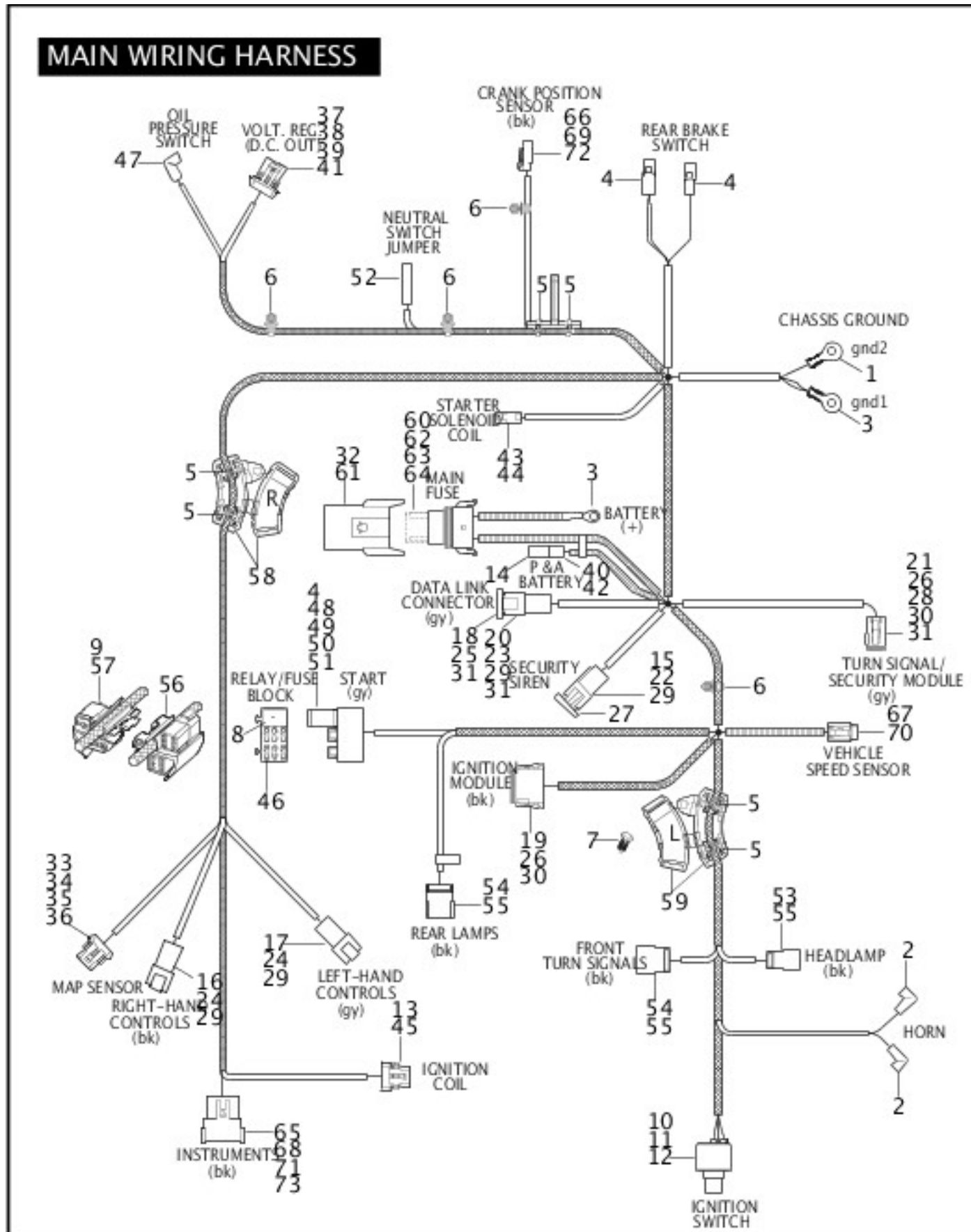


[View interactive table](#)

INDEX NO.	PART NO.	DESCRIPTION	MODEL(S)
	70139-04	MAIN WIRING HARNESS	ALL
8	31601-04	RELAY	ALL
10	71510-04	IGNITION SWITCH HOUSING	ALL
14	72100-04	HOUSING TERMINAL	ALL
40	72260-04	HOUSING, female, 1-way (gray)	ALL

42	72289-04	TERMINAL, #10-12 AWG, female	ALL
45	72312-04	SOCKET HOUSING, 3-way	ALL

## MAIN WIRING HARNESS (2 OF 2)



[View interactive table](#)

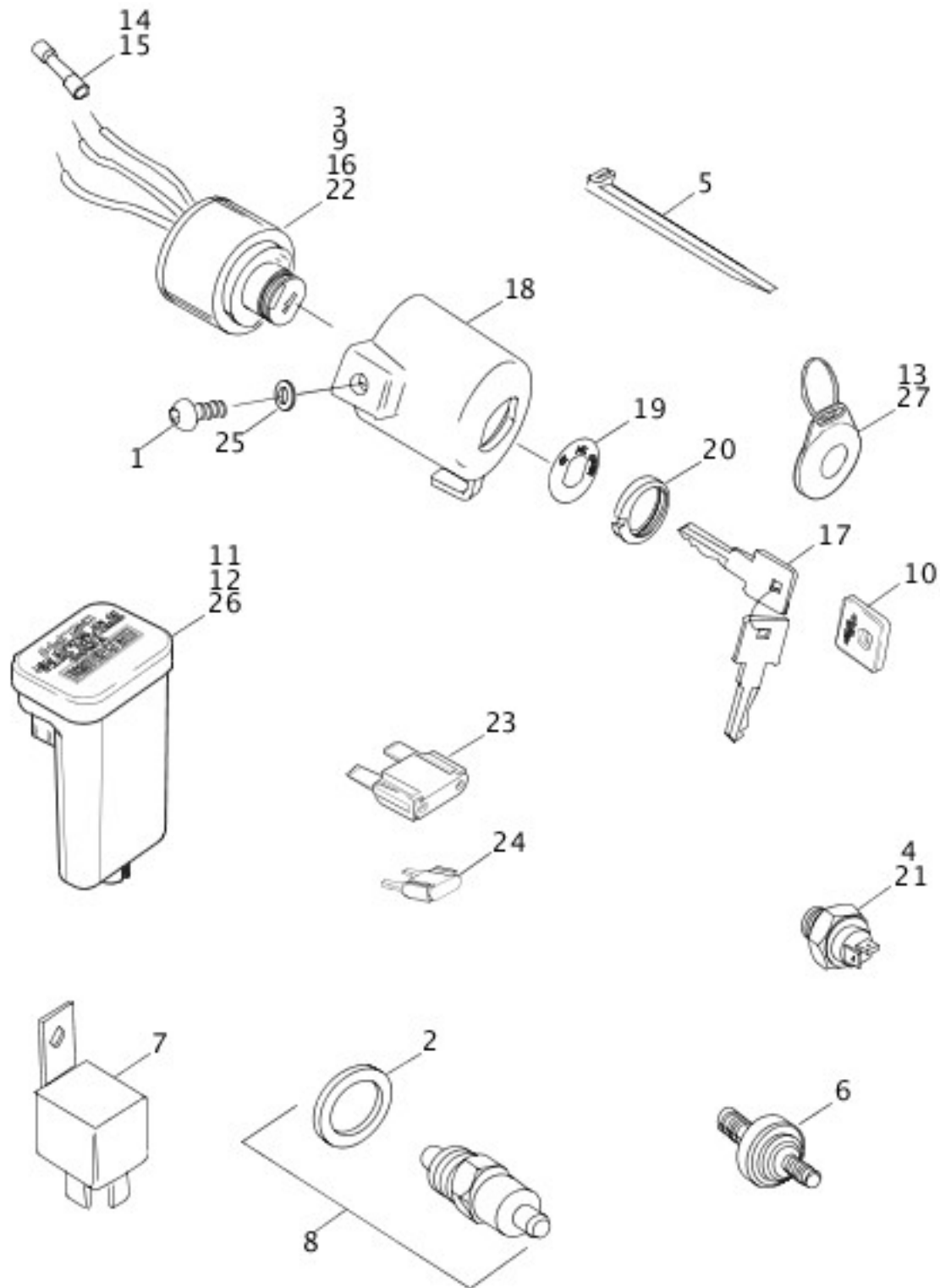
INDEX NO.	PART NO.	DESCRIPTION	MODEL(S)
	70139-04	MAIN WIRING HARNESS (Continued)	ALL
51	72441-04	TERMINAL	ALL



56	73203-04	CLIP, LH-wire harness	ALL
57	73204-04	CLIP, RH-wire harness, w/ 53486-85	ALL
58	73205-04	ELBOW, RH-wire harness	ALL
59	73206-04	ELBOW, LH-wire harness	ALL
60	73301-04	HOUSING, 2-way, female	ALL
61	73302-04	COVER, maxi-fuse, fuse block	ALL
62	73303-04	SECONDARY LOCK, 2-way, female (2)	ALL
63	73304-04	TERMINAL, female, #10 AWG (2)	ALL
64	73305-04	SEAL WIRE, #10 AWG (blue)	ALL

## **SWITCHES & CIRCUIT BREAKERS**

## SWITCHES & CIRCUIT BREAKERS

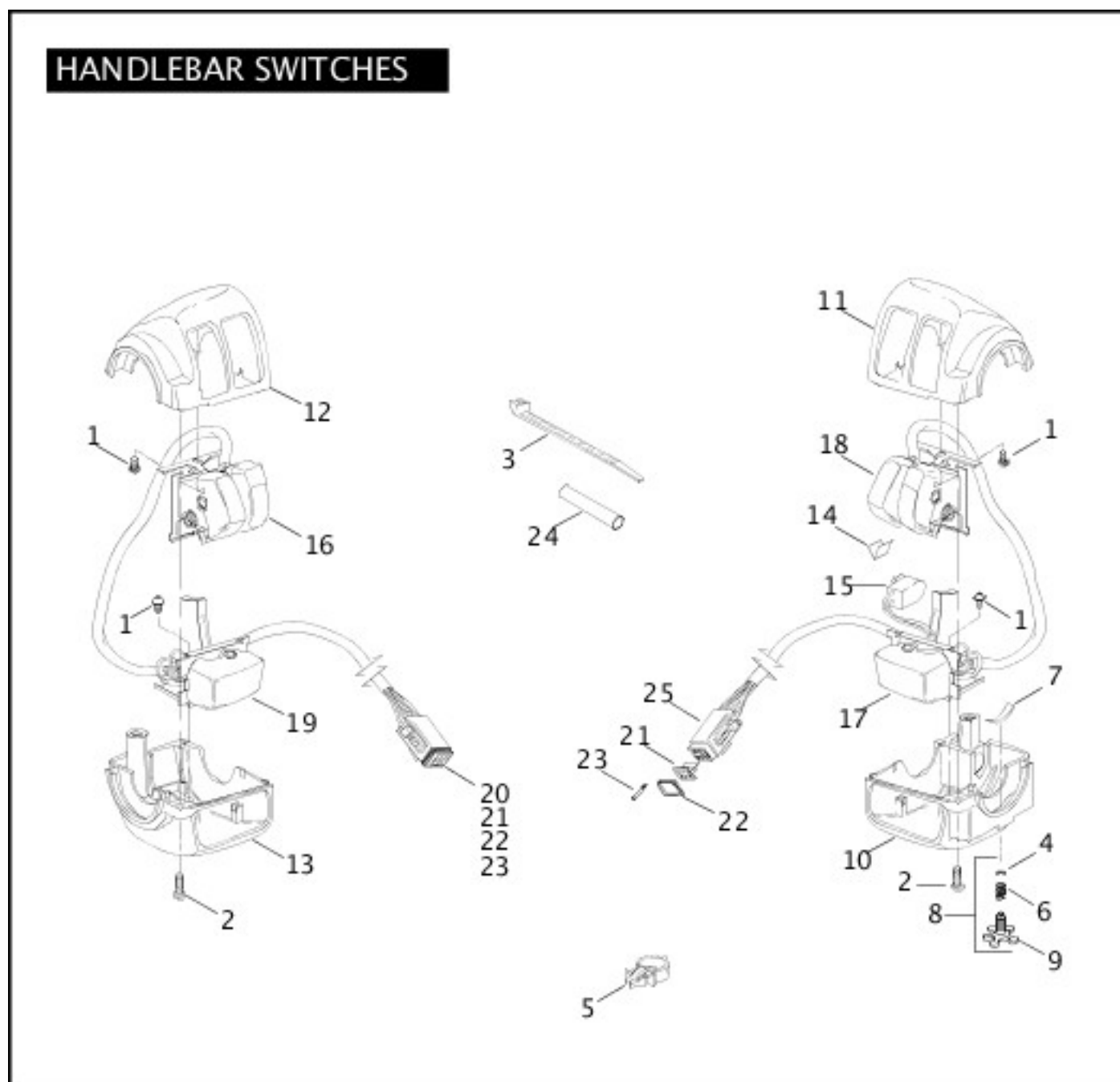


[View interactive table](#)

INDEX NO.	PART NO.	DESCRIPTION	MODEL(S)
6	26554-77B	SWITCH, oil pressure indicator	ALL
7	31601-04	STARTER RELAY	ALL
9	48154-05A	LOCKSET ASSEMBLY	ALL
11	68920-01D	TURN SIGNAL MODULE, standard	ALL
12	68922-00D	MODULE, security system (Domestic)	ALL
18	71510-04	COVER, ignition switch	ALL

21	72023-51D	STOPLIGHT SWITCH, rear brake, w/ 9898	ALL
23	72318-04	FUSE, 30A	ALL
26	68924-00D	MODULE, security system (HDI)	ALL

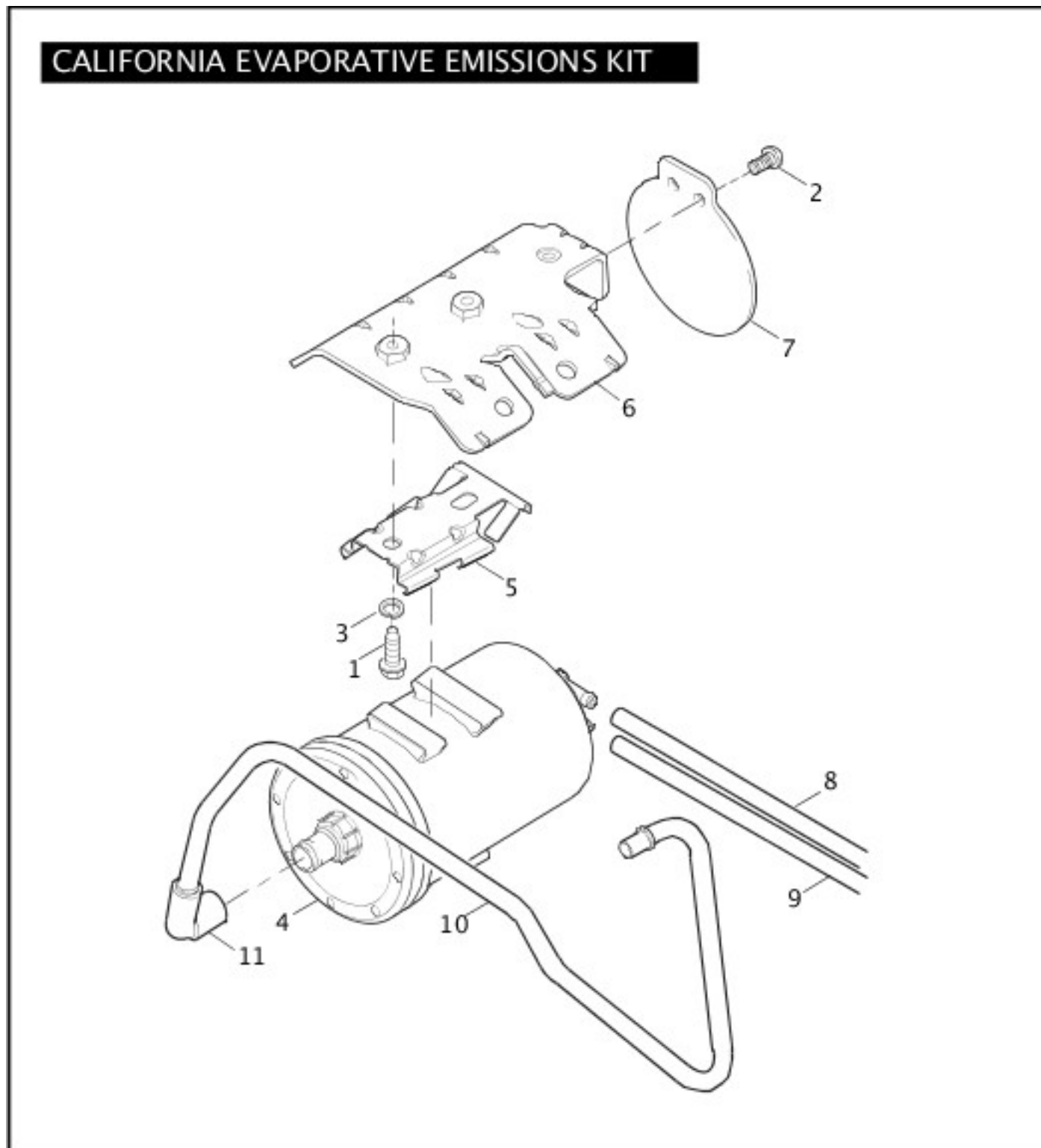
## HANDLEBAR SWITCHES



[View interactive table](#)

INDEX NO.	PART NO.	DESCRIPTION	MODEL(S)
13	71568-96A	HOUSING, lower left	ALL
14	71587-04	CLIP	ALL
15	71621-08	STOPLIGHT SWITCH KIT	ALL
16	71682-06A	SWITCH KIT, dimmer & horn, w/ 3 & 24	ALL
17	71683-06A	SWITCH KIT, right directional, w/ 3 & 24	ALL
18	71684-06A	SWITCH KIT, engine stop & start, w/ 3 & 24	ALL

## CALIFORNIA EVAPORATIVE EMISSIONS KIT



[View interactive table](#)

INDEX NO.	PART NO.	DESCRIPTION	MODEL(S)
5	27047-84B	BRACKET, canister mounting	ALL
6	28908-04A	BRACKET, canister	ALL
7	28909-04	GUARD, canister	ALL
8	28910-04	HOSE, canister-to-carburetor	ALL
9	28911-04A	HOSE, canister-to-vapor valve	ALL
10	28912-04	HOSE, canister-to-air cleaner, w/ 29312-95	ALL

# Numerical Index

[View interactive table](#)

10006	<a href="#">HANDLEBAR &amp; THROTTLE CONTROL - 883/1200 CUSTOM BATTERY</a>
10014	<a href="#">GEARCASE &amp; COVER</a> <a href="#">CARBURETOR (1 OF 2)</a> <a href="#">FUEL TANK</a> <a href="#">OIL TANK &amp; FILTER</a>
10031	<a href="#">FRONT BRAKE CONTROL</a> <a href="#">REAR BRAKE MASTER CYLINDER</a>
10039	<a href="#">SWITCHES &amp; CIRCUIT BREAKERS</a>
10053	<a href="#">FRONT BRAKE CONTROL</a>
10065	<a href="#">ALTERNATOR &amp; REGULATOR</a> <a href="#">TURN SIGNALS</a> <a href="#">MAIN WIRING HARNESS (1 OF 2)</a>
10074	<a href="#">EXHAUST SYSTEM</a>
10080	<a href="#">CRANKCASE</a> <a href="#">OIL TANK &amp; FILTER</a>
10120	<a href="#">HORN</a>
10142	<a href="#">OIL TANK &amp; FILTER</a>
10147	<a href="#">ALTERNATOR &amp; REGULATOR</a>
10177	<a href="#">CRANKCASE</a> <a href="#">ALTERNATOR &amp; REGULATOR</a> <a href="#">MAIN WIRING HARNESS (1 OF 2)</a>
10179A	<a href="#">SHIFTER - 883C/1200C</a> <a href="#">REAR BRAKE CONTROL - 883/1200R</a> <a href="#">REAR BRAKE CONTROL - 883C/1200C</a>
10181	<a href="#">HANDLEBAR SWITCHES</a>
10200	<a href="#">REAR FENDER &amp; BELT GUARDS</a>
10210	<a href="#">MAIN WIRING HARNESS (1 OF 2)</a>
10212	<a href="#">BATTERY</a>
10242	<a href="#">REAR FENDER &amp; BELT GUARDS</a>
10252	<a href="#">REAR BRAKE MASTER CYLINDER</a>
10254	<a href="#">FUEL TANK</a>
10255	<a href="#">REAR BRAKE MASTER CYLINDER</a>
10259	<a href="#">MAIN WIRING HARNESS (1 OF 2)</a>

10264	<a href="#"><u>CLUTCH CONTROL</u></a>
10267	<a href="#"><u>CRANKCASE</u></a>
1039	<a href="#"><u>ROCKER ARMS, COVERS &amp; PUSH RODS</u></a>
1048	<a href="#"><u>CRANKCASE</u></a>
10957	<a href="#"><u>STARTER MOTOR</u></a>
10995	<a href="#"><u>REAR BRAKE MASTER CYLINDER</u></a>
11000	<a href="#"><u>FUEL TANK</u></a>
11002	<a href="#"><u>OIL PUMP</u></a>
11031	<a href="#"><u>REAR BRAKE MASTER CYLINDER</u></a>
11046	<a href="#"><u>CLUTCH</u></a>
11067	<a href="#"><u>TRANSMISSION GEARS</u></a>
11105	<a href="#"><u>ACCESS DOOR &amp; PRIMARY COVER</u></a>
11120	<a href="#"><u>OIL TANK &amp; FILTER</u></a>
11121	<a href="#"><u>REAR BRAKE MASTER CYLINDER</u></a>
11142	<a href="#"><u>FRONT BRAKE CONTROL</u></a>
11155	<a href="#"><u>HANDLEBAR &amp; THROTTLE CONTROL</u></a> <a href="#"><u>HANDLEBAR &amp; THROTTLE CONTROL - 883/1200 CUSTOM</u></a> <a href="#"><u>HANDLEBAR SWITCHES</u></a>
11161	<a href="#"><u>TRANSMISSION GEARS</u></a>
11165	<a href="#"><u>TRANSMISSION GEARS</u></a>
11171	<a href="#"><u>ACCESS DOOR &amp; PRIMARY COVER</u></a>
11177A	<a href="#"><u>PISTONS, CONNECTING RODS &amp; FLYWHEELS</u></a> <a href="#"><u>CRANKCASE</u></a>
11179	<a href="#"><u>CLUTCH CONTROL</u></a>
11190	<a href="#"><u>ROCKER ARMS, COVERS &amp; PUSH RODS</u></a>
11202	<a href="#"><u>AIR CLEANER &amp; ENRICHENER</u></a>
11250	<a href="#"><u>CLUTCH</u></a>
11271	<a href="#"><u>HANDLEBAR &amp; THROTTLE CONTROL</u></a> <a href="#"><u>HANDLEBAR &amp; THROTTLE CONTROL - 883/1200 CUSTOM</u></a>
11272	<a href="#"><u>HANDLEBAR &amp; THROTTLE CONTROL</u></a> <a href="#"><u>HANDLEBAR &amp; THROTTLE CONTROL - 883/1200 CUSTOM</u></a>
11282	<a href="#"><u>FRAME, REAR FORK, &amp; JIFFY STAND</u></a>

11289A	<a href="#"><u>CRANKCASE</u></a> <a href="#"><u>SPEEDOMETER &amp; TACHOMETER - 883/1200R</u></a> <a href="#"><u>SPEEDOMETER - 883C/1200C</u></a>
11291	<a href="#"><u>CARBURETOR (1 OF 2)</u></a>
11304	<a href="#"><u>SHIFTER - 883C/1200C</u></a> <a href="#"><u>REAR BRAKE CONTROL - 883/1200R</u></a> <a href="#"><u>REAR BRAKE CONTROL - 883C/1200C</u></a> <a href="#"><u>FOOTRESTS</u></a> <a href="#"><u>FOOTRESTS</u></a> <a href="#"><u>FOOTRESTS</u></a>
11317	<a href="#"><u>PISTONS, CONNECTING RODS &amp; FLYWHEELS</u></a> <a href="#"><u>GEARCASE &amp; COVER</u></a>
11360	<a href="#"><u>SHIFTER</u></a>
11376	<a href="#"><u>FRAME, REAR FORK, &amp; JIFFY STAND</u></a>
11377	<a href="#"><u>ROCKER ARMS, COVERS &amp; PUSH RODS</u></a>
11379	<a href="#"><u>CLUTCH CONTROL</u></a> <a href="#"><u>FRONT BRAKE CONTROL</u></a>
11390	<a href="#"><u>SHIFTER - 883C/1200C</u></a> <a href="#"><u>REAR BRAKE CONTROL - 883/1200R</u></a> <a href="#"><u>REAR BRAKE CONTROL - 883C/1200C</u></a>
11407	<a href="#"><u>REAR BRAKE MASTER CYLINDER</u></a>
11474	<a href="#"><u>REAR FENDER &amp; BELT GUARDS</u></a>
11730A	<a href="#"><u>CLUTCH</u></a>
11765Y	<a href="#"><u>CLUTCH</u></a>
12030	<a href="#"><u>TRANSMISSION GEARS</u></a>
12067B	<a href="#"><u>TRANSMISSION GEARS</u></a>
12068	<a href="#"><u>CRANKCASE</u></a>
13340-04	<a href="#"><u>FUEL TANK TRIM</u></a>
13341-04	<a href="#"><u>FUEL TANK TRIM</u></a>
13342-04	<a href="#"><u>FUEL TANK TRIM</u></a>
13343-04	<a href="#"><u>FUEL TANK TRIM</u></a>
13367-04	<a href="#"><u>FUEL TANK TRIM</u></a>
13371-04	<a href="#"><u>FUEL TANK TRIM</u></a>
13372-04	<a href="#"><u>FUEL TANK TRIM</u></a>
13373-04	<a href="#"><u>FUEL TANK TRIM</u></a>

13374-04	<a href="#"><u>FUEL TANK TRIM</u></a>
14270-92	<a href="#"><u>ACCESS DOOR &amp; PRIMARY COVER</u></a>
14448-94	<a href="#"><u>HANDLEBAR &amp; THROTTLE CONTROL - 883/1200 CUSTOM</u></a>
1594	<a href="#"><u>FRAME, REAR FORK, &amp; JIFFY STAND</u></a>
16052-04	<a href="#"><u>CYLINDER, HEAD &amp; VALVES - V<sup>2</sup>™ EVOLUTION (1 OF 2)</u></a>
16055-04	<a href="#"><u>CYLINDER, HEAD &amp; VALVES - V<sup>2</sup>™ EVOLUTION (1 OF 2)</u></a>
16064-04	<a href="#"><u>CYLINDER, HEAD &amp; VALVES - V<sup>2</sup>™ EVOLUTION (2 OF 2)</u></a>
16068-04	<a href="#"><u>CYLINDER, HEAD &amp; VALVES - V<sup>2</sup>™ EVOLUTION (1 OF 2)</u></a>
16069-04	<a href="#"><u>CYLINDER, HEAD &amp; VALVES - V<sup>2</sup>™ EVOLUTION (1 OF 2)</u></a>
16071-04	<a href="#"><u>CYLINDER, HEAD &amp; VALVES - V<sup>2</sup>™ EVOLUTION (2 OF 2)</u></a>
16078-04	<a href="#"><u>CYLINDER, HEAD &amp; VALVES - V<sup>2</sup>™ EVOLUTION (2 OF 2)</u></a>
16079-04	<a href="#"><u>CYLINDER, HEAD &amp; VALVES - V<sup>2</sup>™ EVOLUTION (1 OF 2)</u></a>
16080-04	<a href="#"><u>CYLINDER, HEAD &amp; VALVES - V<sup>2</sup>™ EVOLUTION (1 OF 2)</u></a>
16232-04	<a href="#"><u>ENGINE MOUNTS</u></a>
16287-04	<a href="#"><u>ENGINE MOUNTS</u></a>
16291-04	<a href="#"><u>ENGINE MOUNTS</u></a>
16353-04	<a href="#"><u>CYLINDER, HEAD &amp; VALVES - V<sup>2</sup>™ EVOLUTION (1 OF 2)</u></a>
16354-04	<a href="#"><u>CYLINDER, HEAD &amp; VALVES - V<sup>2</sup>™ EVOLUTION (1 OF 2)</u></a>
16355-04	<a href="#"><u>HORN</u></a>
16443-04	<a href="#"><u>CYLINDER, HEAD &amp; VALVES - V<sup>2</sup>™ EVOLUTION (1 OF 2)</u></a>
16461-02	<a href="#"><u>CYLINDER, HEAD &amp; VALVES - V<sup>2</sup>™ EVOLUTION (1 OF 2)</u></a>
16462-02	<a href="#"><u>CYLINDER, HEAD &amp; VALVES - V<sup>2</sup>™ EVOLUTION (1 OF 2)</u></a>
16463-04	<a href="#"><u>CYLINDER, HEAD &amp; VALVES - V<sup>2</sup>™ EVOLUTION (1 OF 2)</u></a>
16465-06	<a href="#"><u>CYLINDER, HEAD &amp; VALVES - V<sup>2</sup>™ EVOLUTION (1 OF 2)</u></a>
16478-85A	<a href="#"><u>CYLINDER, HEAD &amp; VALVES - V<sup>2</sup>™ EVOLUTION (1 OF 2)</u></a>
16480-92A	<a href="#"><u>CYLINDER, HEAD &amp; VALVES - V<sup>2</sup>™ EVOLUTION (1 OF 2)</u></a>
16573-83A	<a href="#"><u>CYLINDER, HEAD &amp; VALVES - V<sup>2</sup>™ EVOLUTION (1 OF 2)</u></a>
16660-04	<a href="#"><u>CYLINDER, HEAD &amp; VALVES - V<sup>2</sup>™ EVOLUTION (1 OF 2)</u></a>
16661-04	<a href="#"><u>CYLINDER, HEAD &amp; VALVES - V<sup>2</sup>™ EVOLUTION (1 OF 2)</u></a>
16664-86D	<a href="#"><u>CYLINDER, HEAD &amp; VALVES - V<sup>2</sup>™ EVOLUTION (1 OF 2)</u></a>



16666-04	<a href="#"><u>CYLINDER, HEAD &amp; VALVES - V<sup>2</sup>™ EVOLUTION (1 OF 2)</u></a>
16667-04	<a href="#"><u>CYLINDER, HEAD &amp; VALVES - V<sup>2</sup>™ EVOLUTION (1 OF 2)</u></a>
16699-06	<a href="#"><u>CYLINDER, HEAD &amp; VALVES - V<sup>2</sup>™ EVOLUTION (1 OF 2)</u></a>
16715-83	<a href="#"><u>CYLINDER, HEAD &amp; VALVES - V<sup>2</sup>™ EVOLUTION (1 OF 2)</u></a>
16770-84F	<a href="#"><u>CYLINDER, HEAD &amp; VALVES - V<sup>2</sup>™ EVOLUTION (1 OF 2)</u></a>
16774-86D	<a href="#"><u>CYLINDER, HEAD &amp; VALVES - V<sup>2</sup>™ EVOLUTION (1 OF 2)</u></a>
16800-84A	<a href="#"><u>ROCKER ARMS, COVERS &amp; PUSH RODS</u></a>
16832-86C	<a href="#"><u>CYLINDER, HEAD &amp; VALVES - V<sup>2</sup>™ EVOLUTION (1 OF 2)</u></a>
17027-04B	<a href="#"><u>CYLINDER, HEAD &amp; VALVES - V<sup>2</sup>™ EVOLUTION (2 OF 2)</u></a>
17049-04A	<a href="#"><u>CYLINDER, HEAD &amp; VALVES - V<sup>2</sup>™ EVOLUTION (2 OF 2)</u></a>
17353-89C	<a href="#"><u>ROCKER ARMS, COVERS &amp; PUSH RODS</u></a>
17358-84B	<a href="#"><u>ROCKER ARMS, COVERS &amp; PUSH RODS</u></a>
17360-83A	<a href="#"><u>ROCKER ARMS, COVERS &amp; PUSH RODS</u></a>
17375-83A	<a href="#"><u>ROCKER ARMS, COVERS &amp; PUSH RODS</u></a>
17501-04	<a href="#"><u>ROCKER ARMS, COVERS &amp; PUSH RODS</u></a>
17527-04	<a href="#"><u>ROCKER ARMS, COVERS &amp; PUSH RODS</u></a>
17532-86E	<a href="#"><u>ROCKER ARMS, COVERS &amp; PUSH RODS</u></a>
17537-96C	<a href="#"><u>ROCKER ARMS, COVERS &amp; PUSH RODS</u></a>
17551-04	<a href="#"><u>ROCKER ARMS, COVERS &amp; PUSH RODS</u></a>
17611-83	<a href="#"><u>ROCKER ARMS, COVERS &amp; PUSH RODS</u></a>
17614-98C	<a href="#"><u>ROCKER ARMS, COVERS &amp; PUSH RODS</u></a>
17908-02	<a href="#"><u>ROCKER ARMS, COVERS &amp; PUSH RODS</u></a>
17909-02	<a href="#"><u>ROCKER ARMS, COVERS &amp; PUSH RODS</u></a>
17946-04	<a href="#"><u>ROCKER ARMS, COVERS &amp; PUSH RODS</u></a>
17972-04	<a href="#"><u>ROCKER ARMS, COVERS &amp; PUSH RODS</u></a>
17976-04	<a href="#"><u>ROCKER ARMS, COVERS &amp; PUSH RODS</u></a>
17981-04	<a href="#"><u>ROCKER ARMS, COVERS &amp; PUSH RODS</u></a>
18011-86	<a href="#"><u>CYLINDER, HEAD &amp; VALVES - V<sup>2</sup>™ EVOLUTION (2 OF 2)</u></a>
18012-87A	<a href="#"><u>CYLINDER, HEAD &amp; VALVES - V<sup>2</sup>™ EVOLUTION (2 OF 2)</u></a>

18020-83	<a href="#"><u>CYLINDER, HEAD &amp; VALVES - V<sup>2</sup>™ EVOLUTION (2 OF 2)</u></a>
18021-87A	<a href="#"><u>CYLINDER, HEAD &amp; VALVES - V<sup>2</sup>™ EVOLUTION (2 OF 2)</u></a>
18053-04	<a href="#"><u>CYLINDER, HEAD &amp; VALVES - V<sup>2</sup>™ EVOLUTION (2 OF 2)</u></a>
18059-04	<a href="#"><u>CYLINDER, HEAD &amp; VALVES - V<sup>2</sup>™ EVOLUTION (2 OF 2)</u></a>
18094-02A	<a href="#"><u>CYLINDER, HEAD &amp; VALVES - V<sup>2</sup>™ EVOLUTION (2 OF 2)</u></a>
18245-02	<a href="#"><u>CYLINDER, HEAD &amp; VALVES - V<sup>2</sup>™ EVOLUTION (2 OF 2)</u></a>
18258-02	<a href="#"><u>CYLINDER, HEAD &amp; VALVES - V<sup>2</sup>™ EVOLUTION (2 OF 2)</u></a>
18260-02	<a href="#"><u>CYLINDER, HEAD &amp; VALVES - V<sup>2</sup>™ EVOLUTION (2 OF 2)</u></a>
18532-00A	<a href="#"><u>ROCKER ARMS, COVERS &amp; PUSH RODS</u></a>
18538-99C	<a href="#"><u>ROCKER ARMS, COVERS &amp; PUSH RODS</u></a>
18690-02	<a href="#"><u>CYLINDER, HEAD &amp; VALVES - V<sup>2</sup>™ EVOLUTION (2 OF 2)</u></a>
18691-02	<a href="#"><u>CYLINDER, HEAD &amp; VALVES - V<sup>2</sup>™ EVOLUTION (2 OF 2)</u></a>
19169-04	<a href="#"><u>CYLINDER, HEAD &amp; VALVES - V<sup>2</sup>™ EVOLUTION (2 OF 2)</u></a>
19171-04	<a href="#"><u>CYLINDER, HEAD &amp; VALVES - V<sup>2</sup>™ EVOLUTION (2 OF 2)</u></a>
19172-04	<a href="#"><u>CYLINDER, HEAD &amp; VALVES - V<sup>2</sup>™ EVOLUTION (2 OF 2)</u></a>
19194-04	<a href="#"><u>CYLINDER, HEAD &amp; VALVES - V<sup>2</sup>™ EVOLUTION (1 OF 2)</u></a>
19195-04	<a href="#"><u>CYLINDER, HEAD &amp; VALVES - V<sup>2</sup>™ EVOLUTION (1 OF 2)</u></a>
19196-04	<a href="#"><u>CYLINDER, HEAD &amp; VALVES - V<sup>2</sup>™ EVOLUTION (2 OF 2)</u></a>
19197-04	<a href="#"><u>CYLINDER, HEAD &amp; VALVES - V<sup>2</sup>™ EVOLUTION (2 OF 2)</u></a>
215	<a href="#"><u>CRANKCASE</u></a>
21948-02	<a href="#"><u>PISTONS, CONNECTING RODS &amp; FLYWHEELS</u></a>
22221-04	<a href="#"><u>PISTONS, CONNECTING RODS &amp; FLYWHEELS</u></a>
22223-04	<a href="#"><u>PISTONS, CONNECTING RODS &amp; FLYWHEELS</u></a>
22224-04	<a href="#"><u>PISTONS, CONNECTING RODS &amp; FLYWHEELS</u></a>
22227-04	<a href="#"><u>PISTONS, CONNECTING RODS &amp; FLYWHEELS</u></a>
22228-04	<a href="#"><u>PISTONS, CONNECTING RODS &amp; FLYWHEELS</u></a>
22230-04	<a href="#"><u>PISTONS, CONNECTING RODS &amp; FLYWHEELS</u></a>
22231-04	<a href="#"><u>PISTONS, CONNECTING RODS &amp; FLYWHEELS</u></a>
22238-04	<a href="#"><u>PISTONS, CONNECTING RODS &amp; FLYWHEELS</u></a>

22261-86	<a href="#"><u>PISTONS, CONNECTING RODS &amp; FLYWHEELS</u></a>
22266-86	<a href="#"><u>PISTONS, CONNECTING RODS &amp; FLYWHEELS</u></a>
22271-86	<a href="#"><u>PISTONS, CONNECTING RODS &amp; FLYWHEELS</u></a>
22589-83B	<a href="#"><u>PISTONS, CONNECTING RODS &amp; FLYWHEELS</u></a>
22719-04	<a href="#"><u>PISTONS, CONNECTING RODS &amp; FLYWHEELS</u></a>
22765-02	<a href="#"><u>PISTONS, CONNECTING RODS &amp; FLYWHEELS</u></a>
2325	<a href="#"><u>SPEEDOMETER &amp; TACHOMETER - 883/1200R</u></a>
2361	<a href="#"><u>SPEEDOMETER &amp; TACHOMETER - 883/1200R</u></a> <a href="#"><u>SPEEDOMETER &amp; TACHOMETER - 883/1200R</u></a>
23905-04	<a href="#"><u>PISTONS, CONNECTING RODS &amp; FLYWHEELS</u></a>
23905-04B	<a href="#"><u>PISTONS, CONNECTING RODS &amp; FLYWHEELS</u></a>
24047-00	<a href="#"><u>GEARCASE &amp; COVER</u></a>
24331-36	<a href="#"><u>PISTONS, CONNECTING RODS &amp; FLYWHEELS</u></a>
24332-36	<a href="#"><u>PISTONS, CONNECTING RODS &amp; FLYWHEELS</u></a>
2441	<a href="#"><u>ROCKER ARMS, COVERS &amp; PUSH RODS</u></a>
24466-04	<a href="#"><u>CRANKCASE</u></a>
24470-04	<a href="#"><u>CRANKCASE</u></a>
2460	<a href="#"><u>AIR CLEANER &amp; ENRICHENER</u></a>
24605-07	<a href="#"><u>CRANKCASE</u></a>
24647-87	<a href="#"><u>CRANKCASE</u></a>
24650-87	<a href="#"><u>CRANKCASE</u></a>
24658-87	<a href="#"><u>PISTONS, CONNECTING RODS &amp; FLYWHEELS</u></a>
24659-87	<a href="#"><u>CRANKCASE</u></a>
24660-87	<a href="#"><u>CRANKCASE</u></a>
24754-75A	<a href="#"><u>CRANKCASE</u></a>
2501A	<a href="#"><u>REAR BRAKE MASTER CYLINDER</u></a>
25193-00B	<a href="#"><u>GEARCASE &amp; COVER</u></a>
25194-00B	<a href="#"><u>GEARCASE &amp; COVER</u></a>
25213-04	<a href="#"><u>GEARCASE &amp; COVER</u></a>
25219-04	<a href="#"><u>GEARCASE &amp; COVER</u></a>

25252-04	<a href="#"><u>GEARCASE &amp; COVER</u></a>
25263-90D	<a href="#"><u>GEARCASE &amp; COVER</u></a>
2528	<a href="#"><u>SWITCHES &amp; CIRCUIT BREAKERS</u></a>
2535	<a href="#"><u>BATTERY</u></a>
25409-94B	<a href="#"><u>CLUTCH</u></a>
25430-04	<a href="#"><u>ACCESS DOOR &amp; PRIMARY COVER</u></a>
25453-87A	<a href="#"><u>CLUTCH</u></a>
25460-04	<a href="#"><u>ACCESS DOOR &amp; PRIMARY COVER</u></a>
25463-94A	<a href="#"><u>ACCESS DOOR &amp; PRIMARY COVER</u></a>
25471-04	<a href="#"><u>ACCESS DOOR &amp; PRIMARY COVER</u></a>
2548	<a href="#"><u>SPEEDOMETER - 883C/1200C</u></a>
25586-37	<a href="#"><u>GEARCASE &amp; COVER</u></a>
25588-91	<a href="#"><u>GEARCASE &amp; COVER</u></a>
25593-74	<a href="#"><u>GEARCASE &amp; COVER</u></a>
25598-91	<a href="#"><u>GEARCASE &amp; COVER</u></a>
2586A	<a href="#"><u>FRONT BRAKE CONTROL</u></a>
26010-04	<a href="#"><u>ROCKER ARMS, COVERS &amp; PUSH RODS</u></a>
26011-04	<a href="#"><u>ROCKER ARMS, COVERS &amp; PUSH RODS</u></a>
2607	<a href="#"><u>REAR FENDER &amp; BELT GUARDS</u></a>
26204-91A	<a href="#"><u>OIL PUMP</u></a>
26318-88A	<a href="#"><u>GEARCASE &amp; COVER</u></a>
26432-76A	<a href="#"><u>CYLINDER, HEAD &amp; VALVES - V<sup>2</sup>™ EVOLUTION (2 OF 2)</u></a>
26434-91	<a href="#"><u>OIL PUMP</u></a>
26436-90A	<a href="#"><u>OIL TANK &amp; FILTER</u></a>
26437-86B	<a href="#"><u>OIL TANK &amp; FILTER</u></a>
26488-98	<a href="#"><u>OIL PUMP</u></a>
26491-98	<a href="#"><u>OIL PUMP</u></a>
26492-91	<a href="#"><u>OIL PUMP</u></a>
26493-91	<a href="#"><u>OIL PUMP</u></a>
26495-89B	<a href="#"><u>OIL PUMP</u></a>

26496-75A	<a href="#"><u>OIL PUMP</u></a>
26554-77B	<a href="#"><u>SWITCHES &amp; CIRCUIT BREAKERS</u></a>
26556-04	<a href="#"><u>FUEL TANK</u></a>
26588-04	<a href="#"><u>FUEL TANK</u></a>
26638-00Y	<a href="#"><u>CRANKCASE</u></a>
26995-86B	<a href="#"><u>CARBURETOR (1 OF 2)</u></a>
27002-89	<a href="#"><u>CARBURETOR (1 OF 2)</u></a>
27009-86A	<a href="#"><u>CARBURETOR (1 OF 2)</u></a>
27010-86A	<a href="#"><u>CARBURETOR (1 OF 2)</u></a>
27024-04	<a href="#"><u>CARBURETOR (1 OF 2)</u></a>
27042-84A	<a href="#"><u>CALIFORNIA EVAPORATIVE EMISSIONS KIT</u></a>
27047-84B	<a href="#"><u>CALIFORNIA EVAPORATIVE EMISSIONS KIT</u></a>
27067-04	<a href="#"><u>FUEL TANK</u></a>
2708A	<a href="#"><u>SHIFTER</u></a> <a href="#"><u>SHIFTER - 883C/1200C</u></a> <a href="#"><u>REAR FENDER &amp; BELT GUARDS</u></a> <a href="#"><u>HEADLAMP &amp; MIRROR - 883/1200R</u></a>
27090-89	<a href="#"><u>CARBURETOR (1 OF 2)</u></a>
27096-04A	<a href="#"><u>AIR CLEANER &amp; ENRICHENER</u></a> <a href="#"><u>FUEL TANK</u></a>
27100-88	<a href="#"><u>CARBURETOR (1 OF 2)</u></a>
27101-88	<a href="#"><u>CARBURETOR (1 OF 2)</u></a>
27114-88	<a href="#"><u>CARBURETOR (1 OF 2)</u></a>
27116-88	<a href="#"><u>CARBURETOR (2 OF 2)</u></a>
27124-89	<a href="#"><u>CARBURETOR (1 OF 2)</u></a>
27125-89	<a href="#"><u>CARBURETOR (1 OF 2)</u></a>
27126-89	<a href="#"><u>CARBURETOR (1 OF 2)</u></a>
27127-89	<a href="#"><u>CARBURETOR (1 OF 2)</u></a>
27128-89	<a href="#"><u>CARBURETOR (1 OF 2)</u></a>
27130-90	<a href="#"><u>CARBURETOR (1 OF 2)</u></a>
27136-90A	<a href="#"><u>CARBURETOR (1 OF 2)</u></a>

27137-81	<a href="#">CARBURETOR (1 OF 2)</a>
27146-89	<a href="#">CARBURETOR (1 OF 2)</a>
27147-89	<a href="#">CARBURETOR (1 OF 2)</a>
27148-89	<a href="#">CARBURETOR (1 OF 2)</a>
27152-89	<a href="#">CARBURETOR (2 OF 2)</a>
27156-89	<a href="#">CARBURETOR (1 OF 2)</a>
27157-89	<a href="#">CARBURETOR (1 OF 2)</a>
27158-89	<a href="#">CARBURETOR (1 OF 2)</a>
27162-89	<a href="#">CARBURETOR (1 OF 2)</a>
27171-89	<a href="#">CARBURETOR (1 OF 2)</a>
27185-90	<a href="#">CARBURETOR (1 OF 2)</a>
27250-96B	<a href="#">FUEL TANK</a>
27256-01	<a href="#">CARBURETOR (1 OF 2)</a>
27260-00	<a href="#">CARBURETOR (1 OF 2)</a>
27261-96	<a href="#">CARBURETOR (1 OF 2)</a>
27262-96	<a href="#">CARBURETOR (1 OF 2)</a>
27263-96	<a href="#">CARBURETOR (1 OF 2)</a>
27311-76	<a href="#">CARBURETOR (1 OF 2)</a>
27315-88A	<a href="#">CARBURETOR (1 OF 2)</a>
27317-88	<a href="#">CARBURETOR (2 OF 2)</a>
27320-04	<a href="#">CARBURETOR (2 OF 2)</a>
27360-76	<a href="#">CARBURETOR (2 OF 2)</a>
27361-76A	<a href="#">CARBURETOR (2 OF 2)</a>
27362-76	<a href="#">CARBURETOR (2 OF 2)</a>
27368-76	<a href="#">CARBURETOR (2 OF 2)</a>
27369-76	<a href="#">CARBURETOR (2 OF 2)</a>
27371-76A	<a href="#">CARBURETOR (2 OF 2)</a>
27465-04	<a href="#">CARBURETOR (2 OF 2)</a>
27490-04	<a href="#">CARBURETOR (2 OF 2)</a>

27495-04	<a href="#"><u>CARBURETOR (2 OF 2)</u></a>
27575-88A	<a href="#"><u>CARBURETOR (2 OF 2)</u></a>
27576-92	<a href="#"><u>CARBURETOR (2 OF 2)</u></a>
27577-92	<a href="#"><u>CARBURETOR (2 OF 2)</u></a>
27579-88A	<a href="#"><u>CARBURETOR (2 OF 2)</u></a>
27580-88	<a href="#"><u>CARBURETOR (2 OF 2)</u></a>
27581-88	<a href="#"><u>CARBURETOR (2 OF 2)</u></a>
27582-88	<a href="#"><u>CARBURETOR (2 OF 2)</u></a>
27583-88	<a href="#"><u>CARBURETOR (2 OF 2)</u></a>
27585-88	<a href="#"><u>CARBURETOR (2 OF 2)</u></a>
27586-88	<a href="#"><u>CARBURETOR (2 OF 2)</u></a>
27587-88	<a href="#"><u>CARBURETOR (2 OF 2)</u></a>
2773	<a href="#"><u>REAR FENDER &amp; BELT GUARDS</u></a>
27731-04	<a href="#"><u>CARBURETOR (2 OF 2)</u></a>
27732-04	<a href="#"><u>CARBURETOR (2 OF 2)</u></a>
27749-04	<a href="#"><u>CARBURETOR (2 OF 2)</u></a>
27777-04	<a href="#"><u>CARBURETOR (1 OF 2)</u></a>
27886-78A	<a href="#"><u>CARBURETOR (2 OF 2)</u></a>
28015-01	<a href="#"><u>CARBURETOR (2 OF 2)</u></a>
28026-04	<a href="#"><u>CARBURETOR (2 OF 2)</u></a>
28027-04	<a href="#"><u>CARBURETOR (2 OF 2)</u></a>
28792-10	<a href="#"><u>AIR CLEANER &amp; ENRICHENER</u></a>
28908-04A	<a href="#"><u>CALIFORNIA EVAPORATIVE EMISSIONS KIT</u></a>
28909-04	<a href="#"><u>CALIFORNIA EVAPORATIVE EMISSIONS KIT</u></a>
28910-04	<a href="#"><u>CALIFORNIA EVAPORATIVE EMISSIONS KIT</u></a>
28911-04A	<a href="#"><u>FUEL TANK</u></a> <a href="#"><u>CALIFORNIA EVAPORATIVE EMISSIONS KIT</u></a>
28912-04	<a href="#"><u>CALIFORNIA EVAPORATIVE EMISSIONS KIT</u></a>
29062-95B	<a href="#"><u>AIR CLEANER &amp; ENRICHENER</u></a>
29123-04	<a href="#"><u>AIR CLEANER &amp; ENRICHENER</u></a>

29127-95B	<a href="#"><u>AIR CLEANER &amp; ENRICHENER</u></a>
29229-88D	<a href="#"><u>AIR CLEANER &amp; ENRICHENER</u></a>
29312-95	<a href="#"><u>CALIFORNIA EVAPORATIVE EMISSIONS KIT</u></a>
29313-95	<a href="#"><u>AIR CLEANER &amp; ENRICHENER</u></a>
29315-04	<a href="#"><u>AIR CLEANER &amp; ENRICHENER</u></a>
29331-04	<a href="#"><u>AIR CLEANER &amp; ENRICHENER</u></a>
29342-99	<a href="#"><u>AIR CLEANER &amp; ENRICHENER</u></a>
29346-04	<a href="#"><u>AIR CLEANER &amp; ENRICHENER</u></a>
29348-04	<a href="#"><u>AIR CLEANER &amp; ENRICHENER</u></a>
29352-04	<a href="#"><u>AIR CLEANER &amp; ENRICHENER</u></a>
29359-04A	<a href="#"><u>AIR CLEANER &amp; ENRICHENER</u></a> <a href="#"><u>AIR CLEANER &amp; ENRICHENER</u></a>
29360-04	<a href="#"><u>AIR CLEANER &amp; ENRICHENER</u></a>
29367-04	<a href="#"><u>AIR CLEANER &amp; ENRICHENER</u></a>
2952A	<a href="#"><u>SEATS</u></a>
2955	<a href="#"><u>HANDLEBAR SWITCHES</u></a>
29802-04	<a href="#"><u>AIR CLEANER &amp; ENRICHENER</u></a>
2995	<a href="#"><u>FRAME, REAR FORK, &amp; JIFFY STAND</u></a>
29950-91	<a href="#"><u>CRANKCASE</u></a>
29967-89C	<a href="#"><u>ALTERNATOR &amp; REGULATOR</u></a>
29984-06	<a href="#"><u>ALTERNATOR &amp; REGULATOR</u></a>
3022A	<a href="#"><u>TAIL LAMP</u></a>
3026	<a href="#"><u>CYLINDER, HEAD &amp; VALVES - V<sup>2</sup><sup>TM</sup> EVOLUTION (1 OF 2)</u></a> <a href="#"><u>HORN</u></a>
3029	<a href="#"><u>ALTERNATOR &amp; REGULATOR</u></a>
31328-91	<a href="#"><u>STARTER MOTOR</u></a>
31390-91F	<a href="#"><u>STARTER MOTOR</u></a>
31488-81C	<a href="#"><u>STARTER MOTOR</u></a>
31512-04	<a href="#"><u>OIL TANK &amp; FILTER</u></a>
31515-90	<a href="#"><u>STARTER MOTOR</u></a>
31518-90	<a href="#"><u>STARTER MOTOR</u></a>



31521-98	<a href="#"><u>STARTER MOTOR</u></a>
31525-90	<a href="#"><u>STARTER MOTOR</u></a>
31530-90	<a href="#"><u>STARTER MOTOR</u></a>
31539-91	<a href="#"><u>STARTER MOTOR</u></a>
31540-91	<a href="#"><u>STARTER MOTOR</u></a>
31556-91D	<a href="#"><u>STARTER MOTOR</u></a>
31599-91	<a href="#"><u>STARTER MOTOR</u></a>
31600-90	<a href="#"><u>STARTER MOTOR</u></a>
31601-04	<a href="#"><u>MAIN WIRING HARNESS (1 OF 2)</u></a> <a href="#"><u>SWITCHES &amp; CIRCUIT BREAKERS</u></a>
31603-91	<a href="#"><u>STARTER MOTOR</u></a>
31655-99	<a href="#"><u>ELECTRONIC IGNITION SYSTEM</u></a>
31661-90	<a href="#"><u>STARTER MOTOR</u></a>
31662-90	<a href="#"><u>STARTER MOTOR</u></a>
31688-90	<a href="#"><u>STARTER MOTOR</u></a>
31689-90	<a href="#"><u>STARTER MOTOR</u></a>
31692-90	<a href="#"><u>STARTER MOTOR</u></a>
31695-90	<a href="#"><u>STARTER MOTOR</u></a>
31740-04	<a href="#"><u>ELECTRONIC IGNITION SYSTEM</u></a>
31755-04	<a href="#"><u>ELECTRONIC IGNITION SYSTEM</u></a>
31996-04	<a href="#"><u>ELECTRONIC IGNITION SYSTEM</u></a>
3201WA	<a href="#"><u>STEERING HEAD BRACKET ASSEMBLY</u></a>
3210A	<a href="#"><u>SHIFTER - 883C/1200C</u></a> <a href="#"><u>REAR BRAKE CONTROL - 883/1200R</u></a> <a href="#"><u>REAR BRAKE CONTROL - 883C/1200C</u></a> <a href="#"><u>HANDLEBAR &amp; THROTTLE CONTROL - 883/1200 CUSTOM</u></a> <a href="#"><u>FRONT FENDER</u></a>
32362-04	<a href="#"><u>ELECTRONIC IGNITION SYSTEM</u></a>
32417-10	<a href="#"><u>CARBURETOR (2 OF 2)</u></a>
3244	<a href="#"><u>CLUTCH CONTROL</u></a> <a href="#"><u>FRONT BRAKE CONTROL</u></a>
32493-02B	<a href="#"><u>ALTERNATOR &amp; REGULATOR</u></a>

32494-04B	<a href="#"><u>ALTERNATOR &amp; REGULATOR</u></a> <a href="#"><u>ALTERNATOR &amp; REGULATOR</u></a>
32506-90	<a href="#"><u>GEARCASE &amp; COVER</u></a>
32514-04	<a href="#"><u>GEARCASE &amp; COVER</u></a>
32555-04	<a href="#"><u>GEARCASE &amp; COVER</u></a>
32617-00Y	<a href="#"><u>CRANKCASE</u></a>
32622-04C	<a href="#"><u>ELECTRONIC IGNITION SYSTEM</u></a>
3275	<a href="#"><u>CARBURETOR (1 OF 2)</u></a>
32804-04	<a href="#"><u>CRANKCASE</u></a>
32804-04B	<a href="#"><u>CRANKCASE</u></a>
33032-99	<a href="#"><u>SHIFTER - 883C/1200C</u></a> <a href="#"><u>REAR BRAKE CONTROL - 883/1200R</u></a> <a href="#"><u>REAR BRAKE CONTROL - 883C/1200C</u></a> <a href="#"><u>FOOTRESTS</u></a>
33048-72	<a href="#"><u>FOOTRESTS</u></a>
33117-91A	<a href="#"><u>OIL TANK &amp; FILTER</u></a>
33123-04	<a href="#"><u>OIL TANK &amp; FILTER</u></a>
33189-63	<a href="#"><u>FOOTRESTS</u></a>
33216-99	<a href="#"><u>SHIFTER - 883C/1200C</u></a> <a href="#"><u>REAR BRAKE CONTROL - 883/1200R</u></a> <a href="#"><u>REAR BRAKE CONTROL - 883C/1200C</u></a> <a href="#"><u>FOOTRESTS</u></a>
33344-94	<a href="#"><u>TRANSMISSION GEARS</u></a>
33540-02A	<a href="#"><u>SHIFTER</u></a>
33634-02A	<a href="#"><u>SHIFTER</u></a>
33900-99	<a href="#"><u>SHIFTER</u></a> <a href="#"><u>SWITCHES &amp; CIRCUIT BREAKERS</u></a>
34014-02B	<a href="#"><u>SHIFTER</u></a>
3403	<a href="#"><u>STARTER MOTOR</u></a>
34064-00C	<a href="#"><u>SHIFTER</u></a>
34076-02A	<a href="#"><u>SHIFTER</u></a>
34144-02	<a href="#"><u>SHIFTER</u></a>
34163-02	<a href="#"><u>SHIFTER</u></a>
34483-02	<a href="#"><u>SHIFTER</u></a>

34491-02A	<a href="#"><u>SHIFTER</u></a>
34572-04	<a href="#"><u>SHIFTER - 883C/1200C</u></a>
34573-04	<a href="#"><u>SHIFTER - 883C/1200C</u></a>
34581-04	<a href="#"><u>REAR BRAKE CONTROL - 883C/1200C</u></a>
34582-04	<a href="#"><u>REAR BRAKE CONTROL - 883/1200R</u></a>
34611-65A	<a href="#"><u>SHIFTER</u></a> <a href="#"><u>SHIFTER - 883C/1200C</u></a>
34660-04A	<a href="#"><u>SHIFTER</u></a>
34670-04	<a href="#"><u>SHIFTER - 883C/1200C</u></a>
34760-04	<a href="#"><u>ACCESS DOOR &amp; PRIMARY COVER</u></a>
34761-04	<a href="#"><u>ACCESS DOOR &amp; PRIMARY COVER</u></a>
34761-04A	<a href="#"><u>ACCESS DOOR &amp; PRIMARY COVER</u></a>
3480A	<a href="#"><u>GEARCASE &amp; COVER</u></a> <a href="#"><u>ELECTRONIC IGNITION SYSTEM</u></a> <a href="#"><u>BELTS &amp; SPROCKETS</u></a>
34911-04	<a href="#"><u>BELTS &amp; SPROCKETS</u></a>
34920-86A	<a href="#"><u>CLUTCH</u></a>
34932-04	<a href="#"><u>BELTS &amp; SPROCKETS</u></a>
34938-04	<a href="#"><u>BELTS &amp; SPROCKETS</u></a>
34955-04	<a href="#"><u>ACCESS DOOR &amp; PRIMARY COVER</u></a>
34981-02A	<a href="#"><u>SHIFTER</u></a>
34982-02A	<a href="#"><u>SHIFTER</u></a>
34986-04	<a href="#"><u>ACCESS DOOR &amp; PRIMARY COVER</u></a>
34990-08	<a href="#"><u>ACCESS DOOR &amp; PRIMARY COVER</u></a>
34992-04	<a href="#"><u>ACCESS DOOR &amp; PRIMARY COVER</u></a>
34993-04	<a href="#"><u>ACCESS DOOR &amp; PRIMARY COVER</u></a>
34993-04A	<a href="#"><u>ACCESS DOOR &amp; PRIMARY COVER</u></a>
35020-89	<a href="#"><u>TRANSMISSION GEARS</u></a>
35021-89	<a href="#"><u>TRANSMISSION GEARS</u></a>
35030-89A	<a href="#"><u>TRANSMISSION GEARS</u></a>

35034-94	<a href="#"><u>TRANSMISSION GEARS</u></a>
35038-89A	<a href="#"><u>TRANSMISSION GEARS</u></a>
35051-89A	<a href="#"><u>TRANSMISSION GEARS</u></a>
35063-89	<a href="#"><u>TRANSMISSION GEARS</u></a>
35114-02	<a href="#"><u>CRANKCASE</u></a>
35118-03	<a href="#"><u>CRANKCASE</u></a>
35128-04	<a href="#"><u>TRANSMISSION GEARS</u></a>
35133-04	<a href="#"><u>TRANSMISSION GEARS</u></a>
3514	<a href="#"><u>HEADLAMP &amp; MIRROR - 883/1200R</u></a>
35211-91B	<a href="#"><u>BELTS &amp; SPROCKETS</u></a>
3559	<a href="#"><u>STARTER MOTOR</u></a>
3563	<a href="#"><u>HORN</u></a>
35633-94	<a href="#"><u>TRANSMISSION GEARS</u></a>
35640-89	<a href="#"><u>TRANSMISSION GEARS</u></a>
35641-89	<a href="#"><u>TRANSMISSION GEARS</u></a>
35647-04	<a href="#"><u>TRANSMISSION GEARS</u></a>
3565	<a href="#"><u>AIR CLEANER &amp; ENRICHENER</u></a>
3574	<a href="#"><u>BATTERY</u></a>
35754-04	<a href="#"><u>TRANSMISSION GEARS</u></a>
35755-04	<a href="#"><u>TRANSMISSION GEARS</u></a>
35756-04	<a href="#"><u>TRANSMISSION GEARS</u></a>
35758-04	<a href="#"><u>TRANSMISSION GEARS</u></a>
35762-02	<a href="#"><u>TRANSMISSION GEARS</u></a>
35763-89A	<a href="#"><u>TRANSMISSION GEARS</u></a>
35771-94	<a href="#"><u>TRANSMISSION GEARS</u></a>
35772-94	<a href="#"><u>TRANSMISSION GEARS</u></a>
35773-94	<a href="#"><u>TRANSMISSION GEARS</u></a>
35775-94	<a href="#"><u>TRANSMISSION GEARS</u></a>
35796-00	<a href="#"><u>TRANSMISSION GEARS</u></a>
35797-00	<a href="#"><u>TRANSMISSION GEARS</u></a>

3579A	<a href="#"><u>REAR FENDER &amp; BELT GUARDS</u></a>
358	<a href="#"><u>CRANKCASE</u></a>
3588	<a href="#"><u>OIL TANK &amp; FILTER</u></a>
3594	<a href="#"><u>CRANKCASE</u></a> <a href="#"><u>BELTS &amp; SPROCKETS</u></a> <a href="#"><u>SPEEDOMETER &amp; TACHOMETER - 883/1200R</u></a> <a href="#"><u>SPEEDOMETER - 883C/1200C</u></a>
3605	<a href="#"><u>HANDLEBAR &amp; THROTTLE CONTROL</u></a> <a href="#"><u>HANDLEBAR &amp; THROTTLE CONTROL - 883/1200 CUSTOM</u></a>
3615	<a href="#"><u>HEADLAMP &amp; MIRROR - 883C/1200C</u></a>
3655A	<a href="#"><u>FRONT WHEEL - CAST</u></a> <a href="#"><u>FRONT WHEEL - CAST</u></a> <a href="#"><u>FRONT WHEEL - LACED</u></a>
3658	<a href="#"><u>HANDLEBAR &amp; THROTTLE CONTROL</u></a> <a href="#"><u>HANDLEBAR &amp; THROTTLE CONTROL - 883/1200 CUSTOM</u></a> <a href="#"><u>HORN</u></a> <a href="#"><u>HANDLEBAR SWITCHES</u></a>
3666A	<a href="#"><u>HANDLEBAR &amp; THROTTLE CONTROL - 883/1200 CUSTOM</u></a>
36715-94	<a href="#"><u>CLUTCH</u></a>
36731-91	<a href="#"><u>CLUTCH</u></a>
3675	<a href="#"><u>TRANSMISSION GEARS</u></a>
36785-91	<a href="#"><u>CLUTCH</u></a>
36790-04	<a href="#"><u>CLUTCH</u></a>
36799-91	<a href="#"><u>CLUTCH</u></a>
36802-84B	<a href="#"><u>CLUTCH</u></a>
37101-84B	<a href="#"><u>SHIFTER</u></a>
37495-91	<a href="#"><u>CLUTCH</u></a>
3767B	<a href="#"><u>SEATS</u></a> <a href="#"><u>CALIFORNIA EVAPORATIVE EMISSIONS KIT</u></a>
37870-91	<a href="#"><u>CLUTCH</u></a>
37872-90	<a href="#"><u>CLUTCH</u></a>
37904-90	<a href="#"><u>CLUTCH</u></a>
37905-90	<a href="#"><u>CLUTCH</u></a>
37908-90	<a href="#"><u>CLUTCH</u></a>

37909-90	<a href="#"><u>CLUTCH</u></a>
37910-04B	<a href="#"><u>CLUTCH</u></a>
37911-90	<a href="#"><u>CLUTCH</u></a>
37912-91	<a href="#"><u>CLUTCH</u></a>
37913-90	<a href="#"><u>CLUTCH</u></a>
37924-04A	<a href="#"><u>CLUTCH</u></a>
37977-90	<a href="#"><u>CLUTCH</u></a>
3799	<a href="#"><u>OIL TANK &amp; FILTER</u></a>
3849	<a href="#"><u>ROCKER ARMS, COVERS &amp; PUSH RODS</u></a>
3854	<a href="#"><u>ENGINE MOUNTS</u></a>
38630-88	<a href="#"><u>CLUTCH CONTROL</u></a>
38653-01	<a href="#"><u>HANDLEBAR &amp; THROTTLE CONTROL</u></a> <a href="#"><u>HANDLEBAR &amp; THROTTLE CONTROL - 883/1200 CUSTOM</u></a>
38671-04	<a href="#"><u>CLUTCH CONTROL</u></a>
38699-04C	<a href="#"><u>CLUTCH CONTROL</u></a>
38723-99	<a href="#"><u>CARBURETOR (2 OF 2)</u></a>
3880	<a href="#"><u>SHOCK ABSORBERS</u></a>
3899	<a href="#"><u>BELTS &amp; SPROCKETS</u></a> <a href="#"><u>REAR WHEEL - CAST</u></a>
3997A	<a href="#"><u>SHIFTER</u></a>
40005-57B	<a href="#"><u>BELTS &amp; SPROCKETS</u></a>
40039-02C	<a href="#"><u>BELTS &amp; SPROCKETS</u></a>
40147-04	<a href="#"><u>BELTS &amp; SPROCKETS</u></a> <a href="#"><u>BELTS &amp; SPROCKETS</u></a>
4016	<a href="#"><u>SHIFTER - 883C/1200C</u></a>
4017	<a href="#"><u>REAR FENDER &amp; BELT GUARDS</u></a>
40240-89	<a href="#"><u>BELTS &amp; SPROCKETS</u></a>
40241-02A	<a href="#"><u>ALTERNATOR &amp; REGULATOR</u></a> <a href="#"><u>BELTS &amp; SPROCKETS</u></a>
40251-92A	<a href="#"><u>BELTS &amp; SPROCKETS</u></a>
40254-02	<a href="#"><u>CRANKCASE</u></a>

40290-04A	<a href="#"><u>ALTERNATOR &amp; REGULATOR</u></a> <a href="#"><u>ALTERNATOR &amp; REGULATOR</u></a> <a href="#"><u>BELTS &amp; SPROCKETS</u></a> <a href="#"><u>BELTS &amp; SPROCKETS</u></a>
4029A	<a href="#"><u>FRONT FORK</u></a>
4032A	<a href="#"><u>EXHAUST SYSTEM</u></a>
40350-04	<a href="#"><u>BELTS &amp; SPROCKETS</u></a> <a href="#"><u>REAR WHEEL - CAST</u></a>
40352-04	<a href="#"><u>BELTS &amp; SPROCKETS</u></a> <a href="#"><u>REAR WHEEL - CAST</u></a>
40379-04	<a href="#"><u>BELTS &amp; SPROCKETS</u></a>
40380-04	<a href="#"><u>BELTS &amp; SPROCKETS</u></a>
40409-04	<a href="#"><u>BELTS &amp; SPROCKETS</u></a>
40464-04	<a href="#"><u>REAR WHEEL - CAST</u></a>
40465-04	<a href="#"><u>REAR WHEEL - CAST</u></a>
40466-04	<a href="#"><u>REAR WHEEL - CAST</u></a>
40467-04	<a href="#"><u>REAR WHEEL - CAST</u></a>
40470-04	<a href="#"><u>BELTS &amp; SPROCKETS</u></a> <a href="#"><u>REAR WHEEL - CAST</u></a>
40471-04	<a href="#"><u>BELTS &amp; SPROCKETS</u></a> <a href="#"><u>REAR WHEEL - CAST</u></a>
40520-63	<a href="#"><u>ACCESS DOOR &amp; PRIMARY COVER</u></a>
40570-04B	<a href="#"><u>BELTS &amp; SPROCKETS</u></a>
40571-04B	<a href="#"><u>BELTS &amp; SPROCKETS</u></a>
40759-05	<a href="#"><u>FRONT WHEEL - LACED</u></a>
4076	<a href="#"><u>REAR BRAKE MASTER CYLINDER</u></a> <a href="#"><u>REAR BRAKE CONTROL - 883/1200R</u></a>
40760-05	<a href="#"><u>FRONT WHEEL - LACED</u></a>
4091	<a href="#"><u>CRANKCASE</u></a>
40930-04	<a href="#"><u>REAR WHEEL - CAST</u></a>
40946-04	<a href="#"><u>REAR BRAKE MASTER CYLINDER</u></a>
40948-04	<a href="#"><u>REAR BRAKE MASTER CYLINDER</u></a>
40968-04A	<a href="#"><u>REAR BRAKE CALIPER</u></a>
40992-00A	<a href="#"><u>REAR WHEEL - CAST</u></a>

41013-00A	<a href="#"><u>REAR WHEEL - CAST</u></a>
41058-00A	<a href="#"><u>REAR WHEEL - CAST</u></a>
41110-89	<a href="#"><u>REAR WHEEL - CAST</u></a>
41123-79	<a href="#"><u>FRONT WHEEL - CAST</u></a> <a href="#"><u>FRONT WHEEL - LACED</u></a> <a href="#"><u>REAR WHEEL - CAST</u></a>
41191-74A	<a href="#"><u>ACCESS DOOR &amp; PRIMARY COVER</u></a>
4132	<a href="#"><u>OIL PUMP</u></a>
41561-04	<a href="#"><u>ENGINE MOUNTS</u></a>
41562-04	<a href="#"><u>ENGINE MOUNTS</u></a>
41568-04	<a href="#"><u>ENGINE MOUNTS</u></a>
41573-97	<a href="#"><u>FRAME, REAR FORK, &amp; JIFFY STAND</u></a>
41698-04	<a href="#"><u>FRAME, REAR FORK, &amp; JIFFY STAND</u></a>
41699-04	<a href="#"><u>ENGINE MOUNTS</u></a>
41732-04	<a href="#"><u>FRONT BRAKE CONTROL</u></a> <a href="#"><u>REAR BRAKE MASTER CYLINDER</u></a>
41736-04	<a href="#"><u>FRONT BRAKE CONTROL</u></a> <a href="#"><u>REAR BRAKE MASTER CYLINDER</u></a>
41737-04	<a href="#"><u>FRONT BRAKE CONTROL</u></a>
41743-04	<a href="#"><u>FRONT BRAKE CONTROL</u></a>
41797-00	<a href="#"><u>REAR WHEEL - CAST</u></a>
4180	<a href="#"><u>ENGINE MOUNTS</u></a> <a href="#"><u>HORN</u></a>
4188	<a href="#"><u>ENGINE MOUNTS</u></a>
42255-04	<a href="#"><u>REAR BRAKE MASTER CYLINDER</u></a>
4240	<a href="#"><u>FRONT BRAKE CONTROL</u></a>
42425-05	<a href="#"><u>CLUTCH CONTROL</u></a> <a href="#"><u>FRONT BRAKE CONTROL</u></a>
42521-04	<a href="#"><u>REAR BRAKE MASTER CYLINDER</u></a>
42541-04	<a href="#"><u>SHIFTER - 883C/1200C</u></a> <a href="#"><u>REAR BRAKE CONTROL - 883/1200R</u></a>
42566-04	<a href="#"><u>REAR BRAKE CONTROL - 883C/1200C</u></a>
42569-03	<a href="#"><u>SHIFTER - 883C/1200C</u></a>



	<a href="#"><u>REAR BRAKE CONTROL - 883/1200R</u></a> <a href="#"><u>REAR BRAKE CONTROL - 883C/1200C</u></a>
42593-04	<a href="#"><u>REAR BRAKE MASTER CYLINDER</u></a>
42595-04	<a href="#"><u>REAR BRAKE MASTER CYLINDER</u></a>
4262	<a href="#"><u>CLUTCH CONTROL</u></a> <a href="#"><u>FRONT BRAKE CONTROL</u></a>
42651-04	<a href="#"><u>SHIFTER - 883C/1200C</u></a>
42652-04	<a href="#"><u>REAR BRAKE CONTROL - 883C/1200C</u></a>
42685-04	<a href="#"><u>REAR BRAKE CONTROL - 883C/1200C</u></a>
4269	<a href="#"><u>EXHAUST SYSTEM</u></a>
42803-04B	<a href="#"><u>FRONT BRAKE CONTROL</u></a>
42804-04	<a href="#"><u>FRONT BRAKE CONTROL</u></a>
42805-04	<a href="#"><u>FRONT BRAKE CONTROL</u></a>
42806-04	<a href="#"><u>FRONT BRAKE CONTROL</u></a>
42807-04	<a href="#"><u>CLUTCH CONTROL</u></a> <a href="#"><u>FRONT BRAKE CONTROL</u></a>
42808-04	<a href="#"><u>CLUTCH CONTROL</u></a> <a href="#"><u>FRONT BRAKE CONTROL</u></a>
42809-04B	<a href="#"><u>FRONT BRAKE CONTROL</u></a>
42810-04B	<a href="#"><u>REAR BRAKE MASTER CYLINDER</u></a>
42811-04	<a href="#"><u>REAR BRAKE MASTER CYLINDER</u></a>
42812-04	<a href="#"><u>REAR BRAKE MASTER CYLINDER</u></a>
42813-04	<a href="#"><u>REAR BRAKE MASTER CYLINDER</u></a>
42814-04	<a href="#"><u>REAR BRAKE MASTER CYLINDER</u></a>
42815-04	<a href="#"><u>REAR BRAKE MASTER CYLINDER</u></a>
42816-04	<a href="#"><u>REAR BRAKE MASTER CYLINDER</u></a>
42817-04	<a href="#"><u>REAR BRAKE MASTER CYLINDER</u></a>
42818-04	<a href="#"><u>REAR BRAKE MASTER CYLINDER</u></a>
42821-04	<a href="#"><u>REAR BRAKE MASTER CYLINDER</u></a>
42822-04	<a href="#"><u>FRONT BRAKE CALIPER</u></a>
42823-04	<a href="#"><u>FRONT BRAKE CALIPER</u></a> <a href="#"><u>REAR BRAKE CALIPER</u></a>

42824-04	<a href="#"><u>FRONT BRAKE CALIPER</u></a> <a href="#"><u>REAR BRAKE CALIPER</u></a>
42825-04	<a href="#"><u>FRONT BRAKE CALIPER</u></a>
42826-04	<a href="#"><u>FRONT BRAKE CALIPER</u></a>
42827-04	<a href="#"><u>FRONT BRAKE CALIPER</u></a> <a href="#"><u>REAR BRAKE CALIPER</u></a>
42828-04	<a href="#"><u>FRONT BRAKE CALIPER</u></a> <a href="#"><u>REAR BRAKE CALIPER</u></a>
42829-04	<a href="#"><u>FRONT BRAKE CALIPER</u></a>
42831-04A	<a href="#"><u>FRONT BRAKE CALIPER</u></a>
42832-04	<a href="#"><u>FRONT BRAKE CALIPER</u></a>
42834-04	<a href="#"><u>REAR BRAKE CALIPER</u></a>
42835-04	<a href="#"><u>REAR BRAKE CALIPER</u></a>
42836-04A	<a href="#"><u>REAR BRAKE CALIPER</u></a>
42837-04	<a href="#"><u>REAR BRAKE CALIPER</u></a>
42838-04	<a href="#"><u>FRONT BRAKE CALIPER</u></a> <a href="#"><u>REAR BRAKE CALIPER</u></a>
42839-04	<a href="#"><u>REAR BRAKE CALIPER</u></a>
42840-04	<a href="#"><u>REAR BRAKE CALIPER</u></a>
42846-04	<a href="#"><u>REAR BRAKE MASTER CYLINDER</u></a>
4290	<a href="#"><u>ENGINE MOUNTS</u></a>
42969-04	<a href="#"><u>REAR BRAKE CONTROL - 883/1200R</u></a>
42971-04	<a href="#"><u>REAR BRAKE CONTROL - 883/1200R</u></a>
42972-04	<a href="#"><u>FOOTRESTS</u></a>
42976-04	<a href="#"><u>REAR BRAKE MASTER CYLINDER</u></a>
42979-04	<a href="#"><u>REAR BRAKE MASTER CYLINDER</u></a>
4312C	<a href="#"><u>BATTERY</u></a>
43157-83A	<a href="#"><u>FRONT WHEEL - CAST</u></a> <a href="#"><u>REAR WHEEL - CAST</u></a>
4326A	<a href="#"><u>HANDLEBAR &amp; THROTTLE CONTROL</u></a>
4329	<a href="#"><u>ALTERNATOR &amp; REGULATOR</u></a>
43358-00	<a href="#"><u>FRONT WHEEL - CAST</u></a> <a href="#"><u>FRONT WHEEL - LACED</u></a>

43359-00	<a href="#"><u>FRONT WHEEL - CAST</u></a>
4350A	<a href="#"><u>HEADLAMP &amp; MIRROR - 883C/1200C</u></a>
4351	<a href="#"><u>STEERING HEAD BRACKET ASSEMBLY</u></a>
4352	<a href="#"><u>STEERING HEAD BRACKET ASSEMBLY</u></a>
43528-04	<a href="#"><u>REAR BRAKE CALIPER</u></a>
43529-04	<a href="#"><u>FRONT BRAKE CALIPER</u></a>
4354	<a href="#"><u>SHOCK ABSORBERS</u></a>
43557-00A	<a href="#"><u>FRONT WHEEL - LACED</u></a>
43557-05A	<a href="#"><u>FRONT WHEEL - LACED</u></a>
43567-92	<a href="#"><u>REAR WHEEL - CAST</u></a>
4359	<a href="#"><u>SHIFTER - 883C/1200C</u></a>
43594-00A	<a href="#"><u>FRONT WHEEL - CAST</u></a>
43595-99	<a href="#"><u>FRAME, REAR FORK, &amp; JIFFY STAND</u></a>
43608-00	<a href="#"><u>REAR WHEEL - CAST</u></a>
43610-00A	<a href="#"><u>FRONT WHEEL - LACED</u></a>
43613-00	<a href="#"><u>FRONT WHEEL - CAST</u></a> <a href="#"><u>FRONT WHEEL - LACED</u></a>
43617-00A	<a href="#"><u>FRONT WHEEL - CAST</u></a> <a href="#"><u>FRONT WHEEL - LACED</u></a>
4363	<a href="#"><u>CALIFORNIA EVAPORATIVE EMISSIONS KIT</u></a>
43654-00A	<a href="#"><u>REAR WHEEL - CAST</u></a>
43662-80B	<a href="#"><u>FRONT WHEEL - LACED</u></a>
43895-00	<a href="#"><u>FRONT WHEEL - CAST</u></a> <a href="#"><u>FRONT WHEEL - LACED</u></a>
43939-89	<a href="#"><u>FRONT WHEEL - LACED</u></a>
44119-04	<a href="#"><u>FRONT BRAKE CALIPER</u></a>
44121-04A	<a href="#"><u>FRONT BRAKE CALIPER</u></a>
44136-00	<a href="#"><u>FRONT WHEEL - CAST</u></a>
44156-00	<a href="#"><u>FRONT WHEEL - CAST</u></a> <a href="#"><u>FRONT WHEEL - LACED</u></a>
44160-00	<a href="#"><u>FRONT BRAKE CALIPER</u></a> <a href="#"><u>FRONT BRAKE CALIPER</u></a>

44178-04	<a href="#"><u>REAR BRAKE CALIPER</u></a>
44184-04	<a href="#"><u>REAR BRAKE CALIPER</u></a>
44189-04	<a href="#"><u>REAR BRAKE MASTER CYLINDER</u></a>
4420	<a href="#"><u>HEADLAMP &amp; MIRROR - 883C/1200C</u></a>
44429-04	<a href="#"><u>REAR BRAKE MASTER CYLINDER</u></a>
44440-04	<a href="#"><u>FRONT BRAKE CALIPER</u></a> <a href="#"><u>REAR BRAKE CALIPER</u></a>
4453	<a href="#"><u>STEERING HEAD BRACKET ASSEMBLY</u></a>
44590-04	<a href="#"><u>REAR BRAKE MASTER CYLINDER</u></a>
4460	<a href="#"><u>STEERING HEAD BRACKET ASSEMBLY</u></a>
44791-04	<a href="#"><u>FRONT BRAKE CONTROL</u></a>
45041-01A	<a href="#"><u>SHIFTER - 883C/1200C</u></a> <a href="#"><u>REAR BRAKE CONTROL - 883/1200R</u></a> <a href="#"><u>REAR BRAKE CONTROL - 883C/1200C</u></a> <a href="#"><u>FOOTRESTS</u></a> <a href="#"><u>FOOTRESTS</u></a> <a href="#"><u>FOOTRESTS</u></a>
45052-04	<a href="#"><u>FRONT BRAKE CONTROL</u></a>
45074-95	<a href="#"><u>FRONT BRAKE CONTROL</u></a>
45146-04	<a href="#"><u>FRONT BRAKE CONTROL</u></a>
45319-04	<a href="#"><u>FRONT BRAKE CONTROL</u></a>
45356-07	<a href="#"><u>CLUTCH CONTROL</u></a>
45361-90	<a href="#"><u>FRONT FORK</u></a>
45374-87	<a href="#"><u>FRONT FORK</u></a>
45376-04	<a href="#"><u>FRONT FORK</u></a>
45377-87	<a href="#"><u>FRONT FORK</u></a>
45378-87	<a href="#"><u>FRONT FORK</u></a>
45395-04	<a href="#"><u>FRONT FORK</u></a>
45401-87	<a href="#"><u>FRONT FORK</u></a>
45405-75A	<a href="#"><u>FRONT FORK</u></a>
45449-04C	<a href="#"><u>FRONT BRAKE CONTROL</u></a>
45460-90	<a href="#"><u>FRONT FORK</u></a>

45461-87	<a href="#"><u>FRONT FORK</u></a>
45465-87	<a href="#"><u>FRONT FORK</u></a>
45611-86	<a href="#"><u>STEERING HEAD BRACKET ASSEMBLY</u></a>
45668-90	<a href="#"><u>STEERING HEAD BRACKET ASSEMBLY</u></a>
45790-80	<a href="#"><u>FRONT FORK</u></a>
45799-04	<a href="#"><u>CLUTCH CONTROL</u></a>
45800-04	<a href="#"><u>CLUTCH CONTROL</u></a>
45801-04	<a href="#"><u>CLUTCH CONTROL</u></a>
45830-48	<a href="#"><u>CRANKCASE</u></a>
45900-04	<a href="#"><u>FRONT FORK</u></a>
45901-04	<a href="#"><u>FRONT FORK</u></a>
45902-00	<a href="#"><u>STARTER MOTOR</u></a>
45905-87	<a href="#"><u>FRONT FORK</u></a>
45921-00	<a href="#"><u>FRONT FORK</u></a>
45922-00	<a href="#"><u>FRONT FORK</u></a>
45923-00	<a href="#"><u>FRONT FORK</u></a>
45925-04	<a href="#"><u>FRONT FORK</u></a>
45966-04	<a href="#"><u>STEERING HEAD BRACKET ASSEMBLY</u></a>
45984-87	<a href="#"><u>FRONT FORK</u></a>
45996-87	<a href="#"><u>FRONT FORK</u></a>
46002-87	<a href="#"><u>FRONT FORK</u></a>
46029-04	<a href="#"><u>FRONT FORK</u></a>
46126-04	<a href="#"><u>STEERING HEAD BRACKET ASSEMBLY</u></a>
46127-04	<a href="#"><u>STEERING HEAD BRACKET ASSEMBLY</u></a>
46268-04	<a href="#"><u>CLUTCH CONTROL</u></a>
46400-04	<a href="#"><u>FRONT BRAKE CONTROL</u></a>
4717A	<a href="#"><u>GEARCASE &amp; COVER</u></a> <a href="#"><u>BELTS &amp; SPROCKETS</u></a>
4718A	<a href="#"><u>ROCKER ARMS, COVERS &amp; PUSH RODS</u></a>
4740A	<a href="#"><u>GEARCASE &amp; COVER</u></a>

4741A	<a href="#"><u>ROCKER ARMS, COVERS &amp; PUSH RODS</u></a> <a href="#"><u>FRONT BRAKE CONTROL</u></a>
47470-04	<a href="#"><u>ENGINE MOUNTS</u></a>
47471-04A	<a href="#"><u>ENGINE MOUNTS</u></a>
4748	<a href="#"><u>CYLINDER, HEAD &amp; VALVES - V<sup>2</sup>™ EVOLUTION (1 OF 2)</u></a> <a href="#"><u>SHIFTER - 883C/1200C</u></a> <a href="#"><u>REAR BRAKE CONTROL - 883/1200R</u></a> <a href="#"><u>REAR BRAKE CONTROL - 883C/1200C</u></a> <a href="#"><u>FOOTRESTS</u></a> <a href="#"><u>FOOTRESTS</u></a> <a href="#"><u>EXHAUST SYSTEM</u></a>
4751	<a href="#"><u>ALTERNATOR &amp; REGULATOR</u></a>
47554-73A	<a href="#"><u>FRAME, REAR FORK, &amp; JIFFY STAND</u></a>
47587-04	<a href="#"><u>FRAME, REAR FORK, &amp; JIFFY STAND</u></a>
4758A	<a href="#"><u>FUEL TANK</u></a>
4765	<a href="#"><u>OIL PUMP</u></a>
4771	<a href="#"><u>FUEL TANK</u></a>
4778	<a href="#"><u>REAR FENDER &amp; BELT GUARDS</u></a>
4779	<a href="#"><u>REAR FENDER &amp; BELT GUARDS</u></a>
48153-02B	<a href="#"><u>FRAME, REAR FORK, &amp; JIFFY STAND</u></a>
48154-05A	<a href="#"><u>SWITCHES &amp; CIRCUIT BREAKERS</u></a>
4816A	<a href="#"><u>REAR BRAKE MASTER CYLINDER</u></a> <a href="#"><u>HANDLEBAR &amp; THROTTLE CONTROL</u></a>
48184-01	<a href="#"><u>STEERING HEAD BRACKET ASSEMBLY</u></a>
4820A	<a href="#"><u>ACCESS DOOR &amp; PRIMARY COVER</u></a>
48300-60	<a href="#"><u>STEERING HEAD BRACKET ASSEMBLY</u></a>
48315-60	<a href="#"><u>STEERING HEAD BRACKET ASSEMBLY</u></a> <a href="#"><u>FRAME, REAR FORK, &amp; JIFFY STAND</u></a>
48463-04A	<a href="#"><u>ENGINE MOUNTS</u></a>
48492-04A	<a href="#"><u>ENGINE MOUNTS</u></a>
49314-04	<a href="#"><u>FOOTRESTS</u></a>
49315-04	<a href="#"><u>FOOTRESTS</u></a>
49430-06A	<a href="#"><u>FRAME, REAR FORK, &amp; JIFFY STAND</u></a>
49439-10	<a href="#"><u>FRAME, REAR FORK, &amp; JIFFY STAND</u></a>

4991	<a href="#"><u>FRAME, REAR FORK, &amp; JIFFY STAND</u></a>
50003-89B	<a href="#"><u>FRAME, REAR FORK, &amp; JIFFY STAND</u></a>
50005-85A	<a href="#"><u>FRAME, REAR FORK, &amp; JIFFY STAND</u></a>
50185-04C	<a href="#"><u>FRAME, REAR FORK, &amp; JIFFY STAND</u></a>
508	<a href="#"><u>REAR WHEEL - CAST</u></a>
50912-72	<a href="#"><u>SHIFTER - 883C/1200C</u></a> <a href="#"><u>REAR BRAKE CONTROL - 883/1200R</u></a> <a href="#"><u>REAR BRAKE CONTROL - 883C/1200C</u></a> <a href="#"><u>FOOTRESTS</u></a> <a href="#"><u>FOOTRESTS</u></a> <a href="#"><u>FOOTRESTS</u></a>
51530-04	<a href="#"><u>SEATS</u></a>
51532-04	<a href="#"><u>SEATS</u></a>
51558-04	<a href="#"><u>SEATS</u></a>
51652-97A	<a href="#"><u>SEATS</u></a>
52494-04	<a href="#"><u>FUEL TANK</u></a>
52608-04	<a href="#"><u>SEATS</u></a>
53176-08	<a href="#"><u>FRAME, REAR FORK, &amp; JIFFY STAND</u></a>
53438-92	<a href="#"><u>HEADLAMP &amp; MIRROR - 883/1200R</u></a> <a href="#"><u>HEADLAMP &amp; MIRROR - 883C/1200C</u></a>
53486-85	<a href="#"><u>MAIN WIRING HARNESS (1 OF 2)</u></a>
5403B	<a href="#"><u>REAR FENDER &amp; BELT GUARDS</u></a>
5414	<a href="#"><u>EXHAUST SYSTEM</u></a>
54321-85	<a href="#"><u>FRONT WHEEL - LACED</u></a>
54473-79	<a href="#"><u>SHOCK ABSORBERS</u></a>
54475-79	<a href="#"><u>SHOCK ABSORBERS</u></a>
54476-82	<a href="#"><u>SHOCK ABSORBERS</u></a>
54556-84	<a href="#"><u>SHOCK ABSORBERS</u></a>
54566-04	<a href="#"><u>SHOCK ABSORBERS</u></a>
54568-04	<a href="#"><u>SHOCK ABSORBERS</u></a>
54701-82	<a href="#"><u>SHOCK ABSORBERS</u></a>
54724-04	<a href="#"><u>SHOCK ABSORBERS</u></a>

554A	<a href="#"><u>FRAME, REAR FORK, &amp; JIFFY STAND</u></a>
55840-04A	<a href="#"><u>HANDLEBAR &amp; THROTTLE CONTROL - 883/1200 CUSTOM</u></a>
55842-04	<a href="#"><u>HANDLEBAR &amp; THROTTLE CONTROL - 883/1200 CUSTOM</u></a>
55844-04	<a href="#"><u>SPEEDOMETER - 883C/1200C</u></a>
55845-04A	<a href="#"><u>HANDLEBAR &amp; THROTTLE CONTROL</u></a>
56004-00	<a href="#"><u>HANDLEBAR &amp; THROTTLE CONTROL</u></a>
56017-04	<a href="#"><u>HANDLEBAR &amp; THROTTLE CONTROL - 883/1200 CUSTOM</u></a>
56104-02	<a href="#"><u>REAR FENDER &amp; BELT GUARDS</u></a> <a href="#"><u>TURN SIGNALS</u></a>
56115-95	<a href="#"><u>HANDLEBAR &amp; THROTTLE CONTROL</u></a>
56116-82A	<a href="#"><u>HANDLEBAR &amp; THROTTLE CONTROL</u></a>
56117-82A	<a href="#"><u>HANDLEBAR &amp; THROTTLE CONTROL</u></a>
56394-74	<a href="#"><u>HANDLEBAR &amp; THROTTLE CONTROL</u></a> <a href="#"><u>HANDLEBAR &amp; THROTTLE CONTROL - 883/1200 CUSTOM</u></a> <a href="#"><u>HANDLEBAR SWITCHES</u></a>
56396-74A	<a href="#"><u>HANDLEBAR &amp; THROTTLE CONTROL</u></a> <a href="#"><u>HANDLEBAR &amp; THROTTLE CONTROL - 883/1200 CUSTOM</u></a> <a href="#"><u>HANDLEBAR SWITCHES</u></a>
56397-74C	<a href="#"><u>HANDLEBAR &amp; THROTTLE CONTROL</u></a> <a href="#"><u>HANDLEBAR &amp; THROTTLE CONTROL - 883/1200 CUSTOM</u></a> <a href="#"><u>HANDLEBAR SWITCHES</u></a>
56400-96	<a href="#"><u>HANDLEBAR &amp; THROTTLE CONTROL</u></a> <a href="#"><u>HANDLEBAR &amp; THROTTLE CONTROL - 883/1200 CUSTOM</u></a>
56401-96	<a href="#"><u>HANDLEBAR &amp; THROTTLE CONTROL</u></a> <a href="#"><u>HANDLEBAR &amp; THROTTLE CONTROL - 883/1200 CUSTOM</u></a>
56402-83A	<a href="#"><u>HANDLEBAR &amp; THROTTLE CONTROL</u></a> <a href="#"><u>HANDLEBAR &amp; THROTTLE CONTROL - 883/1200 CUSTOM</u></a> <a href="#"><u>HANDLEBAR SWITCHES</u></a>
56508-76	<a href="#"><u>HANDLEBAR &amp; THROTTLE CONTROL</u></a> <a href="#"><u>HANDLEBAR &amp; THROTTLE CONTROL - 883/1200 CUSTOM</u></a>
56541-86A	<a href="#"><u>HANDLEBAR &amp; THROTTLE CONTROL</u></a>
56542-86A	<a href="#"><u>HANDLEBAR &amp; THROTTLE CONTROL</u></a>
56567-86B	<a href="#"><u>HANDLEBAR &amp; THROTTLE CONTROL</u></a>
56666-04	<a href="#"><u>HANDLEBAR &amp; THROTTLE CONTROL</u></a> <a href="#"><u>HANDLEBAR &amp; THROTTLE CONTROL - 883/1200 CUSTOM</u></a>
56667-04	<a href="#"><u>HANDLEBAR &amp; THROTTLE CONTROL</u></a>



	<a href="#"><u>HANDLEBAR &amp; THROTTLE CONTROL - 883/1200 CUSTOM</u></a>
5756	<a href="#"><u>REAR WHEEL - CAST</u></a>
58998-83E	<a href="#"><u>FRONT FENDER</u></a>
59254-91	<a href="#"><u>REAR FENDER &amp; BELT GUARDS</u></a>
59287-92	<a href="#"><u>REAR FENDER &amp; BELT GUARDS</u></a>
59288-92	<a href="#"><u>REAR FENDER &amp; BELT GUARDS</u></a>
59481-00	<a href="#"><u>FRONT FORK</u></a>
59482-00	<a href="#"><u>FRONT FORK</u></a>
59502-04A	<a href="#"><u>REAR FENDER &amp; BELT GUARDS</u></a>
59547-04	<a href="#"><u>REAR FENDER &amp; BELT GUARDS</u></a>
59673-04A	<a href="#"><u>REAR FENDER &amp; BELT GUARDS</u></a>
59723-04	<a href="#"><u>REAR FENDER &amp; BELT GUARDS</u></a>
59768-97	<a href="#"><u>REAR FENDER &amp; BELT GUARDS</u></a>
59847-10	<a href="#"><u>REAR FENDER &amp; BELT GUARDS</u></a>
59902-04	<a href="#"><u>REAR FENDER &amp; BELT GUARDS</u></a>
59903-04	<a href="#"><u>REAR FENDER &amp; BELT GUARDS</u></a>
59984-73	<a href="#"><u>REAR FENDER &amp; BELT GUARDS</u></a>
59986-75	<a href="#"><u>REAR FENDER &amp; BELT GUARDS</u></a>
59988-72A	<a href="#"><u>REAR FENDER &amp; BELT GUARDS</u></a>
60001-55	<a href="#"><u>REAR FENDER &amp; BELT GUARDS</u></a>
6003	<a href="#"><u>TRANSMISSION GEARS</u></a>
6026	<a href="#"><u>ENGINE MOUNTS</u></a> <a href="#"><u>HORN</u></a>
60328-98B	<a href="#"><u>ACCESS DOOR &amp; PRIMARY COVER</u></a>
60367-04	<a href="#"><u>REAR FENDER &amp; BELT GUARDS</u></a>
60435-04A	<a href="#"><u>REAR FENDER &amp; BELT GUARDS</u></a>
6099	<a href="#"><u>CALIFORNIA EVAPORATIVE EMISSIONS KIT</u></a>
6101	<a href="#"><u>CLUTCH CONTROL</u></a> <a href="#"><u>FRONT BRAKE CONTROL</u></a>
61109-85D	<a href="#"><u>FUEL TANK</u></a>
61260-04A	<a href="#"><u>FUEL TANK</u></a>

61272-92C	<a href="#">FUEL TANK</a>
61348-04	<a href="#">FUEL TANK</a>
61459-97	<a href="#">SWITCHES &amp; CIRCUIT BREAKERS</a>
6152	<a href="#">ENGINE MOUNTS</a>
6157	<a href="#">OIL PUMP</a>
6192	<a href="#">REAR FENDER &amp; BELT GUARDS</a>
62122-89A	<a href="#">FRAME, REAR FORK, &amp; JIFFY STAND</a>
62150-85	<a href="#">FUEL TANK</a>
62161-02	<a href="#">FUEL TANK</a>
62166-02	<a href="#">FUEL TANK</a>
62169-02A	<a href="#">FUEL TANK</a>
6217	<a href="#">STARTER MOTOR</a>
62172-02	<a href="#">FUEL TANK</a>
62213-04	<a href="#">FUEL TANK</a>
62260-04	<a href="#">FUEL TANK TRIM</a>
62261-04	<a href="#">FUEL TANK TRIM</a>
62262-04	<a href="#">FUEL TANK TRIM</a>
62263-04	<a href="#">FUEL TANK TRIM</a>
62270-04	<a href="#">FUEL TANK TRIM</a>
62271-04	<a href="#">FUEL TANK TRIM</a>
62338-01Y	<a href="#">OIL TANK &amp; FILTER</a>
62347-04	<a href="#">FUEL TANK</a>
62360-04A	<a href="#">GEARCASE &amp; COVER</a> <a href="#">OIL TANK &amp; FILTER</a>
62361-04	<a href="#">OIL TANK &amp; FILTER</a>
6237	<a href="#">HORN</a>
62375-57A	<a href="#">GEARCASE &amp; COVER</a>
62601-91A	<a href="#">OIL PUMP</a>
62651-04	<a href="#">OIL TANK &amp; FILTER</a>

62700014	<a href="#"><u>CRANKCASE</u></a>
6288	<a href="#"><u>SWITCHES &amp; CIRCUIT BREAKERS</u></a>
62888-04B	<a href="#"><u>OIL TANK &amp; FILTER</u></a>
63000-04B	<a href="#"><u>OIL TANK &amp; FILTER</u></a>
6302	<a href="#"><u>EXHAUST SYSTEM</u></a>
63501-68B	<a href="#"><u>CARBURETOR (2 OF 2)</u></a>
63505-84	<a href="#"><u>FUEL TANK</u></a>
63508-04	<a href="#"><u>CRANKCASE</u></a>
63533-41A	<a href="#"><u>CRANKCASE</u></a> <a href="#"><u>OIL PUMP</u></a>
63589-04	<a href="#"><u>OIL TANK &amp; FILTER</u></a>
63796-77A	<a href="#"><u>OIL TANK &amp; FILTER</u></a>
63805-80A	<a href="#"><u>OIL TANK &amp; FILTER</u></a>
63858-49	<a href="#"><u>ROCKER ARMS, COVERS &amp; PUSH RODS</u></a>
64840-04	<a href="#"><u>EXHAUST SYSTEM</u></a>
64841-04	<a href="#"><u>EXHAUST SYSTEM</u></a>
64842-04	<a href="#"><u>EXHAUST SYSTEM</u></a> <a href="#"><u>EXHAUST SYSTEM</u></a>
64846-04A	<a href="#"><u>EXHAUST SYSTEM</u></a>
64847-04A	<a href="#"><u>EXHAUST SYSTEM</u></a>
64848-04	<a href="#"><u>EXHAUST SYSTEM</u></a> <a href="#"><u>EXHAUST SYSTEM</u></a>
64853-04	<a href="#"><u>EXHAUST SYSTEM</u></a> <a href="#"><u>EXHAUST SYSTEM</u></a> <a href="#"><u>EXHAUST SYSTEM</u></a> <a href="#"><u>EXHAUST SYSTEM</u></a>
64854-04	<a href="#"><u>EXHAUST SYSTEM</u></a> <a href="#"><u>EXHAUST SYSTEM</u></a>
64857-04	<a href="#"><u>EXHAUST SYSTEM</u></a>
64889-04	<a href="#"><u>EXHAUST SYSTEM</u></a>
64890-04	<a href="#"><u>EXHAUST SYSTEM</u></a>
64891-04A	<a href="#"><u>EXHAUST SYSTEM</u></a> <a href="#"><u>EXHAUST SYSTEM</u></a>
64893-04A	<a href="#"><u>EXHAUST SYSTEM</u></a>

65088-04	<a href="#"><u>CRANKCASE</u></a>
65092-04	<a href="#"><u>OIL TANK &amp; FILTER</u></a>
6516HW	<a href="#"><u>BELTS &amp; SPROCKETS</u></a> <a href="#"><u>REAR WHEEL - CAST</u></a>
65184-02	<a href="#"><u>EXHAUST SYSTEM</u></a>
65232-04	<a href="#"><u>EXHAUST SYSTEM</u></a> <a href="#"><u>EXHAUST SYSTEM</u></a> <a href="#"><u>EXHAUST SYSTEM</u></a>
65233-04	<a href="#"><u>EXHAUST SYSTEM</u></a>
65296-95A	<a href="#"><u>EXHAUST SYSTEM</u></a>
65302-82A	<a href="#"><u>EXHAUST SYSTEM</u></a>
65324-83B	<a href="#"><u>EXHAUST SYSTEM</u></a>
65325-83A	<a href="#"><u>EXHAUST SYSTEM</u></a>
65339-04	<a href="#"><u>EXHAUST SYSTEM</u></a>
6590HW	<a href="#"><u>FRONT WHEEL - CAST</u></a> <a href="#"><u>FRONT WHEEL - LACED</u></a> <a href="#"><u>HANDLEBAR &amp; THROTTLE CONTROL</u></a> <a href="#"><u>HANDLEBAR &amp; THROTTLE CONTROL - 883/1200 CUSTOM</u></a>
65927-00	<a href="#"><u>EXHAUST SYSTEM</u></a>
65958-04A	<a href="#"><u>BATTERY</u></a>
65974-04A	<a href="#"><u>EXHAUST SYSTEM</u></a>
66194-04C	<a href="#"><u>BATTERY</u></a>
66199-04	<a href="#"><u>OIL TANK &amp; FILTER</u></a>
66251-04A	<a href="#"><u>FRAME, REAR FORK, &amp; JIFFY STAND</u></a>
66252-04A	<a href="#"><u>FRAME, REAR FORK, &amp; JIFFY STAND</u></a>
66476-04A	<a href="#"><u>BATTERY</u></a>
66498-04	<a href="#"><u>BATTERY</u></a>
6655	<a href="#"><u>STEERING HEAD BRACKET ASSEMBLY</u></a>
6701	<a href="#"><u>FRONT FORK</u></a> <a href="#"><u>HEADLAMP &amp; MIRROR - 883C/1200C</u></a> <a href="#"><u>EXHAUST SYSTEM</u></a>
6702	<a href="#"><u>REAR BRAKE MASTER CYLINDER</u></a> <a href="#"><u>HANDLEBAR &amp; THROTTLE CONTROL</u></a> <a href="#"><u>REAR FENDER &amp; BELT GUARDS</u></a> <a href="#"><u>FUEL TANK</u></a> <a href="#"><u>HEADLAMP &amp; MIRROR - 883/1200R</u></a>

6703	<a href="#"><u>REAR FENDER &amp; BELT GUARDS</u></a>
67037-04A	<a href="#"><u>SPEEDOMETER &amp; TACHOMETER - 883/1200R</u></a>
67041-04A	<a href="#"><u>SPEEDOMETER &amp; TACHOMETER - 883/1200R</u></a>
67049-04B	<a href="#"><u>SPEEDOMETER &amp; TACHOMETER - 883/1200R</u></a>
67053-95	<a href="#"><u>SPEEDOMETER &amp; TACHOMETER - 883/1200R</u></a>
67085-95	<a href="#"><u>SPEEDOMETER &amp; TACHOMETER - 883/1200R</u></a>
67103-95	<a href="#"><u>SPEEDOMETER &amp; TACHOMETER - 883/1200R</u></a>
67104-95	<a href="#"><u>SPEEDOMETER &amp; TACHOMETER - 883/1200R</u></a>
67121-95A	<a href="#"><u>SPEEDOMETER &amp; TACHOMETER - 883/1200R</u></a> <a href="#"><u>SPEEDOMETER - 883C/1200C</u></a>
6718	<a href="#"><u>SHOCK ABSORBERS</u></a>
67184-94	<a href="#"><u>SPEEDOMETER &amp; TACHOMETER - 883/1200R</u></a> <a href="#"><u>SPEEDOMETER - 883C/1200C</u></a>
67290-04A	<a href="#"><u>SPEEDOMETER &amp; TACHOMETER - 883/1200R</u></a>
67320-95	<a href="#"><u>SPEEDOMETER &amp; TACHOMETER - 883/1200R</u></a>
67338-97	<a href="#"><u>SPEEDOMETER &amp; TACHOMETER - 883/1200R</u></a>
67344-97	<a href="#"><u>SPEEDOMETER &amp; TACHOMETER - 883/1200R</u></a>
67345-97	<a href="#"><u>SPEEDOMETER &amp; TACHOMETER - 883/1200R</u></a>
6738	<a href="#"><u>SHOCK ABSORBERS</u></a>
67415-04A	<a href="#"><u>SPEEDOMETER &amp; TACHOMETER - 883/1200R</u></a> <a href="#"><u>SPEEDOMETER - 883C/1200C</u></a>
67416-04A	<a href="#"><u>SPEEDOMETER &amp; TACHOMETER - 883/1200R</u></a> <a href="#"><u>SPEEDOMETER - 883C/1200C</u></a>
67436-04A	<a href="#"><u>SPEEDOMETER &amp; TACHOMETER - 883/1200R</u></a> <a href="#"><u>SPEEDOMETER - 883C/1200C</u></a>
67601-94A	<a href="#"><u>HEADLAMP &amp; MIRROR - 883C/1200C</u></a>
67602-94	<a href="#"><u>HEADLAMP &amp; MIRROR - 883C/1200C</u></a>
67603-94A	<a href="#"><u>HEADLAMP &amp; MIRROR - 883C/1200C</u></a>
67604-94	<a href="#"><u>HEADLAMP &amp; MIRROR - 883C/1200C</u></a>
67685-92	<a href="#"><u>HEADLAMP &amp; MIRROR - 883/1200R</u></a> <a href="#"><u>HEADLAMP &amp; MIRROR - 883C/1200C</u></a>
67691-92	<a href="#"><u>HEADLAMP &amp; MIRROR - 883/1200R</u></a> <a href="#"><u>HEADLAMP &amp; MIRROR - 883C/1200C</u></a>

67698-81D	<a href="#">HEADLAMP &amp; MIRROR - 883/1200R</a> <a href="#">HEADLAMP &amp; MIRROR - 883C/1200C</a>
67705-92	<a href="#">HEADLAMP &amp; MIRROR - 883/1200R</a> <a href="#">HEADLAMP &amp; MIRROR - 883/1200R</a> <a href="#">HEADLAMP &amp; MIRROR - 883C/1200C</a>
67757-92	<a href="#">HEADLAMP &amp; MIRROR - 883/1200R</a> <a href="#">HEADLAMP &amp; MIRROR - 883C/1200C</a>
67763-92A	<a href="#">HEADLAMP &amp; MIRROR - 883/1200R</a> <a href="#">HEADLAMP &amp; MIRROR - 883C/1200C</a>
67764-92	<a href="#">HEADLAMP &amp; MIRROR - 883/1200R</a> <a href="#">HEADLAMP &amp; MIRROR - 883C/1200C</a>
67781-92A	<a href="#">HEADLAMP &amp; MIRROR - 883/1200R</a> <a href="#">HEADLAMP &amp; MIRROR - 883C/1200C</a>
67787-92	<a href="#">HEADLAMP &amp; MIRROR - 883/1200R</a> <a href="#">HEADLAMP &amp; MIRROR - 883C/1200C</a>
67790-93A	<a href="#">HEADLAMP &amp; MIRROR - 883/1200R</a> <a href="#">HEADLAMP &amp; MIRROR - 883C/1200C</a>
67804-04	<a href="#">REAR BRAKE MASTER CYLINDER</a>
67805-92	<a href="#">HEADLAMP &amp; MIRROR - 883/1200R</a>
67815-59A	<a href="#">HEADLAMP &amp; MIRROR - 883/1200R</a>
67834-83	<a href="#">HEADLAMP &amp; MIRROR - 883/1200R</a>
67854-98	<a href="#">SPEEDOMETER &amp; TACHOMETER - 883/1200R</a> <a href="#">SPEEDOMETER - 883C/1200C</a>
67865-89	<a href="#">HEADLAMP &amp; MIRROR - 883/1200R</a>
6787	<a href="#">CYLINDER, HEAD &amp; VALVES - V<sup>2</sup>™ EVOLUTION (1 OF 2)</a>
67877-02	<a href="#">HEADLAMP &amp; MIRROR - 883/1200R</a>
67880-94	<a href="#">SPEEDOMETER &amp; TACHOMETER - 883/1200R</a> <a href="#">SPEEDOMETER - 883C/1200C</a>
67883-04A	<a href="#">HEADLAMP &amp; MIRROR - 883/1200R</a>
67894-93A	<a href="#">HEADLAMP &amp; MIRROR - 883C/1200C</a>
67919-96	<a href="#">HEADLAMP &amp; MIRROR - 883C/1200C</a>
6798	<a href="#">REAR FENDER &amp; BELT GUARDS</a>
68024-94	<a href="#">SPEEDOMETER &amp; TACHOMETER - 883/1200R</a> <a href="#">SPEEDOMETER - 883C/1200C</a>
68026-99	<a href="#">TAIL LAMP</a>
68041-04	<a href="#">STEERING HEAD BRACKET ASSEMBLY</a>

68042-99	<a href="#"><u>CARBURETOR (2 OF 2)</u></a>
68066-99A	<a href="#"><u>TAIL LAMP</u></a>
68116-04	<a href="#"><u>HEADLAMP &amp; MIRROR - 883/1200R</u></a>
68117-04	<a href="#"><u>HEADLAMP &amp; MIRROR - 883/1200R</u></a>
68118-04	<a href="#"><u>HEADLAMP &amp; MIRROR - 883/1200R</u></a>
68140-04	<a href="#"><u>TAIL LAMP</u></a>
68141-04	<a href="#"><u>TAIL LAMP</u></a>
68149-04	<a href="#"><u>HEADLAMP &amp; MIRROR - 883C/1200C</u></a>
68159-04	<a href="#"><u>HEADLAMP &amp; MIRROR - 883C/1200C</u></a>
68163-84	<a href="#"><u>TURN SIGNALS</u></a>
68167-88	<a href="#"><u>TAIL LAMP</u></a>
68168-89A	<a href="#"><u>TURN SIGNALS</u></a>
68265-04	<a href="#"><u>TURN SIGNALS</u></a>
68296-99A	<a href="#"><u>TAIL LAMP</u></a>
68329-03	<a href="#"><u>HEADLAMP &amp; MIRROR - 883/1200R</u></a> <a href="#"><u>HEADLAMP &amp; MIRROR - 883/1200R</u></a> <a href="#"><u>HEADLAMP &amp; MIRROR - 883C/1200C</u></a> <a href="#"><u>HEADLAMP &amp; MIRROR - 883C/1200C</u></a>
68369-03	<a href="#"><u>TAIL LAMP</u></a>
68370-03A	<a href="#"><u>TAIL LAMP</u></a>
68372-03	<a href="#"><u>TAIL LAMP</u></a>
68382-96	<a href="#"><u>SPEEDOMETER - 883C/1200C</u></a>
68480-02	<a href="#"><u>TURN SIGNALS</u></a>
68513-95A	<a href="#"><u>SPEEDOMETER &amp; TACHOMETER - 883/1200R</u></a>
68516-95	<a href="#"><u>SPEEDOMETER &amp; TACHOMETER - 883/1200R</u></a>
68572-64B	<a href="#"><u>TURN SIGNALS</u></a>
68650-92	<a href="#"><u>HEADLAMP &amp; MIRROR - 883/1200R</u></a> <a href="#"><u>HEADLAMP &amp; MIRROR - 883C/1200C</u></a>
68792-96	<a href="#"><u>SPEEDOMETER - 883C/1200C</u></a>
68811-04	<a href="#"><u>SPEEDOMETER &amp; TACHOMETER - 883/1200R</u></a>
68813-04A	<a href="#"><u>SPEEDOMETER &amp; TACHOMETER - 883/1200R</u></a>

68814-04A	<a href="#">SPEEDOMETER - 883C/1200C</a>
68830-99A	<a href="#">TAIL LAMP</a>
68899-04A	<a href="#">TAIL LAMP</a>
68904-00	<a href="#">TURN SIGNALS</a>
68905-00	<a href="#">TURN SIGNALS</a>
68906-00	<a href="#">TURN SIGNALS</a>
68907-00	<a href="#">TURN SIGNALS</a>
68920-01D	<a href="#">SWITCHES &amp; CIRCUIT BREAKERS</a>
68922-00D	<a href="#">SWITCHES &amp; CIRCUIT BREAKERS</a>
68924-00D	<a href="#">SWITCHES &amp; CIRCUIT BREAKERS</a>
68926-00	<a href="#">SWITCHES &amp; CIRCUIT BREAKERS</a>
68927-00	<a href="#">SWITCHES &amp; CIRCUIT BREAKERS</a>
68939-00	<a href="#">SWITCHES &amp; CIRCUIT BREAKERS</a>
68972-00	<a href="#">TURN SIGNALS</a>
68973-00	<a href="#">TURN SIGNALS</a>
68975-00	<a href="#">TURN SIGNALS</a>
68977-00	<a href="#">TURN SIGNALS</a>
68978-00	<a href="#">TURN SIGNALS</a>
69000014	<a href="#">HORN</a>
69012-93A	<a href="#">HORN</a>
69060-90F	<a href="#">HORN</a>
69062-91A	<a href="#">HORN</a>
69120-91	<a href="#">HORN</a>
69123-92A	<a href="#">HORN</a>
69135-04	<a href="#">HORN</a>
69187-03A	<a href="#">TAIL LAMP</a>
69628-04	<a href="#">HEADLAMP &amp; MIRROR - 883/1200R</a>
69669-04	<a href="#">HEADLAMP &amp; MIRROR - 883/1200R</a>
69670-04A	<a href="#">HEADLAMP &amp; MIRROR - 883C/1200C</a>
69681-04A	<a href="#">HEADLAMP &amp; MIRROR - 883C/1200C</a>



69682-04A	<a href="#"><u>HEADLAMP &amp; MIRROR - 883C/1200C</u></a>
69709-00	<a href="#"><u>HEADLAMP &amp; MIRROR - 883/1200R</u></a>
70003-04	<a href="#"><u>BATTERY</u></a>
70139-04	<a href="#"><u>MAIN WIRING HARNESS (1 OF 2)</u></a> <a href="#"><u>MAIN WIRING HARNESS (2 OF 2)</u></a>
7019	<a href="#"><u>SHIFTER</u></a>
70227-99	<a href="#"><u>SWITCHES &amp; CIRCUIT BREAKERS</u></a>
70295-04A	<a href="#"><u>BATTERY</u></a>
70296-04A	<a href="#"><u>BATTERY</u></a>
70297-04A	<a href="#"><u>ENGINE MOUNTS</u></a>
70345-84	<a href="#"><u>HANDLEBAR &amp; THROTTLE CONTROL</u></a> <a href="#"><u>HANDLEBAR &amp; THROTTLE CONTROL - 883/1200 CUSTOM</u></a> <a href="#"><u>HANDLEBAR SWITCHES</u></a>
7036	<a href="#"><u>SEATS</u></a>
7038	<a href="#"><u>FRONT FORK</u></a>
7039	<a href="#"><u>ENGINE MOUNTS</u></a>
7041	<a href="#"><u>HORN</u></a>
70416-04D	<a href="#"><u>FRAME, REAR FORK, &amp; JIFFY STAND</u></a>
70417-04C	<a href="#"><u>FRAME, REAR FORK, &amp; JIFFY STAND</u></a>
7045	<a href="#"><u>HEADLAMP &amp; MIRROR - 883C/1200C</u></a>
70503-04	<a href="#"><u>OIL TANK &amp; FILTER</u></a>
70504-81	<a href="#"><u>HANDLEBAR &amp; THROTTLE CONTROL</u></a> <a href="#"><u>HANDLEBAR &amp; THROTTLE CONTROL - 883/1200 CUSTOM</u></a>
70518-04	<a href="#"><u>HANDLEBAR &amp; THROTTLE CONTROL</u></a> <a href="#"><u>HANDLEBAR &amp; THROTTLE CONTROL - 883/1200 CUSTOM</u></a>
70540-02	<a href="#"><u>REAR FENDER &amp; BELT GUARDS</u></a>
70578-89	<a href="#"><u>BATTERY</u></a>
70586-93	<a href="#"><u>SWITCHES &amp; CIRCUIT BREAKERS</u></a>
70587-93	<a href="#"><u>SWITCHES &amp; CIRCUIT BREAKERS</u></a>
7068	<a href="#"><u>FRONT WHEEL - CAST</u></a> <a href="#"><u>FRONT WHEEL - LACED</u></a> <a href="#"><u>HEADLAMP &amp; MIRROR - 883/1200R</u></a>
7069	<a href="#"><u>HORN</u></a>

70903-04	<a href="#">FUEL TANK</a>
70904-04	<a href="#">FUEL TANK</a>
70917-04	<a href="#">FUEL TANK</a>
70919-04	<a href="#">FUEL TANK</a>
7127	<a href="#">HEADLAMP &amp; MIRROR - 883/1200R</a> <a href="#">HEADLAMP &amp; MIRROR - 883C/1200C</a>
71276-04A	<a href="#">FUEL TANK</a>
71441-94	<a href="#">SWITCHES &amp; CIRCUIT BREAKERS</a>
71451-94A	<a href="#">SWITCHES &amp; CIRCUIT BREAKERS</a>
71472-04	<a href="#">FRAME, REAR FORK, &amp; JIFFY STAND</a>
71510-04	<a href="#">MAIN WIRING HARNESS (1 OF 2)</a> <a href="#">SWITCHES &amp; CIRCUIT BREAKERS</a>
71550-94	<a href="#">MAIN WIRING HARNESS (1 OF 2)</a> <a href="#">SWITCHES &amp; CIRCUIT BREAKERS</a>
71552-94	<a href="#">MAIN WIRING HARNESS (1 OF 2)</a> <a href="#">SWITCHES &amp; CIRCUIT BREAKERS</a>
71563-96	<a href="#">HANDLEBAR &amp; THROTTLE CONTROL</a> <a href="#">HANDLEBAR &amp; THROTTLE CONTROL - 883/1200 CUSTOM</a> <a href="#">HANDLEBAR SWITCHES</a>
71564-96	<a href="#">HANDLEBAR &amp; THROTTLE CONTROL</a> <a href="#">HANDLEBAR &amp; THROTTLE CONTROL - 883/1200 CUSTOM</a> <a href="#">HANDLEBAR SWITCHES</a>
71567-96	<a href="#">HANDLEBAR SWITCHES</a>
71568-96A	<a href="#">HANDLEBAR SWITCHES</a>
71587-04	<a href="#">HANDLEBAR SWITCHES</a>
71621-08	<a href="#">HANDLEBAR SWITCHES</a>
71682-06A	<a href="#">HANDLEBAR SWITCHES</a>
71683-06A	<a href="#">HANDLEBAR SWITCHES</a>
71684-06A	<a href="#">HANDLEBAR SWITCHES</a>
71685-06A	<a href="#">HANDLEBAR SWITCHES</a>
72023-51D	<a href="#">SWITCHES &amp; CIRCUIT BREAKERS</a>
72033-93	<a href="#">MAIN WIRING HARNESS (1 OF 2)</a>
72056-92	<a href="#">HEADLAMP &amp; MIRROR - 883/1200R</a> <a href="#">HEADLAMP &amp; MIRROR - 883C/1200C</a>

72100-04	<a href="#"><u>MAIN WIRING HARNESS (1 OF 2)</u></a>
72103-94BK	<a href="#"><u>MAIN WIRING HARNESS (1 OF 2)</u></a>
72106-94BK	<a href="#"><u>MAIN WIRING HARNESS (1 OF 2)</u></a> <a href="#"><u>MAIN WIRING HARNESS (1 OF 2)</u></a>
72114-94BK	<a href="#"><u>MAIN WIRING HARNESS (1 OF 2)</u></a>
72116-94BK	<a href="#"><u>HANDLEBAR SWITCHES</u></a> <a href="#"><u>HANDLEBAR SWITCHES</u></a>
72119-94BK	<a href="#"><u>MAIN WIRING HARNESS (1 OF 2)</u></a>
72124-94GY	<a href="#"><u>MAIN WIRING HARNESS (1 OF 2)</u></a>
72130-04	<a href="#"><u>SPEEDOMETER &amp; TACHOMETER - 883/1200R</u></a> <a href="#"><u>SPEEDOMETER - 883C/1200C</u></a>
72131-04	<a href="#"><u>SPEEDOMETER &amp; TACHOMETER - 883/1200R</u></a>
72139-94GY	<a href="#"><u>MAIN WIRING HARNESS (1 OF 2)</u></a>
72143-94	<a href="#"><u>MAIN WIRING HARNESS (1 OF 2)</u></a>
72144-94	<a href="#"><u>MAIN WIRING HARNESS (1 OF 2)</u></a>
72146-94	<a href="#"><u>MAIN WIRING HARNESS (1 OF 2)</u></a>
72154-94	<a href="#"><u>MAIN WIRING HARNESS (1 OF 2)</u></a>
72156-94	<a href="#"><u>HANDLEBAR SWITCHES</u></a>
72159-94	<a href="#"><u>MAIN WIRING HARNESS (1 OF 2)</u></a>
72163-94	<a href="#"><u>MAIN WIRING HARNESS (1 OF 2)</u></a>
72176-94	<a href="#"><u>HANDLEBAR SWITCHES</u></a>
72179-94	<a href="#"><u>MAIN WIRING HARNESS (1 OF 2)</u></a>
72189-04	<a href="#"><u>SPEEDOMETER &amp; TACHOMETER - 883/1200R</u></a> <a href="#"><u>SPEEDOMETER &amp; TACHOMETER - 883/1200R</u></a> <a href="#"><u>SPEEDOMETER - 883C/1200C</u></a>
72190-94	<a href="#"><u>MAIN WIRING HARNESS (1 OF 2)</u></a>
72191-94	<a href="#"><u>MAIN WIRING HARNESS (1 OF 2)</u></a> <a href="#"><u>HANDLEBAR SWITCHES</u></a>
72195-94	<a href="#"><u>MAIN WIRING HARNESS (1 OF 2)</u></a>
72199-94	<a href="#"><u>MAIN WIRING HARNESS (1 OF 2)</u></a>
7220	<a href="#"><u>SWITCHES &amp; CIRCUIT BREAKERS</u></a>
72213-94	<a href="#"><u>MAIN WIRING HARNESS (1 OF 2)</u></a>

72214-94	<a href="#"><u>MAIN WIRING HARNESS (1 OF 2)</u></a>
72230-98	<a href="#"><u>MAIN WIRING HARNESS (1 OF 2)</u></a>
72231-98	<a href="#"><u>MAIN WIRING HARNESS (1 OF 2)</u></a>
72233-94	<a href="#"><u>ALTERNATOR &amp; REGULATOR</u></a>
72234-94	<a href="#"><u>MAIN WIRING HARNESS (1 OF 2)</u></a>
72235-94	<a href="#"><u>ALTERNATOR &amp; REGULATOR</u></a>
72236-94	<a href="#"><u>MAIN WIRING HARNESS (1 OF 2)</u></a>
72237-94	<a href="#"><u>ALTERNATOR &amp; REGULATOR</u></a>
72238-94	<a href="#"><u>MAIN WIRING HARNESS (1 OF 2)</u></a>
72260-04	<a href="#"><u>MAIN WIRING HARNESS (1 OF 2)</u></a>
72266-94	<a href="#"><u>HANDLEBAR SWITCHES</u></a>
72268-94	<a href="#"><u>SWITCHES &amp; CIRCUIT BREAKERS</u></a>
72284-94	<a href="#"><u>MAIN WIRING HARNESS (1 OF 2)</u></a>
72289-04	<a href="#"><u>MAIN WIRING HARNESS (1 OF 2)</u></a>
72291-94	<a href="#"><u>MAIN WIRING HARNESS (1 OF 2)</u></a>
72295-94	<a href="#"><u>MAIN WIRING HARNESS (1 OF 2)</u></a>
72312-04	<a href="#"><u>MAIN WIRING HARNESS (1 OF 2)</u></a>
72318-04	<a href="#"><u>SWITCHES &amp; CIRCUIT BREAKERS</u></a>
72347-94	<a href="#"><u>MAIN WIRING HARNESS (1 OF 2)</u></a> <a href="#"><u>SWITCHES &amp; CIRCUIT BREAKERS</u></a>
72373-97	<a href="#"><u>SWITCHES &amp; CIRCUIT BREAKERS</u></a>
72405-98BK	<a href="#"><u>MAIN WIRING HARNESS (1 OF 2)</u></a>
72428-00	<a href="#"><u>MAIN WIRING HARNESS (1 OF 2)</u></a>
72431-00	<a href="#"><u>MAIN WIRING HARNESS (1 OF 2)</u></a>
72434-00	<a href="#"><u>MAIN WIRING HARNESS (2 OF 2)</u></a>
72441-04	<a href="#"><u>MAIN WIRING HARNESS (2 OF 2)</u></a>
72445-99TN	<a href="#"><u>MAIN WIRING HARNESS (2 OF 2)</u></a>
73104-96BK	<a href="#"><u>MAIN WIRING HARNESS (2 OF 2)</u></a>
73106-96BK	<a href="#"><u>MAIN WIRING HARNESS (2 OF 2)</u></a>
73152-96BK	<a href="#"><u>TURN SIGNALS</u></a>

73152-96WE	<a href="#"><u>TURN SIGNALS</u></a>
73154-96BK	<a href="#"><u>HEADLAMP &amp; MIRROR - 883/1200R</u></a> <a href="#"><u>HEADLAMP &amp; MIRROR - 883C/1200C</u></a> <a href="#"><u>TAIL LAMP</u></a>
73156-96BK	<a href="#"><u>TURN SIGNALS</u></a> <a href="#"><u>TAIL LAMP</u></a>
73190-96	<a href="#"><u>MAIN WIRING HARNESS (2 OF 2)</u></a>
73191-96	<a href="#"><u>HEADLAMP &amp; MIRROR - 883/1200R</u></a> <a href="#"><u>HEADLAMP &amp; MIRROR - 883C/1200C</u></a> <a href="#"><u>TURN SIGNALS</u></a> <a href="#"><u>TAIL LAMP</u></a>
73203-04	<a href="#"><u>MAIN WIRING HARNESS (2 OF 2)</u></a>
73204-04	<a href="#"><u>MAIN WIRING HARNESS (2 OF 2)</u></a>
73205-04	<a href="#"><u>MAIN WIRING HARNESS (2 OF 2)</u></a>
73206-04	<a href="#"><u>MAIN WIRING HARNESS (2 OF 2)</u></a>
73301-04	<a href="#"><u>MAIN WIRING HARNESS (2 OF 2)</u></a>
73302-04	<a href="#"><u>MAIN WIRING HARNESS (2 OF 2)</u></a>
73303-04	<a href="#"><u>MAIN WIRING HARNESS (2 OF 2)</u></a>
73304-04	<a href="#"><u>MAIN WIRING HARNESS (2 OF 2)</u></a>
73305-04	<a href="#"><u>MAIN WIRING HARNESS (2 OF 2)</u></a>
740	<a href="#"><u>FOOTRESTS</u></a>
74102-98BK	<a href="#"><u>CRANKCASE</u></a>
74103-98BK	<a href="#"><u>SPEEDOMETER &amp; TACHOMETER - 883/1200R</u></a> <a href="#"><u>SPEEDOMETER - 883C/1200C</u></a>
74109-98BK	<a href="#"><u>MAIN WIRING HARNESS (2 OF 2)</u></a>
74112-98BK	<a href="#"><u>MAIN WIRING HARNESS (2 OF 2)</u></a>
74113-98BK	<a href="#"><u>MAIN WIRING HARNESS (2 OF 2)</u></a>
74119-98BK	<a href="#"><u>SPEEDOMETER &amp; TACHOMETER - 883/1200R</u></a> <a href="#"><u>SPEEDOMETER - 883C/1200C</u></a>
74142-98	<a href="#"><u>CRANKCASE</u></a>
74143-98	<a href="#"><u>SPEEDOMETER &amp; TACHOMETER - 883/1200R</u></a> <a href="#"><u>SPEEDOMETER - 883C/1200C</u></a>
74149-98	<a href="#"><u>MAIN WIRING HARNESS (2 OF 2)</u></a>
74152-98	<a href="#"><u>MAIN WIRING HARNESS (2 OF 2)</u></a>

74153-98	<a href="#"><u>MAIN WIRING HARNESS (2 OF 2)</u></a>
74159-98	<a href="#"><u>SPEEDOMETER &amp; TACHOMETER - 883/1200R</u></a> <a href="#"><u>SPEEDOMETER - 883C/1200C</u></a>
74190-98	<a href="#"><u>SPEEDOMETER &amp; TACHOMETER - 883/1200R</u></a> <a href="#"><u>SPEEDOMETER - 883C/1200C</u></a> <a href="#"><u>MAIN WIRING HARNESS (2 OF 2)</u></a>
74191-98	<a href="#"><u>SPEEDOMETER &amp; TACHOMETER - 883/1200R</u></a> <a href="#"><u>MAIN WIRING HARNESS (2 OF 2)</u></a>
74192-98	<a href="#"><u>CRANKCASE</u></a>
74193-98	<a href="#"><u>SPEEDOMETER - 883C/1200C</u></a>
74194-98	<a href="#"><u>CRANKCASE</u></a>
74195-98	<a href="#"><u>SPEEDOMETER &amp; TACHOMETER - 883/1200R</u></a> <a href="#"><u>SPEEDOMETER - 883C/1200C</u></a> <a href="#"><u>MAIN WIRING HARNESS (2 OF 2)</u></a>
74196-04	<a href="#"><u>SPEEDOMETER &amp; TACHOMETER - 883/1200R</u></a> <a href="#"><u>SPEEDOMETER &amp; TACHOMETER - 883/1200R</u></a> <a href="#"><u>SPEEDOMETER - 883C/1200C</u></a>
74197-04	<a href="#"><u>SPEEDOMETER &amp; TACHOMETER - 883/1200R</u></a> <a href="#"><u>SPEEDOMETER &amp; TACHOMETER - 883/1200R</u></a> <a href="#"><u>SPEEDOMETER - 883C/1200C</u></a>
74402-04A	<a href="#"><u>SPEEDOMETER &amp; TACHOMETER - 883/1200R</u></a> <a href="#"><u>SPEEDOMETER - 883C/1200C</u></a>
74523-04	<a href="#"><u>ALTERNATOR &amp; REGULATOR</u></a>
7477	<a href="#"><u>REAR BRAKE MASTER CYLINDER</u></a>
7481	<a href="#"><u>HORN</u></a>
7495	<a href="#"><u>HORN</u></a>
7531	<a href="#"><u>FRONT FENDER</u></a> <a href="#"><u>REAR FENDER &amp; BELT GUARDS</u></a> <a href="#"><u>FUEL TANK</u></a> <a href="#"><u>HORN</u></a>
7593	<a href="#"><u>EXHAUST SYSTEM</u></a>
7606	<a href="#"><u>HEADLAMP &amp; MIRROR - 883/1200R</u></a>
761	<a href="#"><u>REAR FENDER &amp; BELT GUARDS</u></a>
7624	<a href="#"><u>OIL TANK &amp; FILTER</u></a>
7727	<a href="#"><u>HEADLAMP &amp; MIRROR - 883/1200R</u></a> <a href="#"><u>HEADLAMP &amp; MIRROR - 883C/1200C</u></a>

7770	<a href="#"><u>BATTERY</u></a>
7778	<a href="#"><u>FRAME, REAR FORK, &amp; JIFFY STAND HEADLAMP &amp; MIRROR - 883C/1200C</u></a>
7783	<a href="#"><u>FRONT FORK</u></a>
7792	<a href="#"><u>REAR FENDER &amp; BELT GUARDS</u></a>
7804	<a href="#"><u>BELTS &amp; SPROCKETS</u></a>
7805	<a href="#"><u>ELECTRONIC IGNITION SYSTEM</u></a>
7824	<a href="#"><u>SHOCK ABSORBERS</u></a>
7839	<a href="#"><u>BELTS &amp; SPROCKETS</u></a>
7862	<a href="#"><u>EXHAUST SYSTEM</u></a>
7880	<a href="#"><u>HEADLAMP &amp; MIRROR - 883/1200R</u></a>
7882	<a href="#"><u>REAR FENDER &amp; BELT GUARDS</u></a>
7916A	<a href="#"><u>GEARCASE &amp; COVER</u></a>
7956	<a href="#"><u>FRONT WHEEL - CAST FRONT WHEEL - LACED</u></a>
7964	<a href="#"><u>TAIL LAMP</u></a>
7987	<a href="#"><u>REAR WHEEL - CAST</u></a>
8108	<a href="#"><u>HORN</u></a>
8135B	<a href="#"><u>FRAME, REAR FORK, &amp; JIFFY STAND</u></a>
835	<a href="#"><u>CRANKCASE</u></a>
8679	<a href="#"><u>GEARCASE &amp; COVER</u></a>
8692	<a href="#"><u>REAR FENDER &amp; BELT GUARDS</u></a>
882	<a href="#"><u>ROCKER ARMS, COVERS &amp; PUSH RODS REAR BRAKE MASTER CYLINDER</u></a>
8871	<a href="#"><u>STARTER MOTOR</u></a>
8873	<a href="#"><u>CLUTCH</u></a>
8876A	<a href="#"><u>TRANSMISSION GEARS</u></a>
8879	<a href="#"><u>STARTER MOTOR</u></a>
8881	<a href="#"><u>CRANKCASE</u></a>
8883	<a href="#"><u>STARTER MOTOR</u></a>
8885	<a href="#"><u>CLUTCH</u></a>

89579-91	<a href="#"><u>FUEL TANK</u></a>
89581-04A	<a href="#"><u>STARTER MOTOR</u></a>
89586-04	<a href="#"><u>FUEL TANK</u></a>
8968	<a href="#"><u>TRANSMISSION GEARS</u></a>
8972	<a href="#"><u>CRANKCASE</u></a>
8977	<a href="#"><u>TRANSMISSION GEARS</u></a>
8996A	<a href="#"><u>TRANSMISSION GEARS</u></a>
9077	<a href="#"><u>STARTER MOTOR</u></a>
91840-03B	<a href="#"><u>HEADLAMP &amp; MIRROR - 883/1200R</u></a>
91845-03B	<a href="#"><u>HEADLAMP &amp; MIRROR - 883/1200R</u></a>
91846-03B	<a href="#"><u>HEADLAMP &amp; MIRROR - 883/1200R</u></a> <a href="#"><u>HEADLAMP &amp; MIRROR - 883C/1200C</u></a>
91848-03B	<a href="#"><u>HEADLAMP &amp; MIRROR - 883/1200R</u></a> <a href="#"><u>HEADLAMP &amp; MIRROR - 883C/1200C</u></a>
9187	<a href="#"><u>SHIFTER</u></a>
9209	<a href="#"><u>FRAME, REAR FORK, &amp; JIFFY STAND</u></a>
9267	<a href="#"><u>FRONT WHEEL - CAST</u></a> <a href="#"><u>FRONT WHEEL - LACED</u></a> <a href="#"><u>REAR WHEEL - CAST</u></a>
928	<a href="#"><u>STARTER MOTOR</u></a>
929A	<a href="#"><u>STARTER MOTOR</u></a>
940	<a href="#"><u>ENGINE MOUNTS</u></a>
943	<a href="#"><u>ACCESS DOOR &amp; PRIMARY COVER</u></a>
94432-04	<a href="#"><u>REAR BRAKE MASTER CYLINDER</u></a>
946	<a href="#"><u>AIR CLEANER &amp; ENRICHENER</u></a>
94612-04	<a href="#"><u>REAR BRAKE MASTER CYLINDER</u></a>
95578-41	<a href="#"><u>FRONT WHEEL - LACED</u></a>
95581-47	<a href="#"><u>FRONT WHEEL - LACED</u></a>
95582-47	<a href="#"><u>FRONT WHEEL - LACED</u></a>
95595-84A	<a href="#"><u>FRONT WHEEL - CAST</u></a> <a href="#"><u>REAR WHEEL - CAST</u></a>
9825	<a href="#"><u>MAIN WIRING HARNESS (1 OF 2)</u></a>



9838	<a href="#">MAIN WIRING HARNESS (1 OF 2)</a>
9847	<a href="#">HEADLAMP &amp; MIRROR - 883/1200R</a> <a href="#">HEADLAMP &amp; MIRROR - 883C/1200C</a>
9848	<a href="#">HEADLAMP &amp; MIRROR - 883/1200R</a> <a href="#">HEADLAMP &amp; MIRROR - 883C/1200C</a>
9862	<a href="#">SWITCHES &amp; CIRCUIT BREAKERS</a>
9898	<a href="#">HEADLAMP &amp; MIRROR - 883/1200R</a> <a href="#">HEADLAMP &amp; MIRROR - 883C/1200C</a> <a href="#">MAIN WIRING HARNESS (1 OF 2)</a> <a href="#">SWITCHES &amp; CIRCUIT BREAKERS</a>
9937	<a href="#">MAIN WIRING HARNESS (1 OF 2)</a>
995	<a href="#">REAR BRAKE MASTER CYLINDER</a>
9955	<a href="#">EXHAUST SYSTEM</a>
9969	<a href="#">OIL TANK &amp; FILTER</a>
997	<a href="#">REAR BRAKE MASTER CYLINDER</a>

## Component Types and Introduction Dates

[View interactive table](#)

101A1 - Generic Nuts	
7956	Unknown
31740-04	2004
7839	Unknown
7624	Unknown
7792	2012
8135B	Unknown
7778	Unknown
7862	Unknown
7477	Unknown
7916A	Unknown
7770	Unknown
7805	Unknown
7824	Unknown
3403	Unknown

11730A	Unknown
7987	Unknown
7495	1994
7880	Unknown
7964	Unknown
37495-91	1991
7481	Unknown
8108	Unknown
7593	1991
102A1 - Generic Screws	
3899	1999
4188	Unknown
3244	Unknown
4765	1998
3579A	Unknown
4180	Unknown
3854	2009
882	2000
4460	Unknown
4771	Unknown
68026-99	1999
3849	Unknown
28015-01	2001
4741A	1994
94612-04	2004
3655A	Unknown
4718A	1994
2955	1996
8679	Unknown
5414	Unknown
3022A	Unknown

4991	2009
43567-92	1992
3514	Unknown
3201WA	Unknown
4350A	Unknown
42827-04	2004
940	Unknown
4748	2009
943	Unknown
4091	Unknown
3275	2002
3615	Unknown
4326A	1990
2325	Unknown
2773	Unknown
2548	Unknown
4751	Unknown
4132	Unknown
4740A	1994
2586A	Unknown
3658	Unknown
45405-75A	1975
1048	Unknown
4240	Unknown
3605	2009
32617-00Y	2000
2952A	2003
45996-87	1987
3594	1992
835	Unknown

4290	Unknown
928	Unknown
2995	Unknown
2708A	Unknown
4816A	Unknown
68042-99	1999
4076	Unknown
1039	Unknown
2607	Unknown
4029A	1990
4420	2009
3799	2003
2528	1994
4262	Unknown
45902-00	2000
3588	1990
3563	1999
4017	2009
929A	Unknown
2501A	Unknown
4016	Unknown
4032A	Unknown
2535	2004
4269	Unknown
45800-04	2004
4351	Unknown
3210A	Unknown
4820A	Unknown
3559	Unknown
4354	Unknown

4352	Unknown
56402-83A	1983
27317-88	1988
2361	Unknown
3666A	1997
27146-89	1989
3480A	Unknown
4717A	Unknown
2441	Unknown
3767B	2009
3574	Unknown
946	Unknown
4363	Unknown
4758A	Unknown
4312C	Unknown
3565	Unknown
997	Unknown
16478-85A	1985
3675	Unknown
3997A	1999
995	2009
4359	Unknown
56397-74C	1974
3880	2004
5403B	Unknown
4329	Unknown
3029	Unknown
4778	Unknown
4779	Unknown
4453	1986
45790-80	1980

2460	Unknown
3026	Unknown
16480-92A	1992
103A1 - Generic Washers	
41732-04	2004
6718	Unknown
6026	Unknown
6157	Unknown
6302	Unknown
41743-04	2004
27125-89	1989
36802-84B	1984
27148-89	1989
8972	Unknown
6787	Unknown
6288	Unknown
6099	2011
6798	2012
27127-89	1989
6101	2011
67815-59A	1959
31689-90	1990
6590HW	Unknown
6516HW	Unknown
7220	Unknown
27137-81	1981
7068	Unknown
7019	Unknown
7038	1998
7039	Unknown

6738	Unknown
6237	2014
6192	Unknown
6655	1979
7041	1958
6703	1970
6701	Unknown
6702	Unknown
42425-05	2005
7045	Unknown
104A1 - Custom Nuts	
54321-85	1985
7606	1983
105A1 - Custom Screws	
27158-89	1989
41191-74A	1974
94432-04	2004
27130-90	1990
27262-96	1996
106A1 - Custom Washers	
6003	2010
108A1 - Hose Clamps	
42808-04	2004
10053	2010
10252	2004
10031	2010
31512-04	2004
10014	Unknown
9955	Unknown
10080	Unknown

10074	Unknown
108B1 - P Clamps	
70417-04C	2004
10255	2004
10179A	Unknown
508	Unknown
70416-04D	2004
10142	Unknown
109A1 - Studs	
16715-83	1983
16832-86C	1986
65092-04	2004
65088-04	2004
110B1 - Plain Bushings	
25586-37	1937
34982-02A	2011
35030-89A	1989
34076-02A	2002
8996A	1996
54556-84	1984
45801-04	2004
25598-91	1991
25593-74	1974
24647-87	1987
45465-87	1987
42569-03	2003
8876A	Unknown
53176-08	2008
40520-63	1963
8883	Unknown
8885	Unknown



25588-91	1991
8879	Unknown
9267	Unknown
42846-04	2004
110C1 - Radial Shaft Seals	
37101-84B	1984
12068	Unknown
11291	Unknown
67104-95	1995
12067B	2002
110D1 - Rolling Element Bearings	
9209	2003
9187	2000
8968	Unknown
8977	Unknown
24650-87	1987
24605-07	2007
8871	Unknown
24659-87	1987
24660-87	1987
111A1 - Adhesive	
73304-04	2004
9825	Unknown
9838	Unknown
9862	Unknown
74196-04	2004
111F1 - Protective Tape	
59547-04	2004
116A1 - Banjo Bolts	
41737-04	2004

41736-04	2004
117A1 - Coil Springs	
56396-74A	1974
54473-79	1979
27162-89	1989
119A1 - O-Rings	
11165	Unknown
26432-76A	1976
11105	Unknown
10957	2006
27577-92	1992
11289A	Unknown
11202	Unknown
11120	Unknown
11190	Unknown
45984-87	1987
11377	Unknown
31695-90	1990
26434-91	1991
11171	Unknown
11179	1986
27157-89	1989
11317	Unknown
120A1 - Pins	
18532-00A	2000
215	Unknown
16573-83A	1983
50003-89B	1989
1594	1998
24754-75A	1975

45041-01A	2001
358	Unknown
121A1 - Grommets	
11474	Unknown
11407	Unknown
29342-99	1999
11376	Unknown
121B1 - Press-Fit Plugs	
67865-89	1989
42838-04	2004
740	Unknown
761	1996
72163-94	1994
122A1 - Retaining Rings	
10995	Unknown
11271	Unknown
11272	Unknown
10120	1992
10267	2001
35118-03	2003
10264	Unknown
31328-91	1991
10254	2001
11002	Unknown
35114-02	2002
11000	Unknown
65325-83A	1983
45611-86	1986
11031	Unknown
27368-76	1976

11155	Unknown
38723-99	1999
11142	Unknown
31530-90	1990
11390	Unknown
11046	Unknown
11121	2008
11177A	1996
35020-89	1989
11304	Unknown
11282	Unknown
11067	Unknown
11379	2002
16699-06	2006
11360	Unknown
27124-89	1989
10212	2005
35021-89	1989
10147	Unknown
10210	2002
11250	1992
44590-04	2004
35038-89A	1989
67604-94	1994
10242	2004
11161	Unknown
123A1 - Sealing Washers	
26436-90A	1990
123B1 - Spring Washers	
7127	Unknown
7069	Unknown

124A1 - Spacers

35063-89 1989

6152 Unknown

33344-94 1994

5756 Unknown

45377-87 1987

7882 Unknown

35133-04 2004

125A1 - Tie Straps

10065 1985

10039 1981

10177 1996

10181 1996

10006 1960

126A1 - Miscellaneous Hardware

42593-04 2004

31692-90 1990

45799-04 2004

27136-90A 1990

12030 Unknown

89581-04A 2004

33540-02A 2002

42829-04 2004

54476-82 1982

67877-02 2002

56394-74 1974

8873 1984

42839-04 2004

126B1 - Rivets Fasteners

10259 2001

8692	Unknown
127B1 - Generic Mounting Bracket	
51652-97A	1997
31755-04	2004
27320-04	2004
140G2 - EPA Label	
29127-95B	1995
141A1 - Medallion	
52494-04	2004
13372-04	2004
71550-94	1994
44791-04	2004
13343-04	2004
13367-04	2004
14270-92	1992
13341-04	2004
13373-04	2004
14448-94	1994
13374-04	2004
62270-04	2004
13342-04	2004
13340-04	2004
62271-04	2004
44440-04	2004
13371-04	2004
161A1 - Powertrain Assembly	
19172-04	2004
19196-04	2004
19171-04	2004
19195-04	2004
19197-04	2004

16055-04	2004
162D1 - Engine Assembly	
16064-04	2004
19169-04	2004
16071-04	2004
19194-04	2004
16069-04	2004
16052-04	2004
16078-04	2004
16068-04	2004
16079-04	2004
16080-04	2004
163B1 - Engine Isolator Mount	
16353-04	2004
41562-04	2004
16287-04	2004
48492-04A	2004
48463-04A	2004
16291-04	2004
41561-04	2004
164B1 - Engine Mount Bracket sub-component	
7727	Unknown
7783	Unknown
7531	1980
7804	Unknown
16232-04	2004
164D1 - Tiebar Mount	
47471-04A	2004
165A1 - Cylinder Head	
16667-04	2004

18011-86	1986
16661-04	2004
16660-04	2004
16666-04	2004
165B1 - Cylinder Head and Base Gaskets	
16664-86D	1986
16774-86D	1986
16770-84F	1984
167A1 - PT Assembly Miscellaneous Component	
36731-91	1991
168A1 - Cylinder	
16463-04	2004
16443-04	2004
179A1 - Lifters	
17981-04	2004
17972-04	2004
18538-99C	2011
179B1 - Push Rod	
17908-02	2002
17909-02	2002
180A1 - Valves	
18690-02	2002
18053-04	2004
18021-87A	1987
18059-04	2004
181B1 - Valve Seals	
18012-87A	1987
16462-02	2002
16465-06	2006
18020-83	1983



18094-02A	2002
181C1 - Valve Collars	
18260-02	2002
184A1 - PT Camdrive and Valvetrain Miscellaneous Component	
18245-02	2002
17358-84B	2010
18258-02	2002
220A1 - Piston Ring	
22266-86	1986
22224-04	2004
22223-04	2004
22231-04	2004
21948-02	2002
22261-86	1986
22238-04	2004
22271-86	1986
22221-04	2004
22227-04	2004
22228-04	2004
22230-04	2004
221A1 - Piston Pin	
22589-83B	1983
22765-02	2002
22719-04	2004
237B1 - Connecting Rod sub-component	
24332-36	1936
239A1 - PT Lower End Miscellaneous Component	
24331-36	1936
24658-87	1987
241A1 - Flywheel	
23905-04	2004

23905-04B	2007
244A1 - Crankcase	
24470-04	2004
24466-04	2004
244D1 - Crankcase sub-component	
24047-00	2000
8881	Unknown
254A1 - Camdrive Gear	
25193-00B	2004
25194-00B	2000
255C1 - Camdrive Chain Tensioner	
40039-02C	2007
256A1 - Timer Cover	
32506-90	1990
32514-04	2004
257B1 - Clutch Cover	
34992-04	2004
34760-04	2004
257D1 - Clutch Inspection Cover	
34993-04A	2004
34761-04A	2006
257E1 - Cover Gaskets	
67121-95A	1995
65324-83B	2009
34955-04	2004
67602-94	1994
16800-84A	1984
61109-85D	1985
26638-00Y	2000
25463-94A	1994

67601-94A	1994
17976-04	2004
29313-95	1995
34986-04	2004
29062-95B	1995
34990-08	2008
17027-04B	2004
45378-87	1987
63858-49	1949
42818-04	2004
17353-89C	1989
25263-90D	1990
17049-04A	2004
257G1 - Ignition Cover	
32555-04	2004
257L1 - Primary Cover	
25430-04	2004
25471-04	2004
25252-04	2004
25460-04	2004
257L2 - Primary Chain Inspection Cover	
34993-04	2004
34761-04	2004
257M1 - Push Rod Cover	
17946-04	2004
257N1 - Rocker-Arm / Valve Cover	
17501-04	2004
17527-04	2004
17375-83A	1983
17532-86E	1986

17537-96C	1996
17611-83	1983
17551-04	2004
17360-83A	1983
17614-98C	1998
258A1 - PT Covers Miscellaneous Component	
25219-04	2004
25213-04	2004
265A1 - Vent / Breather Line	
63508-04	2004
62360-04A	2004
28910-04	2004
270A1 - Carburetor	
28026-04	2004
27361-76A	1976
27360-76	1976
27362-76	1976
27260-00	2000
27147-89	1989
27583-88	1988
27490-04	2004
27152-89	1989
27171-89	1989
27156-89	1989
28027-04	2004
27261-96	1996
27369-76	1976
27732-04	2004
27749-04	2004
27371-76A	1976
27582-88	1988

27587-88	1988
27311-76	1976
27101-88	1988
27585-88	1988
27586-88	1988
27185-90	1990
27116-88	1988
27465-04	2004
27575-88A	1988
27731-04	2004
27100-88	1988
27128-89	1989
27777-04	2004
27126-89	1989
27114-88	1988
27090-89	1989
27315-88A	1988
27495-04	2004
27263-96	1996
27256-01	2001
27576-92	1992
271C1 - Intercooler Gasket	
65927-00	2000
273A1 - Intake Manifold	
27024-04	2004
273K1 - Throttle Body to Manifold Seal	
26995-86B	1986
273N1 - Throttle Cable Retention Bracket	
56508-76	1976
290A1 - Airbox Baseplate	

29348-04	2004
29367-04	2004
29359-04A	2004
29360-04	2004
290C1 - Airbox Baseplate sub-component	
29352-04	2004
29123-04	2004
29346-04	2004
29802-04	2004
290D1 - Airbox Seal	
29315-04	2004
294A1 - Air Filter Element	
29331-04	2004
294G1 - Air Cleaner	
27010-86A	1986
27009-86A	1986
295A1 - Intake Miscellaneous Component	
26011-04	2004
28911-04A	2004
27579-88A	1988
27002-89	1989
27886-78A	1978
26010-04	2004
29229-88D	1988
299C1 - Charging Rotor	
32493-02B	2008
32494-04B	2008
299F1 - Stator Assembly	
29967-89C	2006
314E1 - Starter Friction Clutch	
31556-91D	2010

9077	Unknown
314F1 - Starter Motor	
31518-90	1990
31390-91F	1991
31515-90	1990
314G1 - Starter Motor sub-component	
27581-88	1988
31600-90	1990
31688-90	1990
31539-91	1991
31488-81C	2008
314H1 - Starter Solenoid	
31603-91	1991
314L1 - Starter Motor Drive	
33189-63	1963
315B1 - Exhaust Valve Actuator	
18691-02	2002
316A1 - Ignition Coil	
32622-04C	2004
31655-99	1999
316B1 - Spark Plug Cable	
31601-04	2004
31996-04	2004
316C1 - Spark Plug	
32362-04	2004
327B1 - Chemical / Gas Sensor	
32417-10	2010
327C1 - Pressure Sensor	
26554-77B	1977
327D1 - Proximity Sensor	

32804-04B	2005
74402-04A	2004
336C1 - Shift Linkage Rod End	
34573-04	2004
336F1 - Toepeg	
34611-65A	1965
339A1 - Shift Lever	
34572-04	2004
34670-04	2004
34660-04A	2004
339D1 - Shifter Fork	
34144-02	2002
34981-02A	2002
339F1 - Shifter Index Lever	
34014-02B	2002
339H1 - Shifter Mechanism Components (internal)	
33634-02A	2002
34064-00C	2000
34491-02A	2002
34483-02	2002
34163-02	2002
348A1 - Transmission Output Sprocket Cover	
34938-04	2004
34932-04	2004
34911-04	2004
350A1 - Transmission Output Sprocket	
40380-04	2004
40409-04	2004
40379-04	2004
350D2 - Transmission Output Sprocket sub-component	



40464-04	2004
350E1 - Transmission Gear	
31525-90	1990
350F1 - Transmission Mainshaft	
35128-04	2004
35034-94	1994
35762-02	2002
35796-00	2000
35773-94	1994
35640-89	1989
35771-94	1994
356A1 - Transmission Countershaft	
35633-94	1994
35647-04	2004
35772-94	1994
35797-00	2000
35641-89	1989
35763-89A	1991
35775-94	1994
363A1 - PT Driveline Miscellaneous Component	
35051-89A	1989
35211-91B	1991
365A1 - Primary Chain	
40147-04	2004
40005-57B	1957
365C1 - Primary Drive Assembly	
40254-02	2002
40290-04A	2004
40240-89	1989
40241-02A	2003
40251-92A	1992

367A1 - Clutch Lever

45356-07

2007

367E1 - Clutch Lever Mount Clamp

38671-04

2004

367H1 - Clutch Lever sub-component

34920-86A

1986

37904-90

1990

37870-91

1991

36715-94

1994

38630-88

1988

37872-90

1990

37905-90

1990

37909-90

1990

37910-04B

2006

36799-91

1991

37977-90

1990

46268-04

2004

37908-90

1990

370A1 - Clutch Assembly

37924-04A

2006

370B1 - Clutch Friction Plate

37911-90

1990

370C1 - Clutch Hub

36785-91

1991

370F1 - Clutch Pressure Plate

37912-91

1991

37913-90

1990

370G1 - Clutch Shell

36790-04

2004

372A1 - Clutch Actuation Screw

11765Y	Unknown
372D1 - Clutch Cable	
38699-04C	2004
372K2 - Clutch Ramp	
25453-87A	1987
25409-94B	1994
372N1 - Clutch Vacuum Hose	
26588-04	2004
26556-04	2004
400A1 - Drive-Belt	
40570-04B	2004
40571-04B	2004
401A1 - Engine Sprocket	
40471-04	2004
40467-04	2004
40470-04	2004
40465-04	2004
40466-04	2004
410D1 - Electronic Control Module (ECM)	
68920-01D	2001
410G1 - Security System Control Module	
68924-00D	2000
68922-00D	2000
413A1 - Brake Caliper	
44121-04A	2004
44160-00	2000
44119-04	2004
40968-04A	2004
413C1 - Brake Caliper sub-component	
42823-04	2004
42824-04	2004

45401-87	1987
40948-04	2004
415B1 - Brake Rotor	
44136-00	2000
44156-00	2000
41797-00	2000
416A1 - Brakes Miscellaneous Component	
34582-04	2004
42837-04	2004
72023-51D	2004
42807-04	2004
416B1 - Brake Mounting Bracket	
42825-04	2004
42826-04	2004
42835-04	2004
417A1 - Brake Master Cylinder Assembly	
42810-04B	2004
42813-04	2004
42803-04B	2004
42805-04	2004
42814-04	2004
417B1 - Brake Master Cylinder	
45052-04	2004
45146-04	2004
417C1 - Brake Master Cylinder Piston Set	
42834-04	2004
42809-04B	2004
42822-04	2004
417D1 - Brake Master Cylinder sub-Component	
42255-04	2004

67804-04	2004
40946-04	2004
42832-04	2004
43529-04	2004
42521-04	2004
44178-04	2004
44189-04	2004
42811-04	2004
42595-04	2004
42804-04	2004
74143-98	1998
42815-04	2004
42976-04	2004
42979-04	2004
42828-04	2004
44184-04	2004
43528-04	2004
42817-04	2004
417E1 - Brake Master Cylinder Hose	
42821-04	2004
417F1 - Brake Master Cylinder Reservoir	
42816-04	2004
417G1 - Front Brake Lever	
42806-04	2004
418B1 - Brake Line	
44429-04	2004
45449-04C	2011
46400-04	2004
45074-95	1995
45319-04	2004

420A1 - Wheel Rim	
43662-80B	1983
421A1 - Wheel Spoke with Nipple	
40760-05	2005
40759-05	2005
422B1 - Wheel Sprocket	
40350-04	2004
40352-04	2004
423C1 - Rim Strip	
43939-89	1989
423G1 - Valve Stem	
43157-83A	1983
423H1 - Valve Stem Cap	
41123-79	1979
423K1 - Wheel Weights	
95578-41	1941
95595-84A	2010
95581-47	1947
95582-47	1947
424A1 - Wheels, Tires and Final Drive Miscellaneous Component	
43594-00A	2000
40992-00A	2000
41058-00A	2000
41013-00A	2000
43595-99	1999
425A1 - Wheel sub-component	
43557-05A	2009
430B1 - Rear Axle Carrier / Adjuster	
41573-97	1997
47554-73A	1973

430D1 - Front Axle

43895-00 2000

430E1 - Rear Axle

41110-89 1989

433A1 - Front Wheel

43557-00A 2000

43359-00 2000

433B1 - Front Wheel Bearing Spacer

40930-04 2004

43608-00 2000

43654-00A 2000

43358-00 2000

43617-00A 2000

43613-00 2000

454A1 - Front Telescopic Fork

45901-04 2004

46029-04 2004

45900-04 2004

455A1 - Front Telescopic Fork Slider

45922-00 2000

45921-00 2000

45923-00 2000

455B1 - Front Telescopic Fork Spring

45376-04 2004

455C1 - Front Telescopic Fork sub-component

45374-87 1987

45395-04 2004

45461-87 1987

45361-90 1990

45460-90 1990

46002-87	1987
45905-87	1987
456C1 - Fork Lock	
48153-02B	2010
48154-05A	2010
457E1 - Steering Stem Bearing Insert Cup	
48315-60	1960
48300-60	1960
458A1 - Front Suspension and Steering Miscellaneous Component	
48184-01	2001
45668-90	1990
68041-04	2004
459A1 - Upper Triple Clamp	
45966-04	2004
459B1 - Lower Triple Clamp	
46127-04	2004
46126-04	2004
470A1 - Frame	
49430-06A	2011
31599-91	1991
49439-10	2011
472A1 - Frame sub-component	
7036	Unknown
472C1 - Front Fairing Support Bracket	
42972-04	2004
472D2 - Chassis Structure Mounting Bracket	
59903-04	2004
59902-04	2004
59502-04A	2004
66199-04	2004
47470-04	2004



474C1 - Swingarm

47587-04

2004

475B1 - Swingarm Pivot Shaft

41698-04

2004

41699-04

2004

41568-04

2004

500A1 - Sidestand Assembly

50185-04C

2011

500E1 - Sidestand Leg sub-component

62122-89A

1989

50005-85A

1985

500F1 - Sidestand Pivot Pin

554A

2002

505B1 - Footpeg Mount Bracket

33048-72

1972

42651-04

2004

49315-04

2004

42652-04

2004

49314-04

2004

42971-04

2004

505D1 - Passenger Footpeg

33032-99

1999

505K1 - Footpeg Wear Peg

33216-99

1999

506A1 - Brake Pedal

42969-04

2004

50912-72

1972

42812-04

2004

42685-04

2004

34581-04

2004

507A1 - Rider Interface Miscellaneous Component

42566-04 2004

42541-04 2004

520A1 - Rider Seat or Full Seat

52608-04 2004

51558-04 2004

51532-04 2004

51530-04 2004

521C1 - Seat Suspension Damper

42840-04 2004

45925-04 2004

524A1 - Passenger Grab Handle

59723-04 2004

530B1 - Tour Pak sub-component

53486-85 1985

540B1 - Rear Shock

54568-04 2004

54566-04 2004

540E1 - Rear Shock sub-component

54701-82 1982

54724-04 2004

54475-79 1979

540L2 - Rear Suspension Mounting Bracket

42831-04A 2005

42836-04A 2005

558A1 - Handlebar

56004-00 2000

55840-04A 2004

55845-04A 2005

559D1 - Lower Handlebar Clamp

55842-04 2004

56542-86A	1986
56017-04	2004
56541-86A	1986
56117-82A	1982
56116-82A	1982
559E1 - Upper Handlebar Clamp	
56567-86B	1986
56115-95	1995
560A1 - Mirror	
91840-03B	2003
91846-03B	2003
91845-03B	2003
91848-03B	2003
561A1 - Throttle Cable	
56401-96	1996
70518-04	2004
56400-96	1996
561B1 - Left Hand Grip	
56667-04	2004
561C1 - Throttle Assembly w/Grip	
56666-04	2004
561D1 - Throttle Assembly sub-component	
38653-01	2001
571D1 - Debris Deflector	
60435-04A	2011
572E1 - Side Cover	
66251-04A	2004
66252-04A	2004
32804-04	2004
589A1 - Front Fender	

58998-83E	2008
595D1 - Rear Fender	
59673-04A	2004
59768-97	1997
59847-10	2010
603B1 - Belt / Chain Guard	
60367-04	2004
608A1 - Carbon Canister	
28908-04A	2004
28909-04	2004
27042-84A	1995
608B1 - Carbon Canister Hose	
28912-04	2004
609A1 - Fuel Miscellaneous Component	
89586-04	2004
89579-91	1991
27047-84B	1984
610A1 - Fuel Tank	
61348-04	2004
62213-04	2004
611B1 - Fuel Cap	
61260-04A	2011
61272-92C	1992
611F1 - Fuel Tank Vapor Vent Hose	
63501-68B	1968
27067-04	2004
27096-04A	2004
63505-84	1984
612B2 - Fuel Valve	
62166-02	2002

62161-02	2002
62172-02	2002
62169-02A	2002
62150-85	1985
612C1 - Fuel Line	
62347-04	2004
613B1 - Horn Cover	
69012-93A	1993
613C1 - Intake / Fuel Tank Cover	
28792-10	2010
614C1 - Trim	
62262-04	2004
70919-04	2004
70904-04	2004
62263-04	2004
70917-04	2004
70903-04	2004
62260-04	2004
62261-04	2004
71472-04	2004
624A1 - Oil Pump Assembly	
26204-91A	1991
624B1 - Oil Pump Assembly sub-component	
62601-91A	1991
26488-98	1998
26493-91	1991
26495-89B	1989
26437-86B	1986
62651-04	2004
33117-91A	1991
26491-98	1998

26492-91	1991
45830-48	1948
624D1 - Oil Pump Drive Gear	
26318-88A	1988
625B1 - Oil Tank	
62888-04B	2004
627B1 - Oil Drain Plug	
33123-04	2004
60328-98B	1998
627E1 - Oil Filler Plug / Dipstick	
63000-04B	2004
627F1 - Oil Filter	
63796-77A	1977
63805-80A	1980
627G1 - Oil Jet	
62700014	2011
627H1 - Oil Line	
62338-01Y	2001
70503-04	2004
62361-04	2004
63589-04	2004
9969	Unknown
627K1 - Oil Line Fitting	
26496-75A	1975
73206-04	2004
62375-57A	1957
73205-04	2004
63533-41A	1941
649A1 - Muffler	
64842-04	2004

65232-04	2004
64857-04	2004
64848-04	2004
64893-04A	2004
65233-04	2004
64891-04A	2004
64890-04	2004
654A1 - Exhaust Shield	
64847-04A	2004
64846-04A	2004
64889-04	2004
655C1 - Exhaust Mounting Bracket	
65339-04	2004
65974-04A	2004
656E1 - Header Pipe	
64840-04	2004
64841-04	2004
658A1 - Exhaust Catalyst	
64853-04	2004
64854-04	2004
659A1 - Exhaust Clamp	
65296-95A	1995
65302-82A	1982
659B1 - Exhaust Flange	
65184-02	2002
660A1 - Battery	
65958-04A	2004
660C1 - Battery Pan	
66194-04C	2004
660D1 - Battery Strap	
66476-04A	2004

660E1 - Ground Strap

70297-04A 2004

660F1 - Negative Battery Cable

70296-04A 2004

660G1 - Positive Battery Cable

70295-04A 2004

660H1 - Positive Battery Cable Boot

70003-04 2004

31662-90 1990

670A1 - Tachometer

67049-04B 2004

677A1 - Headlight

67757-92 1992

67603-94A 1994

67883-04A 2004

68116-04 2004

69682-04A 2006

69669-04 2004

69628-04 2004

67894-93A 1993

69681-04A 2004

69670-04A 2004

67763-92A 1993

67919-96 1996

67834-83 1983

67790-93A 1993

68118-04 2004

67781-92A 1993

67705-92 1992

68117-04 2004



67787-92	1992
68149-04	2004
67698-81D	2001
68159-04	2004
67685-92	1992
677B1 - Headlight sub-component	
67880-94	1994
677C1 - Headlight Support Bracket	
67805-92	1992
69709-00	2000
678A1 - Taillight	
68066-99A	2004
69187-03A	2003
68792-96	1996
68369-03	2003
68830-99A	1999
68372-03	2003
68296-99A	2004
68140-04	2004
68370-03A	2003
68141-04	2004
678B1 - Taillight Housing	
68513-95A	2010
678D1 - Turnsignal	
68975-00	2000
68265-04	2004
68480-02	2002
68978-00	2000
68977-00	2000
68972-00	2000
56104-02	2002

68516-95	1995
----------	------

678E1 - Turnsignal Lens	
-------------------------	--

68973-00	2000
----------	------

679B1 - Reflector	
-------------------	--

59254-91	1991
----------	------

59287-92	1992
----------	------

59482-00	2000
----------	------

59481-00	2000
----------	------

59288-92	1992
----------	------

59988-72A	1972
-----------	------

679D1 - License Plate Bracket	
-------------------------------	--

60001-55	1955
----------	------

59986-75	1975
----------	------

59984-73	1973
----------	------

680B1 - Emergency Light	
-------------------------	--

67691-92	1992
----------	------

680C1 - Incandescent Bulb	
---------------------------	--

68572-64B	1964
-----------	------

68168-89A	1989
-----------	------

68024-94	1994
----------	------

68163-84	1984
----------	------

68167-88	1988
----------	------

68329-03	2003
----------	------

53438-92	1992
----------	------

690C1 - Horn	
--------------	--

69000014	2011
----------	------

692C1 - Electrical Miscellaneous Component	
--	--

68382-96	1996
----------	------

71552-94	1994
----------	------

72189-04	2004
----------	------

72237-94	1994
72176-94	1994
692C2 - Electrical Mounting Bracket	
16355-04	2004
69123-92A	1992
67085-95	1995
16354-04	2004
69135-04	2004
67053-95	1995
69120-91	1991
67103-95	1995
69060-90F	2010
67320-95	1995
67338-97	1997
69062-91A	1991
692D1 - Fuse	
72347-94	1994
72318-04	2004
692E1 - Fuse / Relay Block	
72431-00	2000
692E2 - Fuse / Relay Block Cover	
73302-04	2004
692F1 - Wire Harness	
70227-99	1999
68814-04A	2004
68813-04A	2004
68811-04	2004
70139-04	2004
68899-04A	2004
66498-04	2004

55844-04	2004
692G1 - Conduit / Sheathing / Sleeving	
72268-94	1994
72266-94	1994
70540-02	2002
692G2 - Wire Guide	
29950-91	1991
72284-94	1994
29984-06	2006
27580-88	1988
692H1 - Connector	
73152-96BK	1996
74149-98	1998
70586-93	1993
72119-94BK	1994
72114-94BK	1994
72233-94	1994
72159-94	1994
72116-94BK	1994
72144-94	1994
72100-04	2004
72312-04	2004
74142-98	1998
72179-94	1994
27250-96B	1996
72124-94GY	1994
9848	Unknown
9847	Unknown
67184-94	1994
72260-04	2004
29312-95	1995

72156-94	1994
72139-94GY	1994
72234-94	1994
68650-92	1992
72131-04	2004
70587-93	1993
73301-04	2004
72130-04	2004
72199-94	1994
692H2 - Terminal	
72235-94	1994
72236-94	1994
72441-04	2004
72289-04	2004
72213-94	1994
9898	Unknown
72428-00	2000
74192-98	1998
72291-94	1994
9937	Unknown
72434-00	2000
74190-98	1998
74194-98	1998
72445-99TN	1999
692K1 - Connector / Terminal Seal	
72238-94	1994
68904-00	2000
74193-98	1998
73303-04	2004
72154-94	1994

74197-04	2004
68905-00	2000
692L1 - Wire Harness sub-component	
74191-98	1998
70345-84	1984
74152-98	1998
73204-04	2004
72195-94	1994
72231-98	1998
72214-94	1994
70504-81	1981
73190-96	1996
73156-96BK	1996
74103-98BK	1998
74113-98BK	1998
73106-96BK	1996
73152-96WE	1996
72230-98	1998
74153-98	1998
74109-98BK	1998
74195-98	1998
74102-98BK	1998
72143-94	1994
73203-04	2004
72033-93	1993
10200	Unknown
72106-94BK	1994
72405-98BK	1998
72103-94BK	1994
73191-96	1996

72146-94	1994
74159-98	1998
72190-94	1994
74119-98BK	1998
73104-96BK	1996
73305-04	2004
72056-92	1992
72295-94	1994
70578-89	1989
72191-94	1994
74112-98BK	1998
73154-96BK	1996
709B1 - Instrument Cluster or Speedometer	
67290-04A	2004
67345-97	1997
67436-04A	2004
67416-04A	2004
67415-04A	2004
67344-97	1997
67037-04A	2004
67041-04A	2004
709E1 - Tank Console	
71276-04A	2004
714A1 - Ignition Switch	
71441-94	1994
714B1 - Mechanical Switch	
31540-91	1991
33900-99	1999
715A1 - Hand Control	
71684-06A	2006

67854-98	1998
71587-04	2004
71510-04	2004
71683-06A	2006
71564-96	1996
71563-96	1996
71568-96A	1996
71685-06A	2006
71682-06A	2006
71567-96	1996
71621-08	2008
747A1 - Voltage Regulator	
74523-04	2004
903B1 - Key or Key-set	
61459-97	1997
71451-94A	1994
903C1 - Key Transponder	
68926-00	2000
68939-00	2000
68927-00	2000

Common Service Parts

## AUDIO & INSTRUMENTATION

View interactive table

PART NO.	DESCRIPTION	PART AND MODEL(S)
67880-94	BOOT	SPEEDOMETER & TACHOMETER - 883/1200R: <a href="#">XL883</a> <a href="#">XL1200R</a> SPEEDOMETER - 883C/1200C: <a href="#">XL883C</a> <a href="#">XL1200C</a>

## BEARINGS, SEALS & HARDWARE



PART NO.	DESCRIPTION	PART AND MODEL(S)
10014	CLAMP	<a href="#">GEARCASE &amp; COVER: All Models</a> <a href="#">CARBURETOR (1 OF 2): All Models</a> <a href="#">FUEL TANK: All Models</a> <a href="#">OIL TANK &amp; FILTER: All Models</a>
10080	CLAMP	<a href="#">CRANKCASE: All Models</a> <a href="#">OIL TANK &amp; FILTER: All Models</a>
11105	O-RING	<a href="#">ACCESS DOOR &amp; PRIMARY COVER: All Models</a>
11165	QUAD SEAL	<a href="#">TRANSMISSION GEARS: All Models</a>
11171	O-RING	<a href="#">ACCESS DOOR &amp; PRIMARY COVER: All Models</a>
11304	RETAINING RING	SHIFTER - 883C/1200C: <a href="#">XL883C</a> <a href="#">XL1200C</a> REAR BRAKE CONTROL - 883/1200R: <a href="#">XL883</a> <a href="#">XL1200R</a> REAR BRAKE CONTROL - 883C/1200C: <a href="#">XL883C</a> <a href="#">XL1200C</a> FOOTRESTS: <a href="#">XL883</a> FOOTRESTS: <a href="#">XL1200C</a> <a href="#">XL883C</a> FOOTRESTS: <a href="#">XL1200R</a>
11379	RETAINING RING	<a href="#">CLUTCH CONTROL: All Models</a> <a href="#">FRONT BRAKE CONTROL: All Models</a>
12067B	OIL SEAL	<a href="#">TRANSMISSION GEARS: All Models</a>
16715-83	STUD	<a href="#">CYLINDER, HEAD &amp; VALVES - V<sup>2</sup>™ EVOLUTION (1 OF 2): All Models</a>
16800-84A	GASKET	<a href="#">ROCKER ARMS, COVERS &amp; PUSH RODS: All Models</a>
17358-84B	GASKET	<a href="#">ROCKER ARMS, COVERS &amp; PUSH RODS: All Models</a>
25463-94A	GASKET	<a href="#">ACCESS DOOR &amp; PRIMARY COVER: All Models</a>
26995-86B	SEAL	<a href="#">CARBURETOR (1 OF 2): All Models</a>
2952A	SCREW	<a href="#">SEATS: All Models</a>
2995	SCREW	<a href="#">FRAME, REAR FORK, &amp; JIFFY STAND: All Models</a>
3275	SCREW	<a href="#">CARBURETOR (1 OF 2): All Models</a>
34986-04	GASKET	<a href="#">ACCESS DOOR &amp; PRIMARY COVER: All Models</a>
34990-08	GASKET	<a href="#">ACCESS DOOR &amp; PRIMARY COVER: All Models</a>

3655A	SCREW	<p>FRONT WHEEL - CAST:  <a href="#">XL883</a>  FRONT WHEEL - CAST:  <a href="#">XL1200R</a>  FRONT WHEEL - LACED:  <a href="#">XL883C</a>  <a href="#">XL1200C</a></p>
3658	SCREW	<p>HANDLEBAR &amp; THROTTLE CONTROL:  <a href="#">XL883</a>  <a href="#">XL1200R</a>  HANDLEBAR &amp; THROTTLE CONTROL - 883/1200 CUSTOM:  <a href="#">XL883C</a>  <a href="#">XL1200C</a>  HORN:  <a href="#">XL883</a>  <a href="#">XL883C</a>  <a href="#">XL1200R</a>  <a href="#">HANDLEBAR SWITCHES: All Models</a></p>
4132	SCREW	<a href="#">OIL PUMP: All Models</a>
43567-92	SCREW	<a href="#">REAR WHEEL - CAST: All Models</a>
45378-87	OIL SEAL	<a href="#">FRONT FORK: All Models</a>
45405-75A	SCREW	<a href="#">FRONT FORK: All Models</a>
4740A	SCREW	<a href="#">GEARCASE &amp; COVER: All Models</a>
48300-60	ROLLER BEARING	<a href="#">STEERING HEAD BRACKET ASSEMBLY: All Models</a>
59768-97	FENDER SEAT NUT KIT	<a href="#">REAR FENDER &amp; BELT GUARDS: All Models</a>
63858-49	WASHER	<a href="#">ROCKER ARMS, COVERS &amp; PUSH RODS: All Models</a>
6516HW	WASHER	<p><a href="#">BELTS &amp; SPROCKETS: All Models</a>  <a href="#">REAR WHEEL - CAST: All Models</a></p>
65324-83B	GASKET	<a href="#">EXHAUST SYSTEM: All Models</a>
65325-83A	RETAINING RING	<a href="#">EXHAUST SYSTEM: All Models</a>
65927-00	GASKET	<a href="#">EXHAUST SYSTEM: All Models</a>
6702	WASHER	<p><a href="#">REAR BRAKE MASTER CYLINDER: All Models</a>  HANDLEBAR &amp; THROTTLE CONTROL:  <a href="#">XL883</a>  <a href="#">XL1200R</a>  <a href="#">REAR FENDER &amp; BELT GUARDS: All Models</a>  <a href="#">FUEL TANK: All Models</a>  HEADLAMP &amp; MIRROR - 883/1200R:  <a href="#">XL883</a>  <a href="#">XL1200R</a></p>
7041	LOCKWASHER	<p>HORN:  <a href="#">XL1200C</a></p>
7593	NUT	<a href="#">EXHAUST SYSTEM: All Models</a>

8692	RIVET	<a href="#">REAR FENDER &amp; BELT GUARDS: All Models</a>
9267	ROLLER BEARING	FRONT WHEEL - CAST: <a href="#">XL883</a> <a href="#">XL1200R</a> FRONT WHEEL - LACED: <a href="#">XL883C</a> <a href="#">XL1200C</a> <a href="#">REAR WHEEL - CAST: All Models</a>
943	SCREW	<a href="#">ACCESS DOOR &amp; PRIMARY COVER: All Models</a>
9955	CLAMP	<a href="#">EXHAUST SYSTEM: All Models</a>

## CHASSIS & COMPONENTS

View interactive table

PART NO.	DESCRIPTION	PART AND MODEL(S)
50005-85A	SPRING	<a href="#">FRAME, REAR FORK, &amp; JIFFY STAND: All Models</a>

## ELECTRICAL

View interactive table

PART NO.	DESCRIPTION	PART AND MODEL(S)
70345-84	RETAINER	HANDLEBAR & THROTTLE CONTROL: <a href="#">XL883</a> <a href="#">XL1200R</a> HANDLEBAR & THROTTLE CONTROL - 883/1200 CUSTOM: <a href="#">XL883C</a> <a href="#">XL1200C</a> <a href="#">HANDLEBAR SWITCHES: All Models</a>
71621-08	STOPLIGHT SWITCH KIT	<a href="#">HANDLEBAR SWITCHES: All Models</a>

## ENGINE, TRANSMISSION & PRIMARY

View interactive table

PART NO.	DESCRIPTION	PART AND MODEL(S)
18538-99C	TAPPET	<a href="#">ROCKER ARMS, COVERS &amp; PUSH RODS: All Models</a>
37909-90	RETAINING RING	<a href="#">CLUTCH: All Models</a>
37911-90	FRICITION PLATE	<a href="#">CLUTCH: All Models</a>

## FOOT CONTROLS

View interactive table

PART NO.	DESCRIPTION	PART AND MODEL(S)
----------	-------------	-------------------

34611-65A

SHIFTER PEG

SHIFTER:

[XL883](#)[XL1200R](#)

SHIFTER - 883C/1200C:

[XL883C](#)[XL1200C](#)

## INTAKE, EXHAUST & FUEL MGMT

[View interactive table](#)

PART NO.	DESCRIPTION	PART AND MODEL(S)
27002-89	SEAL RING	<a href="#">CARBURETOR (1 OF 2): All Models</a>
27361-76A	DIAPHRAGM	<a href="#">CARBURETOR (2 OF 2): All Models</a>
29229-88D	CARBURETOR ENRICHENER CABLE	<a href="#">AIR CLEANER &amp; ENRICHENER: All Models</a>
29331-04	FILTER ELEMENT	<a href="#">AIR CLEANER &amp; ENRICHENER: All Models</a>
65296-95A	CLAMP	<a href="#">EXHAUST SYSTEM: All Models</a>

## LIGHTING

[View interactive table](#)

PART NO.	DESCRIPTION	PART AND MODEL(S)
68168-89A	BULB	<a href="#">TURN SIGNALS: All Models</a>
68329-03	BULB	HEADLAMP & MIRROR - 883/1200R: <a href="#">XL883</a> <a href="#">XL1200R</a> HEADLAMP & MIRROR - 883/1200R: <a href="#">XL883</a> <a href="#">XL1200R</a> HEADLAMP & MIRROR - 883C/1200C: <a href="#">XL883C</a> <a href="#">XL1200C</a> HEADLAMP & MIRROR - 883C/1200C: <a href="#">XL883C</a> <a href="#">XL1200C</a>
68572-64B	BULB	<a href="#">TURN SIGNALS: All Models</a>
68973-00	LENS	<a href="#">TURN SIGNALS: All Models</a>

## MAINTENANCE & TOOLS

[View interactive table](#)

PART NO.	DESCRIPTION	PART AND MODEL(S)
32362-04	SPARK PLUG	<a href="#">ELECTRONIC IGNITION SYSTEM: All Models</a>

63796-77A	OIL FILTER	OIL TANK & FILTER: <a href="#">XL1200C</a>
63805-80A	OIL FILTER	OIL TANK & FILTER: <a href="#">XL883</a> <a href="#">XL883C</a> <a href="#">XL1200R</a>
65958-04A	BATTERY	<a href="#">BATTERY: All Models</a>
95582-47	WHEEL WEIGHT	FRONT WHEEL - LACED: <a href="#">XL883C</a> <a href="#">XL1200C</a>
95595-84A	WHEEL WEIGHT	FRONT WHEEL - CAST: <a href="#">XL883</a> <a href="#">XL1200R</a> <a href="#">REAR WHEEL - CAST: All Models</a>

## TIRES

View interactive table

PART NO.	DESCRIPTION	PART AND MODEL(S)
43157-83A	VALVE STEM ASSEMBLY	FRONT WHEEL - CAST: <a href="#">XL883</a> <a href="#">XL1200R</a> <a href="#">REAR WHEEL - CAST: All Models</a>
43939-89	RIM STRIP	FRONT WHEEL - LACED: <a href="#">XL883C</a> <a href="#">XL1200C</a>